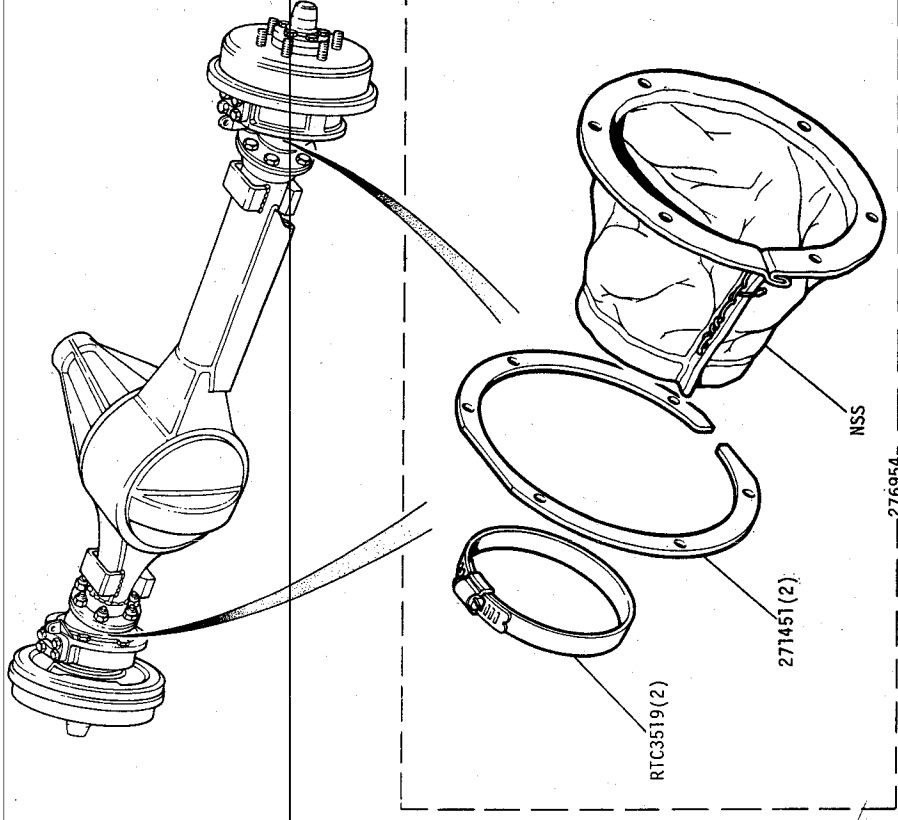


GROUP E
OPTIONAL EQUIPMENT - Gafters - Swivel Pin Housing



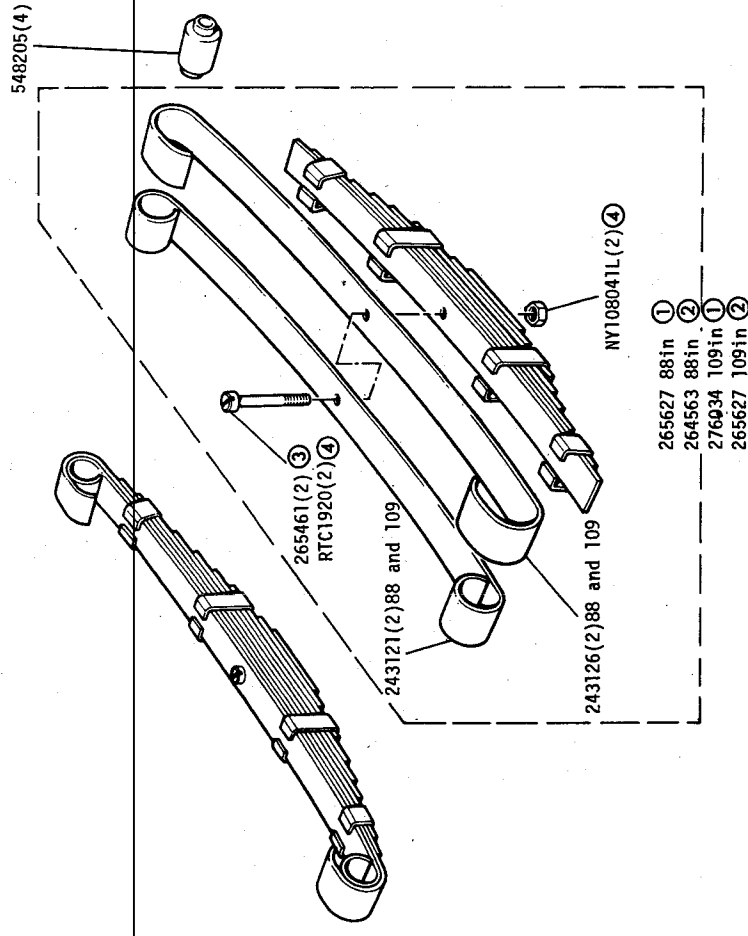
Series IIA and III Land Rover all models

Land Rover Optional Equipment

TF 02

6RE 189

GROUP E
OPTIONAL EQUIPMENT - Front road springs with hydraulic winch fitted



Series IIA and III Land Rover. 88 and 109 2½ and 2.6 petrol

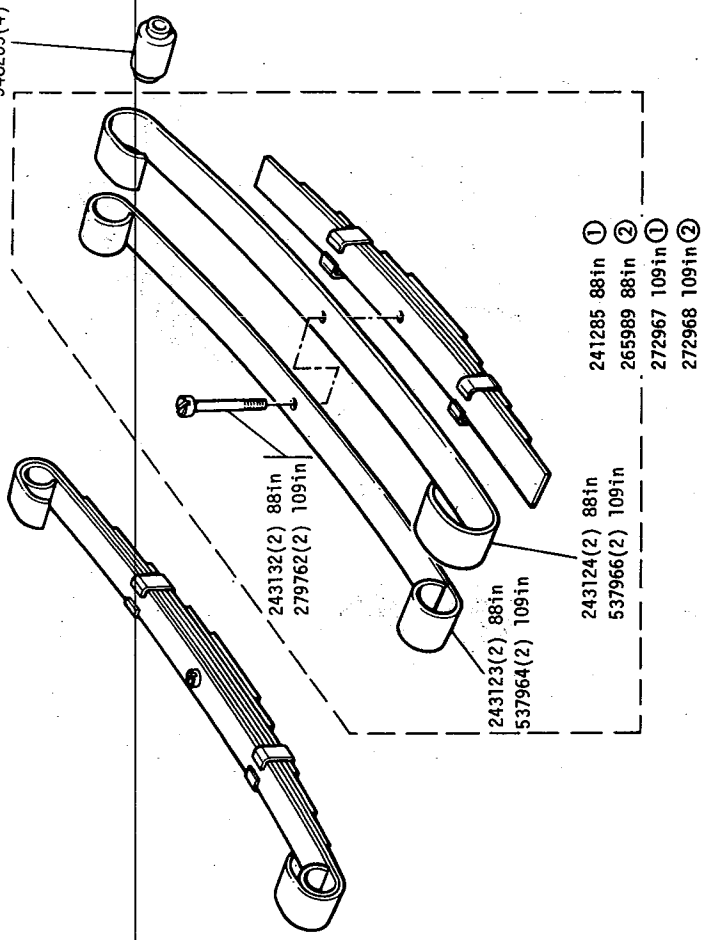
- ① Drivers Side Spring
- ② Passengers Side Spring
- ③ Up to June 1974 inclusive
- ④ From July 1974 onwards

Land Rover Optional Equipment

TF 02

6RE 166

GROUP E
OPTIONAL EQUIPMENT - Rear road springs



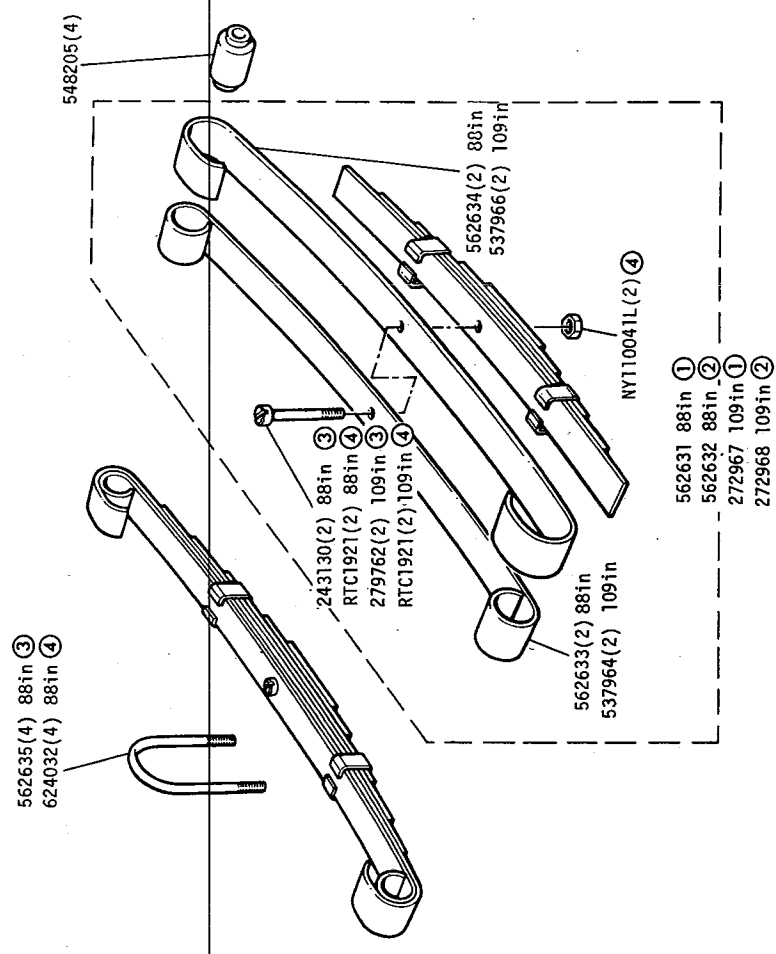
Series 11A Land Rover
 ① Drivers side spring
 ② Passengers side spring

Land Rover Optional Equipment

1F 03

6RE167

GROUP E
OPTIONAL EQUIPMENT - Rear road springs



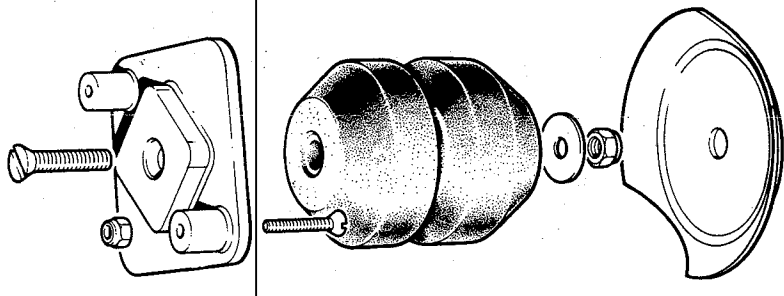
Series 111 Land Rover
 ① Drivers Side Spring
 ② Passengers Side Spring
 ③ Up to June 1974 inclusive
 ④ From July 1974 onwards

Land Rover Optional Equipment

1F 03

6RE 168

GROUP E
OPTIONAL EQUIPMENT - Rubber Helper Springs



RTC8000-

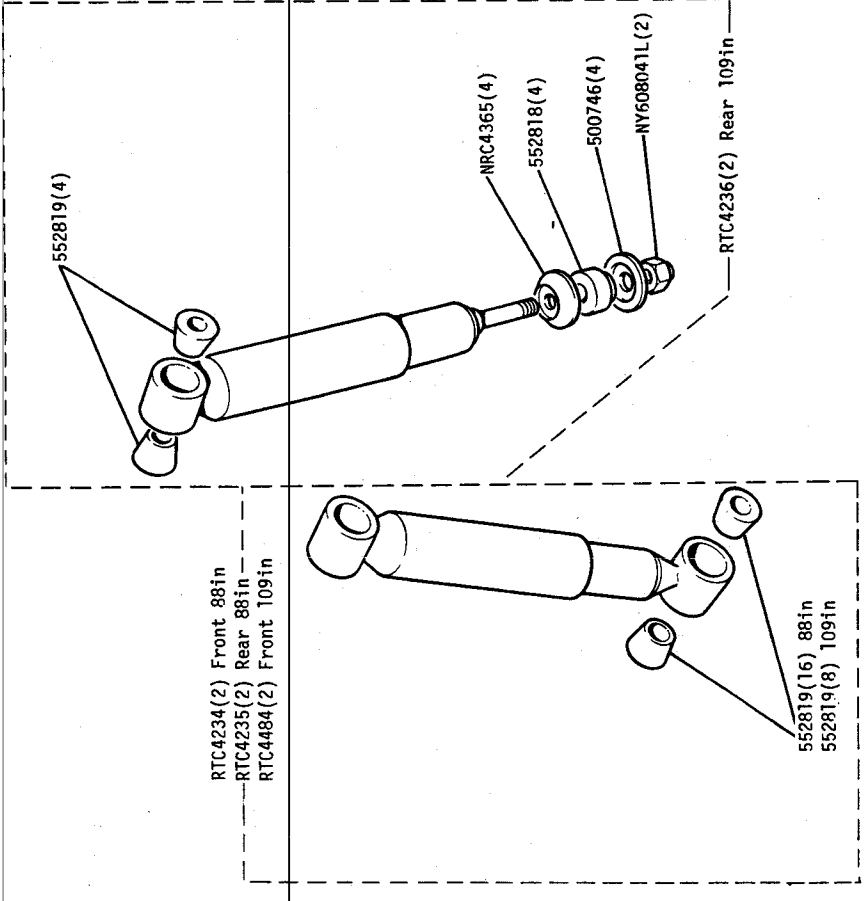
Series 111

Land Rover Optional Equipment

IF 04

6RE 172

GROUP E
OPTIONAL EQUIPMENT - Heavy Duty Shock Absorbers, Series IIA and III Land Rover.



RTC4234(2) Front 88in
RTC4235(2) Rear 88in
RTC4484(2) Front 109in

552819(16) 88in
552819(8) 109in

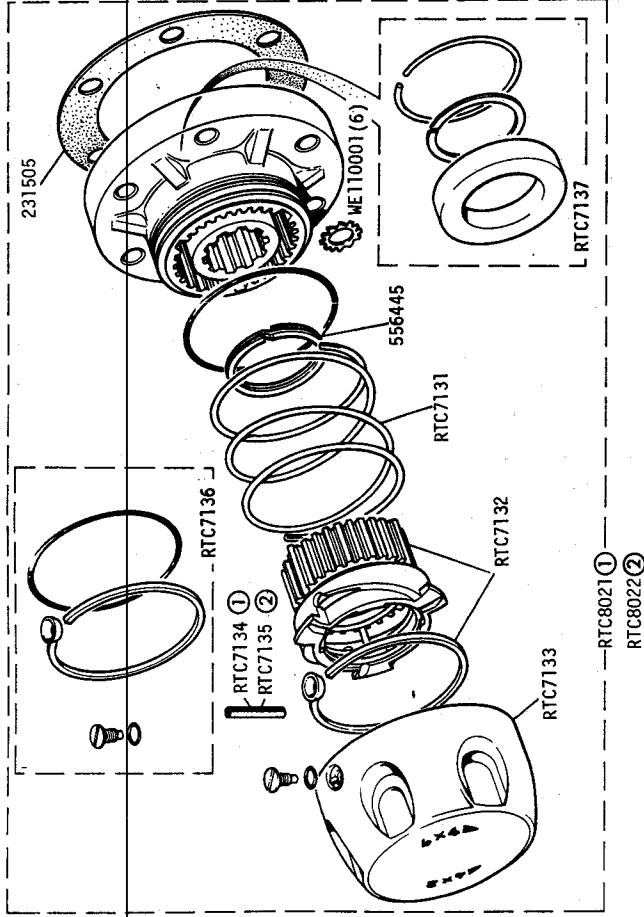
RTC4236(2) Rear 109in

Land Rover Optional Equipment

IF 04

3RE 57

GROUP E
OPTIONAL EQUIPMENT - Freewheeling hubs



Series IIA and III Land Rover

- ① Series IIA and Series III 88" up to July 1980 and Series IIA 109".
 - ② Series III 88" from August 1980 and Series III 109"
- Quantities are for one hub assembly

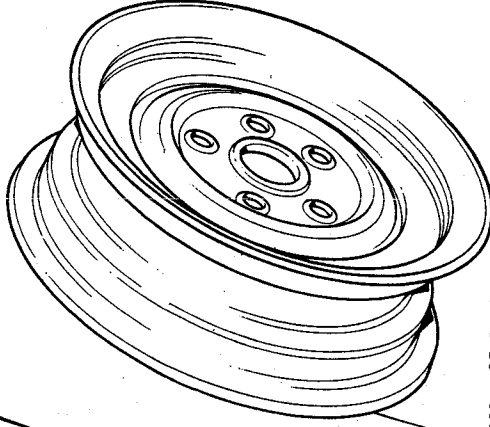
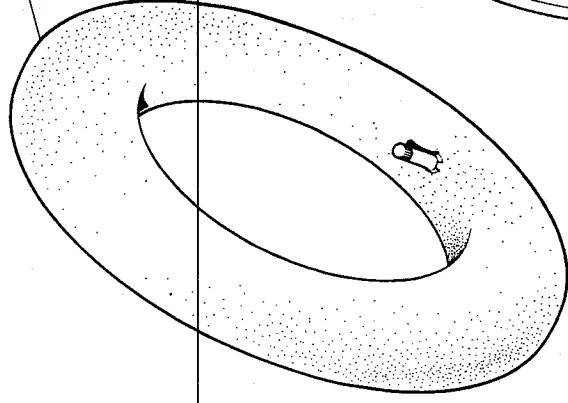
Land Rover Optional Equipment

1F 05

6RE 223

GROUP E
OPTIONAL EQUIPMENT - Wheels and inner tubes

- 600 x 16 for Goodyear Sure Grip
- 650 x 16 for Dunlop RK3
- Avon TM
- Dunlop T29A 6 ply
- 700 x 16 for Dunlop Road Trak Major
- 750 x 16 for Goodyear A11 service
- 750 x 16 for Dunlop T29A
- Dunlop RK3
- Avon Ranger 8PR
- Dunlop Road Trak Major
- 750 x 16 for Michelin XY
- Michelin XZY12
- 750 x 16 for Michelin XS



- 526753(5) All models fitted with 820/900 x 15 Sand tyres
- 272309(5) 88in models fitted with 750 x 16 tyres
- 569204(5) 109 1 Ton, 900 x 16 tyres

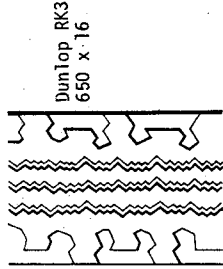
Series IIA and III Land Rover

Land Rover Optional Equipment

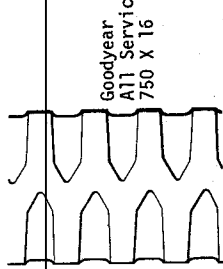
1F 05

2RE 141/A

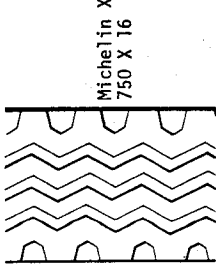
GROUP E
OPTIONAL EQUIPMENT - Tyres



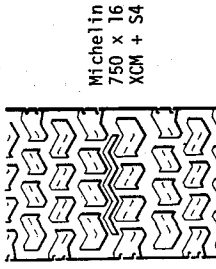
Dunlop RK3
650 x 16



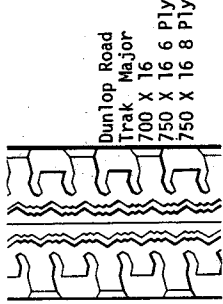
Goodyear
All Service
750 X 16



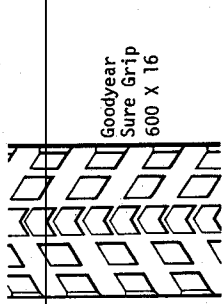
Michelin XY
750 X 16



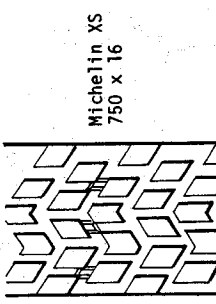
Michelin
750 x 16
XCM + S4



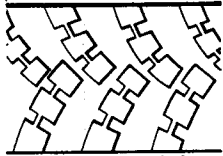
Dunlop Road
Trak Major
750 X 16 6 PLY
750 X 16 8 PLY



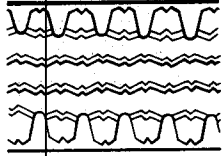
Goodyear
Sure Grip
600 X 16



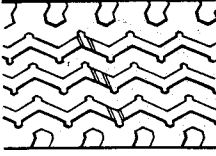
Michelin XS
750 x 16



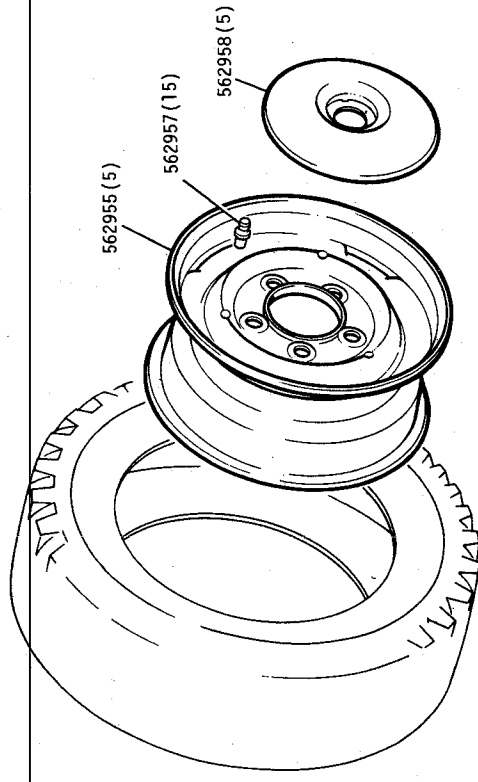
Dunlop T29A
650 X 16
750 X 16



Dunlop RK3
750 X 16
Avon Ranger
750 X 16



Michelin
XZY 12
750 x 16



Series III Land Rover 88" models.

Series IIA and III Land Rover

Land Rover Optional Equipment 1F 06

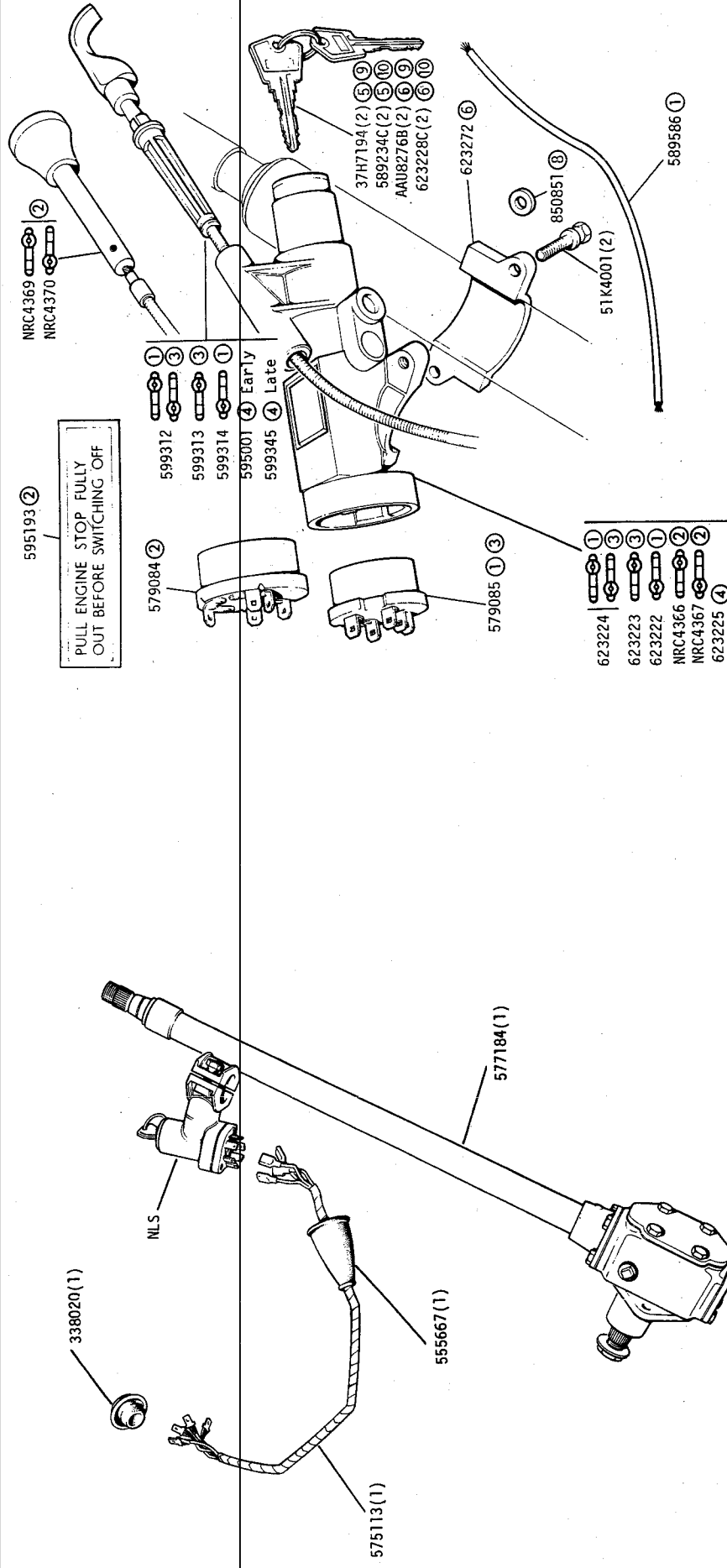
2RE 1A2/A

Land Rover Optional Equipment. 1F 06

VS1495

GROUP F
STEERING COLUMN LOCK SERIES IIA LH STG PETROL MODELS FROM JUNE 1968 ONWARDS

GROUP F
OPTIONAL EQUIPMENT - Steering Column Lock Series III



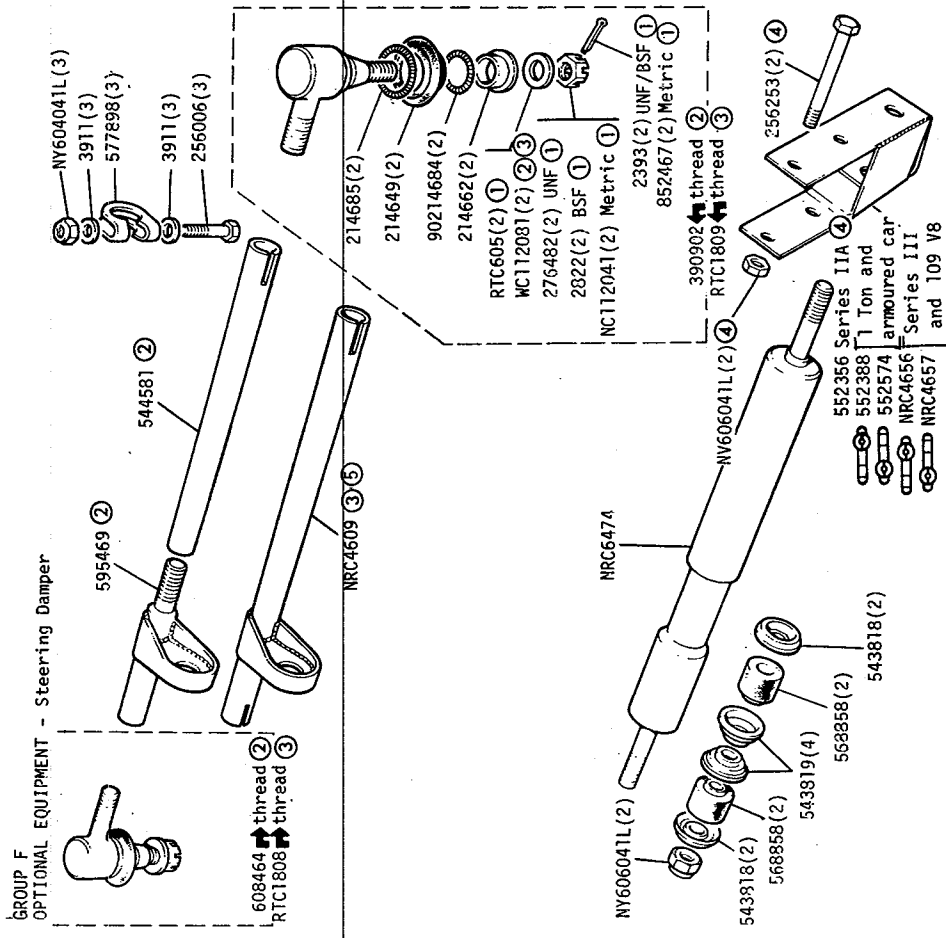
- Series III Land Rover all models
- ① 2½ petrol
 - ② 2½ diesel
 - ③ 2.6 petrol
 - ④ U.S.A. 88" Hard Top
 - ⑤ Britax
 - ⑥ Lowe and Fletcher
- Series III Land Rover all models
- ⑦ Fitted from June 1972 until March 1973
 - ⑧ For use when Lowe and Fletcher locks were fitted with Britax column clamps
 - ⑨ Key Blank
 - ⑩ Key Cut
- Land Rover Optional Equipment 1G 021 4RE105

- REMARKS
- Land Rover Optional Equipment 1G 021 3RE 62

R. 184 OPTIONAL EQUIPMENT - Steering Column lock 109 V8 Land Rover

| PLATE REF. | QTY. | PART NO. | REMARKS |
|------------|------|----------|---------|
| 1 | 1 | NRC5065 | RH Stg. |
| 2 | 1 | NRC5066 | LH Stg. |
| 3 | 1 | NRC5067 | RH Stg. |
| 4 | 1 | NRC5068 | LH Stg. |
| | 1 | 589586 | |
| | 1 | 623272 | |
| | 2 | 51K 4001 | |
| | 1 | 579085 | |
| | 2 | AAU8276B | |

Steering column lock and choke control assembly
 Steering column lock and choke control assembly
 Choke pull control assembly
 Choke pull control assembly
 Extension lead steering column lock to horn push
 Clamp. Steering column lock steering column
 Bolt for clamp
 Ignition switch
 Ignition key - steering column lock



GROUP F
 OPTIONAL EQUIPMENT - Steering Damper

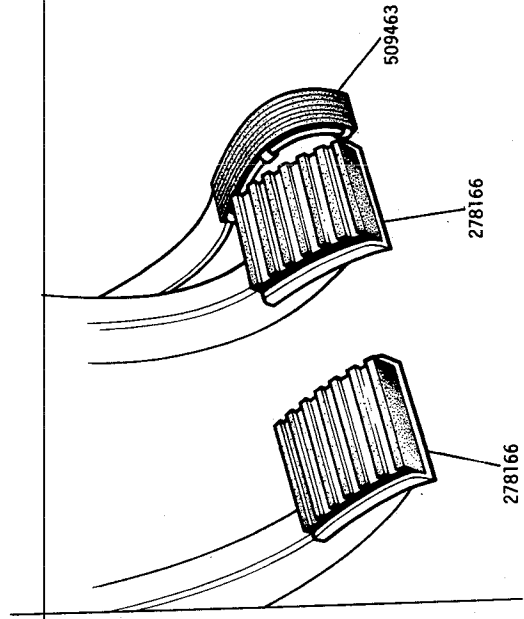
Series IIA and III Land Rover
 Steering Damper Kit RTC1133 cannot be used in conjunction with extended shackles
 Drag link and damper bracket assembly 598916 (2) RTC2547 (3) (complete with ball joints)

① BSF/UNF fitted up to September 1973, metric from October 1973 onwards
 ② Series IIA and III up to axle suffix 'D' inclusive
 ③ Series III from axle suffix 'E' onwards can be fitted with latest type assembly
 ④ Series IIA only
 ⑤ Vehicles built from November 1978 fitted with Drag Link and Damper Bracket Assembly as basic equipment

Land Rover Optional Equipment

* ASTERISK INDICATES A NEW PART WHICH HAS NOT BEEN USED ON ANY PREVIOUS MODEL

GROUP G.
OPTIONAL EQUIPMENT - Pedal Pads



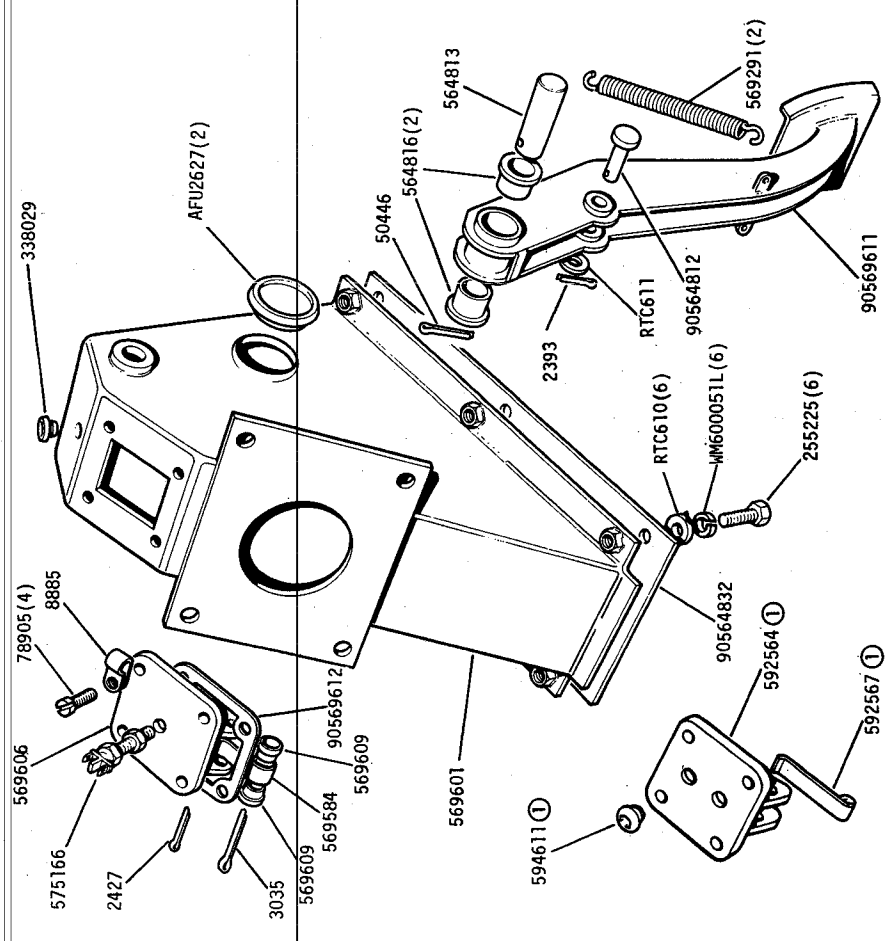
Series 11A and 111 Land-Rover, all models

Land-Rover Optional Equipment

11H 02

68E145

GROUP G.
OPTIONAL EQUIPMENT - Brake pedal and bracket, vehicles with servo and dual brakes



Series III 2.4 litre petrol and diesel and 2.6 litre petrol
 ① Vehicles with dual brakes only
 Brake pedal and bracket assembly 569652

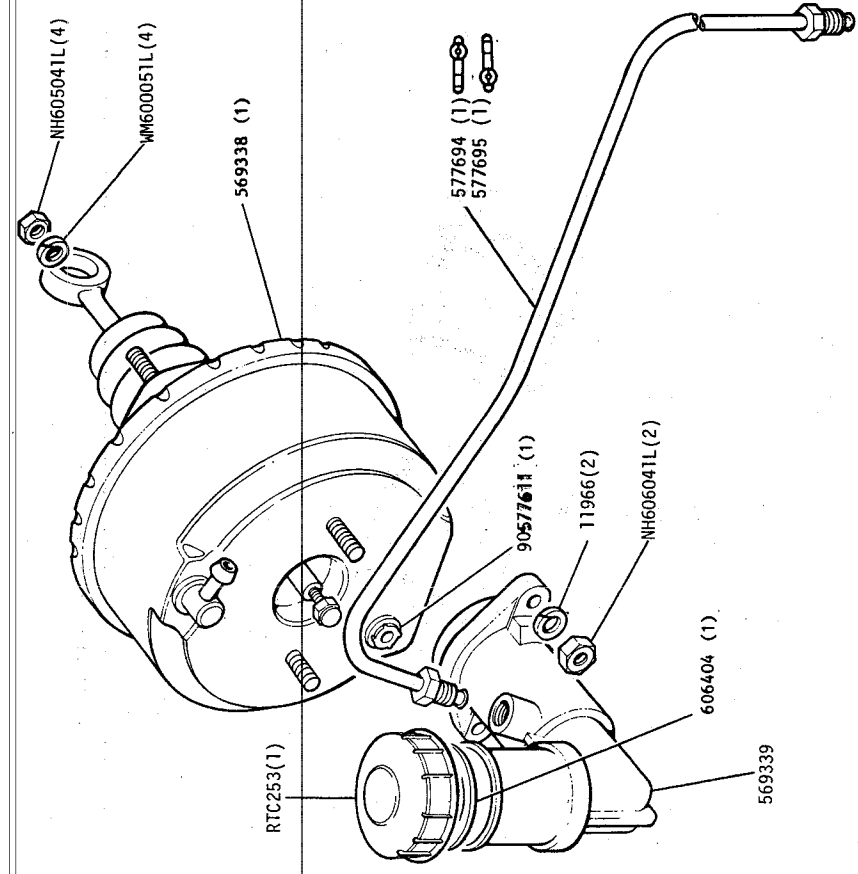


Land Rover Optional Equipment

11H 02

48E31

GROUP G
BRAKE MASTER CYLINDER AND SERVO SERIES III 88 AND 109 2½ LITRE MODELS



REMARKS

Brake Master Cylinder Overhaul Kit 606415 (1)

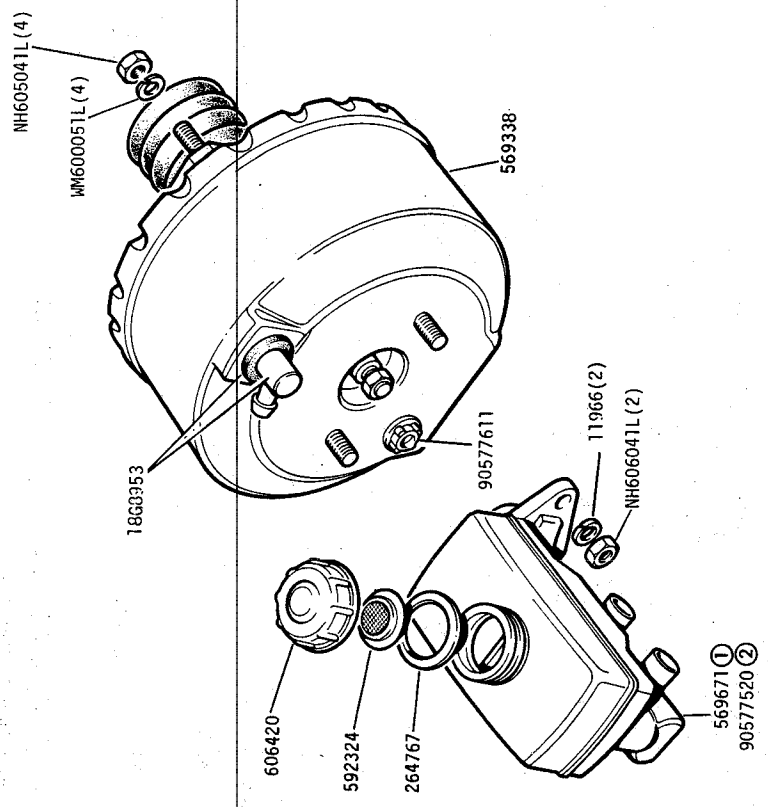
Land Rover Optional Equipment

11H 05

2RE 322

GROUP G
OPTIONAL EQUIPMENT - Servo unit and brake master cylinder - dual system

fitted up to June 1980



Series III 2½ litre petrol and diesel and 2.6 litre petrol models.
88" Brake master cylinder overhaul kit 90606422.
109" Brake master cylinder overhaul kit 607726
Brake servo unit overhaul kit 606406
① 88" vehicles only
② 109" vehicles only

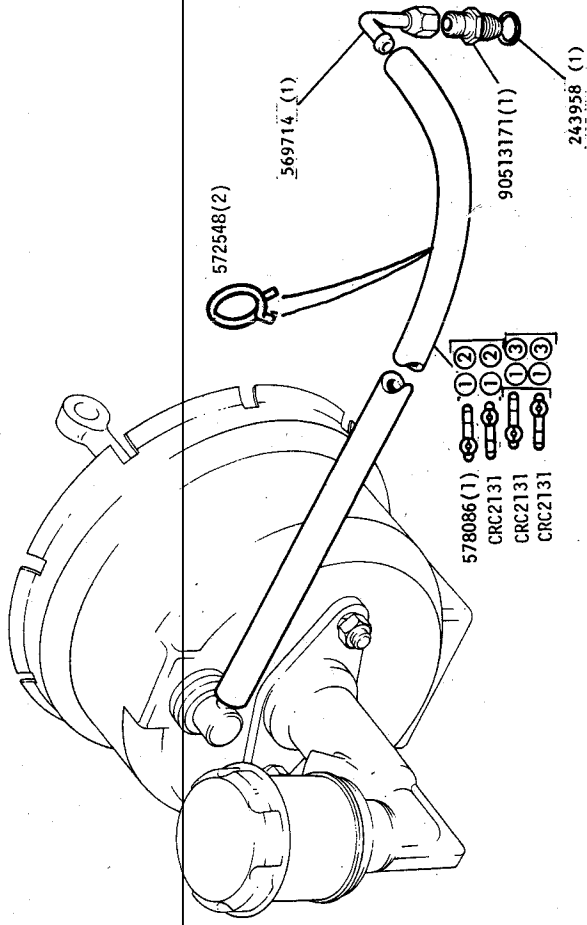
Land Rover Optional Equipment

11H 03

4RE9

GROUP G
 VACUUM SYSTEM SERIES III PETROL MODELS

GROUP G
 BRAKE SERVO VACUUM SYSTEM, THROTTLE BODY, INLET MANIFOLD AND OPERATING LEVERS SERIES III DIESEL



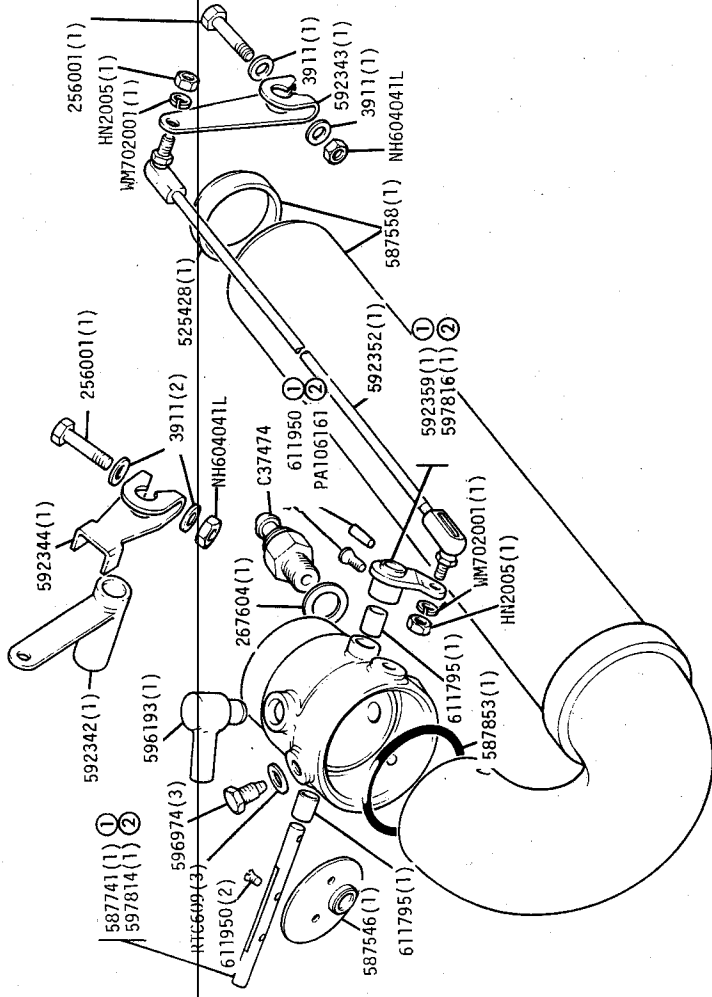
REMARKS:

- ① 2 1/2 Petrol
- ② 1 1/32" dia bore
- ③ 1/8" dia bore

Land Rover Optional Equipment

TH 04

/2RE 343



REMARKS:

Throttle Body Complete Assembly 597815(1)

- ① Screw fixing
- ② Spring pin fixing

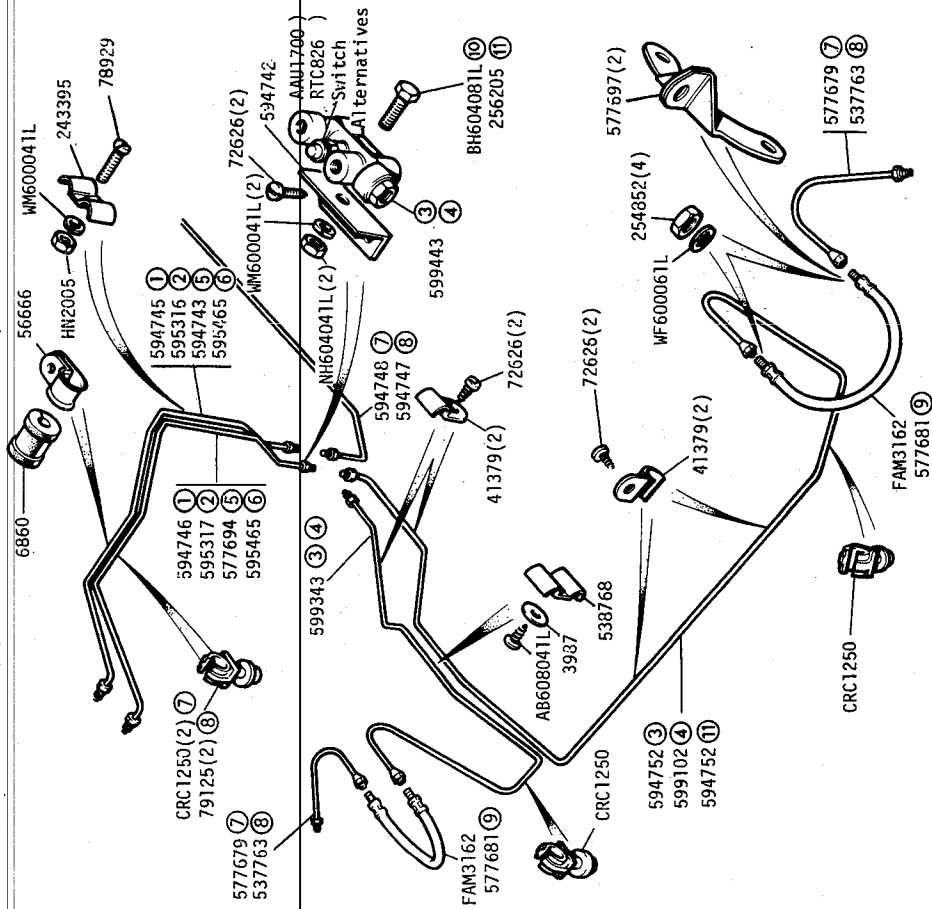
Land Rover Optional Equipment

TH 04

3RE 10

GROUP 3

OPTIONAL EQUIPMENT - Brake pipes front dual system fitted up to June 1980

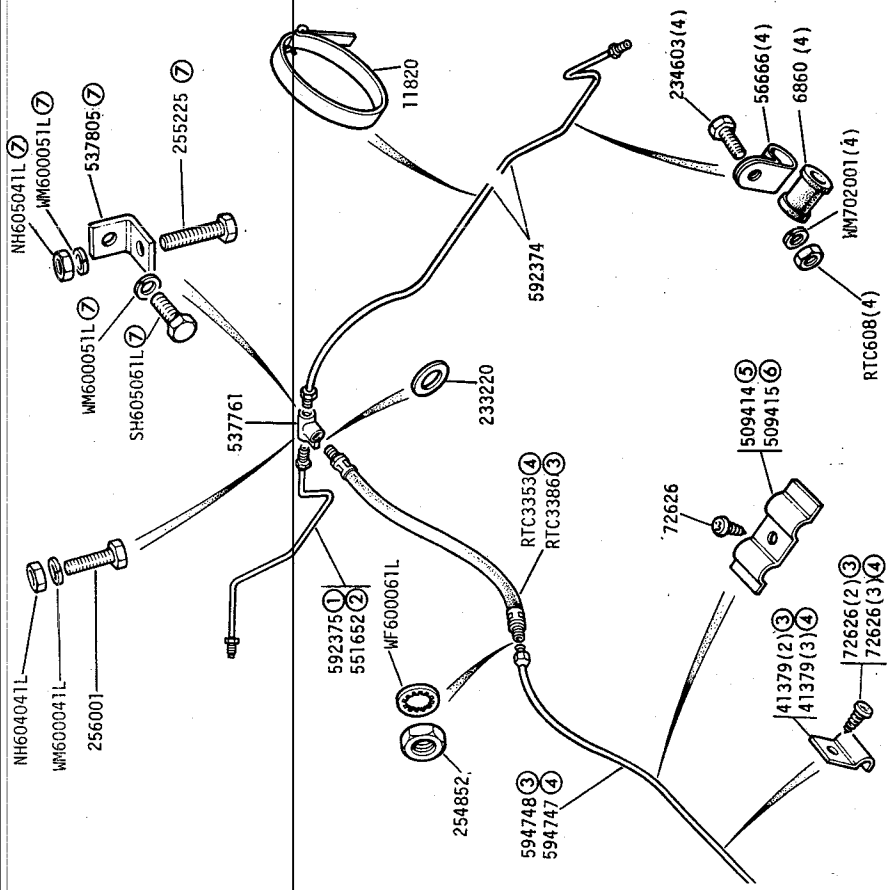


Series III 2½ litre petrol and diesel and 2.6 litre petrol models

- ① 88"
 - ② 88"
 - ③ 88" and 109" vehicles up to end of 1973 season
 - ④ 88" and 109" vehicles from 1974 season
 - ⑤ 109"
 - ⑥ 109"
 - ⑦ 88" vehicles only
 - ⑧ 109" vehicles only
 - ⑨ 109" vehicles with extended spring shackles
 - ⑩ Overhaul kit for shuttle valve 3G8695
 - ⑪ Overhaul kit for shuttle valve AU1714
- Land Rover Optional Equipment
1H 06
4REG

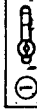
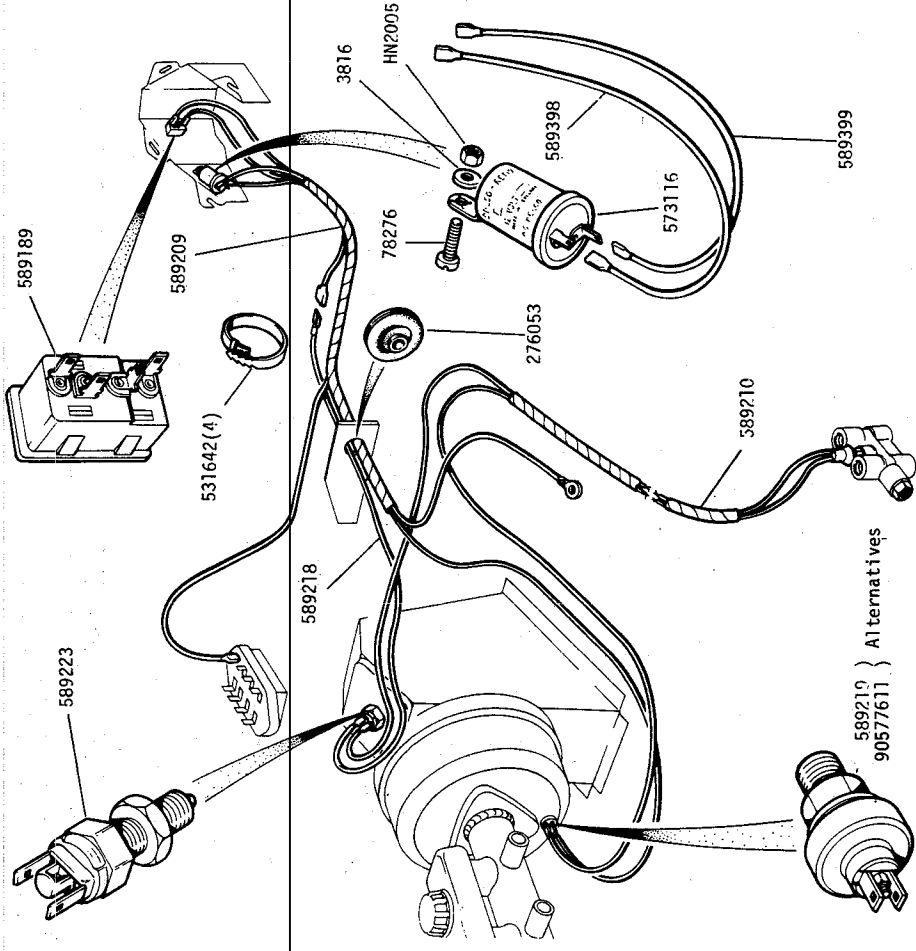
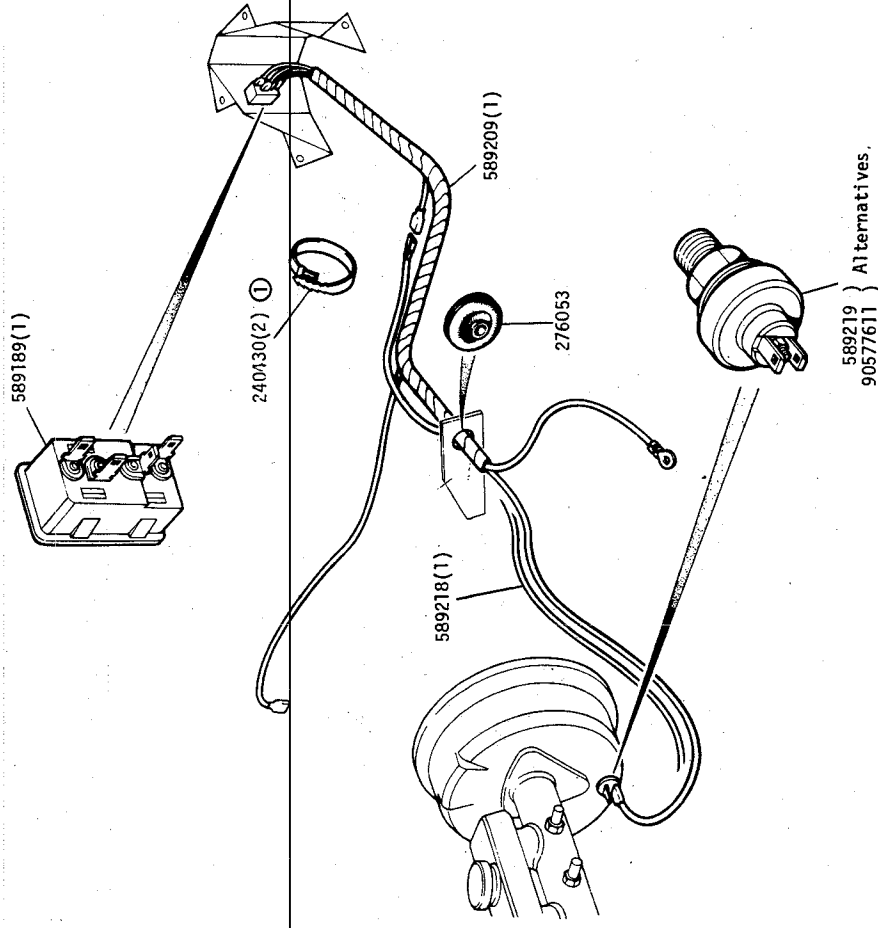
GROUP 6

OPTIONAL EQUIPMENT - Brake pipes rear dual system fitted up to June 1980



Series III 2½ litre petrol and diesel and 2.6 litre petrol models

- ① A11 88" and 109" basic and station wagon models
 - ② Fitted on vehicles with ENV axles only
 - ③ 88" basic and station wagon models only
 - ④ 109" basic and station wagon models only
 - ⑤ 2½ and 2.6 litre petrol models only
 - ⑥ 2½ litre diesel models only
 - ⑦ 1 ton vehicles (with ENV axles)
- Land Rover Optional Equipment
1H 06
4REG

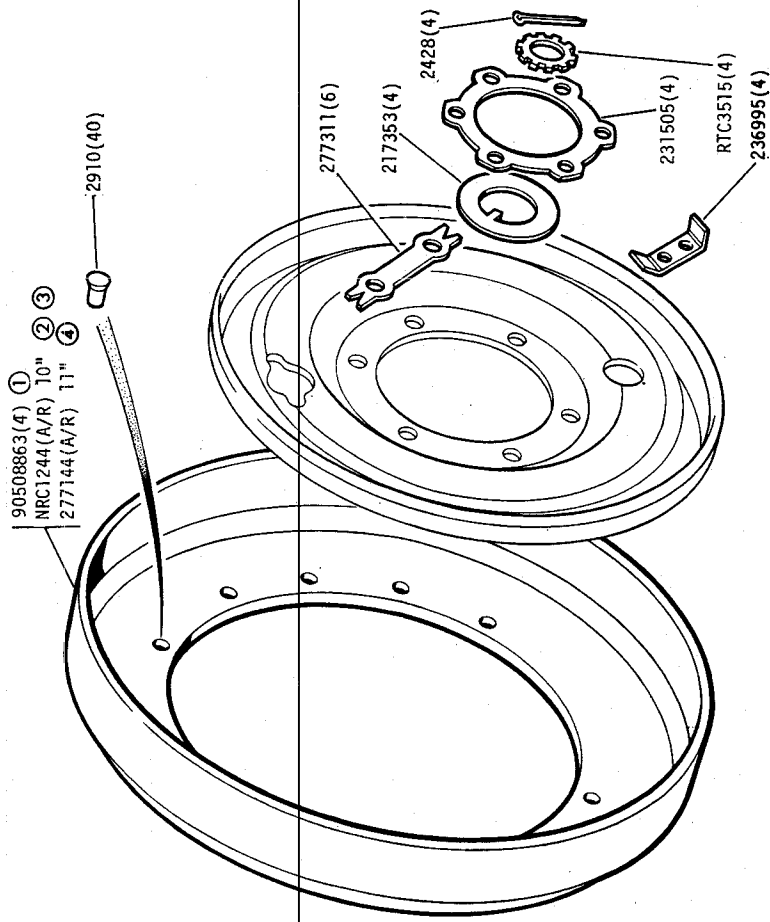


Series 111 Land Rover

PRC2883 RH Stg. PRC2881 LH Stg. Cable assembly PDI/A switch to Test button warning light switch, fitted from July 1980

PRC2884 RH Stg. PRC2882 LH Stg. Cable assembly PDI/A switch plus Pedal travel switch to test button warning light switch, fitted from July 1980

GROUP 6
OPTIONAL EQUIPMENT - Mudshield for front and rear brakes



Series II and IIA 88" mudshield kit 528162 up to vehicle suffix 'G' inclusive
Series IIA 88" Mudshield Kit RTC1441 from vehicle suffix 'H' onwards and Series 111 up to July 1980

Series III 88" Mudshield Kit RTC8061 from August 1980
Series II, IIA, III 109" Mudshield Kit 528163

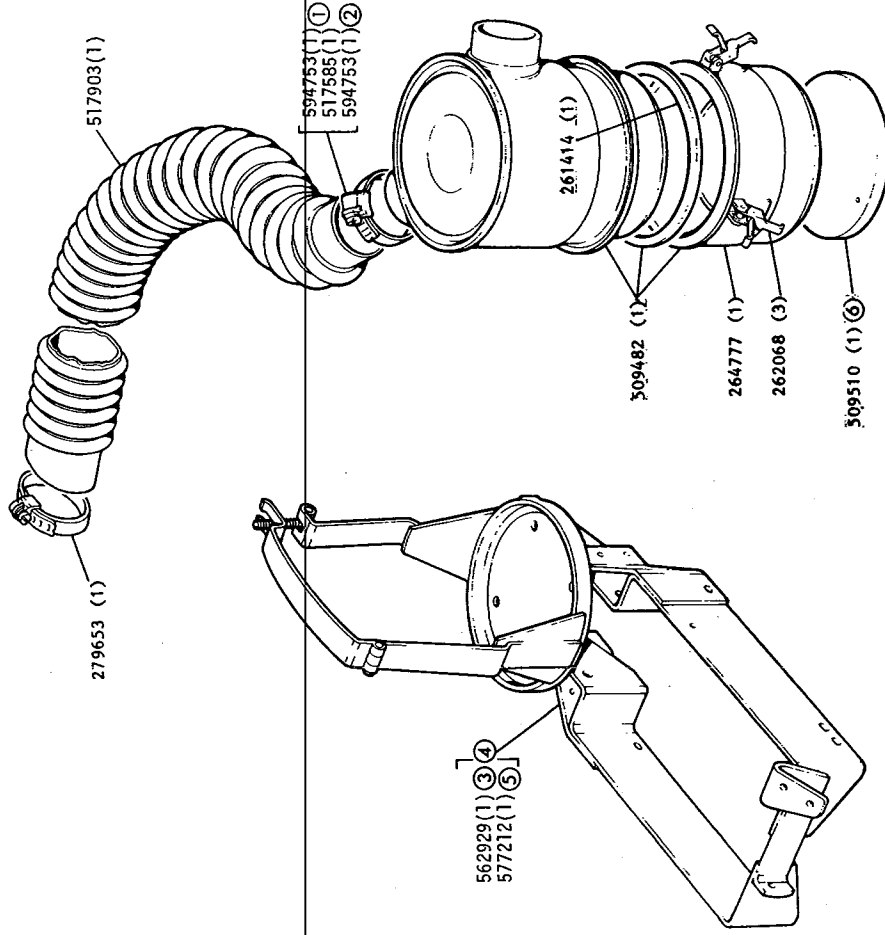
- ① Series II and IIA 88" up to vehicle suffix 'G' inclusive
- ② Series IIA 88" from vehicle suffix 'H' onwards and Series III front and rear up to July 1980
- ③ Series III 88" rear from August 1980
- ④ Series II, IIA and III 109" and Series III 88" front from Aug 1980

Land Rover Optional Equipment

TH 08

4RE 120

GROUP H
RAISED AIR INTAKE AIR CLEANER SUPPORT AND HOSES, SERIES IIA 2½ PETROL LANDROVER



REMARKS

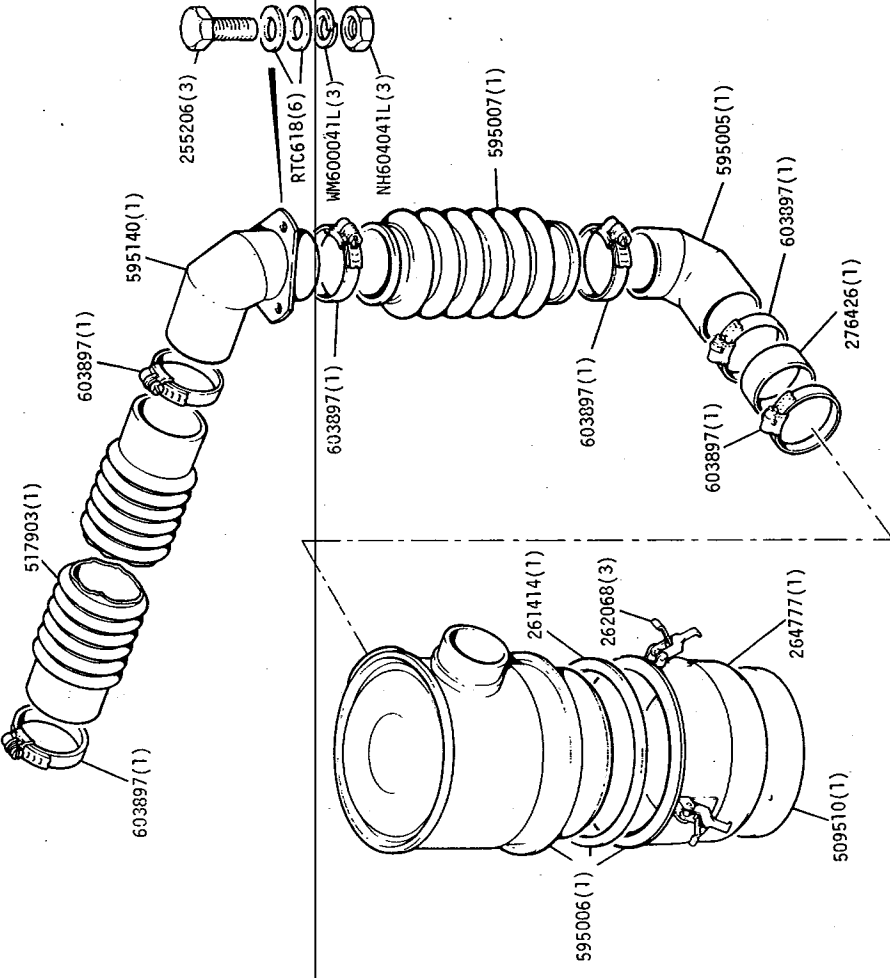
- ① Alternatives. Up to December 1968
 - ② From January 1969 onwards
 - ③ Up to vehicle serial number 26409160C and 24429283C
 - ④ From vehicle serial number 26409161C and 24429284C to July 1969
 - ⑤ From August 1969 onwards
 - ⑥ Up to July 1969
- For raised air intake kit part numbers see frame 11 03

Land Rover Optional Equipment

11 02

3RE 7

GROUP H
RAISED AIR INTAKE AIR CLEANER ELBOW AND HOSES, SERIES III 2½ PETROL AND DIESEL LANDROVER



REMARKS

For raised air intake kit part numbers see frame 11 03

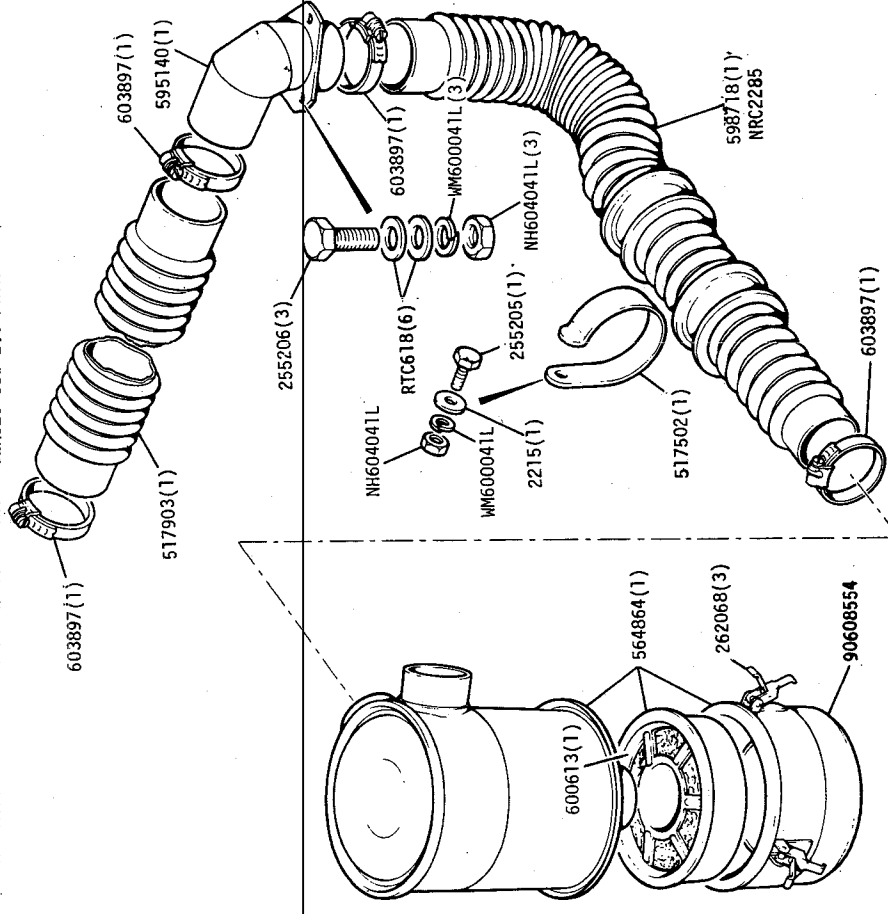
Land Rover Optional Equipment

11 02

3RE 8

GROUP H

RAISED AIR INTAKE AIR CLEANER ELBOW AND HOSES SERIES III 2.6 PETROL LANDROVER

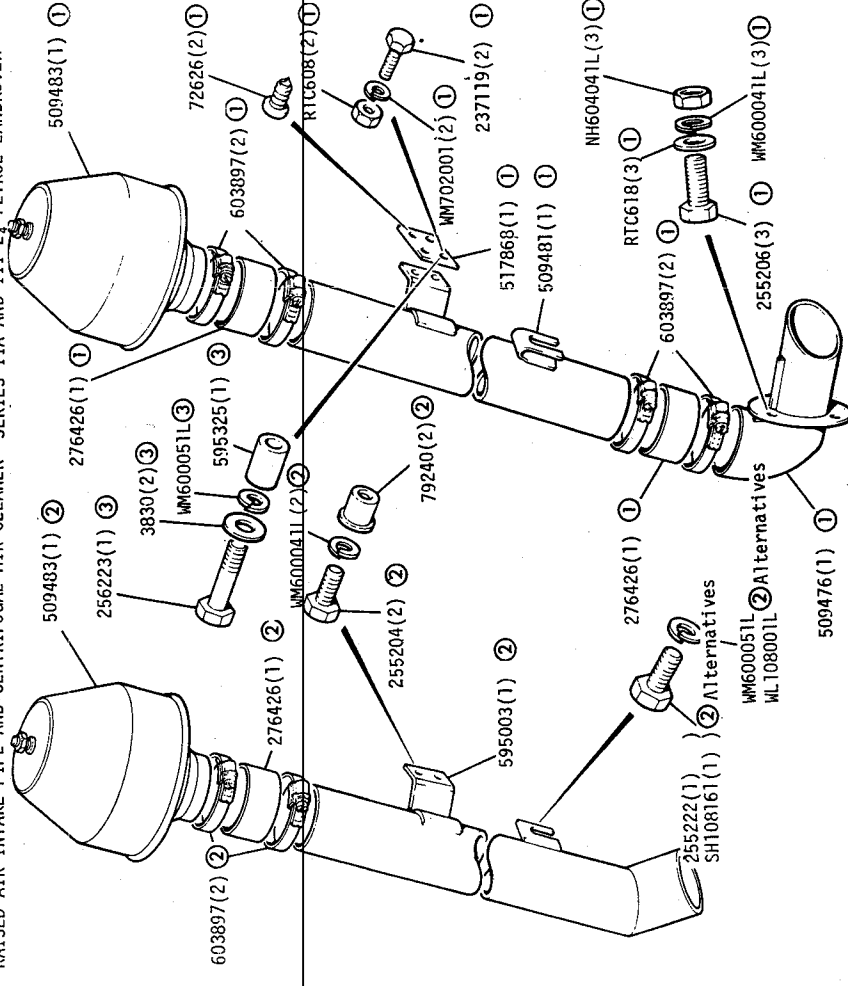


REMARKS


For raised air intake kit part numbers see next frame

GROUP H

RAISED AIR INTAKE PIPE AND CENTRIFUGAL AIR CLEANER SERIES IIA AND III 2.4 PETROL LANDROVER



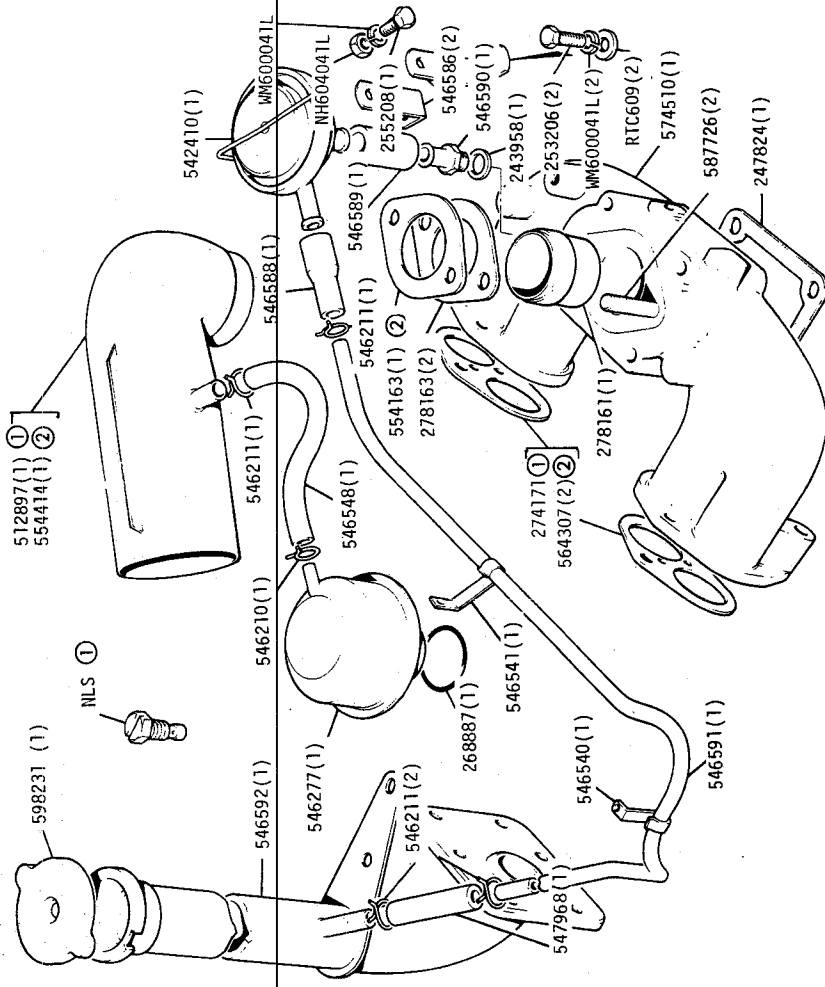
REMARKS

- ① Raised Air Intake Kit 517057 (1) ①
- ② Raised Air Intake Kit 608156* (1) ② 2.4 petrol and diesel
- ③ Raised Air Intake Kit 608154* (1) ③ 2.6 Petrol.
- ④ Series IIA
- ⑤ Series III
- ⑥ To enable Series IIA Raised Air Intake Kit 517057 to be fitted to Series III 2.4  vehicles without heater

| PLATE REF. | 1 | 2 | 3 | 4 | DESCRIPTION | QTY. | PART NO. | REMARKS |
|------------|---|---|---|---|-------------|------|----------|---------|
|------------|---|---|---|---|-------------|------|----------|---------|

- 1 509483 Centrifugal air cleaner
- 1 276426 Seal } Air cleaner to air intake pipe
- 2 CJ600504 Clip }
- 1 Air intake pipe
- 1 537482 Hose - air intake pipe to wing top elbow
- 1 CJ600504 Clip - wing top elbow
- 1 Elbow wing top
- 1 Nut plate assembly intake elbow to wing top
- 1 346989 Hinge bolt, M8 x 16 } Windscreen and air intake
- 1 4574 Plain washer } pipe to dash
- 1 SH10816 Spring washer } Windscreen and air intake
- 1 WL108001L Elbow - mud shield } pipe to dash
- 1 NRC4532 Elbow - LH wing inner valance
- 1 537482 Hose } Mud shield elbow to LH wing inner valance
- 1 546592(1) Clip } elbow
- 2 CJ600504 Hose - LH wing inner valance elbow to air cleaner adaptor
- 1 NRC4024 adaptor
- 1 Clip - hose to LH wing inner valance elbow and adaptor
- 1 NRC4533 Elbow adaptor
- 1 ERC3899 Seal } Hose to air
- 1 RTC3519 Clip } cleaner
- 1 Plain washer
- 1 WAT08051L Hose - for raised air intake } Raised air intake
- 2 CJ600504 Clip } wing top elbow to mud shield elbow
- 2 Nut sert. M6 } Air intake pipe bracket
- 2 SH106121 Screw. M6 x 12 } to windscreen pillar. LH
- 2 WL106001 Spring washer } Mud shield elbow to mud shield
- 3 SH106161 Plain washer } Mud shield elbow to mud shield
- 3 WAT06051L Spring washer } Valance elbow to LH wing inner valance
- 3 NH106041L Nut. M6 } } Wing top elbow and nut plate assembly
- 3 SH106161 Screw. M6 x 16 } to wing
- 3 WL106001 Plain washer } Rivet nut plate assembly to wing top
- 4 RU608123 Spring washer

GROUP H
CRANKCASE EMISSION CONTROL SERIES IIA 21 PETROL LANDROVER

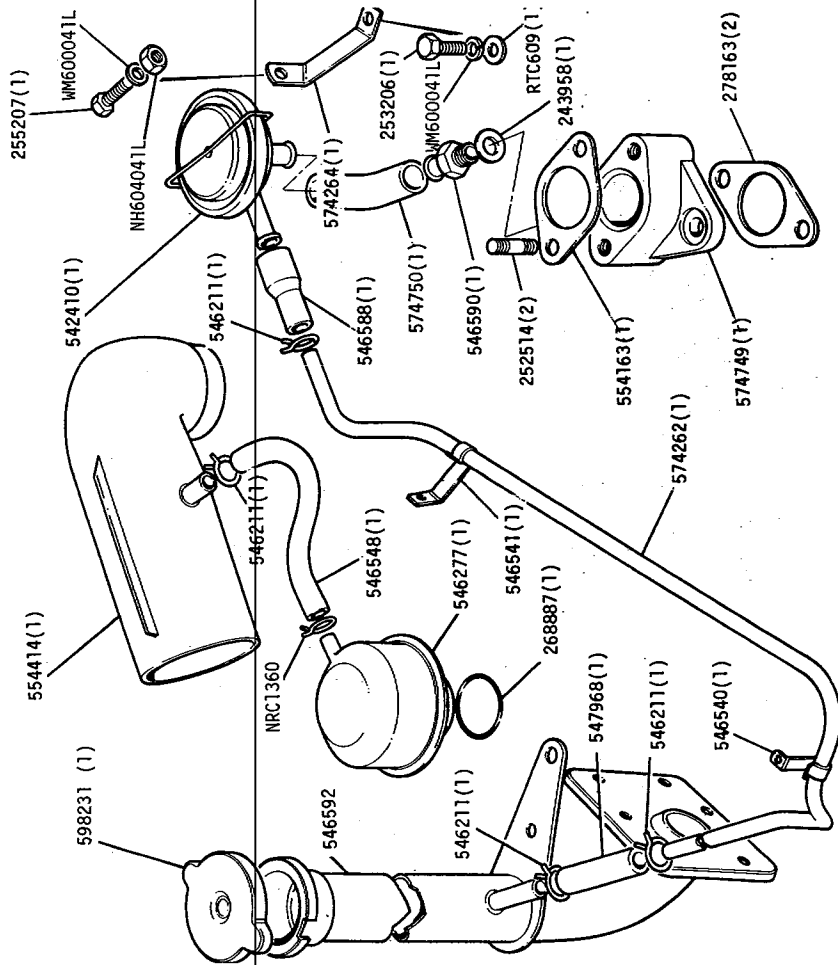


REMARKS

- 1 Crankcase Emission Control Kit NLS ①
- 2 Crankcase Emission Control Kit 601734(1) ②

* ASTERISK INDICATES A NEW PART WHICH HAS NOT BEEN USED ON ANY PREVIOUS MODEL.

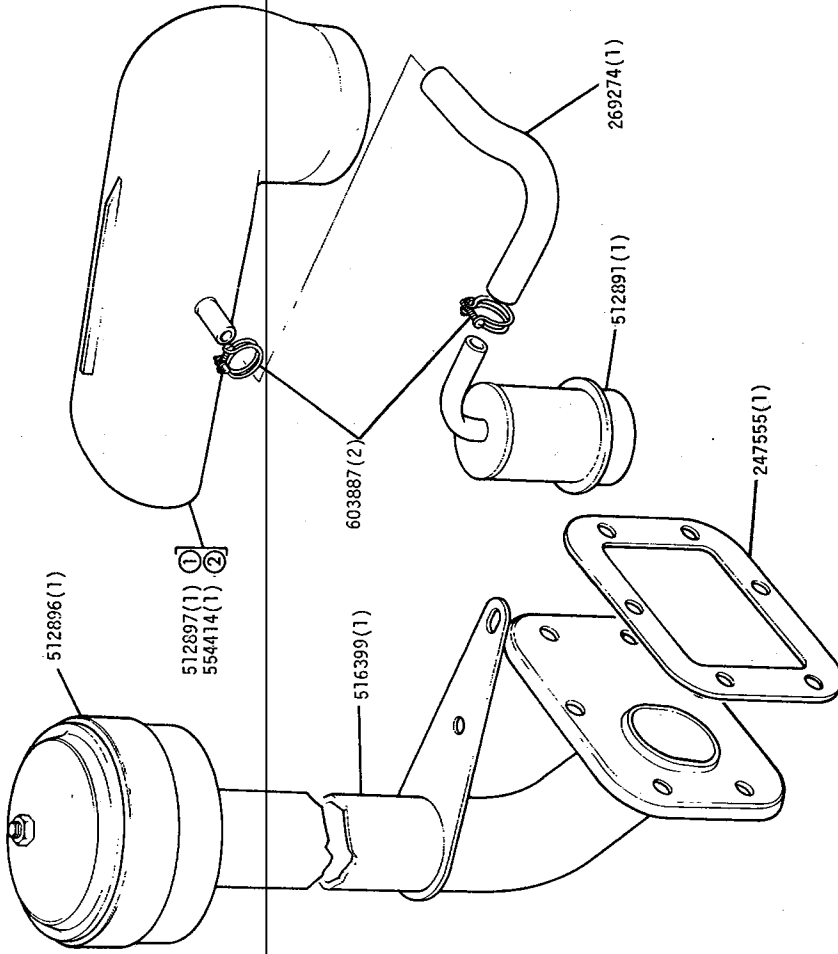
GROUP H
CRANKCASE EMISSION CONTROL SERIES III 24 PETROL, OPTIONAL UP TO
 ENGINE SUFFIX 'B', STANDARD FITMENT FROM ENGINE SUFFIX 'C' ONWARDS



REMARKS

Crankcase Emission Control Kit 608385(1)

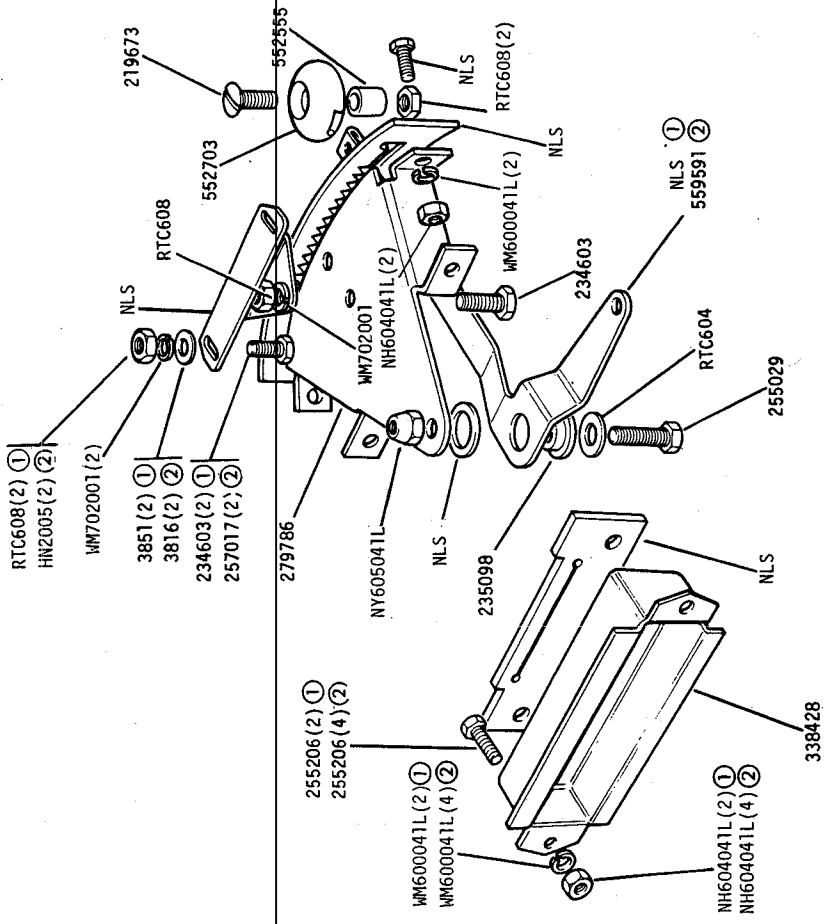
GROUP H
DUST PROOFED ENGINE BREATHER SYSTEM SERIES IIA 24 PETROL



REMARKS

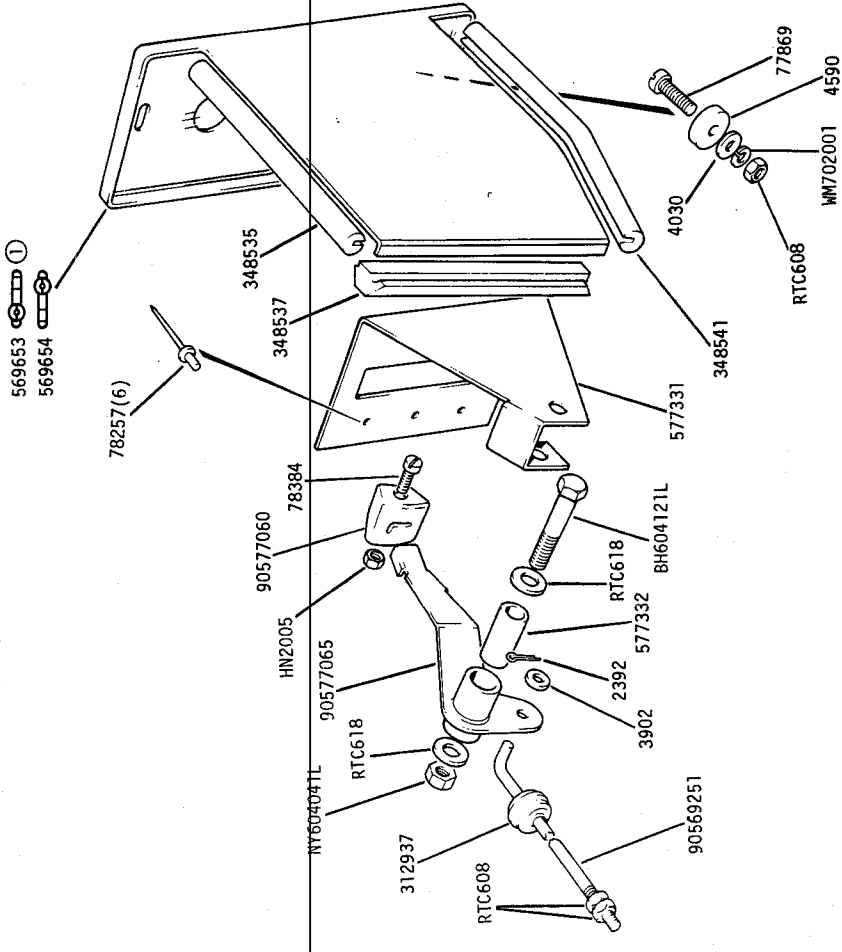
Dust Proofed Engine Breather Kit 517055 (1) ①
 Dust Proofed Engine Breather Kit NLS (1) ②
 ① Up to engine suffix 'H' inclusive
 ② From engine suffix 'J' onwards

GROUP H
OPTIONAL EQUIPMENT - Engine governor quadrant control



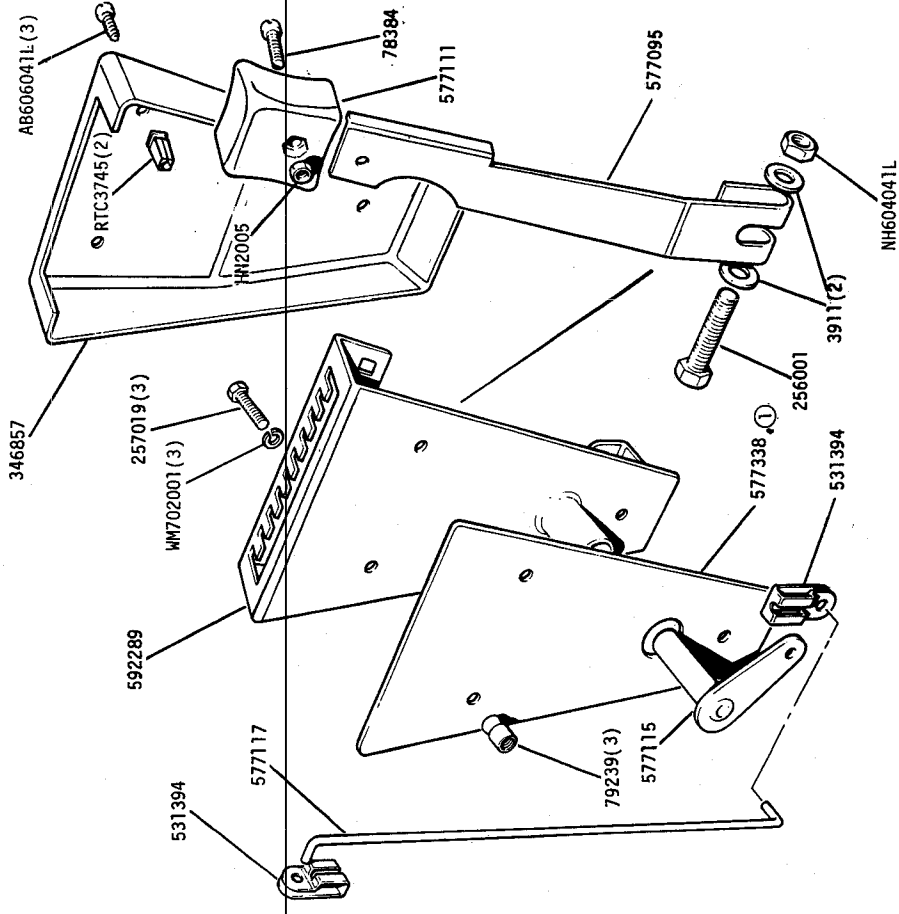
- Series IIA Land Rover 2½ petrol
 ① up to engine suffix 'H' inclusive
 Part of Governor Kit 534031
 ② from engine suffix 'J' to 30th September 1968
 Part of Governor Kit 601730 Quadrant control assembly NLS

GROUP H
OPTIONAL EQUIPMENT - Hand throttle control



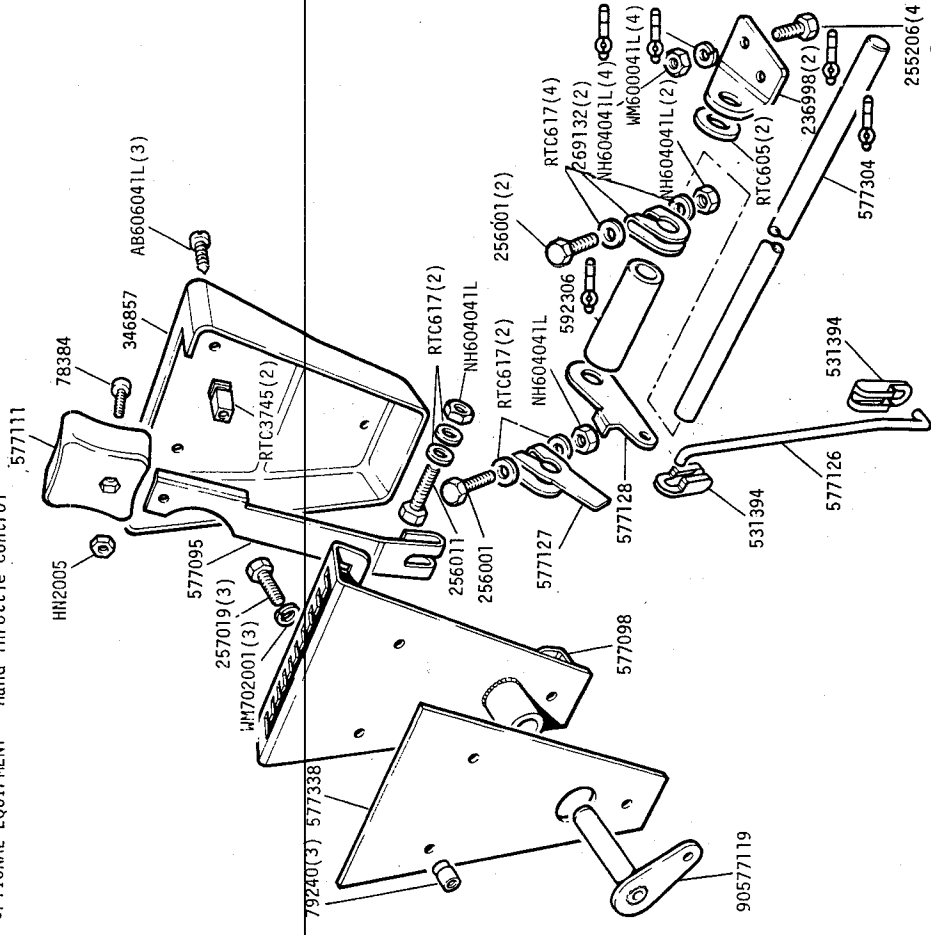
- ① Part of Governor Kit 606511
 ② Part of Governor Kit 606510
 Series IIA Land Rover 2½ litre petrol from October 1968 onwards

GROUP H
OPTIONAL EQUIPMENT - Engine governor quadrant control



① For use on untrimmed vehicles
Part of Governor Kit 606883
Series III Land Rover 2½ litre petrol

GROUP H
OPTIONAL EQUIPMENT - Hand Throttle Control



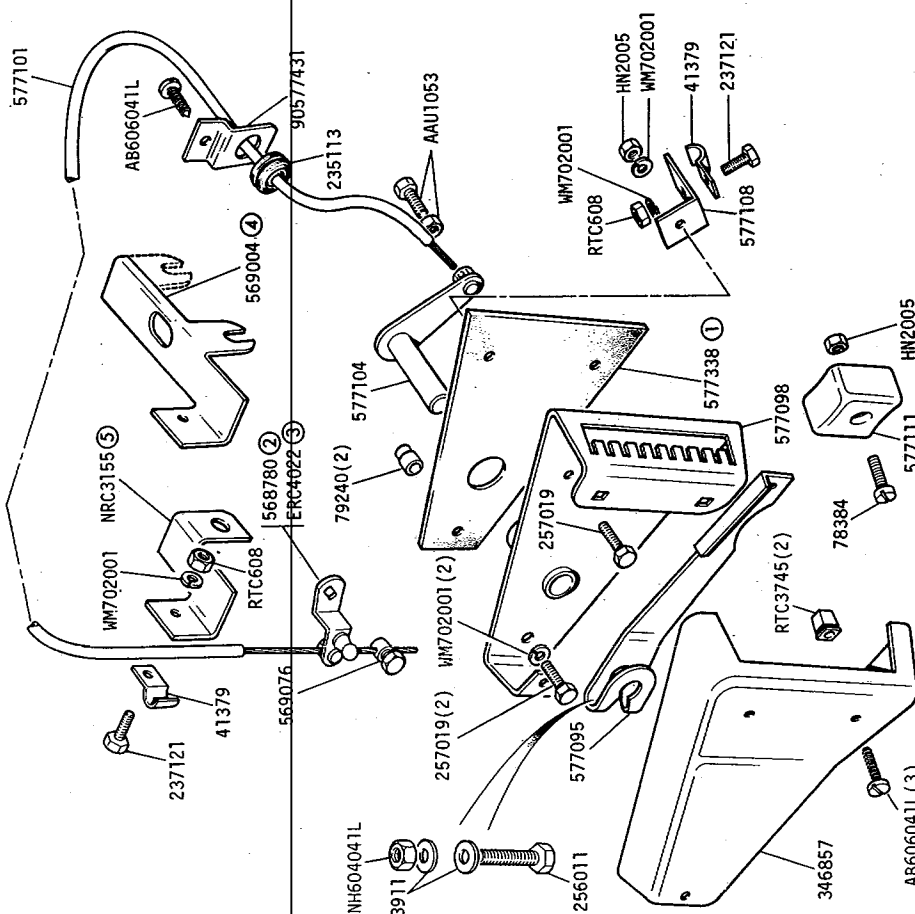
Series III Land Rover 2½ litre Petrol models

Hand throttle control kit vehicles 90607682
Hand throttle control kit vehicles 90607683

| PLATE REF. | 1 | 2 | 3 | 4 | DESCRIPTION | QTY. | PART No. | REMARKS |
|------------|---|---|---|---|-------------|------|----------|---------|
|------------|---|---|---|---|-------------|------|----------|---------|

GROUP H
OPTIONAL EQUIPMENT - Hand throttle control

| | | | | | | | | |
|--|---|--|--|--|---|---|------------|--------|
| | 1 | | | | Base plate complete | 1 | 577098 | |
| | 1 | | | | Control lever - hand throttle | 1 | 577095 | |
| | 1 | | | | Knob - control lever | 1 | 577111 | |
| | 1 | | | | Bolt, 10 UNF x 3/4" } Knob to lever | 1 | 78384 | |
| | 1 | | | | Nut 10 UNF | 1 | HN2005 | |
| | 1 | | | | Bolt, 3/4" UNF x 1 1/4" } Control lever to shaft | 1 | BH604101 | |
| | 1 | | | | Plain washer | 1 | WB106041 | |
| | 1 | | | | Nut, 3/4" UNF | 1 | NH604041L | |
| | 1 | | | | Sealing pad - Base plate to dash | 1 | 577338 | |
| | 1 | | | | Cover - hand throttle control | 1 | 346857 | |
| | 3 | | | | Drive screw, No.68dg head x 3/4" } Cover to base plate | 3 | AB606041L | |
| | 2 | | | | Lokut nut | 2 | RTC3745 | LH Stg |
| | 1 | | | | Lever assembly - hand throttle to cable | 1 | NRC3185 | RH Stg |
| | 1 | | | | Lever assembly - hand throttle to cable | 1 | NRC3184 | RH Stg |
| | 2 | | | | Nutsert | 2 | 79239 | |
| | 2 | | | | Spring washer | 2 | WM702001 | |
| | 2 | | | | Bolt, 10 UNF x 5/8" } Mounting back plate to centre panel | 2 | 257019 | |
| | 1 | | | | Control cable assembly | 1 | NRC2887 | LH Stg |
| | 1 | | | | Control cable assembly | 1 | NRC2886 | RH Stg |
| | 1 | | | | Clevis pin | 1 | 562481 | |
| | 1 | | | | Split pin | 1 | 3964 | |
| | 1 | | | | Bracket - hand throttle cable | 1 | NRC3101 | LH Stg |
| | 1 | | | | Bracket - hand throttle cable | 1 | NRC3100 | RH Stg |
| | 1 | | | | Anchor support bracket at centre panel | 1 | NRC3968 | |
| | 1 | | | | Bolt, 10 UNF x 5/8" } For anchor bracket | 1 | 257019 | |
| | 1 | | | | Spring washer | 1 | WM702001 | |
| | 1 | | | | Nut 10 UNF | 1 | HN2005 | |
| | 1 | | | | Clip cable to dash | 1 | 243395 | |
| | 1 | | | | Screw, M5 x 12 | 1 | SH105121RH | |
| | 1 | | | | Spring washer | 1 | WL105001 | Stg |
| | 1 | | | | Nut M5 | 1 | NH105041 | |
| | 1 | | | | Clip to dash | 1 | MRC4118 | |
| | 1 | | | | Cover dash centre panel | 1 | 577104 | |
| | 1 | | | | Welded lever assembly | 1 | 577104 | |
| | 1 | | | | Cable swivel | 1 | AAU1053 | |



Series III Land Rover 109 2.6 Petrol
Hand Throttle Kit 607656

① Not used on 2.6 models when de-luxe trim is fitted
② Non detoxxed
③ Detoxxed vehicles
④ Non detoxxed vehicles up to May 1977 inclusive
⑤ All vehicles from June 1977 onwards

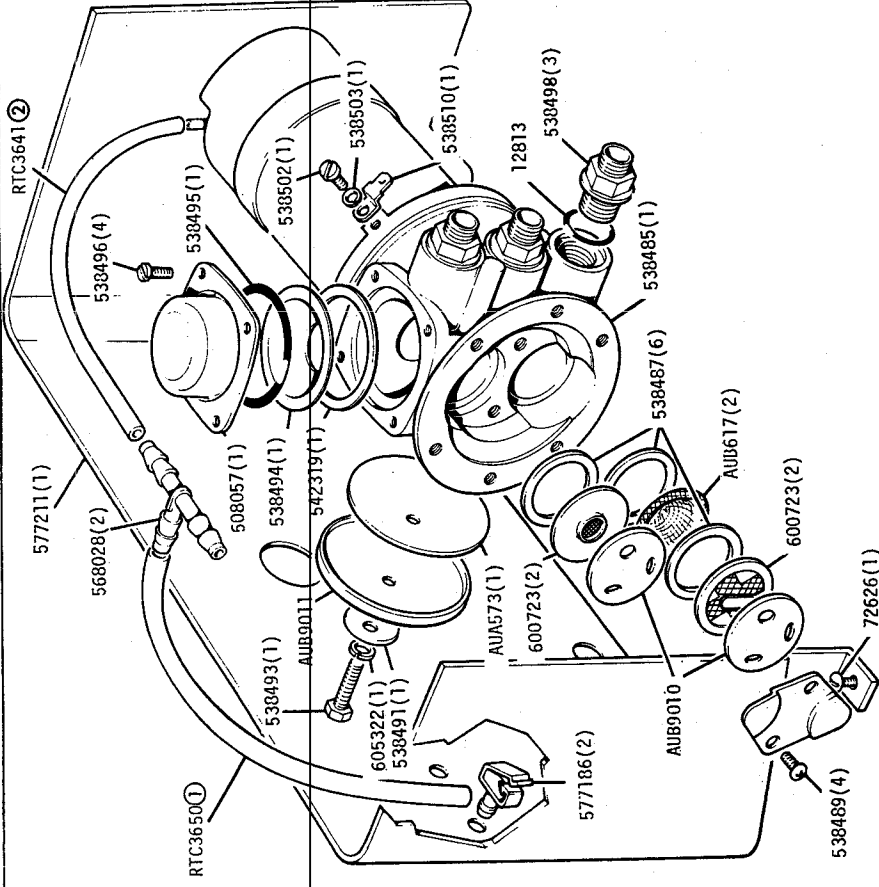
Land Rover Optional Equipment

3RE 435/A

* ASTERISK INDICATES A NEW PART WHICH HAS NOT BEEN USED ON ANY PREVIOUS MODEL

GROUP H

VENTILATED FUEL PUMP, VALVE BODY SHIELD AND TUBING SERIES IIA AND III 2.6 PETROL LANDROVER

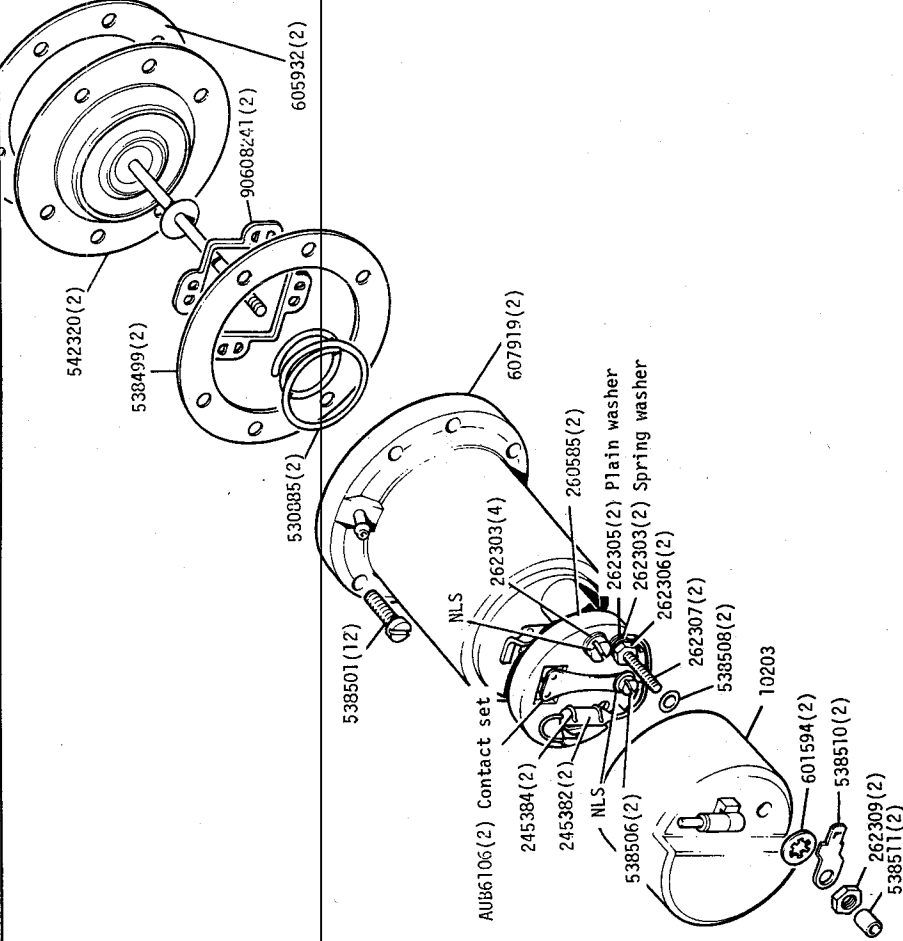


REMARKS

- Fuel Pump complete AUF507 (1)
- ① 14 inches long, makes 2 off.
- ② 24 inches long, makes 4 off.

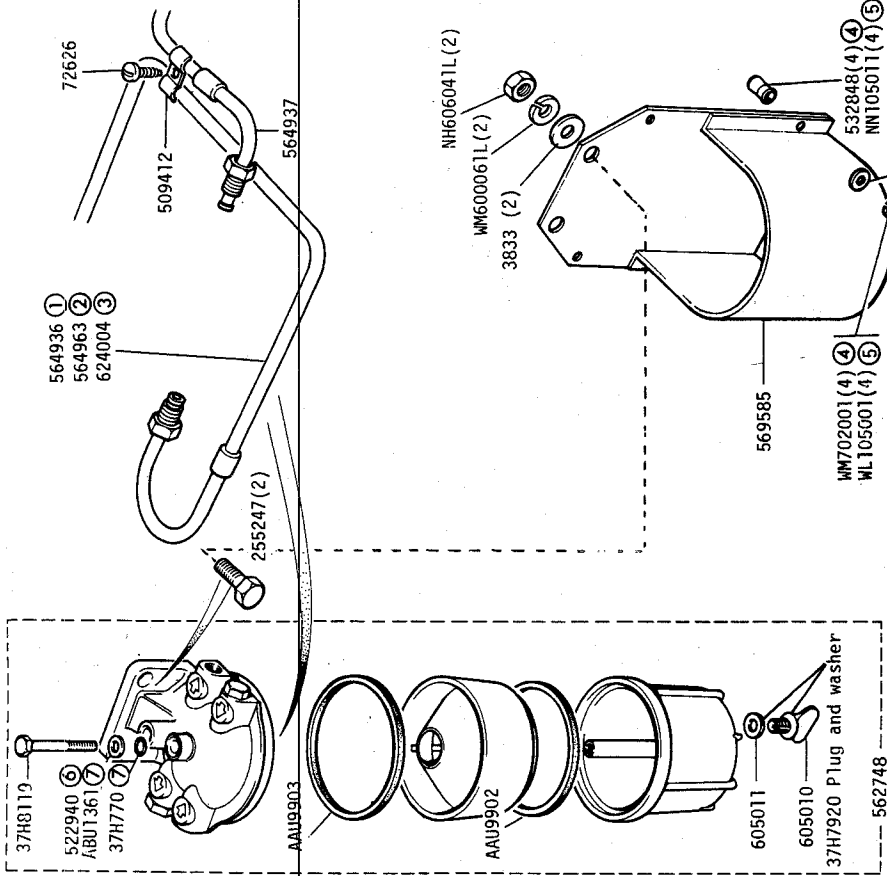
GROUP H

VENTILATED FUEL PUMP COIL DIAPHRAGM AND PEDESTAL SERIES IIA AND III 2.6 PETROL LANDROVER



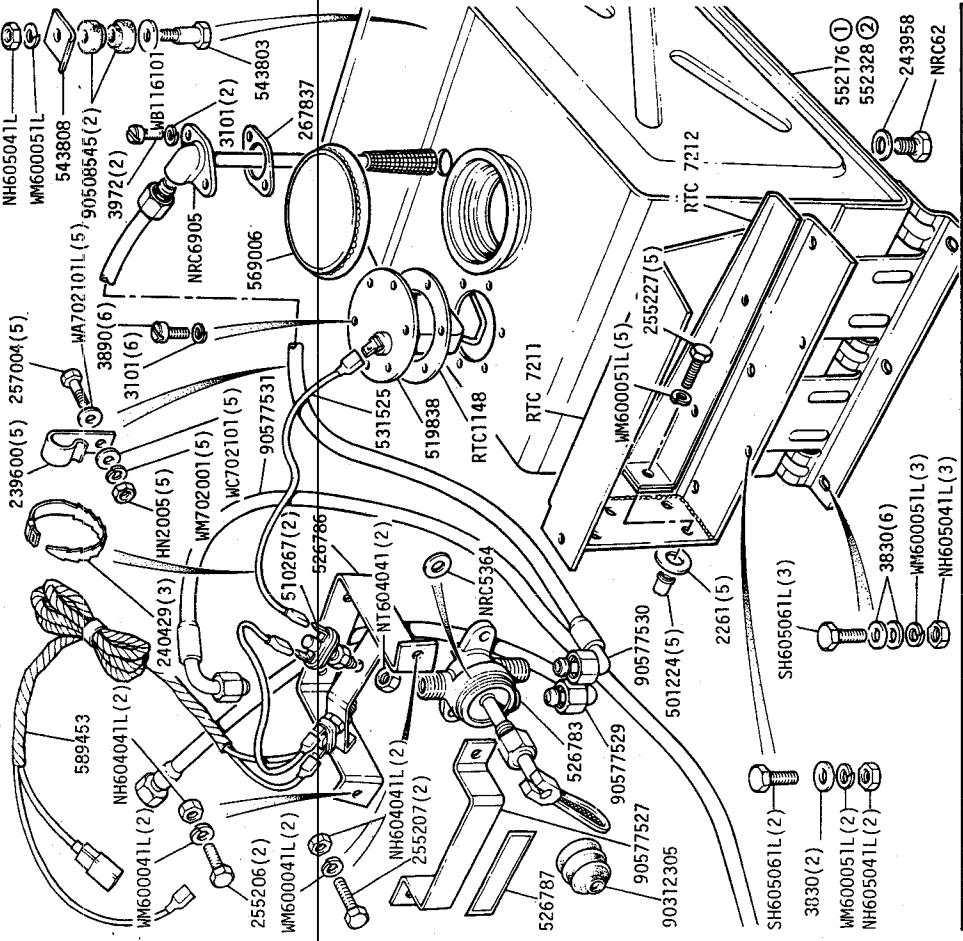
Fuel Pump complete AUF507

GROUP H
OPTIONAL EQUIPMENT - Extra fuel filter



- ① Sedimentor complete assembly 605560
 - ② Sedimentor complete assembly 90605561
 - ③ Sedimentor complete assembly 608468
 - ① Series IIA 88 and 109 Models and Series III 88 except Series IIA 109 Station Wagon
 - ② Series IIA 109 Station Wagon
 - ③ Series III 109 all models
- Land Rover Optional Equipment

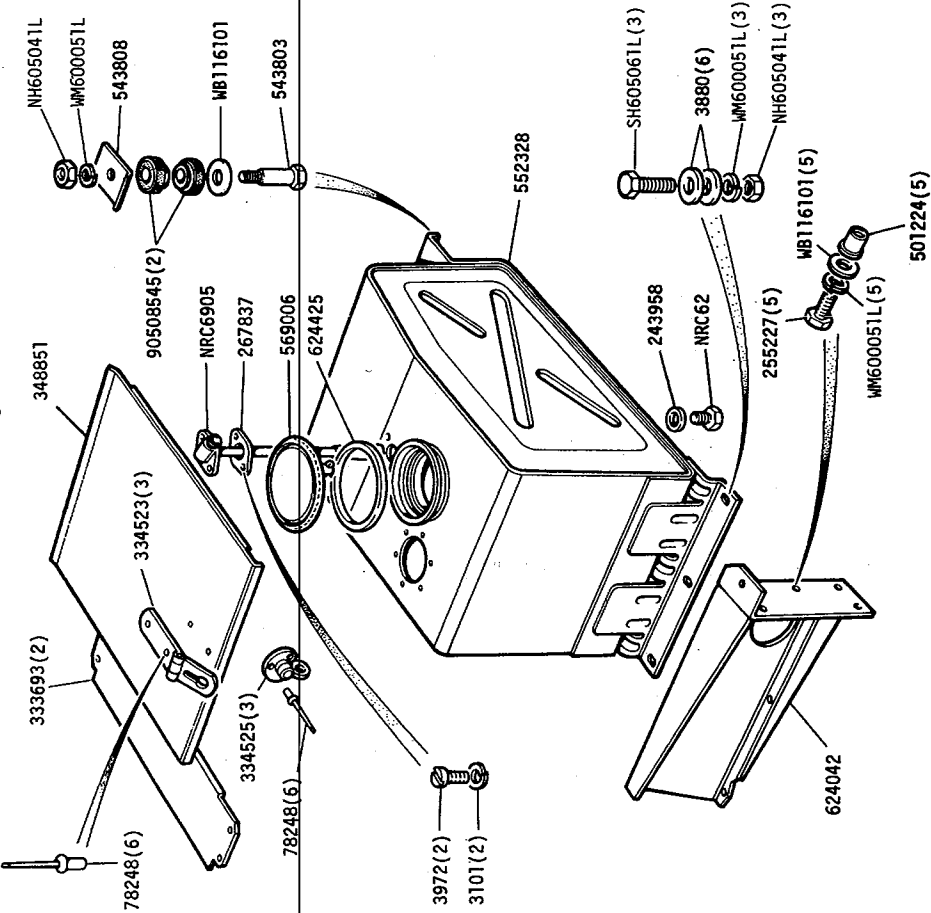
GROUP H
OPTIONAL EQUIPMENT Auxiliary tank, gauge and pipes



- ① All series IIA and III 2 1/2 petrol models
 - ② Series III 109 2 1/2 petrol Station Wagon models
- Land Rover Optional Equipment

Series IIA and III Landrover 88 2 1/2 Petrol tank kit 607074
Conversion for 109in 2 1/2 petrol vehicles up to October 1973 not available in kit form. Supply separate parts

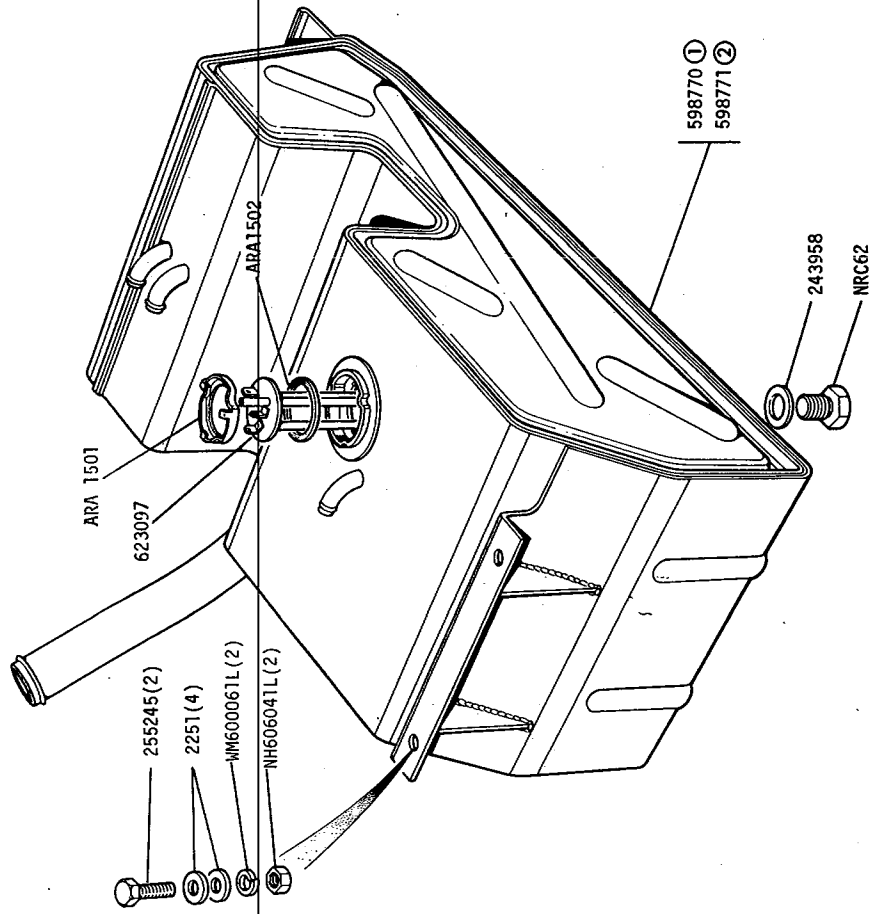
GROUP H
OPTIONAL EQUIPMENT - Auxiliary fuel tank and fixings



Series III Land Rover 109 2½ Petrol auxiliary fuel tank kit RTC846 from October 1973 onwards.
Series IIA and III Land Rover 109 2.6 Petrol auxiliary fuel tank kit RTC848

Land Rover Optional Equipment 11 11 ARE 13/A

GROUP H
OPTIONAL EQUIPMENT - Fuel tank when rear power take off is fitted.



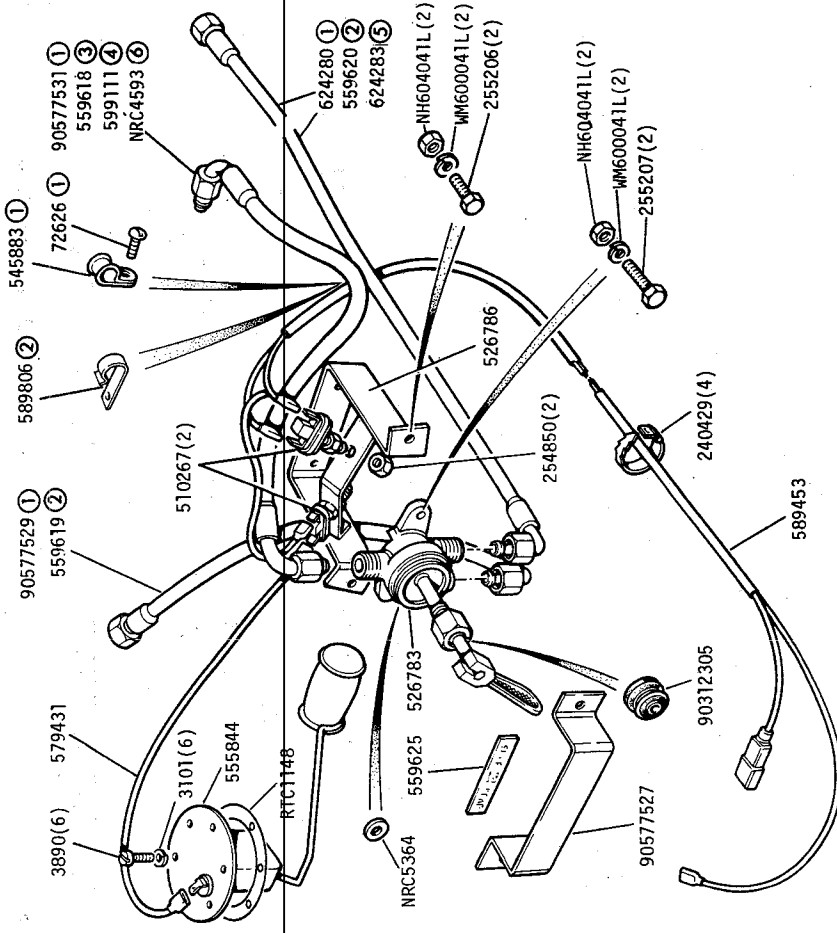
Series III Land Rover except station wagon from October 1973
① 2½ and 2.6 petrol models.
② 2½ diesel models

Series III 2½ and 2.6 petrol fuel tank kit, NLS fitted with rear power take off
Series III 2½ diesel fuel tank kit, NLS fitted with rear power take off.
Refer to frame 1E 03 for Rear Power Take Off Kits, used in conjunction with the smaller capacity fuel tanks illustrated above.

Land Rover Optional Equipment 11 11 6RE 180/A

GROUP H

OPTIONAL EQUIPMENT - Auxiliary tank two way tap, pipes and gauge



Series III 109 2½ litre petrol auxiliary fuel tank kit RTC846
 Series IIIA and III 109 2.6 litre petrol auxiliary fuel tank kit RTC848

- ① Series III 2½ petrol
 - ② Series IIIA and III 2.6 petrol
 - ③ Series IIIA and III 2.6 petrol with S.U. Pump
 - ④ Series III 2.6 petrol with Bendix Pump
 - ⑤ Series III 2.6 petrol with olive and nut on fuel tank
- ⑥ Series III 2.6 Petrol with S.U. Pump fitted from March 1979

Land Rover Optional Equipment

II 12

4RE 14/C

GROUP H

OPTIONAL EQUIPMENT - Auxiliary tank, tap and pipes.

255206 (2) Vehicles with sedimentor

8885 (2) Vehicles without sedimentor

90577531 (2) Vehicles with sedimentor

90577531 (2) Vehicles without sedimentor

510267 (2)

78929 (2)

526783

254850 (4)

526783

90577527

526787

90577529

90312305

879395

HN105041 (2)

NRC185

NRC186

NRC181

NRC181

534977

501224 (5)

MM600051L (5)

255227 (5)

HN2005 (5)

MM702001 (5)

50640 (5)

78929 (5)

NRC2228

549006

NRC1658

NR116101 (5)

544658

598600

3972 (4)

3101 (4)

271872

267037 (2)

RTC7212

243958

NRC62

SH605061L (3)

3830 (6)

MM600051L (3)

NH605041L (3)

MM600051L (2); RTC7211

NH605041L (2)

SH605061L (2)

3830 (2)

MM600051L (2); RTC7211

NH605041L (2)

362459

HN2005

NH605041L

MM600051L

543808

90508545 (2)

2265

543803

MM702001

78929

MM702001 (2)

8885 (2)

HN2005 (2)

MM600041L (2)

NH604041L (2)

MM600041L (2)

NH604041L (2)

NRC176

526783

254850 (4)

526783

90577527

526787

90577529

90312305

879395

HN105041 (2)

NRC185

NRC186

NRC181

NRC181

534977

501224 (5)

MM600051L (5)

255227 (5)

HN2005 (5)

MM702001 (5)

50640 (5)

78929 (5)

NRC2228

549006

NRC1658

NR116101 (5)

544658

598600

3972 (4)

3101 (4)

271872

267037 (2)

RTC7212

243958

NRC62

SH605061L (3)

3830 (6)

MM600051L (3)

NH605041L (3)

MM600051L (2); RTC7211

NH605041L (2)

362459

HN2005

NH605041L

MM600051L

543808

90508545 (2)

2265

543803

MM702001

78929

MM702001 (2)

8885 (2)

HN2005 (2)

MM600041L (2)

NH604041L (2)

MM600041L (2)

NH604041L (2)

NRC176

526783

254850 (4)

526783

90577527

526787

90577529

90312305

879395

HN105041 (2)

NRC185

NRC186

NRC181

NRC181

534977

501224 (5)

MM600051L (5)

255227 (5)

HN2005 (5)

MM702001 (5)

50640 (5)

78929 (5)

NRC2228

549006

NRC1658

NR116101 (5)

544658

598600

3972 (4)

3101 (4)

271872

267037 (2)

RTC7212

243958

NRC62

SH605061L (3)

3830 (6)

MM600051L (3)

NH605041L (3)

MM600051L (2); RTC7211

NH605041L (2)

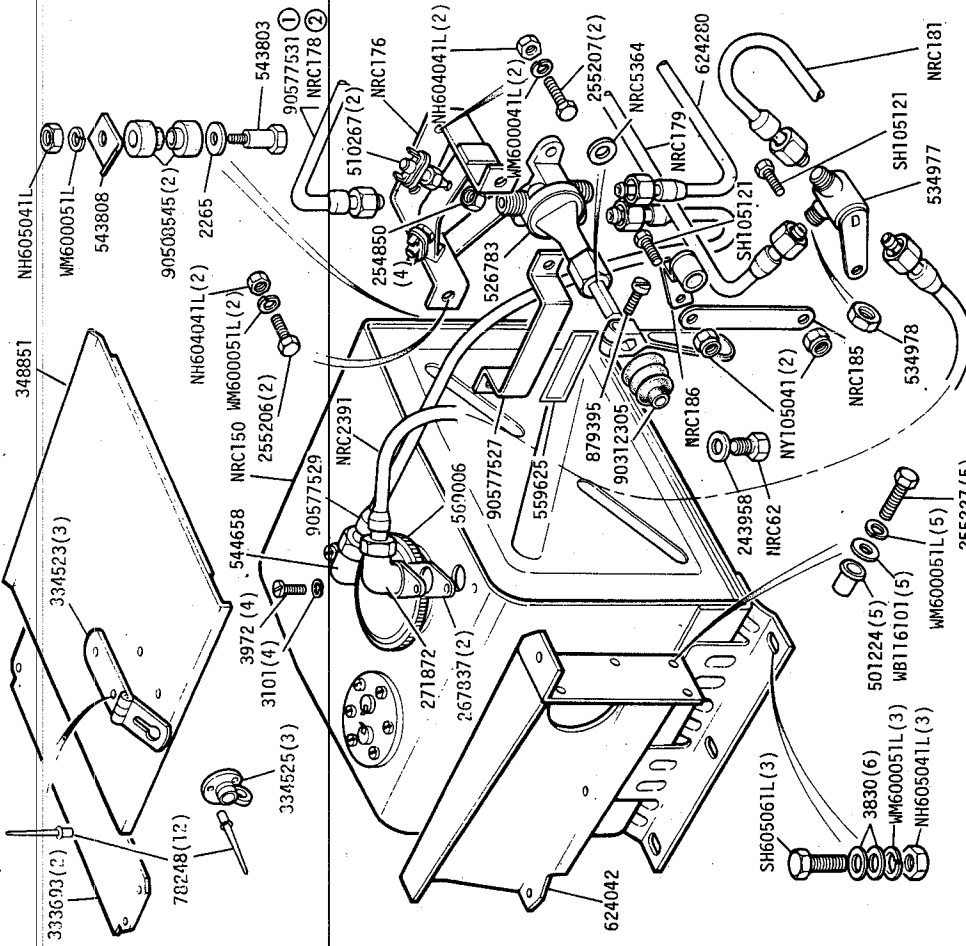
Series III Land Rover 88 2½ litre diesel auxiliary fuel tank kit RTC8035

Land Rover Optional Equipment

II 12

7RE 105

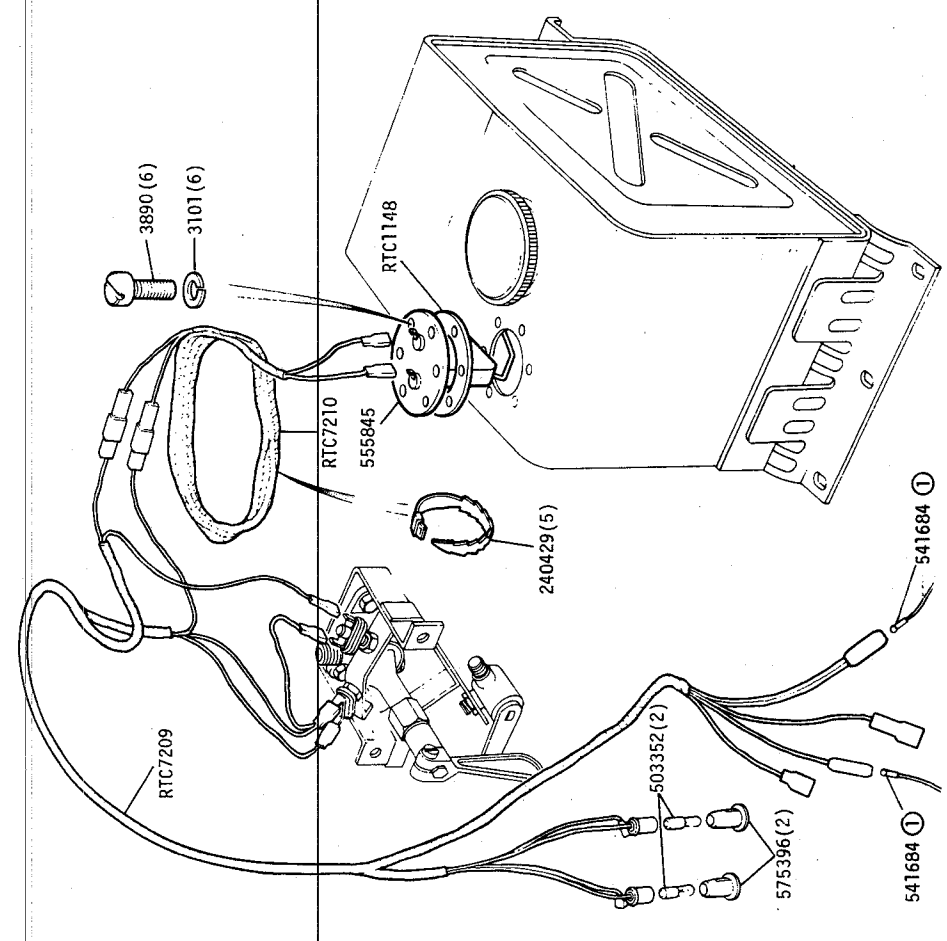
GROUP H
OPTIONAL EQUIPMENT - Auxiliary tank, tap and pipes.



Series III Land Rover 109 2½ litre diesel auxiliary fuel tank kit RTC8034

- ① Vehicle without sedimentor
- ② Vehicle with sedimentor

GROUP H
OPTIONAL EQUIPMENT - Auxiliary tank, harness and fuel gauge.



Series III Land Rover 86 2½ litre diesel auxiliary fuel tank kit RTC8035.
Series III Land Rover 109 2½ litre diesel auxiliary fuel tank kit RTC8034.

- ① Crimp nipples fitted to existing leads, from warning light, in dash.
Refer to frame 1L 05 for auxiliary panel kit.
Plug for redundant hole in fascia MRC4152

OPTIONAL EQUIPMENT - Additional fuel tank - 109 V8 Land Rover

| PLATE REF. | 1 | 2 | 3 | 4 | DESCRIPTION | QTY. | PART No. | REMARKS |
|------------|---|---|---|---|---|------|-----------|---------|
| | | | | | Seat base assembly | 1 | MRC7174 | |
| | | | | | Auxiliary fuel tank | 1 | NRC150 | |
| | | | | | Fuel tank support assembly LH side | 1 | NRC3137 | |
| | | | | | Riv nut 5/16 UNF | 1 | 501224 | |
| | | | | | Plain washer | 2 | 3522 | |
| | | | | | Spring washer | 1 | MM704001 | |
| | | | | | Set screw, 5/16 UNF x 3/8" | 1 | SH605071 | |
| | | | | | Elbow fuel feed | 1 | NRC6905 | |
| | | | | | Elbow spill | 1 | 271872 | |
| | | | | | Joint washer | 2 | 267837 | |
| | | | | | Spring washer | 4 | 3101 | |
| | | | | | Set screw, 3/8 x 9/16" | 4 | 3972 | |
| | | | | | Fuel tank gauge unit C/W washer | 1 | 555844 | |
| | | | | | Set screws, 3/8 x 3/8" | 6 | 3890 | |
| | | | | | Spring washer | 6 | 3101 | |
| | | | | | Bolt, 5/16 UNF x 3/4" | 3 | SH605061 | |
| | | | | | Plain washer | 6 | 3830 | |
| | | | | | Spring washer | 3 | MM600051L | |
| | | | | | Nut 5/16 UNF | 3 | NH605041L | |
| | | | | | Bolt, 5/16 UNF x 1 1/2" | 1 | 543803 | |
| | | | | | Spring washer | 1 | MM600051L | |
| | | | | | Stiffener plate | 1 | 543808 | |
| | | | | | Plain washer | 2 | 2764 | |
| | | | | | Bush | 2 | 90508545 | |
| | | | | | Assembly bracket - 2 way fuel tap | 1 | NRC4650 | |
| | | | | | Bracket - for extra fuel tap | 1 | NRC4651 | |
| | | | | | Assembly lever arm - 2 way fuel tap | 2 | NRC4653 | |
| | | | | | Two way fuel tap and spill return valve | 2 | 526783 | |
| | | | | | Bolt, M6 x 25 | 4 | SH106251 | |
| | | | | | Spring washer | 4 | ML106001 | |
| | | | | | Nut, M6 | 4 | NH106041L | |
| | | | | | Micro switch - fuel content gauge | 2 | 510267 | |
| | | | | | Lock nut - switch to bracket | 4 | NT604041 | |
| | | | | | Link - 2 way to spill return | 2 | NRC4652 | |
| | | | | | Hexagon head screw, M5 x 12 | 4 | SH105121 | |
| | | | | | Nyloc nut, M5 | 4 | NY105041 | |
| | | | | | Set screw, M4 x 10 lever arm to 2 way tap | 2 | SH104061 | |
| | | | | | Rubber grommet | 1 | 90312305 | |
| | | | | | Guard | 2 | 90577527 | |
| | | | | | Bolt, M6 x 20 | 2 | SH106201 | |
| | | | | | Spring washer | 2 | ML106001 | |
| | | | | | Inscription plate | 1 | 559625 | |
| | | | | | Clip for fuel pipes at RH Sidemember | 6 | CRC1226 | |
| | | | | | Clip for fuel pipes at No. 4 crossmember | 2 | CRC1226 | |
| | | | | | Clip for fuel pipes at No. 4 crossmember | 2 | AFU1107 | |

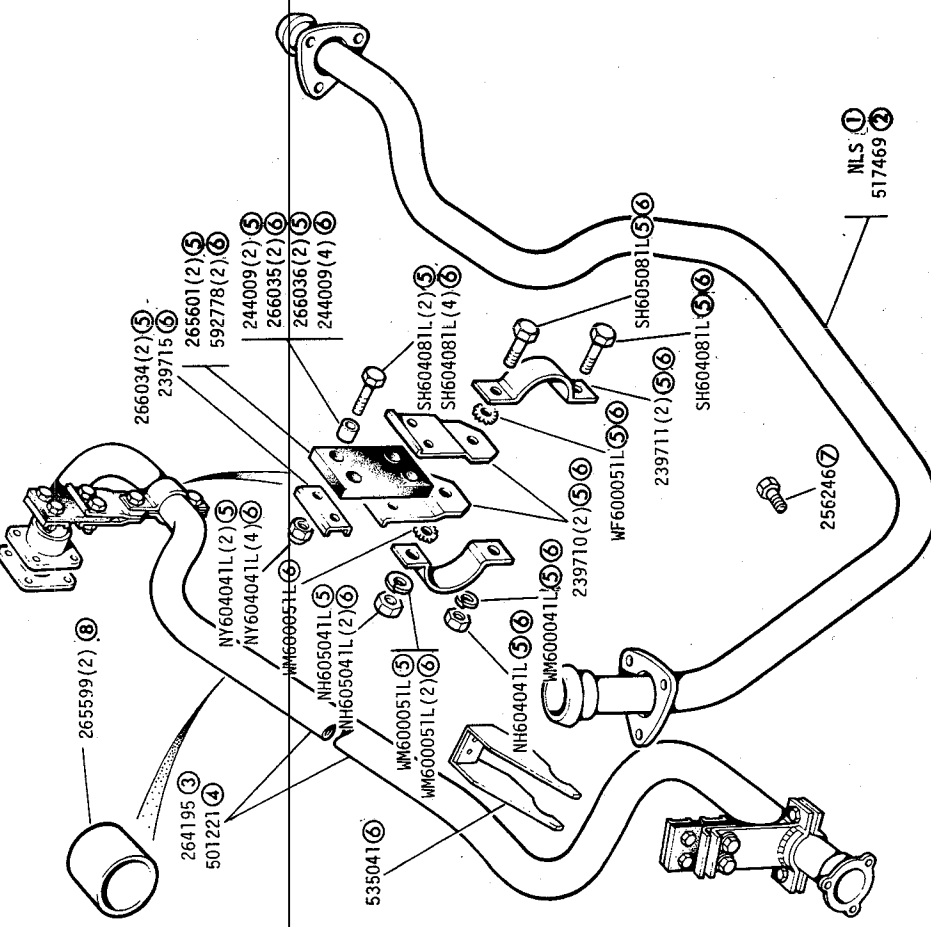
* ASTERISK INDICATES A NEW PART WHICH HAS NOT BEEN USED ON ANY PREVIOUS MODEL

OPTIONAL EQUIPMENT - Additional Fuel Tank - 109 V8 Land Rover

| PLATE REF. | 1 | 2 | 3 | 4 | DESCRIPTION | QTY. | PART No. | REMARKS |
|------------|---|---|---|---|---|------|-----------|---------|
| | | | | | Clip | 1 | CP105061 | |
| | | | | | Washer | 1 | WA105001 | |
| | | | | | Spring washer | 1 | ML105001 | |
| | | | | | Nut, M5 | 1 | NH105041 | |
| | | | | | Screw M5 x 16 | 1 | SE105161 | |
| | | | | | Fuel feed pipe - side tank to change over tap | 1 | NRC5048 | |
| | | | | | Fuel feed pipe - rear tank to change over tap | 1 | NRC5049 | |
| | | | | | Fuel feed pipe - change over tap to fuel pump | 1 | NRC5023 | |
| | | | | | Fuel spill pipe - engine to spill valve | 1 | NRC4673 | |
| | | | | | Fuel spill pipe - spill valve to side tank | 1 | NRC4675 | |
| | | | | | Fuel spill pipe - spill valve to rear tank | 1 | NRC5050 | |
| | | | | | Cable assembly - fuel gauge to toolbox connections | 1 | PRC1674 | |
| | | | | | Grommet | 1 | 555711 | |
| | | | | | Cable assembly - fuel change over switch | 1 | PRC1884 | |
| | | | | | Cable assembly - toe box connectors to change over switch cable | 1 | PRC1884 | |
| | | | | | Clip, securing cable assembly change over switch | 3 | 8885 | |
| | | | | | Screw, 10 UNF x 3/4" | 3 | 78276 | |
| | | | | | Plain washer | 3 | WA702101L | |
| | | | | | Spring washer | 3 | MM702001 | |
| | | | | | Nut 10 UNF | 3 | HN2005 | |
| | | | | | Clip, securing cable assembly, change over switch | 1 | 90514721 | |
| | | | | | Clip, securing cable assembly, change over switch | 1 | 50642 | |

* ASTERISK INDICATES A NEW PART WHICH HAS NOT BEEN USED ON ANY PREVIOUS MODEL

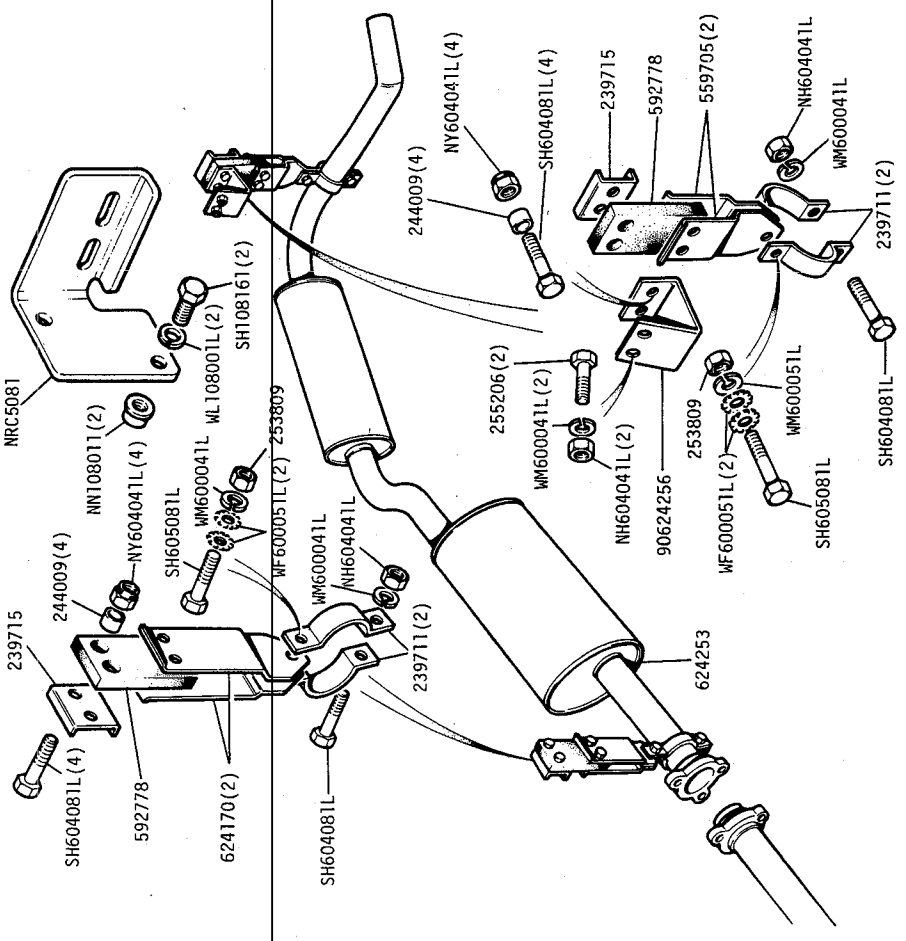
GROUP H
OPTIONAL EQUIPMENT - Exhaust pipes and mountings for auxiliary tank



Series II and IIA 88in and 109in 2 1/4 cylinder petrol models
① 88in and 109in 2 1/4 Petrol 1959-1960
② 109in 2 1/4 Petrol from 1961 onwards
③ 88in 2 1/4 Petrol only
④ 109in 2 1/4 Petrol only
⑤ 109in 2 1/4 Petrol
⑥ 109in 2 1/4 Petrol
⑦ 109in 2 1/4 Handbrake and Exhaust mounting

Land Rover Optional Equipment II 15 ARE 12/A

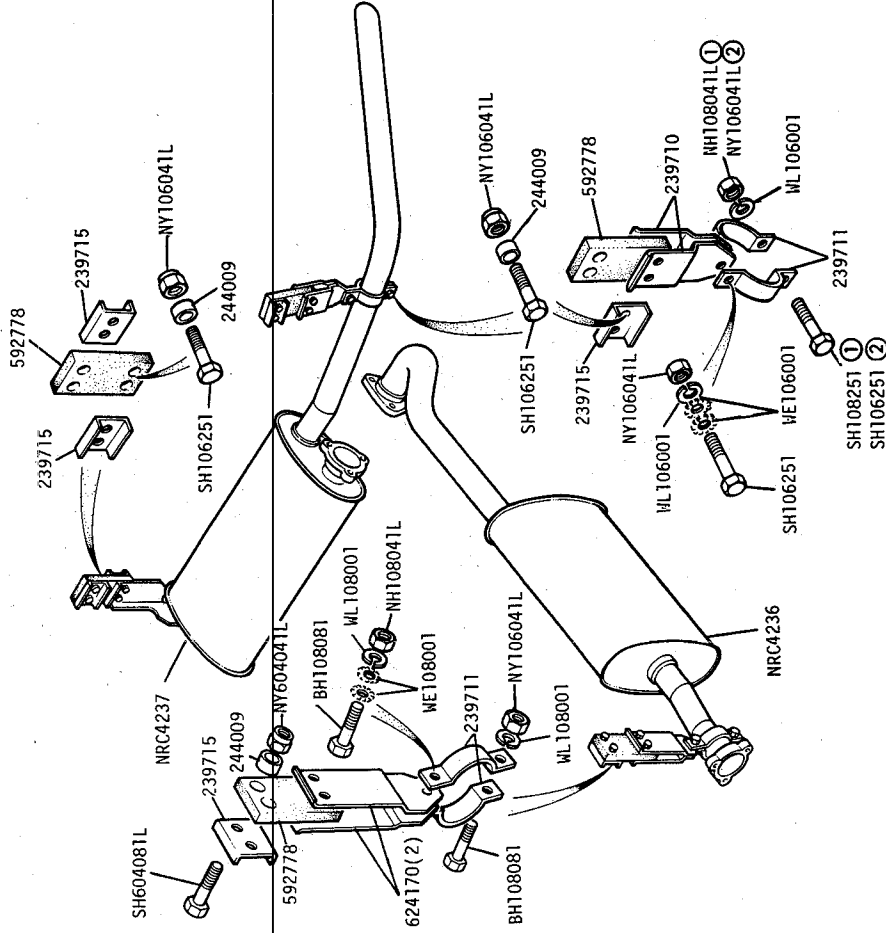
GROUP H
OPTIONAL EQUIPMENT - Two silencer exhaust system



Series III Land Rover 88" 2 1/4 litre models.

Land Rover Optional Equipment II 15 ARE 187

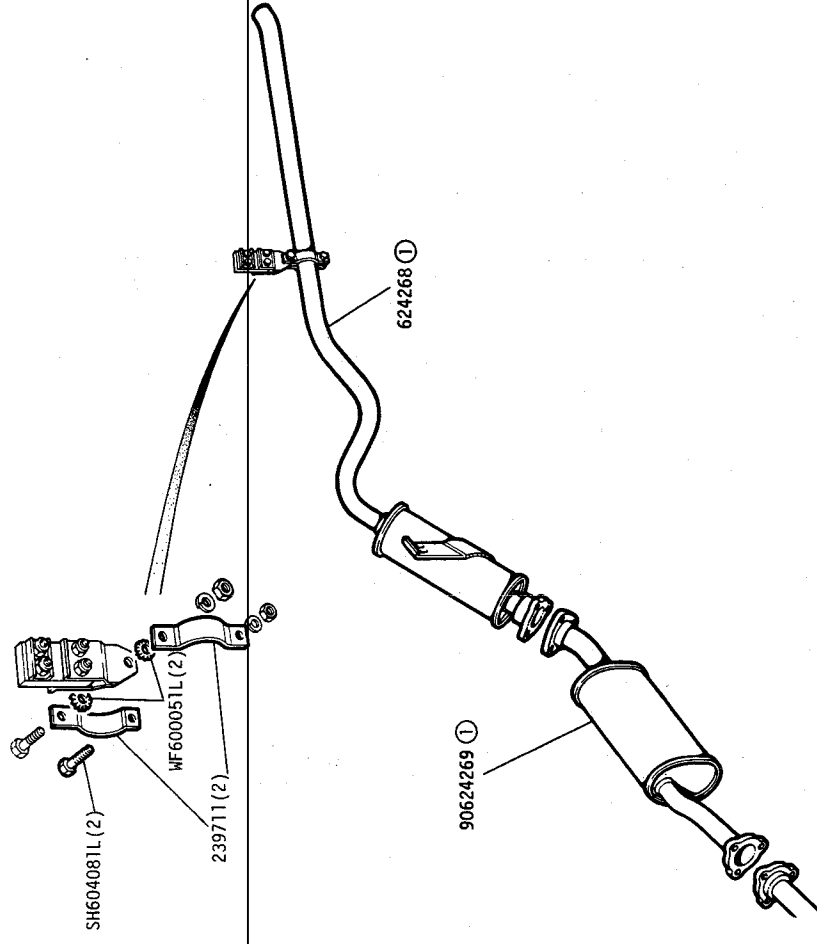
GROUP H
OPTIONAL EQUIPMENT - Two silencer exhaust system



Series III Land Rover 88 2.4 litre diesel models

- ① Bolt with plain nut
- ② Bolt with Nyloc nut

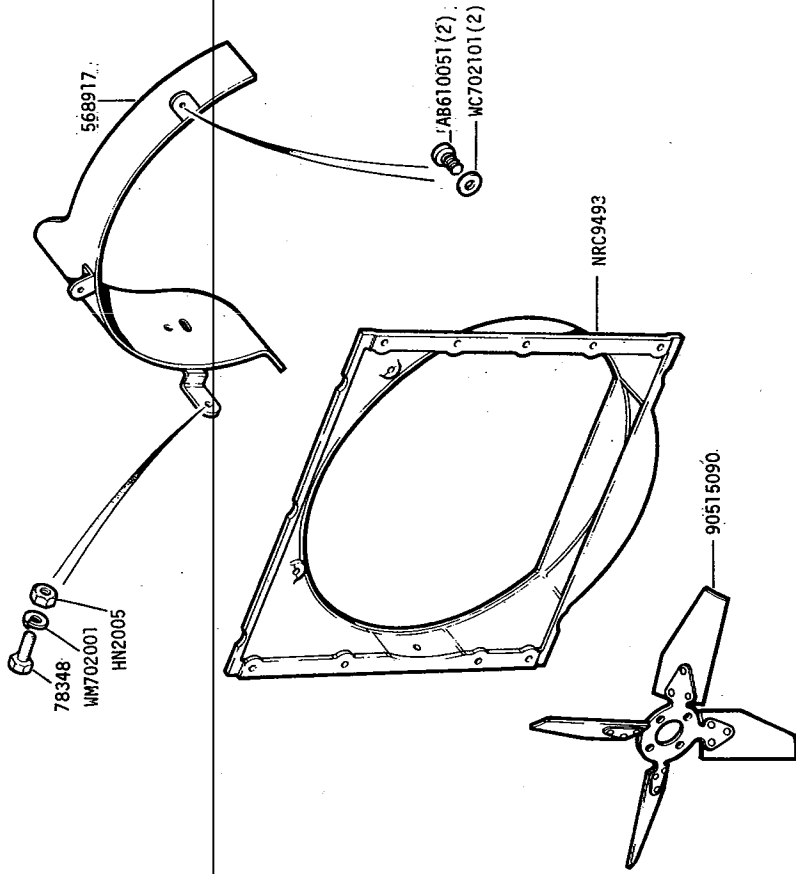
GROUP H
OPTIONAL EQUIPMENT - Two Silencer Exhaust System



Series III Land Rover 109 2.4 litre Models
Fit front exhaust pipe and basic mountings in conjunction with the above

- ① FITTED TO VEHICLES FOR AUSTRIA, BELGIUM, DENMARK, FRANCE, HOLLAND, LUXEMBOURG

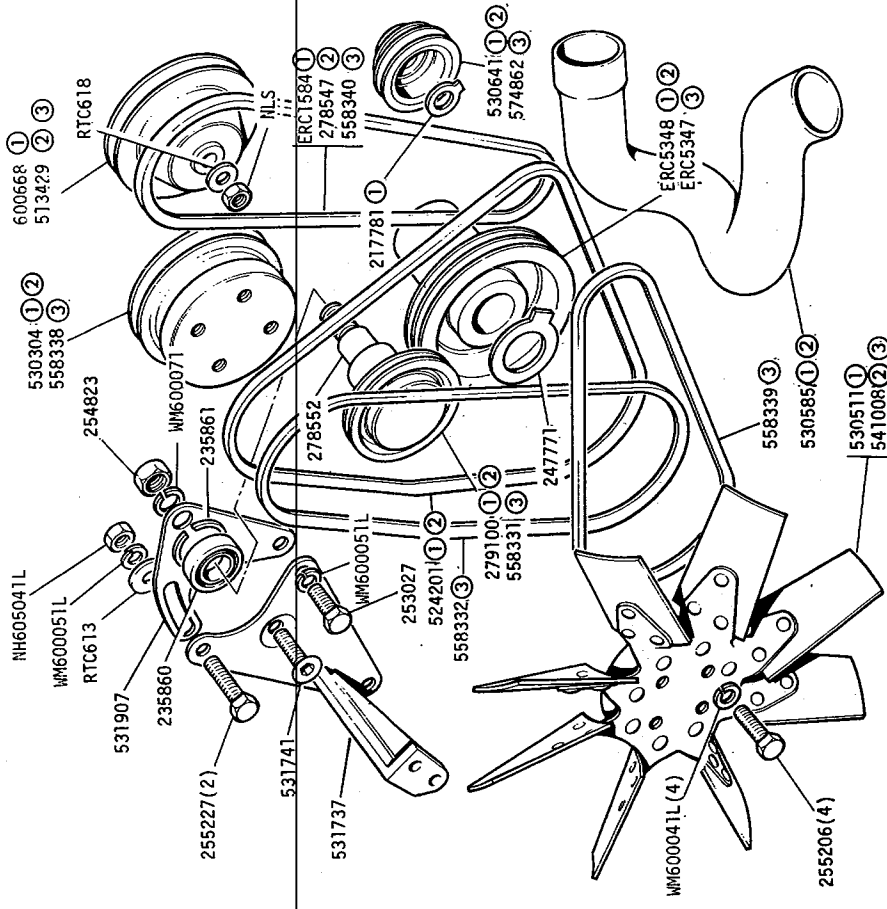
GROUP J
OPTIONAL EQUIPMENT - Cooling System, hot countries:



Series III Land Rover 2.1 litre petrol models;

Land Rover Optional Equipment: [J] 02 [ARE 19]

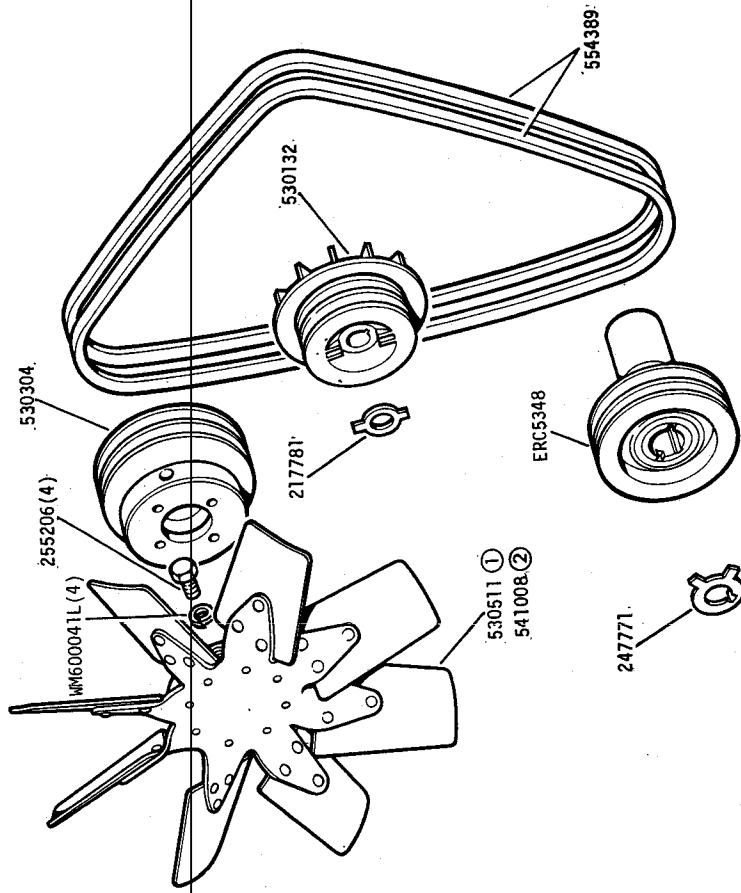
GROUP J
OPTIONAL EQUIPMENT - Fan, pulleys, and drive belts for engine governor



Series IIA and III Land Rover all models;
 ① Series IIA up to engine suffix 'H' inclusive;
 ② Series IIA from engine suffix 'J' onwards;
 ③ Series III

Land Rover Optional Equipment: [J] 02 [RE 270]

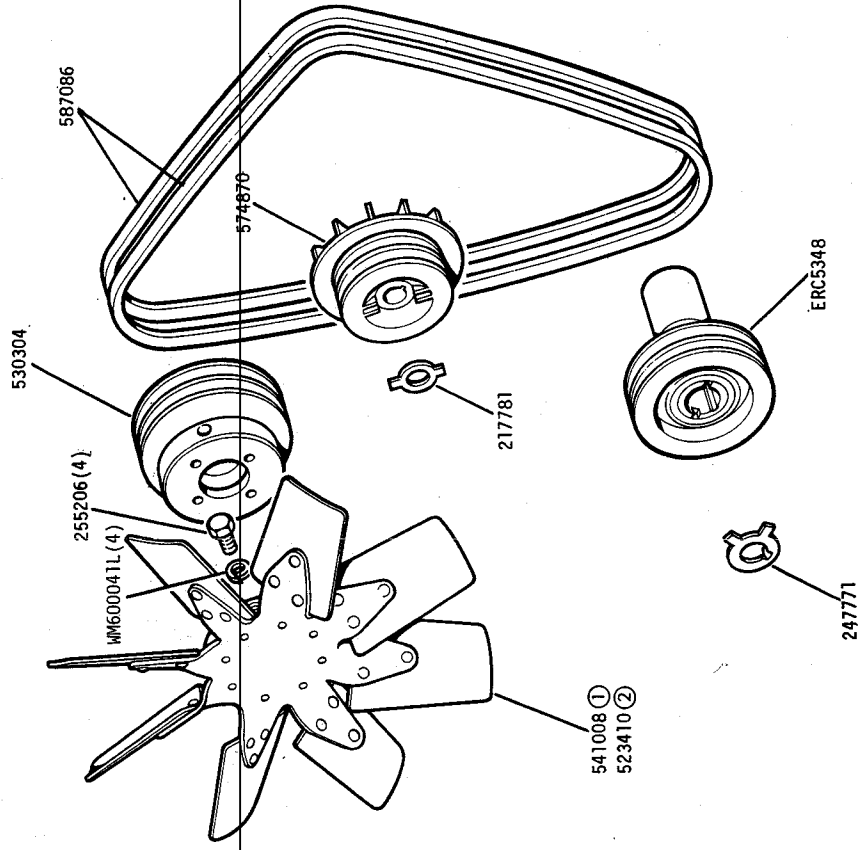
GROUP J
OPTIONAL EQUIPMENT - Eight blade fan kit.



'8 Blade fan kit 531881 Series IIA 2½ Petrol, up to engine suffix 'H' inclusive;
8 Blade fan kit 605553 Series IIA 2½ Petrol, from engine suffix 'J' onwards

- ① up to engine suffix 'H' inclusive
- ② From engine suffix 'J' onwards

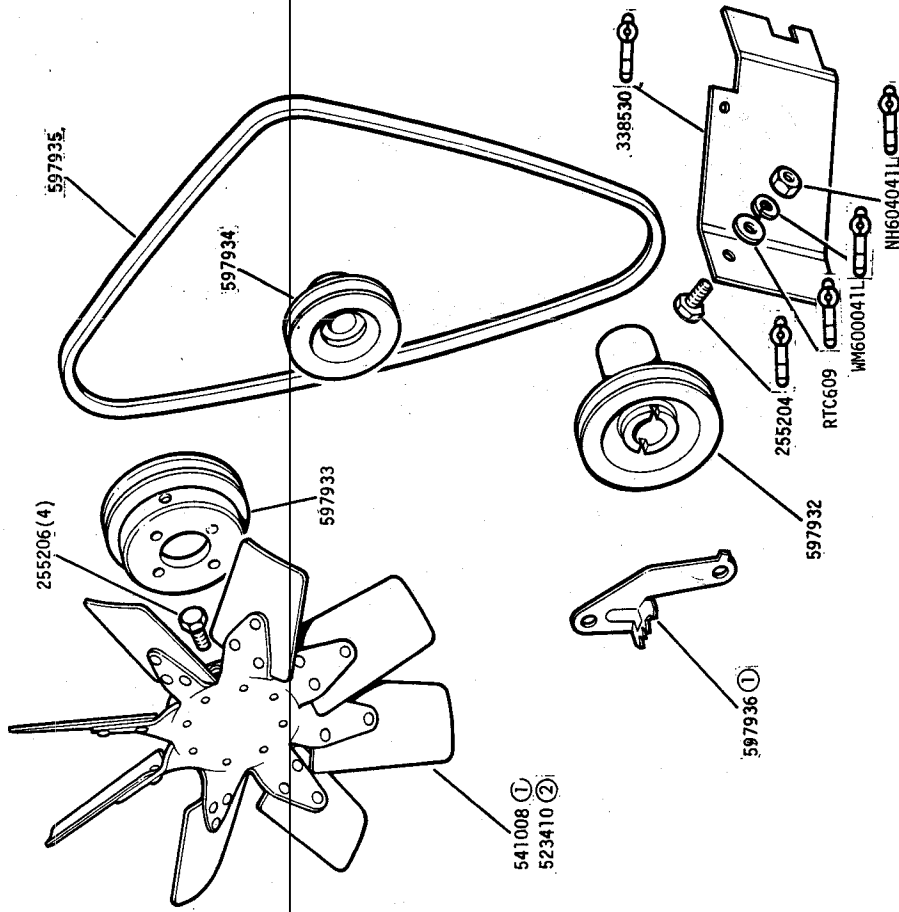
GROUP J
OPTIONAL EQUIPMENT - Eight blade fan twin belt system



Service stock separate parts for replacement only, All Land Rovers are now fitted with single belt system. See frame LJ 04 for Kit part numbers.

- ① Petrol models only
- ② Diesel models only

GROUP J
OPTIONAL EQUIPMENT - Eight blade fan single belt system.



8 Blade Fan Kit 608410 Series III 24 Petrol
8 Blade Fan Kit 608411 Series III 24 Diesel

- ① Petrol models only
- ② Diesel models only

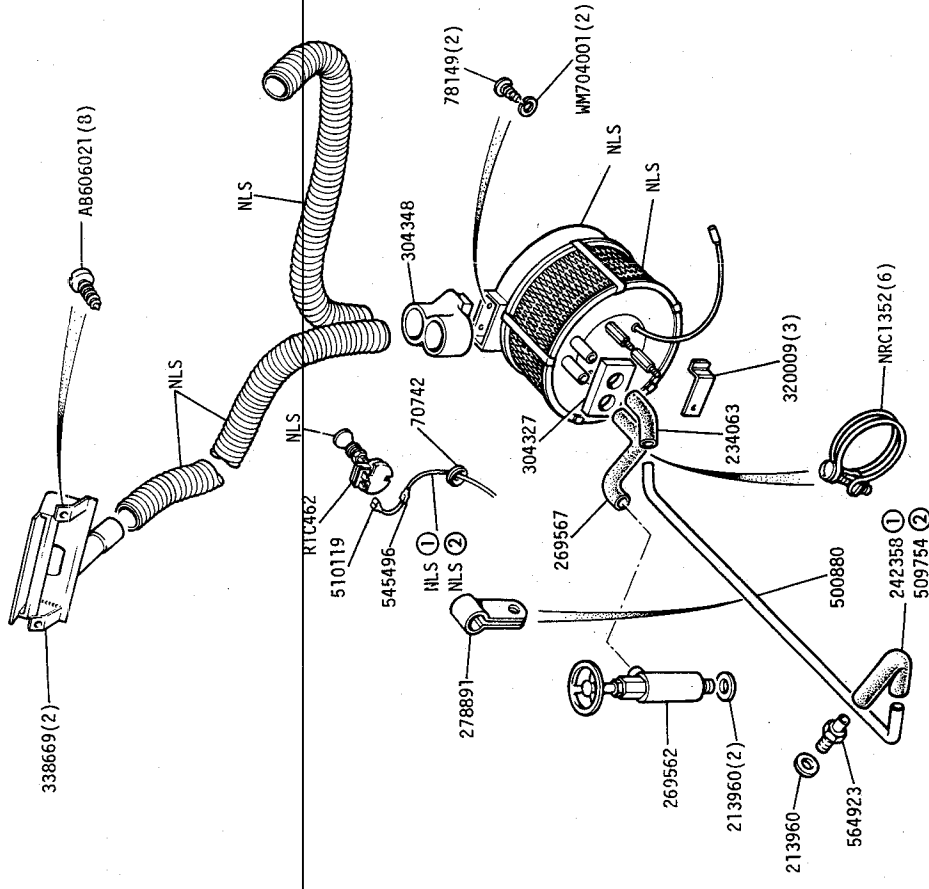


Land Rover Optional Equipment

JJ 04

382443

GROUP J
OPTIONAL EQUIPMENT - Front recirculatory heater complete with demisters



Series 11 and 11A petrol and diesel front heater kit NLS up to vehicle suffix 'C' inclusive

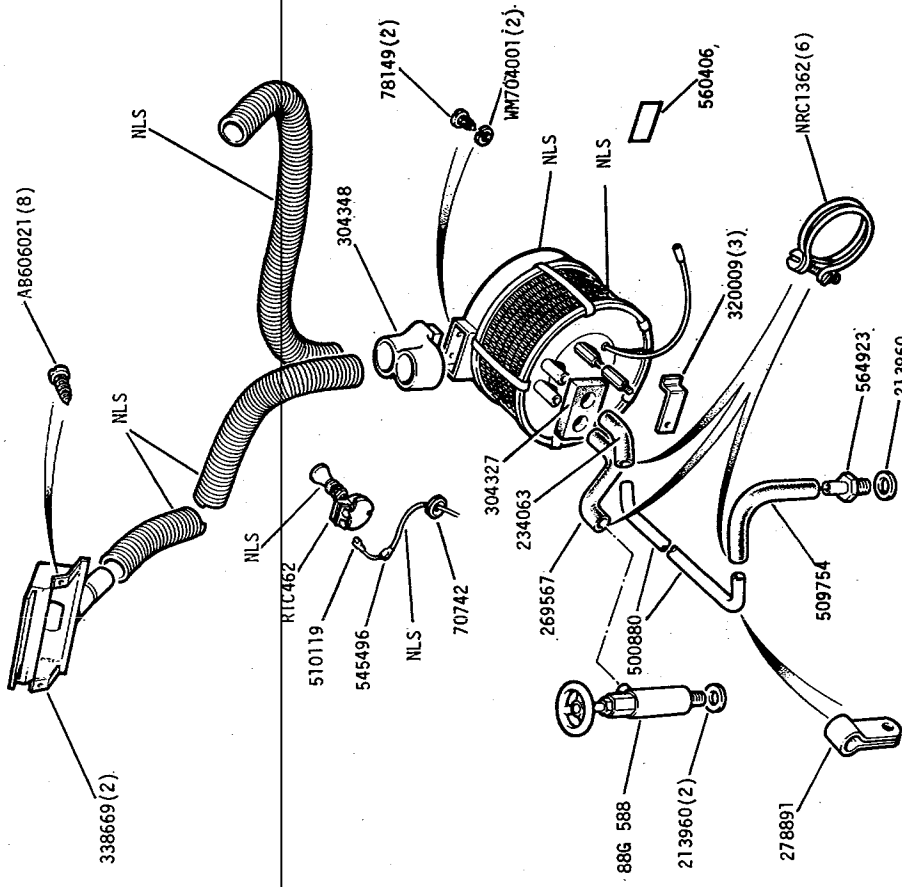
- ① Series 11
- ② Series 11A

Land Rover Optional Equipment

JJ 04

4RE 4/A

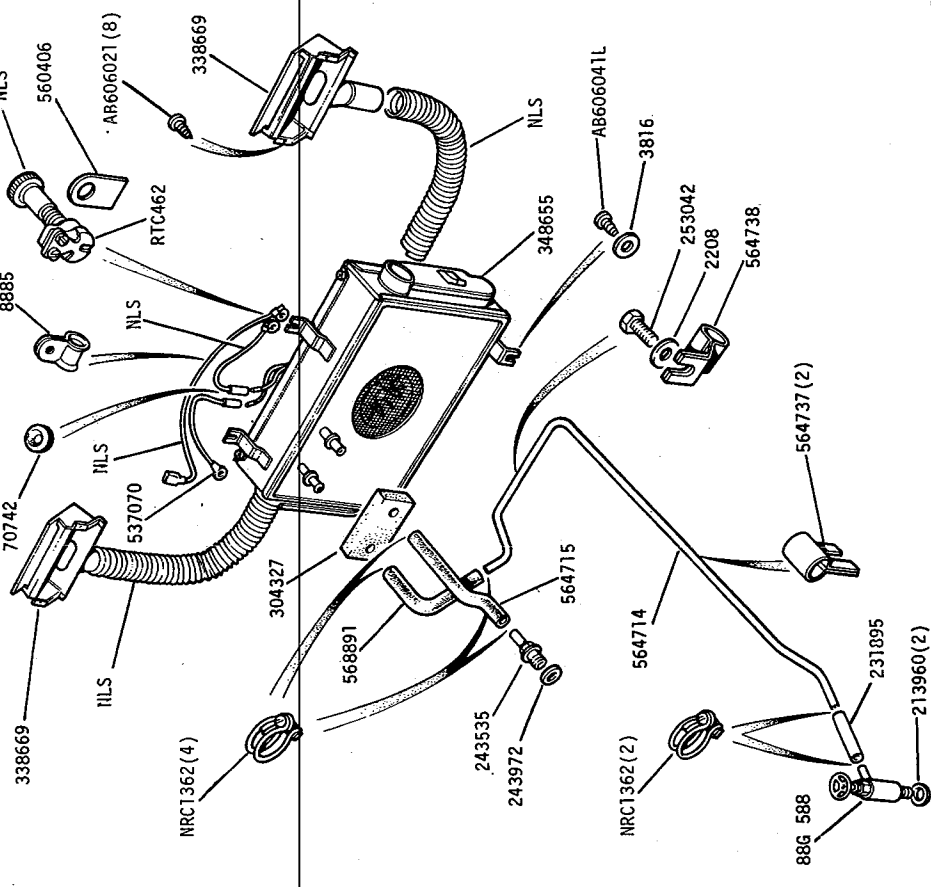
GROUP J
OPTIONAL EQUIPMENT - Front recirculatory heater complete with demisters;



Series IIA 2.4 litre petrol and diesel front heater kit NLS from suffix 'D' to 'E' inclusive

Land Rover Optional Equipment

GROUP J
OPTIONAL EQUIPMENT - Front recirculatory heater complete with demisters

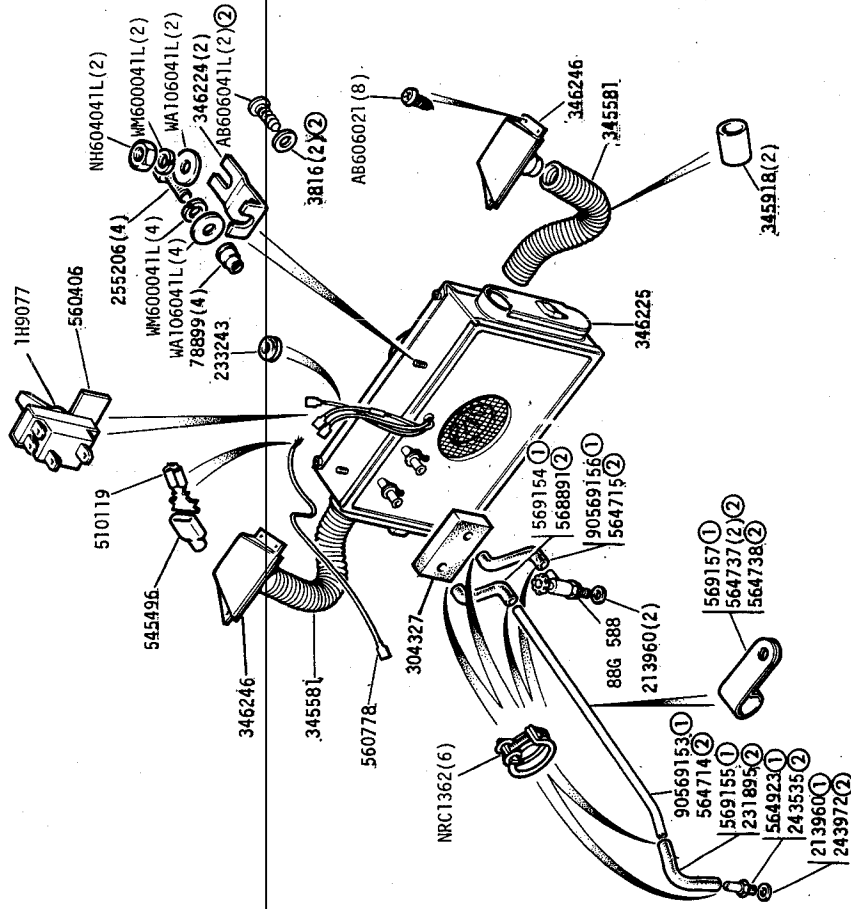


Series IIA 2.6 litre petrol front heater kit 320663 up to vehicle suffix 'E' inclusive

Land Rover Optional Equipment

GROUP J

OPTIONAL EQUIPMENT - Front recirculatory heater complete with demisters.



Series IIA 2½ litre petrol and diesel front heater kit.
 320690 from vehicle suffix 'F' onwards.
 Series IIA 2.6 litre petrol front heater kit 320692 from:
 vehicle suffix 'F' onwards.

- ① 2½ litre models only
- ② 2.6 litre models only



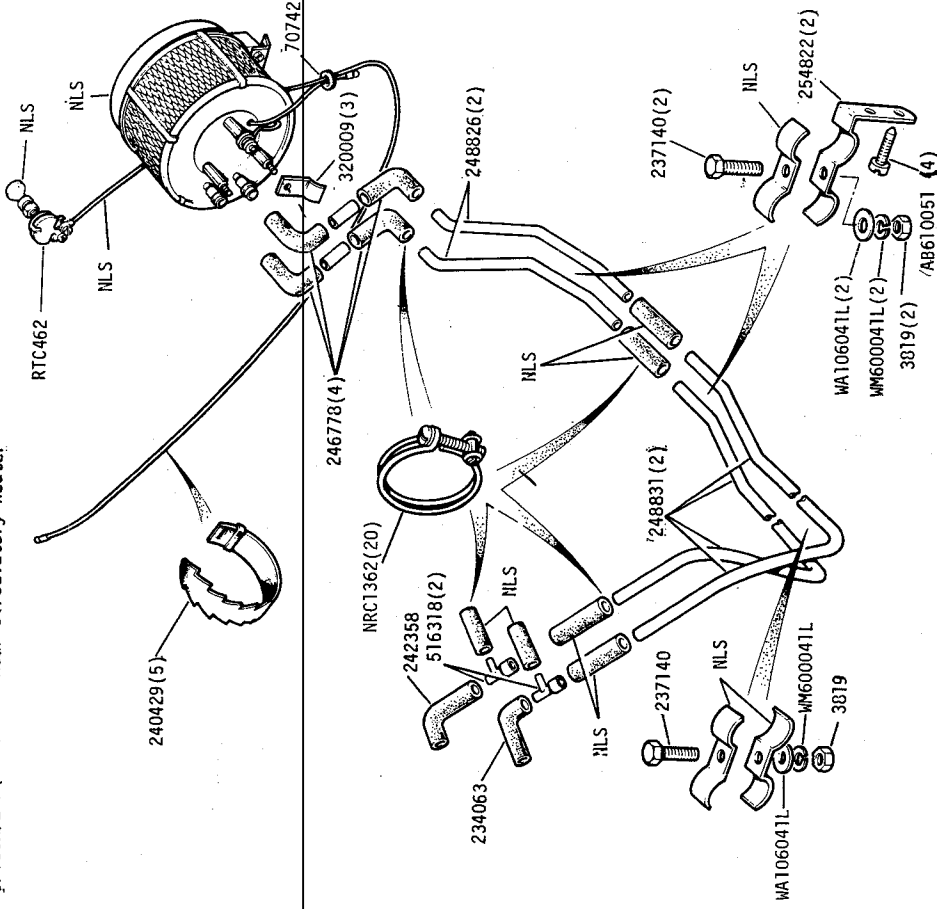
Land Rover Optional Equipment

1J 06

34625

GROUP J

OPTIONAL EQUIPMENT - Rear circulatory heater.



Series IIA 2½ litre petrol rear heater kit NLS



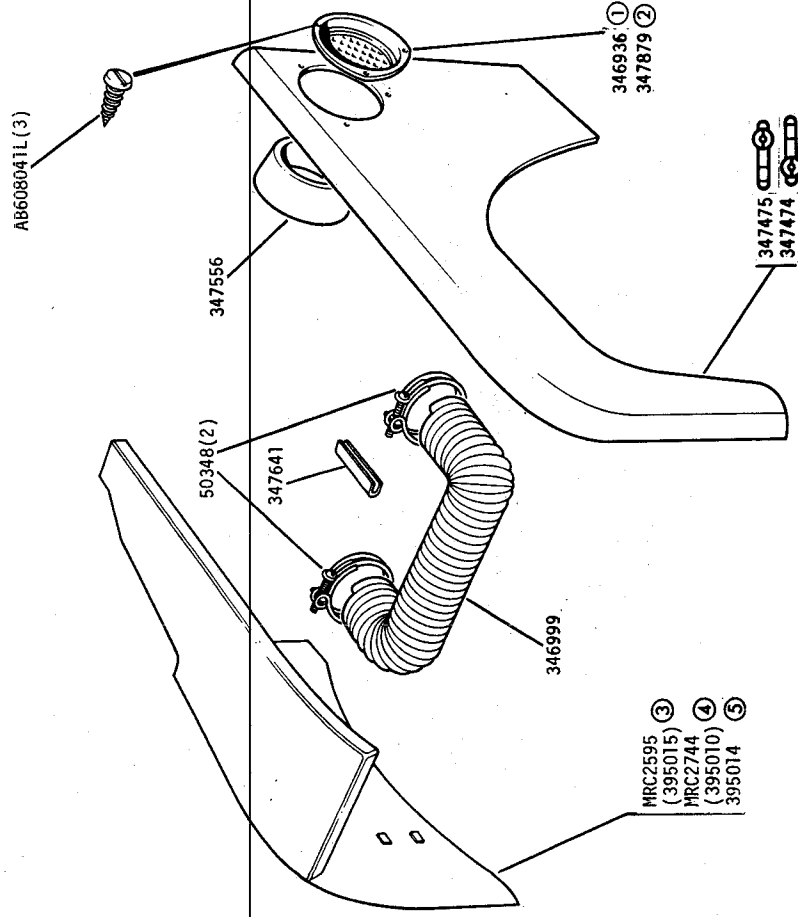
Land Rover Optional Equipment

1J 06

34626

GROUP J

OPTIONAL EQUIPMENT, Fresh air heater, front wings and blower hose



Series III

- ① Except German market
- ② German market only
- ③ All 4 cylinder models
- ④ 2.6 petrol
- ⑤ All 88 and 109 petrol and diesel



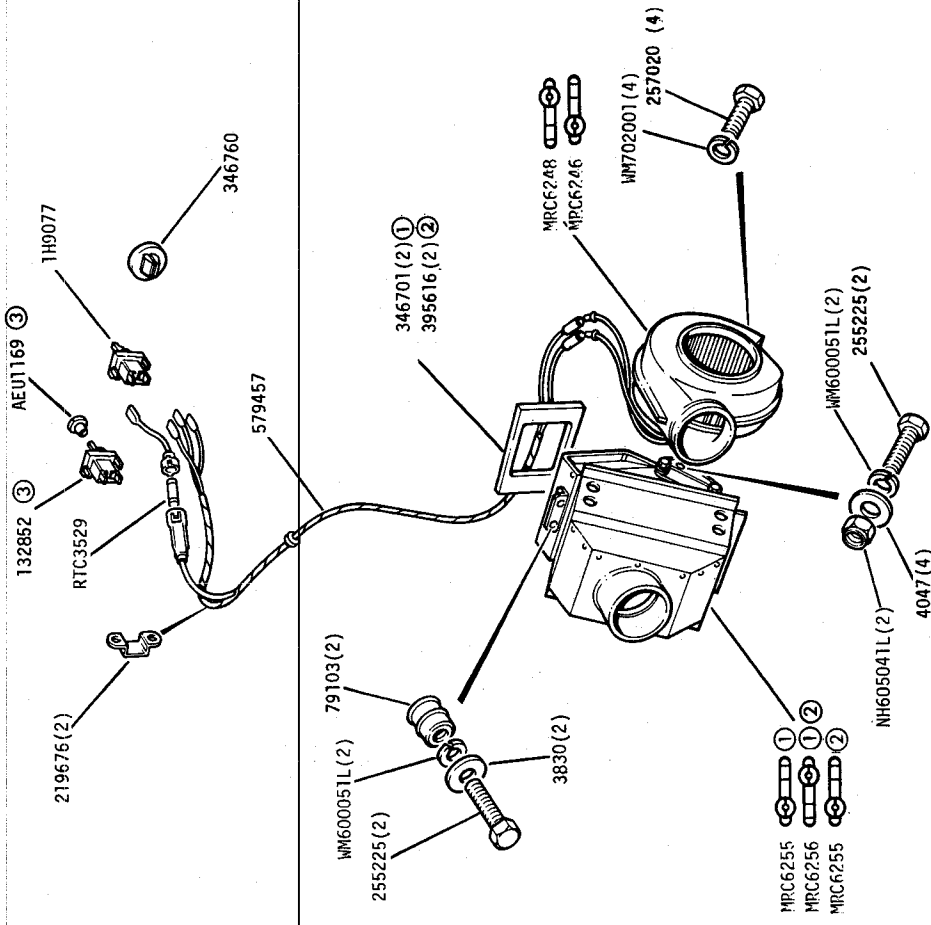
Land Rover Optional Equipment

1J '07

3RE419

GROUP J

OPTIONAL EQUIPMENT, Fresh air heater, heater box and blower unit



Series III

- ① Up to end of 1973 season
- ② 1974 season on
- ③ Germany



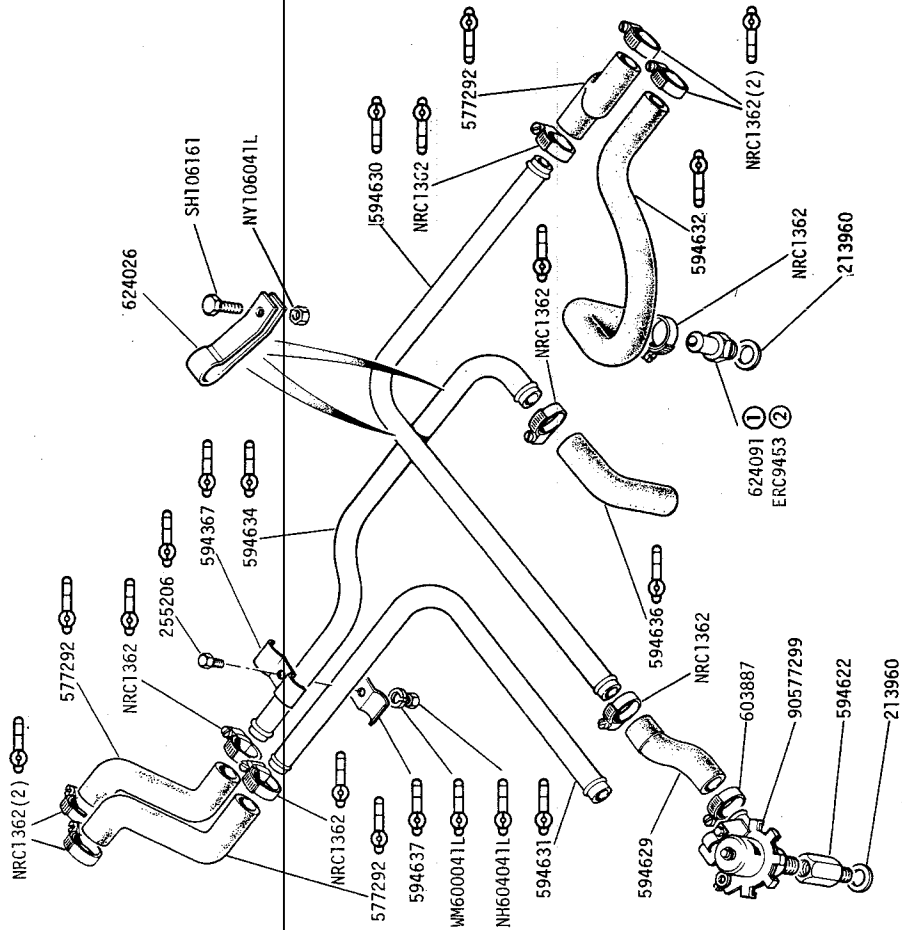
Land Rover Optional Equipment

1J '07

3RE418

GROUP J

OPTIONAL EQUIPMENT - Fresh Air Heater Pipes, Hoses and Water Valve.

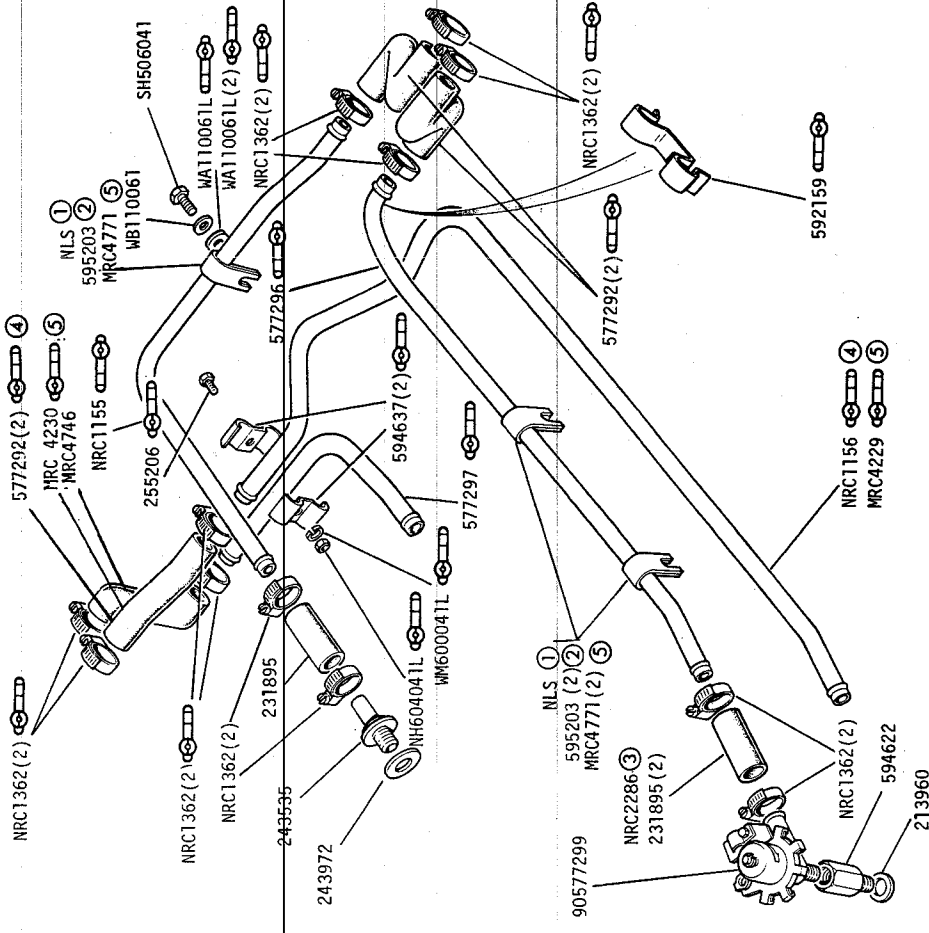


Series III 2 1/2 Models

- ① B.S.P. thread
- ② Metric thread

GROUP J

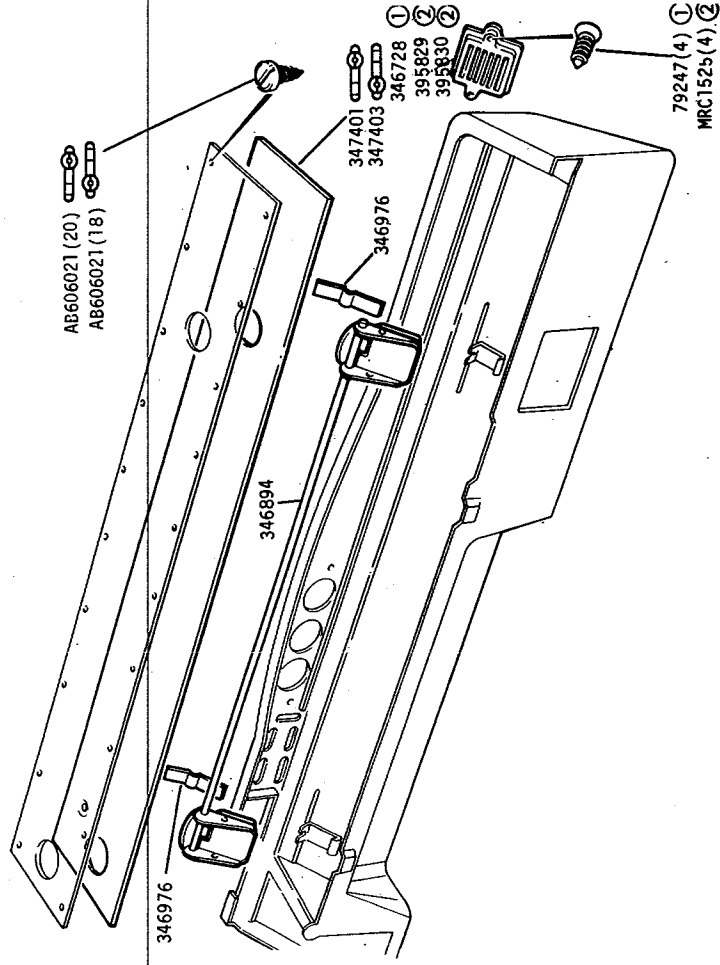
OPTIONAL EQUIPMENT - Fresh air heater pipes, hoses and water valve



Series III Land Rover 109 2.0 Petrol

- ① Up to October 1971
- ② and from November 1971 to March 1978
- ③ 6 cylinder petrol detoxed vehicles
- ④ Up to March 1978 inclusive
- ⑤ From April 1978 onwards

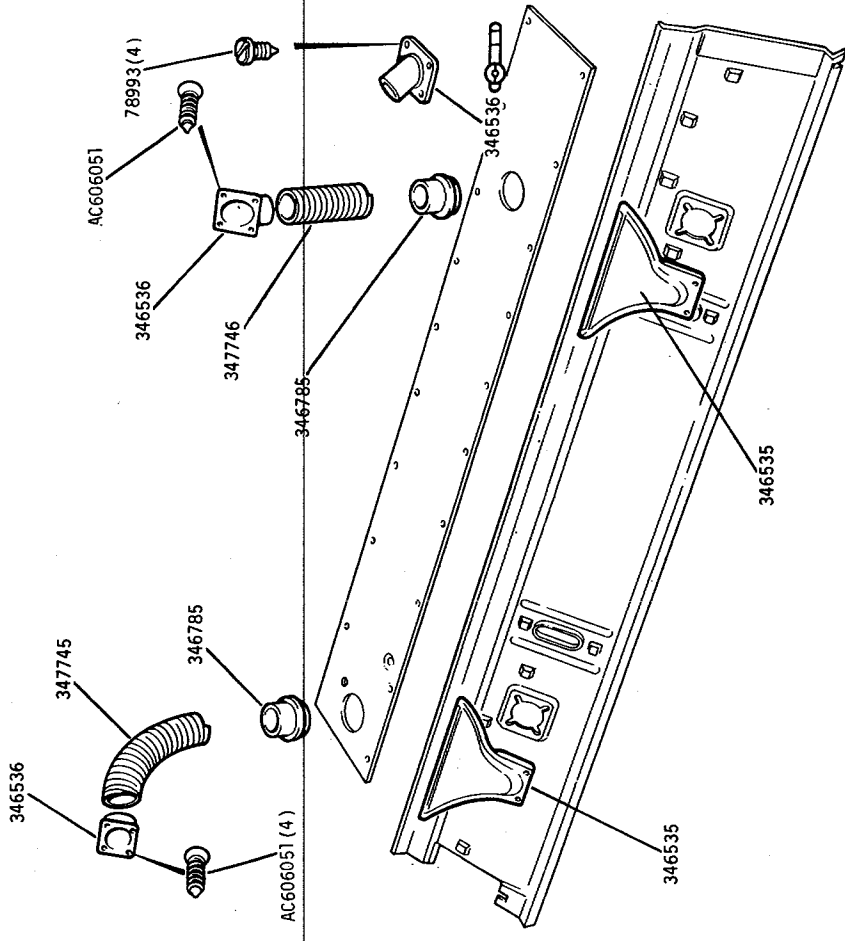
GROUP J
OPTIONAL EQUIPMENT, Fresh air heater, outlet flaps



Series III

- ① Up to 1974 Season.
- ② From 1974 Season

GROUP J
OPTIONAL EQUIPMENT, Fresh air heater, demisters

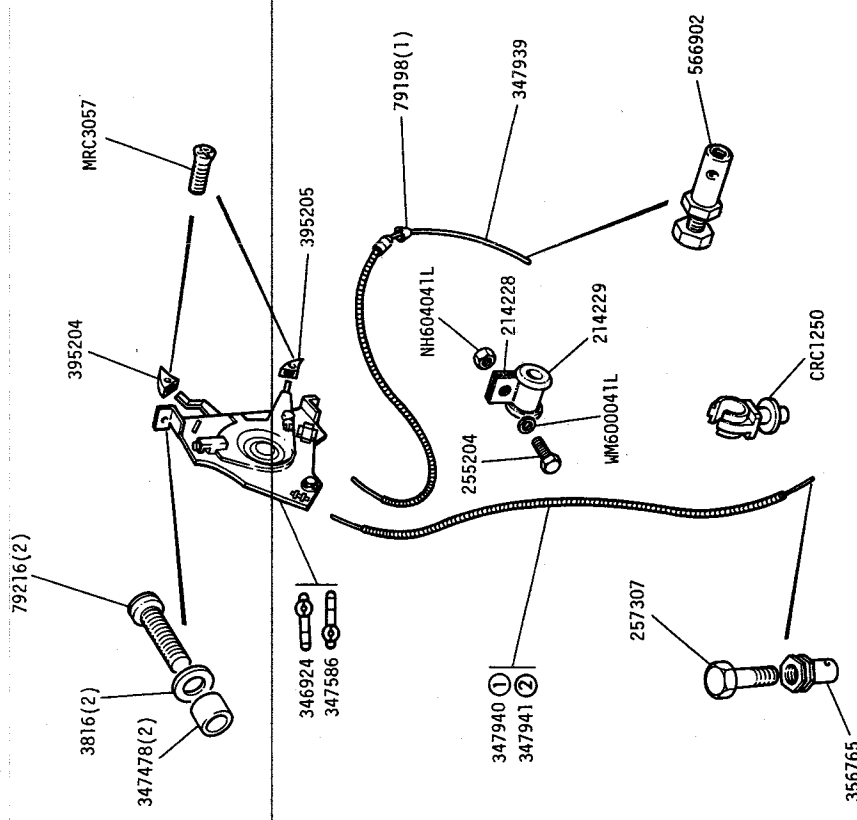


Series III

| PLATE REF. | 1 | 2 | 3 | 4 | DESCRIPTION | QTY. | PART No. | REMARKS |
|------------|---|---|---|---|-------------|------|----------|---------|
|------------|---|---|---|---|-------------|------|----------|---------|

| | | | | | | | | |
|---|----|-----------|--|--|--|--|--|-------------|
| Heater box complete | 1 | MRC6255 | | | | | | LH |
| Heater blower complete | 1 | MRC6246 | | | | | | Stg |
| Heater box complete | 1 | MRC6256 | | | | | | RH |
| Heater blower complete | 1 | MRC6248 | | | | | | Stg |
| Heater valve assembly | 1 | ERC3564 | | | | | | |
| Hose - water outlet - heater valve | 1 | ERC3485 | | | | | | |
| Hose - heater valve return pipe | 1 | ERC3486 | | | | | | |
| Bracket - heater valve | 1 | ERC3484 | | | | | | |
| Screw 3/8" UNF x 3/4") Fixing heater valve bracket | 1 | SH506061 | | | | | | |
| Spring washer) to LH Cyl. head rear | 1 | WM600061L | | | | | | |
| Plain washer) Fixing heater valve | 2 | WC105001 | | | | | | |
| Spring washer) and outlet pipe to bracket | 2 | WM702001 | | | | | | |
| Nut. 10 UNF | 2 | HN2005 | | | | | | |
| Plain washer | 1 | 4594 | | | | | | |
| Insulation pad | 1 | 347403 | | | | | | LH Stg |
| Insulation pad | 1 | 347401 | | | | | | RH Stg |
| Heater duct - outlet grille.RH | 1 | 395829 | | | | | | |
| Heater duct - outlet grille.LH | 1 | 395830 | | | | | | |
| Outlet flaps complete | 1 | 346894 | | | | | | |
| Closing spring outlet flaps | 2 | 346976 | | | | | | |
| Locking pin, cable to outlet flaps | 1 | 566902 | | | | | | |
| Drive screw - closing panel to duct | 18 | AB606021 | | | | | | |
| Drive screw - outlet grille to duct | 4 | MRC1525 | | | | | | |
| Cable assembly, heater flap operation | 1 | 347939 | | | | | | |
| Tubular clip - outer cable to closing panel | 1 | 79198 | | | | | | |
| Cable assembly, water valve operation | 1 | MRC2234 | | | | | | LH Stg |
| Cable assembly, water valve operation | 1 | 347941 | | | | | | RH Stg |
| Mounting plate and cover assembly | 1 | 347586 | | | | | | LH Stg |
| Clip, heater control cable | 1 | 346924 | | | | | | RH Stg |
| Finger grip - heater flap operation | 1 | CRC1250 | | | | | | |
| Finger grip - water valve operation | 1 | 395204 | | | | | | |
| Screw - finger grips to levers | 1 | 395205 | | | | | | |
| Cable clip stand off rod | 2 | MRC3057 | | | | | | |
| Demister outlet nozzle upper | 2 | 346535 | | | | | | |
| Demister outlet nozzle lower | 2 | 346536 | | | | | | LH Stg only |
| Drive screw, demister nozzle upper to lower front plate | 8 | AC606051 | | | | | | |
| Heater switch label | 1 | 346760 | | | | | | |
| Grommet - parcel tray | 2 | 346785 | | | | | | |
| Flexible tubing - demister - drivers side | 1 | 347745 | | | | | | |
| Flexible tubing - demister - passenger side | 1 | 347746 | | | | | | |
| Demister outlet nozzle - lower | 1 | 346536 | | | | | | |
| Drive screw - demister outlet nozzle to closing panel | 4 | 78993 | | | | | | |
| Heater switch | 1 | 1H9077 | | | | | | |
| Cable assembly, switch to motor | 1 | 579457 | | | | | | |
| Clip, cable to support | 1 | 219676 | | | | | | |
| Screw, 10UNF x 3/4") Heater blower unit | 4 | 257020 | | | | | | |
| Spring washer) to dash | 4 | WM702001 | | | | | | |
| Flexible tubing - blower to heater | 1 | 346999 | | | | | | |
| Blower pipe, protection strip - front wing | 1 | 347641 | | | | | | |
| Seal, fresh air heater inlet | 1 | 347556 | | | | | | |
| Wing trim assembly, fresh air heater inlet | 1 | 346936 | | | | | | |
| Drive screw - wing trim to wing | 3 | AB608041L | | | | | | |
| Hose clips - blower to matrix | 2 | RTC3519 | | | | | | |
| Seal - heater box to dash | 2 | 395616 | | | | | | |

GROUP J
OPTIONAL EQUIPMENT, Fresh air heater, control cables



Series III
 ① All except 2.6 models
 ② 2.6 models

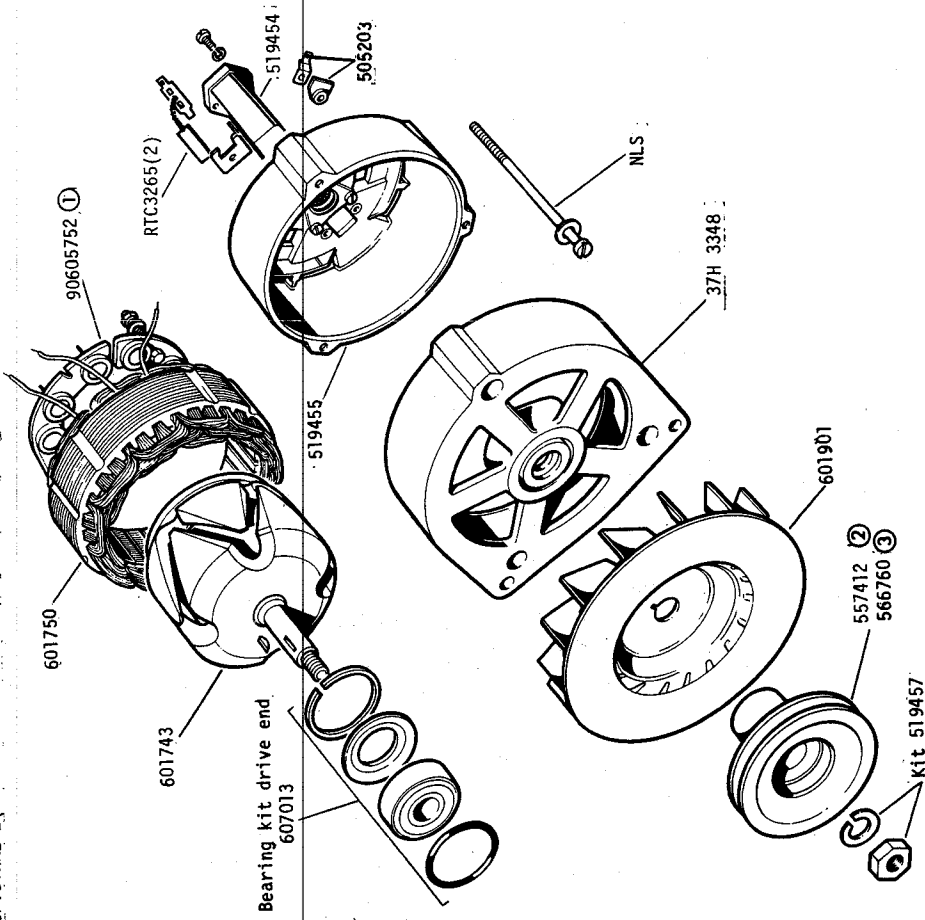
* ASTERISK INDICATES A NEW PART WHICH HAS NOT BEEN USED ON ANY PREVIOUS MODEL.

OPTIONAL EQUIPMENT - Fresh air heater, 109 V8 Land Rover

| PLATE REF. | DESCRIPTION | QTY. PART No. | | REMARKS |
|------------|---|---------------|-----------|----------|
| | | 1 | 2 | |
| | Bolt. 5/16" UNF x 3/8" } Heater box to toe panels | 2 | SH605051 | |
| | Spring washer | 2 | WM600051L | |
| | Plain washer | 4 | WA108051L | |
| | Nut. 5/16" UNF } Heater box bracket | 2 | NH605041L | |
| | Bolt. 5/16" UNF x 3/8" } to dash front panel | 2 | SH605051 | |
| | Spring washer | 2 | WM600051L | |
| | Plain washer | 2 | WA105001 | |
| | Nut sert 5/16 UNF - heater to top fixing bracket - outer vent panel | 2 | 3830 | |
| | Hose | 2 | 79103 | |
| | Hose | 2 | NRC3060 | - LH Stg |
| | Hose - Pipe to Diverter Valve | 1 | NRC3317 | - RH Stg |
| | Hose clip | 1 | NRC2984 | - RH Stg |
| | Hose elbow | 4 | RTC3497 | |
| | Hose clip | 2 | NRC3316 | |
| | Heater feed pipe | 4 | RTC3497 | |
| | Heater return pipe | 1 | NRC2555 | LH Stg |
| | Heater pipe feed and return | 1 | NRC2556 | |
| | Saddle clip | 2 | NRC2985 | - RH Stg |
| | Screw. M6 x 16 } Fixing heater hoses | 2 | 594637 | |
| | Spring washer | 1 | SH106161 | |
| | Nut. M6 | 1 | WL106001 | |
| | Trunnion } Fixing cable to valve | 1 | NH106041L | |
| | Screw. No 8 UNC x 3/8" } 'p' clip | 1 | 356765 | |
| | Bolt. M5 x 12 } Fixing 'p' clips | 1 | 257307 | |
| | Plain washer | 2 | CP105161 | |
| | Spring washer | 2 | SH105121 | |
| | Nut. M5 } to hoses | 2 | WA105001 | |
| | Spacing washer, controls to closing trim | 2 | WL105001 | |
| | Screw. No 8 UNC x 3/8" } Fixing control unit | 2 | NH105041 | |
| | Plain washer | 2 | 347478 | |
| | Outer panel for front wing assembly, RH | 2 | 79216 | |
| | Outer panel for front wing assembly, LH | 2 | WC702101 | |
| | | 1 | 347474 | LH Stg |
| | | 1 | 347475 | RH Stg |

* ASTERISK INDICATES A NEW PART WHICH HAS NOT BEEN USED ON ANY PREVIOUS MODEL.

GROUP K
OPTIONAL EQUIPMENT - Lucas 11 AC type alternator.



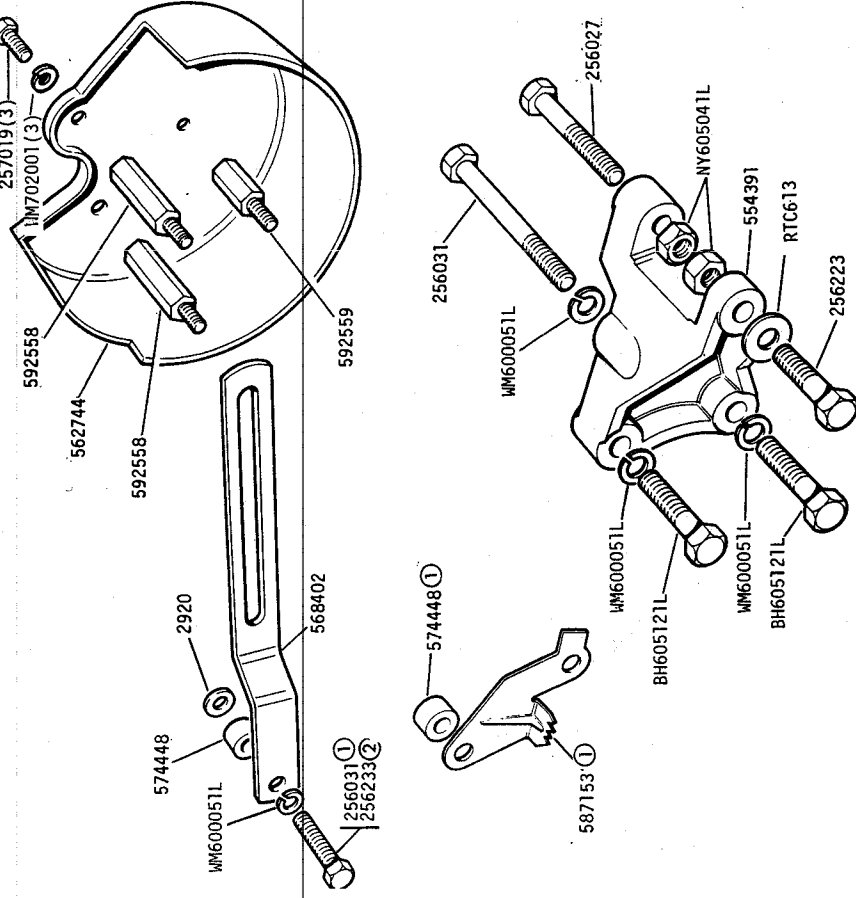
Series IIA 2½ litre petrol alternator kit 605947
 Series IIA 2½ litre diesel alternator kit NLS
 Series IIA 2.6 litre petrol alternator kit 605749
 Series IIA 2½ litre and 2.6 litre alternator assembly 560853

- ① Heat sink fitted with cathode base diode
- ② 2½ litre models
- ③ 2.6 litre models

Land Rover Optional Equipment IK 02



GROUP K
OPTIONAL EQUIPMENT - Heat shield and fixing brackets for Lucas 11 AC type alternator.



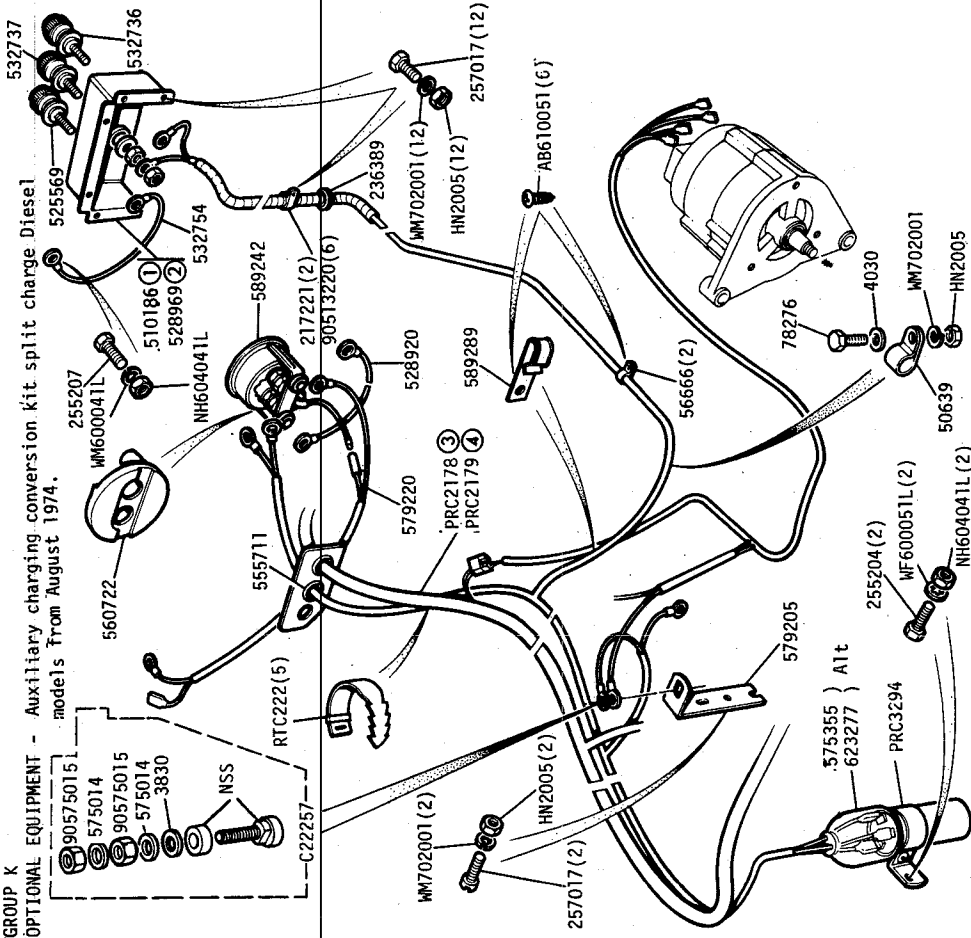
Series IIA 2½ litre petrol alternator kit NLS
 Series IIA 2½ litre diesel alternator kit NLS
 Series IIA 2.6 litre petrol alternator kit 605749
 ① Petrol models only
 ② Diesel models only

Land Rover Optional Equipment IK 02



3RE511

GROUP K
OPTIONAL EQUIPMENT - Radio suppression



Auxiliary charging conversion kit split charge Diesel models From August 1974.

- 90575015L
- 575014
- 90575015
- 575014
- 3830
- NSS
- C-22257

- RTC222(5)
- 560722
- 255207
- WM600041L
- 510186
- 528969
- 532754
- NH604041L
- 589242
- 217221(2)
- 90513220(6)
- 236389
- MM702001(12)
- HN2005(12)
- 257017(12)
- 579220
- PRC2178(3)
- PRC2179(4)
- 589289
- 56666(2)
- 78276
- 4030
- WM702001
- HN2005
- 50639
- NH604041L(2)
- 579205
- 575355
- 623277
- PRC3294
- 255204(2)
- WM600051L(2)

- 560578(2)
- 90514416
- 3851
- 531539(3)
- 560578(2)
- 90514416
- 3851
- 531539(3)
- 531539(3)

Series III Land Rover 2½ Litre Diesel

- ① All 88" Diesel
- ② All 109" Diesel
- ③ All 88" and 109" Basic Diesel
- ④ 109" Station Wagon Diesel

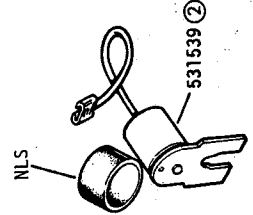
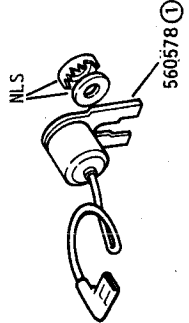
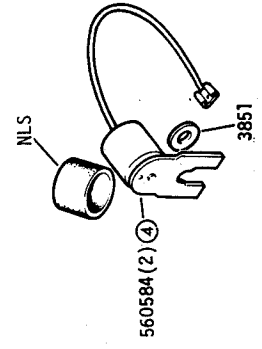
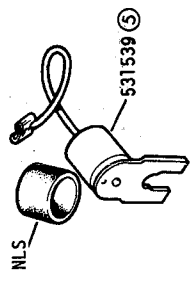
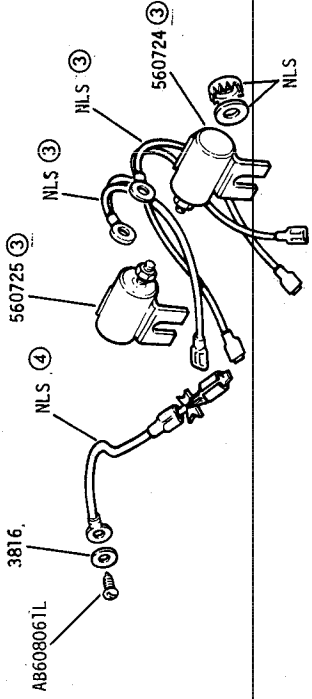
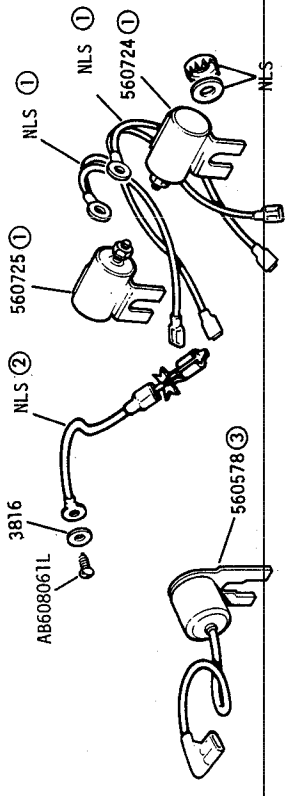
Series III 2½ Litre Diesel 88" all models and 109" Basic Conversion Kit RTC 1872

Series III 2½ Litre Diesel 109" Station Wagon Conversion Kit RTC 1873

Series IIA 2½ Litre Petrol and Diesel up to vehicle suffix 'C' inclusive

- ① Suppressor for coil
- ② Suppressor for wiper motor
- ③ Suppressor for dynamo

GROUP K
OPTIONAL EQUIPMENT - Radio suppression.



Series IIA 2.3 litre Petrol and Diesel from vehicle suffix 'D' onwards.

- ① Suppressor for coil
- ② Suppressor for dynamo
- ③ For use with Lucas DR3A wiper motor
- ④ Earth lead for wiper motor

Series IIA 109 2.6 litre petrol

- ① For use with Lucas DR3A wiper motor
- ② Earth lead for wiper motor
- ③ Suppressor for coil
- ④ Suppressor for petrol pump
- ⑤ Suppressor for dynamo