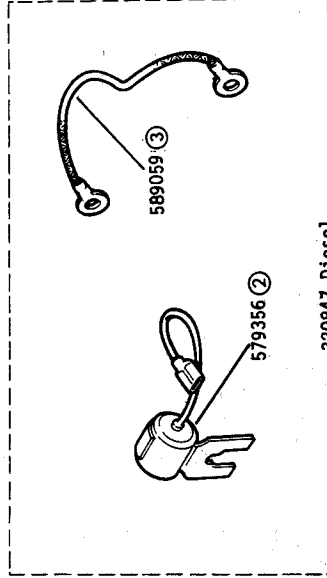
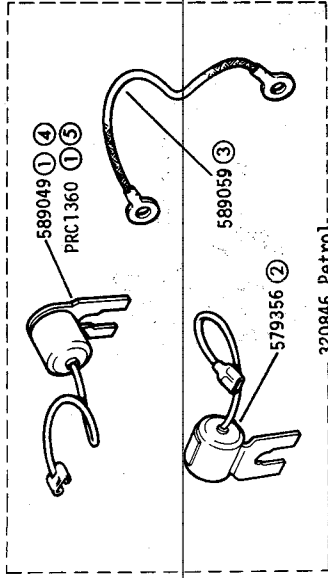
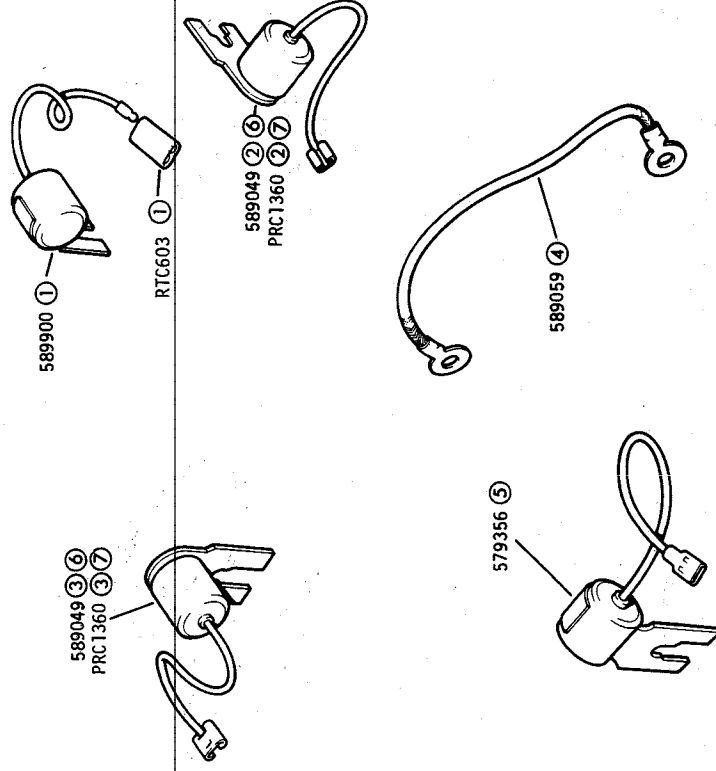


GROUP K
OPTIONAL EQUIPMENT - Radio suppression kit



GROUP K
OPTIONAL EQUIPMENT - Radio suppression kit



Series III 2½ litre Petrol and Diesel

- ① Capacitor for coil
- ② Capacitor for alternator
- ③ Lead for wiper motor
- ④ Up to July 1975
- ⑤ From August 1975



Land Rover Optional Equipment

1K 07

3RE432

Series III 2.6 litre Petrol models

- Radio suppression kit Series III 2.6 litre petrol with SU petrol pump 320848
- Radio suppression kit Series III 2.6 litre petrol with Bendix petrol pump 320888
- ① Capacitor and connector for Bendix petrol pump
- ② Capacitor for SU petrol pump
- ③ Capacitor for coil
- ④ Lead for wiper motor
- ⑤ Capacitor for alternator
- ⑥ Up to July 1975
- ⑦ From August 1975

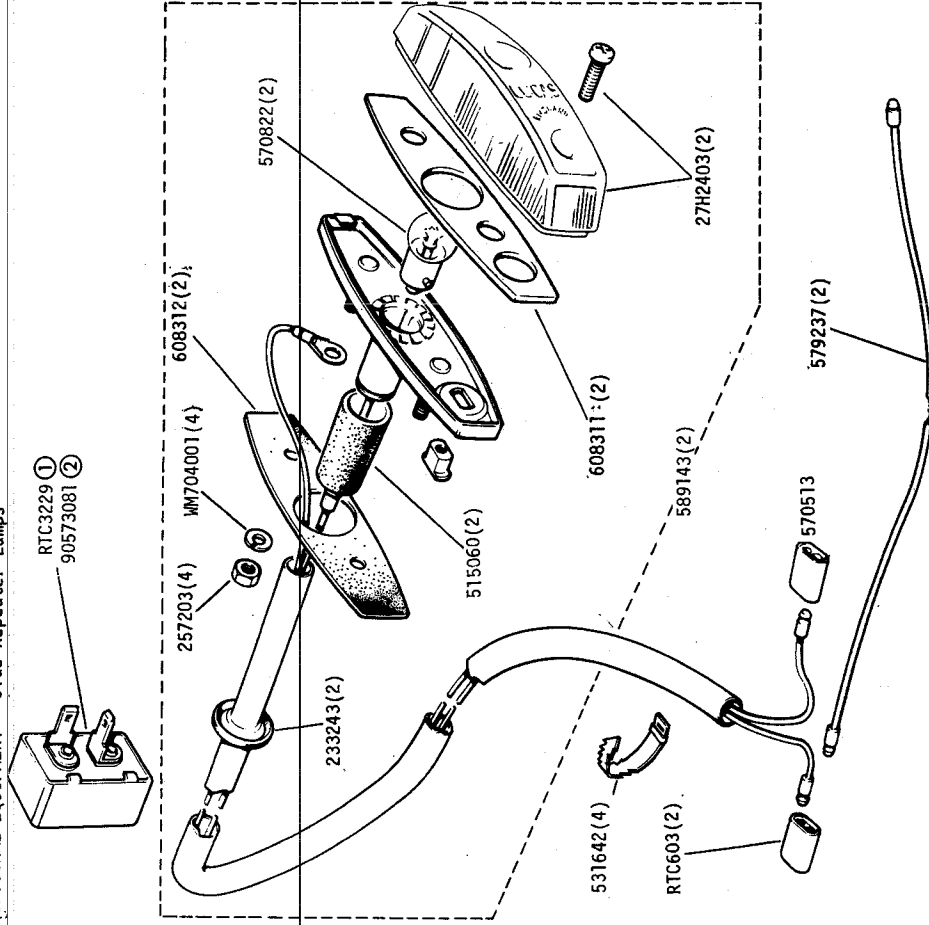


Land Rover Optional Equipment

1K 07

3RE440

GROUP K
OPTIONAL EQUIPMENT - Side Repeater Lamps



Used in conjunction with 7 pin trailer plug and socket on frame 2H 14

- ① Vehicles with side repeaters
- ② Vehicles with side repeaters and 7 pin trailer plug and socket kit

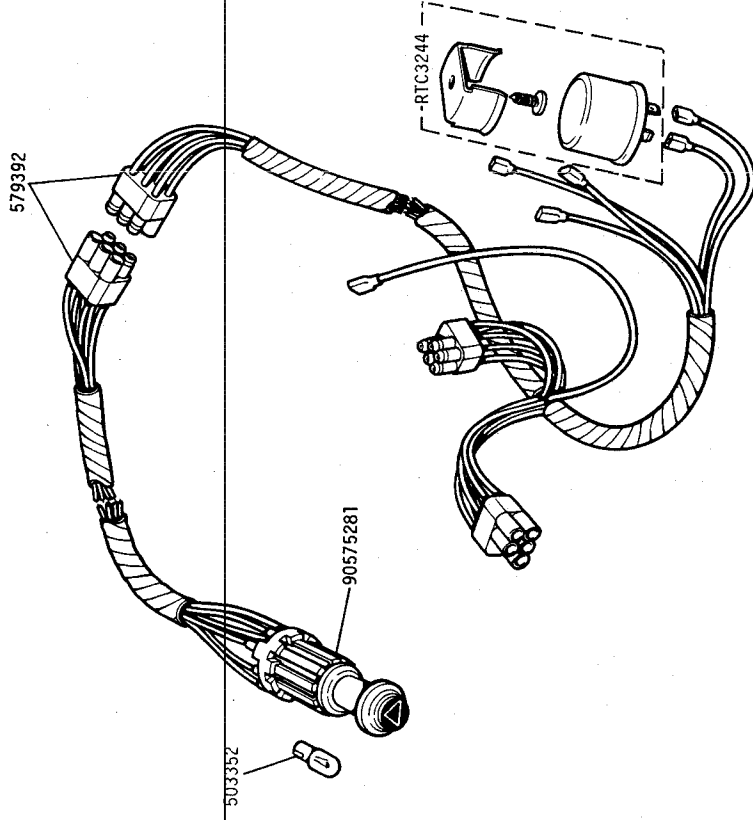


Land Rover Optional Equipment

TK 08

4NE122

GROUP K
OPTIONAL EQUIPMENT - Hazard warning system



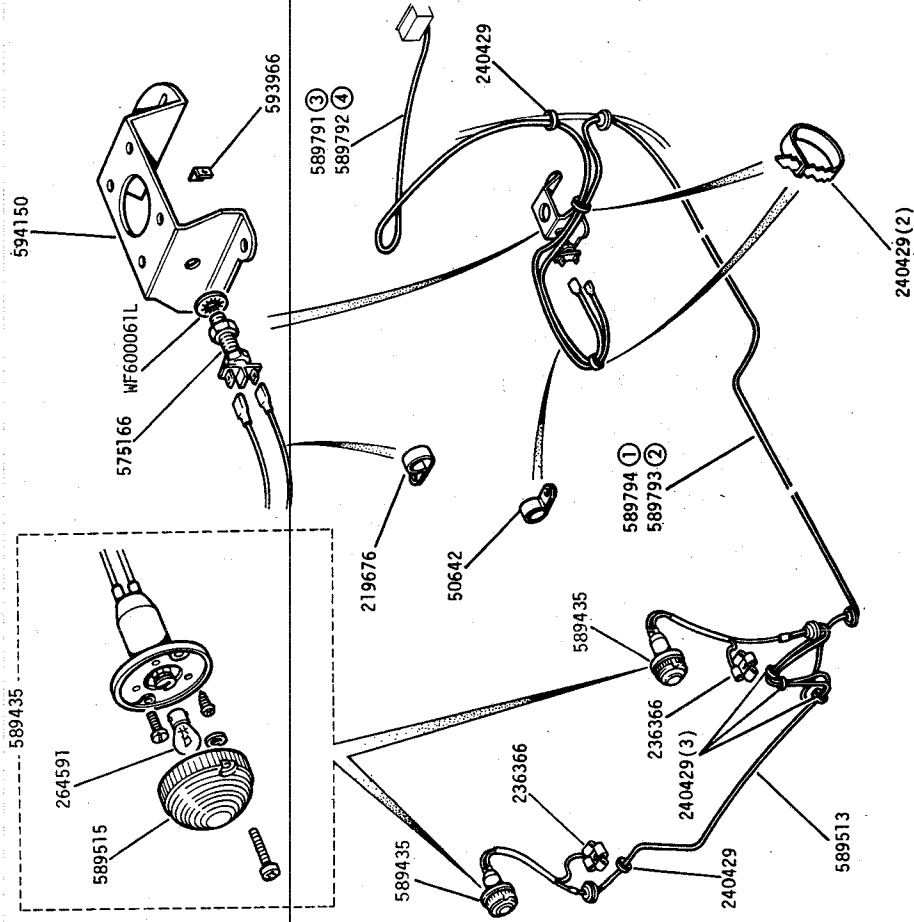
Series III hazard warning kit 607698

Land Rover Optional Equipment

TK 08

4RE 121

GROUP K
OPTIONAL EQUIPMENT - Reverse lamp kit.



Series III 2 1/2 litre petrol and diesel and 2.6 litre petrol models.

① 88" only

② 109" only

③ 88" and 109"

④ 88" and 109"

Series III Reverse lamp kit RTC1181

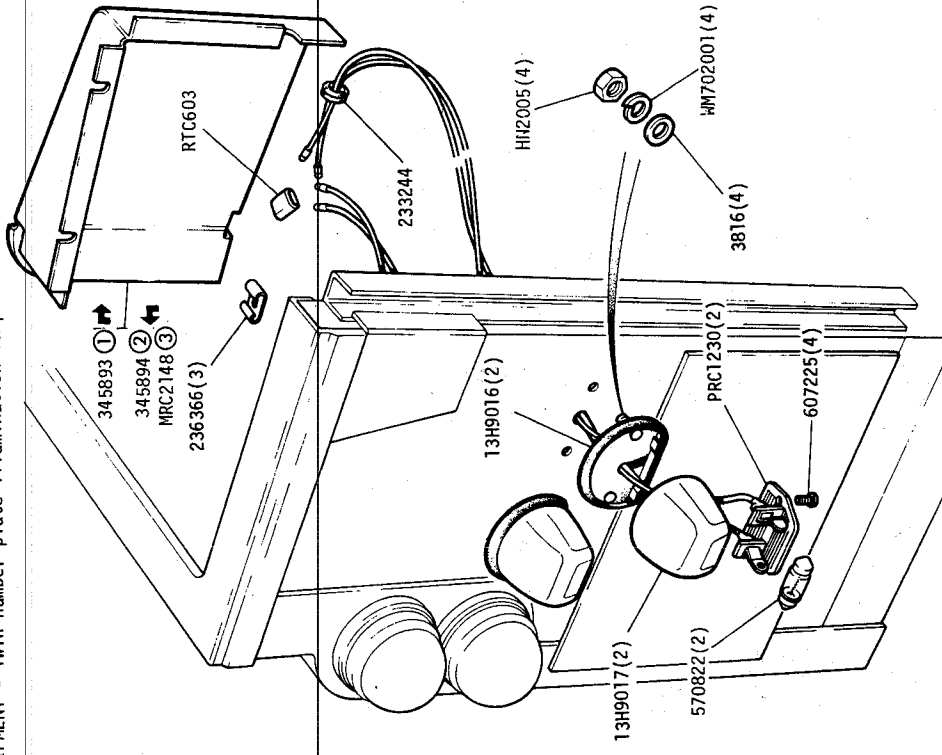


Land Rover Optional Equipment

1K:09

4RE221

GROUP K
OPTIONAL EQUIPMENT - Twin number plate illumination lamps



Series III Land Rover

Complete lamp assembly PRC1229

① Up to April 1976 vehicles fitted with reversing lamps and destined for the German market fitted with twin illumination lamps.

② Up to April 1976 vehicles fitted with reversing lamps.

③ Up to April 1976 vehicles destined for the German market fitted with twin illumination lamps.



Land Rover Optional Equipment

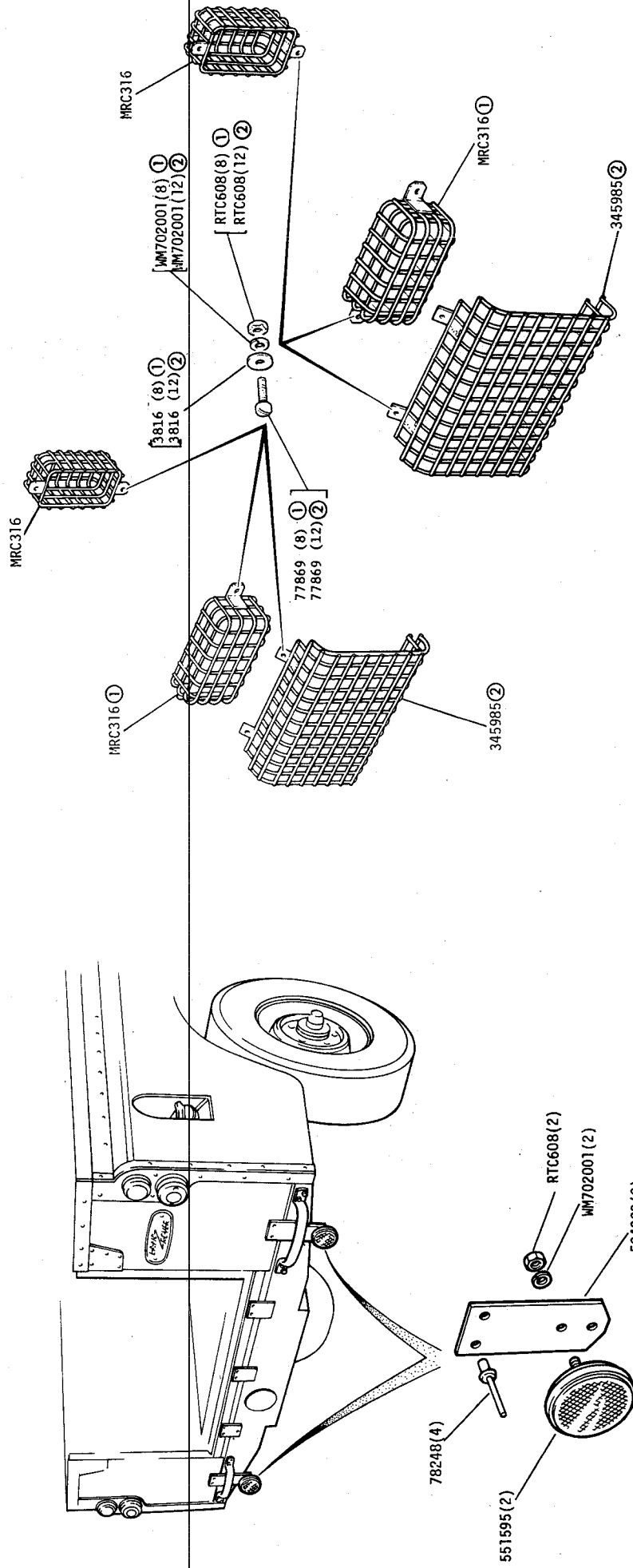
1K 10

4RE 202

From May 1976 refer to Series III catalogue all vehicles fitted with MRC2244 and MRC2245.

GROUP K
OPTIONAL EQUIPMENT - Rear reflectors. FRANCE AND GERMANY

GROUP K
LAMP GUARD SERIES IIA AND III LANDROVER



REMARKS

- ① Series IIA up to vehicle suffix F inclusive
- ② Series IIA from vehicle suffix G onwards and Series III

Series IIA and III Land Rover all models.

1K 11

1K 11

Land Rover Optional Equipment

Land Rover Optional Equipment

4RE 119

3RE 25

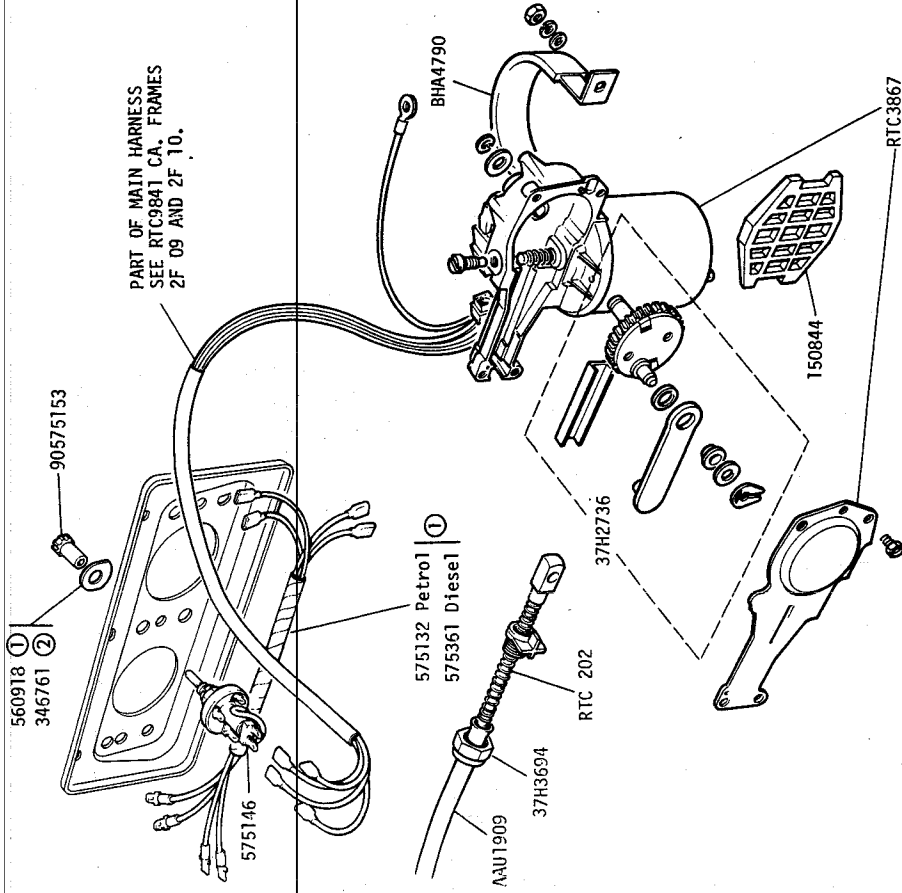
OPTIONAL EQUIPMENT - Split charge facility - 109 V8 Land Rover

P.184

PLATE REF.	1	2	3	4	DESCRIPTION	QTY.	PART No.	REMARKS
					Terminal mounting bracket	1	531604	
					Terminal B+	1	532736	
					Terminal B-	1	525569	
					Terminal bracket earth lead	1	532784	
					Screw, 10UNF x 1/2" long	6	257017	
					Spring washer	6	WM702001	
					Nut 10UNF	6	HN2005	
					Bracket to bulkhead	1	C22257	
					Terminal and insulating bush	1	3830	
					Plain washer	2	90575015	
					Spring washer	2	90575015	
					Terminal	1	575355	
					Protection boot for diode	1	PRC2028	
					Protection plate	1	90575174	
					Diode	2	SH604041	
					Bolt, 1/2" UNF x 1/2" Long	2	WF600041L	
					Spring washer	2	3831	
					Plain washer	2	3831	
					Nut 1/2" UNF	2	NHG604041L	
					Clip - L.H. seat box	1	559168	
					} Harness to chassis	4	56666	109 Station Wagon V8.
					Drive screw	4	72626	
					Grommet in floor plate	1	233245	
					Clip - harness to L.H. wing valance	3	RTC602	
					Harness - cable to transmission tunnel	3	50641	
					Harness - split charge	1	PRC1647	109 regular V8.
					Harness - split charge	1	PRC1468	109 Station Wagon V8
					Clip - harness to body	4	50639	
					} Fixing clips	4	257017	
					Clip 10UNF x 1/2" long	4	WM702001	
					Spring washer	4	HN2005	
					Nut 10UNF	4	HN2005	
					Clip - split charge harness and fuel pump leads to chassis	2	56666	
					Drive screw - clip to chassis	2	AB610051	
					Clip - harness to body	5	56666	
					Screw, 10UNF x 1/2" long	4	257017	109 Station Wagon V8.
					} Fixing harness to L.H. wheel arch	4	WM702001	
					Spring washer	4	HN2005	
					Nut 10UNF	4	HN2005	

NOTE: Refer to E6790 Volt meter for battery voltage indication, suitable for 109 Regular and Station Wagon Vehicles. Refer to frame 1L09 for parts.

GROUP K
OPTIONAL EQUIPMENT - Two speed wiper motor, harness and switch



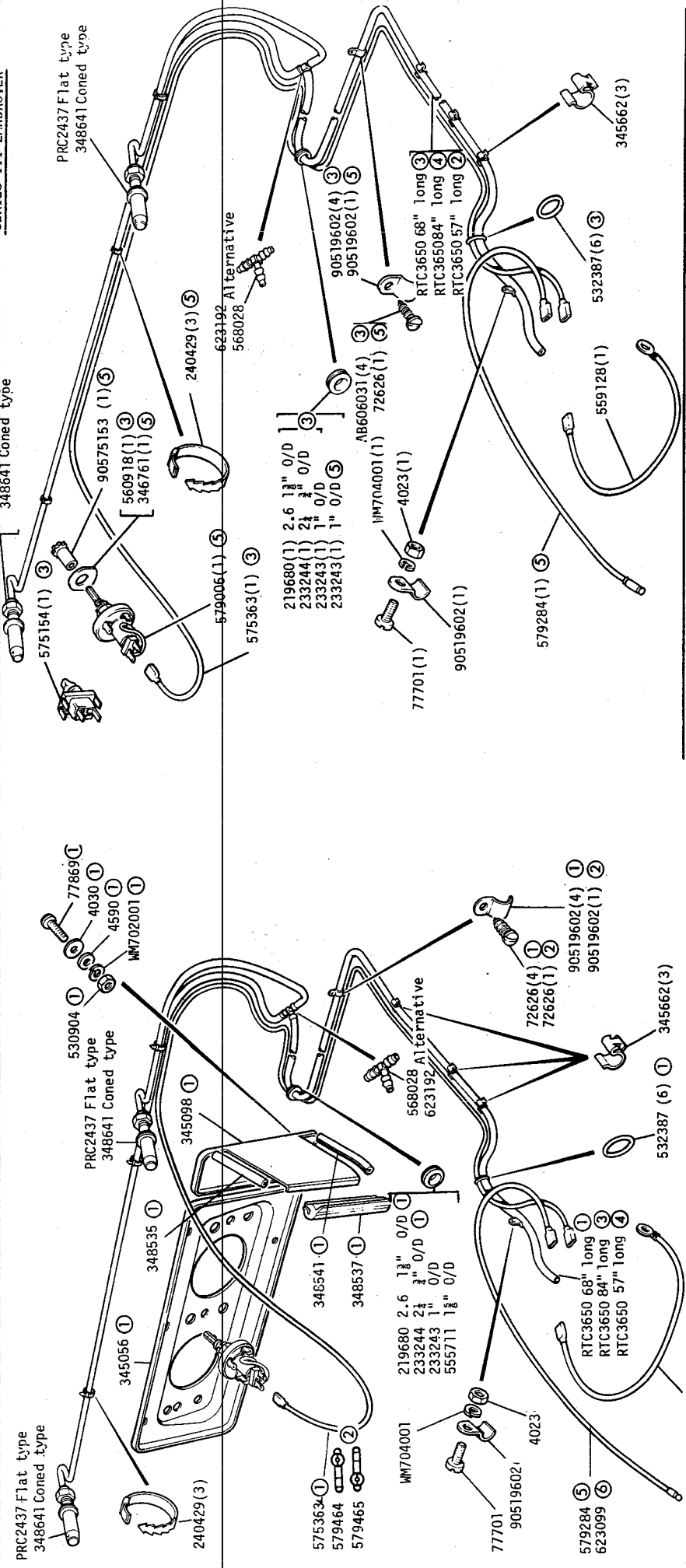
Series IIA and III Land Rover
 ① Series IIA Swedish vehicles from vehicle suffix G onwards
 ② Series III
 Series IIA Windscreen Washer Kit 320744 from vehicle Suffix G onwards
 Series III Windscreen Washer Kit RTC2039
 No Kits available for two-speed wiper and washer, service supply separate parts

Land Rover Optional Equipment 1K 12 V51503

* ASTERISK INDICATES A NEW PART WHICH HAS NOT BEEN USED ON ANY PREVIOUS MODEL.

GROUP K
TUBING, JETS AND FIXINGS FOR WINDSCREEN WASHER ELECTRIC SERIES IIA FROM JULY 1969 AND SERIES III LANDROVER

GROUP K
OPTIONAL EQUIPMENT - Tubing, jets, leads and fixings for two-speed wiper and washer



REMARKS:

- ① Up to July 1972 inclusive.
- ② From August 1972 onwards
- ③ Series IIA
- ④ Series III up to July 1972 inclusive.
- ⑤ Series III
- ⑥ Series IIA Windscreen washer kit 320744 from vehicle suffix 'G' onwards
- Series IIA Two speed wiper and washer kit NLS ~~320744~~ from vehicle suffix 'G' onwards
- Series III Windscreen washer kit RTC2039
- Series III Two speed wiper and washer kit NLS

Series IIA and III Land Rover

- ① Series IIA Swedish vehicles from vehicle suffix G onwards
- ② Series III
- ③ Series III up to July 1972 inclusive.
- ④ From August 1972 onwards
- ⑤ Up to 1973 inclusive
- ⑥ From 1974 onwards.

No kits available for two speed wiper washer; service supply separate parts

Series IIA Windscreen washer kit 320744 from vehicle suffix G onwards.
Series III Windscreen washer kit RTC2039

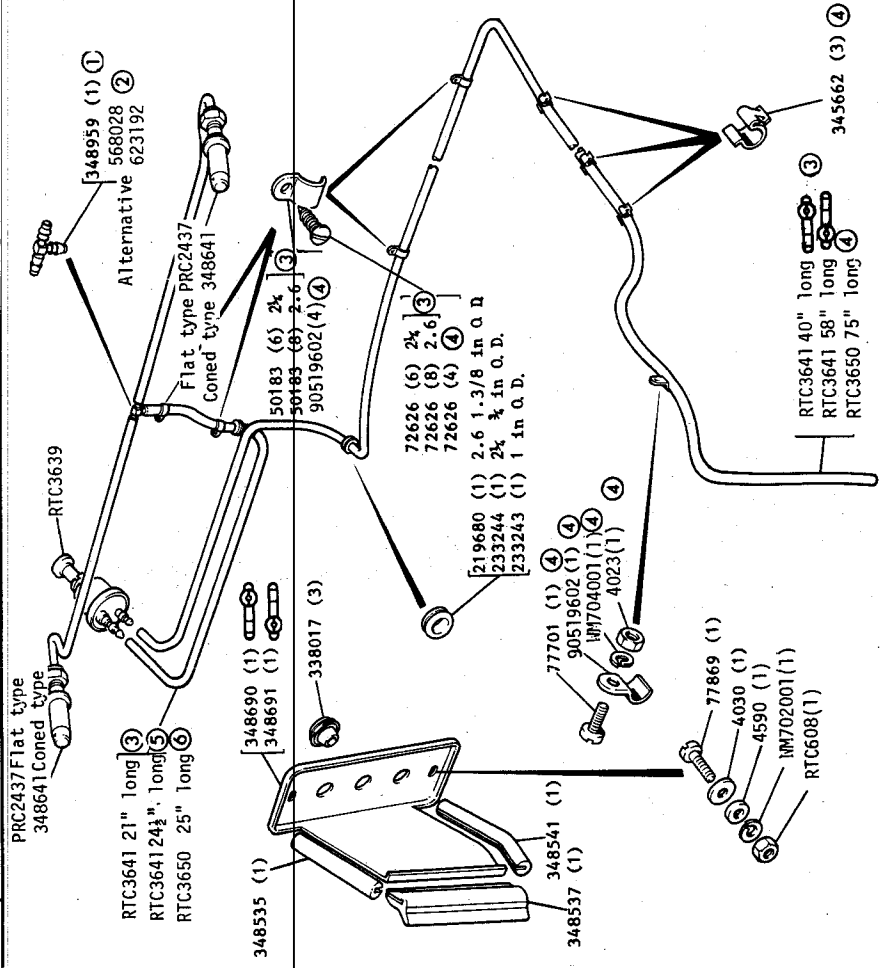
Land Rover Optional Equipment

IK 13

VS1397

GROUP K
WASHER BOTTLE FOR MANUAL SCREEN WASHER SERIES IIA LANDROVER

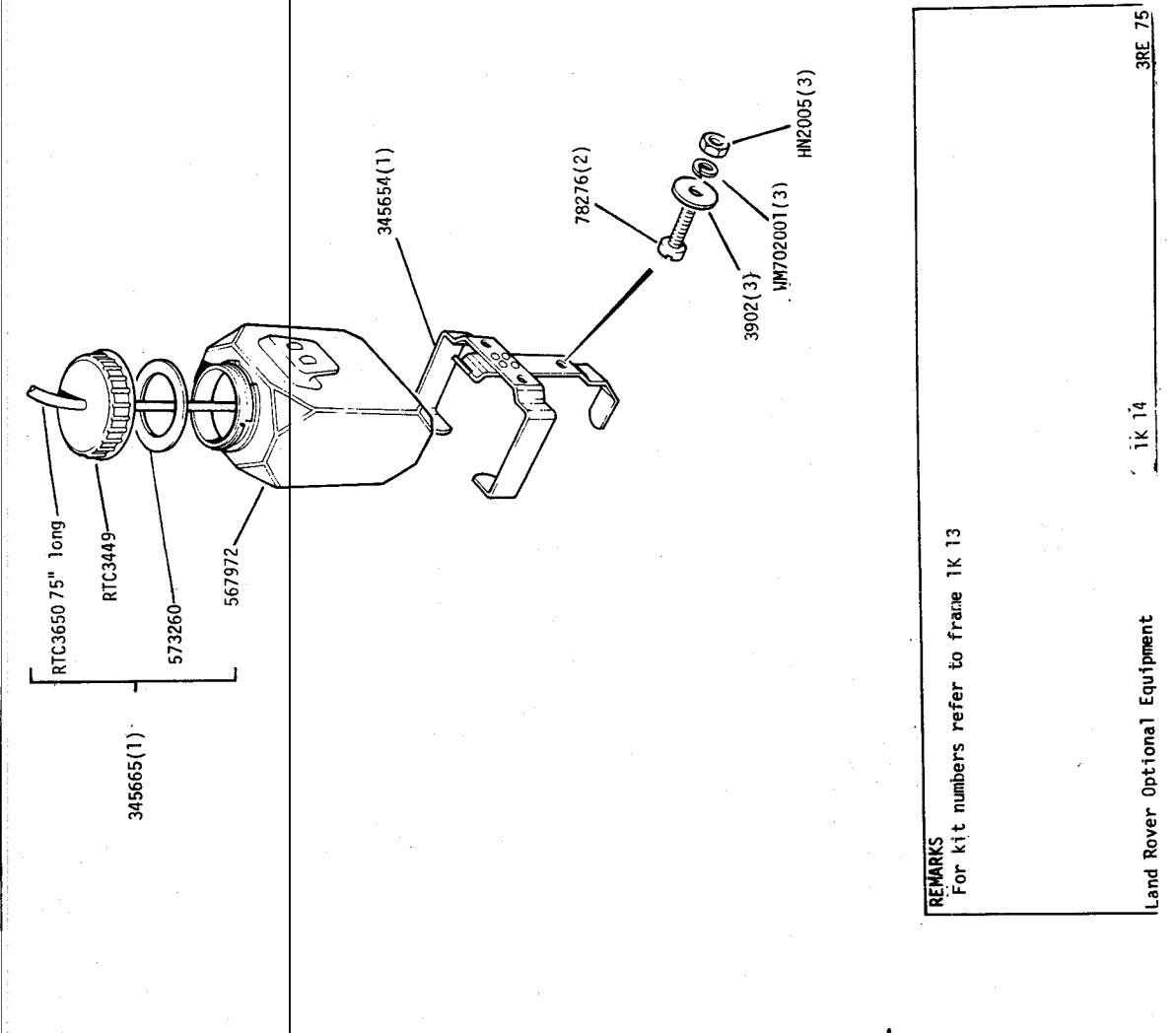
GROUP K
TUBING, JETS AND FIXINGS FOR WINDSCREEN WASHER MANUAL SERIES IIA LANDROVER



REMARKS

- ① Three equal diameter outlets
- ② Two equal diameter outlets
- ③ Up to vehicle suffix F inclusive
- ④ From vehicle suffix G onwards
- ⑤ All models except Forward Control Series IIA Windscreen washer kit 320648 up to vehicle suffix 'F'
- ⑥ All models except Forward Control Series IIA Windscreen washer kit 606278 from vehicle suffix 'G' onwards
- ⑦ All models except Forward Control Series IIA Windscreen washer kit 90606279 from vehicle suffix 'G' onwards

Land Rover Optional Equipment 1K 14 3RE 13



REMARKS

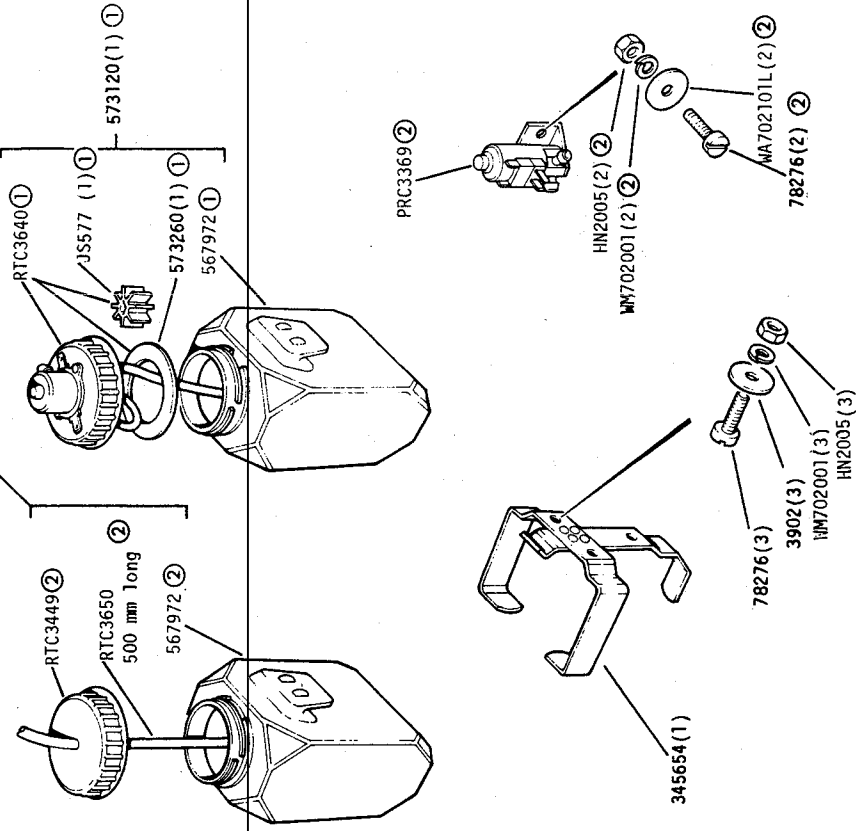
For kit numbers refer to frame 1K 13

Land Rover Optional Equipment 1K 14 3RE 75

GROUP K

WASHER BOTTLE AND PUMP FOR ELECTRIC SCREEN WASHER SERIES IIA AND III LANDROVER UP TO

FEBRUARY 1975



REMARKS

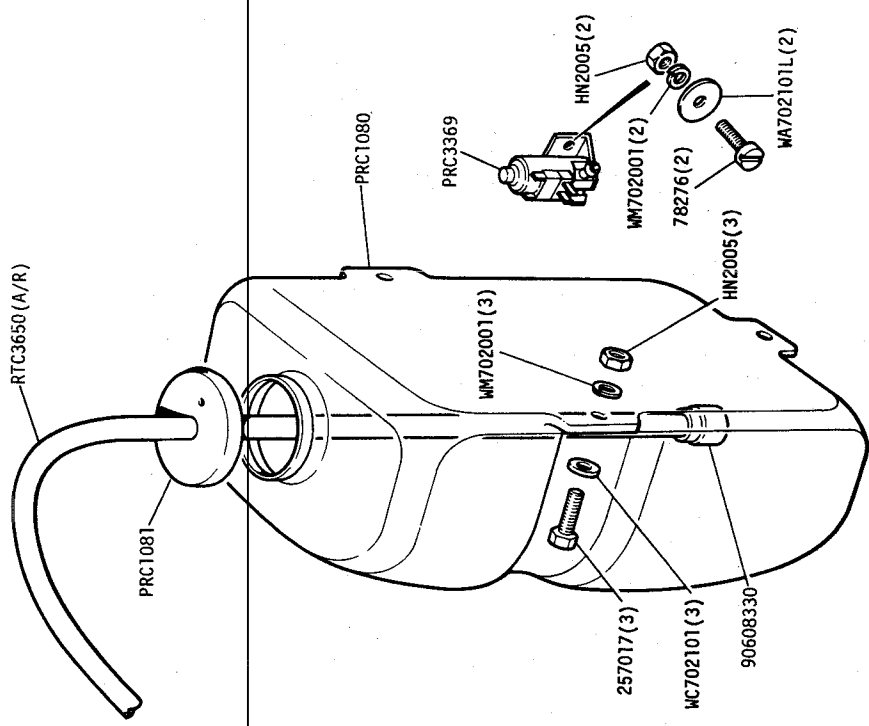
- ① Pump on washer bottle cap
- ② Pump on wing valance
- For kit numbers see frame 1K 13

Land Rover Optional Equipment

1K 15

3RE 76

GROUP K
OPTIONAL EQUIPMENT - Washer Bottle and Tubing



- Series III Land Rover from March 1975
- Series III Windscreen Washer kit RTC2039
- Series III Two Speed Wiper and Washer kit NLS

Land Rover Optional Equipment

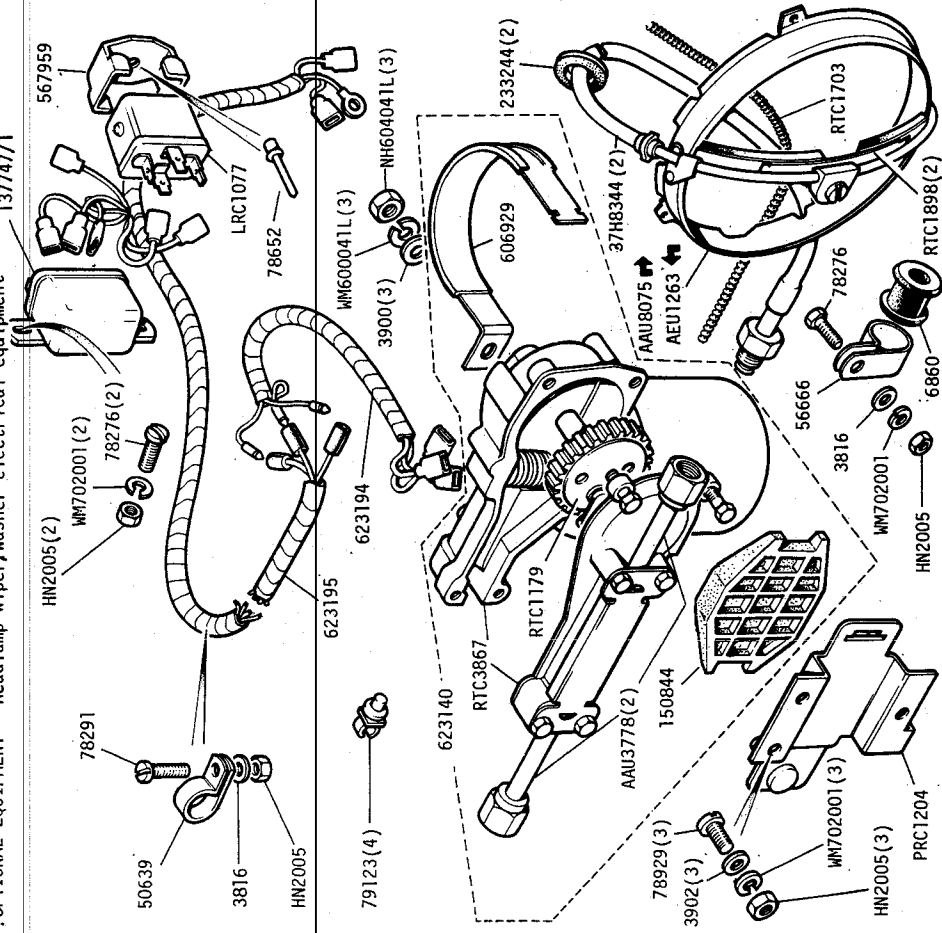
1K 15

3RE 191

GROUP K

OPTIONAL EQUIPMENT - Headlamp Wiper/Washer electrical equipment

137747/1



Series III Land Rover for Swedish market

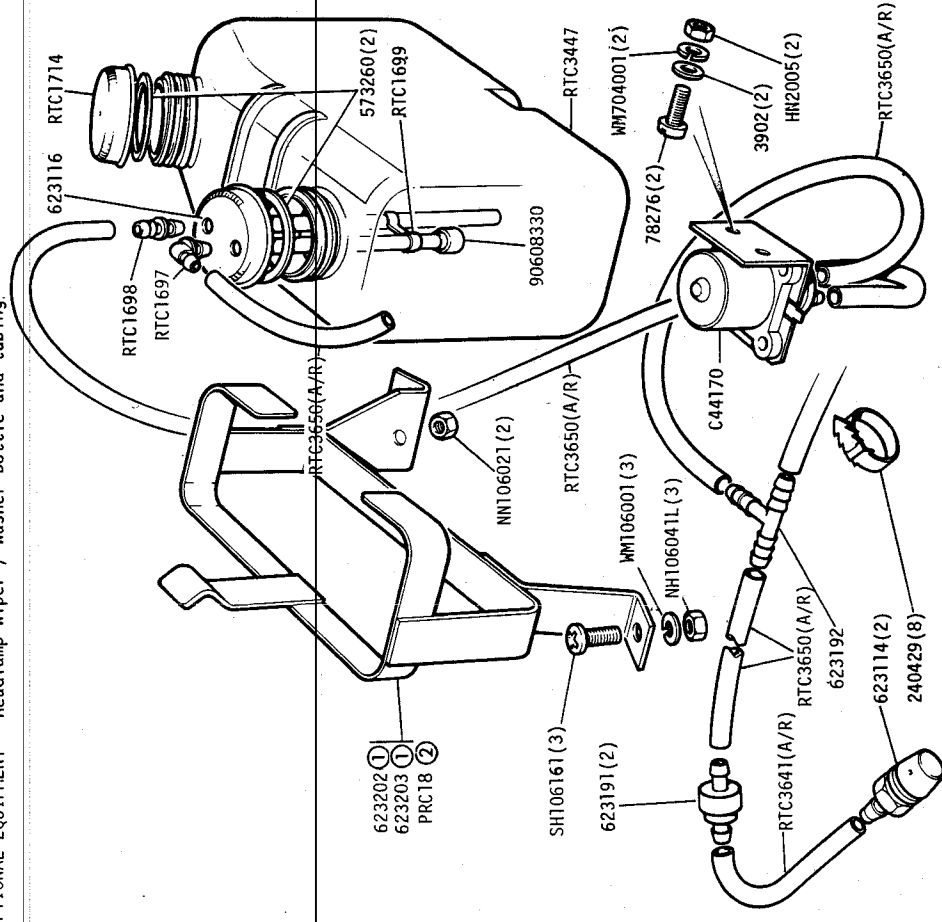
Land Rover Optional Equipment

1K 16

4RE 135

GROUP K

OPTIONAL EQUIPMENT - Headlamp Wiper / Washer Bottle and tubing.



Series III Land Rover for Swedish Market up to February 1975

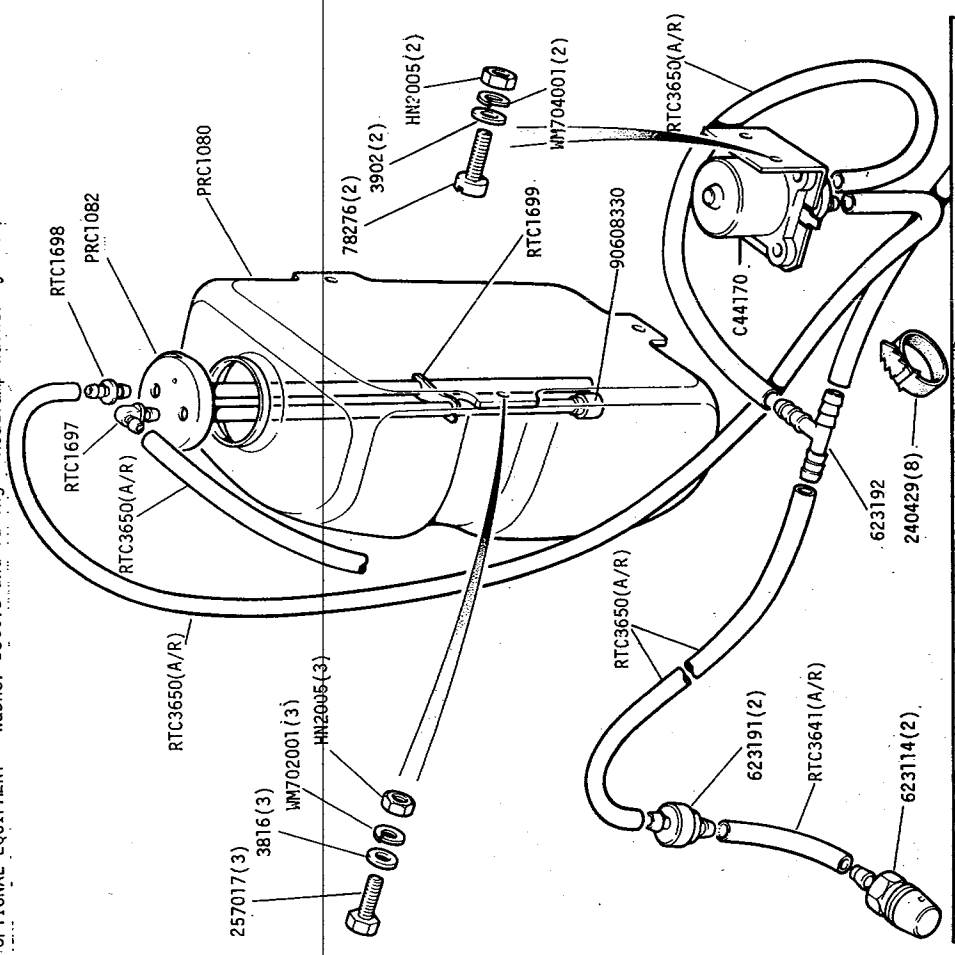
- ① Petrol models
- ② Diesel models

Land Rover Optional Equipment

1K 16

4RE 134

GROUP K
 OPTIONAL EQUIPMENT - Washer Bottle and Tubing - Headlamp Washer System



Series III Land Rover for Swedish market from March 1975

Land Rover Optional Equipment

1K 17

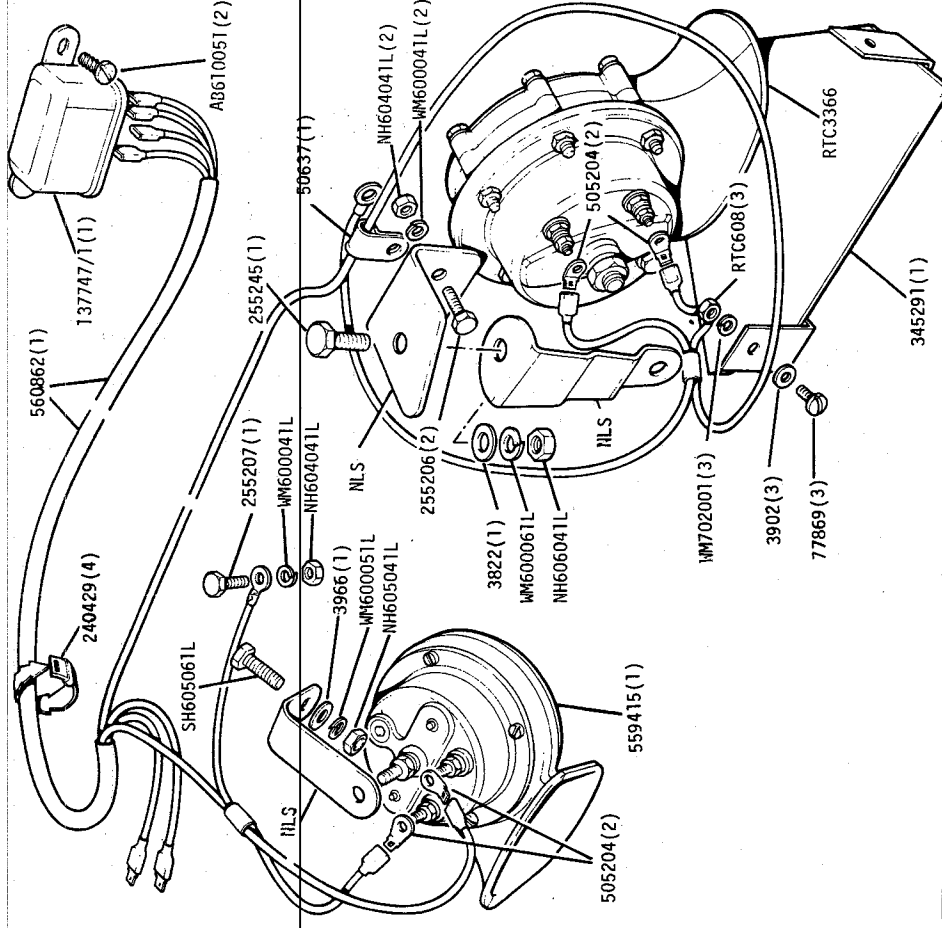
5RE 190

GROUP K

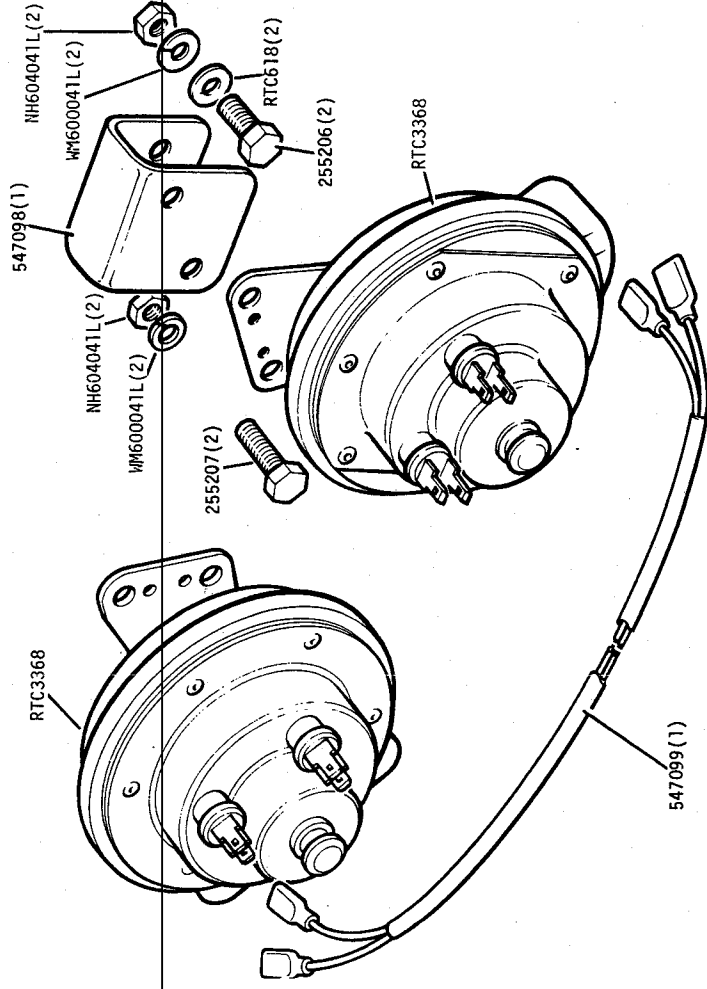
TWIN HORNS SERIES IIA AND III EXCEPT FRANCE UP TO AUGUST 1973 INCLUSIVE

GROUP K

TWIN HORNS SERIES III 24 MODELS UP TO NOVEMBER 1971 FRANCE ONLY



REMARKS:



Twin Horn Kit NLS

Land Rover Optional Equipment

TL 02

IRE 233

Land Rover Optional Equipment

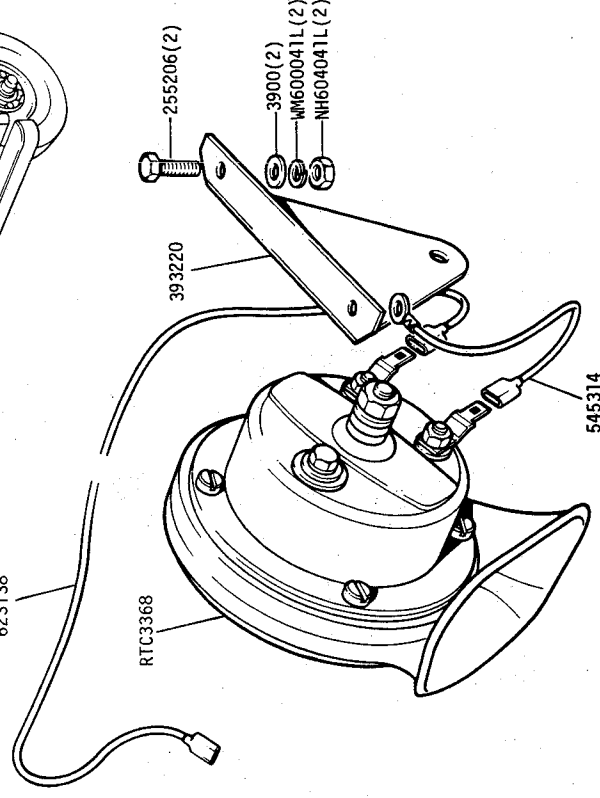
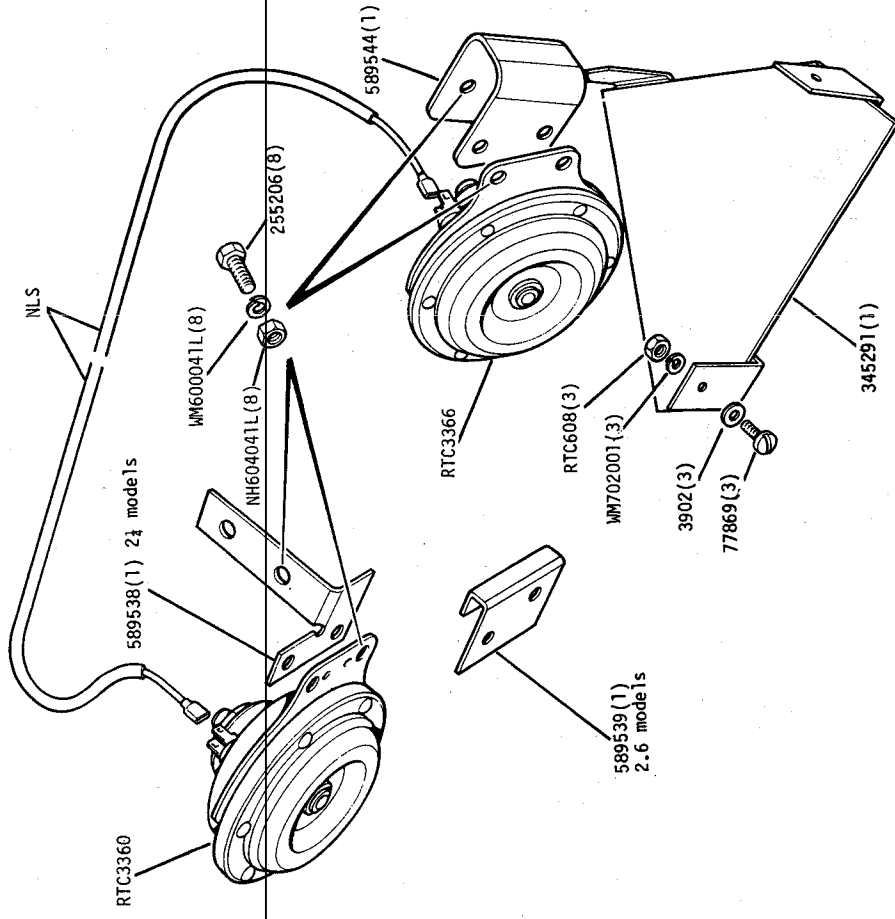
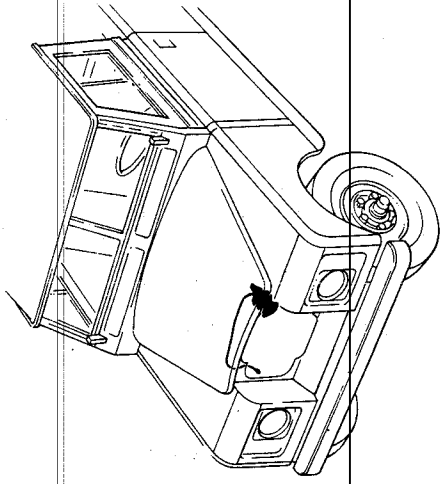
TL 02

3RE 591

GROUP K

TWIN HORNS SERIES III 2.4 MODELS FROM DECEMBER 1971 ONWARDS AND 2.6 MODELS FOR FRANCE ONLY

GROUP K
OPTIONAL EQUIPMENT - Twin Horns



REMARKS

Series 111 Land Rover from September 1973 onwards

No kit available. Supply separate parts.

Land Rover Optional Equipment

1L 03

3RE 60

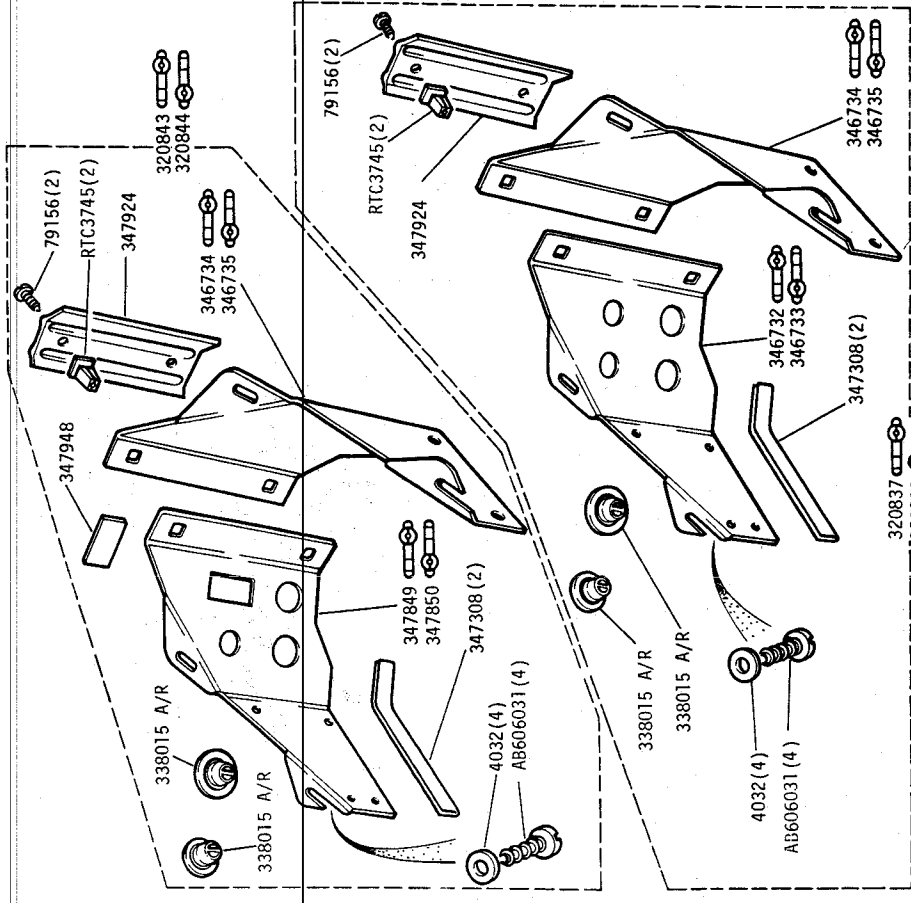
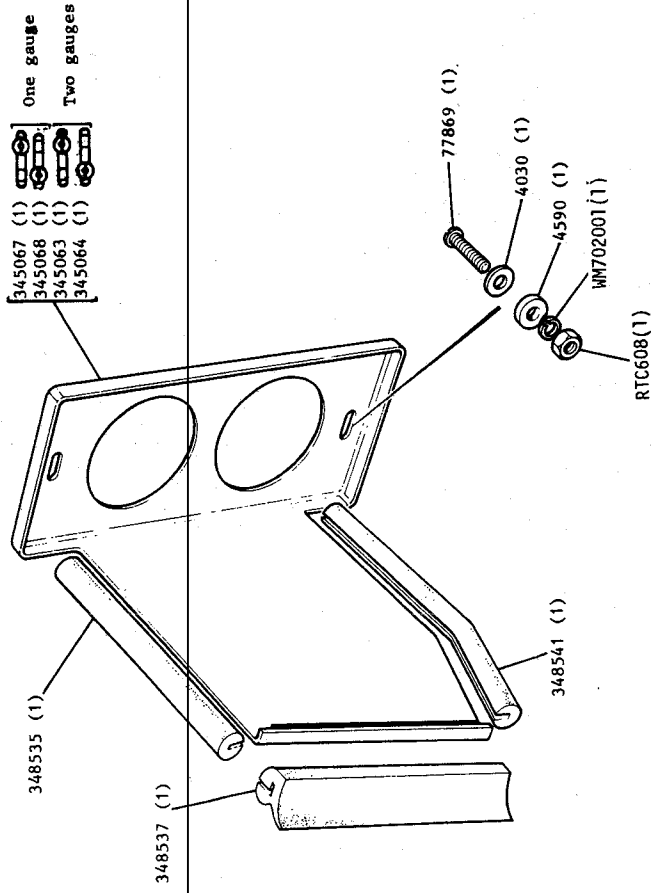
Land Rover Optional Equipment

1L 03

6RE 177

GROUP K
 AUXILIARY INSTRUMENT PANEL SERIES IIA AND III

GROUP K
 OPTIONAL EQUIPMENT - Auxiliary switch and instrument panel

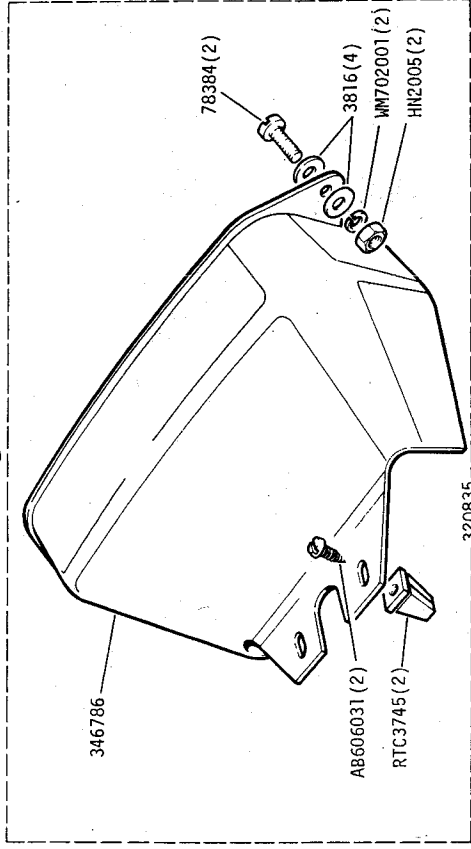
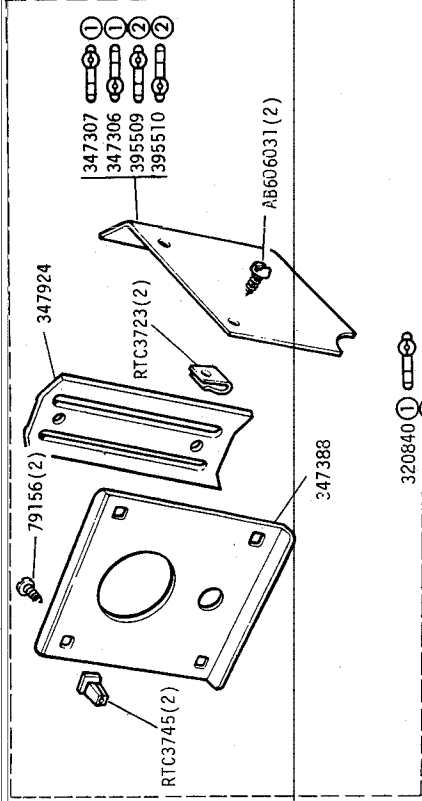


REMARKS

Series III Land Rover all models
 320843 and 320844 used in conjunction with 320840 or 320865
 320837 and 320838 used in conjunction with 320840 or 320865

GROUP K
SPEEDOMETERS - Series IIA and III

GROUP K
OPTIONAL EQUIPMENT - Auxiliary instrument panel and cover



Series III Land Rover all models

- ① Up to June 1972
 - ② From July 1972 onwards
- 320840 320865 used in conjunction with 320837 and 320838
320835 used in conjunction with instrument panels on frame 1L 05

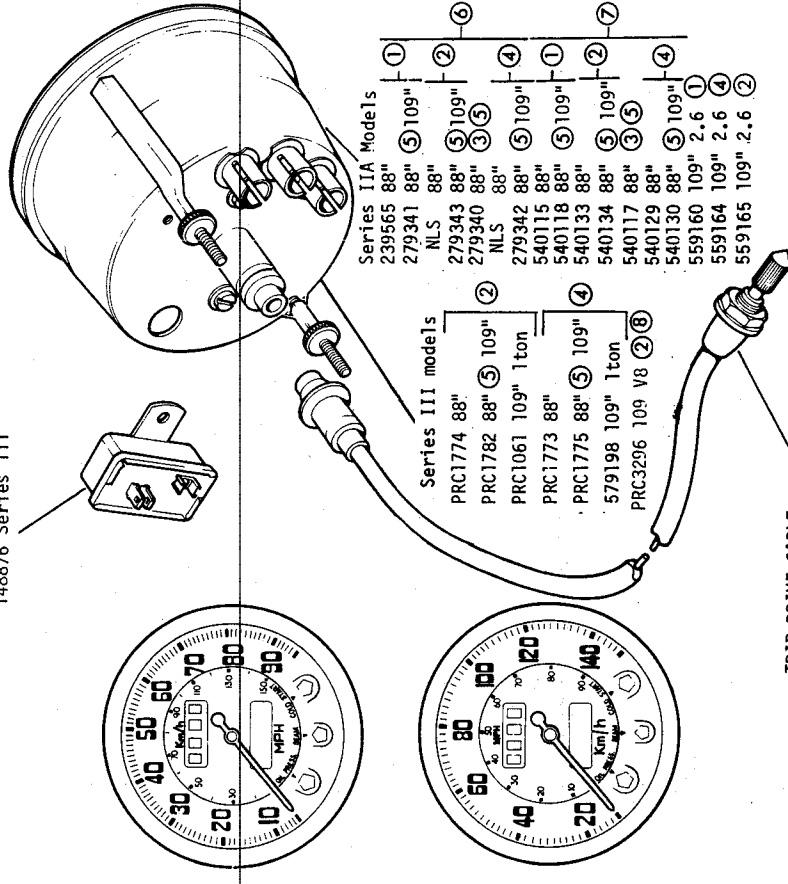


Land Rover Optional Equipment

1L 06

4RE 131

148876 Series 111

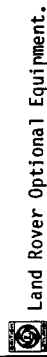


Series IIA Models	Series III models
239565 88" ①	PRC1774 88" ②
279341 88" ⑤ 109"	PRC1782 88" ⑤ 109"
NLS 88" ②	PRC1061 109" 1ton ③ ⑤
279343 88" ⑤ 109"	PRC1773 88" ②
279340 88" ③ ⑤	PRC1775 88" ⑤ 109"
NLS 88" ③ ⑤	579198 109" 1ton ④
279342 88" ⑤ 109"	PRC3296 109 V8 ② ⑧
540115 88" ①	
540118 88" ⑤ 109"	
540133 88" ②	
540134 88" ⑤ 109"	
540117 88" ③ ⑤	
540129 88" ⑤ 109"	
540130 88" ⑤ 109"	
559160 109" 2.6 ①	
559164 109" 2.6 ④	
559165 109" 2.6 ②	

TRIP DRIVE CABLE

540128 Series IIA vehicles
13H9205 Series 111 vehicles

- ① KPH No trip
- ② KPH with trip
- ③ MPH no trip
- ④ MPH with trip
- ⑤ Fitted with 7.50 x 16 Tyres
- ⑥ Series IIA up to vehicle suffix 'C' inclusive
- ⑦ Series IIA from vehicle suffix 'D' onwards.

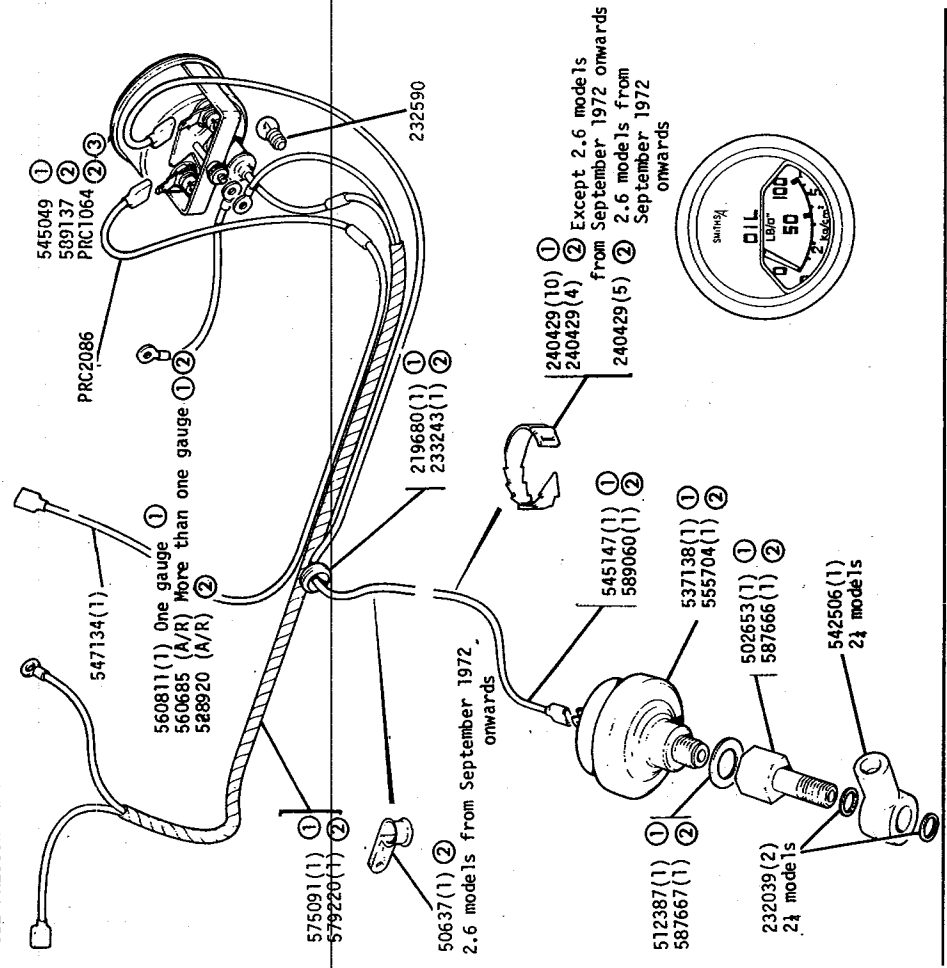


Land Rover Optional Equipment.

1L 06

PRC 290

GROUP K
OIL PRESSURE GAUGE BI-THERMAL TYPE SERIES 11A AND 111



GROUP K
AMMETER SERIES III

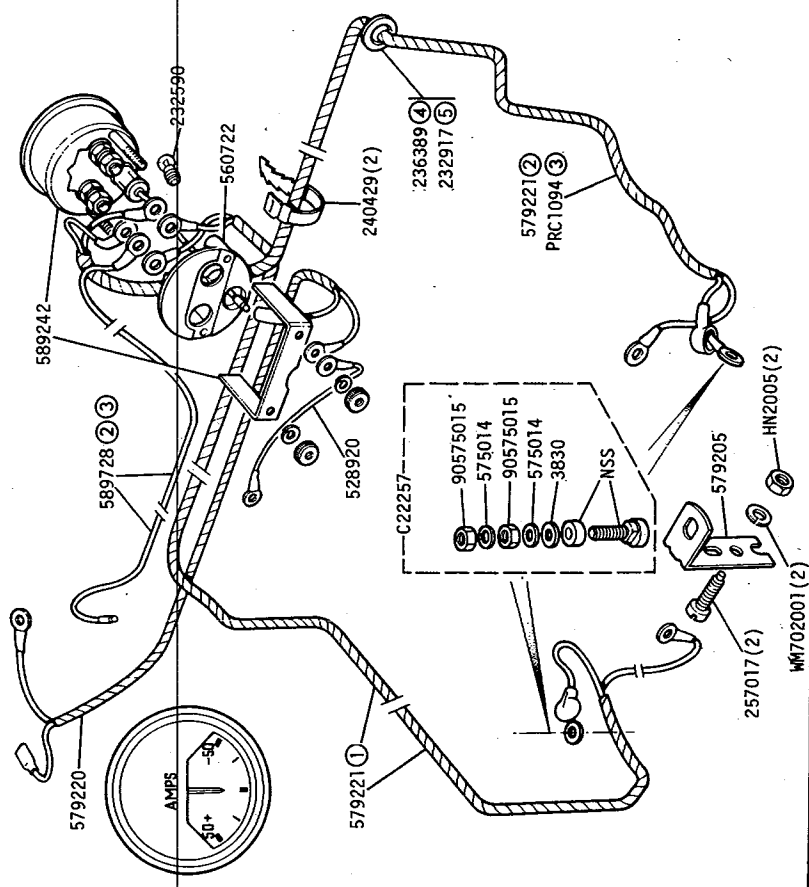
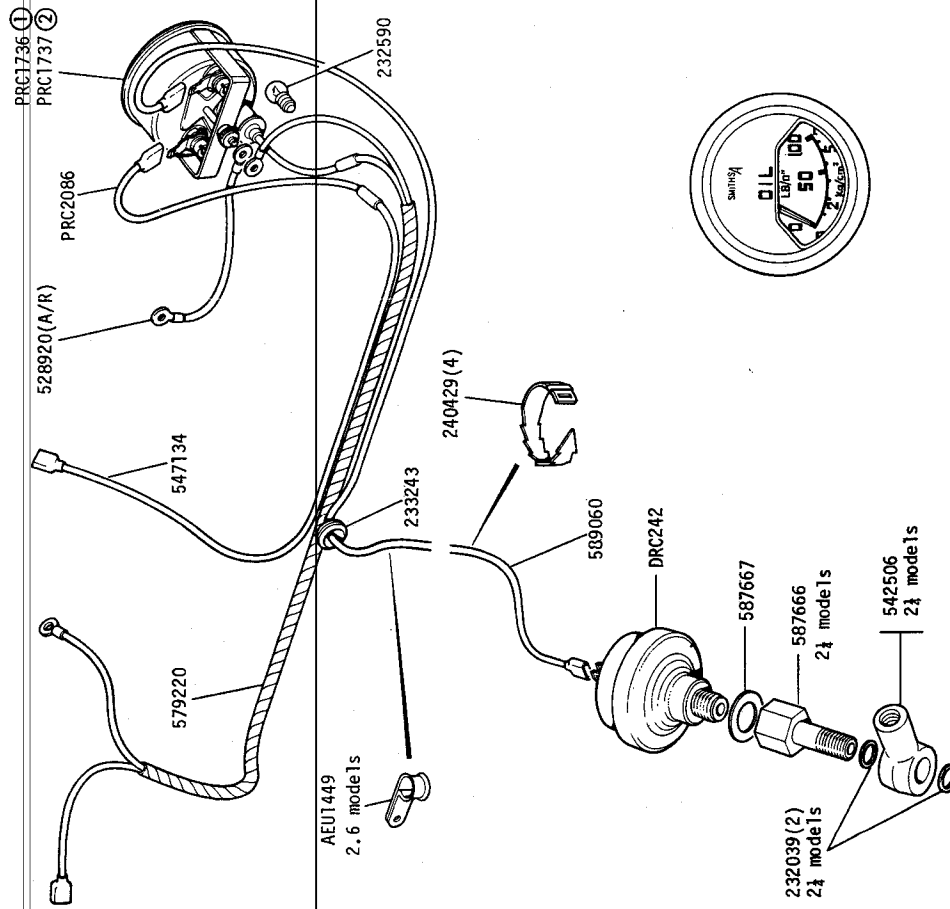


PLATE REF.	1	2	3	4	DESCRIPTION	QTY.	PART No.	REMARKS
------------	---	---	---	---	-------------	------	----------	---------

GROUP K
OPTIONAL EQUIPMENT - Oil pressure gauge air core type



Oil pressure gauge C/W light bulb	1	PRC1733	Kilo, Pascal marking
Oil pressure gauge C/W light bulb	1	PRC1732	Imperial marking
Lead - Transducer to connector	1	PRC1728	
Lead - Gauge to connector	1	PRC1727	
Lead - Stabiliser unit to gauge	1	PRC1726	
Cable assembly - gauge illumination	1	579220	
Grommet - Bulkhead grommet plate	1	269257	
Lead - instrument earth loop	1	528920	

Series 111 Landrover from November 1976.

- ① Imperial marking
 - ② Kilo pascal marking
- Oil pressure gauge kit, Imperial marking RTC2283
Oil pressure gauge kit, Kilo pascal marking RTC2284

Land Rover Optional Equipment

1L 08

3RE 21

* ASTERISK INDICATES A NEW PART WHICH HAS NOT BEEN USED ON ANY PREVIOUS MODEL

OPTIONAL EQUIPMENT - Volt Meter - Lo9 V8 Land Rover.

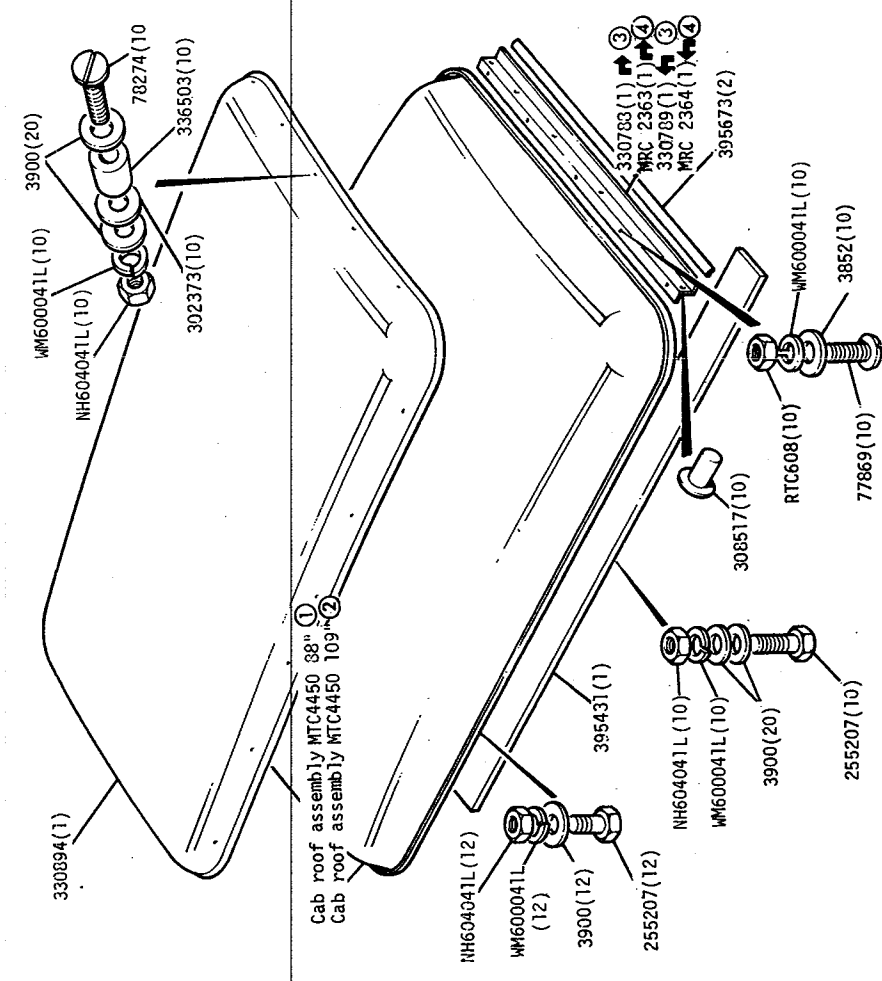
J.184

PLATE REF.	1	2	3	4	DESCRIPTION	QTY.	PART No.	REMARKS
					Battery volt meter. 12 volt	1	PRC1111	
					Cable assembly - volt meter	1	PRC1295	
					Earth lead	1	528920	
					Cable assembly - Volt meter illumination	1	579220	

1L 09

* ASTERISK INDICATES A NEW PART WHICH HAS NOT BEEN USED ON ANY PREVIOUS MODEL

GROUP L
TRUCK CAB ROOF, TROPICAL ROOF AND SEALS FOR SERIES 11A AND 111



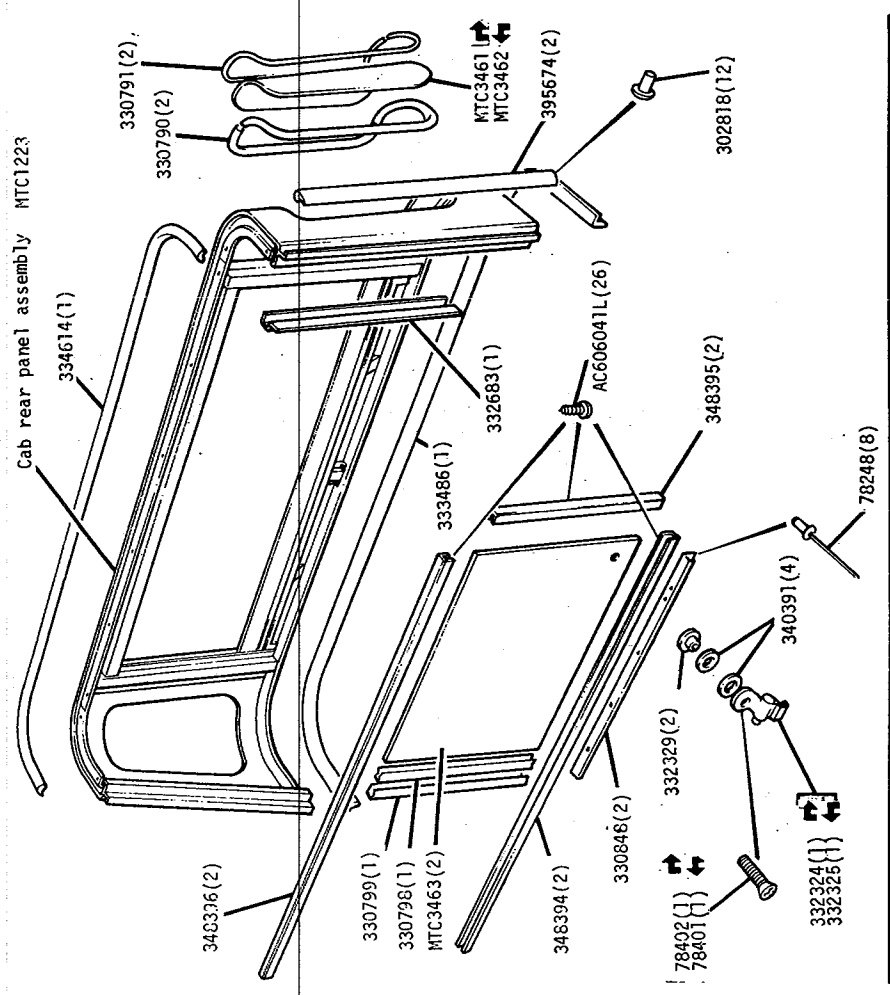
- ① Used with bag of fittings RTC1304 Imperial
- ② Used with bag of fittings RTC3064 Metric
- ③ Used with bag of fittings RTC1305 Imperial
- ④ Used with bag of fittings RTC3065 Metric
- ⑤ Up to April 1973 inclusive
- ⑥ From May 1973 onwards

Land Rover Optional Equipment

2D 02

2RE 139

GROUP L
TRUCK CAB GLASS AND REAR PANEL SEALS, SERIES IIA AND III LANDROVER



REMARKS

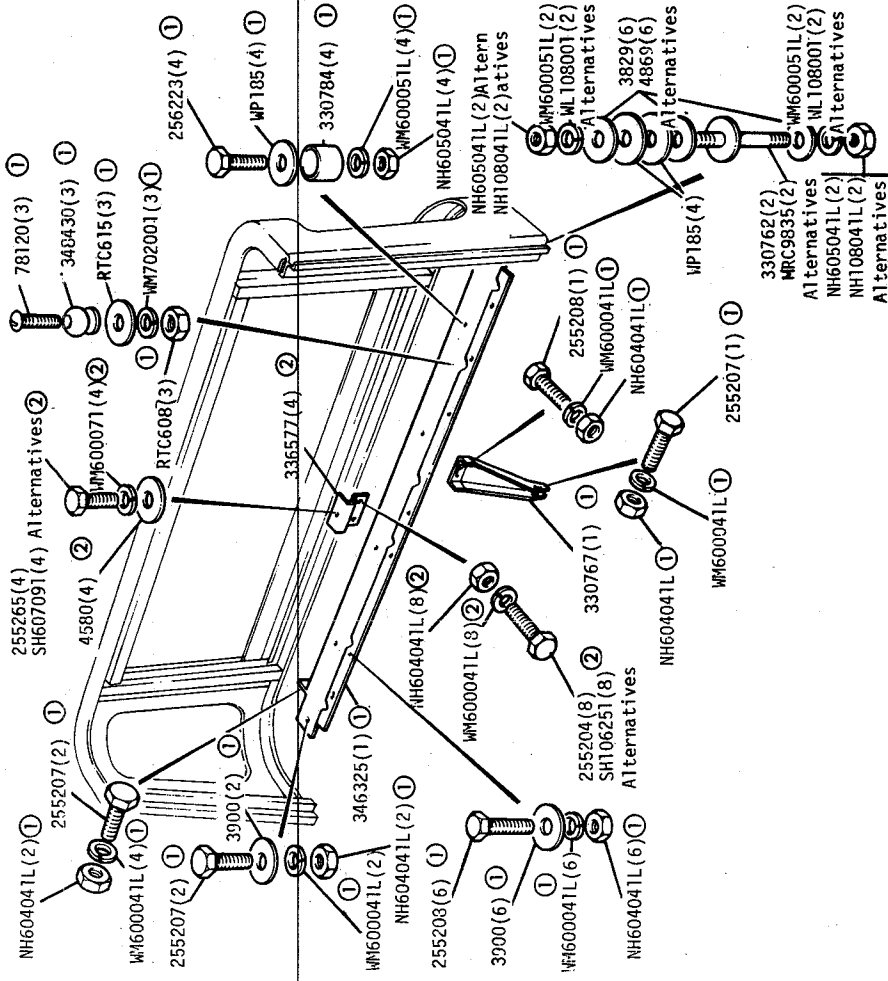
Cab base welded assembly 88 395557
Cab base welded assembly 109 395559

Land Rover Optional Equipment

2D 02

2RE 138

GROUP L
TRUCK CAB REAR PANEL FIXINGS, SERIES IIA AND III LANDROVER

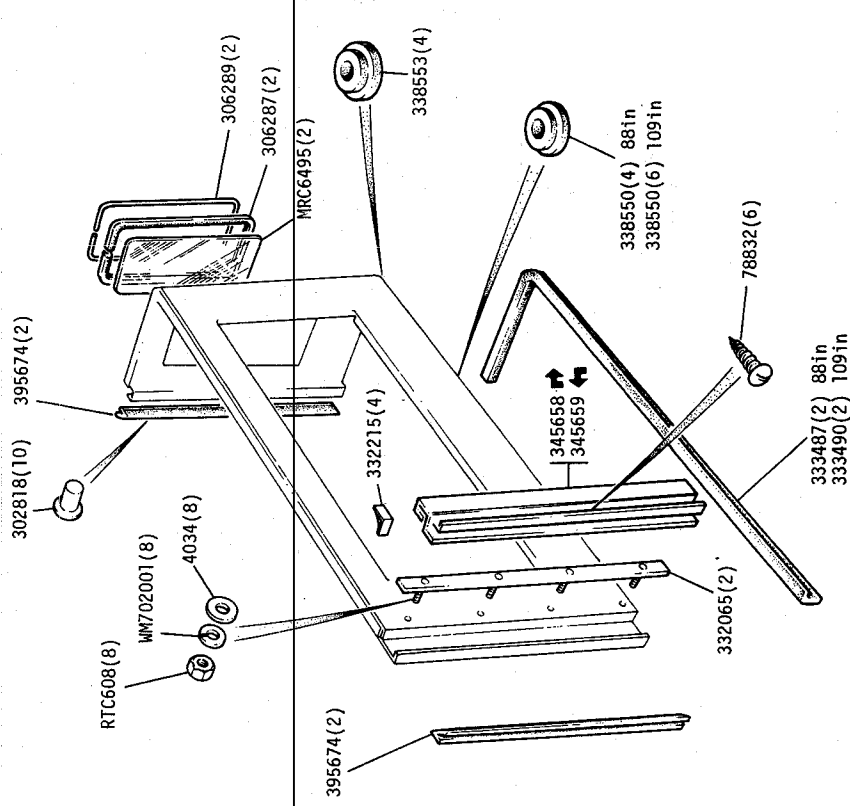


REMARKS

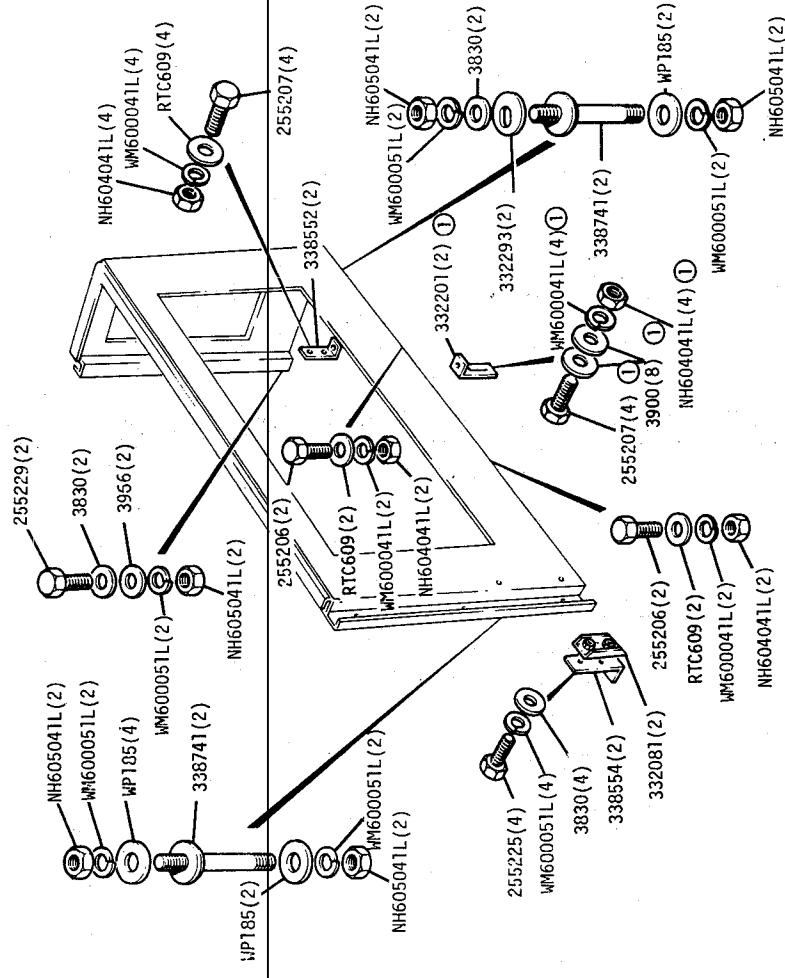
- ① 88 in.
- ② 109 in.

GROUP L
OPTIONAL EQUIPMENT

Hard top bodyside, seals and rear glass



GROUP L
HARDTOP BODYSIDE FIXINGS SERIES IIA AND III LANDROVER

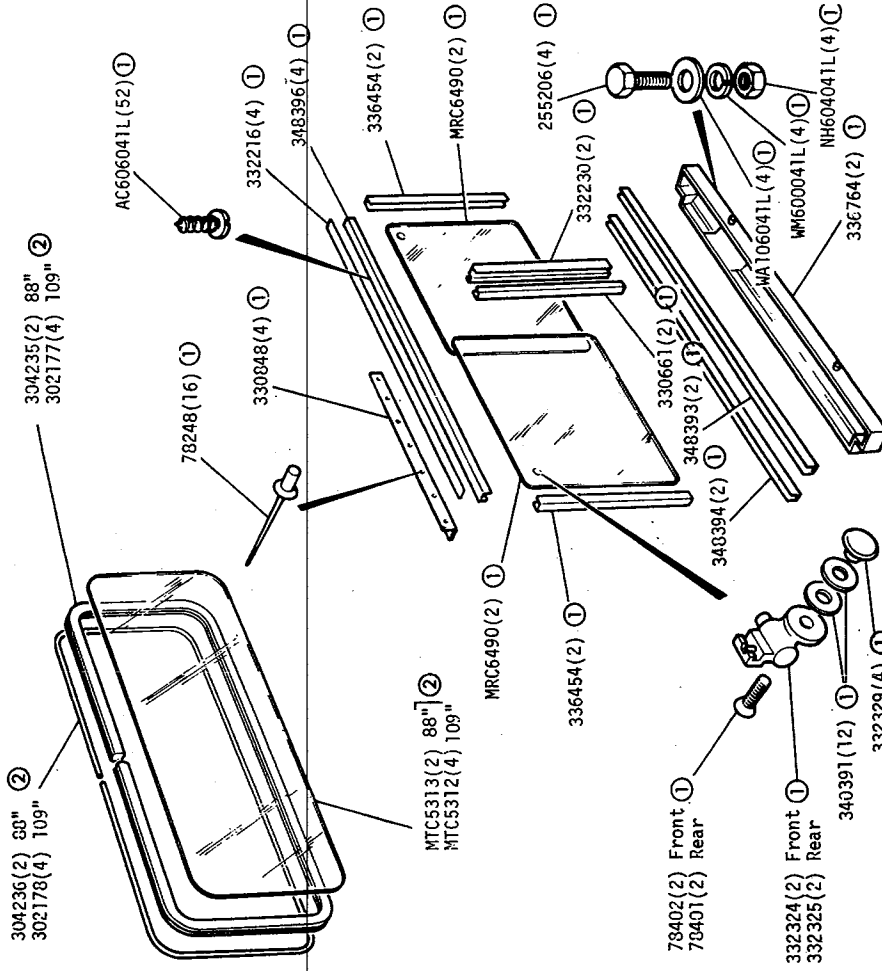


Series IIA and III Land Rover	Plain sides	Fixed windows	Expert only
Bodyside Assembly	109in		
Bodyside Assembly	88in		
Bodyside Assembly	109in		
Bodyside Assembly	88in		
Bodyside Assembly	88in with sliding windows.		

REMARKS
① Double quantity for 109 in. models

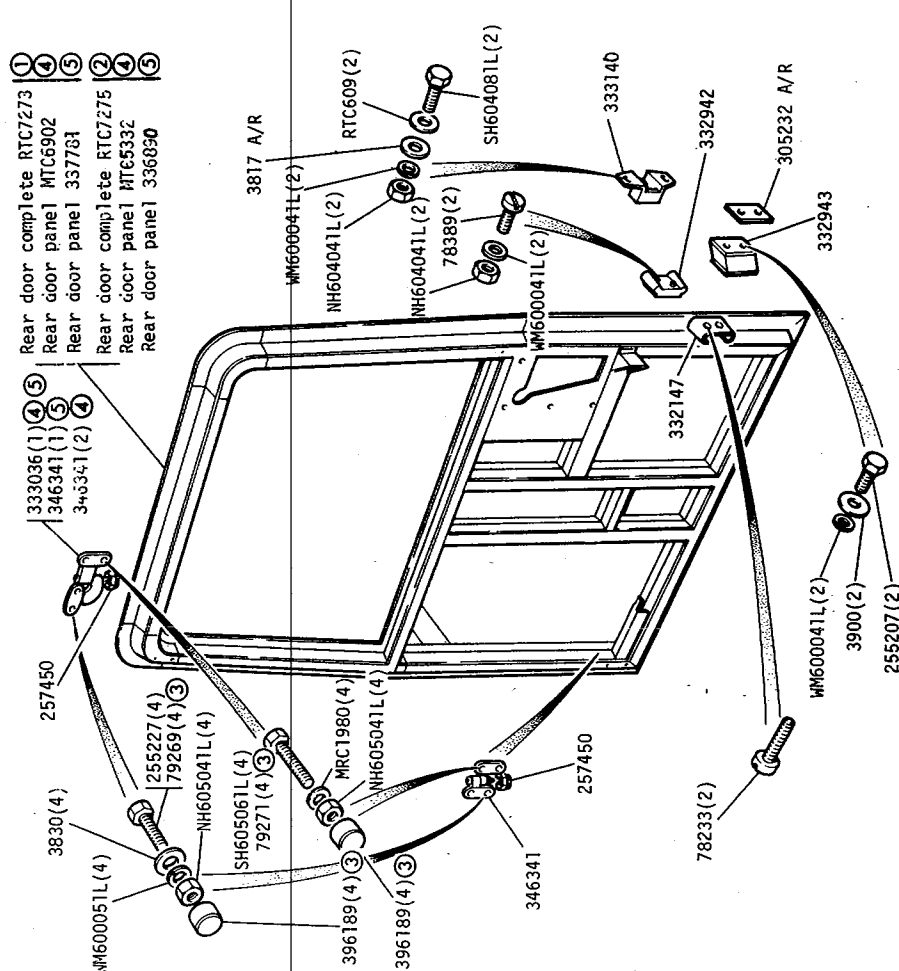
GROUP L

HARDTOP BODYSIDE WINDOWS, SERIES IIA AND III LANDROVER EXPORT ONLY



- ① 88" Sliding windows
- ② Fixed windows

GROUP L
OPTIONAL EQUIPMENT - Rear Door Hinges, Panel and Fixings

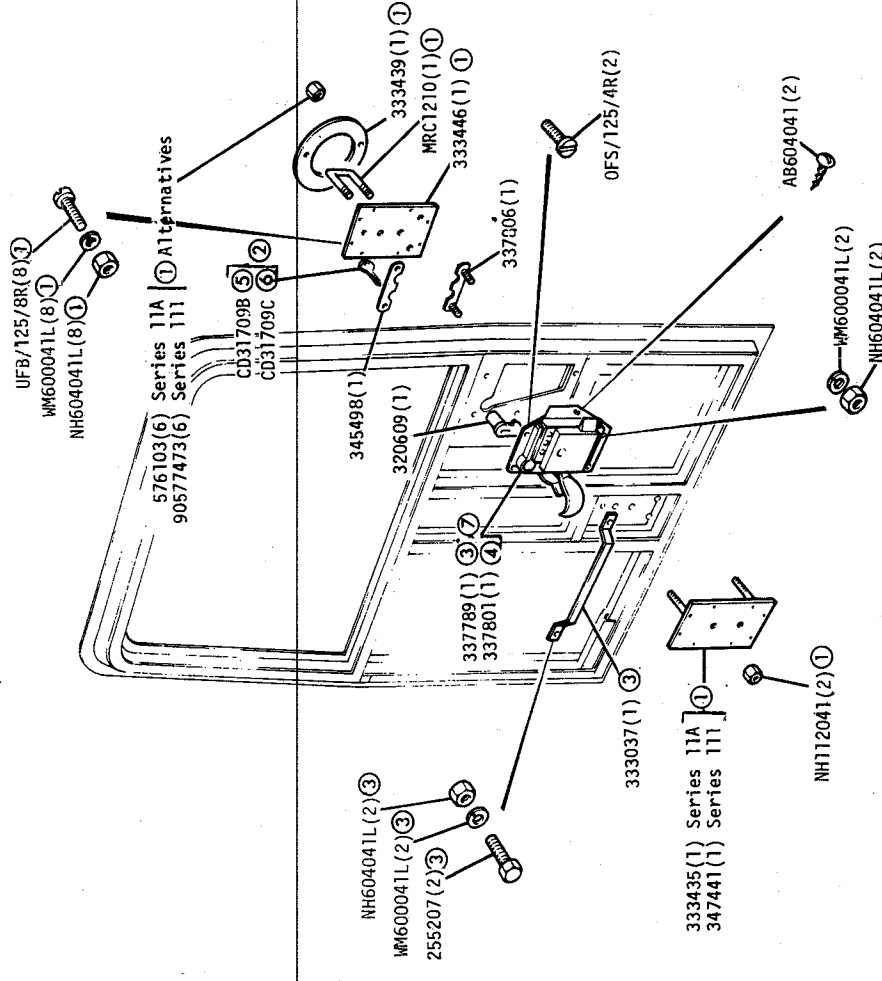


Series IIA and III Land Rover

- ① Used in conjunction with RTC1420 Imperial and RTC3066 Metric } when spare wheel carrier is required
- ② Less spare wheel carrier
- ③ Germany only
- ④ Door with three hinges and six of each fixings
- ⑤ Door with two hinges and six of each fixings

GROUP L

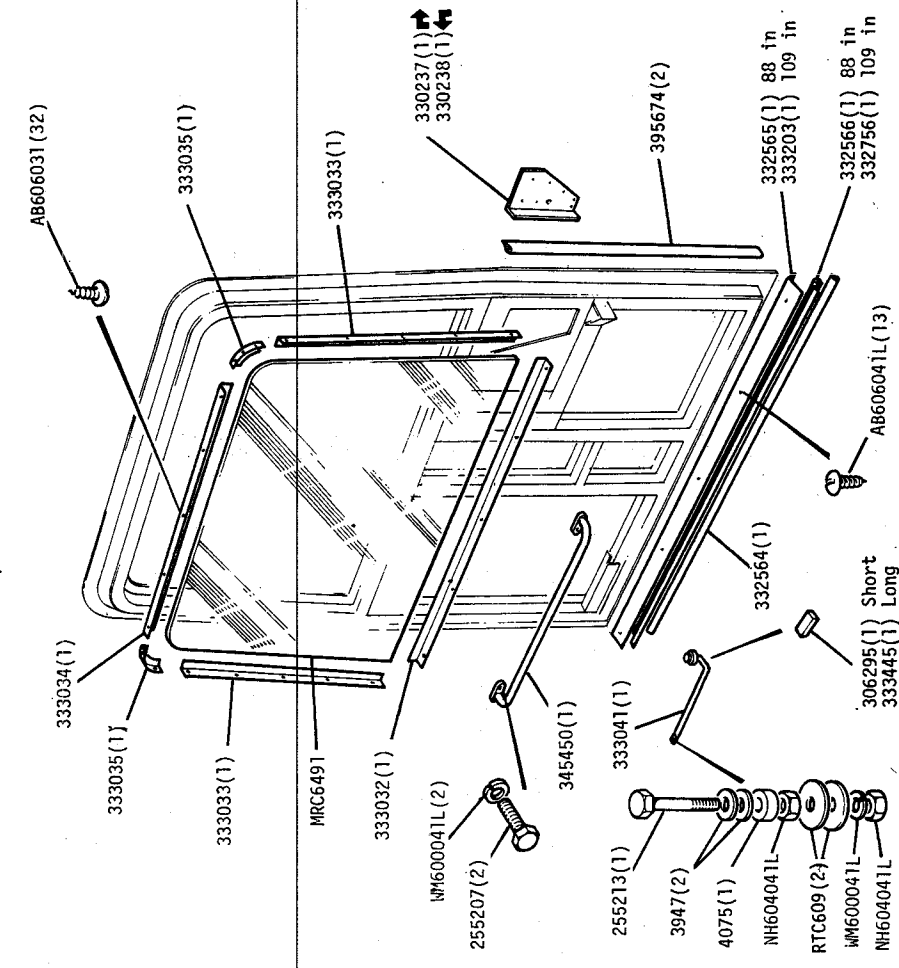
REAR DOOR, LOCK AND CARRIER, SERIES IIA AND III LANDROVER



REMARKS

- ① For rear end door with spare wheel carrier
 - ② State Key Number when ordering
 - ③ For lock with extended inner handle
 - ④ For lock with short inner handle
- Rear door, plus spare wheel carrier kit 320777
Rear door, less spare wheel carrier kit 320828

GROUP L
REAR DOOR GLASS, SEALS AND CHECK STRAP SERIES IIA AND III LANDROVER

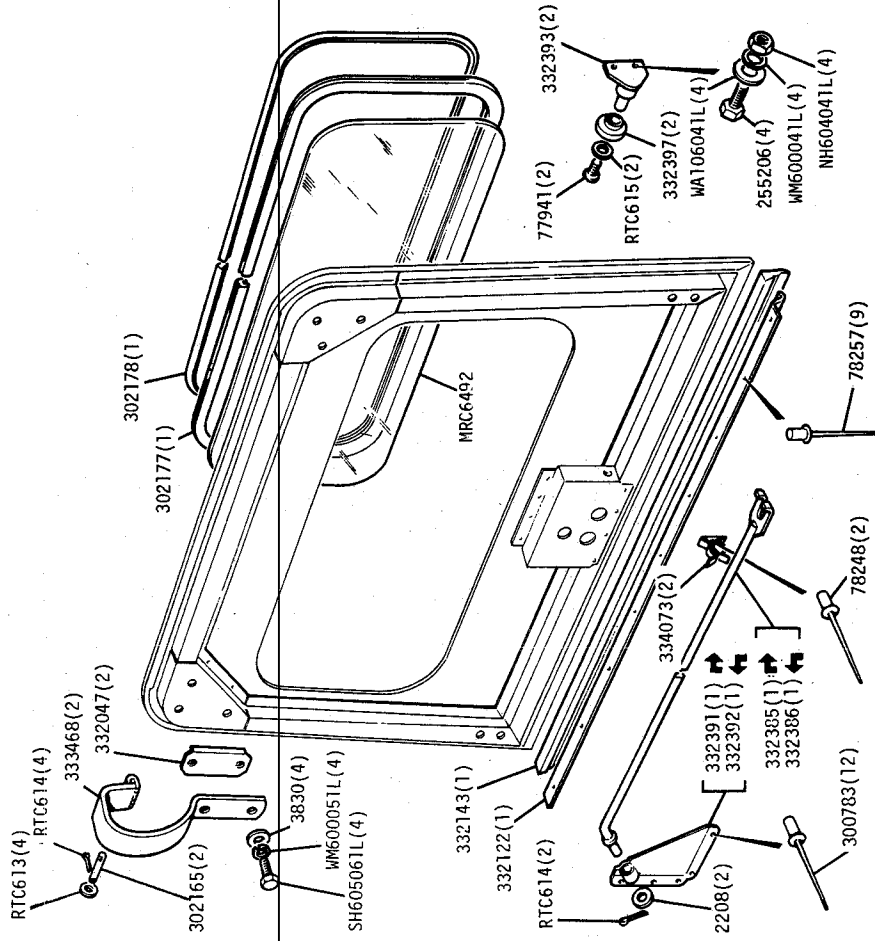


REMARKS

- Rear door plus spare wheel carrier kit 320777
- Rear door less spare wheel carrier kit 320828

GROUP L

REAR LID GLASS, SEALS, HINGE AND STAY, SERIES IIA AND III LANDROVER

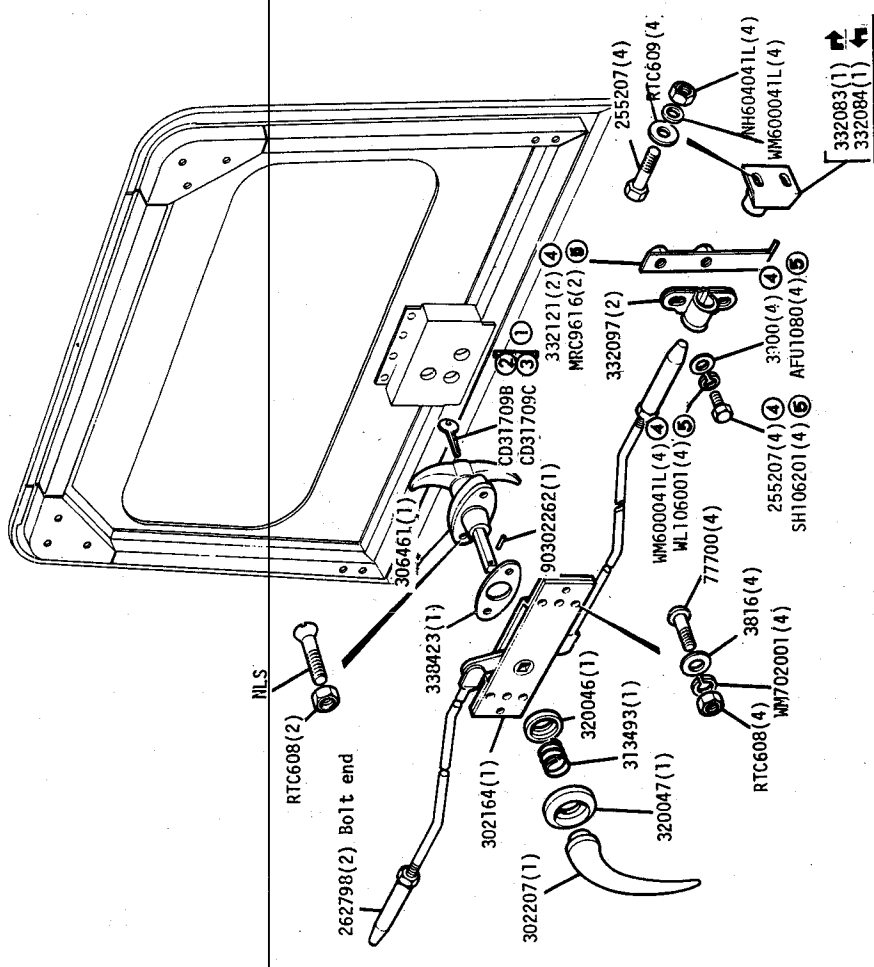


REMARKS

Rear lid complete assembly 320652 - Up to May 1981
 Rear lid complete assembly MTC5381 - From June 1931

GROUP L

REAR LID LOCK AND SOCKET, SERIES IIA AND III LANDROVER



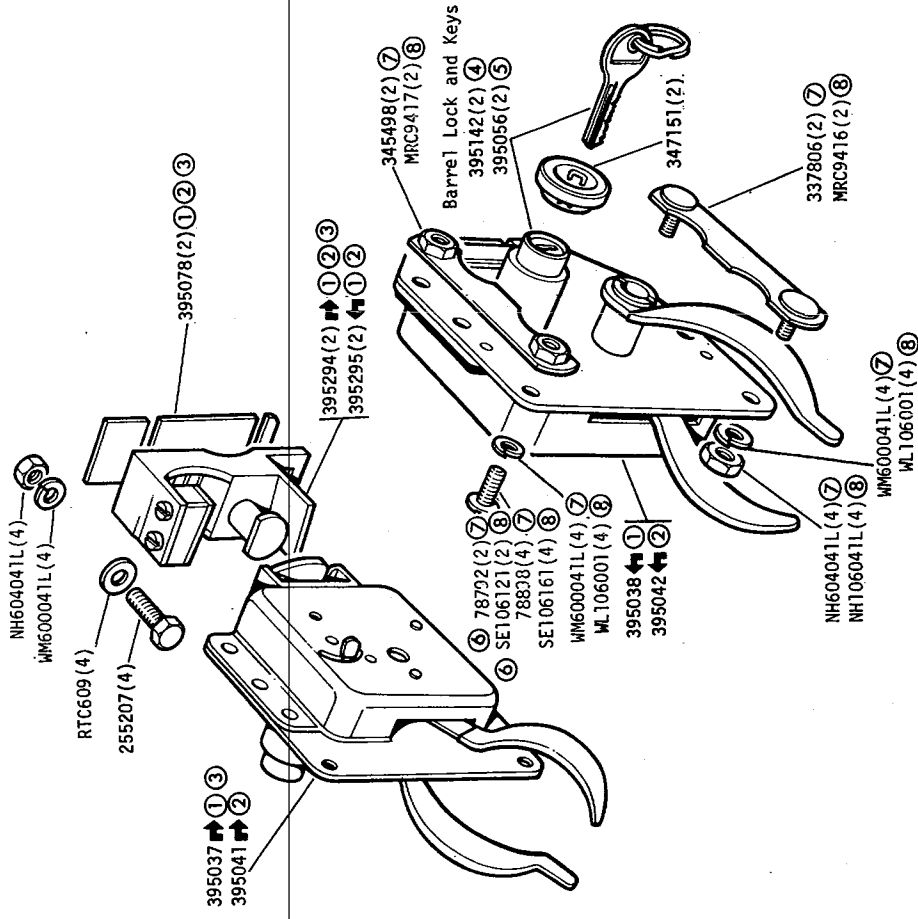
REMARKS

Rear lid complete assembly 320652

- ① State key number when ordering
- ② Blank
- ③ Cut
- ④ Up to May 1981
- ⑤ From June 1981

GROUP L

OPTIONAL EQUIPMENT - Anti-burst locks (front, rear side and rear door):



Series III Land Rover all models

- ① A11 88 and 109 models front doors
- ② 109 Station Wagon rear side doors
- ③ A11 88 and 109 models with rear door
- ④ 88 and 109 except station wagon (2 Barrel Set)
- ⑤ 88 and 109 Station Wagon and hard top vehicles. (3 Barrel Set)
- ⑥ Rear door only.

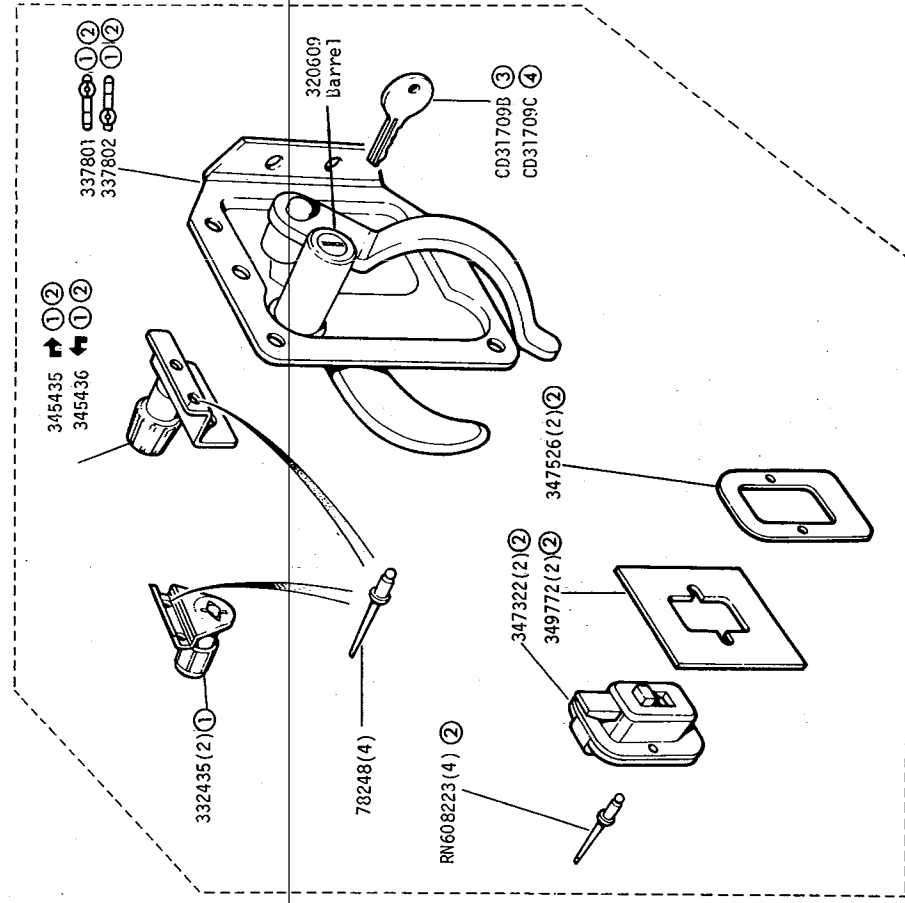
Land Rover Optional Equipment

2D 09

4RE 143

GROUP L

OPTIONAL EQUIPMENT - Private locks and sliding window catch



Series IIA and III Land Rover

- ① Series IIA from June 1965 and Series III up to August 1972
- ② Series III from August 1972

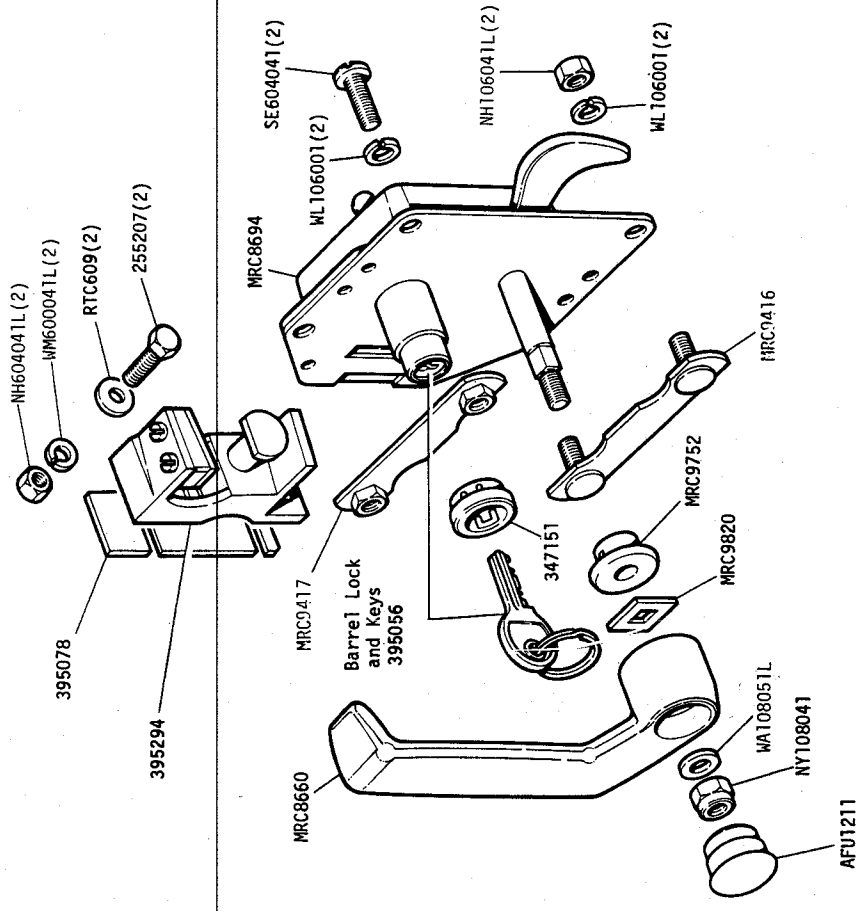
- Series IIA Land Rover Private locks and sliding window catch kit 320611
- Series IIA Land Rover Private locks and sliding window catch kit 320612
- Series III Land Rover Private locks and sliding window catch kit RTC1916
- Series III Land Rover Private locks and sliding window catch kit RTC1917

Land Rover Optional Equipment

2D 09

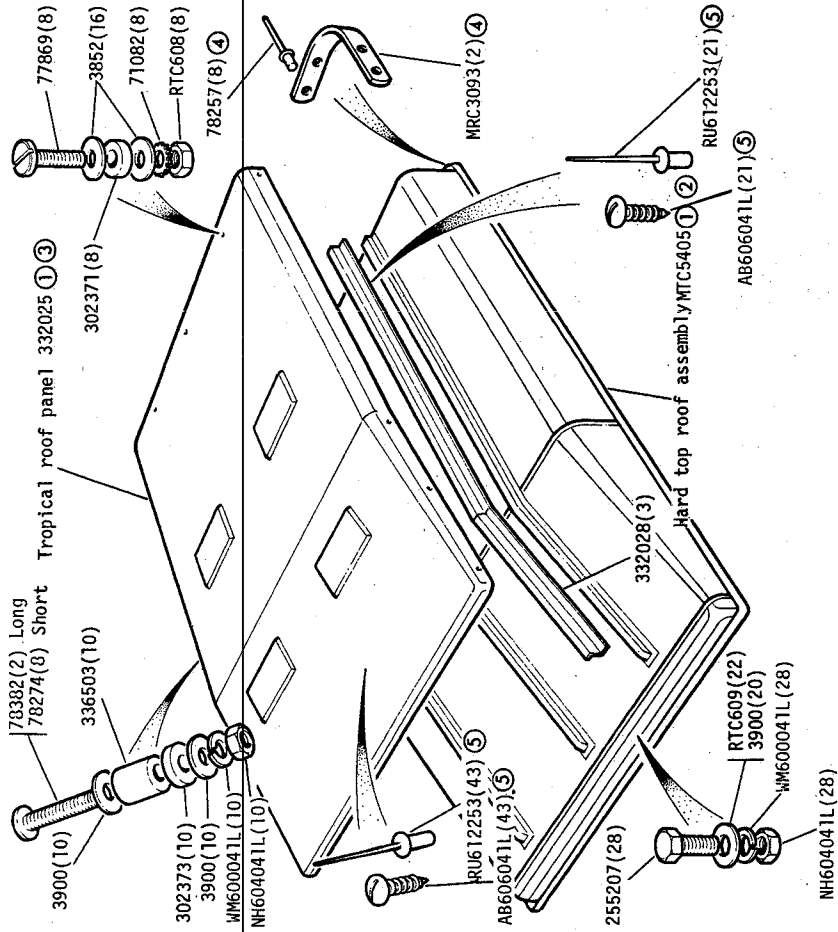
4RE 104

GROUP L
 OPTIONAL EQUIPMENT - Anti burst lock rear door.



Series III Land Rover 88 and 109 Hard Top and Station Wagon Models

GROUP L
 OPTIONAL EQUIPMENT - Hard top roof panels and fixings



Series 11A & 11i Land Rover 88in

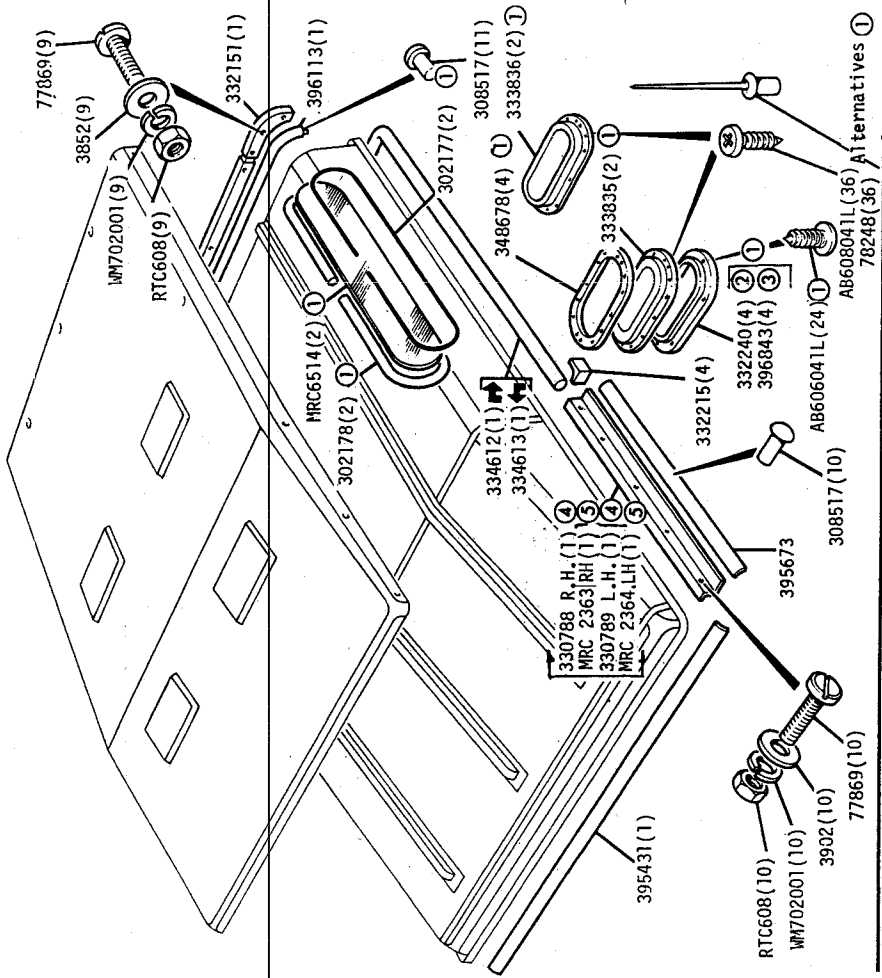
- ① hard top type roof
- ② Used with bag of fittings 320894 Imperial
Used with bag of fittings RTC3062 Metric
- ③ Used with bag of fittings RTC1163 Imperial
Used with bag of fittings RTC3063 Metric
- ④ Germany
- ⑤ Alternatives

Land Rover Optional Equipment

20 11

2RE 170/A

GROUP L
 HARD TOP ROOF SEALS, VENTILATORS AND ALPINE LIGHT SERIES IIA AND III LANDROVER 88in



REMARKS

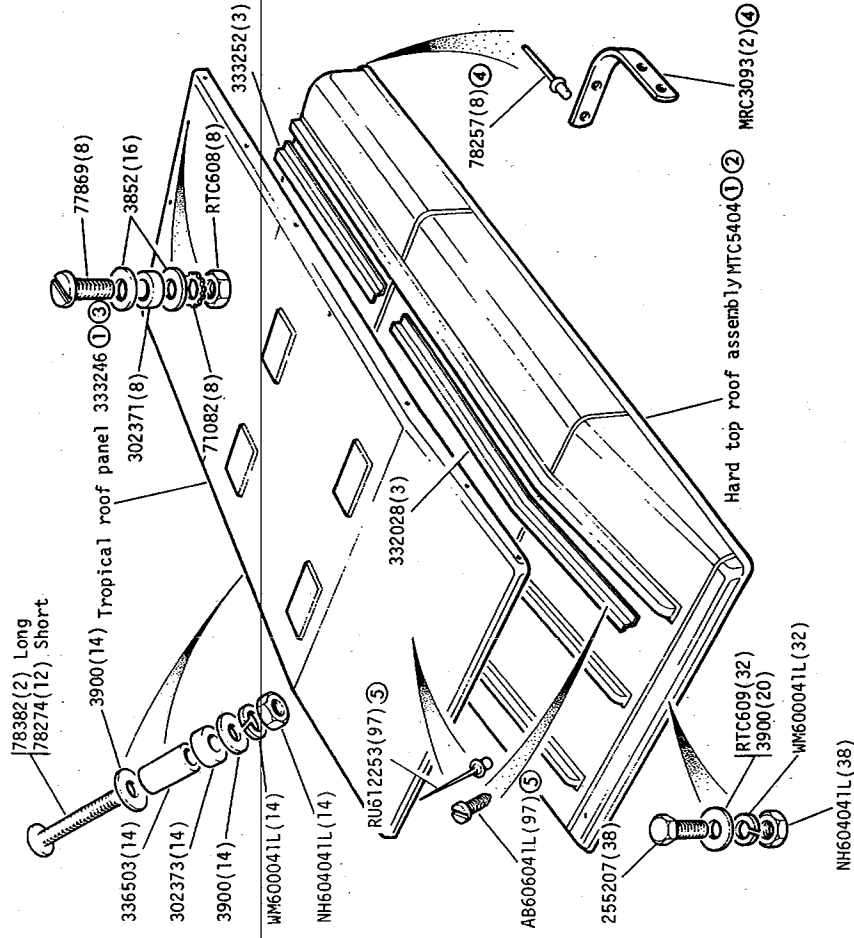
- ① Station Wagon type roof
- ② White
- ③ Limestone
- ④ up to April 1973 inclusive
- ⑤ From May 1973 onwards

Land Rover Optional Equipment

20 11

2RE 169

GROUP L
OPTIONAL EQUIPMENT - Hard top roof and fixings



Series IIA & IIB Land Rover 109in

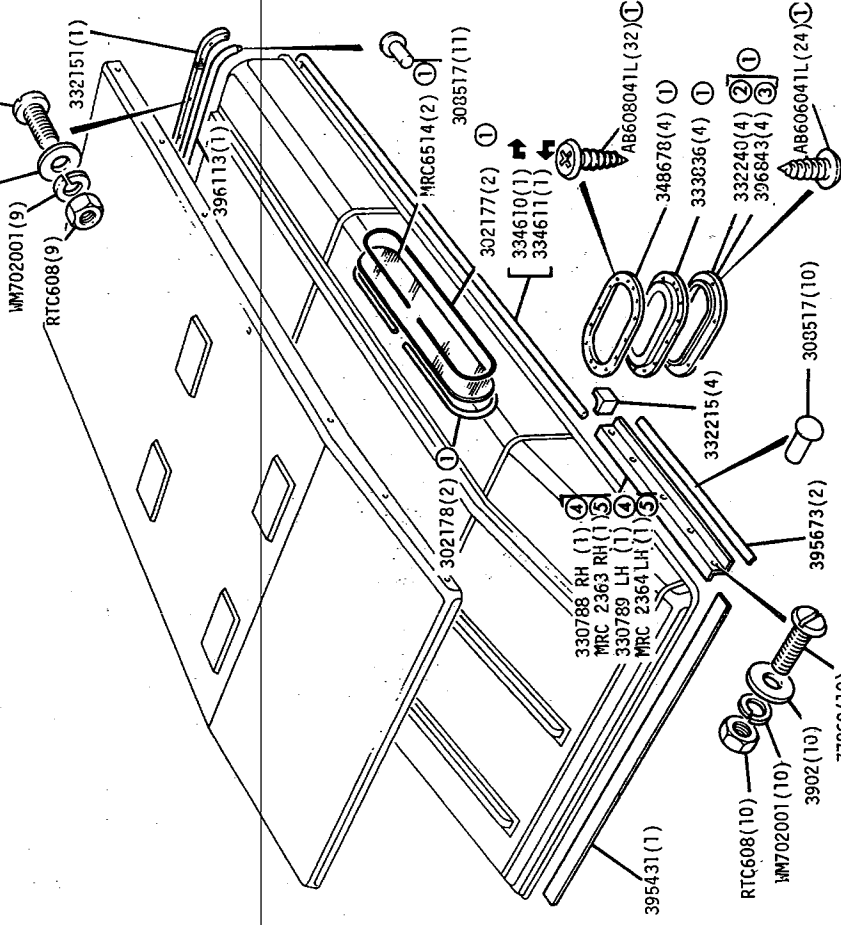
- ① Hard Top type roof
- ② Used with bag of fittings 320894 Imperial
Used with bag of fittings RTC3062 Metric
- ③ Used with bag of fittings RTC1163 Imperial
Used with bag of fittings RTC3063 Metric.
- ④ Germany
- ⑤ Alternatives

Land Rover Optional Equipment

2D 12

2RE 171/A

GROUP L
HARD TOP ROOF SEALS, VENTILATORS AND ALPINE LIGHT SERIES IIA AND IIB LANDROVER 109in



REMARKS

- ① Station hagon type roof
- ② White
- ③ Limestone
- ④ Up to April 1973 inclusive
- ⑤ From May 1973 onwards

Land Rover Optional Equipment

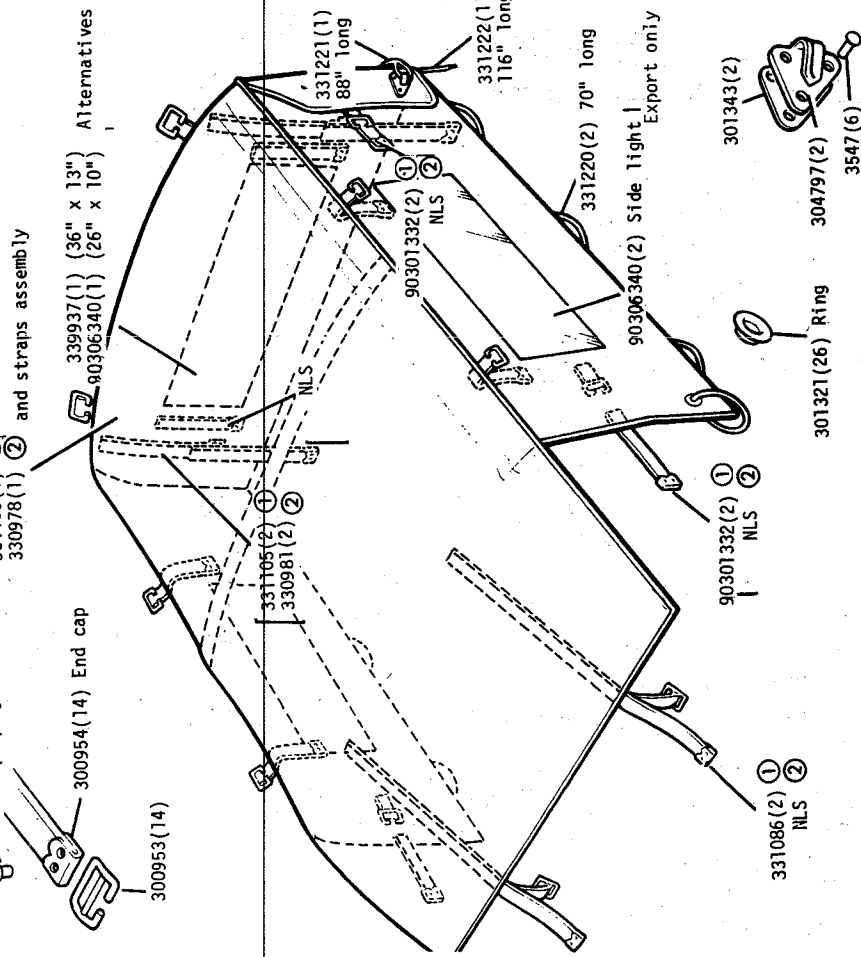
2D 12

2RE 168

GROUP L

FULL LENGTH HOOD SERIES IIA AND III LANDROVER 88in

331106(1) ① Hood rear curtain
330978(1) ② and straps assembly



REMARKS

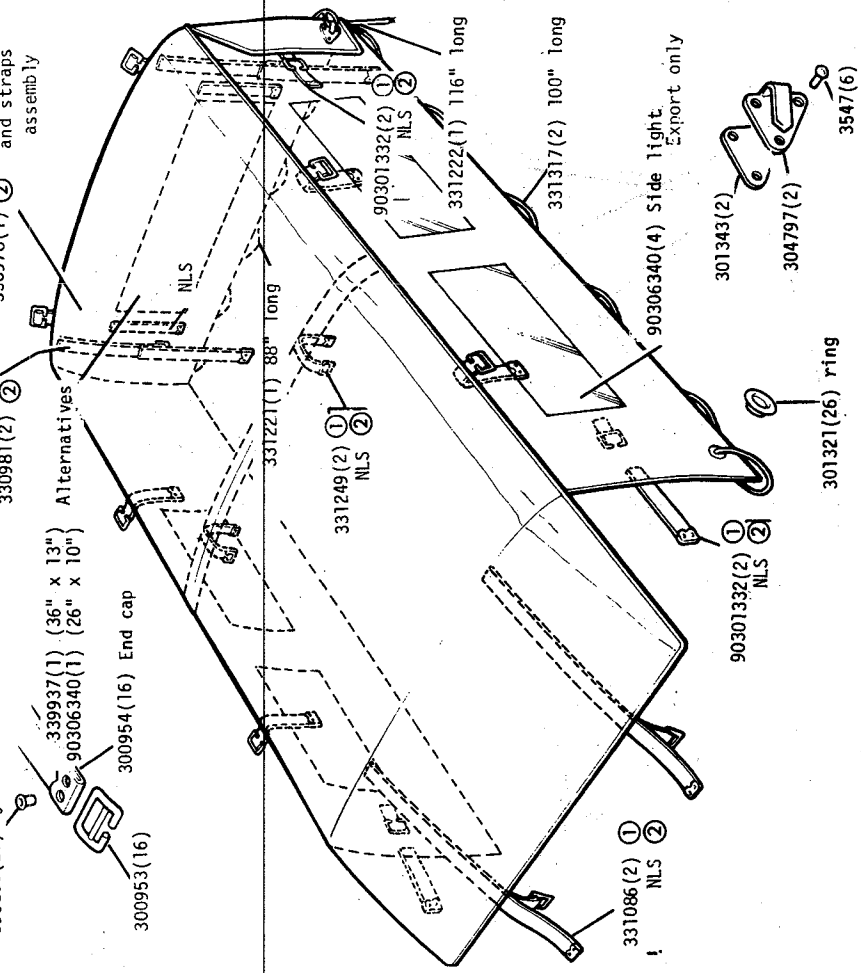
Hood complete, Full length, plain sides, Green 331110(1)
Hood complete, Full length, plain sides, Blue 330982(1)
Hood complete, Full length with side windows, Green 331113(1) Export only
Hood complete, Full length with side windows, Blue 330983(1)

① Green
② Blue

GROUP L

FULL LENGTH HOOD SERIES IIA AND III LANDROVER 109in

331106(1) ① Hood rear curtain
330978(1) ② and straps assembly

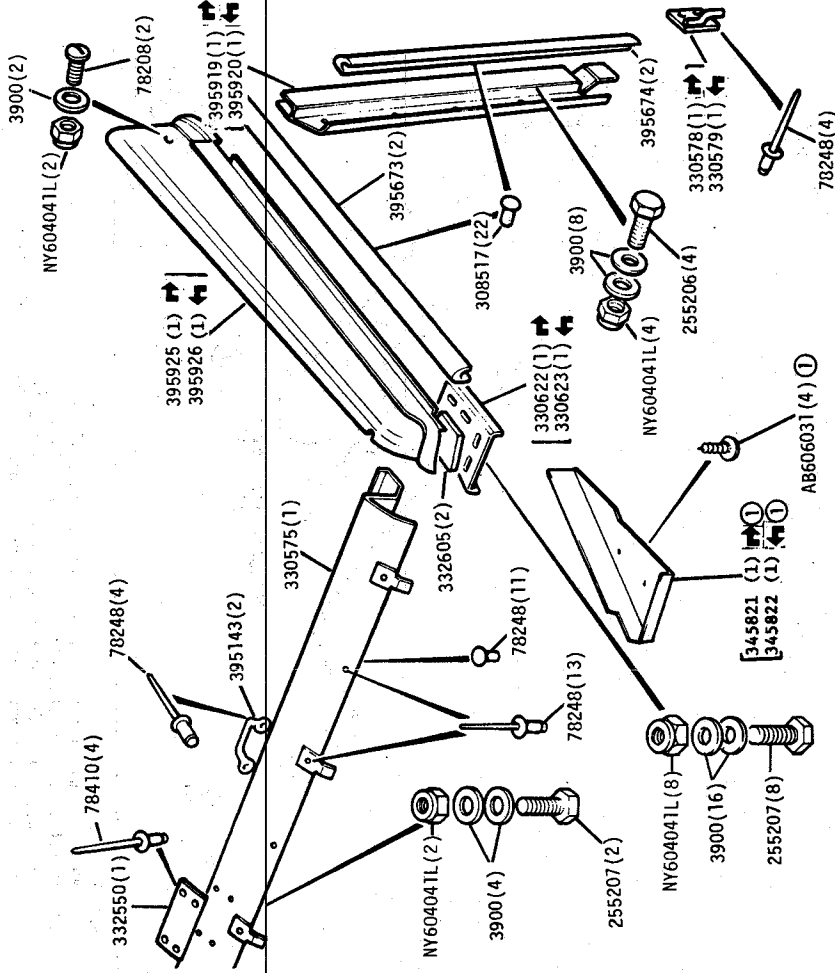


REMARKS

Hood complete, Full length, plain sides, Green 331259(1)
Hood complete, Full length, plain sides, Blue 330984(1)
Hood complete, Full length with side windows, Green 331260(1) Export only
Hood complete, Full length with side windows, Blue 330985(1)

① Green ② Blue

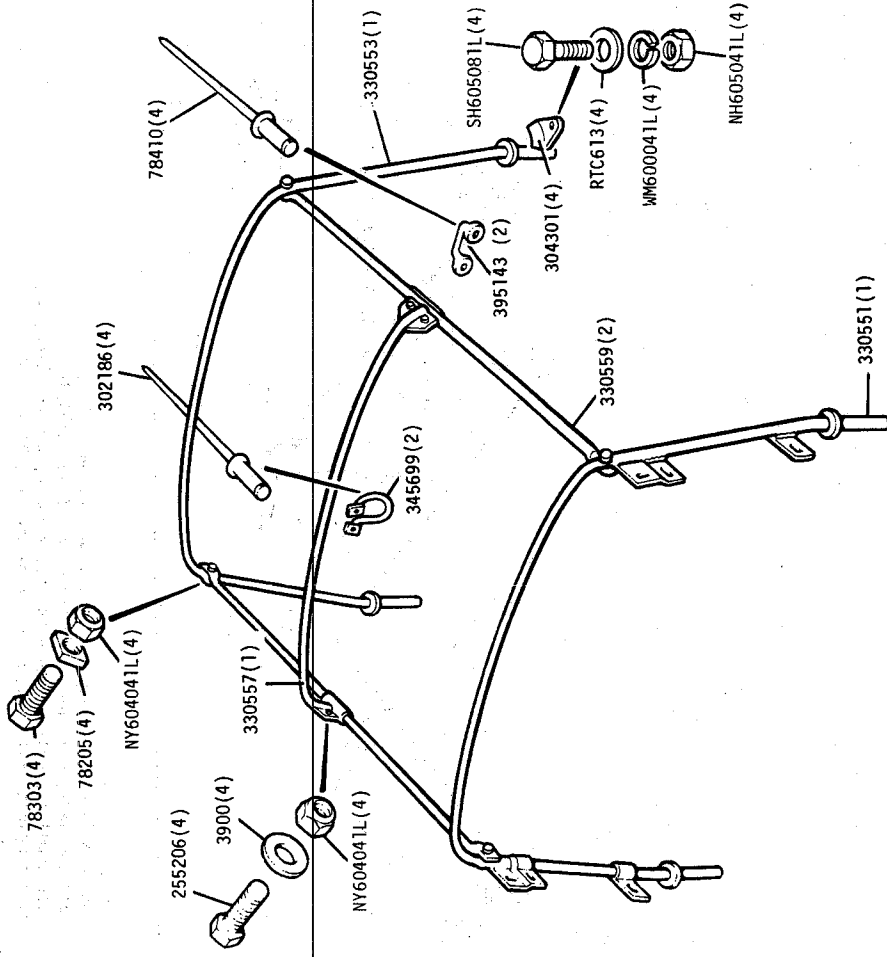
GROUP L
FULL LENGTH HOOD, FRONT FIXINGS SERIES IIA AND III LANDROVER 88in AND 109in



REMARKS

Hoodsticks and fixings complete 330999 (1) 88"
Hoodsticks and fixings complete 332951 (1) 109"
⊕ Not part of Hoodsticks and fixings kit.

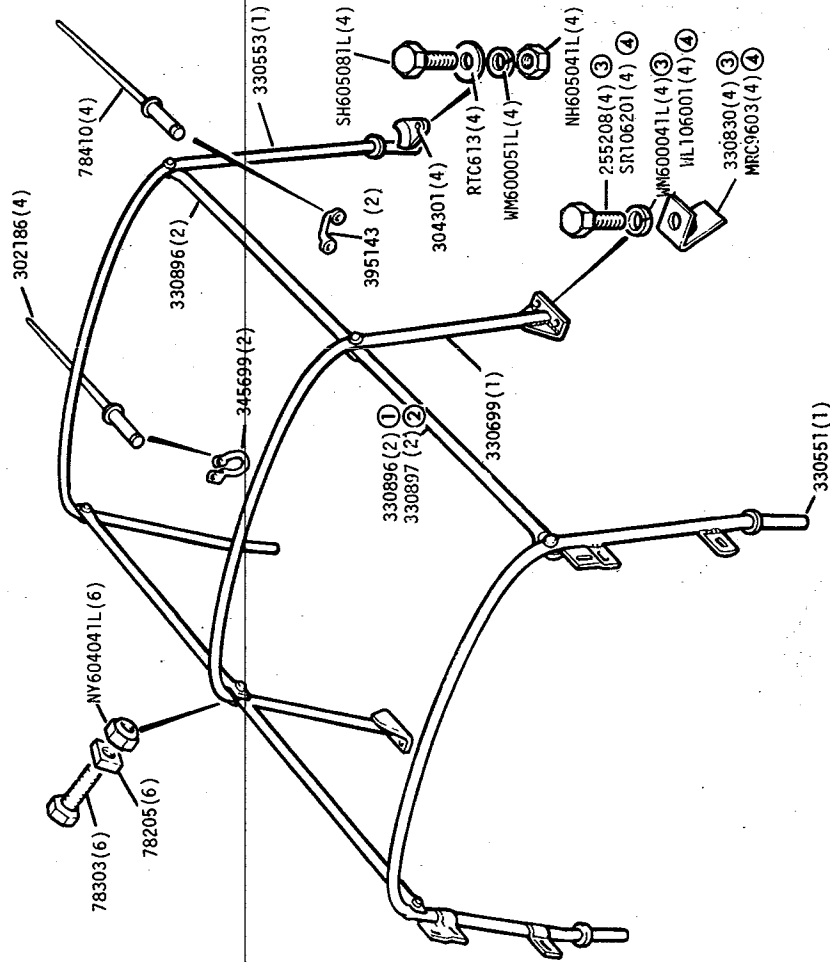
GROUP L
FULL LENGTH HOODSTICKS SERIES IIA AND III LANDROVER 88in



REMARKS

Hoodsticks and fixings complete 330999 (1)

GROUP L
FULL LENGTH HOODSTICKS SERIES IIA AND III LANDROVER 109in



REMARKS

Hoodsticks and fixings complete 332951(1)

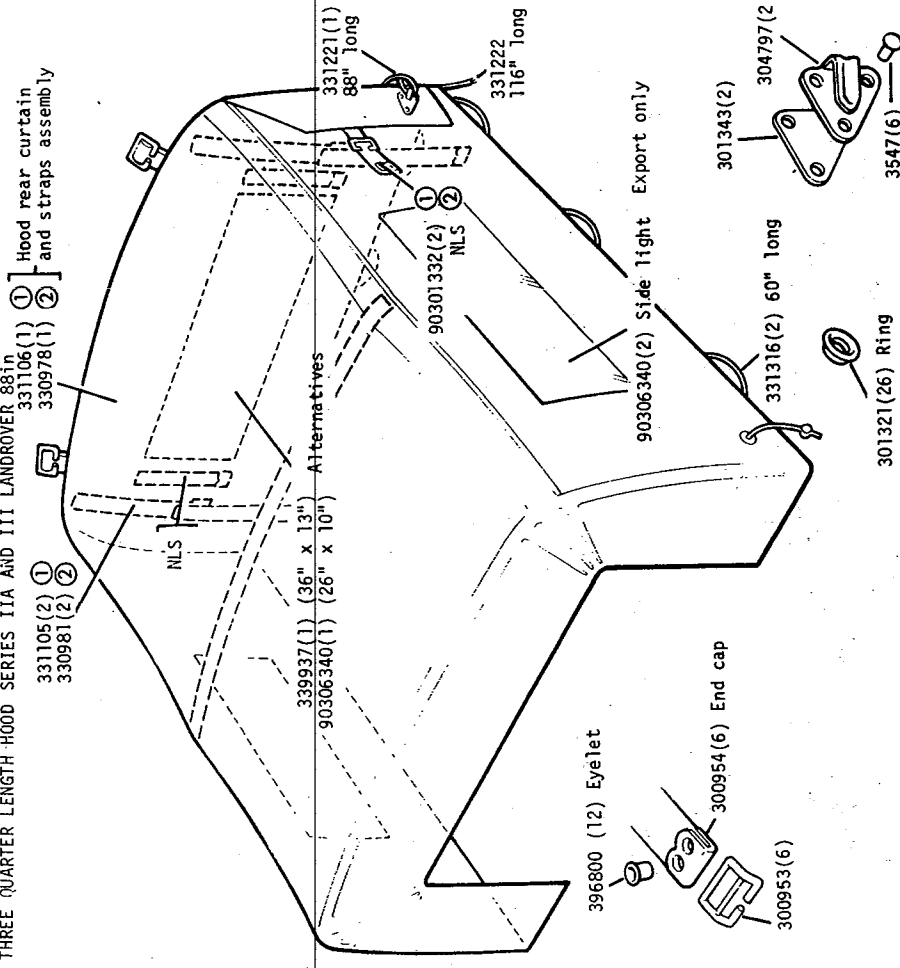
- ① 109" regular
- ② 109" vehicles fitted with cab
- ③ Up to May 1981
- ④ From June 1981

Land Rover Optional Equipment

2D 16

1RE 213

GROUP L
THREE QUARTER LENGTH HOOD SERIES IIA AND III LANDROVER 88in
331106(1) ① Hood rear curtain
330978(1) ② and straps assembly



REMARKS

Hood complete, three quarter length, plain sides, Green 331371(1)

Hood complete, three quarter length, plain sides, Blue 330986(1)

Hood complete, three quarter length with side windows, Green 331372(1)

Hood complete, three quarter length with side windows, Blue 330987(1)

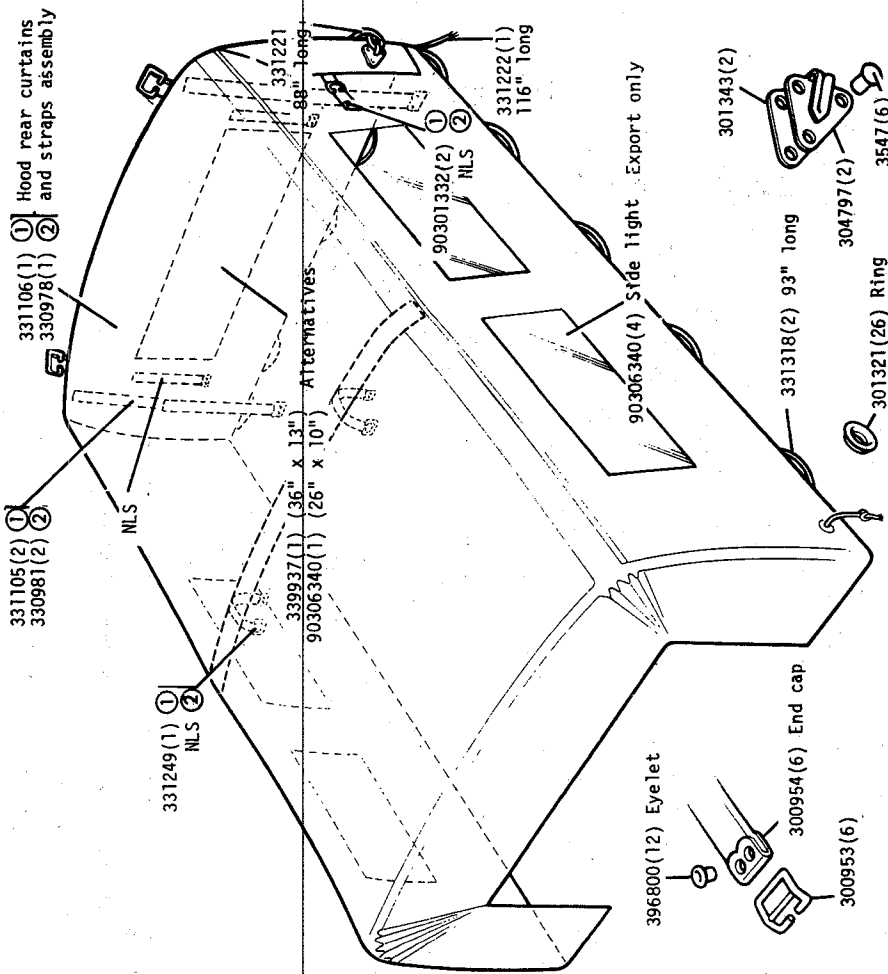
- ① Green
- ② Blue

Land Rover Optional Equipment

2D 16

1RE 209

GROUP L
THREE QUARTER LENGTH HOOD SERIES IIA AND III LANDROVER 109in



REMARKS

- Hood complete, three quarter length, plain sides, green, 331307(1)
- Hood complete, three quarter length, plain sides, blue, 330997(1)
- Hood complete, three quarter length with side windows, green, 331308(1)
- Hood complete, three quarter length with side windows, blue 330998(1) Export only

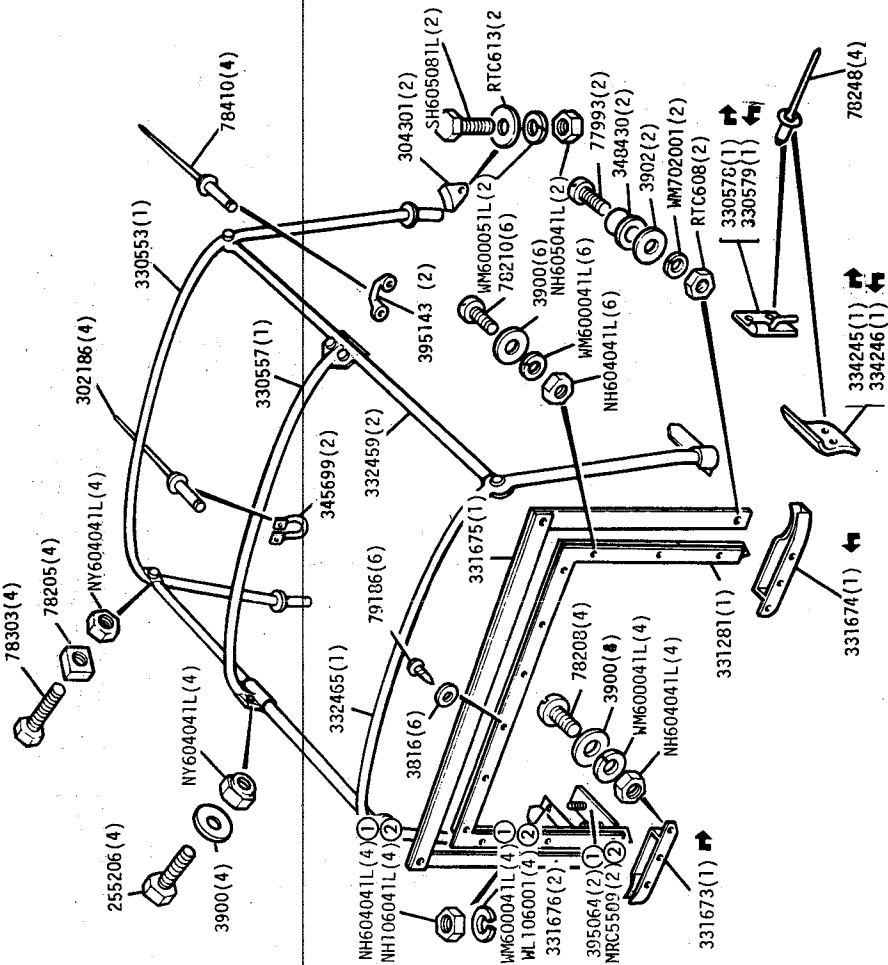
- ① Green
- ② Blue

Land Rover Optional Equipment

20 17

IRE 212

GROUP L
THREE QUARTER LENGTH HOODSTICKS SERIES IIA AND III LANDROVER 88in



REMARKS

Hoodsticks and fixings complete 332950(1)

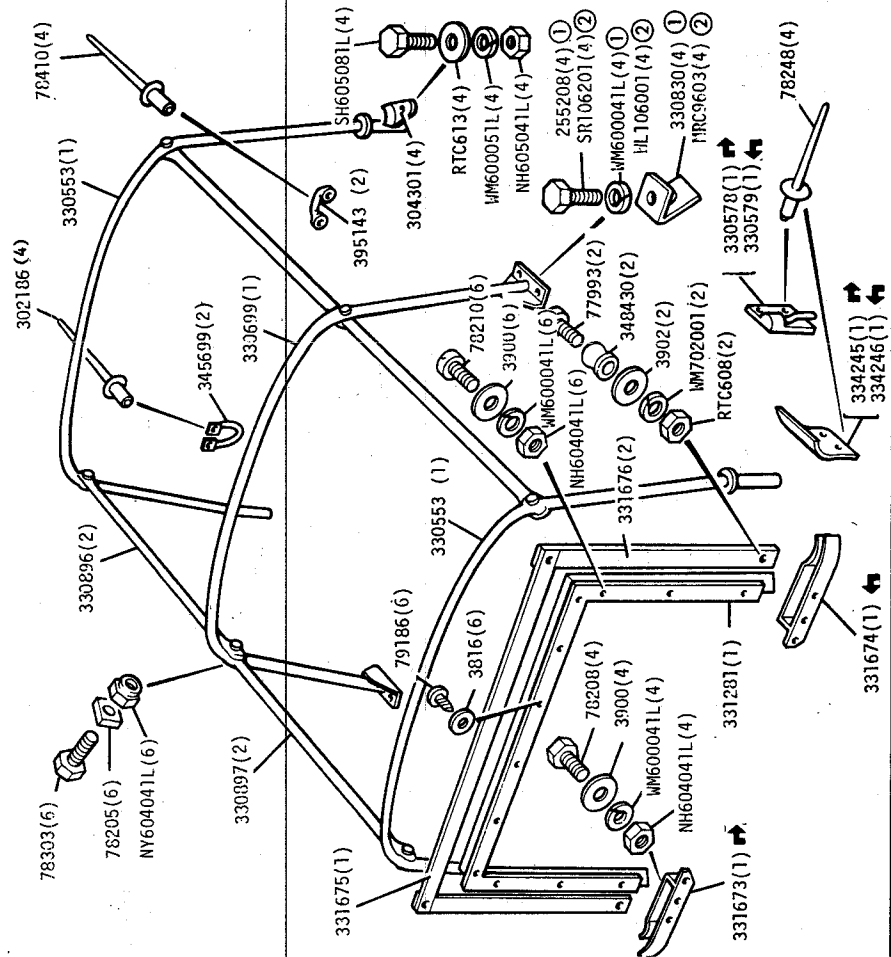
- ① Up to May 1981
- ② From June 1981

Land Rover Optional Equipment

20 17

IRE 211

GROUP L
THREE QUARTER LENGTH HOODSTICKS SERIES IIIA AND III LANDROVER 109in

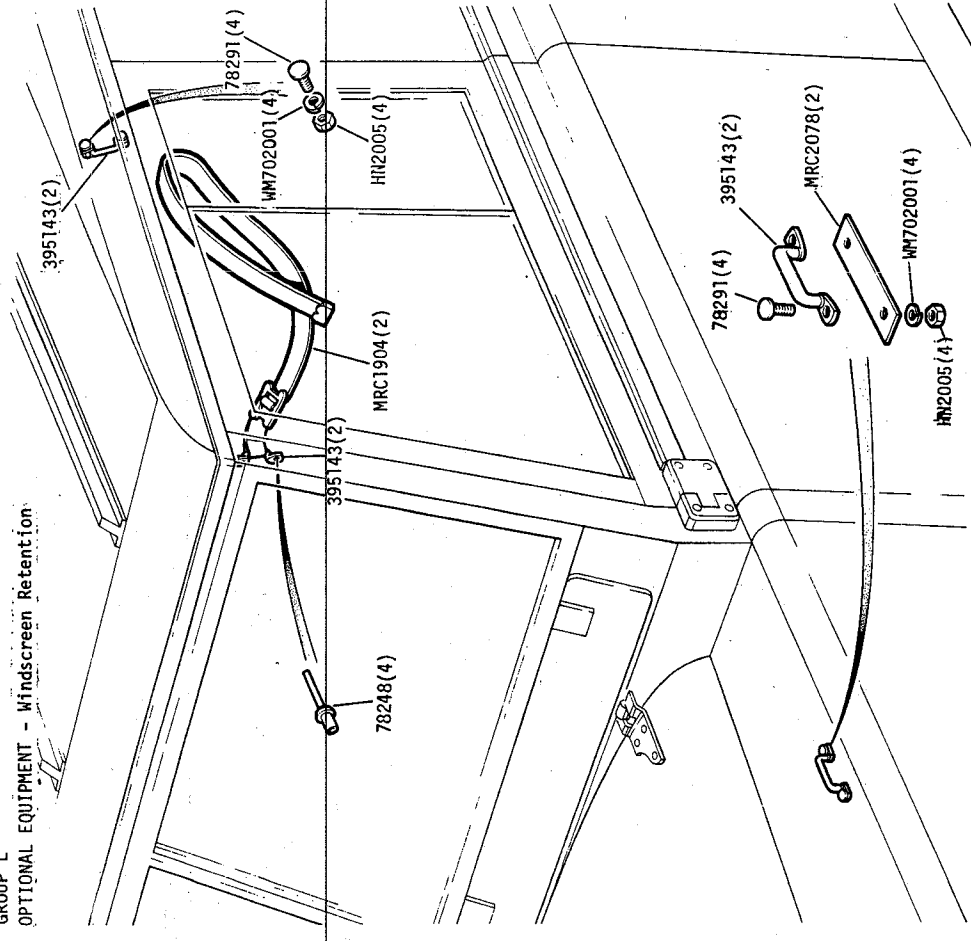


REMARKS

Hoodsticks and fixings complete 332952(1)

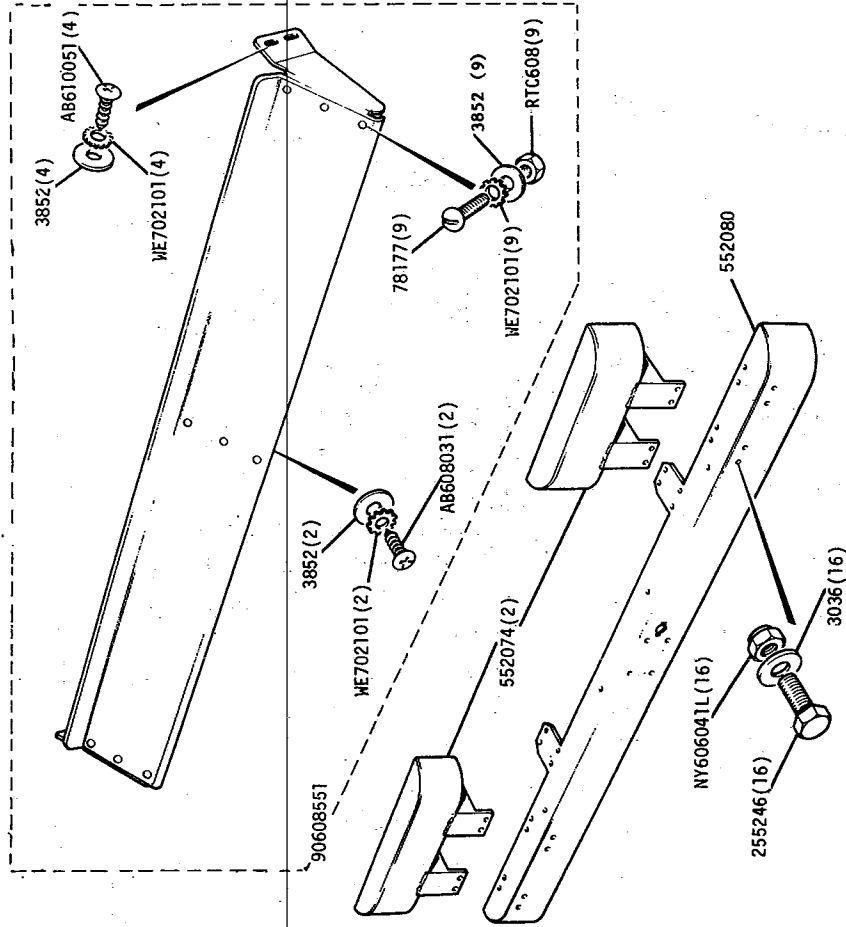
- ① Up to May 1981
- ② From June 1981

GROUP L
OPTIONAL EQUIPMENT - Windscreen Retention



Series III Land Rover all soft top models

GROUP L
EXTERIOR SUN VISOR AND FRONT BUMPERETTES SERIES IIA AND III LANDROVER



REMARKS

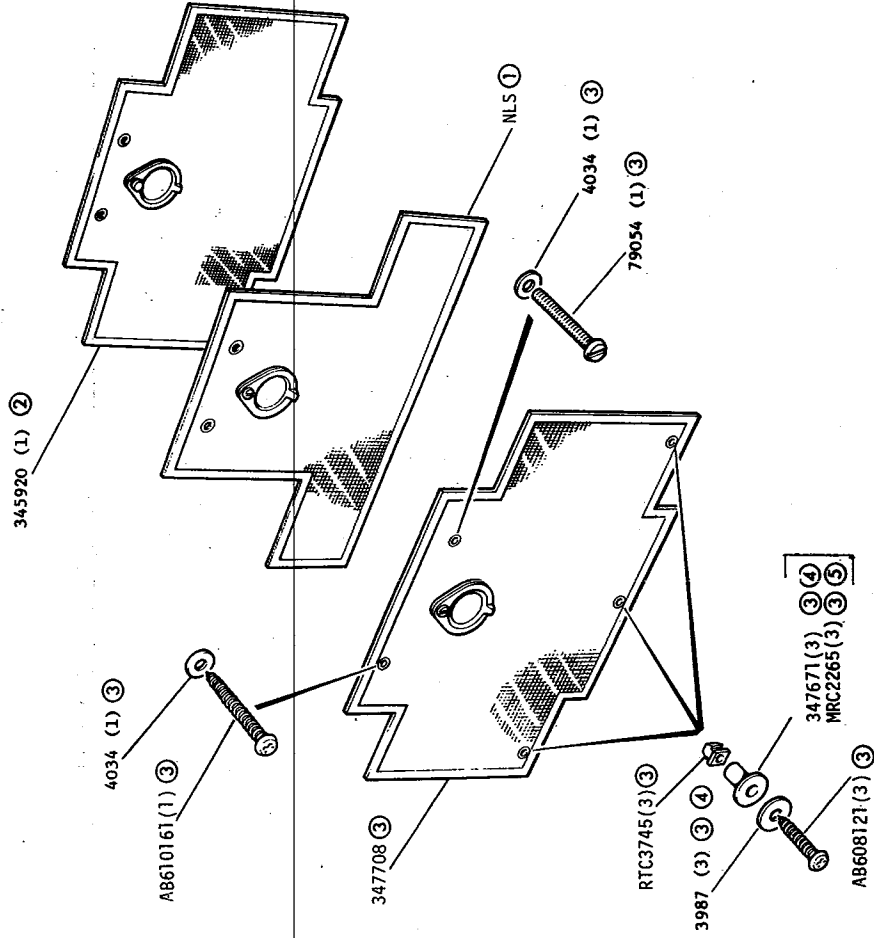
Exterior Sun visor kit 90608551

Land Rover Optional Equipment

2E 02

- 2RE 135

GROUP L
CHAFF GUARD, SERIES IIA AND III.



REMARKS

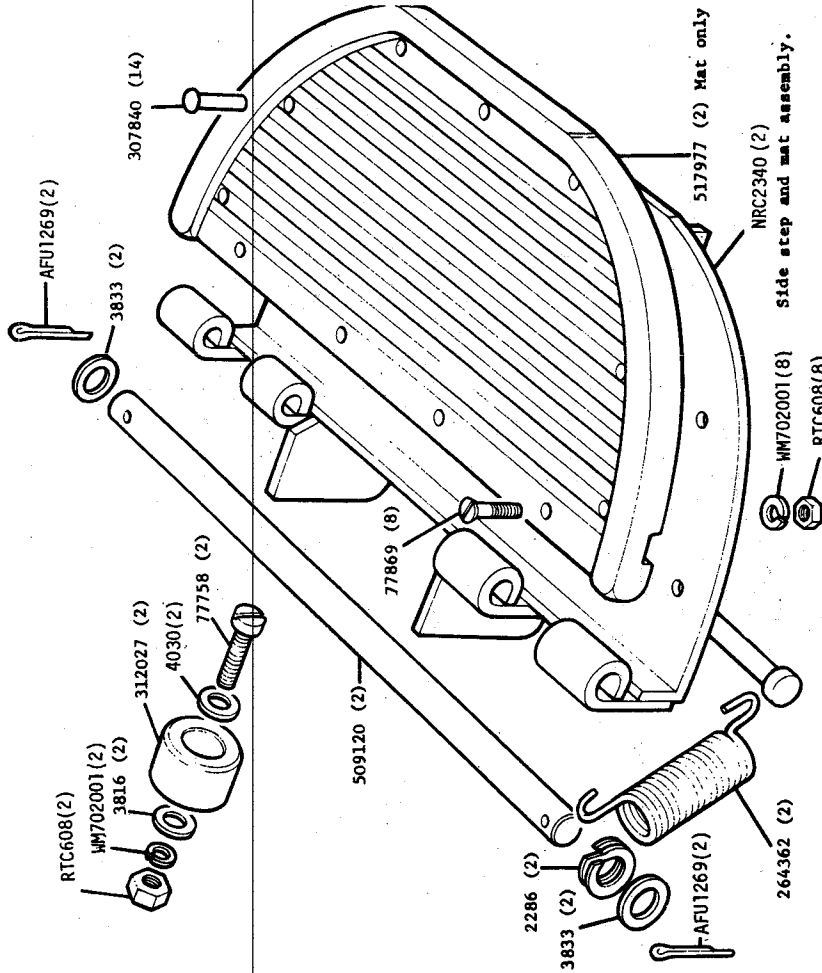
- ① Series IIA up to vehicle suffix F inclusive
- ② Series IIA from vehicle suffix G onwards
- ③ Series III
- ④ Series III up to January 1975
- ⑤ Series III from February 1975

Land Rover Optional Equipment

2E 02

3RE 24

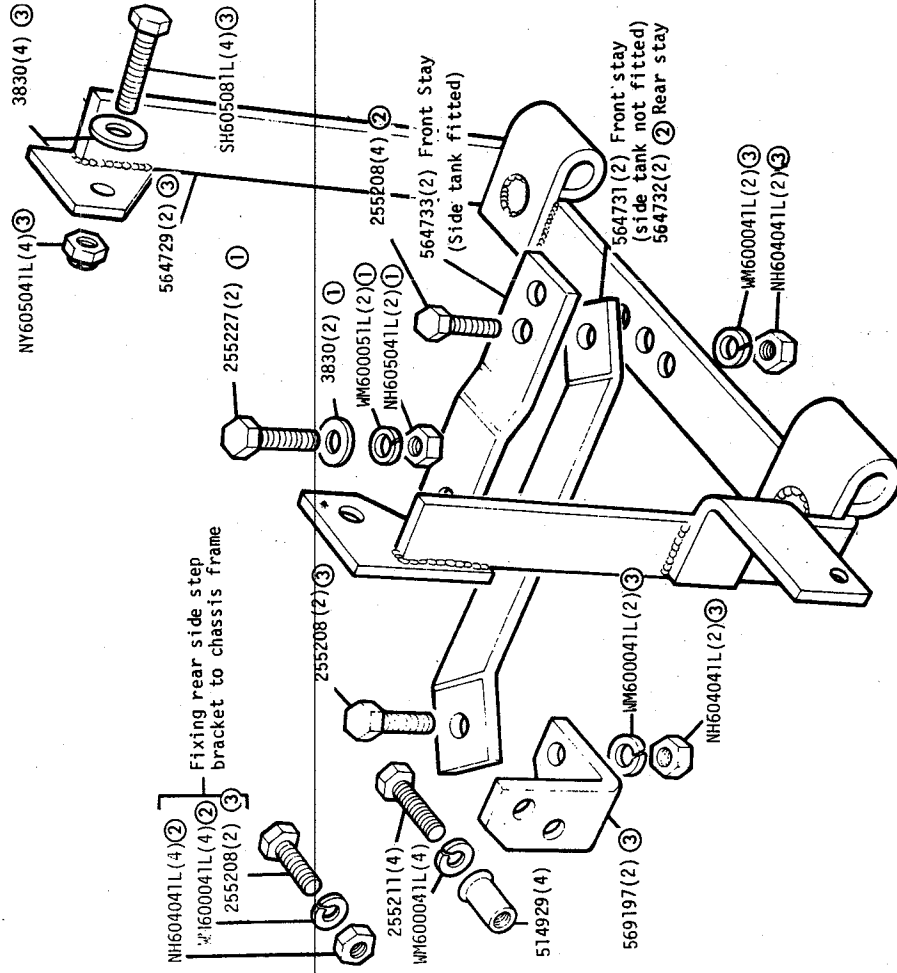
GROUP L
FOLDING STEP FOR SIDE DOORS: SERIES IIA AND III LANDROVER



REMARKS

Folding Step for side door complete assembly: 90606002(2) 88" and 109"
(4) 109" station wagon
Standard fitting on all 12 seater Station Wagons, optional all others
Double quantity for the 109" station wagon

GROUP L
FOLDING STEP FOR SIDE DOORS, BRACKETS AND FIXINGS SERIES IIA AND III LANDROVER

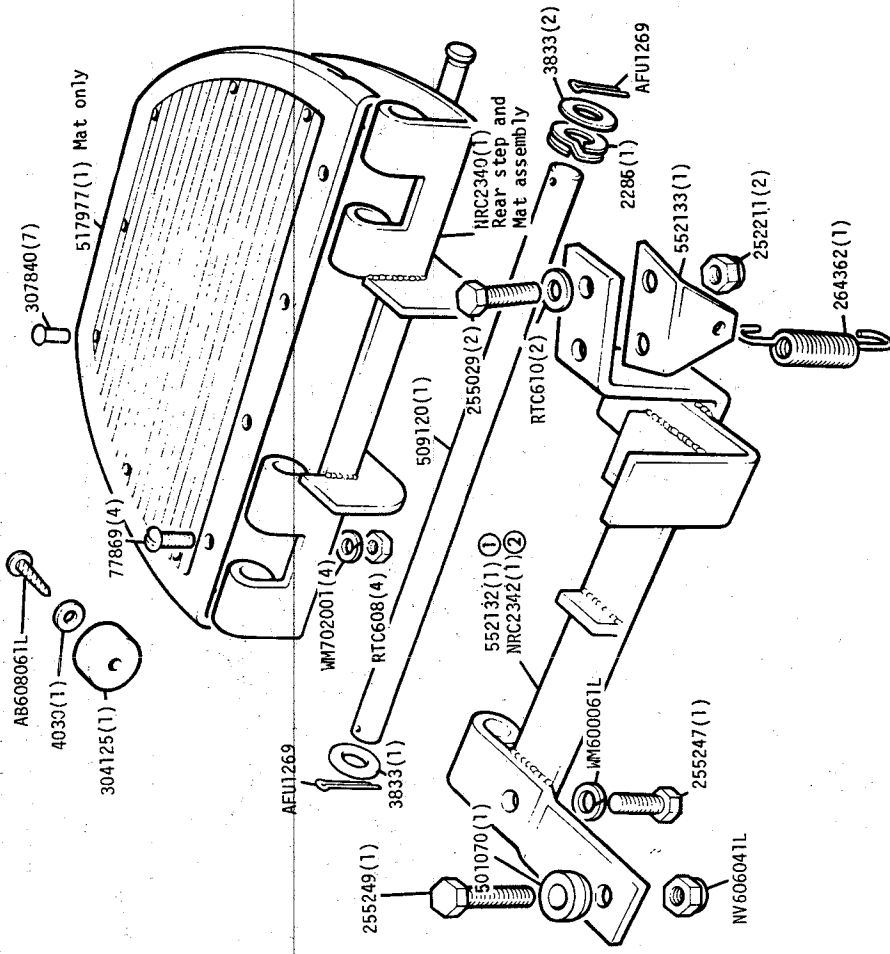


REMARKS

Folding step for side door complete assembly 90606002(2) (3)
Standard fitting on all 12 seater station wagons, optional on all others
① 88" and 109" long
② 109" Station Wagon
③ Double quantities on 109" Station Wagon applications

GROUP L
OPTIONAL EQUIPMENT - Fuel Filler Lock and Bonnet Locking Device

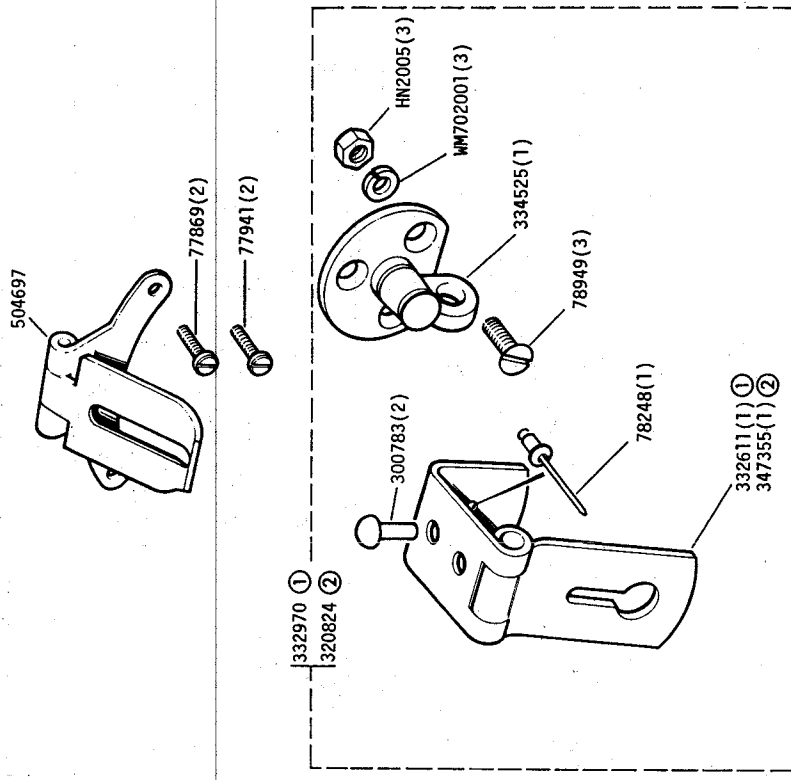
GROUP L
REAR FOLDING STEP, SERIES IIA AND III LANDROVER



REMARKS

Rear Folding Step assembly 605934 (1). All models except 88" and 109" Station Wagon. Cannot be used in conjunction with towing plates RTC8019

- ① For use with step 523589
- ② For use with step NRC2340



Series IIA and III Land Rover 88 regular with plain bonnet.

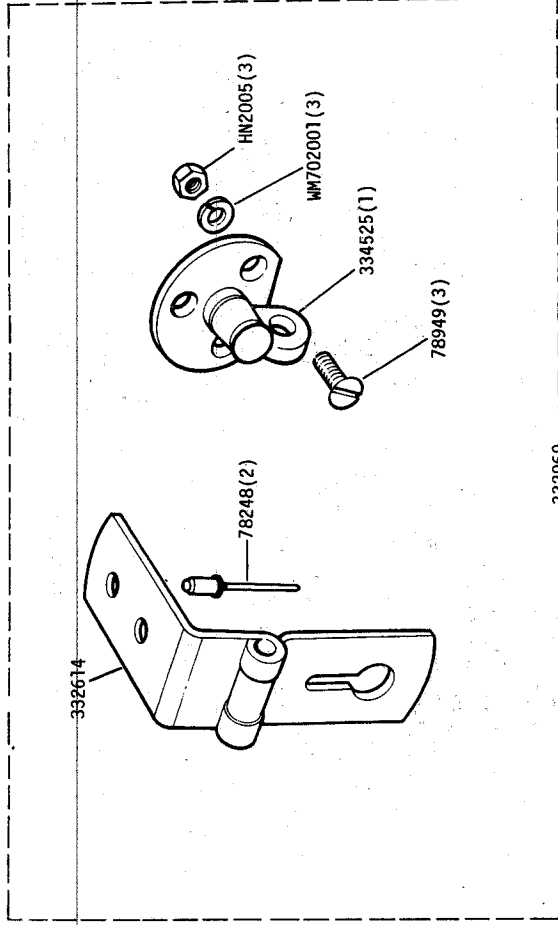
- ① Series IIA Land Rover
- ② Series III Land Rover

-- R.184 OPTIONAL EQUIPMENT - Bonnet Lock - 109 V8 Land Rover

PLATE REF.	1	2	3	4	DESCRIPTION	QTY.	PART No.	REMARKS
------------	---	---	---	---	-------------	------	----------	---------

GROUP L
OPTIONAL EQUIPMENT - Bonnet Locking Device

Bonnet lock assembly	1	MRC5589						
Staple	1	MRC4501						
Pop rivet - staple to bonnet	2	78248						
Key for lock	1	MRC6262						



Series IIA and III Land Rover 88 and 109 with de'luxe bonnet.

Land Rover Optional Equipment:

2E 05

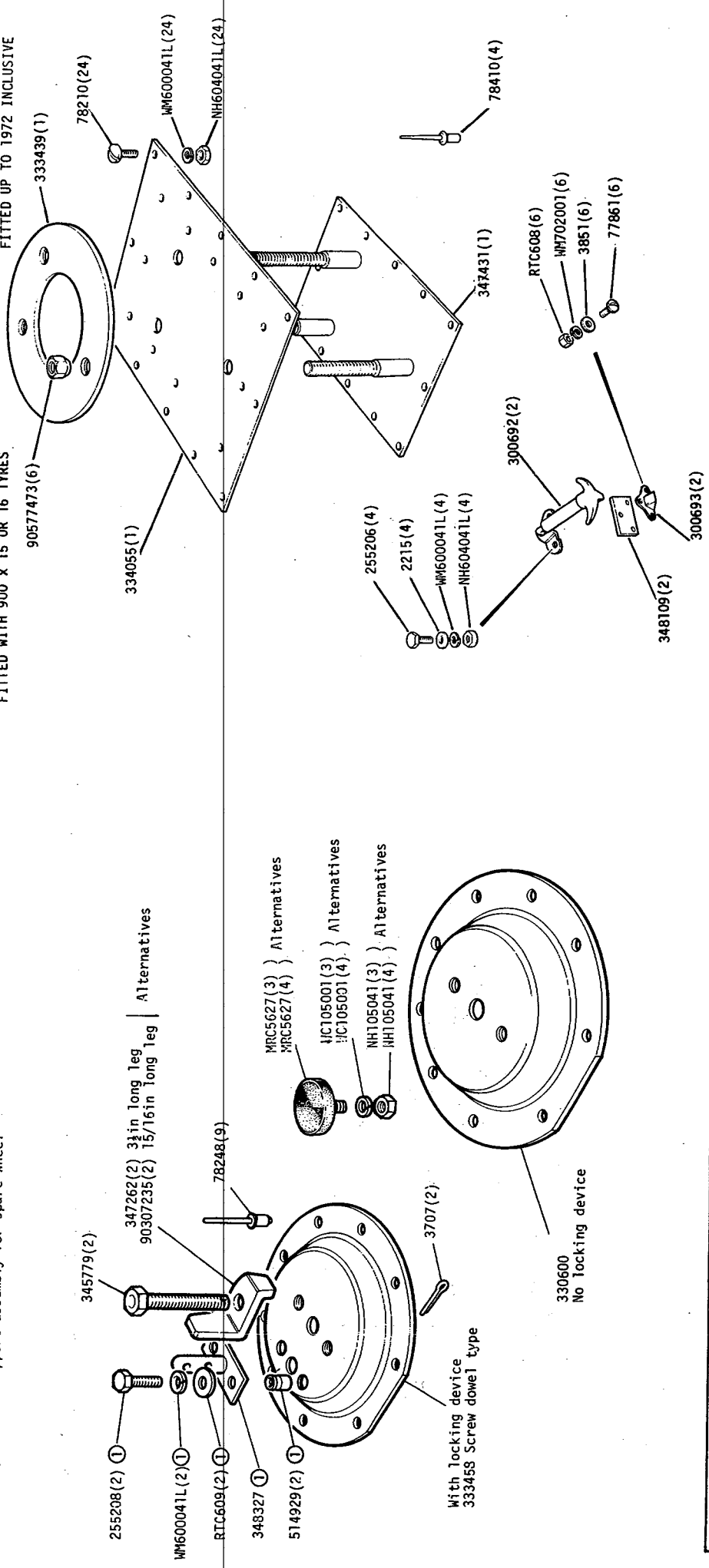
2E 05

* ASTERISK INDICATES A NEW PART WHICH HAS NOT BEEN USED ON ANY PREVIOUS MODEL

GROUP L

SUPPORT ASSEMBLY FOR SPARE WHEEL ON BONNET. SERIES III 1-TON AND 109 VEHICLES.
FITTED UP TO 1972 INCLUSIVE

OPTIONAL EQUIPMENT - Support assembly for spare wheel

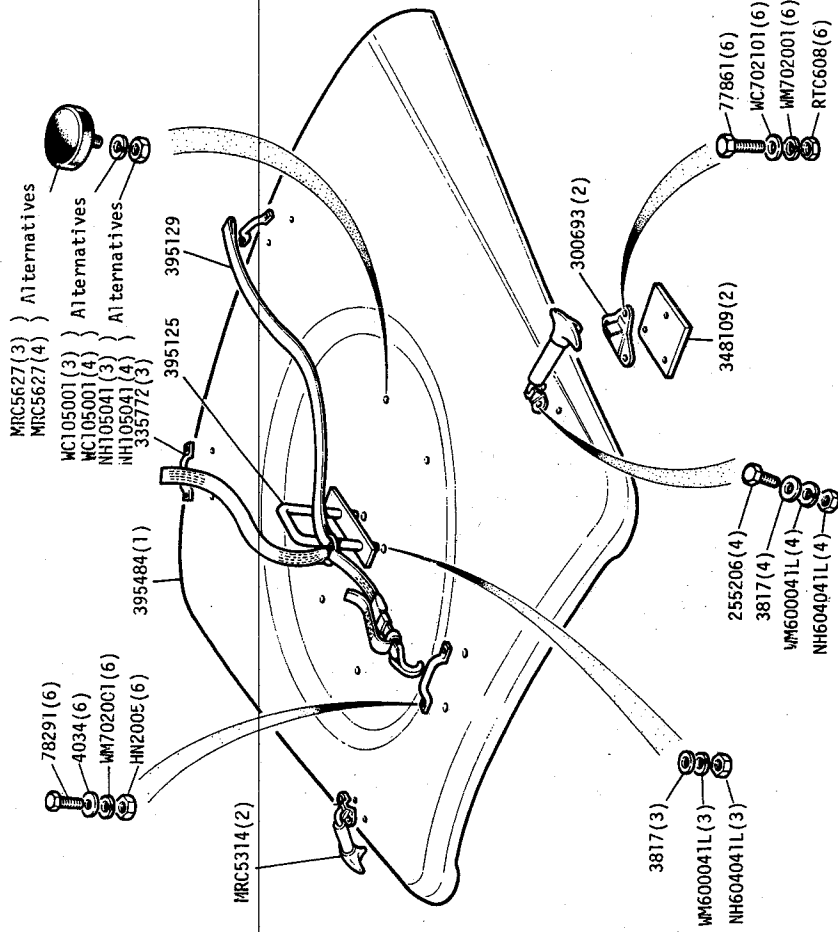


Series IIA and III Land Rover 88 and 109 except 1 ton and 109 vehicles fitted with 9.00 x 15 in or 16 in tyres
Support assembly with locking device for spare wheel
For vehicles fitted with spare wheel support assemblies less locking devices, service stock separates parts for replacement only
① Vehicles fitted with locking device for spare wheel
Land Rover Optional Equipment
2E 06
1RE 230/A

REMARKS:
Support assembly for spare wheel 607717
Land Rover Optional Equipment
2E 06
3RE 61

PLATE REF.	1	2	3	4	DESCRIPTION	QTY.	PART No.	REMARKS
------------	---	---	---	---	-------------	------	----------	---------

GROUP L
 OPTIONAL EQUIPMENT - Bonnet and Spare Wheel Carrier for 900 X 15 or 16 tyres.
 Fitted from 1973 →

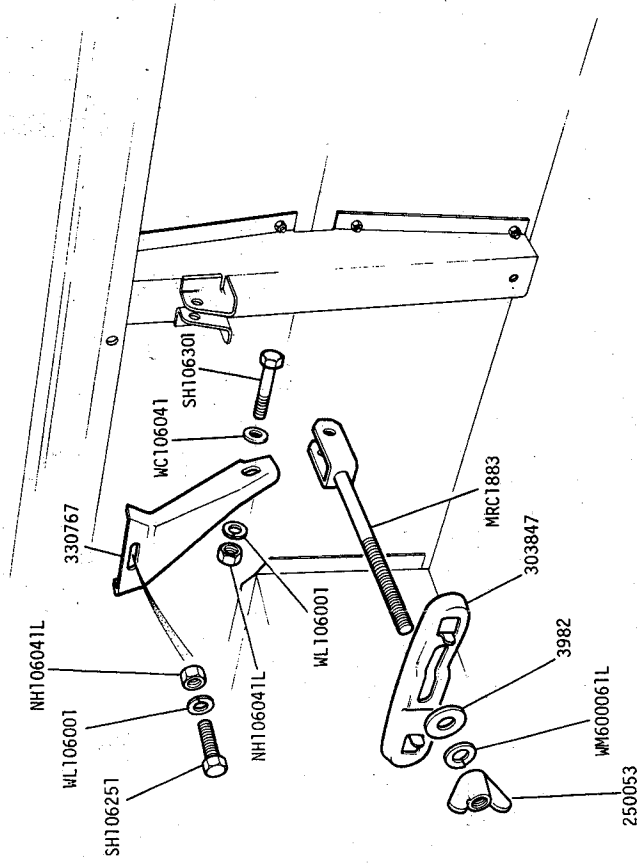


Spare wheel clamp plate assembly	1	MRC5801
Spare wheel retainer	1	MRC5063
Bolt. M12	2	MRC4473
Washer	2	WD112081
Buffer assembly	4	MRC4619
Plain washer. M8	4	WB108051
Nut. M8	4	NY108041L
Bolt. M5 x 14	3	SH105141
Plain washer	6	WA105001
Spring washer	3	WM105001
Nut. M5	3	NH105041

Series III Land Rover 109" 1 ton vehicles fitted with Bonnet with side fasteners and spare wheel carrier

* ASTERISK INDICATES A NEW PART WHICH HAS NOT BEEN USED ON ANY PREVIOUS MODEL

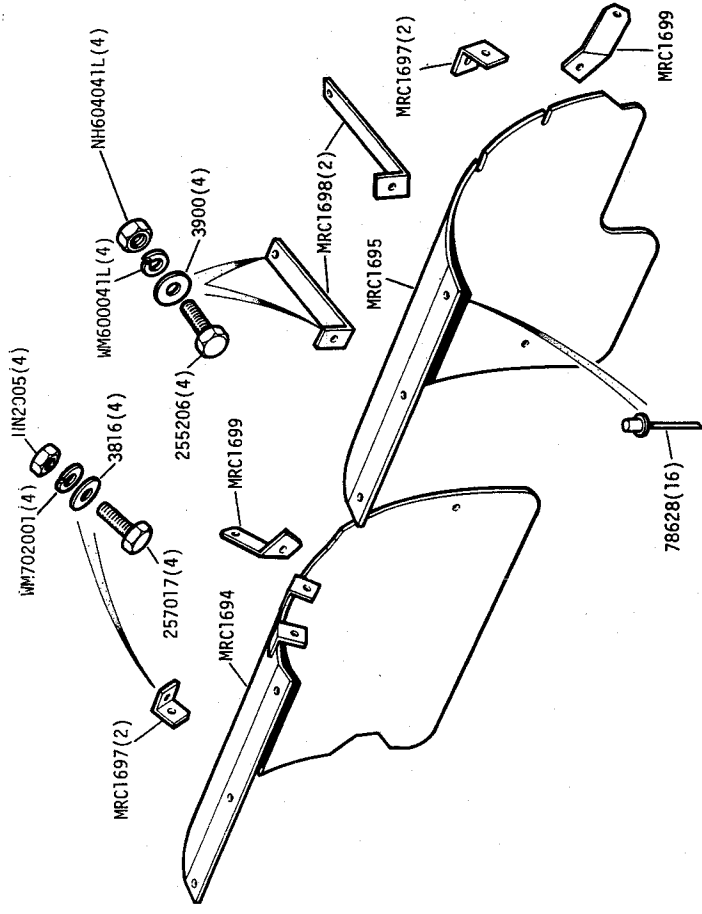
GROUP L
OPTIONAL EQUIPMENT - Spare Wheel on Bulkhead



Series III Land Rover 88" Truck cab (Swedish conditions). from October 1979

Land Rover Optional Equipment 2E 08 VS. 1534

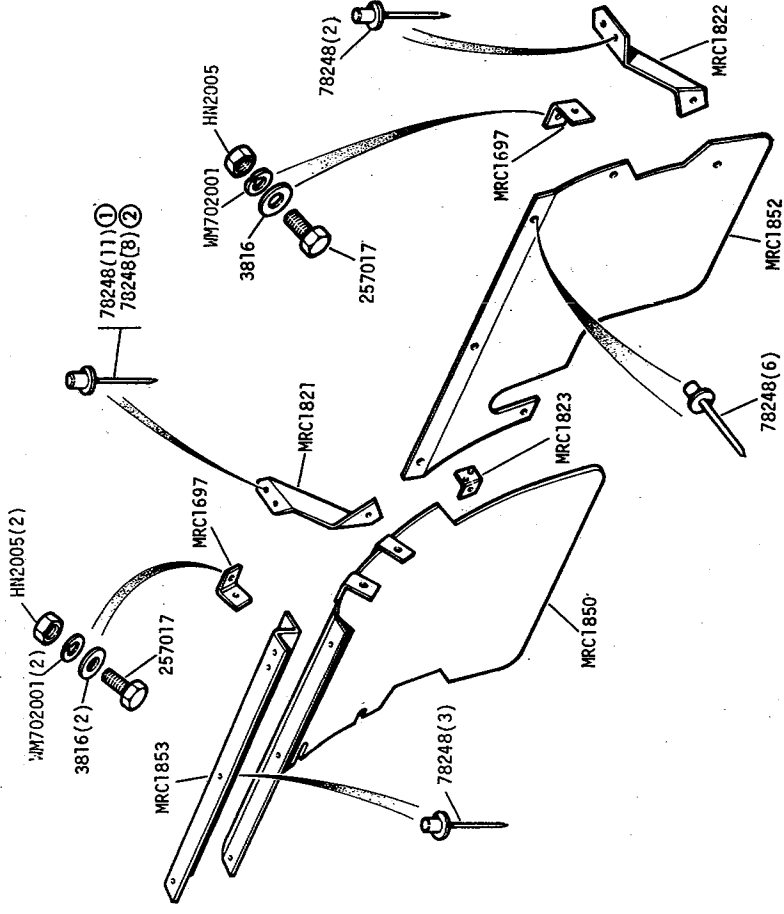
GROUP L
OPTIONAL EQUIPMENT - Rear Mudguards



Series III Land Rover 2 1/2 litre 88" vehicles for Denmark

Land Rover Optional Equipment 2E 08 ARE 278

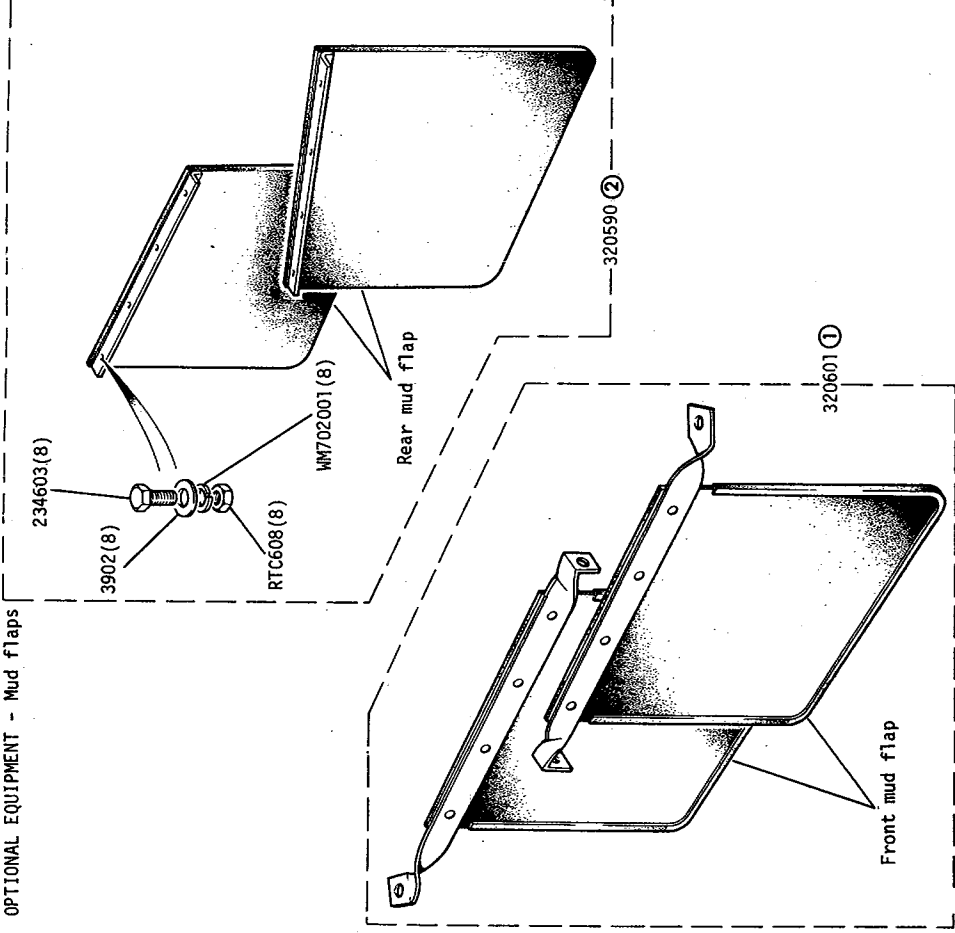
GROUP L
OPTIONAL EQUIPMENT - Rear Mudguards



Series III Land Rover 24 and 2.6 litre 109" vehicles for Denmark

- ① 109" regular models only
- ② 109" Station Wagon only

GROUP L
OPTIONAL EQUIPMENT - Mud flaps



① Series 11A and 111 Land Rover 88in and 109 in.

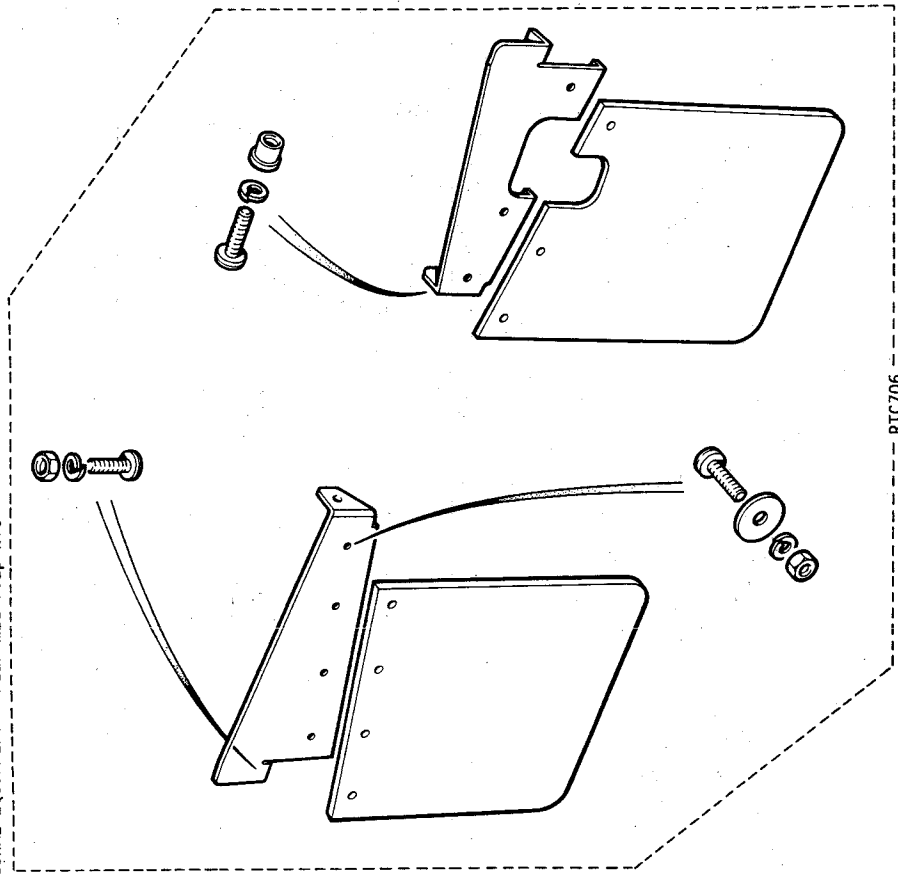
② Series 11A and 111 Land Rover 88 in

OPTIONAL EQUIPMENT - Rear Mud Flaps. 109 V8 Land Rover

R.104

PLATE REF.	1	2	3	4	DESCRIPTION	QTY.	PART No.	REMARKS
					Rear mud flap kit - assembly	1	RTC8050	

GROUP L
OPTIONAL EQUIPMENT - Rear mud flap kit



Series 11A and 111 Land Rover 109 2.4 and 2.6 litre models



Land Rover Optional Equipment

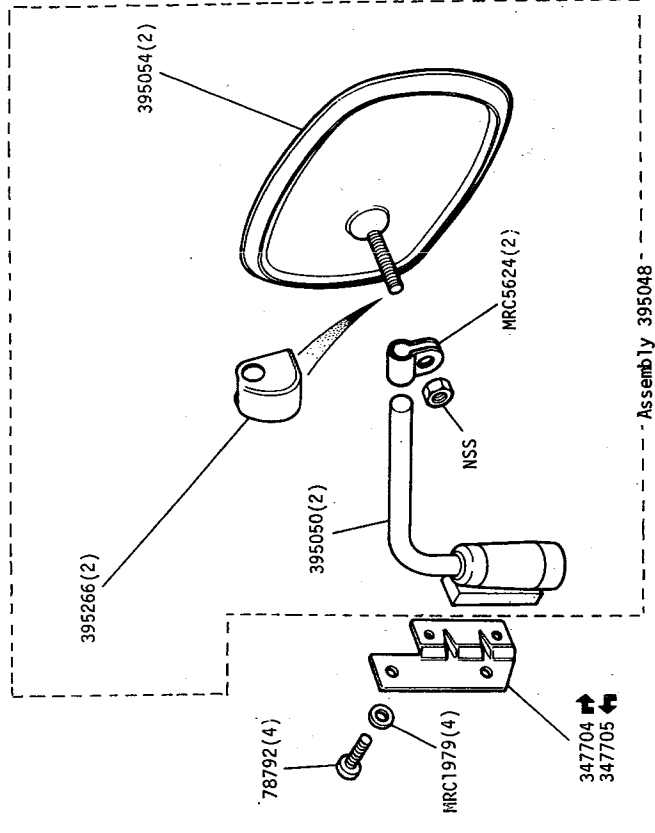
2E 10

3RE476

2E 10

* ASTERISK INDICATES A NEW PART WHICH HAS NOT BEEN USED ON ANY PREVIOUS MODEL

GROUP L
OPTIONAL EQUIPMENT - Wing and Door Hinge Mounted Mirror



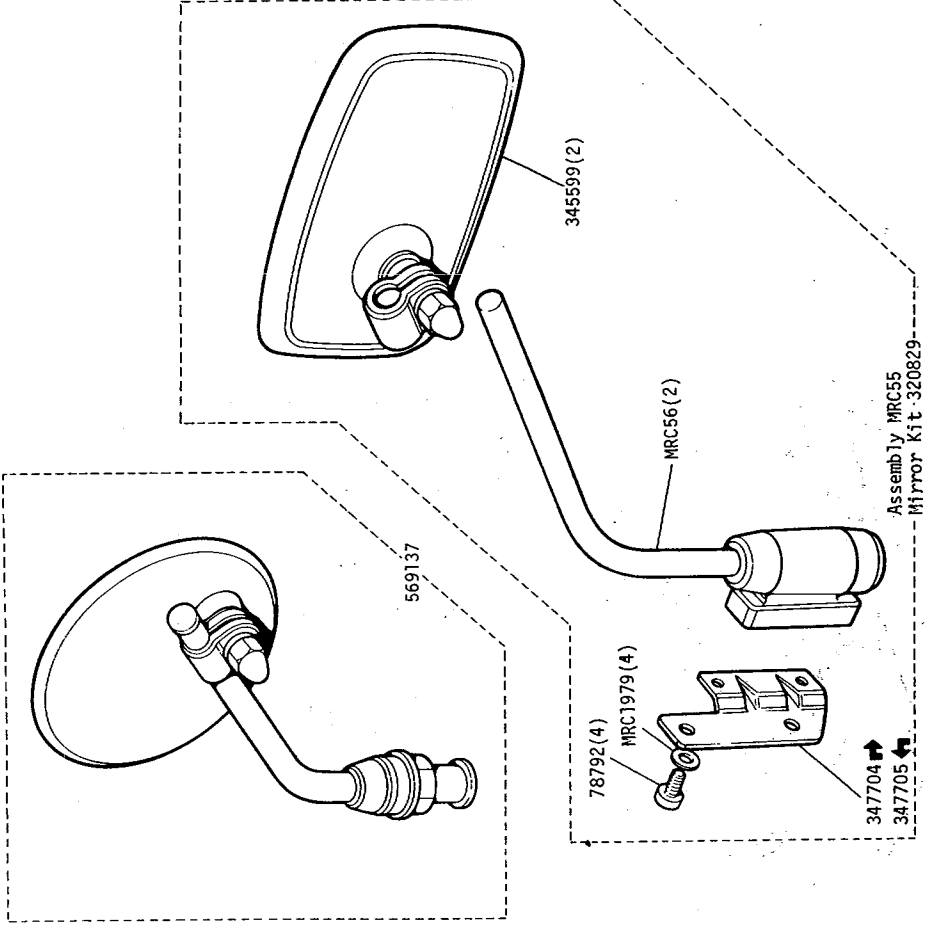
Series III Land Rover French Conditions

Land Rover Optional Equipment

2E 11

VS1502

GROUP L
OPTIONAL EQUIPMENT - Wing and Door Hinge Mounted Mirrors



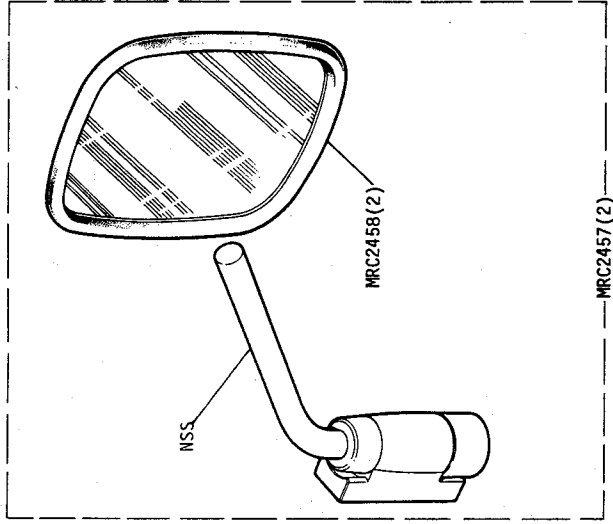
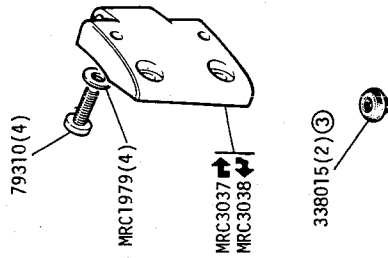
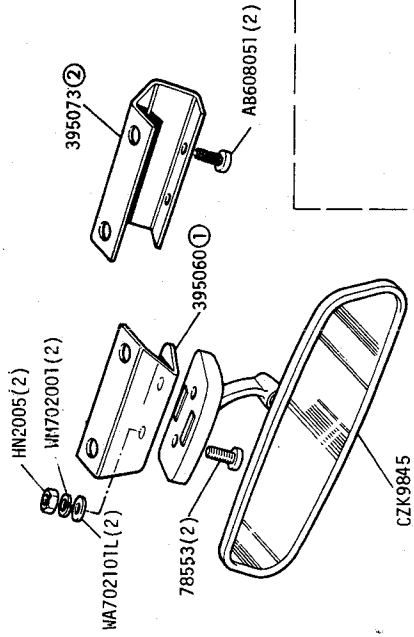
Series III all models

Land-Rover Optional Equipment

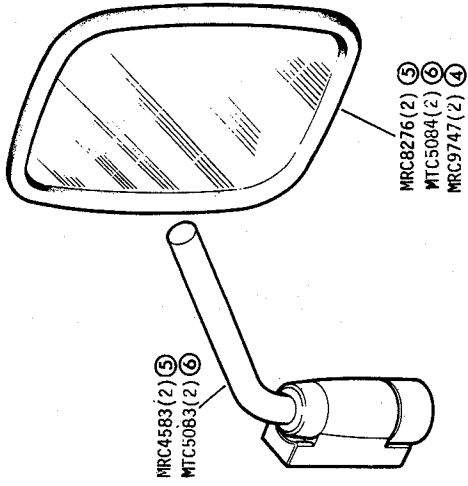
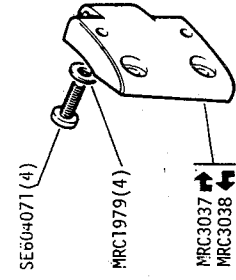
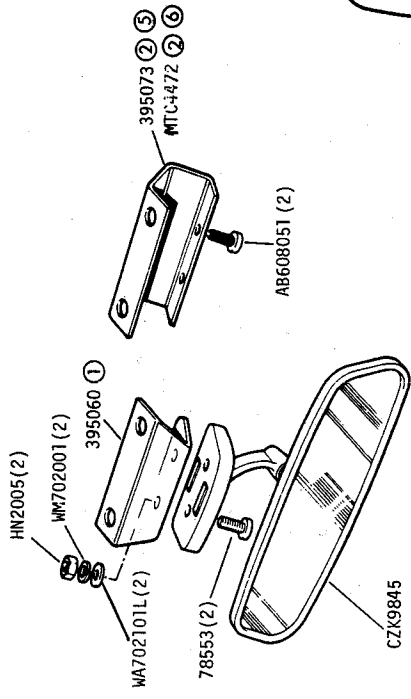
2E 11

4RE145

GROUP L
OPTIONAL EQUIPMENT - Interior and door mounted mirrors



GROUP L
OPTIONAL EQUIPMENT - Interior and door mounted mirrors



Series III Land Rover destined for France and Italy up to October 1977 inclusive

- ① Untrimmed vehicles
- ② Trimmed vehicles
- ③ Fitted to front wing mirror mounting hole

Land Rover Optional Equipment

2E 12

GRE 239

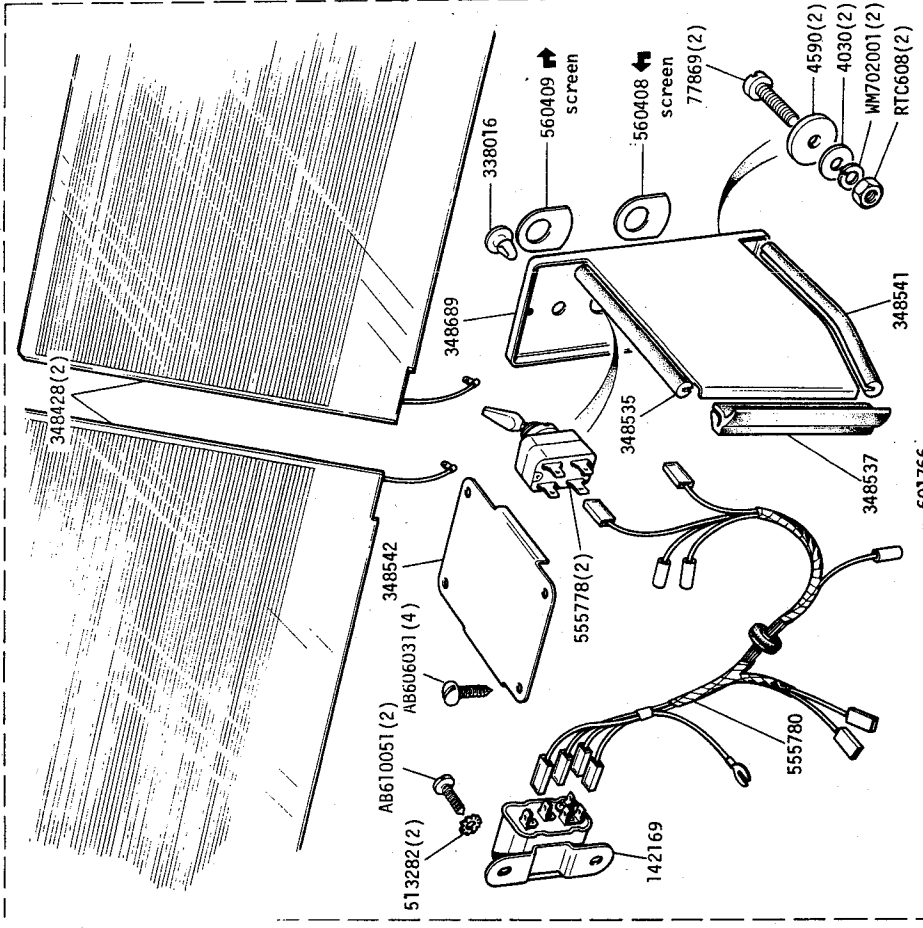
Series III Land Rover destined for France and Italy from November 1977 onwards

- ① Untrimmed vehicles
- ② Trimmed vehicles
- ③ Fitted to front wing mirror mounting hole
- ④ Australia only
- ⑤ Fitted up to July 1982
- ⑥ Fitted from August 1982

Land Rover Optional Equipment

2E 12

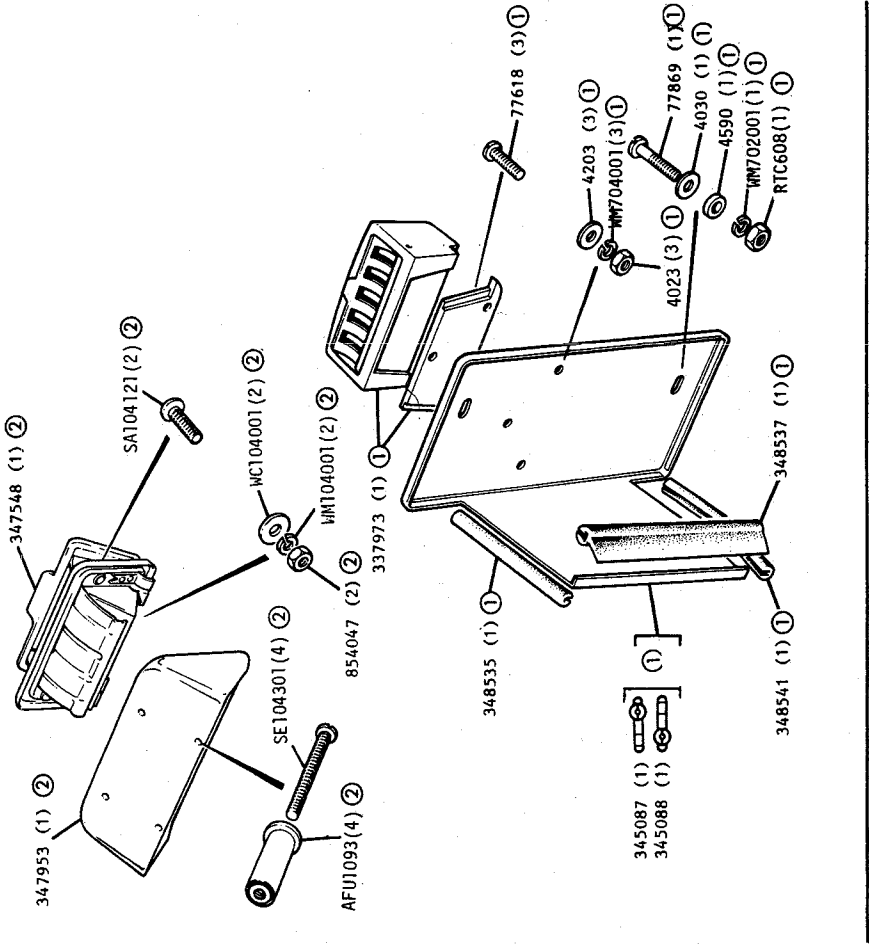
GROUP L
OPTIONAL EQUIPMENT - Heated windshield kit



Series IIA and I11 Land Rover
 Prestik 13296 15 ft for fixing screen into frame
 Single lead 555782 connector to L.H. screen switch
 Single lead 555781 L.H. screen switch to screen terminal

Land Rover Optional Equipment 2E 13 7RE 42

GROUP L
ASHTRAY SERIES IIA AND III



REMARKS
 Ashtray Kit 320641 (1) 1
 Ashtray Kit 320831 2
 1 Series IIA
 2 Series III

Land Rover Optional Equipment 2E 13 2RE 350