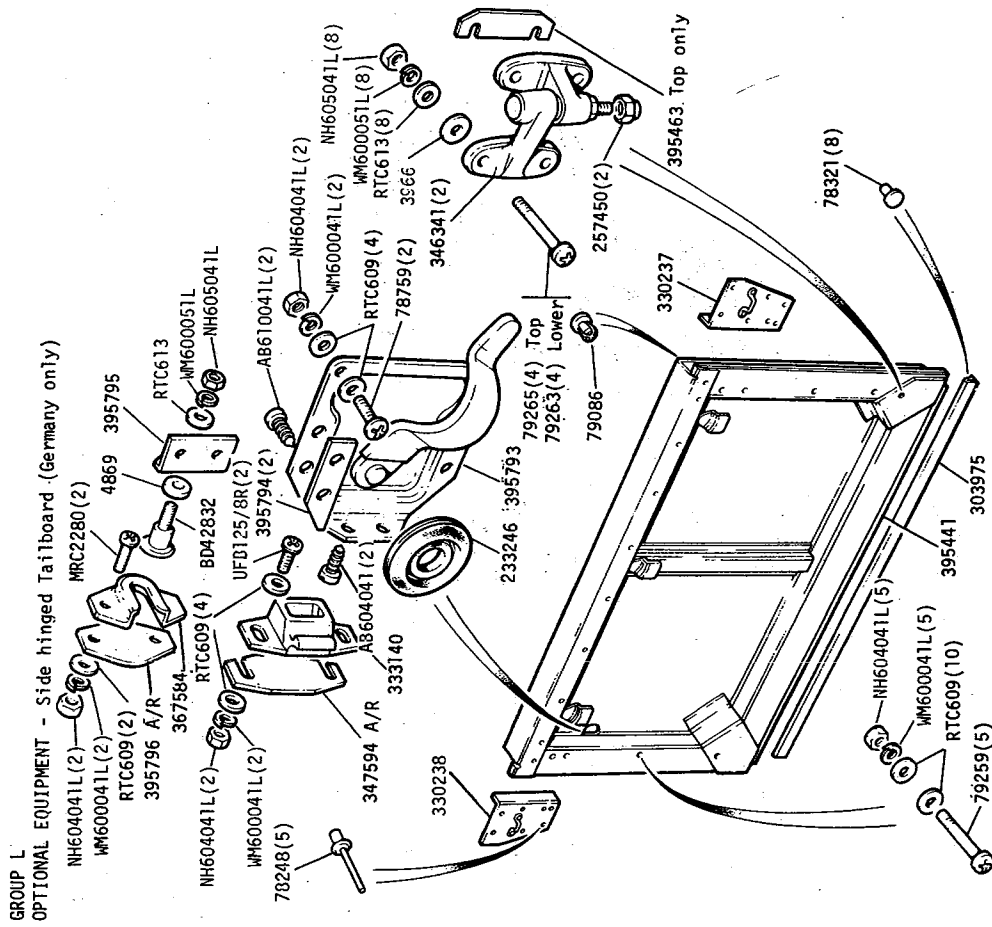


PLATE REF.	1	2	3	4	DESCRIPTION	QTY.	PART No.	REMARKS
					Chaff guard	1	MRC6810	
					Spring washer. M5	2	WL105001	
					Plain washer	6	3987	
					Nut M5	2	NH105041	} Fixing chaff guard } to grille
					Pin head screw. M5 x 25	4	SE105251	
					Clamp bracket	2	MPC6839	}
					Clamp plate	2	MRC6840	



GROUP L  
 OPTIONAL EQUIPMENT - Side Hinged Tailboard (Germany only)

Series III Land Rover for German market.  
 Plug for wheelarch box 338029(2)

Land Rover Optional Equipment

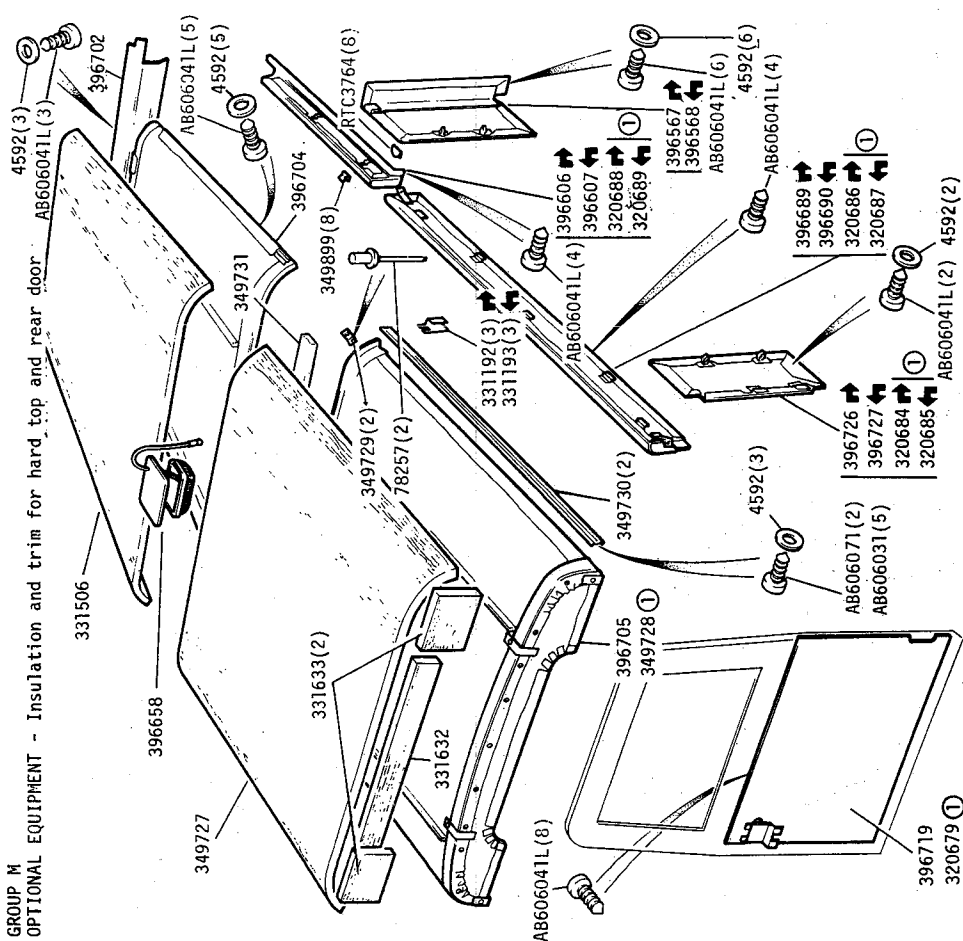
2E 14

ARE 255

\* ASTERISK INDICATES A NEW PART WHICH HAS NOT BEEN USED ON ANY PREVIOUS MODEL

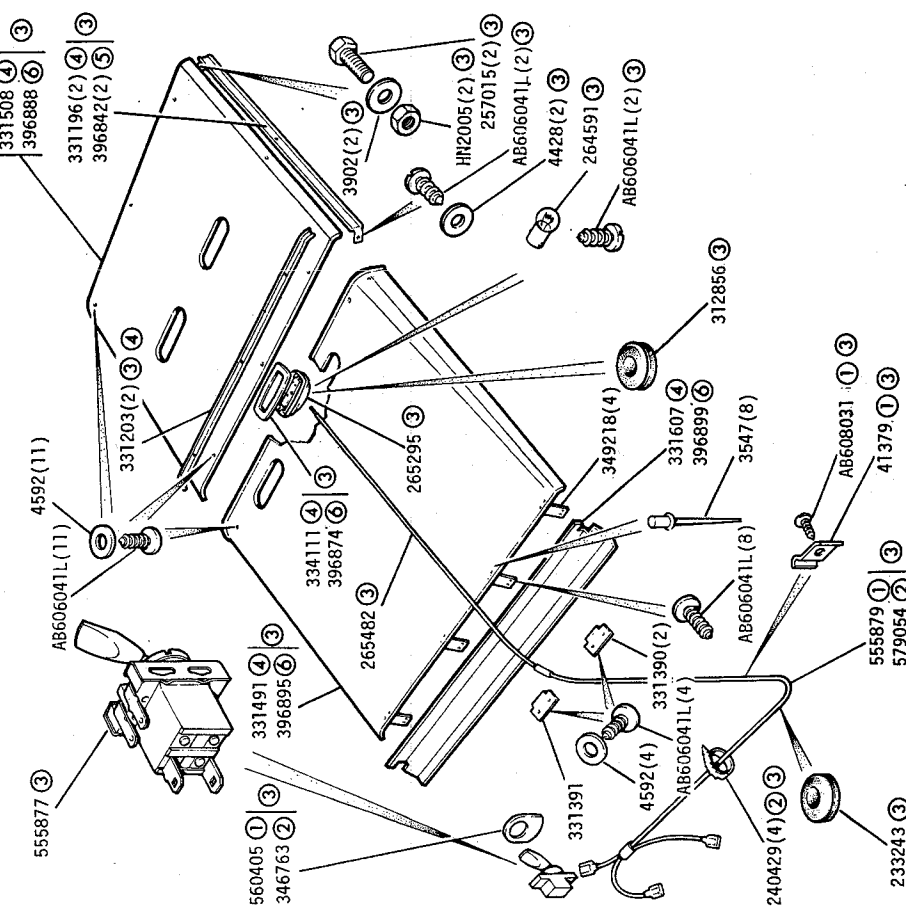
GROUP M  
OPTIONAL EQUIPMENT

Insulation and trim for hard top and rear door



- Series III Land Rover 88in  
 ① Iceland only

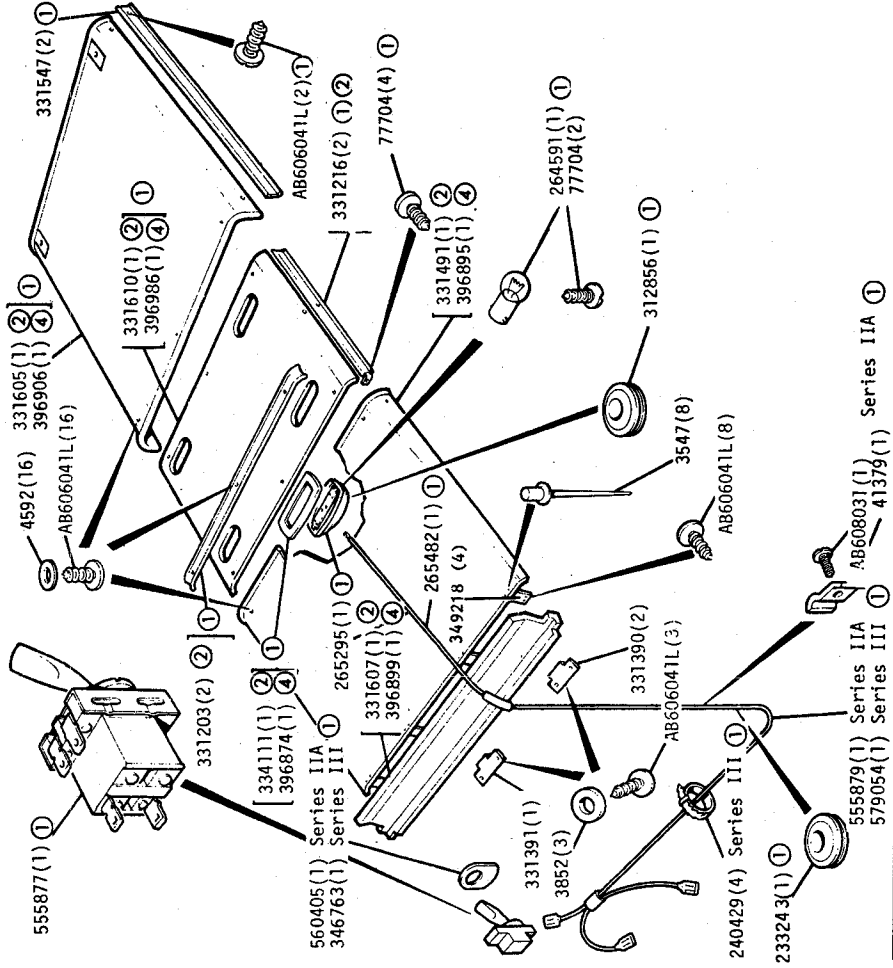
GROUP M  
OPTIONAL EQUIPMENT - Hard Top Roof Trim.



Series IIA and I11 88 in

- ① Series IIA
- ② Series I11
- ③ Station Wagon type roof
- ④ White
- ⑤ Limestone
- ⑥ Oatmeal

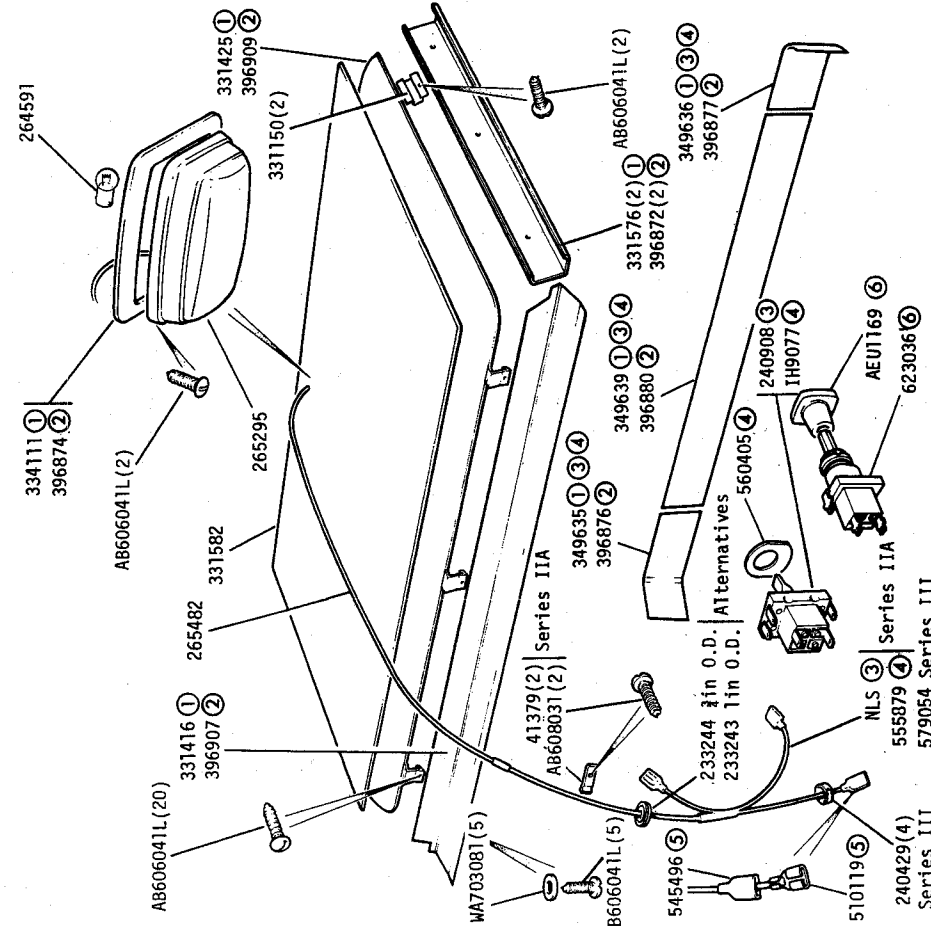
GROUP M  
HARDTOP ROOF TRIM SERIES IIA AND III LANDROVER 109in



REMARKS

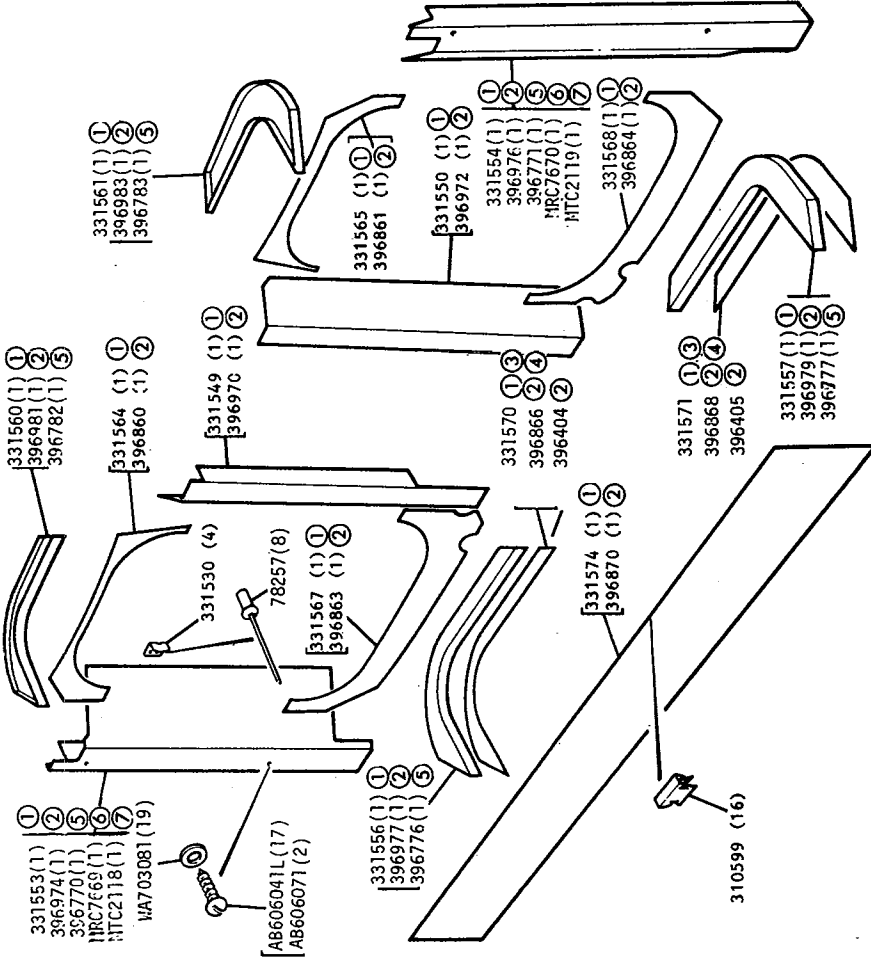
- ① Station Wagon Type Roof only
- ② White
- ③ Limestone
- ④ Oatmeal

GROUP M  
OPTIONAL EQUIPMENT - Truck Cab Roof Trim and Interior Lamp



Truck cab upper Trim Kit 332956 Series IIA up to vehicle suffix 'C' inclusive ① ③  
 Truck cab upper Trim Kit 320895 Series IIA from vehicle suffix 'D' and Series III up to  
 Truck cab upper Trim Kit RTC8052 from October 1980 to July 1982 September 1980 ② ④  
 Truck cab upper Trim Kit RTC8066 from August 1982. ⑤ For vehicles the cable is cut  
 to length and these items fitted.  
 ⑥ Panel and interior light switch.  
 For German market vehicles  
 only fitted with de luxe trim. 2RE 210/A

GROUP M  
TRUCK CAB REAR PANEL TRIM SERIES IIA AND III LANDROVER



REMARKS

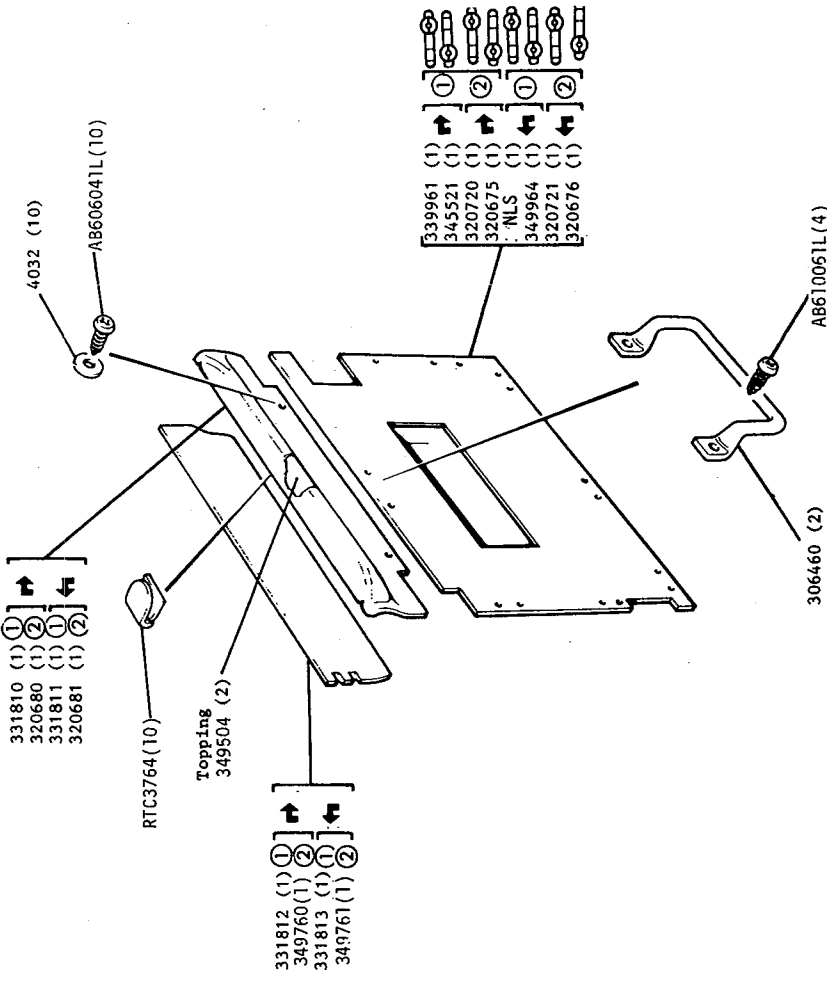
- ① White
- ② Oatmeal
- ③ Up to September 1973
- ④ From October 1973
- ⑤ Belgian and Luxembourg vehicles with raised shoulder harness anchorage. (atmeal)
- ⑥ Fitted from October 1980 to December 1981
- ⑦ From January 1982 onwards

Land Rover Optional Equipment

2F 04

2RE 203

GROUP M  
FLOOR AND DOOR TRIM, SERIES IIA



REMARKS

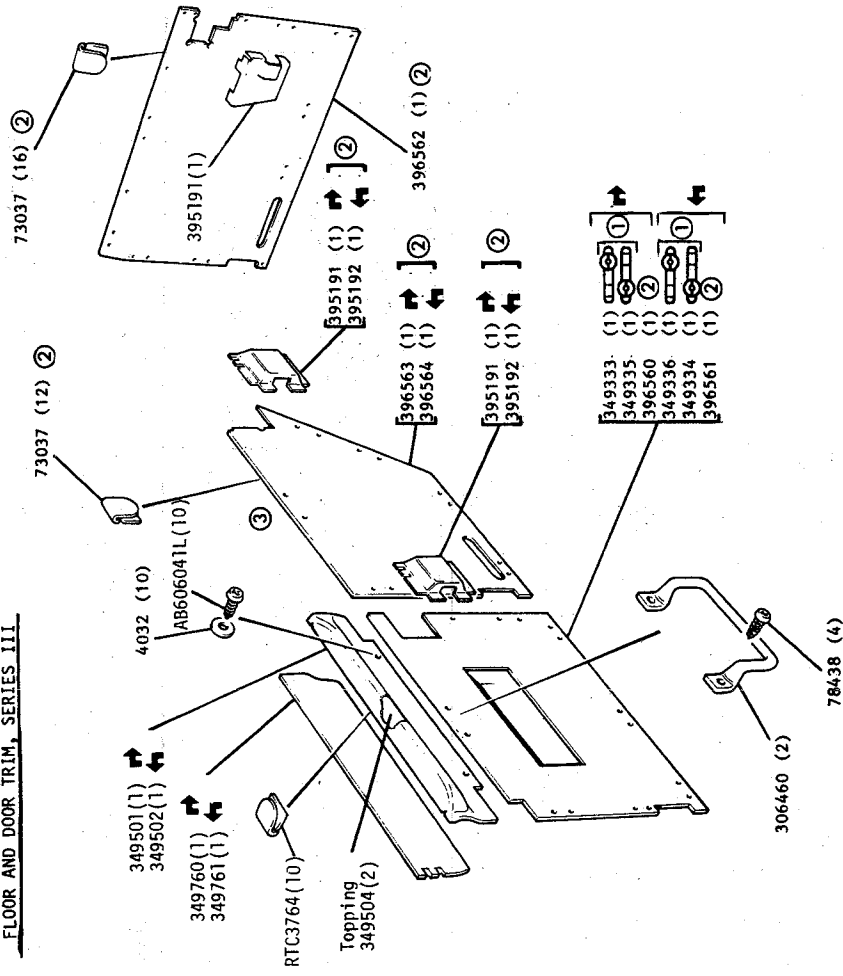
- ① Grey
  - ② Black
- Floor and Door Trim Kit 332958 (1)  
 Floor and Door Trim Kit 320731 (1)  
 Floor and Door Trim Kit NLS (1)  
 Floor and Door Trim Kit NLS (1)  
 Floor and Door Trim Kit NLS (1)  
 Floor and Door Trim Kit NLS (1) Up to vehicle suffix F inclusive  
 Floor and Door Trim Kit NLS (1) From vehicle suffix G onwards  
 Floor and Door Trim Kit NLS (1)  
 Floor and Door Trim Kit NLS (1) Up to vehicle suffix F inclusive  
 Floor and Door Trim Kit NLS (1) From vehicle suffix G onwards

Land Rover Optional Equipment

2F 04

3RE 64

GROUP M  
FLOOR AND DOOR TRIM, SERIES III



REMARKS

- ① Series III without anti-burst door locks
- ② Series III with anti-burst door locks
- ③ For rear door upper trim refer to Land Rover catalogue frame 2G 06

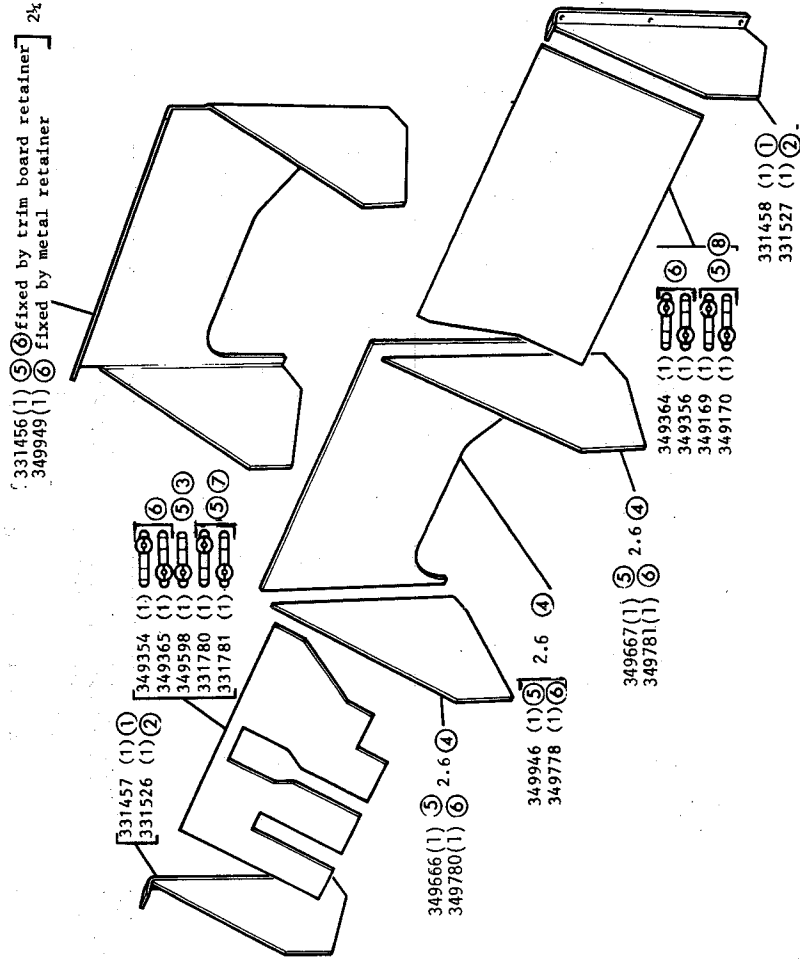
Floor and Door Trim Kit 320764 (1) 2½ Litre  
 Floor and Door Trim Kit 320765 (1) 2½ Litre  
 Floor and Door Trim Kit 320761 (1) 2.6 Litre  
 Floor and Door Trim Kit 320762 (1) 2.6 Litre

Land Rover Optional Equipment

2F 05

2RE 346

GROUP M  
DASH COVERING FOR FLOOR AND DOOR TRIM SERIES IIA AND III LANDROVER



331456 (1) ⑤ fixed by trim board retainer 2½  
 349949 (1) ⑥ fixed by metal retainer

REMARKS

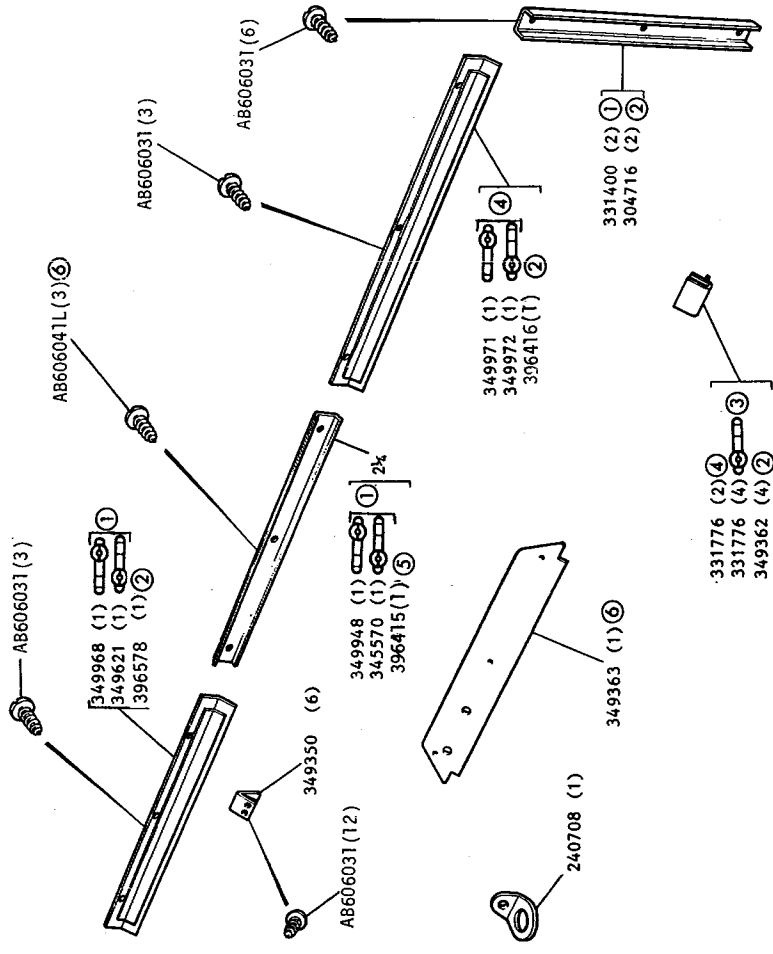
- ① All except Series IIA LH Stg models
- ② Series IIA LH Stg models
- ③ With fresh air heater
- ④ No fresh air heater
- ⑤ Series IIA
- ⑥ Series III
- ⑦ 2.6 up to vehicle suffix 'F' inclusive and 2½
- ⑧ 2.6 from vehicle suffix 'G' onwards and 2½

Land Rover Optional Equipment

2F 05

2RE 347

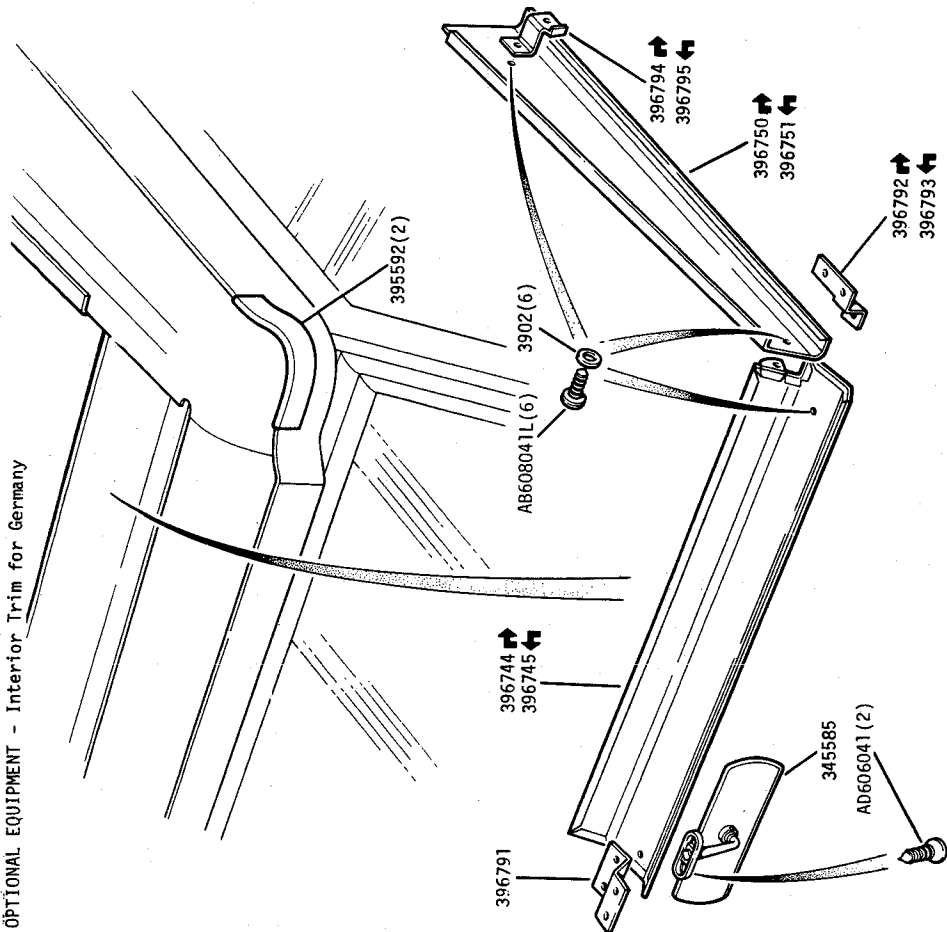
GROUP M  
RETAINERS FOR FLOOR AND DOOR TRIM SERIES IIA AND III LANDROVER



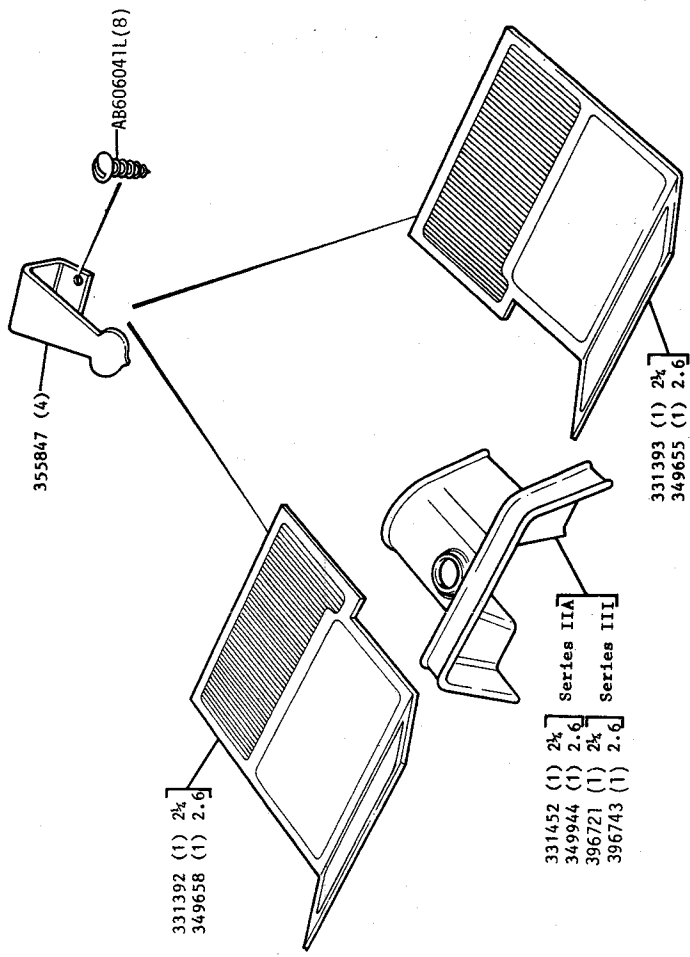
REMARKS:

- ① Series IIA
- ② Series III
- ③ Series IIA Fitted with fresh air heater
- ④ Series IIA no fresh air heater fitted
- ⑤ 2 $\frac{1}{2}$  with metal retainer
- ⑥ 2 $\frac{1}{2}$  with trim board retainer.

GROUP M  
OPTIONAL EQUIPMENT - Interior Trim for Germany



GROUP M  
GEARBOX COVER AND FRONT FLOOR MATS FOR FLOOR AND DOOR TRIM SERIES IIA AND III LANDROVER



- 331452 (1) 2 1/2
- 349944 (1) 2.6
- 396721 (1) 2 1/2
- 396743 (1) 2.6
- Series IIA
- Series III

REMARKS

Series III Land Rover with full length hood for German market



Land Rover Optional Equipment

.2F.08

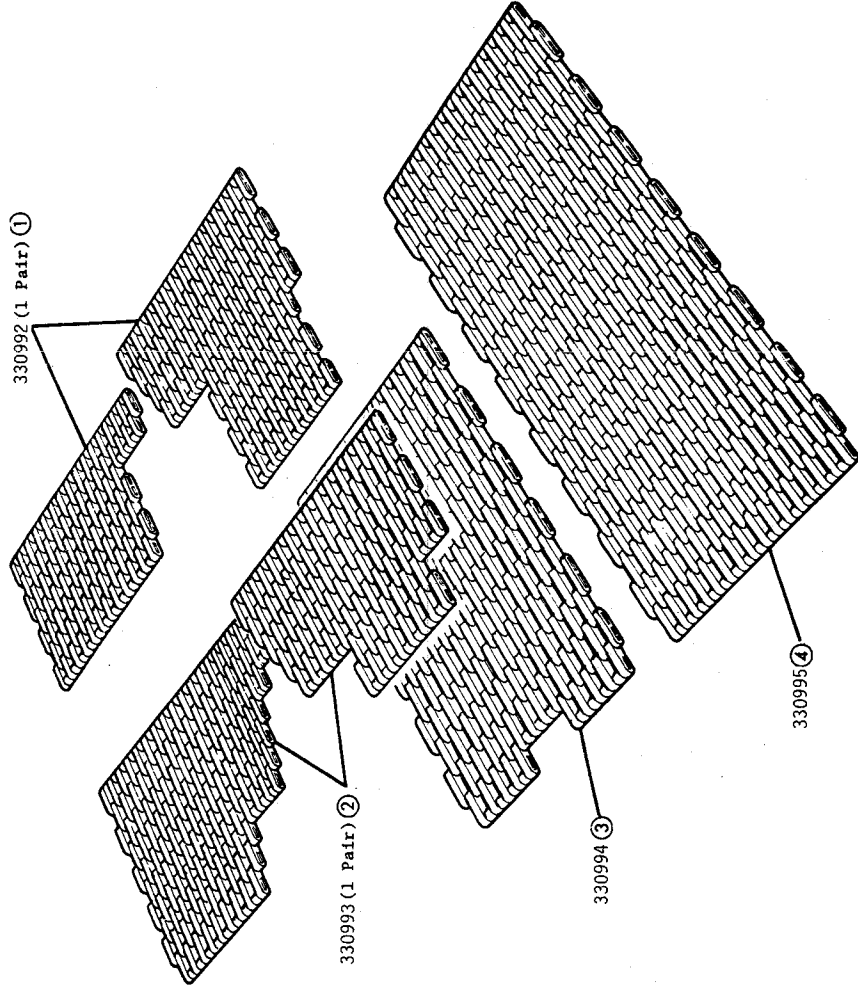
5RE 226

Land Rover Optional Equipment

.2F.08

2RE 345

GROUP M  
FLOOR MAT, NULINK SERIES IIA AND III LANDROVER



REMARKS

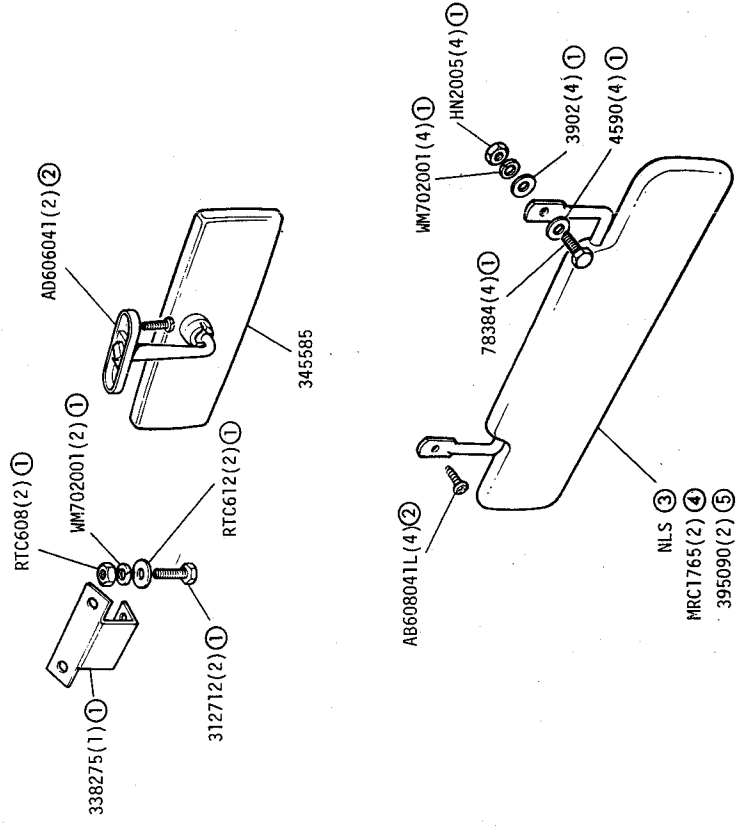
- ① Front
- ② Rear
- ③ 88 in.
- ④ 109 in.

Land Rover Optional Equipment

2F 09

2RE 152

GROUP M  
OPTIONAL EQUIPMENT - Interior Sun Visor and Interior Driving Mirror, snap stem type



Series IIA and III

Interior Sun Visor Kit 320887

Interior Mirror, Snap stem kit 320834 Standard fitting for French, German and U.S.A. vehicles

① Untrimmed vehicles

② De-luxe trimmed vehicles

③ Grey trim

④ Datmeal trim

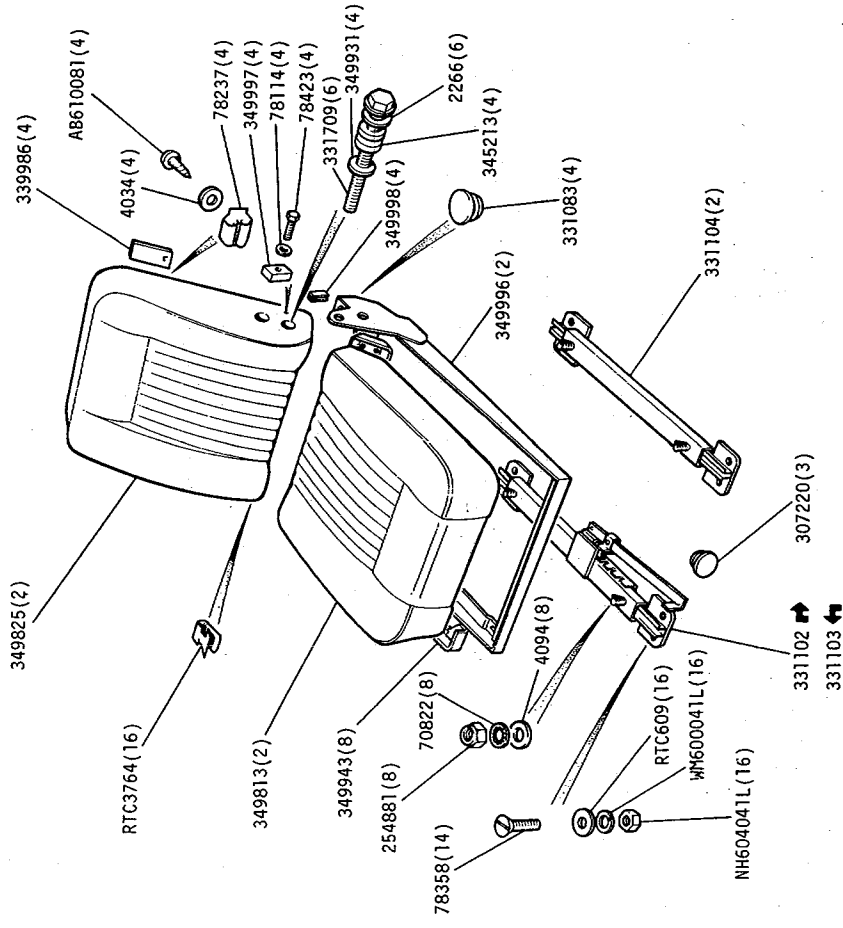
Land Rover Optional Equipment

2F 09

1RE232

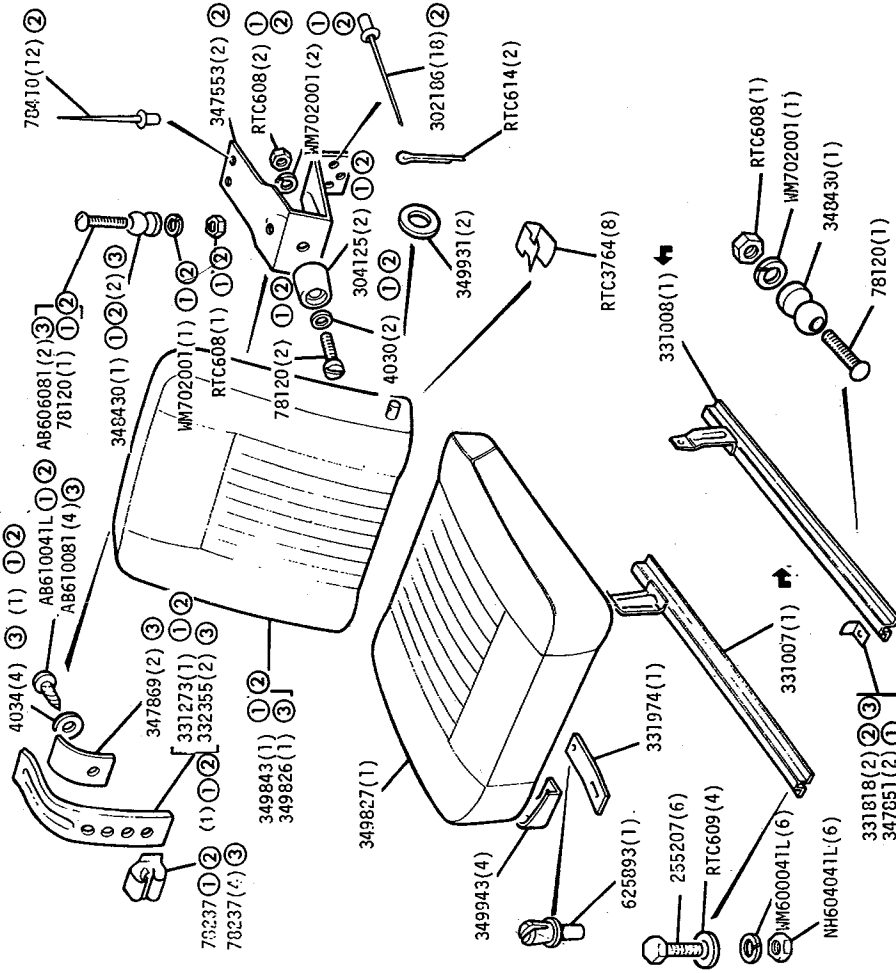


GROUP M  
OPTIONAL EQUIPMENT - De-Luxe Front Outer and Drivers Seat



Series 11A and 111  
 De-Luxe front seat kit (Driver and Passenger) RTC2127

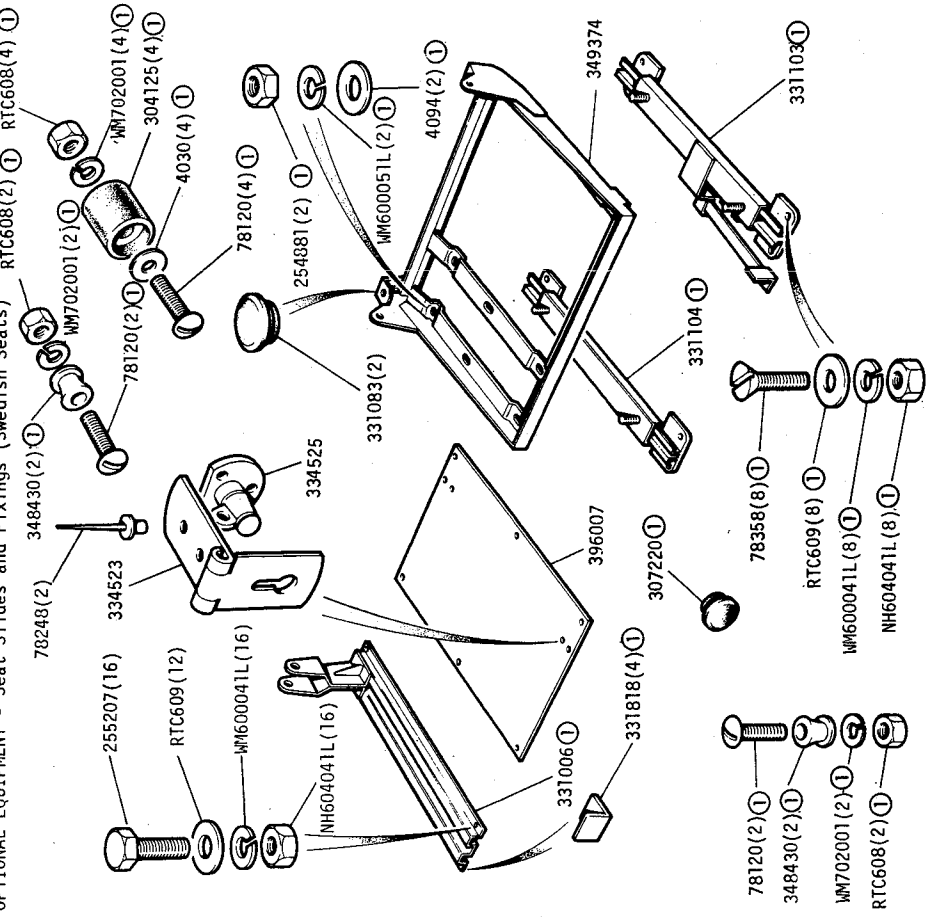
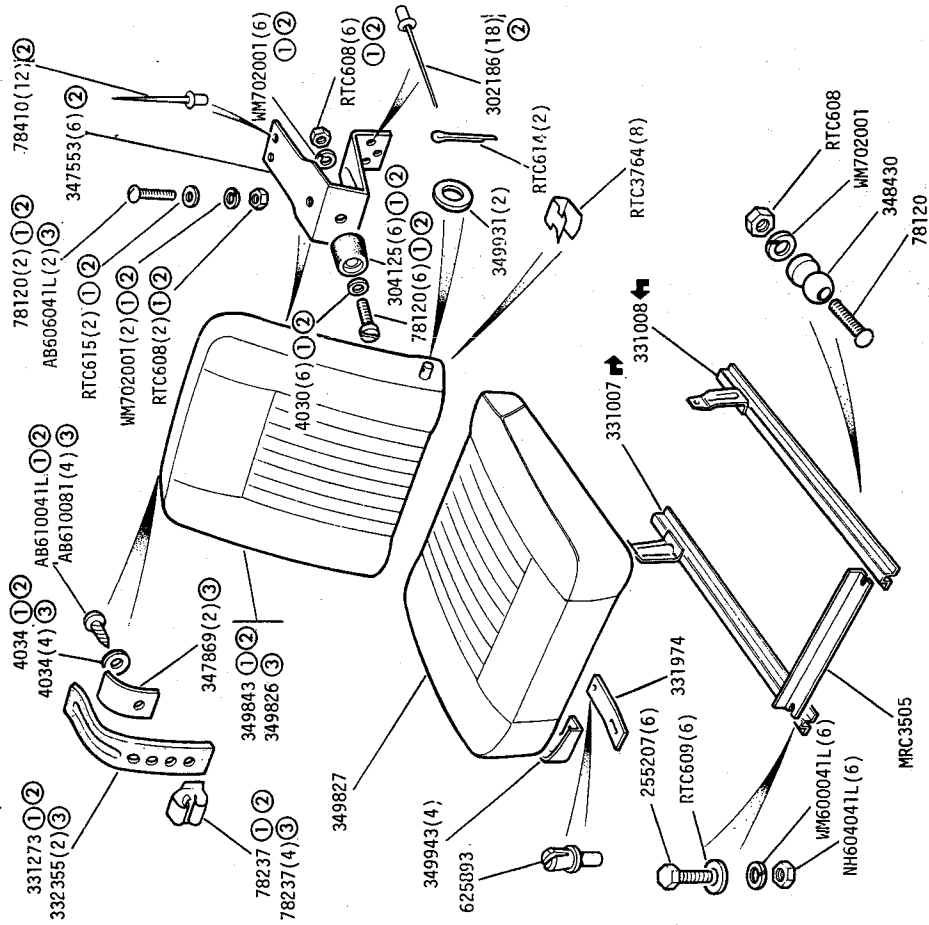
GROUP M  
 DE-LUXE FRONT CENTRE SEAT SERIES 11A AND 111 LANDROVER



REMARKS  
 De-Luxe front seat kit (Centre) RTC2128

- ① 88"
- ② 109" Long
- ③ 109" Station Wagon

GROUP M  
OPTIONAL EQUIPMENT - De-luxe front centre seat for Italian market

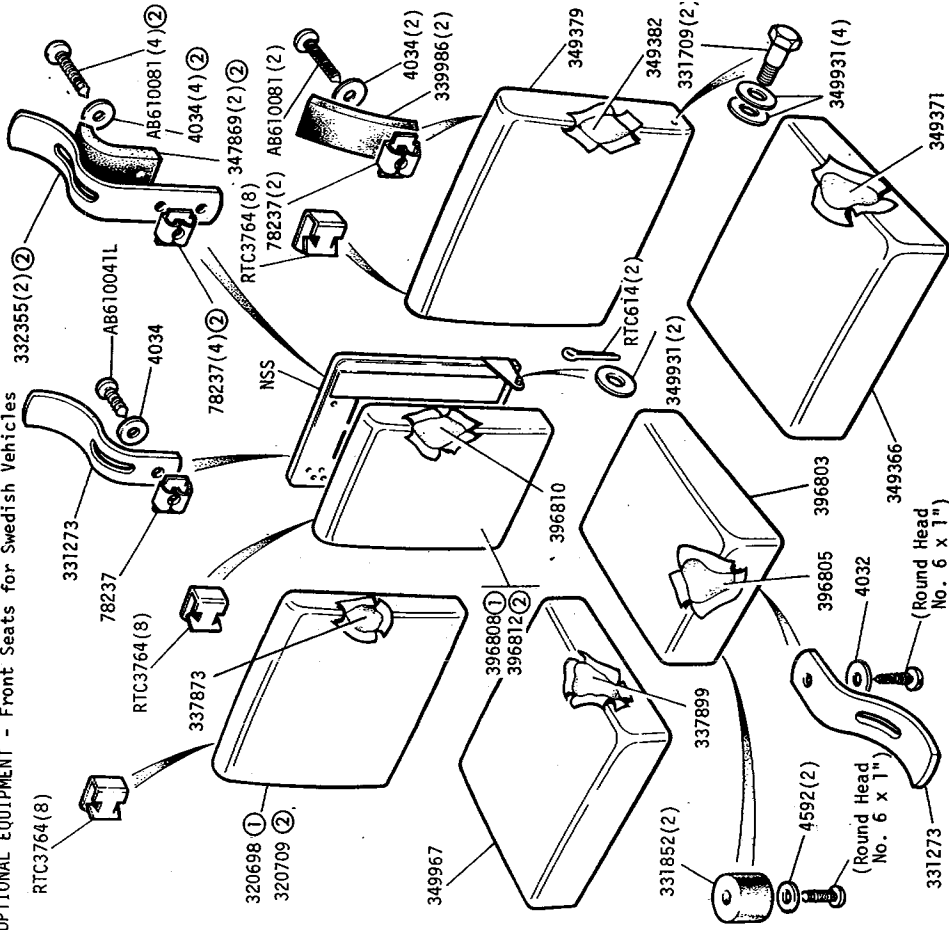


- ① 88in
- ② 109in
- ③ 109in Station Wagon

- ① 88" models only

Series III Land Rover for Swedish Market

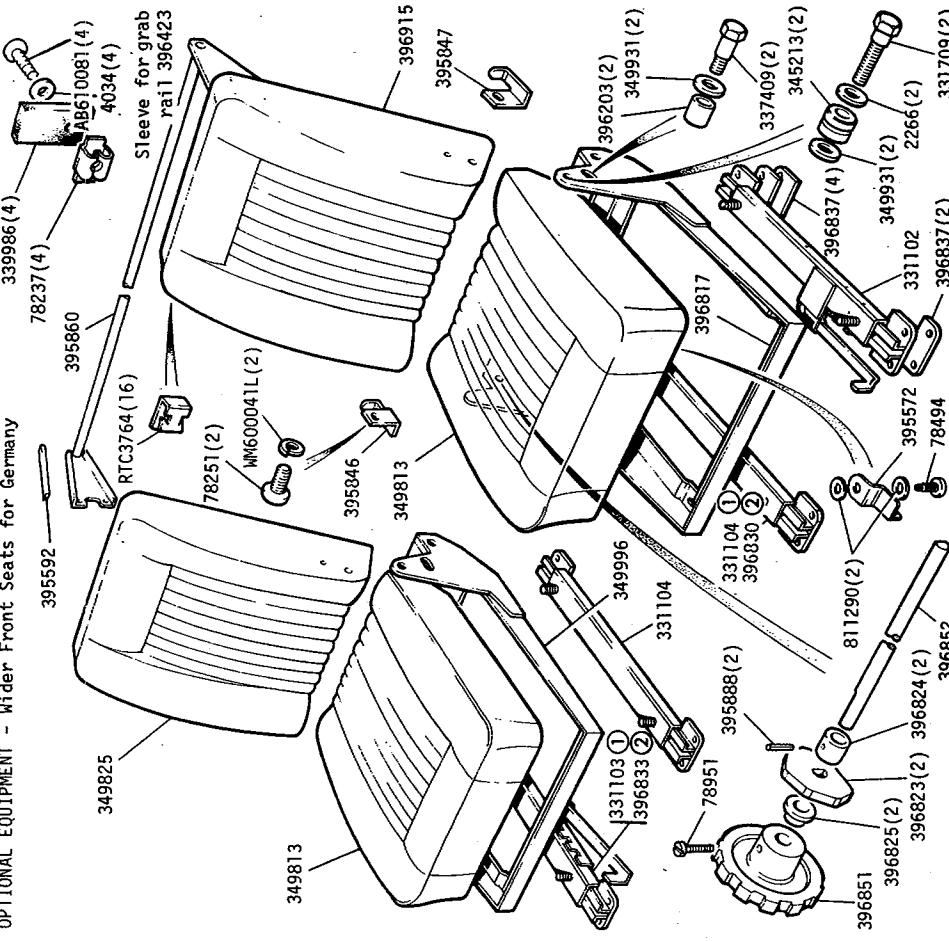
GROUP M  
OPTIONAL EQUIPMENT - Front Seats for Swedish Vehicles



Series 111 Land Rover for Swedish market

- ① All 88" models and 109" regular
- ② 109" Station Wagon only

GROUP M  
OPTIONAL EQUIPMENT - Wider Front Seats for Germany

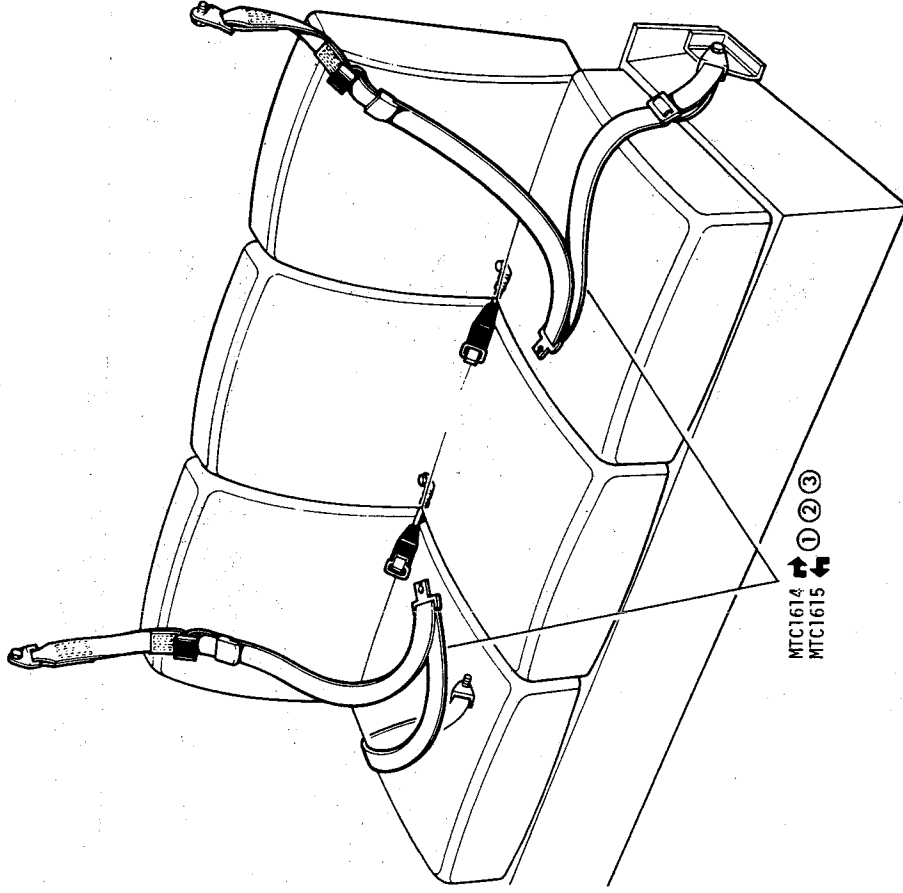


Series III Land Rover for German Market

Fixings for seat slides as Basic Series III Land Rover

- ① All 88 models and 109 regular
- ② 109 station Wagon
- ③ Grommet for redundant stud hole in seat base 307220(3)  
Passenger seat squab fixings as de luxe seat on frame 2F 10.

GROUP M  
 OPTIONAL EQUIPMENT - Seat Belts Driver and Passenger - single handed action - Britax



MTC1614  
 MTC1615

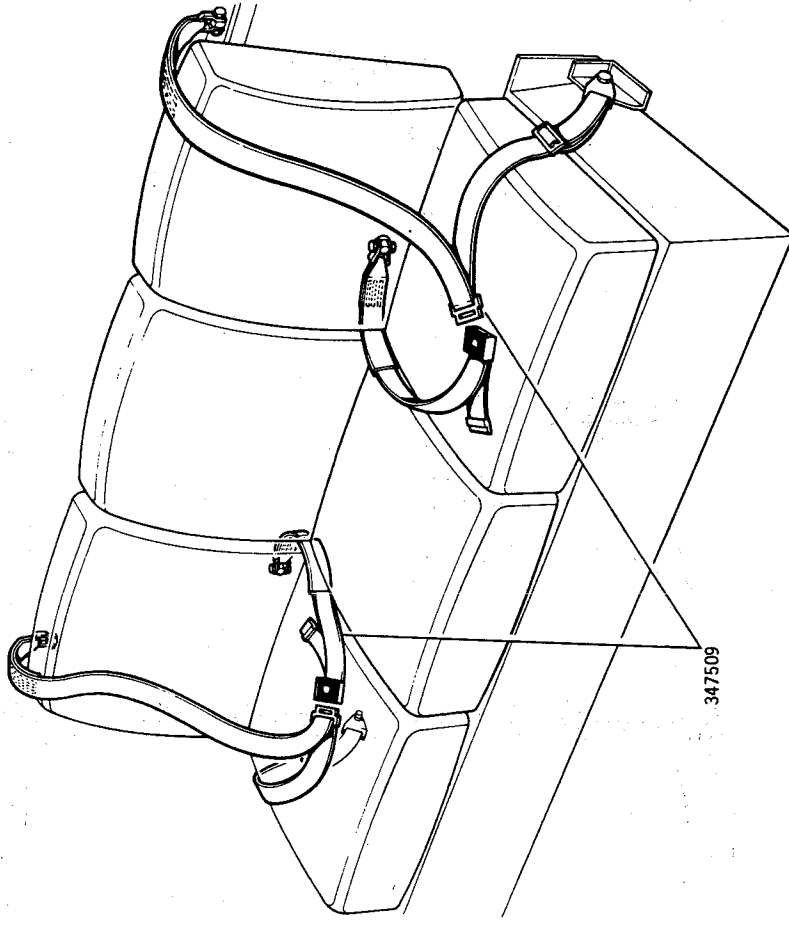
Series IIA and III Land Rover all models (Alternative to Dual Action)

- ① For use with front seat anchorages on frame 2F 15 2F 16 2F 17
- ② For use with raised anchorages on frame 2F 17 2F 18
- ③ For use with anchorages on transverse seat 109 Station Wagon on frame 2F 18

Fitted for standard equipment for Malaysia, Brunei, Sabah, Sarawak and Singapore.

Land Rover Optional Equipment 2G 05 4RE 95

GROUP M  
 OPTIONAL EQUIPMENT - Seat Belts Driver and Passenger dual action - Britax



347509

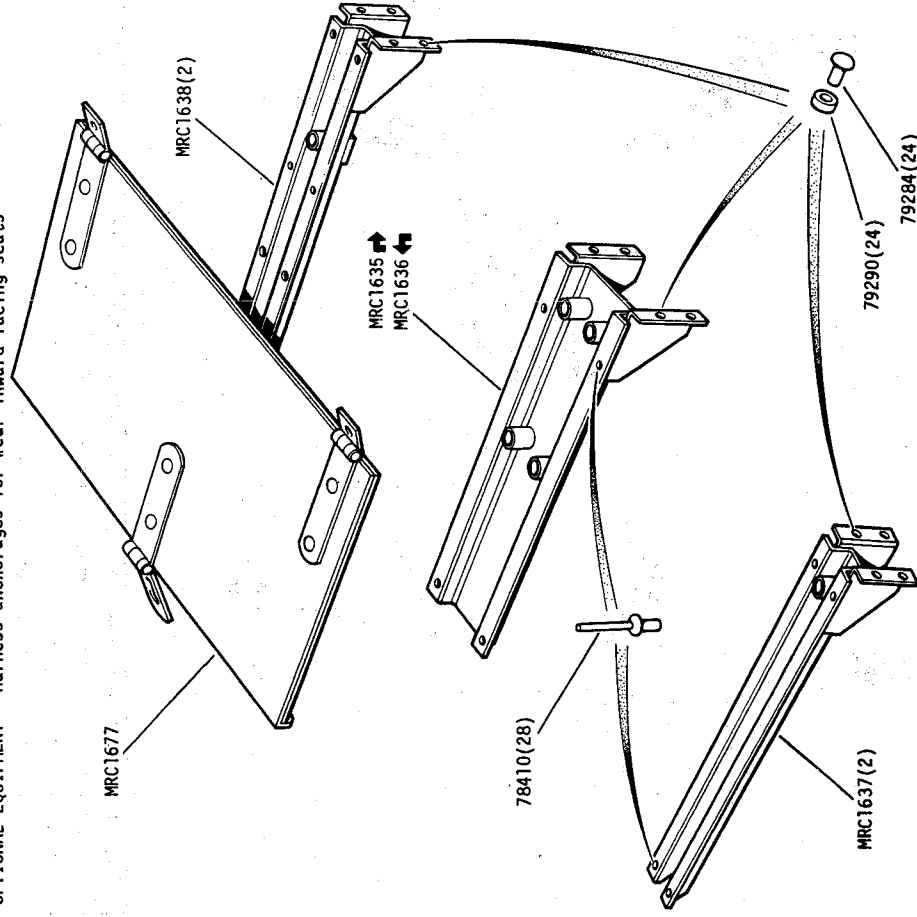
Series IIA and III Land Rovers all models (Alternative to single action)

- For use with anchorages on front seats on frame 2F 15 2F 16 2F 17
- For use with anchorages on transverse seat 109 Station Wagon on frame 2F 18

Land Rover Optional Equipment 2G 05 4RE 96

GROUP M  
OPTIONAL EQUIPMENT

Harness anchorages for rear inward facing seats



Series III 2½ and 2.6 litre 109" Station Wagons  
For use with centre lap seat belts on frame 2G 06



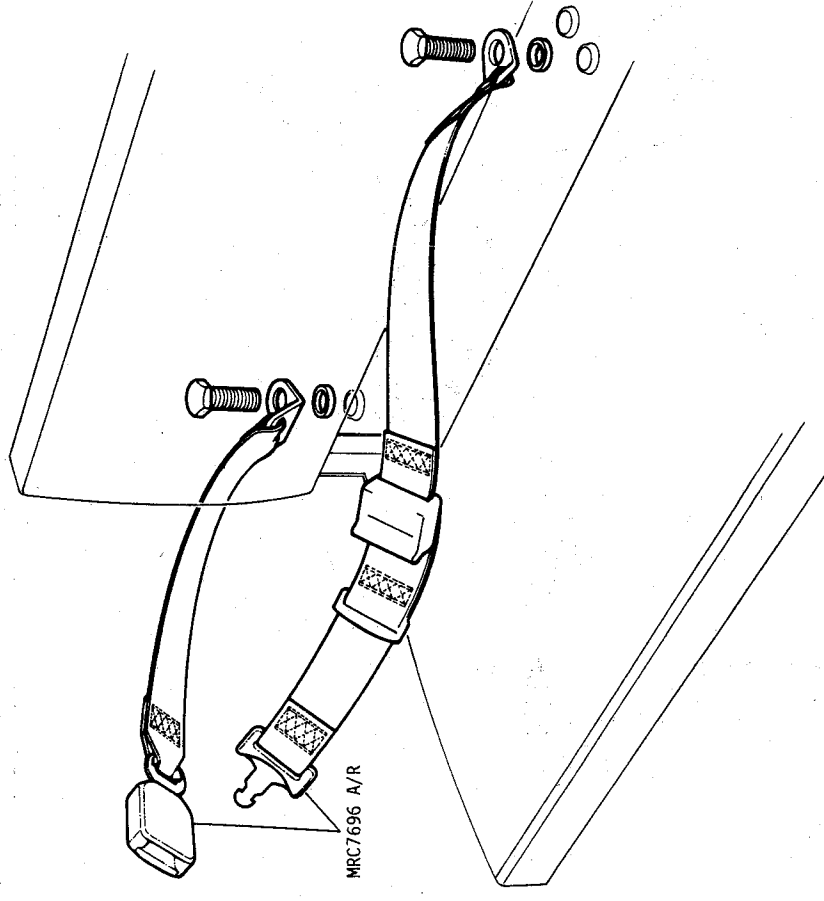
Land Rover Optional Equipment

2G 04

VS1503

GROUP M  
OPTIONAL EQUIPMENT

Seat Belt - rear inward facing



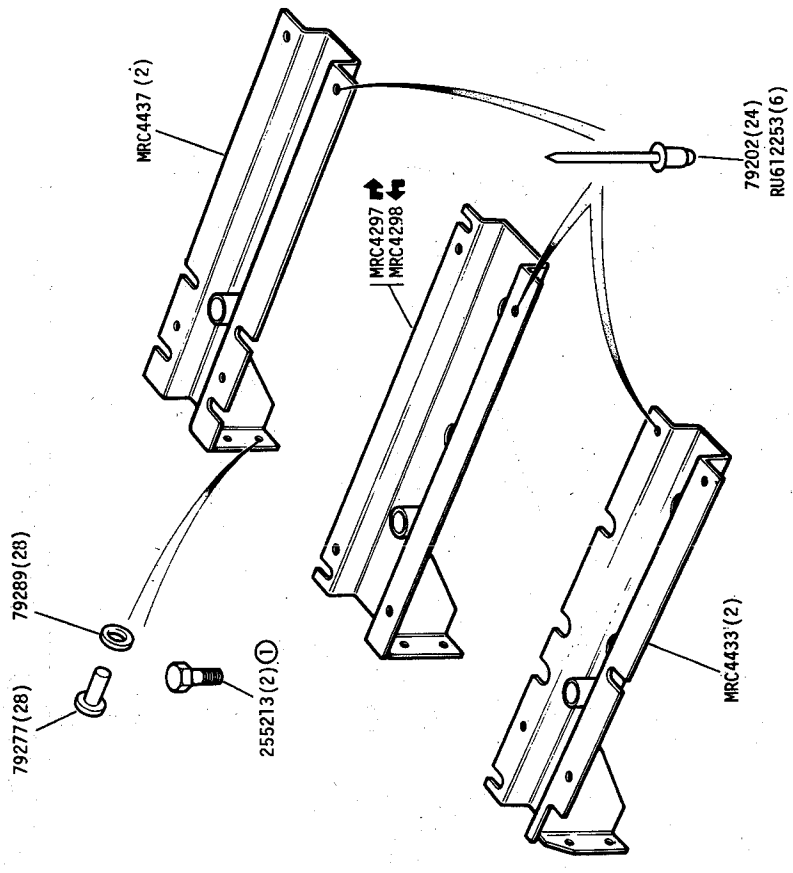
Series III Land Rover, 88" and 109" Station Wagon to comply with EEC regulations fitted from October 1980  
Refer to frames 2G 02, 2G 03, 2G 04 for safety anchorages

Land Rover Optional Equipment

2G 04

VS1503

OPTIONAL EQUIPMENT - Harness anchorages for rear inward facing seats:

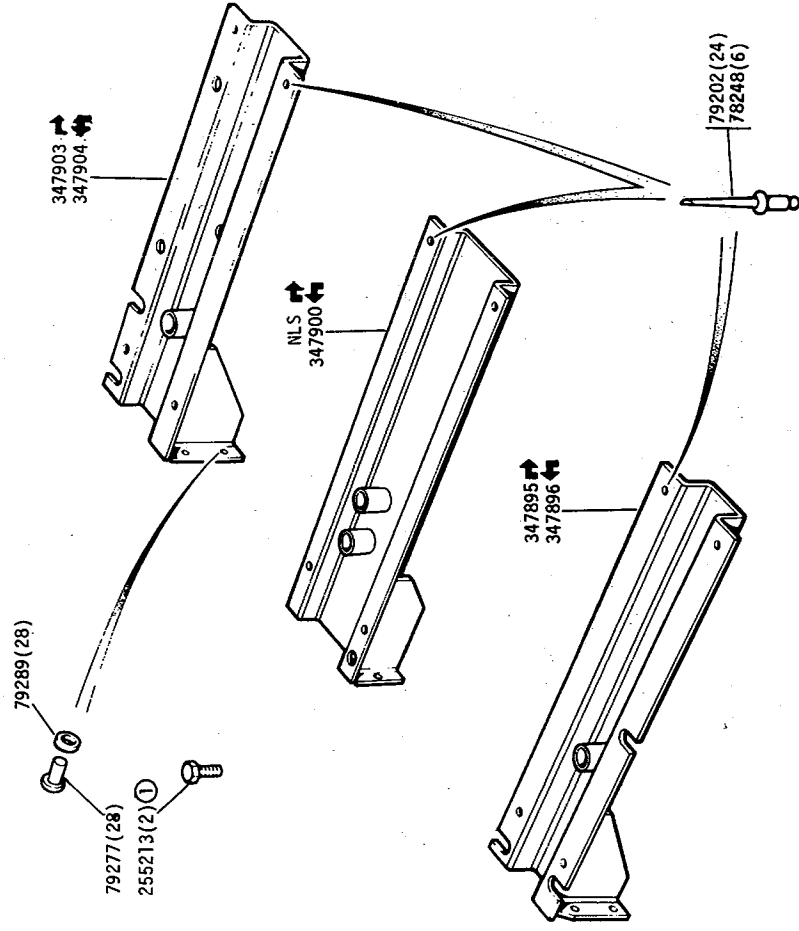


Series III 2 1/2 litre 88" Station Wagon from August 1979 onwards

Ⓛ Bolt for seat frame to wheelarch box

For use with centre lap seat belts on frame 26 06

GROUP M  
OPTIONAL EQUIPMENT - Harness anchorages for rear inward facing seats



Series IIA and III 24 litre 88" Station Wagon up to July 1979 inclusive  
 Bolt for seat frame to wheelarch box.

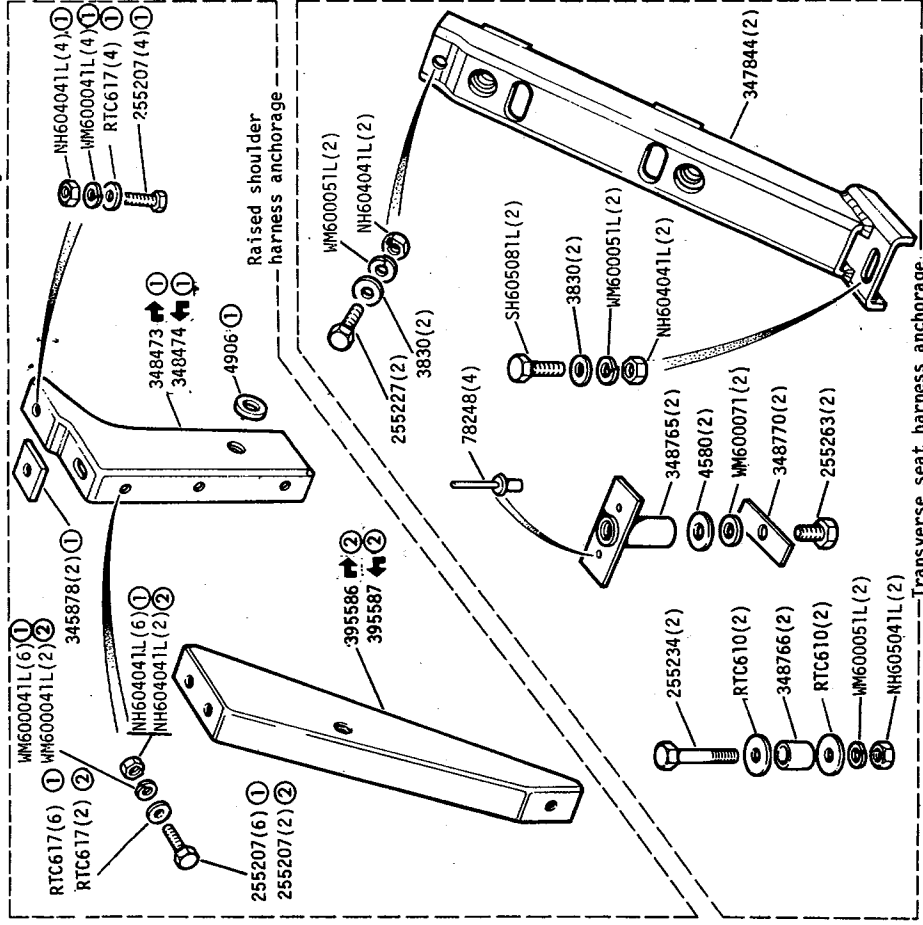
For use with centre lap seat belts on frame 2G 06

2G 02

Land Rover Optional Equipment

4RE 101

GROUP M  
OPTIONAL EQUIPMENT - Raised shoulder and transverse seat harness anchorages



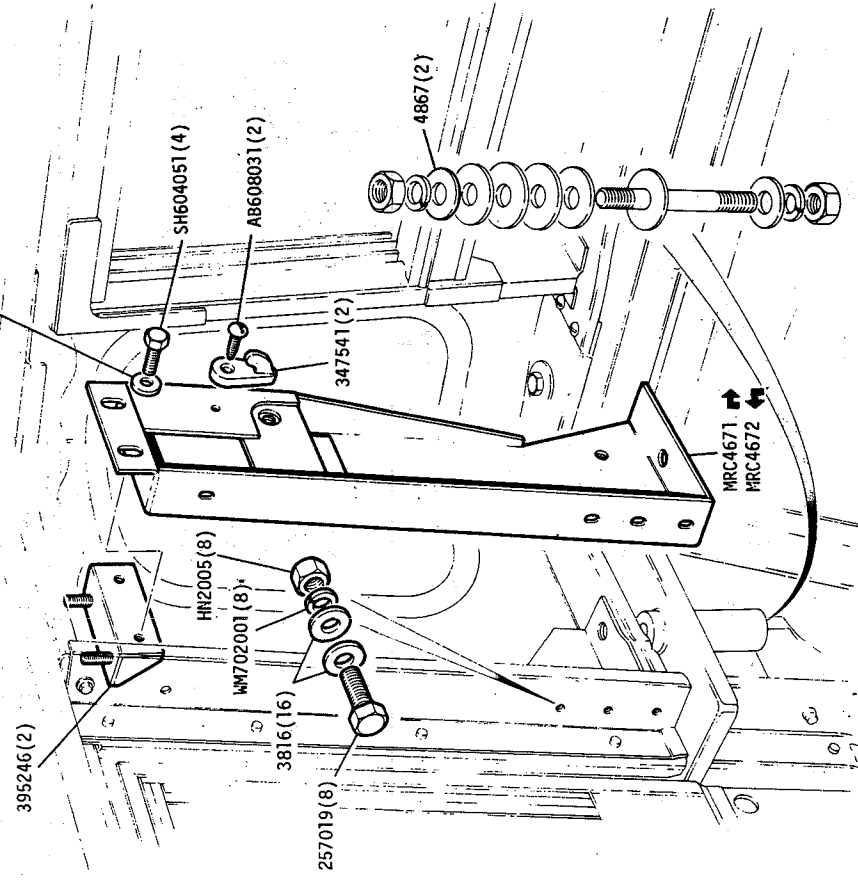
Series IIA and III Land Rover  
 Transverse seat anchorages fitted to 109" Station Wagons only  
 Raised anchorages used in conjunction with seat belts on frame 2G 05  
 When transverse seat is called for raised anchorages and belts must be fitted.  
 Transverse seat anchorages used in conjunction with seat belts on frames 2G 05 2G 10  
 1 Up to November 1973  
 2 From December 1973

2G 02

Land Rover Optional Equipment

4RE 100

GROUP M  
OPTIONAL EQUIPMENT - Raised shoulder anchorage, driver and passenger  
3900(4)



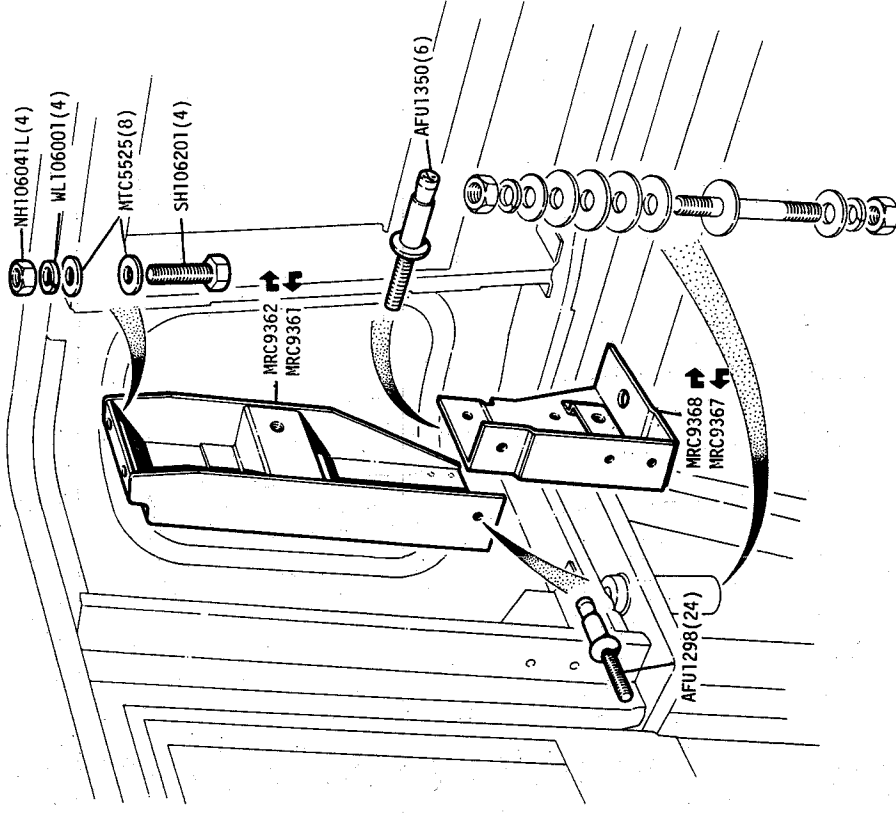
Series III Land Rover 88 and 109 Truck cab to comply with EEC regulations fitted from  
October 1980

Land Rover Optional Equipment

2F 18

VS1654

GROUP M  
OPTIONAL EQUIPMENT - Raised shoulder anchorage driver and passenger



Series III Land Rover 88 and 109 Truck Cab. From November 1982

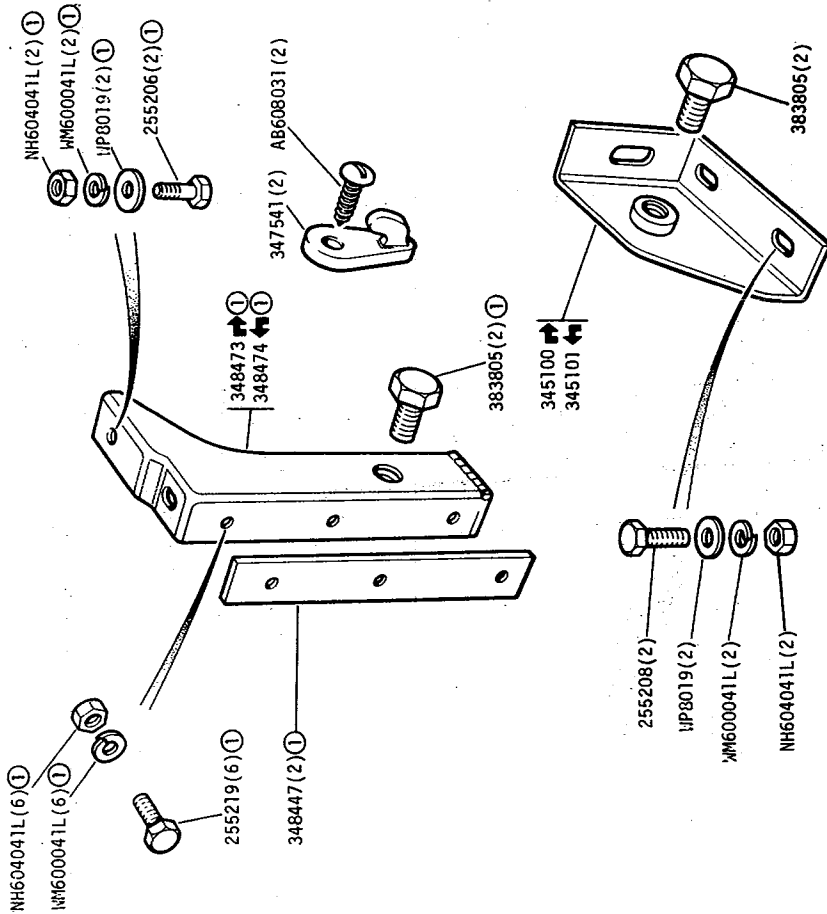
Land Rover Optional Equipment

2F18

VS4107

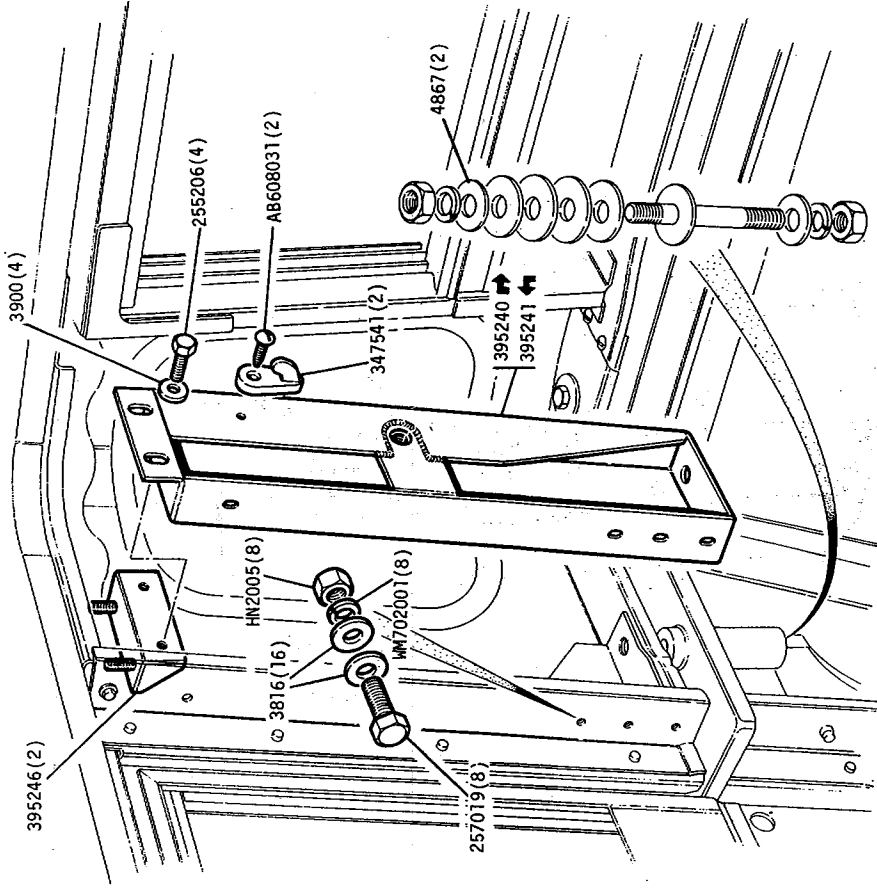


GROUP M  
OPTIONAL EQUIPMENT Front seat driver and passenger harness anchorages



Series IIA and III 2½ and 2.6 litre Station Wagons  
Front anchorages used in conjunction with seat belts on frames 2G 05  
① Series IIA 109" Station Wagons only

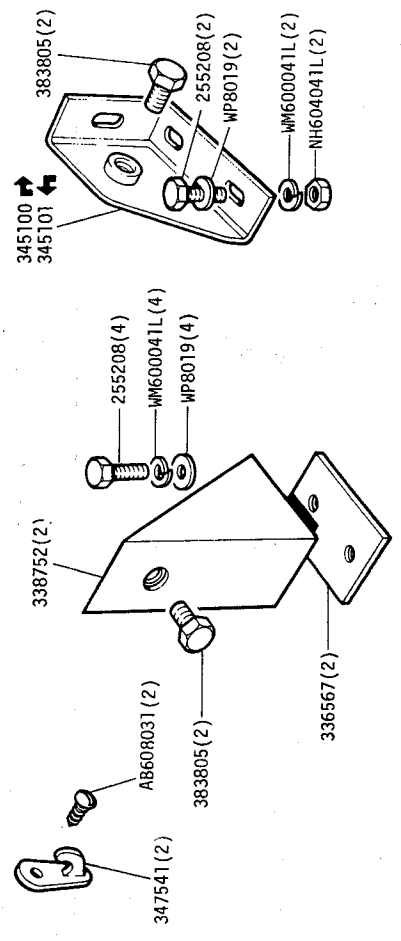
GROUP M  
OPTIONAL EQUIPMENT - Raised shoulder anchorage, driver and passenger.



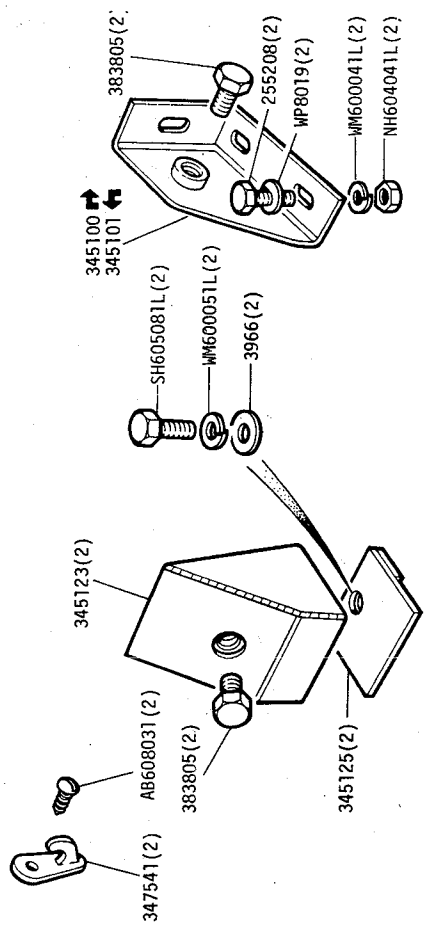
Series IIA and III Land Rover 88 and 109 Truck cab.  
Refer to frame 2G 05 for seat harness raised anchorage

GROUP M

OPTIONAL EQUIPMENT - Front seat driver and passenger harness anchorages



88in Vehicles

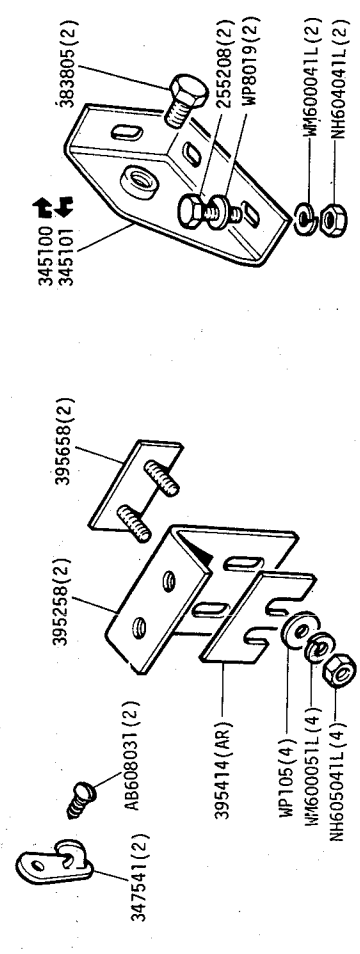


109in Vehicles

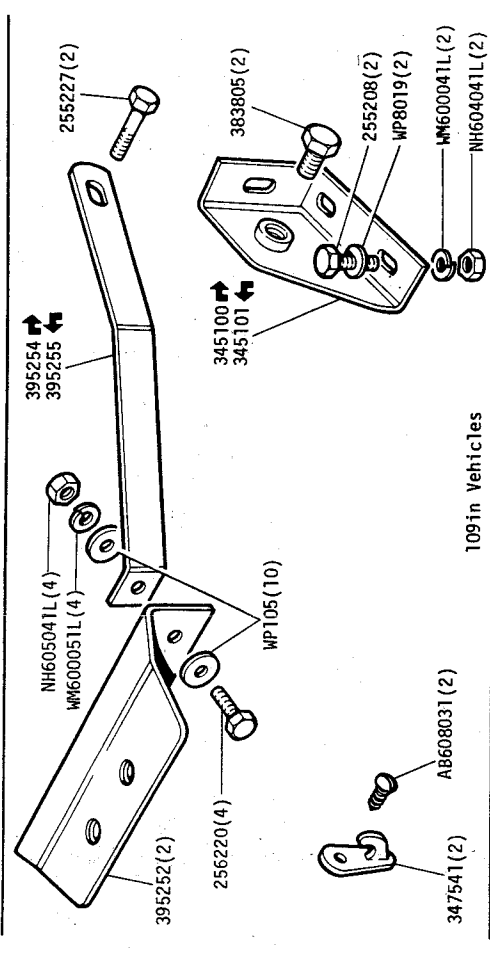
Series IIA Land Rover 2½ and 2.6 litre except 109in Station Wagon  
Front anchorages used in conjunction with seat belts on frames: 2G 05

GROUP M

OPTIONAL EQUIPMENT - Front seat driver and passenger harness anchorages



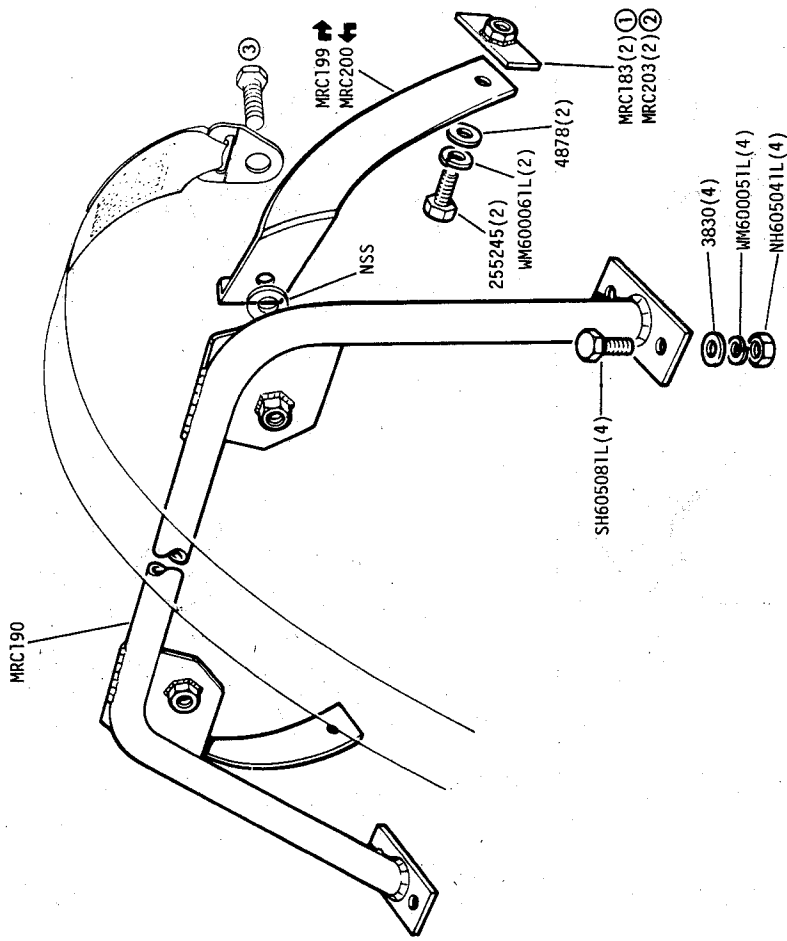
88in Vehicles



109in Vehicles

Series III Land Rover 2½ and 2.6 litre except Station Wagon  
Front anchorages used in conjunction with seat belts on frames: 2G 05

GROUP M  
OPTIONAL EQUIPMENT - Front seat harness anchorages for soft top vehicles



Series III Land Rover

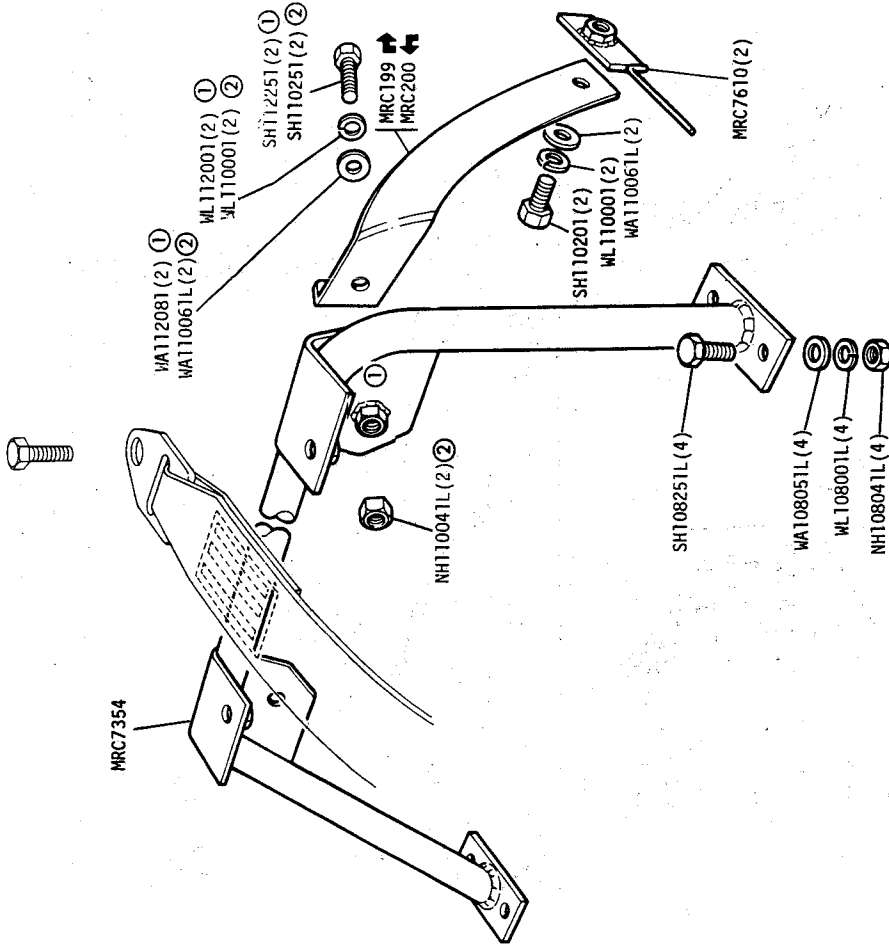
- ① 88" vehicles only
- ② 109" vehicles only
- ③ Supplied with seat belt kit on frame 2G 05

Front anchorages used in conjunction with seat belts on frames 2G 05

Land Rover Optional Equipment 2F 15

4RE123

GROUP M  
OPTIONAL EQUIPMENT - Front seat harness anchorages for soft top vehicles



Series III Land Rover to comply with EEC regulations fitted from October 1980

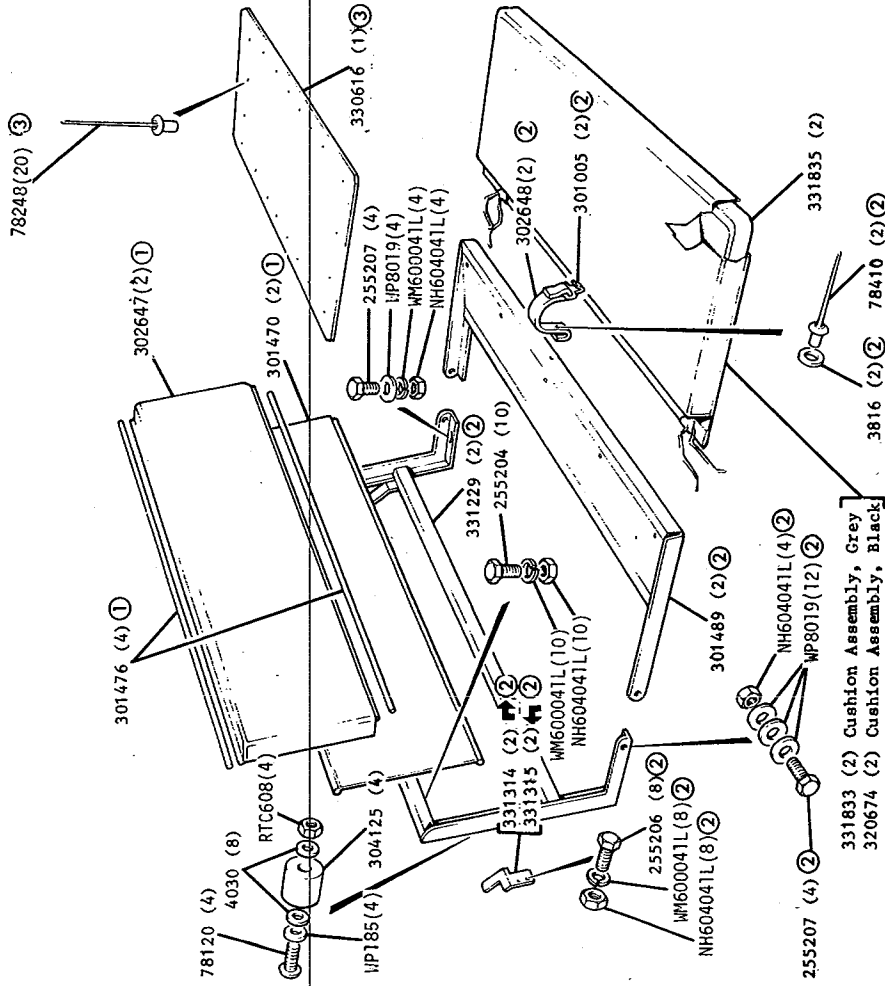
- ① With weld nut fixing
- ② With separate nut fixing

Land Rover Optional Equipment 2F 15

VS1555

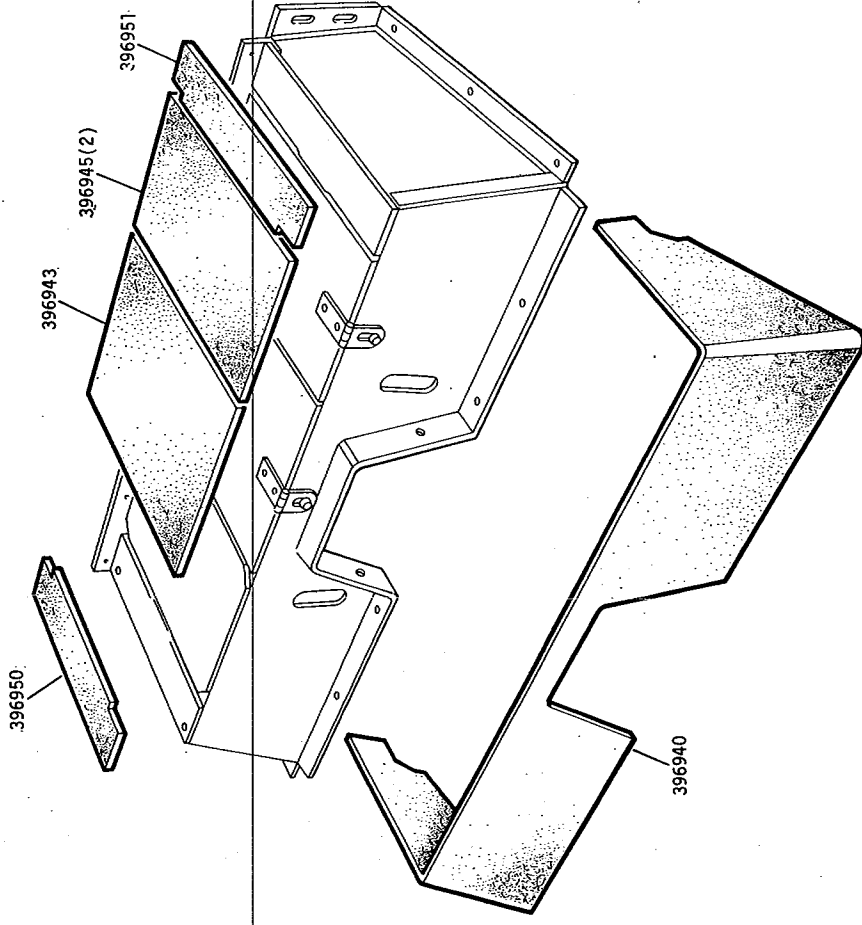
GROUP M  
REAR SEATS - SERIES IIA AND III LANDROVER

GROUP M  
OPTIONAL EQUIPMENT - Seat base insulation



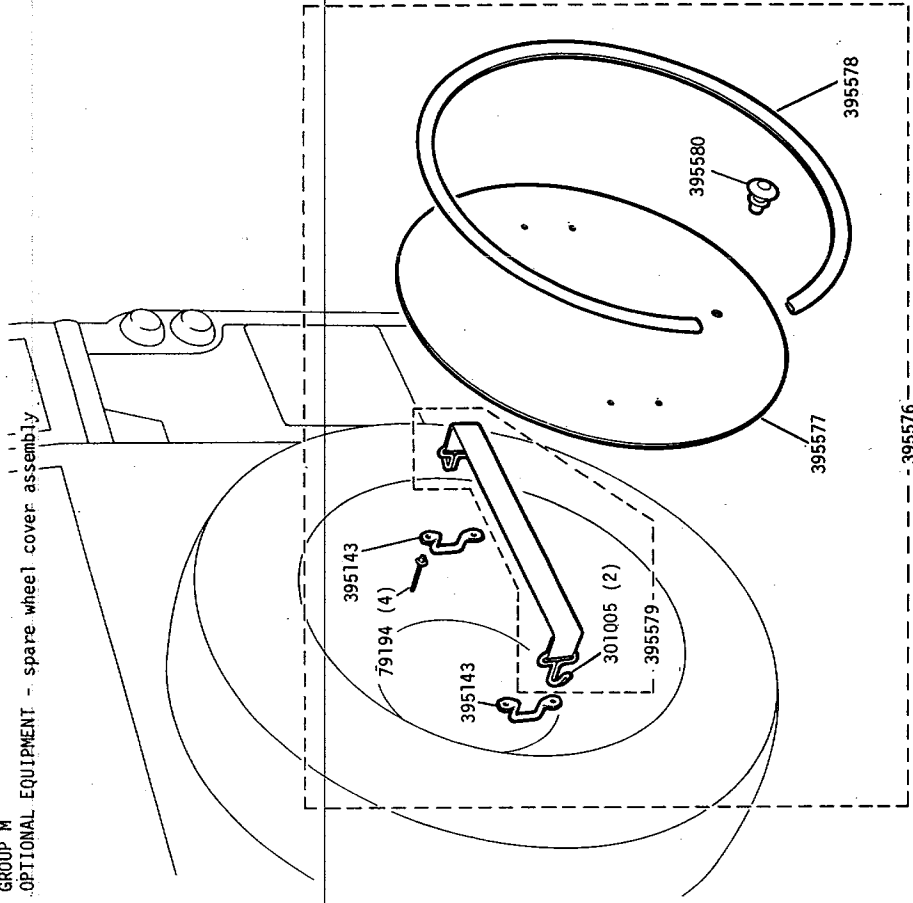
REMARKS

Rear Seat Complete Assembly, Grey, 330969 (2)  
 Rear Seat Complete Assembly, Black, 320737 (2)  
 Backrest Assembly, Grey 320084 (2) } Items marked ① are part of these assemblies.  
 Backrest Assembly, Black 396739 (2)  
 Seat Frame Complete Assembly, 331228 (2). Items marked ② are part of this assembly.  
 ② 109 in with 4 seats  
 The quantities on this frame are for 2 seats as fitted to 88" models.  
 109" models fitted with 4 seats should double the above quantities.



Series III Land Rover all models  
 Protective corner pads for seat base 345683(2) for German vehicles only.

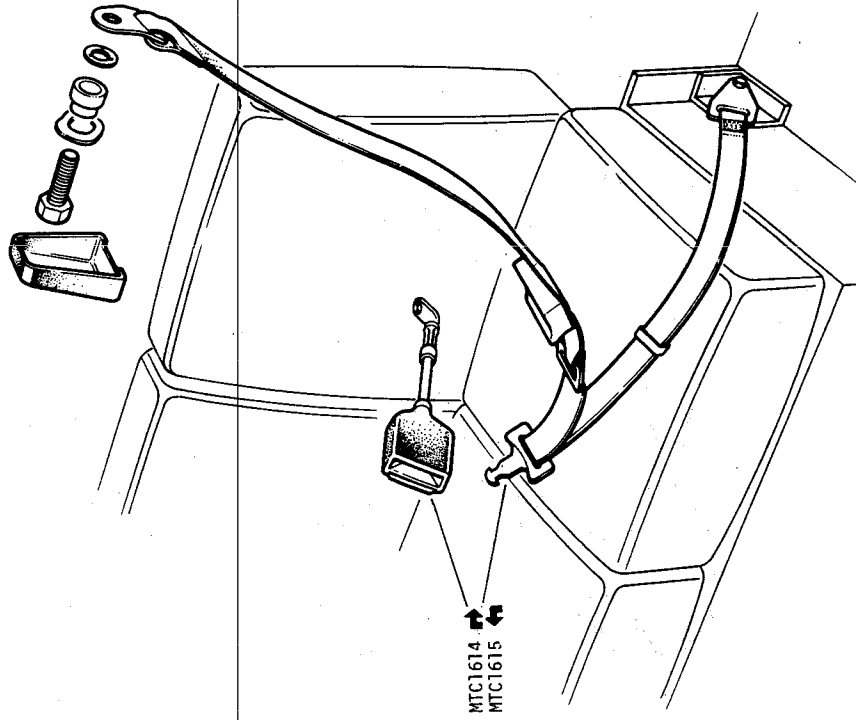
GROUP M  
OPTIONAL EQUIPMENT - spare wheel cover assembly



Séries III Land Rover 88 and 109 Station Wagons (German conditions).

GROUP M

OPTIONAL EQUIPMENT - Seat Belts Driver and Passenger - single handed action



MTC1614  
MTC1615

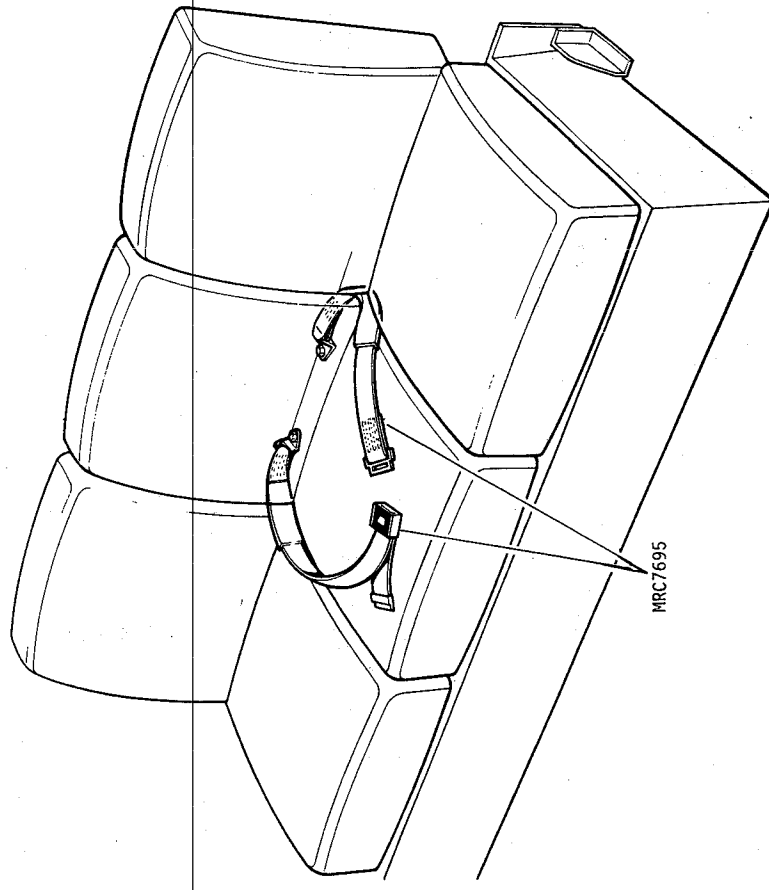
Series IIA and III Land Rover all models to comply with EEC regulations fitted from October 1980

Land Rover Optional Equipment

2G 06

VS2008

OPTIONAL EQUIPMENT - Seat Belts centre lap - Britax



MRC7695

Series IIA and III Land Rover all models

For use with anchorages for front centre seat

For use with anchorages for rear inward facing seats on Station Wagon see frames 2G 04

For use with anchorages for transverse centre seat on 109" Station Wagon on frame

2F 18

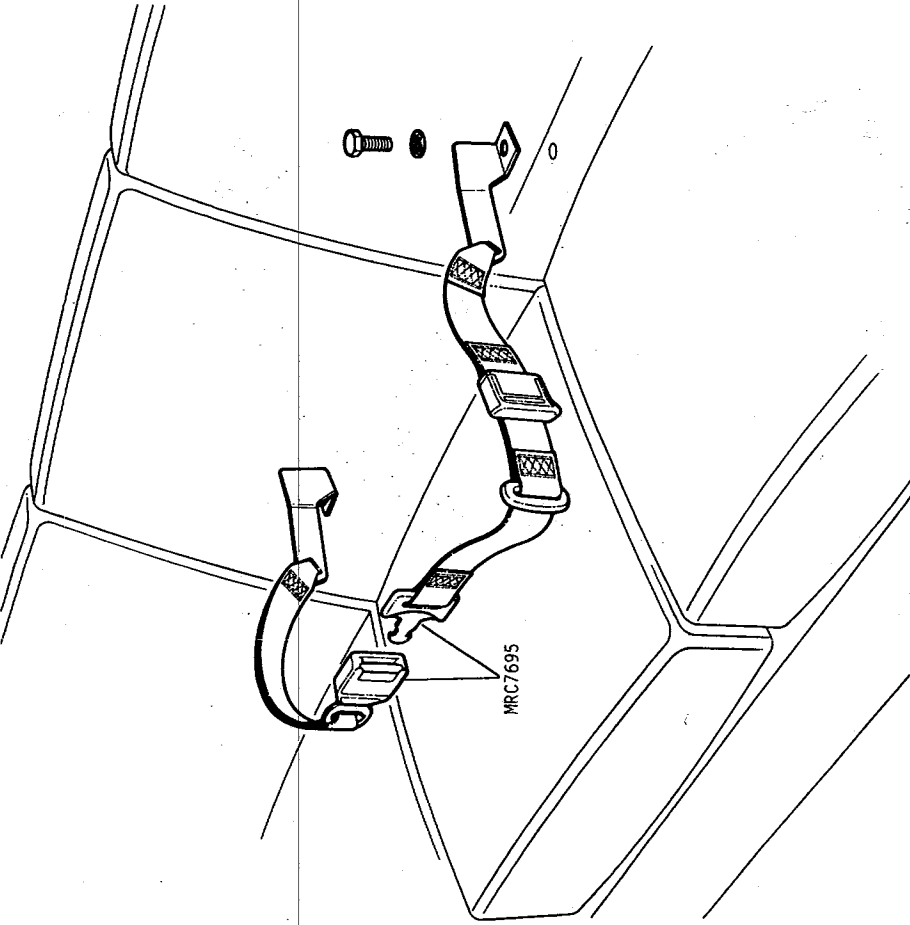
Land Rover Optional Equipment

2G 06

VS1275

GROUP M.

OPTIONAL EQUIPMENT - Seat Belts Centre Lap - front centre seat



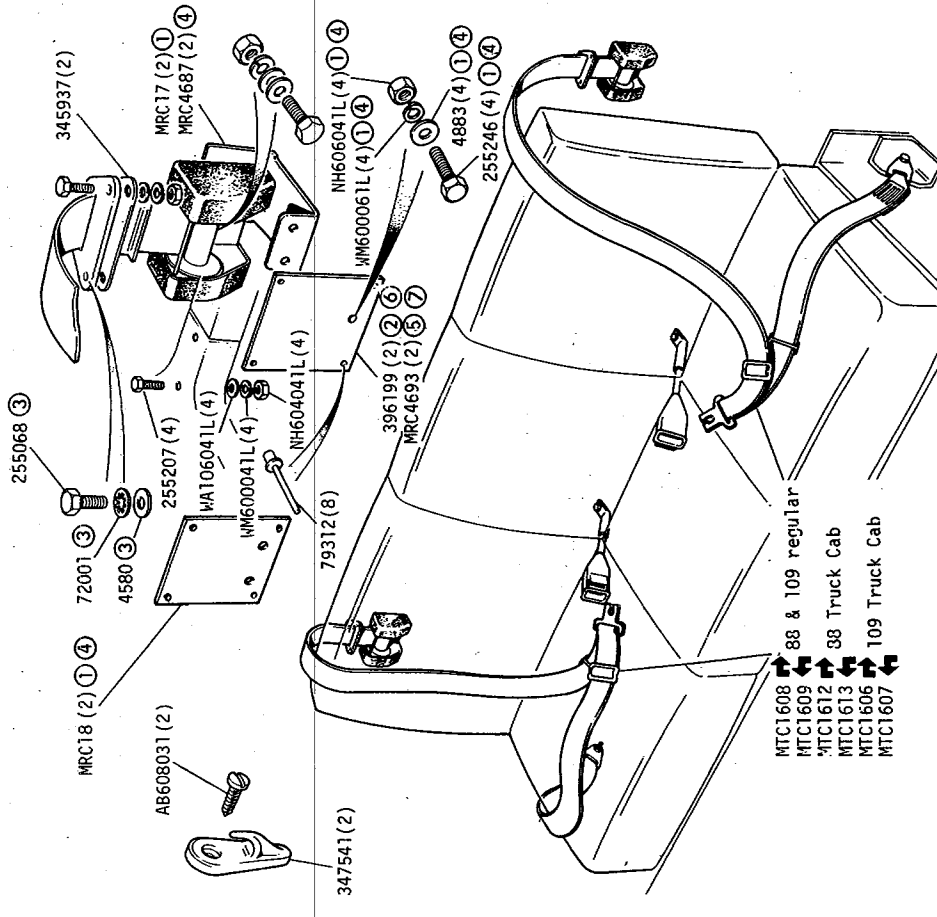
Series IIA and III Land Rover all models

Land Rover Optional Equipment

2G 07

VS1517

OPTIONAL EQUIPMENT - Inertia Seat Belts



- MTC1608 ← 88 & 109 regular
- MTC1609 ← 88 & 109 regular
- MTC1612 ← 98 Truck Cab
- MTC1613 ← 98 Truck Cab
- MTC1606 ← 109 Truck Cab
- MTC1607 ← 109 Truck Cab

Series III Land Rover all 88" and 109" regular and truck cab

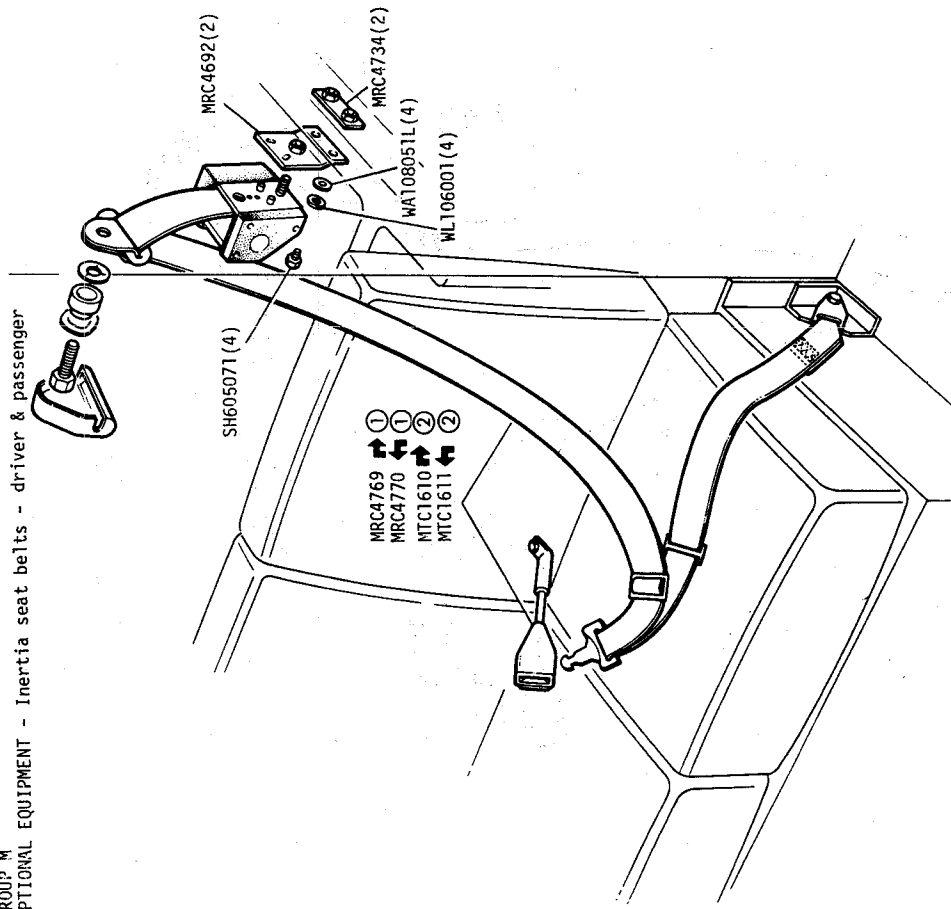
- 1 All 88" Models up to May 1978 inclusive (Two hole fixing)
- 2 109" regular and truck cab up to May 1978 inclusive ( 1 hole fixing )
- 3 109" Truck Cab Only
- 4 All 88" Models from June 1978 Onwards (Two hole fixing)
- 5 109" regular and Truck Cab from June 1978 Onwards ( 1 hole fixing )
- 6 Bolt and nut fixing
- 7 Bolt and nut plate fixing

Land Rover Optional Equipment

2G 07

VS1274

GROUP M  
OPTIONAL EQUIPMENT - Inertia seat belts - driver & passenger



Series III Land Rover 88" Station Wagon and Hard top vehicles

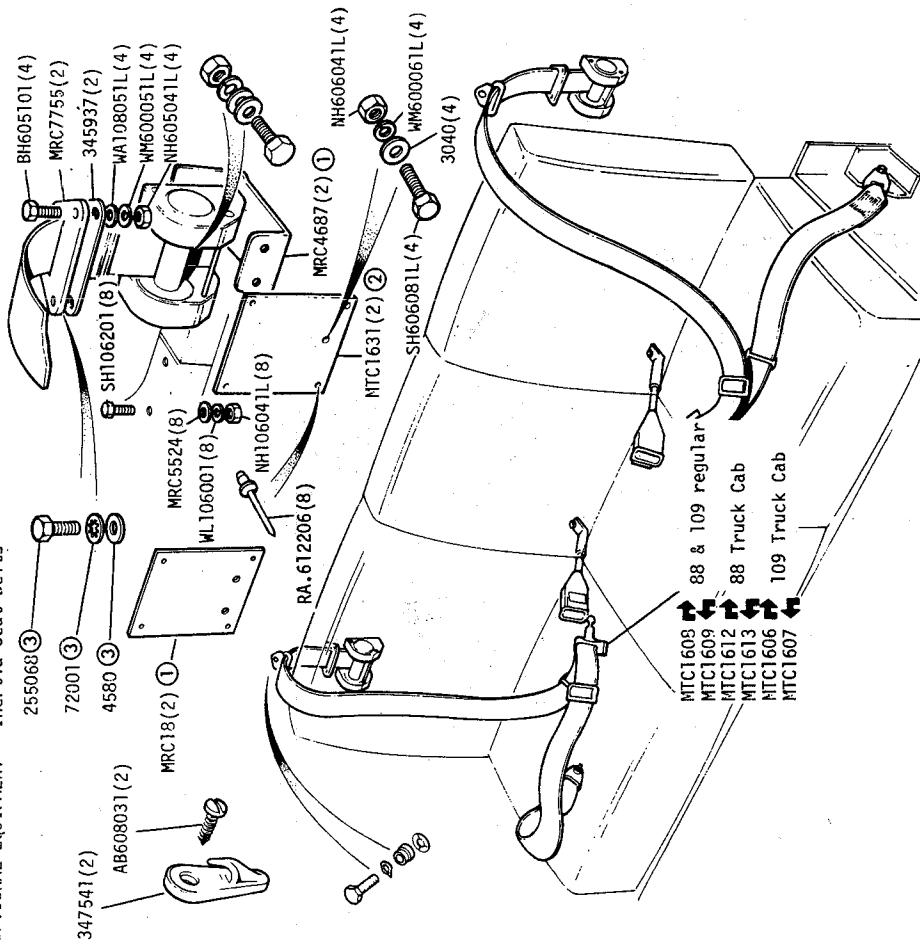
- ① 88 Station Wagon and hardtop to meet French conditions
- ② 88 Station Wagon and hardtop to meet EEC regulations from October 1980.

Land Rover Optional Equipment

26 08

VS2012

GROUP M  
OPTIONAL EQUIPMENT - Inertia Seat Belts



Series I/II Land Rover all 88 and 109 regular and truck cab to comply with EEC regulations, fitted from October 1980

- ① 88"
- ② 109"
- ③ 88 & 109" truck cab

Inertia seat belt kit 88 & 109 regular RTC1939

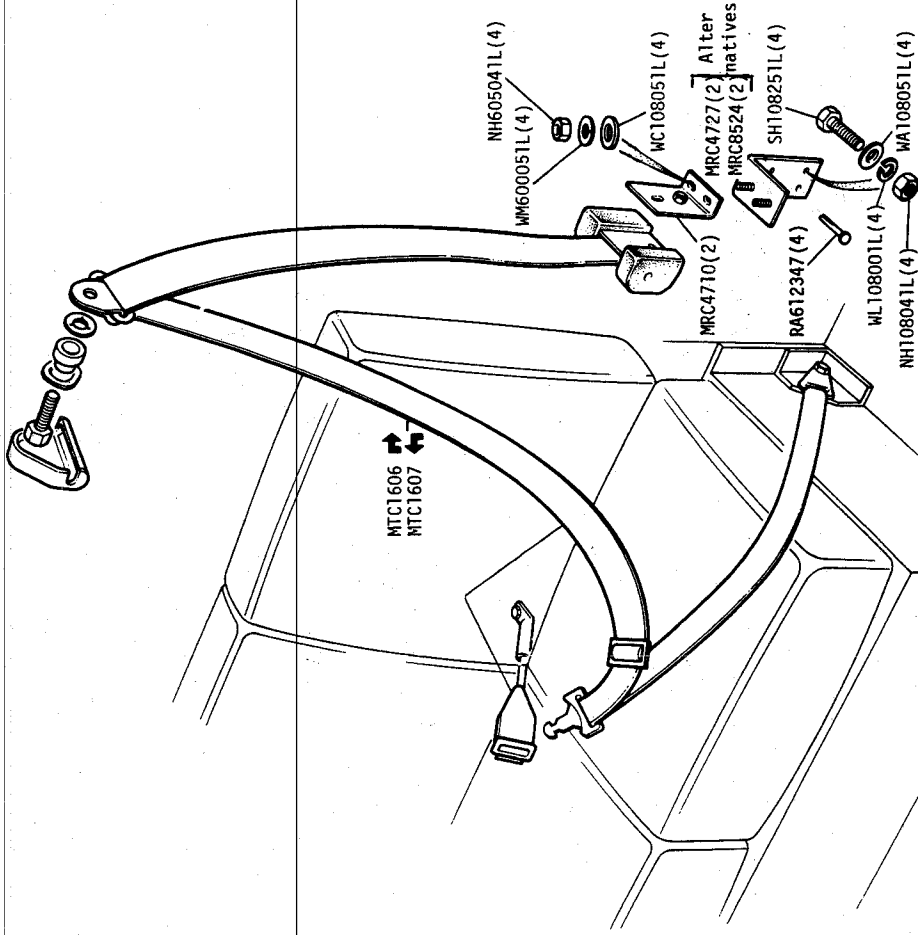
Land Rover Optional Equipment

26 08

US2012



GROUP M  
 OPTIONAL EQUIPMENT - Inertia seat belts - driver and passenger.



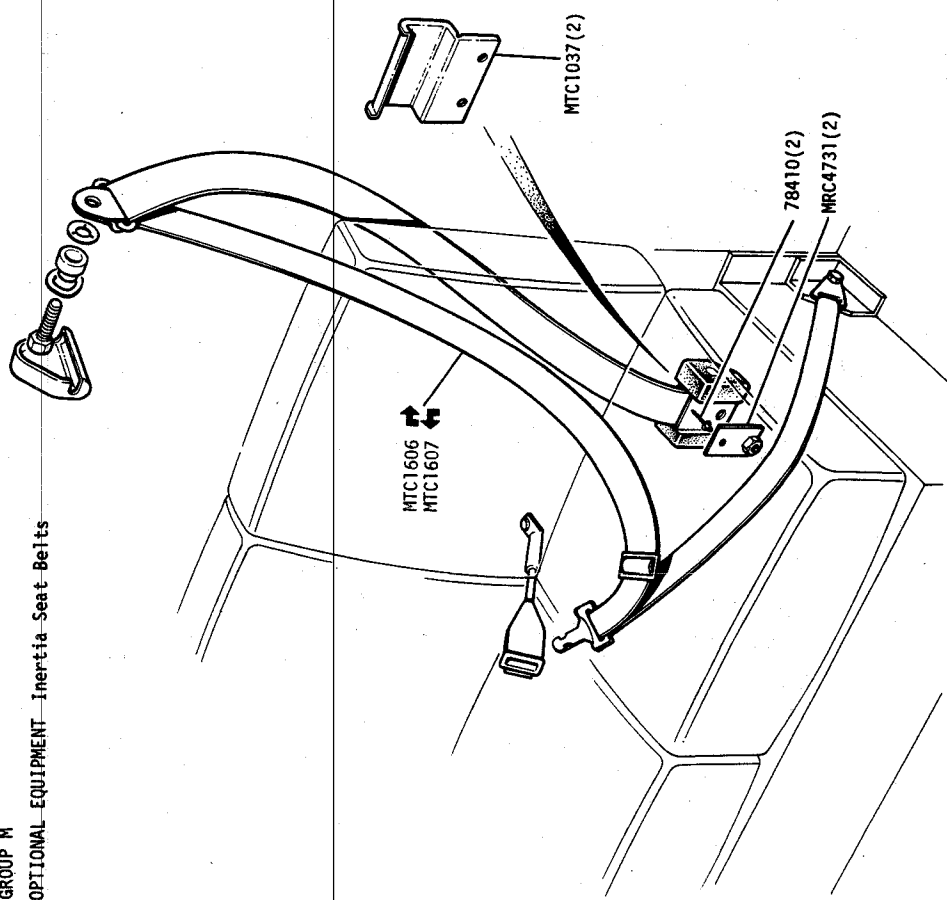
Series III Land Rover 109" Truck cab and Hardtop vehicles to comply with EEC regulations fitted from October 1980.

Land Rover Optional Equipment

26 09

VS2007

GROUP M  
 OPTIONAL EQUIPMENT - Inertia Seat Belts



Series III Land Rover 109" Station Wagon to meet EEC regulations from October 1980

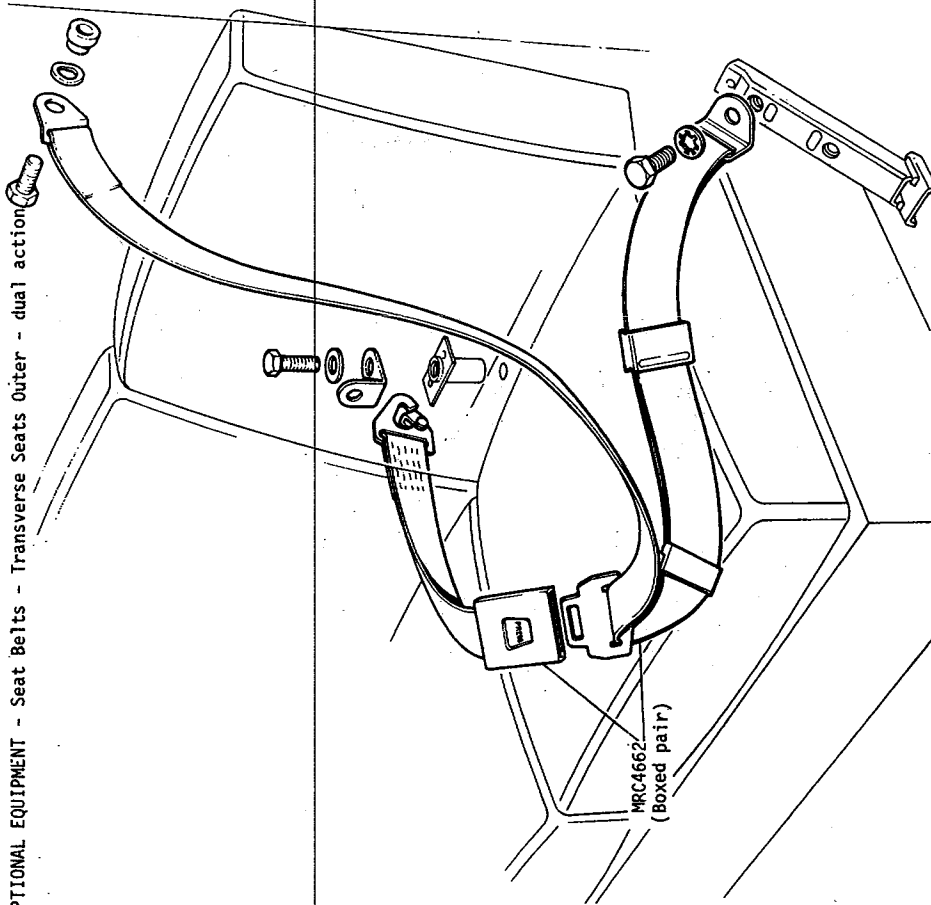
Land Rover Optional Equipment

26 09

VS1430

GROUP M

OPTIONAL EQUIPMENT - Seat Belts - Transverse Seats Outer - dual action



Series III Land Rover 109" Station Wagon (French conditions)  
Refer to frame 2F 18 for transverse seat - safety anchorages.

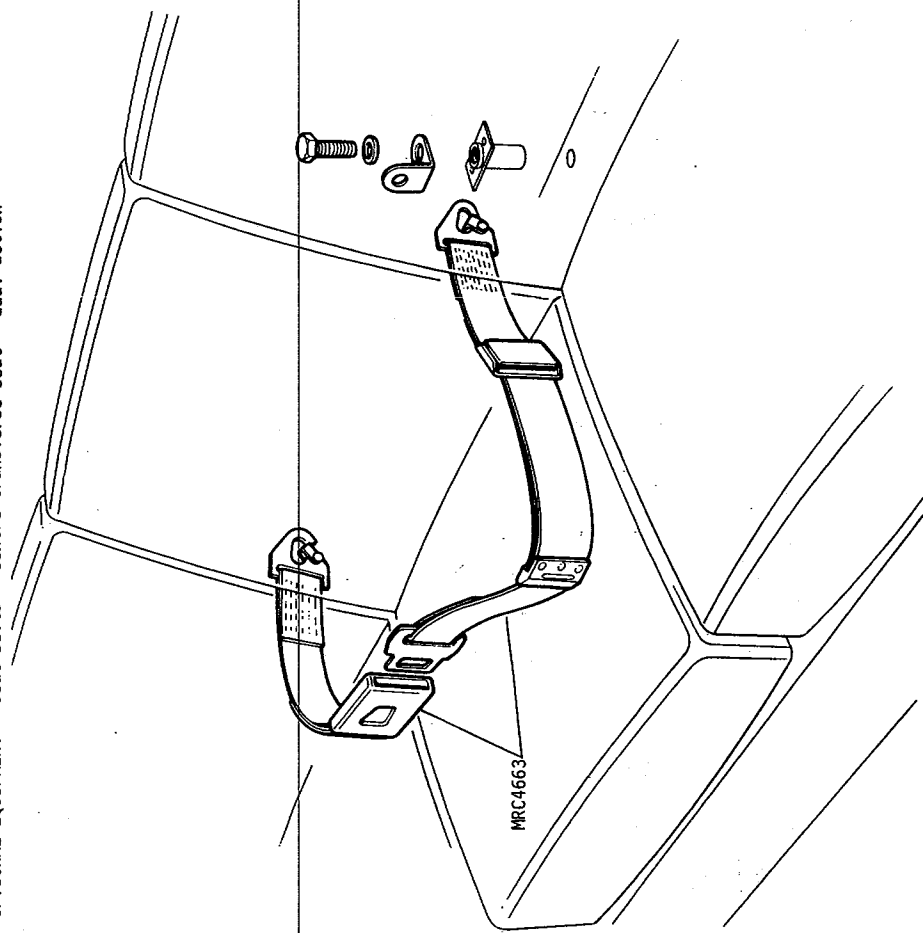
Land Rover Optional Equipment

26 10

VS1431

GROUP M

OPTIONAL EQUIPMENT - Seat Belts - centre transverse seat - dual action



Series III Land Rover 109" Station Wagon (French Conditions)  
Refer to frame 2F 18 for transverse centre seat safety anchorages

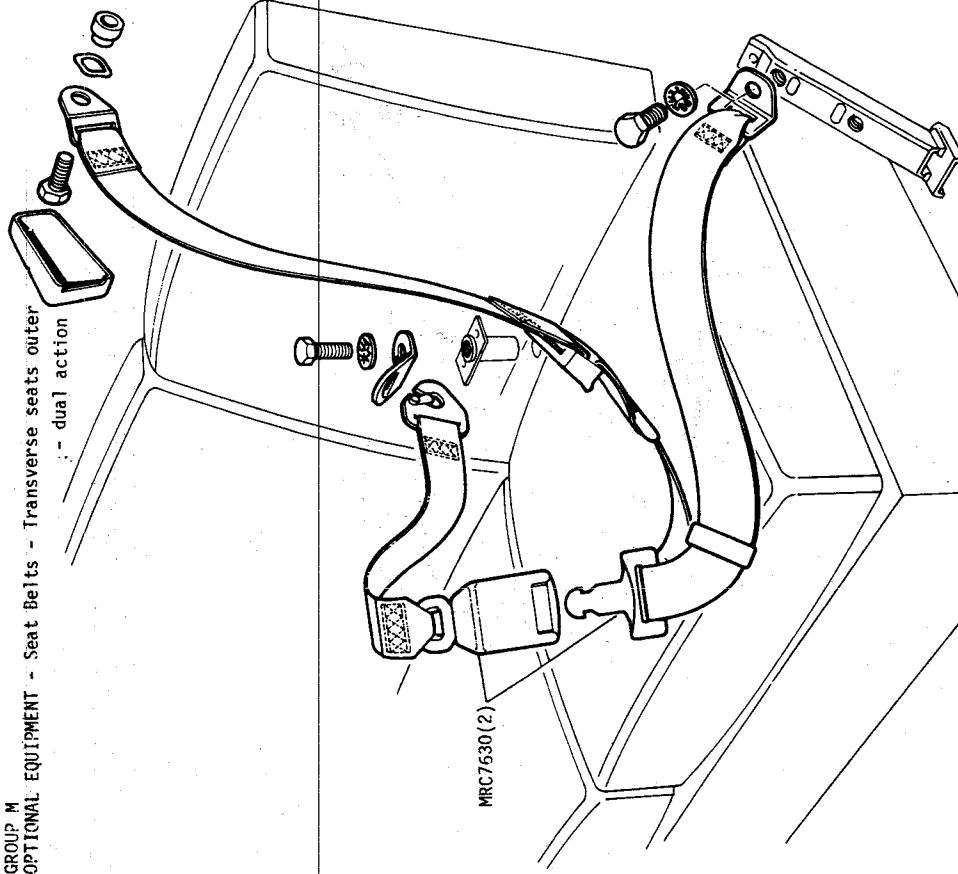
Land Rover Optional Equipment

26 10

VS1432

GROUP M  
OPTIONAL EQUIPMENT

Seat Belts - Transverse seats outer  
- dual action

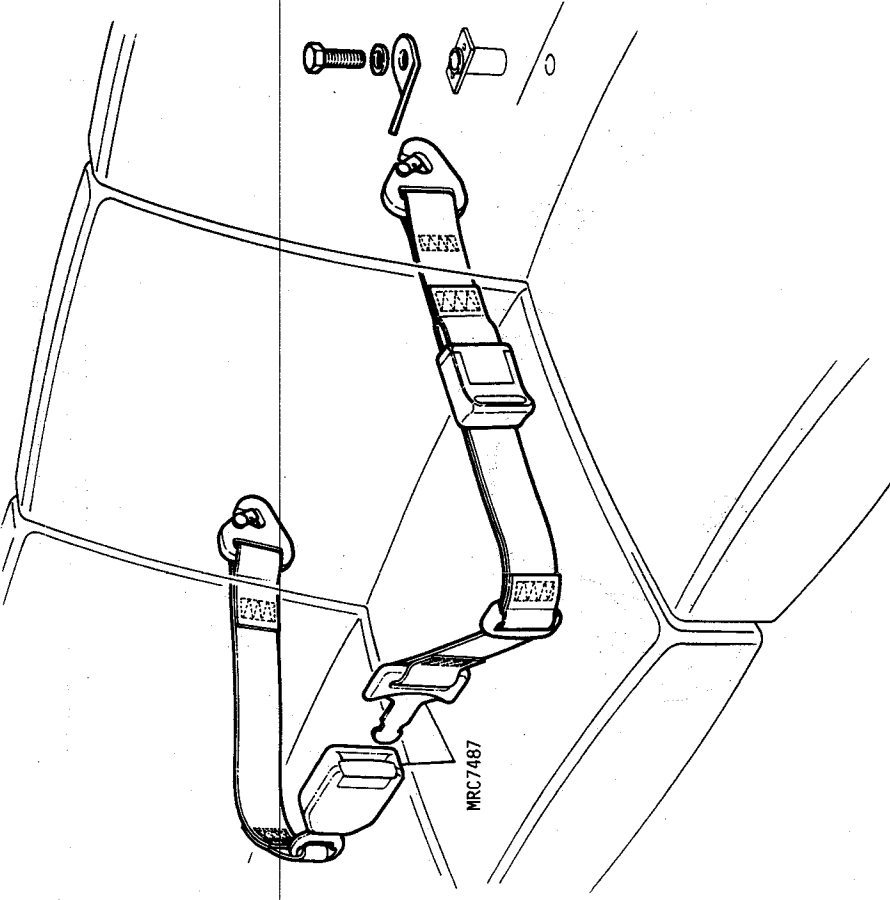


Series III Land Rover 109" Station Wagon to comply with EEC regulations fitted from October 1980  
Refer to frame 2F 18 for transverse seat safety anchorages

Land Rover Optional Equipment      2G 11      VS1560

GROUP M  
OPTIONAL EQUIPMENT

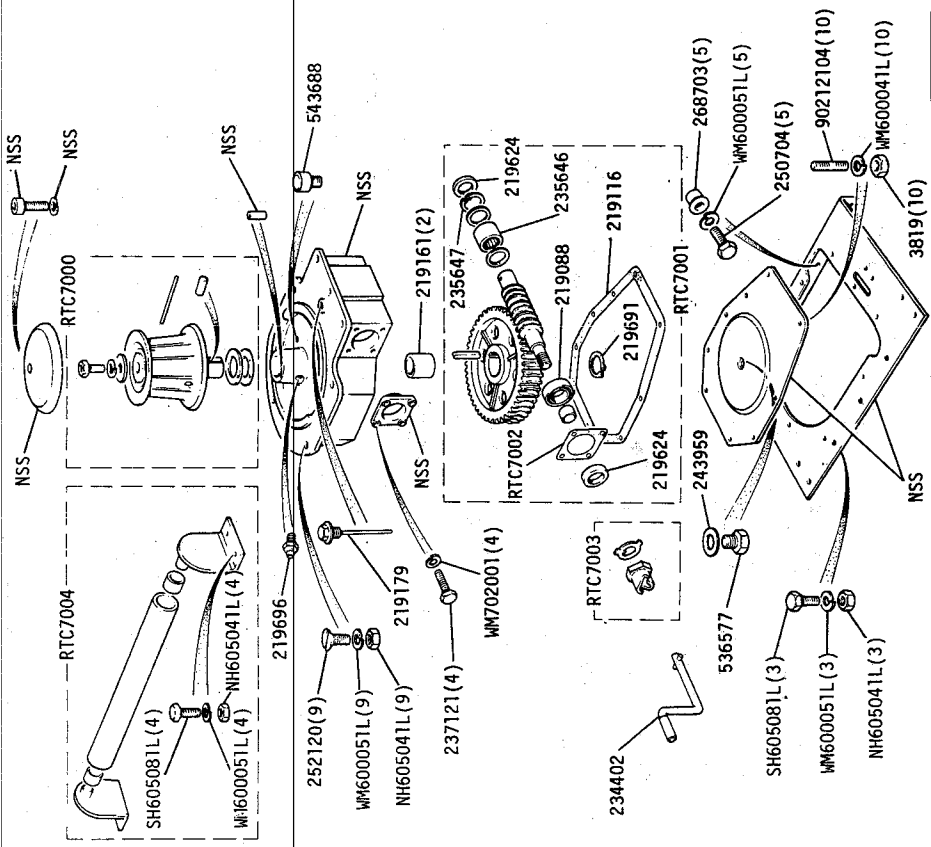
Seat Belts - centre transverse seat - dual action



Series III Land Rover 109" Station Wagon to comply with EEC regulations fitted from October 1989  
Refer to frame 2F 18 for transverse centre seat anchorages

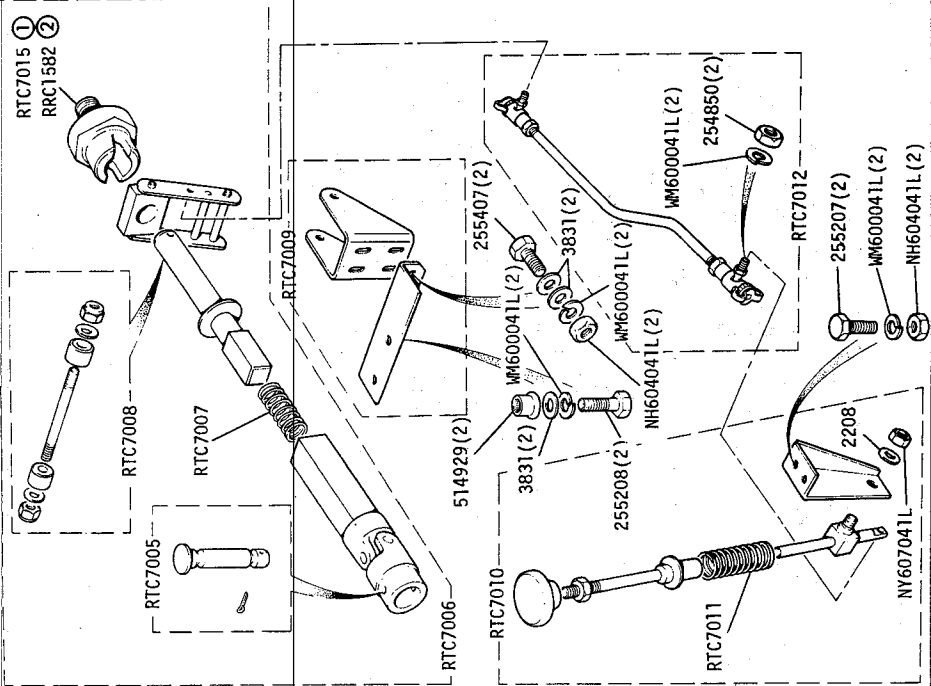
Land Rover Optional Equipment      2G 11      VS1595

GROUP N  
OPTIONAL EQUIPMENT - Capstan Winch Drive Unit



Series IIA and III  
Capstan Winch Kit RTC8001

GROUP N  
OPTIONAL EQUIPMENT - Capstan Winch, Controls

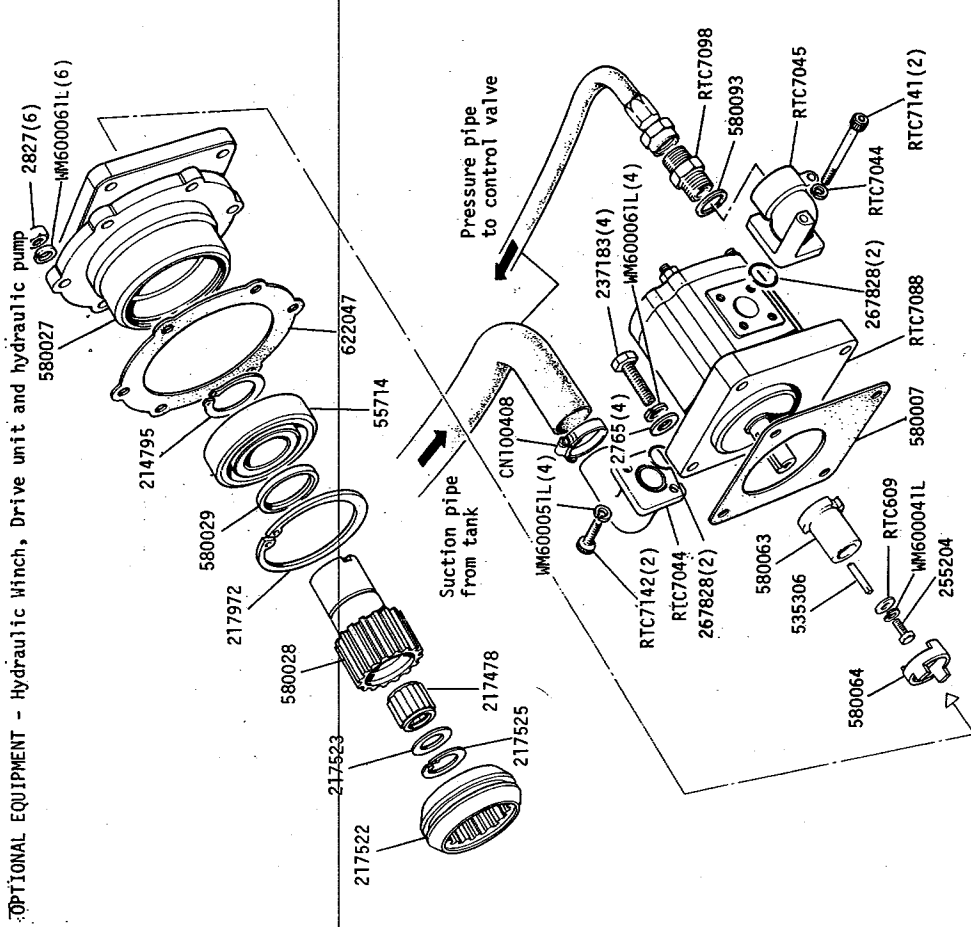


Series IIA and III  
Capstan Winch Kit RTC8001

- ① 3 Bearing Engine
- ② 5 Bearing Engine

GROUP N

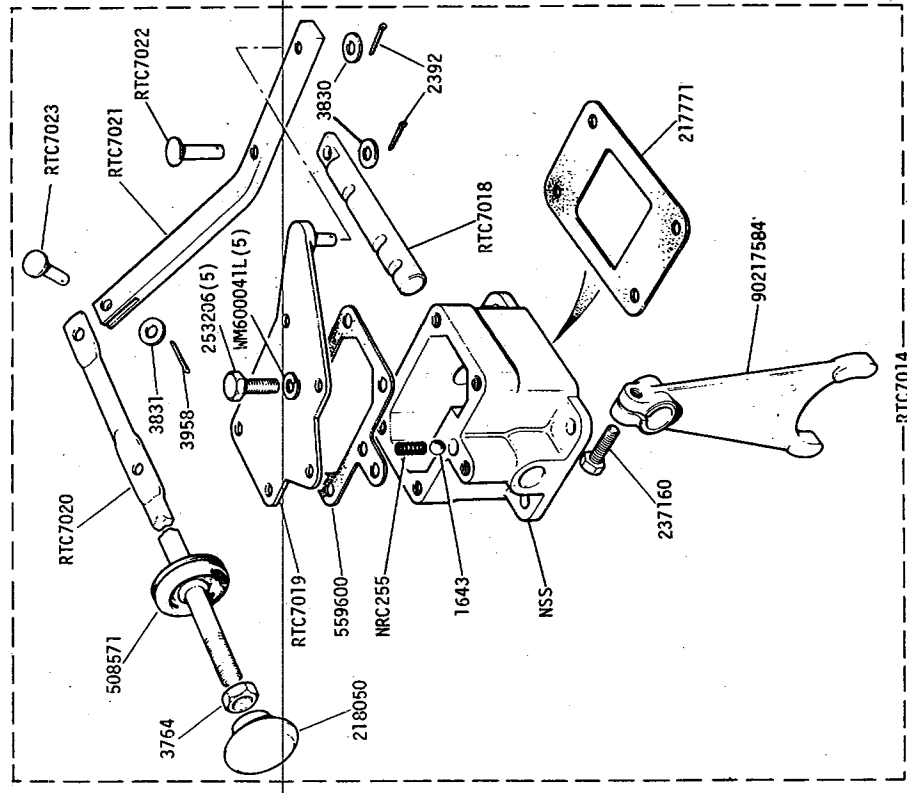
OPTIONAL EQUIPMENT - Hydraulic Winch, Drive unit and hydraulic pump



Series II IIA and III Land Rover  
Hydraulic winch kit RTC8004  
When fitting to 88" petrol models, Heavy Duty Front Suspension  
must be fitted shown on frames IF 02 IF 04

GROUP N

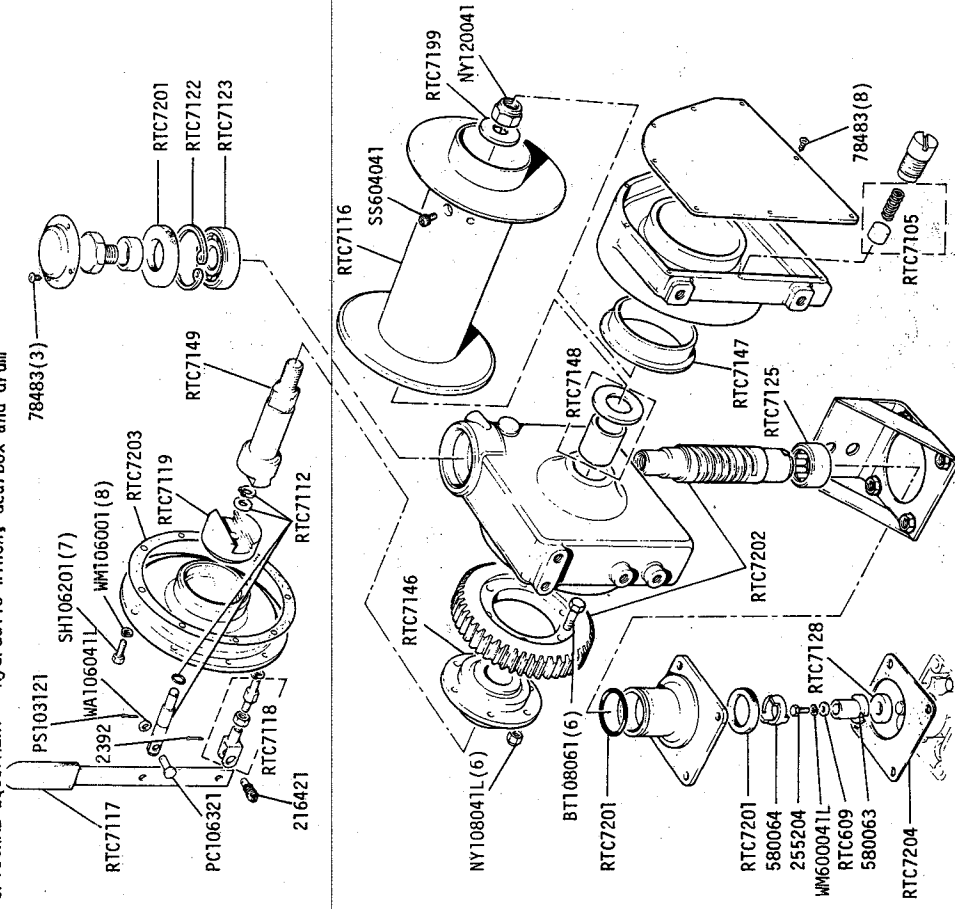
OPTIONAL EQUIPMENT - Hydraulic winch - selector unit assembly



Series III IIA and III Land Rover  
Hydraulic winch kit RTC8004  
When fitting to 88" petrol models, Heavy Duty Front Suspension  
must be fitted shown on frames IF 02 IF 04

GROUP N

OPTIONAL EQUIPMENT - Hydraulic Winch, Gearbox and drum



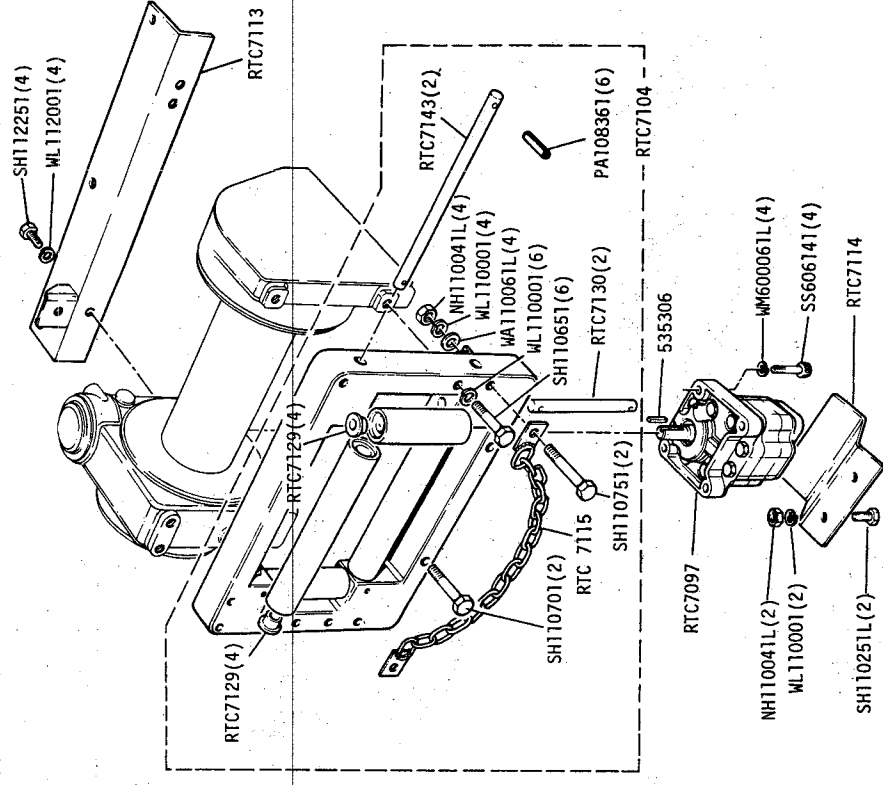
Series II IIA and III Land Rover

Hydraulic winch kit RTC8004

When fitting to 88" petrol models, Heavy Duty Front Suspension must be fitted shown on frames 1F 02 1F 04

GROUP N

OPTIONAL EQUIPMENT - Hydraulic Winch, Roller box and hydraulic motor

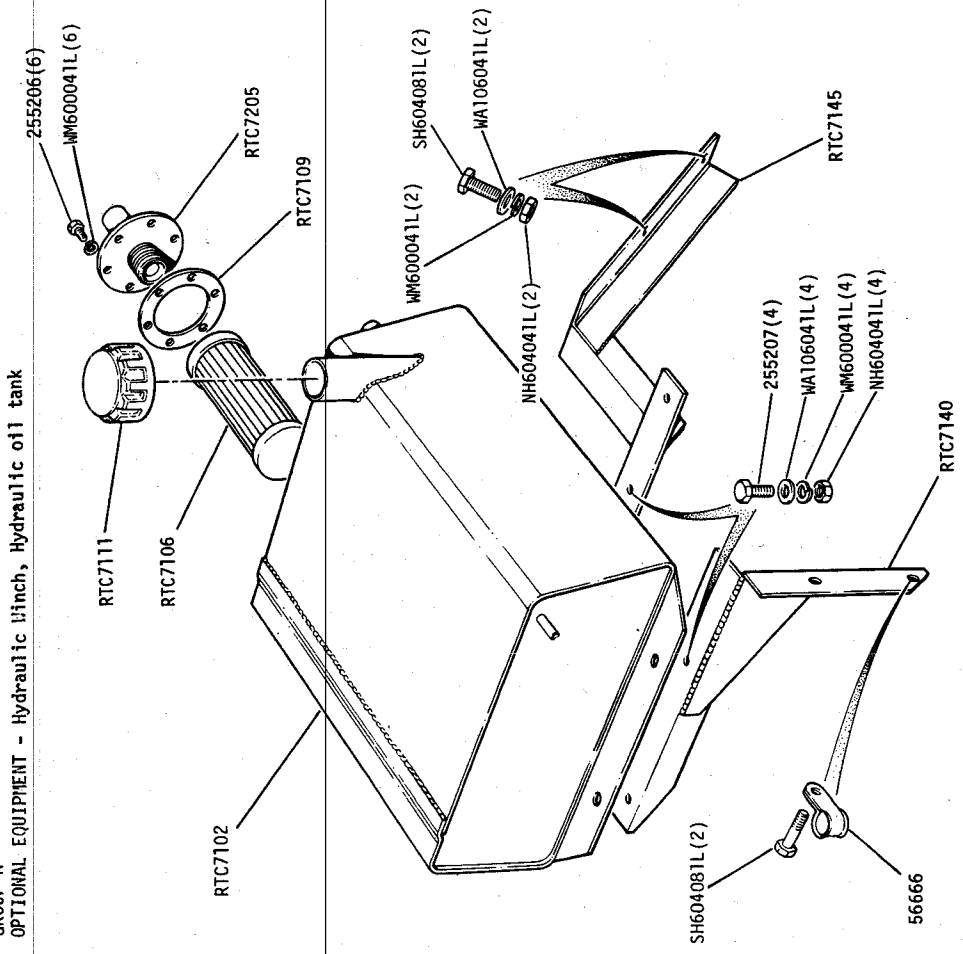


Series II IIA and III Land Rover

Hydraulic winch kit RTC8004

When fitting to 88" petrol models, Heavy Duty Front Suspension must be fitted shown on frames 1F 02 1F 04.

GROUP N  
OPTIONAL EQUIPMENT - Hydraulic Winch, Hydraulic oil tank



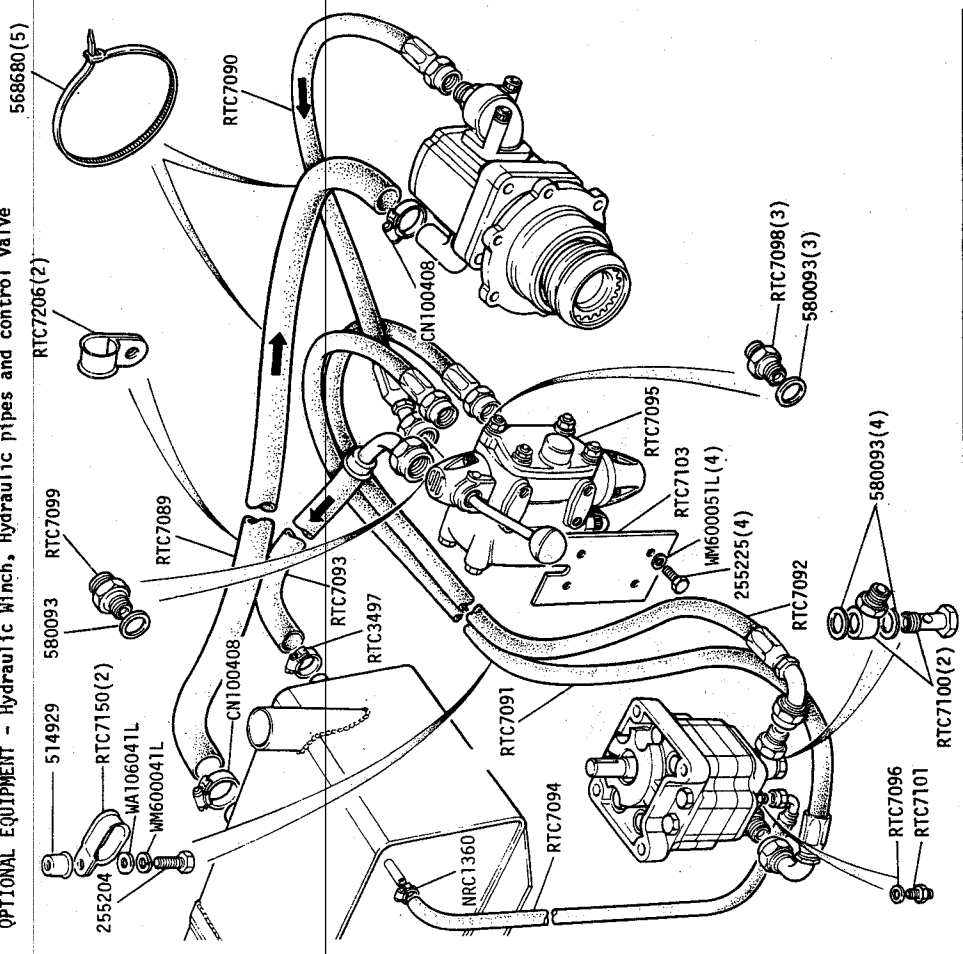
Series II IIA and III Land Rover  
Hydraulic winch kit RTC8004  
When fitting to 88" petrol models, Heavy Duty Front Suspension  
must be fitted shown on frames IF 02 IF 04

Land Rover Optional Equipment

2H 06

7RE 16

GROUP N  
OPTIONAL EQUIPMENT - Hydraulic Winch, Hydraulic pipes and control valve



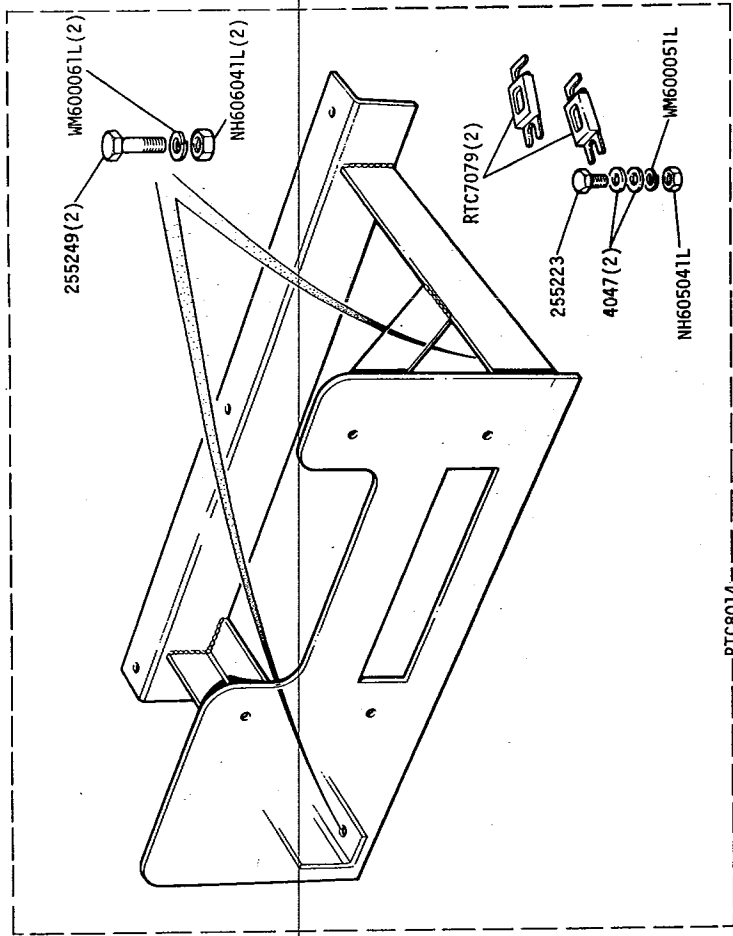
Series II IIA and III Land Rover  
Hydraulic winch kit RTC8004  
When fitting to 88" petrol models, Heavy Duty Front Suspension  
must be fitted shown on frames IF 02 IF 04

Land Rover Optional Equipment

2H 06

7RE 40

GROUP N  
OPTIONAL EQUIPMENT - Winch Fitting Kit



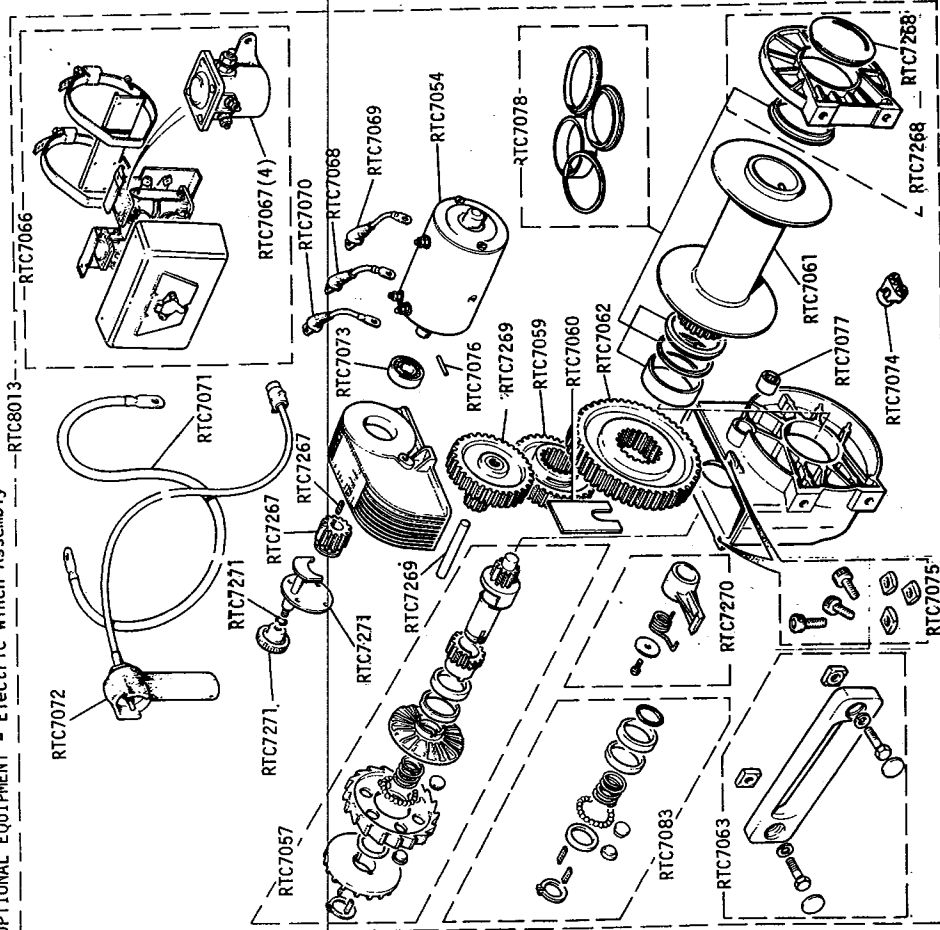
Series III Land Rover

Land Rover Optional Equipment

2H '08

6RE 202

GROUP N  
OPTIONAL EQUIPMENT - Electric Winch Assembly



Series III Land Rover

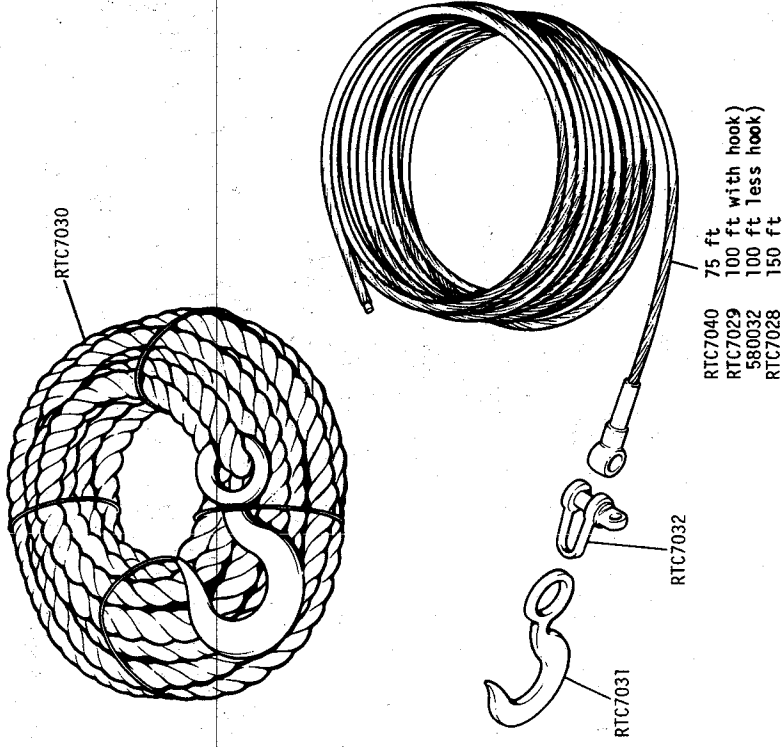
Land Rover Optional Equipment

2H '08

6RE 201



GROUP N  
OPTIONAL EQUIPMENT - Winch Ropes



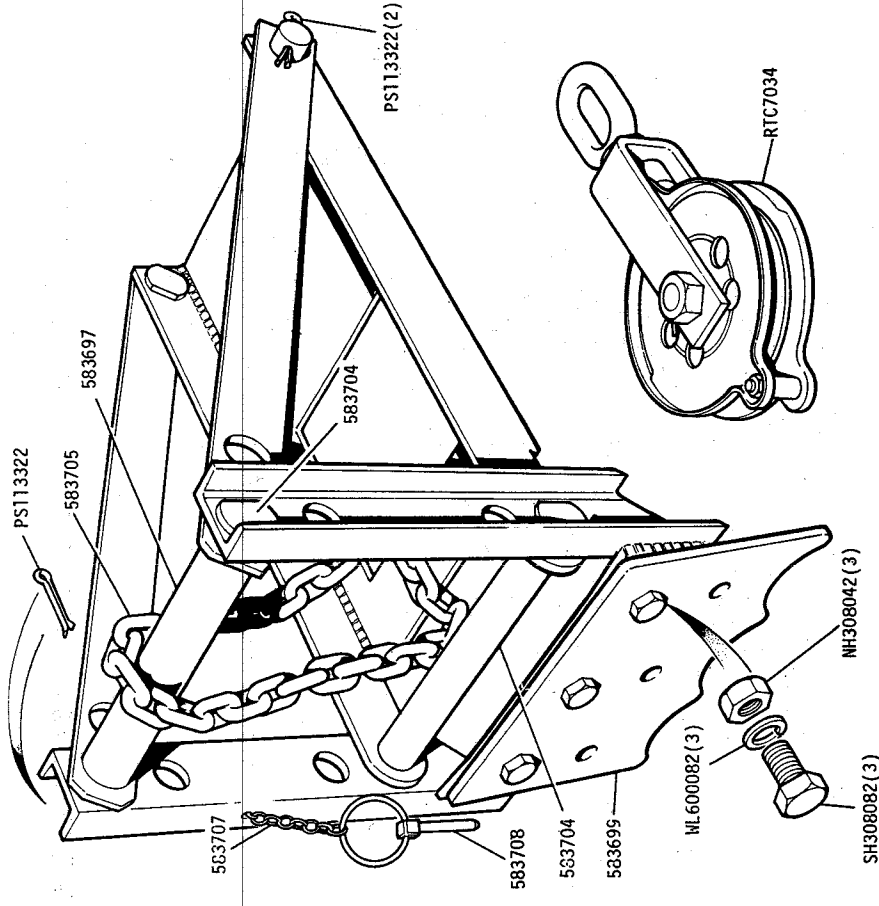
Series 111 Land Rover

Land Rover Optional Equipment

2H 09

6RE 203

GROUP N  
OPTIONAL EQUIPMENT - Ground anchor and pulley block



Series 11A and 111 Land Rover  
 Ground anchor complete assembly 583590

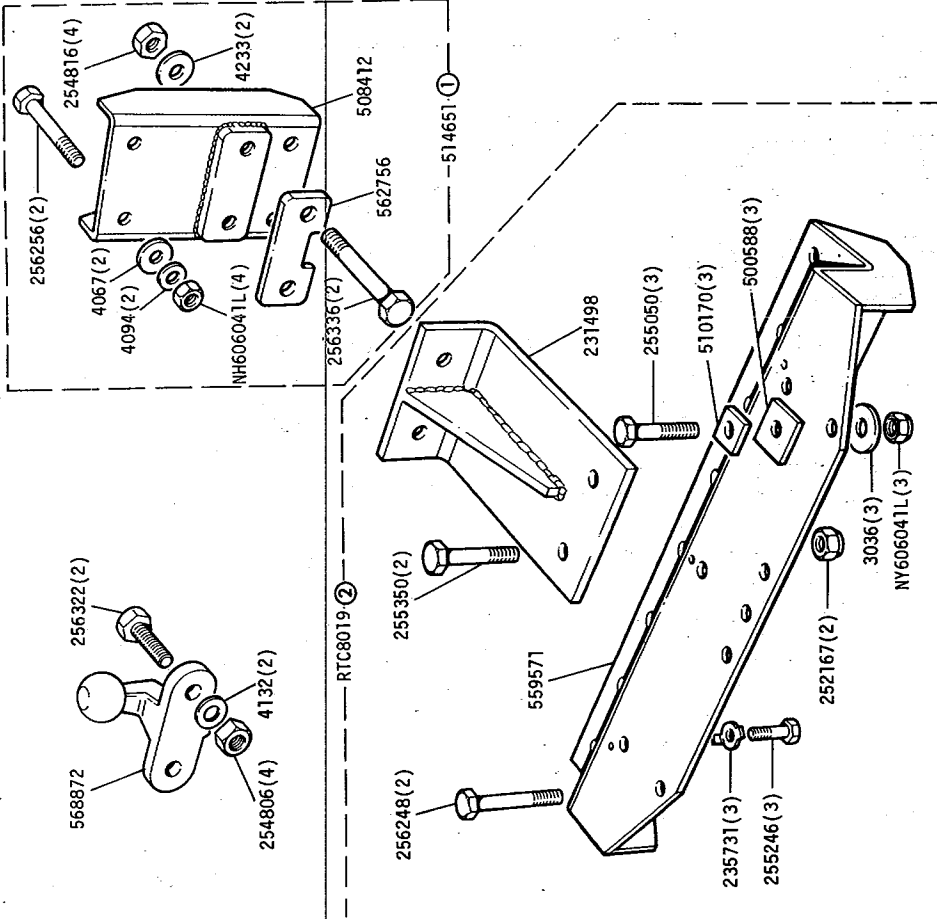
Land Rover Optional Equipment

2H 09

VS1293

GROUP N

OPTIONAL EQUIPMENT - Towing ball, plates and bracket.



Series IIA and III Land Rover except Station wagon

- ① Fitted as standard to all export vehicles except Switzerland
- ② Used when rear power take-off is fitted

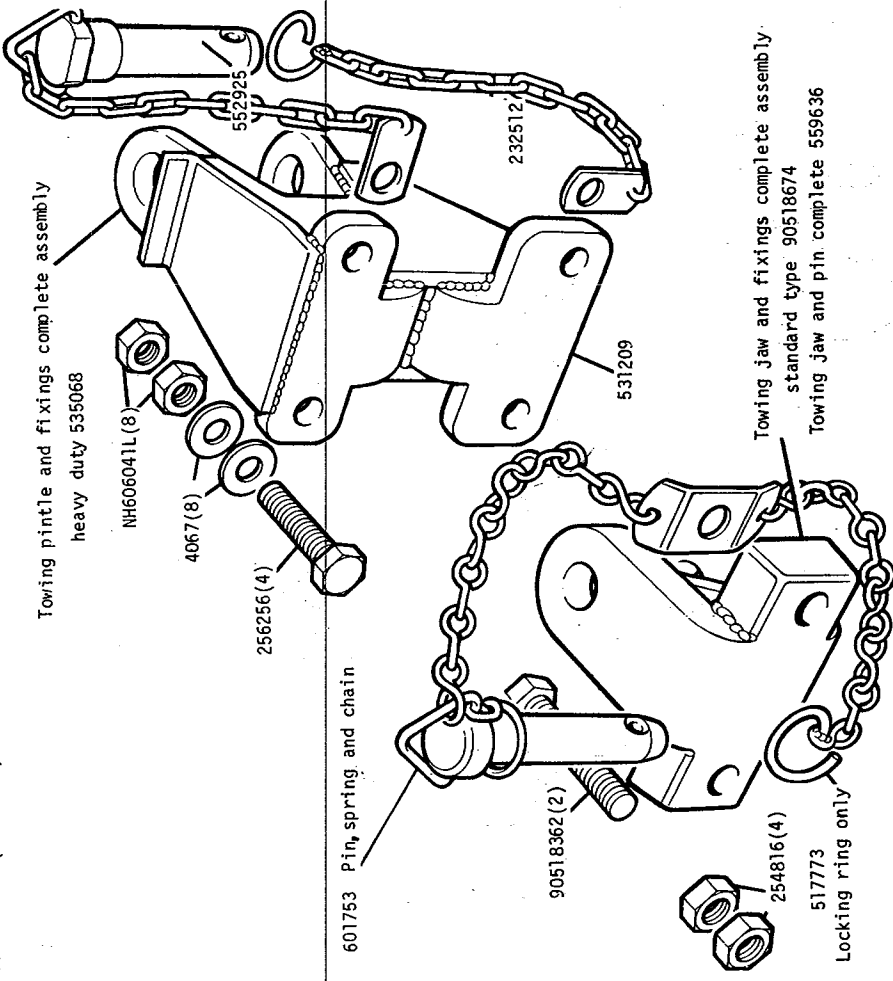
Land Rover Optional Equipment

2H 10

6RE 175/A

GROUP N

TOWING JAW (STANDARD) AND TOWING PINTLE (HEAVY DUTY) SERIES IIA AND III LANDROVER.



Towing jaw and fixings complete assembly standard type 90518674  
Towing jaw and pin complete 559636

REMARKS

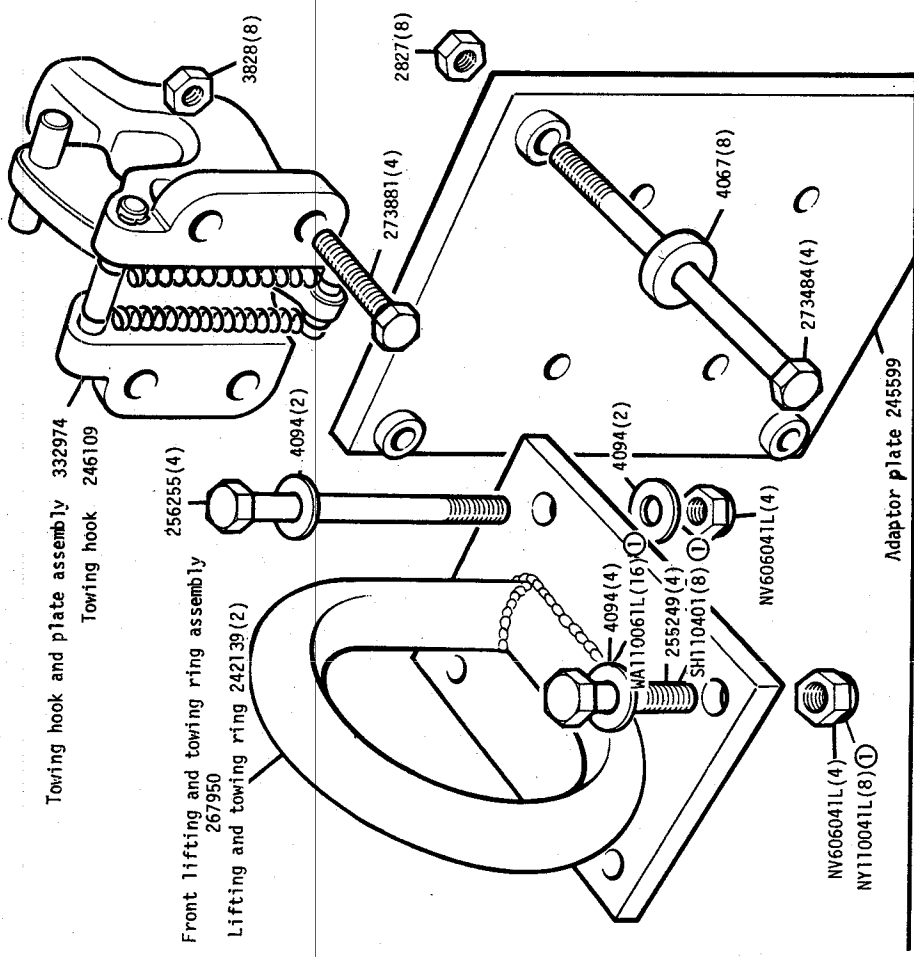
- Towing jaw 90518674 fitted as standard to all export models except Swiss vehicles
- Towing jaw and pintle cannot be used in conjunction with rear power take-off

Land Rover Optional Equipment

2H 10

TIRE 237

GROUP N  
FRONT LIFTING AND TOWING RING ASSEMBLY AND TOWING HOOK, SERIES IIA, III AND 109 V8.

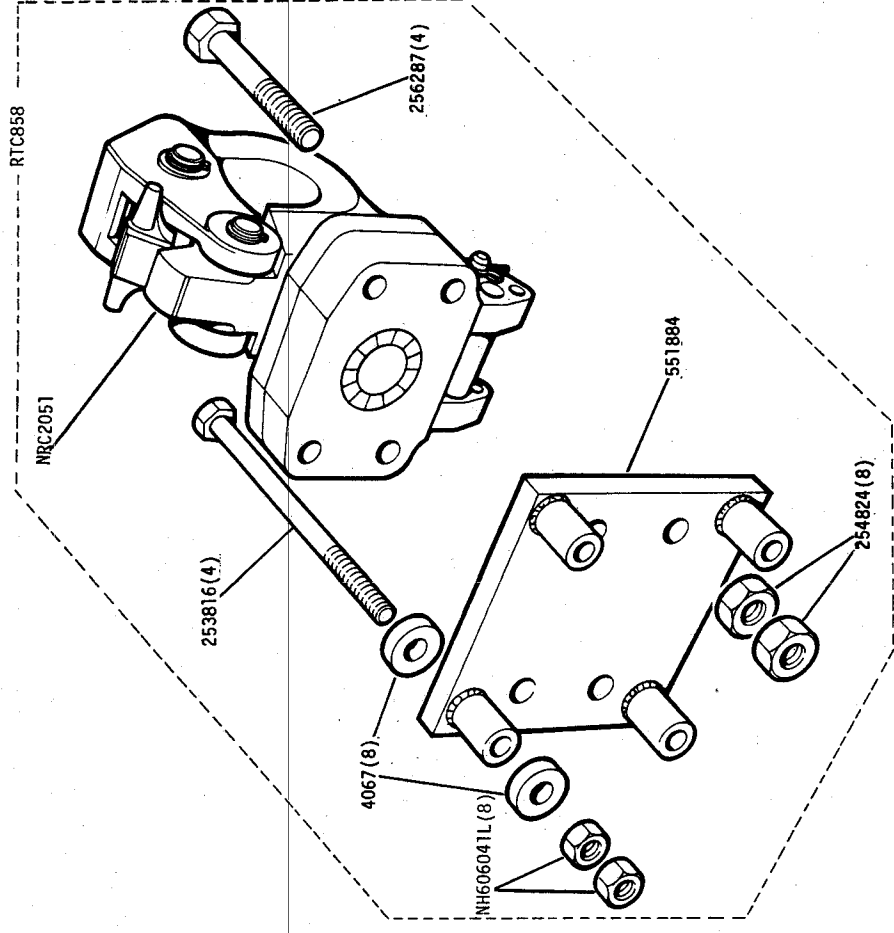


REMARKS

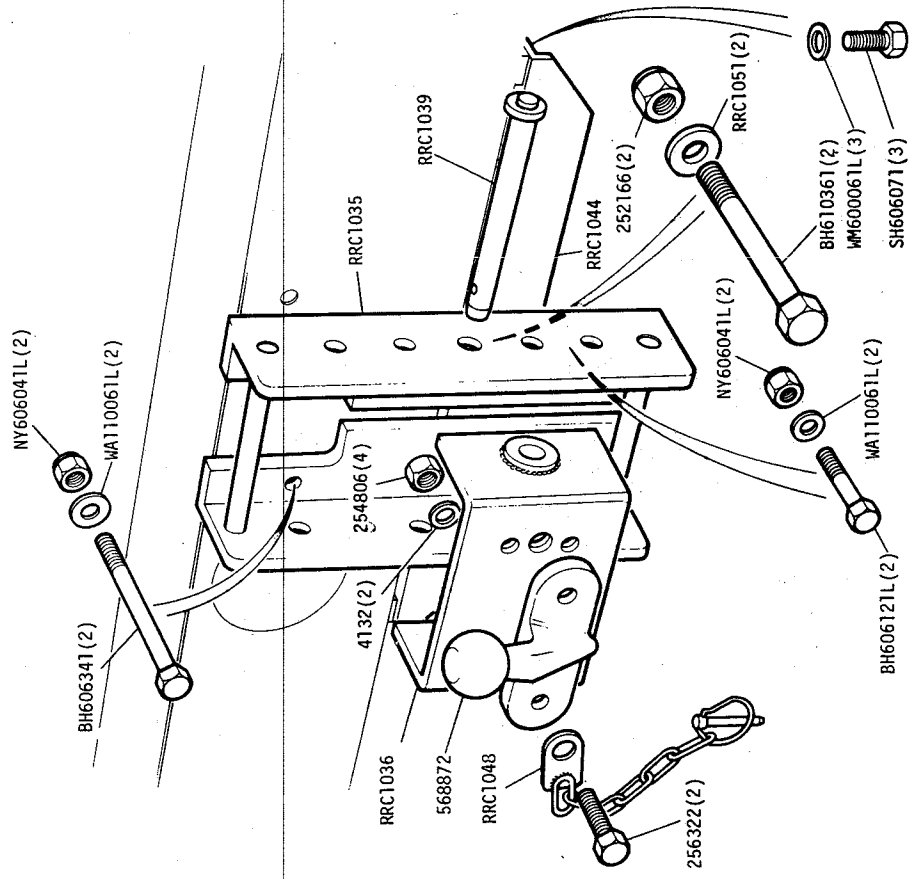
Towing hook not applicable to 109in Station Wagon and cannot be used in conjunction with rear power take-off

① 109 V8

GROUP N  
OPTIONAL EQUIPMENT - Rotating towing hook

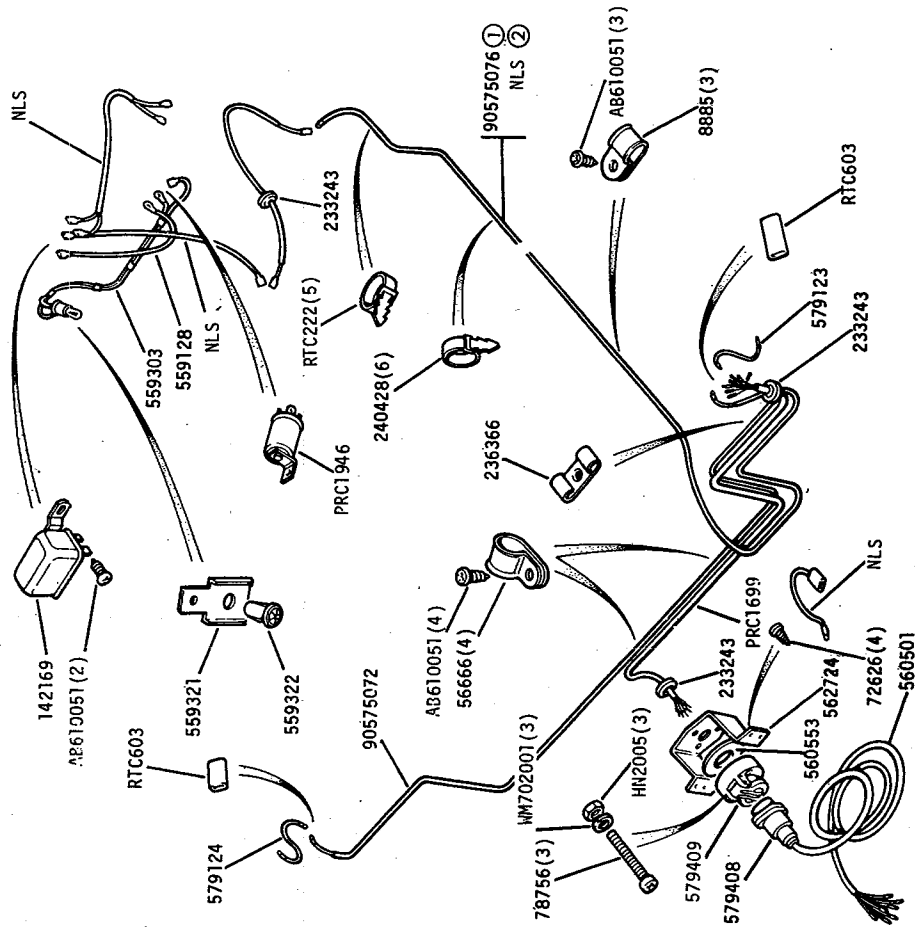


OPTIONAL EQUIPMENT - Adjustable Towing Bracket and Ball



Series IIA and III Land Rover  
Towing bracket complete assembly less towing ball RTC7042

GROUP N  
OPTIONAL EQUIPMENT - 7 pin trailer plug and socket.



Series IIA 7 pin trailer plug and socket 605204  
up to vehicle suffix 'F' inclusive  
① '88" vehicles only  
② '109" vehicles only.

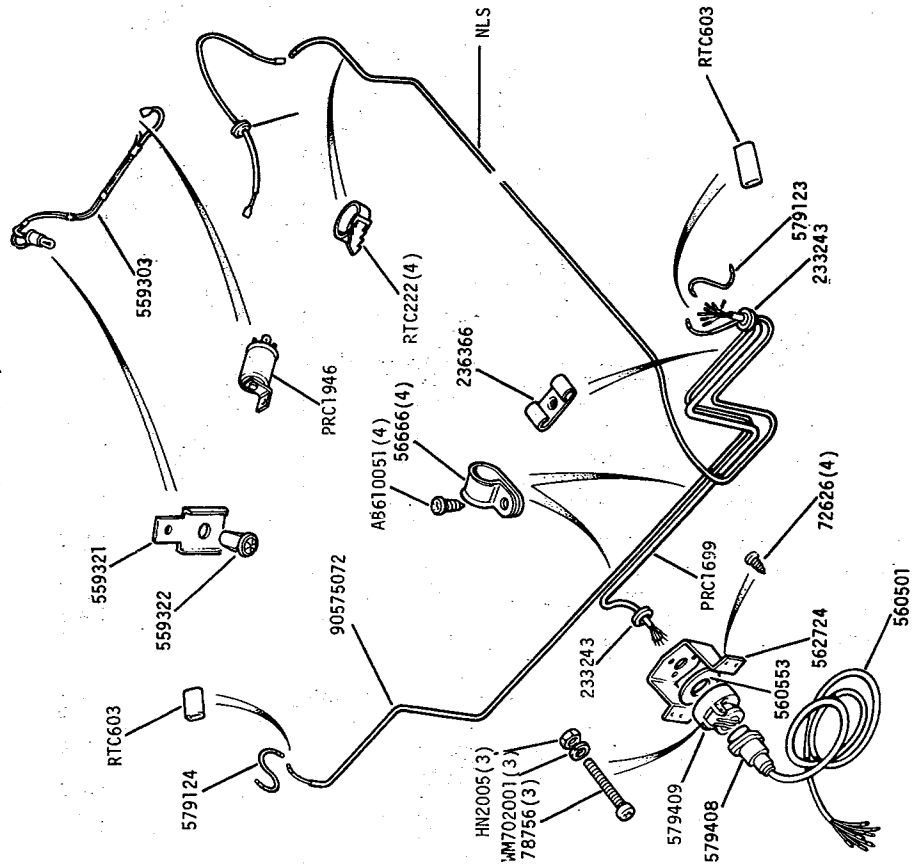


Land Rover Optional Equipment

2H T3

3RE475

GROUP N  
OPTIONAL EQUIPMENT - 7 pin trailer plug and socket.



Series IIA 7 pin trailer plug and socket  
NLS from vehicle suffix 'G' onwards

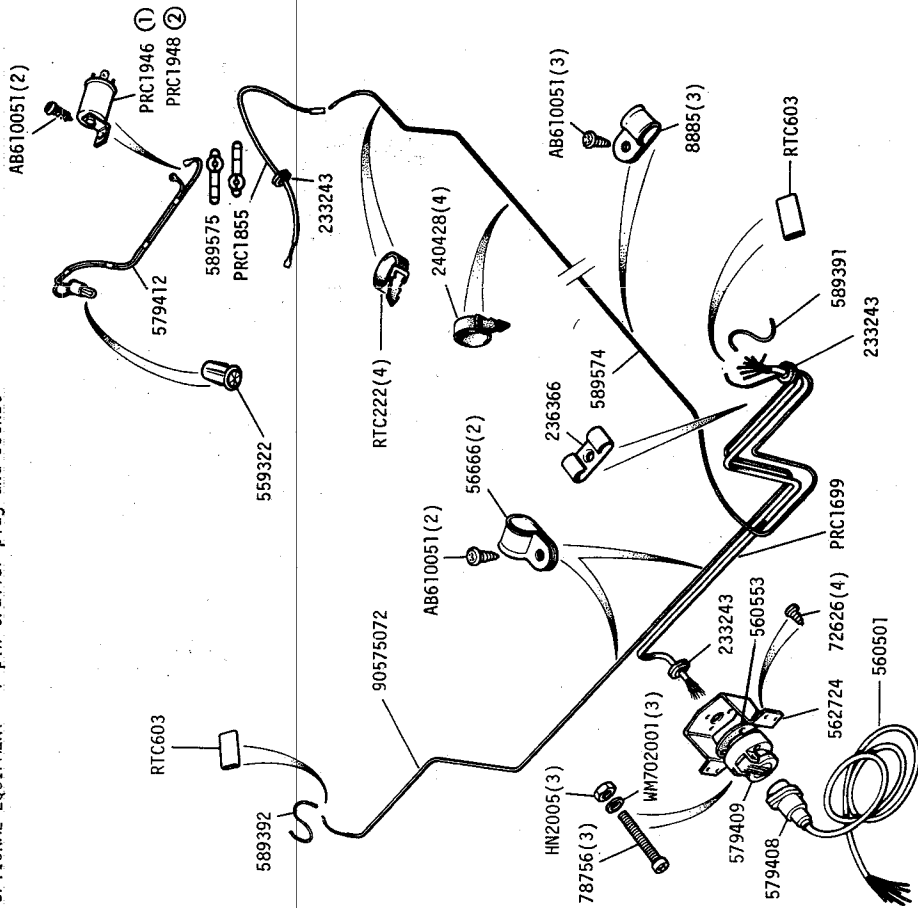


Land Rover Optional Equipment

2H T3

3RE480

GROUP N  
OPTIONAL EQUIPMENT - 7 pin trailer plug and socket

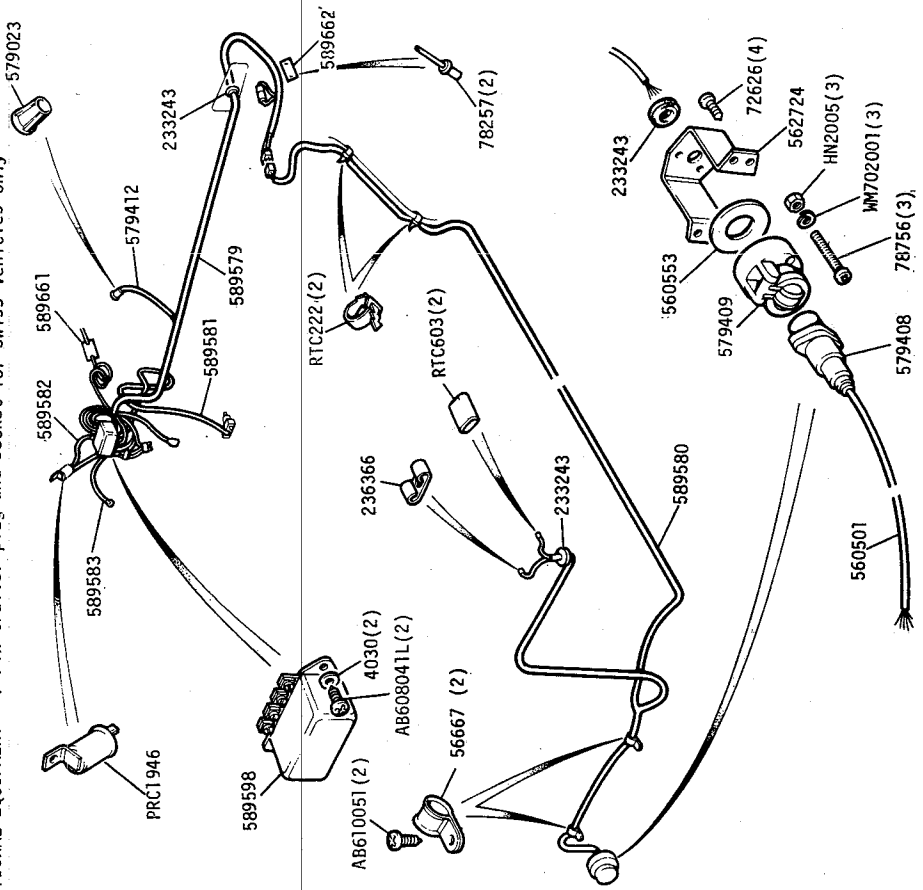


Series III 7 pin trailer plug and socket 607713

- ① Vehicles with 7 pin trailer plug and socket kit
- ② Vehicles with 7 pin trailer plug and socket kit and side repeaters

GROUP N

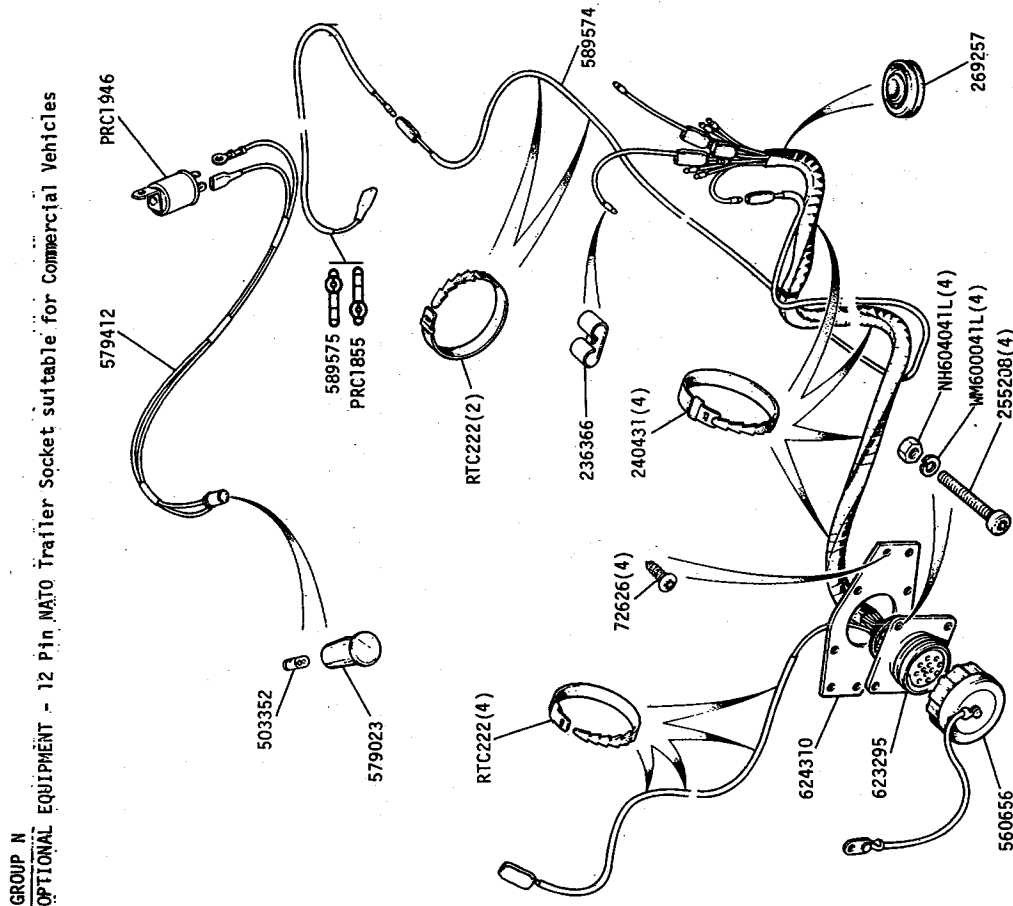
OPTIONAL EQUIPMENT - 7 Pin trailer plug and socket for Swiss vehicles only



Series III Land Rover 88", 109" for Switzerland only.

PLATE REF.	1	2	3	4	DESCRIPTION	QTY.	PART No.	REMARKS
------------	---	---	---	---	-------------	------	----------	---------

PLATE REF.	1	2	3	4	DESCRIPTION	QTY.	PART No.	REMARKS
	1				Fog rear guard switch	1	PRC2627	
	1				Single lead - switch to lamp	1	PRC2643	
	2				Grommet - protection and floor plates	2	233243	
	1				Lamp - wiring cover	1	MRC7894	Rear fog lamp assembly
	1				Fog rivet - wiring cover to w/arch	1	78248	
	1				Fog rear guard lamp	1	PRC2516	
	2				Nut M5 } For fixing fog rear	2	NH105041	
	1				Spring washer } guard lamp to rear	1	WL105001	
	1				Plain washer } R.H. Body Panel	1	WA105001	
	2				Buffer assembly - rear fog guard lamp	2	MRC8301	
	1				Plain washer } Buffer to	1	WA105001	Rear fog lamp assembly
	2				Spring washer } rear panel	2	WL105001	
	1				Nut. M5.	1	NH105041	
	1				Additional warning light lens	1	PRC2635	
	1				Cable c/w bulb - warning light	1	579412	
	1				Grommet - grommet plate	1	233243	
	1				Flasher unit	1	PRC1946	
	1				Grommet - mounting bracket	1	233243	
	1				Mounting bracket - 7 pin socket	1	233243	
	1				Drive screw - Bracket to rear crossmember	1	562724	
	4				Cable - jumper lead	4	72626	
	1				7 pin socket	1	90575072	7 pin trailer socket and plug
	1				Waterproof seal - 7 pin socket	1	579409	
	1				Cable assembly - 7 pin trailer socket	1	560553	
	1				Screw. 10UNF x 1 1/4" long. Bdg head	1	PRC2626	
	3				Spring washer	3	78756	
	3				Nut 10UNF	3	WM702001	
	1				Earth terminal clip	1	HN2005	
	2				Connecting tube 4 way	2	236366	
	1				Single lead - R.H. flasher junction	1	RTC603	
	1				Single lead - L.H. flasher junction	1	589391	
	1				Grommet - socket cable	1	589392	
	2				Cable cleat - A2 cable to harness	2	233243	
	2				Cable clip - cable to rear crossmember	2	RTC222	
	2				Drive screw cable clips	2	56667	
	1				Cable - fuse A2 to 7 pin socket	1	AB610051	
	1				Cable - fuse A2 to 7 pin socket	1	589575	
	1				Cable - fuse A2 to 7 pin socket	1	PRC1856	



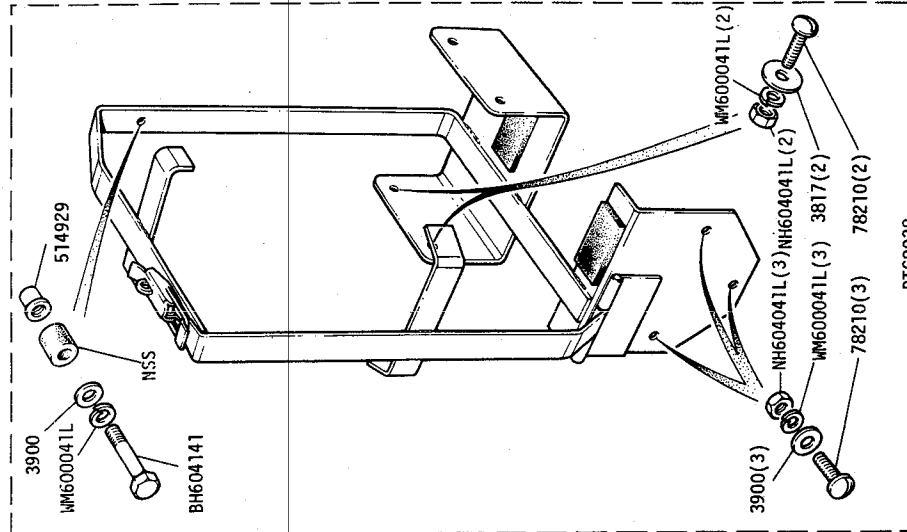
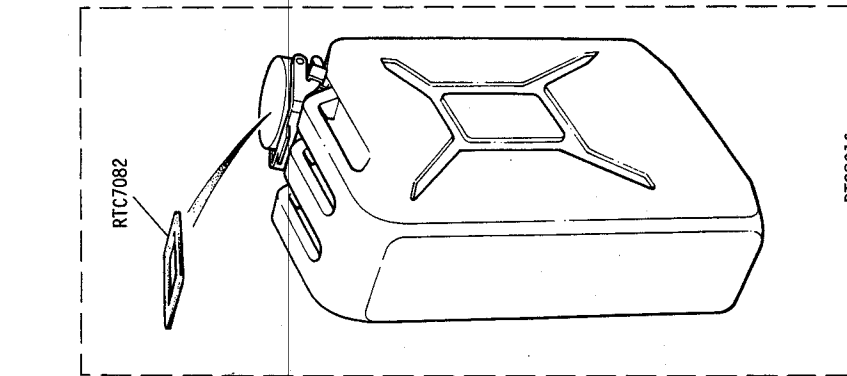
Series IIA and III 2 1/2 and 2.6 litre models with basic cross members not suitable for M.D.

Land Rover Optional Equipment 2H 15 YS1056

\* ASTERISK INDICATES A NEW PART WHICH HAS NOT BEEN USED ON ANY PREVIOUS MODEL

GROUP N

OPTIONAL EQUIPMENT - Jerry can and fixing kit



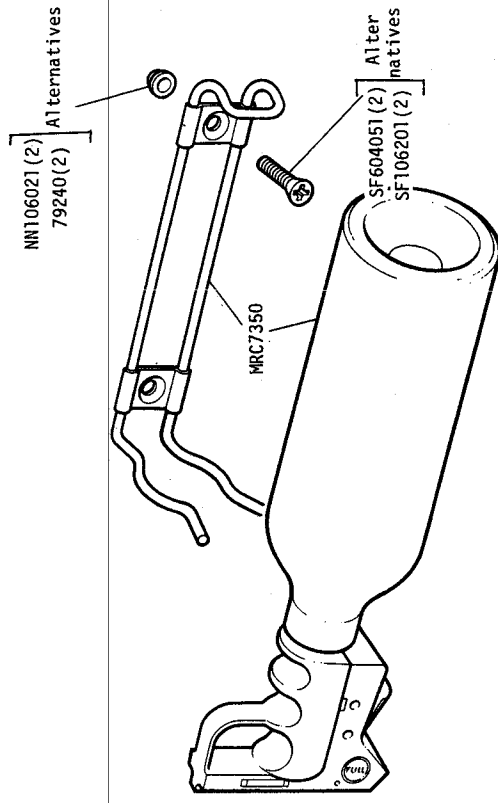
Series IIA Land Rover with headlamps in the wings  
Series III Land Rover

Land Rover Optional Equipment

2H 17

6RE 187/A

GROUP N  
OPTIONAL EQUIPMENT - Fire extinguisher 1 1/2 lb



Series III Land Rover all models and 109V8

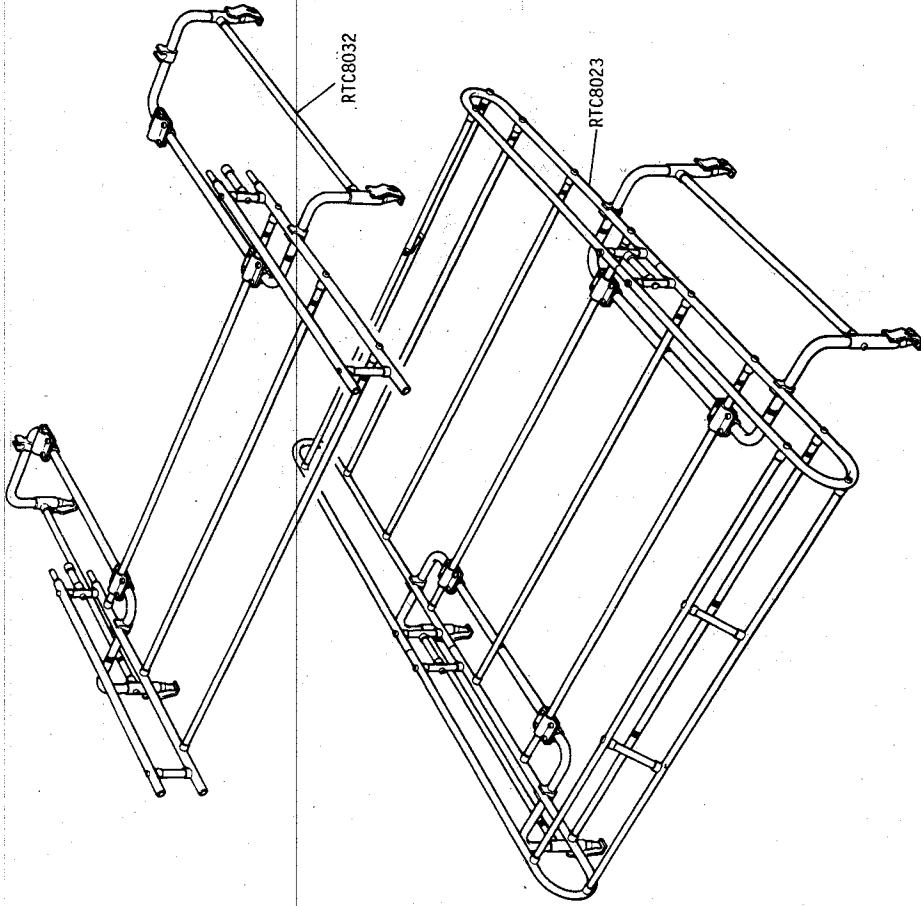
Land Rover Optional Equipment

2H 17

VS3632



GROUP N  
OPTIONAL - EQUIPMENT Roof rack and extension



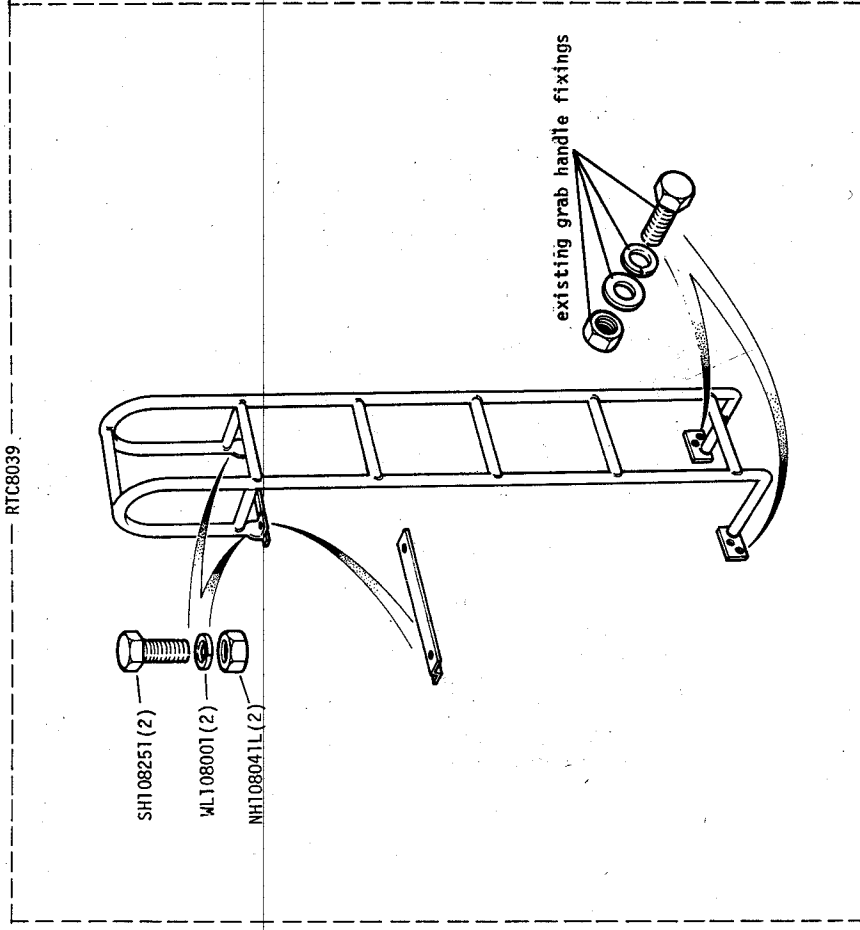
Series IIA and III Land Rover

Land Rover Optional Equipment

2H 18

VS1142

GROUP N  
OPTIONAL - EQUIPMENT - Rear Ladder



Series IIA and III Land Rover

Land Rover Optional Equipment

2H 18

VS1143



## LAND ROVER OFFICIAL FACTORY PUBLICATIONS

Land Rover Ser. 1 Workshop Manual	4291
Land Rover Ser. 1 1948/53 Parts Catalogue	4051
Land Rover Ser. 1 1954/58 Parts Catalogue	4107
Land Rover Ser. 1 Instruction Manual	4277
Land Rover Ser. 1 & II Diesel Instruction Manual	4343
Land Rover Ser. II & IIA Workshop Manual (part 1 engine)	AKM8159
Land Rover Ser. II & IIA Workshop Manual (part 2 chassis)	AKM8159
Land Rover II/IIA Bonneted control Parts Catalogue	605957
Land Rover Ser. IIA Parts Catalogue	RTC9840CC
Land Rover IIA/IIB Instruction Manual	LSM641M
Land Rover Ser. III Workshop Manual	AKM3648
Land Rover Ser. III Workshop Manual V8 Supplement (edn. 2)	AKM8022
Land Rover Ser. III Parts Catalogue	RTC9841CE
Land Rover Ser. III Owners' Manual (1971-81)	607324B
Land Rover Ser. III Owners' Manual (1981-85)	AKM8155
Land Rover Series IIA, III, 109V8 Optional Equipment Parts Catalogue	RTC9842CE
Land Rover 90/110 & Defender Workshop Manual	SLR621ENWM
Land Rover 90/110 Owners' Manual	LSM0054
Land Rover 110 Parts Catalogue (up to August 1986)	RTC9863CE
Land Rover Discovery Workshop Manual	SJR900ENWM
Land Rover Discovery Owner's Handbook (1989 on)	SJR 820 ENHB 90
Land Rover Military (Lightweight) Ser. III Parts Catalogue	
Land Rover Military (Lightweight) Ser. III User Manual	608180B
Land Rover 101 1 tonne forward control Workshop Manual (soft & hard cover)	RTC9120B
Land Rover 101 1 tonne forward control Parts Catalogue	6082943
Land Rover 101 1 tonne forward control User Manual	608239
Range Rover Workshop Manual (edn. 7) (1970-85)	AKM3630
Range Rover Workshop Manual 1986 on (includes LSM 180WM)	SRR660EN WM
Range Rover (up to 1985) Parts Catalogue	RTC9846CH
Range Rover (2 door) Owners' Handbook	606917
Range Rover Owners Handbook (1981 on)	AKM 8139
Range Rover Owners Handbook (1983 on)	LSM 0001HB
Land Rover and Range Rover Driving Techniques	LR 369
Land Rover's Manual for Africa	SMR 684 MI

### ***Owners' Workshop Manuals***

Land Rover 2/2A/3 1959-83 Owners' Workshop Manual  
Land Rover 90,110 & Defender Owners' Workshop Manual

Brooklands Books Ltd., PO Box 146, Cobham, Surrey KT11 1LG, England.

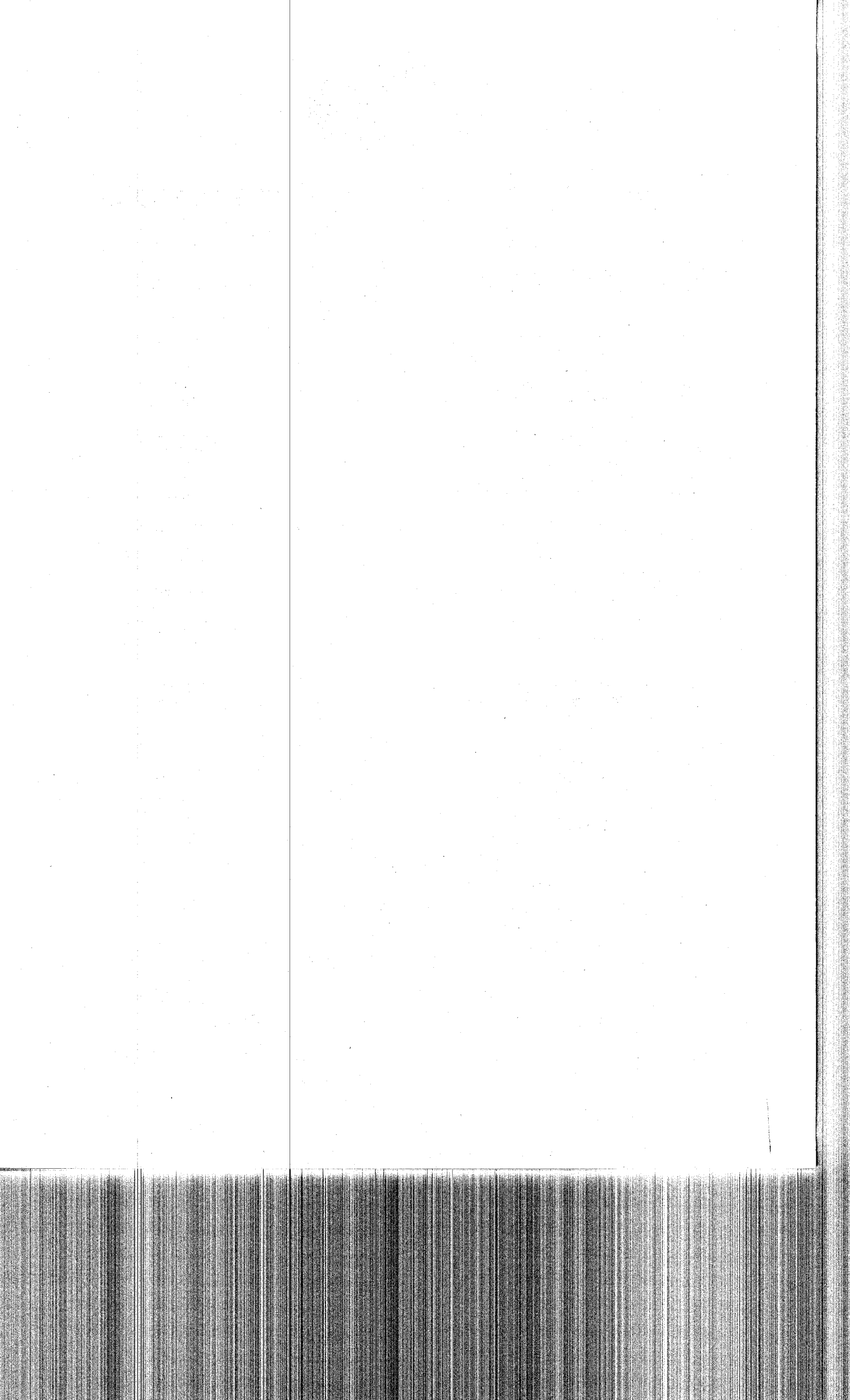
Telephone: 01932 865051 Fax: 01932 868803

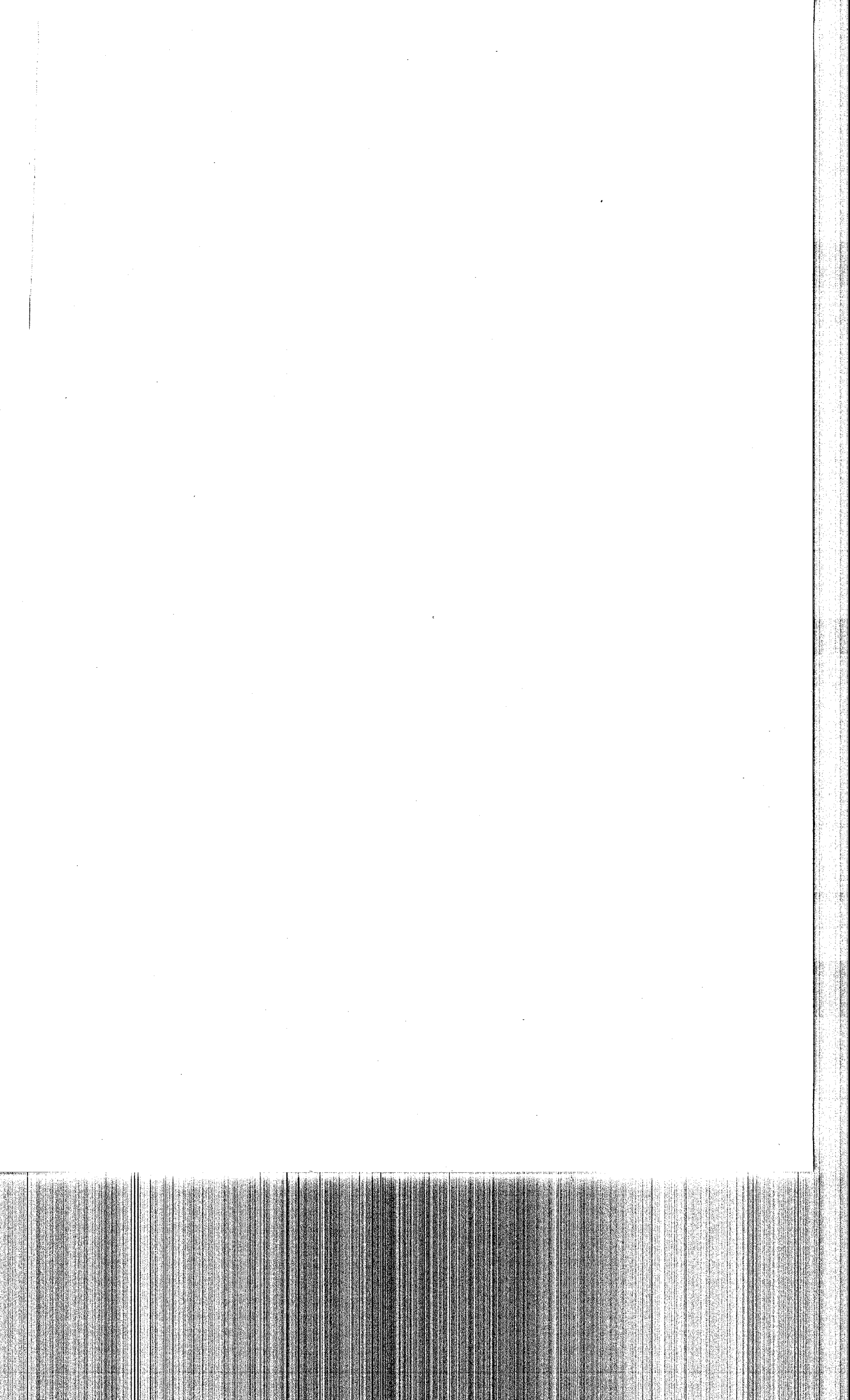
Brooklands Books Ltd., 1/81 Darley St., PO Box 199, Mona Vale, NSW 2103, Australia.

Telephone: 2 9997 8428 Fax: 2 9979 5799

Car Tech, 11481 Kost Dam Road, North Branch, MN 55056, USA

Phone: 800 551 4754 & 612 583 3471 Fax: 612 583 2023





ISBN 1 85520 2875  
Printed and issued in England by  
Brooklands Books Ltd.  
PO Box 146, Cobham, Surrey, KT11 1LG  
England  
With the kind permission of  
Rover Group Limited  
B-LROEPH