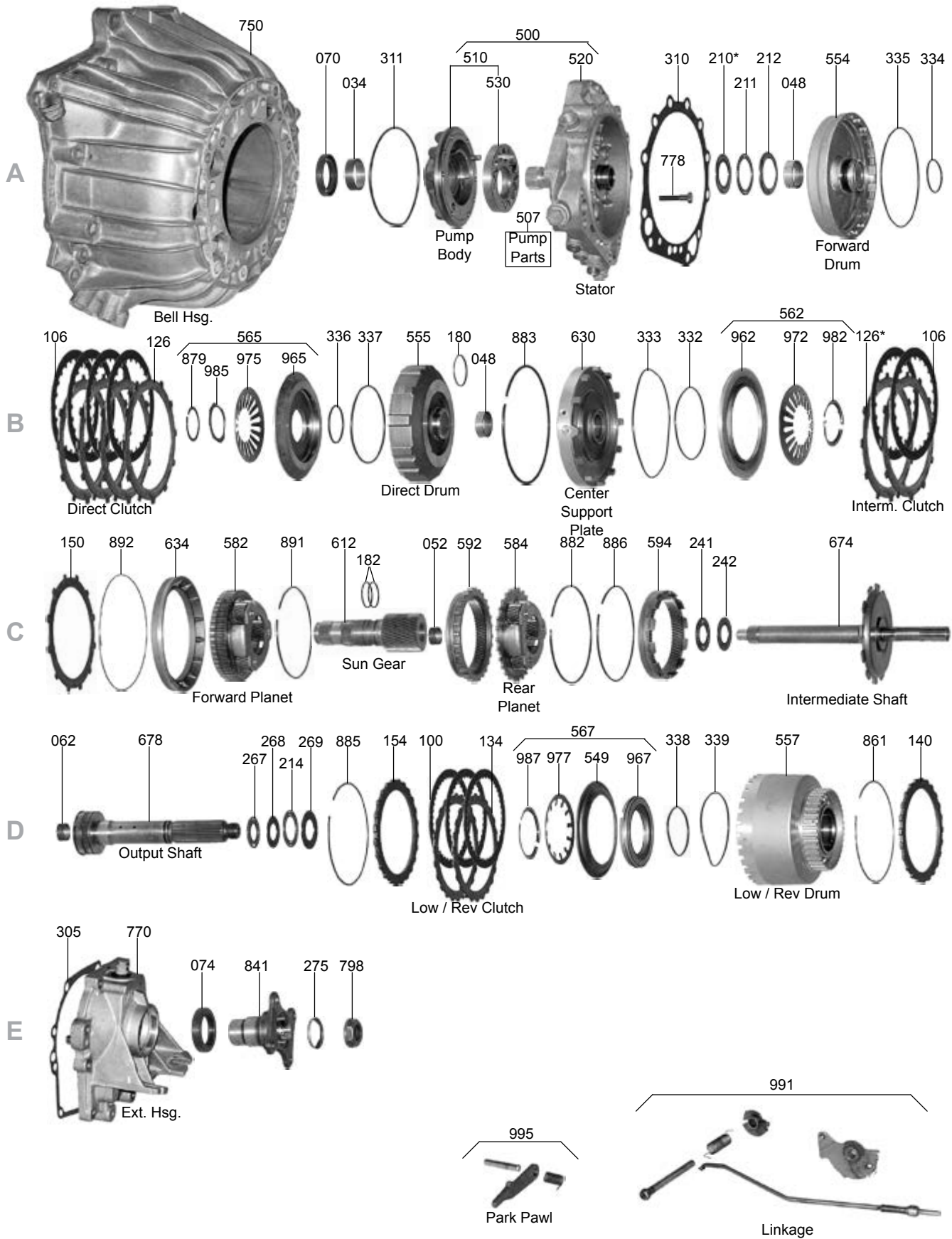
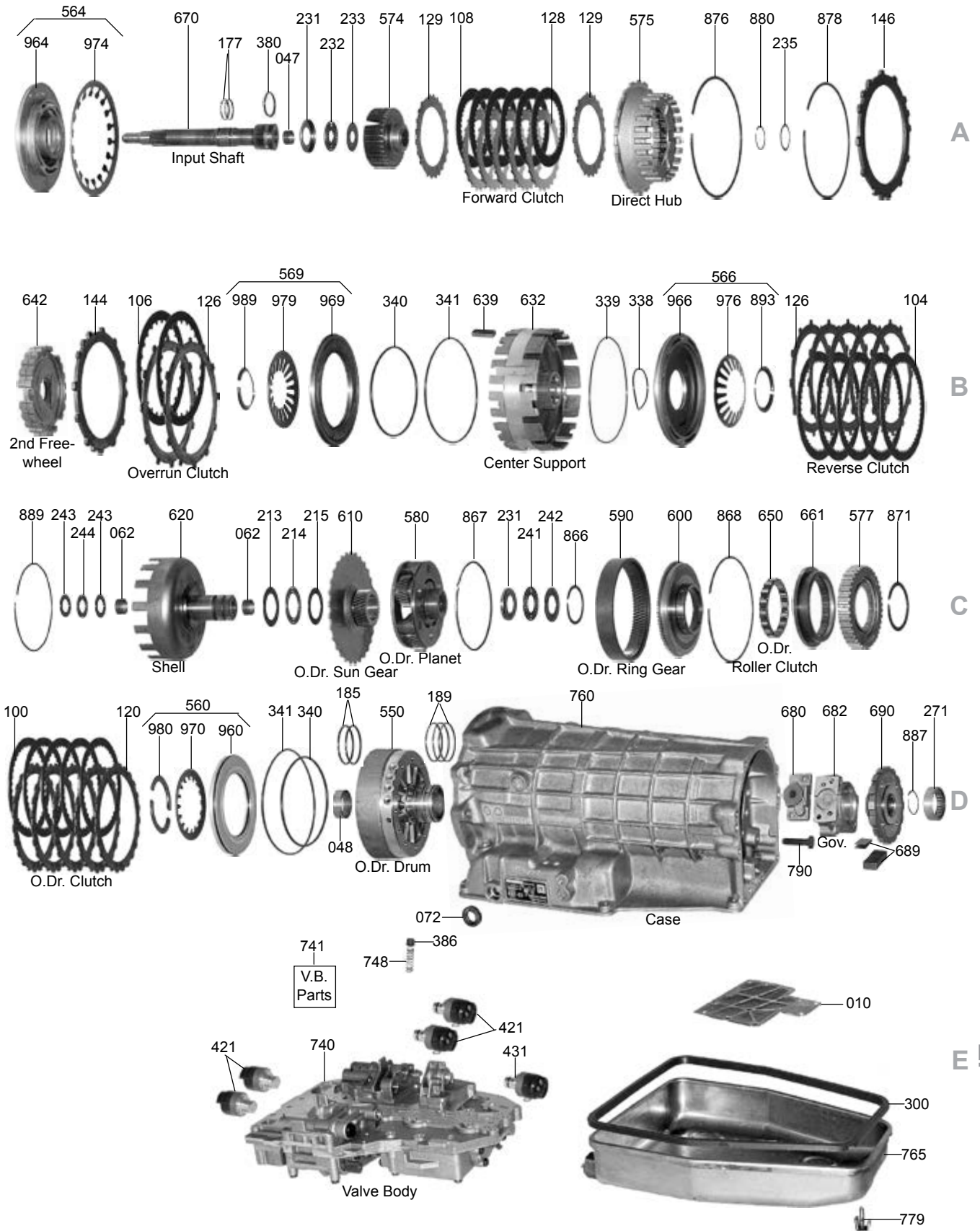


ZF3HP22, ZF4HP22, ZF4HP24



ZF3HP22, ZF4HP22, ZF4HP24





ZF3HP22, ZF4HP22, ZF4HP24

ILL#	Part#		QTY	REF#
OVERHAUL KITS				
NI.....	K82900	Overhaul Kit, ZF3HP22 Combo 1975-86.....	1	N/A
NI.....	K82900A	Overhaul Kit, ZF4HP22/24, BMW, Jag, Volvo, Lincoln, Peugeot, 1984-Up.....	1	1043-298-095
NI.....	K82900T	Overhaul Kit, ZF4HP22, Rover: Range Rover(4.0L) 1987-02, Tempest 1997-02, Discovery 1992-99, Discovery II 1999-03.....	1	1043-298-072
NI.....	K82900J	Overhaul Kit, ZF4HP24A (Audi Quattro V-8 AWD) (With Transfer Case Parts) 1989-94.....	1	1043-298-084
MASTER L/STEEL KITS				
NI.....	DK8200S	Master L/Steels Kit, ZF3HP22 1976-84.....	1	N/A
NI.....	DK8200AS	Master L/Steels Kit, ZF4HP22, BMW, Jag, Volvo, Lincoln, Peugeot, 1984-Up.....	1	N/A
NI.....	DK8200DS	Master L/Steels Kit, ZF4HP24, BMW, Jag, Rover 1987-Up.....	1	N/A
NI.....	DK8200TS	Master L/Steels Kit, ZF4HP22, Rover: Range Rover(4.0L) 1987-02, Tempest 1997-02, Discovery 1992-99, Discovery II 1999-03.....	1	N/A
NI.....	DK8200JS	Master L/Steels Kit, ZF4HP24A Audi V-8 (AWD) (With Transfer Case Parts) 1989-94.....	1	N/A
MASTER W/STEELS KITS				
NI.....	DK8200	Master W/Steels Kit, ZF3HP22 1976-84.....	1	N/A
NI.....	DK8200A	Master W/Steels Kit, ZF4HP22, BMW, Jag, Volvo, Lincoln, Peugeot, 1984-Up.....	1	N/A
NI.....	DK8200D	Master W/Steels Kit, ZF4HP24, BMW, Jag, Rover 1987-Up.....	1	N/A
NI.....	DK8200T	Master W/Steels Kit, ZF4HP22, Rover: Range Rover(4.0L) 1987-02, Tempest 1997-02, Discovery 1992-99, Discovery II 1999-03.....	1	N/A
NI.....	DK8200J	Master W/Steels Kit, ZF4HP24A Audi V-8 (AWD) (With Transfer Case Parts) 1989-94.....	1	N/A
FILTERS				
010.....	82710	Filter, ZF3HP22 1976-84.....	1	24-34-1-209-791
010.....	82710A	Filter, ZF4HP22 (No Pick-Up Tube) 1984-Up.....	1	24-31-1-218-550
010.....	82710E	Filter, ZF4HP22 (With 1" Long Pick-Up Tube) 1985-Up.....	1	24-31-1-218-204
010.....	82710F	Filter, ZF4HP24 Land Rover 1988-Up.....	1	1043-226-037
010.....	82710FA	Filter, ZF4HP24FLA Audi (With 2 1/2" Long Pick-Up Tube).....	1	1043-226-035
BUSHINGS				
030.....	K82901A	Bushing Kit, ZF3HP22/ZF4HP22/24 1976-Up.....	1	G-9715
034.....	82001	Bushing, ZF3HP22 / ZF4HP22 Pump 1976-93.....	1	750101031
034.....	82001A	Bushing, ZF4HP22 / ZF4HP24 Pump 1994-Up.....	1	0501-311-812
048.....	82005	Bushing, ZF4HP22 Forward Drum, Overdrive Drum, & Center Support Plate.....	1-3	TBA
047.....	82022A	Bushing, ZF3HP22 / ZF4HP22 Input Shaft.....	1	TBA
052.....	82017A	Bushing, ZF3HP22 / ZF4HP22 Sun Gear.....	1	TBA
062.....	82018A	Bushing, ZF4HP22 Output Shaft & Shell With Shaft.....	1-3	TBA
METAL CLAD SEALS				
070.....	82151	Seal, ZF3HP22 / ZF4HP22 Front 1976-Up.....	1	24-311-207-621
072.....	82155	Seal, ZF3HP22 / ZF4HP22 Manual Lever Seal 1976-Up.....	1	750110062
074.....	82152	Seal, ZF3HP22 / ZF4HP22 Extension Housing (2 1/2" OD) BMW, Peugeot.....	1	046-504-4002H
074.....	82154	Seal, ZF4HP22 Extension Housing (Range Rover).....	1	TBA
074.....	56557B	Seal, ZF4HP22 Extension Housing (Lincoln With Boot).....	1	EZZZ-7052-A
FRICTIONS				
100.....	82110	Friction, ZF4HP22 Low/Reverse & Overdrive Clutch (.061") 40 Teeth (E/F Pack).....	8	24-23-1-214-441
104.....	82109	Friction, ZF3HP22 / ZF4HP22 Reverse Clutch (.063") 48 Teeth (D Pack).....	4-5	24-23-1-205-955
104.....	82109A	Friction, ZF4HP22 Reverse Clutch (.061") 58 Teeth (D Pack).....	5	1043-217-015
106.....	82108	Friction, ZF3HP22 / ZF4HP22 Direct, Interm, & O-Run Clutch (.059", 24T) (B/C Pack).....	6-8	24-23-1-215-770
108.....	82107	Friction, ZF3HP22 / ZF4HP22 Forward Clutch (.061") 34 Teeth (A Pack).....	4-6	24239-059-361
108.....	82110	Friction, ZF4HP24 Forward Clutch (.061") 40 Teeth (5" OD) (A Pack) 1988-Up.....	4-6	1043-202-189
119.....	K82F	Friction Module, ZF4HP22, 1984-Up.....	1	RCP96-015
119.....	K82DF	Friction Module, ZF4HP24, 1988-Up.....	1	RCP96-176
STEELS				
120.....	82112	Steel, ZF4HP22 Overdrive Clutch (.083") 24 Teeth (F Pack).....	4	2431-215-453
126.....	82104A	Steel, ZF3HP22/ZF4HP22 Dir, Interm, O-Run, & Rev Clu (.082") 12T, (B, C & D Pack).....	AR	24231-209-825
126.....	82105	Steel, ZF3HP22/ZF4HP22 Dir, Interm, O-Run, & Rev Clu (.060") 12T, (B, C & D Pack).....	AR	24231-209-824
126.....	82104	Steel, ZF3HP22/ZF4HP22 Dir, Interm, O-Run, & Rev Clu (.071") 12T, (B, C & D Pack).....	11-13	24231-205-935
126.....	82104C	Steel, ZF3HP22/ZF4HP22 Dir, Interm, O-Run, & Rev Clu (.047") 12T, (B, C & D Pack).....	AR	24231-209-842
126.....	82104D	Steel, ZF3HP22/4HP22 Dir/ Interm/O-Run, & Rev Clu (.047") 12T, (B, C & D Pack) Waved.....	AR	1043-302-036
126.....	82104B	Steel, ZF3HP22/ZF4HP22 Dir, Interm, O-Run, & Rev Clu (.158") 12T, (B, C & D Pack).....	AR	24231-217-334
126.....	82113B	Steel, ZF4HP24 Reverse Clutch (.047") 12 Teeth (D Pack).....	6	1043-317-040
126.....	82113A	Steel, ZF4HP24 Reverse Clutch (.060") 12 Teeth (D Pack).....	AR	1043-317-061
126.....	82113C	Steel, ZF4HP24 Reverse Clutch (.071") 12 Teeth (D Pack).....	AR	1043-317-062
126.....	82113	Steel, ZF4HP24 Reverse Clutch (.082") 12 Teeth (D Pack).....	AR	1043-317-063



ZF3HP22, ZF4HP22, ZF4HP24

ILL#	Part#		QTY	REF#
128.....	82100	Steel, ZF3HP22 / ZF4HP22 Forward Clutch (.071") 24 Teeth (A Pack)	5-6.....	24231-205-917
128.....	82100X	Steel, ZF3HP22 / ZF4HP22 Forward Clutch (.060") 24 Teeth (A Pack)	AR.....	24231-205917A
128.....	82100A	Steel, ZF3HP22 / ZF4HP22 Forward Clutch (.047") 24 Teeth (A Pack)	AR.....	24231-205-919
129.....	82100B	Steel, ZF3HP22 / ZF4HP22 Forward Clutch (.040") 24 Teeth (Waved) (A Pack)	2.....	1043-202-001
129.....	82100AA	Steel, ZF4HP22 Forward Clutch (.064") 21 Teeth (Waved) (A Pack)	1.....	TBA
129.....	82100AB	Steel, ZF4HP22 Forward Clutch (.055") 24 Teeth (Waved) (A Pack)	2.....	1043-330-140
134.....	82111	Steel, ZF4HP22 Low/Reverse Clutch (.059") 24 Teeth (E Pack)	4.....	24231-215-440
139.....	K82S	Steel Module, ZF4HP22, 1984-Up	1.....	TBA
139.....	K82DS	Steel Module, ZF4HP24, 1988-Up	1.....	STMZF03
PRESSURE PLATES				
140.....	82131	Pressure Plate, ZF4HP22 Overdrive Clutch	1.....	1043-330-023
144.....	82132	Pressure Plate, ZF3HP22 / ZF4HP22 Overrun Clutch	1.....	301302004
146.....	82133	Pressure Plate, ZF3HP22 / ZF4HP22 Direct Clutch	1.....	TBA
150.....	82134	Pressure Plate, ZF3HP22 / ZF4HP22 Reverse Clutch	1.....	301317017
154.....	82135	Pressure Plate, ZF4HP22 Low/Reverse Clutch	1.....	1043-330-073
VALVE BODY KITS				
165.....	K82908S	Valve Body Kit, ZF4HP22 Superior	1.....	K4HP22
SEALING RINGS				
175.....	K82903	Ring Kit, ZF3HP22 1976-84	1.....	1043298942
175.....	K82903A	Ring Kit, ZF4HP22 1984-Up	1.....	4HP22MPSR
175.....	K82903D	Ring Kit, ZF4HP24 1988-Up	1.....	TBA
177.....	82307	Ring, ZF3HP22 Input Shaft (Metal) 1976-84	1.....	TBA
177.....	82308	Ring, ZF4HP22 Input Shaft (Metal) 1984-Up	2.....	750113019
177.....	82308T	Ring, ZF4HP22 Input Shaft (Teflon) 1984-Up	1.....	TBA
180.....	82305	Ring, ZF3HP22 / ZF4HP22 Direct Clutch Drum (Metal)	1.....	301302051
182.....	88305	Ring, ZF3HP22 / ZF4HP22 Sun Gear Shaft (Metal)	2.....	750113021
185.....	82304B	Ring, ZF4HP22 Low/Reverse Clutch (Metal)	2.....	750113026
189.....	82300	Ring, ZF3HP22 Governor (Metal) 1976-84	2.....	7344001137
189.....	82303	Ring, ZF4HP22 Governor (Metal) 1984-Up	1-3.....	750113005
189.....	82303V	Ring, ZF4HP22 Governor (Viton)	1-3.....	501306311
189.....	K82303V	Ring Kit, ZF4HP22 Governor (Viton) Contains 3 Rings	1.....	501306311
WASHERS & BEARINGS				
210.....	82401	Race, ZF3HP22/4HP22 Stator To Front Drum (Front) (*Specify Thickness .042" To .125")	1.....	0730104149
211.....	82402	Bearing, ZF3HP22/ZF4HP22 Stator To Front Drum	1.....	24231215419
212.....	82403	Race, ZF3HP22/ZF4HP22 Stator To Front Drum (Rear)	1.....	0501311020
213.....	82411	Race, ZF3HP22/ZF4HP22 Bowl With Shaft To Flange (Front)	1.....	0301314005
214.....	82412	Bearing, ZF3HP22/ZF4HP22 Bowl With Shaft To Flange (BMW, Peugeot) Also Fits ZF4HP22 Output Shaft To Rear Drum	1-2.....	0301332002
214.....	82412A	Bearing, ZF4HP22 Bowl With Shaft To Flange (Lincoln)	1.....	0750115151
215.....	82413	Race, ZF3HP22 Bowl With Shaft To Flange (Rear)	2.....	1043331062
231.....	82421	Race, ZF4HP22 Forward Drum To Hub (Front) & OD Planet To Output Shaft (Front)	1.....	1043332058
232.....	82404	Washer, ZF3HP22 Forward Drum To Hub (Plastic)	1.....	0301302020
232.....	82404B	Bearing, ZF4HP22 Forward Drum To Hub	1.....	0750115149
233.....	82405	Washer, ZF3HP22 Forward Drum To Hub (Steel)	1.....	0301302041
233.....	82405A	Race, ZF4HP22 Forward Drum To Hub (Rear)	1.....	TBA
235.....	82422	Washer, ZF3HP22/ZF4HP22 Snap Ring To O-Ring	1.....	0301302051
241.....	82406	Bearing, ZF3HP22/ZF4HP22 Sun Gear To Intermediate Shaft	1.....	0750115150
242.....	82407	Race, ZF3HP22/ZF4HP22 Sun Gear To Intermediate Shaft (Also Fits ZF4HP22 Overdrive Planet To Output Shaft (Rear)	1-2.....	0301332025
243.....	82408	Race, ZF3HP22 Intermediate Shaft To Output Shaft	2.....	0301332020
243.....	82408A	Race, ZF4HP22 Intermediate Shaft To Shell	2.....	0635290026
244.....	82408B	Bearing, ZF3HP22 Intermediate Shaft To Output Shaft	1.....	TBA
244.....	82408C	Bearing, ZF4HP22 Intermediate Shaft To Shell	1.....	0635302051
267.....	82417A	Race, ZF4HP22 Output Shaft To Rear Drum (Front) (BMW, Peugeot)	1.....	TBA
267.....	82417B	Race, ZF4HP22 Output Shaft To Rear Drum (Front) (Lincoln)	1.....	1043330076
268.....	82417BA	Race, ZF4HP22 Output Shaft To Rear Drum (Bronze) (BMW, Peugeot)	1.....	TBA
268.....	82417BB	Race, ZF4HP22 Output Shaft To Rear Drum (Lincoln)	1.....	1043330077
269.....	82419A	Race, ZF4HP22 Output Shaft To Rear Drum (Rear) (BMW, Peugeot)	1.....	TBA
269.....	82419B	Race, ZF4HP22 Output Shaft To Rear Drum (Rear) (Lincoln)	1.....	1043330080
270.....	82423	Spacer, ZF4HP22 Output Shaft To Rear Drum (Rear)	1.....	1043314109
271.....	82424	Caged Bearing, ZF3HP22 Extension Housing	1.....	TBA
271.....	82424A	Bearing, ZF4HP22 Extension Housing (2 Piece Split)	1.....	0635303058
275.....	82425	Washer, ZF3HP22 Under Yoke Nut	1.....	TBA
275.....	82425A	Washer, ZF4HP22 Under Yoke Nut	1.....	0730749139



ZF3HP22, ZF4HP22, ZF4HP24

ILL#	Part#		QTY	REF#
GASKETS & RUBBER COMPONENTS				
300.....	82500	Gasket, ZF3HP22 Bottom Pan (Rubber).....	1	24-11-1-205-903
300.....	82501	Gasket, ZF4HP22/ZF4HP24 Bottom Pan (Rubber)	1	24-11-1-215-488
305.....	82508	Gasket, ZF3HP22 Extension Housing.....	1	0301325002
305.....	82508A.....	Gasket, ZF4HP22 Extension Housing 1984-Up.....	1	070112012
310.....	82507	Gasket, ZF3HP22 Pump Stator To Bell Housing.....	1	1043322129
310.....	82506A.....	Gasket, ZF4HP22 Pump Stator To Bell Housing.....	1	0301301009
310.....	82506B.....	Gasket, ZF4HP22 Pump Stator To Case.....	1	750112012
310.....	82506	Gasket, ZF3HP22 Pump Plate To Stator.....	1	750112009
311.....	82505	O-Ring, ZF3HP22 Pump	1	0634316308
311.....	82505A.....	O-Ring, ZF4HP22 Pump	1	734313061
320.....	82526	Gasket, ZF4HP22 Valve Body (Upper).....	1	1043326162
320.....	82526A.....	Gasket, ZF4HP22 Valve Body (Upper).....	1	1043326253
320.....	82526B.....	Gasket, ZF4HP24 Valve Body (Upper) Electronic.....	1	1043326232
320.....	82526BA.....	Gasket, ZF4HP24 Valve Body (Upper) Electronic.....	1	1043328050
321.....	82527	Gasket, ZF4HP24 Valve Body (Lower) Electronic.....	1	TBA
TECHNICAL MANUALS				
400.....	TMZF3HP22.....	Technical Manual, ZF3HP22 1976-84.....	1	83-ZF3HP22TM
400.....	TMZF4HP22.....	Technical Manual, ZF4HP22 1984-Up.....	1	83-ZF4HP22TM
ELECTRICAL COMPONENTS				
410.....	82327	Switch, Neutral Safety, ZF4HP22	1	E4LY-7A247-A
421.....	82835	Solenoid, ZF4HP22/ZF4HP24 (Shift / TCC / Reverse Lock-Out) (OE)	1-4	501307869
421.....	82836	Solenoid, ZF4HP22/ZF4HP24 (Shift / TCC / Reverse Lock-Out) Teckpak.....	1-4	82836
421.....	MSZFHP22	Solenoid Master Kit, ZF4HP22/ZF4HP24 (For 5 Solenoid Valve Body Only).....	1	MS-ZFHP22
431.....	82840	Solenoid, ZF4HP22 (EPC) Force Motor/Press Reg (Fits The 5 Solenoid VB) Teckpak.....	1	82840
431.....	82841	Solenoid, ZF4HP22 (EPC) Force Motor/Press Reg (Fits The E7 Valve Body).....	1	0501206997
431.....	82842	Solenoid, ZF4HP22 (EPC) Force Motor/Press Reg (Fits The E9 Valve Body).....	1	1043228057
446.....	82988	Wire Harness, ZF4HP24 Internal	1	1043227016
MISCELLANEOUS COMPONENTS				
490.....	82490	Breather Cap, ZF4HP22.....	1	1043325007
PUMPS & PUMP COMPONENTS				
510.....	82912	Pump Body W/Gears, ZF3HP22 1976-84	1	24-31-1-207-748
510.....	82912A.....	Pump Body W/Gears, ZF4HP22 (Bushing Type).....	1	24-40-1-624-401
510.....	82912B.....	Pump Body W/Gears, ZF4HP22 (Roller Bearing Type)	1	TBA
520.....	82913	Stator, ZF3HP22 1976-82.....	1	24-40-1-624-401
520.....	82913B.....	Stator, ZF4HP22 (Cast # 103) (.570" ID Cooler Line Fitting) 1983-Up.....	1	24-16-1-217-085
520.....	82913BA.....	Stator, ZF4HP22 (Cast # 133) (.570" ID Cooler Line Fitting) 1983-Up.....	1	TBA
520.....	82913BB.....	Stator, ZF4HP22 (Cast # 158) (.570" ID Cooler Line Fitting) 1983-Up.....	1	TBA
520.....	82913BC.....	Stator, ZF4HP22 (Cast # 258) (.570" ID Cooler Line Fitting).....	1	TBA
520.....	82913BD.....	Stator, ZF4HP22 (Cast # 206) (.655" ID Cooler Line Fitting).....	1	TBA
520.....	82913BE.....	Stator, ZF4HP22 (Cast # 253) (.492" ID Cooler Line Fitting).....	1	TBA
520.....	82913BF.....	Stator, ZF4HP22 (Cast # 255) (.492" ID Cooler Line Fitting).....	1	1043222079
520.....	82913BG.....	Stator, ZF4HP22 (Cast # 236) Bolt On Shaft 3 7/16" Long	1	TBA
529.....	82969	Shaft, ZF4HP22 Stator Tube Replacement Shaft Salvages Pump).....	1	TBA
DRUMS, DRUM PISTON KITS & HUBS				
550.....	82833A.....	Drum, ZF4HP22 Overdrive (3 Clutch) Hydraulic Units	1	24-23-1-217-090
550.....	82833AB.....	Drum, ZF4HP22 Overdrive (4 Clutch) Hydraulic Units	1	1043280081
550.....	82833AC.....	Drum, ZF4HP22 Overdrive (3 Clutch) Electronic Units	1	TBA
550.....	82833AD.....	Drum, ZF4HP22 Overdrive (4 Clutch) Electronic (With 4 Apply Holes On OD).....	1	1043230084
550.....	82833AE.....	Drum, ZF4HP22 OD (4-Clu) Electronic (W/3 Apply Holes On OD) The Flat Machined.....	1	1043230093
550.....	82833AF.....	Drum, ZF4HP22 OD (4-Clu) Electronic (W/ 3 Apply Holes On OD) The Flat Machined.....	1	TBA
550.....	82833AG.....	Drum, ZF4HP22 Overdrive (4 Clutch) Electronic (With 3 Apply Holes On OD) The Flat Machined Surface On Back Has 10 Threaded Bolt Holes (1.330" ID Inside Rear Drum Bore).....	1	TBA
554.....	82939	Drum, ZF3HP22 Forward Clutch (A Clutch)(1.125" Thick)	1	24-21-1-206-821
554.....	82939A.....	Drum, ZF4HP22 Forward Clutch (A Clutch)(1.125" Thick) (Cast # 1043 402 050)	1	24-23-1-215-420
554.....	82939B.....	Drum, ZF4HP22 Forward Clutch (A Clutch) (1.755" Thick) (Cast # 1043 402 077)	1	TBA
555.....	82934	Drum, ZF3HP22 / ZF4HP22 Direct Clutch (3 Clutch).....	1	TBA
555.....	82934A.....	Drum, ZF3HP22 / ZF4HP22 Direct Clutch (4 Clutch).....	1	TBA
555.....	82934D.....	Drum, ZF4HP24 Direct Clutch (5 Clutch) (Cast # 1043 402 086)	1	TBA
557.....	82938	Drum, ZF4HP22 Low/Reverse Clutch	1	24-23-1-215-389
560.....	K82763.....	Piston Kit, ZF4HP22 Overdrive Clutch	1	TBA



ZF3HP22, ZF4HP22, ZF4HP24

ILL#	Part#		QTY	REF#
562.....	K82918.....	Piston Kit, ZF3HP22 / ZF4HP22 Intermediate Clutch	1.....	TBA
564.....	K82764.....	Piston Kit, ZF3HP22 / ZF4HP22 Forward Clutch	1.....	TBA
565.....	K82765.....	Piston Kit, ZF3HP22 / ZF4HP22 Direct Drum	1.....	TBA
566.....	K82766.....	Piston Kit, ZF3HP22 / ZF4HP22 Reverse Clutch	1.....	TBA
567.....	K82767.....	Piston Kit, ZF4HP22 Low/Reverse Clutch.....	1.....	TBA
569.....	K82768.....	Piston Kit, ZF3HP22 / ZF4HP22 Overrun Clutch	1.....	TBA
574.....	82713.....	Clutch Hub, ZF3HP22 Forward Clutch (Washer Type).....	1.....	TBA
574.....	82713A.....	Clutch Hub, ZF4HP22 Forward Clutch (Bearing Type)	1.....	1043302049
575.....	82732.....	Clutch Hub, ZF3HP22 / ZF4HP22 Direct Clutch (1.734" Tall).....	1.....	1043302110
575.....	82732D.....	Clutch Hub, ZF4HP24 Direct Clutch (2.380" Tall).....	1.....	TBA
577.....	82831A.....	Clutch Hub, ZF4HP22 Low/Reverse Output (Aluminum) Cast # 1043-430-058	1.....	1043330144
577.....	82831B.....	Clutch Hub, ZF4HP22 Low/Reverse Output (Aluminum) Cast # 1043-430-144	1.....	TBA

PLANETS, RING GEARS, SUN GEARS & CENTER SUPPORTS

580.....	82826A.....	Planet, ZF4HP22 Overdrive (Rear)	1.....	TBA
582.....	82747.....	Planet, ZF3/ZF4HP22 Front W/Sprag (3 Gear) Used W/ 35T Sun Gr W/Out Sealing Rings	1.....	23-41-0-924-241
582.....	82747A.....	Planet, ZF3/ZF4HP22 Front W/Sprag (3 Gear) Used W/ 35T Sun Gr W/ 2 Sealing Rings	1.....	TBA
582.....	82747B.....	Planet, ZF3HP22 / ZF4HP22 Front With Sprag (4 Gear).....	1.....	TBA
584.....	82944A.....	Planet, ZF3HP22 / ZF4HP22 2nd (Used With 41 Teeth Sun Gear)	1.....	TBA
584.....	82944.....	Planet, ZF3HP22 / ZF4HP22 2nd (4 Gear) Used With 35 Teeth Sun Gear	1.....	TBA
584.....	82944B.....	Planet, ZF3HP22 / ZF4HP22 2nd (3 Gear) Used With 35 Teeth Sun Gear	1.....	23-41-1-124-341
590.....	82827A.....	Ring Gear, ZF4HP22 Overdrive Planet	1.....	1036332015
592.....	82943.....	Ring Gear, ZF3HP22 / ZF4HP22 Front Planet	1.....	24-41-1-024-241
594.....	82945.....	Ring Gear, ZF3HP22 / ZF4HP22 2nd Planet	1.....	TBA
600.....	82830A.....	Hub, ZF4HP22 Rear Ring Gear (Inner Sprag Race).....	1.....	TBA
610.....	82825A.....	Sun Gear, ZF4HP22 Overdrive With Flange/Wheel	1.....	TBA
612.....	82748.....	Sun Gear, ZF3HP22 / ZF4HP22 (35 Teeth Without Sealing Rings)	1.....	TBA
612.....	82748A.....	Sun Gear, ZF3HP22 / ZF4HP22 (35 Teeth With 2 Sealing rings)	1.....	TBA
612.....	82748AB.....	Sun Gear, ZF3HP22 / ZF4HP22 (41/35 Teeth With 2 Sealing Rings)	1.....	TBA
612.....	82748AC.....	Sun Gear, ZF3HP22 / ZF4HP22 (41/35 Teeth Without Sealing Rings)	1.....	TBA
620.....	82824A.....	Shell, ZF4HP22 Connecting With Shaft	1.....	TBA
630.....	82416.....	Center Support Plate, ZF3HP22 / ZF4HP22 (Cast # 1043 431020)	1.....	TBA
630.....	82416A.....	Center Support Plate, ZF3HP22 / ZF4HP22 (Cast # 1043 431030)	1.....	TBA
630.....	82416B.....	Center Support Plate, ZF3HP22 / ZF4HP22 (Cast # 1043 431055)	1.....	1043231038
632.....	82936.....	Center Supp, ZF3HP22 / ZF4HP22 (1 Snap Ring On Outside For Clu Packs) (2.480" Tall).....	1.....	1043217008
632.....	82936A.....	Center Support, ZF3HP22 / ZF4HP22 (1 Snap Ring On Outside & 1 Snap Ring On Inside)	1.....	TBA
632.....	82936B.....	Center Supp, ZF3HP22 / ZF4HP22 (1 Snap Ring On Outside For Clu Packs) (2.650" Tall).....	1.....	TBA
634.....	82634.....	Support Ring, ZF4HP22	1.....	TBA
639.....	82639.....	Lock Keys, ZF3HP22 / ZF4HP22 Center Support.....	3.....	TBA

SPRAGS & ONE WAY CLUTCHES

642.....	82933.....	Sprag Assembly, ZF3HP22 / ZF4HP22 2nd Freewheel (Non Turbo).....	1.....	1043231006
642.....	82933A.....	Sprag Assembly, ZF3HP22 / ZF4HP22 2nd Freewheel (Turbo) Extra Wide	1.....	TBA
650.....	82727.....	Sprag, ZF4HP22 Overdrive Roller Clutch	1.....	TBA
NI.....	82960A.....	Sprag, ZF3HP22 Low/1st Clutch, 24-Element, 1976-Up.....	1.....	0501-203-650
NI.....	82960.....	Sprag, ZF4HP22 Low/1st Clutch, 30-Element, 1984-Up.....	1.....	0501-203-583
661.....	82828A.....	Outer Race, ZF4HP22 Overdrive Roller Clutch.....	1.....	TBA

SHAFTS, SUPPORTS & GOVERNORS

670.....	82733.....	Input Shaft, ZF3HP22.....	1.....	TBA
670.....	82733A.....	Input Shaft, ZF4HP22.....	1.....	1043202048
674.....	82735.....	Shaft, ZF3HP22 Intermediate.....	1.....	TBA
674.....	82735A.....	Shaft, ZF4HP22 Intermediate.....	1.....	TBA
678.....	82737.....	Output Shaft, ZF3HP22 (10" Long)	1.....	TBA
678.....	82737A.....	Output Shaft, ZF3HP22 (9" Long)	1.....	TBA
678.....	82737B.....	Output Shaft, ZF4HP22 (8 1/4" Long)	1.....	1043214060
678.....	82737C.....	Output Shaft, ZF4HP22 (17 3/4" Long)	1.....	TBA
678.....	82737D.....	Output Shaft, ZF4HP22 (9 3/16" Long)	1.....	1043214067
678.....	82737DA.....	Output Shaft, ZF4HP22 (9 7/8" Long)	1.....	TBA
678.....	82637DB.....	Output Shaft, ZF4HP22 (13 1/4" Long)	1.....	TBA
680.....	82680.....	Valve, ZF3HP22 For The Governor.....	1.....	TBA
680.....	82680A.....	Valve, ZF4HP22 For The Governor (Two Valve Type)	1.....	TBA
680.....	82680B.....	Valve, ZF4HP22 For The Governor (One Valve Type)	1.....	TBA
682.....	82415.....	Support, ZF3HP22 Governor Housing	1.....	1043333008
682.....	82415A.....	Support, ZF4HP22 Governor Housing (For 1 Valve Type)	1.....	E4LY-7C053-A
682.....	82415D.....	Support, ZF4HP22 Governor Housing (For 2 Valve Type)	1.....	1043333104
685.....	82409.....	Governor Flange, ZF3HP22.....	1.....	1043233005
689.....	82689.....	Governor Weights, ZF4HP22	1.....	TBA

ZF



ZF3HP22, ZF4HP22, ZF4HP24

ILL#	Part#		QTY	REF#
690	82823	Park Wheel, ZF4HP22 (Hydraulic) Governor Type	1	TBA
690	82823A	Park Wheel, ZF4HP22 (Electronic) W/36 Lug Bolts To Park Wheel, In Place Of Gov	1	TBA

VALVE BODIES (DACCO VB#)

740	ZF-9304	Valve Body, ZF4HP22, W/ Tube, 1984-94	1	TBA
740	ZF-9305	Valve Body, ZF4HP22, W/Out Tube, 1984-94	1	TBA
740	ZF-9306	Valve Body, ZF4HP24, 4-Solenoids, 7-Pin Connector	1	TBA
740	ZF-9307	Valve Body, ZF4HP24, 4-Solenoids, 9-Pin Connector	1	TBA
740	ZF-9308	Valve Body, ZF4HP24, Audi V-8, 5-Solenoids	1	TBA
740	ZF-9309	Valve Body, ZF4HP24, Audi AWD, 5-Solenoids	1	TBA
740	ZF-9310	Valve Body, ZF4HP24, BMW, 5-Solenoids	1	TBA

VALVE BODIES

740	82754	Valve Body, ZF3HP22	1	TBA
740	82754A	Valve Body, ZF4HP22 (Hydraulic)	1	TBA
740	82754AA	Valve Body, ZF4HP22 (Electronic) With 5 Solenoids (4 On 1 Side & 1 On The Other)	1	TBA
740	82754B	Valve Body, ZF4HP22 (Electronic) W/ 5 Solenoids On One Side & 8 Wire Connectors	1	TBA
740	82754BA	Valve Body, ZF4HP22 (Electronic) With 4 Solenoids (7 Wire Connector)	1	TBA
740	82754BB	Valve Body, ZF4HP22 (Electronic) With 4 Solenoids (9 Wire Connector)	1	TBA

VALVE BODY COMPONENTS

741	K82909A	Spring Kit, ZF4HP22 (In Valve Body) Hydraulic Units W/ TV Cable (Superior)	1	K007
741	K82908B	Spring Kit, ZF4HP22 (In Valve Body) Electronic Units (Superior)	1	K008
741	82741A	Spring, ZF4HP22 Converter Control (In Valve Body)	1	TBA
741	82741AA	Check Ball, ZF4HP22 Valve Body	AR	1043323017
741	82741AB	Valve Body Plug, ZF4HP22 Small Rubber	6	0734317003
741	82741AC	Valve Body Plug, ZF4HP22 Large Rubber	1	1043301514
741	82741AD	Tube, ZF4HP22 On Valve Body (J Shaped)	1	1043326229
748	82741AE	Spring & Hockey Puck Kit, ZF3HP22	1	TBA
748	82741AF	Spring & Hockey Puck Kit, ZF4HP22	1	TBA
748	82741AG	Snap Ring, ZF4HP22 Holds In Spring & Rubber Plug	7	0630502079
748	82741AH	Spring, ZF4HP22 Between Valve Body & Small Rubber Plug	4	0732040687
748	82741AJ	Spring, ZF4HP22 Between Valve Body & Large Rubber Plug	4	030132087

HOUSINGS, CASES & PANS

750	82762	Bell Housing, ZF3HP22 (Cast # 034)	1	TBA
750	82762A	Bell Housing, ZF3HP22 (Cast # 019)	1	TBA
750	82762B	Bell Housing, ZF3HP22 (Cast # 041)	1	TBA
750	82762C	Bell Housing, ZF3HP22 (Cast # 084)	1	TBA
750	82762E	Bell Housing, ZF4HP22 (Cast # 18/F4)	1	TBA
750	82762F	Bell Housing, ZF4HP22 (Cast # 012)	1	TBA
750	82762G	Bell Housing, ZF4HP22 (Cast # 102)	1	TBA
750	82762H	Bell Housing, ZF4HP22 (Cast # 106)	1	TBA
760	82701	Case, ZF3HP22	1	TBA
760	82701B	Case, ZF4HP22 (Hydraulic)	1	TBA
760	82701C	Case, ZF4HP22 (BMW, Peugeot)	1	TBA
765	82801	Pan, ZF3HP22	1	TBA
765	82801A	Pan, ZF4HP22	1	TBA
770	82761	Extension Housing, ZF3HP22 (Cast # 004)	1	TBA
770	82761A	Extension Housing, ZF3HP22 (Cast # 009)	1	TBA
770	82761B	Extension Housing, ZF3HP22 (Cast # 020)	1	TBA
770	82761C	Extension Housing, ZF3HP22 (Cast # 008)	1	TBA
770	82761E	Extension Housing, ZF4HP22 (Cast # 036)	1	TBA
774	82774	Housing, ZF3HP22 Driven Speed-O Gear	1	TBA
774	82774A	Housing, ZF4HP22 Driven Speed-O Gear	1	TBA
790	82790	Bolt, ZF4HP22 Holds Overdrive Drum To Case	10	TBA
798	82798	Nut, ZF3HP22 Yoke	1	0737006036
798	82798A	Nut, ZF4HP22 Yoke	1	0737006036
841	82841	Yoke, ZF3HP22	1	TBA
843	82843	Retainer, ZF4HP22 Solenoid	1	1043326045
848	82848	Gear, ZF4HP22 Driven Speed-O	1	TBA
893	82893	Retainer, ZF3HP22 / ZF4HP22 Holds Rev Clu Return Spring To Center Supp (2-Piece)	1	0630503036
894	82894	Snap Ring, ZF3HP22 / ZF4HP22 Park Gear To Output Shaft (Front)	1	TBA

PISTONS, SPRINGS & MISCELLANEOUS

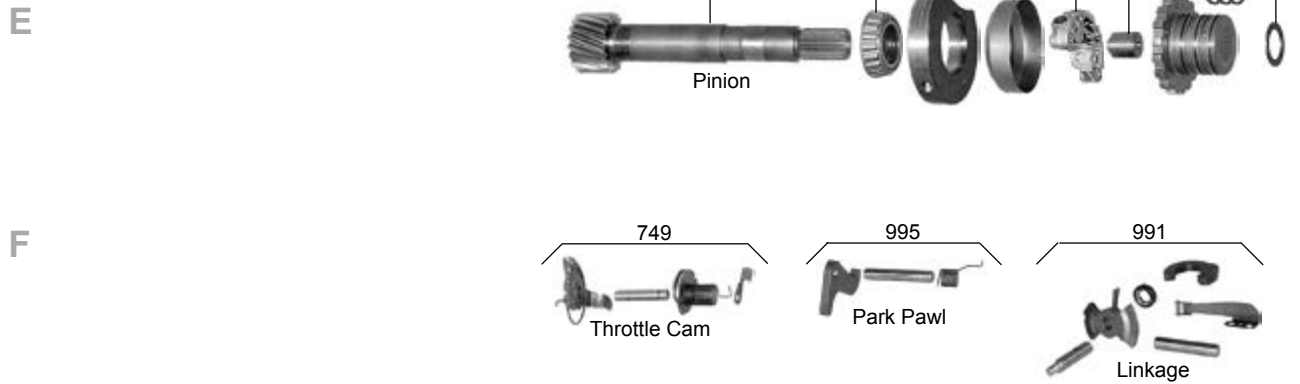
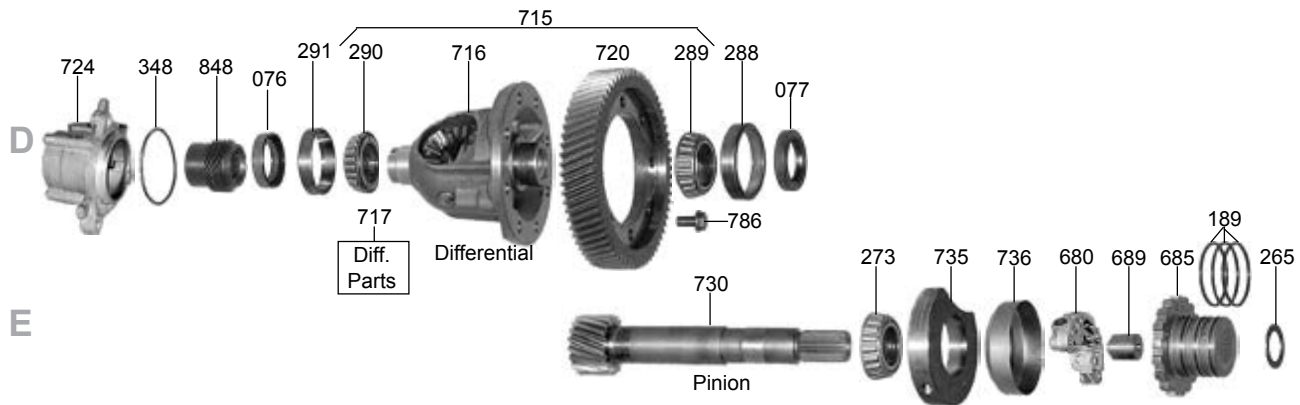
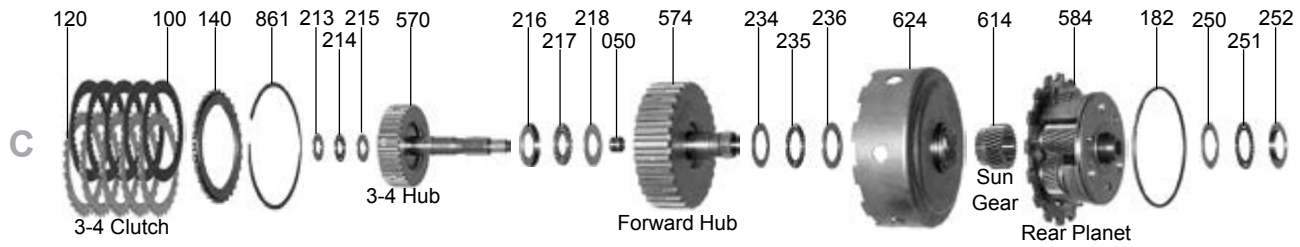
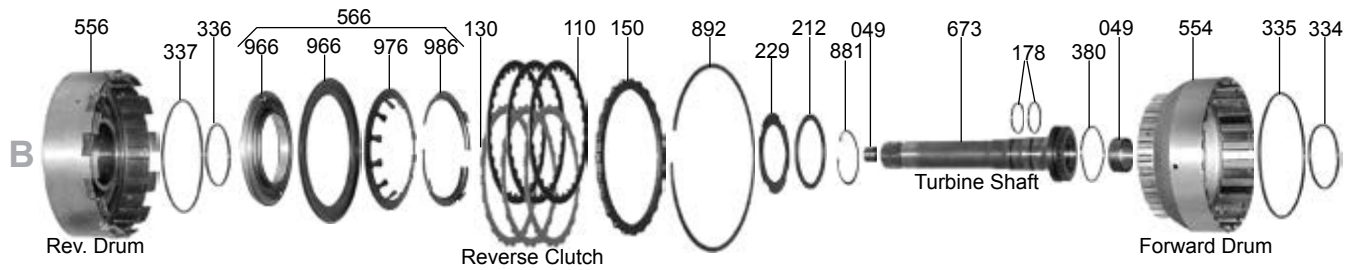
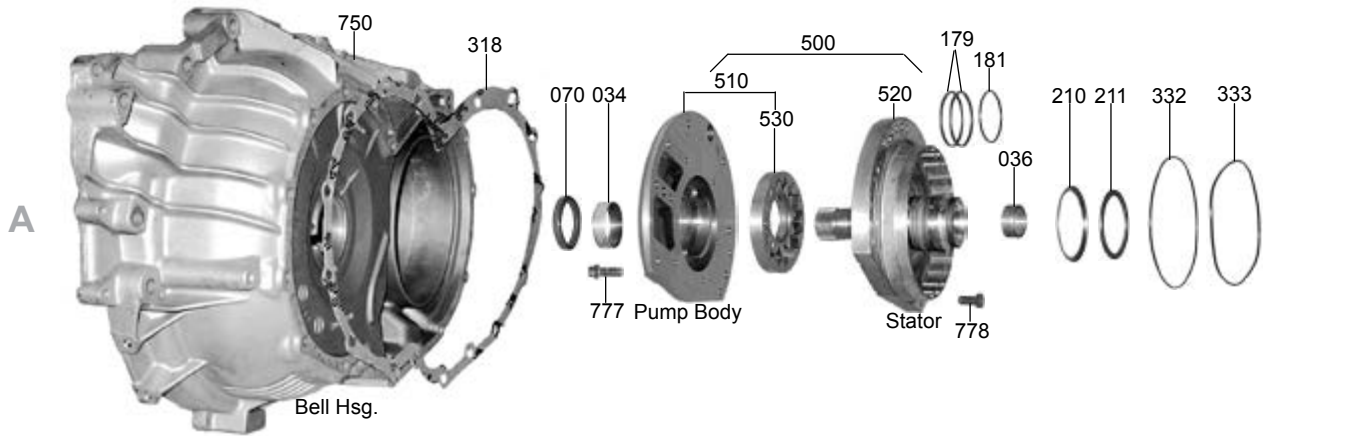
960	82763	Piston, ZF4HP22 Overdrive Clutch	1	TBA
962	82918	Piston, ZF3HP22 / ZF4HP22 Intermediate Clutch	1	TBA
964	82764	Piston, ZF3HP22 Forward Clutch Cast # 010	1	1043202040



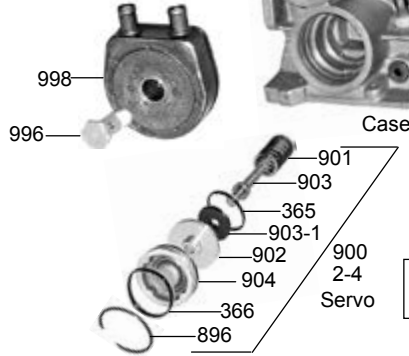
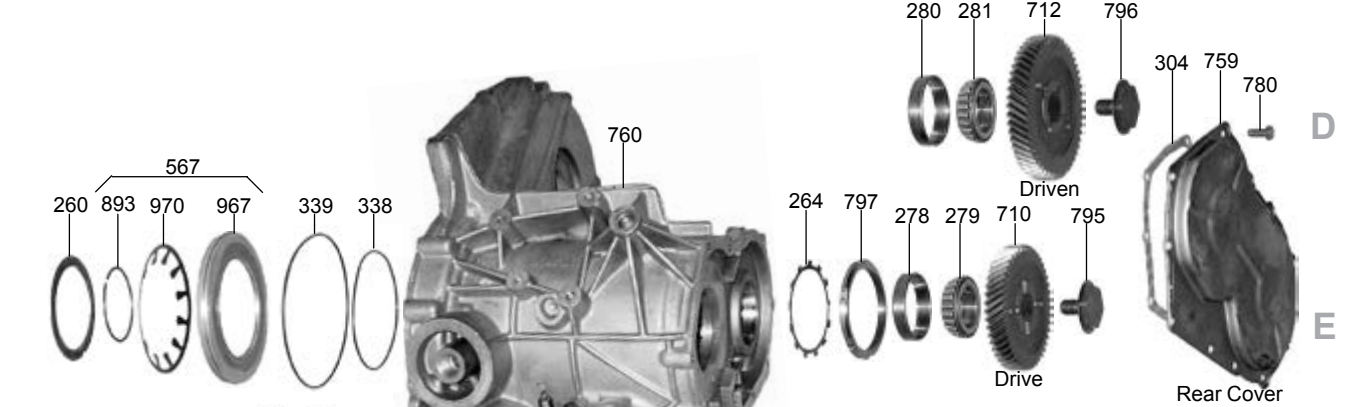
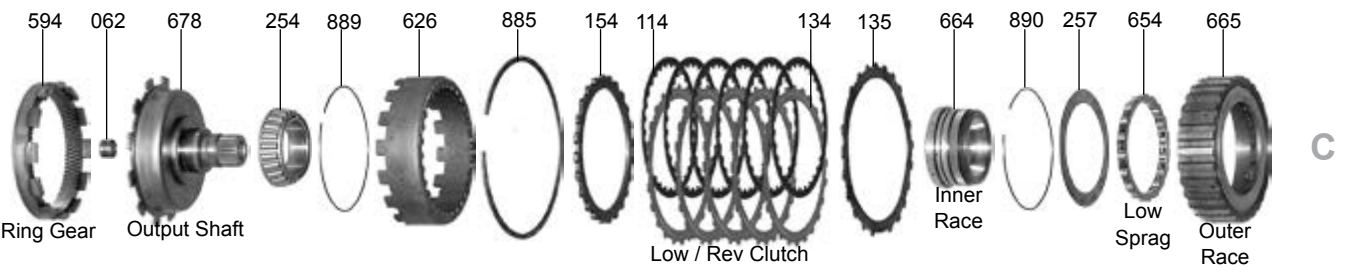
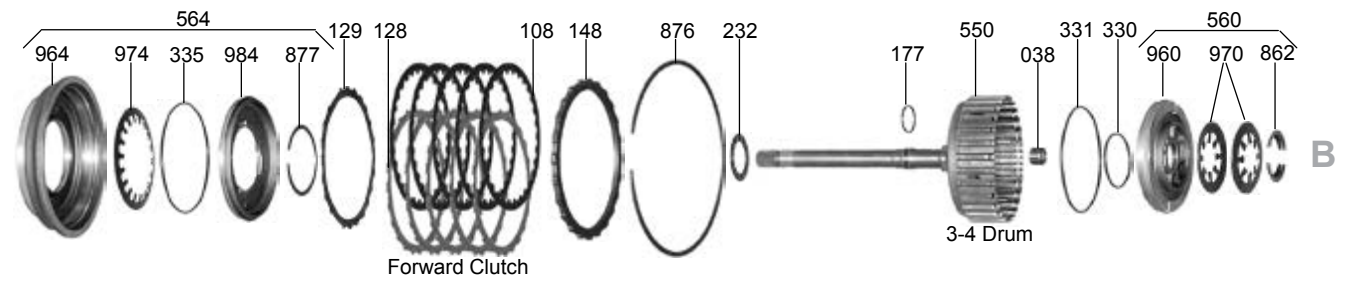
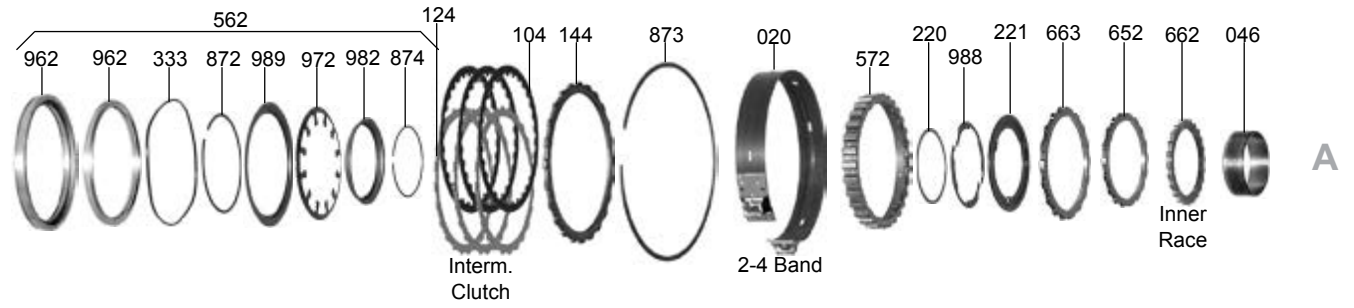
ZF3HP22, ZF4HP22, ZF4HP24

ILL#	Part#		QTY	REF#
964.....	82764A.....	Piston, ZF4HP22 Forward Clutch Cast # 034	1.....	TBA
965.....	82765.....	Piston, ZF4HP22 Direct Clutch.....	1.....	1043302093
966.....	82766.....	Piston, ZF3HP22 / ZF4HP22 Reverse Clutch	1.....	TBA
967.....	82767.....	Piston, ZF4HP22 Low/Reverse Clutch.....	1.....	TBA
969.....	82768.....	Piston, ZF3HP22 / ZF4HP22 Overrun Clutch.....	1.....	TBA
970.....	82970.....	Spring, ZF4HP22 Overdrive Clutch Return	1.....	1043330049
972.....	82972.....	Spring, ZF3HP22 / ZF4HP22 Intermediate Clutch Return	1.....	TBA
974.....	82974.....	Spring, ZF3HP22 / ZF4HP22 Forward Clutch Return	1.....	1043302007
975.....	82975.....	Spring, ZF3HP22 / ZF4HP22 Diaphragm Spring Direct Clutch Return	1.....	0301302028
976.....	82976.....	Spring, ZF3HP22 / ZF4HP22 Diaphragm Spring Reverse Clutch Return	1.....	0301317003
977.....	82977.....	Spring, ZF4HP22 Low/Reverse Clutch Return.....	1.....	1043330079
979.....	82979.....	Spring, ZF3HP22 / ZF4HP22 Diaphragm Spring Overrun Clutch Return	1.....	0301331031
980.....	82980.....	Retainer, ZF4HP22 Holds Overdrive Clutch Return Spring To Drum (2 piece).....	1.....	1043330166
982.....	82982.....	Retainer, ZF3HP22 / 4HP22 Holds Interm Clu Return Spring to Centering Supp Plate (2-Pc).....	1.....	31436AAA000
985.....	82985.....	Retainer, ZF3HP22 / ZF4HP22 Holds Direct Clutch Return Spring To Drum (2 piece).....	1.....	0301302054
987.....	82987.....	Retainer, ZF4HP22 Holds Low/Reverse Clutch Return Spring To Drum (2 Piece)	1.....	TBA
989.....	82989.....	Retainer, ZF3HP22 / ZF4HP22 Overrun Clutch Return Spring To Center Support (2 Piece).....	1.....	1043330056
991.....	82992.....	Linkage Assembly, ZF3HP22 Internal	1.....	TBA
991.....	82992A.....	Linkage Assembly, ZF4HP22 Internal	1.....	TBA
995.....	82994.....	Park Pawl Assembly, ZF4HP22.....	1.....	TBA

ZF4HP14 (PEUGEOT)



ZF4HP14 (PEUGEOT)





ZF4HP16

ILL#	Part#		QTY	REF#
OVERHAUL KITS & PISTON KITS				
NI.....	K82900F.....	Overhaul Kit, ZF4HP16, W/ Pistons, 2002-Up	1.....	N/A
NI.....	K82900FX.....	Overhaul Kit, ZF4HP16, W/Out Pistons, 2002-Up.....	1.....	N/A
NI.....	K82900F-99.....	Piston Kit, ZF4HP16, 2002-Up (2-Pistons).....	1.....	N/A
MASTER L/STEEL KITS				
NI.....	DK8200FS.....	Master L/Steels Kit, ZF4HP16, W/ Pistons, 2002-Up.....	1.....	N/A
NI.....	DK820FXS.....	Master L/Steels Kit, ZF4HP16, W/Out Pistons, 2002-Up.....	1.....	N/A
MASTER W/STEELS KITS				
NI.....	DK8200F.....	Master W/Steels Kit, ZF4HP16, W/ Pistons, 2002-Up.....	1.....	N/A
NI.....	DK820FX.....	Master W/Steels Kit, ZF4HP16, W/Out Pistons, 2002-Up.....	1.....	N/A
FILTERS				
NI.....	82710G.....	Filter, ZF4HP16, 2002-Up.....	1.....	TBA
BUSHINGS				
NI.....	K82901F.....	Bushing Kit, ZF4HP16, 2002-Up.....	1.....	TBA
NI.....	82001F.....	Bushing, Front Pump, ZF4HP16, 2002-Up.....	1.....	143423
METAL CLAD SEALS				
NI.....	82151.....	Seal, Front Pump, 2002-Up.....	1.....	TBA
NI.....	82155F.....	Seal, Manual Shaft, 2002-Up.....	1.....	TBA
NI.....	82153F.....	Seal, Axle, Inner, 2002-Up.....	2.....	TBA
NI.....	82154F.....	Seal, Axle, Outer, 2002-Up.....	1.....	TBA
FRICTIONS				
NI.....	117103.....	Friction, "B" Clutch, .062", 30T, 6.555" OD, 2002-Up.....	3.....	TBA
NI.....	82101F.....	Friction, "C" Clutch, 1-Sided Ext Spline .086", 24T, 5.625" OD, 2002-Up.....	2.....	TBA
NI.....	82103F.....	Friction, "D" Clutch, .060", 40T, 6.160" OD, 2002-Up.....	3.....	TBA
NI.....	117103.....	Friction, "E" Clutch, .062", 30T, 6.555" OD, 2002-Up.....	4.....	TBA
NI.....	117103.....	Friction, "F" Clutch, .062", 30T, 6.555" OD, 2002-Up.....	3.....	TBA
NI.....	K82FF.....	Friction Module, 2002-Up.....	1.....	TBA
STEELS				
NI.....	82100F.....	Steel, "B" Clutch, .096", 30T, 5.625" ID, 2002-Up.....	2.....	TBA
NI.....	82100FA.....	Steel, "B" Clutch, .081", 30T, 5.625" ID, 2002-Up.....	1.....	TBA
NI.....	82102F.....	Steel, "C" Clutch, Internal Spline, .118", 30T, 7.285" ID, 2002-Up.....	1.....	TBA
NI.....	82104F.....	Steel, "D" Clutch, .070", 24T, 5.275" ID, 2002-Up.....	3.....	TBA
NI.....	82104FA.....	Steel, "D" Clutch, .080", 24T, 5.275" ID, 2002-Up.....	1.....	TBA
NI.....	82100FA.....	Steel, "E" Clutch, .081", 30T, 5.625" ID, 2002-Up.....	3.....	TBA
NI.....	82106F.....	Steel, "E" Clutch, .070", 30T, 5.625" ID, 2002-Up.....	1.....	TBA
NI.....	82108F.....	Steel, "F" Clutch, .070", 16T, 5.625" ID, 2002-Up.....	3.....	TBA
NI.....	82108FA.....	Steel, "F" Clutch, .097", 16T, 5.625" ID, 2002-Up.....	1.....	TBA
NI.....	K82FS.....	Steel Module, 2002-Up.....	1.....	TBA
GASKETS & RUBBER COMPONENTS				
NI.....	82500G.....	Gasket, Bottom Pan (Rubber).....	1.....	TBA
NI.....	82503F.....	Gasket, Case.....	1.....	TBA
ELECTRICAL COMPONENTS				
NI.....	82991F.....	Switch, MLPS, Neutral Safety, 2002-Up.....	1.....	TBA
NI.....	82957F.....	Sensor, Pressure (Black) 2002-Up.....	1.....	TBA
NI.....	82957FA.....	Sensor, Pressure (Green) 2002-Up.....	1.....	TBA
NI.....	82931F.....	Solenoid, 2002-Up.....	1.....	TBA
NI.....	82958F.....	Sensor, Output Speed.....	1.....	TBA
NI.....	82954F.....	Sensor, Input Speed.....	1.....	TBA
PUMPS & PUMP COMPONENTS				
NI.....	82912F.....	Pump, 2002-Up.....	1.....	TBA
HARD PARTS				
NI.....	82763F.....	Piston "C" Clutch, Bonded, 2002-Up.....	1.....	TBA
NI.....	82764F.....	Piston "D" Clutch, Bonded, 2002-Up.....	1.....	TBA

It's not that other fluids are so bad, It's just that ours are so good.



The people at Lubegard have been perfecting automatic transmission fluids 30 years longer than other brands. Lubegard was one of the first lubricant manufacturers to develop additive technology for a variety of fluid specifications. We didn't just nail it. We killed it. When different OEMs tested our product on their equipment, Lubegard reduced heat and acid and eliminated noise and vibration. It wasn't long before endorsements started pouring in from multiple OEMs around the world.

Lubegard products have been awarded ten times more industry choice awards by professional technicians and is, still to date, the only product of its kind that has ever been recommended for use by an original equipment manufacturer and the exclusive recommendation by the 3 largest repair chains. Another reason Transtar Industries recommends Lubegard.

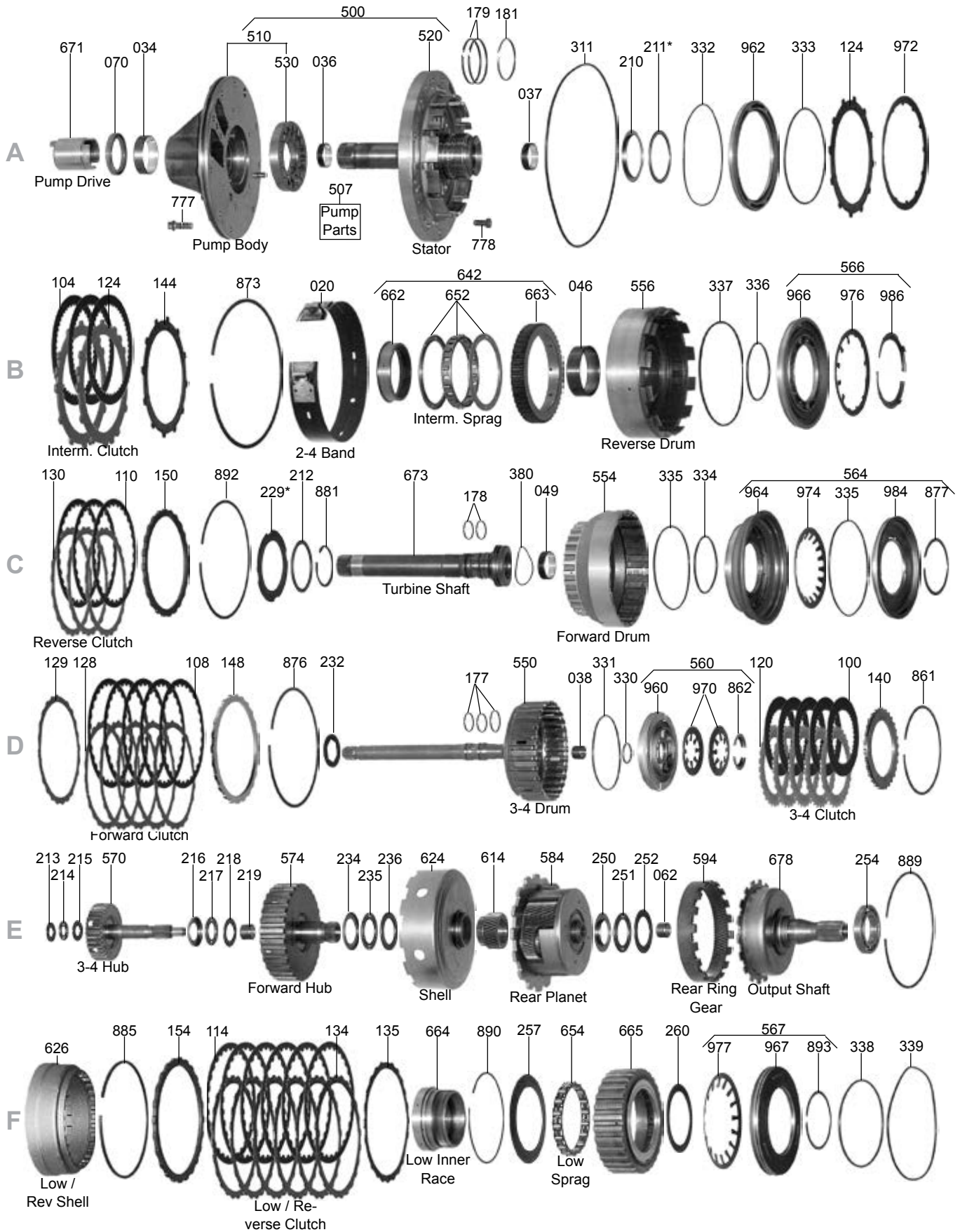
We are the transmission fluid experts.

**LUBE
GARD®**
www.Lubegard.com

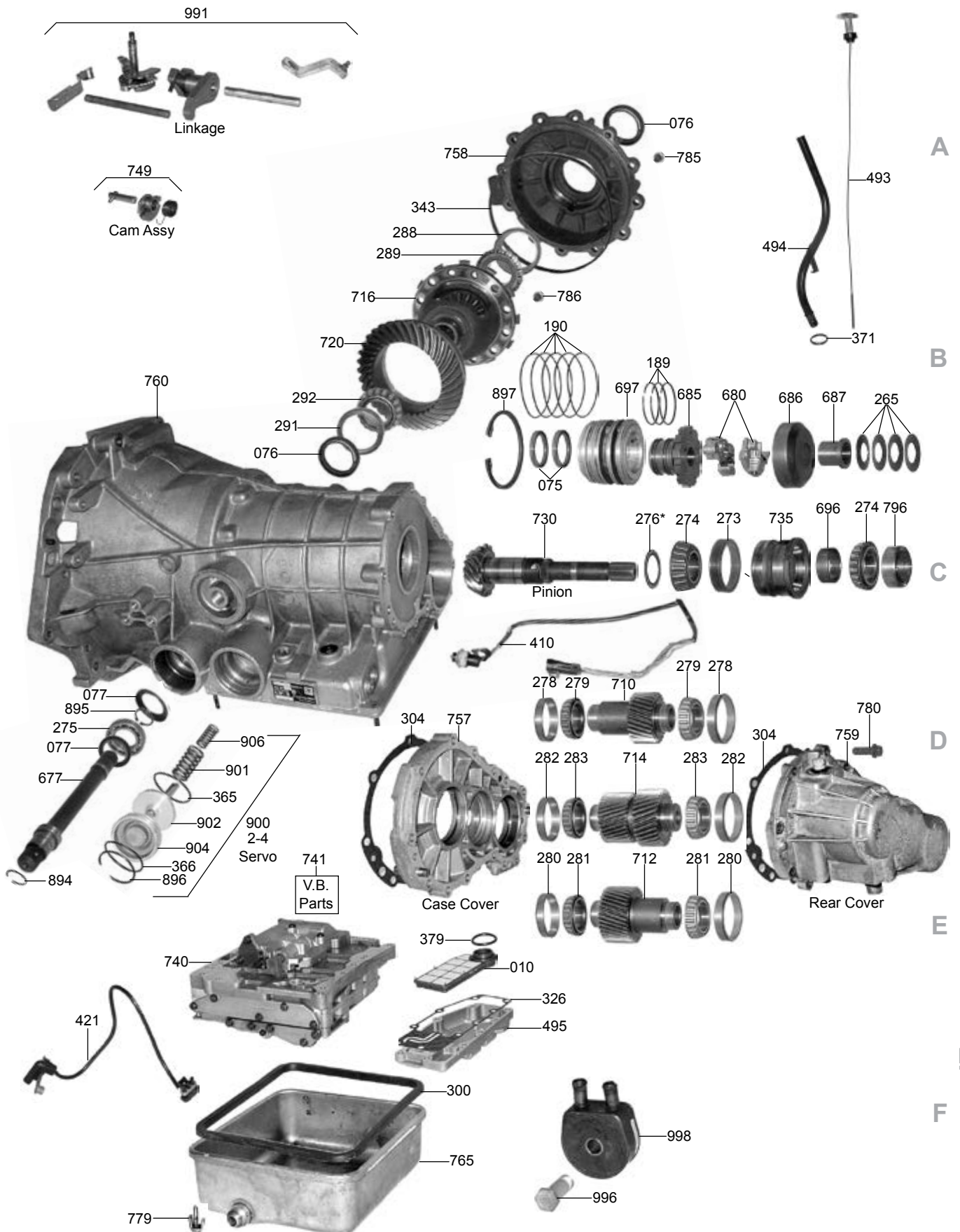


INTERNATIONAL LUBRICANTS, INC. a STELLAR AUTOMOTIVE GROUP COMPANY
7930 Occidental South • Seattle, WA 98108 • 206-762-5343 • 800-333-LUBE (5823)

ZF4HP18 (EAGLE,DODGE)

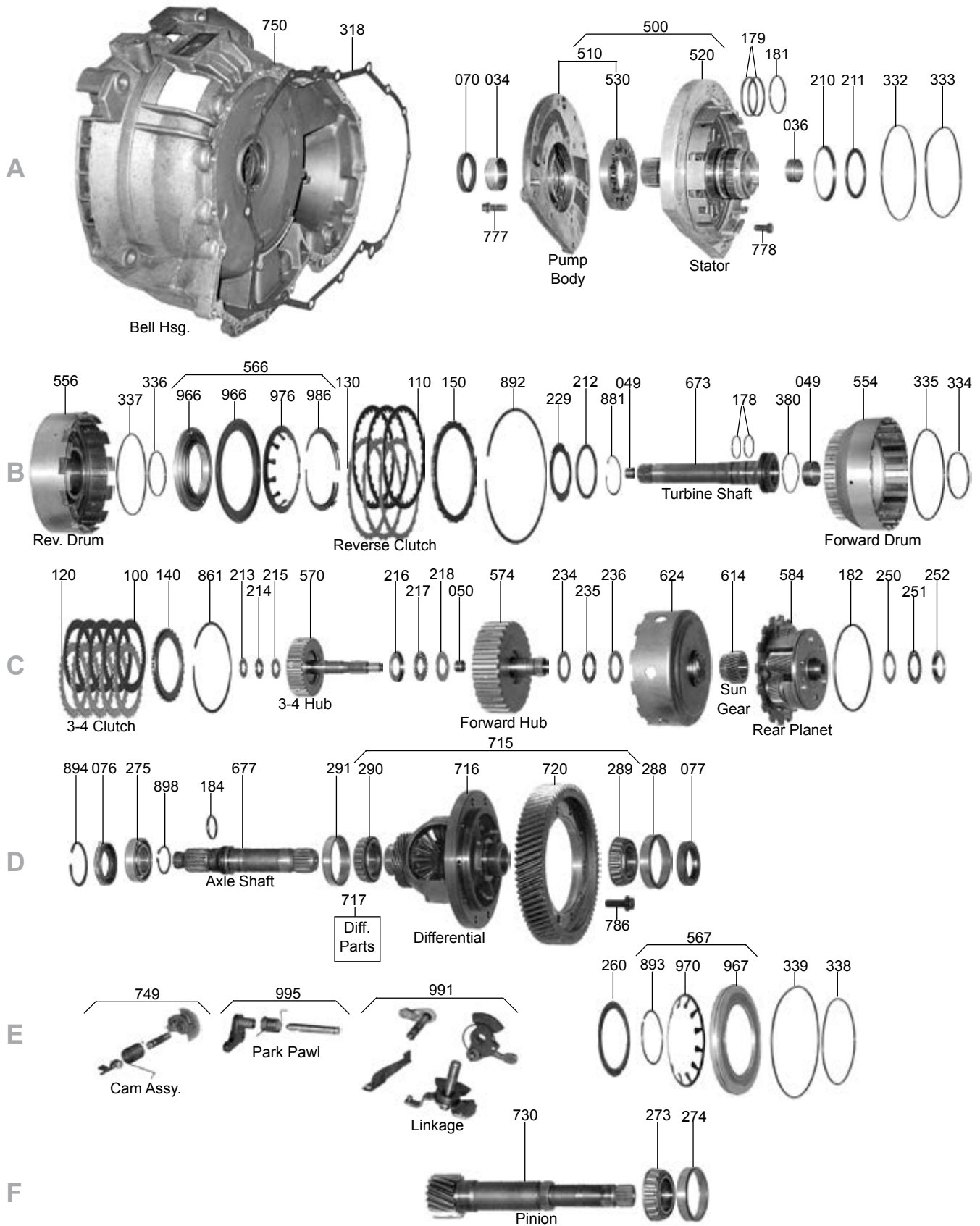


ZF4HP18 (EAGLE, DODGE)

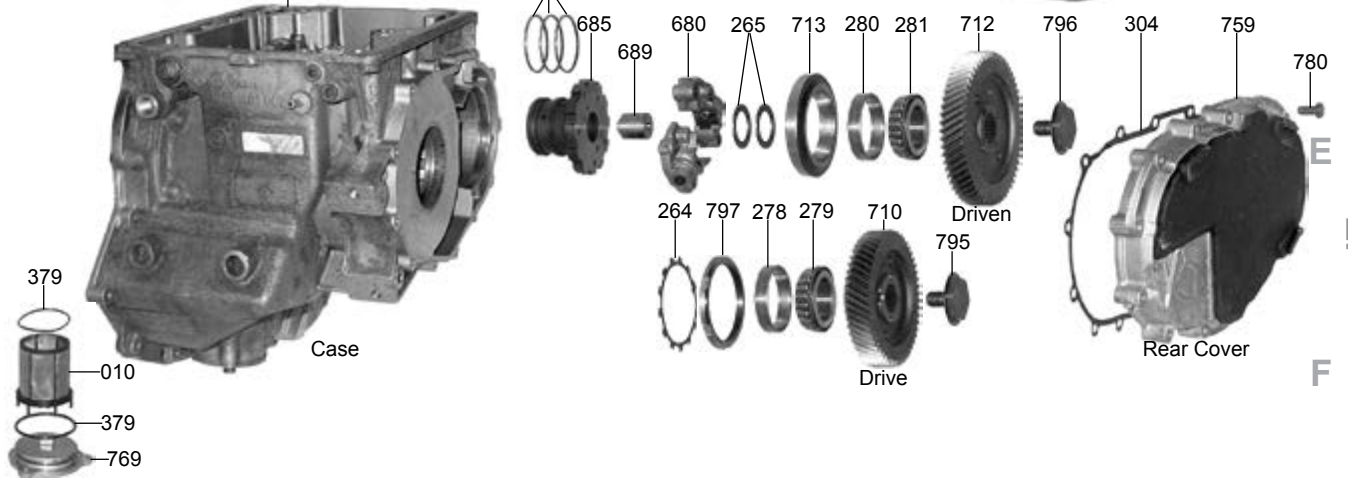
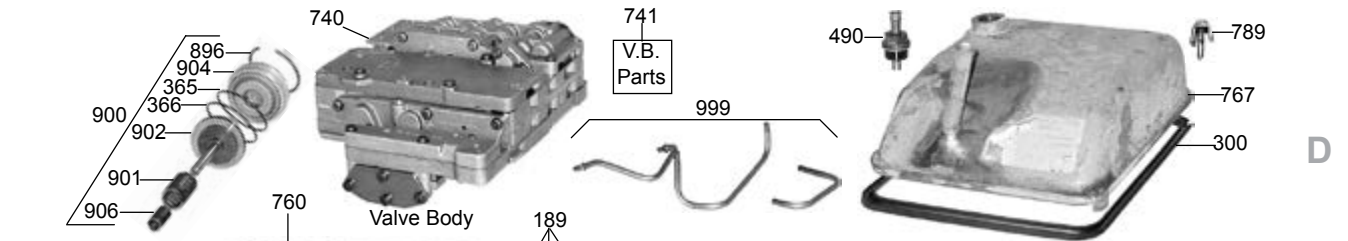
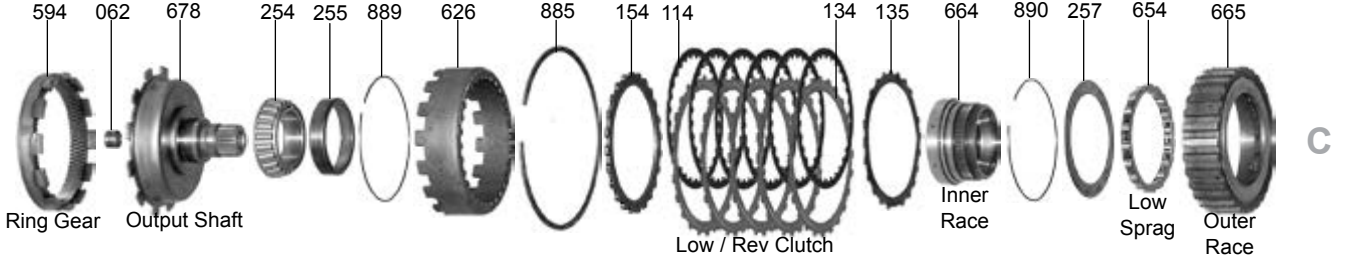
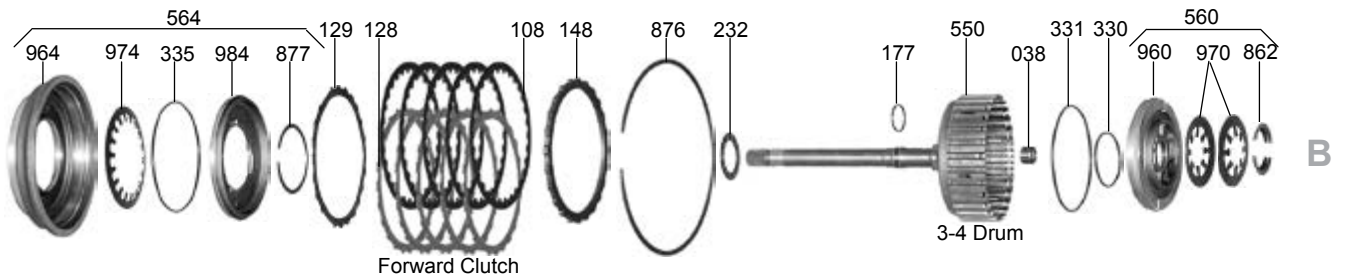
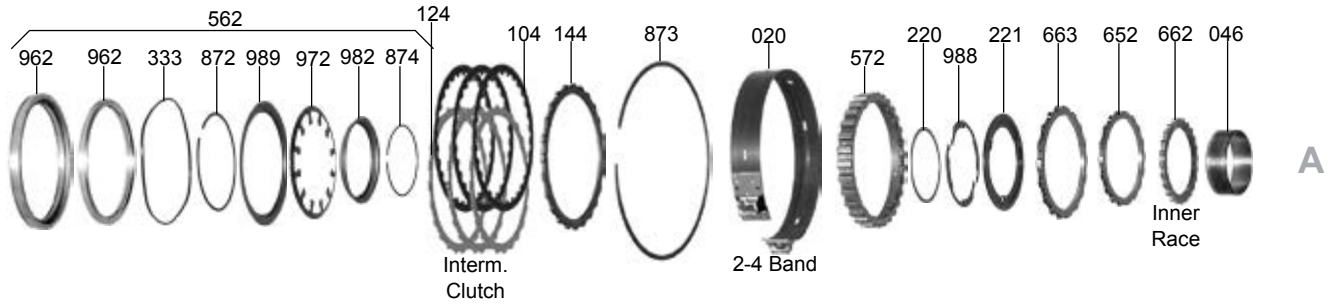


A
B
C
D
E
F

ZF4HP18 (SAAB)



ZF4HP18 (SAAB)



A

B

C

D

E

F



ZF4HP14, ZF4HP18

ILL#	Part#		QTY	REF#
OVERHAUL KITS				
NI.....	K85900G.....	Overhaul Kit, ZF4HP18 (Audi 100) 2WD 1989-97.....	1.....	N/A
NI.....	K85900R.....	Overhaul Kit, ZF4HP18 (Audi 100) 4x4 1989-97.....	1.....	N/A
NI.....	K85900A.....	Overhaul Kit, ZF4HP18 (Saab 900 94-97, 9000/S 86-98, Peugeot 605 89-97, Citroen, Alfa Romeo, Lancia 90-98.....	1.....	1050298010
NI.....	K85900P.....	Overhaul Kit, ZF4HP18 (Eagle, Dodge) 1986-96.....	1.....	98027-ZF
NI.....	K85900.....	Overhaul Kit, ZF4HP14 (Peugeot) 1989-94.....	1.....	1036298901
MASTER L/STEEL KITS				
NI.....	DK8500GS.....	Master L/Steels Kit, ZF4HP18 (Audi 100) 2WD 1989-97.....	1.....	N/A
NI.....	DK8500RS.....	Master L/Steels Kit, ZF4HP18 (Audi 100) 4x4 1989-97.....	1.....	N/A
NI.....	DK8500AS.....	Master L/Steels Kit, ZF4HP18 (Saab 900 94-97, 9000/S 86-98, Peugeot 605 89-97, Citroen, Alfa Romeo, Lancia 90-98.....	1.....	3418113
NI.....	DK8500PS.....	Master L/Steels Kit, ZF4HP18 (Eagle, Dodge) 1986-96.....	1.....	3418111
NI.....	DK8500S.....	Master L/Steels Kit, ZF4HP14 (Peugeot) 1989-94.....	1.....	98015-ZF
MASTER W/STEELS KITS				
NI.....	DK8500G.....	Master W/Steels Kit, ZF4HP18 (Audi 100) 2WD 1989-97.....	1.....	N/A
NI.....	DK8500R.....	Master W/Steels Kit, ZF4HP18 (Audi 100) 4x4 1989-97.....	1.....	N/A
NI.....	DK8500A.....	Master W/Steels Kit, ZF4HP18 (Saab 900 94-97, 9000/S 86-98, Peugeot 605 89-97, Citroen, Alfa Romeo, Lancia 90-98.....	1.....	2418113
NI.....	DK8500P.....	Master W/Steels Kit, ZF4HP18 (Eagle, Dodge) 1986-96.....	1.....	2418111
NI.....	DK8500.....	Master W/Steels Kit, ZF4HP14 (Peugeot) 1989-94.....	1.....	98001-ZF
FILTERS				
010.....	85710B.....	Filter, ZF4HP18 (Audi 100 & A6) 1991-Up.....	1.....	0501-004-608
010.....	85710.....	Filter, ZF4HP14/ZF4HP18 (Rectangle Filter).....	1.....	1036-226-013
010.....	85710A.....	Filter, ZF4HP14/ZF4HP18 (Round Filter).....	1.....	501311497
BANDS				
020.....	85701A.....	Band, ZF4HP18 (Audi).....	1.....	TBA
020.....	85701.....	Band, ZF4HP18 (Eagle, Dodge).....	1.....	TBA
020.....	85700.....	Band, ZF4HP14 (Peugeot).....	1.....	TBA
020.....	85701.....	Band, ZF4HP18 (Saab).....	1.....	TBA
BUSHINGS				
030.....	K85905.....	Bushing Kit, ZF4HP14.....	1.....	TBA
030.....	K85905A.....	Bushing Kit, ZF4HP18 (Eagle, Dodge).....	1.....	TBA
030.....	K85907.....	Bushing Kit, ZF4HP18.....	1.....	TBA
034.....	85000.....	Bushing, ZF4HP18 Pump Body (Audi).....	1.....	TBA
034.....	85000.....	Bushing, ZF4HP18 Pump Body (Eagle, Dodge).....	1.....	TBA
034.....	85000A.....	Bushing, ZF4HP18 Pump Body (Saab).....	1.....	TBA
036.....	85002.....	Bushing, ZF4HP18 Stator (Front) (Eagle, Dodge, Saab).....	1.....	TBA
037.....	82005.....	Bushing, ZF4HP18 Stator (Rear) Eagle, Dodge, Saab (Use 69048).....	1.....	TBA
037.....	K82005.....	Bushing Kit, ZF4HP18 Stator & Turbine Shaft (Eagle, Dodge, Saab).....	1.....	TBA
037.....	85007.....	Bushing, ZF4HP14 Stator(Rear) Peugeot.....	1.....	TBA
037.....	K85007.....	Bushing Kit, ZF4HP18 Stator & Turbine Shaft (Peugeot).....	1.....	TBA
038.....	85006.....	Bushing, ZF4HP18 3/4 Drum.....	1.....	TBA
046.....	85004.....	Bushing, ZF4HP18 Reverse Drum (Front) Eagle, Dodge, Saab.....	1.....	TBA
048.....	82005.....	Bushing, ZF4HP18 Stator (Rear) Eagle, Dodge, Saab.....	1.....	TBA
049.....	85001.....	Bushing, ZF4HP18 Turbine Shaft (Eagle, Dodge, Saab).....	1.....	TBA
METAL CLAD SEALS				
070.....	85151A.....	Seal, ZF4HP18 Front (Audi).....	1.....	95321243
070.....	85151A.....	Seal, ZF4HP18 Front (Eagle, Dodge).....	1.....	750-111-079
070.....	85151A.....	Seal, ZF4HP18 Front (Saab).....	1.....	750-111-273
070.....	82151.....	Seal, ZF4HP14 Front.....	1.....	TBA
072.....	82155F.....	Seal, ZF4HP14/ ZF4HP18 Manual Control Shaft, 1986-Up.....	1.....	TBA
075.....	85157.....	Seal, ZF4HP18 Left Pinion Shaft (Eagle, Dodge / Audi/Porsche).....	1.....	97409529A
075.....	85158.....	Seal, ZF4HP18 Right Pinion Shaft (Eagle, Dodge / Audi/Porsche).....	2.....	750-111-191
076.....	85154A.....	Seal, ZF4HP18 Right Axle (Outer, Starter Side) Audi.....	1.....	97409399A
076.....	85154.....	Seal, ZF4HP18 Right Axle (Inner, Differential Side) Eagle, Dodge.....	1.....	750-111-193
076.....	85154B.....	Seal, ZF4HP18 Right Axle (Outer, Differential Side) Eagle, Dodge.....	1.....	750-111-195
076.....	85161.....	Seal, ZF4HP18 Right Axle (Rear) Saab.....	1.....	750-111-292
077.....	85153.....	Seal, ZF4HP18 Left Axle (Outer, Differential Side) Audi/Porsche.....	1.....	97409400D
077.....	85157A.....	Seal, ZF4HP18 Left Axle (Inner, Starter Side) Eagle, Dodge.....	1.....	750-111-126
077.....	85157B.....	Seal, ZF4HP18 Left Axle (Outer, Starter Side) Eagle, Dodge.....	1.....	750-111-181
077.....	85162.....	Seal, ZF4HP14 Left Axle (Peugeot).....	1.....	501308397



ZF4HP14, ZF4HP18

ILL#	Part#		QTY	REF#
077.....	89155.....	Seal, ZF4HP18 Left Axle (Front) Saab.....	1.....	750-111-789
FRICTIONS				
100.....	85113.....	Friction, ZF4HP18 3-4 Clutch (.063") 36 Teeth (4.25" OD) E Pack.....	5.....	1036-330-034
100.....	85104.....	Friction, ZF4HP14 3-4 Clutch (.061") 36 Teeth (3.85" OD) E Pack.....	5.....	1050-230-033
104.....	82109.....	Friction, ZF4HP18 Intermediate Clutch (.063") 48 Teeth (5.628" OD) C Pack.....	3.....	1043217009
104.....	82109.....	Friction, ZF4HP18 Intermediate Clutch (.063") 48 Teeth (5.628" OD) C Pack.....	3.....	1050-210-053
104.....	85101.....	Friction, ZF4HP14 Intermediate Clutch (.061") 30 Teeth (5.300" OD) C Pack.....	4.....	1063-217-005
108.....	85115.....	Friction, ZF4HP18 Forward Clutch (.063") 30 Teeth (5.778" OD) A Pack.....	5.....	1050-202-002
108.....	85101.....	Friction, ZF4HP14 Forward Clutch (.061") 30 Teeth (5.309" OD) A Pack.....	3.....	1056-277-036
110.....	85112.....	Friction, ZF4HP18 Reverse Clutch (.079") 30 Teeth (5.778" OD) B Pack.....	3.....	1050-202-004
110.....	85102A.....	Friction, ZF4HP14 Reverse Clutch (.077") 30 Teeth (5.300" OD) B Pack.....	3.....	1036-202-028
114.....	85116.....	Friction, ZF4HP18 Low/Reverse Clutch (.063") 30 Teeth (5.778" OD) D Pack.....	6.....	1050-217-002
114.....	85101.....	Friction, ZF4HP14 Low/Reverse Clutch (.061") 30 Teeth (5.300" OD) D Pack.....	5.....	1036-202-029
119.....	K85AF.....	Friction & Steel Module, ZF4HP18.....	1.....	TBA
119.....	K85F.....	Friction & Steel Module, ZF4HP14.....	1.....	TBA
STEELS				
120.....	85134.....	Steel, ZF4HP18 3-4 Clutch (.071") 30 Teeth (3.075" ID) E Pack.....	5.....	1050-330-017
120.....	85124.....	Steel, ZF4HP14 3-4 Clutch (.071") 30 Teeth (2.950" ID) E Pack.....	5.....	1036-330-036
124.....	82104.....	Steel, ZF4HP18 Intermediate Clutch (.071") 12 Teeth (4.688" ID) C Pack (Use 82104).....	3.....	24231-205-935
124.....	85121.....	Steel, ZF4HP14 Intermediate Clutch (.071") 24 Teeth (4.730" ID) C Pack.....	4.....	1036-302-015
126.....	82104.....	Steel, ZF4HP18 Intermediate Clutch (.071") 12 Teeth (4.688" ID) C Pack.....	3.....	24231-205-935
128.....	85122.....	Steel, ZF4HP18 Forward (.071") 24 Teeth (5.200" ID) A Pack.....	5.....	1050-302-011
128.....	85121.....	Steel, ZF4HP14 Forward Clutch (.071") 24 Teeth (4.730" ID) A Pack (Use 85121).....	4.....	1036-302-015
129.....	85143.....	Steel, ZF4HP18 Forward Clutch (.040") 24 Teeth (5.200" ID) Waved (A Pack).....	1.....	1050-302-012
130.....	85122.....	Steel, ZF4HP18 Reverse Clutch (.071") 24 Teeth (5.200" ID) B Pack (Use 85122).....	3.....	1050-302-011
130.....	85121.....	Steel, ZF4HP14 Reverse Clutch (.071") 24 Teeth (4.730" ID) B Pack (Use 85121).....	3.....	1036-302-015
134.....	85122.....	Steel, ZF4HP18 Low/Reverse Clutch (.071") 24 Teeth (5.200" ID) D Pack (Use 85122).....	6.....	1050-302-011
134.....	85123.....	Steel, ZF4HP14 Low/Reverse Clutch (.047") 24 Teeth (4.730" ID) D Pack.....	5.....	1036-317-006
135.....	85143.....	Steel, ZF4HP18 Low/Reverse Clutch (.040") 24 Teeth (5.200" ID) D Pack (Waved).....	1.....	1050-302-012
139.....	K85AS.....	Steel Module, ZF4HP18.....	1.....	TBA
139.....	K85S.....	Steel Module, ZF4HP14.....	1.....	TBA
PRESSURE PLATES				
140.....	85179A.....	Pressure Plate, ZF4HP18 3-4 Clutch (3.075" ID) 30 Teeth (E Pack).....	1.....	1056271014
140.....	85719.....	Pressure Plate, ZF4HP14 3-4 Clutch (2.950" ID) 30 Teeth (E Pack).....	1.....	TBA
144.....	85717.....	Pressure Plate, ZF4HP18 Intermediate Clutch (4.688" ID) 12 Teeth (C Pack).....	1.....	1043302092
144.....	85717A.....	Pressure Plate, ZF4HP14 Intermediate Clutch (4.730" ID) 24 Teeth (C Pack).....	1.....	TBA
148.....	85718.....	Pressure Plate, ZF4HP18 Forward Clutch (5.200" ID) 24 Teeth (A Pack).....	1.....	TBA
148.....	85718A.....	Pressure Plate, ZF4HP14 Forward Clutch (4.730" ID) 24 Teeth (A Pack).....	1.....	TBA
150.....	85718.....	Pressure Plate, ZF4HP18 Reverse Clutch (5.200" ID) 24 Teeth (B Pack).....	1.....	1050302013
150.....	85718A.....	Pressure Plate, ZF4HP14 Reverse Clutch (4.730" ID) 24 Teeth (B Pack).....	1.....	TBA
154.....	85718.....	Pressure Plate, ZF4HP18 Low/Reverse Clutch (5.200" ID) 24 Teeth (D Pack).....	1.....	TBA
154.....	85718A.....	Pressure Plate, ZF4HP14 Low/Reverse Clutch (4.730" ID) 24 Teeth (D Pack).....	1.....	TBA
SEALING RINGS				
175.....	K85901A.....	Ring Kit, ZF4HP18 (Audi).....	1.....	TBA
175.....	K85901A.....	Ring Kit, ZF4HP18 (Alfa Romeo).....	1.....	TBA
175.....	K85901A.....	Ring Kit, ZF4HP18 (Eagle, Dodge).....	1.....	4HP18MPSR
175.....	K85901A.....	Ring Kit, ZF4HP14 (Peugeot).....	1.....	4HP14MPSR
175.....	K85901.....	Ring Kit, ZF4HP18 (Saab).....	1.....	4HP14MPSR
177.....	85306.....	Ring, ZF4HP14/ZF4HP18 Input Shaft To Turbine Shaft (Rear) 1.023" OD (Metal).....	1.....	750-113-012
177.....	85308T.....	Ring, ZF4HP18 Input Shaft To Turbine Shaft (Front) .868" OD (Teflon).....	2.....	501-309-030
177.....	85315.....	Ring, ZF4HP14 Input Shaft To Turbine Shaft (Front) .740" OD (Teflon).....	1.....	501-309-031
178.....	85311.....	Ring, ZF4HP18 Turbine Shaft To Stator (Rear) 1.260" OD (Metal).....	1.....	750-113-014
178.....	85310.....	Ring, ZF4HP14 Turbine Shaft To Stator (Rear) 1.145" OD (Metal).....	1.....	TBA
178.....	85307.....	Ring, ZF4HP18 Turbine Shaft To Stator (Front) 1.220" OD (Metal).....	1.....	750-113-013
178.....	85309.....	Ring, ZF4HP14 Turbine Shaft To Stator (Front) 1.098" OD (Metal).....	1.....	TBA
179.....	85301.....	Ring, ZF4HP18 Stator To Reverse Drum (2.285" OD) (Metal).....	2.....	750-113-015
179.....	85303.....	Ring, ZF4HP14 Stator To Reverse Drum (2.049" OD) (Metal) (Use 85303).....	2.....	750-113-024
181.....	85303.....	Ring, ZF4HP18 Stator To Fwd Drum (2.049" OD) (Also ZF4HP14 Stator To Rev Drum).....	1-3.....	750-113-024
181.....	85304.....	Ring, ZF4HP14 Stator To Forward Drum (1.898" OD) (Metal).....	1.....	750-113-005
185.....	85318.....	Ring, ZF4HP14 Planet (Rear) 3.940" OD (Metal).....	1.....	750-113-011
189.....	85314.....	Ring, ZF4HP14/ZF4HP18 Governor (2.205" OD) (Metal).....	2.....	750-113-027
189.....	85312.....	Ring, ZF4HP14/ZF4HP18 Governor (2.205" OD) (Rubber).....	2.....	0501306310
190.....	85312A.....	Ring, ZF4HP18 Governor Support (Rear, Large) (Rubber).....	4.....	734-313-075
190.....	85312B.....	Ring, ZF4HP18 Governor Support (Front, Small) (Rubber).....	1.....	734-313-052

ZF



ZF4HP14, ZF4HP18

ILL#	Part#		QTY	REF#
WASHERS & BEARINGS				
200.....	K85907.....	Washer Kit, ZF4HP18.....	1.....	TBA
200.....	K85905.....	Washer Kit, ZF4HP14 (Pump Selectives Only).....	1.....	TBA
200.....	K85906A.....	Washer Kit, ZF4HP18 (Pump Selectives Only).....	1.....	TBA
200.....	K85904.....	Washer Kit, ZF4HP14 (Pump Selectives Only).....	1.....	TBA
210.....	85401.....	Race, ZF4HP18 Stator To Band Drum (Eagle).....	1.....	1050322004
210.....	85401A.....	Race, ZF4HP18 Stator To Band Drum (Saab).....	1.....	TBA
211.....	85901.....	Washer, ZF4HP18 Stator To Band Drum (Plastic) Audi.....	1.....	TBA
211.....	85901A.....	Washer, ZF4HP18 Stator To Band Drum (Selective .045"-.152") Eagle.....	1.....	730105263
211.....	85901B.....	Washer, ZF4HP18 Stator To Band Drum (Selective .047"-.152") Saab.....	1.....	730150608
212.....	85402.....	Washer, ZF4HP18 Stator To Turbine Shaft (Eagle).....	1.....	TBA
213.....	85403.....	Race, ZF4HP18 3-4 Drum To 3-4 Hub (Front) Eagle.....	1.....	635290065
213.....	85403A.....	Race, ZF4HP18 3-4 Drum To 3-4 Hub (Front) Saab.....	1.....	TBA
214.....	85404.....	Bearing W/Race, ZF4HP18 3-4 Drum To 3-4 Hub (Audi).....	1.....	TBA
214.....	85404A.....	Bearing, ZF4HP18 3-4 Drum To 3-4 Hub (Eagle).....	1.....	750115424
214.....	85404B.....	Bearing, ZF4HP18 3-4 Drum To 3-4 Hub (Saab).....	1.....	TBA
215.....	85405.....	Race, ZF4HP18 3-4 Drum To 3-4 Hub (Rear) Eagle.....	1.....	TBA
216.....	85406.....	Race, ZF4HP18 3-4 Hub To Forward Hub (Front) Eagle.....	1.....	1050330032
216.....	85406A.....	Race, ZF4HP18 3-4 Hub To Forward Hub (Front) Saab.....	1.....	TBA
217.....	85407.....	Bearing, ZF4HP18 3-4 Hub To Forward Hub (Audi).....	1.....	TBA
217.....	85407A.....	Bearing, ZF4HP18 3-4 Hub To Forward Hub (Eagle).....	1.....	635302030
217.....	85407B.....	Bearing, ZF4HP18 3-4 Hub To Forward Hub (Saab).....	1.....	TBA
218.....	85408.....	Race, ZF4HP18 3-4 Hub To Forward Hub (Rear) Eagle.....	1.....	1050330033
218.....	85408A.....	Race, ZF4HP18 3-4 Hub To Forward Hub (Rear) Saab.....	1.....	TBA
219.....	85409.....	Caged Bearing, ZF4HP18 Forward Hub (Inner) Audi.....	1.....	TBA
220.....	85410.....	Washer, ZF4HP18 On Top Intermediate Sprag (Eagle).....	1.....	TBA
221.....	85411.....	Washer, ZF4HP18 Under Intermediate Sprag (Eagle).....	1.....	TBA
229.....	85412.....	Washer, ZF4HP18 Reverse Drum To Forward Drum (Plastic #4) Eagle & Audi.....	1.....	TBA
229.....	85412A.....	Washer, ZF4HP18 Reverse Drum To Forward Drum (Plastic #3) Eagle & Audi.....	1.....	1050331009
229.....	85412B.....	Race, ZF4HP18 Reverse Drum To Forward Drum (Saab).....	1.....	TBA
232.....	85413.....	Bearing W/Race, ZF4HP18 Forward Drum To 3-4 Drum (Audi).....	1.....	TBA
232.....	85413A.....	Washer, ZF4HP18 Forward Drum To 3-4 Drum (Black Plastic) Eagle.....	1.....	730150726
234.....	85414.....	Race, ZF4HP18 3rd Clutch Hub To Bowl (Front) Eagle.....	1.....	1050302016
234.....	85414A.....	Race, ZF4HP18 Forward Clutch Hub To Bowl (Front) Saab.....	1.....	635290066
235.....	85416.....	Bearing W/Race, ZF4HP18 Forward Clutch Hub To Bowl (Audi).....	1.....	TBA
235.....	85416A.....	Bearing, ZF4HP18 Forward Clutch Hub To Bowl (Eagle).....	1.....	635302032
235.....	85416B.....	Bearing, ZF4HP18 Forward Clutch To Bowl (Saab).....	1.....	TBA
236.....	85417.....	Race, ZF4HP18 Forward Clutch Hub To Bowl (Rear) Eagle.....	1.....	1050302015
236.....	85417A.....	Race, ZF4HP18 Forward Clutch Hub To bowl (Rear) Saab.....	1.....	TBA
244.....	85418.....	Bearing, ZF4HP18 Bowl To Rear Sun Gear (Audi).....	1.....	TBA
245.....	85419.....	Race, ZF4HP18 Bowl To Rear Sun Gear (Audi).....	1.....	TBA
246.....	85421.....	Race, ZF4HP18 Planet To Ring Gear (Front) Audi.....	1.....	TBA
247.....	85422.....	Bearing, ZF4HP18 Planet To Ring Gear (Audi).....	1.....	TBA
248.....	85423.....	Race, ZF4HP18 Planet To Ring Gear (Rear) Audi.....	1.....	TBA
250.....	85424.....	Bearing W/Race, ZF4HP18 Ring Gear To bolt (Audi).....	1.....	TBA
250.....	85424A.....	Race, ZF4HP18 Output Shaft Hub (Front) Eagle.....	1.....	1050332013
250.....	85424B.....	Race, ZF4HP18 Output Shaft Hub (Front) Saab.....	1.....	TBA
251.....	85425.....	Bearing, ZF4HP18 Output Shaft Hub (Front) Eagle.....	1.....	750115210
251.....	85425A.....	Bearing, ZF4HP18 Output Shaft Hub (Front) Saab.....	1.....	TBA
252.....	85426.....	Race, ZF4HP18 Output Shaft Hub (Front) Eagle.....	1.....	TBA
252.....	85426A.....	Race, ZF4HP18 Output Shaft Hub (Front) Saab.....	1.....	TBA
254.....	85427.....	Ball Bearing, ZF4HP18 Output Shaft (Eagle).....	1.....	TBA
257.....	85428.....	Washer, ZF4HP18 Stop Ring (Eagle).....	1.....	1050317010
260.....	85429.....	Washer, ZF4HP18 Fixing (Eagle).....	1.....	1050317024
260.....	85429A.....	Race, ZF4HP18 Rear Hub To Case (Saab).....	1.....	TBA
263.....	85431.....	Cone Bearing, ZF4HP18 Case To Nut (Audi).....	1.....	TBA
264.....	85432.....	Retaining Ring, ZF4HP18 Rear Sprag In Race To Lock Nut (Saab).....	1.....	1036317037
265.....	85433.....	Spring Washer, ZF4HP18 (Eagle).....	1.....	TBA
271.....	85434.....	Cone Bearing, ZF4HP18 Rear Cover To Nut (Audi).....	1.....	TBA
274.....	85435.....	Cone Bearing, ZF4HP18 Pinion Shaft (Eagle).....	1.....	750117525
275.....	85436.....	Ball Bearing, ZF4HP18 Axle Shaft To Case (Eagle).....	1.....	635331218
276.....	85437.....	Shim, ZF4HP18 Pinion Shaft (Selective) Eagle.....	1.....	TBA
276.....	85437A.....	Race, ZF4HP18 For Pinion Bearing (Saab).....	1.....	TBA
279.....	85438.....	Spacer, ZF4HP18 Tapered Bearing To Drive Gear (Audi).....	1.....	TBA
279.....	85438A.....	Cone Bearing, ZF4HP18 Transfer Gear (Eagle).....	6.....	TBA
289.....	85439.....	Cone Bearing, ZF4HP18 Differential Housing To Differential Cover (Eagle).....	1.....	750117250
291.....	85441.....	Cup Race, ZF4HP18 Differential To Case (Saab).....	1.....	TBA



ZF4HP14, ZF4HP18

ILL#	Part#		QTY	REF#
GASKETS & RUBBER COMPONENTS				
300.....	85501.....	Gasket, ZF4HP18 Bottom Pan (Rubber) Audi.....	1.....	TBA
300.....	85501.....	Gasket, ZF4HP18 Bottom Pan (Rubber) Eagle, Saab.....	1.....	1050301036
300.....	85500.....	Gasket, ZF4HP14 Bottom Pan (Cork) Peugeot.....	1.....	1036301182
304.....	85508.....	Gasket, ZF4HP18 End Cover (Eagle).....	1.....	750112065
304.....	85508A.....	Gasket, ZF4HP18 End Cover (Saab).....	1.....	0750-112-156
311.....	116516A.....	O-Ring, ZF4HP18 Pump (Eagle).....	1.....	734313064
318.....	85509.....	Gasket, ZF4HP14 Converter Housing To Main Case (Peugeot).....	1.....	750112022
318.....	85509A.....	Gasket, ZF4HP18 Converter Housing To Main Case (Saab).....	1.....	TBA
379.....	85503.....	Gasket, ZF4HP18 Valve Body To Filter.....	1.....	TBA
TECHNICAL MANUALS				
400.....	TMZF4HP22.....	Technical Manual, ZF4HP18 Audi & Porsche Technician Diagnostic.....	1.....	TBA
400.....	TMZF4HP18.....	Technical Manual, ZF4HP18 Eagle.....	1.....	83-ZF4HP18TM
400.....	TMZF4HP18SUP.....	Technical Manual, ZF4HP18 Saab (Supplement).....	1.....	TBA
ELECTRICAL COMPONENTS				
410.....	85997.....	Switch, ZF4HP18 Neutral Safety Switch (Eagle).....	1.....	0501-310-648
NI.....	82953.....	Solenoid, Pressure Regulator (All Except Audi).....	1.....	1050-227-018
NI.....	82954.....	Solenoid, Pressure Regulator (Audi, W/ Housing).....	1.....	1050-22-017
NI.....	82956.....	Solenoid, Shift.....	3.....	0750-132-105
NI.....	85998.....	Speed Sensor.....	1.....	0501-206-934
PUMPS & PUMP COMPONENTS				
510.....	85915.....	Pump Body W/Gears, ZF4HP18 (Audi).....	1.....	TBA
510.....	85915.....	Pump Body W/Gears, ZF4HP18 (Eagle).....	1.....	1050119003
510.....	85912.....	Pump Body W/Gears, ZF4HP14 (Peugeot).....	1.....	1036219017
510.....	85915A.....	Pump Body W/Gears, ZF4HP18 (Saab).....	1.....	1050219022
520.....	85914.....	Stator, ZF4HP18 (Pump Cover) Audi.....	1.....	TBA
520.....	85914.....	Stator, ZF4HP18 (Pump Cover) Eagle.....	1.....	835005279
520.....	85913.....	Stator, ZF4HP14 (Pump Cover) Peugeot.....	1.....	1036222040
520.....	85914A.....	Stator, ZF4HP18 (Pump Cover) Cast # 1050 422 092 (Saab).....	1.....	1050222051
520.....	85914AA.....	Stator, ZF4HP18 (Pump Cover) Cast # 1050 422 015 (Saab).....	1.....	TBA
507.....	85621.....	Valve, ZF4HP18 Cooler Relief (In Pump) Saab.....	1.....	1036322033
530.....	85201.....	Pump Gears, ZF4HP18 (Outer) Eagle.....	1.....	1050319028
530.....	85201A.....	Pump Gears, ZF4HP18 (Inner) Eagle.....	1.....	1050319029
DRUMS & CLUTCH HUBS				
550.....	85756.....	Drum, ZF4HP18 3-4 Clutch With Input Shaft (Audi).....	1.....	TBA
550.....	85756A.....	Drum, ZF4HP18 3-4 Clutch With Input Shaft (Eagle).....	1.....	TBA
550.....	85756AA.....	Drum, ZF4HP18 3-4 Clutch With Input Shaft (Saab).....	1.....	TBA
554.....	85939.....	Drum, ZF4HP18 Forward Clutch With Turbine Shaft (Audi).....	1.....	TBA
554.....	85939A.....	Drum, ZF4HP18 Forward Clutch (Eagle).....	1.....	TBA
554.....	85939AA.....	Drum, ZF4HP14 Forward Clutch (Peugeot).....	1.....	1036302062
554.....	85939AB.....	Drum, ZF4HP18 Forward Clutch With Piston (Saab).....	1.....	TBA
556.....	85742.....	Drum, ZF4HP18 Reverse Clutch (Front) Band Drum (Audi).....	1.....	1050231047
556.....	85742A.....	Drum, ZF4HP18 Reverse Clutch (Front) Band Drum (Eagle).....	1.....	TBA
556.....	85742AA.....	Drum, ZF4HP14 Reverse Clutch (Front) Band Drum (Peugeot).....	1.....	1036231037
556.....	85742AB.....	Drum, ZF4HP18 Reverse Clutch (Front) Band Drum (Saab).....	1.....	TBA
570.....	85760.....	Clutch Hub, ZF4HP18 With Shaft 3-4 Clutch (Audi).....	1.....	TBA
570.....	85760A.....	Clutch Hub, ZF4HP18 With Shaft 3-4 Clutch (Eagle).....	1.....	TBA
570.....	85760B.....	Clutch Hub, ZF4HP18 With Shaft 3-4 Clutch (Saab).....	1.....	TBA
574.....	85762.....	Clutch Hub, ZF4HP18 With Shaft Forward Clutch (Audi).....	1.....	TBA
574.....	85762A.....	Clutch Hub, ZF4HP18 With Shaft Forward Clutch (Eagle).....	1.....	TBA
574.....	85762B.....	Clutch Hub, ZF4HP18 With Shaft Forward Clutch (Saab).....	1.....	TBA
575.....	85763.....	Clutch Hub, ZF4HP18 Low/Reverse Clutch (Audi).....	1.....	TBA
PLANETS, SHELLS & CENTER SUPPORTS				
584.....	85768A.....	Planet, ZF4HP18 (Audi).....	1.....	TBA
584.....	85768.....	Planet, ZF4HP18 (Eagle).....	1.....	TBA
584.....	85768B.....	Planet, ZF4HP14 (Peugeot).....	1.....	TBA
584.....	85768C.....	Planet, ZF4HP18 (Saab).....	1.....	TBA
594.....	85770.....	Ring Gear, ZF4HP18 Planet With 75 Teeth Transfer Drive Gear (Audi).....	1.....	TBA
594.....	85770A.....	Ring Gear, ZF4HP18 Planet (Eagle).....	1.....	TBA
594.....	85770B.....	Ring Gear, ZF4HP18 Planet (Saab).....	1.....	TBA
614.....	85766.....	Sun Gear, ZF4HP18 (21 Teeth) (Audi).....	1.....	TBA
614.....	85766A.....	Sun Gear, ZF4HP18 (Eagle).....	1.....	TBA
614.....	85766B.....	Sun Gear, ZF4HP14 (Peugeot).....	1.....	1036332061



ZF4HP14, ZF4HP18

ILL#	Part#		QTY	REF#
614	85766C	Sun Gear, ZF4HP18 (Saab)	1	TBA
624	85764A	Shell, ZF4HP18 Sun Shell With Front Sun Gear (27 Teeth) (Audi)	1	TBA
624	85764	Bowl, ZF4HP18 Sun Shell (Eagle)	1	TBA
624	85764B	Shell, ZF4HP18 Sun Shell (Saab)	1	1050231022
626	85772	Shell, ZF4HP18 Rear (Aluminum) (Eagle)	1	TBA
626	85772A	Shell, ZF4HP18 Rear (Aluminum) (Saab)	1	TBA
630	85773	Center Support, ZF4HP18 With Sprag (Audi)	1	TBA
631	85773A	Center Support Molded Piston, ZF4HP18 (Audi)	1	TBA

SPRAGS & ONE WAY CLUTCHES

642	K85724	Sprag Assembly, ZF4HP18 Intermediate With Races (Eagle)	1	1050231026
642	K85724A	Sprag Assembly, ZF4HP18 Intermediate With Races (Saab)	1	1050231023
652	85724	Sprag, ZF4HP18 Intermediate (Eagle)	1	TBA
654	85725	Sprag, ZF4HP18 Rear (Eagle)	1	501207061
654	85726	Sprag, ZF4HP14 Rear (Peugeot)	1	501207060
654	85726A	Sprag, ZF4HP18 Rear (Saab)	1	TBA
662	85771	Inner Race, ZF4HP18 Intermediate Sprag (Eagle)	1	TBA
663	85772	Outer Race, ZF4HP18 Intermediate Sprag (Eagle)	1	TBA
664	85774	Inner Race, ZF4HP18 Rear Sprag (Eagle)	1	1050317057
664	85774A	Inner Race, ZF4HP14 Rear Sprag (Peugeot)	1	1036317024
664	85774AA	Inner Race, ZF4HP18 Rear Sprag (Saab)	1	1050317036
665	85777	Outer Race, ZF4HP18 Rear Sprag (Eagle)	1	TBA
665	85777A	Outer Race, ZF4HP14 Rear Sprag (Peugeot)	1	1036217003
665	85777A	Outer Race, ZF4HP18 Rear Sprag (Saab)	1	TBA

SHAFTS, GOVERNORS & DIFFERENTIALS

671	85622	Pump Drive Sleeve, ZF4HP18 (Eagle)	1	TBA
673	85748	Turbine Shaft, ZF4HP18 (Eagle)	1	1050202006
673	85748A	Turbine Shaft, ZF4HP18 (Saab)	1	1050202005
677	85623	Shaft, ZF4HP18 Differential Drive (Audi)	1	TBA
677	85623A	Shaft, ZF4HP18 Differential Drive (Eagle)	1	TBA
677	85623B	Shaft W/Bearing, ZF4HP18 Differential Drive (Saab)	1	TBA
678	85779	Output Shaft, ZF4HP18 With Hub (Eagle)	1	1050214003
678	85779A	Output Shaft, ZF4HP18 With Hub (Saab)	1	1050214006
680	85792	Governor, ZF4HP18 With Support (Eagle)	1	TBA
680	85792A	Governor, ZF4HP18 With Support (Saab)	1	1050333180
685	85792AA	Support, ZF4HP18 Governor (Cast Iron) (Eagle)	1	TBA
686	85624	Cover, ZF4HP18 Governor (Eagle)	1	TBA
687	85625	Collar, ZF4HP18 Spacer Above Governor (Eagle)	1	TBA
697	85447	Support Housing, ZF4HP18 Governor (Aluminum) (Eagle)	1	TBA
697	85793	Support Housing, ZF4HP18 Governor (Steel)	1	TBA
710	85782	Gear, ZF4HP18 Drive Transfer (85 Teeth) (Audi)	1	TBA
710	85782A	Gear, ZF4HP18 Drive Transfer (36 Teeth) (Eagle)	1	TBA
710	85782AA	Gear, ZF4HP18 Drive Transfer (59 Teeth) (Saab)	1	TBA
712	85786	Gear, ZF4HP18 Driven Transfer (27 Teeth) (Eagle)	1	TBA
712	85786A	Gear, ZF4HP18 Driven Transfer (53 Teeth) (Saab)	1	TBA
714	85784	Idler Gear, ZF4HP18 Transfer (31 Teeth Top & Bottom) (Eagle)	1	TBA
715	K85794	Differential Assy W/ Ring Gear (31T Ring Gear) Audi	1	TBA
715	K85794A	Differential Assy W/ Ring Gear (35T Ring Gear) Eagle	1	TBA
715	K85794AA	Differential Assy W/ Ring Gear (77T Ring Gear) Saab	1	TBA
724	85704	Cover, ZF4HP18 Differential (Audi)	1	TBA
724	85704A	Cover, ZF4HP18 Differential (Eagle)	1	TBA
730	85846	Pinion, ZF4HP18 (9 Teeth) Audi	1	TBA
730	85846A	Ring & Pinion Set, ZF4HP18 (Eagle)	1	TBA
730	85846AA	Pinion, ZF4HP18 (18 Teeth) Saab	1	TBA
735	85626	Retainer, ZF4HP18 Pinion (Eagle)	1	TBA

VALVE BODIES (DACCO VB#)

740	ZF-9301	Valve Body, ZF4HP14, 1986-Up	1	TBA
740	ZF-9302	Valve Body, ZF4HP18, 1986-Up	1	TBA
740	ZF-9303	Valve Body, ZF4HP18 (Eagle), 1986-Up	1	TBA

VALVE BODIES

740	85991	Valve Body, ZF4HP18 (Cast #) Audi	1	TBA
740	85991A	Valve Body, ZF4HP18 (Audi) 4 Solenoids (Cast # 1050 427)	1	TBA
740	85991B	Valve Body, ZF4HP18 (Audi) No Solenoids (Cast # 1050 426)	1	TBA
740	85991C	Valve Body, ZF4HP18 (Cast #) 4 1/4" Long Manual Shaft Valve (Eagle)	1	4549231
740	85991D	Valve Body, ZF4HP18 (Cast #) (Saab)	1	TBA



ZF4HP14, ZF4HP18

ILL#	Part#		QTY	REF#
VALVE BODY COMPONENTS				
741.....	85991-01.....	Valve, ZF4HP14/ZF4HP18 Pressure Reg (Oversize)Requires: 85999-TL.....	1.....	85991-01
991.....	85991-TL.....	Reamer & Jig, ZF4HP14/ZF4HP18 For 85991-01 (Sonnax).....	1.....	85991-TL
749.....	85627.....	Cam Assembly, ZF4HP18 Throttle (Eagle).....	1.....	TBA
HOUSINGS, CASES & PANS				
750.....	85703.....	Bell Housing, ZF4HP18 (Saab).....	1.....	TBA
757.....	85788.....	Flange Adapter, ZF4HP18 (For Rear Cover) Eagle.....	1.....	TBA
758.....	85790.....	Cover, ZF4HP18 Differential (Eagle).....	1.....	TBA
759.....	85790A.....	Rear Cover, ZF4HP18 (6 Bolt) Audi.....	1.....	TBA
759.....	85790B.....	Rear Cover, ZF4HP18 (Eagle).....	1.....	TBA
759.....	85790C.....	Rear Cover, ZF4HP18 (Saab).....	1.....	TBA
760.....	85707.....	Case, ZF4HP18 (Cast #) Audi.....	1.....	TBA
760.....	85707A.....	Case, ZF4HP18 With Pinion Shaft (Eagle).....	1.....	TBA
760.....	85707AA.....	Case, ZF4HP18 (Cast #) Saab.....	1.....	TBA
765.....	85801.....	Pan, ZF4HP18 Bottom (Audi).....	1.....	TBA
765.....	85801A.....	Pan, ZF4HP18 Bottom (Eagle).....	1.....	TBA
767.....	85801AA.....	Pan, ZF4HP18 Top (Saab).....	1.....	TBA
SERVOS, PISTONS & MISCELLANEOUS				
796.....	85081.....	Nut, ZF4HP18 Pinion (Eagle).....	1.....	TBA
797.....	85082.....	Slotted Nut, ZF4HP18 Rear Sprag Race (Saab).....	1.....	1036317038
861.....	85601.....	Snap Ring, ZF4HP18 Holds 3-4 Pressure Plate In Drum (Eagle).....	1.....	730513288
862.....	85628.....	Retainer, ZF4HP18 3-4 Clutch Return Spring (Eagle).....	1.....	1056371009
900.....	K85997.....	Servo Assembly, ZF4HP18 (Eagle).....	1.....	TBA
901.....	85629.....	Spring, ZF4HP18 Outer Servo (Eagle).....	1.....	TBA
902.....	85997.....	Piston, ZF4HP18 Servo (Eagle).....	1.....	TBA
902.....	85701-01.....	Washers, ZF4HP18, 2-4 Servo Cushion, Belleville Type (2-Washers) Sonnax.....	1.....	TBA
904.....	85630.....	Cover, ZF4HP18 Servo (Eagle).....	1.....	TBA
906.....	85631.....	Spring, ZF4HP18 Inner Servo (Eagle).....	1.....	TBA
960.....	85728.....	Piston, ZF4HP18 3-4 Clutch (Eagle).....	1.....	TBA
962.....	85672.....	Piston, ZF4HP18 Intermediate Clutch (Eagle).....	1.....	TBA
962.....	85672A.....	Piston, ZF4HP18 Intermediate Clutch (Saab).....	1.....	TBA
964.....	85752.....	Piston, ZF4HP18 Forward Clutch (Eagle, Saab).....	1.....	1050302033
966.....	85676.....	Piston, ZF4HP18 Reverse Clutch (Outer Piston) Eagle.....	1.....	TBA
966.....	85676A.....	Piston, ZF4HP18 Reverse Clutch (Inner Piston) Eagle.....	1.....	TBA
967.....	85446.....	Piston, ZF4HP18 Low/Reverse Clutch (Eagle).....	1.....	TBA
967.....	85776A.....	Piston, ZF4HP18 Low/Reverse Clutch (Saab).....	1.....	TBA
970.....	85733.....	Spring, ZF4HP18 3-4 Clutch Diaphragm (Eagle).....	2.....	1036330015
972.....	85731.....	Spring, ZF4HP18 Intermediate Clutch Diaphragm (Eagle).....	1.....	1050331021
972.....	85731A.....	Spring, ZF4HP18 Intermediate Clutch Diaphragm (Saab).....	1.....	TBA
974.....	85720.....	Spring, ZF4HP18 Forward Clutch Return (Eagle).....	1.....	1050302021
976.....	85732A.....	Spring, ZF4HP18 Reverse Clutch Return (Eagle).....	1.....	1050331020
976.....	85732B.....	Spring, ZF4HP14 Reverse Clutch Return (Peugeot).....	1.....	1036331048
977.....	85735.....	Spring, ZF4HP18 Low/Reverse Clutch Diaphragm (Eagle).....	1.....	1050317015
977.....	85735A.....	Spring, ZF4HP18 Low/Reverse Clutch Diaphragm (Saab).....	1.....	TBA
979.....	85738.....	Spring, ZF4HP18 For Center Support (Audi).....	1.....	TBA
984.....	85861.....	Retainer, ZF4HP18 Forward Clutch Piston (Aluminum) Eagle.....	1.....	1050302020
986.....	85727.....	Retainer, ZF4HP18 Reverse Clutch Return Spring (Eagle).....	1.....	1050331008
986.....	85727A.....	Retainer, ZF4HP14 Reverse Clutch Return Spring (Peugeot).....	2.....	1036331040
991.....	K85632.....	Linkage Assembly, ZF4HP18 Internal (Eagle).....	1.....	TBA
998.....	85633.....	Cooler, ZF4HP18 (Eagle).....	1.....	TBA
999.....	85634.....	Oil Tube, ZF4HP18 (Eagle).....	1.....	TBA



ZF5HP18

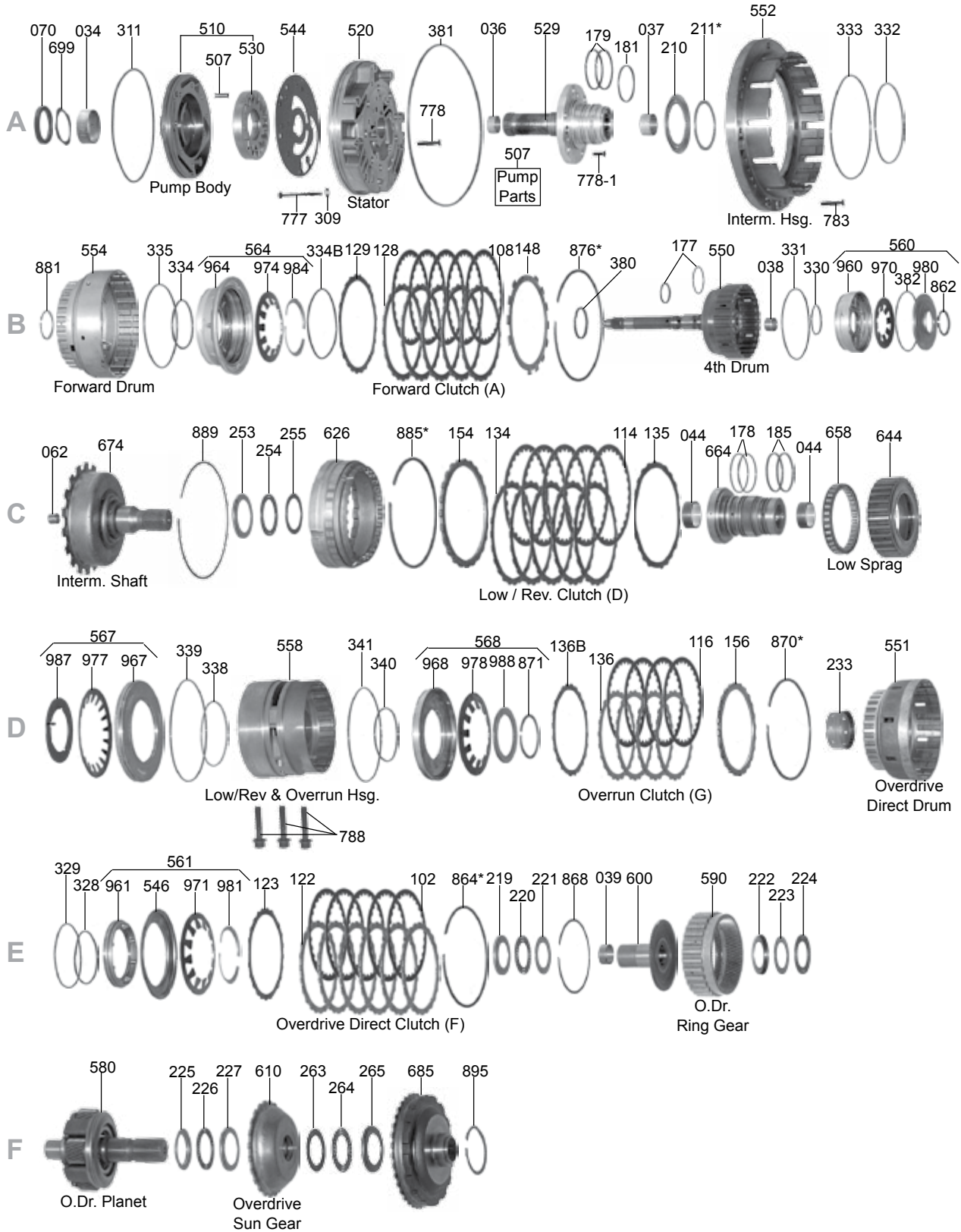
ILL#	Part#		QTY	REF#
OVERHAUL KITS & PISTON KITS				
NI.....	K85900F.....	Overhaul Kit, ZF5HP18 W/ Pistons 1991-99 (BMW 3/5/7/8 Series).....	1.....	N/A
NI.....	K85900FX.....	Overhaul Kit, ZF5HP18 W/Out Pistons 1991-99 (BMW 3/5/7/8 Series).....	1.....	N/A
NI.....	K85900F-99.....	Piston Kit, ZF5HP18 (2-Pistons- D & F Clutch) 1991-99.....	1.....	N/A
MASTER L/STEEL KITS				
NI.....	DK8500FS.....	Master L/Steels Kit, ZF5HP18 W/ Pistons 1991-99 (BMW 3/5/7/8 Series).....	1.....	N/A
NI.....	DK8500FXS.....	Master L/Steels Kit, ZF5HP18 W/Out Pistons 1991-99 (BMW 3/5/7/8 Series).....	1.....	N/A
MASTER W/STEELS KITS				
NI.....	DK8500F.....	Master W/Steels Kit, ZF5HP18 W/ Pistons 1991-99 (BMW 3/5/7/8 Series).....	1.....	N/A
NI.....	DK8500FX.....	Master W/Steels Kit, ZF5HP18 W/Out Pistons 1991-99 (BMW 3/5/7/8 Series).....	1.....	N/A
FILTERS				
NI.....	85710F.....	Filter, ZF5HP18 BMW (RWD) 1993-Up.....	1.....	1056298047
NI.....	FK82710F.....	Filter Kit, ZF5HP18 BMW (RWD) 1993-Up.....	1.....	TBA
BANDS				
NI.....	85700B.....	Band, ZF5HP18 (BMW) Brake 1992-99.....	1.....	501208847
BUSHINGS				
NI.....	K85901F.....	Bushing Kit, ZF5HP18 BMW 1993-Up.....	1.....	TBA
METAL CLAD SEALS				
NI.....	82151.....	Seal, ZF5HP18 Front BMW (RWD) 1993-Up.....	1.....	TBA
NI.....	82155.....	Seal, ZF5HP18 Manual Lever BMW (RWD) 1993-Up.....	1.....	TBA
NI.....	82154F.....	Seal, ZF5HP18 Extension Housing BMW (RWD) 1993-Up.....	1.....	TBA
FRICTIONS				
NI.....	85115.....	Friction, ZF5HP18, Forward (A-Pack) .063", 30 Teeth, 5.778" OD, 1991-01.....	4-5.....	TBA
NI.....	85112.....	Friction, ZF5HP18, Direct (B-Pack) .079", 30 Teeth, 5.778" OD, 1991-01.....	2-3.....	TBA
NI.....	82109.....	Friction, ZF5HP18, Interm/Overrun (C-Pack) .063", 48 Teeth, 5.625" OD, 1991-01.....	3-4.....	TBA
NI.....	85115.....	Friction, ZF5HP18, Front (D-Pack) .063", 30 Teeth, 5.778" OD, 1991-01.....	4-6.....	TBA
NI.....	85101.....	Friction, ZF5HP18, Rear (D-Pack) .061", 30 Teeth, 5.778" OD, 1991-01.....	3-4.....	TBA
NI.....	85113.....	Friction, ZF5HP18, Input (E-Pack) .063", 36 Teeth, 4.250" OD, 1991-01.....	4-5.....	TBA
NI.....	85101.....	Friction, ZF5HP18, 5th (F-Pack) .061", 30 Teeth, 5.778" OD, 1991-01.....	4-5.....	TBA
NI.....	K85FF.....	Friction Module, ZF5HP18 (BMW) 1991-Up.....	1.....	RCP96-145
STEELS				
NI.....	85122.....	Steel, ZF5HP18, Forward (A-Pack) .071", 24 Teeth, 5.204" ID, 1991-01.....	4-5.....	TBA
NI.....	85143.....	Steel, ZF5HP18, Forward (A-Pack) .071", 24 Teeth, 5.204" ID, 1991-01 (Waved).....	1.....	TBA
NI.....	85122.....	Steel, ZF5HP18, Direct (B-Pack) .071", 24 Teeth, 5.204" ID, 1991-01.....	2-3.....	TBA
NI.....	82104A.....	Steel, ZF5HP18, Interm/Overrun (C-Pack) .082", 12 Teeth, 4.690" ID, 1991-01.....	2-4.....	TBA
NI.....	85105.....	Steel, ZF5HP18, Interm/Overrun (C-Pack) .118", 12 Teeth, 4.690" ID, 1991-01.....	1.....	TBA
NI.....	85105A.....	Steel, ZF5HP18, Interm/Overrun (C-Pack) .047", 12 Teeth, 4.690" ID, 1991-01 (Waved).....	1.....	TBA
NI.....	85122.....	Steel, ZF5HP18, Front (D-Pack) .071", 24 Teeth, 5.204" ID, 1991-01.....	5-6.....	TBA
NI.....	85121.....	Steel, ZF5HP18, Rear (D-Pack) .071", 24 Teeth, 4.730" ID, 1991-01.....	3-4.....	TBA
NI.....	85134.....	Steel, ZF5HP18, Input (E-Pack) .071", 30 Teeth, 3.079" ID, 1991-01.....	4-5.....	TBA
NI.....	85121A.....	Steel, ZF5HP18, 5th (F-Pack) .118", 24 Teeth, 4.730" ID, 1991-01.....	5-6.....	TBA
NI.....	K85FS.....	Steel Module, ZF5HP18 (BMW) 1991-Up.....	1.....	TBA
TECHNICAL MANUALS				
NI.....	TMZF5HP18.....	Repair Manual, ZF5HP18 RWD.....	1.....	TBA
NI.....	TMZF5HP18VB.....	Valve Body Manual, ZF5HP18.....	1.....	TBA
NI.....	TMZF5HP18A.....	Manual, ZF5HP18 (BMW) Function Description 1992-99.....	1.....	TBA
ELECTRICAL COMPONENTS				
NI.....	85949FA.....	Solenoid Kit, ZF5HP18 (BMW) 1992-99 (Contains: 5 Shift, 1 Lock-Up & Valve Housing With Pressure Regulator Solenoid) (For Units Ending In 087/088/097/099).....	1.....	TBA
NI.....	84949FB.....	Solenoid Kit, ZF5HP18 (BMW) 1992-99 (Contains: 5 Shift, 1 Lock-Up & Valve Housing With Pressure Regulator Solenoid)(For Units Ending In 081).....	1.....	TBA
NI.....	85958F.....	Sensor, ZF5HP18 (BMW) Input & Output Speed 1992-99.....	2.....	TBA
NI.....	82836.....	Solenoid, ZF5HP18, Shift, All, 1991-Up.....	1.....	TBA
NI.....	85954.....	Solenoid, ZF5HP18, Shift, (520/530), 1991-Up.....	5.....	TBA
NI.....	85954F.....	Solenoid, ZF5HP18, Shift, (525), 1991-Up.....	5.....	TBA
NI.....	85957.....	Solenoid, ZF5HP18, EPC W/ Housing (520), 1991-Up.....	1.....	TBA
NI.....	85957FA.....	Solenoid, ZF5HP18, EPC W/ Housing (530), 1991-Up.....	1.....	TBA
NI.....	85957FB.....	Solenoid, ZF5HP18, EPC W/ Housing (525), 1991-Up.....	1.....	TBA

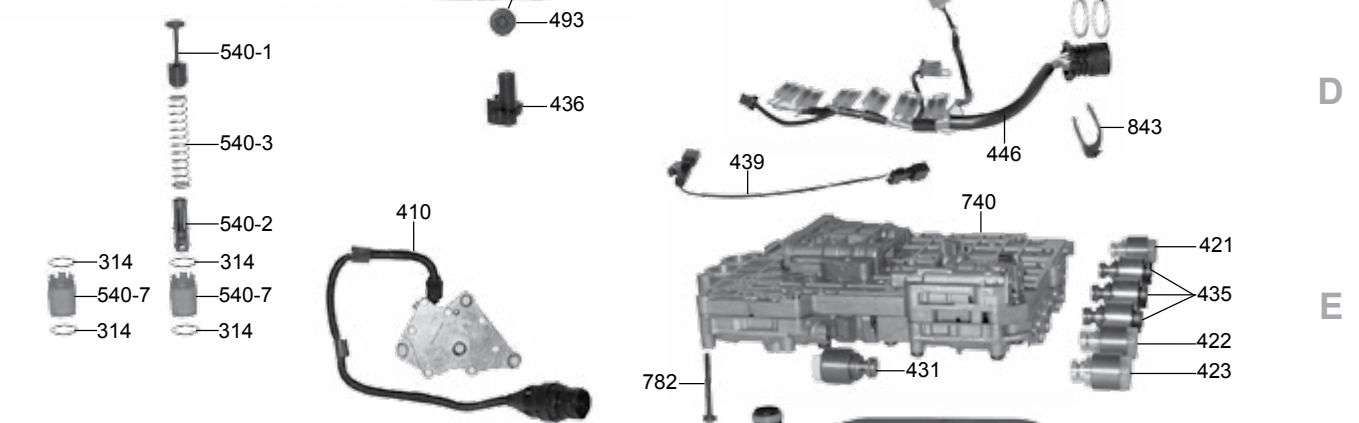
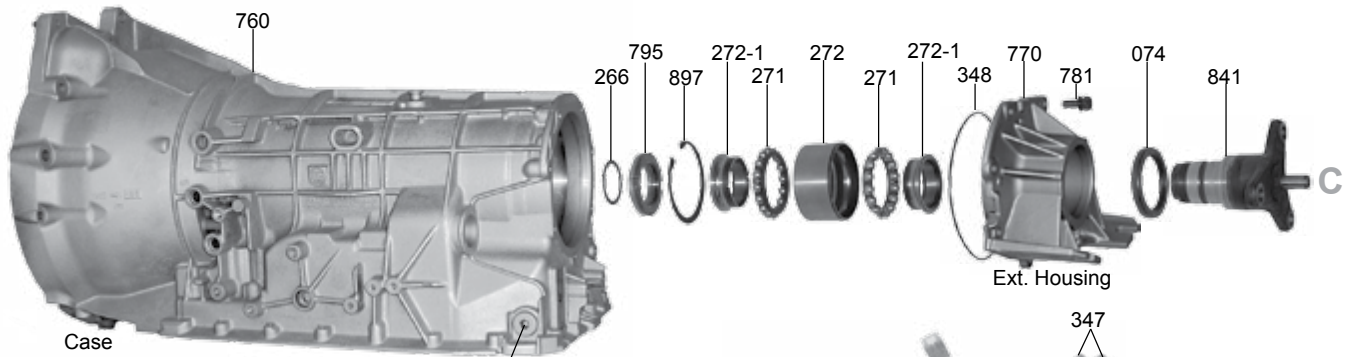
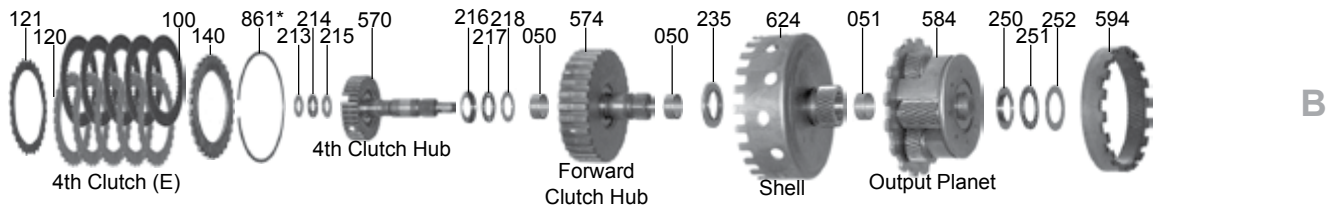
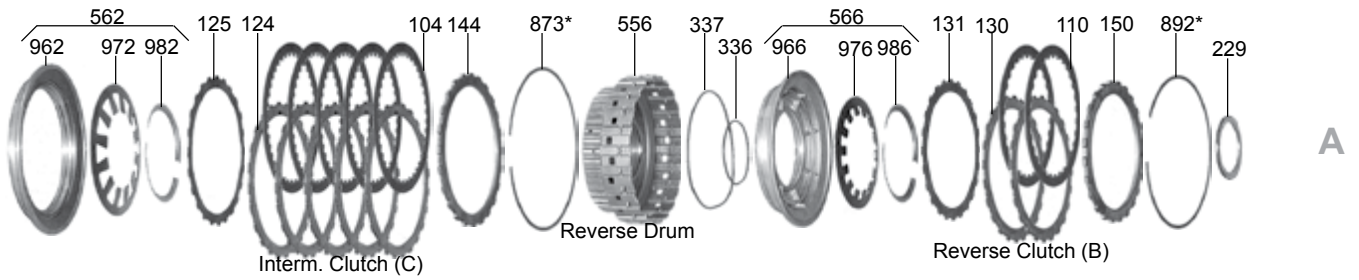


ZF5HP18

ILL#	Part#		QTY	REF#
HARD PARTS				
NI	85916F	Pump Body W/Gears, ZF5HP18 (BMW) 1992-99	1	TBA
NI	85733F	Drum, ZF5HP18 OD-Direct (F) 1992-99 (Units Ending In 087/088/097/099)	1	TBA
NI	85735F	Drum, ZF5HP18 Low/Rev & O-Rub Clutch (D & G) (Units Ending In 087/088/097/099)	1	TBA
NI	85864	Piston, ZF5HP18, 5th (Overdrive), Bonded) 1991-Up	1	TBA
NI	85865	Piston, ZF5HP18, 5th (Overrun), Bonded) 1991-Up	1	TBA
NI	85833	Diaphragm Spring, ZF5HP18, Intermediate (C) 1991-Up	1	TBA
NI	85834	Diaphragm Spring, ZF5HP18, Reverse (D) 1991-Up	1	TBA
NI	85835	Diaphragm Spring, ZF5HP18, Forward (A) 1991-Up	1	TBA
NI	85836	Diaphragm Spring, ZF5HP18, overdrive (E) 1991-Up	1	TBA

ZF5HP19 (RWD)







ZF5HP19, ZF5HP19FL/FLA

ILL#	Part#		QTY	REF#
OVERHAUL KITS				
NI.....	K85900K.....	Overhaul Kit, ZF5HP19FL/FLA W/Pistons, 2WD & AWD, 1995-Up.....	1.....	N/A
NI.....	K85900KX.....	Overhaul Kit, ZF5HP19FL/FLA W/Out Pistons, 2WD & AWD, 1995-Up.....	1.....	N/A
MASTER L/STEEL KITS				
NI.....	DK8500KS.....	Master L/Steels, ZF5HP19FL/FLA W/Pistons, 2WD & AWD, 1995-Up.....	1.....	N/A
NI.....	DK8500KXS.....	Master L/Steels, ZF5HP19FL/FLA W/Out Pistons, 2WD & AWD, 1995-Up.....	1.....	N/A
MASTER W/STEELS KITS				
NI.....	DK8500K.....	Master W/Steels Kit, ZF5HP19 W/Pistons, BMW 3, 5, 7, Series, 1997-Up.....	1.....	N/A
NI.....	DK8500KX.....	Master W/Steels Kit, ZF5HP19 W/Out Pistons, BMW 3, 5, 7, Series, 1997-Up.....	1.....	N/A
NI.....	DK8500KA.....	Master W/Steels Kit, ZF5HP19FL, W/Pistons, VW Passat(2WD) 1998-04, Audi (A4, A8).....	1.....	N/A
		1995-04, (A6) '97-04, Porsche(986, Boxster 2WD) 96-04.....		
NI.....	DK8500KAX.....	Master W/Steels Kit, ZF5HP19FL, W/Out Pistons, VW Passat(2WD) 1998-04, Audi (A4,.....	1.....	N/A
		A8) 1995-04, (A6) '97-04, Porsche(986, Boxster 2WD) 96-04.....		
NI.....	DK8500KB.....	Master W/Steels Kit, ZF5HP19FLA, W/Pistons, VW Passat(AWD) W/4 Motion 98-04,.....	1.....	N/A
		Audi (A4, A8) 95-04, (A6)'97-04 AWD, Allroad 01-04.....		
NI.....	DK8500KBX.....	Master W/Steels Kit, ZF5HP19FLA, W/Out Pistons, VW Passat(AWD) W/4 Motion.....	1.....	N/A
		1998-04 Audi (A4, A8) 95-04, (A6)'97-04 AWD, Allroad 01-04.....		
FILTERS				
010.....	85710K.....	Filter, ZF5HP19FL/FLA (Audi, VW, Porsche 2WD & AWD) 1995-Up.....	1.....	TBA
010.....	85710L.....	Filter, ZF5HP19 (BMW) (RWD) 1997-Up.....	1.....	TBA
010.....	85710P.....	Filter, ZF5HP19 (Porsche) 1998-Up.....	1.....	TBA
BUSHINGS				
030.....	K85902K.....	Bushing Kit, 1995-Up.....	1.....	83500
034.....	85005K.....	Bushing, ZF5HP19 Pump Body 1995-Up.....	1.....	TBA
034.....	85916-01.....	Bushing, ZF5HP19 Pump Body (Oversized) 1995-Up (Pump Body Must Be Machined).....	1.....	85916-01
		(Fixes A Body With Spun Bushing) Sonnax.....		
036.....	85002K.....	Bushing, ZF5HP19 Stator (Front) (.885" ID) 1995-Up.....	1.....	TBA
037.....	85003K.....	Bushing, ZF5HP19 Stator (Rear) (1.004" ID) 1995-Up.....	1.....	TBA
038.....	85010K.....	Bushing, ZF5HP19 4th Clutch Drum (Pilot) (.475" ID) Brass 1995-Up.....	1.....	TBA
039.....	85013K.....	Bushing, ZF5HP19 Overdrive Ring Gear Hub (1.028" ID) 1995-Up.....	1.....	TBA
043.....	85014K.....	Bushing, ZF5HP19 Overdrive Direct Drum (2.168" ID) 1995-Up.....	1.....	TBA
044.....	85024K.....	Bushing, ZF5HP19 Low Sprag Inner Race (Takes 2) 1995-Up (1.377" ID) Brass.....	2.....	TBA
050.....	85013KB.....	Bushing, ZF5HP19 Forward Clutch Hub (.825" ID) Brass 1995-Up.....	2.....	TBA
051.....	85019K.....	Bushing, ZF5HP19 Shell (Brass) (.400" Thick, 1.185" ID) 1995-Up.....	1.....	TBA
062.....	85010K.....	Bushing, ZF5HP19 Intermediate Shaft (Pilot) (.475" ID) 1995-Up.....	1.....	TBA
NI.....	85110-01K.....	Bushing & Sealing Ring, F-Clutch Drum (Fits Early Bushing Style) 1995-Up (Sonnax).....	1.....	85110-01K
METAL CLAD SEALS				
070.....	85151A.....	Seal, ZF5HP19 Front Pump, 1995-Up.....	1.....	0734-310-316
072.....	82155.....	Seal, ZF5HP19, Manual Lever, 1997-Up.....	1.....	TBA
072.....	82155F.....	Seal, ZF5HP19FL/FLA, Manual Lever, 1995-Up.....	1.....	TBA
074.....	85160K.....	Seal, ZF5HP19 AWD Extension Housing (2-1/16" OD) 1995-Up.....	1.....	0734-319-588
075.....	85163K.....	Seal, ZF5HP19 Pinion (Double Lip) (3.477" OD) 1995-Up.....	1.....	TBA
076.....	85153KA.....	Seal, ZF5HP19 Axle (Outer) Differential Cover (Passenger Side) (3-9/16" OD).....	1.....	0734-310-342
76B.....	85154K.....	Seal, ZF5HP19 Long Axle Shaft To Case (Diff/Drivers Side) Double Lip 1-13/16" OD.....	1.....	0750-111-399
077.....	85153K.....	Seal, ZF5HP19 Axle (Drivers Side) 3.155" OD 1995-Up.....	1.....	TBA
080.....	85162KA.....	Seal, ZF5HP19 AWD Drive Gear (Front) 1.495" OD 1995-Up.....	1.....	TBA
80B.....	85162KB.....	Seal, ZF5HP19 AWD Drive Gear (Rear) (2.642" OD) 1995-Up.....	1.....	TBA
FRICTIONS				
100.....	85113.....	Friction, ZF4HP14 4th Clutch (.063")(36 Teeth)(4.25" OD) 1995-Up.....	2.....	TBA
102.....	85115A.....	Friction, ZF5HP19, Overdrive Direct Clutch.....	5.....	TBA
104.....	85109.....	Friction, ZF5HP19 Intermediate Clutch (.062") 40T (6 5/8" OD) (Takes 5) 1995-Up.....	5.....	TBA
108.....	85115.....	Friction, ZF5HP19 Forward Clutch (.058") 30 Teeth (5 3/4" OD) (Takes 5) 1995-Up.....	5-11.....	TBA
110.....	85111.....	Friction, ZF5HP19 Reverse Clutch (.079") 30 Teeth (6 1/8" OD) (Takes 2) 1995-Up.....	2.....	TBA
114.....	85115.....	Friction, ZF5HP19, Low/Reverse Clutch Takes 6.....	6.....	TBA
116.....	85115A.....	Friction, ZF5HP19 Overrun Clutch (.063") 30 Teeth (5 5/16" OD) (Takes 4) 1995-Up.....	4-9.....	TBA
119.....	K85KF.....	Friction Module, ZF5HP19/FL 2WD, 1995-Up.....	1.....	TBA
119.....	K85KAF.....	Friction Module, ZF5HP19FLA AWD, 1995-Up.....	1.....	TBA
STEELS				
120.....	85134.....	Steel, ZF5HP19 4th Clutch (.071") 30 Teeth (3.070" ID) (Takes 5) 1995-Up.....	5.....	TBA
121.....	85134KC.....	Steel, ZF5HP19 4th Clutch Cushion (.032") (28 Teeth) 1995-Up.....	1.....	TBA
122.....	85121A.....	Steel, ZF5HP19 Overdrive Direct Clutch (.118") 24 Teeth (4 3/4" ID) Takes 6 95-Up.....	6.....	TBA



ZF5HP19, ZF5HP19FL/FLA

ILL#	Part#		QTY	REF#
123.....	85121KC.....	Steel, ZF5HP19 Overdrive Direct Clutch, Cushion (.035") (22 Teeth) 1995-Up.....	1.....	TBA
124.....	85107.....	Steel, ZF5HP19 Intermediate Clutch (.070") 24 Teeth 1995-Up.....	3-5.....	TBA
124.....	85107A.....	Steel, ZF5HP19 Intermediate Clutch (.130") 24 Teeth 1995-Up.....	3-5.....	TBA
124.....	85107B.....	Steel, ZF5HP19 Intermediate Clutch (.094") 24 Teeth 1995-Up.....	3-5.....	TBA
125.....	85107KC.....	Steel, ZF5HP19 Intermediate Clutch Cushion (.0354") (24 Teeth) 1995-Up.....	1.....	TBA
128.....	85122.....	Steel, ZF5HP19 Forward Clutch (.070") 24 Teeth (5 3/16" ID) (Takes 5) 1995-Up.....	5-11.....	TBA
129.....	85143B.....	Steel, ZF5HP19 Fwd Clu & Low/Rev Cushion, Waved, (.040") (24T) 1995-Up.....	1-2.....	TBA
129.....	85122KC.....	Steel, ZF5HP19 Forward Clutch Cushion, (.040") (22 Teeth) 1995-Up.....	1.....	TBA
130.....	85106.....	Steel, ZF5HP19 Reverse Clutch (.070") 24 Teeth (5 3/16" ID) (Takes 2) 1995-Up.....	2.....	TBA
131.....	85106KC.....	Steel, ZF5HP19 Reverse Clutch Cushion (.032") 21 Teeth (5 3/16" ID) 1995-Up.....	1.....	TBA
134.....	85122.....	Steel, ZF5HP19, Low/Reverse Clutch Takes 6.....	6.....	TBA
135.....	85122KC.....	Steel, ZF5HP19 Low/Rev Clutch Cushion, (.040") (22 Teeth) 1995-Up.....	1.....	TBA
136.....	85121.....	Steel, ZF5HP19 Overrun Clutch (.070") 24 Teeth (4 3/4" ID) 1995-Up (Takes 4).....	4.....	TBA
136.....	85121KC.....	Steel, ZF5HP19 Overrun, Cushion (.035") (22 Teeth) 1995-Up.....	1-2.....	TBA
139.....	K85KS.....	Steel Module, ZF5HP19FL 2WD, 1995-Up.....	1.....	TBA
139.....	K85KAS.....	Steel Module, ZF5HP19 2WD, 1995-Up.....	1.....	TBA
139.....	K85KBS.....	Steel Module, ZF5HP19FLA, AWD, 1995-Up.....	1.....	TBA
PRESSURE PLATES				
140.....	85715K.....	Pressure Plate, ZF5HP19 4th Clutch (.138") 30 Teeth (3.070" ID) 1995-Up.....	1.....	TBA
144.....	85716K.....	Pressure Plate, ZF5HP19 Intermediate Clutch (.157") 24 Teeth (5 3/4" ID) 1995-Up.....	1.....	TBA
148.....	85717K.....	Press Plate, ZF5HP19 Forward Clutch (.178") 24 Teeth (5 3/16" ID) 1995-Up.....	1-2.....	TBA
150.....	85718K.....	Pressure Plate, ZF5HP19 Reverse Clutch (.177") 24 Teeth (5 3/16" ID) 1995-Up.....	1.....	TBA
154.....	85717K.....	Press Plate, ZF5HP19 Low/Rev Clutch (.178") 24 Teeth (5 3/16" ID) 1995-Up.....	1.....	TBA
156.....	85718K.....	Pressure Plate, ZF5HP19 Overrun Clutch (.176") 24 Teeth (4 3/4" ID) 1995-Up.....	1.....	TBA
VALVE BODY KITS				
165.....	5HP-19-PR.....	Valve Kit, ZF5HP19 (Type-2 VB's) Runaway Pressure, Harsh Shifts, Drum Breakage.....	1.....	Transgo
165.....	K85908K.....	Valve Body Kit, ZF5HP19 (BMW) 1997-04 (OE, ZF).....	1.....	TBA
SEALING RINGS				
170.....	K85901K.....	Ring Kit, ZF5HP19, 1995-Up.....	1.....	TBA
177.....	85301K.....	Ring, ZF5HP19 4th Clutch Shaft (Rear) (Teflon) 1995-Up.....	1.....	TBA
177.....	85301KA.....	Ring, ZF5HP19 4th Clutch Drum (Front) (Teflon) 1995-Up.....	1.....	TBA
178.....	85302K.....	Ring, ZF5HP19 Low/Reverse Clutch (Takes 2) (Rubber) 1995-Up.....	2.....	TBA
179.....	85303K.....	Ring, ZF5HP19 Stator (Reverse Clutch) 2.288" OD (Metal) 1995-Up.....	2.....	TBA
181.....	85304K.....	Ring, ZF5HP19 Stator (Forward Clutch) 2.055" OD (Metal) 1995-Up.....	1.....	TBA
185.....	85305K.....	Ring, ZF5HP19 Overrun Clutch (Takes 2) (Teflon) 1995-Up.....	2.....	TBA
WASHERS & BEARINGS				
210.....	85415K.....	Bearing W/Race, ZF5HP19 Stator To Reverse Drum (Beveled) 1995-Up.....	1.....	TBA
211.....	85435K.....	Shim, ZF5HP19 Stator To Reverse Drum (Selective) 1995-Up.....	1.....	TBA
213.....	85436K.....	Race, ZF5HP19 4th Clu Drum To Hub (.039") (1.020" OD)(1 Each Side Of #214 Brg).....	2.....	TBA
214.....	85416K.....	Bearing, ZF5HP19 4th Clutch Drum To Hub (.078") (1.016" OD) 1995-Up.....	1.....	TBA
215.....	85436K.....	Race, ZF5HP19 4th (.039") (1.020" OD)(1 Each Side Of #214 Brg).....	1.....	TBA
216.....	85737K.....	Cupped Race, ZF5HP19 4th Clutch Hub To Forward Hub 1995-Up.....	1.....	TBA
217.....	85417K.....	Bearing, ZF5HP19 4th Clu Hub To Fwd Hub (.079" Thick) 1.362" OD (.834" ID) 1995-Up.....	1.....	TBA
218.....	85438K.....	Race, ZF5HP19 4th Clu Hub To Fwd Hub (.039" Thick) 1.359" OD (.882" OD) 1995-Up.....	1.....	TBA
219.....	85439K.....	Cupped Race, ZF5HP19 Overdrive Direct Drum To Hub (2.338" OD) 1995-Up.....	1-2.....	TBA
220.....	85448K.....	Bearing, ZF5HP19 Overdrive Direct Drum To Hub (.118" Thick)(2.232" OD) 1995-Up.....	1-2.....	TBA
221.....	85440K.....	Race, ZF5HP19 Overdrive Direct Drum To Hub (Flat) (.039" Thick) 1995-Up.....	1-2.....	TBA
222.....	85439K.....	Cupped Race, ZF5HP19, Overdrive Ring Gear Hub To Overdrive Planet, 1995-Up.....	1.....	TBA
223.....	85448K.....	Bearing, ZF5HP19, Overdrive Ring Gear Hub To Overdrive Planet, 1995-Up.....	1.....	TBA
224.....	85440K.....	Race, ZF5HP19, Overdrive Ring Gear Hub To Overdrive Planet, 1995-Up.....	1.....	TBA
225.....	85441K.....	Cupped Race, ZF5HP19 Overdrive Planet To Sun Gear 1995-Up.....	1.....	TBA
226.....	85419K.....	Bearing, ZF5HP19 Overdrive Planet To Sun Gear (.117" Thick) 1995-Up.....	1.....	TBA
227.....	85442K.....	Race, ZF5HP19 Overdrive Planet To Sun Gear (2.435" OD) 1995-Up.....	1.....	TBA
229.....	85420K.....	Bearing, ZF5HP19 Reverse Drum To Forward Drum (2.995" OD) 1995-Up.....	1.....	TBA
235.....	85421K.....	Bearing W/Races, ZF5HP19 Forward Hub To Shell (1.216" ID) 1995-Up.....	1.....	TBA
250.....	85443K.....	Race, ZF5HP19 Output Planet To Intermediate Shaft (Stepped) 1995-Up.....	1.....	TBA
251.....	85422K.....	Bearing, ZF5HP19 Output Planet To Intermediate Shaft (.118") 1995-Up.....	1.....	TBA
252.....	85444K.....	Race, ZF5HP19 Output Planet To Intermediate Shaft (Flat) 1995-Up.....	1.....	TBA
253.....	85445K.....	Race, ZF5HP19 Interm Shaft To Low Sprag Inner Race (Flat) .038" Thk, 2.416" OD, 95-Up.....	1.....	TBA
254.....	85423K.....	Bearing, ZF5HP19 Interm Shaft To Low Sprag Inner Race, .118" Thk, 2.465" OD, 1995-Up.....	1.....	TBA
255.....	85424K.....	Race, ZF5HP19 Interm Shaft To Low Sprag Inner Race (Stepped) .040" Thk, 2.435" OD.....	1.....	TBA
263.....	85425K.....	Bearing W/Races, ZF5HP19 Overdrive Sun Gear To Output Gear 1995-Up.....	1.....	TBA
264.....	85446K.....	Spacer, ZF5HP19 Overdrive Sun Gear To Output Gear (.275" Thick) 1995-Up.....	1.....	TBA
272.....	85447K.....	Shim, ZF5HP19 Case To Drive Gear (Selective) 1995-Up.....	1.....	TBA

ZF



ZF5HP19, ZF5HP19FL/FLA

ILL#	Part#		QTY	REF#
274.....	85977K.....	Cone Brg, ZF5HP19 Pinion Shaft To Nut (XC2212CS) 19 Roller, 1.62" ID 1995-Up.....	1.....	TBA
274.....	85977KA.....	Cone Brg, ZF5HP19 Pinion Shaft To Race Assy (XC09637CD) 18 Roller, 1.62" ID 95-Up.....	1.....	TBA
275.....	85426K.....	Ball Brg, ZF5HP19 Axle Flange To Case (SKF 6007/C3) 2.442" OD, 1.375" ID 1995-Up.....	1.....	TBA
276.....	85448K.....	Shim, ZF5HP19 Pinion (2.346" OD) 1.645" ID (Selective) 1995-Up.....	1.....	TBA
277.....	85449K.....	Shim, ZF5HP19 Driven Gear To Cup Race Retainer (Selective) 1995-Up.....	1.....	TBA
278.....	85978K.....	Cup Race, ZF5HP19 Case To Drive Gr (2.995" OD)(Cast # LM503310/QCL7C SKF).....	1-2.....	TBA
278.....	85978KA.....	Cup Race, ZF5HP19 AWD Drive Gear To Rear Cov (Cast # 32020X1Q SKF) (3.150" OD).....	1.....	TBA
279.....	85977KB.....	Cone Brg, ZF5HP19 Case To Drive Gear (1.810" ID)(Cast # LM503349/QCL7C SKF) 1995-.....	1-2.....	TBA
279.....	85977KC.....	Cone Brg, ZF5HP19 AWD Drive Gear To Rear Cover (Cast # 32010X1Q SKF) 1995-Up.....	1.....	TBA
280.....	85978KB.....	Cup Race, ZF5HP19 Driven Gear (Both Sides) (LM503310) 1995-Up.....	2.....	TBA
281.....	85977KD.....	Cone Bearing, ZF5HP19 Driven Gear (Both Sides) (LM503349) 1995-Up.....	2.....	TBA
282.....	85978KE.....	Cup Race, ZF5HP19 Idler Gear (Both Sides) (LM48510) 1995-Up.....	2.....	TBA
283.....	85977KE.....	Cone Bearing, ZF5HP19 Idler Gear (Both Sides) (LM48548) 1995-Up.....	2.....	TBA
284.....	85448K.....	Shim, ZF5HP19 Case To Idler Gear (Selective) (2.542" OD) 1995-Up.....	1.....	TBA
288.....	85978KD.....	Cup Race, ZF5HP19 Differential To Cover (LM806610) 1995-Up.....	1.....	TBA
289.....	85977KF.....	Cone Bearing, ZF5HP19 Differential To Cover (LM806649) 1995-Up.....	1.....	TBA
290.....	85449K.....	Shim, ZF5HP19 Differential To Cover (3.477" OD) (Selective) 1995-Up.....	1.....	TBA
291.....	85978KE.....	Cup Race, ZF5HP19 Differential Bearing To Case (LM300811/Q) 1995-Up.....	1.....	TBA
292.....	85977KG.....	Cone Bearing, ZF5HP19 Differential To Case (LM300849/QCL7A) 1995-Up.....	1.....	TBA
292.....	K85977KG.....	Bearing/Race ZF5HP19 Diff To Case (LM300849/QCL7A/LM300811/Q) 1995-Up.....	1.....	TBA
293.....	85450K.....	Shim, ZF5HP19 Differential To Case (Selective) (2.664" OD) 1995-Up.....	1.....	TBA
296.....	85427K.....	Ball Bearing, ZF5HP19 AWD Transfer Case Drive Gear (Front) 1995-Up.....	1.....	TBA
297.....	85428K.....	Caged Needle Brg, ZF5HP19 AWD Transfer Gr To Ext Hsg, (Cast # INA HK4016) 1.85" OD.....	1.....	TBA
298.....	85429K.....	Caged Needle Bearing, ZF5HP19 AWD Driven Transfer Case Gear (Front).....	1.....	TBA
.....	1.655" OD (Cast # INA HK3516) 1995-Up.....
299.....	85430K.....	Ball Brg, ZF5HP19 AWD Driven Transfer Case Gear (3.545" OD)(Cast # SKF 6210/C3).....	1.....	TBA

GASKETS & RUBBER COMPONENTS

300.....	85502K.....	Gasket, ZF5HP19 (Audi/VW) Bottom Pan (Paper) 1995-Up.....	1.....	TBA
300.....	85502A.....	Gasket, ZF5HP19 (BMW) (RWD) Bottom Pan (Paper) 1997-Up.....	1.....	TBA
311.....	116516A.....	O-Ring, ZF5HP19 Pump Body 1995-Up (PI#83064).....	1.....	TBA
311.....	85506K.....	O-Ring, ZF5HP19FL/FLA Pump Body 1995-Up (PI#83145).....	1.....	TBA
381.....	114529.....	O-Ring, ZF5HP19 Stator Body 1995-Up (PI#83898).....	1.....	TBA

TECHNICAL MANUALS

400.....	TNZF5HP19.....	Repair Manual, ZF5HP19 RWD (BMW).....	1.....	TBA
----------	----------------	---------------------------------------	--------	-----

ELECTRICAL COMPONENTS

410.....	85991K.....	Switch, ZF5HP19 PRNDL (2 Bolt) (9 Pin Square Connector) 1995-Up.....	1.....	TBA
410.....	85991KA.....	Switch, ZF5HP19 PRNDL (2 Bolt) (8 Pin Round Connector) 1995-Up.....	1.....	TBA
420.....	85949KA.....	Solenoid Kit, ZF5HP19 / FLA 1994-Up 3 Shift, 4 EPC W/ O-Rings (ZF5HP19 Units).....	1.....	TBA
.....	Ending In 005/008/009/010)(ZF5HP19FL Units Ending In 049/059/072/088)(ZF5HP19FLA.....
.....	Units Ending In 030/035/044/053/054/063/065/073/075/087/093/100/101/103).....
420.....	114949A.....	Solenoid Kit, ZF5HP19FL / ZF5HP19HL / ZF5HP19HLA (Units Ending In 030/050/053).....	1.....	TBA
420.....	85949KB.....	Solenoid Kit, ZF5HP19FL/ZF5HP19FLA 1994-Up (3 Shift, 4 EPC W/ O-Rings) (ZF5HP19FL.....	1.....	TBA
.....	Units Ending In 005/006/011/013/021/027)(ZF5HP19FLA Ending In 002/012/013/018/036).....
431.....	85941K.....	Solenoid, ZF5HP19, EPC.....	1.....	TBA
436.....	85958K.....	Speed Sensor, ZF5HP19 Internal W/Out Wires.....	1.....	TBA
436.....	85958KA.....	Speed Sensor, ZF5HP19 Internal W/Out Wires.....	1.....	TBA
436.....	85958KB.....	Speed Sensor, ZF5HP19FL / FLA External.....	1.....	TBA
437.....	85952K.....	Sensor, ZF5HP19 Temperature (On Valve Body) 1995-Up.....	1.....	TBA
446.....	85988K.....	Wire Harness, ZF5HP19 Internal W/16 Prong Case Connector (W/2 Two Wire.....	1.....	TBA
.....	Connectors & 3 Three Wire Connectors) 1995-Up.....

PUMPS & PUMP COMPONENTS

500.....	85912K.....	Pump, ZF5HP19FL/FLA, 1994-Up.....	1.....	TBA
500.....	85912KA.....	Pump, ZF5HP19 (BMW) 1997-04.....	1.....	TBA
510.....	85916.....	Pump Body W/Gears, ZF5HP19FL/FLA (Cast#1060 410 061)(14T Inner Gr, .551" Thk) 94-.....	1.....	TBA
510.....	85916A.....	Pump Body W/Gears, ZF5HP19 (BMW) 1997-04.....	1.....	TBA
520.....	85919.....	Stator, ZF5HP19 (Pump Cover) Alum (Cast # 1060 410 083)(W/Out #529 Shaft) 95-Up.....	1.....	TBA
529.....	85919A.....	Stator Shaft, ZF5HP19 (Cast # 1058 410 084) 1995-Up.....	1.....	TBA
544.....	85918K.....	Plate, ZF5HP19FL / ZF5HP19FLA (Audi) Pump 1994-Up.....	1.....	TBA
544.....	85918KA.....	Plate, ZF5HP19 (BMW) Pump 1997-04.....	1.....	TBA
507.....	85621K.....	Pin, ZF5HP19 Pump Alignment 1995-Up.....	1.....	TBA
507.....	85622K.....	Sleeve, ZF5HP19 (BMW) Pump Stator 1997-04.....	2.....	TBA
NI.....	85627K.....	Tube, ZF5HP19 Pump To Valve Body, Plastic.....	1.....	TBA

DRUMS, CLUTCH HOUSINGS & HUBS



ZF5HP19, ZF5HP19FL/FLA

ILL#	Part#		QTY	REF#
546.....	85171K.....	Apply Ring, ZF5HP19 Overdrive Direct Clutch (Steel) 1995-Up	1	TBA
550.....	85732K.....	Drum W/Shaft, ZF5HP19 4th Clutch (Stamped Steel) (5 Clutch) 1995-Up	1	TBA
551.....	85733K.....	Drum, ZF5HP19 / FL / FLA OD Direct Clu (W/ Internal Bearing) 1994-Up (ZF5HP19 Units	1	TBA
		Ending In 005/009/010)(FL Units Ending In 005/006/011/021/027/059/088)(FLA		
		Units Ending In 002/012/013/035/036/044/058/063/065/075/087/093/100/103)		
551.....	85733KA.....	Drum, ZF5HP19 / FL / FLA Overdrive Direct Clutch (W/ Internal Bearing) 1994-Up	1	TBA
		(ZF5HP19 Units Ending In 008)(ZF5HP19FL Units Ending In 013/049/072)		
		(ZF5HP19FLA Units Ending In 018/030/054/073/101)		
552.....	85736K.....	Housing, ZF5HP19 Intermediate Clutch (24 Teeth Steels) (5 Clutch) 1995-Up	1	TBA
554.....	85737K.....	Drum, ZF5HP19 Forward Clutch (5 Clutch) (Cast # 1060 470 043) Aluminum 1995-Up	1	TBA
556.....	85938.....	Drum, ZF5HP19 Reverse Clutch (Stamped Steel) (2 Clutch) 1995-Up	1	TBA
558.....	85735K.....	Housing, ZF5HP19 Low/Rev & Overrun Clu (Aluminum) 24T Steels On Both Sides.....	1	TBA
		(4.315" Thick) (With 3 Unthreaded Holes On The Side For The Oil Seals # 386) 1995-Up		
558.....	85735F.....	Drum, ZF5HP19 (BMW) Low/Rev & O-Run Clu 1995-Up (Units Ending In 005/009/010)	1	TBA
558.....	85735KC.....	Housing, ZF5HP19FL / FLA (Audi) Low/Rev & O-Run Clu (D & G) 1994-Up, FL.....	1	TBA
		Units Ending In 013/049/072)(FLA Units Ending In 018/030/054/073/101)		
558.....	85735KD.....	Housing, ZF5HP19FL / FLA (Audi) Low/Rev & O-Run Clu (D & G) 1994-Up (FL Units	1	TBA
		Ending In 059/088)(FLA Ending In 035/044/053/063/065/075/087/093/100/103)		
570.....	85740K.....	Hub W/Shaft, ZF5HP19 4th Clutch (36 Teeth Hub) (5.025" Long) 1995-Up	1	TBA
574.....	85741K.....	Clutch Hub, ZF5HP19 Forward Clutch (30 Teeth Hub) (3.275" Long) 1995-Up	1	TBA
PLANETS & SHELLS				
580.....	85749K.....	Planet, ZF5HP19 Overdrive 2WD (6 1/16" Long) (1 Groove) 1995-Up	1	TBA
580.....	85749KA.....	Planet, ZF5HP19 Overdrive 4x4 (10 3/4" Long) (1 Groove) 1995-Up	1	TBA
584.....	85748K.....	Planet, ZF5HP19 Output (Uses A 34 Teeth Sun Gear) (16 Lugs) 1995-Up	1	TBA
590.....	85759K.....	Ring Gear, ZF5HP19 Overdrive Planet (76 Teeth) (30 Lugs) 1995-Up	1	TBA
594.....	85758K.....	Ring Gear, ZF5HP19 Output Planet (98 Teeth) (18 Lugs) 1995-Up	1	TBA
600.....	85742K.....	Hub, ZF5HP19 Overdrive Ring Gear 1995-Up.....	1	TBA
610.....	85756K.....	Sun Gear, ZF5HP19 Overdrive (32 Teeth) With 24 Lug Hub 1995-Up.....	1	TBA
624.....	85919.....	Shell, ZF5HP19 (With 34 Teeth Sun Gear, 24 Drive Lugs) 1995-Up.....	1	TBA
624.....	85919A.....	Shell, ZF5HP19 Connecting (Cast # 1050 417 060) Aluminum (2.057" Thick) 1995-Up.....	1	TBA
SPRAGS & ONE WAY CLUTCHES				
639.....	85623K.....	Key, ZF5HP19 Low/Reverse & Overrun Clutch Housing (Takes 2) 1995-Up.....	2	TBA
644.....	85730K.....	Race, ZF5HP19 Low Sprag (Outer) With Low/Rev Clu Hub (1.802" Thick) 1995-Up	1	TBA
644.....	85730KA.....	Race, ZF5HP19 Low Sprag (Outer) With Low/Rev Clu Hub (1.535" Thick) 1995-Up	1	TBA
658.....	85727K.....	Sprag, ZF5HP19 Low (34 Elements .505" Thick) (Plastic Cage) 1995-Up.....	1	TBA
664.....	85729K.....	Race, ZF5HP19 Low Sprag Inner (3.900" Long) 1995-Up	1	TBA
SHAFTS & DIFFERENTIALS				
674.....	85745K.....	Intermediate Shaft, ZF5HP19 (18 Lugs) 4 3/8" Tall 1995-Up	1	TBA
685.....	85624K.....	Park Gear, ZF5HP19 (12 Lugs, 27 Teeth Reluctor) 1995-Up	1	TBA
695.....	85625K.....	Spacer Ring, ZF5HP19 Ring Gear To Intermediate Shaft (.079") 1995-Up	1	TBA
696.....	85943K.....	Crush Sleeve, ZF5HP19 Pinion (.706" Thick) 1995-Up.....	1	TBA
698.....	85626K.....	Bracket, ZF5HP19 AWD Holds Flange Plate To Extension Housing 1995-Up	1	TBA
698.....	85641K.....	Retainer, ZF5HP19 AWD Driven Transfer Gr (W/Threaded Center Hole) W/ Flange 95-Up.....	1	TBA
707.....	85227K.....	Drive Gear, ZF5HP19 AWD Transfer (41 Teeth) (5.110" Long) 1995-Up	1	TBA
708.....	85228K.....	Driven Gear, ZF5HP19 AWD Transfer Case (37 Teeth) 1995-Up	1	TBA
710.....	85810K.....	Gear, ZF5HP19 2WD Drive Transfer (35 Teeth) 1995-Up	1	TBA
710.....	85810KA.....	Gear, ZF5HP19 AWD Drive Transfer (29 Teeth) 1995-Up	1	TBA
712.....	85811K.....	Gear, ZF5HP19 Driven Transfer (35 Teeth, 3.740" Long) 1995-Up.....	1	TBA
714.....	85812K.....	Gear, ZF5HP19 Idler (41 Teeth, 3.485" Long) 1995-Up	1	TBA
716.....	85911K.....	Housing, ZF5HP19 Differential 2WD & AWD (12 Bolt) 1995-Up	1	TBA
716.....	K85911K.....	Kit, Diff Housing, 2WD, ZF5HP19 (Housing, Ring Gear & #292 Brg /Race) 95-Up.....	1	TBA
716.....	K85911KA.....	Kit, Diff Housing, AWD, ZF5HP19 (Housing, Ring Gear & #292 Brg /Race) 95-Up.....	1	TBA
719.....	85628K.....	Torsen 2 Assembly, ZF5HP19 AWD (3 Sets Of ID Splines) 1995-Up	1	TBA
720.....	85845K.....	Ring Gear, ZF5HP19 Differential 2WD (34 Teeth, 12 Bolts) 1995-Up	1	TBA
720.....	85845KA.....	Ring Gear, ZF5HP19 Differential AWD (32 Teeth, 12 Bolts) 1995-Up	1	TBA
724.....	85629K.....	Oil Deflector, ZF5HP19 Differential (Tin) (7 7/16" OD) 1995-Up	1	TBA
730.....	85846K.....	Pinion, ZF5HP19 Shaft 2WD (10 Teeth) (14 1/2" Long) 1995-Up	1	TBA
730.....	85846KA.....	Pinion, ZF5HP19 Shaft AWD (11 Teeth) (14 1/2" Long) 1995-Up	1	TBA
735.....	85641K.....	Race Assy, ZF5HP19 Pinion Brg Retainer (Bearing Races Made Into Retainer) 95-Up.....	1	TBA
736.....	85642K.....	Retainer, ZF5HP19 Driven Cup Race (Aluminum, 3.940" OD) 1995-Up.....	1	TBA
737.....	85631K.....	Spring, ZF5HP19 Park Gear To Aluminum Retainer (1.695" OD) 1995-Up.....	1	TBA
VALVE BODIES (DACCO VB#)				
740.....	ZF-9312.....	Valve Body, ZF5HP19, Audi, 1995-Up.....	1	TBA
740.....	ZF-9313.....	Valve Body, ZF5HP19, BMW, 1995-Up	1	TBA

ZF



ZF5HP19, ZF5HP19FL/FLA

ILL#	Part#		QTY	REF#
740.....	ZF-9314.....	Valve Body, ZF5HP19, VW, 1995-Up.....	1.....	TBA

VALVE BODIES

740.....	85754K.....	Valve Body, ZF5HP19 (7 Solenoids, 1 Blue, 3 Green & 3 Black) 1995-Up.....	1.....	TBA
740.....	85754KA.....	Valve Body, ZF5HP19 (7 Solenoids, 1 Yellow, 3 Green & 3 Black) 1995-Up.....	1.....	TBA

VALVE BODY COMPONENTS

748.....	K85755.....	Spring Set, ZF5HP19 (3 Springs, 3 Seals & 3 Snap Rings) Goes Into Case..... Above Valve Body, For Low/Reverse & Overrun Clutch).....	1.....	Sonnax
NI.....	85755-01.....	Valve, ZF5HP19, Oversized Pressure Regulator, For Early(E17 VB's) (1-Valve)..... Requires: Tool #'s F-85755-TL1 & VB-FIX.....	1.....	Sonnax
NI.....	85755-02.....	Valve, ZF5HP19, Oversized Pressure Regulator, For Late(E18.2 VB's) (1-Valve)..... Requires: Tool #'s F-85755-TL2 & VB-FIX.....	1.....	Sonnax
NI.....	85755K.....	Housing, BMW, Pressure Body, Houses P.R. Valve.....	1.....	TBA
NI.....	85755KA.....	Housing, Audi / VW / Porsche, Houses P.R. Valve, Tag #002-054.....	1.....	TBA
NI.....	85755KC.....	Valve, BMW, PR, Pressure Regulator, Tag #002-049.....	1.....	TBA
NI.....	85755KB.....	Valve, Audi / VW / Porsche, PR, Pressure Regulator, Tag #002-054.....	1.....	TBA

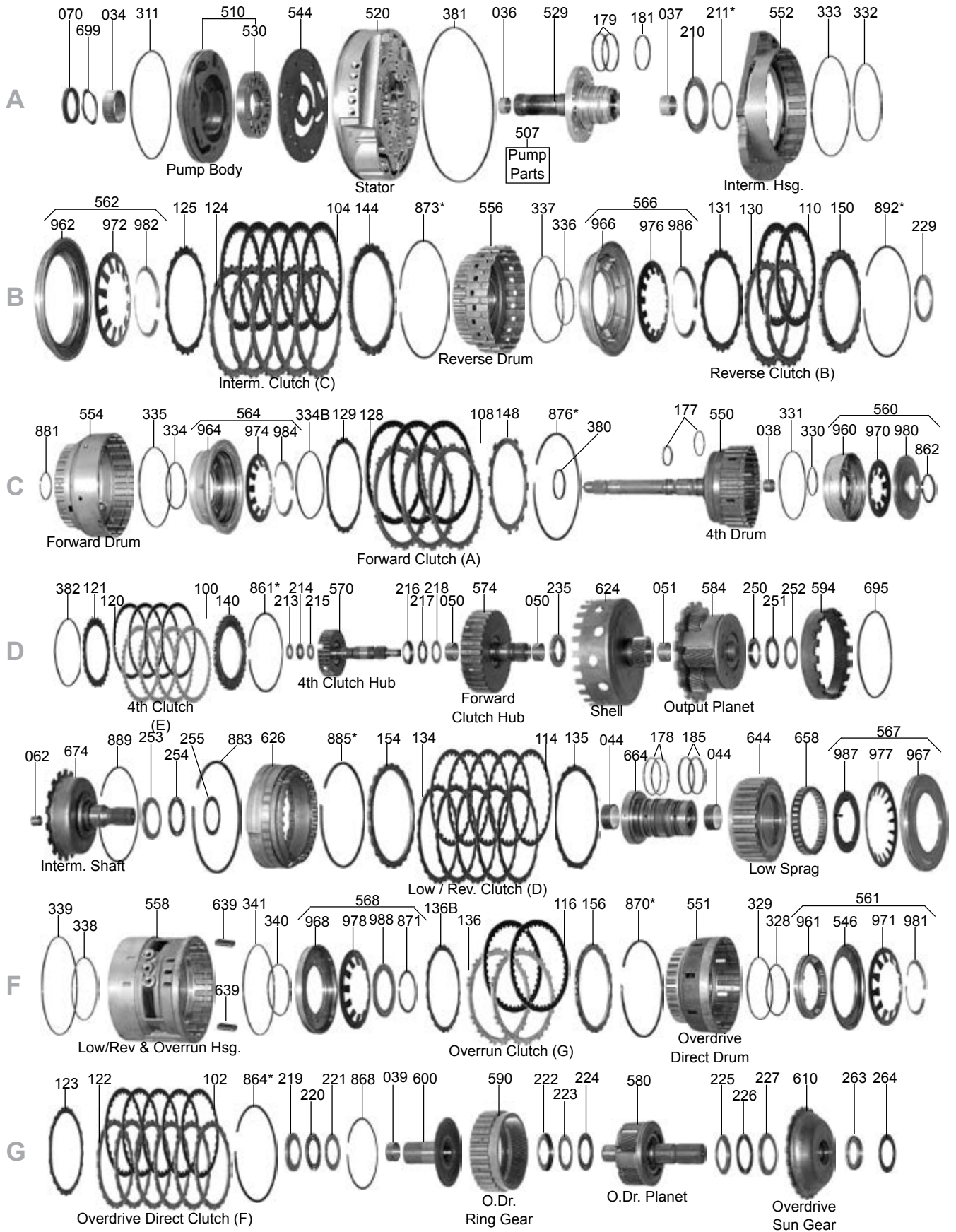
CASES, HOUSINGS & PANS

758.....	85704K.....	Cover, ZF5HP19 Diff (Alum, 12 Bolt, W/ Drain Plug) (Cast # 1060 435 079) 1995-Up.....	1.....	TBA
759.....	85705K.....	Rear Cover, ZF5HP19 2WD (No Vent) 1995-Up.....	1.....	TBA
759.....	85705KA.....	Cover, ZF5HP19 AWD Transfer Gear (With Vent) 1995-Up.....	1.....	TBA
760.....	85701K.....	Case, ZF5HP19 2WD & AWD (27 Pan Bolts) 1995-Up.....	1.....	TBA
765.....	85801K.....	Pan, ZF5HP19 Bottom (27 Bolt, With 2 Plugs) 1995-Up.....	1.....	TBA
770.....	85702KA.....	Extension Housing, ZF5HP19 AWD (Aluminum, 8 1/4" Long) 1995-Up.....	1.....	TBA
771.....	85632K.....	Rear Seal Housing, ZF5HP19 AWD (Aluminum, 4 Bolt) 1995-Up.....	1.....	TBA
774.....	85643K.....	Retainer, ZF5HP19 Axle Seal (Aluminum, 3 Bolts To Case) 1995-Up.....	1.....	TBA
787.....	85081K.....	Bolt, ZF5HP19 Holds Pinion Retainer (#735) In Case 1995-Up.....	1.....	TBA
796.....	85082K.....	Nut, ZF5HP19 Pinion (2.200" OD) (1.515" ID) (4 Holes) 1995-Up.....	1.....	TBA
798.....	85083K.....	Bolt, ZF5HP19 AWD Flange (Yoke) (2 11/16" Long) 1995-Up.....	1.....	TBA
820.....	85633K.....	Flange Plate, ZF5HP19 AWD (5 Bolt, .120" Thick) 1995-Up.....	1.....	TBA
838.....	85831K.....	Axle Flange, ZF5HP19 Drivers Side (14 3/8" Long) 1995-Up.....	1.....	TBA
838.....	85831KA.....	Axle Flange, ZF5HP19 Passengers Side (3 1/8" Long) 1995-Up.....	1.....	TBA
841.....	85634K.....	Flange, ZF5HP19 AWD (Yoke) Rear 1995-Up.....	1.....	TBA
845.....	85635K.....	Spacer, ZF5HP19 Axle Seal To Bearing (Plastic) (Cast # 0501 315 012).....	1.....	TBA

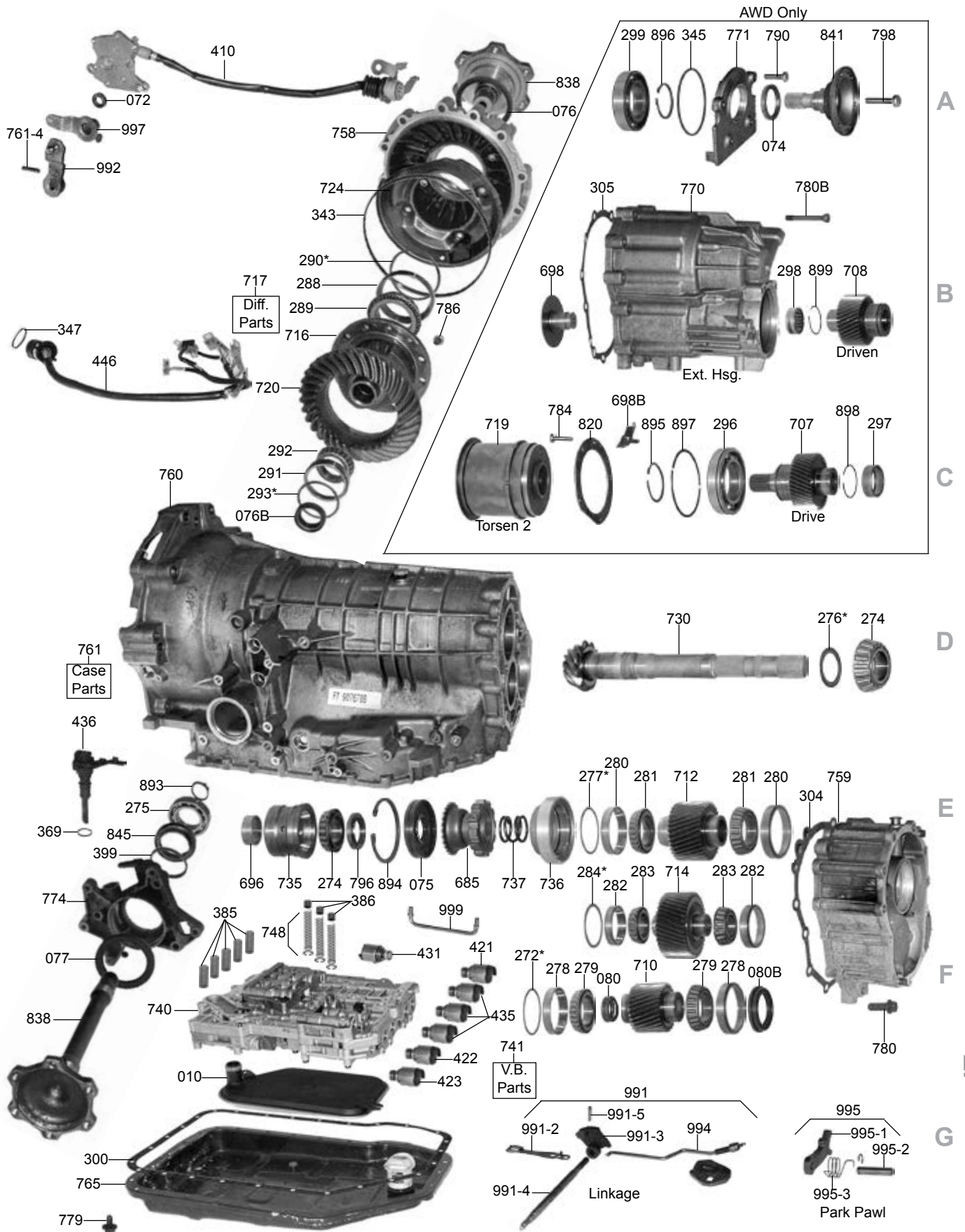
PISTONS, SPRINGS & MISCELLANEOUS

960.....	85760K.....	Piston, ZF5HP19 4th Clutch (Aluminum) (Cast # 1056 471 061C) 1995-Up.....	1.....	TBA
961.....	85761K.....	Piston, ZF5HP19 / ZF5HP19FL /FLA OD Direct Clu (Cast # 1056 477 038) 1994-Up.....	1.....	TBA
962.....	85762K.....	Piston, ZF5HP19 Intermediate Clutch (Cast # 1056 410 081) 1995-Up.....	1.....	TBA
964.....	85763K.....	Piston, ZF5HP19 Fwd Clu (Alum) (Cast # 1056 470 050) (8 Oval Holes) 1995-Up.....	1.....	TBA
966.....	85766E.....	Piston, ZF5HP19 Reverse Clutch (Cast # 1060 472) (Aluminum) 1995-Up.....	1.....	TBA
967.....	85764K.....	Piston, ZF5HP19 Low/Rev Clu (Cast # 1050 417 050 5) Aluminum, 1995-Up.....	1.....	TBA
968.....	85767K.....	Piston, ZF5HP19 Overrun Clutch (Cast # 1060 473 013) 1995-Up (Aluminum).....	1.....	TBA
970.....	85870K.....	Spring, ZF5HP19 4th Clutch Return (.060") (8 Fingers) (3.550" OD) 1995-Up.....	1.....	TBA
971.....	85871K.....	Spring, ZF5HP19 Overdrive Direct Clutch Return (Beveled) 1995-Up.....	1.....	TBA
972.....	85872K.....	Spring, ZF5HP19 Interm Clu Return (Beveled) (12 Fingers) (.058" Thk, 5.163" OD) 95-Up.....	1.....	TBA
974.....	85874K.....	Spring, ZF5HP19 Fwd Clu Return (Beveled) (12 Fingers).058" Thk, 4.265" OD, 1995-Up.....	1.....	TBA
976.....	85876K.....	Spring, ZF5HP19 Reverse Clutch Return (Beveled) (14 Fingers) 1995-Up.....	1.....	TBA
977.....	85877K.....	Spring, ZF5HP19 Low/Rev Clu Return (Beveled) (18 Fingers) .066" Thick, 1995-Up.....	1.....	TBA
978.....	85878K.....	Spring, ZF5HP19 O-Run Clu Return (Beveled) (12 Fingers) .073" Thick, 1995-Up.....	1.....	TBA
980.....	85644K.....	Retainer, ZF5HP19 4th Clutch Spring (Steel) 1995-Up.....	1.....	TBA
981.....	85636K.....	Clip Set, ZF5HP19 Holds Overdrive Direct Spring In (2 Pieces) 1995-Up.....	1.....	TBA
982.....	85636KA.....	Clip Set, ZF5HP19 Holds Intermediate Return Spring In (2 Pieces) 1995-Up.....	1.....	TBA
984.....	85636KB.....	Clip Set, ZF5HP19 Holds Forward Clutch Return Spring In (2 Pieces) 1995-Up.....	1.....	TBA
986.....	85636KC.....	Clip Set, ZF5HP19 Holds Reverse Clutch Return Spring In (2 Pieces) 1995-Up.....	1.....	TBA
987.....	85645K.....	Retainer, ZF5HP19 Low/Reverse Clutch Spring (.079") (3 Tab) 1995-Up.....	1.....	TBA
988.....	85646K.....	Retainer, ZF5HP19 Overrun Clutch Spring (W/3 Inner Tabs) 1995-Up.....	1.....	TBA
995.....	K85624K.....	Park Pawl Assembly, ZF5HP19 (3 Pieces) 1995-Up.....	1.....	TBA
999.....	85637K.....	Oil Tube, ZF5HP19 Pinion (4 5/4" Long) 1995-Up.....	1.....	TBA

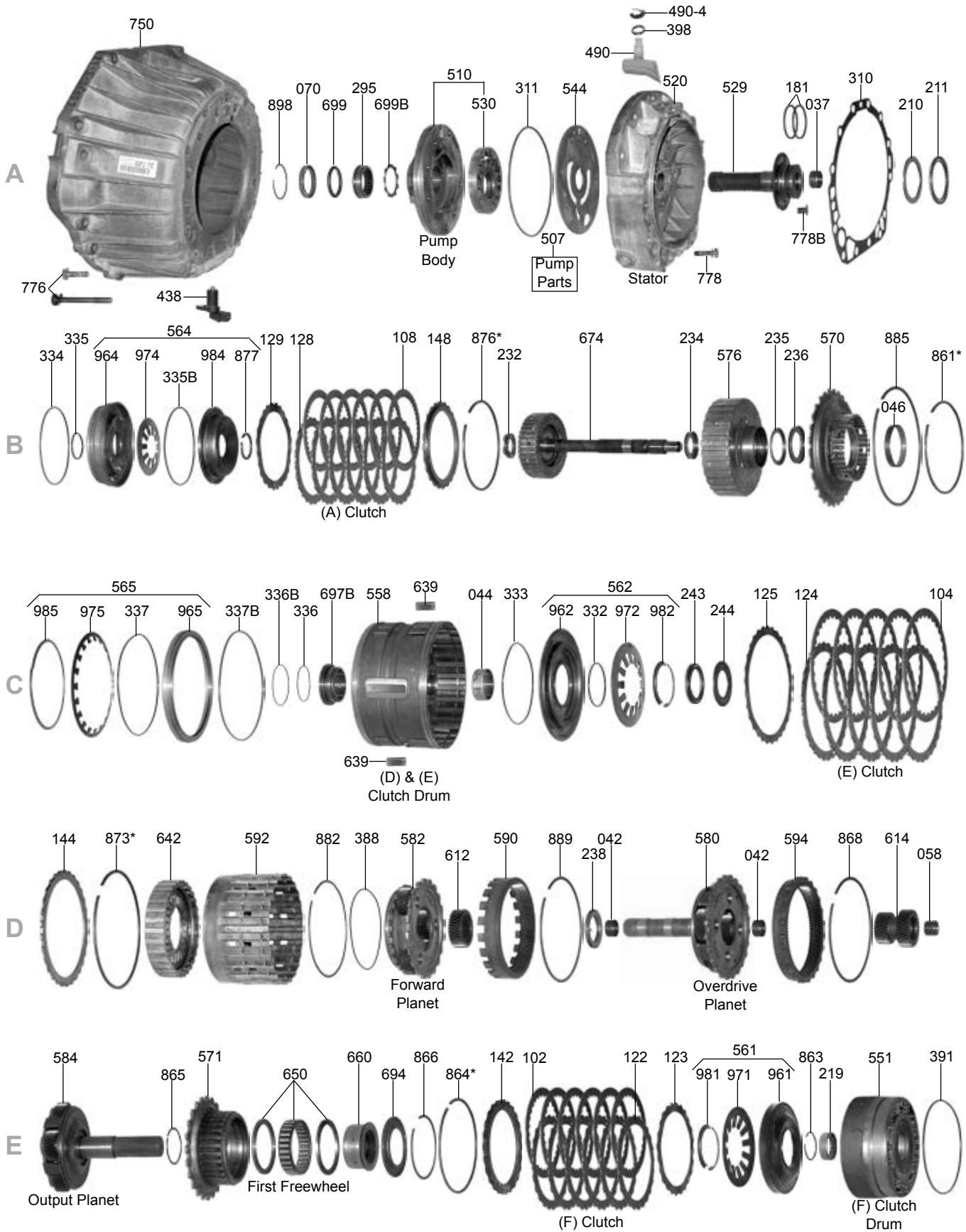
ZF5HP19FL, FLA (FWD, AWD)

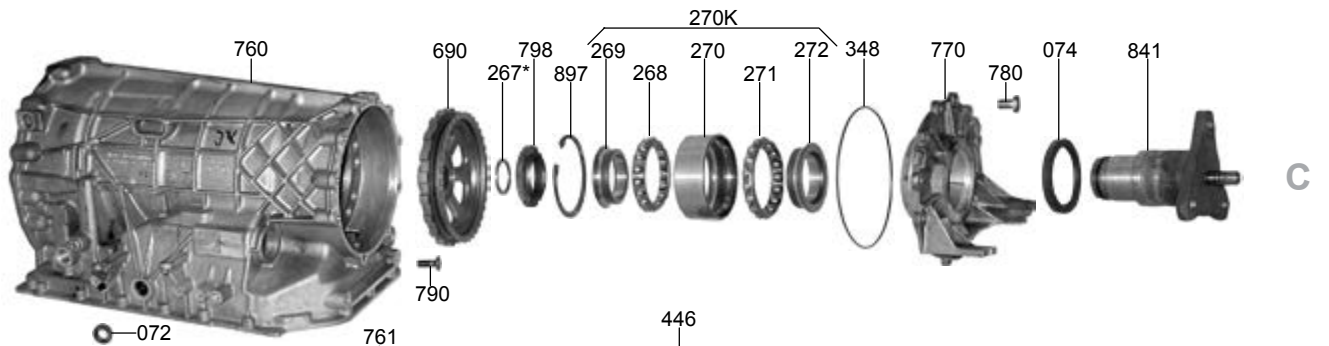
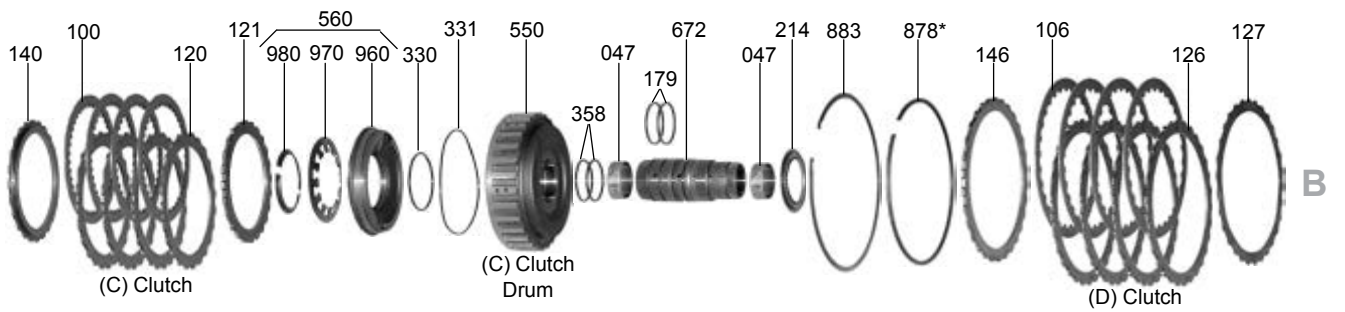
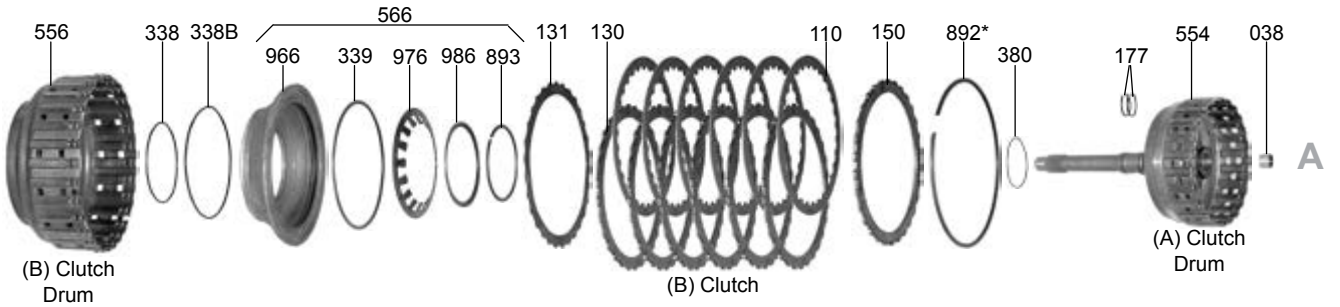


ZF5HP19FL, FLA (FWD, AWD)



ZF5HP24







ZF5HP24

ILL#	Part#		QTY	REF#
OVERHAUL KITS				
NI.....	K85900H.....	Overhaul Kit, ZF5HP24/A W/ ("F" Clutch) Piston (Audi, BMW, Jag, Rover) 1995-Up.....	1.....	N/A
NI.....	K85900HX.....	Overhaul Kit, ZF5HP24/A W/Out ("F" Clutch) Piston (Audi, BMW, Jag, Rover) 1995-Up.....	1.....	N/A
MASTER L/STEEL KITS				
NI.....	DK8500HS.....	Master L/Steels Kit, ZF5HP24/A W/("F" Clutch) Piston (Audi, BMW, Jag, Rover) 1995-Up.....	1.....	N/A
NI.....	DK8500HXS.....	Master L/Steels Kit, ZF5HP24/A W/Out ("F" Clutch) Piston (Audi, BMW, Jag, Rover) 1995-Up.....	1.....	N/A
MASTER W/STEELS KITS				
NI.....	DK8500H.....	Master W/Steels Kit, ZF5HP24/A W/("F" Clutch) Piston (Audi, BMW, Jag, Rover) 1995-Up.....	1.....	N/A
NI.....	DK8500HX.....	Master W/Steels Kit, ZF5HP24/A W/Out ("F" Clutch) Piston (Audi, BMW, Jag, Rover) 1995-Up.....	1.....	N/A
FILTERS				
010.....	114710.....	Filter, ZF5HP24, 2WD (No-Neck, Slotted Intake) 1995-Up.....	1.....	0501-004-925
010.....	114710A.....	Filter, ZF5HP24A, Audi AWD (.750" Pick-Up Tube/Neck) 1995-Up.....	1.....	0501-006-460
010.....	114710AA.....	Filter, ZF5HP24A, Audi AWD (1.00" Pick-Up Tube/Neck)1995-Up.....	1.....	0501-005-998
BUSHINGS				
030.....	K114901.....	Bushing Kit, ZF5HP24 1995-Up.....	1.....	88500
037.....	114003.....	Bushing, ZF5HP24 (BMW) Stator (Rear) .590" Wide (1.110" OD) 1.020" ID (Bronze).....	1.....	TBA
038.....	114010.....	Bushing, ZF5HP24 (BMW) A Clu Drum (Rear) .540" Wide (.560" ID) Bronze 1995-Up.....	1.....	TBA
042.....	114016.....	Bushing, ZF5HP24 (BMW) OD Planet (Front & Rear) (.376" Wide)(.985" OD)(.876" ID),.....	1.....	TBA
044.....	114024.....	Bsh, ZF5HP24 (BMW) D & E Clu Drum (Rear) .320" Wide (2.000" OD, 1.780" ID) Babbit.....	1.....	TBA
046.....	114013A.....	Bushing, ZF5HP24 (BMW) C Clutch Hub (2.602" ID) (Bronze), 1995-Up.....	1.....	TBA
047.....	114017.....	Bsh, ZF5HP24 (BMW) Sun Gr Shaft (.635" Wide) 1.415" OD (1.250" ID) Brass, 1995-Up.....	1.....	TBA
058.....	114015.....	Bsh, ZF5HP24 (BMW) Output Planet (Front) .785" OD (.675" ID) Brass W/ Oil Pockets.....	1.....	TBA
METAL CLAD SEALS				
070.....	82151.....	Seal, ZF5HP24 Front (2.060" OD) 1995-Up.....	1.....	0750-111-254
072.....	82155.....	Seal, ZF5HP24 Linkage (BMW) 1995-Up (.710" OD).....	1.....	0750-110-062
074.....	82157H.....	Seal, ZF5HP24 Rear Output BMW & Jaguar (2WD) 1995-Up.....	1.....	0750-111-243
NI.....	114160H.....	Seal, ZF5HP24 Rear Output (4WD) 1995-Up.....	1.....	0734-319-399
NI.....	114160HA.....	Seal, ZF5HP24 Left Outer Extension (4WD) 1995-Up.....	1.....	0734-310-342
NI.....	114160HB.....	Seal, ZF5HP24 Left Inner Extension (4WD) 1995-Up.....	1.....	0734-319-604
NI.....	114160HC.....	Seal, ZF5HP24 Right Side Extension (4WD) 1995-Up.....	1.....	0734-319-419
NI.....	114160HD.....	Seal, ZF5HP24 Front Differential Pinion Housing (4WD) 1995-Up.....	1.....	0734-319-529
NI.....	114160HE.....	Seal, ZF5HP24 Transfer Adapter(4WD) 1995-Up *Except Range Rover 2004-Up.....	1.....	0734-319-547
NI.....	55157.....	Seal, ZF5HP24 Transfer Adapter(4WD) Range Rover 2004-Up.....	1.....	0734-319-520
NI.....	55157.....	Seal, ZF5HP24 Transfer Case Input (4WD) Range Rover 1995-Up (Not In Kit).....	1.....	0734-319-520
FRICTIONS				
100.....	82110.....	Friction, ZF5HP24 "C" Clutch (.061", 40T, 5.042" OD) 1995-Up.....	4.....	1058-270-020
102.....	82110A.....	Friction, ZF5HP24 "F" Clutch (.061", 30T, 5.627" OD) 1995-Up.....	6.....	1055-270-072
104.....	82108A.....	Friction, ZF5HP24 "E" Clutch (.061", 30T, 7.025" OD) 1995-Up.....	5.....	1058-270-029
106.....	82108A.....	Friction, ZF5HP24 "D" Clutch (.061", 30T, 7.025" OD) 1995-Up.....	5.....	1058-270-029
108.....	82110.....	Friction, ZF5HP24 "A" Clutch (.061", 40T, 5.042" OD) 1995-Up.....	6.....	1058-270-020
110.....	82108A.....	Friction, ZF5HP24 "B" Clutch (.061", 30T, 7.025" OD) 1995-Up.....	6.....	1058-270-029
119.....	K85HF.....	Friction Module, ZF5HP24 / ZF5HP24A 1995-Up.....	1.....	RCP96-151
STEELS				
120.....	114111.....	Steel, ZF5HP24 "C" Clutch (.082", 24T, 4.212" ID) 1995-Up.....	4.....	1058-370-066
121.....	114111A.....	Waved Steel, ZF5HP24 "C" Clutch (.043", 24T, 4.212" ID) 1995-Up.....	1.....	TBA
122.....	85137.....	Steel, ZF5HP24 "F" Clutch (.071", 24T, 4.685" ID) 1995-Up.....	6.....	1055-374-030
123.....	114137H.....	Waved Steel, ZF5HP24 "F" Clutch (.032", 24T, 4.685" ID) 1995-Up.....	1.....	TBA
124.....	114112.....	Steel, ZF5HP24 "E" Clutch (.118", 30T, 6.10" ID) 1995-Up.....	5.....	1058-370-073
125.....	114112C.....	Waved Steel, ZF5HP24 "E" Clutch (.037", 30T, 6.10" ID) 1995-Up.....	1.....	TBA
126.....	114112.....	Steel, ZF5HP24 "D" Clutch (.118", 30T, 6.10" ID) 1995-Up.....	4.....	1058-370-073
127.....	114112C.....	Waved Steel, ZF5HP24 "D" Clutch (.037", 30T, 6.10" ID) 1995-Up.....	1.....	TBA
128.....	114111.....	Steel, ZF5HP24 "A" Clutch (.082", 24T, 4.212" ID) 1995-Up.....	6.....	1058-370-066
129.....	114111A.....	Waved Steel, ZF5HP24 "A" Clutch (.043", 24T, 4.212" ID) 1995-Up.....	1.....	TBA
130.....	114112.....	Steel, ZF5HP24 "B" Clutch (.118", 30T, 6.10" ID) 1995-Up.....	4.....	1058-370-073
131.....	114112C.....	Waved Steel, ZF5HP24 "B" Clutch (.037", 30T, 6.10" ID) 1995-Up.....	1.....	TBA
NI.....	114112A.....	Steel, Selective ZF5HP24, "B", "D" & "E" (.082", 30T, 6.10" ID) 1995-Up.....	AR.....	1058-370-070
NI.....	114112B.....	Steel, Selective ZF5HP24, "B", "D" & "E" (.094", 30T, 6.10" ID) 1995-Up.....	AR.....	1058-370-071
139.....	K85HS.....	Steel Module, ZF5HP24 / ZF5HP24A 1995-Up.....	1.....	STMZF10
PRESSURE PLATES				
140.....	114715.....	Pressure Plate, ZF5HP24 C Clutch (.176", 24T, 7.125" ID) 1995-Up.....	1.....	TBA



ZF5HP24

ILL#	Part#		QTY	REF#
142.....	114716	Pressure Plate, ZF5HP24 F Clutch (.238", 24T, 4.684" ID) 1995-Up	1	TBA
144.....	114718	Pressure Plate, ZF5HP24 E Clutch (.153", 30T, 6.10" ID) 1995-Up	1	TBA
146.....	114718	Pressure Plate, ZF5HP24 D Clutch (.153", 30T, 6.10" ID) 1995-Up	1	TBA
148.....	114717	Pressure Plate, ZF5HP24 A Clutch (.116", 24T, 4.210" ID, Stepped) 1995-Up	1	TBA
150.....	114718	Pressure Plate, ZF5HP24 B Clutch (.153", 30T, 6.10" ID) 1995-Up	1	TBA
VALVE BODY KITS				
165.....	K114908	PR Valve Kit (Fixes PR Bore-No Reaming, Prevents Broken Drums) 1995-Up (Transgo)	1	5HP-24-PR
165.....	K114908S	Valve Body Kit, ZF5HP24 1994-Up	1	TBA
SEALING RINGS				
175.....	K114903	Ring Kit, ZF5HP24, 1995-Up	1	TBA
177.....	114301	Ring, ZF5HP24 (BMW) Input Shaft (Scarf Cut) (Teflon) 1995-Up	2	TBA
179.....	114302	Ring, ZF5HP24 (BMW) Sun Gear Shaft (Scarf Cut) (Teflon) 1995-Up	2	TBA
181.....	114303	Ring, ZF5HP24 (BMW) Stator To B Clutch Drum (.096" Thick) Lap Joint (Teflon) 1995-Up	2	TBA
WASHERS & BEARINGS				
210.....	114435	Race, ZF5HP24 (BMW) Stator Tube To B Clu Drum (.149" Thk) 2.875" OD, 2.175" ID	1	TBA
211.....	114415	Bearing, ZF5HP24 (BMW) Stator Tube To B Clu Drum (.149" Thk) 2.941" OD, 2.285" ID	1	TBA
214.....	114416	Brg W/Race, ZF5HP24 (BMW) C Clutch To D & E Clu Drum (.137" Thk) 2.87" OD, 1.9" ID	1	TBA
219.....	114417	Caged Needle Brg, ZF5HP24 (BMW) In F Clu Drum (Cast # INA HK 3512 Germany)	1	TBA
232.....	114418	Bearing W/Race, ZF5HP24 (BMW) A Clu Drum To Hub (.283" Thk) 1.508" OD, .645" ID	1	TBA
234.....	114419	Brg W/Race, ZF5HP24 (BMW) A Clu Hub To B Clu Hub (.305" Thk, 1.735" OD, 1.04" ID	1	TBA
235.....	114436	Race, ZF5HP24 (BMW) B Clutch Hub To C Clutch Hub (2.353" OD) (1.745" ID) 1995-Up	1	TBA
236.....	114420	Brg W/Race, ZF5HP24 (BMW) B Clu Hub To C Clu Hub (.257" Thk, 2.33" OD, 1.56" ID)	1	TBA
238.....	114421	Brg W/Races, ZF5HP24 (BMW) Fwd Sun Gr To OD Planet, 2.0" Thk, 2.455" OD, 1.645" ID	1	TBA
243.....	114422	Brg W/Race, ZF5HP24 (BMW) D & E Clu Drum To Fwd Planet, .26" Thk, 2.52" OD, 1.82" ID	1	TBA
244.....	114437	Race, ZF5HP24 (BMW) D & E Clu To Fwd Planet (.078" Thk, 2.836" OD, 1.655" ID)	1	TBA
267.....	114438	Shim, ZF5HP24 (BMW) Park Gear To Yoke (Selective) (1.591" OD) 1995-Up	1	TBA
270.....	114423	Ball Bearing Assembly, ZF5HP24 (BMW) Ball Bearing With Inner & Outer Races (16 Balls) 1.300" Thick Race (Cast # SKF BA2B Italy-A 636002 AA) 1995-Up	1	TBA
295.....	114424	Caged Needle Brg, ZF5HP24 (BMW) Pump Body (Cast # INA F-216974 Germany 6136)	1	TBA
GASKETS & RUBBER COMPONENTS				
300.....	114500A	Gasket, ZF5HP24 AWD 1995-Up	1	TBA
300.....	114500	Gasket, ZF5HP24 2WD 1995-00	1	TBA
310.....	114276	Gasket, ZF5HP24 (BMW) Pump Cover To Case 1995-Up	1	TBA
311.....	114529	O-Ring, ZF5HP24 (BMW) Pump Body To Stator 1995-Up	1	TBA
311.....	85506K	O-Ring, ZF5HP24 (AWD) Front Pump Housing 1995-Up (Pl#83145)	1	TBA
348.....	85515H	O-Ring, ZF5HP24 (2WD) Extension Housing 1995-Up	1	TBA
NI.....	85515HA	O-Ring, ZF5HP24 (4WD) Right Side Diff/Ext Housing, Outer (7.60" ID) 1995-Up	1	TBA
NI.....	85515HB	L/C Seal, ZF5HP24 (4WD) Right Side Diff/Ext Housing, Inner (3.53" ID) 1995-Up	1	TBA
NI.....	85515HC	L/C Seal, ZF5HP24 (2WD & 4WD) Left Side Axle/Ext Housing (2.61" ID) 1995-Up	1	TBA
TECHNICAL MANUALS				
400.....	TMZF5HP24	Repair Manual, ZF5HP24, 1985-Up	1	TBA
ELECTRICAL COMPONENTS				
410.....	114991	Switch, ZF5HP24 (BMW) Neutral Safety (Cast # 0501 211 451) With 5 Prong Round Connector On A Wire Harness) 1995-Up	1	TBA
420.....	114949A	Solenoid Kit, ZF5HP24/ZF5HP24A (For ZF5HP24 Units Ending In 021/022/026/027/028/ 029/032/034)(For All ZF5HP24A Units) 1994-Up	1	TBA
420.....	85949KB	Solenoid Kit, ZF5HP24A (For Units Ending In 005/009/013/014/015/016/024) (3 Shift, 4 EPC Solenoids With O-Rings)	1	TBA
436.....	85958K	Sensor, ZF5HP24 (All) Input Speed	1	TBA
438.....	84953K	Sensor, ZF5HP24 (BMW) Input (ON Bell Housing) 2 Prong (1 Bolt) .700" OD 1995-Up	1	TBA
446.....	114988	Wire Harness, ZF5HP24 (BMW) Internal With 16 Prong Case Connector (W/ 8 Two Blade Connectors And 2 Speed Sensors) 1995-Up	1	TBA
MISCELLANEOUS COMPONENTS				
459.....	114459	Retainer, ZF5HP24 (BMW) Holds Solenoids To Valve Body 1995-Up	1	TBA
490.....	114490	Vent, ZF5HP24 (BMW) Plastic In Pump Cover 1995-Up	1	TBA
PUMPS & PUMP COMPONENTS				
510.....	114916A	Pump Body W/Gears, ZF5HP24 (Cast # 105 841 00 75) Inner Gear .550" Thick W/ 14T	1	TBA
510.....	114916B	Pump Body W/Gears, ZF5HP24 (BMW) (Cast # 1058410078) .551" Thick W/ 14T Inner Gr	1	TBA
520.....	114918B	Pump Cover, ZF5HP24 (BMW) Aluminum (2.165" Thick At Edge) 1995-Up	1	TBA
529.....	114915B	Stator Tube, ZF5HP24 (BMW) 5 1/2" Long (3.422" OD Flange) .923" ID Splines, 1 Rear Bsh	1	TBA
530.....	K114201B	Pump Gear Set, ZF5HP24 (BMW) 14 Teeth Inner Gear (.551" Thick) 1995-Up	1	TBA

ZF



ZF5HP24

ILL#	Part#		QTY	REF#
544.....	114919A.....	Pump Plate, ZF5HP24A (Audi) 1994-Up.....	1.....	TBA
544.....	114919B.....	Pump Plate, ZF5HP24 (BMW) (.118" Thick)(6 11/16" OD) 1994-Up.....	1.....	TBA

DRUMS & CLUTCH HUBS

550.....	114732B.....	Drum, ZF5HP24 (BMW) C Clu (Aluminum) 24T Steels (Cast # 105847201) 1995-Up.....	1.....	TBA
551.....	114733B.....	Drum, ZF5HP24/ZF5HP24A (F Clutch)(Alum) 6 Clutch (2.851" Thick) 6 3/8" OD 1994-Up.....	1.....	TBA
NI.....	114086.....	Bolt, Case To F Clutch Drum.....	1.....	TBA
554.....	114737B.....	Drum, ZF5HP24 (BMW) A Clu W/ 7 1/4" Shaft (27 Splines) 6-Clu, Uses 24T Steels.....	1.....	TBA
556.....	114734B.....	Drum, ZF5HP24 (BMW) B Clu (6-Clu) Stamp Steel (30T Steels) 7.5" OD, 3.550" Tall, 2.04" ID Bore) 1995-Up.....	1.....	TBA
558.....	114735B.....	Drum, ZF5HP24 (BMW) D & E Clu (Alum) 4.58" Wide (7 5/8" OD) (Cast # 1058 473 037).....	1.....	TBA
562.....	K114763B.....	Piston, Kit, ZF5HP24 (BMW) E Clutch (Steel) .660" Thick (7" OD) 2.530" ID 1995-Up.....	1.....	TBA
570.....	114740B.....	Hub, ZF5HP24 (BMW) C Clutch (30 Outer Lugs) 40 Teeth Clutch Hub 1995-Up.....	1.....	TBA
571.....	114741B.....	Hub, ZF5HP24 (BMW) F Clutch (1st Gear Freewheel Outer Race) 24 Outer Lugs.....	1.....	TBA
		(30 Clutch Splines) 2.075" Thick (3.495" ID) 1995-Up.....		
576.....	114742B.....	Hub, ZF5HP24 (BMW) B Clu (30 Clu Splines) W/ 2.600" OD Hub On Rear For #046 Bsh.....	1.....	TBA

PLANETS, SUN GEARS & RING GEARS

580.....	114749B.....	Planet, ZF5HP24 (BMW) Overdrive With Shaft (4 Gear Steel) 24 Outer Lugs.....	1.....	TBA
		(Uses A 32 Teeth Sun Gear #614)(32 Teeth Pinions, 2 Grooves) 1995-Up.....		
582.....	111747B.....	Planet, ZF5HP24 (BMW) Forward (3 Gear Steel) 20 Outer Lugs (Uses A 36 Teeth.....	1.....	TBA
		Sun Gear) (29 Teeth Pinions, 1 Groove) 1995-Up.....		
584.....	114748B.....	Planet, ZF5HP24 (BMW) Output With Shaft (7 13/16) 5 Gear (28T Pinions, W/ 3 Grooves.....	1.....	TBA
590.....	114759B.....	Ring Gear, ZF5HP24 (BMW) Overdrive Planet (100 Teeth) 20 Lugs (1.350" Thick).....	1.....	TBA
592.....	114759B.....	Ring Gear, 5HP24 (BMW) Fwd Planet W/ Shell (Stamped Steel) 4.070" Tall, 93T Ring Gr.....	1.....	TBA
594.....	114758B.....	Ring Gear, 5HP24 (BMW) Output Planet (90 Teeth) 24 Outer Lugs (.878" Thick) 95-Up.....	1.....	TBA
612.....	114753B.....	Sun Gear, 5HP24 (BMW) Fwd Planet (36T, 1 Groove) .750" Thick (2.332" OD) 1995-Up.....	1.....	TBA
614.....	114756B.....	Sun Gear, 5HP24 (BMW) OD/Output Planet (32T/35T) 1.646" Long (Splined ID) 1995-.....	1.....	TBA
639.....	114620.....	Key Way, 5HP24 (BMW) Holds D & E Clu Drum To Case (.240" Thk, 1.17" Long, .472" Wide.....	2.....	TBA
642.....	114743B.....	Hub, ZF5HP24 (BMW) E Clu (Alum) 30 Clu Splines (1.260" Thick) (2.688" ID) 1995-Up.....	1.....	TBA

SPRAGS & ONE WAY CLUTCHES

650.....	114727B.....	Sprag, ZF5HP24 (BMW) 1st Gear Freewheel (30 Lug) .810" Wide Plastic Cage 1995-Up.....	1.....	TBA
660.....	114729B.....	Inner Race, ZF5HP24 (BMW) 1st Gear Freewheel (1.250" Thick) 2.845" OD, Splined ID.....	1.....	TBA

SHAFTS

672.....	114856.....	Shaft, ZF5HP24 (BMW) Sun Gear (4.530" Long, Splined Ends) 1995-Up.....	1.....	TBA
674.....	114744B.....	Hub With Shaft, ZF5HP24 (BMW) A Clutch (10 3/8" Long) (40 Teeth Hub) 1995-Up.....	1.....	TBA
690.....	114824.....	Park Gear, ZF5HP24 (BMW) 20 Lugs (36 Teeth Reluctor) 1995-Up.....	1.....	TBA
694.....	114641.....	Retainer, ZF5HP24 (BMW) 1st Gear Freewheel (3.777" OD)(2.287" ID) 1995-Up.....	1.....	TBA
697.....	114621.....	Sleeve, ZF5HP24 (BMW) D & E Clutch Drum (.435" Thick) 2.157" OD (1.446" ID).....	1.....	TBA
		Has 2-O-Rings & 2 Holes (Steel) 1995-Up.....		
699.....	114622.....	Spacer, ZF5HP24 (BMW) Front Seal To Caged Needle Bearing 1995-Up.....	1.....	TBA
		(.076" Thick) 2.040" OD (1.610" ID) With 10 Humps.....		
699.....	114623.....	Oil Deflector, ZF5HP24 (BMW) Caged Needle Bearing To Pump Body (Plastic) 1.545" ID.....	1.....	TBA

VALVE BODIES (DACC0 VB#)

740.....	ZF-9315.....	Valve Body, ZF5HP24, Audi, 1995-Up.....	1.....	TBA
740.....	ZF-9316.....	Valve Body, ZF5HP24, BMW, 1995-Up.....	1.....	TBA
740.....	ZF-9317.....	Valve Body, ZF5HP24, Jaguar, 1995-Up.....	1.....	TBA

VALVE BODIES

740.....	114754B.....	Valve Body, ZF5HP24 (BMW) 8 Sol On One End & Speed Sensor, Cast# 1058 427 022.....	1.....	TBA
----------	--------------	--	--------	-----

VALVE BODY COMPONENTS

NI.....	114755.....	Accumulator Body On VB.....	1.....	TBA
NI.....	114755A.....	Regulator Body, Houses Regulator Valve.....	1.....	TBA
NI.....	K114755.....	Valve, Pressure Regulator, 2nd Design.....	1.....	TBA
NI.....	139740-01K.....	Oversize Press Reg Valve Kit, Requires: F-139740-TL Tool Kit & VB-FIX (Sonnax).....	1.....	139740-01K

HOUSINGS, CASES & PANS

748.....	114624.....	Spring, ZF5HP24 (BMW) Holds D & E Clutch Seal In Case (.435" OD) 1.680" Long 1995-Up.....	2.....	TBA
750.....	114703B.....	Bell Housing, ZF5HP24 (BMW) 7 3/4" Top Bolts (Sensor At 7:00) Cast # 1058-442-911.....	1.....	TBA
		(Starter At 9:00 & 3:00) 1995-Up.....		
750.....	114703C.....	Bell Housing, ZF5HP24 (Jaguar) Cast # 1058-422-009.....	1.....	TBA
760.....	114701B.....	Case, ZF5HP24 (BMW) (16 5/8" Long) 1995-Up.....	1.....	TBA
760.....	114701C.....	Case, ZF5HP24 (Jaguar) (Cast # 1058401083).....	1.....	TBA
765.....	114801B.....	Pan, ZF5HP24 (BMW) Bottom (22 Bolt, With Drain Plug) 1995-Up.....	1.....	TBA
770.....	114702B.....	Ext Hsg, ZF5HP24 (BMW) Alum (Cast # 1058 414 007) 10 Bolt, 2.870" Rear Seal, 95-Up.....	1.....	TBA
798.....	114081.....	Nut, ZF5HP24 (BMW) Holds Yoke To Output Planet (6 Square Notches) 1995-Up.....	1.....	TBA



ZF5HP24

ILL#	Part#		QTY	REF#
841.....	114706	Yoke, ZF5HP24 (BMW) Output Shaft (5.920" Long) (.554" OD Pilot) 1995-Up.....	1	TBA
843.....	114625	Clip, ZF5HP24 (BMW) Holds Case Connector To Case 1995-Up.....	1	TBA

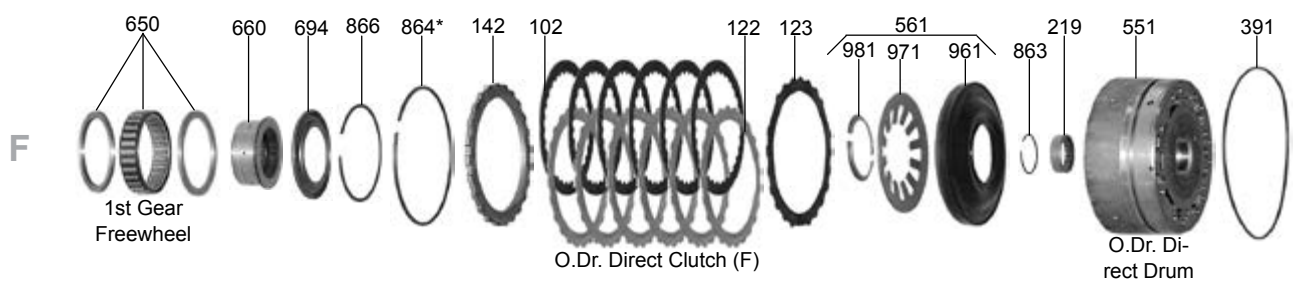
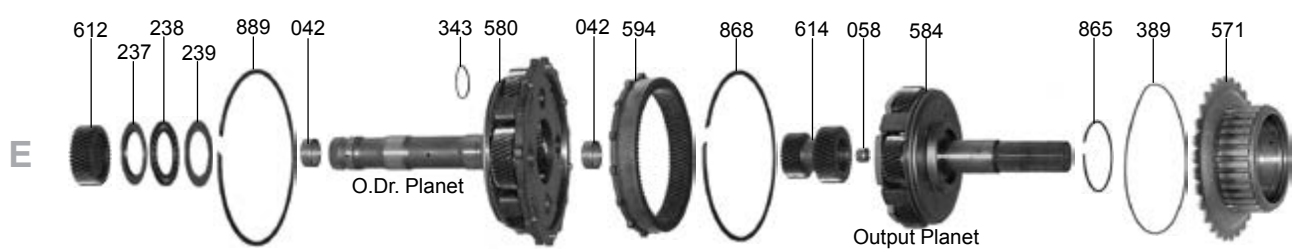
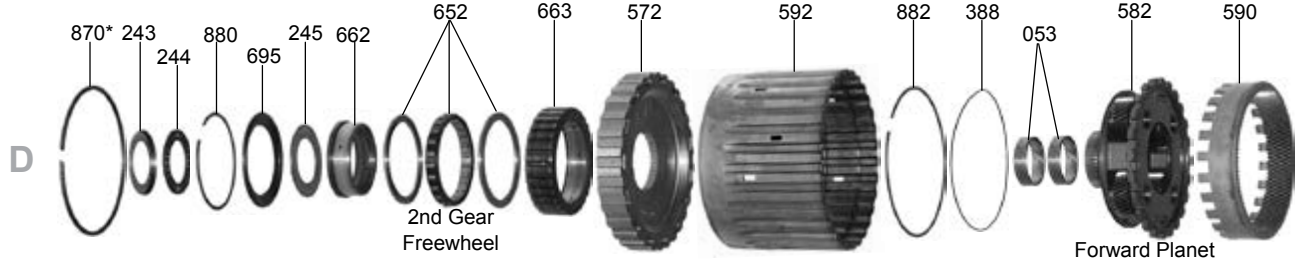
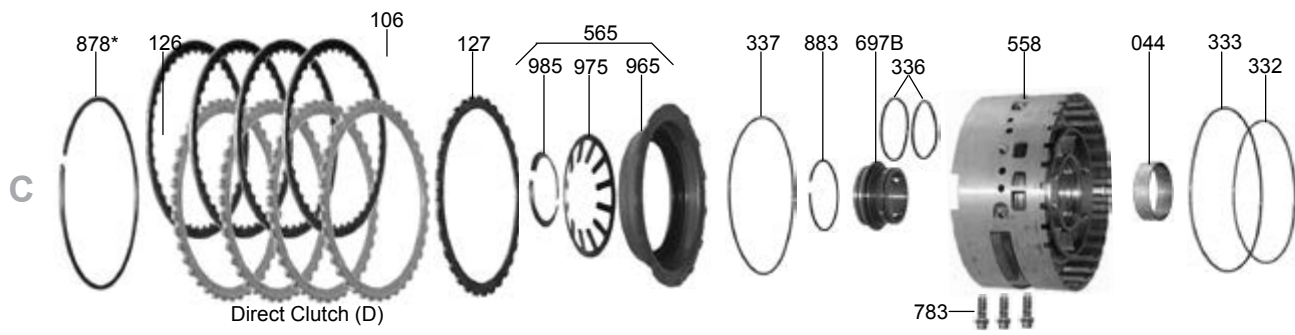
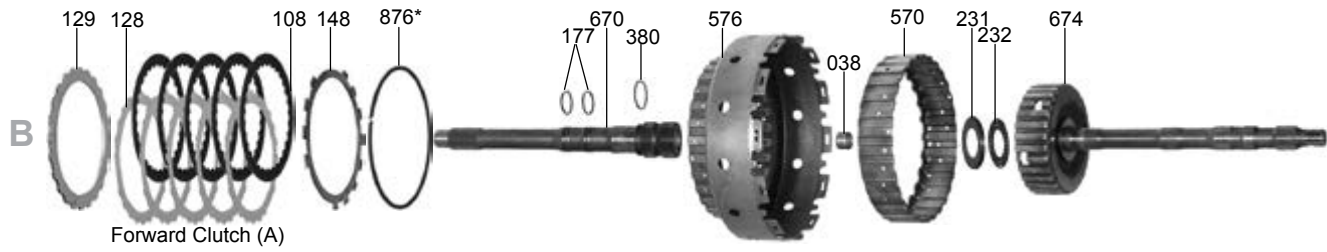
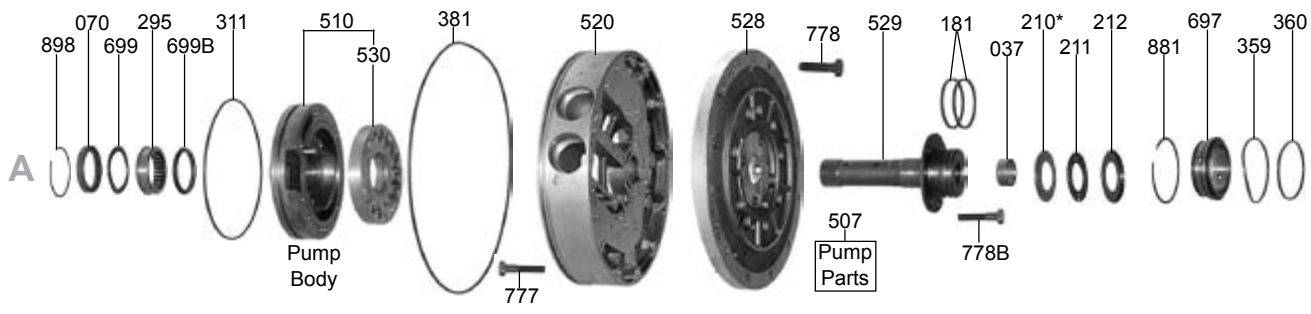
SNAP RINGS

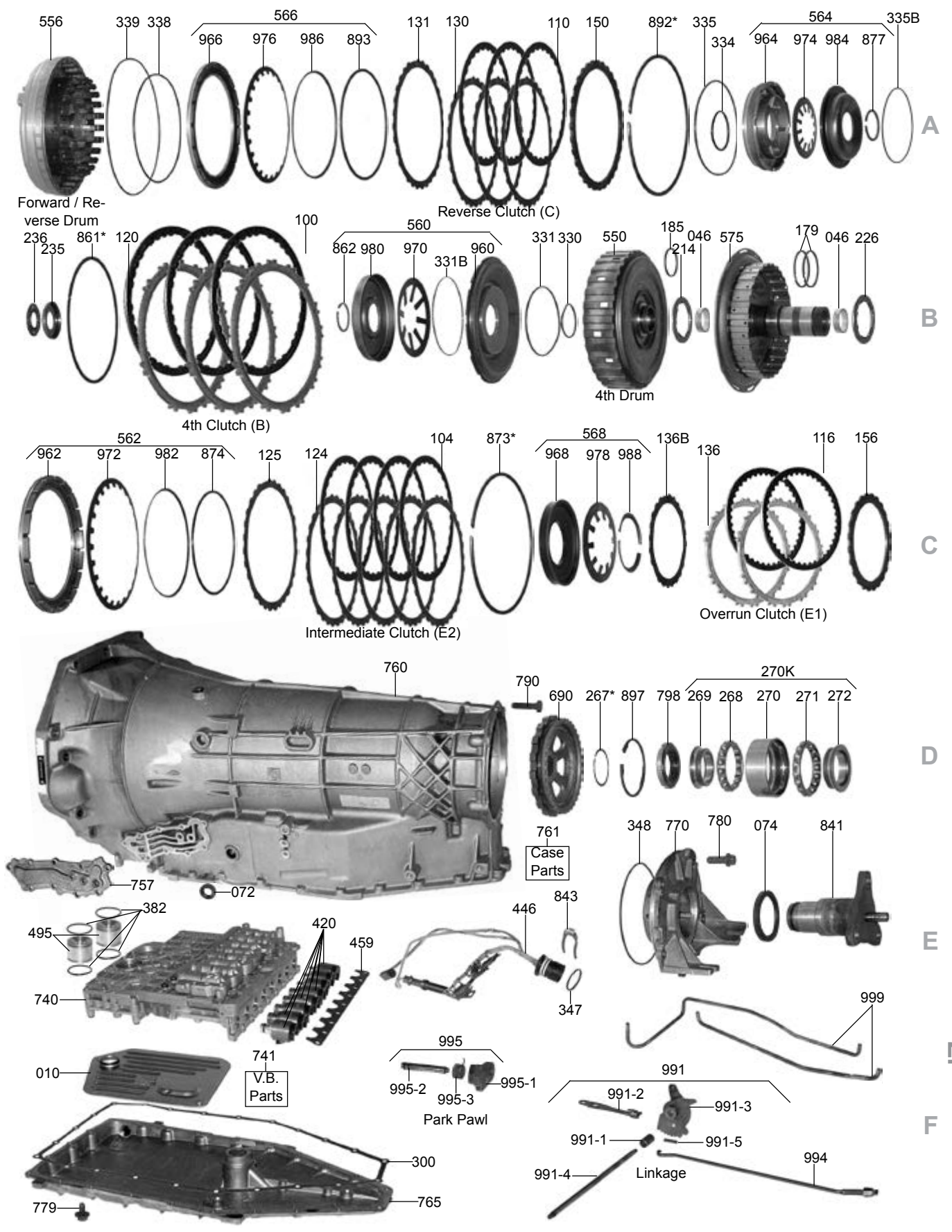
861.....	114601	Snap Ring, ZF5HP24 Holds C Clutch Pressure Plate In.....	1	TBA
863.....	114602	Snap Ring, ZF5HP24 Holds Bearing #219 In Drum (.468" Thick) (1.738" OD).....	1	TBA
864.....	114603	Snap Ring, ZF5HP24 Holds F Clutch Pressure Plate In	1	TBA
865.....	114604	Snap Ring, ZF5HP24 Holds #571 Hub To F Clutch Drum (.042" Thick, 2.353" OD).....	1	TBA
866.....	114605	Snap Ring, ZF5HP24 Holds 1st Gear Freewheel To #571 Hub (.077" Thick, 3.985" OD).....	1	TBA
868.....	114608	Snap Ring, ZF5HP24 (.077", 6.625" OD)	1	TBA
873.....	114609	Snap ring, ZF5HP24 Holds E Clutch Pressure Plate In	1	TBA
876.....	114606	Snap Ring, ZF5HP24 Holds A Clutch Pressure Plate In (Selective 1.8mm To 3.6mm).....	1	TBA
877.....	114607	Snap Ring, ZF5HP24 Holds A Clutch Retainer In (.097" Thick) (1.630" OD)	1	TBA
878.....	114609	Snap ring, ZF5HP24 Holds D Clutch Pressure Plate In	1	TBA
882.....	114610	Snap Ring, ZF5HP24 Holds OD Ring Gear To Forward Planet (.060" Thick, 6.062" OD).....	1	TBA
883.....	114611.....	Snap Ring, ZF5HP24 Holds D & E Clutch Drum In Case (.109" Thick) 8" OD (Beveled)	1	TBA
885.....	114612	Snap Ring, ZF5HP24 Holds Hub # 570 To B Clutch Drum (.101" Thick) (7 7/16" OD)	1	TBA
889.....	114608	Snap Ring, Holds OD Planet Ring Gear To Fwd Planet Ring Gear Shell (.077", 6.625" OD)	1	TBA
892.....	114609	Snap ring, ZF5HP24 Holds B Clutch Pressure Plate In	1	TBA
893.....	114613	Snap Ring, ZF5HP24 Holds B clutch Retainer In Drum (.095" Thick) (3.381" OD).....	1	TBA
897.....	114614	Snap Ring, ZF5HP24 Holds #270 Extension Housing (.120" Thk, 3.620" OD, 2-Eyelets).....	1	TBA
898.....	114615	Snap Ring, ZF5HP24 Holds Front Seal To Pump Body (.057" Thick) (2.155" OD)	1	TBA

PISTONS, SPRINGS & MISCELLANEOUS

960.....	114761B	Piston, (BMW) C Clu (Alum) Cast # 1058 472 020 (.935" Thick) 4.837" OD, 2.370" ID	1	TBA
961.....	114762B	Piston, ZF5HP24/ZF5HP24A ("F") (Bonded) .980" Thick (5.578" OD) 2.315" ID	1	TBA
962.....	114763B	Piston, ZF5HP24 (BMW) E Clutch (Steel) .660" Thick (7" OD) 2.530" ID 1995-Up.....	1	TBA
964.....	114764B	Piston, ZF5HP24 (BMW) A Clu (Aluminum) Cast # 1058470 059 (5.145" OD) (1.465" ID).....	1	TBA
965.....	114765B	Piston, ZF5HP24 (BMW) D Clutch	1	TBA
966.....	114766B	Piston, ZF5HP24 (BMW) B Clutch (Aluminum) Cast # 1058471 039 A (1.615" Thk, 7" OD, 3.325" ID).....	1	TBA
970.....	114872	Spring, ZF5HP24 (BMW) C Clutch Return (.055" Thick) 3.773" OD (12 Fingers) 1995-Up	1	TBA
971.....	114873	Spring, ZF5HP24 (BMW) F Clutch Return (.080" Thick) 5.040" OD (12 Fingers) 1995-Up.....	1	TBA
972.....	114874	Spring, ZF5HP24 (BMW) E Clutch Return (.069" Thick) 5.290" OD (12 Fingers) 1995-Up	1	TBA
974.....	114875	Spring, ZF5HP24 (BMW) A Clutch Return (.060" Thick) 3.570" OD (10 Fingers) 1995-Up.....	1	TBA
975.....	114876	Spring, ZF5HP24 (BMW) D Clutch Return (.055" Thick) 6 5/8" OD (20 Fingers) 1995-Up	1	TBA
976.....	114877	Spring, ZF5HP24 (BMW) B Clutch Return (.057" Thick) 4.823" OD (16 Fingers) 1995-Up	1	TBA
980.....	114862	Retainer, ZF5HP24 (BMW) C Clutch Return Spring (C Clip) 1995-Up (2 Per Pack).....	1	TBA
981.....	114863	Retainer, ZF5HP24 (BMW) F Clutch Return Spring (C Clip) 1995-Up (2 Per Pack).....	1	TBA
982.....	114864	Retainer, ZF5HP24 (BMW) E Clutch Return Spring (C Clip) 1995-Up (2 Per Pack).....	1	TBA
984.....	114865	Retainer, ZF5HP24 (BMW) A Clutch Spring (Steel) 4.780" OD (1.400" ID) 1995-Up.....	1	TBA
986.....	114866	Retainer, ZF5HP24 B Clutch Return Spring (.086" Thick) 3.742" OD (3.273" ID) Stepped.....	1	TBA
991.....	114626	Linkage, ZF5HP24 (BMW) Internal (5 Pieces) 1995-Up	1	TBA
995.....	K114824	Park Pawl Assembly, ZF5HP24 (BMW) (4 Pieces) 1995-Up.....	1	TBA
999.....	K114627	Oil Tube Set, ZF5HP24 (BMW) (3 Pieces) 1995-Up	1	TBA

ZF5HP30







ZF5HP30

ILL#	Part#		QTY	REF#
OVERHAUL KITS & PISTON KITS				
NI.....	K85900E.....	Overhaul Kit, ZF5HP30 W/ Pistons, 1991-Up.....	1.....	N/A
NI.....	K85900EX.....	Overhaul Kit, ZF5HP30 W/Out Pistons, 1991-Up.....	1.....	N/A
NI.....	K85900E-4.....	Piston Kit, ZF5HP30 (3-Pistons "D", "E1" & "F")1993-Up.....	1.....	N/A
MASTER L/STEEL KITS				
NI.....	DK8500ES.....	Master L/Steels Kit, ZF5HP30 W/Pistons, 1991-Up.....	1.....	N/A
NI.....	DK8500EXS.....	Master L/Steels Kit, ZF5HP30 W/Out Pistons, 1991-Up.....	1.....	N/A
MASTER W/STEELS KITS				
NI.....	DK8500E.....	Master W/Steels Kit, ZF5HP30 W/Pistons, 1991-Up.....	1.....	N/A
NI.....	DK8500EX.....	Master W/Steels Kit, ZF5HP30 W/Out Pistons, 1991-Up.....	1.....	N/A
FILTERS				
010.....	85710G.....	Filter, ZF5HP30 1993-Up.....	1.....	0501-004-331
BUSHINGS				
030.....	K85901E.....	Bushing Kit, ZF5HP30 1993-Up.....	1.....	TBA
037.....	85002E.....	Bushing, ZF5HP30 Stator Tube (Rear) (1.024" OD) 1993-Up.....	1.....	TBA
038.....	85022E.....	Bushing, ZF5HP30 Input Shaft (Rear) (.670" ID) 1993-Up.....	1.....	TBA
042.....	85016E.....	Bushing, ZF5HP30 Overdrive Planet Shaft (.950" ID) 1993-Up.....	2.....	TBA
044.....	85008E.....	Bushing, ZF5HP30 Direct/Intermediate & Overrun Clutch Housing 1993-Up.....	1.....	TBA
046.....	85013E.....	Bushing, ZF5HP30 Direct Clutch Hub With Hollow Shaft 1993-Up.....	2.....	TBA
053.....	85014E.....	Bushing, ZF5HP30 Forward Planet (1.805" ID) 1993-Up.....	2.....	TBA
058.....	85015E.....	Bushing, ZF5HP30 Output Planet (Pilot) (.655" ID) 1993-Up.....	1.....	TBA
METAL CLAD SEALS				
070.....	82151.....	Seal, ZF5HP30 Front Pump (2.060" OD) 1993-Up.....	1.....	0750-111-254
072.....	82155.....	Seal, ZF5HP30 Linkage (.710" OD) 1993-Up.....	2.....	0750-110-062
074.....	82157H.....	Seal, ZF5HP30 Extension Housing (2WD) 2.885" OD (.322" Thick) 1993-Up.....	1.....	0734-313-097
FRICTIONS				
102.....	85118.....	Friction, ZF5HP30, "A", "E1" & "F" Clutch (5.630" OD) 1993-Up.....	15-16.....	1055-270-030
104.....	85119.....	Friction, ZF5HP30, "B", "C", "D" & "E2" Clutch (8.007" OD) 1993-Up.....	14-17.....	1055-271-025
119.....	K85EF.....	Friction Module, ZF5HP30 1991-Up.....	1.....	FRMZ11
STEELS				
120.....	85135.....	Steel, ZF5HP30, "B", "C", "D" & "E2" Clutch (.118", 32T, 7.170" ID) 1993-Up.....	14-17.....	1055-371-003
122.....	85137.....	Steel, ZF5HP30, "E1" & "F" Clutch (.071", 24T, 4.685" ID) 1993-Up.....	11.....	1055-374-024
128.....	85122A.....	Steel, ZF5HP30, "A" Clutch (.118", 24T, 4.685" ID) 1993-Up.....	5.....	1055-370-089
124.....	85143A.....	Waved Steel, ZF5HP30, "A", "E1" & "F" Clutch (.032", 24T, 5.905" ID) 1993-Up.....	3.....	1055-376-052
139.....	K85ES.....	Steel Module, ZF5HP30 1991-Up.....	1.....	STMZF11
PRESSURE PLATES				
142.....	85715E.....	Pressure Plate, ZF5HP30 "F" Clutch (.238") (24 Teeth) 1993-Up.....	1.....	TBA
148.....	85716E.....	Pressure Plate, ZF5HP30 "A" Clutch (.118") 24 Round Tip Teeth (4.690" ID) 1993-Up.....	1.....	TBA
150.....	85135A.....	Pressure Plate, ZF5HP30 "C" Clutch, 1993-Up.....	1.....	TBA
156.....	85122A.....	Pressure Plate, ZF5HP30, "E1" Clutch (.118", 24T, 4.685" ID) 1993-Up.....	1.....	1055-370-089
VALVE BODY KITS				
165.....	K85908ES.....	Valve Body Kit, ZF5HP30 1993-Up.....	1.....	TBA
SEALING RINGS				
175.....	K85903E.....	Ring Kit, ZF5HP30 1993-Up.....	1.....	TBA
179.....	85301E.....	Ring, ZF5HP30 Direct Clutch Hub With Hollow Shaft (Teflon) 1993-Up.....	2.....	TBA
181.....	85302E.....	Ring, ZF5HP30 Stator To Forward/Reverse Drum (Teflon) 1993-Up.....	2.....	TBA
185.....	85303E.....	Ring, ZF5HP30 4th Clutch Drum (Rear) (Teflon) 1993-Up.....	1.....	TBA
WASHERS & BEARINGS				
201.....	K85907E.....	Bearing Kit, ZF5HP30 (11 Bearings) 1993-Up.....	1.....	TBA
210.....	85441E.....	Race, ZF5HP30 Stator Tube To Fwd/Rev Drum (Front)1.808" OD, 1.035" ID, Selective.....	1.....	TBA
211.....	85415E.....	Brg, ZF5HP30 Stator Tube To Fwd/Rev Drum, 1.928" OD, 1.065" ID, 1993-Up.....	1.....	TBA
212.....	85442E.....	Race, ZF5HP30 Stator Tube To Fwd/Rev Drum (Rear) Cupped, 1.928" OD, 1.065" ID,.....	1.....	TBA
214.....	85416E.....	Bearing, ZF5HP30 4th Clu Drum To Direct Clu Hub, (.155", 2.922" OD, 2.088" ID) 1993-Up.....	1.....	TBA
219.....	85417E.....	Caged Needle Brg, ZF5HP30 Presses In OD Dir Drum (Cast # HK 3512) 1.655" OD.....	1.....	TBA
226.....	85416E.....	Bearing, ZF5HP30, Dir Clu Hub W/ Hollow Shaft To Dir/Intern Clu Housing, 1993-Up.....	1.....	TBA
231.....	85443E.....	Race, ZF5HP30 Fwd/Rev Drum To Fwd Hub W/ Shaft, Cupped, 1.891" OD, .869" ID,.....	1.....	TBA
232.....	85418E.....	Brg, ZF5HP30 Fwd/Rev Drum To Fwd Hub W/ Shaft, .078" Thk, 1.56" OD, .712" ID.....	1.....	TBA



ZF5HP30

ILL#	Part#		QTY	REF#
235.....	85444E.....	Race, ZF5HP30 Fwd Clu Hub To 4th Clu Drum, Cupped, 1.93" OD, 1.065" ID, 1993-Up.....	1.....	TBA
236.....	85419E.....	Bearing, ZF5HP30 Fwd Clu Hub To 4th Clu Drum, .079" Thk, 1.843" OD, 1.030" ID.....	1.....	TBA
237.....	85445E.....	Race, ZF5HP30 Fwd Sun Gr To OD Planet (Front) (2.720" OD) 1.855" ID (.058" Thk).....	1.....	TBA
238.....	85420E.....	Bearing, ZF5HP30 Fwd Sun Gr To OD Planet, (2.740" OD, 1.830" ID, .155" Thk).....	1.....	TBA
239.....	85446E.....	Race, ZF5HP30 Fwd Sun Gr To OD Planet (Rear)(2.743" OD, 1.850" ID, .040" Thk,.....	1.....	TBA
243.....	85447E.....	Race, Dir/Int Hsg To 2nd Gear Freewheel Inner Race, Cupped, 2.842" OD, 1.85" ID.....	1.....	TBA
244.....	85421E.....	Race, Dir/Int Hsg To 2nd Gear Freewheel Inner Race, .157" Thk, 2.741" OD, 1.82" ID.....	1.....	TBA
245.....	85448E.....	Race, Dir/Int Hsg To 2nd Gear Freewheel Inner Race, .080" Thk, 3.006" OD, 1.854" ID.....	1.....	TBA
267.....	85449E.....	Shim, ZF5HP30 Parking Gear To Yoke (Selective) 1993-Up.....	1.....	TBA
270.....	85422E.....	Ball Bearing Assembly, ZF5HP30 Extension Housing To Yoke (5 Pieces) 1993-Up.....	1.....	TBA
295.....	85423E.....	Caged Brg, Pump Body To Conv Neck, (Cast# INA F-216974) .550" Thk, 2.042" OD).....	1.....	TBA

GASKETS & RUBBER COMPONENTS

300.....	85504.....	Pan Gasket, ZF5HP30 RWD (Fiber) 1993-Up.....	1.....	0750-112-155
311.....	123516A.....	O-Ring, ZF5HP30 Pump Body To Pump Cover 1993-Up.....	1.....	0750-313-095
348.....	85515E.....	O-Ring, ZF5HP30 Extension Housing To Case 1993-Up.....	1.....	0734-313-097
381.....	85516E.....	O-Ring, ZF5HP30 Pump Cover To Case 1993-Up.....	1.....	0734-313-098

TECHNICAL MANUALS

400.....	TMZF5HP30.....	Repair Manual, ZF5HP30 RWD (OEM).....	1.....	TBA
400.....	TMZF5HP30VB.....	Valve Body Manual, ZF5HP30 RWD.....	1.....	TBA
400.....	TMZF5HP30A.....	Manual, ZF5HP30 Functional Description.....	1.....	TBA

ELECTRICAL COMPONENTS

420.....	85949EA.....	Solenoid Kit, ZF5HP30 (For Units Ending In 017/026/027/028/032/039/040) 1993-Up.....	1.....	TBA
420.....	85949EB.....	Solenoid, Kit, ZF5HP30 (For Units Ending In 010/011/029/030/031) 1993-Up.....	1.....	TBA
436.....	85953E.....	Sensor, ZF5HP30 Output Speed (2 Prong) Cast # 0501 310 401.....	1-2.....	TBA
438.....	85953E.....	Sensor, ZF5HP30 Input Speed (2 Prong) Cast # 0501 310 401.....	1.....	TBA
446.....	85988E.....	Wire Harn, ZF5HP30 Internal (16 Pin Conn W/ 8-3 Wire Conn & 2-2 Wire Conn's 93-Up.....	1.....	TBA
495.....	85637E.....	Oil Tube, ZF5HP30 Valve Body To Pump Cover (Aluminum) 1993-Up.....	2.....	TBA

PUMPS & PUMP COMPONENTS

510.....	85912E.....	Pump Body, ZF5HP30 With Gears (10 Bolts To Pump Cover) 1993-Up.....	1.....	TBA
520.....	85916EA.....	Pump Cover, ZF5HP30 (Aluminum) 14 Bolts To Case (10 3/8" OD) (2.235" Thick) 93-Up.....	1.....	TBA
528.....	85915E.....	Stator Supp, ZF5HP30 (Alum) 10 3/8" OD (1.260" ID, .650" Thick At Edge) 1993-Up.....	1.....	TBA
529.....	85915EB.....	Stator Tube, ZF5HP30 (6 1/8" Long) 5 Bolt 1993-Up.....	1.....	TBA
530.....	K85201E.....	Pump Gear Set, ZF5HP30 (14 Teeth On Inner Gear) (.552" Thick) 1993-Up.....	1.....	TBA

DRUMS & CLUTCH HUBS

550.....	85732E.....	Drum, ZF5HP30 4th Clutch (5 Clutch) Stamped Steel 1993-Up.....	1.....	TBA
551.....	85733E.....	Drum, ZF5HP30 Overdrive Direct Clutch (Aluminum) 6 Clutch (6 3/8" OD)..... Cast # 1055 476 036-7BF1 (12 Bolts To Case) 1993-Up.....	1.....	TBA
556.....	85734E.....	Drum, ZF5HP30 Forward/Reverse Clutch (Aluminum) (9" OD) 1993-Up..... Uses Five 24T Forward Steels & Three 32T Reverse Steels.....	1.....	TBA
558.....	85735E.....	Housing, ZF5HP30 Direct/Intermediate & Overrun Clutch (8 9/16" OD) 1993-Up.....	1.....	TBA
570.....	85740E.....	Hub, ZF5HP30 4th Clutch (30 Clutch Teeth) (1.530" Thick) 1993-Up.....	1.....	TBA
571.....	85741E.....	Hub, ZF5HP30 OD Clutch (W/ 1st Gear Freewheel Outer Race) 30 Clu Splines, 93-Up.....	1.....	TBA
572.....	85742E.....	Hub, ZF5HP30 Intermediate Clutch (Aluminum) (30 Clutch Splines) 1993-Up.....	1.....	TBA
575.....	85743E.....	Hub W/Hollow Shaft, ZF5HP30 Direct Clutch (9" OD) 1993-Up.....	1.....	TBA
576.....	85744E.....	Hub, ZF5HP30 Reverse Clutch (With 30 Clutch Teeth) (8 7/8" OD) 1993-Up.....	1.....	TBA

PLANETS

580.....	85749E.....	Planet W/Shaft, ZF5HP30 OD (4 Gear, 1 Groove) Uses 32T Sun Gear, 1993-Up.....	1.....	TBA
582.....	85747E.....	Planet, ZF5HP30 Fwd (4-Gr, 1 Groove) (24 Lugs)Uses 40T Sun Gear, 1993-Up.....	1.....	TBA
584.....	85748E.....	Planet W/Shaft, ZF5HP30 Output (5 Gr, 1 Groove) Uses 38T Sun Gear, 1993-Up.....	1.....	TBA
590.....	85759E.....	Ring Gear, ZF5HP30 Overdrive Planet (108 Teeth) (24 Lugs) 1993-Up.....	1.....	TBA
592.....	85757E.....	Ring Gear, ZF5HP30 W/Shell, Fwd Planet (100T) 30 Outer Splines, 7-1/8" OD, 1993-Up.....	1.....	TBA
594.....	85758E.....	Ring Gear, ZF5HP30 Output Planet (97 Teeth) (15 Lugs) 1993-Up.....	1.....	TBA
612.....	85753E.....	Sun Gear, ZF5HP30 Fwd Planet (40T, 1 Groove) .904" Thick, 2.620" OD, 1993-Up.....	1.....	TBA
614.....	85755E.....	Sun Gear, ZF5HP30 OD & Output Planet (32T/38T No Groove) 2.498" Long, 1993-Up.....	1.....	TBA

SPRAGS & ONE WAY CLUTCHES

650.....	82933E.....	Freewheel, ZF5HP30 1st Gear W/ End Caps (30 Elements) 1/2 Metal-1/2 Plastic Cage.....	1.....	TBA
652.....	82933EA.....	Freewheel, ZF5HP30 2nd Gear W/ End Caps (24 Elements) 1/2 Metal-1/2 Plastic Cage.....	1.....	TBA
660.....	85722E.....	Inner Race, ZF5HP30 1st Gear Freewheel (2.845" OD) (1.250" Thick) 1993-Up.....	1.....	TBA
662.....	85723E.....	Inner Race, ZF5HP30 2nd Gear Freewheel (1.019" Thick) 1993-Up.....	1.....	TBA
663.....	85726E.....	Outer Race, ZF5HP30 2nd Gear Freewheel (30 Clu Splines) 1.22" Thk, 3.760" ID.....	1.....	TBA

SHAFTS

ZF



ZF5HP30

ILL#	Part#		QTY	REF#
670	85851E	Shaft, ZF5HP30 Input (9 7/8" Long) (27 Converter Splines) 1993-Up	1	TBA
674	85745E	Hub W/Shaft, ZF5HP30 Forward Clutch (30 Teeth Clutch Splines) 1993-Up	1	TBA
690	85824E	Parking Gear, ZF5HP30 (18 Lugs, 36 Teeth Reluctor) 1993-Up	1	TBA
694	85641E	Retainer, ZF5HP30 1st Gear Freewheel (Brass) (3.778" OD) (2.285" ID) 1993-Up	1	TBA
695	85621	Spacer, ZF5HP30 2nd Gear Freewheel (Brass) 1993-Up	1	TBA
697	85622E	Sleeve, ZF5HP30 Fwd/Rev Drum To Stator Tube, .844" Thick, 2.046" ID 1993-Up	1	TBA
697	85622EA	Sleeve, ZF5HP30 Dir/Interm Clu Hsg (1.455" Thick) 2.953" OD (2.045" ID) 1993-Up	1	TBA
699	85623E	Waved Spacer, ZF5HP30 Front Seal To Caged Needle Brg, .060" Thk, 2.045" OD,	1	TBA
699	85623EA	Flat Spacer, Caged Needle Brg To Pump Body (.185" Thick) 1.925" OD (1.575" ID)	1	TBA

VALVE BODIES (DACCO VB#)

740	VB-9318	Valve Body, ZF5HP30 (8 Solenoids) (Aluminum) 1993-Up	1	TBA
-----	---------	--	---	-----

VALVE BODIES

740	85754E	Valve Body, ZF5HP30 (8 Solenoids) (Aluminum) 1993-Up	1	TBA
-----	--------	--	---	-----

HOUSINGS, CASES & PANS

757	85803E	Side Cover, ZF5HP30 (Aluminum) 9 Bolt (With 3 Torx Plugs) 1993-Up	1	TBA
757	85803EA	Side Cover, ZF5HP30 (Aluminum) 9 Bolt (With 2 Threaded Holes For Flared Lines)	1	TBA
760	85701E	Case, ZF5HP30 (Starter At 3:00) 7 3/4" Top Bolts (28 1/4" Long) 1993-Up	1	TBA
765	85801E	Pan, ZF5HP30 Bottom (Aluminum) With Drain Plug (20 Bolt) 1993-Up	1	TBA
770	85702K	Extension Hsg, ZF5HP30 2WD (5 Bolts To Case) With 2 Mounting Slots, 1993-Up	1	TBA
798	85081E	Nut, ZF5HP30 Output Shaft Yoke (6 Notches) (Right Hand Thread) 1993-Up	1	TBA
841	85706E	Yoke, ZF5HP30 Output Shaft (3 Bolt) (5.945" Long) 1993-Up	1	TBA
843	85625E	Clip, ZF5HP30 Holds Case Connector To Case 1993-Up	1	TBA
960	85760E	Piston, ZF5HP30 4th Clutch (Aluminum) 7 7/8" OD (2.005" ID) 1993-Up	1	TBA
961	85761E	Piston, ZF5HP30, "F" Clutch(Bonded)(.980" Thick)(5.578" OD)(2.315" ID) 93-Up	1	TBA

SNAP RINGS

861	85601E	Snap Ring, ZF5HP30 Holds 4th Clutches In Drum (.125", 8-3/8" OD) 1993-Up	1	TBA
862	85602E	Snap Ring, ZF5HP30 Holds 4th Clu Piston Retainer In Drum (.098", 1.885" OD)1993-Up	1	TBA
863	85603E	Snap Ring, ZF5HP30 Holds Needle Brg In OD-Direct Drum (.057", 1.737" OD) 1993-Up	1	TBA
864	85604E	Snap Ring, ZF5HP30 Holds OD-Direct Clutch Pressure Plate In 1993-Up	1	TBA
865	85605E	Snap Ring, ZF5HP30, 1st Gear Freewheel To OD-Direct Drum (.041", 2.354" OD) 1993-Up	1	TBA
866	85606E	Snap Ring, ZF5HP30 Holds 1st Gear Freewheel To Clu Hub (.076", 4.010" OD) 1993-Up	1	TBA
868	85607E	Use 159889A Snap Ring, ZF5HP30, Holds Output Ring Gear To Shell	1	TBA
870	85604E	Snap Ring, ZF5HP30 Holds Over-Run Clutch Pressure Plate In 1993-Up	1	TBA
873	85601E	Snap Ring, ZF5HP30 Holds Interm Clutches In Drum (.125", 8-3/8" OD) 1993-Up	1	TBA
874	85608E	Snap Ring, ZF5HP30 Holds Interm Clu Piston Springs In (.116", 6-5/16" OD) 1993-Up	1	TBA
876	85604E	Snap Ring, ZF5HP30 Holds Forward Clutch Pressure Plate In 1993-Up	1	TBA
877	85602E	Snap Ring, ZF5HP30 Holds Fwd Clu Piston Springs In Drum (.098", 1.885" OD)1993-Up	1	TBA
878	85609E	Snap Ring, ZF5HP30 Holds Direct Clu Press Plate In Drum (.131", 8-3/8" OD) 1993-Up	1	TBA
880	85610E	Snap Ring, ZF5HP30 Holds 2nd Gear Freewheel To Outer Race (.076", 4.225" OD)	1	TBA
881	85611E	Snap Ring, ZF5HP30 Holds Sleeve To Forward/Reverse Drum (.059" Thick) 1993-Up	1	TBA
882	85612E	Snap Ring, ZF5HP30 Holds OD Ring Gear To Forward Planet (.077", 6-5/5" OD) 1993-Up	1	TBA
883	85613E	Snap Ring, ZF5HP30 Holds Direct Sleeve (# 697B) To Hsg (.076", 3.118" OD) 1993-Up	1	TBA
889	85607E	Snap Ring, ZF5HP30 Holds Overdrive Planet Ring Gear To Shell #592	1	TBA
892	85614E	Snap Ring, ZF5HP30 Holds Reverse Clu Press Plate In Drum (8 5/16" OD) 1993-Up	1	TBA
893	85608E	Snap Ring, ZF5HP30 Holds Reverse Clu Piston Springs In (.116", 6-5/16" OD) 1993-Up	1	TBA
897	85615E	Snap Ring, ZF5HP30 Holds Brg #270K To Ext Hsg (.117", 3.640" OD, 2-Eyelets) 1993-Up	1	TBA
898	85616E	Snap Ring, ZF5HP30 Holds Front Seal To Body 1993-Up	1	TBA

PISTONS, SPRINGS & MISCELLANEOUS

962	85762E	Piston, ZF5HP30 Interm Clu (Alum) (18 Lugs)(.595" Thick) 8 1/16" OD (6 5/16" ID) 1993-	1	TBA
964	85763E	Piston, ZF5HP30 Fwd Clu (Alum) (Cast # 1055 470 064)(5.585" OD) (1.823" ID) 93-Up	1	TBA
965	85765E	Piston, ZF5HP30 "D" Clutch (Bonded) 1993-Up	1	TBA
966	85766E	Piston, ZF5HP30 Rev Clu (Alum) (Cast # 1055 470 083) (8 1/16" OD) 6 5/16" ID (.402")	1	TBA
968	85767E	Piston, ZF5HP30 "E1" Clutch (Bonded) (5.355" OD) 1993-Up	1	TBA
970	85880E	Spring, ZF5HP30 4th Clutch Return (8 Fingers) (.065" Thick) 1993-Up	1	TBA
971	85836E	Spring, ZF5HP30 OD Dir Clu Return (12 Fingers)(.078" Thick) (5.035" OD) 1993-Up	1	TBA
972	85834EA	Spring, ZF5HP30 Intermediate Clu Return (24 Fingers) (7 1/2" OD)	1	TBA
974	85835E	Spring, ZF5HP30 Fwd Clu Return (12 Fingers)(.063" Thick) (3.915" OD) 1993-Up	1	TBA
975	85834E	Spring, ZF5HP30 Dir Clu Return (12 Fingers) (.055" Thick) (5.100" OD) 1993-Up	1	TBA
976	85834EA	Spring, ZF5HP30 Rev Clu Return (24 Fingers) (7 1/2" OD) Also Interm Cl Return #972	1	TBA
978	85978E	Spring, ZF5HP30 O-Run Clu Return (10 Fingers) (4.875" OD) (.065" Thick) 1993-Up	1	TBA
980	85980E	Retainer, ZF5HP30 4th Clutch Return Spring (5.418" OD) 1993-Up	1	TBA
981	85981E	Retainer, ZF5HP30 Overdrive Clutch Return Spring (2 Pieces) 1993-Up	1	TBA
982	85982E	Retainer, ZF5HP30 Intermediate Clu Spring Snap Ring (Stepped) 6-9/16" OD, .132" Thk	1	TBA



ZF5HP30

ILL#	Part#		QTY	REF#
984.....	85984E.....	Retainer, ZF5HP30 Forward Clutch Return Spring (5.110" OD) (1.730" ID) 1993-Up.....	1.....	TBA
985.....	85985E.....	Retainer, ZF5HP30 Holds Dir Clu Return Spring In, 2-Pc, Also O-Run Clu #988,.....	1-2.....	TBA
986.....	85986E.....	Retainer, ZF5HP30 Rev Clu Spring Snap Ring (Stepped) 6-9/16" OD, .132" Thick.....	1.....	TBA
988.....	85985E.....	Retainer, ZF5HP30 Holds Over-Run Clu Return Spring In, 2-Pc.....	1.....	TBA
991.....	K85824E.....	Linkage Assembly, ZF5HP30 Internal (6 Pieces) 1993-Up.....	1.....	TBA
995.....	K85627E.....	Park Pawl Assembly, ZF5HP30 (3 Pieces) 1993-Up.....	1.....	TBA



ZF6HP19/X, ZF6HP21/X, ZF6HP19A

ILL#	Part#		QTY	REF#
ZF6HP19/19X/21/21X				
NI.....	K137900C.....	Overhaul Kit, ZF6HP19/19X/21/21X, 2000-Up.....	1.....	TBA
NI.....	DK137900CS.....	Master L/Steels Kit, ZF6HP19/19X/21/21X, 2000-Up.....	1.....	TBA
NI.....	DK137900C.....	Master W/Steels Kit, ZF6HP19/19X/21/21X, 2000-Up.....	1.....	TBA
NI.....	137710.....	Filter/Pan/Gasket Assembly, ZF6HP19/19X/21/21X, 2000-Up.....	1.....	0501-215-790
NI.....	137710C.....	Filter, ZF6HP19/19X/, Audi A7 (Filter Only-For Steel Pan) 2007-Up.....	1.....	0AT-325-429
NI.....	K137901C.....	Bushing Kit, ZF6HP19/19X/21/21X, 2000-Up.....	1.....	TBA
NI.....	137005.....	Bushing, Front Pump, ZF6HP19/19X/21/21X, 2000-Up.....	1.....	TBA
NI.....	116151A.....	Seal, Front Pump, ZF6HP19/19X/21/21X, 2000-Up.....	1.....	0734-319-695
NI.....	116157A.....	Seal, Extension Hsg (2WD) ZF6HP19/19X/21/21X, 2000-Up.....	1.....	0734-319-633
NI.....	116025A.....	Seal, Rear Flange (AWD) ZF6HP19/19X/21/21X, 2000-Up.....	1.....	0734-310-418
NI.....	137158.....	Seal, Output, ZF6HP19X/21/21X, 2000-Up.....	1.....	0750-111-470
NI.....	82155.....	Seal, Manual Shaft, ZF6HP19/19X/21/21X, 2000-Up.....	1-2.....	0734-319-801
NI.....	K137F.....	Friction Module, ZF6HP19/19X/21/21X, 2000-Up.....	1.....	TBA
NI.....	K137S.....	Steel Module, ZF6HP19/19X/21/21X, 2000-Up.....	1.....	TBA
NI.....	K137903.....	Ring Kit, ZF6HP19/19X/21/21X, 2000-Up.....	1.....	TBA
NI.....	137500CA.....	Pan Gasket, (For Plastic Pan) ZF6HP19/19X/21/21X, 2000-Up.....	1.....	0501-323-156
NI.....	137500C.....	Pan Gasket, (For Steel Pan) ZF6HP19/19X/21/21X, 2007-Up.....	1.....	0501-322-077
ZF6HP19A				
NI.....	K137900A.....	Overhaul Kit, ZF6HP19A, 2002-Up.....	1.....	TBA
NI.....	DK137900AS.....	Master L/Steels Kit, ZF6HP19A, 2002-Up.....	1.....	TBA
NI.....	DK137900A.....	Master W/Steels Kit, ZF6HP19A, 2002-Up.....	1.....	TBA
NI.....	137710A.....	Filter, ZF6HP19A, 2002-Up.....	1.....	0501-212-401
NI.....	K137901A.....	Bushing Kit, ZF6HP19A, 2002-Up.....	1.....	TBA
NI.....	137005.....	Bushing, Front Pump, ZF6HP19A, 2002-Up.....	1.....	TBA
NI.....	116151A.....	Seal, Front Pump, ZF6HP19A, 2002-Up.....	1.....	0734-319-695
NI.....	137165.....	Seal, Intermediate Housing, ZF6HP19A, 2002-Up.....	1.....	0734-310-408
NI.....	137166.....	Seal, Output Gear, ZF6HP19A, 2002-Up.....	1.....	0734-310-409
NI.....	137163.....	Seal, Distributor Housing, ZF6HP19A, 2002-Up.....	1.....	0734-319-649
NI.....	114160HD.....	Seal, Side Shaft, ZF6HP19A, 2002-Up.....	1.....	0734-319-529
NI.....	116162.....	Seal, Differential, ZF6HP19A, 2002-Up.....	1.....	0734-319-703
NI.....	137162.....	Seal, Output Flange Cover, ZF6HP19A, 2002-Up.....	1.....	0734319-645
NI.....	82155.....	Seal, Manual Shaft, ZF6HP19A, 2002-Up.....	1-2.....	0734-319-801
NI.....	K137AF.....	Friction Module, ZF6HP19A, 2002-Up.....	1.....	TBA
NI.....	K137AS.....	Steel Module, ZF6HP19A, 2002-Up.....	1.....	TBA
NI.....	K137903A.....	Ring Kit, ZF6HP19A, 2002-Up.....	1.....	TBA
NI.....	137500A.....	Pan Gasket, (23-Bolt Hole) ZF6HP19A, 2002-Up.....	1.....	1070-303-006
NI.....	137500B.....	Pan Gasket, (13-Bolt Hole) ZF6HP19A, 2002-Up.....	1.....	0501-322-078



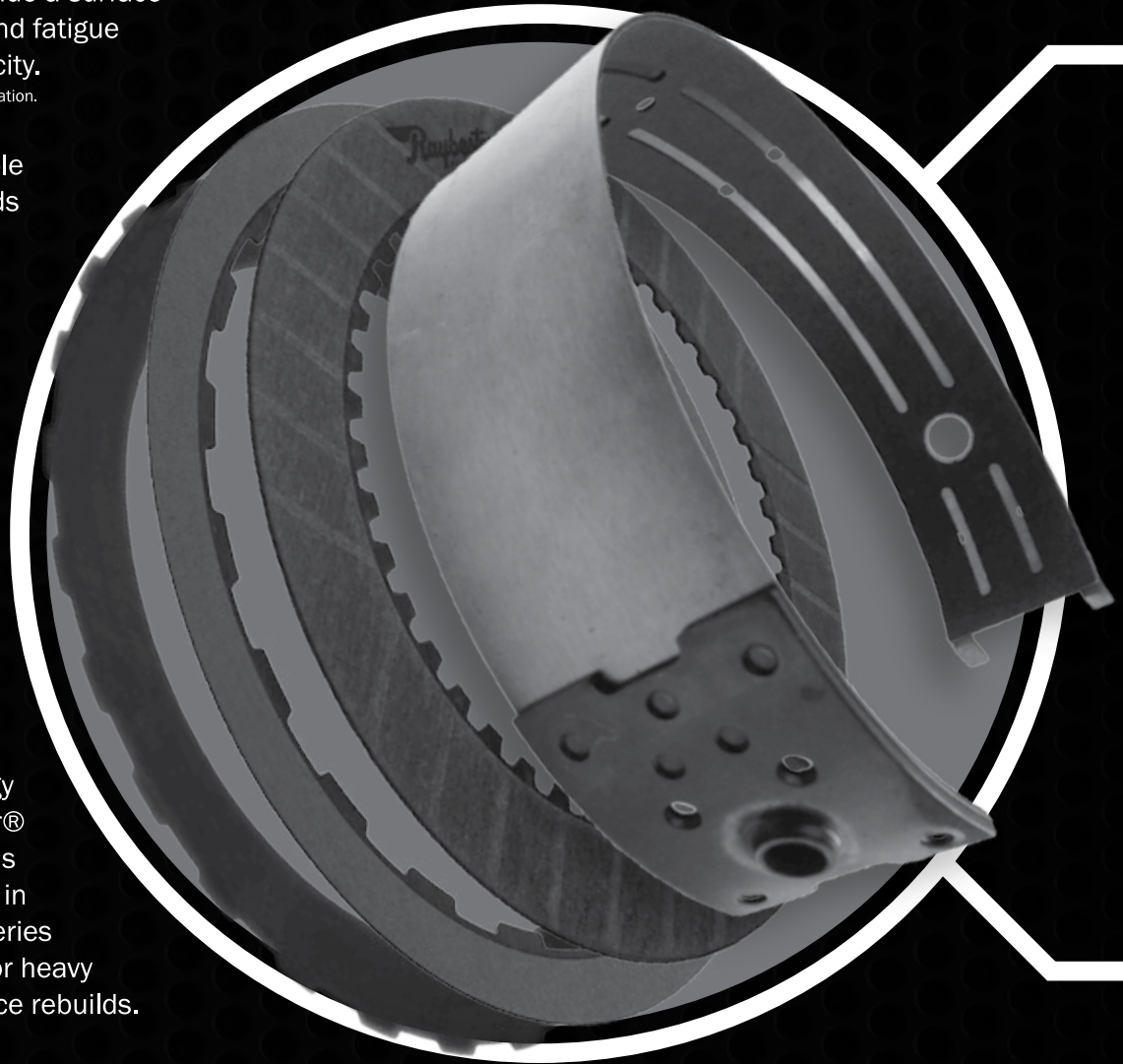
Kolene® steel clutch plates provide a surface treatment that enhances wear and fatigue resistance while increasing lubricity.

Kolene® is a registered trademark of the Kolene Corporation.

Stage-1 frictions are an affordable solution that can handle demands that a stock tan or high energy plate cannot. Choose Stage-1 for street rods, tuner cars and mild street strip applications.

Gen2 racing clutches designed for ALL TYPES of racing are state-of-the-art, power absorbing clutches that perform with very low wear, excellent fatigue strength, high durability and quick shifts with little shock for even faster times.

Pro-Series bands use high energy material constructed with Kevlar® fibers along with solids and resins that enhance band performance in high stress transmissions. Pro-Series bands are the perfect upgrade for heavy duty, towing and high performance rebuilds.

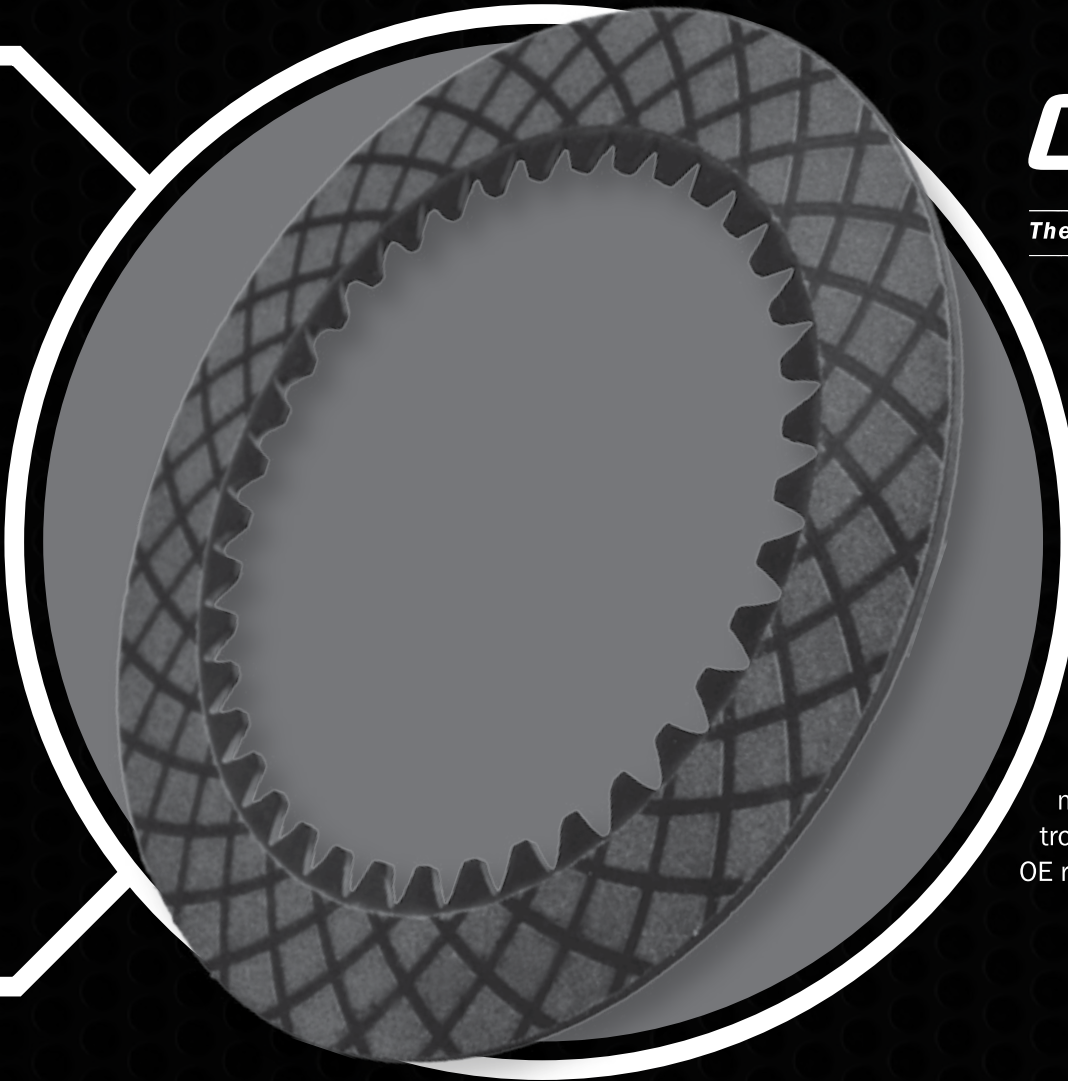


KOLENE®
STEELS

performance frictions
STAGE-1

Blue Plate Special®
gen2

PRO-SERIES
BANDS



GP 

The First & Only X-Factor for Honda

Raybestos Powertrain “Global Performance Extra” friction material is designed to match Honda/Acura transmissions perfectly and outperform any other Honda/Acura friction plate. Raybestos proprietary engineered friction material combined with a unique groove design pattern allows the GPX to withstand high temperatures, create smooth shifts and provide greater durability than OE. With the industry’s tightest manufacturing specifications for trouble-free installation the GPX is an OE replacement without the OE cost.

ADVANTAGES

- Unique “X” groove design provides for smooth shifts
- Proprietary Raybestos engineered friction material
- Industry’s tightest manufacturing specifications
- Fits Honda/Acura transmissions perfectly
- Withstands higher temperatures than OE
- An OE replacement without the OE cost
- Greater durability than OE

