



RANGE ROVER

Electrical Circuit Diagrams



RANGE ROVER

Electrical Circuit Diagrams

Publication Part No. LRL 0499ENG

Published by Land Rover

© 2001 Land Rover

All rights reserved. No part of this publication may be reproduced, stored in a retrieval system or transmitted in any form, electronic, mechanical, recording or other means without prior written permission from Land Rover.

COLOUR CODES**DRAADKLEURCODES****CODICI COLORI DEI CAVI****CODES DES COULEURS DES FILS****CODIGOS DE COLORES DE LOS CABLES****KABELFARBCODES****CÓDIGOS DAS CORES DOS FIOS**

CODE	COLOUR	CODE	KLEUR	CODE	COULEUR	CODE	FARBE	CODICE	COLORE	CODIGO	COLOR	CÓDIGO	COR
B	BLACK	B	ZWART	B	NOIR	B	SCHWARZ	B	NERO	B	NEGRO	G	PRETO
G	GREEN	G	GROEN	G	VERT	G	GRÜN	G	VERDE	G	VERDE	K	VERDE
K	PINK	K	ROZE	K	ROSE	K	ROSA	K	ROSA	K	ROSA	LG	ROSA
LG	LIGHT GREEN	LG	LICHTGROEN	LG	VERT CLAIR	LG	HELLGRÜN	LG	VERDE CHIARO	LG	VERDE CLARO	N	VERDE CLARO
N	BROWN	N	BRUIN	N	BRUN	N	BRAUN	N	MARRONE	N	MARRON	O	CASTANHO
O	ORANGE	O	ORANJE	O	ORANGE	O	ORANGE	O	ARANCIONE	O	NARANJA	P	LARANJA
P	PURPLE	P	PAARS	P	VIOLET	P	LILA	P	PORPORA	P	PURPURA	R	ROXO
R	RED	R	ROOD	R	ROUGE	R	ROT	R	ROSSO	R	ROJO	S	VERMELHO
S	SLATE (grey)	S	LEIGRIJS	S	GRIS	S	GRAU	S	ARDESIA (grigio)	S	PIZARRO (gris)	U	CINZENTO
U	BLUE	U	BLAUW	U	BLEU	U	BLAU	U	BLU	U	AZUL	W	AZUL
W	WHITE	W	WIT	W	BLANC	W	WEISS	W	BIANCO	W	BLANCO	Y	BRANCO
Y	YELLOW	Y	GEEL	Y	JAUNE	Y	GELB	Y	GIALLO	Y	AMARILLO	Y	AMARELO

CONTENTS

1 POWER DISTRIBUTION	8	9 STEERING WHEEL	62	35 ANTI-LOCK BRAKING SYSTEM (ABS)	106
Engine Compartment Fuse Box	8	Adjustable	62	36 SUPPLEMENTARY RESTRAINT SYSTEM	
Passenger Compartment Fuse Box	10	Adjustable - Memory	64	(SRS)	108
Rear Fuse Box	16	Heated	66	38 AIR CONDITIONING	110
2 EARTH DISTRIBUTION	18	9 STEERING	68	Low-Line	110
3 ANTI-THEFT ALARM	28	10 DIAGNOSTIC SOCKET	70	High Line	112
3 ENGINE IMMOBILISATION	30	11 BODY CONTROL UNIT	72	Rear	114
Td6	30	15 CHARGING AND STARTING	76	39 FUEL BURNING HEATER	116
V8	32	Td6	76	Td6	116
4 CENTRAL DOOR LOCKING	34	V8	78	V8	118
5 WINDOWS	36	20 ENGINE MANAGEMENT SYSTEM	80	40 HEATED FRONT SCREEN	120
Front	36	Td6	80	40 HEATED REAR SCREEN	122
Rear	38	V8	84	42 WIPERS AND WASHERS	124
6 SUNROOF	40	20 FUEL PUMP	90	Front	124
7 DOOR MIRRORS	42	20 SECONDARY AIR INJECTION	92	Rear	126
Memory	44	22 COOLING FANS	94	Heated	128
Folding	46	Fuel System	96	Headlamps	130
7 INTERIOR MIRROR	48	31 CRUISE CONTROL	98	43 EXTERIOR LAMPS	132
8 SEATS	50	32 ELECTRONIC AUTOMATIC TRANSMISSION 100		Head, side and tail lamps	132
Front	50	GM5	100	Head, side and tail lamps - Xenon	134
Memory	52	ZF	102	Headlamp levelling - Automatic	136
Memory - Comfort	54	34 AIR SUSPENSION	104	Direction indicator lamps\hazard warning	138
Lumbar Support	56			Brake and reverse lamps	140
Heated - Front	58			Fog lamps - Front	142
Heated - Rear	60			Fog lamps - Rear	144

CONTENTS

44 INTERIOR LAMPS	146	50 AUDIO SYSTEMS	172	70 COMMUNICATION DATA BUSES	210
46 INTERIOR ILLUMINATION	150	Amplifier	174	CAN Bus	210
47 INSTRUMENTS	156	Digital Signal Processor	176	K Bus, I Bus	212
47 ROTARY COUPLER	160	CD Player	178	73 TYRE PRESSURE MONITORING	214
48 CLOCK	162	55 NAVIGATION SYSTEMS	180	75 PARK DISTANCE CONTROL (PDC)	216
48 HORN (S)	164	Europe	180	76 TELECOMMUNICATION SYSTEMS	218
49 ACCESSORY SOCKET	166	Japan	182	Voice Recognition	220
49 CIGAR LIGHTER	168	57 TELEVISION	184	80 TRAILER SOCKET	222
Australia	170	Amplifier	186		
		Digital Signal Processor	190		
		65 SPLICES AND CENTRE TAPS	192		

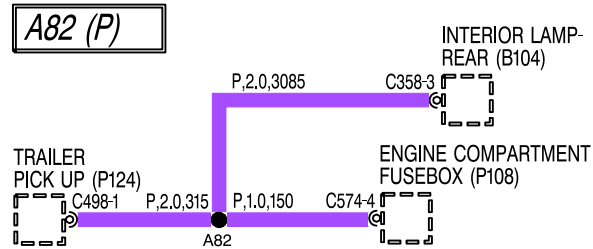
HOW TO USE THE CIRCUIT DIAGRAMS

All of the information in this folder is intended for use with the **Electrical Reference Library** booklet.

The circuit diagrams are presented with Power and Earth distribution first, followed by individual circuits for each electrical system on the car.

Power Distribution

The Power Distribution diagram shows the connections from the battery to the engine and passenger compartment fuseboxes. It also shows the internal circuitry of the fuseboxes.



86M4227A

The fuse box details are followed by independent functionally specific circuits and then a Splices and centre taps section outlining the way in which internal harness splices and centre taps distribute power in the harnesses. This information should be used during diagnosis of electrical faults to check for symptoms in associated circuits and narrow down the search area.

Earth Distribution

The ground distribution section comprises a number of Headers and Splices tables. These are used in a similar manner to those in Power Distribution; to narrow the search area by checking for fault symptoms in associated circuits.

Splices and centre taps

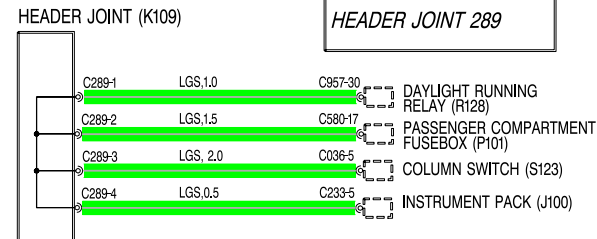
Header and splice tables present the joint(s) and wiring up to the first component. Splices are identified by a number with an alphabetical prefix and the wire colour.

The splice information shown on individual system circuits is not complete. Always refer to the splices circuit for complete information on each splice.

Wire length (Power & Earth Distribution only)

The length of the wire in millimetres. This can be used to locate internal harness splices; look for the shortest wire between the joint and connector. For example, it can be seen that C574-4 is 150mm from joint A82.

Connectors



86M4228A

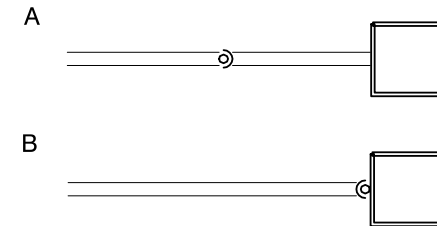
Header joints are identified by their corresponding connector number with a numbered suffix to indicate the pin-out detail of the wire, i.e. C289-1 identifies connector 289, pin number 1. Wire insulation colour is identified in the normal way. Where wires have a predominant colour with a secondary colour stripe, the main colour is identified first, i.e. LGS - Light Green with a Slate stripe.

Line Types



86M4229A

This means the wire connects to another circuit.



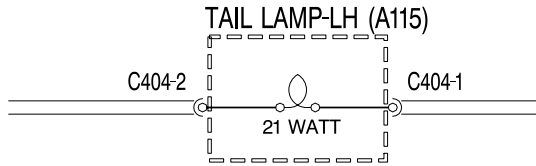
86M4230A

The cup and ball symbol indicates the male and female halves of connector.

- A. Plug on lead (Flylead) wired directly to the component.
- B. Connector plugs directly into component.

HOW TO USE THE CIRCUIT DIAGRAMS

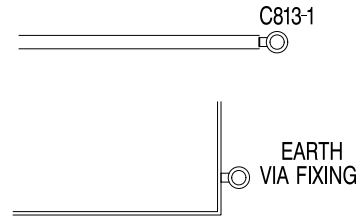
Components



86M4231A

The name or description of the component is shown. A dotted outline indicates that the component is not shown in its entirety.

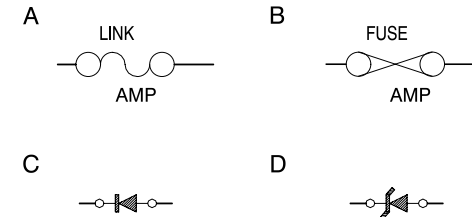
Earth points



86M4232A

Earth points are identified with an eyelet symbol and a connector number, except where components are grounded through their fixings, when only the eyelet is shown.

Fuses and Diodes



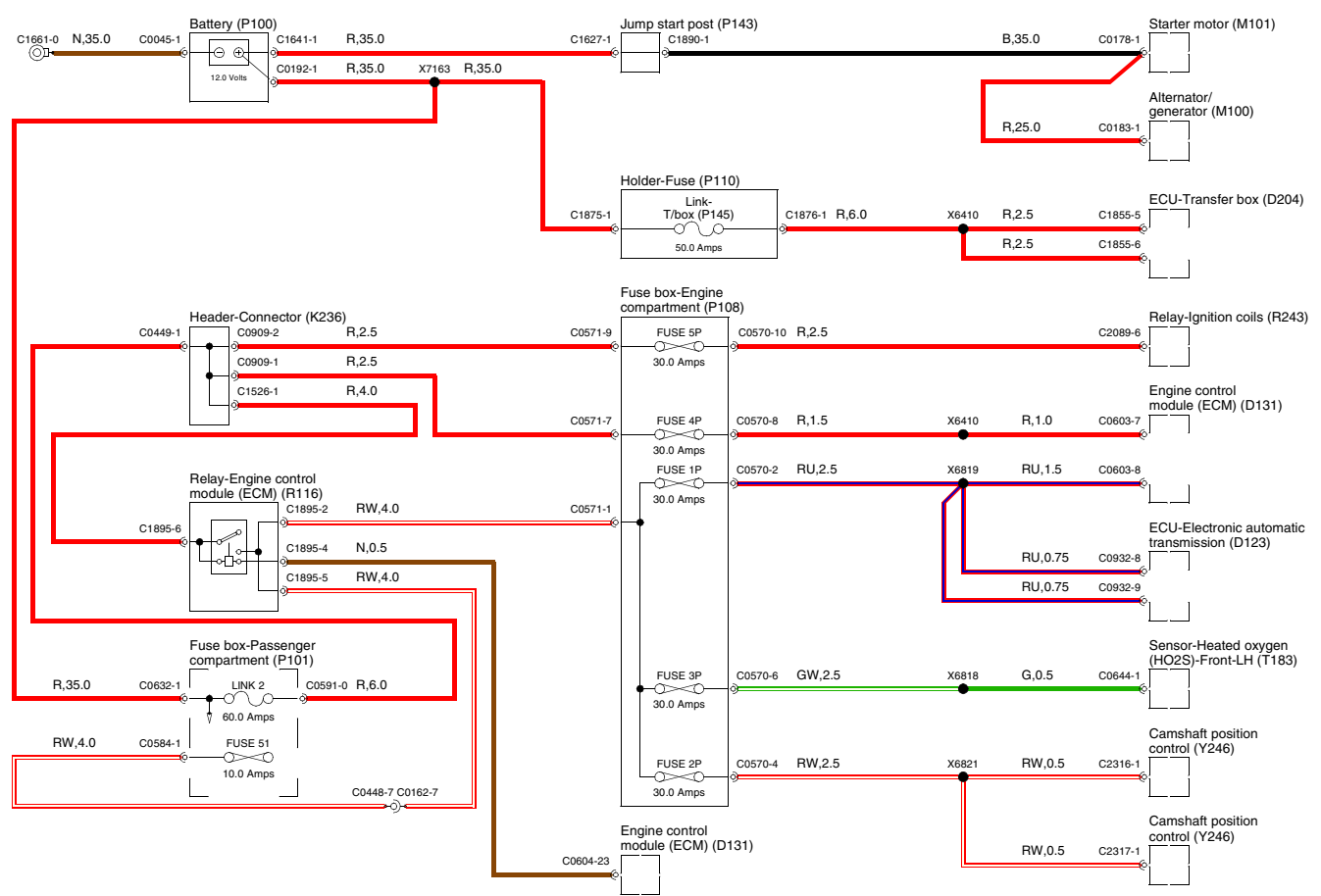
86M4234A

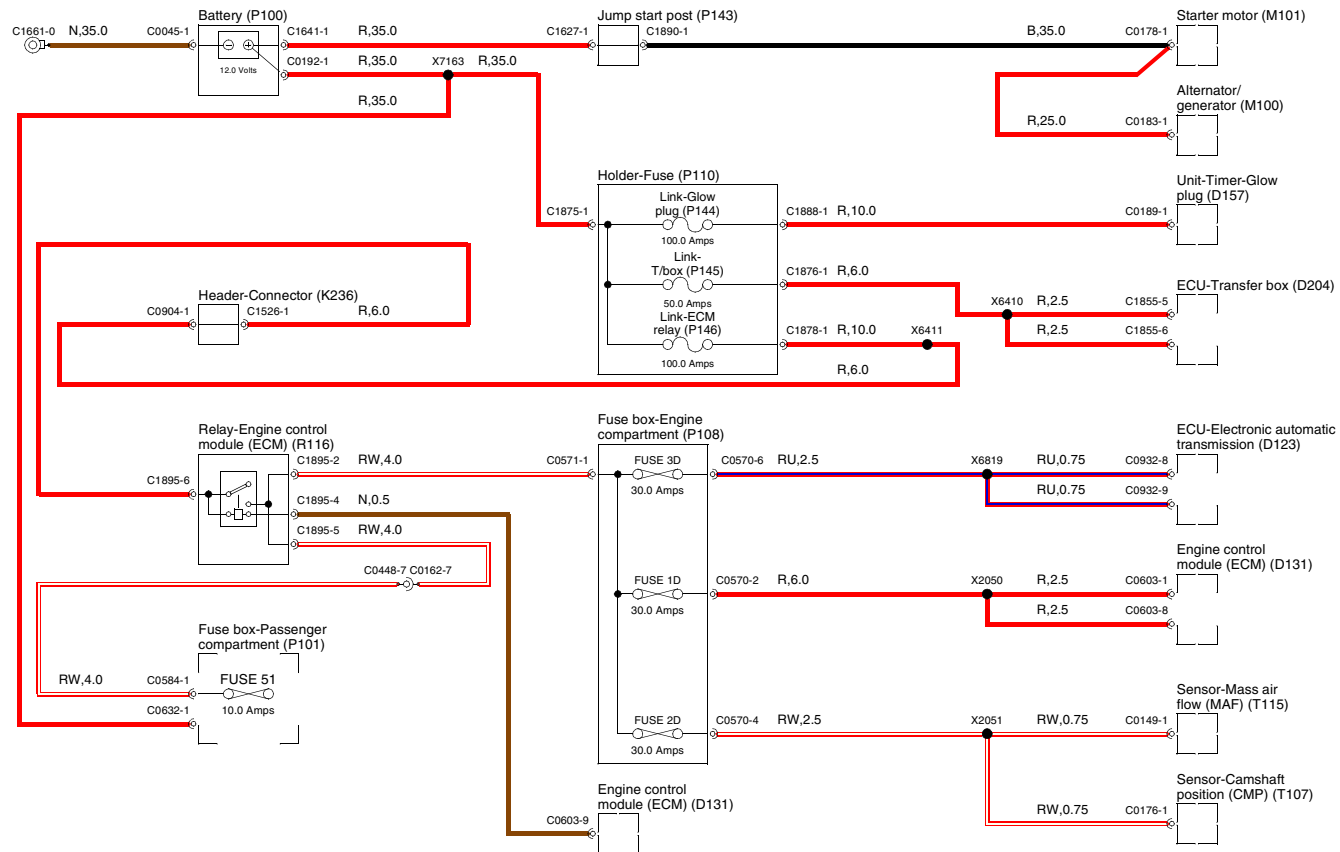
Fusible links (A) and current rated fuses (B) are identified as shown. The direction of the arrow in a Diode symbol (C) indicates the direction of current flow. The Zener diode (D) - prevents current flow until a precise voltage is reached.

HOW TO USE THE CIRCUIT DIAGRAMS

1 POWER DISTRIBUTION

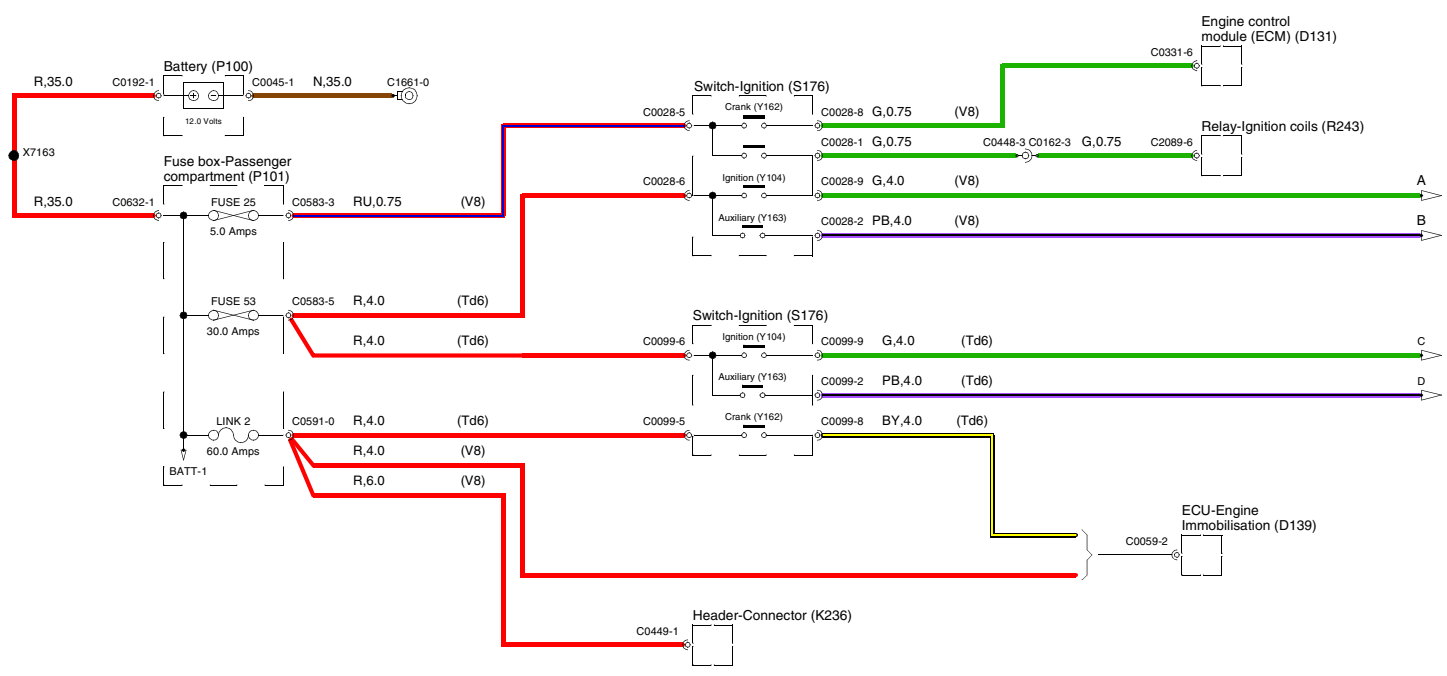
Engine Compartment Fuse Box

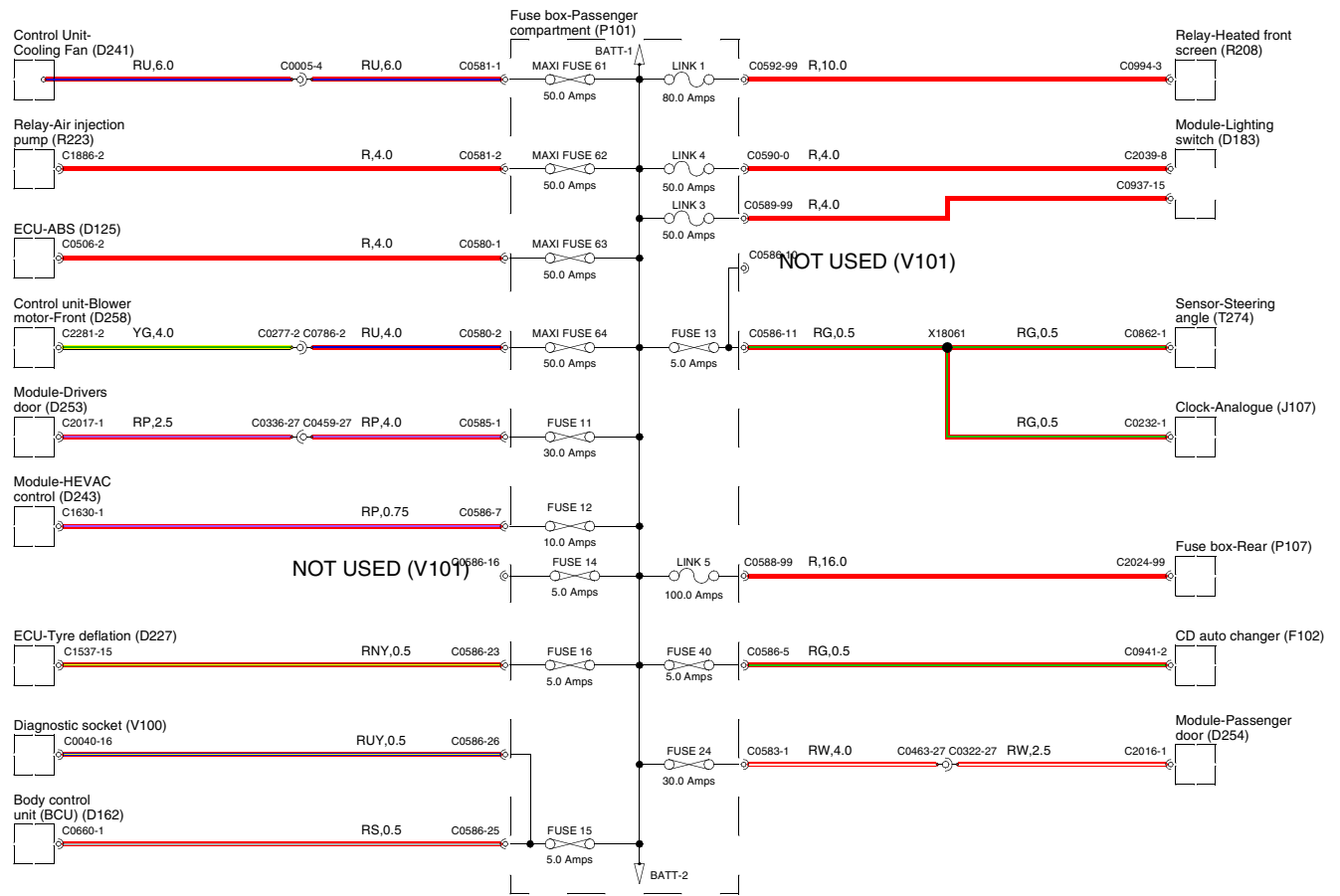




1 POWER DISTRIBUTION

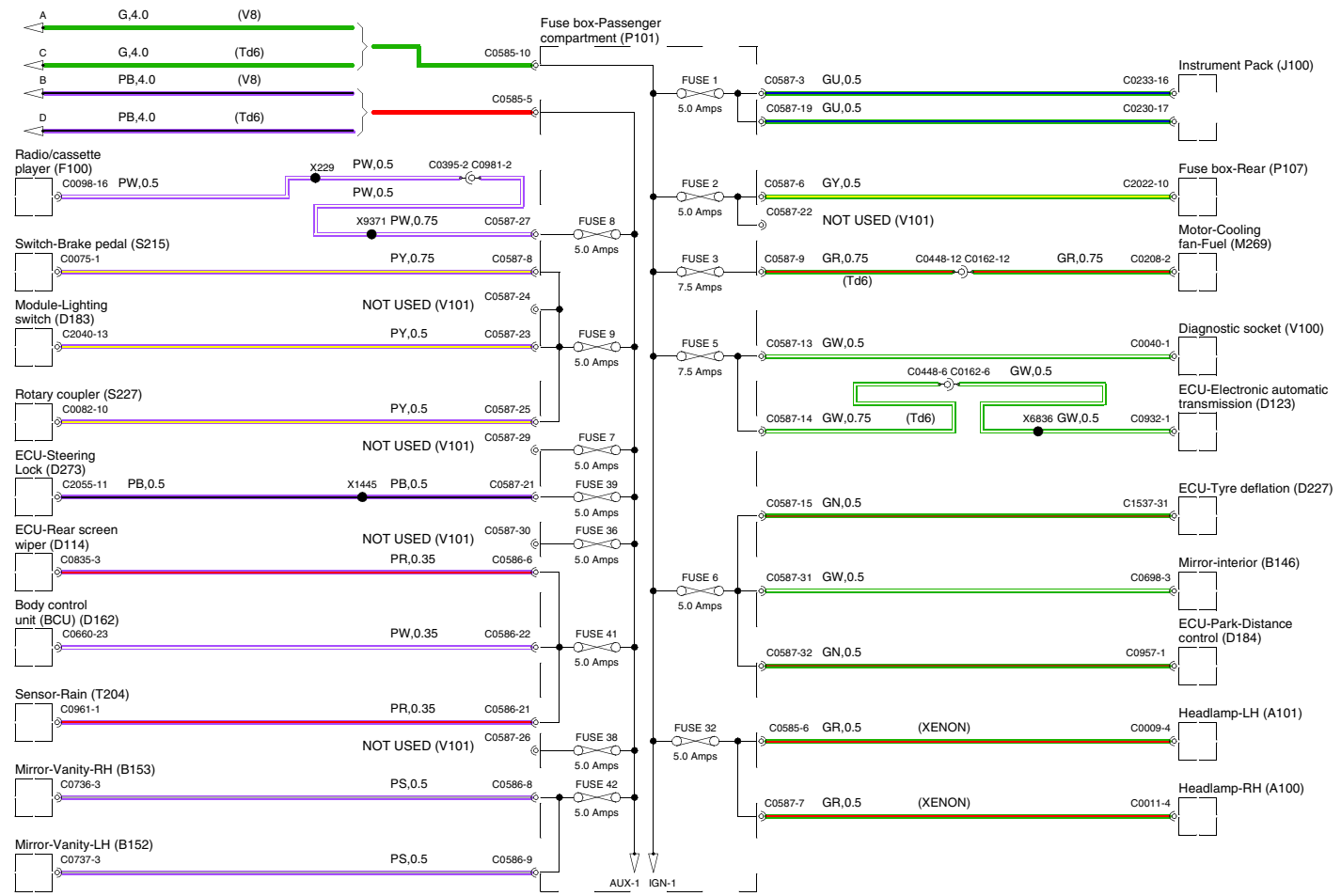
Passenger Compartment Fuse Box

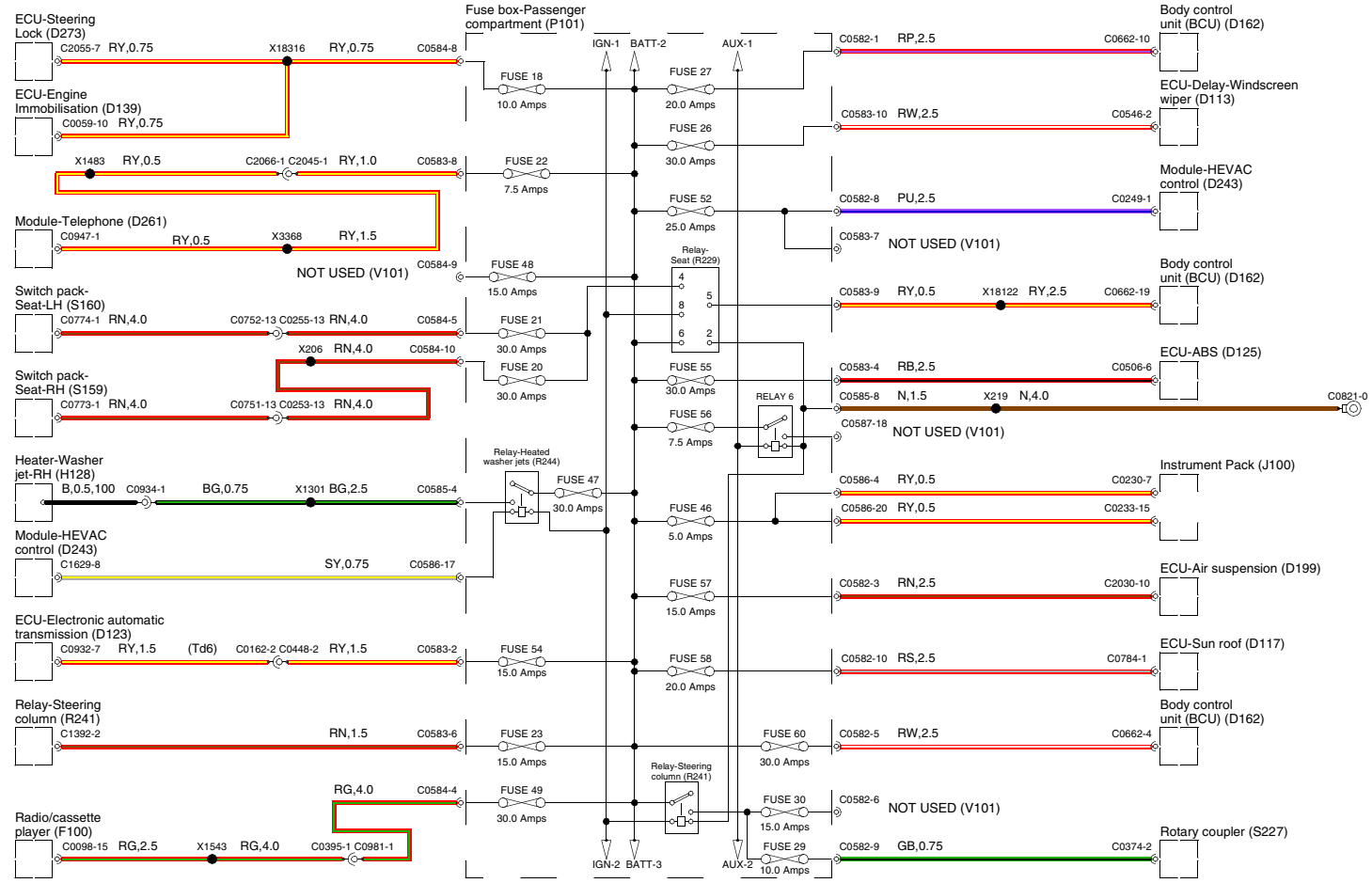


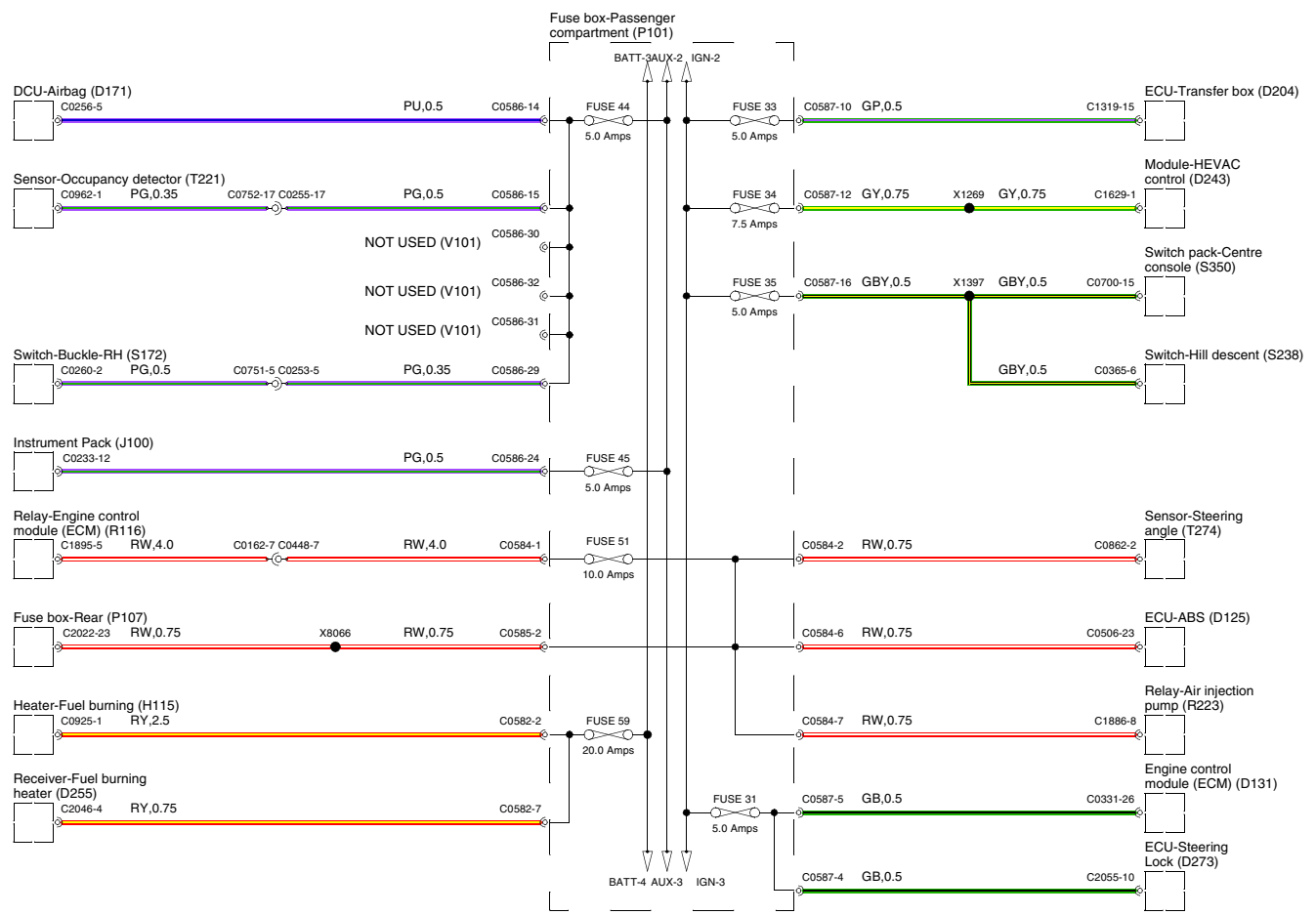


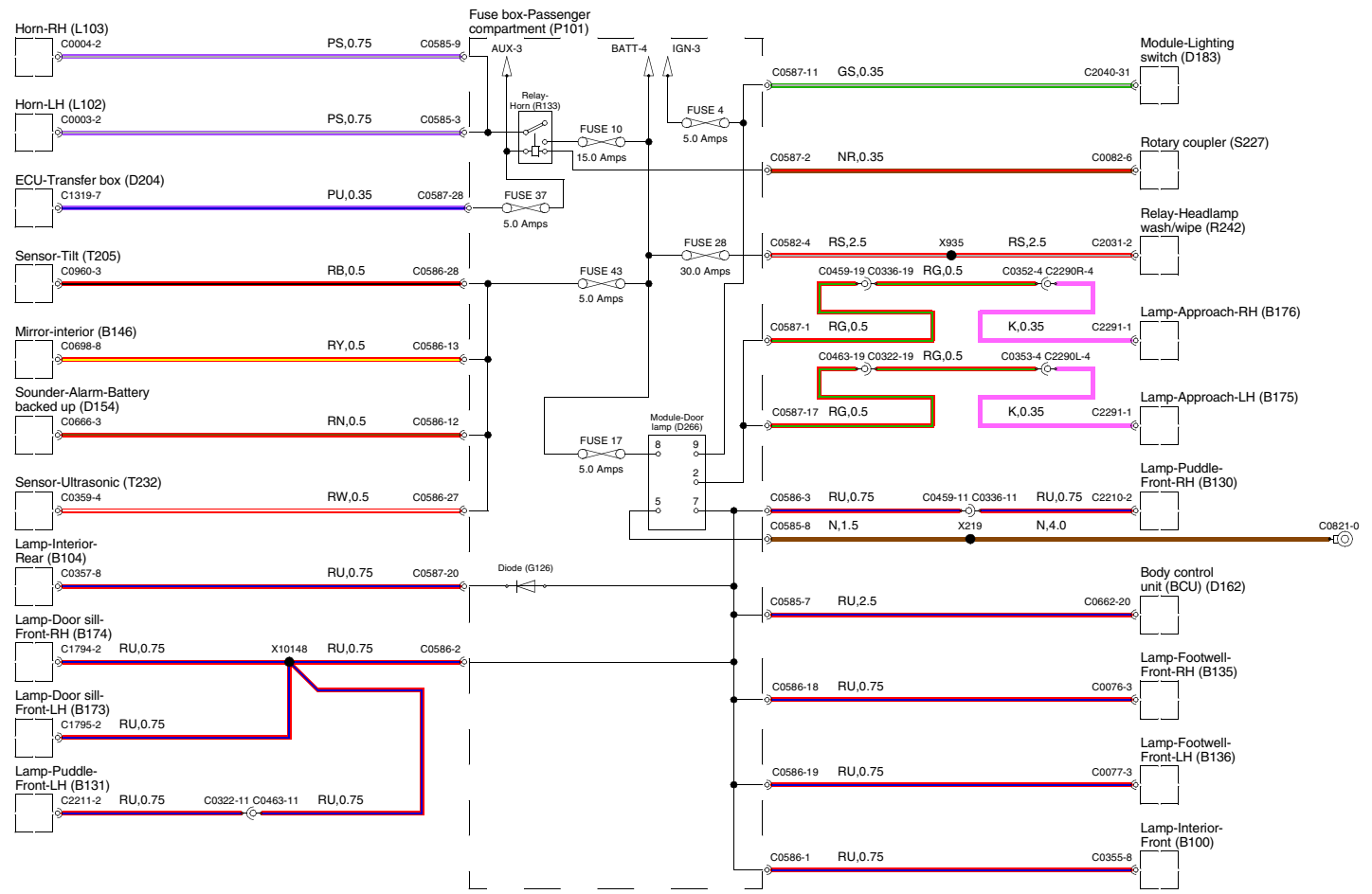
1 POWER DISTRIBUTION

Passenger Compartment Fuse Box

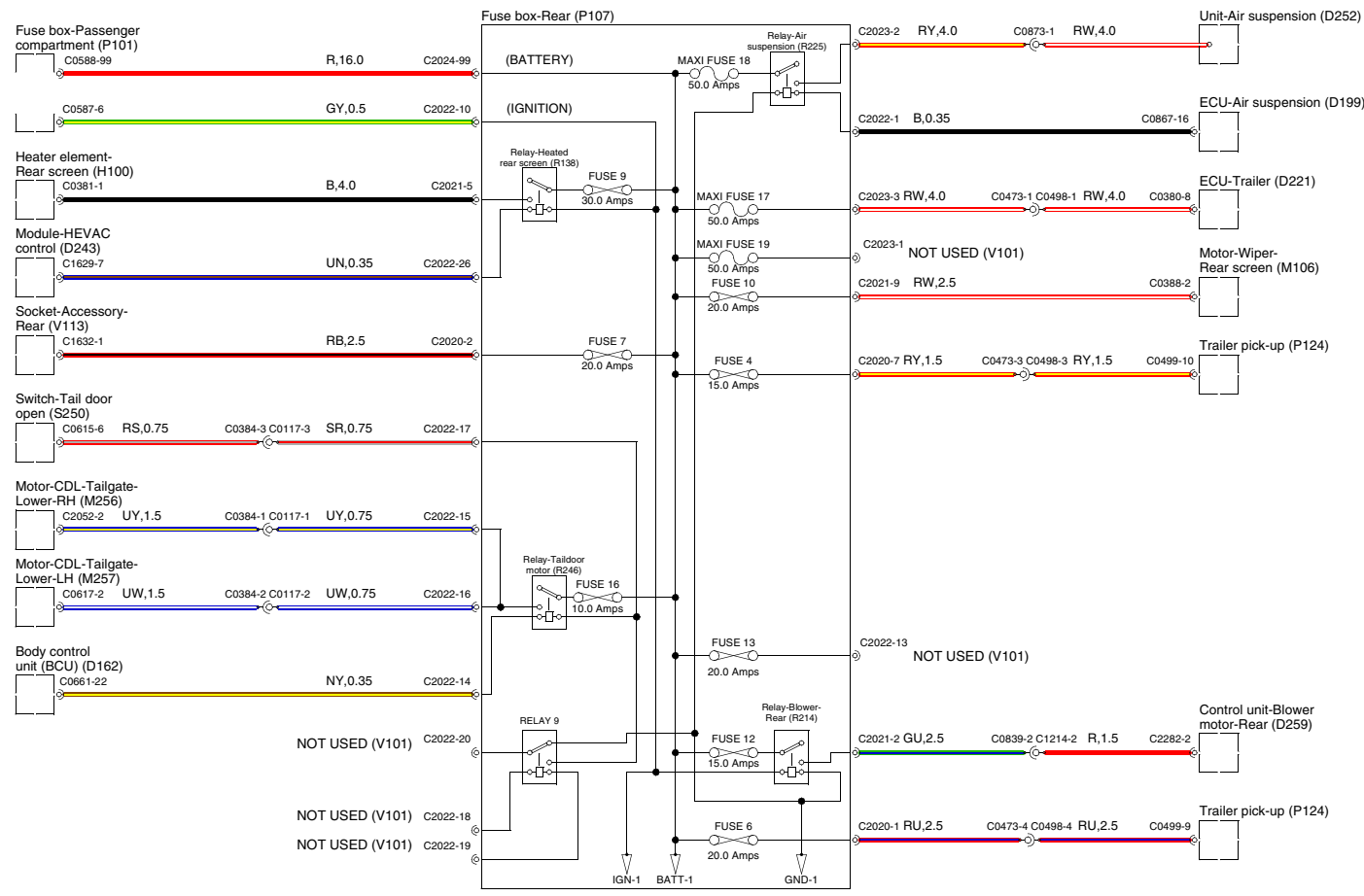


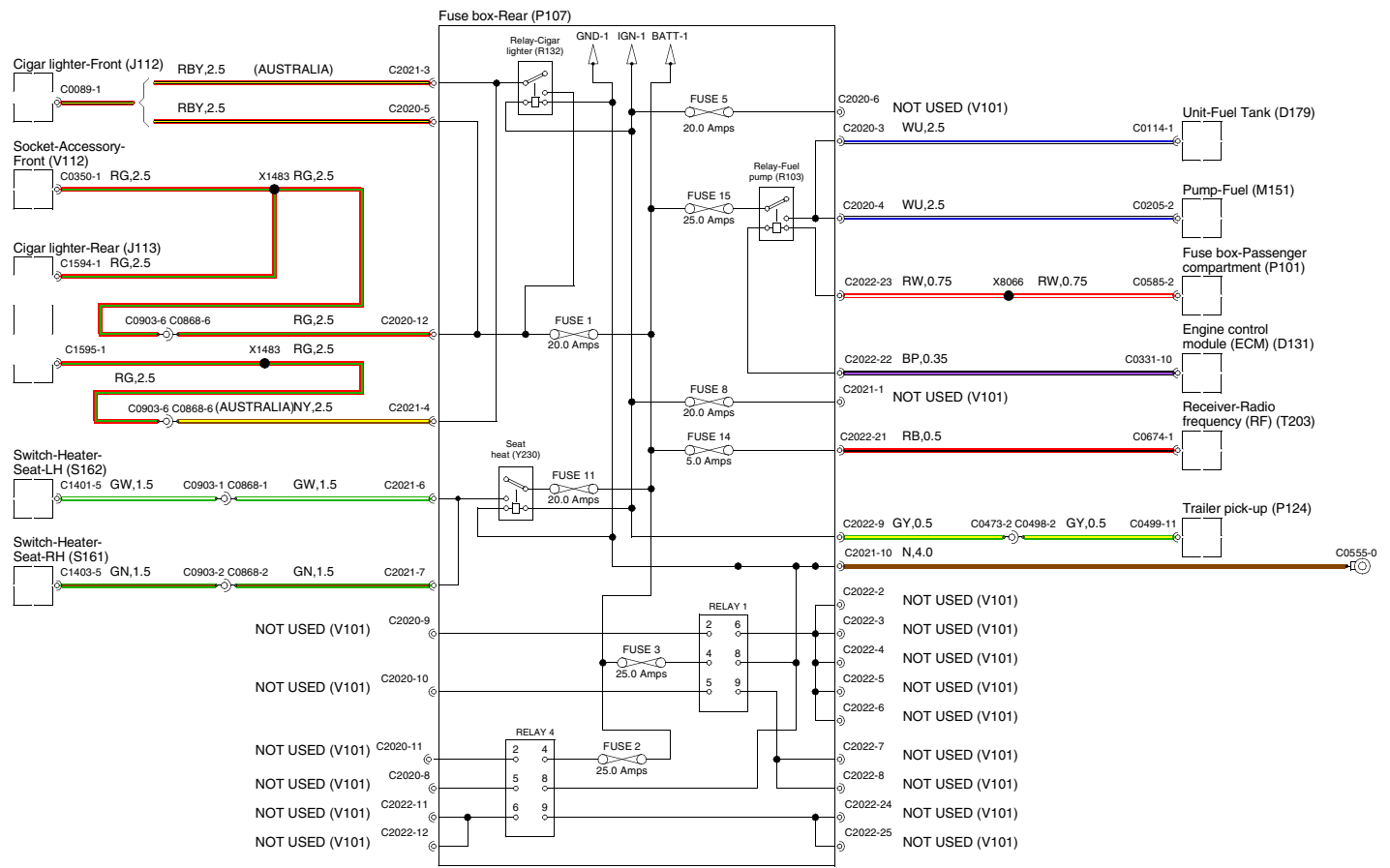




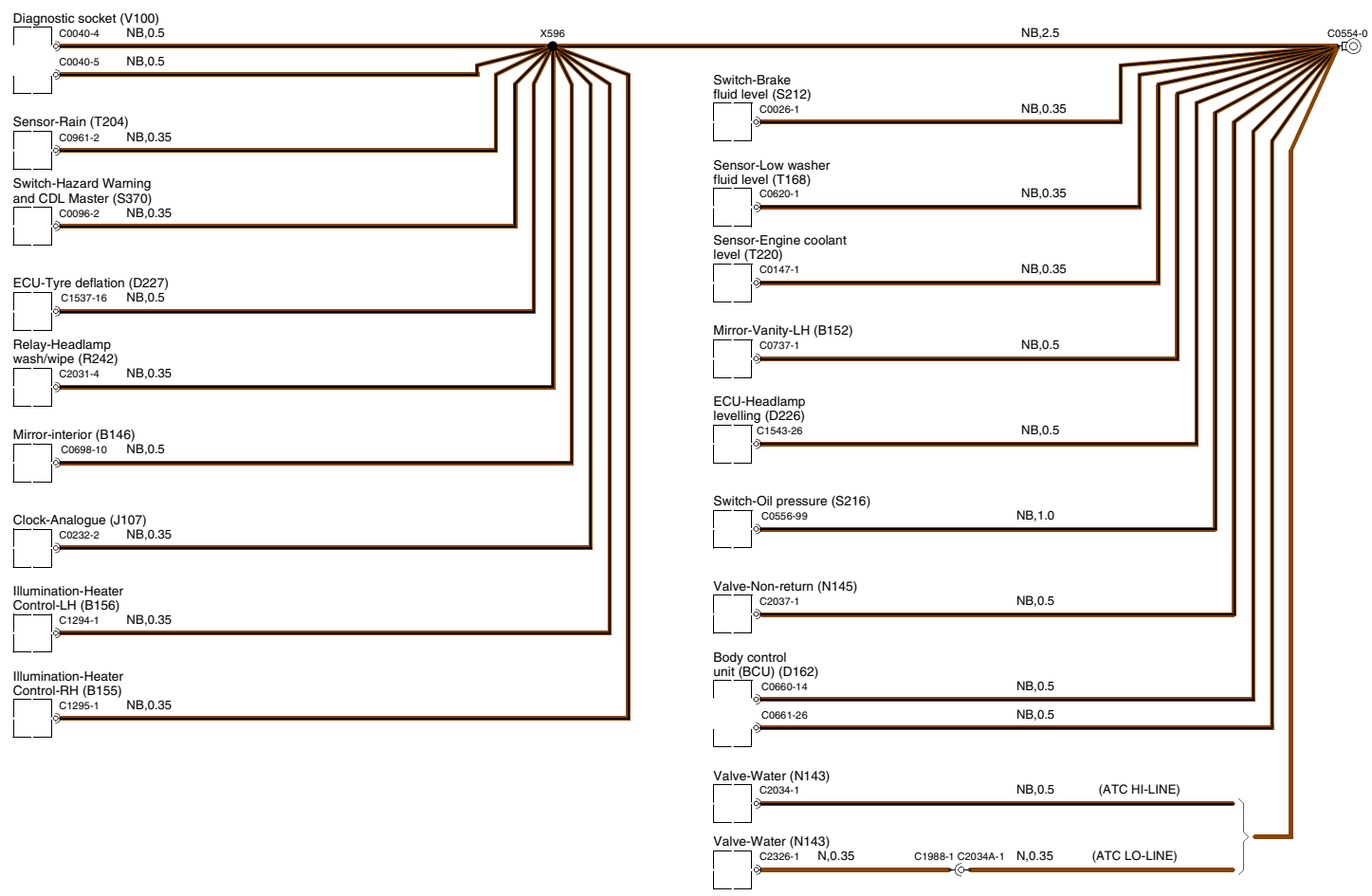


1 POWER DISTRIBUTION

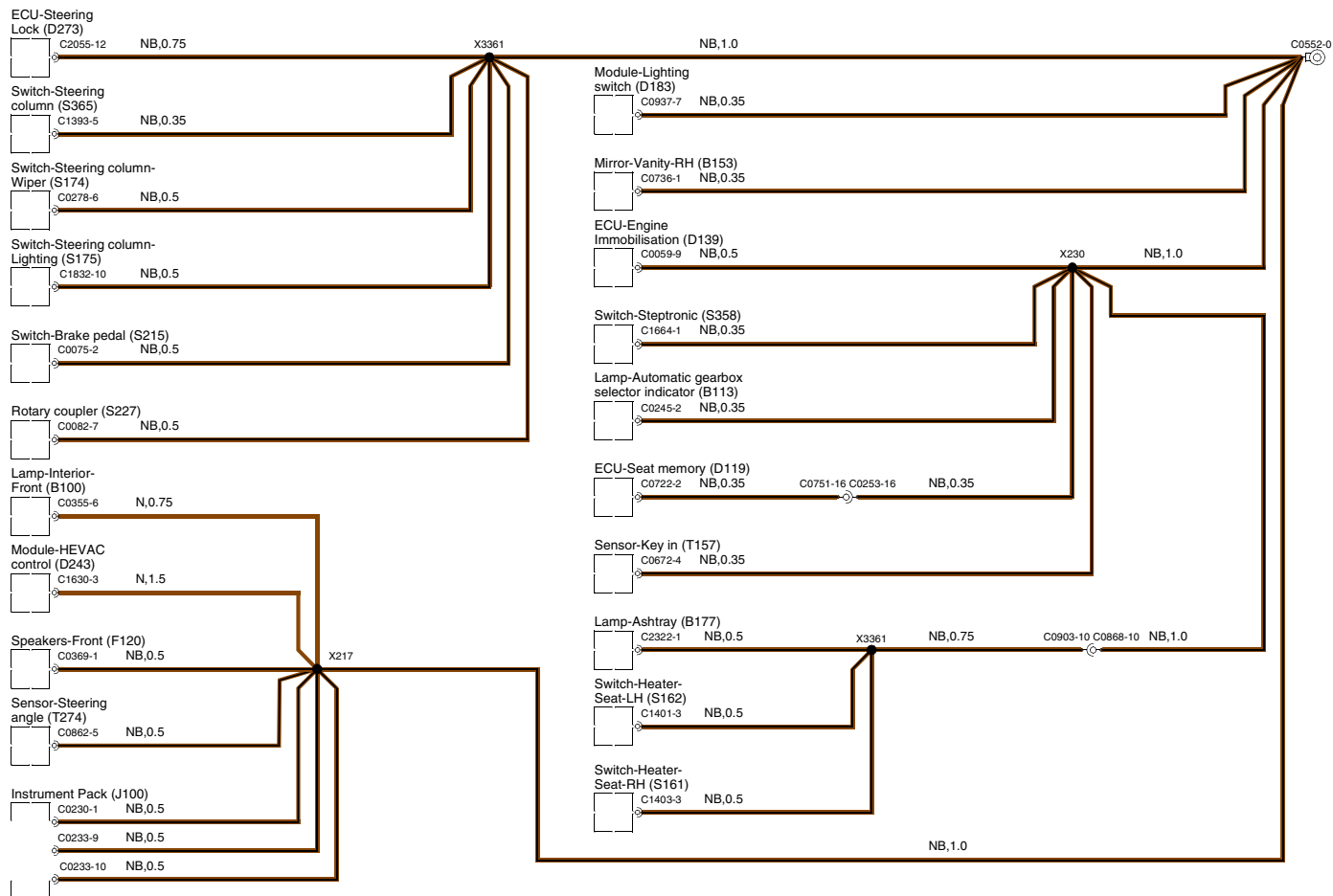




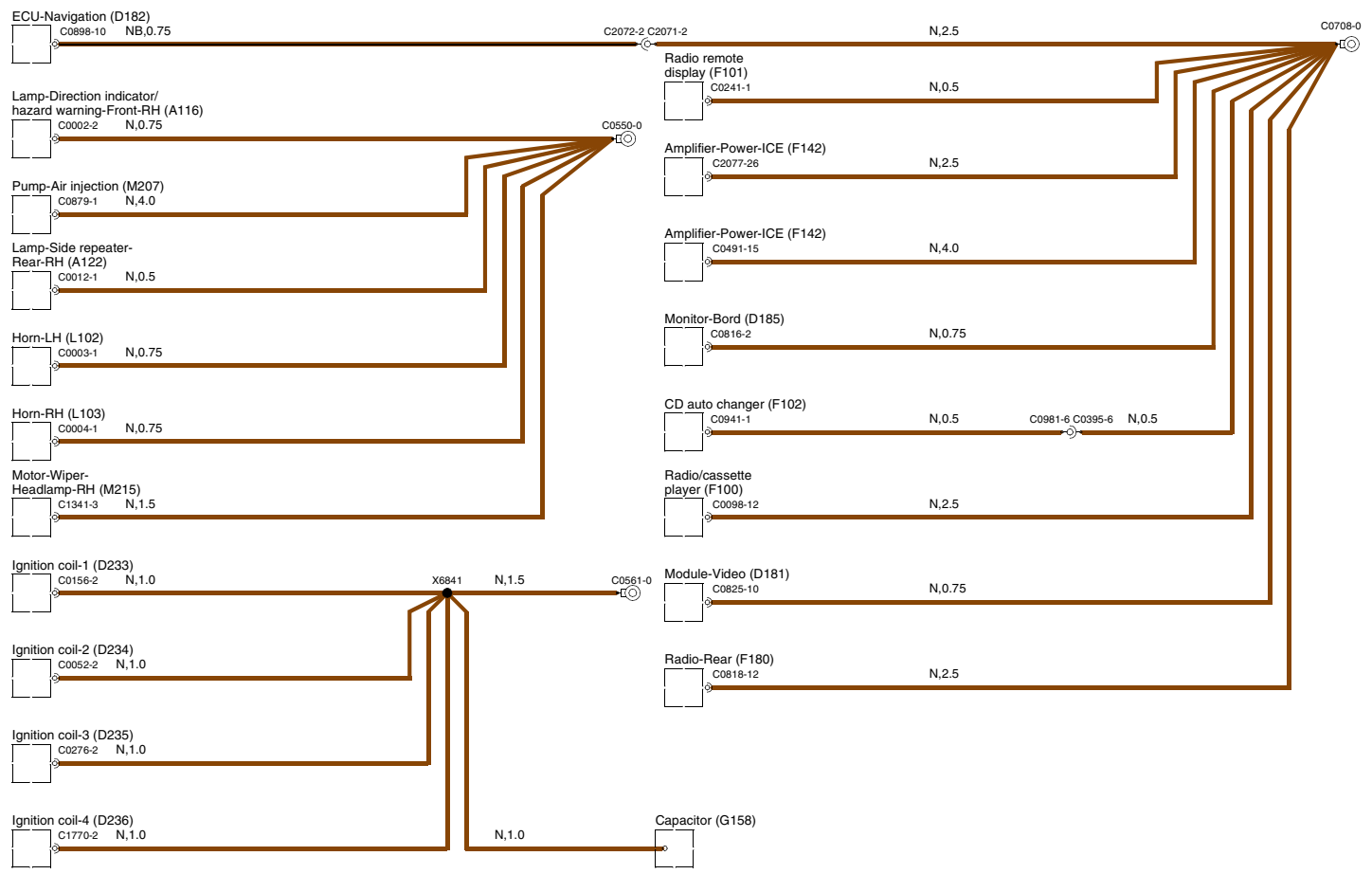
2 EARTH DISTRIBUTION



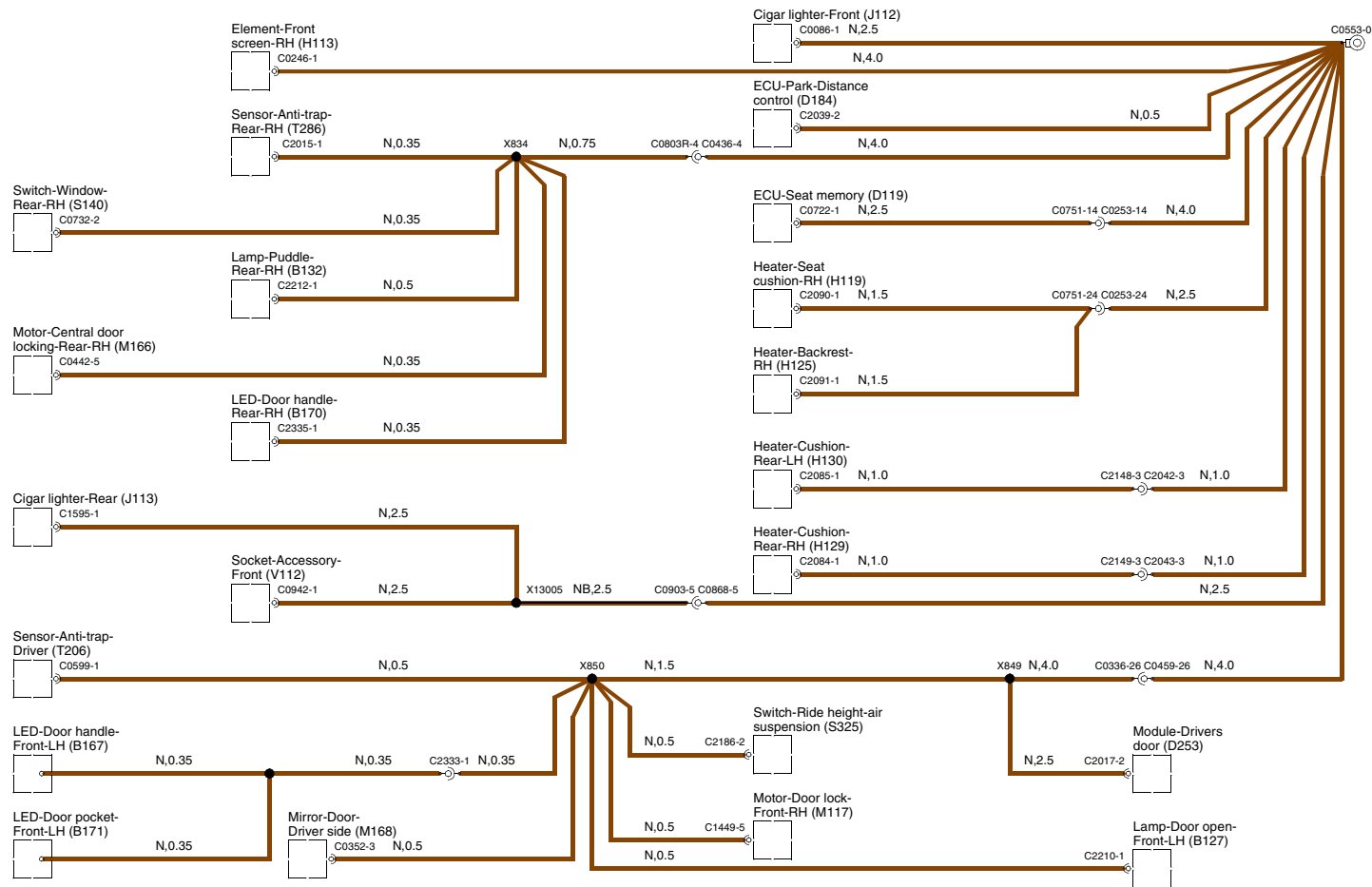
2 EARTH DISTRIBUTION



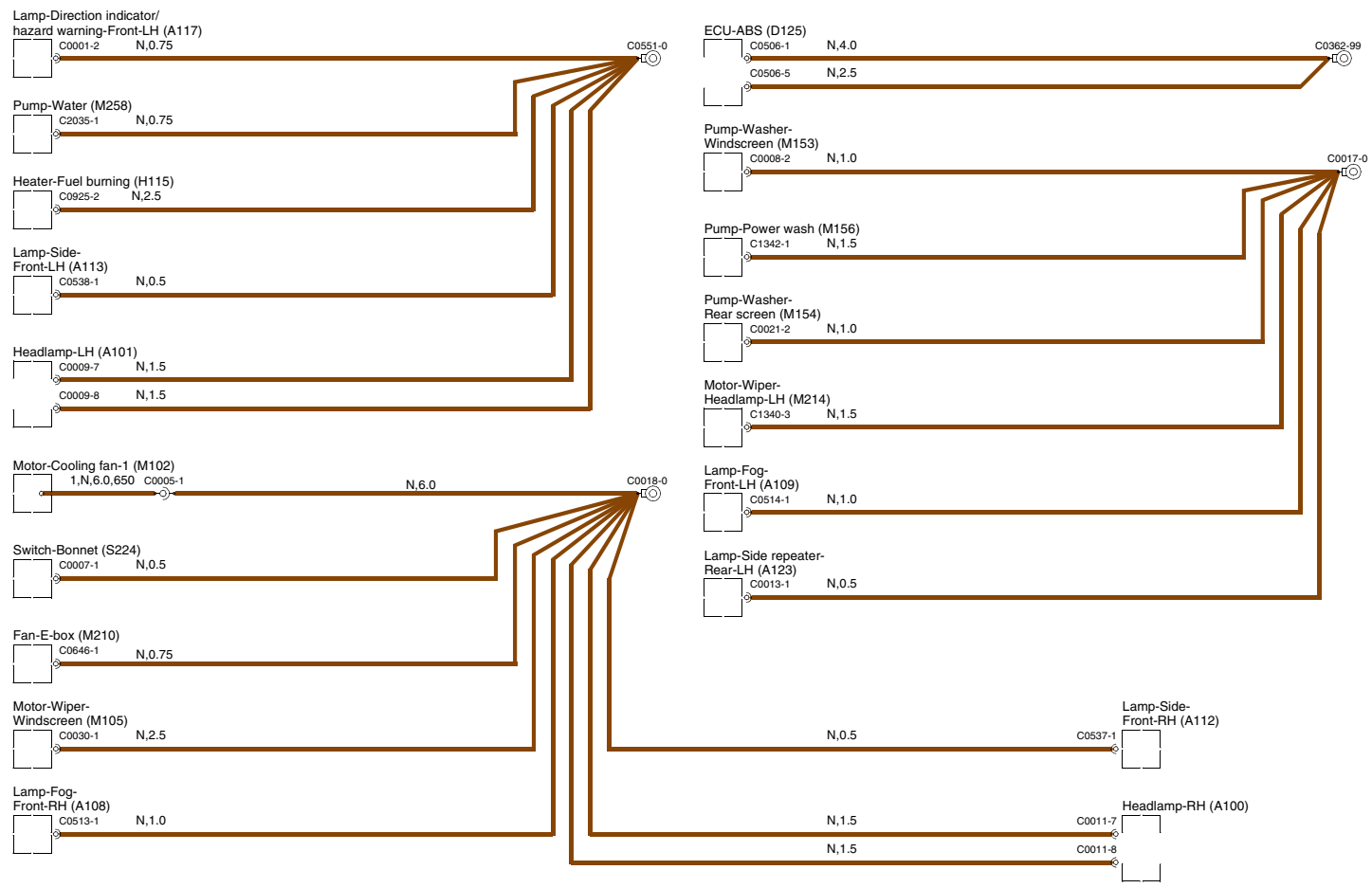
2 EARTH DISTRIBUTION



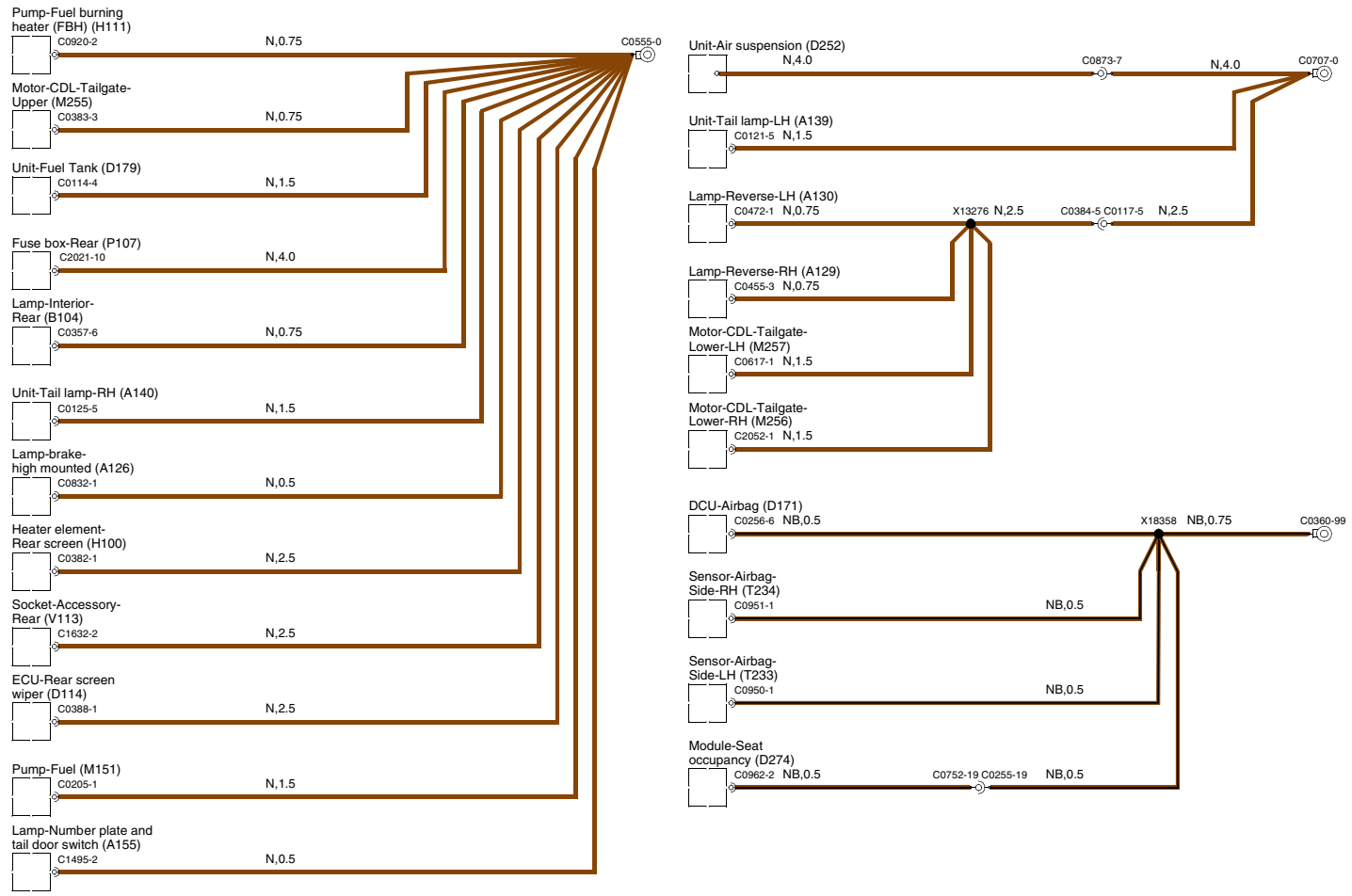
2 EARTH DISTRIBUTION



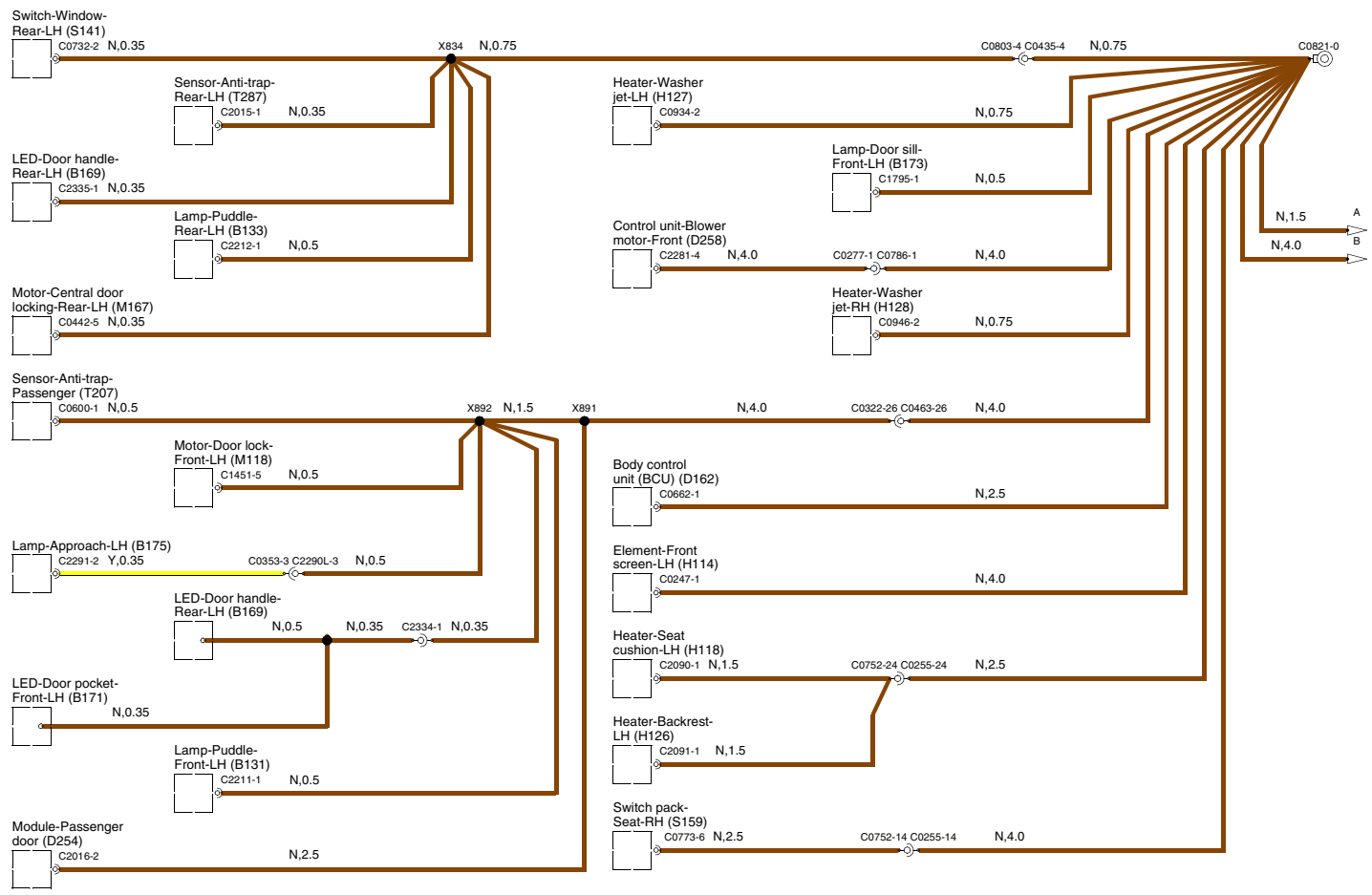
2 EARTH DISTRIBUTION



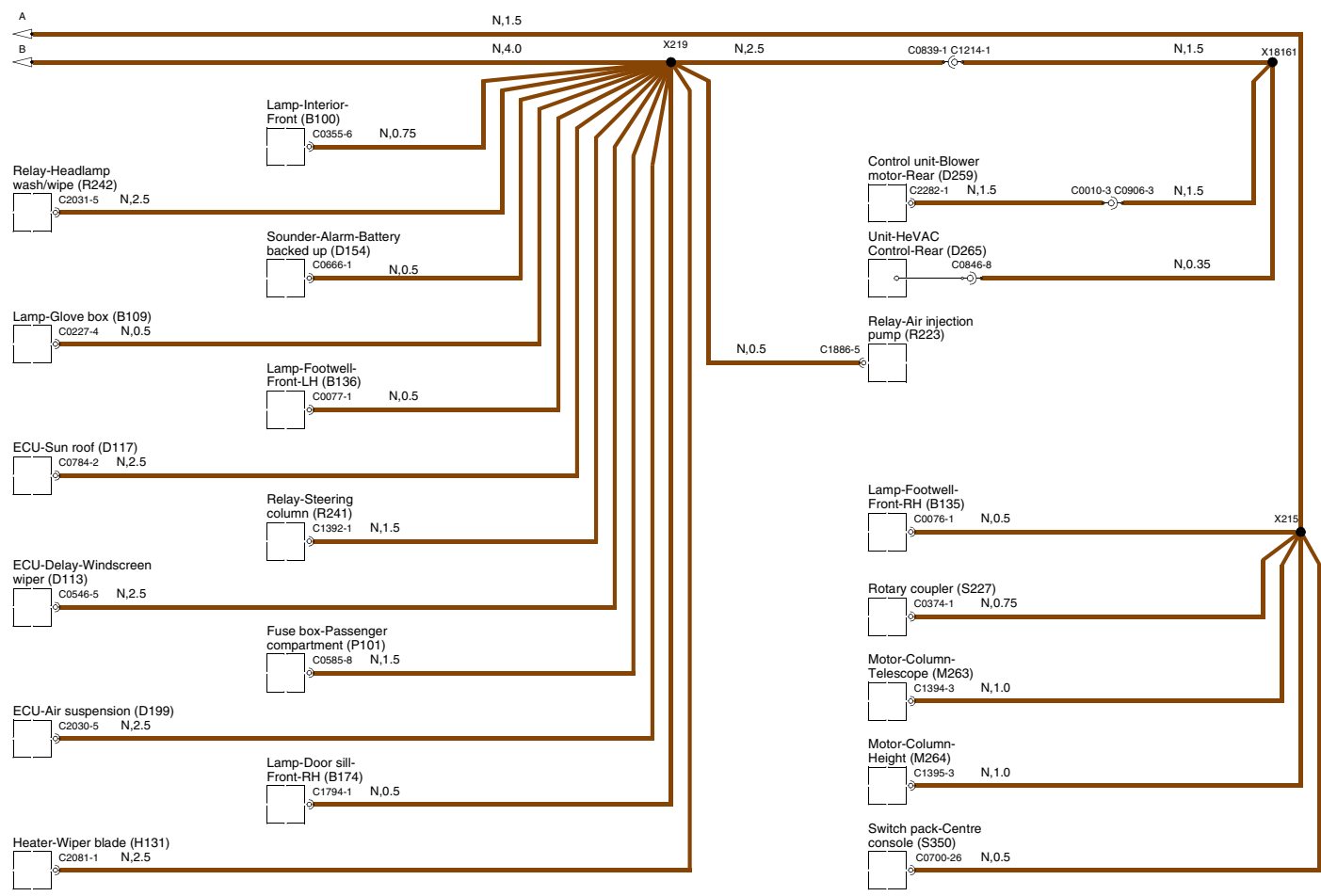
2 EARTH DISTRIBUTION



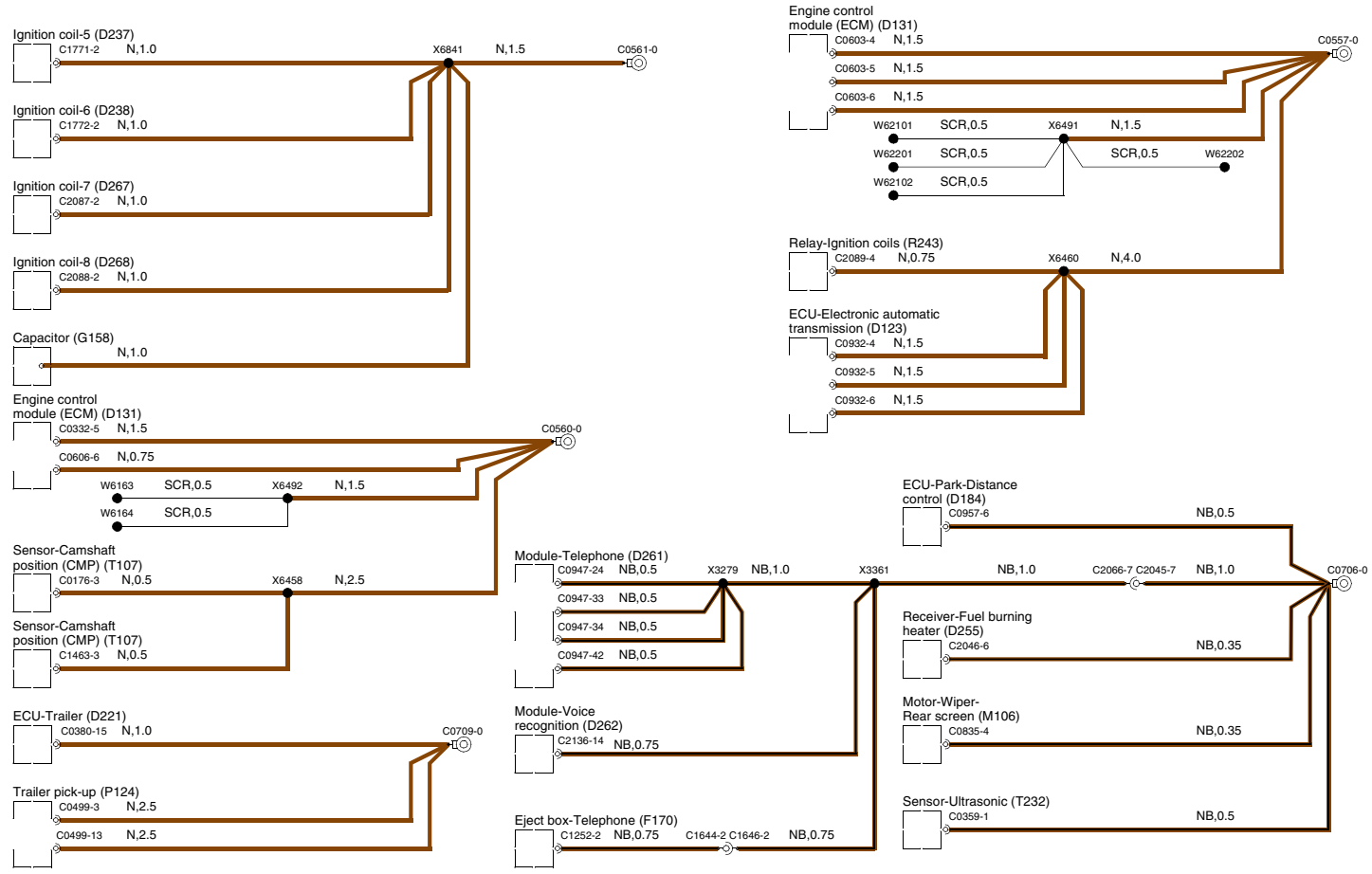
2 EARTH DISTRIBUTION



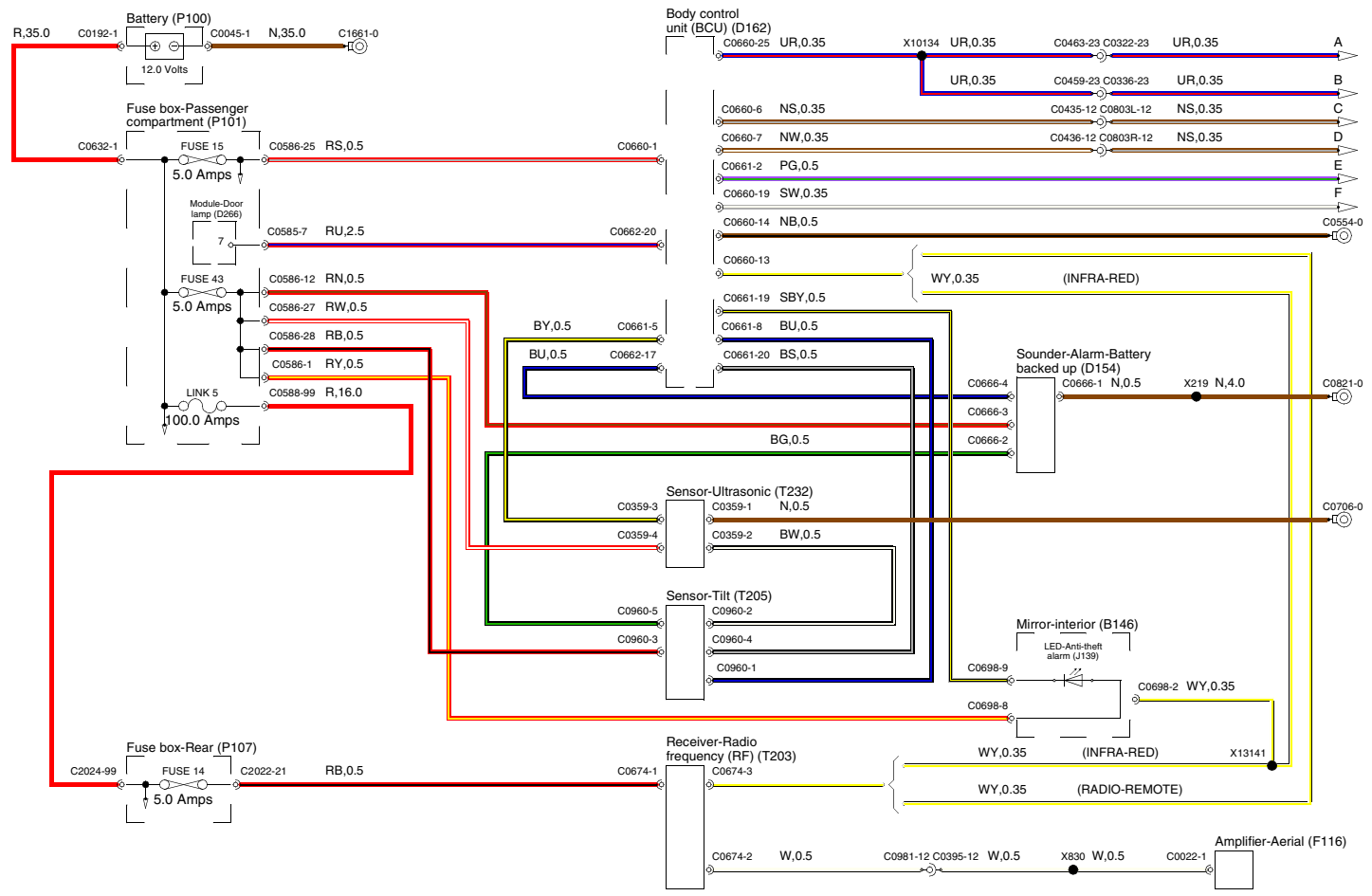
2 EARTH DISTRIBUTION



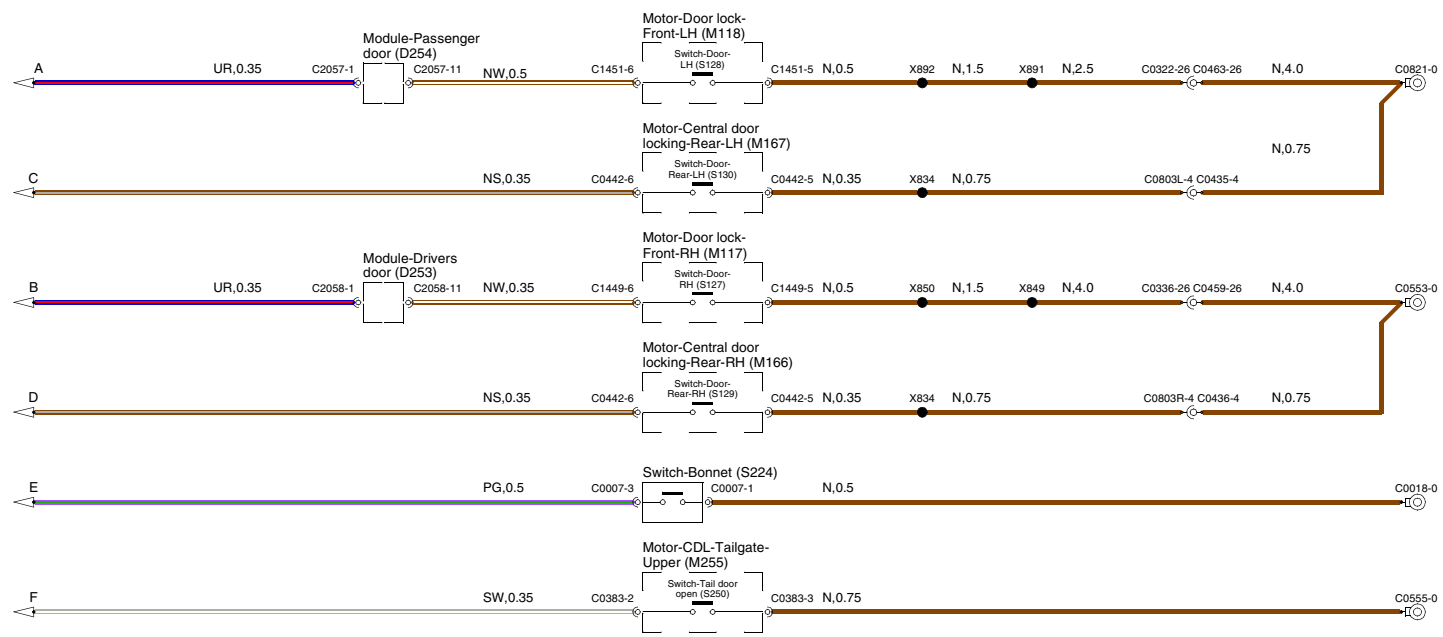
2 EARTH DISTRIBUTION

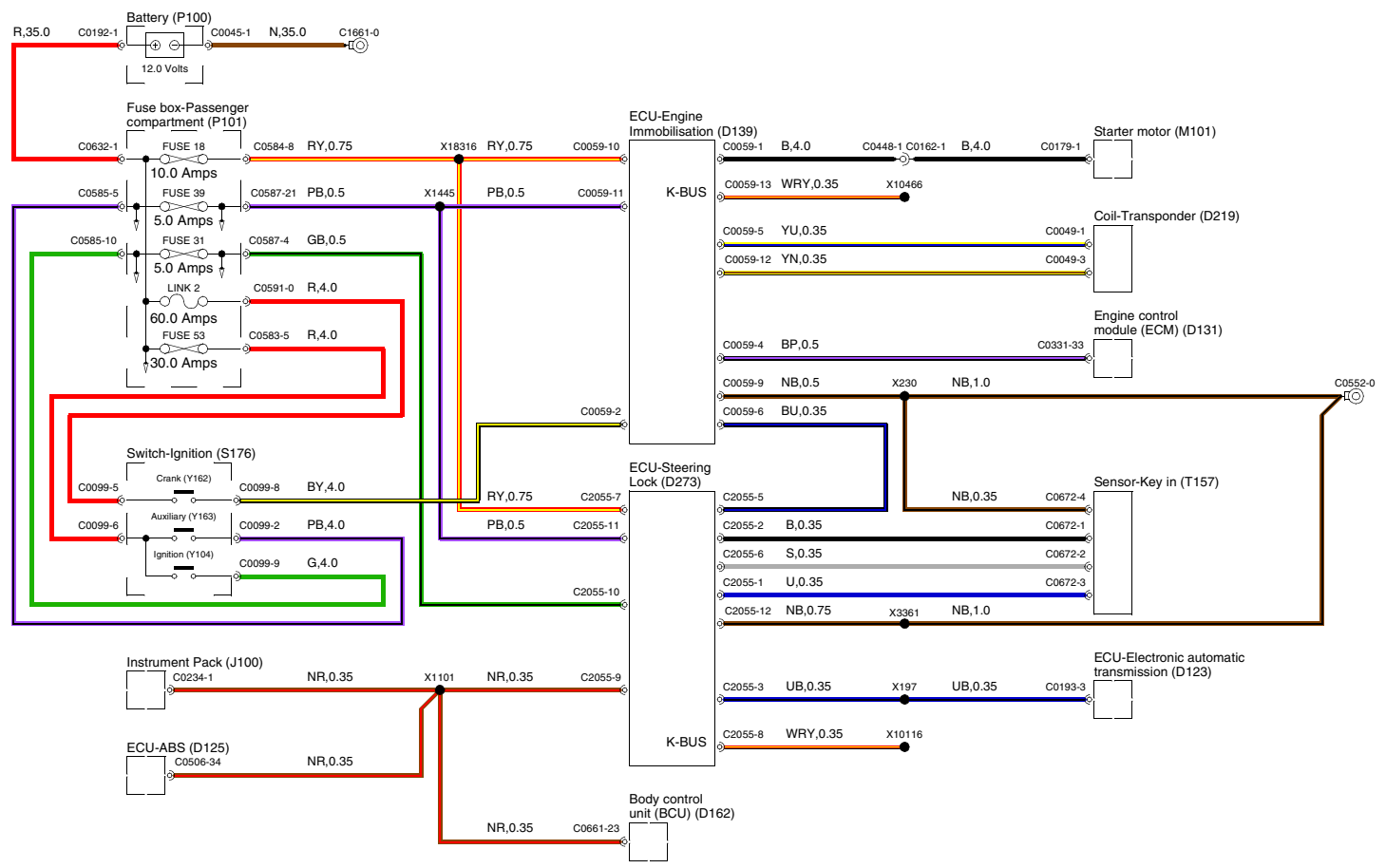


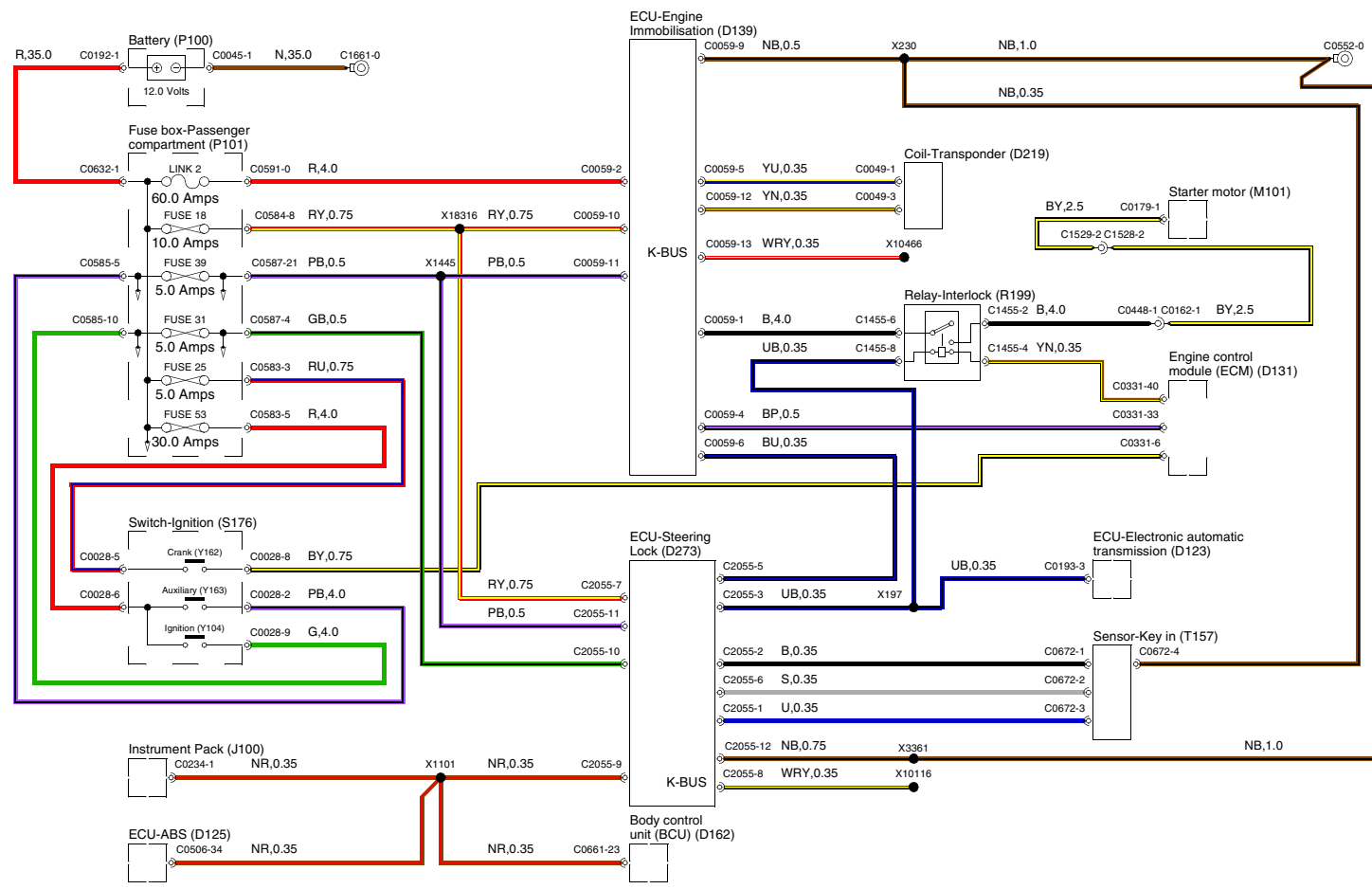
3 ANTI-THEFT ALARM



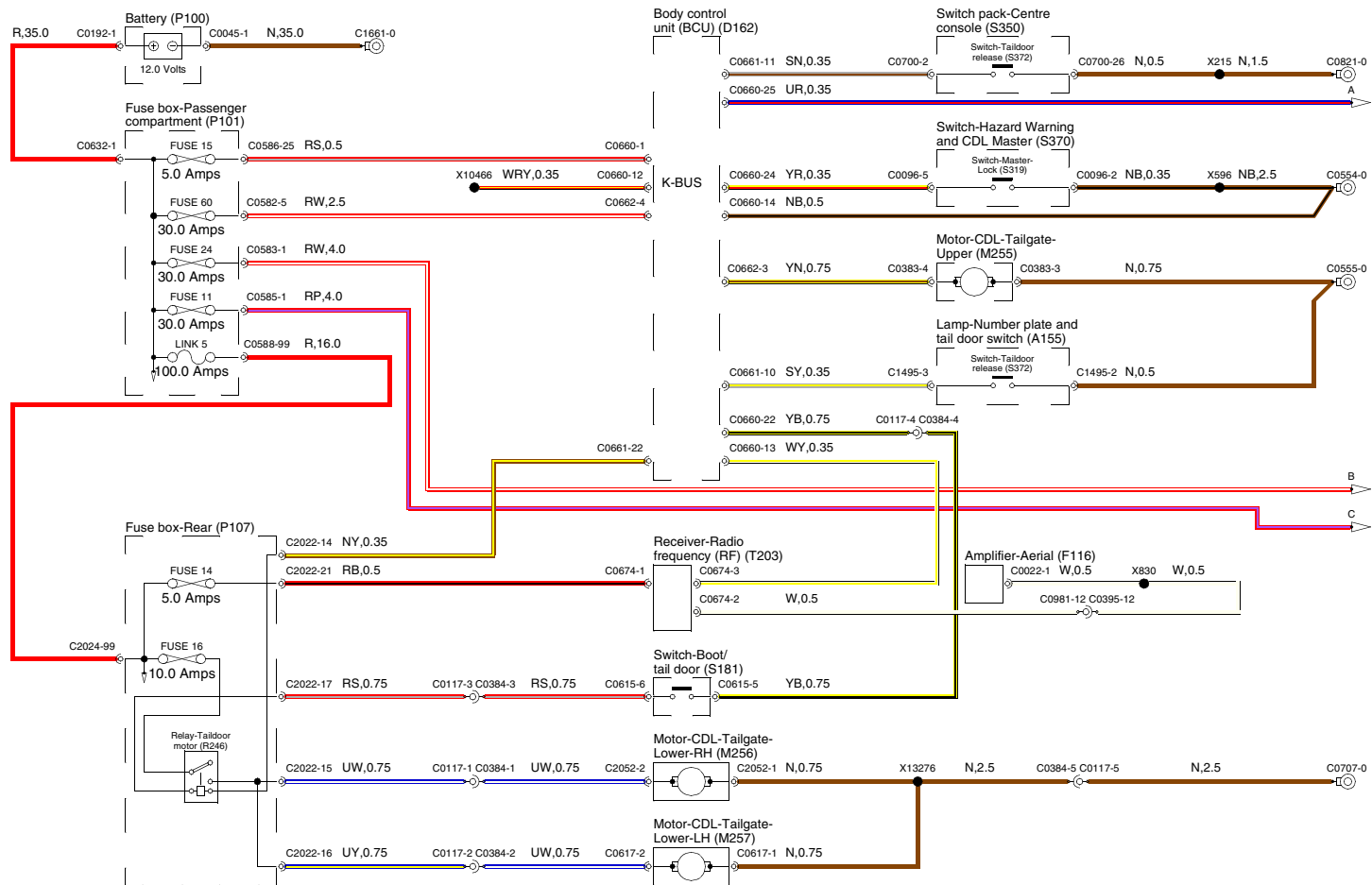
3 ANTI-THEFT ALARM



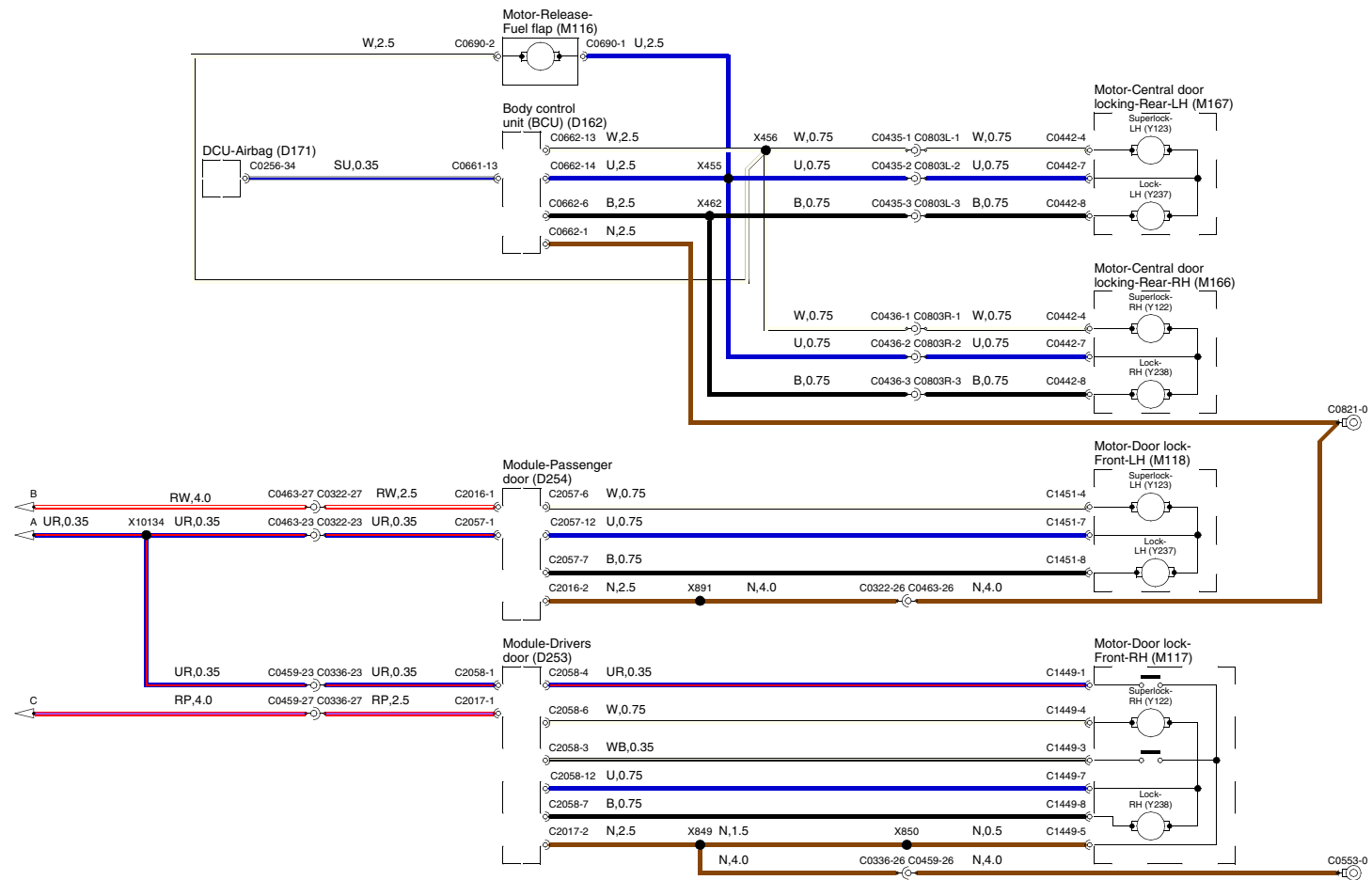


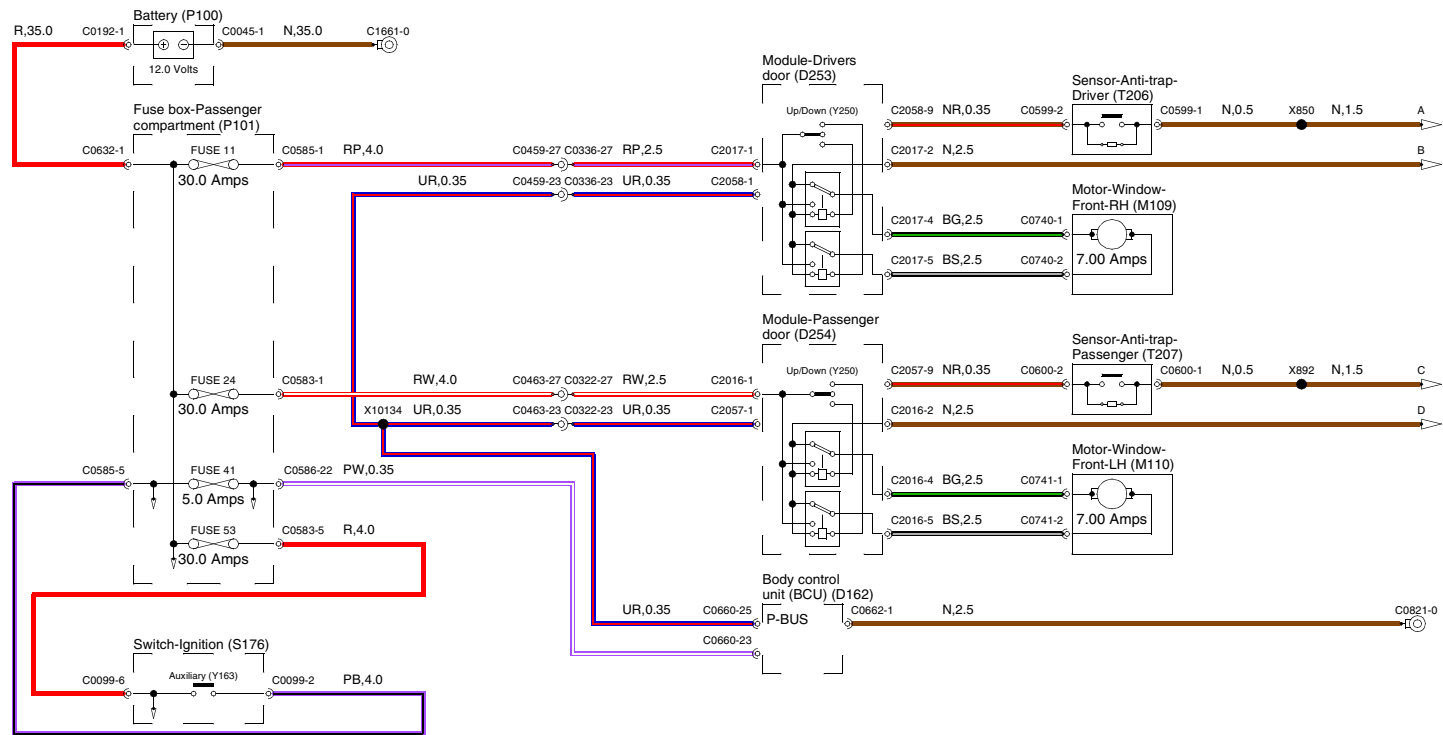


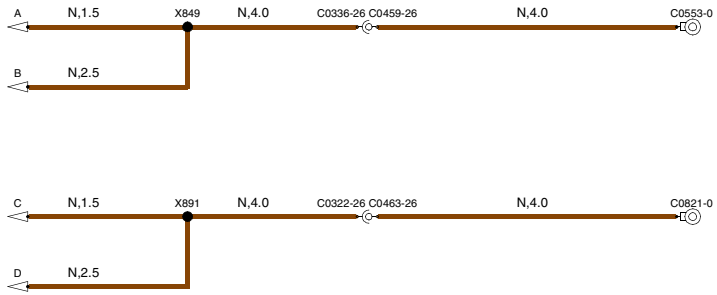
4 CENTRAL DOOR LOCKING

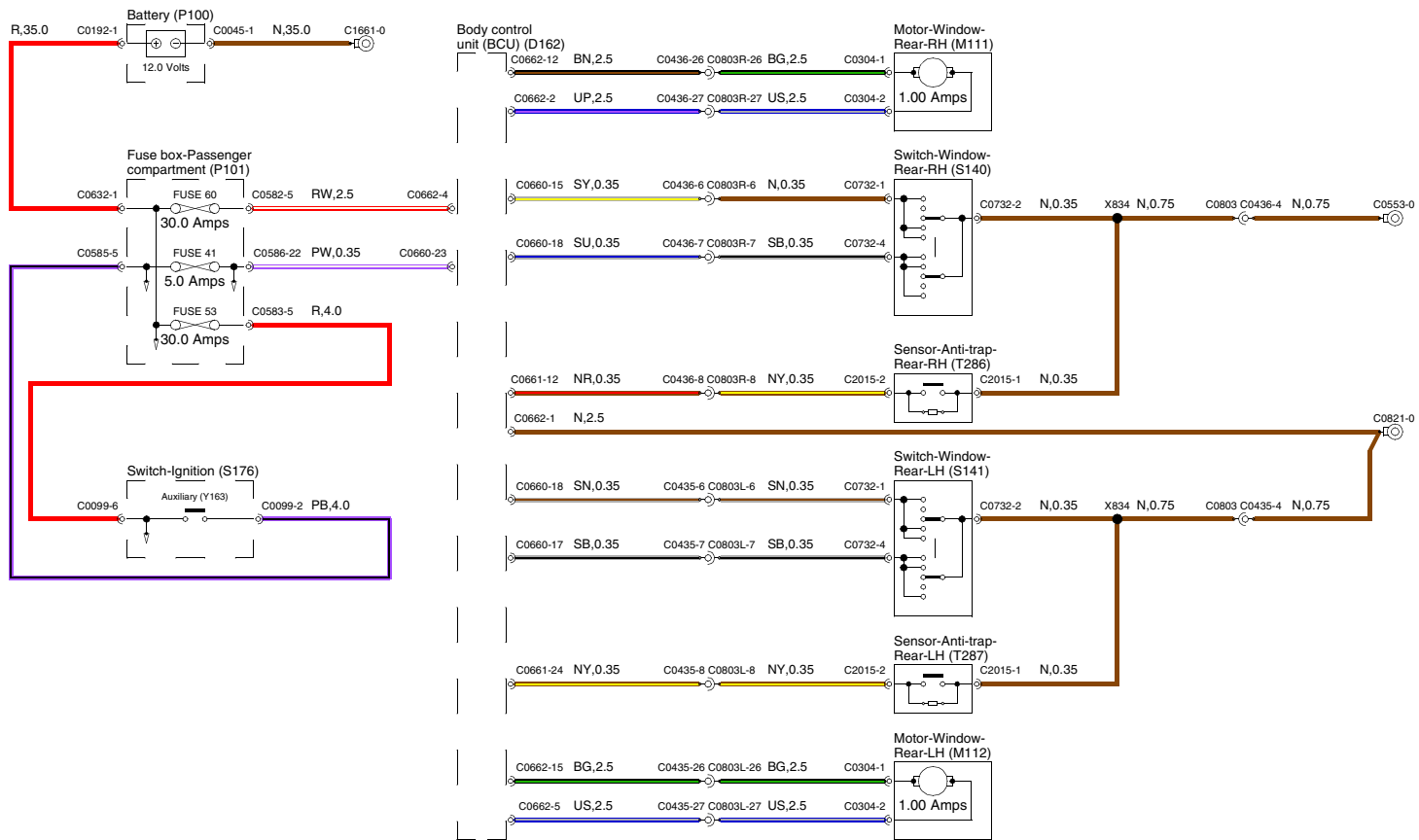


4 CENTRAL DOOR LOCKING

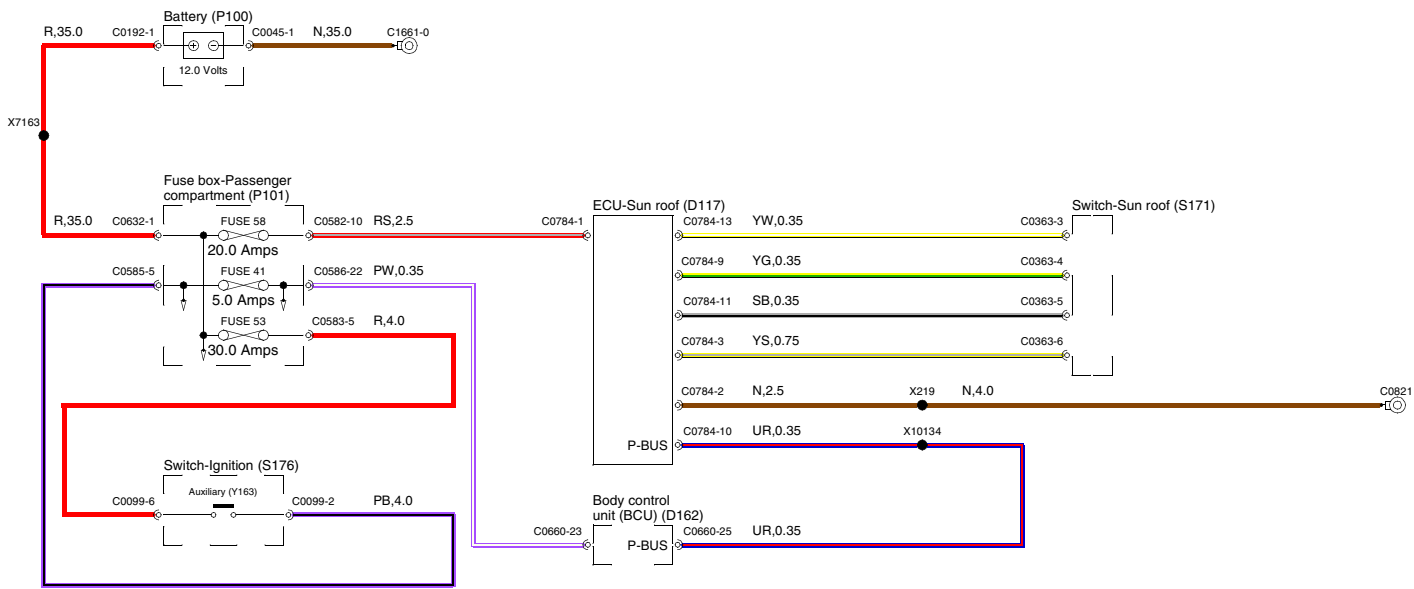




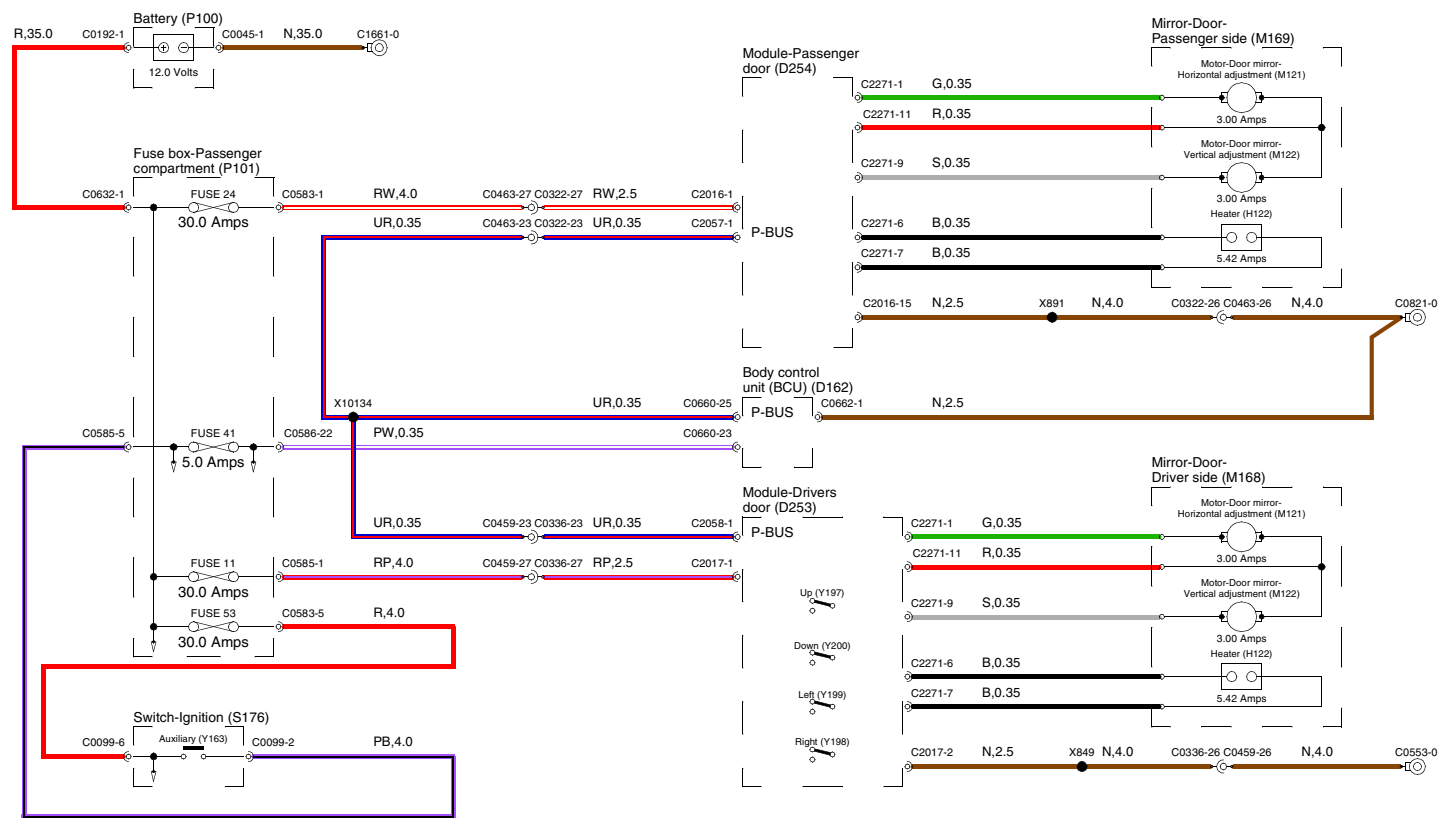


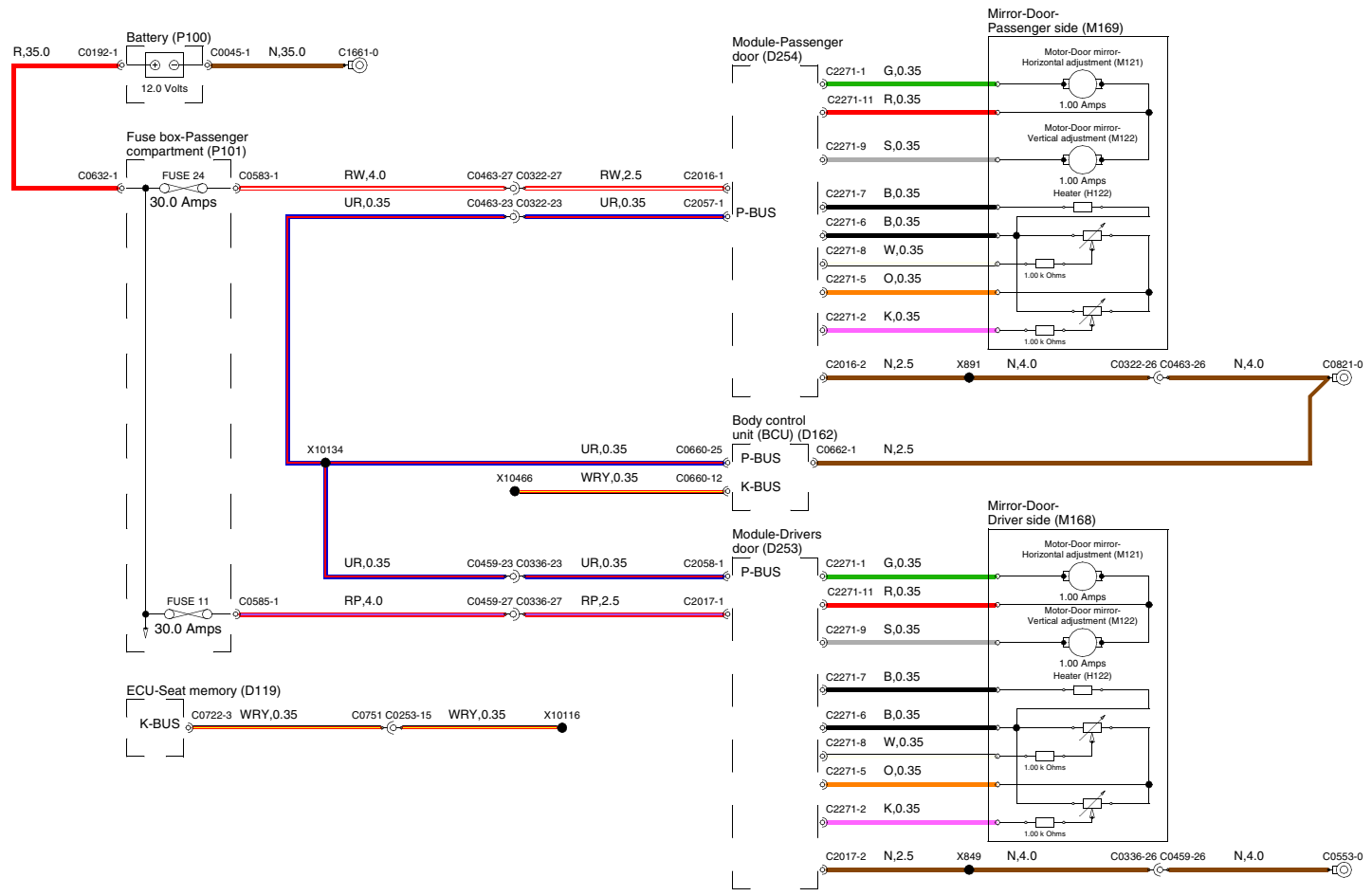


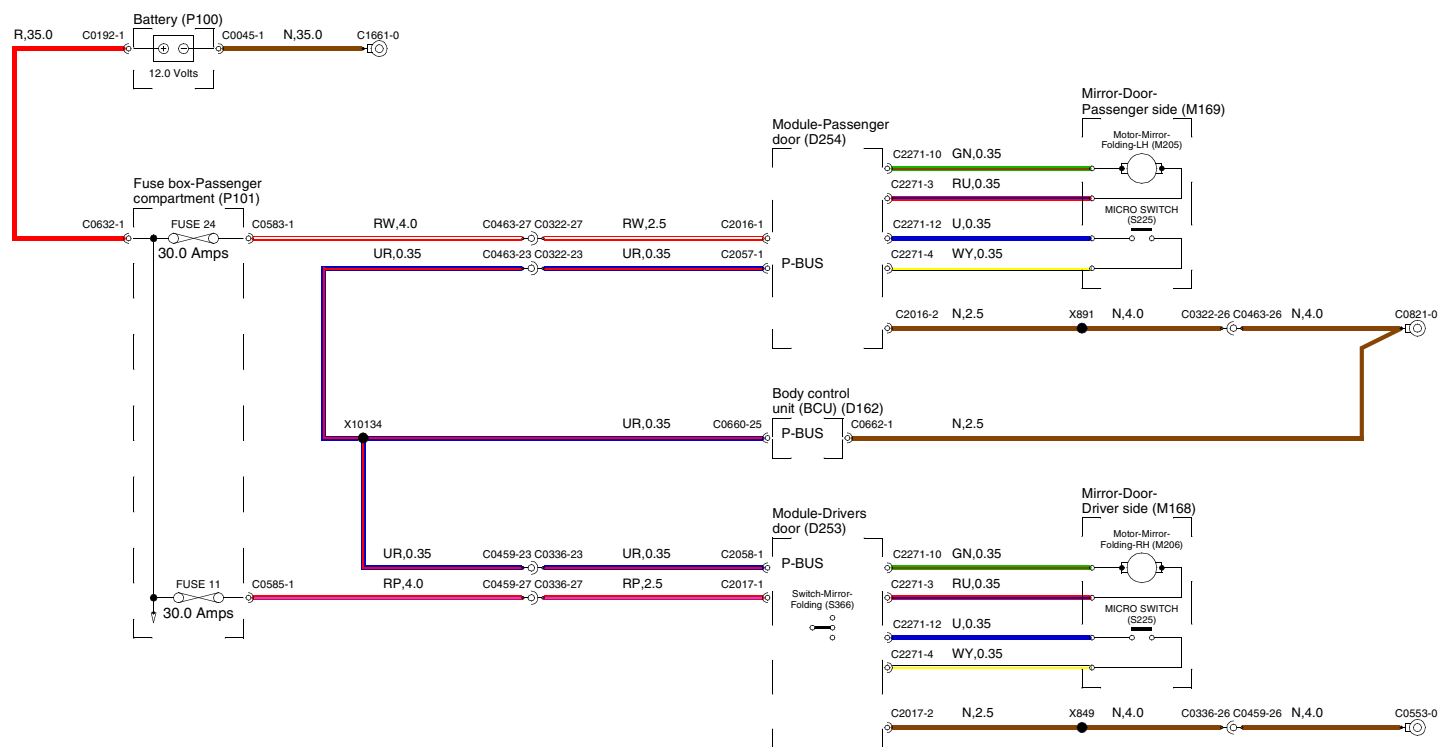
6 SUNROOF



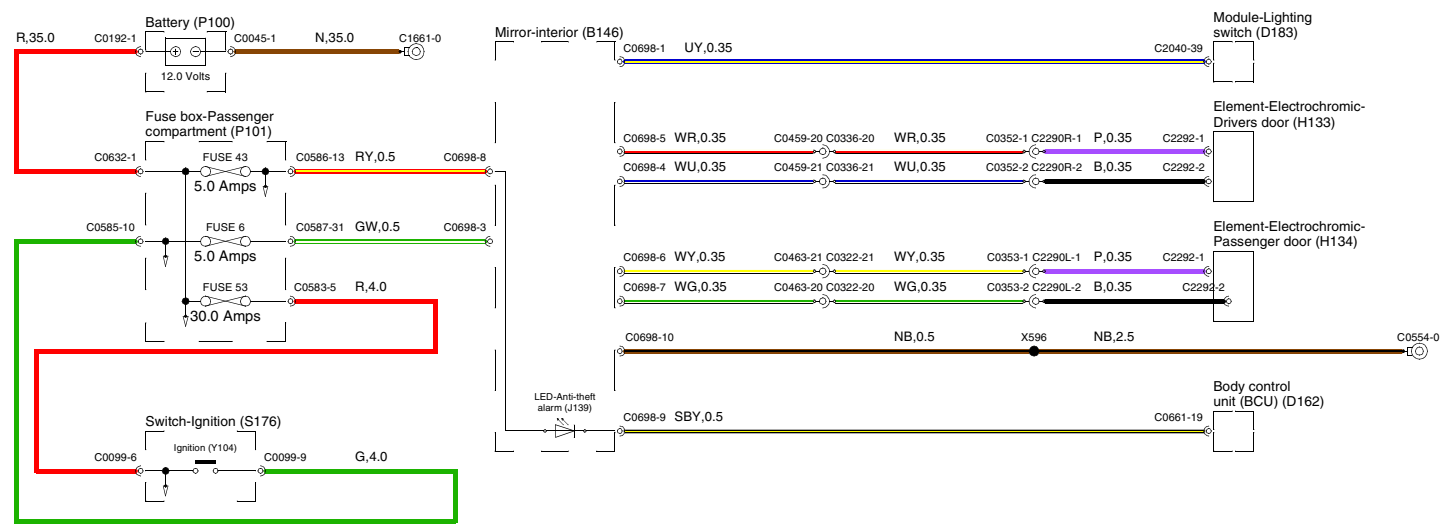
7 DOOR MIRRORS

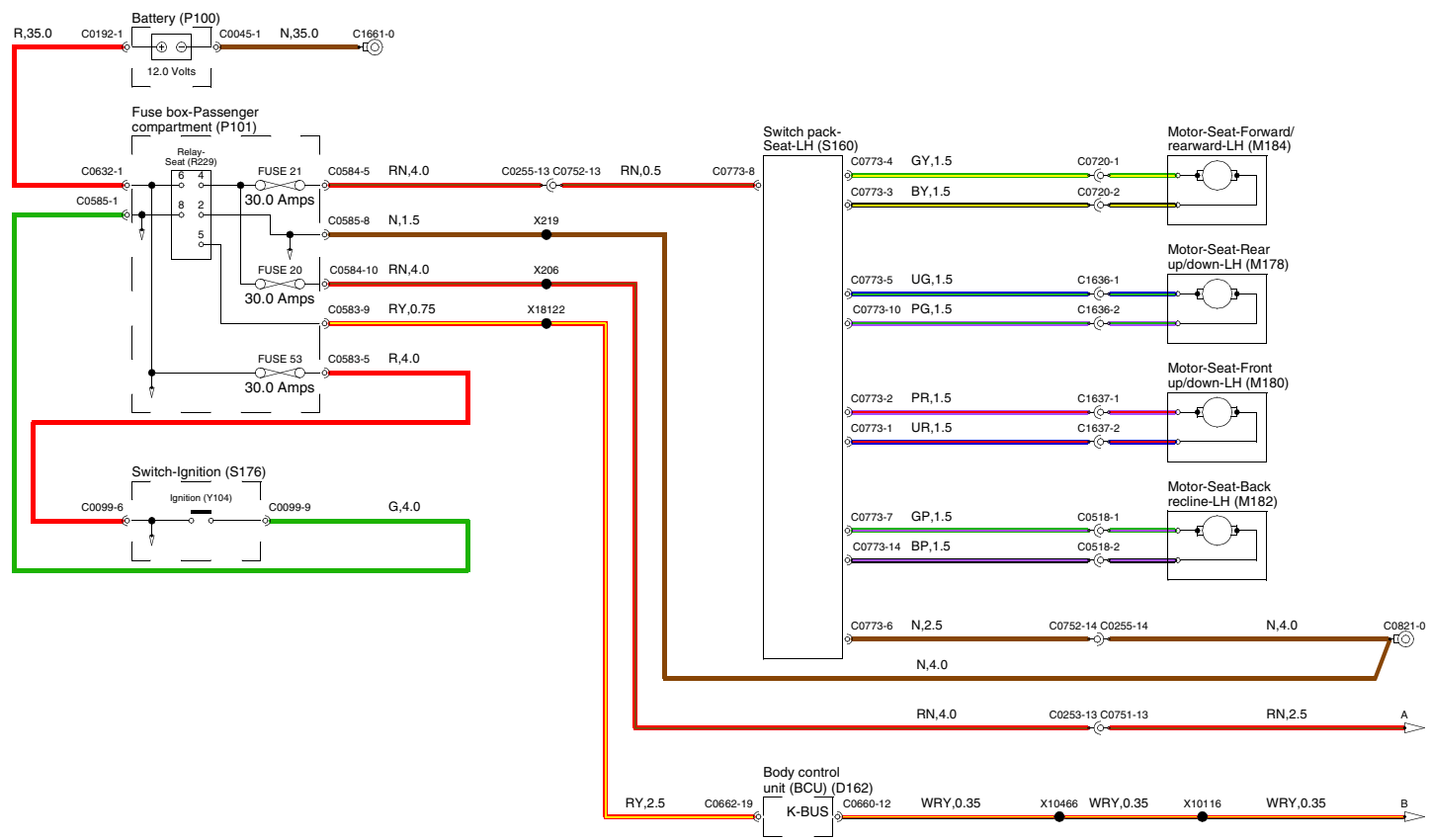


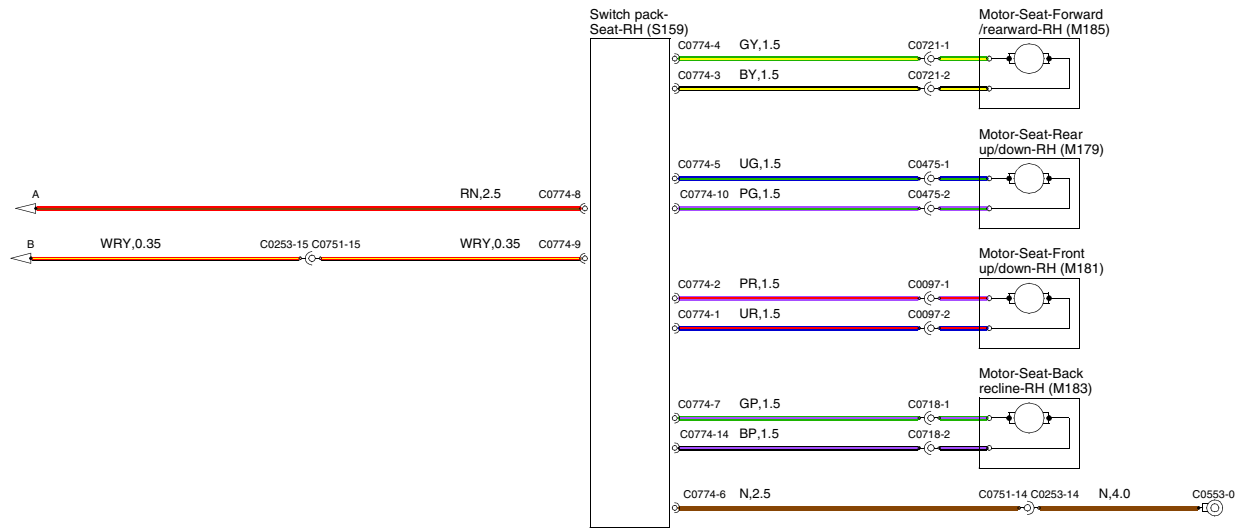


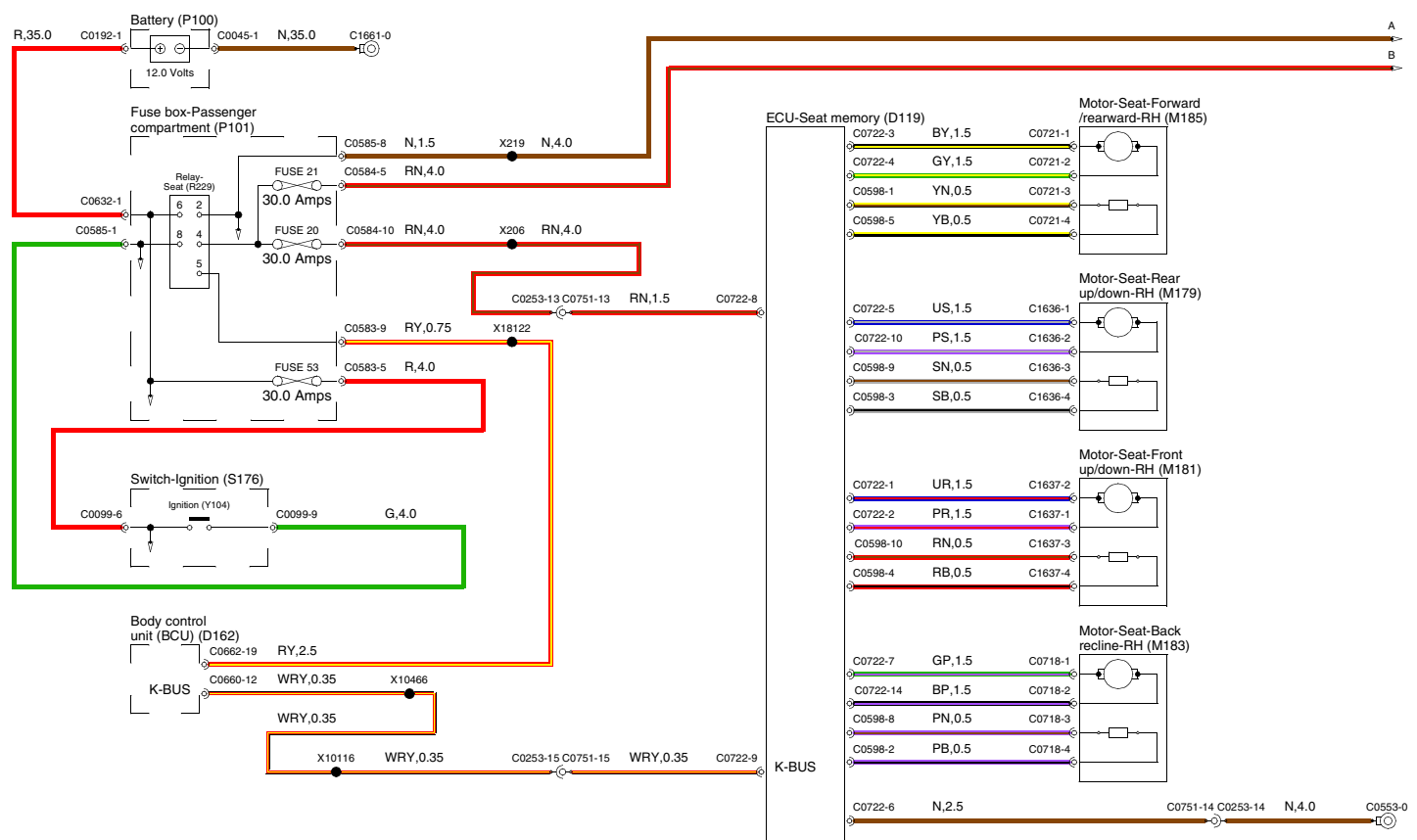


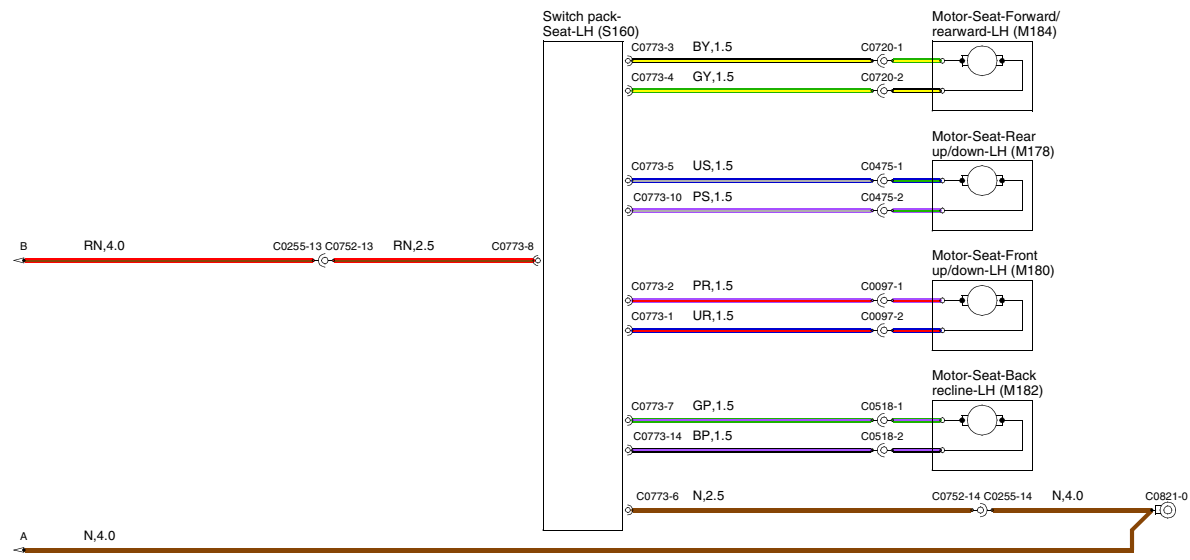
7 INTERIOR MIRROR

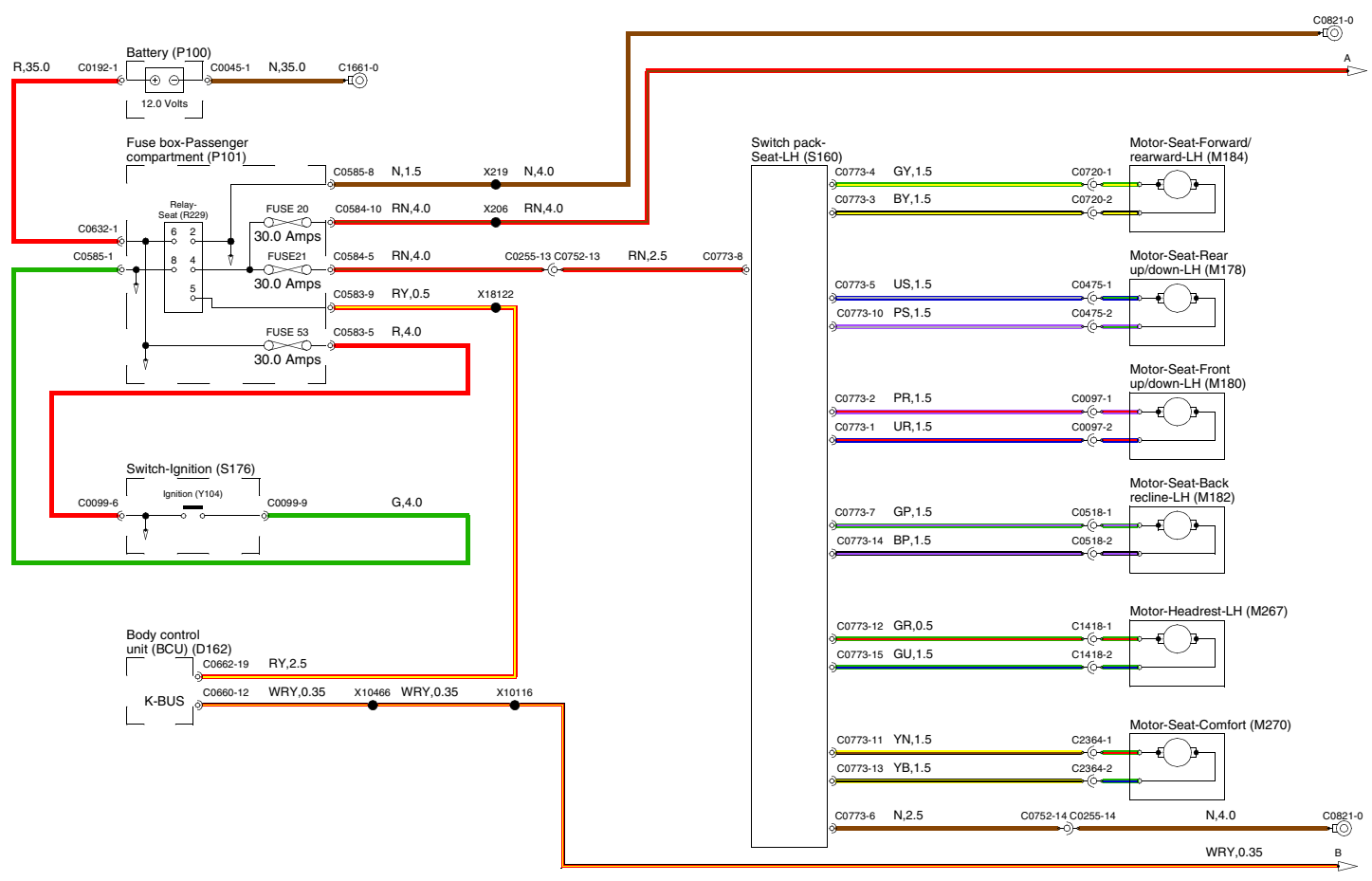


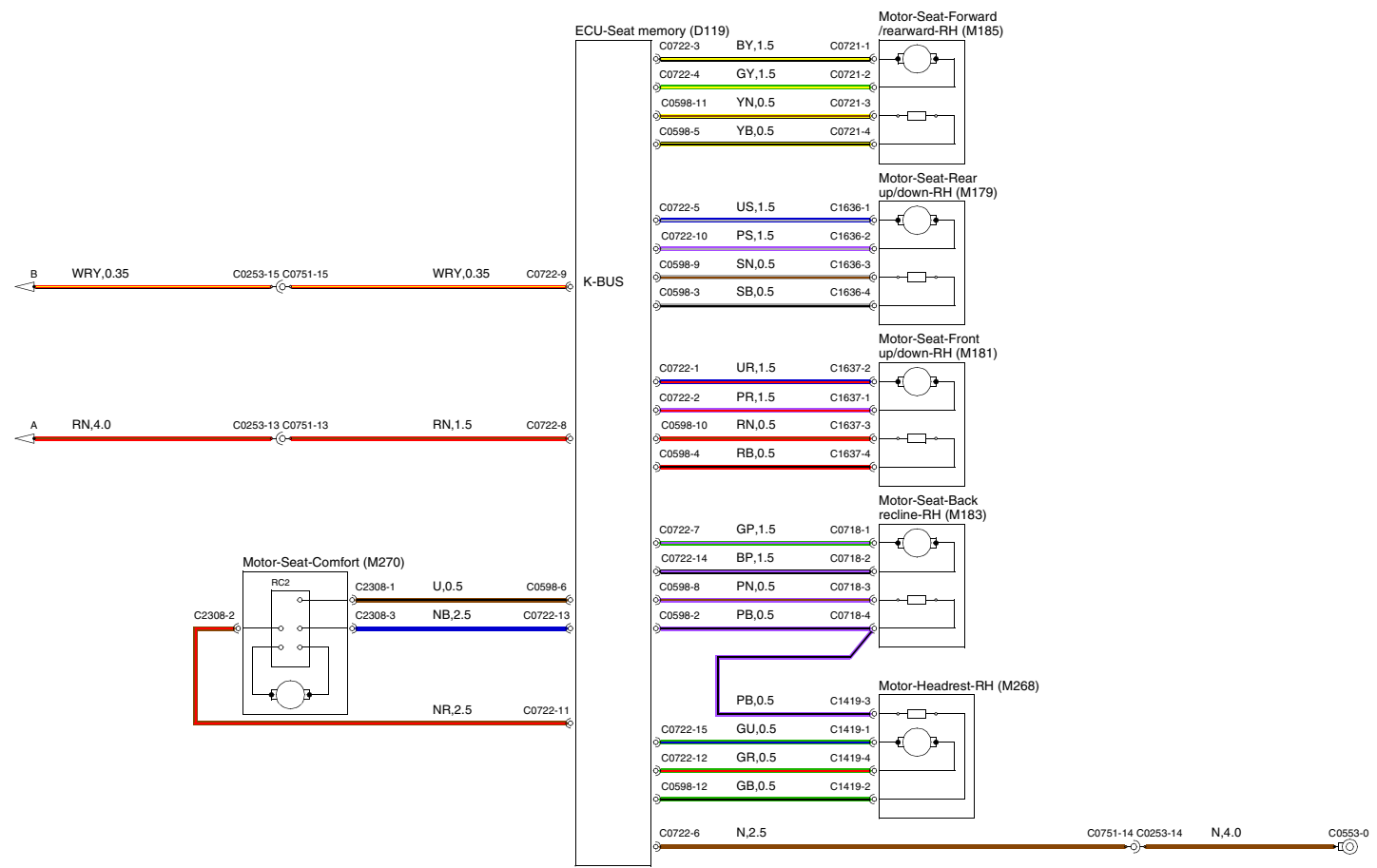


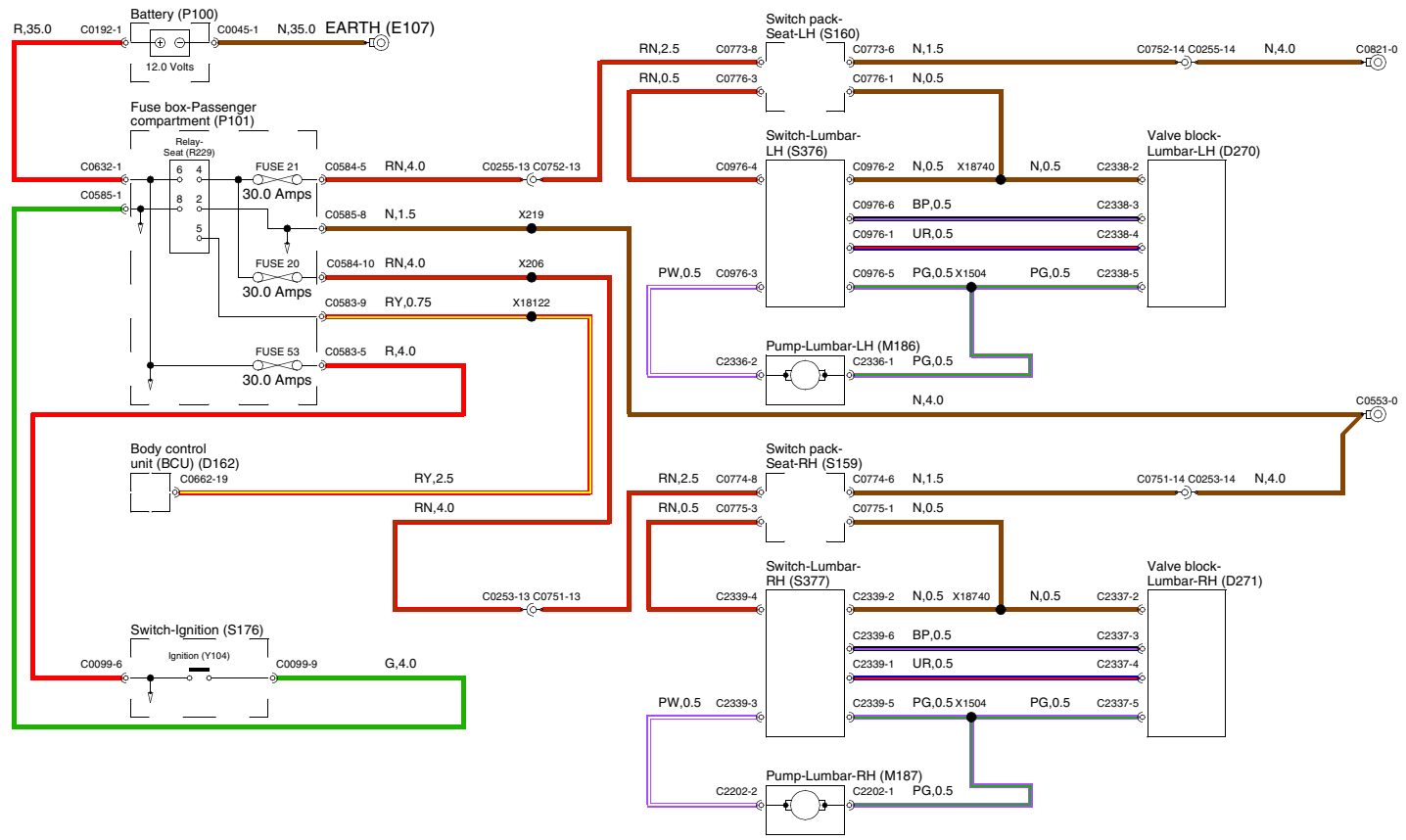


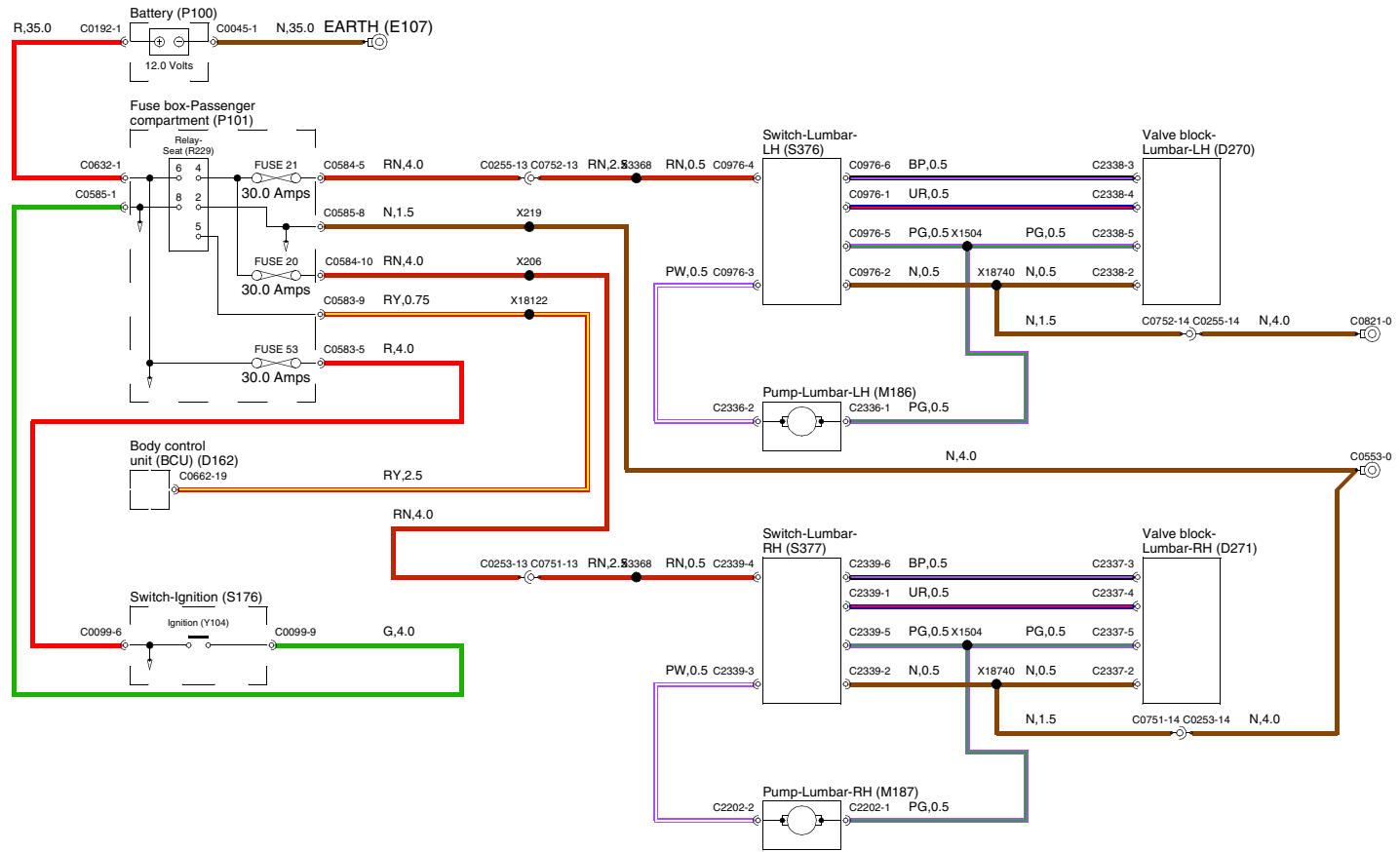


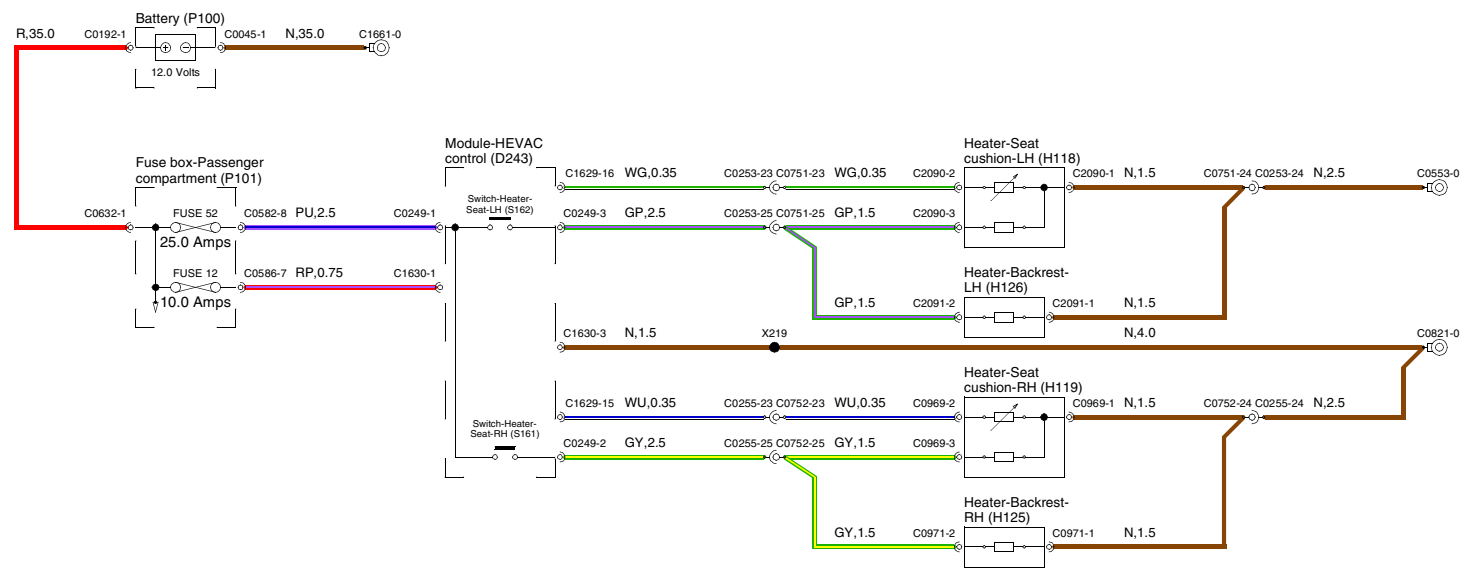


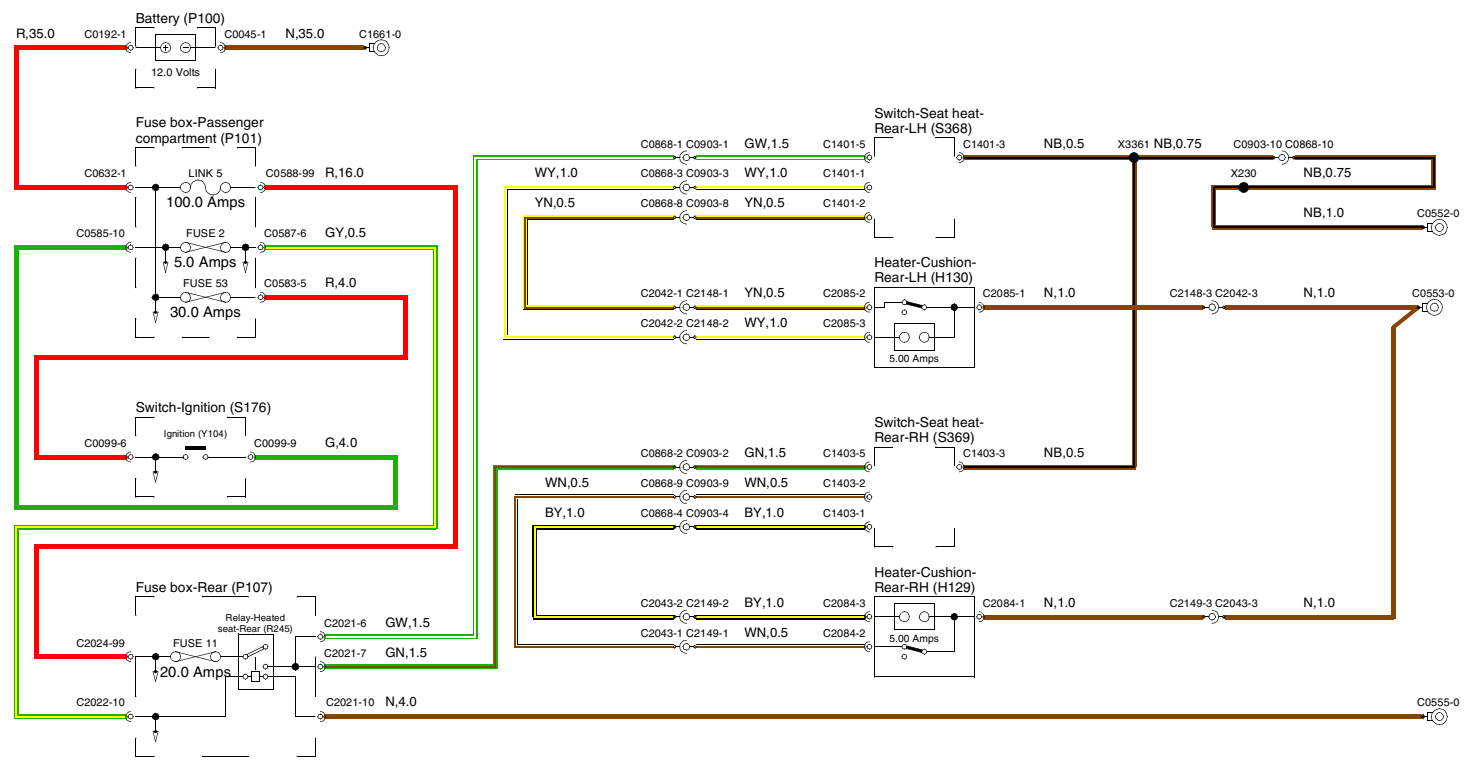






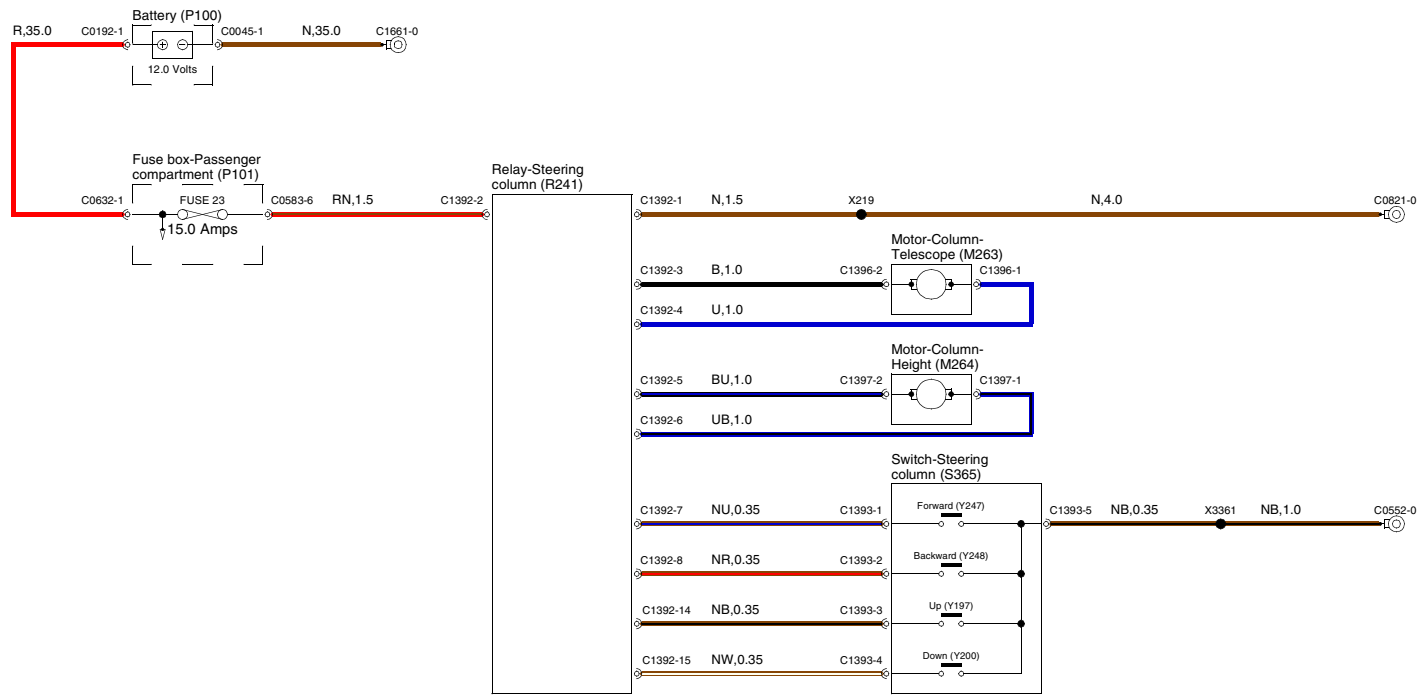


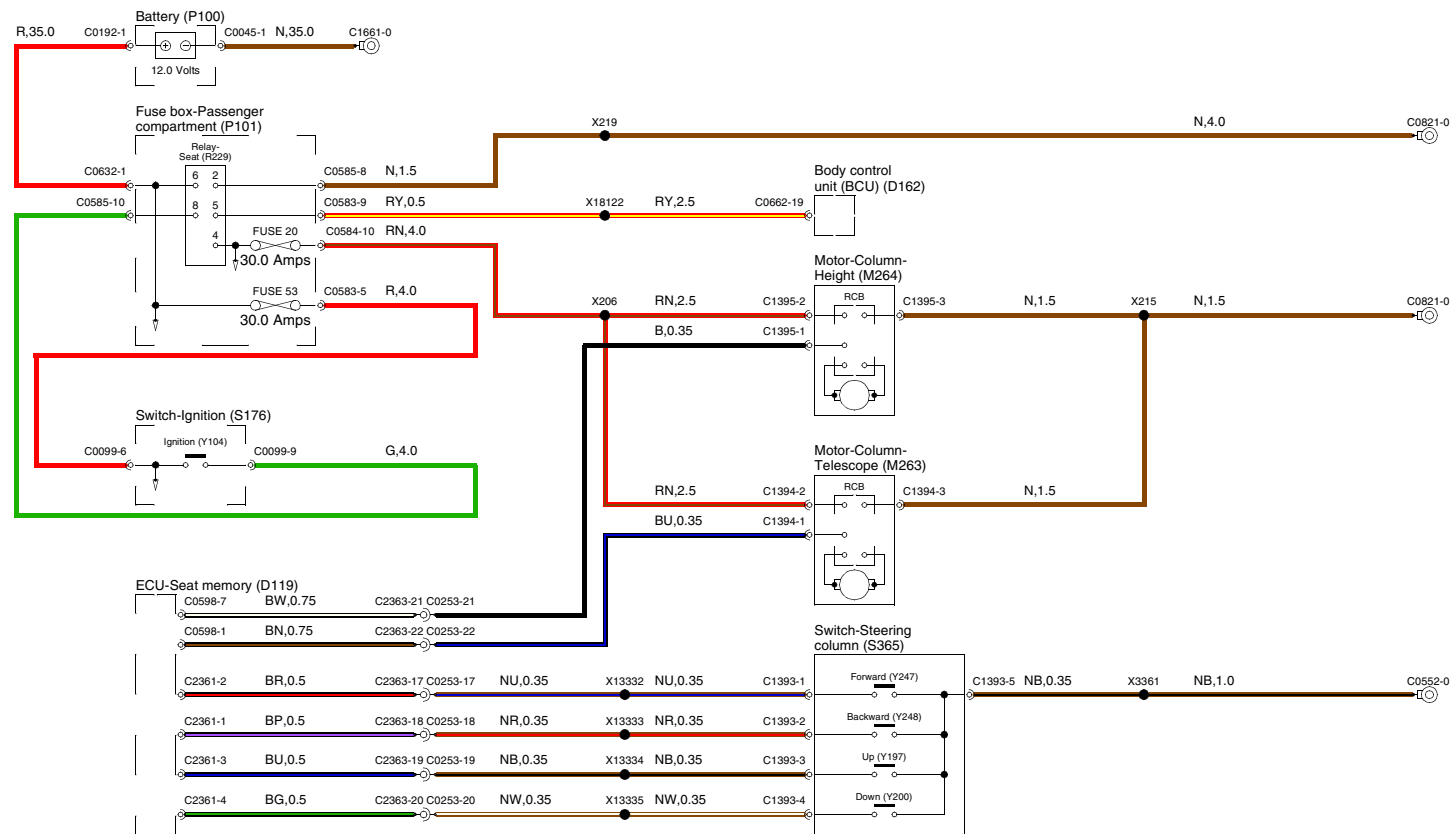


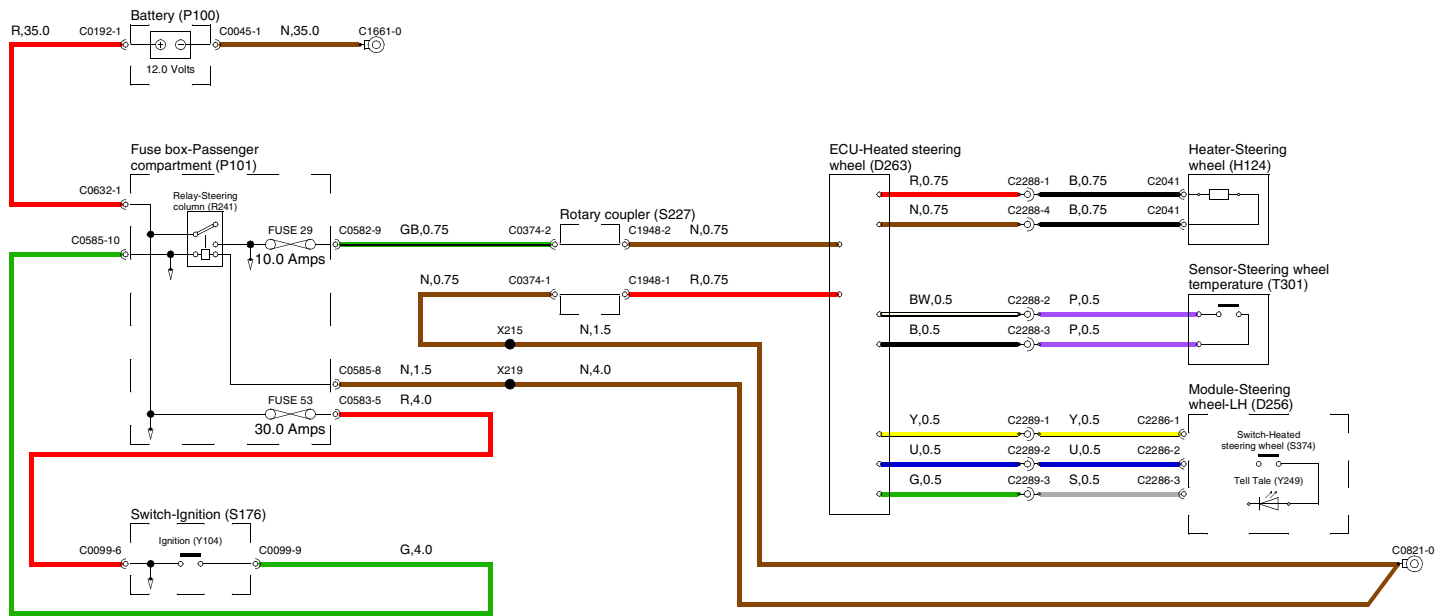


9 STEERING WHEEL

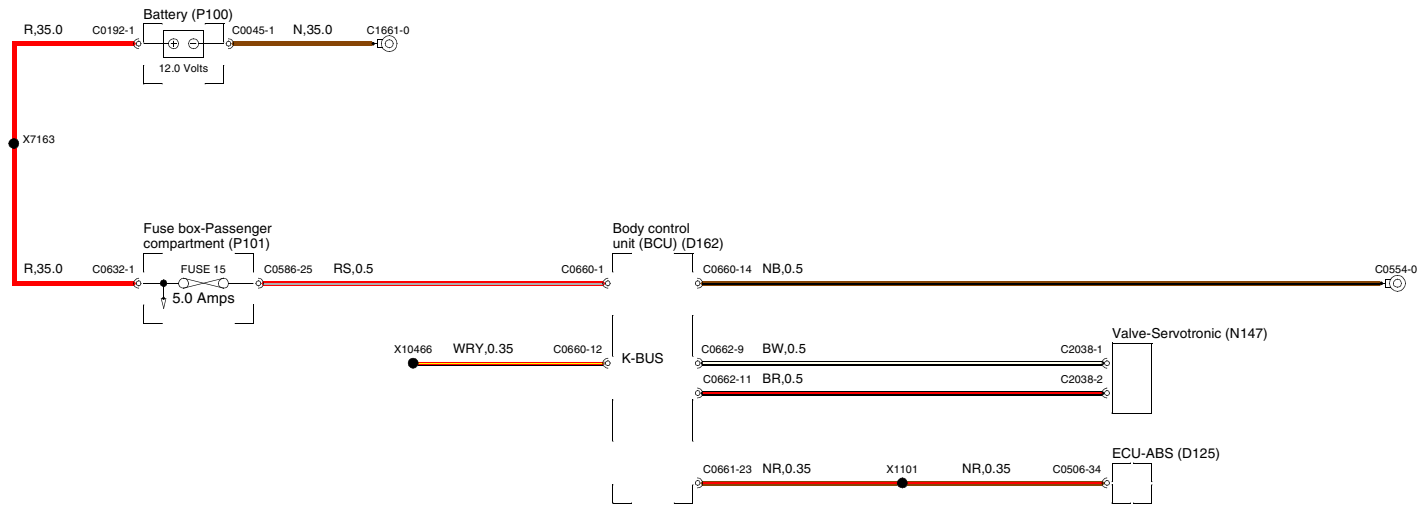
Adjustable



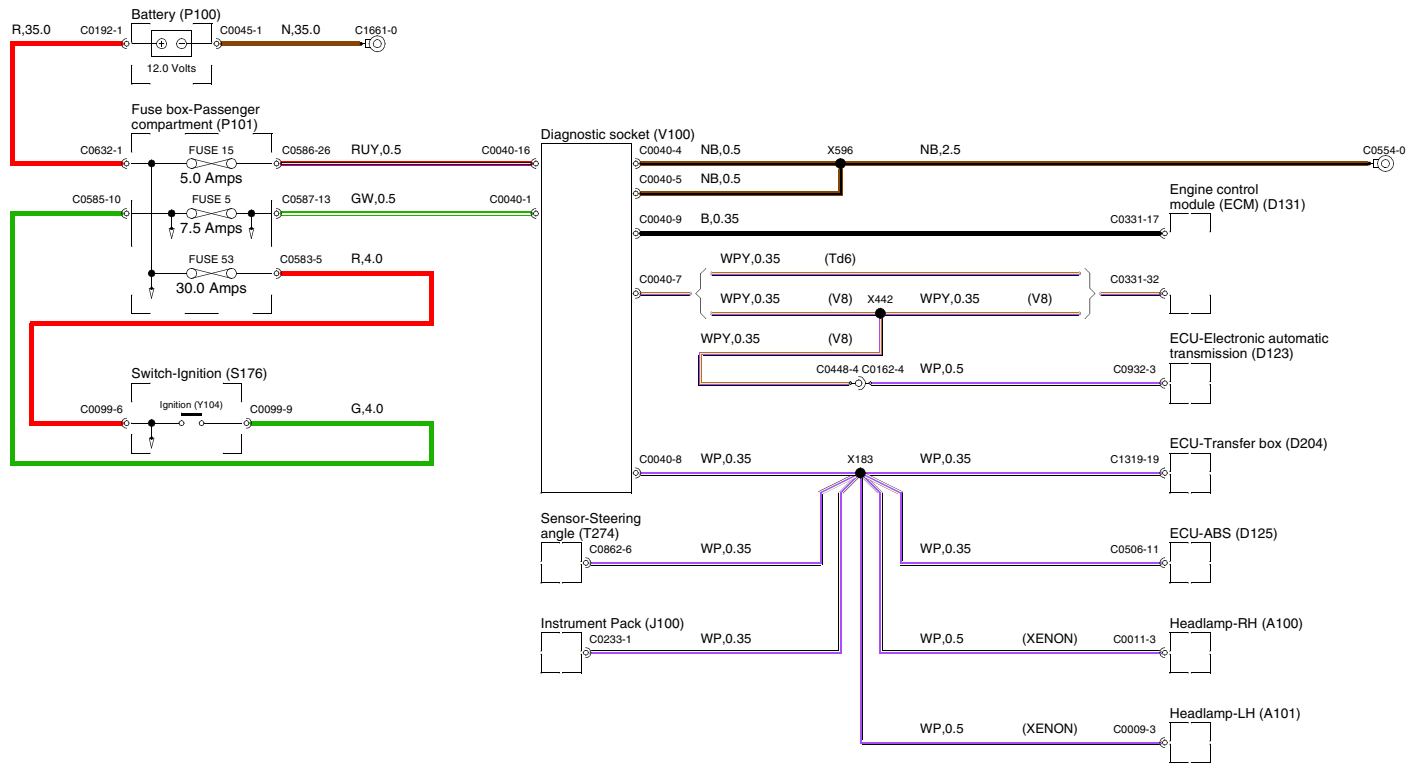




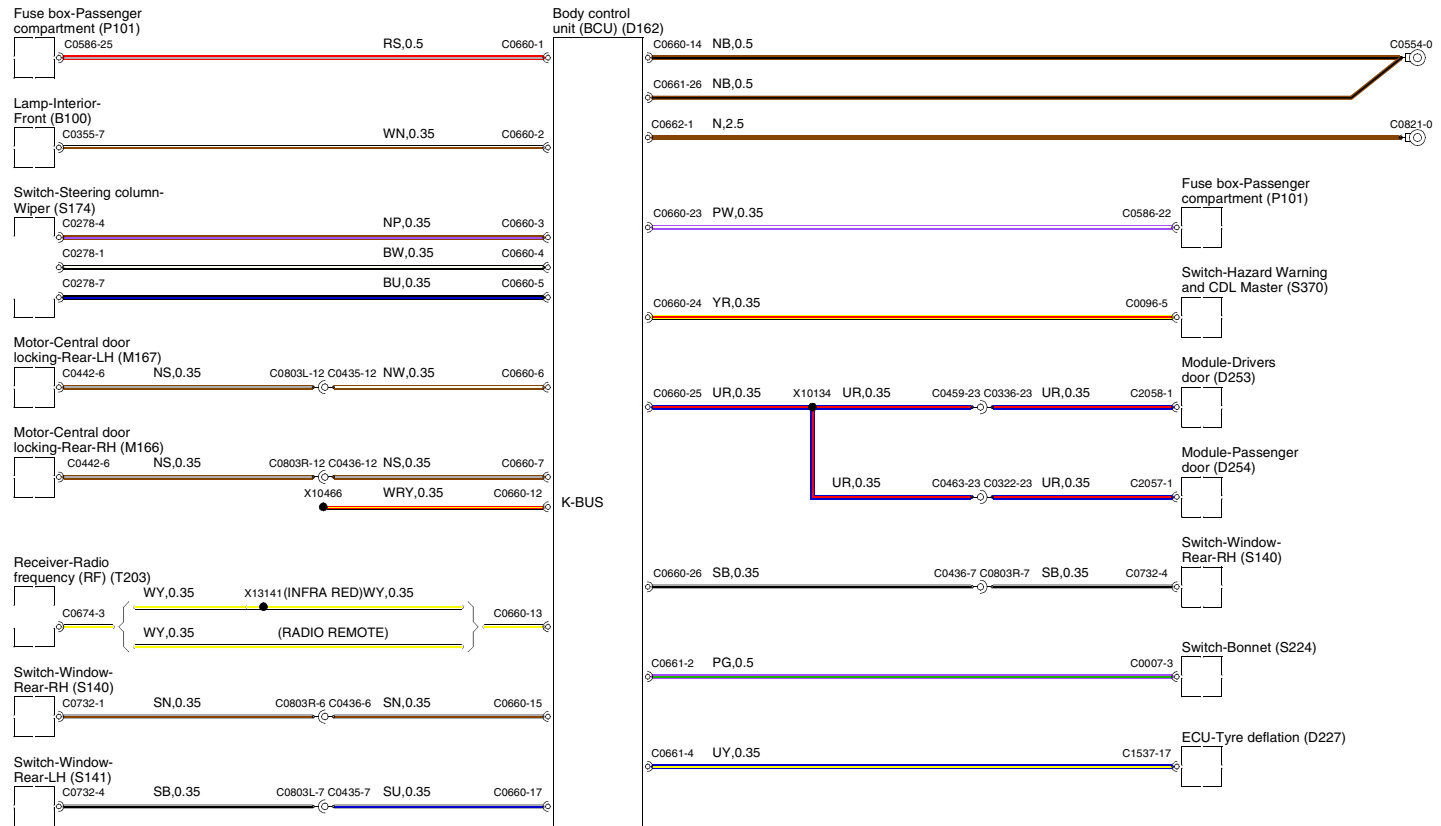
9 STEERING



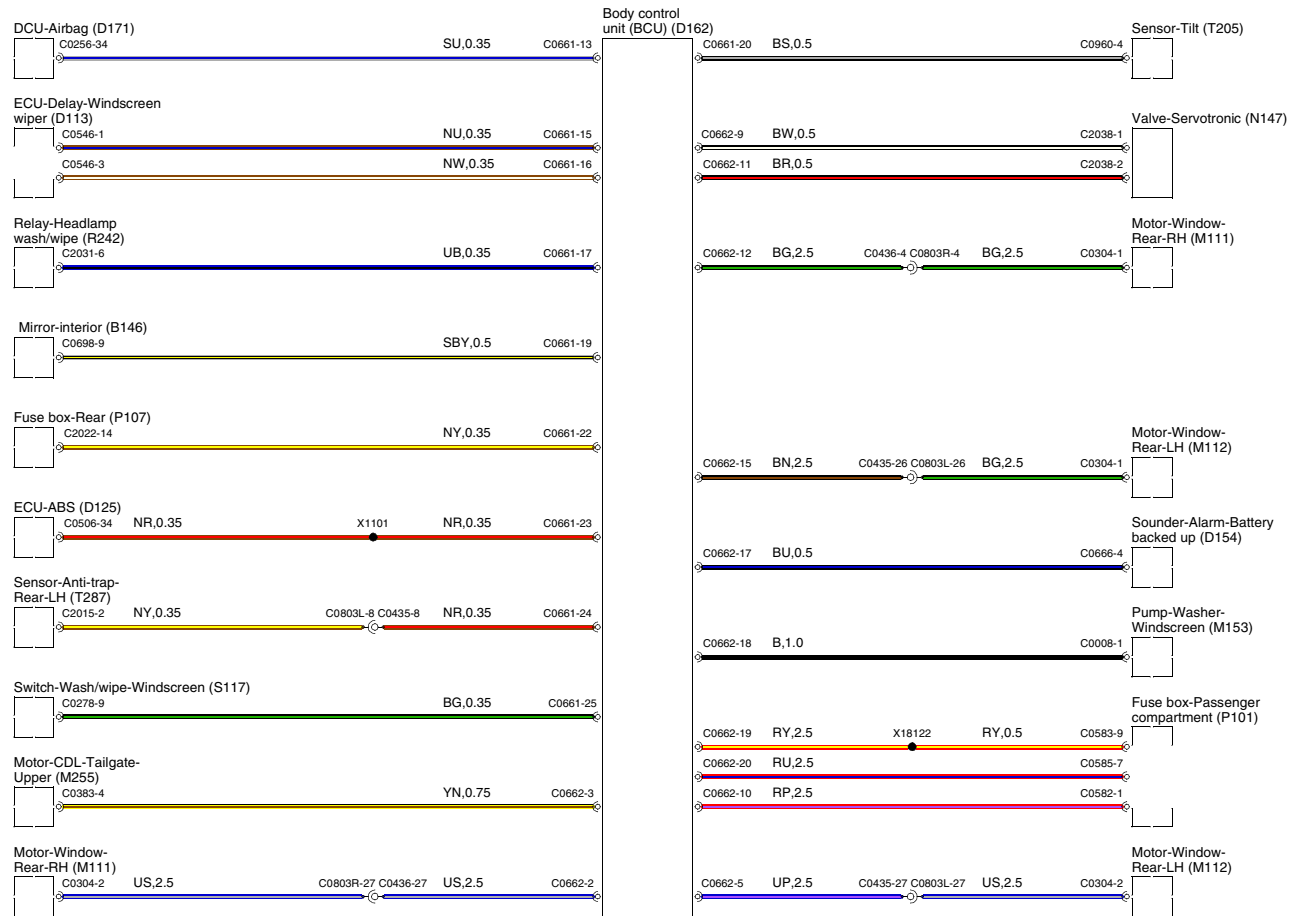
10 DIAGNOSTIC SOCKET



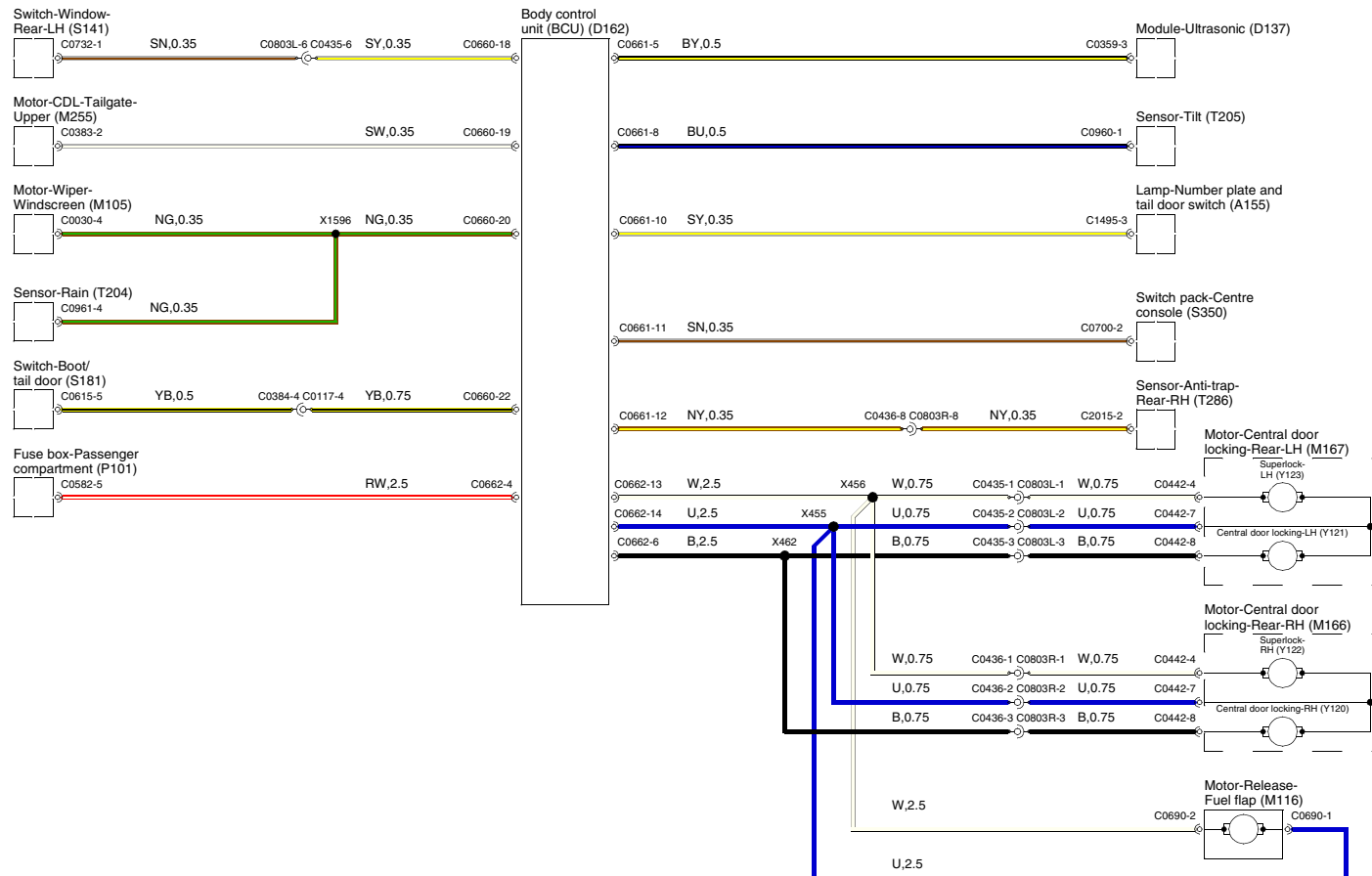
11 BODY CONTROL UNIT

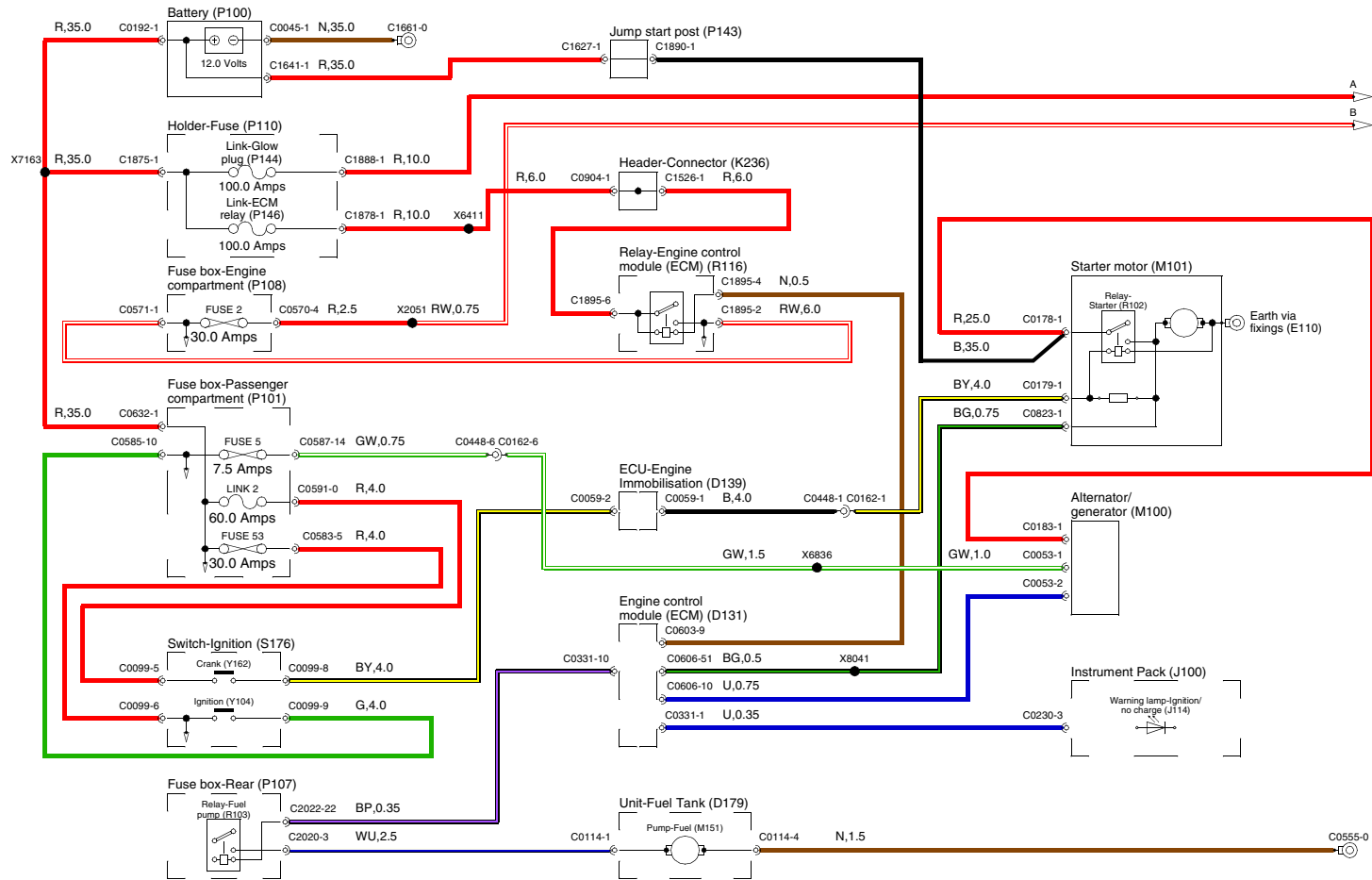


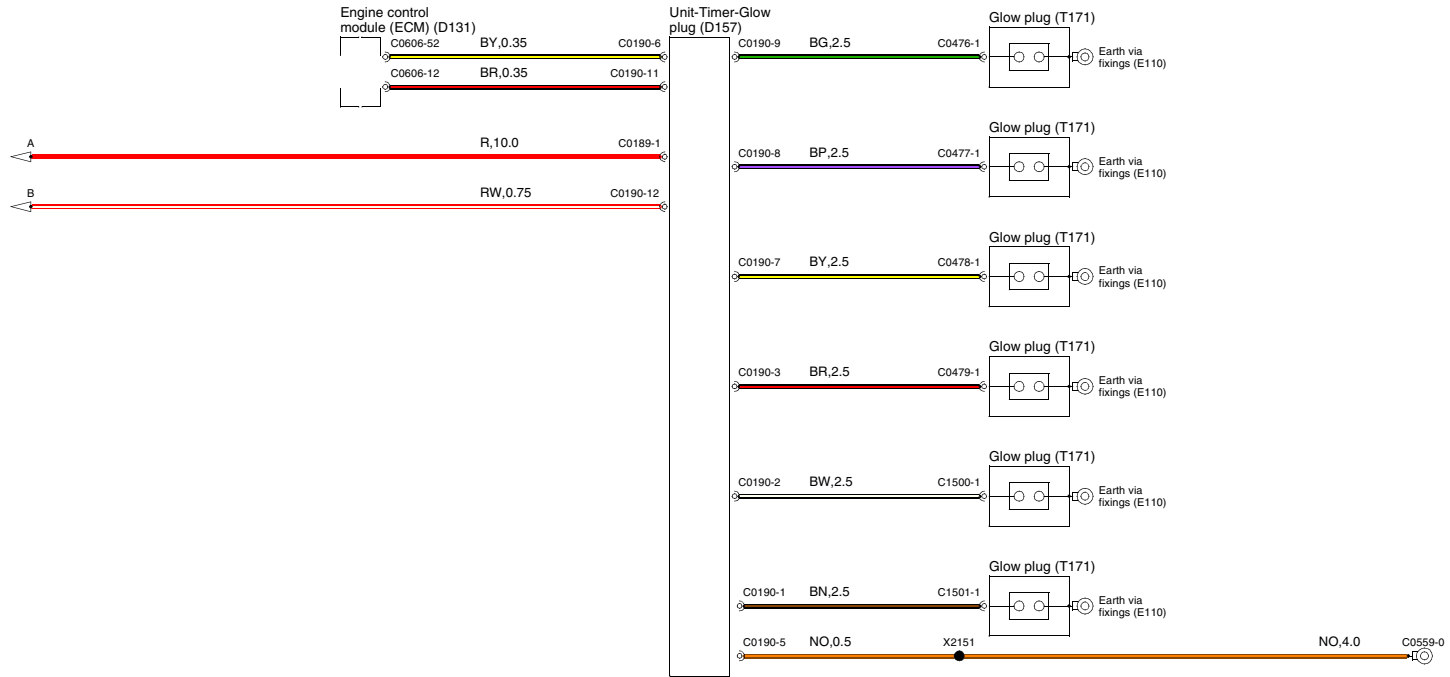
11 BODY CONTROL UNIT

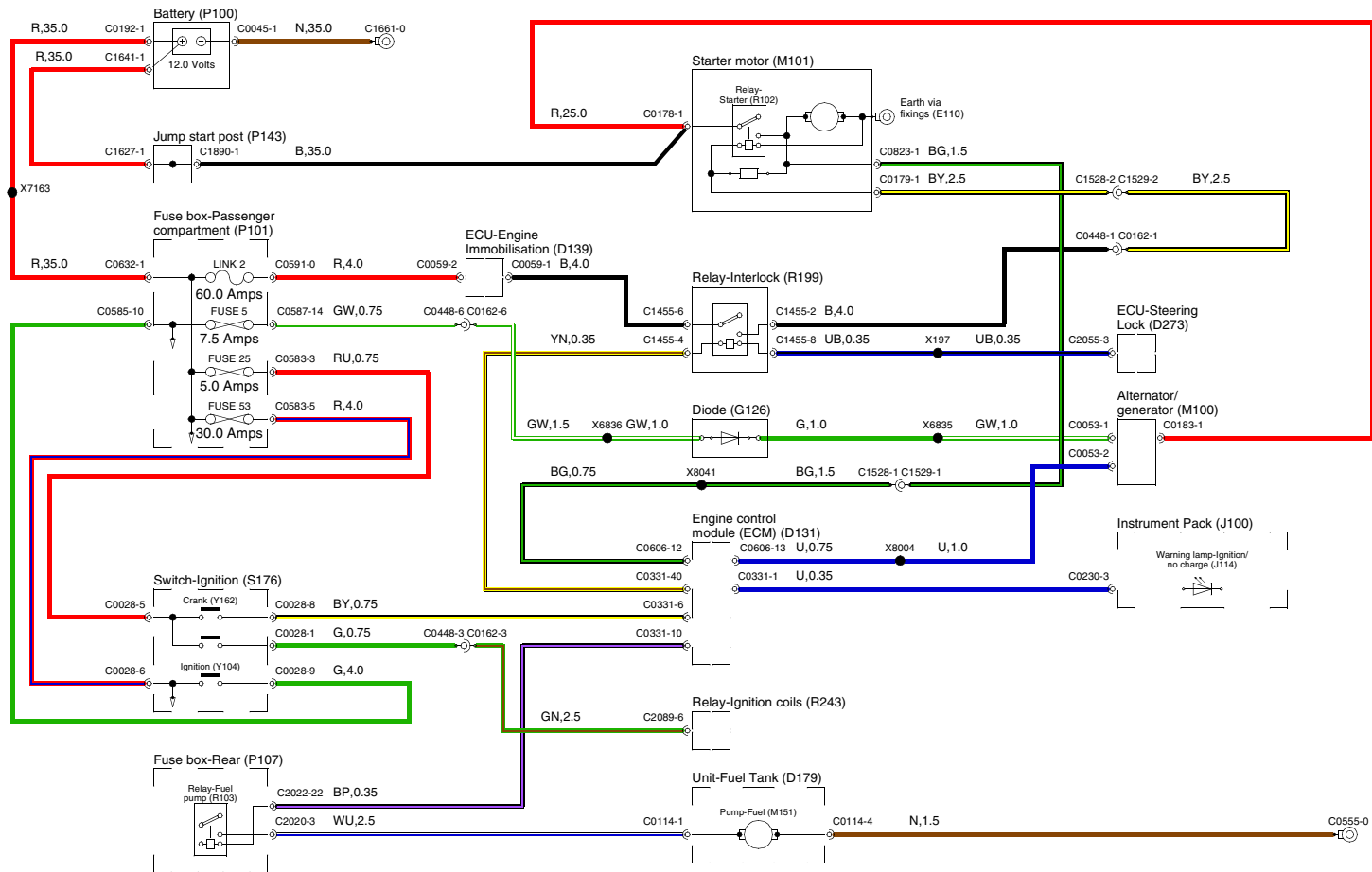


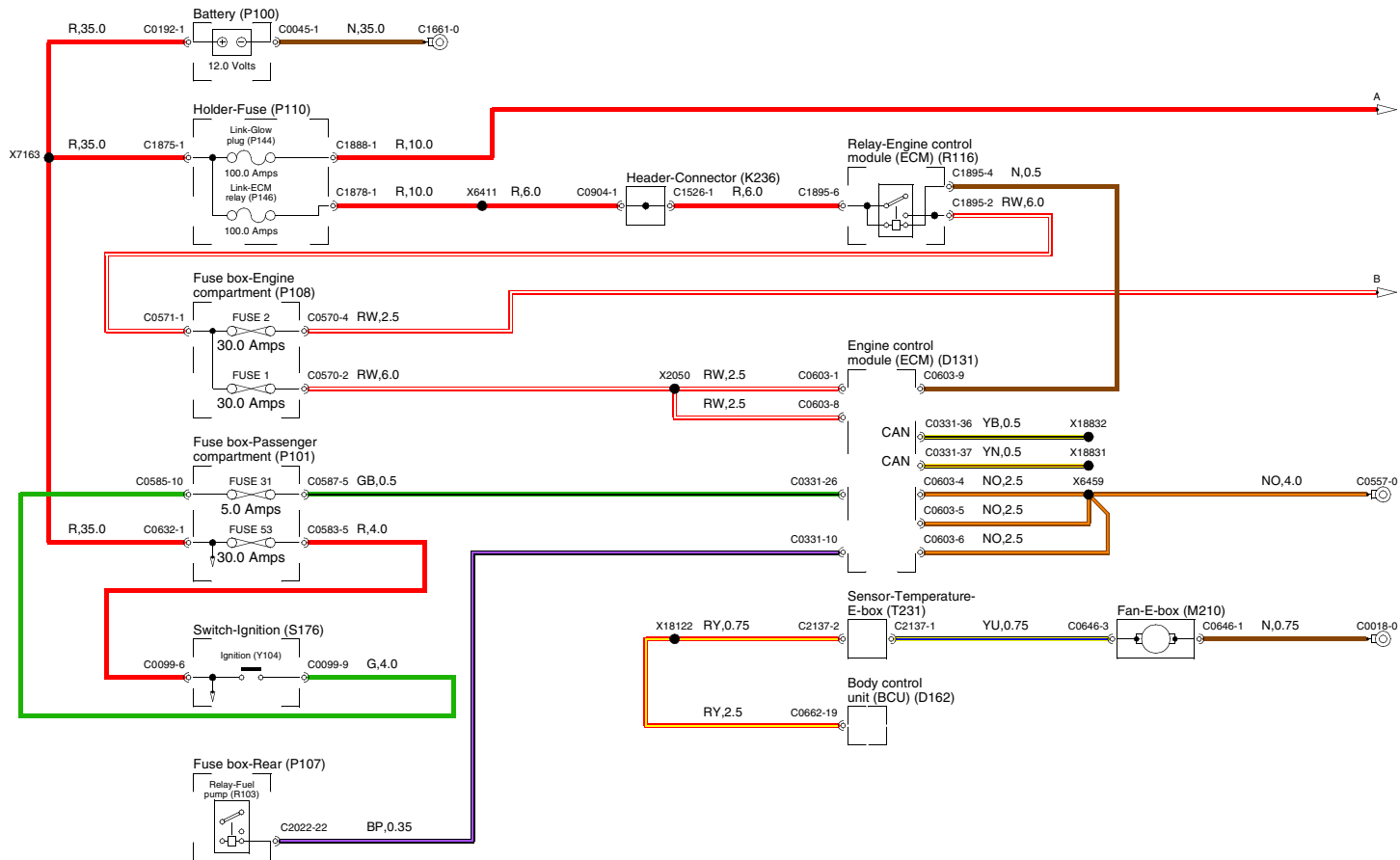
11 BODY CONTROL UNIT

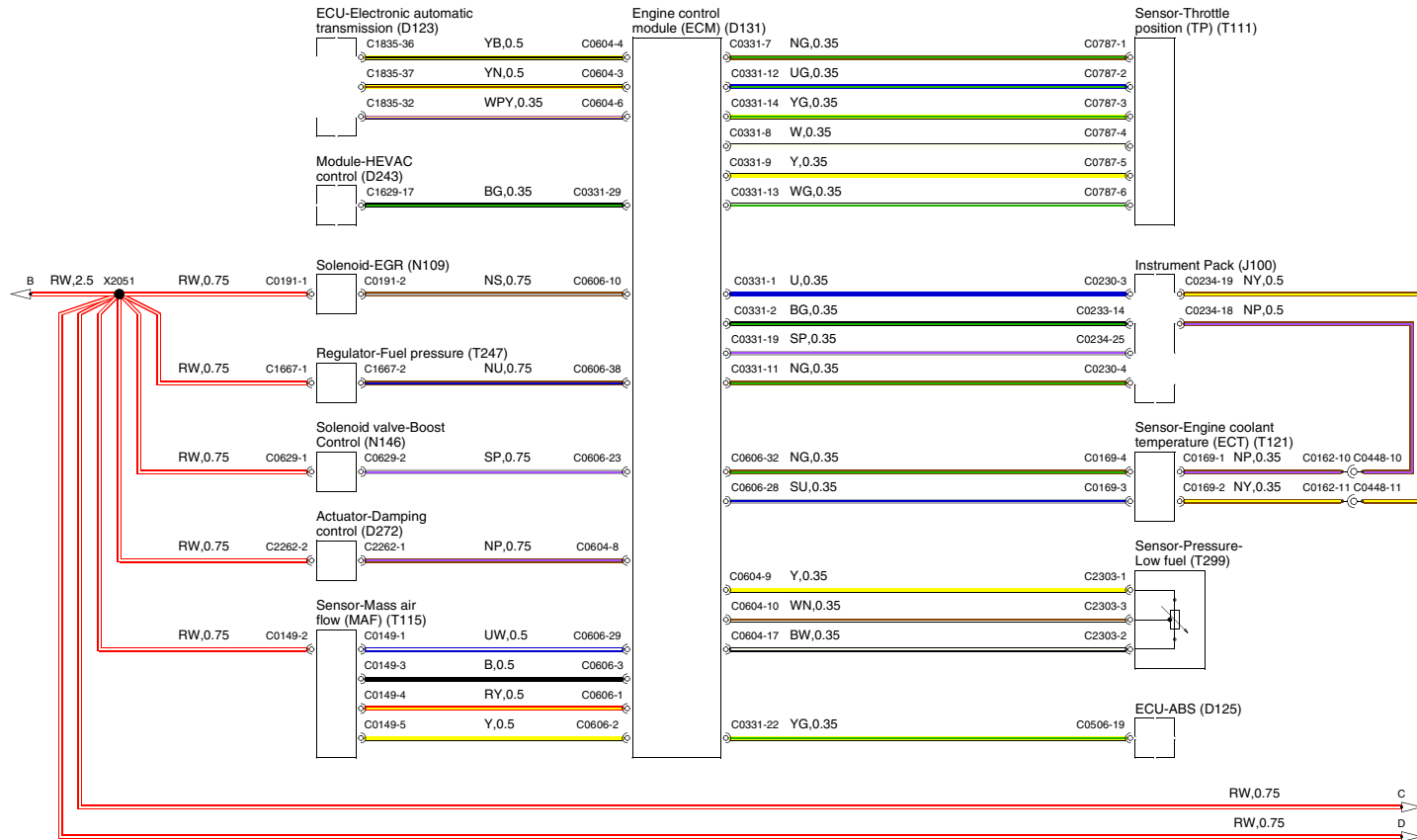


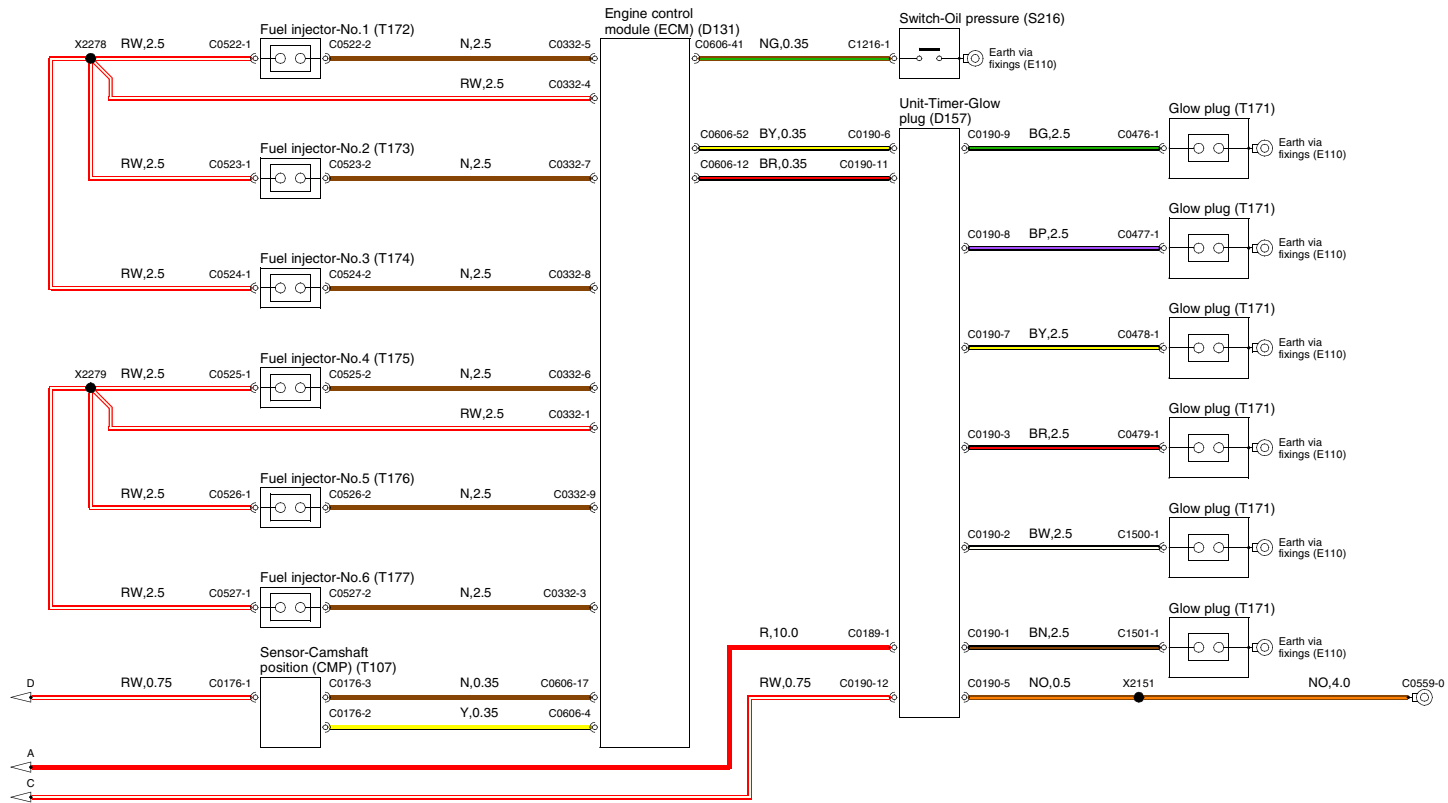


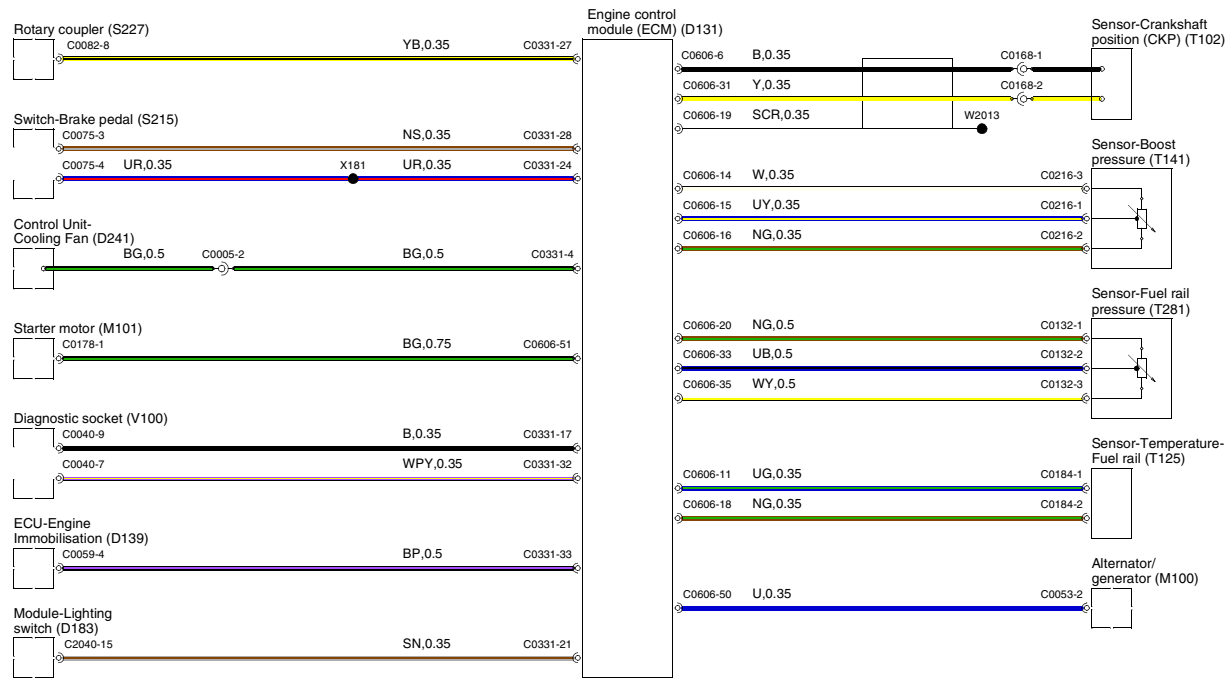


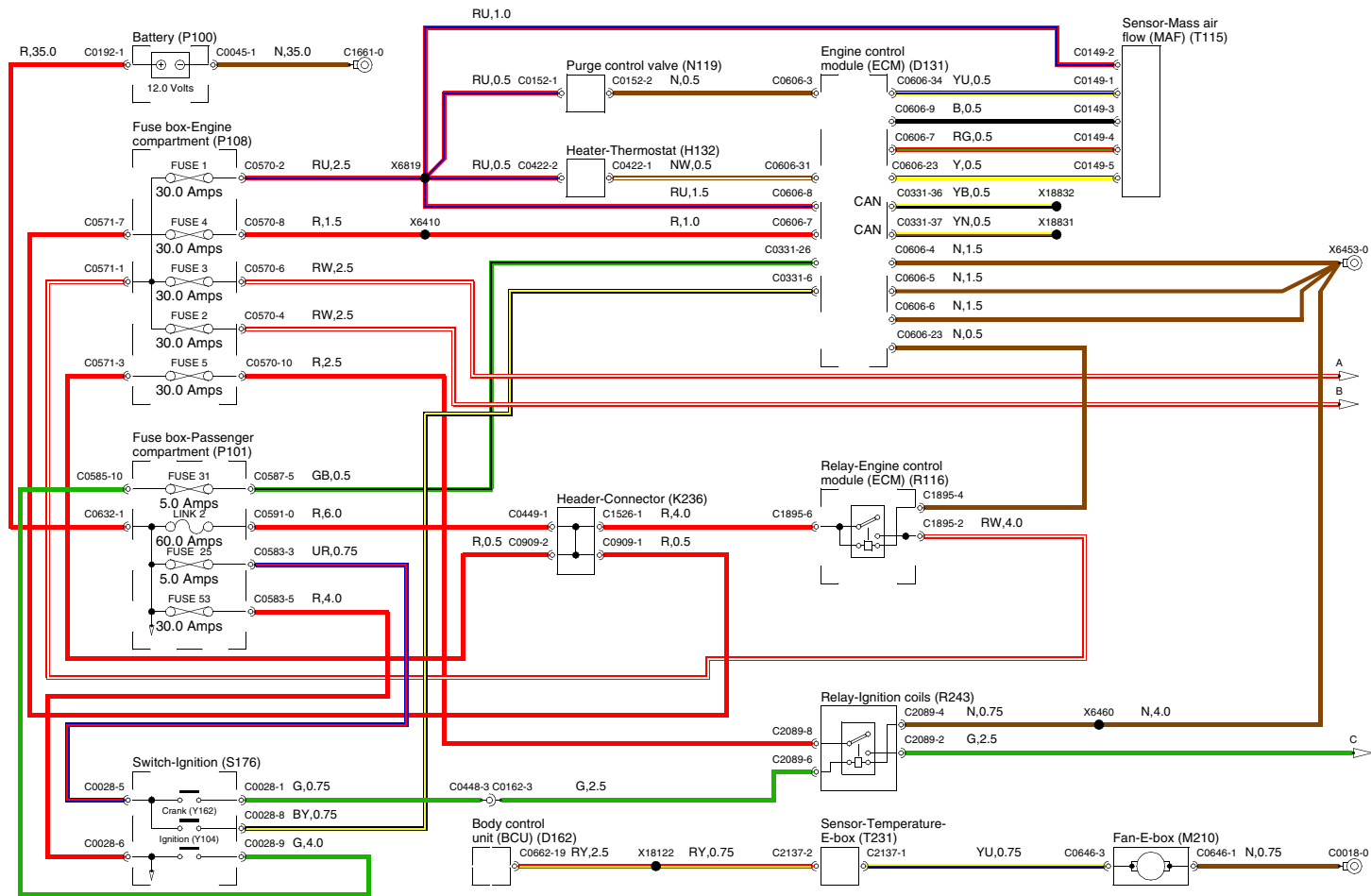


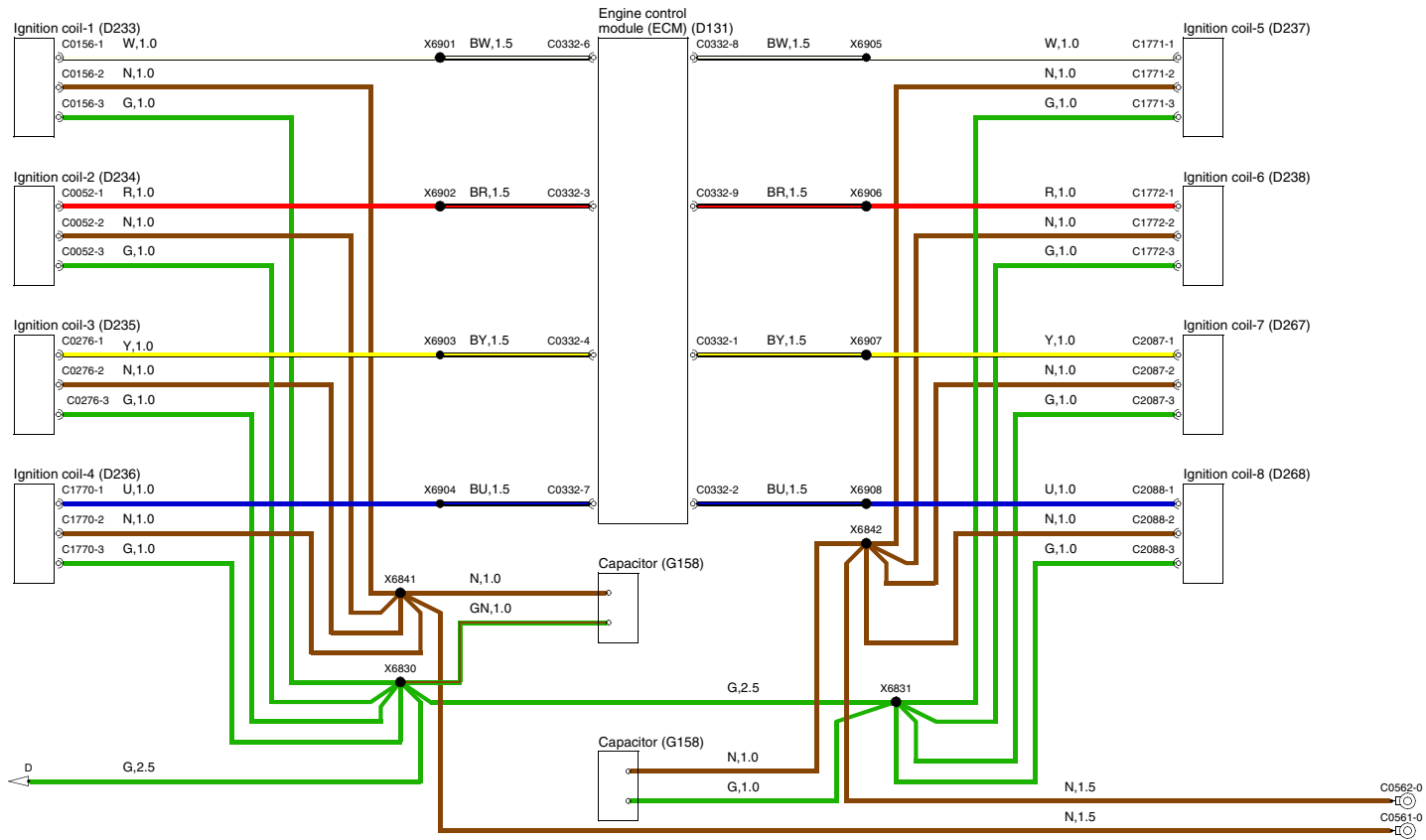


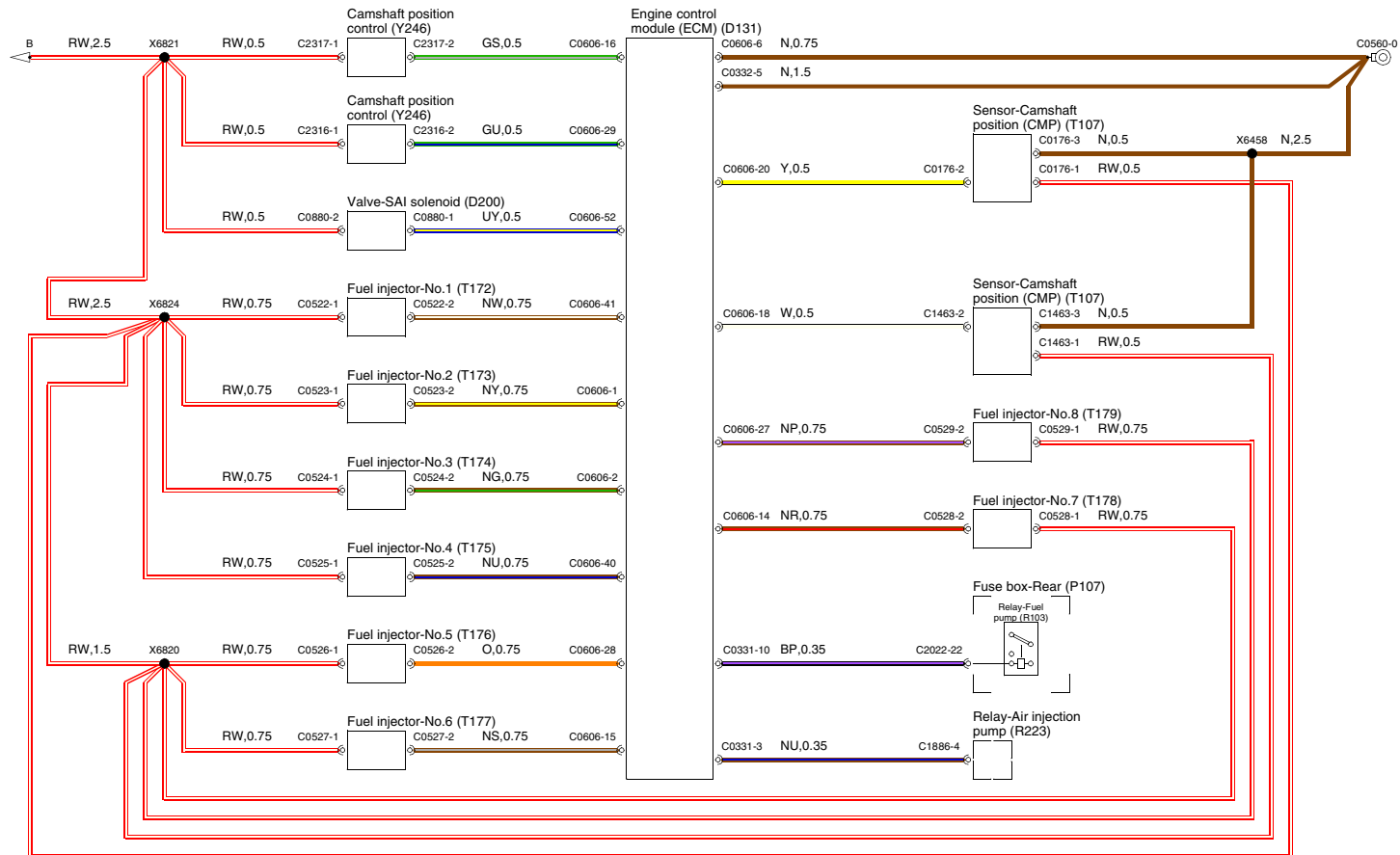


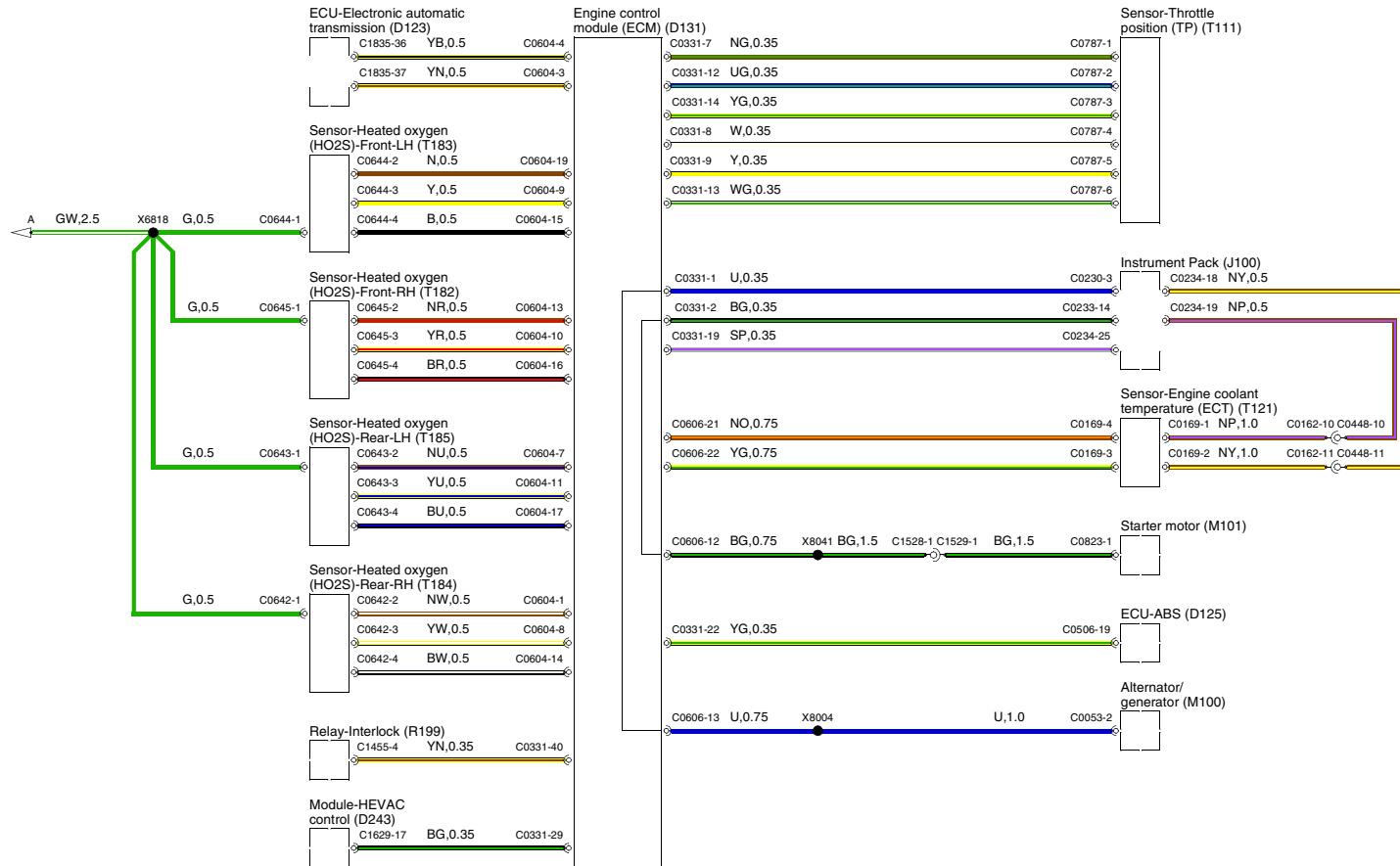


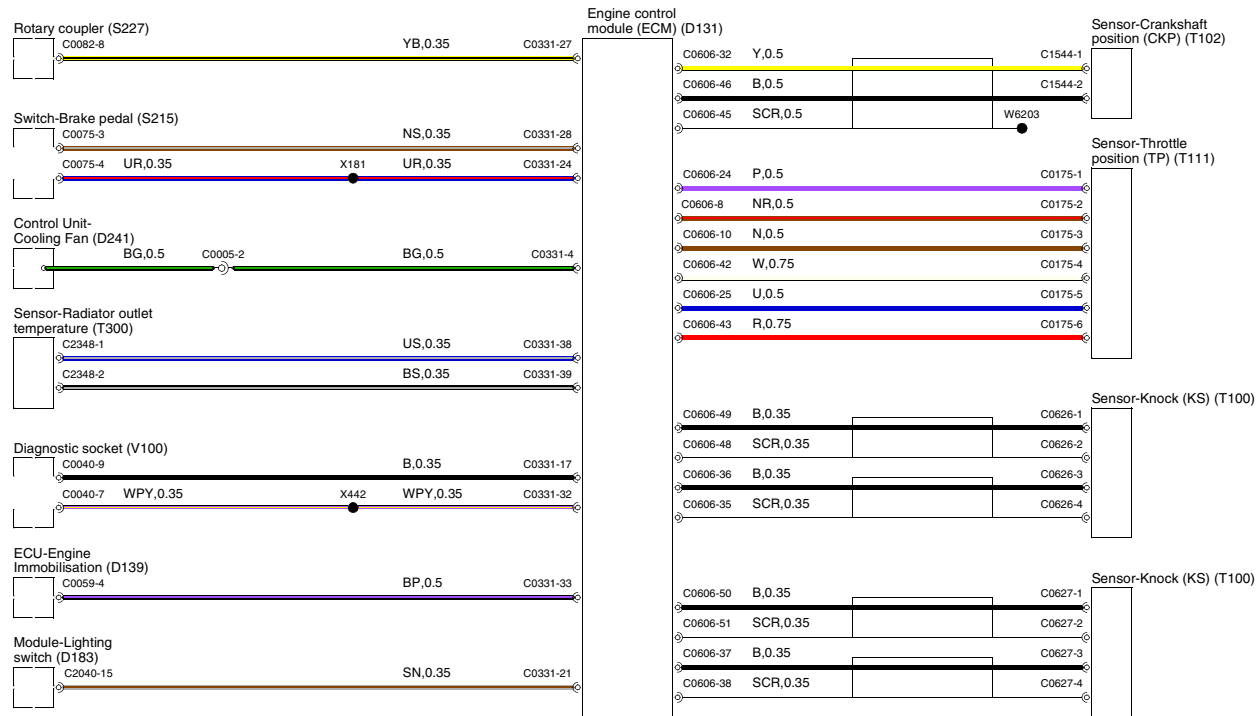




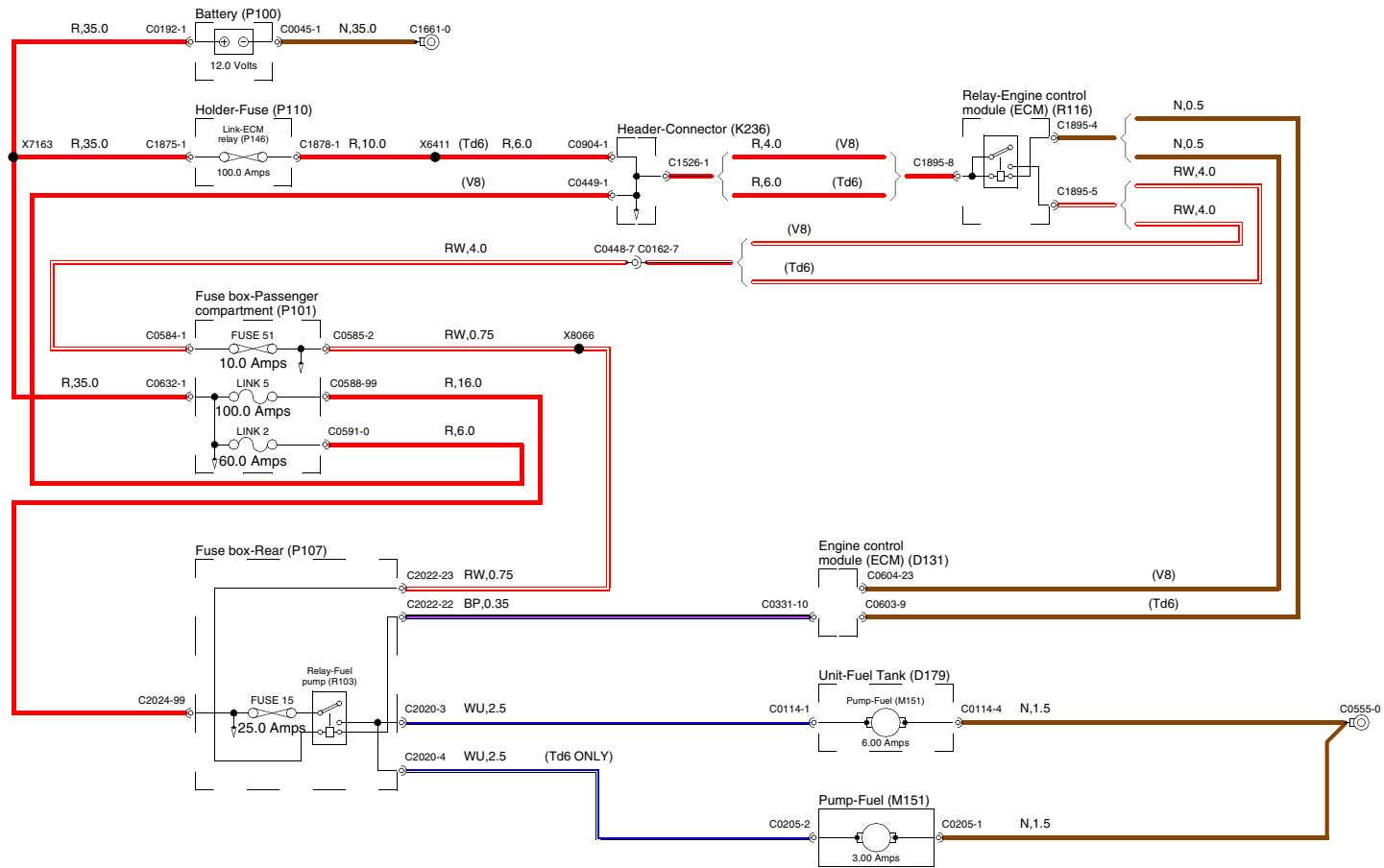




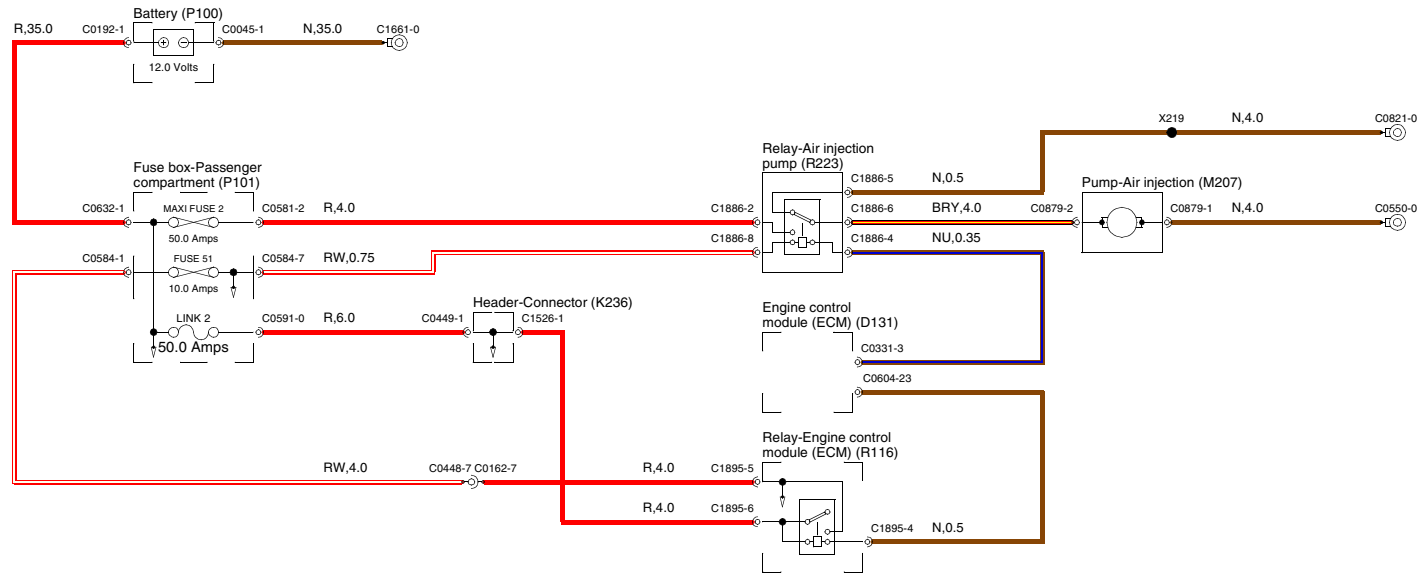




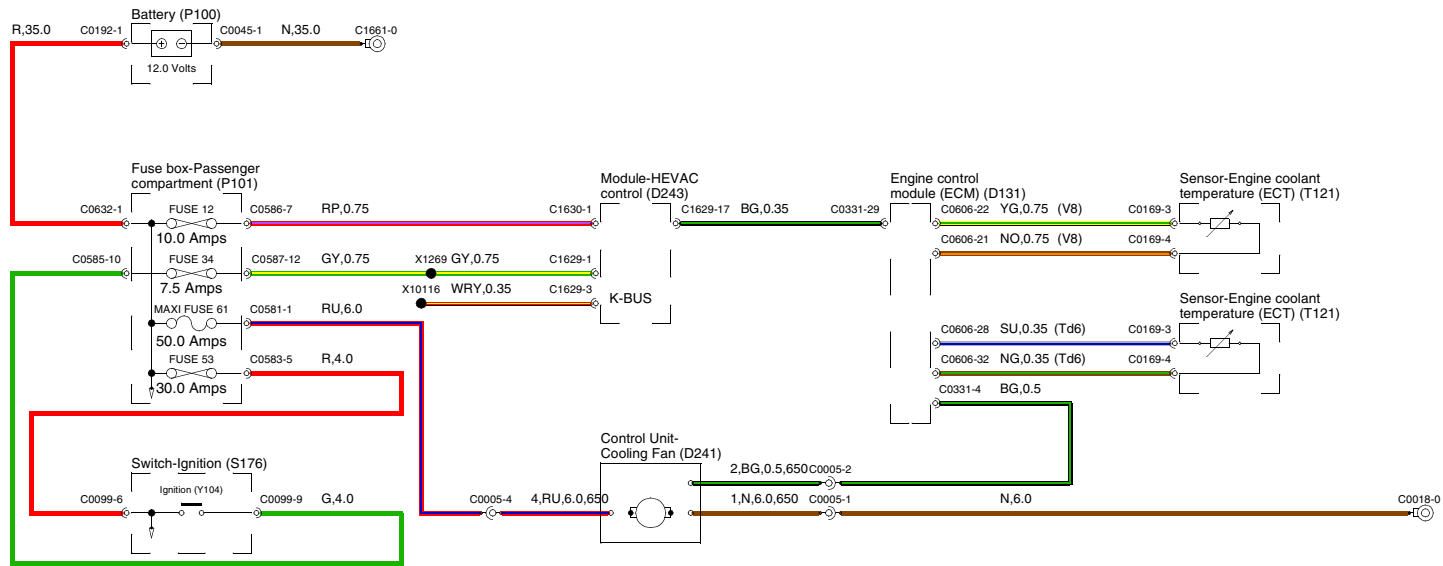
20 FUEL PUMP

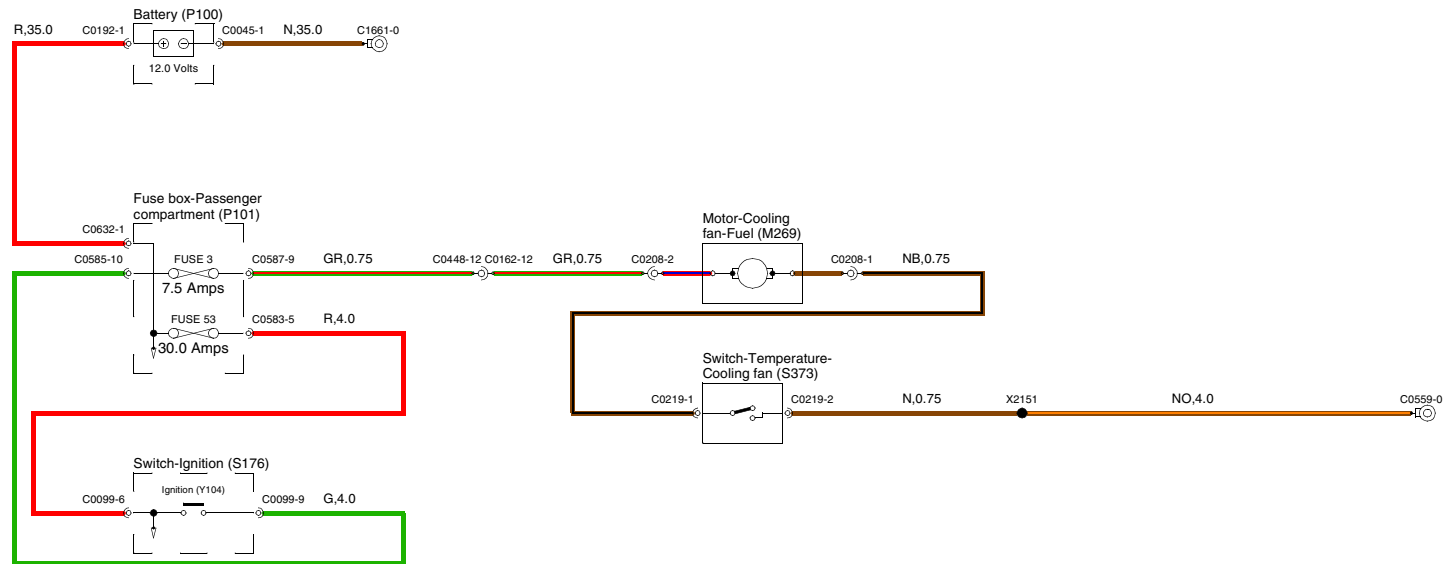


20 SECONDARY AIR INJECTION

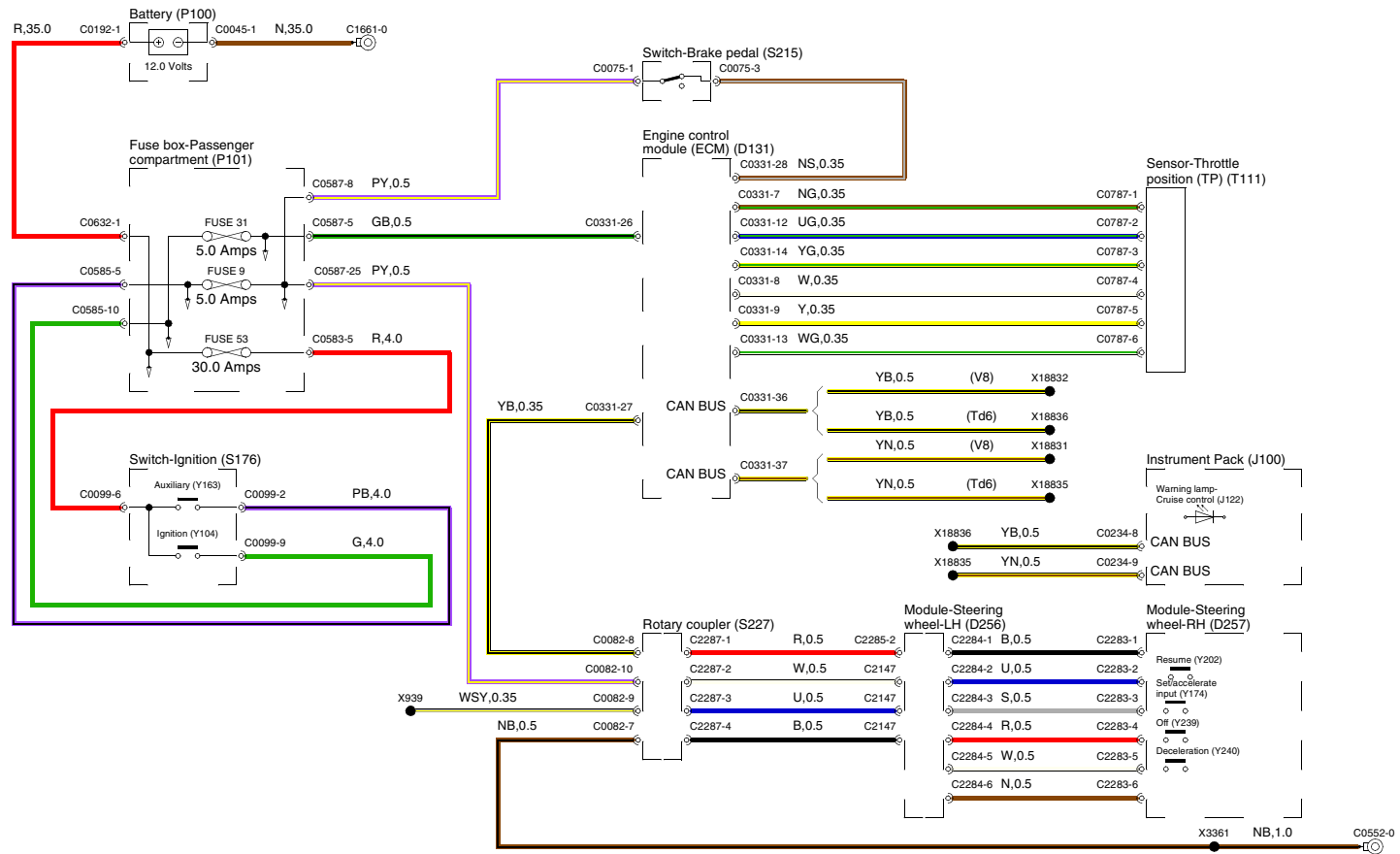


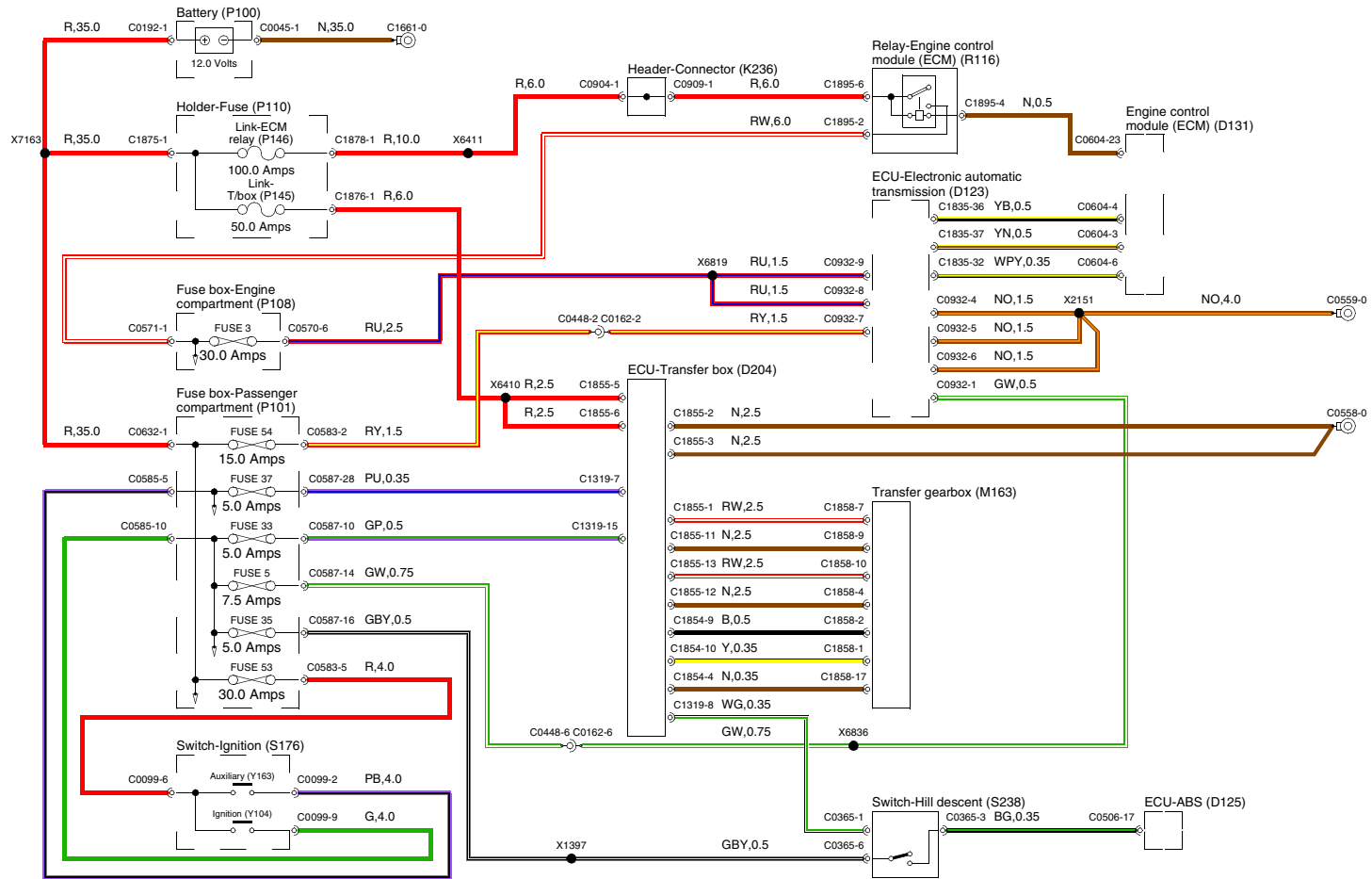
22 COOLING FANS

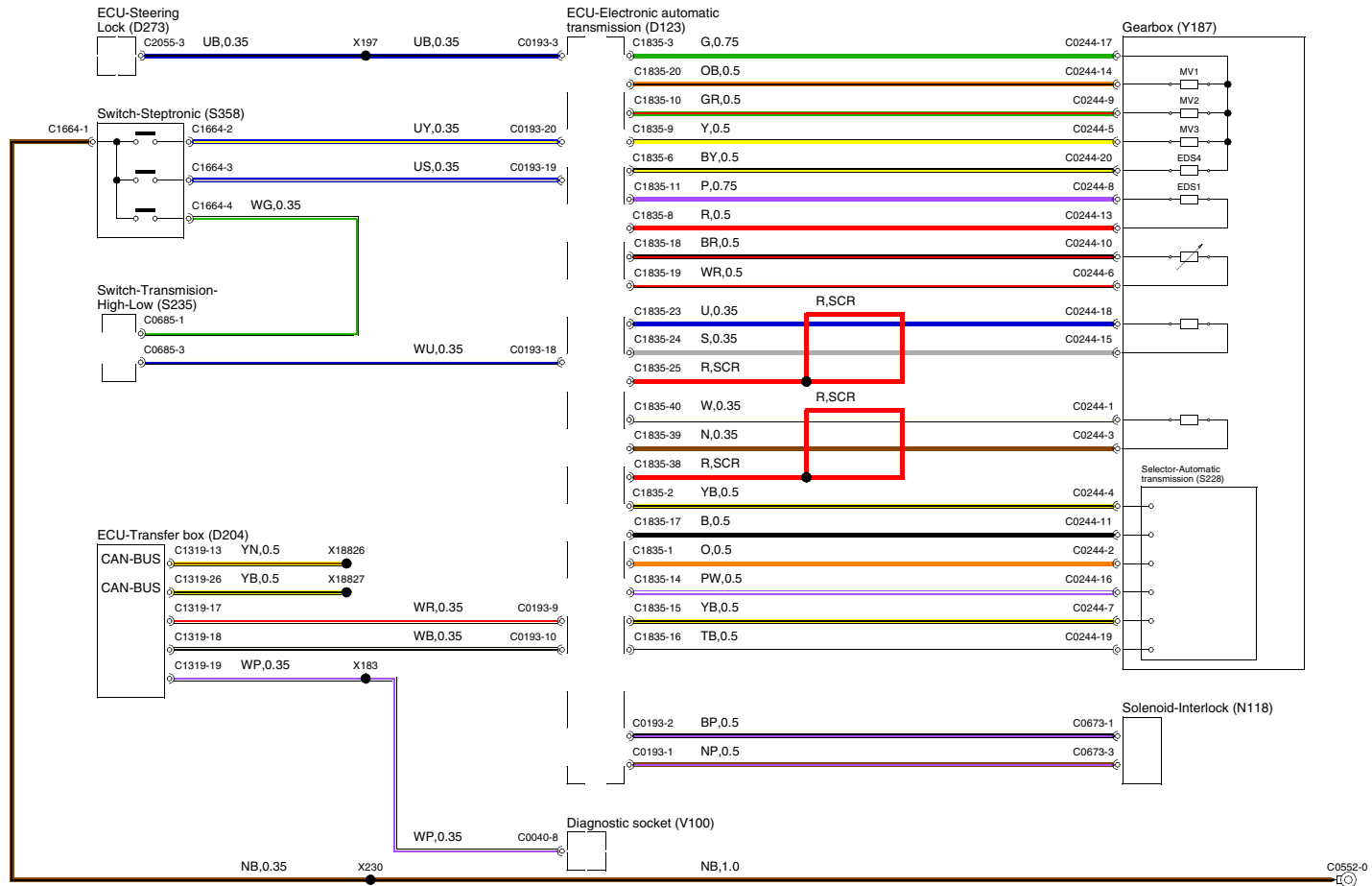


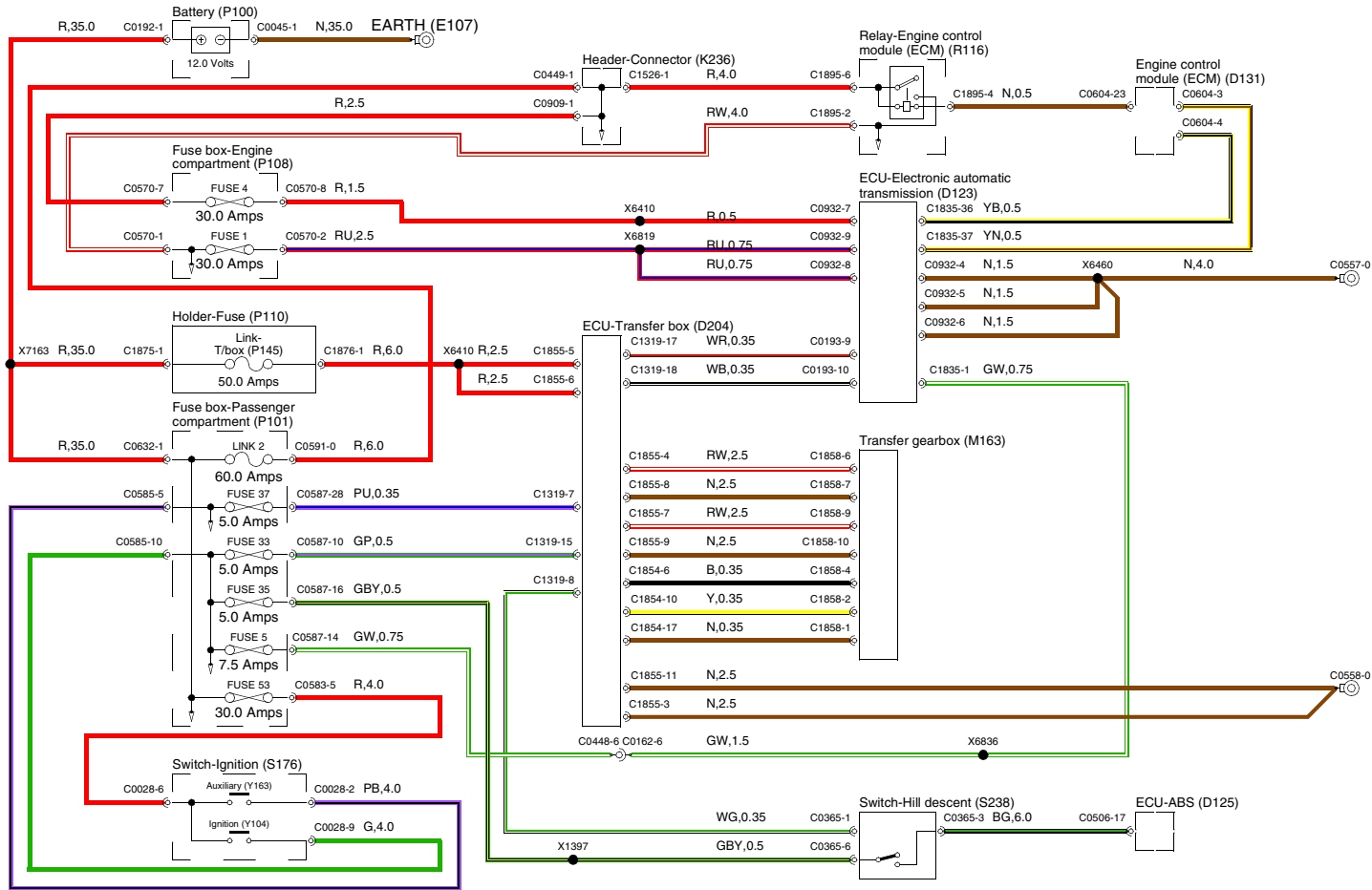


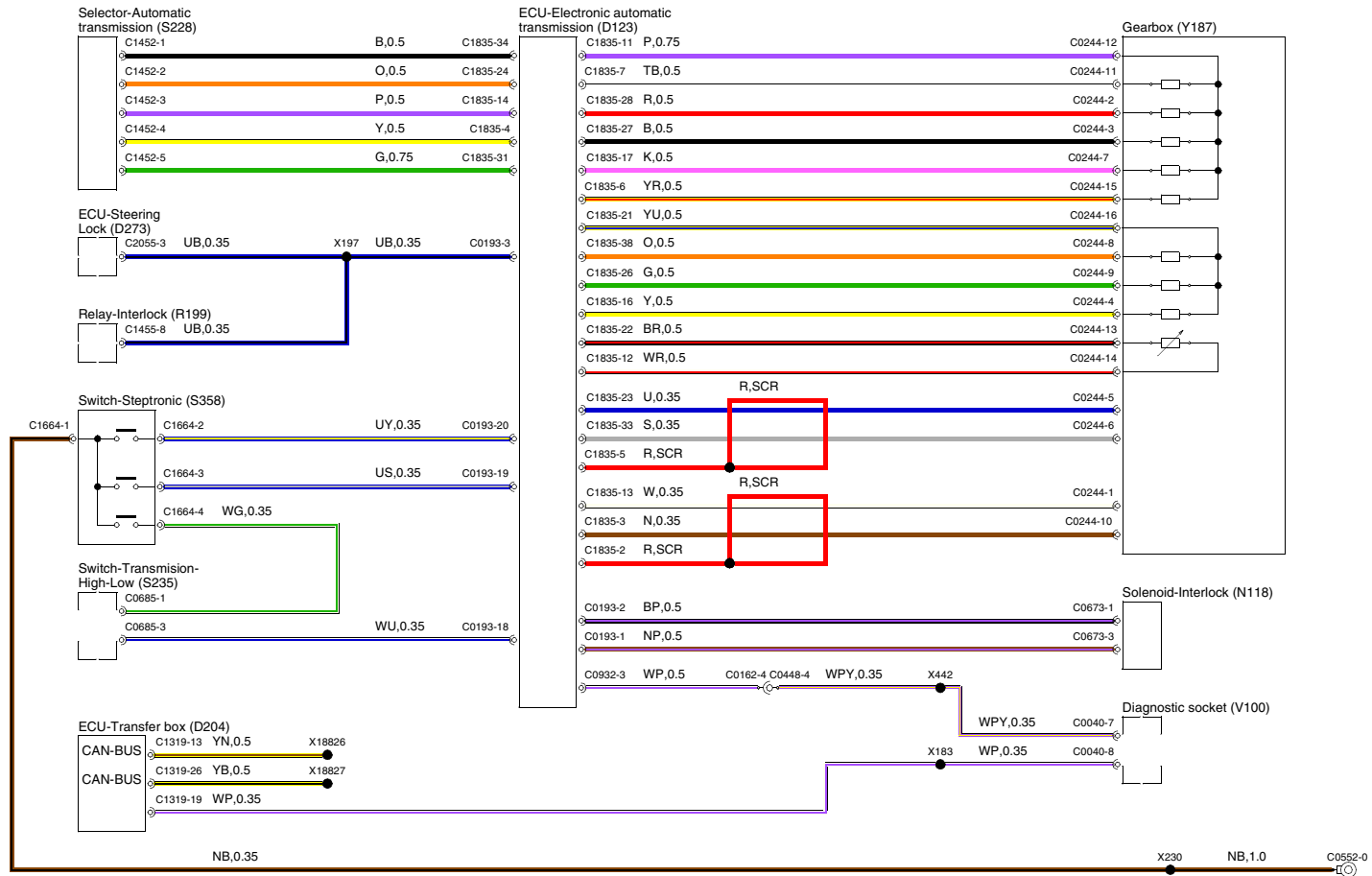
31 CRUISE CONTROL



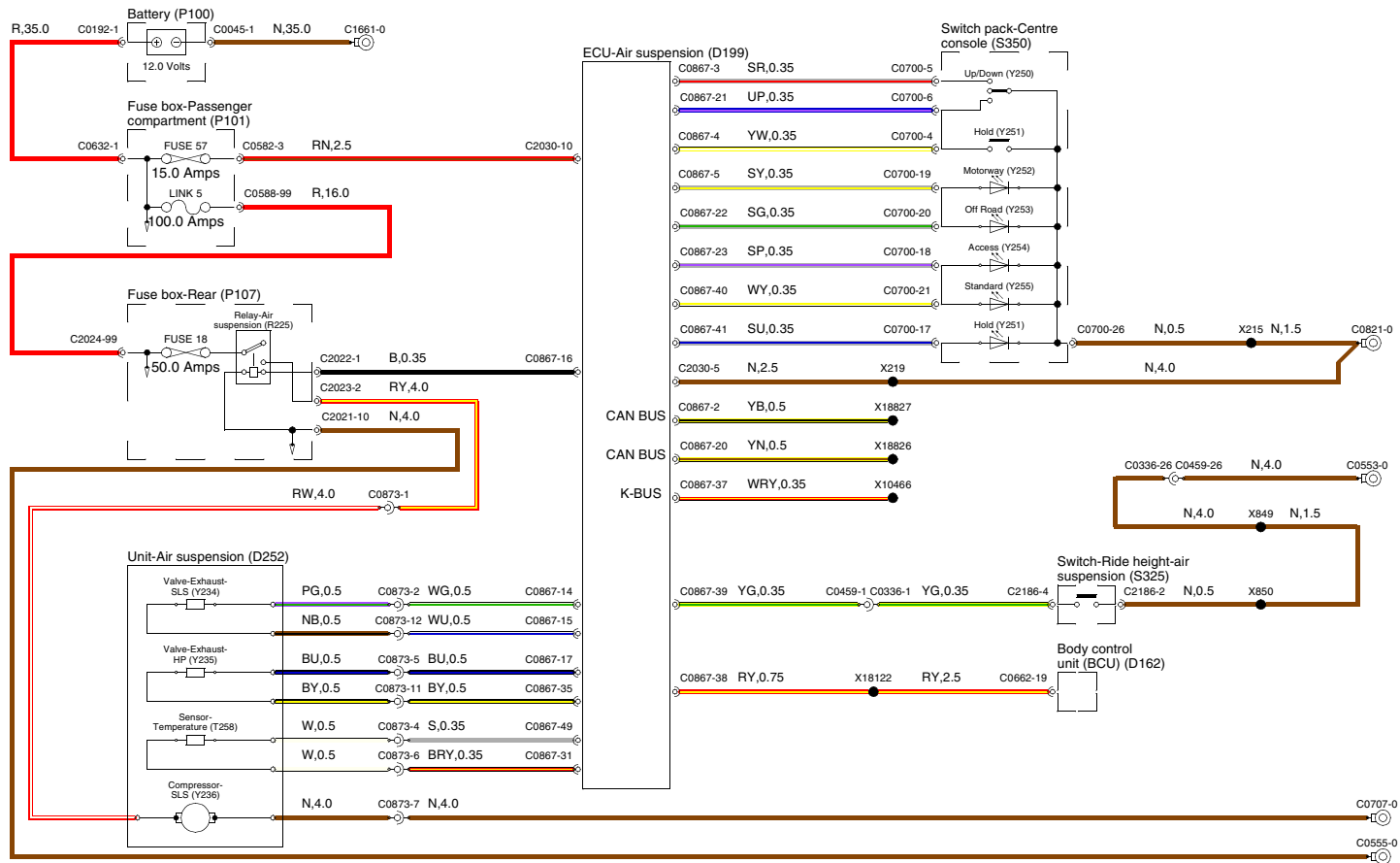


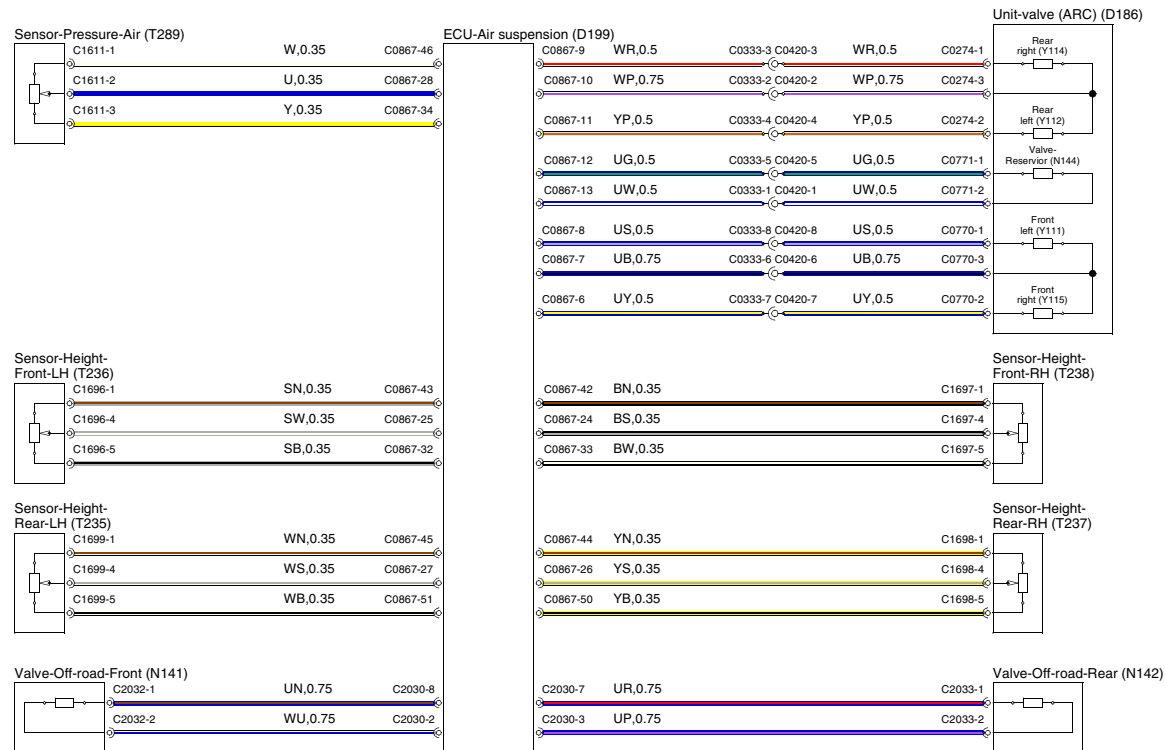




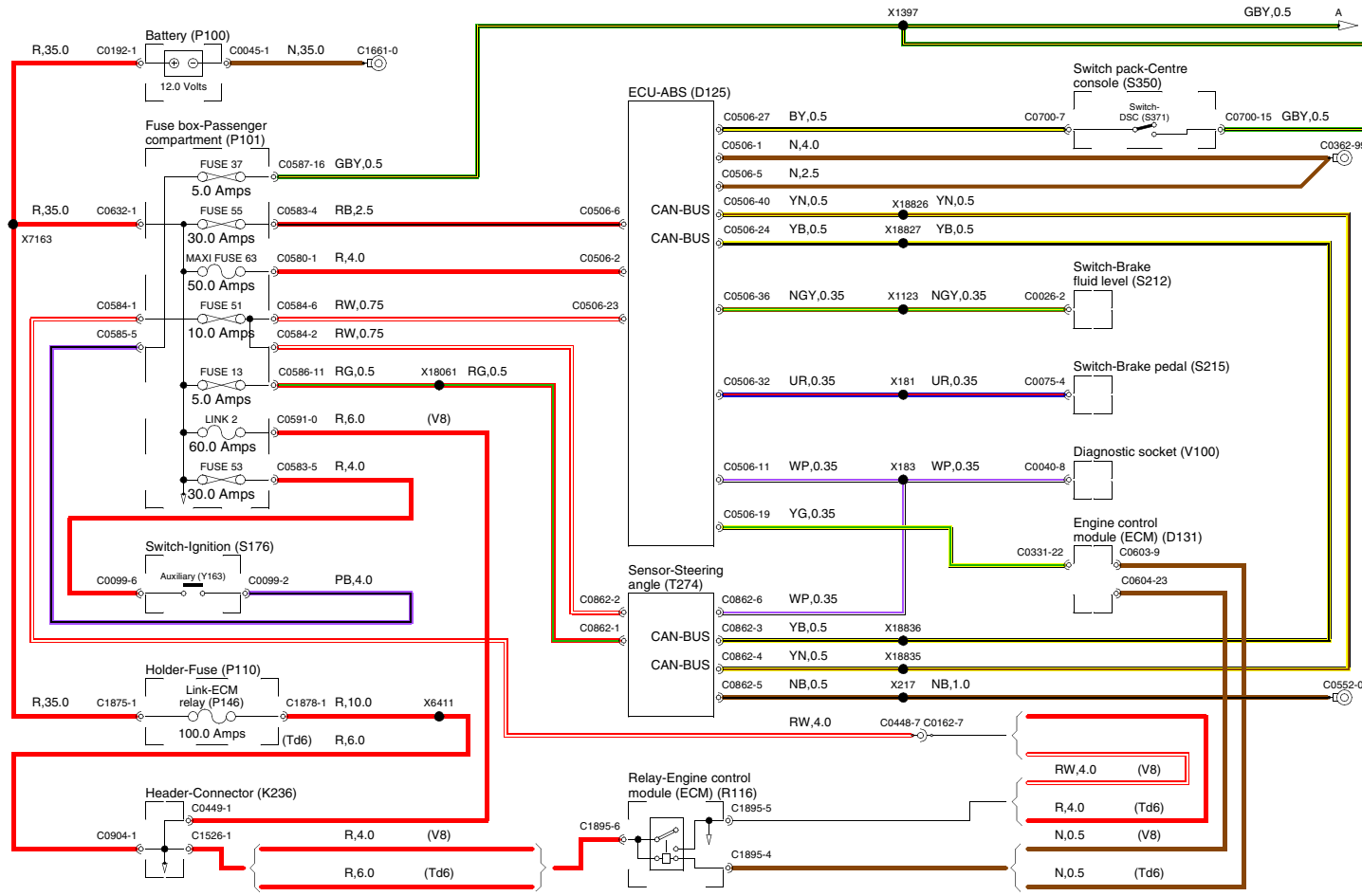


34 AIR SUSPENSION

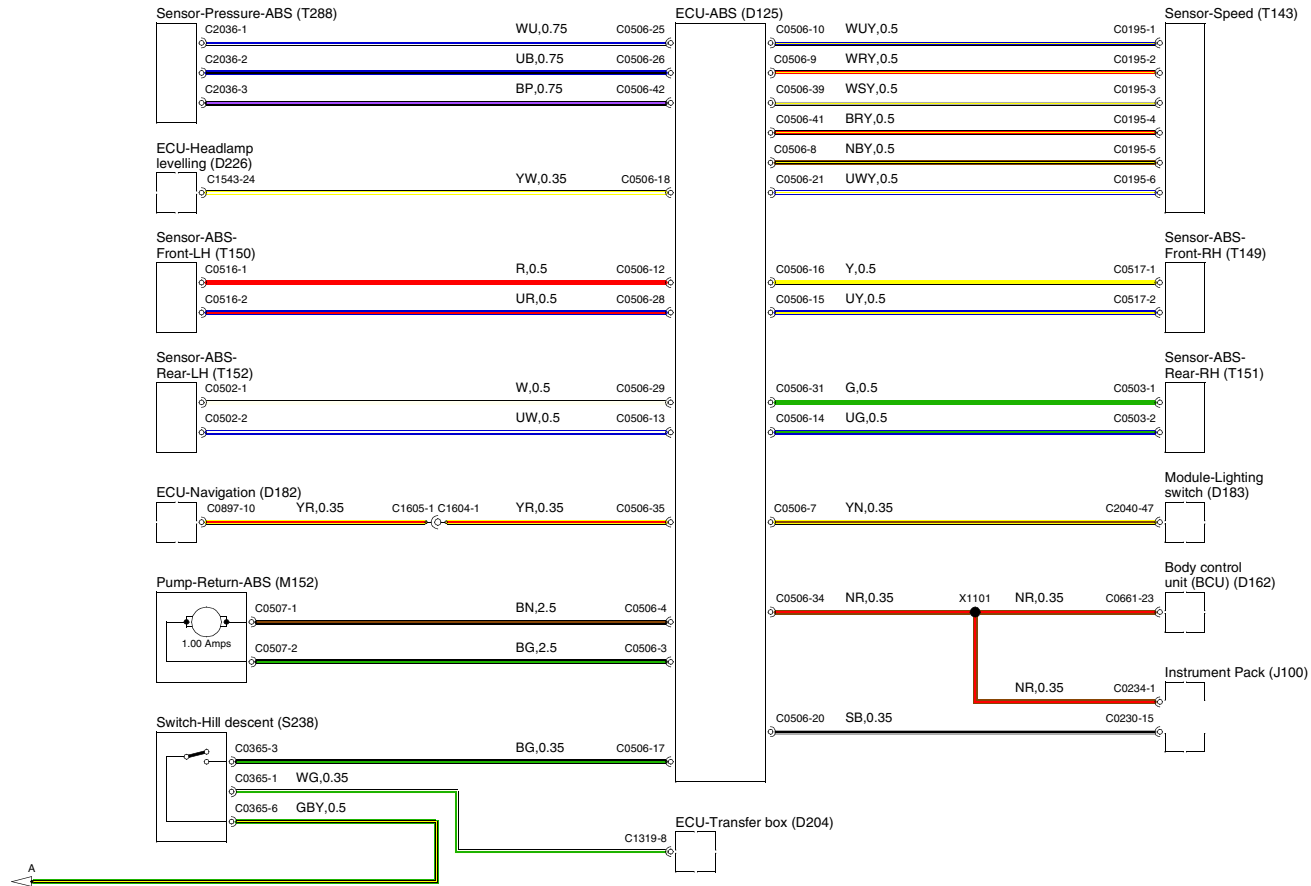




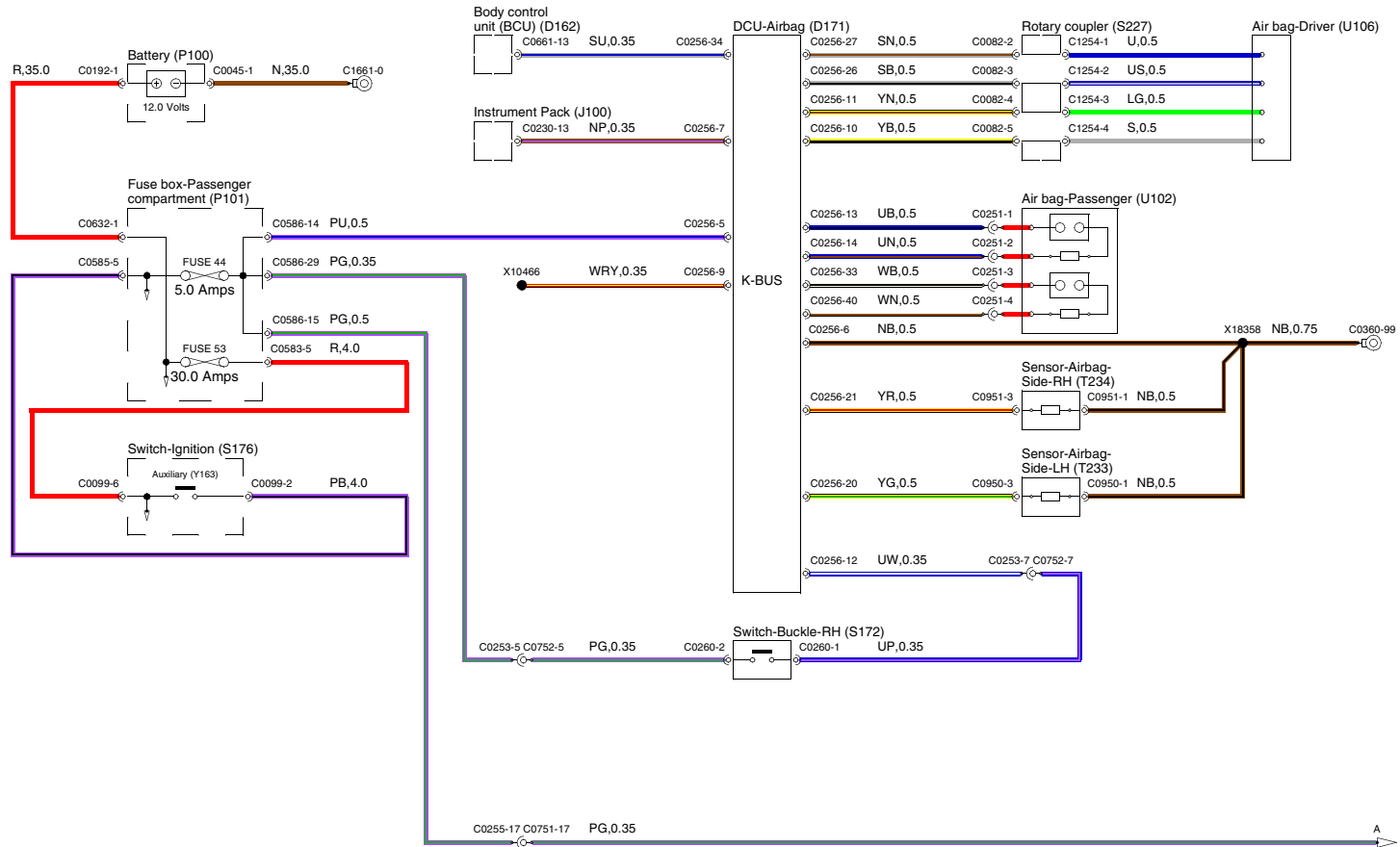
35 ANTI-LOCK BRAKING SYSTEM (ABS)



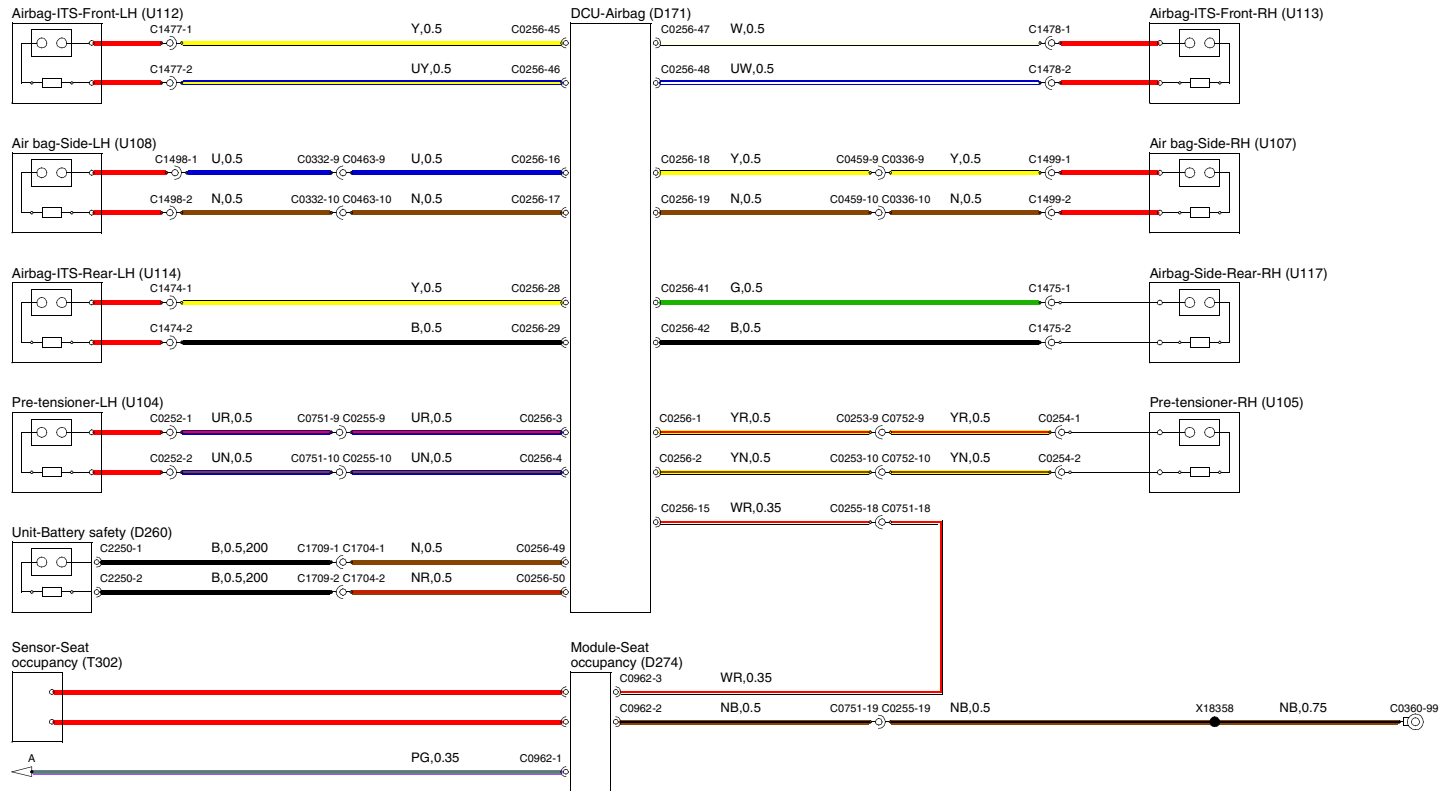
35 ANTI-LOCK BRAKING SYSTEM (ABS)

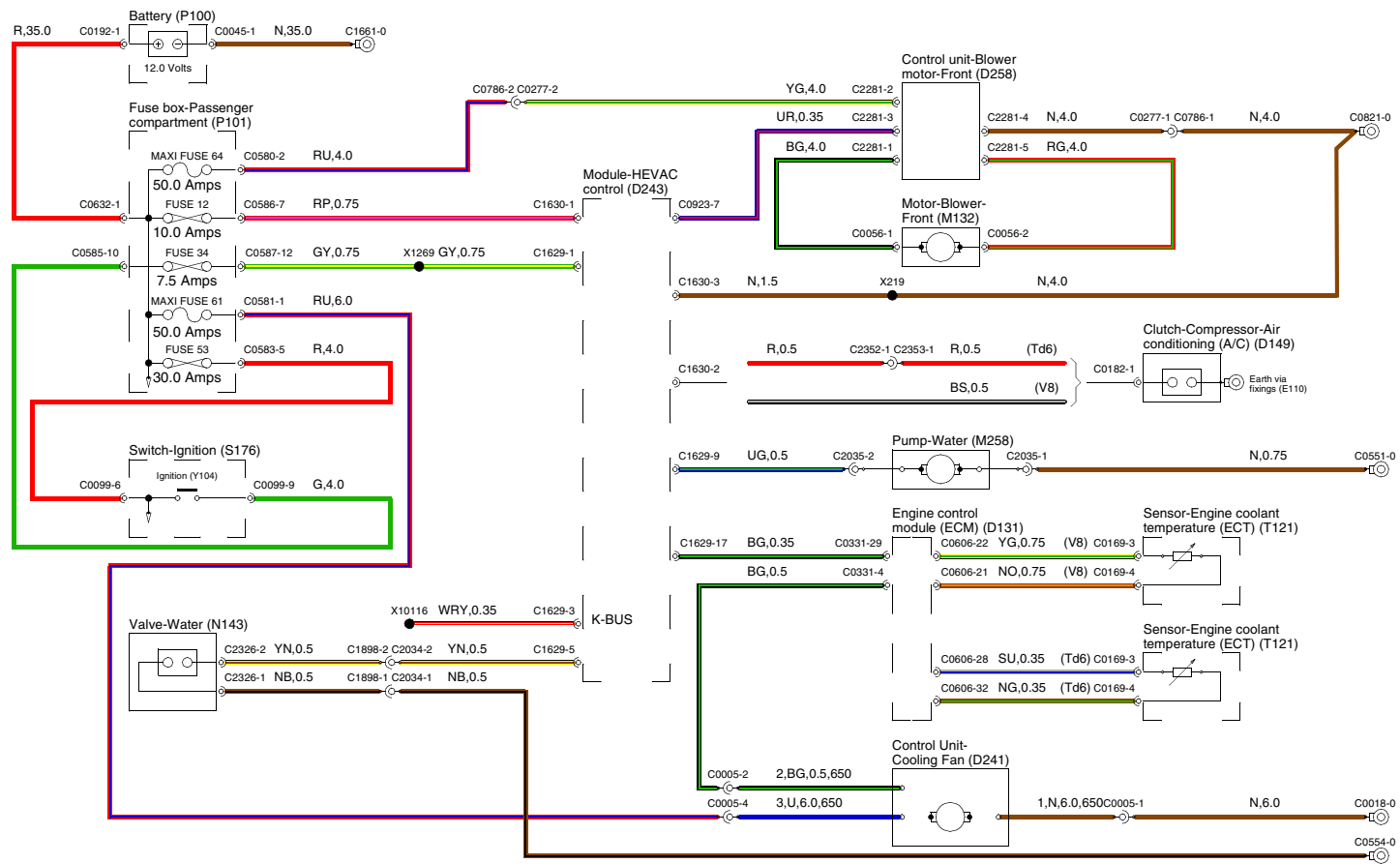


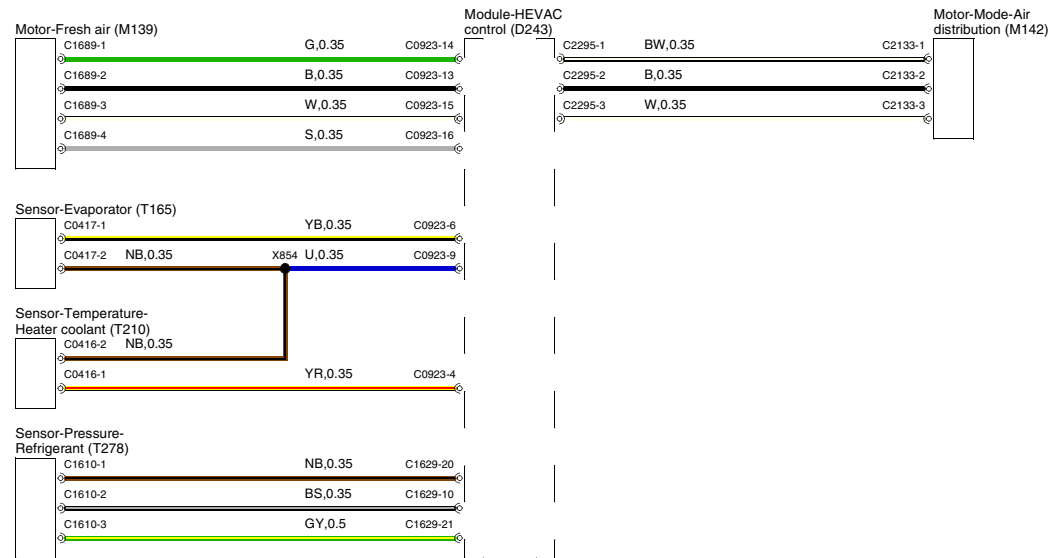
36 SUPPLEMENTARY RESTRAINT SYSTEM (SRS)

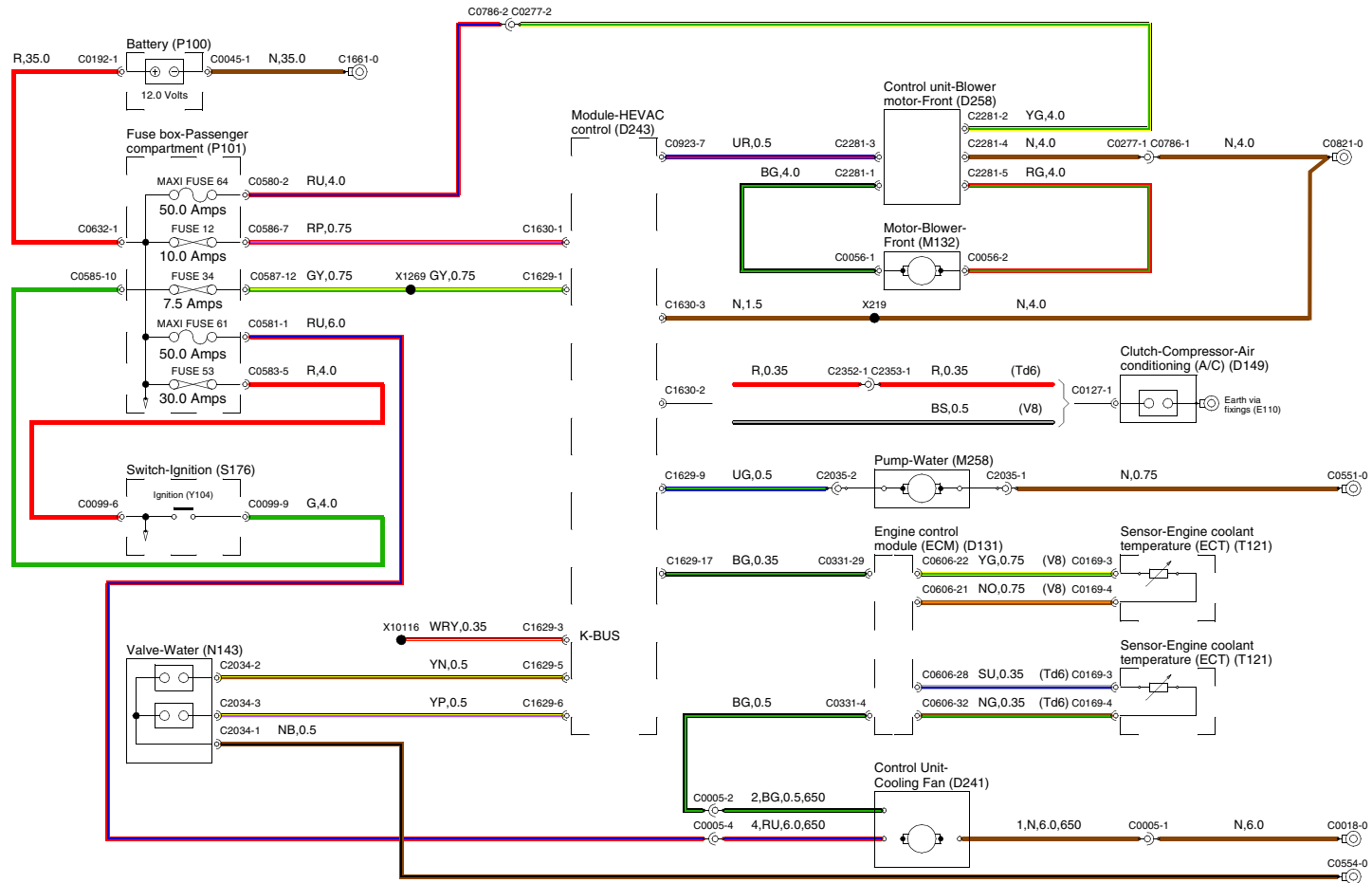


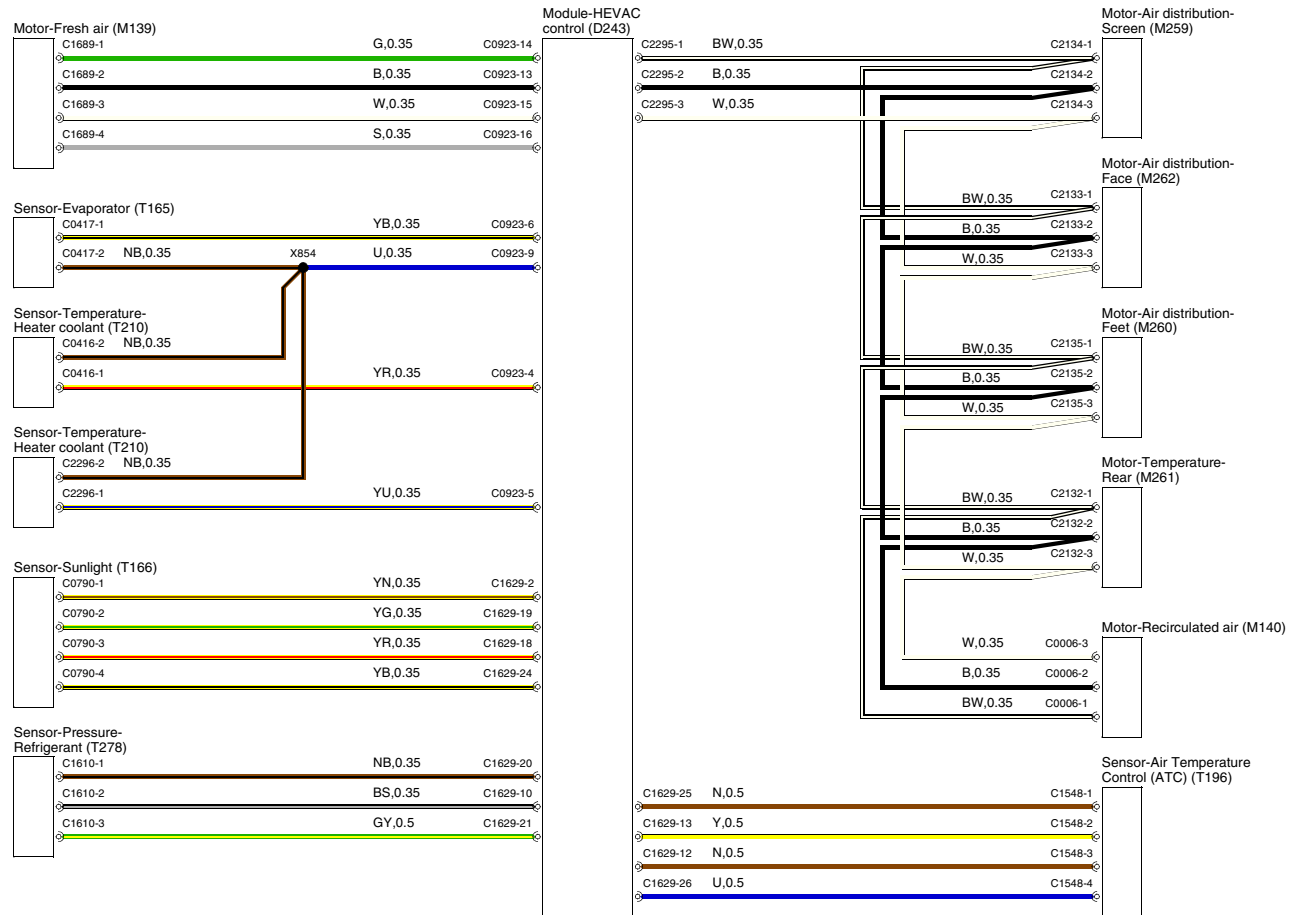
36 SUPPLEMENTARY RESTRAINT SYSTEM (SRS)

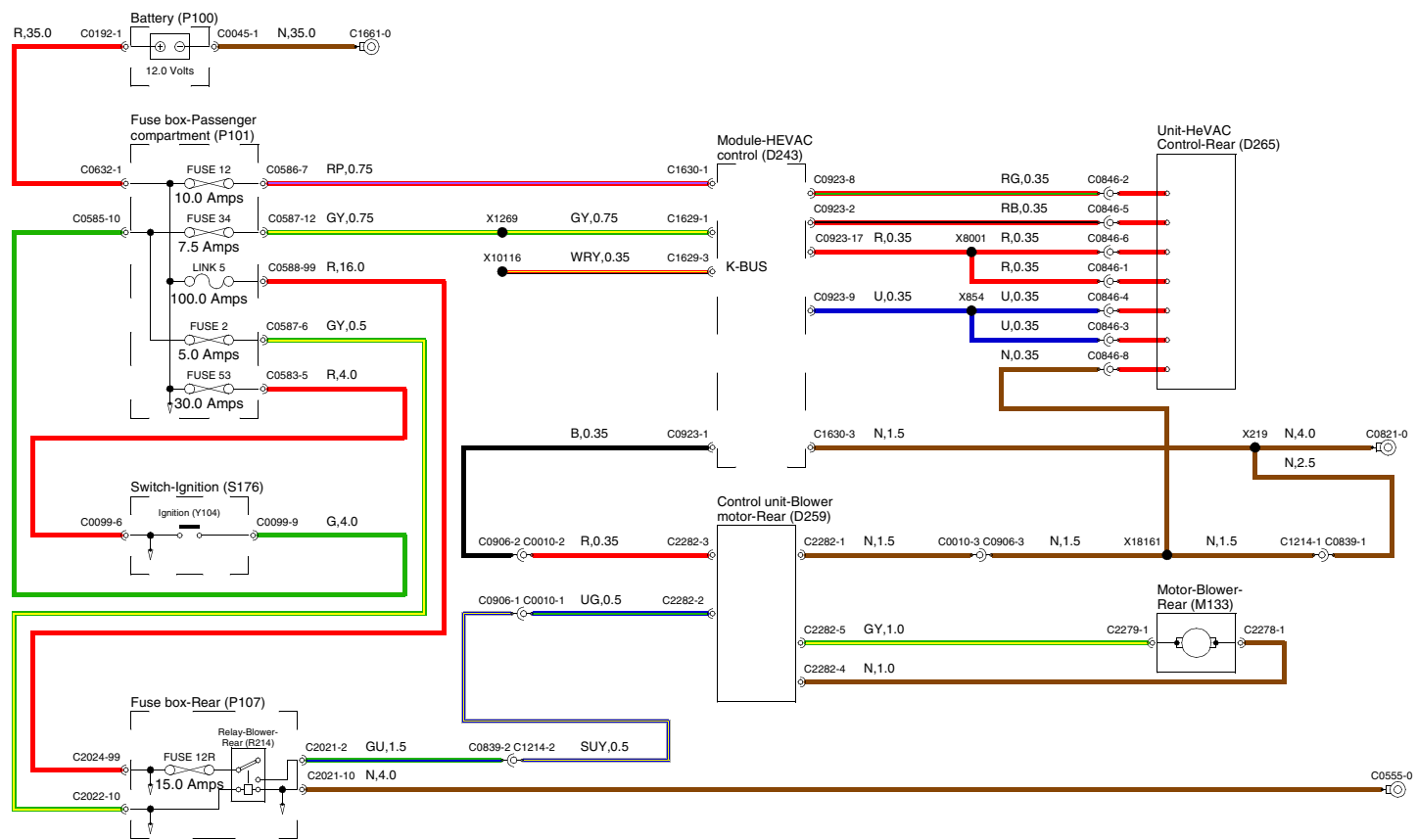


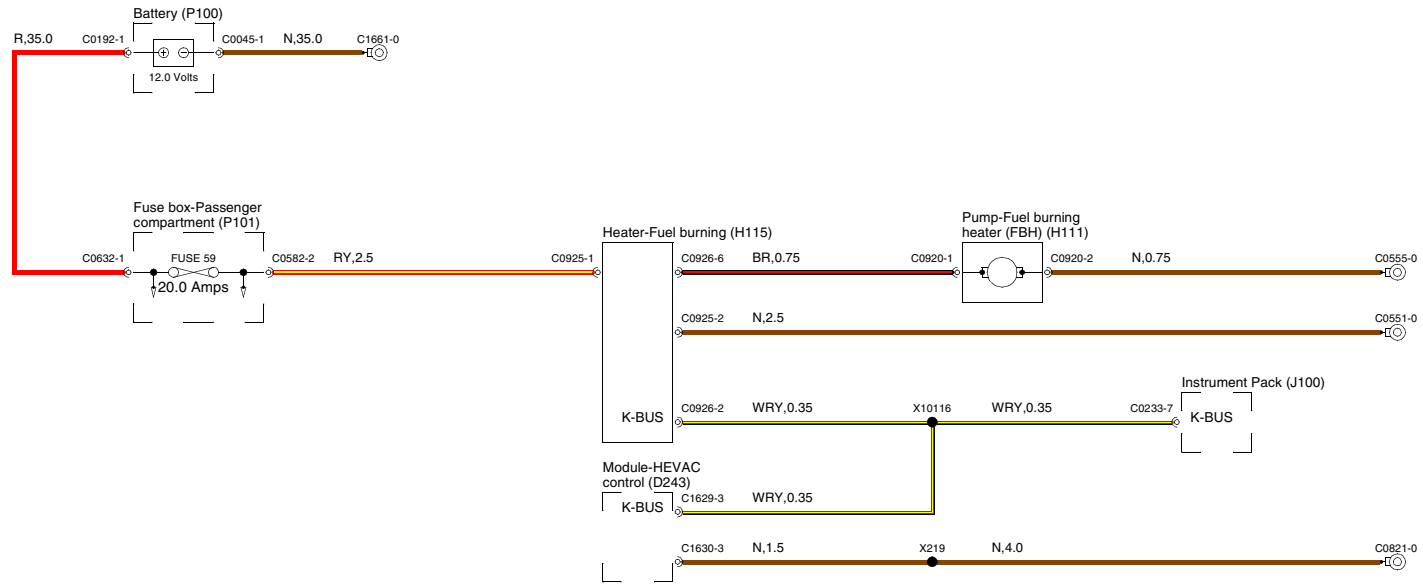


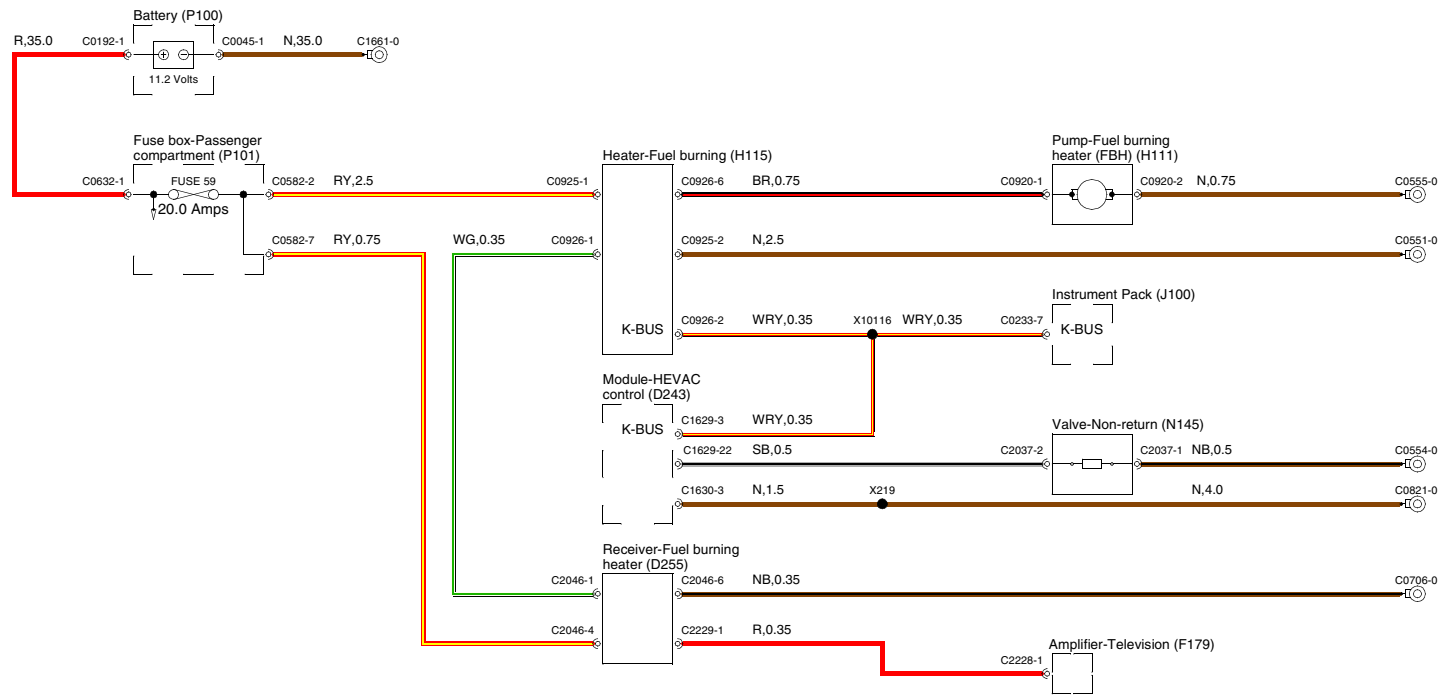




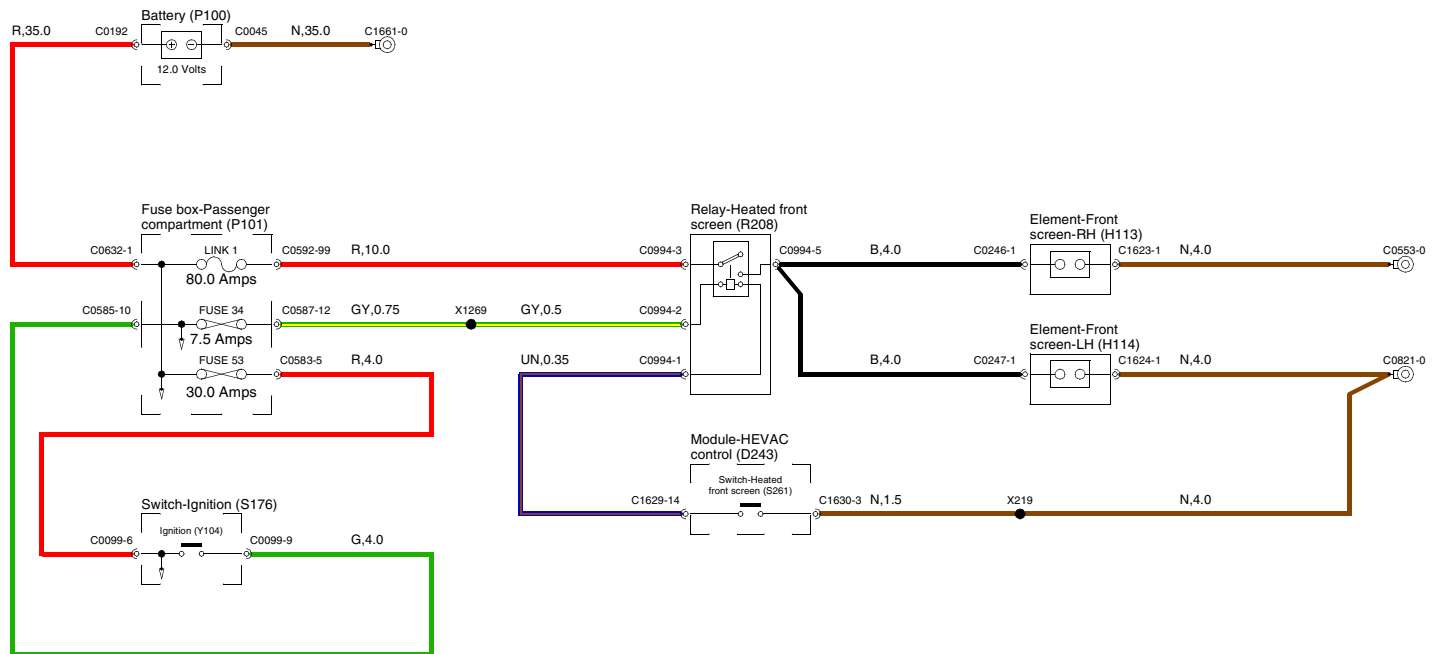




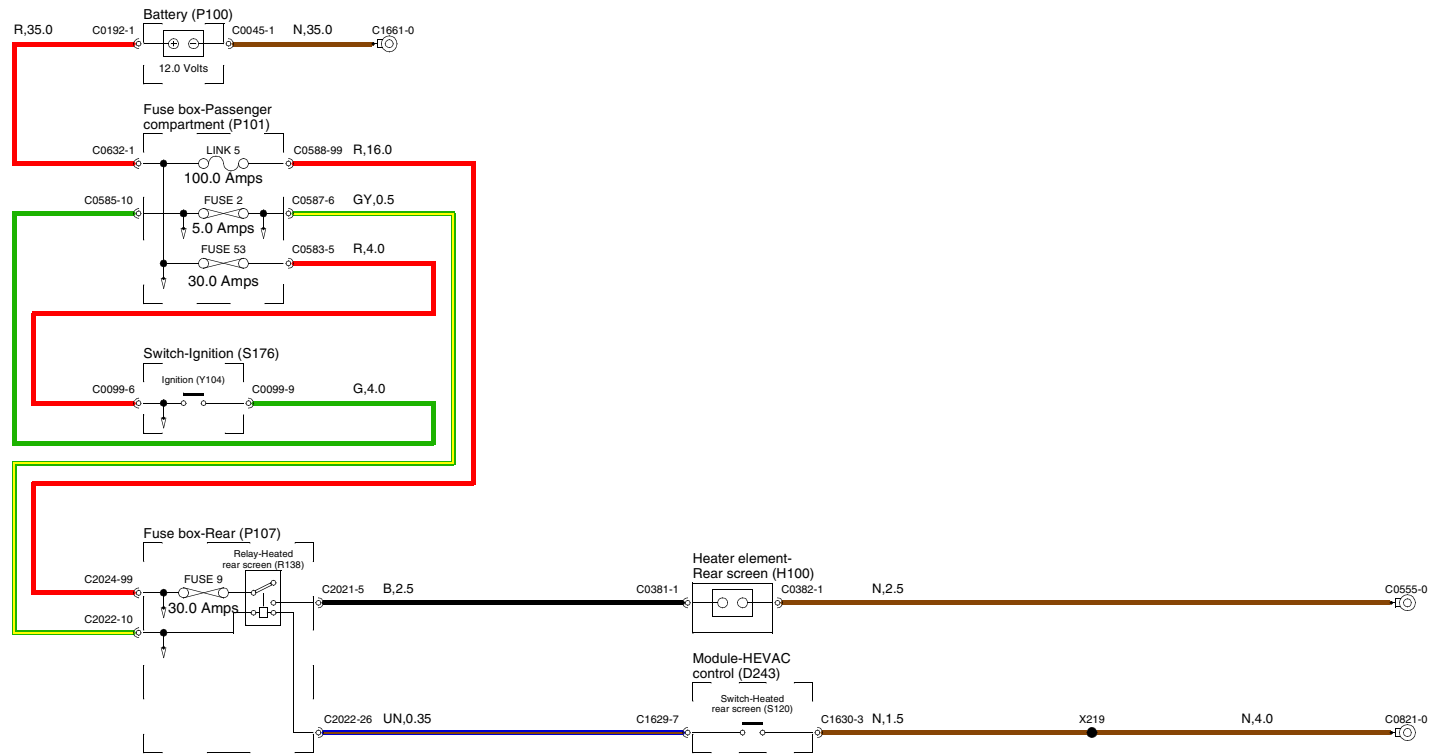


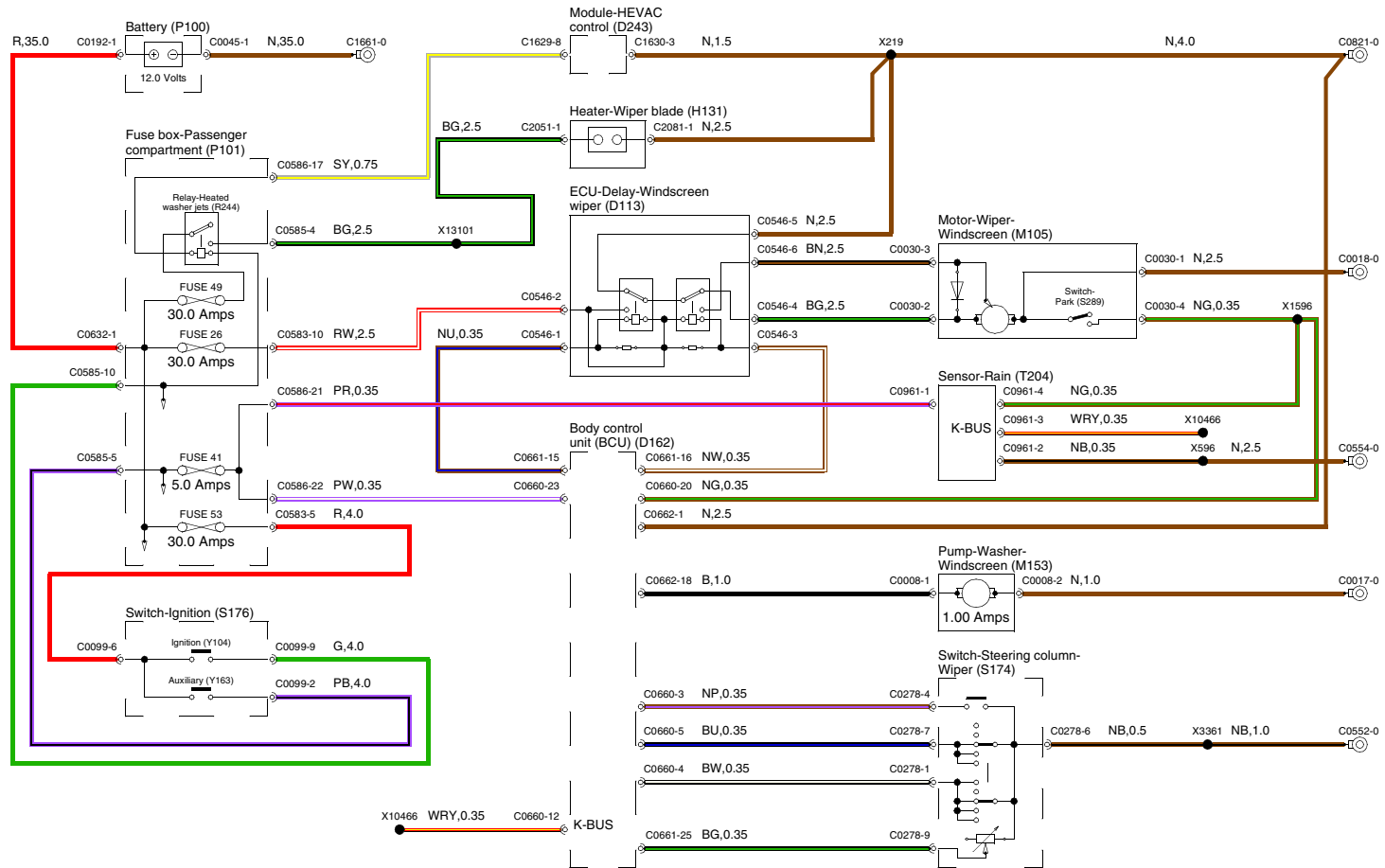


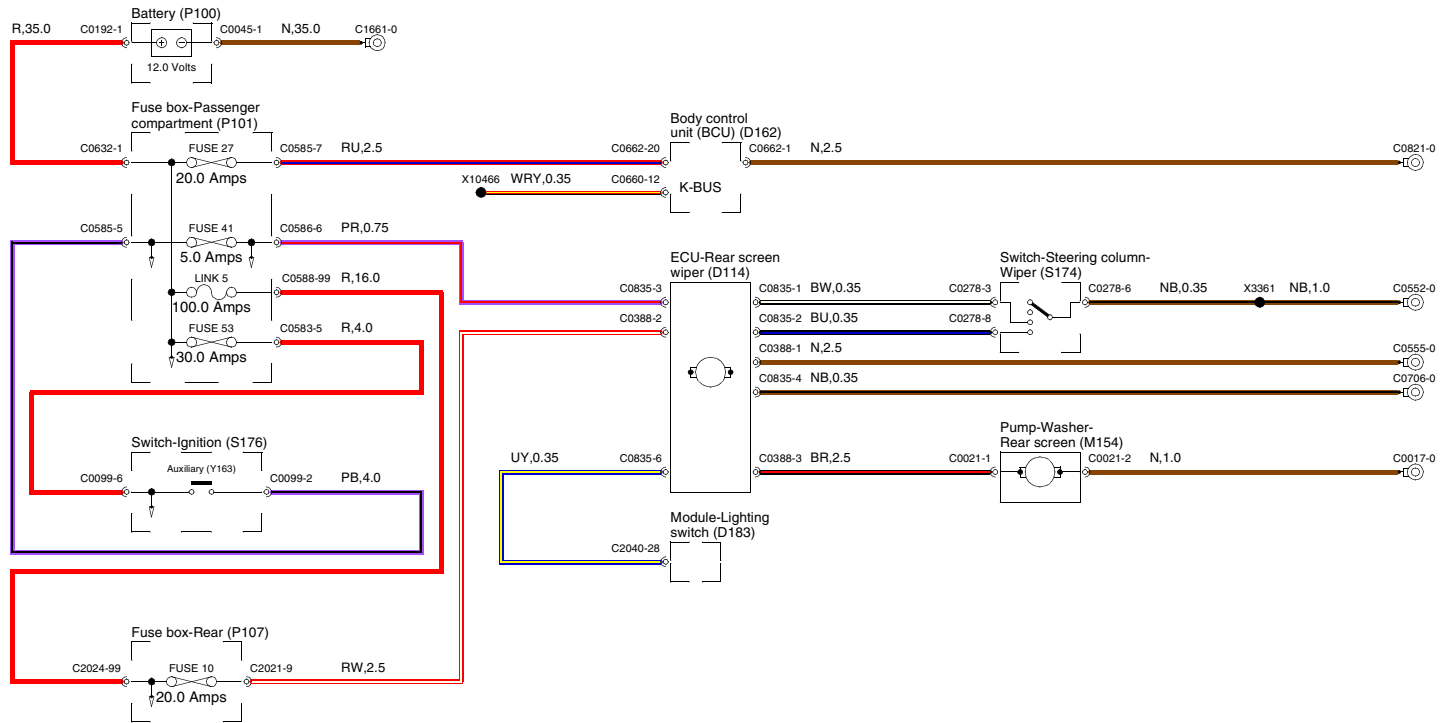
40 HEATED FRONT SCREEN

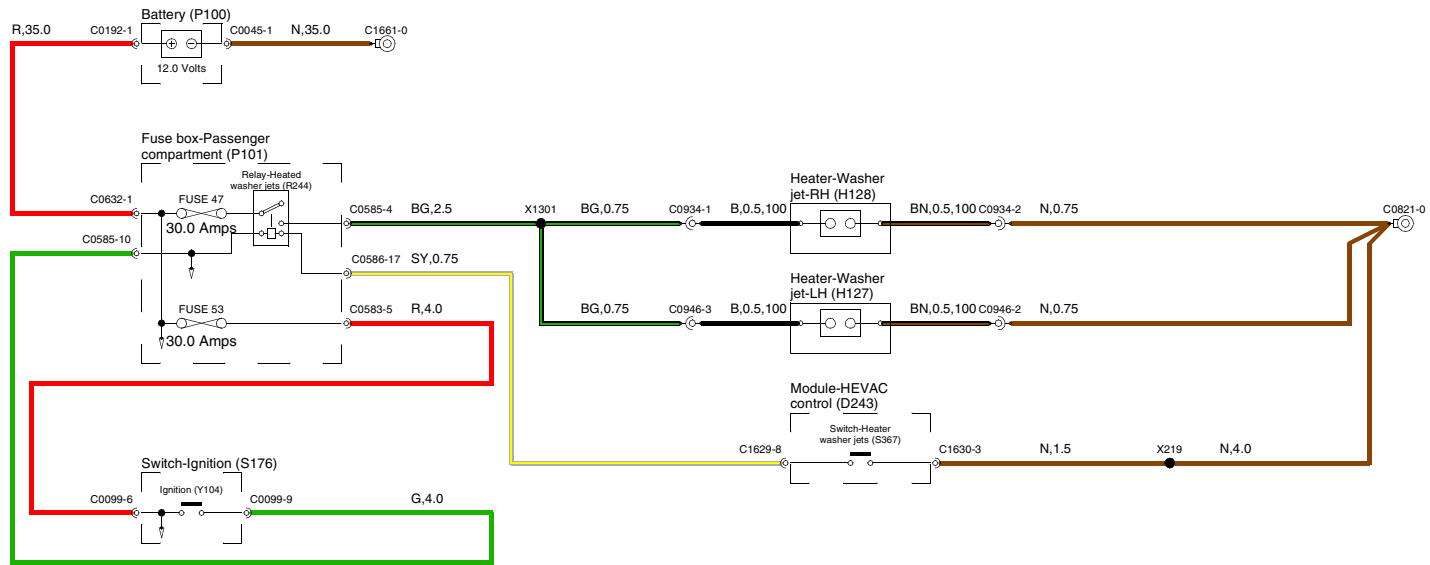


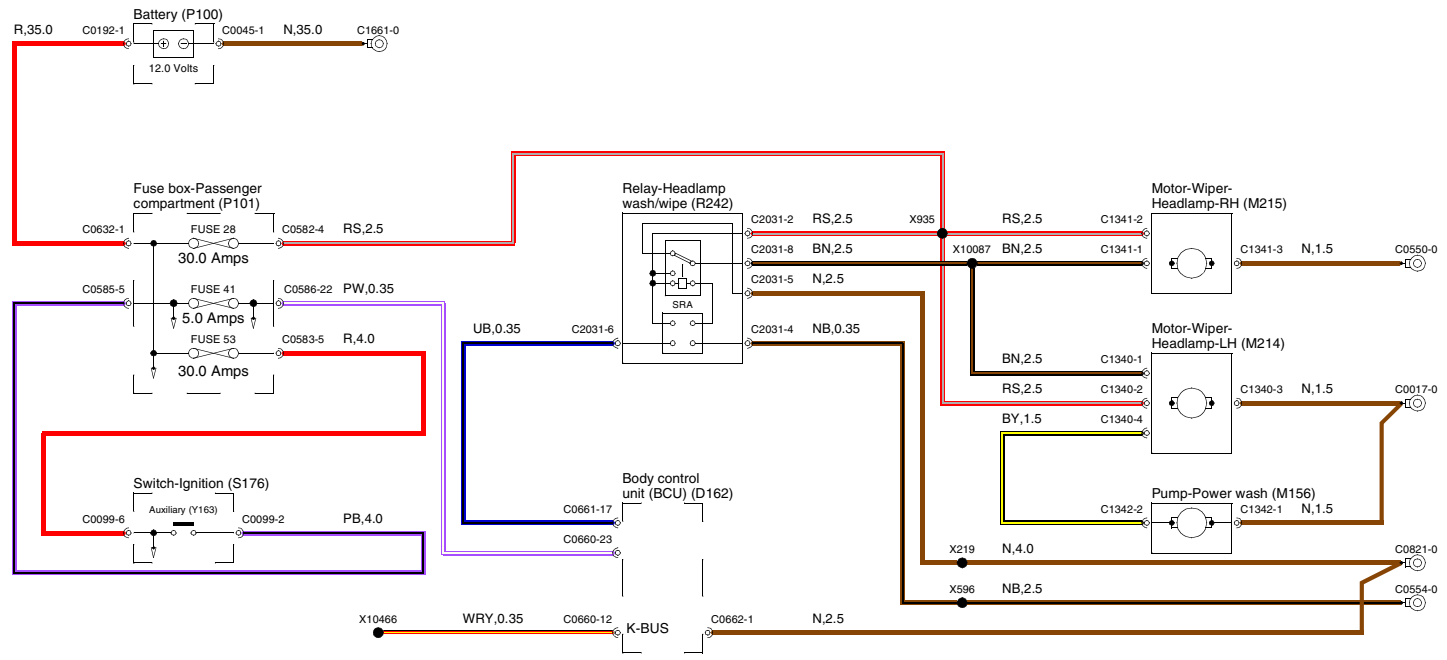
40 HEATED REAR SCREEN

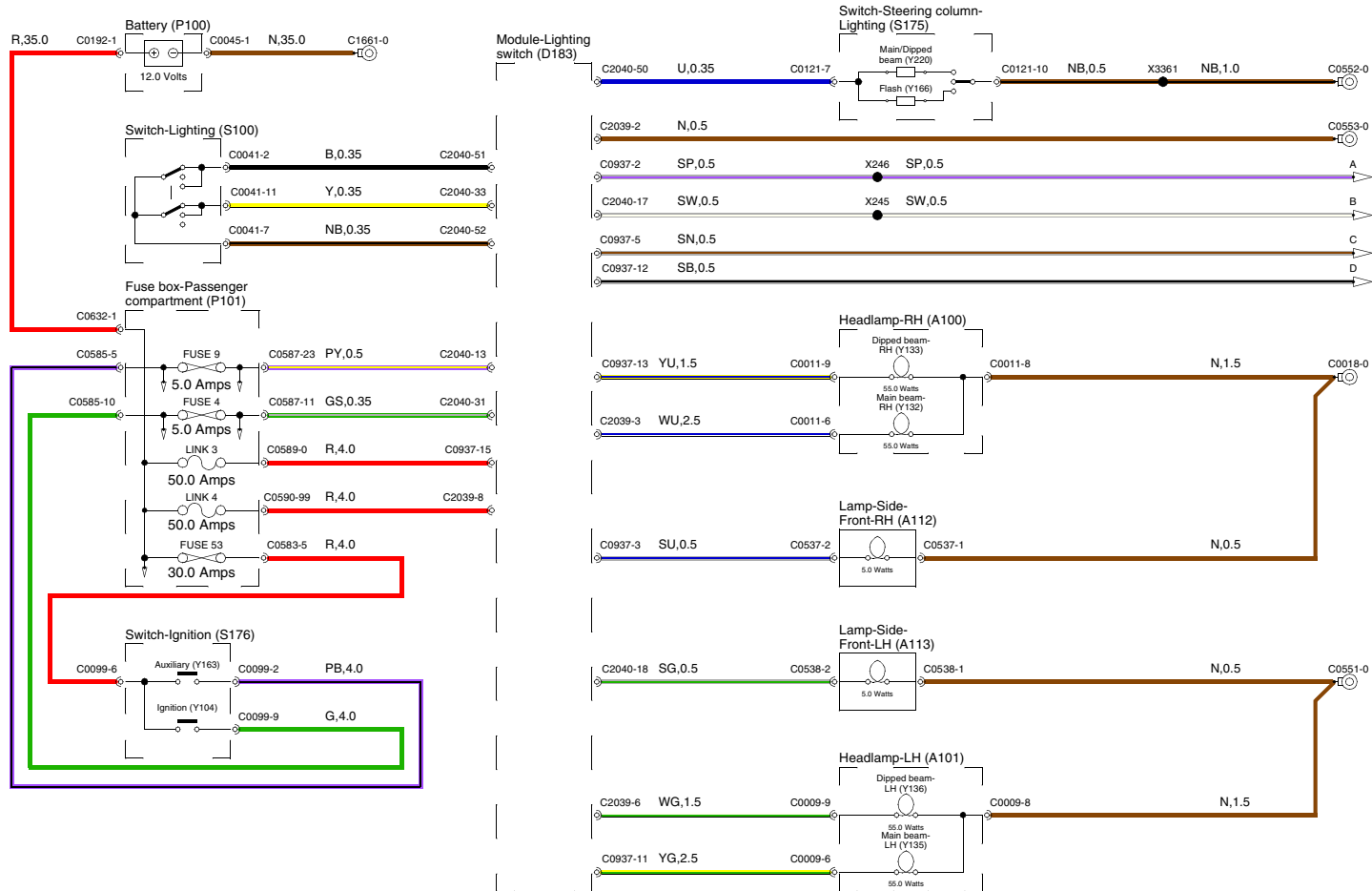


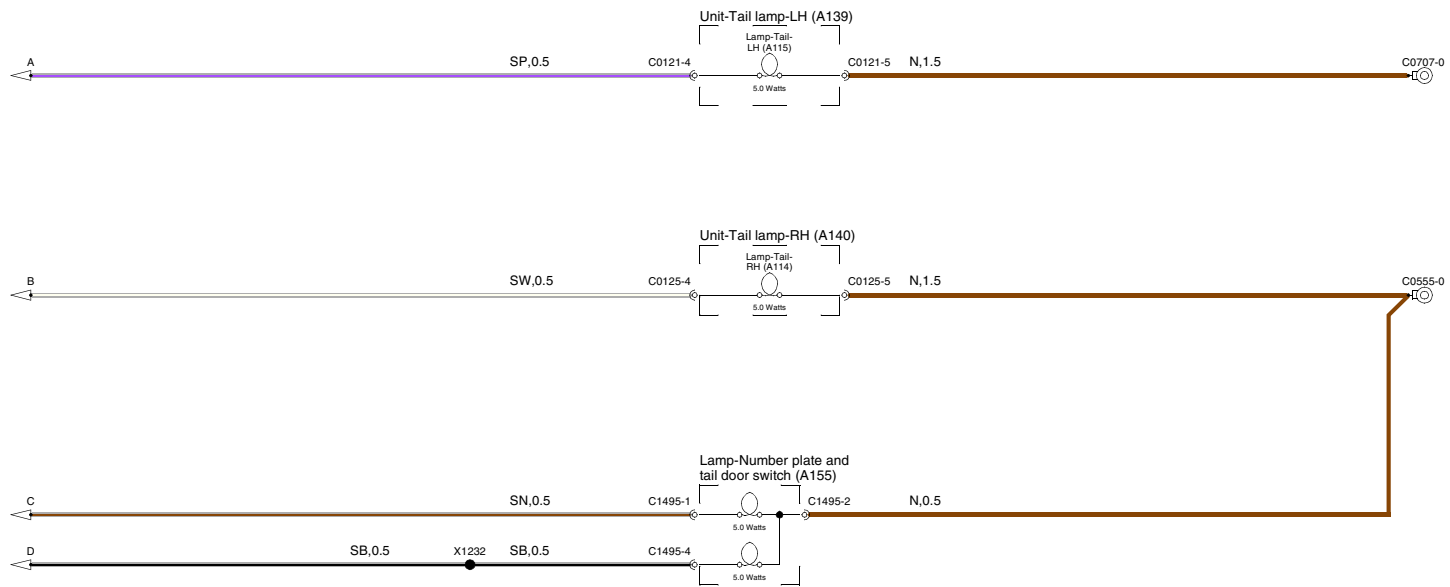


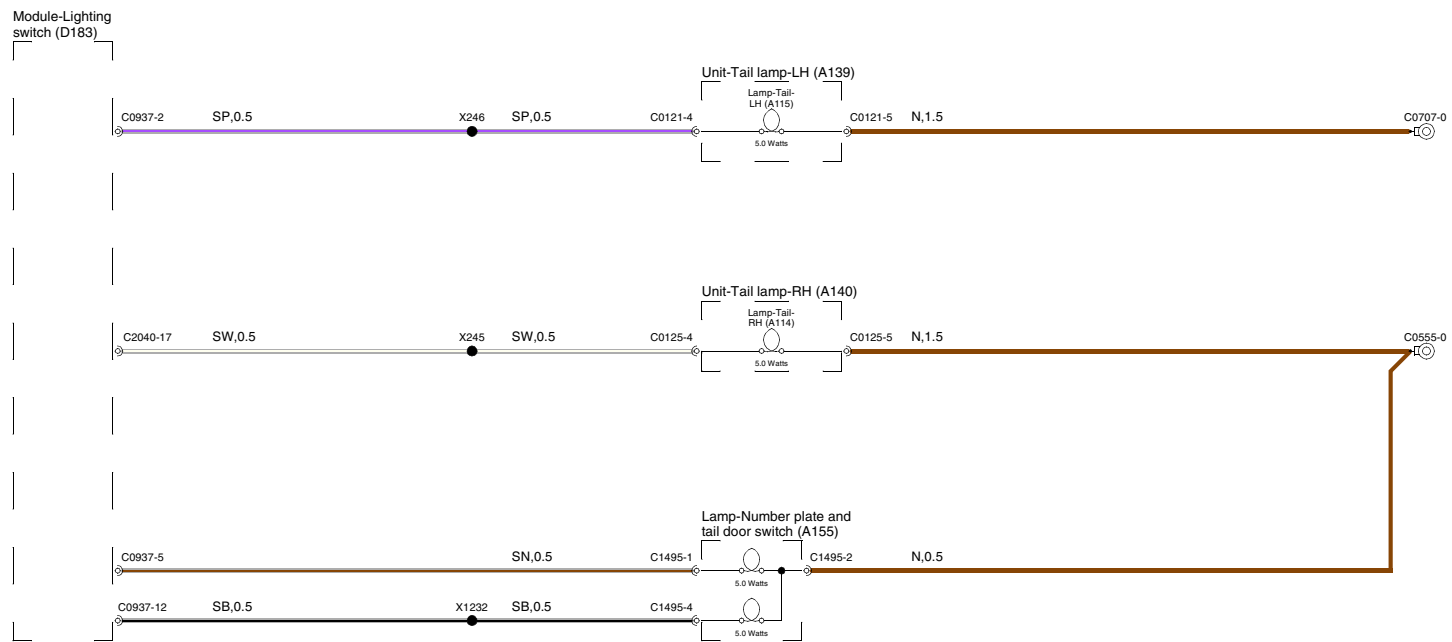


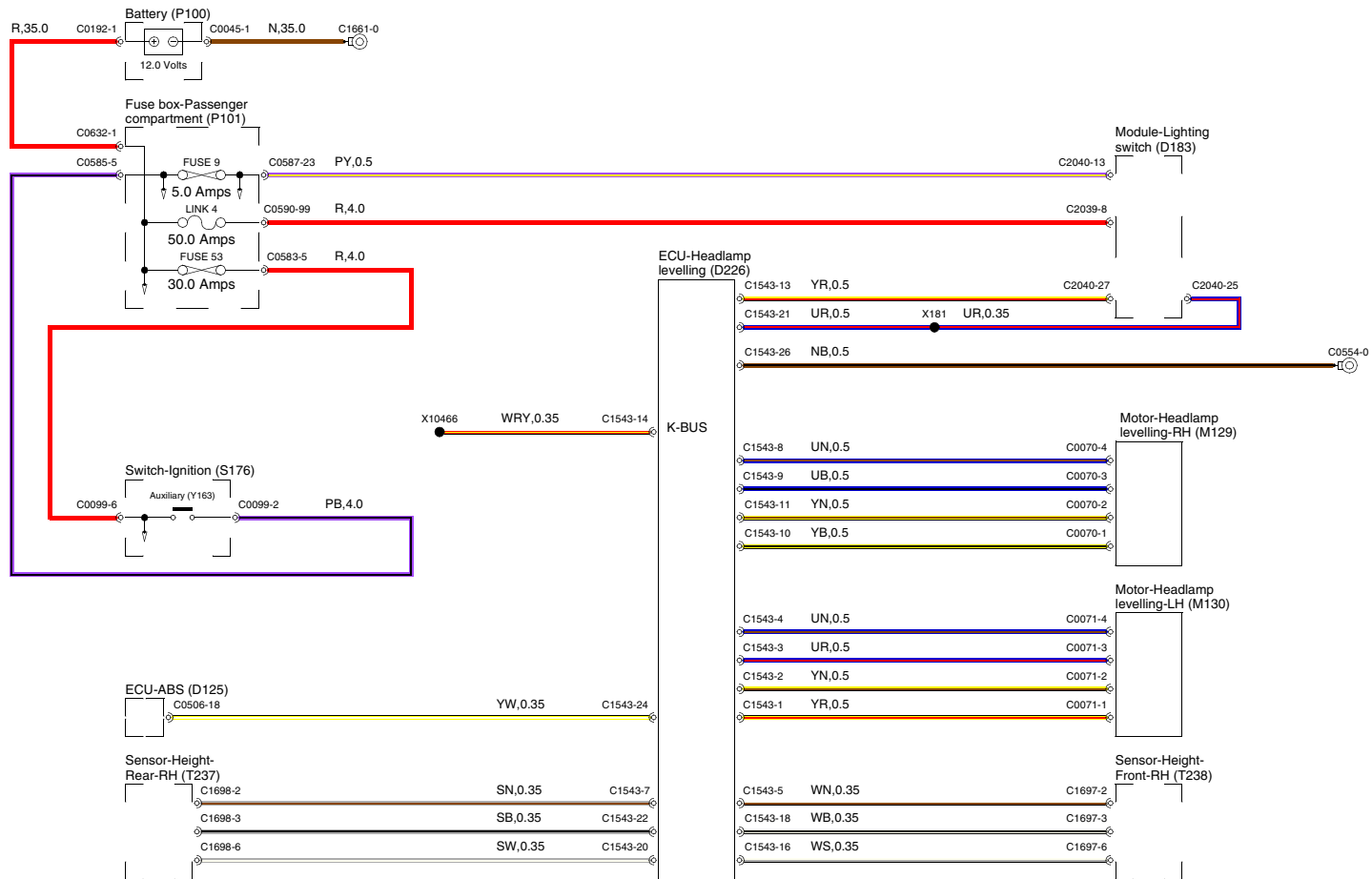


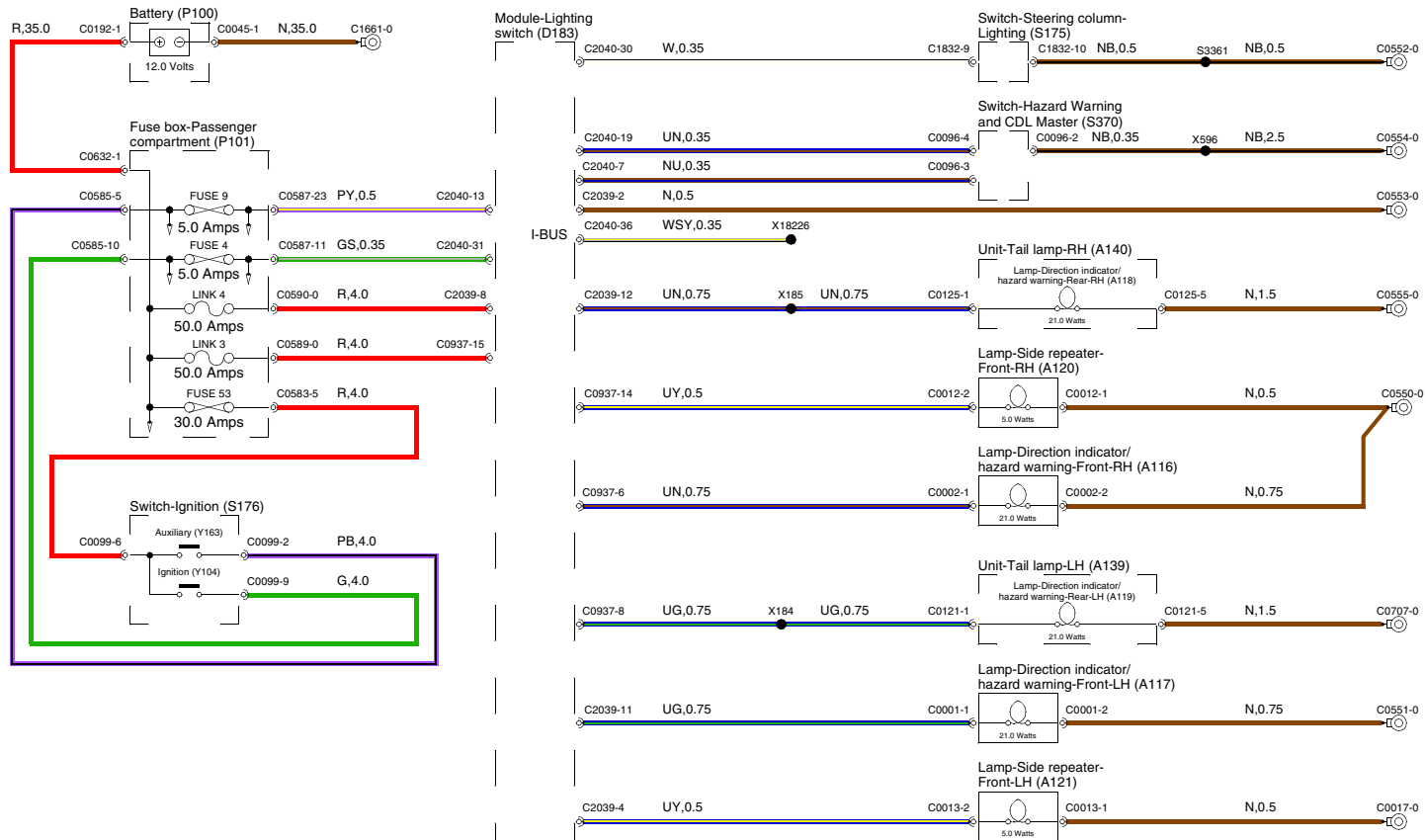


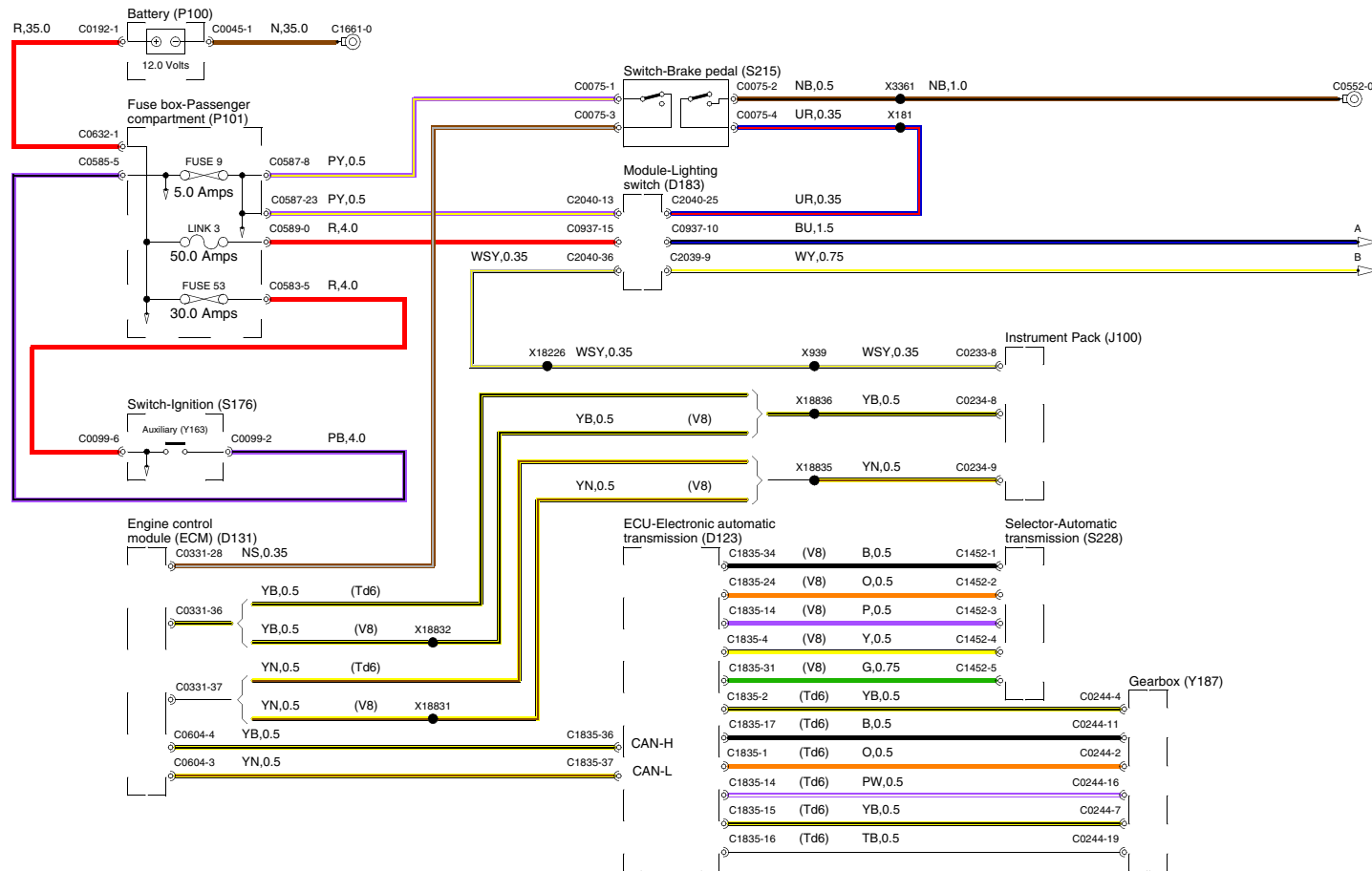


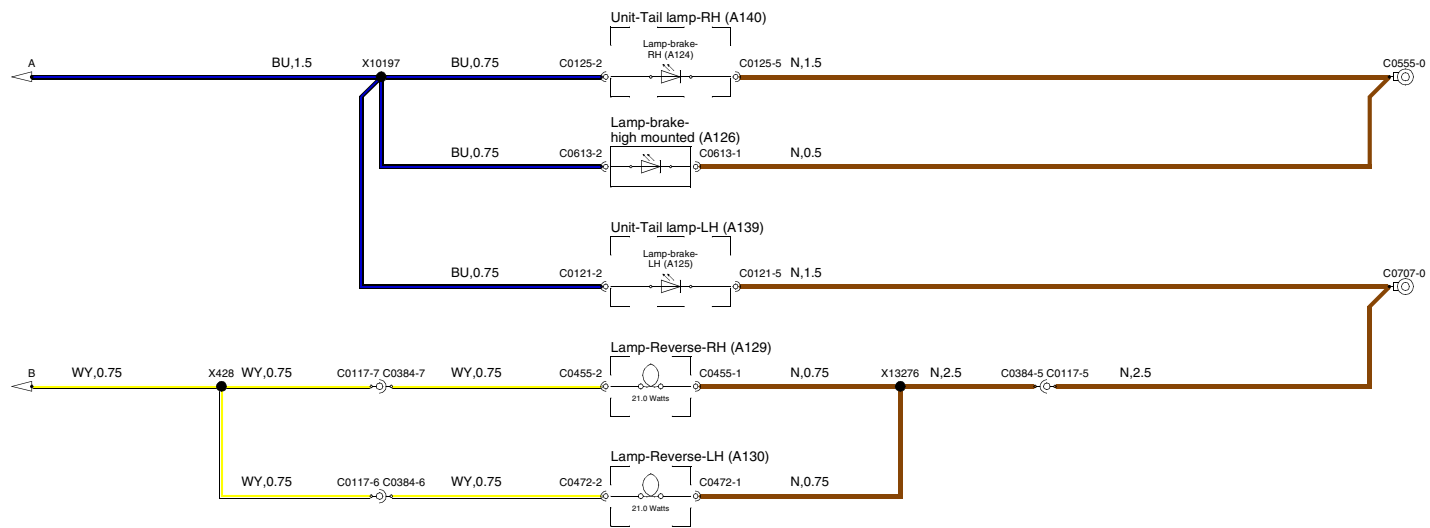


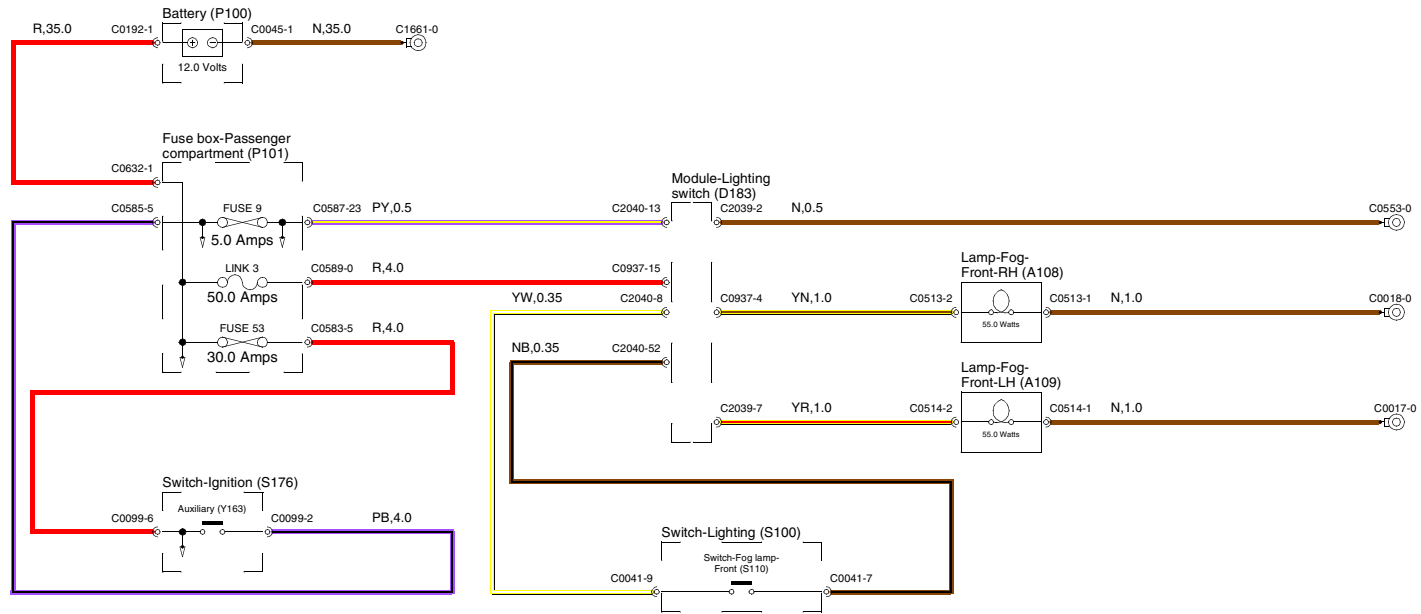


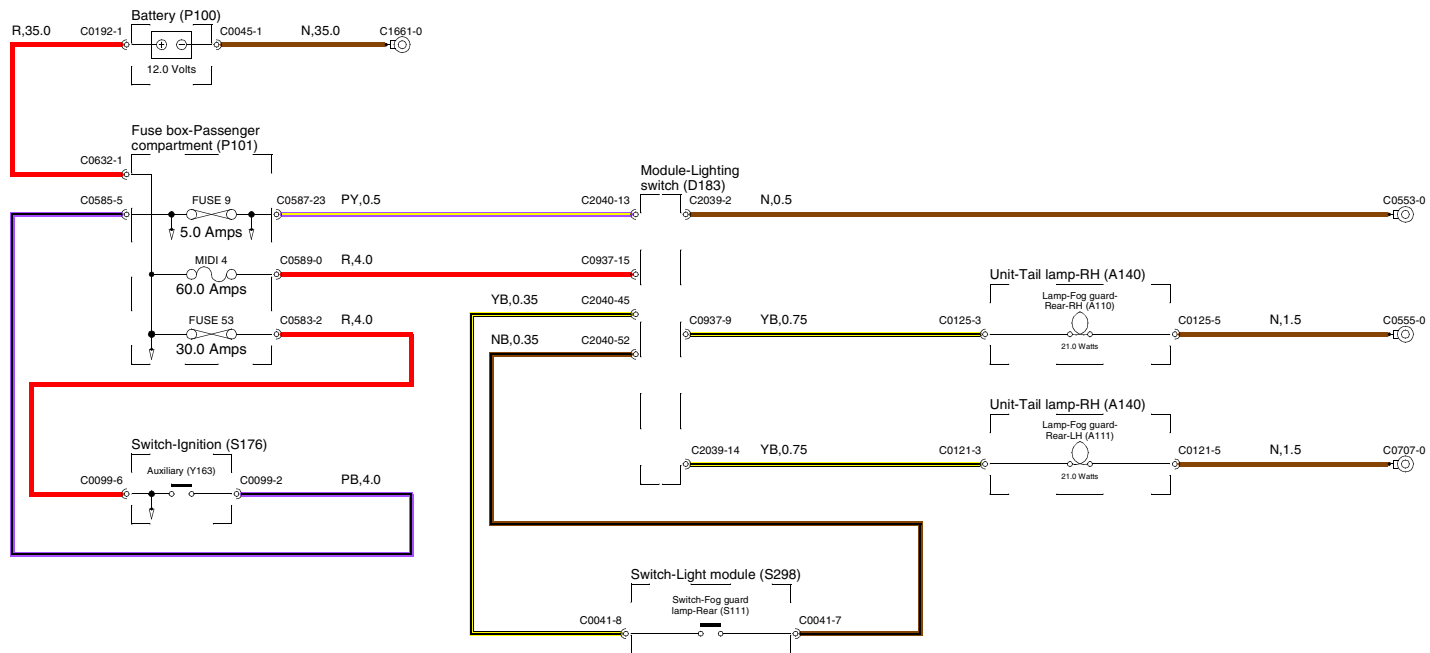




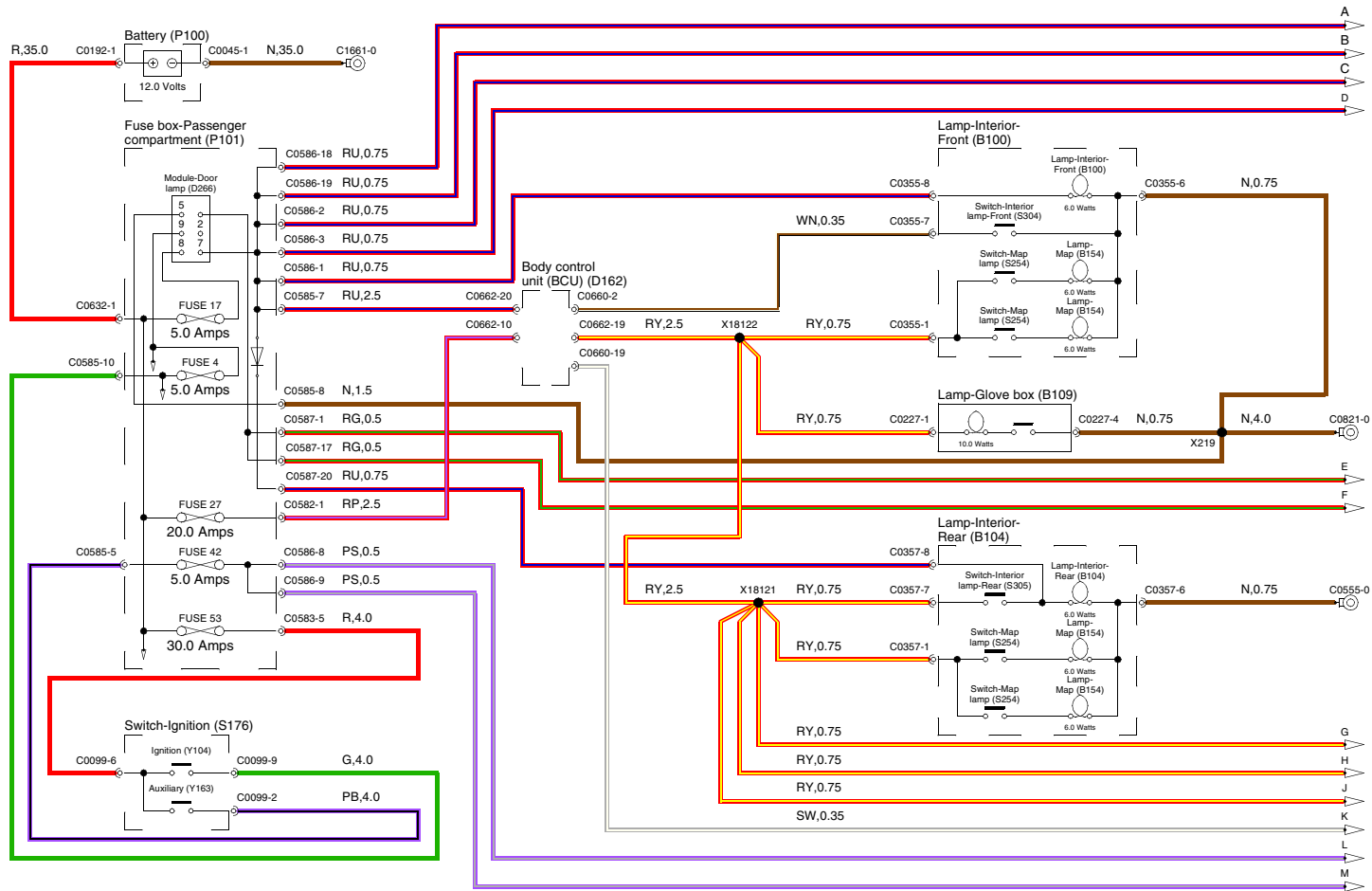




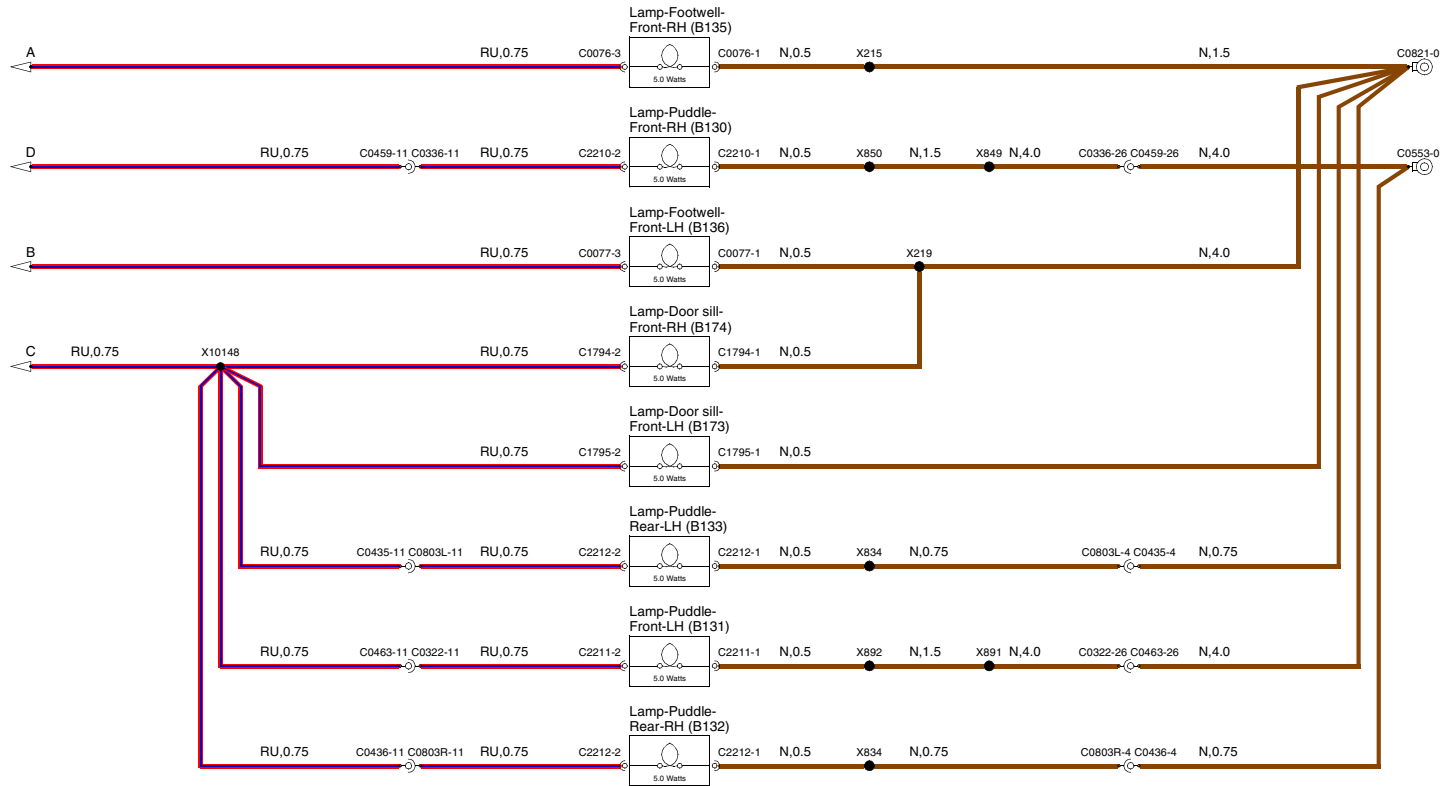




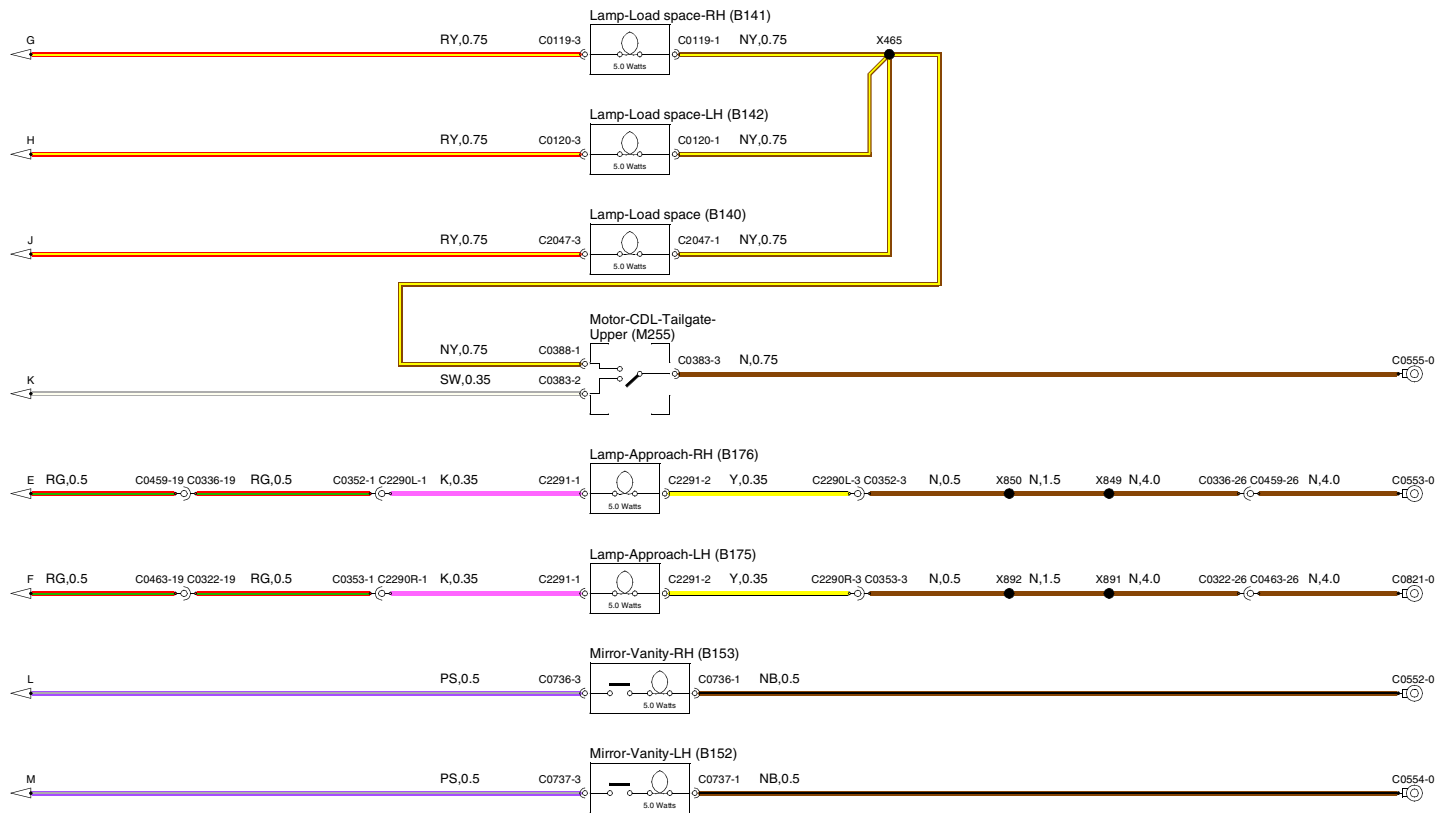
44 INTERIOR LAMPS



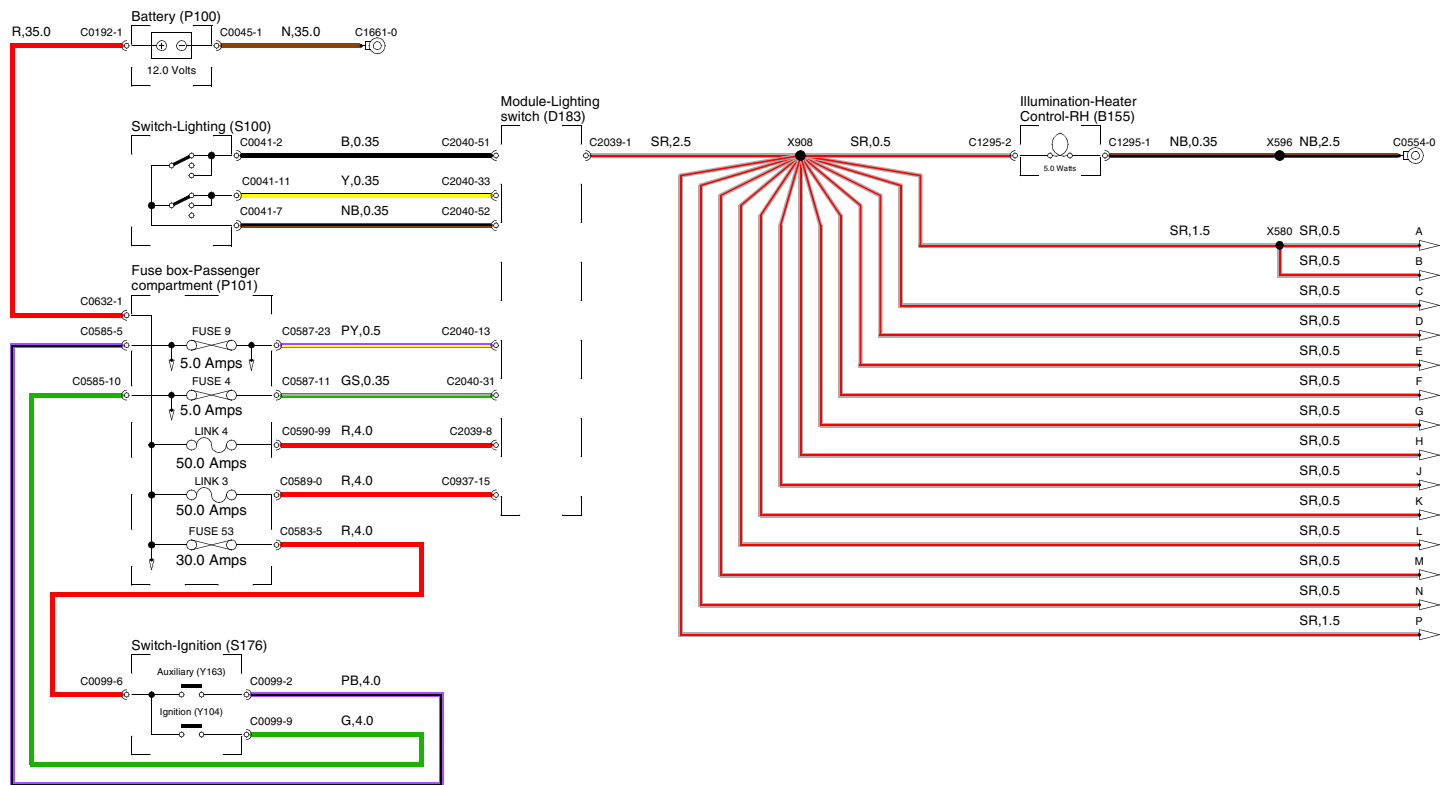
44 INTERIOR LAMPS

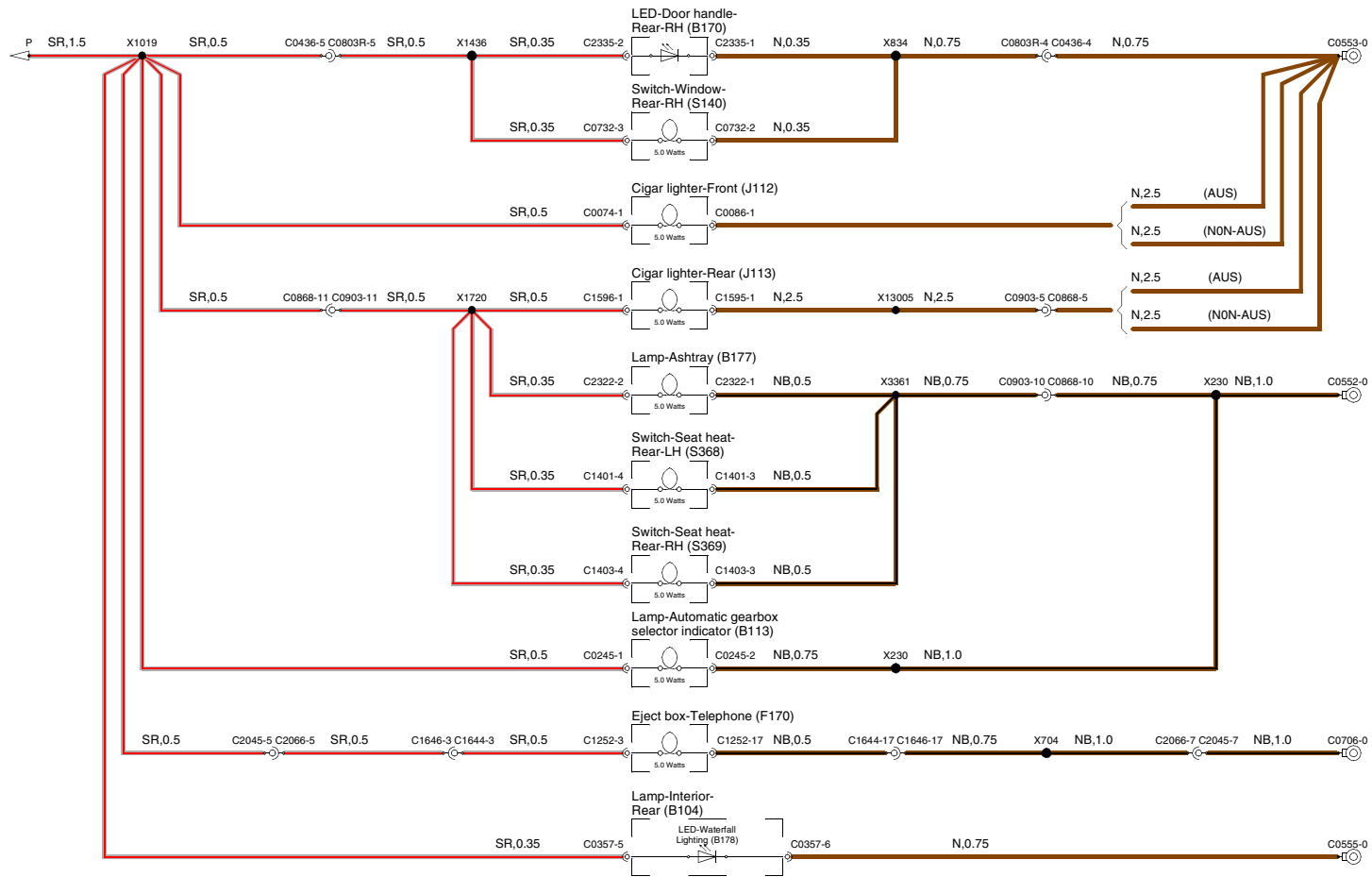


44 INTERIOR LAMPS

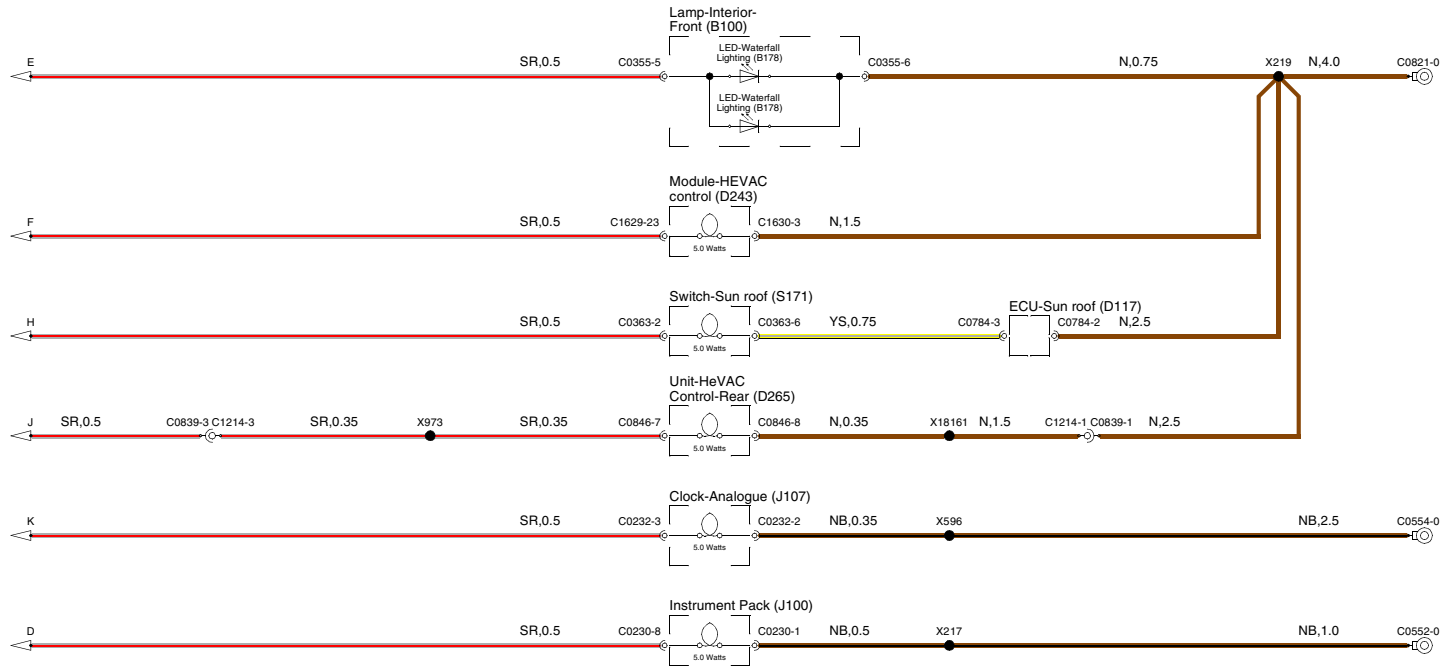


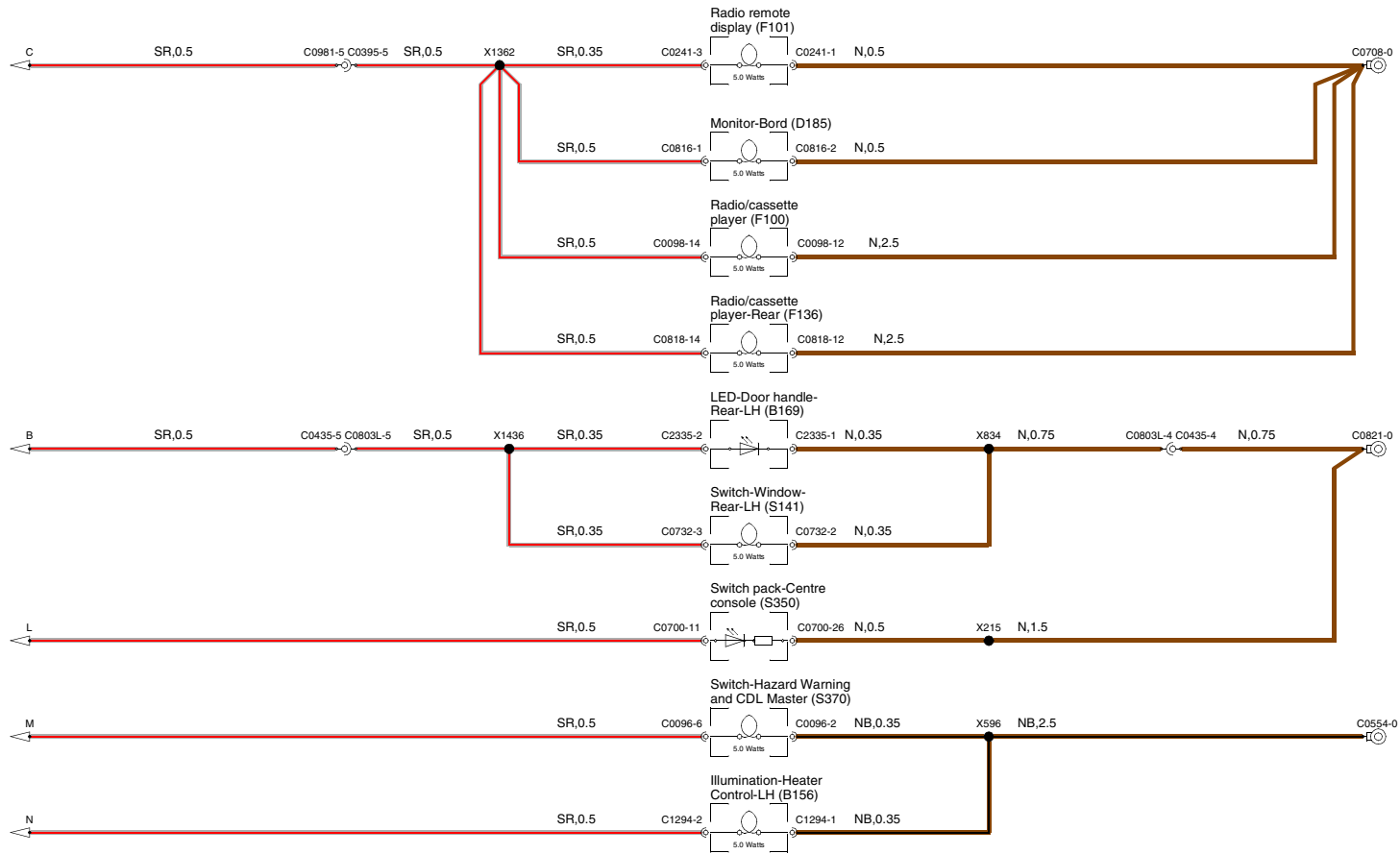
46 INTERIOR ILLUMINATION



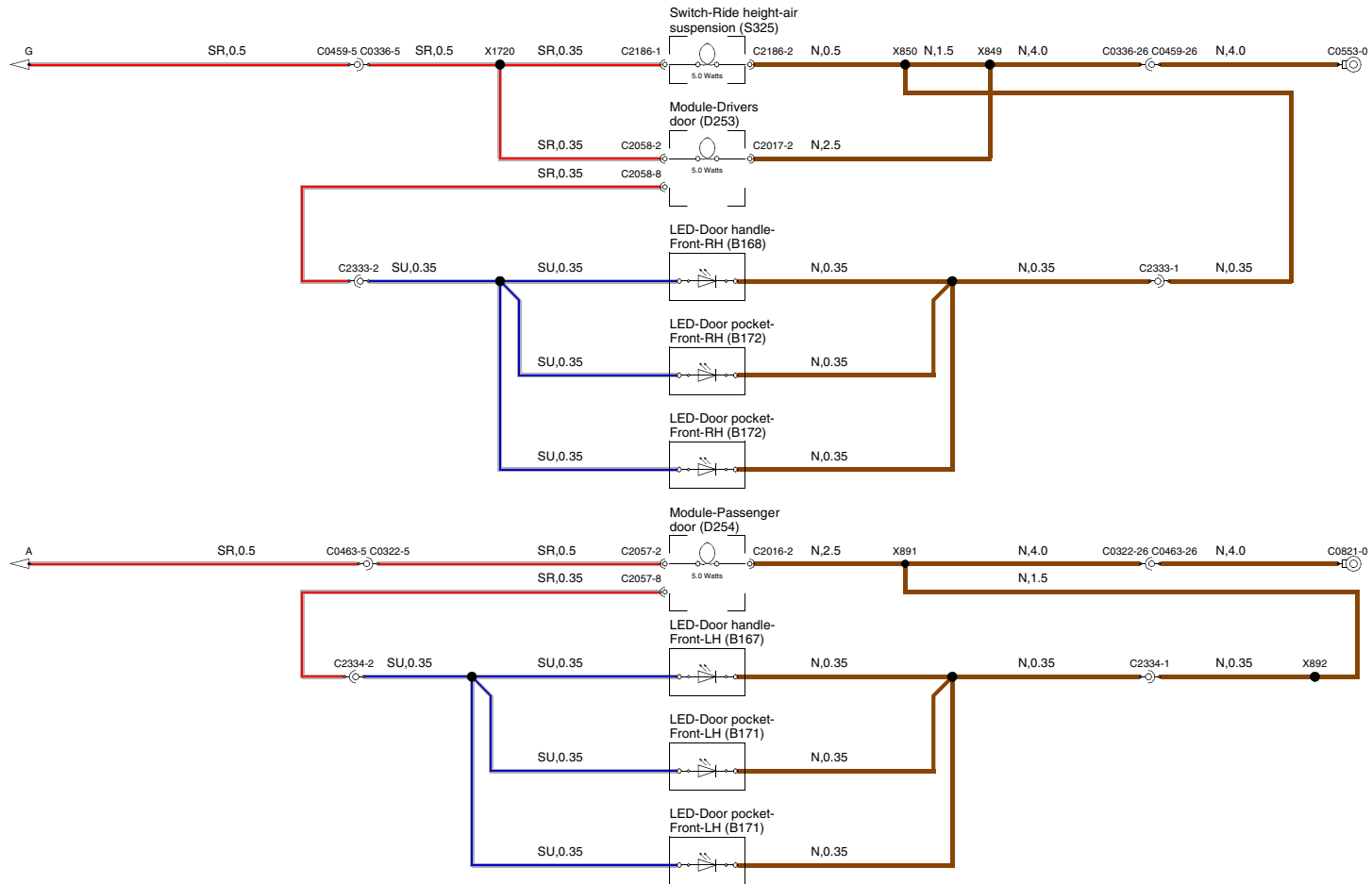


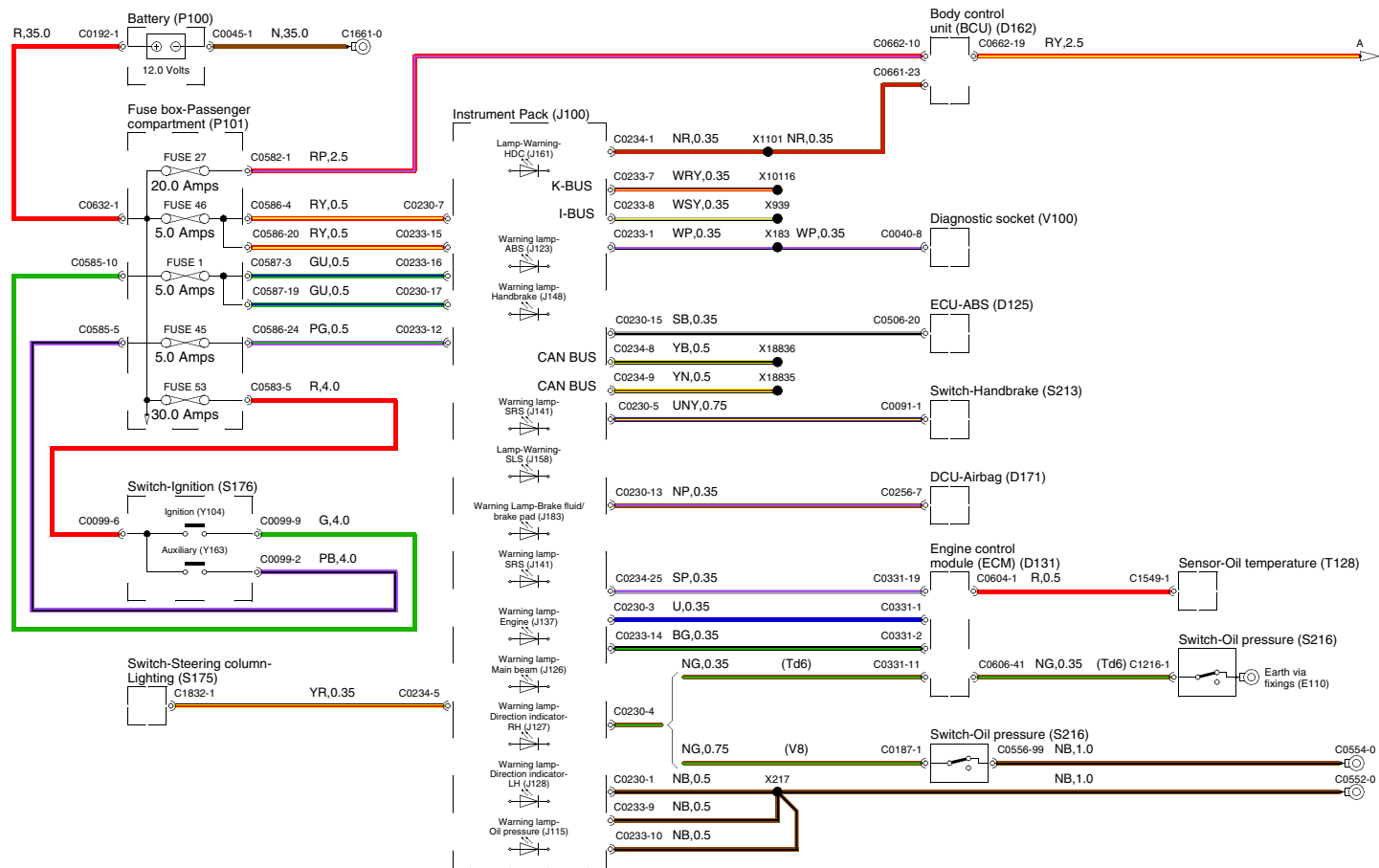
46 INTERIOR ILLUMINATION

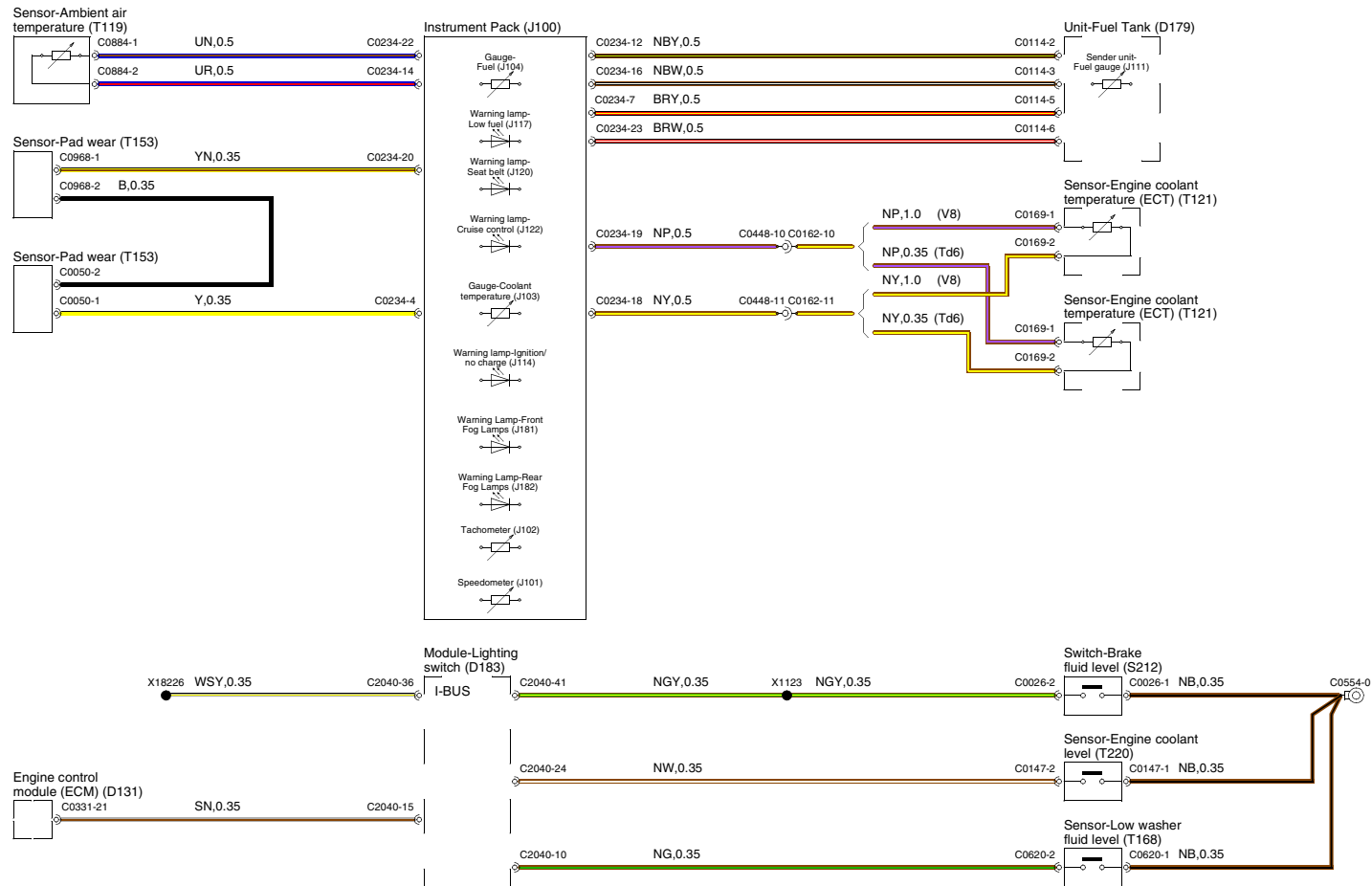


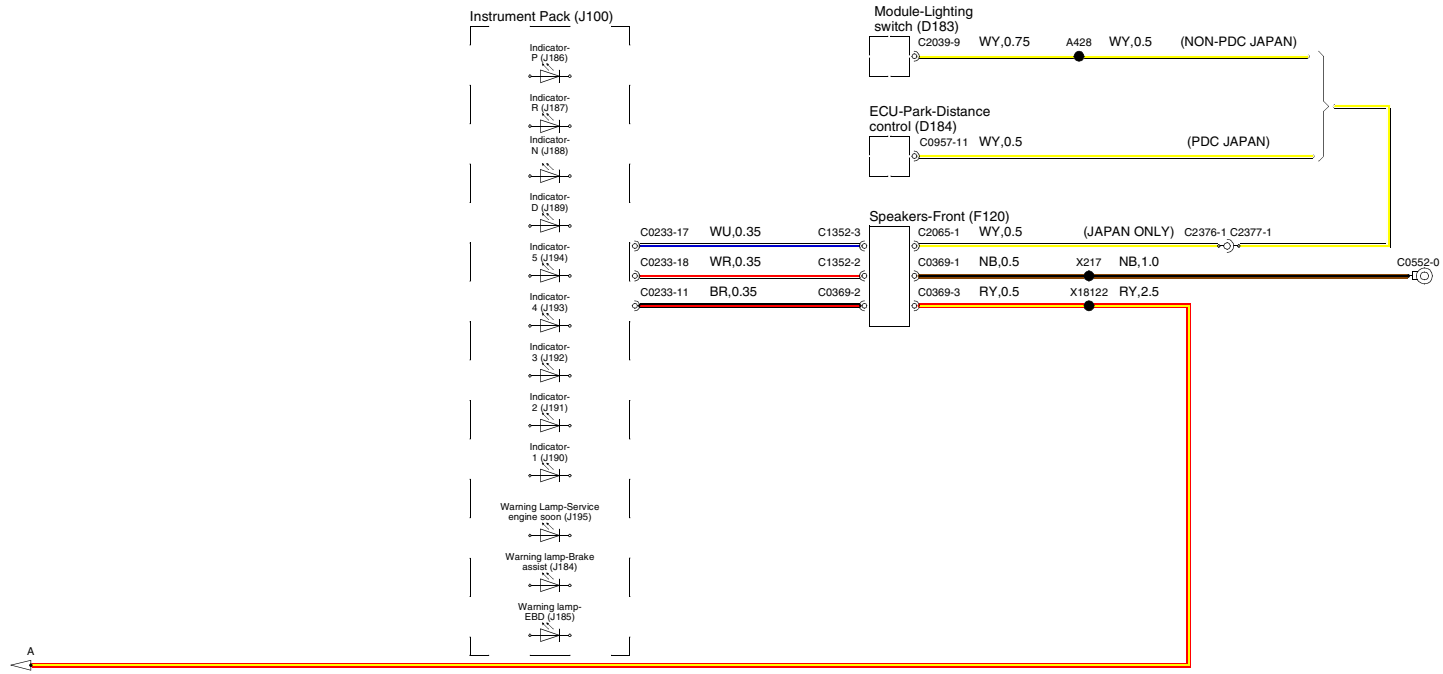


46 INTERIOR ILLUMINATION

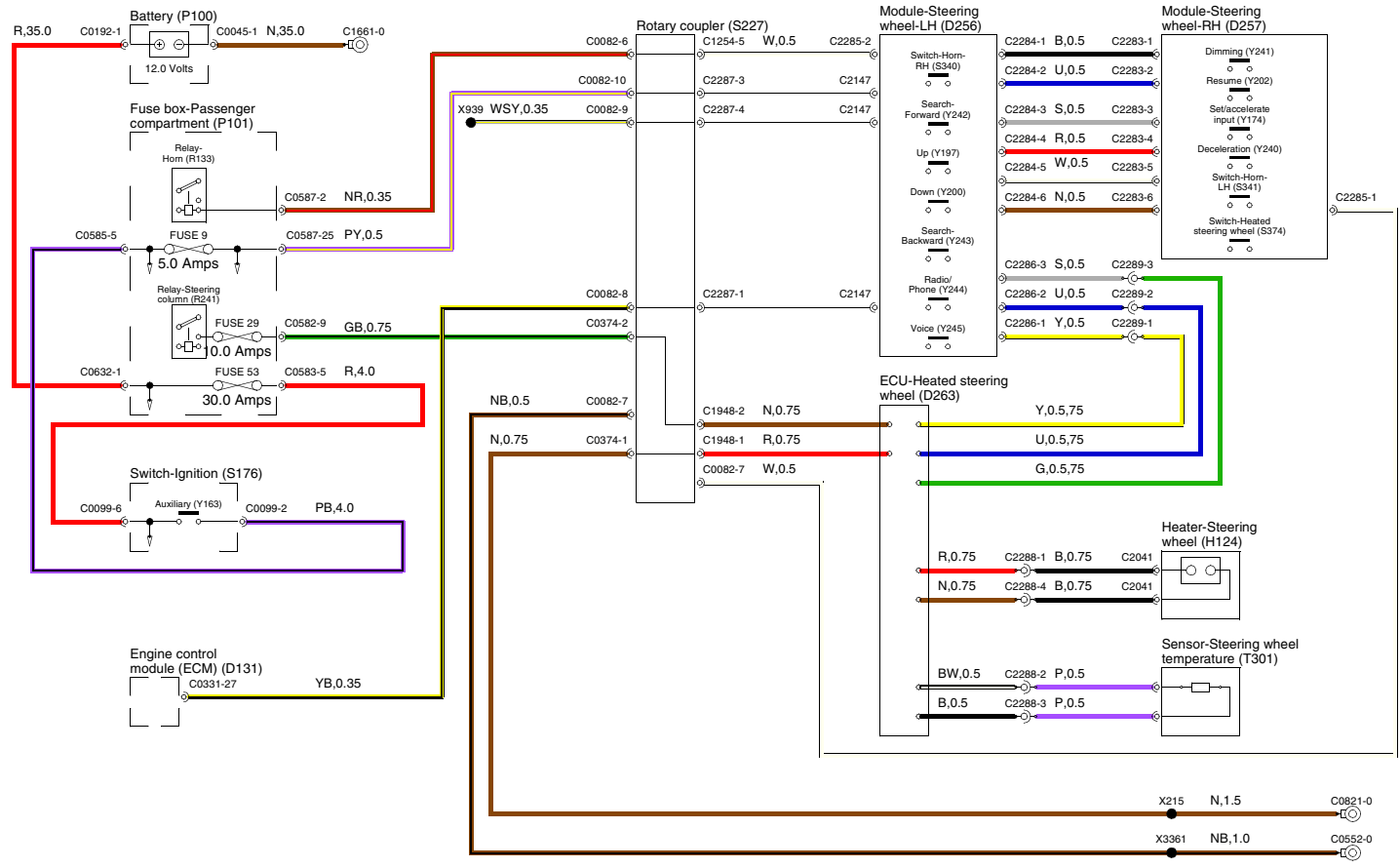


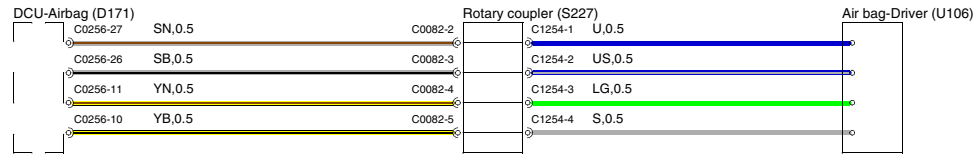




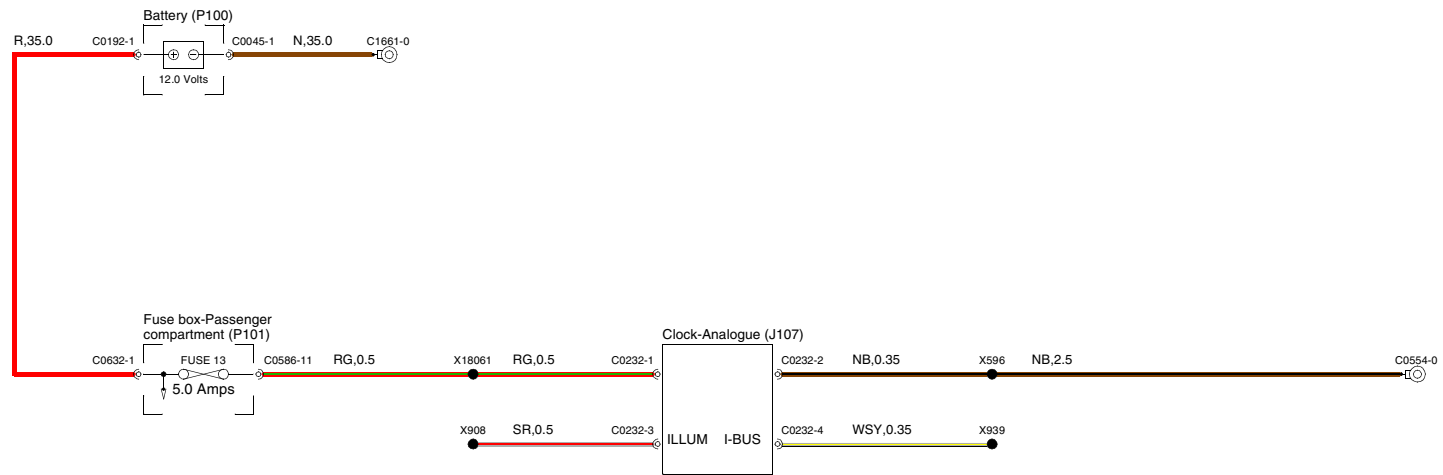


47 ROTARY COUPLER

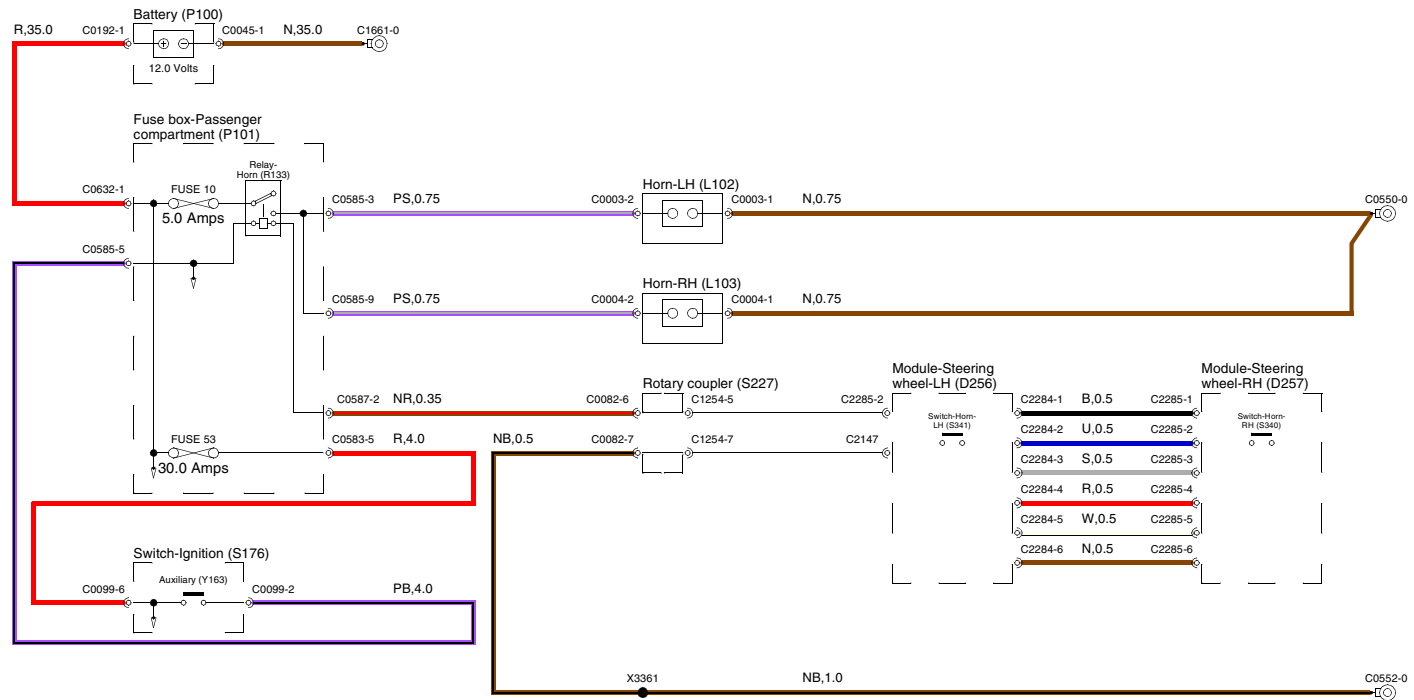




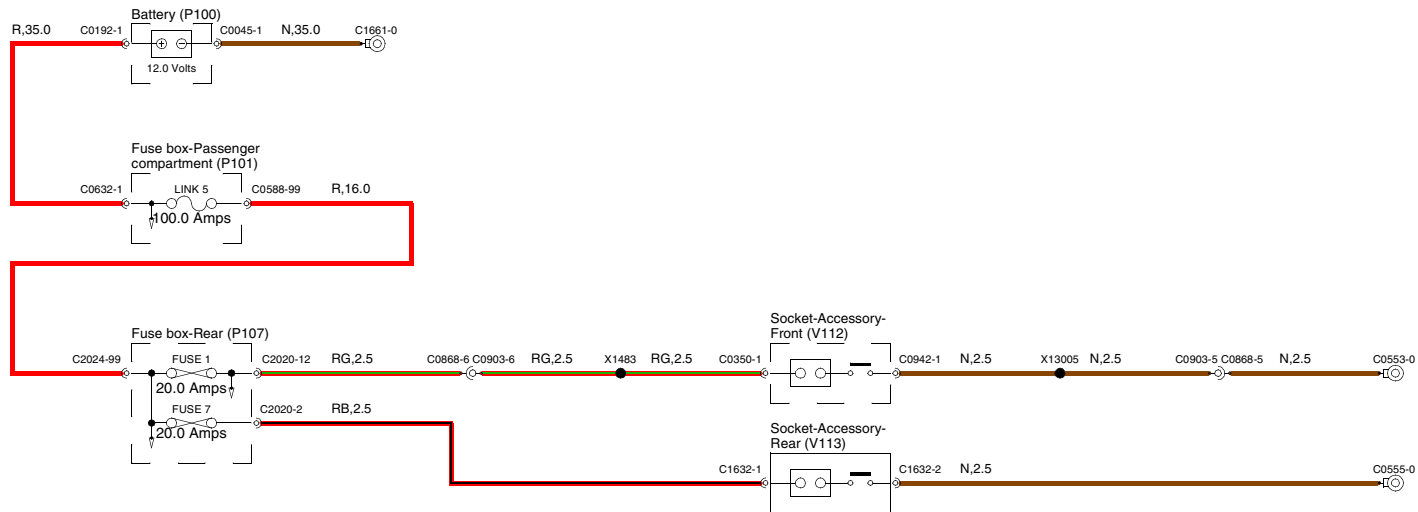
48 CLOCK



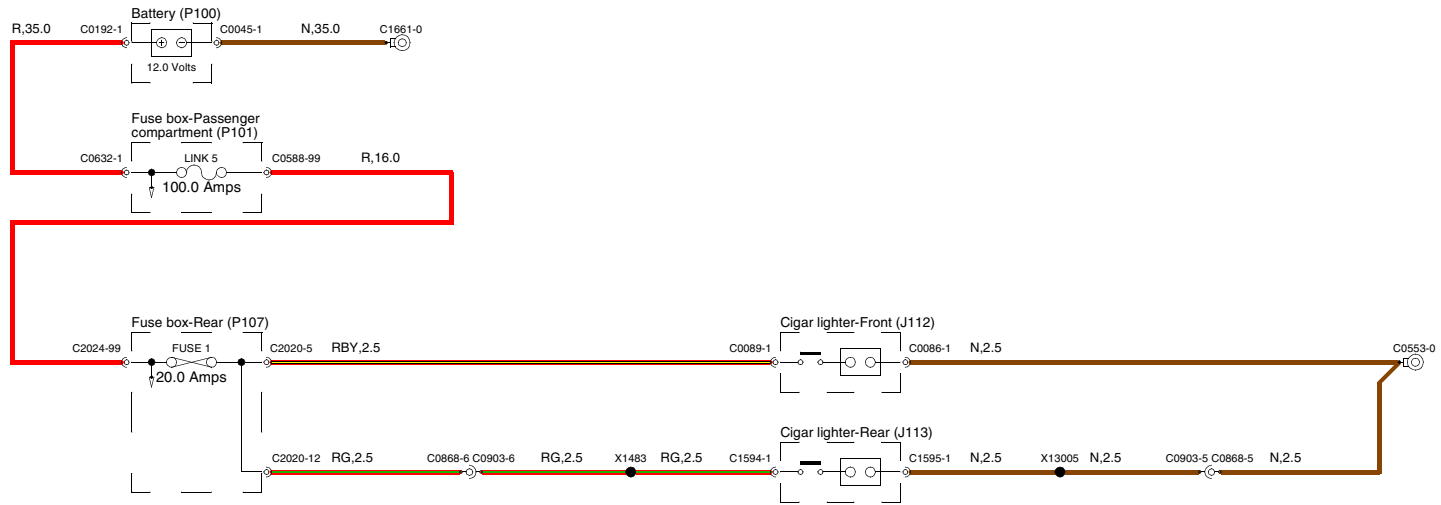
48 HORN (S)

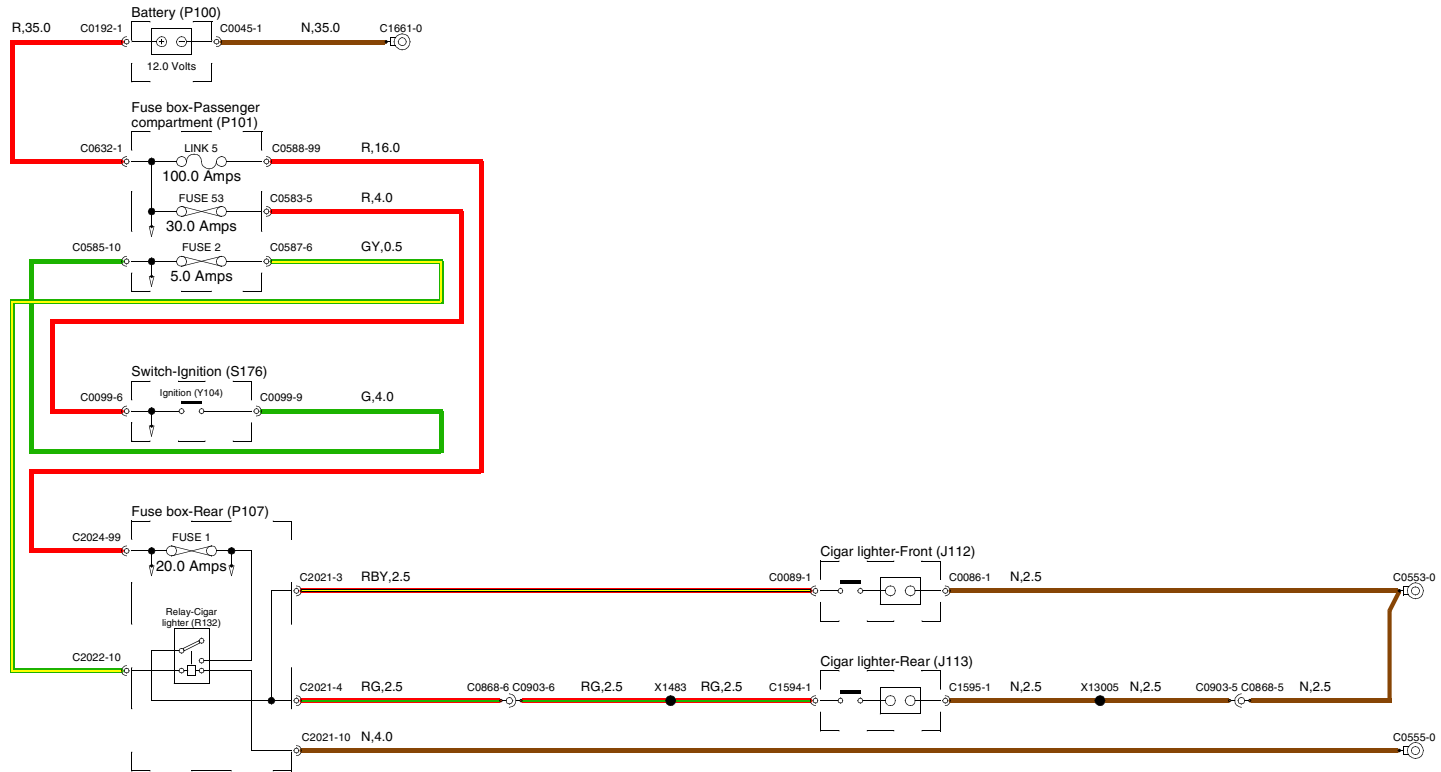


49 ACCESSORY SOCKET

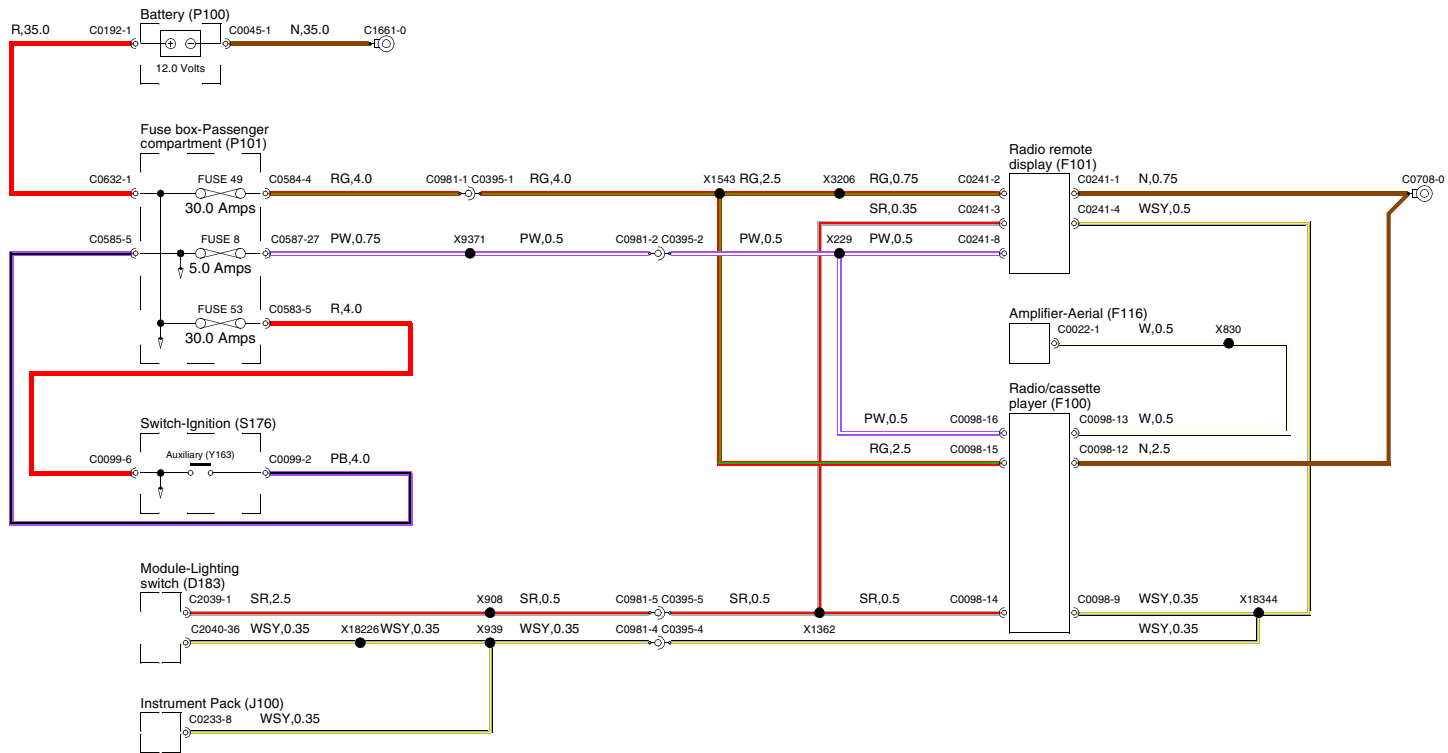


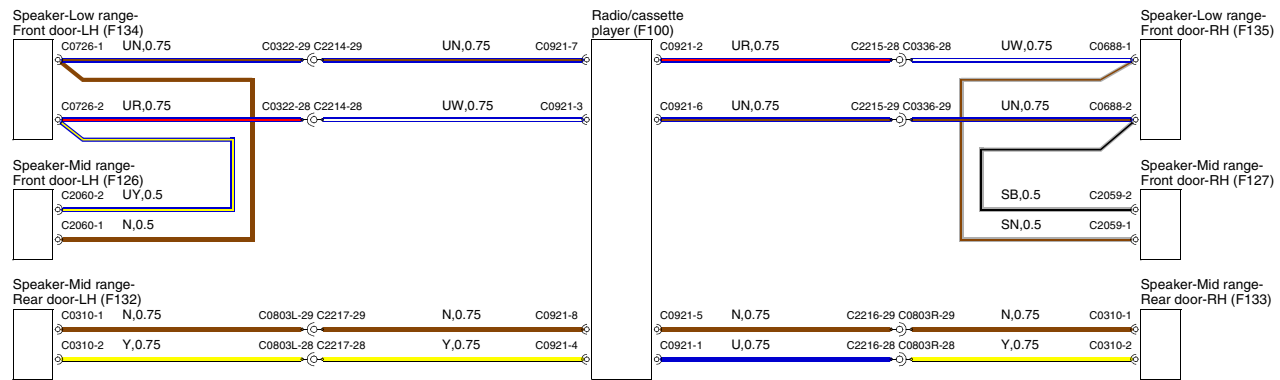
49 CIGAR LIGHTER

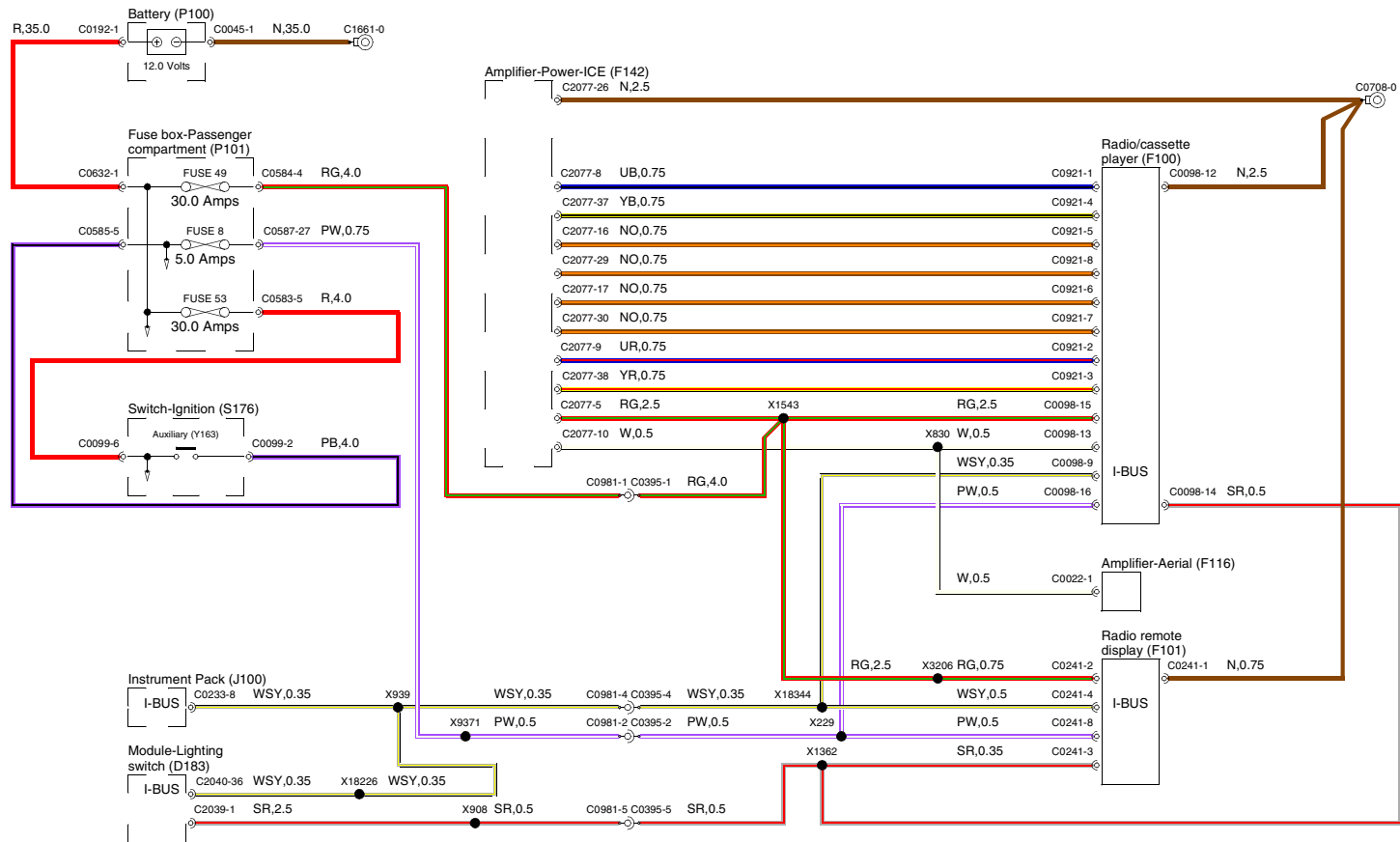


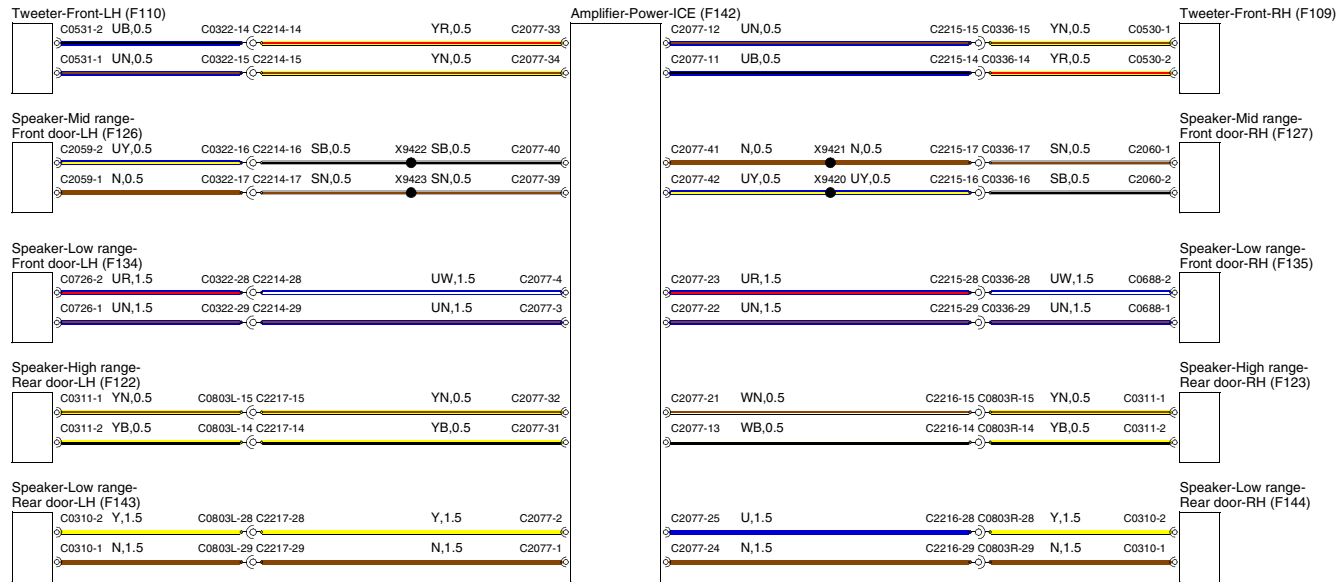


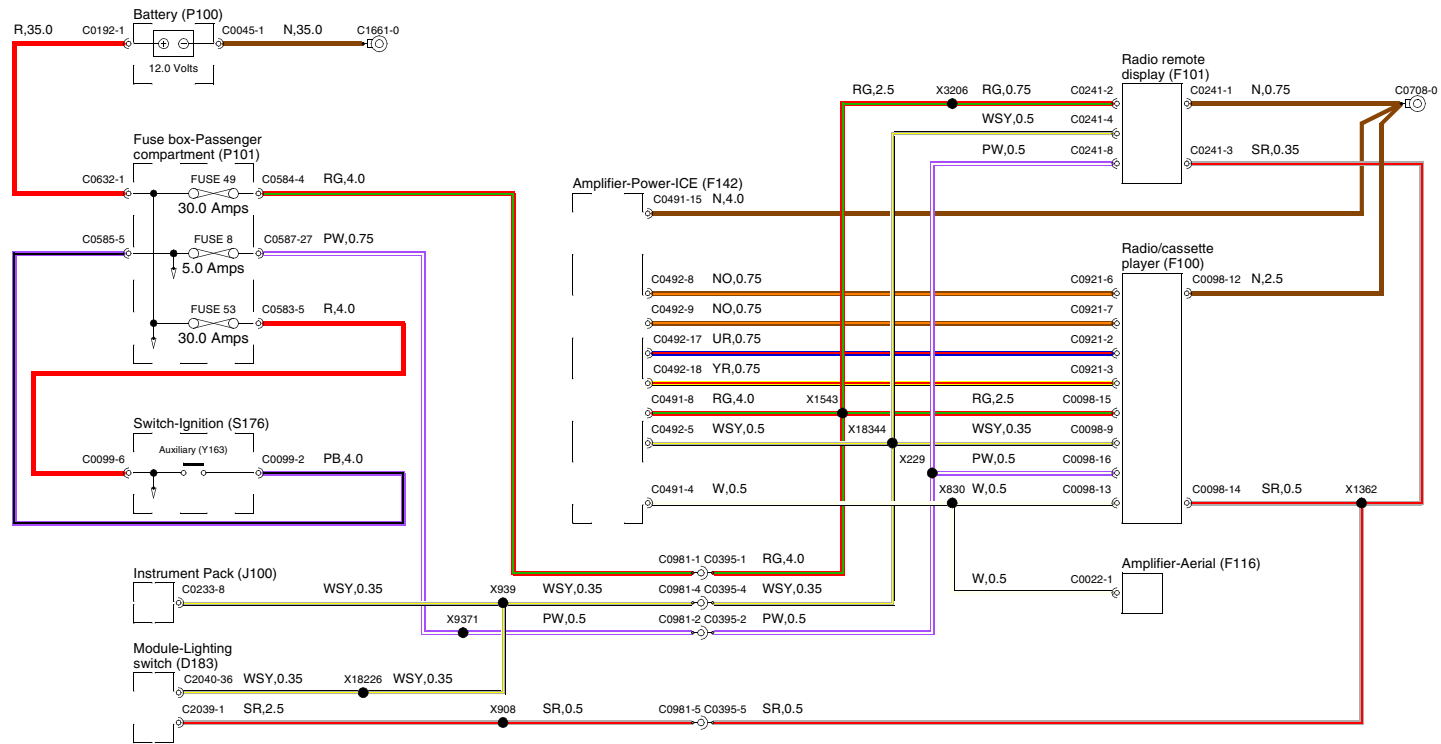
50 AUDIO SYSTEMS

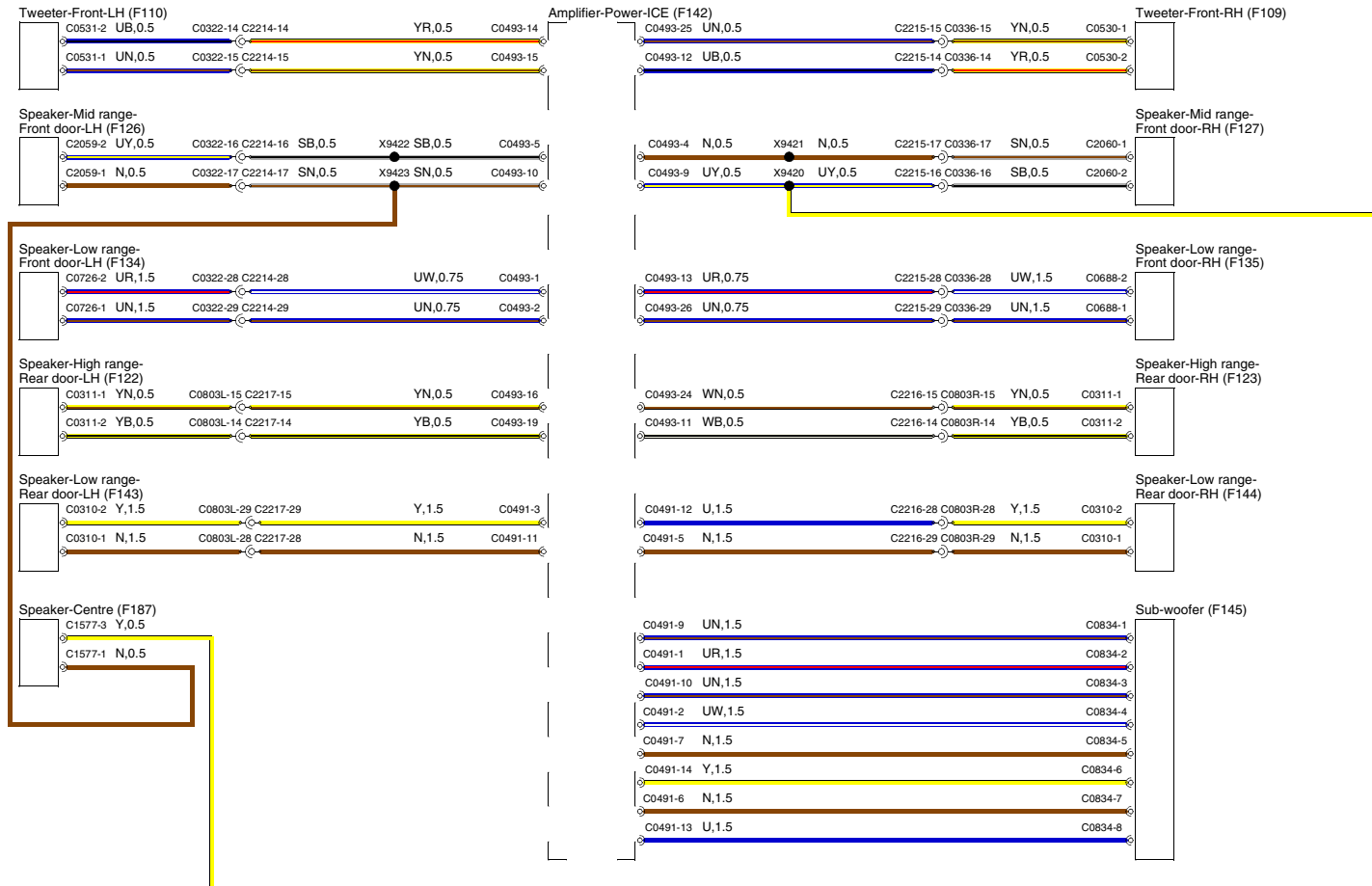


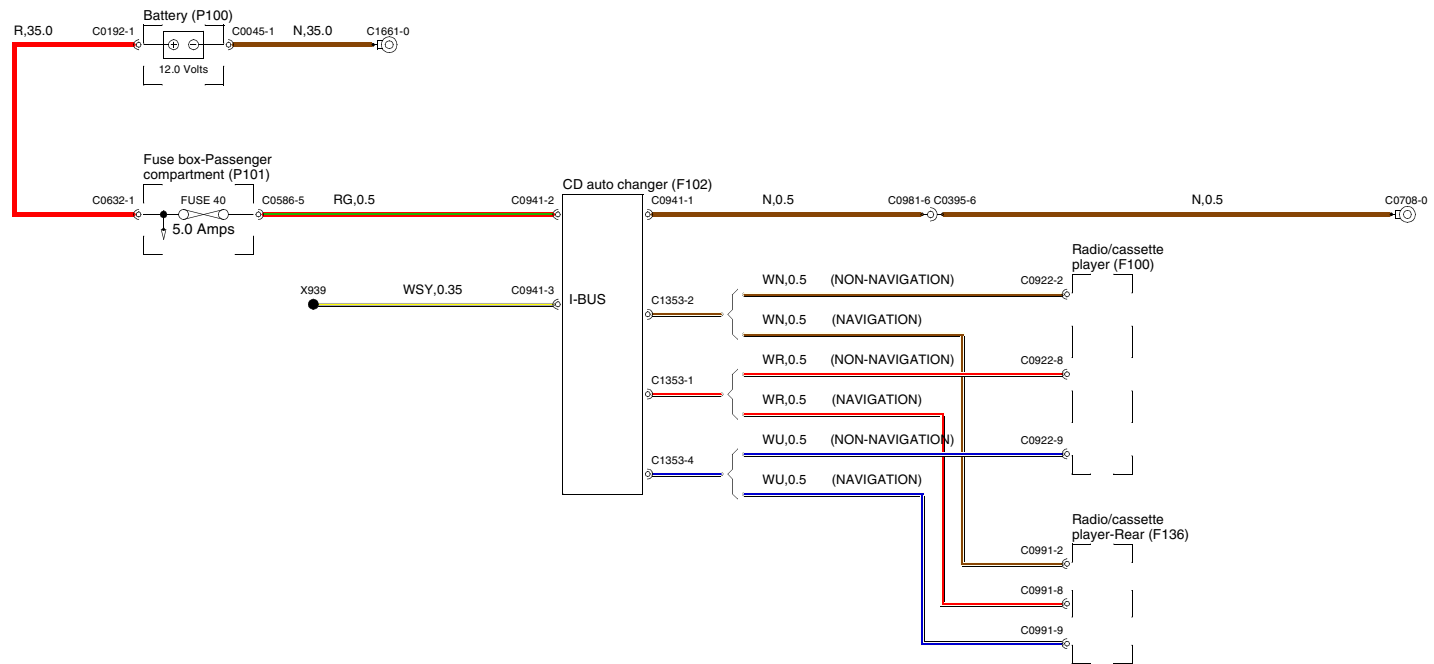


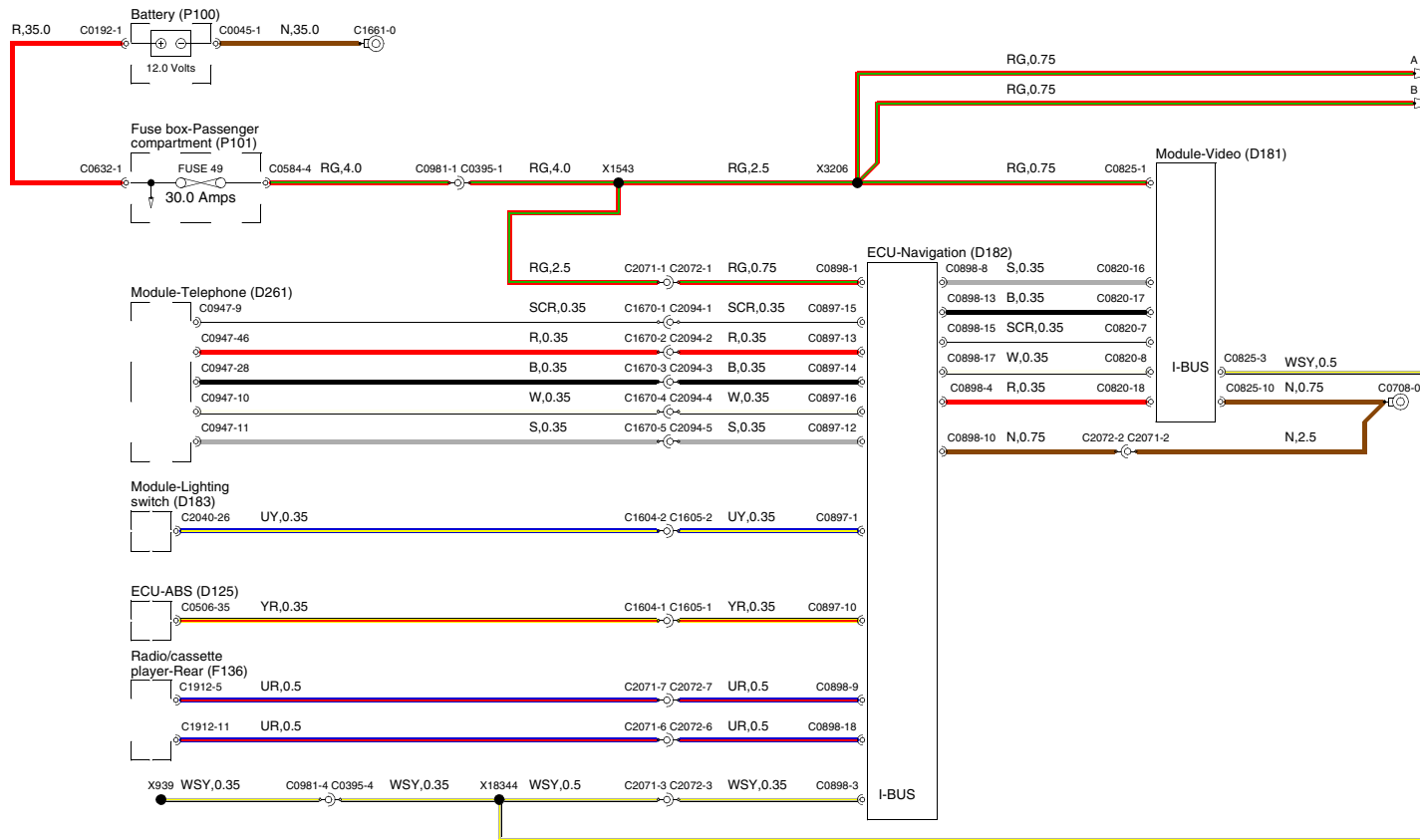


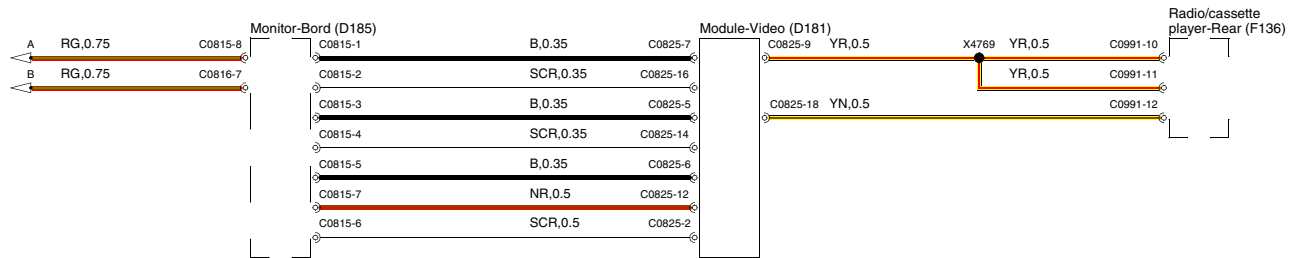


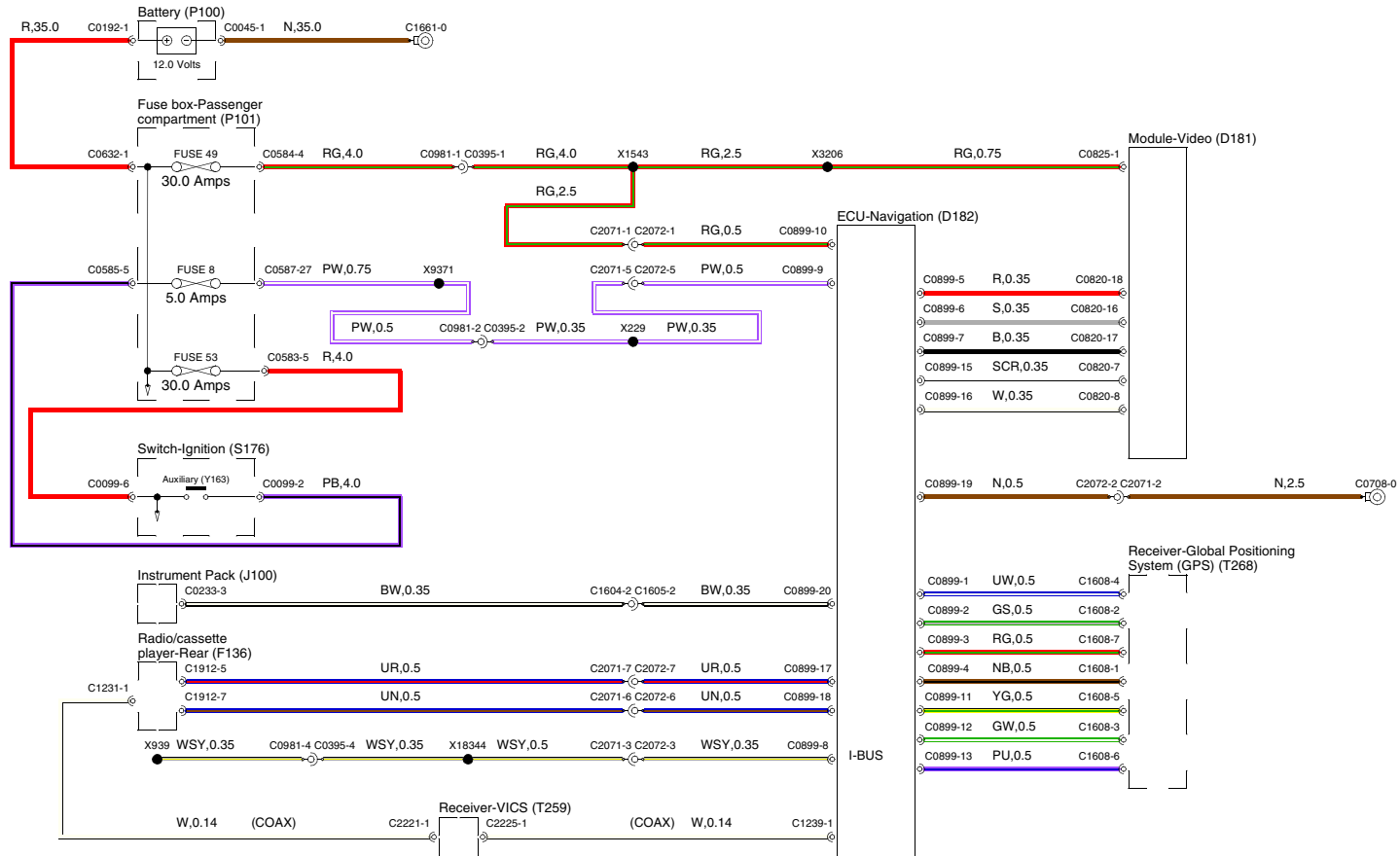


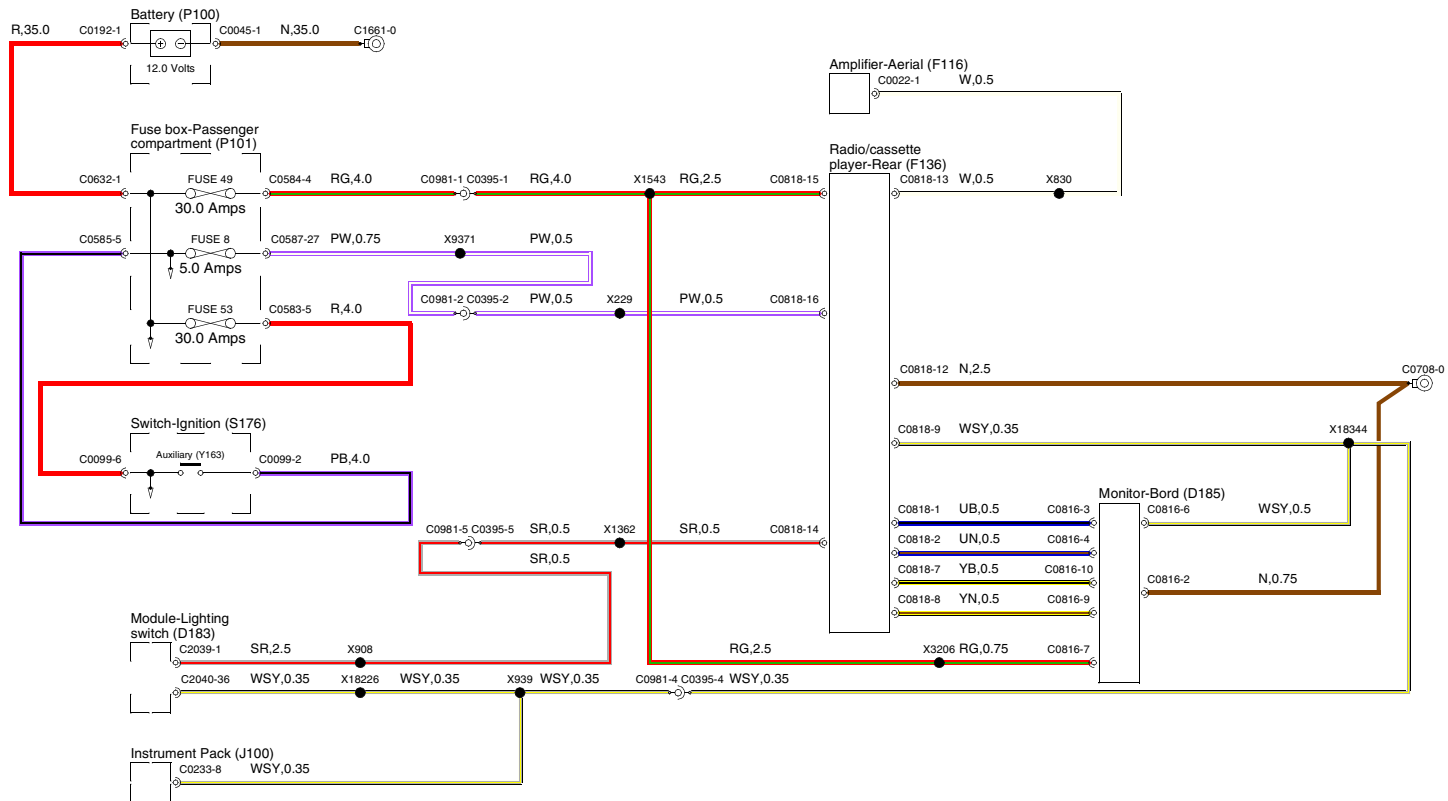


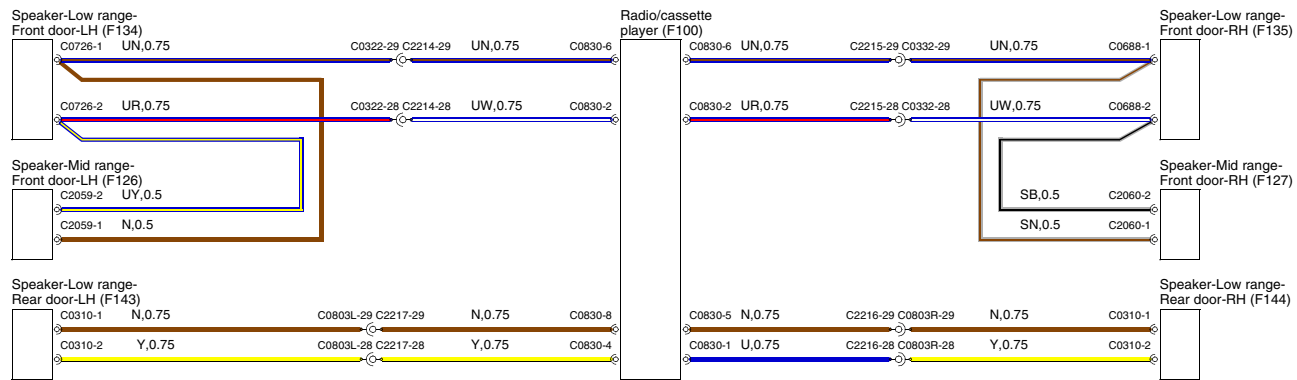


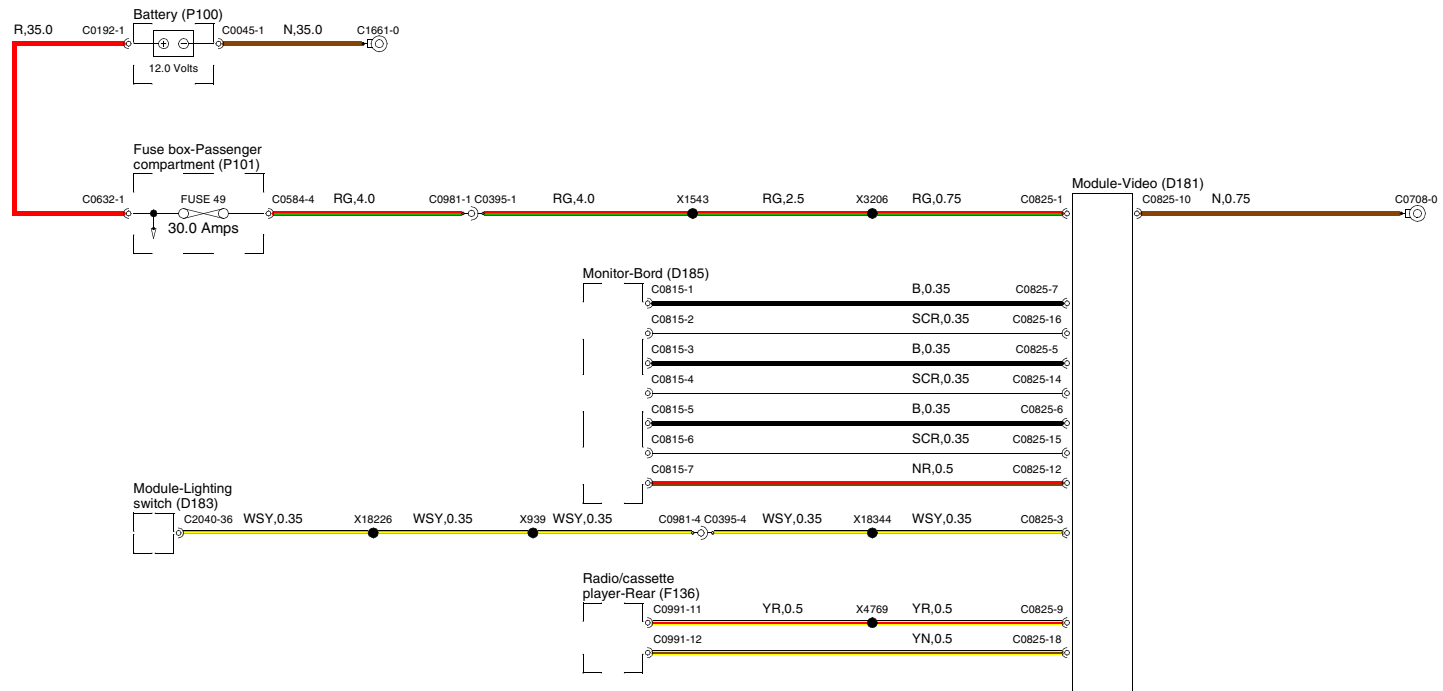


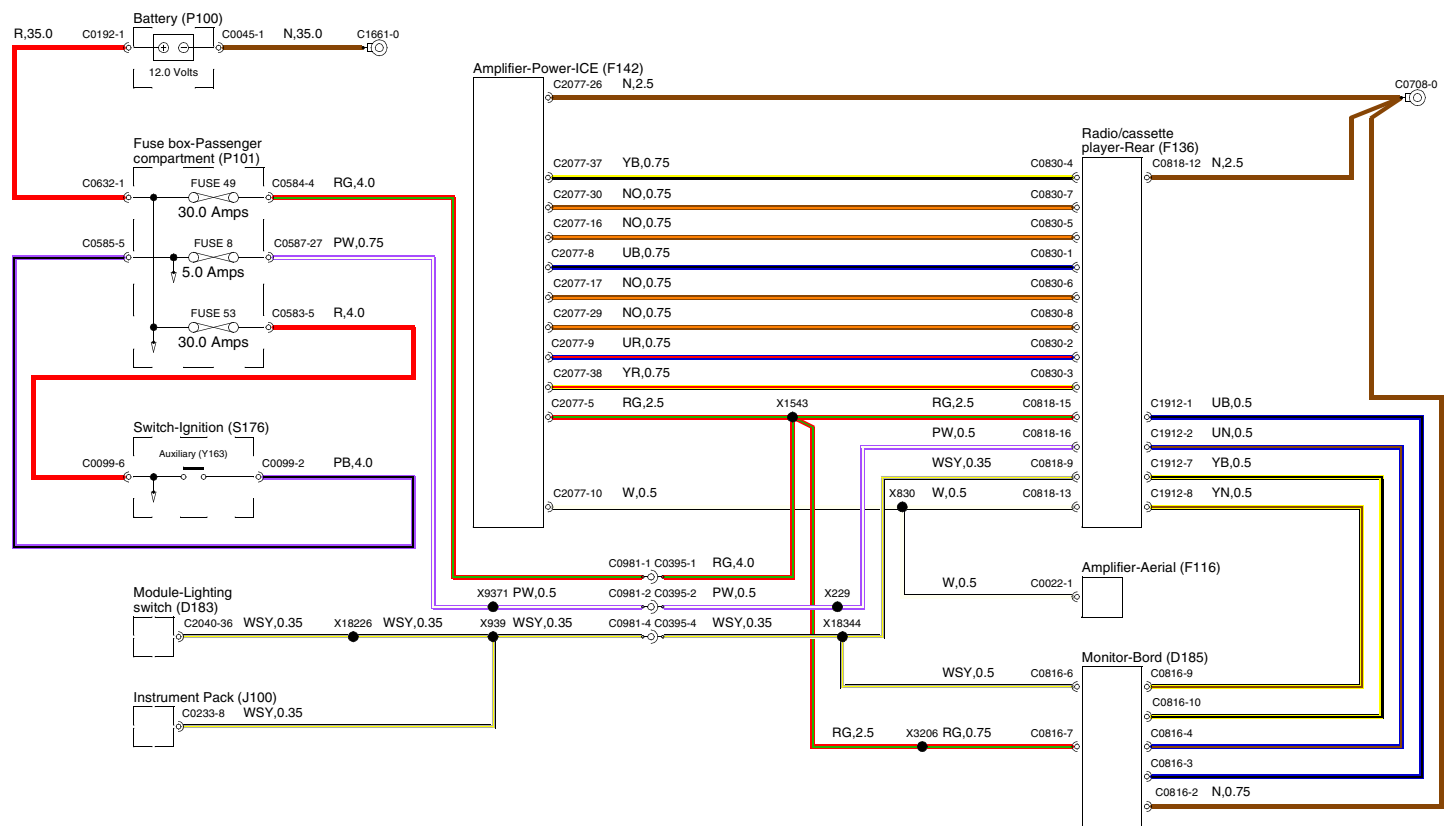


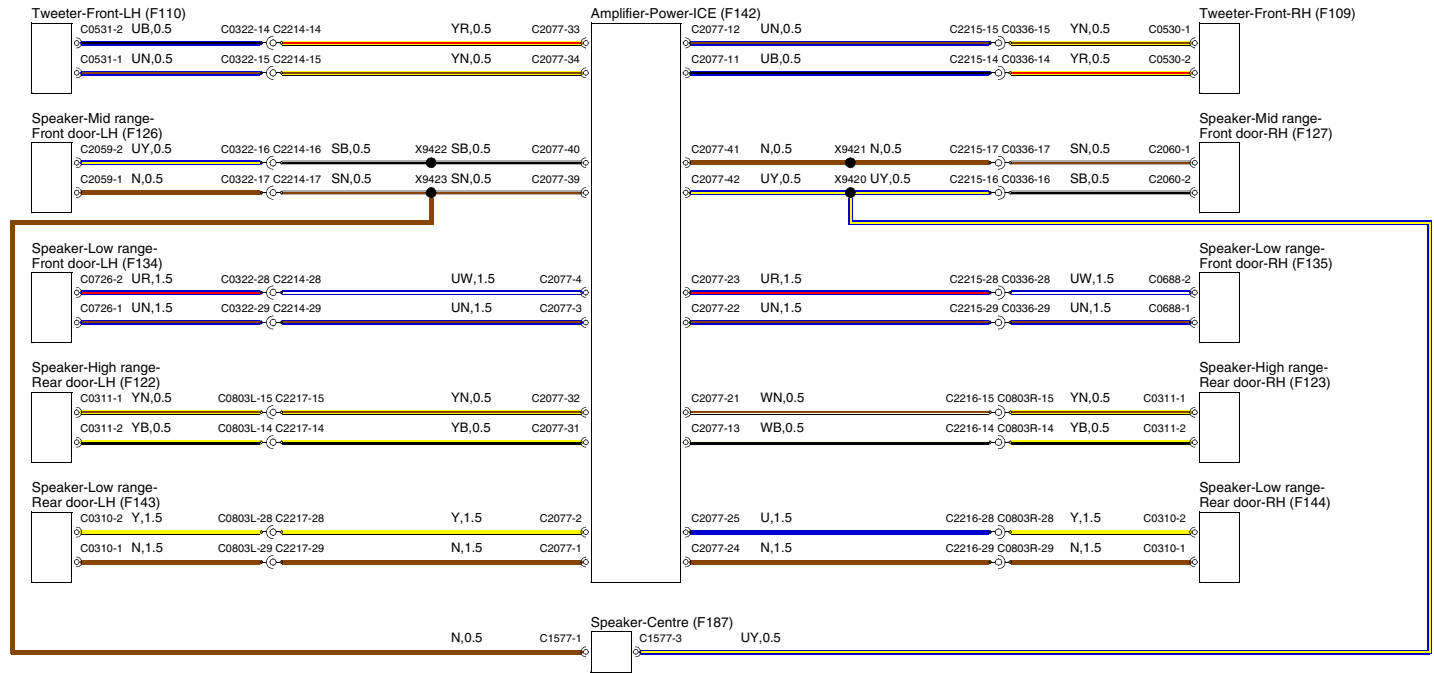


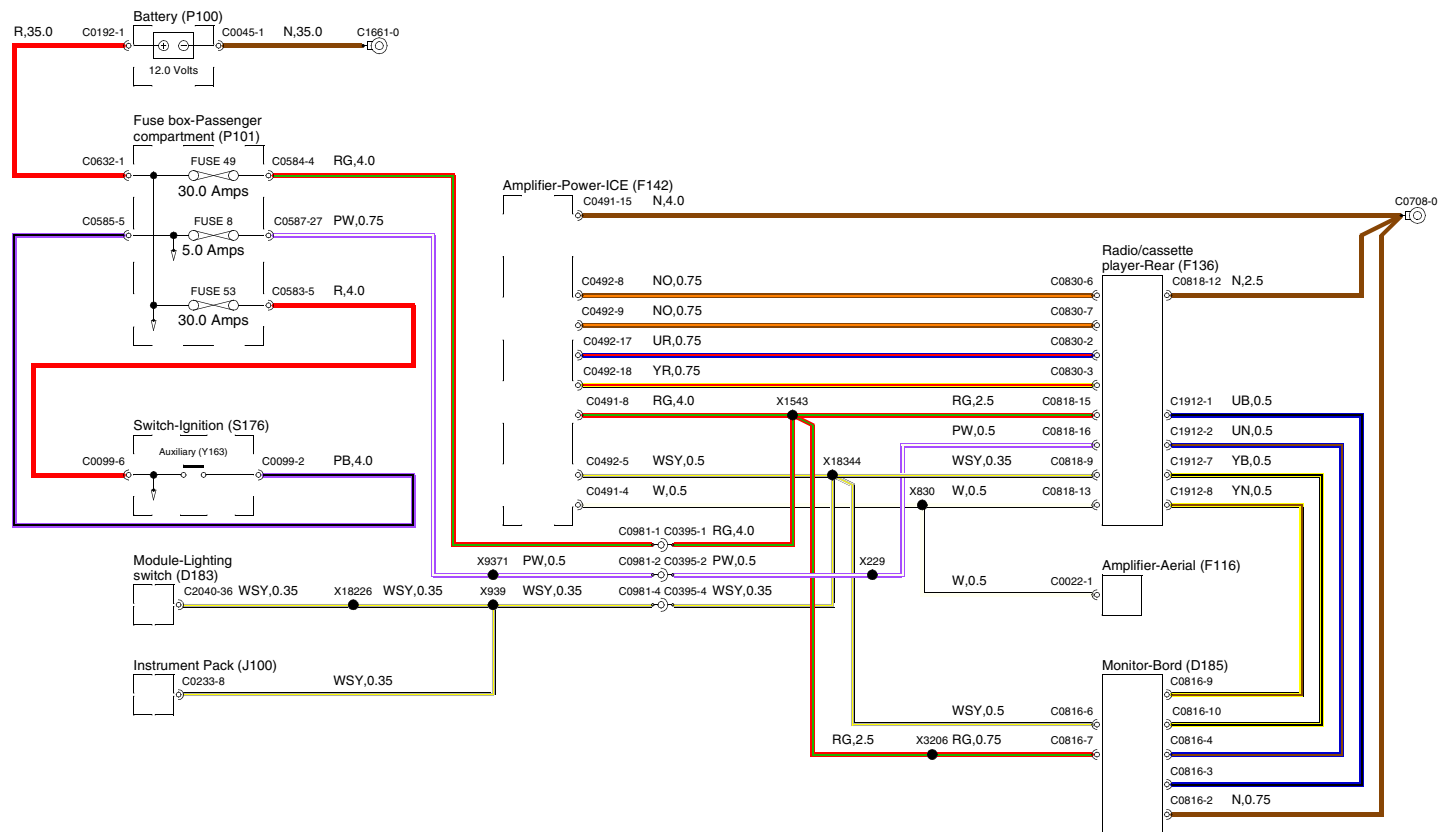


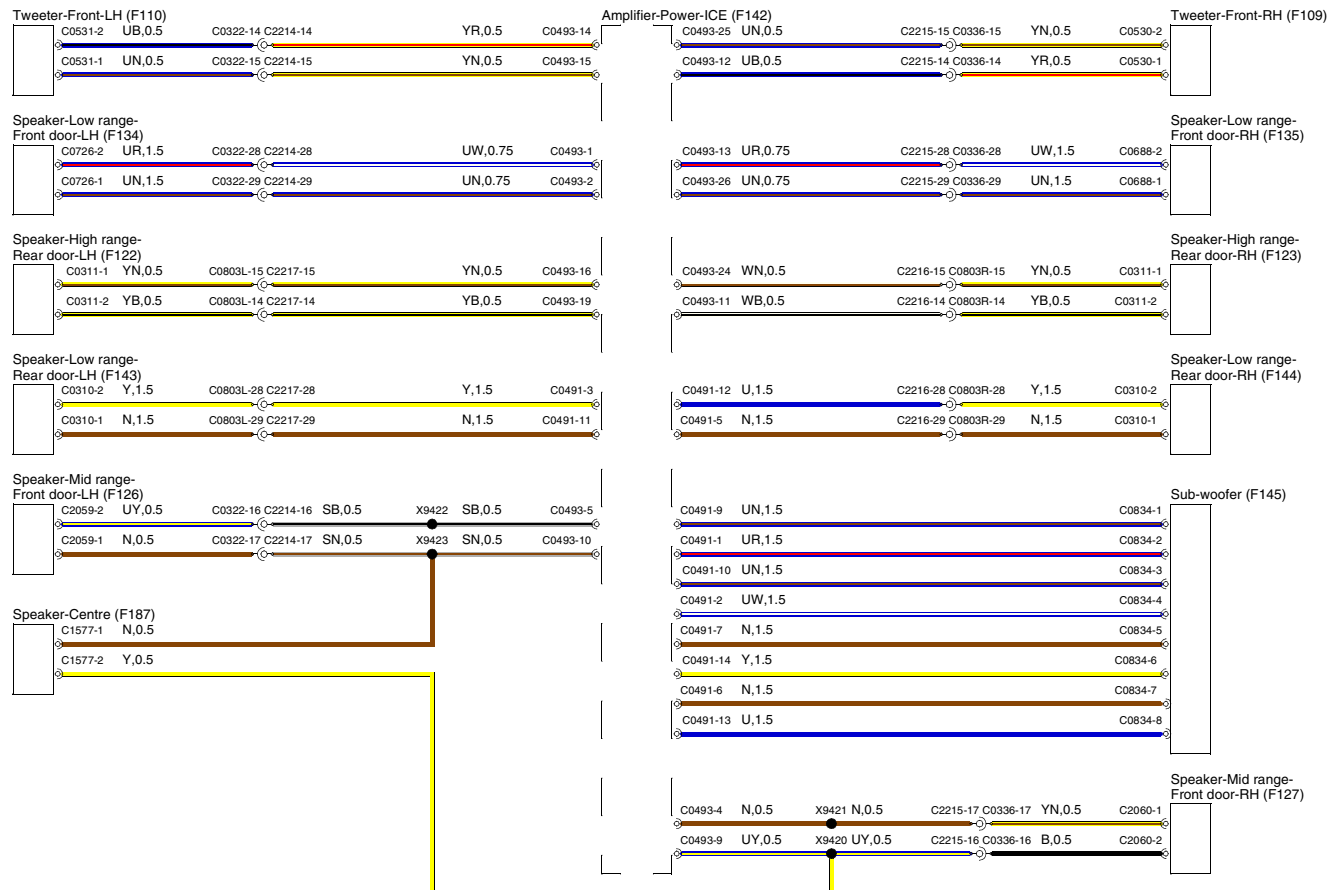




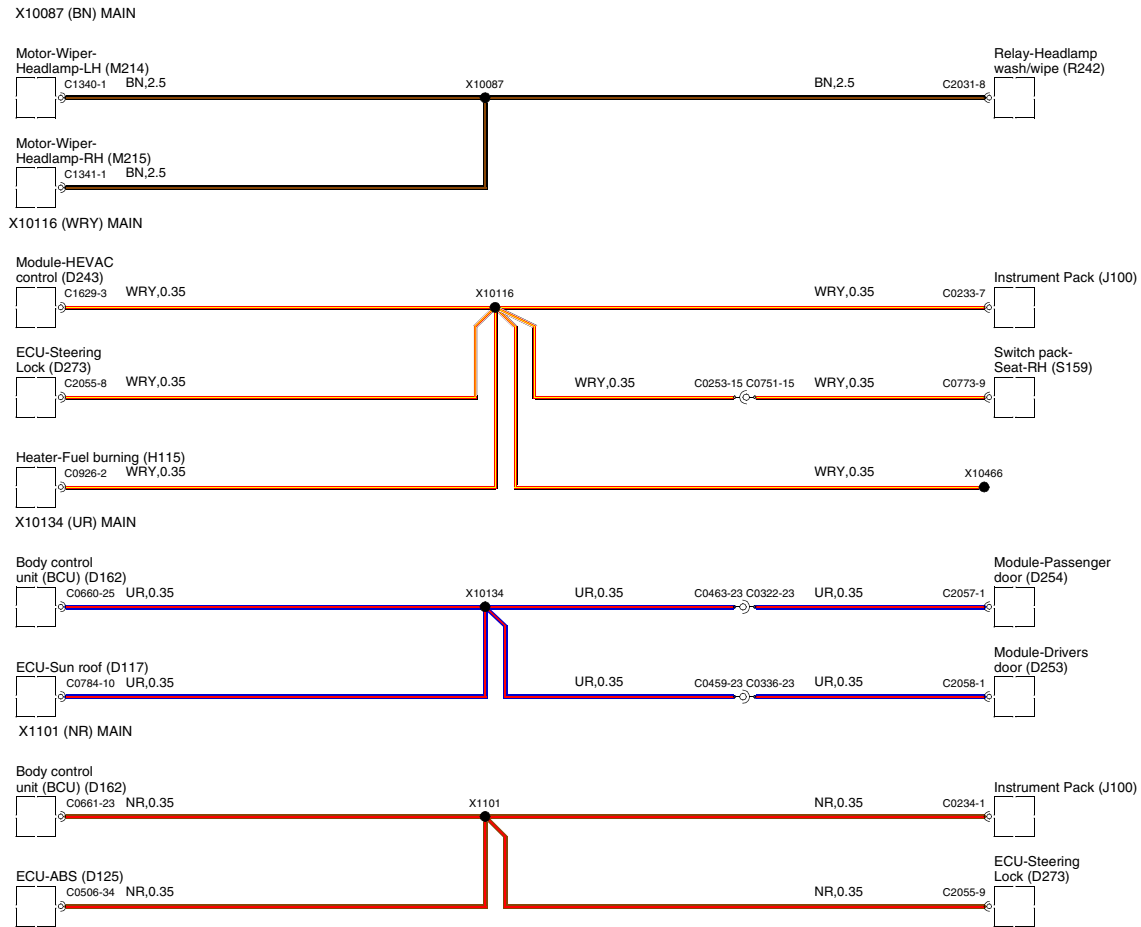






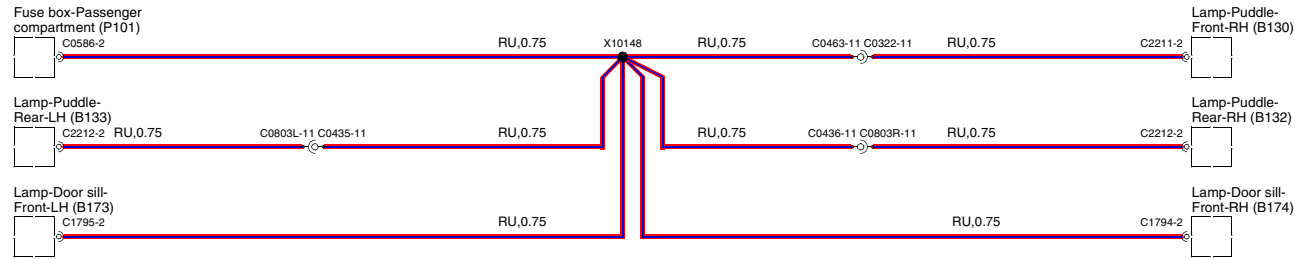


65 SPLICES AND CENTRE TAPS

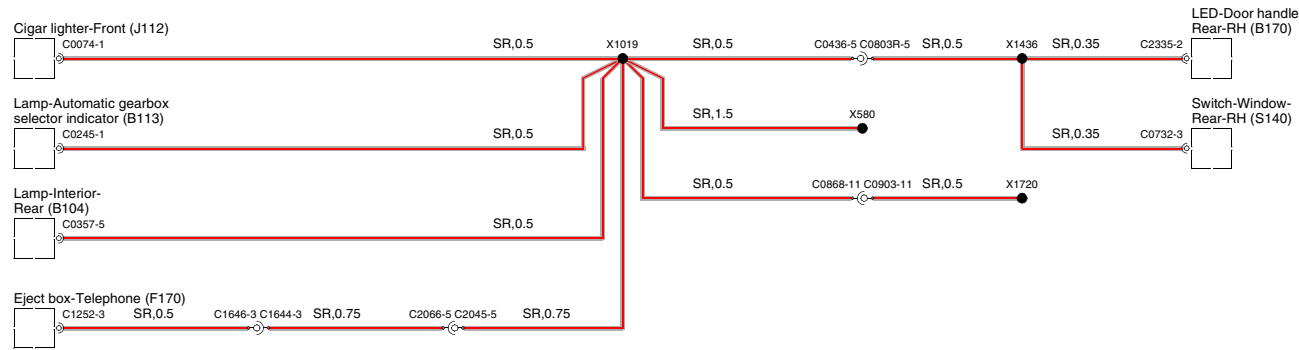


65 SPLICES AND CENTRE TAPS

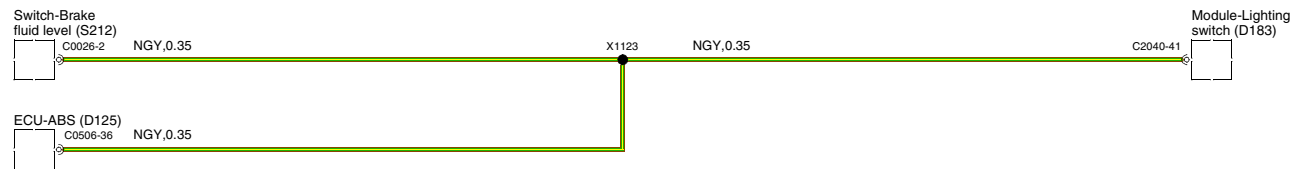
X10148 (RU) MAIN



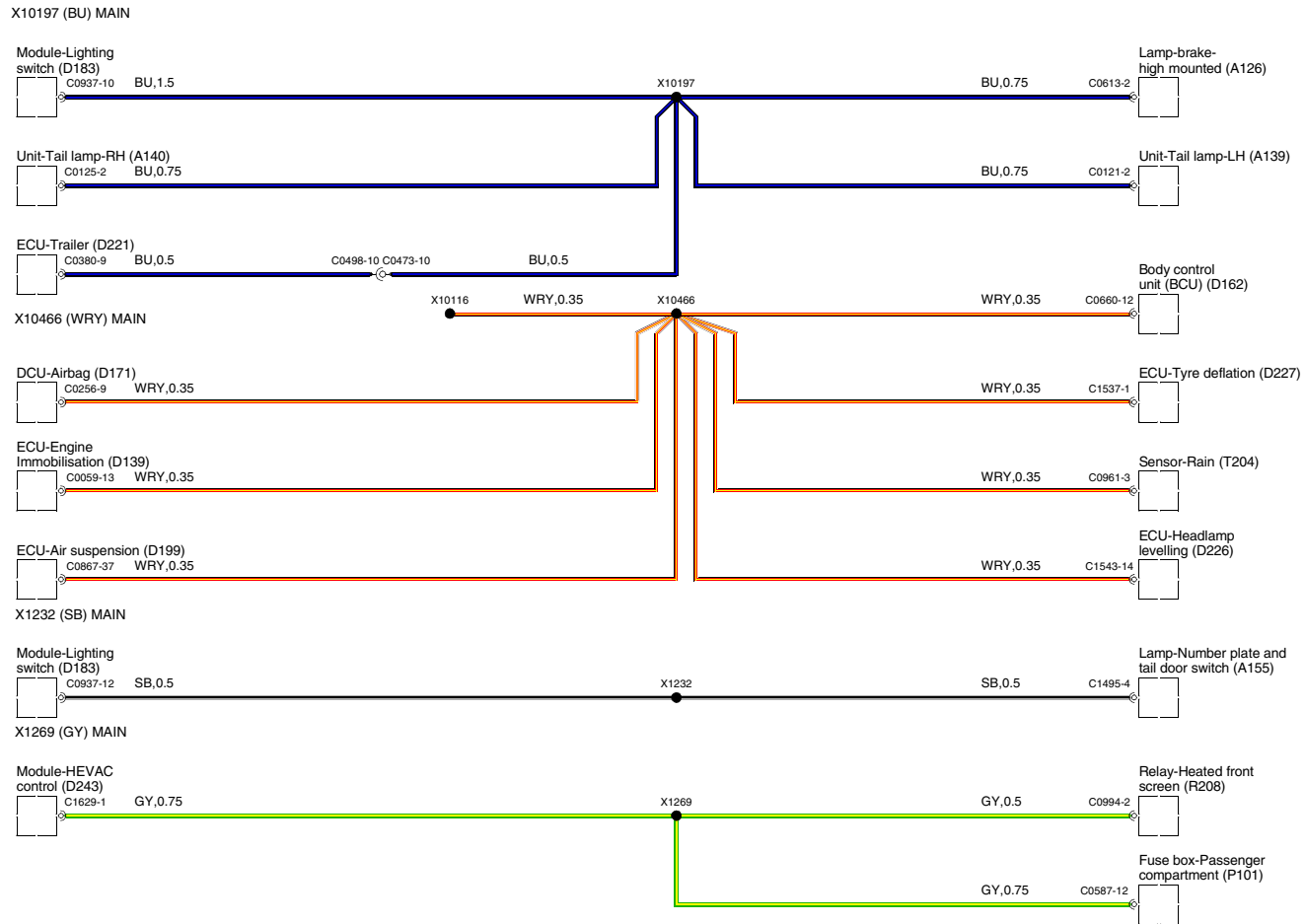
X1019 (SR) MAIN X1436 (SR) REAR DOOR RH



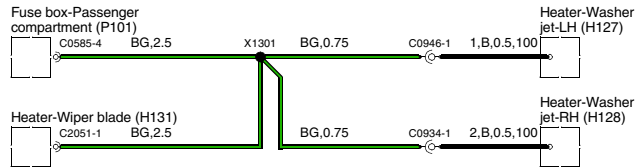
X1123 (NGY) MAIN



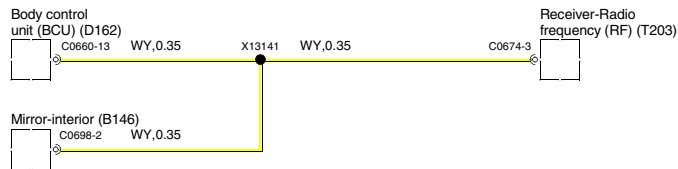
65 SPLICES AND CENTRE TAPS



X1301 (BG) MAIN



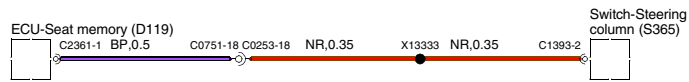
X13141 (WY) MAIN



X13332 (NU) MAIN



X13333 (NR) MAIN



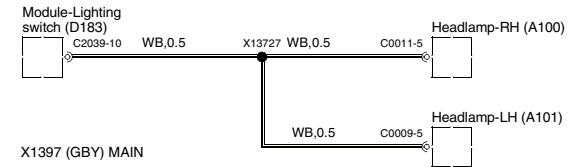
X13334 (NB) MAIN



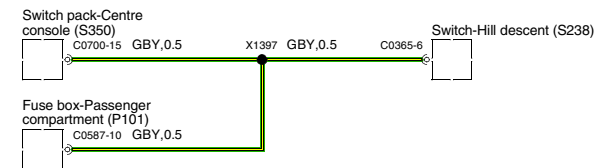
X13335 (NW) MAIN



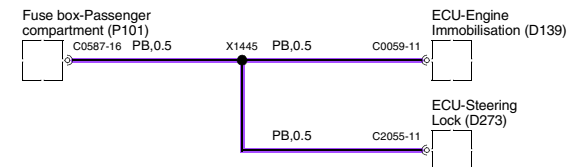
X13727 (WB) MAIN



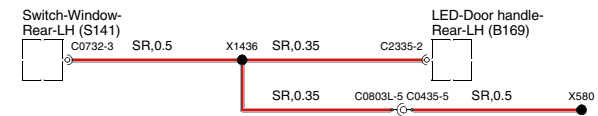
X1397 (GBY) MAIN



X1445 (PB) MAIN

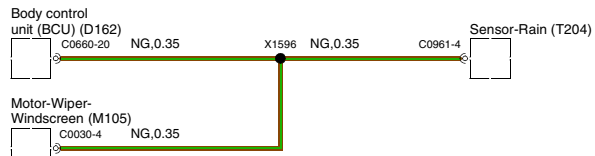


X1436 (SR) REAR DOOR LH

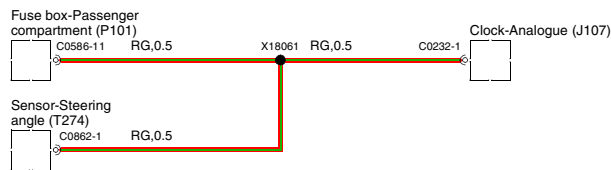


65 SPLICES AND CENTRE TAPS

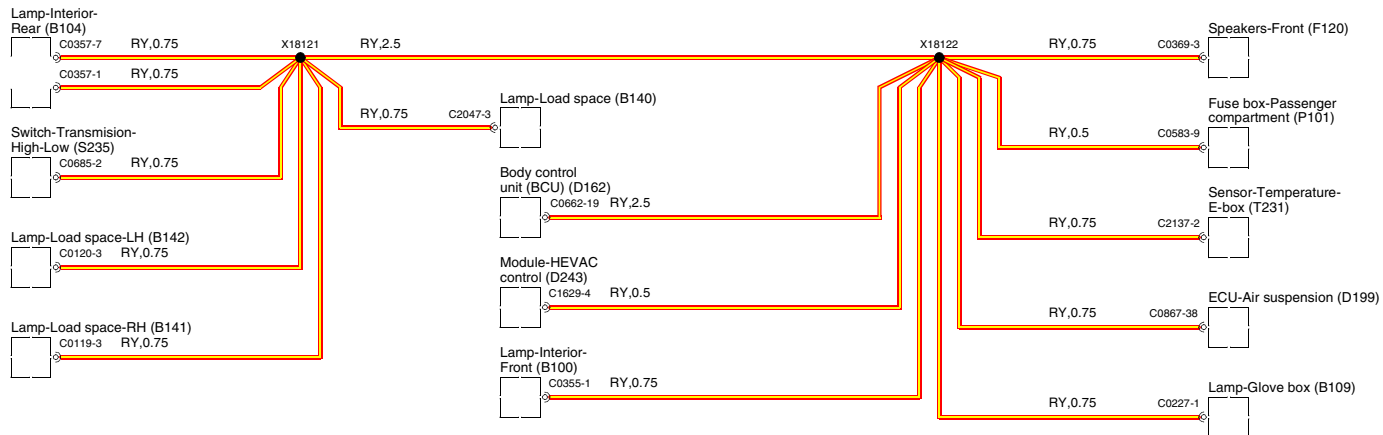
X1596 (NG) MAIN



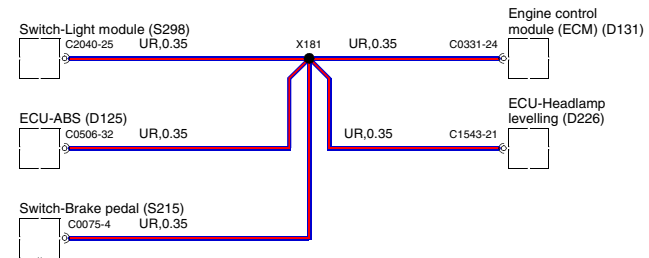
X18061 (RG) MAIN



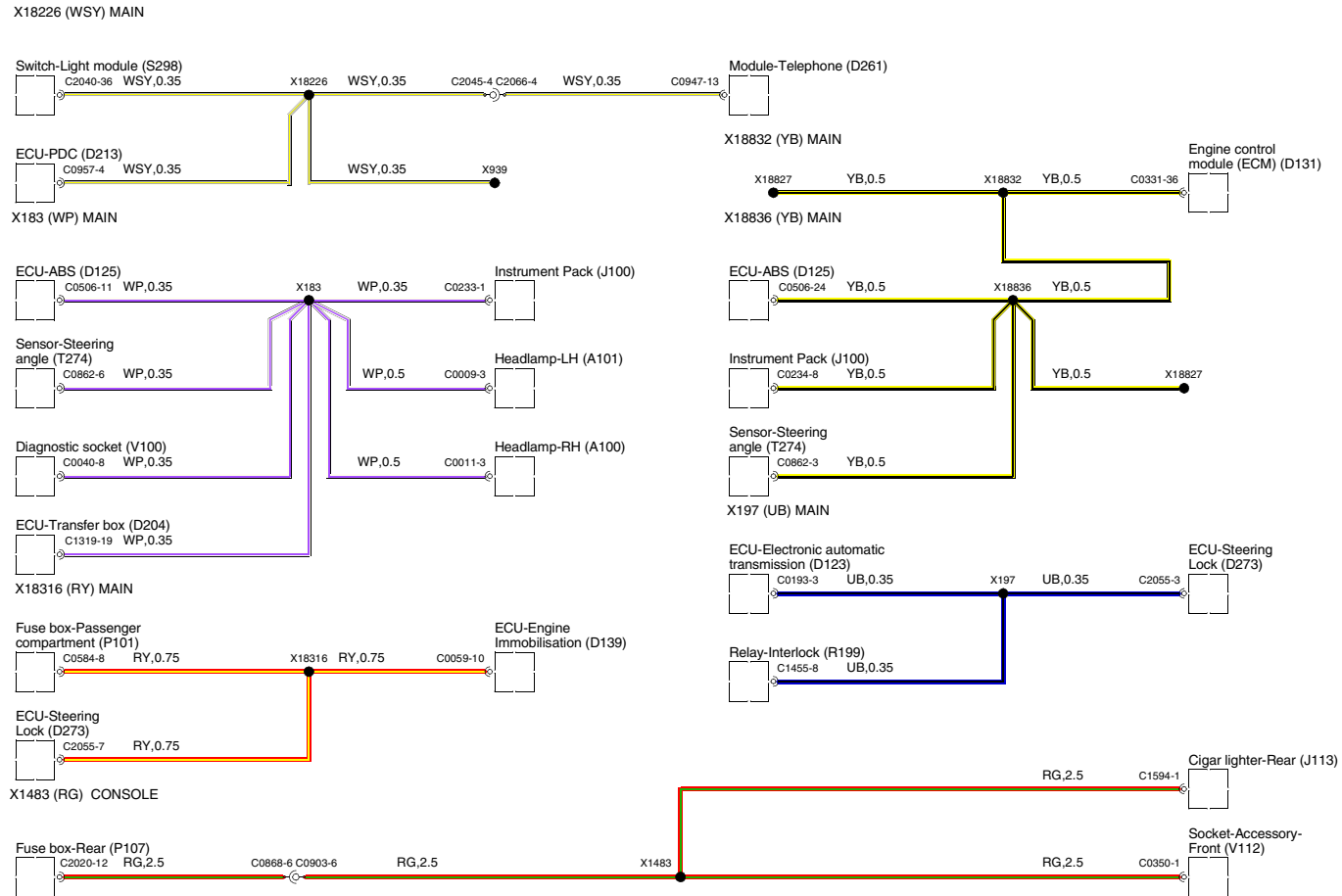
X18121 (RY) MAIN X18122 (RY) MAIN



X181 (UR) MAIN

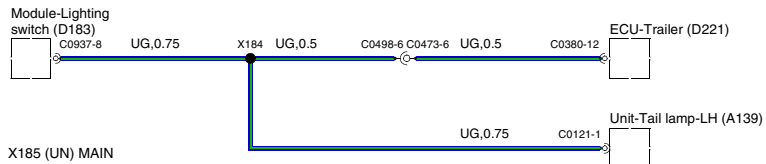


65 SPLICES AND CENTRE TAPS

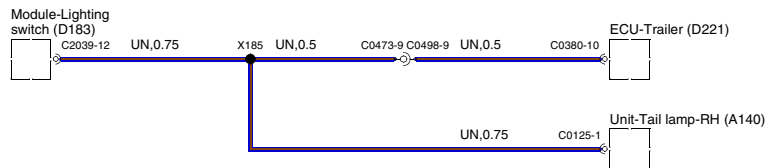


65 SPLICES AND CENTRE TAPS

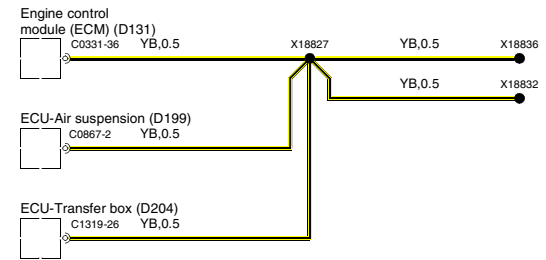
X184 (UG) MAIN



X185 (UN) MAIN



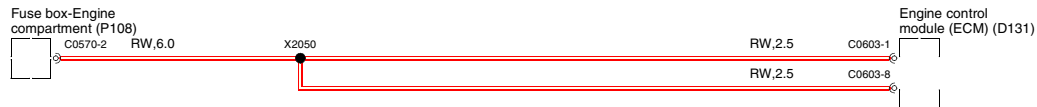
X18827 (YB) MAIN



X18826 (YN) MAIN X18835 (YN) MAIN

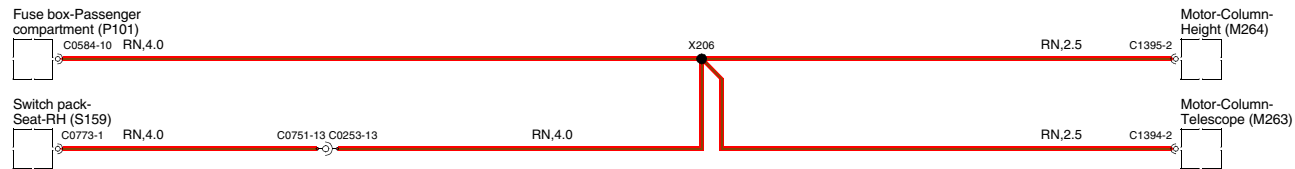


X2050 (R) Td6 ENG

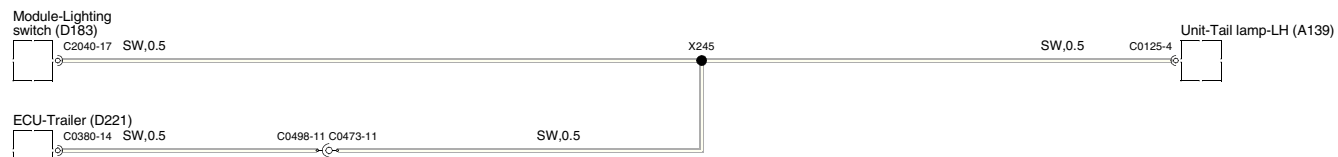


65 SPLICES AND CENTRE TAPS

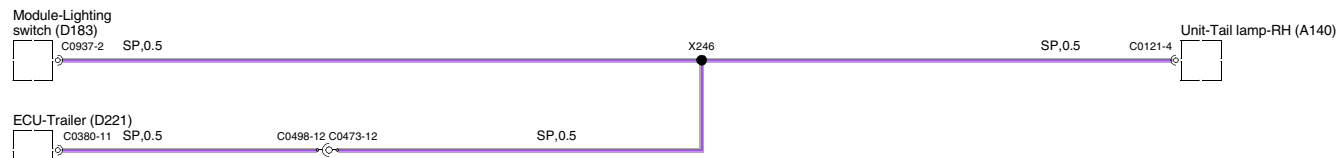
X206 (RN) MAIN



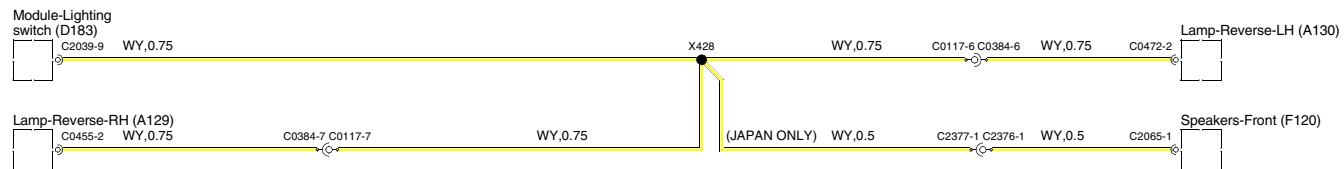
X245 (SW) MAIN



X246 (SP) MAIN

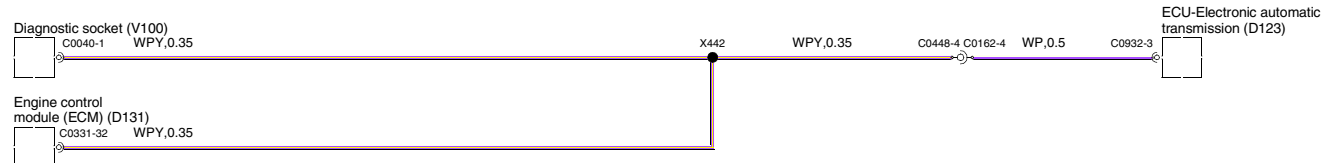


X428 (WY) MAIN

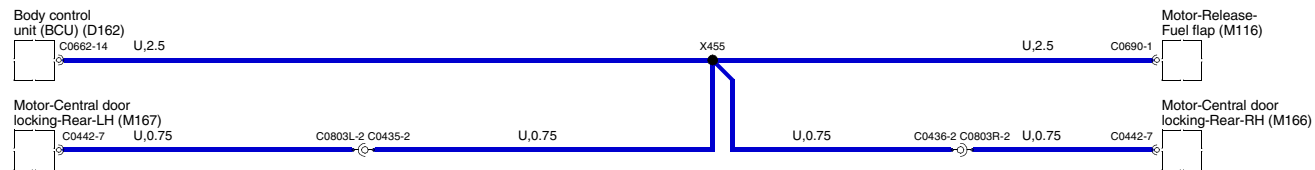


65 SPLICES AND CENTRE TAPS

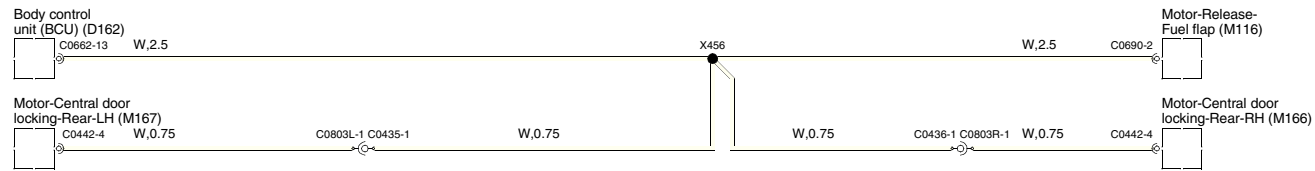
X442 (WPY) MAIN



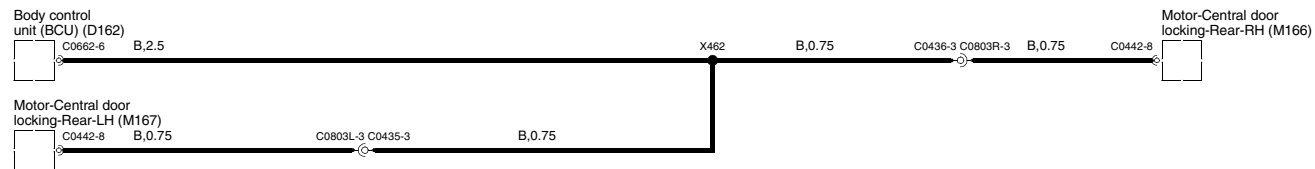
X455 (U) MAIN



X456 (W) MAIN

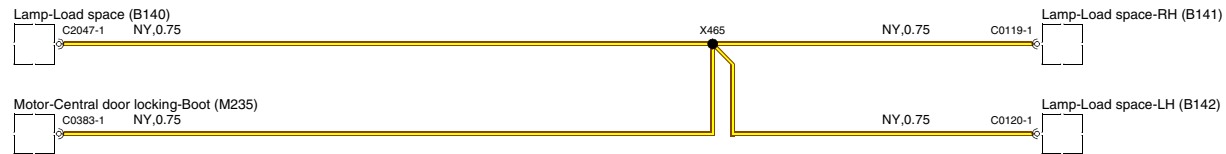


X462 (B) MAIN



65 SPLICES AND CENTRE TAPS

X465 (NY) MAIN



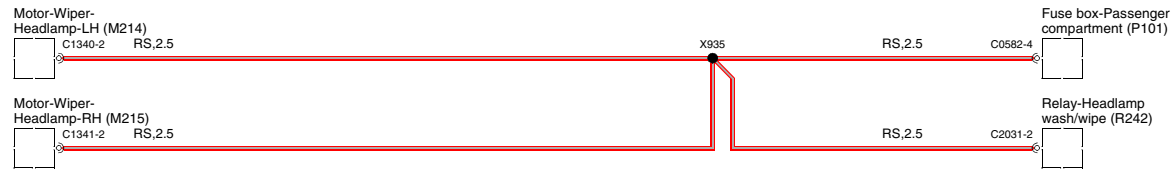
X580 (SR) MAIN



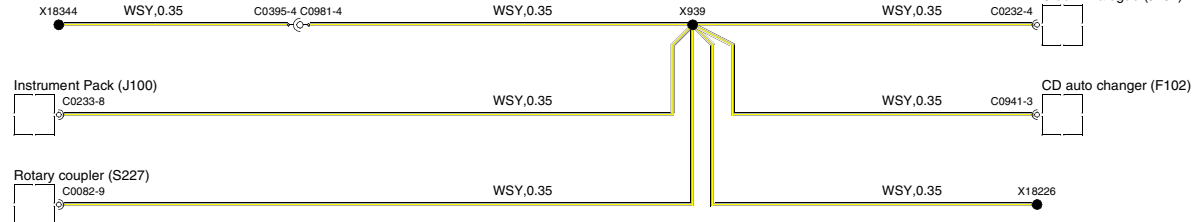
X8066 (RW) MAIN



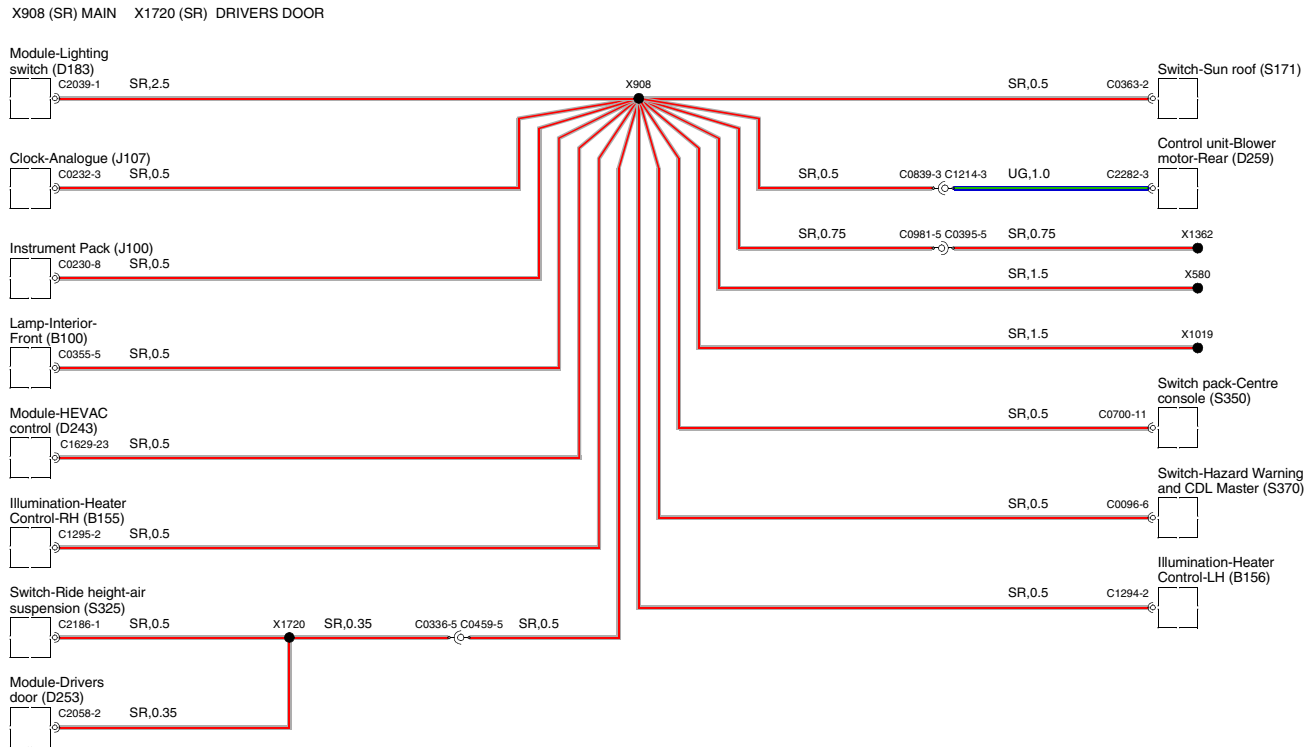
X935 (RS) MAIN



X939 (WSY) MAIN

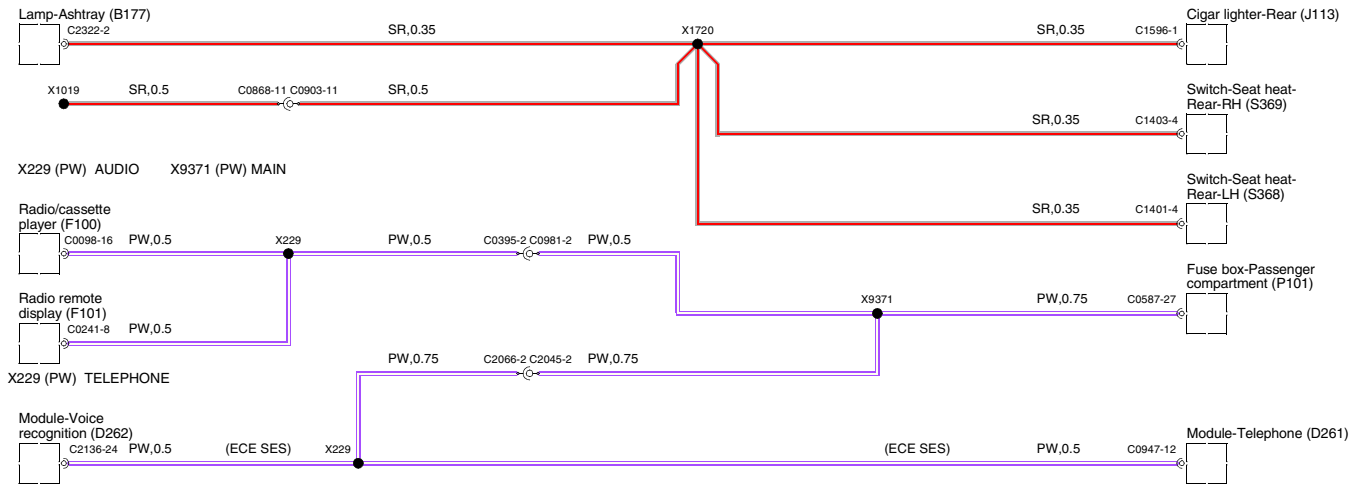


65 SPLICES AND CENTRE TAPS

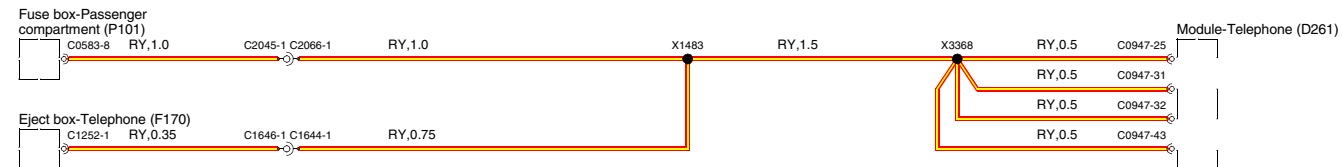


65 SPLICES AND CENTRE TAPS

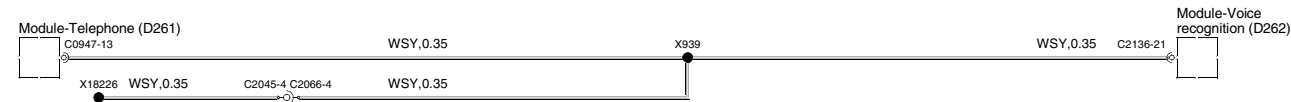
X1720 (SR) CONSOLE



X1483 (RY) TELEPHONE X3368 (RY) TELEPHONE



X939 (WSY) TELEPHONE

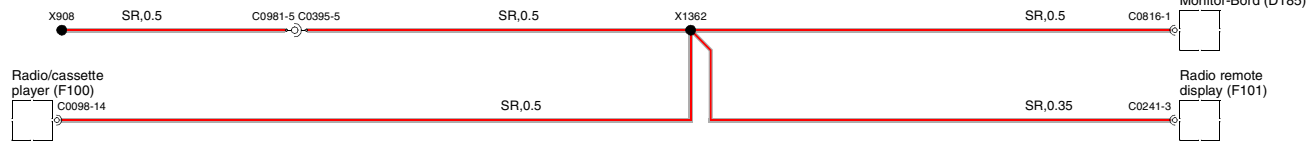


65 SPLICES AND CENTRE TAPS

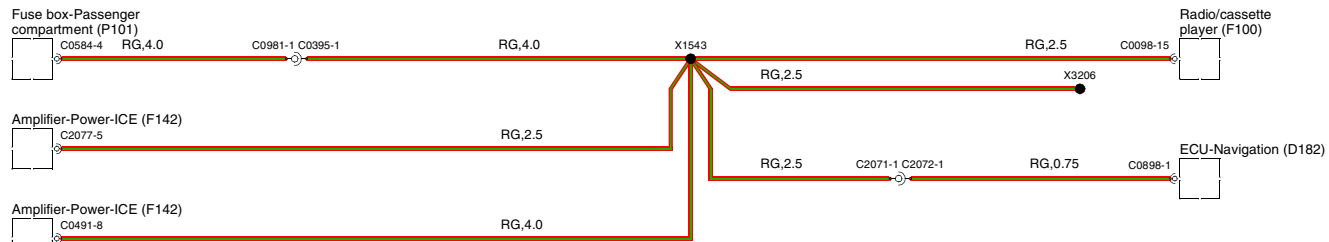
X1293 (WN) TELEPHONE



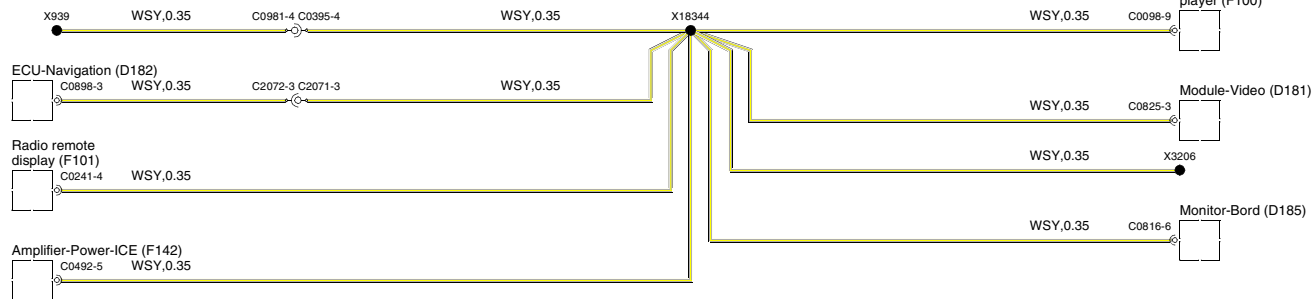
X1362 (SR) AUDIO

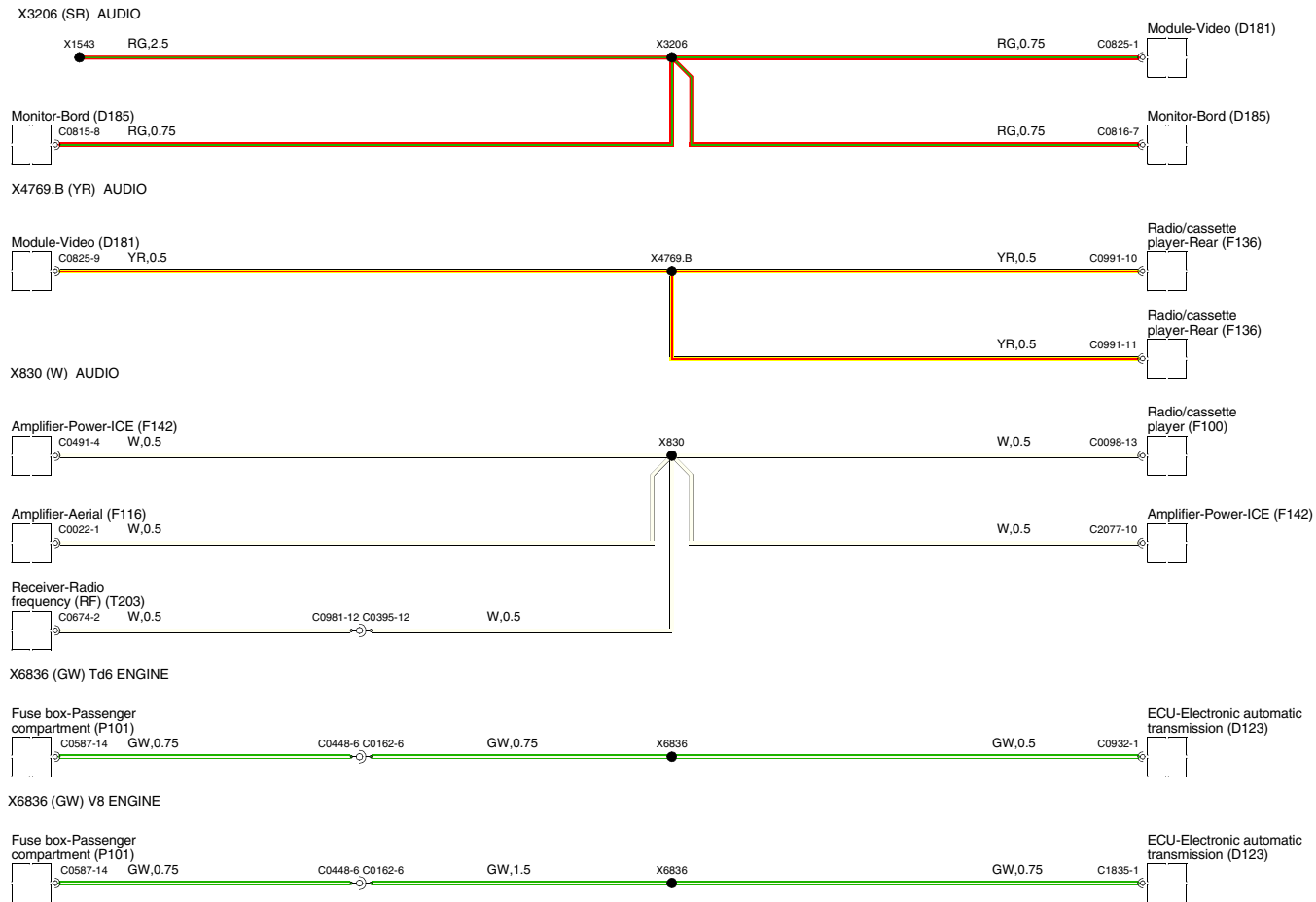


X1543 (RG) AUDIO

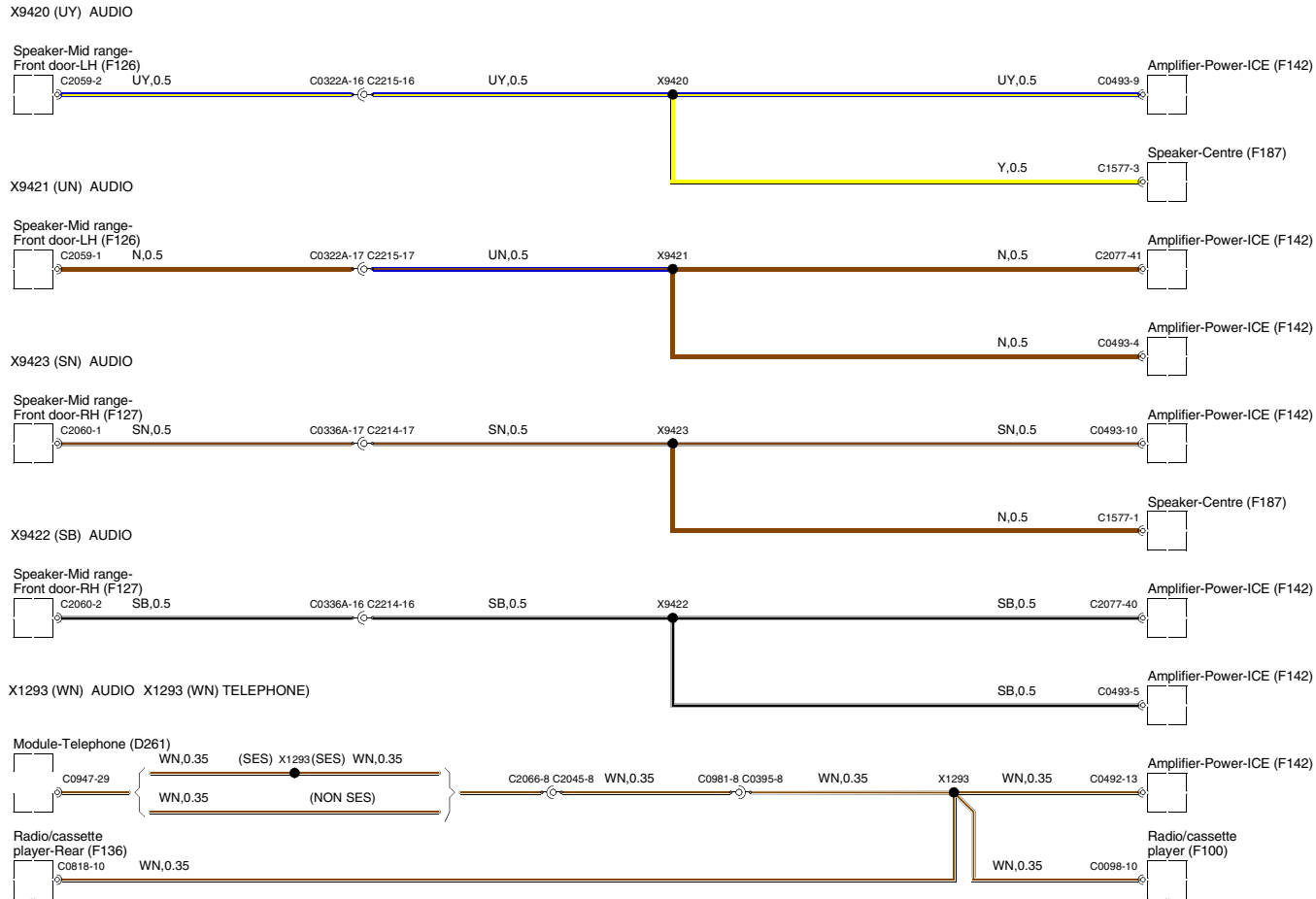


X18344 (WSY) AUDIO



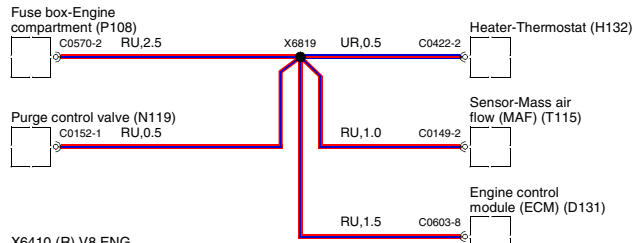


65 SPLICES AND CENTRE TAPS



65 SPLICES AND CENTRE TAPS

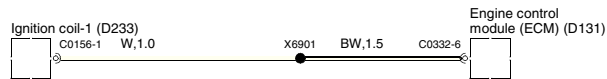
X6819 (RU) V8 ENG



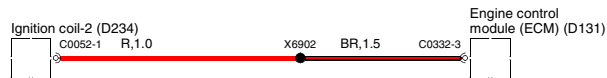
X6410 (R) V8 ENG



X6901 (W/BW) V8 ENG



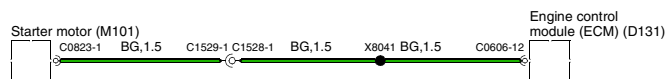
X6902 (R/BR) V8 ENG



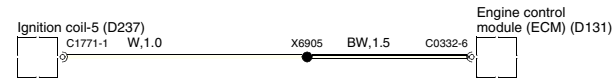
X6903 (Y/BY) V8 ENG



X8041 (BG) V8 ENG



X6905 (W/BW) V8 ENG



X6906 (R/BR) V8 ENG



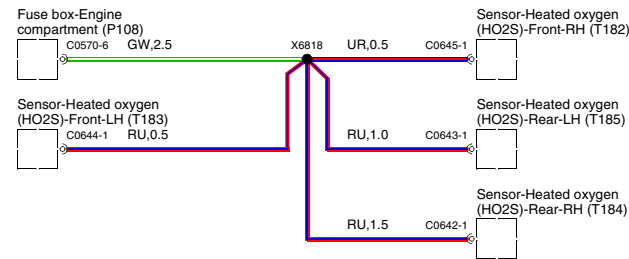
X6907 (Y/BY) V8 ENG



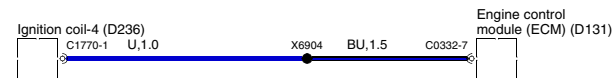
X6908 (U/BU) V8 ENG



X6818 (GW) V8 ENG

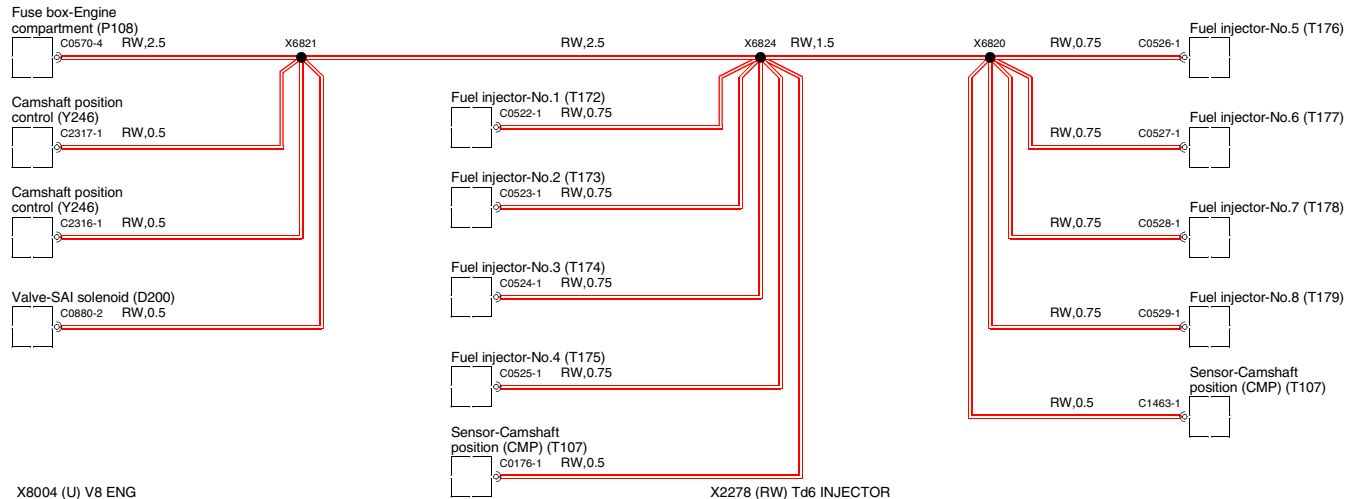


X6904 (U/BU) V8 ENG

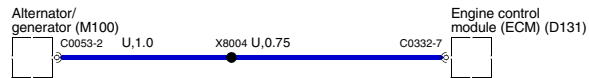


65 SPLICES AND CENTRE TAPS

X6821 (RW) V8 ENG X6824 (RW) V8 ENG X6820 (RW) V8 ENG



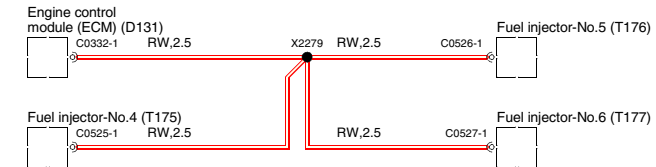
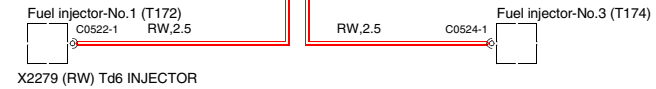
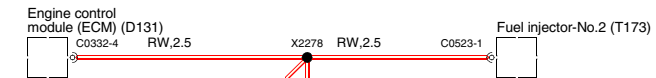
X8004 (U) V8 ENG



X6411(R) Td6 ENG

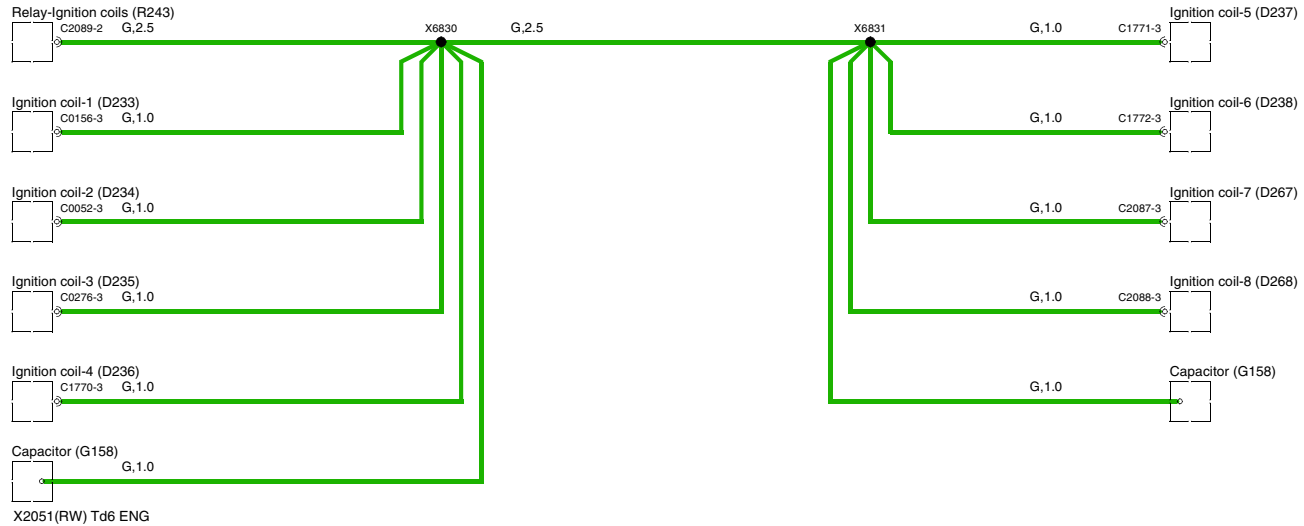


X2278 (RW) Td6 INJECTOR

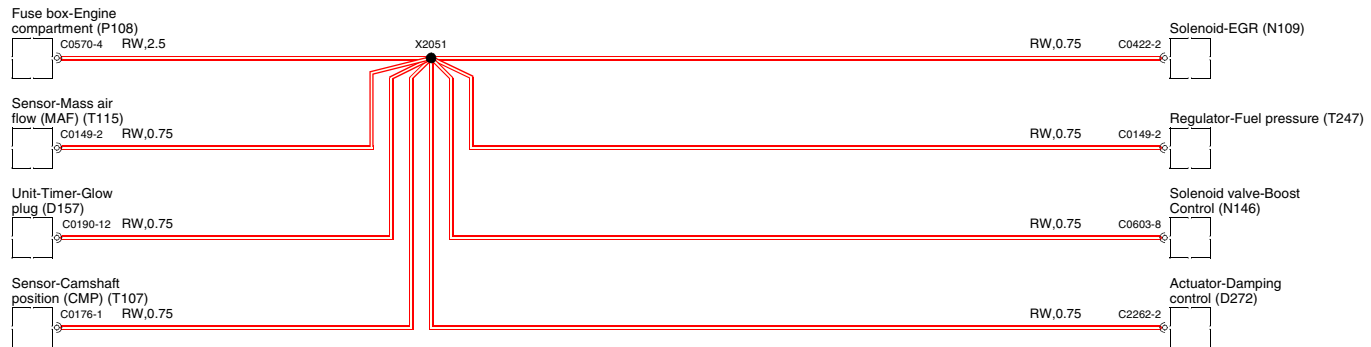


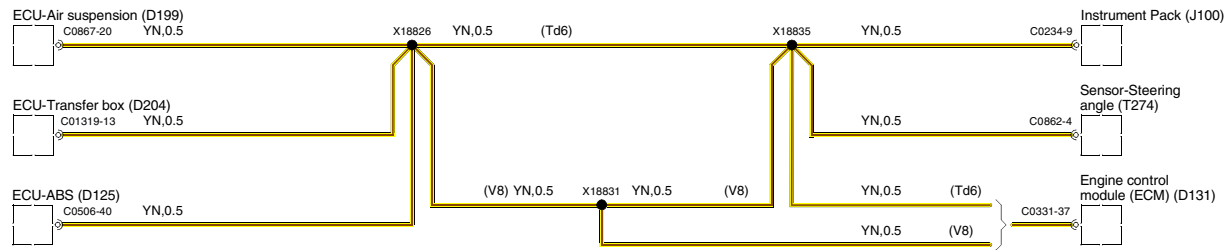
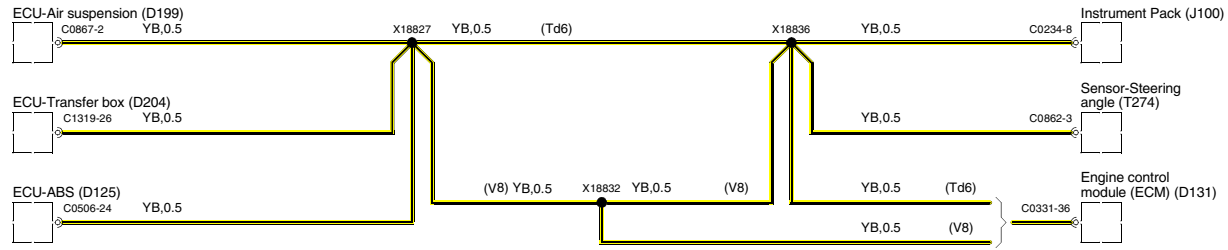
65 SPLICES AND CENTRE TAPS

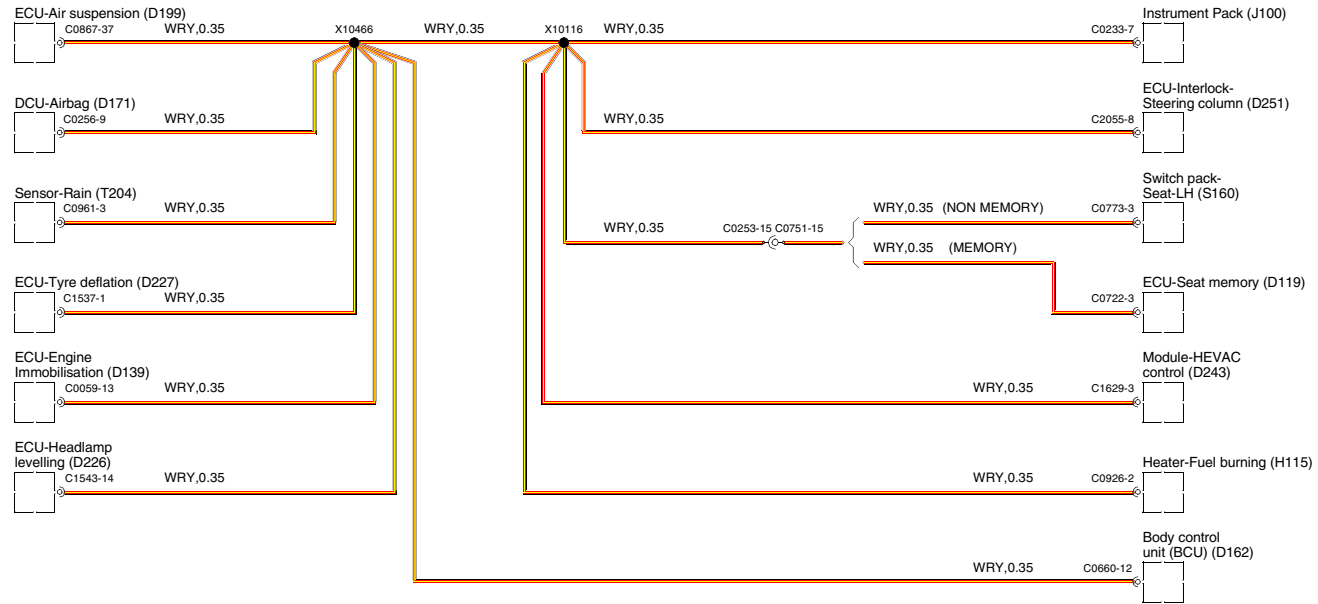
X6830 (G) V8 ENG X6831 (G) V8 ENG

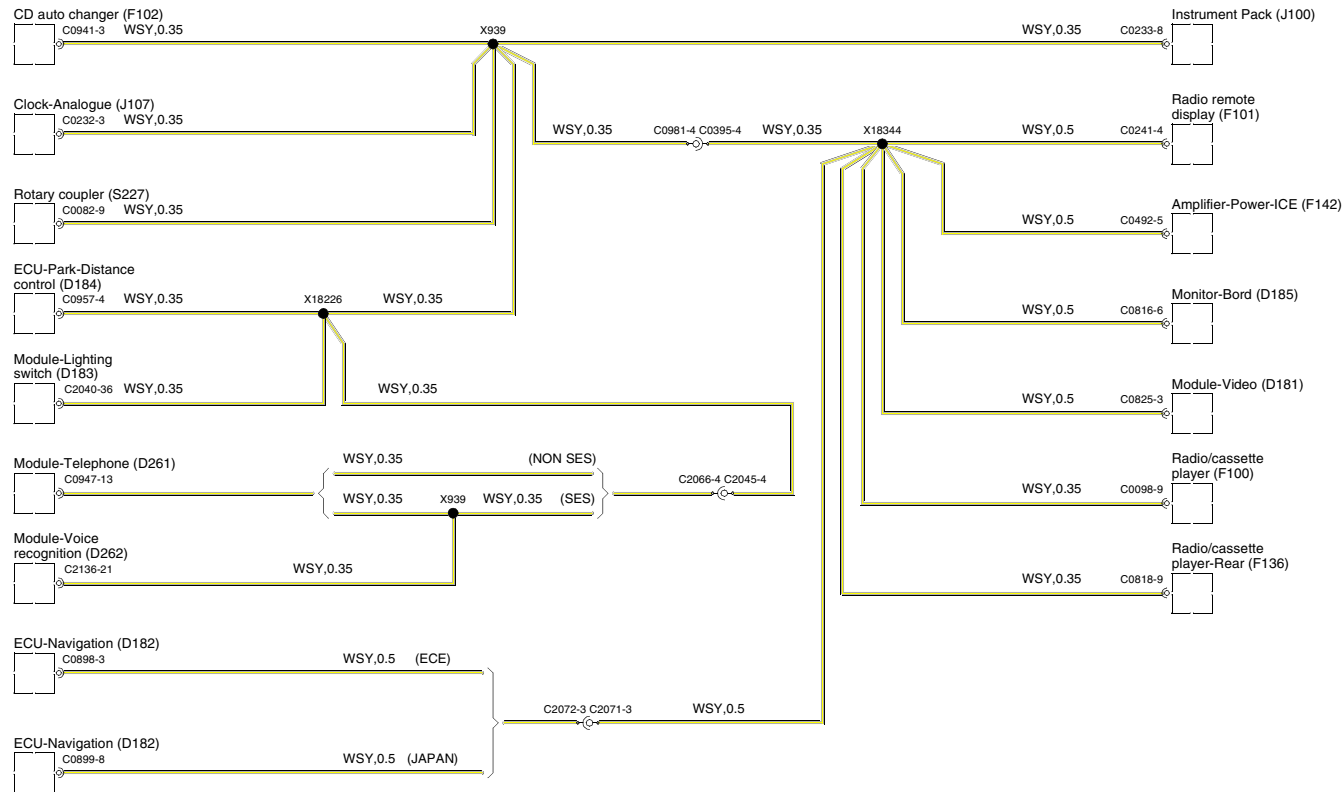


X2051(RW) Td6 ENG

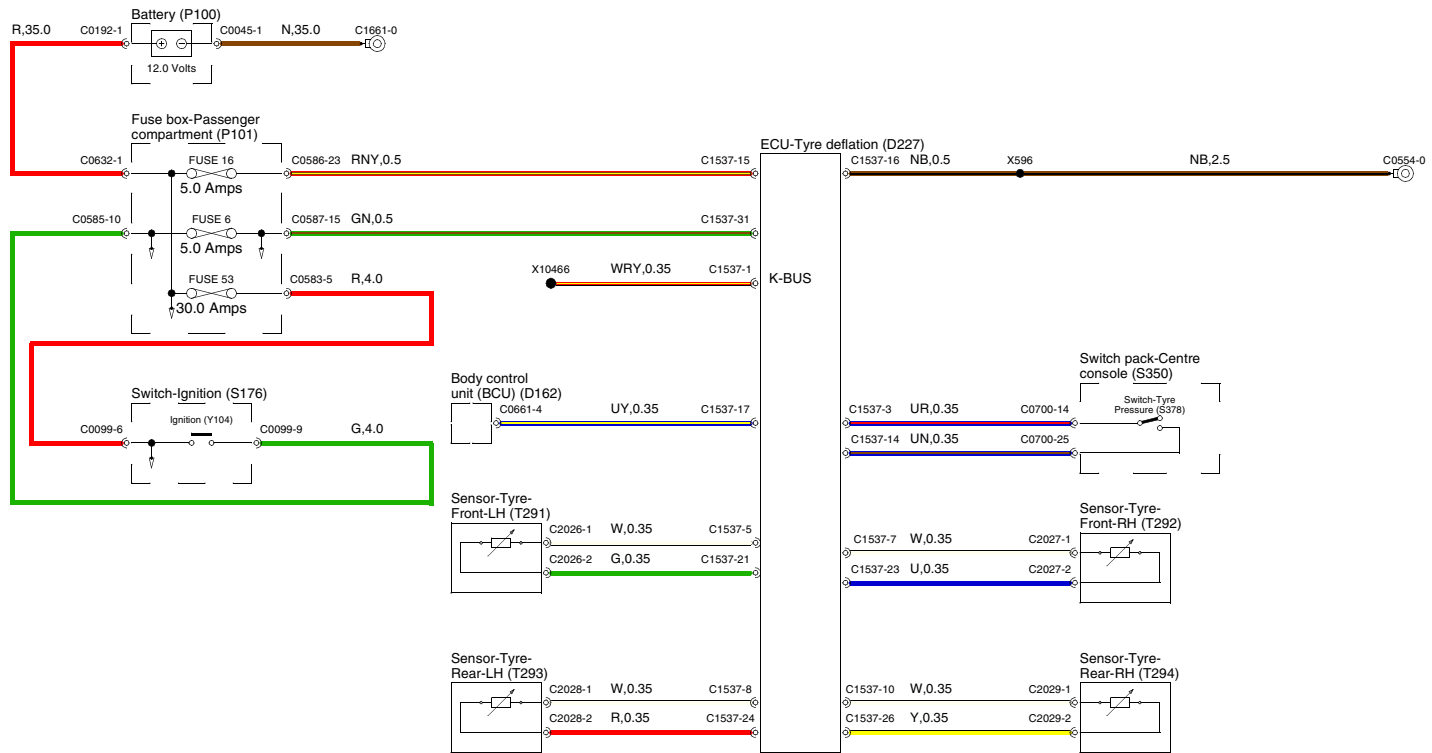




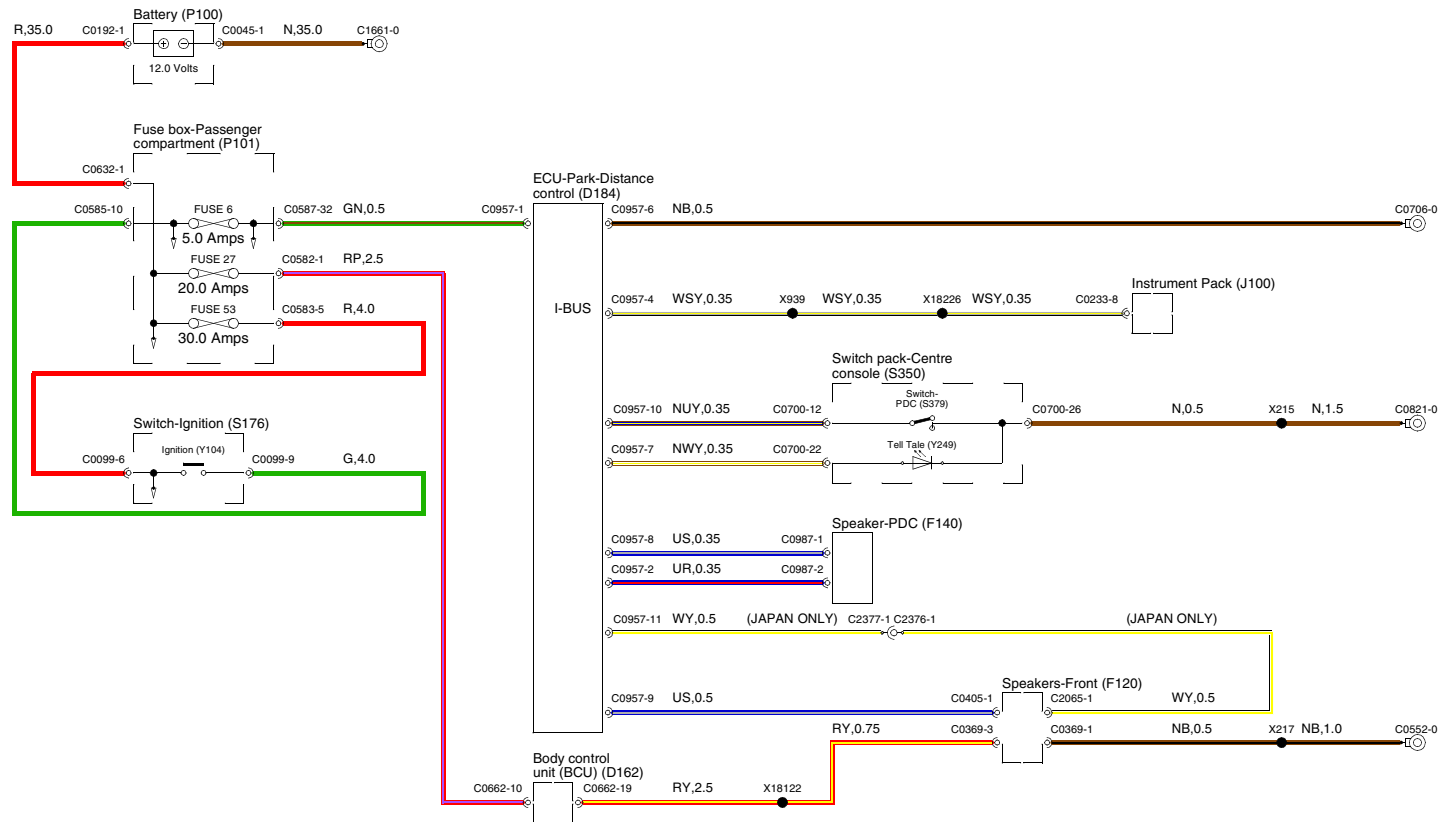




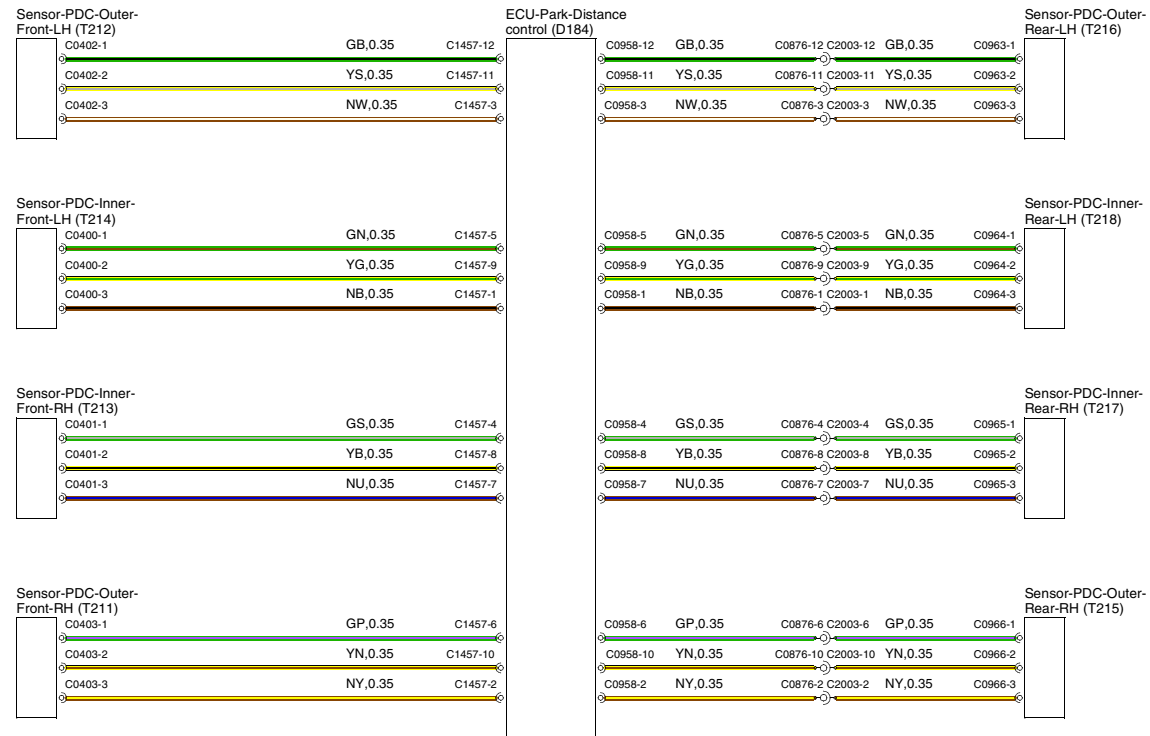
73 TYRE PRESSURE MONITORING



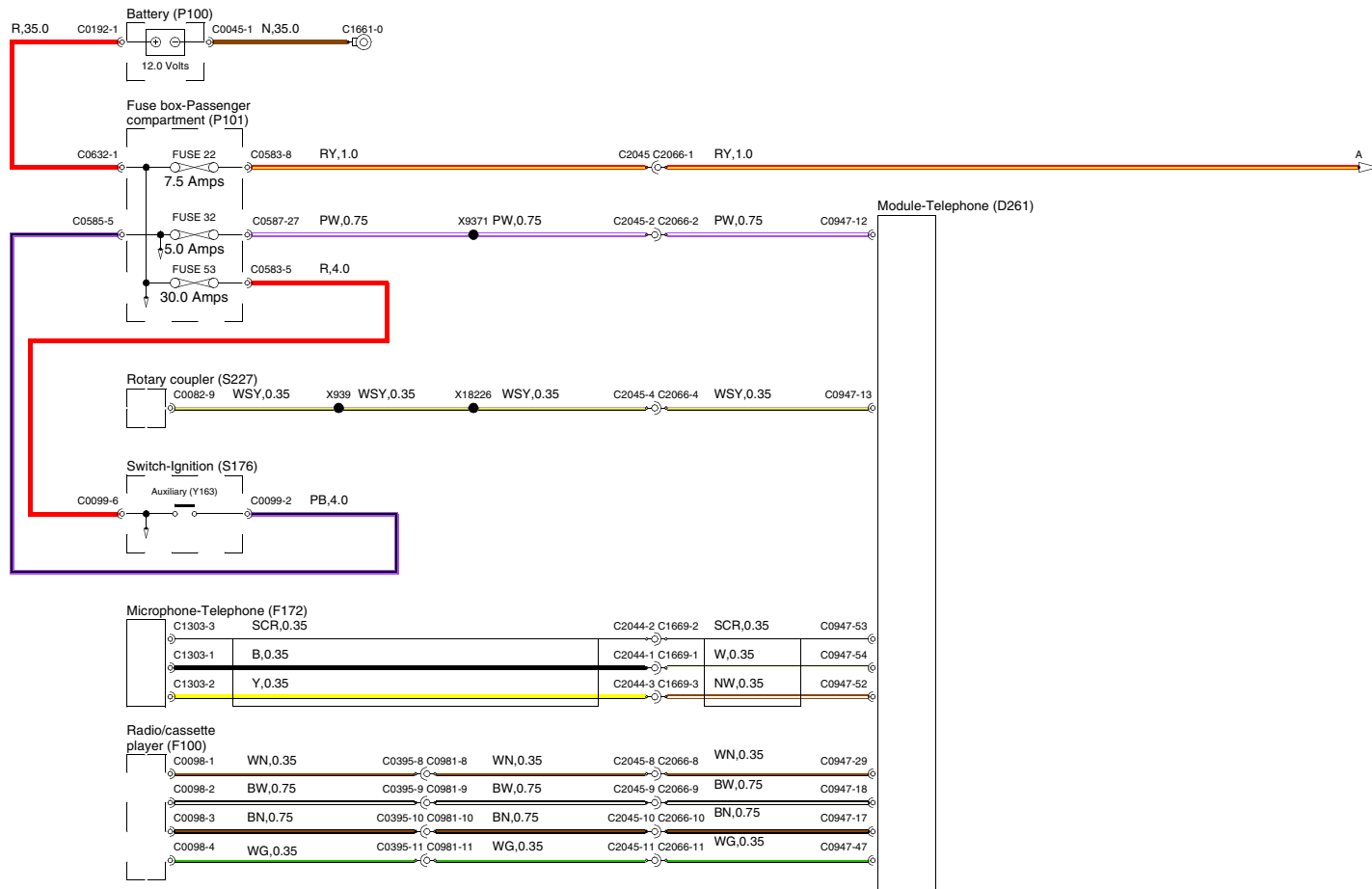
75 PARK DISTANCE CONTROL (PDC)

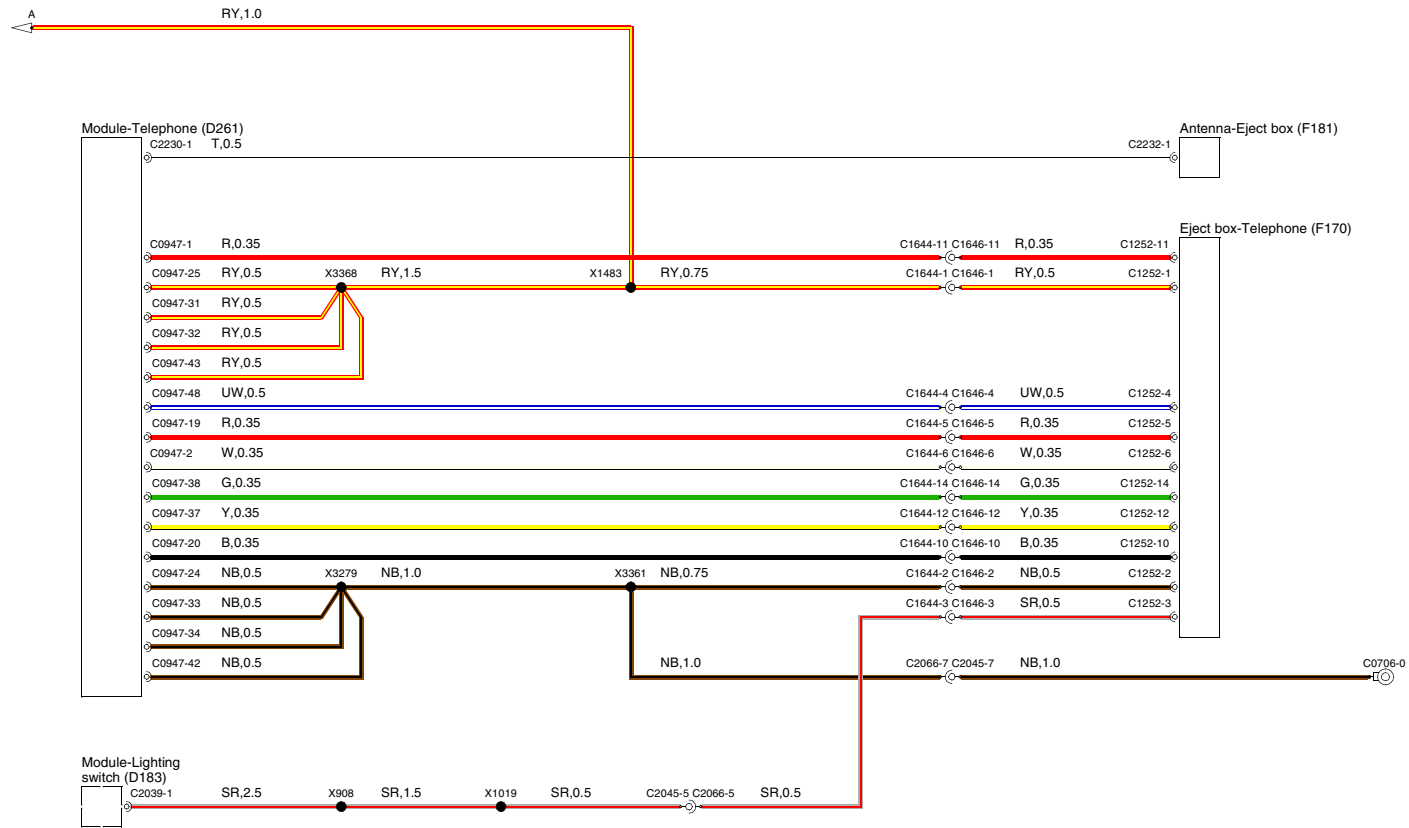


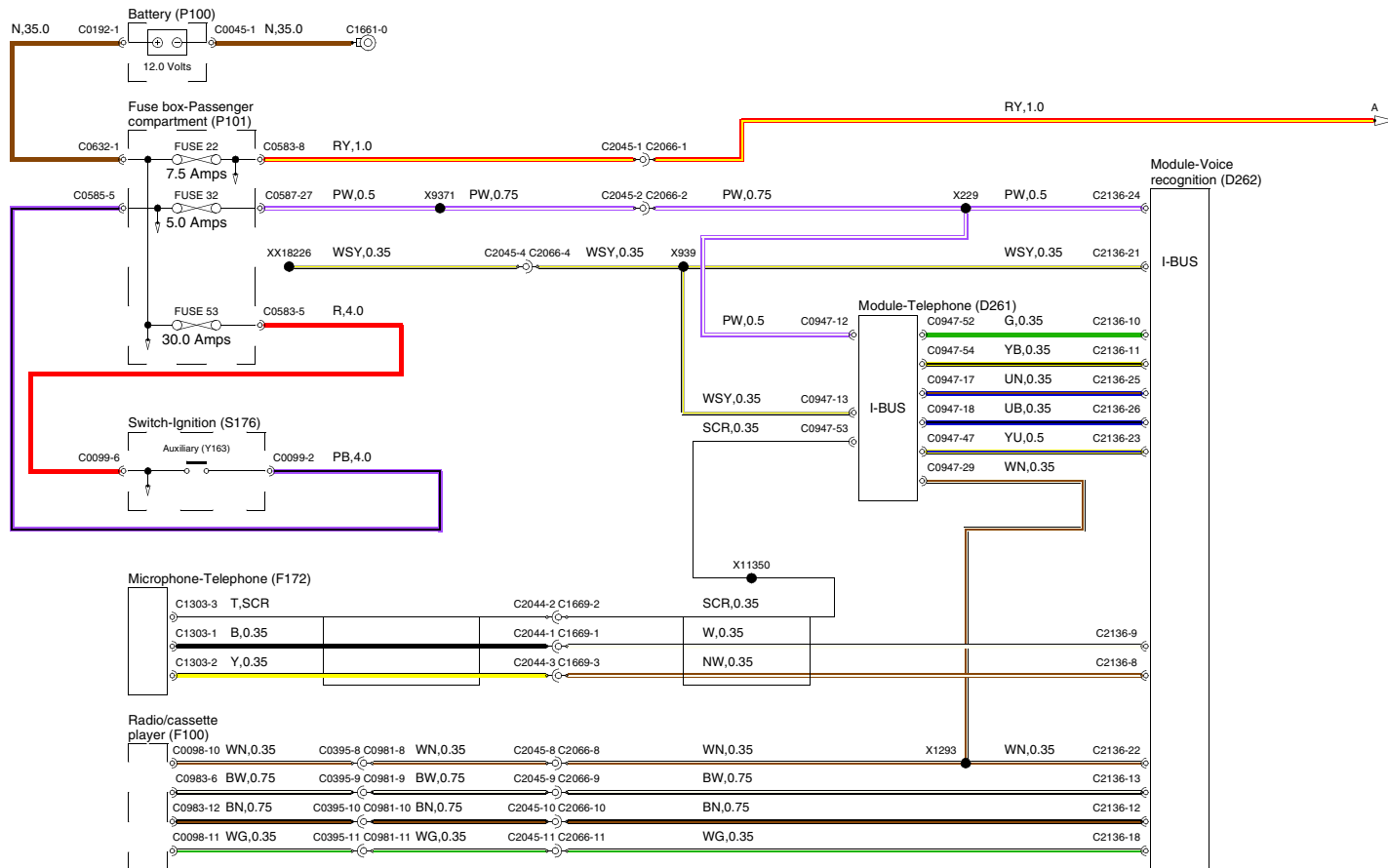
75 PARK DISTANCE CONTROL (PDC)

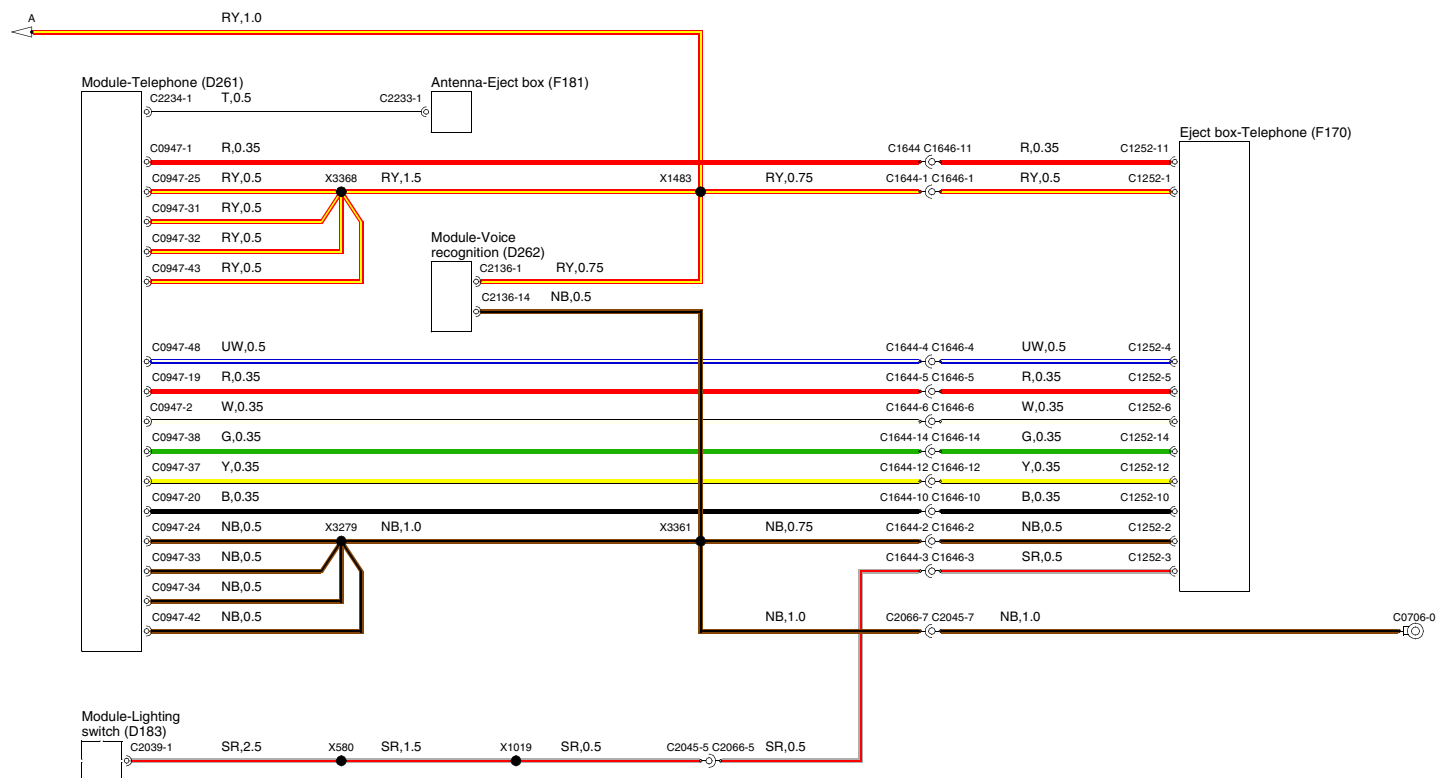


76 TELECOMMUNICATION SYSTEMS









80 TRAILER SOCKET

