



ARMY CODE No.
22726

2nd Edition
(superseding 1st Edition
dated March 1975)

FOR OFFICIAL USE ONLY
CROWN COPYRIGHT RESERVED

TRUCK, GS, 1 TONNE, 4x4, ROVER

and

AMBULANCE, 4 STRETCHER, 4x4, ROVER

ILLUSTRATED PARTS CATALOGUE

BY COMMAND OF THE DEFENCE COUNCIL

Mina Whitmore.

Ministry of Defence

Sponsor: OR 11

DDMTSE (RAF)
(File Ref. D/OR 11/75/3/2
D/DWSE (RAF)/125/133/221)
Publication Authority, D.ACA

Royal Arsenal West Woolwich, SE18 6SR

PREFACEIntroduction

1. This Illustrated Parts Catalogue (IPC) is designed as an aid to the identification of component parts or assemblies of parts of the equipment, and to provide the information necessary for the demanding of spares.
2. This IPC may list some or all of the parts comprising the equipment concerned, but only those parts given a NATO Stock Number or Service Catalogue or Reference Number will normally be available as spares. Should there be a requirement for an item not assigned a number, demands may be submitted quoting the Code Number of the publication, item number, figure reference and item name. Where a manufacturer's number is known this should also be quoted. In the case of "NP" assemblies quote details as per text page.
3. It is suggested, that for convenient use of this catalogue, reference should first be made to the appropriate illustration, identification of the part required will then immediately transfer attention to the text by means of the plate reference number for items catalogued.

Quantities

4. The figure in the 'Number Off' column specifies the quantity required for the unit (or assembly, sub-assembly, etc.) concerned; it does not indicate the quantity to be demanded.

Demands

5. When demanding Spare Parts the following particulars must be quoted:-
 - (a) Catalogue Number (includes V.A.O.S. Section)
 - (b) Item Name
 - (c) Name of the Equipment for which the part is required.

Demands on Indent Form G.8436 (A.D.P.) Catalogue Numbers should be converted to V.R.N. format in accordance with current D.C.I.'s e.g. LV6MT3/6220-99-910-9199 becomes 6MT3/6220999109199.

Amendments

6. Amendments/changes to the catalogue will be published as and when necessary. They will be numbered consecutively and the 'Amendment Record Sheet' is to be completed for each 'Amendment List' embodied. A summary of 'Amendment Lists' distributed is published in Defence Council Instructions.

Abbreviations/Annotations

7. Abbreviations, Annotations and symbols used in this IPC have been approved and are listed separately.

Indentations

8. The indentation used in this IPC is the Dot System in which each 'dot' depicts the relationship of the item to the main assembly.

Other Information

9. Reference may be made throughout the text to the "left-hand" (lh) and "right-hand" (rh) side of the vehicle, rather than to the "near side" and "off side". The left-hand is that to the left hand when the vehicle is viewed from the rear.

Publication Information

10. Any communication regarding this IPC should be made to the controlling authority at the following address:- OIC, Army Cataloguing Agency (MT), Building 106, Chilwell, Beeston, Nottingham NG9 5HA.

ABBREVIATIONS

A	ampere
ac	alternating current
ACA/MT	Army Cataloguing Agency Motor Transport
A/F	across flats
Ah	ampere hour
ANC	American National Coarse Thread
ANF	American National Fine Thread
ANP	American National Pipe Thread
ANPT	American National Taper Pipe Thread
AR	as required
assy	assembly
BA	British Association Screw Thread
BC	bayonet cap
BSF	British Standard Fine Thread
BSP	British Standard Pipe Thread
BSW	British Standard Whitworth Thread
C	Celsius (Centigrade)
cc	cubic centimetre(s)
c to c	centre to centre
CH	chassis
CI	cast iron
circ	circumference
contd	continued
cres	Corrosion resistant steel
c/s	cycles per second
csk hd	countersunk head
Cts	contracts
cu in.	cubic inch(s)
dc	direct current
deg	degree(s)
dia	diameter
dim.	dimension(s)
dpdt	double pole, double throw
dpst	double pole, single throw
Eng	engine
ext	external
F	Fahrenheit
ft	foot (feet)
gal	gallon
galv	galvanised
gm	gramme
h	high (height)
hd	head
hex	hexagon
HT	high tension
in.	inch
int	internal
IPC	Illustrated Parts Catalogue
KPH	kilometres per hour
lg	long (length)
lh	left hand
LHD	left hand drive

ABBREVIATIONS - contd

m	metre(s)
max	maximum
MCC	miniature centre contact
MCI	malleable cast iron
MES	miniature Edison screw
min	minimum
mm	millimetre(s)
MPH	miles per hour
mtd	mounted
mtg	mounting
neg	negative
No.	number(s)
NP	Non-Provided as a spare
NPTF	American Standard Taper Pipe Thread (Dryseal)
o/a	overall
od	outside diameter
pos	positive
psi	pounds per square inch
PTFE	polytetrafluoroethelene
PVC	polyvinyl chloride
qty	quantity
rd hd	round head
rh	right hand
RHD	right hand drive
SBC	single bayonet cap
SCC	single centre contact
sect	section
SI	Systeme International (thread)
spdt	single pole, double throw
spst	single pole, single throw
sq	square
std	standard
syn	synthetic
temp	temperature
thd	thread
thk	thick(ness)
tpi	threads per inch
UNC	Unified Coarse Thread
UNF	Unified Fine Thread
UNS	Unified Special Thread
u/o	used on
u/w	used with
V	volt(s)
veh	vehicle(s)
W	watt(s)
w	width
w/	with
w/o	without
Whit	Whitworth
+	item not illustrated

ADDITIONAL INFORMATION

This publication satisfies the following CHASSIS/BODY references, but demands for replacement parts should only be made against the contracts listed below:-

SERIAL NO	CHASSIS CONTRACT	RELATED BODY CONTRACT	SERVICE	NOMENCLATURE	NSN	VEH. CODE NO.	REMARKS
1	WV0615 Item 1		ARMY	TRUCK, GENERAL SERVICE, 1 TONNE, 4x4, ROVER, RHD	2320-99-893-2931	1840-0750	} } 12 Volt
2	WV0615 Item 2		ARMY	TRUCK, GENERAL SERVICE, 1 TONNE, 4x4, ROVER, LHD	2320-99-893-2954	1840-5750	} }
3	WV0615 Item 2	FVE21A/156 Item 5	ARMY	AMBULANCE, 4 Stretcher, 4x4, ROVER, LHD	2310-99-893-4674	1054-5750	
4	WV0615 Item 3		ARMY	TRUCK, GENERAL SERVICE, 1 TONNE, 4x4, ROVER, RHD	2320-99-893-2933	1850-0750	} } 24 Volt
5	WV0615 Item 4		ARMY	TRUCK, GENERAL SERVICE, 1 TONNE, 4x4, ROVER, LHD	2320-99-893-2955	1850-5750	} }
6	WV0615 Item 5		ARMY	TRUCK, GENERAL SERVICE, 1 TONNE, 4x4, ROVER, RHD	2320-99-893-2932	1825-0750	} } 12 Volt w/winch
7	WV0615 Item 6		ARMY	TRUCK, GENERAL SERVICE, 1 TONNE, 4x4, ROVER, RHD	2320-99-893-2934	1832-0750	} } 24 Volt w/winch
8	WV0615 Item 7		ARMY	TRUCK, GENERAL SERVICE, 1 TONNE, 4x4, ROVER, LHD	2320-99-893-2956	1832-5750	} }
9	WV0615 Item 12		ARMY	TRUCK, GENERAL SERVICE, 1 TONNE, 4x4, ROVER, LHD	2320-99-893-2958	1825-5750	} } 12 Volt w/winch
10	WV0615 Item 14		RAF	TRUCK, GENERAL SERVICE, 1 TONNE, 4x4, ROVER, RHD	2320-99-893-2934	1832-0750	} } 24 Volt w/winch
11	WV0615 Item 15		RAF	TRUCK, GENERAL SERVICE, 1 TONNE, 4x4, ROVER, LHD	2320-99-893-2956	1832-5750	} }
12	WV0615 Item 23		RAF	TRUCK, GENERAL SERVICE, 1 TONNE, 4x4, ROVER, RHD	2320-99-893-2932	1825-0750	} } 12 Volt w/winch
13	WV0615 Item 24		RAF	TRUCK, GENERAL SERVICE, 1 TONNE, 4x4, ROVER, LHD	2320-99-893-2958	1825-5750	} }
14	WV12074 Item 1a	FVE21A/156 Item 2	RAF	AMBULANCE, 4 Stretcher, 4x4, ROVER, RHD	2310-99-893-4673	1054-0750	
15	WV12074 Item 1b	FVE21A/156 Item 1	RAF	AMBULANCE, 4 Stretcher, 4x4, ROVER, LHD	2310-99-893-4674	1054-5750	
16	WV12074 Item 2	FVE21A/156 Item 2	ARMY	AMBULANCE, 4 Stretcher, 4x4, ROVER, RHD	2310-99-893-4673	1054-0750	
17	WV12074 Item 3	FVE21A/156 Item 4	ARMY	AMBULANCE, 4 Stretcher, 4x4, ROVER, RHD	2310-99-893-4673	1054-0750	
18	WV12074 Item 3a	FVE21A/156 Item 3	ARMY	AMBULANCE, 4 Stretcher, 4x4, ROVER, LHD	2310-99-893-4674	1054-5750	
19	WV12074 Item 3b		ARMY	TRUCK, GENERAL SERVICE, 1 TONNE, 4x4, ROVER, LHD	2320-99-893-2955	1850-5750	
20	FVE21A/27 Item 1		RAF	TRUCK, GENERAL SERVICE, 24V, Signals, 1 TONNE, 4x4, ROVER, LHD	2320-99-893-4753	1834-5750	
21	FVE21A/27 Item 2		RAF	TRUCK, GENERAL SERVICE, 24V, Signals, 1 TONNE, 4x4, ROVER, RHD	2320-99-893-4772	1834-0750	

ADDITIONAL INFORMATION

This publication satisfies the following CHASSIS/BODY references, but demands for replacement parts should only be made against the contracts listed below:-

SERIAL NO	CHASSIS CONTRACT	RELATED BODY CONTRACT	SERVICE	NOMENCLATURE	NSN	VEH. CODE NO.	REMARKS
22	FVE21A/27 Item 3		ARMY	TRUCK, GENERAL SERVICE, 24V, Signals, 1 TONNE, 4x4, ROVER, LHD	2320-99-893-4753	1834-5750	
23	FVE21A/27 Item 4a		ARMY	TRUCK, GENERAL SERVICE, 24V, Signals, 1 TONNE, 4x4, ROVER, RHD	2320-99-893-4772	1834-0750	
24	FVE21A/27 Item 4b		ARMY	TRUCK, GENERAL SERVICE, 24V, Signals, 1 TONNE, 4x4, ROVER, RHD	2320-99-893-2444	1831-0750	w/winch
25	FVE21A/27 Item 4c		ARMY	TRUCK, GENERAL SERVICE, 24V, Signals, (FTR), 1 TONNE, 4x4, ROVER, RHD	2320-99-893-5680	1837-0001	
26	FVE21A/230 Item 1)Winches supplied as)Contract FVE21A/230)Item 3	RAF	TRUCK, GENERAL SERVICE, 1 TONNE, 4x4, ROVER, RHD	2320-99-893-4758	1833-0750	
27	FVE21A/230 Item 2		RAF	TRUCK, GENERAL SERVICE, 1 TONNE, 4x4, ROVER, RHD	2320-99-893-4887	1826-0750	
28	FVE22A/5 Item 1		RAF	TRUCK, GENERAL SERVICE, 1 TONNE, 4x4, ROVER, LHD	2320-99-893-4753	1834-5750	
29	FVE22A/5 Item 2		RAF	TRUCK, GENERAL SERVICE, 1 TONNE, 4x4, ROVER, RHD	2320-99-893-4772	1834-0750	Not scaled by ASA

GENERAL CONTENTS

AMENDMENT RECORD Page iii
PREFACE Page iv
LIST OF ABBREVIATIONS Page v-vi
ADDITIONAL INFORMATION Pages vii - viii
INDEX OF NATO STOCK NUMBERS Page x-xx
INDEX OF PART/DRAWING NUMBERS Page xxi - xxxi

POWER UNIT GROUP A
COOLING SYSTEM GROUP B
FUEL SYSTEM GROUP C
EXHAUST SYSTEM GROUP D
TRANSMISSION GROUP F
CONTROLS GROUP G
CAB/BODY AND AMBULANCE BODY GROUP H
FRAME AND SUSPENSION GROUP J
ELECTRICAL SYSTEM GROUP L
WINCH GROUP T

Check CABLE - 720 2540 99 837 4707

GROUP

A

POWER UNIT

POWER UNITCONTENTS

	Page
AIR CLEANER	A34
BREATHER	A20
CAMSHAFT	A7
CARBURETTOR	A16
CONNECTING ROD	A3
COOLANT PUMP	A8
CRANKSHAFT	A2
CRANKSHAFT BEARINGS	A2
CYLINDER BLOCK	A1
CYLINDER HEAD	A10
DAMPER	A2
DIPSTICK	A1
DISTRIBUTOR 12V	A22
DISTRIBUTOR 24V	A23
GENERATOR 12V	A24
GENERATOR FIXINGS (12V)	A25
GENERATOR 24V No.10 MK3	A26
GENERATOR FIXINGS (24V)	A30
EXHAUST MANIFOLD	A13
FLYWHEEL	A21
FRONT COVER	A6
INDUCTION MANIFOLD	A14
MOUNTINGS, ENGINE	A1
OIL PUMP	A4
PISTONS	A3
PULLEY, CRANKSHAFT	A9
PULLEYS, GENERATOR	A9
ROCKERS	A11
ROCKER COVER	A12
STARTER 12V, 24V	A32
SUMP	A5
TAPPETS	A11
THERMOSTAT	A15

POWER UNIT - contdCONTENTS - contdLIST OF ILLUSTRATIONS(NOTE:- THE TEXT DOES NOT NECESSARILY INCLUDE ALL ITEMS REFERENCED)

	Plate
AIR CLEANER	A31
BREATHER PIPES	A20
CAMSHAFT	A7
CARBURETTOR	A16
CARBURETTOR DASHPOT	A17
CARBURETTOR LINKAGE RH	A18
CARBURETTOR LINKAGE LH	A19
COOLANT PUMP	A8
CRANKSHAFT	A2
CYLINDER BLOCK	A1
CYLINDER HEAD	A10
DISTRIBUTOR 12V	A22
DISTRIBUTOR 24V	A23
EXHAUST MANIFOLDS	A13
FAN & VISCOUS UNIT	A9
FLYWHEEL AND CLUTCH	A21
FRONT COVER	A6
GENERATOR 12V	A24
GENERATOR FIXINGS 12V	A25
GENERATOR No.10 MK3 24V	A26
GENERATOR No.10 MK3 24V	A27
GENERATOR (24V) PULLEYS & BELTS	A29
GENERATOR FIXINGS 24V	A28
INLET MANIFOLD	A14
MANIFOLD FIXINGS & THERMOSTAT	A15
OIL PUMP	A4
PISTON & CONNECTING ROD	A3
ROCKER COVER	A12
ROCKER SHAFT	A11
STARTER MOTOR	A30
SUMP	A5

A1

CYLINDER BLOCK

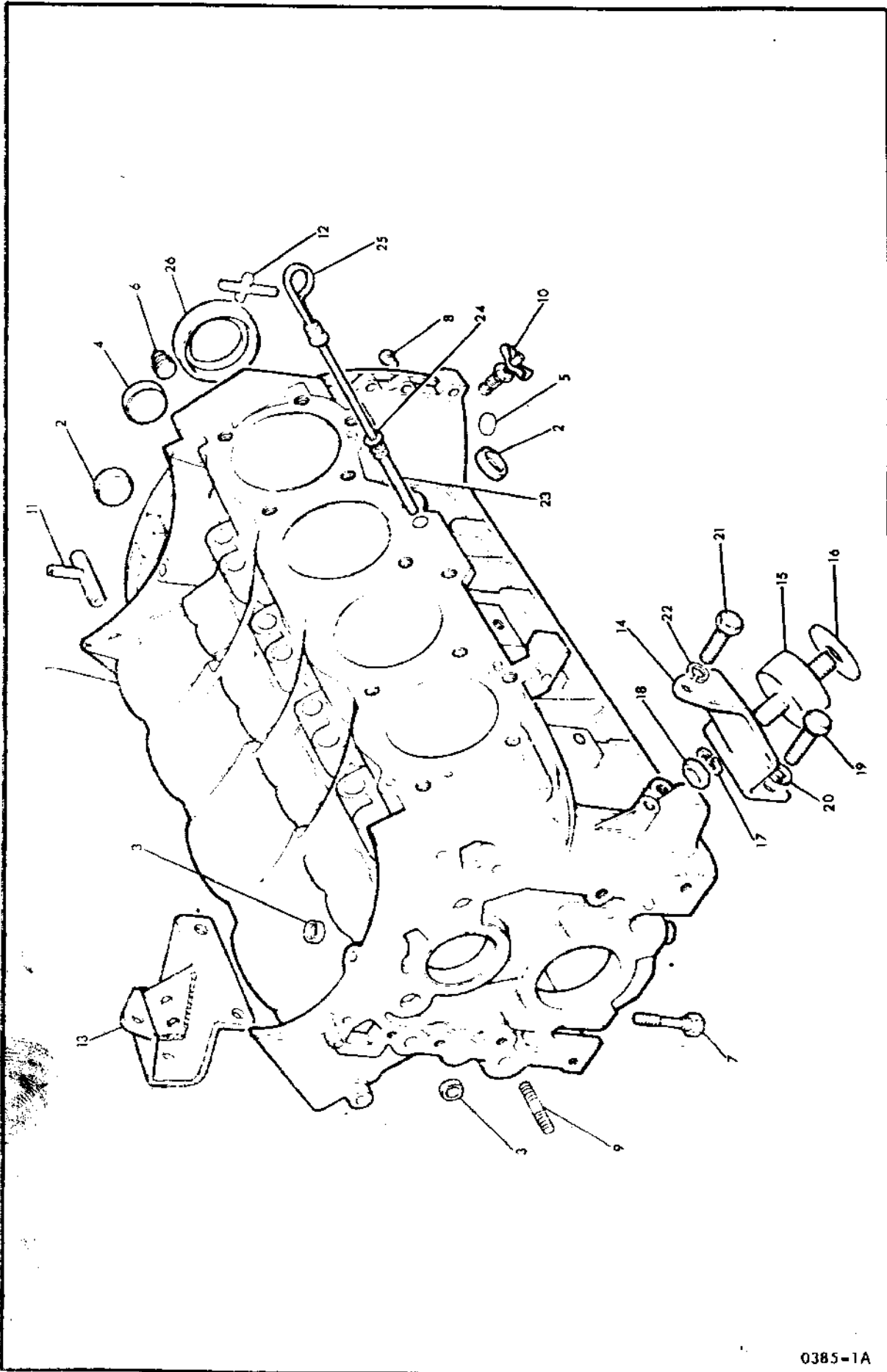


FIG ITEM	MAN CODE	NATO STOCK NUMBER/ CATALOGUE NUMBER	ITEM NAME AND DESCRIPTION	PART NO./ DRAWING NO./ ADREFNO	NO. OFF	ANNOTATIONS
A1 +	LV7RU	2805-99-821-5433	ENGINE, GASOLINE, 8 cylinder 162 bhp, 12V	607430	1	
+	LV7RU	2805-99-821-5434	ENGINE, GASOLINE, 8 cylinder, 162 bhp, 24V	608037	1	
1-10 +	LV7RU	2805-99-824-1349	.CYLINDER BLOCK, GASOLINE ENGINE	613991	1)) Alternatives
+	LV7RU	2805-99-838-6609	.ENGINE BLOCK ASSEMBLY, GASOLINE	ERC6935	1)	
2	LV7RU	5340-99-824-1350	..PLUG, EXPANSION, steel, 1.509 in. dia x 0.064 in. thk	602152	8	
3	LV7RU	5340-99-824-1351	..PLUG, EXPANSION, steel, 5/8 in. dia x 1/16 in. thk	602147	4	
4	LV7RU	5340-99-824-1352	..PLUG, EXPANSION, steel, 1-13/16 in. dia x 0.06 in. thk	602146	1	
5	LV7RU	5340-99-824-1353	..DISC, SOLID, PLAIN, aluminium, 0.568 in. dia x 0.104 in. thk	612898	2	
6	LV7RU	4730-99-824-1354	..PLUG, PIPE, NPTF, steel, 3/8 in.	602212	2	
7	LV7RU	5306-99-137-6096	..BOLT, MACHINE	602130	10	
8	LV7RU	5315-99-137-6097	..PIN, STRAIGHT, HEADLESS: locating flywheel housing	602141	2	
9	G1	5307-99-137-6131	..STUD, PLAIN, UNC/UNF, steel, 5/16 in.		1	
10	LV7RU	2910-99-823-5125	..COCK, DRAIN	602915	2	
11	LV7RU	2805-99-824-1936	.PIPE, CRANKCASE BREATHER, steel, 3 in. lg pipe x 1-3/4 in. lg branch; w/plug	603143	1	
12	LV7RU	5330-99-822-1742	.PACKING, PREFORMED: oil seal	611089	2	
13	LV7RU	2990-99-829-8983	.PLATE, MOUNTING, ENGINE: rh	572121	1	
14	LV7RU	2990-99-829-8984	.PLATE, MOUNTING, ENGINE: lh	572122	1	
15	LV7RU	5340-99-823-7210	.MOUNT, RESILIENT	566222	2	
16	G1	5310-99-137-3362	.WASHER, FLAT, steel, zinc coated, 10 mm		4	
17	G1	5310-99-120-2304	.WASHER, LOCK, steel, 3/8 in.		4	
18	G1	5310-99-135-6785	.NUT, PLAIN, HEXAGON, UNF, steel, 3/8 in.		4	
19	G1	5305-99-941-9066	.BOLT, MACHINE, UNC, steel, 7/16 in. x 1-1/8 in. lg		4	
20	G1	5310-99-124-2519	.WASHER, LOCK, steel, 7/16 in.		4	
21	G1	5305-99-941-0699	.SCREW, MACHINE, UNC, steel, 5/16 in. x 7/8 in. lg		2	
22	G1	5310-99-120-1027	.WASHER, LOCK, steel, 5/16 in.		2	
23, 24	LV7RU	6680-99-824-1356	.TUBE ASSEMBLY, OIL DIPSTICK	613792	1) Dipstick) tube to) rocker) cover
24	LV7RU	5330-99-824-1357	..RING, SEALING, TOROIDAL, rubber, 1/4 in. id x 3/32 in. h	602545	1	
+	LV7RU	5340-99-824-1355	.CLAMP, LOOP, steel, 0.728 in. lg x 0.305 in. w grip x 0.203 in. dia hole	614601 612815	1 1	
+	LV7RU	5340-99-824-1361	.CLAMP, LOOP			
25	LV7RU	6680-99-824-1358	.DIPSTICK, LIQUID QUANTITY, steel, 24 in. lg	614577	1) Crankshaft) rear
26	LV6MT1	5330-99-822-1741	.SEAL, PLAIN, rubber element, 3-7/8 in. od x 3/4 in. id x 1/2 in. w		1	
+	G1	5305-99-128-4728	.SCREW, MACHINE, UNC, steel, hex hd, 5/16 in. x 1/2 in. lg)) Blanking) super-) fluous) holes
+	LV7RU	5330-99-849-9236	.WASHER, FLAT, copper, 5/16 in.	232038)	

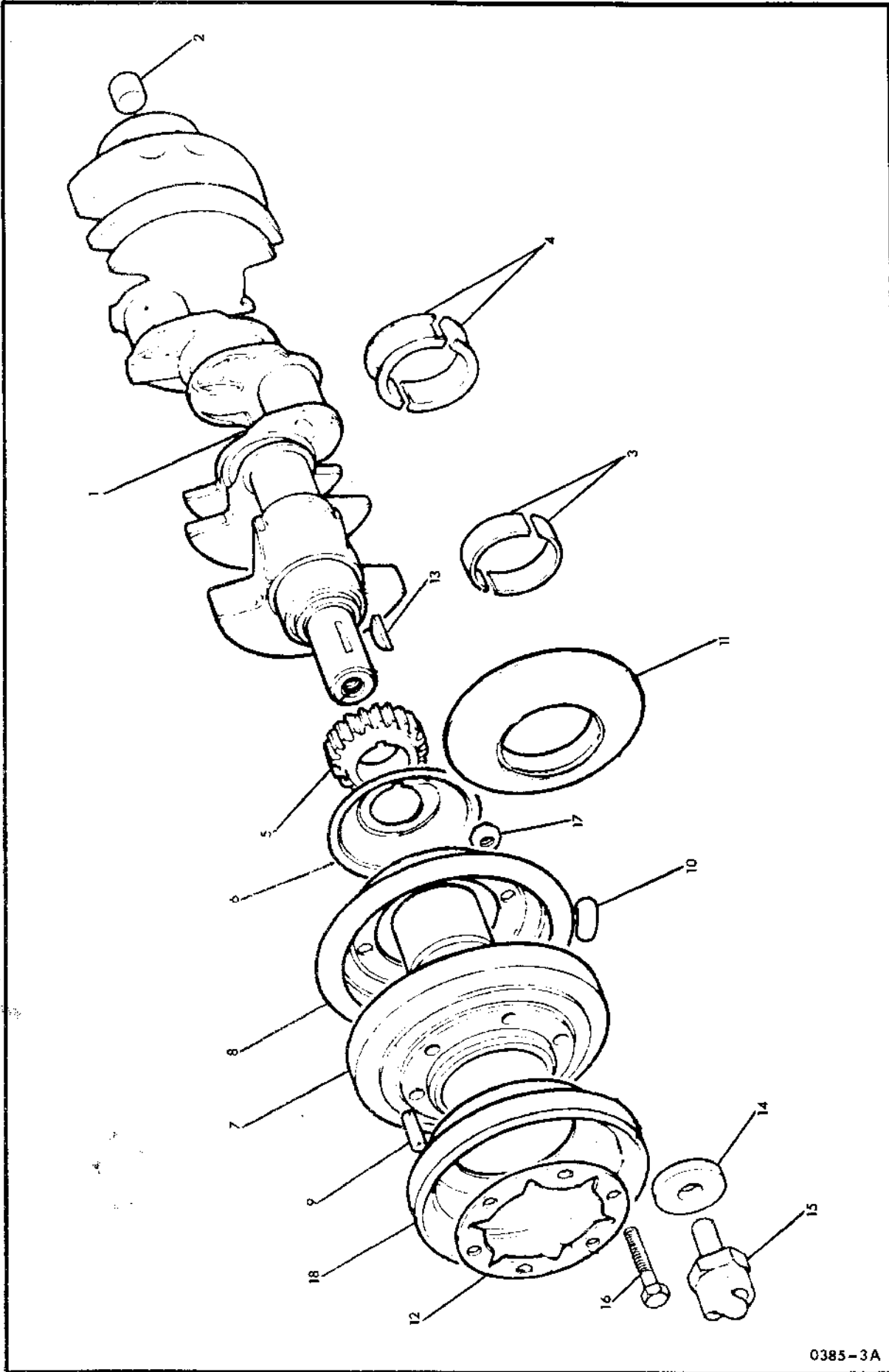
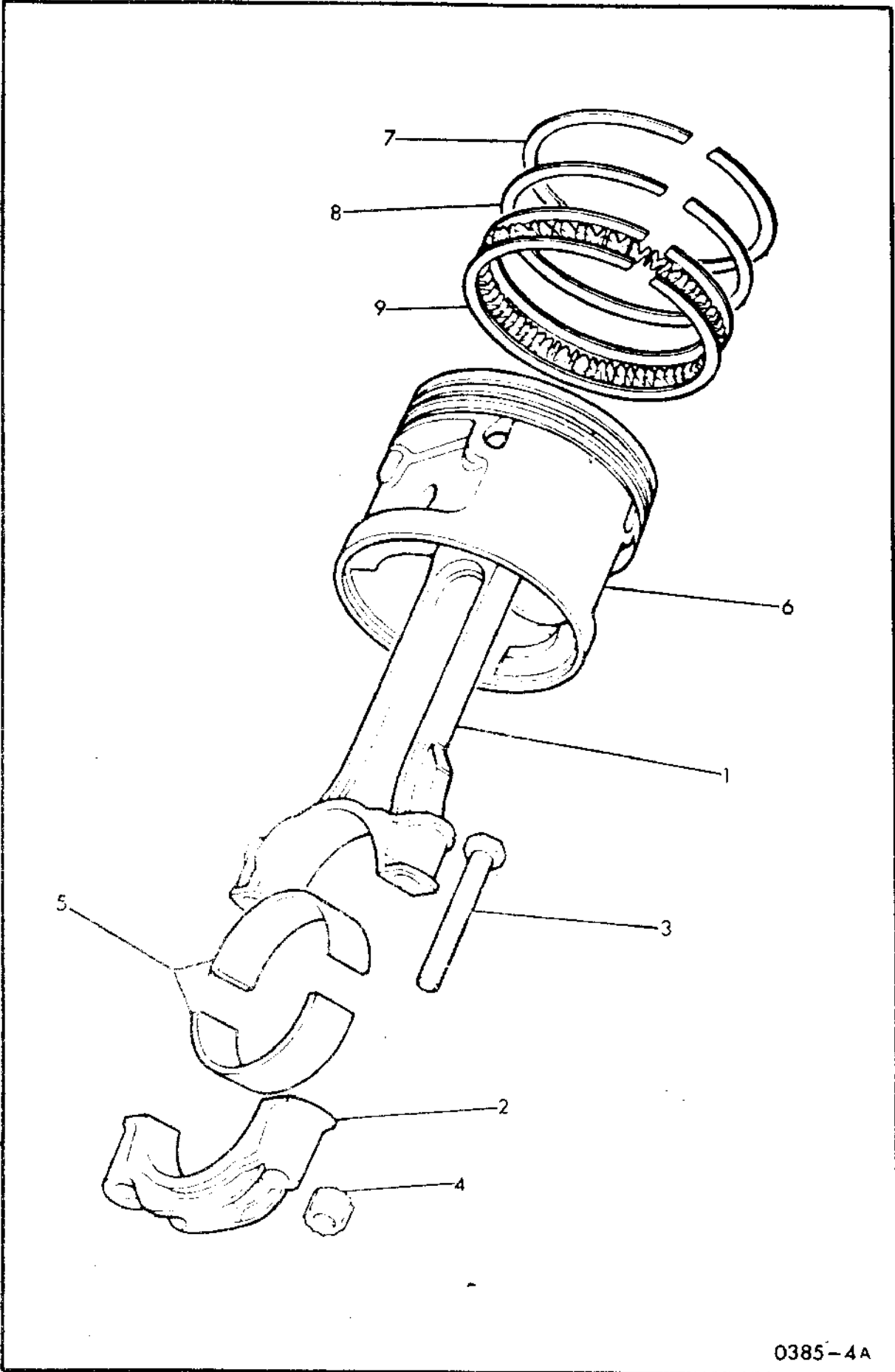


FIG ITEM	MAN CODE	NATO STOCK NUMBER CATALOGUE NUMBER	ITEM NAME AND DESCRIPTION	PART NO./ DRAWING NO./ ADRFPNO	NO. OFF	ANNOTATIONS
A2			ENGINE - contd			
1,2	LV7RU	2505-99-828-0477	.CRANKSHAFT, ENGINE	612990	1) Alternatives
+	LV7RU	2805-99-751-8272	.CRANKSHAFT, ENGINE	612989	1	
2	LV7RU	3120-99-824-0917	..BEARING, SLEEVE, bronze, 0.941 in. od x 0.752 in. id x 0.687 in. lg	549911	2	
	LV7RU	3120-99-828-0472	.BEARING, HALF SET, SLEEVE, std	RTC1718	1 set) AR
	(LV7RU	3120-99-829-9550	.BEARING, HALF SET, SLEEVE, 0.01 in. undersize	RTC171810		
	(LV7RU	3120-99-829-9551	.BEARING, HALF SET, SLEEVE, 0.02 in. undersize	RTC171820		
	(LV7RU	3120-99-824-1718	.BEARING, HALF SET, SLEEVE, flanged std	696870	1 set) AR
4	(LV7RU	3120-99-824-1719	.BEARING, HALF SET, SLEEVE, flanged 0.01 in. undersized	606871		
5	LV7RU	3020-99-824-0918	.SPROCKET WHEEL, 20 teeth, straight bore; w/keyway	90602372	1	
6	LV7RU	2805-99-824-0919	.DEFLECTOR, DIRT AND LIQUID, steel, 3-1/2 in. od x 1-3/8 in. id x 0.03 in. thk	602046	1	
7	LV7RU	2805-99-824-1710	.DAMPER, ENGINE CRANKSHAFT, cast iron, 6-1/16 in. od x 1-3/8 in. id x 3-29/32 in. lg	613669	1	
8	LV7RU	2805-99-824-1712	.BALANCING RIM, CRANKSHAFT, steel, 6 in. od x 2-11/16 in. id x 0.72 in. w	603301	1	
9	LV7RU	5315-99-137-6099	.PIN, SPRING	503535	1	
	(LV7RU	2505-99-824-1364	.BALANCE WEIGHT, steel, 0.519 in. lg x 0.177 oz wt	603523)) AR
	(LV7RU	2505-99-824-1365	.BALANCE WEIGHT, steel, 1.04 in. lg x 0.355 oz wt	603524)	
10	(LV7RU	2505-99-824-1366	.BALANCE WEIGHT, steel, 1.56 in. lg x 0.532 oz wt	603525)	
	(LV7RU	2806-99-824-1367	.BALANCE WEIGHT, steel, 2.08 in. lg x 0.71 oz wt	603526)	
	(LV7RU	2505-99-824-1368	.BALANCE WEIGHT, steel, 2.08 in. lg x 0.71 oz wt	603526)	
11	LV7RU	2505-99-824-1711	.DEFLECTOR, DIRT AND LIQUID, steel, 4 in. od x 1.92 in. id x 0.3 in. w	613671	1	
13	LV7RU	5315-99-820-9557	.KEY, MACHINE	ERC2838	1	
14	LV7RU	3120-99-137-6130	.BEARING WASHER, THRUST	602411	1	
15	LV7RU	2505-99-824-1368	.STARTING DOC, CRANKSHAFT, steel, 5/8 in. UNF thd x 2-13/16 in. lg	610178	1	
16	G1	5306-99-941-0299	.BOLT, MACHINE, UNF, steel, 5/16 in. x 1-1/2 in. lg		3) 12V engines
17	G1	5310-99-941-0925	.NUT, PLAIN, HEXAGON, UNF, steel, 5/16 in.		3	
18	LV7RU	3020-99-824-3399	.PULLEY, GROOVE	611019	1	
+	G1	5306-99-941-0300	.BOLT, MACHINE, UNF, steel, hex hd, 5/16 in. x 1-3/4 in. lg		6) 24V engines
+	G1	5310-99-136-1515	.NUT, PLAIN, HEXAGON, UNF, steel, 5/16 in.		6	
+	LV7RU	3020-99-824-7194	.PULLEY, GROOVE, 3 grooves, 6-3/4 in. dia x 2-7/8 in. w	613005	1	

A3

PISTON & CONNECTING ROD



0385-4A

FIG ITEM	MAN CODE	NATO STOCK NUMBER/ CATALOGUE NUMBER	ITEM NAME AND DESCRIPTION	PART NO./ DRAWING NO./ ADREFNO	NO. OFF	ANNOTATIONS
A3			ENGINE - contd			
1-4	LV7RU	2805-99-824-1369	.CONNECTING ROD, PISTON	602082	8	
3	LV7RU	2805-99-137-6101	..BOLT, MACHINE	602609	16	
4	LV7RU	5310-99-137-6129	..NUT, PLAIN, DODECAGON	602061	16	
	LV7RU	3120-99-828-6773	.BEARING, HALF SET, SLEEVE: std, engine set	RTC 2117)	
5	LV7RU	3120-99-829-1954	.BEARING, HALF SET, SLEEVE: 0.01 in. undersize, engine set	B8089SA) AR	
	LV7RU	3120-99-829-6057	.BEARING, HALF SET, SLEEVE: 0.02 in. undersize, engine set	RTC2117020)	
	LV7RU	2805-99-828-0476	.PISTON, INTERNAL COMBUSTION ENGINE: grade A std	606962)	
6-9	LV7RU	2805-99-824-1714	.PISTON, INTERNAL COMBUSTION ENGINE: 0.02 in. oversize	606964)	
	LV7RU	2805-99-824-1715	..RING, PISTON: upper compression, grade A std	610757)	
7	LV7RU	2805-99-824-1580	..RING, PISTON: upper compression, 0.02 in. oversize	611482) AR	
	LV7RU	2805-99-824-1581	..RING, PISTON: lower compression, grade A std	90602056)	
8	LV7RU	2805-99-824-1582	..RING, PISTON: lower compression, 0.02 in. oversize	603454)	
	LV7RU	2805-99-824-1583	..RING, PISTON: scraper, w/spacer, grade A std	614820)	
9	LV7RU	2805-99-824-1584	..RING, PISTON: scraper; w/spacer, 0.02 in. oversize	614822)	

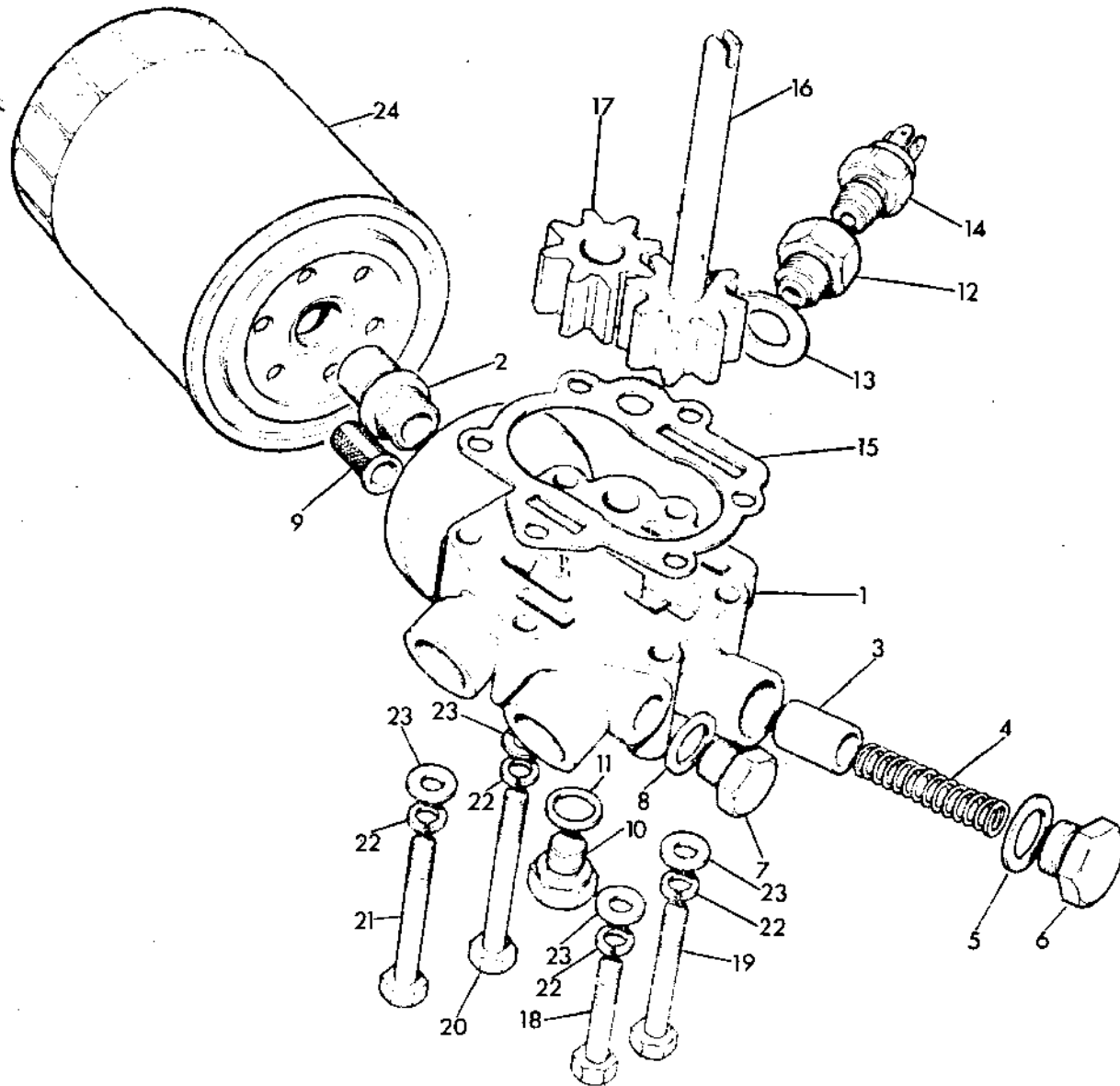
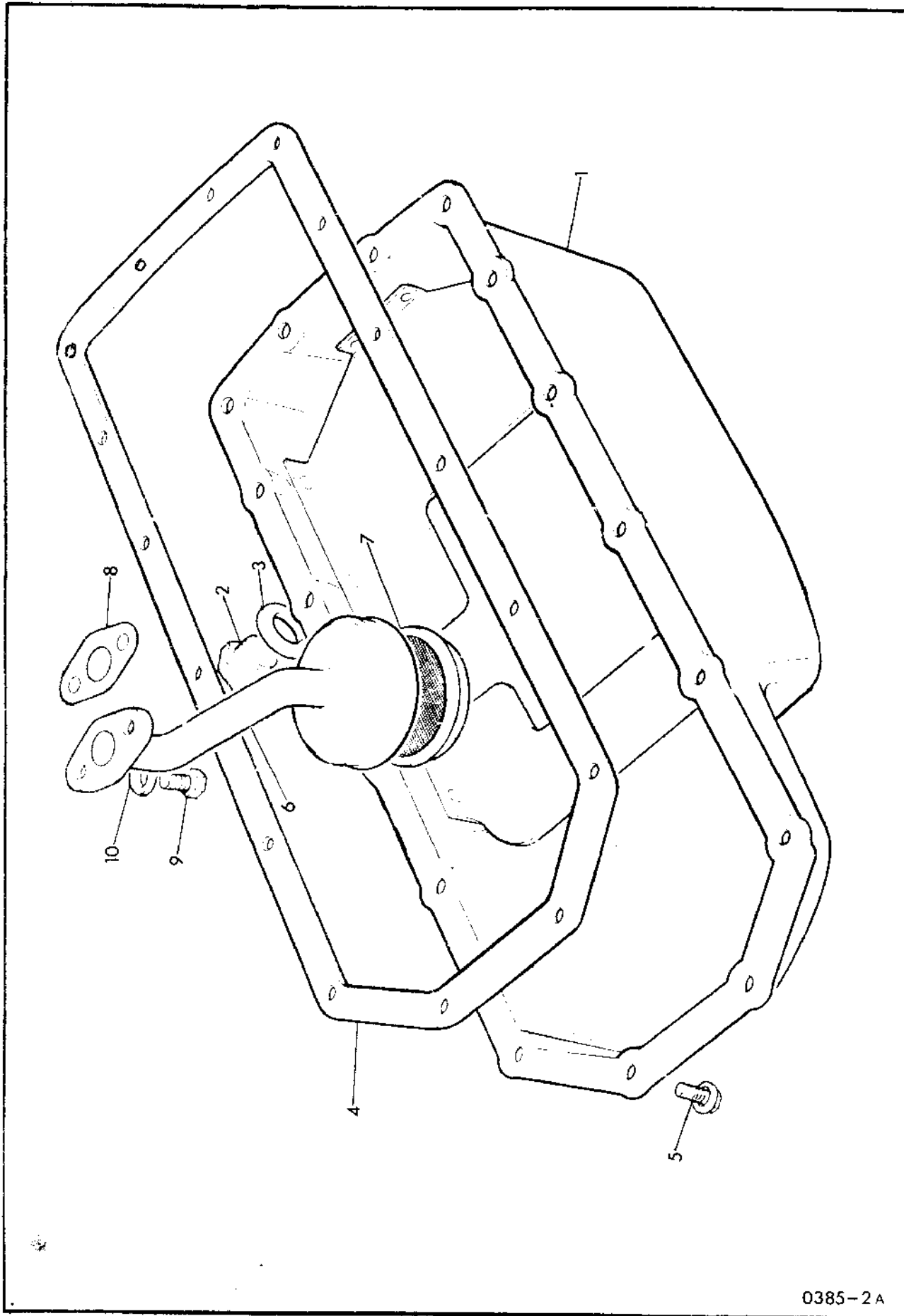


FIG ITEM	MAN CODE	NATO STOCK NUMBER/ CATALOGUE NUMBER	ITEM NAME AND DESCRIPTION	PART NO./ DRAWING NO./ ADREFNO	NO. OFF	ANNOTATIONS
A4			ENGINE - contd			
1-14	LV7RU	2805-99-825-4289	.COVER, OIL PUMP	ERC1243	1	
3	LV7RU	2805-99-824-1616	..PLUNGER, OIL PRESSURE RELIEF VALVE, 0.598 in. od x 0.42 in. id x 0.97 in. lg	90602064	1	
4	LV7RU	5360-99-824-1617	..SPRING, HELICAL, COMPRESSION, steel, 13/32 in. od x 3-13/64 in. lg	602067	1	
5	LV7RU	5310-99-137-6112	..WASHER, FLAT	603521	1	
7	LV7RU	5365-99-825-4290	..PLUG, SCREWED, UNF, steel, 9/16 in. x 7/16 in. lg	90614848	1	
8	LV7RU	5330-99-850-0445	..GASKET	243968	1	
9	LV7RU	2805-99-825-2078	..STRAINER ELEMENT, SEDIMENT	610915	1	
11	LV6MT12	2910-99-807-8232	..GASKET	243967	2	
12	LV7RU	2940-99-829-6058	..CAP, OIL, FILTER, steel, 1/4 in. NPSF female one end x 3/4 in. UNEF male other end x 31/32 in. lg	613717	1	By-pass valve
13	LV7RU	5310-99-137-6112	..WASHER, FLAT	603521	1	
14	LV6MT4	5930-99-822-1739	..SWITCH, PRESSURE	589470	1	
15	LV7RU	2805-99-824-1921	.GASKET, 3-11/16 in. lg x 3-13/16 in. w x 7/64 in. thk	90602072	1	
16	LV7RU	2805-99-824-1922	.ROTOR, GEAR PUMP, 1-21/32 in. dia gear x 5-1/2 in. o/a lg: 8 teeth	602018	1	
17	LV7RU	3020-99-824-1923	.GEAR, SPUR, 1-21/32 in. od x 31/64 in. id x 7/8 in. w: 8 teeth	602017	1	
18	G1	5306-99-941-1524	.BOLT, MACHINE, UNC, steel, 1/4 in. x 1-3/4 in. lg		3	
19	G1	5306-99-941-1526	.BOLT, MACHINE, UNC, steel, 1/4 in. x 2-1/4 in. lg		1	
20	G1	5306-99-120-6700	.BOLT, MACHINE, UNC, steel, 1/4 in. x 2-3/4 in. lg		1	
21	G1	5306-99-941-1527	.BOLT, MACHINE, UNC, steel, 1/4 in. x 2-1/2 in. lg		1	
22	G1	5310-99-941-6654	.WASHER, LOCK, steel, 1/4 in.		6	
23	G1	5310-99-120-0806	.WASHER, FLAT, steel, 1/4 in.		6	
24	LV6MT12	4330-99-829-3948	.FILTER, FLUID PRESSURE	7984502	1	

A5

SUMP

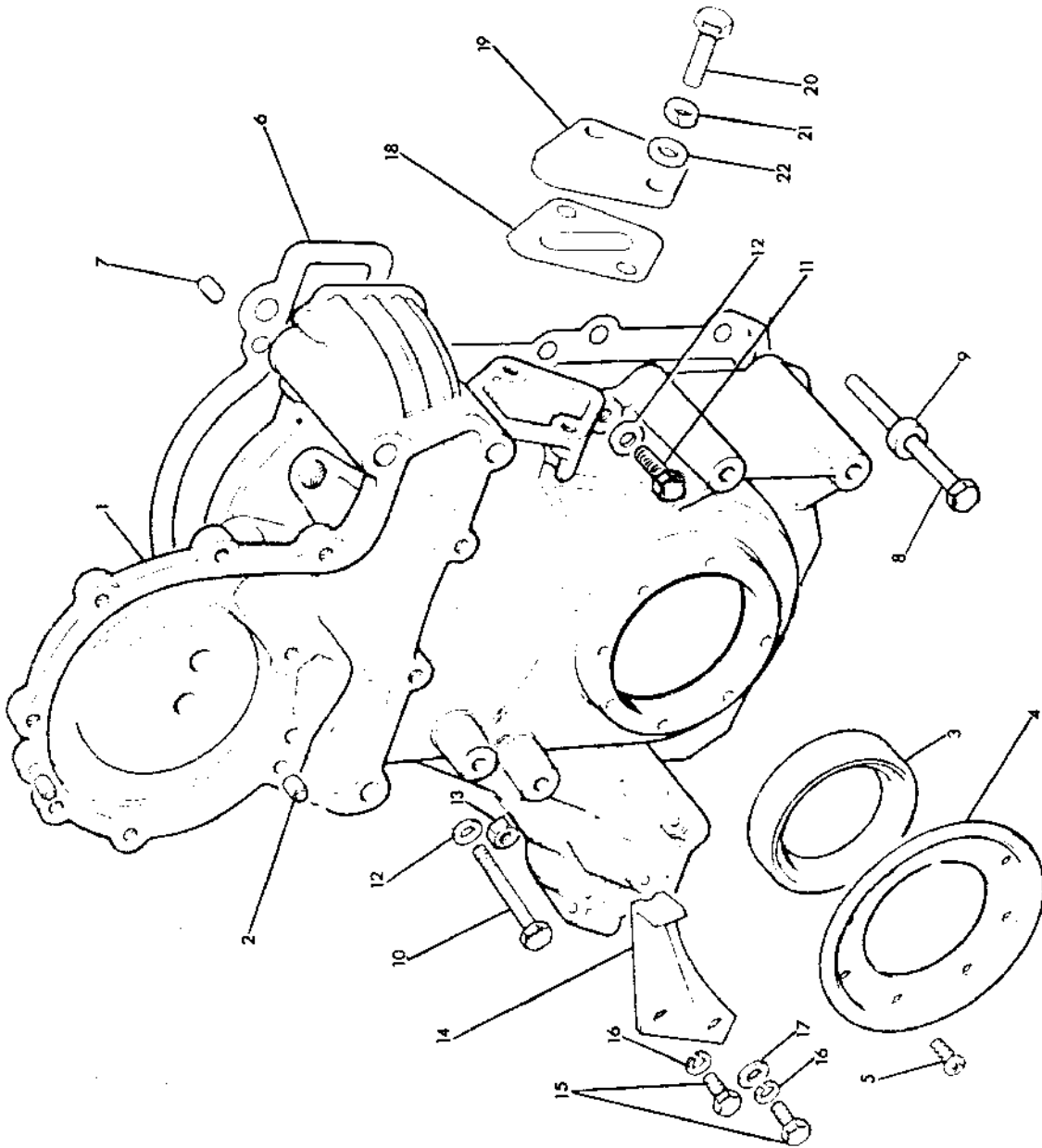


0385-2A

FIG ITEM	MAM CODE	NATO STOCK NUMBER/ CATALOGUE NUMBER	ITEM NAME AND DESCRIPTION	PART NO./ DRAWING NO./ ADREFNO	NO. OFF	ANNOTATIONS
A5			ENGINE - contd			
1	LV7RU	2805-99-824-1359	.SUMP, ENGINE, 20-1/2 in. lg	612980	1	
2	LV7RU	4730-99-824-1360	.PLUG, PIPE, BSP, steel, 1/2 in.	603659	1	
3	LV7RU	5330-99-850-0624	.GASKET: drain plug	231578	1	
4	LV7RU	5330-99-822-1737	.GASKET: sump to cylinder block	GEC 539	1	
5	LV7RU	5306-99-137-6098	.BOLT, ASSEMBLED WASHER	602199	16	
7	LV7RU	2940-99-824-1362	.SCREEN ASSEMBLY, OIL PUMP, 4 in. dia	602070	1	
5	LV7RU	5330-99-824-1363	.GASKET, fibre, 19/32 in. id x 1 in. w x 1-27/32 in. lg x 1/32 in. thk	602068	1	
9	G1	5305-99-941-0687	.SCREW, MACHINE, UNC, steel, 1/4 in. x 3/4 in. lg		2	
10	G1	5310-99-120-1338	.WASHER, LOCK, steel, 1/4 in.		2	

A6

FRONT COVER

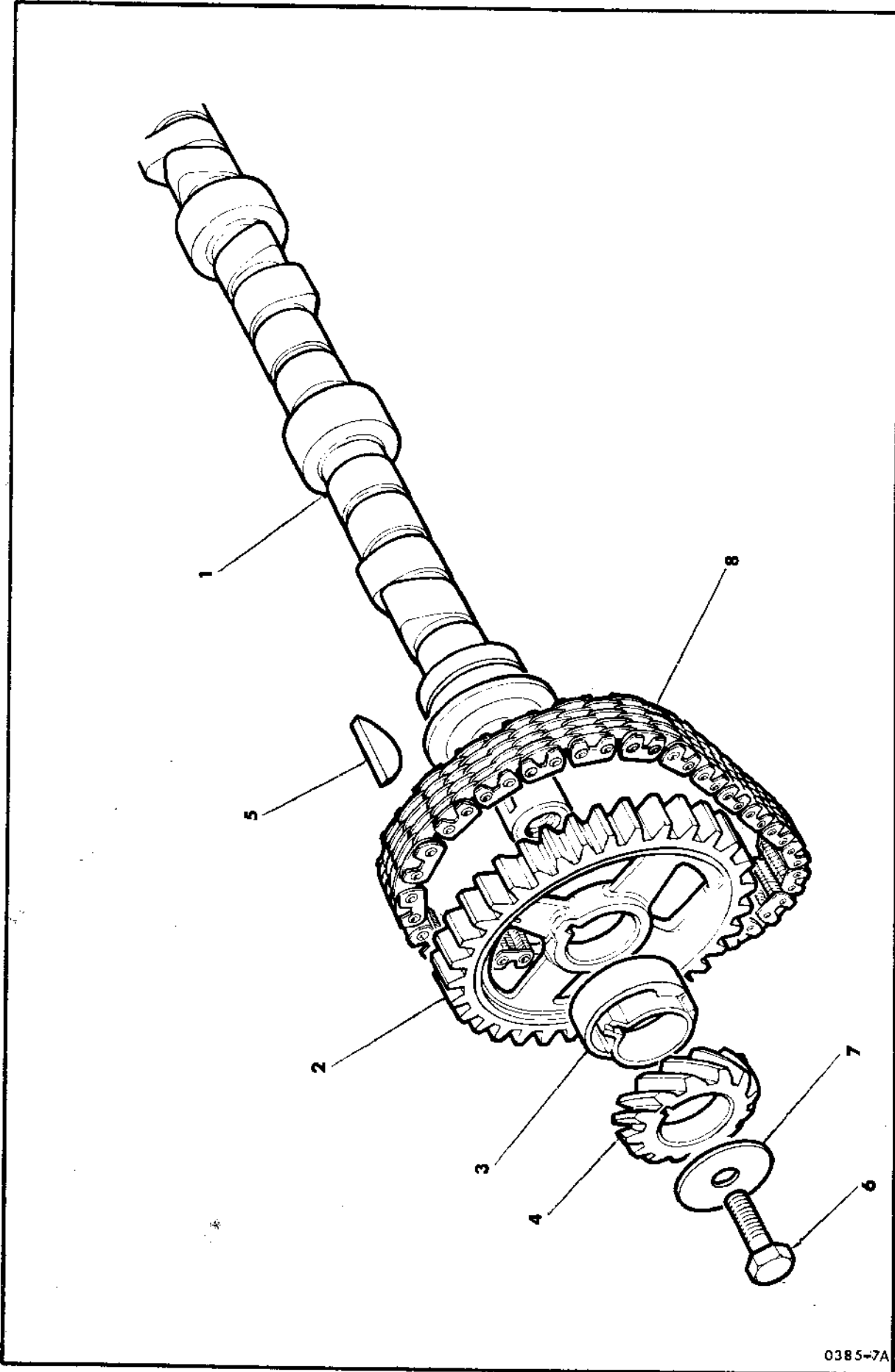


0385-5A

FIG ITEM	MAN CODE	NATO STOCK NUMBER/ CATALOGUE NUMBER	ITEM NAME AND DESCRIPTION	PART NO./ DRAWING NO./ ADREFNO	NO. OFF	ANNOTATIONS
A6			ENGINE - contd			
1-5	LV7RU	2805-99-837-6964	.FRONT COVER: assy	613793	1	
2	LV7RU	5315-99-137-6110	..PIN, STRAIGHT, HEADLESS	602201	2	
3	LV6MT1	5330-99-805-4361	..SEAL, PLAIN, ENCASED, 2.509 in.od x 1.906 in. id x 0.5 in. w		1	
4	LV7RU	2805-99-850-0495	..DEFLECTOR, DIRT AND LIQUID, steel, 3-9/16 in. dia x 1/4 in. h	247766	1	
5	G1	5305-99-914-5426	..SCREW, TAPPING, THREAD FORMING, steel, cadmium plated, No.6 x 1/4 in. lg		8	
6	LV7RU	2805-99-823-6053	.GASKET: front cover	603775	1	
7	LV7RU	5315-99-137-6111	.PIN, STRAIGHT, HEADLESS	602202	2	
8	LV7RU	5306-99-137-6135	.BOLT, MACHINE, UNC, steel, 5/16 in. x 3-13/16 in. lg	602388	1	
9	LV7RU	5310-99-137-6126	.WASHER, FLAT	4873	1	
10	G1	5306-99-941-1544	.BOLT, MACHINE, UNC, steel, 5/16 in. x 3 in. lg		1	
11	G1	5305-99-941-1534	.BOLT, MACHINE, UNC, steel, 5/16 in. x 1-1/8 in. lg		2	
12	G1	5310-99-941-8608	.WASHER, FLAT, steel, 5/16 in.		4	
13	G1	5310-99-941-0925	.NUT, PLAIN, HEXAGON, UNF, steel, 5/16 in.		1	
15	G1	5305-99-941-0686	.BOLT, MACHINE, UNC, steel, 1/4 in. x 5/8 in. lg		2	
16	G1	5310-99-941-6654	.WASHER, LOCK, steel, 1/4 in.		2	
17	G1	5310-99-120-4032	.WASHER, FLAT, steel, 1/4 in.		1	
18	LV7RU	5330-99-822-1740	.GASKET	602180	1	
20	G1	5305-99-941-1535	.SCREW, MACHINE, UNC, steel, 5/16 in. x 1-1/8 in. lg		2	
21	G1	5310-99-120-1027	.WASHER, LOCK, steel, 5/16 in.		2	
22	G1	5310-99-941-8608	.WASHER, FLAT, steel, 5/16 in.		2	

A7

CAMSHAFT

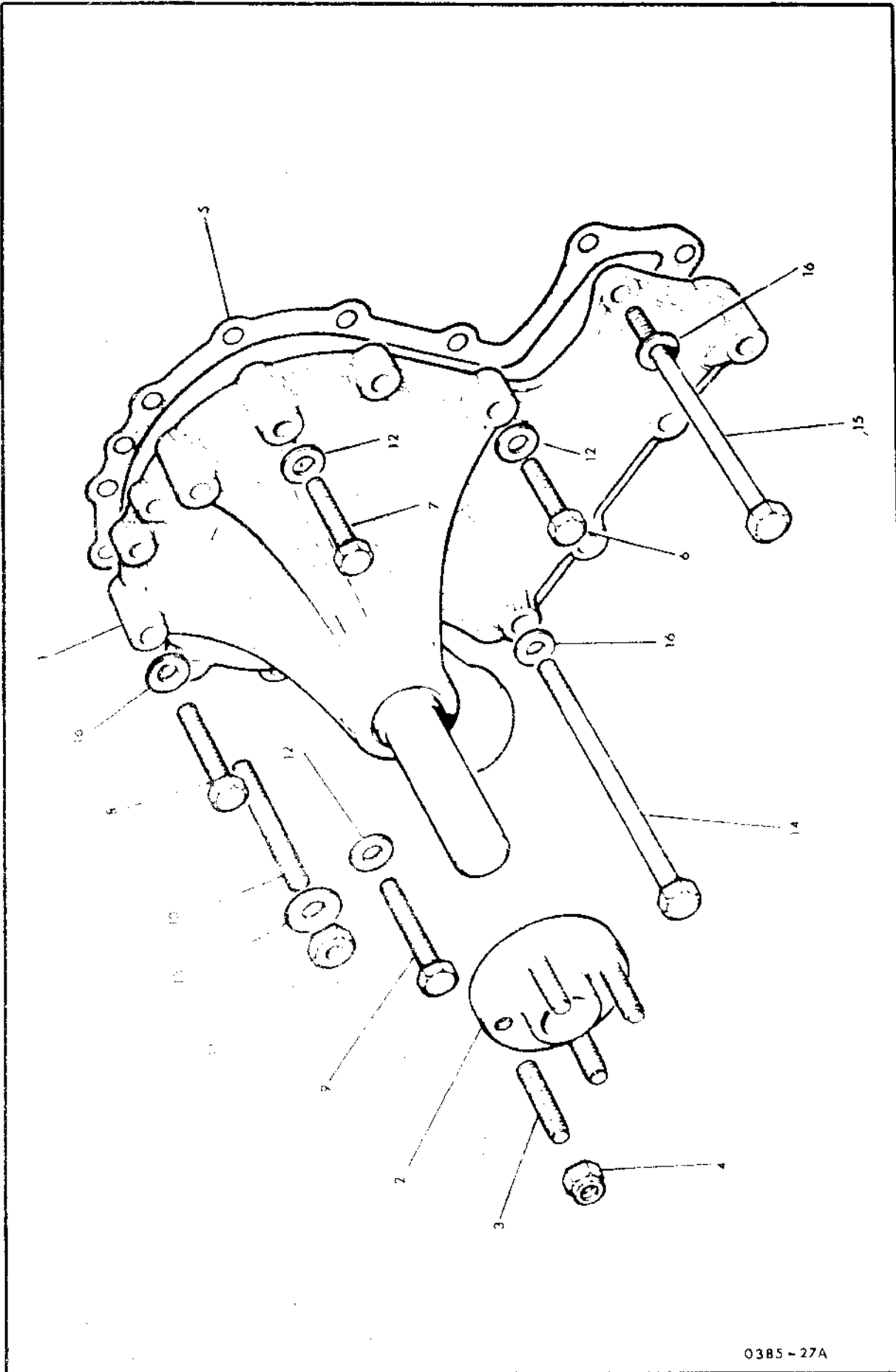


0385-7A

FIG ITEM	MAN CODE	NATO STOCK NUMBER/ CATALOGUE NUMBER	ITEM NAME AND DESCRIPTION	PART NO./ DRAWING NO./ ADREFNO	NO. OFF	ANNOTATIONS	
A7			ENGINE - contd				
1	LV7RU	2805-99-824-1589	.CAMSHAFT, ENGINE, 21 in.lg	603724	1)Alterna-)tives	
+	LV7RU	2805-99-777-1775	.CAMSHAFT, ENGINE, 16 cams, 21 in. lg	ERC2002	1		
2	LV7RU	3020-99-824-1590	.SPROCKET WHEEL, aluminium/nylon, 40 teeth	610289	1)Alterna-)tives	
3	LV7RU	5365-99-829-9558	.SPACER, GEAR; w/internal keyway	ERC2839	1		
4	LV7RU	3020-99-829-9559	.GEAR, HELICAL; w/14 teeth, internal keyway	614188	1		
5	LV7RU	5315-99-829-9557	.KEY, MACHINE	ERC2838	1		
6	LV7RU	5306-99-137-6102	.BOLT, MACHINE, UNF, steel, 7/16 in. x 1-1/8 in.lg	602227	1		
7	LV7RU	5310-99-137-6128	.WASHER, FLAT	602610	1		
8	LV7RU	2805-99-824-1593	.CHAIN, TIMING, 54 links, 7/8 in.w	90602371	1		
+	LV7RU	3020-99-757-7008	.CHAIN, TIMING, 54 links, 3/4 in.w	ERC7929	1		
+	LV7RU	3120-99-790-6973	.BEARING, SLEEVE, split, 1.920 in. od x 1.787 in.id x 0.750 in.w	613829	1		Front

A8

COOLANT PUMP

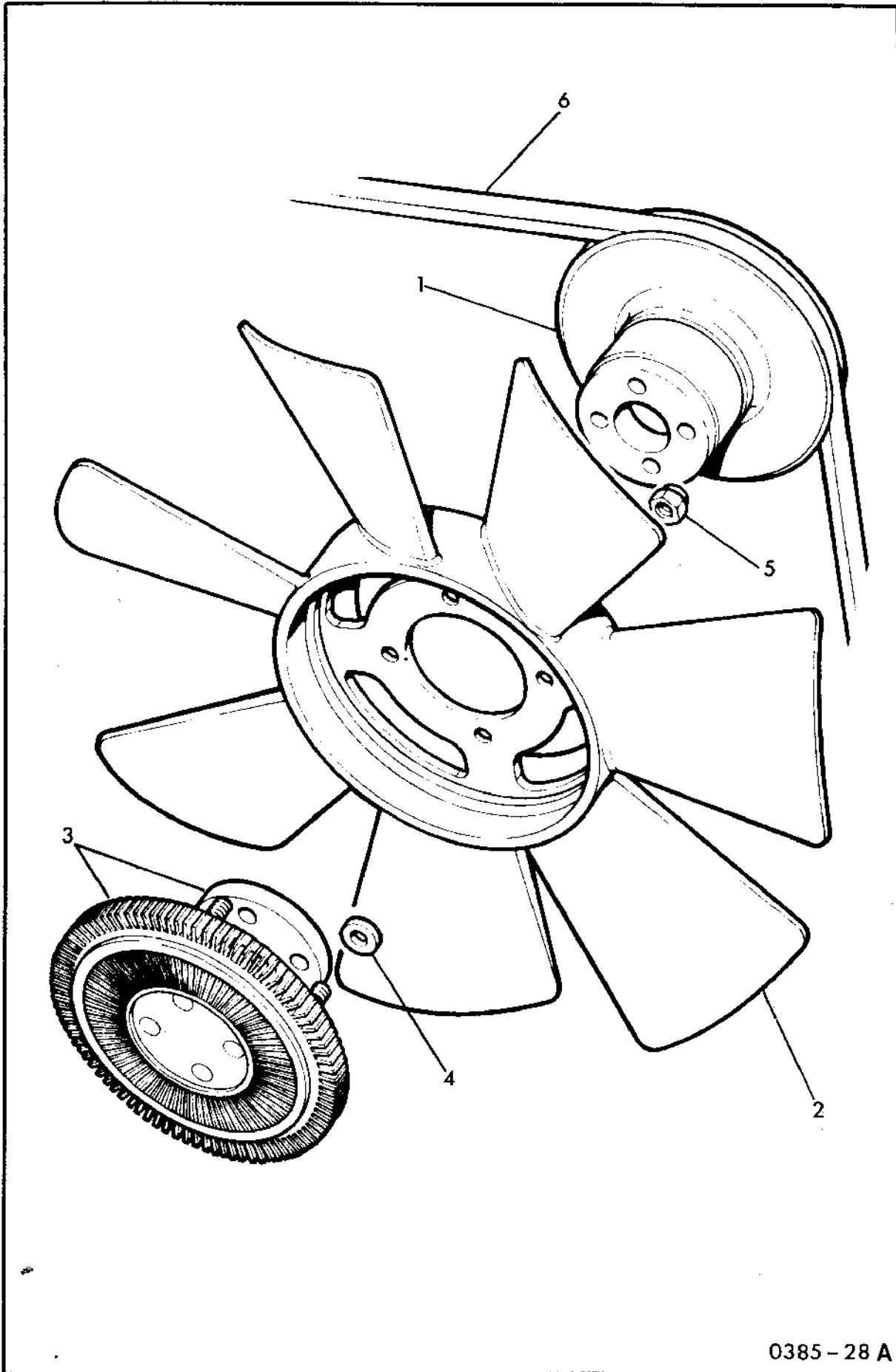


0385-27A

FIG ITEM	MAN CODE	NATO STOCK NUMBER/ CATALOGUE NUMBER	ITEM NAME AND DESCRIPTION	PART NO./ DRAWING NO./ ADREFNO	NO. OFF	ANNOTATIONS
A8			ENGINE - contd			
+	LV7RU	4320-99-824-3824	.PUMP, CENTRIFUGAL; w/viscous unit and fan assy	ERC 0774	1	12V system
+		NP	.PUMP, CENTRIFUGAL; w/viscous unit and fan assy	ERC 1197	1	24V system
1-3	LV7RU	4320-99-828-1075	..PUMP, CENTRIFUGAL	ERC 2893	1)) 12V & 24V systems
2	LV7RU	2930-99-824-3826	...HUB	614872	1	
3	LV7RU	5307-99-824-3827	...STUD, PLAIN, 5/16 in.	500733	4	
4	G1	5310-99-120-0754	..NUT, SELF-LOCKING, HEXAGON, UNF, steel, 5/16 in.		4	
5	LV7RU	5330-99-822-1870	.GASKET	612326	1)
6	G1	5306-99-941-1521	.BOLT, MACHINE, UNF, steel, 1/4 in. x 1-1/4 in. lg		6	
7	G1	5306-99-941-1526	.BOLT, MACHINE, UNC, steel, 1/4 in. x 2-1/4 in. lg		2	
8	G1	5306-99-941-1538	.BOLT, MACHINE, UNC, steel, 5/16 in. x 1-1/2 in. lg		1	
9	G1	5306-99-941-1525	.BOLT, MACHINE, UNC, steel, 1/4 in. x 2 in. lg		1	
10	LV7RU	5307-99-137-6134	.STUD, PLAIN, UNC/UNF, 5/16 in.	252516	1	
11	G1	5310-99-127-5700	.NUT, PLAIN, HEXAGON, UNF, steel, 5/16 in.		1	
12	LV7RU	5310-99-836-0810	.WASHER, FLAT, steel, 17/64 in. id	2203	9	
13	LV7RU	5310-99-136-5497	.WASHER, FLAT, 5/16 in. nom id	4047	2	
14	G1	5306-99-941-8960	.BOLT, MACHINE, UNC, steel, 5/16 in. x 5 in. lg		4	
15	G1	5306-99-137-6118	.BOLT, MACHINE, UNC, steel, 5/16 in. x 4-3/4 in. lg		1	
16	LV7RU	5310-99-836-0809	.WASHER, FLAT, steel, 5/8 in. od x 21/64 in. id x 1/8 in. thk	2920	4	

A9

FAN & VISCOUS UNIT

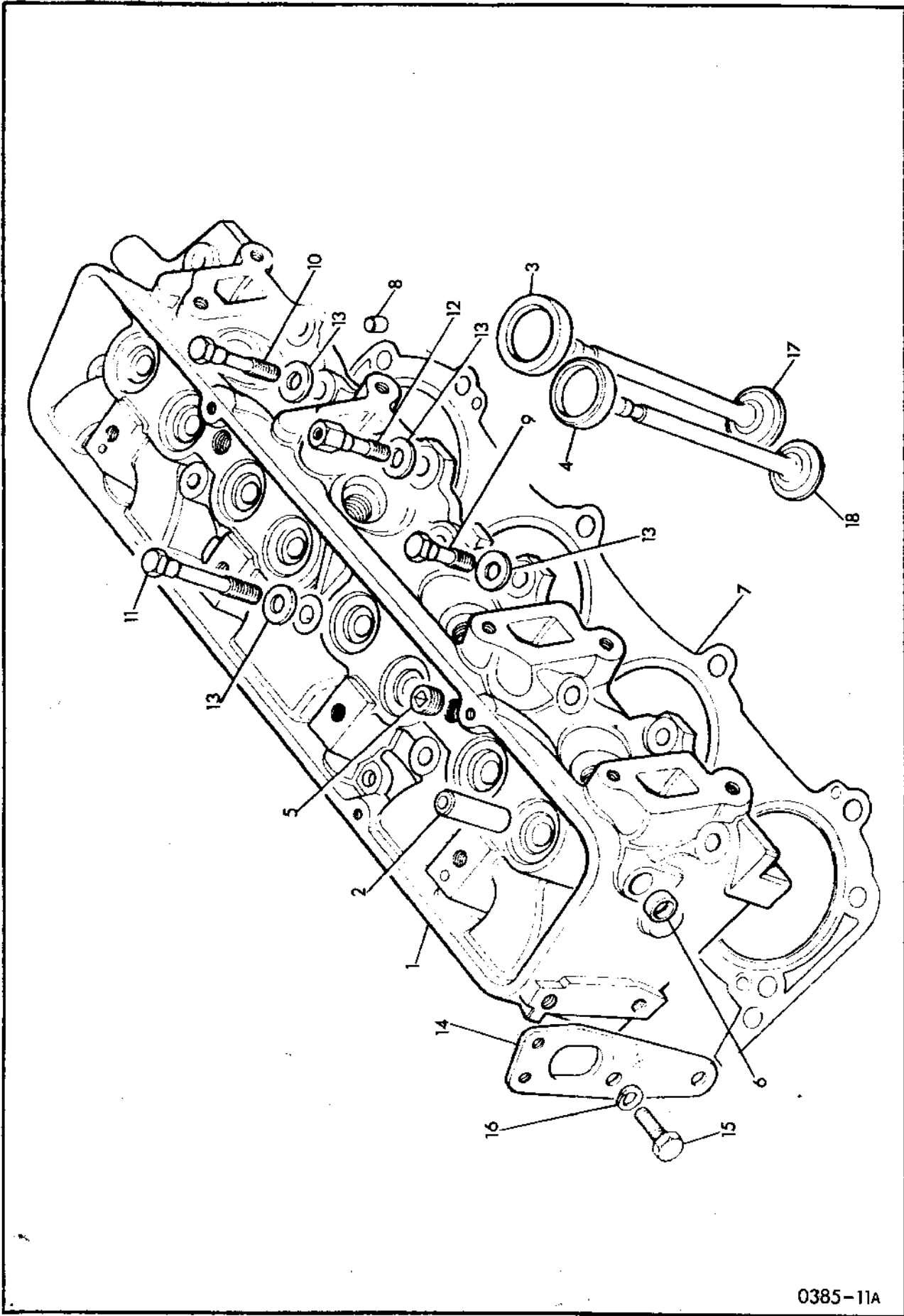


0385 - 28 A

FIG ITEM	MAN CODE	NATO STOCK NUMBER/ CATALOGUE NUMBER	ITEM NAME AND DESCRIPTION	PART NO./ DRAWING NO./ ADREFNO	NO. OFF	ANNOTATIONS
A9			ENGINE - contd			
1	(LV7RU	3020-99-824-3828	.PULLEY, GROOVE	614368	1	12V system
	(LV7RU	3020-99-824-7195	.PULLEY, GROOVE	614370	1	24V system
2	LV7RU	2930-99-824-3830	.FAN, ENGINE COOLING, 7 blade	614723	1)As fitted
3	(LV7RU	2930-99-824-6234	.COUPLING, FAN DRIVE: viscous unit	ERC 1195	1	
	(LV7RU	2930-99-825-2072	.COUPLING, FAN DRIVE: viscous unit	603930	1	
4	G1	5310-99-941-8608	.WASHER, FIAT, steel, 5/16 in.		4	
5	G1	5310-99-120-0754	.NUT, SELF-LOCKING, HEXAGON, UNF, steel, 5/16 in.		4	
6	(LV6MT1	3030-99-823-6052	.BELT, V, ENDLESS	GFB 211	1	12V system
	(LV6MT1	3030-99-823-6023	.BELT, V, ENDLESS	613808	1	24V system
+	LV7RU	3040-99-824-7737	.CONNECTING LINK, RIGID: pulley adjusting arm	611581	1)Tension- ing pulley for fan and water pump. See Fig A29
+	G1	5305-99-941-0297	.BOLT, MACHINE, UNF, steel, hex hd, 5/16 in. x 1-1/4 in. lg		1	
+	G1	5310-99-120-1027	.WASHER, LOCK, steel, single coil, 5/16 in.		1	
+		NP	.TENSIONING PULLEY ASSEMBLY	614533	1	
+	LV7RU	3040-99-824-7196	..CONNECTING LINK, RIGID, 3.373 in. lg x 1-1/4 in. w x 3/4 in. thk	613782	1	
+	LV7RU	3020-99-824-7197	..PULLEY, GROOVE, 1 groove, 3-1/8 in. dia x 1-11/32 in. w	614534	1	
+	LV6MT7	3110-99-950-2058	..BEARING, BALL, JOURNAL, single row, 40 mm od x 17 mm id x 12 mm w		2	
+	LV6MT1	5365-99-802-5975	..RING, RETAINING, steel, circlip, ext, 1.75 mm thk		1	
+	LV7RU	5306-99-824-7740	..BOLT, SHOULDER, HEADED, steel, hex hd, 1-51/64 in. lg	613784	1	
+	LV7RU	5306-99-824-7738	..BOLT, MACHINE, UNC, steel, 5/16 in. x 6 in. lg	253964	2	
+	G1	5310-99-120-1027	..WASHER, LOCK, steel, single coil, 5/16 in.		1	
+	G1	5306-99-136-9034	..BOLT, MACHINE, UNC, steel, hex hd, 1/4 in. x 2-3/8 in. lg		1	
+	G1	5310-99-120-1338	..WASHER, LOCK, steel, single coil, 1/4 in.		1	

A10

CYLINDER HEAD

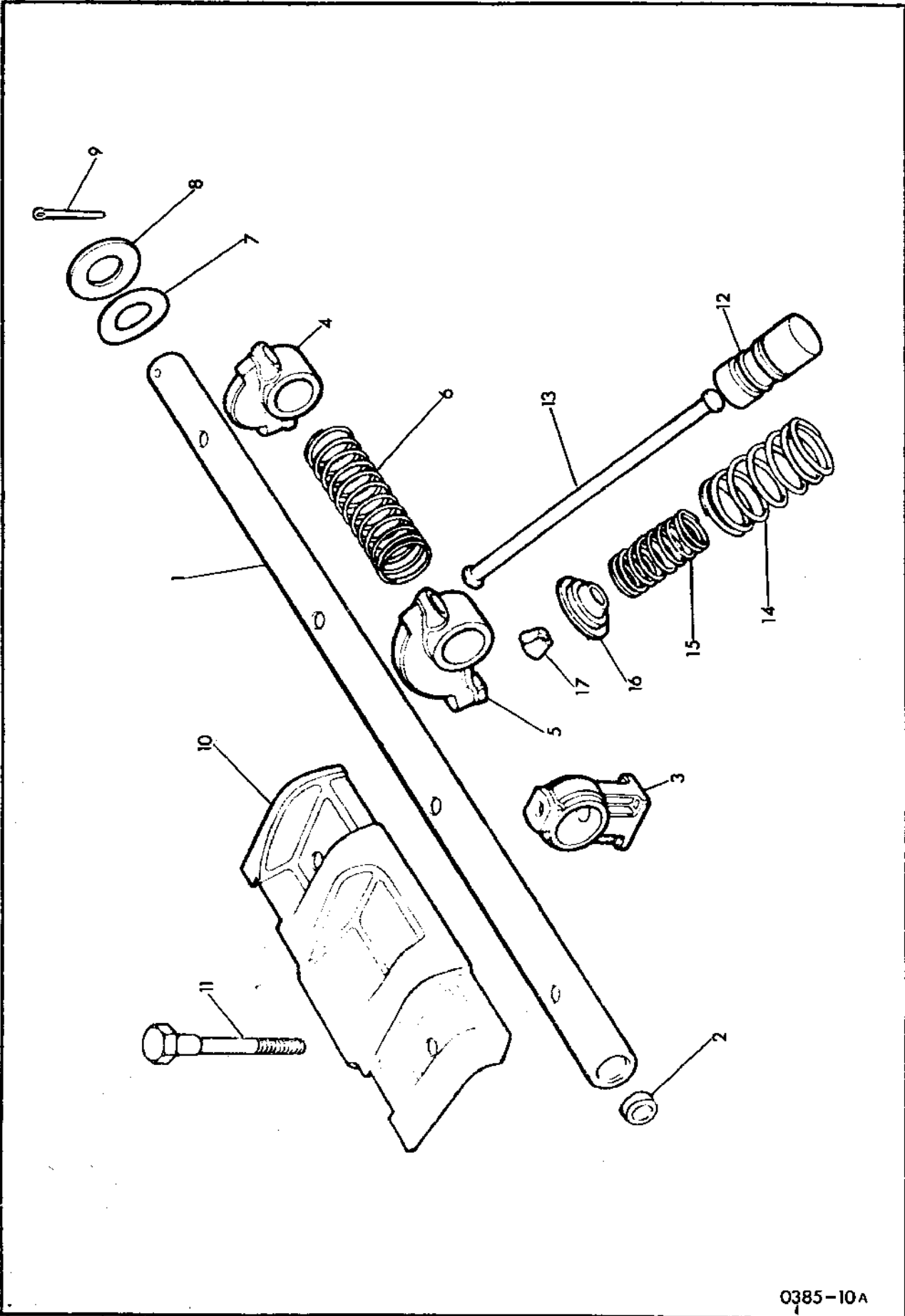


0385-11A

FIG ITEM	MAN CODE	NATO STOCK NUMBER/ CATALOGUE NUMBER	ITEM NAME AND DESCRIPTION	PART NO./ DRAWING NO./ ADREFNO	NO. OFF	ANNOTATIONS
A10			ENGINE - contd			
1-6	LV7RU	2805-99-825-1768	.CYLINDER HEAD, GASOLINE ENGINE	614642	2	
2	LV7RU	2805-99-824-1602	..GUIDE, ENGINE POPPET VALVE, 0.59 in. od x 0.34 in. id x 2.6 in. lg	603554	16	
	(LV7RU	2805-99-824-1603	..SEAT, VALVE, steel, 1.633 in. od x 1.235 in. id x 0.235 in. thk	602052))
	(LV7RU	2805-99-824-1604	..SEAT, VALVE, steel, 1.643 in. od x 1.235 in. id x 0.235 in. thk	602223)) Inlet
	(LV7RU	2805-99-824-1606	..SEAT, VALVE, steel, 1.653 in. od x 1.235 in. id x 0.235 in. thk	602224))
	(LV7RU	2805-99-825-1769	..SEAT, VALVE, steel, 1.454 in. od x 1.05 in. id x 0.235 in. thk	614639))
	(LV7RU	2805-99-825-2050	..SEAT, VALVE, steel, 1.464 in. od x 1.05 in. id x 0.235 in. thk	614640)) Exhaust
	(LV7RU	2805-99-825-2051	..SEAT, VALVE, steel, 1.474 in. od x 1.05 in. id x 0.235 in. thk	614641))
5	LV7RU	4730-99-824-1610	..PLUG, PIPE, NPTF, steel, 1/2 in.	602123	4	
6	LV7RU	5340-99-824-1611	..PLUG, EXPANSION, steel, 49/64 in. dia x 3/8 in. w x 1/16 in. thk	602289	4	
7	LV7RU	5330-99-827-8762	.GASKET: cylinder hd	GEG 340	2	
8	LV7RU	5315-99-137-6104	.PIN, STRAIGHT, HEADLESS	602040	4	
9	LV7RU	5306-99-137-6105	.BOLT, EXTERNALLY RELIEVED BODY, 2.28 in. lg	602191	8	
10	LV7RU	5306-99-137-6106	.BOLT, EXTERNALLY RELIEVED BODY, 2.74 in. lg	602192	13	
11	LV7RU	5306-99-137-6107	.BOLT, EXTERNALLY RELIEVED BODY, 3.94 in. lg	602193	6	
12	LV7RU	5306-99-137-6109	.BOLT, EXTERNALLY RELIEVED BODY	614584	1	
13	LV7RU	5310-99-137-6108	.WASHER, FLAT	602098	28	
14	LV7RU	2805-99-824-1612	.BRACKET, ENGINE LIFTING, steel, 5 in. lg x 1-21/32 in. w x 3/16 in. thk	603031	1	Front
15	G1	5305-99-941-0713	.SCREW, MACHINE, UNC, steel, 3/8 in. x 7/8 in. lg		2	
16	G1	5310-99-941-6656	.WASHER, LOCK, steel, 3/8 in.		2	
+	LV7RU	2990-99-825-9854	.BRACKET, ENGINE LIFTING, steel, 5 in. lg x 1-21/32 in. w x 3/16 in. thk	603032	1	Rear
17	LV7RU	2805-99-822-1750	.VALVE, POPPET, ENGINE: inlet	602166	8	
18	LV7RU	2805-99-822-1751	.VALVE, POPPET, ENGINE: exhaust	602165	8	

A11

ROCKER SHAFT



0385-10A

FIG ITEM	MAN CODE	NATO STOCK NUMBER/ CATALOGUE NUMBER	ITEM NAME AND DESCRIPTION	PART NO./ DRAWING NO./ ADREFNO	NO. OFF	ANNOTATIONS
A11						
1,2	LV7RU	2805-99-824-1600	ENGINE - contd			
4	LV7RU	2805-99-829-9575	.SHAFT, ROCKER	606661	1	
5	LV7RU	2805-99-829-9576	.ROCKER ARM: rh	602153	8	
7	LV7RU	2805-99-824-1605	.ROCKER ARM: lh	602154	8	
			.WASHER, steel, 1.3 in. od x 0.8 in. id x 0.01 in. thk	602148	4	
9	G1	5315-99-127-9918	.PIN, COTTER, SPLIT, steel, 3/32 in. dia x 1-1/4 in. lg		4	
11	LV7RU	5306-99-137-6103	.BOLT, EXTERNALLY RELIEVED BODY	602097	8	
12	LV7RU	2805-99-753-4334	.TAPPET, ENGINE POPPET VALVE, 27/32 in. dia x 2-1/8 in. lg	614529	16	
13	LV7RU	2805-99-824-1595	.PUSH ROD, ENGINE POPPET VALVE, steel, 1/4 in. dia x 8-1/16 in. lg	603378	16	
14	LV7RU	5360-99-824-1596	.SPRING, HELICAL, COMPRESSION, steel, 1.3 in. od x 2.069 in. lg	602240	16	
15	LV7RU	5360-99-824-1597	.SPRING, HELICAL, COMPRESSION, steel, 0.92 in. od x 1.919 in. lg	602241	16	
16	LV7RU	2805-99-824-1598	.SEAT, COMPRESSION HELICAL SPRING, steel, 1.346 in. od x 0.4 in. thk	90602451	16	
17	LV7RU	2990-99-828-0471	.COLLET HALF, VALVE SPRING, 0.284 in. id x 0.408 in. lg: set of 2	ERC 1637	16	

FIG ITEM	MAN CODE	NATO STOCK NUMBER/ CATALOGUE NUMBER	ITEM NAME AND DESCRIPTION	PART NO./ DRAWING NO./ ADREFNO	NO. OFF	ANNOTATIONS
A12			ENGINE - contd			
1	LV7RU	2805-99-829-5267	.ROCKER COVER: rh	90608002	1	
2	LV7RU	2805-99-829-5268	.ROCKER COVER: lh	90608003	1	
3	LV7RU	2920-99-824-3820	.RETAINER: HT leads	604672	1	
4	LV7RU	2920-99-824-3821	.RETAINER: HT leads	587477	1	
5	G1	5305-99-941-9273	.SCREW, MACHINE, UNC, steel, 1/4 in. x 7/8 in. lg		2	
6	LV7RU	2920-99-824-3822	.RETAINER: HT leads	612821	1	
7	LV7RU	2920-99-824-3823	.RETAINER: HT leads	612822	1	
8	G1	5305-99-941-8331	.SCREW, MACHINE, UNC, steel, No.10 x 1/2 in. lg		3	
9	G1	5305-99-941-8332	.SCREW, MACHINE, UNC, steel, No.10 x 5/8 in. lg		1	
10	LV7RU	5330-99-822-1868	.GASKET: rocker cover	GEG 436	2	
11	LV7RU	5305-99-137-6177	.SCREW, MACHINE, UNF, steel, 1/4 in. x 1-5/16 in. lg	603127	4	
12	G1	5305-99-941-9273	.SCREW, MACHINE, UNC, steel, 1/4 in. x 7/8 in. lg		4	
13	G1	5310-99-941-6654	.WASHER, LOCK, steel, 1/4 in.		8	
14	G1	5310-99-120-4032	.WASHER, FLAT, steel, 1/4 in.		8	
16	LV7RU	2805-99-823-9354	.CAP, FILLER, OIL	598231	1	
17	LV7RU	5330-99-822-1869	.GASKET	612819	1	
18	G1	5305-99-951-1478	.SCREW, TAPPING, THREAD FORMING, steel, pan hd, No.8 x 1/2 in. lg		6	
+	LV7RU	5365-99-824-1614	.PLUG, SCREWED, UNC, aluminium, 1/2 in. x 11/32 in. lg	266339	1	Blanking plug lh cover, 24V

FIG ITEM	MAN CODE	NATO STOCK NUMBER/ CATALOGUE NUMBER	ITEM NAME AND DESCRIPTION	PART NO./ DRAWING NO./ ADREFNO	NO. OFF	ANNOTATIONS
A13			ENGINE - contd			
1	LV7RU	2805-99-824-1933	.EXHAUST MANIFOLD: rh	ERC 0814	1	
2	LV7RU	2805-99-824-1934	.EXHAUST MANIFOLD: lh	ERC 0813	1	
3	G1	5305-99-941-0715	.SCREW, MACHINE, UNC, steel, zinc coated, 3/8 in. x 1-1/8 in. lg		16	
4	G1	5310-99-101-7322	.WASHER, FLAT, steel, phosphated, 3/8 in.		16	
5	LV7RU	5310-99-824-1935	.WASHER, LOCKING, steel, phosphated, 13/32 in. dia holes	613659	8	

FIG ITEM	MAN CODE	NATO STOCK NUMBER/ CATALOGUE NUMBER	ITEM NAME AND DESCRIPTION	PART NO./ DRAWING NO./ ADREFNO	NO. OFF	ANNOTATIONS
A 14			ENGINE - contd			
1	LV7RU	2805-99-824-1924	.MANIFOLD, INDUCTION, ENGINE	90613501	1	
3	LV7RU	3120-99-824-1925	.BEARING, SLEEVE, bronze, 0.439 in. od x 0.311 in.id x 0.571 in.lg	522932	2	
+	LV7RU	4730-99-824-1930	.ADAPTOR, STRAIGHT, PIPE TO HOSE	90613812	1	Vacuum adaptor
5	LV7RU	5330-99-822-1866	.GASKET, copper, 13/16 in.od x 41/64 in.id x 0.08 in.thk	232043	1	
6	LV7RU	2805-99-824-1926	.ADAPTOR, AIR BLEED, UNF, steel, 1/4 in x 1-1/2 in.lg	603920	1	
7	LV7RU	5307-99-137-3595	.STUD, PLAIN, UNF/UNC, steel, 5/16 in.	252514	8	
9	LV7RU	5930-99-850-0412	.GASKET, cork, 1/16 in.thk	236022	1	
10	G1	5305-99-120-4008	.SCREW, MACHINE, UNC, steel, No.10 x 7/8 in.lg		3	
11	G1	5310-99-944-0547	.WASHER, LOCK, steel, No.2 BA		3	
13	LV7RU	5330-99-822-1745	.GASKET	603441	1	
14	G1	5305-99-941-0687	.SCREW, MACHINE, UNC, steel, 1/4 in. x 3/4 in.lg		2	
15	G1	5310-99-941-6654	.WASHER, LOCK, steel, 1/4 in.		2	
18	G1	5305-99-941-0686	.SCREW, MACHINE, UNC, steel, 1/4 in. x 5/8 in.lg		1	
19	G1	5310-99-941-6654	.WASHER, LOCK, steel, 1/4 in.		1	
20	LV7RU	4730-99-824-1928	.CONNECTOR, MULTIPLE, FLUID PRESSURE LINE	603277	1	
21	LV7RU	4730-99-824-1929	.BOLT, FLUID PASSAGE, UNF, steel, 5/8 in. x 1-11/32 in lg	534897	1	
22	W7	5310-99-836-7704	.WASHER, FLAT, copper	267604	2	
+	LV6MT9	2530-99-757-5678	.ADAPTOR, BRAKE SERVO: nonreturn valve	4315-078	1) Alterna- tives
+	LV7RU	2805-99-791-9336	.GASKET	GEG693	1	
+	LV6MT9	2530-99-822-1865	.VALVE, CHECK, UNF, 5/8 in.thd x 1-3/16 in.lg	13H9216	1) Brake servo non- return valve
+	LV7RU	5330-99-822-1866	.GASKET, copper, 13/16 in.od x 41/64 in.id x 0.08 in.thk	232043	1	
23	LV7RU	2940-99-824-1931	.PEG, AIR CLEARNER MOUNTING, UNF, steel, 5/16 in. x 1-1/2 in.lg	603408	2	
24	G1	5310-99-941-5623	.WASHER, FLAT, steel, 5/16 in.		2	
25	LV7RU	5325-99-137-6117	.GROMMET, RUBBER	603851	2	
+	LV7RU	5340-99-824-1932	.CLIP, SPRING TENSION, steel, 3/16 in.dia loop	614586	1	Choke cable fixing
+	G1	5307-99-137-6133	.STUD, PLAIN, UNF/UNC, steel, phosphated, 5/16 in. x 1-1/4 in. lg		2	Air cleaner fixing

A15 MANIFOLD FIXINGS & THERMOSTAT

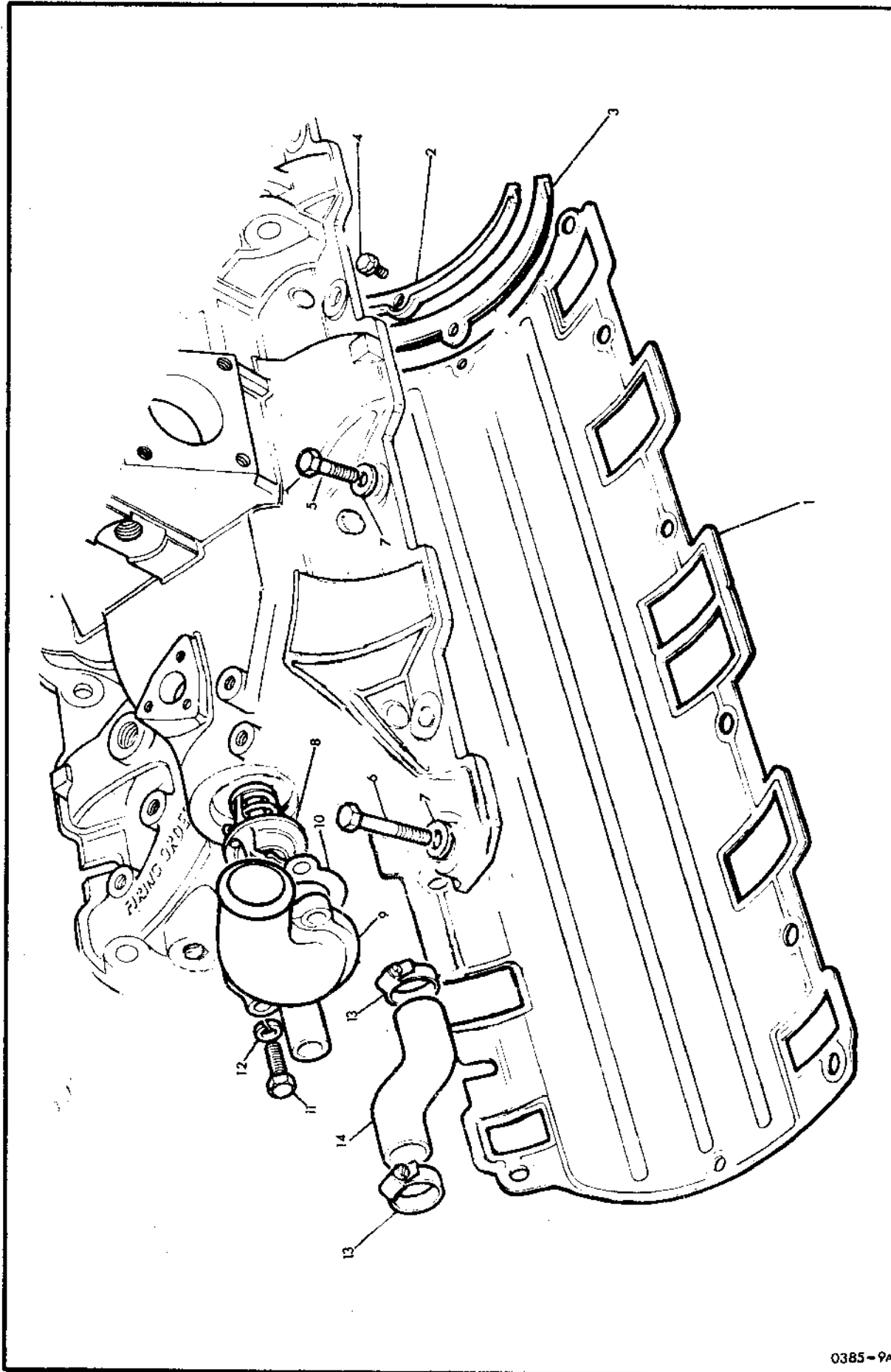
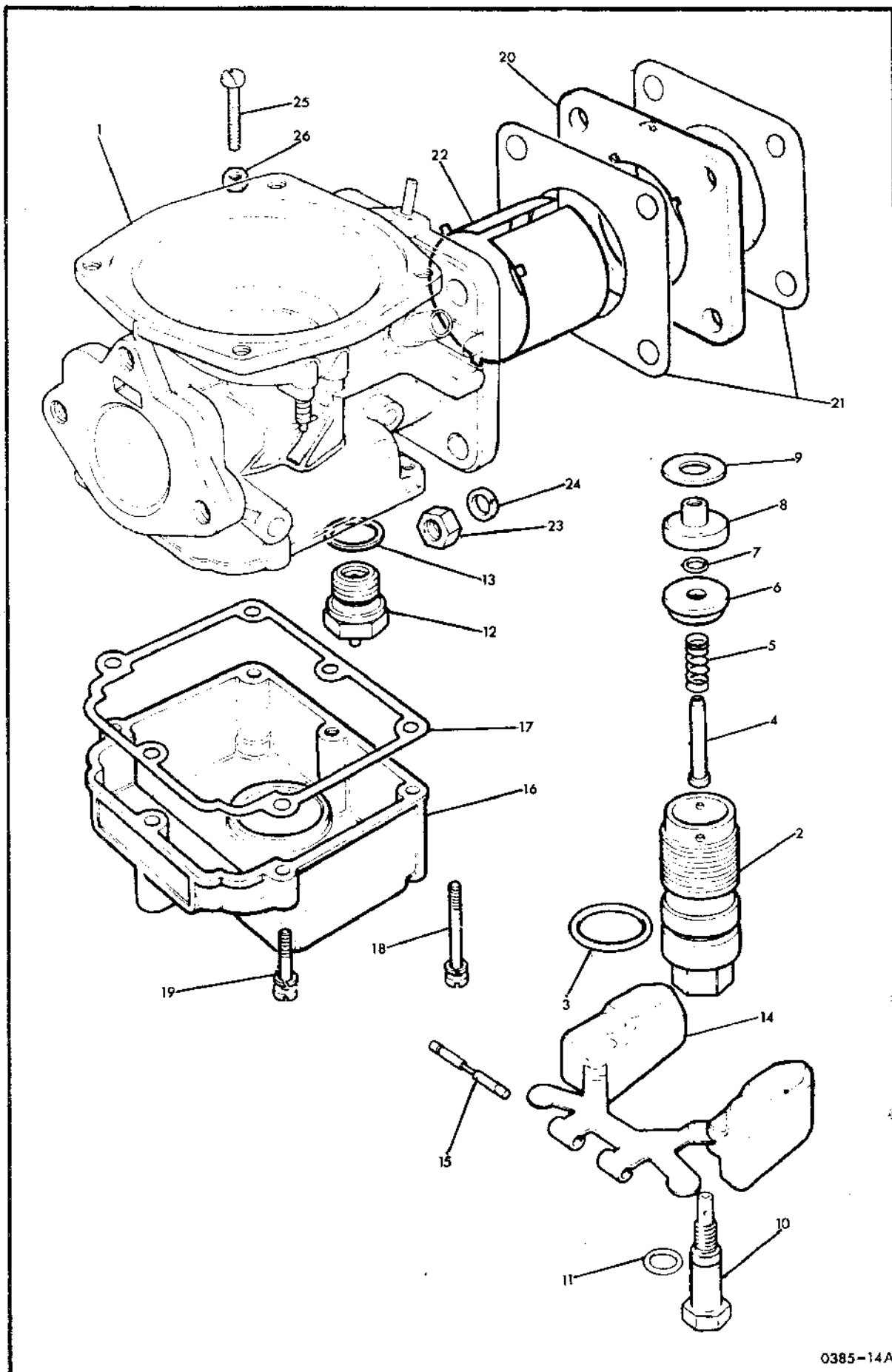


FIG ITEM	MAN CODE	NATO STOCK NUMBER/ CATALOGUE NUMBER	ITEM NAME AND DESCRIPTION	PART NO./ DRAWING NO./ ADREFNO	NO. OFF	ANNOTATIONS
A15			ENGINE - contd			
1	LV7RU	5330-99-822-1743	.GASKET: inlet manifold	GEG 665	1	
3	LV7RU	5330-99-822-1744	.SEAL	GEG 645	2	
4	LV7RU	5305-99-137-6127	.SCREW, ASSEMBLED WASHER	602236	2	
5	G1	5306-99-941-1552	.BOLT, MACHINE, UNC, steel, 3/8 in. x 1-1/2 in. lg		9	
+	LV7RU	5305-99-137-6176	.SCREW, MACHINE, UNC, steel, 3/8 in. x 1-5/16 in. lg	611504	1	
6	G1	5306-99-941-1553	.BOLT, MACHINE, UNC, steel, 3/8 in. x 1-3/4 in. lg		2	
7	LV7RU	5310-99-137-6125	.WASHER, FLAT, steel, 3/8 in.	2204	12	
8	LV6MT1	6620-99-820-1585	.THERMOSTAT, FLOW CONTROL, wax element, open at 93-96 deg C	7-262-82	1	
9	LV7RU	4730-99-824-1927	.ADAPTOR, ELBOW, PIPE TO HOSE, aluminium	613762	1	
10	LV7RU	5330-99-822-1746	.GASKET	GTG 116	1	
11	G1	5305-99-941-0699	.BOLT, MACHINE, UNC, steel, 5/16 in. x 7/8 in. lg		2	
12	G1	5310-99-120-1027	.WASHER, LOCK, steel, 5/16 in.		2	
13	LV6MT1	4730-99-420-3203	.CLAMP, HOSE, steel, 7/8 in. to 1-1/8 in. id		2	
14	LV7RU	4720-99-822-1747	.HOSE, RUBBER: thermostat by-pass	614435	1	

A16

CARBURETTOR

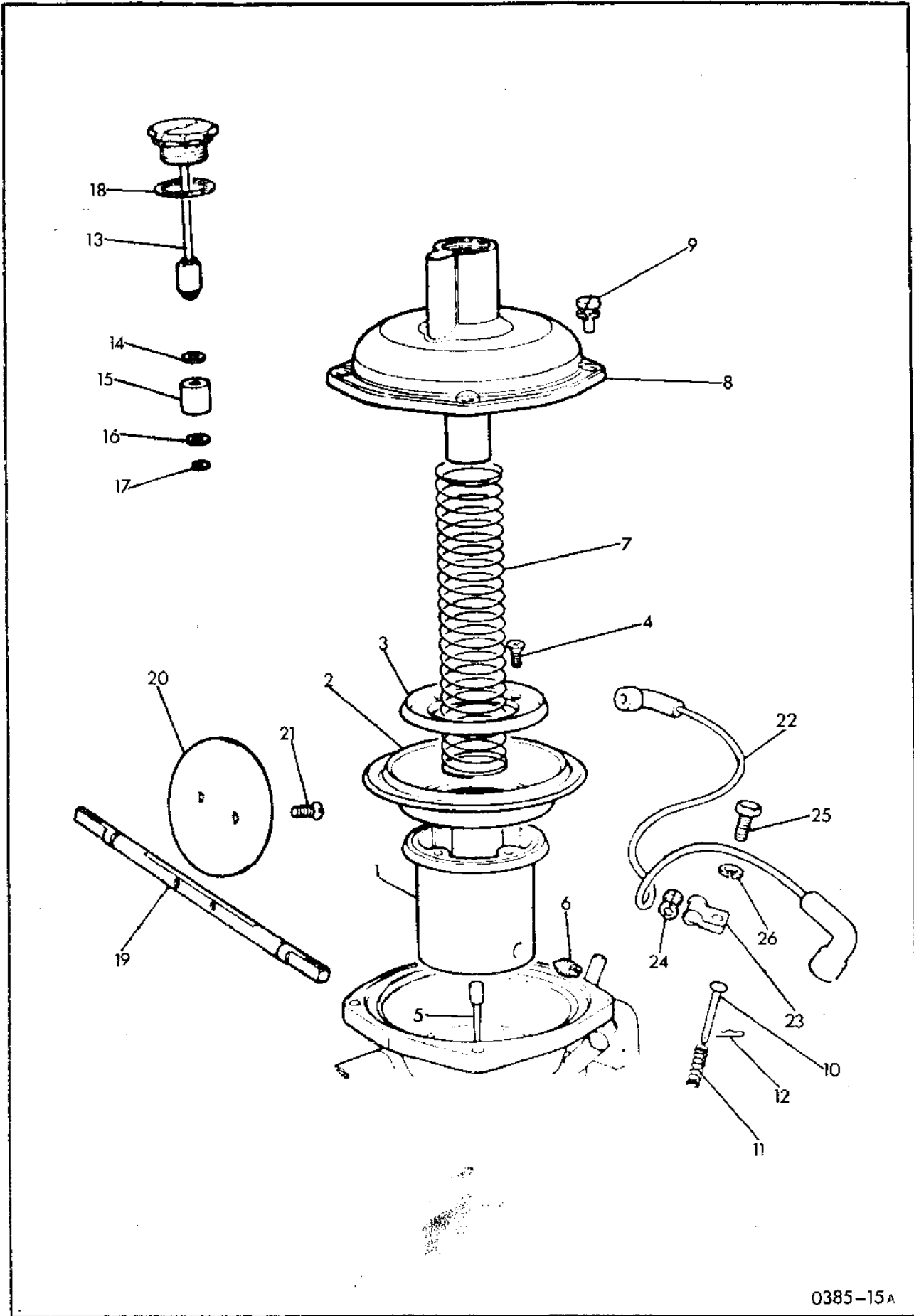


0385-14A

FIG ITEM	MAN CODE	NATO STOCK NUMBER/ CATALOGUE NUMBER	ITEM NAME AND DESCRIPTION	PART NO./ DRAWING NO./ ADREFNO	NO. OFF	ANNOTATIONS
A16			ENGINE - contd			
+	LV7RU	2910-99-822-1873	.CARBURETTOR, FLOAT TYPE: rh	S3540/RH	1	
+	LV7RU	2910-99-822-1874	.CARBURETTOR, FLOAT TYPE: lh	S3540/LH	1	
2, 3	LV6MT12	2910-99-824-1947	.CARBURETTOR, FLOAT TYPE: rh orlh-			
3	LV6MT1	5330-99-453-4574	..BUSHING ASSEMBLY, RETAINING SCREW	B20256	1	
4	LV6MT12	4730-99-817-4589	...RING, SEALING, TOROIDAL, rubber, 0.617 in. id x 0.106 in. h		1	
5	LV6MT12	5360-99-817-4588	..RESTRICTOR, FLUID FLOW	019522	1	
6	LV6MT12	5310-99-137-6115	..SPRING, HELICAL, COMPRESSION, steel, 0.35 in. dia x 0.83 in. lg	B17894	1	
7	LV6MT1	5330-99-819-4426	..WASHER: jet orifice	019664	1	
8	LV6MT12	2910-99-824-1946	..RING, SEALING, TOROIDAL, rubber, 3/8 in. od x 1/4 in. id x 1/16 in. h		1	
9	LV6MT12	5310-99-137-6114	..BUSHING, JET ORIFICE, brass, 1/4 in. id x 3/8 in. id x 11/16 in. od flange x 11/16 in. lg	B20979	1	
10, 11	LV6MT12	2910-99-824-1953	..WASHER, FLAT	B20980	1	
11	LV6MT12	2910-99-807-9494	..ADJUSTER ASSEMBLY, ORIFICE	B20255	1	
12	LV6MT12	2910-99-818-7219	...RING, SEALING: main jet	016268	1	
13	LV6MT12	2910-99-818-7219	..NEEDLE VALVE, CARBURETTOR, 1.75	B18353	1	
14	LV6MT12	2910-99-807-5433	..WASHER, NEEDLE VALVE	015667	1	
15	LV6MT12	2910-99-825-2160	..FLOAT, CARBURETTOR	B16772	1	
17	LV6MT12	2910-99-817-4087	..PIN, GROOVED HEADLESS, steel, 0.126 in. dia x 1.31 in. lg	B18613	1	
18	LV6MT12	5305-99-819-1734	..GASKET, 3-9/16 in. lg x 2-15/16 in. w x 1/32 in. thk	B16518	1	
19	LV6MT12	2530-99-819-1733	..SCREW, ASSEMBLED WASHER, UNC, steel, No.8 x 1-7/16 in. lg	B19224	4	
20	LV7RU	2910-99-822-1875	..SCREW, ASSEMBLED WASHER, UNC, steel, No.8 x 7/8 in. lg	B19225	2	
21	LV7RU	5330-99-819-3078	..PACKING PIECE	610849	1	
22	LV7RU	2910-99-824-1956	..GASKET	568365	2	
23	G1	5310-99-941-0925	..LINER, CARBURETTOR INDUCTION MANIFOLD, steel, 1-3/4 in. dia x 1-7/32 in. lg	611026	1	
24	G1	5310-99-120-1027	..NUT, PLAIN, HEXAGON, UNF, steel, 5/16 in.		4	
+	LV6MT12	2910-99-817-3899	..WASHER, LOCK, steel, 5/16 in.		4	
			.PARTS KIT, CARBURETTOR: gasket kit	235-Z	AR	

A17

CARBURETTOR DASHPOT



0385-15A

FIG ITEM	MAN CODE	NATO STOCK NUMBER/ CATALOGUE NUMBER	ITEM NAME AND DESCRIPTION	PART NO./ DRAWING NO./ ADREFNO	NO. OFF	ANNOTATIONS
A17			ENGINE - contd			
			.CARBURETOR, FLOAT TYPE; rh or lh - contd.			
1-4	LV6MT12	2910-99-819-3071	..PISTON, DASHPOT	020303	1	
2	LV6MT12	2910-99-819-3072	...DIAPHRAGM, DASHPOT PISTON	B17421	1	
+	LV7RU	2910-99-755-9992	...DIAPHRAGM, DASHPOT PISTON	JS499	1	
4	G1	5305-99-901-9736	...SCREW, TAPPING, THREAD FORMING, UNC, steel, No.6 x 3/8 in.lg		4	
3-17	LV6MT12	2910-99-819-3070	..DAMPER ASSEMBLY	B18732	1	
4	G1	5305-99-901-9736	...SCREW, TAPPING, THREAD FORMING, UNC, steel, No.6 x 3/8 in.lg		4	
5	LV6MT12	2910-99-824-2451	..NEEDLE, TAPERED, CARBURETOR	AAU2005	1	Type 2AY
6	LV6MT12	2530-99-819-1732	...SCREW, GRUB, UNC, steel, No.8 x 11/32 in.lg	019673	1	
9	LV6MT12	5305-99-819-1730	...SCREW, ASSEMBLED WASHER, UNF, steel, No.10 x 1/2 in.lg	019654	4	
18	LV6MT12	5310-99-137-6113	..WASHER, FLAT, fibre	P5439	1	
21	X3	5305-99-128-0479	..SCREW, MACHINE, SI, metric, copper plated, 4 mm x 7 mm lg	010351	2	
24	LV7RU	5325-99-137-6116	..GROMMET, RUBBER	541215	1	
25	G1	5305-99-941-0686	..SCREW, MACHINE, UNC, steel, 1/4 in. x 5/8 in.lg		1	Ignition
26	G1	5310-99-941-6654	..WASHER, LOCK, steel, 1/4 in.		1	vacuum
+	LV6MT12	2910-99-817-4080	..ADAPTOR, STRAIGHT, PIPE TO HOSE, NPTF, brass, 1/8 in. x 1-7/64 in. lg	B19548	1	pipe

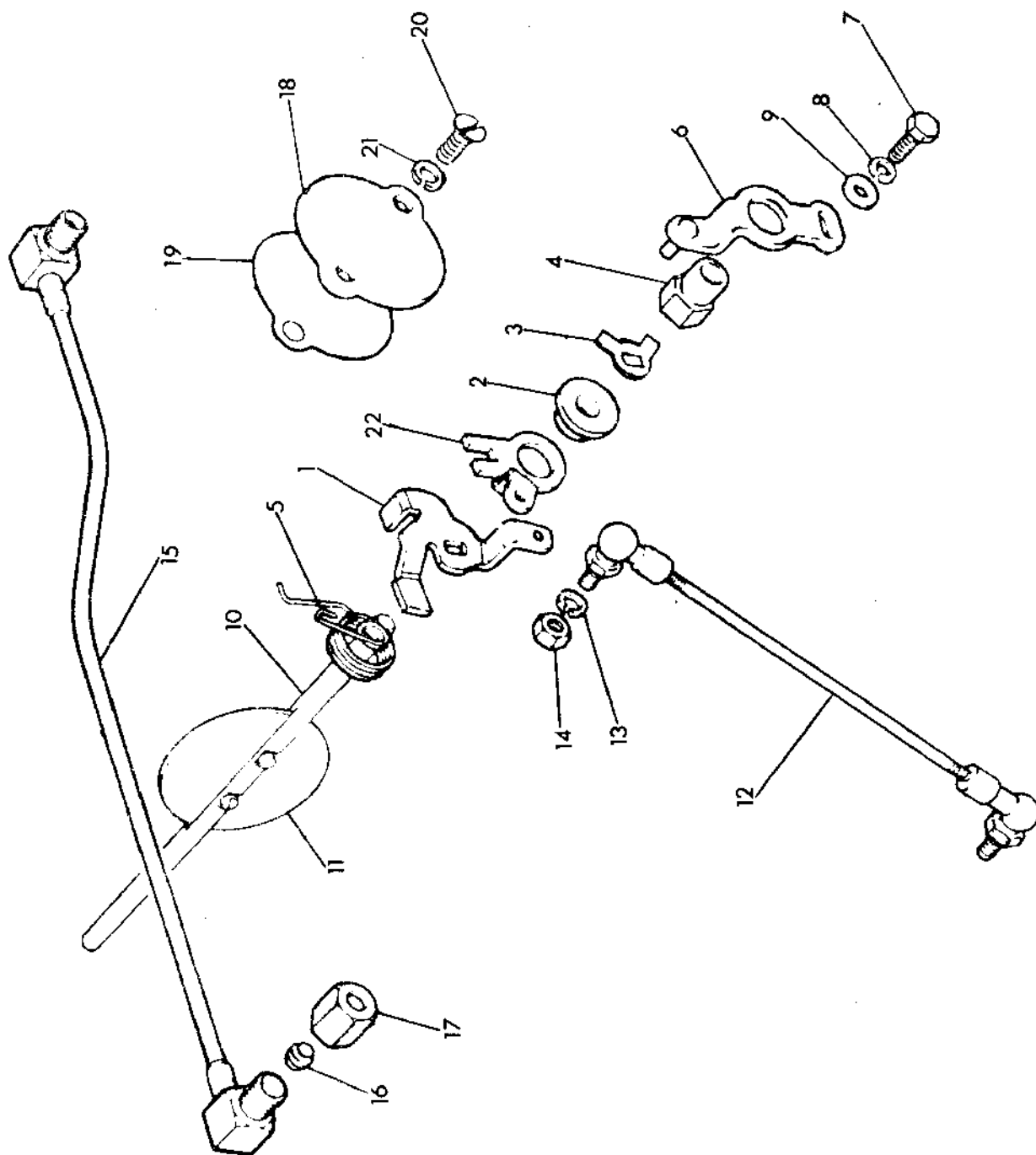


FIG ITEM	MAN CODE	NATO STOCK NUMBER/ CATALOGUE NUMBER	ITEM NAME AND DESCRIPTION	PART NO./ DRAWING NO./ ADREFNO	NO. OFF	ANNOTATIONS
A18			ENGINE - contd			
3	LV7RU	5310-99-136-4899	..CARBURETTOR LINKAGE: rh - ..WASHER, KEY, steel, 11 mm od x 8 mm id x 0.71 mm thk	019067	1	
+	LV6MT12	2910-99-824-1939	..PACKING PIECE, steel, 18 mm od x 1.25 mm thk; w/slotted hole	B18056	1	
5	LV6MT12	2910-99-824-1940	..SPRING, HELICAL, TORSION, steel, 23/32 in. od	B17941	1	
6	LV7RU	2910-99-824-1957	..LEVER, REMOTE CONTROL	612320	1	
7	LV7RU	5305-99-137-6178	..SCREW, MACHINE, UNC, steel, No.8 x 3/8 in. lg	257123	1	
8	G1	5310-99-944-0547	..WASHER, LOCK, steel, 3/16 in.		1	
9	G1	5310-99-941-8569	..WASHER, FLAT, steel, 3/16 in.		1	
12	LV7RU	3040-99-824-1958	..CONNECTING LINK, RIGID, steel; w/ball and socket ends x 4-53/64 in. lg	610336	1	
13	G1	5310-99-944-0547	..WASHER, LOCK, steel, 3/16 in.		2	
14	G1	5310-99-941-7070	..NUT, PLAIN, HEXAGON, BA, steel, No.2		2	
15-17	LV7RU	2910-99-824-1959	..PIPE ASSEMBLY, CHOKE, 8-1/8 in.lg	613514	1	
16	LV6MT1	4730-99-824-1960	...SLEEVE, COMPRESSION, PIPE-HOSE FITTING, brass, 5 mm id		2	
17	LV7RU	4730-99-824-1961	...INVERTED NUT, UNION PIPE, UNF, steel, 3/8 in. x 1/2 in. lg	90611014	2	

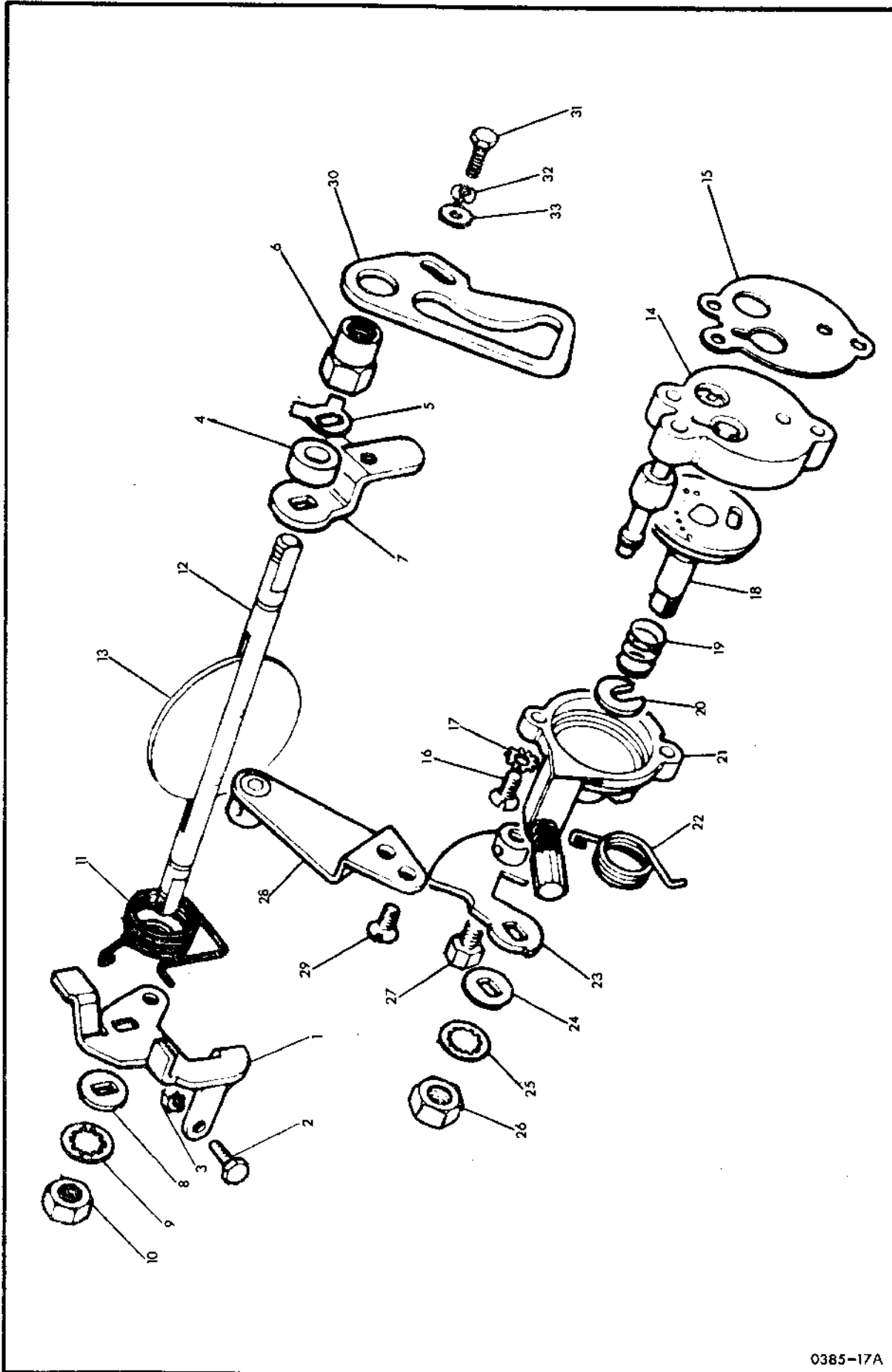
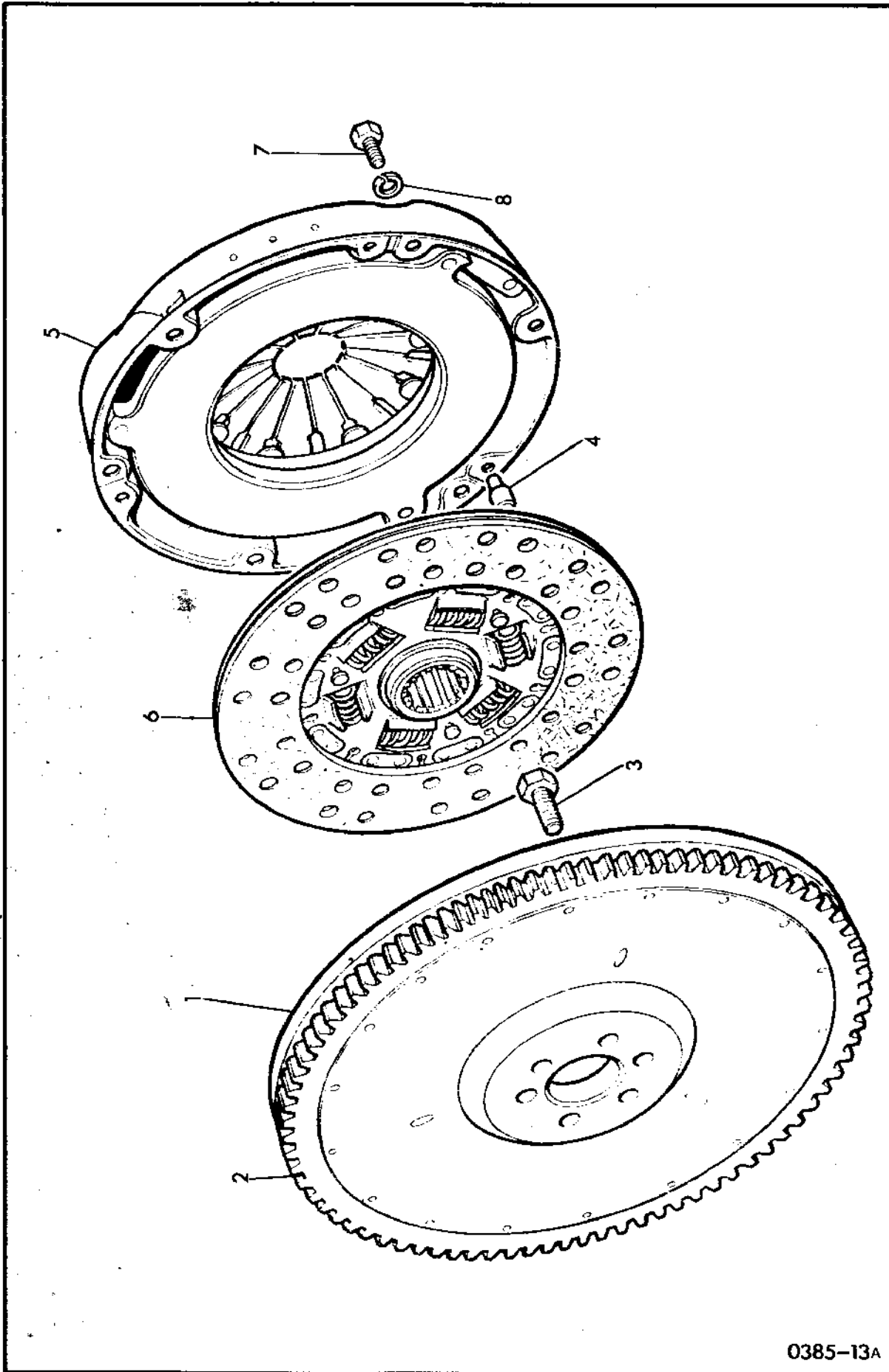


FIG ITEM	MAN CODE	NATO STOCK NUMBER/ CATALOGUE NUMBER	ITEM NAME AND DESCRIPTION	PART NO./ DRAWING NO./ ADREFNO	NO. OFF	ANNOTATIONS
A19			ENGINE - contd			
2	LV6MT12	2910-99-824-1944	..CARBURETTOR LINKAGE: lh -			
3	G1	5310-99-941-2418	..SCREW, MACHINE, UNF, steel, No.10 x 13/16 in. lg	019531	1	Fast-idle adjustment
5	LV7RU	5310-99-136-4899	..NUT, PLAIN, HEXAGON, UNF, steel, No.10		1	
8	LV6MT12	2910-99-824-1938	..WASHER, KEY, steel, 11 mm od x 8 mm id x 0.71 mm thk	019067	1	
9	LV6MT12	5310-99-824-9112	..PACKING PIECE, steel, 14 mm od x 2.6 mm thk	05660	1	
10	LV6MT12	5310-99-807-3977	..WASHER, LOCK, steel, 8 mm	08758	1	
11	LV6MT12	5360-99-824-1940	..NUT, PLAIN, HEXAGON, SI, metric, steel, 8 mm	L1475	1	
15	LV6MT12	2910-99-824-1941	..SPRING, HELICAL, TORSION, steel, 23/32 in. od	B17941	1	
16-27	LV6MT12	2910-99-824-1942	..GASKET, 1-13/32 in. dia x 1/32 in. thk	B17834	1	
16	LV6MT12	5305-99-824-1943	..STARTER ASSEMBLY, CARBURETTOR: cam operated	B20933	1	
17	G1	5310-99-101-3428	...SCREW, MACHINE, BA, steel, No.2 x 1 in. lg	B17844	2	
27	LV6MT12	5305-99-819-1738	..WASHER, LOCK, steel, 13/64 in.		2	
			...SCREW, MACHINE, UNF, steel, No. 10 x 3/8 in. lg	P12867	1	
29	G1	5305-99-136-5805	..SCREW, MACHINE, BA, steel, No.2 x 5/16 in. lg		2	
30	LV7RU	2910-99-824-1962	..LEVER, THROTTLE, steel, 2-13/32 in. lg x 1-1/2 in. w x 3/32 in. thk	610333	1	
31	LV7RU	5305-99-137-6178	..SCREW, MACHINE, UNC, steel, No.8 x 3/8 in. lg	257123	1	
32	G1	5310-99-944-0547	..WASHER, LOCK, steel, 3/16 in.		1	
33	G1	5310-99-941-8569	..WASHER, FLAT, steel, 3/16 in.		1	
+		NP	..COUNTERSHAFT AND LEVER ASSEMBLY	611349	1	
+	LV7RU	5365-99-824-1963	..RING, RETAINING, steel, ext, 5/16 in. id x 0.026 in. thk	521453	1	
+	LV7RU	2910-99-824-1964	..ROLLER, COUNTERSHAFT LEVER, plastics, 3/8 in. od x 1/8 in.id x 5/16 in. lg	603237	1	
+	LV7RU	3565-99-824-1965	..RING, RETAINING, steel, ext, 1/8 in. id x 0.016 in. thk	521452	1	
+	LV7RU	5360-99-824-1966	..SPRING, HELICAL, EXTENSION, steel, 1/2 in. dia x 3 in. lg, hook ends	603622	1	
+	LV7RU	2910-99-824-1967	..LEVER, THROTTLE SPRING, steel, 1-1/2 in. lg	541343	1	
+	G1	5305-99-136-3718	..SCREW, MACHINE, UNF, steel, No.10 x 3/4 in. lg		1	

FIG ITEM	MAN CODE	NATO STOCK NUMBER/ CATALOGUE NUMBER	ITEM NAME AND DESCRIPTION	PART NO./ DRAWING NO./ ADREFNO	NO. OFF	ANNOTATIONS
A20			ENGINE - contd			
1	LV6MT12	2910-99-822-2910	..BREATHING PIPES AND FITTINGS -			
2	LV7RU	4720-99-828-0470	..BREATHING, FILTER	7973249	1	
3	LV7RU	4720-99-828-0488	..HOSE, PREFORMED: breather filter to cylinder block	614237	1	
4	LV7RU	4720-99-822-1712	..HOSE, PREFORMED: breather filter to air cleaner	611108	1	
5	LV7RU	4720-99-822-1713	..HOSE, PREFORMED: flame trap to rh carburettor	90611112	1	
6	LV7RU	4720-99-822-1714	..HOSE, PREFORMED: flame trap to rocker cover, rh	611113	1	
+	LV7RU	4720-99-822-1715	..HOSE, PREFORMED: flame trap to lh carburettor	614161	1	
7	LV7RU	4720-99-822-1716	..HOSE, PREFORMED: lh breather outlet	611114	1	
8	LV7RU	4720-99-822-1716	..HOSE, PREFORMED: flame trap to rocker cover, lh	612908	1	
9	LV6MT1	2805-99-822-7806	..FLAME TRAP	603330	2	
11	G1	5340-99-824-2452	..CLIP, SPRING TENSION, steel, 3/4 in. w x 21/32 in. dia loop		2	
+	G1	5305-99-971-0484	..SCREW, TAPPING, THREAD FORMING, steel, cadmium plated, slot drive, No.10 x 3/8 in. lg		2	
+	LV7RU	2910-99-824-1968	..GASKET, 3-5/8 in. lg x 2-13/16 in. w x 1/64 in. thk	610327	2)
+	G1	5306-99-941-1537	..BOLT, MACHINE, UNC, steel, hex hd, 5/16 in. x 1-3/8 in. lg		2) Rh & lh
+	G1	5310-99-941-0925	..NUT, PLAIN, HEXAGON, UNF, steel, 5/16 in.		4) elbows to
+	G1	5310-99-120-1027	..WASHER, LOCK, steel, single coil, 5/16 in.		6) carburet-
+	G1	5307-99-137-6133	..STUD, PLAIN, UNC/UNF, steel, 5/16 in.		4) tor
+	LV7RU	2910-99-824-1969	..SLEEVE, CONNECTOR, neoprene, 2-3/4 in. id x 3 in. lg	90612906	2) Elbow to
+	LV6MT1	4730-99-420-3088	..CLAMP, HOSE, worm drive, 2-3/4 in. to 3-1/2 in. id		4) mixing chamber
+	LV7RU	4720-99-822-1711	..HOSE, PREFORMED, rubber, 31/64 in. od x 15/64 in. id x 5-1/2 in. lg	611109	1	Breather inlet

A21

FLYWHEEL & CLUTCH



0385-13A

FIG ITEM	MAN CODE	NATO STOCK NUMBER/ CATALOGUE NUMBER	ITEM NAME AND DESCRIPTION	PART NO./ DRAWING NO./ ADREFNO	NO. OFF	ANNOTATIONS
A21			ENGINE - contd			
1,2	LV7RU	2805-99-824-1585	.FLYWHEEL, ENGINE	611324	1	
2	LV7RU	2990-99-822-1877	.RING, STARTER, ENGINE	611323	1	
3	G1	5305-99-941-6886	.SCREW, MACHINE, UNF, steel, 7/16 in. x 1 in. lg		6	
4	LV7RU	5315-99-850-0027	.PIN, SHOULDER, HEADLESS	6395	3	
5	LV6MT10	2520-99-822-1748	.PLATE, PRESSURE, FRICTION, CLUTCH	76457-13	1	
6	LV6MT10	2520-99-838-0431	.PLATE, CLUTCH, 267 mm dia x 9.91 mm thk	53235-34	1	
7	G1	5305-99-941-6548	.SCREW, MACHINE, UNF, steel, 3/8 in. x 3/4 in. lg		6	
8	G1	5310-99-941-6646	.WASHER, LOCK, steel, 3/8 in.		6	
+	LV6MT10	2520-99-824-1588	.PARTS KIT, FRICTION CLUTCH:- comprising 2 linings and 42 rivets	SSC76152	1	

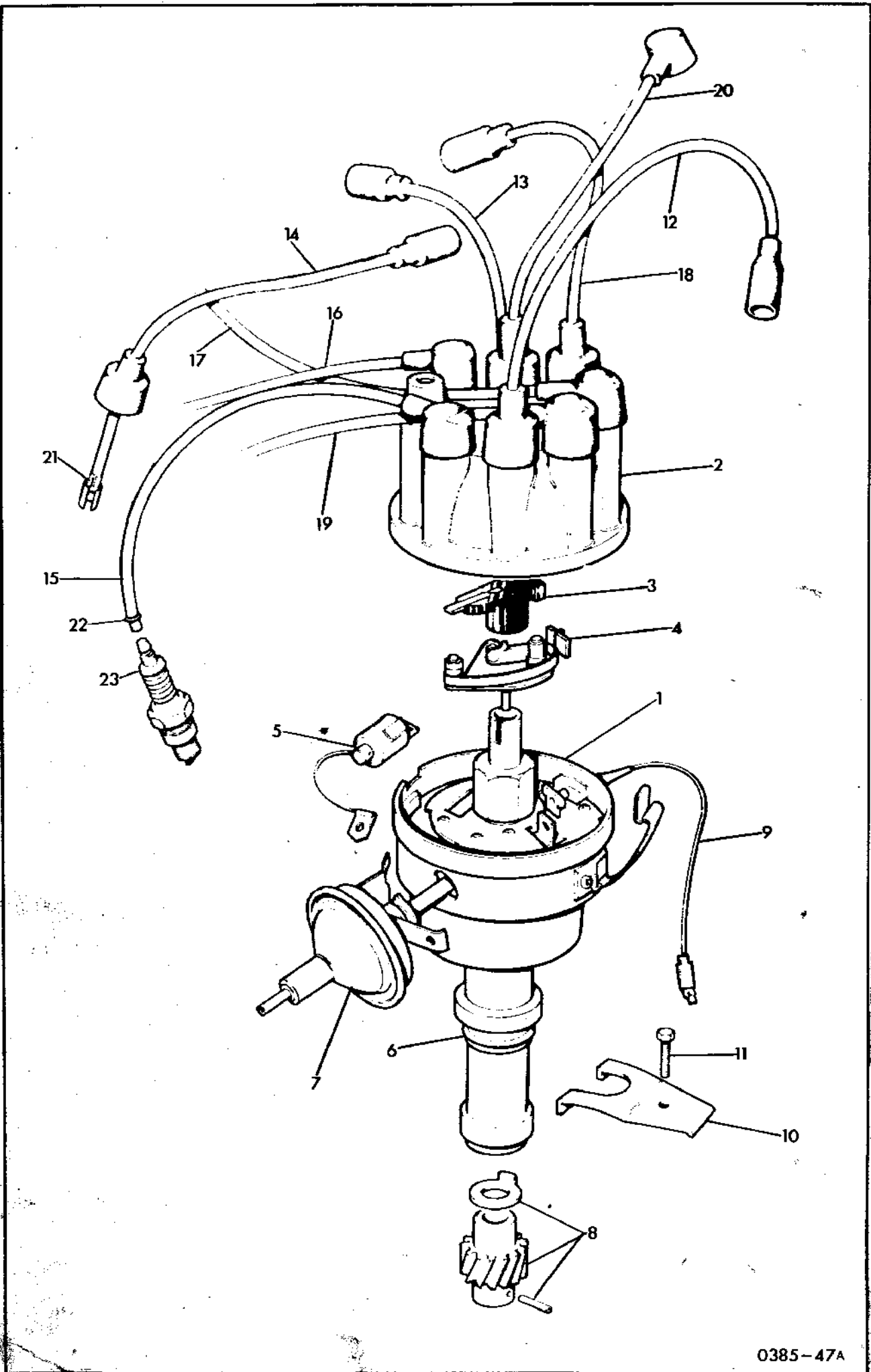


FIG ITEM	MAN CODE	NATO STOCK NUMBER/ CATALOGUE NUMBER	ITEM NAME AND DESCRIPTION	PART NO./ DRAWING NO./ ADREFNO	NO. OFF	ANNOTATIONS
A22			ENGINE - contd			
1-3	LV6MT8	2920-99-822-1754	.DISTRIBUTOR, IGNITION SYSTEM	41487	1	12V system
2	LV6MT8	2920-99-822-2421	..CAP, IGNITION DISTRIBUTOR 7563144	GOC 117	1	
4	LV6MT8	2920-99-824-3835	...BRUSH, ELECTRICAL CONTACT; w/ spring	54423521	1	
5	LV6MT8	2920-99-824-3833	..SPRING SET, AUTO ADVANCE:- comprising 2 springs	54419169	1	
3	LV6MT8	2920-99-822-1756	..ROTOR ARM, IGNITION DISTRIBUTOR	GRA 112	1	
4	LV6MT8	2920-99-822-2420	..CONTACT ASSEMBLY, ELECTRICAL	GCS 117	1	
5	LV6MT8	5910-99-822-2421	..CONDENSER	GSC 108	1	
6	LV6MT8	5330-99-822-2422	..RING, SEALING, TOROIDAL	188636	1	
8	LV7RU	3020-99-824-3836	..GEAR HELICAL; w/pin and washer	605217	1	
9	LV6MT8	2920-99-824-3834	..LEAD, ELECTRICAL: low tension	54950276	1	
10	LV7RU	5999-99-824-3837	.PLATE MOUNTING: distributor	613857	1	
11	G1	5305-99-941-0718	.SCREW, MACHINE, UNC, steel, 3/8 in. x 1 in. lg		1	
12	LV7RU	2920-99-824-9137	.LEAD, ELECTRICAL, No.1, 21-1/2 in. lg	614591	1)w/end fittings
13	LV7RU	2920-99-824-9134	.LEAD, ELECTRICAL, No.2, 31-3/4 in. lg	614592	1	
14	LV7RU	2920-99-824-9135	.LEAD, ELECTRICAL, No.3, 27-1/4 in. lg	614593	1	
15	LV7RU	2920-99-824-9136	.LEAD, ELECTRICAL, No.4, 31-1/4 in. lg	614594	1	
16	LV7RU	2920-99-824-9138	.LEAD, ELECTRICAL, No.5, 24-1/4 in. lg	614595	1	
17	LV7RU	2920-99-824-9139	.LEAD, ELECTRICAL, No.6, 29-1/4 in. lg	614596	1	
18	LV7RU	2920-99-824-9140	.LEAD, ELECTRICAL, No.7, 27-1/2 in. lg	614597	1	
19	LV7RU	2920-99-824-9141	.LEAD, ELECTRICAL, No.8, 35-1/4 in. lg	614598	1	
20	LV7RU	2920-99-824-9265	.LEAD, ELECTRICAL: coil to distributor, 20 in. lg	90614599	1	
21	LV6MT8	2920-99-825-2150	.LEADS, ELECTRICAL - ..CONNECTOR, ELECTRICAL LEAD: distributor end	54952997	8	
22	LV6MT8	2920-99-825-2151	..CONNECTOR, ELECTRICAL LEAD: spark plug end	54935671	8	
23	LV6MT4	2920-99-824-5467	.PIDG, SPARKING, 14 mm x 0.472 in. reach	L92Y	8	
NI	LV7RU	2920-99-774-9253	.DISTRIBUTOR, IGNITION SYSTEM	ERC 2749	1	
NI	LV7RU	2920-99-753-7527	..CAPACITOR, FIXED, PAPER DIELECTRIC	GSC 111	1	

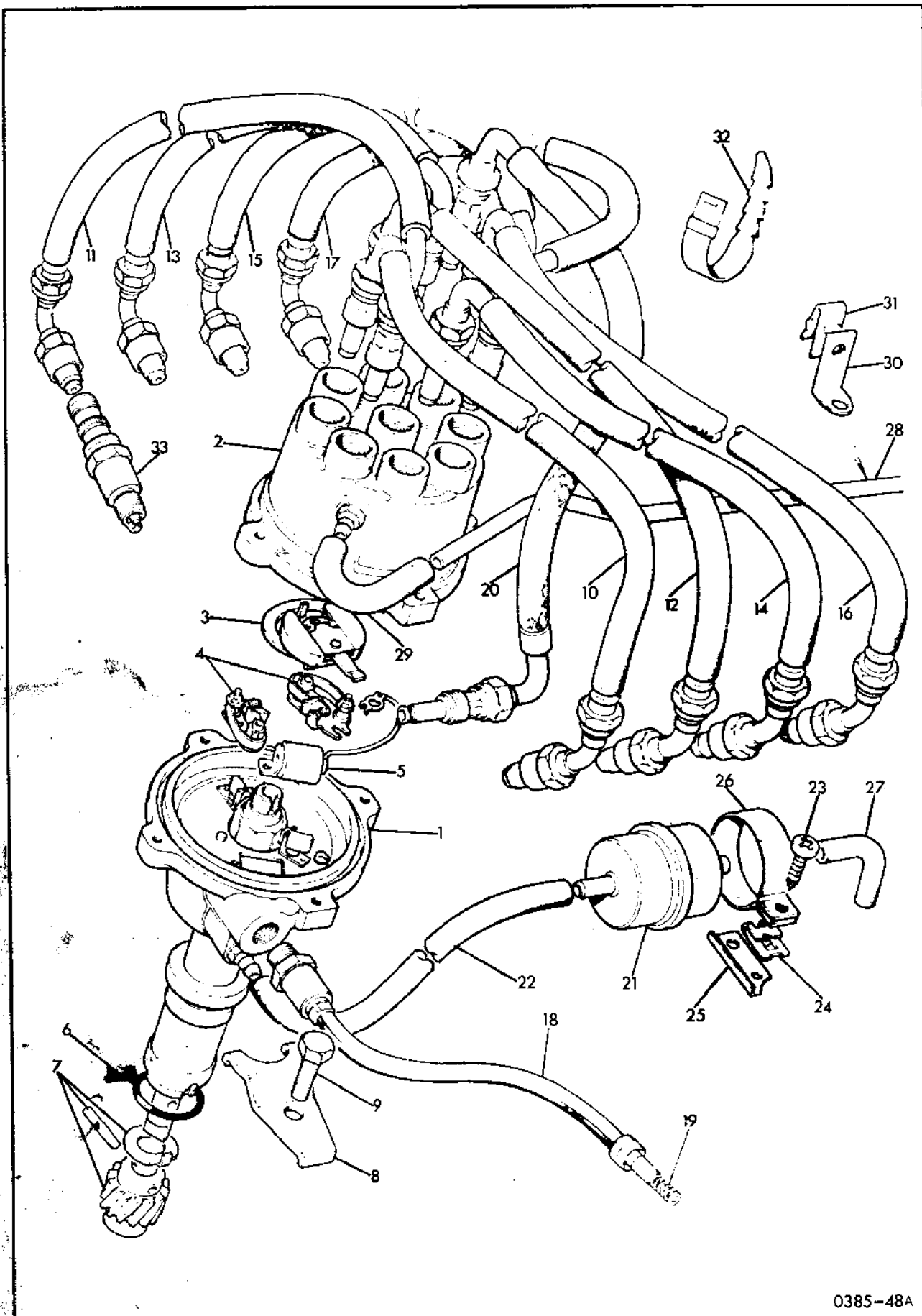


FIG ITEM	MAN CODE	MATO STOCK NUMBER/ CATALOGUE NUMBER	ITEM NAME AND DESCRIPTION	PART NO./ DRAWING NO./ ADREFNO	NO. OFF	ANNOTATIONS
A23			ENGINE - contd			
1-7	LV6MT8	2920-99-762-4483	.DISTRIBUTOR, IGNITION SYSTEM, screened, 5-1/2 in. dia	41399	1	24V system
2	LV6MT8	2920-99-823-6015	..CAP, IGNITION DISTRIBUTION	AAU 1394	1	
+	LV6MT8	5977-99-806-4008	...BRUSH, ELECTRICAL CONTACT	404435	1	
+	LV6MT8	2920-99-806-6630	..WEIGHT, IGNITION DISTRIBUTOR: auto advance	54413073	2	
+	LV6MT8	2920-99-824-3833	..SPRING, SET, AUTO ADVANCE	54419169	1	
3	LV6MT8	2920-99-823-6016	..SPEED LIMITER	54424875	1	
4	LV6MT8	2920-99-823-6017	..CONTACT SET, DISTRIBUTOR	54421044	2	
5	LV6MT8	5910-99-823-6018	..CAPACITOR, FIXED, PAPER DIELECTRIC	54422408	1	
6	LV6MT8	5330-99-822-2422	..RING, SEALING, TOROIDAL	188636	1	
7	LV6MT8	3020-99-824-7733	..GEAR, HELICAL; w/pin and washer	54419368	1	
+	LV6MT8	2925-99-824-7739	..SCREW, MACHINE	60600307	4	
+	LV6MT1	5330-99-443-0134	..RING, SEALING, TOROIDAL, rubber, 3-55/64 in. id x 1/8 in. h		1	Cap to body
8	LV7RU	5340-99-824-7734	.CLAMP, RIM CLENCHING, steel, 3.02 in. lg x 1.72 in. w x 0.86 in. h	602397	1	
9	G1	5305-99-941-0714	.SCREW, MACHINE, UNC, steel, 3/8 in. x 1 in. lg		1	
10	LV7RU	2920-99-824-9111	.LEAD, ELECTRICAL, No.1, 14 in. lg	ERC 1616	1	
11	LV7RU	2920-99-825-0750	.LEAD, ELECTRICAL, No.2, 23 in. lg	ERC 1620	1	
12	LV7RU	2920-99-825-0751	.LEAD, ELECTRICAL, No.3, 16-1/4 in. lg	ERC 1621	1	
13	LV7RU	2920-99-825-0752	.LEAD, ELECTRICAL, No.4, 25-1/2 in. lg	ERC 1617	1	
14	LV7RU	2920-99-825-0753	.LEAD, ELECTRICAL, No.5, 22 in. lg	ERC 1622	1	
15	LV7RU	2920-99-825-0754	.LEAD, ELECTRICAL, No.6, 29 in. lg	ERC 1618	1	
16	LV7RU	2920-99-825-0755	.LEAD, ELECTRICAL, No.7, 25-1/2 in. lg	ERC 1619	1	
17	LV7RU	2920-99-825-0756	.LEAD, ELECTRICAL, No.8, 27-1/2 in. lg	ERC 1623	1	
18,19	LV6MT8	7510-99-824-7736	.LEAD, ELECTRICAL: distributor to coil; w/end fittings	54958763	1	} Low tension
19	LV6MT8	2920-99-806-5205	..SPRING, HELICAL, COMPRESSION	408115	1	
20	LV7RU	2920-99-825-0758	.LEAD, ELECTRICAL: distributor to coil	ERC 1615	1	High tension
21	LV6MT12	2910-99-822-2910	.STRAINER, ELEMENT, SEDIMENT	7973410	1	
22	LV7RU	2590-99-824-7731	.PIPING, PLASTICS, SEMIRIGID, 1/2 in. dia x 12-1/4 in. lg	613814	1	
23	G1	5305-99-951-1478	.SCREW, TAPPING, THREAD FORMING; steel, cadmium plated, No.8 x 1/2 in. lg		1	
24	G1	5310-99-137-6549	.NUT, SHEET SPRING, steel; No.8		1	
27	LV7RU	2590-99-824-7732	.PIPE, FILTER, plastics, 1/4 in. id	614255	1	
28	LV6MT1	4710-99-801-0702	.PIPE, STEEL, 5/16 in. dia		AR	
29	LV7RU	2590-99-824-7735	.PIPING, PLASTICS, SEMIRIGID, 1/2 in. dia x 2-1/2 in. lg	614236	2	
30	LV7RU	2990-99-828-1074	.BRACKET, BREATHER PIPE, steel, 1 in. lg x 3/4 in. w	614239	2	
31	LV7RU	5340-99-828-1073	.CLIP, SPRING TENSION, steel, 25/32 in. lg x 9/16 in. w	603546	2	
32	LV6MT4	5340-99-820-5371	.CLEAT, CABLE, plastics, 3/16 in. w x 5-15/16 in. lg	240431	3	
33	LV6MT4	2920-99-825-7742	.PLUG, SPARKING, 14 mm	RS187Y	8	

A24

GENERATOR 12V

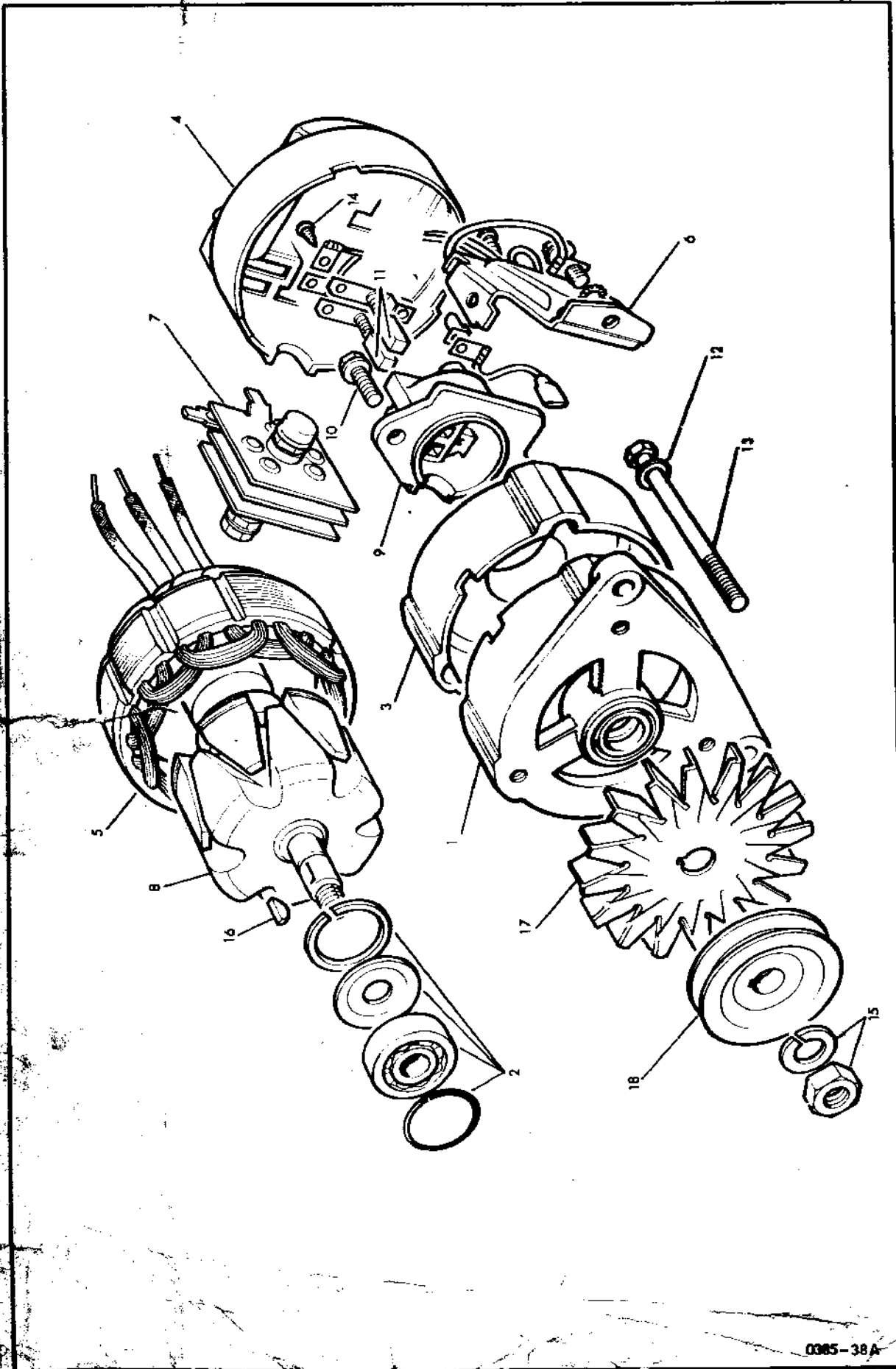


FIG ITEM	MAN CODE	NATO STOCK NUMBER/ CATALOGUE NUMBER	ITEM NAME AND DESCRIPTION	PART NO./ DRAWING NO./ ADREFNO	NO. OFF	ANNOTATIONS
A 24			ENGINE - contd.			
1-17	LV6MT4	2920-99-825-8662	.GENERATOR, ENGINE ACCESSORY, 16 ACR alternator	23793	1	
2	LV6MT4	2920-99-819-1862	..PARTS KIT, ENGINE GENERATOR: bearing kit	54219310	1	Drive end
3	LV6MT4	2920-99-821-5602	..END SHIELD, ELECTRICAL ROTATING EQUIPMENT; w/bearing	54200781	1)Slip)ring
+	LV6MT4	2920-99-813-1263	...PARTS KIT, ENGINE GENERATOR: bearing kit	54219312	1)end)
+	LV6MT4	2920-99-813-5092	..RING, ELECTRICAL CONTACT: slip ring	54217372	1	
5	LV6MT4	2920-99-824-7117	..STATOR, ENGINE GENERATOR	54218305	1	
6	LV6MT4	2920-99-823-9500	..REGULATOR, ENGINE GENERATOR	37595	1	
+	Z31	5910-99-628-5869	..CAPACITOR	RMO3861T23	1	
7	LV6MT4	6130-99-823-2047	..RECTIFIER, METALLIC	54486206	1	
8	LV6MT4	2920-99-827-8038	..ROTOR, GENERATOR	54202067	1	
9	LV6MT4	5977-99-819-1864	..HOLDER, ELECTRICAL CONTACT BRUSH	54200349	1	
11	LV6MT4	5977-99-813-5089	..BRUSH SET	54219368	1	
13	LV6MT4	5306-99-819-1865	..BOLT, MACHINE	54113722	3	
14-16	LV6MT4	2920-99-813-5088	..PARTS KIT, ENGINE GENERATOR	54218702	1	
+	LV6MT4	2920-99-825-5902	..DIODE ASSEMBLY, ANTI-SURGE:- comprising heat sink, diode and lead	54486144	1	
17	LV6MT4	6150-99-813-5093	..FAN, ELECTRICAL ROTATING EQUIPMENT, steel, 14-19/32 in. dia	147990	1	
18	LV7RU	3020-99-824-3831	.PULLEY GROOVE	602505	1	
+	LV6MT4	2920-99-819-3422	.CAPACITOR, SUPRESSION	54200297	1	
+	LV6MT4	2920-99- 825-8662 <i>799 8360</i>	.GENERATOR ENGINE ACCESSORY 25 ACR 12V, 60A, lh fitting	23859	1) Fitted to) Ambulance
+	LV7RU	3020-99-839-2566	..PULLEY, GROOVE	3345	1) Marshalls
+	LV6MT4	2920-99-833-7009	..PARTS KIT, 20 items	2874	1) of Cambridg) body
+	LV6MT4	5961-99-825-0510	.BLOCKING DIODE ASSEMBLY, 12V, 3 terminals, 2.41 in.dia x 5.68 in.lg x 3.84 in.w x 2.70 in.h	60921003	1) Auxiliary) battery) charging) system
+	LV6MT4	2920-99-788-1582	.GENERATOR, ENGINE ACCESSORY, 12V, 45A	24181A	1	

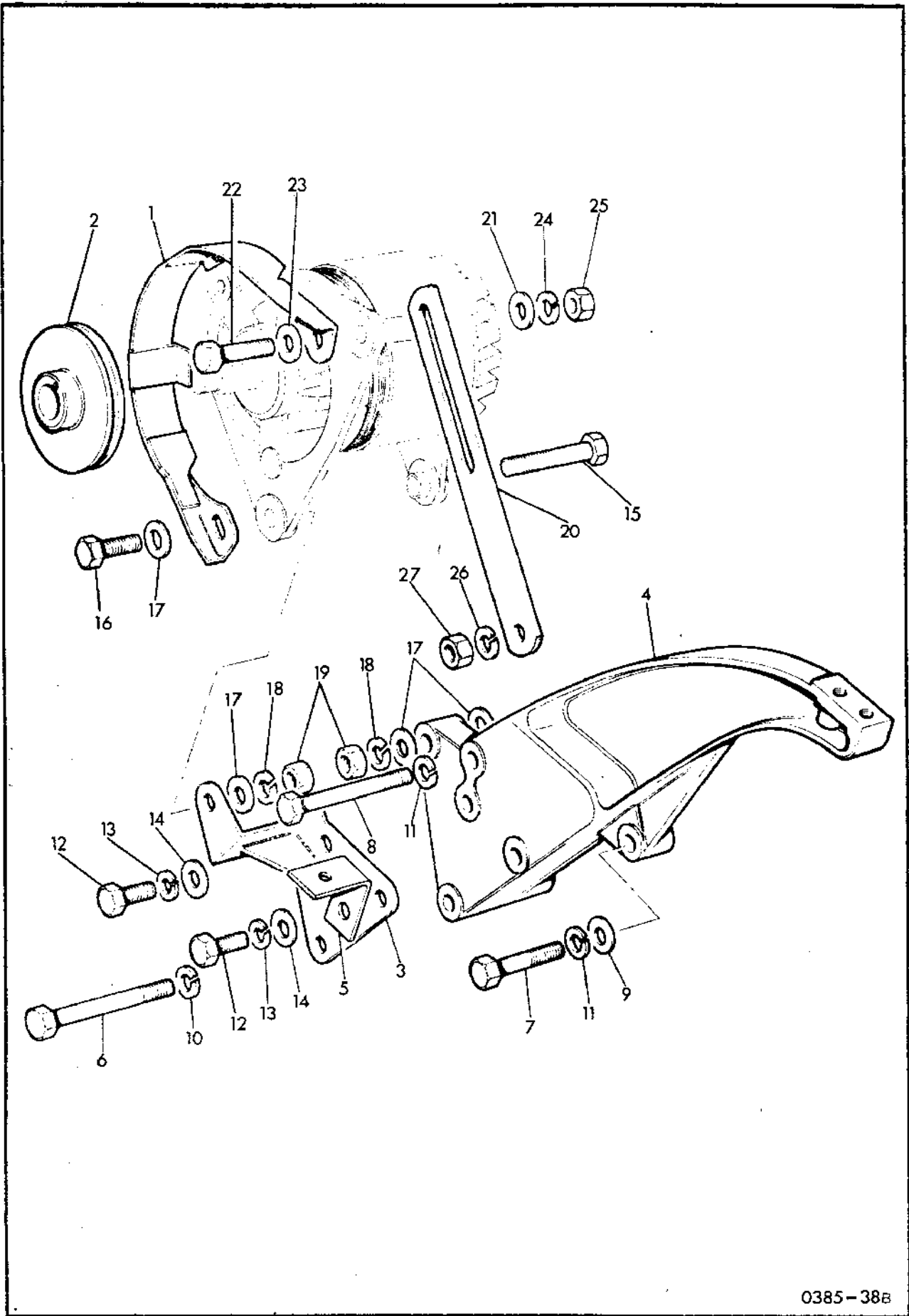


FIG ITEM	MAN CODE	NATO STOCK NUMBER/ CATALOGUE NUMBER	ITEM NAME AND DESCRIPTION	PART NO./ DRAWING NO./ ADREFNO	NO. OFF	ANNOTATIONS
A25			ENGINE - contd			
6	G1	5306-99-941-1560	..GENERATOR FIXINGS, 12V - ..BOLT, MACHINE, UNC, steel, 3/8 in. x 3-1/2 in. lg		1	
7	G1	5306-99-941-1554	..BOLT, MACHINE, UNC, steel, 3/8 in. x 2 in. lg		1	
8	G1	5306-99-941-1545	..BOLT, MACHINE, UNC, steel, 5/16 in. x 3-1/4 in. lg		1	
9	G1	5310-99-941-7628	..WASHER, FLAT, steel, 3/8 in.		1	
10	G1	5310-99-120-2304	..WASHER, LOCK, steel, 3/8 in.		1	
12	G1	5305-99-941-0699	..SCREW, MACHINE, UNC, steel, 5/16 in. x 7/8 in. lg		2	
13	G1	5310-99-120-1027	..WASHER, LOCK, steel, 5/16 in.		2	
14	G1	5310-99-941-3386	..WASHER, FLAT, steel, 5/16 in.		2	
15	G1	5306-99-941-0302	..BOLT, MACHINE, UNF, steel, 5/16 in. x 2-1/4 in. lg		1	
16	G1	5305-99-941-0535	..BOLT, MACHINE, UNF, steel, 5/16 in. x 2-3/4 in. lg		1	
17	G1	5310-99-134-2496	..WASHER, FLAT, steel, 5/16 in.		3	
18	G1	5310-99-120-1027	..WASHER, LOCK, steel, 5/16 in.		2	
19	G1	5310-99-941-0925	..NUT, PLAIN, HEXAGON, UNF, steel, 5/16 in.		2	
20	LV7RU	2920-99-824-6235	..LINK, ADJUSTING, ALTERNATOR, steel, 1 in. w x 7-7/8 in. lg	614938	1	
22	G1	5306-99-122-5253	..BOLT, MACHINE, SI, metric, steel, 8 mm x 30 mm lg		1	
23	LV7RU	5310-99-137-1107	..WASHER, FLAT, steel, 1 in. od x 21/64 in. id x 1/8 in. thk	4594	1	
24	G1	5310-99-120-1027	..WASHER, LOCK, steel, 5/16 in.		1	
25	G1	5310-99-122-5296	..NUT, PLAIN, HEXAGON, SI, metric, steel, 8 mm		1	
26	G1	5310-99-120-1027	..WASHER, LOCK, steel, 5/16 in.		1	
27	G1	5310-99-127-5700	..NUT, PLAIN, HEXAGON, UNF, steel, 5/16 in.		1	

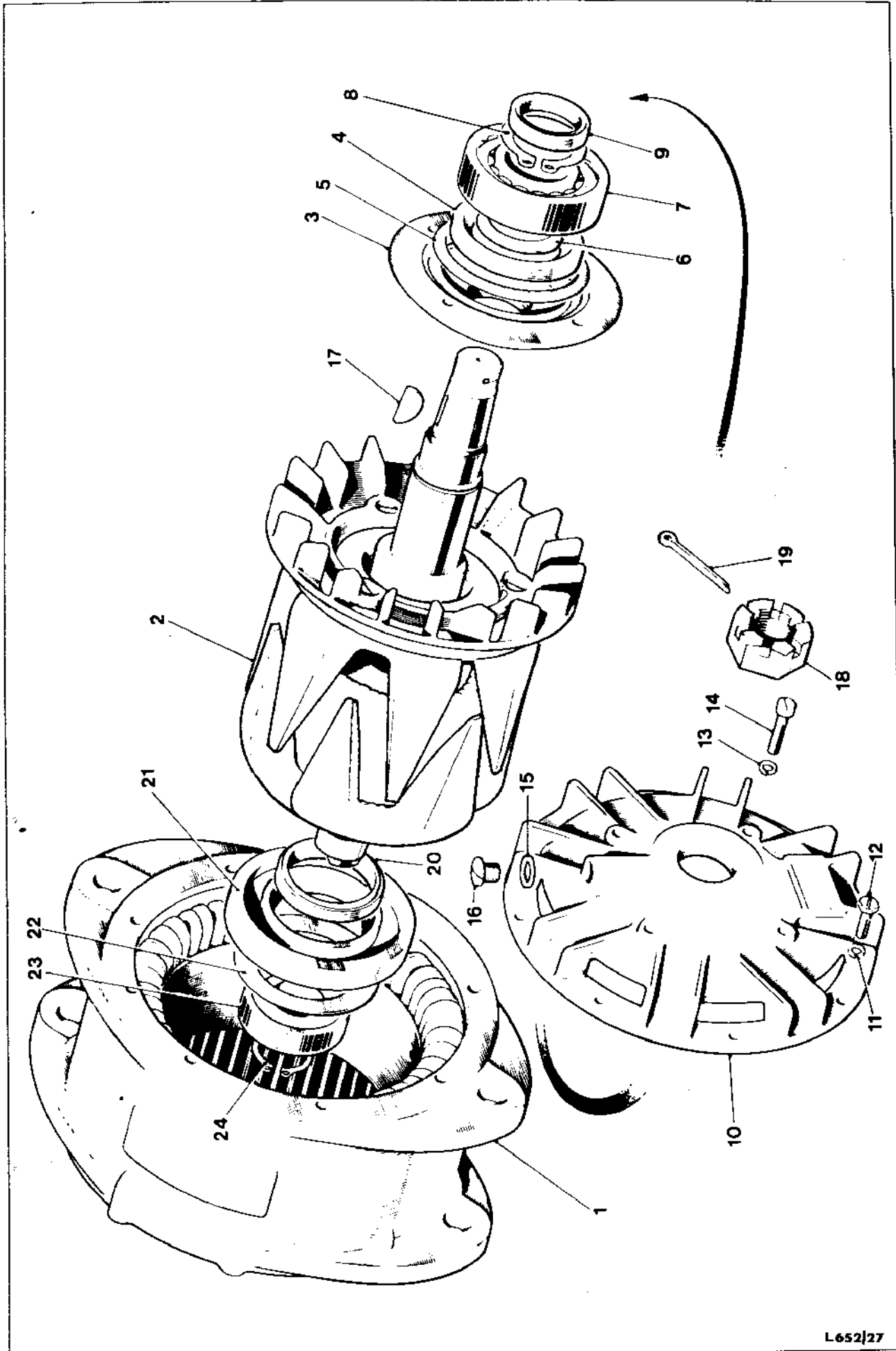


FIG ITEM	MAN CODE	NATO STOCK NUMBER/ CATALOGUE NUMBER	ITEM NAME AND DESCRIPTION	PART NO./ DRAWING NO./ ADREFNO	NO. OFF	ANNOTATIONS
A26						
+	LV6MT4	2920-99-831-1608	ENGINE - contd ..GENERATOR, ENGINE ACCESSORY, No. 10, MK3, 90A, 24V	FV760740	1)CAV No.)90-5)Alter-)nator, as)fitted
1	LV6MT4	2920-99-881-2977	..STATOR, ENGINE GENERATOR	V6019-416	1	
+	LV6MT4	5940-99-881-2994	...TERMINAL POST, UNF, brass, 1/4 in.	6019-242B	3	
2	LV6MT4	2920-99-881-2978	..ARMATURE-ROTOR, GENERATOR	FV543301	1	
+	LV6MT4	2920-99-881-2999	...RING ASSEMBLY, ELECTRICAL CONTACT	6019-464	1	
+	LV6MT4	2920-99-881-2995	...WINDING, FIELD	W6019-261	1	
+	G1	5305-99-941-1970	...SCREW, MACHINE, UNF, steel, cadmium plated, slot drive, No.10 x 1/2 in. lg		3	Rotor fan fixing
+	G1	5305-99-941-1949	...SCREW, MACHINE, UNC, steel, cadmium plated, slot drive, No. 6 x 3/8 in. lg		3)Fixing)collar to)rotor)claw
+	G1	5310-99-944-0548	...WASHER, LOCK, steel, cadmium plated, single coil, 1/4 in.		3	
3	LV6MT4	2920-99-881-2972	..PLATE, RETAINING BEARING, DRIVE END	6019-383B	1	
4	LV6MT1	5330-99-811-4612	..SEAL, PLAIN, rubber, 2-1/2 in. od x 1-3/4 in. id x 1/4 in. w		1	
5	LV6MT4	5330-99-429-6504	..RING, SEALING, TOROIDAL, rubber, 2-51/61 in. id x 1/8 in. h	5855-30AA	1	
6	LV6MT4	5310-99-881-2980	..WASHER, FLAT, steel, zinc coated, 1-1/2 in. od x 1-1/4 in. id x 1/8 in. thk	FV543309	1	
7	LV6MT7	3110-99-806-0667	..BEARING, PARALLEL ROLLER, JOURNAL, single row, 2-3/4 in. od x 1-1/4 in. id x 11/16 in. w		1	
8	LV6MT4	5365-99-804-1551	..RING, RETAINING, steel, 30.36 mm id x 1.54 mm thk	5886-200	1	
9	LV6MT1	5330-99-913-0709	..SEAL, PLAIN, ENCASED, 1-1/2 in. od x 1-1/8 in. id x 1/4 in. w		1	
10	LV6MT4	2920-99-881-2979	..END SHIELD, ELECTRICAL ROTATING EQUIPMENT, DRIVE END	6019-446	1	
+	LV6MT4	2920-99-881-2993	...INSERT, END SHIELD, DRIVE END	6019-152	1	
11	G1	5310-99-944-0547	..WASHER, LOCK, steel, cadmium plated, 3/16 in.		8	
12	G1	5305-99-948-0921	..SCREW, MACHINE, UNF, steel, zinc coated, No.10 x 3/4 in. lg		8	
13	G1	5310-99-944-0547	..WASHER, LOCK, steel, cadmium plated, 3/16 in.		4	
14	LV6MT4	5305-99-821-8439	..SCREW, MACHINE, UNF, steel, No. 10 x 1 in. lg	5335-677G	4	
15	G1	5310-99-913-3207	..WASHER, FLAT, aluminium, 25/64 in.		1	
16	LV6MT4	2920-99-803-8025	..PLUG, SCREWED, BSP, steel, zinc coated, 1/8 in.	5337-36	1	Oil hole
17	LV6MT1	5315-99-943-5957	..KEY, WOODRUFF, steel, 3/4 in. dia x 3/16 in. thk x 5/16 in. h		1	
18	G1	5310-99-136-4298	..NUT, SLOTTED, HEXAGON, UNF, steel, zinc coated, 3/4 in.		1	
19	G1	5315-99-942-0391	..PIN, COTTER, SPLIT, steel, 1/8 in. dia x 2 in. lg		1	

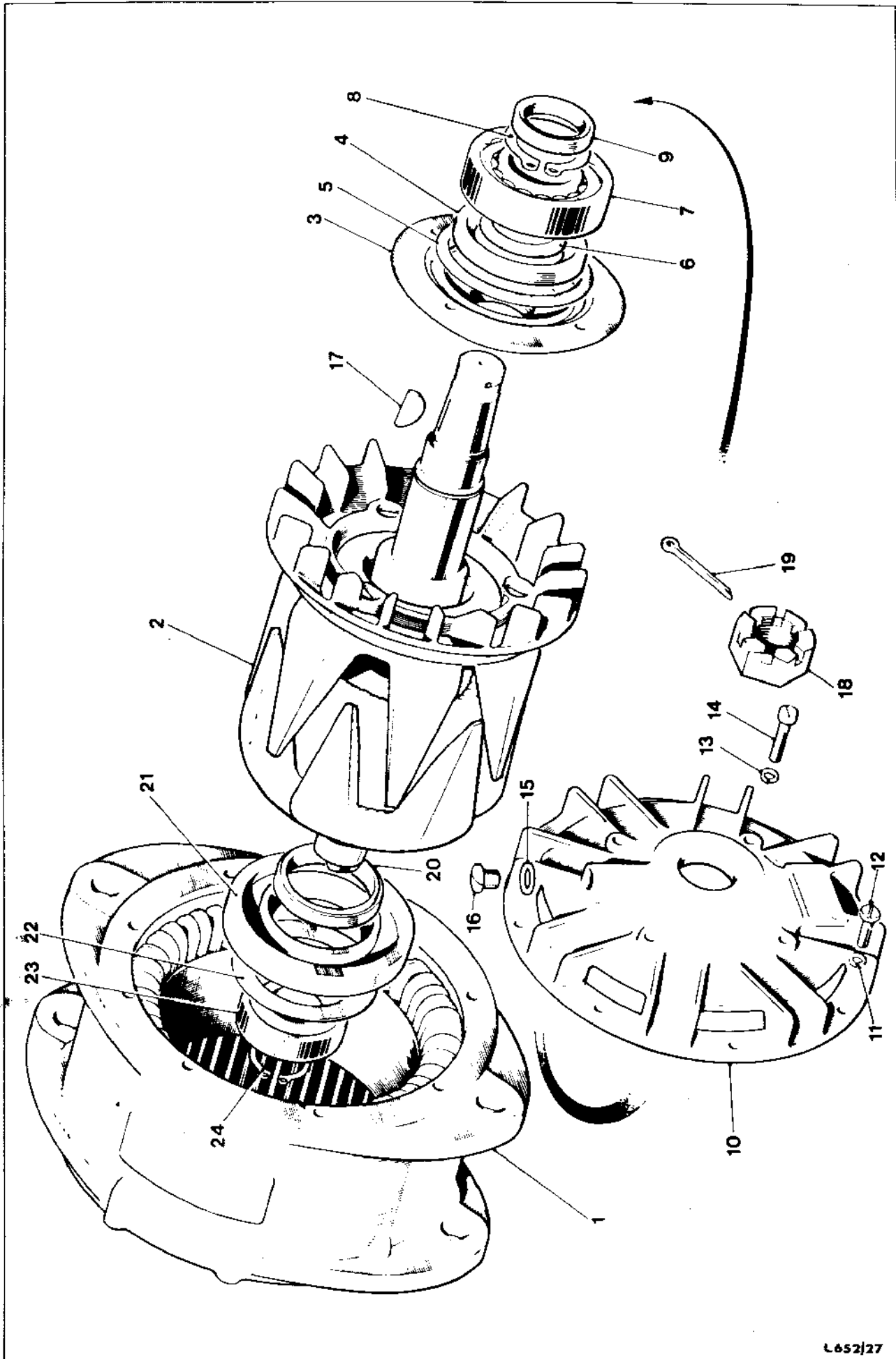


FIG ITEM	MAN CODE	NATO STOCK NUMBER/ CATALOGUE NUMBER	ITEM NAME AND DESCRIPTION	PART NO./ DRAWING NO./ ADREFNO	NO. OFF	ANNOTATIONS
A26			ENGINE - contd			
20	LV6MT1	5330-99-881-2959	..GENERATOR, ENGINE ACCESSORY, No.10, MK3, 90A, 24V - contd			
21	LV6MT4	2920-99-881-2974	..SEAL, PLAIN, ENCASED, 2 in. od x 1-1/2 in. id x 1/4 in. w	FV543298	1	
22	LV6MT4	5330-99-881-2975	..PLATE, RETAINING, BEARING		1	
23	LV6MT7	3110-99-914-4250	..GASKET, rubber, 2-25/32 in. od x 2-5/64 in. id x 1/16 in. thk	FV543295	1	
24	LV6MT1	5365-99-910-8242	..BEARING, BALL, JOURNAL, single row, 52 mm od x 25 mm id x 15 mm w		1	
			..RING, RETAINING, steel, phosphated, 25 mm id x 1.2 mm thk		1	

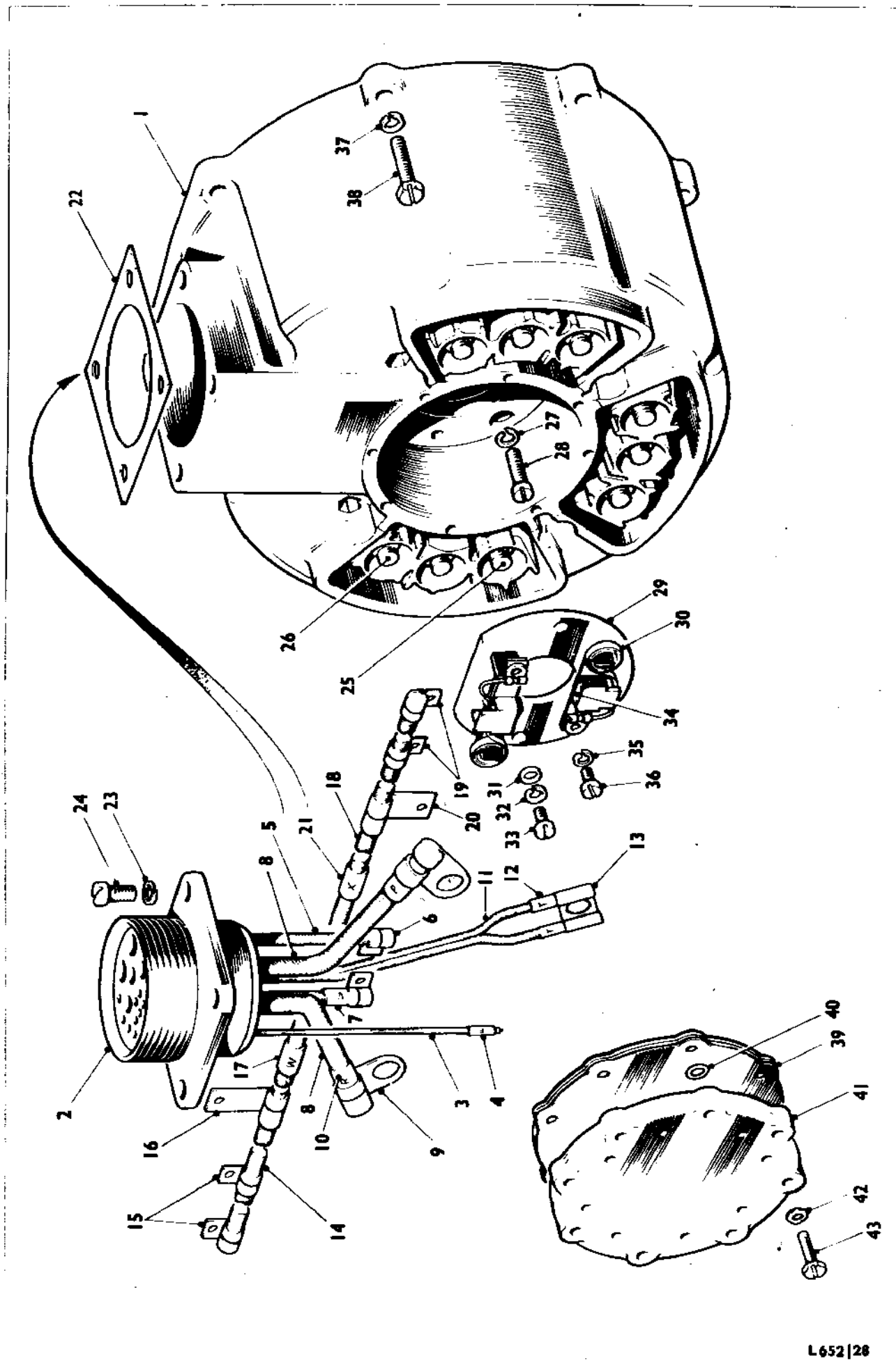


FIG ITEM	MAN CODE	NATO STOCK NUMBER/ CATALOGUE NUMBER	ITEM NAME AND DESCRIPTION	PART NO./ DRAWING NO./ ADREFNO	NO. OFF	ANNOTATIONS
A27			ENGINE - contd			
1-26	LV6MT4	2920-99-834-8185	..GENERATOR, ENGINE ACCESSORY, No.10 MK3, 90A, 24V - contd	6019-792	1	
2-11	LV6MT4	5935-99-833-9956	...END SHIELD, ELECTRICAL ROTATING EQUIPMENT	FV636013	1	
3,4	LV6MT4	2920-99-881-8203LEAD, ELECTRICAL, BRUSH ASSEMBLY	6019-312	1	
3	Y3	6145-99-100-4628CABLE, ELECTRICAL, copper, tinned, single conductor, 19/0.0076 in.			AR
4	LV6MT4	5940-99-811-7493TERMINAL, LUG, brass, 1/2 in. lg	5459-228	1	
5,6	LV6MT4	2920-99-881-8204LEAD, ELECTRICAL, BRUSH ASSEMBLY	6019-312A	1	
+	LV6MT4	5970-99-805-7011	...INSULATOR, WASHER, plastics, 3/8 in. od x 5/32 in. id x 1/16 in. thk	5936-190	2	} Brush leads
+	LV6MT4	5970-99-833-9961	...INSULATOR, glass laminate, 1-1/8 in. lg x 3/8 in. w x 3/16 in. thk	FV510813	1	
+	LV6MT4	5970-99-833-9962	...INSULATOR, WASHER, glass laminate, 21/32 in. od x 5/16 in. id x 1/16 in. thk	5936-245B	8	
+	LV6MT4	5961-99-833-9960	...HEAT SINK ASSEMBLY; w/diodes and lead	FV636017	1	
25	LV6MT4	5961-99-833-9958	...SEMICONDUCTOR DEVICE, DIODE, anode painted red	FV636048	3	
26	LV6MT4	5961-99-833-9959	...SEMICONDUCTOR DEVICE, DIODE, cathode painted blue	6019-628	3	
27	G1	5310-99-941-6643	..WASHER, LOCK, steel, cadmium plated, No.2 BA		4	
28	LV6MT4	5305-99-810-8849	..SCREW, MACHINE, UNF, steel, No. 10 x 3/4 in. lg	5335-677E	4	
29,30	LV6MT4	5977-99-881-2997	..HOLDER ASSEMBLY, ELECTRICAL CONTACT	6019-373	1	
30	LV6MT4	2920-99-804-1563	...SPRING, SPIRAL, TORSION	5886-32	2	
31	LV6MT4	5310-99-136-9264	..WASHER, FIAT, steel, zinc coated, 8 mm od x 4.2 mm id x 0.028 in. thk	NW2-1321	2	
32	G1	5310-99-941-6651	..WASHER, LOCK, steel, No.6 BA		2	
33	G1	5305-99-120-1331	..SCREW, MACHINE, UNC, steel, cadmium plated, No.6 x 1/2 in. lg		2	
34	LV6MT4	5977-99-881-2971	..BRUSH, ELECTRICAL CONTACT	6019-372	1	
35	G1	5310-99-915-0628	..WASHER, LOCK, steel, 1/8 in.		2	
36	G1	5305-99-947-1021	..SCREW, MACHINE, UNC, steel, cadmium plated, No.4 x 1/4 in. lg		2	
37	G1	5310-99-944-0547	..WASHER, LOCK, steel, 3/16 in.		8	
38	G1	5305-99-946-4638	..SCREW, MACHINE, UNF, steel, No. 10 x 7/8 in. lg		8	
39	LV6MT4	2920-99-802-7451	..DIAPHRAGM, BREATHER ASSEMBLY	FV580529	1	
+	LV6MT4	5330-99-881-2970	...GASKET, rubber, 3-3/8 in. od x 1/32 in. thk	FV510814	1	
+	LV6MT4	2920-99-881-2968	...PLATE, DIAPHRAGM, steel, 3-21/32 in. dia x 0.161 in. thk	FV510810	1	
+	LV6MT4	2920-99-881-2969	...DIAPHRAGM, CHAMBER, GENERATOR, 3-21/32 in. dia x 1/32 in. thk	FV510811	1	
40	LV6MT1	5330-99-942-9953	..RING, SEALING, TOROIDAL, 1/4 in. od x 1/8 in. id x 1/16 in. w		8	

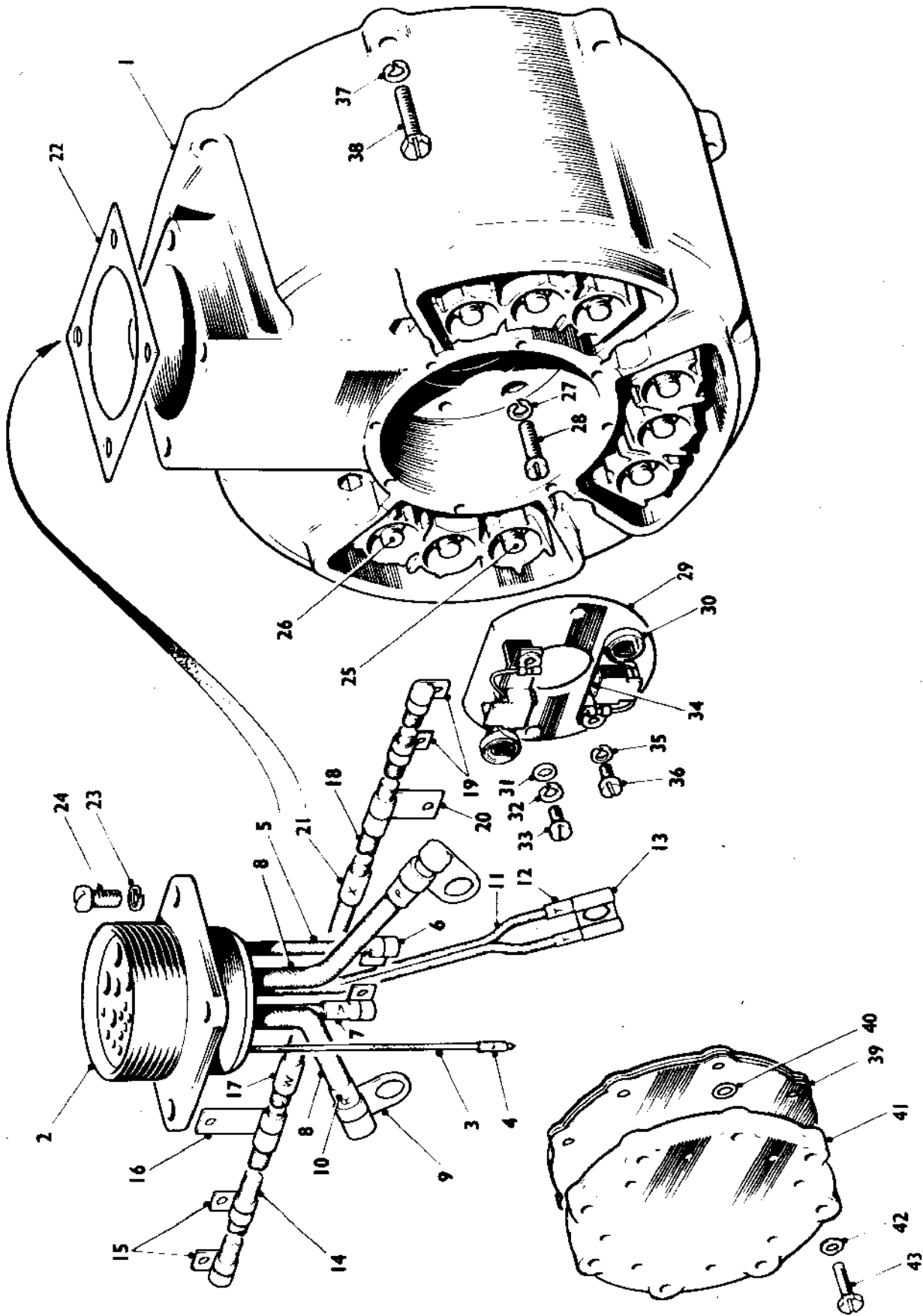


FIG ITEM	MAN CODE	NATO STOCK NUMBER/ CATALOGUE NUMBER	ITEM NAME AND DESCRIPTION	PART NO./ DRAWING NO./ ADREFNO	NO. OFF	ANNOTATIONS
A27			ENGINE - contd			
41	LV6MT4	2920-99-881-2973	.GENERATOR, ENGINE ACCESSORY, No. 10, MK3, 90A, 24V - contd			
42	G1	5310-99-943-6079	..COVER, ELECTRICAL CONTACT BRUSH, ACCESS	6019-404	1	
43	G1	5305-99-943-7068	..WASHER, SPRING TENSION, copper, cadmium plated, No.2 BA		8	
			..SCREW, MACHINE, UNC, steel, cadmium plated, No.6 x 11/16 in. lg		8	
+	H1	8030-99-220-3407	.SEALING COMPOUND: Hylomar	SQ32-L	AR	4 oz tubes

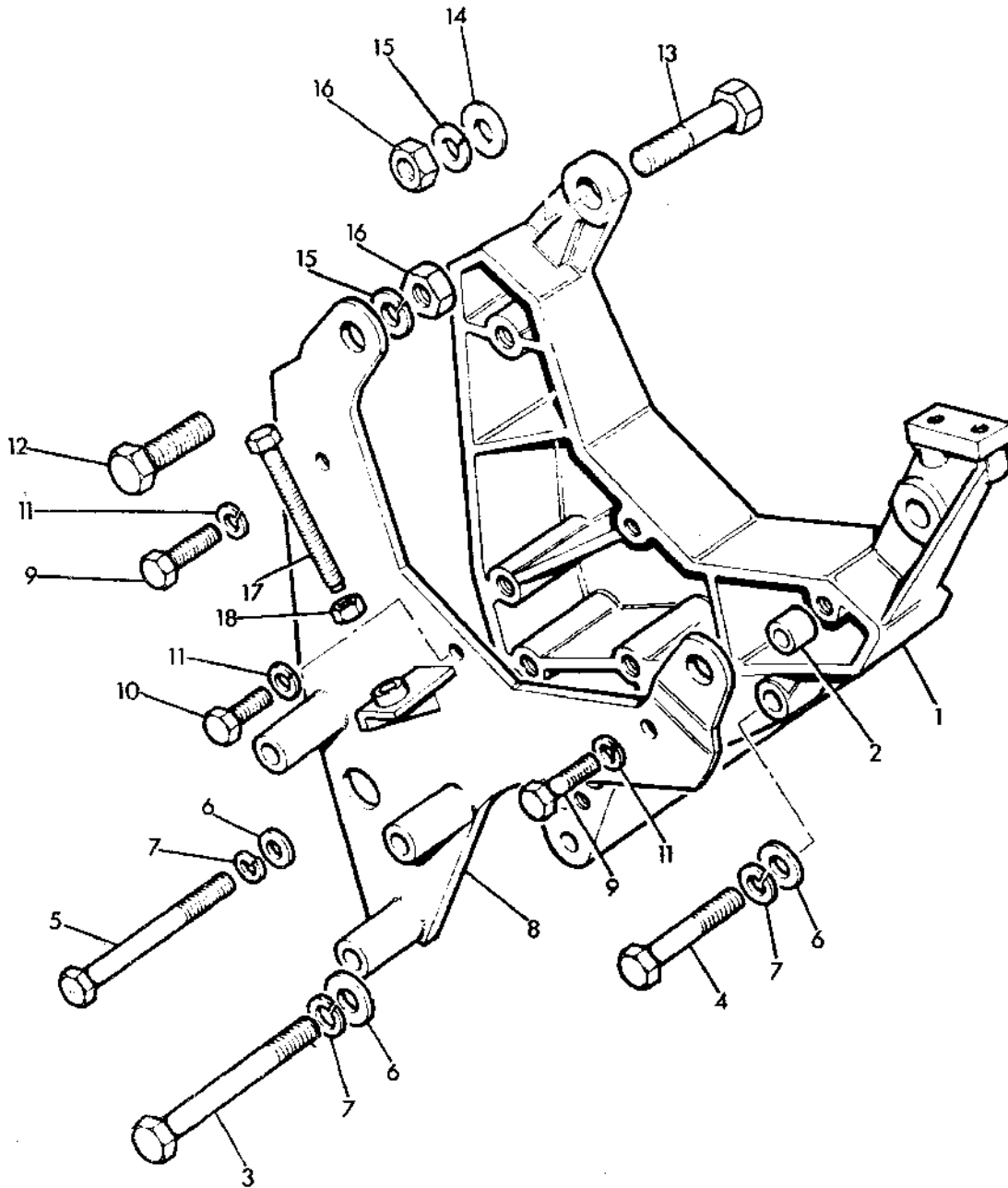


FIG ITEM	MAN CODE	NATO STOCK NUMBER/ CATALOGUE NUMBER	ITEM NAME AND DESCRIPTION	PART NO./ DRAWING NO./ ADREFNO	NO. OFF	ANNOTATIONS
A28			ENGINE - contd			
6	G1	5310-99-970-8625	.GENERATOR FIXINGS, 24V - ..WASHER, FLAT, steel, cadmium plated, 3/8 in.		3	
7	G1	5310-99-120-2304	..WASHER, LOCK, steel, 3/8 in.		3	
9	G1	5305-99-941-1535	..BOLT, MACHINE, UNC, steel, zinc coated, 5/16 in. x 1-1/8 in. lg		2	
10	G1	5305-99-941-0699	..SCREW, MACHINE, UNC, steel, zinc coated, 5/16 in. x 7/8 in. lg		1	
11	G1	5310-99-120-1027	..WASHER, LOCK, steel, 5/16 in.		3	
12	G1	5305-99-941-0569	..SCREW, MACHINE, UNF, steel, zinc coated, 1/2 in. x 1-1/2 in. lg		2	
13	G1	5305-99-941-0343	..BOLT, MACHINE, UNF, steel, zinc coated, 1/2 in. x 2 in. lg		2	
14	G1	5310-99-941-8637	..WASHER, FLAT, steel, zinc coated, 1/2 in.		2	
15	G1	5310-99-941-6658	..WASHER, LOCK, steel, 1/2 in.		4	
16	G1	5310-99-941-0928	..NUT, PLAIN, HEXAGON, UNF, steel, zinc coated, 1/2 in.		4	
18	G1	5310-99-127-5700	..NUT, PLAIN, HEXAGON, UNF, steel, zinc coated, 5/16 in.		1	

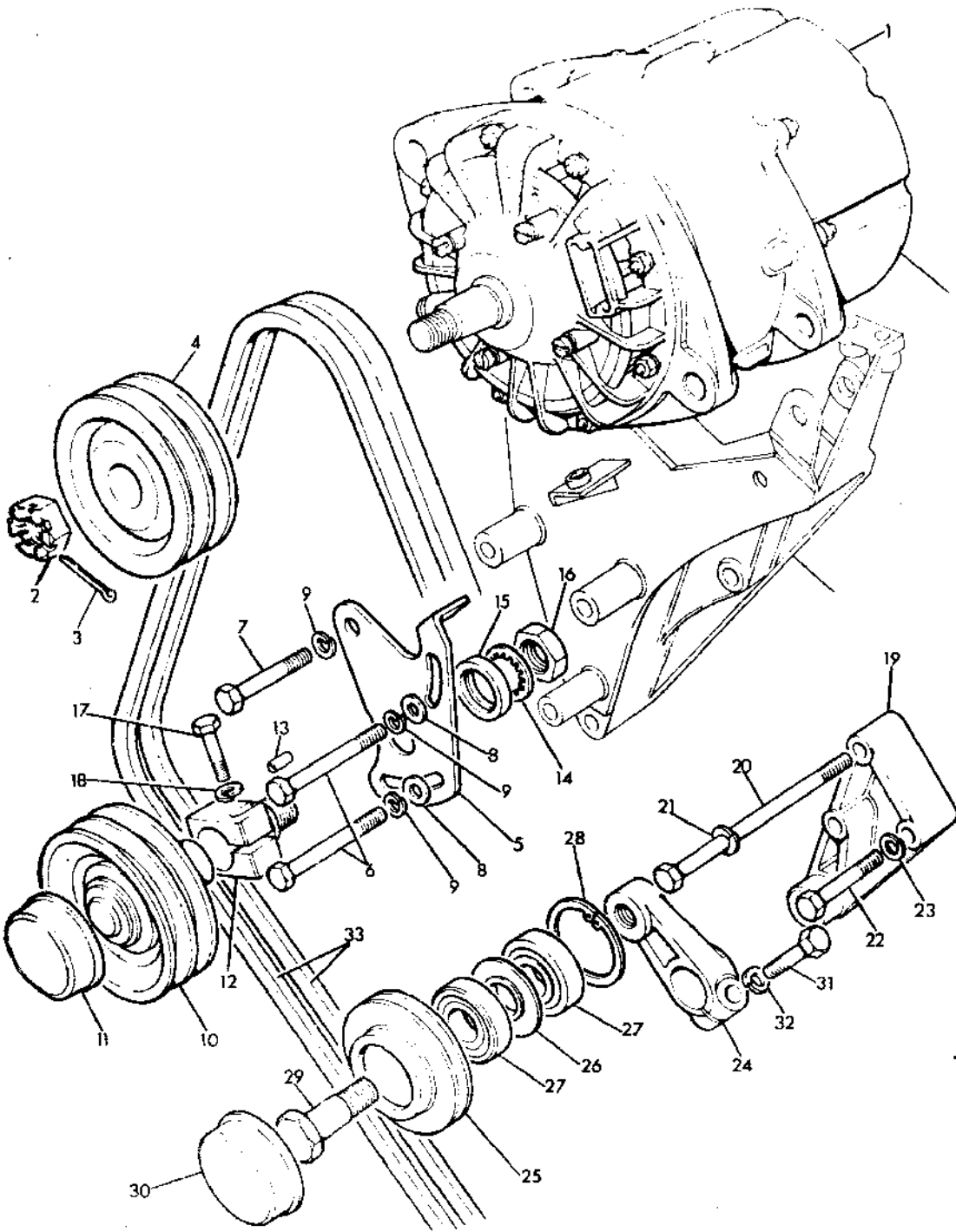
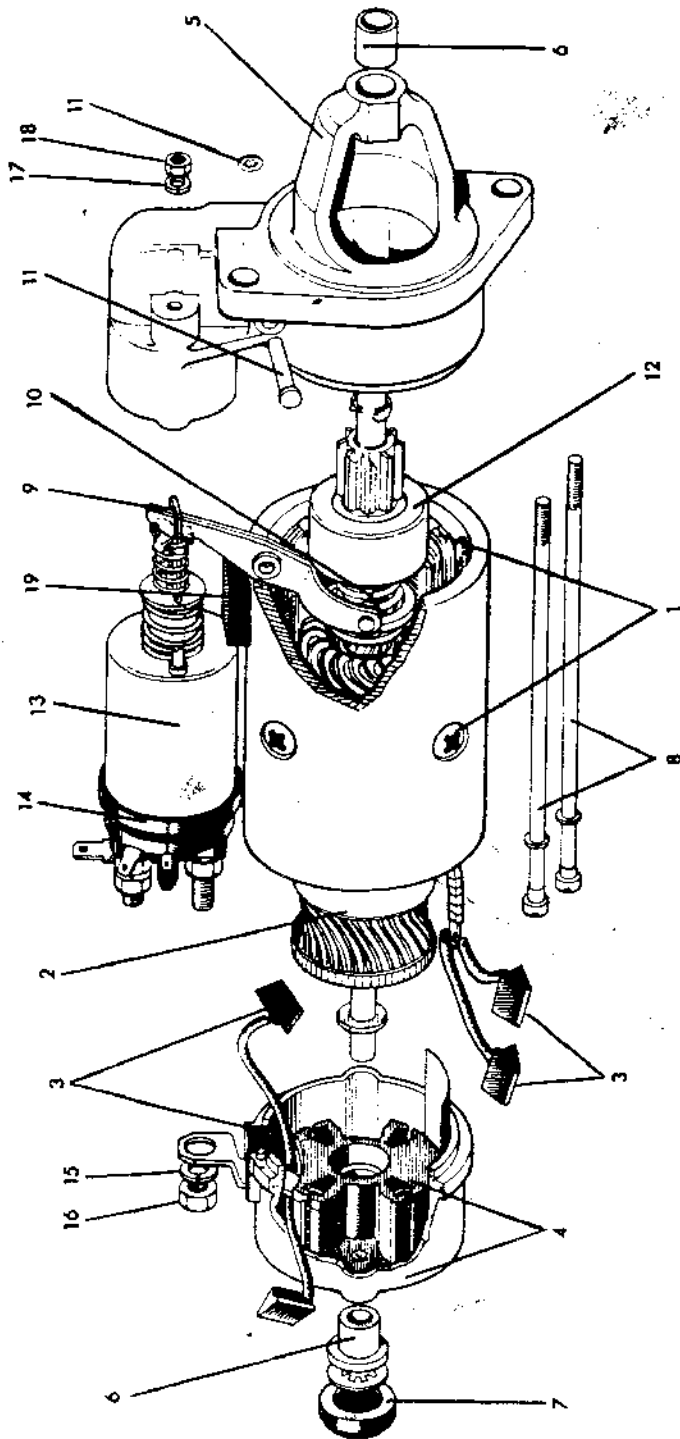
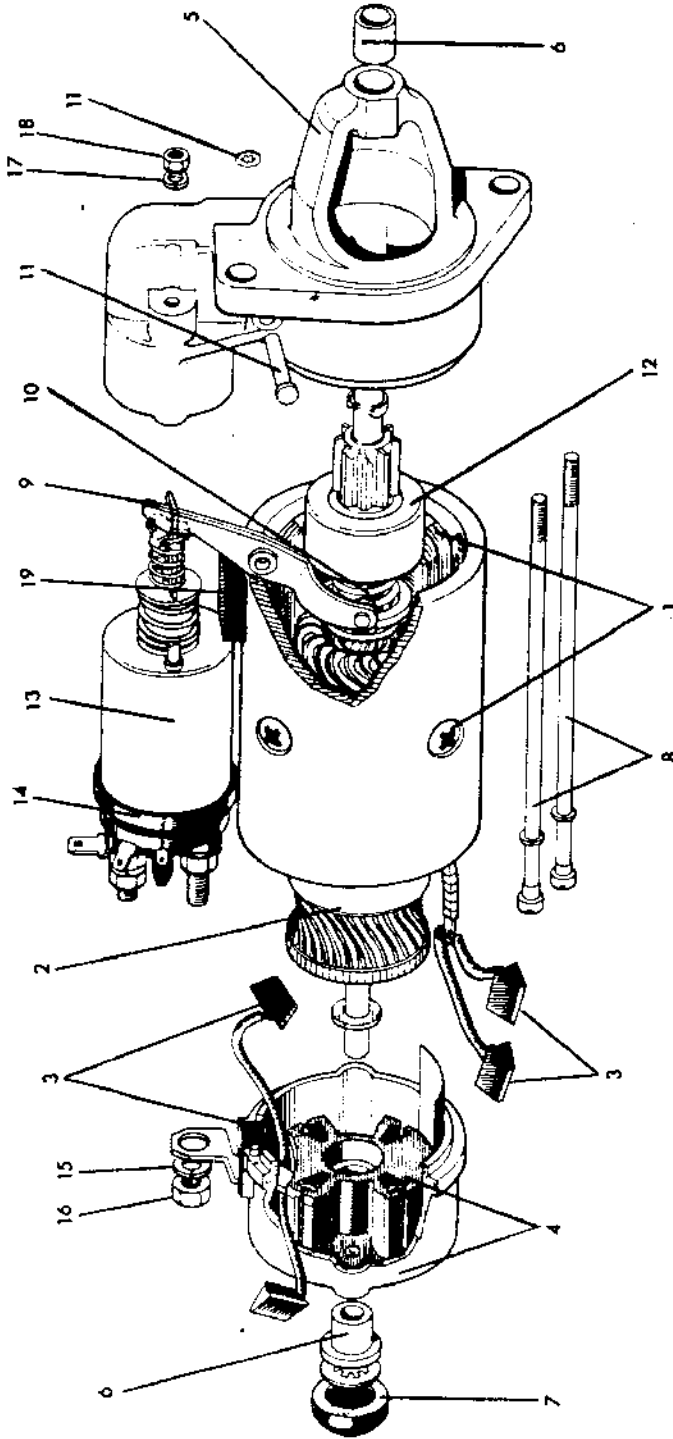


FIG ITEM	MAN CODE	NATO STOCK NUMBER/ CATALOGUE NUMBER	ITEM NAME AND DESCRIPTION	PART NO./ DRAWING NO./ ADREFNO	NO. OFF	ANNOTATIONS
A29			ENGINE - contd			
1-3	LV6MT4	2920-99-831-1608	.GENERATOR, ENGINE ACCESSORY, No. 10, MK3, 24V	FV760740	1	
2	G1	5310-99-136-4298	..NUT, SLOTTED, HEXAGON, UNF, steel, zinc coated, 3/4 in.		1	
3	G1	5315-99-942-0391	..PIN, COTTER, SPLIT, steel, 1/8 in. dia x 2 in. lg		1	
4	LV7RU	3020-99-801-3536	.PULLEY, GROOVE, 3-7/8 in. dia x 1-11/32 in. w, tapered bore	554286	1	
6	G1	5306-99-941-1543	.BOLT, MACHINE, UNC, steel, 5/16 in. x 2-3/4 in. lg		2	
7	G1	5306-99-941-1542	.BOLT, MACHINE, UNC, steel, 5/16 in. x 2-1/2 in. lg		1	
9	G1	5310-99-120-1027	.WASHER, LOCK, steel, zinc coated, 5/16 in.		2	
10,11	LV7RU	3020-99-824-7199	.PULLEY, GROOVE; w/bearing and dust cap	614465	1	Idler pulley
12,13	LV7RU	5315-99-824-7730	.BEARING, SUPPORT ASSEMBLY	610568	1	
14	G1	5310-99-417-9308	.WASHER, LOCK, steel, zinc coated, 3/4 in.		1	
16	LV6MT9	5310-99-833-8049	.NUT, PLAIN, HEXAGON, UNF, steel, 3/4 in.	254877	1	
17	G1	5305-99-941-0297	.BOLT, MACHINE, UNF, steel, 5/16 in. x 1-1/4 in. lg		1	
18	G1	5310-99-120-1027	.WASHER, LOCK, steel, 5/16 in.		1	
20	LV7RU	5306-99-824-7738	.BOLT, MACHINE, UNC, steel, 5/16 in. x 6 in. lg	253964	2	
21	G1	5310-99-120-1027	.WASHER, LOCK, steel, 5/16 in.		2	
22	G1	5306-99-136-9034	.BOLT, MACHINE, UNC, steel, 1/4 in. x 2-3/8 in. lg		1	
23	G1	5310-99-120-1338	.WASHER, LOCK, steel, zinc coated, 1/4 in.		1	
24-30		NP	.TENSIONING PULLEY ASSEMBLY: fan and water pump	614533	1	
24	LV7RU	3040-99-824-7196	..CONNECTING LINK, RIGID, 3-3/8 in. lg x 1-1/4 in. w x 3/4 in. thk	613782	1	
25	LV7RU	3020-99-824-7197	..PULLEY, GROOVE, 3-1/8 in. dia x 1-11/32 in. w, straight bore	614534	1	
27	LV6MT7	3110-99-950-2058	..BEARING, BALL, JOURNAL, single row, 40 mm od x 17 mm id x 12 mm w		2	
28	LV6MT1	5340-99-802-5975	..RING, RETAINING, steel, 1.75 mm thk		1	
29	LV7RU	5306-99-824-7740	..BOLT, SHOULDER, UNF, steel, phosphated, 1/2 in. 1-51/64 in. lg	613784	1	
30	LV7RU	3040-99-824-7198	..CAP, DUST, SHAFT, steel, 2-5/16 in. dia x 1/2 in. thk	614535	1	
31	G1	5305-99-941-0297	.BOLT, MACHINE, UNF, steel, 5/16 in. x 1-1/4 in. lg		1	
32	G1	5310-99-120-1027	.WASHER, LOCK, steel, zinc coated, 5/16 in.		1	
33	LV7RU	3030-99-823-6022	.BELT, V, ENDLESS, MATCHED SET	613020	1	



TYPICAL ILLUSTRATION

FIG ITEM	MAN CODE	NATO STOCK NUMBER/ CATALOGUE NUMBER	ITEM NAME AND DESCRIPTION	PART NO./ DRAWING NO./ ADREFNO	NO. OFF	ANNOTATIONS
A30			ENGINE - contd			
1-19	LV6MT4	2920-99-822-2131	..STARTER, ENGINE, ELECTRICAL, 12V	LRS 196	1	B90 exchange
1	LV6MT4	2920-99-823-5147	..PARTS KIT, ELECTRICAL ENGINE STARTER: field coils	60600033	1	
2	LV6MT4	2920-99-823-5148	..PARTS KIT, ELECTRICAL ENGINE STARTER: armature	54246239 60600205	1	
4	LV6MT4	2920-99-822-2132	..BRUSH SET, STARTER MOTOR	54248381	1	
4	LV6MT4	2920-99-827-9588	..PARTS KIT, ELECTRICAL ENGINE STARTER: commutator end bracket	54246976	1	
6	LV6MT4	3120-99-822-9552	..BEARING SET, SLEEVE: 2 items	54246976	1	
7	LV6MT4	2920-99-822-9553	..PARTS KIT, ELECTRICAL ENGINE STARTER: grommet	60600206	1	
8	LV6MT4	2920-99-822-9554	..PARTS KIT, ELECTRICAL ENGINE STARTER: through bolts	54246979	1	
9	LV6MT4	2920-99-822-9555	..PARTS KIT, ELECTRICAL ENGINE STARTER: engaging lever	60600031	1	
10	LV6MT4	2920-99-822-9556	..PARTS KIT, ELECTRICAL ENGINE STARTER: engaging lever, retaining	54245340	1	
11	LV6MT4	2920-99-823-5595	..PARTS KIT, ELECTRICAL ENGINE STARTER: pivot pin	54246454	1	
12	LV6MT4	2920-99-824-2125	..PARTS KIT, ELECTRICAL ENGINE STARTER: drive	60600040	1	
13	LV6MT4	2920-99-822-9558	..SOLENOID ELECTRICAL	76933	1	
14	LV6MT4	2920-99-822-9559	..PARTS KIT, ELECTRICAL SOLENOID: terminal base and spindle	60600207	1	
+	LV6MT4	2920-99-820-3999	..PARTS KIT, ELECTRICAL ENGINE STARTER: springs, screws & washers	54246438	1	
+	X3	2920-99-206-2018	..BUSH KIT:- comprising DE & CE bushes	54245343	1	
1-19	LV6MT4	2920-99-823-6020	..STARTER, ENGINE, ELECTRICAL, 24V	25697	1	
1	LV6MT4	2920-99-823-5588	..PARTS KIT, ELECTRICAL ENGINE STARTER: field coils	54247472	1	
2	LV6MT4	2920-99-823-5589	..ARMATURE MOTOR	54247935	1	
3	LV6MT4	5977-99-823-6021	..BRUSH SET, ELECTRICAL CONTACT	60600319	1	
4	LV6MT4	2920-99-823-5590	..PARTS KIT, ELECTRICAL ENGINE STARTER: commutator end bracket	54247947	1	
6	LV6MT4	3120-99-822-9552	..BEARING SET, SLEEVE: 2 items	54246976	1	
7	LV6MT4	2920-99-822-9553	..PARTS KIT, ELECTRICAL ENGINE STARTER: grommet	60600206	1	
8	LV6MT4	2920-99-823-5591	..PARTS KIT, ELECTRICAL ENGINE STARTER: through bolts	60600318	1	
9	LV6MT4	2920-99-822-9555	..PARTS KIT, ELECTRICAL ENGINE STARTER: engaging lever	60600031	1	
10	LV6MT4	2920-99-822-9556	..PARTS KIT, ELECTRICAL ENGINE STARTER: engaging lever, retaining	54245340	1	
11	LV6MT4	2920-99-825-8405	..PIN, PIVOT	54260461	1	
12	LV6MT4	2920-99-828-1301	..PARTS KIT, ELECTRICAL ENGINE STARTER: drive	54262100	1	
13	LV6MT4	2920-99-823-5593	..SOLENOID, ELECTRICAL	76934	1	
14	LV6MT4	2920-99-823-5594	..PARTS KIT, SOLENOID, ELECTRICAL: base and spindle	60600120	1	
+	LV6MT4	2920-99-820-3999	..PARTS KIT, ELECTRICAL ENGINE STARTER: springs, screws and washers	54246438	1	
+	X3	2920-99-206-2018	..BUSH KIT:- comprising DE & CE bushes	54245343	1	



TYPICAL ILLUSTRATION

FIG ITEM	MAN CODE	NATO STOCK NUMBER/ CATALOGUE NUMBER	ITEM NAME AND DESCRIPTION	PART NO./ DRAWING NO./ ADREFNO	NO. OFF	ANNOTATIONS
A30			ENGINE - contd			
+	LV7RU	2920-99-824-6236	.STARTER, ENGINE, ELECTRICAL 24V - contd)
+	G1	5310-99-120-2304	.BOLT, MACHINE, UNC, steel, phosphated, hex hd, slot drive, 3/8 in. x 1-5/8 in. lg	ERC 1349	2)Starter
			.WASHER, LOCK, steel, single coil, 3/8 in.		2)motor)mtd)

A31

AIR CLEANER

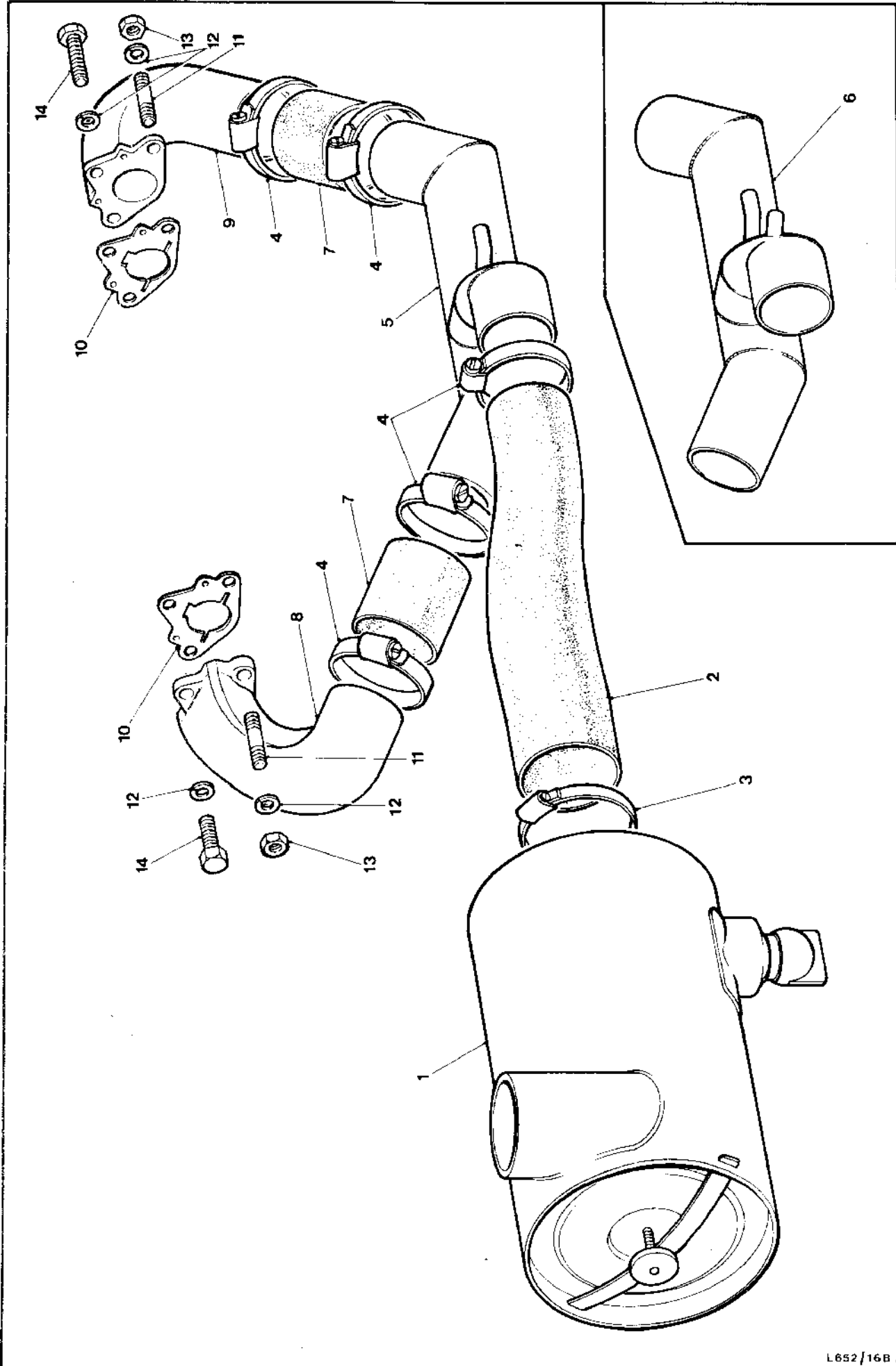
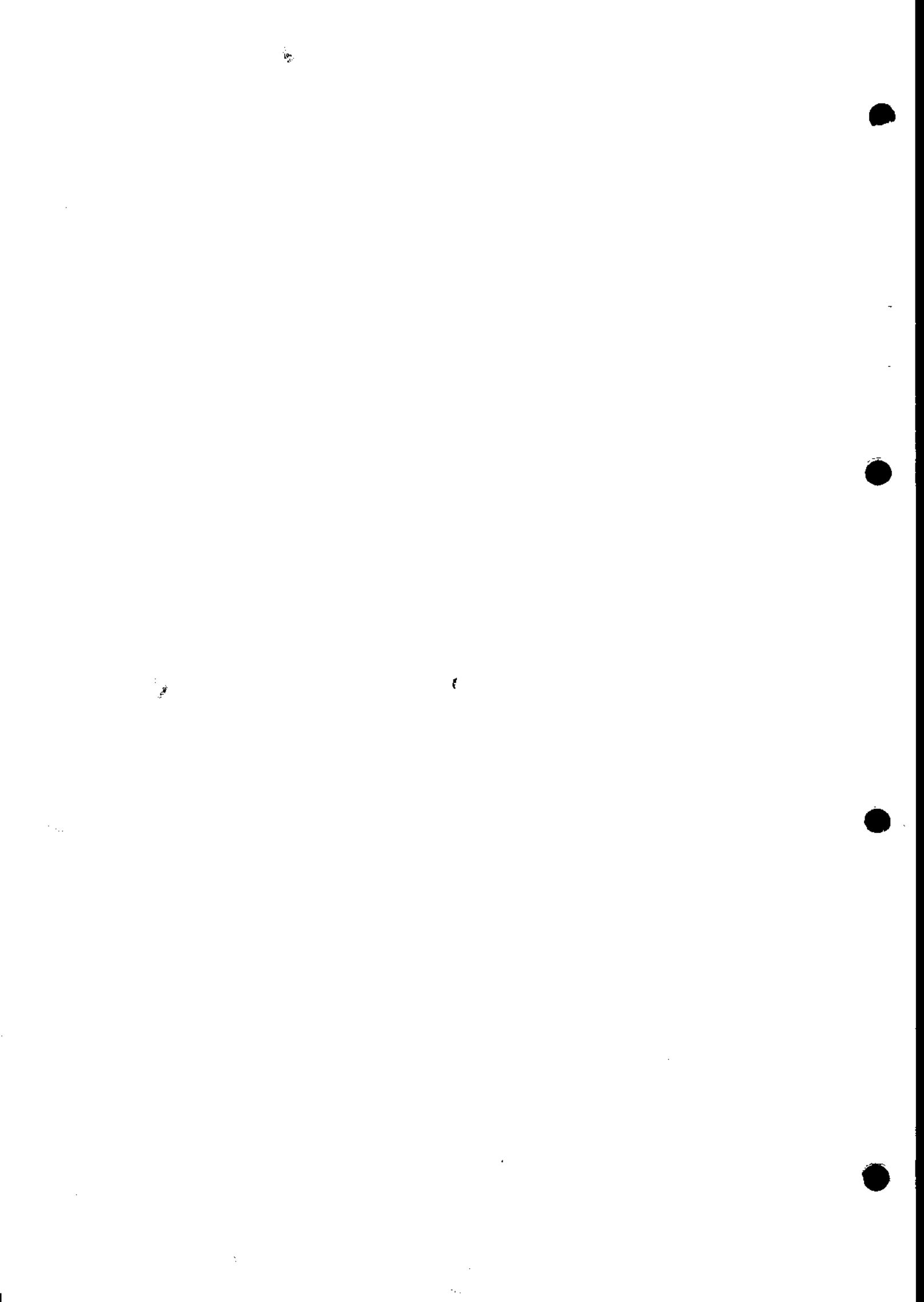


FIG ITEM	MAN CODE	NATO STOCK NUMBER/ CATALOGUE NUMBER	ITEM NAME AND DESCRIPTION	PART NO./ DRAWING NO./ ADREFNO	NO. OFF	ANNOTATIONS
A 31			ENGINE - contd			
1		NP	.AIR CLEANER: assy	7988000	1	
+	LV6MT12	2940-99-822-1717	..FILTER ELEMENT, AIR INTAKE	7972962	1) Alternatives
+	LV6MT12	2940-99-774-7181	..FILTER ELEMENT, AIR INTAKE	GFE1097	1	
+	G1	5305-99-122-5359	.SCREW, MACHINE, SI, metric, steel, hex hd, 6 mm x 12 mm lg		4) Air cleaner cradle
+	G1	5310-99-135-9301	.WASHER, LOCK, steel, 6 mm		4	
+	G1	5310-99-122-5295	.NUT, PLAIN, HEXAGON, SI, metric, steel, 6 mm		4	
+	G1	5305-99-122-8580	.SCREW, MACHINE, SI, metric, steel, hex hd, 6 mm x 20 mm lg		3	
+	G1	5310-99-122-3033	.WASHER, FLAT, steel, 6 mm		3) Air cleaner clamp
+	G1	5310-99-135-9301	.WASHER, LOCK, steel, 6 mm		3	
+	G1	5310-99-122-5295	.NUT, PLAIN, HEXAGON, SI, metric, steel, 6 mm		3	
2	LV7RU	4720-99-825-3587	.HOSE, PREFORMED, rubber, 95 mm id one end x 70 mm id other end x 330 mm lg	592795	1	
3	LV6MT1	4730-99-420-3152	.CLAMP, HOSE, steel, 3-3/4 in. to 4-1/2 in. dia		1	
4	LV6MT1	4730-99-420-3088	.CLAMP, HOSE, steel, 2-3/4 in. to 3-1/2 in. dia		5	
7	LV7RU	2910-99-824-1969	.SLEEVE, CONNECTOR, neoprene, 2-3/4 in. id x 3 in. lg	612906	1	



GROUP

B

COOLING SYSTEM



COOLING SYSTEM

CONTENTS

	Page
OIL COOLER	B2
RADIATOR	B1

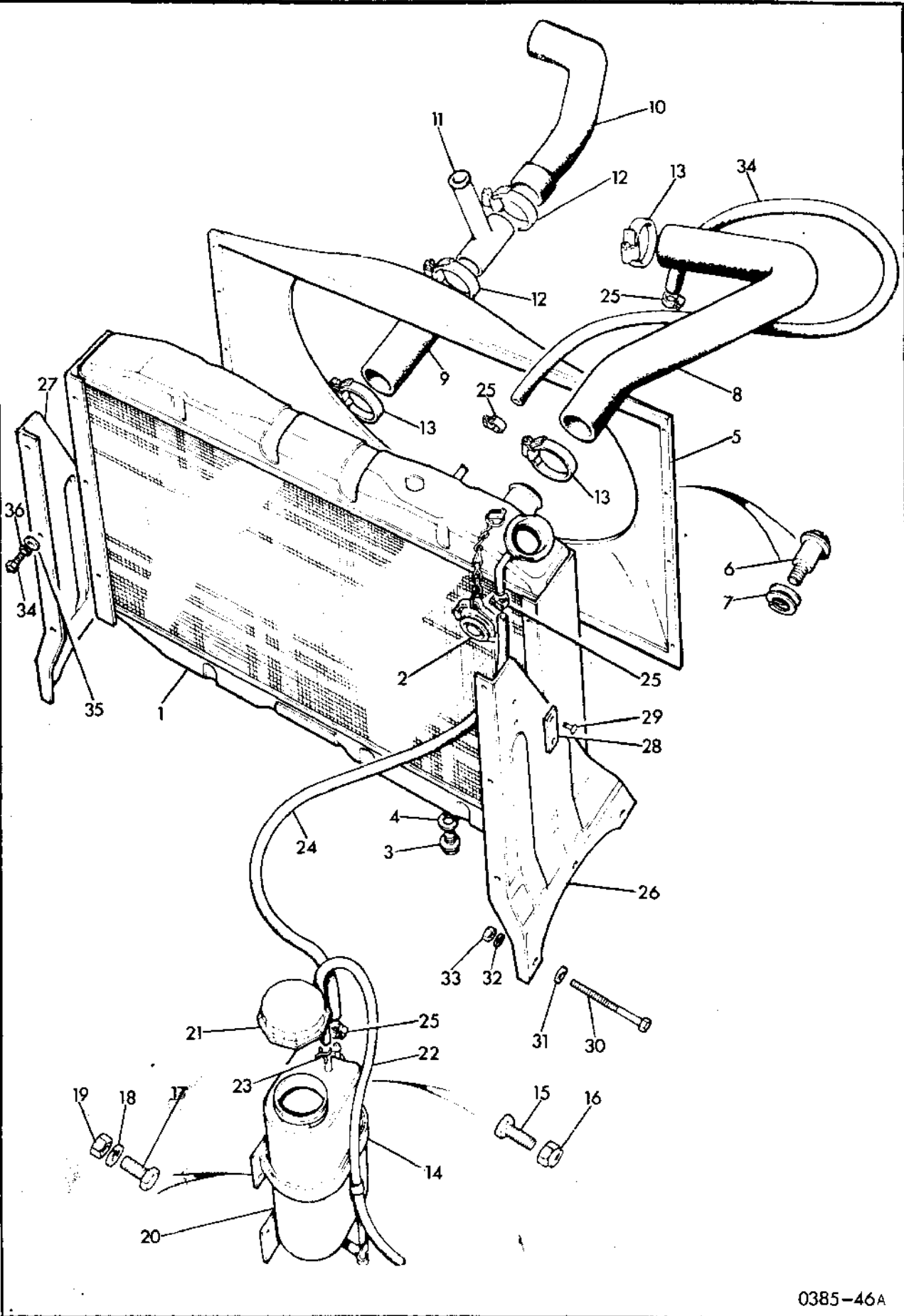
LIST OF ILLUSTRATIONS

(NOTE: THE TEXT DOES NOT NECESSARILY INCLUDE ALL THE ITEMS REFERENCED)

	Plate
OIL COOLER	B2
RADIATOR AND FITTINGS	B1

B1

RADIATOR & FITTINGS



0385-46A

FIG ITEM	MAN CODE	NATO STOCK NUMBER/ CATALOGUE NUMBER	ITEM NAME AND DESCRIPTION	PART NO./ DRAWING NO./ ADREFNO	NO. OFF	ANNOTATIONS
B1			COOLING SYSTEM -			
1-4	LV7RU	2930-99-822-1732	.RADIATOR, ENGINE COOLANT	NRC 1972	1	
2	LV6MT1	2930-99-828-0890	..CAP, FILLER OPENING; w/chain	NRC 1970	1	
3	LV7RU	5365-99-824-6611	..PLUG, SCREWED, BSP, brass, 1/4 in.	569047	1	
4	LV6MT1	5330-99-895-1483	..WASHER, NONMETALLIC, fibre, 13/16 in.od x 1/2 in.id x 1/16 in.thk		1	
5	LV7RU	2510-99-792-4042	.COWL, FAN; u/w 12 volt engines	NRC 9493	1	
+	LV7RU	2510-99-779-7786	.COWL, FAN; u/w 24 volt engines	NRC 9494	1	
6	LV7RU	5305-99-136-9510	.SCREW, SHOULDER, SELF-TAPPING, No. 6 x 0.553 in.lg	562979	8	
7	G1	5310-99-135-9323	.WASHER, LOCK, steel, 6 mm		8	
8	LV7RU	4720-99-822-1733	.HOSE, PREFORMED	595190	1	
9	LV7RU	4720-99-822-1734	.HOSE, RUBBER	598832	1	
10	LV7RU	4720-99-822-1735	.HOSE, PREFORMED	598834	1	
11	LV7RU	4730-99-829-9757	.ADAPTOR, TEE, PIPE TO HOSE	90624418	1	
12	LV6MT1	4730-99-420-3231	.CLAMP, HOSE, steel, 1-1/8 in. to 1-5/8 in.dia		2	
13	LV6MT1	4730-99-420-3230	.CLAMP, HOSE, steel, 1-1/2 in. to 2-1/8 in.dia		4	
14	LV7RU	2540-99-824-6612	.CARRIER, OVERFLOW BOTTLE	564717	1	
15	G1	5305-99-122-8579	.SCREW, MACHINE, SI, metric, steel, 6 mm x 16 mm lg		1	
16	G1	5310-99-122-5495	.NUT, SELF-LOCKING, HEXAGON, SI, metric, steel, 6 mm		1	
17	G1	5305-99-122-8579	.SCREW, MACHINE, SI, metric, steel, 6 mm x 16 mm lg		2	
18	G1	5310-99-135-9301	.WASHER, LOCK, steel, 6 mm		2	
19	G1	5310-99-122-5295	.NUT, PLAIN, HEXAGON, SI, metric, steel, 6 mm		2	
20,21	LV7RU	2930-99-806-7378	.BOTTLE, OVERFLOW, ENGINE COOLANT, plastics, 9-3/8 in x 4-1/2 in. x 3 in	564718	1	
21	LV7RU	2930-99-806-7379	..CAP, OVERFLOW BOTTLE, plastics	564719	1	
22	LV6MT6	4720-99-805-7762	.HOSE, RUBBER, 5/16 in.id		AR	
23	LV7RU	4730-99-824-2725	.CLAMP, LOOP	577082	1	
24	LV7RU	4720-99-822-2907	.HOSE, RUBBER, 1/4 in.id x 32 in.lg	575977	2	
25	LV6MT1	4730-99-420-3205	.CLAMP, HOSE, steel, 1/2 in. to 5/8 in.id		4	
28	LV7RU	2590-99-844-9591	.RUBBER STRIP	332674	2	
29	G1	5320-99-433-5233	.RIVET, TUBULAR, steel, oval hd, 3/16 in.dia x 3/8 in.lg		4	
30	G1	5306-99-137-7636	.BOLT, MACHINE, SI, metric, steel, 8 mm x 90 mm lg		6	
32	G1	5310-99-135-9302	.WASHER, LOCK, steel, 3 mm		6	
34	G1	5305-99-122-8579	.SCREW, MACHINE, SI, metric, steel, 6 mm x 16 mm lg		6	
35	G1	5310-99-122-3033	.WASHER, FLAT, steel, 6 mm		6	
36	G1	5310-99-135-9301	.WASHER, LOCK, steel, 6 mm		6	

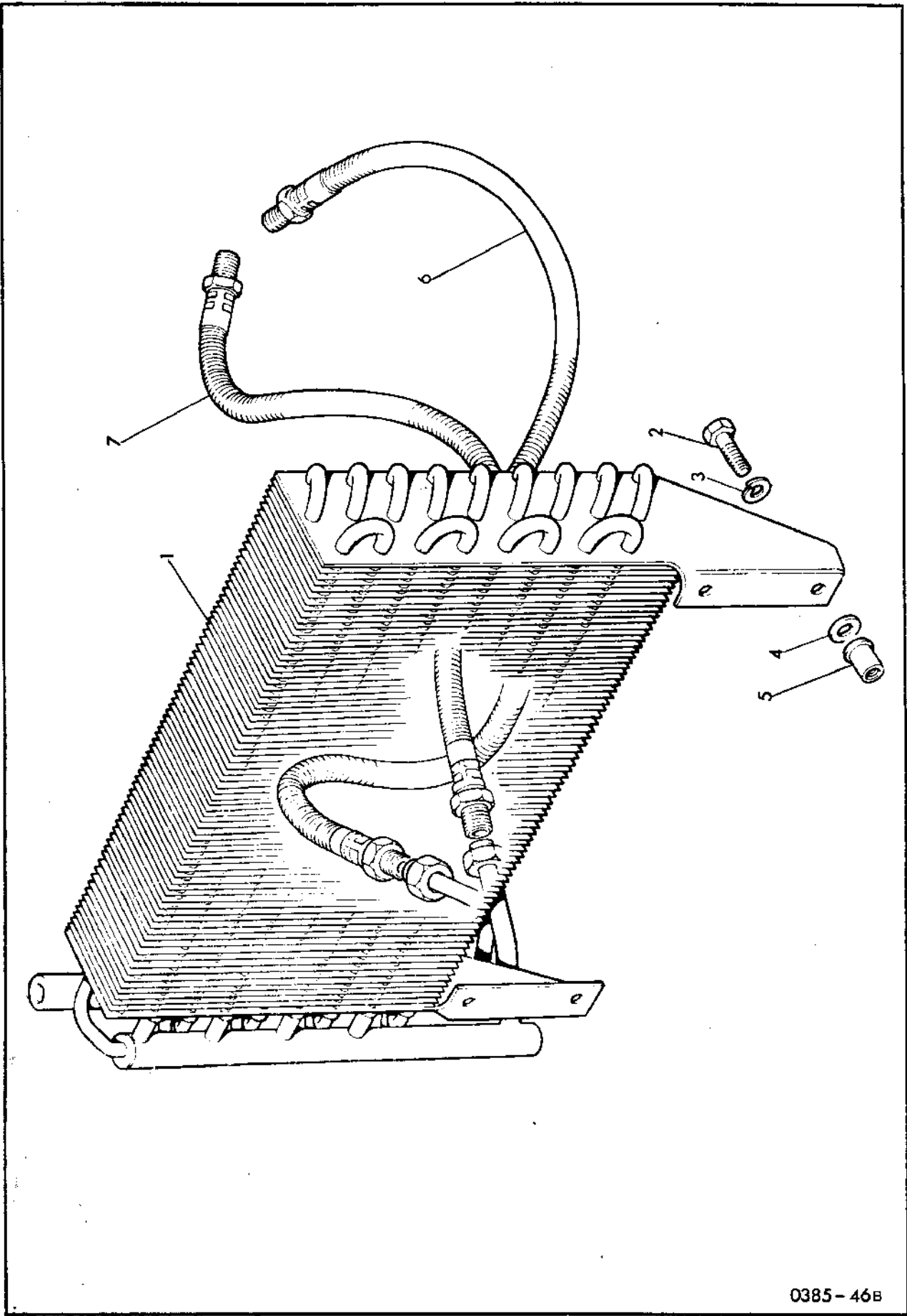


FIG ITEM	MAN CODE	NATO STOCK NUMBER/ CATALOGUE NUMBER	ITEM NAME AND DESCRIPTION	PART NO./ DRAWING NO./ ADREFNO	NO. OFF	ANNOTATIONS
B2			COOLING SYSTEM - contd			
1	LV7RU	2930-99-823-6056	.COOLER, OIL, VEHICULAR	624361	1	
2	G1	5305-99-122-5362	.SCREW, MACHINE, SI, metric, steel, 6 mm x 25 mm lg		4	
3	G1	5310-99-135-9302	.WASHER, LOCK, steel, 6 mm		4	
5	G1	5310-99-137-7684	.NUT, PLAIN, BLIND RIVET		4	
6	LV7RU	4710-99-824-6223	.PIPE, PLASTICS, SEMIRIGID, 12.7 mm id x 343 mm lg x 1/2 in. BSP unions both ends	NRC0004	1) LHD
7	LV7RU	4710-99-824-6224	.PIPE, PLASTICS, SEMIRIGID, 12.7 mm id x 393 mm lg x 1/2 in. BSP unions both ends	NRC0005	1)
+	LV7RU	4710-99-824-6229	.PIPE, PLASTICS, SEMIRIGID: oil cooler to engine	NRC0006	2	RHD

GROUP

C

FUEL SYSTEM

FUEL SYSTEM

CONTENTS

	Page
FUEL PUMP	C3
FUEL TANK	C1
TANK TRANSMITTER	C1

LIST OF ILLUSTRATIONS

(NOTE:- THE TEXT DOES NOT NECESSARILY INCLUDE ALL ITEMS REFERENCED)

	Plate
FUEL PUMP	C2
FUEL SYSTEM	C1

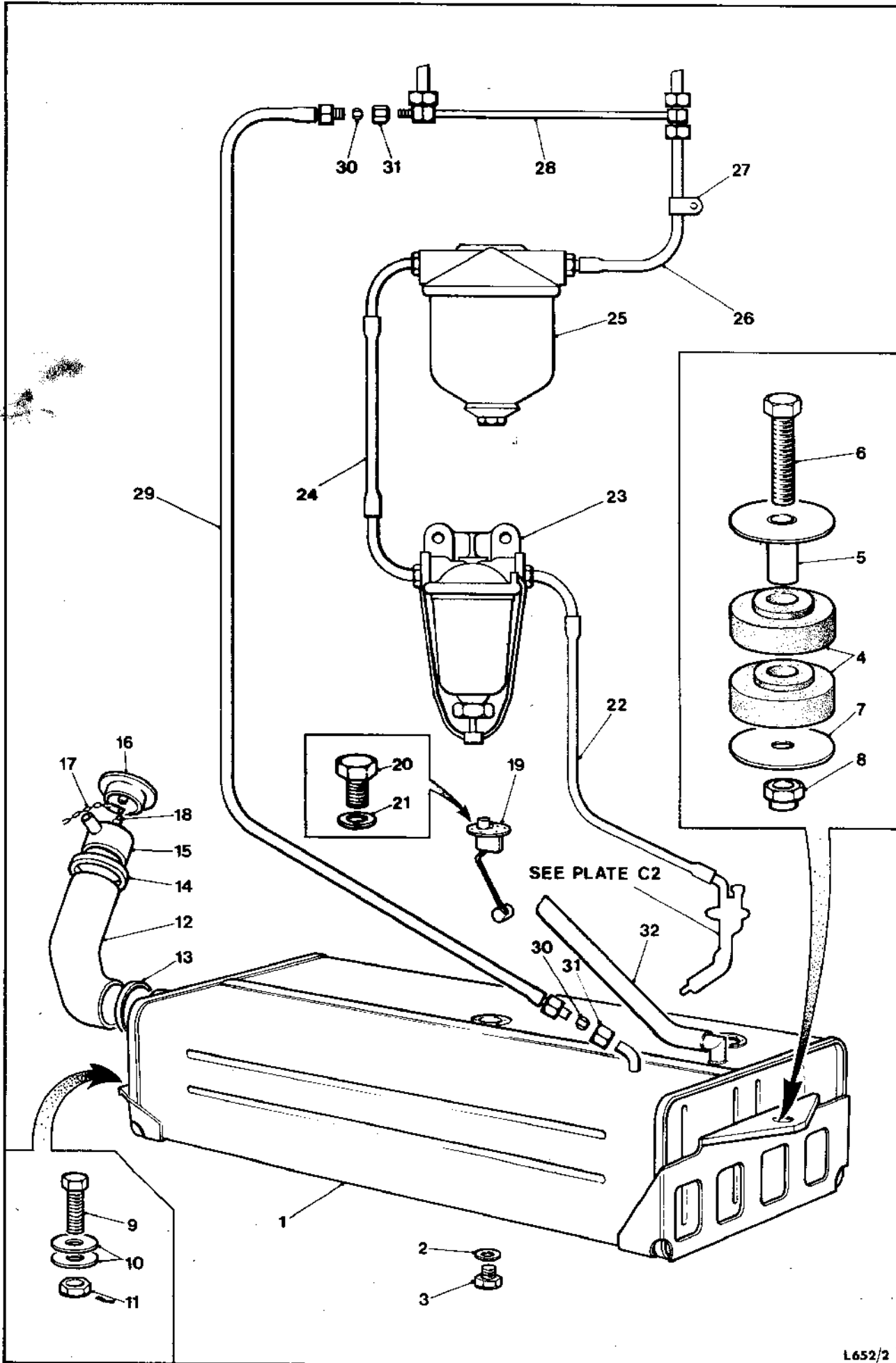


FIG ITEM	MAN CODE	NATO STOCK NUMBER/ CATALOGUE NUMBER	ITEM NAME AND DESCRIPTION	PART NO./ DRAWING NO./ ADREFNO	NO. OFF	ANNOTATIONS
C1			FUEL SYSTEM -			
1-3	LV7RU	2910-99-824-6613	.TANK, FUEL, ENGINE	598952	1	
2	LV7RU	5330-99-849-9375	..GASKET, copper, 35 mm od x 28 mm id x 2 mm thk	515599	1	
3	LV7RU	4730-99-874-1845	..PLUG, SCREWED, Whit form, brass, 1-1/8 in. - 16 tpi x 11/32 in. lg	540870	1	
4	LV7RU	5340-99-824-6615	.MOUNT, RESILIENT, rubber, 1-7/32 in. od x 5/8 in. id	572295	2))
6	G1	5310-99-136-3261	.SCREW, MACHINE, SI, metric, steel, 10 mm x 60 mm lg		1	
7	LV7RU	5310-99-137-7637	.WASHER, FLAT, steel, 13/32 in. id	566580	1)) Rear mtg
8	G1	5310-99-122-5497	.NUT, SELF-LOCKING, HEXAGON, SI, metric, steel, 10 mm		1	
9	G1	5305-99-122-3353	.SCREW, MACHINE, SI, metric, steel, 8 mm x 25 mm lg		3))
10	G1	5310-99-122-6475	.WASHER, FLAT, steel, 8 mm		6	
11	G1	5310-99-941-6370	.NUT, SELF-LOCKING, HEXAGON, SI, metric, steel, 8 mm		3))
12	LV7RU	4720-99-822-2801	.HOSE, RUBBER	595231	1	
13	LV6MT1	4730-99-420-3088	.CLAMP, HOSE, steel, 2-3/4 in. to 3-1/2 in. dia		1	
14	LV6MT1	4730-99-420-3152	.CLAMP, HOSE, steel, 3-3/4 in. to 4-1/2 in. dia		1	
15-18		NP	.SIDE FILLER: assy	595232	1	
16-18	LV7RU	2910-99-809-1991	..FILLER CAP: assy, steel, 4-3/16 in. dia x 1-23/32 in. h	569006	1	
17	G1	4010-99-120-9449	...CHAIN, WELDLESS, brass, 18 links per ft		AR	
18	LV7RU	2510-99-874-1390	...RIVET	78652	1	
+	LV7RU	5330-99-824-6614	..GASKET, rubber, 92.5 mm id x 3.2 mm sq sect	624425	1	
+	LV6MT12	2910-99-828-4833	.PUMP, FUEL, ELECTRICAL, 12V	589322	1	See Plate C2
+	LV7RU	2920-99-825-4276	.BOX, SUPPRESSION: water proofed	PRC 1254	1	
+	G1	5310-99-135-9298	.WASHER, LOCK, steel, single coil, 3 mm		2	
+	G1	5305-99-137-6775	.SCREW, MACHINE, SI, metric, steel, hex hd, 3 mm x 5 mm lg		2	
+	LV6MT4	5905-99-824-5088	.RESISTOR, FIXED, 12 to 13 ohms; u/w fuel pump, 24V	47231	1	
19	LV6MT4	6680-99-822-1385	.TRANSMITTER, LIQUID QUANTITY, 12V	TB1114/029	1	
	LV6MT1	6680-99-822-1448	.TRANSMITTER, LIQUID QUANTITY, 24V	TM1113/007	1	
20	G1	5305-99-101-4416	.SCREW, MACHINE, BA, steel, No.3 x 3/8 in. lg		6	
21	G1	5310-99-941-6652	.WASHER, LOCK, steel, 5/32 in.		6	
22	LV7RU	4710-99-824-6617	.PIPE, PLASTICS, SEMIRIGID, 1500 mm lg; w/end fittings	595233	1	
23	LV6MT12	2910-99-807-9468	.FILTER, FLUID PRESSURE	7950001	1	
24	LV7RU	4710-99-824-6618	.PIPE, PLASTICS, SEMIRIGID, 15-1/4 in. lg; w/end fittings	577645	1	
25	LV6MT12	2910-99-820-0124	.FILTER, FLUID PRESSURE	7973954	1	
+	LV6MT12	2910-99-201-5465	.FILTER ELEMENT, FLUID PRESSURE; w/gasket	606204	1	
+	X3	5330-99-201-8770	..WASHER, NONMETALLIC, rubber, 2.528 in. od x 2.348 in. id x 0.06 in. thk	7961110	1	
+	G1	5305-99-122-5360	.SCREW, MACHINE, SI, metric, steel, 6 mm x 16 mm lg		2	

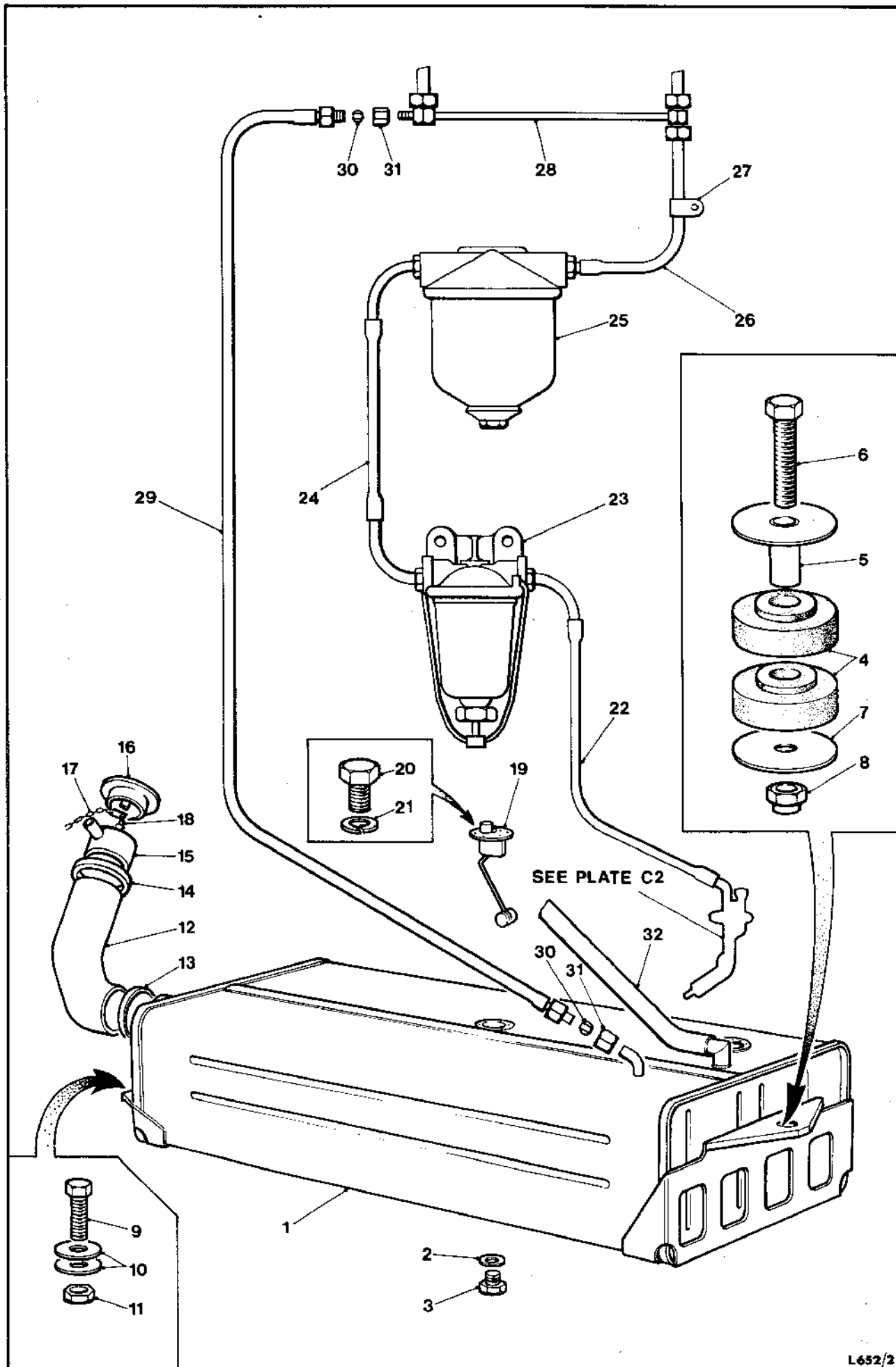


FIG ITEM	MAN CODE	NATO STOCK NUMBER/ CATALOGUE NUMBER	ITEM NAME AND DESCRIPTION	PART NO./ DRAWING NO./ ADREFNO	NO. OFF	ANNOTATIONS
C1			FUEL SYSTEM - contd			
+	G1	5310-99-135-9301	.WASHER, LOCK, steel, single coil, 6 mm		2	
+	G1	5310-99-122-5295	.NUT, PLAIN, HEXAGON, SI, metric, steel, 6 mm		2	
26	LV7RU	4710-99-824-6619	.PIPE, PLASTICS, SEMIRIGID, 650 mm lg; w/end fittings	624221	1	
27	LV6MT4	5340-99-805-0915	.CLAMP, LOOP: pipe to manifold	187042	1	
28	LV7RU	4710-99-824-6616	.PIPE, PLASTICS, SEMIRIGID, 11.85 in. lg; w/end fittings	613786	1	
29	LV7RU	4710-99-824-7300	.PIPE, PLASTICS, SEMIRIGID, 1832 mm lg; w/end fittings	595236	1	Spill return
30	X3	4730-99-431-9390	.SLEEVE, COMPRESSION, PIPE-HOSE FITTING, brass, 1/4 in. id		2	
31	LV6MT1	4730-99-824-7301	.NUT, UNION, PIPE, UNF, steel, zinc coated, 7/16 in.		2	
32	LV7RU	4710-99-824-7302	.PIPE, PLASTICS, SEMIRIGID, 22 mm od x 1485 mm lg	595235	1	Breather

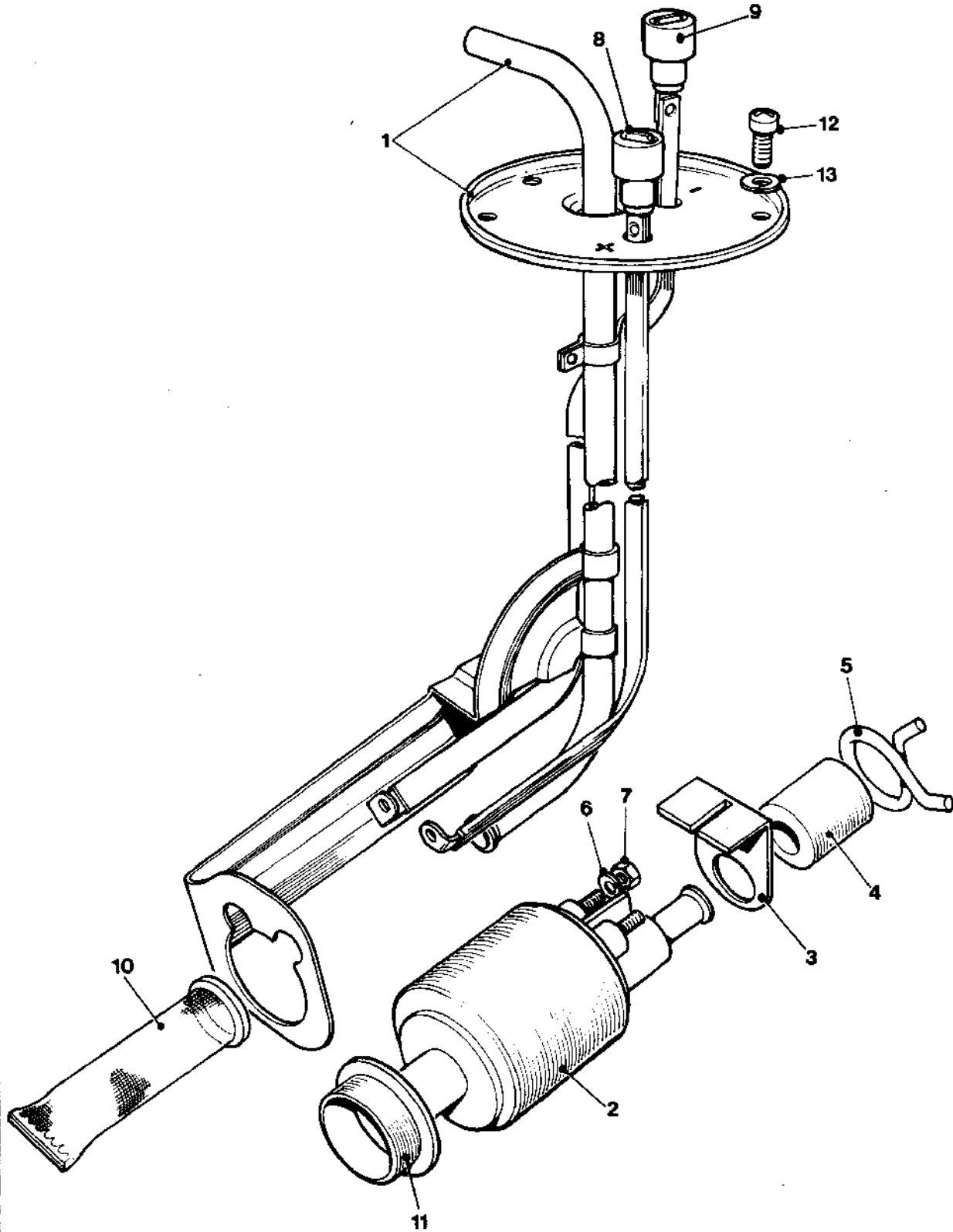


FIG ITEM	MAN CODE	NATO STOCK NUMBER/ CATALOGUE NUMBER	ITEM NAME AND DESCRIPTION	PART NO./ DRAWING NO./ ADREFNO	NO. OFF	ANNOTATIONS
C2						
		7310	FUEL SYSTEM - contd			
1-11	LV6MT12	2910-99-828-4833	.PUMP, FUEL, ELECTRICAL, 12V	589322	1	
1	LV6MT12	2910-99-824-7304	..TUBE AND BRACKET: assy	7990234	1	
2	LV6MT12	2910-99-824-7310	..ELECTRIC FUEL PUMP	6440793	1	
3	LV6MT12	2590-99-824-7305	..PROTECTOR, TERMINAL, plastic, 1.024 in. lg x 0.54 in. h x 0.885 in. w	7990209	1	
4	LV6MT12	2910-99-824-7309	..COUPLING	6428776	1	
5	LV6MT12	5365-99-824-7306	..RING, RETAINING, steel, 17.5 mm id	7990221	2	
6	G1	5310-99-915-0628	..WASHER, LOCK, steel, No.6		2	
7	G1	5310-99-107-2022	..NUT, PLAIN, HEXAGON, UNC, brass, No.6		2	
9	LV6MT5	2590-99-824-7303	..LEAD, ELECTRICAL	7990237	1	
10	LV6MT12	2520-99-824-7307	..STRAINER, ELEMENT SEDIMENT: assy, 23.62 mm od x 127.25 mm lg	7990240	1	
11	LV6MT12	2910-99-824-7311	..ISOLATOR	6428777	1	
+	LV6MT1	2910-99-804-9853	.GASKET	RTC 1148	1	
12	G1	5305-99-101-4416	.SCREW, MACHINE, BA, steel, No.3 x 3/8 in. lg		6	
13	G1	5310-99-941-6652	.WASHER, LOCK, steel, 5/32 in.		6	

GROUP

D

EXHAUST SYSTEM

EXHAUST SYSTEM

CONTENTS

	Page
EXHAUST PIPES	D1
SILENCER	D1

LIST OF ILLUSTRATIONS

(NOTE:- THE TEXT DOES NOT NECESSARILY INCLUDE ALL THE ITEMS REFERENCED)

	Plate
EXHAUST SYSTEM	D1

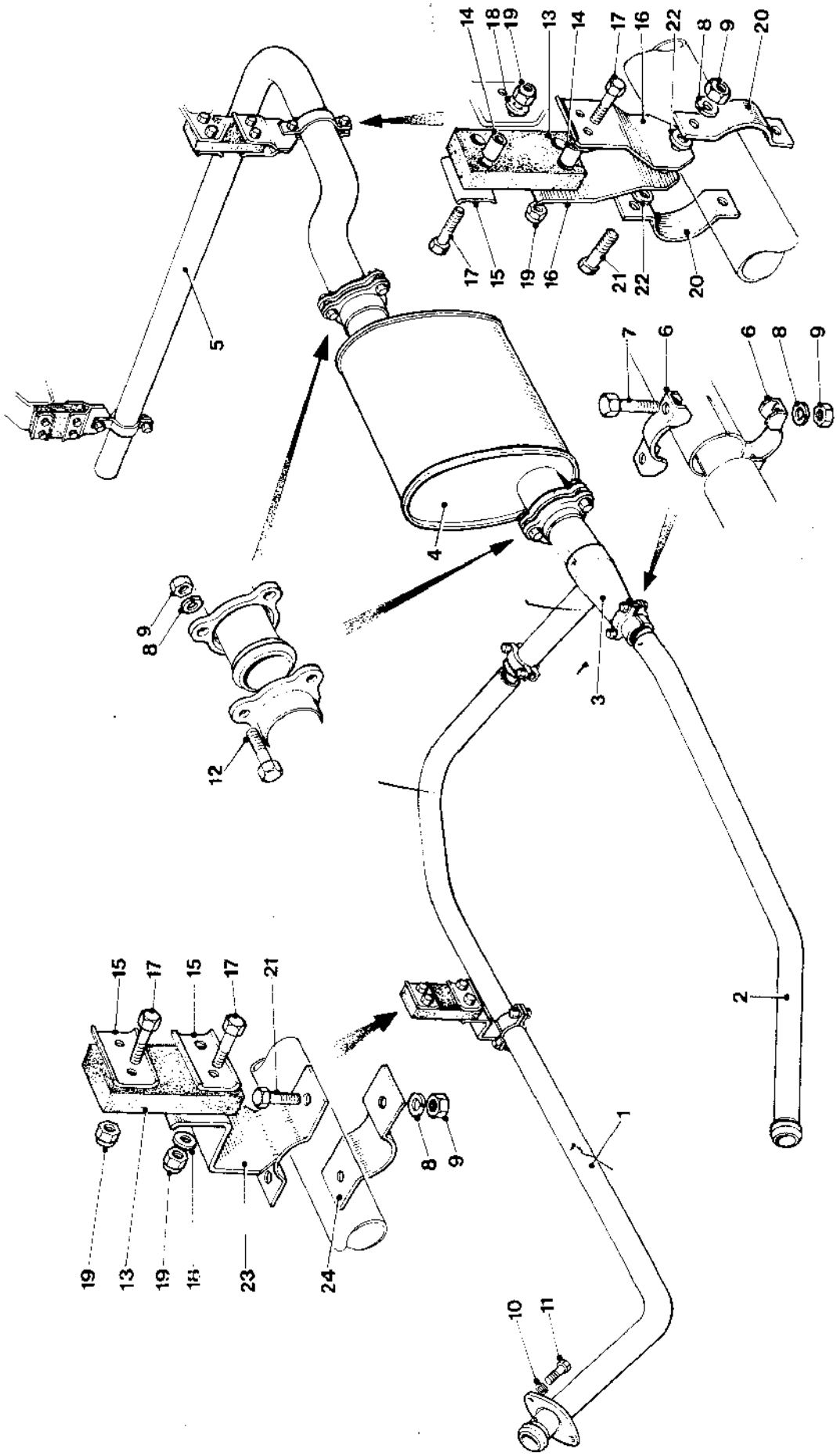


FIG ITEM	MAN CODE	NATO STOCK NUMBER/ CATALOGUE NUMBER	ITEM NAME AND DESCRIPTION	PART NO./ DRAWING NO./ ADREFNO	NO. OFF	ANNOTATIONS
D1			EXHAUST SYSTEM -			
1	LV7RU	2990-99-822-2277	.PIPE, EXHAUST: down pipe rh	592789	1	
2	LV7RU	2990-99-822-2278	.PIPE, EXHAUST: down pipe lh	592790	1	
3	LV7RU	4730-99-822-2909	.TEE, EXHAUST JOINT, steel, 27 mm lg x 276 mm h	598801	1	
4	LV7RU	2990-99-824-7052	.SILENCER, EXHAUST	NRC 1169	1	
5	LV7RU	2990-99-822-1575	.PIPE, EXHAUST	592794	1	RHD
	LV7RU	2990-99-822-1583	.PIPE, EXHAUST	595284	1	LHD
6	LV7RU	5340-99-824-6607	.STRAP, RETAINING, steel, 2.8 in.lg x 3/4 in. w x 0.74 in. h	575511	4	
7	G1	5306-99-122-5256	.BOLT, MACHINE, SI, metric, steel, 8 mm x 45 mm lg		4	
8	G1	5310-99-137-9231	.WASHER, LOCK, steel, 8 mm		12	
9	G1	5310-99-122-5296	.NUT, PLAIN, HEXAGON, SI, metric, steel, 8 mm		12	
10	G1	5310-99-135-9303	.WASHER, LOCK, steel, 10 mm		6	
11	G1	5306-99-941-0718	.SCREW, MACHINE, UNC, steel, 3/8 in. x 1-1/2 in. lg		6	
12	G1	5306-99-122-5254	.BOLT, MACHNE, SI, metric, steel, 8 mm x 40 mm lg		6	
13	LV7RU	5340-99-822-2280	.MOUNT, RESILIENT	GEX 7325	4	
14	LV7RU	5340-99-850-0876	.SPACER, SLEEVE, steel, 3/8 in. od x 9/32 in. id x 5/16 in. lg	244009	16	
15	LV7RU	5340-99-850-0873	.STRAP, RETAINING, steel	239715	5	
16	LV7RU	5340-99-850-0870	.PLATE, FLEXIBLE MOUNTING, steel, 2-13/16 in. x 2 in. x 11/32 in.	239710	6	
17	G1	5305-99-122-5362	.BOLT, MACHINE, SI, metric, steel, 6 mm x 25 mm lg		16	
19	G1	5310-99-137-7683	.NUT, SELF-LOCKING, HEXAGON, SI, metric, steel, 6 mm		16	
20	LV7RU	5340-99-818-9088	.STRAP, RETAINING, steel, 2.1 in. dia x 4.125 in. lg x 0.125 in.thk	562823	6	
21	G1	5305-99-122-5367	.SCREW, MACHINE, SI, metric, 8 mm x 25 mm lg		8	
22	G1	5310-99-122-6475	.WASHER, FLAT, steel, 8 mm		6	
23	LV7RU	2540-99-824-6608	.BRACKET ASSEMBLY, EXHAUST	598825	1	
24	LV7RU	5340-99-824-6609	.STRAP, RETAINING, steel, 92 mm lg x 38 mm w	598630	1	

GROUP

F

TRANSMISSION

TRANSMISSIONCONTENTS

	Page
BELL HOUSING	F5
CLUTCH SLAVE CYLINDER	F6
DIFFERENTIAL, TRANSFER GEARBOX	F15
FRONT AXLE	F21
FRONT BRAKES	F25
GEARBOX CASING	F1
INTERMEDIATE GEAR	F11
LAYSHAFT	F10
MAINSHAFT	F9
OIL PUMP	F4
OUTPUT SHAFT	F12
PRIMARY PINION	F7
PROPELLOR SHAFTS	F20
REAR AXLE	F26
REAR BRAKES	F29
REVERSE IDLER GEAR	F10
SELECTOR GEAR	F16
TRANSMISSION BRAKE	F18

LIST OF ILLUSTRATIONS

(NOTE:- THE TEXT DOES NOT NECESSARILY INCLUDE ALL THE ITEMS REFERENCED)

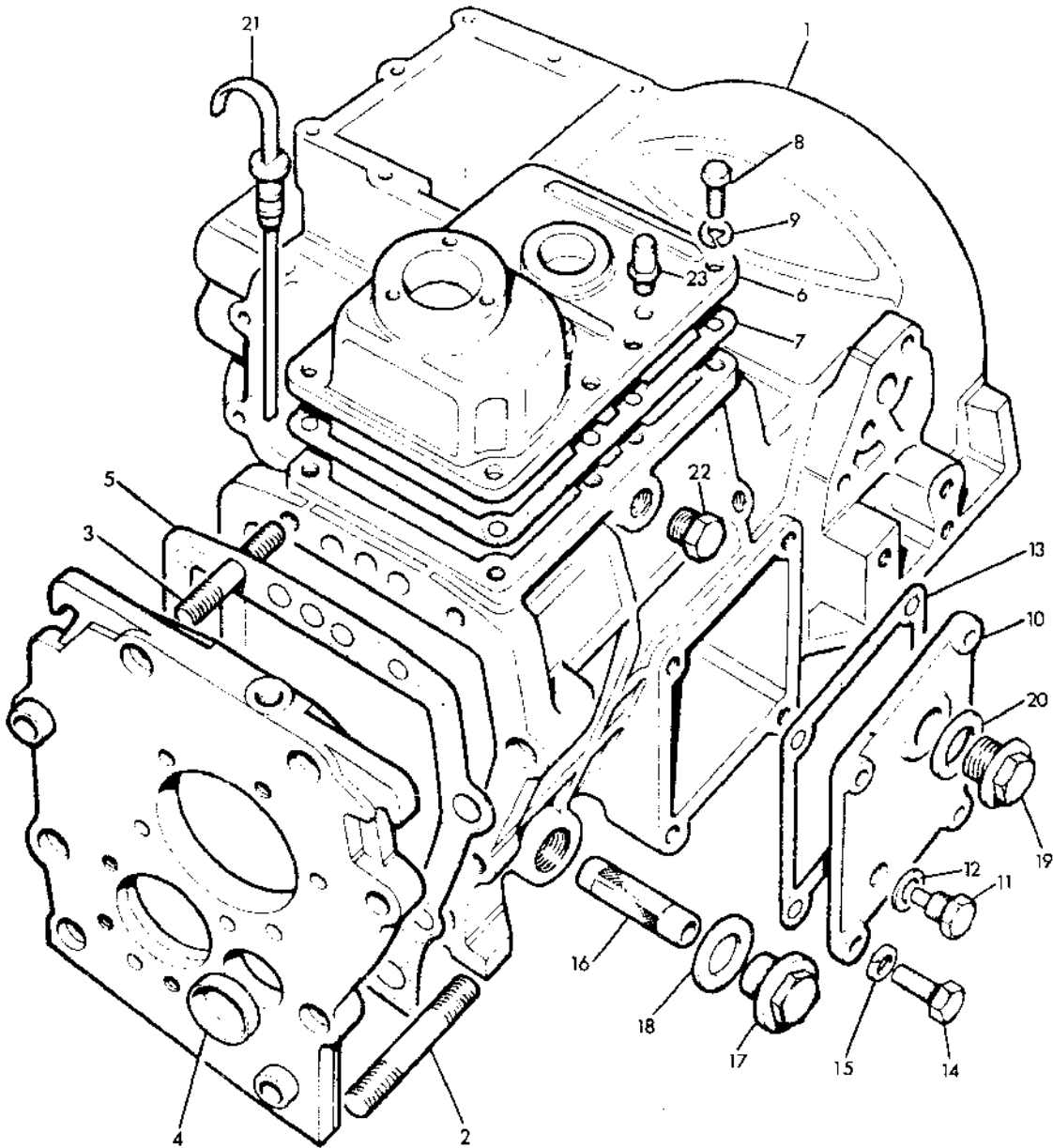
	Plate
BELL HOUSING	F5
CLUTCH RELEASE MECHANISM	F6
DIFFERENTIAL TRANSFER GEARBOX	F13
FIRST SPEED MAINSHAFT & TRANSFER GEAR	F8
FRONT AXLE CASE	F19
FRONT AXLE DIFFERENTIAL	F20
FRONT HUB	F22
FRONT OUTPUT SHAFT & ACTUATOR	F11
FRONT WHEEL BRAKE	F23
GEARBOX MOUNTINGS	F17
INTERMEDIATE GEARS	F10
LAYSHAFT & REVERSE IDLER	F9
MAIN AND TRANSFER CASING	F1, F2
OIL PUMP & FRONT COVER	F4
PRIMARY 2nd & 3rd MAINSHAFT GEARS	F1
PROPELLOR SHAFT	F18
REAR AXLE CASE	F24

TRANSMISSION - contdCONTENTS - contdLIST OF ILLUSTRATIONS - contd(NOTE: THE TEXT DOES NOT NECESSARILY INCLUDE ALL THE ITEMS REFERENCED)

	Plate
REAR AXLE DIFFERENTIAL	F25
REAR OUTPUT SHAFT	F12
REAR HUB	F26
REAR TRANSFER CASING	F3
REAR WHEEL BRAKE	F27
SELECTORS MAIN GEARBOX	F14
SELECTORS TRANSFER BOX	F15
SWIVEL HOUSING	F21
TRANSMISSION BRAKE	F16

F1

MAIN & TRANSFER CASING



0385-24A

FIG ITEM	MAN CODE	NATO STOCK NUMBER/ CATALOGUE NUMBER	ITEM NAME AND DESCRIPTION	PART NO./ DRAWING NO./ ADREFNO	NO. OFF	ANNOTATIONS
F1			TRANSMISSION -			
+ 1-4	LV7RU	2520-99-821-5435 NP	..GEARBOX, MECHANICAL ..GEARBOX, MAIN AND TRANSFER CASING	607441 576105	1 1	} Early type casing with reverse gear shaft bush fitted
+	LV7RU	2520-99-758-5255	..GEARBOX MAIN AND TRANSFER CASING	FRE 1778	1	
2	LV7RU	5307-99-137-4407	...STUD, PLAIN, SI, metric, steel, 16 mm x 100 mm lg	571537	2	
3	LV7RU	5307-99-137-4408	...STUD, PLAIN, SI, metric, steel, 12 mm x 75 mm lg	571538	2	
5	LV7RU	5330-99-822-1516	..GASKET, fibre, 277 mm lg x 260 mm w x 0.15 mm thk	571837	1	
6	LV7RU	2520-99-774-9246	..COVER, TOP, GEARBOX, aluminium, 230 mm lg x 155 mm w x 84 mm h, w/gearlever seating	FRC 5629	1	
7	LV7RU	5830-99-822-1517	..GASKET, fibre, 230 mm lg x 155 mm w x 0.75 mm thk	576195	1	
8	G1	5305-99-122-8667	..SCREW, MACHINE, SI, metric, steel 8 mm x 35 mm lg		8	
9	G1	5310-99-135-9302	..WASHER, LOCK, steel, 8 mm		8	
11	LV7RU	5365-99-823-7203	..PLUG, SCREWED, MAGNETIC, SI, metric, steel, 12 mm x 15 mm lg	599552	1	
12	LV7RU	5330-99-137-3054	..GASKET, copper, 19 mm od x 12.7 mm id x 3 mm thk	599642	1	
13	LV7RU	5330-99-822-1518	..GASKET, fibre, 149 mm lg x 130 mm w x 0.75 mm thk	571841	1	
14	G1	5305-99-122-8669	..SCREW, MACHINE, SI, metric, steel, 10 mm x 35 mm lg		4	
15	G1	5310-99-135-9303	..WASHER, LOCK, steel, 10 mm		4	
16	LV7RU	2520-99-823-7204	..STRAINER, ELEMENT, SEDIMENT, 21 mm od x 88 mm lg	576220	1	
17	LV7RU	5365-99-823-7205	..PLUG, SCREWED, SI, metric, brass 30 mm x 13 mm lg	571104	1	
18	LV7RU	5330-99-137-3055	..GASKET, copper, 1-7/32 in. id x 0.093 in. thk	213964	1	
19	LV6MT1	4730-99-923-5244	..PLUG, PIPE, BSP, 1/2 in. steel		1	
20	LV7RU	5340-99-849-8732	..GASKET, asbestos, 1-15/32 in. od x 1-3/64 in. id x 3/64 in. thk	06009	1	
21	LV7RU	6680-99-823-7206	..DIPSTICK, LIQUID QUANTITY, steel, 15 mm dia x 205 mm lg	593780	1	
22	LV7RU	5365-99-823-7202	..PLUG, SCREWED, SI, metric, steel, 16 mm x 11 mm lg	571944	1	

MAIN & TRANSFER CASING

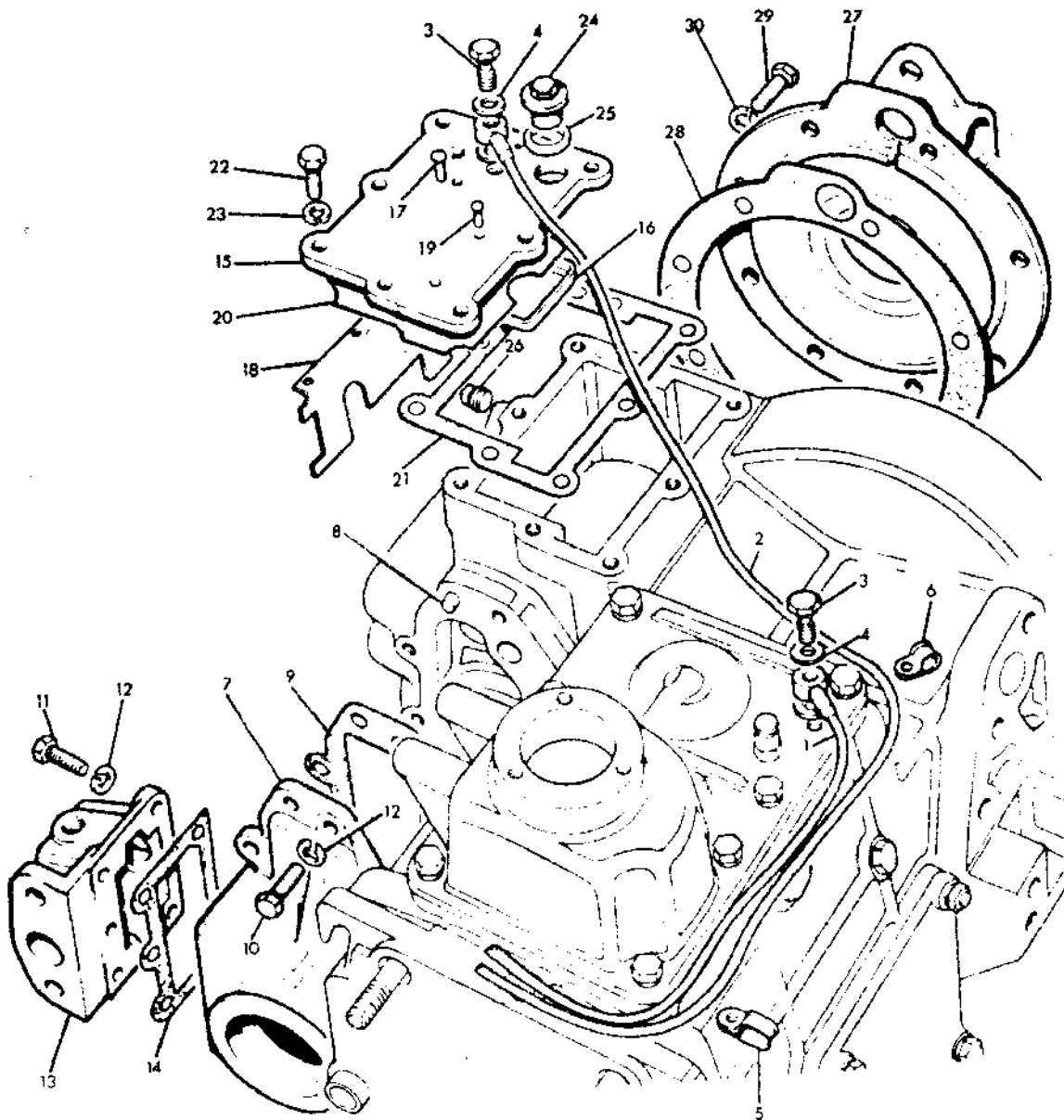
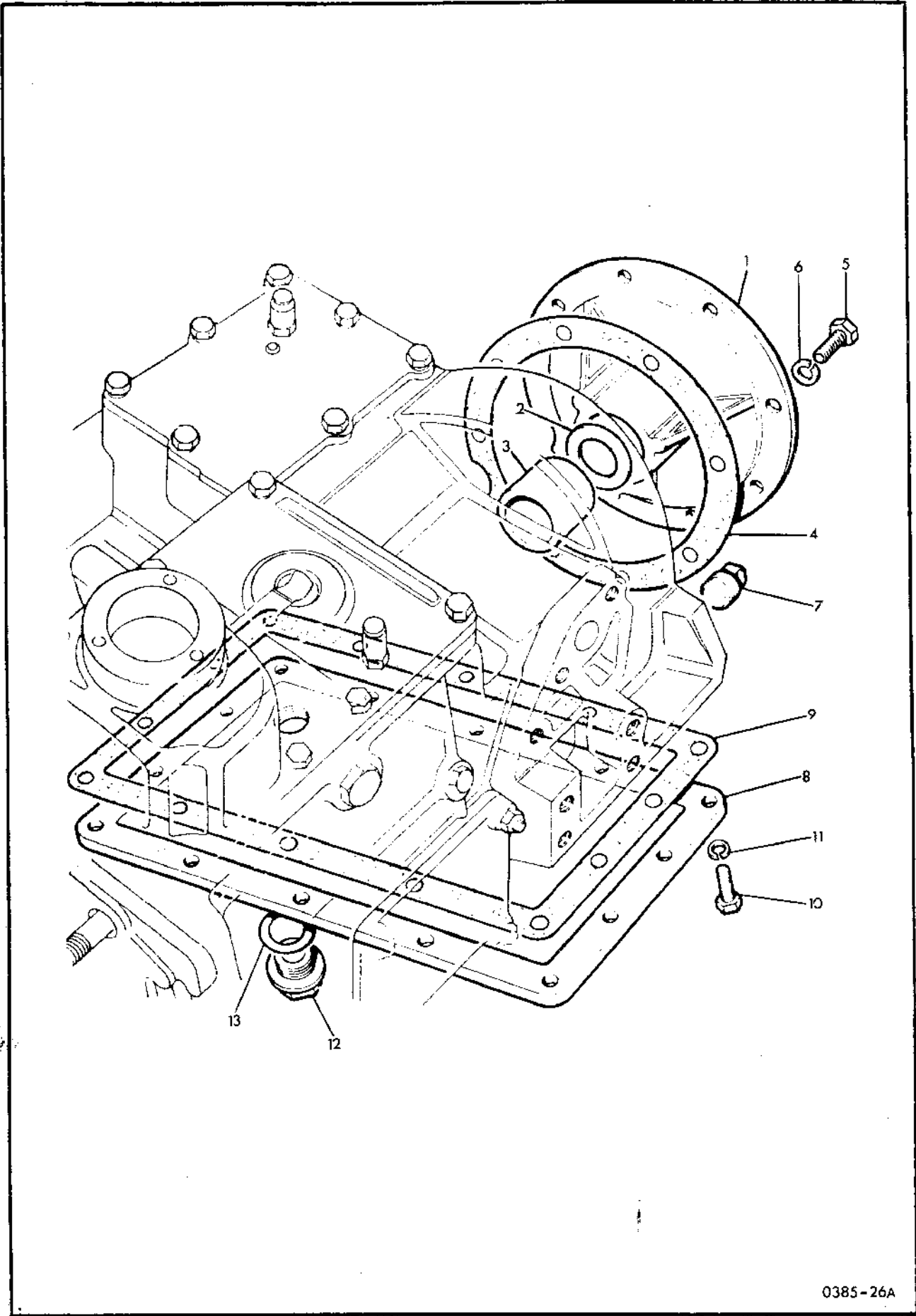


FIG ITEM	MAN CODE	NATO STOCK NUMBER/ CATALOGUE NUMBER	ITEM NAME AND DESCRIPTION	PART NO./ DRAWING NO./ ADREFNO	NO. OFF	ANNOTATIONS
F2			TRANSMISSION - contd			
			.GEARBOX, MECHANICAL - contd			
1	LV7RU	4710-99-825-4559	..PIPE, PLASTIC, SEMIRIGID, 6.35 mm od x 666 mm lg	622219	1	
2	LV7RU	4710-99-825-4560	..PIPE, PLASTIC, SEMIRIGID, 6.35 mm od x 1022 mm lg	622220	1	
3	LV7RU	4730-99-137-6379	..BOLT, FLUID PASSAGE, BSP, 1/8 in. x 59/64 in. lg	595478	2	
4	W2	4930-99-842-3988	..WASHER, FIBRE	140085	4	
6	LV6MT4	5340-99-881-9938	..CLAMP, LOOP, single	219676	1	
+	G1	5305-99-122-4165	..SCREW, TAPPING, THREAD FORMING, steel, pan hd, No.10 x 1/2 in.lg		1	
+	LV7RU	5310-99-844-9666	..NUT, SHEET, SPRING	78319	1	
9	LV7RU	5330-99-822-1519	..GASKET, fibre, 207 mm lg x 147 mm w x 0.15 mm thk	571876	1	
10	G1	5305-99-122-8667	..SCREW, MACHINE, SI, metric, steel, hex hd, 8 mm x 35 mm lg		6	
11	G1	5305-99-135-0451	..SCREW, MACHINE, SI, metric, steel, pan hd, 8 mm x 20 mm lg		4	
12	G1	5310-99-135-9302	..WASHER, LOCK, steel, 8 mm		10	
14	LV7RU	5330-99-822-1720	..GASKET, fibre, 102 mm lg x 70 mm w x 0.15 mm thk	571947	1	
20	LV7RU	2520-99-823-7208	..PAD, INSULATING, 158 mm lg x 128 mm w x 3.2 mm thk	591603	1	
21	LV7RU	5330-99-822-1721	..GASKET, fibre, 186 mm lg x 152 mm w x 0.75 mm thk	571979	1	
22	G1	5305-99-122-5367	..SCREW, MACHINE, SI, metric, steel, 8 mm x 25 mm lg		8	
23	G1	5310-99-135-9302	..WASHER, LOCK, steel, 8 mm		8	
24	LV7RU	4730-99-874-0243	..PLUG, SCREWED: oil filter	533358	1	
25	LV7RU	5340-99-849-8732	..GASKET, asbestos, 1-15/32 in.od x 1-3/64 in. id x 3/64 in. thk	06009	1	
26	LV6MT1	4730-99-801-8060	..PLUG, PIPE, BSP, steel, 1/4 in.		1	
27	NP		..HOUSING: speedometer drive assy	576631	1	
+	LV7RU	5307-99-137-4409	..STUD, PLAIN, SI, metric, 6 mm x 30 mm lg	571536	1	
28	LV7RU	5330-99-822-1722	..GASKET, fibre, 196 mm od x 161 mm id x 0.15 mm thk	571940	1	
29	G1	5305-99-122-5367	..SCREW, MACHINE, SI, metric, steel, 8 mm x 25 mm lg		8	
30	G1	5310-99-135-9302	..WASHER, LOCK, steel, 8 mm		8	

F3

REAR TRANSFER CASING



0385-26A

FIG ITEM	MAN CODE	NATO STOCK NUMBER/ CATALOGUE NUMBER	ITEM NAME AND DESCRIPTION	PART NO./ DRAWING NO./ ADREFNO	NO. OFF	ANNOTATIONS
F3			TRANSMISSION - contd			
1-3		NP	.GEARBOX, MECHANICAL - contd			
2	LV7RU	5310-99-137-4410	..HOUSING: rear mainshaft bearing assy	571845	1	Mainshaft thrust
3	LV6MT7	3110-99-838-5185	...WASHER, FLAT, steel, 41.2 mm od x 28 mm id x 2 mm thk	571723	1	
4	LV7RU	5330-99-822-1723	...RING, BEARING, OUTER, 1-5/8 in. od x 1-5/16 in. id x 1-1/4 in. lg		2	
5	G1	5330-99-822-1723	..GASKET, fibre, 196 mm od x 160 mm id x 0.15 mm thk	571846	1	
6	G1	5305-99-122-5367	..SCREW, MACHINE, SI, metric, steel, 8 mm x 25 mm lg		8	
7	LV6MT1	5310-99-135-9302	..WASHER, LOCK, steel, 8 mm		8	
8	LV7RU	5340-99-801-8061	..PLUG, SCREWED, BSP, steel, 1/2 in.		1	
9	LV7RU	5330-99-822-1724	..GASKET, fibre, 309 mm lg x 190 mm w x 0.75 mm thk	571948	1	
10	G1	5305-99-122-5367	..SCREW, MACHINE, SI, metric, steel, 8 mm x 25 mm lg		14	
11	G1	5310-99-135-9302	..WASHER, LOCK, steel, 8 mm		14	
12	LV7RU	5365-99-823-7205	..PLUG, SCREWED, SI, metric, brass, 30 mm x 13 mm lg	571104	1	
13	LV7RU	5330-99-137-3055	..WASHER, FLAT, asbestos/copper, 30 mm x 0.093 in. thk	213964	1	

FRONT COVER & OIL PUMP

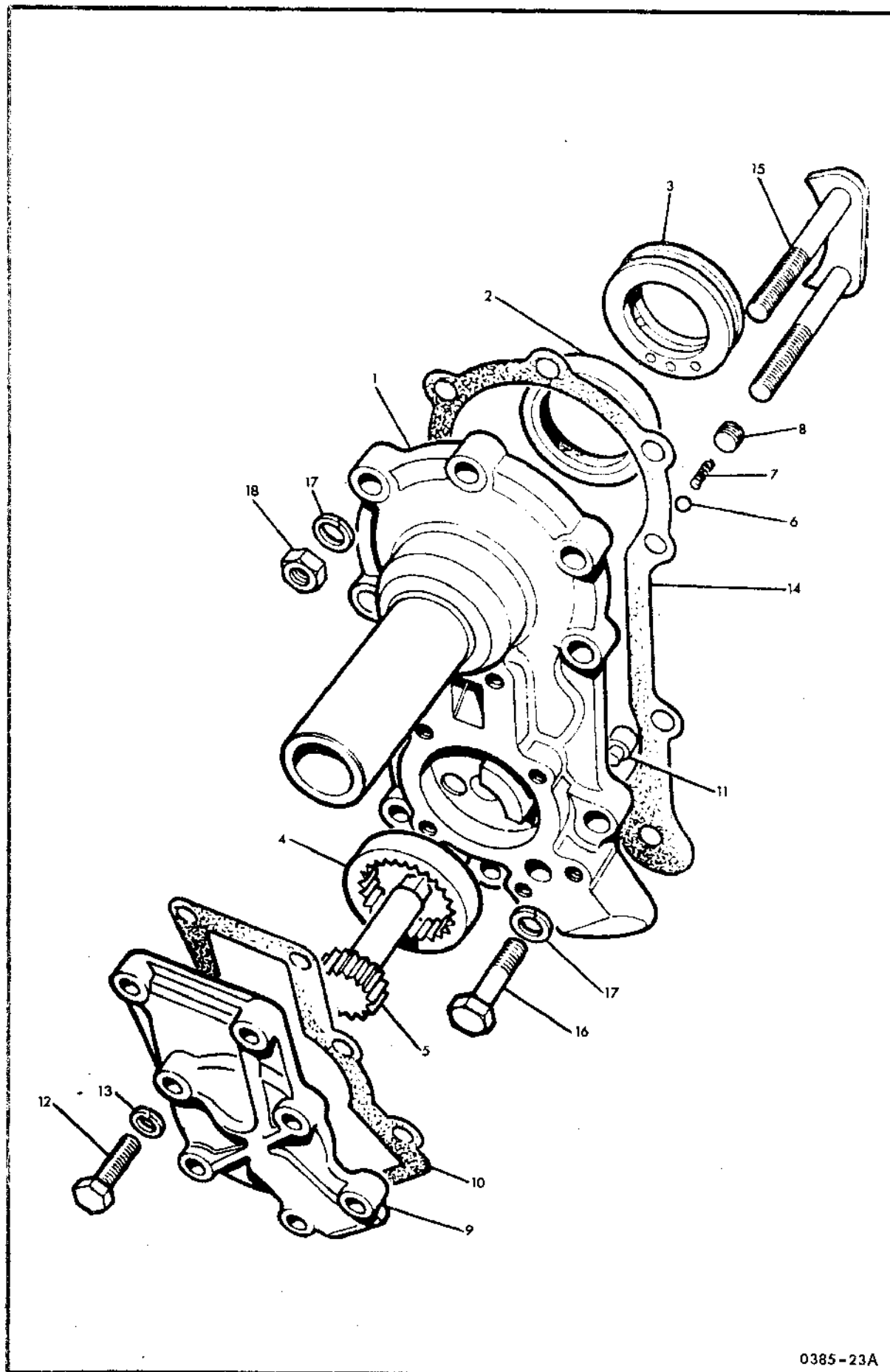


FIG ITEM	MAN CODE	NATO STOCK NUMBER/ CATALOGUE NUMBER	ITEM NAME AND DESCRIPTION	PART NO./ DRAWING NO./ ADREFNO	NO. OFF	ANNOTATIONS
F4			TRANSMISSION - contd			
1-13	LV7RU	2520-99-823-8296	..GEARBOX, MECHANICAL - contd	576340	1	
2	LV6MT1	5330-99-818-9097	..OIL PUMP AND FRONT COVER ASSEMBLY		1	
3	LV7RU	2520-99-823-8297	...SEAL, PLAIN, ENCASED, 50.13 mm od x 34.925 mm id x 10 mm w		1	
4	LV7RU	3020-99-823-8298	...BEARING, SLEEVE, 53 mm od x 35 mm id x 12 mm lg	591394	1	
5	LV7RU	3040-99-823-8299	...GEAR, INTERNAL, 25 teeth, 50 mm od x 8.5 mm lg	90571086	1	
6	LV7RU	3040-99-823-8299	...GEARSHAFT, SPUR, 17 teeth, 29.7 mm od x 46.5 mm lg	576372	1	
7	LV6MT7	3110-99-950-0569	...BALL, BEARING, steel, 1/4 in.		1	
7	LV7RU	5360-99-823-8750	...SPRING, HELICAL, COMPRESSION, steel, 0.207 in. od x 0.625 in. lg	556239	1	
10	LV7RU	5330-99-824-0915	...GASKET, fibre, 106 mm lg x 85 mm w x 0.15 mm thk	90571106	1	
11	LV7RU	5315-99-823-8751	...PIN, SHOULDER, HEADLESS, steel, 10 mm dia shoulder x 12 mm lg	571134	1	
12	G1	5305-99-122-5361	...SCREW, MACHINE, SI, metric, steel, 6 mm x 18 mm lg		7	
13	G1	5310-99-135-9301	...WASHER, LOCK, steel, 6 mm		7	
14	LV7RU	5330-99-822-1515	..GASKET, fibre, 222 mm lg x 120 mm w x 0.15 mm thk	571137	1	
16	G1	5306-99-122-5253	..BOLT, MACHINE, SI, metric, steel, 8 mm x 1.25 mm pitch x 30 mm lg		5	
17	G1	5310-99-135-9302	..WASHER, LOCK, steel, 8 mm		9	
18	G1	5310-99-122-3402	..NUT, PLAIN, HEXAGON, SI, metric, steel, 8 mm x 1.25 mm pitch		4	

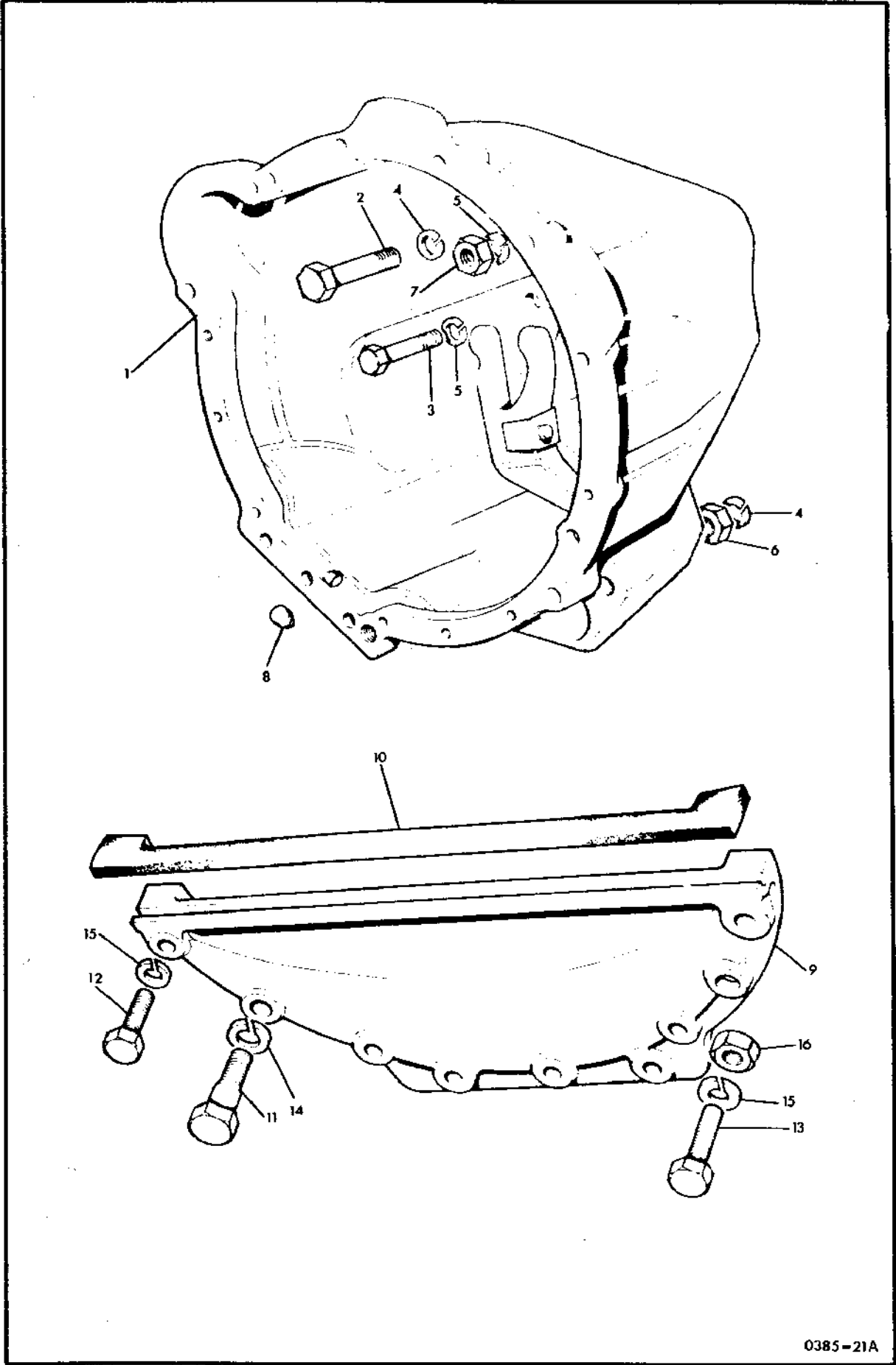


FIG ITEM	MAN CODE	NATO STOCK NUMBER/ CATALOGUE NUMBER	ITEM NAME AND DESCRIPTION	PART NO./ DRAWING NO./ ADREFNO	NO. OFF	ANNOTATIONS
F5			TRANSMISSION - contd			
1		NP	..GEARBOX, MECHANICAL - contd			
2	G1	5306-99-138-4882	..BELL HOUSING	576214	1	
3	G1	5306-99-122-8680	..BOLT, MACHINE, SI, metric, steel, 16 mm x 80 mm lg		2	
4	G1	5310-99-135-9305	..BOLT, MACHINE, SI, metric, steel, 12 mm x 60 mm lg		2	
5	G1	5310-99-135-9304	..WASHER, LOCK, steel, 16 mm		4	
6	G1	5310-99-122-5299	..WASHER, LOCK, steel, 12 mm		5	
7	G1	5310-99-122-5298	..NUT, PLAIN, HEXAGON, SI, metric, steel, 16 mm		2	
8	LV6MT1	4730-99-194-5268	..NUT, PLAIN, HEXAGON, SI, metric, steel, 12 mm		2	
			..PLUG, PIPE, BSP, steel, sq hd, 1/4 in.		1	
9		NP	..BOTTOM COVER	594086	1	
10	LV7RU	2520-99-823-7207	..GASKET, rubber, 15 mm h x 5 mm w x 399 mm lg	594087	1	
11	LV7RU	5306-99-137-3056	..BOLT, MACHINE, SI, metric, steel, 8 mm x 10 mm thd lg	594134	2	
12	G1	5305-99-122-5362	..SCREW, MACHINE, SI, metric, steel, 6 mm x 25 mm lg		2	
13	G1	5305-99-204-5084	..SCREW, MACHINE, SI, metric, steel, 6 mm x 1 mm pitch x 45 mm lg		5	
14	G1	5310-99-135-9302	..WASHER, LOCK, steel, 8 mm		2	
15	G1	5310-99-135-9301	..WASHER, LOCK, steel, 6 mm		7	
16	G1	5310-99-122-5295	..NUT, PLAIN, HEXAGON, SI, metric, steel, 6 mm		5	
+	G1	5306-99-941-1554	..BOLT, MACHINE, UNC, steel, hex hd, 3/8 in. x 2 in. lg		8	} Gearbox to engine
+	G1	5310-99-120-2304	..WASHER, LOCK, steel, single coil, 3/8 in.		8	
+	H16	8030-99-220-2370	..SEALING COMPOUND	GGC 102	AR	Bell housing

F6

CLUTCH RELEASE MECHANISM

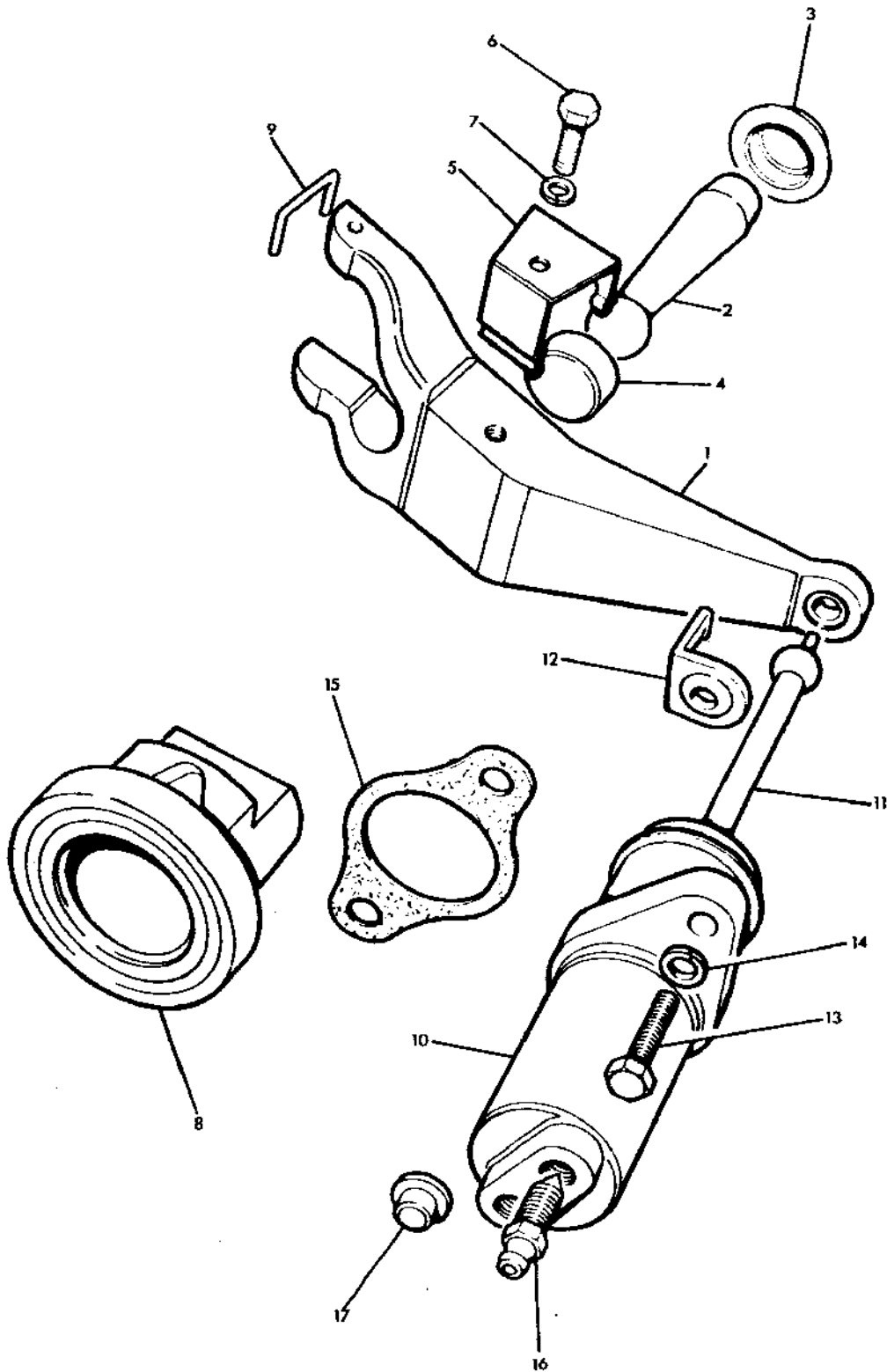


FIG ITEM	MAN CODE	NATO STOCK NUMBER/ CATALOGUE NUMBER	ITEM NAME AND DESCRIPTION	PART NO./ DRAWING NO./ ADREFNO	NO. OFF	ANNOTATIONS
F6						
1	LV7RU	2520-99-818-9093	TRANSMISSION - contd ..GEARBOX, MECHANICAL - contd	576137	1	
2	LV7RU	2520-99-823-8752	..FORK, CLUTCH, OPERATING ..PIVOT, CLUTCH RELEASE LEVER, steel, 19 mm hd dia x 12 mm shank dia x 80.2 mm lg	594176	1	
3	LV7RU	2520-99-818-9092	..RETAINING CAP, CLUTCH LEVER, steel, 16 mm id x 35 mm od	571164	1	
4	LV7RU	2520-99-818-9095	..SEAT, BALL SOCKET, nylon, 22.09 mm od x 12 mm h	571161	1	
5	LV7RU	5340-99-818-9096	..CLIP, SPRING TENSION, steel, 25 mm w x 35 mm lg	571163	1	
6	G1	5305-99-122-8665	..SCREW, MACHINE, SI, metric, steel, 6 mm x 10 mm lg		1	
7	G1	5310-99-135-9301	..WASHER, LOCK, steel, 6 mm		1	
8	LV7RU	2520-99-839-3852	..BEARING AND SLEEVE: clutch release assy	GRB236	1	
9	LV7RU	2520-99-818-9098	..STAPLE, CLUTCH FORK SLEEVE, plastics, 3 mm dia	576203	1	
10,11	LV6MT9	2530-99-819-3923	..CYLINDER ASSEMBLY, ACTUATING LINEAR, 0.875 in. bore x 1.987 in. stroke	64066195	1	
11	LV7RU	2530-99-829-8989	..PUSH ROD, CLUTCH SLAVE CYLINDER	571160	1	
12	LV7RU	5340-99-819-3922	..CLIP, PUSH ROD TO LEVER, plastics, 28 mm lg x 26 mm w x 23 mm h	576723	1	
13	G1	5305-99-122-5367	..SCREW, MACHINE, SI, metric, steel, 8 mm x 25 mm lg		2	
14	G1	5310-99-135-9302	..WASHER, LOCK, steel, 8 mm		2	
15	LV7RU	5330-99-819-3925	..GASKET, steel, 3.375 in. lg x 2 in. w x 0.0625 in. thk	591989	}	AR
	LV7RU	5330-99-819-3924	..GASKET, steel, 3.375 in. lg x 1.81 in. w x 0.048 in. thk	591988		
16	LV7RU	2530-99-829-8990	..BLEEDER VALVE, HYDRAULIC SYSTEM	606733	1	
17	LV6MT9	2530-99-802-3999	..EXCLUDER, DUST	594091	1	
+	LV6MT9	2520-99-823-7168	..REPAIR KIT: clutch slave cylinder	SP2029-3	1	

F7 PRIMARY SECOND & THIRD MAINSHAFT GEARS

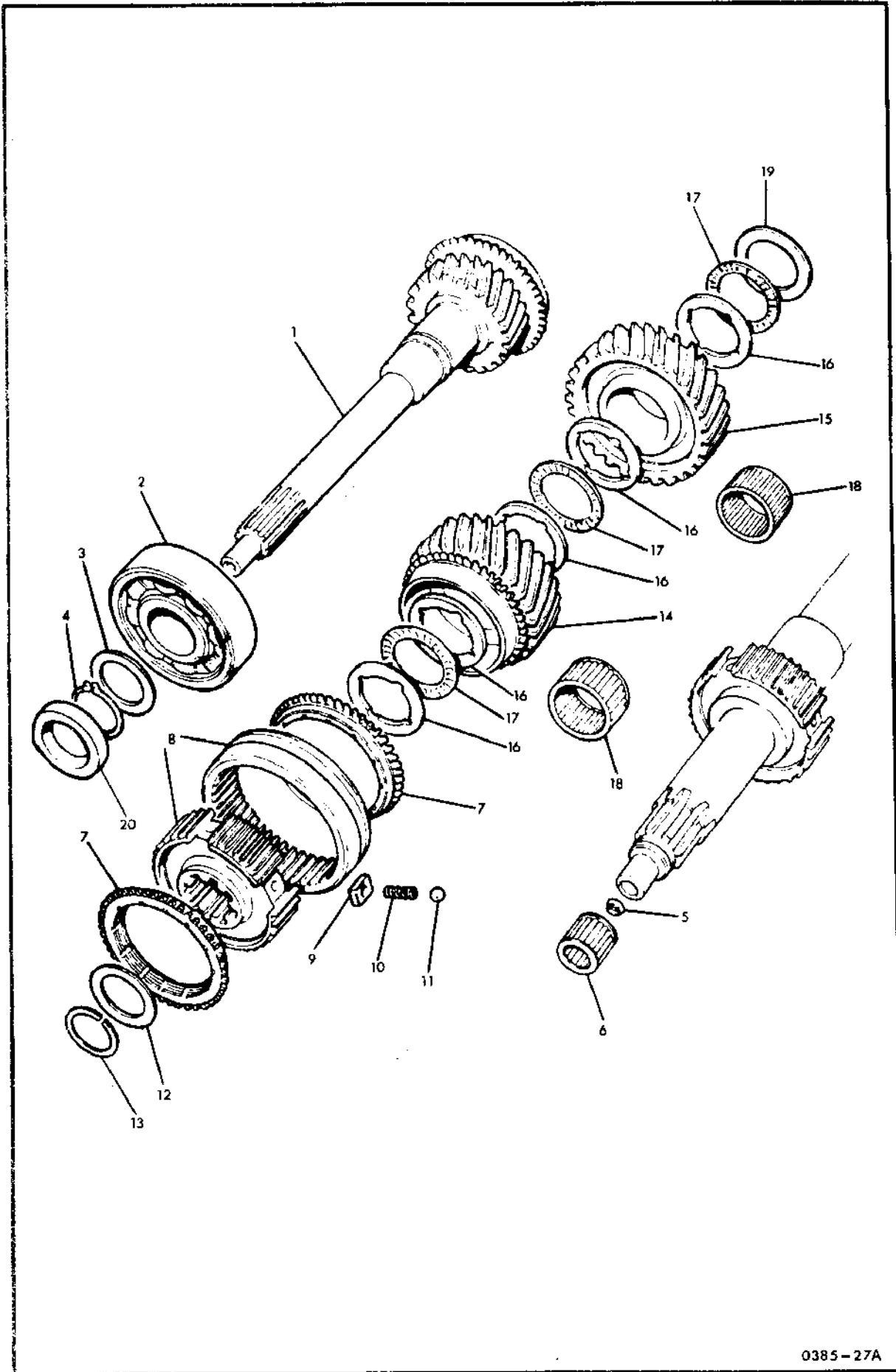


FIG ITEM	MAN CODE	NATO STOCK NUMBER/ CATALOGUE NUMBER	ITEM NAME AND DESCRIPTION	PART NO./ DRAWING NO./ ADREFNO	NO. OFF	ANNOTATIONS
F7			TRANSMISSION - contd			
1	LV7RU	2520-99-823-7211	..GEARBOX, MECHANICAL - contd			
2	LV6MT7	3110-99-950-1305	..PRIMARY PINION ASSEMBLY; w/lubrication tube	622156	1	
			..BEARING, BALL, JOURNAL, single row, 3-3/4 in.od x 1-1/2 in.id x 15/16 in.w		1	
	LV7RU	5365-99-137-3448	..PACKING PIECE, steel, 50 mm od x 38.5 mm id x 1.8 mm thk	594025))
	LV7RU	2520-99-819-4761	..PACKING PIECE, steel, 50 mm od x 38.5 mm id x 1.85 mm thk	594024))
	LV7RU	2520-99-819-4760	..PACKING PIECE, steel, 50 mm od x 38.5 mm id x 1.9 mm thk	594023))
	LV7RU	2520-99-819-4759	..PACKING PIECE, steel, 50 mm od x 38.5 mm id x 1.95 mm thk	594022))
3	LV7RU	2520-99-819-4758	..PACKING PIECE, steel, 50 mm od x 38.5 mm id x 2 mm thk	594021)	AR
	LV7RU	2520-99-823-7212	..PACKING PIECE, steel, 50 mm od x 38.5 mm id x 2.05 mm thk	594020))
	LV7RU	2520-99-823-7213	..PACKING PIECE, steel, 50 mm od x 38.5 mm id x 2.1 mm thk	594019))
	LV7RU	2520-99-823-7214	..PACKING PIECE, steel, 50 mm od x 38.5 mm id x 2.15 mm thk	594018))
	LV7RU	2520-99-823-7215	..PACKING PIECE, steel, 50 mm od x 38.5 mm id x 2.2 mm thk	594017))
4	LV6MT1	5340-99-910-8205	..RING, RETAINING, steel, 1-1/2 in. id		1	
5	LV6MT1	5330-99-822-1855	..SEAL, PLAIN, rubber, 16 mm od x 8 mm id		1	
6	LV7RU	2520-99-823-7217	..BEARING, MAINSHAFT SPIGOT, 1-1/2 in.od x 1 in.id x 7/8 in.lg	571062	1	
7	LV7RU	2520-99-823-7218	..CLUTCH HALF, POSITIVE, bronze, 92 mm od x 10.75 mm h, 45 teeth	FRC 1335	2	
+	LV7RU	2520-99-774-9251	..CLUTCH, POSITIVE, 3rd and 4th gears synchromesh assy	RTC 2028	1	
8	LV7RU	2520-99-828-8368	..CLUTCH, POSITIVE, ASSEMBLY: 3rd and 4th gears	RTC 2149	1	
9	LV7RU	2520-99-823-7731	..SLIDING BLOCK, SYNCHROMESH, 17.03 mm lg x 13.75 mm w x 5 mm thk	FRC 1337	3	
10	LV7RU	5360-99-819-4768	..SPRING, HELICAL, COMPRESSION, steel, 0.24 in.od x 0.565 in.lg	503805	3	
11	LV6MT7	3110-99-950-0569	..BALL, BEARING, steel, 1/4 in.dia		3	
	LV7RU	5310-99-137-4418	..WASHER, FLAT, steel, 45 mm od x 32 mm id x 1.85 mm thk	571451))
	LV7RU	5310-99-137-4419	..WASHER, FLAT, steel, 45 mm od x 32 mm id x 2 mm thk	571452))
12	LV7RU	5310-99-137-4420	..WASHER, FLAT, steel, 45 mm od x 32 mm id x 2.15 mm thk	571453)	AR)Inner)member)shims
	LV7RU	5310-99-137-4421	..WASHER, FLAT, steel, 45 mm od x 32 mm id x 2.3 mm thk	571454))
	LV7RU	5310-99-137-4422	..WASHER, FLAT, steel, 45 mm od x 32 mm id x 2.45 mm thk	571455))
13	LV7RU	5365-99-823-7732	..RING, RETAINING, steel, 35.5 mm od x 29.9 mm id x 2.5 mm thk	571090	1	
14	LV7RU	3020-99-823-7733	..GEAR, DUPLEX, steel, 29/45 teeth, 96.83 mm od x 45 mm id x 48.5 mm lg.	FRC 1185	1	3rd speed
15	LV7RU	3020-99-828-5825	..GEAR, DUPLEX, steel, 35/45 teeth, 119.4 mm od x 45 mm id x 45.5 mm lg	FRC 1343	1	2nd speed

F7 PRIMARY SECOND & THIRD MAINSHAFT GEARS

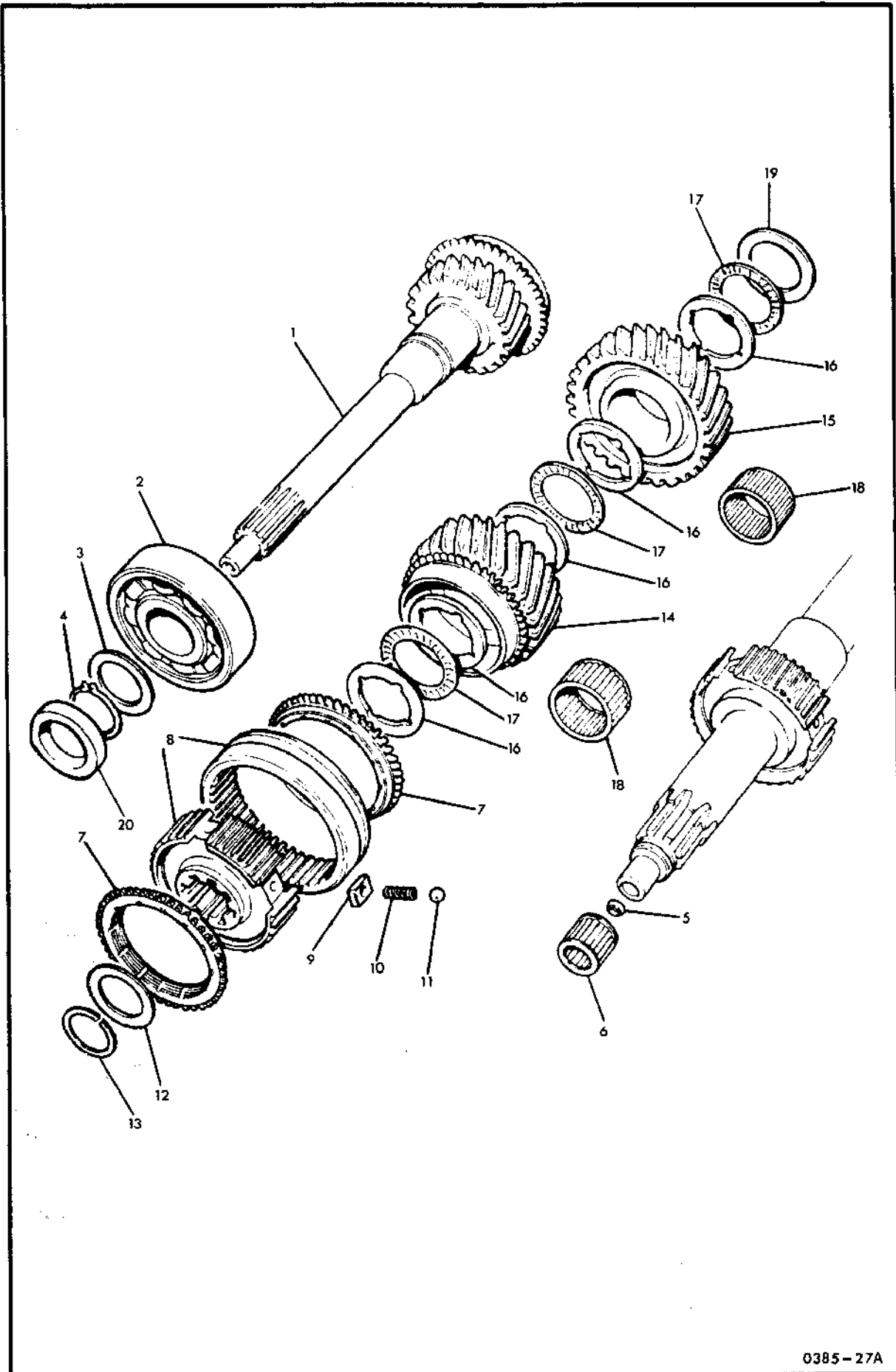


FIG ITEM	MAN CODE	NATO STOCK NUMBER/ CATALOGUE NUMBER	ITEM NAME AND DESCRIPTION	PART NO./ DRAWING NO./ ADREFNO	NO. OFF	ANNOTATIONS
F7			TRANSMISSION - contd			
16	LV7RU	3120-99-823-7735	.GEARBOX, MECHANICAL - contd	571066	5) 2nd & 3rd) speed) mainshaft) gears
17	LV6MT7	3110-99-819-3191	..WASHER, THRUST			
18	LV6MT7	3110-99-823-7736	..THRUST BEARING, NEEDLE ROLLER, 60 mm od x 40 mm id x 3 mm thk			
19	LV6MT7	3120-99-823-7737	..ROLLER ASSEMBLY, JOURNAL BEARING			
20	LV6MT1	5330-99-818-9097	..WASHER, THRUST, steel, 60 mm od x 40 mm id x 3.5 mm thk			
			..SEAL, PLAIN, ENCASED, 50.13 mm od x 34.925 in. id x 10 mm w			

F8 FIRST SPEED MAINSHAFT & TRANSFER GEAR

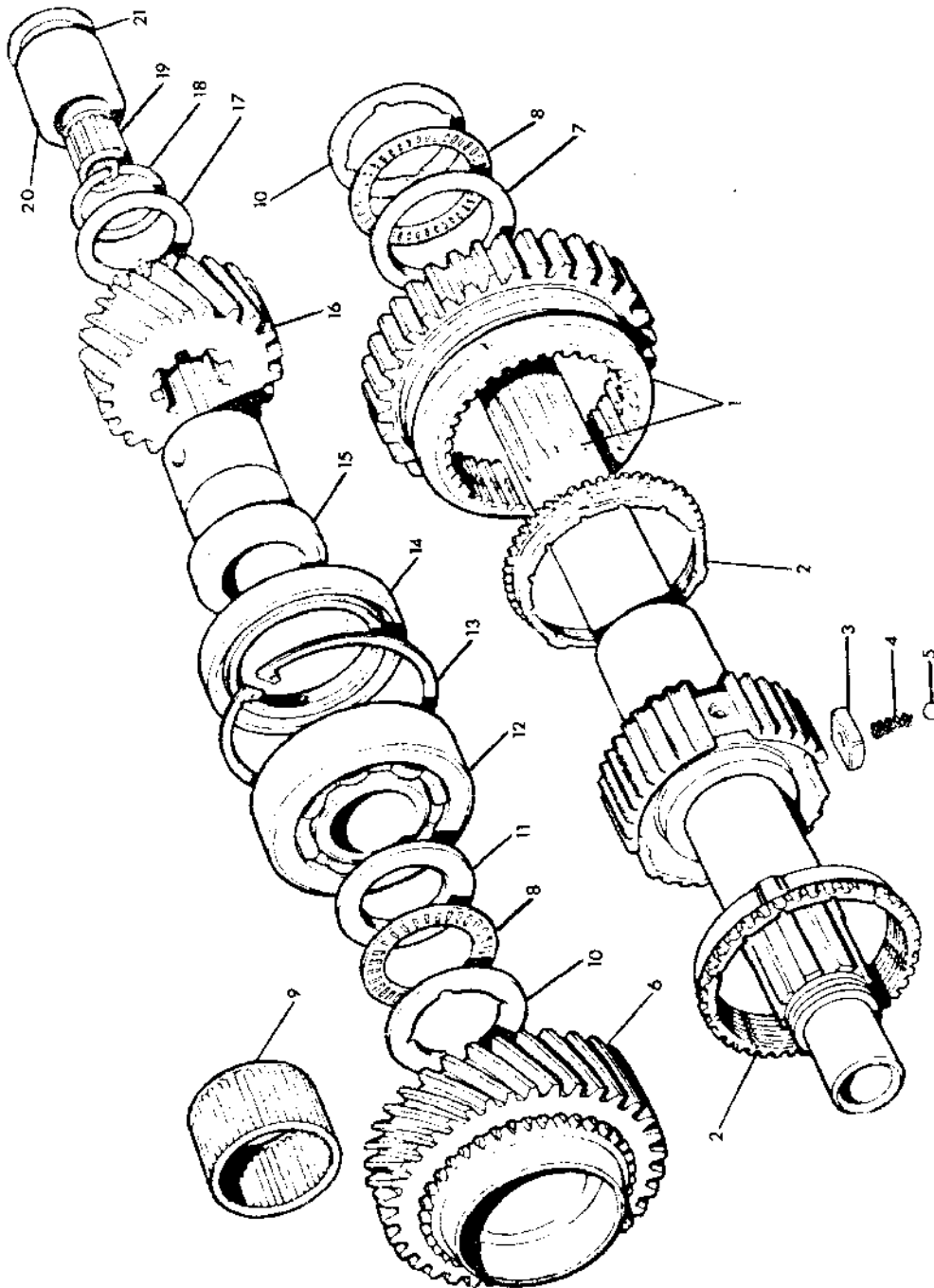


FIG ITEM	MAN CODE	NATO STOCK NUMBER/ CATALOGUE NUMBER	ITEM NAME AND DESCRIPTION	PART NO./ DRAWING NO./ ADREFNO	NO. OFF	ANNOTATIONS
F 8			TRANSMISSION - contd			
1	LV7RU	3040-99-828-0889	.GEARBOX, MECHANICAL - contd			
			..GEARSHAFT: mainshaft and synchro- outer member, matched pair	RTC 2150	1	
+	LV7RU	3040-99-774-9248	..GEARSHAFT, SPUR; c/w balls, blocks and spacer	RTC 2029	1	
2	LV7RU	2520-99-823-7218	..CLUTCH HALF, POSITIVE, 1st & 2nd mainshaft gears	FRC 1335	2	
3	LV7RU	2520-99-823-7739	..SLIDING BLOCK, SYNCHROMESH, 23.53 mm lg x 13.75 mm w x 5 mm thk	571103	3	
+	LV7RU	2520-99-753-4725	..SLIDING BLOCK, SYNCHROMESH, 24 mm lg x 14 mm w x 5 mm thk	FRC 1336	3	
4	LV7RU	5360-99-819-4768	..SPRING, HELICAL, COMPRESSION, steel, 0.24 in.od x 0.565 in.lg	503805	3	
5	LV6MT7	3110-99-950-0569	..BALL, BEARING, steel, 1/4 in.dia		3	
6	LV7RU	3020-99-823-7740	..GEAR, DUPLEX, steel, 43/45 teeth, 140 mm od x 50 mm id x 47 mm lg	FRC 1344	1	
7	LV6MT7	3120-99-823-7741	..BEARING WASHER, THRUST, steel, 65 mm od x 45 mm id x 4 mm thk		1	
8	LV6MT7	3110-99-924-8267	..THRUST BEARING		2	
9	LV6MT7	3110-99-823-7742	..ROLLER ASSEMBLY, JOURNAL BEARING		1	
10	LV6MT7	3120-99-823-7743	..BEARING WASHER, THRUST, steel, 65 mm od x 45 mm id x 4 mm thk		2	
11	LV6MT7	3120-99-823-7744	..BEARING WASHER, THRUST, steel, 65 mm od x 38.5 mm id x 5.5 mm thk		1	
12	LV6MT7	3110-99-950-1305	..BEARING, BALL, JOURNAL, single row, 3-3/4 in.od x 1-1/2 in.id x 15/16 in.w		1	
13	LV6MT1	5365-99-910-8303	..RING, RETAINING, steel, circlip, int, 3-3/4 in.id x 0.119 in.thk		1	
14	LV6MT1	5330-99-822-1856	..SEAL, PLAIN, rubber, 3-3/4 in.od x 2-3/8 in.id x 1/2 in.w		1	
15	LV7RU	2520-99-824-6751	..SPACER, SLEEVE, steel, 60.23 mm od x 38 mm id x 68.5 mm lg	622538	1	
16	LV7RU	3020-99-823-7746	..GEAR, DUPLEX, steel, 29/22 teeth, 90.85 mm od x 40 mm lg	571010	1	
	LV7RU	2520-99-823-7747	..PACKING PIECE, steel, 47 mm od x 38 mm id x 1.65 mm thk	593814)	Main- shaft transfer gear shims
	LV7RU	2520-99-823-7748	..PACKING PIECE, steel, 47 mm od x 38 mm id x 1.7 mm thk	593815)	
	LV7RU	2520-99-823-7749	..PACKING PIECE, steel, 47 mm od x 38 mm id x 1.75 mm thk	593816)	
	LV7RU	2520-99-823-7750	..PACKING PIECE, steel, 47 mm od x 38 mm id x 1.8 mm thk	593817)	
17	LV7RU	2520-99-823-7751	..PACKING PIECE, steel, 47 mm od x 38 mm id x 1.85 mm thk	593818)	
	LV7RU	2520-99-823-7752	..PACKING PIECE, steel, 47 mm od x 38 mm id x 1.9 mm thk	593819)	
	LV7RU	2520-99-823-7753	..PACKING PIECE, steel, 47 mm od x 38 mm id x 1.95 mm thk	593820)	
	LV7RU	2520-99-823-7754	..PACKING PIECE, steel, 47 mm od x 38 mm id x 2 mm thk	593821)	
18	LV7RU	5365-99-823-7755	..RING, RETAINING, steel, ext, 43 mm od x 36 mm id x 2.5 mm thk	571090	1	
19	LV7RU	2520-99-823-7756	..BEARING, MAINSHAFT SPIGOT, 33.34 mm od x 20.64 mm id x 30 mm lg	571187	1	
20	LV6MT7	3110-99-838-5185	..RING, BEARING, OUTER, 1-5/8 in.od x 1-5/16 in.id x 1-1/4 in.lg		1	
21	LV7RU	5310-99-137-4410	..WASHER, FLAT, steel, 41.2 mm od x 28 mm id x 2 mm thk	571723	1	

FIG ITEM	MAN CODE	NATO STOCK NUMBER/ CATALOGUE NUMBER	ITEM NAME AND DESCRIPTION	PART NO./ DRAWING NO./ ADREFNO	NO. OFF	ANNOTATIONS
F9			TRANSMISSION - contd			
1	LV7RU	3040-99-823-7757	..GEARBOX, MECHANICAL - contd			
2	LV6ME7	3110-99-954-7554	..GEARSHAFT, HELICAL - SPUR, 4 HELICAL, 1 spur, 292.5 mm lg	576343	1	
			..BEARING, TAPERED ROLLER, 2-9/16 in. od x 1-3/8 in. id x 0.72 in. w		2	
	(LV7RU	5365-99-137-4483	..SPACER, RING, 1.55 mm thk	576351)	
	(LV7RU	5365-99-137-4484	..SPACER, RING, 1.6 mm thk	576352)	
	(LV7RU	5365-99-137-4485	..SPACER, RING, 1.65 mm thk	576353)	
	(LV7RU	5365-99-137-4486	..SPACER, RING, 1.7 mm thk	576354)	
	(LV7RU	5365-99-137-4487	..SPACER, RING, 1.75 mm thk	576355)	
	(LV7RU	5365-99-137-4488	..SPACER, RING, 1.8 mm thk	576356)	
	(LV7RU	5365-99-137-4489	..SPACER, RING, 1.85 mm thk	576357)	
	(LV7RU	5365-99-137-4490	..SPACER, RING, 1.9 mm thk	576358)	
	(LV7RU	5365-99-137-4491	..SPACER, RING, 1.95 mm thk	576359)	
3	(LV7RU	5365-99-137-4492	..SPACER, RING, 2 mm thk	576360)	AR
	(LV7RU	5365-99-137-4493	..SPACER, RING, 2.05 mm thk	576361)	
	(LV7RU	5365-99-137-4494	..SPACER, RING, 2.1 mm thk	576362)	
	(LV7RU	5365-99-137-4495	..SPACER, RING, 2.15 mm thk	576363)	
	(LV7RU	5365-99-137-4496	..SPACER, RING, 2.2 mm thk	576364)	
	(LV7RU	5365-99-137-4497	..SPACER, RING, 2.25 mm thk	576365)	
	(LV7RU	5365-99-137-4498	..SPACER, RING, 2.3 mm thk	576366)	
	(LV7RU	5365-99-137-4499	..SPACER, RING, 2.35 mm thk	576367)	
	(LV7RU	5365-99-137-4500	..SPACER, RING, 2.4 mm thk	576368)	
	(LV7RU	5365-99-137-4501	..SPACER, RING, 2.45 mm thk	576369)	
	(LV7RU	5365-99-137-4502	..SPACER, RING, 2.5 mm thk	576370)	
4	LV7RU	2520-99-823-7758	..SHAFT, SHOULDERED: reverse idler	594245	1	
5	LV7RU	3120-99-823-7759	..BUSHING, SLEEVE, steel, 31 mm od x 23 mm id x 25 mm lg	591271	1	
6	G1	5305-99-122-8666	..SCREW, MACHINE, SI, metric, steel, 6 mm x 40 mm lg		1	
7	LV7RU	3020-99-823-7760	..GEAR, SPUR, steel, 29 teeth, 91.5 mm od x 37 mm id x 46.5 mm lg	594244	1	
8	LV6ME7	3110-99-823-7761	..ROLLER ASSEMBLY, JOURNAL BEARING, 37 mm od x 30 mm id x 17.8 mm lg		2	
9	LV7RU	5365-99-137-3058	..SPACER, RING, steel, 36.75 mm od x 30.25 mm id x 1.63 mm thk	571885	2	
10	LV7RU	5365-99-823-7762	..RING, RETAINING, steel, 40 mm od x 35.4 mm id x 1.5 mm thk	571144	2	
11	W20	5330-99-333-3793	..RING, SEALING, TOROIDAL, rubber, 1-3/16 in. od x 15/16 in. id x 1/8 in. h	R4093P5	1	

INTERMEDIATE GEARS

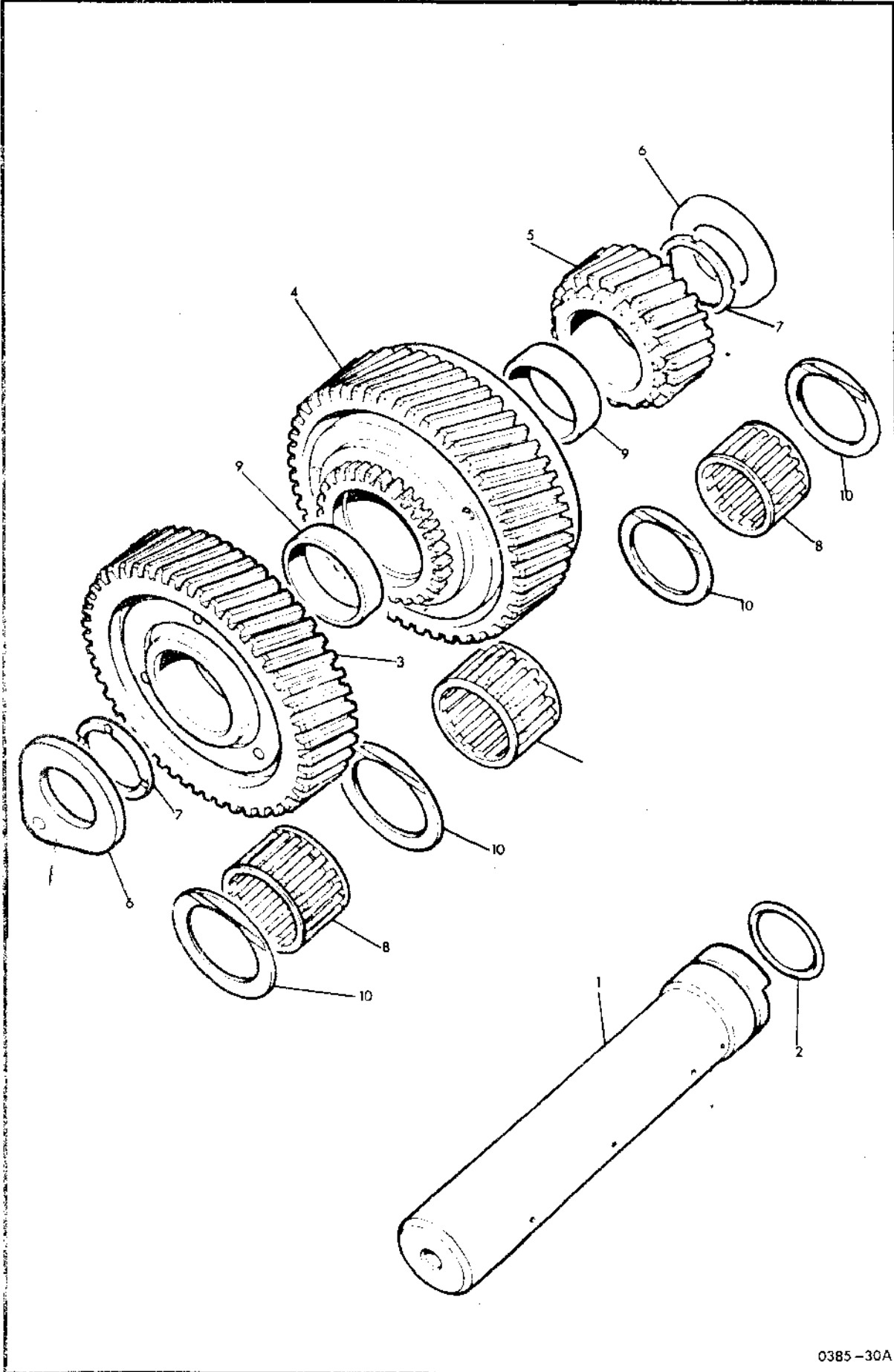


FIG ITEM	MAN CODE	NATO STOCK NUMBER/ CATALOGUE NUMBER	ITEM NAME AND DESCRIPTION	PART NO./ DRAWING NO./ ADREFNO	NO. OFF	ANNOTATIONS
F10			TRANSMISSION - contd			
1	LV7RU	2520-99-835-0316	..GEARBOX, MECHANICAL - contd			
2	LV6MT1	5330-99-806-9439	..SHAFT, SHOULDERED: intermediate gear; w/plug	FRC 3507	1	
3	LV7RU	3020-99-823-7764	..RING, SEALING, TOROIDAL, rubber, 1-3/8 in. id x 1/8 in. h		1	
4	LV7RU	3020-99-823-7765	..GEAR, DUPLEX: intermediate gear	599660	1	High range
5	LV7RU	3020-99-823-7766	..GEAR CLUSTER, HELICAL - SPUR, steel	591888	1	
	LV7RU	3020-99-823-7766	..GEAR, DUPLEX, steel, 27/15 teeth, 85.16 mm od x 50 mm id x 37.85 mm lg	591891	1	Low range
	LV7RU	2520-99-823-7767	..WASHER ASSEMBLY, THRUST; w/ assembled pin 3.55 mm thk	591899)	
6	LV7RU	2520-99-823-7768	..WASHER ASSEMBLY, THRUST; w/ assembled pin, 3.63 mm thk	591897)	
	LV7RU	2520-99-823-7769	..WASHER ASSEMBLY, THRUST; w/ assembled pin, 3.74 mm thk	591898)	AR
7	LV7RU	3120-99-137-4478	..WASHER, THRUST	591900	2	
8	LV6MT7	3110-99-823-8004	..ROLLER ASSEMBLY, JOURNAL BEARING	594671	3	
9	LV7RU	2520-99-823-8005	..SPACER, SLEEVE, steel, 50 mm od x 42 mm id x 10 mm lg	576683	2	
10	LV7RU	3120-99-137-4479	..WASHER, THRUST	591896	4	

F11

FRONT OUTPUT SHAFT & ACTUATOR

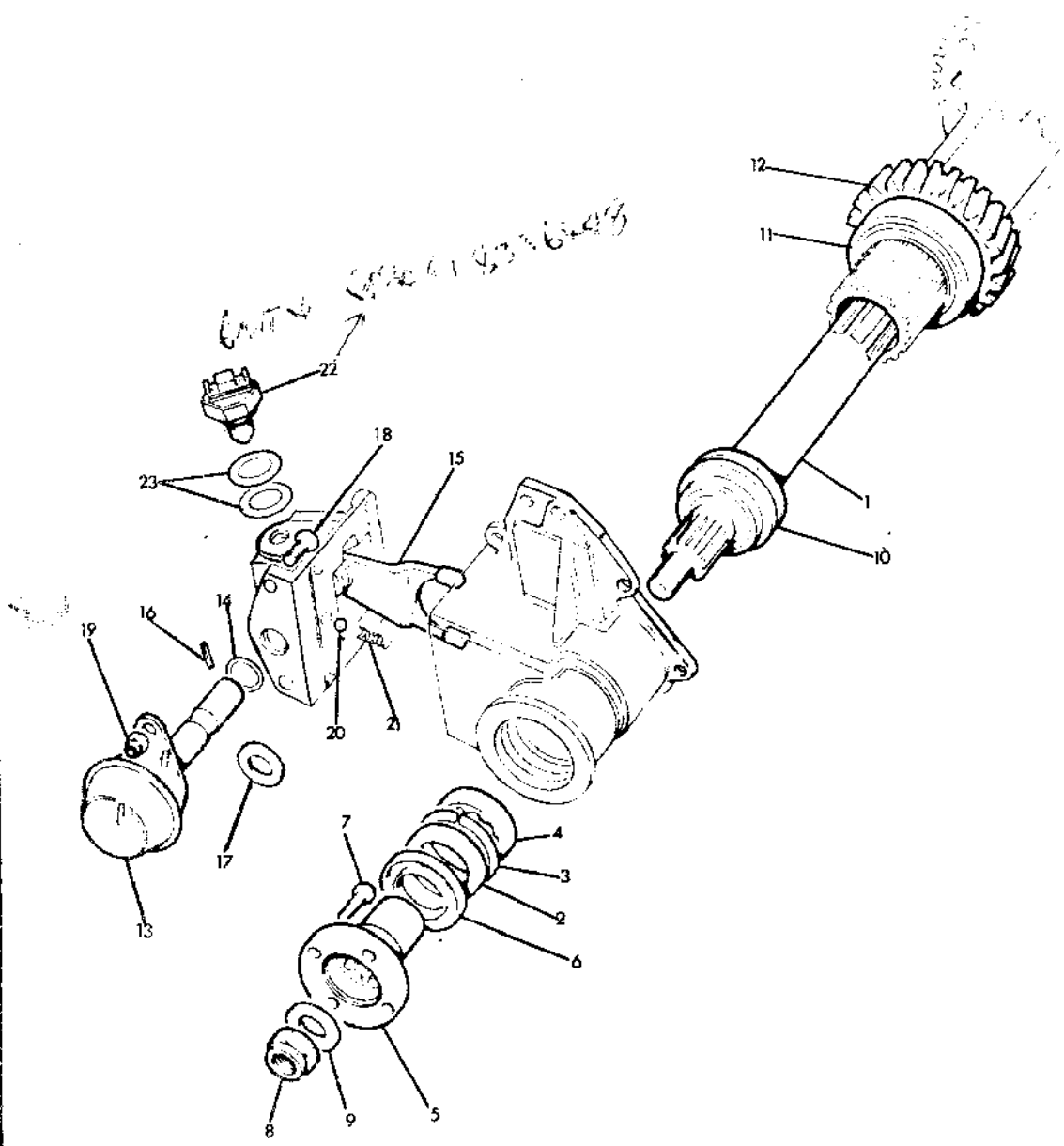


FIG ITEM	MAN CODE	NATO STOCK NUMBER/ CATALOGUE NUMBER	ITEM NAME AND DESCRIPTION	PART NO./ DRAWING NO./ ADREFNO	NO. OFF	ANNOTATIONS
F11			TRANSMISSION - contd			
1	LV7RU	3040-99-823-8006	..GEARBOX, MECHANICAL - contd			
2	LV6MT7	3110-99-950-1247	..GEARSHAFT, SPUR, steel, 1 gear, 10 teeth, 53 mm od x 265.25 mm lg	594337	1	
3	LV6MT1	5365-99-910-8298	..BEARING, BALL, JOURNAL, single row, 2-3/4 in. od x 1-1/4 in. id x 11/16 in. w		1	
4	LV6MT1	5330-99-822-1858	..RING, RETAINING, steel, 2.876 in. groove dia x 0.099 in. thk		1	
5-7	LV7RU	2520-99-823-8007	..SEAL, PLAIN, rubber, 2-3/4 in. od x 1-3/4 in. id x 3/8 in. w		1	
6	LV7RU	2520-99-823-8008	..FLANGE, COMPANION, UNIVERSAL JOINT	571953	1	
7	LV7RU	2520-99-823-8008	...DEFLECTOR, DIRT AND LIQUID, steel, 72 mm od x 46 mm id x 10 mm h	571177	1	
8	LV7RU	5306-99-123-3720	...BOLT, MACHINE, UNF, steel, 3/8 in. x 1-1/8 in. lg	509045	4	
10	G1	5310-99-122-5503	..NUT, SELF-LOCKING, HEXAGON, SI, metric, steel, 16 mm		1	
11	LV7RU	2520-99-823-8009	..CLUTCH, SLIDING SLEEVE, steel, 10 int teeth, 74 mm od x 30 mm lg	571875	1	
12	LV6MT7	3110-99-823-8010	..BEARING, TAPERED ROLLER, single row, 90 mm od x 55 mm id x 23 mm w		1	
13	LV7RU	3020-99-823-8011	..GEAR, HELICAL, steel, 32 teeth, splined bore, 99.33 mm od x 29 mm lg	571858	1	
14	LV6MT10	2520-99-822-1863	..SERVOCYLINDER, VACUUM: actuator and shaft	571991	1	
15	LV6MT1	5330-99-822-1864	..RING, SEALING, TOROIDAL, rubber, 14.6 mm id x 2.4 mm h		1	
16	LV7RU	2520-99-823-8018	..FORK, SELECTOR, GEARBOX, 107 mm lg	571956	1	
17	LV7RU	5315-99-822-1719	..PIN, SPRING: fork to actuator shaft	571158	1	
18	LV7RU	5330-99-822-1850	..GASKET, asbestos, 46 mm od x 16 mm id x 0.15 mm thk	591345	1	
19	G1	5305-99-122-8757	..SCREW, MACHINE, SI, metric, steel, 8 mm x 1.25 mm pitch x 20 mm lg		2	
20	G1	5310-99-122-5496	..NUT, SELF-LOCKING, HEXAGON, SI, metric, steel, 8 mm x 1.25 mm pitch		2	
21	LV6MT7	3110-99-805-9065	..BALL, BEARING, steel, 9 mm dia		1	
22	LV7RU	5360-99-823-8019	..SPRING, HELICAL, COMPRESSION, steel, 8.75 mm od x 29.15 mm free lg	593802	1	
23	LV6MT4	5930-99-830-6146	..SWITCH, PUSH: clutch lock-up warning switch	30972	1	
	LV7RU	5365-99-822-1852	..SHIM, 0.127 mm thk	273595	}AR	
	LV7RU	5365-99-822-1853	..SHIM, 0.508 mm thk	03609		
	TRU	252099 778 0176	DIFF LOCK S/W. VALVE			

F12

REAR OUTPUT SHAFT

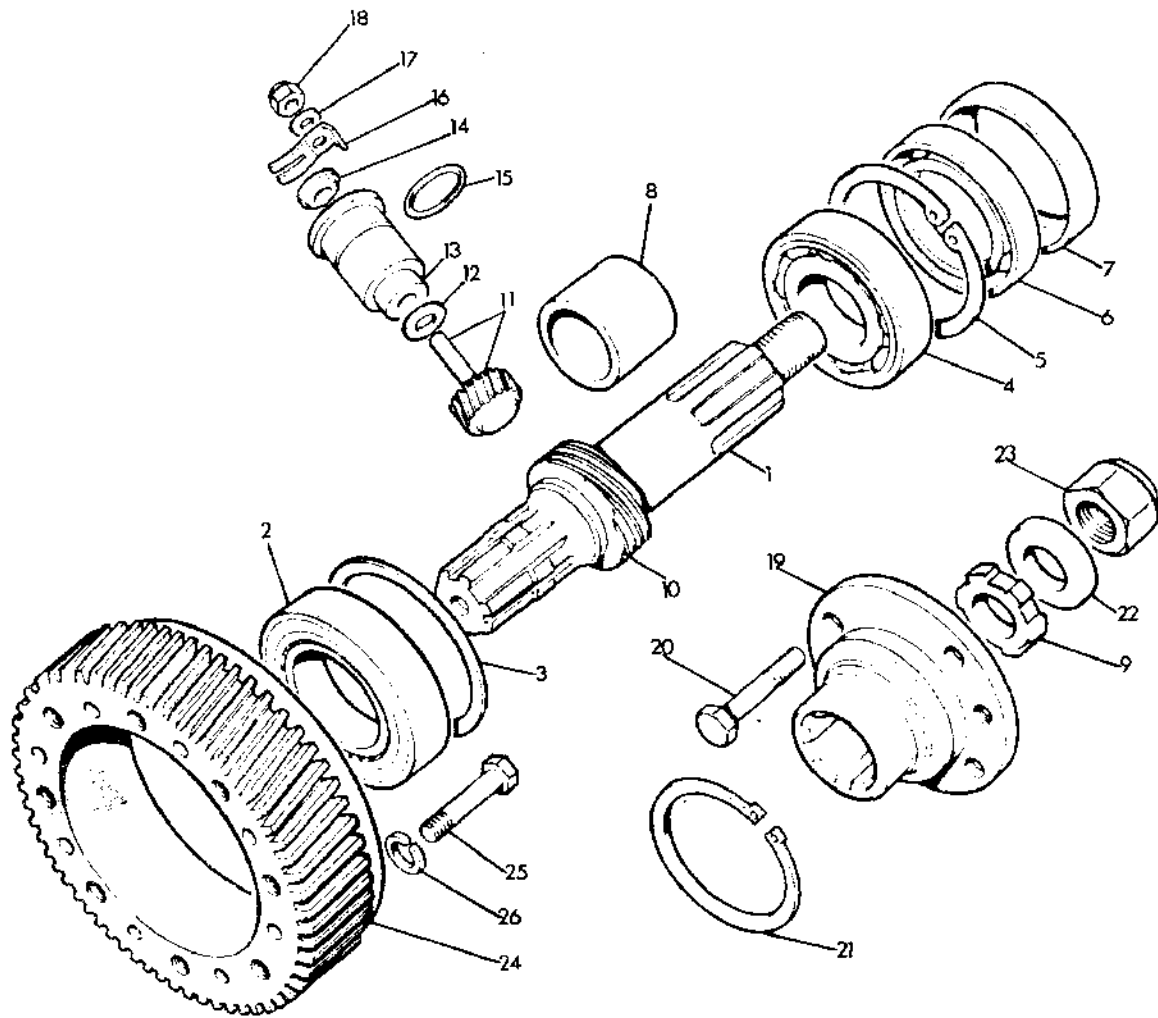


FIG ITEM	MAN CODE	NATO STOCK NUMBER/ CATALOGUE NUMBER	ITEM NAME AND DESCRIPTION	PART NO./ DRAWING NO./ ADREFNO	NO. OFF	ANNOTATIONS
F12			TRANSMISSION - contd			
1	LV7RU	2520-99-823-8012	..GEARBOX, MECHANICAL - contd			
2	LV6MT7	3110-99-822-1456	..SHAFT, SHOULDERED, steel, 43 mm dia x 207 mm lg	594338	1	
			..BEARING, TAPERED ROLLER, single row, 82 mm od x 50 mm id x 21.5 mm w		1	
	(LV7RU	5365-99-137-4503	..SPACER, RING, 1.65 mm thk	593694)	
	(LV7RU	5365-99-137-4504	..SPACER, RING, 1.7 mm thk	593695)	
	(LV7RU	5365-99-137-4505	..SPACER, RING, 1.75 mm thk	593696)	
	(LV7RU	5365-99-137-4506	..SPACER, RING, 1.8 mm thk	593697)	
	(LV7RU	5365-99-137-4507	..SPACER, RING, 1.85 mm thk	593698)	
	(LV7RU	5365-99-137-4508	..SPACER, RING, 1.9 mm thk	593699)	
	(LV7RU	5365-99-137-4509	..SPACER, RING, 1.95 mm thk	593700)	
	(LV7RU	5365-99-137-4510	..SPACER, RING, 2 mm thk	593701)	
	(LV7RU	5365-99-137-4511	..SPACER, RING, 2.05 mm thk	593702)	
	(LV7RU	5365-99-137-4512	..SPACER, RING, 2.1 mm thk	593703)	
	(LV7RU	5365-99-137-4513	..SPACER, RING, 2.15 mm thk	593704)	
3	(LV7RU	5365-99-137-4514	..SPACER, RING, 2.2 mm thk	593705)	AR
	(LV7RU	5365-99-137-4515	..SPACER, RING, 2.25 mm thk	593706)	
	(LV7RU	5365-99-137-4516	..SPACER, RING, 2.3 mm thk	593707)	
	(LV7RU	5365-99-137-4517	..SPACER, RING, 2.35 mm thk	593708)	
	(LV7RU	5365-99-137-4518	..SPACER, RING, 2.4 mm thk	593709)	
	(LV7RU	5365-99-137-4519	..SPACER, RING, 2.45 mm thk	593710)	
	(LV7RU	5365-99-137-4520	..SPACER, RING, 2.5 mm thk	593711)	
	(LV7RU	5365-99-137-4521	..SPACER, RING, 2.55 mm thk	593712)	
	(LV7RU	5365-99-137-4522	..SPACER, RING, 2.6 mm thk	593713)	
	(LV7RU	5365-99-137-4523	..SPACER, RING, 2.65 mm thk	593714)	
	(LV7RU	5365-99-137-4524	..SPACER, RING, 2.7 mm thk	593715)	
	(LV7RU	5365-99-137-4525	..SPACER, RING, 2.75 mm thk	593716)	
	(LV7RU	5365-99-137-4526	..SPACER, RING, 2.8 mm thk	593717)	
4	LV6MT7	3110-99-802-7398	..BEARING, BALL, JOURNAL, single row, 72 mm od x 35 mm id x 7 mm w		1	
5	LV6MT1	5365-99-910-8333	..RING, RETAINING, steel, int, 72 mm id x 0.099 in. thk		1	
6	LV6MT1	5330-99-823-6057	..SEAL, PLAIN, rubber, 72 mm od x 45 mm id x 10 mm w		1	
7	LV7RU	5330-99-823-8013	..RETAINER, PACKING, steel, 82.75 mm od x 66 mm id x 8.75 mm h	571972	1	
9	LV7RU	5330-99-822-1854	..SEAL, OIL, felt, 35.3 mm od x 20 mm id x 3 mm thk	594029	1	
10	LV7RU	3020-99-823-8014	..GEAR, WORM, steel, 54 mm od x 35 mm id x 16 mm lg	576634	1	
11	LV7RU	3040-99-822-1860	..GEARSHAFT, HELICAL: speedometer pinion	571975	1	
12	LV7RU	2520-99-823-8015	..WASHER, THRUST, steel, 3/4 in. od x 1/4 in. id x 1/64 in. thk	540530	1	
13	LV7RU	5340-99-822-1861	..BUSHING, PLASTICS: speedometer pinion	599995	1	
14	LV6MT1	5330-99-822-1862	..SEAL, PLAIN, ENCASED, 0.627 in. od x 0.25 in. id x 0.188 in. w		1	
15	LV6MT1	5330-99-810-0599	..RING, SEALING, TOROIDAL, rubber, 1 in. od x 7/8 in. id x 1/16 in. h		1	
16	LV7RU	5330-99-823-8016	..RETAINER, PACKING, steel, 1-3/4 in. lg x 1 in. w x 7/64 in. thk	533765	1	
17	G1	5310-99-122-6474	..WASHER, FLAT, steel, 6 mm		1	
18	G1	5310-99-122-5495	..NUT, SELF-LOCKING, HEXAGON, SI, metric, steel, 6 mm		1	
19-21	LV7RU	2520-99-823-8017	..FLANGE, COMPANION, UNIVERSAL JOINT	576627	1	

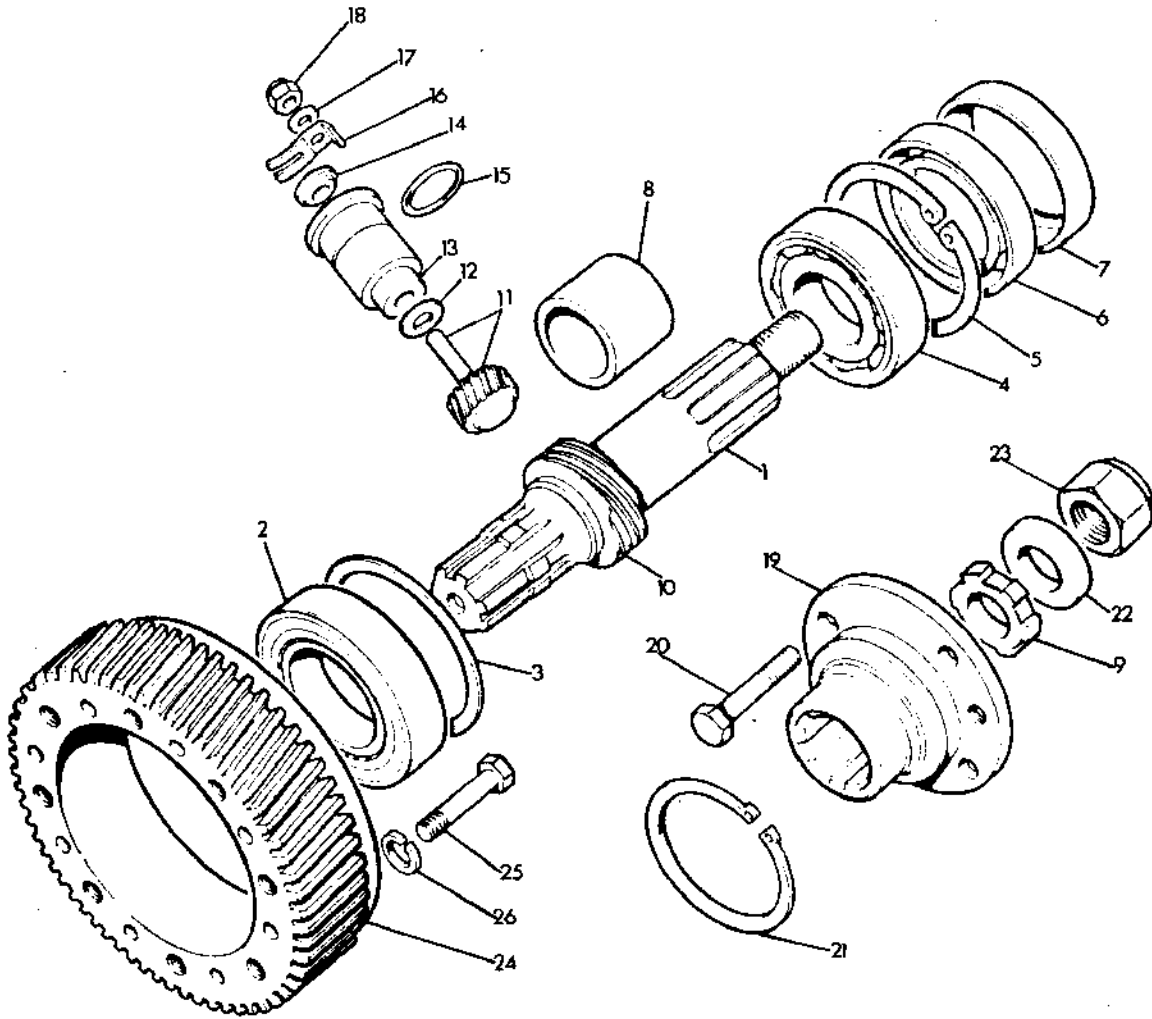


FIG ITEM	MAN CODE	NATO STOCK NUMBER/ CATALOGUE NUMBER	ITEM NAME AND DESCRIPTION	PART NO./ DRAWING NO./ ADREFNO	NO. OFF	ANNOTATIONS
F12			TRANSMISSION - contd .GEARBOX, MECHANICAL - contd ..FLANGE, COMPANION, UNIVERSAL JOINT - contd			
20	LV7RU	5306-99-137-4480	...BOLT, MACHINE, UNF, steel, 3/8 in. x 1-5/8 in. lg	576626	4	
21	LV6MT1	5365-99-910-8251	...RING, RETAINING, steel, 65 mm id		1	
22	LV7RU	5310-99-138-4883	..WASHER, RECESSED	571468	1	
23	G1	5310-99-122-5504	..NUT, SELF-LOCKING, HEXAGON, SI, metric, steel, 2.5 x 20 mm pitch		1	
24	LV7RU	3020-99-823-8021	..GEAR, HELICAL, steel, 52 teeth, 155.83 mm od x 109 mm id x 27 mm lg	594336	1	
25	G1	5306-99-122-2772	..BOLT, MACHINE, SI, metric, steel, 10 mm x 35 mm lg		8	
26	G1	5310-99-135-9303	..WASHER, LOCK, steel, 10 mm		8	

F13

TRANSFER GEARBOX DIFFERENTIAL

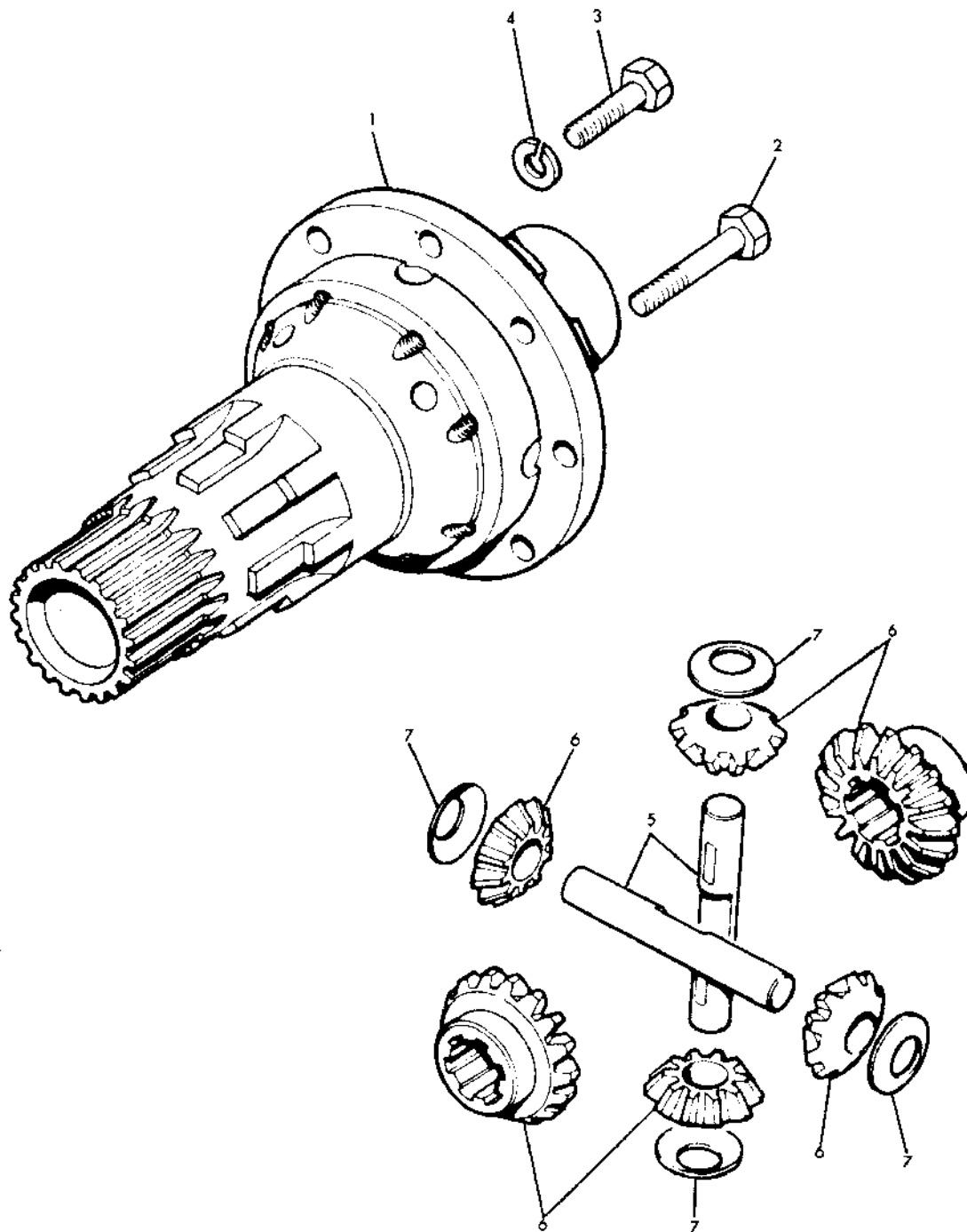


FIG ITEM	MAN CODE	NATO STOCK NUMBER/ CATALOGUE NUMBER	ITEM NAME AND DESCRIPTION	PART NO./ DRAWING NO./ ADREFNO	NO. OFF	ANNOTATIONS
F 13			TRANSMISSION - contd			
1-7	LV7RU	2520-99-823-8020	.GEARBOX, MECHANICAL - contd			
			..DIFFERENTIAL ASSEMBLY, TRANSFER BOX	594340	1	
2	G1	5306-99-122-2777	...BOLT, MACHINE, SI, metric, steel, 10 mm x 60 mm lg		8	
3	G1	5306-99-122-2772	...BOLT, MACHINE, SI, metric, steel, 10 mm x 35 mm lg		8	
4	G1	5310-99-135-9303	...WASHER, LOCK, steel, 10 mm		8	
5	LV7RU	2520-99-823-8024	...PIN SET, DIFFERENTIAL PINION: comprising 2 pins	608143	1) Alternatives
+	LV7RU	2520-99-774-9252	...PIN, DIFFERENTIAL, PINION: steel, 5/8 in. dia x 4-1/4 in. lg	594367	1 set	
6,7	LV7RU	3020-99-823-8022	...GEAR SET, BEVEL, MATCHED SET: comprising 6 matched gears	608142	1	
7	LV7RU	2520-99-823-8023WASHER, THRUST, steel, 1-5/8 in. od x 5/8 in. id x 1/32 in. thk	556633	4	
+	LV7RU	3120-99-747-3739	..BEARING SLEEVE, phosphor bronze, 43.842 mm od x 40.25 mm id x 13.25 mm lg	FRC 6068	2) Transfer gearbox differential salvage scheme
+	LV7RU	3120-99-764-3088	..WASHER, THRUST, bronze, 1.05 mm thk	FRC 6956)	
+	LV7RU	3120-99-764-3089	..WASHER, THRUST, bronze, 1.15 mm thk	FRC 6958)	
+	LV7RU	3120-99-764-3090	..WASHER, THRUST, bronze, 1.25 mm thk	FRC 6960	AR	
+	LV7RU	3120-99-764-3091	..WASHER, THRUST, bronze, 1.35 mm thk	FRC 6962)	
+	LV7RU	3120-99-764-3092	..WASHER, THRUST, bronze, 1.45 mm thk	FRC 6964)	
)	
)	

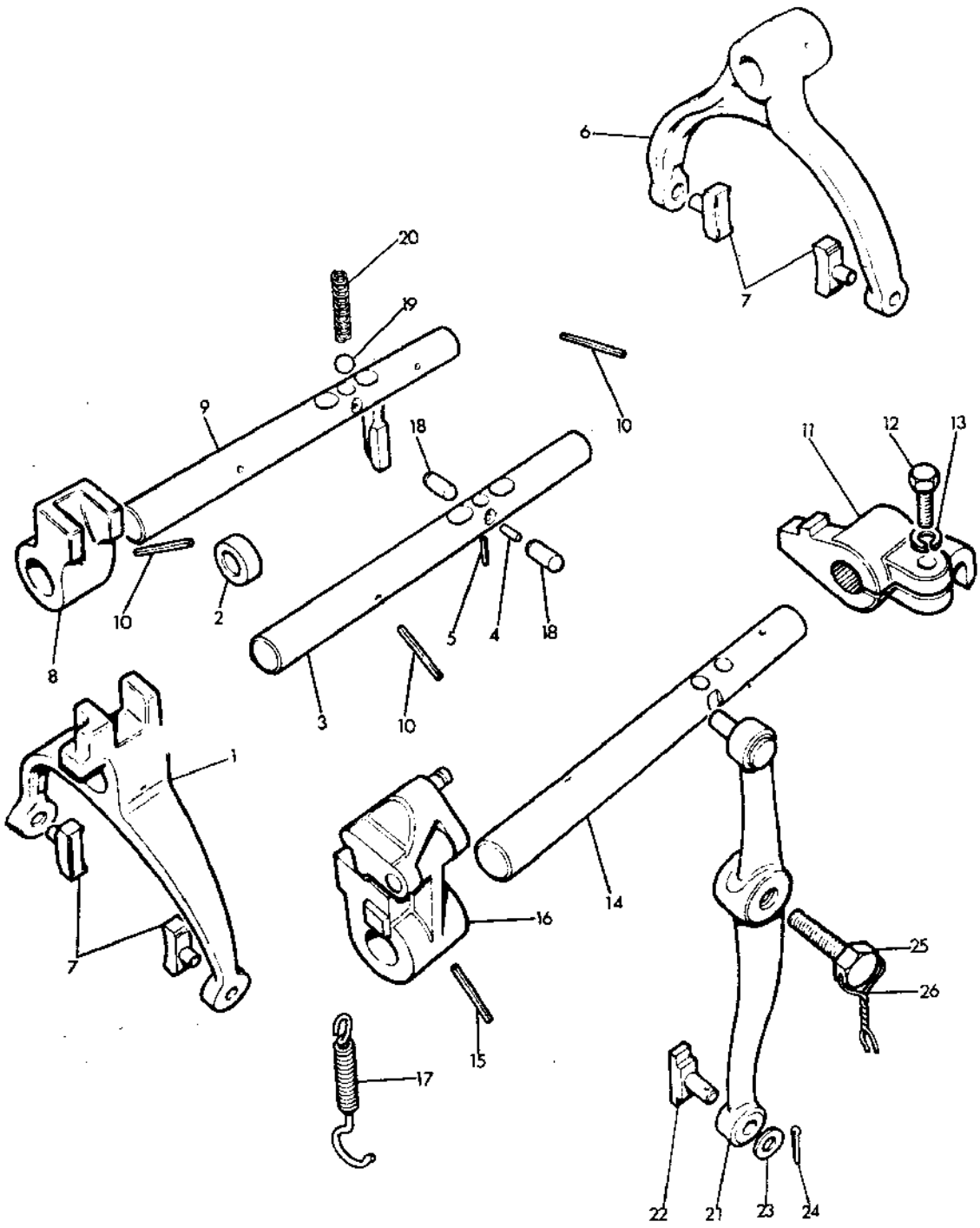
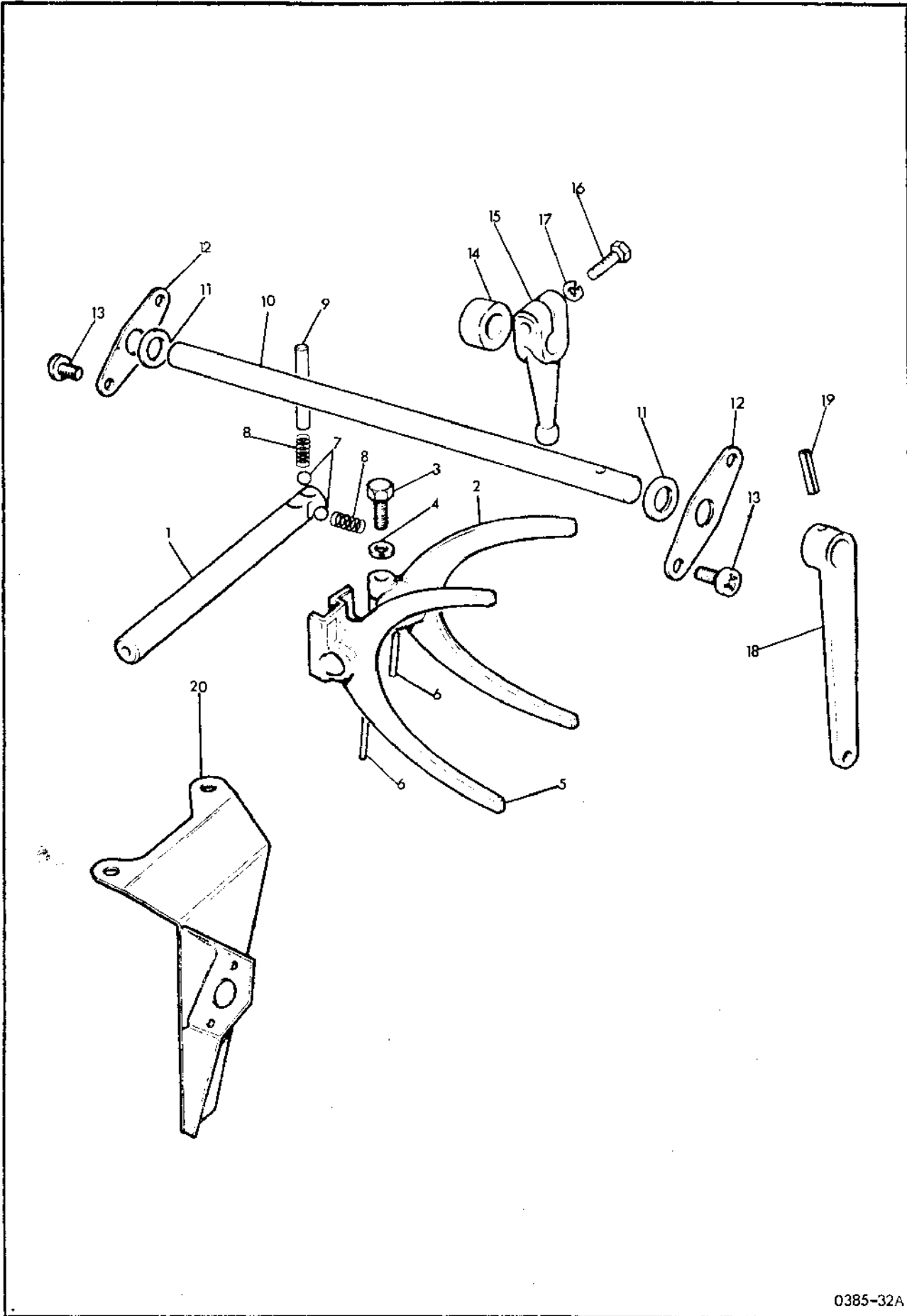


FIG ITEM	MAN CODE	NATO STOCK NUMBER/ CATALOGUE NUMBER	ITEM NAME AND DESCRIPTION	PART NO./ DRAWING NO./ ADREFNO	NO. OFF	ANNOTATIONS
F14			TRANSMISSION - contd			
1 & 7	LV7RU	2520-99-828-4435	..GEARBOX, MECHANICAL - contd ..FORK, SELECTOR, GEARBOX: 3rd & 4th speeds	RTC 2148	1	
7	LV7RU	2520-99-825-4556	...SWIVEL PAD, SELECTOR FORK, bronze, 22 mm lg x 7.9 mm w x 15.3 mm h	622388	2	
2	LV7RU	2520-99-823-8026	..STOP, SELECTOR FORK, steel, 24.5 mm od x 15 mm id x 13.5 mm lg	594434	1	3rd speed
3-5	LV7RU	2520-99-823-8027	..SHAFT ASSEMBLY, SELECTOR FORK	594189	1	3rd & 4th speeds
4	LV7RU	2520-99-823-8028	...PIN, INTERLOCK, steel, 5 mm dia x 13 mm lg	571030	1	
5	G1	5315-12-152-5882	...PIN, SPRING, steel, 3.5 mm dia x 10 mm lg		1	
+	LV7RU	2520-99-823-8273	..FORK, SELECTOR, GEARBOX	591479	1	Up to gearbox No. 95600203A
6,7	LV7RU	2520-99-825-4555	..FORK, SELECTOR, GEARBOX	RTC 1688	1)
7	LV7RU	2520-99-825-4556	...SWIVEL PAD, SELECTOR FORK, bronze, 22 mm lg x 7.9 mm w x 15.3 mm h	622388	2)From gearbox No. 95600204A
8	LV7RU	2520-99-823-8274	..SELECTOR JAW, 43 mm lg x 34 mm w x 30 mm h	571036	1)1st & 2nd speed
9	LV7RU	2520-99-823-8275	..ROD, SELECTOR, GEARBOX, steel, 15 mm dia x 205 mm lg	594111	1)
10	LV7RU	5315-99-822-1719	..PIN, SPRING	571158	4)
11-13	LV7RU	2520-99-824-8966	..SELECTOR FINGER, GEARBOX, steel, 39 mm x 50 mm x 57 mm	593991	1)
12	G1	5305-99-122-5367	...SCREW, MACHINE, SI, metric, steel, 8 mm x 25 mm lg		1)
13	G1	5305-99-135-9302	...WASHER, LOCK, steel, 8 mm		1)Reverse
14	LV7RU	2520-99-823-8277	..ROD, SELECTOR, GEARBOX, steel, 15 mm dia x 195.8 mm lg	594089	1)
15	LV7RU	5315-99-822-1719	..PIN, SPRING: reverse jaw	571158	1)
16	LV7RU	2520-99-823-8278	..REVERSE STOP, HINGE AND JAW ASSEMBLY	594100	1)
17	LV7RU	5360-99-823-8279	..SPRING, HELICAL, EXTENSION, steel, 11.5 mm dia x 68 mm lg	591320	1)
18	LV7RU	2520-99-823-8280	..PLUNGER, DETENT, steel, 8.77 mm dia x 15.64 mm lg	571962	2	
19	LV6MI7	3110-99-805-9065	..BALL, BEARING, steel, 9 mm dia		3	
20	LV7RU	5360-99-823-8019	..SPRING, HELICAL, COMPRESSION, steel, 8.75 mm od x 29.15 mm free lg	593802	2	Forward
+	LV7RU	5360-99-828-0896	..SPRING, HELICAL, COMPRESSION, steel, 8.75 mm od x 30 mm free lg	571439	1	Reverse
21-24	LV7RU	2520-99-823-8281	..BELL CRANK: assy	576656	1)
22	LV7RU	2520-99-823-8282	...PIN, SELECTOR LEVER, bronze, 8 mm dia x 24 mm w x 23 mm lg	571043	1)Reverse
23	G1	5310-99-122-6475	...WASHER, FLAT, steel, 8 mm		1)Cross-over
24	G1	5315-99-944-0172	...PIN, COTTER, SPLIT, steel, 1/16 in. dia x 7/8 in. lg		1)lever
25	LV7RU	5305-99-137-4481	..SCREW, MACHINE	576658	1)

F15

TRANSFER BOX SELECTORS



0385-32A

FIG ITEM	MAN CODE	NATO STOCK NUMBER/ CATALOGUE NUMBER	ITEM NAME AND DESCRIPTION	PART NO./ DRAWING NO./ ADREFNO	NO. OFF	ANNOTATIONS
F15			TRANSMISSION - contd			
			.GEARBOX, MECHANICAL - contd			
1	LV7RU	2520-99-823-8283	..ROD, SELECTOR, GEARBOX, steel, 15 mm dia x 196 mm lg	571981	1	
2	LV7RU	2520-99-823-8284	..FORK, SELECTOR, GEARBOX, 90.3 mm fork id x 110 mm lg	571983	1	
3	G1	5306-99-122-3368	..BOLT, MACHINE, SI, metric, steel, 8 mm x 30 mm lg		1	
4	G1	5310-99-135-9302	..WASHER, LOCK, steel, 8 mm		1	
5	LV7RU	2520-99-823-8285	..FORK, SELECTOR, GEARBOX, 87 mm fork id x 110 mm lg	571982	1	
6	LV7RU	5315-99-822-1719	..PIN, SPRING	571158	2	
7	LV6MT7	3110-99-805-9065	..BALL, BEARING, steel, 9 mm dia		2	
8	LV7RU	5360-99-823-8019	..SPRING, HELICAL, COMPRESSION, steel, 8.75 mm od x 29.15 mm free lg	593802	2	
10	LV7RU	2520-99-823-8286	..SHAFT, STRAIGHT, steel, 15.8 mm dia x 418 mm lg	576344	1	
11	LV7RU	2520-99-849-9297	..RING, WIPER: cross shaft	272596	2	
13	G1	5305-99-135-0450	..SCREW, MACHINE, SI, metric, 8 mm x 16 mm lg		4	
15	LV7RU	2520-99-823-8287	..SELECTOR FINGER	593981	1	
16	G1	5305-99-122-8667	..SCREW, MACHINE, SI, metric, steel, 8 mm x 35 mm lg		1	
17	G1	5310-99-135-9302	..WASHER, LOCK, steel, 8 mm		1	
18	LV7RU	2520-99-823-8288	..LEVER, REMOTE CONTROL, steel, 25 mm w x 24 mm h x 148.5 mm lg	593976	1	
19	LV7RU	5315-99-137-4482	..PIN, SPRING	576779	1	
20	LV7RU	2510-99-829-8994	..BRACKET, GEARBOX	593977	1	

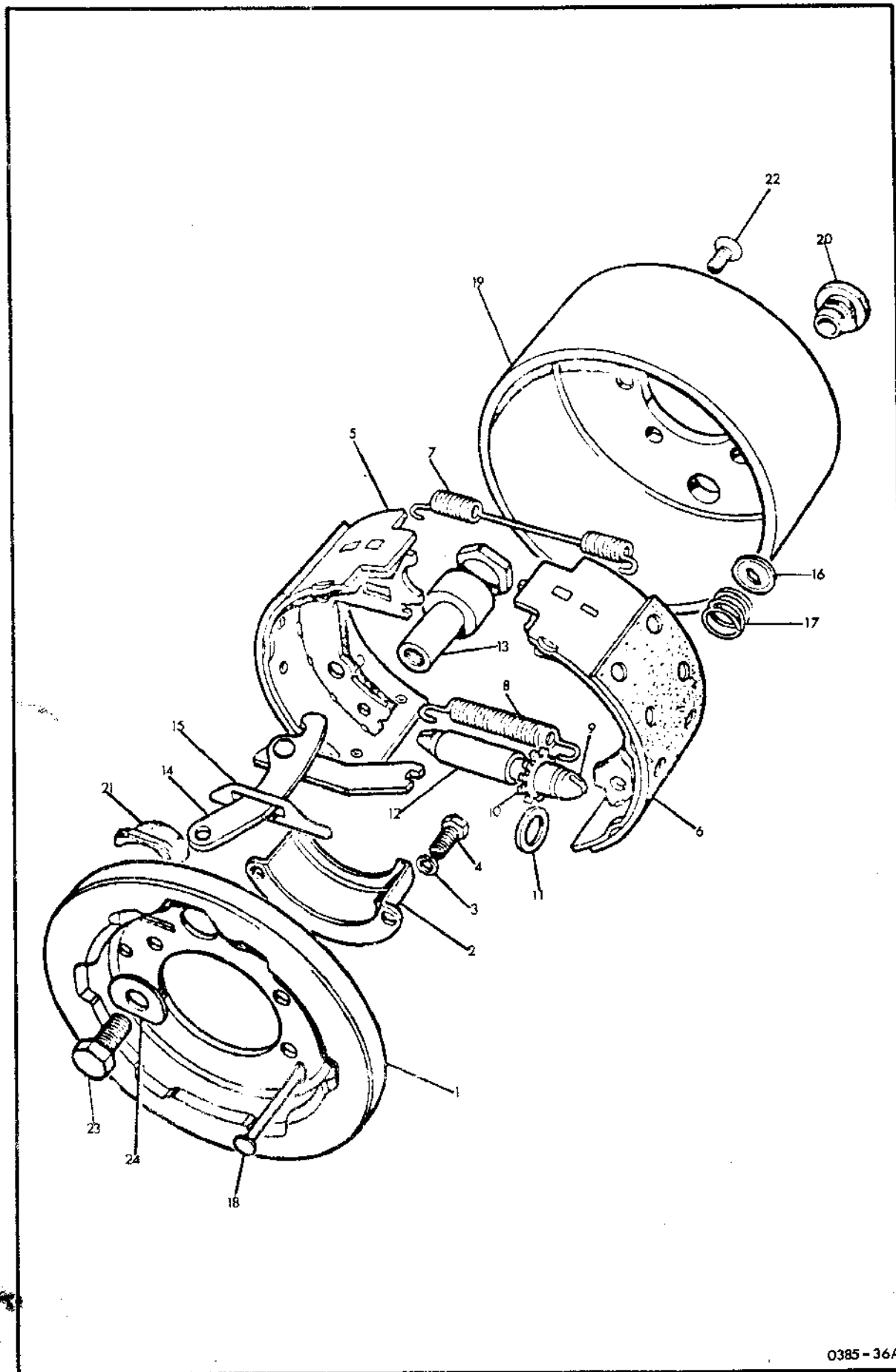


FIG ITEM	MAN CODE	NATO STOCK NUMBER/ CATALOGUE NUMBER	ITEM NAME AND DESCRIPTION	PART NO./ DRAWING NO./ ADREFNO	NO. OFF	ANNOTATIONS
F18			TRANSMISSION - contd			
1	LV6MT9	2530-99-823-8289	..GEARBOX, MECHANICAL - contd			
2	LV7RU	2520-99-823-8290	..BACKPLATE, SHOE TYPE BRAKE	4561-418	1	
3	G1	5310-99-135-9302	..DEFLECTOR, DIRT AND LIQUID, steel, 47 mm w x 1.25 mm thk	571971	1	
4	G1	5305-99-941-6337	..WASHER, LOCK, steel, 8 mm		4	
5,6	LV6MT9	2530-99-822-1702	..SCREW, MACHINE, SI, metric, steel, 8 mm x 20 mm lg		4	
6	LV6MT9	2530-99-822-1702	..BRAKE SHOE SET, INTERNALLY ACTUATED, steel/fibre, 7-1/4 in. lg x 3 in. w	LB1029-DC24	1	
7	LV6MT9	2530-99-823-8291	..LINING, FRICTION, 6-15/16 in. lg x 2-21/32 in. w x 3/16 in. thk	LH93-1	1	
8	LV6MT9	2530-99-822-1703	..SPRING, HELICAL, EXTENSION, steel, 0.49 in. od x 3.88 in. lg	3123-881	1	
9	LV6MT9	5360-99-822-1704	..SPRING, HELICAL, EXTENSION, steel, 0.42 in. od x 2.62 in. lg	3123-280	1	
10	LV6MT9	2530-99-824-8967	..CAP, ADJUSTER, steel, 5/8 in. dia x 0.7 in. lg	3461-612	1	
11	LV6MT9	2530-99-822-1705	..ADJUSTER, BRAKE: assy, steel, 1 in. od x 1.7 in. lg	3146-648	1	
12	LV7RU	2530-99-829-8722	..WASHER, ADJUSTER CAP	606745	1	
13	LV6MT9	2530-99-823-8292	..ADJUSTER NUT	3146-981	1	
14	LV6MT9	2530-99-829-9756	..PIVOT POST	606741	1	
15	LV6MT9	2530-99-823-8293	..LEVER, REMOTE CONTROL	4113-730	1	
16	LV6MT9	2530-99-823-8294	..PACKING PIECE	3618-819	1	
17	LV6MT9	2530-99-809-7639	..RETAINER, STEADY PIN	87338	2	
18	LV6MT9	5360-99-822-1703	..SPRING, HELICAL, COMPRESSION	92194	2	
19	LV6MT9	2530-99-809-6815	..PIN, STEADY, BRAKE SHOE	3427-227	2	
20	LV7RU	2530-99-822-1706	..BRAKE DRUM	576624	1	
21	LV7RU	2530-99-824-8968	..PLUG, SEALING, rubber, 25 mm dia x 24 mm lg	593890	2	
22	LV7RU	2530-99-824-8969	..PLUG, SEALING, rubber, 36 mm x 19 mm x 17 mm	594026	1	
23	G1	5305-99-135-0269	..SCREW, MACHINE, SI, metric, steel, 8 mm x 20 mm lg		2	
24	G1	5305-99-122-4909	..SCREW, MACHINE, SI, metric, steel, 10 mm x 20 mm lg		1	
25	LV7RU	5310-99-137-4411	..WASHER, FLAT: dee shape	571969	1	
+	LV7RU	2530-99-822-1707	..BOOT, DUST AND MOISTURE SEAL	399502	1	
+	LV7RU	2530-99-823-8295	..PLATE, RETAINING	399503	1	
+	G1	5305-99-950-4416	..SCREW, TAPPING, THREAD FORMING, No.6, steel, 1/2 in. lg		6	

GEARBOX MOUNTINGS

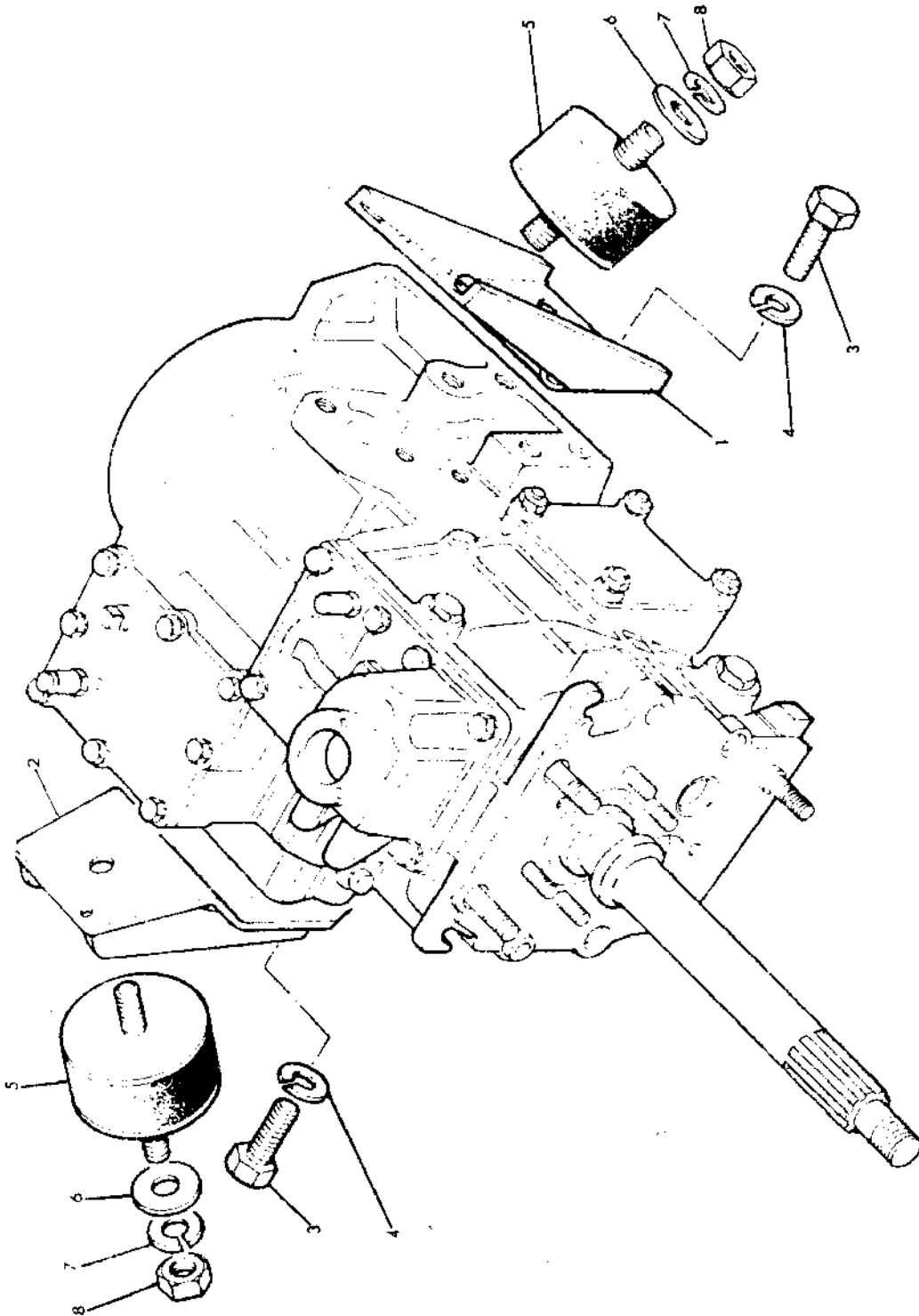
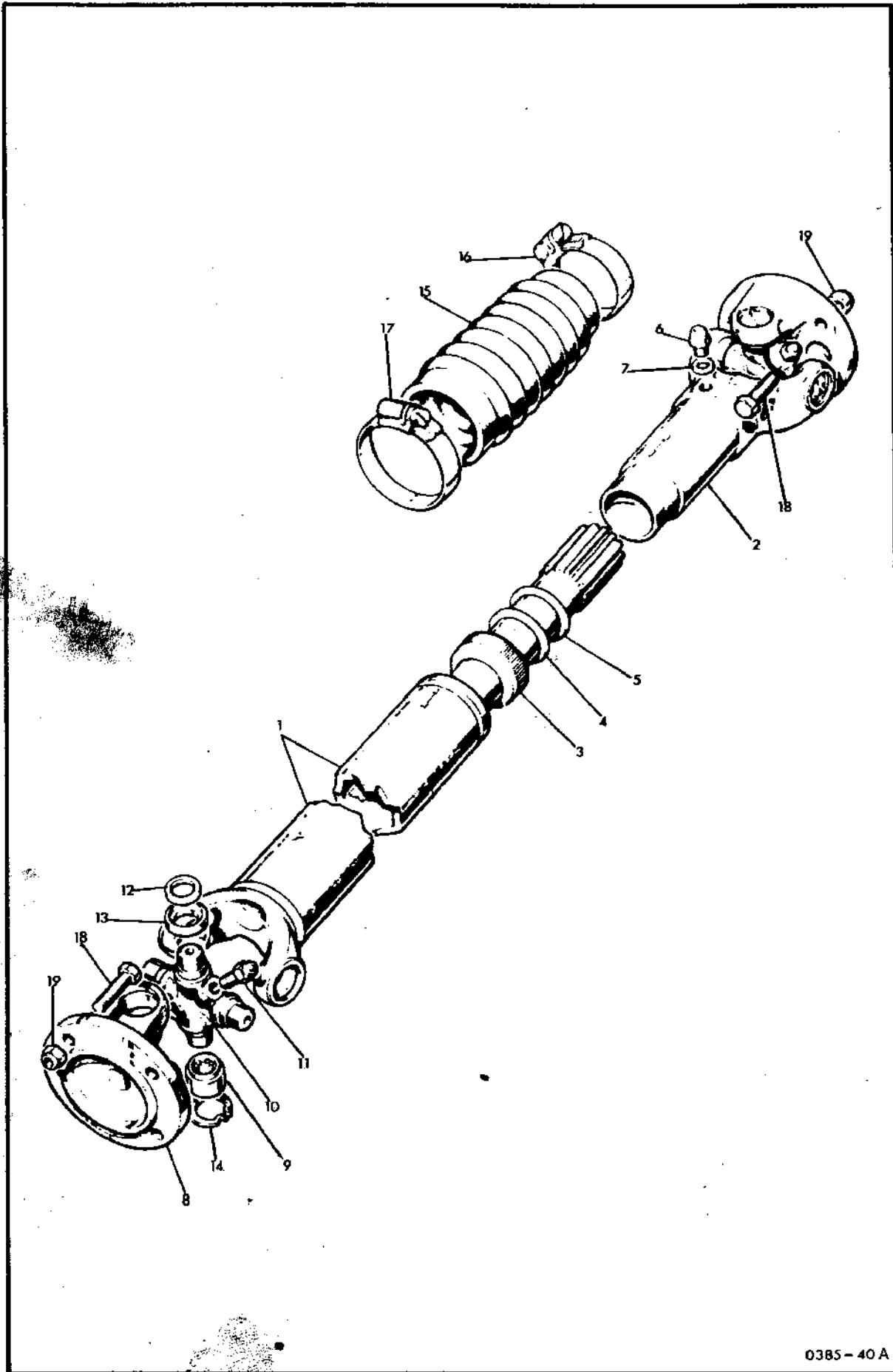


FIG ITEM	MAN CODE	NATO STOCK NUMBER/ CATALOGUE NUMBER	ITEM NAME AND DESCRIPTION	PART NO./ DRAWING NO./ ADREFNO	NO. OFF	ANNOTATIONS
F17			TRANSMISSION - contd			
			.GEARBOX MOUNTINGS -			
1	LV7RU	2510-99-829-8992	..GEARBOX MOUNTING BRACKET: rear, rh	594784	1	
2	LV7RU	2510-99-829-8993	..GEARBOX MOUNTING BRACKET: rear, lh	594788	1	
3	G1	5305-99-122-4913	..SCREW, MACHINE, SI, metric, steel, 12 mm x 30 mm lg		8	
4	G1	5310-99-135-9304	..WASHER, LOCK, steel, 12 mm		8	
5	LV7RU	5340-99-823-7210	..MOUNT, RESILIENT, steel/rubber, 3 in. dia x 2-15/16 in. lg	566222	2	
6	G1	5310-99-122-6476	..WASHER, FLAT, steel, 10 mm		4	
7	G1	5310-99-135-9302	..WASHER, LOCK, steel, 10 mm		6	
8	G1	5310-99-135-6785	..NUT, PLAIN, HEXAGON, UNF, steel, 3/8 in.		6	

F18

PROPELLER SHAFT



0385-40A

FIG ITEM	MAN CODE	NATO STOCK NUMBER/ CATALOGUE NUMBER	ITEM NAME AND DESCRIPTION	PART NO./ DRAWING NO./ ADREFNO	NO. OFF	ANNOTATIONS
SUPERSEDED 718 1-17	LV6MT10	767 506 2520-99-822-1459	TRANSMISSION - contd ..SHAFT, PROPELLER, 2 in. dia x 39 in. lg	593899	1	Front
	LV6MT10	2520-99-831-8835	..SHAFT, PROPELLER, 2 in. dia x 28 in. lg	593898	1	Rear
8	LV7RU	2520-99-829-9751	..SHAFTS, PROPELLER: front and rear ..FLANGE, COMPANION, UNIVERSAL JOINT	606653	4	
9-14	LV6MT10	2520-99-806-9754	..PARTS KIT, UNIVERSAL JOINT	K5LGB166	4	
11	LV7MTE	4930-99-208-9923	...LUBRICATOR	94GB2459	4	
12	LV6MT10	5330-99-806-9755	...PACKING, PREFORMED, 1-1/64 in. od x 43/64 in. id x 1/4 in. h	286GB59	16	
14	LV6MT10	5340-99-836-8540	...RING, RETAINING	K27GB19	16	
15	LV6MT10	2520-99-824-6170	..BELLOWS, RUBBER, 1-3/4 in. id x 5.94 in. free lg	94GB4640	1)Front
+	LV6MT10	2520-99-839-3765	..STABILISING, PLATE, NYLON GAITOR	248059	2)
+	LV6MT10	2520-99-836-9395	..BELLOWS, RUBBER, 1-3/4 in. id x 2-3/4 in. od x 4-3/4 in. free lg	94GB3872	1	Rear
16	LV6MT1	4730-99-420-3230	..CLAMP, HOSE, steel, 1-1/2 in. to 2-1/8 in. id		2	
17	LV6MT10	2520-99-836-9394	..CLAMP, HOSE, steel, 2 in. to 2-3/4 in. id		2	
18	LV7RU	5306-99-123-3720	..BOLT, MACHINE, UNF, steel, 3/8 in. x 1-1/8 in. lg	509045	8	
19	G1	5310-99-943-4299	..NUT, SELF-LOCKING, HEXAGON, UNF, steel, 3/8 in.			

FIG ITEM	MAN CODE	NATO STOCK NUMBER/ CATALOGUE NUMBER	ITEM NAME AND DESCRIPTION	PART NO./ DRAWING NO./ ADREFNO	NO. OFF	ANNOTATIONS
F19			TRANSMISSION - contd			
+	LV7RU	2520-99-821-5436	..AXLE ASSEMBLY, AUTOMOTIVE, DRIVING FRONT	608420	1	
2	LV6MT10	2520-99-821-9447	..BOLT, MACHINE, SI, metric, steel, 12 mm x 60 mm lg	M12B-C- 60/30	4	Differen- tial bearing caps
3	LV6MT1	5330-99-823-7477	..SEAL, PLAIN, 2.26 in. od x 1.563 in. id x 3/8 in. w		2	Axle shafts
6	LV6MT10	5330-99-821-8429	..GASKET	SHA-026-4	1	
7	G1	5305-99-122-8589	..SCREW, MACHINE, SI, metric, steel, 10 mm x 1.5 mm pitch x 16 mm lg		10	
8	LV6MT10	2520-99-821-9450	..WASHER, LOCK, steel, 10 mm	M10LW-15/9	10	
9	LV6MT10	4730-99-823-7480	..PLUG, PIPE, BSP, 3/4 in.	4HA-059-3	2	
10	LV6MT10	2520-99-821-8427	..BEARING ASSEMBLY, PINION: outer	SB7HA-023-1	1	
11	LV6MT7	3110-99-821-8449	..BEARING, TAPERED ROLLER		1	
12	LV6MT10	2520-99-821-8426	..DEFLECTOR, DIRT AND LIQUID	10HA-036	1	
13	LV6MT10	5330-99-821-5717	..GASKET: pinion oil seal	2HA-020	1	
14	LV6MT10	5330-99-833-5978	..SEAL, PLAIN, ENCASED	10HA019-2	1	
15	LV6MT10	2520-99-821-8423	..FLANGE, COUPLING	SHA-102-9	1	
16	LV6MT10	5310-99-821-8425	..WASHER, FLAT, steel, 29/32 in. id	14W-24	1	
17	LV6MT10	5310-99-821-8424	..NUT, PINION LOCKING, SI, metric, steel, 22 mm x 1.5 mm pitch	12-17	1	
18	LV7RU	4710-99-825-4557	..PIPE, PLASTIC, SEMIRIGID, 5 mm id x 1070 mm lg	NRC 1158	1	
19	LV6MT1	4730-99-823-7468	..DOUBLE-ENDED UNION, PIPE, MALE, BSF, steel, 1/8 in.		1	
20	V2	4930-99-842-3988	..WASHER, FIBRE	140085	1	
21	V6MT4	5340-99-881-9938	..CLAMP, LOOP	187047	2	
22	L, RU	5325-99-849-9408	..GROMMET, rubber	06860	2	

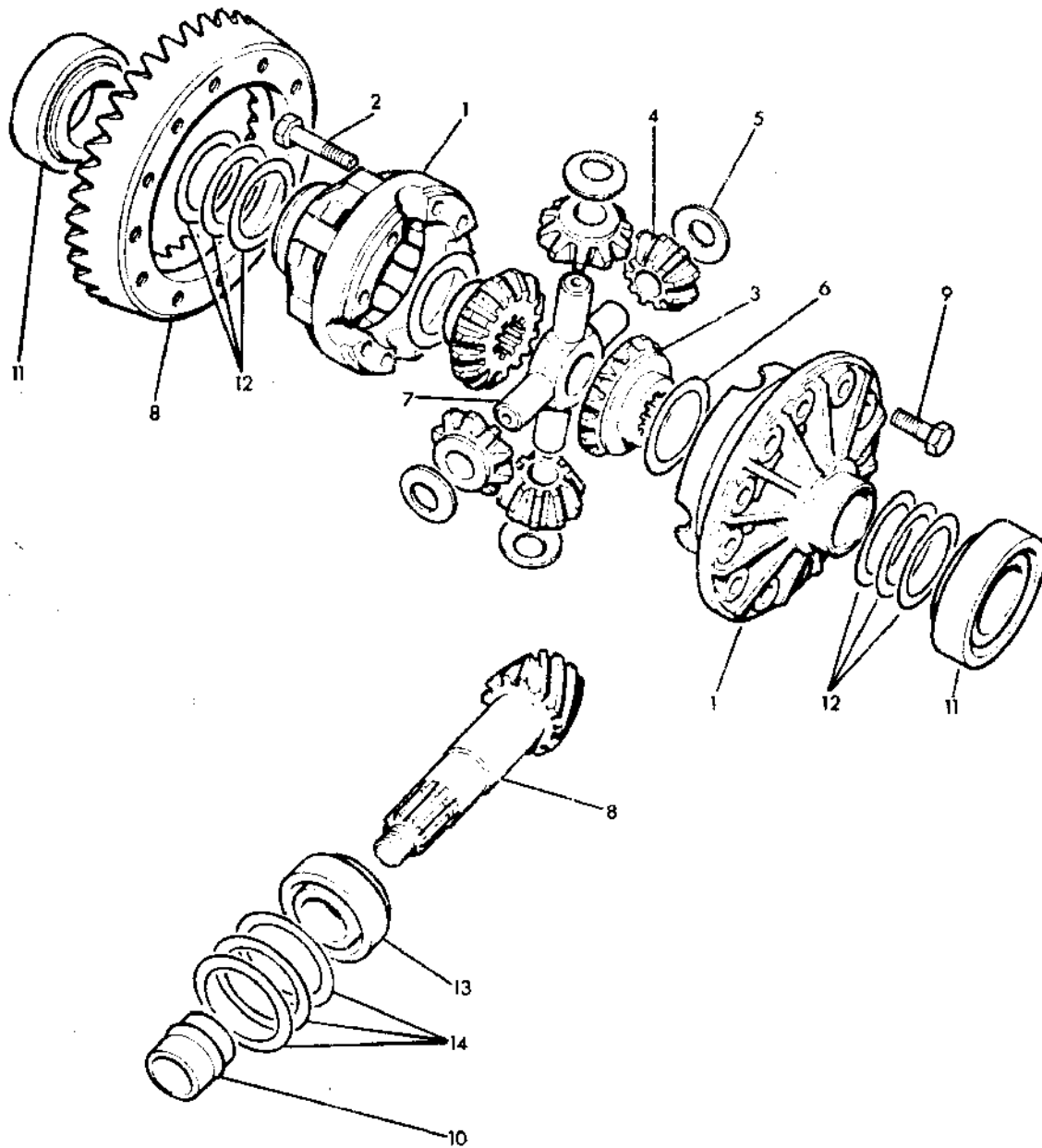


FIG ITEM	MAN CODE	NATO STOCK NUMBER/ CATALOGUE NUMBER	ITEM NAME AND DESCRIPTION	PART NO./ DRAWING NO./ ADREFNO	NO. OFF	ANNOTATIONS
F20			TRANSMISSION - contd AXLE ASSEMBLY, AUTOMOTIVE, DRIVING, FRONT - contd			
1,2	LV6MT10	2520-99-821-9443	..DIFFERENTIAL CASE ASSEMBLY	SHA-006-4	1	
2	LV6MT10	2520-99-821-9444	...BOLT, MACHINE, SI, steel, 12 mm x 50 mm lg	M12B-C- 50/30	8	
3	LV6MT10	3020-99-823-7478	..GEAR, BEVEL	SHA-007-5	2	
4	LV6MT10	3020-99-821-9440	..GEAR, BEVEL, steel, 2-9/16 in. od x 1 in. id x 1-1/16 in. lg; 16 teeth	SHA-008-1	4	
5	LV6MT10	2520-99-821-9442	..WASHER, THRUST, steel, 1-27/32 in. od x 1-1/16 in. id x 1/32 in. thk	SHA-037	4	
6	LV6MT10	2520-99-821-9438	..WASHER, THRUST, steel, 3-1/4 in. od x 2-9/64 in. id x 1/32 in. thk	SHA-038	2	
7	LV6MT10	2520-99-821-9441	..SPIDER, DIFFERENTIAL, steel, 1-1/4 in. dia bore x 5-7/8 in. lg	SHA-012-1	1	
8	LV6MT10	2520-99-824-6152	..GEAR, SET, BEVEL, MATCHED	SHA-105-31	1	
9	LV6MT10	5306-99-137-6377	..BOLT, SELF-LOCKING, HEXAGON, SI, metric, steel, 12 mm x 28 mm lg	H12B-F28/ 17L	12	
10	LV6MT10	2520-99-821-8428	..SPACER, PINION BEARING, steel, 31.5 mm lg x 35 mm id	SHA-180	1	
11	LV6MT7	3110-99-821-9445	..BEARING, TAPERED ROLLER, single row, 3-13/16 in. od x 2-1/4 in. id x 1 in. lg		2	
	(LV6MT10	5365-99-821-8445	..SHIM, 0.003 in. thk	SHA-046) AR)	} Differential bearings
	(LV6MT10	5365-99-821-8446	..SHIM, 0.005 in. thk	SHA-047		
	(LV6MT10	5365-99-821-8447	..SHIM, 0.01 in. thk	SHA-048		
	(LV6MT10	5365-99-821-8448	..SHIM, 0.03 in. thk	SHA-049		
13	LV6MT7	3110-99-821-8449	..BEARING, TAPERED ROLLER, single row, 3-1/2 in. od x 1-5/8 in. id x 1-3/16 in. lg		1	
	(LV6MT10	5365-99-821-8442	..SHIM, 0.003 in. thk	SHA-043-2) AR)	} Pinion bearings
	(LV6MT10	5365-99-821-8443	..SHIM, 0.005 in. thk	SHA-044-2		
	(LV6MT10	5365-99-821-8444	..SHIM, 0.01 in. thk	SHA-045-2		

F21

SWIVEL HOUSING

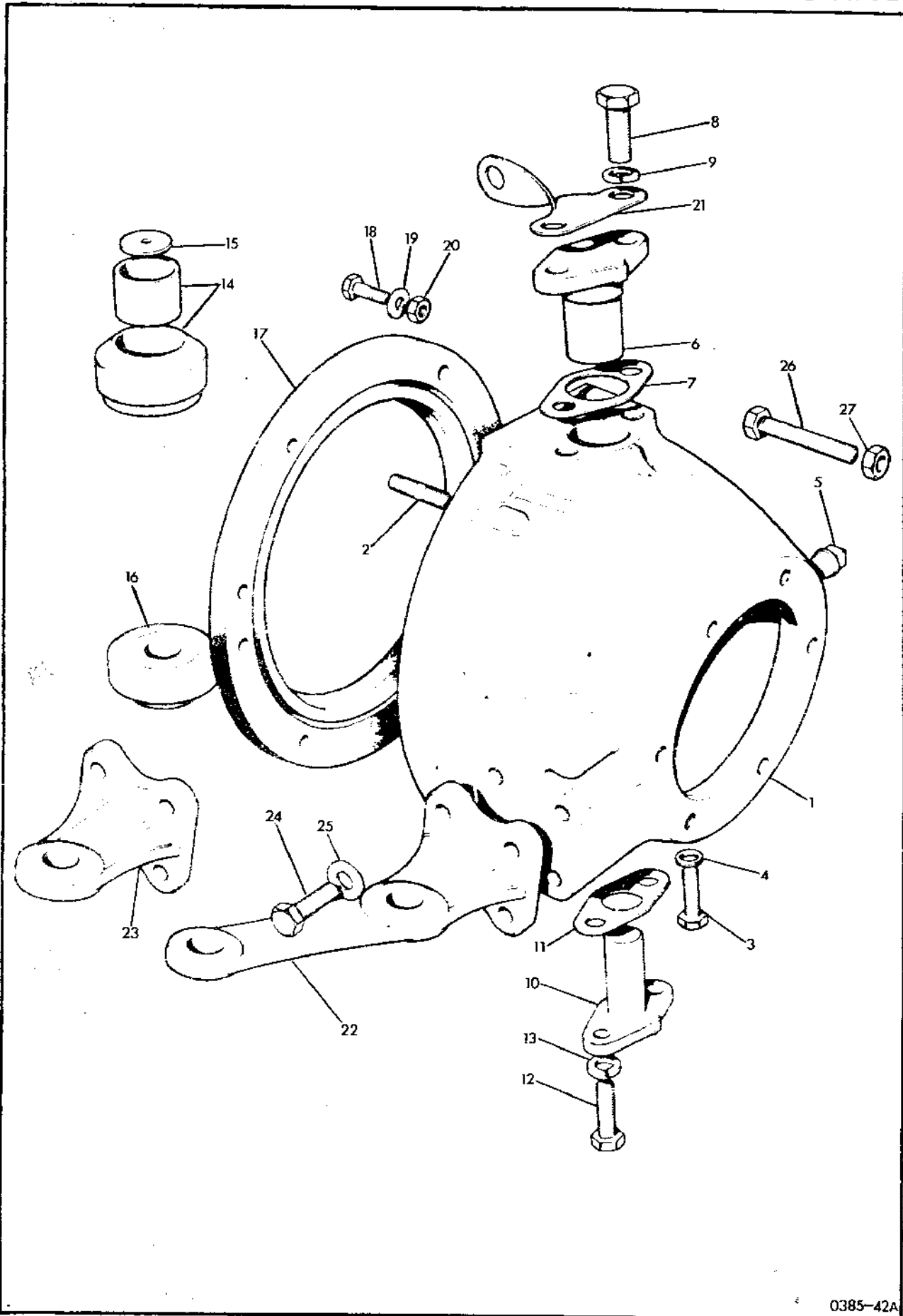


FIG ITEM	MAN CODE	NATO STOCK NUMBER/ CATALOGUE NUMBER	ITEM NAME AND DESCRIPTION	PART NO./ DRAWING NO./ ADREFNO	NO. OFF	ANNOTATIONS
F21			TRANSMISSION - contd			
			..AXLE ASSEMBLY, AUTOMOTIVE, DRIVING			
			FRONT - contd			
1,2	(LV7RU	2530-99-823-7483	..HOUSING, SWIVEL PIN: rh	593893	1	
	(LV7RU	2530-99-823-7484	..HOUSING, SWIVEL PIN: lh	593894	1	
2	G1	5307-99-137-6381	...STUD, PLAIN, SI, metric, steel, 8 mm x 28 mm lg		8	
3	G1	5305-99-122-5364	..SCREW, MACHINE, SI, metric, steel, 8 mm x 12 mm lg		2	
4	LV7RU	5330-99-849-9236	..GASKET	232039	2	
5	LV6MT1	4730-99-923-5244	..PLUG, PIPE, BSP.T, 1/2 in.		2	
6	LV7RU	2530-99-822-2046	..PIN, PIVOT	593857	2	
	(LV7RU	5365-99-822-2048	..SHIM, 0.1 mm thk	593854)AR)
7	(LV7RU	5365-99-822-2047	..SHIM, 0.3 mm thk	593855		
	(LV7RU	5365-99-822-2049	..SHIM, 0.8 mm thk	593856		
8	G1	5305-99-122-8675	..SCREW, MACHINE, SI, metric, steel, 12 mm x 35 mm lg		4	
9	G1	5310-99-135-9304	..WASHER, LOCK, steel, 12 mm		4	
10	LV7RU	2530-99-822-2124	..PIN, SWIVEL	593858	2	
11	LV7RU	5330-99-822-2125	..GASKET, paper, 21 mm id x 68 mm lg	593859	2	
12	G1	5305-99-122-4911	..SCREW, MACHINE, SI, metric, steel, zinc coated, 10 mm x 1.5 mm pitch x 30 mm lg		4	
13	G1	5310-99-135-9303	..WASHER, LOCK, steel, 10 mm		4	
14	LV7RU	2530-99-873-9341	..HOUSING AND BUSH	539742	2	
15	LV7RU	2530-99-845-0405	..WASHER, THRUST	528702	2	
16	LV6MT7	3110-99-950-0871	..BEARING, TAPERED ROLLER		2	
17	LV6MT1	5330-99-822-2044	..SEAL, SPLIT, SPHERICAL, 8-3/8 in. od x 5-29/32 in. id x 11/32 in. thk		2	
18	G1	5305-99-122-5366	..SCREW, MACHINE, SI, metric, steel, 8 mm x 1.25 mm pitch x 20 mm lg		8	
19	G1	5310-99-122-3034	..WASHER, FLAT, steel, 8 mm		16	
20	G1	5310-99-122-5296	..NUT, PLAIN, HEXAGON, SI, metric, steel, 8 mm		8	
+	LV7RU	5365-99-823-7712	..RING, RETAINING: gaiter	593861	2	Swivel housing
22	(LV7RU	2530-99-823-7490	..STEERING LEVER: RHD	593732	1	
	(LV7RU	2530-99-823-7491	..STEERING LEVER: LHD	593734	1	
23	LV7RU	2530-99-825-2350	..LEVER, TRACK ROD, steel, 66 mm lg x 63 mm w x 74.75 mm h	593733	1	
24	G1	5305-99-122-4911	..SCREW, MACHINE, SI, metric, steel, 10 mm x 30 mm lg		8	
25	G1	5310-99-137-3594	..WASHER, FLAT, steel, 13/32 in.		8	
26	LV7RU	2530-99-828-5253	..LOCKSTOP, FRONT SWIVEL	889711	2	
27	G1	5310-99-122-5297	..NUT, PLAIN, HEXAGON, SI, metric, steel, zinc coated, 10 mm x 1.5 mm pitch		2	

FIG ITEM	MAN CODE	NATO STOCK NUMBER/ CATALOGUE NUMBER	ITEM NAME AND DESCRIPTION	PART NO./ DRAWING NO./ ADREFNO	NO. OFF	ANNOTATIONS
F22			TRANSMISSION - contd			
			..AXLE ASSEMBLY, AUTOMOTIVE, DRIVING, FRONT - contd			
1,2	LV7RU	2530-99-823-7488	..HUB, WHEEL	622188	2	
2	LV7RU	5306-99-136-7588	...BOLT, RIBBED NECK, SI, metric, steel, 16 mm x 37.3 mm lg	576825	12	
+	LV7RU	5310-99-819-1858	..NUT, CONE SEAT, HEXAGON, SI, metric, steel, 16 mm	577473	12	
+	LV7RU	2530-99-824-8259	..ADAPTOR, WHEEL STUD	592926	6	Fixing step flange
3	LV6MT1	5330-99-829-1661	..SEAL, PLAIN, ENCASED, 100.27 mm od x 79.75 mm id x 13 mm w		2	
4	LV6MT7	3110-99-822-1455	..BEARING, TAPERED ROLLER, 3.74 in. od x 2.36 in. id x 0.944 in. w		2	Inner Outer
5	LV6MT7	3110-99-822-1456	..BEARING, TAPERED ROLLER		2	
6	LV7RU	3120-99-137-3593	..WASHER, THRUST	593869	2	
7	LV7RU	5310-99-137-6376	..NUT, PLAIN, HEXAGON	593870	4	
8	LV7RU	5310-99-822-1457	..WASHER, KEY	593871	2	
9	LV7RU	2530-99-823-7489	..DRIVE FLANGE	598803	2	
10	LV7RU	5330-99-822-1458	..GASKET, fibre, 83.5 mm id	593872	2	
11	G1	5306-99-122-2790	..BOLT, MACHINE, SI, metric, steel, 10 mm x 35 mm lg		12	
12	G1	5310-99-135-4103	..WASHER, LOCK, steel, 10 mm		12	
13	LV7RU	5365-99-822-1891	..RING, RETAINING, steel, circlip	576288	2	
	(LV7RU	5365-99-822-1893	..SHIM, 1.5 mm thk	593876)	
	(LV7RU	5365-99-822-1894	..SHIM, 1.63 mm thk	593877)	
	(LV7RU	5365-99-822-1895	..SHIM, 1.76 mm thk	593878)	
	(LV7RU	5365-99-822-1896	..SHIM, 1.89 mm thk	593879)	
	(LV7RU	5365-99-822-1897	..SHIM, 2.02 mm thk	593880)	
14	(LV7RU	5365-99-822-1898	..SHIM, 2.15 mm thk	593881)	AR
	(LV7RU	5365-99-822-1899	..SHIM, 2.28 mm thk	593882)	
	(LV7RU	5365-99-822-1900	..SHIM, 2.41 mm thk	593883)	
	(LV7RU	5365-99-822-1901	..SHIM, 2.56 mm thk	593884)	
	(LV7RU	5365-99-822-1902	..SHIM, 2.67 mm thk	593885)	
	(LV7RU	5365-99-822-1588	..SHIM, 2.8 mm thk	593886)	
15	LV7RU	2530-99-822-1892	..CAP, GREASE	593873	2	
16	LV6MT1	5330-99-815-8737	..RING, SEALING, TOROIDAL, rubber, 1-15/16 in. id x 3/32 in. h		2	
17	(LV6MT10	2520-99-822-2127	..SHAFT ASSEMBLY, AXLE: rh	30405	1	
	(LV6MT10	2520-99-822-2128	..SHAFT ASSEMBLY, AXLE: lh	30404	1	
18	LV6MT1	5330-99-823-7477	..SEAL, PLAIN, rubber, 2.26 in. od x 1.563 in. id x 0.375 in. thk		2	
19-22	LV7RU	2530-99-823-7485	..AXLE, STUB	593806	2	
20	LV7RU	3120-99-823-7486	...BUSHING, SLEEVE, bronze, 1-3/4 in. id	571821	2	
21	LV7RU	2530-99-823-7487	...SPACER, SLEEVE, steel, 2-3/8 in. id	576294	2	
22	LV7RU	5330-99-822-1453	...SEAL, FELT, 49.1 mm od x 37 mm id x 7.8 mm thk	593863	2	
23	LV7RU	5330-99-822-2126	..GASKET: stub axle to swivel pin housing	593862	2	

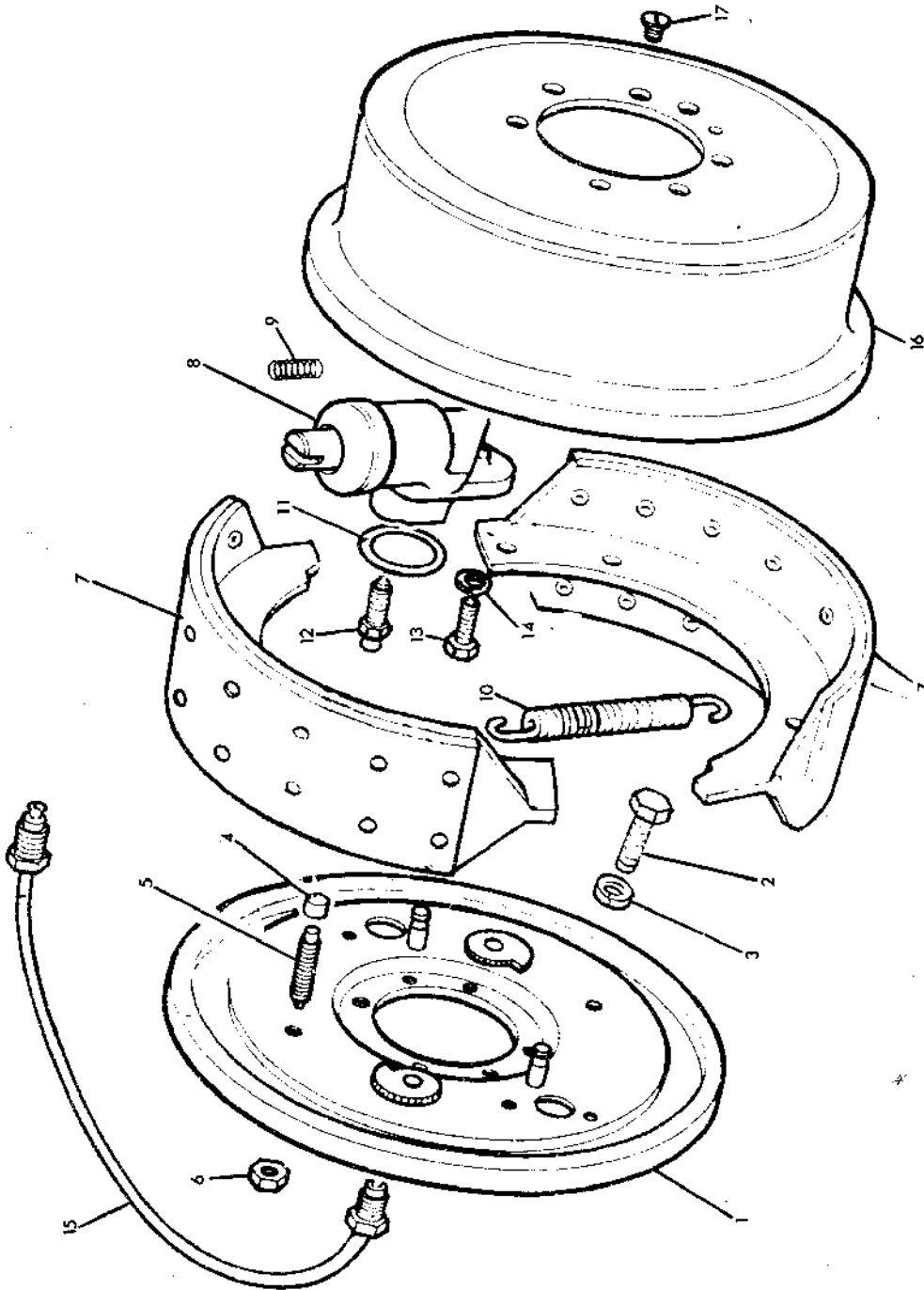


FIG ITEM	MAN CODE	NATO STOCK NUMBER/ CATALOGUE NUMBER	ITEM NAME AND DESCRIPTION	PART NO./ DRAWING NO./ ADREFNO	NO. OFF	ANNOTATIONS
F23			TRANSMISSION - contd .AXLE ASSEMBLY, AUTOMOTIVE, DRIVING, FRONT - contd			
1	LV6MT9	2530-99-823-7714	..BACKPLATE, SHOE TYPE BRAKE; w/ shoe adjusters and anchor pegs	64275682	1	Lh
	LV6MT9	2530-99-823-7715	..BACKPLATE, SHOE TYPE BRAKE; w/ shoe adjusters and anchor pegs	64275683	1	Rh
2	LV7RU	5306-99-137-6380	..BOLT, MACHINE, SI, metric, steel, 10 mm x 28 mm lg	593867	12	
3	G1	5310-99-135-9303	..WASHER, LOCK, steel, 10 mm		12	
4,5	LV6MT9	2530-99-819-0982	..POST AND BUSH ASSEMBLY	64927083	4	
5	LV6MT9	2530-99-836-4627	...STOP, BRAKE SHOE	40038	4	
6	LV7RU	2805-99-850-1125	..NUT, PLAIN, HEXAGON	64100052	4	
	LV6MT9	2530-99-824-1073	..BRAKE SHOE SET, INTERNALLY ACTUATED, bonded type	AAU 3911	1 set	Lh
7	LV6MT9	2530-99-824-1073	..BRAKE SHOE SET, INTERNALLY ACTUATED, bonded type	AAU 3912	1 set	Rh
	LV6MT9	2530-99-809-6728	..CYLINDER, HYDRAULIC BRAKE, WHEEL	64674107	2	Lh
8,9	LV6MT9	2530-99-809-6729	..CYLINDER, HYDRAULIC BRAKE, WHEEL	64674108	2	Rh
9	LV6MT9	2530-99-809-4916	...SPRING, HELICAL, COMPRESSION, 0.382 in. od x 6.912 in. lg	64674182	4	
+	LV6MT9	2530-99-824-0648	..PARTS KIT, hydraulic wheel cylinder	SP2189	1	
10	LV6MT9	2530-99-836-4741	..SPRING, HELICAL, EXTENSION: brake shoe return	G141429	4	
11	LV6MT9	2530-99-836-6118	..RING, SEALING: cylinder spigot	50178	4	
12	LV6MT9	2990-99-881-6380	..BLEEDER VALVE, HYDRAULIC SYSTEM	64470444	2	
+	LV6MT9	2530-99-881-4961	..EXCLUDER, DUST, rubber, 7/16 in. dia x 11/32 in. lg	GBH 3228	2	
13	G1	5305-99-941-0523	..SCREW, MACHINE, UNF, steel, 5/16 in. x 1/2 in. lg		8	
14	G1	5310-99-124-3480	..WASHER, LOCK, steel, 5/16 in.		8	
15	LV6MT9	2530-99-823-7716	..PIPE, STEEL	64462671Z	2	
16	LV7RU	2530-99-822-1505	..BRAKE DRUM, cast iron, 232 mm od x 91.27 mm w	593874	2	
17	G1	5305-99-135-0279	..SCREW, MACHINE, SI, metric, steel, zinc coated, 10 mm x 1.5 mm pitch x 16 mm lg		4	
+	LV6MT14	2530-99-819-7560	.WHEEL, PNEUMATIC TYRE, 16 in. dia	599068	2	
+	LV6MT14	2610-99-804-5425	.TYRE, PNEUMATIC, non-directional, cross-country, 900 x 16		2	
+	LV6MT14	2610-99-804-5822	.INNER TUBE, PNEUMATIC TYRE, 900 x 16, TR 15 valve		2	

EMT3 ←

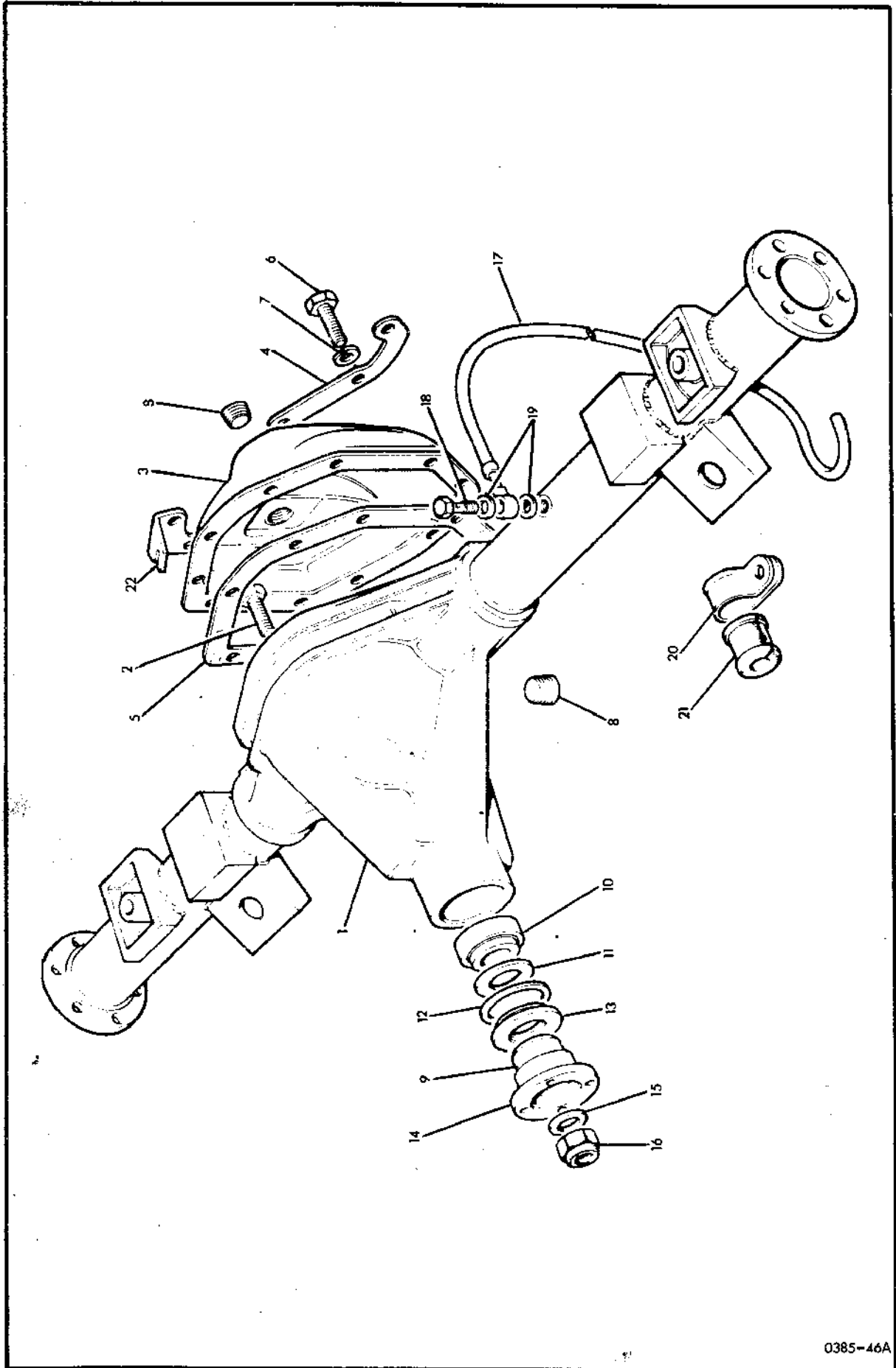


FIG ITEM	MAN CODE	NATO STOCK NUMBER/ CATALOGUE NUMBER	ITEM NAME AND DESCRIPTION	PART NO./ DRAWING NO./ ADREFNO	NO. OFF	ANNOTATIONS	
F24			TRANSMISSION - contd				
+	LV7RU	2520-99-821-5437	..AXLE ASSEMBLY, AUTOMOTIVE, DRIVING, REAR	593781	1		
2	LV6MT10	2520-99-821-9447	..BOLT, MACHINE, SI, metric, steel, 12 mm x 60 mm lg	M12B-C- 60/30	4	Differen- tial bearing cap	
5	LV6MT10	5330-99-821-8429	..GASKET	8HA-026-4	1		
6	G1	5305-99-122-8589	..SCREW, MACHINE, SI, metric, steel, 10 mm x 1.5 mm pitch x 16 mm lg		10		
7	LV6MT10	2520-99-821-9450	..WASHER, LOCK, steel, 10 mm	M10LW-15/9	10		
8	LV6MT10	4730-99-823-7480	..PLUG, PIPE, BSP, 3/4 in.	4HA-059-3	2		
9	LV6MT10	2520-99-821-8427	..BEARING ASSEMBLY, PINION: outer	SB7HA-023-1	1		
10	LV6MT7	3110-99-821-8449	..BEARING, TAPERED ROLLER		1		
+	LV6MT10	2520-99-821-8442	..SHIM, 0.003 in. thk	8HA-043-2))) AR)))) For inner) pinion) bearing
+	LV6MT10	5365-99-821-8443	..SHIM, 0.005 in. thk	8HA-044-2			
+	LV6MT10	5365-99-821-8444	..SHIM, 0.01 in. thk	8HA-045-2			
11	LV6MT10	2520-99-821-8426	..DEFLECTOR, DIRT AND LIQUID	10HA-036	1		
12	LV6MT10	2520-99-831-5717	..GASKET: pinion oil seal	2HA-20	1		
13	LV6MT10	5330-99-833-5978	..SEAL, PLAIN, ENCASED	10HA019-2	1		
14	LV6MT10	2520-99-821-8423	..FLANGE, COUPLING	8HA-102-9	1		
15	LV6MT10	2520-99-821-8425	..WASHER, FLAT	14W-24	1		
16	LV6MT10	5310-99-821-8424	..NUT, PINION LOCKING, SI, metric, steel, 22 mm x 1.5 mm pitch	12/17	1		
17	LV7RU	4710-99-825-4558	..PIPE, PLASTICS, 760 mm lg x 5 mm id, w/banjo	598567	1		
18	LV7RU	4730-99-137-6379	..BOLT, FLUID PASSAGE, BSPF, 1/8 in.	595478	1		
19	W2	4930-99-842-3988	..WASHER, FIBRE	140085	2		
20	LV6MT4	5340-99-805-0916	..CIAMP, LOOP, 1/2 in. id x 5/8 in. w	187043	1		
21	LV7RU	5325-99-849-9408	..GROMMET, RUBBER	06860	1		
+	H4	5340-99-970-2455	..PLUG, PROTECTIVE, DUST AND MOISTURE SEAL, BSPF, 1/8 in. plastics		1		

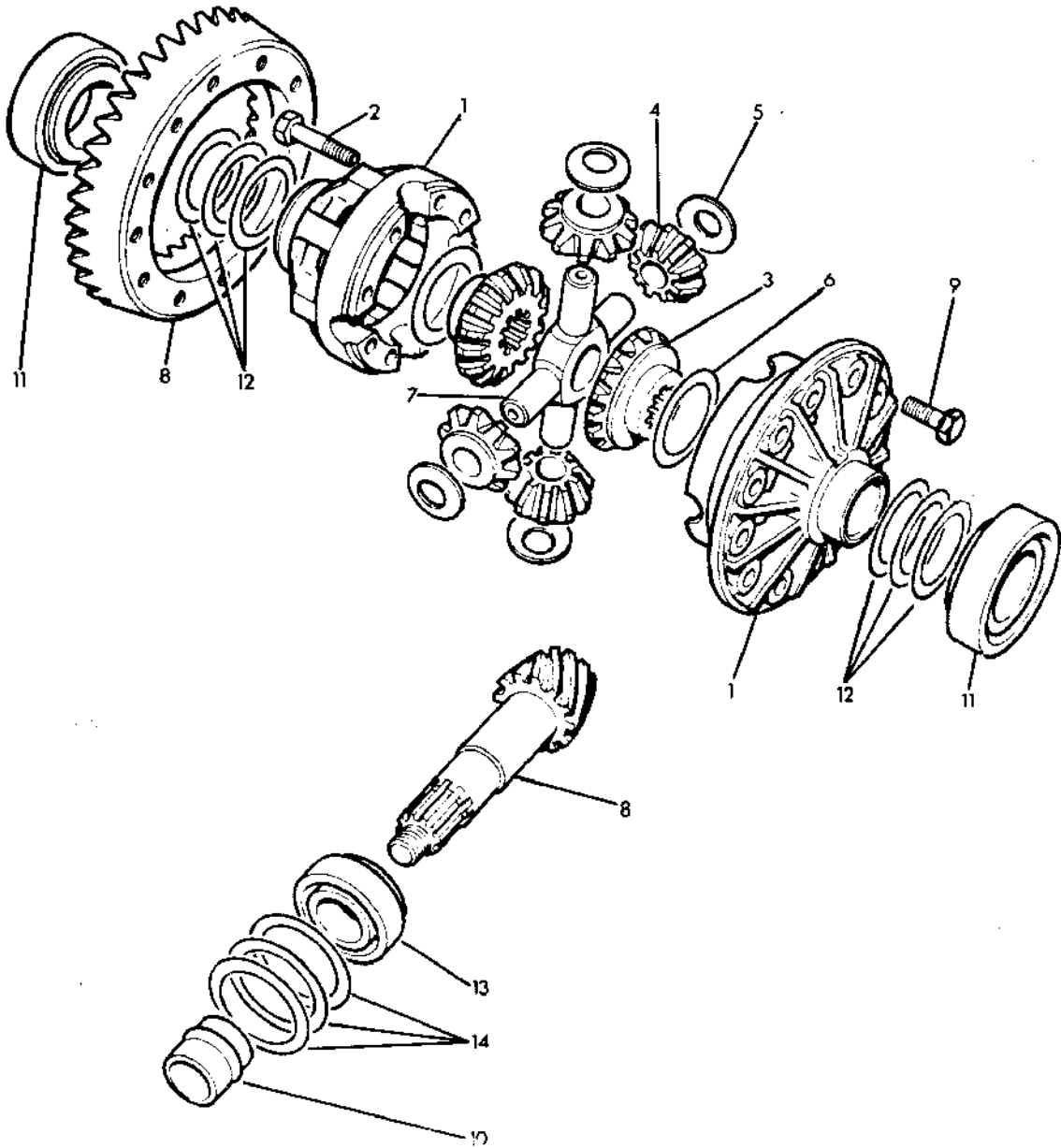


FIG ITEM	MAN CODE	NATO STOCK NUMBER CATALOGUE NUMBER	ITEM NAME AND DESCRIPTION	PART NO./ DRAWING NO./ ADRFNO	NO. OFF	ANNOTATION
F25			TRANSMISSION - contd			
			AXLE ASSEMBLY, AUTOMOTIVE, DRIVING, REAR - contd			
1,2	LV6MT10	2520-99-821-9443	..DIFFERENTIAL CASE ASSEMBLY	SHA-006-4	1	
2	LV6MT10	2520-99-821-9444	..BOLT, MACHINE, SI, metric, steel, 12 mm x 50 mm lg	M12B-C50/30	5	
3	LV6MT10	3020-99-821-7478	..GEAR, BEVEL	SHA-007-5	2	
4	LV6MT10	3020-99-821-9440	..GEAR, BEVEL, steel, 2-9/10 in. od x 1 in. id x 1-1/16 in. lg; 10 teeth	SHA-008-1	4	
5	LV6MT10	2520-99-821-9442	..WASHER, THRUST, steel, 1-27/32 in. od x 1-1/16 in. id x 1/32 in. thk	SHA-037	4	
6	LV6MT10	2520-99-821-9438	..WASHER, THRUST, steel, 3-1/4 in. od x 2-9/64 in. id x 1/32 in. thk	SHA-038	2	
7	LV6MT10	2520-99-821-9441	..SPIDER, DIFFERENTIAL, steel, 1-1/4 in. id x 5-7/8 in. lg	SHA-012-1	1	
8	LV6MT10	2520-99-821-9452	..GEAR SET, BEVEL, MATCHED	SHA-105-31	1	
9	LV6MT10	5306-99-137-6377	..BOLT, SELF-LOCKING, SI, metric, steel, 12 mm x 28 mm lg	H12B-F28/17L	12	
10	LV6MT10	2520-99-821-8428	..SPACER, PINION BEARING, steel, 35 mm id x 31.5 mm lg	SHA-180	1	
11	LV6MT7	3110-99-821-9445	..BEARING ASSEMBLY: differential		2	
	(LV6MT10	5305-99-821-8445	..SHIM, 0.003 in. thk	SHA-046)	} Differential bearings
	(LV6MT10	5305-99-821-8446	..SHIM, 0.005 in. thk	SHA-047)AR	
	(LV6MT10	5305-99-821-8447	..SHIM, 0.1 in. thk	SHA-048)	
	(LV6MT10	5305-99-821-8448	..SHIM, 0.03 in. thk	SHA-049)	
13	LV6MT7	3110-99-821-8449	..BEARING ASSEMBLY, pinion inner		1	} Pinion bearings
	(LV6MT10	5305-99-821-8442	..SHIM, 0.003 in. thk	SHA-043-2)	
	(LV6MT10	5305-99-821-8443	..SHIM, 0.005 in. thk	SHA-044-2)AR	
	(LV6MT10	5305-99-821-8444	..SHIM, 0.01 in. thk	SHA-045-2)	

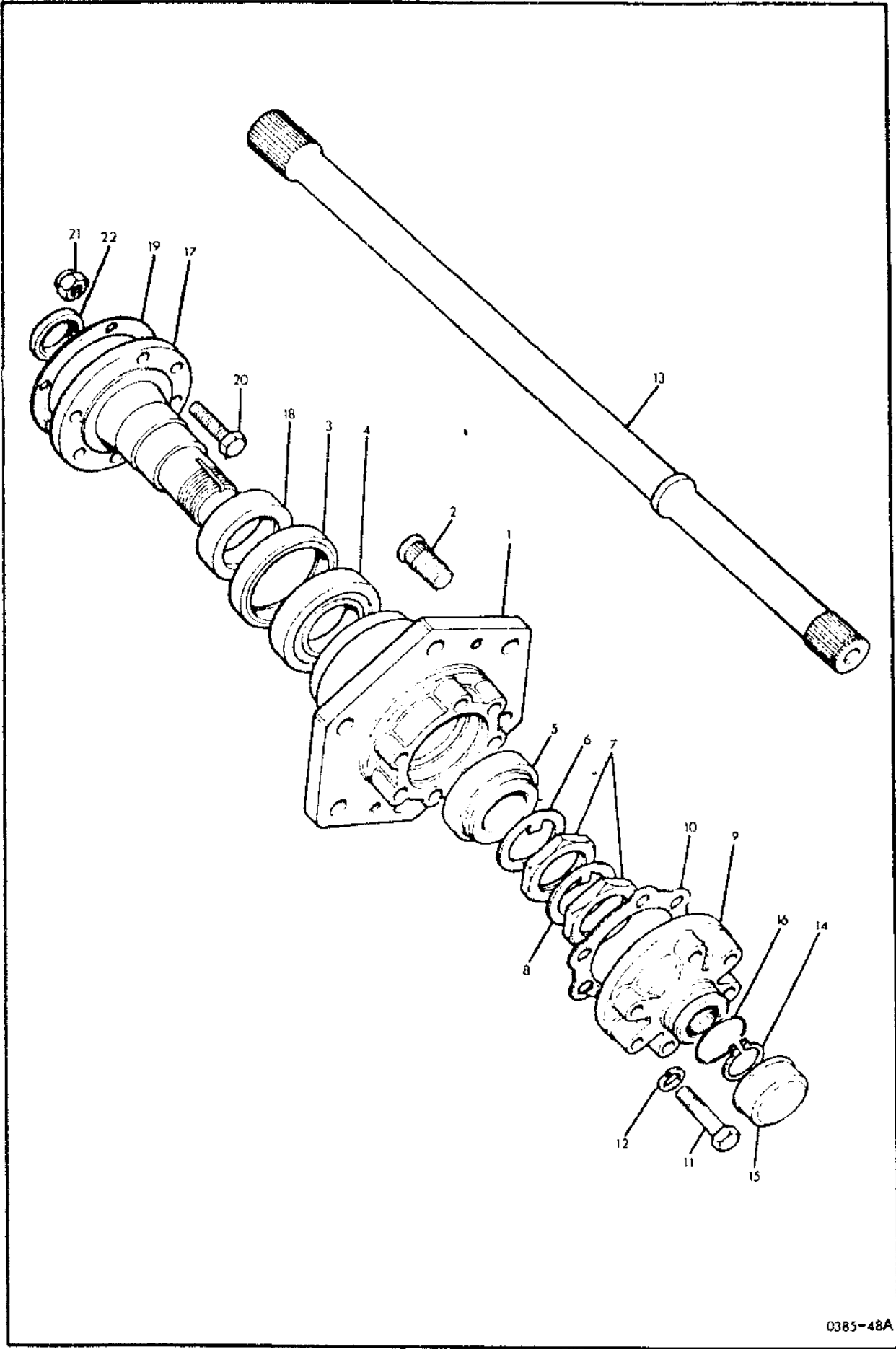


FIG ITEM	MAN CODE	NATO STOCK NUMBER/ CATALOGUE NUMBER	ITEM NAME AND DESCRIPTION	PART NO./ DRAWING NO./ ADREFNO	NO. OFF	ANNOTATIONS
F26			TRANSMISSION - contd .AXLE ASSEMBLY, AUTOMOTIVE, DRIVING, REAR - contd			
1,2	LV7RU	2530-99-823-7488	..HUB, WHEEL	622188	2	
2	LV7RU	5306-99-136-7588	..BOLT, RIBBED NECK, SI, metric, steel, 16 mm x 37.3 mm lg	576825	12	
+	LV7RU	5310-99-819-1858	..NUT, CONE SEAT, HEXAGON, SI, metric, 16 mm	577473	12	
3	LV6MT1	5330-99-829-1661	..SEAL, PLAIN, ENCASED, 100.27 mm od x 79.75 mm id x 13 mm w		2	
4	LV6MT7	3110-99-822-1455	..BEARING, TAPERED ROLLER, 3.7402 in. od x 2.3616 in. id x 0.9449 in. lg		2	
5	LV6MT7	3110-99-822-1456	..BEARING, TAPERED ROLLER, single row, 82 mm od x 50 mm id x 21.5 mm w		2	
6	LV7RU	3120-99-137-3593	..WASHER, KEY, steel, 50.25 mm id	593869	2	
7	LV7RU	5310-99-137-6376	..NUT, PLAIN, HEXAGON, SI, metric, 50 mm	593870	4	
8	LV7RU	5310-99-822-1457	..WASHER, KEY, steel, 50.55 mm id	593871	2	
9	LV7RU	2530-99-823-7489	..DRIVE FLANGE	593803	2	
10	LV7RU	5330-99-822-1458	..GASKET, 83.5 mm id	593872	2	
11	G1	5306-99-122-2790	..BOLT, MACHINE, SI, metric, 12 mm x 60 mm lg		12	
12	G1	5310-99-135-9304	..WASHER, LOCK, steel, 12 mm		12	
13	LV7RU	2520-99-822-2129	..SHAFT, AXLE, AUTOMOTIVE: rh	593900	1	
13	LV7RU	2520-99-822-2130	..SHAFT, AXLE, AUTOMOTIVE: lh	593901	1	
14	LV7RU	5365-99-822-1891	..RING, RETAINING, steel, circlip, 1-7/16 in. id x 1/16 in. thk	576288	2	
15	LV7RU	3040-99-822-1892	..CAP, GREASE, steel, 56 mm od x 33 mm lg	593873	2	
16	LV6MT1	5330-99-815-8737	..RING, SEALING, TOROIDAL, rubber, 1-15/16 in. id x 3/32 in. h		2	
17	LV7RU	2520-99-823-7464	..SLEEVE ASSEMBLY	593807	2	
18	LV7RU	2520-99-823-7465	..PACKING PIECE, steel, 80.01 mm od x 60.3 mm id x 27.33 mm thk	593808	2	
19	LV7RU	5340-99-849-9664	..GASKET, 5-1/8 in. od x 3 in. id x 0.005 in. thk	500978	2	
20	G1	5306-99-122-3372	..BOLT, MACHINE, SI, metric, steel, 10 mm x 35 mm lg		12	
21	G1	5310-99-941-6371	..NUT, SELF-LOCKING, HEXAGON, SI, metric, 10 mm		12	
22	LV7RU	5330-99-822-1453	..SEAL, FELT, 49.1 mm od x 37 mm id x 7.88 mm thk	593863	2	

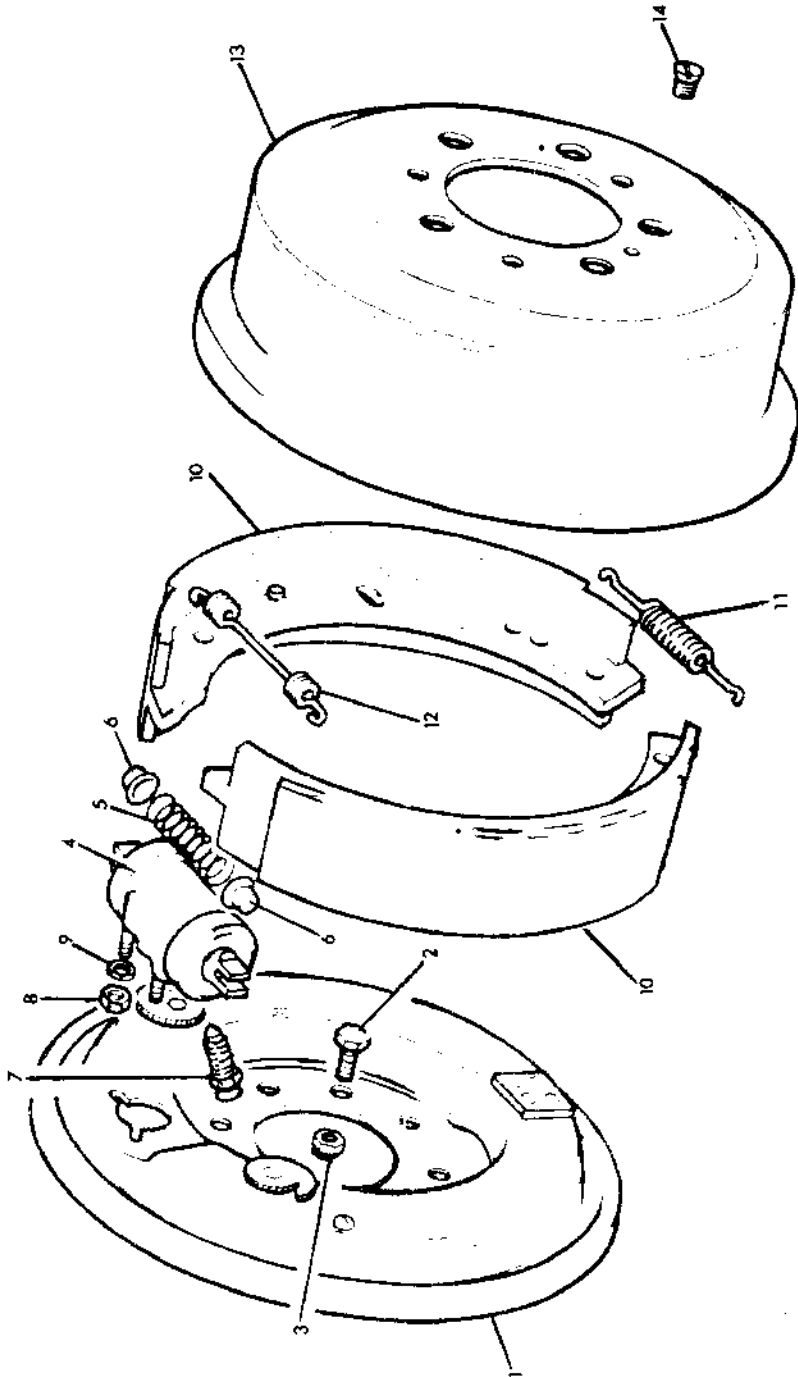


FIG ITEM	MAN CODE	NATO STOCK NUMBER/ CATALOGUE NUMBER	ITEM NAME AND DESCRIPTION	PART NO./ DRAWING NO./ ADREFNO	NO. OFF	ANNOTATIONS
F26			TRANSMISSION - contd			
			.AXLE ASSEMBLY, AUTOMOTIVE, DRIVING, REAR - contd			
1,2	LV7RU	2530-99-823-7488	..HUB, WHEEL	622188	2	
2	LV7RU	5306-99-136-7588	..BOLT, RIBBED NECK, SI, metric, steel, 16 mm x 37.3 mm lg	576825	12	
+	LV7RU	5310-99-819-1858	..NUT, CONE SEAT, HEXAGON, SI, metric, 16 mm	577473	12	
3	LV6MT1	5330-99-829-1661	..SEAL, PLAIN, ENCASED, 100.27 mm od x 79.75 mm id x 13 mm w		2	
4	LV6MT7	3110-99-822-1455	..BEARING, TAPERED ROLLER, 3.7402 in. od x 2.3616 in. id x 0.9449 in. lg		2	
5	LV6MT7	3110-99-822-1456	..BEARING, TAPERED ROLLER, single row, 82 mm od x 50 mm id x 21.5 mm w		2	
6	LV7RU	3120-99-137-3593	..WASHER, KEY, steel, 50.25 mm id	593869	2	
7	LV7RU	5310-99-137-6376	..NUT, PLAIN, HEXAGON, SI, metric, 50 mm	593870	4	
8	LV7RU	5310-99-822-1457	..WASHER, KEY, steel, 50.55 mm id	593871	2	
9	LV7RU	2530-99-823-7489	..DRIVE FLANGE	593803	2	
10	LV7RU	5330-99-822-1458	..GASKET, 83.5 mm id	593872	2	
11	G1	5306-99-122-2790	..BOLT, MACHINE, SI, metric, 12 mm x 60 mm lg		12	
12	G1	5310-99-135-9304	..WASHER, LOCK, steel, 12 mm		12	
13	LV7RU	2520-99-822-2129	..SHAFT, AXLE, AUTOMOTIVE: rh	593900	1	
13	LV7RU	2520-99-822-2130	..SHAFT, AXLE, AUTOMOTIVE: lh	593901	1	
14	LV7RU	5365-99-822-1891	..RING, RETAINING, steel, circlip, 1-7/16 in. id x 1/16 in. thk	576288	2	
15	LV7RU	3040-99-822-1892	..CAP, GREASE, steel, 56 mm od x 33 mm lg	593873	2	
16	LV6MT1	5330-99-815-8737	..RING, SEALING, TOROIDAL, rubber, 1-15/16 in. id x 3/32 in. h		2	
17	LV7RU	2520-99-823-7464	..SLEEVE ASSEMBLY	593807	2	
18	LV7RU	2520-99-823-7465	..PACKING PIECE, steel, 80.01 mm od x 60.3 mm id x 27.33 mm thk	593808	2	
19	LV7RU	5340-99-849-9664	..GASKET, 5-1/8 in. od x 3 in. id x 0.005 in. thk	500978	2	
20	G1	5306-99-122-3372	..BOLT, MACHINE, SI, metric, steel, 10 mm x 35 mm lg		12	
21	G1	5310-99-941-6371	..NUT, SELF-LOCKING, HEXAGON, SI, metric, 10 mm		12	
22	LV7RU	5330-99-822-1453	..SEAL, FELT, 49.1 mm od x 37 mm id x 7.88 mm thk	593863	2	

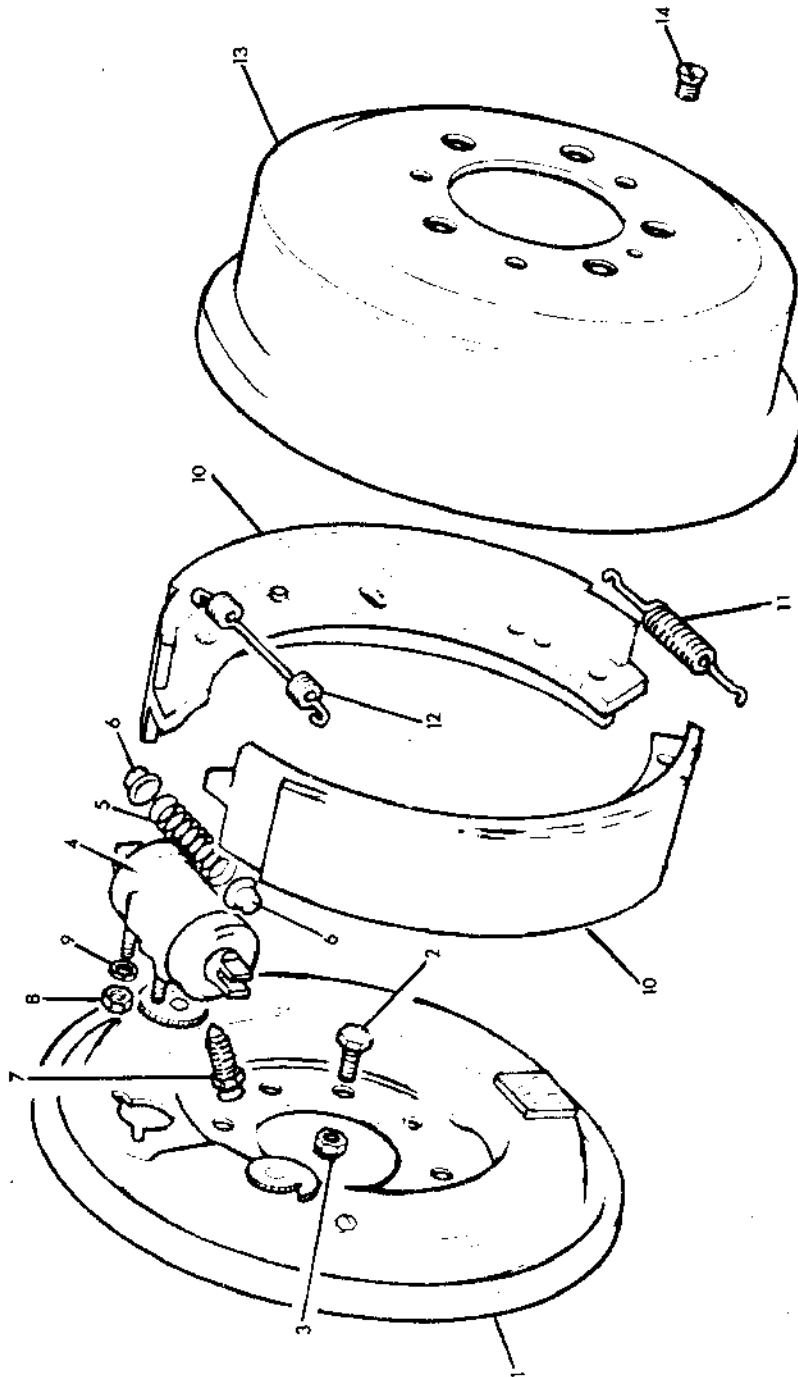


FIG ITEM	MAN CODE	NATO STOCK NUMBER/ CATALOGUE NUMBER	ITEM NAME AND DESCRIPTION	PART NO./ DRAWING NO./ ADREFNO	NO. OFF	ANNOTATIONS
F27			TRANSMISSION - contd			
			..AXLE ASSEMBLY, AUTOMOTIVE, DRIVING, REAR - contd			
1	(LV6MT9	2530-99-817-3898	..BACKPLATE, SHOE TYPE BRAKE	64273481	1	Rh
1	(LV6MT9	2530-99-817-3897	..BACKPLATE, SHOE TYPE BRAKE	64273480	1	Lh
2	G1	5306-99-137-4739	..BOLT, MACHINE, SI, metric, 10 mm x 35 mm lg		12	
	(LV6MT9	2530-99-836-5351	..CYLINDER ASSEMBLY, HYDRAULIC L BRAKE	390073W	1	Rh
4-7	(LV6MT9	2530-99-836-5350	..CYLINDER ASSEMBLY, HYDRAULIC R. BRAKE	390072W	1	Lh
5	LV6MT9	2530-99-836-5333	...SPRING, HELICAL, COMPRESSION	378868	2	
6	LV6MT9	2530-99-836-5286	...SEAT, HELICAL COMPRESSION SPRING	378108	2	
7	LV6MT9	2990-99-881-6380	...BLEEDER VALVE, HYDRAULIC SYSTEM	64470444	2	
+	LV6MT9	2530-99-821-4968	..PARTS KIT, HYDRAULIC BRAKE WHEEL CYLINDER	SP2051/1	1	
10	6MT9	2530-99-829- 2755	BRAKE SHOE SET INTERNAL			
8	G1	5310-99-941-0925	..NUT, PLAIN, HEXAGON, UNF, steel, 5/16 in.		4	
9	G1	5310-99-941-6655	..WASHER, LOCK, steel, 5/16 in.		4	
10	LV7RU	2530-99-820-3878	..BRAKE SHOE, SET, INTERNALLY ACTUATED, bonded type: set of 4	AAU 9411	1	
11	LV6MT9	2530-99-805-8972	..SPRING, HELICAL, EXTENSION: brake shoe return	377119	2	
12	LV6MT9	2530-99-882-0420	..SPRING, HELICAL, EXTENSION: brake shoe return	64378393	2	
13	LV7RU	2530-99-964-4586	..BRAKE DRUM, cast iron, 332 mm od x 98.8 mm w	593897	2	
14	G1	5305-99-135-0279	..SCREW, MACHINE, SI, metric, steel, zinc coated, 10 mm x 1.5 mm pitch x 16 mm lg		4	
+	LV6MT14	2530-99-819-7560	..WHEEL, PNEUMATIC TYRE, disc type, 6-1/2 L x 16 in. x 1-1/2 in. offset	599068	2	
+	LV6MT14	2610-99-804-5425	..TYRE, PNEUMATIC, non-directional, cross country, 900 x 16		2	
+	LV6MT14	2610-99-804-5822	..INNER TUBE, PNEUMATIC TYRE, 900 x 16, TR 15 valve		2	

GROUP

G

CONTROLS

FIG ITEM	MAN CODE	NATO STOCK NUMBER/ CATALOGUE NUMBER	ITEM NAME AND DESCRIPTION	PART NO./ DRAWING NO./ ADREFNO	NO. OFF	ANNOTATIONS
G1.			CONTROLS -			
1-23	LV6MT9	2530-99-822-1572	..STEERING GEAR: rh steering	11-091	1	
4	LV6MT9	2530-99-823-2391	..SHAFT, STEERING GEAR, 994.45 mm lg; c/w main nut	81-103	1	
5	LV6MT7	3110-99-950-0571	...BALL, BEARING, steel, 5/16 in. dia		27	
+	LV6MT9	2530-99-822-1581	..STEERING GEAR: lh steering	11-092	1	
+	LV6MT9	2530-99-823-3517	..SHAFT, STEERING GEAR, 994.45 mm lg; c/w main nut	81-104	1	
+	LV6MT7	3110-99-950-0571	...BALL, BEARING, steel, 5/16 in. dia		27	
1-3		NP	..STEERING GEARS -			
		NP	..STEERING BOX	SA-01-078	1	RHD
+	LV6MT9	3120-99-823-2390	..STEERING BOX	SA-01-079	1	LHD
			...BEARING, SIEVEVE, 1-1/4 in. od x 1-1/8 in. id x 1-1/2 in. lg	19-9-4	1	
2	LV6MT1	5330-99-801-6685	...RING, SEALING, TOROIDAL, rubber, 1-3/8 in. od x 1-1/8 in. id x 1/8 in. h		2	
3	LV6MT9	2530-99-833-7932	...WASHER, OIL SEAL	12-10-7	1	
6	LV6MT9	2530-99-823-2394	..SPHERICAL ROLLER, steel, 1 in. dia; w/dovetail slot	24-5-5	1	
7	LV6MT9	3110-99-819-2618	..BALL, BEARING, steel, 9/32 in.dia	17-3-4	20	
8	LV6MT9	2530-99-805-4379	..RING, BEARING, OUTER, 1-19/32 in. od x 31/32 in. id x 7/16 in. h	S-23-15	1	
9	LV6MT9	3110-99-823-2395	..RACE; BEARING, THRUST, 1.342 in. od x 1.4 in. id	S23-33	1	
	LV6MT9	5330-99-833-7858	..GASKET, paper, 2-3/8 in. sq x 0.01 in. thk	S-10-15		
	LV6MT9	2530-99-895-1888	..SHIM, steel, 2-3/8 in. sq x 0.005 in. thk	S-10-14		AR
10	LV6MT9	5330-99-833-7869	..SHIM, steel, 2-3/8 in. sq x 0.003 in. thk	S-10-42		
	LV6MT9	5340-99-836-7643	..SHIM, steel, 2-3/8 in. sq x 0.010 in. thk	S-10-111		
12	LV6MT9	3110-99-823-5776	..BEARING, BALL, STEERING COLUMN	SA-21-005	1	
13	G1	5305-99-941-0698	..SCREW, MACHINE, UNC, steel, zinc coated, 5/16 in. x 3/4 in. lg		4	
14	LV6MT9	2530-99-823-2393	..CROSS-SHAFT, STEERING GEAR, steel, 7 in. lg	S-7-137	1	
15	LV6MT9	5330-99-823-2396	..GASKET, fibre/rubber, 5-3/8 in.lg x 4-3/16 in. w x 0.02 in. thk	S-10-222	1	
17	G1	5305-99-941-0699	..SCREW, MACHINE, UNC, steel, zinc coated, 5/16 in. x 7/8 in. lg		2	
18	G1	5305-99-941-0701	..SCREW, MACHINE, UNC, steel, zinc coated, 5/16 in. x 1-1/8 in. lg		2	
19	LV6MT1	5330-99-200-8090	..RING, SEALING, TOROIDAL, rubber, 11/16 in. od x 9/16 in. id x 1/16 in. h		1	
20	LV6MT9	4730-99-823-2397	..ADAPTOR, ELBOW, PIPE, BSP, steel, 3/8 in. one end x 1/4 in. other end	22-7-12	1	
+	LV6MT9	5310-99-137-4427	..NUT, PLAIN, HEXAGON, BSP, steel, 3/8 in.	11-7-047	1	
21	LV6MT1	4730-99-820-8099	..PLUG, PIPE, BSP, cast iron, 1/4 in. taper thd		1	
+	LV6MT9	2530-99-823-2399	..ADJUSTER, STEERING BOX	25-7-8	1	
+	LV6MT9	2530-99-823-3516	..LOCKNUT, ADJUSTER, STEERING BOX, UNS, steel, 9/16 in.	11-7-22	1	
22	LV7RU	5310-99-137-8241	..WASHER, LOCKING	600265	1	

STEERING COLUMN & LINKAGE

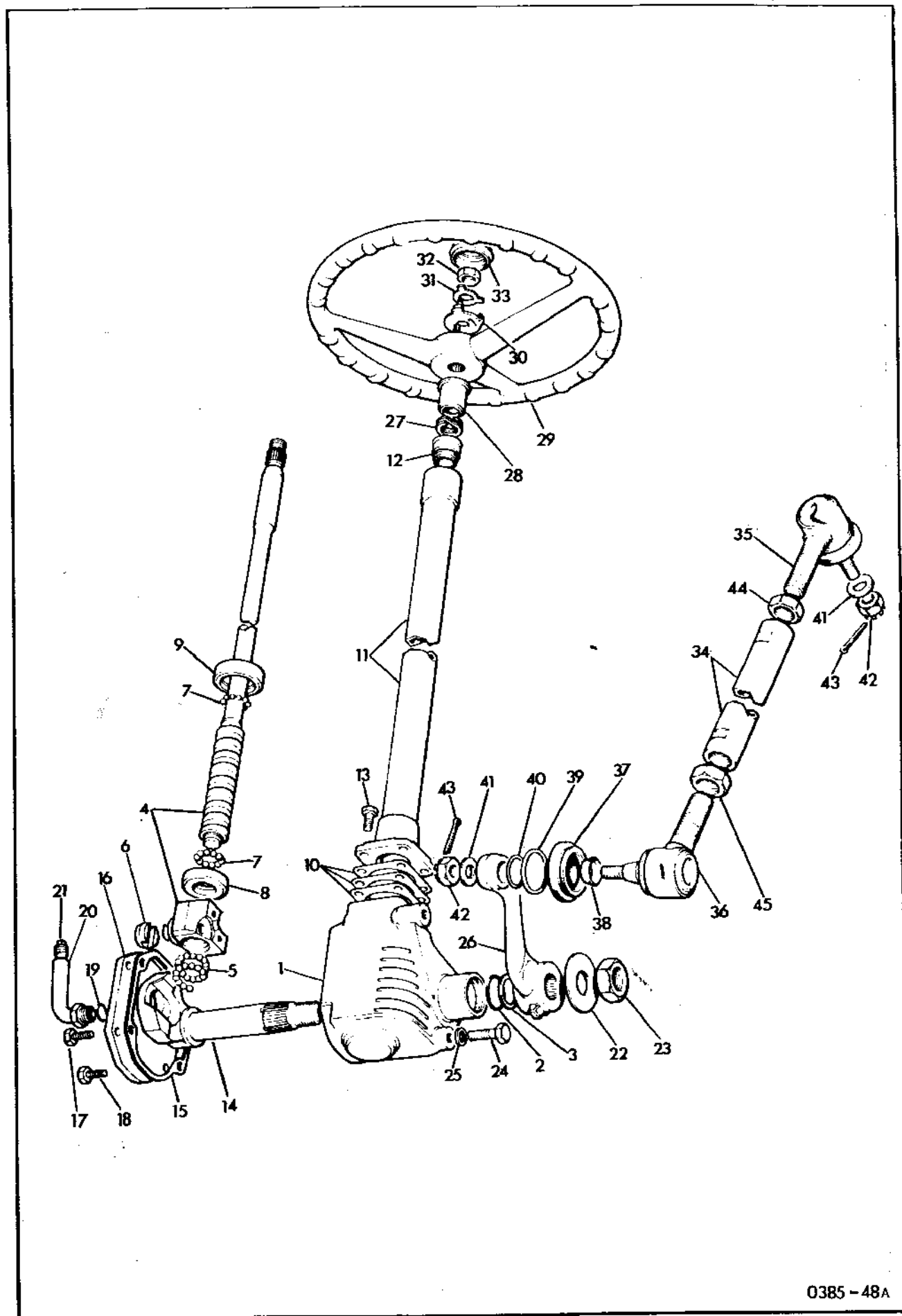


FIG ITEM	MAN CODE	NATO STOCK NUMBER/ CATALOGUE NUMBER	ITEM NAME AND DESCRIPTION	PART NO./ DRAWING NO./ ADREFNO	NO. OFF	ANNOTATIONS
G1			CONTROLS - contd			
23	G1	5310-99-941-0910	.STEERING GEARS - contd ..NUT, PLAIN, HEXAGON, UNF, steel, 7/8 in.		1	
24	G1	5305-99-122-3356	.SCREW, MACHINE, SI, metric, steel, 10 mm x 25 mm lg		3	
25	G1	5310-99-135-9303	.WASHER, LOCK, steel, 10 mm		3	
26	LV7RU	2530-99-824-6228	.DROP ARM, STEERING, steel, offset, 198 mm centres	592703	1	RHD
	LV7RU	2530-99-824-6222	.DROP ARM, STEERING, steel, offset, 198 mm centres	624319	1	LHD
27	LV7RU	5310-99-139-3409	.WASHER, LOCK, 7/8 in.	MCR 3150	1	
28	LV7RU	5999-99-824-4938	.STRIKER ASSEMBLY, INDICATOR SWITCH	579332	1	
29	LV7RU	2530-99-824-6171	.STEERING WHEEL	595224	1	
30	LV7RU	2530-99-824-6172	.RETAINER, DUST SEAL, steel, 45 mm dia x 13 mm h, 3 lugs	595195	1	
31	LV7RU	5310-99-137-6753	.WASHER, KEY, steel, 1-1/8 in. od x 3/4 in. id x 0.028 in. thk	577320	1	
32	LV6MT9	5310-99-127-5228	.NUT, PLAIN, HEXAGON, UNS, steel, 11/16 in.	552804	1	
33	LV7RU	2530-99-824-6173	.BOOT, DUST AND MOISTURE SEAL, 48 mm dia x 22 mm h	595196	1	
34-40	LV7RU	2530-99-824-6177	.TIE ROD, STEERING, 362 mm between centres	624288	1	
35	LV7RU	2530-99-823-6008	..ROD END, STEERING: rh thd	599488	1	
36	LV7RU	2530-99-823-6009	..ROD END, STEERING: lh thd	599489	1	
+	G1	5305-99-941-1065	..SCREW, MACHINE, UNF, 1/4 in. x 3/8 in. lg		2	
37	LV7RU	2530-99-849-9443	..BOOT, DUST AND MOISTURE SEAL, 2 in. od x 23/32 in. id; w/mtg plate	214649	2	
38	LV7RU	2530-99-849-9444	..RETAINER, RUBBER COVER, steel, 29/32 in. od x 11/16 in. id x 5/16 in. lg	214662	2	
39	LV7RU	2530-99-849-9446	..SPRING, GARTER EXTENSION, 1-5/16 in. od x 1-5/32 in. id x 1/16 in. thk	214685	2	
40	LV7RU	2530-99-849-9445	..SPRING, GARTER EXTENSION	214684	2	
41	G1	5210-99-122-6477	.WASHER, FLAT, steel, 12 mm		2	
42	G1	5310-99-135-9042	.NUT, SLOTTED HEXAGON, SI, metric, steel, 12 mm		2	
43	G1	5315-99-944-0179	.PIN, COTTER, SPLIT, steel, 3/32 in. dia x 1-7/8 in. lg		2	
		Numbers s/sd by -				
27.	7RU	5310 99 139 3409	WASHER.		1	
28	7RU	2530 99 824 4938	STRIKER.		1	
29.	7RU	2530 99 824 6171	STEERING WHEEL		1	

G2

STEERING RELAY

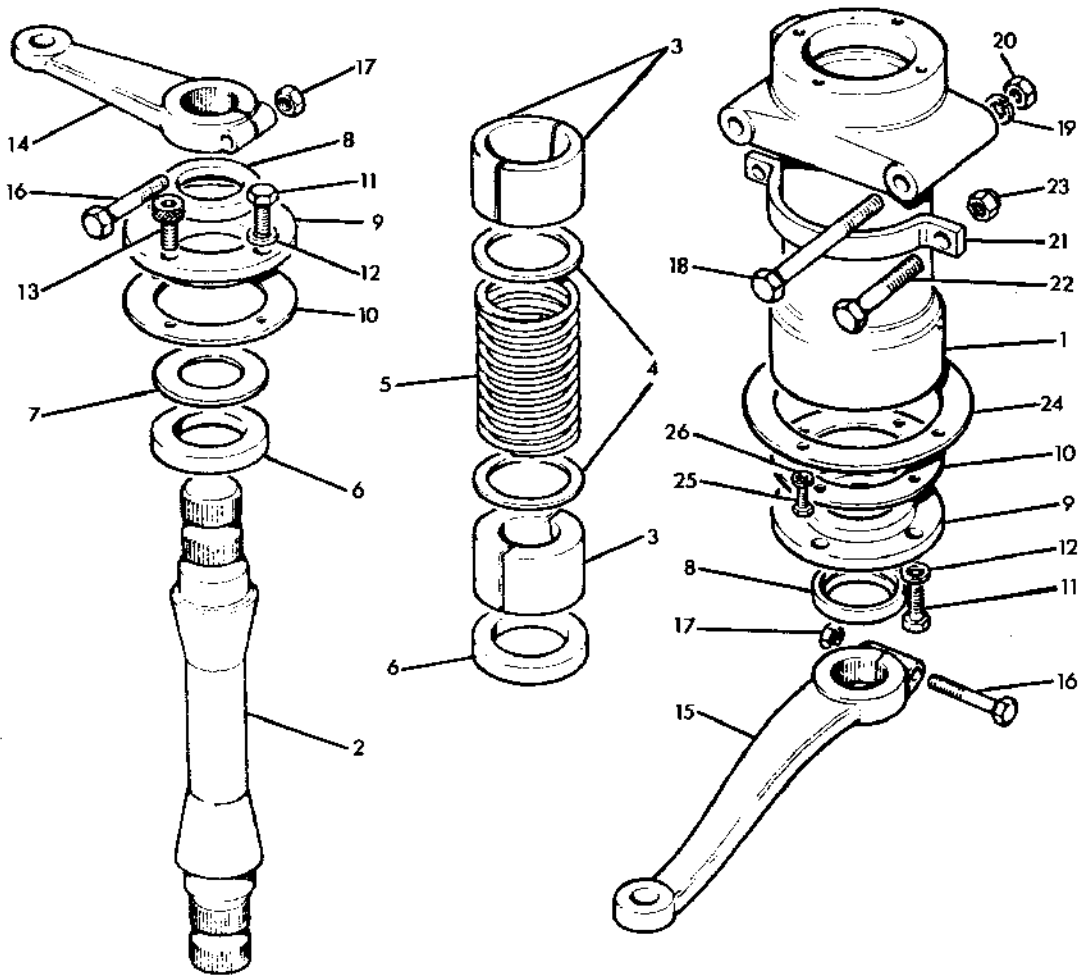


FIG ITEM	MAN CODE	NATO STOCK NUMBER/ CATALOGUE NUMBER	ITEM NAME AND DESCRIPTION	PART NO./ DRAWING NO./ ADREFNO	NO. OFF	ANNOTATIONS
G2			CONTROLS - contd			
1-13	LV7RU	2530-99-824-7054	.STEERING GEAR: relay assy complete	NRC 0216	1	
1	LV7RU	2530-99-829-9752	..HOUSING, RELAY SHAFT	NRC 0217	1	
2	LV7RU	2530-99-824-7313	..SHAFT, SHOULDERED, steel, 1-1/8 in. dia x 8-31/32 in. lg	NRC 0218	1	
3	LV7RU	3120-99-824-7314	..BEARING, HALF SLEEVE	NRC 0171	4	
4	LV7RU	5310-99-849-9499	..WASHER, FLAT, steel, 1-13/32 in. od x 1 in. id x 1/16 in. thk	230760	2	
5	LV7RU	2530-99-849-9498	..SPRING, HELICAL, COMPRESSION, steel, 1-23/32 in. od x 7 in. lg	230759	1	
6	LV7RU	2530-99-824-7315	..THRUST WASHER	NRC 0169	2	
7	LV7RU	5365-99-824-6237	..SHIM, steel, 1-13/16 in. od x 1-1/8 in. id x 0.005 in. thk	NRC 0170	AR	
8	LV7RU	5330-99-801-5309	..SEAL, PLAIN, ENCASED, steel/ rubber, 1-1/2 in. od x 1-1/8 in. id x 1/4 in. w	213340	2	
9	LV7RU	2530-99-849-9493	..RETAINER, OIL SEAL, 2-21/32 in. od x 1-1/4 in. id x 13/32 in. h	230294 624436	2 2	
10	LV7RU	5330-99-824-6174	..GASKET			
11	G1	5305-99-122-5360	..SCREW, MACHINE, SI, metric, steel, 6 mm x 16 mm lg		6	
12	LV7RU	2530-99-825-4563	..WASHER, SPECIAL	RTC 840	6	
13	G1	5305-99-135-1372	..SCREW, SOCKET HEAD, SI, metric, steel, 6 mm x 16 mm lg		2	
14	LV7RU	2530-99-824-6175	.LEVER, REMOTE CONTROL	NRC 0239	1	Upper
15	LV7RU	2530-99-824-6176	.LEVER, REMOTE CONTROL	NRC 0240	1	Lower
16	G1	5306-99-122-2789	.BOLT, MACHINE, SI, metric, steel, 12 mm x 55 mm lg		2	
17	G1	5310-99-122-5498	.NUT, SELF-LOCKING, HEXAGON, SI, metric, steel, 12 mm		2	
18	G1	5306-99-122-5262	.BOLT, MACHINE, SI, metric, steel, 8 mm x 90 mm lg		2	
19	G1	5310-99-135-9302	.WASHER, LOCK, steel, 8 mm		2	
20	G1	5310-99-122-5296	.NUT, PLAIN, HEXAGON, SI, metric, steel, 8 mm		2	
21	LV7RU	2530-99-829-9753	.CLAMP, RELAY ASSEMBLY	NRC 248	1	
22	G1	5306-99-122-5253	.BOLT, MACHINE, SI, metric, steel, 8 mm x 30 mm lg		4	
23	G1	5310-99-122-5296	.NUT, SELF-LOCKING, HEXAGON, SI, metric, steel, 8 mm		4	
25	G1	5305-99-122-5360	.SCREW, MACHINE, SI, metric, steel, zinc coated, 6 mm x 16 mm lg		4	
26	G1	5310-99-135-9301	.WASHER, LOCK, steel, 6 mm		4	

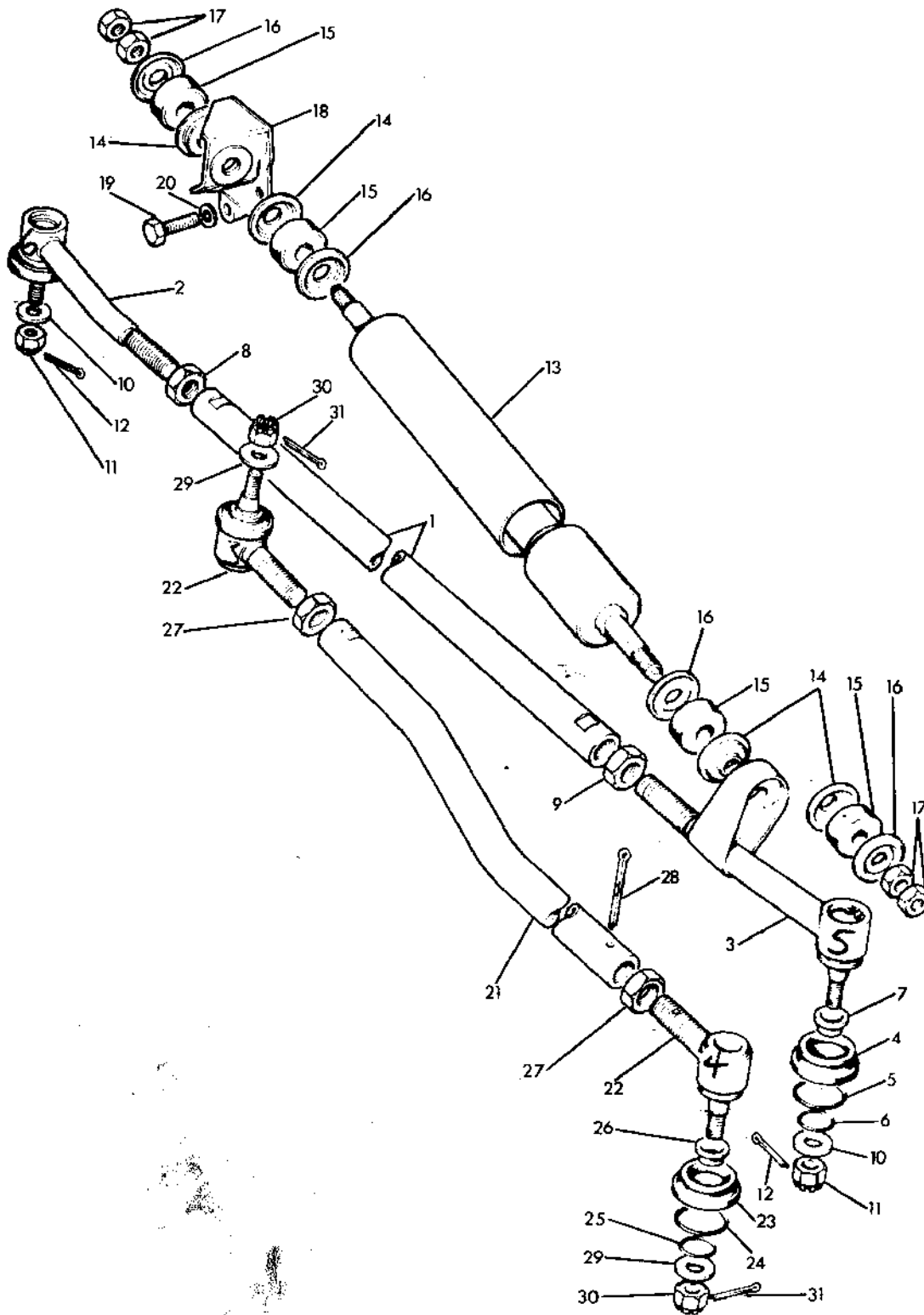


FIG ITEM	MAN CODE	NATO STOCK NUMBER CATALOGUE NUMBER	ITEM NAME AND DESCRIPTION	PART NO./ DRAWING NO./ ADREFNO	NO. OFF	ANNOTATIONS
G3						
1-0	LV7RU	2530-99-823-0006	CONTROLS - cont'd ..TIE ROD, STEERING	624289	1	
2	LV7RU	2530-99-823-6010	..ROD END, STEERING: rh	599496	1	
3	LV7RU	2530-99-823-6011	..ROD END, STEERING: lb	599497	1	
4	LV7RU	2530-99-849-9443	...BOOT, DUST AND MOISTURE SEAL, 2 in. od x 23/32 in. id	214649	2	
5	LV7RU	2530-99-849-9446	...SPRING, GARTER EXTENSION, 1-5/16 in. od x 1-5/32 in. id x 1/16 in. thk	214685 214684	2	
6	LV7RU	2530-99-849-9445	...SPRING, GARTER EXTENSION	214684	2	
7	LV7RU	2530-99-849-9444	...RETAINER, RUBBER COVER, steel, 29/32 in. dia x 11/16 in. id x 5/16 in. lg	214662	2	
8	G1	5310-99-122-5300	...NUT, SELF-LOCKING, HEXAGON, SI, metric, 20 mm: 1h thd		1	
9	G1	5310-99-139-3423	...NUT, SELF-LOCKING, HEXAGON, SI, metric, 20 mm: 1h thd		1	
10	G1	5310-99-122-6477	..WASHER, FLAT, steel, 12 mm		2	
11	G1	5310-99-135-9042	..NUT, SLOTTED, HEXAGON, SI, metric, steel, 12 mm		2	
12	G1	5315-99-944-0179	..PIN, COTTER, SPLIT, steel, 3/32 in. dia x 1-7/8 in. lg		2	
13	LV6MT1	2540-99-808-1858	..SHOCK ABSORBER DIRECT ACTION, hydraulic	T4000	1	
14	LV7RU	5310-99-807-3230	..WASHER, SHOULDERED AND RECESSED, steel, 1-1/4 in. od x 1/2 in. id x 1/4 in. thk	543819	4	
15	LV7RU	5340-99-807-3231	..BUSHING, PLASTICS, 1 in. od x 29/64 in. id x 21/32 in. h	568858	4	
16	LV7RU	5310-99-807-3229	..WASHER, FINISHING, steel, 1-1/4 in. od x 15/32 in. id x 3/16 in. thk	543818	4	
17	G1	5310-99-941-0904	..NUT, PLAIN, HEXAGON, UNF, steel, zinc coated, 5/8 in.		4	
19	G1	5305-99-122-5305	..SCREW, MACHINE, SI, metric, steel, 8 mm x 10 mm lg		3	
20	G1	5310-99-135-9304	..WASHER, LOCK, steel, 8 mm		3	
21-28	LV7RU	2530-99-823-0007	..DRAG LINK, STEERING	624290	1	
22-27	LV7RU	2530-99-823-0008	..ROD END, STEERING: rh thd	599488	2	
23	LV7RU	2530-99-849-9443	...BOOT, DUST AND MOISTURE SEAL, 2 in. od x 23/32 in. id	214649	2	
24	LV7RU	2530-99-849-9446	...SPRING, GARTER EXTENSION, 1-5/16 in. od x 1-5/32 in. id x 1/16 in. thk	214685 214684	2	
25	LV7RU	2530-99-849-9445	...SPRING, GARTER EXTENSION	214684	2	
26	LV7RU	2530-99-849-9444	...RETAINER, RUBBER COVER, steel, 29/32 in. dia x 11/16 in. id x 5/16 in. lg	214662	2	
27	G1	5310-99-122-5300	...NUT, SELF-LOCKING, HEXAGON, SI, metric, 20 mm		2	
28	G1	5315-99-944-0185	..PIN, COTTER, SPLIT, steel, 3.2 mm dia x 63 mm lg		1	
29	G1	5310-99-122-6477	..WASHER, FLAT, steel, 12 mm		2	
30	G1	5310-99-135-9042	..NUT, SLOTTED, HEXAGON, SI, metric, steel, 12 mm		2	
31	G1	5315-99-944-0179	..PIN, COTTER, SPLIT, steel, 3/32 in. dia x 1-7/8 in. lg		2	

ACCELERATOR AND BRAKE CONTROLS

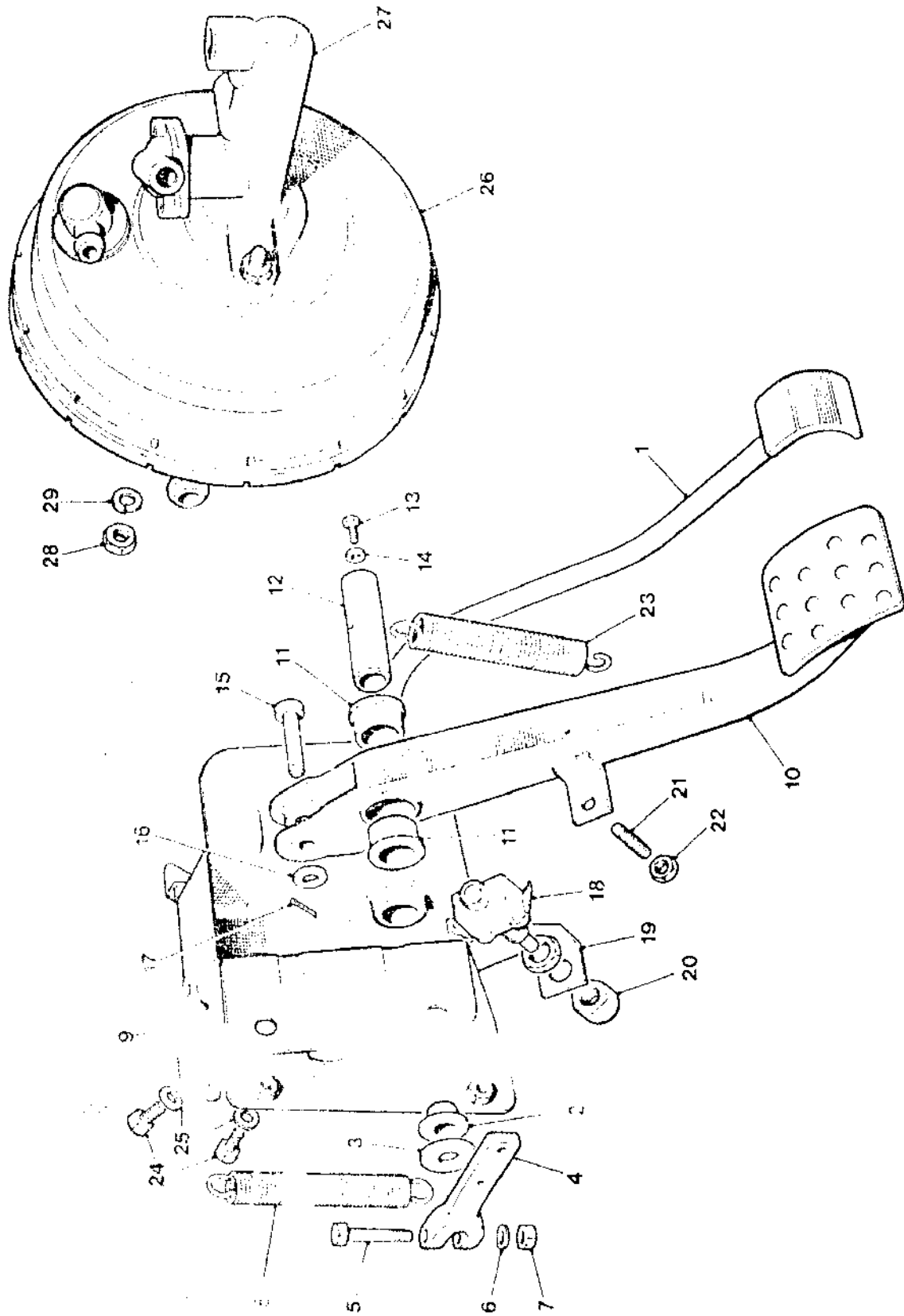


FIG ITEM	MAN CODE	NATO STOCK NUMBER/ CATALOGUE NUMBER	ITEM NAME AND DESCRIPTION	PART NO./ DRAWING NO./ ADREFNO	NO. OFF	ANNOTATIONS
G4			CONTROLS - contd			
1-2		NP	.ACCELERATOR PEDAL SHAFT ASSEMBLY	594902	1	
2	LV7RU	2540-99-824-6604	..BEARING, SLEEVE, nylon, 25.65 mm od x 11.3 mm w	5954905	2	
3	G1	5310-99-122-6477	.WASHER, FLAT, steel, 12 mm		1	
+	LV7RU	2520-99-824-6605	.LEVER, REMOTE CONTROL, steel, 91 mm lg	595404	1	
5	G1	5306-99-122-8099	.BOLT, MACHINE, SI, metric, steel, 6 mm x 35 mm lg		1	
6	G1	5310-99-122-6474	.WASHER, FLAT, steel, 6 mm		1	
7	G1	5310-99-122-5295	.NUT, PLAIN, HEXAGON, SI, metric, steel, 6 mm		1	
10,11		NP	.BRAKE PEDAL ASSEMBLY	599007	1	
11	LV7RU	3120-99-849-9647	..BEARING, SLEEVE	272714	2	
12	LV7RU	2530-99-849-9645	.SHAFT, PEDAL	272712	1	
+	LV7RU	5305-99-829-9754	.PIN, STRAIGHT, HEADLESS	50447	1	
13	G1	5305-99-941-0510	.SCREW, MACHINE, UNF, steel, zinc coated, 1/4 in. x 3/8 in. lg		1	
14	LV6MT1	5330-99-801-5567	.WASHER, NONMETALLIC, 1/4 in. id		1	
15	LV7RU	5315-99-137-6357	.PIN, STRAIGHT, HEADED	564812	1	
16	LV7RU	5310-99-136-4891	.WASHER, FLAT, steel, zinc coated, 7/16 in.	3843	1	
17	G1	5315-99-944-0176	.PIN, COTTER, SPLIT, steel, 3/32 in. dia x 7/8 in. lg		1	
18	LV7RU	5930-99-822-1908	.SWITCH, PRESSURE: stop lamp switch	589063	1	
19	LV6MT4	5310-99-811-9084	.NUT, PLAIN, HEXAGON, UNF, brass, 1/2 in.	569116	1	
23	LV7RU	5360-99-810-2137	.SPRING, HELICAL, EXTENSION, steel, 5/8 in. dia x 4 in. lg	569701	1	Pedal return
24	LV7RU	5305-99-138-8090	.SCREW, SELF-LOCKING, HEXAGON, SI, metric, steel, 6 mm x 12 mm lg	595392	6	
25	G1	5310-99-122-6474	.WASHER, FLAT, steel, zinc coated, 6 mm		6	
26,27	LV6MT9	2530-99-822-1504	.SERVOCYLINDER, VACUUM, ASSEMBLY	64049607	1	
26	LV6MT9	2530-99-825-5346	..SERVOCYLINDER, VACUUM	64049658	1	
+	LV7RU	4730-99-824-2746	..PIUG, PIPE, NPTF, 1/8 in.	577611	1	
27	LV6MT9	2530-99-824-6189	..CYLINDER ASSEMBLY, HYDRAULIC BRAKE, MASTER	64066086	1	LUCAS CIRLING
+	LV6MT9	2530-99-821-0980	.PARTS KIT, SERVOCYLINDER	SP2495-3	1	
+	LV6MT9	2530-99-824-3462	.PARTS KIT, HYDRAULIC BRAKE MASTER CYLINDER	SP2710	1	
28	G1	5310-99-135-6785	.NUT, PLAIN, HEXAGON, UNF, steel, zinc coated, 3/8 in.		4	
29	G1	5310-99-120-2304	.WASHER, LOCK, steel, zinc coated, 3/8 in.		4	
+	G1	5305-99-122-5300	.SCREW, MACHINE, SI, metric, steel, 6 mm x 16 mm lg		2)
+	G1	5310-99-135-9301	.WASHER, LOCK, steel, 6 mm		2)Servo
+	G1	5310-99-122-3033	.WASHER, FLAT, steel, 6 mm		2)mtg
+	G1	5310-99-122-5295	.NUT, PLAIN, HEXAGON, SI, metric, steel, 6 mm		2)
+	LV7RU	2540-99-837-4707	.CHOKE - ..CONTROL ASSEMBLY, PUSH-PULL	NRC5392	1	RHD
+	LV7RU	2540-99-823-6012	..CONTROL ASSEMBLY, PUSH-PULL	624126	1	LHD

G5

ACCELERATOR LINKAGE

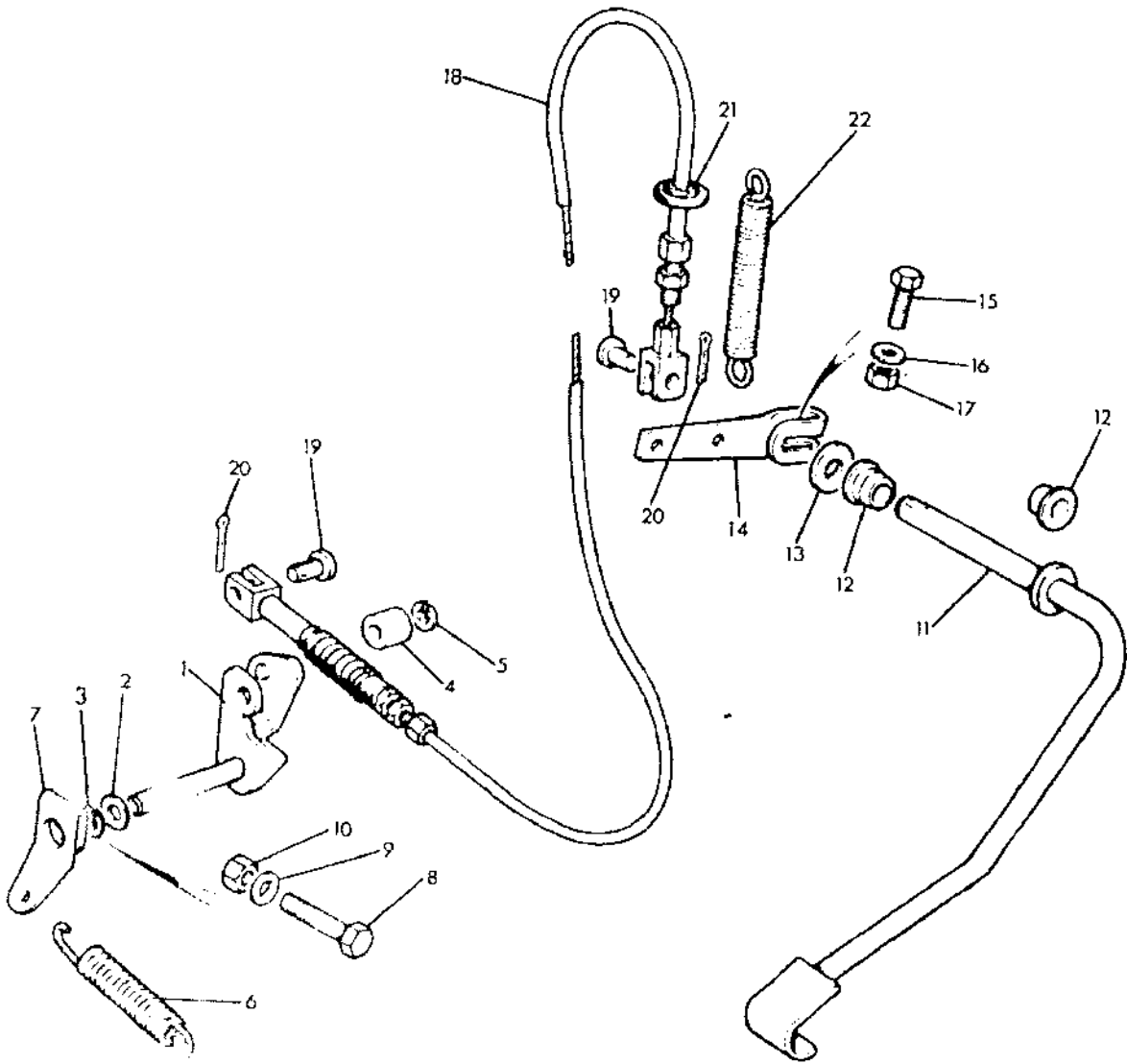


FIG ITEM	MAN CODE	NATO STOCK NUMBER/ CATALOGUE NUMBER	ITEM NAME AND DESCRIPTION	PART NO./ DRAWING NO./ ADREFNO	NO. OFF	ANNOTATIO
G 5			CONTROLS - contd			
1	LV7RU	2910-99-829-8986	..ACCELERATOR LINKAGE -			
2	LV7RU	5310-99-136-5497	..LEVER, REMOTE CONTROL	611349	1	
3	LV6MT1	5365-99-580-1339	..WASHER, FLAT, steel, 9/16 in. od x 5/16 in. id x 1/16 in. thk	4047	1	
4	LV7RU	2910-99-824-1964	..RING, RETAINING, steel, circlip, ext, 1/4 in. id x 0.025 in. thk		1	
5	LV6MT1	5365-99-942-4321	..ROLLER, COUNTERSHAFT LEVER, plastics, 3/8 in. od x 1/8 in. id x 5/16 in. lg	603237	1	
6	LV7RU	5360-99-824-1966	..RING, RETAINING, steel, circlip, ext, 0.097 in. groove dia		1	
7	LV6MT12	2915-99-774-7180	..SPRING, COUNTERSHAFT RETURN, steel, 1/2 in. od x 3 in. lg	603622	1	
8	G1	5305-99-136-3718	..LEVER, REMOTE CONTROL	AUD 2437	1	
9	G1	5310-99-941-6867	..SCREW, MACHINE, UNF, steel, No. 10 x 3/4 in. lg		1	
10	G1	5310-99-941-2419	..WASHER, FLAT, steel, 2BA		1	
			..NUT, PLAIN, HEXAGON, UNF, steel, No. 10		1	
12	LV7RU	2540-99-824-6604	..BEARING, LEVER, PIVOT, nylon, 25.65 mm od x 11.3 mm id	594905	2	
13	G1	5310-99-122-6477	..WASHER, FLAT, steel, 12 mm		1	
15	G1	5306-99-122-8099	..BOLT, MACHINE, SI, metric, steel, 6 mm x 35 mm lg		1	
16	G1	5310-99-122-6474	..WASHER, FLAT, steel, 6 mm		2	
17	G1	5310-99-122-5295	..NUT, PLAIN, HEXAGON, SI, metric, steel, 6 mm		1	
	LV7F	2590-99-823-6050	..CABLE ASSEMBLY, THROTTLE CONTROL, 99-3/4 in. lg	624285	1	RHD
18	LV7RU	2590-99-823-2769	..CABLE ASSEMBLY, THROTTLE CONTROL, 135 in. lg	624286	1	LHD
19	LV7RU	5315-99-824-6606	..PIN, STRAIGHT, HEADED, steel, 3/16 in. dia x 1/2 in. lg	562481	1	
20	G1	5315-99-138-2199	..PIN, COTTER, SPLIT, steel, 3/64 in. dia x 1 in. lg		1	
21	LV7RU	5325-99-137-7635	..CROMMET, RUBBER, 1/4 in. id x 1-7/16 in. od	562106	1	
22	LV7RU	2910-99-895-1931	..SPRING, RETURN, ACCELERATOR	277502	1	
+	LV7RU	2540-99-830-6704	..PACKING BLOCK	MRC 6040	1	Accelerator
+	LV7RU	2540-99-830-6705	..PLATE, ACCELERATOR STOP	MRC 6041	1	ator
+	LV7RU	2540-99-830-6706	..DRIVE SCREW: pedal stop block	ABU 10101	1	pedal st

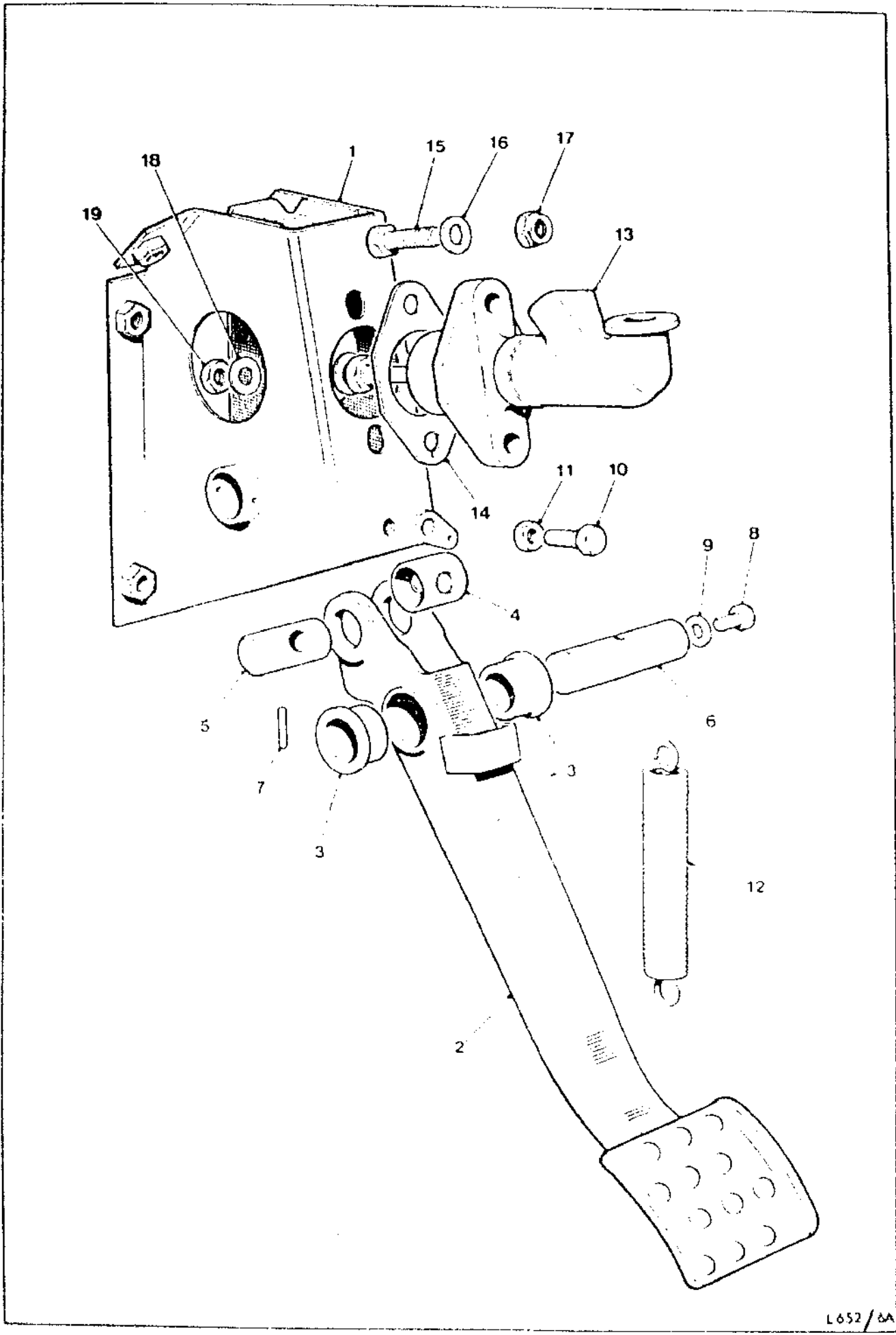
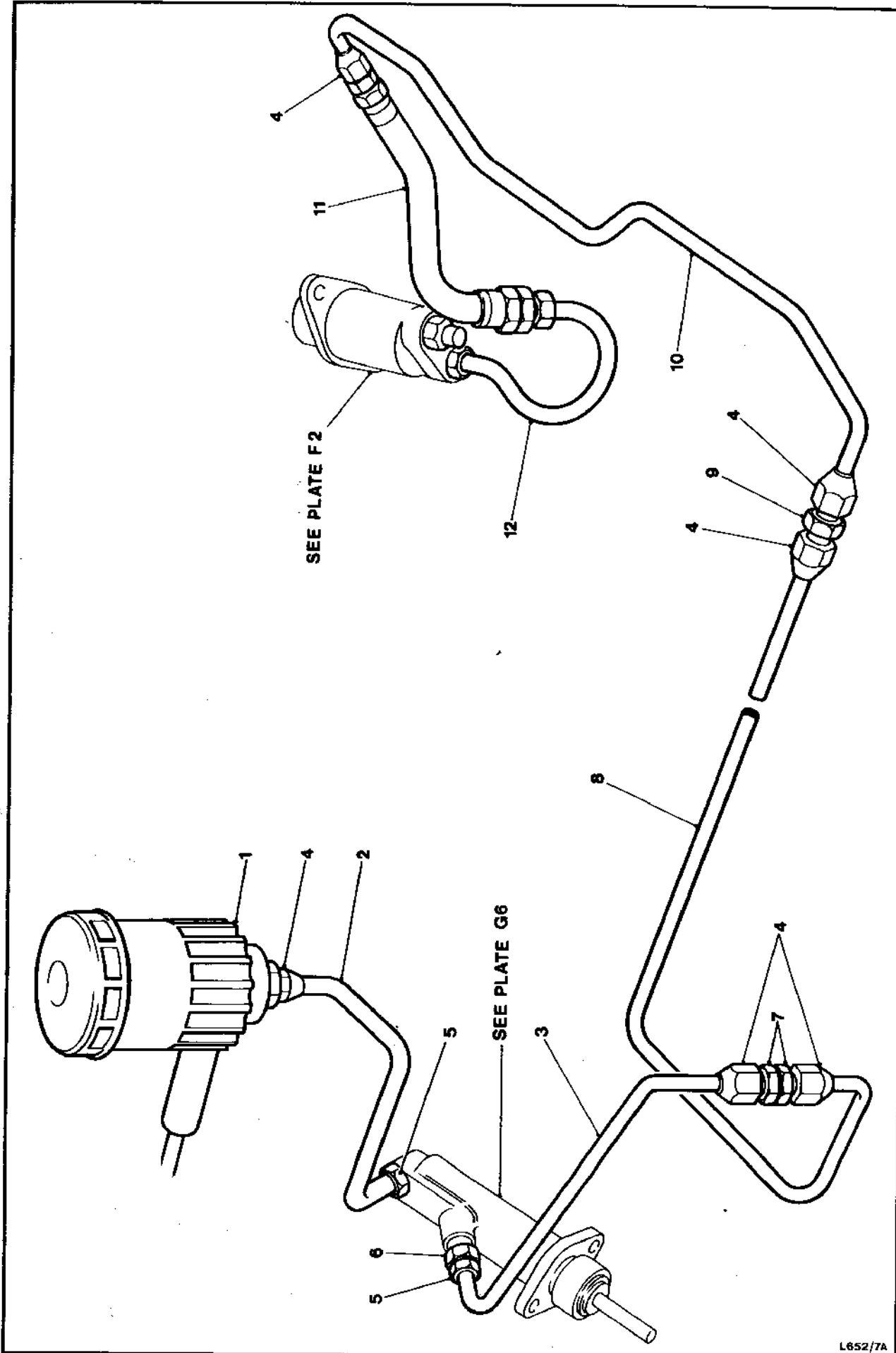


FIG ITEM	MAN CODE	NATO STOCK NUMBER/ CATALOGUE NUMBER	ITEM NAME AND DESCRIPTION	PART NO./ DRAWING NO./ ADREFNO	NO. OFF	ANNOTATIONS
G6			CONTROLS - contd			
1		NP	..CLUTCH --			
+	LV7RU	5305-99-138-8090	..MOUNTING BRACKET	594686	1)Fixing mtg)bracket)to)body
+	LV7RU	5310-99-137-7464	..SCREW, SELF-LOCKING, SI, metric, steel, 6 mm x 16 mm lg	624190	6	
			..WASHER, FLAT, steel, 6.4 mm id x 18 mm od x 1.6 mm thk	851041	6	
2,3		NP	..CLUTCH PEDAL ASSEMBLY	594657	1	
3	LV7RU	3120-99-849-9647	...BEARING, SLEEVE	272714	2	
4	LV7RU	5340-99-849-9642	..SPACER, SLEEVE: pedal trunnion	269783	1	
5	LV7RU	5315-99-808-4986	..PIN, STRAIGHT, HEADLESS, steel, 5/8 in. dia x 1-1/2 in. lg	568883	1	
6	LV7RU	2530-99-849-9645	..SHAFT: pedal	272712	1	
7	LV7RU	5315-99-849-9637	..PIN, GROOVED, HEADLESS, steel, 1/8 in. dia x 1 in. lg	50446	1	
8	G1	5305-99-941-0510	..SCREW, MACHINE, UNF, steel, 1/4 in. x 3/8 in. lg		1	
9	LV6MT1	5330-99-801-5567	..WASHER, NONMETALLIC, 1/4 in.		1	
10	G1	5305-99-122-5368	..SCREW, MACHINE, SI, metric, steel, 8 mm x 30 mm lg		1) Pedal) stop
11	G1	5310-99-122-5302	..NUT, PLAIN, HEXAGON, SI, metric, steel, 8 mm		1	
12	LV7RU	5360-99-810-2137	..SPRING, HELICAL, EXTENSION, steel, 45/64 in. od x 4 in. lg	569701	1	
13	LV6MT9	2520-99-823-6055	..CYLINDER, CLUTCH MASTER	64066585	1	
+	LV6MT9	2530-99-824-0663	..KIT, OVERHAUL, CLUTCH MASTER CYLINDER	SP1967/4	1	
14	LV7RU	5330-99-822-1909	..GASKET, aluminium, 3-1/8 in. lg x 1-27/32 in. w x 1/32 in. thk	592358	1	
15	G1	5305-99-941-0528	..SCREW, MACHINE, UNF, steel, zinc coated, 5/16 in. x 1-1/8 in. lg		2	
16	G1	5310-99-134-2496	..WASHER, FLAT, steel, 5/16 in.		2	
17	G1	5310-99-941-3525	..NUT, SELF-LOCKING, HEXAGON, UNF, steel, 5/16 in.		2	
18	G1	5310-99-941-8608	..WASHER, FLAT, steel, 5/16 in.		2	
19	G1	5310-99-941-0925	..NUT, PLAIN, HEXAGON, UNF, steel, 5/16 in.		2	

G7

CLUTCH CONTROL



RHD ILLUSTRATED

FIG ITEM	MAN CODE	NATO STOCK NUMBER/ CATALOGUE NUMBER	ITEM NAME AND DESCRIPTION	PART NO./ DRAWING NO./ ADREFNO	NO. OFF	ANNOTATIONS
G7			CONTROLS - contd			
1	LV6MT9	2530-99-824-6190	..CLUTCH - contd			
			..TANK, OIL, HYDRAULIC SYSTEM: clutch fluid reservoir	64046304	1	
	LV7RU	2530-99-829-8953	..PIPE ASSEMBLY: reservoir to master cylinder	562978	1	RHD
2,4,5	LV6MT9	2530-99-829-7570	..PIPE ASSEMBLY: reservoir to master cylinder	595420	1	LHD
	LV7RU	2530-99-829-8954	..PIPE ASSEMBLY: master cylinder to adaptor	595425	1	RHD
3-5	LV6MT9	2530-99-829-7571	..PIPE ASSEMBLY: master cylinder to adaptor	NRC 1978	1	LHD
			..PIPE ASSEMBLIES -			
2,3	LV6MT1	4710-99-943-8887	...PIPING, STEEL, 1/4 in. dia) AR
4	LV6MT9	4730-99-836-5266	...NUT, UNION, PIPE, UNF, steel, 7/16 in.	377111W		
5	LV6MT9	4730-99-836-5262	...INVERTED NUT, UNION PIPE	377012W		
6	LV6MT9	4730-99-836-5244	..ADAPTOR, PIPE, COUPLING, UNF, steel, 7/16 in. female x 3/8 in. male	374662W	1	
+	LV6MT9	5310-99-881-2459	..WASHER, FLAT, copper, 19/32 in. od x 3/8 in. id	233220	1	
+	LV6MT9	2520-99-823-6055	..CYLINDER ASSEMBLY, CLUTCH MASTER	64066585	1	See Fig.G6
7	LV6MT9	4730-99-824-6135	..DOUBLE-ENDED UNION, PIPE, MALE, UNF, steel, 7/16 in. both ends	64476985	1	
+	LV6MT9	5310-99-836-7707	..NUT, PLAIN, HEXAGON, UNF, steel, 7/16 in.	10236	1) Adaptor securing
+	G1	5310-99-120-6046	..WASHER, LOCK, steel, 7/16 in.		1	
4,8		NP	..PIPE ASSEMBLY: adaptor to adaptor	595431	1	
4	LV6MT9	4730-99-836-5266	...NUT, UNION, PIPE, UNF, steel, 7/16 in.	377111W	2	
8	LV6MT1	4710-99-943-8887	...PIPING, STEEL, 1/4 in. dia			AR
9	LV6MT9	4730-99-824-7312	..ADAPTOR: clutch pipe	598693	1	
4,10		NP	..PIPE ASSEMBLY: adaptor to jump hose	595433	1	
4	LV6MT9	4730-99-836-5266	...NUT, UNION, PIPE, UNF, steel, 7/16 in.	377111W	2	
10	LV6MT1	4710-99-943-8887	...PIPING, STEEL, 1/4 in. dia			AR
+	LV7RU	2910-99-825-6359	..PIPE CLIP, plastics, 1/4 in. dia grip	79123	1	
+	G1	5305-99-941-8362	..SCREW, TAPPING, THREAD FORMING, steel, No.8 x 3/8 in. lg		1	
11	LV6MT9	4720-99-824-6187	..HOSE ASSEMBLY, RUBBER, UNF, 7/16 in. both ends x 203.2 mm lg	3703916W	1	
+	LV6MT9	5310-99-836-5310	..WASHER, FLAT: jump hose	21694	1	
+	G1	5310-99-120-6046	..WASHER, LOCK, steel, 7/16 in.		1	
+	LV6MT9	5310-99-836-7707	..NUT, PLAIN, HEXAGON, UNF, steel, 7/16 in.	216912	1	
+	LV6MT4	5340-99-820-5371	..CABLE TIE, plastics, 0.07 in. thk x 0.18 in. w x 5.937 in. lg	60150079	1	
+	LV6MT9	2530-99-814-3923	..CYLINDER ASSEMBLY, ACTUATING, LINEAR, 7/8 in. dia bore x 2 in. stroke	60150079	1	Slave cylinder

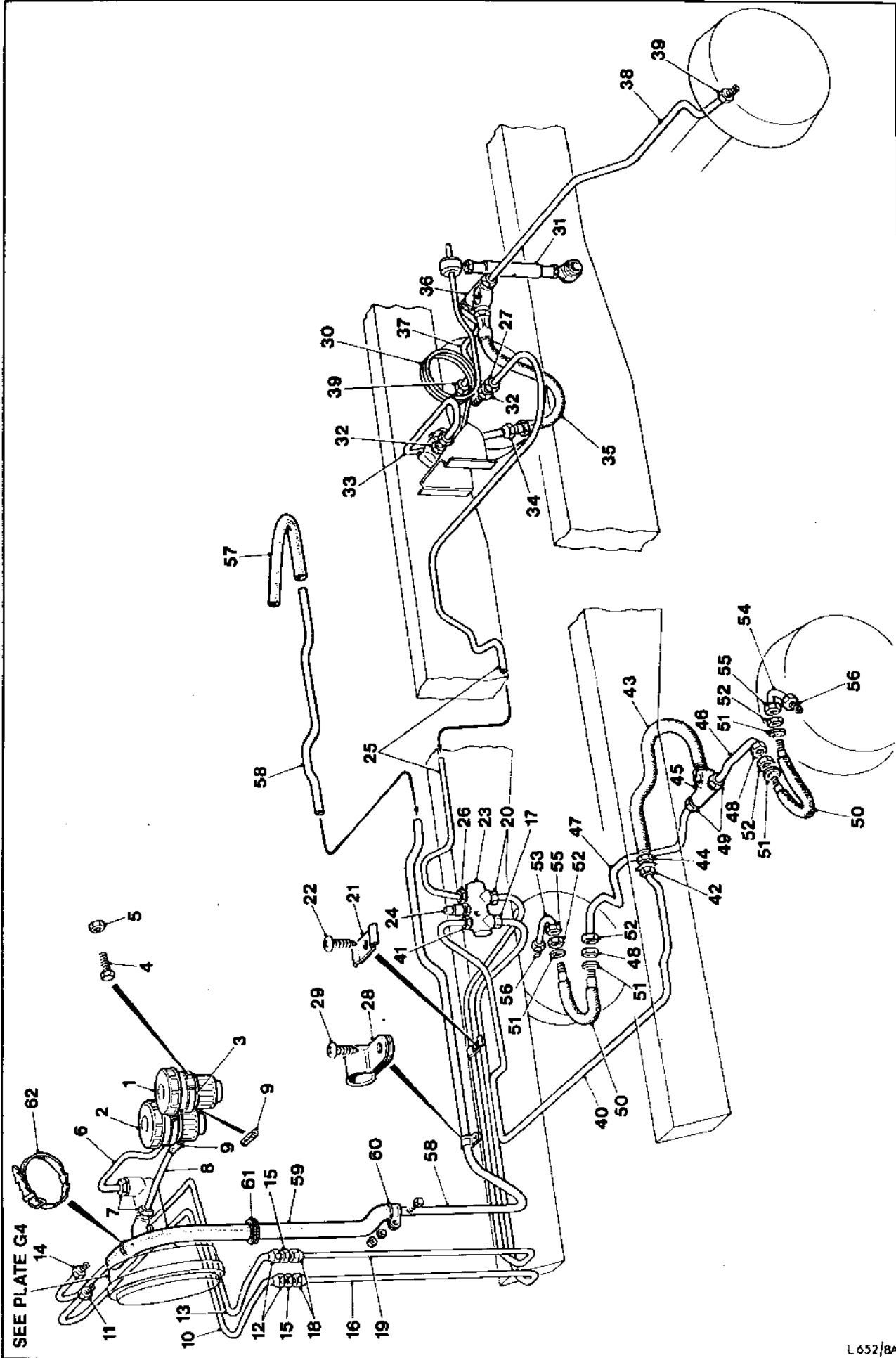


FIG ITEM	MAN CODE	NATO STOCK NUMBER/ CATALOGUE NUMBER	ITEM NAME AND DESCRIPTION	PART NO./ DRAWING NO./ ADREFNO	NO. OFF	ANNOTATIONS	
G8							
1	LV6MT9	2530-99-825-5909	CONTROLS - contd ..BRAKES - ..TANK, OIL, HYDRAULIC SYSTEM: 1 outlet fitting	68947005	1		
2	LV6MT9	2530-99-824-6190	..TANK, OIL, HYDRAULIC SYSTEM: 2 outlet fitting	64046304	1		
3	LV6MT9	2530-99-819-1538	...STRAINER, ELEMENT, SEDIMENT, nylon mesh	64478646 378260	2		
3	LV6MT9	2530-99-836-5302	..CLIP, BRAKE FLUID SUPPLY TANK		2		
+	G1	5305-99-137-5622	..SCREW, MACHINE, SI, metric, steel, 6 mm x 14 mm lg		2) Fixing clip to) bracket	
+	G1	5310-99-137-9232	..WASHER, LOCK, steel, single coil, 6 mm		2		
+	G1	5310-99-122-5295	..NUT, PLAIN, HEXAGON, SI, metric, steel, zinc coated, 6 mm		2		
4	G1	5305-99-139-3067	..SCREW, MACHINE, SI, metric, steel, 0.7 mm x 4 mm pitch x 20 mm lg		2) Clamping clip to) reservoir	
5	G1	5310-99-122-6456	..NUT, PLAIN, HEXAGON, SI, metric, steel, zinc coated, 0.7 mm x 4 mm pitch		2		
6,7	LV7RU	2530-99-829-8958	..PIPE ASSEMBLY: reservoir to master cylinder, rear	598997	1	RHD	
		NP	..PIPE ASSEMBLY: reservoir to master cylinder, rear	598998	1	LHD	
7,8		NP	..PIPE ASSEMBLY: reservoir to master cylinder, front	595417	1	RHD	
		NP	..PIPE ASSEMBLY: reservoir to master cylinder, front	595418	1	LHD	
6,8	LV6MT1	4710-99-801-0706	..PIPE ASSEMBLIES - ...PIPING, STEEL, 1/4 in. dia	248311	2) AR	
	7	LV6MT9	4730-99-836-5262				...INVERTED NUT, UNION, PIPE
	9	LV6MT9	4720-99-824-6191				...HOSE, RUBBER, 17/32 in. od x 1/4 in. id x 2 in. lg
10,12		NP	..PIPE ASSEMBLY: master cylinder front to adaptor	595421	1	RHD	
		NP	..PIPE ASSEMBLY: master cylinder front to adaptor	595422	1	LHD	
10	LV6MT1	4710-99-801-0703	...PIPING, STEEL, 3/16 in. dia	377111W 64470429	1	AR	
11	LV7RU	4730-99-836-5266	...INVERTED NUT, UNION, PIPE, UNF, steel, 7/16 in.				
12	LV6MT9	2530-99-882-0425	...NUT, PIPE, HYDRAULIC BRAKE		1		
12-14		NP	..PIPE ASSEMBLY: master cylinder rear to adaptor	595423	1	RHD	
		NP	..PIPE ASSEMBLY: master cylinder rear to adaptor	595424	1	LHD	
12	LV6MT9	2530-99-882-0425	...NUT, PIPE, HYDRAULIC BRAKE, UNF, 3/8 in.	64470429	1		
13	LV6MT1	4710-99-801-0703	...PIPING, STEEL, 3/16 in. dia	64470425	1	AR	
14	LV6MT9	2530-99-882-0424	...INVERTED NUT, UNION, PIPE, UNF, 3/8 in.				
+	LV7RU	5340-99-828-0731	..STRAP, RETAINING, steel, 1-1/4 in. lg	592007	2	LHD	
15	LV6MT9	4730-99-824-6192	..DOUBLE-ENDED UNION, PIPE, MALE, UNF, steel, 3/8 in. both ends	276X 15239	2		

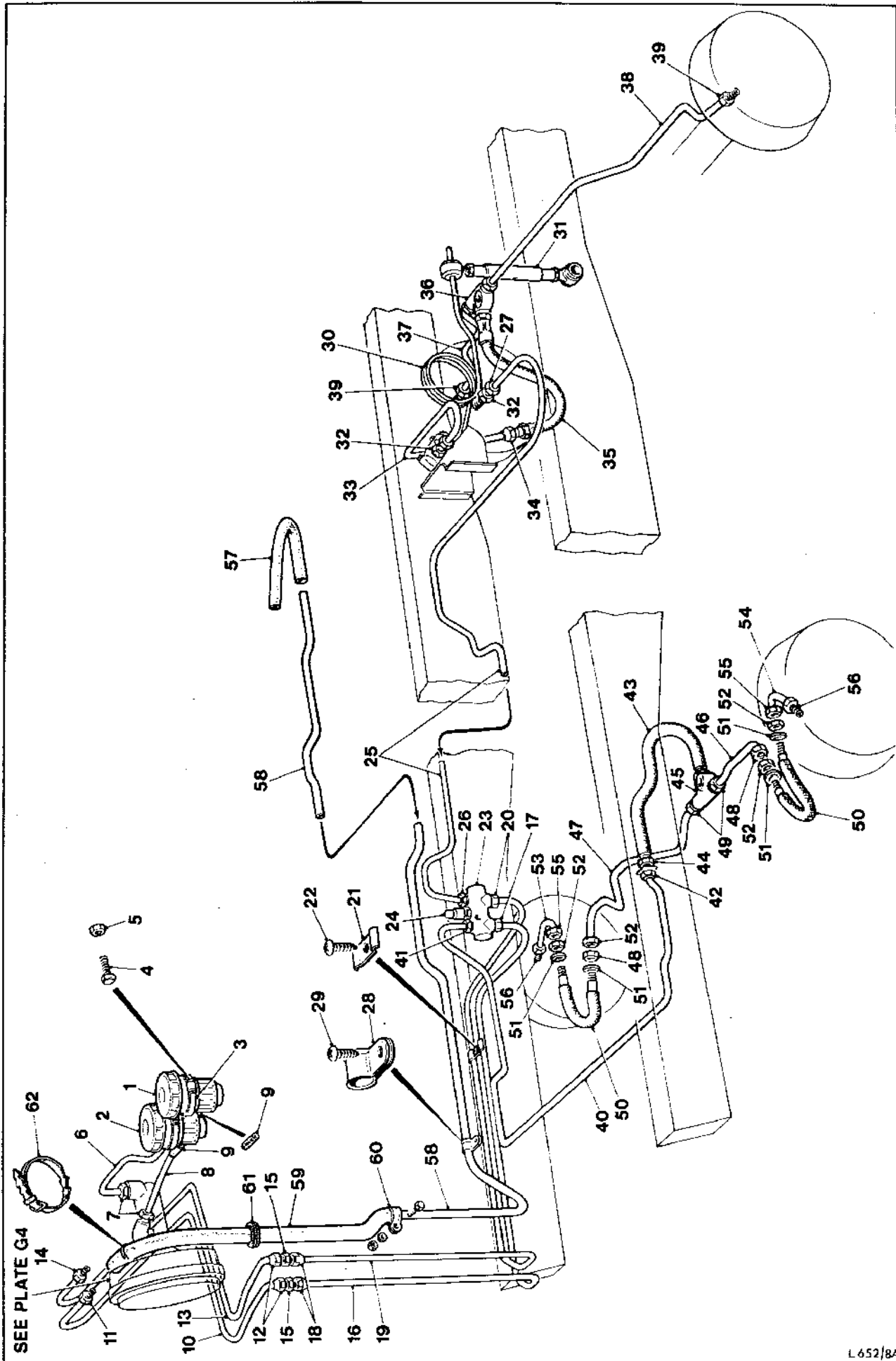
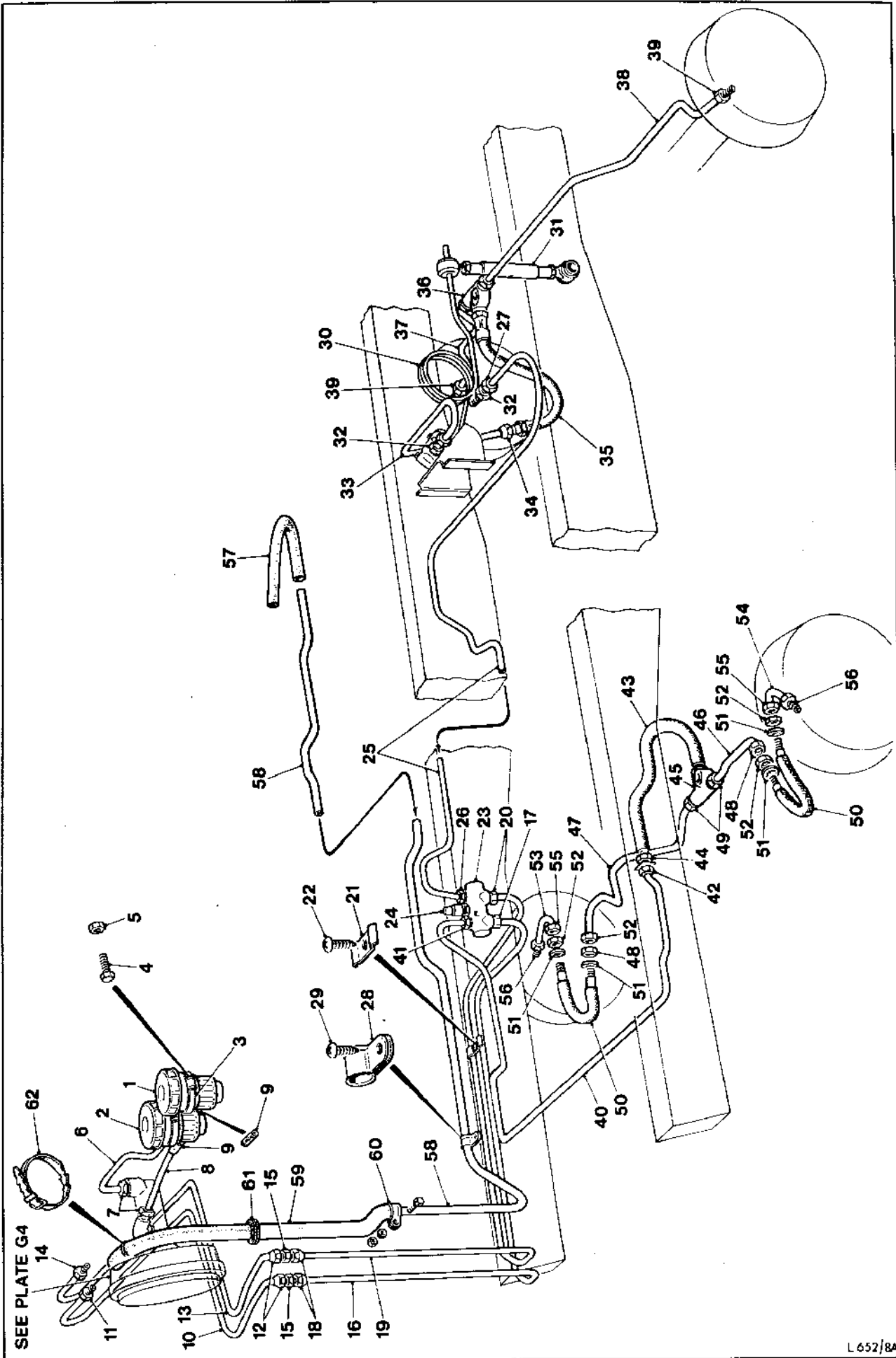
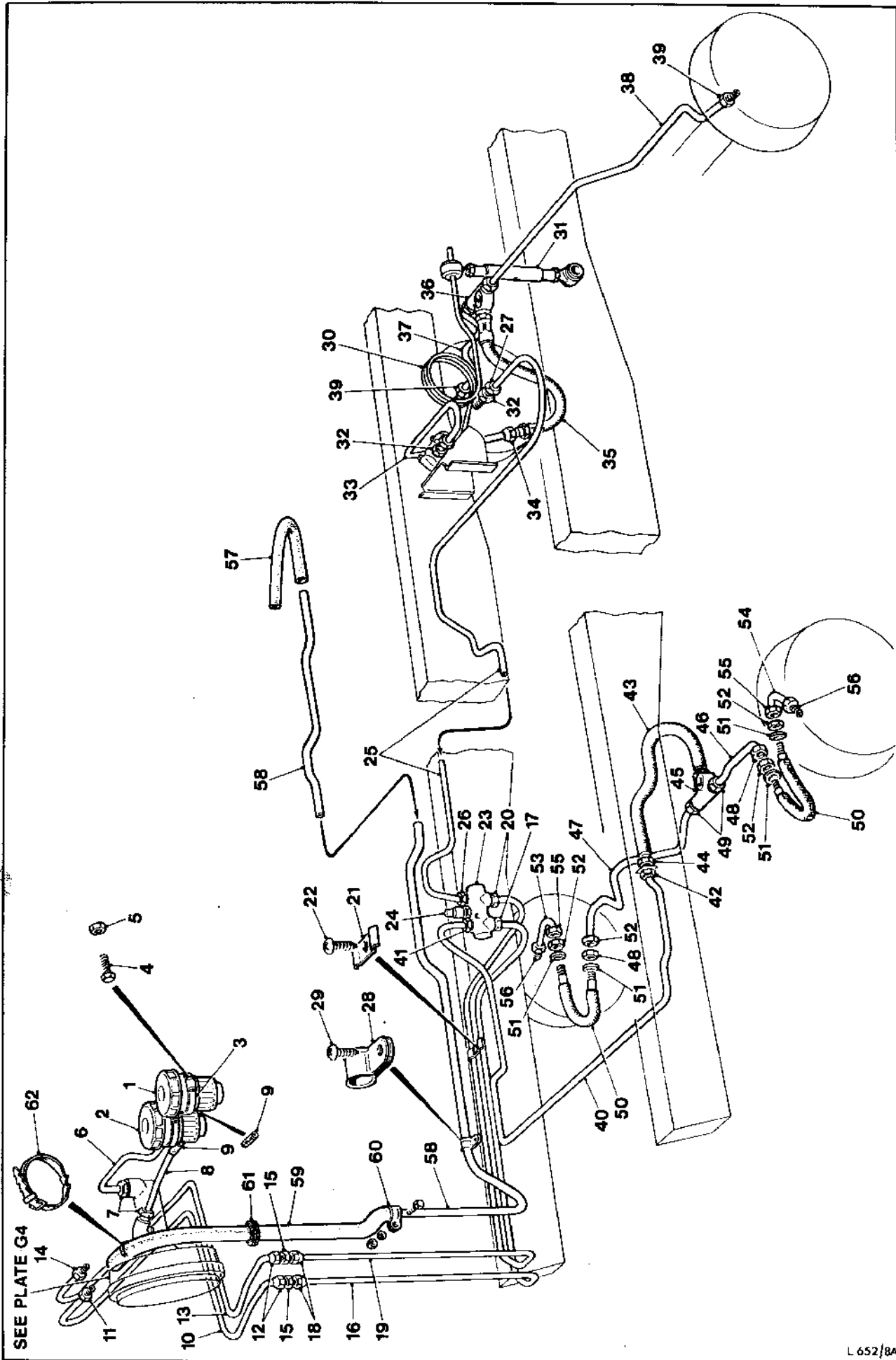


FIG ITEM	MAN CODE	NATO STOCK NUMBER/ CATALOGUE NUMBER	ITEM NAME AND DESCRIPTION	PART NO./ DRAWING NO./ ADREFNO	NO. OFF	ANNOTATIONS
G8			CONTROLS - contd BRAKES - contd			
+	G1	5310-99-912-9583	..WASHER, LOCK, steel, flat int teeth, 3/8 in.		2	
+	G1	5310-99-136-1527	..NUT, PLAIN, HEXAGON, UNF, steel, zinc coated, 3/8 in.		2	
16-18		NP	..PIPE ASSEMBLY: adaptor to shuttle valve, front	595427	1	
16	LV6MT1	4710-99-801-0703	...PIPING, STEEL, 3/16 in. dia		AR	
17	LV6MT9	4730-99-136-9504	...INVERTED NUT, UNION, PIPE, UNF, steel, 7/16 in.	572950	1	
18	LV6MT9	2530-99-882-0425	...NUT, PIPE, HYDRAULIC BRAKE, UNF, 3/8 in.	64470429	1	
18-20		NP	..PIPE ASSEMBLY: adaptor to shuttle valve, rear	595429	1	
18	LV6MT9	2530-99-882-0425	...NUT, PIPE, HYDRAULIC BRAKE, UNF, 3/8 in.	64470429	1	
19	LV6MT1	4710-99-801-0703	...PIPING, STEEL, 3/16 in. dia		AR	
20	LV6MT9	2530-99-882-0424	...INVERTED NUT, UNION, PIPE, UNF, 3/8 in.	64470425	1	
22	G1	5305-99-941-8362	..SCREW, TAPPING, THREAD FORMING, steel, pan hd, No.8 x 3/8 in. lg		1	
23, 24	LV6MT9	2530-99-812-6024	..SHUTTLE VALVE	599443	1	
24	LV6MT9	2530-99-824-6194	...SWITCH, SHUTTLE VALVE	2210660102	1	
+	LV6MT9	2530-99-824-6193	..PARTS KIT, SHUTTLE VALVE	SP2863	1	
+	LV6MT9	2530-99-881-9832	..SCREW, BLEED: shuttle valve	64475409	1	
+	LV7RU	5306-99-825-4551	..BOLT, MACHINE, SI, metric, steel, hex hd, 6 mm x 60 mm lg	897321	1) Shuttle valve to frame
+	G1	5310-99-122-6474	..WASHER, FLAT, steel, 6 mm		1	
+	G1	5310-99-135-9301	..WASHER, LOCK, steel, 6 mm		1	
+	G1	5340-99-122-7704	..SHIELD, EXPANSION, SI, metric, steel, 6 mm		1	
25-27		NP	..PIPE ASSEMBLY: shuttle valve to apportioning valve	NRC 0031	1	
25	LV6MT1	4710-99-801-0703	...PIPING, STEEL, 3/16 in. dia		AR	
26	LV6MT9	2530-99-882-0424	...INVERTED NUT, UNION, PIPE, UNF, 3/8 in.	64470425	1	
27	LV6MT9	4730-99-824-6195	...INVERTED NUT, UNION, PIPE, SI, metric, steel, 12 mm	64478608	1	
28	LV6MT4	5340-99-805-0923	..CLAMP, LOOP, steel, 3/8 in. dia grip	50639	4	
29	G1	5305-99-941-8362	..SCREW, TAPPING, THREAD FORMING, steel, pan hd, No.8 x 3/8 in. lg		4	
30	LV6MT9	2530-99-822-1888	..APPORTIONING VALVE	599201	1	
+	LV6MT9	2530-99-824-6196	..PARTS KIT, APPORTIONING VALVE	SP2852	1	
+	G1	5305-99-122-5366	..SCREW, MACHINE, SI, metric, steel, hex hd, 8 mm x 20 mm lg		4	
+	G1	5310-99-122-6475	..WASHER, FLAT, steel, 8 mm		4	
+	G1	5310-99-135-9302	..WASHER, LOCK, steel, 8 mm		4	
+	LV7RU	5310-99-137-7702	..NUT, PLAIN, HEXAGON, SI, metric, 8 mm	843047	4	
+	G1	5305-99-122-5366	..SCREW, MACHINE, SI, metric, steel, hex hd, 8 mm x 20 mm lg		2) Bracket to rear axle
+	G1	5310-99-135-9302	..WASHER, LOCK, steel, 8 mm		2	
31	LV6MT9	2530-99-824-6197	..LINK AND FERRULE ASSEMBLY	598920	1	



RHD ILLUSTRATED

FIG ITEM	MAN CODE	NATO STOCK NUMBER/ CATALOGUE NUMBER	ITEM NAME AND DESCRIPTION	PART NO./ DRAWING NO./ ADREFNO	NO. OFF	ANNOTATIONS
G8			CONTROLS - contd			
			.BRAKES - contd			
+	G1	5306-99-941-7136	..BOLT, MACHINE, UNF, steel, hex hd, 3/8 in. x 1-3/4 in. lg		1	
+	G1	5310-99-941-6474	..WASHER, FLAT, steel, 3/8 in.		2	
+	G1	5310-99-120-2304	..WASHER, LOCK, steel, single coil, 3/8 in.		1	
+	G1	5310-99-941-1320	..NUT, PLAIN, HEXAGON, UNF, steel, 3/8 in.		1	
32	LV6MT9	4730-99-825-8132	..ADAPTOR, UNION, PIPE, SI, metric, steel, 12 mm female x 14 mm male x 36 mm lg	599206	2	
33, 34		NP	..PIPE ASSEMBLY: apportioning valve to jump hose	598928	1	
33	LV6MT1	4710-99-801-0703	...PIPING, STEEL, 3/16 in. dia		AR	
34	LV6MT9	2530-99-882-0425	...NUT, PIPE, HYDRAULIC BRAKE, UNF, 3/8 in.	64470429	1	
	LV6MT9	4730-99-824-6195	...INVERTED NUT, UNION, PIPE, SI, metric, steel, 12 mm	64478608	1	
35	LV6MT9	2530-99-827-2104	..HOSE ASSEMBLY, RUBBER, 434 mm lg	NRC 2131	1	
+	LV6MT9	5310-99-881-2459	..WASHER, FLAT, copper, 3/8 in.	233220	1	
+	G1	5310-99-912-9583	..WASHER, LOCK, steel, 3/8 in.		1	
+	G1	5310-99-136-1527	..NUT, PLAIN, HEXAGON, UNF, steel, 3/8 in.		1	
36	LV7RU	4730-99-803-4648	..TEE, PIPE	64474341	1	
+	G1	5306-99-122-5245	..BOLT, MACHINE, SI, metric, steel, hex hd, 6 mm x 30 mm lg		1	
+	G1	5310-99-122-6474	..WASHER, FLAT, steel, 6 mm		1	
+	G1	5310-99-122-5295	..NUT, PLAIN, HEXAGON, SI, metric, steel, 6 mm		1	
37, 38		NP	..PIPE ASSEMBLY: tee piece to wheel cylinder	595438	1	Rh
& 39		NP	..PIPE ASSEMBLY: tee piece to wheel cylinder	595439	1	Lh
37, 38	LV6MT1	4710-99-801-0703	...PIPING, STEEL, 3/16 in. dia		AR	
39	LV6MT9	2530-99-882-0424	...INVERTED NUT, UNION, PIPE, UNF, 3/8 in.	64470425	2	
40-42		NP	..PIPE ASSEMBLY: shuttle valve to jump valve hose front bracket	NRC 1110	1	
40	LV6MT1	4710-99-801-0703	...PIPING, STEEL, 3/16 in. dia		AR	
41	LV7FD	4730-99-817-4696	...INVERTED NUT, UNION, PIPE, UNF, steel, 7/16 in.	572950	1	
42	LV6MT9	2530-99-882-0425	...NUT, PIPE, HYDRAULIC BRAKE, UNF, 3/8 in.	64470429	1	
+	LV7RU	5340-99-824-3941	..CLIP, PIPE, plastics, 1/4 in. dia grip	79125	3	
+	G1	5305-99-941-8362	..SCREW, TAPPING, THREAD FORMING, steel, pan hd, No.8 x 3/8 in. lg		3	Clip fixing
43	LV7RU	2530-99-829-9755	..HOSE ASSEMBLY, RUBBER	BMK 1208	1	
44	G1	5310-99-136-1527	..NUT, PLAIN, HEXAGON, UNF, steel, 3/8 in.		1	
45	LV7RU	4730-99-803-4648	..TEE-PIPE	537761	1	
47-49		NP	..PIPE ASSEMBLY: three way to hose bracket	NRC 1190	1	Rh
46, 48 & 49		NP	..PIPE ASSEMBLY: three way to hose bracket	NRC 1189	1	Lh



RHD ILLUSTRATED

FIG ITEM	MAN CODE	NATO STOCK NUMBER/ CATALOGUE NUMBER	ITEM NAME AND DESCRIPTION	PART NO./ DRAWING NO./ ADREFNO	NO. OFF	ANNOTATIONS
G8						
46, 47 48	LV6MT1 LV6MT9	4710-99-801-0703 2530-99-882-0425	CONTROLS - coatl ..BRAKES - coatl ..PIPE ASSEMBLY: three way to hose bracket - coatl ...PIPING, STEEL, 3/16 in. dia		AR	
49	LV6MT9	2530-99-882-0424	...NUT, PIPE, HYDRAULIC BRAKE, UNF, 3/8 in.	64470429	2	
50	LV6MT9	2530-99-828-0881	...INVERTED NUT, UNION, PIPE, UNF, 3/8 in.	64470425	2	
50	LV6MT9	2530-99-828-0881	..HOSE ASSEMBLY, RUBBER, UNF, 9 in. lg x 3/8 in. thd both ends	TKC 3029	2	
+	LV6MT9	5310-99-881-2459	..WASHER, FLAT, copper, 19/32 in. od x 3/8 in. id x 0.048 in. thk	378711	1	
51	G1	5310-99-912-9583	..WASHER, LOCK, steel, 3/8 in.		4	
52	G1	5310-99-136-1527	..NUT, PLAIN, HEXAGON, UNF, steel, 3/8 in.		4	
53, 55 & 56		NP	..PIPE ASSEMBLY: hose bracket to wheel cylinder	595444	1	Rh
54-56		NP	..PIPE ASSEMBLY: hose bracket to wheel cylinder	595443	1	Lh
53, 54 55	LV6MT1 LV6MT9	4710-99-801-0703 2530-99-882-0425	...PIPING, STEEL, 3/16 in. dia		AR	
56	LV6MT9	2530-99-882-0424	...NUT, PIPE, HYDRAULIC BRAKE, UNF, 3/8 in.	64470429	2	
57	LV6MT9	2530-99-882-0424	...INVERTED NUT, UNION, PIPE, UNF, 3/8 in.	64470425	2	
57	LV7RU	2530-99-824-6199	..HOSE, RUBBER, 21/32 in. od x 5/16 in. id x 35 in. lg	595412	1	Engine take off
58	LV6MT1	4710-99-801-0704	..PIPING, STEEL, 3/8 in. dia		AR	
59	LV7RU	2530-99-822-1573	..HOSE, RUBBER: servo to manifold, 11/32 in. id x 28 in. lg	577844	1	RHD
59	LV6MT9	2530-99-822-6040	..HOSE, RUBBER: servo to manifold	64491363	1	LHD
+	LV6MT9	2530-99-829-7572	..HOSE, VACUUM, rubber, 11/32 in. id x 3 in. lg	598508	1	
60	LV7RU	5340-99-874-0544	..CLAMP, LOOP	513220	1	
+	G1	5305-99-135-0416	..SCREW, MACHINE, SI, metric, steel, 3 mm x 10 mm lg		1	
+	G1	5310-99-138-9224	..WASHER, LOCK, steel, single coil, 3 mm		1	
+	G1	5310-99-135-0754	..NUT, PLAIN, HEXAGON, SI, metric, steel, 3 mm		1	
61	H9	5325-99-804-8116	..GROMMET, RUBBER, 1-5/8 in. od x 1-1/4 in. groove od x 5/32 in. id x 3/8 in. h		1	
62	LV6MT4	5340-99-820-5371	..CABLE TIE, plastics, 3/16 in. w x 5-5/16 in. lg	236390 240430	1 1	

TRAILER BRAKING SYSTEM

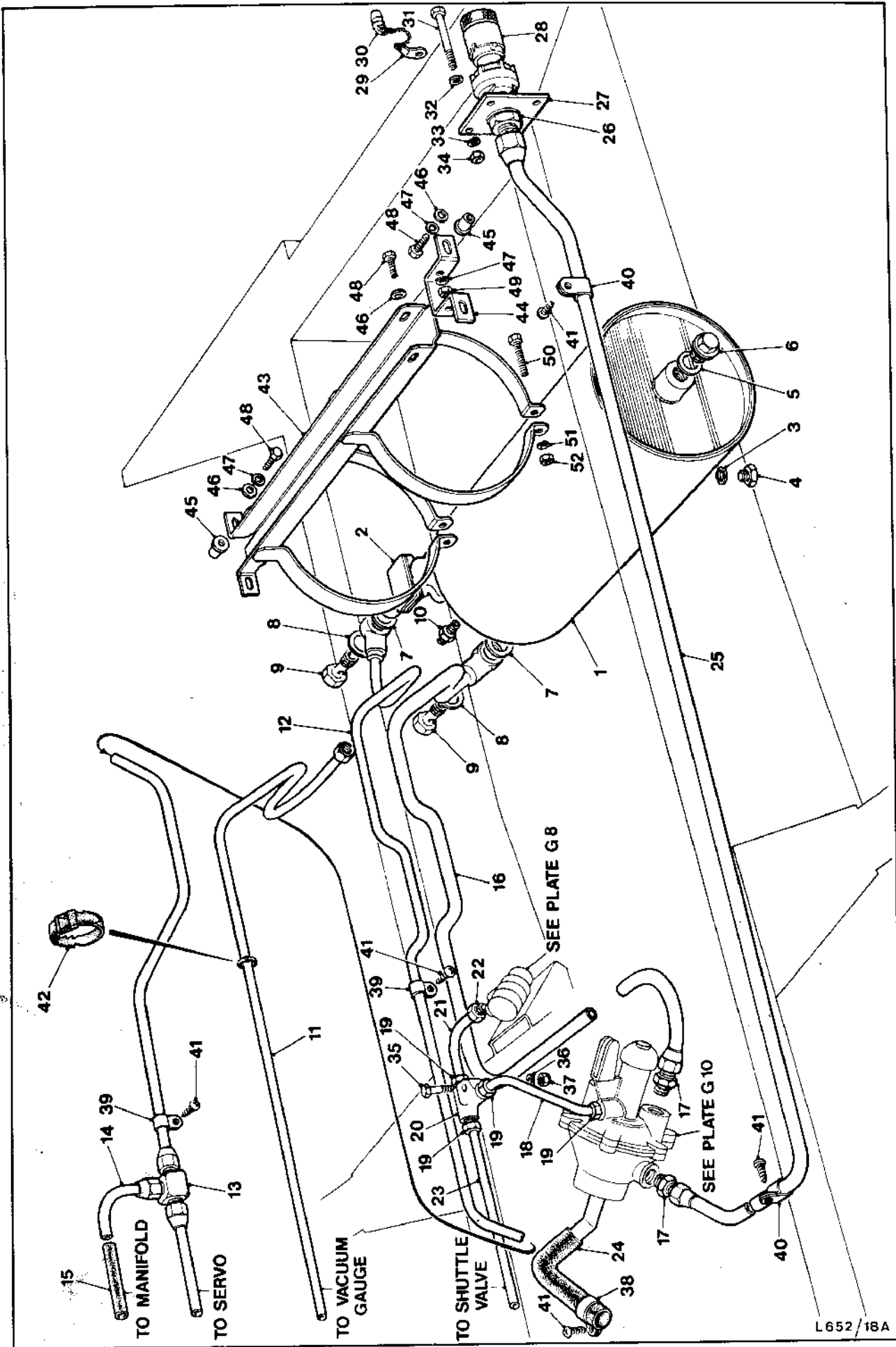


FIG ITEM	MAN CODE	NATO STOCK NUMBER/ CATALOGUE NUMBER	ITEM NAME AND DESCRIPTION	PART NO./ DRAWING NO./ ADREFNO	NO. OFF	ANNOTATIONS
G9			CONTROLS - contd			
1-9	LV7RU	2530-99-824-2787	..TRAILER POWER DRIVE BRAKING -	595292	1	
3	LV6MT9	5330-99-400-5049	..TANK, PRESSURE: vacuum tank			
4	LV6MT1	4730-99-942-5691	...WASHER, NONMETALLIC, fibre, 22 mm od x 13.5 mm id x 2 mm thk	SF/51-1	1	
5	LV6MT9	5330-99-400-5054	...PLUG, SCREWED, BSP, 1/4 in.		1	
6	LV6MT9	4730-99-800-0502	...WASHER, NONMETALLIC, fibre, 31/32 in. od x 23/32 in. id x 5/64 in. thk	SF/51-6	1	
7	LV6MT9	5310-99-400-5164	...PLUG, SCREWED	SF/16-2	1	
8	LV6MT9	5310-99-400-5165	...GASKET, asbestos/copper, 26 mm od x 18 mm id x 2 mm thk	SF/359-1	2	
9	LV6MT9	2530-99-800-0410	...GASKET, asbestos/copper, 30 mm od x 23 mm id x 2 mm thk	SF/359-2	2	
10	LV6MT1	4730-99-823-7468	...BOLT, FLUID PASSAGE	C/18	2	
11	LV7RU	4710-99-809-4482	..DOUBLE-ENDED UNION, PIPE, MALE, BSPF, steel, 1/8 in. x 1/8 in.		1	
12	LV7RU	2530-99-809-4479	..PIPE, PLASTICS, SEMIRIGID, nylon, 3/16 in. od x 16 ft lg; w/end fittings	598620	1	
13	LV6MT9	4730-99-836-6619	..PIPE, STEEL, 9.5 mm od; w/banjo	NRC0034	1	
14	LV7RU	4730-99-809-4480	..TEE, PIPE, UNF, 3/8 in. all ends	205106	1	
15	LV7RU	2530-99-822-1573	..BEND, PIPE, steel, 9.5 mm od	595304	1	
16	LV7RU	2530-99-809-4477	..HOSE, RUBBER: servo to manifold, 11/32 in. id x 28 in. lg	577844	1	
17	LV6MT9	4730-99-836-7786	..PIPE, STEEL: reservoir to relay valve; w/banjo	595314	1	
18	LV7RU	2530-99-809-4483	..ADAPTOR, STRAIGHT, PIPE, Whit form, 7/8 in. x NPTF, 1/2 in. x 1-23/32 in. lg	APSA687	2	
19	LV6MT9	2530-99-882-0424	..PIPE, HYDRAULIC: tee piece to relay valve	595307	1	
20	LV6MT9	4730-99-803-4648	..INVERTED NUT, UNION, PIPE, UNF, 3/8 in.	64470425	4	
21	LV7RU	2530-99-809-4484	..TEE, PIPE, UNF, brass, 3/8 in. female all ends	64474341	1	
22	LV6MT9	4730-99-824-6195	..PIPE, HYDRAULIC: tee piece to apportioning valve	595308	1	
23	LV7RU	2530-99-809-4485	..INVERTED NUT, UNION, PIPE, SI, metric, steel, 12 mm	64478608	1	
24	LV7RU	4710-99-809-4475	..PIPE, HYDRAULIC: tee piece to shuttle valve	NRC0032	1	
25	LV7RU	2530-99-809-4478	..PIPING, PLASTICS, SEMIRIGID, 25 mm od x 19 mm id x 235 mm lg	NRC0053	1	
26	LV6MT9	4730-99-836-7797	..PIPE, STEEL: relay valve to coupling head, 16 mm od x 1246 mm lg	595301	1	
28	LV6MT9	4730-99-815-0763	..ADAPTOR, STRAIGHT, PIPE, steel, 7/8 in. Whit x 1/2 in. NPTF x 2-15/16 in. lg	APSA1016	1	
30	LV7RU	2530-99-809-4476	..COUPLING HALF, QUICK DISCONNECT, BSP, steel, 1/2 in.	APSA993-1	1	
31	LV7RU	5306-99-137-5104	..DUMMY COUPLING, AUTOMOTIVE AIR BRAKE HOSE; c/w chain	595295	1	
32	G1	5310-99-122-3033	..BOLT, MACHINE, SI, metric, steel, 6 mm x 115 mm lg	595311	4	
33	G1	5310-99-135-9301	..WASHER, FLAT, steel, 6 mm		3	
34	G1	5310-99-122-5495	..WASHER, LOCK, steel, 6 mm		4	
			..NUT, SELF-LOCKING, HEXAGON, SI, metric, steel, 6 mm		4	

TRAILER BRAKING SYSTEM

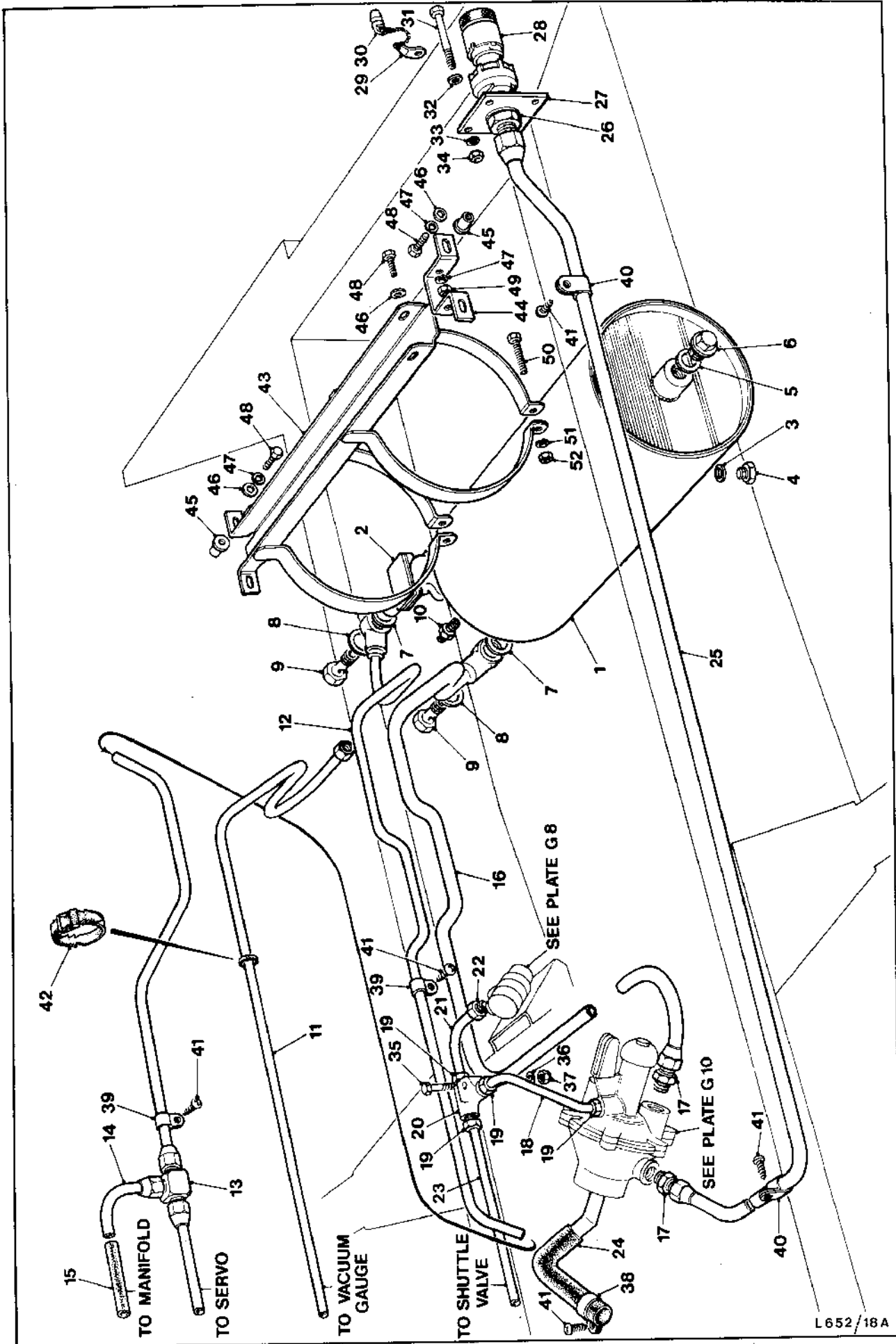


FIG ITEM	MAN CODE	NATO STOCK NUMBER/ CATALOGUE NUMBER	ITEM NAME AND DESCRIPTION	PART NO./ DRAWING NO./ ADREFNO	NO. OFF	ANNOTATIONS
G9			CONTROLS - contd ..TRAILER POWER DRIVE BRAKING - contd			
35	G1	5306-99-122-5245	..BOLT, MACHINE, SI, metric, steel, 6 mm x 30 mm lg		1	
36	G1	5310-99-122-3033	..WASHER, FLAT, steel, 6 mm		1	
37	G1	5310-99-122-5495	..NUT, SELF-LOCKING, HEXAGON, SI, metric, steel, 6 mm		1	
38	LV6MT4	5340-99-805-0911	..CLAMP, LOOP, steel, 1 in. id	4170	1	
39	LV6MT4	5340-99-805-0923	..CLAMP, LOOP, steel, 3/8 in. id	50639	4	
40	LV6MT4	5340-99-805-0922	..CLAMP, LOOP, steel, 5/8 in. id	56667	2	
41	G1	5305-99-941-8362	..SCREW, TAPPING, THREAD FORMING, steel, No.8 x 3/8 in. lg		7	
42	LV7RU	5340-99-824-4909	..STRAP, RETAINING, plastics, 3/8 in. w x 2-1/4 in. lg	240428	3	
45	LV7RU	5310-99-137-5098	..NUT, PLAIN, RIVET, BLIND, SI, metric, aluminium, 6 mm	811886	4	
46	G1	5310-99-122-3033	..WASHER, FLAT, steel, 6 mm		6	
47	G1	5310-99-135-9301	..WASHER, LOCK, steel, 6 mm		6	
48	G1	5305-99-122-8580	..SCREW, MACHINE, SI, metric, steel, 6 mm x 20 mm lg		6	
49	G1	5310-99-122-5495	..NUT, SELF-LOCKING, HEXAGON, SI, metric, steel, 6 mm		2	
50	G1	5305-99-122-8582	..SCREW, MACHINE, SI, metric, steel, 6 mm x 18 mm lg		2	
51	G1	5310-99-135-9301	..WASHER, LOCK, steel, 6 mm		2	
52	G1	5310-99-122-5495	..NUT, SELF-LOCKING, HEXAGON, SI, metric, steel, 6 mm		2	

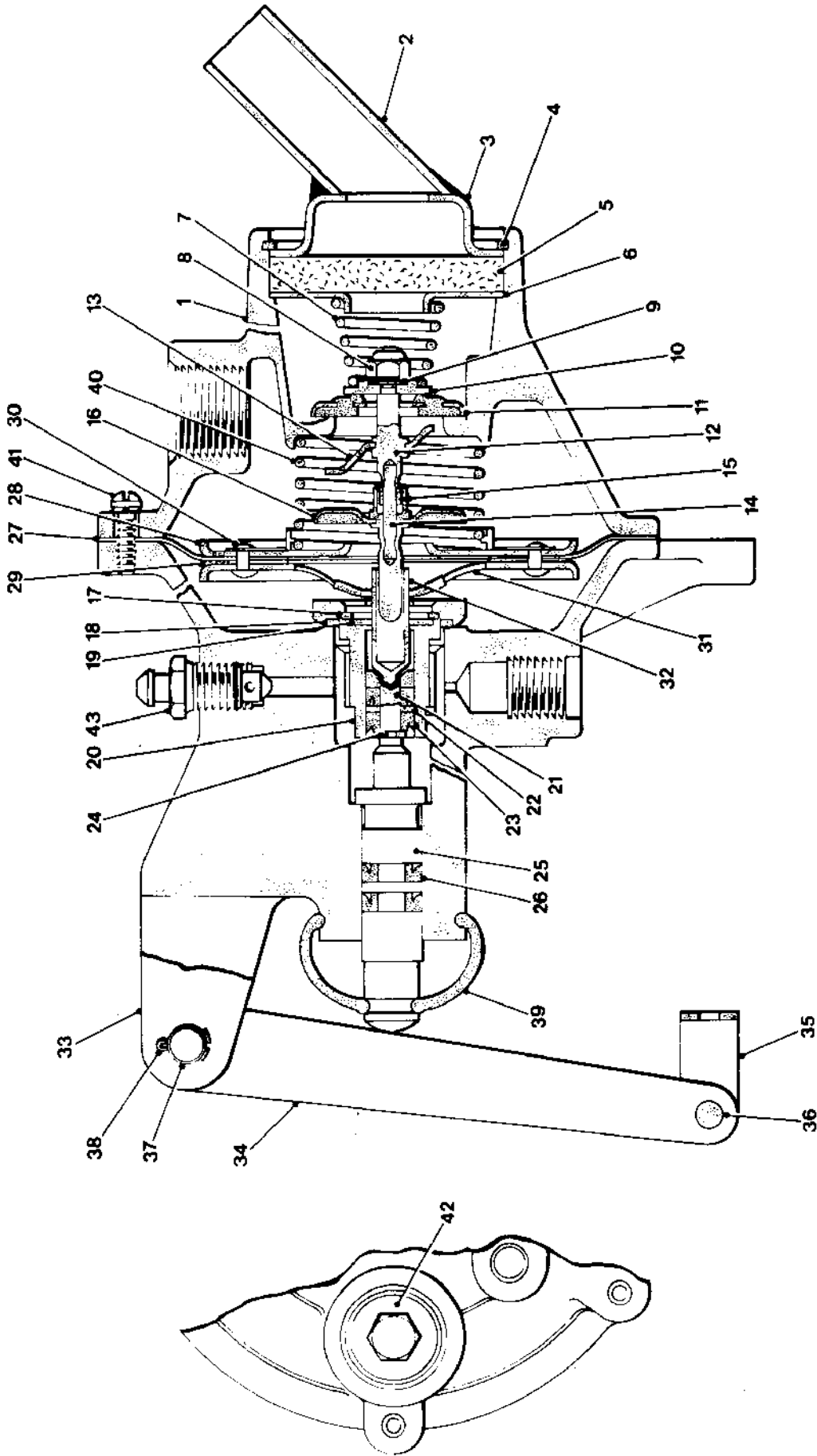
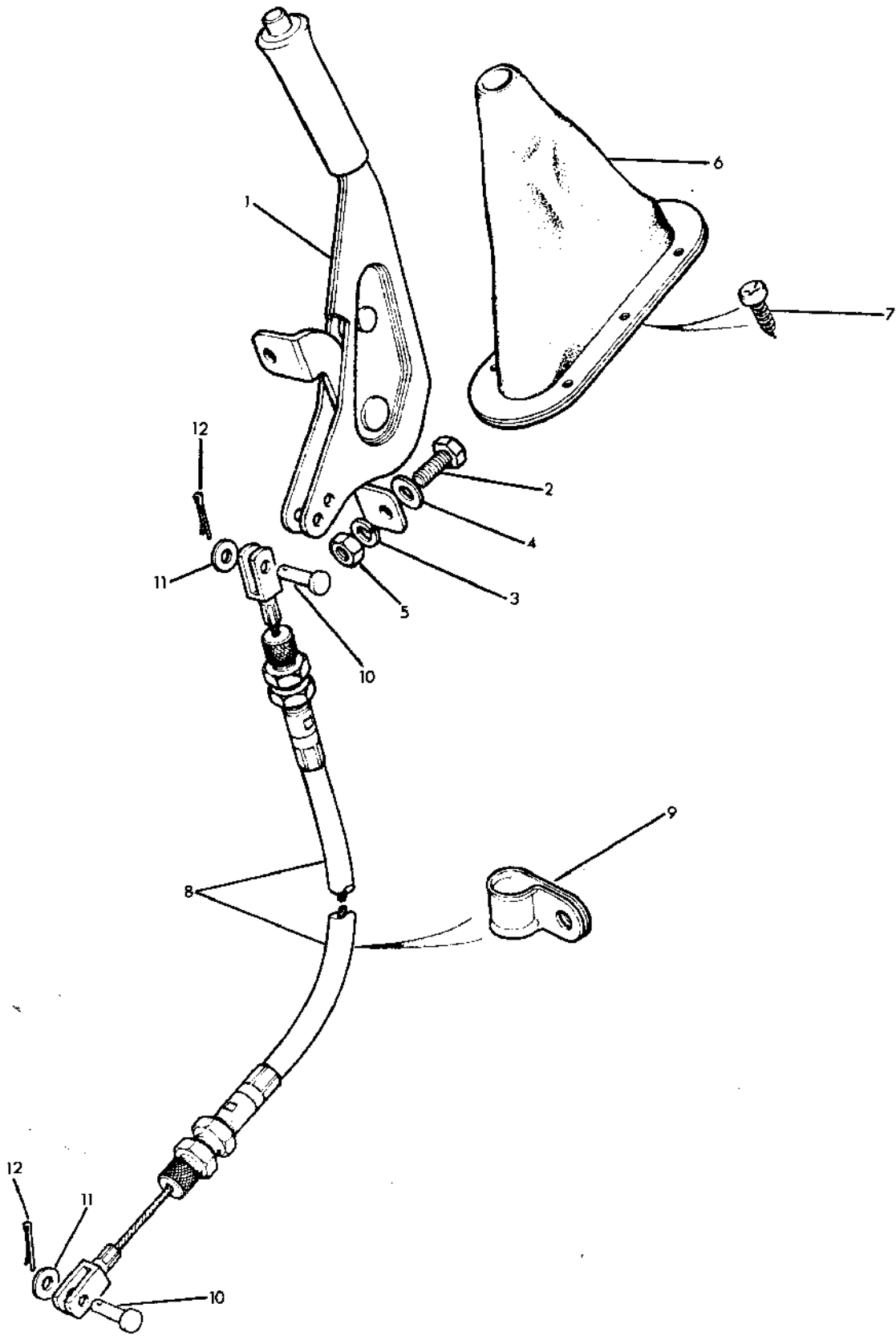


FIG ITEM	MAN CODE	NATO STOCK NUMBER/ CATALOGUE NUMBER	ITEM NAME AND DESCRIPTION	PART NO./ DRAWING NO./ ADREFNO	NO. OFF	ANNOTATIONS
G10			CONTROLS - contd			
1-43	LV6MT9	2530-99-824-2788	.TRAILER POWER DRIVE BRAKING - contd			
1-16	LV6MT9	2530-99-824-1737	..VALVE, REACTION, inverted vacuum fluid operated; w/hand control	SA1524	1	Relay valve
17-20	LV6MT9	2530-99-820-7014	...BODY, VALVE	SA1525	1	
21-24	LV6MT9	2530-99-824-1738	...FITTING VALVE ASSEMBLY:- comprising fitting valve, seal, stop washer and retainer ring	700113	1	
25,26	LV6MT9	2530-99-824-1739	...PISTON ASSEMBLY, REACTION VALVE; c/w seals and washers	700172	1	
27-32	LV6MT9	2530-99-820-7013	...PLUNGER ASSEMBLY, REACTION VALVE; 2 seals	SA1613	1	
33	LV6MT9	2530-99-824-1740	...DIAPHRAGM ASSEMBLY, REACTION VALVE	SA1518	1	
34-36	LV6MT9	2530-99-881-9817	...BODY, VALVE: hydraulic plunger	S14015A-1	1	
38	G1	5315-99-944-0172	...LEVER AND SHACKLE ASSEMBLY	SA1519	1	
39	LV6MT9	2530-99-881-9809	...PIN, COTTER, SPLIT, steel, 1/16 in. dia x 7/8 in. lg		1	
40	LV6MT9	5360-99-824-1741	...GAITER: reaction valve	SF50-254	1	
41	LV6MT9	5305-99-833-7684	...SPRING, HELICAL, COMPRESSION, steel, 1-7/16 in. id x 1-5/8 in. od	SF61-678	1	
42	LV6MT9	4730-99-800-4827	...SCREW, ASSEMBLED WASHER, UNC, steel, No.8 x 9/16 in. lg	198-S-83	6	
43	LV6MT9	2530-99-833-9054	...PLUG, PIPE	230049	1	
			...BLEEDER VALVE, HYDRAULIC SYSTEM, UNF, steel, 3/8 in. x 1-7/32 in.	375397	1	
+	LV6MT9	2530-99-820-7572	..PARTS KIT, VACUUM - FLUID VALVE:- comprising items, 8-16,18,23, 24,26,32,38 & 39	GA25160	1	

G11

HANDBRAKE LEVER



0385-51A

FIG ITEM	MAN CODE	NATO STOCK NUMBER/ CATALOGUE NUMBER	ITEM NAME AND DESCRIPTION	PART NO./ DRAWING NO./ ADREFNO	NO. OFF	ANNOTATIONS
G11			CONTROLS - contd			
1	LV7RU	2530-99-824-6178	..HANDBRAKE - ..LEVER, CONTROL, HAND, 8-5/8 in. lg	578145	1	
2	G1	5306-99-122-5253	..BOLT, MACHINE, SI, metric, steel, 8 mm x 30 mm lg		2	
3	G1	5310-99-135-9302	..WASHER, LOCK, steel, 8 mm		2	
4	G1	5310-99-122-6475	..WASHER, FLAT, steel, 8 mm		2	
5	G1	5310-99-941-6370	..NUT, SELF-LOCKING, HEXAGON, SI, metric, steel, 8 mm		2	
6	LV7RU	2530-99-828-0883	..GAITER ASSEMBLY, HANDBRAKE, plastics/aluminium, 145 mm lg x 130 mm h	399501	1	
8	(LV7RU	2530-99-822-1708	..CABLE, CONTROL: handbrake lever to relay	595461	1	RHD
	(LV7RU	2530-99-822-1709	..CABLE, CONTROL: handbrake lever to relay	595452	1	LHD
9	LV6MT4	5340-99-805-0929	..CLAMP, LOOP	3621	1	
10	LV7RU	5315-99-137-6193	..PIN, STRAIGHT, HEADED	52918	2	
11	G1	5310-99-120-4032	..WASHER, FLAT, steel, 1/4 in.		2	
12	G1	5315-99-944-0172	..PIN, COTTER, SPLIT, steel, 1/16 in. dia x 7/8 in. lg		2	

G12

HANDBRAKE LINKAGE

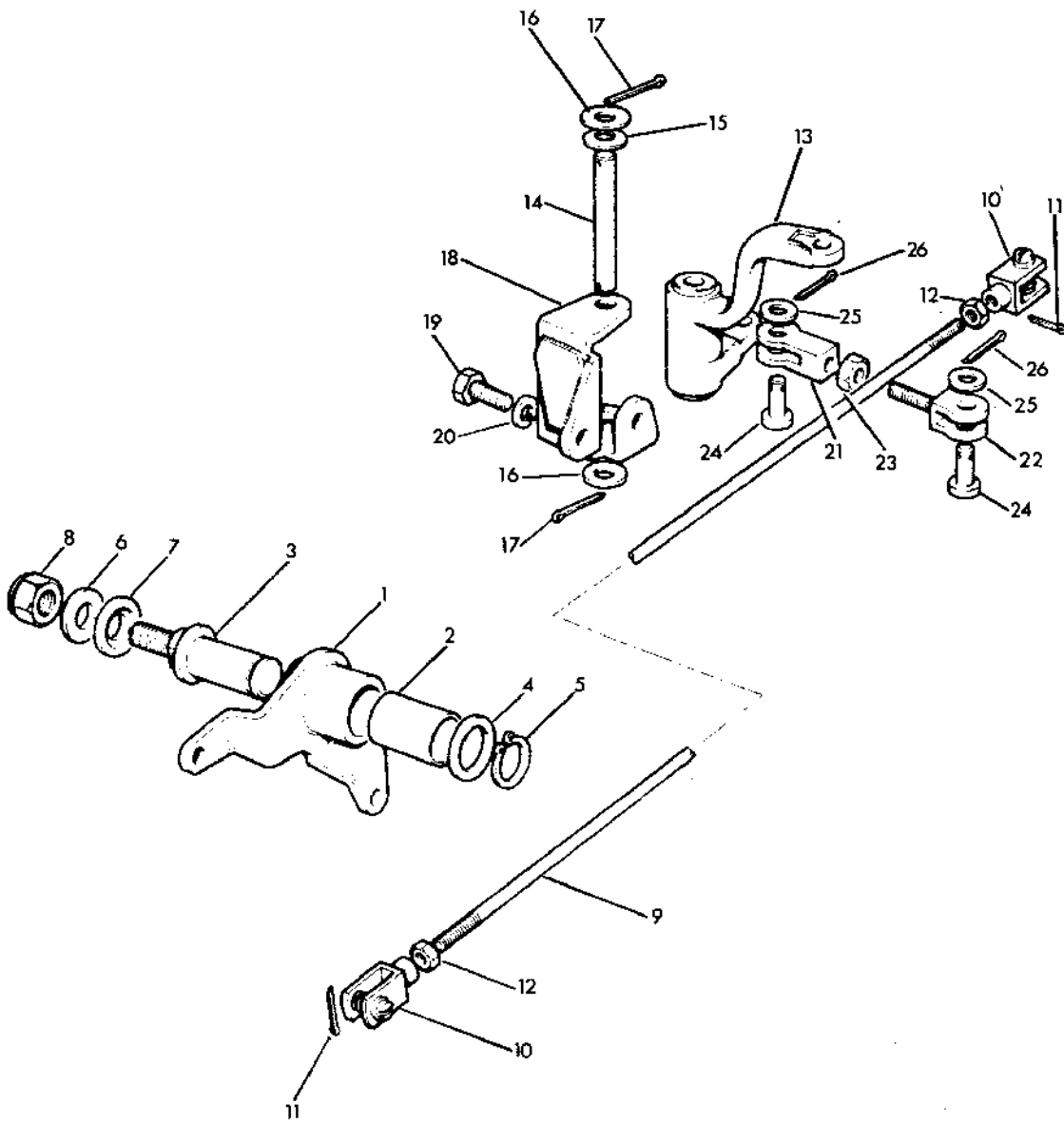
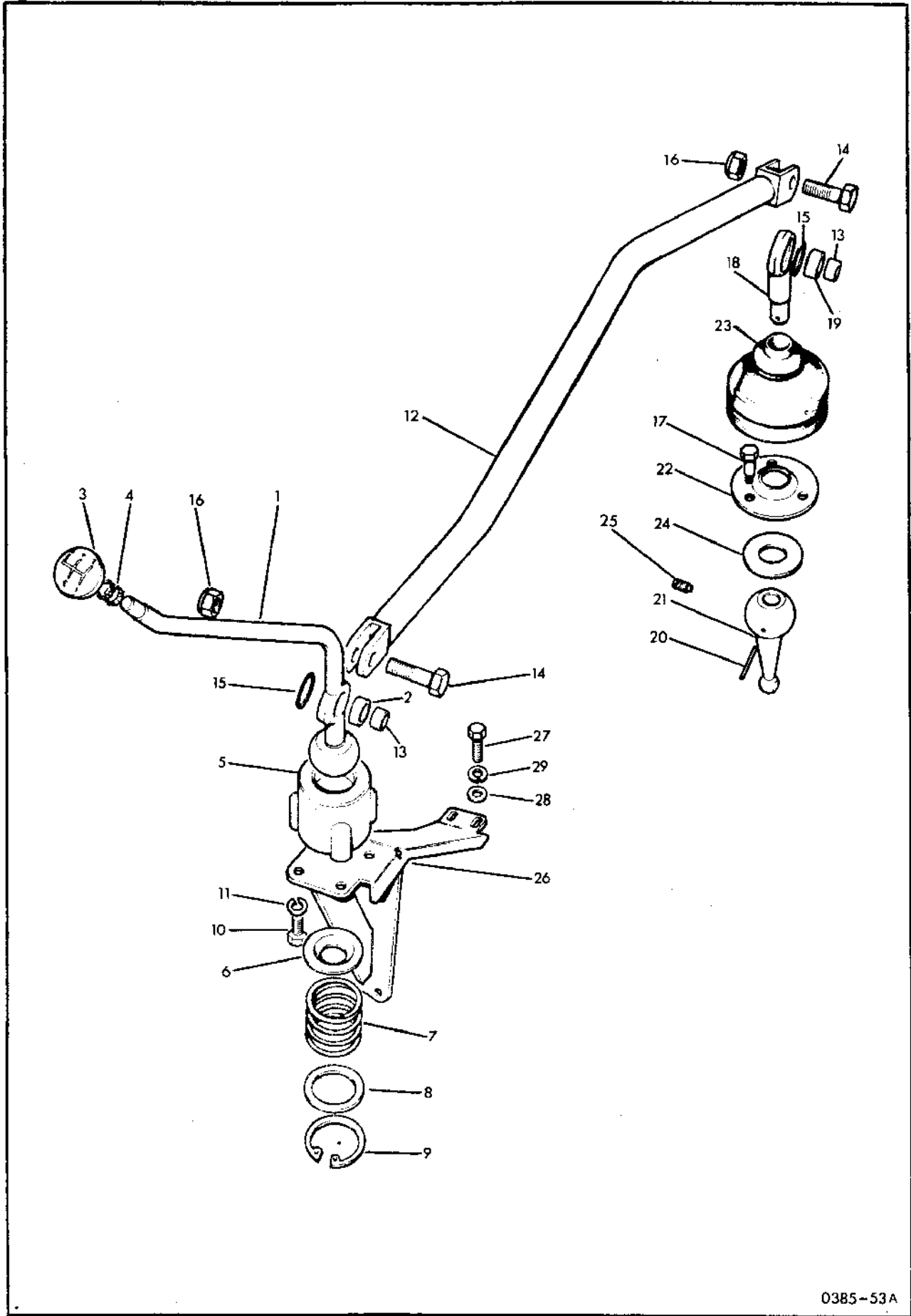


FIG ITEM	MAN CODE	NATO STOCK NUMBER/ CATALOGUE NUMBER	ITEM NAME AND DESCRIPTION	PART NO./ DRAWING NO./ ADREFNO	NO. OFF	ANNOTATIONS
G12			CONTROLS - contd			
1	LV7RU	2530-99-824-6179	..HANDBRAKE LINKAGE -			
2	LV7RU	3120-99-849-9477	..BELL CRANK	595366	1	
3	LV7RU	2530-99-813-5820	..BEARING, SLEEVE	218386	1	
4	G1	5310-99-941-8640	..PIVOT, PIN, steel, 3/4 in. dia x 2-13/16 in. lg	577137	1	
5	LV6MT1	5310-99-941-8640	..WASHER, FLAT, steel, zinc coated, 3/4 in.		1	
6	LV6MT1	5365-99-910-8194	..RING, RETAINING, steel, 3/4 in. id		1	
7	LV7RU	5310-99-137-7631	..WASHER, FLAT, steel, 7/16 in.	3021	1	
8	LV7RU	5310-99-137-0446	..WASHER, FLAT, steel, 1 in. od x 3/4 in. id x 0.078 in. thk	577354	1	
10	G1	5310-99-941-7650	..NUT, SELF-LOCKING, HEXAGON, UNF, steel, 7/16 in.		1	
11	LV7RU	2530-99-824-6182	..FORK END ASSEMBLY: fork end, pin and spring	595372	2	
12	G1	5315-99-944-0179	..PIN, COTTER, SPLIT, steel, 3/32 in. dia x 1-7/8 in. lg		2	
13	G1	5310-99-122-5295	..NUT, PLAIN, HEXAGON, SI, metric, steel, 6 mm		2	
14	LV7RU	2530-99-824-6180	..RELAY LEVER; c/w bushes, 53.3 mm lg	598565	1	
15	LV7RU	5315-99-824-6181	..PIN, STRAIGHT, HEADLESS, 2-3/4 in. lg c to c	575676	1	
19	LV7RU	5310-99-137-7632	..WASHER, SPRING, TENSION, steel, 13/32 in. id	279129	1	
20	G1	5305-99-137-7630	..SCREW, MACHINE, SI, metric, steel, 8 mm x 18 mm lg		2	
21	G1	5310-99-120-1027	..WASHER, LOCK, steel, zinc coated, 5/16 in.		2	
22	LV7RU	2530-99-824-6183	..FORK END, steel, 1/4 in. fork span x 5/16 in. UNF thd	577521	1	
23	LV7RU	5340-99-824-6184	..FORK END, steel, 1/4 in. fork span x 5/16 in. UNF thd	577522	1	
24	G1	5310-99-127-5700	..NUT, PLAIN, HEXAGON, UNF, steel, 5/16 in.		1	
25	LV7RU	5315-99-824-6186	..PIN, STRAIGHT, HEADED, steel, 5/16 in. dia x 57/64 in. lg	575673	2	
25	G1	5310-99-941-8608	..WASHER, FLAT, steel, 5/16 in.		2	

G13

GEARCHANGE LEVER

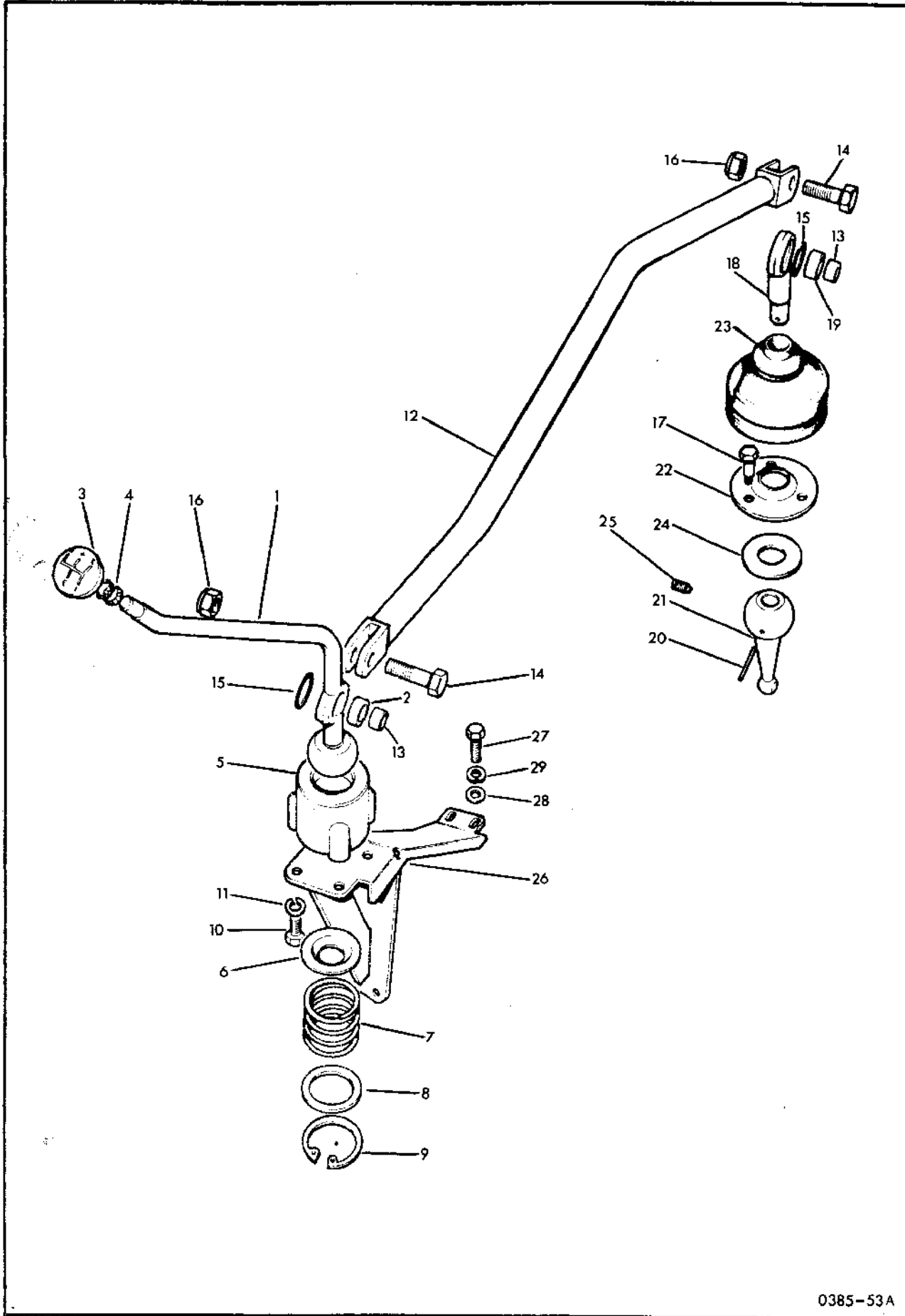


0385-53A

FIG ITEM	MAN CODE	NATO STOCK NUMBER/ CATALOGUE NUMBER	ITEM NAME AND DESCRIPTION	PART NO./ DRAWING NO./ ADREFNO	NO. OFF	ANNOTATIONS
G13			CONTROLS - contd			
1(LV7RU	2520-99-822-1570	..GEARCHANGE -	598748	1	RHD
(LV7RU	2520-99-822-1580	..LEVER, CONTROL, HAND	598749	1	LHD
2	LV7RU	2520-99-809-1179	..LEVER, CONTROL, HAND			
			..BEARING, SLEEVE, bronze, 13/16 in. od x 11/16 in. id x 1/2 in. lg	550873	1	
3	LV7RU	5355-99-824-7317	..KNOB, black	571881	1	
4	LV6MT1	5340-99-802-1097	..RING, TOLERANCE, steel, 1/2 in. nom shaft dia		1	
5	LV7RU	2520-99-849-8980	..HOUSING, GEAR LEVER, aluminium, 2-3/8 in. lg x 2-3/8 in. w x 2-3/16 in. h	219714	1	
6	LV7RU	2520-99-849-8982	..SPHERICAL SEAT, GEAR LEVER	219721	1	
7	LV7RU	2520-99-809-1180	..SPRING, HELICAL, COMPRESSION, steel, 1-25/32 in. od x 2-1/16 in. lg	544325	1	
9	LV6MT1	5340-99-910-8291	..RING, RETAINING, steel, circlip, 1-5/8 in.		1	
10	LV7RU	5305-99-136-9512	..SCREW, MACHINE, BSW, steel, 5/16 in. x 0.7 in. lg	215647	4	
11	G1	5310-99-120-1027	..WASHER, LOCK, steel, zinc coated, 5/16 in.		4	
13	LV7RU	5365-99-829-8996	..SPACER, SLEEVE, steel, 17.47 mm od x 12.05 mm id x 12.7 mm lg	594730	2	
14	G1	5306-99-122-2786	..BOLT, MACHINE, SI, metric, steel, 12 mm x 40 mm lg		2	
15	LV7RU	5330-99-824-6590	..RING, SEALING, TOROIDAL, rubber, 25/32 in. x 0.135 in. h	552338	2	
17	LV7RU	5306-99-137-7633	..BOLT, SHOULDER, SI, metric, steel, 8 mm x 22 mm lg	576319	3	
18-24	LV7RU	2520-99-824-6591	..GEAR LEVER ASSEMBLY	622302	1	
18	LV7RU	2520-99-824-6592	...EXTENSION, SELECTOR LEVER, steel, 99 mm lg	622300	1	
20	G1	5315-99-137-7634	...PIN, SPRING, steel, 4 mm dia x 36 mm lg		1	
21	LV7RU	2520-99-824-6593	..GEAR LEVER, LOWER	622301	1	
22	LV7RU	5340-99-824-6594	...SEAT, BALL SOCKET, steel, 71 mm od x 28 mm id x 1.625 mm h	576317	1	
23	LV7RU	2520-99-824-6595	...BOOT, DUST AND MOISTURE SEAL, neoprene, 81 mm od x 12 mm id x 63 mm h	576646	1	
24	LV7RU	5310-99-824-6596	...WASHER, FLAT, steel, 50 mm od x 25 mm id x 6 mm thk	622387	1	
25	LV7RU	5305-99-824-6597	..SCREW, GRUB, SI, metric, steel, 6 mm x 18 mm lg	576320	1	
+	LV7RU	2520-99-823-6025	..GEARBOX VACUUM CONTROL VALVE -	622141	1	
+	LV7RU	2520-99-822-1910	..VALVE, VACUUM CONTROL	606753	1	
+	X5	6240-99-995-3247	..LENS, VACUUM CONTROL		1	
+	X5	6240-99-995-1297	..LAMP, FILAMENT, 12V, 2.8W, MES, clear		1	
+	X5	6240-99-995-1297	..LAMP, FILAMENT, 24V, 2.8W, MES, clear		1	
+	LV6MT4	5325-99-804-8109	..GROMMET, RUBBER	233246	1	
+	LV6MT6	4710-99-824-6598	..TUBING, PLASTICS, nylon, 6.35 mm od x 4.35 mm id, black		}AR	
+	LV6MT6	4710-99-824-6599	..TUBING, PLASTICS, nylon, 6.35 mm od x 4.35 mm id, red			

G13

GEARCHANGE LEVER



0385-53A

FIG ITEM	MAN CODE	NATO STOCK NUMBER/ CATALOGUE NUMBER	ITEM NAME AND DESCRIPTION	PART NO./ DRAWING NO./ ADREFNO	NO. OFF	ANNOTATIONS
G13 +	LV6MT6	4710-99-824-4698	CONTROLS - contd .GEARBOX VACUUM CONTROL VALVE - contd ..TUBING, PLASTICS, nylon, 6.35 mm od x 4.35 mm id, natural		AR	

G14

TRANSFER GEARBOX CONTROL

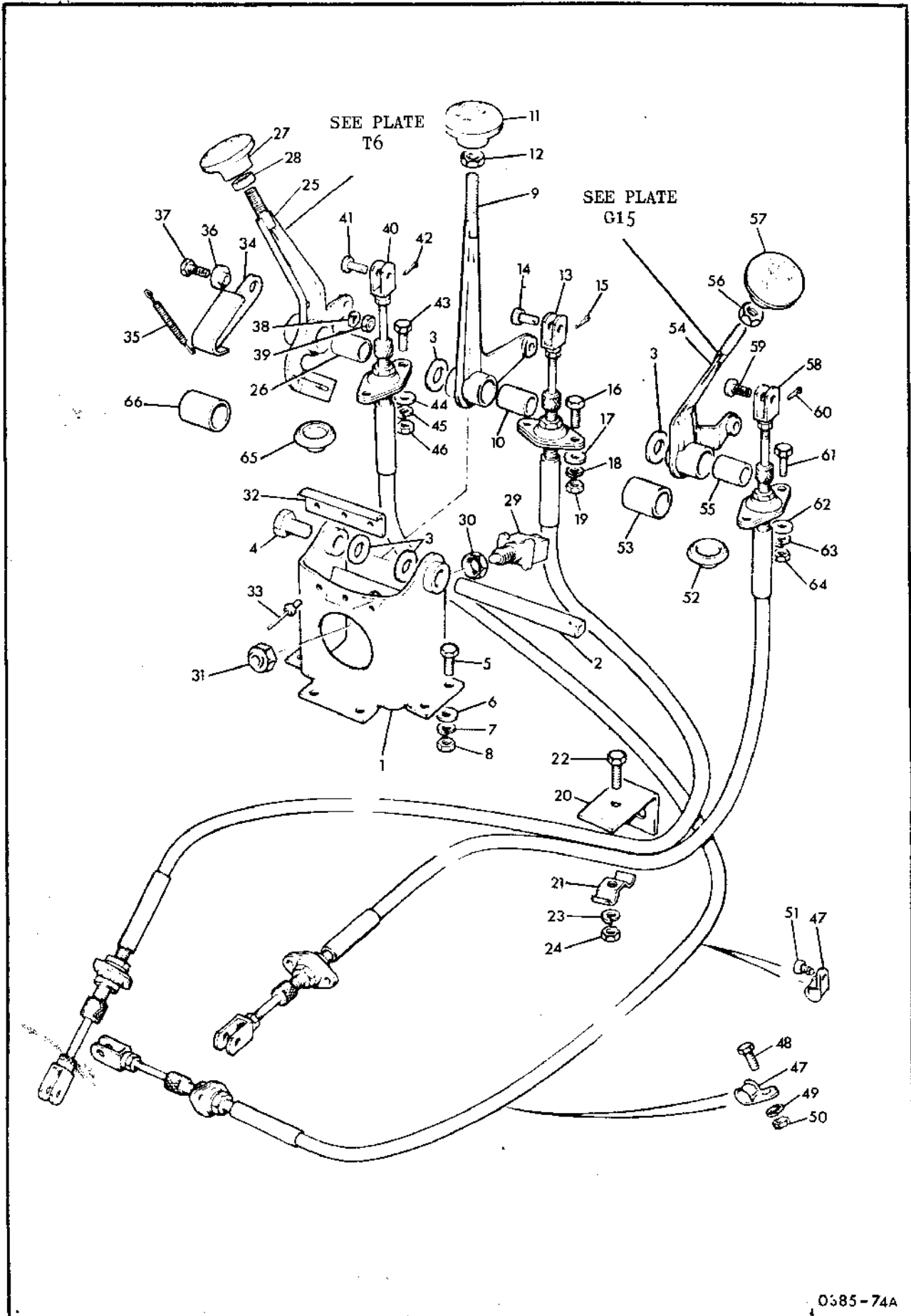


FIG ITEM	MAN CODE	NATO STOCK NUMBER/ CATALOGUE NUMBER	ITEM NAME AND DESCRIPTION	PART NO./ DRAWING NO./ ADREFNO	NO. OFF	ANNOTATIONS
G14			CONTROLS - contd			
2	LV7RU	2520-99-824-6601	..TRANSFER GEARBOX CONTROL - ..PIN, HOLLOW, UNC, 7/16 in. one end x 8.5 mm id x 14.98 mm od x 100 mm lg	595149	1	
3	LV7RU	2520-99-829-8997	..PACKING PIECE, plastics, 23 mm od x 15 mm id x 1 mm thk	595150	4	
4	LV7RU	5305-99-137-6754	..BOLT, SELF-LOCKING, HEXAGON, UNC, steel, 7/16 in. x 3/4 in. lg	577271	1	
5	G1	5305-99-137-3721	..SCREW, MACHINE, SI, metric, steel, 4 mm x 14 mm lg		6	
6	G1	5310-99-122-3031	..WASHER, FLAT, steel, zinc coated, 4 mm		6	
7	G1	5310-99-135-9299	..WASHER, LOCK, steel, 4 mm		6	
8	G1	5310-99-135-0766	..NUT, PLAIN, HEXAGON, SI, metric, steel, cadmium plated, 4 mm		6	
9,10	LV7RU	2520-99-824-6602	..LEVER, CONTROL, HAND: high/low	595151	1	
10	LV7RU	3120-99-824-2461	...BUSHING, SLEEVE	595169	1	
11	LV7RU	5355-99-824-6603	..KNOB, red	595171	1	
12	G1	5310-99-122-5302	..NUT, PLAIN, HEXAGON, SI, metric, steel, 8 mm		1	
13-15	LV7RU	2520-99-822-1903	..CABLE CONTROL	595176	1	
14	LV7RU	5315-99-137-6192	...PIN, STRAIGHT, HEADED	529719	2	
15	G1	5315-99-942-5546	...PIN, COTTER, SPLIT, steel, 5/64 in. dia x 7/8 in. lg		2	
16	G1	5305-99-137-3721	..SCREW, MACHINE, SI, metric, steel, 4 mm x 14 mm lg		4	
17	G1	5310-99-122-3031	..WASHER, FLAT, steel, zinc coated, 4 mm		4	
18	G1	5310-99-135-9299	..WASHER, LOCK, steel, 4 mm		4	
19	G1	5310-99-135-0766	..NUT, PLAIN, HEXAGON, SI, metric, steel, cadmium plated, 4 mm		2	
52	LV7RU	5340-99-824-2464	..PLUG, SELF-SEALING, plastics; for 3/4 in. hole	338020))Used
53	LV7RU	5365-99-829-8998	..SPACER, SLEEVE, plastics, 23 mm od x 15.1 mm id x 26 mm lg	595230)AR)when)winch is)not)fitted

G15

HAND THROTTLE CONTROL

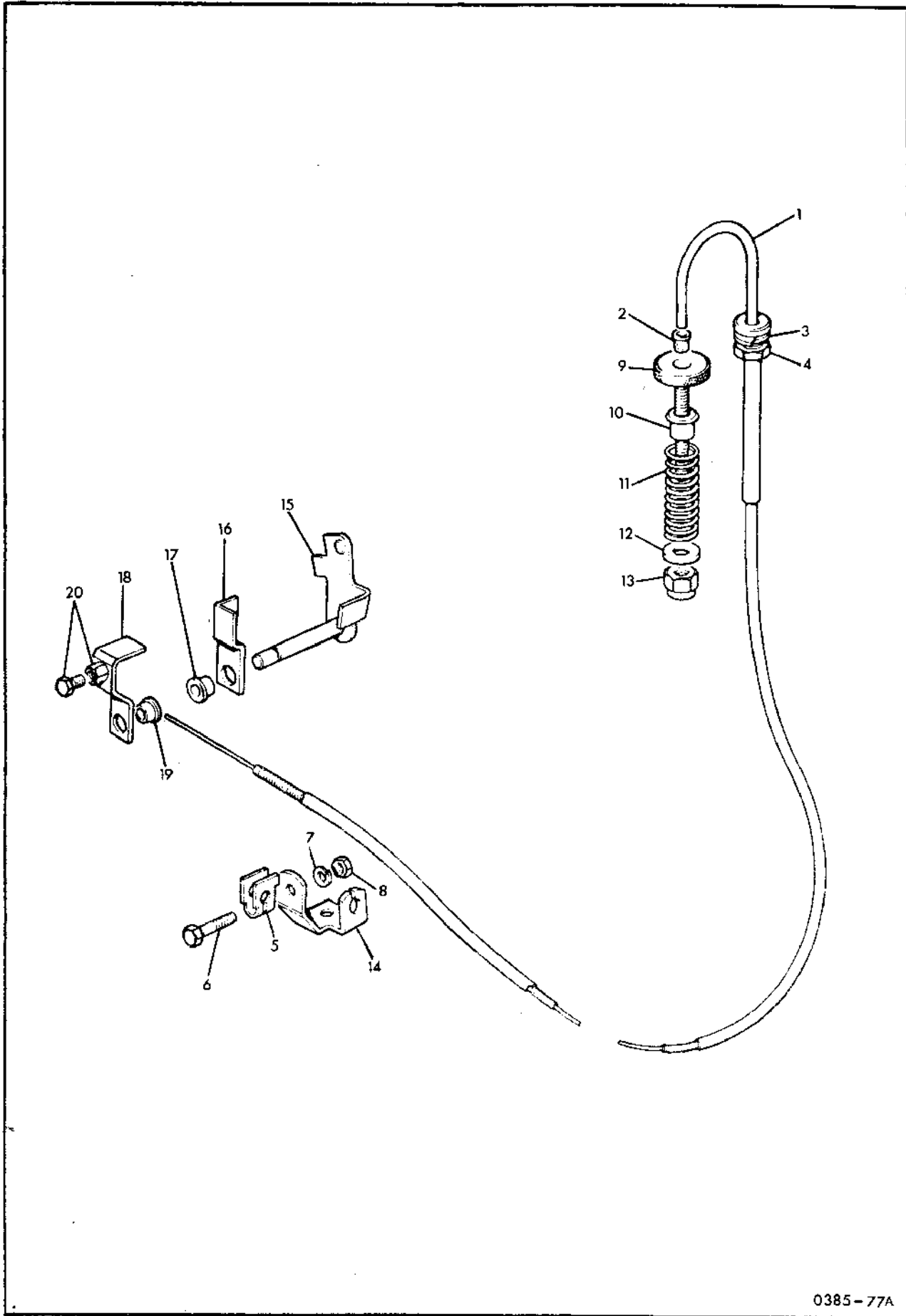


FIG ITEM	MAN CODE	NATO STOCK NUMBER/ CATALOGUE NUMBER	ITEM NAME AND DESCRIPTION	PART NO./ DRAWING NO./ ADREFNO	NO. OFF	ANNOTATIONS
G15						
1-17	LV7RU	2540-99-824-4945	CONTROLS - contd ..LEVER ASSEMBLY, ACCELERATOR CABLE: hand control			
1-4	LV7RU	2590-99-822-1579	..CONTROL ASSEMBLY, PUSH-PULL	594988	1	RHD
(LV7RU	2590-99-822-1587	..CONTROL ASSEMBLY, PUSH-PULL	598923	1	LHD
2	LV7RU	2540-99-824-4942	...END CAP	594990	1	
3	G1	5310-99-941-6658	...WASHER, LOCK, steel, 1/2 in.		1	
4	G1	5310-99-941-0895	...NUT, PLAIN, HEXAGON, UNF, steel, 1/2 in.		1	
5	LV7RU	2910-99-895-1846	..CLIP: cold start control	239673	1	
6	G1	5305-99-122-5357	..SCREW, MACHINE, SI, metric, steel, 5 mm x 20 mm lg		1	
7	G1	5310-99-135-9300	..WASHER, LOCK, steel, 5 mm		1	
8	G1	5310-99-122-5294	..NUT, PLAIN, HEXAGON, SI, metric, steel, 5 mm		1	
9	LV7RU	2540-99-824-4943	..SCREW, ADJUSTING, UNF, steel, 1/4 in.	594991	1	
10	G1	5310-99-137-3315	..NUT, ANCHOR, UNF, aluminium, 1/4 in.		1	
11	LV7RU	5360-99-829-8987	..SPRING, HELICAL, COMPRESSION, steel, 11 mm dia x 41 mm lg	594992	1	
12	LV7RU	5310-99-137-6768	..WASHER, FLAT, steel, 18 mm od x 6.4 mm id x 1.6 mm thk	851047	1	
13	G1	5310-99-137-3316	..NUT, SELF-LOCKING, HEXAGON, UNF, steel, 1/4 in.		1	
15	LV7RU	2540-99-824-4944	..COUNTERSHAFT AND LEVER ASSEMBLY	613910	1	
17	LV7RU	3120-99-829-8988	..BEARING, SLEEVE, bronze, 0.4395 in. od x 0.311 in. id x 0.253 in. lg	613915	2	
18-19	LV7RU	2590-99-822-2906	..LEVER, CONTROL, HAND	613916	1	
20	LV7RU	2590-99-824-4948	..CLAMP, SWIVEL	568526	1	

GROUP

H

BODY

BODY
CONTENTS

<u>CARGO BODY</u>	Page
FLOOR PANEL, REMOVABLE	H1
FLOOR PANELS	H2
HARDTOP	H9
HOOD	H7
LOWER BODY PANELS	H4
MUDFLAP	H8
REAR DOORS	H10
TAILEBOARD	H6
UPPER BODY PANELS	H4

AMBULANCE BODY

AIR CONDITIONING	H30
ATTENDENTS LOCKER	H18
ATTENDENTS SEAT	H21
BATTERY	H22
BATTERY STOWAGE	H16
BULKHEAD LOCKER	H27
CIRCUIT BREAKER	H22
HEATER	H28
INTERIOR FITTINGS	H17
MIRRORS	H11
REAR DOORS	H10
REAR LIGHTS	H11
REAR STEP	H15
RESUSCITATION EQUIPMENT	H23
SIDE WINDOW	H14
STRETCHER LIFT	H20

BOBY - contdCONTENTS - contdLIST OF ILLUSTRATIONS(NOTE:- THE TEXT DOES NOT NECESSARILY INCLUDE ALL ITEMS REFERENCED)

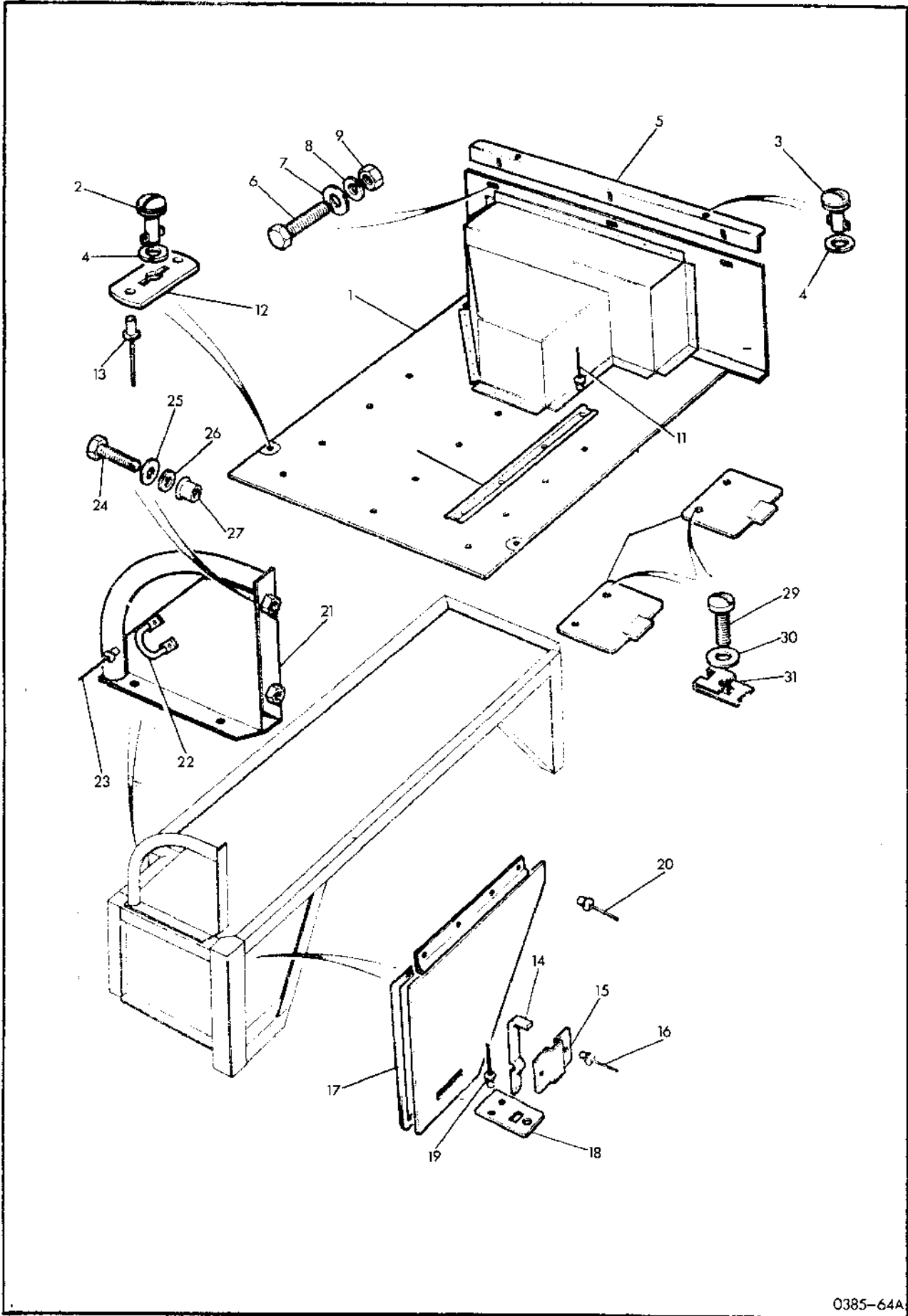
<u>CARGO BODY</u>	Plate
BODY FLOOR PANELS	H1
HARDTOP	H8
HOOD & FITTINGS	H6
LOWER BODY PANELS	H2
LOWER BODYSIDE	H4
REAR BODY FITTINGS	H7
TAILBOARD	H5
UPPER BODYSIDE	H3

AMBULANCE BODY

AIR CONDITIONING UNIT	H23
AIR FILTER	H20
AMBULANCE BODY	H9
AMBULANCE INTERIOR	H15
ATTENDENTS SEAT	H17
BATTERY STOWAGE	H13
BULKHEAD LOCKER	H21
CAB INTERIOR	H14
COMPRESSOR	H18
HEATER	H22
REAR DOORS	H10
REAR STEP	H12
RESUSCITATION UNIT	H19
STRETCHER LIFT	H16
WINDOW PANEL	H11

H1

BODY FLOOR PANELS

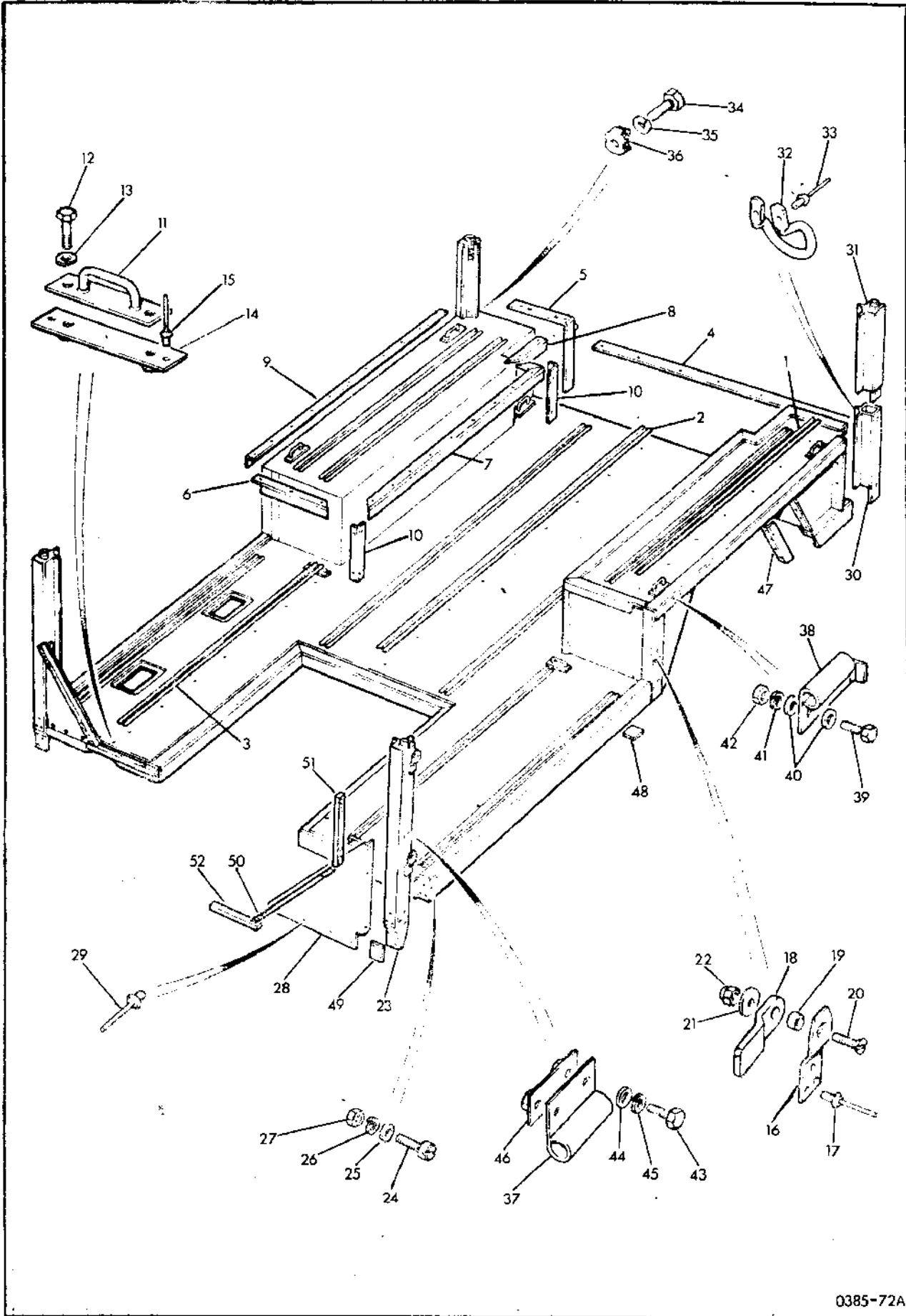


0385-64A

FIG ITEM	MAN CODE	NATO STOCK NUMBER/ CATALOGUE NUMBER	ITEM NAME AND DESCRIPTION	PART NO./ DRAWING NO./ ADREFNO	NO. OFF	ANNOTATIONS
HI 1-11		NP	BODY -			
2	G1	5325-99-137-7458	.REMOVABLE FLOOR ASSEMBLY ..STUD, TURNLOCK FASTENER, steel, 0.591 in. dia x 0.39 in. lg	398046	1	
3	G1	5325-99-137-7459	..STUD, TURNLOCK FASTENER, steel, 0.591 in. dia x 0.531 in. lg		4	
+	G1	5325-99-977-1722	..STUD, TURNLOCK FASTENER, steel, 15 mm dia x 7 mm lg		2	Alternat-
+	Z22	5310-99-622-6993	..WASHER, SPLIT: retaining studs	399221	6	ive
6	G1	5305-99-122-5360	..SCREW, MACHINE, SI, metric, steel, 6 mm x 16 mm lg		3	
(LV7RU	5310-99-137-6768	..WASHER, FLAT, steel, zinc coated, 18 mm od x 6.4 mm id x 1.6 mm thk	851047	6) Alternat-
7	G1	5310-99-122-3033	..WASHER, FLAT, steel, 6 mm		6	ives
8	G1	5310-99-135-9301	..WASHER, LOCK, steel, 6 mm		3)
9	G1	5310-99-122-5295	..NUT, PLAIN, HEXAGON, SI, metric, steel, 6 mm		3	
10	LV7RU	2540-99-834-1809	..TREAD, METALLIC, NONSKID, steel, 478 mm lg	398413	3	
11	LV7RU	2805-99-874-9961	..RIVET, BLIND	78410	12	
12	Z19	5325-99-622-4272	.RECEPTACLE, TURNLOCK FASTENER	399220	4	
13	G1	5320-99-105-0876	.RIVET, BLIND		8	
14-19		NP	.LOCKER DOOR ASSEMBLY: rh	399822	1	
		NP	.LOCKER DOOR ASSEMBLY: lh	399823	1	
14	LV7RU	2510-99-824-6740	..CATCH BOLT, steel, 8 mm w x 72 mm lg	MRC0119	2	
15	LV7RU	2510-99-824-6741	..RETAINER, CATCH BOLT, 25 mm w x 5 mm h x 40 mm lg	398323	2	
16	G1	5320-99-631-0777	..RIVET, BLIND		4	
17	LV6MT6	2540-99-824-6213	..SEALING STRIP, PRESSURE SENSITIVE, ADHESIVE COATED, PVC, 12 mm w x 5 mm thk		AR	
18	LV7RU	5340-99-137-7642	..LOCKING PLATE, steel, 55 mm lg x 39 mm w x 18 SWG	398103	2	
19	G1	5320-99-941-7279	..RIVET, BLIND		4	
22	LV7RU	2510-99-820-7552	.ROPE HOOK	345699	2	
23	LV7RU	2805-99-874-9961	.RIVET, BLIND: rope hook fixing	78410	4	
24	G1	5305-99-122-5366	.SCREW, MACHINE, SI, metric, steel, 8 mm x 20 mm lg		8	
25	G1	5310-99-122-3034	.WASHER, FLAT, steel, 8 mm		12	
26	G1	5310-99-135-9302	.WASHER, LOCK, steel, 8 mm		8	
27	G1	5310-99-137-7685	.NUT, PLAIN, BLIND, RIVET, SI, metric, aluminium, 8 mm x 16mm lg		4	
29	LV7RU	5305-99-123-7828	.SCREW, PANEL FASTENER, ACME, steel, button hd, 1/4 in. x 25/32 in. lg	320045	4	
31	LV7RU	5310-99-822-1324	.NUT, SPECIAL	79246	4	

H2

LOWER BODY PANELS

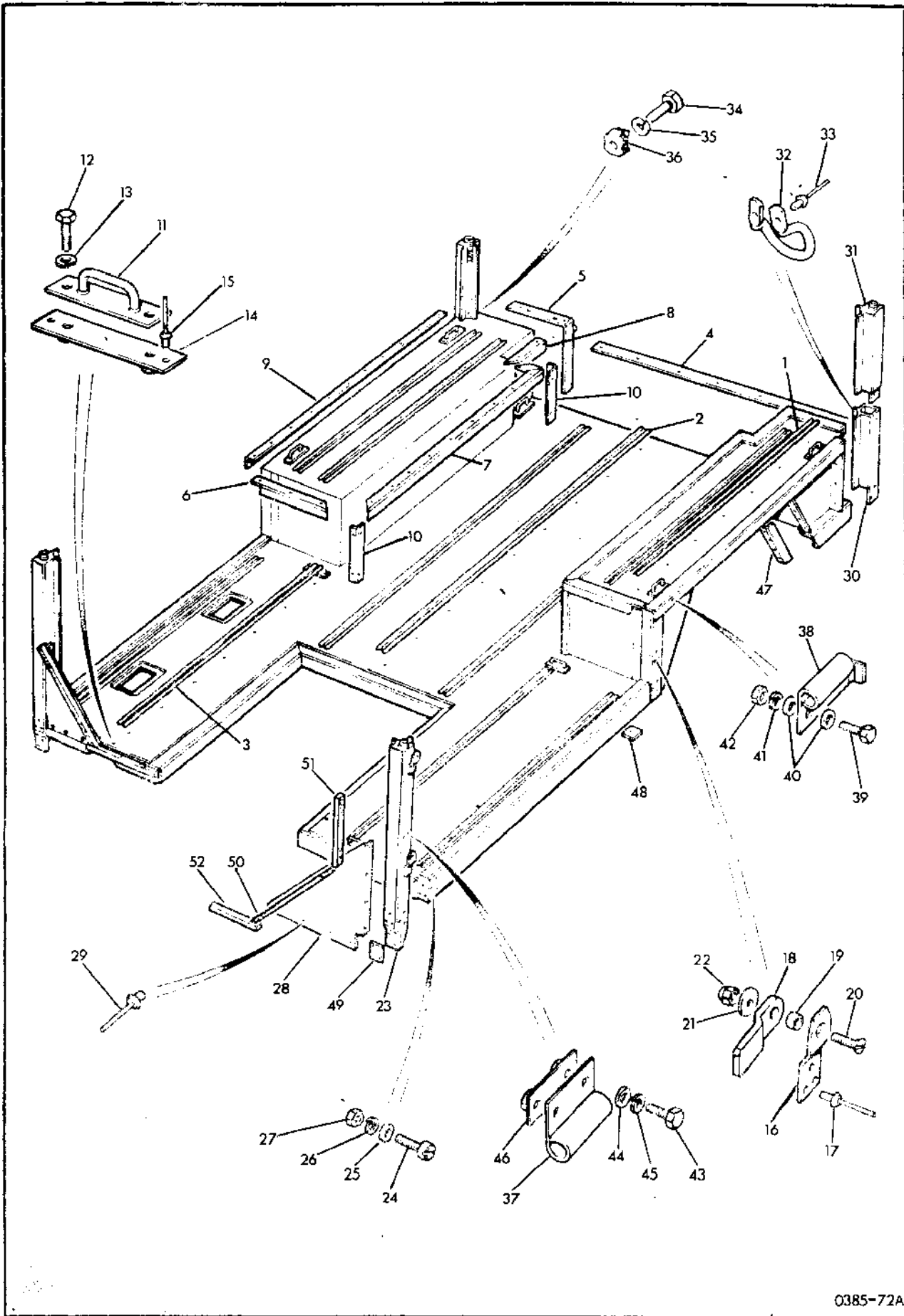


0385-72A

FIG ITEM	MAN CODE	NATO STOCK NUMBER/ CATALOGUE NUMBER	ITEM NAME AND DESCRIPTION	PART NO./ DRAWING NO./ ADREFNO	NO. OFF	ANNOTATIONS
H2			BODY - contd			
1,3	LV7RU	2540-99-834-1850	.TREAD, METALLIC, NONSKID, steel, 1120 mm lg	389171	8	Fixing tread plates
2	LV7RU	2540-99-834-1851	.TREAD, METALLIC, NONSKID, steel, 1592 mm lg	398170	3	
+	G1	5320-99-120-9002	.RIVET, BLIND, aluminium, 3/16 in. dia x 9/16 in. lg		AR	
11	LV7RU	5340-99-823-7877	.CLEAT, ROPE	395104	12	
12	G1	5305-99-122-8580	.SCREW, MACHINE, SI, metric, steel, 6 mm x 20 mm lg)AR	
	G1	5305-99-941-6333	.SCREW, MACHINE, SI, metric, steel, 6 mm x 25 mm lg			
13	G1	5310-99-135-9301	.WASHER, LOCK, steel, single coil, 6 mm)	
14	LV7RU	5310-99-825-4562	.NUT, STRIP, SI, metric, steel, 20 mm w x 6 mm thd x 130 mm lg	39942	6	
15	LV7RU	2805-99-874-9961	.RIVET, BLIND	78410	8	
18	LV7RU	5310-99-824-6742	.STRIKE CATCH, 30 mm w x 11 mm h x 80 mm lg	398306	8	
20	G1	5305-99-135-0271	.SCREW, MACHINE, SI, metric, steel, 8 mm x 25 mm lg		8	
21	G1	5310-99-122-3034	.WASHER, FLAT, steel, 8 mm		8	
22	G1	5310-99-122-5496	.NUT, SELF-LOCKING, HEXAGON, SI, metric, steel, 8 mm		8	
37	LV7RU	5340-99-824-6737	.LEAF, BUTT HINGE, steel, 50 mm lg x 36 mm w, female	398276	4	
38	LV7RU	5340-99-824-6738	.LEAF, BUTT HINGE, steel, 60 mm lg x 36 mm w, female, rh	398497	2	
+	LV7RU	5340-99-824-6739	.LEAF, BUTT HINGE, steel, 60 mm lg x 36 mm w, female, lh	398498	2	
39	G1	5305-99-122-5360	.SCREW, MACHINE, SI, metric, steel, 6 mm x 16 mm lg		16	
40	G1	5310-99-122-3033	.WASHER, FLAT, steel, 6 mm		32	
41	G1	5310-99-135-9301	.WASHER, LOCK, steel, 6 mm		16	
42	G1	5310-99-122-5295	.NUT, PLAIN, HEXAGON, SI, metric, steel, 6 mm		16	
43	G1	5305-99-122-5360	.SCREW, MACHINE, SI, Metric, steel, 6 mm x 16 mm lg		4	
44	G1	5310-99-122-3033	.WASHER, FLAT, steel, 6 mm		4	
45	G1	5310-99-135-9301	.WASHER, LOCK, steel, 6 mm		4	
46	LV7RU	5310-99-137-7645	.NUT, STRIP, SI, metric, steel, 40 mm lg x 10 mm w x 6 mm thd	398111	2	
+	G1	5320-99-137-7650	.RIVET, SOLID, aluminium, rd hd, 6 mm dia x 12 mm lg)	
+	G1	5320-99-137-7641	.RIVET, SOLID, aluminium, csk hd, 6 mm dia x 14 mm lg)	
50	LV7RU	5330-99-834-1852	.PLASTICS STRIP, PVC coated, black, 3/4 in. w x 5/8 in. thk x 460 mm lg	398458)AR	
51	LV7RU	5330-99-834-1853	.PLASTICS STRIP, PVC coated, black, 3/4 in. w x 5/8 in. thk x 300 mm lg	398459)	
52	LV7RU	5330-99-834-1854	.PLASTICS STRIP, PVC coated, black, 3/4 in. w x 5/8 in. thk x 230 mm lg	398330)	
+	LV7RU	2540-99-825-4291	.MUD FLAP ASSEMBLY; c/w support bracket, lh rear	MRC1610	1	RHD
+	LV7RU	2540-99-825-4275	.MUD FLAP ASSEMBLY; c/w support bracket, lh rear	MRC1611	1	LHD
+	G1	5305-99-122-4911	.SCREW, MACHINE, SI, metric, steel, 10 mm x 30 mm lg		8)Body to)chassis

H2

LOWER BODY PANELS



0385-72A

FIG ITEM	MAN CODE	NATO STOCK NUMBER/ CATALOGUE NUMBER	ITEM NAME AND DESCRIPTION	PART NO./ DRAWING NO./ ADREFNO	NO. OFF	ANNOTATIONS
H2			BODY - contd			
+	G1	5310-99-122-6476	.WASHER, FLAT, steel, 10 mm		8)
+	G1	5310-99-135-9303	.WASHER, LOCK, steel, 10 mm		8)Body to
+	G1	5310-99-122-5297	.NUT, PLAIN, HEXAGON, SI, metric, steel, 10 mm		8)chassis)
+	G1	5305-99-122-5368	.SCREW, MACHINE, SI, metric, steel, 8 mm x 30 mm lg		4)
+	G1	5310-99-122-6475	.WASHER, FLAT, steel, 8 mm		4)Front
+	G1	5310-99-135-9302	.WASHER, LOCK, steel, 8 mm		4)pillars
+	G1	5310-99-122-5302	.NUT, PLAIN, HEXAGON, SI, metric, steel, 8 mm		4)to)chassis)

H3

UPPER BODY SIDE

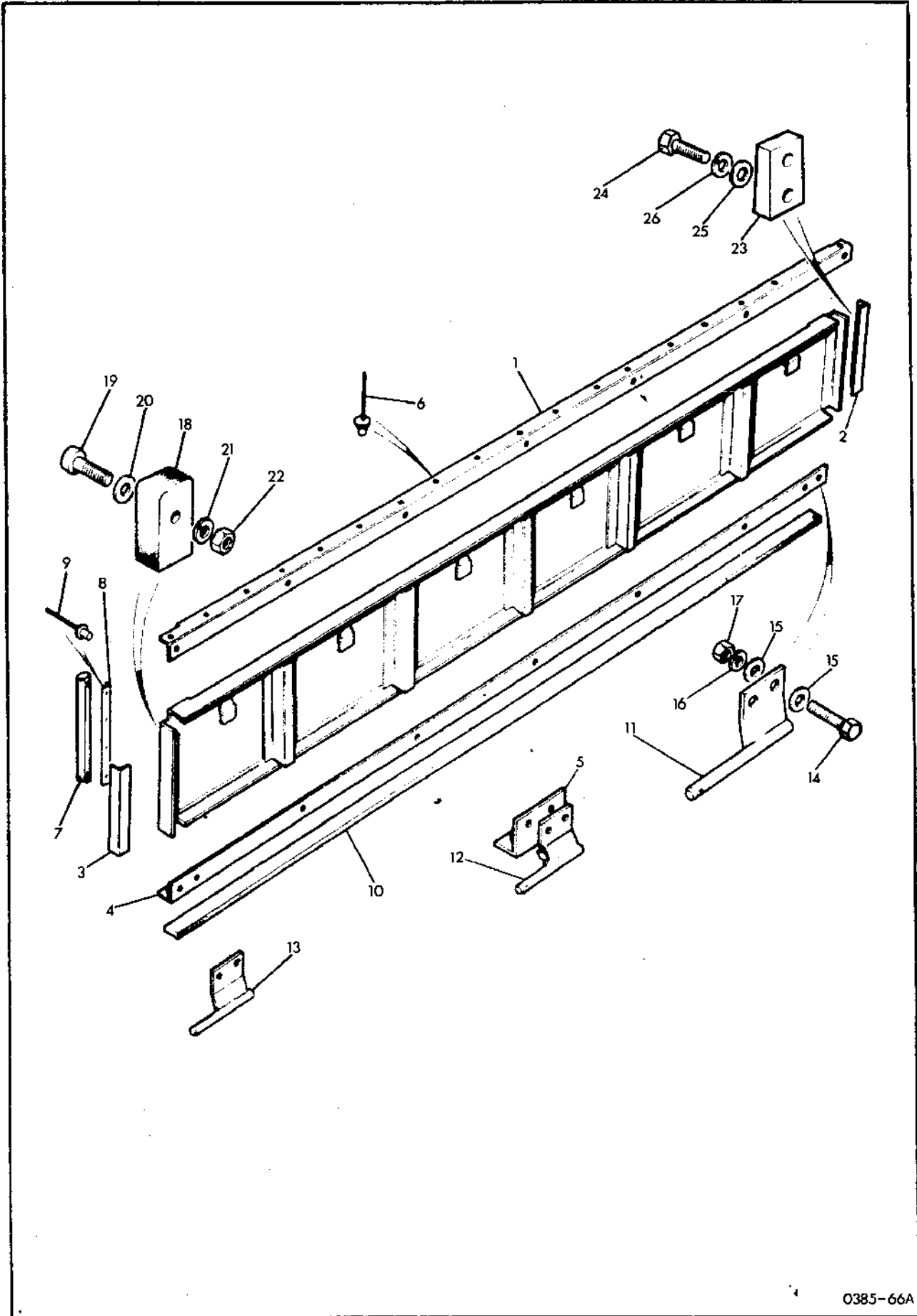


FIG ITEM	MAN CODE	NATO STOCK NUMBER/ CATALOGUE NUMBER	ITEM NAME AND DESCRIPTION	PART NO./ DRAWING NO./ ADREFNO	NO. OFF	ANNOTATIONS
H3			BODY - contd			
6	LV7RU	2805-99-874-9961	..UPPER BODYSIDE -			
9	G1	5320-99-101-3420	..RIVET, BLIND	78410		}AR
			..RIVET, BLIND, aluminium, 3/32 in. dia x 0.29 in. lg			
11	LV7RU	5340-99-824-6744	..LEAF, BUTT HINGE: rh, male	398188	2	}
12	LV7RU	5340-99-824-6743	..LEAF, BUTT HINGE: rh centre, male	3984993	1	
+	LV7RU	5340-99-824-6745	..LEAF, BUTT HINGE: lh centre, male	398494	1	
13	LV7RU	5340-99-824-6746	..LEAF, BUTT HINGE: lh, male	398189	2	
14	G1	5305-99-122-8580	..SCREW, MACHINE, SI, metric, steel, 6 mm x 20 mm lg		12	
15	G1	5310-99-122-3033	..WASHER, FLAT, steel, 6 mm		24	
16	G1	5310-99-135-9301	..WASHER, LOCK, steel, 6 mm		12	
17	G1	5310-99-122-5295	..NUT, PLAIN, HEXAGON, SI, metric, steel, 6 mm		12	
18	LV7RU	5340-99-824-6747	..BUMPER, RUBBER, 47.63 mm lg	398368	4	
19	G1	5305-99-135-0424	..SCREW, MACHINE, SI, metric, steel, 4 mm x 16 mm lg		4	
20	LV7RU	5310-99-137-6768	..WASHER, FLAT, steel, 4 mm	851047	8	
21	G1	5310-99-135-9291	..WASHER, LOCK, steel, 4 mm		4	
22	G1	5310-99-135-0755	..NUT, PLAIN, HEXAGON, SI, metric, steel, 4 mm		4	
23	LV7RU	2540-99-824-6748	..STRIKING PLATE, steel, 20 mm w x 40 mm lg	398308	4	
24	G1	5305-99-122-8664	..SCREW, MACHINE, SI, metric, steel, 5 mm x 12 mm lg		8	
25	LV7RU	5310-99-137-6773	..WASHER, FLAT, steel, 5 mm	851217	8	
26	G1	5310-99-135-9300	..WASHER, LOCK, steel, 5 mm		8	

H4

LOWER BODYSIDE

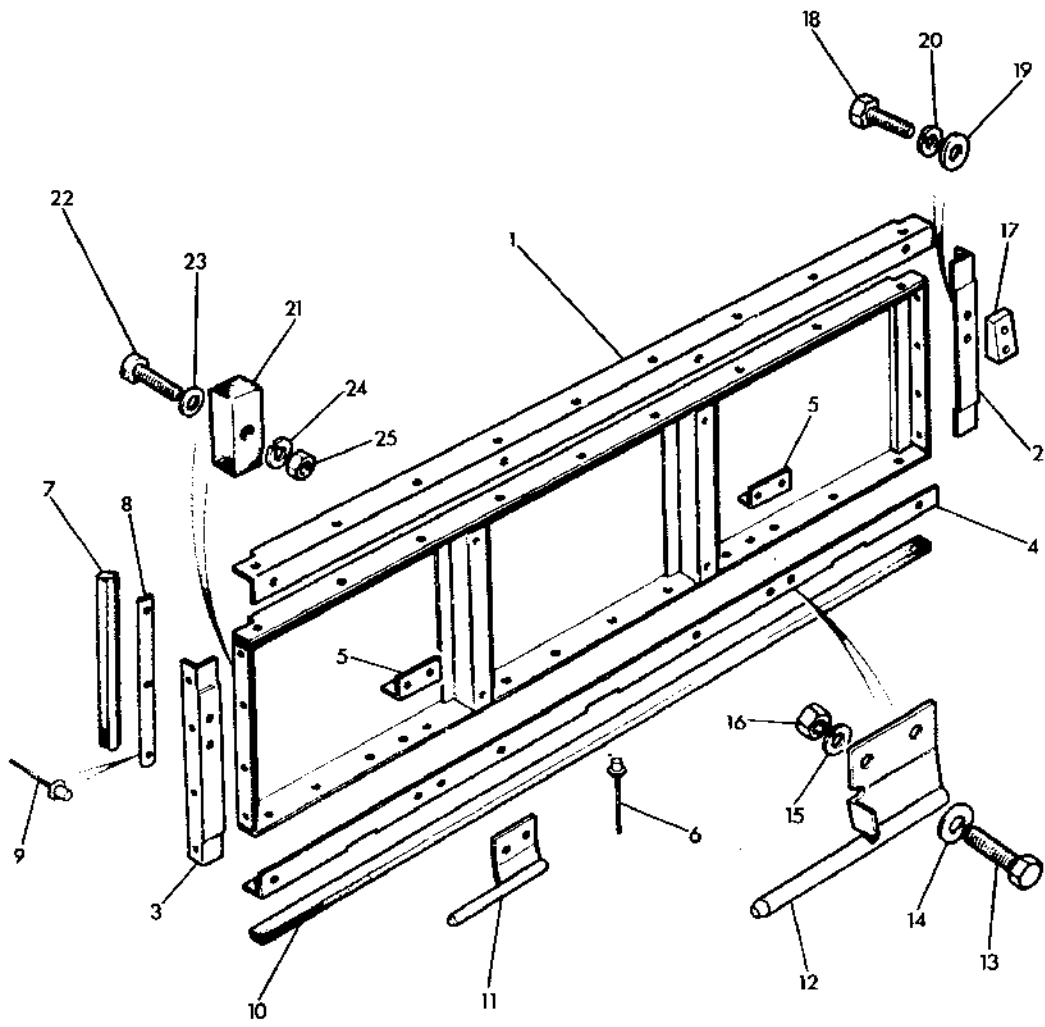


FIG ITEM	MAN CODE	NATO STOCK NUMBER/ CATALOGUE NUMBER	ITEM NAME AND DESCRIPTION	PART NO./ DRAWING NO./ ADREFNO	NO. OFF	ANNOTATIONS
H4			BODY - contd			
6	LV7RU	2805-99-874-9961	..LOWER BODYSIDE -	78410		
9	G1	5320-99-101-3420	..RIVET, BLIND			}AR
			..RIVET, BLIND, aluminium, 3/32 in. dia x 0.29 in. lg			
11	LV7RU	5340-99-824-6746	..LEAF, BUTT HINGE: lh front, male	398189	1	
+	LV7RU	5340-99-824-6744	..LEAF, BUTT HINGE: rh front, male	398188	1	
12	LV7RU	5340-99-824-6745	..LEAF, BUTT HINGE: lh rear, male	398494	1	
+	LV7RU	5340-99-824-6743	..LEAF, BUTT HINGE: rh rear, male	398493	1	
13	G1	5305-99-122-8580	..SCREW, MACHINE, SI, metric, steel, 6 mm x 20 mm lg		8	
14	G1	5310-99-122-3033	..WASHER, FLAT, steel, 6 mm		16	
15	G1	5310-99-135-9301	..WASHER, LOCK, steel, 6 mm		8	
16	G1	5310-99-122-5295	..NUT, PLAIN, HEXAGON, SI, metric, steel, 6 mm		8	
17	LV7RU	2540-99-824-6748	..STRIKING PLATE, steel, 20 mm w x 40 mm lg	398308	4	
18	G1	5305-99-122-8664	..SCREW, MACHINE, SI, metric, steel, 5 mm x 12 mm lg		8	
19	LV7RU	5310-99-137-6773	..WASHER, FLAT, steel, 5 mm	851217	8	
20	G1	5310-99-135-9300	..WASHER, LOCK, steel, 5 mm		8	
21	LV7RU	5340-99-824-6747	..BUMPER, RUBBER, 47.63 mm lg	398368	4	
22	G1	5305-99-135-0424	..SCREW, MACHINE, SI, metric, steel, 4 mm x 16 mm lg		4	
23	G1	5310-99-122-3031	..WASHER, FLAT, steel, 4 mm		8	
24	G1	5310-99-135-9291	..WASHER, LOCK, steel, 4 mm		4	
25	G1	5310-99-135-0755	..NUT, PLAIN, HEXAGON, SI, metric, steel, 4 mm		4	

FIG ITEM	MAN CODE	NATO STOCK NUMBER/ CATALOGUE NUMBER	ITEM NAME AND DESCRIPTION	PART NO./ DRAWING NO./ ADREFNO	NO. OFF	ANNOTATIONS
H5			BODY - contd			
1-16		NP	..TAILBOARD; assy	398214	1	
2	LV7RU	5340-99-824-6749	..LEAF, HINGE, TAILBOARD; rh	398225	1	
3	LV7RU	5340-99-824-7070	..LEAF, HINGE, RAILBOARD; lh	398226	1	
6	LV7RU	2510-99-824-7079	..RUBBER, SPECIAL SHAPED SECTION: side seal	398232	2	
8	LV7RU	5330-99-824-7078	..RUBBER, SPECIAL SHAPED SECTION: botton seal	398233	1	
10	G1	5320-99-101-3420	..RIVET, BLIND, aluminium, 3/32 in. dia x 0.29 in. lg		AR	
12	LV7RU	2805-99-874-9961	..RIVET, BLIND	78410	11	
+	LV7RU	2540-99-824-7071	..HOOK, SUPPORT	301329	3	Rope hooks
13	LV7RU	5340-99-850-1661	..HOOK, SUPPORT; rh	332445	1	
14	LV7RU	5340-99-850-1662	..HOOK, SUPPORT; lh	332446	1	
+	LV7RU	2540-99-829-9528	..PLATE, RETAINING, 1-1/2 in. lg x 3/4 in. w x 5/64 in. thk	301328	3)
+	G1	5306-99-122-5249	..BOLT, MACHINE, SI, metric, steel, 6 mm x 55 mm lg		4)Hinges
+	G1	5306-99-122-5247	..BOLT, MACHINE, SI, metric, steel, 6 mm x 45 mm lg		2)and
+	G1	5310-99-122-6474	..WASHER, FLAT, steel, 6 mm		12)hooks to
+	G1	5310-99-135-9301	..WASHER, LOCK, steel, 6 mm		6)
+	G1	5310-99-122-5295	..NUT, PLAIN, HEXAGON, SI, metric, steel, 6 mm		6)
15	LV7RU	5340-99-824-7072	..LEAF, HINGE, BUTT, aluminium, 68 mm lg x 38 mm w	398331	2	
16	LV7RU	2805-99-874-9961	..RIVET, BLIND	78410	4	
19	LV7RU	5320-99-845-0181	..RIVET: hinge pin	334121	2	
20	LV7RU	5340-99-808-3869	..STUD, FRICTION CATCH	346139	1	
21	LV7RU	5340-99-808-3870	..RECEPTACLE, FRICTION CATCH STUD	346140	1	
22	LV7RU	2590-99-808-3810	..PLATE, MOUNTING, VEHICLE REGISTRATION PLATE, 11-1/4 in. lg	346046	1	
23	LV7RU	4010-99-850-1322	..CHAIN, WELDED	330399	2	
24	LV7RU	5315-99-844-9550	..PIN, STRAIGHT, HEADED, steel, 1/4 in. dia x 19/32 in. lg	302828	2	
25	G1	5315-99-944-0172	..PIN, COTTER, SPLIT, steel, 1/16 in. dia x 7/8 in. lg		2	
26	LV7RU	2590-99-895-1987	..SLEEVE, CHAIN	330422	4	
27	LV7RU	2510-99-895-2141	..BRACKET, TAILBOARD CHAIN	302825	2	
+	G1	5305-99-122-5360	..SCREW, MACHINE, SI, metric, steel, 6 mm x 16 mm lg		4	
+	G1	5310-99-135-9301	..WASHER, LOCK, steel, 6 mm		4	
32	G1	5310-99-941-6631	..WASHER, LOCK, steel, 1/2 in.		2	
33	G1	5310-99-953-9191	..WASHER, FLAT, steel, 1/2 in.		2	
34	G1	5315-99-944-0183	..PIN, COTTER, SPLIT, steel, 1/8 in. dia x 1-1/4 in. lg		2	

H6

HOOD & FITTINGS

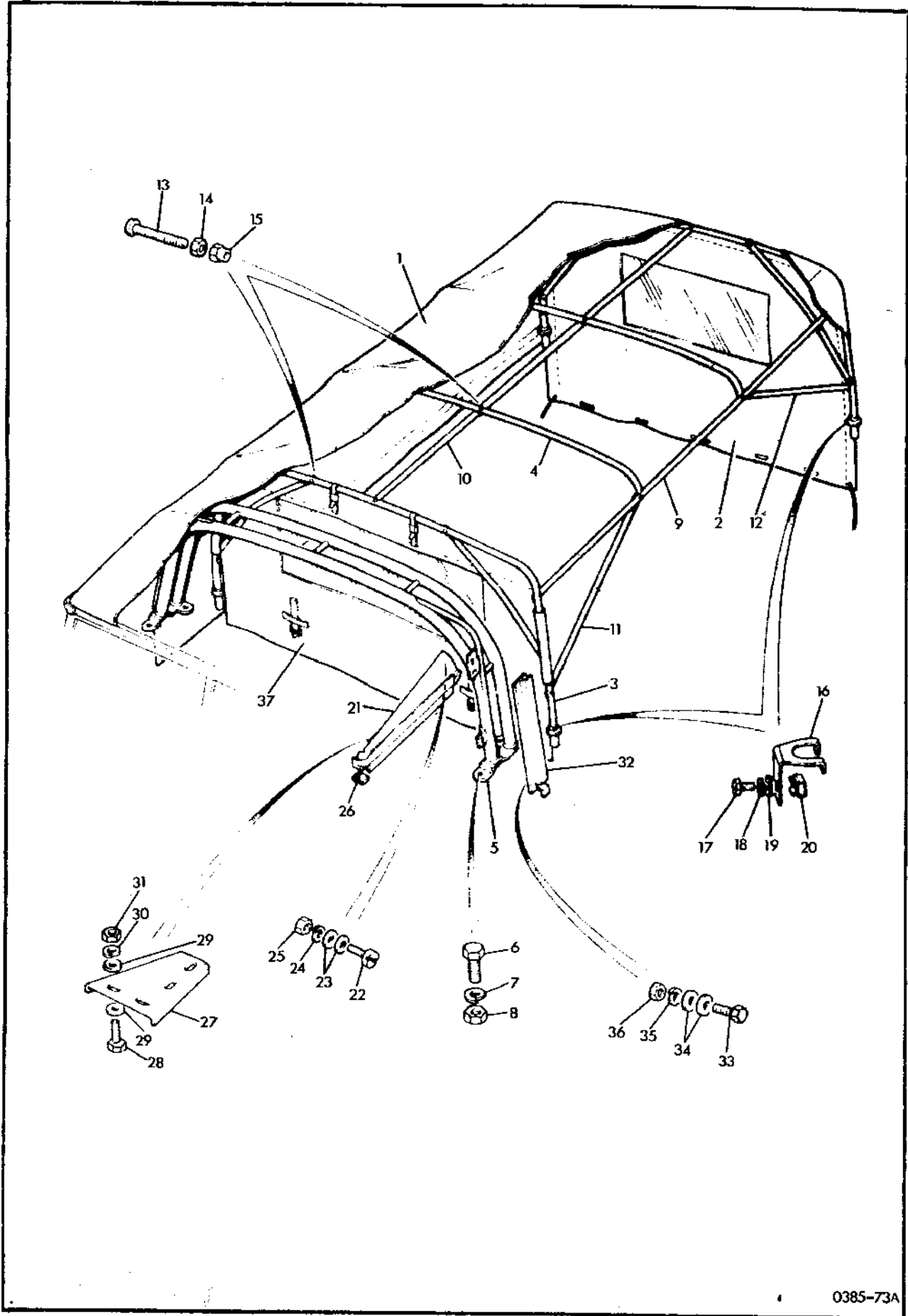


FIG ITEM	MAN CODE	NATO STOCK NUMBER/ CATALOGUE NUMBER	ITEM NAME AND DESCRIPTION	PART NO./ DRAWING NO./ ADREFNO	NO. OFF	ANNOTATIONS
H6			BODY - contd			
1,2	LV7RU	2510-99-829-1350	.HOOD: assy	398312	1	RHD
		NP	.HOOD: assy	398313	1	LHD
3	LV7RU	2510-99-829-1351	.HOOPSTICK, END	398237	2	
4	LV7RU	2510-99-829-1352	.HOOPSTICK, INTERMEDIATE	398041	2	
5	LV7RU	2510-99-829-1357	.HOOPSTICK, FRONT AND ROLL-OVER BAR	MRC1597	1	
6	G1	5305-99-122-4909	.SCREW, MACHINE, SI, metric, steel, 10 mm x 20 mm lg		8	
7	G1	5310-99-135-9303	.WASHER, LOCK, steel, 10 mm		8	
8	G1	5310-99-122-5297	.NUT, PLAIN, HEXAGON, SI, metric, steel, 10 mm		8	
+	LV7RU	5306-99-829-3001	.ROD, THREADED END, steel, 10 mm x 1.5 mm thd x 486 mm lg	MRC3689	2)Tie rod
+	G1	5310-99-135-4100	.WASHER, LOCK, steel, single coil, 10 mm		8)rollover
+	G1	5310-99-122-3035	.WASHER, FLAT, steel, 10 mm		8)bar to
+	G1	5310-99-122-5297	.NUT, PLAIN, HEXAGON, SI, metric, steel, 10 mm		8)lower
					8)rear cab
13	G1	5305-99-135-0514	.SCREW, MACHINE, SI, metric, steel, 6 mm x 40 mm lg		24)
14	G1	5310-99-122-3061	.NUT, PLAIN, HEXAGON, SI, metric, steel, 6 mm		24)Fixings
15	G1	5310-99-137-7683	.NUT, SELF-LOCKING, HEXAGON, SI, metric, steel, 6 mm		24)hoop-
16	LV7RU	2540-99-824-7073	.BRACKET, CLAMPING, HOOPSTICK, steel, 64mm lg x 48 mm w x 50 mm h	398243	4)sticks
)and
)braces
17	G1	5305-99-122-5359	.SCREW, MACHINE, SI, metric, steel, 6 mm x 12 mm lg		4)
18	G1	5310-99-135-9301	.WASHER, LOCK, steel, 6 mm		4)Bracket
19	G1	5310-99-122-6474	.WASHER, FLAT, steel, 6 mm		4)to front
)and rear
)pillars
22	G1	5305-99-135-0440	.SCREW, MACHINE, SI, metric, steel, 6 mm x 16 mm lg		2)Stiffener
23	G1	5310-99-122-6474	.WASHER, FLAT, steel, 6 mm		4)panels
24	G1	5310-99-135-9301	.WASHER, LOCK, steel, 6 mm		2)to top
25	G1	5310-99-122-3061	.NUT, PLAIN, HEXAGON, SI, metric, steel, 6 mm		2)bracket
					2)
26	LV7RU	2510-99-850-1934	.STRIP, RUBBER, SEALING	332605	2)
27	LV7RU	2510-99-850-1421	.PLATE, ADJUSTING: rh	330622	1)Adjust-
	LV7RU	2510-99-850-1422	.PLATE, ADJUSTING: lh	330623	1)ment
28	G1	5305-99-122-5360	.SCREW, MACHINE, SI, metric, steel, 6 mm x 16 mm lg		8)plate to
29	G1	5310-99-122-6474	.WASHER, FLAT, steel, 6 mm		16)wind-
30	G1	5310-99-135-9301	.WASHER, LOCK, steel, 6 mm		8)screen
31	G1	5310-99-122-5295	.NUT, PLAIN, HEXAGON, SI, metric, steel, 6 mm		8)and top
)stiff-
)ener
33	G1	5305-99-122-5360	.SCREW, MACHINE, SI, metric, steel, 6 mm x 16 mm lg		4)
34	G1	5310-99-122-6474	.WASHER, FLAT, steel, 6 mm		8)Door
35	G1	5310-99-135-9301	.WASHER, LOCK, steel, 6 mm		4)drain
36	G1	5310-99-122-5295	.NUT, PLAIN, HEXAGON, SI, metric, steel, 6 mm		4)channels
					4)to
					4)brackets
37	LV7RU	2540-99-836-9681	.CURTAIN, VEHICULAR	MRC3519	1)Fume curtain

H7

REAR BODY FITTINGS

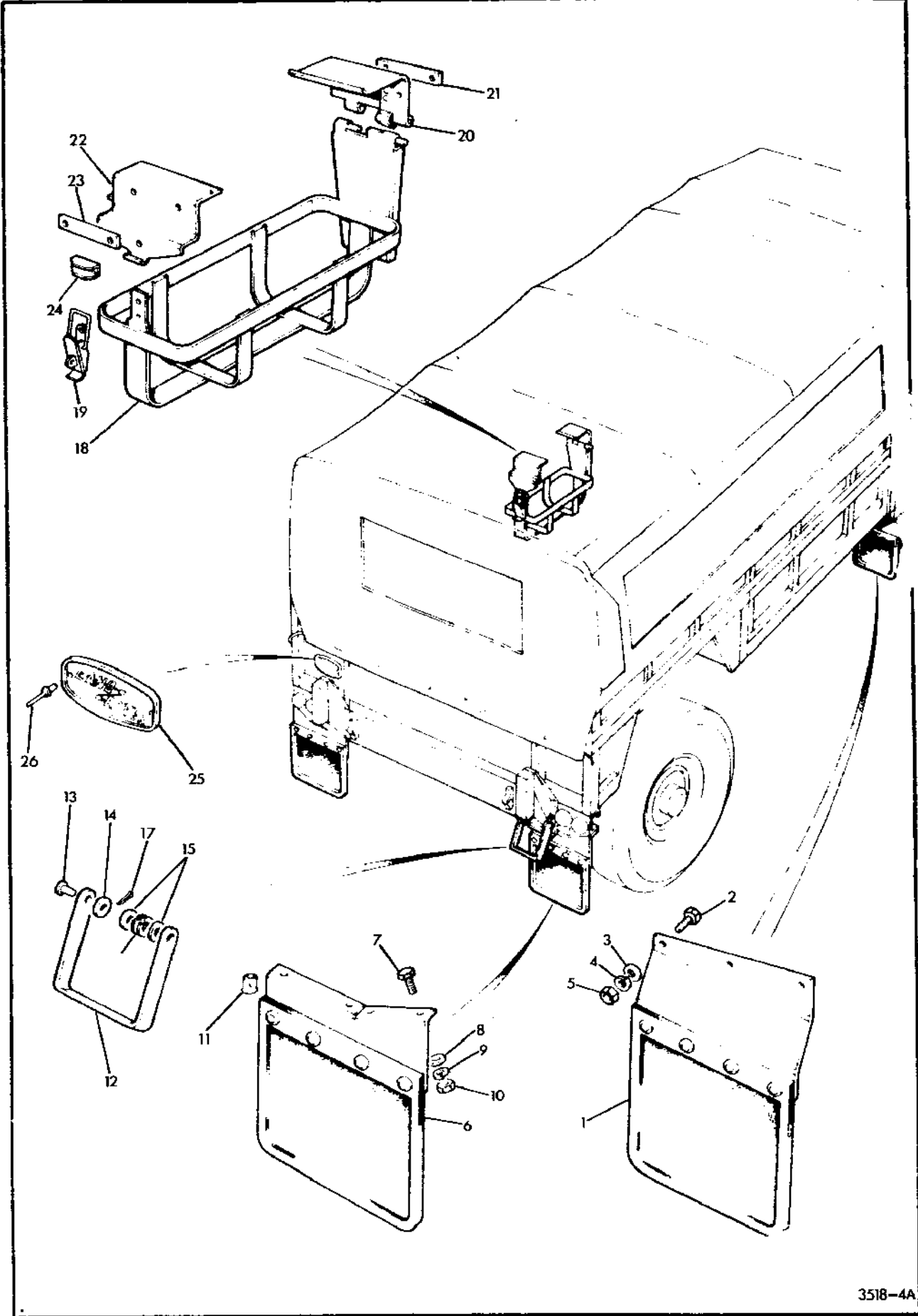


FIG ITEM	MAN CODE	NATO STOCK NUMBER/ CATALOGUE NUMBER	ITEM NAME AND DESCRIPTION	PART NO./ DRAWING NO./ ADREFNO	NO. OFF	ANNOTATIONS
H7.						
1	LV7RU	2540-99-825-4286	BODY - contd			
(LV7RU	2540-99-825-4287	.MUDFLAP; rh front assy	MRC1509	1	
(LV7RU	2540-99-825-4287	.MUDFLAP; lh front assy	MRC1510	1	
2	G1	5305-99-122-5360	.SCREW, MACHINE, SI, metric, steel, 6 mm x 16 mm lg		6	
3	G1	5310-99-122-6474	.WASHER, FLAT, steel, 6 mm		6	
4	G1	5310-99-137-9232	.WASHER, LOCK, steel, 6 mm		6	
5	G1	5310-99-122-5295	.NUT, PLAIN, HEXAGON, SI, metric, steel, 6 mm		6	
(LV7RU	2540-99-825-4288	.MUDFLAP; rh rear assy	MRC1609	1	
6	LV7RU	2540-99-825-4291	.MUDFLAP; lh rear assy	MRC1610	1	RHD
(LV7RU	2540-99-825-4275	.MUDFLAP; lh rear assy	MRC1611	1	LHD
7	G1	5305-99-122-5360	.SCREW, MACHINE, SI, metric, steel, 6 mm x 16 mm lg		8	
8	G1	5310-99-122-6474	.WASHER, FLAT, steel, 6 mm		8	
9	G1	5310-99-137-9232	.WASHER, LOCK, steel, 6 mm		8	
10	G1	5310-99-122-5295	.NUT, PLAIN, HEXAGON, SI, metric, steel, 6 mm		6	
11	LV7RU	5310-99-828-4176	.NUT, CAPTIVE, SI, metric, steel, 6 mm	811948	2	
13	LV7RU	5315-99-849-8614	.PIN, STRAIGHT, HEADED, steel, 5/16 in. dia x 11/16 in. lg	306564	2	
14	G1	5310-99-956-1786	.WASHER, FLAT, steel, 5/16 in.		2	
15	LV7RU	5310-99-137-9573	.WASHER, FLAT, steel, 7/8 in. od x 21/64 in. id x 5/32 in. thk	4898	2	
16	G1	5310-99-941-6655	.WASHER, LOCK, steel, 5/16 in.		1	
+	G1	5305-99-122-8580	.SCREW, MACHINE, SI, metric, steel, 6 mm x 20 mm lg		2)Fixing
+	G1	5310-99-122-5495	.NUT, SELF-LOCKING, HEXAGON, SI, metric, steel, 6 mm		2)hinge)plate &)catch)plate to)body
24		NP	.SWITCH, CATCH	398439	1	
+	G1	5305-99-122-5362	.SCREW, MACHINE, SI, metric, steel, 6 mm x 25 mm lg		1	
+	G1	5310-99-122-3053	.WASHER, FLAT, steel, 6 mm		1	
+	G1	5310-99-137-9232	.WASHER, LOCK, steel, 6 mm		1	
+	G1	5310-99-122-5495	.NUT, SELF-LOCKING, HEXAGON, SI, metric, steel, 6 mm		1	
+	LV7RU	2590-99-829-9863	.RADIO FITTINGS (CLANSMAN) - ..CLEAT ASSEMBLY, steel; w/nuts, screws and washers	FV816541	6	
+	LV7RU	2590-99-829-9864	..PACKING PIECE, steel, 25 mm lg x 20 mm w x 6 mm thk	FV816682	8	
+	Z1	5820-99-642-0204	..BONDING STRAP ASSEMBLY	FV816471	3	
+	G1	5305-99-122-8749	..SCREW, MACHINE, SI, metric, steel, 6 mm x 16 mm lg		8	
+	G1	5310-99-120-8135	..WASHER, FLAT, steel, 6 mm		16	
+	G1	5310-99-135-9301	..WASHER, LOCK, steel, 6 mm		8	
+	G1	5310-99-135-0787	..NUT, PLAIN, HEXAGON, SI, metric, steel, 6 mm		8	

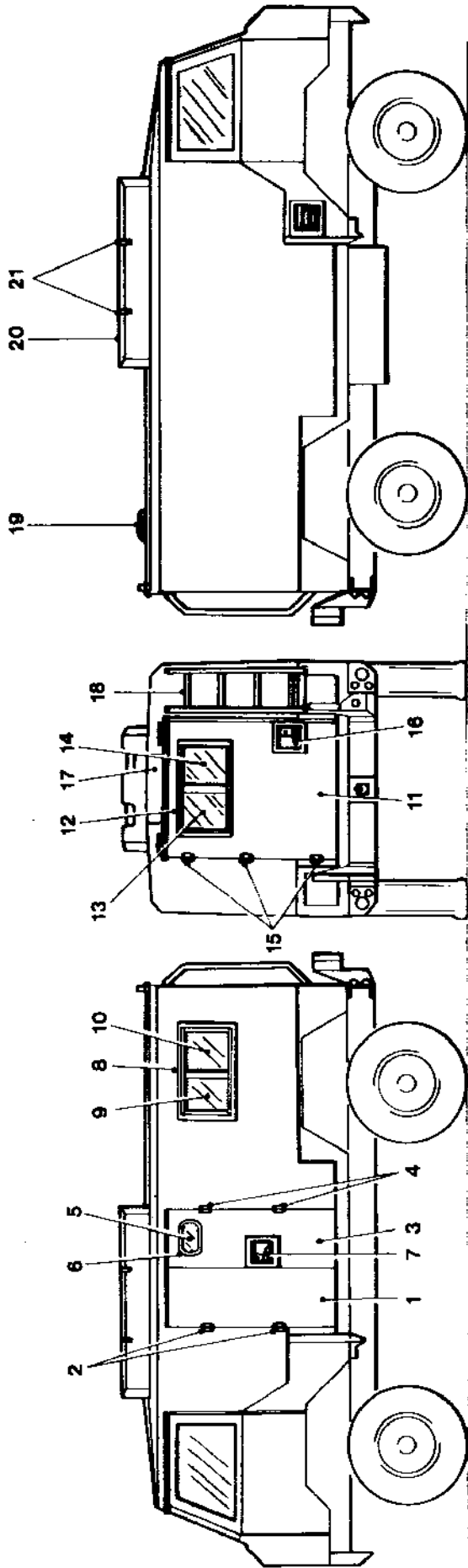


FIG ITEM	MAN CODE	NATO STOCK NUMBER/ CATALOGUE NUMBER	ITEM NAME AND DESCRIPTION	PART NO./ DRAWING NO./ ADREFNO	NO. OFF	ANNOTATIONS
H8 1-21		NP	BODY - contd ..HARDTOP BODY ASSEMBLY	FV928002	1	Cts 19 to 24 & 27
1,2 2	LV6MT13	NP 5340-99-833-6992	..DOOR, SIDE; lh	FV928007	1	
+	LV6MT13	5340-99-833-6994	...HINGE, BUTT, 2-5/8 in. lg; lh fitting	FV928069	2	
+	LV7RU	2540-99-825-4658	...BOLT, BARREL, chrome plated, 3-3/4 in. lg x 1-1/2 in. w; w/spring loaded bolt	FV928071	2	
+	LV6MT13	5330-99-833-6995	...STRIKER PLATE ASSEMBLY, LOCK; rh	395294	1	
			...RUBBER, SPECIAL SHAPED SECTION, 1200 mm lg	FV928053	1	
3-7 4	LV6MT13	NP 5340-99-833-6993	..DOOR, SIDE; rh	FV928008	1	
	LV6MT13	2510-99-833-6996	...HINGE, BUTT, 2-5/8 in. lg; rh fitting	FV928081	2	
	LV6MT6	9330-99-127-5974	...WINDOW PANEL, VEHICULAR, safety glass, 228.6 mm lg x 120.6 mm w x 4.75 mm thk	FV928086	1	} AR
{ 6	LV6MT6	9320-99-224-8890	...PLASTICS, SPECIAL SHAPED SECTION, PVC, 27/64 in. w x 21/64 in. h			
{ 7	LV7RU	2540-99-825-4656	...RUBBER, SPECIAL SHAPED SECTION, 51/64 in. w x 5/8 in. h			
			...LOCK, DOOR, VEHICULAR, 127 mm lg x 113 mm w x 64 mm h, lever operated, anti-burst	395037	1	
8-10 9	LV6MT13	2510-99-882-0614	..WINDOW, SLIDING, ASSEMBLY: lh	FV374951	1	
	LV6MT13	2510-99-820-3078	...WINDOW PANEL, VEHICULAR, tinted glass, 13-3/4 in. lg x 11-1/2 in. w; w/sliding panel, frame and fittings	FV374967	1	
10	LV6MT13	2510-99-820-3081	...WINDOW PANEL, VEHICULAR, tinted glass, 12-23/32 in. lg x 11-31/32 in. w	FV374972	1	Fixed panel
+	LV6MT13	2510-99-820-3080	...WINDOW PANEL, VEHICULAR, wire mesh, 12-13/32 in. lg x 11-31/64 in. w			
+	LV6MT13	7230-99-810-7689	...ROLLER BLIND ASSEMBLY, hood roller, 15/16 in. dia x 25-1/4 in. lg, green nylon blind	FV374982	1	Tropical- ised
+	LV6MT13	5325-99-833-9950	..GROMMET, BLANK, NONMETALLIC, plastics, 5/16 in. od x 1/16 in. w groove x 9/16 in. dia flange	1165AMR	30)For)sealing)after)hard top)conver-)sion
+	LV6MT6	9320-99-833-9951	..RUBBER, SPECIAL SHAPED SECTION		AR	
+	LV6MT4	6140-99-833-9952	..LEAD, SECONDARY BATTERY, 450 mm lg	BCP12-18	1)Battery)vent
+	LV6MT1	5330-99-943-4374	..GASKET: roof vent seal, rubber/steel, 1-1/4 in. od x 59/64 in. id x 3/32 in. h		1	
11-16 12-15 13	LV6MT13	NP 2510-99-882-0614	..REAR DOOR ASSEMBLY	FV928003	1	
	LV6MT13	2510-99-820-3078	...WINDOW, SLIDING, ASSEMBLY	FV374951	1	
		WINDOW PANEL, VEHICULAR, tinted glass, 13-3/4 in. lg x 11-1/2 in. w; c/w sliding panel, frame and fittings	FV374967	1	

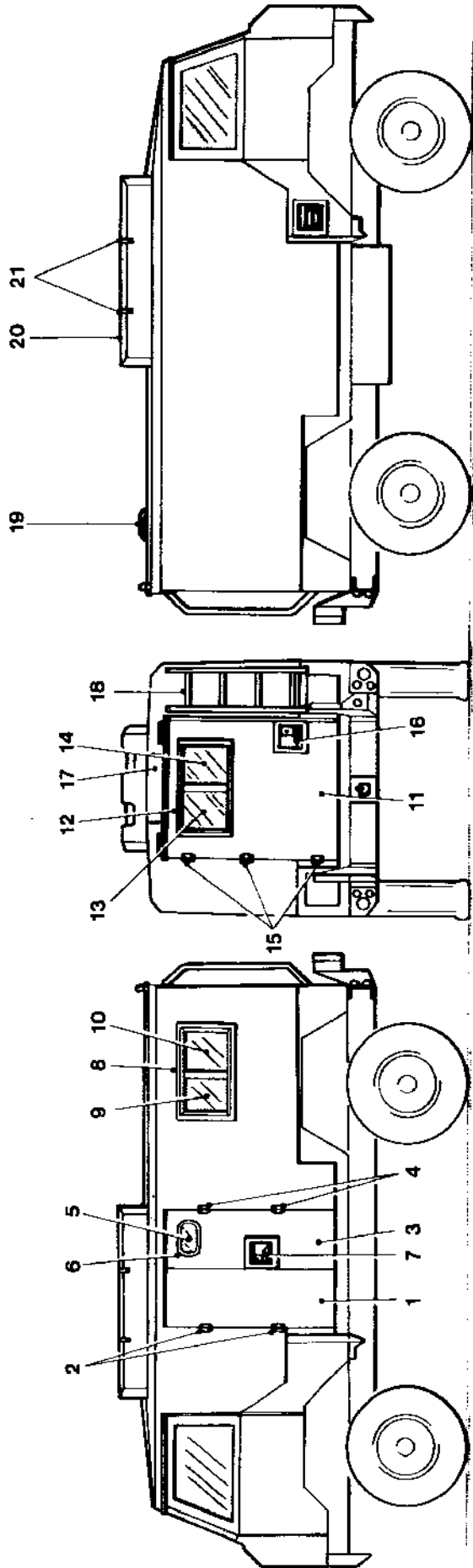
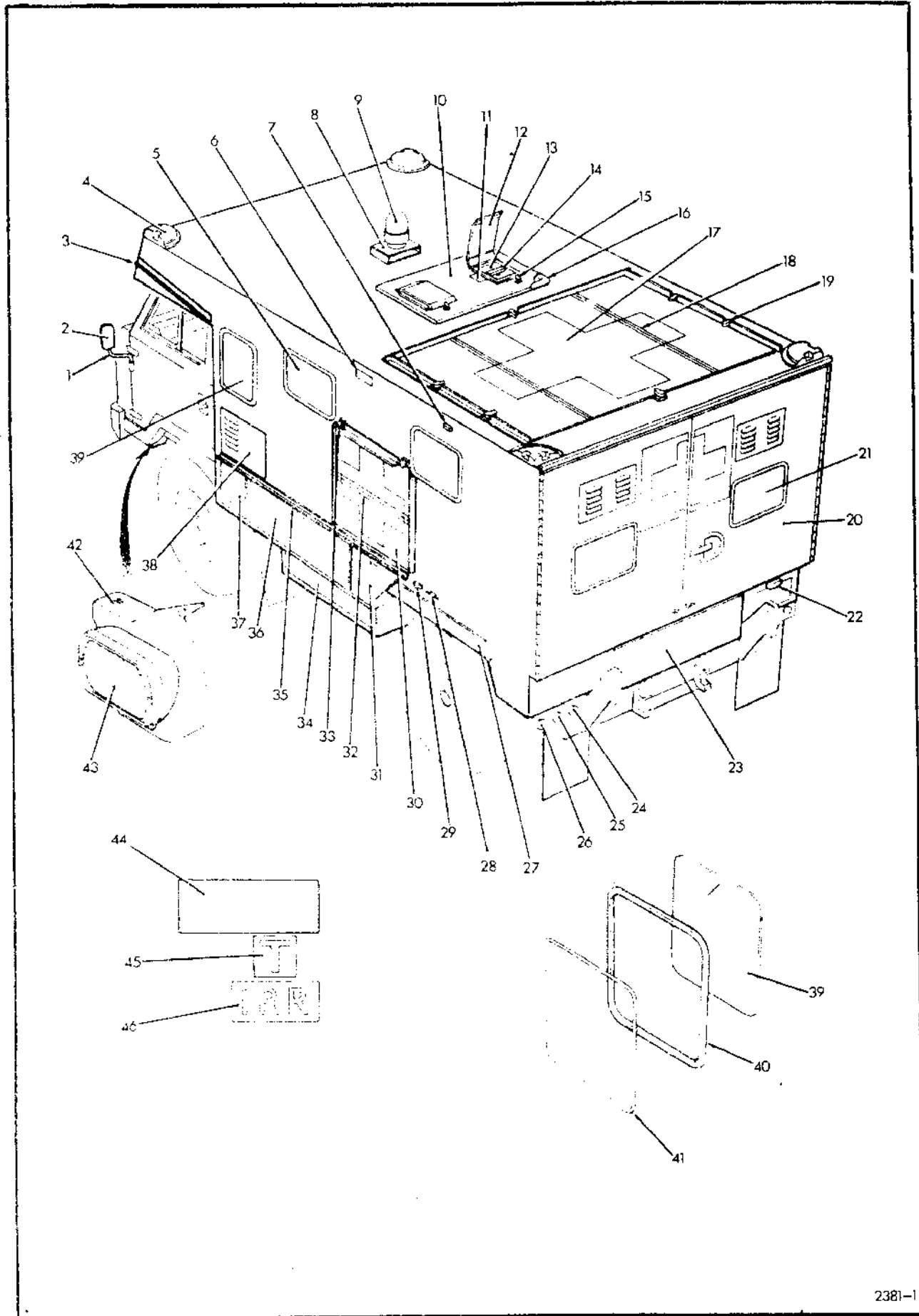


FIG ITEM	SYM CODE	MATO STOCK NUMBER/ CATALOGUE NUMBER	ITEM NAME AND DESCRIPTION	PART NO./ DRAWING NO./ ADREFNO	NO. OFF	ANNOTATIONS
1	LV6MT3	2540-99-829-2993	BODY (AMBULANCE) - ..ARM, REARVIEW MIRROR, swivel type, 2 mtg holes; w/1/4 in. UNF thds	4007-323	2	
2	LV6MT3	2540-99-806-9163	..MIRROR ASSEMBLY, REARVIEW, 187 mm lg x 135 mm w; w/clamp	4002-863	2	
4	LV6MT13	5340-99-745-0151	..DOME, CORNER, plastics, 190 mm lg x 190 mm w x 50 mm h	FV959715	4	
7	LV6MT1	5340-99-745-2559	..BUMPER, RUBBER		2	
9	LV6MT3	6220-99-838-5174	..LIGHT, WARNING, VEHICULAR, 12V, blue lens	60984067	1	
+	LV6MT3	5975-99-801-7664	..BOOT, DUST AND MOISTURE SEAL	54521322	1	
+	LV6MT3	6210-99-801-7665	..BEZEL, LENS MOUNTING	54521270	1	
+	LV6MT3	6220-99-825-3129	..LENS, VEHICULAR WARNING LIGHT, plastics, blue	60840419	1	
+	LV6MT3	6210-99-801-7667	..GASKET, LENS, rubber, 4-5/8 in. od x 4-3/8 in. id x 5/32 in. h	54521159	1	
+	LV6MT3	5340-99-803-2979	..CLIP, RETAINING: lens fixing	504665	2	
+	LV6MT3	5340-99-833-1903	..PLATE, CLAMP, RIM, steel, 0.812 in. lg x 0.5 in. w x 0.71 in. thk	534296	1	
+	LV6MT3	5305-99-745-0176	..SCREW, MACHINE, B, brass, No.2 x 11/16 in. lg	54571590	1	
+	LV6MT3	6220-99-803-4917	..REFLECTOR, LIGHT, aluminum, 3-5/16 in. dia x 21/32 in. h; w/mtg brackets	54521173	1	
+	E6	6105-99-208-7473	..MOTOR	60840532	1	
+	X5	6240-99-995-2416	..LAMP, FILAMENT, 12V, 36W		1	
14		NP	..HANDLE	FV959905	4	
+	G1	5315-99-138-5547	..PIN, SPRING, steel, 3 mm dia x 30 mm lg		2	
15	LV6MT13	5340-99-818-7995	..BUTTON, DOOR, steel, 1-5/8 in. lg x 1-1/8 in. w	6098	2	
16	LV6MT6	5330-99-808-3158	..RUBBER, SPECIAL SHAPED SECTION, solid, 1-1/8 in. w x 3/8 in. thk	FV833442 Item 17	1	
17-19	LV6MT1	9905-99-838-0818	..SIGN, red cross on white background, 700 mm sq	FV959854 1813	2	
18			..HINGE		1	
19	LV6MT13	2540-99-811-7223	..FASTENER, ENGINE COVER, 1-3/8 in. x 1 in. plate	2936	4	
20,21	LV6MT13	2540-99-745-0145	..DOOR, ACCESS, VEHICULAR, double door; w/hinges, catches and windows	FV959733	1	See Plate H10
21	LV6MT13	2510-99-744-9340	..WINDOW, VEHICULAR, double glazed, tinted, 568 mm lg x 372 mm w	FV959755	2	See Plate H11
22	LV6MT3	6220-99-201-9093	..LIGHT, REGISTRATION PLATE	53837	1	
+	LV6MT3	6220-99-201-9094	..LENS, REGISTRATION PLATE LIGHT	54570354	1	
+	X5	6240-99-995-2149	..LAMP, FILAMENT, 12V, 5W		1	
23		NP	..REAR STEP: assy	FV959737	1	See Plate H12
24	LV6MT3	6220-99-835-0444	..LIGHT, FOG: rear	57334	2	



QTY	UNIT	NSN STOCK NUMBER/ CATALOGUE NUMBER	ITEM NAME AND DESCRIPTION	PART NO./ DRAWING NO./ ADREFNO	NO. OFF	ANNOTATIONS
			BODY (AMBULANCE) - contd			
+	I5	6240-99-995-3281	.LIGHT, FOG: rear - contd			
25	LV6MT3	6220-99-823-9794	..LAMP, FILAMENT, 12V, 21W, SCC, clear		2	
+	LV6MT3	6220-99-823-9797	.TURNLIGHT, 12V, 21W	54585233	2	
+	I5	6240-99-995-3281	..LENS ASSEMBLY, TURNLIGHT	5485232	2	
26	LV6MT3	6220-99-823-9793	..LAMP, FILAMENT, 12V, 21W, SCC, clear		2	
+	X5	6240-99-995-3267	.TAILLIGHT-STOPLIGHT	54585225	2	
			..LAMP, FILAMENT, 12V, 6W/21W, SBC, clear		2	
28	LV6MT13	5340-99-804-7030	.CLEAT, ROPE, steel, 4 in. lg x 1-1/4 in. h	M19	6	
+	LV7RU	5305-99-137-9122	.SCREW, MACHINE, BSF, steel, phosphated, hex hd, 1/4 in. x 13/32 in. lg	622281	6	
29	LV6MT13	2540-99-745-2563	.CATCH, FRICTION, 2-5/8 in. lg x 1-1/16 in. w; w/plate and spring	W1672	4	
+	G1	5305-99-914-5426	.SCREW, TAPPING, THREAD FORMING, steel, cadmium plated, No.6 x 1/4 in. lg		4	
31		NP	.FLAP, REAR STOWAGE	FV959861	1	
+	LV6MT1	5340-99-971-0229	..LATCH, RIM	3-17332	1	
34		NP	.STOWAGE, BATTERY	FV959671	1	See Plate H13
35		NP	.FLAP, SPARE WHEEL LOCKER	FV959862	1	
+	LV6MT13	5340-99-806-8633	..LOCK SET, RIM, 3-way	W1161	2	
37		NP	.PANEL, ACCESS: air filters	FV959671	1	
+	LV6MT13	2540-99-809-6154	..LOCK, RIM, tee-handle key locking, 1 in. w: lh			
38	LV6MT13	2540-99-744-9342	.LOUVRE, METAL, aluminum, 370 mm lg x 262 mm w x 1.2 mm thk	FV959871	1	
43	LV6MT3	6220-99-828-6951	.LIGHT, FOG: front, 12V	55385	2	
+	X5	6240-99-139-2206	..LAMP, FILAMENT, halogen, M3 cap, 12V		2	

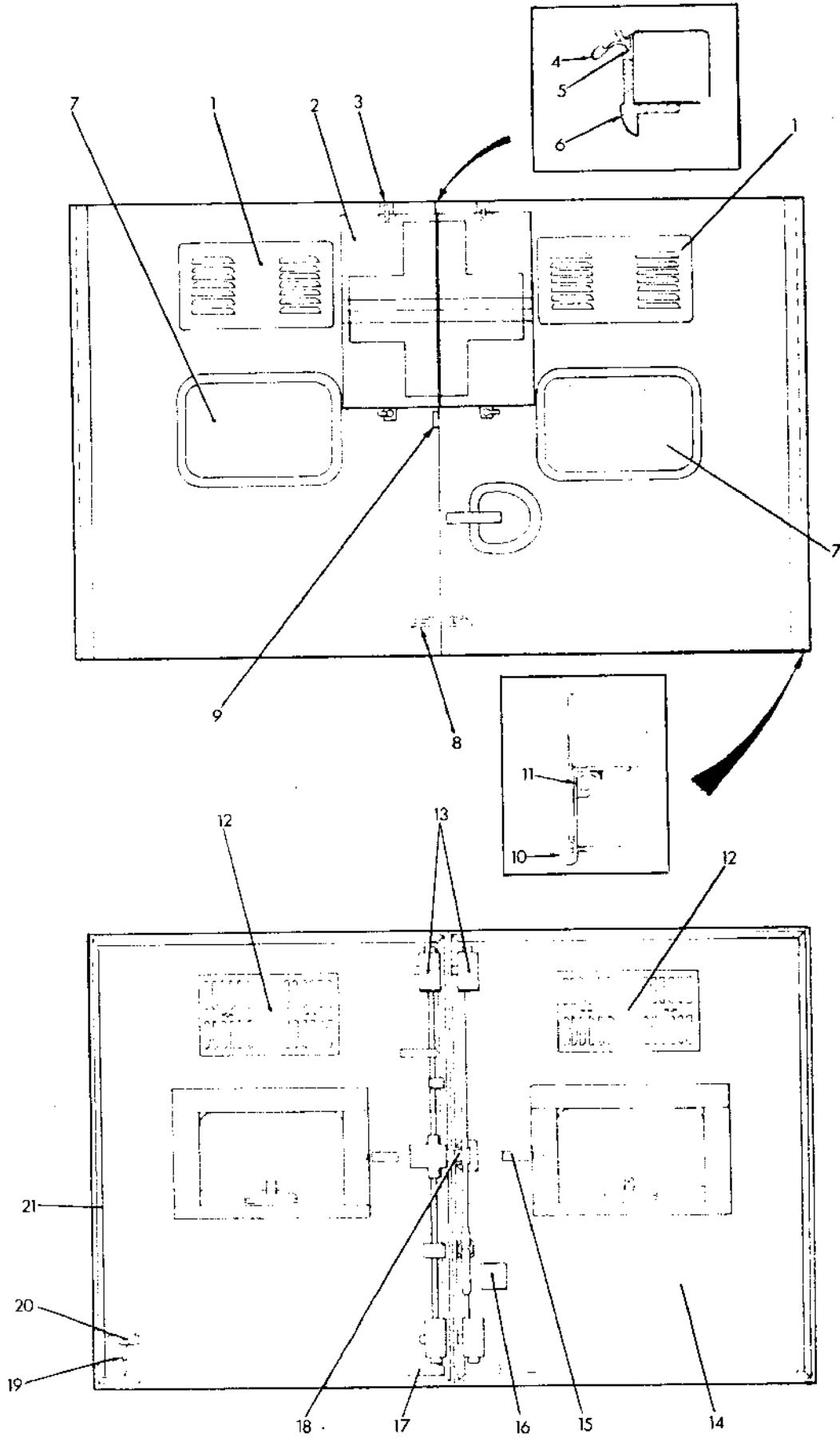


FIG ITEM	MAN CODE	NATO STOCK NUMBER/ CATALOGUE NUMBER	ITEM NAME AND DESCRIPTION	PART NO./ DRAWING NO./ ADREFNO	NO. OFF	ANNOTATIONS
H10						
1-21	LV6MT13	2540-99-745-0145	BODY (AMBULANCE) - contd ..DOOR, ACCESS, VEHICULAR, double door; w/hinges, catches and windows	FV959733	1	
1	LV6MT13	2540-99-745-0146	..LOUVRE, METAL, aluminium, 430 mm lg x 250 mm w x 1.2 mm thk	FV959763	2	
2	LV6MT13	9905-99-838-0219	..SIGN, 540 mm sq, red cross on white background	FV959761	2	
3	LV6MT13	2540-99-811-7223	..FASTENER, 1-3/8 in. x 1 in; c/w plate	2936	3	
7	LV6MT13	2510-99-744-9340	..WINDOW VEHICULAR, double glazed, tinted, 568 mm lg x 372 mm w	FV959755	2	
10	LV6MT13	2540-99-745-3563	..HINGE, BUTT, 1300 mm lg	FV959763	1	
12	LV6MT13	2540-99-745-0147	..GRILLE, METAL, 430 mm lg x 250 mm w	DHM-30	2	
13		NP	..LOCK, DOOR: double locking gear	5-96VL-17	1	
+	LV6MT13	2510-99-805-8498	...LOCK, RIM	101-S	1	
+	LV6MT13	5340-99-805-8500	...LOCK, RIM	101-T	1	
+	LV6MT13	5340-99-745-0148	...LOCK, RIM; c/w guide block	101-U	1	Rh
+	LV6MT13	5340-99-745-0149	...LOCK, RIM; c/w guide block	101-V	1	Lh
+	LV6MT13	5340-99-808-8298	...LOCK, RIM	101-I	1	
+	LV6MT13	2540-99-805-8499	...HANDLE, DOOR, brass, chrome plated, 5-3/8 in. lg x 7/8 in. h x 31/32 in. w	RL10 PP347	1 1	Centre Rear outside
+	LV6MT13	5340-99-809-6152	...LOCK, CYLINDER, OUTER HANDLE	155A	1	
+	G1	5310-99-804-7941	...NUT, PLAIN, HEXAGON, UNF, steel, zinc coated, 1/4 in.		10	
+	G1	5305-99-136-3258	...SCREW, MACHINE, SI, metric, steel, zinc coated, 5 mm x 30 mm lg		30	
+	G1	5310-99-136-2751	...WASHER, FLAT, steel, 5 mm		30	
+	G1	5310-99-120-8140	...WASHER, LOCK, steel, 5 mm		30	

H11

WINDOW PANEL

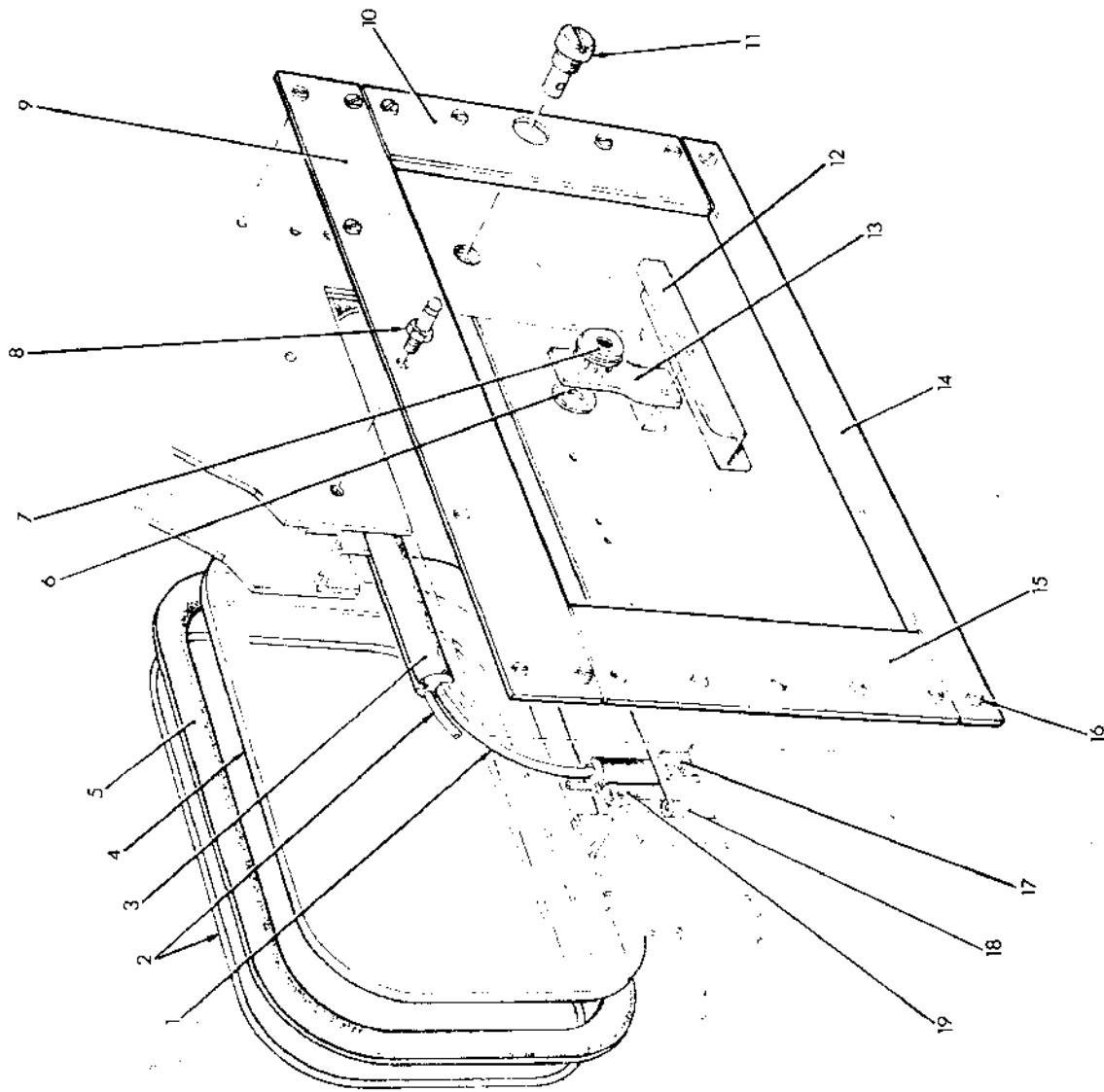


FIG ITEM	MAN CODE	NATO STOCK NUMBER/ CATALOGUE NUMBER	ITEM NAME AND DESCRIPTION	PART NO./ DRAWING NO./ ADREFNO	NO. OFF	ANNOTATIONS
H11						
1-19	LV6MT13	2510-99-744-9340	BODY (AMBULANCE) - contd ..WINDOW, VEHICULAR, double glazed, tinted, 568 mm lg x 372 mm w; w/sliding blackout panel			
6	LV6MT13	5325-99-103-4153	..CLINCH PLATE, PUSH-BUTTON	FV959755	2	
7	LV6MT13	5325-99-103-4156	..SOCKET, SNAP FASTENER	708A	2	
8	LV6MT13	5325-99-802-5904	..STUD, SNAP FASTENER, 0.247 in. dia x 0.25 in. lg	N609	2	
				952	2	

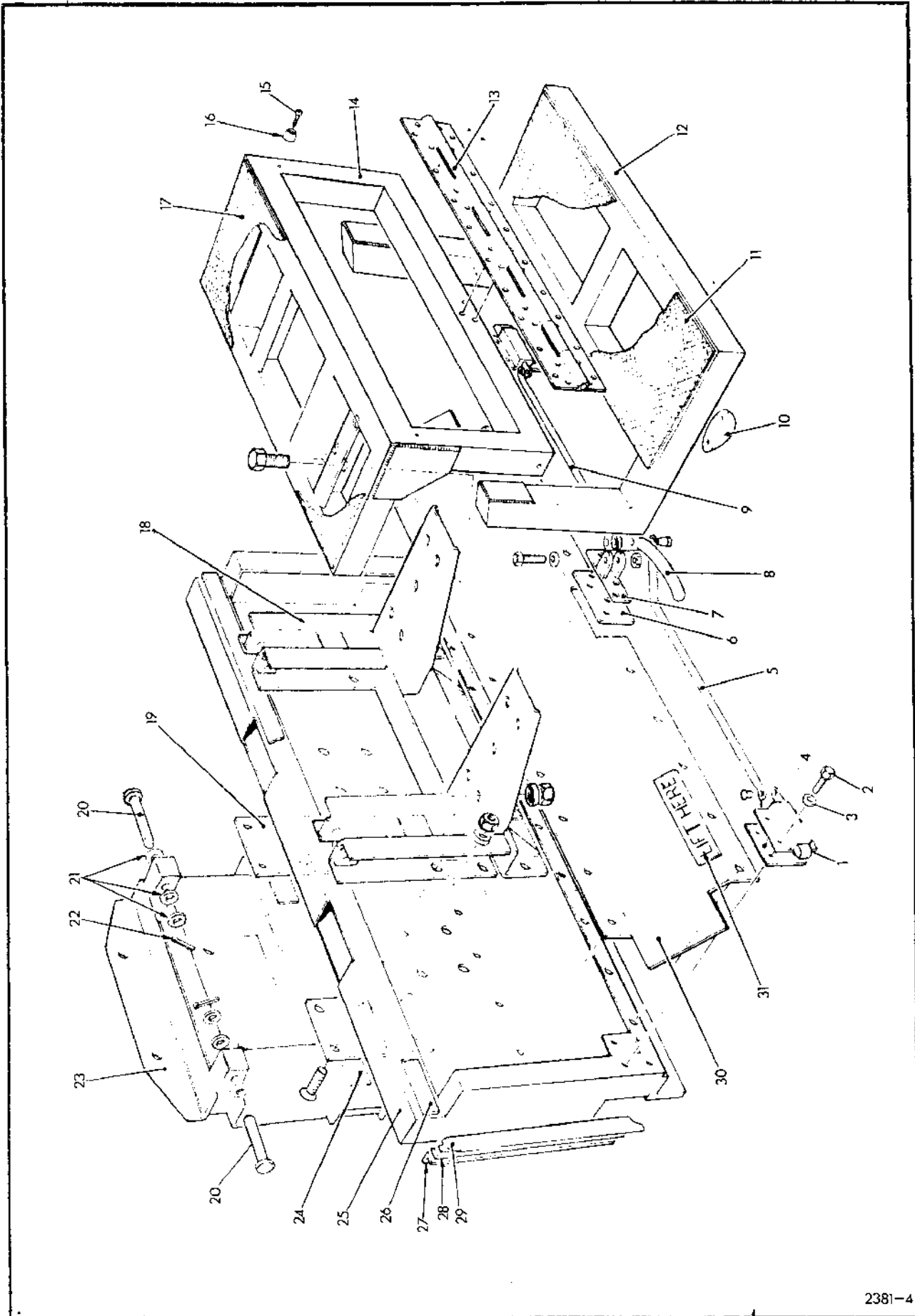


FIG ITEM	MAN CODE	NATO STOCK NUMBER/ CATALOGUE NUMBER	ITEM NAME AND DESCRIPTION	PART NO./ DRAWING NO./ ADREFNO	NO. OFF	ANNOTATIONS
H12			BODY (AMBULANCE) - contd			
1-31		NP	..REAR STEP: assy	FV959737	1	
1	LV6MT13	2540-99-837-8635	..LOCK: slam latch	3-22386	2	
2	G1	5305-99-948-0921	..SCREW, MACHINE, UNF, steel, No.10 x 3/4 in. lg		4	
7		NP	..BRACKET, ARM CONNECTING	FV959742	1	
+	G1	5305-99-941-1970	..SCREW, MACHINE, UNF, steel, No.10 x 1/2 in. lg		4	Bracket securing
8	LV6MT13	2540-99-745-0150	..LEVER, CONTROL, HAND, steel, phosphated, 5-5/8 in. lg	FV362936	1	
10	LV6MT13	5340-99-829-5056	..BUMPER, RUBBER, 2.8 in. lg x 1.5 in. w x 0.75 in. h	FV831279	2	
+	G1	5305-99-121-4852	..SCREW, TAPPING, THREAD FORMING, steel, slot drive, No.8 x 3/4 in. lg		2	Bumper securing
13			..HINGE		2	
14		NP	..FRAME, UPPER STEP	FV959747	1	
+	G1	5305-99-941-0712	..SCREW, MACHINE, UNC, steel, zinc coated, hex hd, 3/8 in. x 3/4 in. lg		10)
+	G1	5310-99-941-6656	..WASHER, LOCK, steel, single coil, 3/8 in.		10)Frame)securing
+	G1	5310-99-941-1661	..NUT, PLAIN, HEXAGON, UNC, steel, zinc coated, 3/8 in.		10)
15	G1	5305-99-120-1878	..SCREW, TAPPING, THREAD FORMING, steel, cadmium plated, slot drive, No.6 x 3/4 in. lg		2	
16	LV6MT13	5340-99-745-3907	..BUMPER, RUBBER, 18 mm od x 8 mm id x 8 mm h	19C	2	
18		NP	..BRACKET, CENTRE SUPPORT	FV959739	1	
+	G1	5305-99-941-9149	..SCREW, MACHINE, UNC, steel, 3/8 in. x 7/8 in. lg		6)
+	G1	5310-99-941-6656	..WASHER, LOCK, steel, split helical ring, 3/8 in.		6)Bracket)securing
+	G1	5310-99-138-6779	..NUT, STAMPED, UNC, steel, No.10 x 3/8 in. A/F		6)
21	G1	5310-99-941-8637	..WASHER, FLAT, steel, 1/2 in.		6)

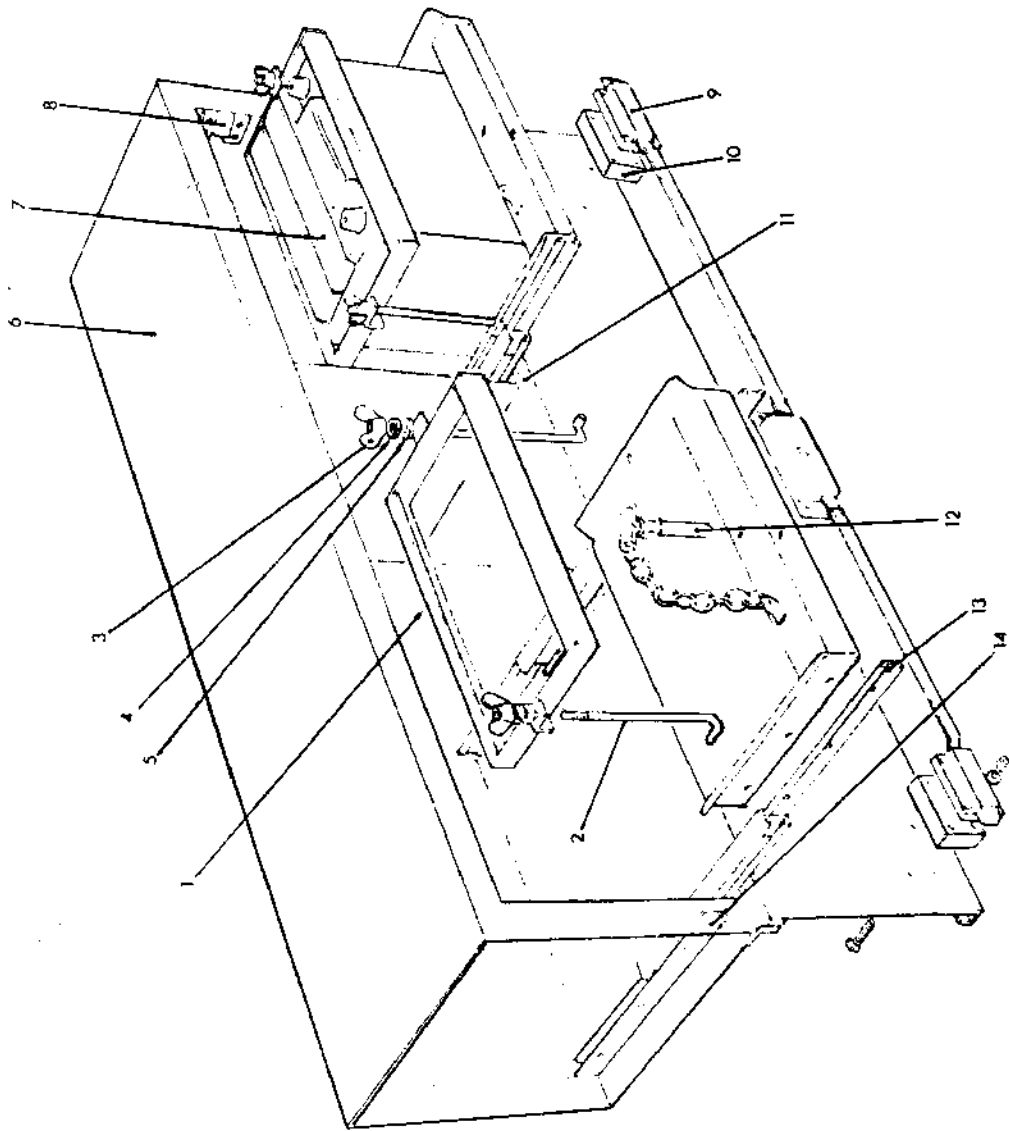


FIG ITEM	MAN CODE	NATO STOCK NUMBER/ CATALOGUE NUMBER	ITEM NAME AND DESCRIPTION	PART NO./ DRAWING NO./ ADREFNO	NO. OFF	ANNOTATIONS
H13						
1-14		NP	BODY (AMBULANCE) - contd			
1-5	LV6MT13	5340-99-744-9343	.BATTERY STOWAGE INSTALLATION	FV959671	1	
3	G1	5310-99-136-6576	..RETAINER, BATTERY, steel, 356 mm lg x 185 mm w; w/2 hooks	FV959842	2	
4	G1	5310-99-827-6441	...NUT, PLAIN, WING, SI, metric, brass, 6 mm x 30 mm w		4	
5	G1	5310-99-941-9964	...WASHER, LOCK, steel, 1/4 in.		4	
			...WASHER, FLAT, steel, 1/4 in.		4	
6		NP	..LOCKER, BATTERY STOWAGE	FV959844	1	
+	G1	5306-99-122-8148	...BOLT, MACHINE, SI, metric, steel, cadmium plated, 8 mm x 45 mm lg		8	
+	G1	5310-99-122-3412	...WASHER, FLAT, steel, 8 mm		16	
+	G1	5310-99-631-0627	...NUT, SELF-LOCKING, HEXAGON, SI, metric, steel, 8 mm		8	
9-11	LV6MT13	5340-99-745-0144	..DOOR, ACCESS, STOWAGE	FV959845	1	
9	LV6MT13	5340-99-806-8633	...LOCK SET, RIM, 3-way	1161	2	
+	G1	5305-99-122-3333	...SCREW, MACHINE, SI, metric, steel, 4 mm x 25 mm lg		8	
+	G1	5310-99-135-9299	...WASHER, LOCK, steel, 4 mm		8	
+	G1	5310-99-135-0745	...NUT, PLAIN, HEXAGON, SI, metric, steel, 4 mm		8	
12-14		NP	..TRAY, BATTERY	FV959843	2	
12	LV6MT1	5340-99-881-8076	...PIN, QUICK RELEASE, steel, 3/8 in. dia x 2.3 in. lg		4	
+	LV6MT4	6140-99-829-9622	.BATTERY, SECONDARY, 12V	369	2	
+	LV6MT4	2920-99-839-2564	.GENERATOR, ENGINE ACCESSORY, 12V, 60A, battery sensed	23859		Lh fixing

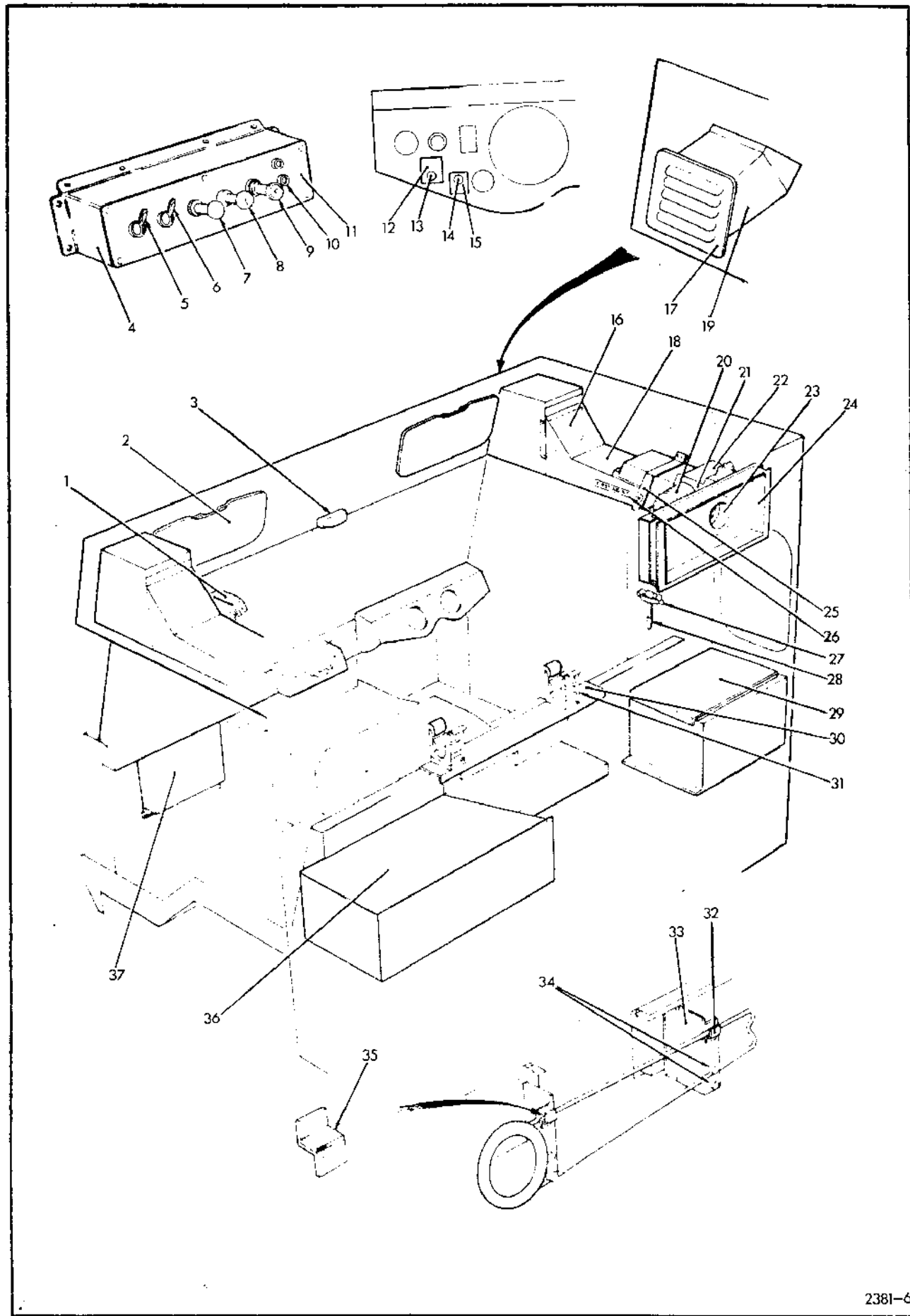


FIG ITEM	MAN CODE	NATO STOCK NUMBER/ CATALOGUE NUMBER	ITEM NAME AND DESCRIPTION	PART NO./ DRAWING NO./ ADREFNO	NO. OFF	ANNOTATIONS
H14						
1		NP	BODY (AMBULANCE) - contd .LIGHT, MAP READING: assy; c/w bracket	FV959858	1	
+	LV6MT3	6220-99-201-9093	..LIGHT, REGISTRATION PLATE: map reading	53837	1	
2	LV6MT13	2540-99-745-0153	.VISOR, SUN, VEHICLE: rh or lh	562A254	2	
5	LV6MT4	5930-99-804-9644	.SWITCH, TOGGLE: map reading light	31828	1	
7	LV6MT4	5930-99-804-8951	.SWITCH, PANEL: push-pull, two tone horn	31201	1	
8	LV6MT4	5930-99-804-9513	.SWITCH: push-pull, 12V, flasher beacon	31696	1	
13	LV6MT4	5930-99-804-9513	.SWITCH: push-pull, 12V, rear fog lamps	31696	1	
14	LV6MT4	5930-99-806-9892	.SWITCH: front fog lamps	34889A	1	
16	LV6MT13	4130-99-805-0673	.FILTER, AIR CONDITIONING	FV592626	1	Rh
+	LV6MT13	4130-99-805-0674	.FILTER, AIR CONDITIONING	FV592627	1	Lh
20	LV6MT1	4720-99-820-4611	.HOSE, AIR DUCT, plastics, 4 in. id x 12 in. lg	P3176	2	
+	LV6MT1	4730-99-833-7733	.CLAMP, HOSE, steel, 4-1/4 in. id		2	
21	LV6MT13	2540-99-745-0157	.ADAPTOR, HOSE TO FAN	P3274	2	
22	LV6MT13	2540-99-745-0158	.FAN, CENTRIFUGAL, blower unit, 10.75 in. lg x 7.5 in. w x 8.06 in. h, 12V	A2940-12V	1	Rh blower unit
+	LV6MT13	2540-99-839-3947	.FAN, CENTRIFUGAL, blower unit, 10.75 in. lg x 7.5 in. w x 8.06 in. h, 12V	A2952-12V	1	Lh blower unit
+	LV6MT4	6105-99-805-3883	..MOTOR, DIRECT CURRENT, 12V	7224032	2	
+	LV6MT4	5930-99-932-4899	.SWITCH, LEVER OPERATED	S5001	1	
23	LV6MT13	2540-99-745-0159	.ADAPTOR, HOSE TO DUCT, 4 in. dia	P2761	2	
25		NP	.STRAP, STOWAGE, leather, 500 mm lg x 30 mm w x 3 mm thk	WJLP	1)
+	LV6MT13	5325-99-802-5904	.STUD, SNAP FASTENER, 0.247 in. dia x 0.25 in. lg	952	1)First
+	LV6MT13	5225-99-103-4156	.SOCKET, SNAP FASTENER	N609	1)Aid kit
+	LV6MT13	5325-99-103-4153	.CLINCH PLATE, PUSH BUTTON	708A	1)stowage
+	LV6MT1	2540-99-881-9678	.CLIP, SMALL ARMS, UNIVERSAL	348943	2)
+	LV6MT13	2540-99-838-5968	.BELT, VEHICULAR SAFETY, press button, inertia reel	MTC 2337	1	Lh
+	LV6MT13	2540-99-838-5967	.BELT, VEHICULAR SAFETY, press button, inertia reel	MTC 2336	1	Rh

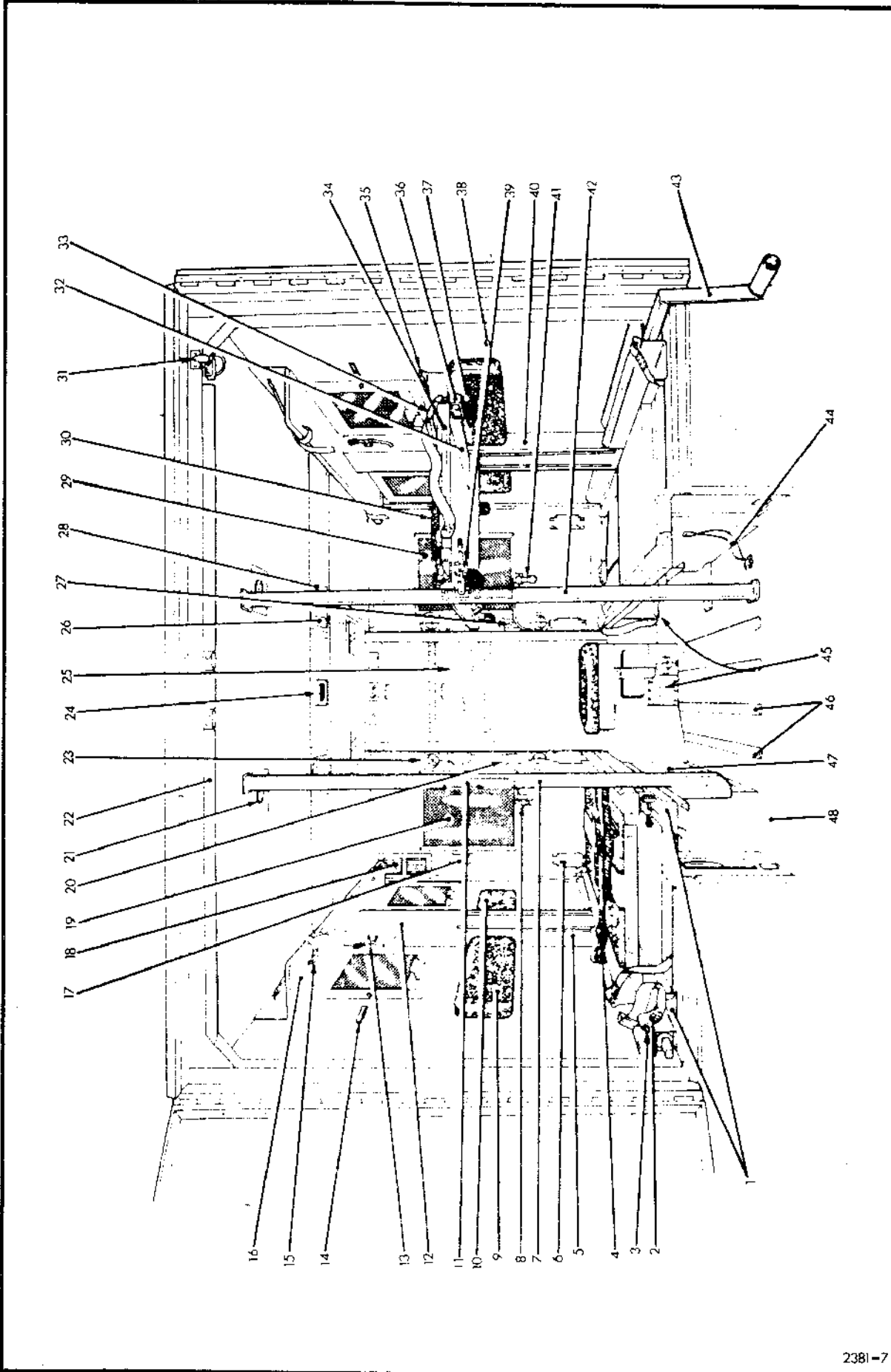


FIG ITEM	MAN CODE	NATO STOCK NUMBER/ CATALOGUE NUMBER	ITEM NAME AND DESCRIPTION	PART NO./ DRAWING NO./ ADREFNO	NO. OFF	ANNOTATIONS
H15						
2	LV6MT13	2540-99-809-5521	BODY (AMBULANCE) - contd STRAP, RETAINING, STRETCHER, nylon, blue/grey, 1-3/4 in. w x 35-1/2 in. lg; w/end fittings and buckle	FV592648	2	
3	LV6MT13	2540-99-745-0164	BOLT, U, UNF, steel, cadmium plated, 1/4 in. x 0.62 in. lg x 1.75 in. w; w/4 locknuts	FV686170	2	
4	LV6MT13	2540-99-838-0815	STRAP, WEBBING, 1130 mm lg, snap hook one end, anchor hook other end	FV959797	4	
10	LV6MT13	2540-99-745-0165	CUSHION, SEAT BACK, VEHICULAR, leather cloth, plywood back, 430 mm x 150 mm x 30 mm	FV959789-1	2	
11	LV6MT13	2540-99-745-0166	STRIP, CLAMP, aluminium, serrated one side, 110 mm lg x 25 mm w x 8 mm h	FV959805	4	
13	LV6MT13	2540-99-745-0162	CLAMP, MATERIAL LIFTING: stretcher lift clamp	FV959814	4	
15	LV6MT13	2540-99-745-0167	STRAP, WEBBING, grey, 25 mm w x 325 mm lg; w/hook, centre buckle and staple	FV959824	4	
19	LV6MT13	2510-99-745-0168	WINDOW, VEHICULAR, laminated, tinted, flat; w/blackout panel in frame, 816 mm lg x 514 mm w	D2566-2	1	Lh
22	LV6MT13	2540-99-745-3911	FLUSH RING, brass, chromium plated, spring loaded, 2 in. dia	150	4	
28	LV6MT13	2540-99-745-0169	PAN, ROOF LAMP, fibre glass; w/steel inserts, 342 mm lg x 180 mm w x 22 mm deep	FV959836	2	
29	LV6MT13	2510-99-745-0170	WINDOW, VEHICULAR, laminated, tinted, flat; w/blackout panel in frame, 816 mm lg x 514 mm w	D2566-1	1	Rh
30	LV6MT13	2540-99-838-0821	CUSHION, SEAT, VEHICULAR, AVC coated leather, green, 1533 mm lg x 452 mm w x 48 mm thk	FV959795	1	
35	LV6MT13	2540-99-745-0164	BOLT, U, UNF, steel, cadmium plated, 1/4 in. x 0.62 in. lg x 1.75 in. w	FV686170	2	
39	LV6MT13	2540-99-745-0171	CLAMP, MATERIAL LIFTING: stretcher clamp, toggle lever; w/serrated jaw	FV959813	4	
43	LV6MT13	2540-99-745-0160	CRANK, HAND, steel, 220 mm lg throw x 125 mm lg handle x 30 mm sq drive	FV959799	2	
44	LV6MT13	2540-99-745-0172	STRAP, WEBBING, grey, 25 mm w x 290 mm lg, hook ends, centre buckle	FV959825	4	
+	LV7RU	2540-99-838-9057	FRAME, ATTENDANTS LOCKER	FV959722	1	
+	LV6MT3	6230-99-833-5140	LIGHT, EXTENSION: medical inspection	FV959888	1	
+	LV6MT4	2590-99-809-6016	PIN, LIGHTING	82032	1	
+	LV6MT13	2540-99-828-4265	BELT, AUTOMOBILE SAFETY: inaitia type, attendants seat	DSB1051A	1	
+	LV6MT13	2590-99-838-2195	RACK, STOWAGE VEHICULAR, aluminium, 383 mm h x 120 mm deep x 110 mm w	FV959828	2) Cts (14)) & (15)) only)))
+	LV6MT1	2590-99-743-9621	STRAP, WEBBING, 25 mm w x 500 mm lg; c/w buckle	FV959829	1	
+	LV6MT1	2590-99-745-1471	BUCKLE, plastics, 25 mm w strap		1	
+	LV6MT13	2590-99-743-9622	PANEL ASSEMBLY, VEHICULAR, aluminium; c/w brackets and cover	FV959656	1	

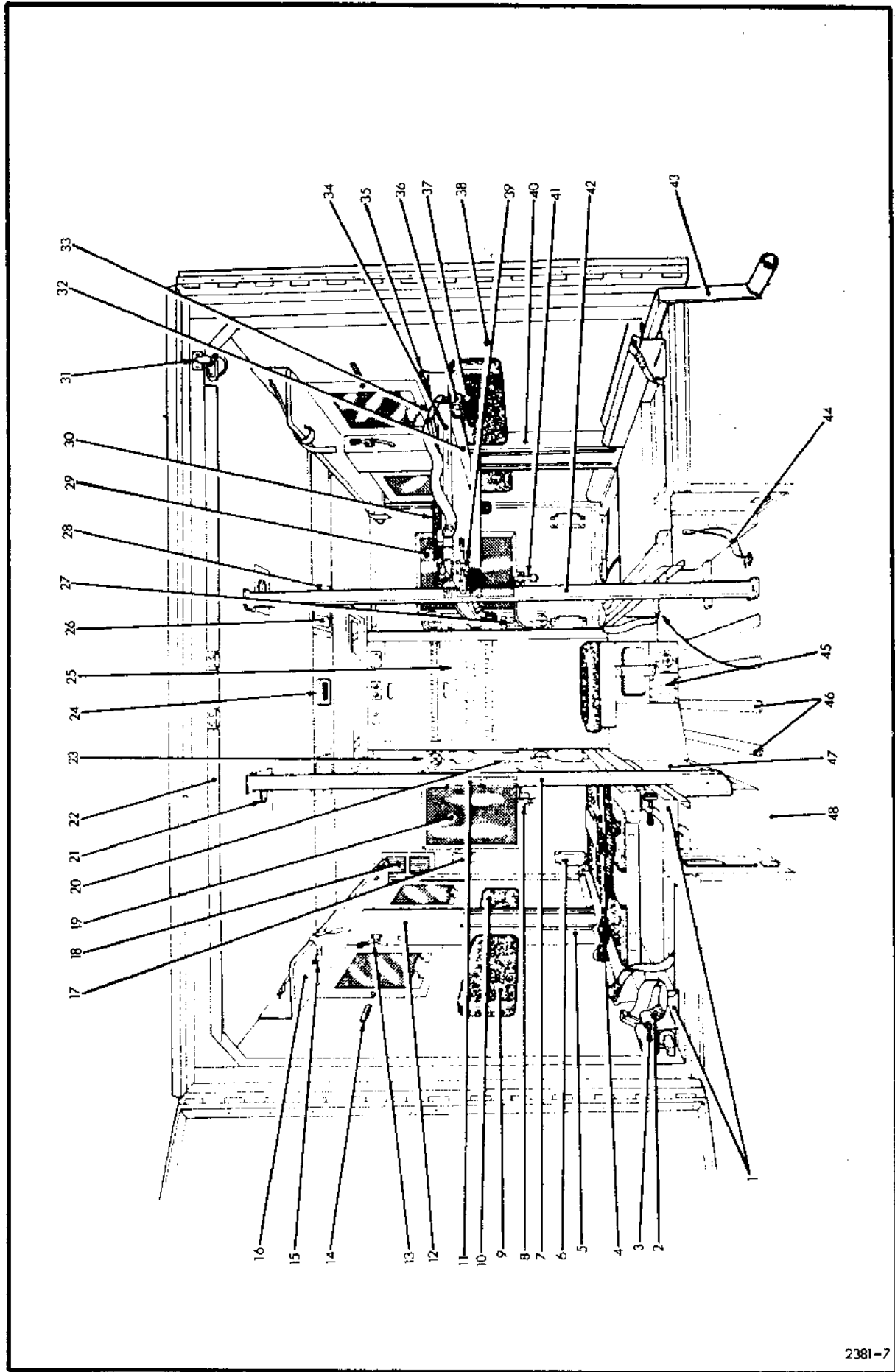


FIG ITEM	MAN CODE	NATO STOCK NUMBER/ CATALOGUE NUMBER	ITEM NAME AND DESCRIPTION	PART NO./ DRAWING NO./ ADREFNO	NO. OFF	ANNOTATIONS
H15 +	LV6MT13	2590-99-743-9623	BODY (AMBULANCE) - contd .FRAME, ATTENDANTS LOCKER - contd ..COVER, PANEL, aluminium, 225 mm lg x 189 mm w	FV959656-3	1)Cts(14))& (15))only

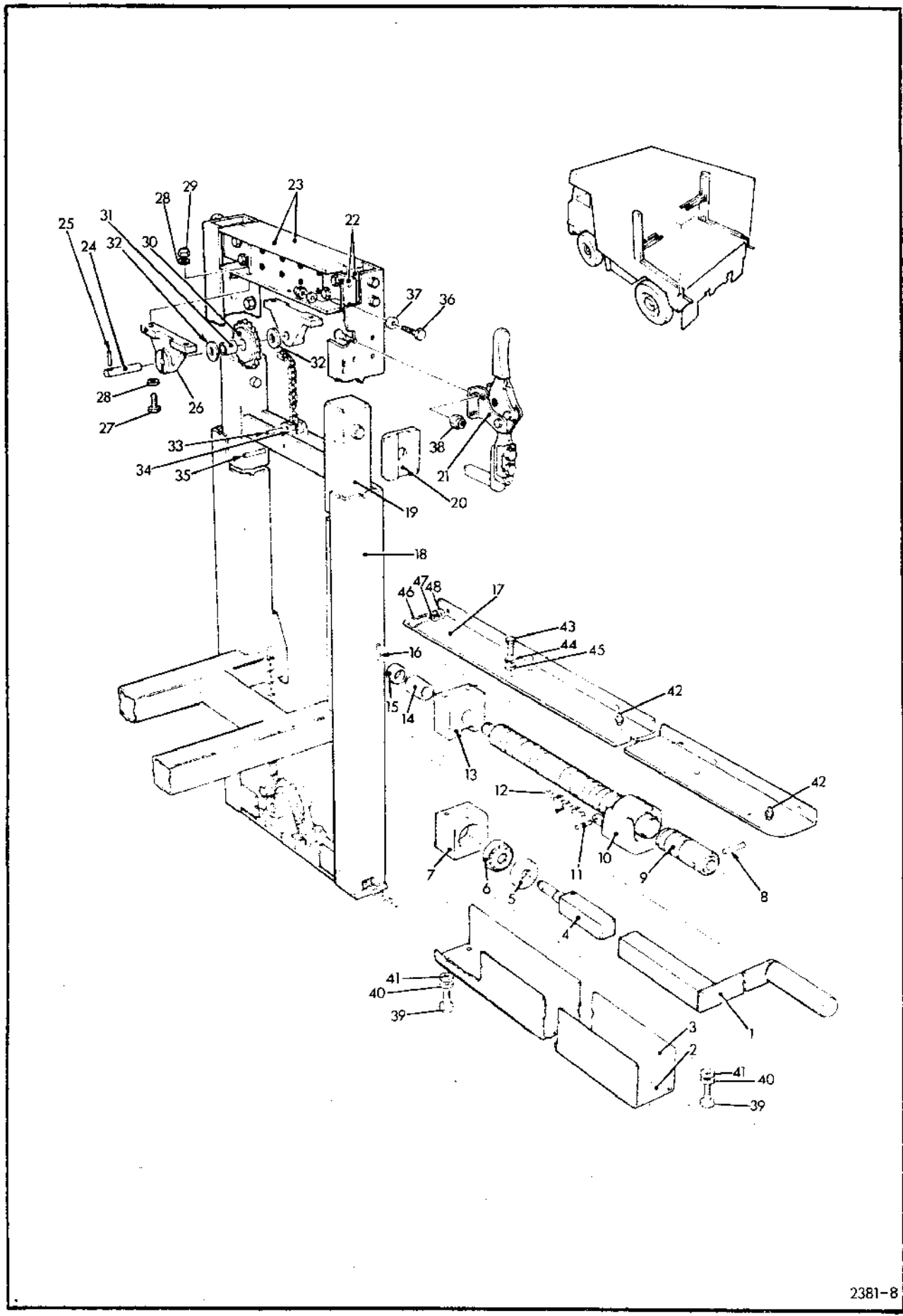


FIG ITEM	MAN CODE	NATO STOCK NUMBER/ CATALOGUE NUMBER	ITEM NAME AND DESCRIPTION	PART NO./ DRAWING NO./ ADREFNO	NO. OFF	ANNOTATIONS
H16						
1-48 (
1	LV6MT13	NP NP 2540-99-745-0160	BODY (AMBULANCE) - contd ..STRETCHER LIFT: rh assy ..STRETCHER LIFT: lh assy ..CRANK, HAND, steel, 220 mm lg throw x 125 mm lg handle x 30mm sq drive	FV959775 FV959776	1 1	
6	LV6MT7	3110-99-950-8998	..BEARING, TAPERED ROLLER, 1-11/16 in. od x 5/8 in. id x 9/16 in. lg	FV959799	2	
7		NP	..BLOCK BEARING	FV959778	1	
+	G1	5305-99-122-8750	..SCREW, MACHINE, SI, metric, steel, cadmium plated, 6 mm x 20 mm lg		2)
+	G1	5305-99-122-8751	..SCREW, MACHINE, SI, metric, steel, cadmium plated, 6 mm x 25 mm lg		2)
+	G1	5310-99-135-9301	..WASHER, LOCK, steel, split helical ring, 6 mm		2) Bearing
+	G1	5310-99-122-8074	..WASHER, FLAT, steel, cadmium plated, 6 mm		2) attach-
14	LV6MT1	3120-99-811-7675	..BEARING, SLEEVE, steel/bronze, 18 mm od x 16 mm id x 20 mm lg		2) ments
21	LV6MT13	2540-99-745-0162	..CLAMP, MATERIAL LIFTING: stretcher lift clamp; toggle lever locking type	FV959814	4)
+	G1	5305-99-135-0509	..SCREW, MACHINE, SI, metric, steel, cadmium plated, 6 mm x 10 mm lg		4) Cleat
+	G1	5310-99-135-9301	..WASHER, LOCK, steel, split helical ring, 6 mm		4) fixing
+	G1	5310-99-135-0787	..NUT, PLAIN, HEXAGON, SI, metric, steel, 6 mm		4)
26		NP	..BRACKET	FV959783	4)
27	G1	5306-99-122-8133	..BOLT, MACHINE, SI, metric, steel, cadmium plated, hex hd, 6 mm x 30 mm lg		2)
+	G1	5306-99-122-8132	..BOLT, MACHINE, SI, metric, steel, cadmium plated, hex hd, 6 mm x 25 mm lg		2)
28	G1	5310-99-122-8074	..WASHER, FLAT, steel, cadmium plated, 6 mm		2)
29	G1	5310-99-631-1787	..NUT, SELF-LOCKING, HEXAGON, SI, metric, steel, cadmium plated, 6 mm		2)
31	LV6MT1	4120-99-207-4686	..BEARING, SLEEVE, steel/bronze, 14 mm od x 12 mm id x 15 mm lg		1)
32	LV6MT1	3120-14-300-0204	..WASHER, THRUST		2)

H17

ATTENDANTS SEAT

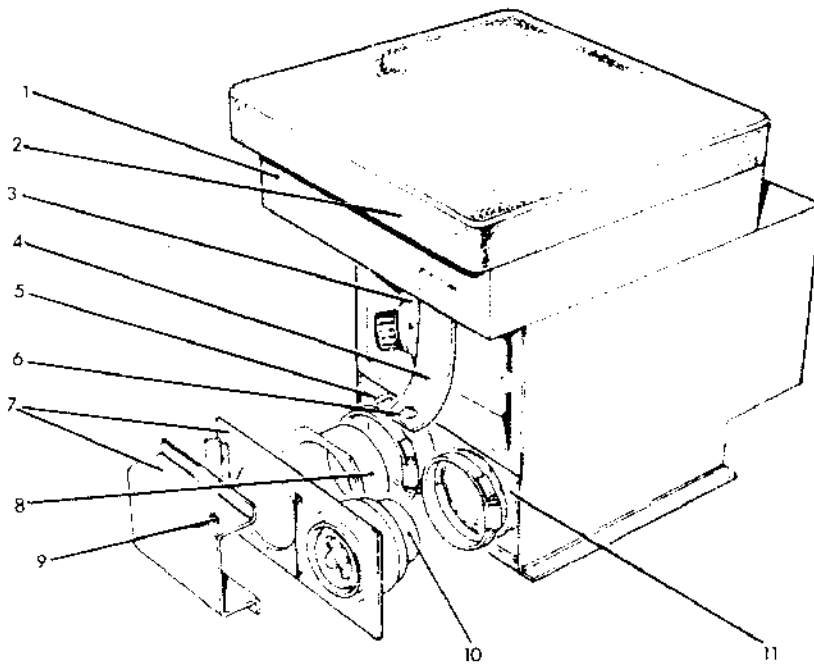


FIG ITEM	MAN CODE	NATO STOCK NUMBER/ CATALOGUE NUMBER	ITEM NAME AND DESCRIPTION	PART NO./ DRAWING NO./ ADREFNO	NO. OFF	ANNOTATIONS
H17						
1,2		NP	BODY (AMBULANCE) - contd			
2	LV6MT13	2540-99-838-0816	.FRAME, ATTENDANTS SEAT	FV959850	1	
			..CUSHION, SEAT, VEHICULAR, PVC coated leather, green, 420 mm lg x 410 mm w x 48 mm thk	FV959851	1	
+	G1	5310-99-136-2751	.WASHER, FLAT, steel, 5 mm		5)Cushion
+	G1	5310-99-120-8140	.WASHER, LOCK, steel, 5 mm		5)fixing
+			.HINGE		1)
5	LV6MT1	4720-12-191-1658	.HOSE, AIR DUCT, 105 mm id x 2000 mm lg		1	

FIG ITEM	MAN CODE	NATO STOCK NUMBER/ CATALOGUE NUMBER	ITEM NAME AND DESCRIPTION	PART NO./ DRAWING NO./ ADREFNO	NO. OFF	ANNOTATIONS
H17						
1,2		NP	BODY (AMBULANCE) - contd			
2	LV6MT13	2540-99-838-0816	.FRAME, ATTENDANTS SEAT	FV959850	1	
			..CUSHION, SEAT, VEHICULAR, PVC coated leather, green, 420 mm lg x 410 mm w x 48 mm thk	FV959851	1)Cushion)fixing)
+	G1	5310-99-136-2751	.WASHER, FLAT, steel, 5 mm		5	
+	G1	5310-99-120-8140	.WASHER, LOCK, steel, 5 mm		5	
+			.HINGE		1	
5	LV6MT1	4720-12-191-1658	.HOSE, AIR DUCT, 105 mm id x 2000 mm lg		1	

FIG ITEM	MAN CODE	NATO STOCK NUMBER/ CATALOGUE NUMBER	ITEM NAME AND DESCRIPTION	PART NO./ DRAWING NO./ ADREFNO	NO. OFF	ANNOTATIONS
			BODY (AMBULANCE) - contd			
+	LV6MT4	6140-99-829-9622	..ELECTRICAL FITTINGS -			
+	LV6MT4	2920-99-839-2564	..BATTERY, SECONDARY, 12V	369	2	
+	LV6MT4	5910-99-822-2552	..GENERATOR, ENGINE ACCESSORY, 12V, 60A, battery sensed		1	Lh fixing
+	LV6MT4	5910-99-822-2552	..CAPACITOR, FILMED, PAPER DIELECTRIC, slot clip, 5 in. lg head	78139	1	
+	LV6MT4	5950-99-820-2332	..CHOKE, RADIO FREQUENCY	54524127	1	
+	LV6MT4	6220-99-805-8275	..WASHER, RUBBER SEATING	534722	1	
+	LV6MT4	5935-99-805-0103	..PLUG, ELECTRICAL, 2 pin, moulded rubber	82030	1) Type TLC2
+	LV6MT4	5995-99-803-1632	..CABLE ASSEMBLY, SPECIAL PURPOSE, 2 conductors	82024	1	
+	LV6MT3	2590-99-802-8887	..HORN SET, 12V, comprising relay, 2 horns and control switch	60033001	1	
+	LV6MT4	2920-99-881-7229	..RELAY, VEHICLE CHARGING CIRCUIT	33199	1	
+	LV6MT4	5945-99-815-8534	..RELAY, MINIATURE: rear fog lamps, 30A max	33258D	1	
+	Z32	5930-99-932-4532	..SWITCH, SENSITIVE: 2-way	4BR	2	
+	LV6MT3	6220-99-745-3913	..LIGHT UNIT, interior; fitted w/ blue perspex panel, 12V	588	1	
+		NP	..FUSE BLOCK	7FJ	2	
+	LV6MT4	5920-99-804-8556	...FUSE, CARTRIDGE, 5A, glass: red	188206	1	
+	LV6MT4	5920-99-829-3387	...FUSE LINK, CARTRIDGE, 8A: blue & green	188209	2	
+	LV6MT4	5920-99-835-4398	...FUSE LINK, CARTRIDGE, 20A	188215	2	
+	LV6MT4	5935-99-413-7026	..POWER INPUT SOCKET (240V) - ...SHIELD, ELECTRICAL SOCKET	N21479 SVPO4-1	1)
+	Z32	5935-99-620-5789SOCKET, ELECTRICAL, 40A, 500V, AC/DC, female shell		1	
+	G1	5305-99-941-0555SCREW, MACHINE, UNF, steel, zinc coated, hex hd, 5/16 in. x 1 in. lg		4)
+	G1	5310-99-941-6655WASHER, LOCK, steel, split helical ring, 5/16 in.		4	
+	G1	5310-99-136-1515NUT, PLAIN, HEXAGON, UNF, steel, zinc coated, 5/16 in.		4)
+	LV7FD	4820-99-829-6461	...CIRCUIT-BREAKER: earth leakage, 4 poles, 25A	SEL 254	1	
+	G1	5305-99-138-6234SCREW, MACHINE, SI, metric, steel, hex hd, 5 mm x 20 mm lg		4) Cts (14) & (15) only
+	G1	5310-99-122-3409WASHER, FIAT, steel, 5 mm		4	
+	LV6MT4	5945-99-661-0900	...CIRCUIT BREAKER	52-05	1)
+	LV6MT4	5999-99-119-8133PLATE, MOUNTING ELECTRICAL, steel, cadmium plated, 5.875 in. lg x 0.531 in. thk	93-2	1	
+	LV6MT4	5935-99-107-4765CIAMP, ELECTRICAL, brass, 9/16 in. lg x 7/16 in. w x 0.473 in. thk	90	1)
+	LV6MT4	5925-99-762-1575COVER, CIRCUIT BREAKER	94-2	1	
+	Z9	6130-99-117-0562	...CHARGER, BATTERY, 240V input, 12V output	FV714965	1)
+	LV7RU	5925-99-743-9619	...LABEL, WARNING: 240V AC	FV959660	1	
+	LV7RU	5925-99-743-9620	...LABEL, WARNING: earth leakage circuit breaker	FV959658	1)

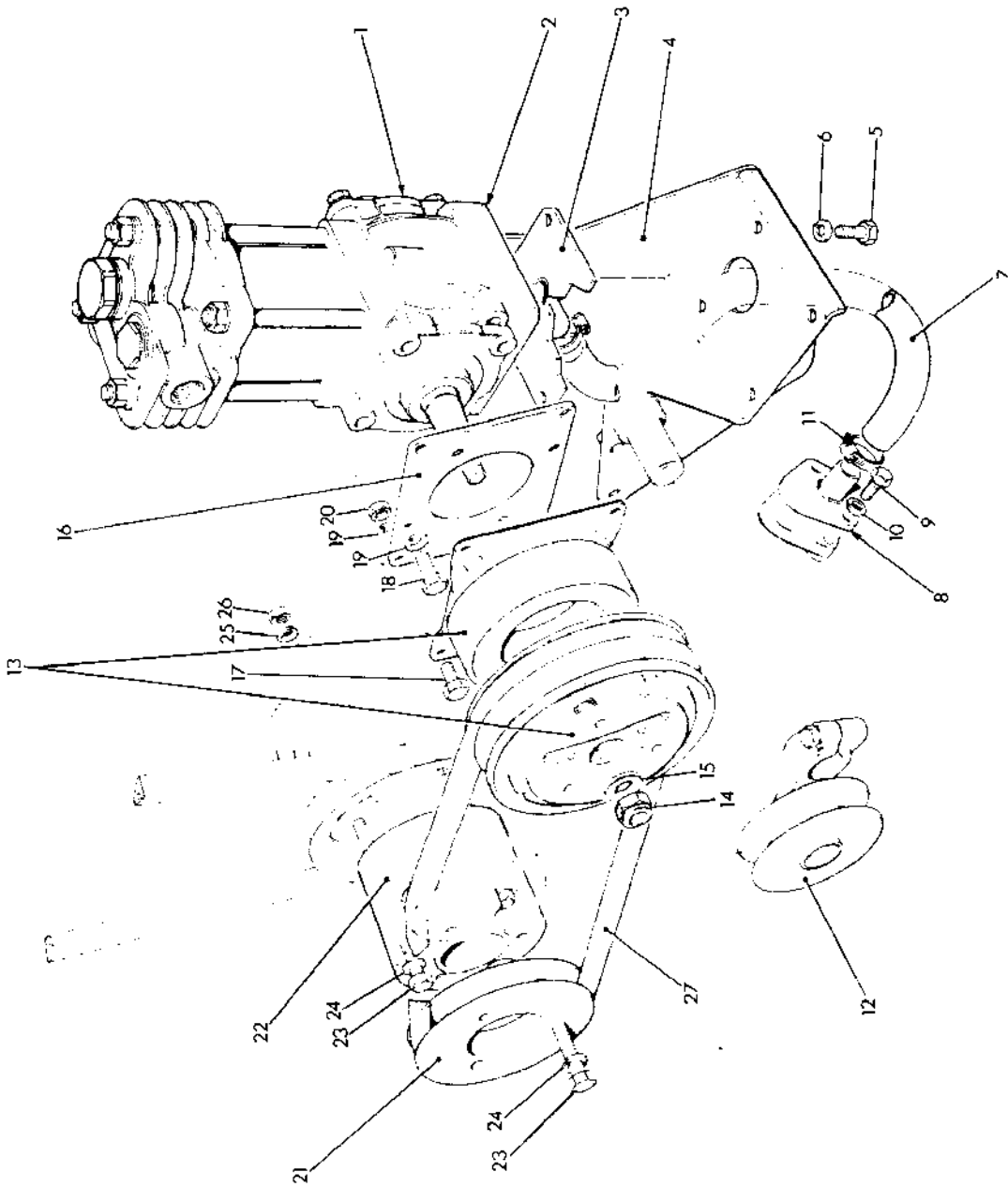


FIG ITEM	MAN CODE	NATO STOCK NUMBER/ CATALOGUE NUMBER	ITEM NAME AND DESCRIPTION	PART NO./ DRAWING NO./ ADREFNO	NO. OFF	ANNOTATIONS
H18			BODY (AMBULANCE) -- contd			
+		NP	.RESUSCITATION UNIT	FV959653	1	
1	LV6MT9	4310-99-760-9471	..COMPRESSOR, RECIPROCATING, POWER DRIVEN	PCGA 1043-1	1	
7	LV6MT6	4720-99-822-6123	..HOSE, RUBBER, 29/32 in. od x 5/8 in. id		1	AR
8	LV7RU	4310-99-761-2079	..PLATE, COMPRESSOR, DRAIN, steel, 66.5 mm lg x 65.25 mm w	FV959921	1	
12	LV7RU	3020-99-761-2081	..TENSIONER PULLEY, COMPRESSOR, Vec-shape; c/w adjusting arm	614718	1	
13	LV6MT10	3010-99-761-2080	..CLUTCH, MAGNETIC, 12V	1-1411-18	1	
14	G1	5310-99-136-7395	..NUT, SELF LOCKING, HEXAGON, UNF, steel, zinc coated, 7/16 in.		1	
17	G1	5305-99-941-0512	..SCREW, MACHINE, UNF, steel, zinc coated, hex hd, 1/4 in. x 5/8 in. lg		4	
20	G1	5310-99-941-0924	..NUT, PLAIN, HEXAGON, UNF, steel, zinc coated, 1/4 in.		4	
27	LV6MT1	3030-99-760-9473	..BELT, V, ENDLESS, 12.7 mm w x 1048 mm outside circle	ERC 1742	1	

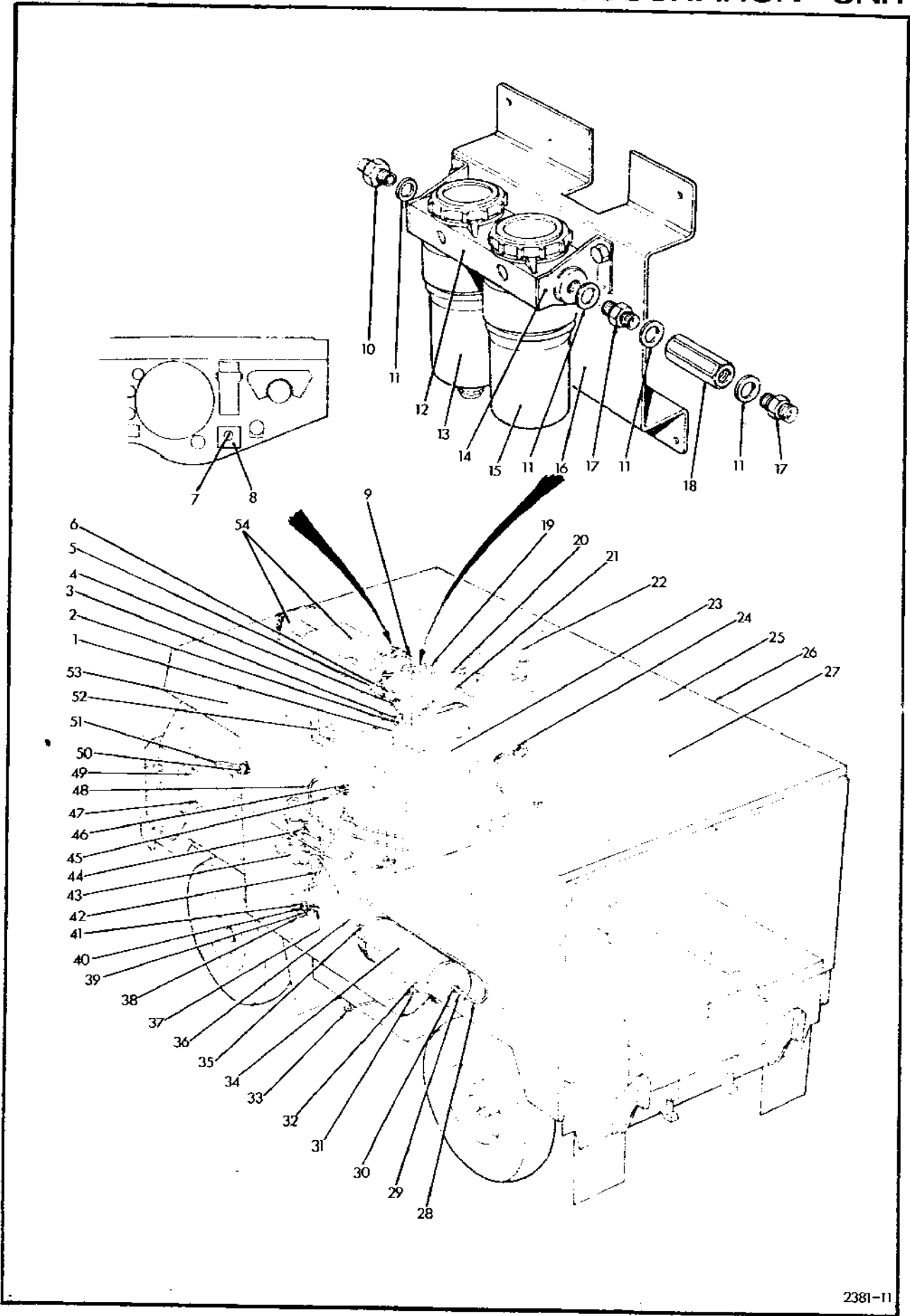


FIG ITEM	MAN CODE	NATO STOCK NUMBER/ CATALOGUE NUMBER	ITEM NAME AND DESCRIPTION	PART NO./ DRAWING NO./ ADREFNO	NO. OFF	ANNOTATIONS
H19			BODY (AMBULANCE) - contd ..RESUSCITATION UNIT - contd			
4	LV6MT1	4720-99-760-0719	..ADAPTOR		1	
6	LV6MT1	4720-99-764-2442	..HOSE ASSEMBLY, NONMETALLIC, 9.4 mm od x 6.6 mm id x 300 mm lg		1	
+	LV6MT1	4720-99-764-2442	..HOSE ASSEMBLY, NONMETALLIC, 9.4 mm od x 6.6 mm id x 600 mm lg		1	Rh
+	LV6MT1	4720-99-760-0721	..HOSE ASSEMBLY, NONMETALLIC, 9.4 mm od x 6.6 mm id x 300 mm lg		1	Lh
7	LV6MT4	5930-99-760-0727	..SWITCH, PUSH-PULL, 12V: compressor relay	568168	1	
10	Z22	4730-99-204-6341	..REDUCER, PIPE		1	
11	W3	5310-99-208-8023	..WASHER		4	
+		NP	..FILTER: assy	F51-004	1	
+	LV6MT1	4240-99-760-0716	..PARTS KIT, AIR FILTER:- comprising element, gasket and seals	F51-004A 3000-04	1	
+	Z22	5840-99-119-1181	..DRAIN ASSEMBLY, AUTOMATIC	12-999-086	1	
+		NP	..FILTER: assy		1	
+	LV6MT1	4240-99-760-0717	..PARTS KIT, AIR FILTER:- comprising gasket and seals	F51-GK	1	
+	LV6MT1	4240-99-760-0718	..FILTER, ELEMENT, RESUSCITATION UNIT: special cartridge	5350-97	1	
17	LV6MT1	4730-99-204-6340	..DOUBLE-ENDED, UNION PIPE, MALE, BSPF, 1/4 in. both ends		1	
18	LV6MT1	4820-99-622-2987	..VALVE, CHECK, poppet type, 1/4 in. BSPF both ends		1	
19	LV6MT1	4720-99-765-7468	..HOSE ASSEMBLY, NONMETALLIC, 10.9 mm od x 8.1 mm id x 2200 mm lg		1	
28	LV6MT1	4720-99-760-9474	..HOSE ASSEMBLY, NONMETALLIC, 13.7 mm od x 10.6 mm id x 2600 mm lg		1	
29	LV6MT9	2530-99-805-8993	..VALVE, CHECK, steel, zinc coated, 2-3/8 in. lg	APSA 2099	1	
31	LV6MT9	4310-99-760-9475	..VALVE, DRAIN, REMOTE CONTROL, NPTF, 1/4 in. x 4 in. lg	135	1	
32	LV6MT9	4730-99-117-9306	..BUSHING, PIPE, NPTF, 1/4 in.	212741	1	
35	LV7RS	3830-99-214-9810	..REDUCER, PIPE, BSP, 1/4 in.	AQ543-8-6	1	
36	LV6MT1	4720-99-760-9476	..HOSE ASSEMBLY, NONMETALLIC, 10.9 mm od x 8.1 mm id x 1170 mm lg		1	
37	LV6MT9	4820-99-809-5727	..VALVE, SAFETY RELIEF, NPTF, brass, 1/4 in.	259141T	1	
38	LV6MT9	5930-99-832-6913	..SWITCH, LOW PRESSURE INDICATOR: 55 to 65 psi	APSA7282-3	1	
39	LV6MT1	4730-99-828-0277	..ADAPTOR, STRAIGHT, PIPE, BSP, 3/8 in. x NPTF, 1/4 in. steel, cadmium plated, 1.437 in. lg	AQ543-4-6	1	
41	Z22	4730-99-624-9543	..ADAPTOR, STRAIGHT, PIPE	HD1320-4-6	1	
42	LV6MT1	4720-99-761-2082	..HOSE ASSEMBLY, NONMETALLIC, 10.9 mm od x 8.1 mm id x 760 mm lg		1	
+	LV6MT1	4730-99-823-8617	..ADAPTOR, TEE, PIPE, BSP, 3/8 in. steel, 2-5/16 in. lg		1	Governor to branch
44	LV6MT1	4730-99-206-2775	..ADAPTOR, NPTF, 3/8 in. x BSP, 1/8 in.		2	Compressor to delivery pipe
45	LV6MT1	4720-99-764-2441	..HOSE ASSEMBLY, NONMETALLIC, 10.9 mm od x 8.1 mm id x 250 mm lg		1	
+	LV6MT1	4730-99-760-9478	..ADAPTOR, STRAIGHT, PIPE, NPTF, 1/8 in. x BSP, 3/8 in.		1	
46	LV6MT9	2530-99-820-1379	..VALVE, UNLOADER, AIR PRESSURE, 91 to 105 psi, 5-9/16 in. lg	APSA 2870 BW	1	
+	LV6MT1	4730-99-801-1390	...SLEEVE, COMPRESSION, PIPE-HOSE FITTING, brass, 3/16 in. id		2	

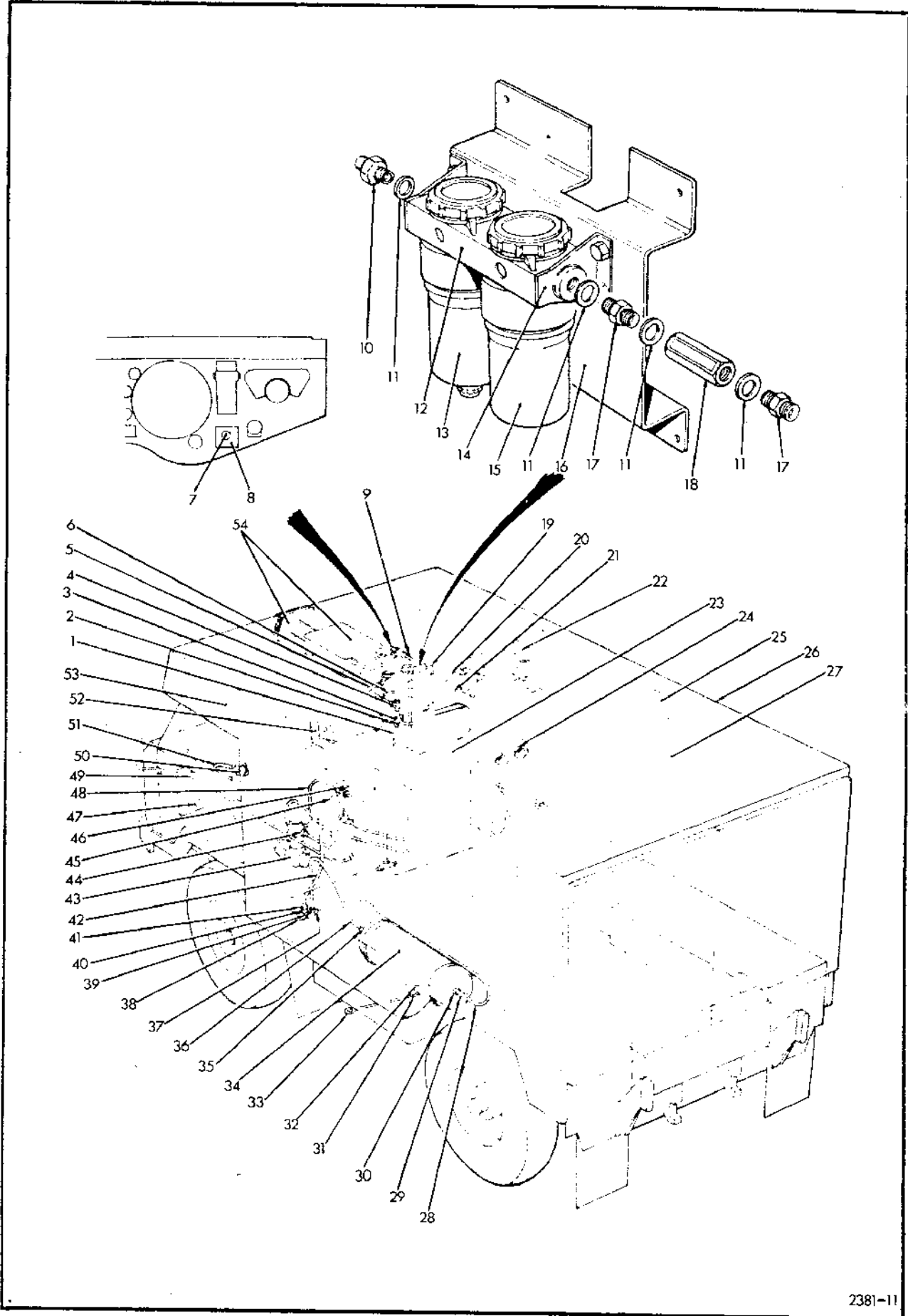


FIG ITEM	MAN CODE	NATO STOCK NUMBER/ CATALOGUE NUMBER	ITEM NAME AND DESCRIPTION	PART NO./ DRAWING NO./ ADREFNO	NO. OFF	ANNOTATIONS
H19			BODY (AMBULANCE) - contd ..RESUSCITATION UNIT - contd			
+	LV6MT9	4730-99-800-9786	...VALVE, UNLOADER, AIR PRESSURE, 91 to 105 psi, 5-9/16 in. lg - contd ...INVERTED NUT, UNION PIPE, UNF, steel, cadmium plated, 3/8 in.		2	
47	LV6MT3	6350-99-803-4912	..BUZZER, 12V, 2-7/8 in. od	BMAC 74	1	
48	W17	4710-99-202-9875	..PIPE, PLASTICS, RIGID		AR	
+	LV6MT1	4730-99-760-0715	..ADAPTOR, STRAIGHT, PIPE, BSP, 1/8 in. x NPTF, 1/8 in.		1	
49	LV6MT4	5945-99-881-7320	..RELAY: electro-magnetic clutch	541514	1	
50	LV6MT9	6685-99-828-2226	..GAUGE, PRESSURE, DIAL INDICATING	SF 674E	1	
51	W17	4710-99-202-9875	..PIPE, PLASTICS, RIGID		AR	

H20

AIR FILTER

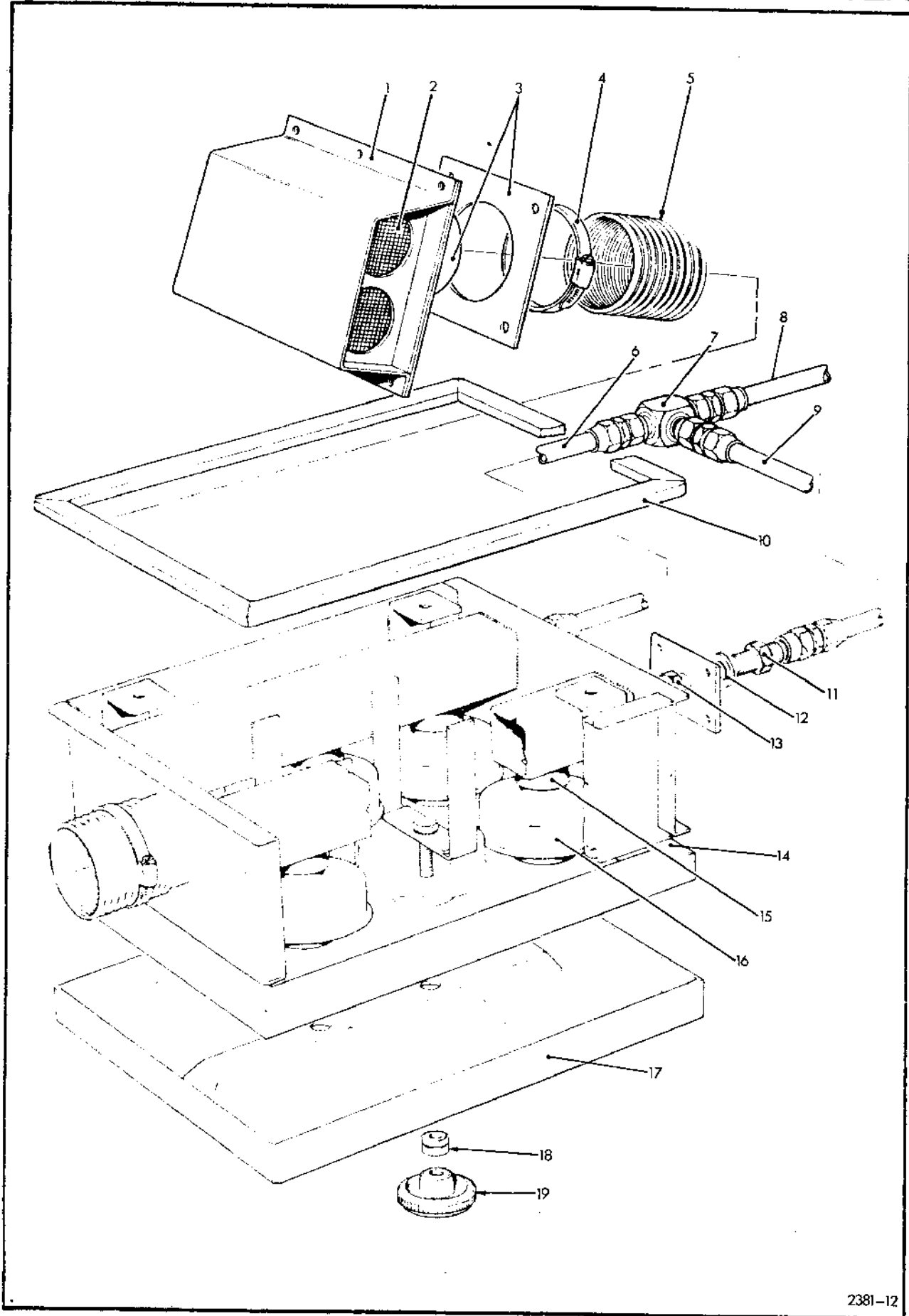
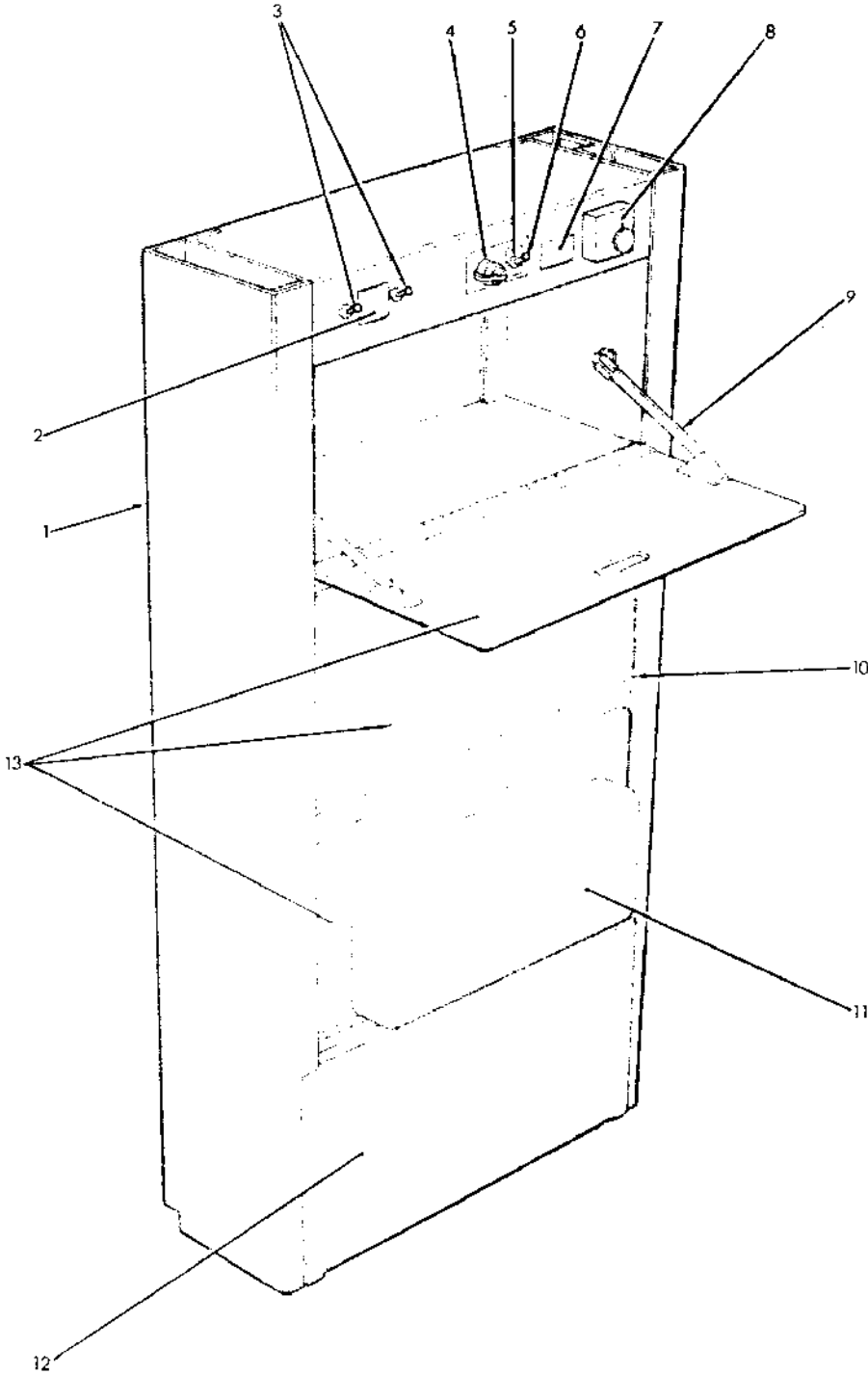


FIG ITEM	MAN CODE	NATO STOCK NUMBER/ CATALOGUE NUMBER	ITEM NAME AND DESCRIPTION	PART NO./ DRAWING NO./ ADREFNO	NO. OFF	ANNOTATIONS
H20			BODY (AMBULANCE) - contd			
1-19		NP	.RESUSCITATION UNIT - contd			
6	LV6MT1	4720-99-760-0726	...AIR FILTER BOX: assy	FV959852	1	
7	LV6MT1	4730-99-816-3023	...HOSE ASSEMBLY, NONMETALLIC, 13.7 mm od x 10.6 mm id x 160 mm lg		1	
8	LV6MT1	4720-99-764-2444	...ADAPTOR, TEE, PIPE, BSP, 1/2 in.		1	
9	LV6MT1	4720-99-764-2592	...HOSE ASSEMBLY, NONMETALLIC, 13.7 mm od x 10.6 mm id x 2230 mm lg		1	
11	LV6MT9	4730-99-119-4405	...HOSE ASSEMBLY, NONMETALLIC		1	
12	Z10	5310-99-949-9053	...DOUBLE-ENDED UNION, PIPE, MALE, BSP, steel, 1/2 in. x 2-5/16 in. lg	HD 1260-8	2	
13	LV6MT9	5310-99-119-5556	...WASHER, nylon, 1-1/8 in. od x 13/16 in. id x 5/64 in. thk		4	
16	A2	4240-99-135-3662	...NUT, PLAIN, HEXAGON, BSP, 1/2 in. x 1 in. A/F	HD 1270-8	2	
19	LV6MT1	5355-99-760-4925	...CANISTER, NCB RESPIRATOR	PR 245A	6	
			...KNOB, plastics, 8 mm thd brass insert x 2-1/4 in. dia		2	

H21

BULKHEAD LOCKER



GROUP

J

FRAME AND SUSPENSION

FRAME AND SUSPENSION

CONTENTS

	Page
ANTI-ROLL BAR	J5
CHASSIS FRAME ASSEMBLY	J1
FRONT SUSPENSION	J3
MUDFLAPS	J2
PINTLE ASSEMBLY	J6
REAR SUSPENSION	J4

LIST OF ILLUSTRATIONS

(NOTE:- THE TEXT DOES NOT NECESSARILY INCLUDE ALL THE ITEMS REFERENCED)

	Plate
ANTI-ROLL BAR	J4
CHASSIS FRAME	J1
FRONT SUSPENSION	J2
LIFTING AND TOWING BRACKETS	J6
REAR SUSPENSION	J3
TOWING PINTLE	J5

J1

CHASSIS FRAME

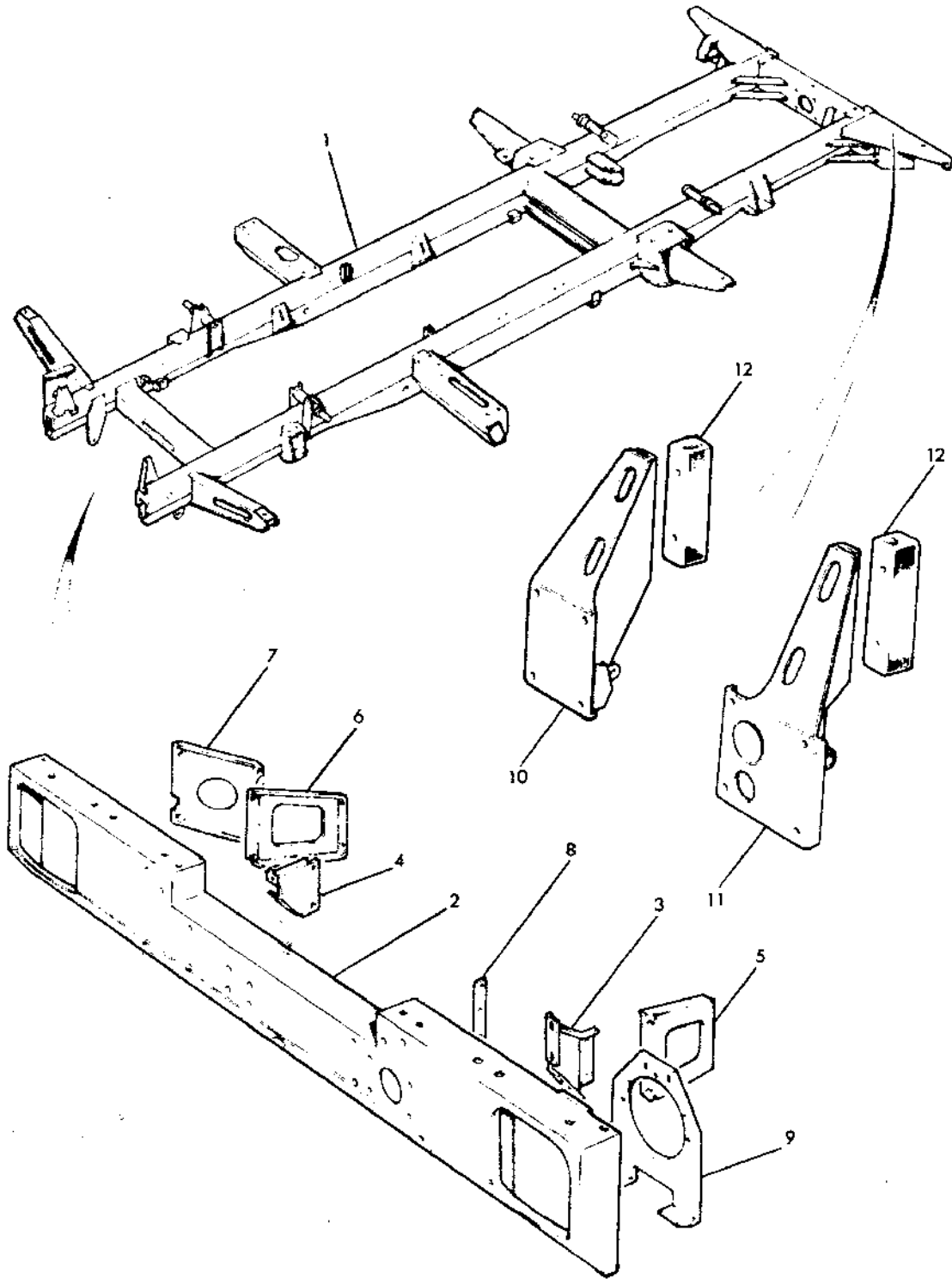


FIG ITEM	MAN CODE	NATO STOCK NUMBER/ CATALOGUE NUMBER	ITEM NAME AND DESCRIPTION	PART NO./ DRAWING NO./ ADREFNO	NO. OFF	ANNOTATIONS	
J1			FRAME AND SUSPENSION -				
1 (NP	.CHASSIS FRAME: assy	595020	1	RHD	
1 (NP	.CHASSIS FRAME: assy	595019	1	LHD	
2	LV7RU	2540-99-829-9764	.CROSSMEMBER, No.1, front bumper	592844	1		
3	LV7RU	2540-99-829-9765	.BRACKET, BUMPER SUPPORT: lh	NRC1226	1		
4	LV7RU	2540-99-829-9766	.BRACKET, BUMPER SUPPORT: rh	NRC1228	1		
5 (LV7RU	2510-99-829-8957	.PLATE, SUPPORT, steel, 270 mm lg x 150 mm w x 2.03 mm thk	592858	1	RHD	
5 (NP	.PLATE, SUPPORT	592859	1	LHD	
7	LV7RU	2540-99-829-9767	.STIFFENER: front crossmember to steering bracket, rh	592856	1		
8	LV7RU	2540-99-829-9768	.PACKING PIECE: crossmember to chassis	592861	AR		
+	G1	5305-99-122-5366	.SCREW, MACHINE, SI, metric, steel, hex hd, 8 mm x 20 mm lg		2) Fixing No.1 cross- member & brackets to chassis frame	
+	G1	5306-99-122-5263	.BOLT, MACHINE, SI, metric, steel, hex hd, 8 mm x 100 mm lg		4		
+	G1	5310-99-135-9302	.WASHER, LOCK, steel, single coil, 8 mm		6		
+	G1	5310-99-122-3402	.NUT, PLAIN, HEXAGON, SI, metric, steel, 8 mm		6		
+	G1	5305-99-122-5365	.SCREW, MACHINE, SI, metric, steel, hex hd, 8 mm x 16 mm lg		3) Fixing supports & brackets to cross- member	
+	G1	5310-99-135-9302	.WASHER, LOCK, steel, single coil, 8 mm		3		
+	G1	5310-99-122-3402	.NUT, PLAIN, HEXAGON, SI, metric, steel, 8 mm		3		
+	G1	5305-99-122-5370	.SCREW, MACHINE, SI, metric, steel, hex hd, 10 mm x 16 mm lg		2		
+	G1	5310-99-135-4103	.WASHER, LOCK, steel, 10 mm		4		
+	G1	5305-99-139-3068	.SCREW, MACHINE, SI, metric, steel, hex hd, 10 mm x 25 mm lg		2		
+	G1	5310-99-122-5297	.NUT, PLAIN, HEXAGON, SI, metric, steel, 10 mm		4		
9	LV7RU	5340-99-829-9769	.BRACKET, ANGLE, steel	592855	2) Fixing headlamps mtg plates to No.1 cross- member
+	G1	5305-99-122-8579	.SCREW, MACHINE, SI, metric, steel, hex hd, 6 mm x 16 mm lg		8		
+	G1	5310-99-137-9232	.WASHER, LOCK, steel, single coil, 6 mm		8		
+	G1	5310-99-122-6474	.WASHER, FLAT, steel, 6 mm		4		
+	G1	5310-99-122-5295	.NUT, PLAIN, HEXAGON, SI, metric, steel, 6 mm		8		
+	G1	5305-99-122-5365	.SCREW, MACHINE, SI, metric, steel, hex hd, 8 mm x 16 mm lg		5) Fixing support & attach- ment brackets to No.1 cross- member) Fixing stiffen- ers to cross- member No.1 & chassis frame	
+	G1	5305-99-122-5367	.SCREW, MACHINE, SI, metric, steel, hex hd, 8 mm x 25 mm lg		2		
+	G1	5310-99-122-6475	.WASHER, FLAT, steel, 8 mm		3		
+	G1	5310-99-135-9302	.WASHER, LOCK, steel, single coil, 8 mm		7		
+	G1	5310-99-122-3402	.NUT, PLAIN, HEXAGON, SI, metric, steel, 8 mm		7		
+	G1	5305-99-122-5365	.SCREW, MACHINE, SI, metric, steel, hex hd, 8 mm x 16 mm lg		8		
+	G1	5310-99-135-9302	.WASHER, LOCK, steel, single coil, 8 mm		8		
+	G1	5310-99-122-3402	.NUT, PLAIN, HEXAGON, SI, metric, steel, 8 mm		8		

J1

CHASSIS FRAME

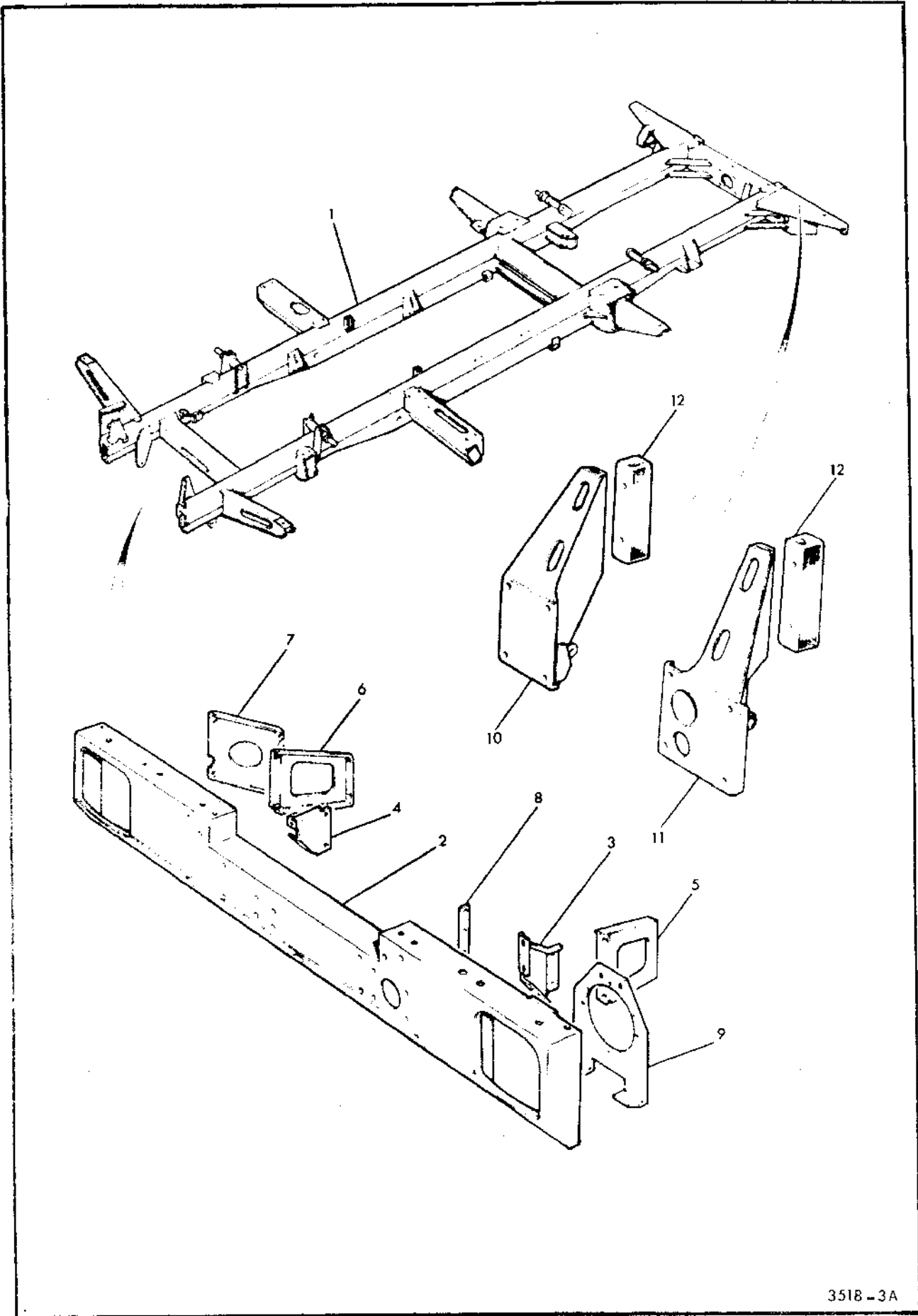
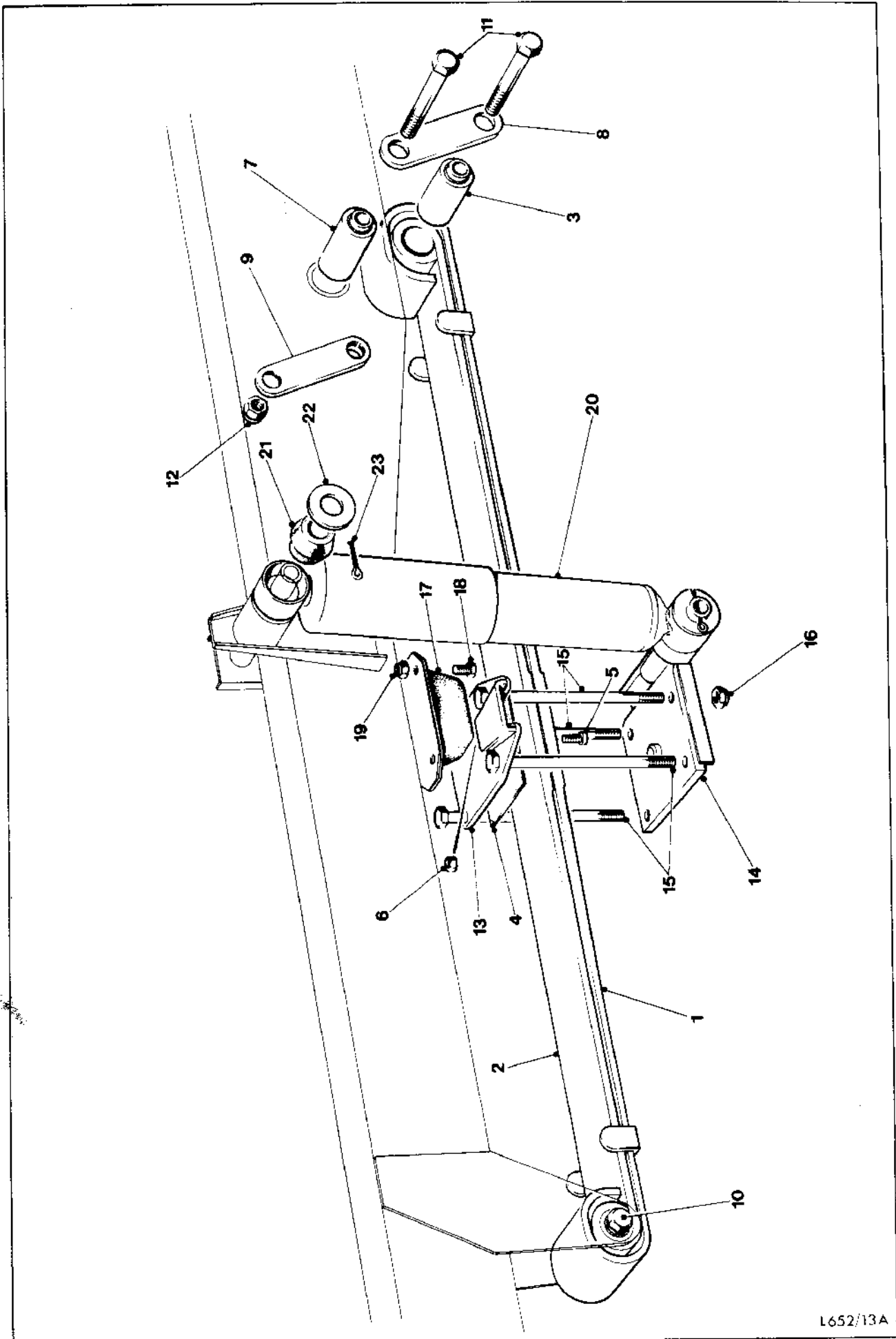


FIG ITEM	MAN CODE	NATO STOCK NUMBER/ CATALOGUE NUMBER	ITEM NAME AND DESCRIPTION	PART NO./ DRAWING NO./ ADREFNO	NO. OFF	ANNOTATIONS
J1			FRAME AND SUSPENSION - contd			
10	LV7RU	2540-99-829-9770	.BUMPER, VEHICLAR: rh	599288	1	
11	LV7RU	2540-99-829-9771	.BUMPER, VEHICULAR: lh	599289	1	
+		NP	.BUMPER, VEHICULAR: lh	NRC243	1	u/w Nokken winch
12	LV7RU	5340-99-824-5646	.BUMPER, RUBBER, rubber/steel, 50 mm sq x 215 mm lg	594769	2	
+	G1	5310-99-135-9302	.WASHER, LOCK, steel, single coil, 8 mm		4)Fixing)buffers
+	G1	5306-99-122-5253	.BOLT, MACHINE, SI, metric, steel, 8 mm x 30 mm lg		4)to)bumpers
+	G1	5306-99-122-2775	.BOLT, MACHINE, SI, metric, steel, hex hd, 10 mm x 50 mm lg		2)
+	G1	5306-99-122-2776	.BOLT, MACHINE, SI, metric, steel, hex hd, 10 mm x 55 mm lg		6)Fixing)bumper
+	LV7RU	5310-99-137-7628	.WASHER, FLAT, steel, 10 mm	598967	8)and rear)step to
+	G1	5310-99-135-4103	.WASHER, LOCK, steel, single coil, 10 mm		8)rear)cross-
+	G1	5310-99-122-5297	.NUT, PLAIN, HEXAGON, SI, metric, steel, 10 mm		8)member)
+	G1	5306-99-122-2788	.BOLT, MACHINE, SI, metric, steel, hex hd, 12 mm x 50 mm lg		4)
+	G1	5310-99-135-9304	.WASHER, LOCK, steel, single coil, 12 mm		4)Lifting)eye
+	G1	5305-99-122-4910	.SCREW, MACHINE, SI, metric, steel, hex hd, 10 mm x 25 mm lg		6)bracket)to
+	G1	5310-99-135-9303	.WASHER, LOCK, steel, single coil, 10 mm		6)plate)

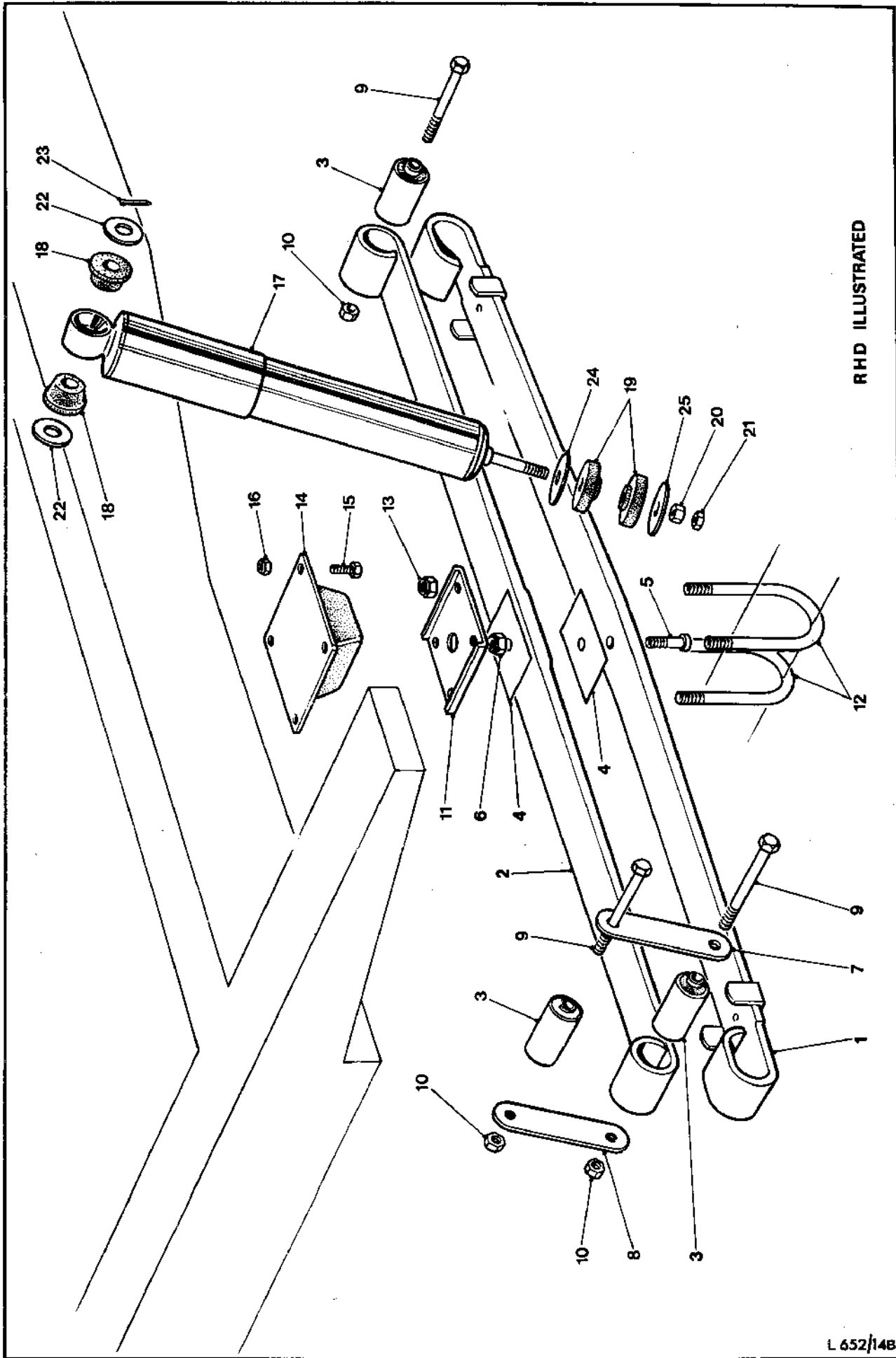
FRONT SUSPENSION



L652/13A

R H D ILLUSTRATED

FIG ITEM	MAN CODE	NATO STOCK NUMBER/ CATALOGUE NUMBER	ITEM NAME AND DESCRIPTION	PART NO./ DRAWING NO./ ADREFNO	NO. OFF	ANNOTATIONS
J2			FRAME AND SUSPENSION - contd			
1-6	LV7RU	2510-99-822-1391	.FRONT SPRING ASSEMBLY, LEAF	592736	2	
3	LV7RU	5340-99-822-1397	..MOUNT, RESILIENT, rubber/steel, 38.1 mm od x 14.1 mm id x 83.25 mm lg	592737	4	
7	LV7RU	5340-99-822-1392	.MOUNT, RESILIENT, rubber/steel, 38.1 mm od x 14.1 mm id x 97.25 mm lg	592740	2	
8	LV7RU	2510-99-824-5647	.PLATE, SHACKLE, LEAF SPRING, steel, 38 mm w x 10 mm h x 144 mm lg	592741	2	Outer
9	LV7RU	2510-99-822-1393	.PLATE, SHACKLE, LEAF SPRING	595229	2	Inner
10	LV7RU	5306-99-822-1394	.BOLT, MACHINE, SI, metric, steel, hex hd, 14 mm x 120 mm lg	595237	2	
11	LV7RU	5306-99-822-1395	.BOLT, MACHINE, SI, metric, steel, hex hd, 14 mm x 135 mm lg	595238	4	
12	G1	5310-99-137-7629	.NUT, SELF-LOCKING, HEXAGON, SI, metric, steel, 14 mm		6	
13	LV7RU	2510-99-828-0879	.PLATE, CLAMP, ROAD SPRING	NRC 1957	1	Rh
	LV7RU	2510-99-828-0880	.PLATE, SLAMP, ROAD SPRING	NRC 1958	1	Lh
15	G1	5306-99-137-7724	.BOLT, MACHINE, SI, metric, steel, hex hd, 12 mm x 200 mm lg		8	
16	LV7RU	5310-99-137-7700	.NUT, SELF-LOCKING, HEXAGON, SI, metric, steel, 12 mm	810604	8	
17	LV7RU	5340-99-822-1398	.BUMPER, RUBBER	592698	2	
18	G1	5305-99-122-8579	.SCREW, MACHINE, SI, metric, steel, 6 mm x 16 mm lg		8	
19	G1	5310-99-122-5495	.NUT, SELF-LOCKING, HEXAGON, SI, metric, steel, 6 mm		8	
20,21	LV7RU	2540-99-822-1399	.SHOCK ABSORBER, DIRECT ACTION, 334 mm closed lg	NRC 1367	2	Front
+	LV6MT1	2540-99-756-3186	.SHOCK ABSORBER, DIRECT ACTION) Alternatives
21	LV7RU	5340-99-821-9998	.BUSHING, RUBBER	599017	8	
22	LV7RU	5310-99-139-3417	.WASHER, FLAT, steel, 2 in. od x 29/32 in. id x 3/16 in. thk	4261	2	
23	G1	5315-99-942-0408	.PIN, COTTER, SPLIT, steel, 1/4 in. x 1-1/2 in. lg		4	



RHD ILLUSTRATED

FIG ITEM	MAN CODE	NATO STOCK NUMBER/ CATALOGUE NUMBER	ITEM NAME AND DESCRIPTION	PART NO./ DRAWING NO./ ADREFNO	NO. OFF	ANNOTATIONS
J3			FRAME AND SUSPENSION - contd			
1-6	LV7RU	2510-99-822-1396	.REAR SPRING ASSEMBLY, LEAF	592634	2	
3	LV7RU	5340-99-822-1397	..MOUNT, RESILIENT, steel/rubber, 38.1 mm od x 14.1 mm id x 83.25 mm lg			
7	LV7RU	2510-99-824-5647	.PLATE, SHACKLE, LEAF SPRING, steel, 38 mm w x 10 mm h x 144 mm lg	592737	4	
8	LV7RU	2510-99-824-5648	.PLATE, SHACKLE, LEAF SPRING, steel, 38 mm w x 10 mm h x 144 mm lg	592741	2	
9	LV7RU	5306-99-822-1394	.BOLT, MACHINE, SI, metric, steel, 14 mm x 120 mm lg	592743	2	
10	G1	5310-99-137-7629	.NUT, SELF-LOCKING, HEXAGON, SI, metric, steel, 14 mm	595237	6	
12	LV7RU	5306-99-824-5649	.BOLT, U, steel, 176.3 mm lg x 105 mm w x 12 mm x 46 mm thd lg		6	
13	G1	5310-99-122-5498	.NUT, SELF-LOCKING, HEXAGON, SI, metric, steel, 12 mm	624130	4	
					8	
14	LV7RU	5340-99-822-1398	.BUMPER, RUBBER	592698	2	
15	G1	5305-99-122-8579	.SCREW, MACHINE, SI, metric, steel, 6 mm x 16 mm lg		4	
16	G1	5310-99-122-5495	.NUT, SELF-LOCKING, HEXAGON, SI, metric, steel, 6 mm		4	
17-21	LV7RU	2540-99-822-1885	.SHOCK ABSORBER, DIRECT ACTION, 362 mm lg			
+	LV6MT1	2540-99-750-3187	.SHOCK ABSORBER, DIRECT ACTION,	NRC 1368	2)	Rear
18	LV7RU	5365-99-821-9998	..BUSHING, RUBBER	599017	4) Alternatives
19	LV7RU	2540-99-822-1886	..BUSHING, RUBBER	592644	4	
20	G1	5310-99-136-1519	..NUT, PLAIN, HEXAGON, UNF, steel, 9/16 in.		2	
21	G1	5310-99-136-1529	..NUT, PLAIN, HEXAGON, UNF, steel, 9/16 in.		2	
22	LV7RU	5310-99-139-3417	.WASHER, FLAT, steel, 2 in.od x 29/32 in.id x 3/16 in.thk	4261	2	
23	G1	5315-99-944-0201	.PIN, COTTER, SPLIT, steel, 1/4 in. x 1-1/2 in. lg		2	

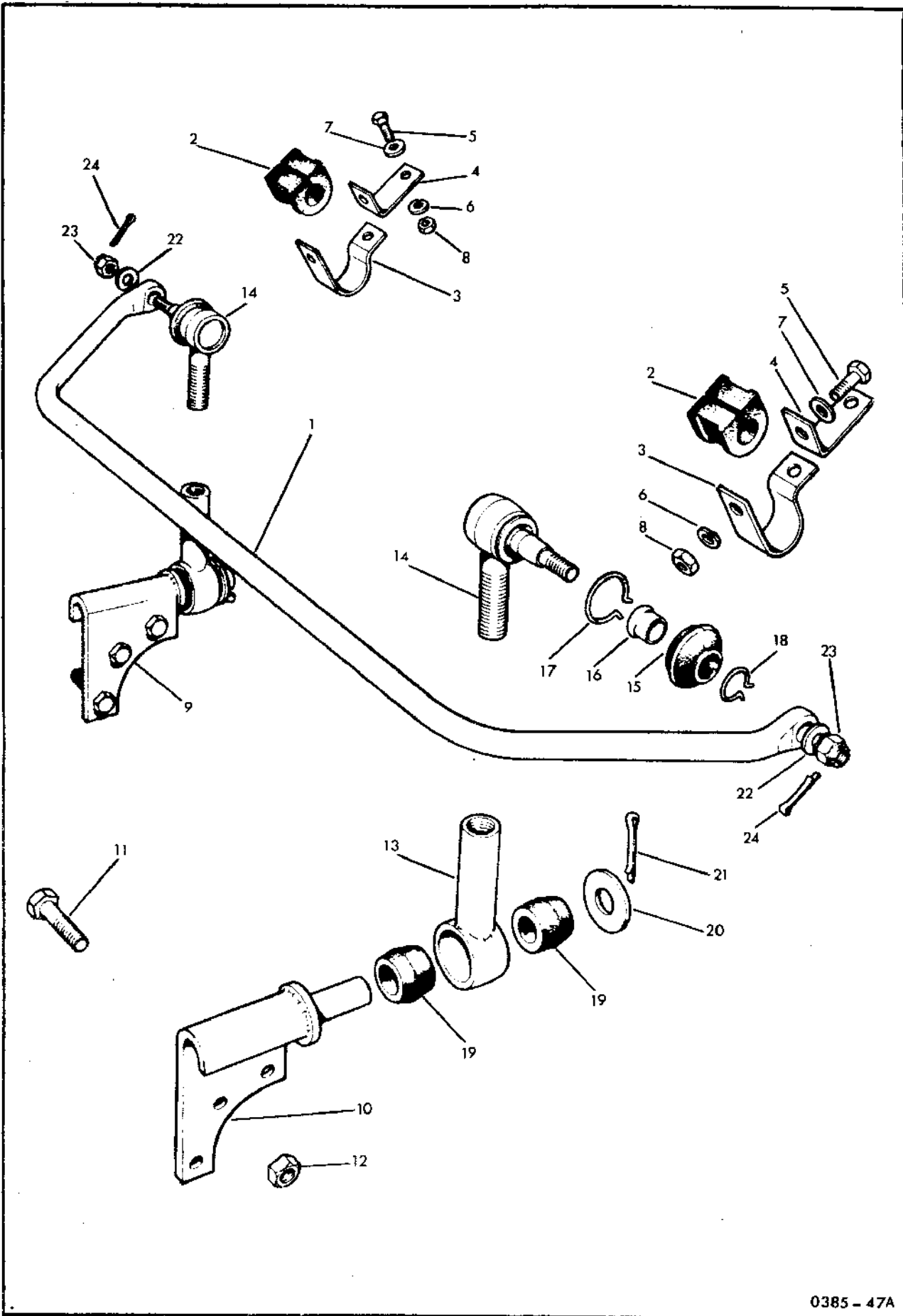


FIG ITEM	MAN CODE	NATO STOCK NUMBER/ CATALOGUE NUMBER	ITEM NAME AND DESCRIPTION	PART NO./ DRAWING NO./ ADREFNO	NO. OFF	ANNOTATIONS
J4			FRAME AND SUSPENSION - contd			
1	LV7RU	2510-99-828-8910	.ANTI-ROLL BAR, steel, 1135 mm lg	NRC2595	1	
2	LV7RY	5340-99-825-4280	.MOUNT, RESILIENT, rubber, split type	NRC1241	2	
4	LV7RU	2530-99-825-4281	.NUT, PLATE ASSEMBLY, steel	NRC1242	2	
5	G1	5305-99-122-4911	.SCREW, MACHINE, SI, metric, steel, 10 mm x 30 mm lg		4	
6	G1	5310-99-135-9303	.WASHER, LOCK, steel, 10 mm		4	
7	G1	5310-99-120-8137	.WASHER, FLAT, steel, 10 mm		4	
8	G1	5310-99-122-5297	.NUT, PLAIN, HEXAGON, SI, metric, steel, 10 mm		4	
11	G1	5305-99-122-4911	.SCREW, MACHINE, SI, metric, steel, 10 mm x 30 mm lg		6	
12	G1	5310-99-122-5297	.NUT, SELF-LOCKING, HEXAGON, SI, metric, steel, 10 mm		6	
13-18	LV7RU	3040-99-825-4282	.CONNECTING LINK, RIGID, steel	90624244	2	
14-18	LV7RU	2530-99-823-6008	.ROD END, STEERING	599488	2	
15	LV7RU	2530-99-849-9443	...BOOT, DUST AND MOISTURE SEAL, 2 in. od x 23/32 in. id x 21/32 in. h	214649	2	
16	LV7RU	2530-99-849-9444	...RETAINER, RUBBER COVER, steel, 29/32 in. dia x 11/16 in. id x 5/16 in. lg	214662	2	
17	LV7RU	2530-99-849-9446	...SPRING, GARTER EXTENSION, phospher bronze, 1-5/16 in. id x 1/16 in. thk	214685	2	
18	LV7RU	2530-99-849-9445	...SPRING, GARTER EXTENSION: cover to ball	90214684	2	
19	LV7RU	5340-99-809-1703	.BUSHING, RUBBER, 1-29/64 in. od x 3/4 in. id x 7/8 in. lg	552819	4	
20	G1	5310-99-122-6480	.WASHER, FLAT, steel, 20 mm		2	
21	G1	5315-99-944-0201	.PIN, COTTER, SPLIT, steel, 1/4 in. x 1-1/2 in. lg		2	
22	G1	5310-99-122-6477	.WASHER, FLAT, steel, 12 mm		2	
23	G1	5310-99-135-9042	.NUT, SLOTTED, HEXAGON, SI, metric, steel, 12 mm		2	
24	G1	5315-99-944-0179	.PIN, COTTER, SPLIT, steel, 3/32 in. x 1-7/8 in. lg		2	
+	LV7RU	2510-99-828-5274	.STOP, ANTI-ROLL BAR	NRC1887	4	
+	LV6MT1	4730-99-971-2164	.CLAMP, HOSE, 1 in. to 1-3/8 in. dia		2	

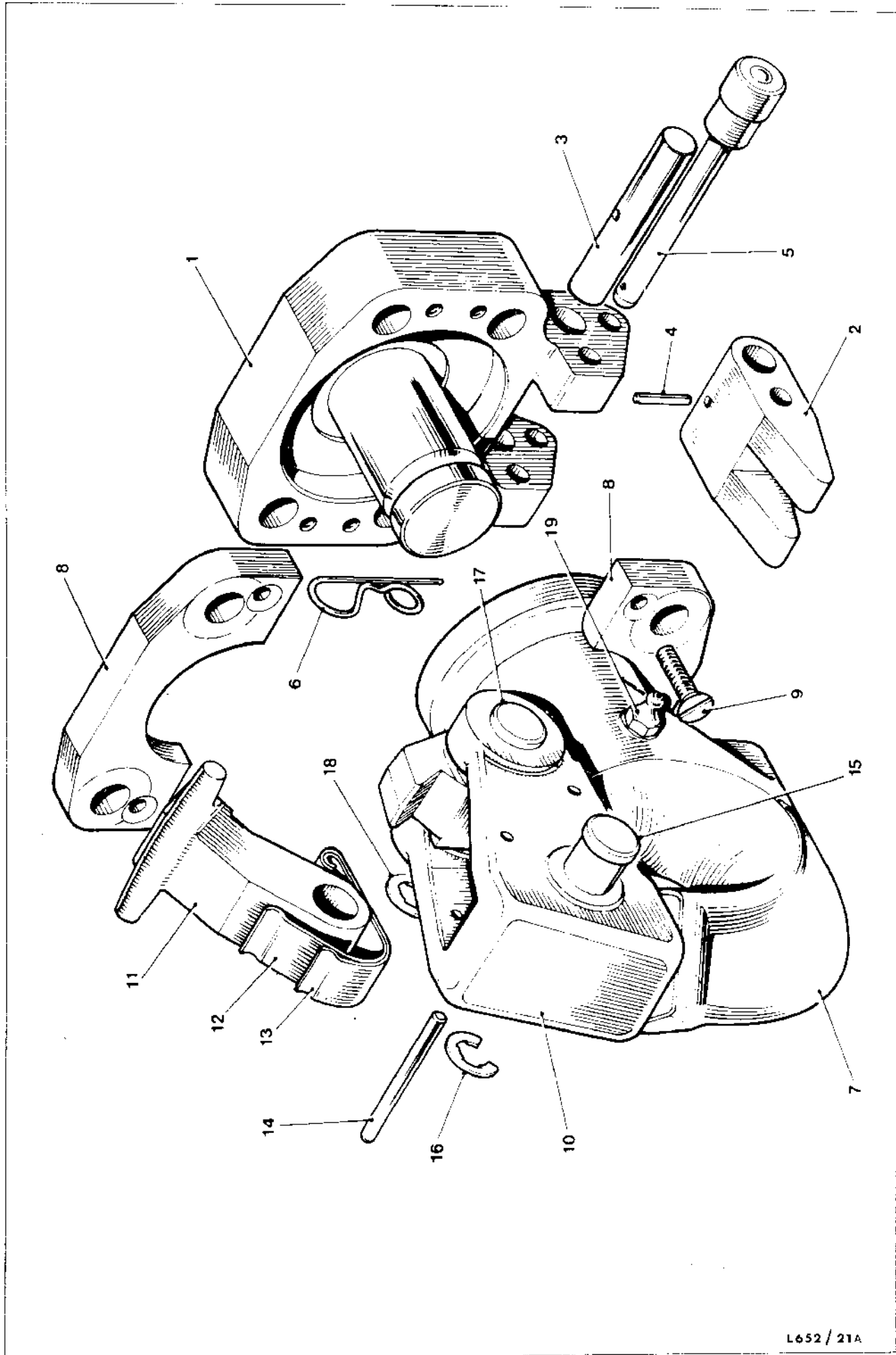


FIG ITEM	MAN CODE	NATO STOCK NUMBER/ CATALOGUE NUMBER	ITEM NAME AND DESCRIPTION	PART NO./ DRAWING NO./ ADREFNO	NO. OFF	ANNOTATIONS
J5						
1-19	LV6MT13	2540-99-825-6119	FRAME AND SUSPENSION - contd .PINTLE ASSEMBLY, 1 ton	FV332178	1	Except Ct(27)
2	LV6MT13	2540-99-808-8313	..FORK, PINTLE HOOK, steel, 2-1/2 in. x 1-1/2 in. x 3/4 in.	FV332162	1	
3	LV6MT13	5315-99-808-8314	..PIN, STRAIGHT, HEADLESS, steel, 1/2 in. dia x 2-3/4 in. lg	FV332163	1	
4	G1	5315-99-942-3745	..PIN, GROOVED, HEADLESS, steel, 1/8 in. dia x 3/4 in. lg		1	
5	LV6MT13	2540-99-808-8315	..PIN ASSEMBLY, TOWING PINTLE, steel, 4-1/8 in. lg	FV337708	1	
6	LV6MT13	5315-99-808-8310	..PIN, LOCK, steel, 0.08 in. thk x 1-3/4 in. lg	FV308524	1	
9	G1	5305-99-941-1751	..SCREW, MACHINE, UNF, steel, 1/4 in. x 7/8 in. lg		4	
10-16	LV6MT13	2540-99-825-6550	..LATCH, PINTLE HOOK	FV332175	1	
15	LV6MT13	2540-99-825-6111	...PIN, PIVOT LATCH	FV332176	1	
16	LV6MT1	5365-99-200-4456	...RING, RETAINING	FV332179	1	
17	LV6MT13	2540-99-825-6112	..PIN, PIVOT LOCK	FV332177	1	
18	LV6MT1	5365-99-200-4456	..RING, RETAINING	FV332179	1	
19	LV6MT1	4730-99-942-7808	..LUBRICATING NIPPLE, BSP, straight, 1/8 in.		1	
+	G1	5306-99-137-7648	.BOLT, MACHINE, SI, metric, steel, hex hd, 12 mm x 140 mm lg		4)
+	G1	5310-99-135-9304	.WASHER, LOCK, steel, single coil, 12 mm		4)
+	G1	5310-99-122-5298	.NUT, PLAIN, HEXAGON, SI, metric, steel, 12 mm		4)
+	G1	5306-99-941-0347	.BOLT, MACHINE, UNF, steel, hex hd, 1/2 in. x 3 in. lg		4)Pintle to
+	G1	5310-99-222-2954	.NUT, PLAIN, HEXAGON, UNF, steel, 1/2 in.		4)rear
+	G1	5310-99-120-9937	.NUT, SELF-LOCKING, HEXAGON, UNF, steel, 1/2 in.		4)adaptor)plate
+	G1	5306-99-137-7648	.BOLT, MACHINE, SI, metric, steel, hex hd, 12 mm x 140 mm lg		4)Pintle &
+	G1	5310-99-122-5304	.NUT, PLAIN, HEXAGON, SI, metric, steel, 12 mm		4)adaptor)plate to)rear)cross-)member
+	G1	5306-99-137-7651	.BOLT, MACHINE, SI, metric, steel, 12 mm x 140 mm lg		4)Lower
+	G1	5310-99-137-7467	.NUT, PLAIN, HEXAGON, SI, metric, steel, 12 mm		4)towing)hook
+	G1	5310-99-137-5113	.NUT, PLAIN, HEXAGON, SI, metric, steel, 12 mm		4)
+	LV7RU	2590-99-824-1046	.RING, DEE: front and rear lighting	598867	4	
+	G1	5306-99-122-2784	.BOLT, MACHINE, SI, metric, steel, hex hd, 10 mm x 110 mm lg		4	Front
+	G1	5306-99-122-2778	.BOLT, MACHINE, SI, metric, steel, hex hd, 10 mm x 65 mm lg		4	Rear
+	LV7RU	5310-99-137-7466	.WASHER, FLAT, steel, 1-1/8 in. od x 25/64 in. id x 1/16 in. thk		8	
+	G1	5310-99-122-5497	.NUT, SELF-LOCKING, HEXAGON, SI, metric, steel, 10 mm		8	

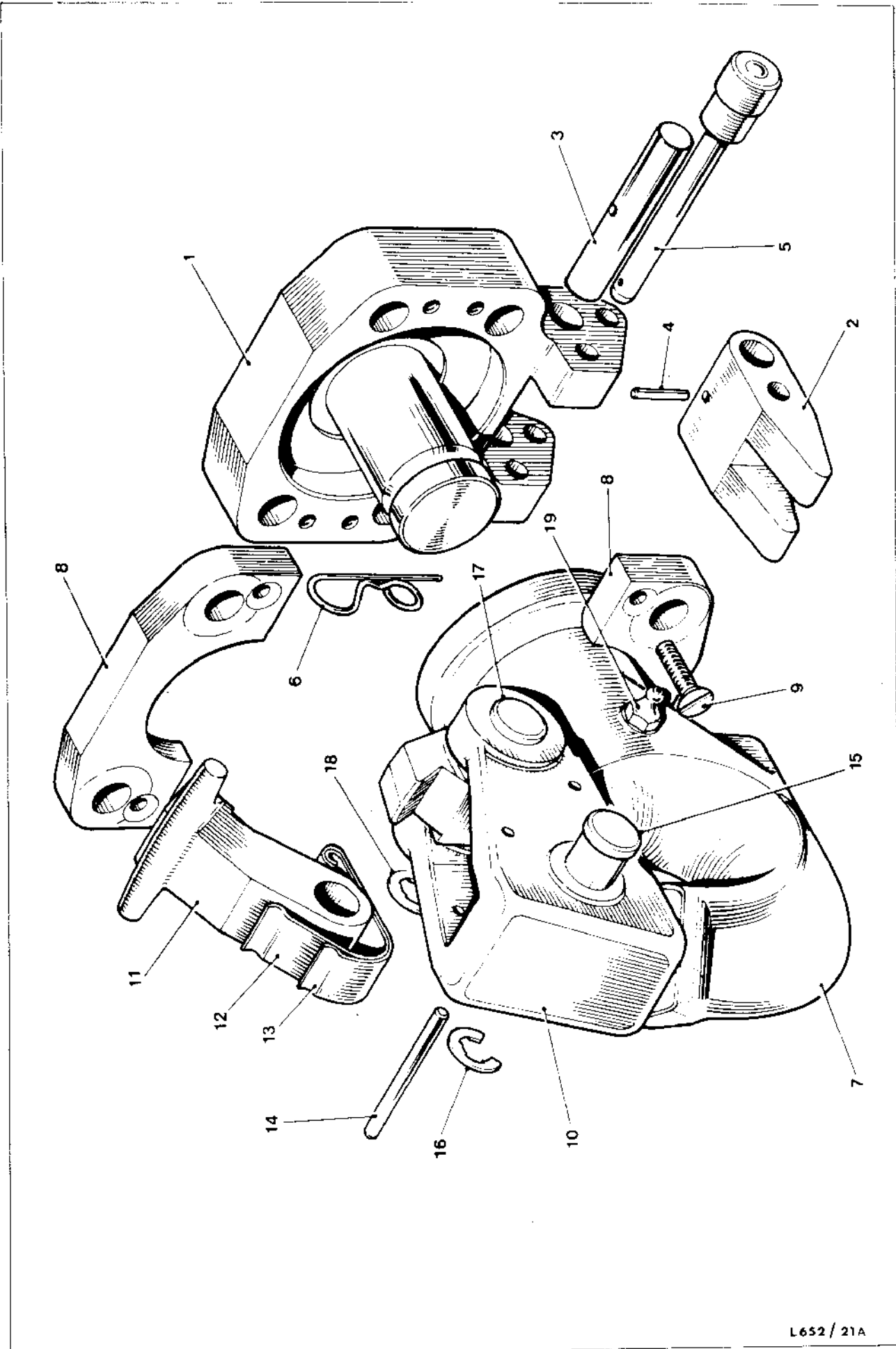


FIG ITEM	MAN CODE	NATO STOCK NUMBER/ CATALOGUE NUMBER	ITEM NAME AND DESCRIPTION	PART NO./ DRAWING NO./ ADREFNO	NO. OFF	ANNOTATIONS
J5 +	LV7RU	2540-99-829-4568	FRAME AND SUSPENSION - contd .PINTLE ASSEMBLY, TOWING: rear	NRC2051	1	Ct(27) only

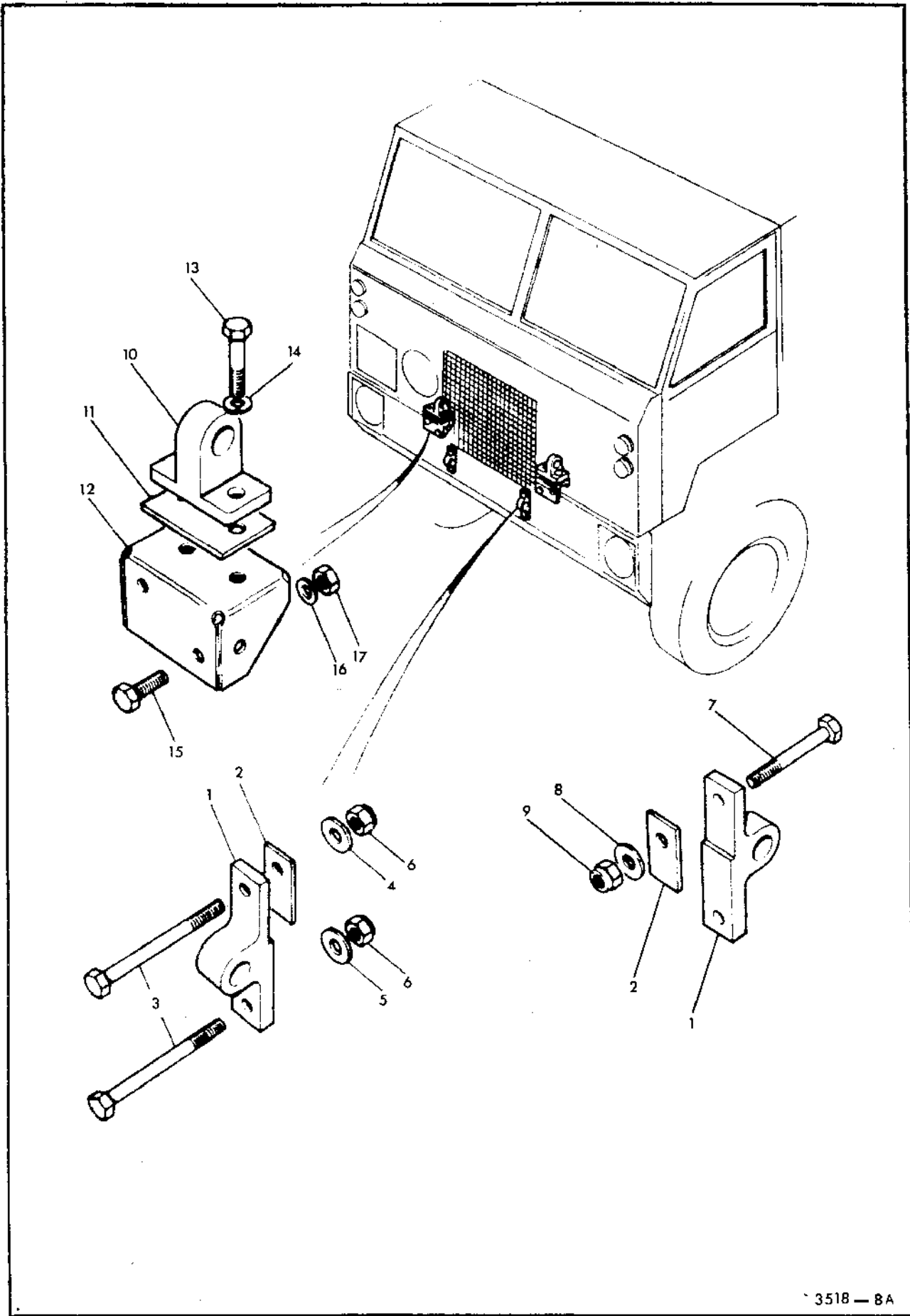


FIG ITEM	MAN CODE	NATO STOCK NUMBER/ CATALOGUE NUMBER	ITEM NAME AND DESCRIPTION	PART NO./ DRAWING NO./ ADREFNO	NO. OFF	ANNOTATIONS
J6			FRAME AND SUSPENSION - contd			
3	G1	5306-99-122-2784	.BOLT, MACHINE, SI, metric, steel, 10 mm x 110 mm lg		4	
5	G1	5310-99-120-8137	.WASHER, FLAT, steel, 10 mm		2	
6	G1	5310-99-122-5497	.NUT, SELF-LOCKING, HEXAGON, SI, metric, steel, 10 mm		4	
7	G1	5306-99-122-3375	.BOLT, MACHINE, SI, metric, steel, 10 mm x 65 mm lg		4	
8	G1	5310-99-120-8137	.WASHER, FLAT, steel, 10 mm		4	
9	G1	5310-99-122-5497	.NUT, SELF-LOCKING, HEXAGON, SI, metric, steel, 10 mm		4	
13	G1	5306-99-122-2788	.BOLT, MACHINE, SI, metric, steel, 12 mm x 50 mm lg		4	
14	G1	5310-99-135-9304	.WASHER, LOCK, steel, 12 mm		4	
15	G1	5305-99-122-4910	.SCREW, MACHINE, SI, metric, steel, 10 mm x 25 mm lg		6	
16	G1	5305-99-135-9303	.WASHER, LOCK, steel, 10 mm		6	
17	G1	5310-99-122-5297	.NUT, PLAIN, HEXAGON, SI, metric, steel, 10 mm		6	

GROUP

K

CAB

CABCONTENTS

	Page
BATTERY MOUNTINGS	K3
CAB HEATER	K14
CAB HEATER PIPES	K15
FRONT DOORS	K10
FRONT SEATS	K13
OIL FILLER	K12
RADIATOR CAP ACCESS	K12
REAR HEATER DISTRIBUTION BOX	K17
REAR VIEW MIRRORS	K11
SEAT BELTS	K13
SIDE PANELS	K1
SPARE WHEEL ACCESS DOOR	K3
SPARE WHEEL RETAINER	K6
TOOL STOWAGE	K18
WHEEL ARCH	K5
WINDOW PANEL	K8
WINDSCREEN	K8

LIST OF ILLUSTRATIONS

(NOTE:- THE TEXT DOES NOT NECESSARILY INCLUDE ALL ITEMS REFERENCED)

	Plate
CAB ASSEMBLY	K1
CAB FITTINGS	K2
ENGINE COVERS	K5
FRONT DOORS	K4
FRONT SEAT	K6
HEATER & DEMISTER	K7
HEATER PIPES & HOSES	K8
REAR HEATER DISTRIBUTION BOX	K9
TOOL STOWAGE	K10
WINDSCREEN & SIDESCREEN	K3

K1

CAB ASSEMBLY

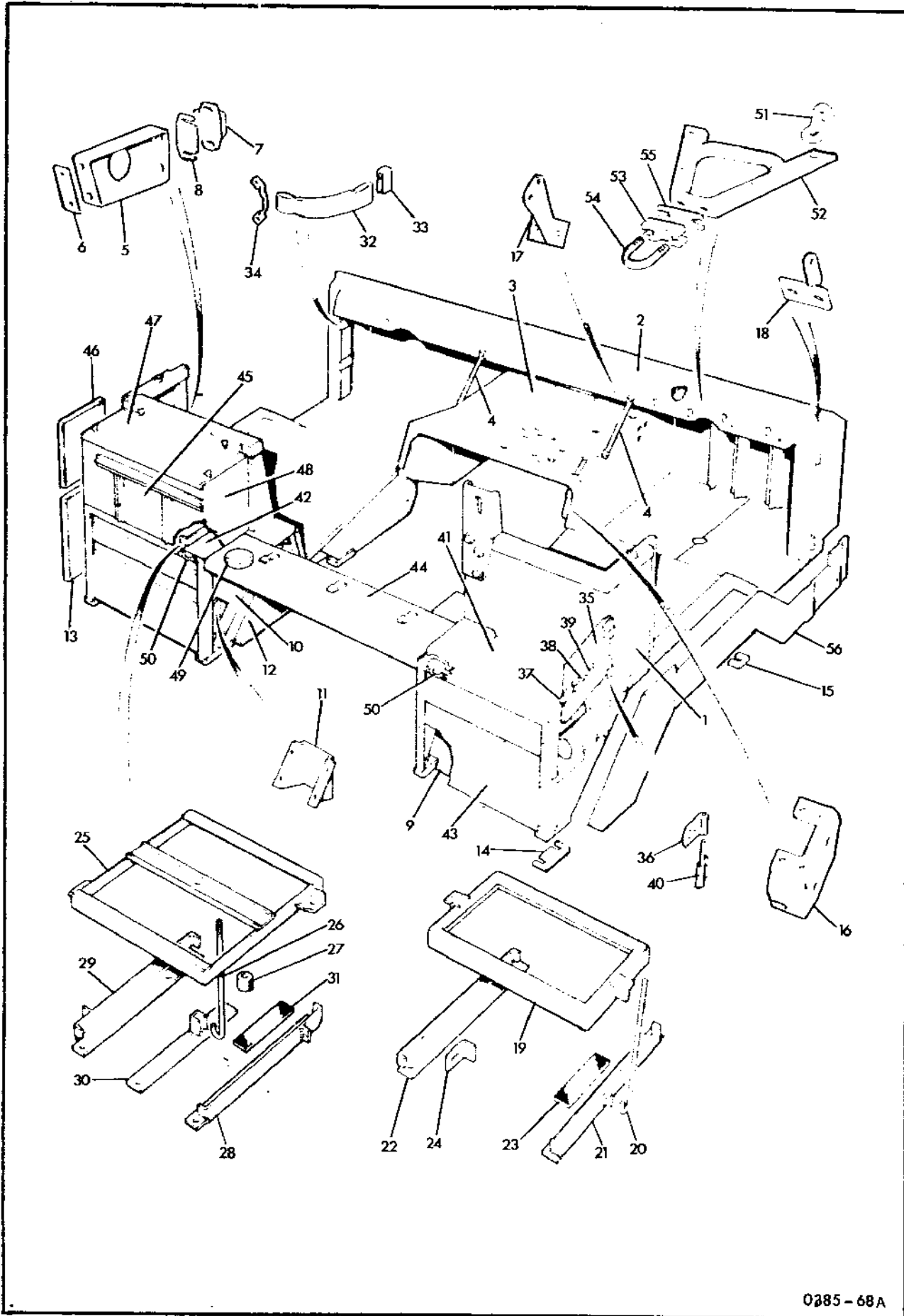


FIG ITEM	MAN CODE	NATO STOCK NUMBER/ CATALOGUE NUMBER	ITEM NAME AND DESCRIPTION	PART NO./ DRAWING NO./ ADREFNO	NO. OFF	ANNOTATIONS
K1			CAB -			
1 (LV7RU	2510-99-829-9772	.CAB SIDE PANEL: rh	398780	1	
(LV7RU	2510-99-829-9773	.CAB SIDE PANEL: lh	398781	1	
+	G1	5305-99-122-5359	.SCREW, MACHINE, SI, metric, steel, hex hd, 6 mm x 12 mm lg		2)
+	G1	5310-99-122-3033	.WASHER, FLAT, steel, 6 mm		2)Side
+	G1	5310-99-135-9301	.WASHER, LOCK, steel, single coil, 6 mm		2)panel to
+	G1	5310-99-122-5295	.NUT, PLAIN, HEXAGON, SI, metric, steel, 6 mm		2)side
2 (LV7RU	2510-99-829-8959	.PANEL, CAB: front	90707023	1)channel
(LV7RU	2510-99-829-7574	.PANEL, CAB: front	90707024	1)
+	LV7RU	2805-99-874-9961	.RIVET, BLIND	78410	12) RHC
) LHD
						Panels to
						bulkhead
						support &
						sill
						channel
+	LV7RU	5320-99-850-1914	.RIVET, BLIND	78248	3	Front
						panel to
						dash rail
+	LV7RU	2805-99-874-9961	.RIVET, BLIND	78410	13	Radiator
						duct to
						front
						panel
4 (NP	.BRACING TUBE, DASH: rh	399936	1	
(NP	.BRACING TUBE, DASH: lh	399937	1	
+	G1	5305-99-122-5360	.SCREW, MACHINE, SI, metric, steel, hex hd, 6 mm x 16 mm lg		4)
+	G1	5310-99-122-3033	.WASHER, FLAT, steel, 6 mm		8) Fixing
+	G1	5310-99-135-9301	.WASHER, LOCK, steel, single coil, 6 mm		4) brace
+	G1	5310-99-122-5295	.NUT, PLAIN, HEXAGON, SI, metric, steel, 6 mm		4) tubes
(NP	.REINFORCING BRACKET, DOOR)
5 (NP	.STRIKER: rh	398642	1)
(NP	.REINFORCING BRACKET, DOOR STRIKER: lh	398643	1)
6		NP	.PACKING PIECE: striker reinforcing bracket	398721	AR)
+	G1	5305-99-122-8580	.SCREW, MACHINE, SI, metric, steel, hex hd, 6 mm x 20 mm lg		4) Brackets
+	G1	5310-99-122-3033	.WASHER, FLAT, steel, 6 mm		4) &
+	G1	5310-99-135-9301	.WASHER, LOCK, steel, single coil, 6 mm		4) packing
+	LV7RU	5310-99-137-7456	.NUT, CAPTIVE, SI, metric, steel, 6 mm		4) pieces
7	LV7RU	5340-99-850-1718	.STRIKE CATCH	811862	4) to
8		NP	.PACKING PIECE, STRIKER PLATE	333140	2) bulk-
				347594	AR) heads
+	G1	5305-99-122-5362	.SCREW, MACHINE, SI, metric, steel, hex hd, 6 mm x 25 mm lg		4)
+	G1	5310-99-122-3033	.WASHER, FLAT, steel, 6 mm		8) Striker
+	G1	5310-99-135-9301	.WASHER, LOCK, steel, single coil, 6 mm		4) plates
+	G1	5310-99-122-5295	.NUT, PLAIN, HEXAGON, SI, metric, steel, 6 mm		4) to
) door
) pillars
+	LV7RU	2540-99-825-4658	.STRIKER PLATE, LOCK: rh assy	395294	1)
+	LV7RU	2540-99-825-4659	.STRIKER PLATE, LOCK: lh assy	395295	1)

K1

CAB ASSEMBLY

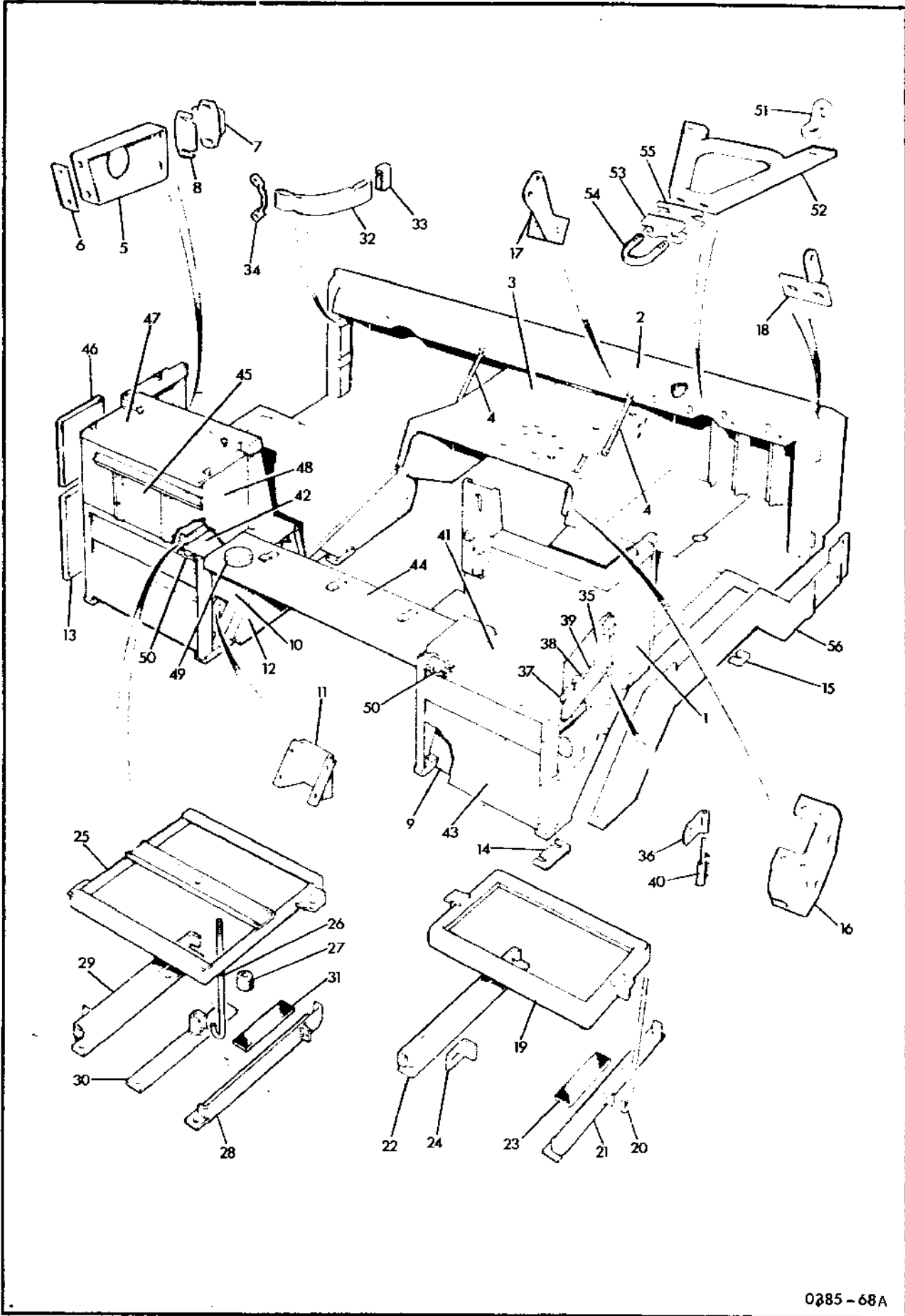


FIG ITEM	MAN CODE	NATO STOCK NUMBER/ CATALOGUE NUMBER	ITEM NAME AND DESCRIPTION	PART NO./ DRAWING NO./ ADREFNO	NO. OFF	ANNOTATIONS
K1			CAB - contd			
+	LV7RU	2540-99-825-4657	.PACKING, STRIKER BASE, LOCK, aluminium, 95 mm lg x 30 mm w	395078	6	
+	LV7RU	2540-99-828-9709	.PAD, PROTECTIVE, STRIKER PLATE, plastics, 30 mm h x 80 mm w	MRC3224	2	
+	LV7RU	5315-99-828-9708	.PLATE, WASHER, PLAIN, steel, 95 mm lg x 25.4 mm w	MRC3237	2	
+	G1	5305-99-135-0444	.SCREW, MACHINE, SI, metric, steel, pan hd, 6 mm x 28 mm lg		4	
+	G1	5310-99-122-3033	.WASHER, FLAT, steel, 6 mm		6	
+	G1	5310-99-203-6405	.WASHER, LOCK, steel, single coil, 6 mm		6	
+	G1	5310-99-122-5295	.NUT, PLAIN, HEXAGON, SI, metric, steel, 6 mm		6	
9	LV7RU	2510-99-829-9774	.SPLASH PLATE: rh	398740	1	
+	G1	5305-99-135-0440	.SCREW, MACHINE, SI, metric, steel, slotted pan hd, 6 mm x 16 mm lg		3)
+	G1	5305-99-122-5360	.SCREW, MACHINE, SI, metric, steel, hex hd, 6 mm x 16 mm lg		4) splash plate
+	G1	5310-99-122-3033	.WASHER, FLAT, steel, 6 mm		13) to cab supports
+	G1	5310-99-135-9301	.WASHER, LOCK, steel, single coil, 6 mm		7)
+	LV7RU	5310-99-137-7703	.NUT, CAPTIVE, SI, metric, steel, 6 mm		6)
+	G1	5310-99-122-5295	.NUT, PLAIN, HEXAGON, SI, metric, steel, 6 mm	811942	6)
					6)
10		NP	.SPLASH PLATE: lh	398741	1	
+	LV7RU	2805-99-874-9961	.RIVET, BLIND	78410	10	Lh splash plate fixing
11		NP	.COVER, AIR CLEANER VALVE	398861	1	
+	LV7RU	2805-99-874-9961	.RIVET, BLIND	78410	4	Cover to splash plate
(LV7RU	2510-99-829-9775	.ACCESS PANEL, VALANCE: rh	398865	1	
12	LV7RU	2510-99-829-9776	.ACCESS PANEL, VALANCE: lh	398866	1	
(NP	.ACCESS PANEL, VALANCE: lh	399035	1	LHD w/winch
+	LV7RU	5326-99-137-7462	..STUD, TURNLOCK FASTENER	399226	6	
+	Z22	5310-99-622-6993	..WASHER, LOCK, steel, single coil, 0.232 in. id		6	
13		NP	.COVER PANEL: air cleaner assy	399019	1	
+	LV7RU	5326-99-137-7462	..STUD, TURNLOCK FASTENER	399226	2	
+	Z22	5310-99-622-6993	..WASHER, LOCK, steel, single coil, 0.232 in. id		2	
16		NP	.HANDBRAKE MOUNTING BRACKET	398840	1	RHD
(NP	.HANDBRAKE MOUNTING BRACKET	398841	1	LHD
+	G1	5305-99-122-5366	.SCREW, MACHINE, SI, Metric, steel, hex hd, 8 mm x 20 mm lg		4) Handbrake mtg
+	G1	5310-99-135-9302	.WASHER, LOCK, steel, single coil, 8 mm		4) bracket
+	G1	5310-99-122-3034	.WASHER, FLAT, steel, 8 mm		4) to
+	G1	5310-99-122-5296	.NUT, PLAIN, HEXAGON, SI, metric, steel, 8 mm		4) radiator duct
17		NP	.MOUNTING BRACKET: clutch and brake reservoir	398641	1) Bracket to
+	G1	5305-99-122-5359	.SCREW, MACHINE, SI, metric, steel, 6 mm x 12 mm lg		2) dash rail

K1

CAB ASSEMBLY

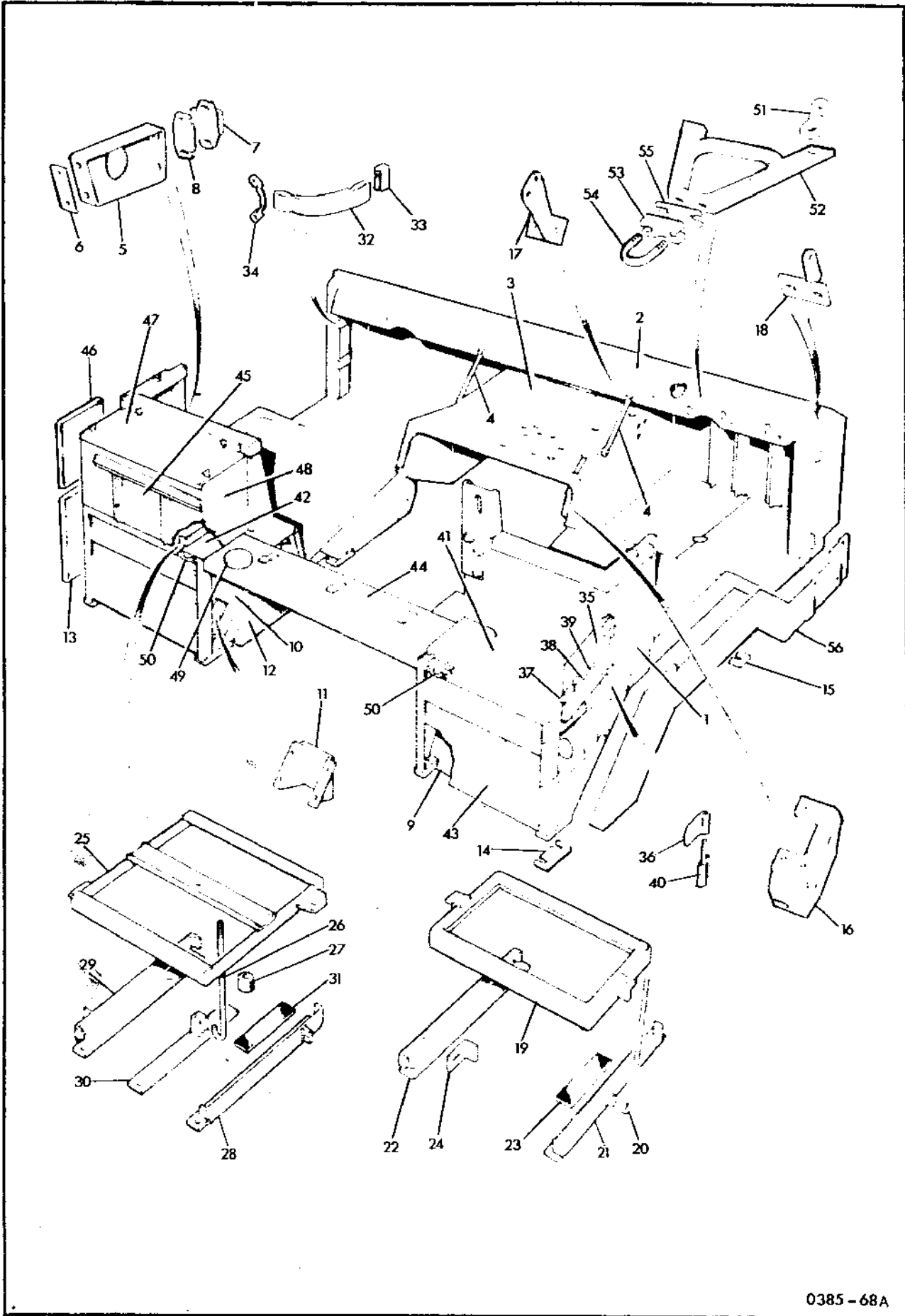


FIG ITEM	MAN CODE	NATO STOCK NUMBER/ CATALOGUE NUMBER	ITEM NAME AND DESCRIPTION	PART NO./ DRAWING NO./ ADREFNO	NO. OFF	ANNOTATIONS
KT			CAB - contd			
+	G1	5310-99-135-9301	.WASHER, LOCK, steel, single coil, 6 mm		2)Bracket)to)dash rail)
+	G1	5310-99-122-5295	.NUT, PLAIN, HEXAGON, SI, metric, steel, 6 mm		2	
+	G1	5305-99-122-5367	.SCREW, MACHINE, SI, Metric, steel, hex hd, 8 mm x 25 mm lg		4)Wind-)screen)mtg)brackets)to dash
+	G1	5310-99-122-3034	.WASHER, FLAT, steel, 8 mm		4	
+	G1	5310-99-135-9302	.WASHER, LOCK, steel, single coil, 8 mm		4	
19	LV7RU	2540-99-824-4937	.BATTERY MOUNTINGS (12V) - ..RETAINER, BATTERY, steel, angle frame type	399494	1	
20	LV7RU	5306-99-824-4947	..BOLT, HOOK	399214	2	
+	G1	5310-99-122-3033	...WASHER, FLAT, steel, 6 mm		2	
+	LV7RU	5310-99-824-4949	...NUT, PLAIN, WINGS, SI, metric, steel, 6 mm	811895	2	
+	LV7RU	5305-99-137-6769	..SCREW, MACHINE, SI, metric, steel, hex hd, 6 mm x 16 mm lg	888021	6)Battery)carrier)to)support)frame
+	G1	5310-99-135-9301	..WASHER, LOCK, steel, single coil, 6 mm		6	
+	G1	5310-99-122-5295	..NUT, PLAIN, HEXAGON, SI, metric, steel, 6 mm		6	
24	LV7RU	2590-99-824-6201	..STOP, BATTERY LOCATION, steel, 55 mm lg x 25 mm w	399216	2)))Stop to)battery)carrier))))))
+	G1	5305-99-122-5360	..SCREW, MACHINE, SI, metric, steel, hex hd, 6 mm x 16 mm lg		2	
+	G1	5310-99-122-3033	..WASHER, FLAT, steel, 6 mm		2	
+	G1	5310-99-135-9301	..WASHER, LOCK, steel, single coil, 6 mm		2	
+	G1	5310-99-122-5295	..NUT, PLAIN, HEXAGON, SI, metric, steel, 6 mm		2	
25	LV7RU	2540-99-825-4278	.BATTERY MOUNTINGS (24V) - ..RETAINER, BATTERY: angle frame type	MRC1664	1	
26	LV7RU	5306-99-824-4947	..BOLT, HOOK	399214	3	
27	LV7RU	2510-99-849-8600	..BUFFER: hook bolt	306471	3	
+	G1	5310-99-122-3033	..WASHER, FLAT, steel, 6 mm		3	
+	LV7RU	5310-99-824-4949	..NUT, PLAIN, WING, SI, metric, steel, 6 mm		3	
28		NP	..BATTERY CARRIER: rh	MRC344	1	
29		NP	..BATTERY CARRIER: lh	MRC345	1	
30		NP	..BATTERY CARRIER: centre	MRC348	1	
31	H9	9320-99-225-1043	..PAD: battery support	771/4772	4	
+	LV7RU	5305-99-828-1309	..SCREW, MACHINE, SI, metric, steel, hex hd, 6 mm x 16 mm lg	888021	8)Battery)carrier)to)support)frame
+	G1	5310-99-122-3033	..WASHER, FLAT, steel, 6 mm		8	
+	G1	5310-99-135-9301	..WASHER, LOCK, steel, 6 mm		8	
+	G1	5310-99-122-5295	..NUT, PLAIN, HEXAGON, SI, metric, steel, 6 mm		8	
35-39		NP	..DOOR, SPARE WHEEL ACCESS	399257	1	
36	LV7RU	5340-99-824-6210	..LEAF, FURT HINGE, steel, 38 mm w x 67 mm lg	399319	2	
37	LV7RU	2510-99-824-6203	..HASP, RIGID, 30 mm w x 90 mm lg	399263	1	
38	LV7RU	2510-99-820-7552	..CLEAT, RCPE	345699	1	
39	LV7RU	2510-99-824-6204	..STAPLE, HASP, steel, 57 mm lg x 8 mm h	395143	1	

K1

CAB ASSEMBLY

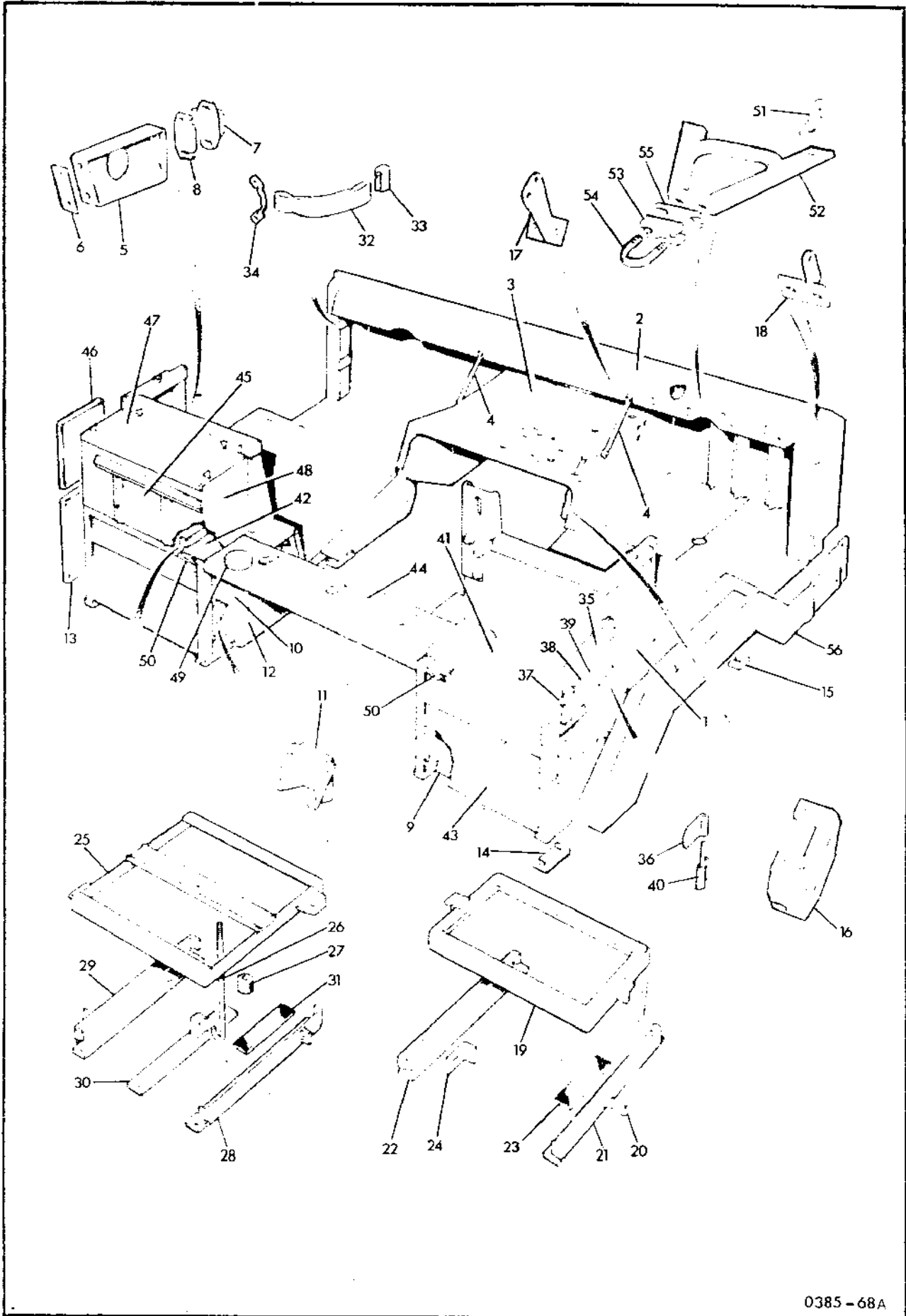


FIG ITEM	MAN CODE	NATO STOCK NUMBER/ CATALOGUE NUMBER	ITEM NAME AND DESCRIPTION	PART NO./ DRAWING NO./ ADREFNO	NO. OFF	ANNOTATIONS
K1			CAB - contd			
+	LV7RU	2805-99-874-9961	.DOOR, SPARE WHEEL ACCESS - contd	78410	13	
40		NP	.RIVET, BLIND	399253	2	RHD
(NP	.MALE HINGE	399254	2	LHD
+	LV7RU	2805-99-874-9961	.RIVET, BLIND	78410	4	Hinge to bulkhead support
+	LV7RU	5340-99-805-8676	.CATCH, LOCKER LID	334525	1)Spare
+	LV7RU	2805-99-874-9961	.RIVET BLIND	78410	2)wheel)access)door
÷	LV7RU	5340-99-824-6204	.STAPLE, HASP, steel	395143	1	
+	LV7RU	5340-99-820-7552	.CLEAT, ROPE	345699	1	
+	LV7RU	2805-99-874-9961	.RIVET, BLIND	78410	8	Fixing staple, cleat & stop bracket
+	G1	5305-99-122-5367	.SCREW, MACHINE, SI, metric, steel, hex hd, 8 mm x 25 mm lg		2)
+	G1	5305-99-122-4911	.SCREW, MACHINE, SI, metric, steel, hex hd, 10 mm x 30 mm lg		16)
+	G1	5310-99-3034	.WASHER, FLAT, steel, 8 mm		8)Fixing
+	G1	5310-99-122-3035	.WASHER, FLAT, steel, 10 mm		28)front
+	G1	5310-99-135-9302	.WASHER, LOCK, steel, single coil, 8 mm		4)unit)to
+	G1	5310-99-135-9303	.WASHER, LOCK, steel, single coil, 10 mm		16)chassis)frame
+	G1	5310-99-122-5296	.NUT, PLAIN, HEXAGON, SI, metric, steel, 8 mm		4)
+	G1	5310-99-122-5297	.NUT, PLAIN, HEXAGON, SI, metric, steel, 10 mm		14)
+	G1	5305-99-122-5359	.SCREW, MACHINE, SI, metric, steel, hex hd, 6 mm x 12 mm lg		2)
+	G1	5310-99-122-3033	.WASHER, FLAT, steel, 6 mm		2)Fixing
+	G1	5310-99-135-9301	.WASHER, LOCK, steel, single coil, 6 mm		2)rh rear)panel)to
+	G1	5310-99-122-5295	.NUT, PLAIN, HEXAGON, SI, metric, steel, 6 mm		2)frame
+	G1	5325-99-137-7461	.STUD, TURNLOCK FASTENER		4)
+	Z22	5310-99-622-6993	.WASHER, LOCK, steel, single coil, 0.232 in. id		8)Battery)cover
+	G1	5325-99-137-3926	.STUD, TURNLOCK FASTENER		2)
+	G1	5325-99-137-7460	.STUD, TURNLOCK FASTENER		2)
+	Z22	5325-99-622-4272	.RECEPTACLE, TURNLOCK FASTENER		4)
+	G1	5305-99-950-4416	.SCREW, TAPPING, THREAD FORMING, steel, pan hd, No. 6 x 1/2 in. lg		9)Back to
+	G1	5310-99-137-6549	.NUT, SHEET SPRING		9)side)panels
+	LV7RU	2805-99-874-9961	.RIVET, BLIND	78410	16	Cover to frame & bulkhead

K1

CAB ASSEMBLY

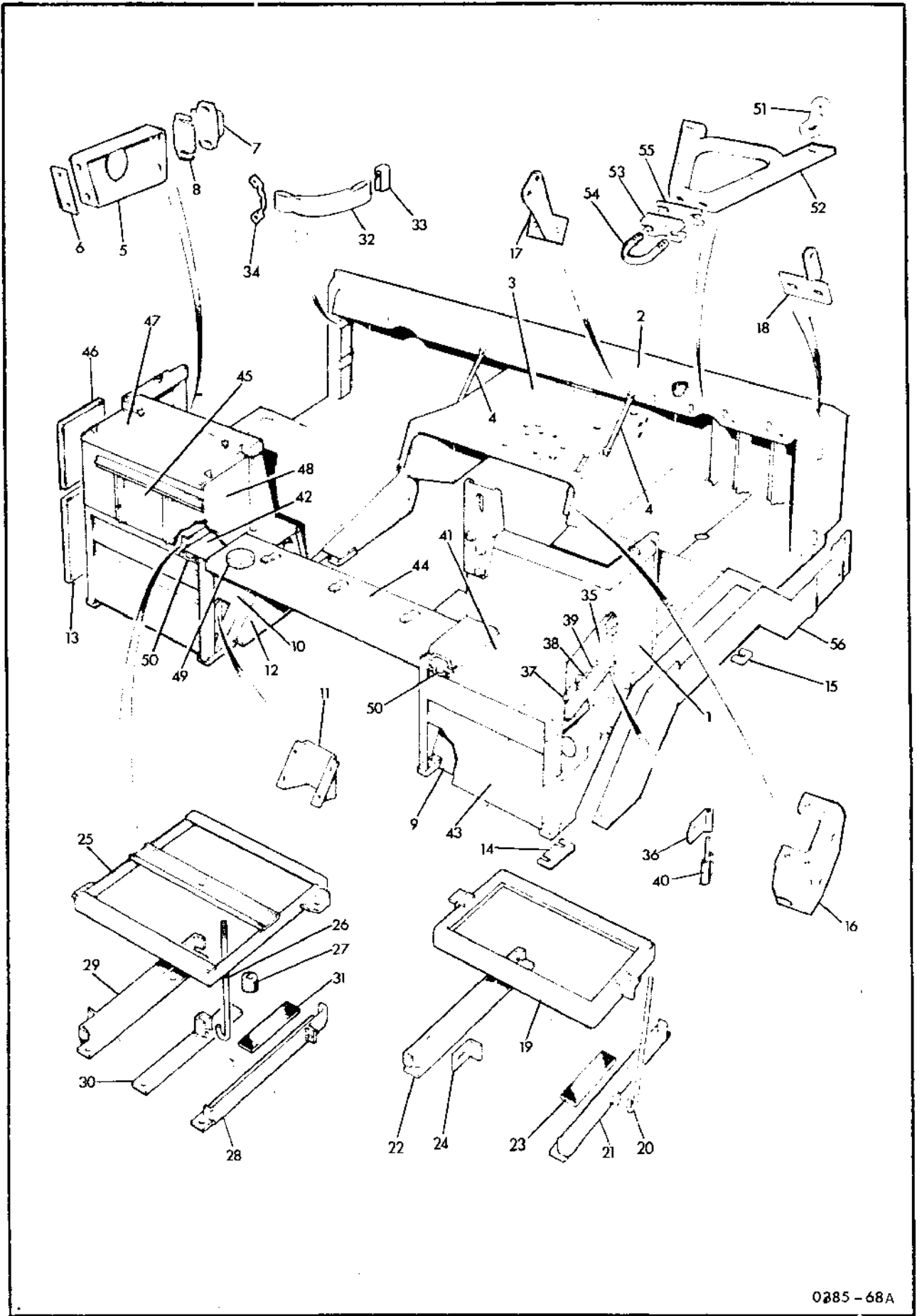


FIG ITEM	MAN CODE	NATO STOCK NUMBER/ CATALOGUE NUMBER	ITEM NAME AND DESCRIPTION	PART NO./ DRAWING NO./ ADREFNO	NO. OFF	ANNOTATIONS
K1			CAB - contd			
51		NP	.PLATE, ANGLE: steering column bracket	399065	2)
+	G1	5305-99-122-5359	.SCREW, MACHINE, SI, metric, steel, hex hd, 6 mm x 12 mm lg		2)
+	G1	5310-99-122-3033	.WASHER, FLAT, steel, 6 mm		2)
+	G1	5310-99-135-9301	.WASHER, LOCK, steel, single coil, 6 mm		2)
+	G1	5310-99-122-5295	.NUT, PLAIN, HEXAGON, SI, metric, steel, 6 mm		2)
52		NP	.BRACKET: steering column mtg	399573	1)
+	G1	5305-99-122-5359	.SCREW, MACHINE, SI, metric, steel, hex hd, 6 mm x 12 mm lg		2)
+	G1	5310-99-122-3033	.WASHER, FLAT, steel, 6 mm		4)
+	G1	5310-99-135-9301	.WASHER, LOCK, steel, single coil, 6 mm		2)
+	G1	5310-99-122-5295	.NUT, PLAIN, HEXAGON, SI, metric, steel, 6 mm		2)
+	G1	5310-99-122-3034	.WASHER, FLAT, steel, 8 mm		2)
+	G1	5310-99-135-9302	.WASHER, LOCK, steel, single coil, 8 mm		2)
+	G1	5310-99-122-5302	.NUT, PLAIN, HEXAGON, SI, metric, steel, 8 mm		2)
56	LV7RU	2510-99-829-9777	.WHEEL ARCH SPAT: rh	MRC1537	1)
(LV7RU	2510-99-829-9778	.WHEEL ARCH SPAT: lh	MRC1538	1)
+	G1	5305-99-122-5360	.SCREW, MACHINE, SI, metric, steel, hex hd, 6 mm x 16 mm lg		13)
+	G1	5310-99-135-9301	.WASHER, LOCK, steel, single coil, 6 mm		13)
+	G1	5310-99-122-3033	.WASHER, FLAT, steel, 6 mm		13)
+	G1	5310-99-122-5295	.NUT, PLAIN, HEXAGON, SI, metric, steel, 6 mm		13)
+	LV7RU	9905-99-829-9779	.SIGN, BRIDGE PLATE, PVC, self-adhesive, yellow, 9 in. dia	MRC1710	1)

K2

CAB FITTINGS

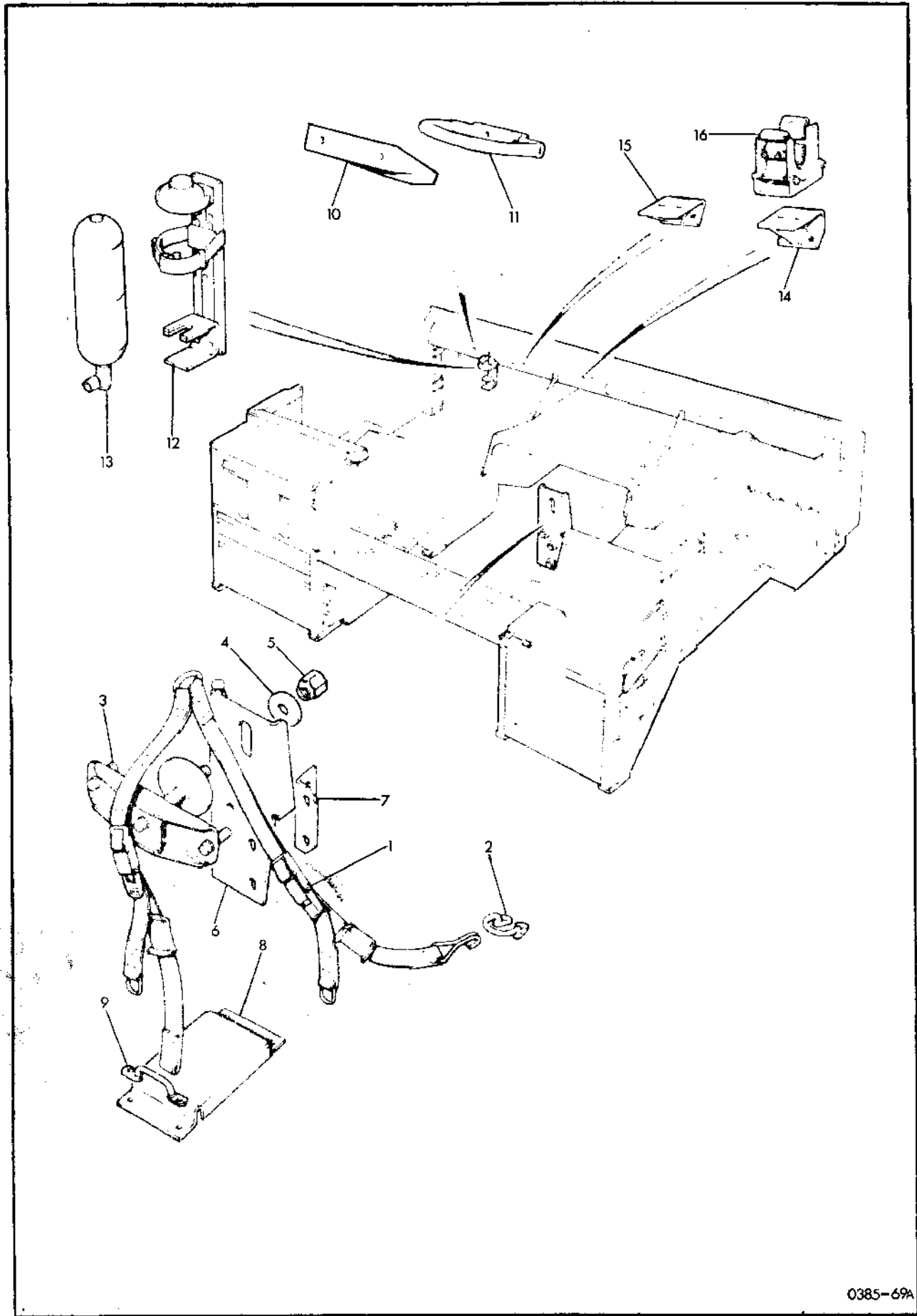
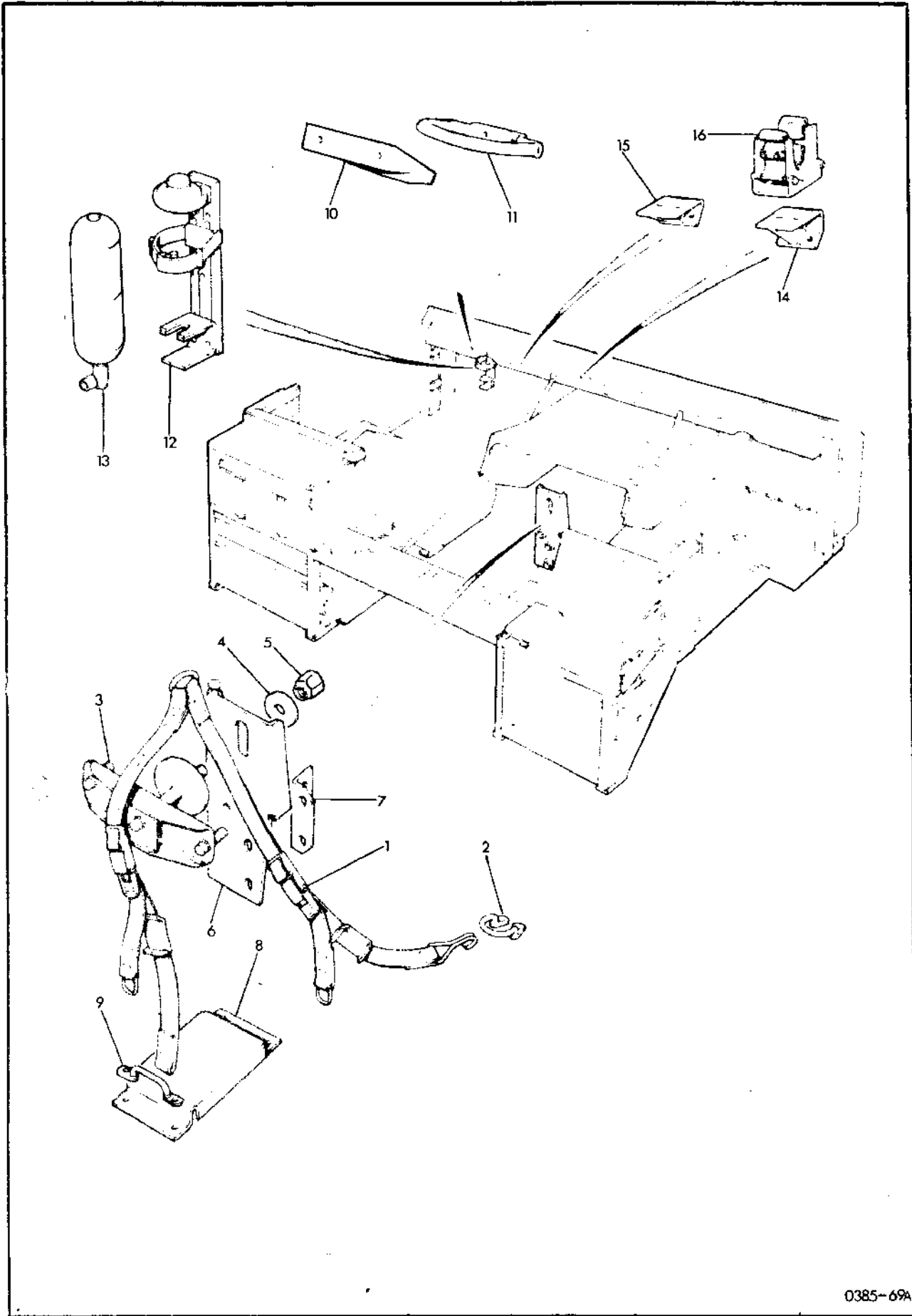


FIG ITEM	MAN CODE	NATO STOCK NUMBER/ CATALOGUE NUMBER	ITEM NAME AND DESCRIPTION	PART NO./ DRAWING NO./ ADREFNO	NO. OFF	ANNOTATIONS
K2			CAB - contd			
1	LV7RU	2510-99-825-4284	.STRAP ASSEMBLY: spare wheel stowage	MRC1294	1	
2	LV7RU	2510-99-820-7552	.HOOK, ROPE, steel, 5/16 in. dia bar	345699	1	
+	G1	5305-99-122-5356	.SCREW, MACHINE, SI, metric, steel, 5 mm x 16 mm lg		2)
+	G1	5310-99-122-3032	.WASHER, FLAT, steel, 5 mm		2)
+	G1	5310-99-135-9300	.WASHER, LOCK, steel, single coil, 5 mm		2)
+	G1	5315-99-122-5294	.NUT, PLAIN, HEXAGON, SI, metric, steel, 5 mm		2)
3	LV7RU	2540-99-830-9674	.RETAINER, SPARE WHEEL	398713	1	
4	LV7RU	5310-99-137-8253	.WASHER, FLAT	398718	1	
5	LV7RU	5310-99-819-1858	.NUT, CONE SEAT, HEXAGON, SI, metric, steel, 16 mm	577473	1	
6		NP	.MOUNTING BRACKET	399845	1	
+	G1	5305-99-122-5366	.SCREW, MACHINE, SI, metric, steel, hex hd, 8 mm x 20 mm lg		2)
+	G1	5310-99-122-3034	.WASHER, FLAT, steel, 8 mm		2)
+	G1	5310-99-135-9302	.WASHER, LOCK, steel, single coil, 8 mm		2)
+	G1	5310-99-122-5296	.NUT, PLAIN, HEXAGON, SI, metric, steel, 8 mm		2)
+	G1	5310-99-122-5261	.BOLT, MACHINE, SI, metric, steel, hex hd, 8 mm x 70 mm lg		2)
+	G1	5310-99-122-3034	.WASHER, FLAT, steel, 8 mm		4)
+	G1	5310-99-135-9302	.WASHER, LOCK, steel, single coil, 8 mm		2)
+	G1	5310-99-122-5296	.NUT, PLAIN, HEXAGON, SI, metric, steel, 8 mm		2)
7		NP	.BRACKET, ANGLE	399850	1	
+	G1	5305-99-122-5366	.SCREW, MACHINE, SI, metric, steel, hex hd, 8 mm x 20 mm lg		2)
+	G1	5310-99-122-3034	.WASHER, FLAT, steel, 8 mm		4)
+	G1	5310-99-135-9302	.WASHER, LOCK, steel, single coil, 8 mm		2)
+	G1	5310-99-122-5296	.NUT, PLAIN, HEXAGON, SI, metric, steel, 8 mm		2)
8		NP	.SUPPORT, SPARE WHEEL	MRC214	1	
9		NP	.STAPLE	335772	1	
+	G1	5305-99-122-5356	.SCREW, MACHINE, SI, metric, steel, 5 mm x 16 mm lg		4)
+	G1	5310-99-122-3032	.WASHER, FLAT, steel, 5 mm		4)
+	G1	5310-99-135-9300	.WASHER, LOCK, steel, single coil, 5 mm		4)
+	G1	5315-99-122-5294	.NUT, PLAIN, HEXAGON, SI, metric, steel, 5 mm		4)
10		NP	.BRACKET: windscreen wiper motor	398827	1	
+	G1	5305-99-122-5360	.SCREW, MACHINE, SI, metric, steel, hex hd, 6 mm x 16 mm lg		2)
+	G1	5310-99-122-3033	.WASHER, FLAT, steel, 6 mm		2)
+	G1	5310-99-135-9301	.WASHER, LOCK, steel, single coil, 6 mm		2)
11	LV7RU	2510-99-825-4285	.HANDLE, GRAB, D-SHAPE, 7-3/8 in. lg	346399	1	
+	G1	5305-99-122-5360	.SCREW, MACHINE, SI, metric, steel, hex hd, 6 mm x 16 mm lg		1)
+	G1	5310-99-122-3033	.WASHER, FLAT, steel, 6 mm		2)
+	G1	5310-99-135-9301	.WASHER, LOCK, steel, single coil, 6 mm		1)

K2

CAB FITTINGS



0385-69A

FIG ITEM	MAN CODE	NATO STOCK NUMBER/ CATALOGUE NUMBER	ITEM NAME AND DESCRIPTION	PART NO./ DRAWING NO./ ADREFNO	NO. OFF	ANNOTATIONS
K2						
+	G1	5310-99-122-5295	CAB - contd .NUT, PLAIN, HEXAGON, SI, metric, steel, 6 mm		1)Grab)handle)to dash)rail
12		NP	.BRACKET, FIRE EXTINGUISHER	552974	2	
+	G1	5305-99-135-0430	.SCREW, MACHINE, SI, metric, steel, fillister hd, 5 mm x 16mm lg		10	
+	G1	5310-99-122-3032	.WASHER, FLAT, steel, 5 mm		10	
+	G1	5310-99-135-9300	.WASHER, LOCK, steel, single coil, 5 mm		10	
+	G1	5310-99-122-5294	.NUT, PLAIN, HEXAGON, SI, metric, steel, 5 mm		10	
13	LV6MT1	4210-99-814-4724	.EXTINGUISHER, FIRE		2	
14		NP	.MOUNTING BRACKET, INNER	595493	1)Small
15		NP	.MOUNTING BRACKET, OUTER	595496	1)arms)clip
+	G1	5305-99-135-0422	.SCREW, MACHINE, SI, metric, steel, 4 mm x 10 mm lg		4)Small
+	G1	5310-99-135-9299	.WASHER, LOCK, steel, single coil, 4 mm		4)arms)brackets
+	G1	5310-99-135-0755	.NUT, PLAIN, HEXAGON, SI, metric, steel, 4 mm		4)to dash)rail
16	LV7RU	2590-99-804-8338	.CLIP, SMALL ARMS, UNIVERSAL	348943	2	
+	G1	5305-99-135-0422	.SCREW, MACHINE, SI, metric, steel, pan hd, 4 mm x 10 mm lg		4)Small
+	G1	5310-99-135-9299	.WASHER, LOCK, steel, single coil, 4 mm		4)arms)clips to)brackets
+	G1	5310-99-135-0755	.NUT, PLAIN, HEXAGON, SI, metric, steel, 4 mm		4)

K3

WINDSCREEN & SIDE SCREEN

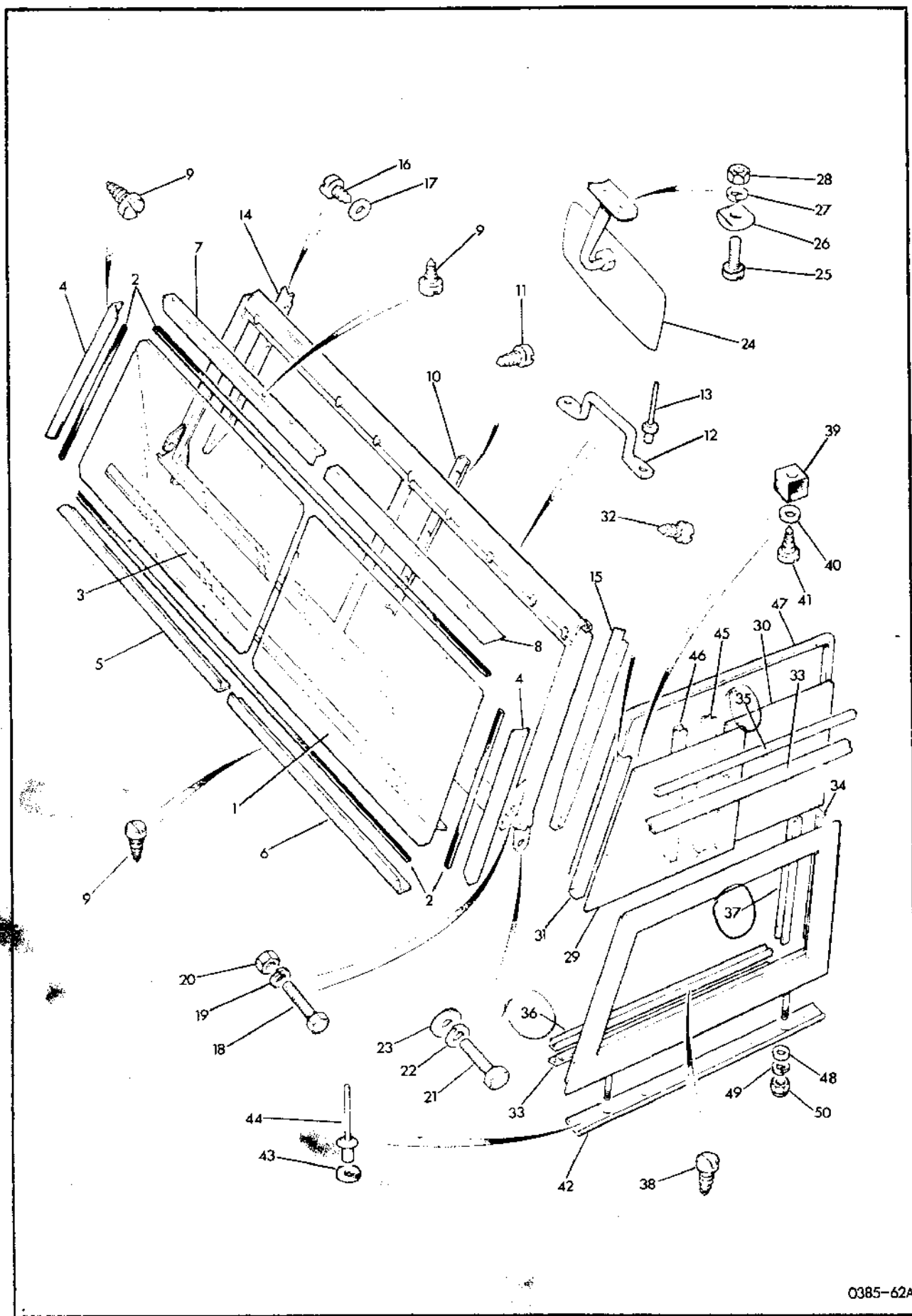


FIG ITEM	MAN CODE	NATO STOCK NUMBER/ CATALOGUE NUMBER	ITEM NAME AND DESCRIPTION	PART NO./ DRAWING NO./ ADREFNO	NO. OFF	ANNOTATIONS
K3						
1-13	LV7RU	2510-99-828-0882	CAB - contd ..WINDSCREEN, VEHICULAR, 1793 mm lg x 480 mm w	399569	1	
1	LV7RU	2510-99-838-6368	..GLASS, WINDSCREEN, VEHICULAR, 848 mm lg x 460 mm w	MRC 6527	2	
2	LV7RU	9320-99-440-7619	..STRIP, SEALING, WINDSCREEN	78159	AR	
3	LV7RU	5330-99-827-8763	..SEAL, RUBBER STRIP, 1 in. w x 3/8 in. thk x 70-7/8 in. lg	398751	1	
9	G1	5305-99-121-4832	..SCREW, TAPPING, THREAD FORMING, steel, pan hd, No.4 x 3/8 in. lg		38	
12	LV7RU	2540-99-824-6204	..STAPLE, HASP, steel, 57 mm lg x 8 mm h	395143	2	
13	G1	5320-99-941-7278	..RIVET, BLIND, copper alloy, 3/16 in. dia x 0.3 in. lg		4	
16	G1	5305-99-121-4832	..SCREW, TAPPING, THREAD FORMING, steel, pan hd, No.4 x 3/8 in. lg		8	
17	LV7RU	5310-99-137-7465	..WASHER, FLAT, steel, 9/64 in. id	4887	8	
18	G1	5305-99-122-4909	..SCREW, MACHINE, SI, metric, steel, hex hd, 10 mm x 20 mm lg		2	
19	G1	5310-99-135-9303	..WASHER, LOCK, steel, single coil, 10 mm		2	
20	G1	5310-99-122-5297	..NUT, PLAIN, HEXAGON, SI, metric, steel, 10 mm		2	
21	G1	5305-99-122-5370	..SCREW, MACHINE, SI, metric, steel, hex hd, 10 mm x 16 mm lg		2	
22	G1	5310-99-135-9303	..WASHER, LOCK, steel, single coil, 10 mm		2	
24	LV6MT3	2540-99-809-8335	..INTERIOR MIRROR	345188	1	
25	G1	5305-99-949-7020	..SCREW, MACHINE, BA, steel, flat csk hd, No.2 x 1/2 in. lg		2	
27	G1	5310-99-944-0547	..WASHER, LOCK, steel, single coil, No.2 BA		2	
28	G1	5310-99-941-7070	..NUT, PLAIN, HEXAGON, BA, steel, No.2		2	
29-47	LV7RU	2510-99-824-6724	..WINDOW PANEL, VEHICULAR: lh	398816	1)Side-)screens
+	LV7RU	2510-99-824-6723	..WINDOW PANEL, VEHICULAR: rh	398815	1	
29	LV7RU	2510-99-829-9789	..GLASS, WINDOW PANEL, VEHICULAR, 456 mm lg x 404 mm w	398755	2	Fixed
30	LV7RU	2510-99-829-9790	..GLASS, WINDOW PANEL, VEHICULAR, 399 mm lg x 312 mm w	398993	2	Sliding
31	LV7RU	2510-99-824-6726	..RETAINER, WINDOW PANEL, VEHICULAR	398957	2	Fixed windows
32	G1	5305-99-135-2354	..SCREW, TAPPING, THREAD FORMING, steel, pan hd, No.6 x 3/8 in. lg		10	
33	LV7RU	2510-99-824-6727	..CHANNEL, SIDE SCREEN, aluminium, 27/32 in. w x 15/32 in. h x 11-13/16 in. lg	399115	4	
34	LV7RU	2510-99-824-6728	..CHANNEL, SIDE SCREEN, aluminium, 27/32 in. w x 15/32 in. h x 15-1/8 in. lg	399116	2	
38	G1	5305-99-121-3935	..SCREW, TAPPING, THREAD FORMING, steel, csk hd, No.6 x 1/2 in. lg		26	
39	LV7RU	2510-99-849-8669	..BUMPER, RUBBER, 7/16 in. w x 1/2 in. h x 7/16 in. lg	330162	2	
+	LV7RU	2510-99-845-0203	..CATCH ASSEMBLY, SLIDING WINDOW, steel, 1-11/16 in. x 1-17/32 in. x 1-5/8 in. lg	332435	2	
40	Z2	5310-99-941-8545	..WASHER, FLAT, steel, 3/8 in.		2	
41	G1	5305-99-121-4061	..SCREW, TAPPING, THREAD FORMING, steel, pan hd, No.6 x 7/8 in. lg		2	

WINDSCREEN & SIDE SCREEN

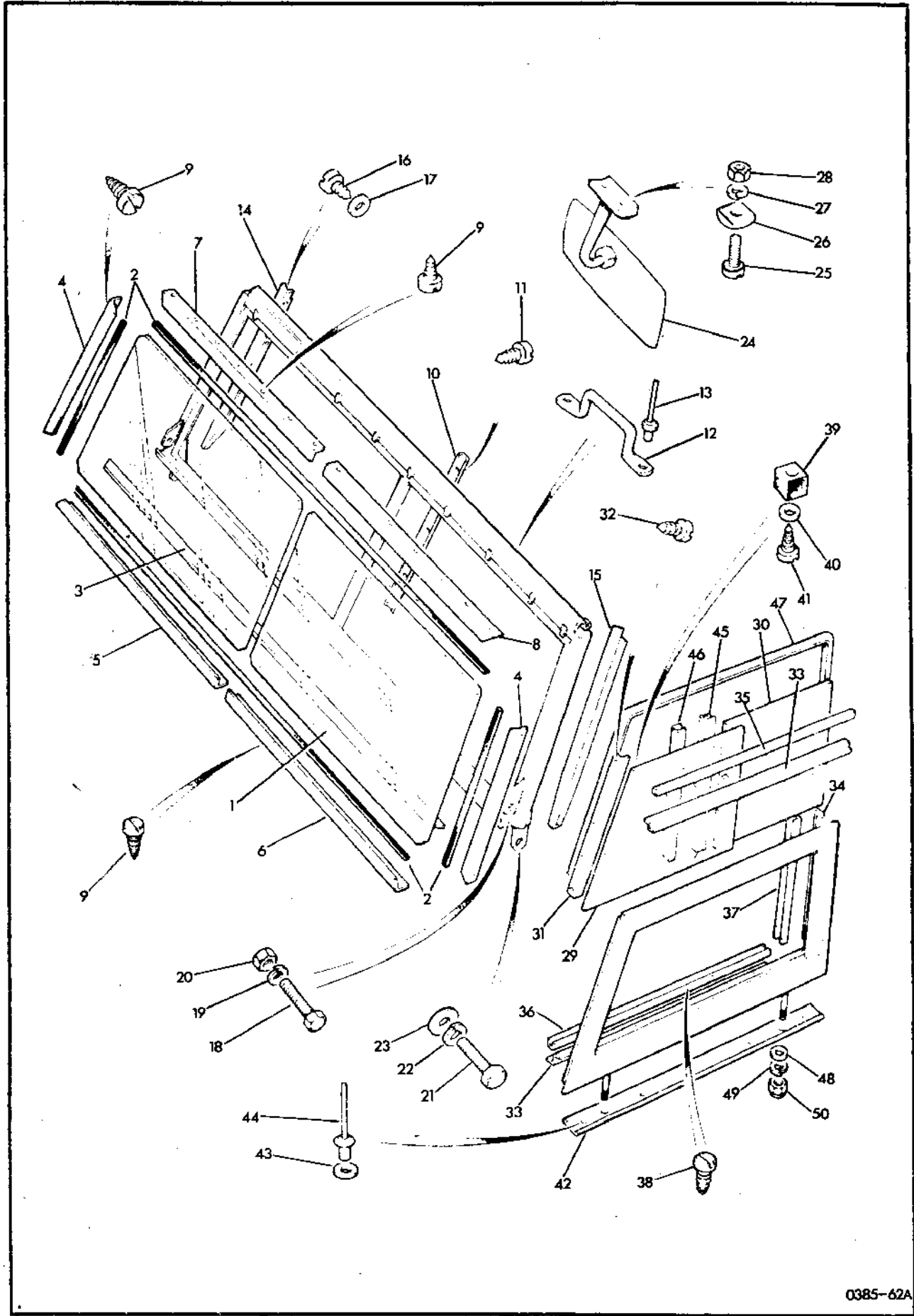


FIG ITEM	MAN CODE	NATO STOCK NUMBER/ CATALOGUE NUMBER	ITEM NAME AND DESCRIPTION	PART NO./ DRAWING NO./ ADREFNO	NO. OFF	ANNOTATIONS
K3			CAB - contd			
42	LV7RU	2510-99-824-6725	.WINDOW PANELS - contd	398758	4	
43	W2	5310-99-120-0866	..SEAL, WINDOW PANEL, VEHICULAR		10	
44	LV7RU	5320-99-850-1914	..WASHER, FLAT, steel, 1/4 in.	78248	10	
45	LV7RU	2510-99-824-6729	..RIVET, BLIND			
			..SEAL, RUBBER, SPECIAL SHAPED SECTION, 379 mm lg	399121	2	
46	LV7RU	2510-99-824-6730	..CHANNEL, SEALING STRIP, aluminium, 7/16 in. h x 379 mm lg	399120	2	
+	LV7RU	5330-99-824-6731	..SEAL, RUBBER, SPECIAL SHAPED SECTION: rh sidescreen	398756	1	
47	LV7RU	5330-99-824-6732	..SEAL, RUBBER, SPECIAL SHAPED SECTION: lh sidescreen	398757	1	
48	G1	5310-99-971-2810	.WASHER, FLAT, steel, 7/16 in.		4	
49	G1	5310-99-124-2519	.WASHER, LOCK, steel, 7/16 in.		4	
50	G1	5310-99-941-0916	.NUT, PLAIN, HEXAGON, UNF, steel, 7/16 in.		4	

K 4

FRONT DOORS

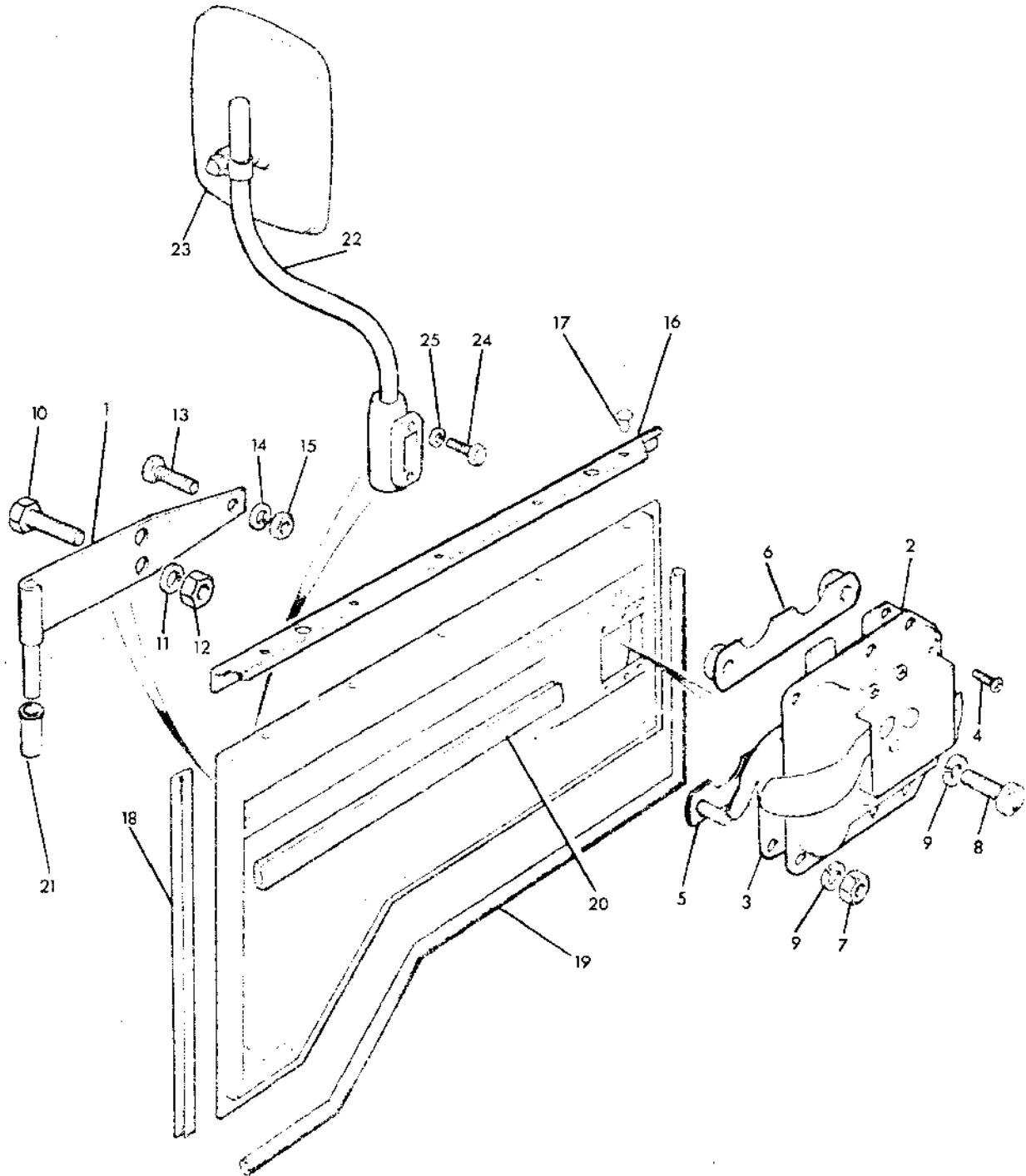


FIG ITEM	MAN CODE	NATO STOCK NUMBER/ CATALOGUE NUMBER	ITEM NAME AND DESCRIPTION	PART NO./ DRAWING NO./ ADREFNO	NO. OFF	ANNOTATIONS
K4			CAB - contd			
1-2(NP	..FRONT DOOR: rh assy	398761	1	
(NP	..FRONT DOOR: lh assy	398762	1	
1(LV7RU	2510-99-824-6215	..HINGE, DOOR, VEHICULAR: rh	398963	2	
(LV7RU	2510-99-824-6216	..HINGE, DOOR, VEHICULAR: lh	398964	2	
2(LV7RU	2540-99-809-1435	..LOCK, DOOR, VEHICULAR: rh	345433	1	
(LV7RU	2540-99-806-9976	..LOCK, DOOR, VEHICULAR: lh	345434	1	
3	LV7RU	2540-99-824-6217	..PLATE, SEAL, LOCK, steel, 95 mm w x 123.5 mm lg x 0.7 mm thk	395541	2	
4	G1	5305-99-121-4262	..SCREW, TAPPING, THREAD FORMING, steel, pan hd, No.4 x 1/2 in. lg		4	
5	LV7RU	2540-99-805-4575	..RETAINER, SCREW: door lock bottom	337806	2	
6	LV7RU	2540-99-823-0826	..RETAINER NUT ASSEMBLY: screw retainer plate	345498	2	
+	LV7RU	5340-99-828-9706	..LOCK, RIM, anti-burst, inside locking, 113 mm w x 127 mm h: rh	395041	1	
+	LV7RU	5340-99-828-9707	..LOCK, RIM, anti-burst, inside locking, 113 mm w x 127 mm h: lh	395042	1	
+	LV7RU	2540-99-825-4656	..LOCK, DOOR, VEHICULAR, anti- burst; rh	395037	1	
+	LV7RU	2540-99-825-4660	..LOCK, DOOR, VEHICULAR, anti- burst; lh	395038	1	
+	LV7RU	2540-99-825-4661	..SEAL, DOOR LOCK, plastics, 3/4 in. id x 1-1/4 in. od x 0.44 in. thk	347151	2)
+	G1	5305-99-121-4834	..SCREW, TAPPING, THREAD FORMING, steel, pan hd, No.4 x 1/2 in. lg		4) Ambulance) version) only
+	LV7RU	2540-99-825-4662	..LOCK, SET, ANTI-BURST, VEHICULAR	395056	1)
+	LV7RU	2540-99-829-9785	...BARREL LOCK	395139	3)
7	G1	5310-99-804-7941	..NUT, PLAIN, HEXAGON, UNF, steel, 1/4 in.		4	
8	G1	5305-99-941-8118	..SCREW, MACHINE, UNF, steel, 1/4 in. x 1/2 in. lg		4	
9	G1	5310-99-941-6654	..WASHER, LOCK, steel, 1/4 in.		4	
10	G1	5305-99-122-5256	..BOLT, MACHINE, SI, metric, steel, 8 mm x 50 mm lg		8	
11	G1	5310-99-135-9302	..WASHER, LOCK, steel, 8 mm		8	
12	G1	5310-99-122-5296	..NUT, PLAIN, HEXAGON, SI, metric, steel, 8 mm		8	
13	G1	5305-99-122-5360	..SCREW, MACHINE, SI, metric, steel, 6 mm x 16 mm lg		4	
14	G1	5305-99-135-9301	..WASHER, LOCK, steel, 6 mm		4	
15	G1	5310-99-122-5295	..NUT, PLAIN, HEXAGON, SI, metric, steel, 6 mm		4	
16(LV7RU	2510-99-829-9786	..CAPPING, DOOR: rh	398975	1	
(LV7RU	2510-99-829-9787	..CAPPING, DOOR: lh	398976	1	
17	LV7RU	5320-99-970-3518	..RIVET, BLIND	78248	AR	
18	LV7RU	5330-99-824-6218	..SEAL, RUBBER, SPECIAL SHAPED SECTION, 638 mm lg	398996	2	
19(LV7RU	5330-99-827-5282	..SEAL, DOOR, VEHICULAR: rh	398997	1	
(LV7RU	5330-99-824-6219	..SEAL, DOOR, VEHICULAR: lh	398998	1	
20	LV7RU	5330-99-824-6720	..SEAL, RUBBER, SPECIAL SHAPED SECTION, 0.2 in. w x 0.5 in. h x 22 in. lg	399518	2	

K4

FRONT DOORS

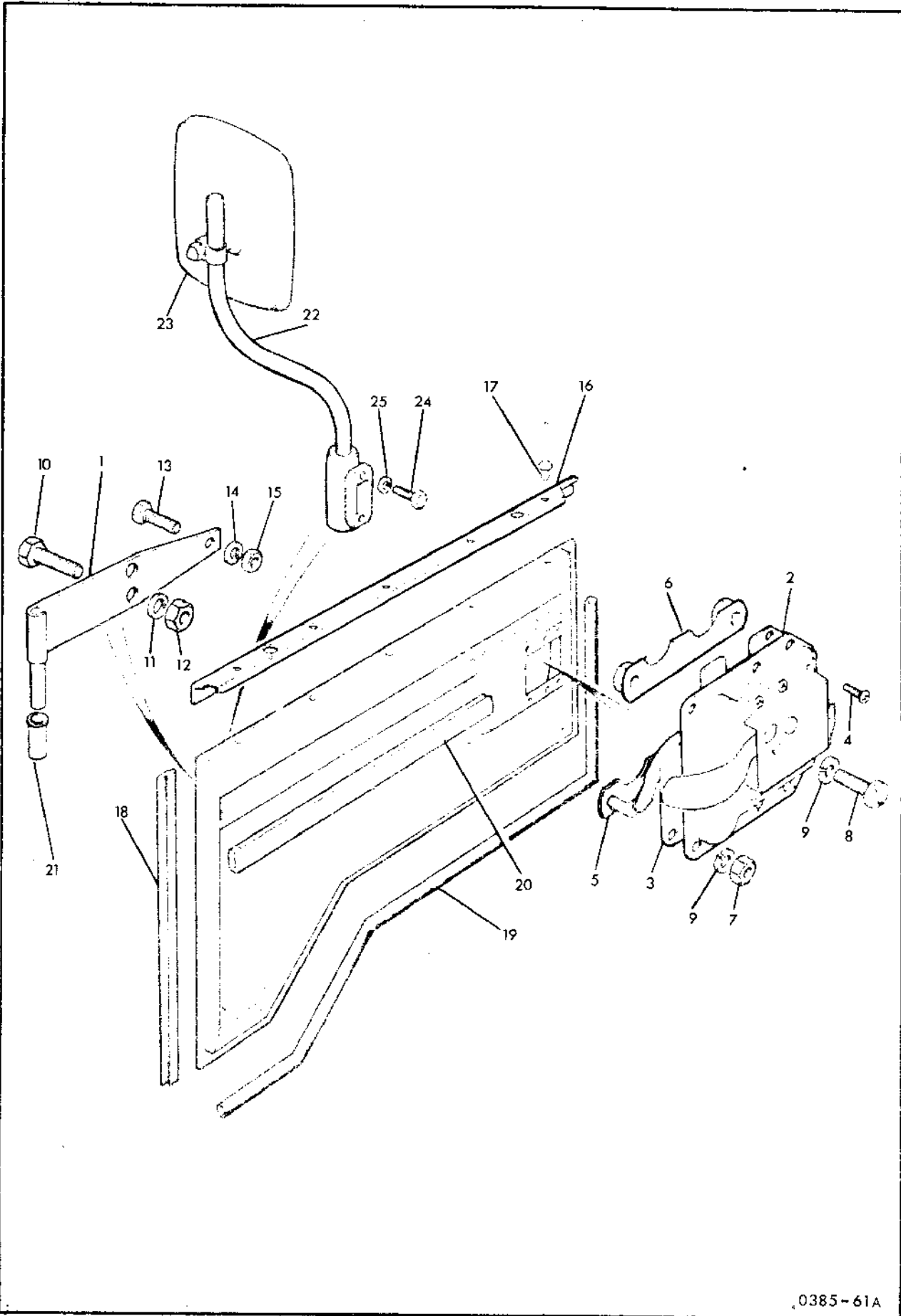
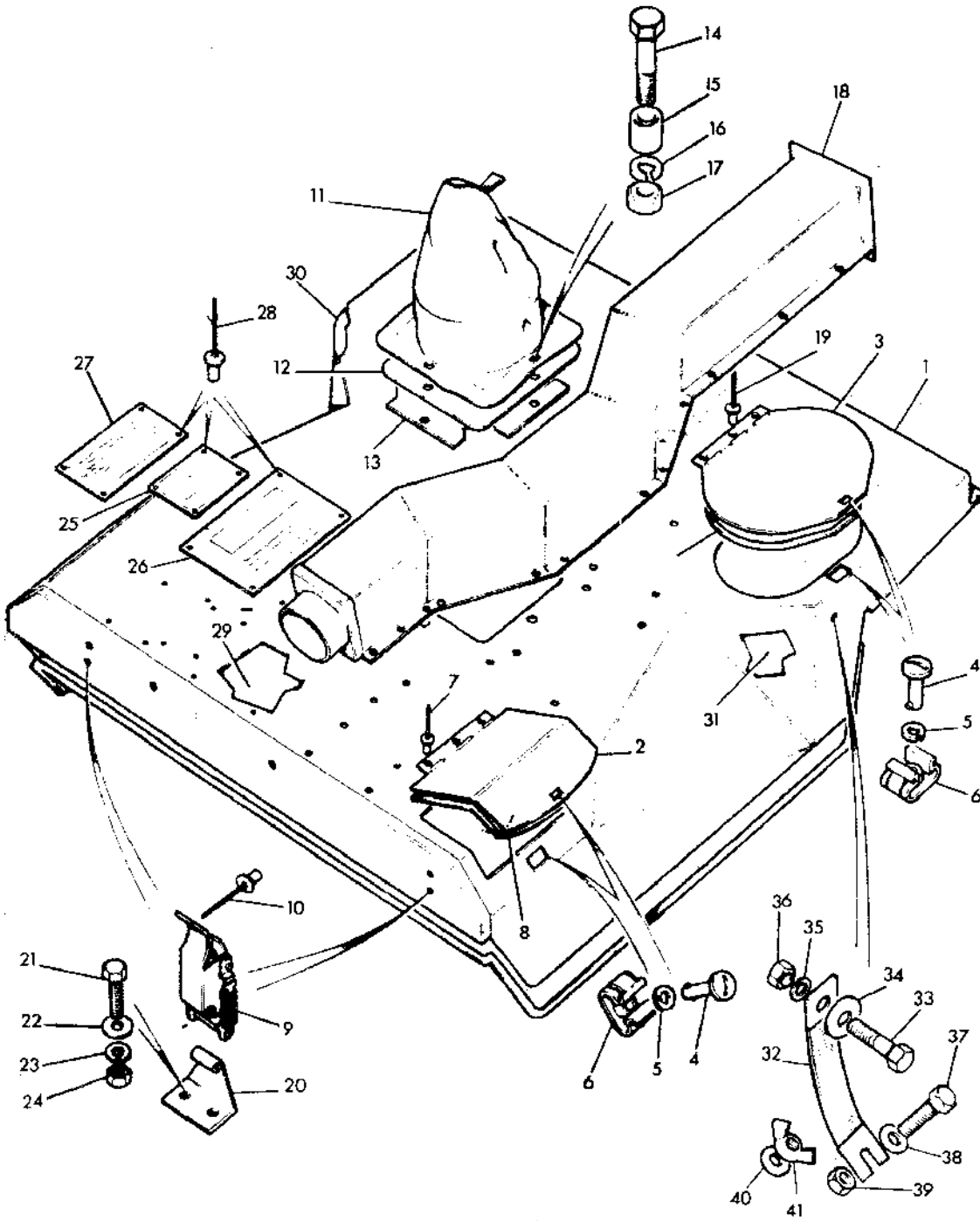


FIG ITEM	MAN CODE	NATO STOCK NUMBER/ CATALOGUE NUMBER	ITEM NAME AND DESCRIPTION	PART NO./ DRAWING NO./ ADREFNO	NO. OFF	ANNOTATIONS
K4			CAB - contd			
21	LV7RU	5340-99-808-3262	.FRONT DOORS - contd			
			..BUSHING, PLASTICS, nylon, 9/16 in. od x 3/8 in. id x 1-15/32 in. lg	335741	4	
+	LV7RU	2510-99-824-6202	..STRAP, WEBBING, nylon, 32 mm w x 162 mm lg, loop ends	398776	2	
+	LV7RU	2590-99-824-6205	..CLEAT, CHECK STRAP, steel, 28 mm lg	399543	2	
+	LV7RU	2590-99-824-6206	..RETAINER, CHECK STRAP, steel, 45.5 mm lg x 12.7 mm w	398777	2	
22	LV6MT3	2540-99-824-7074	.ARM, REARVIEW MIRROR, steel, 7.4 in. offset x 12.7 in. lg	4007-072	2	
23	LV6MT3	2540-99-819-9001	.MIRROR ASSEMBLY, REARVIEW, 10.32 in. lg x 6.38 in. w	CM106B	2	
+	LV6MT3	2540-99-829-9005	..MIRROR, GLASS, convex, 10 in. lg x 6 in. w	CM106/7/C	2	
24	G1	5305-99-941-0285	.SCREW, MACHINE, UNF, steel, 1/4 in. x 1-3/4 in. lg		4	
25	G1	5310-99-120-1338	.WASHER, LOCK, steel, 1/4 in.		4	

K5

ENGINE COVERS

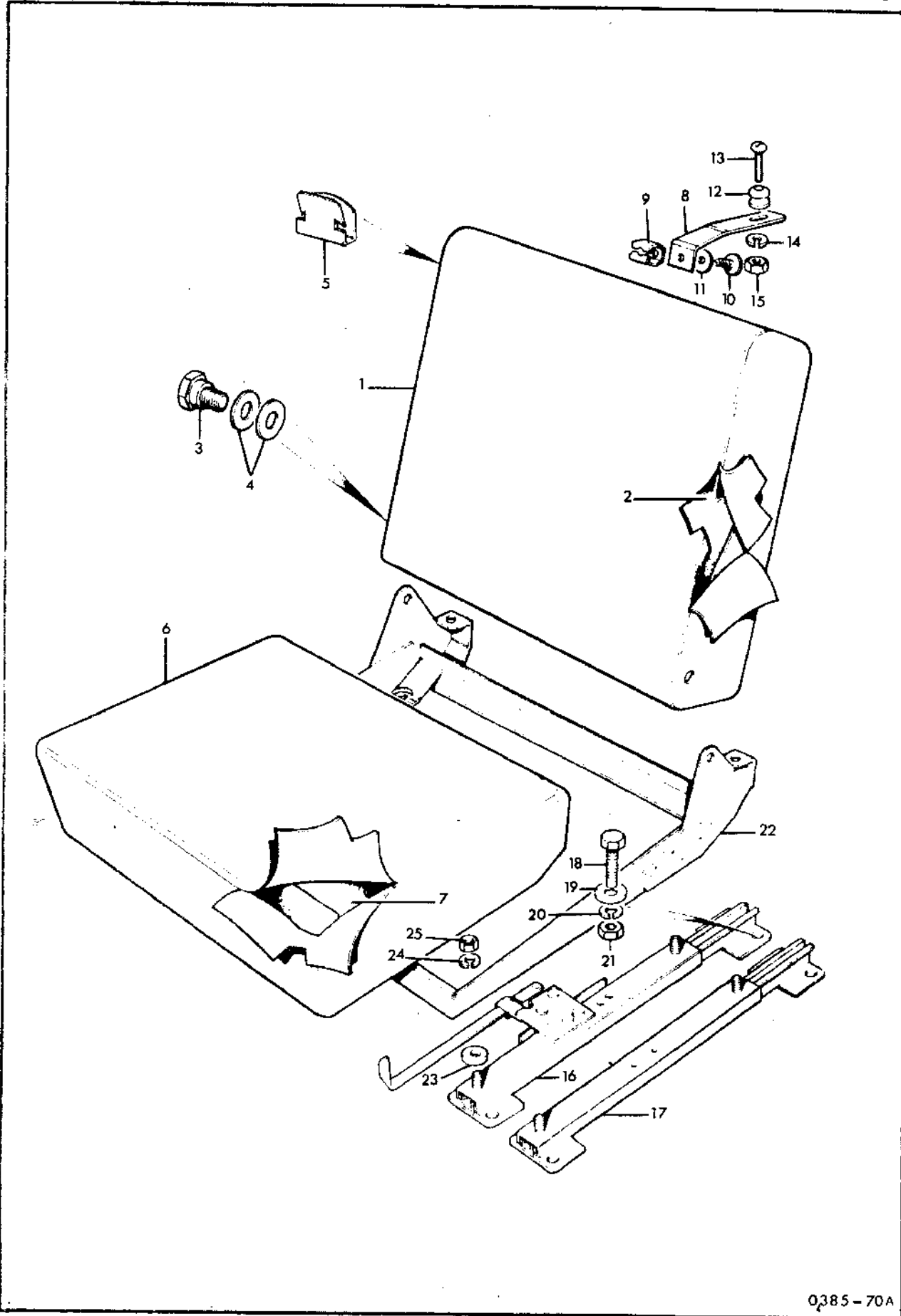


0385-63A

FIG ITEM	MAN CODE	NATO STOCK NUMBER/ CATALOGUE NUMBER	ITEM NAME AND DESCRIPTION	PART NO./ DRAWING NO./ ADREFNO	NO. OFF	ANNOTATIONS
K5			CAB - contd			
2	LV7RU	2510-99-829-9780	.LID, RADIATOR CAP ACCESS	399838	1	
3	LV7RU	2510-99-829-9781	.LID, OIL FILLER ACCESS	399840	1	
+	LV7RU	2510-99-824-6209	.SEAL: engine cover assy	399725	J	
4	LV6MT1	5325-99-827-1363	.STUD, TURNLOCK FASTENER		2	
5	LV6MT1	5325-99-827-1364	.WASHER, PANEL FASTENER SCREW		2	
6	LV6MT1	5325-99-827-1365	.RECEPTACLE, TURNLOCK FASTENER		2	
7	LV7RU	5320-99-850-1915	.RIVET, BLIND	78257)AR	
8	LV7RU	2540-99-824-6733	.SEALING STRIP	92575)
9	G1	5340-99-137-7457	.CATCH, TOGGLE LEVER, steel, 1-61/64 in. lg		2	
11	LV7RU	2540-99-824-6211	.BOOT, DUST AND MOISTURE SEAL, steel/leather, 172 mm x 164 mm x 175 mm	399711	1	
14	G1	5305-99-136-3258	.SCREW, MACHINE, SI, metric, steel, 5 mm x 30 mm lg		4	
16	G1	5310-99-135-9300	.WASHER, LOCK, steel, 5 mm		4	
17	G1	5310-99-122-5294	.NUT, PLAIN, HEXAGON, SI, metric, steel, 5 mm		4	
20	LV7RU	5340-99-824-6212	.STRIKE CATCH, steel, 30 mm w x 17 mm lg x 17 mm h	707015	2	
21	G1	5305-99-136-8341	.SCREW, MACHINE, SI, metric, steel, hex hd, 4 mm x 10 mm lg		4	
22	G1	5310-99-122-3031	.WASHER, FLAT, steel, 4 mm		4	
23	G1	5310-99-135-9299	.WASHER, LOCK, steel, 4 mm		4	
24	G1	5310-99-135-0755	.NUT, PLAIN, HEXAGON, SI, metric, steel, 4 mm		4	
29	LV7RU	2510-99-829-9782	.INSULATION, ENGINE COVER: main body	MRC30	1	
30	LV7RU	2510-99-829-9783	.INSULATION, ENGINE COVER: side piece, rh	MRC28	1	
31	LV7RU	2510-99-829-9784	.INSULATION, ENGINE COVER: side piece, lh	MRC29	1	
32	LV7RU	2590-99-829-8748	.LEAD, ELECTRICAL, 16 mm w	623126	4	
33	G1	5305-99-122-8744	.SCREW, MACHINE, SI, metric, steel, 5 mm x 14 mm lg		4	
34	LV7RU	5310-99-137-7463	.WASHER, FLAT, steel, 20 mm od x 5.3 mm id x 1 mm thk	851252	8	
35	G1	5310-99-135-9300	.WASHER, LOCK, steel, 5 mm		4	
36	G1	5310-99-122-5294	.NUT, PLAIN, HEXAGON, SI, metric, steel, 5 mm		4	
37	G1	5305-99-122-8745	.SCREW, MACHINE, SI, metric, steel, 5 mm x 20 mm lg		4	
38	G1	5310-99-122-8064	.WASHER, FLAT, steel, 5 mm		4	
39	G1	5310-99-122-5294	.NUT, PLAIN, HEXAGON, SI, metric, steel, 5 mm		4	
40	LV7RU	5310-99-247-7463	.WASHER, FLAT, steel, 20 mm od x 5.3 mm id x 1 mm thk	851252	8	
41	G1	5310-99-136-6570	.NUT, PLAIN, WING, SI, metric, steel, 5 mm		4	

K6

FRONT SEAT



0385-70A

FIG ITEM	MAN CODE	NATO STOCK NUMBER/ CATALOGUE NUMBER	ITEM NAME AND DESCRIPTION	PART NO./ DRAWING NO./ ADREFNO	NO. OFF	ANNOTATIONS
K6			CAB - contd			
1-5	LV7RU	2540-99-802-7272	..FRONT SEATS - ..SQUAB, CUSHION, SEAT, VEHICULAR, 18 in. sq x 3 in. thk	394202	2	
2	LV7RU	2540-99-811-8984	...INTERIOR SQUAB, CUSHION, SEAT, VEHICULAR	337873	2	
3	LV7RU	5306-99-845-0453	...BOLT, SHOULDER, UNF, steel, 1/4 in. x 0.806 in. lg	331709	4	
4	LV7RU	5330-99-815-8208	...WASHER, NONMETALLIC, plastics, 3/4 in. od x 5/16 in. id x 0.06 in. thk	349931	8	
5	LV7RU	5340-99-844-9537	...CLIP, SPRING TENSION, steel, 1/2 in. x 11/32 in. x 5/32 in.	331071	16	
6,7	LV7RU	2540-99-811-8980	..CUSHION, SEAT, VEHICULAR, 18-1/2 in. lg x 18 in. w x 5-3/4 in. thk	349171	2	
7	LV7RU	2540-99-829-9796	...INTERIOR CUSHION	337899	1	
9	LV7RU	5310-99-849-8618	..NUT, SHEET SPRING	78237	1	
10	G1	5305-99-941-8363	..SCREW, TAPPING, THREAD FORMING, steel, No.10 x 1/2 in. lg		1	
11	LV7RU	5310-99-137-6726	..WASHER, FLAT, steel, No.2 BA	4034	1	
12	LV7RU	5325-99-805-4996	..STUD, SNAP FASTENER, steel, 1/2 in. dia hd	348430	1	
13	G1	5305-99-941-9086	..SCREW, MACHINE, BA, steel, No.2 x 1 in. lg		1	
14	G1	5310-99-944-0547	..WASHER, LOCK, steel, No.2 BA		1	
15	G1	5310-99-941-7070	..NUT, PLAIN, HEXAGON, BA, steel, No.2		1	
16	LV7RU	2540-99-844-9502	..ADJUSTER, INDIVIDUAL SEAT, steel, 20 in. lg x 3-9/16 in. w x 1-7/8 in. h	331102	1	RHD
	LV7RU	2540-99-874-0531	..ADJUSTER, INDIVIDUAL SEAT, steel, 20 in. lg x 3-9/16 in. w x 1-7/8 in. h	331103	1	LHD
17	LV7RU	2540-99-844-9528	..SLIDE ASSEMBLY, FRONT SEAT, steel, 18-3/16 in. lg x 2-3/8 in. w x 1-5/16 in. h	331104	1	
18	LV7RU	5305-99-828-1309	..SCREW, MACHINE, SI, metric, steel, 6 mm x 20 mm lg	888027	8	
19	G1	5310-99-122-3033	..WASHER, FLAT, steel, 6 mm		8	
20	G1	5310-99-135-9301	..WASHER, LOCK, steel, 6 mm		8	
21	G1	5310-99-122-5295	..NUT, PLAIN, HEXAGON, SI, metric, steel, 6 mm		8	
+	G1	5305-99-122-8580	..SCREW, MACHINE, SI, metric, steel, hex hd, 6 mm x 20 mm lg		6)Passeng-
+	G1	5310-99-122-3033	..WASHER, FLAT, steel, 6 mm		6)ers seat
+	G1	5310-99-135-9301	..WASHER, LOCK, steel, single coil, 6 mm		6)frame
+	G1	5310-99-122-5295	..NUT, PLAIN, HEXAGON, SI, metric, steel, 6 mm		6)to base
24	G1	5310-99-120-1027	..WASHER, LOCK, steel, 5/16 in.		6)panel
25	LV7RU	2805-99-850-1125	..NUT, PLAIN, HEXAGON, UNF, steel, 5/16 in.	254861	4)
+	LV6MT13	2540-99-838-5967	..BELT, VEHICULAR SAFETY, rh, press button action	42C6318	1	
+	LV6MT13	2540-99-838-5968	..BELT, VEHICULAR SAFETY, lh, press button action	42C6219	1	
+	LV7RU	2540-99-822-1284	..HOOK, SAFETY HARNESS STOWAGE	347541	2	

K7

HEATER & DEMISTER

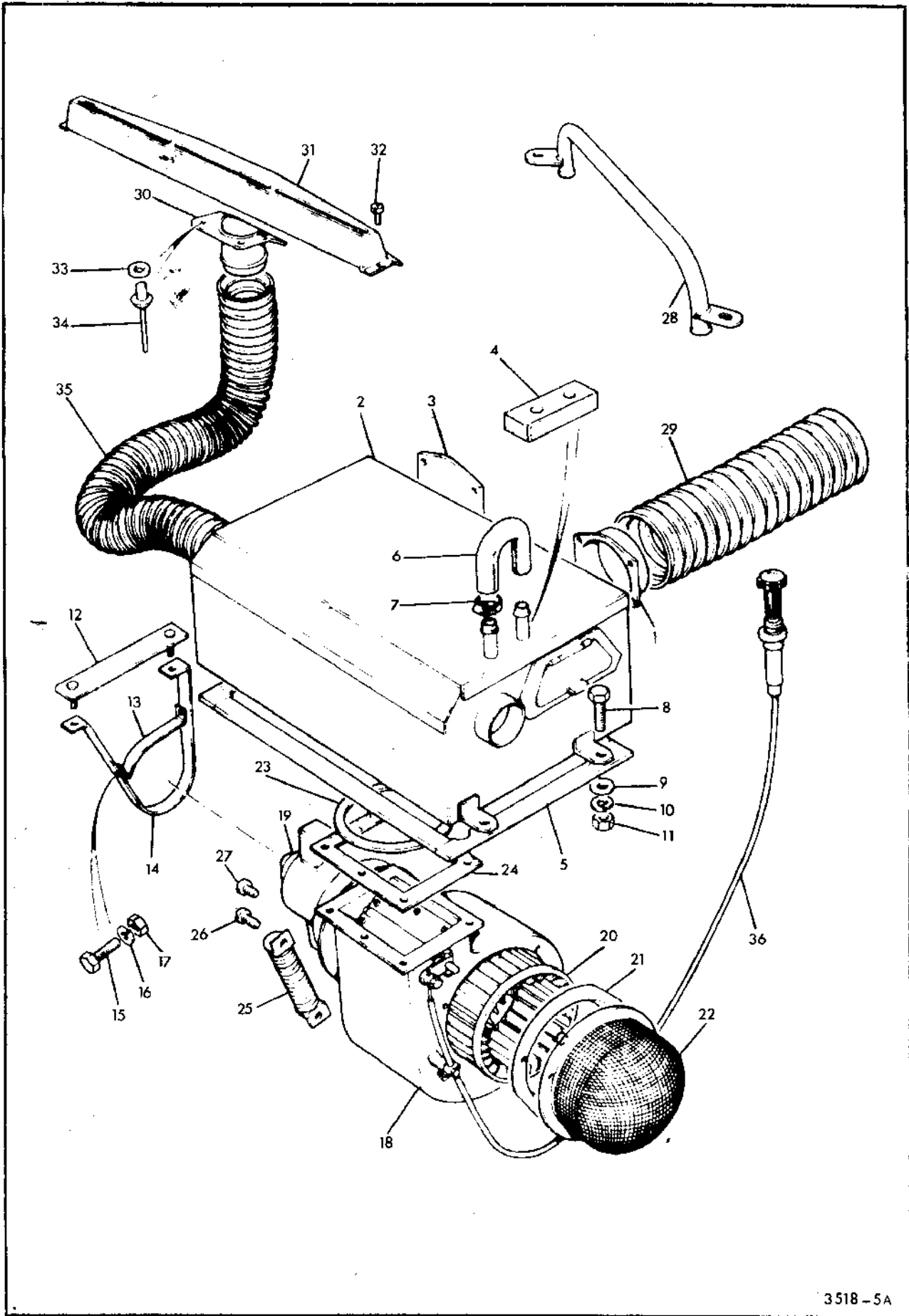


FIG ITEM	MAN CODE	NATO STOCK NUMBER/ CATALOGUE NUMBER	ITEM NAME AND DESCRIPTION	PART NO./ DRAWING NO./ ADREFNO	NO. OFF	ANNOTATIONS
K7			CAB - contd			
1-5		NP	.HEATER ASSEMBLY	399913	1	
2	LV7RU	2540-99-824-6587	..RADIATOR, VEHICLE HEATER, 393 mm lg x 258.8 mm w x 220 mm h	399962	1	
4	LV7RU	5330-99-829-9797	..GASKET, rubber, 20 mm thk	MRC1663	1	
5	LV7RU	2540-99-822-1726	..GASKET, polyurethane, 406 mm lg x 270 mm w x 6 mm thk	399917	1	
6	LV7RU	2540-99-829-9798	.HOSE, PREFORMED, rubber, 12.7 mm id	MRC1658	1	
7	LV7RU	4730-99-829-9799	.CLAMP, HOSE, steel, 5/8 in. to 1 in. id	90517821	2	
8	G1	5305-99-122-5360	.SCREW, MACHINE, SI, metric, steel, 6 mm x 16 mm lg		4	
9	G1	5310-99-122-6474	.WASHER, FLAT, steel, 6 mm		4	
10	G1	5310-99-135-9301	.WASHER, LOCK, steel, 6 mm		4	
11	G1	5310-99-122-5295	.NUT, PLAIN, HEXAGON, SI, metric, steel, 6 mm		4	
19	LV6MT4	2540-99-824-9911	.MOTOR ASSEMBLY, HEATER FAN; w/mtg flange, 2 speed	623234	1	12V
	LV6MT4	2540-99-824-9903	.MOTOR ASSEMBLY, HEATER FAN; w/mtg flange, 2 speed	623235	1	24V
20	LV7RU	2540-99-824-6243	.IMPELLER, FAN, CENTRIFUGAL, steel, 133.35 mm od x 87.3 mm lg	399933	1	
22	LV7RU	2540-99-829-8999	.FILTER, AIR INTAKE, wire mesh, 160 mm dia	MRC11	1	
+	G1	5305-99-941-8366	.SCREW, TAPPING, THREAD FORMING, steel, No.14 x 1 in. lg		3	Filter fixing
24	LV7RU	2540-99-824-6244	.GASKET, BLOWER UNIT, 140 mm lg x 120 mm w x 2.5 mm thk	399926	1	
25	LV7RU	5905-99-824-6249	.RESISTOR, FIXED, wire wound	90623200	1	12V
	Z30	5905-99-636-2509	.RESISTOR, FIXED, wire wound	90623201	1	24V
26	G1	5305-99-941-8366	.SCREW, TAPPING, THREAD FORMING, steel, No.6 x 1/4 in. lg		2	
27	G1	5305-99-971-0484	.SCREW, TAPPING, THREAD FORMING, steel, No.10 x 3/8 in. lg		3	
29	LV7RU	4720-99-822-1729	.HOSE, PREFORMED, plastics, 76.2 mm id x 350 mm lg	399305	1	
32	G1	5305-99-121-4832	.SCREW, TAPPING, THREAD FORMING, steel, pan hd, No.4 x 3/8 in. lg		14	
34	LV7RU	2805-99-874-9961	.RIVET, BLIND	78410	8	
35	LV6MT1	4720-99-824-6247	.HOSE, AIR DUCT, plastics, 2 in. id x 17 in. lg		2	
36	LV6MT1	2590-99-822-1727	.CONTROL ASSEMBLY, PUSH-PULL		1	
36	7RU	2590 99 926 3086	Control Assembly Push-Pull			

K8

HEATER PIPES & HOSES

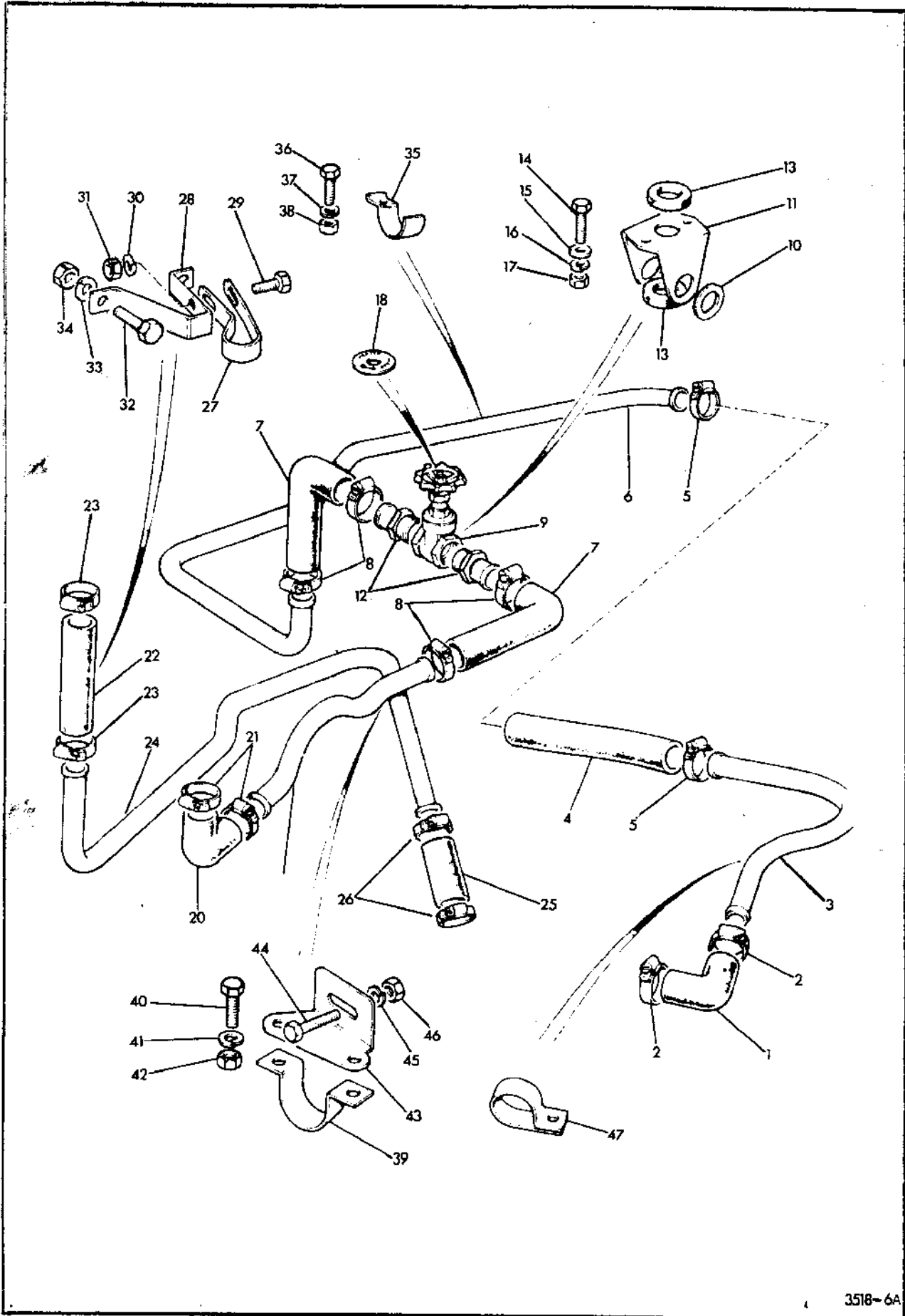


FIG ITEM	MAN CODE	NATO STOCK NUMBER/ CATALOGUE NUMBER	ITEM NAME AND DESCRIPTION	PART NO./ DRAWING NO./ ADREFNO	NO. OFF	ANNOTATIONS
K8			CAB - contd			
1	LV7RU	4720-99-824-6582	..HEATER PIPES -	707033	1	
2	LV6MT1	4730-99-619-9088	..HOSE, PREFORMED			
			..CLAMP, HOSE, steel, 7/8 in. to		2	
			1-1/8 in. id			
4	LV7RU	4720-99-824-6583	..HOSE, RUBBER, 22 mm id x 215 mm	90707036	1	
			lg			
5	LV6MT1	4730-99-619-9088	..CLAMP, HOSE, steel, 7/8 in. to		2	
			1-1/8 in. id			
7	LV7RU	4720-99-824-6584	..HOSE, PREFORMED	MRC113	2	
8	LV6MT1	4730-99-619-9088	..CLAMP, HOSE, steel, 7/8 in. to		4	
			1-1/8 in. id			
9	LV7RU	4820-99-825-4283	..VALVE, GATE, BSP, brass, 3/4	707039	1	
			in.			
10	LV7RU	5330-99-824-9904	..GASKET, fibre, 1-3/8 in. od x	2975	4	
			1-1/16 in. id x 1/16 in. thk			
12	LV7RU	4730-99-829-9750	..ADAPTOR, STRAIGHT, PIPE TO HOSE,			
			BSP, steel, 3/4 in. x 1-17/32			
			in. lg	707037	2	
13	LV7RU	5330-99-824-9905	..GASKET, VALVE BRACKET,			
			polyurethane, 30 mm od x 18 mm			
			id x 6 mm thk	707032	2	
14	G1	5305-99-137-9237	..SCREW, MACHINE, SI, metric,		2	
			steel, 4 mm x 16 mm lg			
15	G1	5310-99-122-3031	..WASHER, FLAT, steel, 4 mm		2	
16	G1	5310-99-135-9299	..WASHER, LOCK, steel, 4 mm		2	
17	G1	5310-99-135-0755	..NUT, PLAIN, HEXAGON, SI, metric,		2	
			steel, 4 mm			
20	LV7RU	4720-99-824-6582	..HOSE, PREFORMED	707033	1	
21	LV6MT1	4730-99-619-9088	..CLAMP, HOSE, steel, 7/8 in. to		2	
			1-1/8 in. id			
22	LV7RU	4720-99-824-6585	..HOSE, RUBBER, 22 mm id x 135 mm	707035	1	
			lg			
23	LV6MT1	4730-99-619-9088	..CLAMP, HOSE, steel, 7/8 in. to		2	
			1-1/8 in. id			
25	LV7RU	2540-99-824-6586	..HOSE, RUBBER, 22 mm id x 55 mm	707034	1	
			lg			
26	LV6MT1	4730-99-619-9088	..CLAMP, HOSE, steel, 7/8 in. to		2	
			1-1/8 in. id			
29	G1	5305-99-122-5365	..SCREW, MACHINE, SI, metric,		2	
			steel, 8 mm x 16 mm lg			
30	G1	5310-99-135-9302	..WASHER, LOCK, steel, 8 mm		2	
31	G1	5310-99-122-5296	..NUT, PLAIN, HEXAGON, SI, metric,		2	
			steel, 8 mm			
32	G1	5305-99-122-5360	..SCREW, MACHINE, SI, metric,		2	
			steel, 6 mm x 16 mm lg			
33	G1	5310-99-135-9301	..WASHER, LOCK, steel, 6 mm		2	
34	G1	5310-99-122-5295	..NUT, PLAIN, HEXAGON, SI, metric,		2	
			steel, 6 mm			
35	LV7RU	5340-99-829-9759	..STRAP, RETAINING, steel, 22 mm	MRC162	2	
			dia grip			
36	G1	5305-99-122-5360	..SCREW, MACHINE, SI, metric,		2	
			steel, 6 mm x 16 mm lg			
37	G1	5310-99-135-9301	..WASHER, LOCK, steel, 6 mm		2	
38	G1	5310-99-122-5295	..NUT, PLAIN, HEXAGON, SI, metric,		2	
			steel, 6 mm			
39	LV7RU	5340-99-829-8995	..STRAP, RETAINING, steel, 22 mm	MRC163	1	
			grip			
40	G1	5305-99-122-8664	..SCREW, MACHINE, SI, metric,		2	
			steel, 5 mm x 12 mm lg			
41	G1	5310-99-135-9300	..WASHER, LOCK, steel, 5 mm		2	
42	G1	5305-99-122-3060	..NUT, PLAIN, HEXAGON, SI, metric,		2	
			steel, 5 mm			

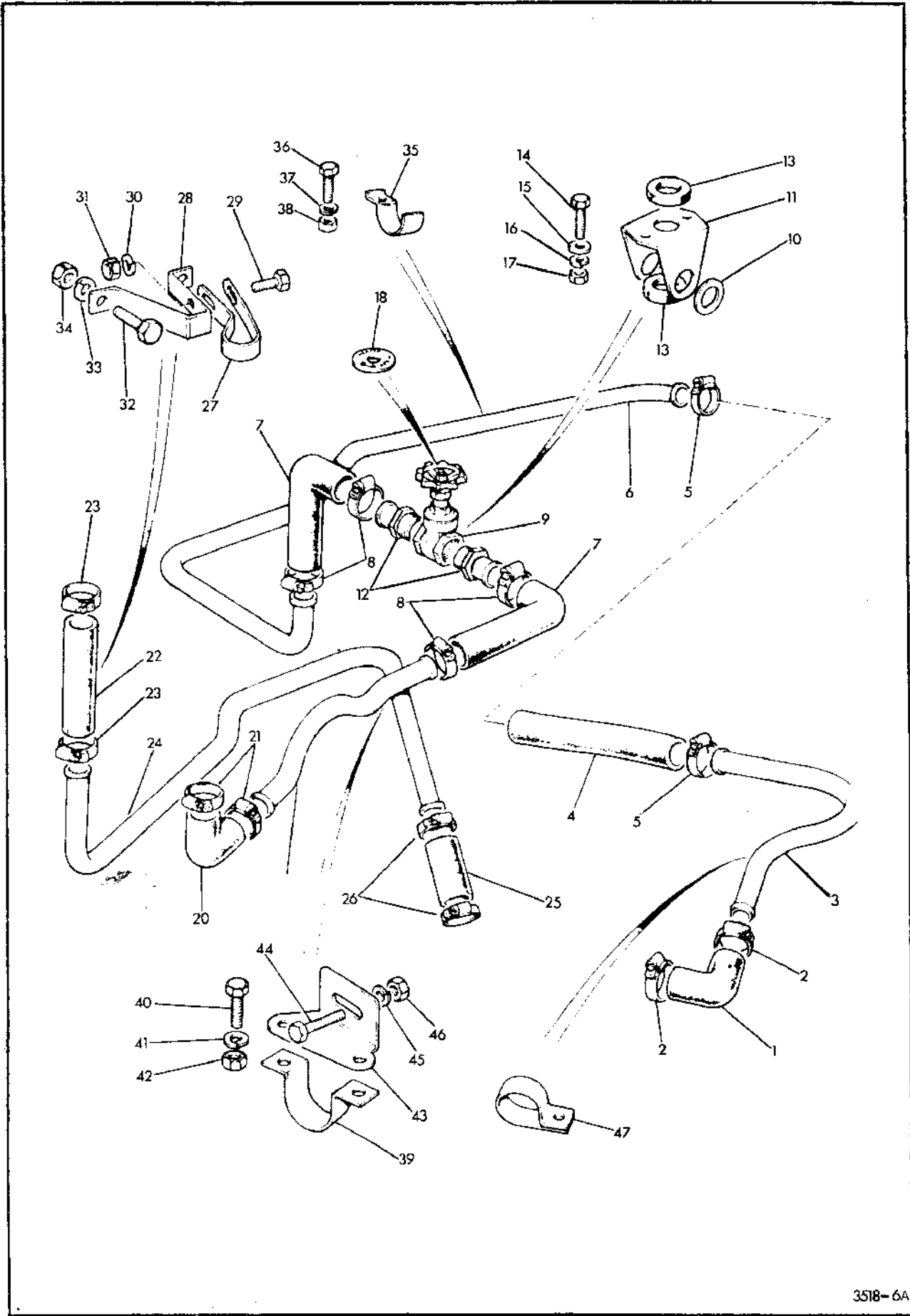


FIG ITEM	MAN CODE	NATO STOCK NUMBER/ CATALOGUE NUMBER	ITEM NAME AND DESCRIPTION	PART NO./ DRAWING NO./ ADREFNO	NO. OFF	ANNOTATIONS
K8			CAB - contd			
43	LV7RU	2540-99-829-1013	.HEATER PIPES - contd	MRC165	1	
44	G1	5305-99-122-5365	..BRACKET, PIPE SUPPORT		1	
45	G1	5310-99-135-9302	..SCREW, MACHINE, SI, metric, 8mm x 16 mm lg		1	
46	G1	5310-99-122-5296	..WASHER, LOCK, steel, 8 mm		1	
			..NUT, PLAIN, HEXAGON, SI, metric, steel, 8 mm		1	

K9

REAR HEATER DISTRIBUTION BOX

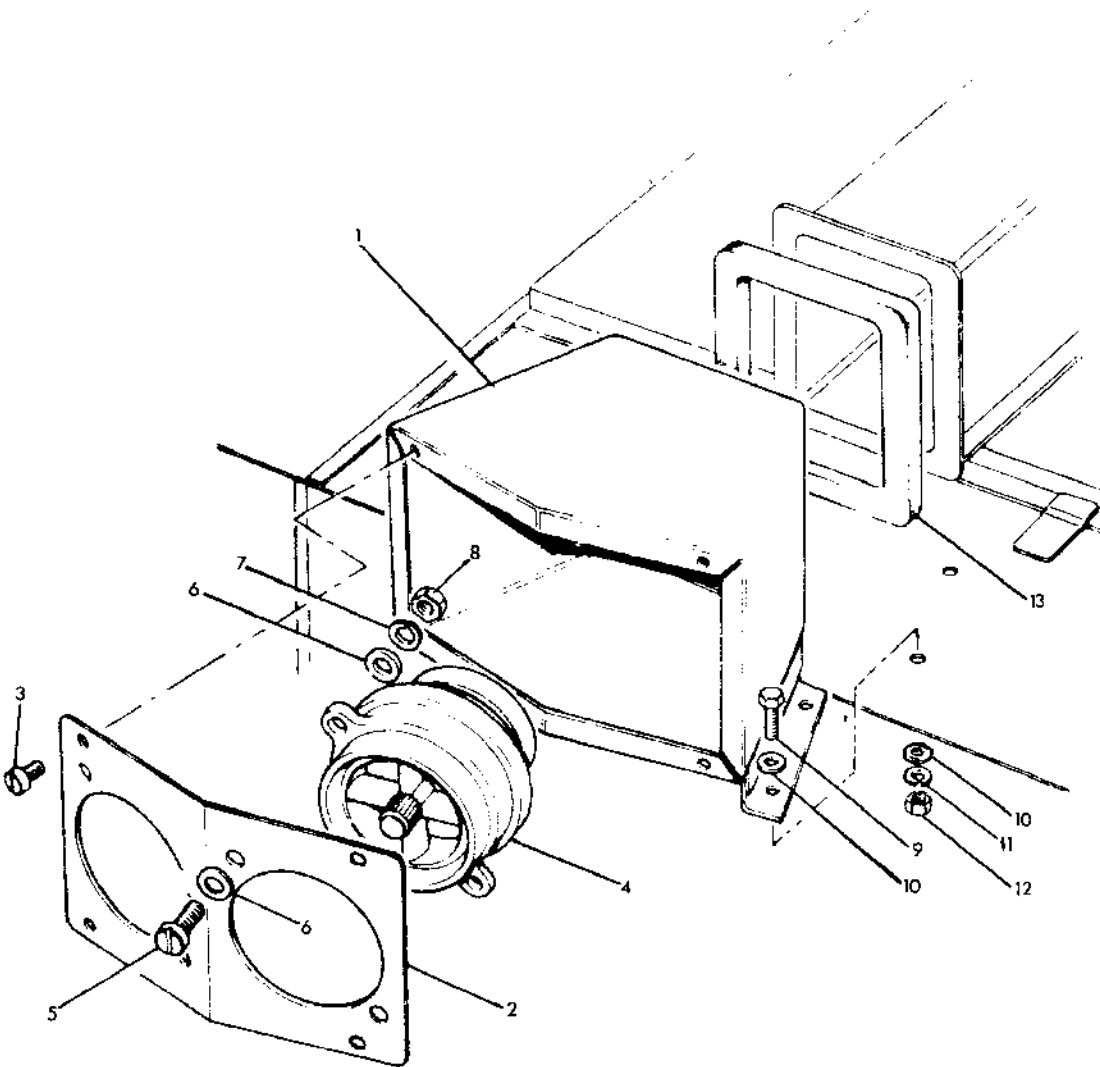


FIG ITEM	MAN CODE	NATO STOCK NUMBER/ CATALOGUE NUMBER	ITEM NAME AND DESCRIPTION	PART NO./ DRAWING NO./ ADREFNO	NO. OFF	ANNOTATIONS
K9 1-18		NP	CAB - contd			
3	G1	5305-99-941-8367	.REAR HEATER, DISTRIBUTION BOX	399886	1	
5	G1	5305-99-135-0430	..SCREW, TAPPING, THREAD FORMING, steel, No.8 x 3/8 in. lg		4	
6	G1	5310-99-122-3032	..SCREW, MACHINE, SI, metric, steel, 5 mm		4	
7	G1	5310-99-135-9300	..WASHER, FLAT, steel, 5 mm		8	
8	G1	5310-99-122-3060	..WASHER, LOCK, steel, 5 mm		4	
			..NUT, PLAIN, HEXAGON, SI, metric, steel, 5 mm		4	
9	G1	5305-99-825-4561	.SCREW, MACHINE, SI, metric, steel, 4 mm x 14 mm lg		4	
10	G1	5310-99-122-3031	.WASHER, FLAT, steel, 4 mm		8	
11	G1	5310-99-135-9299	.WASHER, LOCK, steel, 4 mm		4	
12	G1	5310-99-135-0755	.NUT, PLAIN, HEXAGON, SI, metric, steel, 4 mm		4	
13	LV7RU	2540-99-824-6214	.SEAL, DISTRIBUTION BOX, polyurethane, 112 mm lg x 110 mm w x 12 mm thk	399997	1	

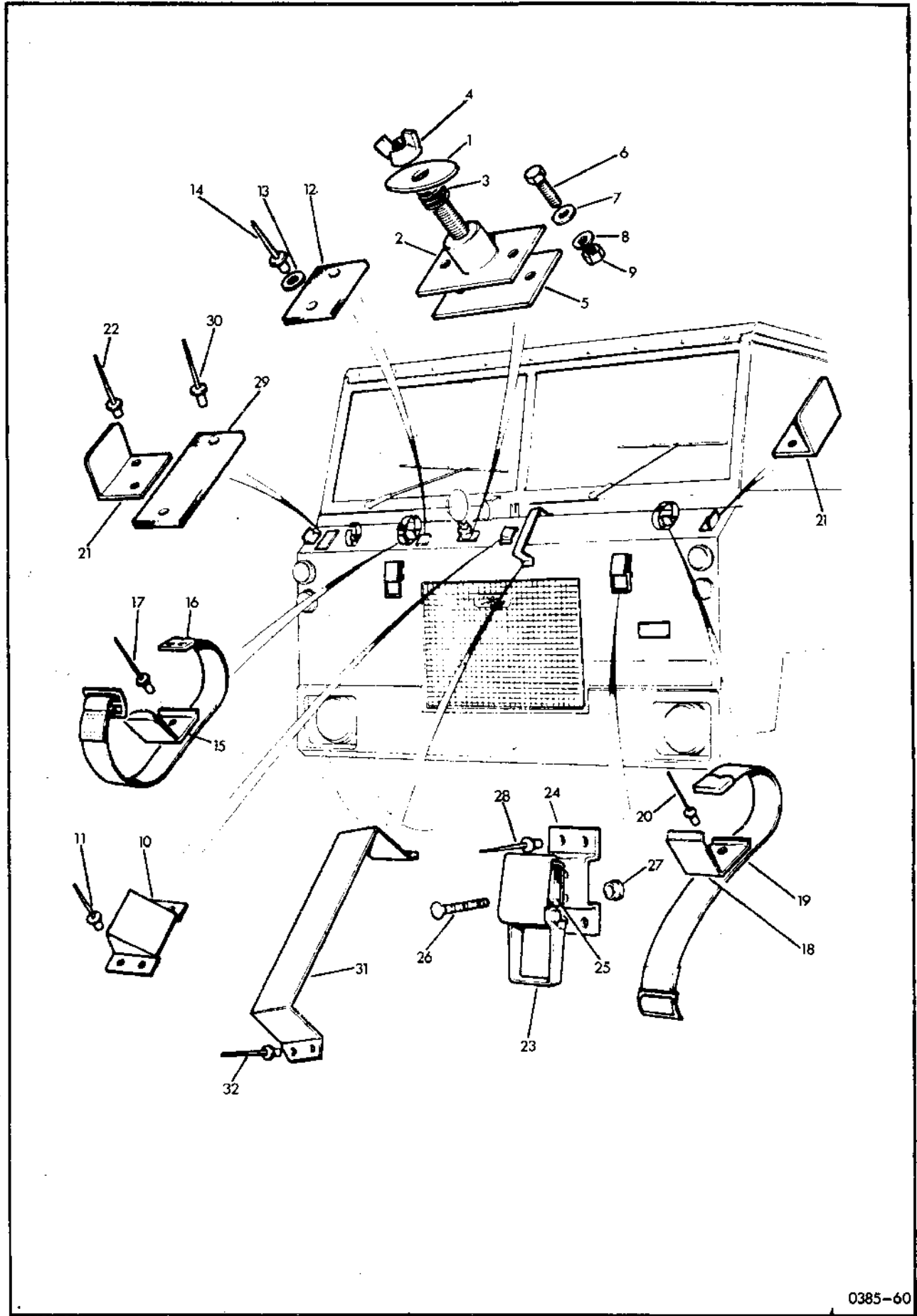


FIG ITEM	MAN CODE	NATO STOCK NUMBER/ CATALOGUE NUMBER	ITEM NAME AND DESCRIPTION	PART NO./ DRAWING NO./ ADREFNO	NO. OFF	ANNOTATIONS
K10			CAB - contd			
3	LV7RU	5360-99-829-9792	..TOOL STOWAGE -			
4	G1	5310-99-136-6574	..SPRING, HELICAL, COMPRESSION, steel, 14.3 mm od x 25 mm lg	598515	1	
6	G1	5305-99-122-5360	..NUT, PLAIN, WING, SI, metric, steel, 12 mm		1	
7	G1	5310-99-122-3033	..SCREW, MACHINE, SI, Metric, steel, 6 mm x 16 mm lg		2	
8	G1	5310-99-135-9301	..WASHER, FLAT, steel, 6 mm		2	
9	G1	5310-99-122-5295	..WASHER, LOCK, steel, 6 mm		2	
11	LV7RU	5320-99-850-1914	..NUT, PLAIN, HEXAGON, SI, metric, steel, 6 mm		2	
12	LV7RU	2510-99-829-9793	..RIVET, BLIND	78248	4	
15	LV7RU	2510-99-829-9794	..PAD, CUSHIONING, 40 mm lg x 38 mm w x 5 mm thk	595487	2	
16	LV7RU	2540-99-805-8665	..BRACKET, TOOL SUPPORT	595488	2	
17	LV7RU	2805-99-874-9961	..STRAP, WEBBING; c/w buckle fastener	308792	2	
			..RIVET, BLIND	78410	4	
18	LV7RU	2510-99-829-9795	..BRACKET, TOOL SUPPORT	595489	1	
19	LV7RU	2540-99-805-8665	..STRAP, WEBBING; c/w buckle fastener	308792	1	
22	LV7RU	5320-99-850-1914	..RIVET, BLIND	78248	2	
23	LV7RU	2540-99-808-4298	..CATCH, TOGGLE LEVER, steel, 4-1/4 in. lg x 1-3/8 in. w x 27/32 in. h	346195	2	
25	LV7RU	2540-99-829-4700	..PAD, RUBBER, 1-1/4 in. sq x 1/4 in. thk	346072	2	
26	LV7RU	5320-99-137-7686	..PIN-RIVET, GROOVED, steel, 3/16 in. dia	79292	4	
27	G1	5320-99-137-6771	..COLLAR, PIN-RIVET, GROOVED, steel, 0.309 in. od x 0.188 in. id x 0.25 in. h		4	
29	LV7RU	2510-99-850-1388	..PAD, CUSHIONING, rubber/canvas, 4 in. lg x 1-1/2 in. w x 3/16 in. in. thk	336352	3	
30	LV7RU	2805-99-874-9961	..RIVET, BLIND	78410	}AR	
32	LV7RU	5320-99-850-1914	..RIVET, BLIND	78248		

GROUP

L

ELECTRICAL EQUIPMENT

ELECTRICAL EQUIPMENTCONTENTS

	Page
CABLES AND FITTINGS	L17
FLASHER UNIT	L4
GENERATOR PANEL	L7
HEADLIGHT	L14
HORN	L4
INSTRUMENT PANEL	L1
SIDELIGHT	L15
TAILLIGHT-STOPLIGHT	L15
TURNLIGHT	L16
WIPER ARMS	L5
WINDSCREEN WASHERS	L6
WINDSCREEN WIPER MOTOR	L5

LIST OF ILLUSTRATIONS

(NOTE:- THE TEXT DOES NOT NECESSARILY INCLUDE ALL ITEMS REFERENCED)

	Plate
CUT-OUT RELAY	L5
FRONT AND REAR TURNLIGHTS	L8
GENERATOR PANEL No.9 MK3	L4
HEADLIGHT, No.3, MK1	L6
INSTRUMENT PANEL	L1
SIDE, STOP AND TAILLIGHT	L7
WINDSCREEN WASHER	L3
WINDSCREEN WIPER	L2

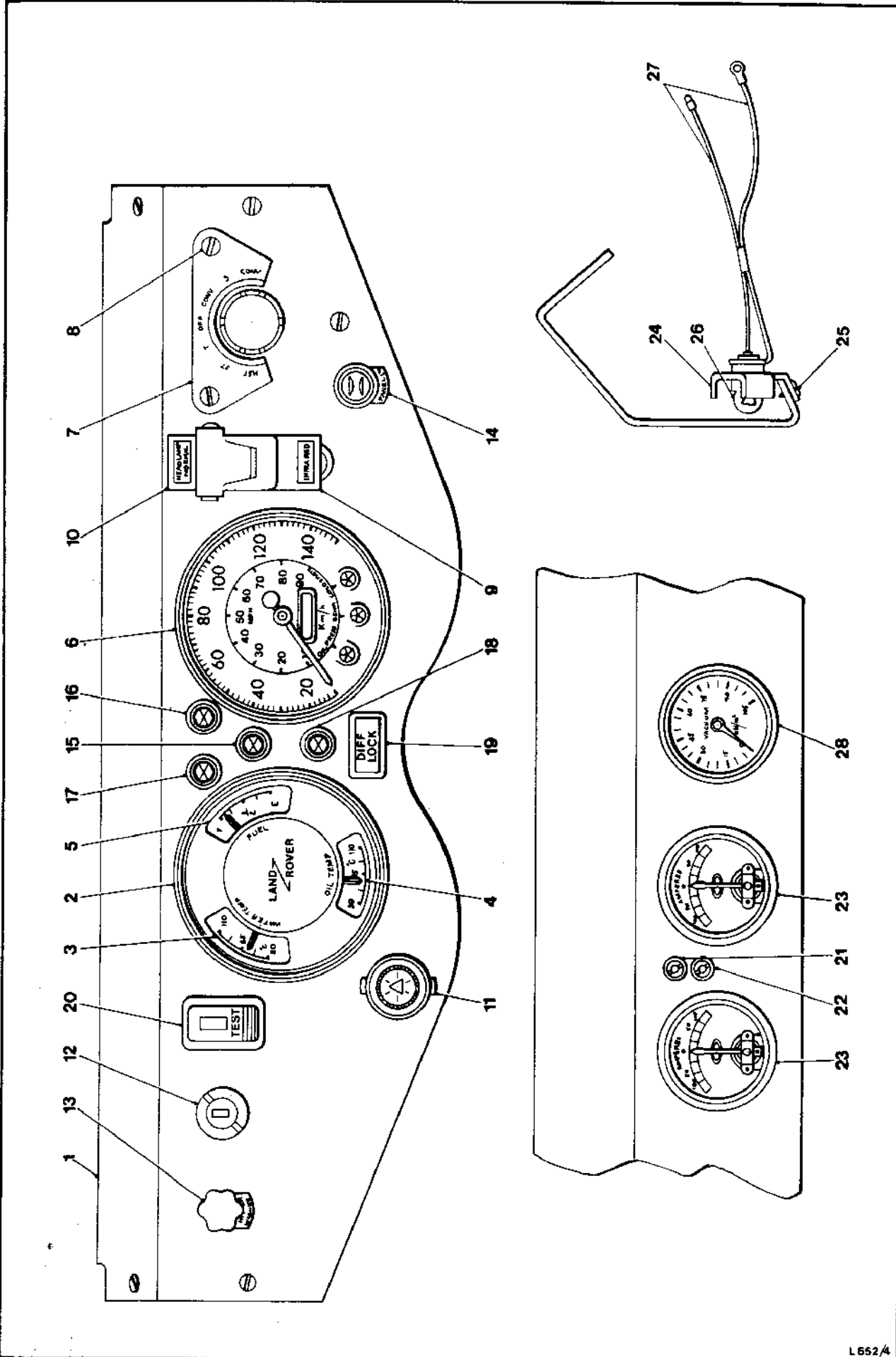


FIG ITEM	MAN CODE	NATO STOCK NUMBER/ CATALOGUE NUMBER	ITEM NAME AND DESCRIPTION	PART NO./ DRAWING NO./ ADREFNO	NO. OFF	ANNOTATIONS
L1			ELECTRICAL EQUIPMENT -			
+	G1	5305-99-122-5360	.SCREW, MACHINE, SI, metric, steel, 6 mm x 16 mm lg		2)
+	G1	5310-99-122-3033	.WASHER, FLAT, steel, 6 mm		2)Instru-
+	G1	5310-99-135-9301	.WASHER, LOCK, steel, 6 mm		2)ment
+	G1	5310-99-122-5295	.NUT, PLAIN, HEXAGON, SI, metric, steel, 6 mm		2)front
)panel
)fixing
+	G1	5305-99-122-5359	.SCREW, MACHINE, SI, metric, steel, 6 mm x 12 mm lg		2)End
+	G1	5310-99-135-9301	.WASHER, LOCK, steel, 6 mm		2)plate to
+	G1	5310-99-122-5295	.NUT, PLAIN, HEXAGON, SI, metric, steel, 6 mm		2)dash
)rail
+	G1	5305-99-135-0423	.SCREW, MACHINE, SI, metric, steel, 4 mm x 12 mm lg		2)Support
+	G1	5310-99-135-9299	.WASHER, LOCK, steel, 4 mm		2)brackets
+	G1	5310-99-135-0755	.NUT, PLAIN, HEXAGON, SI, metric, steel, 4 mm		2)lh & rh
)
)
2-5(LV7RU	6695-99-829-9842	.INSTRUMENT PANEL -	589508	1	
(LV7RU	2590-99-829-8744	..GAUGE, PANEL, 12V	589339	1	
3	LV6MT1	6685-99-824-1382	...THERMOMETER, INDICATING, CAPILLARY TUBE AND BULB: water	TL6207/06	1	
4	LV6MT1	6685-99-824-1383	...THERMOMETER, INDICATING, CAPILLARY TUBE AND BULB: oil	TL6208/05	1	
5(LV6MT1	6680-99-805-3627	...INDICATOR, FUEL QUANTITY, 12V	BF/6106/05	1	
(LV6MT1	6680-99-824-1384	...INDICATOR, FUEL QUANTITY, 24V	FG6269/03	1	
+	LV6MT4	6110-99-805-8846	..REGULATOR, VOLTAGE, 12V: instrument stabilizer	HR/1308/00	1	
6	LV7RU	6680-99-828-7774	..SPEEDOMETER: calibrated in KPH & MPH	579195	1	
+	LV7RU	6680-99-825-5639	..CONTROL ASSEMBLY, flexible, 12 in. lg	90575223	1	Trip reset
+	LV7RU	2590-99-822-1578	..SHAFT ASSEMBLY, FLEXIBLE	589497	1	
+	LV7RU	6680-99-824-6225	...CORE, FLEXIBLE SHAFT ASSEMBLY	589530	1	
7	LV6MT4	5930-99-804-3716	..SWITCH, ROTARY: 6 way	547162	1	
8	Z2	5305-99-941-9194	..SCREW, MACHINE, BA, steel, No.2 x 3/8 in. lg		2	
+	LV7RU	5310-99-137-6773	..WASHER, FLAT, steel, No.2 BA	851217	2	
9	LV6MT4	5930-99-815-1807	..SWITCH, INFRA-RED, LIGHTING	39330A	1	
+	LV7RU	2590-99-831-7651	...COVER, SWITCH, neoprene, black	543-120-23	1	
+	LV6MT4	5310-99-833-6076	...NUT, PLAIN, ROUND, UNS, brass, 9/16 in.	543-114-50	1	
10	LV7RU	2590-99-817-9392	..INHIBITOR ASSEMBLY, LIGHTING SWITCH, INFRA-RED: w/spring loaded flap & mtg flange	589196	1	
+	LV7RU	5325-99-828-1071	..GROMMET, BLANK, plastics, 2.406 in. od	338028	AR	
11	LV6MT4	5999-99-813-5246	..LIGHT SWITCH ASSEMBLY: hazard warning	11/421MG12	1	
+	X5	6240-99-995-2318	...LAMP, FILAMENT, 12V, 2W, special, BC, clear		1	12V
+	X5	6240-99-995-9145	...LAMP, FILAMENT, 24V		1	24V

INSTRUMENT PANEL

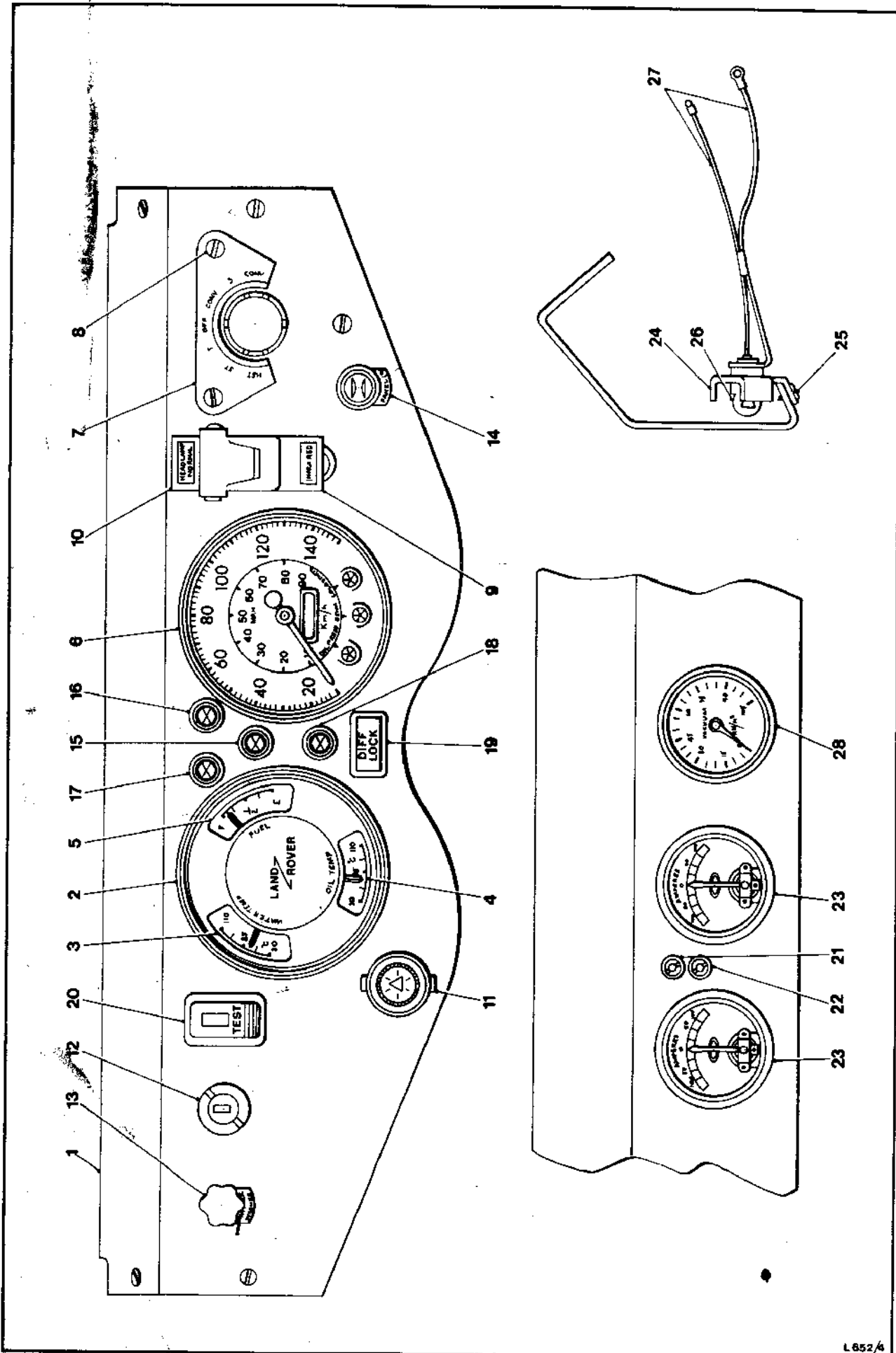
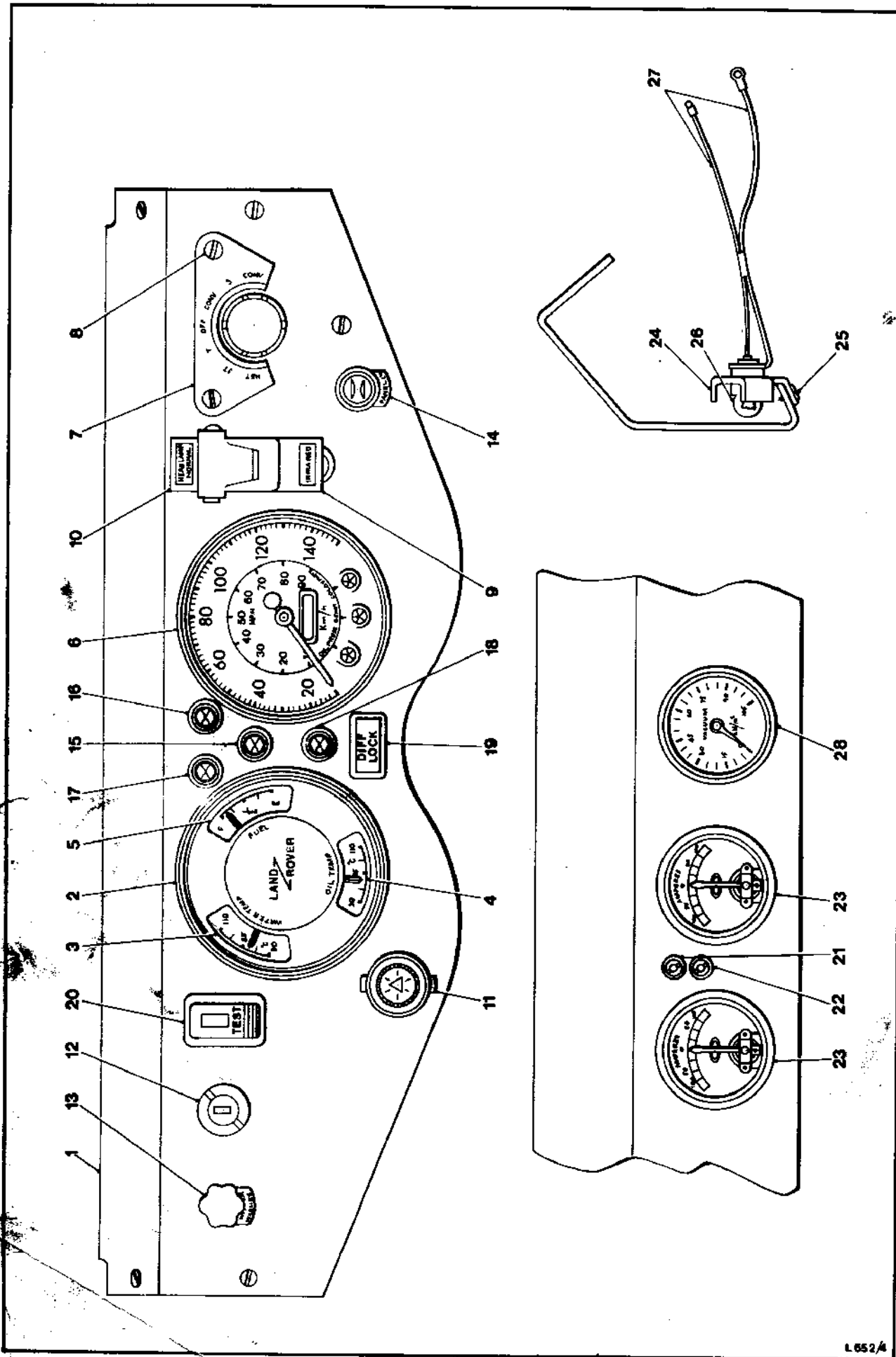


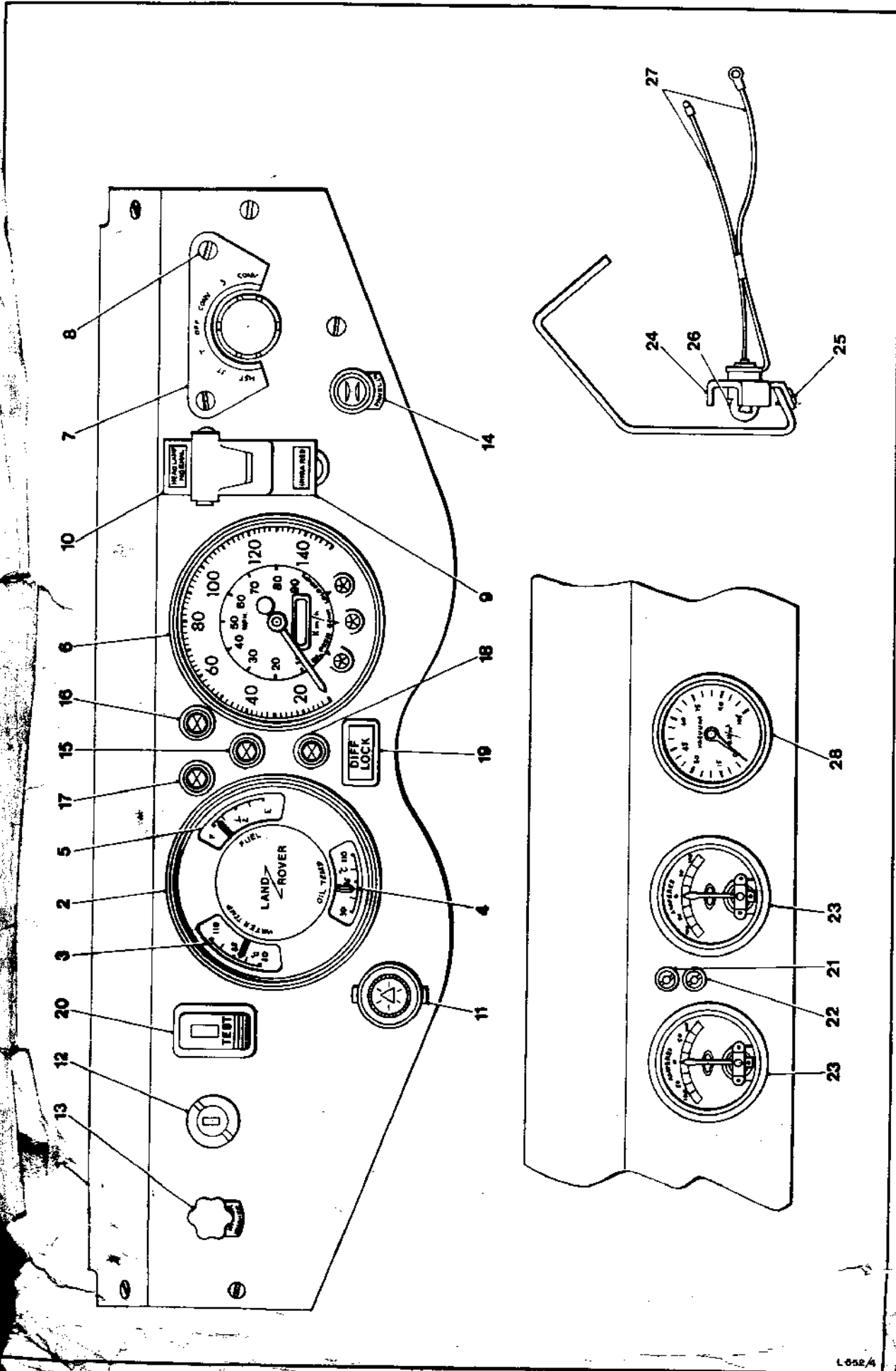
FIG ITEM	MAN CODE	NATO STOCK NUMBER/ CATALOGUE NUMBER	ITEM NAME AND DESCRIPTION	PART NO./ DRAWING NO./ ADREFNO	NO. OFF	ANNOTATIONS
L1			ELECTRICAL EQUIPMENT - contd			
			.INSTRUMENT PANEL - contd			
+	LV6MT4	5945-99-804-3583	..RELAY SWITCH, 12V: hazard warning	33293A	1	
+	LV6MT4	5945-99-881-2486	..RELAY, SOLENOID, No.1, MK11, 24V: hazard warning	33242	1	
+	LV6MT4	5945-99-802-1555	..RELAY ARMATURE, 24V: infra-red switch	579038	1	
+	G1	5305-99-135-0429	..SCREW, MACHINE, SI, metric, steel, 5 mm x 12 mm lg		4	
+	G1	5310-99-135-9300	..WASHER, LOCK, steel, 5 mm		4	
+	G1	5310-99-122-5294	..NUT, PLAIN, HEXAGON, SI, metric, steel, 5 mm		4	
12	LV6MT4	2920-99-806-9174	..SWITCH ROTARY; ignition and start, 4 positions	34680	1	Model 47SA
13	LV6MT4	5930-99-822-2292	..SWITCH ASSEMBLY, 2 position	39664	1)Wiper
+	LV6MT3	5355-99-822-6039	...KNOB, SWITCH	396163	1)& washer
+	LV7RU	5310-99-828-1070	...WASHER, SWITCH	9057153	1)switch
14	LV6MT4	5930-99-804-9644	..SWITCH, TOGGLE, 10A	31828	1	Panel lights
15	LV6MT3	6210-99-822-6551	..LIGHT, INDICATOR	54363336	1	Ignition warning
16	LV7RU	6210-99-822-6552	..LIGHT, INDICATOR, green	589027	1	Flasher warning
17	LV6MT3	6220-99-805-1995	..LIGHT, INDICATOR, amber	38192	1	Trailer flasher warning
18	LV7RU	6310-99-823-6981	..LIGHT, INDICATOR, plastics, nylon body, brass bezel, white	579349	1	Winch warning
+	LV7RU	5340-99-805-4997	..PLUG, PROTECTIVE, DUST AND MOISTURE SEAL	338015	1	Blanking when winch not fitted
19	LV6MT3	6210-99-824-5070	..LIGHT, INDICATOR	54364144A	1)Differ-
+	LV6MT3	6220-99-774-7174	..LIGHT, INDICATOR	54365102	1)ential lock
20	LV6MT4	5999-99-822-6034	..LIGHT SWITCH, 12V, red lens	39802	1)Brake
(LV6MT4	5999-99-822-6069	..LIGHT SWITCH, 24V, red lens	39803	1)warning
+	X5	6240-99-995-3247	..LAMP, FILAMENT, 12V, 2.2W, MES, clear		5)
+	X5	6240-99-995-1176	..LAMP, FILAMENT, 12V, 2W, BA7S, clear		4)Panel lamps
+	X5	6240-99-995-1297	..LAMP, FILAMENT, 24V, 2.8W, MES, clear		5)
+	X5	6240-99-803-1999	..LAMP, FILAMENT, 24V, 2W, BA7S, clear		4)



L652/A

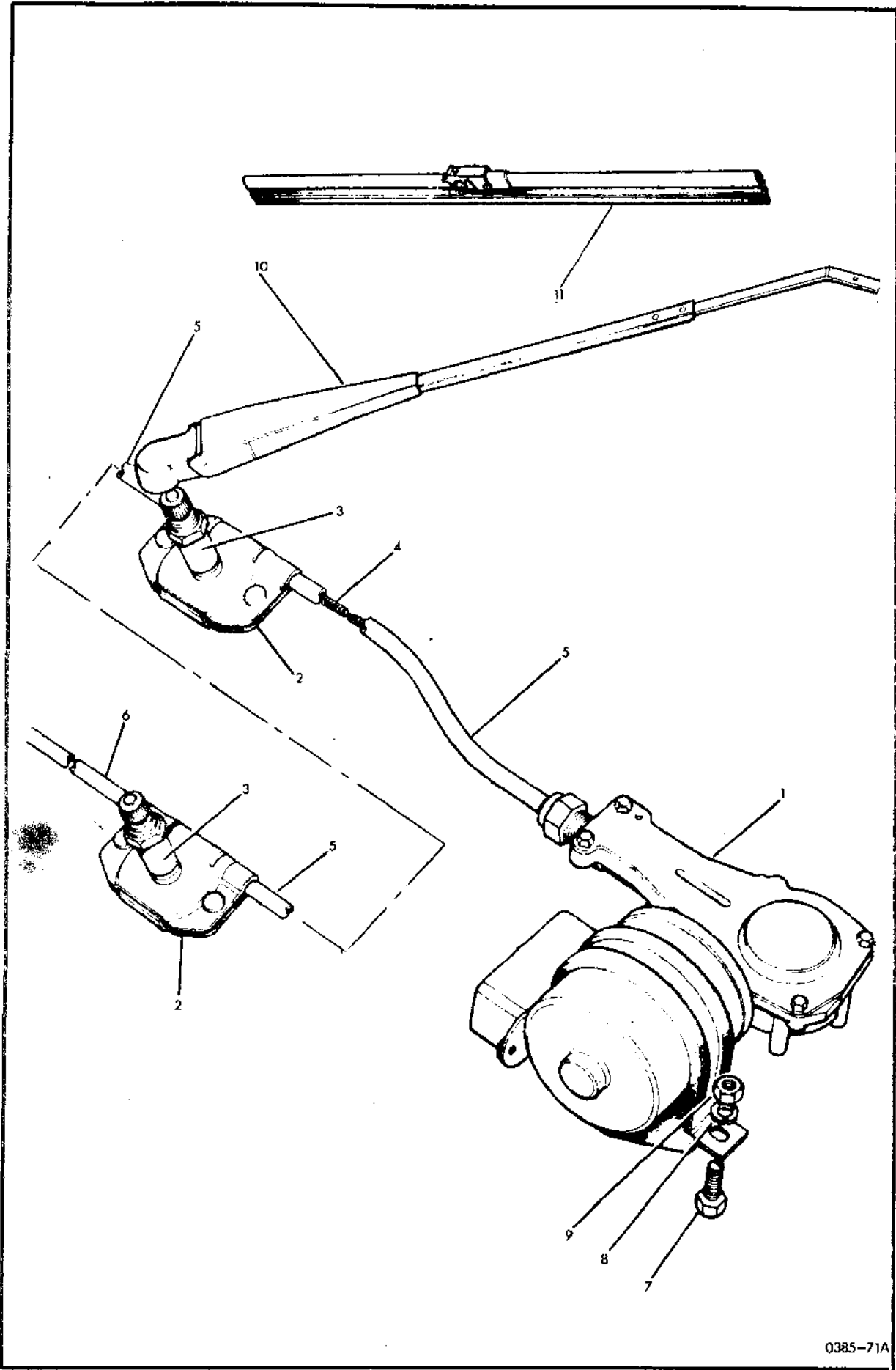
FIG ITEM	MAN CODE	NATO STOCK NUMBER/ CATALOGUE NUMBER	ITEM NAME AND DESCRIPTION	PART NO./ DRAWING NO./ ADREFNO	NO. OFF	ANNOTATIONS
L1			ELECTRICAL EQUIPMENT - contd			
21	LV7RU	5935-99-824-2737	.SOCKET, ELECTRICAL, red	555662	1)Inspect- ion lamp
22	LV7RU	5935-99-827-9612	.SOCKET, ELECTRICAL, black	273937	1	
23	LV6MT4	6625-99-816-8510	.AMMETER	579306	2	
+	LV7RU	6250-99-829-8747	.LAMPHOLDER: ammeter	589595	1	
+	LV6MT4	2590-99-824-2761	.SHUNT BOX ASSEMBLY: c/w 2 capacitors, 2 ammeters, shunts & terminals	1809852	1	
+	G1	5310-99-135-9291	.WASHER, LOCK, steel, single coil, 4 mm		4	
+	LV7RU	5310-99-137-6768	.WASHER, FLAT, steel, 4 mm	851047	4	
+	G1	5310-99-804-7941	.NUT, PLAIN, HEXAGON, UNF, steel, 4 mm		4	
25	G1	5305-99-914-5426	.SCREW, TAPPING, THREAD FORMING, steel, pan hd, No.6 x 1/4 in. lg		1)
26	X5	6240-99-995-1297	.LAMP, FILAMENT, 24V, 2.8W, MES, clear		1)24V only
27	LV7RU	2590-99-824-5087	.CABLE, SPECIAL PURPOSE, ELECTRICAL	589501	1)
28	LV6MT1	6685-99-809-4481	.GAUGE, VACUUM, DIAL INDICATING, 51 mm dial dia, panel mtd	VG1305/00	1	Trailer power drive only
+	LV6MT4	5920-99-804-9643	.SWITCH, TOGGLE	555779	1	Heater
+	LV7RU	5930-99-809-3716	.SWITCH, THERMOSTATIC	563318	1	Choke
+	LV6MT4	5930-99-822-2276	.SWITCH ASSEMBLY	589258	1	Horn & dip
+	LV7RU	5999-99-824-4938	.STRIKER ASSEMBLY, INDICATOR SWITCH	579332	1	
+	LV7RU	5305-99-820-0118	.SCREW, MACHINE, UNC, steel, No.10 x 1-1/8 in. lg	79174	1	
+	LV7RU	5930-99-824-4939	.COVER, ELECTRICAL SWITCH, plastics, 110 mm lg x 70 mm w x 60 mm h	589560	1	
+	G1	5305-99-135-0428	.SCREW, MACHINE, SI, metric, steel, 5 mm x 10 mm lg		2	
+	LV7RU	2540-99-828-0723	.BRACKET, STEERING COLUMN SWITCH	589561	1	
+	LV7RU	2590-99-849-9546	.CLEAT	240431	1	Leads to steering column
+	LV6MT8	5915-99-805-1652	.FILTER UNIT, 24V	47206	1)Filter unit to side panel
+	G1	5310-99-135-9302	.WASHER, LOCK, steel, single coil, 8 mm		2	
+	LV7RU	5310-99-137-6774	.WASHER, FLAT, steel, 8 mm	850847	2	
+	G1	5310-99-122-5296	.NUT, PLAIN, HEXAGON, SI, metric, steel, 8 mm		2	
+	LV6MT4	5945-99-815-8534	.RELAY, ARMATURE, 12V, 30A	33258D	1	
+	LV6MT4	5945-99-820-8148	.RELAY, ARMATURE, 24V	33259	1	
+	G1	5305-99-135-0430	.SCREW, MACHINE, SI, metric, steel, pan hd, 5 mm x 16 mm lg		1	
+	LV7RU	5310-99-137-6773	.WASHER, FLAT, steel, 5 mm	851217	1	
+	G1	5310-99-135-9300	.WASHER, LOCK, steel, single coil, 5 mm		1	
+	G1	5310-99-122-5294	.NUT, PLAIN, HEXAGON, SI, metric, steel, 5 mm		1	
+	LV6MT4	6140-99-620-9273	BATTERY, SECONDARY, 24V, 45 Ah	54029049	1	Typical
+	LV6MT4	6140-99-114-5238	BATTERY, SECONDARY, 24V, 45 Ah	540178	1	
+	LV7RU	5940-99-820-7567	.TERMINAL LUG: pos	531587	1	

INSTRUMENT PANEL



L2

WINDSCREEN WIPER



0385-71A

FIG ITEM	MAN CODE	NATO STOCK NUMBER/ CATALOGUE NUMBER	ITEM NAME AND DESCRIPTION	PART NO./ DRAWING NO./ ADREFNO	NO. OFF	ANNOTATIONS
L2			ELECTRICAL EQUIPMENT - contd			
1 (LV6MT4	2540-99-809-6482	.MOTOR, WINDSCREEN WIPER, ELECTRICAL, 12V	RTC452	1	
(LV6MT4	2540-99-825-8120	.MOTOR, WINDSCREEN WIPER, ELECTRICAL, 24V	AAU1416	1	
+	LV6MT3	2540-99-825-4987	..GEAR ASSEMBLY	54702593	1	
+	LV6MT3	2540-99-825-4986	.SUPPRESSION BOX	54705563	1	
2	LV6MT3	2540-99-828-0884	.WHEEL BOX	37H7738	2	
3	LV6MT3	2540-99-829-9758	.BUSH KIT	60600431	2	
4	LV7RU	2540-99-828-4750	.CABLE, FLEXIBLE DRIVE	RTC202	1	
5	LV6MT4	2540-99-825-6564	.CASING, OUTER	AAU1909	AR	
6	LV6MT3	2540-99-809-7059	.CASING, OUTER, steel, 5/16 in. od x 2-13/32 in. lg, flared end	54702605	1	
7	G1	5305-99-122-5359	.SCREW, MACHINE, SI, metric, steel, hex hd, 6 mm x 12 mm lg		2	
8	G1	5310-99-135-9301	.WASHER, LOCK, steel, 6 mm		2	
9	G1	5310-99-122-5295	.NUT, PLAIN, HEXAGON, SI, metric, steel, 6 mm		2	
10 (LV6MT3	2540-99-822-1576	.ARM, WINDSCREEN WIPER, 14 in. lg, lh crank	54707499	2	RHD
(LV6MT3	2540-99-822-1584	.ARM, WINDSCREEN WIPER, 14 in. lg, rh, crank	54707928	2	LHD
(LV6MT3	2540-99-822-1913	.BLADE, WINDSCREEN WIPER, 12 in. lg	54707500	2	

WINDSCREEN WASHER

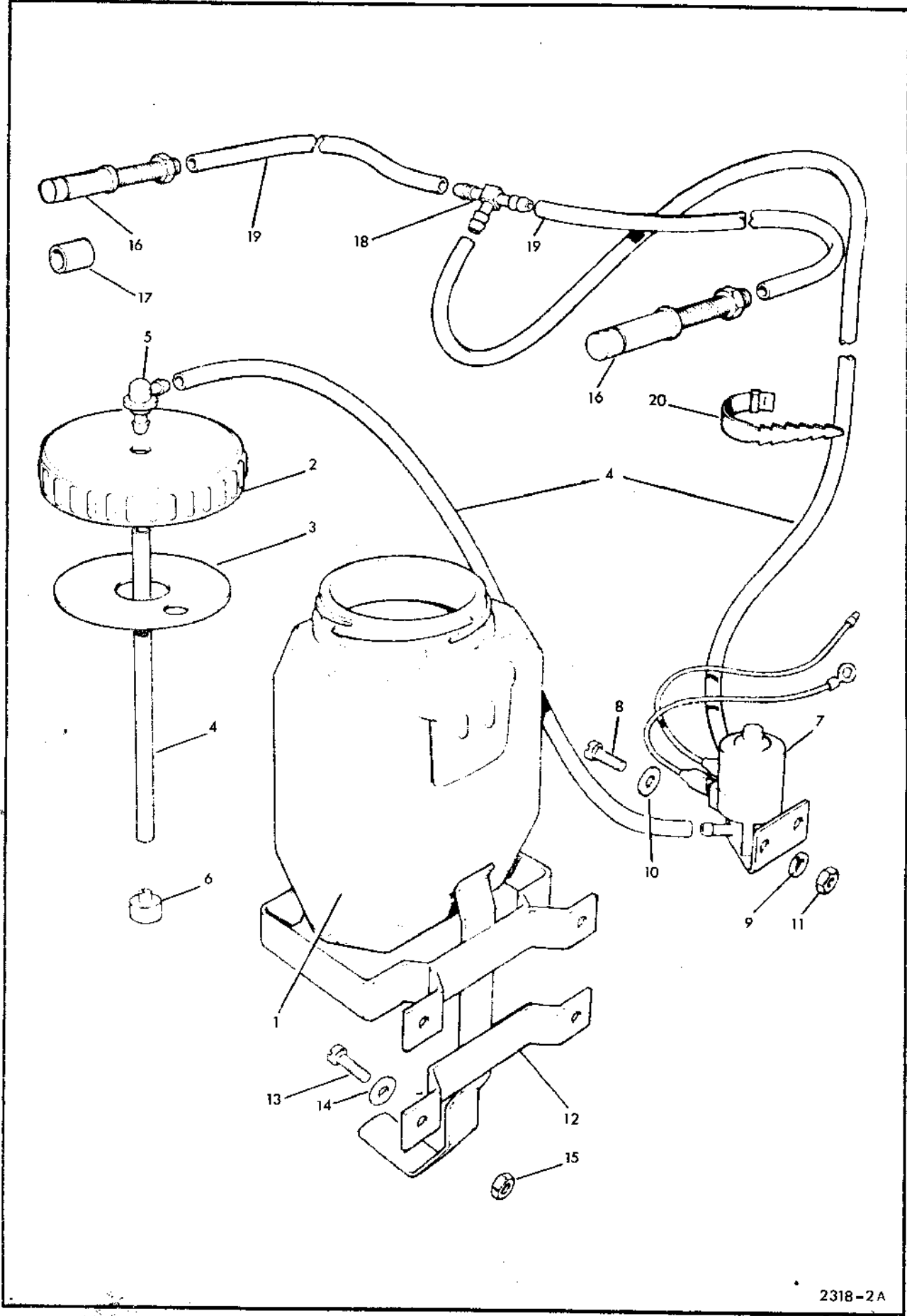
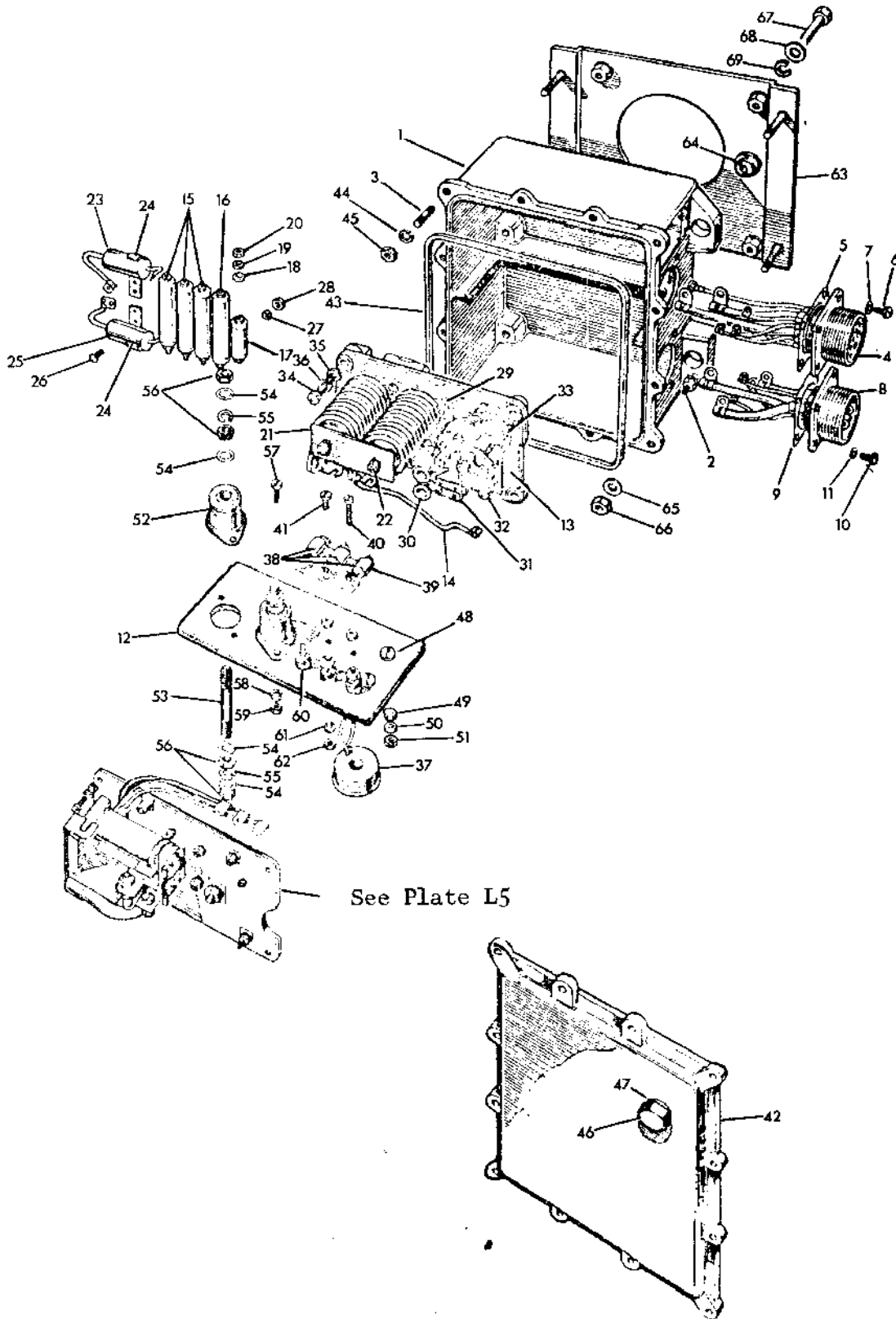


FIG ITEM	MAN CODE	NATO STOCK NUMBER/ CATALOGUE NUMBER	ITEM NAME AND DESCRIPTION	PART NO./ DRAWING NO./ ADREFNO	NO. OFF	ANNOTATIONS
L3			ELECTRICAL EQUIPMENT - contd			
1	LV6MT3	2540-99-810-2113	.BOTTLE, WINDSCREEN WASHER, plastics, 5 in. lg x 3-1/4 in. w x 6-11/16 in. h	802461	1	
2	LV6MT3	2540-99-810-2114	.CAP, BOTTLE, WINDSCREEN WASHER, plastics, 3-5/8 in. dia x 3/4 in. h	802476	1	
3	LV7RU	5330-99-823-7598	.GASKET, RUBBER, 3-3/8 in. od x 1/16 in. thk	573260	1	
4	LV6MT6	4710-99-805-7843	.TUBING, PLASTICS, green, 1/4 in. od		AR	
5	LV7RU	2540-99-829-9760	.CONNECTOR; tube to bottle	RTC1697	1	
6	LV7RU	2540-99-825-3618	.VALVE, NON-RETURN	90608330	1	
7	LV7RU	2540-99-824-6588	.PUMP MOTOR ASSEMBLY, SCREEN WASHER, 12V	589353	1	
	LV7RU	2540-99-824-6589	.PUMP MOTOR ASSEMBLY, SCREEN WASHER, 24V	623091	1	
8	G1	5305-99-135-0430	.SCREW, MACHINE, SI, metric, steel, 5 mm x 16 mm lg		2	
9	G1	5310-99-135-9300	.WASHER, LOCK, steel, 5 mm		2	
10	LV7RU	5310-99-137-6773	.WASHER, FLAT, steel, 5 mm	851217	2	
11	G1	5310-99-122-5294	.NUT, PLAIN, HEXAGON, SI, metric, steel, 5 mm		2	
12	LV7RU	2540-99-824-6242	.HOLDER, SCREEN WASHER BOTTLE	589462	1	
13	G1	5305-99-135-0430	.SCREW, MACHINE, SI, metric, steel, 5 mm x 16 mm lg		4	
14	LV7RU	5310-99-137-6773	.WASHER, FLAT, steel, 5 mm	8512717	4	
15	G1	5310-99-122-5294	.NUT, PLAIN, HEXAGON, SI, metric, steel, 5 mm		4	
19	LV6MT6	4710-99-824-0947	.PIPING, PLASTICS, 3 mm id		AR	
20	LV7RU	5340-99-896-0609	.CLIP, CABLE	240429	6	

GENERATOR PANEL No 9 MK 3



BMTK 9305 MK4

FIG ITEM	MAN CODE	NATO STOCK NUMBER/ CATALOGUE NUMBER	ITEM NAME AND DESCRIPTION	PART NO./ DRAWING NO./ ADREFNO	NO. OFF	ANNOTATIONS
L4			ELECTRICAL EQUIPMENT - contd			
1-69	LV6MT4	2920-99-881-8201	..PANEL, GENERATOR, No.9, 24V	FV546131	1	MK3
1-3		NP	..BOX ASSEMBLY	FV510870	1	
2	LV6MT4	5307-99-804-1513	...STUD, PLAIN, UNC/UNF, steel, zinc coated, 1/4 in. x 1.112 in. lg	5876/46	1	
3	LV6MT4	5307-99-804-7400	...STUD, PLAIN, UNC/UNF, steel, zinc coated, 1/4 in.	5876/46A	12	
4		NP	..SOCKET, ELECTRICAL; assy; c/w leads	FV510871	1	
+	LV6MT4	5935-99-800-9956	...SOCKET, ELECTRICAL	FV585038	1	
+	LV6MT4	5940-99-817-9219	...TERMINAL, LUG	5459-208	2	
+	LV6MT4	2590-99-882-0001	...TERMINAL, LUG	5459-224	1	
+	LV6MT4	5940-99-881-3018	...TERMINAL, LUG, brass, tin plated, BA, No.2	5393A-17	4	
+	Y3	6145-99-943-4824	...CABLE, ELECTRICAL, single conductor, 40/0.0076 in., yellow) AR
+	Y3	6145-99-999-7727	...CABLE, ELECTRICAL, single conductor, 182/0.012 in.; blue			
5	LV6MT4	5330-99-800-9971	..GASKET, rubber	FV585128	1	
6	G1	5305-99-941-8212	..SCREW, MACHINE, UNC, steel, zinc coated, No.8 x 3/8 in. lg		4	
7	LV6MT1	5330-99-801-3728	..GASKET, rubber, 21/64 in. od x 13/64 in. id x 1/16 in. thk		4	
8		NP	..PLUG ASSEMBLY; c/w leads	FV580518	1	
+	LV6MT4	5935-99-800-9964	...PLUG, ELECTRICAL	FV585035	1	
+	LV6MT4	5940-99-805-0653	...TERMINAL, LUG, brass, 3/16 in. dia hole	5393-17D	2	
+	LV6MT4	5940-99-817-9219	...TERMINAL, LUG, brass, tin plated, BA, No.2	5459-208	1	
+	LV6MT4	5940-99-881-3019	...TERMINAL, LUG, brass, tin plated, BA, No.2	5393A-17C	3	
+	Y3	6145-99-943-4824	...CABLE, ELECTRICAL, single conductor, 40/0.0076 in. yellow) AR
+	Y3	6145-99-999-7727	...CABLE, ELECTRICAL, single conductor, 182/0.012 in. blue			
9	LV6MT4	5935-99-800-9952	..GASKET, rubber, 2 in. sq x 3/64 in. thk	FV585127	1	
10	G1	5305-99-941-8825	..SCREW, MACHINE, UNC, steel, zinc coated, No.6 x 3/8 in. lg		4	
11	LV6MT1	5330-99-943-3483	..GASKET, steel/rubber, 0.29 in. od x 0.16 in. id x 0.05 in. thk		4	
13-33		NP	..BASE ASSEMBLY; regulator	FV543317	1	
14-20		NP	...BRACKET AND RESISTANCE ASSEMBLY	FV543318	1	
14		NPLEAD, ELECTRICAL	FV510841/2	1	
+	Y3	6145-99-943-4824CABLE, ELECTRICAL, single, 40/0.0076 in. yellow			AR
+	LV6MT4	2590-99-882-0001TERMINAL LUG	5459-224	1	
+	LV6MT4	5940-99-881-3018TERMINAL LUG, brass, tin plated, BA, No.2	5393A-17	1	
15	LV6MT4	5905-99-802-9077RESISTOR, FIXED, WIRE WOUND, 120 chms	5576-137AN	3	
16	LV6MT4	5905-99-401-5090RESISTOR, REGULATOR, 0.5 chms	5576-137A7	1	
17	Z3	5905-99-881-3032RESISTOR, FIXED, WIRE WOUND, 80 chms	W5576-137S	1	
+	LV6MT4	5970-99-821-0287INSULATOR, BUSHING, plastics, 6 mm od x 8 mm lg	FV543318/10	5	
+	LV6MT4	5970-99-821-0288INSULATOR, BUSHING, plastics, 6 mm od x 16 mm lg	FV543318/11	1	

GENERATOR PANEL No 9 MK 3

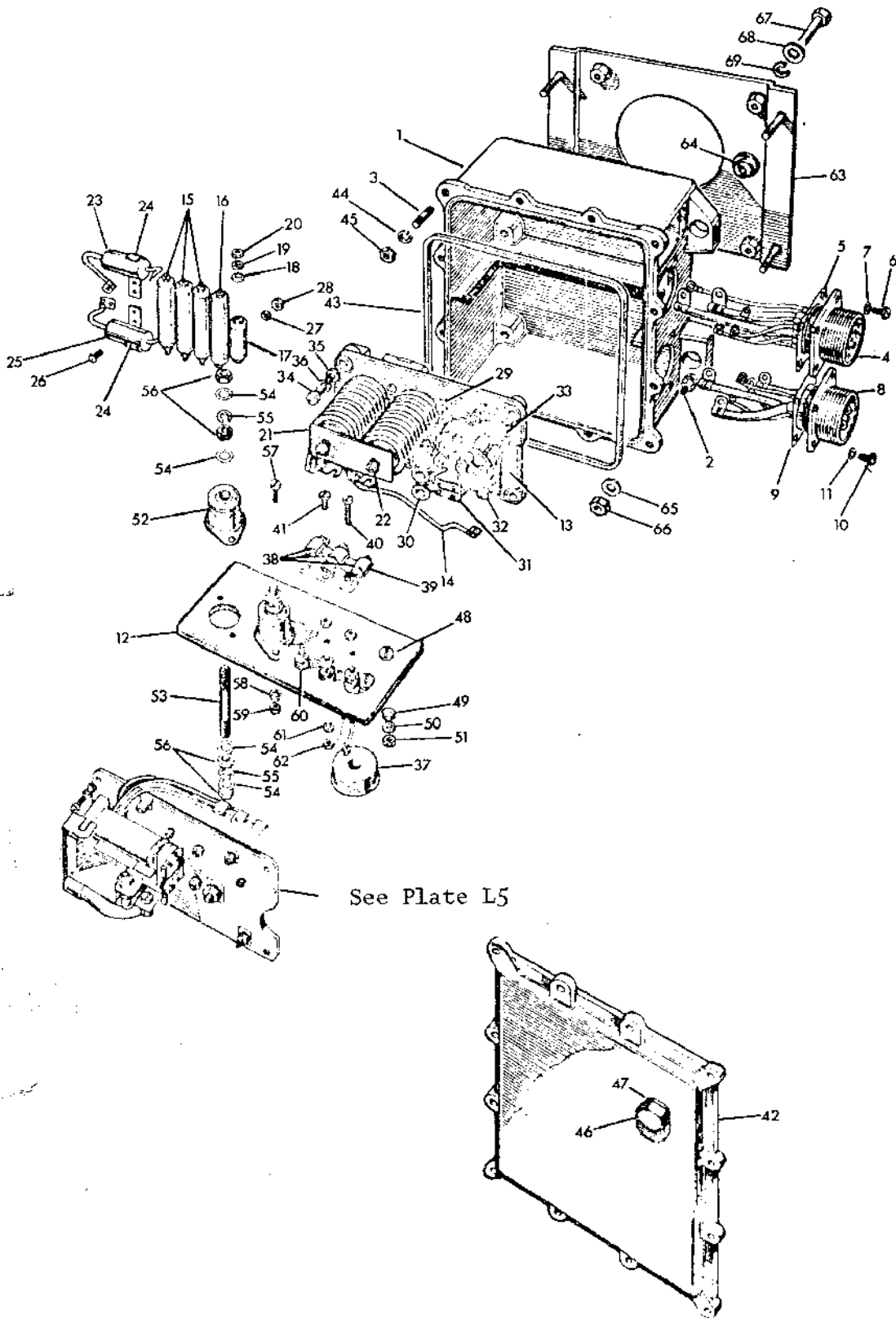
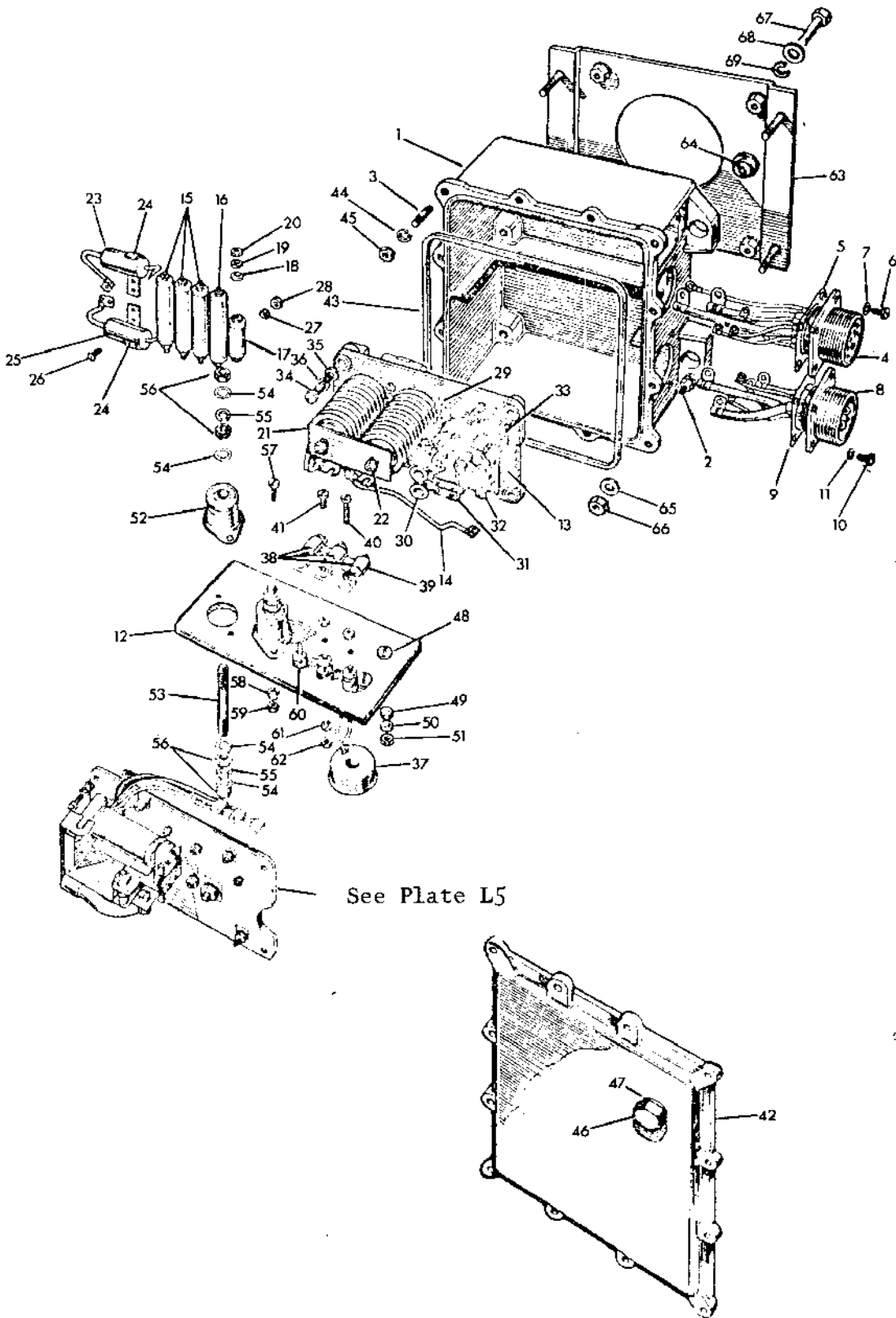
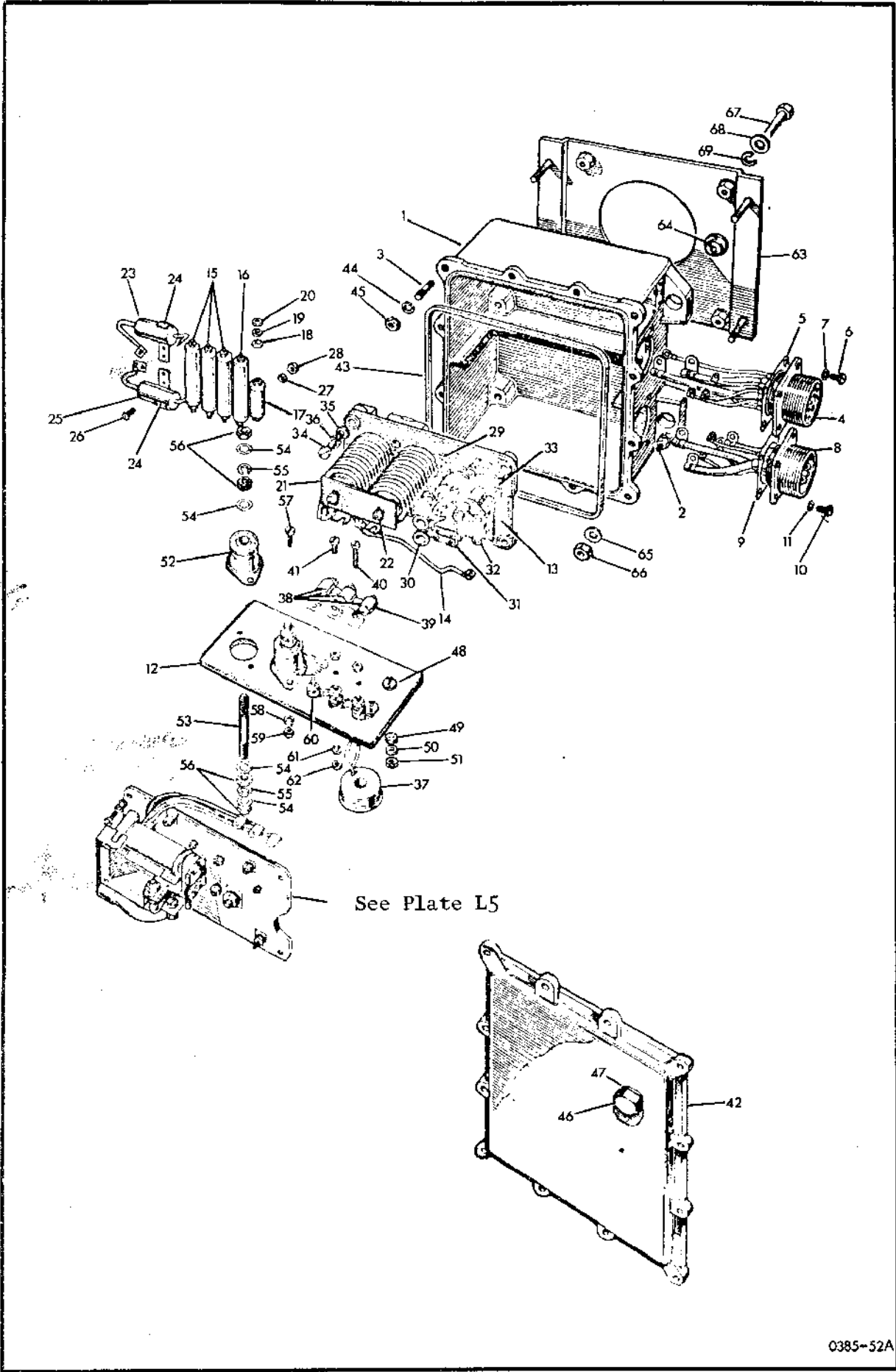


FIG ITEM	MAN CODE	NATO STOCK NUMBER/ CATALOGUE NUMBER	ITEM NAME AND DESCRIPTION	PART NO./ DRAWING NO./ ADREFNO	NO. OFF	ANNOTATIONS
L4			ELECTRICAL EQUIPMENT - contd .PANEL, GENERATOR - contd ..BASE ASSEMBLY; regulator - contd ...BRACKET AND RESISTANCE ASSEMBLY - contd			
18	G1	5310-99-915-0628WASHER, LOCK, steel, 5/32 in.		5	
19	G1	5310-99-946-5182WASHER, FLAT, steel, 5/32 in.		5	
+	LV6MT4	5307-99-136-8954STUD, PLAIN, BA, No.4 x 2-5/8 in. lg	5822-123F	1	
20	Z2	5310-99-941-9113NUT, PLAIN, HEXAGON, BA, brass, No.4		10	
21	LV6MT4	2920-99-881-8216	...CHOKE ASSEMBLY	FV543322	1	
22	G1	5310-99-941-2406	...NUT, PLAIN, HEXAGON, UNC, steel, zinc coated, No.6		2	
+	G1	5310-99-915-0628	...WASHER, LOCK, steel, cadmium plated, single coil, 5/32 in.		2	
+		NP	...LEAD, ELECTRICAL	FV543316-1	1	
+	Y3	6145-100-4628CABLE, ELECTRICAL, 40/0.0076 in. blue		AR	
+	LV6MT4	5940-99-881-9051TERMINAL. LUG	Y5459-194	1	
+	LV6MT4	5940-99-881-3018TERMINAL. LUG, brass, tin plated, BA, No.2	5393A-17	1	
+		NP	...LEAD, ELECTRICAL	FV543316-2	1	
+	Y3	6145-99-100-4628CABLE, ELECTRICAL, 40/0.0076 in. blue		AR	
+	LV6MT4	5940-99-881-9051TERMINAL. LUG, brass, tin plated, 1/8 in.	Y5459-194	1	
+	LV6MT4	5940-99-881-3018TERMINAL. LUG, brass, tin plated, BA, No.2	5393A-17	1	
23		NP	...CAPACITOR ASSEMBLY	FV510867	1	
+	LV6MT4	5910-99-881-3024CAPICITOR, FIXED, METALLIZED PAPER, DIELECTRIC	Z6090-18	1	
+	LV6MT4	5940-99-801-7493TERMINAL. LUG, brass, tin plated, BA, No.2	5459-228A	1	
+	Z2	5910-99-913-2815INSULATION SLEEVING, ELECTRICAL, 1 mm bore		AR	
24	LV6MT4	5340-99-821-0289	...STRAP, RETAINING	FV510846	2	
25	LV6MT4	5910-99-808-5416	...CAPACITOR, FIXED, METALLIZED PAPER, DIELECTRIC	FV580769	1	
26	Z2	5305-99-945-1989	...SCREW, MACHINE, UNC, steel, cadmium plated, No.6 x 3/8 in. lg		4	
27	Z2	5310-99-941-6660	...WASHER, LOCK, steel, cadmium plated, 5/32 in.		4	
28	Z2	5310-99-941-9542	...NUT, PLAIN, HEXAGON, UNC, steel, cadmium plated, No.6		4	
+	LV6MT4	2920-99-821-0290	...CONNECTOR	FV580557) 1) Capacitor to choke
+	LV6MT4	2920-99-821-0291	...CONNECTOR	FV510845		
+	LV6MT4	2920-99-821-0292	...CONNECTOR	FV570397		
+	LV6MT4	5940-99-821-0293	...TERMINSL POST, choke		2)
+	Z2	5310-99-941-8561	...WASHER, FLAT, steel, 1/4 in.		2) Choke
+	G1	5310-99-944-0548	...WASHER, LOCK, steel, single coil, 1/4 in.		6) terminal
+	G1	5310-99-941-8898	...NUT, PLAIN, HEXAGON, UNF, tin plated, 1/4 in.		6) post
29	LV6MT4	5940-99-881-3018	...TERMINAL LUG, brass, tin plated, BA, No.2	5393A-17	2) Fixing
+	Z2	5310-99-941-9402	...WASHER, FLAT, steel, 3/16 in.		3) terminal lugs



See Plate L5

FIG ITEM	MAN CODE	NATO STOCK NUMBER/ CATALOGUE NUMBER	ITEM NAME AND DESCRIPTION	PART NO./ DRAWING NO./ ADREFNO	NO. OFF	ANNOTATIONS
L4			ELECTRICAL EQUIPMENT - contd .PANEL, GENERATOR - contd ..BASE ASSEMBLY - contd			
+	Z2	5310-99-941-6643	...WASHER, LOCK, steel, cadmium plated, 3/16 in.		3)Fixing)terminal
+	Z2	5310-99-945-1992	...NUT, PLAIN, HEXAGON, UNF, brass, No.10		3)lugs)
30	LV6MT4	5950-99-804-1928	...INDICATOR, RADIO, FREQUENCY	5843-54	2)
+	Z2	5305-99-101-2360	...SCREW, MACHINE, BA, brass, fillister hd, No.6 x 9/16 in. lg		2)Choke to)base
+	Z2	5310-99-941-7951	...WASHER, FLAT, steel, BA, No.6		2)assy
+	Z2	5310-99-941-6641	...WASHER, LOCK, steel, single coil, BA, No.6		2)
+	Z2	5310-99-941-9114	...NUT, PLAIN, HEXAGON, BA, brass, tin plated, No.6		2)
31	LV6MT4	5307-99-805-1308	...STUD, SHOULDERED, UNF, brass, No.10 x 1-1/8 in. lg	6084-37	3)
+	Z2	5310-99-941-9402	...WASHER, FLAT, steel, 3/16 in.		3)
+	Z2	5310-99-941-6643	...WASHER, LOCK, steel, cadmium plated, single coil, 3/16 in.		3)
+	Z2	5310-99-945-1992	...NUT, PLAIN, HEXAGON, UNF, brass, nickel plated, No.10		3)
32	LV6MT4	2920-99-881-9681	...REGULATOR	1868666	1	N66 type)
+	Z2	5305-99-941-7933	...SCREW, MACHINE, BA, steel, fillister hd, cadmium plated, No.2 x 7/16 in. lg		2)Regula-)tor
+	Z2	5310-99-941-9402	...WASHER, FLAT, steel, 3/16 in.		2)fixing
+	Z2	5310-99-941-6643	...WASHER, LOCK, steel, single coil, cadmium plated, 3/16 in.		2)
+	LV6MT4	5910-99-911-5407	...CAPACITOR, FIXED, CERAMIC DIELECTRIC	FV543317-22	2)
+	LV6MT4	5940-99-821-0294	...TERMINAL, SCREWED HEAD, brass	FV445996	1)
+	Z2	5310-99-941-9402	...WASHER, FLAT, steel, 3/16 in.		1)Terminal)post
+	Z2	5310-99-941-6643	...WASHER, LOCK, steel, cadmium plated, single coil, 3/16 in.		2)
+	Z2	5310-99-945-1992	...NUT, PLAIN, HEXAGON, UNF, brass, nickle plated, No.10		2)
+	LV6MT4	5940-99-881-9051	...TERMINAL. LUG, tin plated, 1/8 in.	Y5459-194	4	Capacitors)
+	Z2	5305-99-101-2360	...SCREW, MACHINE, BA, brass, fillister hd, No.6 x 9/16 in. lg		1)
+	Z2	5310-99-941-7951	...WASHER, FLAT, steel, BA No.6		1)Choke)central
+	Z2	5310-99-941-6641	...WASHER, LOCK, steel, cadmium plated, single coil, BA, No.6		2)board)
+	Z2	5310-99-941-9114	...NUT, PLAIN, HEXAGON, BA, brass, tin plated, No.6		2)
+	Z2	5310-99-941-9402	...WASHER, FLAT, steel, 3/16 in.		3)
+	Z2	5310-99-941-6643	...WASHER, LOCK, steel, cadmium plated, 3/16 in.		5)Terminal)link
+	Z2	5310-99-945-1992	...NUT, PLAIN, HEXAGON, UNF, brass, nickle plated, No.10		5)
33	Z2	5905-99-011-3252	...RESISTOR, FIXED, WIRE WOUND, 750 ohms)
+	LV6MT4	5940-99-801-7493	...TERMINAL, LUG, brass, tin plated, BA No.2	5459-228A	2)Fixing)resistor
+	Z2	5305-99-913-5870	...SCREW, MACHINE, UNF, brass, tin plated, No. 6 x 3/8 in.		2)to)terminals



See Plate L5

FIG ITEM	MAN CODE	NATO STOCK NUMBER/ CATALOGUE NUMBER	ITEM NAME AND DESCRIPTION	PART NO./ DRAWING NO./ ADREFNO	NO. OFF	ANNOTATIONS
L4			ELECTRICAL EQUIPMENT - contd			
			.PANEL, GENERATOR - contd			
			..BASE ASSEMBLY - contd			
+	Z2	5310-99-120-0079	...WASHER, LOCK, steel, cadmium plated, 5/32 in.		2)Fixing)resistor
+	Z2	5310-99-945-4484	...WASHER, FLAT, brass, tin plated, 5/32 in.		1)to)terminal.s
+	Z2	5305-99-941-2302	...SCREW, MACHINE, UNC, steel, cadmium plated, fillister hd, No.4 x 1/2 in. lg		1)
+	Z2	5310-99-940-3515	...WASHER, FLAT, steel, cadmium plated, BA, No.6		1)Resistor
+	Z2	5310-99-941-6641	...WASHER, LOCK, steel, cadmium plated, single coil, BA, No.6		1)clip
+	Z2	5310-99-941-9541	...NUT, PLAIN, HEXAGON, UNC, steel, cadmium plated, No.4		1)
+	Y3	5940-99-943-9209	...TERMINAL, LUG, brass, tin plated, BA, No. 6		1)
+	G1	5305-99-121-1774	...SCREW, MACHINE, BA, brass, ch hd, No.6 x 3/16 in. lg		1)Choke)control
+	Z2	5310-99-941-6641	...WASHER, LOCK, steel, cadmium plated, BA, No.6		1)to)regulator
34	Z2	5305-99-941-2340	..SCREW, MACHINE, UNF, steel, cadmium plated, No.10 x 1-3/4 in. lg		1	
35	Z2	5310-99-710-5524	..WASHER, FLAT, steel, cadmium plated, 3/16 in.		3	
36	Z2	5310-99-944-0547	..WASHER, LOCK, steel, cadmium plated, 3/16 in.		4	
+	LV6MT4	6150-99-821-0295	..LEAD, ELECTRICAL	FV580516	1	
37	LV6MT4	5950-99-805-1620	..BOBBIN ASSEMBLY: choke	X567A-12C	1	
38	LV6MT4	5910-99-829-1969	..CAPACITOR ASSEMBLY; c/w terminal	FV636074	3	
+	LV6MT4	5910-99-833-2571	...CAPACITOR, FIXED, METALLIZED, BIELECTRIC	6090-154	3	
+	LV6MT4	5940-99-801-7493	...TERMINAL. LUG,brass, tin plated, BA, No.2	5459-228A	3	
+	Z2	5970-99-913-2815	...INSULATION, SLEEVING ELECTRICAL, 1 mm bore		AR	
40	G1	5305-99-121-1725	..SCREW, MACHINE, BA, brass, No.2 x 1 in. lg		1	
41	G1	5305-99-121-1719	..SCREW, MACHINE, BA, brass, No.2 x 1/2 in. lg		1	
+	Z2	5310-99-941-9402	..WASHER, FLAT, steel, BA, No.2		2	
+	Z2	5310-99-944-0547	..WASHER, LOCK, steel, cadmium plated, 13/64 in.		2	
+	Z2	5310-99-120-2134	..NUT, PLAIN, HEXAGON, BA, brass, tin plated, No.2		2	
43	LV6MT4	2920-99-804-0673	..SEAL, RUBBER, STRIP	5915-46	1	
44	G1	5310-99-944-0548	..WASHER, LOCK, steel, cadmium plated, 1/4 in.		12	
45	G1	5310-99-941-0924	..NUT, PLAIN, HEXAGON, UNF, steel, zinc coated, 1/4 in.		12	
46	LV6MT4	4730-99-805-2984	..PLUG, SCREWED, BSP, steel, zinc coated, 1/8 in. x 9/16 in. lg	5876-54	1	
47	G1	5310-99-913-3207	..WASHER, FLAT, aluminium, 3/8 in.		1	
+	LV6MT4	5340-99-829-1968	..STRAP, RETAINING, triple grip, 9/32 in. dia x 2-7/32 in. lg x 1/2 in. w	FV636073	1	
48	G1	5305-99-121-1719	..SCREW, MACHINE, BA, brass, No.2 x 1/2 in. lg		7	

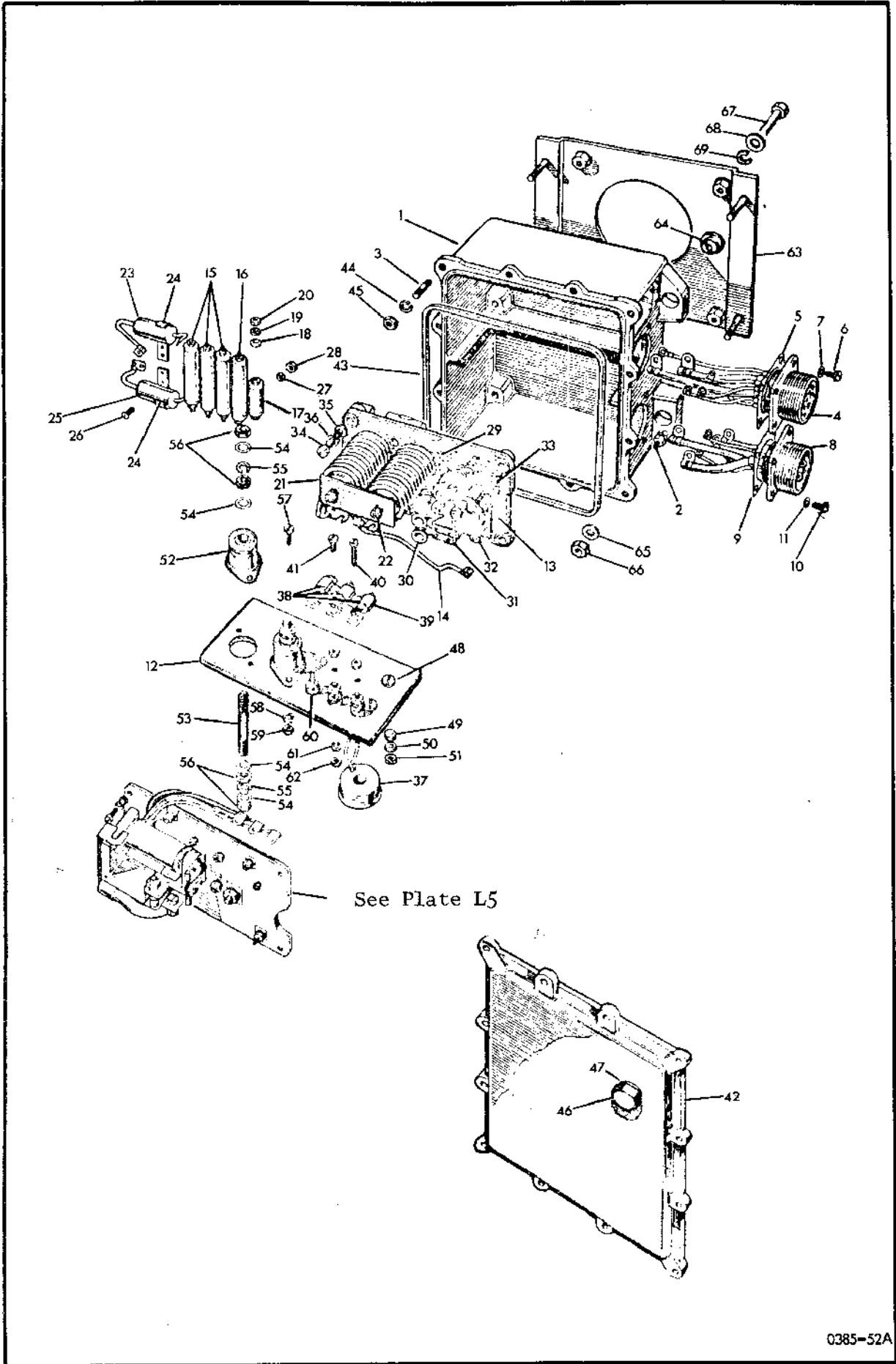
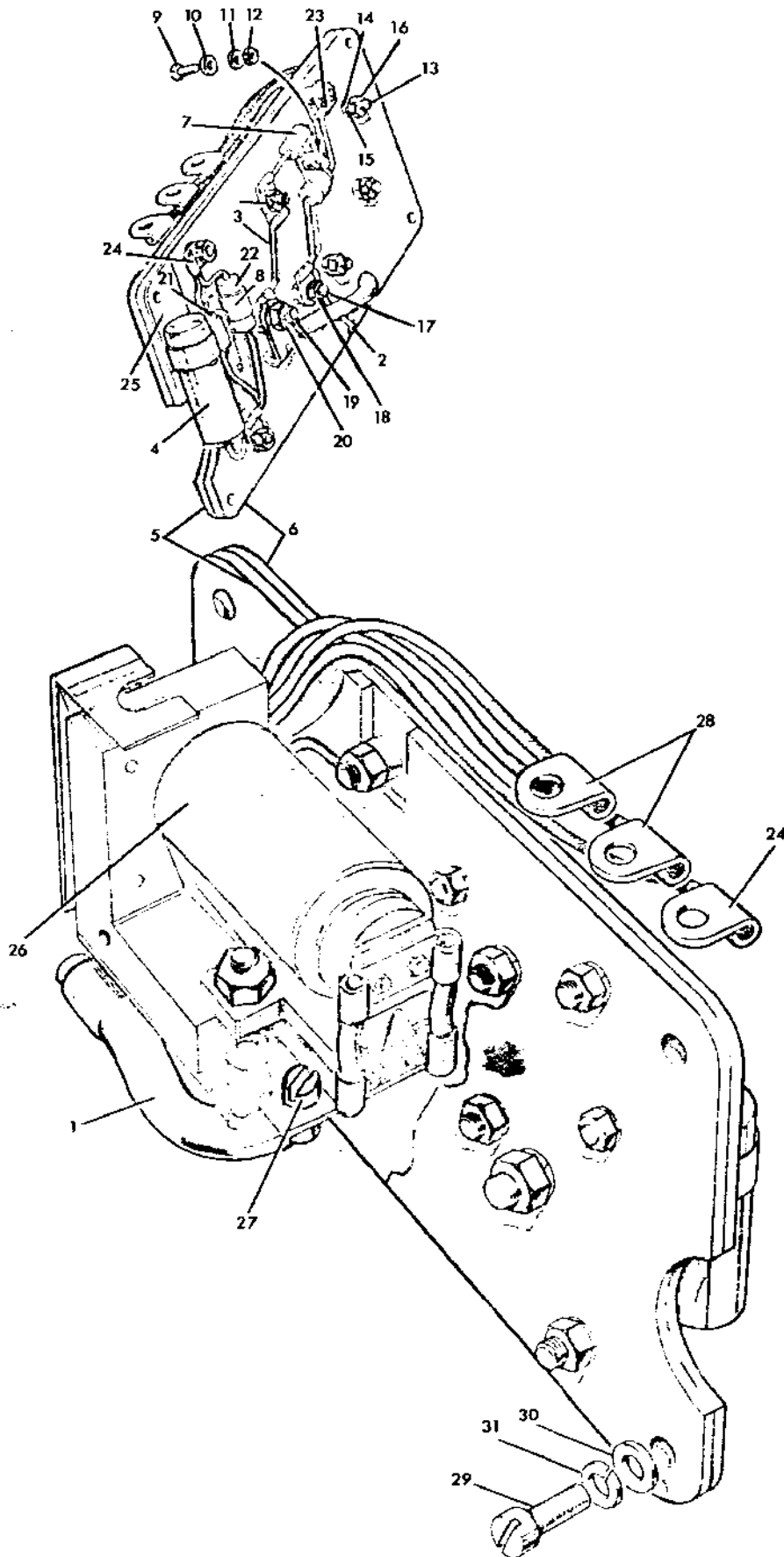


FIG ITEM	MAN CODE	NATO STOCK NUMBER/ CATALOGUE NUMBER	ITEM NAME AND DESCRIPTION	PART NO./ DRAWING NO./ ADREFNO	NO. OFF	ANNOTATIONS
L4			ELECTRICAL EQUIPMENT - contd			
49	Z2	5310-99-944-0547	..PANEL, GENERATOR - contd			
50	G1	5310-99-124-3091	..WASHER, LOCK, steel, cadmium plated, 3/16 in.		8	
51	Z2	5310-99-912-9527	..NUT, PLAIN, HEXAGON, BA, brass, tin plated, No.2		8	
52	LV6MT4	5910-99-805-6351	..CAPACITOR, FIXED, METALLIZED PAPER, DIELECTRIC, 0.5 uF	5915-45	2	
53	LV6MT4	5307-99-136-8955	..STUD, PLAIN, brass, tin plated, OBA thd x 2-3/8 in. lg	FV546131	1	
54	Z2	5310-99-945-3987	..Washer, flat, brass, tin plated, 1/4 in.		4	
55	G1	5310-99-941-6654	..WASHER, LOCK, steel, 1/4 in.		4	
56	G1	5310-99-944-2240	..NUT, PLAIN, HEXAGON, BA, brass, No.0		8	
57	G1	5305-99-121-1719	..SCREW, MACHINE, BA, brass, No.2 x 1/2 in. lg		4	
58	Z2	5310-99-944-0547	..WASHER, LOCK, steel, cadmium plated, 13/64 in.		4	
59	Z2	5310-99-912-9527	..NUT, PLAIN, HEXAGON, BA, brass, tin plated, No.2		4	
60	LV6MT4	5970-99-808-5414	..INSULATOR, BUSHING, glass laminated, 1/2 in. od x 9/16 in. lg	FV510862	6	
+	Z2	5310-99-915-7972	..WASHER, FLAT, steel, cadmium plated, 3/16 in.		6	
61	Z2	5310-99-944-0547	..WASHER, LOCK, steel, cadmium plated, single coil, 3/16 in.		9	
62	Z2	5310-99-945-1992	..NUT, PLAIN, HEXAGON, UNF, brass, tin plated, No.10		9	
+	LV6MT4	5940-99-801-7493	..TERMINAL. LUG, brass, tin plated, BA, No.2	5459-228A	2	Choke bobbin leads
+	G1	5305-99-122-5359	..SCREW, MACHINE, SI, metric, steel, hex hd, 6 mm x 12 mm lg		2	
+	G1	5310-99-944-0548	..WASHER, LOCK, steel, cadmium plated, single coil, 1/4 in.		2	
63	LV7RU	2590-99-874-0680	..MOUNTING BRACKET, GENERATOR PANEL	337759	1	
64	LV7RU	5340-99-874-1853	..BUSH, MOUNTING	545145	4	
65	G1	5310-99-941-8921	..WASHER, FLAT, steel, cadmium plated, 1/4 in.		4	
66	G1	5310-99-941-0924	..NUT, PLAIN, HEXAGON, UNF, steel, zinc coated, 1/4 in.		4	
67	G1	5310-99-941-0512	..SCREW, MACHINE, UNF, steel, zinc coated, 1/4 in. x 5/8 in. lg		4	
68	G1	5310-99-941-7072	..WASHER, FLAT, steel, cadmium plated, 1/4 in.		4	
69	G1	5310-99-941-6654	..WASHER, LOCK, steel, 1/4 in.		4	

L 5

CUT-OUT RELAY

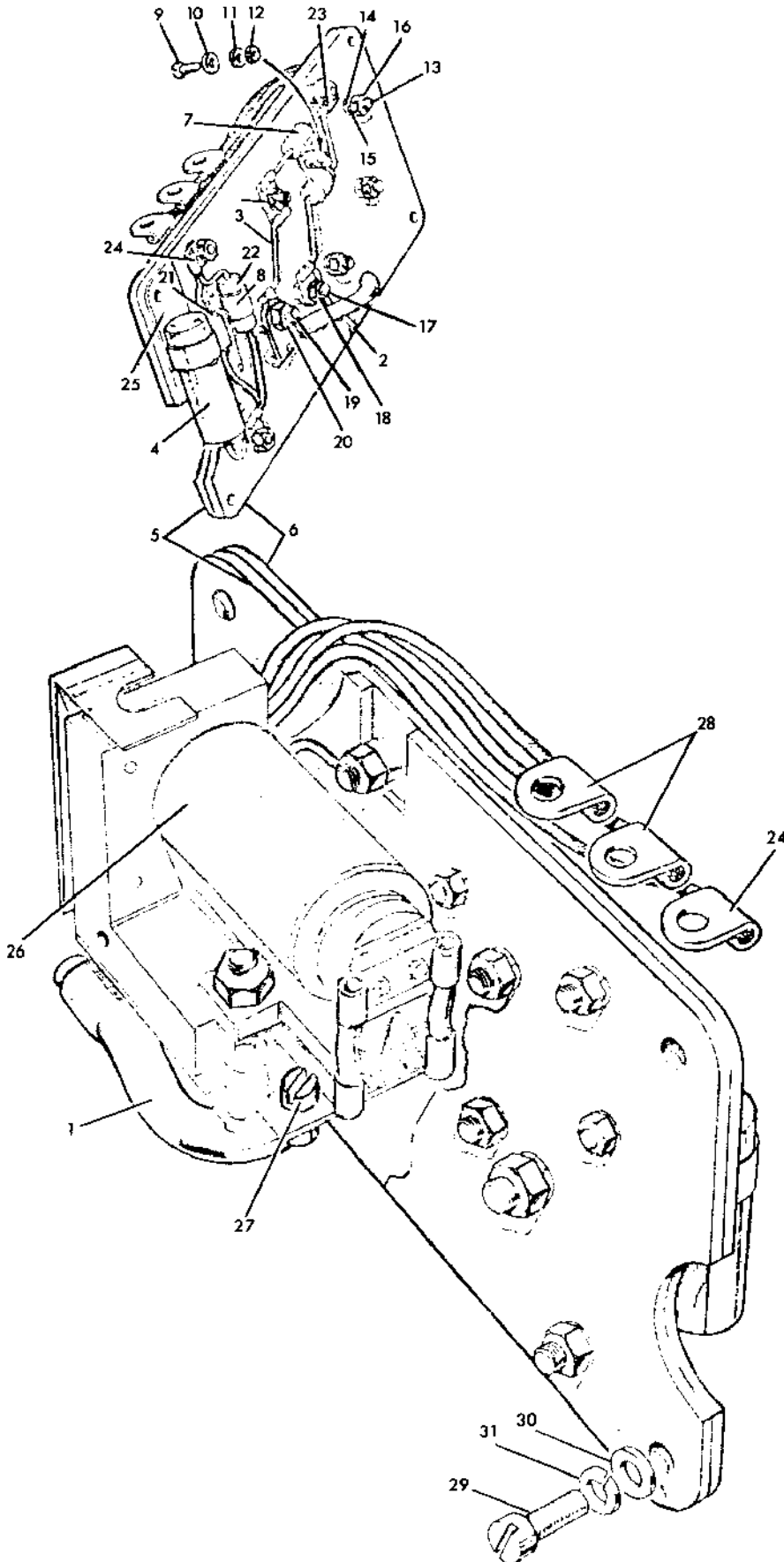


0385 - 43 A

FIG ITEM	MAN CODE	NATO STOCK NUMBER/ CATALOGUE NUMBER	ITEM NAME AND DESCRIPTION	PART NO./ DRAWING NO./ ADREFNO	NO. OFF	ANNOTATIONS
15			ELECTRICAL EQUIPMENT - contd			
1-27	LV6MT4	2920-99-806-6743	.PANEL, GENERATOR - contd			
1		NP	...CUT-OUT RELAY	FV580507	1	
+	Y3	6145-99-945-5074	...LEAD, ELECTRICAL	FV580508	1	
+	LV6MT4	5940-99-881-3028CABLE, ELECTRICAL		AR	
		TERMINAL. LUG, brass, tin plated, BA, No.2	5459-208F	1	
2		NP	...LEAD, ELECTRICAL	FV580556-1	1	
+	Y3	6145-99-100-4628CABLE, ELECTRICAL		AR	
+	LV6MT4	5940-99-881-3018TERMINAL. LUG, brass, tin plated, BA, No.2	5393A-17	1	
+	LV6MT4	5940-99-881-3019TERMINAL. LUG, brass, tin plated, BA, No.2	5393A-17C	1	
3		NP	...LEAD, ELECTRICAL	FV580556-2	1	
+	Y3	6145-99-100-4628CABLE. ELECTRICAL		AR	
+	LV6MT4	5940-99-881-3018TERMINAL. LUG, brass, tin plated, BA, No.2	5393A-17	1	
+	LV6MT4	5940-99-881-3019TERMINAL. LUG, brass, tin plated, BA, No.2	5393A-17C	1	
4		NP	...CAPACITOR ASSEMBLY	FV580925	1	
+	LV6MT4	5910-99-881-3024CAPACITOR, FIXED, METALLIZED PAPER, DIELECTRIC	Z6090-18	1	
+	LV6MT4	5940-99-881-3018TERMINAL, LUG, brass, tin plated, BA, No.2	5393A-17	1	
9	Z2	5305-99-941-2313	...SCREW, MACHINE, UNC, steel, cadmium plated, No.6 x 1/2 in. lg		2	
10	Z2	5310-99-941-8570	...WASHER, FLAT, steel, zinc coated 5/32 in.		2	
11	Z2	5310-99-100-6553	...WASHER, LOCK, steel, cadmium plated, 5/32 in.		2	
12	G1	5310-99-941-2406	...NUT, PLAIN, HEXAGON, UNC, steel, zinc coated, No.6		2	
14	Z2	5310-99-941-8554	...WASHER, FLAT, BA, No.2		3	
15	Z2	5310-99-944-0547	...WASHER, LOCK, steel, cadmium plated, BA, No.2		3	
16	Z2	5310-99-101-2385	...NUT, PLAIN, HEXAGON, BA, steel, tin plated, No.2		3	
18	Z2	5310-99-912-9527	...NUT, PLAIN, HEXAGON, BA, brass, tin plated, No.2		5	
+	Z2	5310-99-941-8554	...WASHER, FLAT, steel, BA, No.2		5	
+	Z2	5310-99-944-0547	...WASHER, LOCK, steel, cadmium plated, BA, No.2		5	
+	G1	5310-99-941-8567	...WASHER, FLAT, steel, 1/4 in.		1	
+	G1	5310-99-944-0548	...WASHER, LOCK, steel, cadmium plated, single coil, 1/4 in.		1	
20	G1	5310-99-941-8898	...NUT, PLAIN, HEXAGON, UNF, brass, tin plated, 1/4 in.		1	
+	LV6MT4	2920-99-881-8218	...RELAY, BCK 102 type	FV580507-22	1	
21	LV6MT4	5961-99-831-8839	...RECTIFIER, DIODE	P-NB3344	3	
22	Z2	5905-99-011-7886	...RESISTOR, FIXED, WIRE WOUND, 240 ohms		1	
23	LV6MT4	5940-99-881-3018	...TERMINAL, LUG, brass, tin plated, BA, No.7	5393A-17	5	
24	LV6MT4	5940-99-881-3019	...TERMINAL .LUG, brass, tin plated, BA, No.2	5393A-17C	3	
25	LV6MT4	2920-99-821-0296	...BRACKET, capacitor	FV580928	1	
27	G1	5305-99-121-1719	...SCREW, MACHINE, BA, brass, No.2 x 1/2 in. lg		1	
+	Z2	5305-99-941-2336	..SCREW, MACHINE, UNF, steel, cadmium plated, fillister hd, No.10 x 5/8 in. lg		4	
30	Z2	5310-99-915-7972	..WASHER, FLAT, steel, cadmium plated, 3/16 in.		4	

L 5

CUT-OUT RELAY



0385 - 43 A

FIG ITEM	MAN CODE	NATO STOCK NUMBER/ CATALOGUE NUMBER	ITEM NAME AND DESCRIPTION	PART NO./ DRAWING NO./ ADREFNO	NO. OFF	ANNOTATIONS
L5			ELECTRICAL EQUIPMENT - contd			
31	Z2	5310-99-944-5047	.PANEL, GENERATOR - contd ..WASHER, LOCK, steel, cadmium plated, 3/16 in.		4	
+	G1	5306-99-122-8099	.BOLT, MACHINE, SI, metric, steel, 6 mm x 35 mm lg		4	
+	LV7RU	5340-99-374-1853	.BUSHING, RUBBER	545145	8	
+	G1	5310-99-134-1989	.WASHER, FLAT, steel, 6 mm		4	
+	G1	5310-99-122-5295	.NUT, PLAIN, HEXAGON, SI, metric, steel, 6 mm		4	
+	LV6MT4	2590-99-820-7561	.LEAD, ELECTRICAL	54952865	1	Bonding lead
+	G1	5305-99-122-5365	.SCREW, MACHINE, SI, metric, steel, 8 mm x 16 mm lg		1	
+	G1	5310-99-135-9302	.WASHER, LOCK, steel, 8 mm		1	
+	LV7RU	5310-99-137-6774	.WASHER, FLAT, steel, 8 mm	850847	1	
+	G1	5310-99-122-5296	.NUT, PLAIN, HEXAGON, SI, metric, steel, 8 mm		1	
+	Z32	5920-99-222-2369	.FUSE LINK, CARTRIDGE, 150A, 150V, 11/16 in. dia x 5/32 in. lg	GS150-150	2	
+	Z42	5961-99-037-4157	.SEMI CONDUCTOR DEVISE, DIODE, CV8870	FV510819	1	

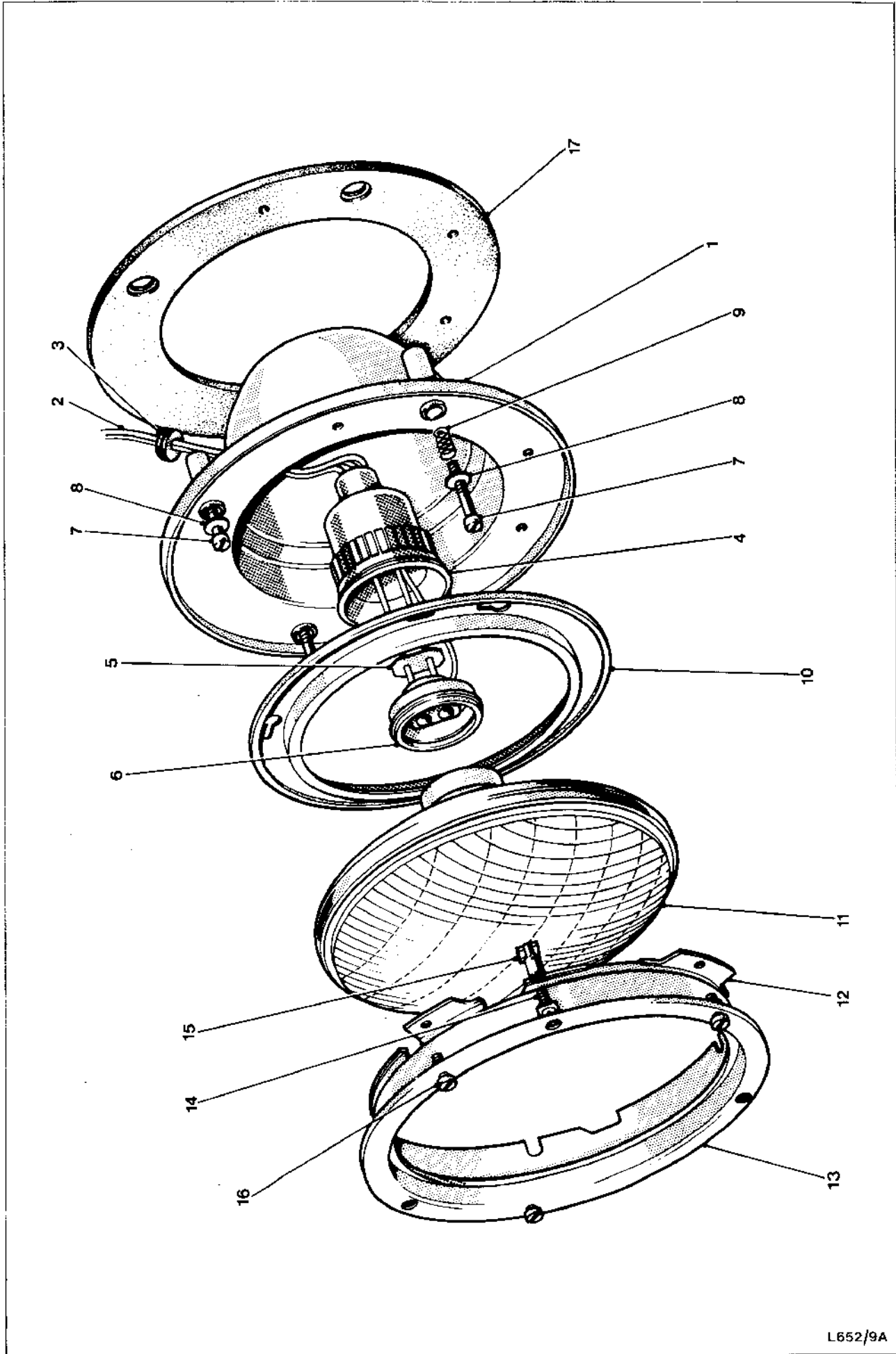
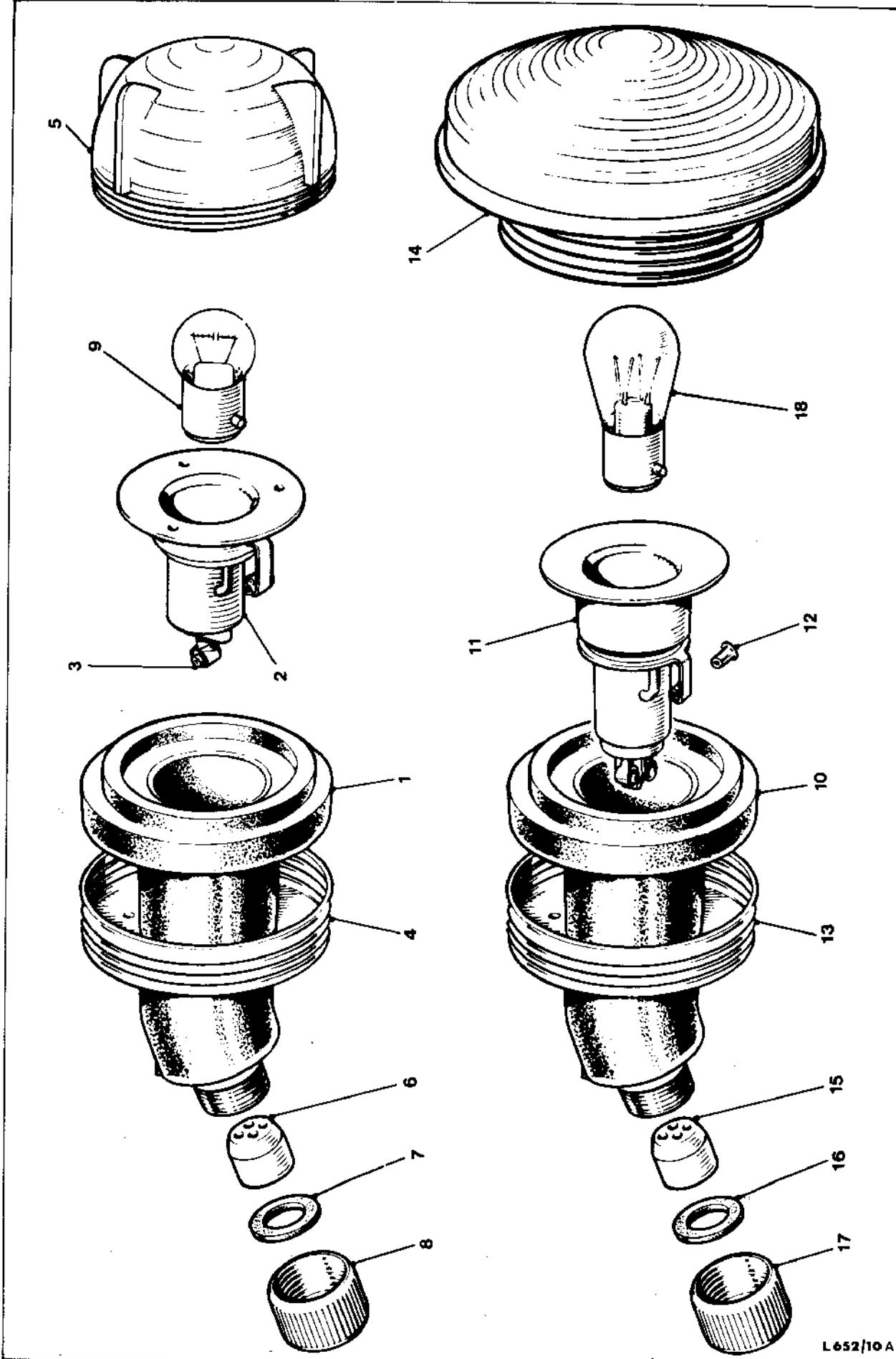


FIG ITEM	MAN CODE	NATO STOCK NUMBER/ CATALOGUE NUMBER	ITEM NAME AND DESCRIPTION	PART NO./ DRAWING NO./ ADREFNO	NO. OFF	ANNOTATIONS
L6			ELECTRICAL EQUIPMENT - contd			
1-16	LV6MT3	6220-99-910-9188	.HEADLIGHT ASSEMBLY, No.3, MK1	FV15791	2	
2-6	LV6MT3	6220-99-910-9189	..ADAPTOR, ASSEMBLY, HEADLIGHT	860629	2	
4	LV6MT3	6220-99-803-3670	...BOOT, DUST AND MOISTURE SEAL	554350	2	
7,8	LV6MT3	5305-99-910-9197	..SCREW, ASSEMBLED WASHER, BA, steel, No.2 x 5/16 in. lg	554288	6	
8	LV6MT3	6220-99-910-9200	...WASHER, CUPPED	552818	6	
9	LV6MT3	6220-99-910-9199	..SPRING, REFLECTOR ADJUSTING	552813	6	
10	LV6MT3	6220-99-803-3271	..RIM, SEATING	554871	2	
11	LV6MT3	6220-99-910-9185	..LIGHT UNIT, HEADLIGHT	554430	2	
13	LV6MT3	6220-99-910-9194	..RIM ASSEMBLY	554345	2	
16	Z2	5305-99-910-9198	..SCREW, MACHINE, BA, steel, No.3 x 7/16 in. lg		6	
17	LV6MT3	6220-99-803-3527	.GASKET: headlamp to body	555297	2	
+	X5	6240-99-996-4867	.LAMP, FILAMENT, 12V, 38/44W, BPF, clear		2	
+	X5	6240-99-995-4508	.LAMP, FILAMENT, 24V, 50/55W, BPF, clear		2	
+	G1	5305-99-135-0429	.SCREW, MACHINE, SI, metric, steel, pan hd, 5 mm x 12 mm lg		6)
+	G1	5310-99-135-9300	.WASHER, LOCK, steel, single coil, 5 mm		6)Headlamp)securing
+	G1	5310-99-122-5294	.NUT, PLAIN, HEXAGON, SI, metric, 5 mm		6)

L7

SIDE, STOP AND TAILLIGHT



L652/10A

FIG ITEM	MAN CODE	NATO STOCK NUMBER/ CATALOGUE NUMBER	ITEM NAME AND DESCRIPTION	PART NO./ DRAWING NO./ ADREFNO	NO. OFF	ANNOTATIONS
L7			ELECTRICAL EQUIPMENT - contd			
1-8	LV6MT3	6220-99-820-3051	.SIDELIGHT, No.3, MK5	FV760663	2	
2	LV6MT3	6250-99-824-5092	..LAMPHOLDER	54581417	2	
+	LV6MT3	6220-99-803-3158	...PLUNGER, LAMPHOLDER	552103	2	
3	LV6MT3	5940-99-803-1956	..FERRULE, ELECTRICAL CONDUCTOR, brass, 1/4 in. od x 3/8 in. lg	555910	4	
4	LV6MT3	6220-99-408-2494	..BASE, LIGHT	576207	2	
5	LV6MT3	6220-99-803-3486	..LENS, SIDELIGHT	576205	2	
6	LV6MT4	5340-99-881-2217	..BUSHING, RUBBER, 19/32 in. od x 7/16 in. lg	54931752	2	
(X5	6240-99-995-2245	.LAMP, FILAMENT, 12V, 6W, SCC, clear		2	
9(X5	6240-99-995-2253	.LAMP, FILAMENT, 24V, 6W, SCC, clear		2	
(
10-17	LV6MT3	6220-99-823-9793	.TAILLIGHT - STOPLIGHT	FV760732	2	
10	LV6MT4	6220-99-408-2491	..BODY, LIGHT	576203	2	
13	LV6MT3	6220-99-408-2494	..BASE, LIGHT	576207	2	
14	LV6MT3	6220-99-824-7089	..LENS, TAILLIGHT - STOPLIGHT	FV783863	2	
15	LV6MT3	6220-99-821-5663	..SEALING CONE, 19/32 in. od x 3/8 in. lg	FV694928	2	
16	LV6MT1	5310-99-805-6455	..WASHER, FLAT, brass, 5/8 in. od x 7/16 in. id x 1/16 in. thk	860774	2	
17	LV6MT3	6310-99-882-0198	..NUT, COUPLING	54931028	2	
18(X5	6240-99-995-3267	.LAMP, FILAMENT, 12V, 6/21W, SBC, off-set pin, clear		2	
(X5	6240-99-995-3296	.LAMP, FILAMENT, 24V, 7/30W, SBC, off-set pin, clear		2	
(
+	LV7RU	6220-99-774-7173	.LIGHT, REGISTRATION PLATE, 24V	AEU1652	1	
+	LV6MT3	6220-99-760-4216	.LIGHT, REGISTRATION PLATE, 12V	90575150	1	
+	LV6MT3	6220-99-835-0444	.LIGHT, FOG, rear; w/o bulb	57334	2	
+	LV6MT3	6220-99-838-3613	.LENS ASSEMBLY	FV798087	1	
+	X5	6240-99-995-2902	.LAMP, FILAMENT, 24V, 21W	241	AR	
+	LV7RU	5930-99-838-0757	.SWITCH, PUSH-PULL	PRC2888	1)u/w rear
+	LV7RU	6220-99-774-7175	.LIGHT, INDICATOR, warning	PRC2953	1)fog light
+	LV7RU GMT4	5930-99-835-4312 5930 99 822 2276	.SWITCH, ASSEMBLY, turnlight, headlight dip, headlight flash and horn	1045 REQ PRC2397	1	
+	LV7RU	5930-99-838-5609	.SWITCH, CHOKE	FAM8881	1	
+	LV6MT8	5905-99-825-4648	.RESISTOR, BALLAST	47222A/S	1	

FRONT AND REAR TURNLIGHTS

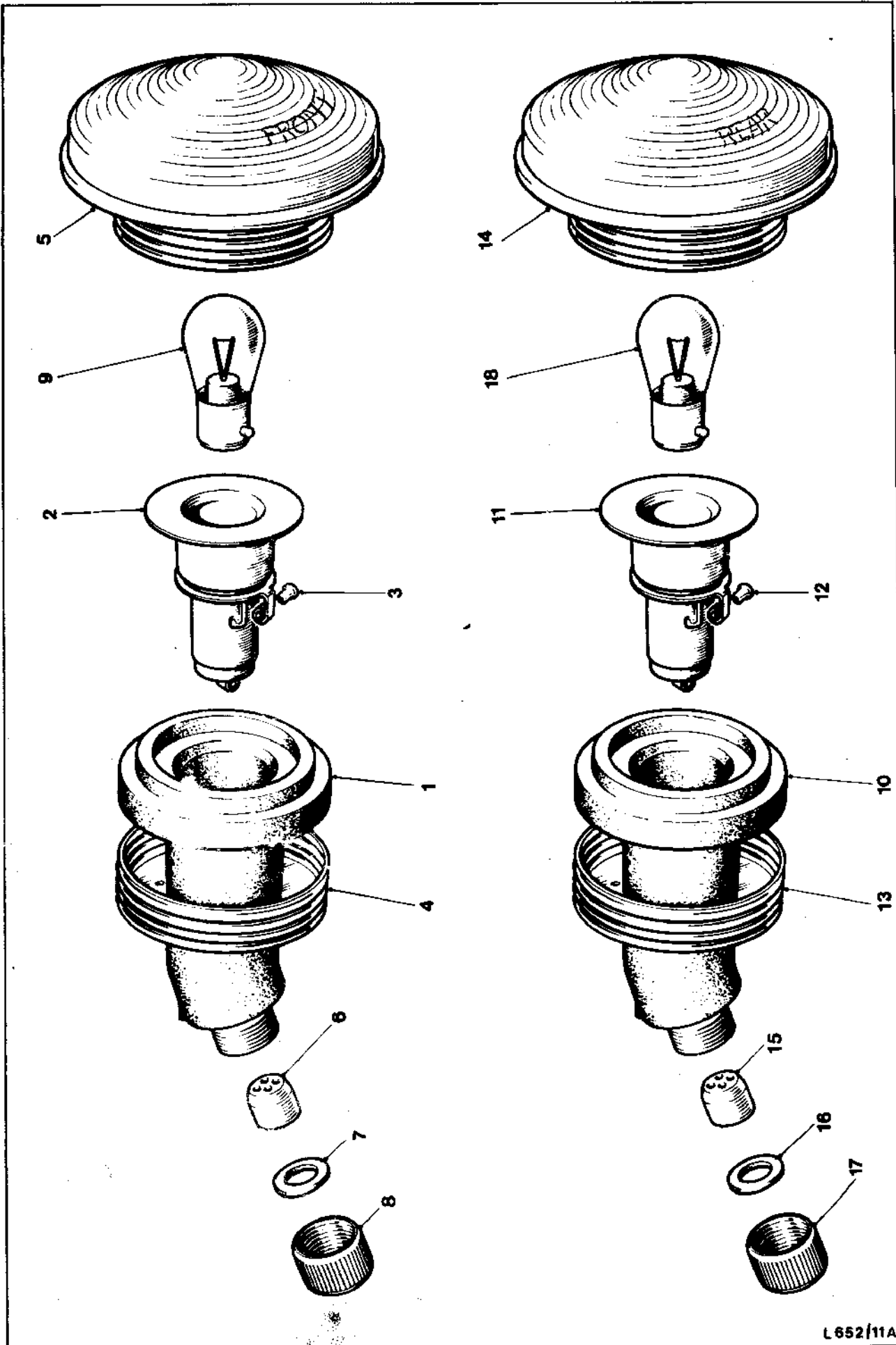


FIG ITEM	MAN CODE	NATO STOCK NUMBER/ CATALOGUE NUMBER	ITEM NAME AND DESCRIPTION	PART NO./ DRAWING NO./ ADREFNO	NO. OFF	ANNOTATIONS
L8			ELECTRICAL EQUIPMENT - contd			
1-8	LV6MT3	6220-99-823-9795	.TURNLIGHT, No.3, MK5: front	FV760734	2	
1	LV6MT4	6220-99-408-2491	..BODY, LIGHT	576203	2	
4	LV6MT3	6220-99-408-2494	..BASE, LIGHT	576207	2	
5	LV6MT3	6220-99-823-9796	..LENS, TURNLIGHT	FV783861	2	
6	LV6MT3	6220-99-821-5663	..SEALING CONE, 17/32 in. od x 3/8 in. lg	FV694928	2	
7	LV6MT1	5310-99-805-6455	..WASHER, FLAT, brass, 5/8 in. od x 7/16 in. id x 1/16 in. thk	860774	2	
8	LV6MT3	5310-99-882-0198	..NUT, COUPLING	54931028	2	
(X5	6240-99-995-3281	.LAMP, FILAMENT, 12V, 21W, SCC, clear		2	
9(X5	6240-99-995-3244	.LAMP, FILAMENT, 24V, 24W, SCC, clear		2	
(
10-17	LV6MT3	6220-99-823-9794	.TURNLIGHT, No.3, MK4: rear	FV760733	2	
10	LV6MT4	6220-99-408-2491	..BODY, LIGHT	576203	2	
13	LV6MT3	6220-99-408-2494	..BASE, LIGHT	576207	2	
14	LV6MT3	6220-99-823-9797	..LENS, TURNLIGHT	FV783862	2	
15	LV6MT3	6220-99-821-5663	..SEALING CONE, 17/32 in. od x 3/8 in. lg	FV694928	2	
16	LV6MT1	5310-99-805-6455	..WASHER, FLAT, brass, 5/8 in. od x 7/16 in. id x 1/16 in. thk	860774	2	
17	LV6MT3	5310-99-882-0198	..NUT, COUPLING	54931028	2	
18(X5	6240-99-995-3281	.LAMP, FILAMENT, 12V, 21W, SCC, clear		2	
(X5	6240-99-995-3244	.LAMP, FILAMENT, 24V, 24W, SCC, clear		2	
(
+	LV6MT3	6220-99-803-2620	.LIGHT PANEL, No.1, MK1	FV14933	1)
+	X5	6240-99-995-3262	.LAMP, FILAMENT, 14V, 7W, SCC, clear: 12V system		1)Convoy)light
+	X5	6240-99-995-2236	.LAMP, FILAMENT, 26V, 7W, SCC, clear: 24V system		1))
+	Z2	6240-99-901-6561	.SCREW, MACHINE, BA, steel, flat fillister hd, No.4 x 15/16 in. lg		3	Convoy light securing
+	LV6MT2	6220-99-810-9628	.LIGHT, REGISTRATION PLATE —	53876	1)12V
+	X5	6240-99-995-3248	..LAMP, FILAMENT, 12V, 6W, MCC, clear		1)system
+	LV6MT3	6220-99-201-9093	.LIGHT, REGISTRATION PLATE	53837	1)24V
+	X5	6240-99-995-4230	..LAMP, FILAMENT, 24V, 6W, MCC, clear		1)system)
+	LV6MT3	9905-99-824-7090	.REFLECTOR, INDICATING CLEARANCE	589877	2	
+	G1	5310-99-135-9298	.WASHER, LOCK, steel, single coil, 3 mm		4	
+	LV6MT3	9905-99-942-6893	.REFLECTOR, INDICATING CLEARANCE, red plastics, 4-1/2 in. dia: 3 mtg holes	FV159900	2	
+	G1	5305-99-135-0430	.SCREW, MACHINE, SI, metric, steel, pan hd, 5 mm x 16 mm lg		6	
+	LV7RU	5310-99-137-6773	.WASHER, FLAT, steel, 5 mm	851217	6	
+	G1	5310-99-122-5294	.NUT, PLAIN, HEXAGON, SI, metric, steel, 5 mm		6	

FIG ITEM	MAN CODE	NATO STOCK NUMBER/ CATALOGUE NUMBER	ITEM NAME AND DESCRIPTION	PART NO./ DRAWING NO./ ADREFNO	NO. OFF	ANNOTATIONS
+	LV7RU	2590-99-824-6230	ELECTRICAL EQUIPMENT - contd ..CABLES AND FITTINGS - ..WIRING HARNESS, BRANCHED: engine	623123	1	RHD
+	LV7RU	2590-99-824-6226	..WIRING HARNESS, BRANCHED: engine	623122	1	LHD
+	LV7RU	2590-99-827-9599	..WIRING HARNESS, BRANCHED: wiper, washer indicator and heater	PRC0005	1	RHD
+	LV7RU	2590-99-828-0700	..WIRING HARNESS, BRANCHED: wiper, washer indicator and heater	PRC0006	1	LHD
+	LV7RU	2590-99-828-0701	..WIRING HARNESS, BRANCHED: instrument panel	PRC1417	1	
+	LV7RU	2590-99-824-5075	..WIRING HARNESS: side member	589329	1	
+	LV6MT4	5340-99-805-0923	..CLAMP, LOOP, steel, 3/8 in. id	187052	4	
+	G1	5305-99-135-0429	..SCREW, MACHINE, SI, metric, steel, pan hd, 5 mm x 12 mm lg		4	
+	LV7RU	5310-99-137-6773	..WASHER, FLAT, steel, 5 mm	851217	4	
+	G1	5310-99-122-5294	..NUT, PLAIN, HEXAGON, SI, metric, steel, 5 mm		4	
+	LV7RU	2920-99-824-5082	..WIRING HARNESS: engine to fuel tank and pump	589550	1	
+	LV7RU	2920-99-824-5089	..WIRING HARNESS: shunt box to generator panel	589331	1	24V, RHD
+	LV7RU	2920-99-824-5090	..WIRING HARNESS: shunt box to generator panel	589503	1	24V, LHD
+	LV7RU	6140-99-825-4277	..LEAD, SECONDARY BATTERY: earth lead	PRC1154	1	
+	LV6MT4	5940-99-822-3024	..TERMINAL. LUG, soldered connection, 13/32 in. dia hole	54953918	1	
+	LV6MT4	5940-99-805-1311	..TERMINAL. LUG, solderless connection		1	
+	LV6MT4	5325-99-804-8116	..GROMMET, RUBBER	531587	1	
+	LV6MT4	5940-99-805-3609	..TERMINAL: battery neg	860339	1	
+	LV6MT4	5306-99-805-0896	...BOLT, MACHINE, BSW, brass, sq hd, 5/16 in. x 1-1/4 in. lg	24188063	1	
+	LV6MT4	5310-99-813-6252	...NUT, PLAIN, HEXAGON, BSW, steel, lead finish, 5/16 in.	53102296	1	
+	LV7RU	6140-99-824-4940	..LEAD, SECONDARY BATTERY, single core, 12V system	54131066	1	
+	LV7RU	6140-99-824-4941	..LEAD, SECONDARY BATTERY, single core, 12V system	589506	1	RHD)
+	LV6MT4	5306-99-805-0896	...BOLT, MACHINE, BSW, brass, sq hd, 5/16 in. x 1-1/4 in. lg	589507	1	LHD) Batt-
+	LV6MT4	5310-99-813-6252	...NUT, PLAIN, HEXAGON, BSW, steel, lead finish, 5/16 in.	54102296	1	ery
+	LV7RU	6140-99-824-5077	..LEAD, SECONDARY BATTERY, single core, 1960 mm lg, 24V system	54131066	1) to
+	LV7RU	6140-99-824-5079	..LEAD, SECONDARY BATTERY, single core, 920 mm lg, 24V system	589809	1) solen-
+	Y3	6145-99-015-1827	...CABLE, VEHICLE, ELECTRICAL, PVC, insulated, 37.20 SWG	589810	1) oid
+	LV6MT4	5940-99-824-5078	...TERMINAL. LUG		AR	
+	H9	5325-99-804-8116	...GROMMET, RUBBER	54953919	2	
+	LV6MT4	6140-99-820-8148	..LEAD, SECONDARY BATTERY: two battery link	860339	1	
				54953334	1) 24V only

FIG ITEM	MAN CODE	NATO STOCK NUMBER/ CATALOGUE NUMBER	ITEM NAME AND DESCRIPTION	PART NO./ DRAWING NO./ ADREFNO	NO. OFF	ANNOTATIONS
			ELECTRICAL EQUIPMENT - contd			
			.CABLES AND FITTINGS - contd			
+	LV7RU	6140-99-824-5080	..LEAD, SECONDARY BATTERY: battery to shunt box	589543	1)
+	LV7RU	2920-99-824-5081	..CABLE ASSEMBLY, SPECIAL PURPOSE, ELECTRICAL: battery box to shunt box; c/w radio plug	623127	1)
+	LV7RU	2590-99-824-5085	..CABLE ASSEMBLY, SPECIAL PURPOSE, ELECTRICAL: shunt box to ammeters	589316	1)
+	LV6MT4	2590-99-829-9762	..CABLE, EARTH: shunt box to generator	589643	2)24V only
+	LV7RU	2590-99-824-5086	..CABLE ASSEMBLY, SPECIAL PURPOSE, ELECTRICAL, 400 mm lg: generator to panel	589315	1)
+	LV6MT4	2590-99-805-2425	..LEAD, ELECTRICAL, 3/8 in. dia hole both ends, 10-3/4 in. lg: coil to filter and exhaust to chassis	54952840	2)
+	LV6MT4	2590-99-829-9761	..LEAD: starter motor to earth	589471	1	12V only
+	G1	5305-99-122-5365	..SCREW, MACHIN, SI, metric, steel, hex hd, 8 mm x 16 mm lg		1	
+	G1	5305-99-135-9302	..WASHER, LOCK, steel, 8 mm		1	
+	LV7RU	5310-99-137-6774	..WASHER, FLAT, steel, 8 mm	850847	1	
+	G1	5310-99-122-5296	..NUT, PLAIN, HEXAGON, SI, metric, steel, 8 mm		1	
+	LV7RU	2590-99-824-5083	..CABLE ASSEMBLY, SPECIAL PURPOSE, ELECTRICAL, 200 mm lg; c/w pin & socket	589333	1	
+	LV6MT4	5935-99-802-4397	..COVER, ELECTRICAL, PLUG-SOCKET	FV596885	1	
+	LV7RU	5306-99-137-7450	..BOLT, MACHINE, SI, metric, steel, 6 mm x 120 mm lg	589495	4	
+	G1	5310-99-122-3033	..WASHER, FLAT, steel, 6 mm		4	
+	G1	5310-99-135-9301	..WASHER, LOCK, steel, 6 mm		4	
+	G1	5310-99-122-5295	..NUT, PLAIN, HEXAGON, SI, metric, steel, 6 mm		4	
+	LV7RU	2590-99-824-5084	..COVER, TERMINAL	589460	1	
+	LV7RU	5310-99-137-6773	..WASHER, FLAT	851217	2	
+	G1	5305-99-135-2354	..SCREW, TAPPING, THREAD FORMING, steel, pan hd, No.6 x 3/8 in. lg		2	
+	LV6MT4	5325-99-804-8116	..GROMMET, RUBBER	860339	1	Terminal cover
+	LV6MT4	2590-99-829-9763	..WIRING HARNESS: number plate light	579311	1	
+	LV7RU	2590-99-829-8746	..LEAD, ELECTRICAL: bonding lead to tailpipe	551232	1	24V
+	LV7RU	2920-99-829-8956	..LEAD, ELECTRICAL: fuse box to solenoid, 44/0.012 in. cable x 2600 mm lg	589807	1	RHD
+	LV7RU	2590-99-829-7573	..LEAD, ELECTRICAL: fuse box to solenoid, 44/0.012 in. cable x 3500 mm lg	589808	1	LHD
+	LV7RU	2920-99-829-9843	..WIRING HARNESS: charging, 3 conductors, 2300 mm lg	623125	1	
+	LV7RU	2920-99-829-9845	..WIRING HARNESS: switch to blower motor, 2 conductors, 730 mm lg	623287	1	
+	LV7RU	2920-99-829-9846	..LEAD ASSEMBLY, ELECTRICAL: blower motor to earth, 2 conductors, 330 mm lg	623288	1	

FIG ITEM	MAN CODE	NATO STOCK NUMBER/ CATALOGUE NUMBER	ITEM NAME AND DESCRIPTION	PART NO./ DRAWING NO./ ADREFNO	NO. OFF	ANNOTATIONS
+	LV7RU	2920-99-829-9847	ELECTRICAL EQUIPMENT - contd ..CABLES AND FITTINGS - contd ..LEAD, ELECTRICAL: dropper unit link, 14/0.01 in. cable x 100 mm lg	589577	1	
+	G1	5305-99-135-0429	..SCREW, MACHINE, SI, metric, steel, pan hd, 5 mm x 12 mm lg		1)Earth
+	LV7RU	5310-99-137-6773	..WASHER, FLAT, steel, 5 mm	85127	2)cable
+	G1	5310-99-122-5294	..NUT, PLAIN, HEXAGON, SI, metric, steel, 5 mm		1)to)battery)case
+	G1	5305-99-941-0697	..SCREW, MACHINE, SI, metric, steel, 8 mm x 16 mm lg		1)Earth
+	G1	5310-99-135-9302	..WASHER, LOCK, steel, single coil, 8 mm		1)cable to)chassis)frame
+	G1	5310-99-122-5296	..NUT, PLAIN, HEXAGON, SI, metric, steel, 8 mm		1)
+	LV6MT4	5340-99-820-5371	..CABLE TIE, plastics, 0.07 in. thk x 3/16 in. w x 5-15/16 in. lg	60150079	3	Leads to fuel pipe
+	LV6MT4	5330-99-805-0923	..CLAMP, LOOP, steel	187052	1)
+	LV7RU	5310-99-137-6773	..WASHER, FLAT, steel, 5 mm	851217	1)rear
+	G1	5305-99-120-1708	..SCREW, TAPPING, THREAD FORMING, steel, round hd, No.8 x 3/4 in. lg		1)cross-)member)
+	LV6MT4	5340-99-828-4174	..CLAMP, LOOP, 1/2 in. id	56666	6)Clips to
+	G1	5305-99-135-0430	..SCREW, MACHINE, SI, metric, steel, pan hd, 5 mm x 16 mm lg		6)wing
+	LV7RU	5310-99-137-6773	..WASHER, FLAT, steel, 5 mm	851217	6)tunnel
+	G1	5310-99-122-5294	..NUT, PLAIN, HEXAGON, SI, metric, steel, 5 mm		6)
+	LV6MT4	5340-99-805-1035	..CLAMP, LOOP, steel, 5/8 in. w x 13/16 in. id x 3/16 in. dia mtg hole	513221	2)
+	G1	5305-99-135-0260	..SCREW, MACHINE, SI, metric, steel, 5 mm x 16 mm lg		2)
+	LV7RU	5310-99-137-6773	..WASHER, FLAT, steel, 5 mm	851217	2)
+	G1	5310-99-122-5294	..NUT, PLAIN, HEXAGON, SI, metric, steel, 5 mm		2)
+	LV6MT4	5340-99-805-0919	..CLAMP, LOOP, 1/2 in. id	56666	3)
+	G1	5305-99-135-0429	..SCREW, MACHINE, SI, metric, steel, pan hd, 5 mm x 12 mm lg		3)
+	G1	5310-99-135-9300	..WASHER, LOCK, steel, 5 mm		3)
+	G1	5310-99-122-5294	..NUT, PLAIN, HEXAGON, SI, metric, steel, 5 mm		3)Clips to
+	LV6MT4	5340-99-805-0923	..CLAMP, LOOP, steel, 3/8 in. id	50639	4)rh
+	G1	5305-99-135-0430	..SCREW, MACHINE, SI, metric, steel, pan hd, 5 mm x 16 mm lg		4)inner)valance
+	G1	5310-99-135-9300	..WASHER, LOCK, steel, 5 mm		4)
+	G1	5310-99-122-5294	..NUT, PLAIN, HEXAGON, SI, metric, steel, 5 mm		4)
+	LV6MT4	5340-99-805-0927	..CLAMP, LOOP, 7/16 in. id	187079	3)Clip to
+	G1	5305-99-122-5283	..SCREW, MACHINE, SI, metric, steel, csk hd, 5 mm x 10 mm lg		3)rear eng-)line cross-
+	LV7RU	5310-99-137-6773	..WASHER, FLAT, steel, 5 mm	851217	3)member

FIG ITEM	MAN CODE	NATO STOCK NUMBER/ CATALOGUE NUMBER	ITEM NAME AND DESCRIPTION	PART NO./ DRAWING NO./ ADREFNO	NO. OFF	ANNOTATIONS
+	G1	5310-99-122-5294	ELECTRICAL EQUIPMENT - contd ..CABLES AND FITTINGS - contd ..NUT, PLAIN, HEXAGON, SI, metric, steel, 5 mm		3)Clip to)rear)engine)cross-)member
+	LV6MT4	5340-99-805-0919	..CLAMP, LOOP, 1/2 in. id	56666	11	
+	G1	5305-99-135-0260	..SCREW, MACHINE, SI, metric, steel, 5 mm x 16 mm lg		7	
+	G1	5305-99-135-0429	..SCREW, MACHINE, SI, metric, steel, 5 mm x 12 mm lg		4	
+	LV7RU	5310-99-137-6773	..WASHER, FLAT, steel, 5 mm	851217	11	
+	G1	5310-99-122-5294	..NUT, PLAIN, HEXAGON, SI, metric, steel, 5 mm		2	
+	LV6MT4	5340-99-805-0911	..CLAMP, LOOP, steel, 1 in. id	4170	1)
+	LV6MT4	5340-99-805-0918	..CLAMP, LOOP, steel, 9/32 in. id	187045	2)
+	G1	5305-99-135-0429	..SCREW, MACHINE, SI, metric, steel, 5 mm x 12 mm lg		2)Headlights
+	LV7RU	5310-99-137-6773	..WASHER, FLAT, steel, 5 mm		2)
+	G1	5310-99-122-5294	..NUT, PLAIN, HEXAGON, SI, metric, steel, 5 mm		2)
+	LV6MT4	5340-99-805-0925	..CLAMP, LOOP, steel, 13/32 in. x 7/8 in. aperture		1)
+	G1	5305-99-135-0260	..SCREW, MACHINE, SI, metric, steel, 5 mm x 16 mm lg		1)
+	LV7RU	5310-99-137-6773	..WASHER, FLAT, steel, 5 mm	851217	1)
+	G1	5310-99-122-5294	..NUT, PLAIN, HEXAGON, SI, metric, steel, 5 mm		1)
+	LV7RU	2590-99-894-1827	..CLIP, CABLE	236366	1)
+	LV7RU	5310-99-137-6773	..WASHER, FLAT, steel, 5 mm	851217	1)
+	G1	5305-99-135-0429	..SCREW, MACHINE, SI, metric, steel, 5 mm x 12 mm lg		1)
+	G1	5310-99-122-5294	..NUT, PLAIN, HEXAGON, SI, metric, steel, 5 mm		1)
+	LV6MT4	5340-99-820-5371	..CABLE TIE, plastics, 0.07 in. thk x 3/16 in. w x 5-15/16 in. lg		1)
+	LV6MT4	5340-99-881-9938	..CLAMP, LOOP, CABLE	240430	12)
+	LV6MT4	5340-99-805-0919	..CLAMP, LOOP, 1/2 in. id	187047	1)
+	G1	5305-99-135-0260	..SCREW, MACHINE, SI, metric, steel, 5 mm x 16 mm lg	56666	2)Ignition)cable)to)side)panel
+	LV7RU	5310-99-137-6773	..WASHER, FLAT, steel, 5 mm		2)
+	G1	5310-99-122-5294	..NUT, PLAIN, HEXAGON, SI, metric, steel, 5 mm		2)
+	LV6MT4	5340-99-805-0911	..CLAMP, LOOP, steel, 1 in. id	187012	2)Clamps to)front
+	G1	5305-99-135-0260	..SCREW, MACHINE, SI, metric, steel, 5 mm x 16 mm lg		3)inner
+	LV7RU	5310-99-137-6773	..WASHER, FLAT, steel, 5 mm	851217	3)valancies
+	G1	5310-99-122-5294	..NUT, PLAIN, HEXAGON, SI, metric, steel, 5 mm		3)
+	LV7RU	2805-99-844-9828	..CLAMP, LOOP, steel, 7/8 in. id	50690	1)
+	LV6MT4	5340-99-828-4174	..CLAMP, LOOP, steel, 1/2 in. id	56666	2)Rh side)electric)box &)rear)cross-)member
+	G1	5305-99-135-0260	..SCREW, MACHINE, SI, metric, steel, 5 mm x 16 mm lg		1)
+	LV7RU	5310-99-137-6773	..WASHER, FLAT, steel, 5 mm	851217	2)
+	G1	5310-99-122-5294	..NUT, PLAIN, HEXAGON, SI, metric, steel, 5 mm		1)
+	G1	5305-99-120-1708	..SCREW, TAPPING, THREAD FORMING, steel, No. 8 x 3/4 in. lg		1)

FIG ITEM	MAN CODE	NATO STOCK NUMBER/ CATALOGUE NUMBER	ITEM NAME AND DESCRIPTION	PART NO./ DRAWING NO./ ADREFNO	NO. OFF	ANNOTATIONS
+	LV6MT4	5340-99-805-0922	ELECTRICAL EQUIPMENT - contd			
+	LV7RU	5310-99-137-6773	..CABLES AND FITTINGS - contd	56667	1)
+	G1	5305-99-120-1708	..CLAMP, LOOP, steel, 5/8 in. id	851217	1)
			..WASHER, FLAT, steel, 5 mm		1)
			..SCREW, TAPPING, THREAD FORMING, steel, No.8 x 3/4 in. lg		1)
+	LV6MT9	5340-99-805-0918	..CLAMP, LOOP, steel, 9/32 in. dia	8885	1)Earth
+	LV7RU	5310-99-137-6773	..WASHER, FLAT, steel, 5 mm	851217	1)lead
+	G1	5305-99-120-1708	..SCREW, TAPPING, THREAD FORMING, steel, No.8 x 3/4 in. lg		1)terminal
)box to
)chassis
+	G1	5305-99-122-5365	..SCREW, MACHINE, SI, metric, steel, hex hd, 8 mm x 16 mm lg		1)
+	LV7RU	5310-99-137-6774	..WASHER, FLAT, steel, 8 mm	850847	1)Generator
+	G1	5310-99-135-9302	..WASHER, LOCK, steel, 8 mm		1)bonding
+	G1	5310-99-122-5296	..NUT, PLAIN, HEXAGON, SI, metric, steel, 8 mm		1)lead
+	G1	5305-99-941-0697	..SCREW, MACHINE, UNC, steel, hex hd, 5/16 in. x 5/8 in. lg		1)to
)chassis
+	LV6MT4	5340-99-805-0922	..CLAMP, LOOP, steel, 5/8 in. id	56667	3)Clamps
+	G1	5305-99-135-0429	..SCREW, MACHINE, SI, metric, steel, 5 mm x 12 mm lg		3)to rh
+	G1	5310-99-135-9300	..WASHER, LOCK, steel, single coil, 5 mm		3)inner
+	G1	5310-99-122-5294	..NUT, PLAIN, HEXAGON, SI, metric, steel, 5 mm		3)valance
+	LV6MT4	5340-99-805-0923	..CLAMP, LOOP, steel, 3/8 in. id	187052	2)
+	LV6MT4	5340-99-828-4174	..CLAMP, LOOP, 1/2 in. id	56666	21)
+	G1	5305-99-135-0260	..SCREW, MACHINE, SI, metric, steel, 5 mm x 16 mm lg		23)
+	G1	5310-99-135-9300	..WASHER, LOCK, steel, single coil, 5 mm		3)
+	LV7RU	5310-99-137-6773	..WASHER, FLAT, steel, 5 mm	851217	26)
+	G1	5310-99-122-5294	..NUT, PLAIN, HEXAGON, SI, metric, steel, 5 mm		28)
+	LV6MT4	5340-99-805-0922	..CLAMP, LOOP, steel, 5/8 in. id	56667	5)
+	G1	5305-99-135-0260	..SCREW, MACHINE, SI, metric, steel, 5 mm x 16 mm lg		5)
+	LV6MT4	5340-99-805-0927	..CLAMP, LOOP, steel, 7/16 in. id	50640	3)Clamps
+	G1	5305-99-135-0429	..SCREW, MACHINE, SI, metric, steel, 5 mm x 12 mm lg		3)to front
+	LV7RU	5310-99-137-6773	..WASHER, FLAT, steel, 5 mm	851217	3)side
+	G1	5310-99-122-5294	..NUT, PLAIN, HEXAGON, SI, metric, steel, 5 mm		3)panel
)
+	G1	5305-99-135-0429	..SCREW, MACHINE, SI, metric, steel, 5 mm x 12 mm lg		1)
+	LV7RU	5310-99-137-6773	..WASHER, FLAT, steel, 5 mm	851217	1)Front
+	G1	5310-99-122-5294	..NUT, PLAIN, HEXAGON, SI, metric, steel, 5 mm		1)lamps
+	LV6MT4	5340-99-280-5371	..CABLE TIE, plastics, 3/16 in. w x 5-15/16 in. lg	240430	17)earthing
+	LV6MT4	5340-99-819-5237	..BUCKLE STRAP, NONMETALLIC, plastics, 3/16 in. w x 6 in. lg	240429	19)clip
+	LV7RU	2590-99-849-9546	..CLEAT, CABLE: shunt box cables	240437	2)

GROUP

T

WINCH

WINCH

CONTENTS

	Page
CHASSIS FITMENTS	T4
WINCH ASSEMBLY	T6
WINCH CONTROLS	T10
WINCH DRIVE ASSEMBLY	T1
WINCH MOUNTINGS	T3

LIST OF ILLUSTRATIONS

(NOTE:- THE TEXT DOES NOT NECESSARILY INCLUDE ALL THE ITEMS REFERENCED)

	Plate
FAIRLEAD AND FITTINGS	T3
GUIDE PULLEYS	T4
WINCH	T5
WINCH CONTROL	T6
WINCH DRIVE	T1
WINCH MOUNTINGS	T2

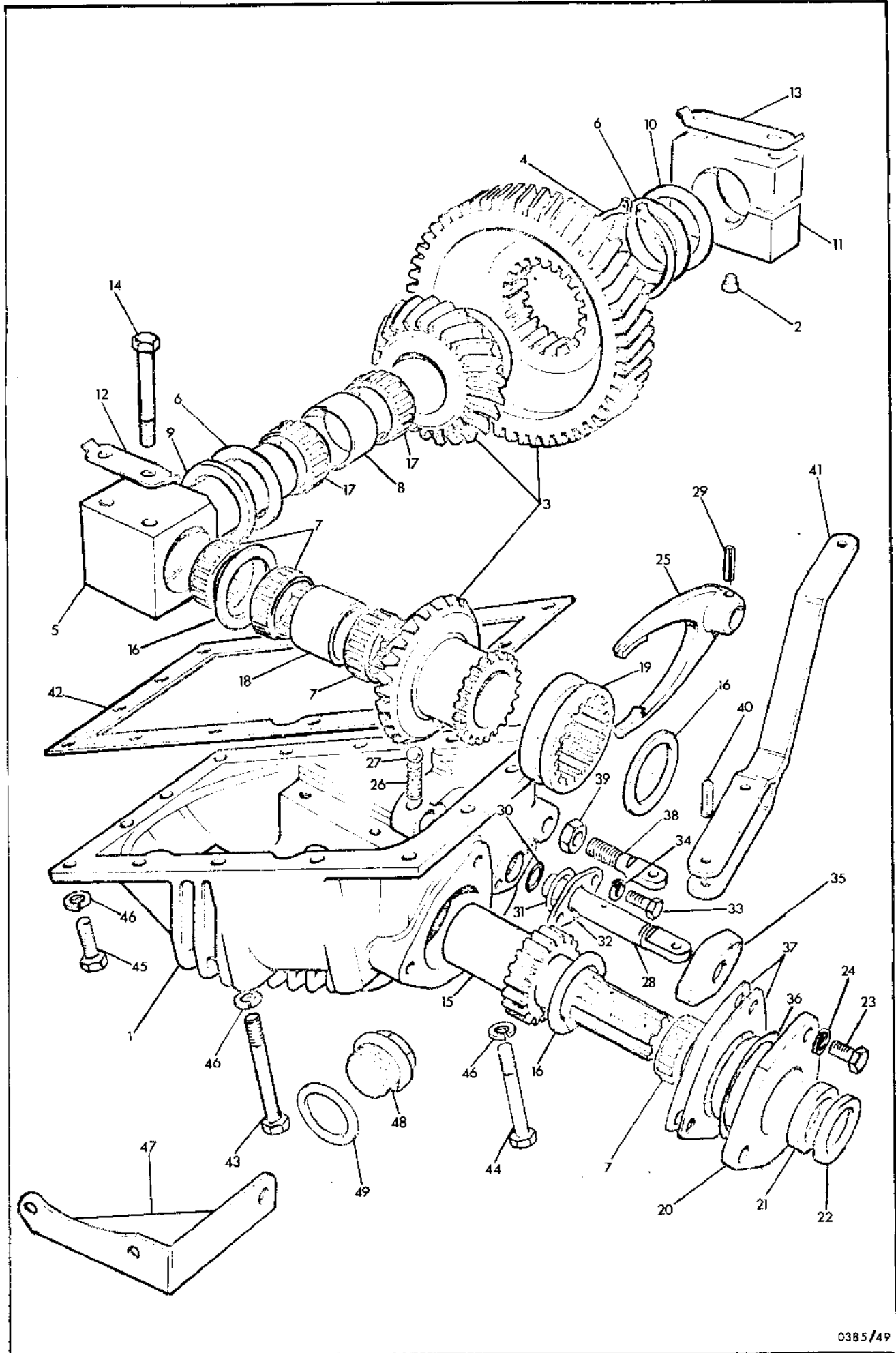


FIG ITEM	MAN CODE	NATO STOCK NUMBER/ CATALOGUE NUMBER	ITEM NAME AND DESCRIPTION	PART NO./ DRAWING NO./ ADREFNO	NO. OFF	ANNOTATIONS
T1			WINCH -			
1-41	LV7RU	2590-99-822-1905	..WINCH DRIVE: assy	591744	1	
1	LV7RU	2590-99-823-6542	..HOUSING, MECHANICAL DRIVE	591745	1	
2	LV7RU	5315-99-823-8751	..PIN, SHOULDER, HEADLESS, steel, 10 mm dia x 12 mm lg	571134	2	
3-5	LV7RU	2590-99-823-6543	..GEAR SET, WINCH DRIVE, matched set, 3 bevel/helical gears	608409	1	
4	LV6MT1	5365-99-823-6549	..RING, RETAINING, steel, circlip, 56 mm id		1	
5	LV7RU	2590-99-823-6544	..CROSS-SHAFT, steel, 35 mm dia shaft	591796	1	
6	LV6MT7	3110-99-822-9455	..NEEDLE ROLLER ASSEMBLY, THRUST BEARING, 52 mm od x 35 mm id x 2 mm w		2	
7	LV6MT7	3110-99-823-6546	..ROLLER ASSEMBLY, JOURNAL BEARING, 35 mm od x 30 mm id x 13 mm w		2	
8	LV7RU	5365-99-823-6547	..SPACER, SLEEVE, steel, 40 mm od x 36 mm id x 17.05 mm lg	591808	1	
11	LV7RU	2590-99-823-6548	..BLOCK, LOCATING, steel, 74 mm lg x 50 mm w x 22 mm h	591809	1	
12	LV7RU	5310-99-137-5108	..LOCKING PLATE, NUT AND BOLT, steel, 2 holes, 35 mm c to c	591810	1	
13	LV7RU	5310-99-137-5109	..LOCKING PLATE, NUT AND BOLT, steel, 2 holes, 52 mm c to c	591811	1	
14	G1	5306-99-122-2780	..BOLT, MACHINE, SI, metric, steel, 10 mm x 75 mm lg		4	
15	LV7RU	2590-99-823-6545	..SHAFT, OUTPUT	591812	1	
16	LV6MT7	3110-99-194-1187	..NEEDLE ROLLER ASSEMBLY, THRUST BEARING, 47 mm od x 30 mm id x 2 mm h		3	
17	LV6MT7	3110-99-823-6954	..ROLLER ASSEMBLY, JOURNAL BEARING, 40 mm od x 35 mm id x 13 mm w		4	
18	LV7RU	5365-99-823-6955	..SPACER SLEEVE, steel, 98 mm od x 31 mm id x 26.5 mm lg	591815	1	
19	LV7RU	2590-99-823-6956	..CLUTCH, SLIDING SLEEVE, steel, 3 int teeth, 70 mm od x 18 mm lg	591816	1	
20	LV7RU	2590-99-823-6957	..HOUSING, LOCATING BEARING, steel, 30.5 mm id x 31.75 mm lg	591818	1	
21	LV6MT1	5330-99-822-2282	..SEAL, PLAIN, rubber, 40 mm od x 30 mm id x 7 mm w		1	
22	LV7RU	2590-99-823-6958	..DEFLECTOR, DIRT AND LIQUID, steel, 42.12 mm od x 30.5 mm id x 5 mm h	591820	1	
23	G1	5305-99-122-5366	..SCREW, MACHINE, SI, metric, steel, 8 mm x 20 mm lg		3	
24	G1	5310-99-135-9302	..WASHER, LOCK, steel, 8 mm		3	
25	LV7RU	2590-99-823-6959	..FORK, SELECTOR GEARBOX, CI, 31.5 mm inside w x 86.5 mm lg	591822	1	
26	LV7RU	5360-99-823-8019	..SPRING, HELICAL, COMPRESSION, steel, 8.75 mm od x 29.15 mm lg	593802	1	
27	LV6MT7	3110-99-805-9065	..BALL, BEARING, steel, 9 mm dia		1	
28	LV7RU	2590-99-823-6960	..ROD, SELECTOR, GEARBOX, steel, 14.987 mm dia x 118 mm lg	591823	1	
29	LV7RU	5315-99-822-1719	..PIN, SPRING: selector fork to shaft	571158	1	
30	LV6MT1	5330-99-822-1864	..RING, SEALING, TOROIDAL, rubber, 14.6 mm id x 2.4 mm h		1	
31	LV7RU	5330-99-823-6961	..GASKET, fibre, 49 mm lg x 30 mm w x 0.15 mm thk	591824	1	
32	LV7RU	2590-99-823-6962	..RETAINER, PACKING, steel, 57 mm lg x 40 mm w x 1.626 mm thk	591825	1	
33	G1	5305-99-122-5359	..SCREW, MACHINE, SI, metric, steel, 6 mm x 12 mm lg		2	

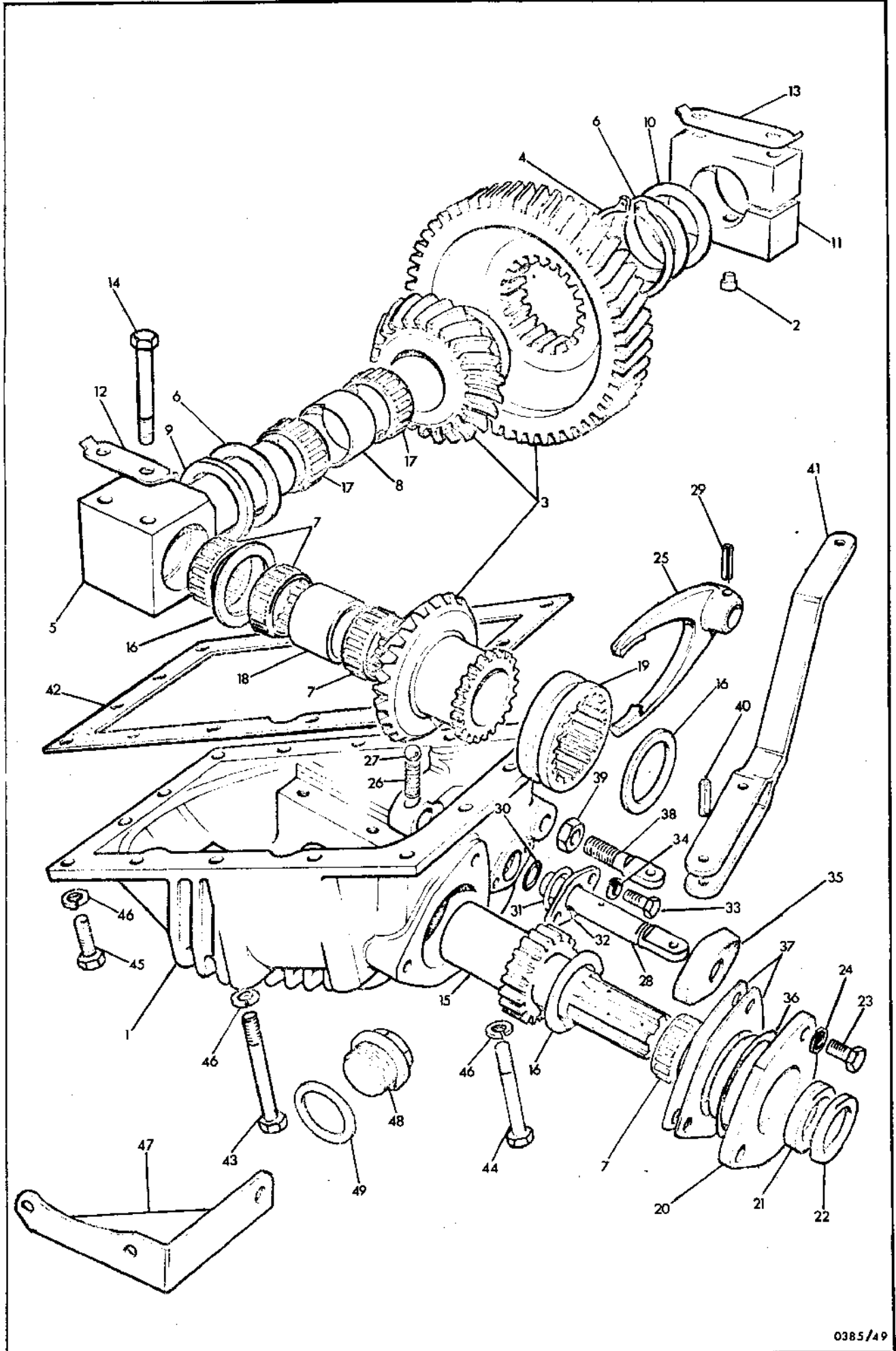


FIG ITEM	MAN CODE	NATO STOCK NUMBER/ CATALOGUE NUMBER	ITEM NAME AND DESCRIPTION	PART NO./ DRAWING NO./ ADREFNO	NO. OFF	ANNOTATIONS
T1			WINCH - contd			
34	G1	5310-99-135-9301	..WINCH DRIVE: assy - contd		2	
35	LV7RU	2590-99-823-6963	..WASHER, LOCK, steel, 6 mm			
			..BOOT, DUST AND MOISTURE SEAL, rubber, 5 mm lg x 40 mm w x 25 mm h	591826	1	
36	LV6MT1	5330-99-821-0523	..RING, SEALING, TOROIDAL, rubber, 2-3/16 in. id x 3/32 in. h		1	
37	LV7RU	5365-99-823-6964	..SHIM, steel, 57 mm id x 0.1 mm thk	594301)AR)	
	LV7RU	5365-99-823-6965	..SHIM, steel, 57 mm id x 0.3 mm thk	594302		
38	LV7RU	5340-99-823-6966	..CONNECTOR, ROD END, SI, metric, steel, 10 mm thd x 6 mm dia hole	576303		1
39	G1	5310-99-122-5303	..NUT, PLAIN, HEXAGON, SI, metric, steel, 10 mm		1	
40	LV7RU	5315-99-137-5110	..PIN, SPRING, steel, 6.7 mm dia x 13 mm lg	571618	2	
41	LV7RU	2590-99-823-6967	..LEVER, REMOTE CONTROL	594249	1	
42	LV7RU	5330-99-822-1724	..GASKET: winch drive to rear box	571948	1	
43	G1	5306-99-122-5263	..BOLT, MACHINE, SI, metric, steel, 8 mm x 100 mm lg		2	
44	G1	5306-99-122-5260	..BOLT, MACHINE, SI, metric, steel, 8 mm x 75 mm lg		1	
45	G1	5305-99-122-5367	..SCREW, MACHINE, SI, metric, steel, 8 mm x 25 mm lg		11	
46	G1	5310-99-135-9302	..WASHER, LOCK, steel, 8 mm		14	
47	LV7RU	2590-99-823-6968	..BRACKET, ANGLE: winch control cable	594250	1	
48	LV7RU	5365-99-823-7205	..PLUG, SCREWED, SI, metric, brass, 30 mm x 13 mm lg	571104	1	
49	LV7RU	5330-99-137-3055	..GASKET, 1-7/32 in. id x 3/32 in. thk	213964	1	

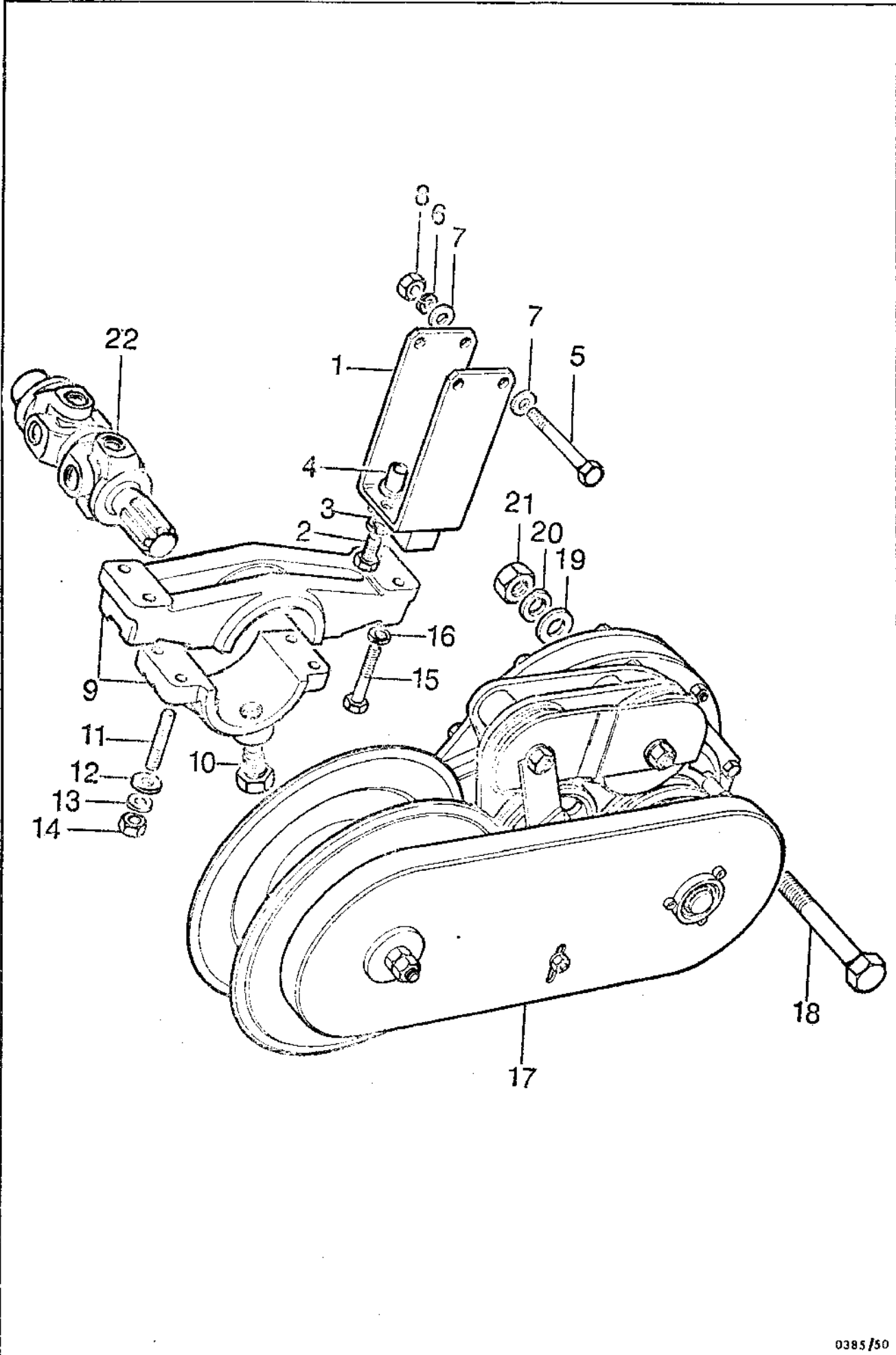


FIG ITEM	MAN CODE	NATO STOCK NUMBER/ CATALOGUE NUMBER	ITEM NAME AND DESCRIPTION	PART NO./ DRAWING NO./ ADREFNO	NO. OFF	ANNOTATIONS
T2			WINCH - contd			
1	LV7RU	2590-99-823-6969	..WINCH MOUNTINGS -			
2	G1	5305-99-122-4910	..BRACKET, SUPPORT	582126	2	
3	G1	5310-99-135-9303	..SCREW, MACHINE, SI, metric, steel, 10 mm x 25 mm lg		4	
4	LV7RU	5310-99-137-5111	..WASHER, LOCK, steel, 10 mm		4	
5	G1	5306-99-122-2783	..NUT, PLAIN, CLINCH, SI, metric, aluminium, 10 mm	811922	4	
6	G1	5310-99-135-9303	..BOLT, MACHINE, SI, metric, steel, 10 mm x 100 mm lg		4	
7	G1	5310-99-122-6476	..WASHER, LOCK, steel, 10 mm		4	
8	G1	5310-99-122-5297	..WASHER, FLAT, steel, 10 mm		8	
			..NUT, PLAIN, HEXAGON, SI, metric, steel, 10 mm		4	
9	LV7RU	2590-99-823-6970	..MOUNTING ASSEMBLY, WINCH, 100.03 mm bore dia	582760	1	
10	LV7RU	5305-99-823-6971	..SCREW, SET, BSPF, steel, 5/8 in. x 1-3/16 in. lg	582761	1	
11	G1	5307-99-137-5112	..STUD, PLAIN, SI, metric, steel, 10 mm x 55 mm lg		4	
12	G1	5310-99-122-6476	..WASHER, FLAT, steel, 10 mm		4	
13	G1	5310-99-135-9303	..WASHER, LOCK, steel, 10 mm		4	
14	G1	5310-99-137-5113	..NUT, PLAIN, HEXAGON, SI, metric, steel, 10 mm		4	
15	G1	5306-99-122-2778	..BOLT, MACHINE, SI, metric, steel, 10 mm x 65 mm lg		4	
16	G1	5310-99-135-9303	..WASHER, LOCK, steel, 10 mm		4	
17	LV7RU	2590-99-822-1906	..WINCH COMPLETE: assy	582207	1	
18	G1	5306-99-122-2835	..BOLT, MACHINE, SI, metric, steel, 20 mm x 150 mm lg		1	
19	G1	5310-99-122-6480	..WASHER, FLAT, steel, 20 mm		1	
20	G1	5310-99-135-9306	..WASHER, LOCK, steel, 20 mm		1	
21	G1	5310-99-122-5300	..NUT, PLAIN, HEXAGON, SI, metric, steel, 20 mm		1	
22	LV6MT10	2590-99-823-6972	..UNIVERSAL JOINT ASSEMBLY: 2 joints, 1 male, 1 female, 9.28 in. lg	114H-90137 KS-LGB194	1	AR
+	LV6MT10	2520-99-821-9869	..PARTS KIT, UNIVERSAL JOINT			
+	LV6MT1	4730-99-200-9136	..LUBRICATING NIPPLE, UNF, steel, 1/4 in. x 1-9/32 in. lg		2	
+	G1	5310-99-135-9307	..WASHER, LOCK, steel, cadmium plated, single coil, 24 mm			AR

FAIRLEAD AND FITTINGS

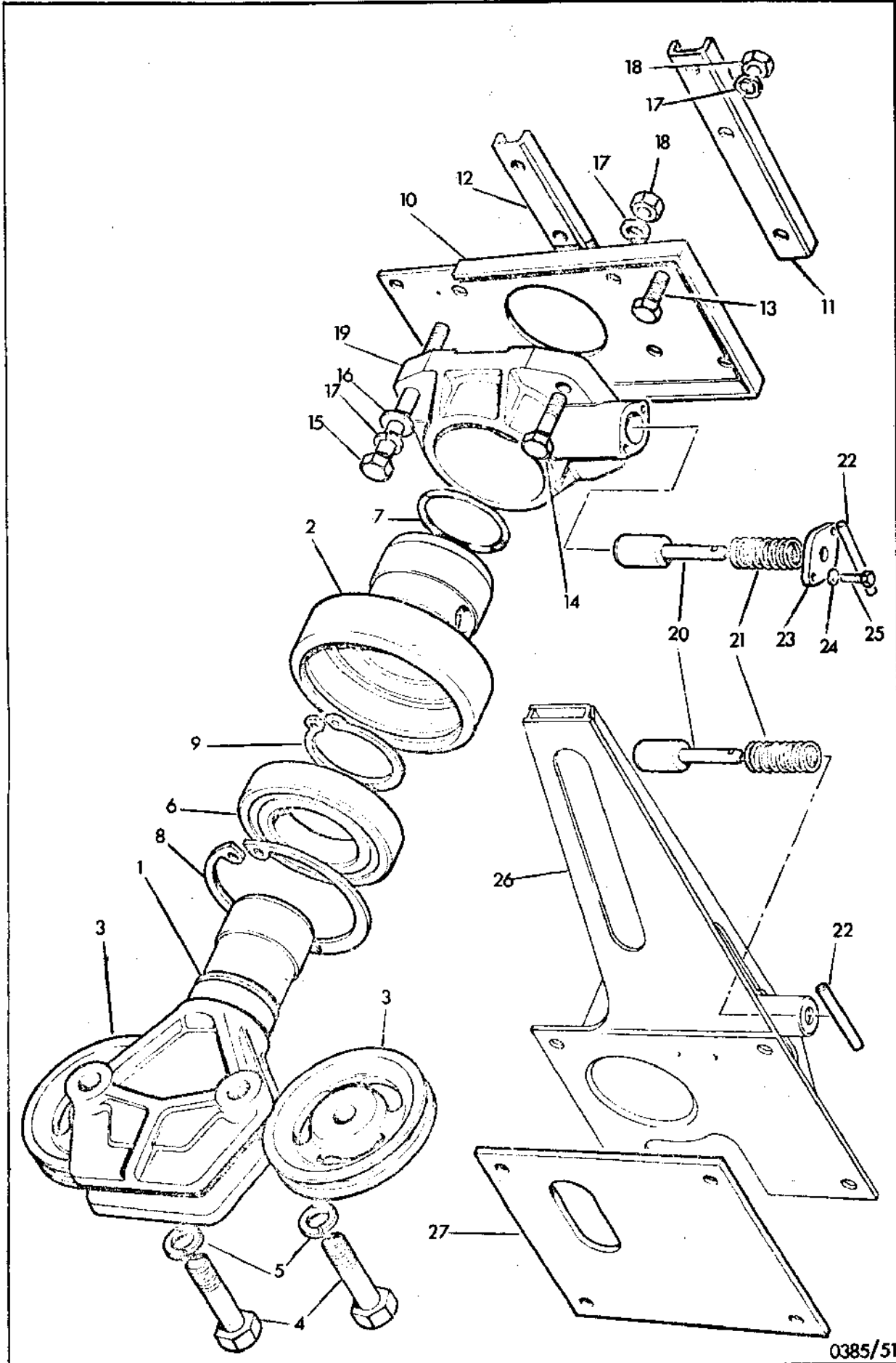


FIG ITEM	MAN CODE	NATO STOCK NUMBER/ CATALOGUE NUMBER	ITEM NAME AND DESCRIPTION	PART NO./ DRAWING NO./ ADREFNO	NO. OFF	ANNOTATIONS
T3			WINCH - contd .CHASSIS FITMENTS -			
1-9	LV7RU	2590-99-823-6977	..FAIRLEAD SHEAVE, swivel type, 2 pulleys	598674	1	
1	LV7RU	2590-99-823-6978	...HOUSING, FAIRLEAD SHEAVE, GI, 122 mm c to c pulley holes	598554	1	
3	LV7RU	3020-99-828-2072	...PULLEY, GROOVE, single groove, 100 mm id x 16 mm id x 22 mm lg; c/w bearing and circlip	582226	2	
4	G1	5306-99-122-2814	...BOLT, MACHINE, SI, metric, steel, 16 mm x 65 mm lg		2	
5	G1	5310-99-135-9305	...WASHER, LOCK, steel, 16 mm		2	
6	LV6MT7	3110-99-822-1907	...BEARING, BALL, JOURNAL, single row, 2 seals, 110 mm od x 60 mm id x 22 mm w		1	
7	LV6MT1	5330-99-823-6979	...RING, SEALING, TOROIDAL, rubber, 59.6 mm id x 2.4 mm h		1	
8	LV6MT1	5365-99-910-8338	...RING, RETAINING, steel, circlip, 110 mm bore dia		1	
9	LV6MT1	5365-99-910-8250	...RING, RETAINING, steel, circlip, 60 mm shaft dia		1	
13	G1	5305-99-122-4910	..SCREW, MACHINE, SI, metric, steel, 10 mm x 25 mm lg		3	
14	G1	5306-99-122-2773	..BOLT, MACHINE, SI, metric, steel, 10 mm x 40 mm lg		2	
15	G1	5306-99-122-2785	..BOLT, MACHINE, SI, metric, steel, 10 mm x 120 mm lg		2	
16	G1	5310-99-122-6476	..WASHER, FLAT, steel, 10 mm		2	
17	G1	5310-99-135-9303	..WASHER, LOCK, steel, 10 mm		7	
18	G1	5310-99-122-5297	..NUT, PLAIN, HEXAGON, SI, metric, steel, 10 mm		5	
19-25	LV7RU	2590-99-823-6974	..HOUSING, SWIVEL ASSEMBLY	598669	1	
20	LV7RU	5315-99-137-4120	...PIN, STRAIGHT, HEADED, steel, 11.5 mm dia x 52 mm lg	581933	1	
21	LV7RU	5360-99-823-6975	...SPRING, HELICAL, COMPRESSION, steel, 11/16 in. od x 1-21/32 in. lg	582214	1	
22	G1	5315-99-122-9509	...PIN, SPRING, steel, 1/4 in. dia x 2-1/2 in. lg		1	
23	LV7RU	2590-99-823-6976	...RETAINER, PACKING, aluminium, 46 mm lg x 32 mm w x 4.5 mm thk	582353	1	
24	G1	5310-99-135-9301	...WASHER, LOCK, steel, 6 mm		2	
25	G1	5305-99-122-5360	...SCREW, MACHINE, SI, metric, steel, 6 mm x 16 mm lg		2	

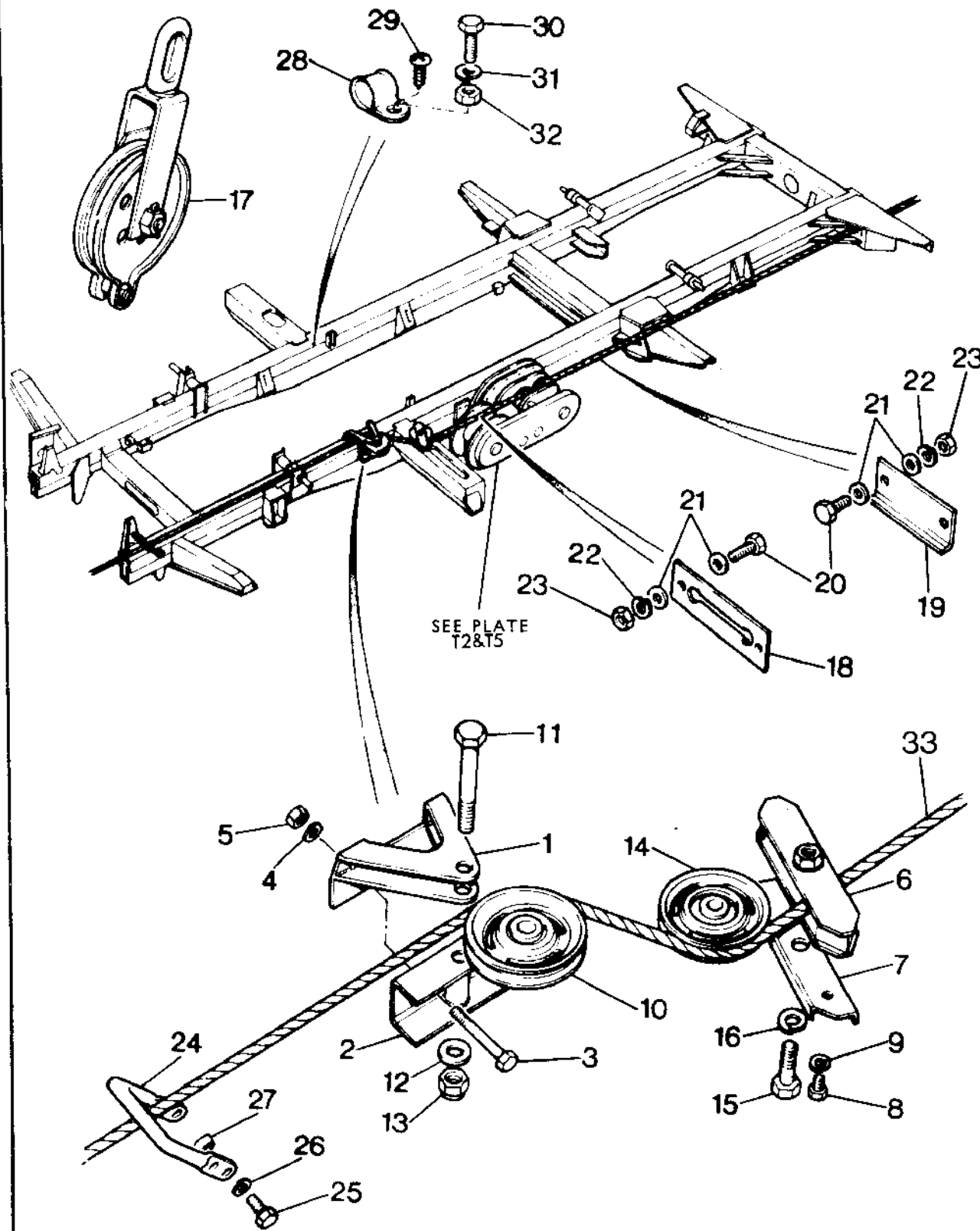


FIG ITEM	MAN CODE	NATO STOCK NUMBER/ CATALOGUE NUMBER	ITEM NAME AND DESCRIPTION	PART NO./ DRAWING NO./ ADREFNO	NO. OFF	ANNOTATIONS
T4			WINCH - contd ..CHASSIS FITMENTS - contd			
3	G1	5306-99-122-2783	..BOLT, MACHINE, SI, metric, steel, 10 mm x 100 mm lg		2	
4	G1	5310-99-135-9303	..WASHER, LOCK, steel, 10 mm		2	
5	G1	5310-99-122-5297	..NUT, PLAIN, HEXAGON, SI, metric, steel, 10 mm		2	
8	G1	5305-99-122-5364	..SCREW, MACHINE, SI, metric, steel, 8 mm x 12 mm lg		2)Alter- natives
	G1	5305-99-122-5365	..SCREW, MACHINE, SI, metric, steel, 8 mm x 16 mm lg		2	
9	G1	5310-99-135-9302	..WASHER, LOCK, steel, 8 mm			
10	LV7RU	3020-99-823-6973	..PULLEY GROOVE, single row, 120 mm od x 16 mm id x 22 mm lg; c/w bearing and circlip	582226	1	
11	G1	5306-99-122-2821	..BOLT, MACHINE, SI, metric, steel, 16 mm x 120 mm lg		1	
12	G1	5310-99-122-6479	..WASHER, FLAT, steel, 16 mm		1	
13	G1	5310-99-122-5499	..NUT, SELF-LOCKING, HEXAGON, SI, metric, steel, 16 mm		1	
14	LV7RU	3020-99-828-2072	..PULLEY, GROOVE, single groove, 16 mm od x 10 mm id x 22 mm lg; c/w bearing and circlip	NRC 1994	1	
15	G1	5306-99-122-2812	..BOLT, MACHINE, SI, metric, steel, 16 mm x 55 mm lg		1)Alter- natives
	G1	5306-99-122-2813	..BOLT, MACHINE, SI, metric, steel, 16 mm x 60 mm lg		1	
16	G1	5310-99-135-4579	..WASHER, LOCK, steel, 16 mm		1	
17	E3	3940-99-137-4382	..BLOCK, TACKLE	3M1752	1	
+	E3	4030-99-960-4357	..SHACKLE, steel, 1-7/8 in. lg x 7/8 in. w	582291	1	
+	E3	4030-99-137-4381	..HOOK, HOIST	3M1778	1	
20	G1	5305-99-122-5360	..SCREW, MACHINE, SI, metric, steel, 6 mm x 16 mm lg		4	
21	G1	5310-99-122-6474	..WASHER, FLAT, steel, 6 mm		8	
22	G1	5310-99-135-9301	..WASHER, LOCK, steel, 6 mm		4	
23	G1	5310-99-122-5295	..NUT, PLAIN, HEXAGON, SI, metric, steel, 6 mm		4	
24	LV7RU	2590-99-823-7255	..SHIELD, WIRE ROPE	598884	1)LHD
25	G1	5305-99-122-5360	..SCREW, MACHINE, SI, metric, steel, 6 mm x 16 mm lg		4	
26	G1	5310-99-135-9301	..WASHER, LOCK, steel, 6 mm		4	
27	G1	5340-99-122-7704	..NUT, PLAIN, CLINCH, SI, metric, steel, 6 mm		4	
28	LV6MT4	5340-99-805-0923	..CLAMP, LOOP, steel, 3/8 in. id	FV587177	2	
29	G1	5305-99-941-8362	..SCREW, TAPPING, THREAD FORMING, steel, No.8 x 3/8 in. lg		1	
30	G1	5305-99-122-5356	..SCREW, MACHINE, SI, metric, steel, 5 mm x 14 mm lg		1	
31	G1	5310-99-135-9300	..WASHER, LOCK, steel, 5 mm		1	
32	G1	5310-99-122-5294	..NUT, PLAIN, HEXAGON, SI, metric, steel, 5 mm		1	
33	LV7RU	4010-99-823-6980	..WIRE ROPE ASSEMBLY, SINGLE LEG, steel, 9 mm dia x 65 mm lg	582198	1	

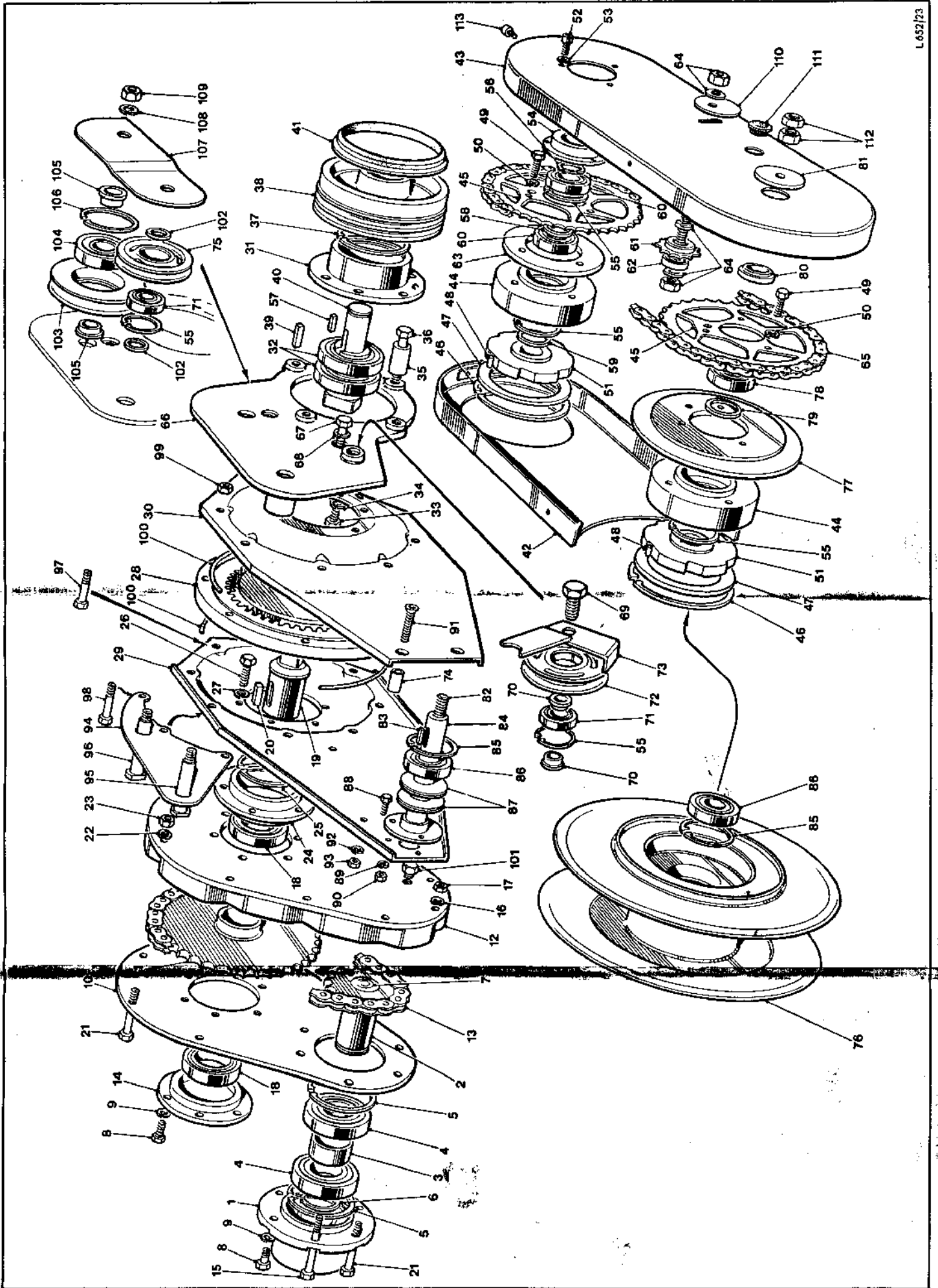


FIG ITEM	MAN CODE	NATO STOCK NUMBER/ CATALOGUE NUMBER	ITEM NAME AND DESCRIPTION	PART NO./ DRAWING NO./ ADREFNO	NO. OFF	ANNOTATIONS
T5						
1-113	LV7RU	2590-99-822-1906	WINCH - contd ..WINCH, DRUM, VEHICLE MOUNTING: complete assy	582207	1	
1	LV7WG	2590-99-813-6982	..HOUSING, BEARING	101-200	1	
2	LV7WG	3040-25-117-8092	..SPROCKET SHAFT, steel, 1 sprocket, 15 teeth, 3/4 in. pitch	101-189	1	
3	LV7WG	5365-99-823-6984	..SPACER, SLEEVE: sprocket shaft	101-292	1	
4	LV6MT7	3110-99-950-1440	..BEARING, BALL, JOURNAL, single row, double seal, 85 mm od x 45 mm id x 19 mm w		2	
5	LV6MT1	5365-99-910-8335	..RING, RETAINING, steel, int, 85 mm dia		2	
6	LV6MT1	5365-99-910-8247	..RING, RETAINING, steel, ext, 45 mm dia		1	
7	LV7WG	3040-99-116-4424	..COVER PLATE, ACCESS	101-313-11 -7	1	
8	G1	5305-99-941-0712	..SCREW, MACHINE, UNC, steel, 3/8 in. x 3/4 in. lg		9	
9	G1	5310-99-941-6656	..WASHER, LOCK, steel, 3/8 in.		9	
11	LV7WG	3020-99-823-6986	..SPROCKET WHEEL, steel, 33 teeth, 3/4 in. pitch	101-188	1	
+	G1	5306-99-941-3347	..BOLT, MACHINE, UNF, steel, 3/8 in. x 2-3/4 in. lg		1	Chain case
13	LV7WE	302-99-823-6987	..CHAIN, ROLLER, steel, 43 links, 3/4 in. pitch	101-313-11 -12	1	
14	LV7WE	3040-99-116-4426	..HOUSING, BEARING: sprocket wheel shaft, outer	101-289	1	
15	G1	5306-99-941-1556	..BOLT, MACHINE, UNC, steel, 3/8 in. x 2-1/2 in.		3	
16	G1	5310-99-941-6656	..WASHER, LOCK, steel, 3/8 in.		3	
17	G1	5310-99-941-1650	..NUT, PLAIN, HEXAGON, UNC, steel, 3/8 in.		3	
18	LV6MT7	3110-99-810-7051	..BEARING, BALL, JOURNAL, single row, 75 mm od x 45 mm id x 16 mm w		2	
19	LV7WG	3040-99-116-4427	..SHAFT, SHOULDERED: sprocket wheel	101-291	1	
20	LV7WG	5315-25-116-4428	..KEY, MACHINE, steel, 9 mm x 14 mm x 30 mm	101-304-1	1	
21	G1	5305-99-941-1555	..BOLT, MACHINE, UNC, steel, 3/8 in. x 2-1/4 in. lg		7	
22	G1	5310-99-941-6656	..WASHER, LOCK, steel, 3/8 in.		7	
23	G1	5310-99-941-1650	..NUT, PLAIN, HEXAGON, UNC, steel, 3/8 in.		7	
24	LV7WG	3040-25-116-4429	..HOUSING, BEARING: sprocket wheel shaft, inner	101-290	1	
25	LV6MT1	5365-99-808-2140	..RING, RETAINING, steel, int, 75 mm bore dia		1	
26	G1	5305-99-941-0714	..SCREW, MACHINE, UNC, steel, 3/8 in. x 1 in. lg		6	
27 (LV7WG	5310-99-827-3652	..LOCKING PLATE: spring washer	101-376	6)Alternat- ives
(G1	5310-99-941-6656	..WASHER, LOCK, steel, 3/8 in.		6	
28	LV7WG	3010-99-823-6992	..GEAR ASSEMBLY, SPEED DECREASER	101-313-11 -22	1	
31	LV7WG	3130-25-116-4430	..HOUSING, BEARING:traction wheel shaft	101-284	1	
32	LV6MT7	3110-99-819-4012	..BEARING, BALL, JOURNAL, single row, 80 mm od x 40 mm id x 23 mm w		2	
33	G1	5305-99-941-0711	..SCREW, MACHINE, UNC, steel, 3/8 in. x 5/8 in. lg		6	

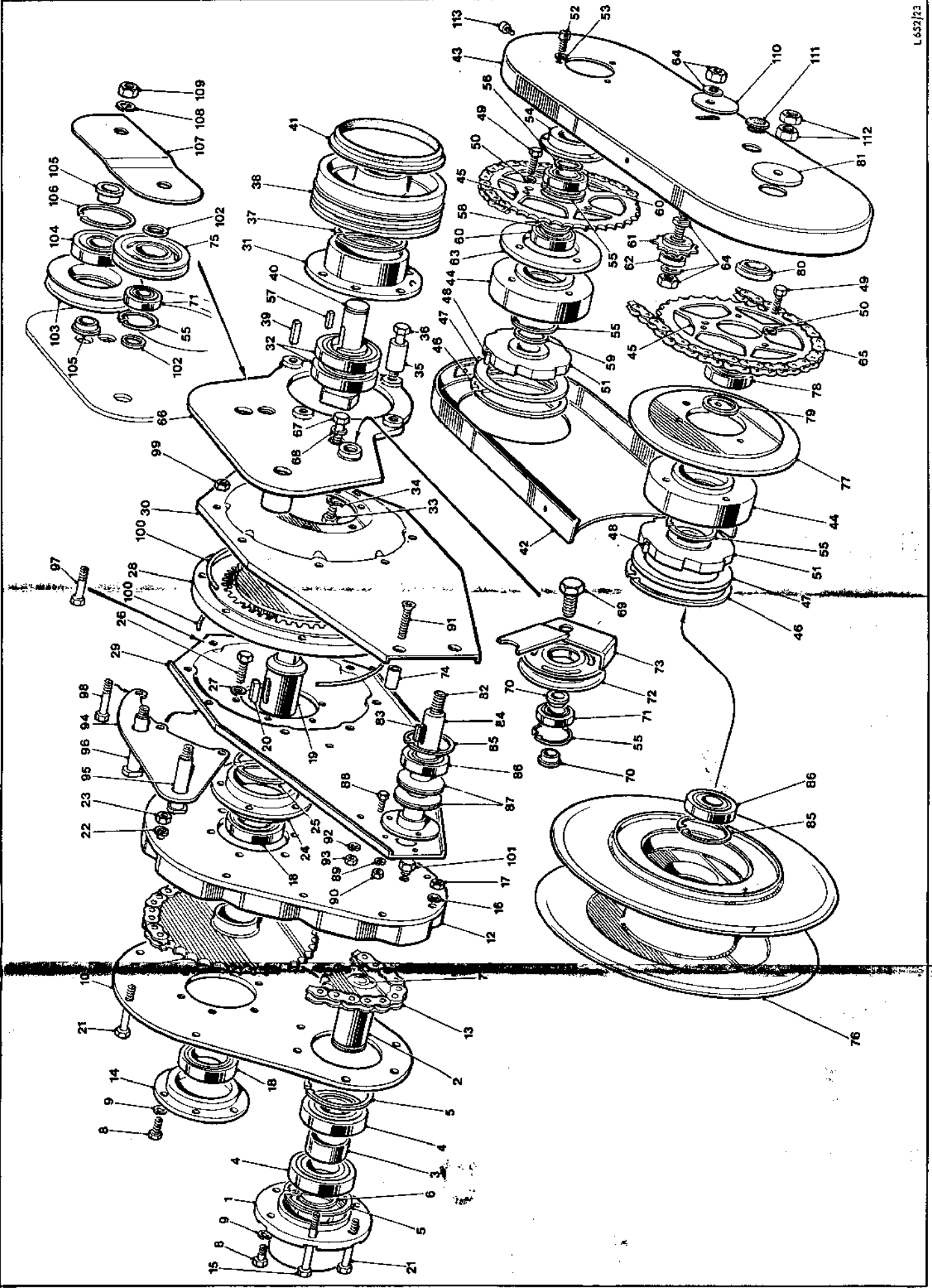


FIG ITEM	MAN CODE	NATO STOCK NUMBER/ CATALOGUE NUMBER	ITEM NAME AND DESCRIPTION	PART NO./ DRAWING NO./ ADREFNO	NO. OFF	ANNOTATIONS
T5			WINCH - contd			
			..WINCH DRUM, VEHICLE MOUNTING - contd			
34	G1	5310-99-941-6656	..WASHER, LOCK, steel, 3/8 in.	101-303	6	
35	LV7WG	5365-25-116-4431	..SPACER, SLEEVE: pulley guide		4	
36	G1	5306-99-941-1553	..BOLT, MACHINE, UNC, steel, 3/8 in. x 1-3/4 in. lg		4	
37	LV6MT1	5365-99-910-8334	..RING, RETAINING, steel, int, 80 mm dia		1	
38	LV7WG	3020-25-116-4432	..PULLEY, CONE, 2 grooves, straight bore; w/keyway	101-258	1	
39	LV7WG	5315-25-116-4433	..KEY, MACHINE, steel, 8 mm x 12 mm x 35 mm	101-304-2	1	
40	LV7WG	3040-25-116-4434	..SHAFT, SHOULDERED: traction pulley	101-288	1	
41	LV7WG	5330-25-117-8093	..PACKING, PREFORMED, rubber: traction pulley	101-313-11 -34	1	
43	LV7WG	3020-25-117-8542	..SHIELD, ROLLER CHAIN: winch drum drive	101-293	1	
44	LV7WG	3040-25-116-4435	..HUB, FREEWHEEL, WINCH	101-278	2	
45	LV7WG	3020-25-116-4436	..SPROCKET WHEEL, steel, 46 teeth, 1/2 in. pitch	101-363	2	
46	LV6MT1	5365-99-823-7252	..RING, RETAINING, steel, int, 105 mm bore dia		2	
47	LV7WG	2590-99-823-7253	..PACKING PIECE, 105 mm od x 85 mm id x 35 mm thk	101-313-11 -40	2	
48	LV6MT7	3110-99-823-7254	..ROLLER, BEARING, parallel, steel, 6 mm dia x 12 mm lg		12	
49	G1	5305-99-941-0687	..SCREW, MACHINE, UNC, steel, 1/4 in. x 3/4 in. lg		6	
50	G1	5310-99-941-6654	..WASHER, LOCK, steel, 1/4 in.		6	
51	LV7WG	3950-25-117-8094	..FREEWHEEL, WINCH	101-287	2	
52	LV7WG	5305-99-823-7257	..SCREW, CAP, SOCKET HEAD, steel, 1/4 in. x 3/8 in. lg	101-313-11 -44	3	
53	G1	5310-99-941-6654	..WASHER, LOCK, steel, 1/4 in.		3	
54	LV7WG	3130-25-116-4437	..HOUSING, BEARING	101-298	1	
55	LV6MT1	5365-99-910-8330	..RING, RETAINING, steel, int, 47 mm bore dia		4	
56	LV6MT1	5365-99-810-8242	..RING, RETAINING, steel, ext, 25 mm id		1	
57	LV7WG	5315-25-116-4438	..KEY, MACHINE, steel, 7 mm x 8 mm x 18 mm	101-304-3	2	
58	LV7WG	5365-25-116-4439	..PACKING PIECE: freewheel, inner	101-302-1	1	
59	LV7WG	5365-25-116-4440	..PACKING PIECE: freewheel, outer	101-302-2	1	
60	LV6MT7	3110-99-817-9348	..BEARING, BALL, JOURNAL, single row, 47 mm od x 25 mm id x 12 mm w		2	
61	LV7WG	3020-25-116-4441	..SPROCKET WHEEL, steel, 12 teeth, 1/2 in. pitch: chain tensioner	101-299	1	
62	LV6MT7	3110-99-580-1889	..BEARING, BALL, JOURNAL, single row, 30 mm od x 10 mm id x 9 mm w		1	
63	LV7WG	5330-25-117-8543	..PACKING PIECE: freewheel housing	101-300	1	
64	LV7WG	5307-26-116-4442	..STUD, ASSEMBLY, UNC, steel, shouldered, 3/8 in. c/w nuts	101-320	1	
+	G1	5310-99-135-2151	..NUT, PLAIN, HEXAGON, UNC, steel, 3/8 in.		2	
65	LV7WG	3020-99-823-7271	..CHAIN, ROLLER, single, 1/2 in. pitch	101-313-11 -56	1	

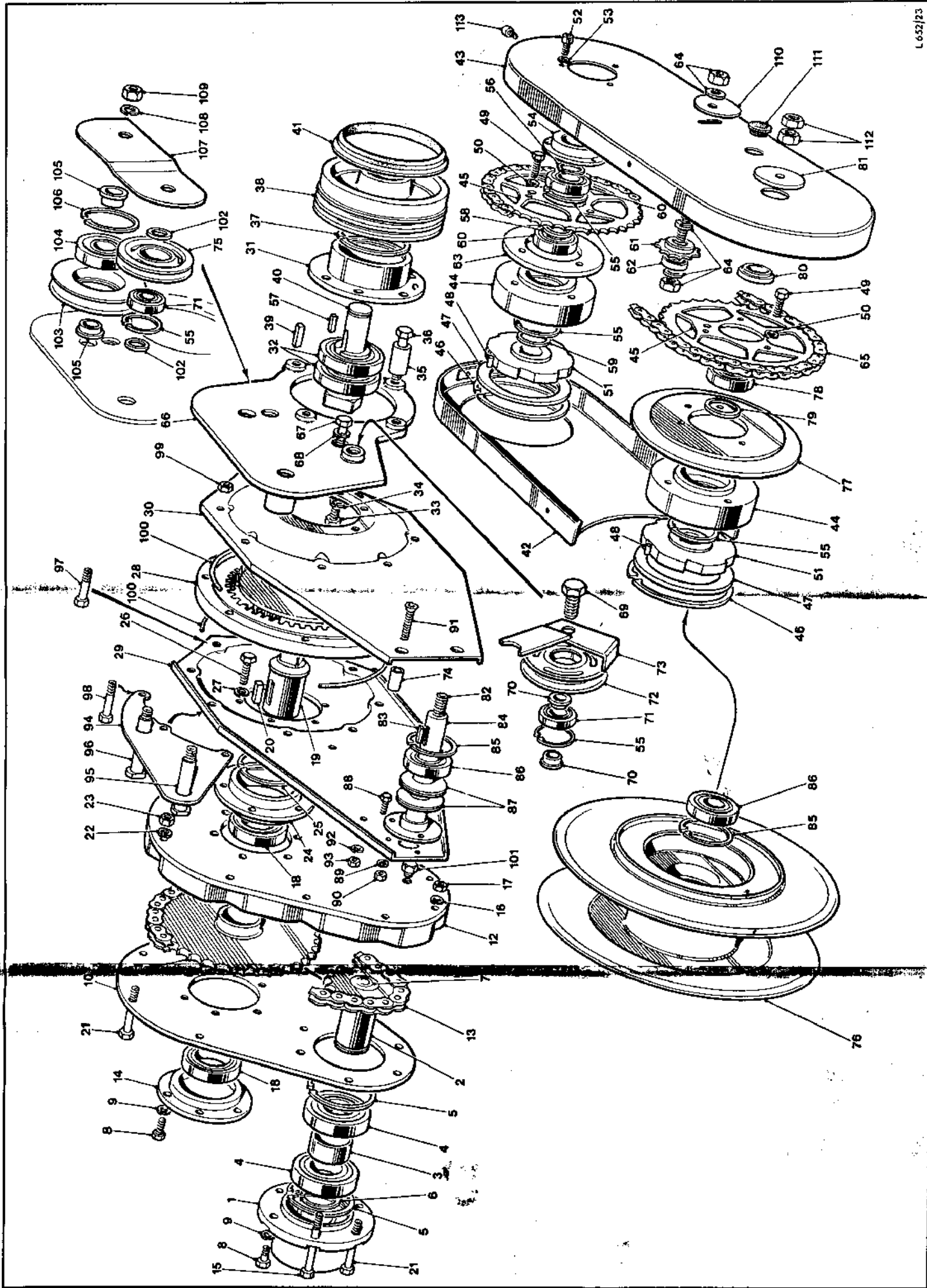


FIG ITEM	MAN CODE	NATO STOCK NUMBER/ CATALOGUE NUMBER	ITEM NAME AND DESCRIPTION	PART NO./ DRAWING NO./ ADREFNO	NO. OFF	ANNOTATIONS
T5			WINCH - contd			
67	G1	5306-99-941-0317	..WINCH DRUM, VEHICLE MOUNTING - contd			
68	G1	5310-99-941-6656	..BOLT, MACHINE, UNF, steel, 3/8 in. x 2-1/2 in. lg		2	
69	G1	5306-99-941-1597	..WASHER, LOCK, steel, 3/8 in.		2	
70	LV7WG	3120-25-116-4446	..BOLT, MACHINE, UNC, steel, 5/8 in. x 2 in. lg		1)
71	LV6MT7	3110-99-119-9545	..BUSHING, SLEEVE: pulley bearing	101-178-2	2)
			..BEARING, BALL, JOURNAL, single row, 47 mm od x 20 mm id x 14 mm w		2)
72	LV7WG	3020-25-116-4447	..PULLEY, GROOVE, single groove, V-shape	101-178-1	2)
73	LV7WG	3020-99-827-3653	..BRACKET, GUIDE, PULLEY	101-424	1)
75	LV7WG	3020-25-116-4448	..PULLEY, GROOVE	101-365	1)
76	LV7WG	3950-25-117-8097	..DRUM, WINCH, steel	101-281	1	
77	LV7WG	3010-25-116-4445	..PLATE, CLUTCH: winch drum drive	101-286	1	
78	LV6MT7	3110-99-317-9348	..BEARING, BALL, JOURNAL, single row, 47 mm od x 25 mm id x 12 mm w		1	
79	LV7WG	5330-25-117-8095	..PACKING PIECE: winch drum, sprocket, inner	101-301-3	1	
80	LV7WG	5330-99-117-8096	..PACKING PIECE: winch drum, sprocket,,outer	101-301-1	1	
81	LV7WG	5310-25-116-4443	..THRUST WASHER: winch drum, sprocket shaft	101-301-2	1	
83	LV7WG	5315-99-827-3658	..KEY, MACHINE, 7 mm x 8 mm x 23 mm lg	101-304-4	1	
84	LV7WG	3040-25-116-4444	..SHAFT, SHOULDERED: winch drum	101-297	1	
85	LV6MT1	5365-99-910-8331	..RING, RETAINING, steel, int, 52 mm bore dia		2	
86	LV6MT7	3110-99-914-4250	..BEARING, BALL, JOURNAL, single row, 52 mm od x 25 mm id x 15 mm w		2	
87	LV7RU	5310-99-137-4979	..WASHER, SPRING TENSION, steel, 50 mm od x 25.4 mm id x 3 mm h	101-313-11 -73	4	
88	G1	5305-99-941-0687	..SCREW, MACHINE, UNC, steel, 1/4 in. x 3/4 in. lg		3	
89	G1	5310-99-941-6654	..WASHER, LOCK, steel, 1/4 in.		3	
90	G1	5310-99-122-4413	..NUT, PLAIN, HEXAGON, UNC, steel, 1/4 in.		3	
91	G1	5304-99-102-4970	..SCREW, CAP, SOCKET HEAD, UNC, steel, 3/8 in. x 1-1/2 in. lg		2	
92	G1	5310-99-941-6656	..WASHER, LOCK, steel, 3/8 in.		2	
93	G1	5310-99-941-1650	..NUT, PLAIN, HEXAGON, UNC, steel, 3/8 in.		2	
95	LV7WG	5306-99-827-3650	..BOLT, SPECIAL, UNC, 5/8 in. x 20 mm od x 112 mm lg	101-372-1	1	
96	LV7WG	5306-99-827-3651	..BOLT, SPECIAL, UNC, 5/8 in. x 20 mm & 25 mm od x 114 mm lg	101-372-3	1	
97	G1	5306-99-941-0313	..BOLT, MACHINE, UNF, steel, 3/8 in. x 1-1/2 in. lg		6	
98	G1	5306-99-941-0314	..BOLT, MACHINE, UNF, steel, 3/8 in. x 1-3/4 in. lg		1	
99	G1	5310-99-941-6570	..NUT, PLAIN, HEXAGON, UNF, steel, 3/8 in.		7	
100	LV7WG	2590-99-823-7267	..STRIP, SEALING, rubber, 665 mm lg	101-313-11 -80	2	
102	LV7WG	3120-99-827-3657	..WASHER, THRUST, 28 mm od x 20 mm id x 4.5 mm thk	101-372-2	2	
103	LV7WG	3020-99-827-3654	..PULLEY, GROOVE, single groove	101-419	1	

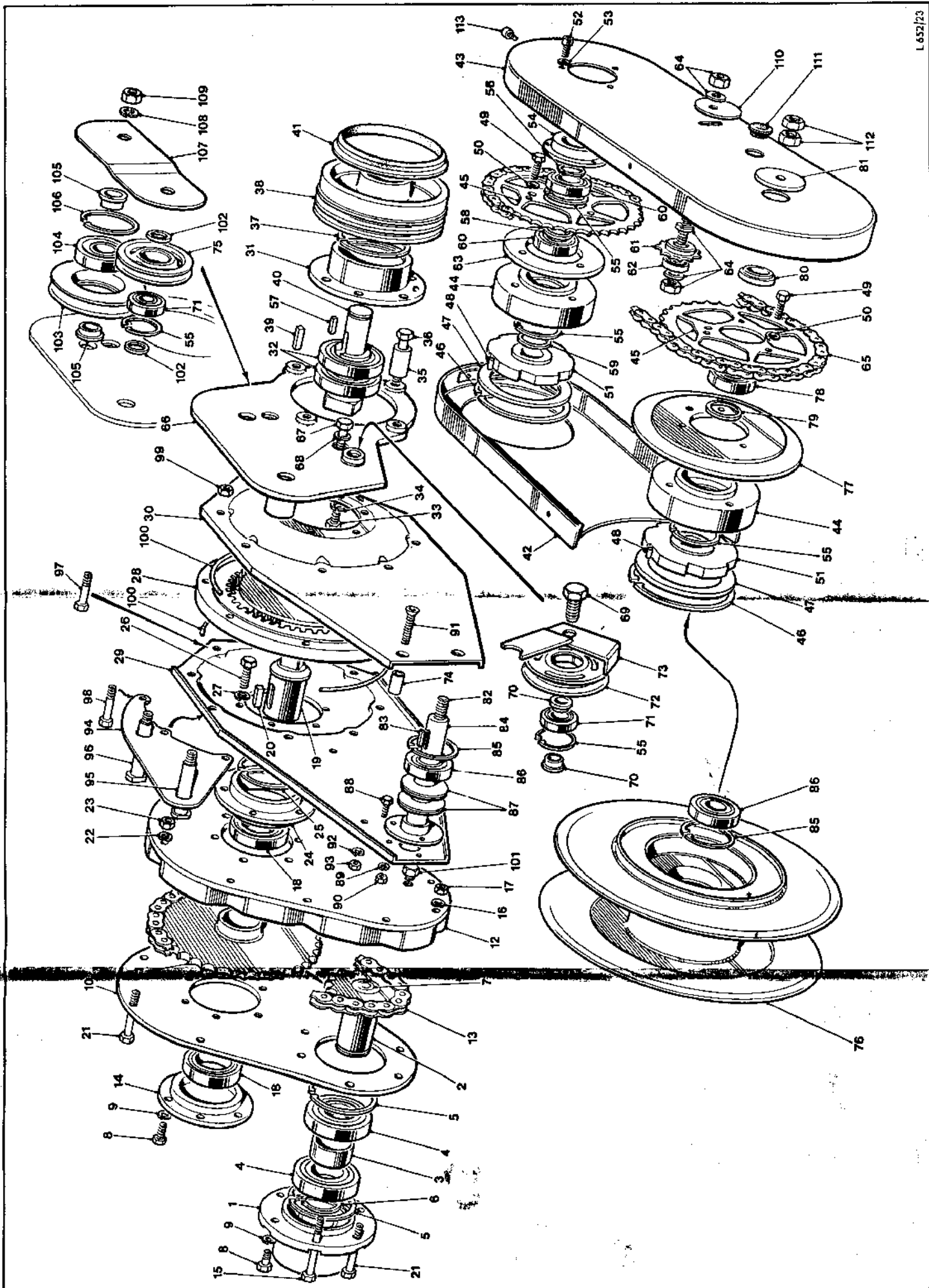


FIG ITEM	MAN CODE	NATO STOCK NUMBER/ CATALOGUE NUMBER	ITEM NAME AND DESCRIPTION	PART NO./ DRAWING NO./ ADREFNO	NO. OFF	ANNOTATIONS
T5			WINCH - contd			
			..WINCH DRUM, VEHICLE MOUNTING - contd			
104	LV6MT7	3110-99-204-8024	..BEARING, BALL, JOURNAL, single row, 72 mm od x 30 mm id x 19 mm w		1	
105	LV7WG	3120-99-827-3655	..BUSHING HALF, SLEEVE	101-313-111 -91	1	
106	LV7WG	5365-99-827-3660	..RING, RETAINING	172	1	
108	G1	5310-99-941-6660	..WASHER, LOCK, steel, 5/8 in.		2	
109	G1	5310-99-941-1665	..NUT, PLAIN, HEXAGON, UNC, steel, zinc coated, 5/8 in.		2	
111	LV7WG	5325-99-827-3663	..GROMMET BLANK, NONMETALLIC, rubber	101-437	1	
113	G1	5305-99-120-7950	..SCREW, SOCKET HEAD, UNC, steel, cadmium plated, 1/4 in. x 3/8 in. lg		3	

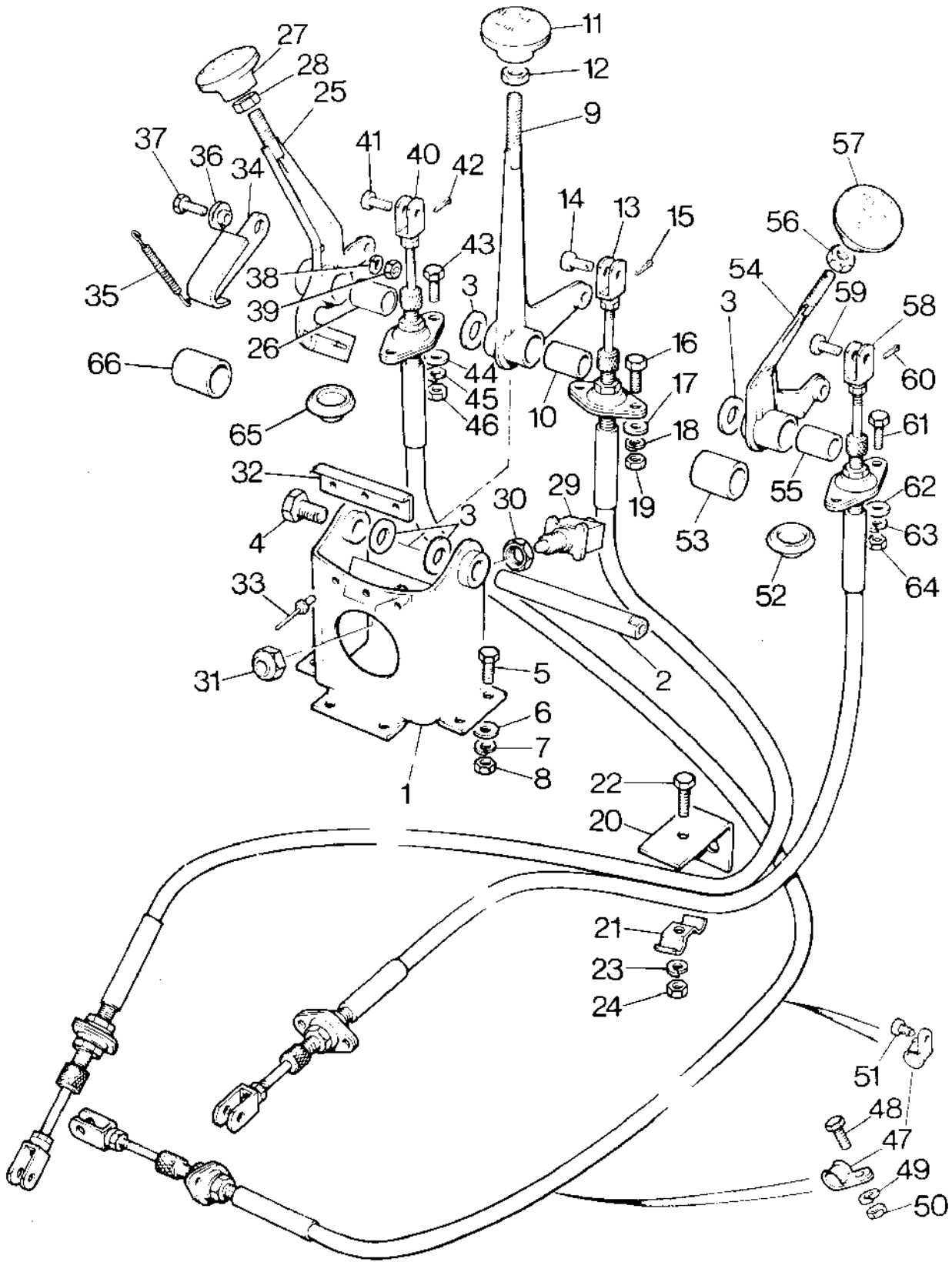


FIG ITEM	MAN CODE	NATO STOCK NUMBER/ CATALOGUE NUMBER	ITEM NAME AND DESCRIPTION	PART NO./ DRAWING NO./ ADREFNO	NO. OFF	ANNOTATIONS
T6			WINCH - contd			
25, 26	LV7RU	2590-99-824-6238	..WINCH CONTROLS - ..LEVER, CONTROL, HAND	595155	1	RHD
	LV7RU	2590-99-824-6239	..LEVER, CONTROL, HAND	595154	1	LHD
26	LV7RU	3120-99-824-2461	..BUSHING, SLEEVE	595169	1	
27	LV7RU	5355-99-824-6240	..KNOB, CONTROL: coloured green	595173	1	
28	G1	5310-99-122-5302	..NUT, PLAIN, HEXAGON, SI, metric, steel, 8 mm		1	
29	LV7RU	5930-99-822-1908	..SWITCH, PRESSURE	589063	1	
30	LV6MT4	5310-99-811-9084	..NUT, PLAIN, HEXAGON, UNF, brass, 1/2 in.	569116	1	Winch
31	LV6MT4	4730-99-811-9083	..NUT, PLAIN, CAP, UNF, brass, 1/2 in.	569117	1	warning light
33	G1	5320-99-941-7268	..RIVET, BLIND, nickel/copper, universal hd, cadmium plated, 1/8 in. dia x 19/64 in. lg		3	
34	LV7RU	2590-99-824-6241	..LEVER, CONTROL, HAND: locking lever	598838	1	
37	G1	5305-99-137-7589	..SCREW, MACHINE, SI, metric, steel, 4 mm x 20 mm lg		1	
38	G1	5310-99-135-9299	..WASHER, LOCK, steel, 4 mm		1	
39	G1	5310-99-122-6456	..NUT, PLAIN, HEXAGON, SI, metric, steel, 4 mm		1	
40-42	LV7RU	2590-99-822-1904	..CABLE, WINCH UNIT GEAR, 2942 mm lg	595178	1	
41	LV7RU	5315-99-137-6192	...PIN, STRAIGHT HEADED	529719	2	
42	G1	5315-99-942-5546	...PIN, COTTER, SPLIT, steel, 5/64 in. x 7/8 in. lg		2	
43	G1	5305-99-137-3721	..SCREW, MACHINE, SI, metric, steel, 4 mm x 14 mm lg		4	Swivel
44	G1	5310-99-122-3031	..WASHER, FLAT, steel, 4 mm		4	abutments
45	G1	5310-99-135-9299	..WASHER, LOCK, steel, 4 mm		4	to engine
46	G1	5310-99-135-0766	..NUT, PLAIN, HEXAGON, SI, metric, steel, 4 mm		4	top panel & gearbox

INDEX
OF
NATO STOCK NUMBERS
OR
CATALOGUE NUMBERS

INDEX OF NATO STOCK NUMBERS OR CATALOGUE NUMBERS

NATO Stock No./ Catalogue No.	Page No.	NATO Stock No./ Catalogue No.	Page No.	NATO Stock No./ Catalogue No.	Page No.
100-4628	A28,L8	136-7588	F24,F28	137-4513	F13
103-4153	H14,H17	136-8954	L8	137-4514	F13
103-4156	H14,H17	136-8955	L11	137-4515	F13
107-4765	H22	136-9264	A28	137-4516	F13
111-5238	L3	136-9504	G10	137-4517	F13
116-4424	T6	136-9510	B1	137-4518	F13
116-4426	T6	136-9512	G18	137-4519	F13
116-4427	T6	137-0446	G17	137-4520	F13
116-4428	T6	137-1107	A25	137-4521	F13
116-4429	T6	137-3054	F1	137-4522	F13
116-4430	T6	137-3055	F1,F3,T2	137-4523	F13
116-4431	T7	137-3056	F5	137-4524	F13
116-4432	T7	137-3058	F10	137-4525	F13
116-4433	T7	137-3448	F7	137-4526	F13
116-4434	T7	137-3593	F24,F28	137-4979	T8
116-4435	T7	137-3595	A14	137-5098	G14
116-4436	T7	137-3862	A1	137-5104	G13
116-4437	T7	137-4120	T4	137-5108	T1
116-4438	T7	137-4381	T5	137-5109	T1
116-4439	T7	137-4382	T5	137-5110	T2
116-4440	T7	137-4407	F1	137-5111	T3
116-4441	T7	137-4408	F1	137-6096	A1
116-4442	T7	137-4409	F2	137-6097	A1
116-4443	T8	137-4410	F3,F9	137-6098	A5
116-4444	T8	137-4411	F18	137-6099	A2
116-4445	T8	137-4418	F7	137-6100	A2,A7
116-4446	T8	137-4419	F7	137-6101	A3
116-4447	T8	137-4420	F7	137-6102	A7
116-4448	T8	137-4421	F7	137-6103	A11
117-0562	H22	137-4422	F7	137-6104	A10
117-8092	T6	137-4427	G1	137-6105	A10
117-8093	T7	137-4478	F11	137-6106	A10
117-8094	T7	137-4479	F11	137-6107	A10
117-8095	T8	137-4480	F14	137-6108	A10
117-8096	T8	137-4481	F16	137-6109	A10
117-8097	T8	137-4482	F17	137-6110	A6
117-8542	T7	137-4483	F10	137-6111	A6
117-8543	T7	137-4484	F10	137-6112	A4
117-9306	H24	137-4485	F10	137-6113	A17
119-1181	H24	137-4486	F10	137-6114	A16
119-4405	H26	137-4487	F10	137-6115	A16
119-5556	H26	137-4488	F10	137-6116	A17
119-8133	H22	137-4489	F10	137-6117	A14
119-9545	T8	137-4490	F10	137-6118	A8
120-0754	A8	137-4491	F10	137-6125	A15
120-0806	A4	137-4492	F10	137-6126	A6
120-1027	A1,A6	137-4493	F10	137-6127	A15
120-1338	A5	137-4494	F10	137-6128	A7
120-2304	A1	137-4495	F10	137-6129	A3
120-4032	A6	137-4496	F10	137-6130	A2
120-6700	A4	137-4497	F10	137-6131	A1
123-3720	F12,F20	137-4498	F10	137-6134	A8
123-7828	H1	137-4499	F10	137-6135	A6
124-2519	A1	137-4500	F10	137-6176	A15
127-5228	G2	137-4501	F10	137-6177	A12
127-5700	A8	137-4502	F10	137-6178	A18,A19
127-5974	H9	137-4503	F13	137-6192	G20,T10
128-0479	A17	137-4504	F13	137-6193	G16
128-4728	A1	137-4505	F13	137-6357	G5
130-4739	H29	137-4506	F13	137-6376	F24,F28
135-3662	H26	137-4507	F13	137-6377	F22,F27
135-6785	A1	137-4508	F13	137-6379	F2,F26
136-1515	A2	137-4509	F13	137-6380	F25
136-4891	G5	137-4510	F13	137-6726	K13
136-4899	A18,A19	137-4511	F13	137-6753	G2
136-5497	A8,G6	137-4512	F13	137-6754	G20

INDEX OF NATO STOCK NUMBERS OR CATALOGUE NUMBERS

Code No. 22726

NATO Stock No./ Catalogue No.	Page No.	NATO Stock No./ Catalogue No.	Page No.	NATO Stock No./ Catalogue No.	Page No.
137-6768	G21, H1, H4, L3	400-5054	G13	745-3907	H15
137-6769	K3	400-5164	G13	745-3911	H18
137-6773	H4, H5, L1, L3, L6, L17, L18, L19, L20, L21	400-5165	G13	745-3913	H22
137-6774	L3, L13, L21	401-5090	L7	746-9807	H28
137-7450	L18	408-2491	L16	746-9808	H28
137-7456	K1	408-2494	L15, L16	746-9809	H28
137-7462	K2	413-7026	H22	746-9810	H28
137-7463	K12	420-3088	A20, A34, C1	746-9811	H28
137-7464	G7	420-3152	A34, C1	746-9812	H28
137-7465	K8	420-3203	A15	746-9813	H28
137-7466	J6	420-3205	B1	746-9814	H28
137-7628	J2	420-3230	B1, F20	746-9815	H28
137-7631	G17	420-3231	B1	746-9816	H28
137-7632	G17	429-6504	A26	746-9817	H28
137-7633	G18	431-9390	C2	746-9818	H28
137-7635	G6	440-7619	K8	746-9819	H28
137-7637	C1	443-0134	A23	746-9823	H28
137-7642	H1	453-4574	A16	746-9824	H28
137-7645	H2	580-1339	G6	746-9825	H28
137-7686	K18	580-1889	T7	746-9827	H28
137-7700	J3	619-9088	K15	746-9831	H28
137-7702	G10	620-0273	L3	746-9832	H28
137-7703	K2	620-5789	H22	746-9833	H28
137-8241	G1	622-2987	H24	746-9834	H28
137-8253	K6	622-4272	H1	746-9835	H28
137-9122	H12	622-6993	H1	746-9838	H28
137-9573	H8	624-9543	H24	746-9839	H29
138-4883	F14	628-5869	A24	746-9840	H29
138-8090	G5, G7	636-2509	K14	746-9841	H29
139-2206	H12	642-0204	H8	746-9842	H29
139-3409	G2	661-0900	H22	746-9843	H29
139-3417	J3, J4	743-9619	H22	746-9844	H29
191-1658	H21	743-9620	H22	746-9845	H29
194-1187	T1	743-9621	H18	747-0430	H28
194-5268	F5	743-9622	H18	747-0431	H29
194-9694	H27	743-9623	H19	747-0432	H29
200-4456	J6	744-9340	H11, H13, H14	747-0435	H29
200-8090	G1	744-9342	H12	747-0436	H29
200-9136	T3	744-9343	H16	747-0441	H29
201-5465	C1	745-0144	H16	747-0443	H29
201-8770	C1	745-0145	H11, H13	747-3739	F15
201-9093	H11, H17, L13	745-0146	H13	760-0715	H25
201-9094	H11	745-0147	H13	760-0716	H24
202-9875	H25	745-0148	H13	760-0717	H24
204-6340	H24	745-0149	H13	760-0718	H24
204-6341	H24	745-0150	H15	760-0719	H24
204-8024	T9	745-0151	H11	760-0721	H24
206-2018	A32	745-0153	H17	760-0726	H26
206-2775	H24	745-0157	H17	760-0727	H24
207-4686	H20	745-0158	H17	760-4925	H26
208-7473	H11	745-0159	H17	760-9471	H23
208-8023	H24	745-0160	H18, H20	760-9473	H23
208-9923	F20	745-0162	H18, H20	760-9474	H24
214-9810	H24	745-0164	H18	760-9475	H24
220-2370	F5	745-0165	H18	760-9476	H24
220-3407	A29	745-0166	H18	760-9478	H24
224-8890	H9	745-0167	H18	761-2079	H23
225-1043	K3	745-0168	H18	761-2080	H23
247-7463	K12	745-0169	H18	761-2081	H23
280-5371	L21	745-0170	H18	761-2082	H24
300-0204	H20	745-0172	H18	762-1575	H22
333-3793	F10	745-0176	H11	762-4483	A23
374-1853	L13	745-1471	H18	764-2441	H24
400-5049	G13	745-2559	H11	764-2442	H24
		745-2563	H12	764-2444	H26
		745-3563	H13	764-2492	H26
		745-3564	H13	764-3088	F15

INDEX OF NATO STOCK NUMBERS OR CATALOGUE NUMBERS

NATO Stock No./ Catalogue No.	Page No.	NATO Stock No./ Catalogue No.	Page No.	NATO Stock No./ Catalogue No.	Page No.
764-3089	F15	804-8116	G12, L17, L18	806-9163	H11
764-3090	F15		K7	806-9174	L2
764-3091	F15	804-8338	H22	806-9439	F11
764-3092	F15	804-8556	L4	806-9754	F20
765-7468	H24	804-8583	H17	806-9755	F20
800-0410	G13	804-8951	H17	806-9892	H17
800-0502	G13	804-9513	H17	806-9976	K10
800-4827	G15	804-9643	L3	807-3229	G4
800-9786	H25	804-9644	H17, L2	807-3230	G4
800-9952	L7	804-9853	C3	807-3231	G4
800-9956	L7	805-0103	H22, H27, H30	807-3977	A19
800-9964	L7		L7	807-5433	A16
800-9971	L7	805-0653	H17	807-8232	A4
801-0702	A23	805-0673	H17	807-9468	C1
801-0703	G9, G10, G11, G12	805-0674	H17	807-9494	A16
	G12	805-0896	L4, L7	808-1858	G4
801-0704	G12	805-0911	G14, L20	808-2140	T6
801-0706	G9	805-0915	C2	808-3158	H11
801-1390	H24	805-0916	F26	808-3262	K11
801-3536	A31	805-0918	L20, L21	808-3810	H6
801-3728	L7	805-0919	L19, L20	808-3869	H6
801-5309	G3	805-0922	G14, L21	808-3870	H6
801-5567	G5, G7	805-0923	G10, G14, L17, L19, L21, T5	808-4298	K18
801-6685	G1		L20	808-4986	G7
801-7493	L8, L9, L10, L11	805-0925	L19, L21	808-5414	L11
	H11	805-0927	G16	808-5416	L8
801-7664	H11	805-0929	L19	808-8298	H13
801-7665	H11	805-1035	L9	808-8310	J6
801-7667	H11	805-1308	L17	808-8313	J6
801-8060	F2	805-1308	L10	808-8314	J6
801-8061	F3	805-1311	L3	808-8315	J6
802-1097	G18	805-1620	L2	809-1179	G18
802-1555	L2	805-1652	L18	809-1180	G18
802-3999	F6	805-1995	L10	809-1435	K10
802-4397	L18	805-2425	L17	809-1703	J5
802-5904	H14, H17	805-2984	H17	809-1991	C1
802-5975	A9, A31	805-3609	A6	809-3716	L3
802-7272	K13	805-3883	G1	809-4475	G13
802-7451	A28	805-4361	K10	809-4476	G13
802-8887	H22	805-4379	K13	809-4477	G13
802-9077	L7	805-4575	L2	809-4478	G13
803-1632	H22	805-4996	L11	809-4479	G13
803-1956	L15	805-4997	L15, L16	809-4480	G13
803-1999	L2	805-6351	A28	809-4481	L3
803-2620	L16	805-6455	B1	809-4482	G13
803-2979	H11	805-7011	L6	809-4483	G13
803-3158	L15	805-7762	H22	809-4484	G13
803-3271	L14	805-7843	H13	809-4485	G13
803-3527	L14	805-8275	H13	809-4916	F25
803-3670	L14	805-8498	H13	809-5521	H18
803-4648	G11, G13	805-8499	H13	809-5727	H24
803-4912	H25	805-8500	K18	809-6016	H18
803-4917	H11	805-8665	K4	809-6152	H13
803-8025	A26	805-8676	F29	809-6154	H12
804-0673	L10	805-8972	H24	809-6482	L5
804-1513	L7	805-8993	F12, F16, F17, T1	809-6728	F25
804-1551	A26	805-9065	A26	809-6729	F25
804-1563	A28		A23	809-6815	F18
804-1928	L9	806-0667	A23	809-7059	L5
804-3583	L2	806-4008	A23	809-7639	F18
804-3716	L1	806-5205	A23	809-8335	K8
804-5425	F25, F29	806-6630	A23	809-9052	H29
804-5822	F25, F29	806-6743	L12	809-9973	H28
804-7030	H12	806-7376	B1	810-0599	F13
804-7400	L7	806-7378	B1	810-2113	L6
804-8109	G18	806-8633	H12, H16	810-2114	L6
				810-2137	G5, G7

INDEX OF NATO STOCK NUMBERS OR CATALOGUE NUMBERS

Code No. 22726

NATO Stock No./ Catalogue No.	Page No.	NATO Stock No./ Catalogue No.	Page No.	NATO Stock No./ Catalogue No.	Page No.
810-4582	L4	819-1864	A24	821-8423	F21, F26
810-7051	T6	819-1865	A24	821-8424	F21, F26
810-7689	H9, H10	819-2618	G1	821-8425	F21, F26
810-8242	T7	819-3070	A17	821-8426	F21, F26
810-8849	A28	819-3071	A17	821-8427	F21, F26
810-9628	L16	819-3072	A17	821-8428	F22, F27
811-4076	H28	819-3078	A16	821-8429	F21, F26
811-4612	A26	819-3191	F8	821-8439	A26
811-7223	H11, H13	819-3922	F6	821-8442	F22, F26, F27
811-7493	A28	819-3923	F6	821-8443	F22, F26, F27
811-7675	H20	819-3924	F6	821-8444	F22, F26, F27
811-8725	L4	819-3925	F6	821-8445	F22, F27
811-8980	K13	819-4012	T6	821-8446	F22, F27
811-8984	K13	819-4426	A16	821-8447	F22, F27
811-9083	T10	819-4758	F7	821-8448	F22, F27
811-9084	G5, T10	819-4759	F7	821-8449	F21, F22, F26
812-6024	G10	819-4760	F7		F27
813-1263	A24	819-4761	F7		
813-5088	A24	819-4768	F7, F9	821-9438	F22, F27
813-5089	A24	819-5237	L21	821-9440	F22, F27
813-5092	A24	819-7560	F25, F29	821-9441	F22, F27
813-5093	A24	819-7721	H10	821-9442	F22, F27
813-5246	L1	819-9001	K11	821-9443	F22, F27
813-5820	G17	820-0118	L3	821-9444	F22, F27
813-6252	L4, L17	820-0124	C1	821-9445	F22, F27
813-6982	T6	820-1379	H24	821-9447	F21, F26
814-3923	G8	820-1585	A15	821-9450	F21, F26
814-4724	K7	820-2332	H22	821-9869	T3
815-0763	G13	820-3051	L15	821-9998	J3, J4
815-1807	L1	820-3078	H9	822-1284	K13
815-8168	L4	820-3080	H9, H10	822-1324	H1
815-8208	K13	820-3081	H9, H10	822-1385	C1
815-8534	H22, L3	820-3999	A32	822-1388	L4
815-8737	F24, F28	820-4611	H17	822-1391	J3
815-9260	L4	820-5371	A23, G8, G12	822-1392	J3
816-3023	H26		L19, L10	822-1393	J3
816-8510	L3	820-7013	G15	822-1394	J3, J4
817-3897	F29	820-7014	G15	822-1395	J3
817-3898	F29	820-7552	H1, K3, K4,	822-1396	J4
817-3899	A16		K6	822-1397	J3, J4
817-4080	A17	820-7561	L13	822-1398	J3, J4
817-4087	A16	820-7567	L3	822-1399	J3
817-4588	A16	820-7572	G15	822-1448	C1
817-4589	A16	820-8099	G1	822-1453	F24, F28
817-4696	G11	820-8148	L3, L17	822-1455	F24, F28
817-9219	L7	821-0287	L7	822-1456	F13, F24, F28
817-9348	T7, T8	821-0288	L7	822-1457	F24, F28
817-9392	L1	821-0289	L8	822-1458	F24, F28
818-7219	A16	821-0290	L8	822-1459	F20
		821-0291	L8	822-1504	G5
818-9088	D1	821-0292	L8	822-1505	F25
818-9092	F6	821-0293	L8		
818-9093	F6	821-0294	L9	822-1515	F4
818-9095	F6	821-0295	L10	822-1516	F1
818-9096	F6	821-0296	L12	822-1517	F1
818-9097	F4, F8	821-0523	T2	822-1518	F1
818-9098	F6	821-0980	G5	822-1519	F2
819-0982	F25	821-4968	F29	822-1570	G18
819-1538	G9	821-5433	A1	822-1572	G1
819-1730	A17	821-5434	A1	822-1573	G12, G13
819-1732	A17	821-5435	F1	822-1575	D1
819-1733	A16	821-5436	F21	822-1576	L5
819-1734	A16	821-5437	F26	822-1578	L1
819-1738	A19	821-5602	A24	822-1579	G21
819-1858	F24, F28, K6	821-5663	L15, L16	822-1580	G18
819-1862	A24	821-5717	F21	822-1581	G1

INDEX OF NATO STOCK NUMBERS OR CATALOGUE NUMBERS

NATO Stock No./ Catalogue No.	Page No.	NATO Stock No./ Catalogue No.	Page No.	NATO Stock No./ Catalogue No.	Page No.
822-1583	D1	822-1869	A12	822-6551	L2
822-1584	L5	822-1870	A8	822-6552	L2
822-1587	G21	822-1873	A16	822-7806	A20
822-1588	F24	822-1874	A16	822-9455	T1
822-1702	F18	822-1875	A16	822-9552	A32
822-1703	F18	822-1877	A21	822-9553	A32
822-1704	F18	822-1885	J4	822-9554	A32
822-1705	F18	822-1886	J4	822-9555	A32
822-1706	F18	822-1888	G10	822-9556	A32
822-1707	F18	822-1891	F24	822-9558	A32
822-1708	G16	822-1892	F24, F28	822-9559	A32
822-1709	G16	822-1893	F24	823-0826	K10
822-1711	A20	822-1894	F24	823-2390	G1
822-1712	A20	822-1895	F24	823-2391	G1
822-1713	A20	822-1896	F24	823-2393	G1
822-1714	A20	822-1897	F24	823-2394	G1
822-1715	A20	822-1898	F24	823-2395	G1
822-1716	A20	822-1899	F24	823-2396	G1
822-1717	A34	822-1900	F24	823-2397	G1
822-1719	F12, F16, F17	822-1901	F24	823-2399	G1
	T1	822-1902	F24	823-2765	L4
822-1720	F2	822-1903	G20	823-2769	G6
822-1721	F2	822-1904	T10	823-3516	G1
822-1722	F2	822-1905	T1	823-3517	G1
822-1723	F3	822-1906	T3, T6	823-5125	A1
822-1724	F3, T2	822-1907	T4	823-5147	A32
822-1726	K14	822-1908	G5, T10	823-5148	A32
822-1727	K14	822-1909	G7	823-5588	A32
822-1729	K14	822-1910	G18	823-5589	A32
822-1732	B1	822-1913	L5	823-5590	A32
822-1733	B1	822-2044	F23	823-5591	A32
822-1734	B1	822-2047	F23	823-5593	A32
822-1735	B1	822-2048	F23	823-5594	A32
822-1737	A5	822-2049	F23	823-5595	A32
822-1739	A4	822-2064	F23	823-5776	G1
822-1740	A6	822-2124	F23	823-6006	G4
822-1741	A1	822-2125	F23	823-6007	G4
822-1742	A1	822-2126	F24	823-6008	G2, G4, J5
822-1743	A15	822-2127	F24	823-6009	G2
822-1744	A15	822-2128	F24	823-6010	G4
822-1745	A14	822-2129	F28	823-6011	G4
822-1746	A15	822-2130	F28	823-6012	G5
822-1747	A15	822-2131	A32		
822-1748	A21	822-2132	A32	823-6015	A23
822-1750	A10	822-2276	L3	823-6016	A23
822-1751	A10	822-2277	D1	823-6017	A23
822-1754	A22	822-2278	D1	823-6018	A23
822-1755	A22	822-2280	D1	823-6020	A32
822-1756	A22	822-2282	T1	823-6021	A32
822-1821	F28	822-2292	L2	823-6022	A31
822-1850	F12	822-2420	A22	823-6023	A9
822-1852	F12	822-2421	A22	823-6025	G18
822-1853	F12	822-2422	A22, A23	823-6050	G6
822-1854	F13	822-2552	H22	823-6052	A9
822-1855	F7	822-2801	C1	823-6053	A6
822-1856	F9	822-2906	G21	823-6055	G7, G8
822-1858	F12	822-2907	B1	823-6056	B2
822-1860	F13	822-2909	D1	823-6057	F13
822-1861	F13	822-2910	A20, A23	823-6542	T1
822-1862	F13	822-3024	L17	823-6543	T1
822-1863	F12	822-6034	L2	823-6544	T1
822-1864	F12, T1	822-6039	L2	823-6545	T1
822-1865	A14	822-6040	G12	823-6546	T1
822-1866	A14	822-6069	L2	823-6547	T1
822-1868	A12	822-6123	H23	823-6548	T1

INDEX OF NATO STOCK NUMBERS OR CATALOGUE NUMBERS

Code No. 22726

NATO Stock No./ Catalogue No.	Page No.	NATO Stock No./ Catalogue No.	Page No.	NATO Stock No./ Catalogue No.	Page No.
823-6549	T1	823-7485	F24	823-8020	F15
823-6954	T1	823-7486	F24	823-8021	F14
823-6955	T1	823-7487	F24	823-8022	F15
823-6956	T1	823-7488	F24, F28	823-8023	F15
823-6957	T1	823-7489	F24, F28	823-8024	F15
823-6958	T1	823-7490	F23	823-8026	F16
823-6959	T1	823-7491	F23	823-8027	F16
823-6960	T1	823-7598	L10	823-8028	F16
823-6961	T1	823-7712	F23	823-8273	F16
823-6962	T1	823-7714	F25	823-8274	F16
823-6963	T2	823-7715	F25	823-8275	F16
823-6964	T2	823-7716	F25	823-8277	F16
823-6965	T2	823-7731	F7	823-8278	F16
823-6966	T2	823-7732	F7	823-8279	F16
823-6967	T2	823-7733	F7	823-8280	F16
823-6968	T2	823-7735	F8	823-8281	F16
823-6969	T3	823-7736	F8	823-8282	F16
823-6970	T3	823-7737	F8	823-8283	F17
823-6971	T3	823-7739	F9	823-8284	F17
823-6972	T3	823-7740	F9	823-8285	F17
823-6973	T5	823-7741	F9	823-8286	F17
823-6974	T4	823-7742	F9	823-8287	F17
823-6975	T4	823-7743	F9	823-8288	F17
823-6976	T4	823-7744	F9	823-8289	F18
823-6977	T4	823-7746	F9	823-8290	F18
823-6978	T4	823-7747	F9	823-8291	F18
823-6979	T4	823-7748	F9	823-8292	F18
823-6980	T5	823-7749	F9	823-8293	F18
823-6981	L2	823-7750	F9	823-8294	F18
823-6984	T6	823-7751	F9	823-8295	F18
823-6986	T6	823-7752	F9	823-8296	F4
823-6987	T6	823-7753	F9	823-8297	F4
823-6992	T6	823-7754	F9	823-8298	F4
823-7168	F6	823-7755	F9	823-8299	F4
823-7202	F1	823-7756	F9	823-8617	H24
823-7203	F1	823-7757	F10	823-8750	F4
823-7204	F1	823-7758	F10	823-8751	F4, T1
823-7205	F1, F3, T2	823-7759	F10	823-8752	F6
823-7206	F1	823-7760	F10	823-9354	A12
823-7207	F5	823-7761	F10	823-9500	A24
823-7208	F2	823-7762	F10	823-9793	H12
		823-7764	F11	823-9794	H12, L16
823-7210	A1, F19	823-7765	F11	823-9795	L16
823-7211	F7	823-7766	F11	823-9796	L16
823-7212	F7	823-7767	F11	823-9797	H12, L16
823-7213	F7	823-7768	F11	824-0648	F25
823-7214	F7	823-7769	F11	824-0663	G7
823-7215	F7	823-7877	H2	824-0915	F4
823-7217	F7	823-8004	F11	824-0917	A2
823-7218	F7, F9	823-8005	F11	824-0918	A2
823-7252	T7	823-8006	F12	824-0919	A2
823-7253	T7	823-8007	F12	824-0947	L6
823-7254	T7	823-8008	F12	824-1046	J6
823-7255	T5	823-8009	F12	824-1349	A1
823-7257	T7	823-8010	F12	824-1350	A1
823-7267	T8	823-8011	F12	824-1351	A1
823-7271	T7	823-8012	F13	824-1352	A1
823-7464	F28	823-8013	F13	824-1353	A1
823-7465	F28	823-8014	F13	824-1354	A1
823-7468	F21, G13	823-8015	F13	824-1355	A1
823-7477	F21, F24	823-8016	F13	824-1356	A1
823-7478	F22, F27	823-8017	F13	824-1357	A1
823-7480	F21, F26	823-8018	F12	824-1358	A1
823-7483	F23	823-8019	F12, F16,	824-1359	A5
823-7484	F23		F17, T1	824-1360	A5

INDEX OF NATO STOCK NUMBERS OR CATALOGUE NUMBERS

Code No. 22726

NATO Stock No./ Catalogue No.	Page No.	NATO Stock No./ Catalogue No.	Page No.	NATO Stock No./ Catalogue No.	Page No.
824-1361	A1	824-1938	A19	824-4945	G21
824-1362	A5	824-1939	A18	824-4947	K3
824-1363	A5	824-1940	A18,A19	824-4948	G21
824-1364	A2	824-1941	A19	824-4949	K3
824-1365	A2	824-1942	A19	824-5070	L2
824-1366	A2	824-1943	A19	824-5071	L4
824-1367	A2	824-1944	A19	824-5075	L17
824-1368	A2	824-1946	A16	824-5077	L17
824-1369	A3	824-1947	A16	824-5078	L17
824-1580	A3	824-1953	A16	824-5079	L17
824-1581	A3	824-1955	A16	824-5080	L18
824-1582	A3	824-1956	A16	824-5081	L18
824-1583	A3	824-1957	A18	824-5082	L17
824-1584	A3	824-1958	A18	824-5083	L18
824-1585	A21	824-1959	A18	824-5084	L18
824-1588	A21	824-1960	A18	824-5085	L18
824-1589	A7	824-1961	A18	824-5086	L18
824-1590	A7	824-1962	A19	824-5087	L3
		824-1963	A19	824-5088	C1
		824-1964	A19,G6	824-5089	L17
824-1593	A7	824-1965	A19	824-5090	L17
824-1595	A11	824-1966	A19,G6	824-5092	L15
824-1596	A11	824-1967	A19	824-5467	A22
824-1597	A11	824-1968	A20	824-5646	J2
824-1598	A11	824-1969	A20,A34	824-5647	J3,J4
824-1600	A11	824-2047	A24	824-5648	J4
824-1602	A10	824-2125	A32	824-5649	J4
824-1603	A10	824-2451	A17	824-6152	F22,F27
824-1604	A10	824-2452	A20	824-6170	F20
824-1605	A11	824-2461	G20,T10	824-6171	G2
824-1606	A10	824-2464	G20	824-6172	G2
824-1610	A10	824-2725	B1	824-6173	G2
824-1611	A10	824-2737	L3	824-6174	G3
824-1612	A10	824-2746	G5	824-6175	G3
824-1614	A12	824-2761	L3	824-6177	G2
824-1616	A4	824-2787	G13	824-6178	G16
824-1617	A4	824-2788	G15	824-6179	G17
824-1710	A2	824-3399	A2	824-6180	G17
824-1711	A2	824-3462	G5	824-6181	G17
824-1712	A2	824-3820	A12	824-6182	G17
824-1714	A3	824-3821	A12	824-6183	G17
824-1715	A3	824-3822	A12	824-6184	G17
824-1718	A2	824-3823	A12	824-6185	G8
824-1719	A2	824-3824	A8	824-6186	G17
824-1737	G15	824-3826	A8	824-6187	G8
824-1738	G15	824-3827	A8	824-6189	G5
824-1739	G15	824-3828	A9	824-6190	G8,G9
824-1740	G15	824-3830	A9	824-6191	G9
824-1741	G15	824-3831	A24	824-6192	G9
824-1921	A4	824-3833	A22,A23	824-6193	G10
824-1922	A4	824-3834	A22	824-6194	G10
824-1923	A4	824-3835	A22	824-6195	G10,G11,G13
824-1924	A14	824-3836	A22	824-6196	G10
824-1925	A14	824-3837	A22	824-6197	G10
824-1926	A14	824-3941	G11	824-6199	G12
824-1927	A15	824-4698	G19	824-6201	K3
824-1928	A14	824-4909	G14	824-6202	K11
824-1929	A14	824-4937	K3	824-6203	K3
824-1930	A14	824-4938	G2,L3	824-6204	K3,K4,K8
824-1931	A14	824-4939	L3	824-6205	K11
824-1932	A14	824-4940	L17	824-6206	K11
824-1933	A13	824-4941	L17	824-6209	K12
824-1934	A13	824-4942	G21	824-6210	K3
824-1935	A13	824-4943	G21	824-6211	K12
824-1936	A1	824-4944	G21	824-6212	K12

INDEX OF NATO STOCK NUMBERS OR CATALOGUE NUMBERS

Code No. 22726

NATO Stock No./ Catalogue No.	Page No.	NATO Stock No./ Catalogue No.	Page No.	NATO Stock No./ Catalogue No.	Page No.
824-6213	H1	824-6723	K8	824-7737	A9
824-6214	K17	824-6724	K8	824-7738	A9,A31
824-6215	K10	824-6725	K9	824-7739	A23
824-6216	K10	824-6726	K8	824-7740	A9,A31
824-6217	K10	824-6727	K8	824-8259	F24
824-6218	K10	824-6728	K8	824-8966	F16
824-6219	K10	824-6729	K9	824-8967	F18
824-6222	G2	824-6730	K9	824-8968	F18
824-6223	B2	824-6731	K9	824-8969	F18
824-6224	B2	824-6732	K9	824-9111	A23
824-6225	L1	824-6733	K12	824-9112	A19
824-6226	L17	824-6737	H2	824-9137	A22
824-6228	G2	824-6738	H2	824-9164	A22
824-6229	B2	824-6739	H2	824-9165	A22
824-6230	L17	824-6740	H1	824-9166	A22
824-6234	A9	824-6741	H1	824-9198	A22
824-6235	A25	824-6742	H2	824-9199	A22
824-6236	A33	824-6743	H4,H5	824-9248	A22
824-6237	G3	824-6744	H4,H5	824-9264	A22
824-6238	T10	824-6745	H4,H5	824-9265	A22
824-6239	T10	824-6746	H4,H5	824-9903	K14
824-6240	T10	824-6747	H4,H5	824-9904	K15
824-6241	T10	824-6748	H4,H5	824-9905	K15
824-6242	L6	824-6749	H6	824-9911	K14
824-6243	K14	824-6751	F9	825-0750	A23
824-6244	K14	824-7052	D1	825-0751	A23
824-6247	K14	824-7054	G3	825-0752	A23
824-6249	K14	824-7070	H6	825-0753	A23
824-6582	K15	824-7071	H6	825-0754	A23
824-6583	K15	824-7072	H6	825-0755	A23
824-6584	K15	824-7073	H7	825-0756	A23
824-6585	K15	824-7074	K11	825-0758	A23
824-6586	K15	824-7078	H6	825-1768	A10
824-6587	K14	824-7079	H6	825-1769	A10
824-6588	L6	824-7089	L15	825-2050	A10,A22
824-6589	L6	824-7090	L16	825-2051	A10,A22
824-6590	G18	824-7194	A2	825-2072	A9
824-6591	G18	824-7195	A9	825-2078	A4
824-6592	G18	824-7196	A9,A31	825-2160	A16
824-6593	G18	824-7197	A9,A31	825-2350	F23
824-6594	G18	824-7198	A31		
824-6595	G18	824-7199	A31	825-3587	A34
824-6596	G18	824-7300	C2	825-3618	L6
824-6597	G18	824-7301	C2	825-4275	H2,H8
824-6598	G18	824-7302	C2	825-4276	C1
824-6599	G18	824-7303	C3	825-4277	L17
824-6601	G20	824-7304	C3	825-4278	K3
824-6602	G20	824-7305	C3	825-4280	J5
824-6603	G20	824-7306	C3	825-4281	J5
824-6604	G5,G6	824-7307	C3	825-4282	J5
824-6605	G5	824-7309	C3	825-4283	K15
824-6606	G6	824-7310	C3	825-4284	K6
824-6607	D1	824-7311	C3	825-4285	K6
824-6608	D1	824-7312	G8	825-4286	H8,L5
824-6609	D1	824-7313	G3	825-4287	H8,L5
824-6611	B1	824-7314	G3	825-4288	H8
824-6612	B1	824-7315	G3	825-4289	A4
824-6613	C1	824-7317	G18	825-4290	A4
824-6614	C1	824-7730	A31	825-4291	H2,H8
824-6615	C1	824-7731	A23	825-4551	G10
824-6616	C2	824-7732	A23	825-4555	F16
824-6617	C1	824-7733	A23	825-4556	F16
824-6618	C1	824-7734	A23	825-4557	F21
824-6619	C2	824-7735	A23	825-4558	F26
824-6720	K10	824-7736	A23	825-4559	F2

INDEX OF NATO STOCK NUMBERS OR CATALOGUE NUMBERS

Code No. 22726

NATO Stock No./ Catalogue No.	Page No.	NATO Stock No./ Catalogue No.	Page No.	NATO Stock No./ Catalogue No.	Page No.
825-4560	F2	828-0896	F16	829-8956	L18
825-4562	H2	828-1070	L2	829-8957	J1
825-4563	G3	828-1071	L1	829-8958	G9
825-4656	H9, K10	828-1073	A23	829-8959	K1
825-4657	K2	828-1074	A23	829-8983	A1
825-4658	H9, K1	828-1075	A8	829-8984	A1
825-4659	H10, K1	828-1091	A11	829-8986	G6
825-4660	H10, K10	828-1301	A32	829-8987	G21
825-4661	K10	828-1309	K3, K13	829-8988	G21
825-4662	K10	828-2072	T4, T5	829-8989	F6
825-5346	G5	828-2226	H25	829-8990	F6
825-5639	L1	828-4174	L19, L20, L21	829-8992	F19
825-5902	A24	828-4176	H8	829-8993	F19
825-5909	G9	828-4265	H18	829-8994	F17
825-6111	J6	828-4435	F16	829-8995	K15
825-6112	J6	828-4750	L5	829-8996	G18
825-6119	J6	828-4833	C1, C3	829-8997	G20
825-6359	G8	828-5253	F23	829-8998	G20
825-6550	J6	828-5274	J5	829-8999	K14
825-6564	L5	828-5825	F7	829-9005	K11
825-7742	A23	828-6773	A3	829-9528	H6
825-8120	L5	828-6951	H11, H12	829-9550	A2
825-8132	G11	828-7774	L1	829-9551	A2
825-8405	A32	828-8368	F7	829-9575	A11
825-8662	A24	828-8910	J5	829-9576	A11
825-9854	A10	828-9706	K10	829-9622	H16, H22
827-1363	K12	828-9707	K10	829-9750	K15
827-1364	K12	828-9708	K2	829-9751	F20
827-1365	K12	828-9709	K2	829-9752	G3
827-2104	G11	829-1013	K16	829-9753	G3
827-3650	T8	829-1073	F25	829-9754	G5
827-3651	T8	829-1074	F25	829-9755	G11
827-3652	T6	829-1350	H7	829-9756	F18
827-3653	T8	829-1351	H7	829-9757	B1
827-3654	T8	829-1352	H7	829-9758	L5
827-3655	T9	829-1357	H7	829-9759	K15
827-3657	T8	829-1661	F24, F28	829-9760	L6
827-3658	T8	829-1954	A3	829-9761	L18
827-3660	T9	829-1968	L10	829-9762	L18
827-3663	T9	829-1969	L10	829-9763	L18
827-5282	K10	829-2993	H11	829-9764	J1
827-8762	A10	829-3001	H7	829-9765	J1
827-8763	K8	829-3387	H22	829-9766	J1
827-9588	A32	829-3878	F29	829-9767	J1
827-9599	L17	829-3948	A4	829-9768	J1
827-9612	L3	829-4568	J7	829-9769	J1
828-0277	H24	829-4700	K18	829-9770	J2
828-0470	A20	829-5056	H15	829-9771	J2
828-0471	A11	829-5267	A12	829-9772	K1
828-0472	A2	829-5268	A12	829-9773	K1
828-0476	A3	829-6057	A3	829-9774	K2
828-0477	A2	829-6058	A4	829-9775	K2
828-0488	A20	829-6461	H22	829-9776	K2
828-0700	L17	829-7570	G8	829-9777	K5
828-0701	L17	829-7571	G8	829-9778	K5
828-0723	L3	829-7572	G12	829-9779	K5
828-0731	G9	829-7573	L18	829-9780	K12
828-0879	J3	829-7574	K1	829-9781	K12
828-0880	J3	829-8722	F18	829-9782	K12
828-0881	G12	829-8744	L1	829-9783	K12
828-0882	K8	829-8746	L18	829-9784	K12
828-0883	G16	829-8747	L3	829-9785	K10
828-0884	L5	829-8748	K12	829-9786	K10
828-0889	F9	829-8953	G8	829-9787	K10
828-0890	B1	829-8954	G8		

INDEX OF NATO STOCK NUMBERS OR CATALOGUE NUMBERS

Code No. 22726

NATO Stock No./ Catalogue No.	Page No.	NATO Stock No./ Catalogue No.	Page No.	NATO Stock No./ Catalogue No.	Page No.
829-9789	K8	834-1854	H2	849-9236	A1,F23
829-9790	K8	834-8185	A28	849-9297	F17
829-9792	K18	835-0316	F11	849-9375	C1
829-9793	K18	835-0444	H11,L15	849-9408	F21,F26
829-9794	K18	835-4398	H22	849-9443	G2,G4,J5
829-9795	K18	836-0809	A8	849-9444	G2,G4,J5
829-9796	K13	836-0810	A8	849-9445	G2,G4,J5
829-9797	K14	836-4627	F25	849-9446	G2,G4,J5
829-9798	K14	836-4741	F25	849-9477	G17
829-9799	K14	836-5244	G8	849-9493	G3
829-9842	L1	836-5262	G8,G9	849-9498	G3
829-9843	L18	836-5266	G8,G9	849-9499	G3
829-9845	L18	836-5286	F29	849-9546	L3,L21
829-9846	L18	836-5302	G9	849-9637	G7
829-9847	L19	836-5310	G8	849-9642	G7
829-9863	H8	836-5333	F29	849-9645	G5,G7
829-9864	H8	836-5350	F29	849-9647	G5,G7
830-6146	F12	836-5351	F29	849-9664	F28
830-6221	H29	836-6118	F25	850-0027	A21
830-6222	H28	836-6619	G13	850-0442	A14
830-6704	G6	836-7643	G1	850-0445	A4
830-6705	G6	836-7704	A14	850-0495	A6
830-6706	G6	836-7707	G8	850-0624	A5
830-9674	K6	836-7786	G13	850-0870	D1
831-1608	A26,A31	836-7797	G13	850-0873	D1
831-5717	F26	836-8540	F20	850-0876	D1
831-7651	L1	836-9394	F20	850-1125	F25,K13
831-8335	F20	836-9395	F20	850-1322	H6
831-8839	L12	836-9681	H7	850-1388	K18
832-4544	H28	837-2537	H28	850-1421	H7
832-6913	H24	837-6964	A6	850-1422	H7
833-1903	H11	837-8635	H15	850-1661	H6
833-2571	L10	838-0431	A21	850-1662	H6
833-5140	H18	838-0815	H18	850-1718	K1
833-6076	L1	838-0816	H21	850-1914	K1,K9,K18
833-6988	H10	838-0818	H11	850-1915	K12
833-6989	H10	838-0819	H13	850-1934	H7
833-6990	H10	838-0821	H18	873-9341	F23
833-6992	H9	838-2195	H18	874-0243	F2
833-6993	H9	838-5174	H11	874-0531	K13
833-6994	H9	838-5967	H17,K13	874-0544	G12
833-6995	H9	838-5968	H17,K13	874-0680	L11
833-6996	H9	838-9057	H18	874-1390	C1
833-7684	G15	839-2564	A24,H16,H22	874-1845	C1
833-7733	H17	839-3765	F20	874-1853	L11
833-7858	G1	839-3947	H17	874-9961	H1,H2,H4, H5,H6,K1, K2,K4,K14, K18
833-7869	G1	842-3988	F2,F21,F26		
833-7932	G1	844-9502	K13		
833-7993	H29	844-9528	K13		
833-8049	A31	844-9537	K13	881-2459	G8,G11,G12
833-9054	G15	844-9550	H6	881-2486	L2
833-9950	H9	844-9591	B1	881-2959	A27
833-9951	H9	844-9666	F2	881-2968	A28
833-9952	H9	844-9828	L20	881-2969	A28
833-9956	A28	845-0181	H6	881-2970	A28
833-9958	A28	845-0203	K8	881-2971	A28
833-9959	A28	845-0405	F23	881-2972	A26
833-9960	A28	845-0453	K13	881-2973	A29
833-9961	A28	849-8600	K3	881-2974	A27
833-9962	A28	849-8614	H8	881-2975	A27
834-1809	H1	849-8618	K13	881-2977	A26
834-1850	H2	849-8669	K8	881-2978	A26
834-1851	H2	849-8732	F1,F2	881-2979	A26
834-1852	H2	849-8980	G18	881-2980	A26
834-1853	H2	849-8982	G18	881-2993	A26

INDEX OF NATO STOCK NUMBERS OR CATALOGUE NUMBERS

Code No. 22726

NATO Stock No./ Catalogue No.	Page No.	NATO Stock No./ Catalogue No.	Page No.	NATO Stock No./ Catalogue No.	Page No.
881-2994	A26	914-4250	A27, T8	995-3262	L16
881-2995	A26	914-5426	A6	995-3267	H12, L15
881-2997	A28	923-5244	F1, F23	995-3281	H12, L16
881-2999	A26	924-8267	F9	995-3296	L15
881-3018	L7, L8, L12	932-4532	H22	995-4230	L16
881-3019	L7, L12	932-4899	H17	995-4508	L14
881-3024	L8, L12	941-0299	A2	995-9145	L1
881-3028	L12	941-0300	A2	996-4867	L14
881-4961	F25	941-0686	A6	999-7727	L7
881-6380	F25, F29	941-0687	A5		
881-7229	H22	941-0699	A1		
881-7320	H25	941-0925	A2, A6		
881-8076	H16	941-1521	A8	758-8255	F1
881-8201	L7	941-1524	A4	761-4085	H29
881-8203	A28	941-1525	A8	764-5560	H30
881-8204	A28	941-1526	A4, A8	764-5561	H30
881-8216	L8	941-1527	A4	764-5562	H30
881-8218	L12	941-1534	A6	764-5563	H30
881-9051	L8, L9	941-1535	A6	764-5564	H30
881-9678	H17	941-1538	A8	764-8620	H30
881-9681	L9	941-1544	A6	766-7000	H30
881-9809	G15	941-6654	A4, A6	778-3723	H17
881-9817	G15	941-8362	G10	778-3724	H21
881-9832	G10	941-8608	A6	778-5509	H11
881-9938	F2, F21, L20	941-8960	A8	778-5510	H15
892-0001	L7	941-9066	A1	778-7729	H11
892-0198	L15, L16	942-4321	G6	788-1582	A24
892-0420	F29	942-5691	G13	790-6973	A7
892-0424	G9, G10, G11, G12, G13	942-6893	L16	825-0510	A24, L13
	G9, G10, G11, G12	942-7808	J6	828-4259	H13
		942-9953	A28	828-8687	F10
892-0614	H9	943-3483	L7	829-9557	A2, A7
894-1827	L20	943-4374	H9	829-9558	A7
895-1483	B1	943-4824	L7	829-9559	A7
895-1846	G21	943-5957	A26	833-7009	A24
895-1888	G1	943-8887	G8	837-4707	G5
895-1931	G6	943-9209	L10	839-2566	A24
895-1987	H6	948-3354	H27, H30	955-1694	H11
895-2141	H6	948-3355	H27, H30		
896-0609	L6	949-9053	H26		
910-8194	G17	950-0569	F4, F7, F9		
910-8205	F7	950-0571	G1	750-3187	J4
910-8242	A27	950-0871	F23	751-8272	A2
910-8247	T6	950-1247	F12	753-4334	A11
910-8250	T4	950-1305	F7, F9	753-4725	F9
910-8251	F14	950-1440	T6	753-7527	A22
910-8291	G18	950-2058	A3, A9	753-9992	A17
910-8298	F12	950-8998	H20	756-3186	J3
910-8303	F9	954-7554	F10	757-5678	A14
910-8330	T7	960-4357	T5	757-7008	A7
910-8331	T8	964-4586	F29	760-4216	L15
910-8333	F13	970-2455	F26	774-7173	L15
910-8334	T7	970-3518	K10	774-7174	L2
910-8335	T6	971-0229	H12	774-7175	L15
910-8338	T4	971-2164	J5	774-7180	G6
910-9185	L14	995-1176	L2	774-7181	A34
910-9188	L14	995-1297	G18, L2, L8	774-9246	F1
910-9189	L14	995-2149	H11	774-9248	F9
910-9194	L14	995-2236	L16	774-9248	F7
910-9197	L14	995-2318	L1	774-9251	F7
910-9199	L14	995-2416	H11	774-9252	F15
910-9200	L14	995-3244	L16	774-9253	A22
911-5407	L9	995-3247	G18, L2	777-1775	A7
913-0709	A26	995-3248	L16	779-7786	B1
				791-9336	A14

INDEX OF NATO STOCK NUMBERS OR CATALOGUE NUMBERS

Code No. 22726

NATO Stock No./ Catalogue No.	Page No.	NATO Stock No./ Catalogue No.	Page No.	NATO Stock No./ Catalogue No.	Page No.
792-4042 802-7398 819-3422 824-7117 825-4648 827-8038 833-5978 835-4312 838-0757 838-3613 838-5185 838-5609 838-6368 838-6609 839-3852 995-2902	B1 F13 A24 A24 L15 A24 F21, F26 L15 L15 L15 F3, F9 L15 K8 A1 F6 L15				

**INDEX OF PART / DRAWING
NUMBERS**

INDEX OF PART/DRAWING NUMBERS

Part/Drawing No.	Page No.	Part/Drawing No.	Page No.	Part/Drawing No.	Page No.
PCGA	H23	GEG 645	A15	NRC1368	J4
WJLP	H17	GEG 665	A15	AAU1394	A23
4BR	H22	SF674E	H25	AAU1416	L5
7FJ	H22	APSA687	G13	PRC1417	L17
RL10	H13	708A	H14, H17	14W-24	F21, F26
MRC11	K14	RTC 840	G3	LI475	A19
C/18	G13	LH93-1	F18	AFA1491	H10
19C	H15	93-2	H22	MRC1509	H8
M19	H12	94-2	H22	MRC1510	H8
MRC28	K12	952	H14, H17	SA1518	G15
MRC29	K12	NRC0004	B2	SA1519	G15
DHM-30	H13	NRC0005	B2	SA1524	G15
MRC30	K12	PRC0005	L17	SA1525	G15
SQ32-L	A29	NRC0006	B2	MRC1537	K5
A44	H30	PRC0006	L17	MRC1538	K5
F51-GK	H24	NRC0031	G10	MRC1597	H7
SRS65	H10	NRC0032	G13	MRC1609	H8
BMAC74	H25	NRC0034	G13	MRC1610	H2, H8
RSL87Y	A23	NRC0053	G13	MRC1611	H2, H8
90	H22	MRC0119	H1	SA1613	G15
L92Y	A22	NRC0169	G3	ERC1615	A23
SVPO4-1	H22	NRC0170	G3	ERC1616	A23
101-I	H13	NRC0171	G3	ERC1617	A23
101-S	H13	NRC0216	G3	ERC1618	A23
101-T	H13	NRC0217	G3	ERC1619	A23
101-U	H13	NRC0218	G3	ERC1620	A23
101-V	H13	NRC0239	G3	ERC1621	A23
GGC 102	F5	NRC0240	G3	ERC1622	A23
CM106B	K11	ERC0774	A8	ERC1623	A23
GSC 108	A22	ERC0813	A13	ERC1637	A11
GRA 112	A22	ERC0814	A13	MRC1658	K14
MRC 113	K15	S-10-14	G1	MRC1663	K14
GTG116	A15	S-10-15	G1	MRC1664	K3
GCS 117	A22	APSA1016	G13	W1672	H12
GOC 117	A22	S-10-42	G1	RTC1688	F16
135	H24	DSB1051A	H18	RTC1697	L6
155A	H13	CM106/7/C	K11	MRC1710	K5
MRC 162	K15	NRC1110	G11	RTC1718	A2
SF/16-2	G13	RTC1148	G3	17-3-4	G1
MRC 163	K15	PRC1154	L17	ERC1742	H23
MRC 165	K16	NRC1158	F21	1813	H11
172	T9	1161	H16	NRC1887	J5
KS-LGB194	T3	W1161	H12	AAU1909	L5
LRS 196	A32	1165AMR	H9	NRC1957	J3
RTC 202	L5	NRC1169	D1	NRC1958	J3
GFB 211	A9	FRC1185	F7	NRC1970	B1
MRC 214	K6	NRC1189	G11	NRC1972	B1
2HA-20	F26	NRC1190	G11	NRC1978	G8
235-Z	A16	ERC1195	A9	19-9-4	G1
NRC 243	J2	ERC1197	A8	NRC1994	T5
PR 245A	H26	BMK1208	G11	AAU2005	A17
NRC 248	G3	12/17	F21, F26	2HA-020	F21
SEL 254	H22	BCP12-18	H9	NRC2051	J7
GEG 340	A10	NRC1226	J1	APSA2099	H24
MRC 344	K3	NRC1228	J1	21W-12V	L4
MRC 345	K3	NRC1241	J5	RTC2117	A3
PP347	H13	NRC1242	J5	NRC2131	G11
MRC 348	K3	ERC1243	A4	NW2-13Z1	A28
369	H16, H22	PRC1254	C1	RTC2148	F16
GEG 436	A12	MRC1294	K6	RTC2149	F7
RTC 452	L5	FRC1335	F7, F9	RTC2150	F9
SF/51-1	G13	FRC1337	F7	SP2189	F25
SF/51-6	G13	FRC1343	F7	2203	A8
GEC 539	A5	FRC1344	F9	2204	A15
588	H22	ERC1349	A33	S-23-15	G1
N609	H14, H17	NRC1367	J3	S23-33	G1

Part/Drawing No.	Page No.	Part/Drawing No.	Page No.	Part/Drawing No.	Page No.
MTC2336	H17	8HA-180	F22, F27	31201	H17
MTC2337	H17	8885	L21	31696	H17
24-5-5	G1	AAU9411	F29	3M1752	T5
25-7-8	G1	APSA993-1	G13	3M1778	T5
NRC2595	J5	SA-01-078	G1	31828	H17, L2
SP2710	G5	SA-01-079	G1	33199	H22
K27GB19	F20	03609	F12	33242	L2
P2761	H17	05660	A19	33258D	H22, L3
SP2852	G10	06009	F1, F2	33259	L3
SP2863	G10	06860	F21, F26	33261A	L4
APSA2870BW	H24	08758	A19	33293A	L2
ERC2893	A8	10HA-036	F21, F26	34680	L2
2920	A8	ABU10101	G6	34889A	H17
2936	H11, H13	S-10-111	G1	37521	L4
2975	K15	M10LW-15/9	F21, F26	37595	A24
3021	G17	S-10-222	G1	38192	L2
TKC3029	G12	10236	G8	39330A	L1
MRC3150	G2	1043-1	H23	39664	L2
P3176	H17	11-091	G1	39802	L2
MRC3224	K2	11-092	G1	39803	L2
GBH3228	F25	11-7-22	G1	39942	H2
MRC3237	K2	12-10-7	G1	40038	F25
P3274	H17	HD1260-8	H26	4HA-059-3	F21, F26
P-NB3344	L12	HD1270-8	H26	R4093P5	F10
FRC3507	F11	P12867	A19	41399	A23
MRC3519	H7	FV14933	L16	41487	A22
S3540/LH	A16	FV15791	L14	47206	L3
S3540/RH	A16	B16518	A16	47231	C1
SF/359-1	G13	B16772	A16	50178	F25
SF/359-2	G13	17038	H28	SF50-254	G15
3621	G16	B17421	A17	50446	G7
MRC3689	H7	B17834	A19	50447	G5
3842	G5	B17844	A19	50639	G10, G14, L19
AAU3911	F25	B17894	A16	50640	L21
AAU3912	F25	B17941	A18, A19	50690	L20
T4000	G4	B18056	A18	F51-004A	H24
4034	K13	B18353	A16	52918	G16
4047	A8, G6	B18613	A16	53837	H11, H17, L16
4170	G14, L20	B18732	A17	53876	L16
4261	J3, J4	B19224	A16	AQ543-4-6	H24
4594	A25	B19225	A16	AQ543-8-6	H24
4873	A6	B19548	A17	55385	H11, H12
4887	K8	SP1967/4	G7	56666	L19, L20, L21
4898	H8	198-S-83	G15	56667	G14, L21
S5001	H17	B20255	A16	X567A-12C	L10
K5LGB166	F20	B20256	A16	57334	H11, L15
52-05	H22,	SP2029-3	F6	5-96VL-17	H13
P5439	A17	SP2051/1	F29	SF61-678	G15
MRC6040	G6	B20933	A19	SB7HA-023-1	K21, F26
MRC6041	G6	B20979	A19	APSA7282-3	H24
FRC6068	F15	B20980	A16	SSC76152	A21
6098	H11	SA-21-005	G1	76933	A32
6395	A21	N21479	H22	76934	A32
FRC6956	F15	21694	G8	78139	H22
FRC6958	F15	22-7-12	G1	78159	K8
FRC6960	F15	23793	A24	78237	K13
FRC6962	F15	23859	A24, H16, H22	78248	K1, K9, K10,
FRC6964	F15	SP2495-3	G5		K18
S-7-137	G1	GA25160	G15	78257	K12
GEX7325	D1	D2566-1	H18	78319	F2
8HA-037	F22, F27	D2566-2	H18	78410	H1, H2, H4, H5
8HA-038	F22, F27	25697	A32		H6, K1, K2, K4
8HA-046	F22, F27	286GB59	F20		K14, K18
8HA-047	F22, F27	30404	F24	78652	C1
8HA-048	F22, F27	30405	F24	79123	G8
8HA-049	F22, F27	30972	F12	79125	G11
B8089SA	A3				

Part/Drawing No.	Page No.	Part/Drawing No.	Page No.	Part/Drawing No.	Page No.
79174	L3	11-7-047	G1	243968	A4
79246	H1	H12B-F28/17L	F22, F27	244009	D1
79292	K18	M12B-C50/30	F22, F27	247766	A6
8HA-006-4	F22, F27	M12B-C-60/30	F21, F26	248059	F20
8HA-007-5	F22, F27	VG1305/00	L3	248311	G9
8HA-008-1	F22, F27	BR/1308/00	L1	252514	A14
8HA-012-1	F22, F27	HD1320-4-6	H24	252516	A8
		13H9216	A14	253964	A9, A31
8HA-026-4	F21, F26	140085	F2, F21, F26	254861	K13
8HA-043-2	F22, F26, F27	S14015A-1	G15	254877	A31
8HA-044-2	F22, F26, F27	G141429	F25	257123	A18, A19
8HA-045-2	F22, F26, F27	147990	A24	259141T	H24
8HA-102-9	F21, F26	GS150-150	L13	266339	A12
81-103	G1	FV159900	L16	267604	A14
81-104	G1	A1637-01	H30	269783	G7
82024	H22	RTC171810	A2	272596	F17
82030	H27, H30	RTC171820	A2	272712	G5, G7
82032	H18	187012	L20	272714	G5, G7
85127	L19	187042	G2	273595	F12
87338	F18	187043	F26	273937	L3
8810-K3	H27, H30	187045	L20	277502	G6
8820-K2	H27, H30	187047	F21, L20	279129	G17
92194	F18	187052	L17, L19, L21	A2940-12V	H17
92575	K12	187079	L19	A2952-12V	H17
FV95722	H18	188206	H22	3000-04	H24
96T1P2+1X	L4	188209	H22	301328	H6
001525	H30	188215	H22	301329	H6
010351	A17	188218	L4	302825	H6
015667	A16	188636	A22, A23	302828	H6
016268	A16	205106	G13	306471	K3
019067	A18, A19	212741	H24	306564	H8
019522	A16	213340	G3	FV308524	J6
019531	A19	213964	F1, F3, T1	308792	K18
019654	A17	214649	G2, G4, J5	3-17332	H12
019664	A16	214662	G2, G4, J5	320045	H1
019673	A17	214684	G2, G4	3-22386	H15
020303	A17	214685	G2, G4, J5	330162	K8
101-188	T6	215647	G18	330399	H6
101-189	T6	216912	G8	330422	H6
101-200	T6	218386	G17	330622	H7
101-258	T7	219676	F2	330623	H7
101-278	T7	219714	G18	331071	K13
101-281	T8	219721	G18	331102	K13
101-284	T6	230049	G15	331103	K13
101-286	T8	230294	G3	331104	K13
101-287	T7	230759	G3	331709	K13
101-288	T7	230760	G3	FV332162	J6
101-289	T6	231578	A5	FV332163	J6
101-290	T6	232038	A1	FV332175	J6
101-291	T6	232039	F23	FV332176	J6
101-292	T6	232043	A14	FV332177	J6
101-293	T7	233220	G8, G11	FV332178	J6
101-297	T8	233246	G18	FV332179	J6
101-298	T7	236022	A14	332435	K8
101-299	T7	236366	L20	332445	H6
101-300	T7	236390	G12	332446	H6
101-303	T7	239673	G21	332605	H7
101-320	T7	239710	D1	332674	B1
101-363	T7	239715	D1	333140	K1
101-365	T8	240428	G14	334121	H6
101-376	T6	240429	L6, L21	334525	K4
101-419	T8	240430	G12, L20, L21	335741	K11
101-424	T8	240431	A23, L3	335772	K6
101-437	T9	240437	L21	336352	K18
LB1029-DC24	F18	243967	A4	FV337708	J6

INDEX OF PART/DRAWING NUMBERS

Code No. 22726

Part/Drawing No.	Page No.	Part/Drawing No.	Page No.	Part/Drawing No.	Page No.
337759	L11	398214	H6	399116	K8
337806	K10	398225	H6	399120	K9
337873	K13	398226	H6	399121	K9
337899	K13	398232	H6	399214	K3
338015	L2	398233	H6	399216	K3
338020	G20	398237	H7	399220	H1
338028	L1	398243	H7	399221	H1
345188	K8	398276	H2	399226	K2
345433	K10	398306	H2	399253	K4
345434	K10	398308	H4, H5	399254	K4
345498	K10	398312	H7	399257	K3
345699	H1, K3, K4, K6	398313	H7	399263	K3
346046	H6	398323	H1	399305	K14
346072	K18	398330	H2	399319	K3
346139	H6	398331	H6	399494	K3
346140	H6	398368	H4, H5	399501	G16
346195	K18	398413	H1	399502	F18
346399	K6	398439	H8	399503	F18
347151	K10	398458	H2	399518	K10
347541	K13	398459	H2	399543	K11
347594	K1	398493	H5	399569	K8
348430	K13	398494	H4, H5	399573	K5
348943	H17, K7	398497	H2	399711	K12
349171	K13	398498	H2	399725	K12
349931	K13	398641	K2	399822	H1
FV362936	H15	398642	K1	399823	H1
374662W	G8	398643	K1	399838	K12
FV374951	H9	398713	K6	399840	K12
FV374967	H9	398718	K6	399845	K6
FV374972	H9, H10	398721	K1	399850	K6
FV374977	H10	398740	K2	399886	K17
FV374982	H9, H10	398741	K2	399913	K14
375397	G15	398751	K8	399917	K14
377012W	G8	398755	K8	399926	K14
377111W	G8, G9	398756	K9	399933	K14
377119	F29	398757	K9	399936	K1
37H7738	L5	398758	K9	399937	K1
378108	F29	398761	K10	399962	K14
378260	G9	398762	K10	399997	K17
378711	G12	398776	K11	404435	A23
378868	F29	398777	K11	408115	A23
389171	H2	398780	K1	4206219	K13
390072W	F29	398781	K1	4206318	K13
390073W	F29	398815	K8	FV445996	L9
394202	K13	398816	K8	500733	A8
395037	H9, K10	398827	K6	500978	F28
395038	H10, K10	398840	K2	503535	A2
395041	K10	398841	K2	503805	F7, F9
395042	K10	398861	K2	504665	H11
395056	K10	398865	K2	509045	F12, F20
395078	K2	398866	K2	FV510810	A28
395104	H2			FV510811	A28
395139	K10	398957	K8	FV510813	A28
395143	K3, K4, K8	398963	K10	FV510814	A28
395294	H9, K1	398964	K10	FV510819	L13
395295	H10, K1	398975	K10	FV510845	L8
395541	K10	398976	K10	FV510846	L8
396163	L2	398993	K8	FV510862	L11
398041	H7	398996	K10	FV510867	L8
398046	H1	398997	K10	FV510870	L7
398103	H1	398998	K10	FV510871	L7
398111	H2	399019	K2	513220	G12
398170	H2	399035	K2	513221	L19
398188	H4, H5	399065	K5	515599	G1
398189	H4, H5	399115	K8	521452	A19

INDEX OF PART/DRAWING NUMBERS

Part/Drawing No.	Page No.	Part/Drawing No.	Page No.	Part/Drawing No.	Page No.
521453	A19	564717	B1	571969	F18
522932	A14	564718	B1	571971	F18
528702	F23	564719	B1	571972	F13
529719	G20, T10	564812	G5	571975	F12, F13
531587	L3, L17	566222	A1, F19	571979	F2
533358	F2	566580	C1	571981	F17
5337-36	A26	568168	H24	571982	F17
533765	F13	568365	A16	571983	F17
534296	H11	568526	G21	571991	F12
534722	H22	568858	G4	572121	A1
534897	A14	568883	G7	572122	A1
5350-97	H24	569006	C1	572295	C1
537761	G11	569047	B1	572950	G10, G11
5393A-17	L7, L8, L12	569116	G5, T10	573260	L6
5393A-17C	L7, L12	569117	T10	575511	D1
5393-17D	L7	569701	G5, G7	575673	G17
539742	F23	FV570397	L8	575676	G17
540530	F13	571010	F9	575977	B1
540870	C1	571030	F16	576105	F1
541215	A17	571036	F16	576137	F6
541343	A19	571043	F16	576195	F1
541514	H25	571062	F7	576203	F6, L15, L16
FV543295	A27	571066	F8	576205	L15
FV543298	A27	571090	F7, F9	576207	L15, L16
FV543301	A26	571103	F9	576214	F5
FV543309	A26	571104	F1, F3, T2	576220	F1
FV543317	L7	571134	F4, T1	576288	F24, F28
FV543318	L7	571137	F4	576294	F24
FV543322	L8	571144	F10	576303	T2
543818	G4	571158	F12, F16, F17	576317	G18
543819	G4		T1	576319	G18
544325	G18	571160	F6	576320	G18
545145	L11, L13	571161	F6	576340	F4
FV546131	L7, L11	571163	F6	576344	F17
FV546178	L3	571164	F6	576346	F10
547162	L1	571177	F12	576351	F10
549911	A2	571187	F9	576352	F10
550873	G18	571439	F16	576353	F10
551232	L18	571451	F7	576354	F10
552103	L15	571452	F7	576355	F10
552338	G18	571453	F7	576356	F10
552804	G2	571454	F7	576357	F10
552813	L14	571455	F7	576358	F10
552818	L14	571468	F14	576359	F10
552819	J5	571536	F2	576360	F10
552974	K7	571537	F1	576361	F10
554286	A31	571538	F1	576362	F10
554288	L14	571618	T2	576363	F10
554345	L14	571723	F3, F9	576364	F10
554350	L14	571821	F24	576365	F10
554430	L14	571837	F1	576366	F10
554871	L14	571841	F1	576367	F10
555297	L14	571845	F3	576368	F10
555662	L3	571846	F3	576369	F10
555779	L3	571858	F12	576370	F10
555910	L15	571876	F2	576372	F4
556239	F4	571881	G18	576624	F18
556633	F15	571885	F10	576626	F14
562106	G6	571940	F2	576627	F13
562A254	H17	571944	F1	576631	F2
562481	G6	571947	F2	576634	F13
562823	D1	571948	F3, T2	576646	G18
562978	G8	571948	F12	576656	F16
562979	B1	571953	F12	576658	F16
563318	L3	571962	F16	576683	F11

INDEX OF PART/DRAWING NUMBERS

Code No. 22726

Part/Drawing No.	Page No.	Part/Drawing No.	Page No.	Part/Drawing No.	Page No.
576723	F6	589460	L18	592698	J3,J4
576779	F17	589462	L6	592703	G2
576825	F24,F28	589470	A4	592736	J3
577082	B1	589471	L18	592737	J3,J4
577137	G17	589495	L18	592740	J3
577271	G20	589497	L1	592741	J3,J4
577320	G2	589501	L3	592743	J4
577354	G17	589503	L17	592789	D1
577473	F24,F28,K6	589506	L17	592790	D1
577521	G17	589507	L17	592794	D1
577522	G17	589508	L1	592795	A34
577611	G5	589530	L1	592844	J1
577645	C1	589543	L18	592855	J1
577844	G12,G13	589550	L17	592856	J1
578145	G16	589560	L3	592858	J1
579038	L2	589561	L3	592859	J1
579195	L1	589577	L19	592861	J1
579226	L4	589595	L3	592926	F24
579306	L3	589643	L18	593694	F13
579311	L18	589807	L18	593695	F13
579332	G2,L3	589808	L18	593696	F13
579349	L2	589809	L17	593697	F13
FV580507	L12	589810	L17	593698	F13
FV580508	L12	589877	L16	593699	F13
FV580516	L10	591271	F10	593700	F13
FV580518	L7	591320	F16	593701	F13
FV580529	A28	591345	F12	593702	F13
FV580557	L8	591394	F4	593703	F13
FV580769	L8	591479	F16	593704	F13
FV580925	L12	5915-45	L11	593705	F13
FV580928	L12	5915-46	L10	593706	F13
581933	T4	591603	F2	593707	F13
582126	T3	591744	T1	593708	F13
582198	T5	591745	T1	593709	F13
582207	T3,T6	591796	T1	593710	F13
582214	T4	591808	T1	593711	F13
582226	T4,T5	591809	T1	593712	F13
582291	T5	591810	T1	593713	F13
582353	T4	591811	T1	593714	F13
582760	T3	591812	T1	593715	F13
582761	T3	591815	T1	593716	F13
5843-54	L9	591816	T1	593717	F13
FV585035	L7	591818	T1	593732	F23
FV585038	L7	591820	T1	593733	F23
FV585127	L7	591822	T1	593734	F23
FV585128	L7	591823	T1	593780	F1
5855-30AA	A26	591824	T1	593781	F26
FV587177	T5	591825	T1	593802	F12,F16, F17,T1
587477	A12	591826	T2		
5876/46	L7	591888	F11	593803	F28
5876/46	L7	591891	F11	593806	F24
5876-54	L10	591896	F11	593807	F28
5886-82	A28	591897	F11	593808	F28
589027	L2	591898	F11	593814	F9
589063	G5,T10	591899	F11	593815	F9
589196	L1	591900	F11	593816	F9
589258	L3	591988	F6	593817	F9
589315	L18	591989	F6	593818	F9
589316	L18	592007	G9	593819	F9
589322	C1,C3	592358	G7	593820	F9
589329	L17	FV592626	H17	593821	F9
589331	L17	FV592627	H17	593854	F23
589333	L18	592634	J4	593855	F23
589339	L1	592644	J4	593856	F23
589353	L6	FV592648	H18	593857	F23

Part/Drawing No.	Page No.	Part/Drawing No.	Page No.	Part/Drawing No.	Page No.
593858	F23	594340	F15	595433	G8
593859	F23	594434	F16	595438	G11
593861	F23	594657	G7	595439	G11
593862	F24	594671	F11	595443	G12
593863	F24, F28	594686	G7	595444	G12
593867	F25	594730	G18	595452	G16
593869	F24, F28	594769	J2	595461	G16
593870	F24, F28	594784	F19	595478	F2, F26
593871	F24, F28	594788	F19	595487	K18
593872	F24, F28	594902	G5	595488	K18
593873	F24, F28	594905	G6	595489	K18
593874	F25	594988	G21	595493	K7
593876	F24	594990	G21	595496	K7
593877	F24	594991	G21	FV596885	L18
593878	F24	594992	G21	598231	A12
593879	F24	595019	J1	598508	G12
593880	F24	595020	J1	598515	K18
593881	F24	595149	G20	598554	T4
593882	F24	595150	G20	598565	G17
593883	F24	595151	G20	598567	F26
593884	F24	595154	T10	598620	G13
593885	F24	595155	T10	598630	D1
593886	F24	595169	G20, T10	598669	T4
593890	F18	595171	G20	598674	T4
593893	F23	595173	T10	598693	G8
593894	F23	595176	G20	598748	G18
593897	F29	595178	T10	598749	G18
593898	F20	595190	B1	598801	D1
593899	F20	595195	G2	598803	F24
593900	F28	595196	G2	598825	D1
593901	F28	595224	G2	598832	B1
593976	F13	595229	J3	598834	B1
593977	F17	595230	G20	598838	T10
593981	F17	595231	C1	598867	J6
593991	F16	595232	C1	598884	T5
594017	F7	595233	C1	598920	G10
594018	F7	595235	C2	598923	G21
594019	F7	595236	C2	598928	G11
594020	F7	595237	J3, J4	598952	C1
594021	F7	595238	J3	598967	J2
594022	F7	595284	D1	598997	G9
594023	F7	595292	G13	598998	G9
594024	F7	595295	G13	599007	G5
594025	F7	595301	G13	599017	J3, J4
594026	F18	595304	G13	599068	F25, F29
594029	F13	595307	G13	599201	G10
594086	F5	595308	G13	599206	G11
594087	F5	595311	G13	599288	J2
594089	F16	595314	G13	599289	J2
594091	F6	595366	G17		
594100	F16	595372	G17	599443	G10
594111	F16	595392	G5	599488	G2, G4, J5
594134	F5	595404	G5	599489	G2
594176	F6	595412	G12	599496	G4
594189	F16	595417	G9	599497	G4
594244	F10	595418	G9	599552	F1
594245	F10	595420	G8	599642	F1
594249	T2	595421	G9	599660	F11
594250	T2	595422	G9	599995	F13
		595423	G9	600265	G1
594301	T2	595424	G9	602017	A4
594302	T2	595425	G8	602018	A4
594336	F14	595427	G10		
594337	F12	595429	G10	602040	A10
594338	F13	595431	G8	602046	A2

INDEX OF PART/DRAWING NUMBERS

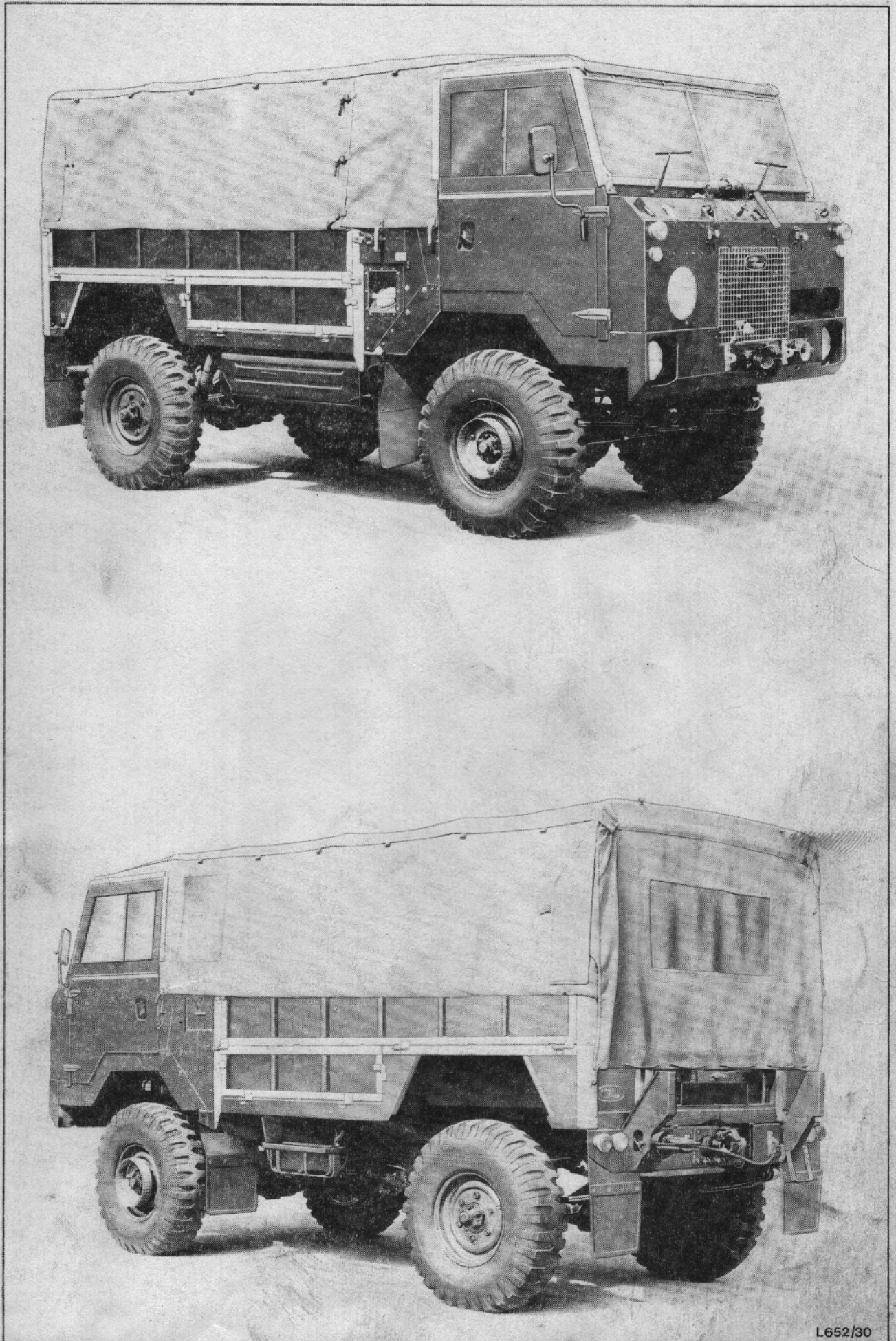
Code No. 22726

Part/Drawing No.	Page No.	Part/Drawing No.	Page No.	Part/Drawing No.	Page No.
5485232	H12	53102296	L17	54952997	A22
5495334	L17	54029049	L3	54953918	L17
5576-137AN	L7	54102296	L4, L17	54953919	L17
W5576-137S	L7	54113722	A24	54958763	A23
FV580556-1	L12	54131066	L17	5576-137A7	L7
FV580556-2	L12	54131146	L4	FV580507-22	L12
5822-123F	L8	54200349	A24	60033001	H22
5886-200	A26	54200781	A24	60150079	G8, L19
5936-190	A28	54217372	A24	60600031	A32
5936-245B	A28	54218702	A24	60600033	A32
5954905	G5	54219310	A24	60600040	A32
6012-152	A26	54219312	A24	60600120	A32
6019-242B	A26	54219368	A24	60600205	A32
W6019-261	A26	54245340	A32	60600206	A32
6019-312	A28	54245343	A32	60600207	A32
6019-312A	A28	54246259	A32	60600307	A23
6019-372	A28	54246438	A32	60600318	A32
6019-373	A28	54246454	A32	60600319	A32
6019-383B	A26	54246976	A32	60600431	L5
6019-404	A29	54246979	A32		
V6019-416	A26	54247472	A32	60840532	H11
6019-446	A26	54247935	A32	60934067	H11
6019-464	A26	54247947	A32	64046304	G8, G9
6019-628	A28	54248381	A32	64049607	G5
6019-792	A28	54260461	A32	64049658	G5
6090-154	L10	54262100	A32	64066086	G5
6428776	C3	543-114-50	L1	64066195	F6
6428777	C3	543-120-23	L1	64066585	G7, G8
6440793	C3	FV543317-22	L9	64100052	F25
7224032	H17	FV543318/10	L7	64273480	F29
76457-13	A21	FV543318/11	L7	64273481	F29
771/4772	K3	54363336	L2	64275682	F25
7950001	C1	54364144A	L2	64275683	F25
7961110	C1	54385577	L4	64378393	F29
7972962	A34	54413073	A23	64462671Z	F25
7973249	A20	54419169	A22, A23	64470425	G9, G10, G11,
7973410	A23	54419368	A23		G12, G13
7973954	C1	54421044	A23	64470429	G9, G10, G11,
7984502	A4	54422408	A23		G12
7988000	A34	54423521	A22	64470444	F25, F29
7990209	C3	54424875	A23	64473817	G9
7990221	C3	54486144	A24	64474341	G11, G13
7990234	C3	54486206	A24	64475409	G10
7990237	C3	54521159	H11	64476985	G8
7990240	C3	54521173	H11	64478608	G10, G11, G13
8512717	L6	54521270	H11	64478646	G9
9057153	L2	54521322	H11	64491363	G12
FV959656-3	H19	54524127	H22	64674107	F25
FV959789-1	H18	54570354	H11	64674108	F25
FV959879-	H30	54571590	H11	64674182	F25
10410008	H28	54581417	L15	64927083	F25
114H-90137	T3	54585225	H12	68947005	G9
12-999-086	H24	54585233	H12	FV833442	Item 17
15210043	H28	54702593	L5	90214684	H11
17119190	H28	54702605	L5	90214684	J5
20100132	H27	54705563	L5	90517821	K14
20-10-01-32	H30	54707499	L5	90571086	F4
20400099	H29	54707500	L5	90571106	F4
20421006	H29	54707928	L5	90575223	L1
20631300	H29	54931028	L5	90602056	A3
20700005	H29	54931752	L15, L16	90602064	A4
24188063	L17	54935671	L15	90602072	A4
276X15239	G9	54950276	A22	90602371	A7
32031060	H28	54952840	A22	90602372	A2
32075199	H28	54952865	L18	90602451	A11
			L13	90608002	A12

INDEX OF PART/DRAWING NUMBERS

Part/Drawing No.	Page No.	Part/Drawing No.	Page No.	Part/Drawing No.	Page No.
90608003	A12	5-2	H11		
90608330	L6	1408	H21		
90611014	A18	FRC1743	F10		
90611112	A20	FRE1778	F1		
90612906	A20	1806	H17		
90613501	A14	ERC2838	A2,A7		
90613812	A14	ERC2839	A7		
90614599	A22	2874	A24		
90614848	A4	3345	A24		
90623200	K14	NRC5392	G5		
90623201	K14	24181A	A24		
90624244	J5	613829	A7		
90624418	B1	614188	A7		
90707023	K1	959784	H29		
90707024	K1	FV959821	H11		
90707036	K15	FV959891	H17		
101-313-11-7	T6	60921003	A24, L13		
0332014125	H30				
101-313-11-12	T6				
101-313-11-34	T7	GSC111	A22		
101-313-11-40	T7	GRB236	F6		
101-313-11-44	T7	241	L15		
101-313-11-56	T7	JS499	A17		
101-313-11-73	T8	GEG693	A14		
101-313-11-80	T8	GFE1097	A34		
2210660102	G10	FRC1336	F9		
101-313-111-91	T9	AEU1652	L15		
102062026159	H28	ERC2002	A7		
102062152209	H28	RTC2028	F7		
102063007079	H28	RTC2029	F9		
102063028129	H28	PRC2397	L15		
201101330001	H29	AUD2437	G6		
201185000001	H28	ERC2749	A22		
201289000002	H28	PRC2888	L15		
201289000006	H29	PRC2953	L15		
201348011000	H29	FRC5629	F1		
201390000006	H28	MRC6527	K8		
201451010006	H28	ERC6935	A1		
201451010100	H28	ERC7929	A7		
201451880003	H28	FAM8881	L15		
201549000000	H28	NRC9493	B1		
201549010002	H29	NRC9494	B1		
201549070000	H28	47222A/S	L15		
201549450000	H28	10HA019-2	F21, F26		
201549510000	H29	594367	F15		
201549650001	H28	612989	A2		
201549650002	H28	FV798087	L15		
201549650200	H29	4315-078	A14		
208516170400	H29	54200297	A24		
208680010032	H28	54202067	A24		
251133080601	H29	54218305	A24		
251156060002	H29	54365102	L2		
251156060101	H29	90575150	L15		
251216200900	H28				
251216880400	H28				
251226895300	H28				
251352880005	H28				
251380998904	H29				
251420650600	H28				
251422210000	H28				
251431010003	H29				
251480010002	H29				
251480350000	H29				

TRUCK CARGO 1 TONNE ROVER



ROVER 1 TONNE 4x4 AMBULANCE



INDEX

GROUP A POWER UNIT PAGE 8

		PAGE
AIR CLEANER	A34	75
BREATHER	A20	47
CAMSHAFT	A7	24
CARBURETTOR	A16	40
CONNECTING ROD	A3	16
COOLANT PUMP	A8	26
CRANKSHAFT	A2	14
CRANKSHAFT BEARINGS	A2	14
CYLINDER BLOCK	A1	12
CYLINDER HEADS	A10	30
DAMPER	A2	14
DIPSTICK	A1	12
DISTRIBUTOR 12V	A22	51
DISTRIBUTOR 24V	A23	53
GENERATOR 12V	A24	55
GENERATOR FIXINGS (12V)	A25	57
GENERATOR 24V No.10 MK3	A26	59
GENERATOR FIXINGS (24V)	A30	67
GENERATOR (24V) PULLEYS & BELTS	A31	69
EXHAUST MANIFOLD	A13	35
FAN & VISCOUS UNIT	A9	28
FLYWELL & CLUTCH	A21	49
FRONT COVER	A6	22
INDUCTION MANIFOLD	A14	36
MOUNTINGS, ENGINE	A1	12
OIL PUMP	A4	18
PISTONS	A3	16
PULLEYS, CRANKSHAFT	A9	28
PULLEYS, GENERATOR	A9	28
ROCKERS	A11	32
ROCKER COVER	A12	34
STARTER 12V, 24V	A32	71
SUMP	A5	20
TAPPETS	A11	32
THERMOSTAT	A15	38

GROUP B COOLING SYSTEM PAGE 77

OIL COOLER	B2	83
RADIATOR	B1	81

GROUP C FUEL SYSTEM PAGE 84

FUEL PUMP	C3	91
FUEL TANK	C1	87
FUEL TANK TRANSMITTER	C1	87

GROUP D EXHAUST SYSTEM PAGE 92

EXHAUST PIPES	D1	95
SILENCER	D1	95

GROUP F TRANSMISSION PAGE 96

BELL HOUSING	F5	108
CLUTCH SLAVE CYLINDER & RELEASE MECHANISM	F6	110

DIFFERENTIAL, TRANSFER GEARBOX	F15	127
FRONT AXLE	F21	139
FRONT AXLE DIFFERENTIAL	F20	141
FRONT BRAKES	F25	146
FRONT OUTPUT SHAFT & ACTUATOR	F12	121
GEARBOX CASING	F1	100
INTERMEDIATE GEAR	F11	119
LAYSHAFT	F10	117
MAINSHAFT	F9	116
OIL PUMP	F4	106
PRIMARY PINION	F7	112
PROPELLOR SHAFTS	F20	137
REAR AXLE	F26	148
REAR AXLE DIFFERENTIAL	F25	150
REAR BRAKES	F29	154
REVERSE IDLER GEAR	F10	117
SELECTORS MAIN GEARBOX	F16	129
SELECTORS TRANSFER GEARBOX	F17	131
TRANSMISSION BRAKE	F18	133

GROUP G CONTROLS PAGE 157

STEERING	G1	158
STEERING RELAY	G3	162
STEERING LINKAGE	G4	164
ACCELERATOR PEDAL SHAFT ASSEMBLY	G5	166
BRAKE PEDAL ASSEMBLY	G5	166
CLUTCH PEDAL ASSEMBLY	G7	170
BRAKES	G9	174
HANBRAKE	G16	188
GEARCHANGE	G18	192
TRANSFER GEARBOX CONTROLS	G20	196
HANDTHROTTLE	G21	198

GROUP H BODY PAGE 199

FLOOR PANEL, REMOVABLE	H1	203
FLOOR PANELS (REAR BODY)	H2	205
HARDTOP	H9	219
HOOD & FRAME	H7	215
LOWER BODY SIDE	H5	211
UPPER BODY SIDE	H4	209
MUDFLAP	H8	217
REAR DOORS (AMBULANCE)	H13	227
TAILBOARD	H6	213
AMBULANCE BODY	H11	223
AMBULANCE COMPRESSOR	H23	247

GROUP J FRAME AND SUSPENSION PAGE 255

ANTI-ROLL BAR	J5	266
CHASSIS FRAME ASSEMBLY	J1	258
FRONT SUSPENSION	J3	262
PINTLE ASSEMBLY	J6	268
REAR SUSPENSION	J4	264

GROUP K CAB PAGE 273

BATTERY MOUNTINGS	K3	280
CAB ASSEMBLY	K1	276
CAB HEATER	K14	302
CAB HEATER PIPES	K15	304
FRONT DOORS	K10	294
FRONT SEATS	K13	300
OIL FILLER	K12	298
RADIATOR CAP ACCESS	K12	298
REAR HEATER DISTRIBUTION BOX	K17	308
REAR VIEW MIRRORS	K11	296
SEAT BELTS	K13	300
SIDE PANELS	K1	276
SPARE WHEEL ACCESS DOOR	K3	280
SPARE WHEEL RETAINER	K6	286
TOOL STOWAGE	K18	310
WHEEL ARCH	K5	284
WINDOW PANEL	K8	290
WINDSCREEN	K8	290

GROUP L ELECTRICAL EQUIPMENT PAGE 311

CABLES AND FITTINGS	L17	345
FLASHER UNIT	L4	320
GENERATOR PANEL	L7	326
HEADLIGHT	L14	340
HORN	L4	320
INSTRUMENT PANEL	L1	314
SIDELIGHT	L15	342
TAILLIGHT-STOPLIGHT	L15	342
TURNLIGHT	L16	344
WIPER ARMS	L5	322
WINDSCREEN WASHERS	L6	324
WINDSCREEN WIPER MOTOR	L5	322

GROUP T WINCH PAGE 350

CHASSIS FITTMENTS	T4	359
WINCH ASSEMBLY	T6	363
WINCH CONTROLS	T10	371
WINCH DRIVE ASSEMBLY	T1	353
WINCH MOUNTINGS	T3	357

INDEX OF NATO STOCK NUMBERS OR CATALOGUE NUMBERS 372

INDEX OF PART DRAWING NUMBERS 385