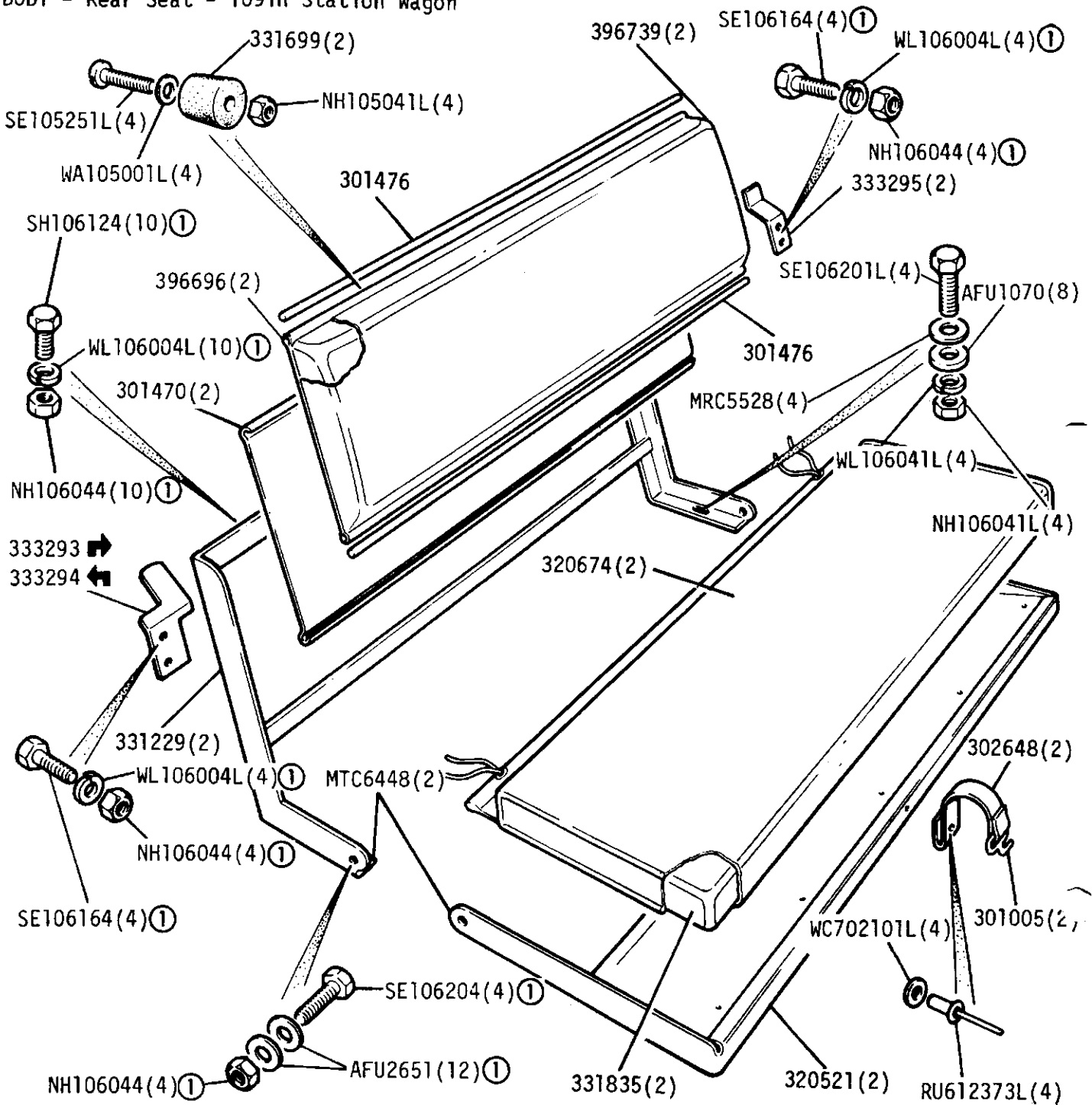


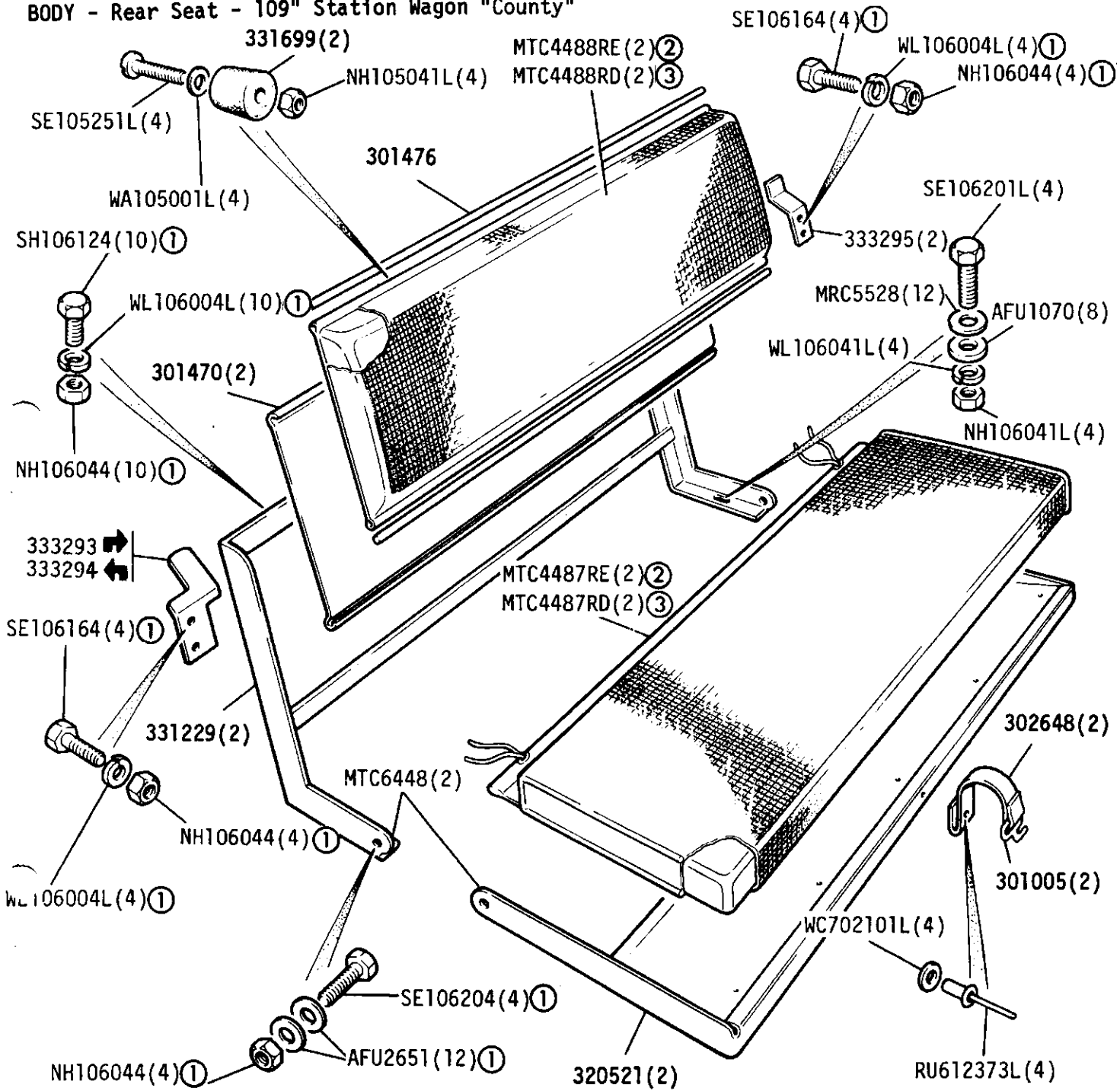
GROUP M
 BODY - Rear Seat - 109in Station Wagon



① Black Finish

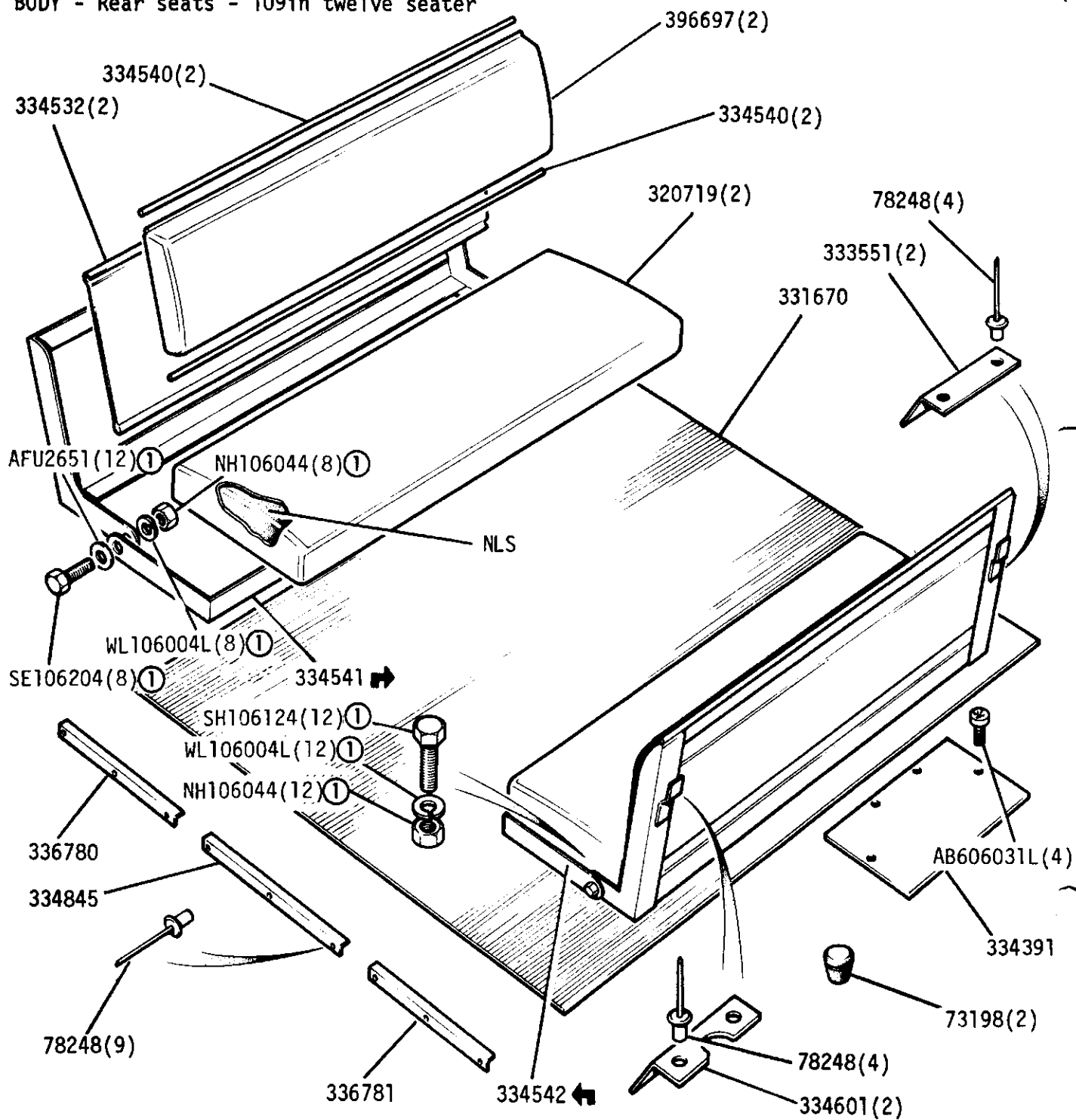
GROUP M

BODY - Rear Seat - 109" Station Wagon "County"



- ① Black Finish
- ② Black/Grey Cloth
- ③ Brushwood/Berber Cloth

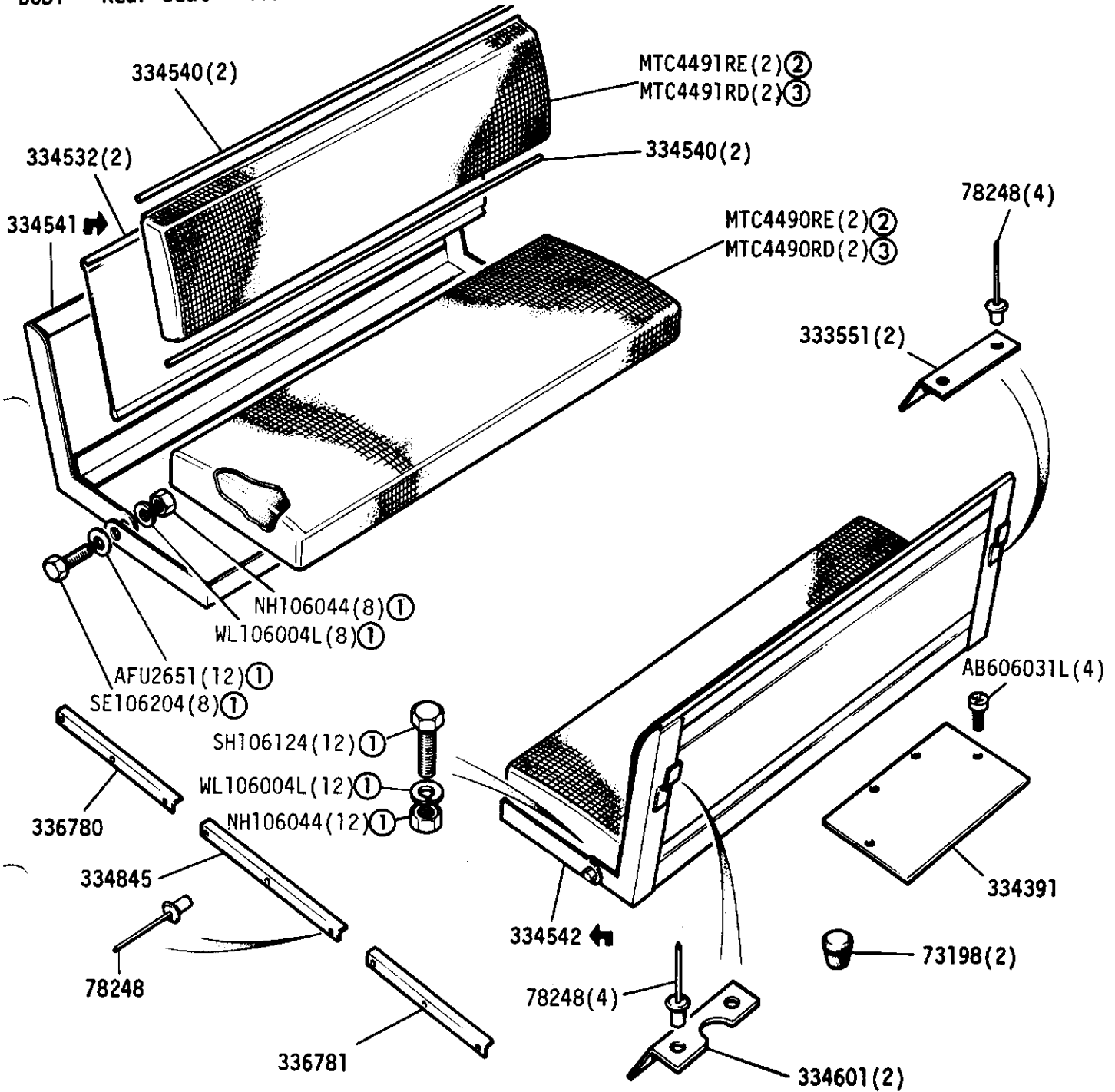
GROUP M
 BODY - Rear seats - 109in twelve seater



Rear seat backrest assembly 396698(2)

① Black Finish

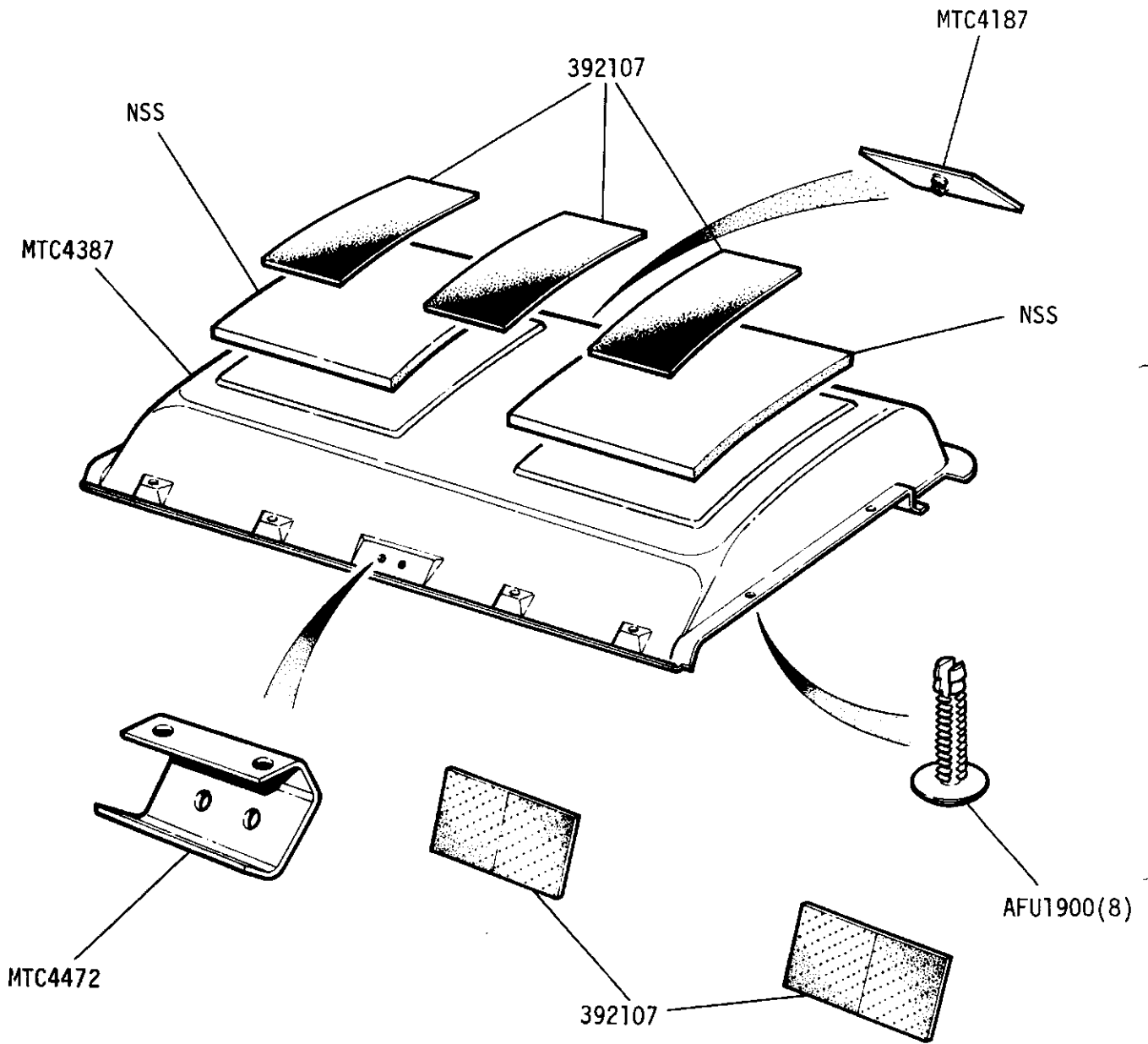
GROUP M
 BODY - Rear Seat - 109" 12 Seater Station Wagon "County"



- ① Black Finish
- ② Black/Grey Cloth
- ③ Brushwood/Berber Cloth

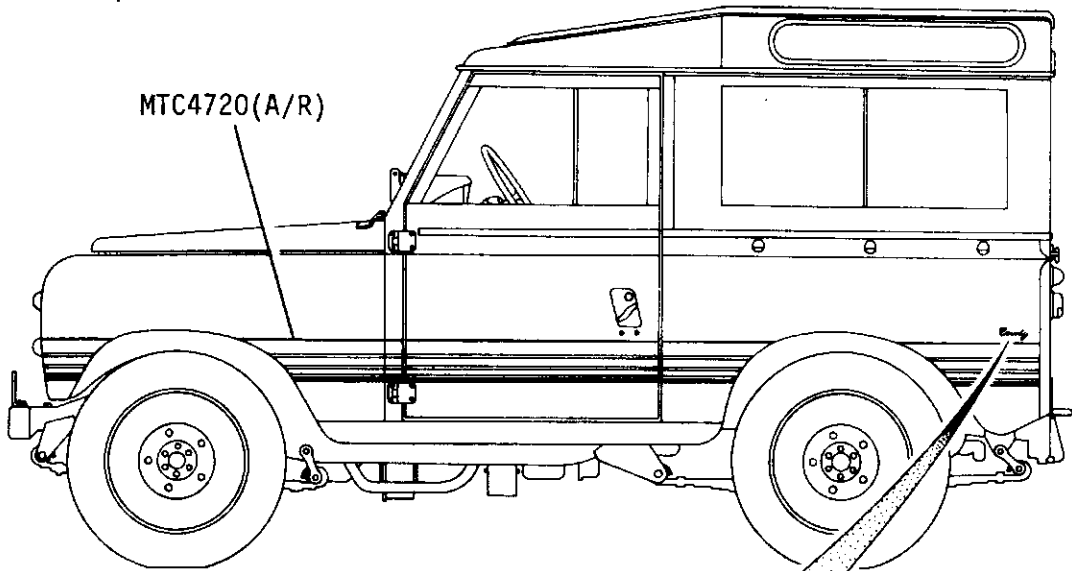
GROUP M

Truck Cab Trim - 'County'



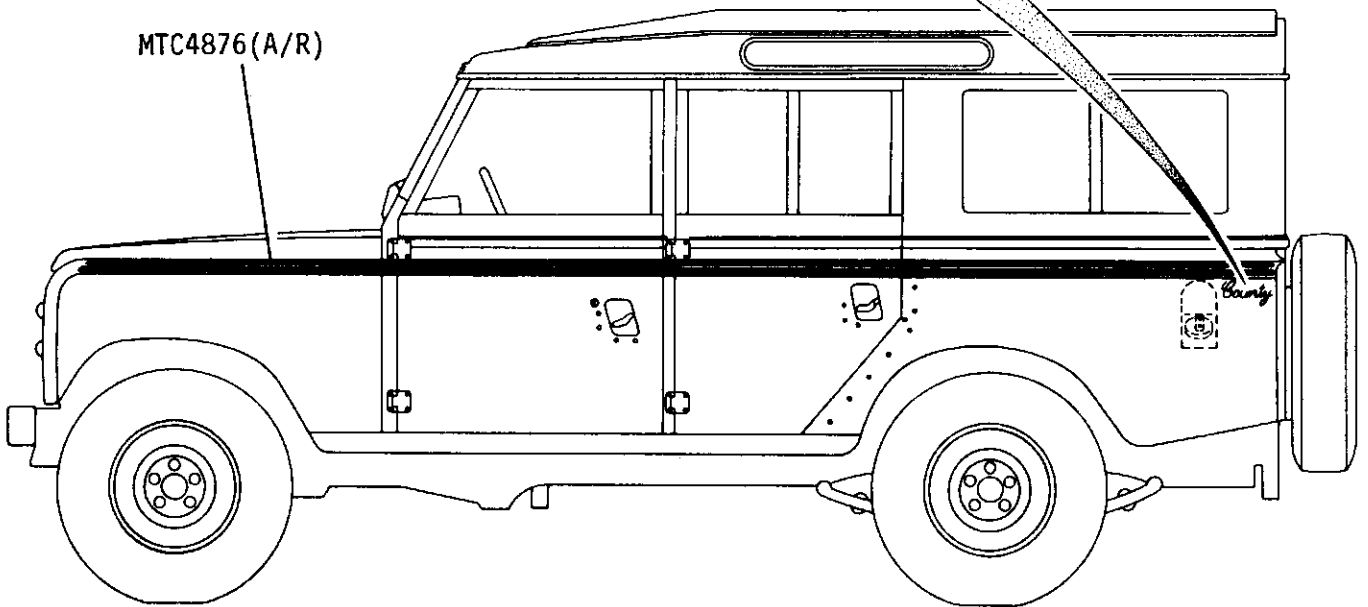
GROUP M

BODY - Bodyside Tape and Badge "County"

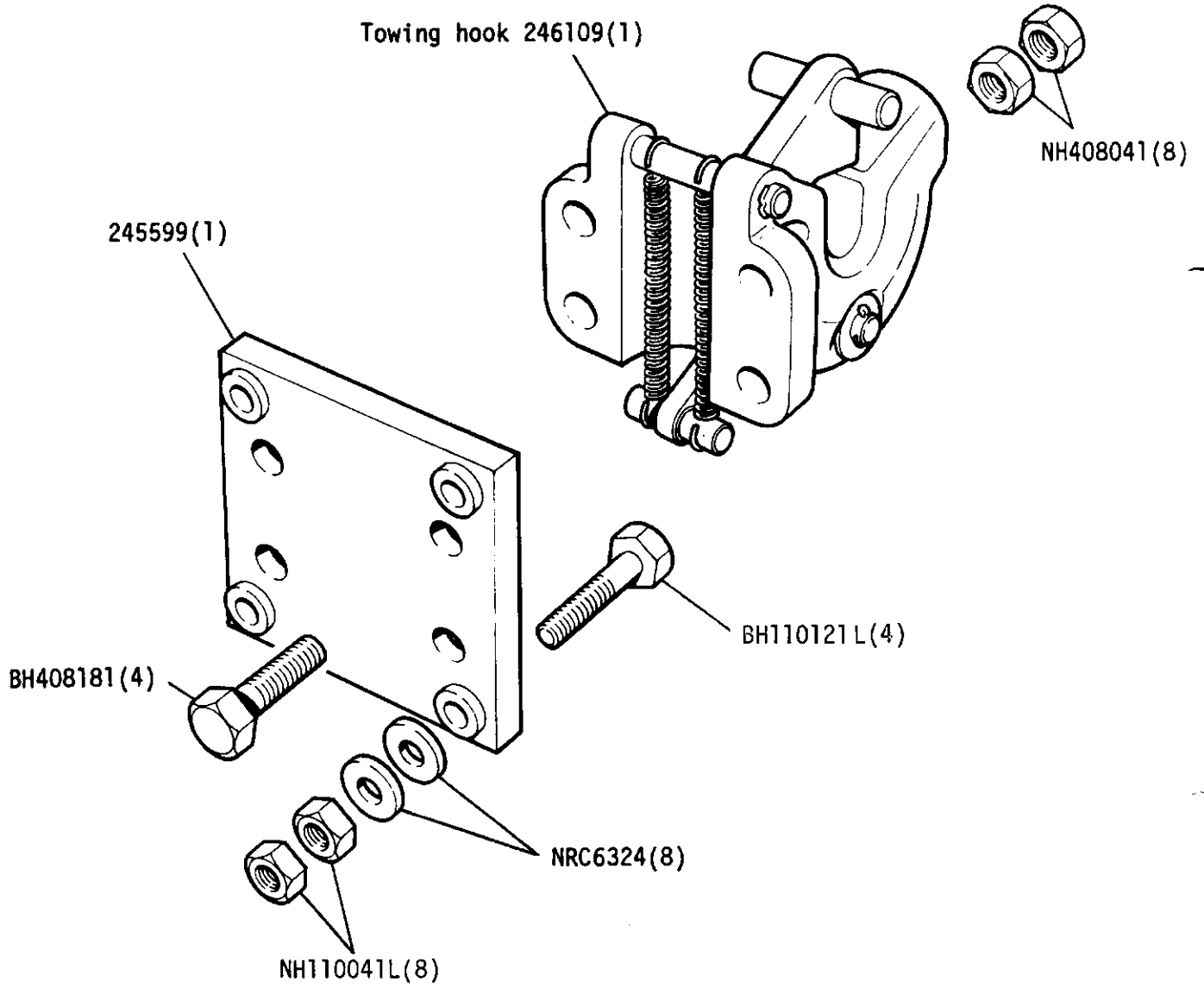


MTC4719 (3)

County

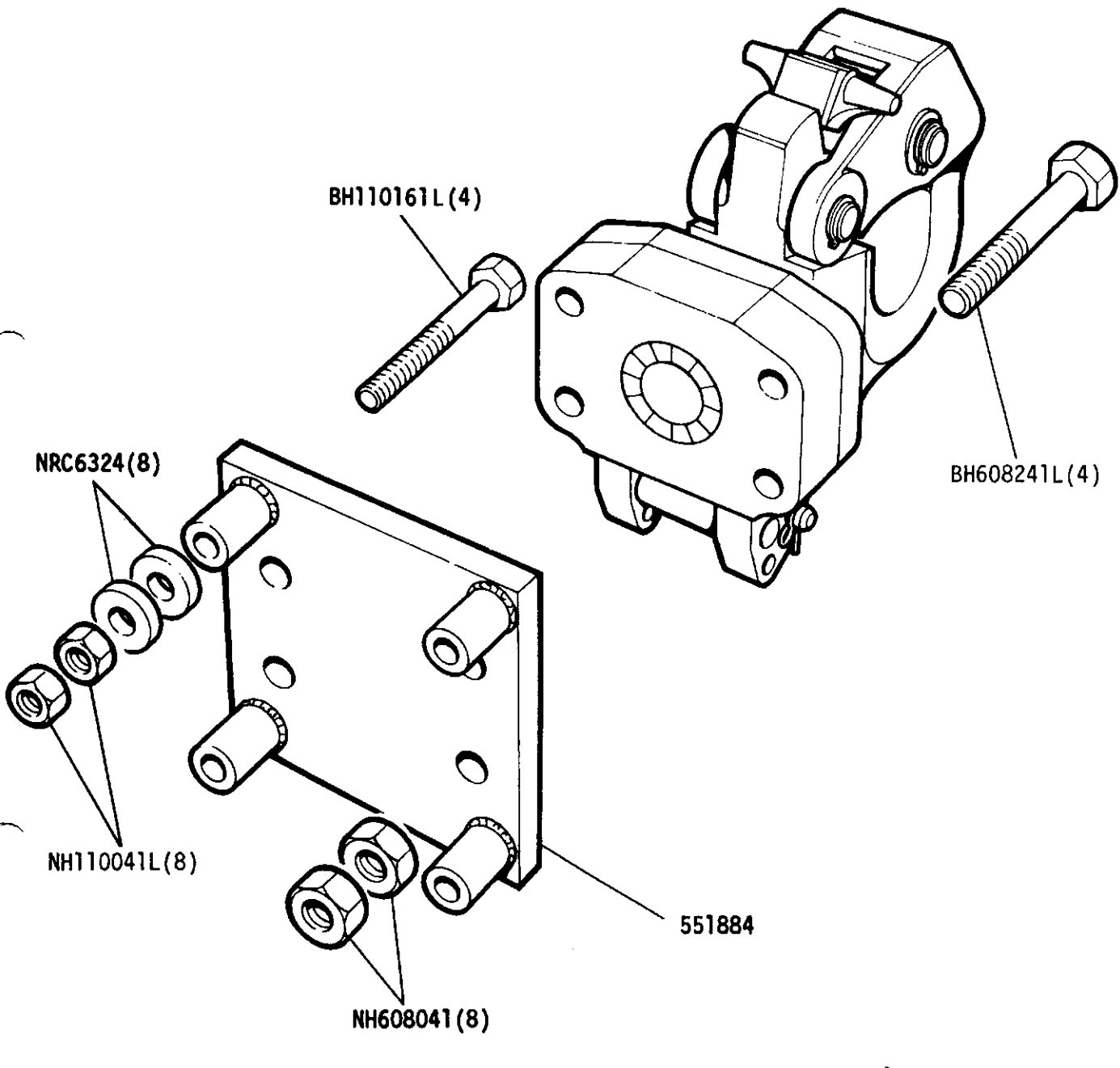


GROUP N
OPTIONAL EQUIPMENT - Towing Hook and Attachment Plate H.C.P.U.



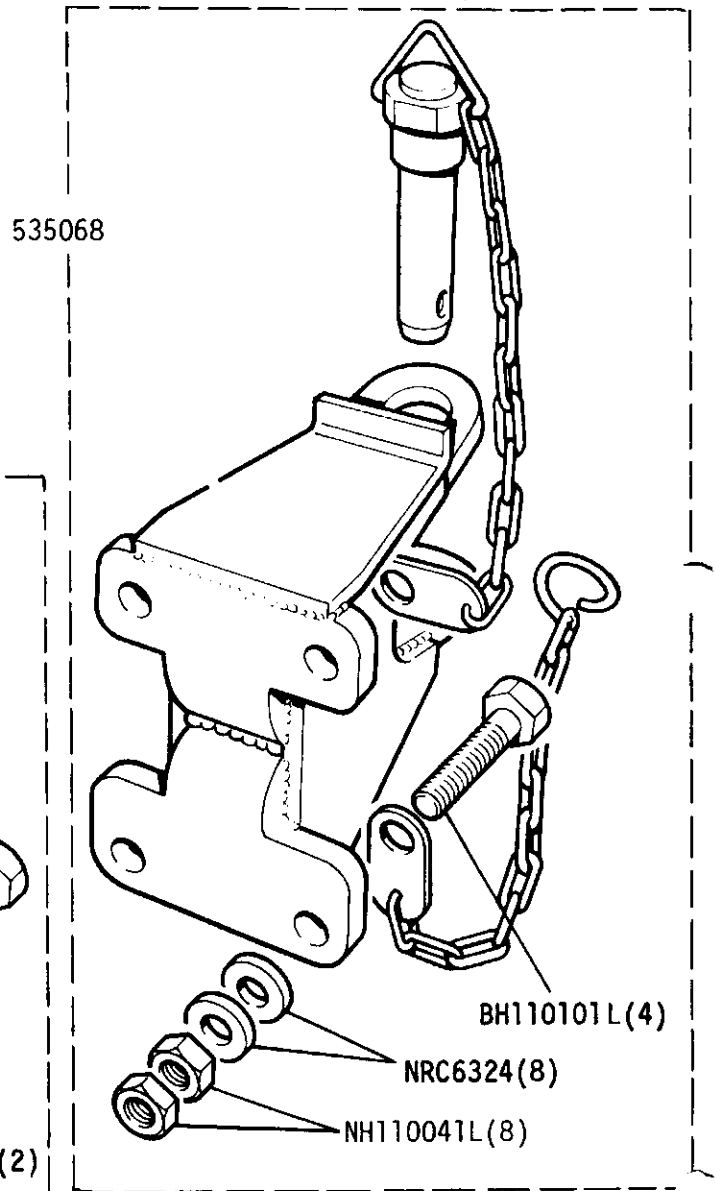
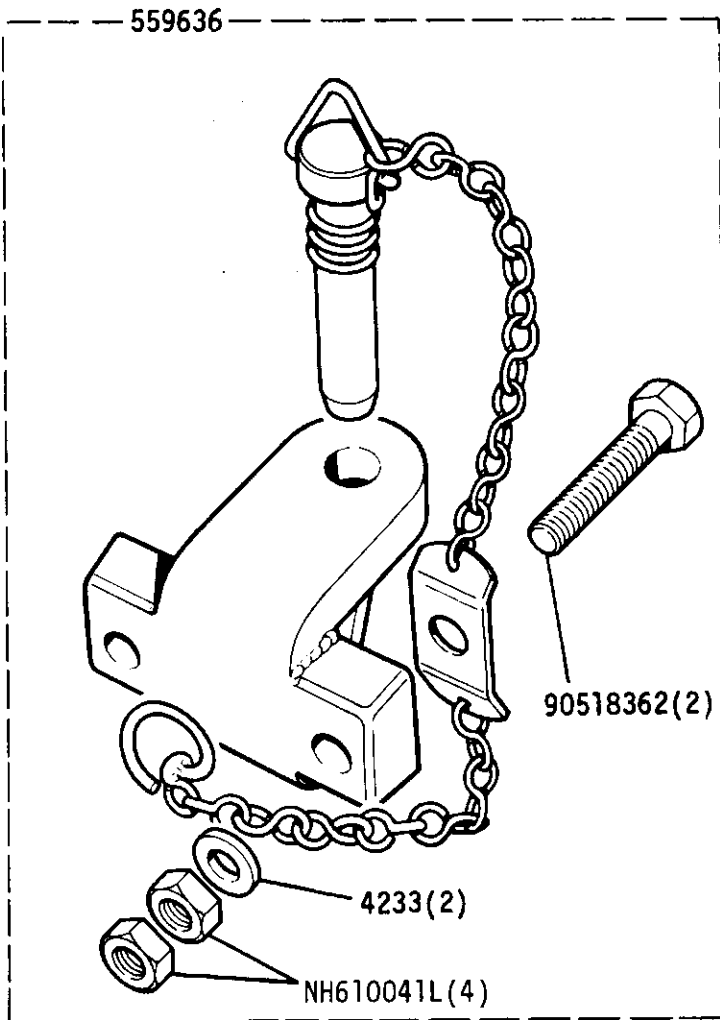
GROUP N
OPTIONAL EQUIPMENT - Rotating - Towing hook H.C.P.U.

NRC2051

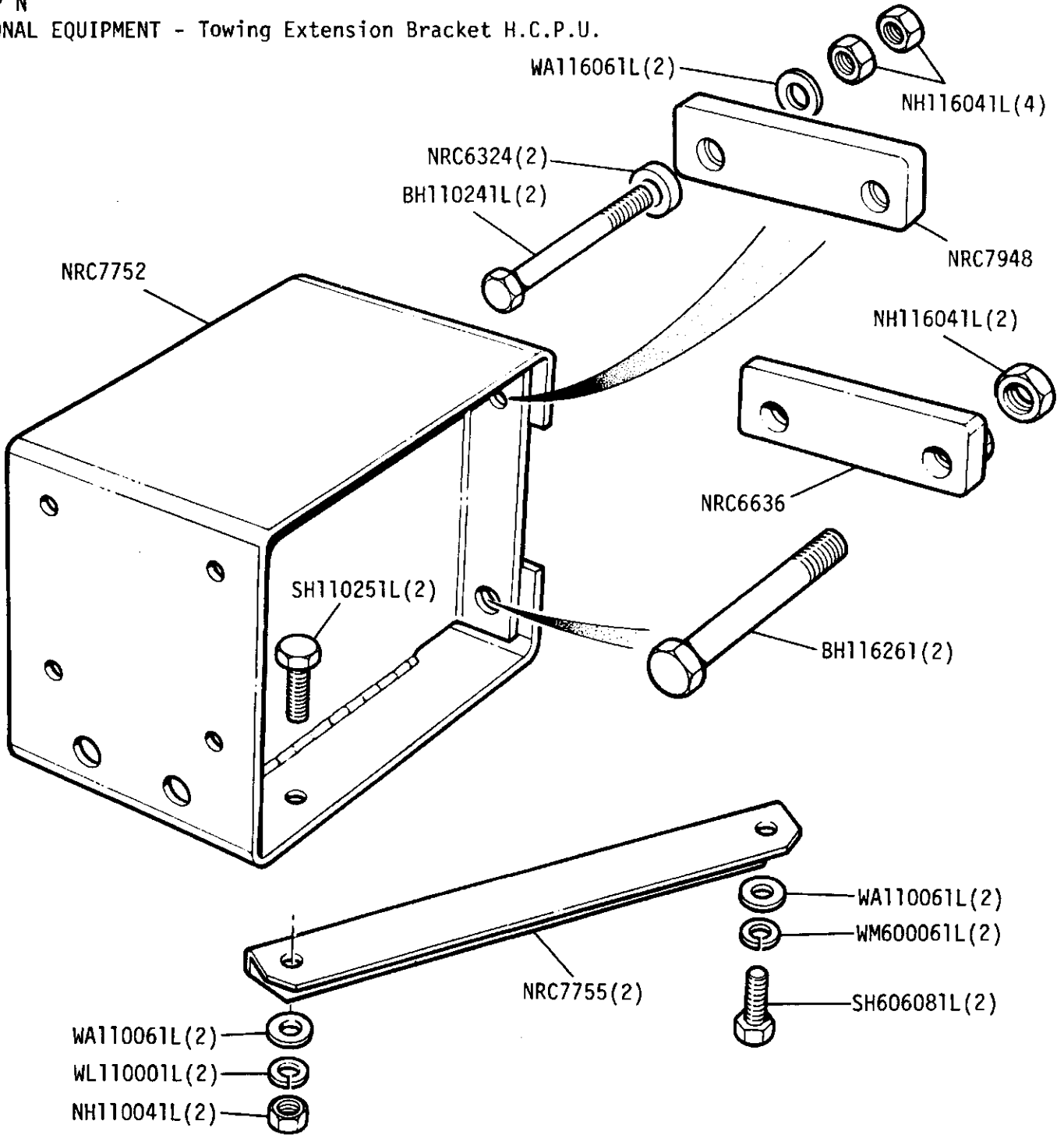


Land Rover 2½L & V8 stage 1

GROUP N
OPTIONAL EQUIPMENT - Towing Jaw and Pintle
H.C.P.U.

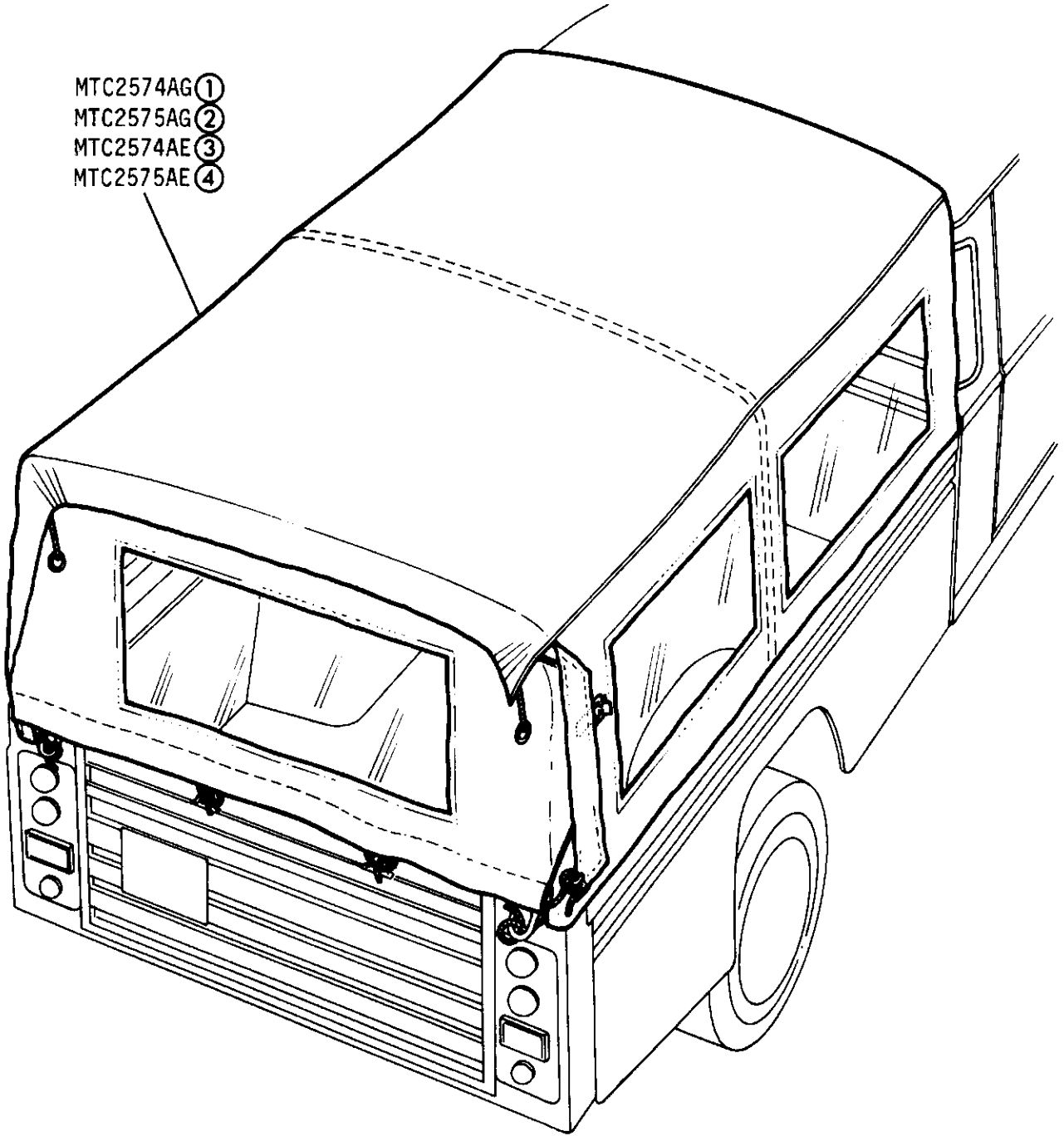


GROUP N
 OPTIONAL EQUIPMENT - Towing Extension Bracket H.C.P.U.



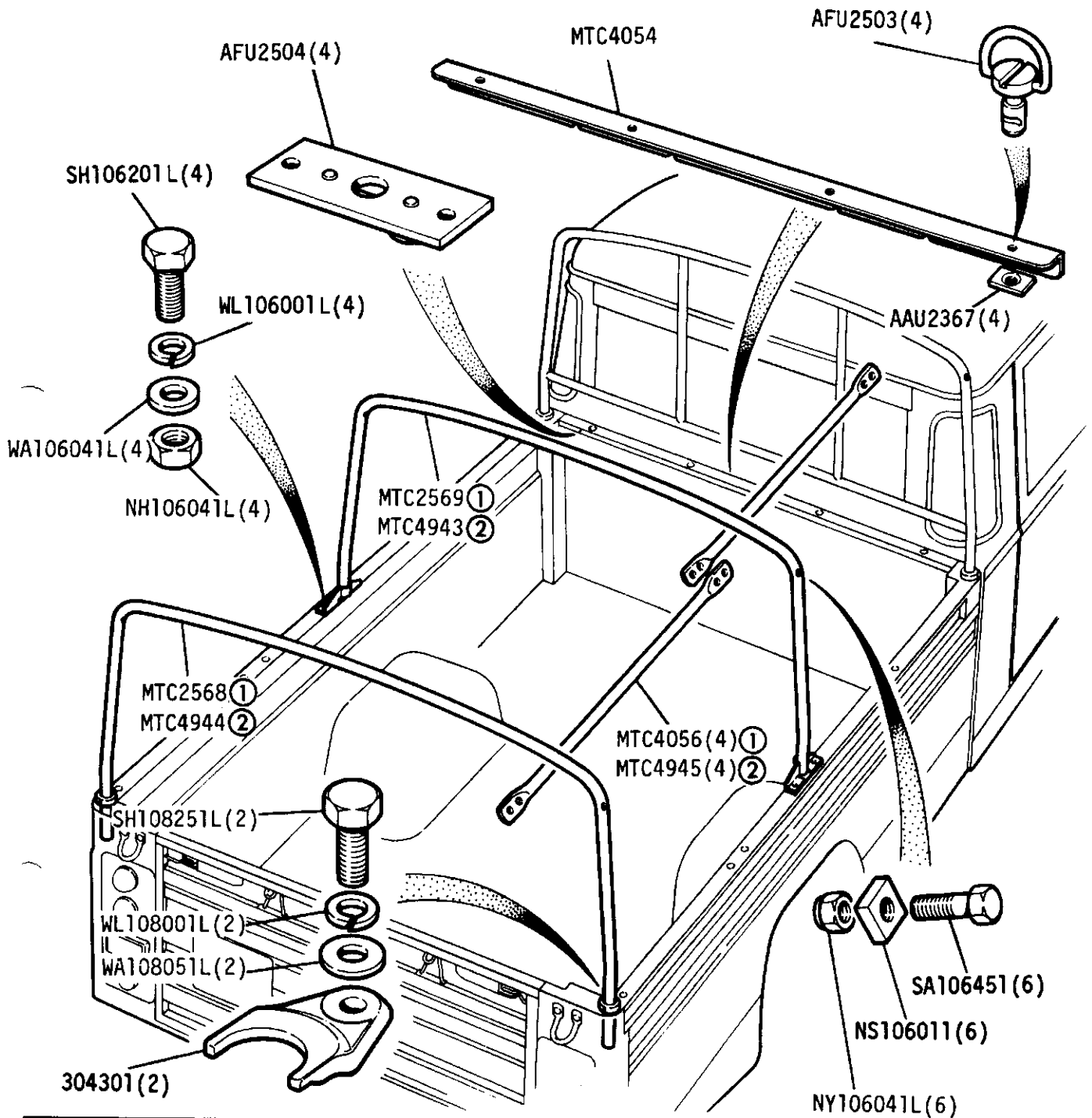
GROUP N
OPTIONAL EQUIPMENT - Hood H.C.P.U.

- MTC2574AG ①
- MTC2575AG ②
- MTC2574AE ③
- MTC2575AE ④



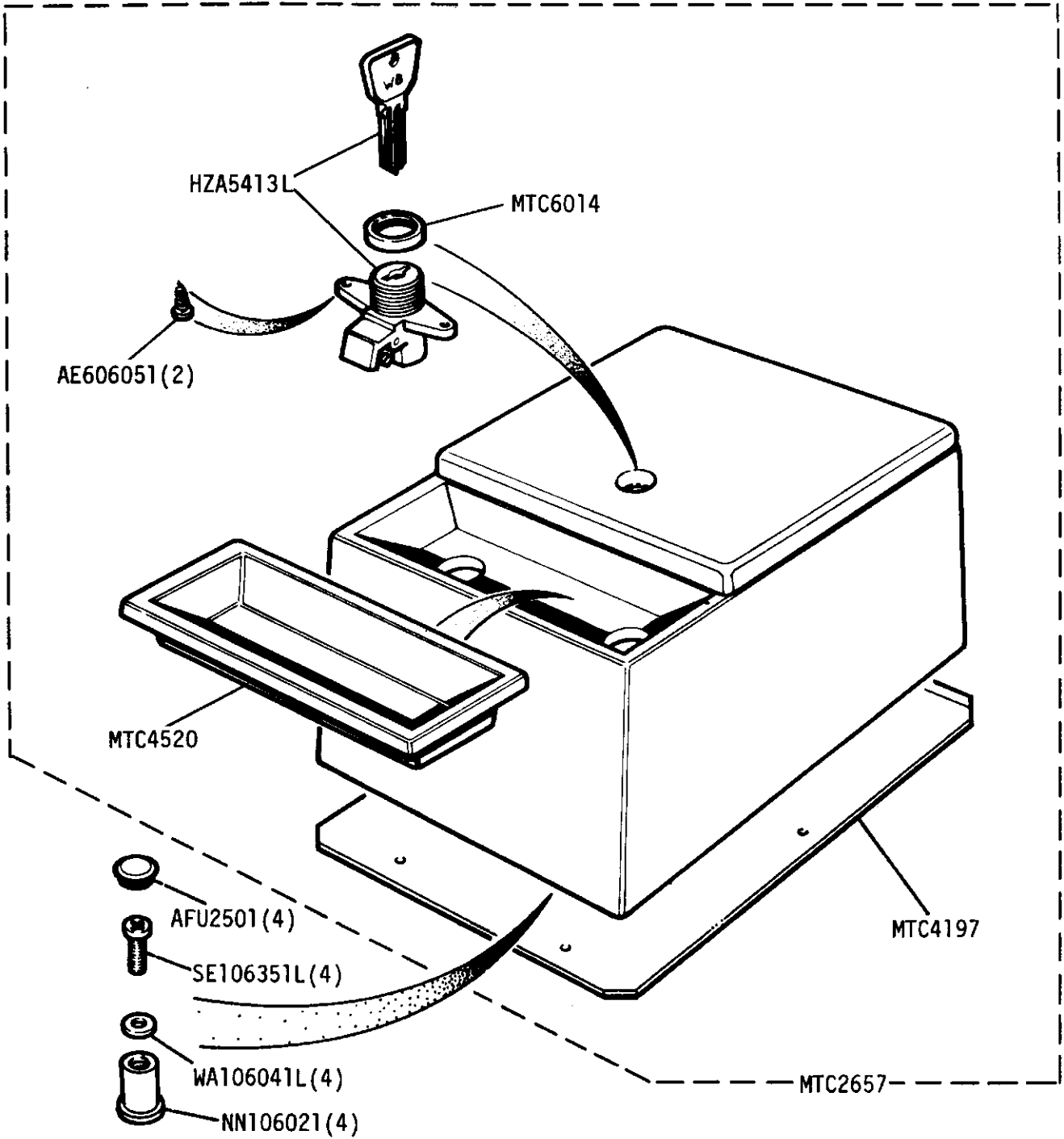
- ① Green, plain sides.
- ② Green, with side windows.
- ③ Matt Sand, plain sides.
- ④ Matt Sand, with side windows.

GROUP N
 OPTIONAL EQUIPMENT - Hood Sticks H.C.P.U.



- ① Black Finish
- ② Galvanised Finish

GROUP N
 OPTIONAL EQUIPMENT - Console Unit.



Washer Plate - MTC4601 (4)

GROUP N
OPTIONAL EQUIPMENT - Tool Locker H.C.P.U.

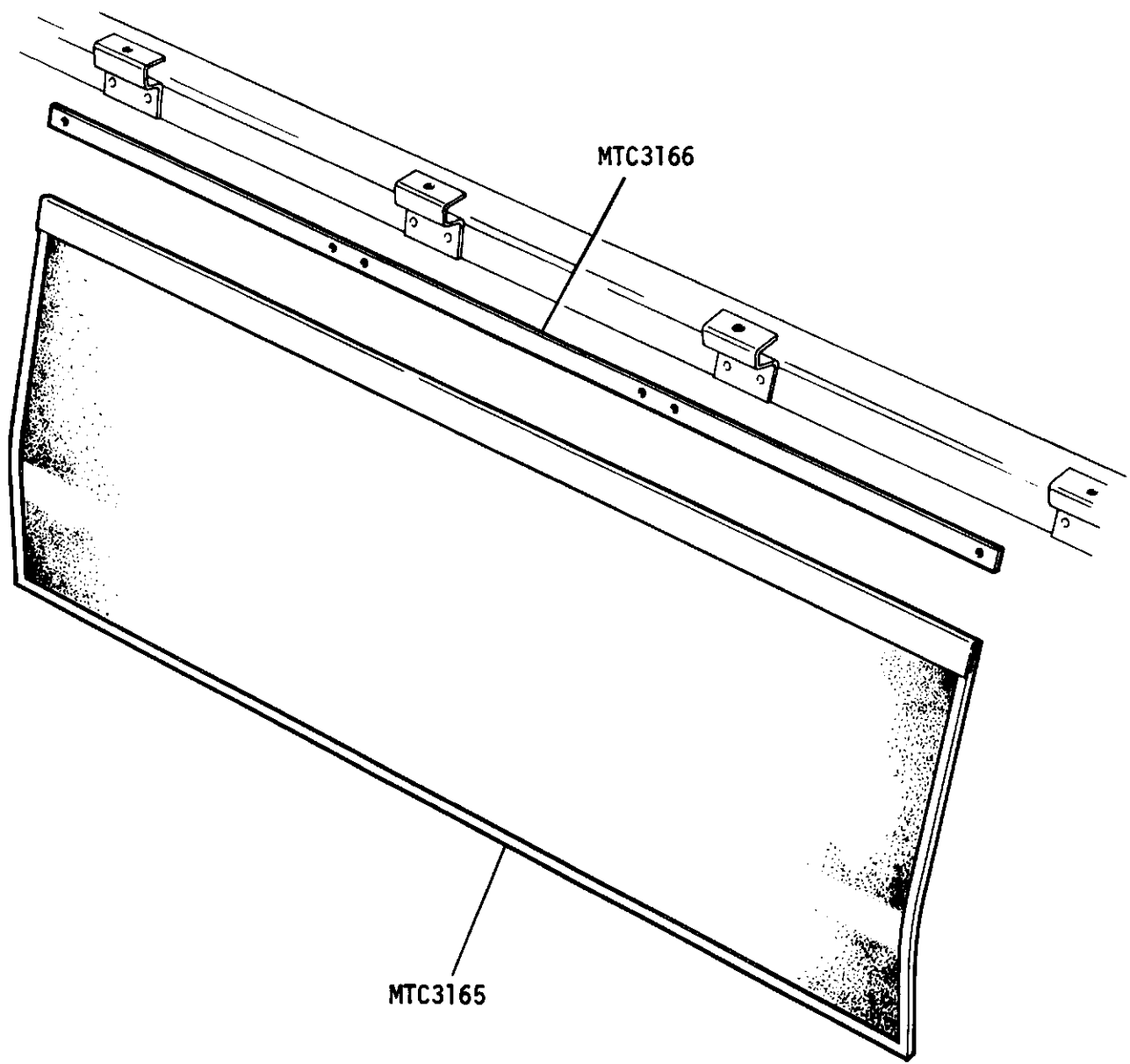
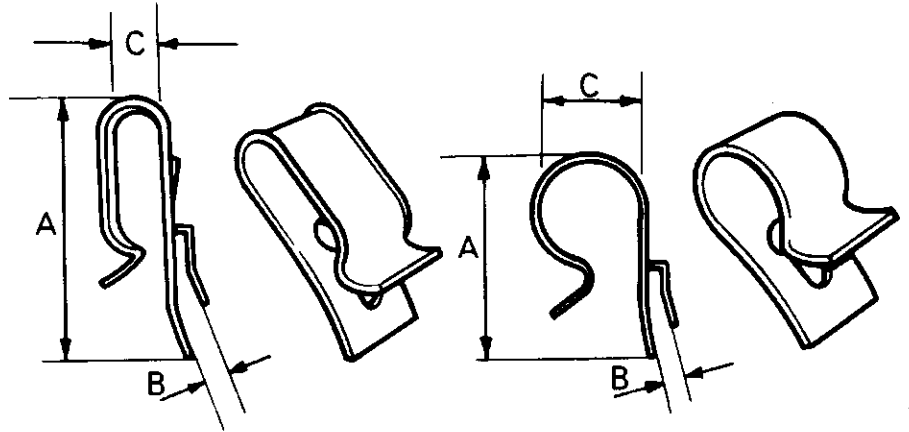
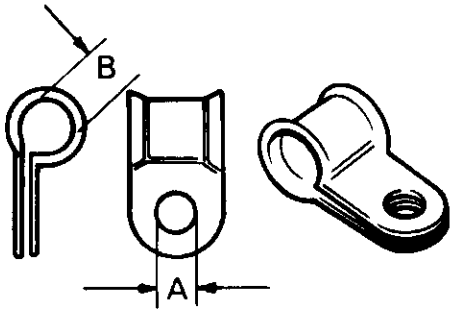


PLATE					DESCRIPTION	QTY.	PART No.	REMARKS
REF.	1	2	3	4				
					Cotton webbing, 1/32" x 1" khaki-greer	As reqd	91878	
					Cotton webbing, 5/64" x 1" black	As reqd	92088	
					Grey felt	As reqd	91414	
					Leather cloth, black, 50" wide	As reqd	92616	
					Leather cloth, oatmeal, 50" wide	As reqd	92462	
					White leather cloth, 50" wide	As reqd	91950	
					Sealing strip, 'Prestik', 1/2 x 1/16"	As reqd	13296	
					Cleaning fluid for wheel cylinder and master cylinder parts, 1/2-pint tin	As reqd	AAU1582	
					'Hylomar", sealing compound, 4 oz. tube	As reqd	RTC3347	
					'Bar Seal' sealing pellet for radiator	1	601314	
					RTV/Hylosil sealing compound, 100cc tube	As reqd	RTC3254	

PLATE REF.	1	2	3	4	DESCRIPTION	QTY.	PART No.	REMARKS
					Engine overhaul gasket kit	1	608124	2½ litre Petrol models
					Engine overhaul gasket kit	1	605106	2.6 litre Petrol
					Engine overhaul gasket kit	1	525520	2½ Litre Diesel
					Gasket set, decarbonising	1	RTC3335	2½ litre Petrol model
					Gasket set, decarbonising	1	RTC3333	2.6 litre Petrol
					Gasket set, decarbonising	1	RTC3336	2½ litre Diesel
					Gearbox gasket kit	1	600603	
					Brake wheel cylinder overhaul kit, front	1	275744	88
					Brake wheel cylinder overhaul kit, front	1	266684	109 4 cylinder models
					Brake wheel cylinder overhaul kit, front	1	600210	109 6 cylinder models
					Brake wheel cylinder overhaul kit, rear	1	266687	88
					Brake wheel cylinder overhaul kit, rear	1	275744	109
					Brake adjuster kit (Axle set)	A/R	RTC3176	All Drum Brakes
					Brake master cylinder overhaul kit	1	8G8837L	88
					Brake master cylinder overhaul kit	1	90606023	109
					Brake master cylinder overhaul kit	1	606415	Vehicles with servo
					Clutch master cylinder overhaul kit	1	8G8837L	
					Clutch slave cylinder overhaul kit	1	8G8600L	
					Repair kit for adjuster unit (transmission brake)	1	515924	
					Repair kit for expander unit (transmission brake)	1	515923	
					Blue brake grease, tube	1	27H7946	
					Red brake rubber grease, tube	1	514578	
					Anti-seizure compound, 85 gr tube	A/R	AEU1412	
					Plain bearing grease, 50 gr tube	A/R	AEU1642	
					Repair kit for fuel pump	1	AEU2760	2½ litre Petrol
					Overhaul kit for fuel pump	1	18G8246L	models
					Repair kit for fuel pump	1	AEU2760	Diesel
					Overhaul kit for fuel pump	1	8G8845L	models
					Water pump overhaul kit	1	RTC3072	2½ litre Petrol and all Diesel models
					Water pump overhaul kit	1	605716	2.6 litre Petrol
					Carburettor overhaul kit	1	605092	2½ litre Petrol
					Carburettor overhaul kit	1	606098	2.6 litre Petrol
					Carburettor gasket kit	1	605093	2½ Petrol
					Carburettor gasket kit	1	605857	2.6 litre Petrol
					Plastigauge strip, box of 24	1	605238	For checking bearing clearances
					'Loctite' retaining compound, 10cc bottle, Grade AVV	1	600303	
					Coolant inhibitor	A/R	605765	

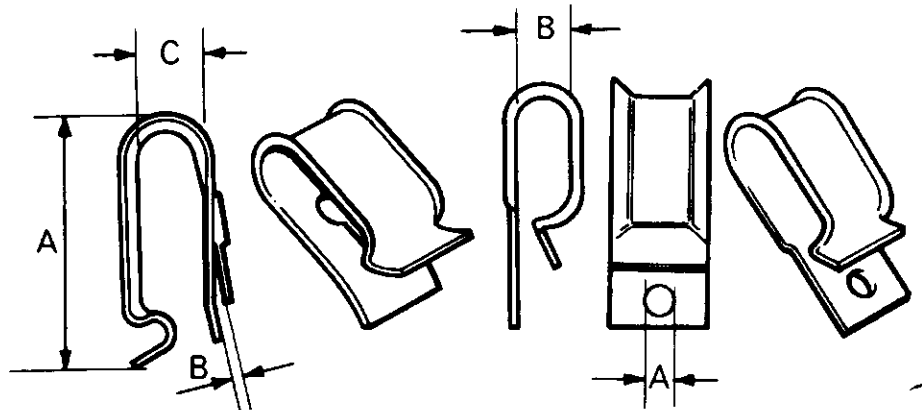
GROUP N
ELECTRICAL - Clips



A = 13/64"	B = 9/32"	AEU1448
A = 13/64"	B = 7/16"	50640
A = 13/64"	B = 3/8"	50639
A = 13/64"	B = 1/2"	56666
A = 13/64"	B = 5/8"	56667
A = 13/64"	B = 7/8"	AEU1451
A = 1/4"	B = 7/16"	AEU1581
A = 19/64"	B = 9/32"	AEU1449
A = 19/64"	B = 3/8"	50642
A = 5/16"	B = 5/8"	AEU1450
A = 11/32"	B = 9/32"	BAU1689
A = 3/8"	B = 1/2"	RTC223

A=3/4" B=5/32" C=9/64"
236365

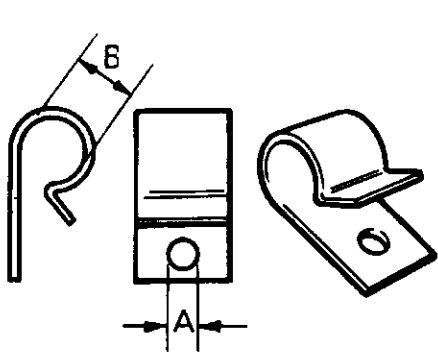
A=1" B=5/32" C=9/16"
240417



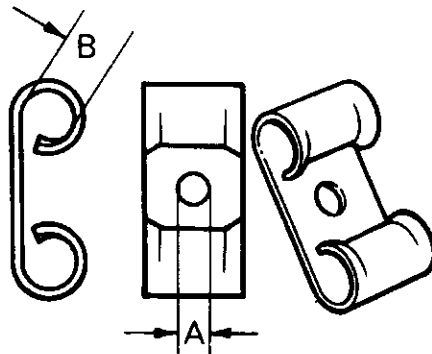
A=1.9/32" B=1/8" C=9/32"
233770

A=1/4" B=5/16" 589289

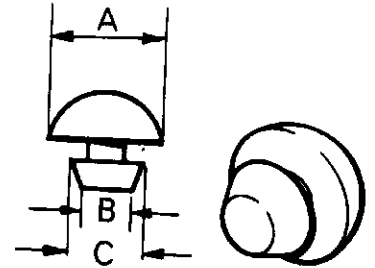
GROUP N
ELECTRICAL - Cable Cleats, Plugs and Clips



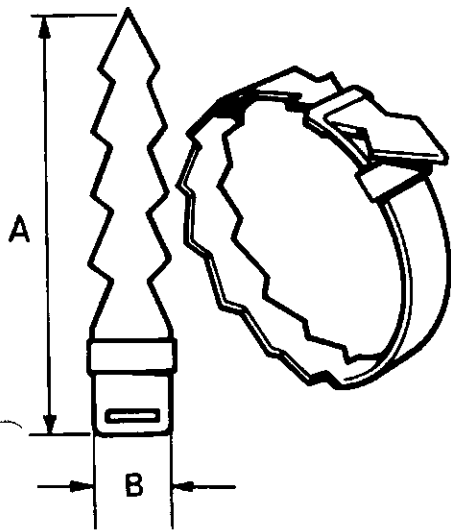
A=21/64" B=9/16" 239600
A=25/64" B=9/16" 240407



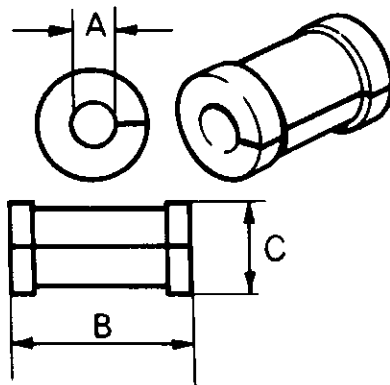
A=13/64" B=3/16" 236366



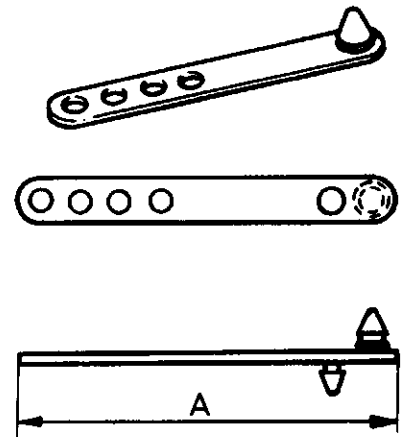
A=5/8" B=5/16" C=13/32" 73198
A=7/16" B=1/4" C=3/8" 307220



A=2 1/4" B=3/8" 240428
A=3 1/4" B=1/2" 240429
A=5" B=3/4" RTC222
A=6 1/4" B=3/4" 240431

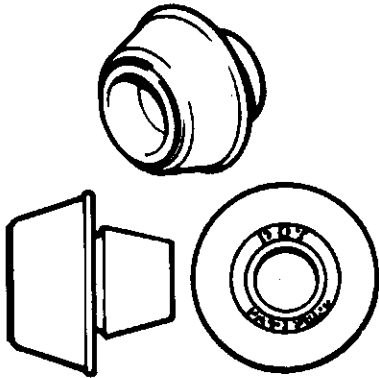


A=17/64" B=27/32" C=11/16" 6860L



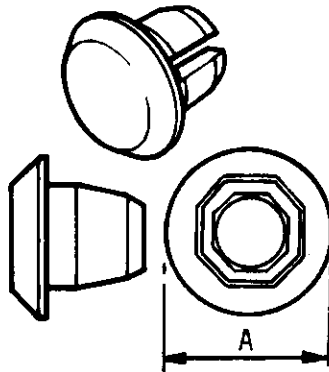
A=3.1/2" PRC1122

GROUP N
ELECTRICAL - Grommets and Plugs

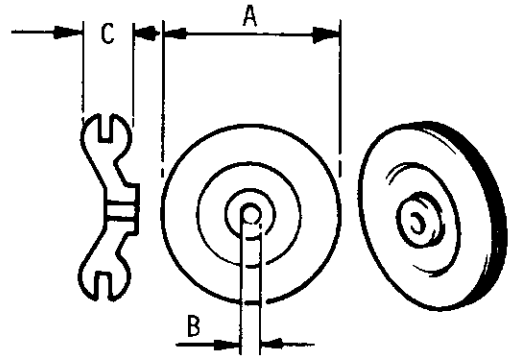


To fit hole diameter

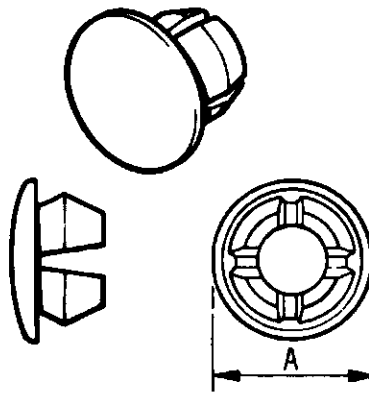
- 338029 5/16in
- 338013 3/8in
- 338014 7/16in
- 338015 1/2in
- 338018 5/8in
- 338020 3/4in
- 338021 13/16in
- 338023 1in
- BD155888L 1.1/4in
- 338027 1.5/8in



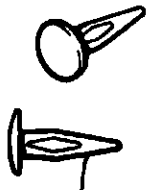
BD44001L A = 13.97 mm



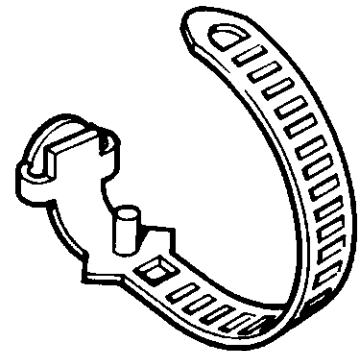
- 233244 Black A = 3/4in
B = 1/8in C = 3/16in
- 233243 Black A = 1in
B = 1/8in C = 1/4in
- 269257 Black A = 1.5/16in
B = 1/4in C = 5/16in
- 555711 Red A = 1.5/16in
B = 1/4in C = 5/16in
- 276054 Black A = 1.5/8in
B = 1/4in C = 3/8in
- 589452 Black A = 53mm
B = 7mm C = 17mm



MRC1300 A = 17.45mm



RTC3750



AAU3686

GROUP N
FINISHING MATERIALS - paint (one litre cans)

Supplies of re-finishing paints are available in one litre cans from International Pinchin Johnson outlets. To obtain details of the service and facilities offered, or in the event of any difficulties please contact I.P.J. direct.

**For Home and
European Markets:** International Pinchin Johnson
Transport Paints Division
P O Box 359
Rotton Park Street
Ladywood
Birmingham B16 0AD

Telephone: 021-455-9866

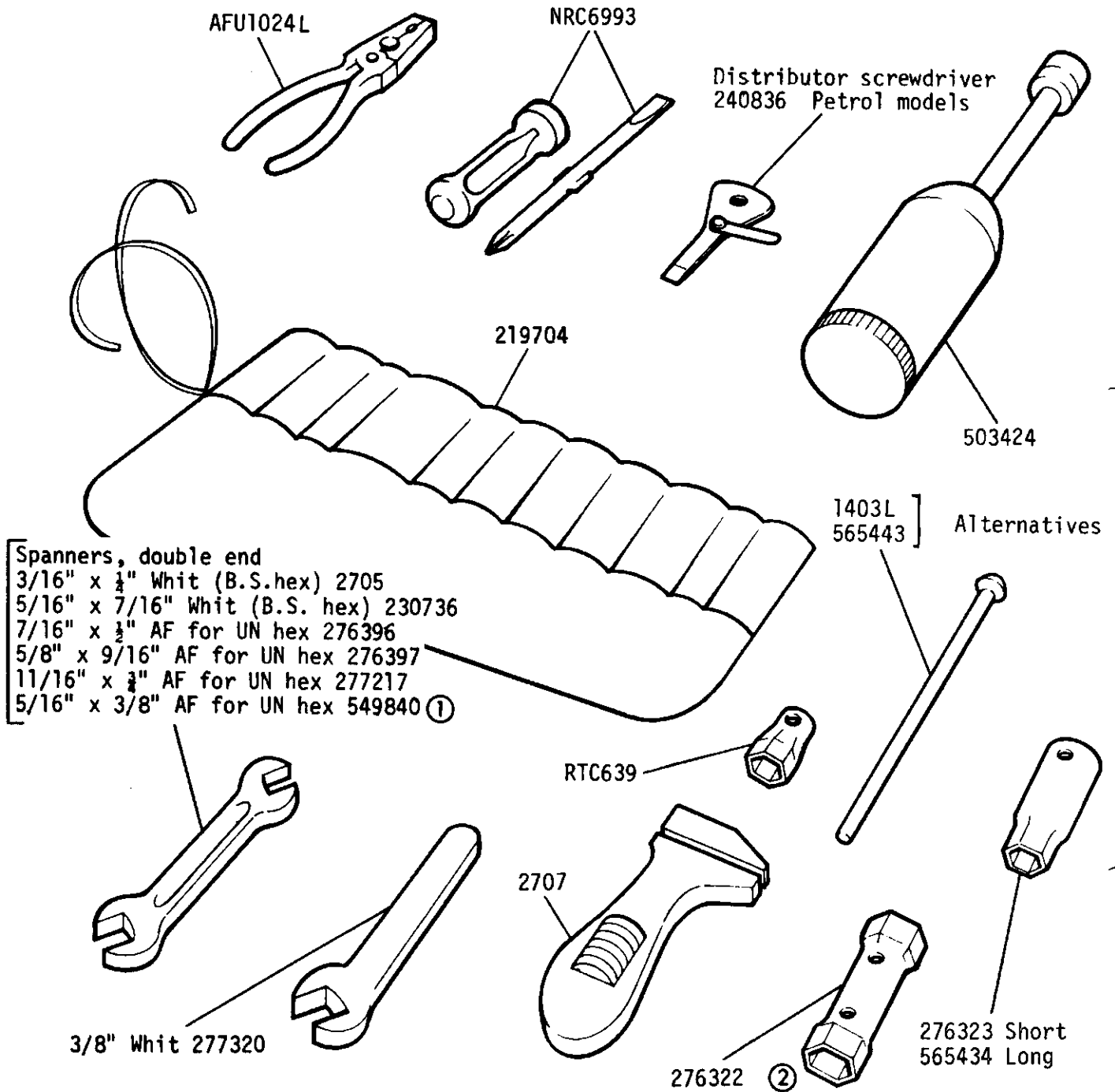
Telex: 339266

**For Overseas
Markets:** International Pinchin Johnson
Export Division
380 Richmond Road
Kingston-upon-Thames
Surrey
England

Telephone: 01-546-1234

Telex: 27527

GROUP N
TOOLS - Part 1



① For distributor pump bleed screw. Diesel models,
 ② Also required for radiator drain plug. All models.

Pliers	AFU1024L	109 V8
Box spanner 6mm	AFU1003	
Spanner, double end 6mm & 8mm	AFU1004	
Spanner, double end 10mm & 12mm	AFU1005	

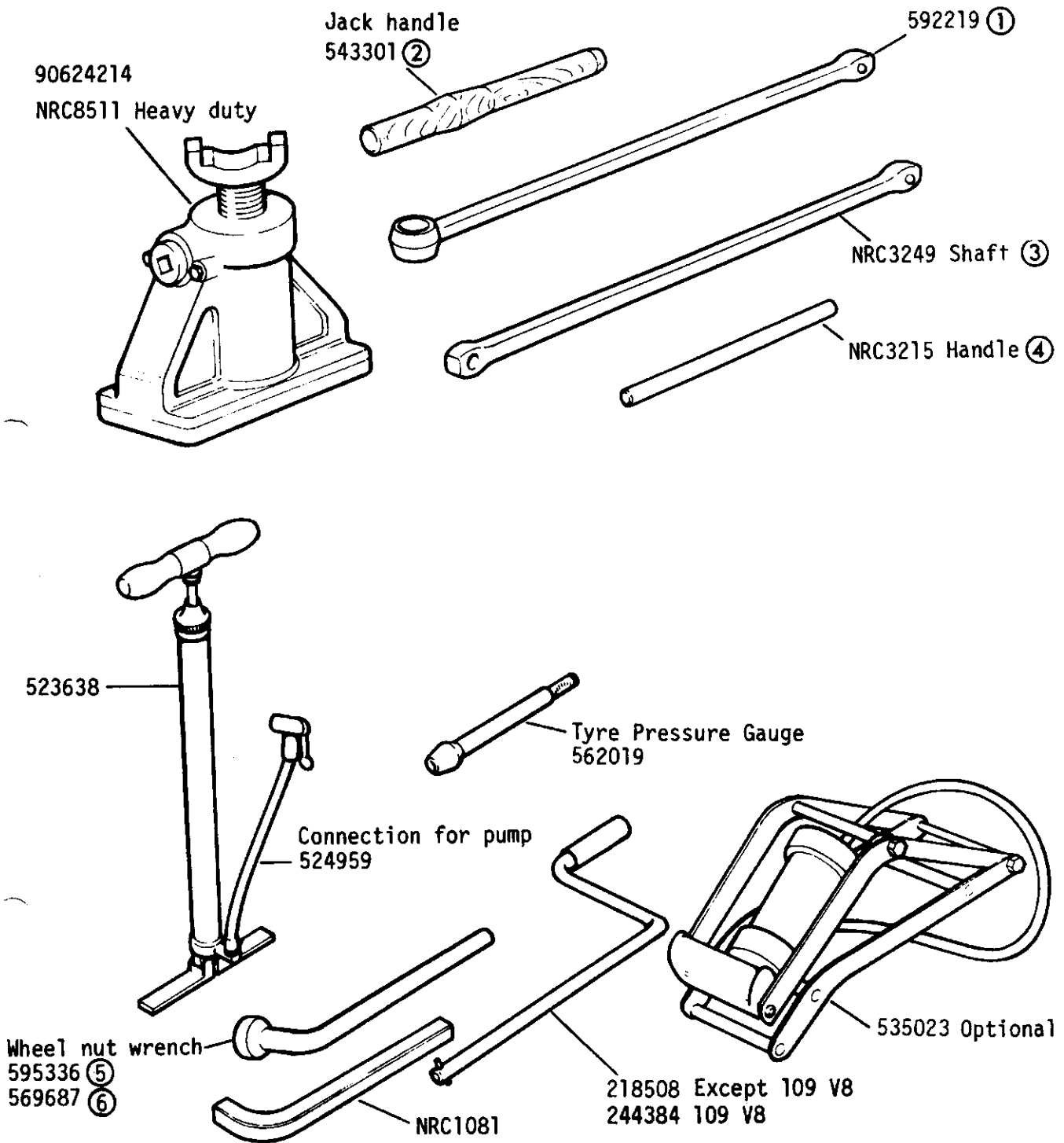
LAND ROVER

2L 11

1RE 94

GROUP N

TOOLS - Part 2



- | | |
|------------------------------------|-----------------------------------|
| ① For use with wooden type handle. | NRC5301 Jacking instruction label |
| ② Wooden type handle | Jack retaining bracket - 367030 |
| ③ For use with Steel type handle | Rivet - RU612183(2) |
| ④ Steel type handle. | Retention ring - 371144 |
| ⑤ Except 1 Ton | Retention ring - NRC9101 ⑦ |
| ⑥ 109" 1 Ton | |
| ⑦ Alternatives. | |

SERIES III LAND ROVER 88 and 109 2½ LITRE PETROL C.K.D. DETOXED
ENGINE TO ADR27A REGULATIONS - AUSTRALIA

GROUP N

PLATE REF.	1	2	3	4	DESCRIPTION	QTY.	PART No.	REMARKS
					Inlet manifold assembly	1	596000	
					Exhaust manifold assembly	1	598473	
					Stud) Inlet to	1	598197	
					Stud) exhaust manifold	3	574048	
					Valve spring cap) For	4	268292	
					Valve split cotter halves) inlet valve	8	268293	
					Valve spring cap) For	4	90512144	
					Valve split cotter halves) exhaust	8	90512142	
					Valve locking sleeve) valve	4	90512143	
					Distributor complete	1	ERC3251	Lucas type 45D
					Carburetter	1	RTC2244	
					Circlip for lever	1	521452	
					Diaphragm unit	1	596384	
					Nut (2BA)	2	RTC608	
					Trigger valve	1	596385	
					Bolt (2BA x 9/16" long)	1	251018	
					Locknut (2BA)	1	251335	
					Adaptor assembly	1	596445	
					Mounting bracket EGR valve	1	ERC2605	
					Bolt (5/16" UNC x 1" long)) Bracket	1	SH505081L	
					Spring washer) to manifold	1	WM600051L	
					Exhaust gas recirculating valve	1	C41866L	
					Adaptor, carburetter to EGR valve	1	ERC3192	
					Sealing washer	2	232044	
					Hose, EGR valve to carburetter	1	ERC2604	
					Clip for hose	2	90577082	
					Exhaust gas damper assembly	1	ERC2600	
					Clip, front) For exhaust	1	598128	
					Clip, rear) gas damper	1	598127	
					Bolt (5/16" UNF x ¾" long)) Fixing clips to	2	255227	
					Nut (5/16" UNF)) exhaust gas damper	2	NV605041L	
					Locknut, EGR valve to damper	1	160108	
					Clip, lead to solenoid	1	239600	
					Grommet for lead in clip	1	6860	
					Lead, coil to carburetter solenoid	1	575092	
					Carburetter elbow	1	596691	
					Hose, elbow to flame trap)	1	ERC2607	
					Flame trap) Evaporative	1	603330	
					Clip, hose to elbow) emission	1	546211	
					Clip, flame trap to hose) control	1	554260	
					Clip, pipe to rocker cover)	1	587119	
					Clip, emission control pipe to rocker cover	1	239600	
					Pipe, valve to inlet elbow	1	596438	
					Rocker cover assembly	1	524846	
					Adaptor assembly, carburetter to manifold	1	574749	
					Adaptor, breather connection	1	546590	
					Side cover and oil filler pipe	1	546592	
					Baffle plate	1	529394	
					Joint washer for baffle plate	1	247555	
					Oil filler cap	1	598231	
					Engine breather filter	1	546277	
					Clip, breather to air intake hose	2	AAU1981	
					Clip, pipe to oil filler	1	546541	
					Hose, breather to elbow	1	546548	

SERIES III LAND ROVER 88 and 109 2½ and 2.6 PETROL RH STG
ADR35 BRAKING REGULATION C.K.D. - AUSTRALIA

GROUP N

PLATE REF.	1	2	3	4	DESCRIPTION	QTY.	PART No.	REMARKS
					Plug for redundant hole in plate	1	BD44001	
					Gasket for mounting plate	1	90569612	
					Clip, switch plate to pedal box	1	AEU1448	
					Screw (No.8 UNC x ¾" long) fixing bracket	4	78905	
					Clutch master cylinder	1	550732	
					Plain washer) On master cylinder	2	WB108051L	
					Nut (5/16" UNF)) push rod	2	NH605041L	
					Gasket, clutch master cylinder	1	592358	
					Bolt (5/16" UNF x 1½" long)) Master cylinder	2	SH605101L	
					Plain washer) to	2	3830L	
					Self-locking nut (5/16" UNF)) pedal bracket	2	NV605041L	
					Bolt (½" UNF x 1" long)) In bracket for	1	SH604081L	
					Nut (½" UNF)) pedal stop	1	NH604041L	
					Gasket, pedal bracket top cover	2	272819	1 on 109 models
					Top cover for pedal bracket	1	272713	
					Drive screw (No.10 x ½" long) top cover to			
					bracket	6	78227	
					Anchor plate for spring	1	240708	
					Clutch pedal return spring	1	569701	
					Gasket, pedal box to toe box	1	NRC8885	
					Bolt (5/16" UNF x ¾" long)) Pedal bracket	6	255227	
					Plain washer) and anchor	5	RTC610	
					Plain washer) plate to	1	4594L	
					Spring washer) dash	6	WM600051L	
					Clip for brake pipe, master cylinder to 4-way	1	243395	
					Screw (10 UNF x ½" long))	1	78929	
					Spring washer) Clip to toe box	1	WM702001L	
					Nut (10 UNF))	1	HN2005L	
					Pipe clip, brake pipe to pedal box	1	AAU7803	
					Switch bracket for handbrake	1	NRC2935	
					Pipe, shuttle valve to RH front	1	599343	
					Pipe, shuttle valve to LH front	1	599102	Except 2.6 Petrol
					Pipe, shuttle valve to LH front	1	594752	2.6 Petrol
					Brake pipe, shuttle valve to rear jump hose	1	594748	88
					Brake pipe, shuttle valve to rear jump hose	1	594747	109
					Shuttle valve	1	599443	
					Bracket for shuttle valve	1	594742	
					Bolt (M6x45mm, Hex. Hd) fixing bracket	1	BH106091L	
					Side panel, handbrake, service brake and trailer			
					warning lights	1	MRC4165	
					Inner side panel, auxiliary switches and service			
					brake check relay	1	MRC4516	
					Trim finisher	1	347924	
					Drive screw (No.6 UNC x ¾" long)) Fixing trim	2	AB606051L	
					Lokut nut) finisher to	2	RTC3745	
) side panel			
					Drive screw (No.6 x ¾" long)) Switch panel	4	AB606031L	
					Plain washer) to front panel	4	4032L	

A GROUP N

SERIES III LAND ROVER 88 and 109 2½ and 2.6 PETROL RH STG
ADR35 BRAKING REGULATIONS C.K.D - AUSTRALIA

PLATE REF.	1	2	3	4	DESCRIPTION	QTY.	PART No.	REMARKS
					Brake warning label	1	347948	
					Edging strips	2	347308	
					Blanking plug	A/R	338015	
					Cable assembly, service brake warning light	1	PRC1815	
					Lens, service brake warning light	1	PRC1814	
					Lead, shuttle valve switch to connection	1	589210	
					Relay for service brake check	1	137747/1	
					Screw (10 UNF x ¾" long)	2	78291	
					Plain washer	2	WC702101L	
					Spring washer	2	WM702001L	
					Nut (10 UNF)	2	HN2005L	
					Servo unit	1	AEU1043	
					Plug for servo	1	90577611	
					Spring washer) Servo to	4	WL108001L	
					Nut (8mm)) pedal bracket	4	NH108041L	
					Pin) Servo to	1	90564812	
					Plain washer) brake	1	RTC611	
					Split pin) pedal	1	2393	
					Brake servo minor repair kit	1	18G8951L	
					Non-return valve kit	1	AEU1046	
					Brake master cylinder	1	NRC6191	88
					Brake master cylinder	1	NRC6096	109
					Brake master cylinder service kit	1	AAU6838	88
					Brake master cylinder service kit	1	AEU1047	109
					Filler cap for master cylinder	1	AAU7965	
					Fluid reservoir kit for master cylinder	1	AEU1045	
					Roll pin, brake master cylinder	1	AEU1044	
					Filter for brake fluid reservoir	1	592324	
					Brake pedal and bracket complete	1	569652	
					Self-sealing plug) Pedal	2	338027	
					Self-sealing plug) bracket	1	338029	
					Joint gasket, bracket to dash	1	90564832	
					Bolt (3/16" UNF x ¾" long)	6	SH605051L	
					Plain washer) pedal and	6	RTC610	
					Spring washer) bracket to dash	6	WM700051L	
					Brake pedal return springs	2	569291	
					Vacuum loss switch	1	589219	
					Cable assembly, handbrake switch	1	PRC2215	
					Cable assembly, park brake warning light	1	PRC1714	
					Park brake warning light lens	1	PRC1705	
					Handbrake switch	1	589063	
					End stop) Fixing switch	1	569117	
					Lock nut) to hand brake	1	BMK1903	
					Cleat for handbrake and park brake cables	7	240429	
					Stop light and pedal travel switch mounting plate	1	592564	
					Spring for mounting plate	1	592567	
					Bush stop light mounting	2	569609	
					Split pin, spring plate to mounting plate	1	PS612080	
					Split pin, spring plate stop	1	PS608080	
					Stop light switch, mechanical	1	575166	

GROUP N

SERIES 111 LAND ROVER 88 and 109 2½ LITRE PETROL C.K.D.EXHAUST
SYSTEM TO ADR27A REGULATIONS - AUSTRALIA

Plate Ref.	1	2	3	4	Description	Qty.	Part No.	Remarks
					Front exhaust pipe	1	598877	
					Exhaust bleed pipe	1	598879	
					Clip) To retain	6	598882	
					Nut) exhaust and	2	598880	
					Olive) bleed pipe	2	598899	
					Bolt (¼" UNF x 1½" long))	3	BH604091L	
					Bolt (¼" UNF x ¾" long))	3	SH604071L	Fixing clips
					Spring washer)	6	WM600041L	to pipes
					Nut (¼" UNF))	6	NH604041L	

PLATE REF.	1	2	3	4	DESCRIPTION	QTY.	PART No.	REMARKS
					Fuel filler assembly	1	NRC2536	
					Filler cap	1	NRC2538	
					Clip, breather connection to tee piece	2	572839	
					Clip, elbow to tee piece	1	565656	
					Grommet	1	70742	
					Tee piece	1	NRC2652	
					Petrol catch tank	1	592326	
					Bolt (M6 x 16 hex.hd)	4	SH106161L	
					Plain washer (6.4 x 19 x 1.6)	8	MRC5695	Petrol catch tank
					Spring washer (6.4 dia)	4	WL106001L	to rear body
					Nut (M6)	4	NH106041L	
					Support clamp for charcoal container	1	NRC7456	
					Bolt (M6 x 16 hex.hd)	1	BH106081L	Clamp to
					Self-locking nut (M6)	1	NY106041L	container
					Bolt (M6 x 16 hex.hd)	2	SH106161L	
					Plain washer (6.4 x 19 x 1.6)	2	MRC5695	Clamp to fluid
					Spring washer (6.4 dia)	2	WL106001L	tank mounting
					Nut (M6)	2	NH106041L	bracket
					Protection plate for pipe	1	577384	
					Bolt (5/16" UNF x 5/8" long)	1	SH605051L	
					Plain washer	1	3830L	Protection plate to
					Spring washer	1	WM600051L	chassis outrigger
					Nut (5/16" UNF)	1	NH605041L	
					Breather hose	1	577466	
					Clip	1	554260	Canister to
					Connector	1	577465	flame trap
					Elbow	1	577464	
					Cleat, vacuum pipe to breather hose	1	RTC222	
					Sealing pad to catch tank	1	598516	
					Cover for sealing pad	1	598517	
					Grommet	1	263524	
					Grommet	2	219680	
					Pipe catch tank to canister	1	NRC2016	
					Rubber connection	1	577459	
					Absorption canister	1	TKC1331L	NOTE: When fitting TKC1331L
					'Tyrap' strap - fume pipe to air cleaner hose	1	594594	in place of earlier cannister
					End cap	1	158554L	(578065), End Cap 158554L and
					Clip	1	UKC3794L	Clip UKC3794L are also required.
					Grommet	1	569492	
					Clip	3	56667	Clipping pipework
					Clip	1	268883	to vehicle
					Clip	6	AEU1448	
					Pipe, catch tank to tee piece	1	NRC2192	
					Rubber connection pipe to catch tank	1	611110	
					Rubber elbow joint pipes	2	577458	
					Protection bracket, pipes to rear body front panel	1	NRC2193	
					Screw (2BA x 1/2" long)	8	234603	
					Plain washer	8	WA702101L	Clipping
					Spring washer	8	WM702001L	pipework
					Nut (2 BA)	8	RTC608	to vehicle
					Clip	2	543589	
					Drive screw (No.8 x 3/8" long)	3	72626	
					Top cover and tank mounting bracket	1	NRC1995	
					Breather hose	1	NRC2160	
					Rubber Connection	1	NRC2159	

1.184

PLATE REF.	1	2	3	4	DESCRIPTION	QTY.	PART No.	REMARKS
					Fuel filler assembly	1	NRC2536	
					Filler cap	1	NRC2538	
					Clip, breather connection to tee piece	2	572839	
					Clip, elbow to tee piece	1	565656	
					Tee piece	1	NRC2652	
					Petrol catch tank	1	592326	
					Mounting bracket for catch tank	2	NRC2018	
					Bolt (M6 x 16 Hex.hd)	6	SH106161L	
					Plain washer (6.4 x 19 x 1.6)	10	MRC5695	Petrol catch tank
					Spring washer (6.4 Dia)	6	WL106001L	to rear body
					Nut (M6)	6	NH106041L	
					Support clamp for charcoal container	1	NRC7456	
					Bolt (M6 x 16 Hex. hd)	1	BH106081	Clamp to
					Self-locking nut (M6)	1	NY106041L	container
					Bolt (M6 x 16 Hex.hd)	2	SH106161L	
					Plain washer (6.4 x 19 x 1.6)	2	MRC5695	Clamp to fluid
					Spring washer (6.4 Dia)	2	WL106001L	tank mounting
					Nut (M6)	2	NH106041L	bracket
					Breather hose	1	577466	
					Clip	1	554260	Canister to
					Connector	1	577465	flame trap
					Elbow	1	577464	
					Cleat, vacuum pipe to breather hose	1	RTC222	
					Sealing pad for catch tank	1	598516	
					Cover for sealing pad	1	598517	
					Grommet	1	263624	
					Grommet	1	219680	
					Pipe, catch tank to canister	1	NRC2016	
					Rubber connection	1	577459	
					Adsorption canister	1	TKC1331L	NOTE: When fitting TKC1331L
					Tyrap strap - fume pipe to air cleaner hose	1	594594	in place of earlier cannister
					End cap	1	158554L	(578065), End Cap 158554L and
					Blanking additional fume pipe	1	UKC3794L	Clip UKC3794L are also required
					Clip	2	56667	
					Clip	5	AEU1448	
					Clip	1	NRC2015	
					Pipe, catch tank to tee piece	3	577458	
					Rubber elbow joint pipes	6	234603	
					Screw (2BA x ½" long)	6	WA702101L	Clipping
					Plain washer	6	WM702001L	pipework
					Spring washer	6	RTC608	to
					Nut (2BA)	2	543689	vehicle
					Clip	2	72626	
					Drive screw (No.8 x ¾" long)	1	NRC1995	
					Top cover and tank mounting bracket	1	NRC2160	
					Breather hose	1	NRC2159	
					Rubber connection	1		

GROUP N

SERIES III LAND ROVER 109 STATION WAGON 2½ and 2.6 PETROL
EVAPORATIVE EMISSION SYSTEM C.K.D. - AUSTRALIA

PLATE REF.	1	2	3	4	DESCRIPTION	QTY.	PART No.	REMARKS
					Fuel filler assembly	1	NRC2536	
					Filler cap	1	NRC2538	
					Clip, breather connection to tee piece	2	572839	
					Clip, elbow to tee piece	1	565656	
					Tee piece	1	NRC2652	
					Petrol catch tank	1	592326	
					Front mounting bracket	2	NRC2088	
					Rear mounting bracket	2	NRC2089	
					Bolt (M6 x 16 Hex.hd)	8	SH106161L) Petrol catch tank to
					Plain washer (6.4 x 19 x 1.6)	6	MRC5695	
					Spring washer (6.4 dia.)	8	WL106001L) rear body and mounting
					Nut (M6)	6	NH106041L	
					Nutcert	2	79240) angle
					Support clamp for charcoal container	1	NRC7456	
					Bolt (M6 x 16 Hex.hd)	1	BH106081) Clamp to
					Spring washer (6.4 x 19 x 1.6)	1	WL106001L	
					Nut (M6)	1	NH106041L) container
					Bolt (M6 x 16 Hex.hd)	2	SH106161L	
					Plain washer (6.4 x 19 x 1.6)	2	MRC5695) Clamp to fluid tank mounting
					Spring washer (6.4 dia.)	2	WL106001L	
					Nut (M6)	2	NH106041L) bracket
					Breather hose	1	577466	
					Clip	1	554260) Canister to flame trap
					Connector	1	577465	
					Elbow	1	577464	
					Cleat, vacuum pipe to breather hose	1	RTC222	
					Pipe, catch tank to breather	1	NRC2195	
					Absorption canister	1	TKC1331L) NOTE: When fitting TKC1331L in place of earlier cannister
					'Tyrap' strap - fume pipe to air cleaner hose	1	594594	
					End cap	1	158554L) (578065), End Cap 158554L and UKC3794L) Clip UKC3794L are also required
					Clip	1	UKC3794L	
					Screw (10 UNF x ½" long)	6	257017	
					Plain washer	2	WA702101L	
					Spring washer	6	WM702001L) Clipping pipework
					Nut (10 UNF)	1	HN2005L	
					Nutcert (10 UNF)	5	79239) to vehicle
					Clip	2	AEU1449	
					Clip	7	AEU1448	
					Clip	2	543589	
					Drive screw (No.8 x ¾" long)	3	72626	
					Pipe, catch tank to tee piece	1	NRC2015	
					Rubber connection pipe to catch tank	1	611110	
					Rubber elbow joining pipes	4	577458	
					Pipe, canister to elbow	1	NRC2194	
					Top cover and tank mounting bracket	1	NRC1995	
					Breather hose	1	NRC2214	
					Rubber connection	1	NRC2213	
					Side stiffener, wheelarch box	1	MRC2797	
					Pop rivet, fixing stiffener to wheelarch box	6	78248	

GROUP N

SERIES III LAND ROVER 88 and 109 2½ LITRE PETROL C.K.D.
TO ADR27A REGULATIONS - AUSTRALIA

PLATE REF.	1	2	3	4	DESCRIPTION	QTY.	PART No.	REMARKS
					Fuel pipe	1	599225	
					Fuel pipe	1	599224	
					Clip, pipe to rocker cover	1	AEU1449	
					Vacuum switch assembly	1	614361	
					Mounting bracket for vacuum switch	1	587499	
					Locating plate for vacuum switch	1	611185	
					Bolt (10 UNF x ¾" long))	2	257015	
					Spring washer) Vacuum switch	2	WM702001L	
					Nut (10 UNF)) to mounting bracket	2	HN2005L	
					Clip, vacuum pipe to manifold	1	BAU1689	
					Vacuum pipe, distributor to vacuum switch	1	ERC3094	
					Vacuum pipe, switch to manifold	1	613538	
					Pipe, manifold to trigger valve	1	598318	
					Pipe, trigger valve to diaphragm	1	598380	
					Banjo ring assembly	1	596387	
					Joint washer for banjo	2	231576	
					Banjo bolt for vehicles without servo	1	587502	
					Servo adaptor - vehicles with servo fitted	1	587517	
					Vacuum pipe, carburettor to EGR valve	1	ERC2915	
					Fuel filter assembly	1	90577508	
					Nutcert (¼" UNF))	2	79240	
					Screw (¼" UNF x ¾" long)) Fixing filter bowl	2	255206	
					Plain washer) to RH side dash	2	WA106041L	
					Distance piece)	1	592269	
					Petrol catch tank	1	592326	
					Bolt (M6 x 16 Hex.hd))	4	SH106161L	} 88 vehicles
					Plain washer (6.4 x 19 x 1.6)) Fixing petrol catch	8	MRC5695	
					Spring washer (6.4 Dia)) tank to rear body	4	WL106001L	
					Nut (M6))	4	NH106041L	
					Support clamp, charcoal container	1	NRC7456	
					Bolt (M6 x 16 Hex.hd)) Fixing clamp	1	BH106081	
					Spring washer (6.4 x 19 x 1.6)) to	1	WL106001L	
					Nut (M6)) container	1	NY106041L	
					Bolt (M6 x 16 Hex.hd))	2	SH106161L	
					Plain washer) Clamp to fluid tank	2	MRC5695	
					Spring washer) and mounting bracket	2	WL106001L	
					Nut (M6))	2	NH106041L	
					Protection plate for pipe	1	577384	} 88 vehicles
					Bolt (5/16" UNF x ¾" long))	1	SH605051L	
					Plain washer) Protection plate to	1	3830L	
					Spring washer) chassis outrigger	1	WM600051L	
					Nut (5/16" UNF))	1	NH605041L	

GROUP N 88 and 109" 2½ PETROL. The following parts are required to enable Evaporative Emission System ADR27 to be fitted to vehicles already in Australia to comply with legal requirements.

Plate Ref.	1	2	3	4	Description	Qty.	Part No.	Remarks
					Air inlet elbow, carburetter	1	ERC2695	
					Hose, elbow to flame trap	1	587120	
					Flame trap	1	603330	
					Clip, hose to elbow	1	546211	
					Clip, flame trap to hose	1	554260	
					Clip, pipe to rocker cover	1	587119	

GROUP N

109" 2.6 PETROL. The following parts are required to enable Evaporative Emission System ADR27 to be fitted to vehicles already in Australia to comply with legal requirements.

PLATE					DESCRIPTION	QTY.	PART No.	REMARKS
REF.	1	2	3	4				
					Flame trap	1	603330	
					Hose clip for flame trap	2	603887	
					'P' clip for vacuum pipe	1	AEU1450	
					Screw (M6 x 16 Hex hd)	1	SH106161L	
					Plain washer (6.4 x 19 x 1.6)	1	MRC5695	Fixing clip to canister mounting
					Spring washer (6.4 dia)	1	WL106001L	
					Nut (M6)	1	NH106041L	bracket

GROUP N SERIES III LAND ROVER 109 2.6 PETROL C.K.D. TO A.D.R. 36 REGULATIONS
 AUSTRALIA FROM 1.7.78.

PLATE								
REF.	1	2	3	4	DESCRIPTION	QTY.	PART No.	REMARKS
					Insert for exhaust valve seat	6	ERC4935	
					Top rocker cover assembly	1	ERC4970	
					Water pump and viscous drive hub assembly	1	598483	
					Joint washer for adaptor and support plate	2	568364	
					Adaptor, carburetter to cylinder head	1	ERC1935	
					Carburetter complete	1	ERC4848	
					Damper and oil cap	1	605848	
					Diaphragm	1	JS499L	
					Throttle return spring	1	516951	
					Throttle valve	1	AAU6564	
					Screw fixing throttle valve	2	601845	
					Float and arm	1	605833	
					Support plate for solenoid	1	ERC1936	
					Solenoid	1	UKC3741L	
					Screw (No.10 UNF x 3/8" long)) Fixing solenoid	2	257015	
					Spring washer) to support plate	2	WM702001L	
					Mounting bracket, front	1	ERC2363	
					Mounting bracket, rear	1	ERC2364	
					Fan pulley	1	ERC2370	
					Fan assembly	1	614739	
					Viscous coupling for fan	1	ERC2849	
					Bolt (1/4" UNF x 1 1/4" long)) Fixing fan to	4	BH604101L	
					Nut (1/4" UNF)) viscous coupling	4	NY604041L	
					Washer) Fixing viscous unit to	1	4910L	
					Nyloc nut (7/16" UNF)) hub and water pump	1	NY607041L	
					Fan and alternator belt	1	ERC1742	
					Pulley for air pump	1	ERC5169	
					Air injection pump	1	ERC2657)	
					Bolt (1/4" UNC x 9/16" long)) Fixing pulley	3	253205) Imperial	
					Spring washer) to air pump	3	WM600041L)	
					Air injection pump	1	AFU1202)	
					Bolt	3	SH106141L) Metric	
					Spring washer	3	WL106001L)	
					Driving belt for air pump	1	ERC2662	
					Adjusting bracket for air pump, front	1	ERC2658	
					Adjusting bracket for air pump, rear	1	ERC2659	
					Anchor bracket for air pump	1	ERC2660	
					Support bracket for air pump	1	ERC2261	
					Distance piece for air pump	1	ERC2369	
					Bolt (5/16" UNF x 4 3/4" long) fixing air pump	3	BH605381	
					Bolt (1/4" UNC x 1 1/2" long)) Fixing anchor bracket	3	BH504121L	
					Plain washer) to cylinder head	3	4595	
					Bolt (5/16" UNF x 3/4" long))	2	SH605061L	
					Plain washer) Fixing brackets	2	2266L	
					Spring washer) to air pump	5	WM600051L	
					Nut 5/16" UNF)	5	NH605041L	

SERIES III LAND ROVER 109 2.6 PETROL C.K.D. TO A.D.R. 36 REGULATIONS
AUSTRALIA FROM 1.7.78.

GROUP N

PLATE REF.	1	2	3	4	DESCRIPTION	QTY.	PART No.	REMARKS
					Fuel trap	1	ERC2042	
					Clip fixing fuel trap to cylinder head	1	554049	
					Air pipe, carburetter to fuel trap	1	ERC3095	
					Air pipe, fuel trap to distributor	1	ERC3094	
					Air pipe, carburetter to distributor	1	ERC3093	
					Cleat) Fixing	1	240429	
					Cleat) pipes	2	RTC222	
					Exhaust manifold adaptor, rear	1	ERC1460	
					Exhaust manifold adaptor, front	1	ERC1456	
					Air manifold assembly	1	ERC3525	
					Air tube assembly	4	ERC1454	
					Check valve, air manifold	1	UKC2643L	
					Hose, air pump to check valve	1	ERC2456	
					Clip, hose to rocker cover	1	602539	
					Clip, hose to check valve	1	RTC3497	
					Clip, hose to air pump	1	613187	
					Stud) Manifold and exhaust	5	TE606231	
					Stud) adaptors	2	252626	
					Distributor	1	ERC1837	
					Distributor cap	1	605544	
					Brush and spring for cap	1	262703	
					Rotor arm	1	RTC3615	
					Vacuum unit	1	AAU6565	
					Contact points	1	RTC3270	
					Condenser	1	RTC3472	
					Sealing ring	1	513682	
					Screen cover for distributor	1	ERC783	
					Heat shield for distributor	1	ERC1469	
					Hose, rocker cover breather to elbow	1	ERC3343	
					Clip,) Fixing hose	1	ERC3324	
					Spring washer) to stud on	1	WM600041L	
					Nut (1/4" UNF)) rocker cover	1	NH604041L	
					Cable assembly, coil to solenoid valve and earth	1	PRC1308	
					Cleat, cable to main harness and engine harness	2	RTC222	
					Cleat, earth lead to water temperature lead	1	240429	
					Fan and air pump shroud	1	NRC2106	
					Drive screw (No.10 x 3/8" long) fixing shroud	4	AB610051L	
					Vacuum hose	1	CR2131	

PARTS PECULIAR TO AUSTRALIAN 109 V8 MODELS

PLATE REF.	1	2	3	4	DESCRIPTION	QTY.	PART No.	REMARKS
GROUP B - ENGINE								
					Clip, rocker cover L.H.	1	ERC5558	
					Cylinder block assembly	1	ERC6934	
GROUP H - FUEL, EXHAUST AND EMISSION SYSTEMS								
					Carburetter L.H.	1	ERC4702	
					Carburetter R.H.	1	ERC4703	
					Heat shield carburetter R.H.	1	ERC4794	
					Adaptor, vacuum non-return valve	1	ERC4809	
					Inlet manifold assembly	1	ERC4819	
					Adaptor, inlet manifold	1	ERC4820	
					Lock nut, elbow, inlet manifold	1	ERC4825	
					Air manifold L.H. assembly	1	ERC5477	
					Petrol pipe assembly	1	ERC5504	
					Y connection	1	ERC5511	
					Adaptor assembly, air cleaner	1	ERC5513	
					Connecting tube	1	ERC5547	
					Vent pipe R.H., adaptor Y piece	1	ERC5548	
					Vent pipe L.H., adaptor Y piece	1	ERC5549	
					Vent pipe, Y connection, charcoal canister	1	ERC5550	
					Vacuum pipe, EGR valve, to tee piece	1	ERC5551	
					Vacuum pipe, L.H. carburetter to tee piece	1	ERC5552	
					Air inlet duct assembly	1	ERC5560	
					Air intake elbow	1	ERC5603	
					Choke connecting pipe assembly	1	ERC5610	
					Crankcase breather assembly	1	ERC5761	
					Blanking plug, air cleaner	1	ERC5869	
					Hose, breather, crankcase to breather filter	1	ERC5956	
					Hose, breather filter, to charcoal canister	1	ERC5957	
					Bracket breather clip	1	ERC5958	
					Vacuum pipe, tee piece to distributor	1	ERC6318	
					Elbow intake manifold	1	ERC6353	
					Pipe assembly, EGR to inlet manifold	1	ERC6354	
					Front mounting bracket	2	NRC2087	
					Support clamp for charcoal canister	1	NRC4776	
					Connecting hose, canister	1	NRC4790	
					Shield for air pump pulley	1	NRC4871	
					Stiffening plate	1	NRC4874	
					Fuel pipe, assembly spill return to tank	1	NRC4876	
					Breather pipe, charcoal canister	1	NRC5027	
					Plain washer mounting evaporative fuel tank	2	MRC5695	
					Air injection pump	1	AFU1331	
					Pulley	1	ERC2653	

PARTS PECULIAR TO AUSTRALIAN 109 V8 MODELS (Cont'd)

PLATE REF.	1	2	3	4	DESCRIPTION	QTY.	PART No.	REMARKS
GROUP J - COOLING, HEATING AND AIR CONDITIONING								
					Top water hose	1	NRC4858	
					Hose, radiator to overflow bottle	1	NRC4878	
GROUP K - ELECTRICAL, WASHER-WIPERS, INSTRUMENTS								
					Spacer, securing H.T. lead/L.T. lead	1	ERC2144	
					Distributor complete	1	ERC4823	
					Ignition lead set	1	ERC5505	
					Retainer, spark plug cables	1	ERC5512	
					Speedometer drive cable	1	PRC2490	One Piece
					Speedometer drive cable - instrument end	1	PRC3717) Two
					Speedometer drive cable - drive end	1	PRC3721) Piece.

PART NUMBER		DESCRIPTION	REF. NO.
1035		STEEL BALL	1D05
1403	L	TOMMY BAR	2L11
1481	L	BALL END	1N10
1481	L	BALL END-ACCELERATOR LEVER	1008
1481	L	BALL END-ACCELERATOR LEVER	1010
1481	L	BALL END	1012
1510		SCREW-BRAKEDRUM	1L03
1510		SCREW-BRAKE DRUM	1L04
1510		BRAKE DRUM SCREW	1L02
1643		STEEL BALL	1H11
1645		BEARING	1H04
2096		NUT	1H09
2203	L	WASHER PLAIN	1F10
2203	L	WASHER	1F11
2203	L	PLAIN WASHER	1N11
2204	L	WASHER-PLAIN	1F07
2215	L	WASHER-PLAIN	2G06
2215	L	WASHER	2G07
2217	L	WASHER-PLAIN	2E16
2219		PLAIN WASHER	1G02
2219		WASHER-PLAIN	1G03
2219		WASHER-PLAIN	1N03
2219		PLAIN WASHER	2G07
2265	L	PLAIN WASHER	1002
2266	L	WASHER	1D14
2266	L	WASHER PLAIN	2E11
2266	L	WASHER-PLAIN	2E13
2266	L	WASHER-PLAIN	2E15
2266	L	WASHER	2E16
2266	L	WASHER	2J13
2266	L	PLAIN WASHER FIXING BRACKETS	2L17
2289		SPRING WASHER	2H13
2390	L	SPLIT PIN	1012
2392	L	PIN-SPLIT	1L05
2392	L	PIN	1L14
2392	L	PIN-SPLIT	1L15
2392	L	PIN-SPLIT	1008
2393		PIN-SPLIT	1K06
2393		PIN-SPLIT	1K07
2393		SPLIT PIN	1L06
2393		PIN-SPLIT	2G16
2393		PIN-SPLIT	2L13
2422	L	SPLIT PIN	1H12
2422	L	PIN-SPLIT	1H13
2499		LOCKER	1H11

PART NUMBER	DESCRIPTION	REF. NO.
2500	LOCKING TAB WASHER	1D06
2504	LOCKER	1D05
2529	SCREW	1H08
2556	SPLIT PIN	1D05
2630	PLAIN WASHER	2G17
2705	SPANNER	2L11
2707	ADJUSTABLE SPANNER	2L11
2719	PLAIN WASHER	2K04
2827	NUT	1J15
2827	NUT	1J16
2827	NUT	1J17
2827	NUT	1J18
2828	NUT 0.3125 BSF	1H09
2828	NUT	1H10
2828	NUT	1L05
2851	L WASHER-PLAIN	1C14
2851	L WASHER-PLAIN	1D15
2851	L WASHER-PLAIN	1E13
2851	L WASHER-PLAIN	1N11
2851	L WASHER-PLAIN	1N12
2851	L WASHER-PLAIN	1N13
2851	L WASHER-PLAIN	1N13
2851	L WASHER	2G02
2851	L WASHER-PLAIN	2G07
2876	PLAIN WASHER	1H12
2876	WASHER-PLAIN	2G04
2974	SPLIT PIN	1L14
2982	RIVET	1I05
2986	RIVET	2H08
2995	LOCKER	1C05
2995	WASHER LOCK	1D03
2995	WASHER LOCK	1E05
3036	L WASHER PLAIN	1F08
3036	L WASHER-PLAIN	2E16
3101	WASHER	1002
3101	WASHER-SPRING	1004
3109	WASHER	1002
3109	WASHER-PLAIN	1003
3109	WASHER-PLAIN	1005
3109	WASHER-PLAIN	1006
3127	SPLIT PIN	1J10
3200	STUD	1G02
3200	STUD	1H09
3238	STUD	1H03
3259	SLOTTED NUT	1H08

PART NUMBER		DESCRIPTION	REF.NO.
3259		NUT-CASTLE	1H10
3259		NUT-CASTLE	1J07
3259		NUT-CASTLE	1J10
3290		PLUG	1F02
3290		PLUG	1G02
3290		PLUG-DRAIN-FLYWHEEL HOUSING	1G03
3290		PLUG-DRAIN-BELL HOUSING	1I02
3290		PLUG	1I05
3291	L	PLUG	1D09
3292		FILLER PLUG	1H03
3292		PLUG-OIL FILLER	1H09
3292		PLUG-OIL LEVEL	1I04
3292		PLUG-OIL DRAIN	1J06
3294		PLUG	1J02
3294		PLUG-OIL FILLER-AXLE	1J03
3294		PLUG-OIL LEVEL	1J07
3299		PLAIN WASHER	1L15
3299		WASHER-PLAIN	1010
3319		STUD	1H03
3414	L	PIN-SPLIT	1F05
3547		RIVET	2J06
3547		RIVET	2J07
3549	L	SNAP IN CONNECTOR 1 WAY	1N08
3557	ZN	WASHER PLAIN	2J06
3557	ZN	WASHER PLAIN	2J07
3649		SELECTOR SPRINGS	1H11
3650		STUD	1G02
3650		STUD	1H09
3651		STUD	1G02
3739		BOLL	1C04
3739		BALL-STEEL	1E05
3748		STEEL BALL	1C04
3748		BALL-STEEL	1E04
3817		WASHER	2G08
3817		WASHER-PLAIN	2G10
3817		WASHER-PLAIN	2G11
3817		WASHER-PLAIN	2H07
3817		WASHER-PLAIN	2H18
3817		WASHER-PLAIN	2I04
3819		NUT 0.25 BSF	1G02
3819		NUT	1H09
3819		NUT	1H12
3819		NUT	1J05
3830	L	WASHER-PLAIN	1G04
3830	L	WASHER PLAIN	1K03

PART NUMBER		DESCRIPTION	REF. NO.
3830	L	WASHER PLAIN	1K04
3830	L	WASHER-PLAIN	1L07
3830	L	WASHER-PLAIN	1N10
3830	L	WASHER-PLAIN	1002
3830	L	WASHER-PLAIN	1007
3830	L	WASHER-PLAIN	1009
3830	L	WASHER-PLAIN	1011
3830	L	WASHER-PLAIN	2G05
3830	L	WASHER-PLAIN	2G17
3830	L	WASHER-PLAIN	2H15
3830	L	PLAIN WASHER	2H16
3830	L	WASHER PLAIN	2I02
3830	L	WASHER-PLAIN	2K02
3830	L	WASHER-PLAIN	2K03
3830	L	WASHER-PLAIN	2K04
3830	L	WASHER-PLAIN	2L12
3830	L	WASHER-PLAIN	2L14
3830	L	WASHER-PLAIN	2L15
3831	L	WASHER PLAIN	1K04
3831	L	PLAIN WASHER	2H02
3842		WASHER PLAIN	2H12
3842		WASHER-PLAIN	2K06
3851		WASHER PLAIN	1L07
3852	L	WASHER PLAIN	2H14
3852	L	WASHER-PLAIN	2H17
3852	L	PLAIN WASHER	2H18
3852	L	WASHER-PLAIN	2J06
3852	L	WASHER-PLAIN	2J07
3852	L	WASHER-PLAIN	2K06
3890		SCREW	1002
3890		SCREW	1004
3900	L	WASHER-PLAIN	2F09
3900	L	WASHER-PLAIN	2G05
3900	L	WASHER-PLAIN	2G07
3900	L	WASHER PLAIN	2G10
3900	L	WASHER-PLAIN	2G11
3900	L	WASHER-PLAIN	2G15
3900	L	WASHER-PLAIN	2H02
3900	L	WASHER-PLAIN	2H04
3900	L	WASHER-PLAIN	2H07
3900	L	WASHER-PLAIN	2H07
3900	L	WASHER-PLAIN	2H15
3900	L	WASHER-PLAIN	2H17
3900	L	WASHER-PLAIN	2H18
3900	L	WASHER-PLAIN	2K04

PART NUMBER		DESCRIPTION	REF.NO.
3900	L	WASHER-PLAIN	2K05
3900	L	WASHER-PLAIN	2K06
3933	L	WASHER-PLAIN	1D15
3933	L	WASHER-PLAIN	1002
3933	L	WASHER-SPRING	1003
3933	L	WASHER-PLAIN	1005
3933	L	WASHER-PLAIN	1006
3947	L	PLAIN WASHER	2G18
3947	L	WASHER-PLAIN	2H16
3958	L	PIN-SPLIT	1I12
3958	L	PIN-SPLIT	2H03
3958	L	PIN-SPLIT	2H06
3964	L	SPRING CLIP	1013
3964	L	SPLIT PIN	1012
3966	L	WASHER-PLAIN	2G18
3966	L	PLAIN WASHER	2H05
3966	L	WASHER-PLAIN	2H07
3966	L	WASHER-PLAIN	2H15
3972		SCREW	1002
3972		SCREW	1004
3982	L	PLAIN WASHER	2H02
3982	L	WASHER-PLAIN	2H05
3982	L	WASHER PLAIN SPACER	2H12
3987	L	PLAIN WASHER	1L09
3987	L	WASHER PLAIN	2F07
3987	L	WASHER-PLAIN	2I04
4023		NUT	2F03
4023		NUT	2F04
4023		NUT	2F15
4023		NUT 4 BA	2H03
4023		NUT	2H06
4030	L	WASHER-PLAIN	1N14
4030	L	WASHER-PLAIN	1N15
4030	L	WASHER-PLAIN	1N16
4030	L	WASHER-PLAIN	1N17
4030	L	WASHER-PLAIN	2H02
4030	L	WASHER-PLAIN	2H03
4030	L	WASHER-PLAIN	2H06
4030	L	PLAIN WASHER	2I02
4030	L	WASHER-PLAIN	2J09
4030	L	WASHER-PLAIN	2K04
4030	L	WASHER-PLAIN	2K05
4032	L	PLAIN WASHER	2F13
4032	L	PLAIN WASHER	2J08
4032	L	PLAIN WASHER	2L12

PART NUMBER		DESCRIPTION	REF. NO.
4034	L	PLAIN WASHER	2G12
4034	L	WASHER-PLAIN	2H15
4034	L	WASHER-PLAIN	2J09
4034	L	WASHER-PLAIN	2J11
4034	L	WASHER PLAIN	2J13
4063		PIN-SPLIT	1J16
4063		PIN-SPLIT	1J17
4071		WASHER-PLAIN	2H15
4075	L	SPACER-FRONT COVER BOLT	1F04
4085		WASHER	1G02
4233		WASHER PLAIN	2L03
4542	L	WASHER-GERMANY ONLY	2G02
4566		WASHER	1E08
4574		PLAIN WASHER	1L14
4574		WASHER-PLAIN	2G10
4590		PACKING WASHER	2K03
4590		WASHER PLAIN	2K04
4592	L	PLAIN WASHER	2K02
4594	L	SPACER	1F06
4594	L	WASHER-PLAIN	1G04
4594	L	WASHER	1I05
4594	L	WASHER-PLAIN	1I05
4594	L	PLAIN WASHER	1L06
4594	L	WASHER-PLAIN	2L12
4595		WASHER-PLAIN	1D14
4595		PLAIN WASHER FIXING ANCHOR	2L17
4866		WASHER	1C07
4910	L	WASHER	1D10
4910	L	PLAIN WASHER	1D11
4910	L	WASHER	1E10
4910	L	WASHER-PLAIN	1F11
4910	L	WASHER FIXING VISCOUS UNIT	2L17
5852		OIL RETAINER	1H11
5853		RETAINING PLATE	1H11
5854		RETAINING PLATE	1H11
6395	L	DOWEL	1C07
6395	L	DOWEL	1D04
6395	L	DOWEL	1D09
6395	L	DOWEL	1D10
6395	L	DOWEL	1E08
6397		ROLLER BEARING	1H04
6405		PEG	1H04
6860	L	GROMMET	1G04
6860	L	GROMMET-SPEEDOMETER CABLE	1H09
6860	L	GROMMET	1L07

PART NUMBER		DESCRIPTION	REF.NO.
6860	L	GROMMET	1L07
6860	L	GROMMET-BRAKE PIPE	1L09
6860	L	GROMMET	1L10
6860	L	GROMMET	1L11
6860	L	GROMMET	1L12
6860	L	GROMMET	1L13
6860	L	GROMMET-RUBBER	2L08
6860	L	GROMMET	2L12
7015	L	CUP WASHER	1D15
7289		DOWEL	1H03
7316		JOINT WASHER	1J08
8407	L	SPLINED END FOR PROP SHAFT	1J02
8407	L	SPINE END-PROPELLOR SHAFT	1J03
8407	L	SPLINE END-PROPELLER SHAFT	1J14
8566	L	BUSH	1G02
8566	L	BUSH-FLYWHEEL	1G03
8566	L	BUSH-OUTPUT SHAFT	1H10
9005		LOCKER	1D08
9093		WASHER	1C05
9093		PLATE-CAMSHAFT WHEEL	1D06
9093		PLATE-RETAINING CAMSHAFT	1E05
9161		CLAMP	1D13
9210		LOCKER	1C05
9210		WASHER-LOCK	1D06
9210		WASHER-LOCK	1E05
9225		OIL PUMP SHIELD	1D05
9960		CIRCLIP	1H04
11820	L	CLIP	1L09
11820	L	CLIP	1L10
11820	L	CLIP	1L11
11820	L	CLIP	1L12
11820	L	CLIP	1L13
11966		SPRING WASHER	1L07
12882	L	EMISSION PACK 12000 MILES	1M08
13296		SEALING STRIP	2L07
20034		WOODSCREW	2K04
20034		WOODSCREW	2K05
20138		DRIVE SCREW	2K04
20138		DRIVE SCREW	2K05
20138		WOODSCREW	2K06
20147		DRIVE SCREW	2K04
20147		DRIVE SCREW	2K05
20147		WOODSCREW	2K06
21563		RIVET	2H04
21563		RIVET	2H07

PART NUMBER	DESCRIPTION	REF. NO.
40441	WASHER	2E02
40441	WASHER-SPARKING PLUG	2E03
40441	WASHER-SPARKING PLUG	2E04
40441	WASHER-SPARKING PLUG	2E05
40742	BOLT(0.4375" BSF X 2.1875")	1J07
40756	LOCKING RING	1J07
41045	BEARING	1J08
41379	CLIP-(BREATHER TO FRAME)	1J02
41379	CLIP-(BREATHER TO FRAME)	1J03
41379	CLIP-BRAKE PIPE	1L07
41379	CLIP	1L09
41379	CLIP	1L12
50183	CABLE CLIP	1L07
50216	GASKET-INSPECTION PLATE	1G03
50235	BRAKE CATCH	1L14
50322	CLIP	1D10
50446	PIN	1G04
50446	PIN	1L06
50525	SELF LOCKING NUT	1L05
50526	NUT-SELF LOCKING	1H09
50552	DRIVE SCREW	2F12
50639	CLIP	1N12
50639	CLIP	2L08
50640	CLIP FOR DASH HARNESS	2L08
50642	CABLE CLIP	1N12
50642	CLIP	2L08
50702	THRUST WASHER	1H04
50703	THRUST WASHER	1H04
52124	DOWEL FLYWHEEL HOUSING	1C02
52124	DOWEL	1D03
52124	DOWEL	1E02
52246	SCREW	1H03
52278	SEAL-OIL PUMP	1D05
52278	SEAL-DISTRIBUTOR	2E02
52278	WASHER CORK	2E03
55636	DOWEL	1H03
55636	DOWEL	1H09
55638	PLUNGER	1H11
55697	PEG	1H11
55714	BEARING	1H04
55778	STUD	1H03
56102	SPRING-DETENT-TRANSFER SHAFT	1H13
56102	SPRING	1H11
56140	PLATE-FLYWHEEL INSPECTION	1G03
56666	CLIP	1L07

PART NUMBER	DESCRIPTION	REF. NO.
56666	CLIP-BRAKE PIPE GROMMET	1L09
56666	CLIP	1L10
56666	CLIP	1L11
56666	CLIP	1L12
56666	CLIP	1L13
56666	CLIP	2L08
56666	CLIP	1L07
56667	CLIP-PENTHOUSE HOSE	2D04
56667	CLIP	2L14
56667	CLIP FIXING HARNESS	2L08
59663	SPRING	1L15
69310	ZN SCREW	2J06
69310	ZN SCREW	2J07
70742	GROMMET-FUEL BREATHER PIPE	1N17
70742	GROMMET	2K14
70823	WASHER-STAR LOCK	1G05
72626	DRIVE SCREW	1J02
72626	DRIVE SCREW	1J03
72626	SCREW	1L09
72626	DRIVE SCREW	1L10
72626	DRIVE SCREW	1L11
72626	DRIVE SCREW	1L12
72626	DRIVE SCREW	1L13
72626	DRIVE SCREW	1N11
72626	SCREW	2F10
72626	SCREW	2F11
72626	DRIVE SCREW	2F15
72626	DRIVE SCREW	2L14
72626	DRIVE SCREW	2L15
72628	DRIVE SCREW	2F09
73198	RUBBER PLUG	2K08
73198	PLUG-RUBBER	2L08
73962	CUP WASHER	2K04
73962	CUP WASHER	2K05
73979	BIFURICATED RIVET	2H02
73979	RIVET	2H04
73979	RIVET	2H07
73979	RIVET-BIFURCATED	2J09
73979	RIVET-BIFURCATED	2J10
73979	RIVET-BIFURCATED	2J11
74838	BOLT	1L07
77626	WASHER-FAN DISC	1E11
77701	SCREW	2F15
77869	BOLT	2G17
77869	SCREW	2H02

PART NUMBER	DESCRIPTION	REF.NO.
77869	SCREW	2H05
77869	SCREW	2H07
77869	SCREW	2H17
77869	SCREW	2H18
77869	SCREW	2I02
77869	SCREW	2K04
77869	SCREW	2K05
77899	SCREW	2F03
77899	SCREW (4 BA X 0.500")	2F04
77899	SCREW	2H03
77899	SCREW	2H06
77941	SCREW	1N14
77941	SCREW	1N15
77941	SCREW	1N16
77941	SCREW	1N17
78120	SCREW	1H11
78120	SCREW	2J09
78120	SCREW	2J11
78120	SCREW	2J12
78120	SCREW	2J13
78120	SCREW	2K02
78159	GLAZING STRIP	2H16
78159	GLAZING STRIP	2G10
78208	SPECIAL SET BOLT	2G07
78208	BOLT	2G13
78208	SCREW	2H02
78208	SCREW	2H04
78208	SCREW	2H07
78210	SCREW	2G10
78210	SCREW	2G11
78210	BOLT	2H07
78227	SCREW	1G04
78227	SCREW	1L06
78227	DRIVE SCREW	2L12
78233	SCREW	2H18
78237	SPIRE NUT	2G11
78237	SPIRE NUT	2G12
78237	CLIP-TRIM RETAINING	2J09
78237	CLIP-TRIM RETAINING	2J11
78237	CLIP TRIM RETAINING	2J13
78237	CLIP-TRIM RETAINING	2J13
78248	RIVET	2G02
78248	RIVET	2G08
78248	POP-RIVET	2G09
78248	POP-RIVET	2G12

PART NUMBER	DESCRIPTION	REF. NO.
78248	POP RIVET	2G13
78248	POP-RIVET	2G15
78248	RIVET	2G17
78248	POP RIVET	2H02
78248	POP-RIVET	2H03
78248	POP RIVET	2H04
78248	POP RIVET	2H05
78248	POP RIVET	2H06
78248	POP RIVET	2H07
78248	POP-RIVET	2H08
78248	POP RIVET	2H13
78248	POP RIVET	2H16
78248	POP RIVET	2H17
78248	POP RIVET	2J08
78248	POP RIVET	2K03
78248	POP RIVET	2K04
78248	POP RIVET	2K08
78248	POP RIVET	2L15
78257	POP RIVET	2G02
78257	POP RIVET	2G05
78257	POP RIVET	2G09
78257	POP RIVET	2H17
78274	SCREW	2H17
78276	SCREW	2F15
78291	SCREW	2F13
78291	SCREW 10 UNF X 0.625"	2L13
78321	RIVET	2G13
78321	RIVET	2G14
78321	RIVET	2G17
78321	RIVET	2H03
78321	RIVET	2H06
78321	RIVET	2H13
78321	RIVET	2H18
78322	DRIVE SCREW 0.50 NO 8	1N11
78322	DRIVE SCREW	1N12
78322	DRIVE SCREW	1N13
78322	DRIVE SCREW	1N13
78329	MUSHROOM HEAD SCREW	2H06
78348	SCREW 10 UNF X 0.500"LONG	2D02
78348	SCREW	2F02
78348	SCREW	2G09
78358	SCREW	2J10
78382	SCREW	2H17
78384	SCREW	1014
78384	SCREW	2H06

PART NUMBER	DESCRIPTION	REF.NO.
78384	SCREW	2J03
78384	SCREW	2J05
78389	SCREW	2H18
78390	POP RIVET	2G09
78392	BOLT-0.3125 HEX HEAD X0.75LONG	2G07
78401	DRIVE SCREW	2H16
78402	DRIVE SCREW	2H16
78410	POP-RIVET	2G09
78410	RIVET	2H03
78410	POP RIVET	2H05
78410	POP RIVET	2H06
78410	POP-RIVET	2H08
78410	POP RIVET	2H17
78423	SETSCREW	2J13
78553	SCREW 10 UNF X 0.625 LONG	2I03
78555	SCREW(10 ϕUNF X 0.375"LONG)BREATHER	1N04
78586	SCREW 10 UNF X 1.75 ϕLONG	2G05
78593	SCREW	1F10
78593	SCREW 10 UNF X 0.500 LONG	1O12
78664	SPECIAL SCREW 10 UNF X 0.875	1K02
78664	BOLT	1O14
78704	POP RIVET,BAFFLE TO AIR CLEANER	1N04
78704	POP RIVET	2J03
78782	SCREW DRIVE	1F04
78795	SPECIAL SCREW	2G05
78796	SPECIAL SCREW(0.25"UNC X 0.5")	2G05
78832	SCREW	2H15
78861	DRIVE SCREW	1F10
78862	DRIVE SCREW	1F02
78862	SCREW	1F10
78867	POP-RIVET	2G15
78867	POP RIVET	2G17
78885	POP RIVET	2H03
78885	POP RIVET	2H06
78885	POP RIVET	2H08
78898	SCREW 0.250 UNF X 0.625"	2F06
78899	SPECIAL NUT 0.250"UNF	2C09
78900	BOLT	1G04
78900	PAINT REMOVING SCREW	1L06
78900	BOLT	2H02
78905	SCREW	1L06
78905	SCREW	2L12
78924	SET SCREW	2F08
78925	POP RIVET 0.15625 X 0.234375	2G09
78929	SCREW-MUSH HD	1L07

PART NUMBER	DESCRIPTION	REF. NO.
78929	SCREW	1L11
78929	SCREW	1L13
78929	SCREW	1N17
78929	SCREW	2L12
78977	SCREW	2G12
79027	TAPTITE SCREW	2E10
79027	SCREW	2E12
79027	SCREW-0.375"LONG X NO.6	2E14
79027	SCREW	2E16
79048	SPECIAL BOLT MUSH HEAD	2G10
79051	SPECIAL NUT EXPANSION TYPE	2G07
79078	DRIVE SCREW NO 10X1 ϕ LONG	2F07
79103	NUT SERT 0.3125 UNF	1N10
79103	NUTSERT 0.3125" UNF	2G09
79106	RIVET FIXING AIR FLOW DIVIDER	2G09
79121	CLIP SINGLE	1N12
79123	CLIP-SINGLE	1G04
79123	CLIP SINGLE	1N12
79125	CLIP-BRAKE PIPES TO CHASSIS	1L07
79125	CLIP FIXING BRAKE PIPES TO	1L07
79125	PIPE CLIP	1L11
79134	SCREW	2K05
79154	SCREW	2I04
79174	DRIVE SCREW 10 ϕ UNC X 1.125 LONG	2F09
79175	SPIRE NUT	2G13
79194	POP RIVET	2G13
79203	SET SCREW 0.312 ϕ UNF X 1.125 LONG	2H02
79221	SCREW FOR DOOR HINGE	2G16
79225	SCREW 0.3125 UNF X 3.25 LONG	2G18
79227	SCREW 0.3125 UNF X 3.75 LONG	2G18
79239	NUTSERT 10 IN UNF	1N17
79239	SPECIAL NUT	1014
79239	NUTSERT	2F09
79239	SPIRE NUT	2G05
79239	CAPTIVE NUT NO 10 UNF	2J03
79239	NUTSERT	2L15
79240	NUTSERT	1N08
79240	NUTSERT 0.25 UNF	1N09
79240	NUTSERT 0.25" UNF	2G09
79240	NUTSERT	2G10
79240	NUTSERT	2H14
79240	NUTSERT	2L15
79246	SPECIAL NUT	2G08
79246	SPIRE NUT	2G10
79246	SPIRE NUT	2G11

PART NUMBER		DESCRIPTION	REF. NO.
79246		SPIRE NUT	2G17
79246		SPIRE NUT	2H04
79246		SPIRE CLIP	2H07
79246		SPIRE NUT	2H07
79281		SCREW	2H14
79283		PIN	2H02
79283		PIN	2H04
79283		PIN	2H07
79289		COLLAR	2H02
79289		NUTSERT	2H04
79289		NUTSERT	2H07
79293		PIN	2H02
79293		PIN	2H04
79305		POP RIVET 0.187 ϕDIA X 0.75 LONG	2H17
79310		SCREW 0.25 UNF X 0.875 LONG	2I03
91414		GREY FELT	2L07
91878		COTTON WEBBING	2L07
91950		LEATHER CLOTH	2L07
92088		COTTON WEBBING	2L07
92462		LEATHER CLOTH OATMEAL 50"WIDE	2L07
92527		BLACK COATED PVC STRIP	2J03
92616		LEATHER CLOTH BLACK 50"WIDE	2L07
108771		RETAINER	1N06
132852		LIGHTING SWITCH	2F09
134176		BALLAST RESISTOR	2F09
137747	1	RELAY	2F13
137747	1	RELAY FOR SERV BRAKE CHECK	2L13
139082		ADAPTOR	1G04
148876		VOLTAGE REGULATOR FOR INSTRUMENTS	2F08
150844		MOUNTING PAD	2F06
154545		PLUG-VALVE ROCKER SHAFT	1F05
158554	L	END CAP	2K14
158554	L	END CAP	2L15
160108		NUT	1F08
160108		LOCKNUT EGR VALVE TO DAMPER	2L12
210492		CORE PLUG	1D11
211502		SEAL	1H08
212160		CAP	1D07
212161		CIRCLIP	1D07
212309		BUSH	1D05
212919		SPRING-WHEEL CYLINDER-BRAKE	1L04
212919		SPRING FOR PISTON	1L02
213340		OIL SEAL	1K05
213358		GASKET	2C03
213358		GASKET-EXHAUST PIPE	2C04