



Electrical Circuit Diagrams





# **FREELANDER**

## **2002MY**

### Electrical Circuit Diagrams

Publication Part No. LRL 0487NAS

Published by Land Rover

© 2001 Land Rover

**COLOUR CODES****DRAADKLEURCODES****CODICI COLORI DEI CAVI****CODES DES COULEURS DES FILS****CODIGOS DE COLORES DE LOS CABLES****KABELFARBCODES****CÓDIGOS DAS CORES DOS FIOS**

CODE	COLOUR	CODE	KLEUR	CODE	COULEUR	CODE	FARBE	CODICE	COLORE	CODIGO	COLOR	CÓDIGO	COR
B	BLACK	B	ZWART	B	NOIR	B	SCHWARZ	B	NERO	B	NEGRO	G	PRETO
G	GREEN	G	GROEN	G	VERT	G	GRÜN	G	VERDE	G	VERDE	K	VERDE
K	PINK	K	ROZE	K	ROSE	K	ROSA	K	ROSA	K	ROSA	LG	ROSA
LG	LIGHT GREEN	LG	LICHTGROEN	LG	VERT CLAIR	LG	HELLGRÜN	LG	VERDE CHIARO	LG	VERDE CLARO	N	VERDE CLARO
N	BROWN	N	BRUIN	N	BRUN	N	BRAUN	N	MARRONE	N	MARRON	O	CASTANHO
O	ORANGE	O	ORANJE	O	ORANGE	O	ORANGE	O	ARANCIONE	O	NARANJA	P	LARANJA
P	PURPLE	P	PAARS	P	VIOLET	P	LILA	P	PORPORA	P	PURPURA	R	ROXO
R	RED	R	ROOD	R	ROUGE	R	ROT	R	ROSSO	R	ROJO	S	VERMELHO
S	SLATE (grey)	S	LEIGRIJS	S	GRIS	S	GRAU	S	ARDESIA (grigio)	S	PIZARRO (gris)	U	CINZENTO
U	BLUE	U	BLAUW	U	BLEU	U	BLAU	U	BLU	U	AZUL	W	AZUL
W	WHITE	W	WIT	W	BLANC	W	WEISS	W	BIANCO	W	BLANCO	Y	BRANCO
Y	YELLOW	Y	GEEL	Y	JAUNE	Y	GELB	Y	GIALLO	Y	AMARILLO	Y	AMARELO

## CONTENTS

<b>1 POWER DISTRIBUTION</b> .....	6	<b>20 FUEL PUMP</b> .....	52	<b>43 EXTERIOR LAMPS</b> .....	84
Engine Compartment Fuse Box - NAS .....	6	<b>20 ENGINE MANAGEMENT SYSTEM</b> .....	54	Brake and reverse lamps .....	84
Passenger Compartment Fuse Box - NAS .....	12	KV6 - NAS .....	54	Fog lamps - Rear .....	86
<b>2 EARTH DISTRIBUTION</b> .....	18	<b>22 COOLING FANS</b> .....	58	Direction indicator lamps\hazard warning .....	88
NAS .....	18	<b>31 CRUISE CONTROL</b> .....	60	Head, side and tail lamps - NAS .....	90
<b>3 ANTI-THEFT ALARM AND CENTRAL DOOR LOCKING</b> .....	24	Td4 and NAS .....	60	Head, side and tail lamps- Canada .....	92
<b>3 ENGINE IMMOBILISATION</b> .....	28	<b>32 ELECTRONIC AUTOMATIC TRANSMISSION</b> .	62	<b>44 INTERIOR LAMPS</b> .....	96
<b>5 WINDOWS</b> .....	30	<b>35 ANTI-LOCK BRAKING SYSTEM (ABS)</b> .....	66	<b>46 INTERIOR ILLUMINATION</b> .....	100
Front .....	30	<b>36 SUPPLEMENTARY RESTRAINT SYSTEM (SRS)</b> .....	68	<b>47 INSTRUMENTS</b> .....	104
Rear .....	32	<b>38 AIR CONDITIONING</b> .....	70	<b>47 ROTARY COUPLER</b> .....	108
Tail Door .....	34	NAS .....	70	<b>48 HORN (S)</b> .....	110
<b>6 SUNROOF</b> .....	36	<b>39 HEATER</b> .....	74	<b>49 ACCESSORY SOCKET</b> .....	112
<b>7 DOOR MIRRORS</b> .....	38	<b>40 HEATED REAR SCREEN</b> .....	76	<b>49 CIGAR LIGHTER</b> .....	114
Folding .....	40	<b>40 HEATED FRONT SCREEN</b> .....	78	<b>50 AUDIO SYSTEMS</b> .....	116
<b>8 SEATS</b> .....	42	<b>42 WIPERS AND WASHERS</b> .....	80	Low-Line .....	116
Heated .....	42	Front .....	80	Mid-Line .....	120
<b>10 DIAGNOSTIC SOCKET</b> .....	44	Rear .....	82	High Line .....	124
<b>11 BODY CONTROL UNIT</b> .....	46	<b>60 HEADER JOINTS</b> .....	128	<b>65 SPLICES AND CENTRE TAPS</b> .....	134
<b>15 CHARGING AND STARTING</b> .....	50	<b>70 COMMUNICATION DATA BUSES</b> .....	146		
KV6 - NAS .....	50				

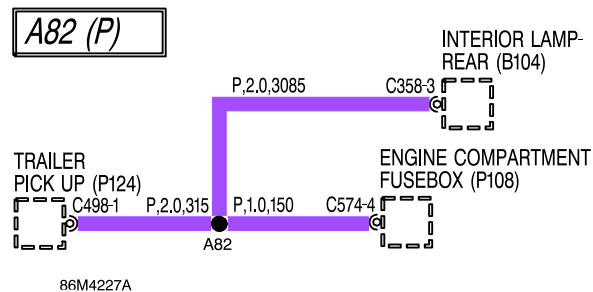
## HOW TO USE THE CIRCUIT DIAGRAMS

All of the information in this folder is intended for use with the Electrical Reference Library booklet.

The circuit diagrams are presented with Power and Earth distribution first, followed by individual circuits for each electrical system on the car.

### Power Distribution

The Power Distribution diagram shows the connections from the battery to the engine and passenger compartment fuseboxes. It also shows the internal circuitry of the fuseboxes.



The fuse box details are followed by independent functionally specific circuits and then a Splices and centre taps section outlining the way in which internal harness splices and centre taps distribute power in the harnesses. This information should be used during diagnosis of electrical faults to check for symptoms in associated circuits and narrow down the search area.

### Earth Distribution

The ground distribution section comprises a number of Headers and Splices tables. These are used in a similar manner to those in Power Distribution; to narrow the search area by checking for fault symptoms in associated circuits.

### Splices and centre taps

Header and splice tables present the joint(s) and wiring up to the first component. Splices are identified by a number with an alphabetical prefix and the wire colour.

The splice information shown on individual system circuits is not complete. Always refer to the splices circuit for complete information on each splice.

### Wire attributes

Additional information (separated by a ',') is shown alongside the wire colour:

Wire gauge - the cross-sectional area of the wire in square millimetres. This is included to help you select the correct wire during harness repair.

Some wires do not have a gauge shown, these wires are of unique construction and will have a three or four letter code printed after the colour code, eg MAB. The code identifies the type of wire for manufacturing purposes. Usually, only the first two characters have significance in service, but in some instances the third character also becomes significant, see table.

### Wire type

The following table list the wire type codes together with an explanation of their meaning.

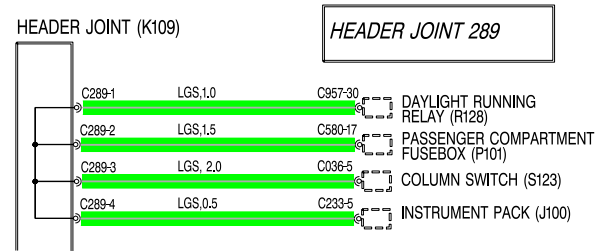
Code	Description
D	Single core DIN wire
F	Single core flexible wire
H	Single core high temperature wire
SA*	Single core resistive wire (0.9 ohms/m)
SB*, SC*, SD*	Single core dual extruded wire
SE*, SF*	Single core fusible wire
MAC, MAD, MAE, MAF, MAG, MAH	Coaxial screened wire
MB*, MO*, MAK	Single core screened wire
MC*, MI*, MP*, MQ*, MAB, MAP	Twin core screened wire
MD*, MJ*, MAM	Twin core ABS sensor wire
ME*, TA*, TB*, MM*, MN*, MU*,MAI	Twisted pair of wires
MF*	Heated oxygen sensor (HO2S) screened wire
MG*	Twin core twisted, screened wire
MH	four core twisted, screened wire
MK*	Three core SRS sensor wire
ML*, MAA, MAR	Four core screened wire
MR*	Six core screened, flexible wire
MS*	Four core screened, flexible wire
MT*	Single core screened, flexible wire
MV*	Twin core flat wire
MW*	Three core round wire
MX*, MY*	Seven core round wire
MZ*	Three core screened, flexible wire
MAJ	Twin core round cable
MAQ, MAU	Three core screened wire
MAS	Single core, double sheath wire
MAT	Double core, double sheath wire
MAL	SRS wire
MAN	Twin core braided, screened wire

# HOW TO USE THE CIRCUIT DIAGRAMS

## Wire length (Power & Earth Distribution only)

The length of the wire in millimetres. This can be used to locate internal harness splices; look for the shortest wire between the joint and connector. For example, it can be seen that C574-4 is 150mm from joint A82.

## Connectors



86M4228A

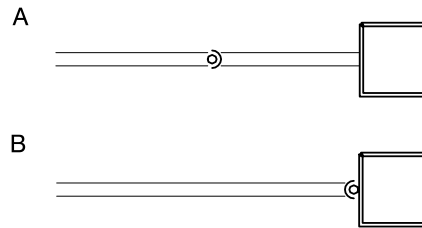
Header joints are identified by their corresponding connector number with a numbered suffix to indicate the pin-out detail of the wire, i.e. C289-1 identifies connector 289, pin number 1. Wire insulation colour is identified in the normal way. Where wires have a predominant colour with a secondary colour stripe, the main colour is identified first, i.e. LGS - Light Green with a Slate stripe.

## Line Types



86M4229A

This means the wire connects to another circuit.

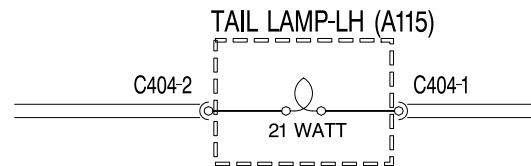


86M4230A

The cup and ball symbol indicates the male and female halves of connector.

- A. Plug on lead (Flylead) wired directly to the component.
- B. Connector plugs directly into component.

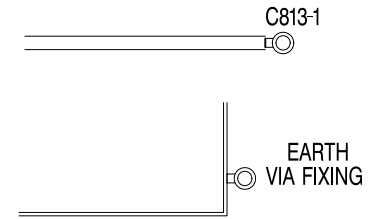
## Components



86M4231A

The name or description of the component is shown. A dotted outline indicates that the component is not shown in its entirety.

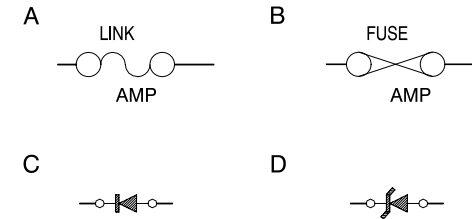
## Earth points



86M4232A

Earth points are identified with an eyelet symbol and a connector number, except where components are grounded through their fixings, when only the eyelet is shown.

## Fuses and Diodes



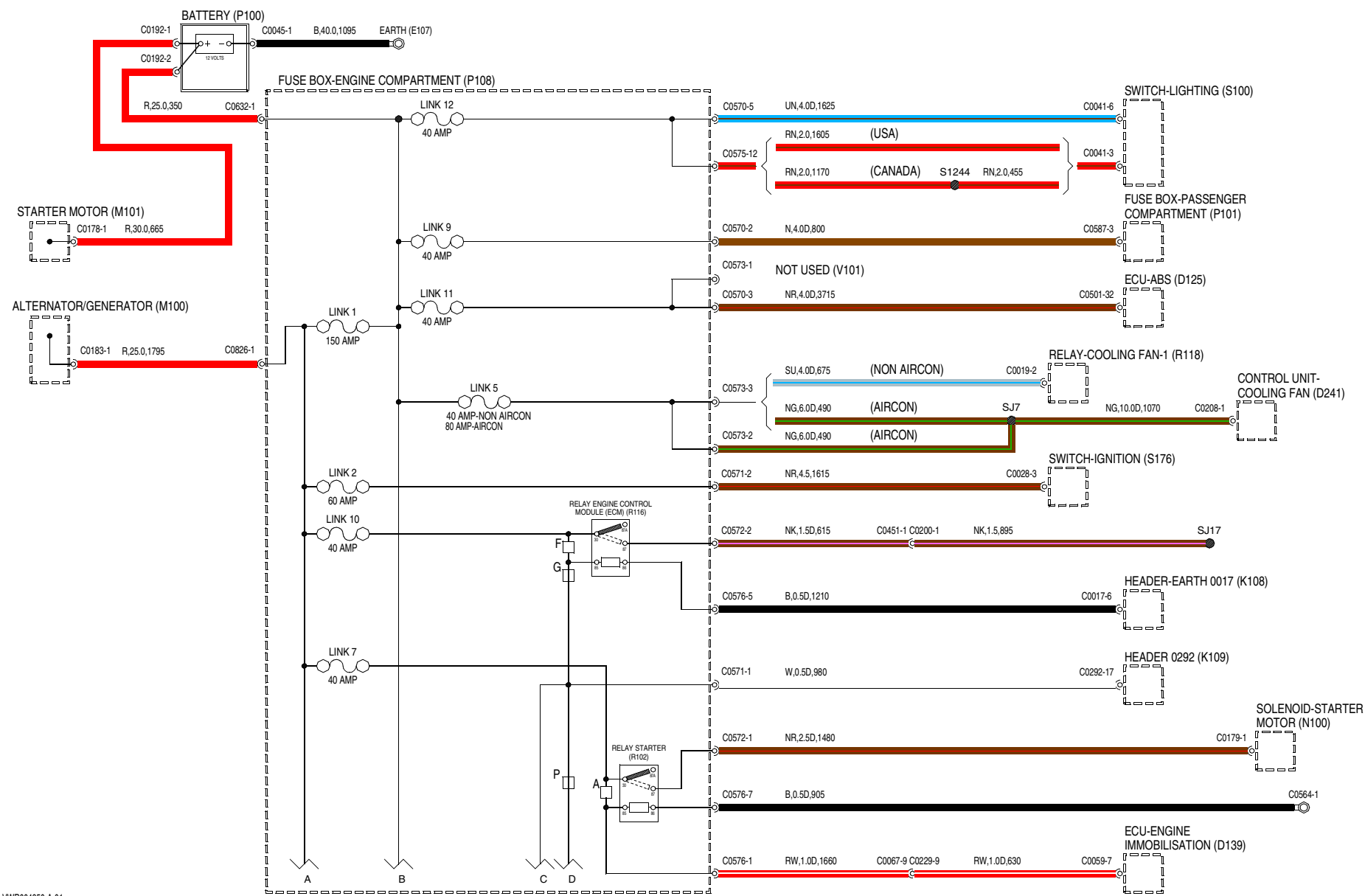
86M4234A

Fusible links (A) and current rated fuses (B) are identified as shown.

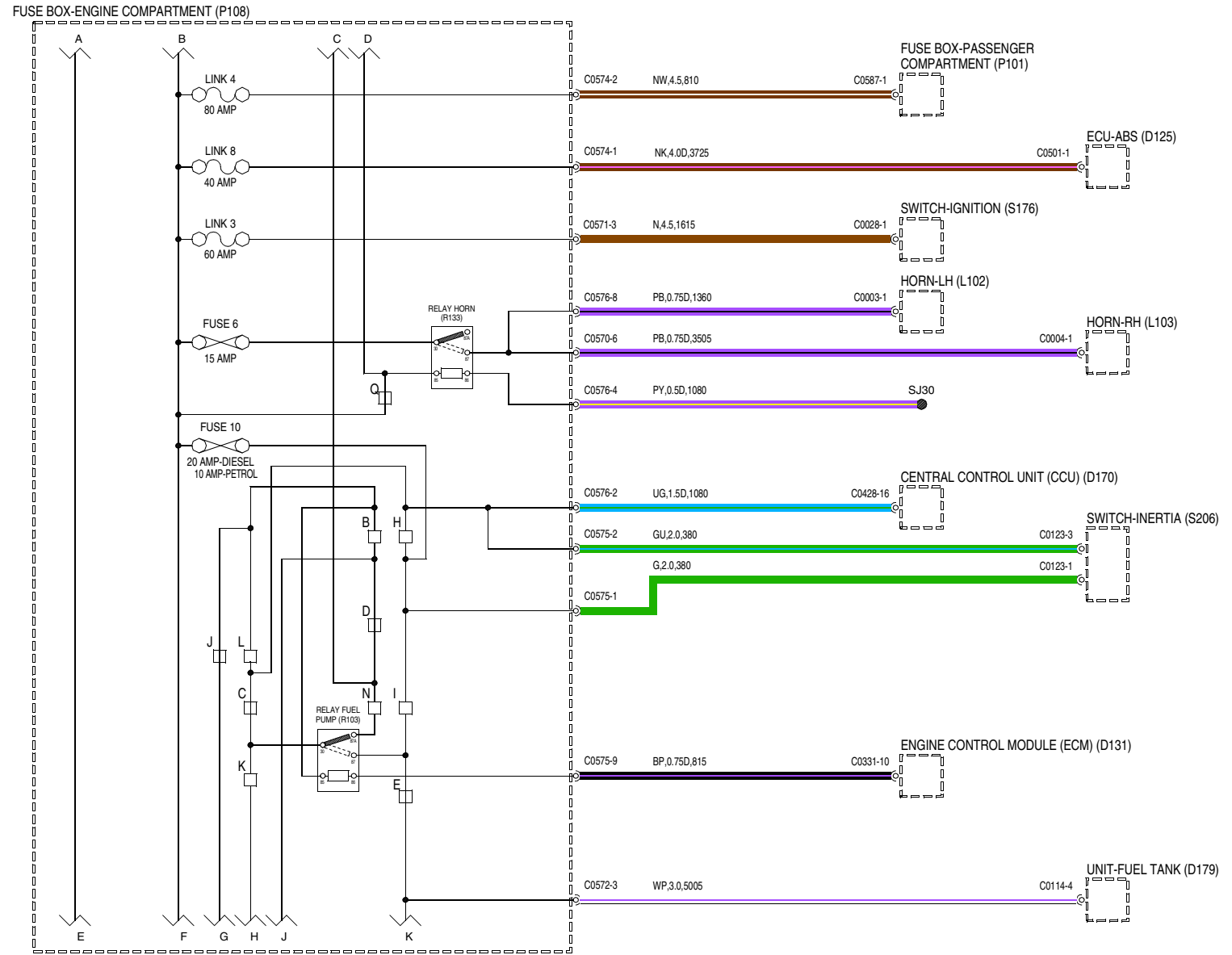
The direction of the arrow in a Diode symbol (C) indicates the direction of current flow. The Zener diode (D) - prevents current flow until a precise voltage is reached.

# 1 POWER DISTRIBUTION

## Engine Compartment Fuse Box - NAS



VWR004250-A-01

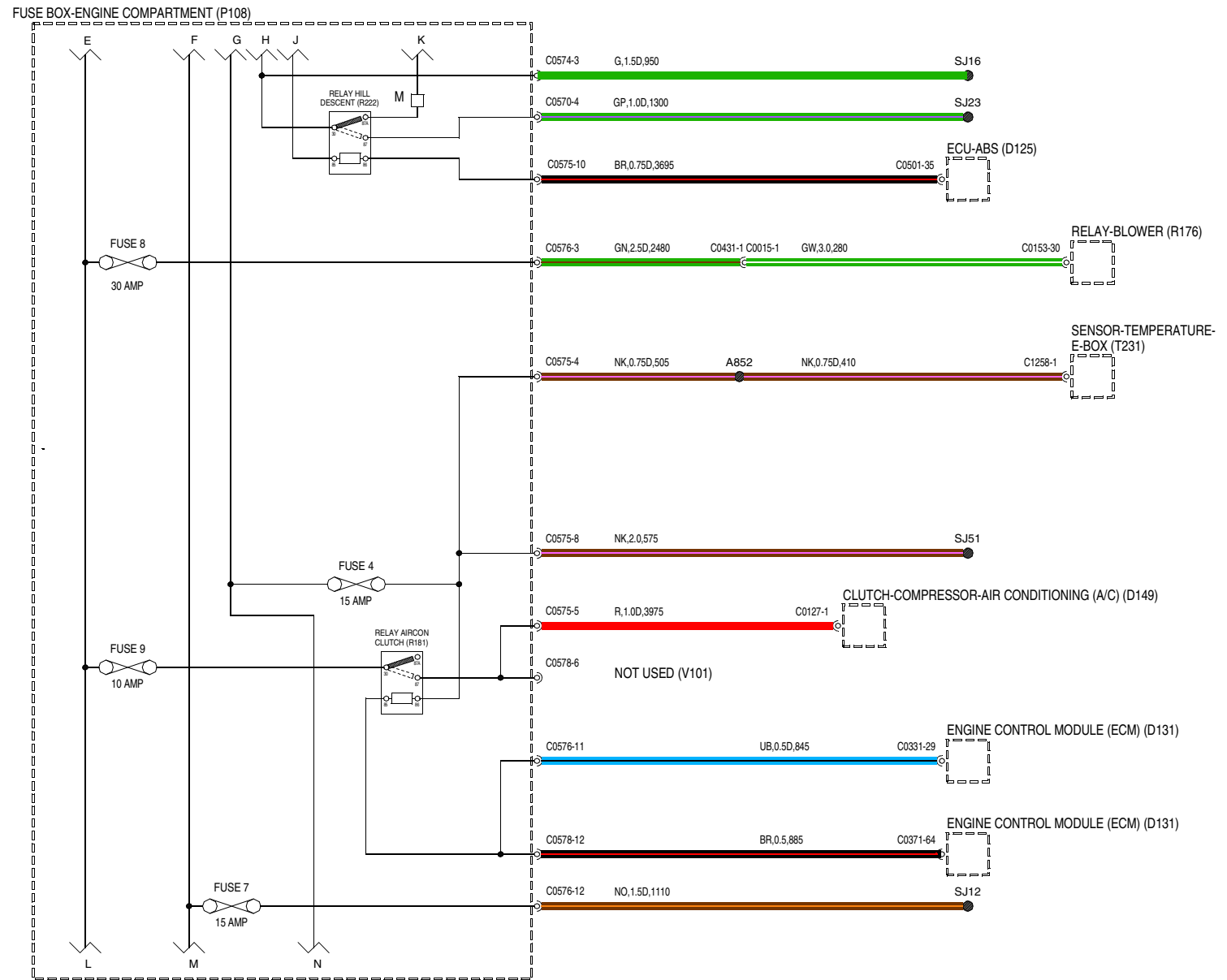


VWR004250-A-02

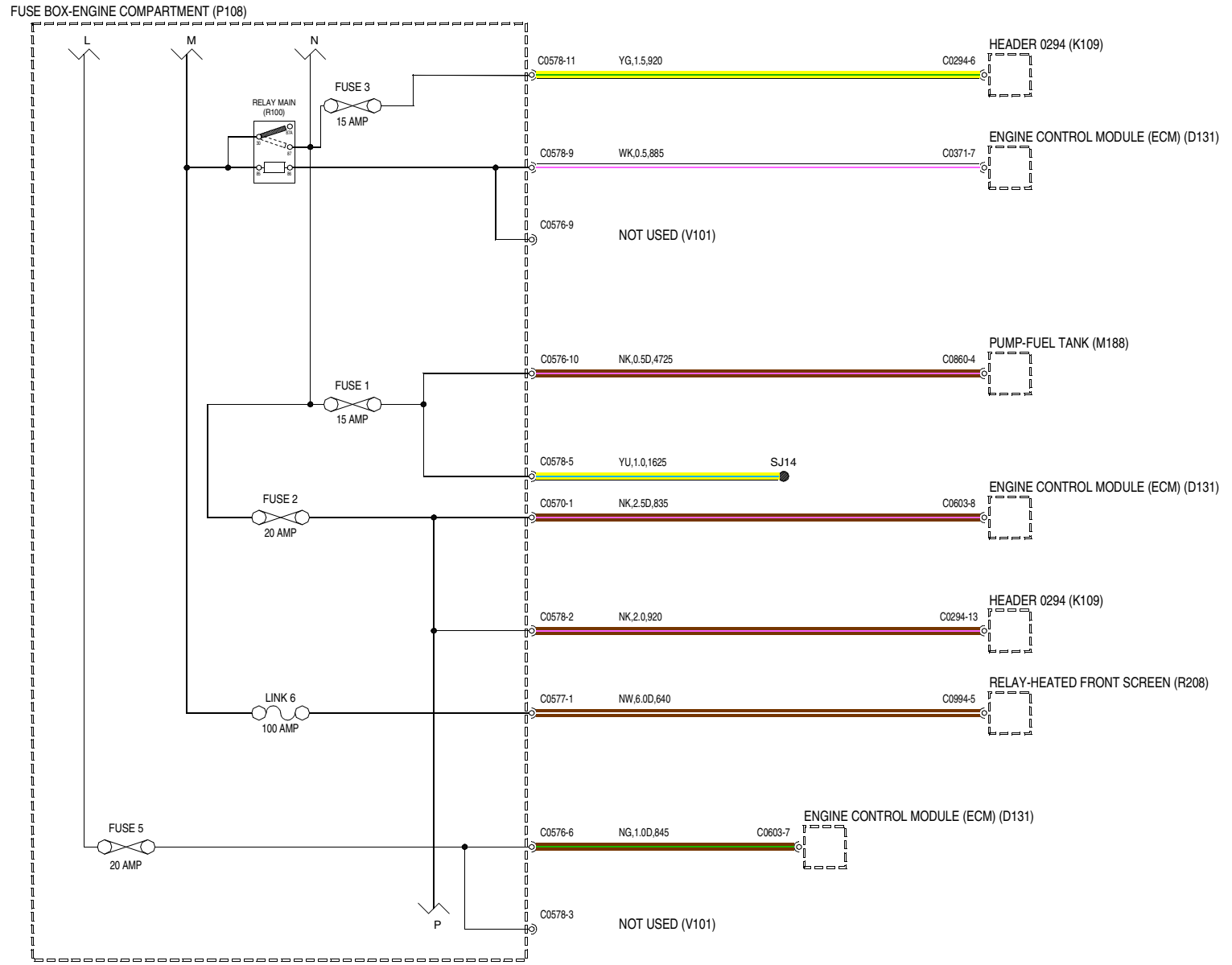


# 1 POWER DISTRIBUTION

## Engine Compartment Fuse Box - NAS



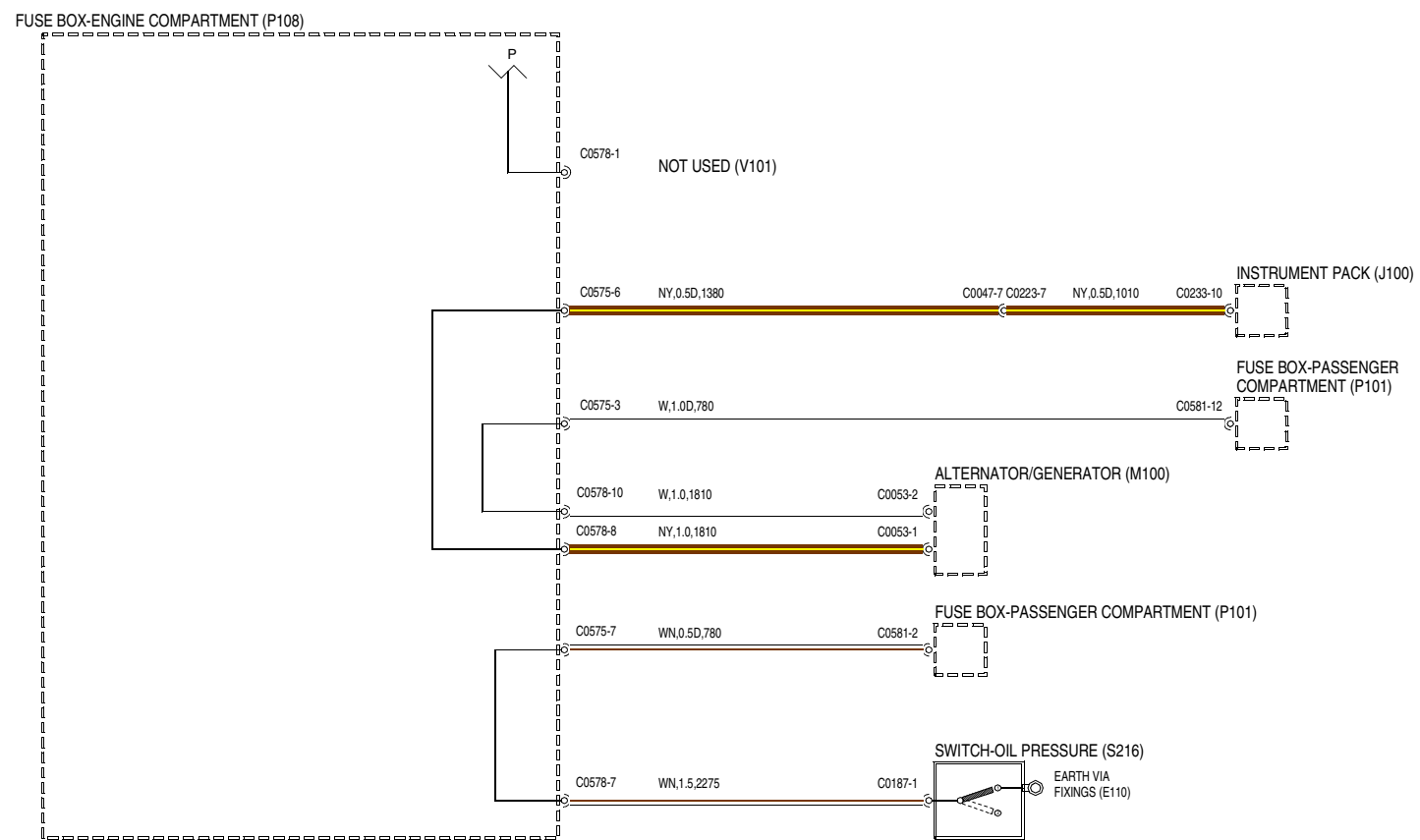
WVR004250-A-03



VWR004250-A-04

# 1 POWER DISTRIBUTION

## Engine Compartment Fuse Box - NAS

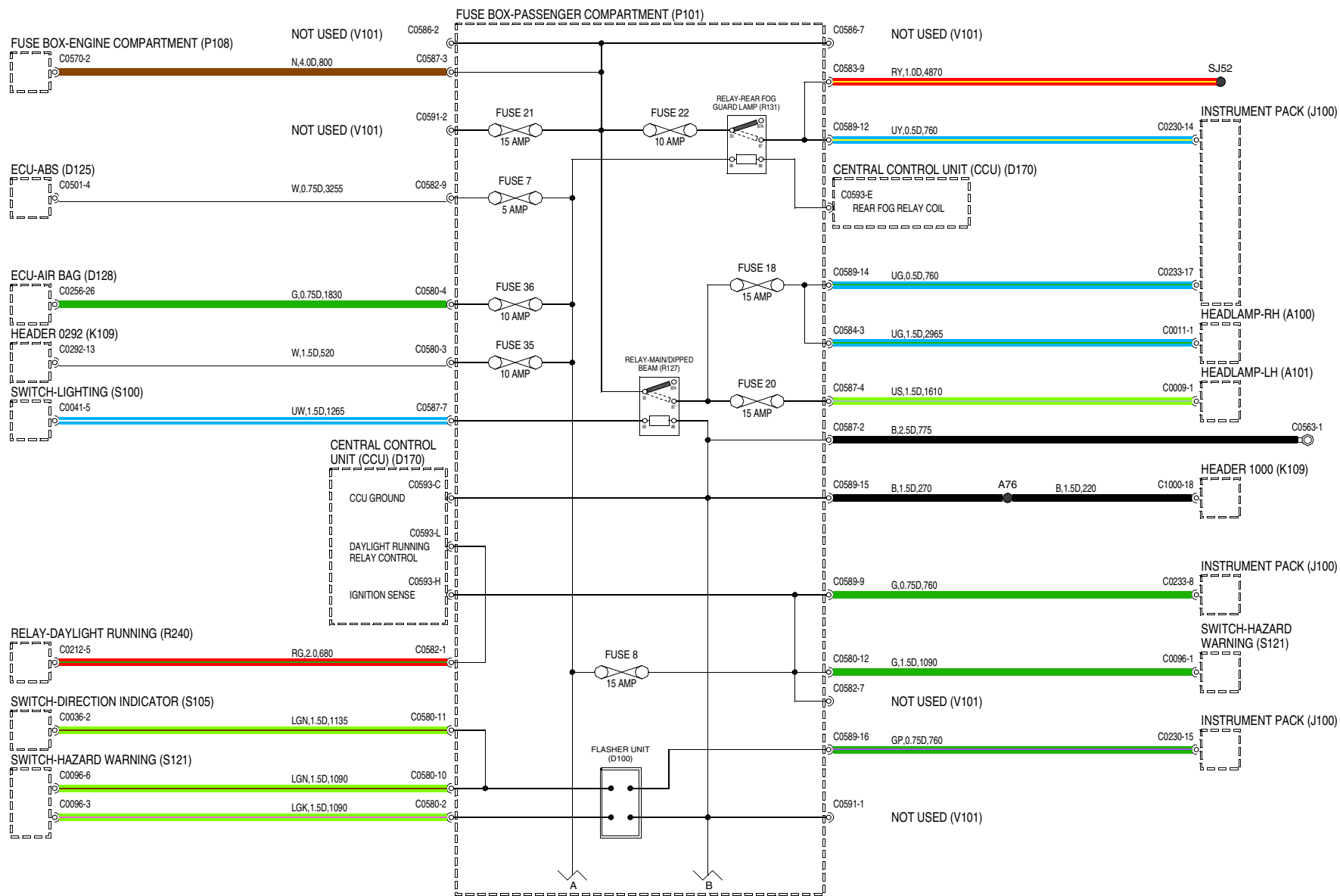


VWR004250-A-05



# 1 POWER DISTRIBUTION

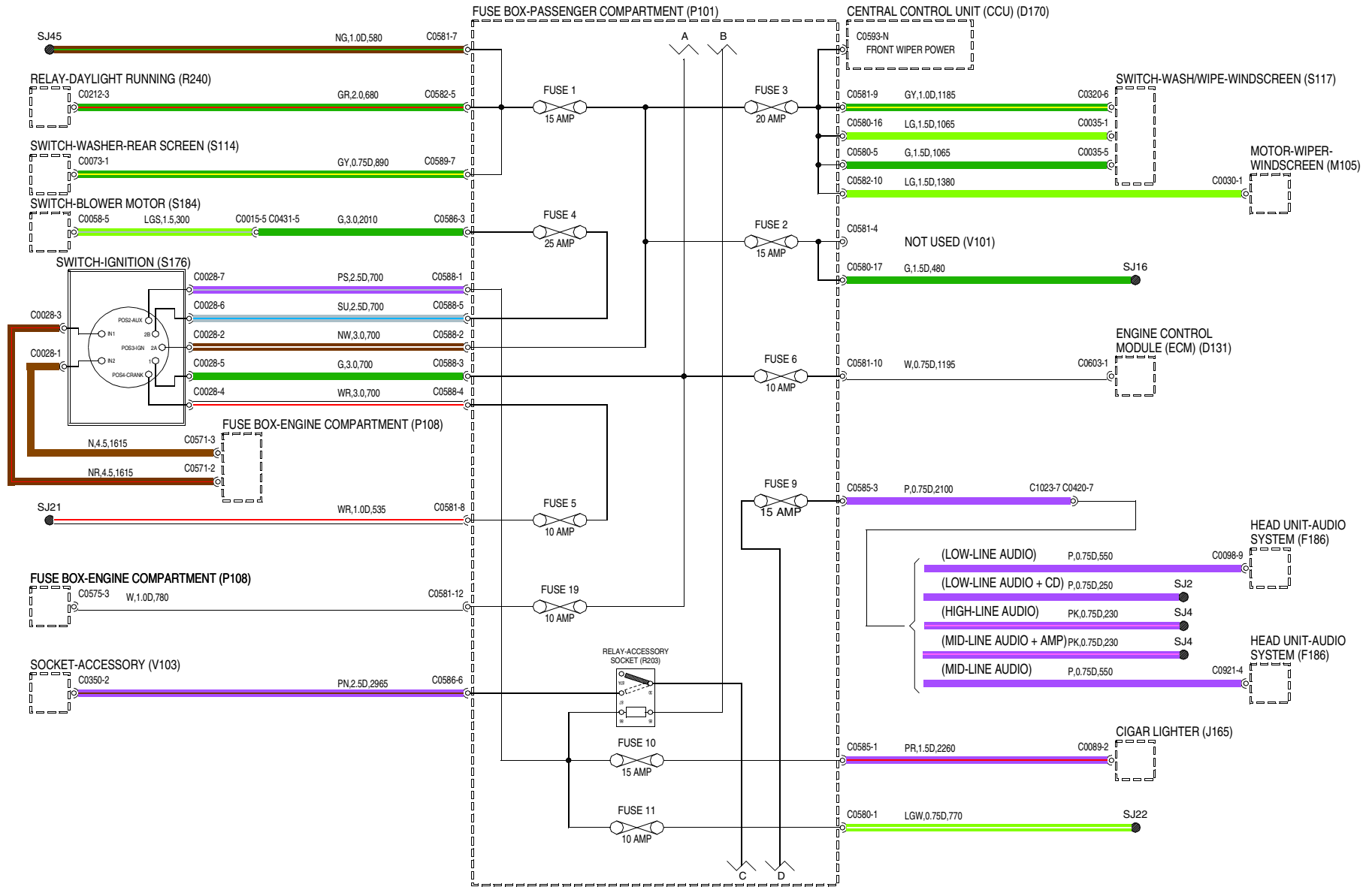
## Passenger Compartment Fuse Box - NAS



WVR004260-A-01

# 1 POWER DISTRIBUTION

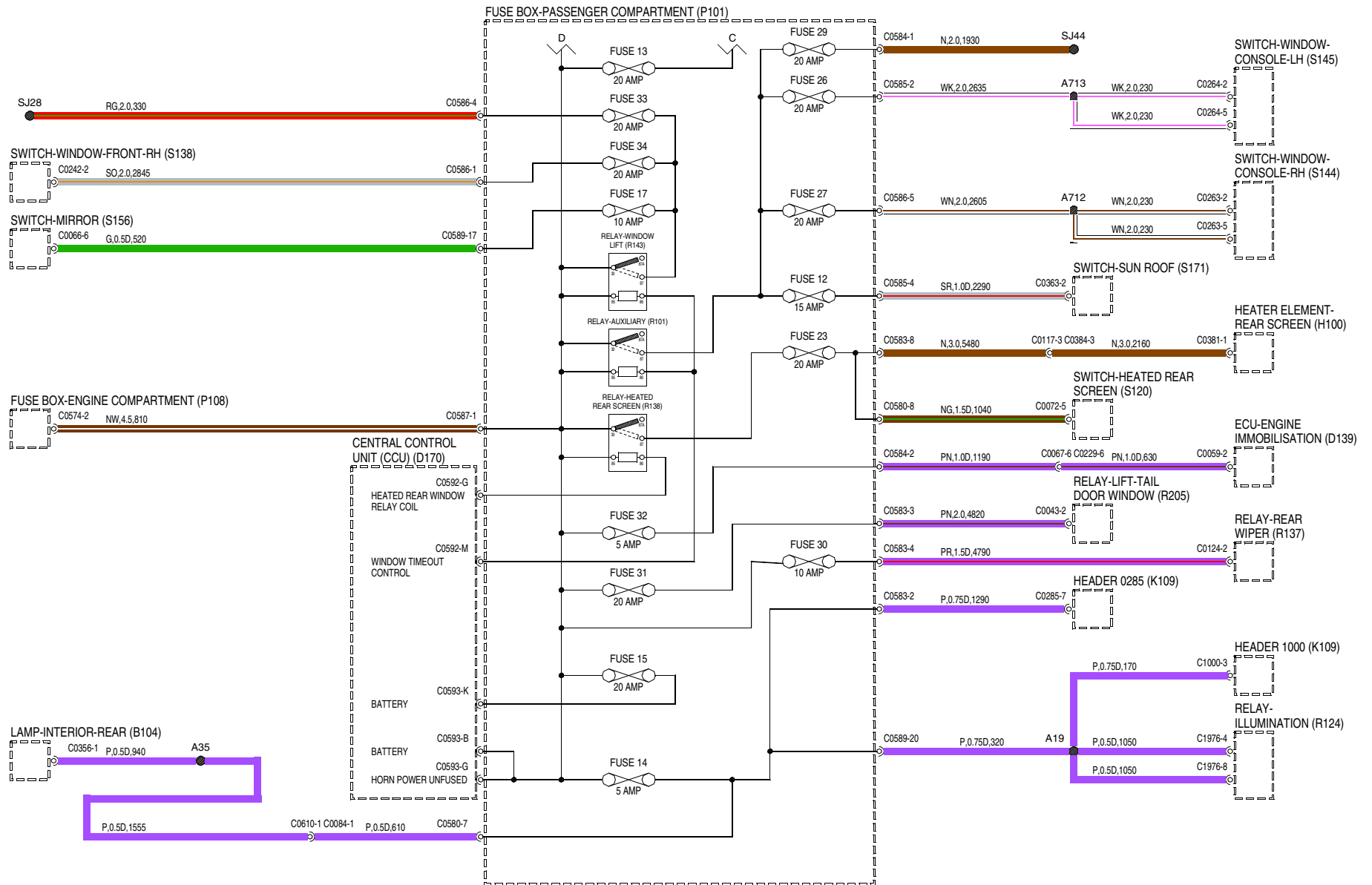
## Passenger Compartment Fuse Box - NAS



VWR004260-A-02

# 1 POWER DISTRIBUTION

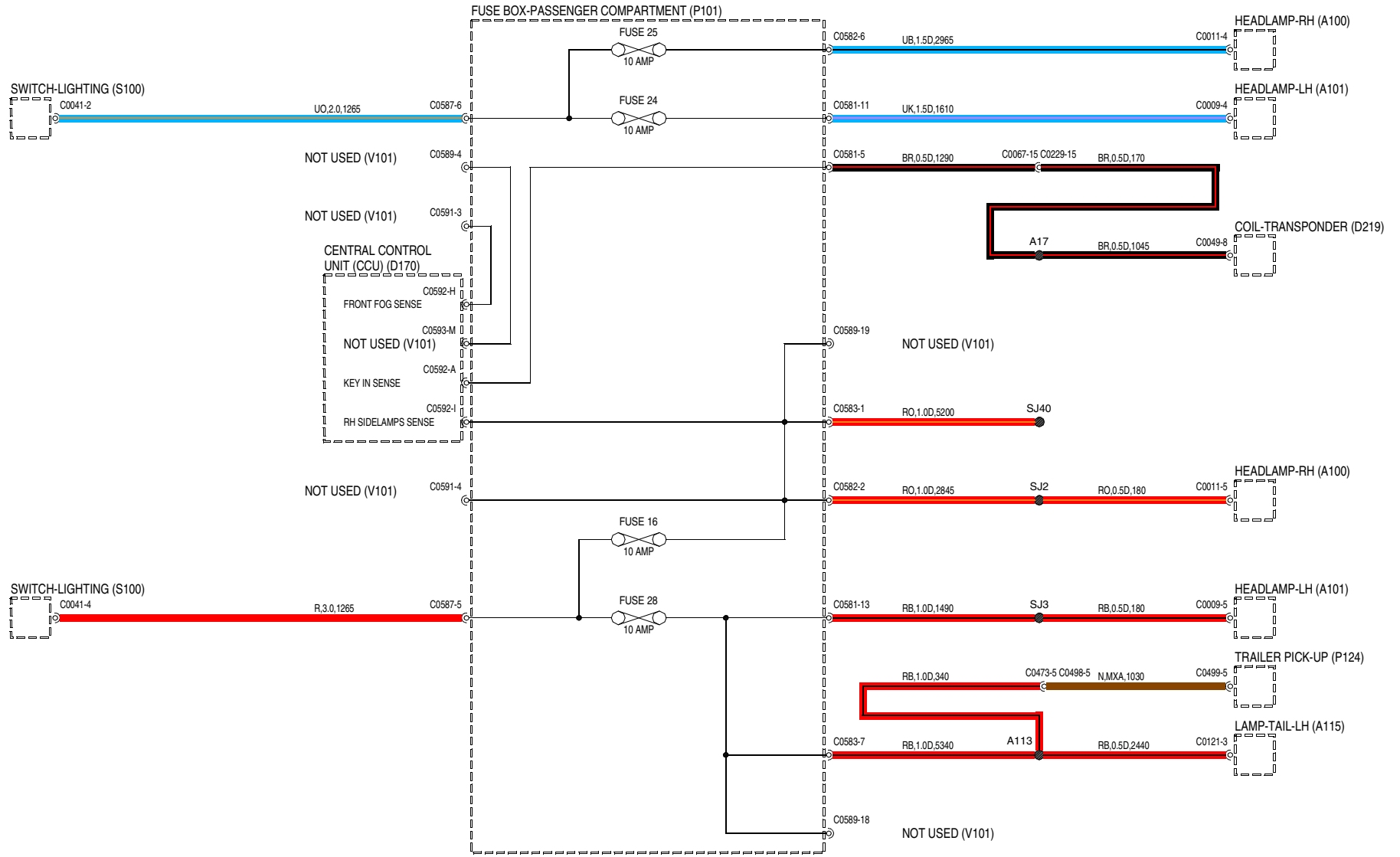
## Passenger Compartment Fuse Box - NAS



WWR004260-A-03

# 1 POWER DISTRIBUTION

## Passenger Compartment Fuse Box - NAS

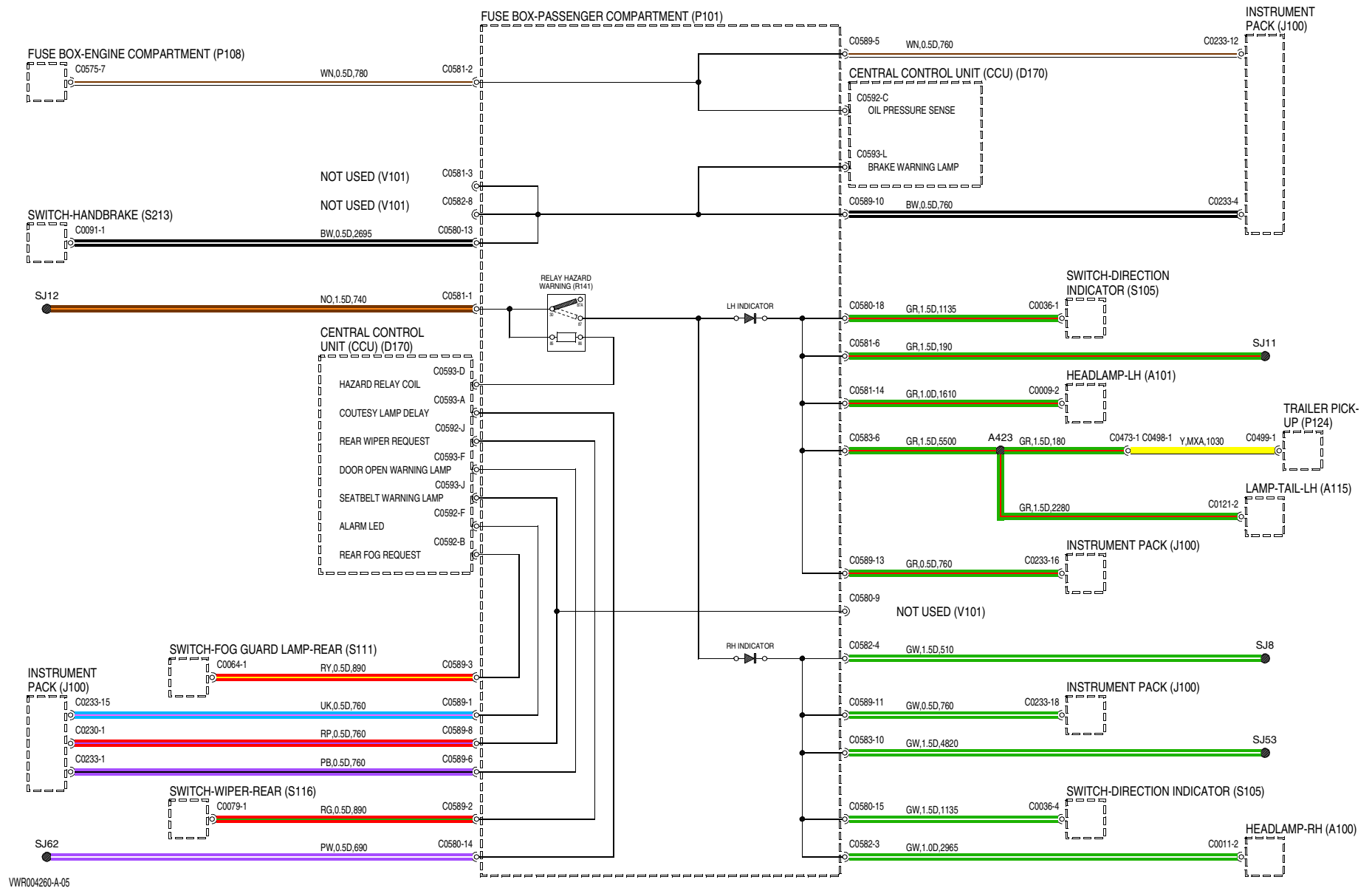


VWR004260-A-04

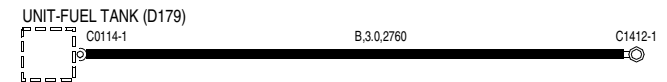
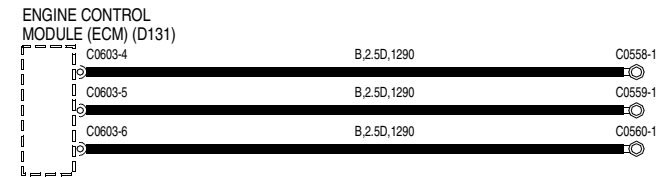
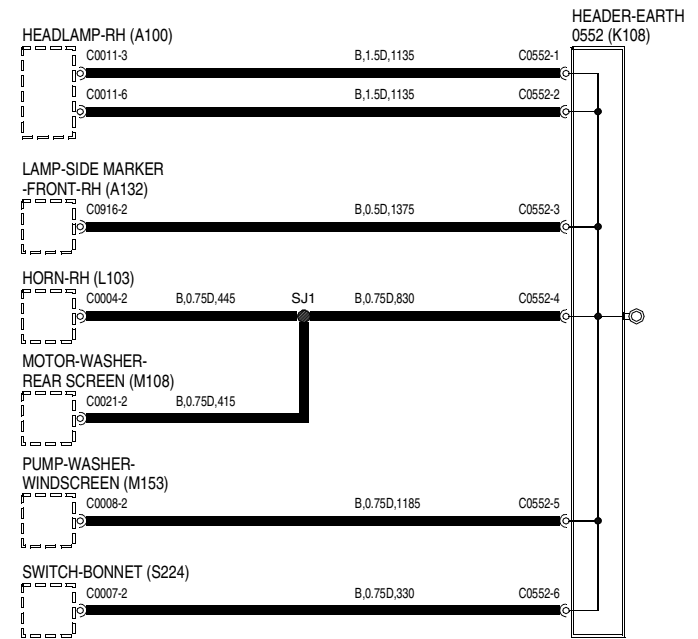
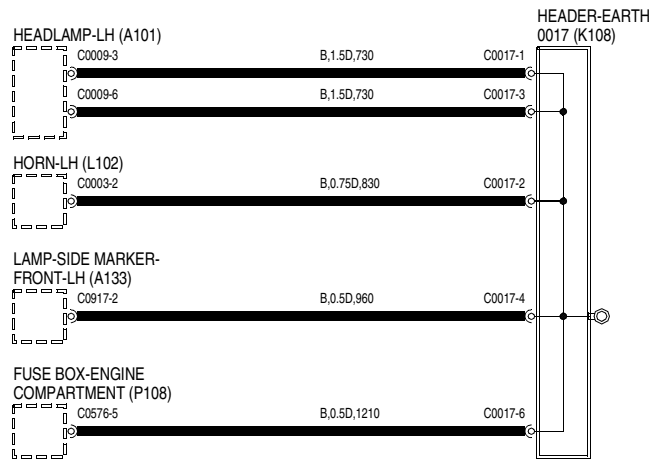


# 1 POWER DISTRIBUTION

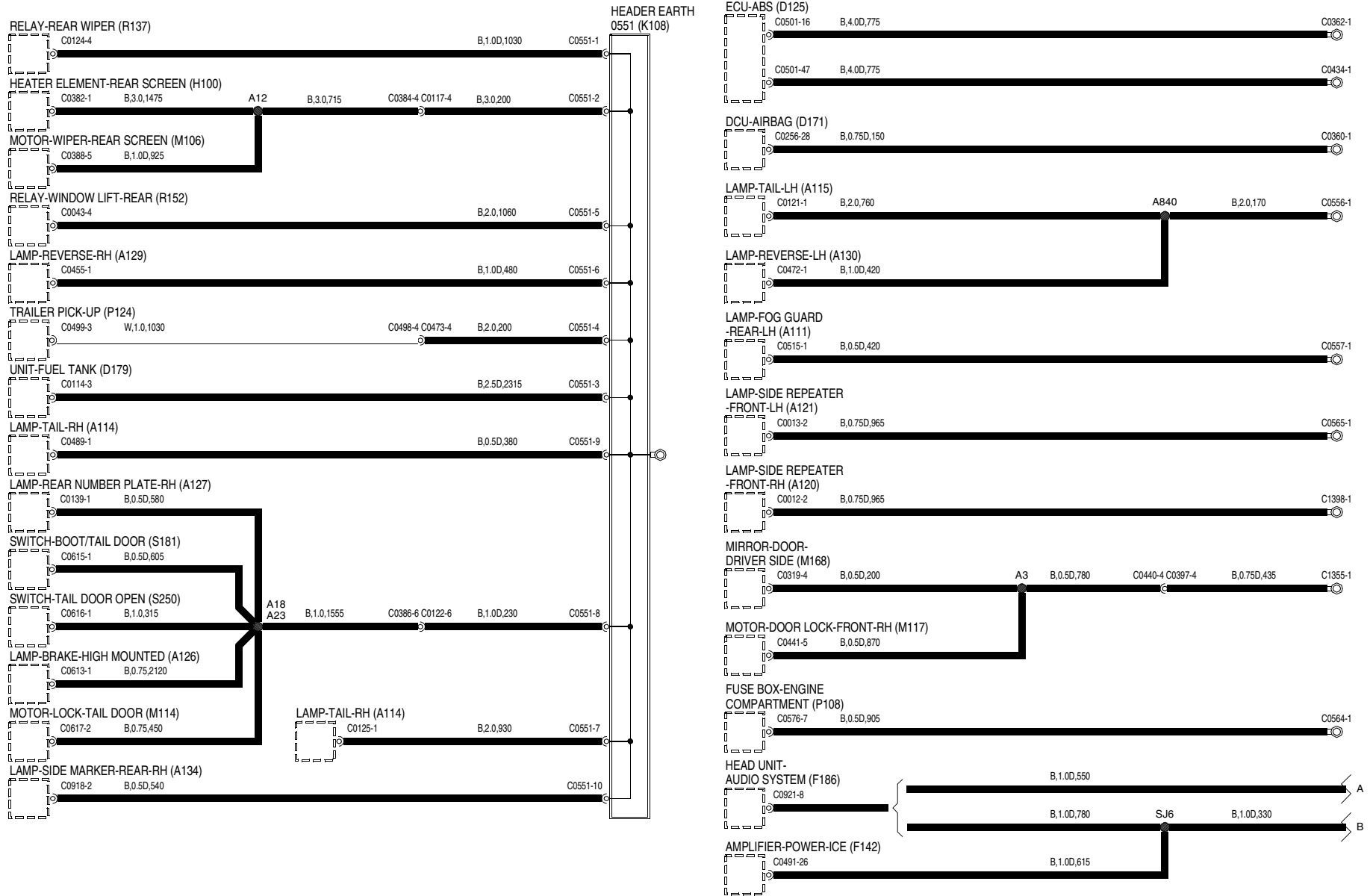
## Passenger Compartment Fuse Box - NAS





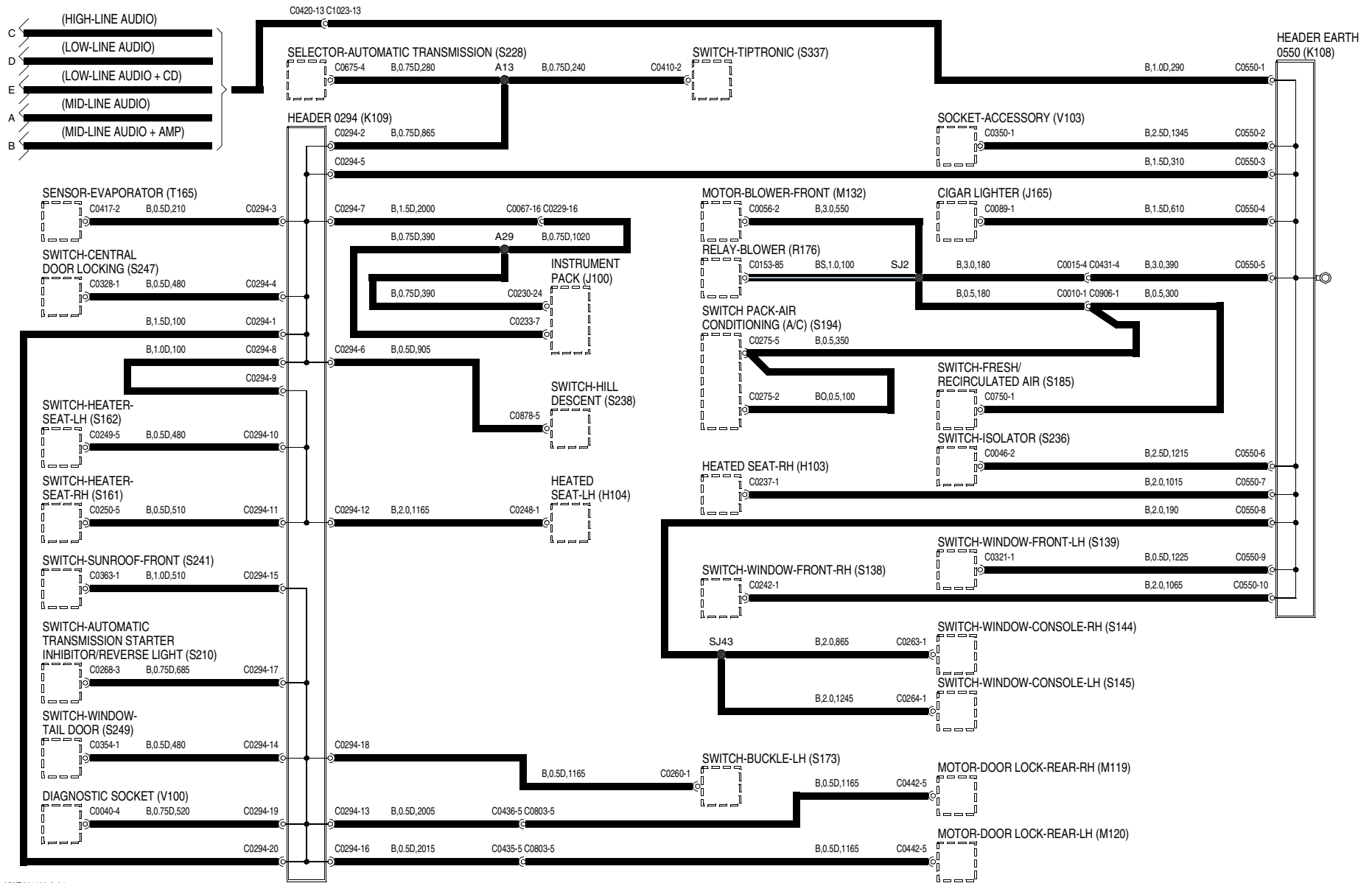


VWR004460-A-01

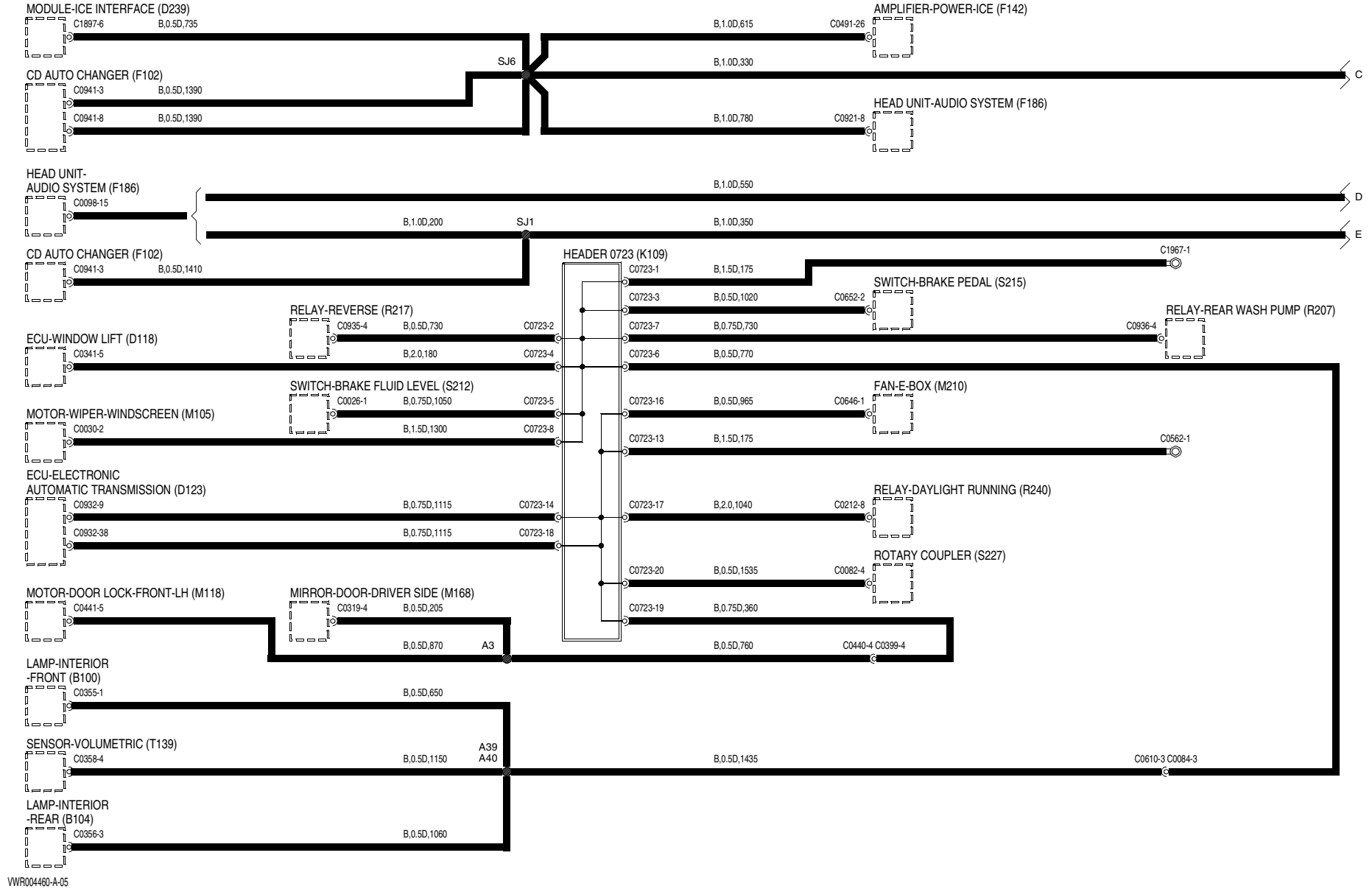


VWR004460-A-02

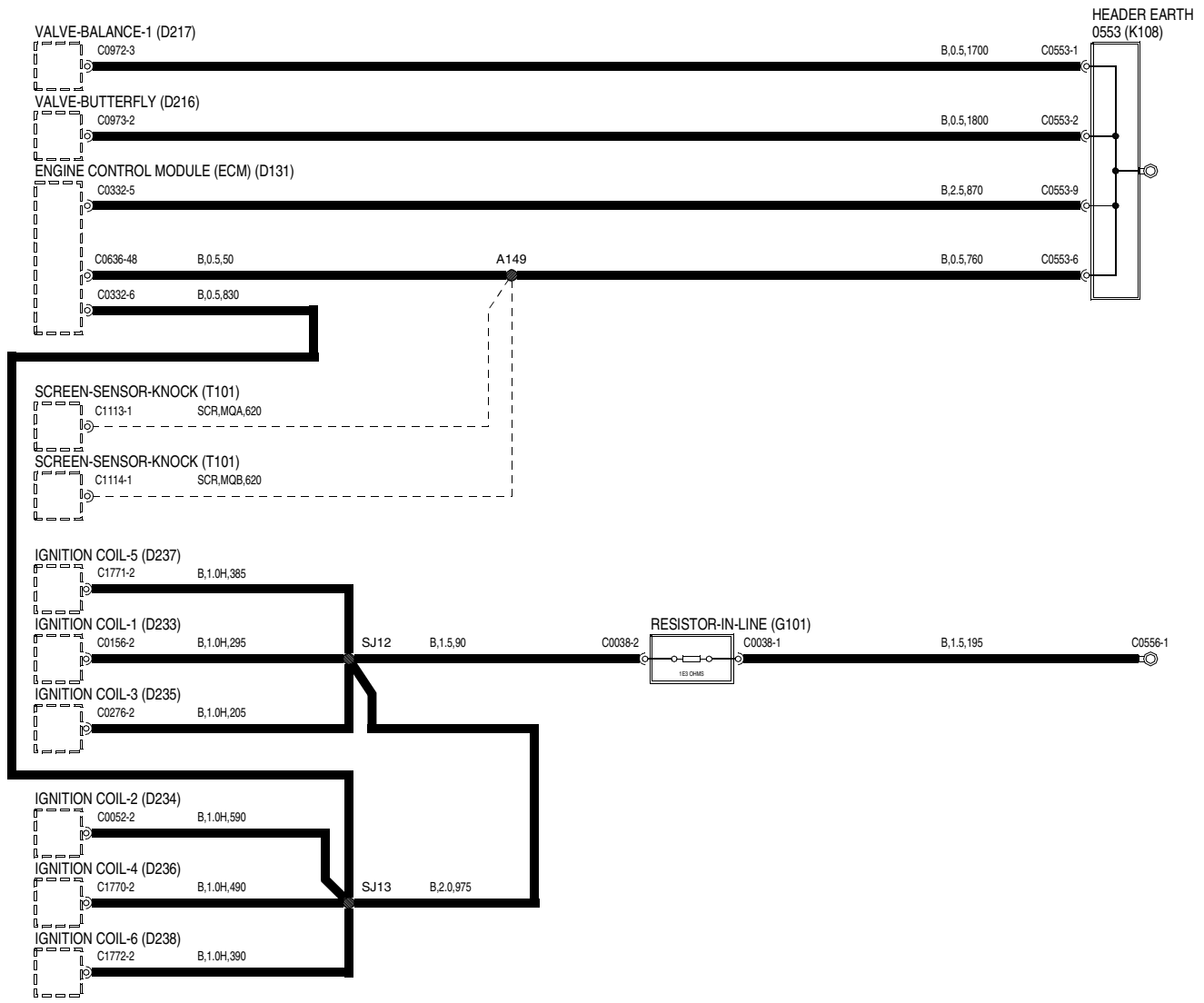
# 2 EARTH DISTRIBUTION



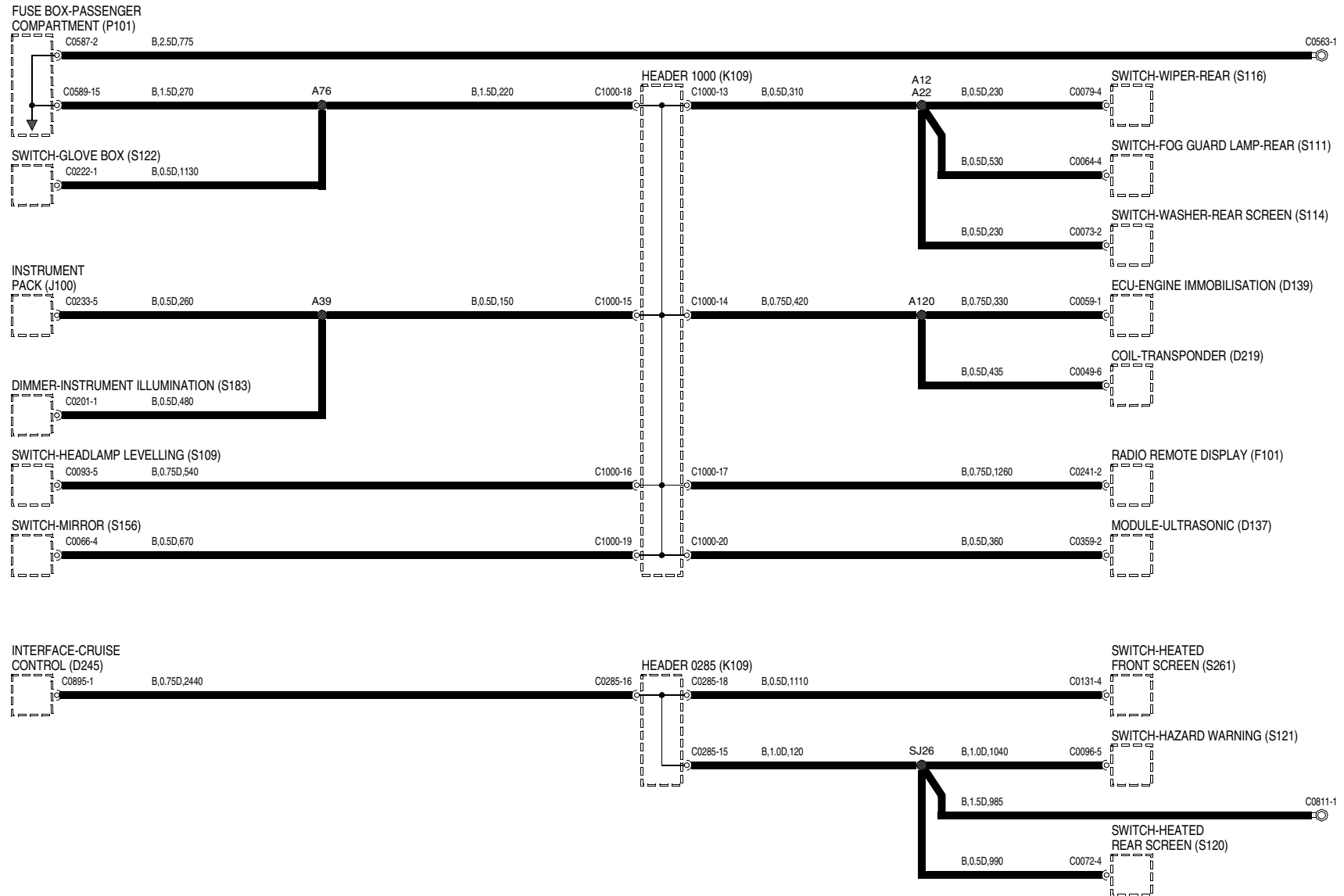
WWR00460-A-04



WVR004480-A-05



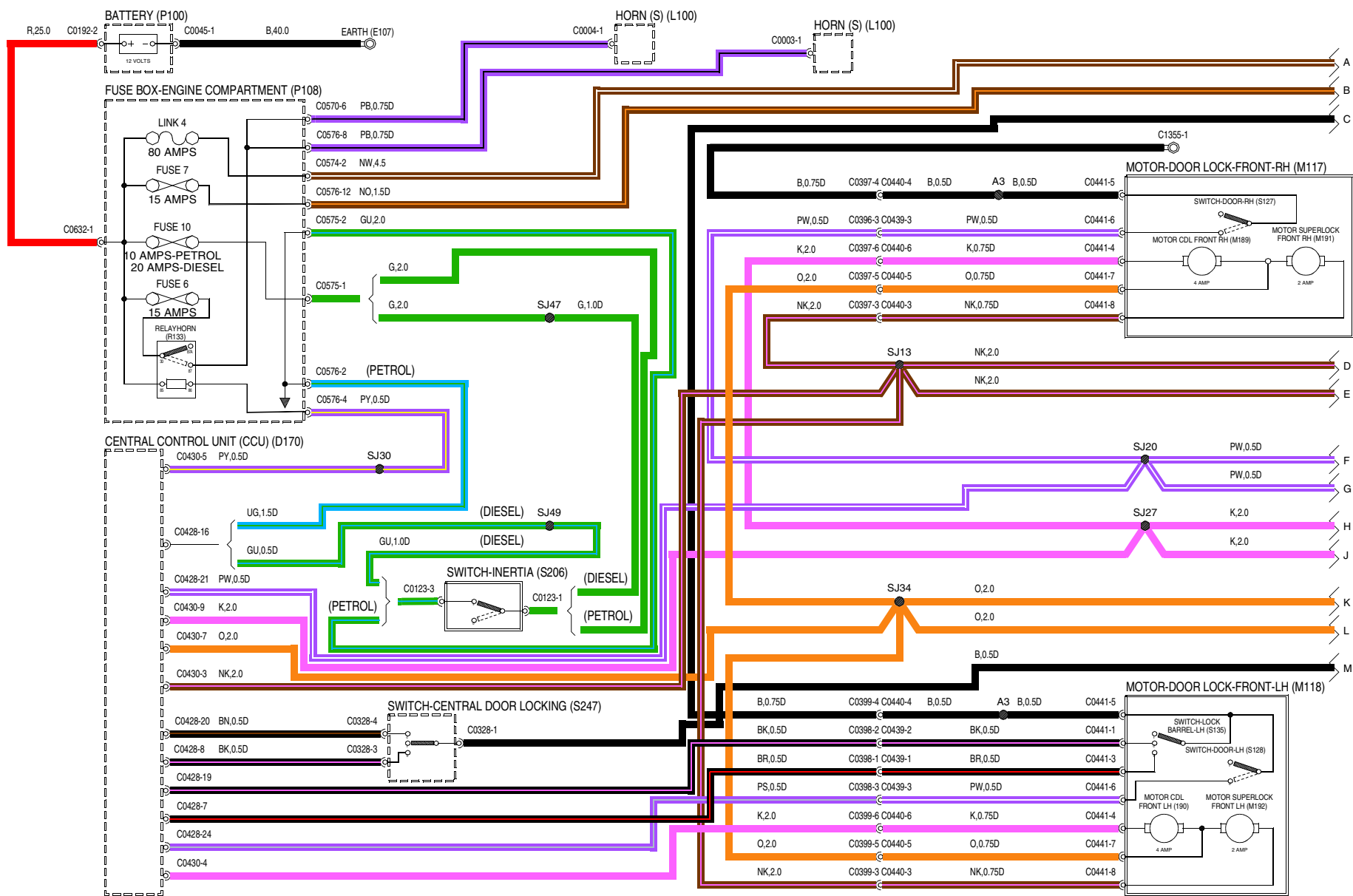
WR004460-A-06



VWR004460-A-07



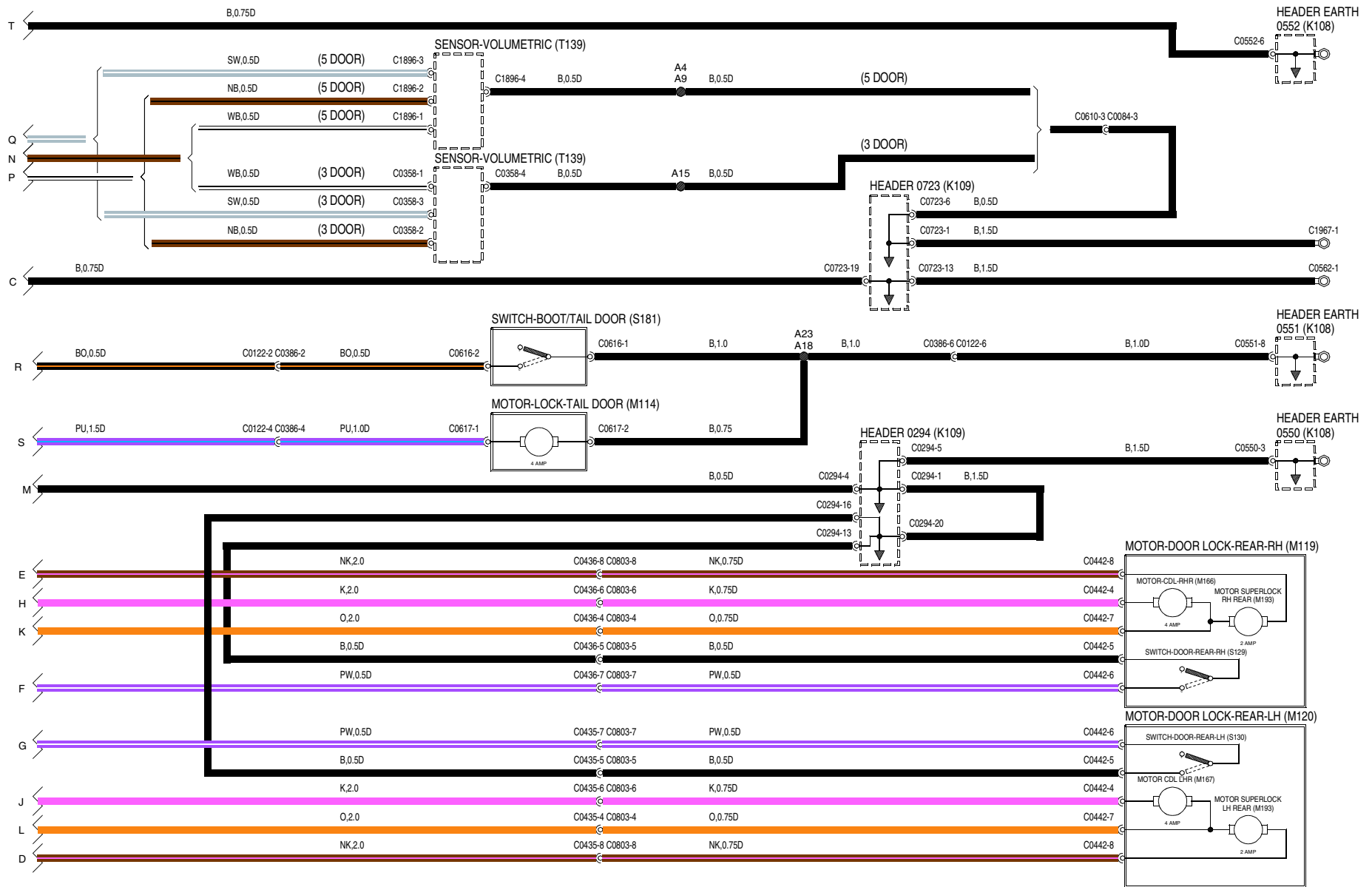
# 3 ANTI-THEFT ALARM AND CENTRAL DOOR LOCKING



WVR003970-A-01

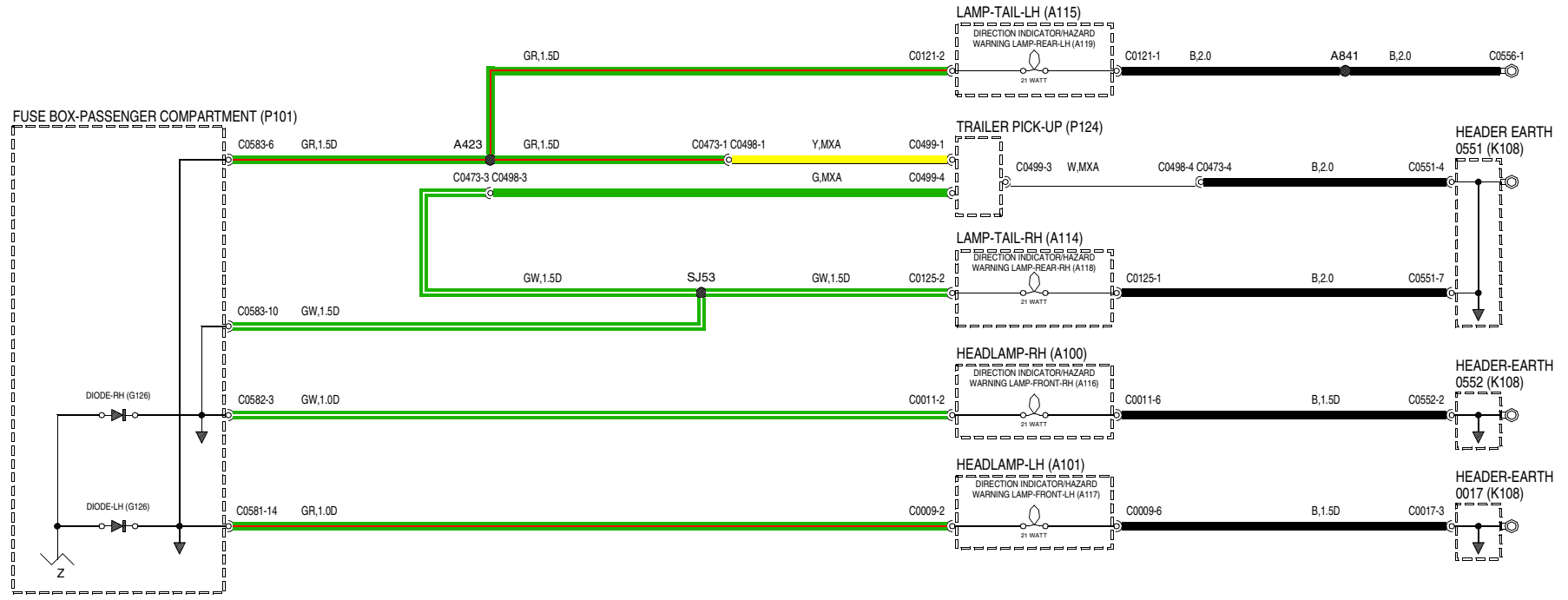


# 3 ANTI-THEFT ALARM AND CENTRAL DOOR LOCKING



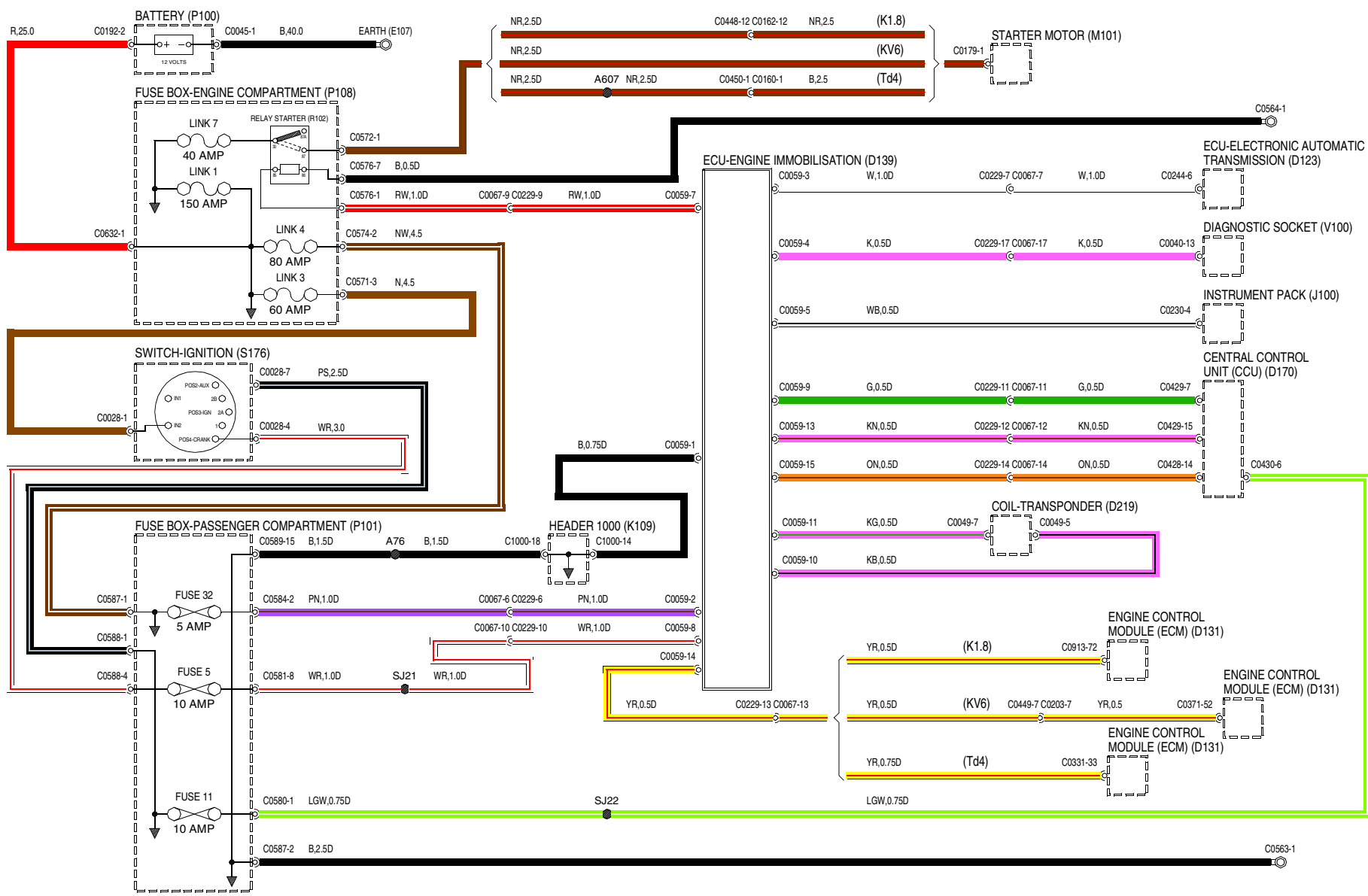
WVR003970-A-03

# 3 ANTI-THEFT ALARM AND CENTRAL DOOR LOCKING



VWR003970-A-04

# 3 ENGINE IMMOBILISATION

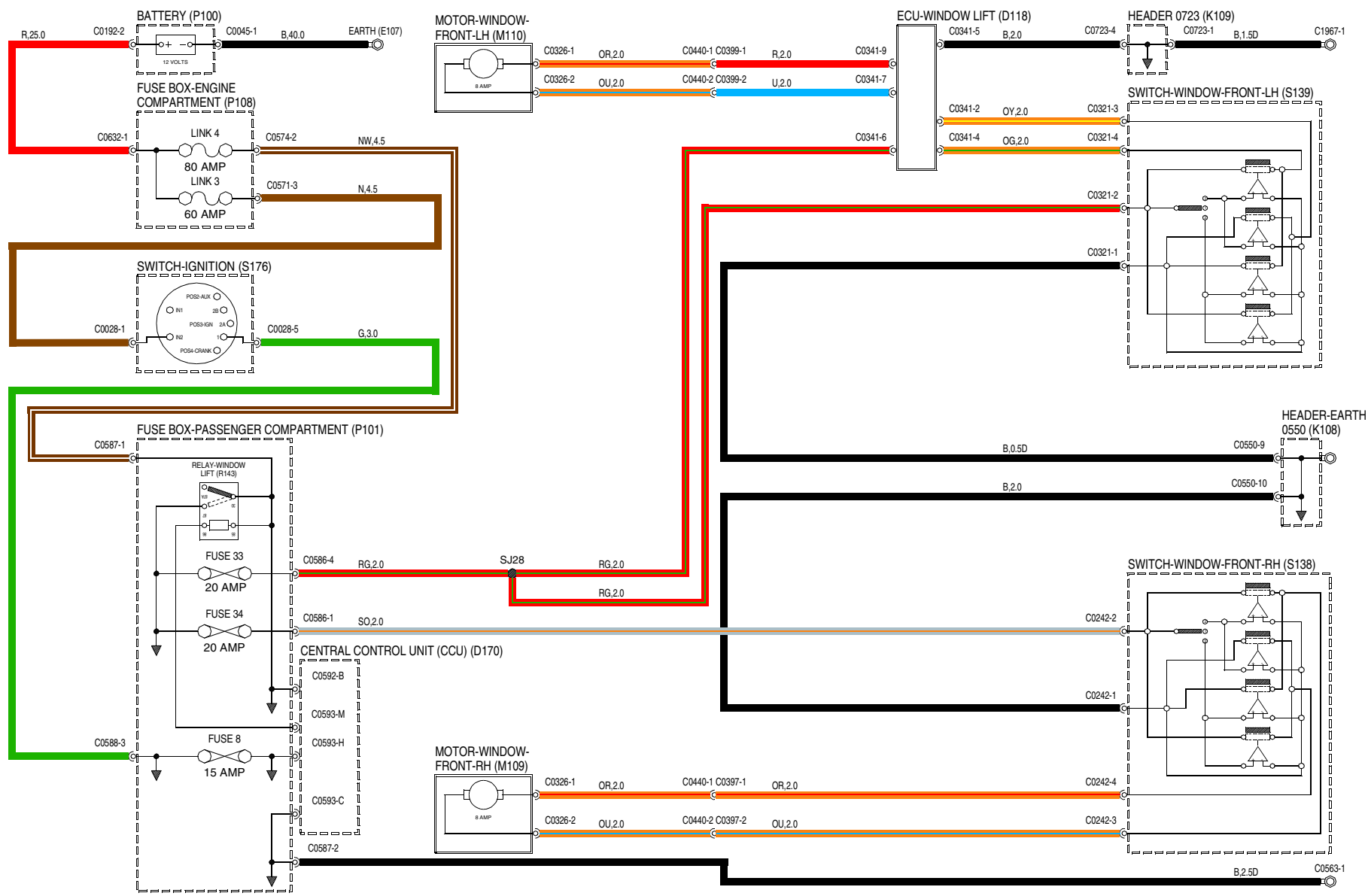


WVR004190-A-01



# 5 WINDOWS

Front



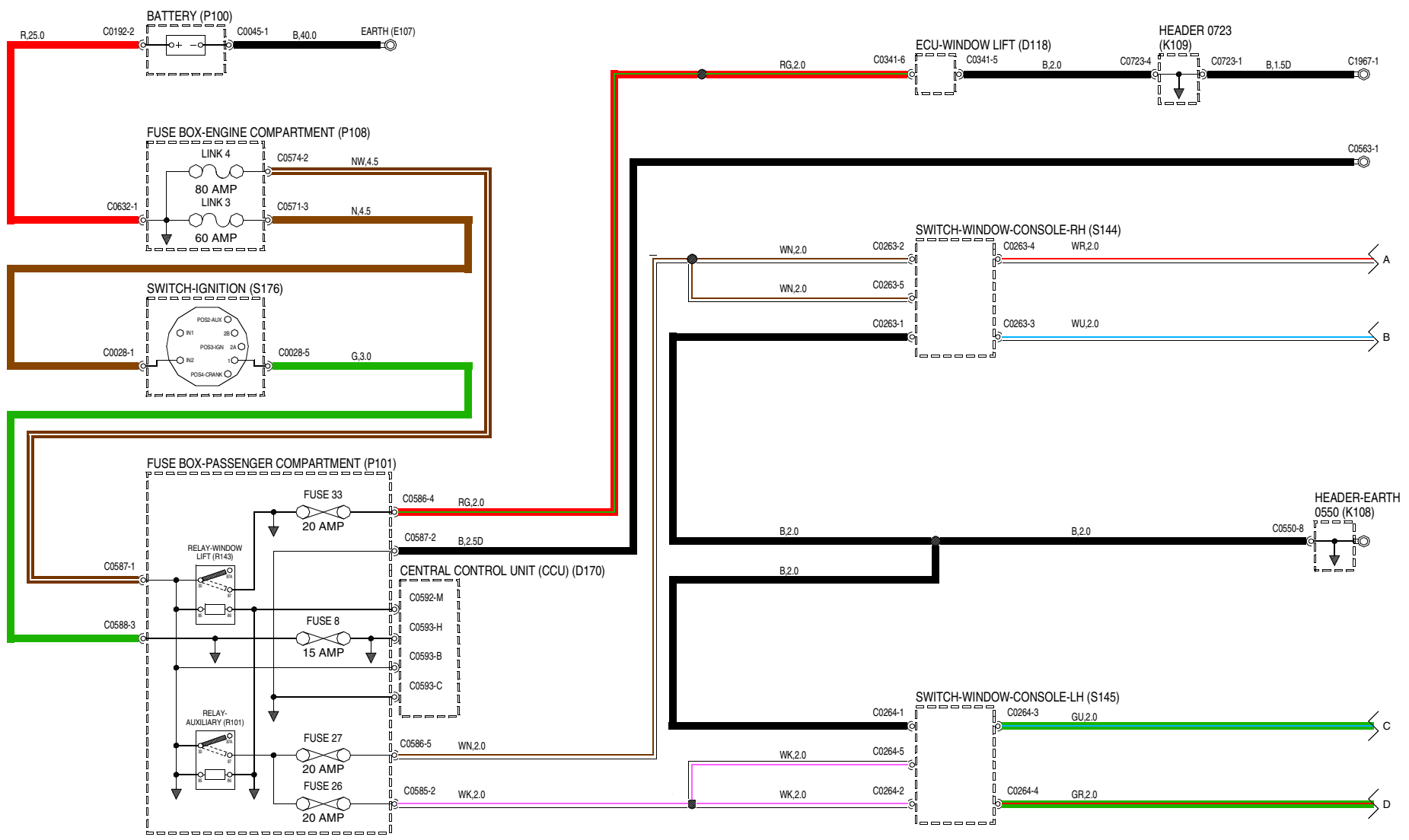
VWR004360-A-01



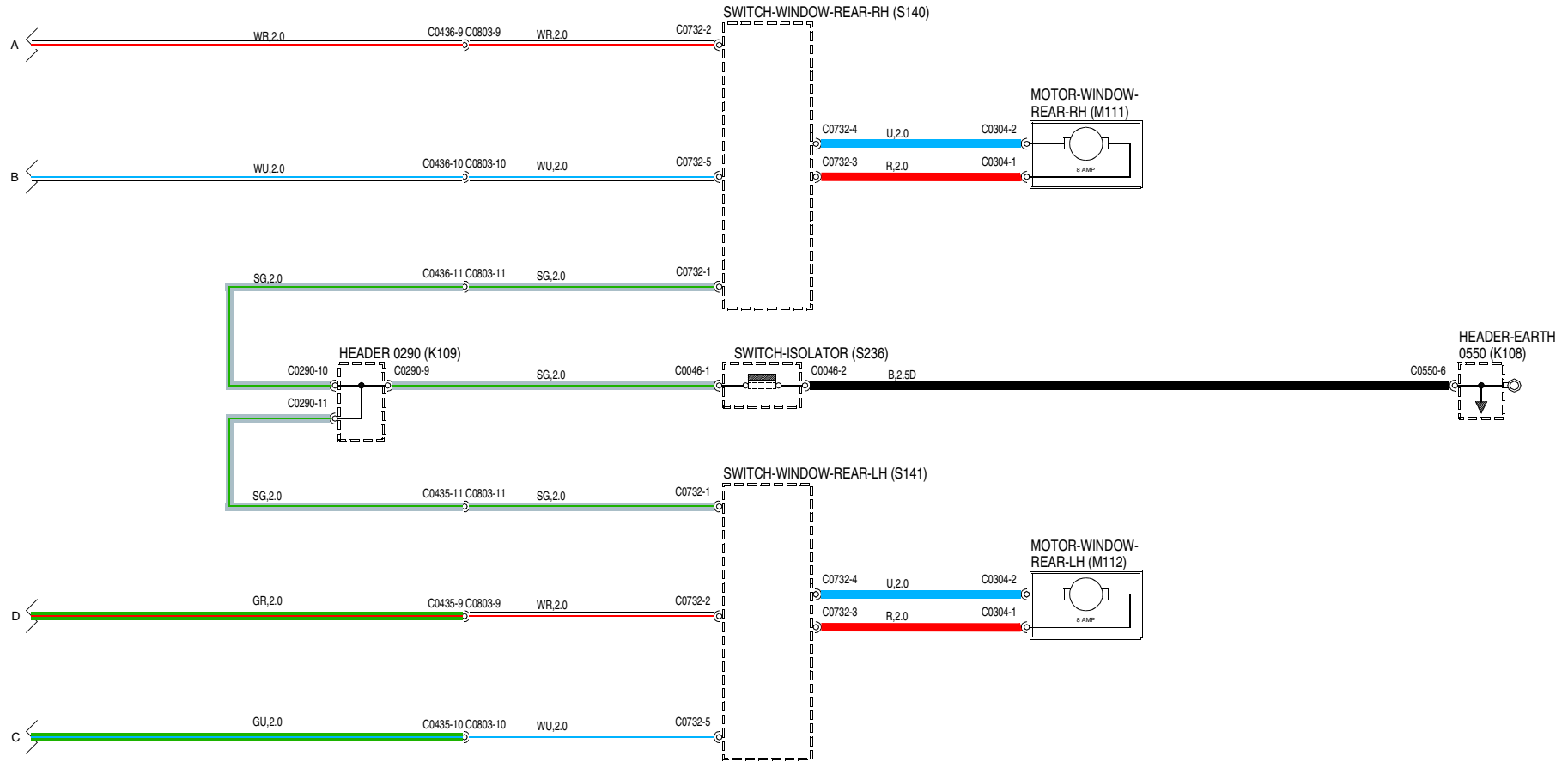


# 5 WINDOWS

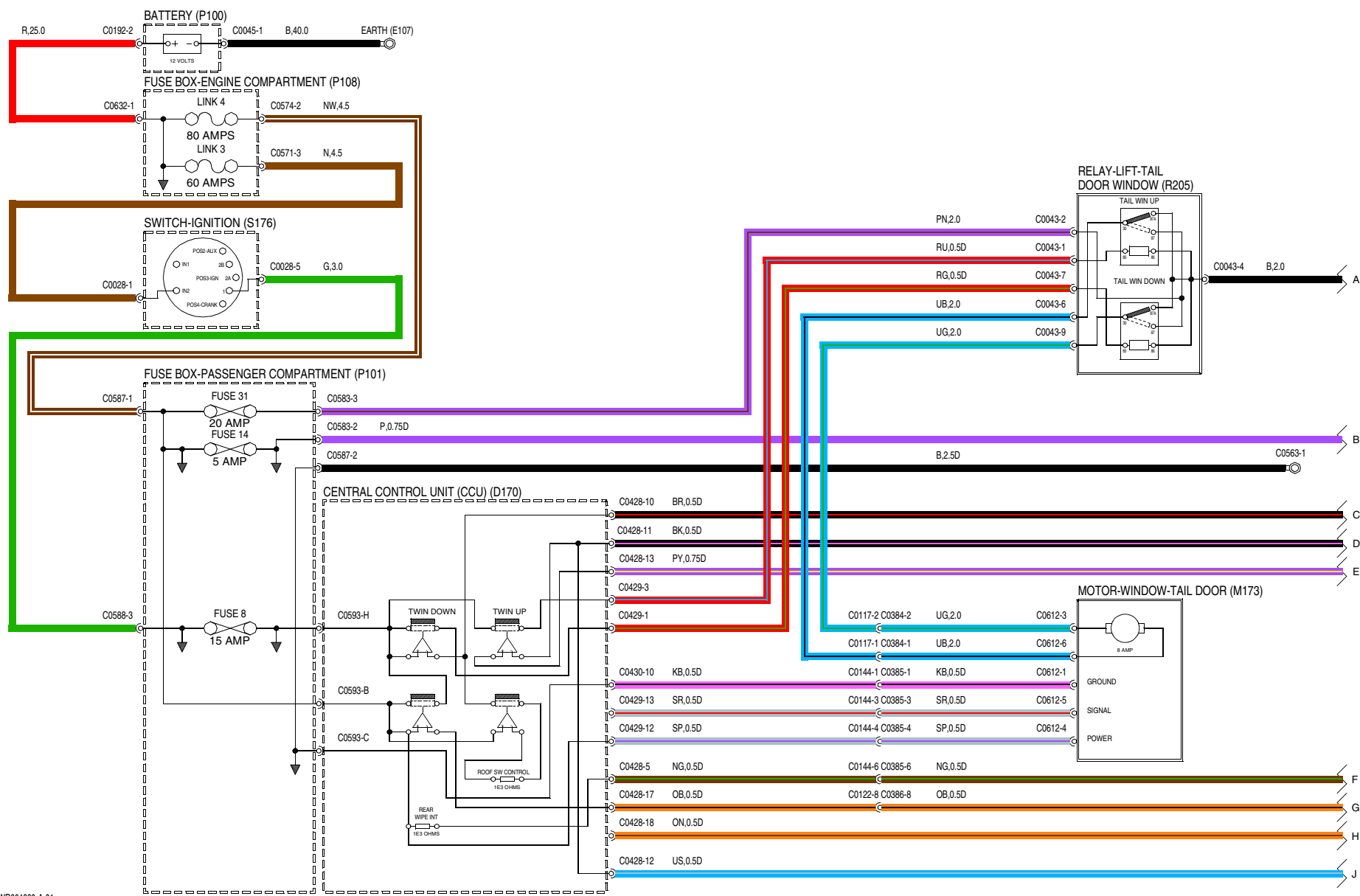
Rear



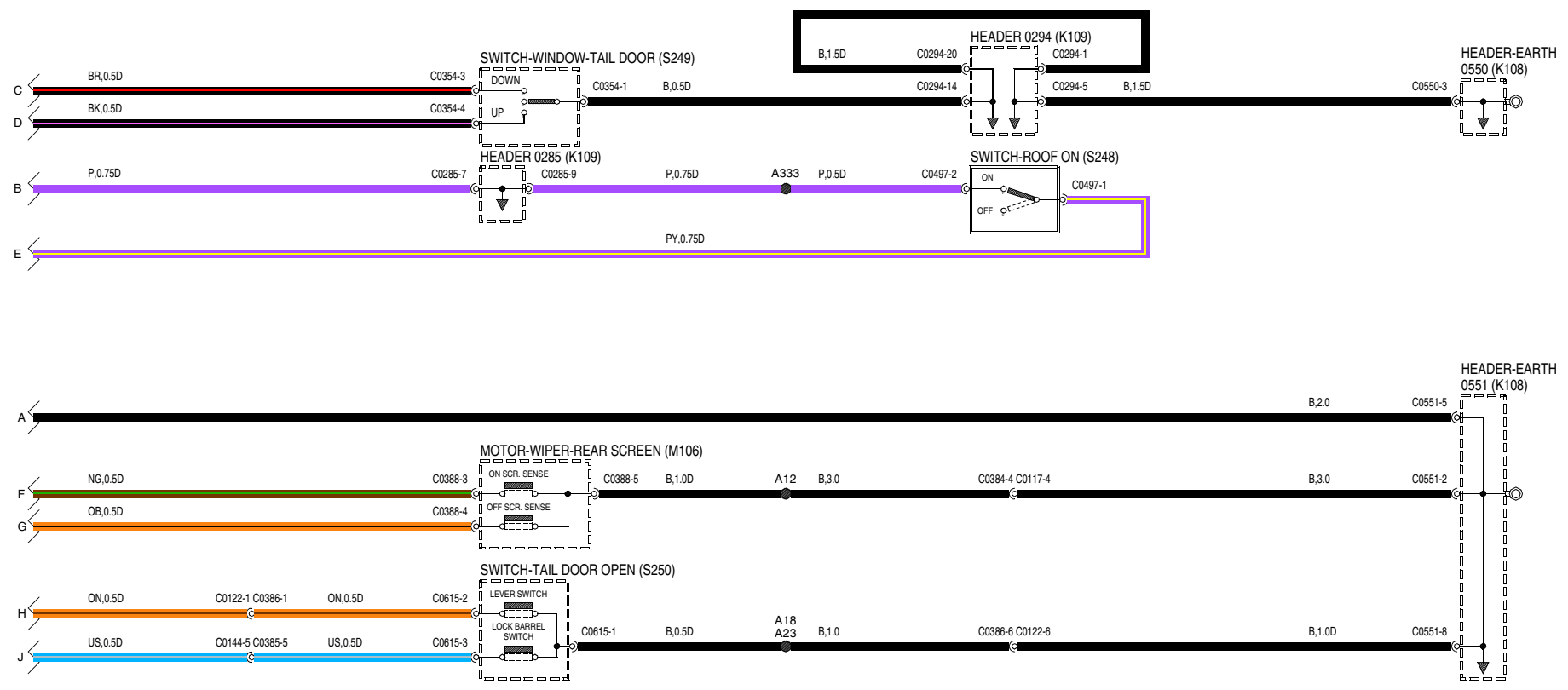
VWR004370-A-01



VWR004370-A-02

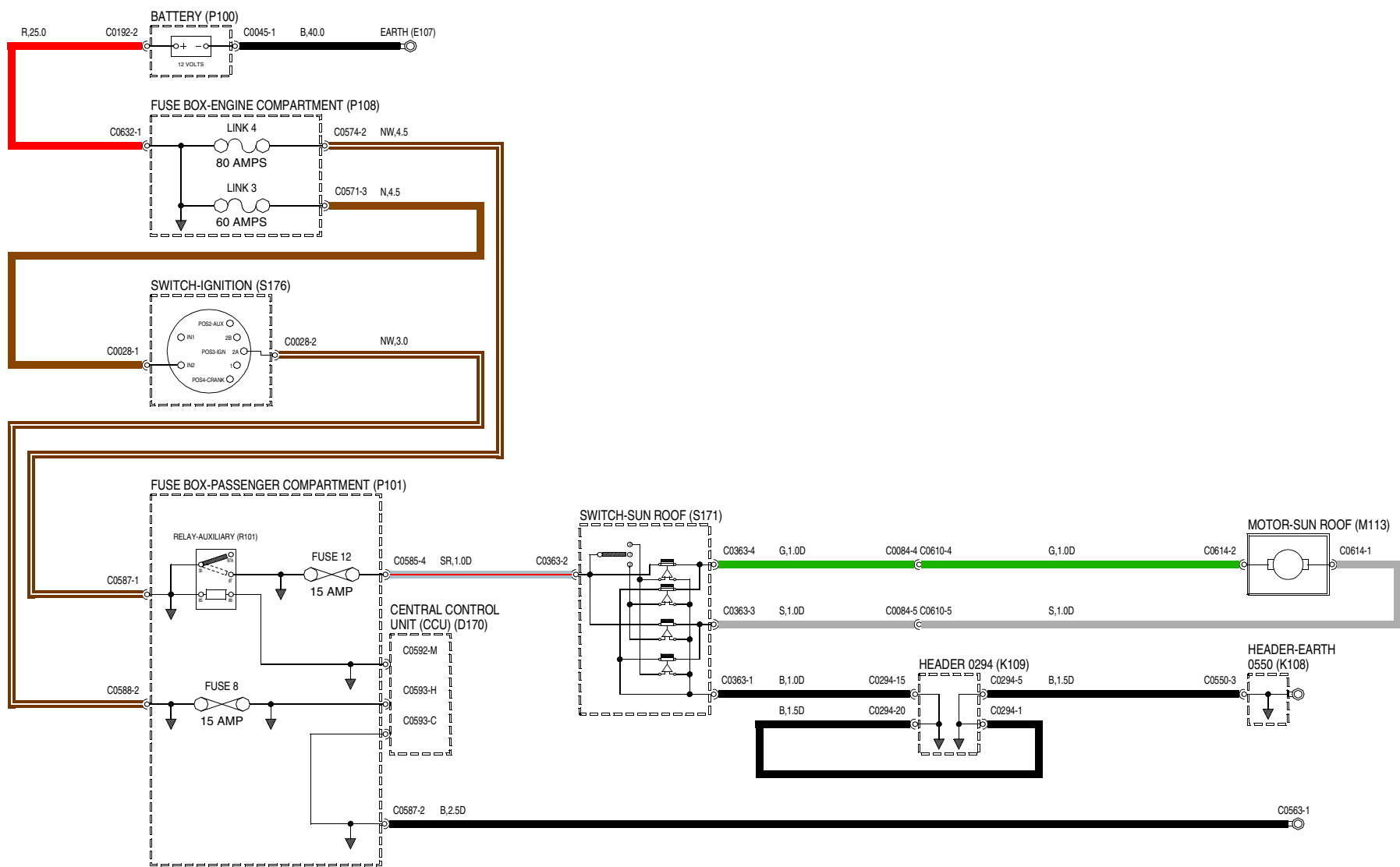


VWR004380-A-01



VWR004380-A-02

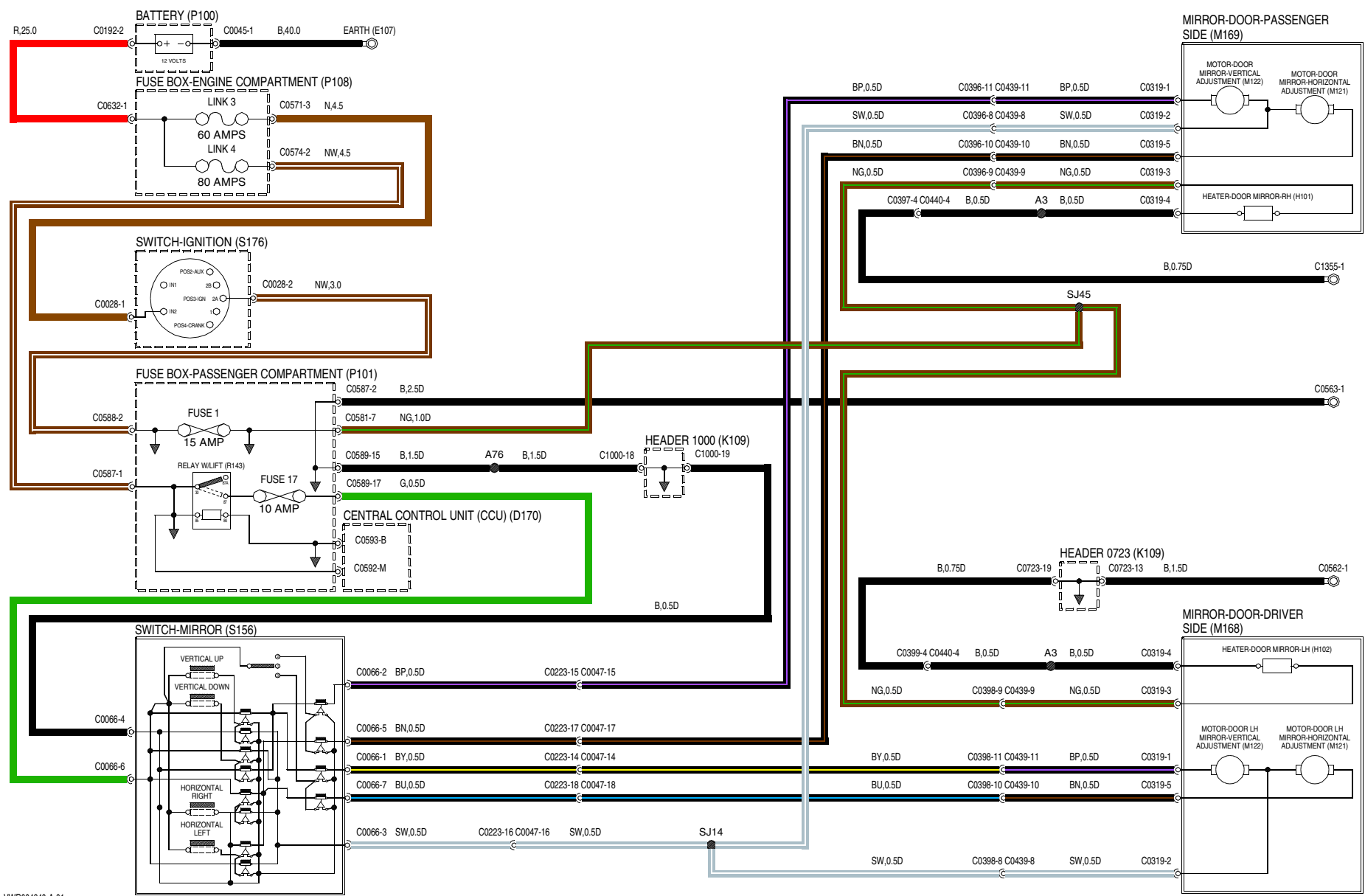
# 6 SUNROOF



WVR004340-A-01



# 7 DOOR MIRRORS



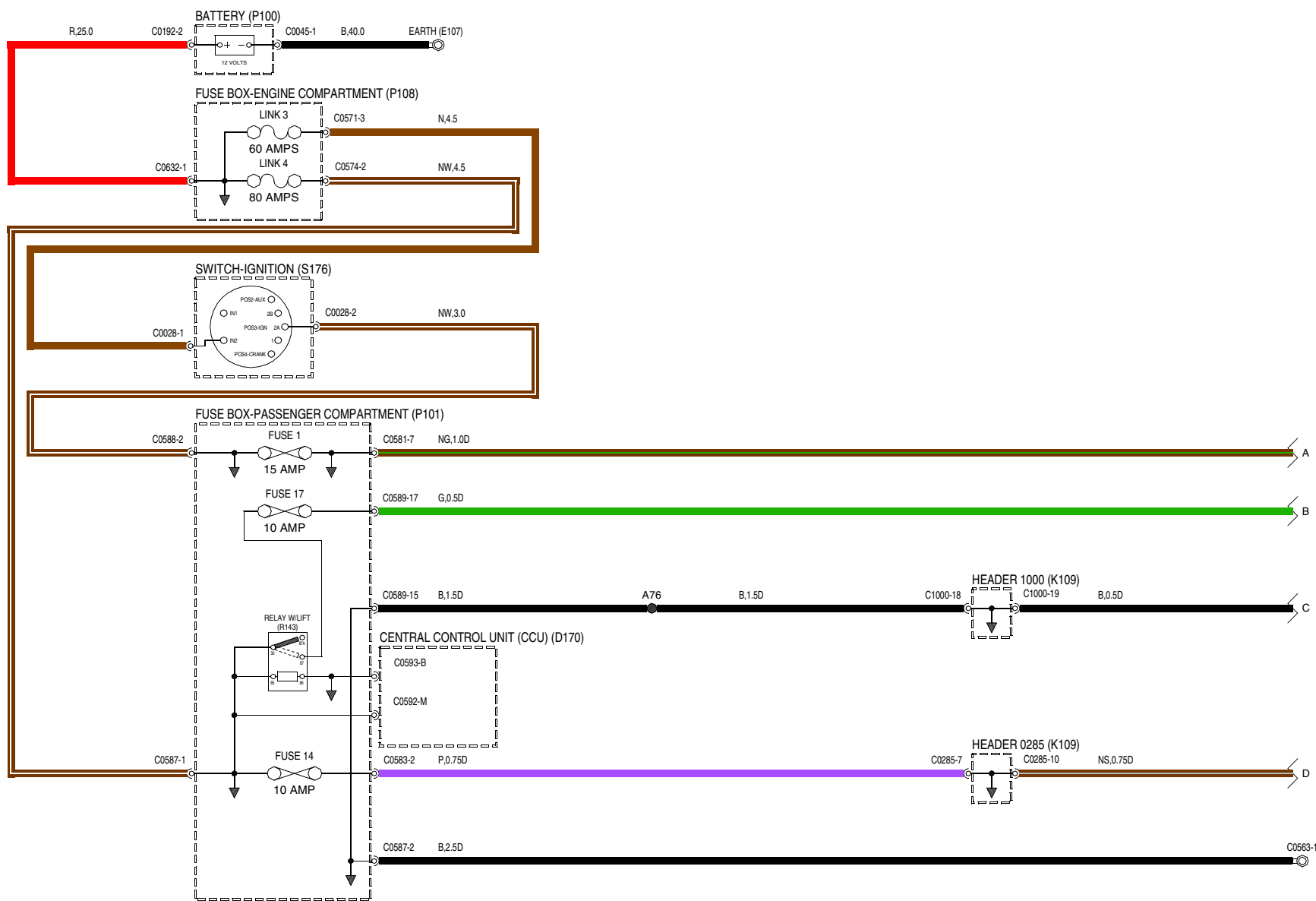
WR004240-A-01



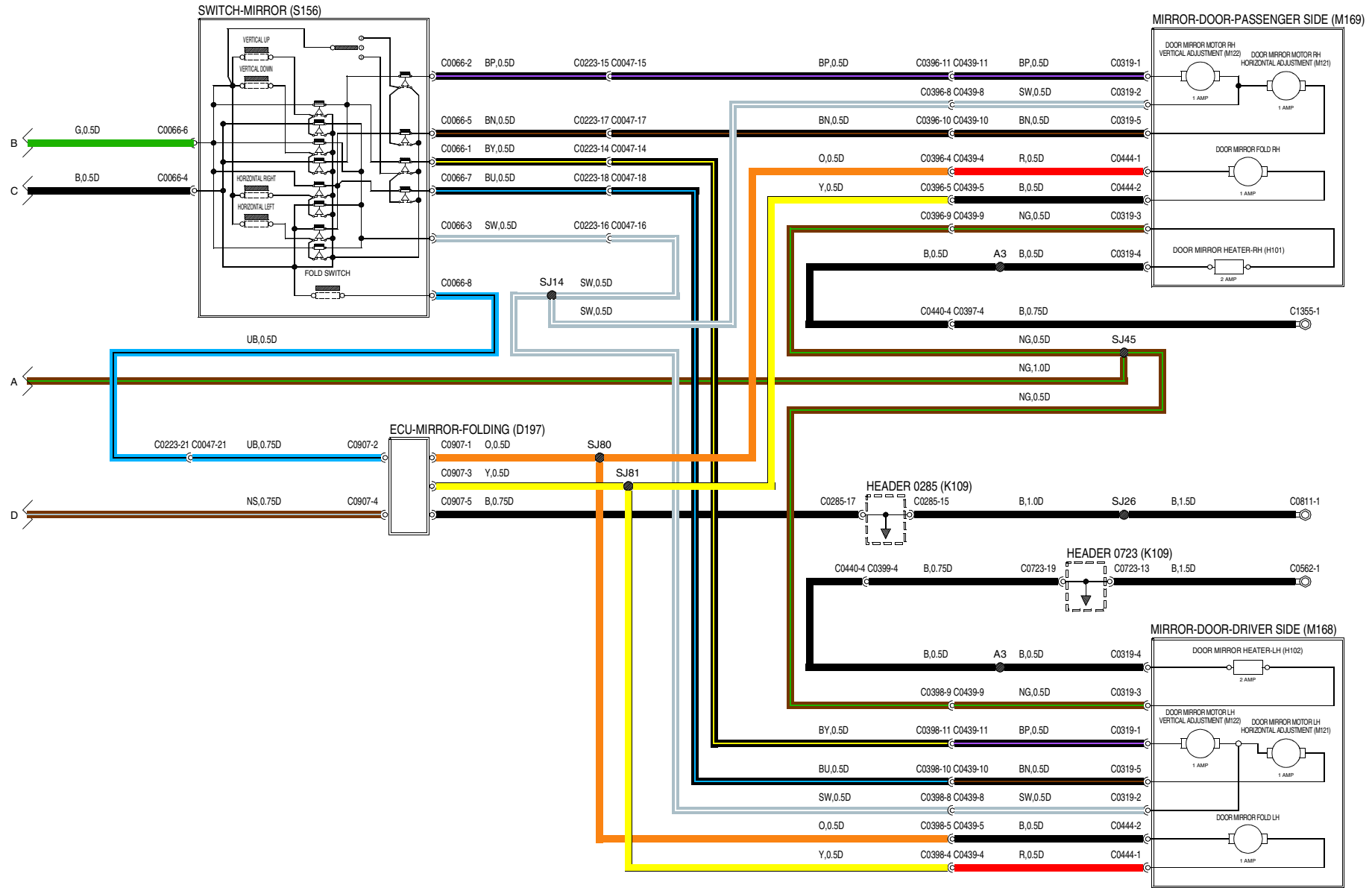


# 7 DOOR MIRRORS

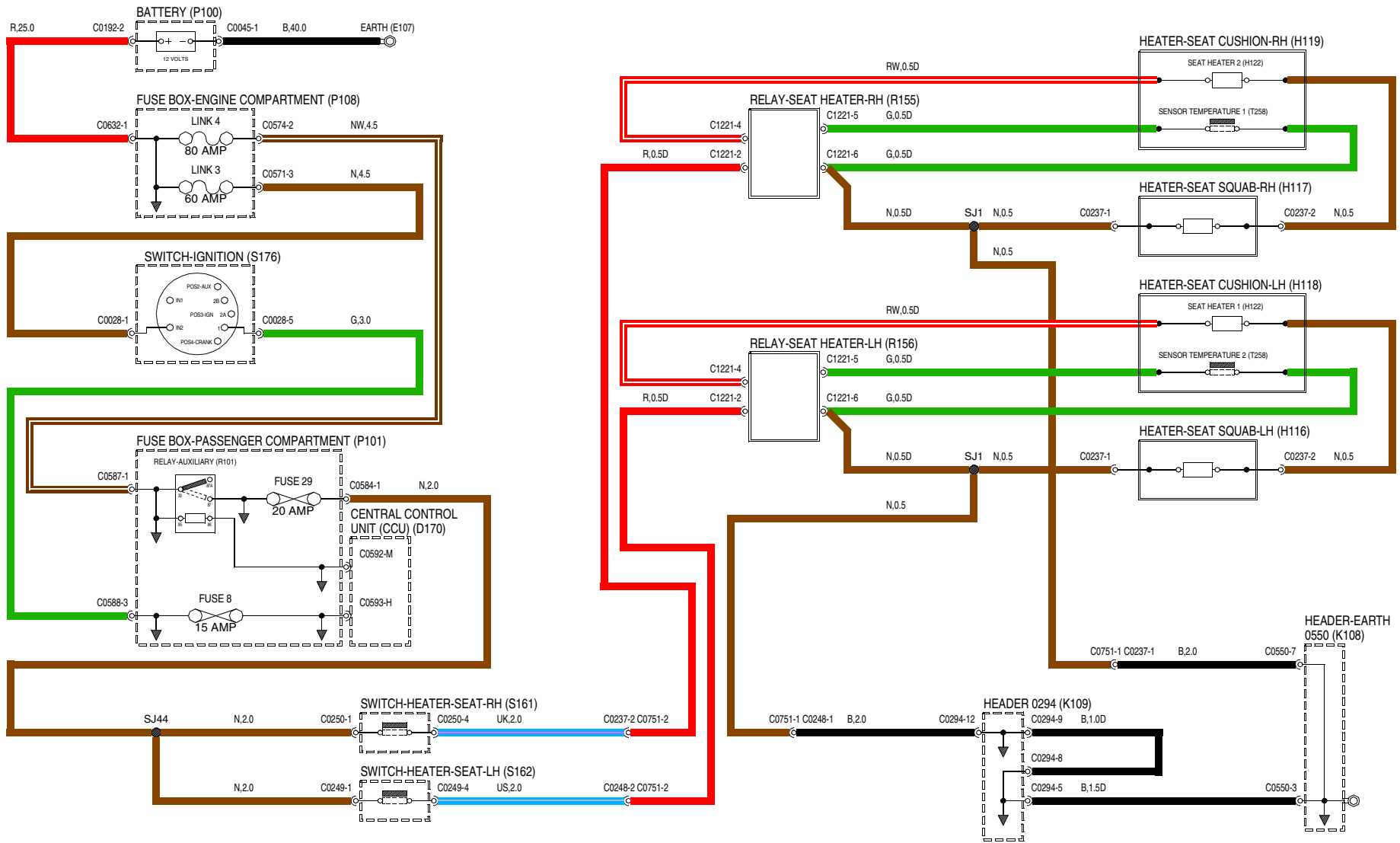
Folding



WR004600-A-01



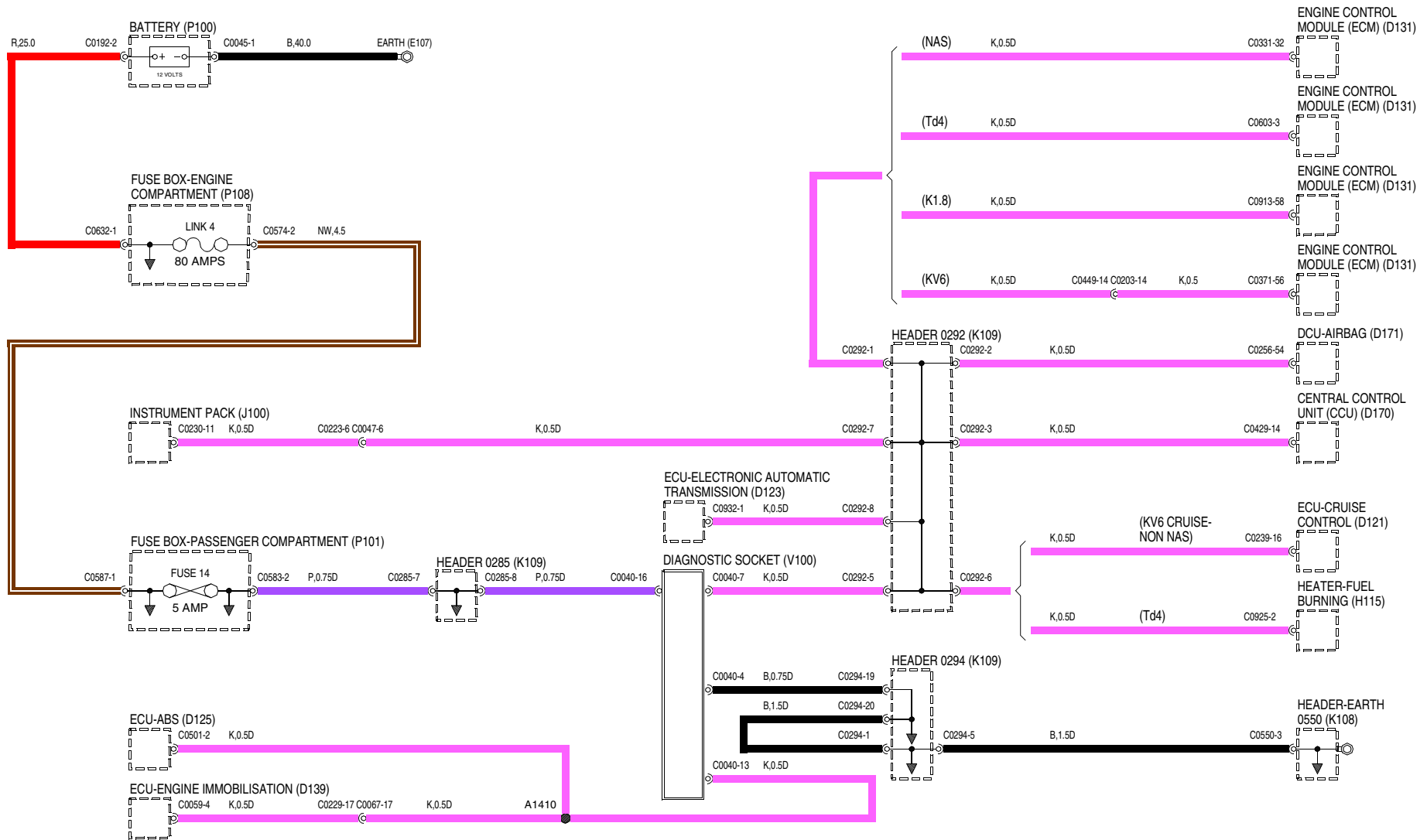
WVR004600-A-02



VWR004280-A-01



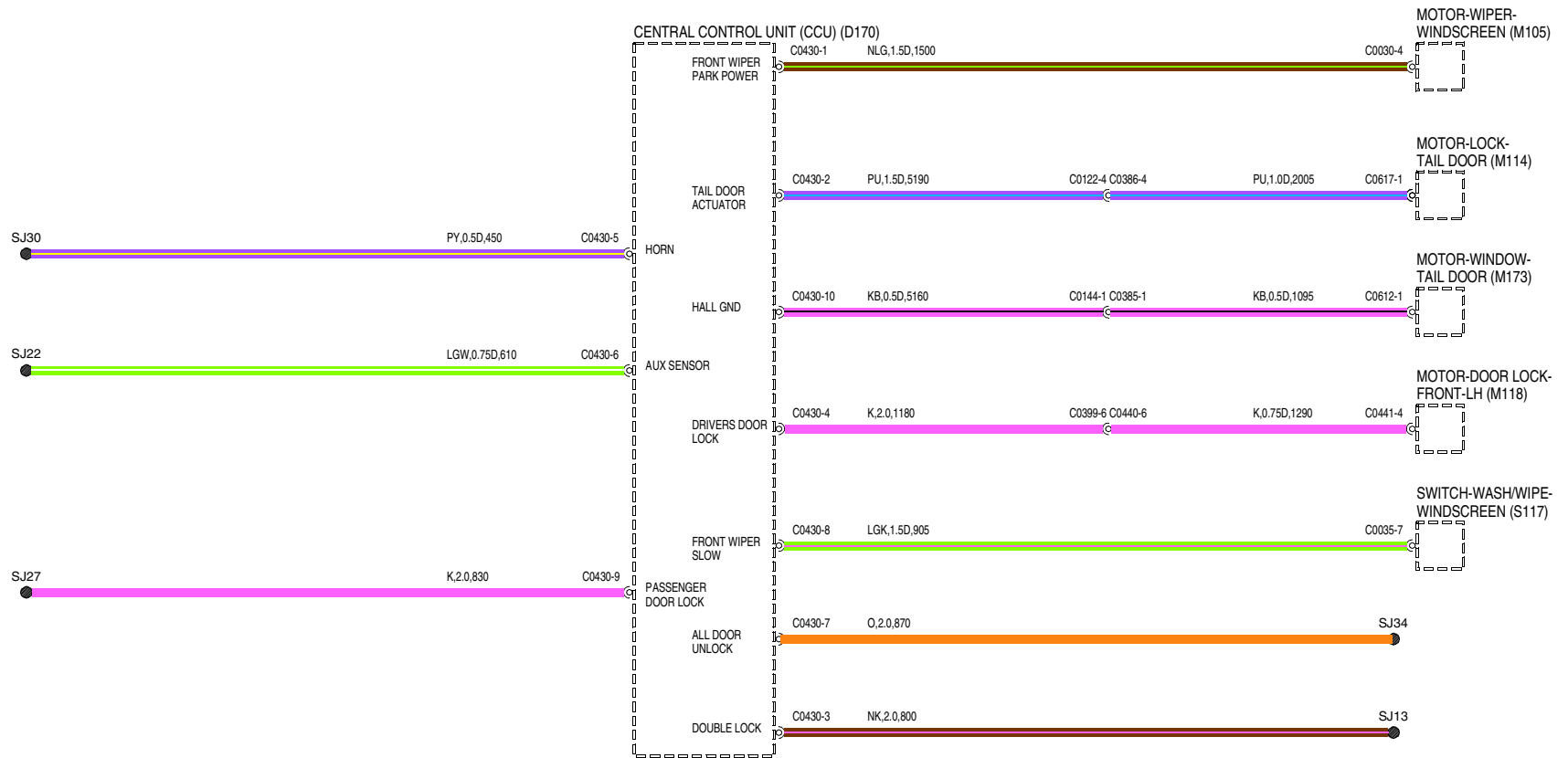
# 10 DIAGNOSTIC SOCKET



VWR004050-A-01

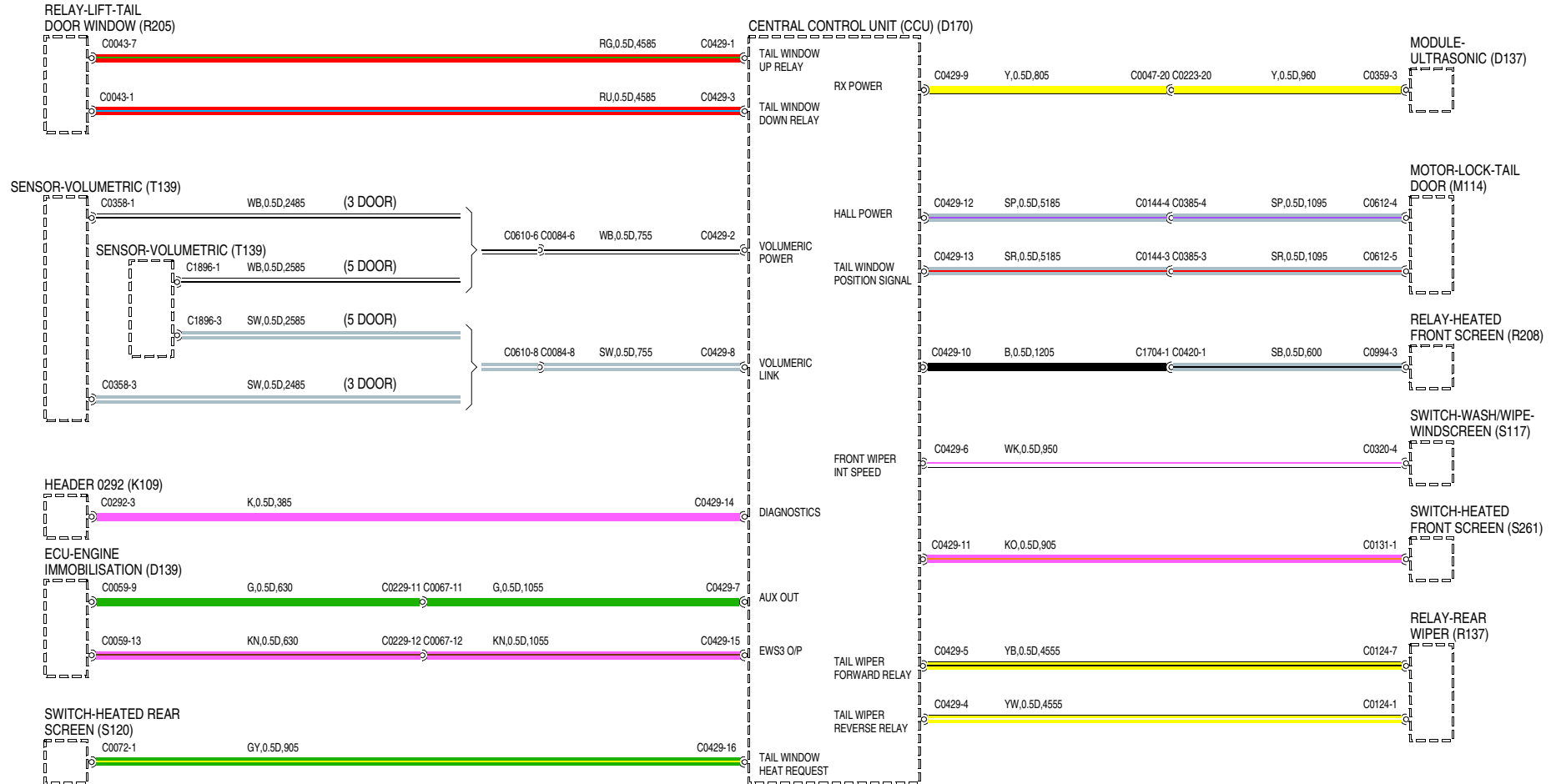


# 11 BODY CONTROL UNIT



VWR004010-A-01

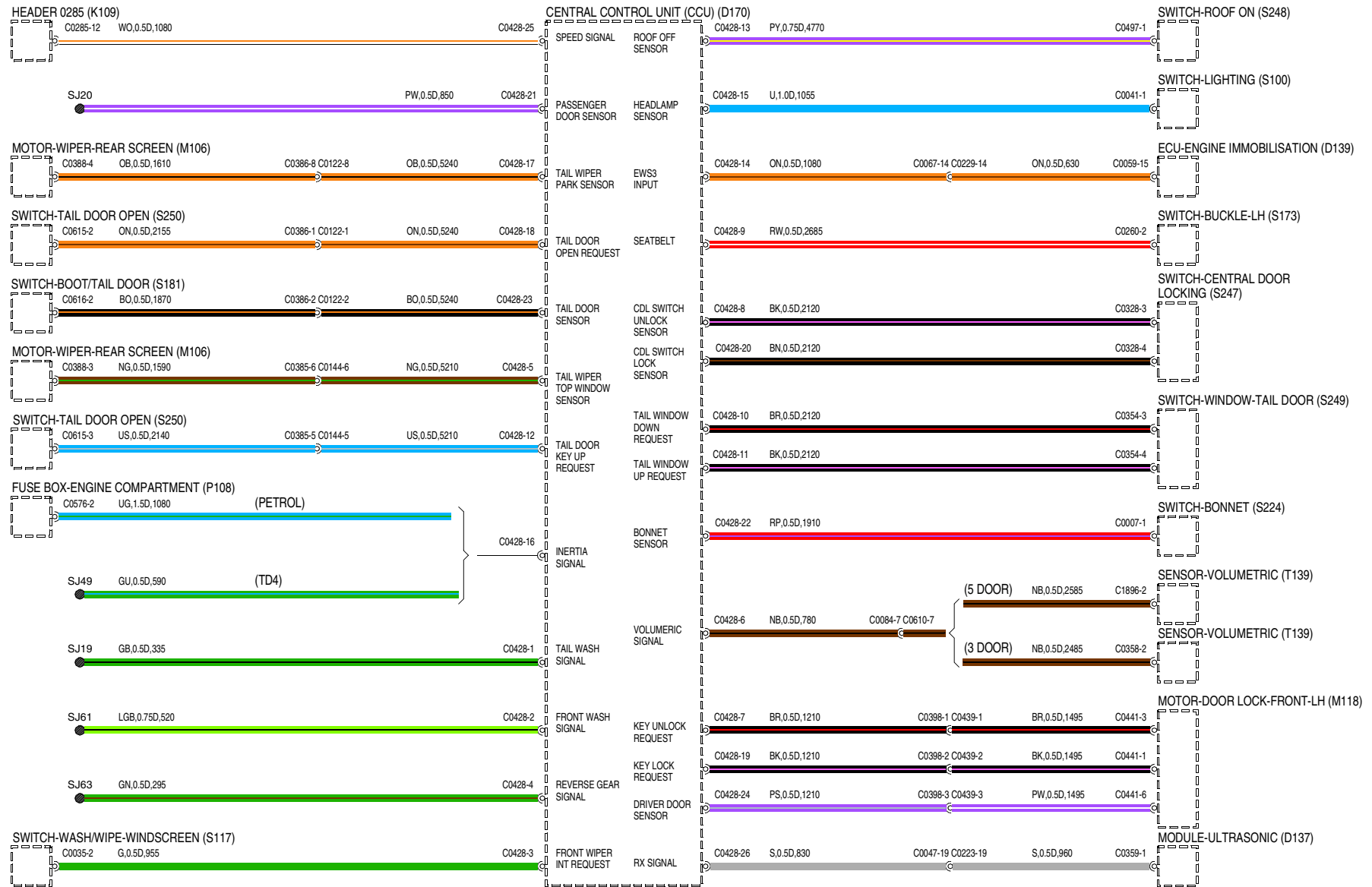
# 11 BODY CONTROL UNIT



VWR004010-A-02



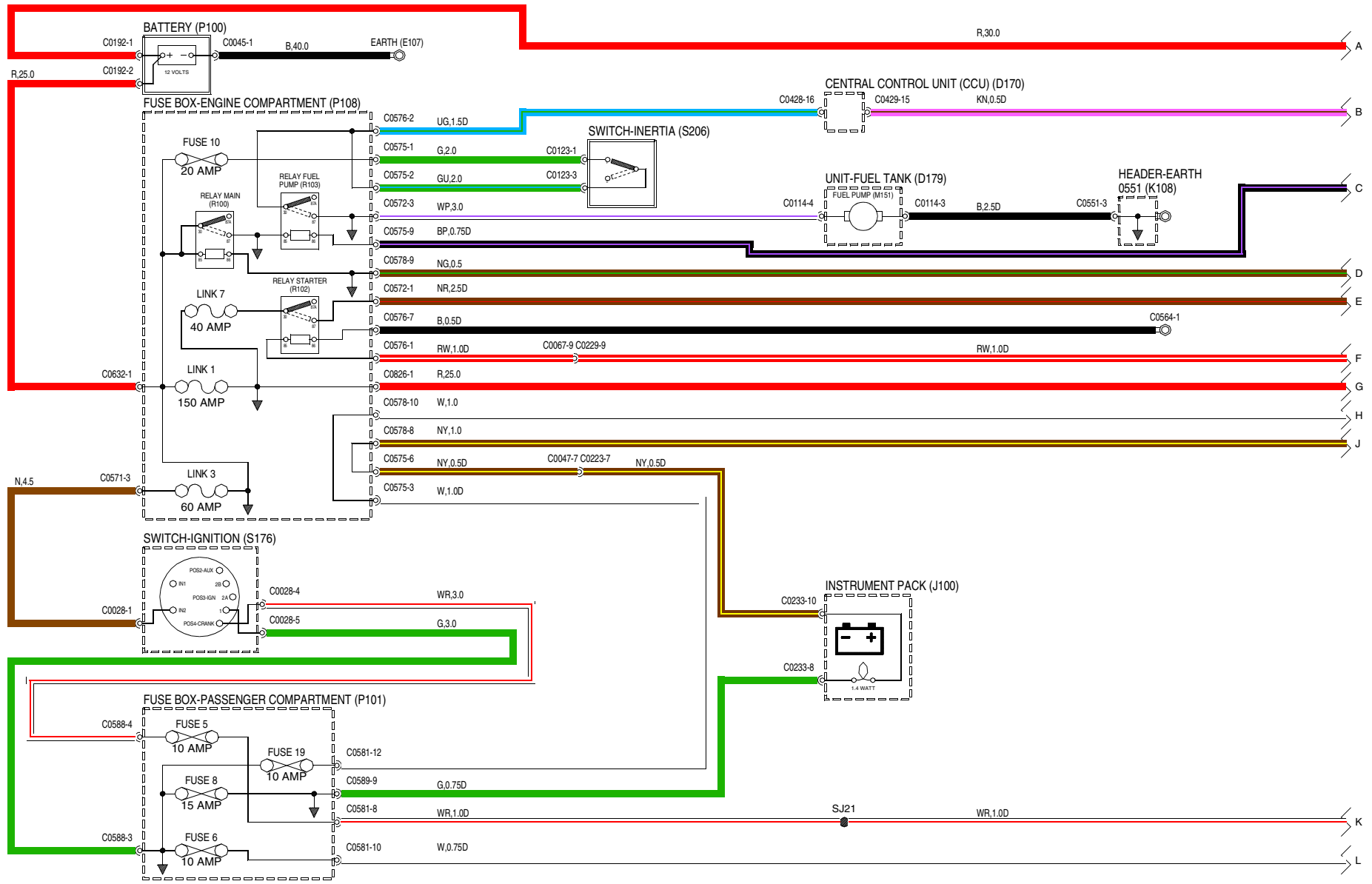
# 11 BODY CONTROL UNIT



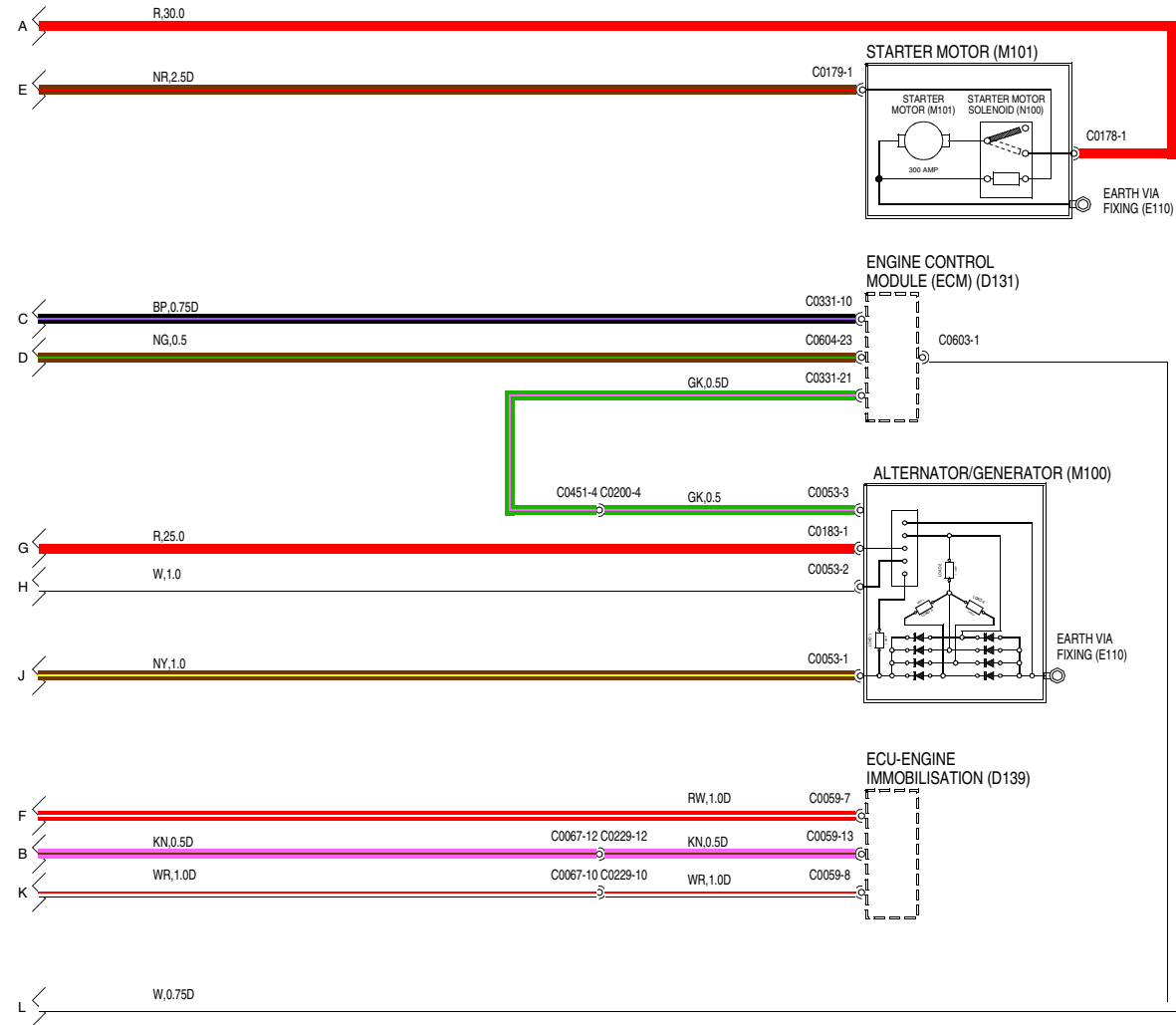
VWR004010-A-03



# 15 CHARGING AND STARTING

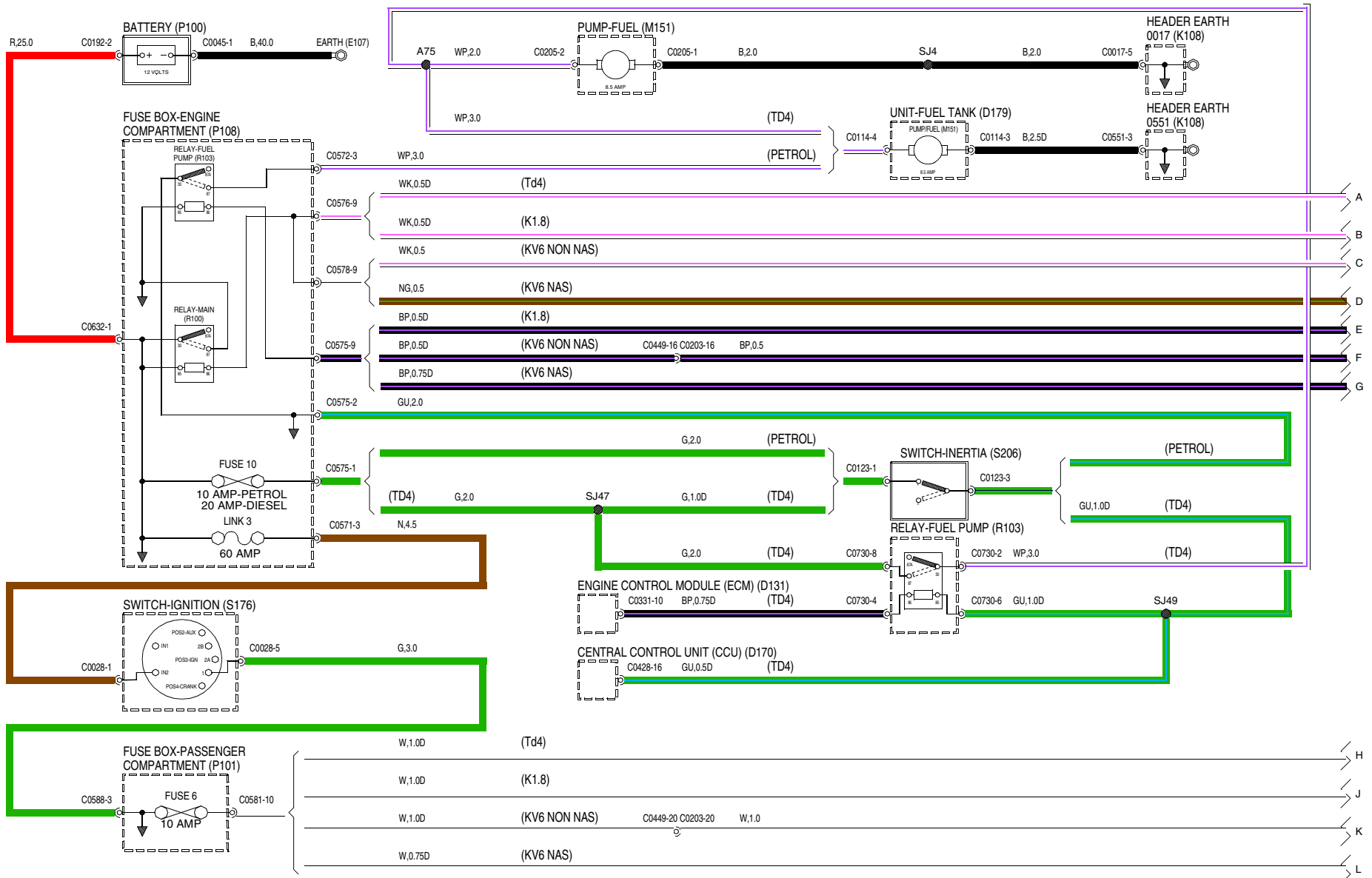


VWR004560-A-01



WVR004560-A-02

# 20 FUEL PUMP

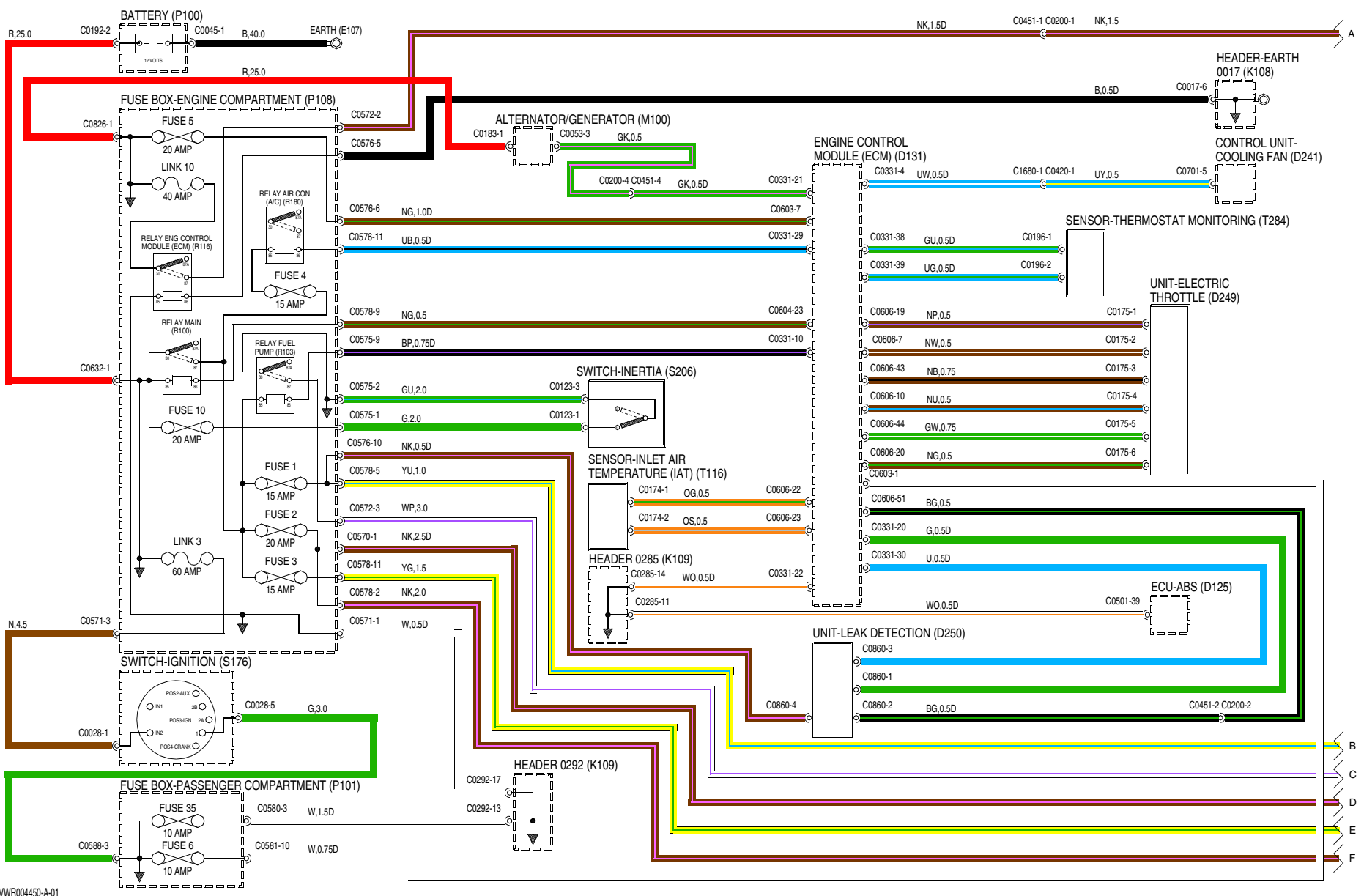


VWR004120-A-01

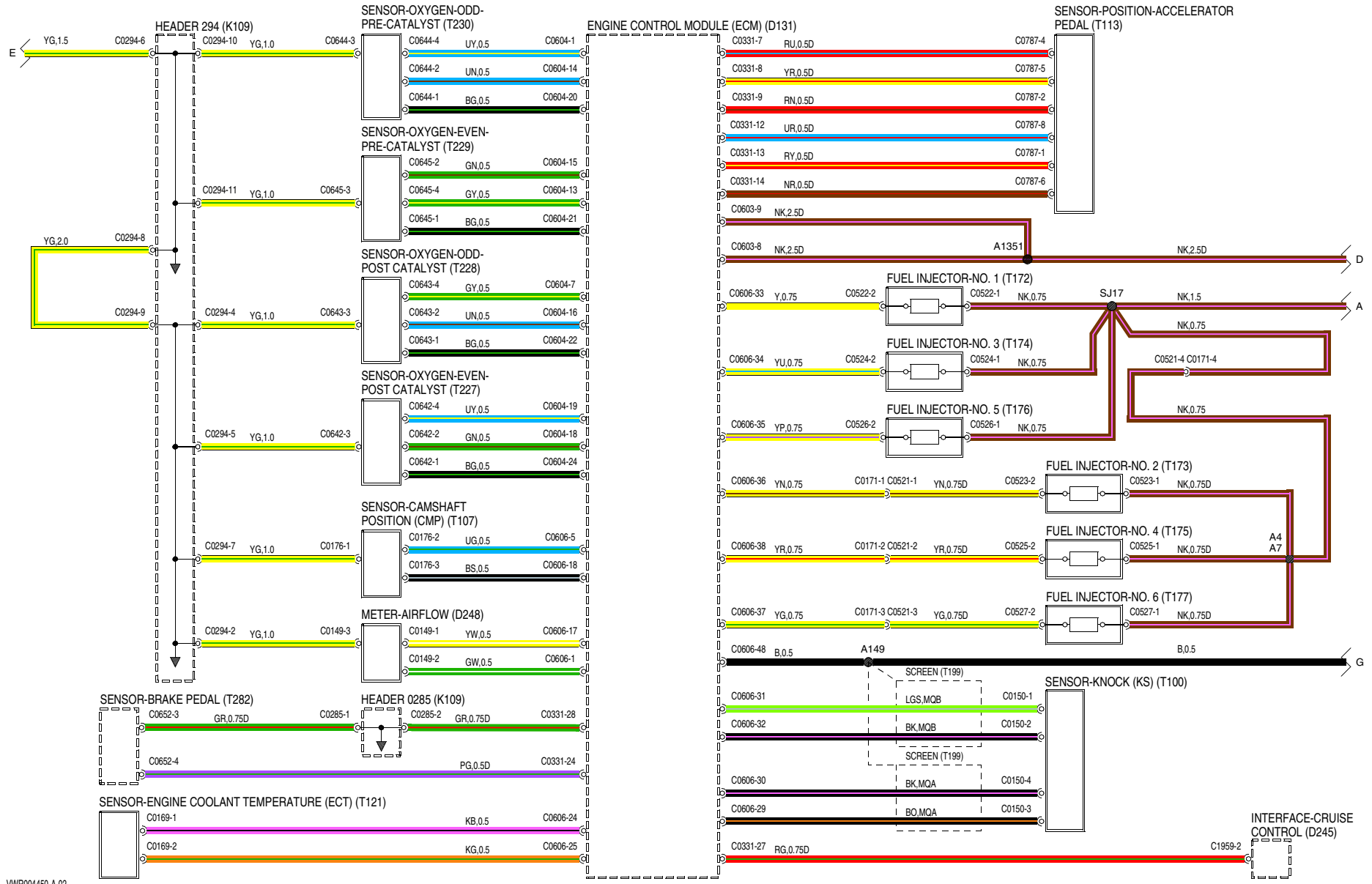
# 20 FUEL PUMP



VWR004120-A-02

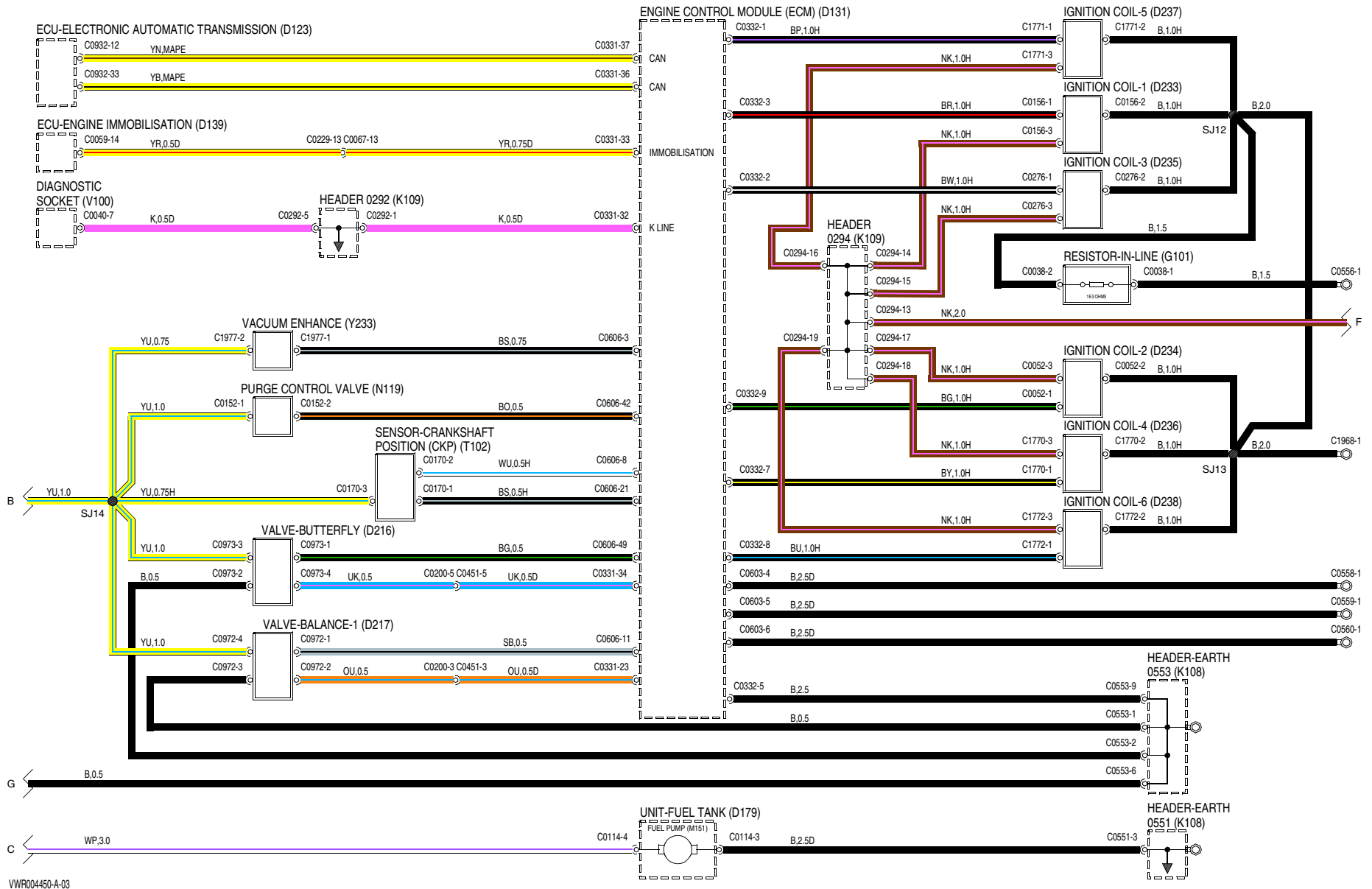


VWR004450-A-01



VWR004450-A-02

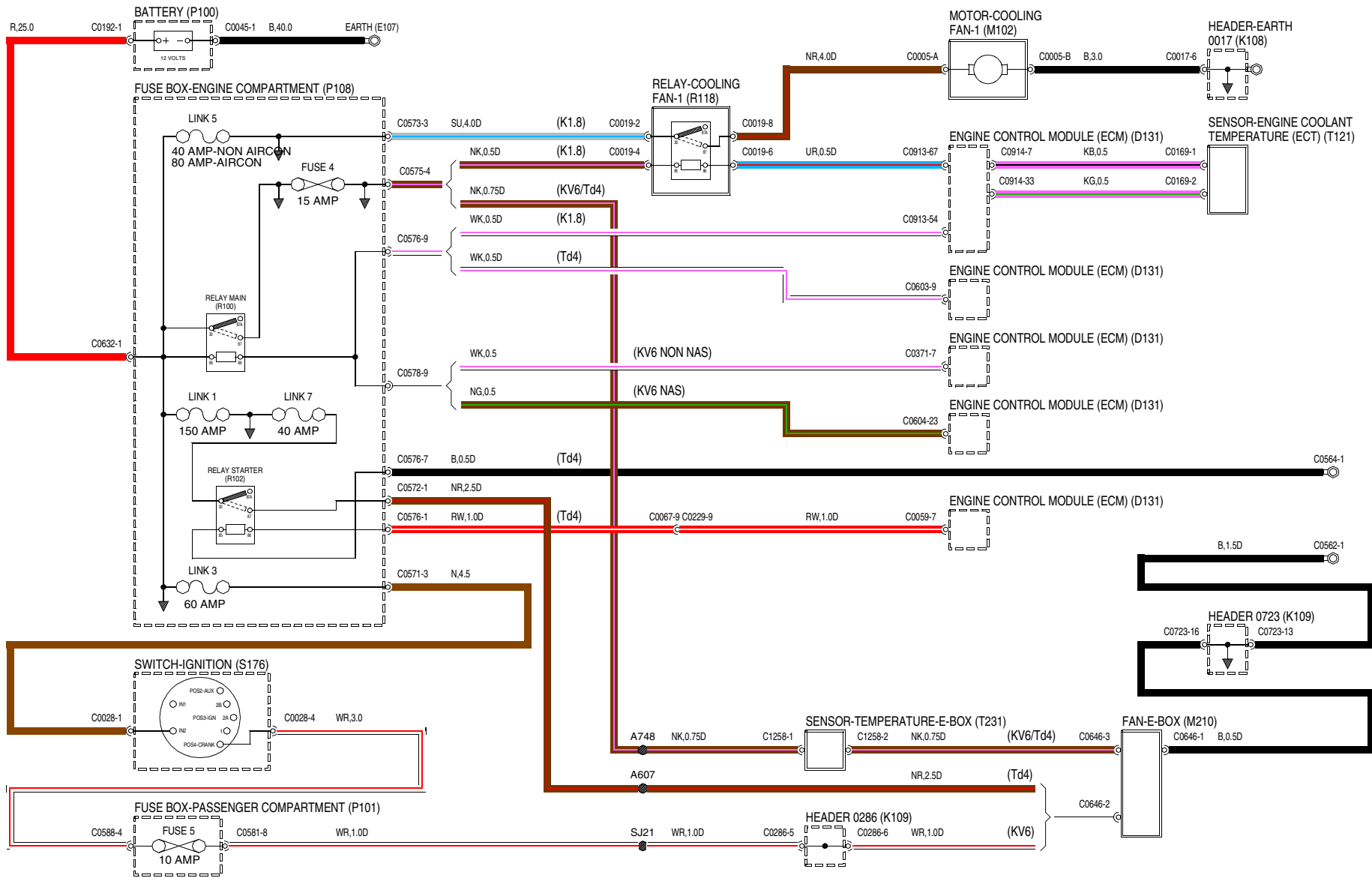




WVR004450-A-03

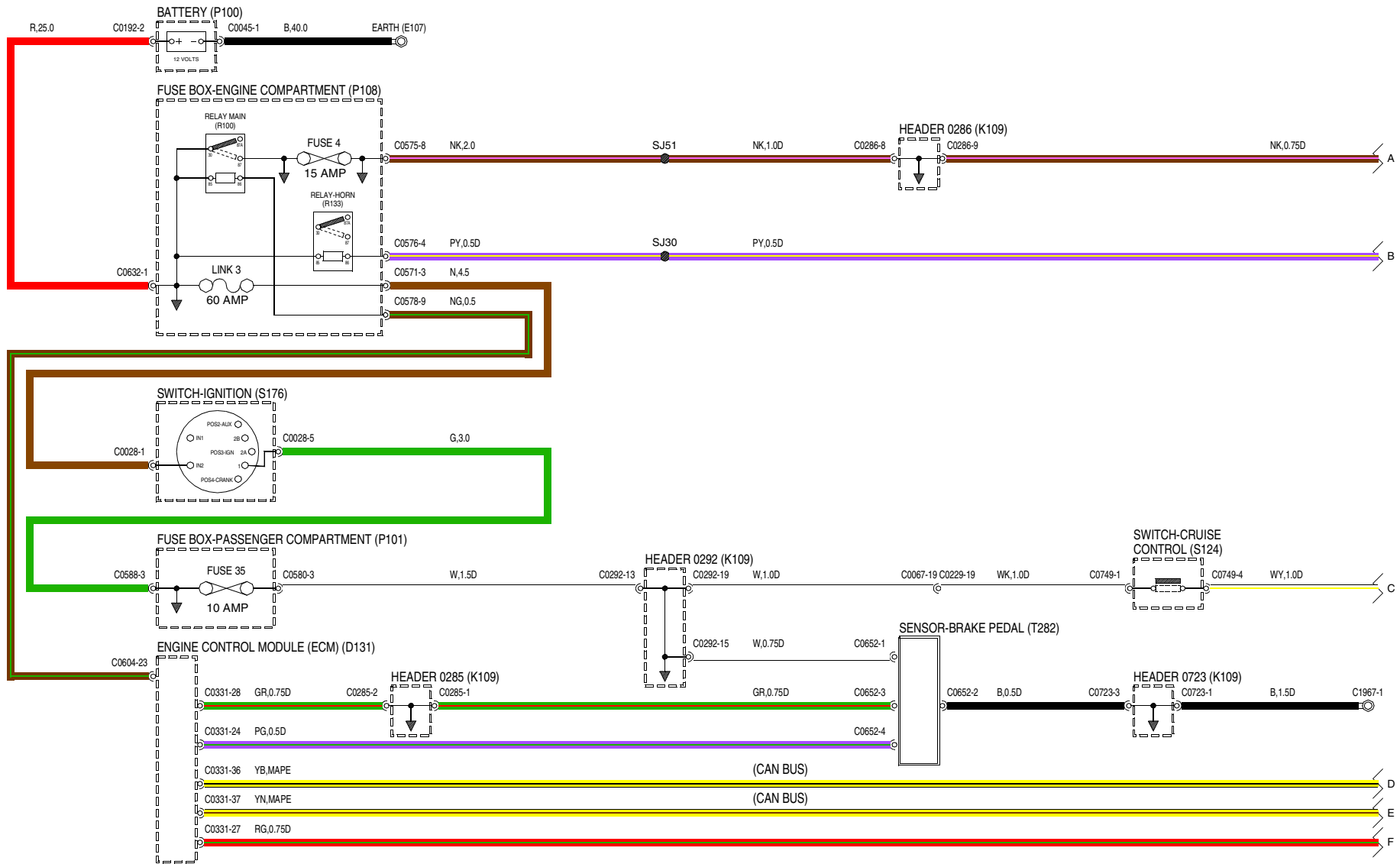


# 22 COOLING FANS

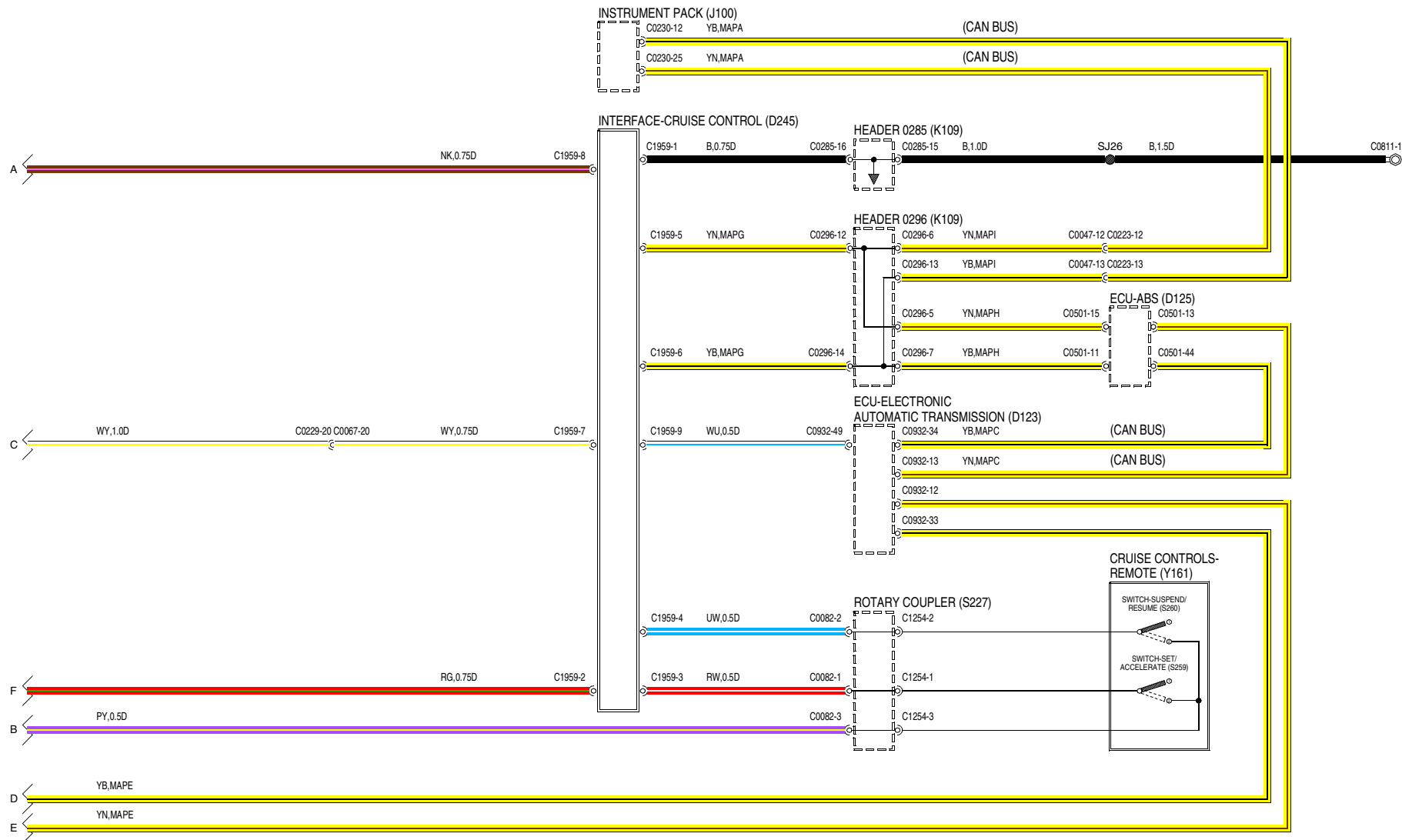


VWR004020-A-01



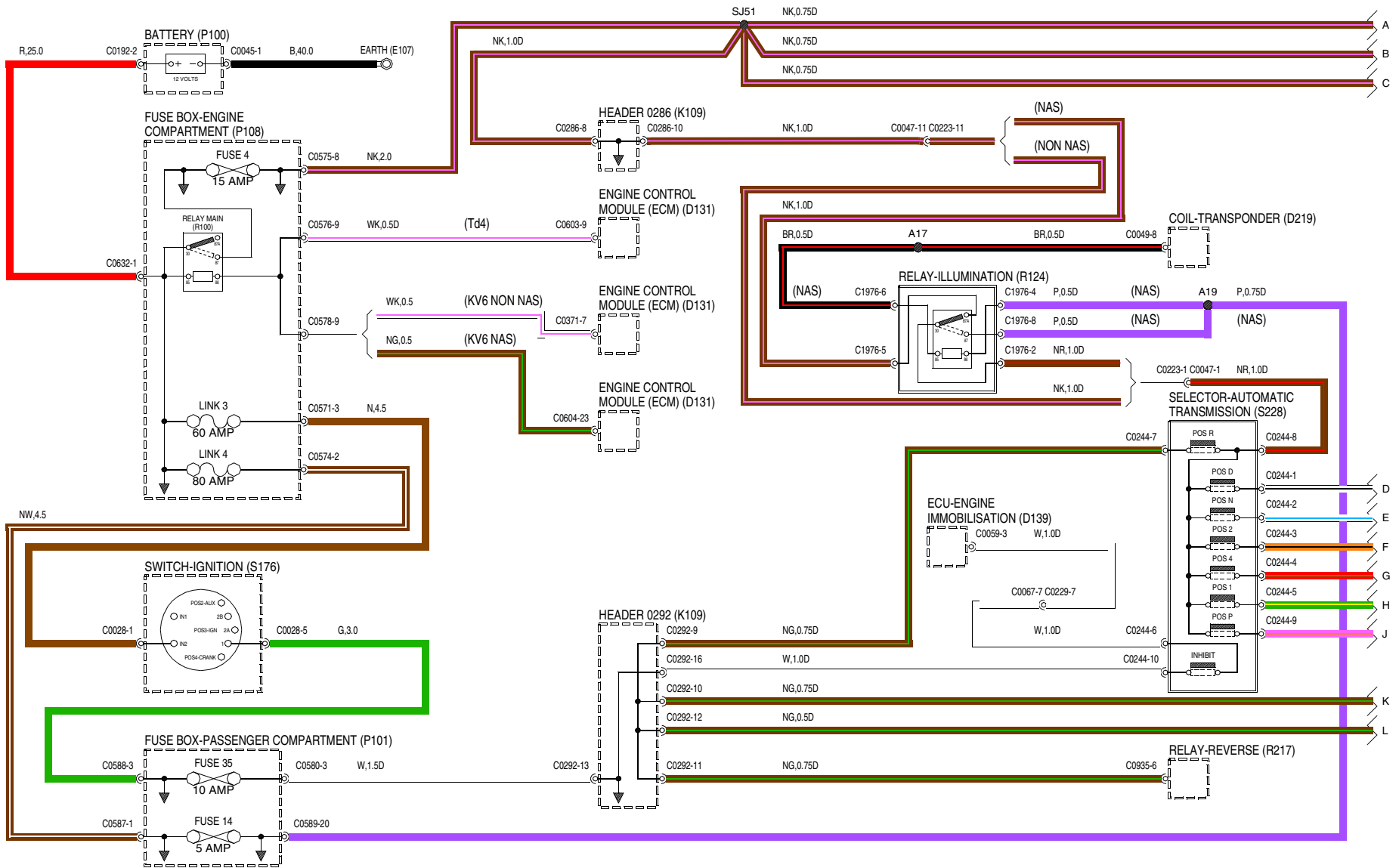


VWR004030-A-01



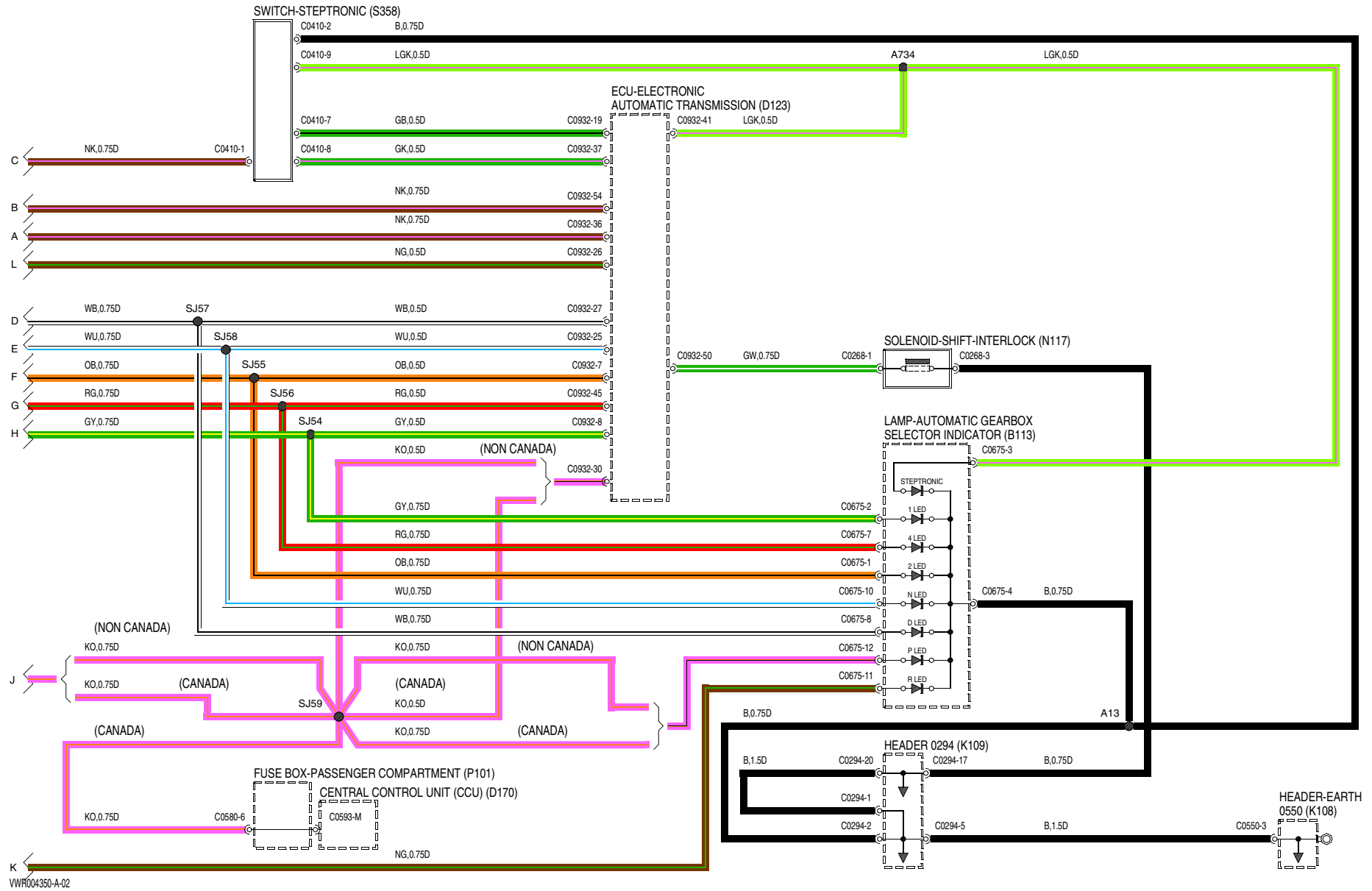
VWR004030-A-02

# 32 ELECTRONIC AUTOMATIC TRANSMISSION



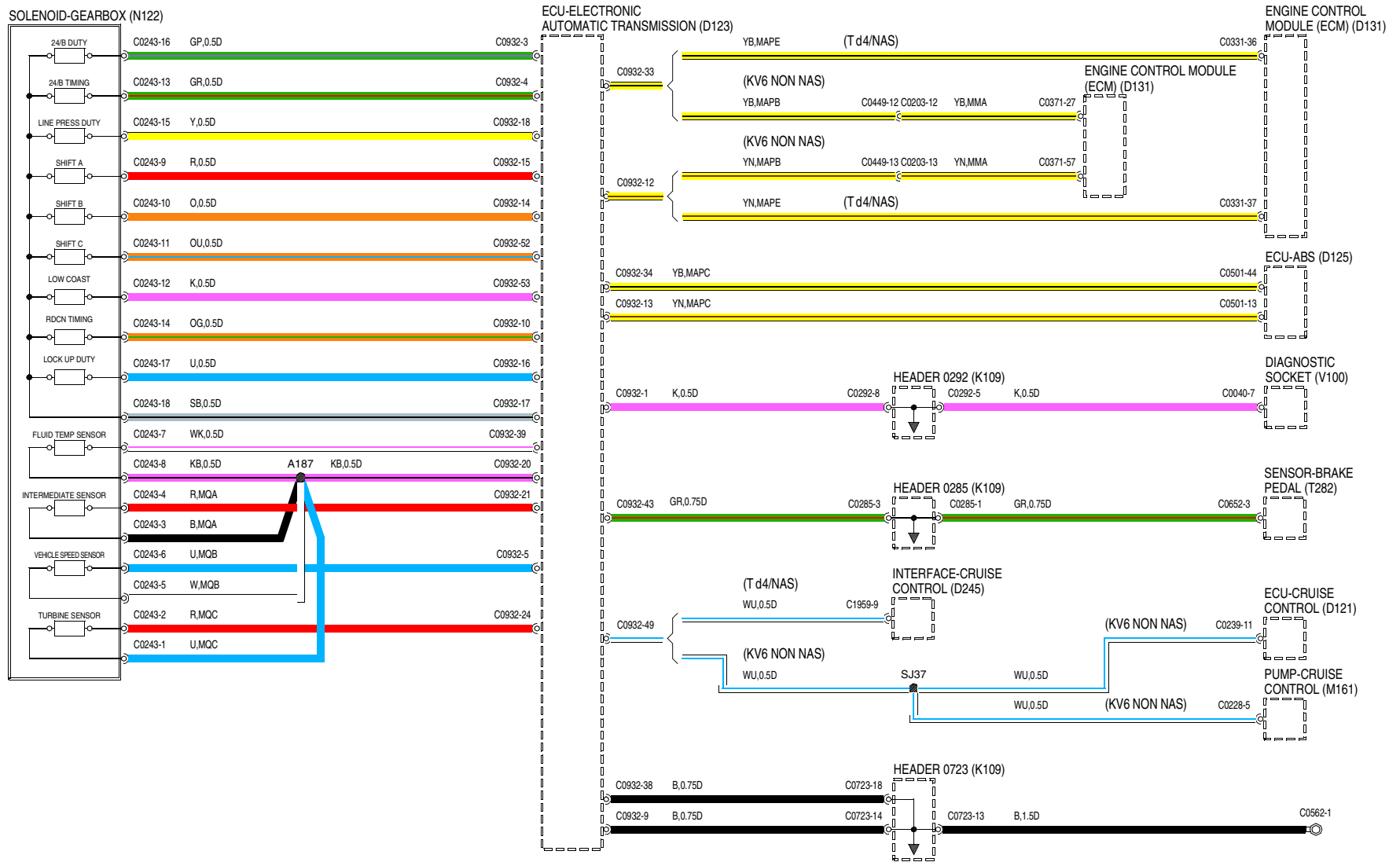
VWR004350-A-01

# 32 ELECTRONIC AUTOMATIC TRANSMISSION





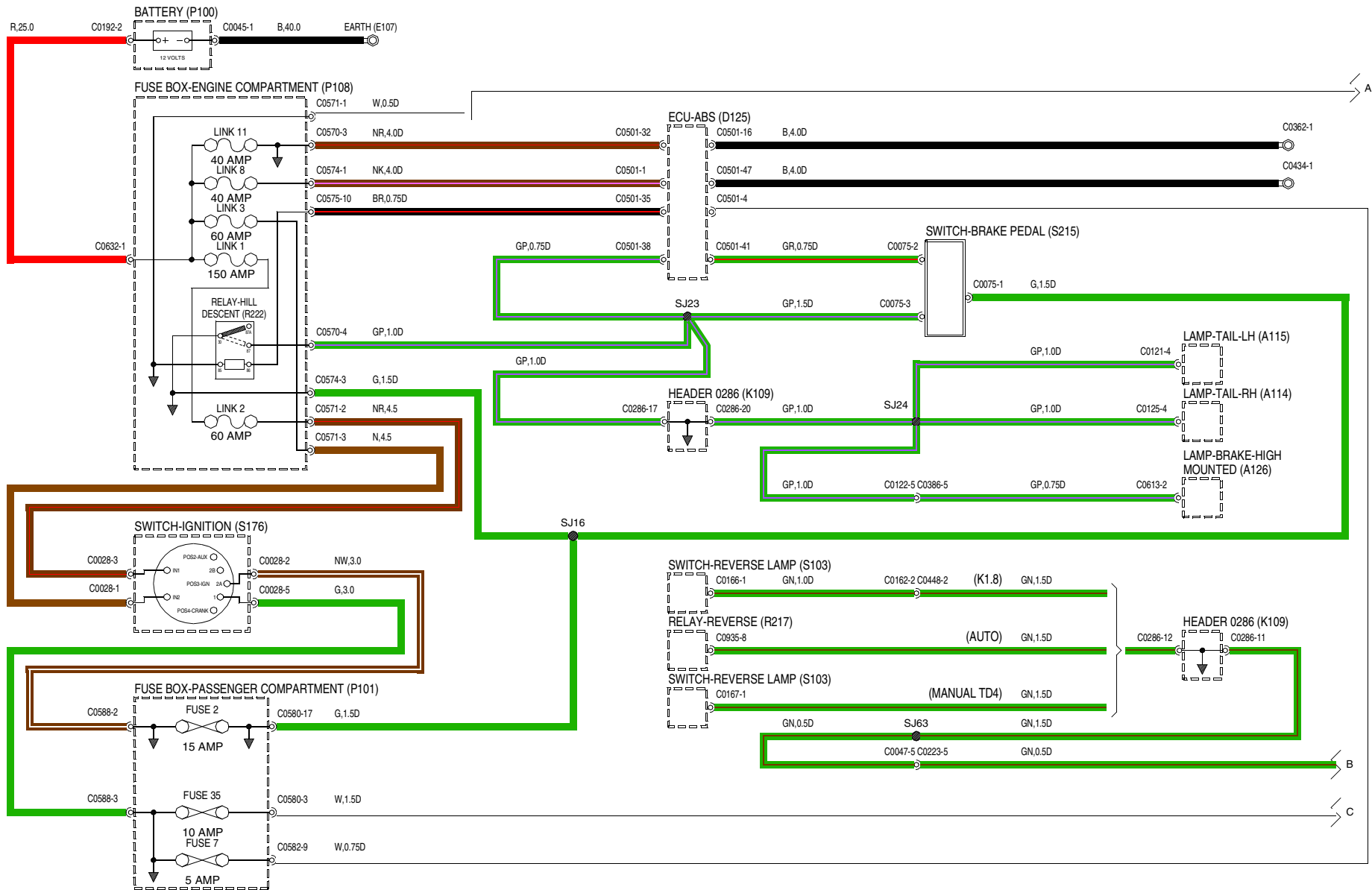
# 32 ELECTRONIC AUTOMATIC TRANSMISSION



WVR004350-A-03

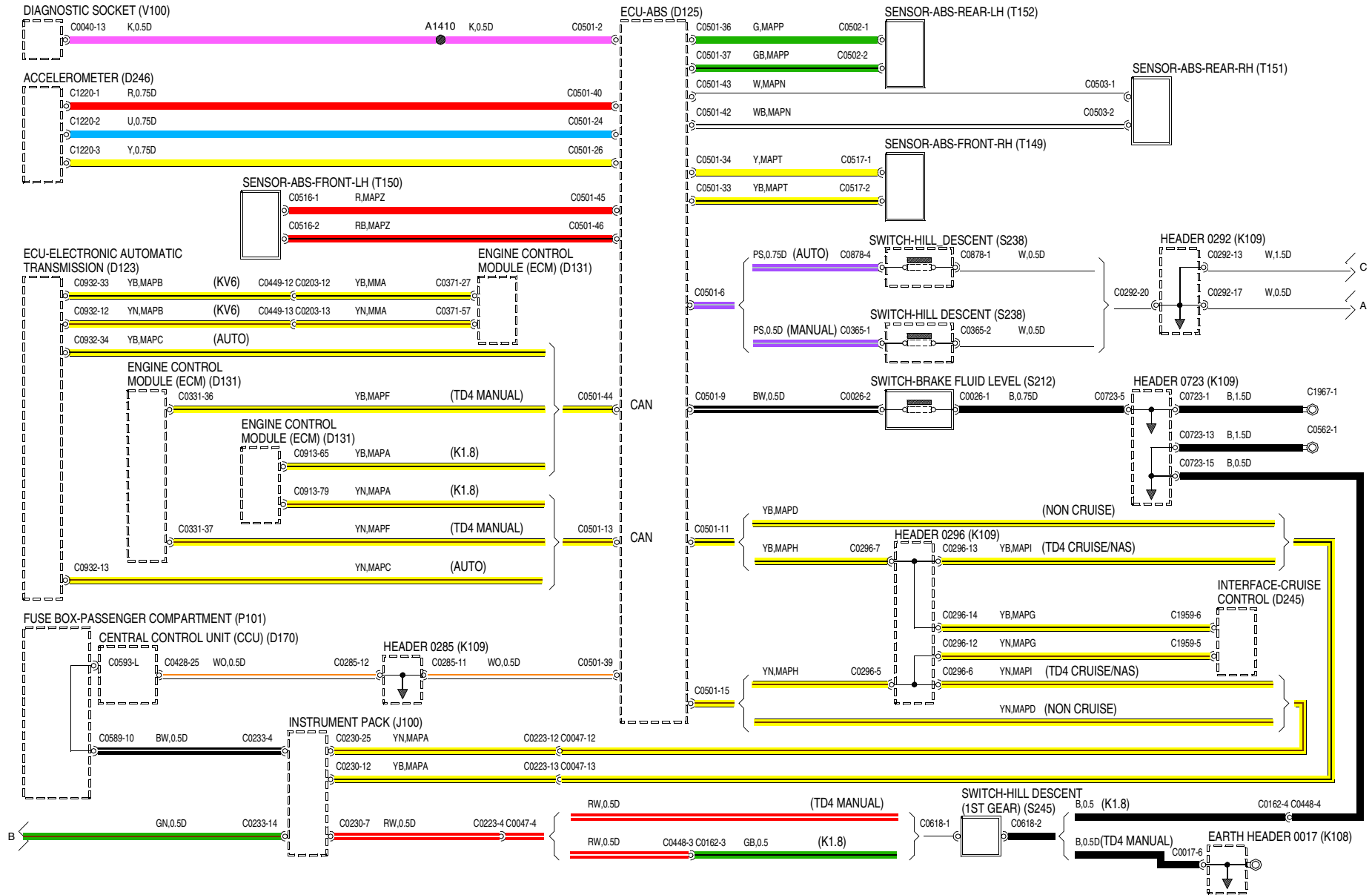


# 35 ANTI-LOCK BRAKING SYSTEM (ABS)



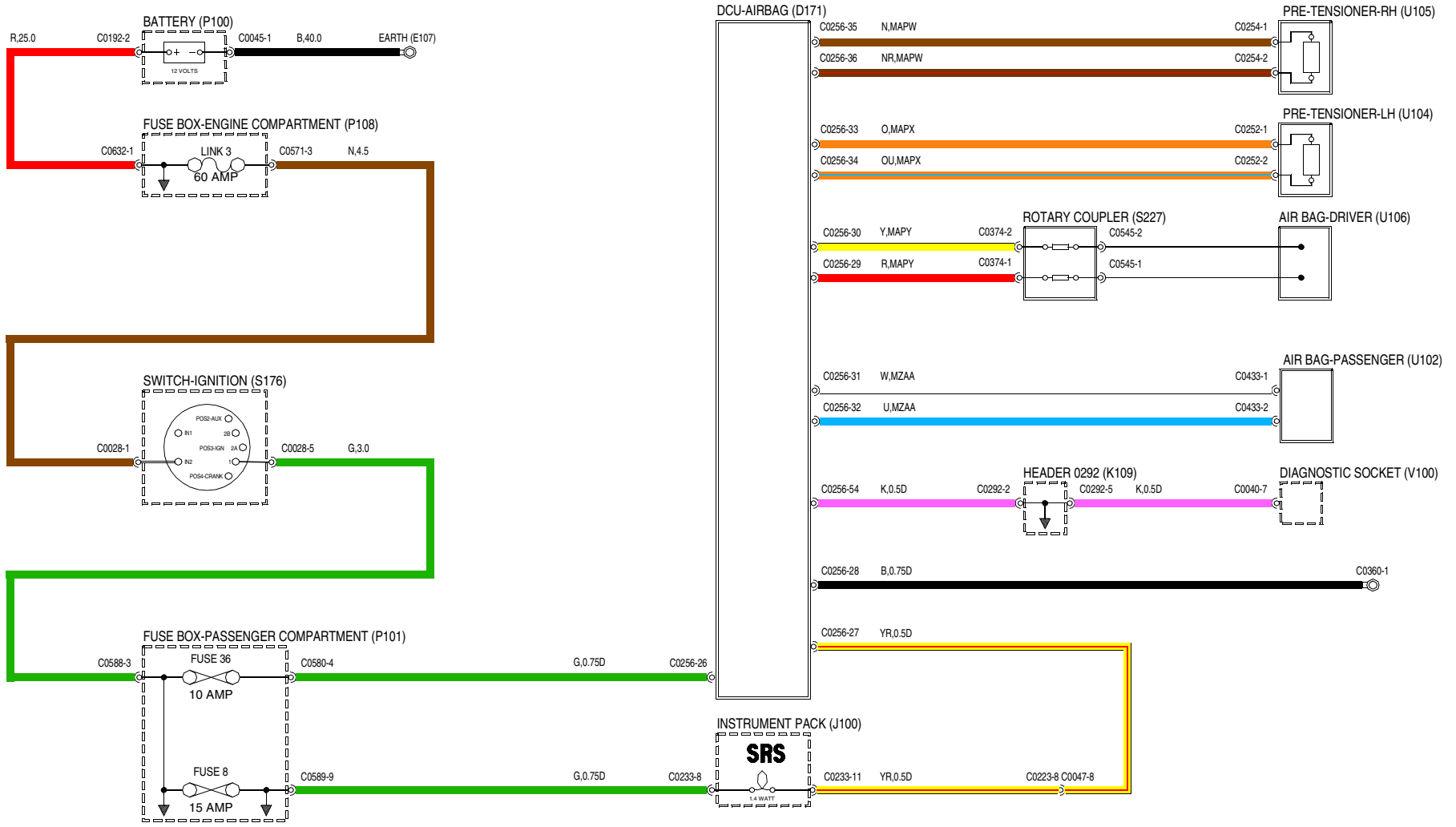
VWR004410-A-01

# 35 ANTI-LOCK BRAKING SYSTEM (ABS)



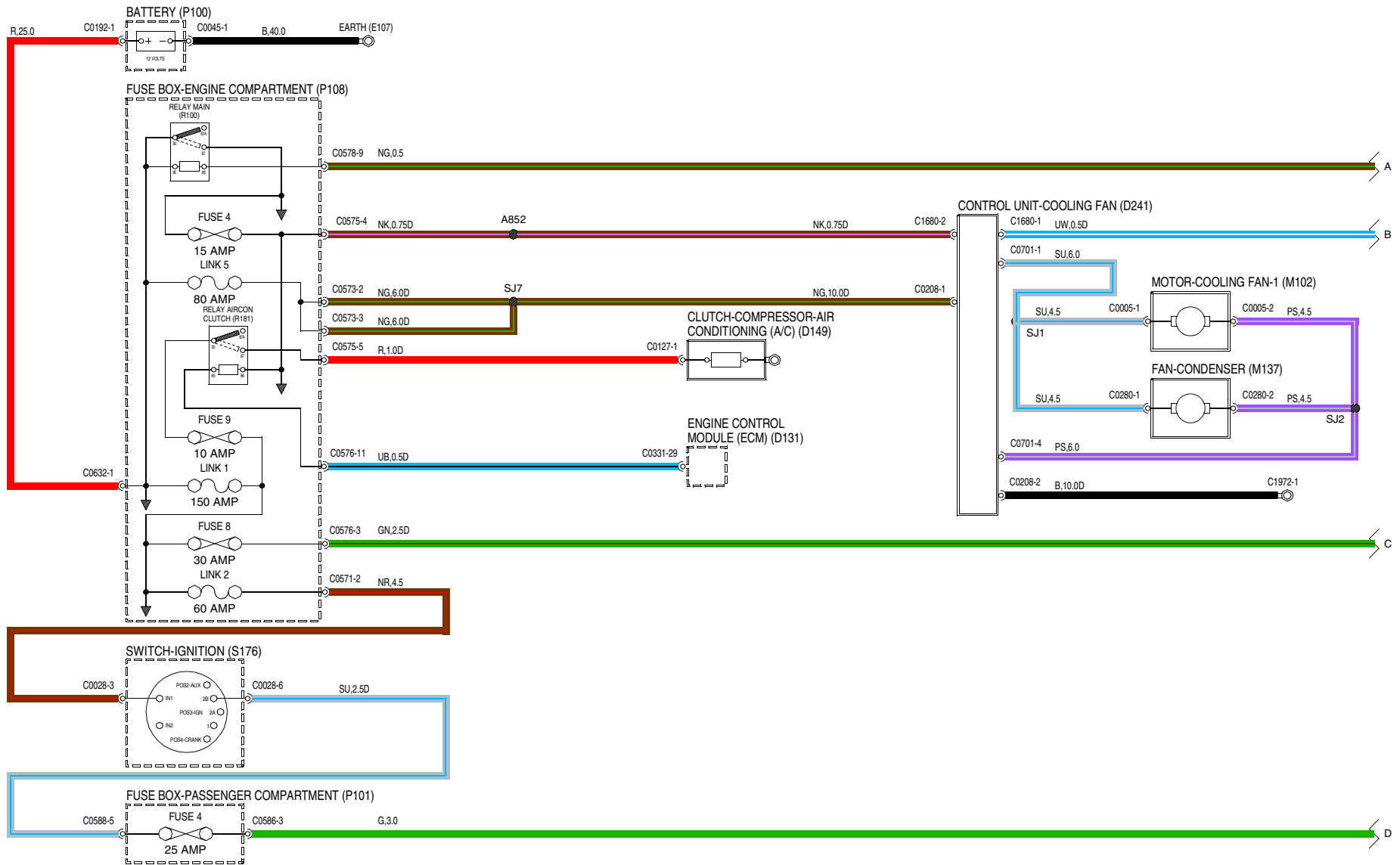
WVR004410-A-02

# 36 SUPPLEMENTARY RESTRAINT SYSTEM (SRS)

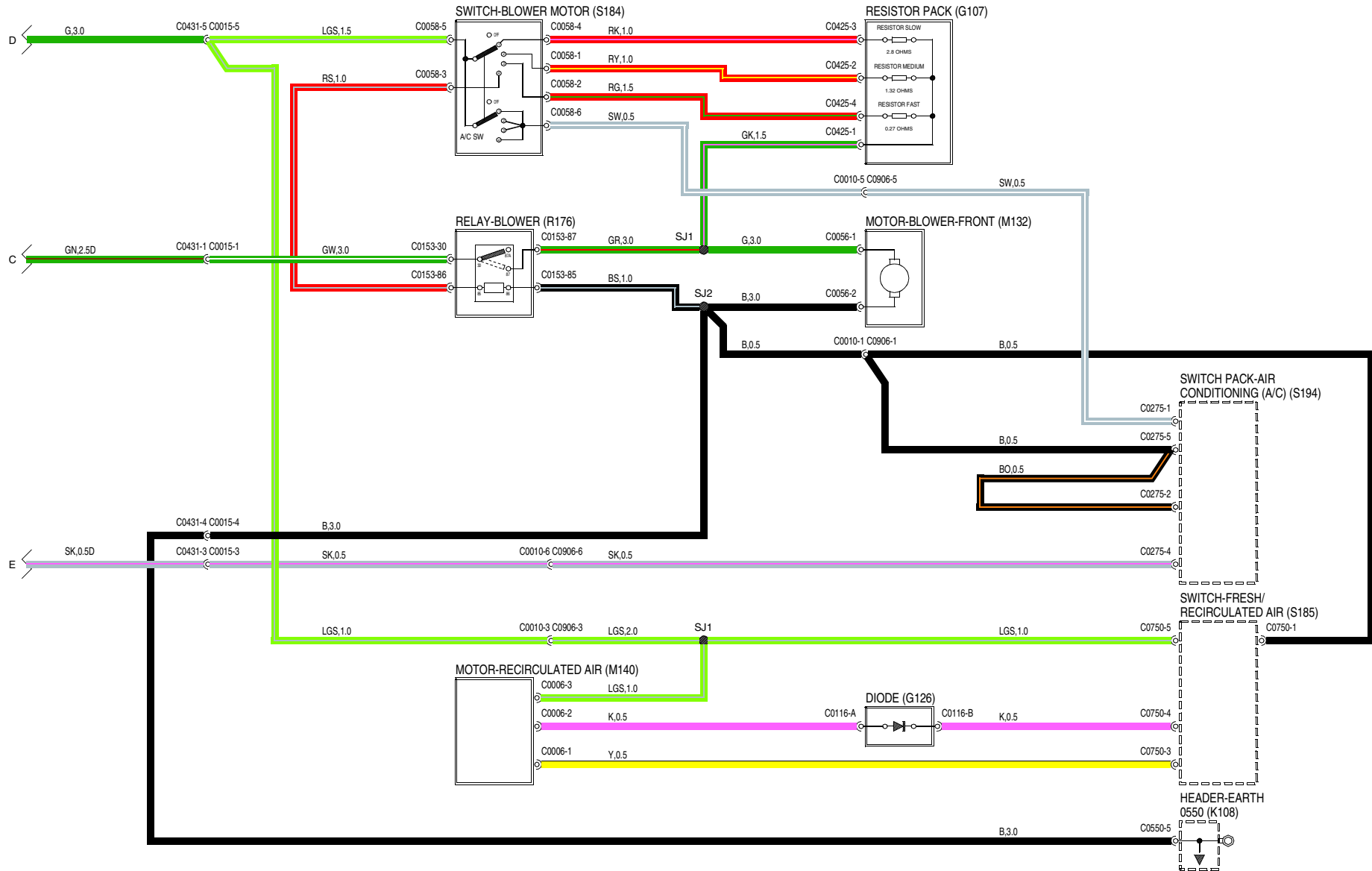


WVR004300-A-01





VWR003960-A-01



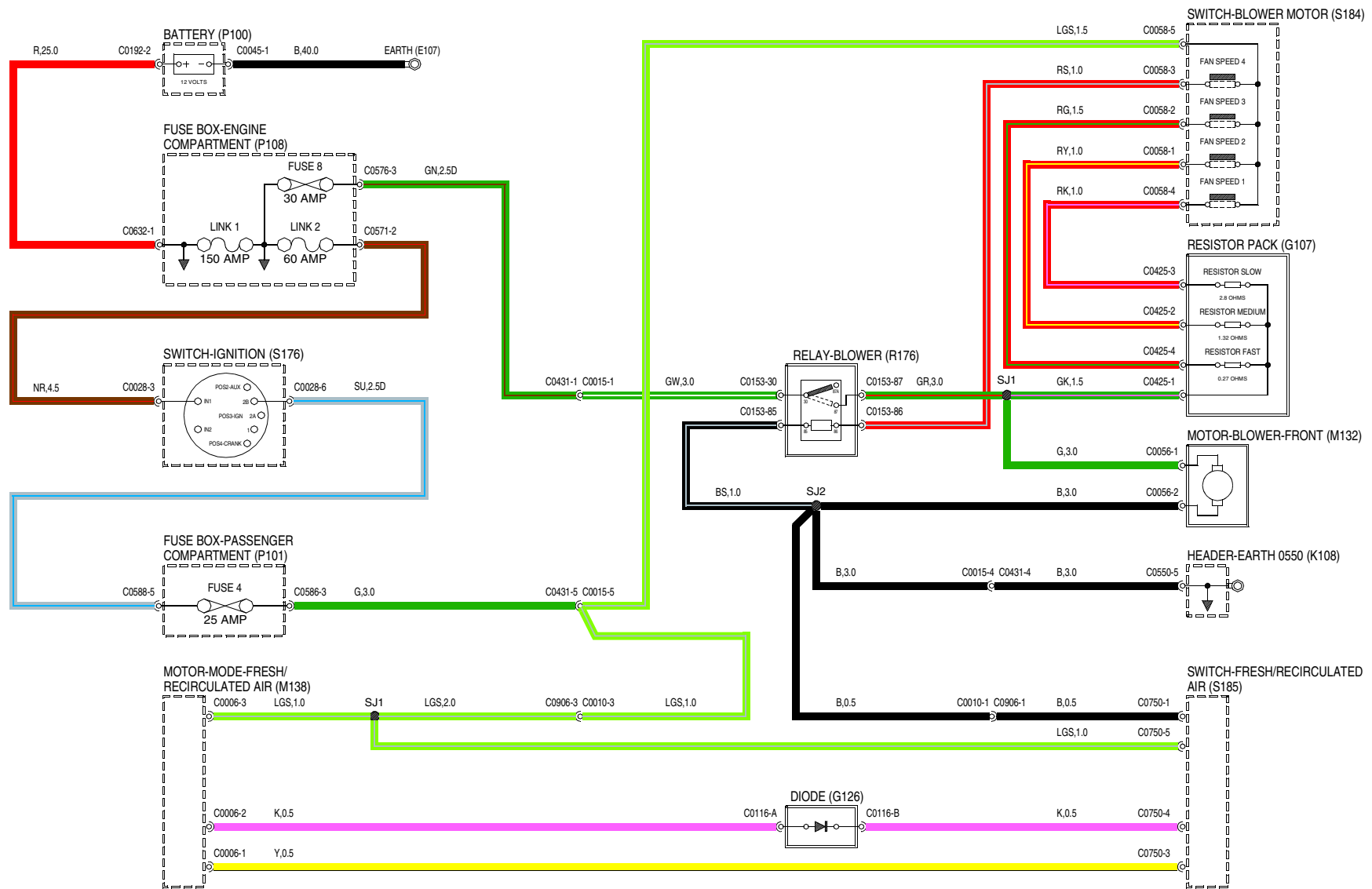
VWR003960-A-02







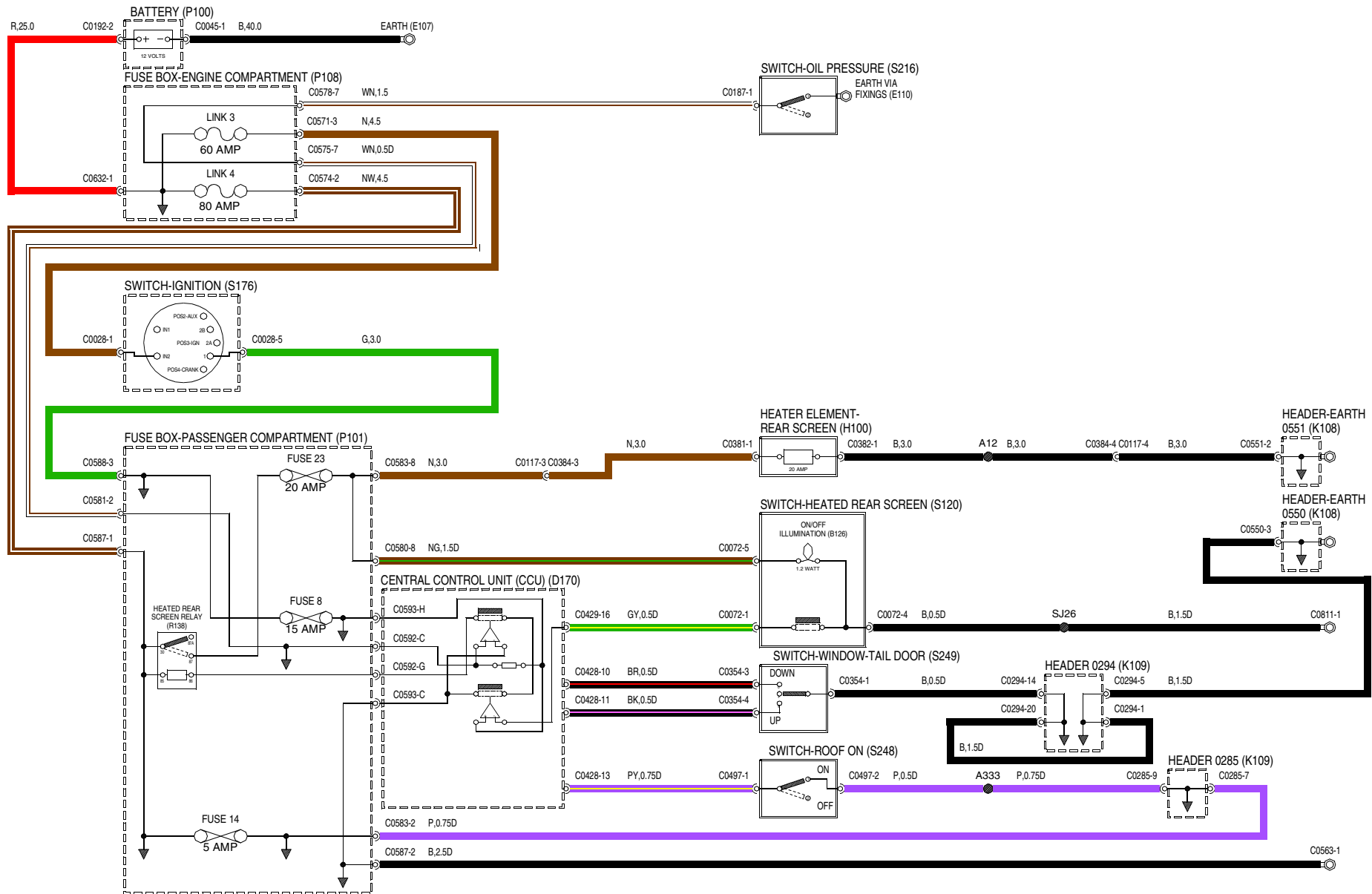
# 39 HEATER



VWR004160-A-01



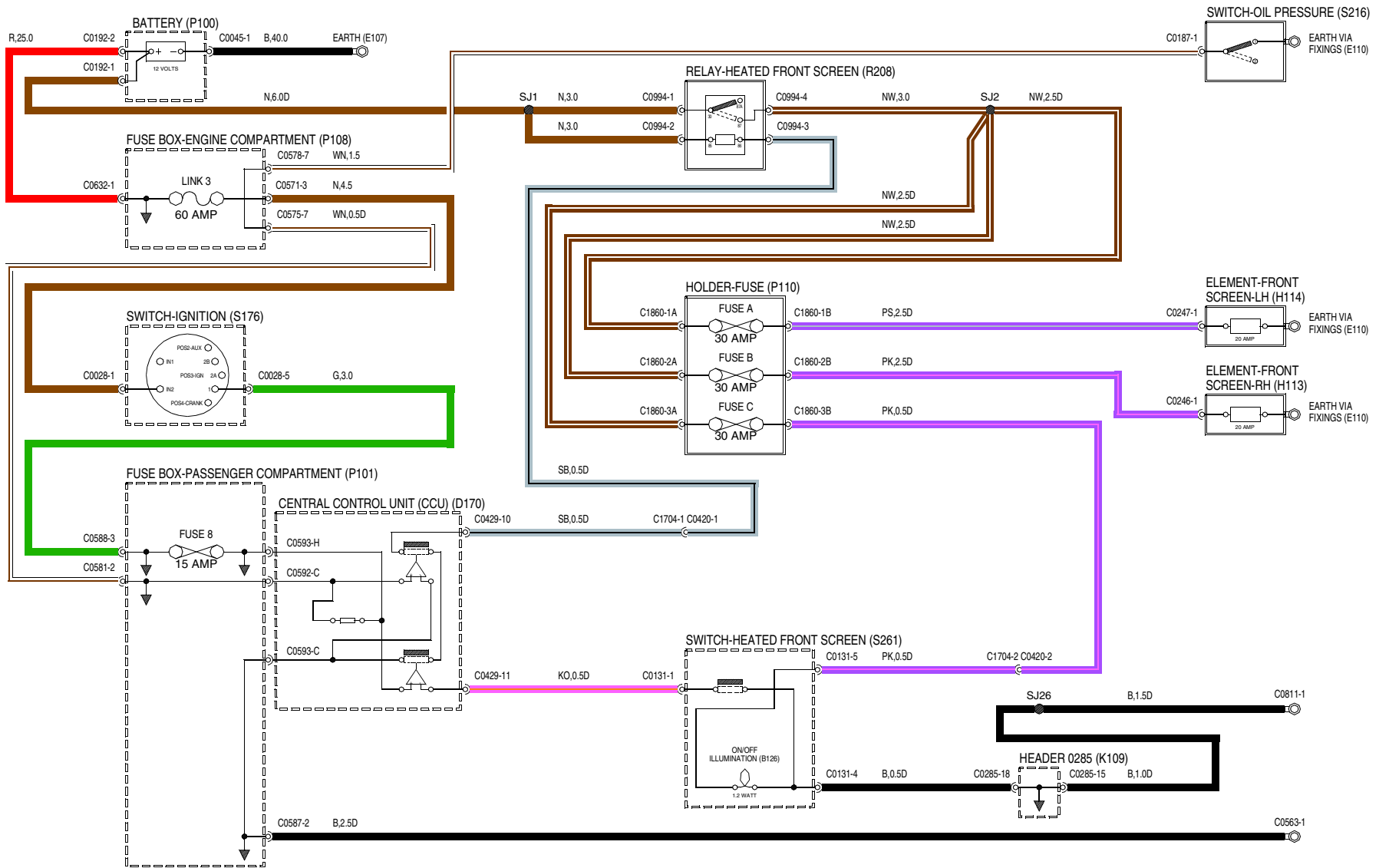
# 40 HEATED REAR SCREEN



VWR004150-A-01



# 40 HEATED FRONT SCREEN



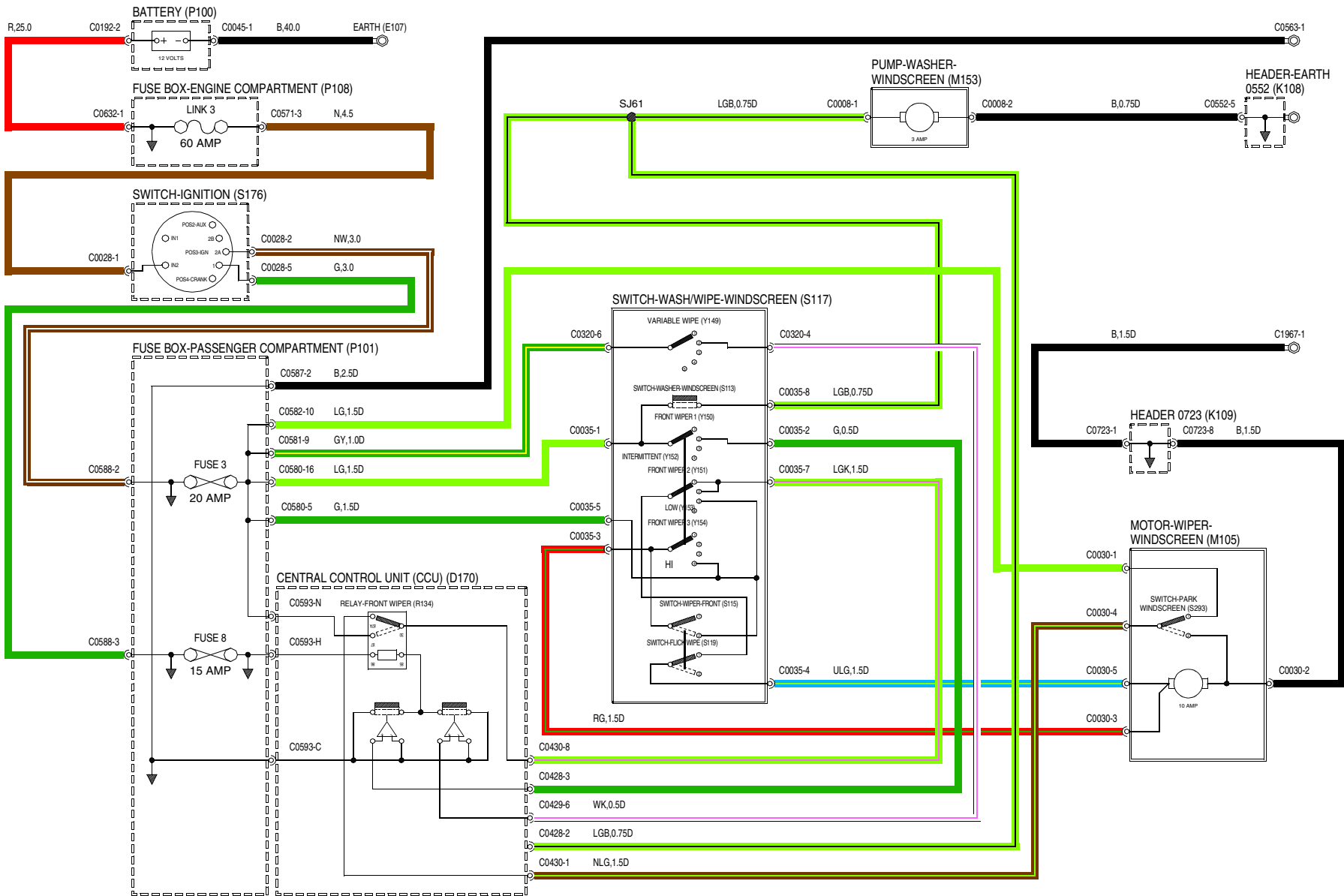
WVR004570-A-01





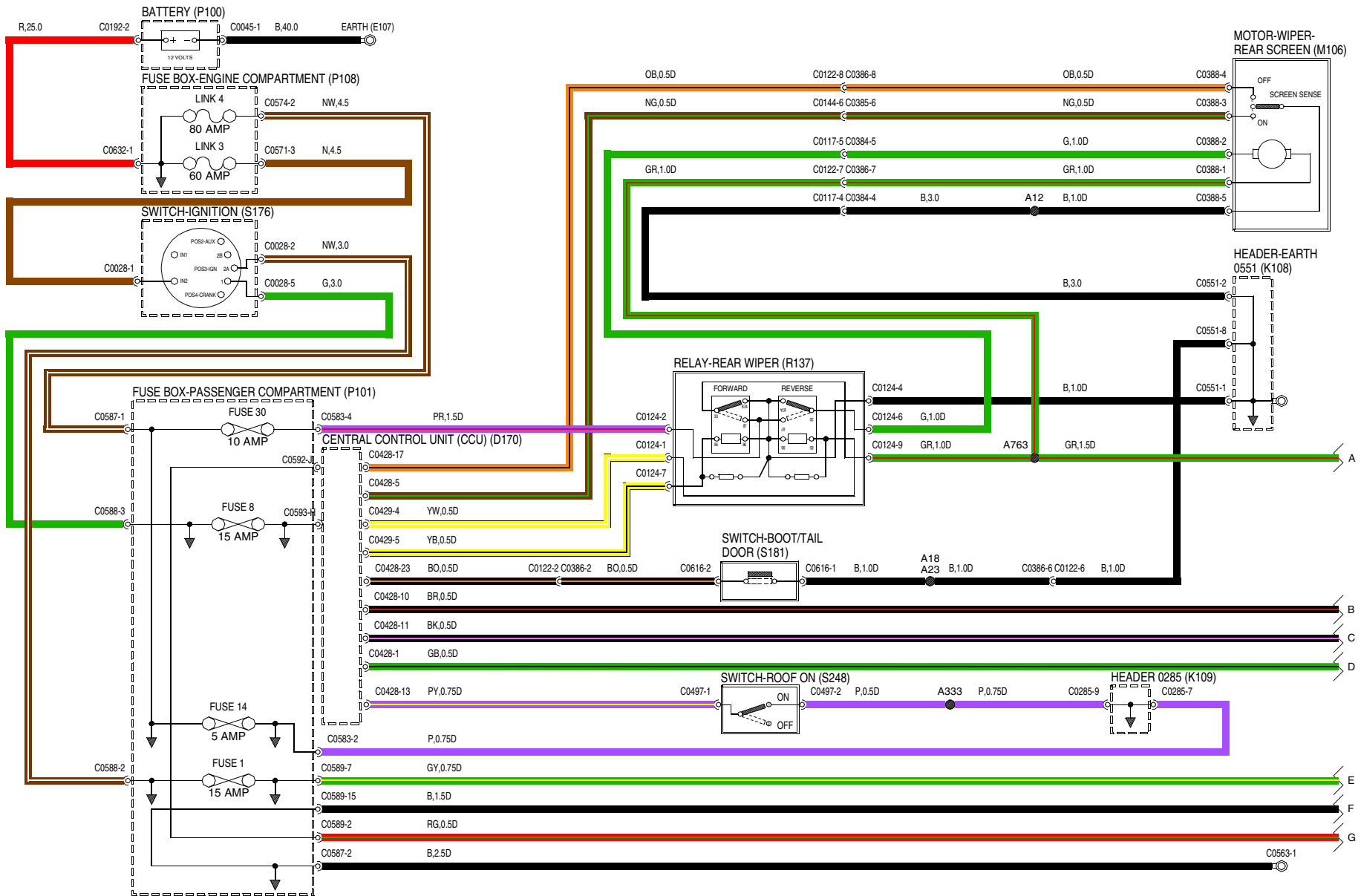
# 42 WIPERS AND WASHERS

Front

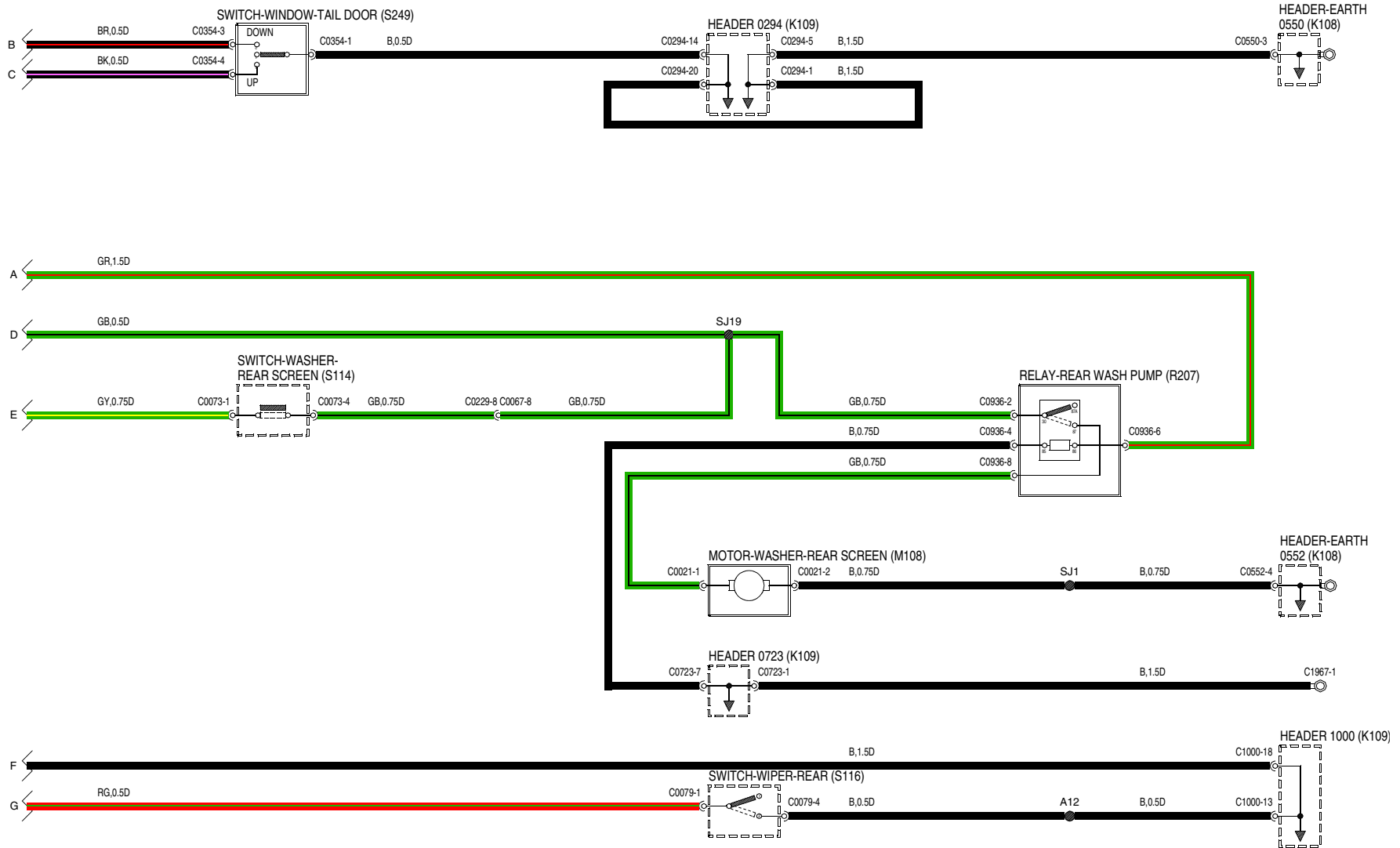


WVR004390-A-01

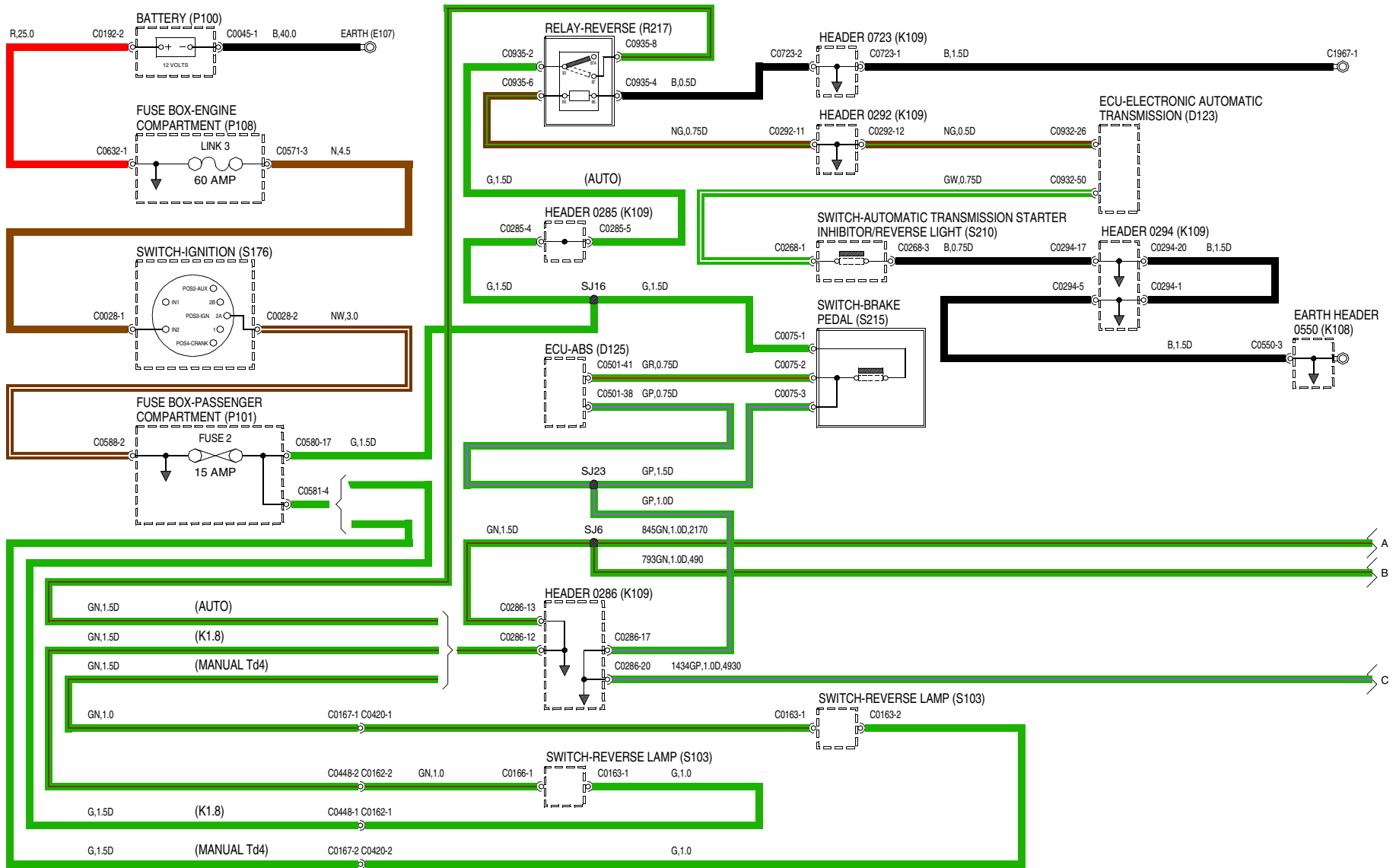




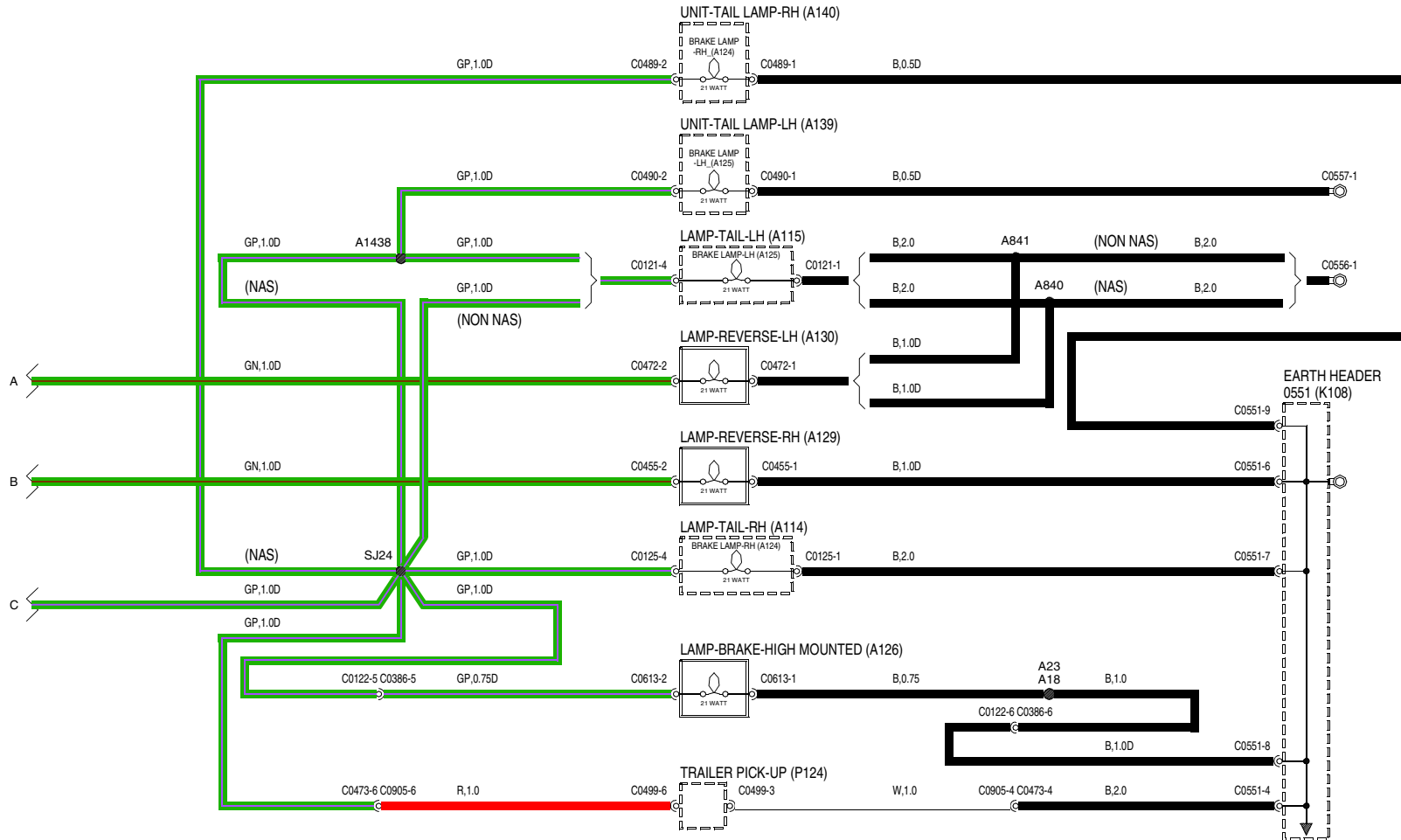
WVR004400-A-01



VWR004400-A-02



VWR003980-A-01

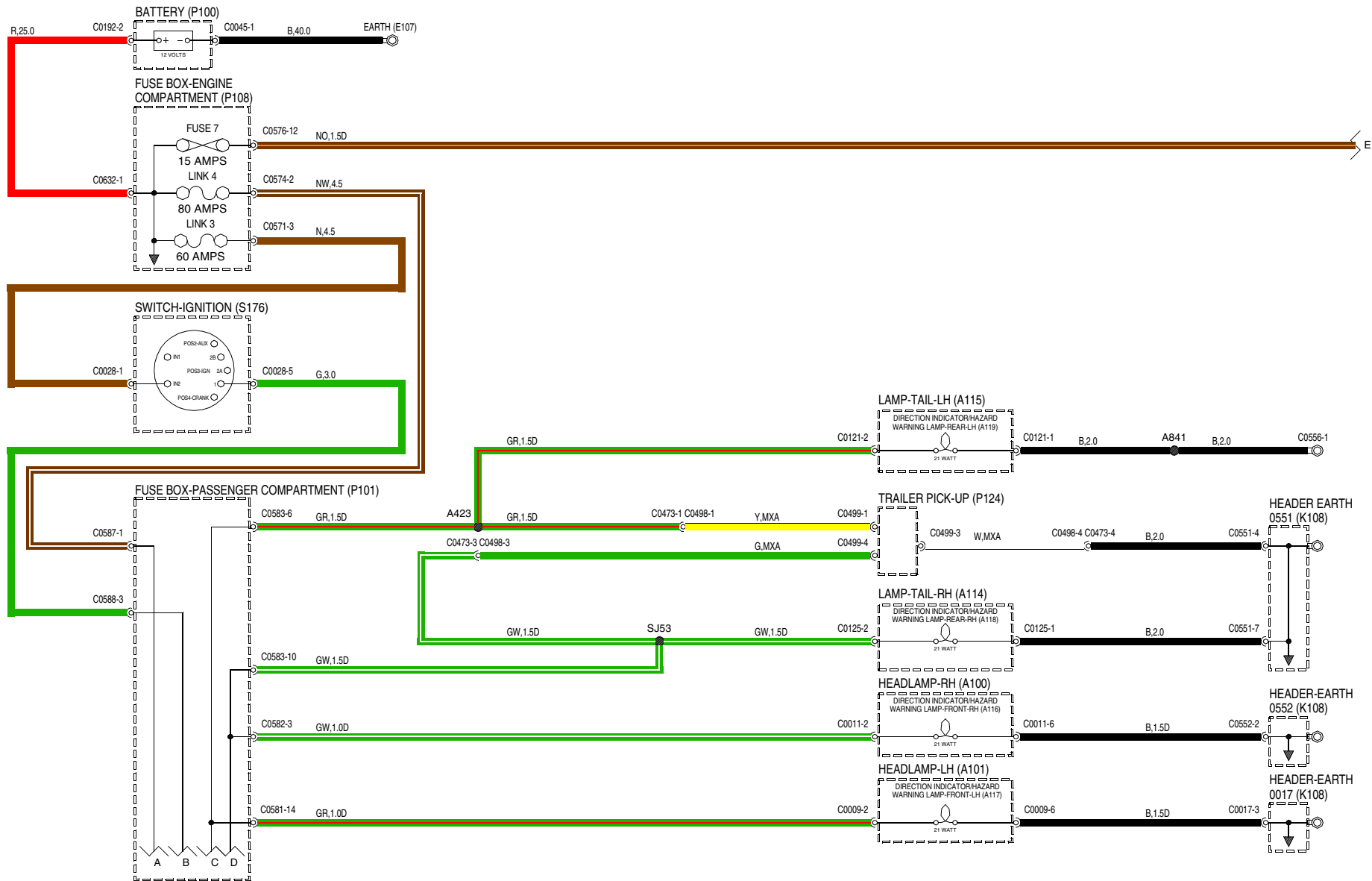


VWR003980-A-02

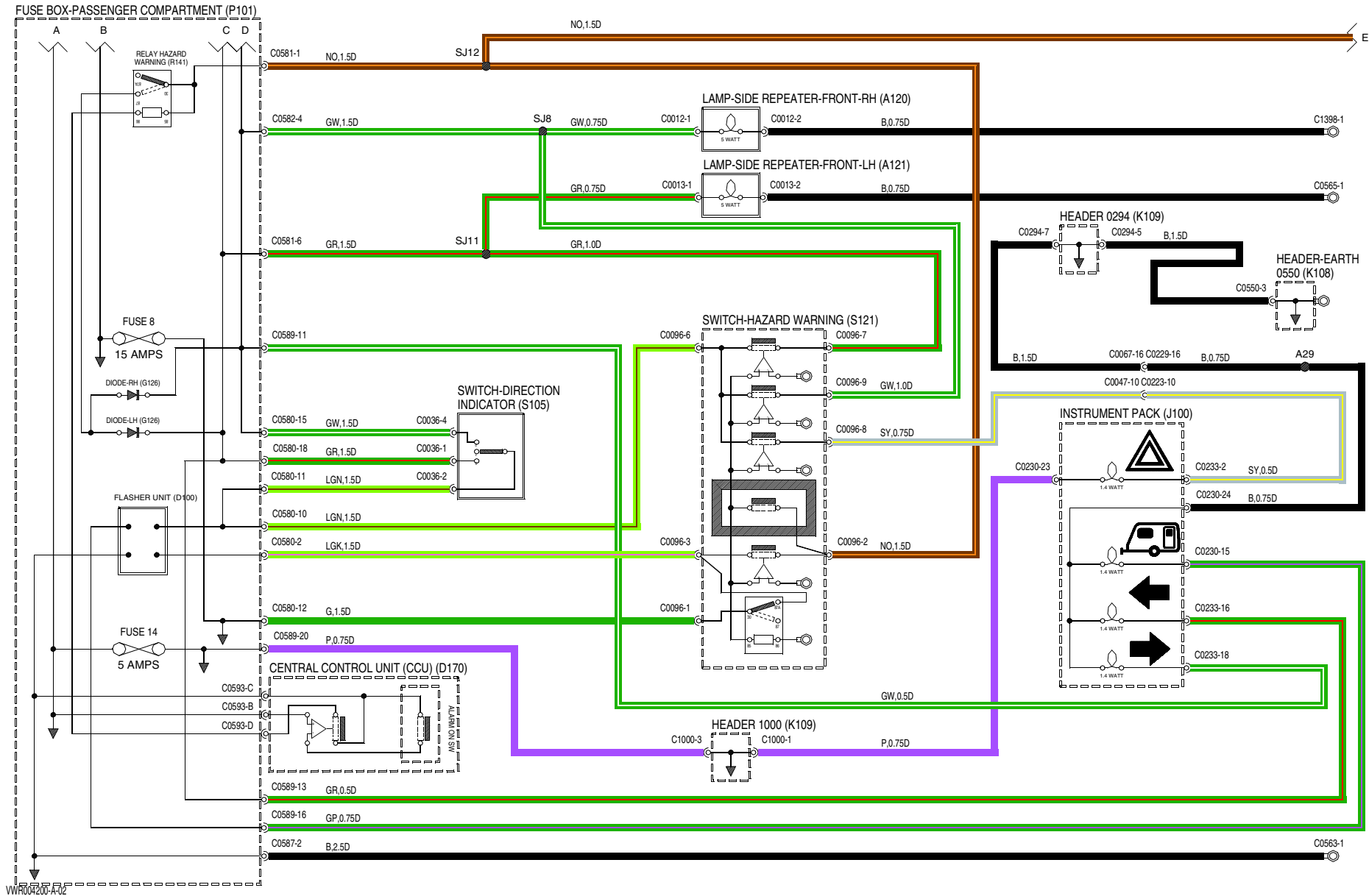


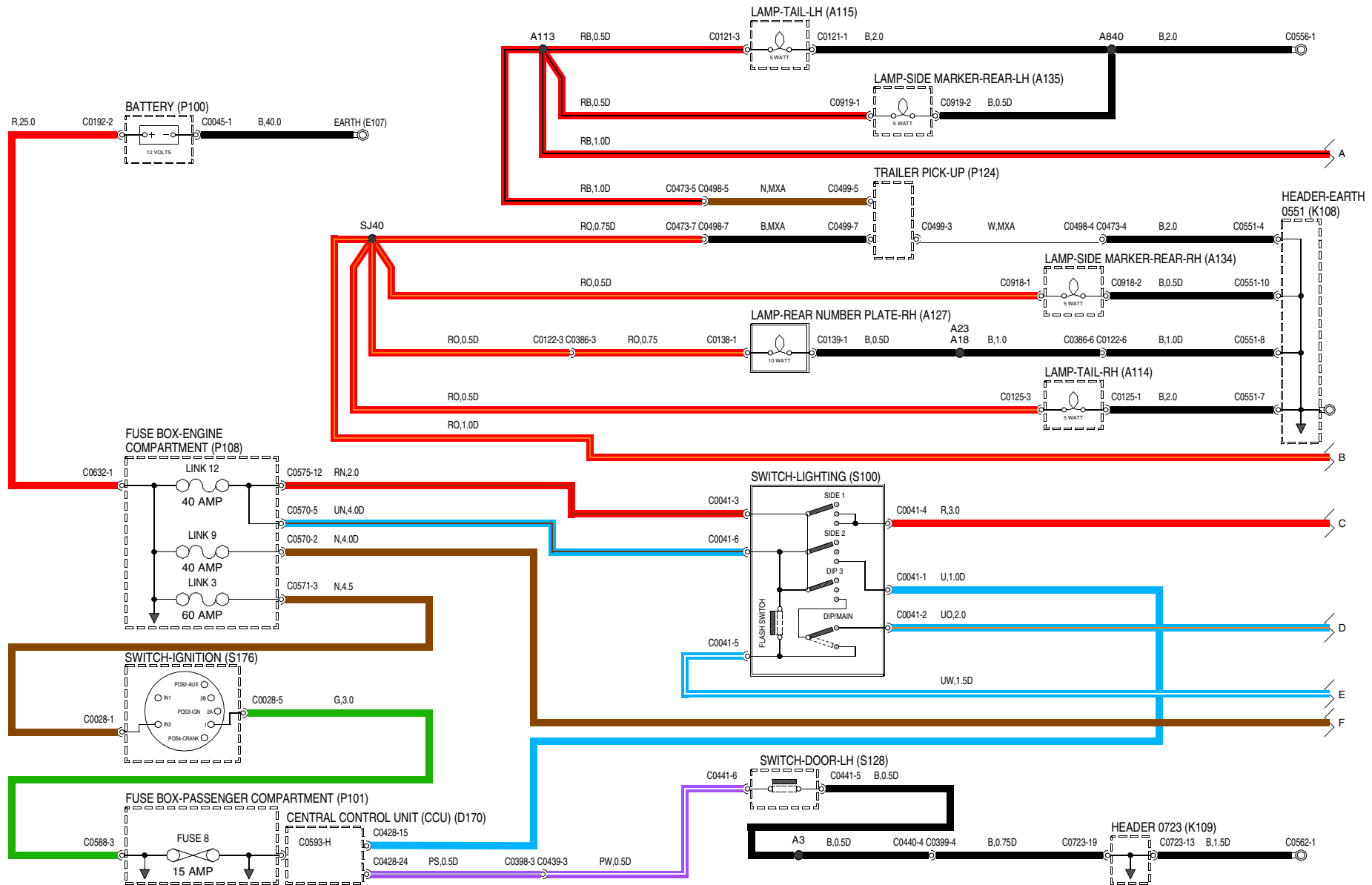






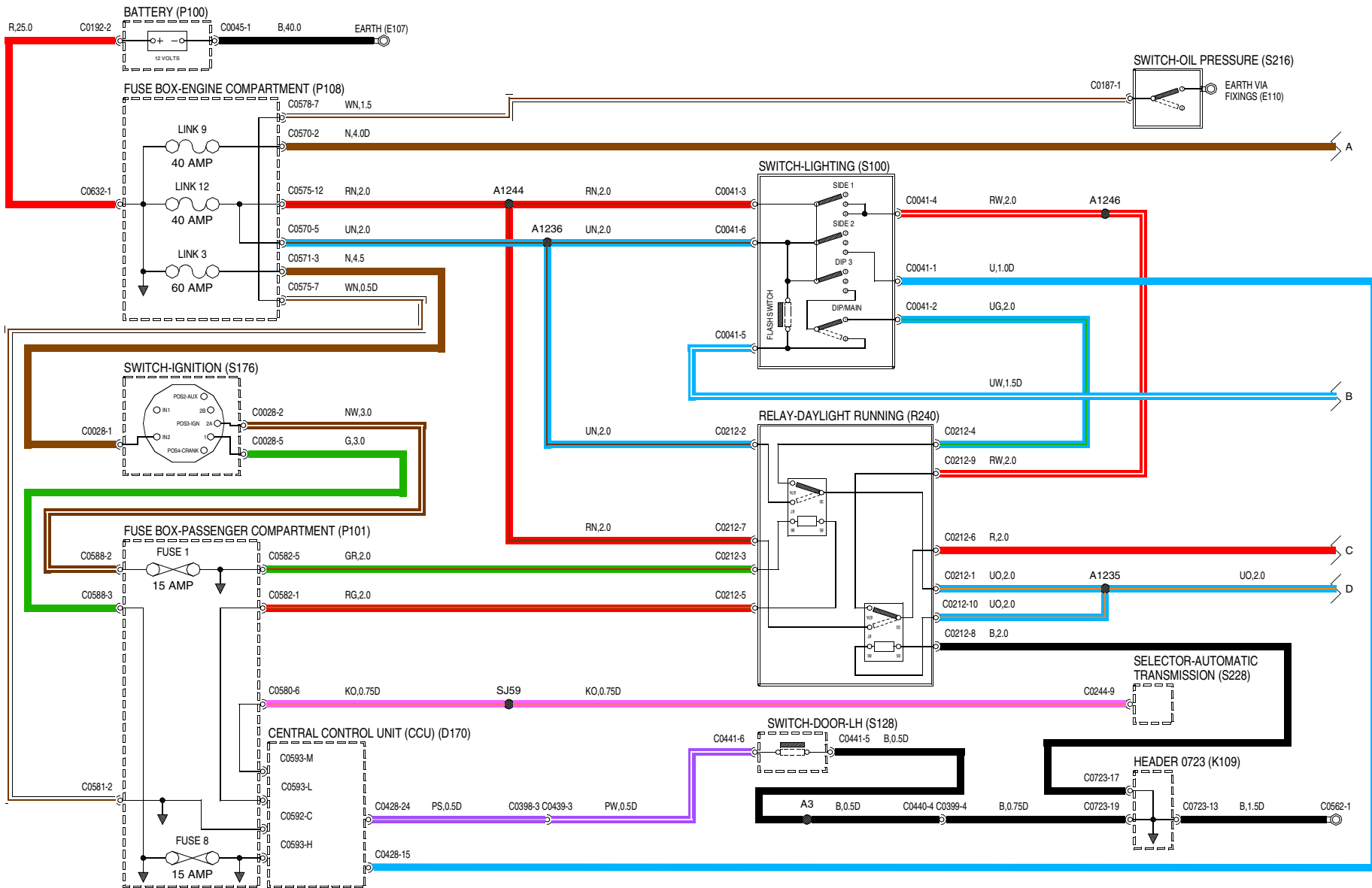
VWR004200-A-01



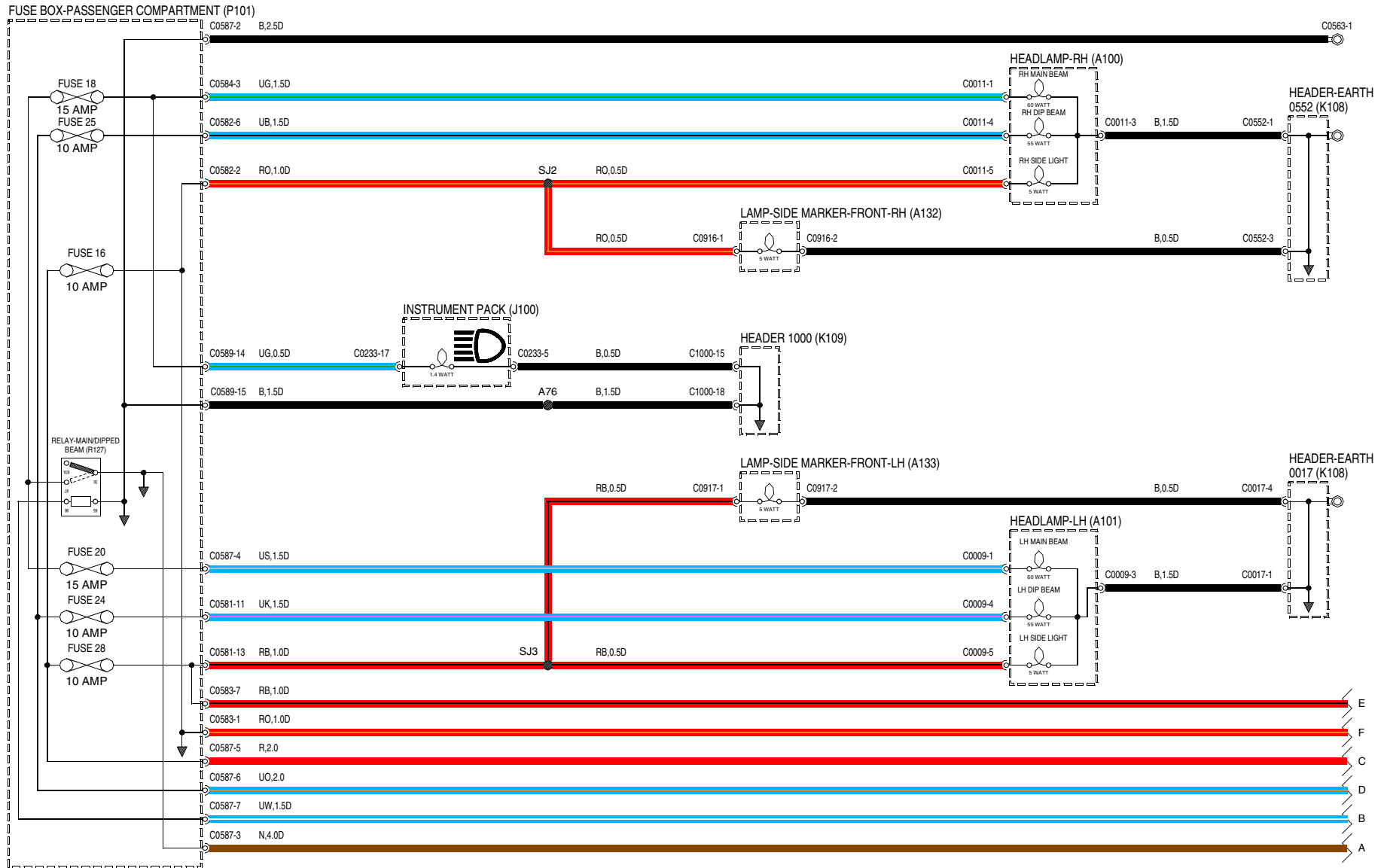


VWR004470-A-01





WVR004580-A-01



WVRO04580-A-02

# 43 EXTERIOR LAMPS

## Head, side and tail lamps- Canada

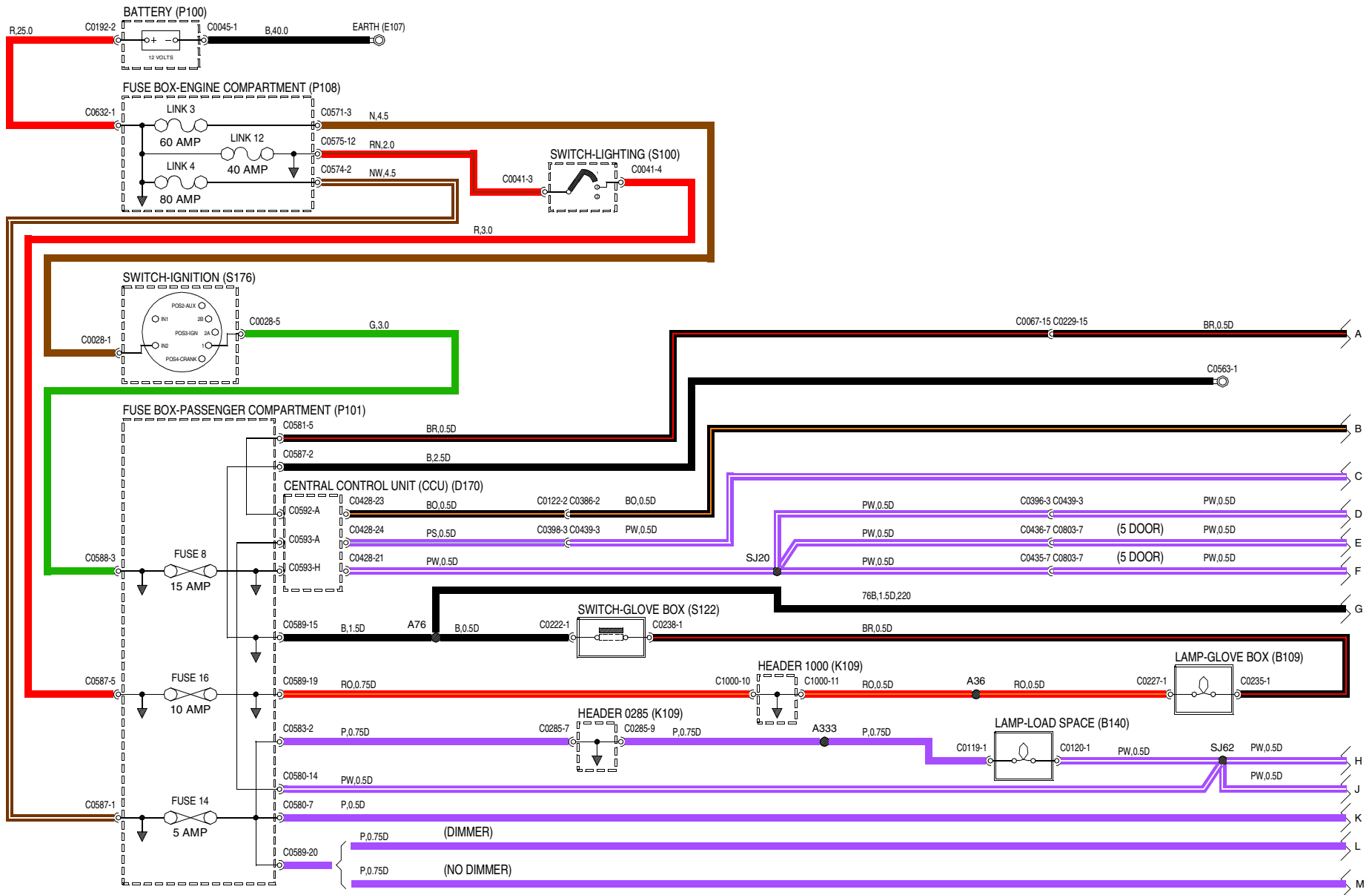


VWR004580-A-03



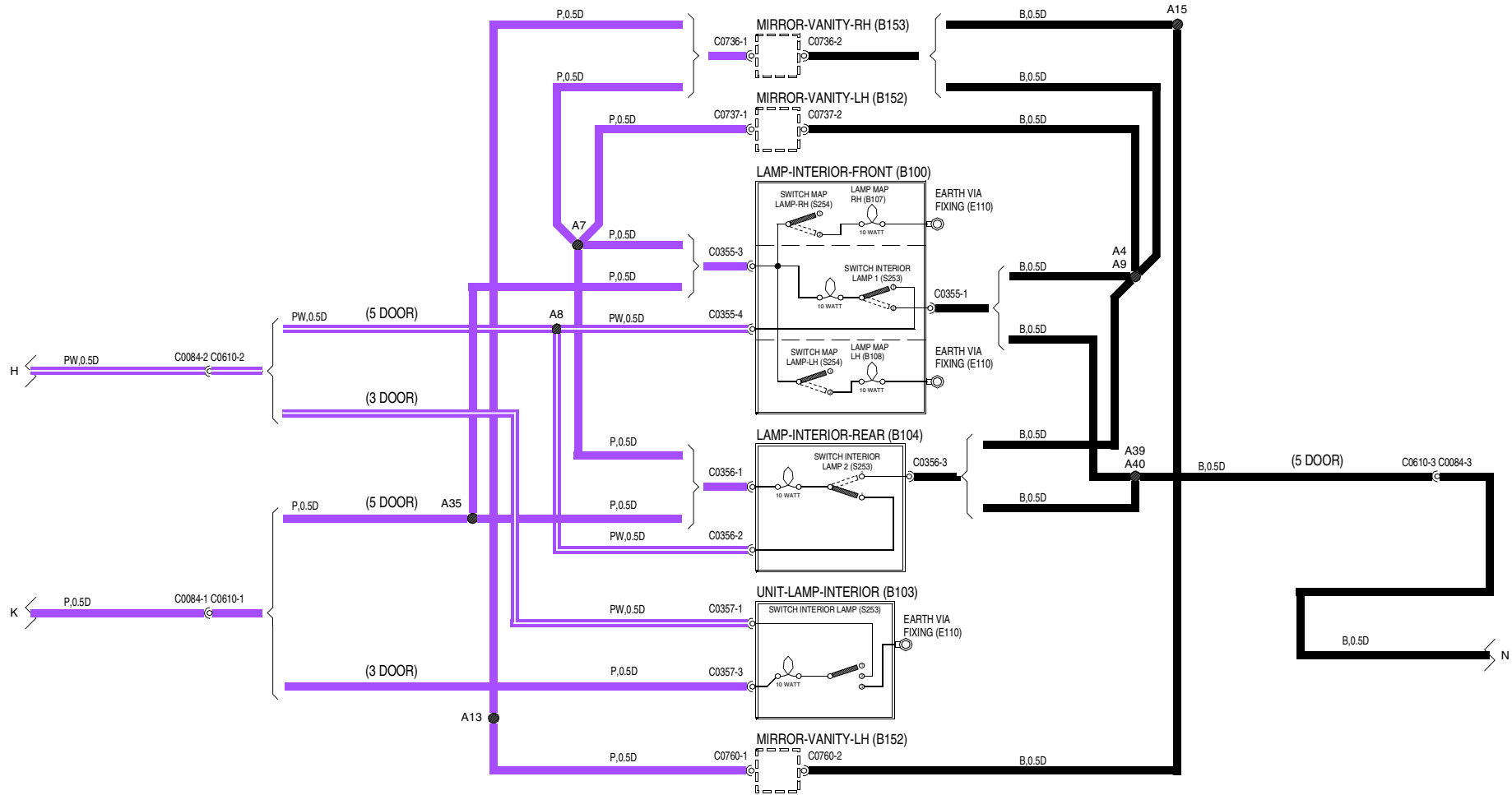


# 44 INTERIOR LAMPS



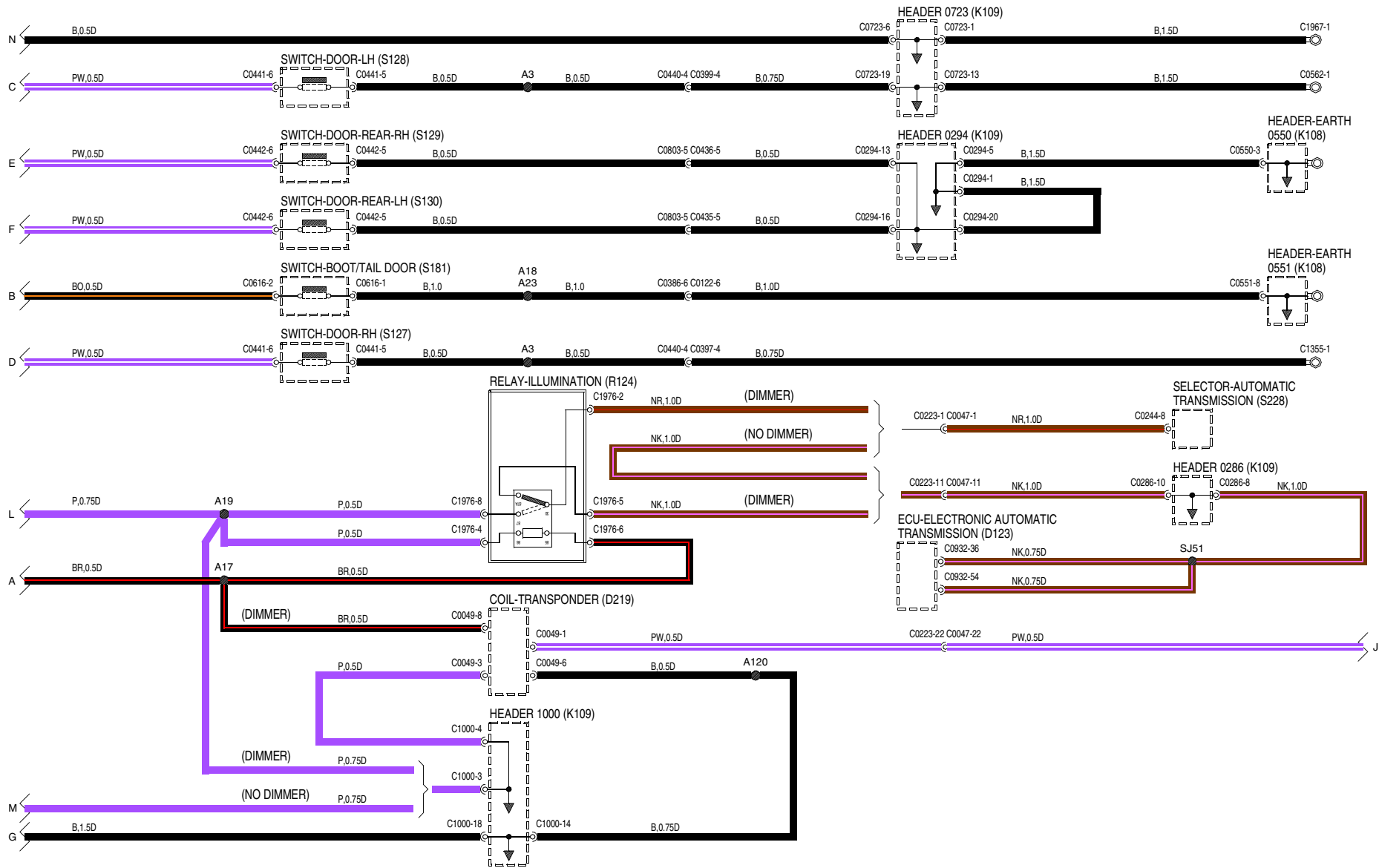
VWR004230-A-01

# 44 INTERIOR LAMPS



VWR004230-A-02

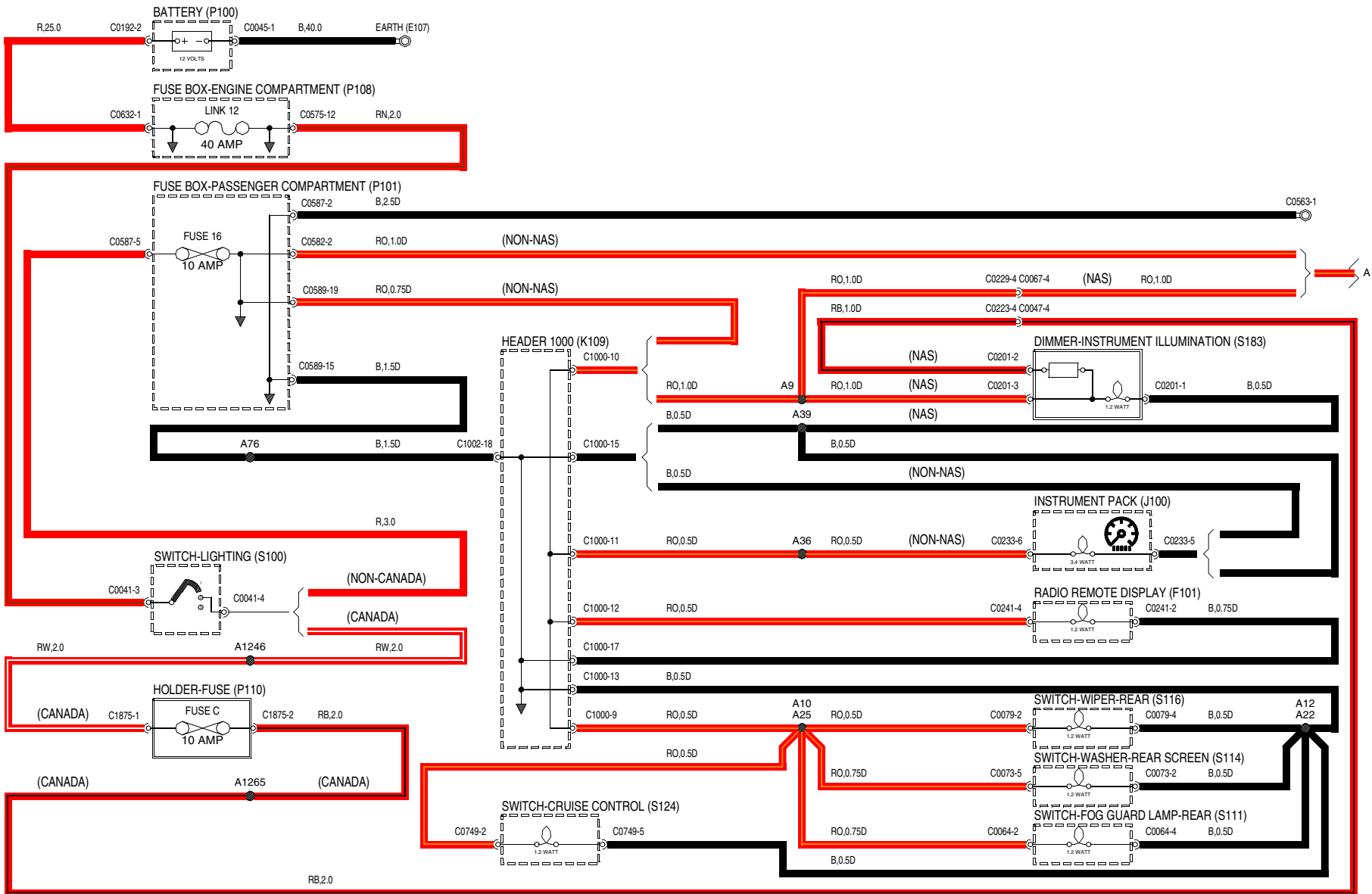
# 44 INTERIOR LAMPS



VWR004230-A-03

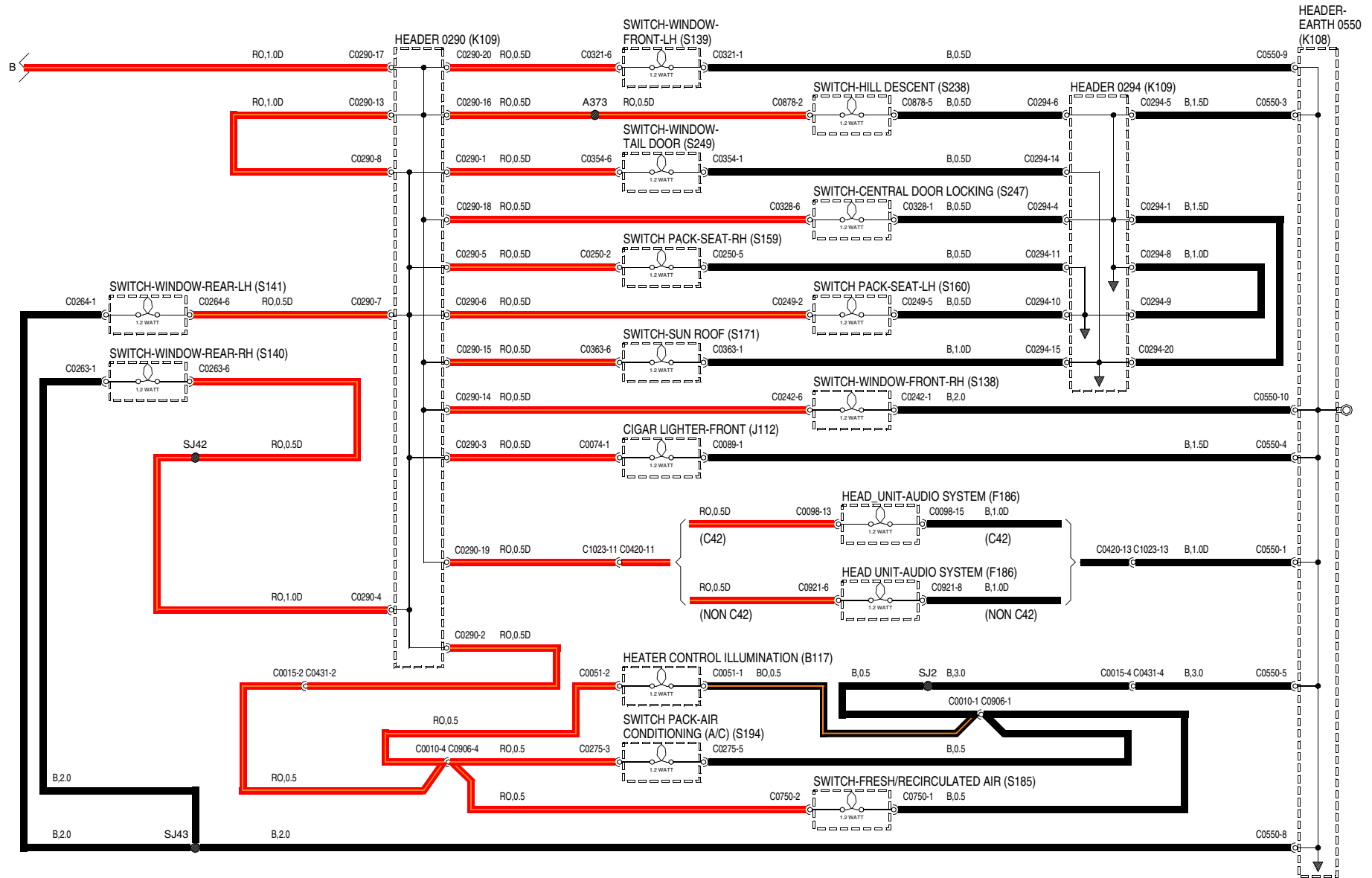


# 46 INTERIOR ILLUMINATION



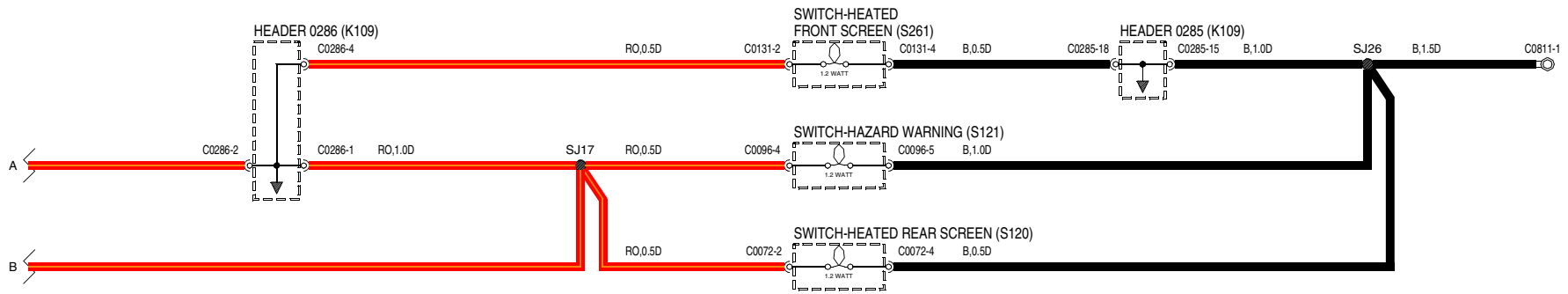
WR004220-A-01

# 46 INTERIOR ILLUMINATION



VWR004220-A-02

# 46 INTERIOR ILLUMINATION

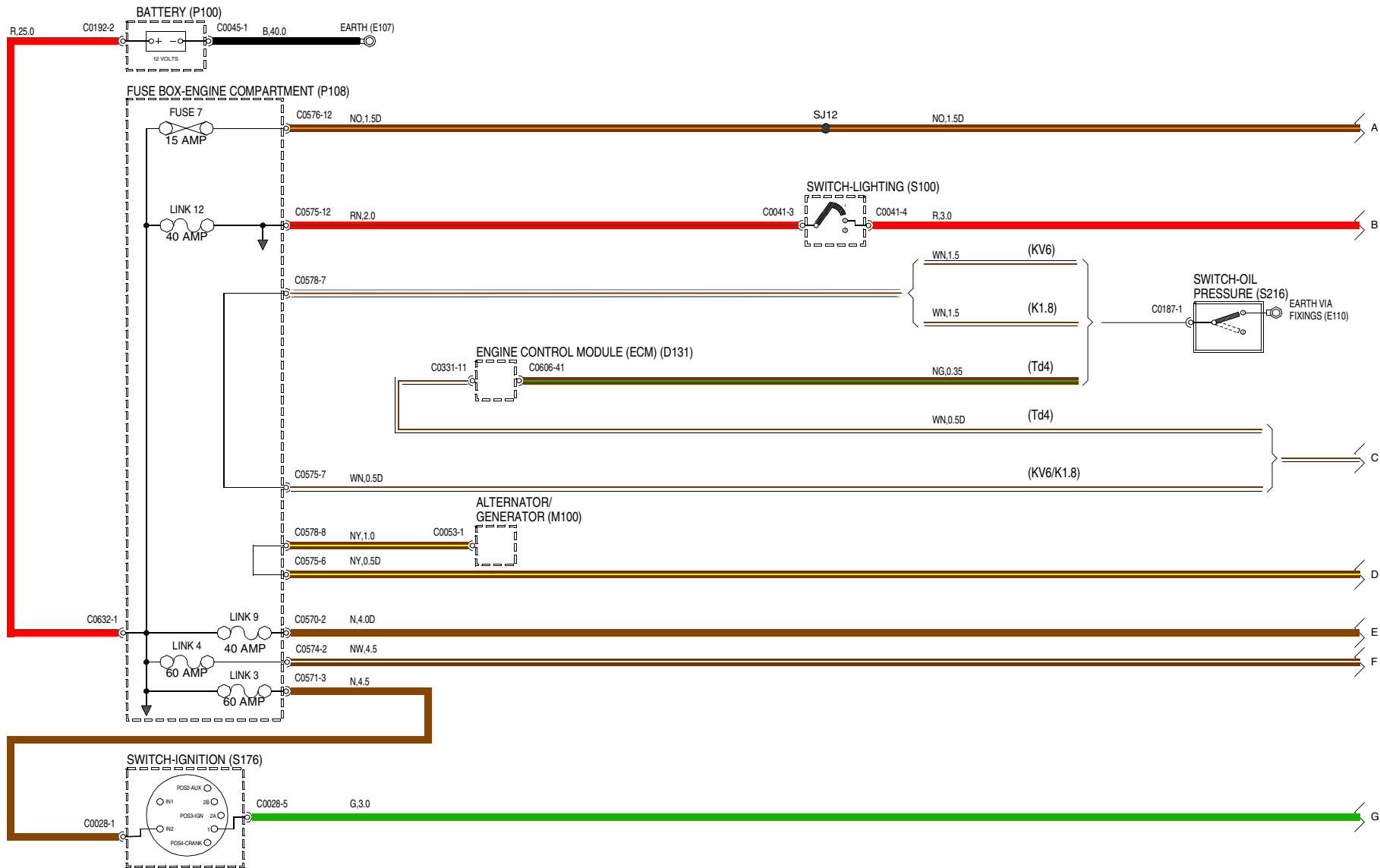


VWR004220-A-03

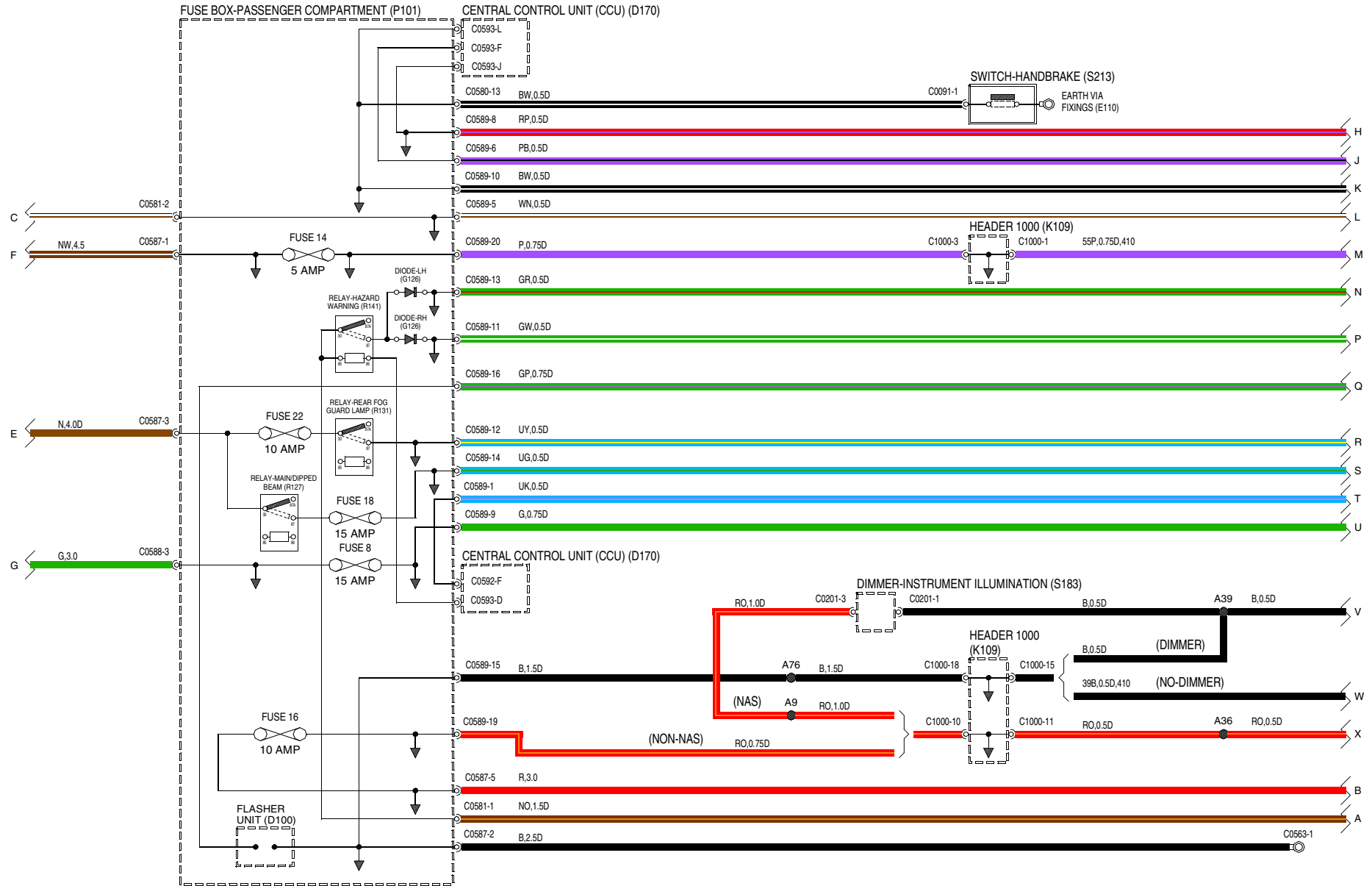




# 47 INSTRUMENTS

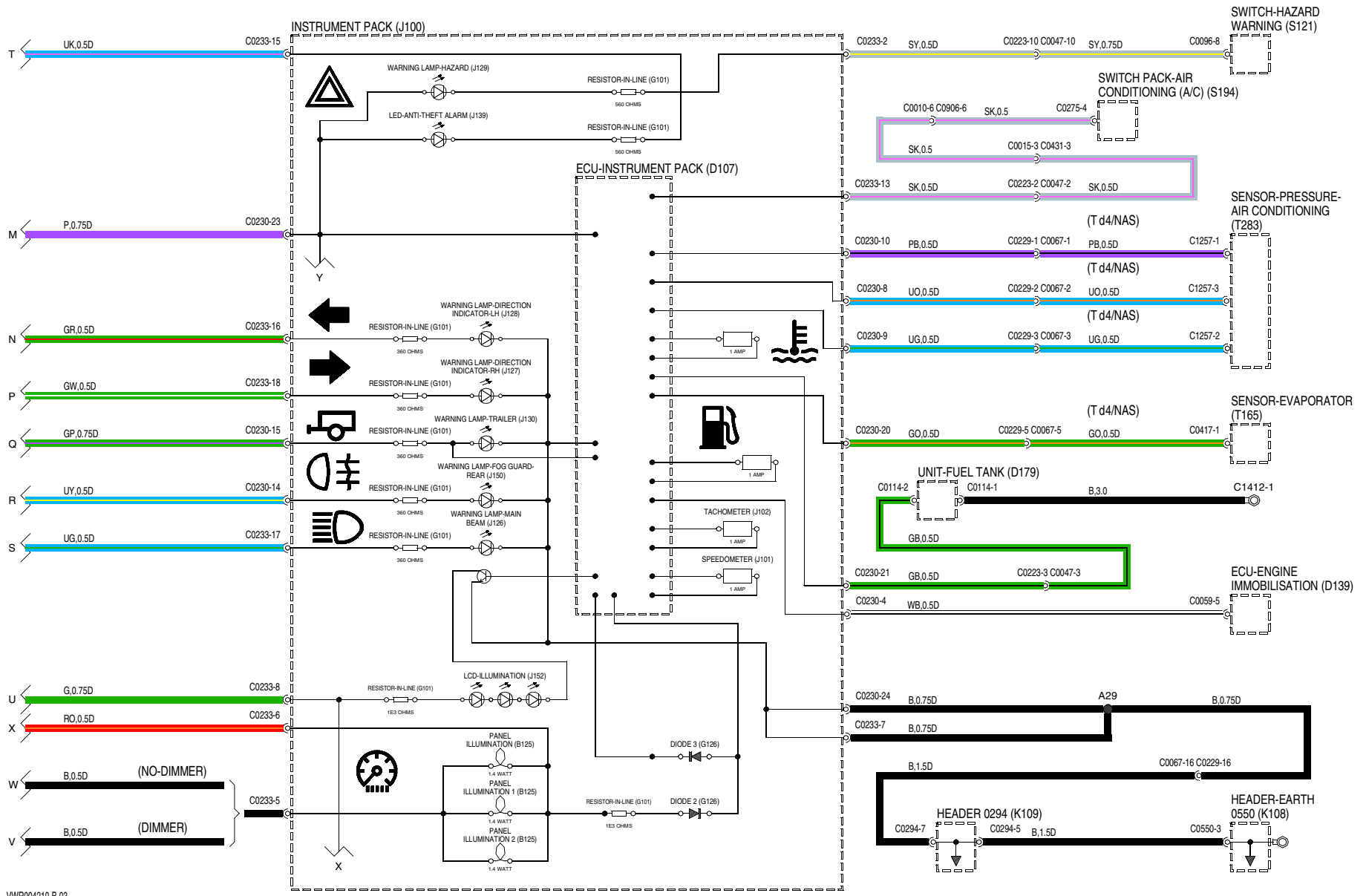


WVR004210-B-01



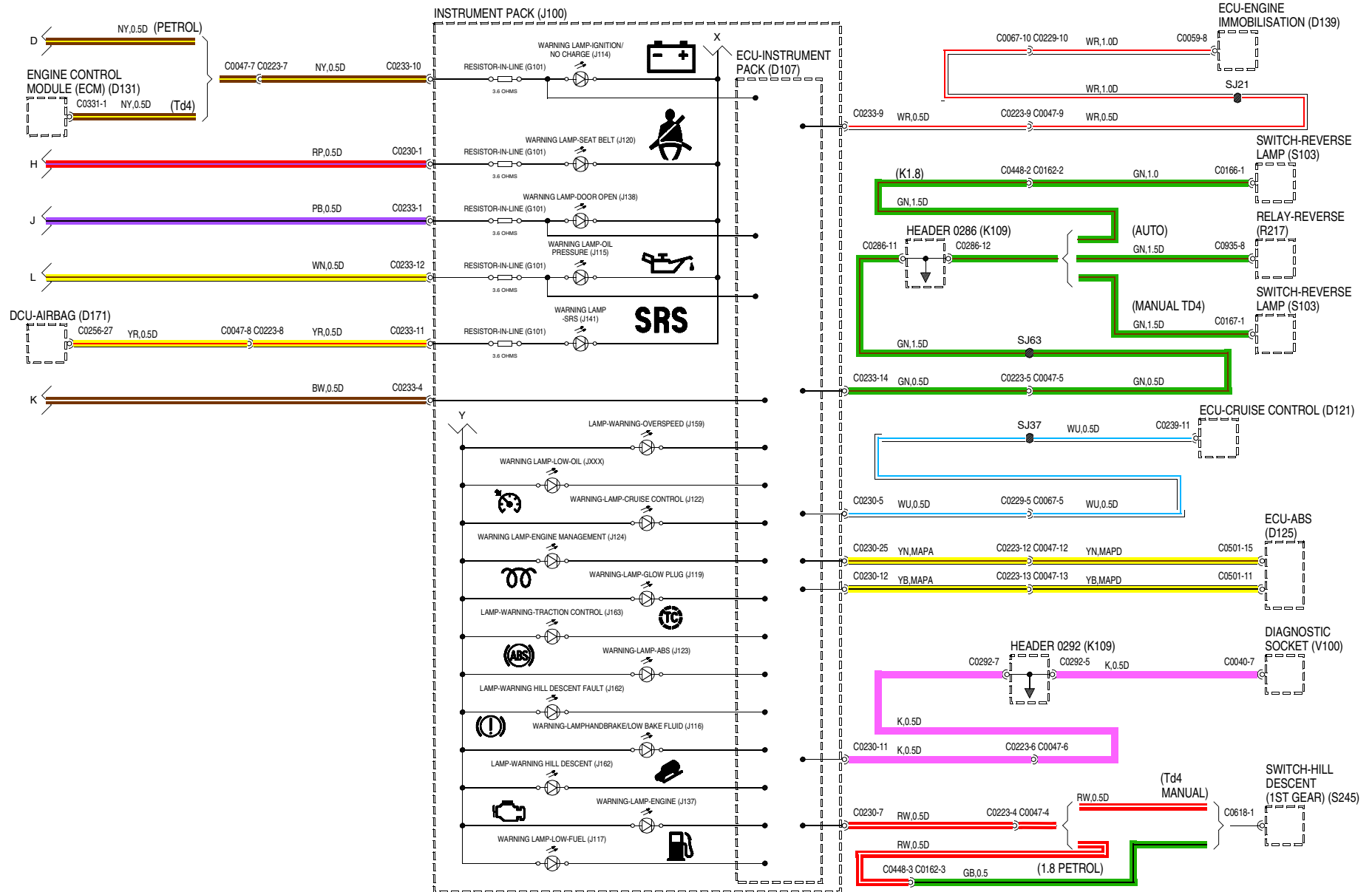
VWR004210-B-02

# 47 INSTRUMENTS



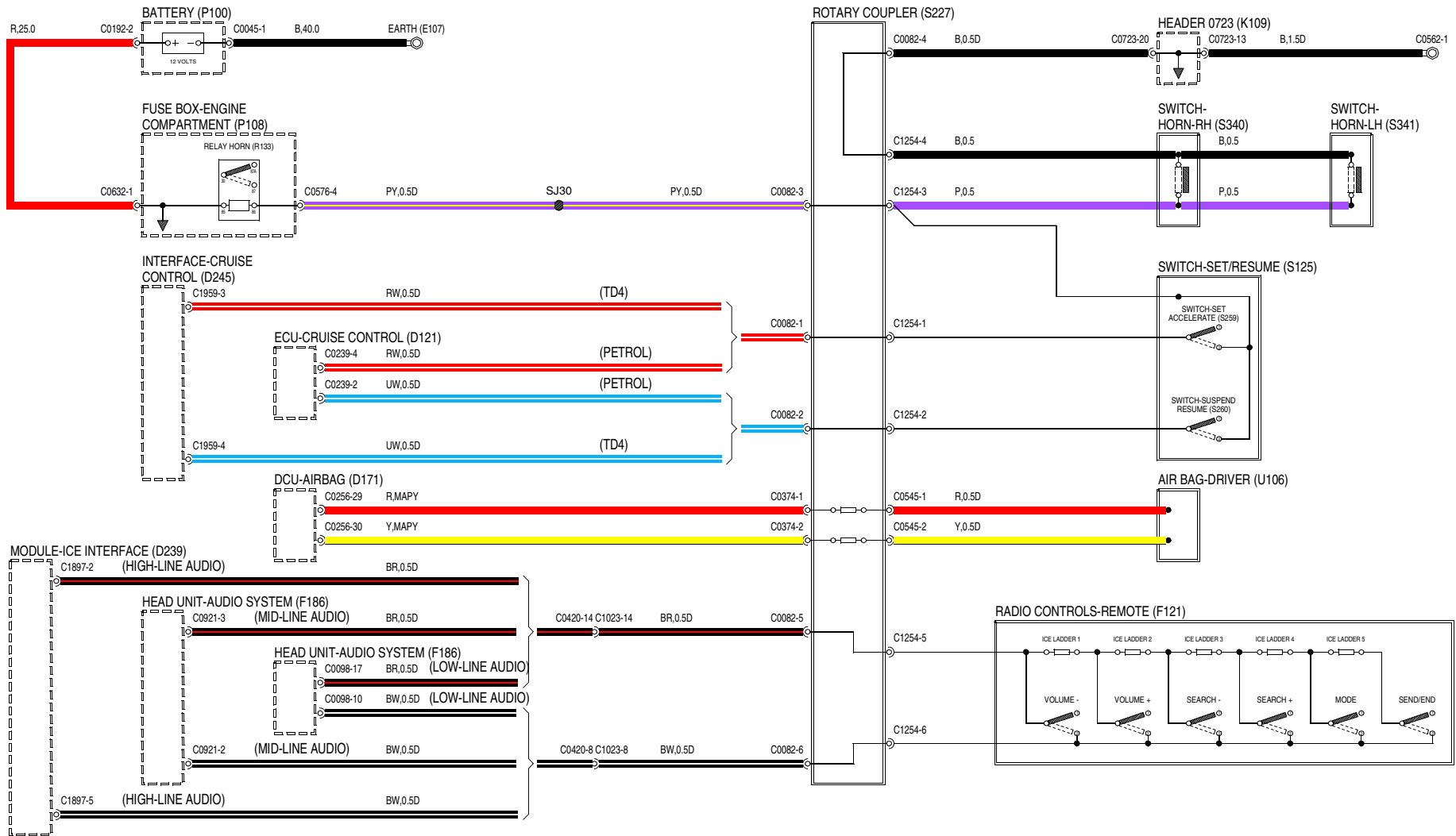
WVR004210-B-03

# 47 INSTRUMENTS



VWR004210-B-04

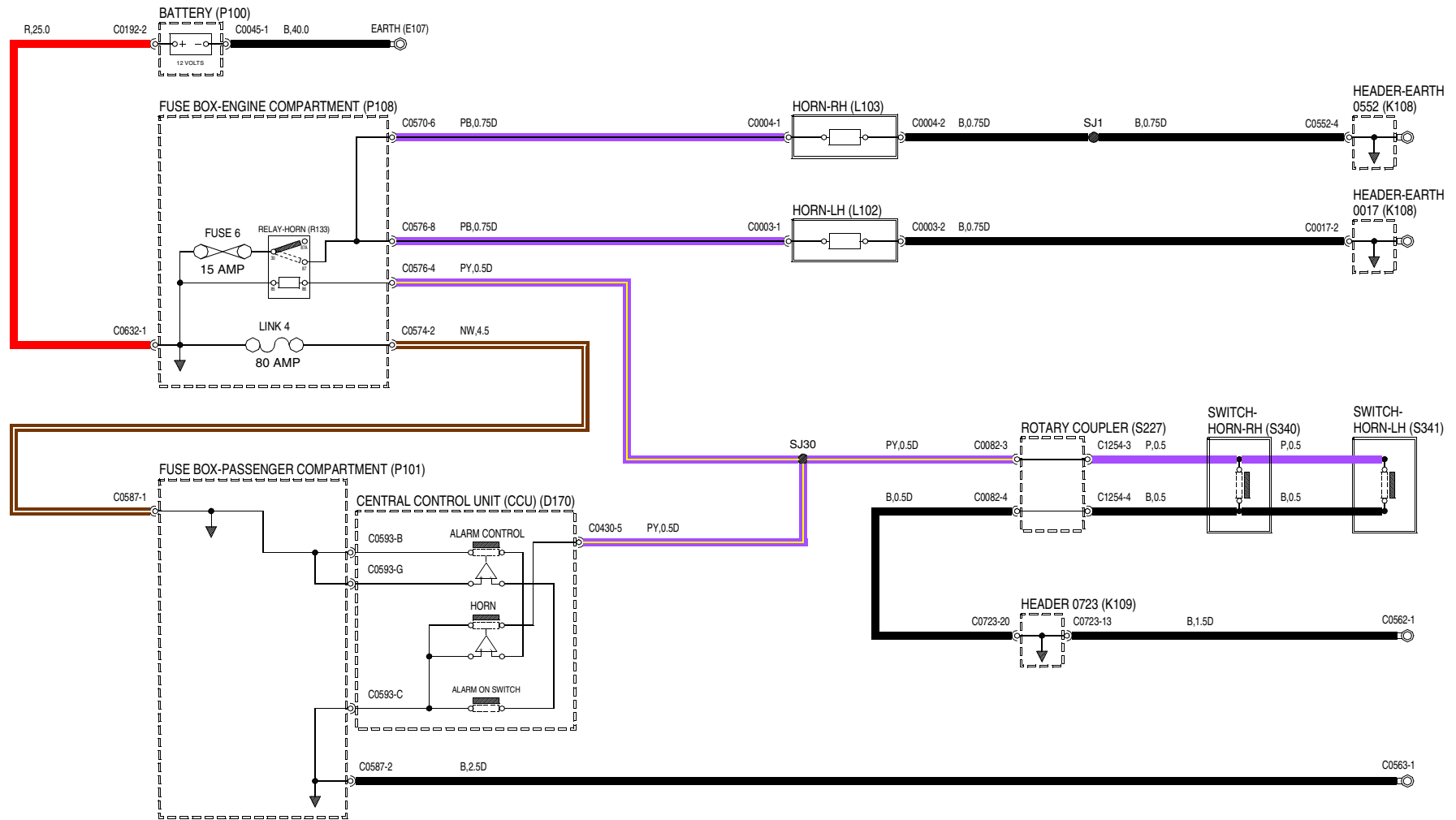
# 47 ROTARY COUPLER



WVR004270-A-01



# 48 HORN (S)

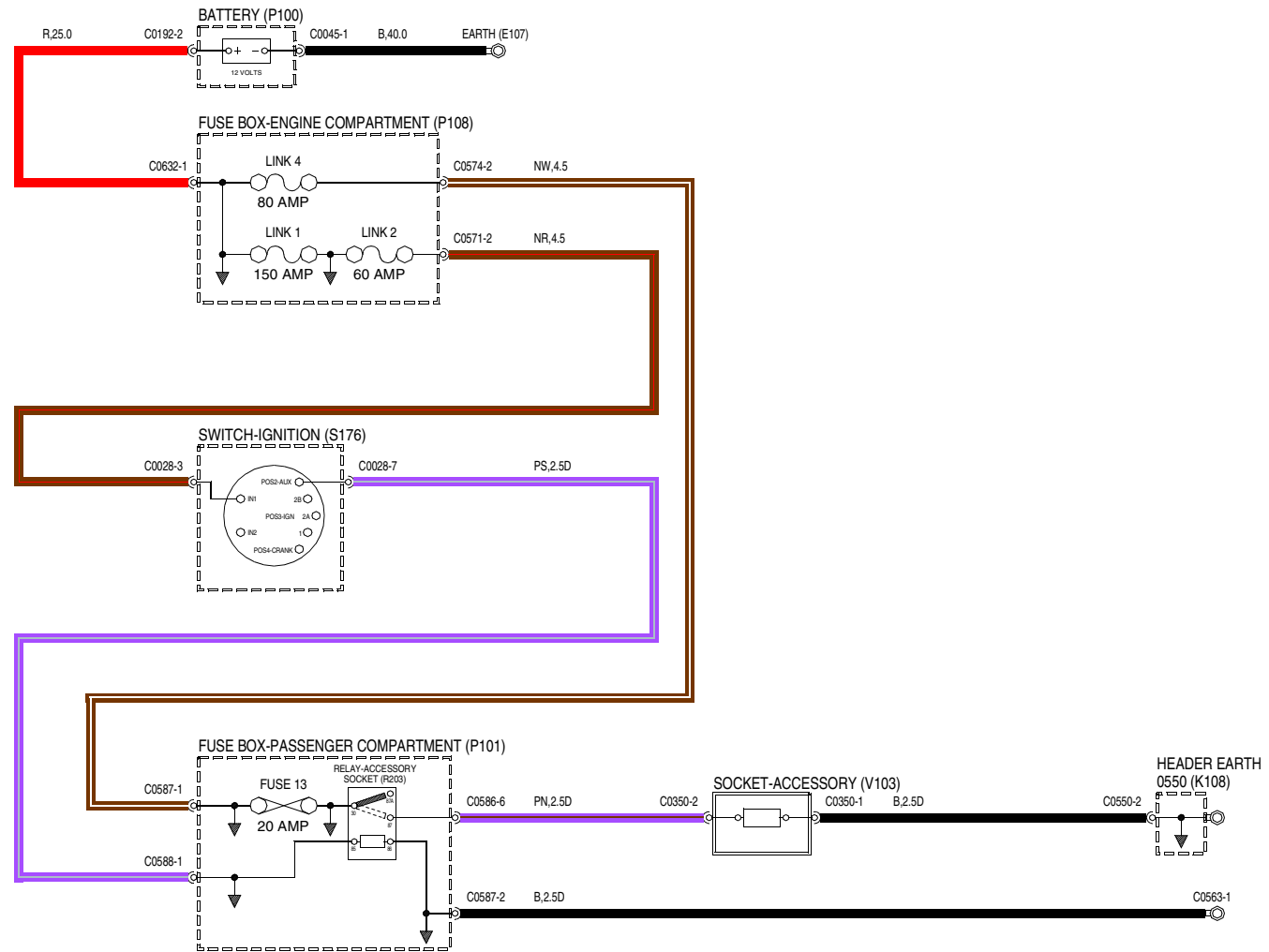


VWR004170-A-01





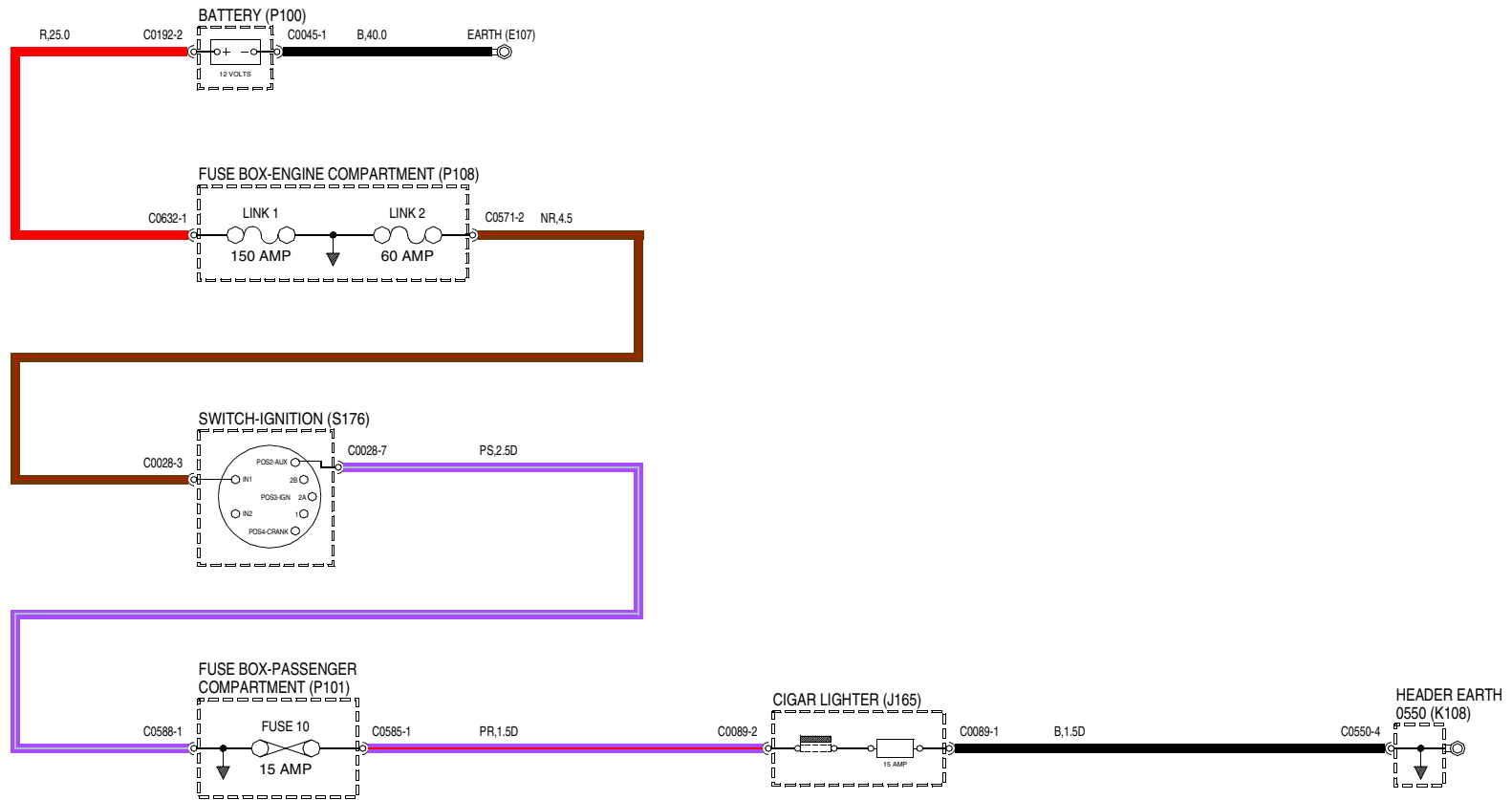
# 49 ACCESSORY SOCKET



VWR003940-A-01

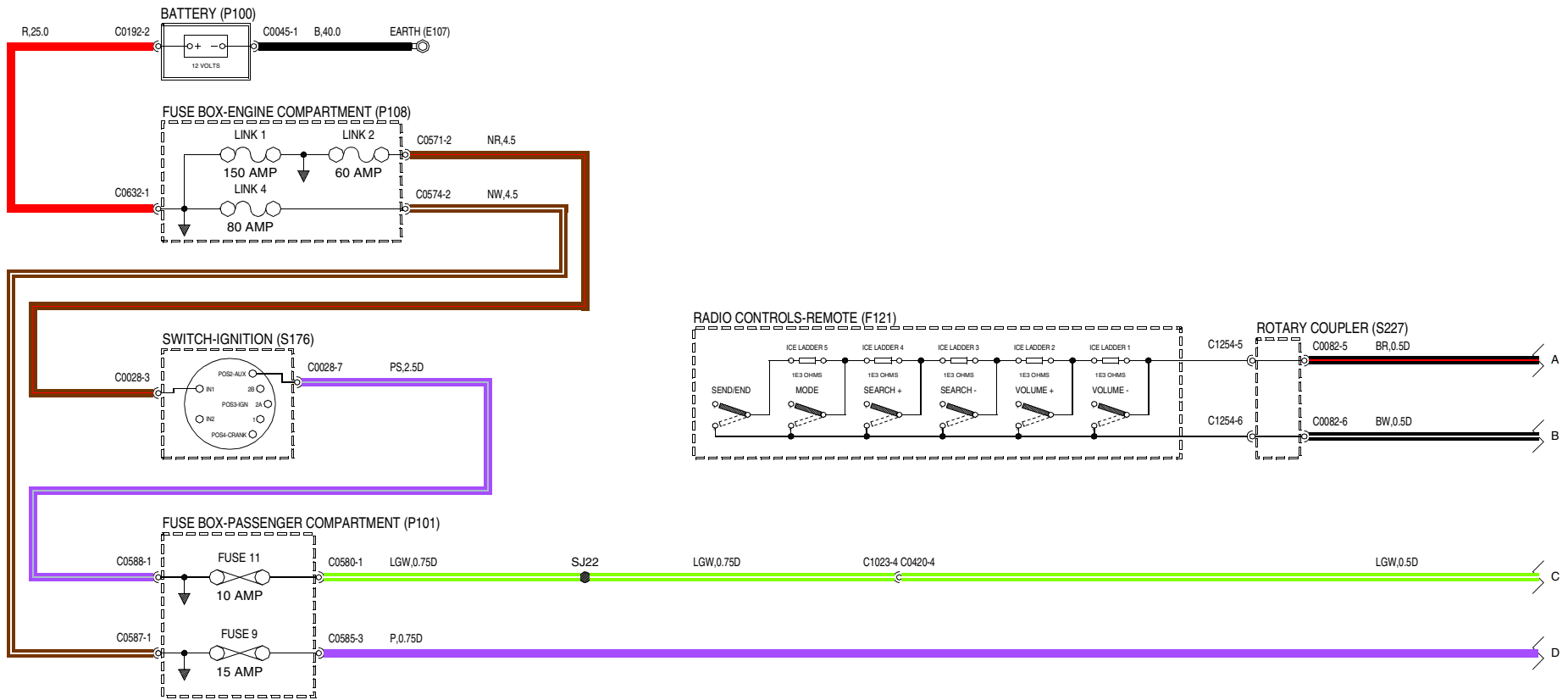


# 49 CIGAR LIGHTER

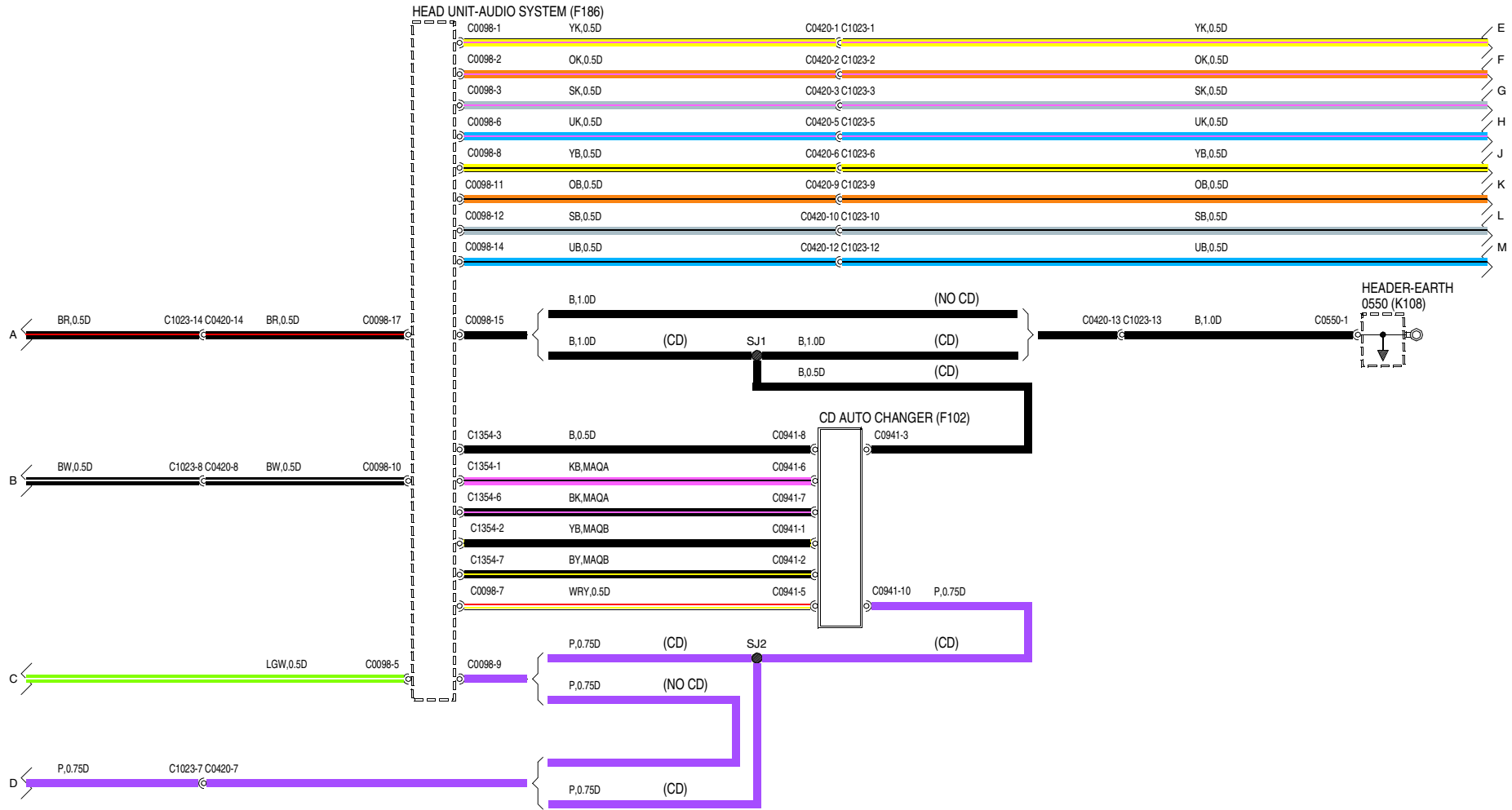


VWR004000-A-01

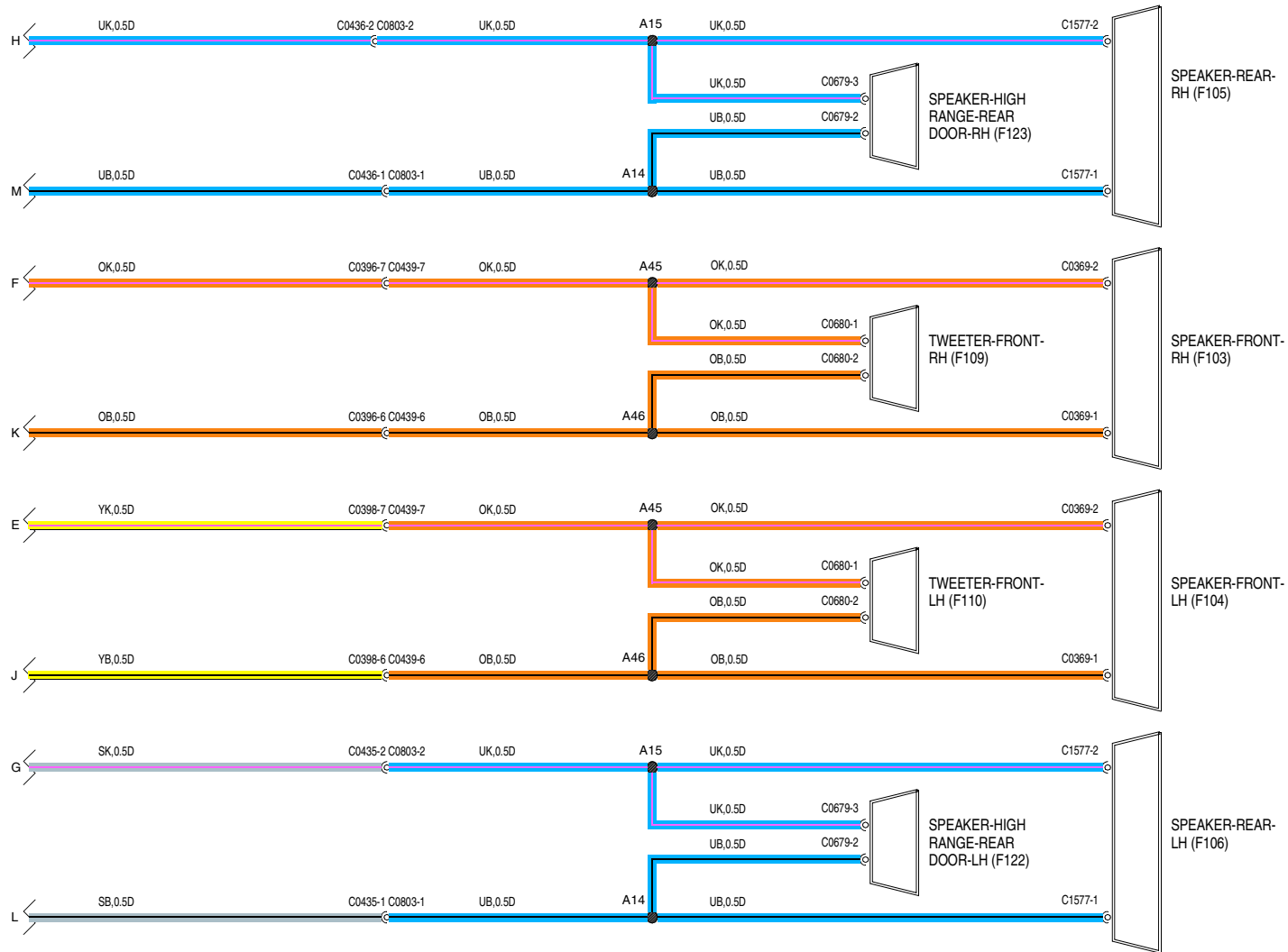




VWR004180-A-01



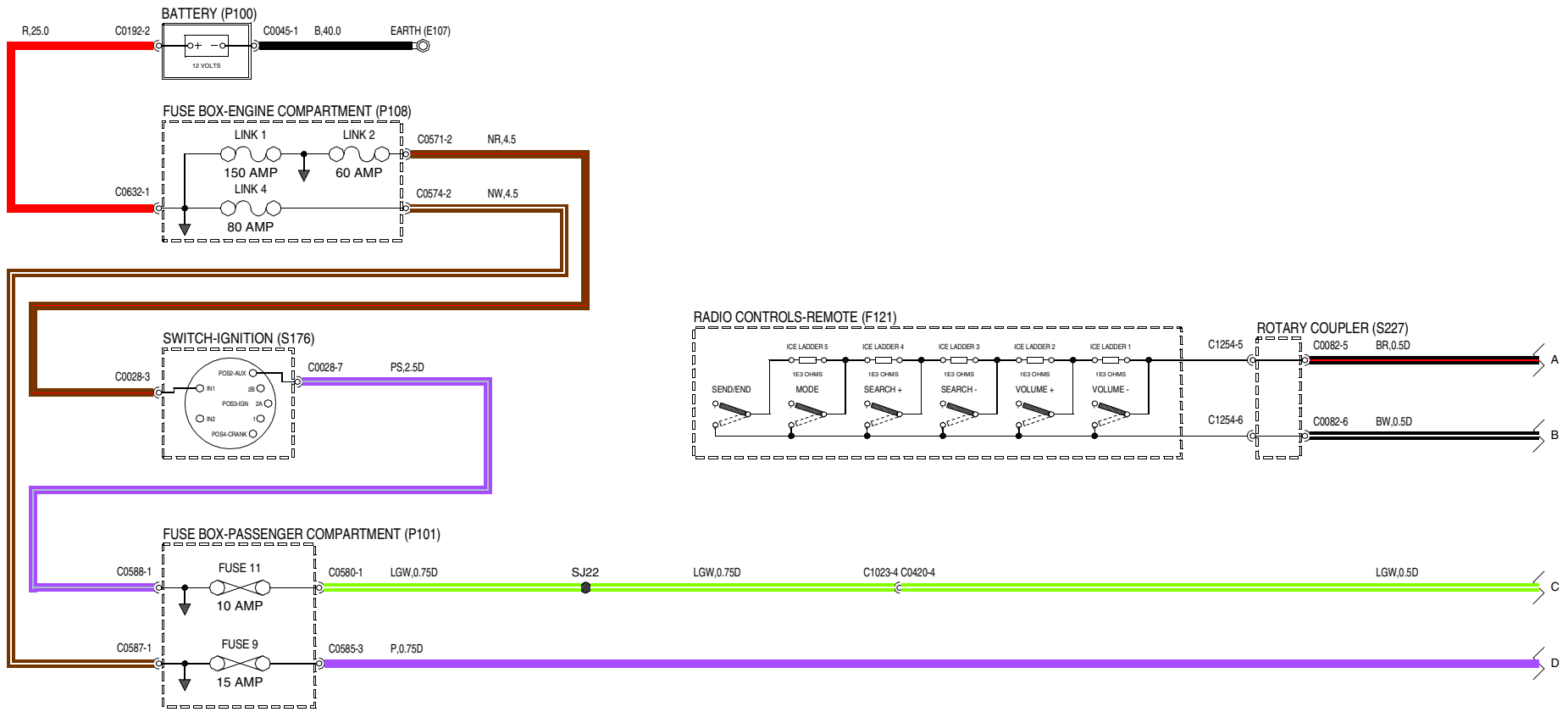
VWR004180-A-02



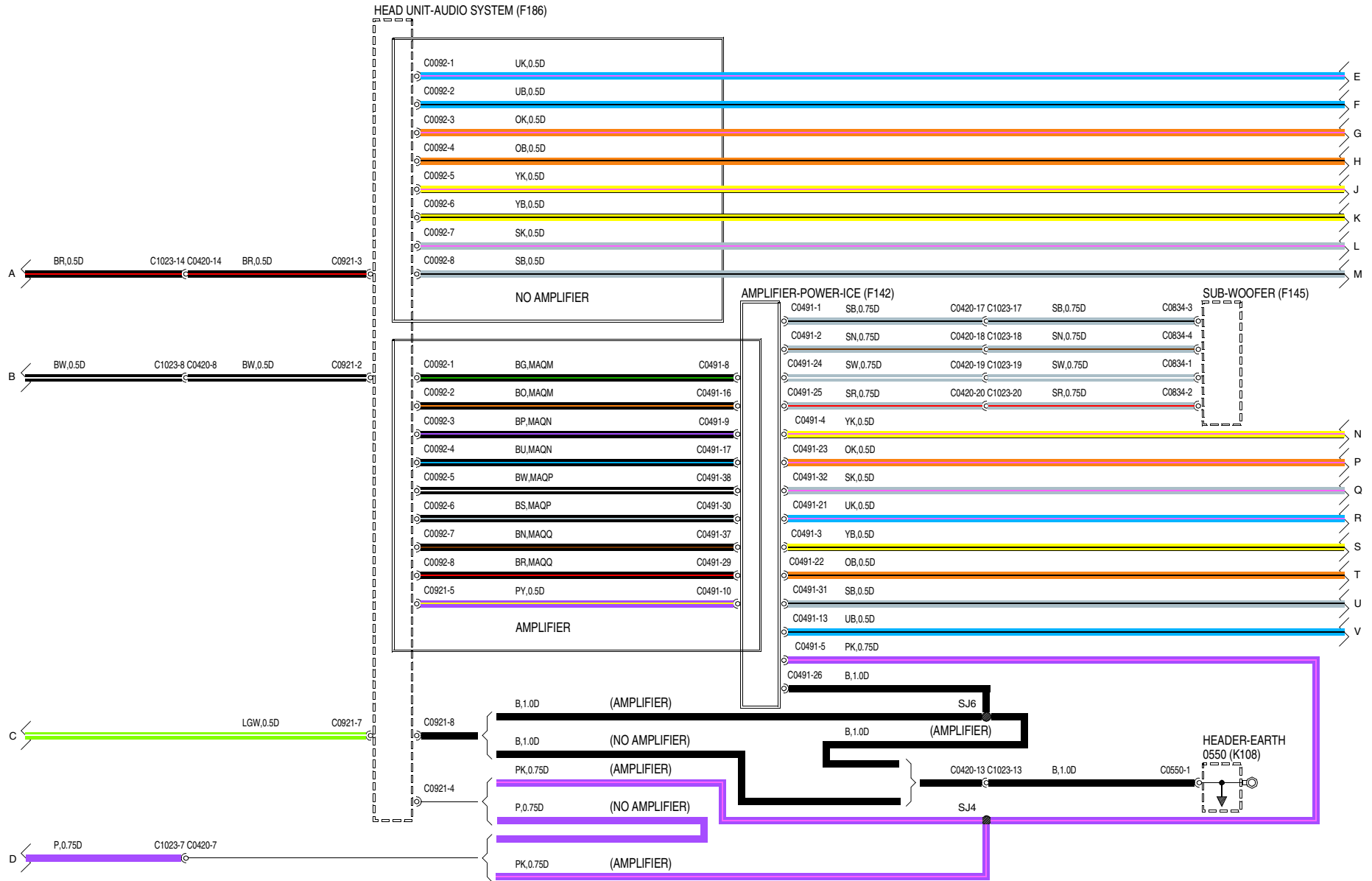
WVR004180-A-03



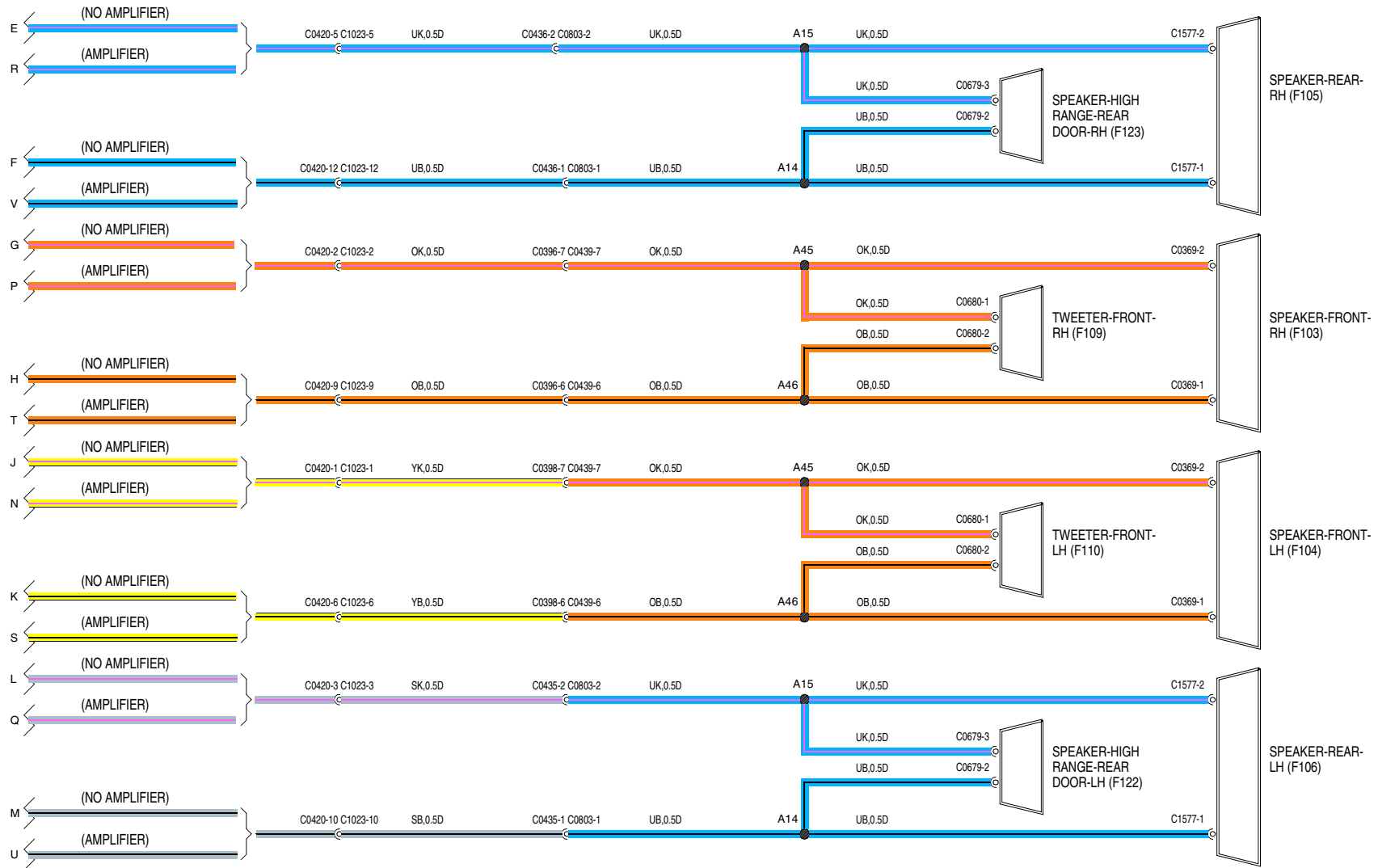




VWR004420-A-01

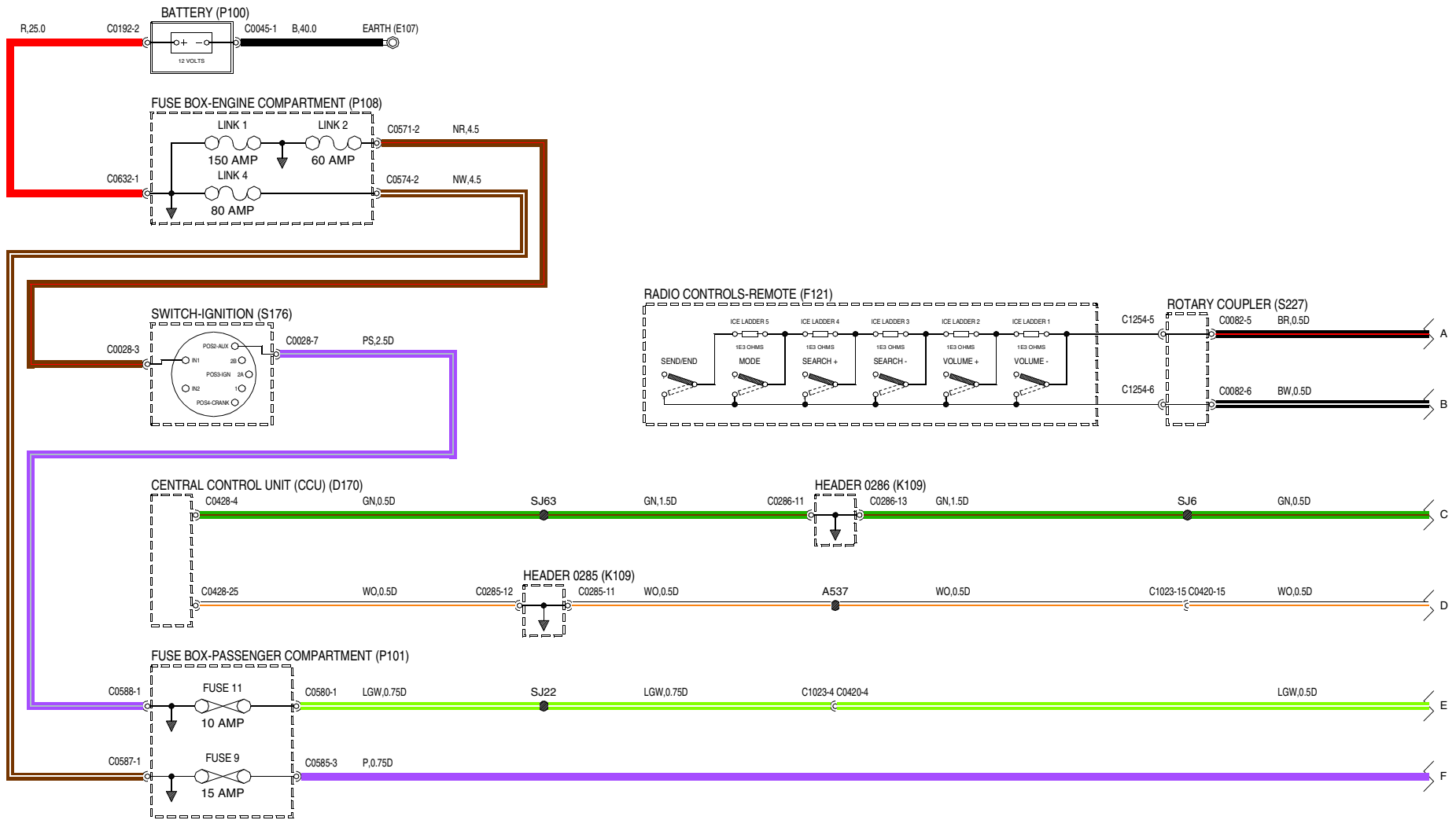


VWR004420-A-02

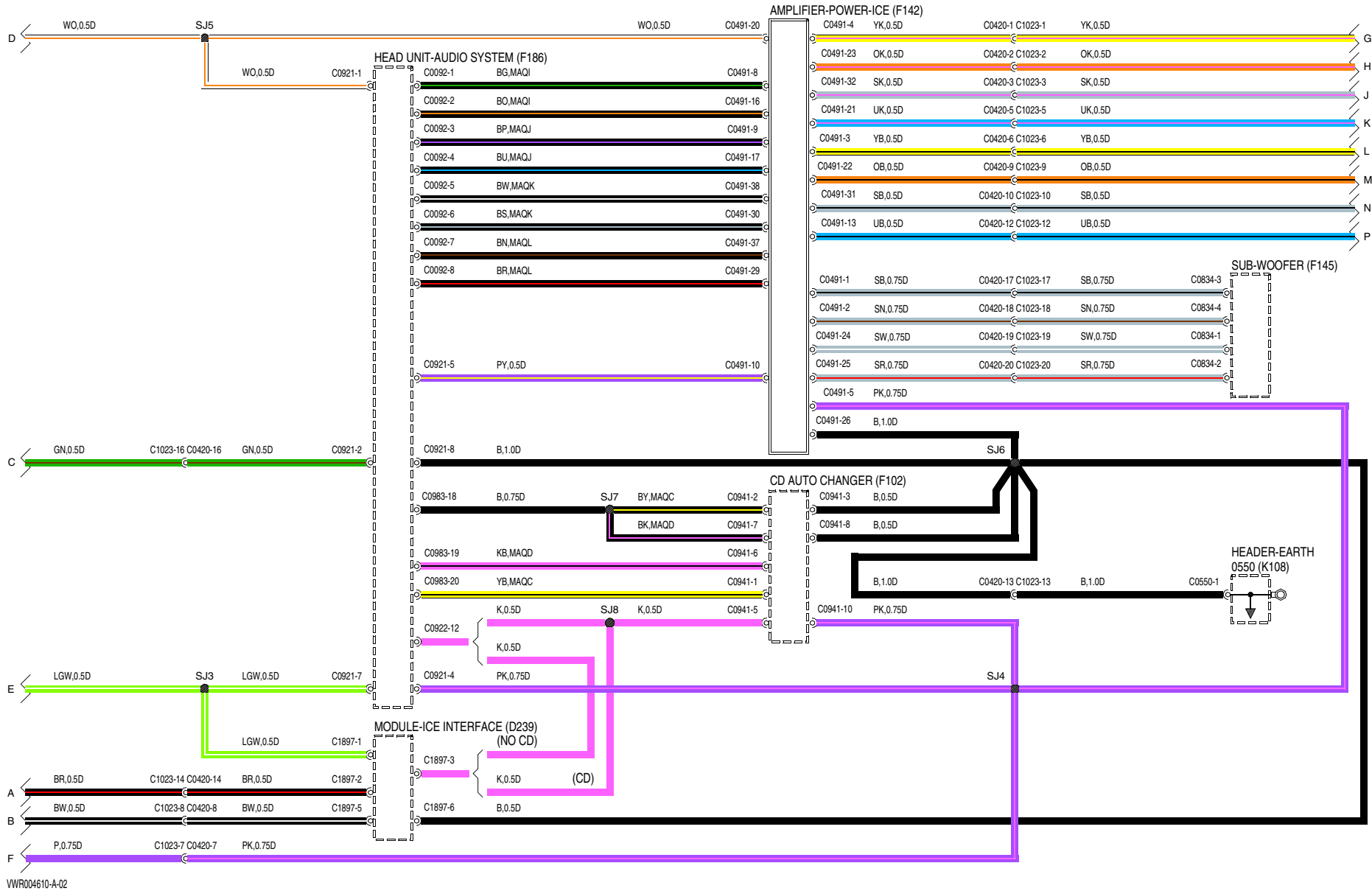


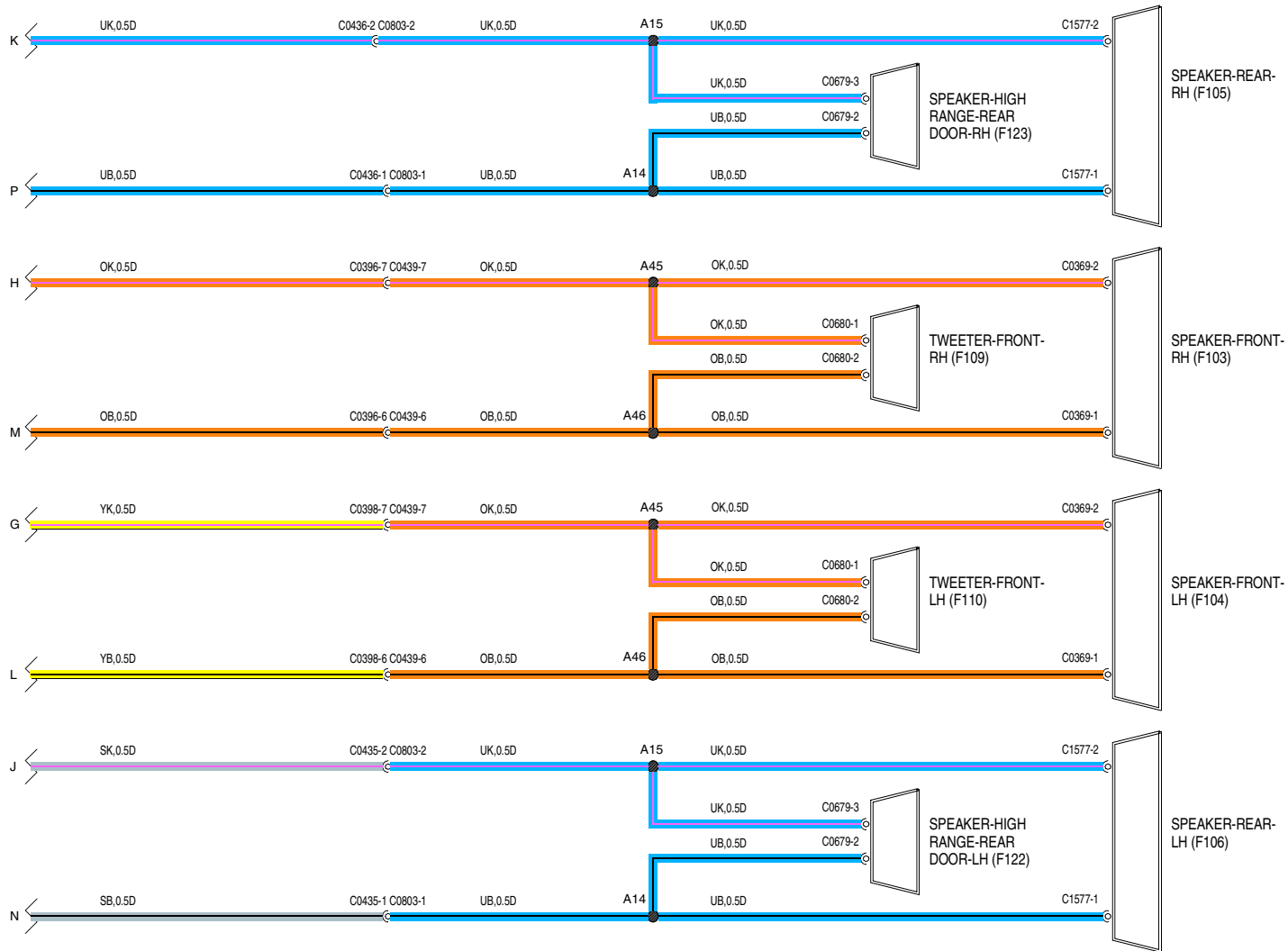
VWR004420-A-03





VWR004610-A-01



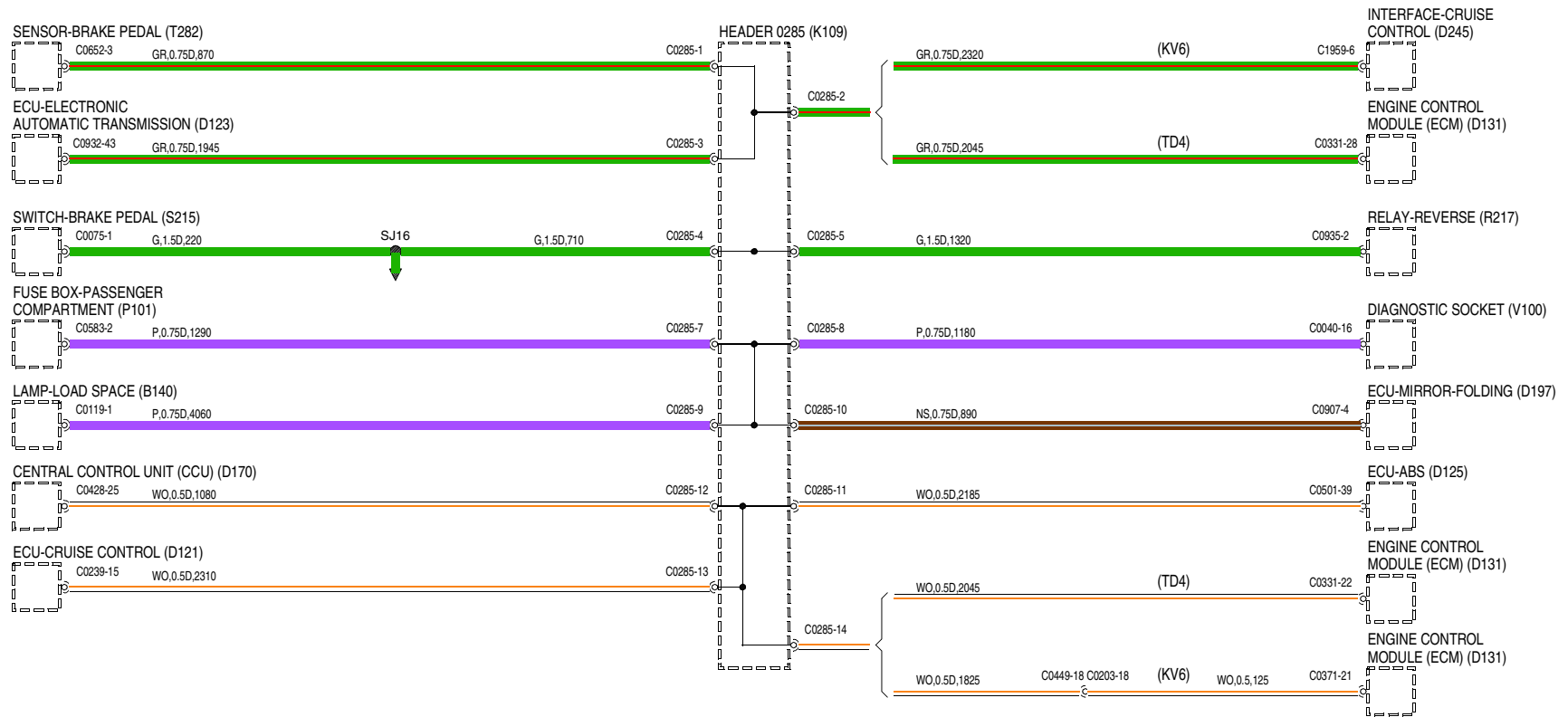


WVR004610-A-03



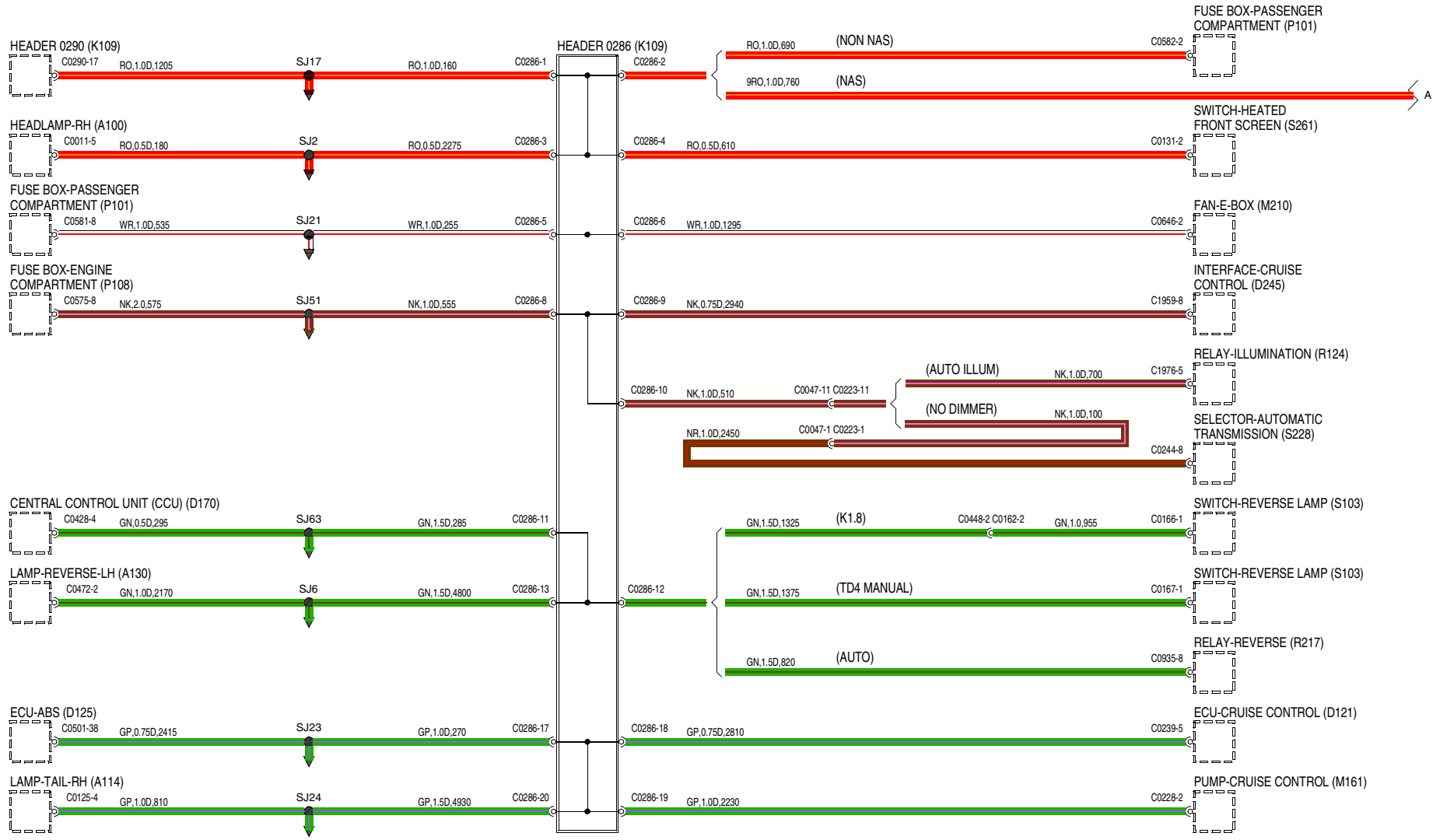


# 60 HEADER JOINTS



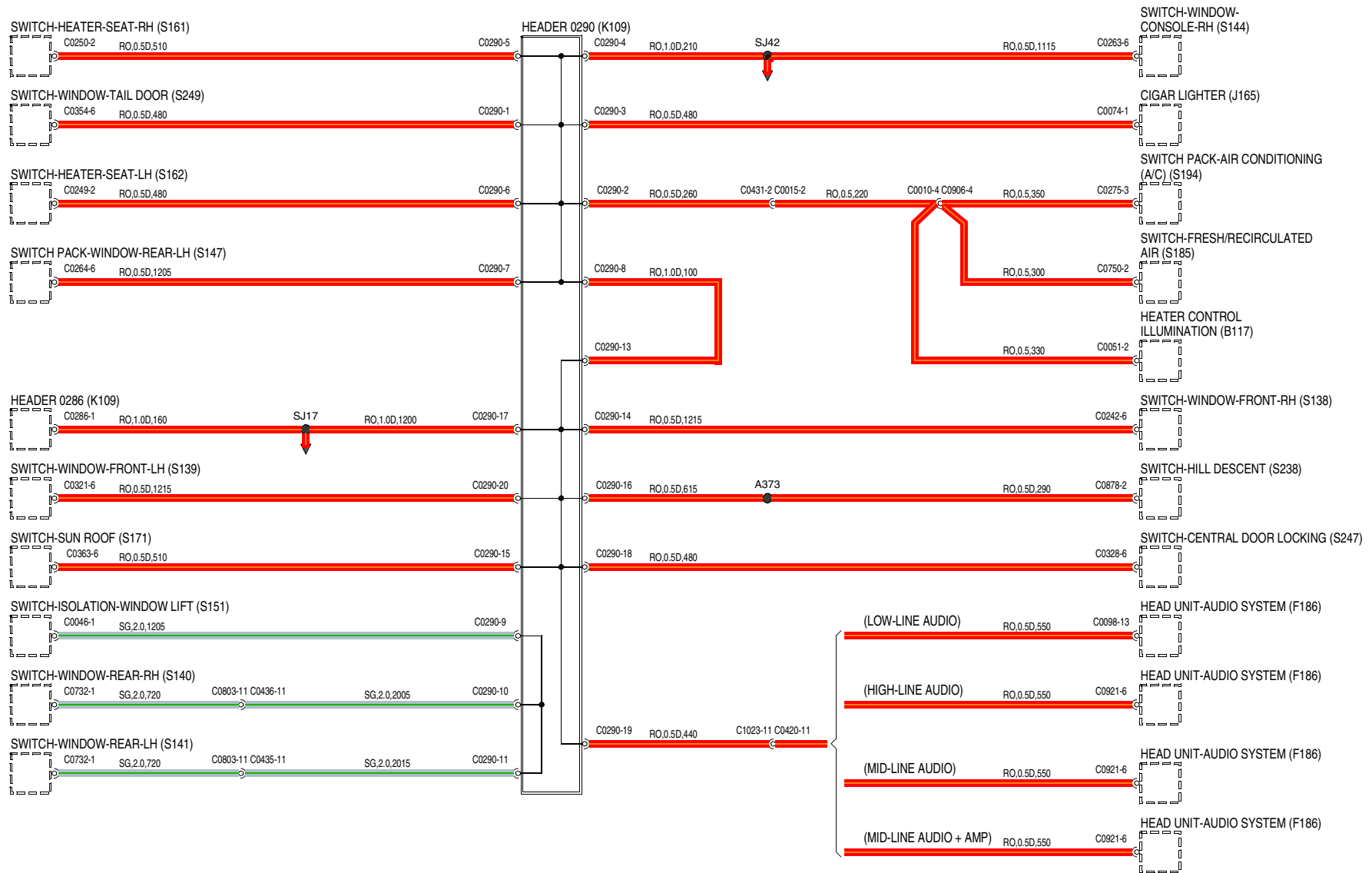
VWR004140-A-01

# 60 HEADER JOINTS



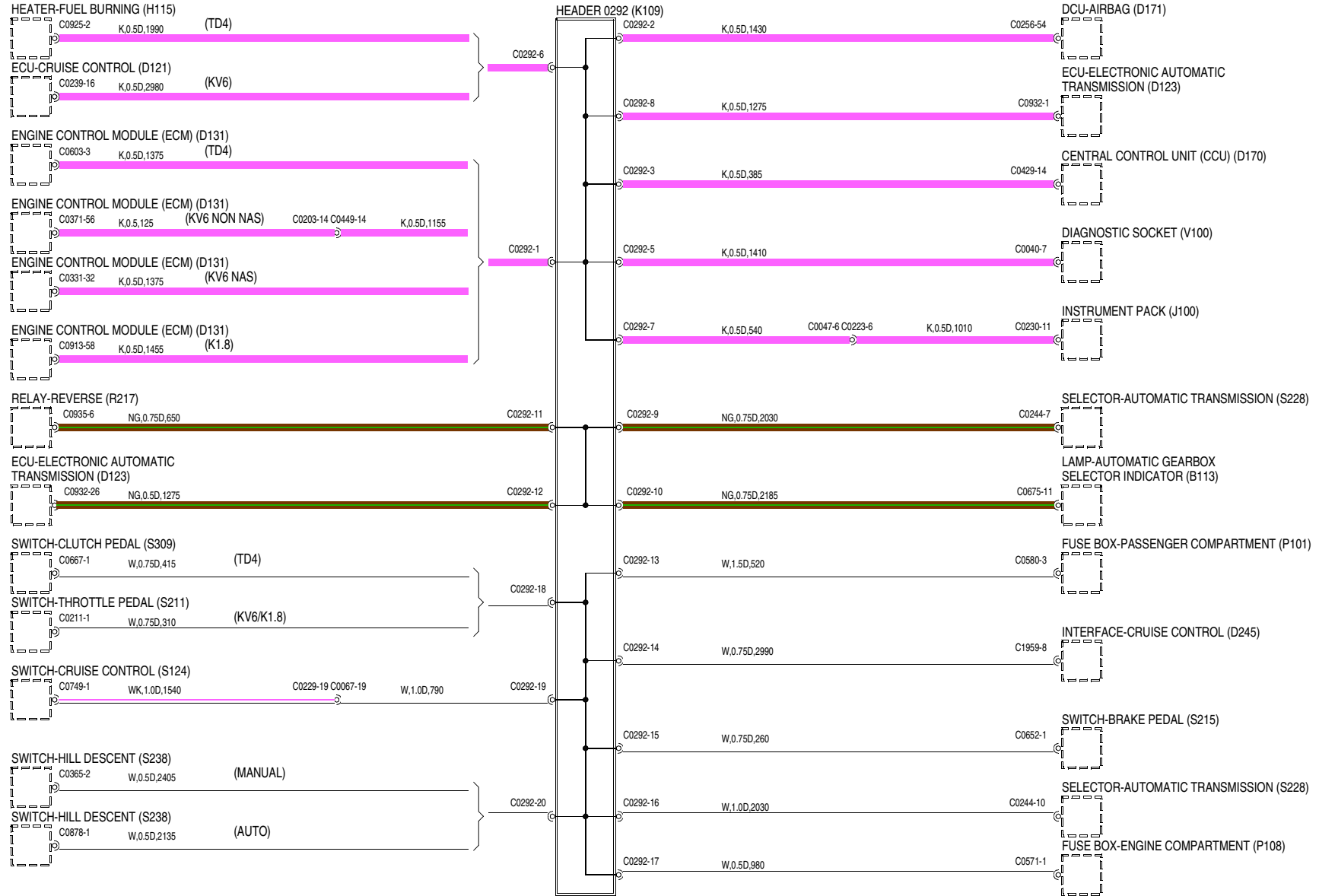
VWR004140-A-02

# 60 HEADER JOINTS



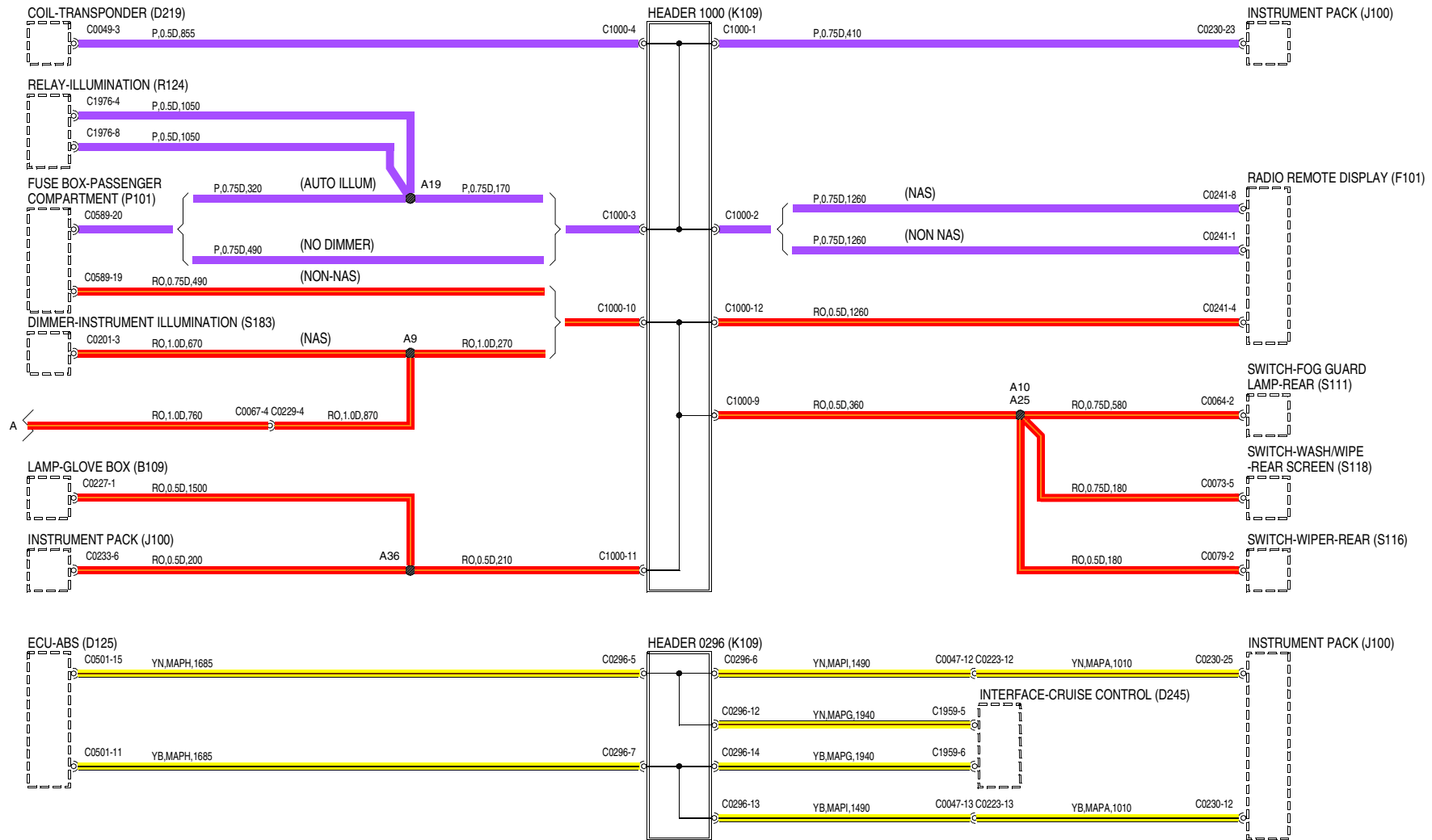
WVR004140-A-03

# 60 HEADER JOINTS



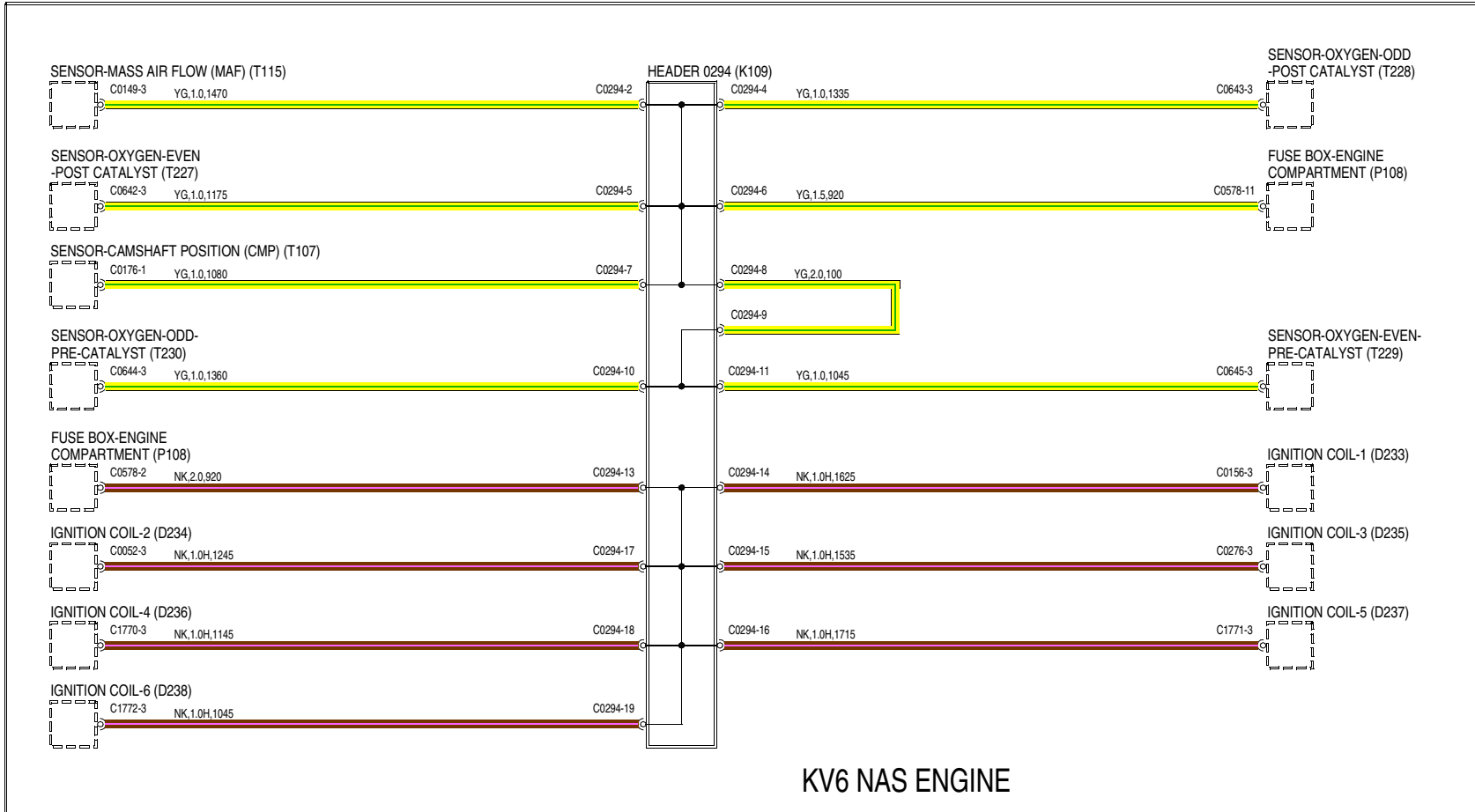
VWR004140-A-04

# 60 HEADER JOINTS



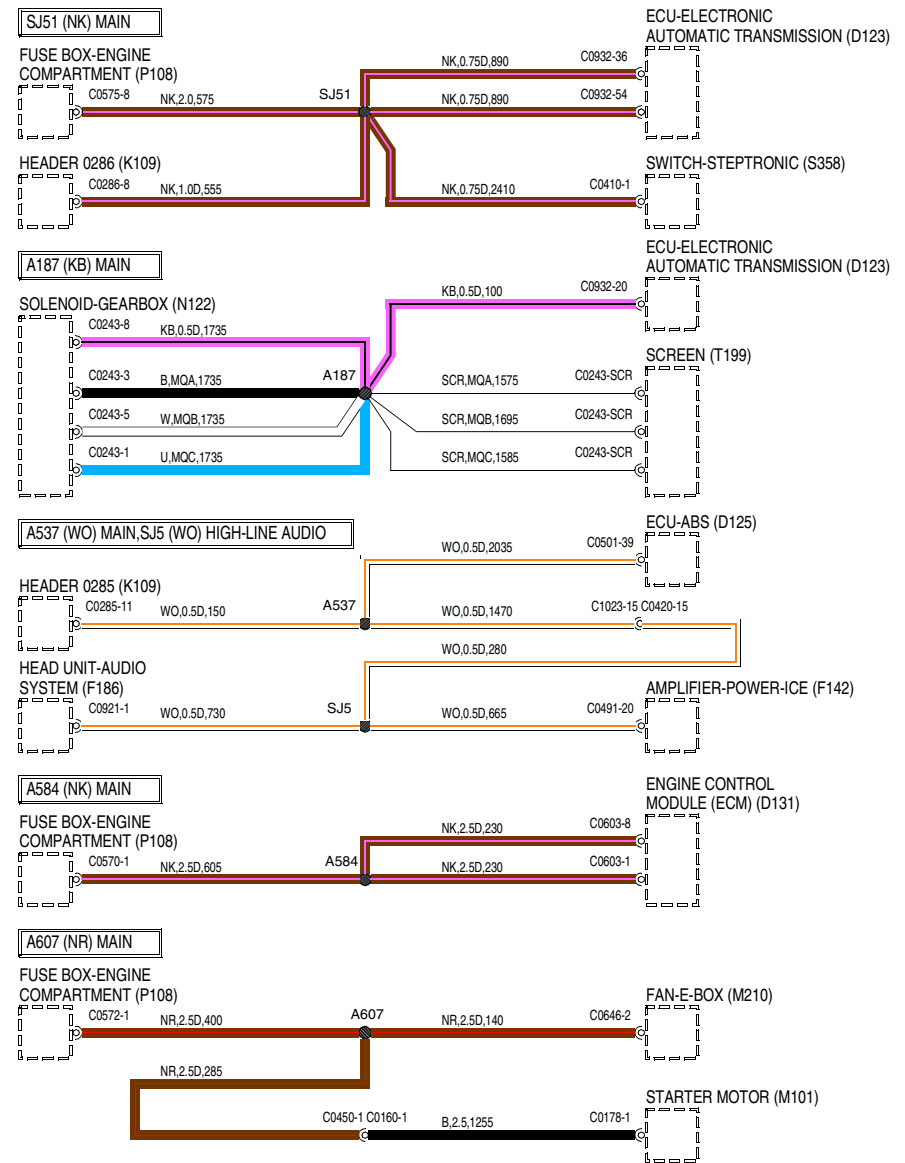
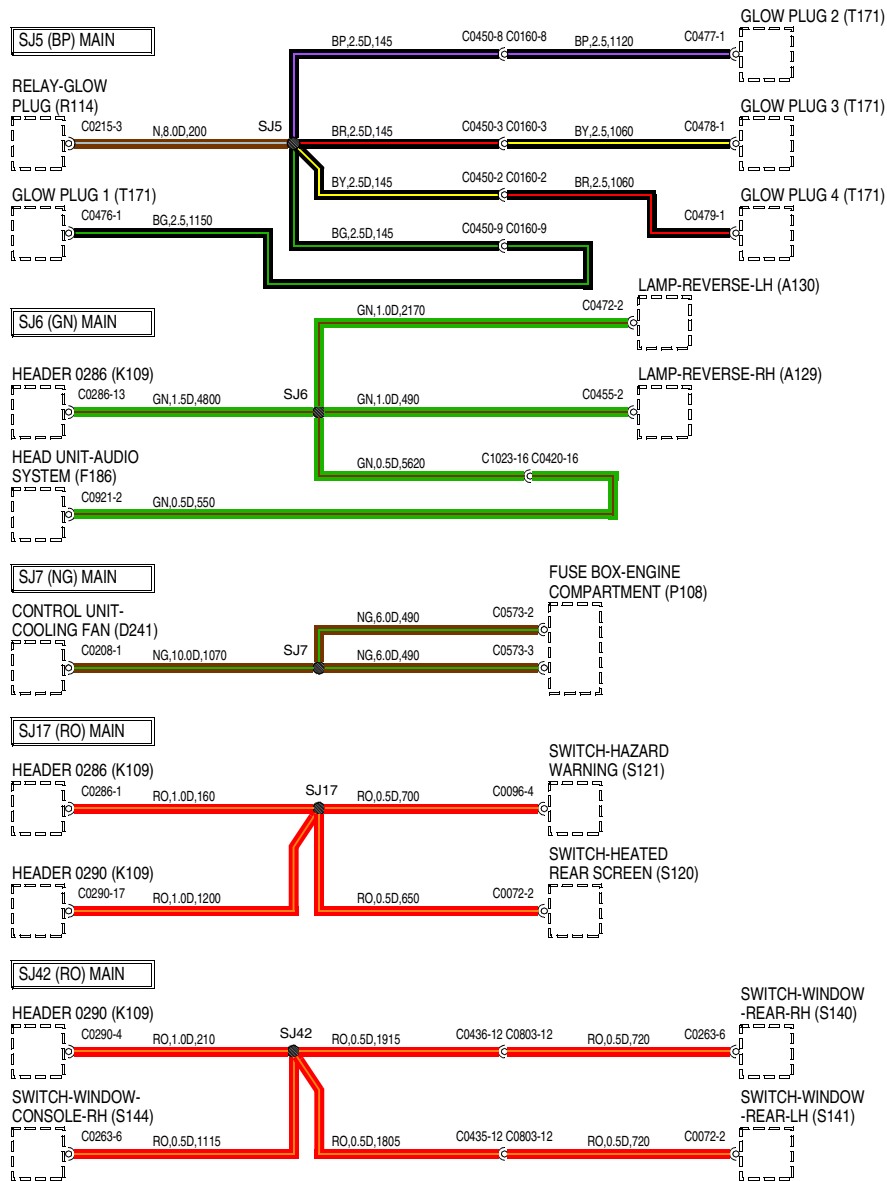
VWR004140-A-05

# 60 HEADER JOINTS



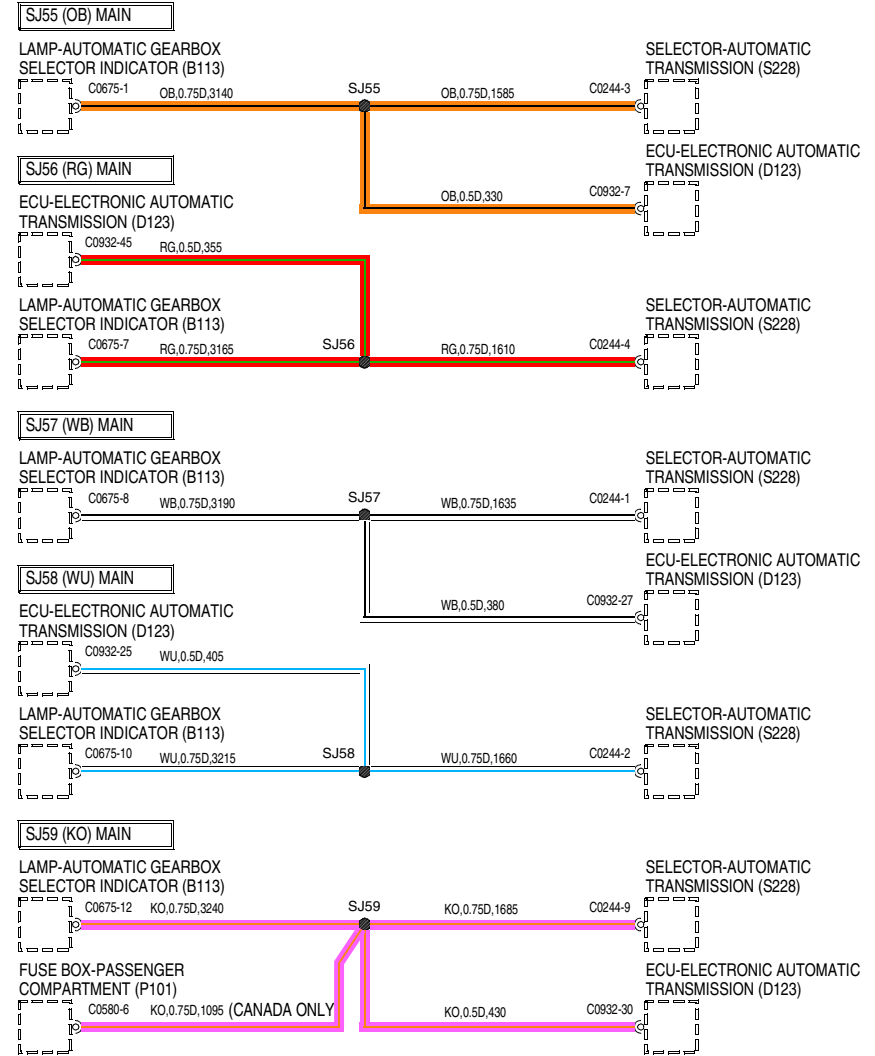
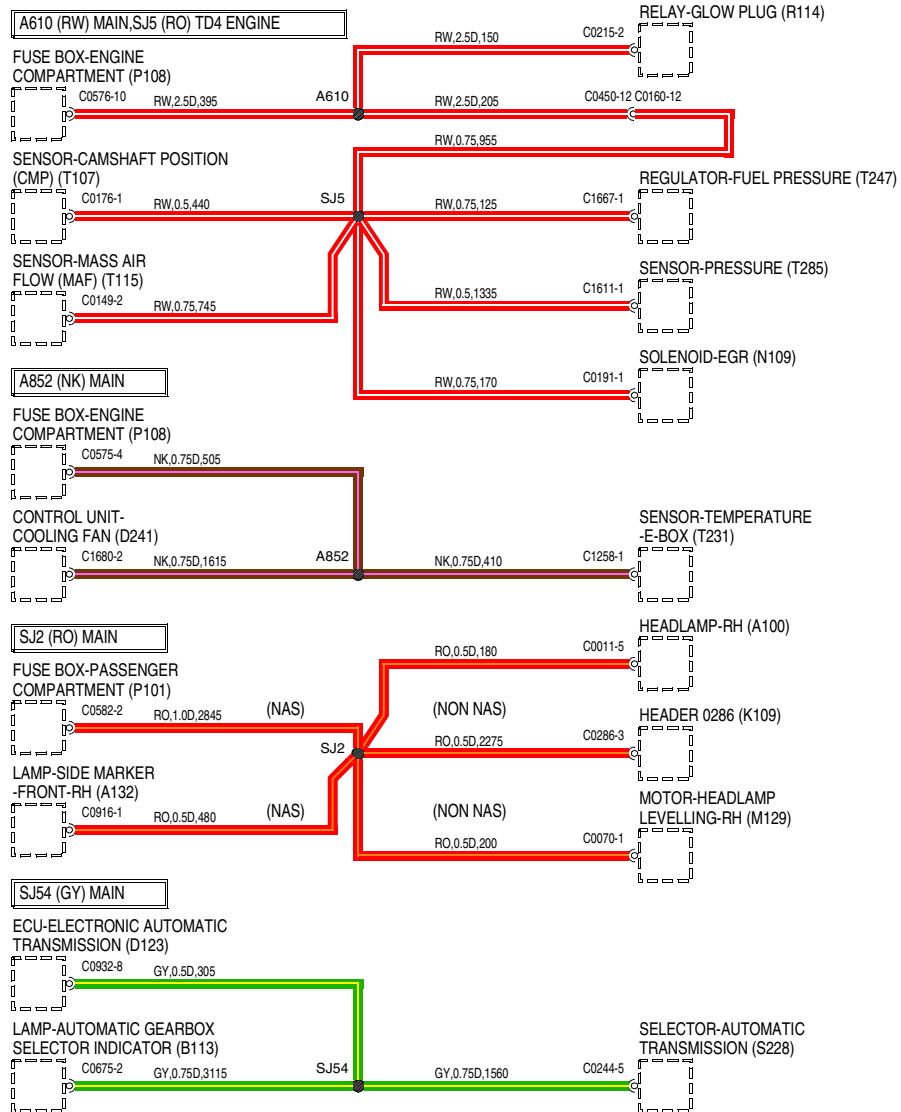
WR004140-A-06

# 65 SPLICES AND CENTRE TAPS



VWR004230-A-01

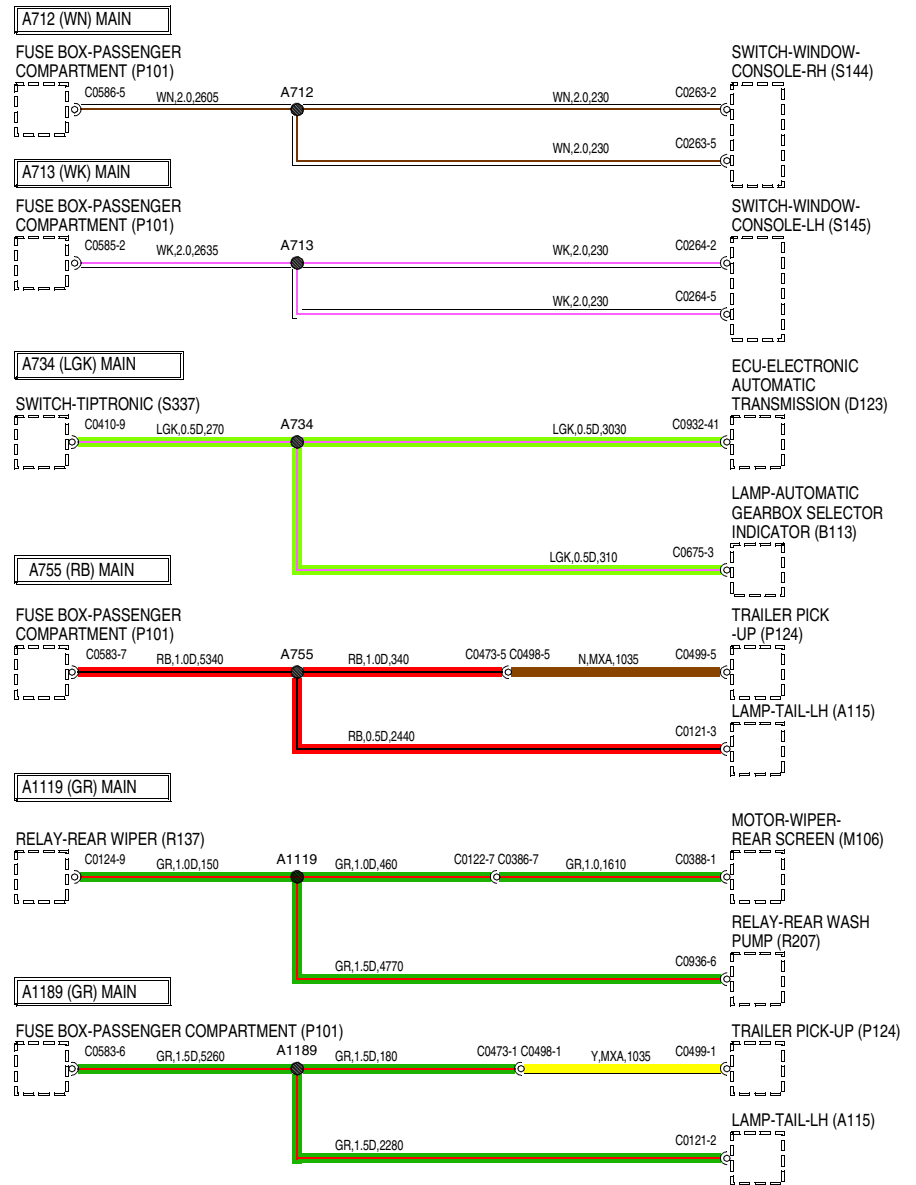
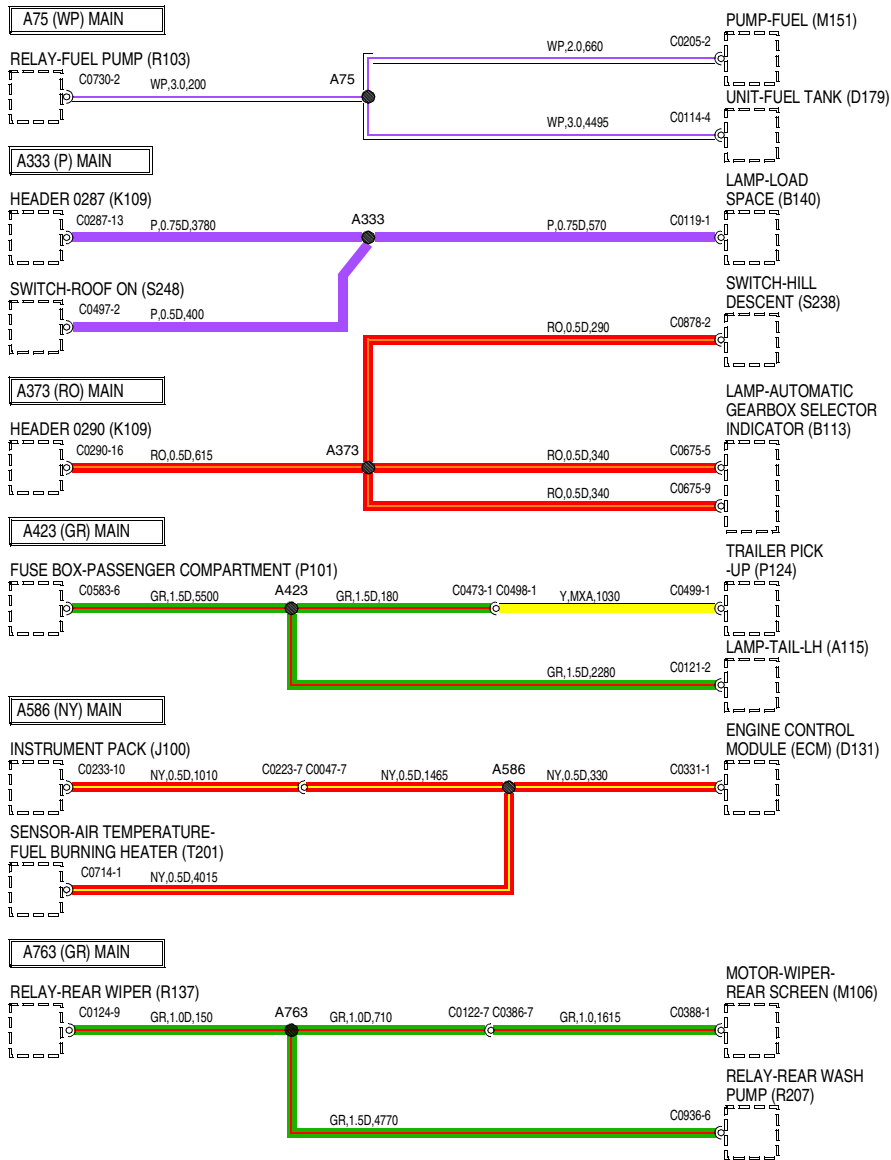
# 65 SPLICES AND CENTRE TAPS



WVR004290-A-02

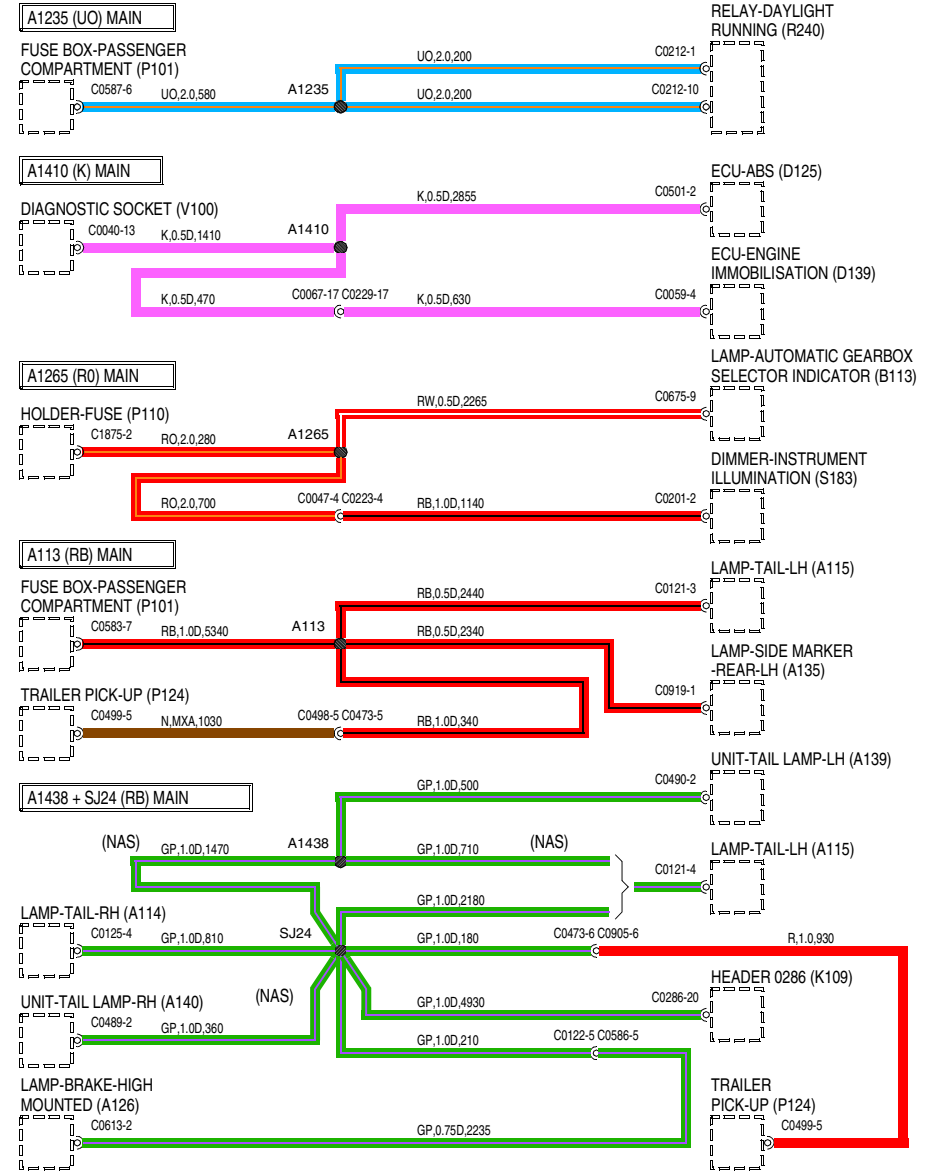
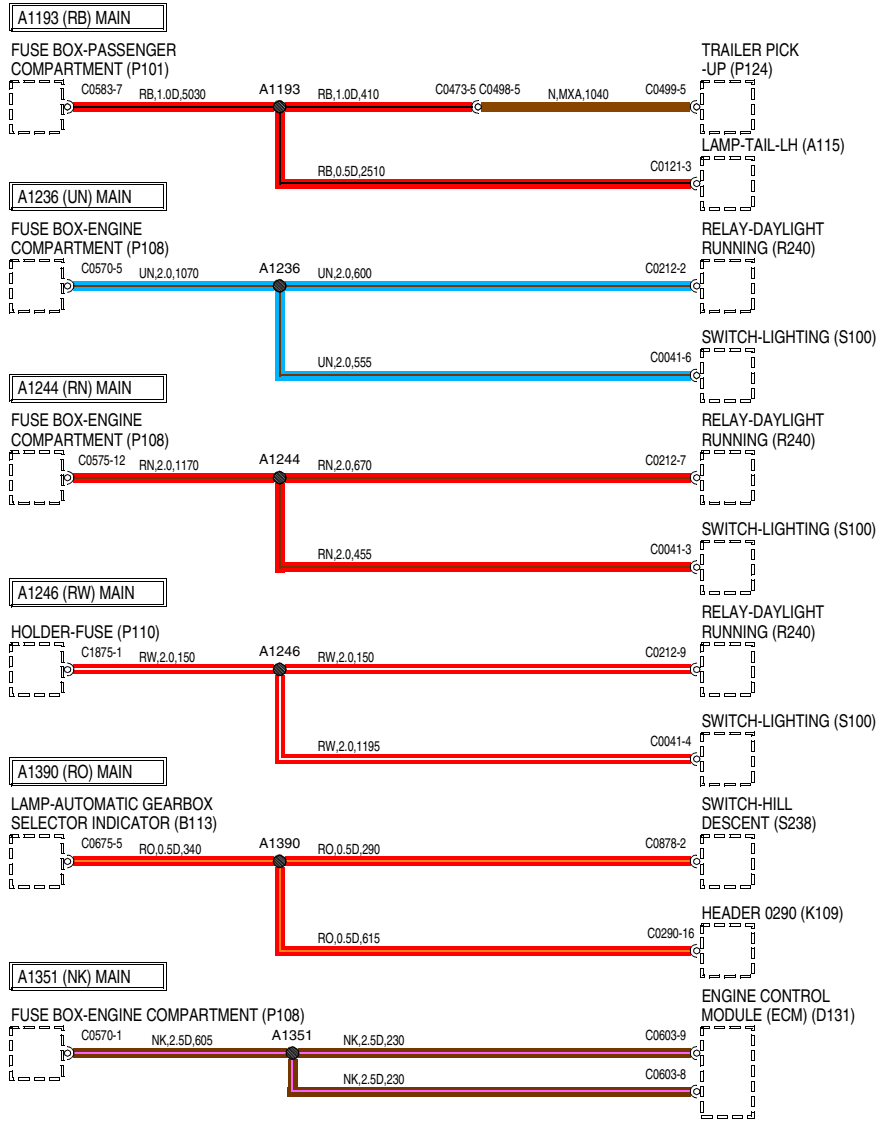


# 65 SPLICES AND CENTRE TAPS



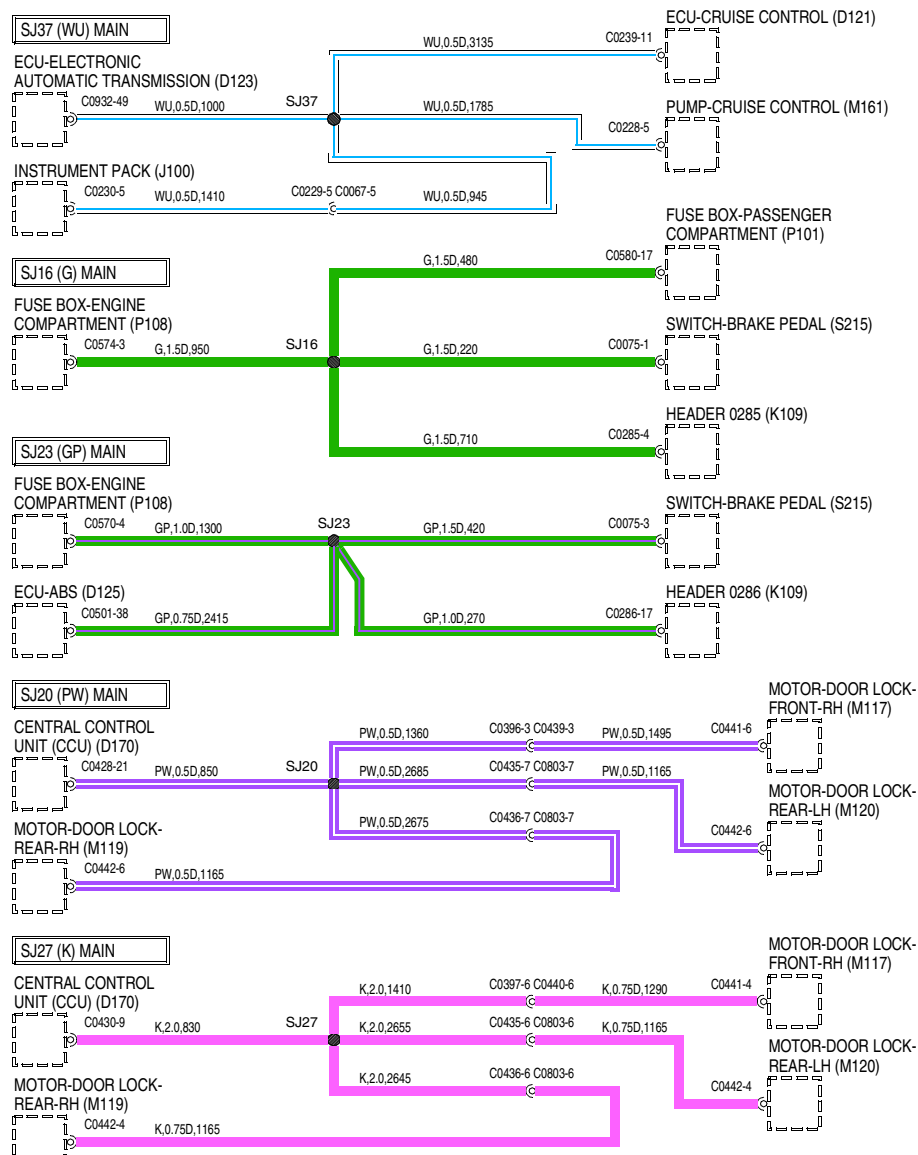
WVR004290-A-03

# 65 SPLICES AND CENTRE TAPS

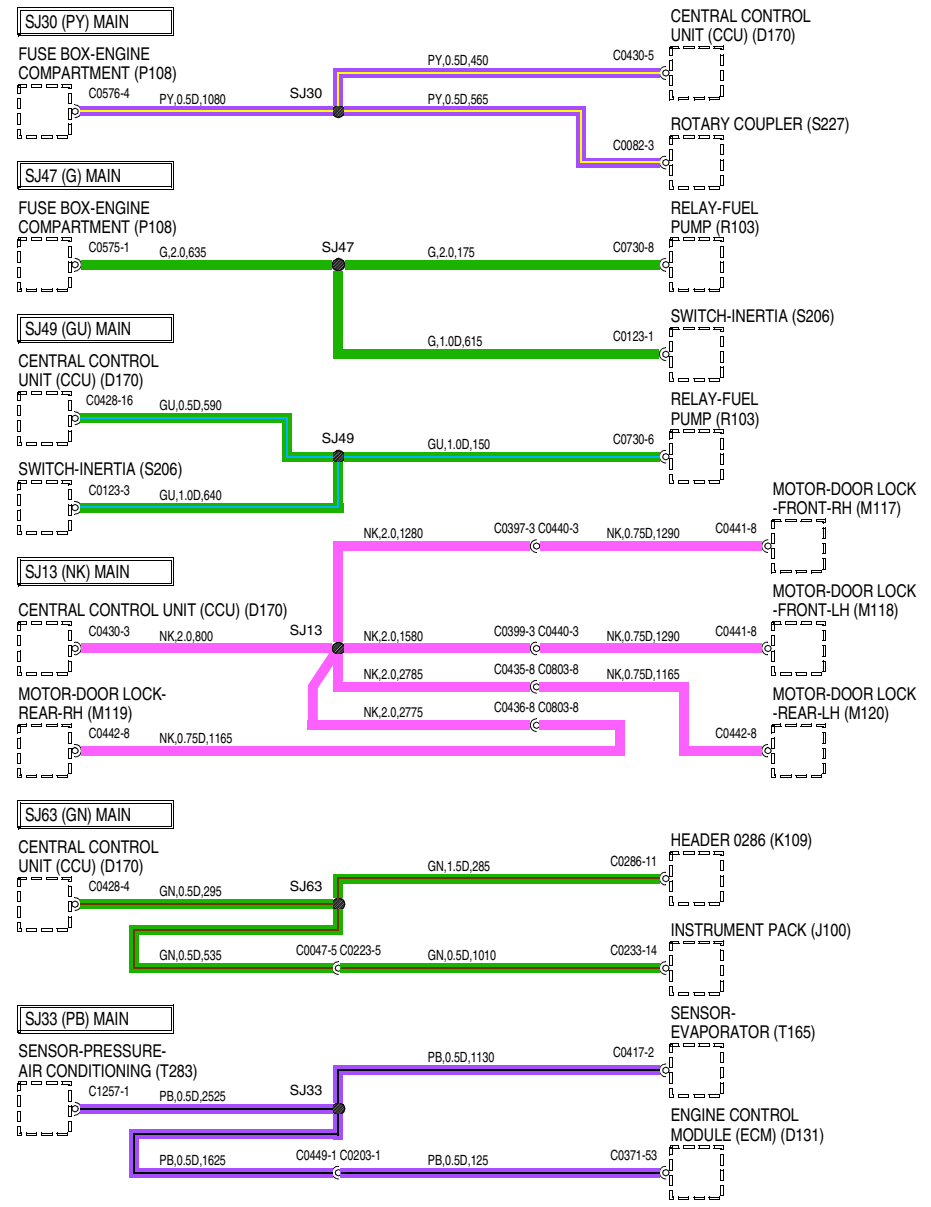


WR004290-A-04

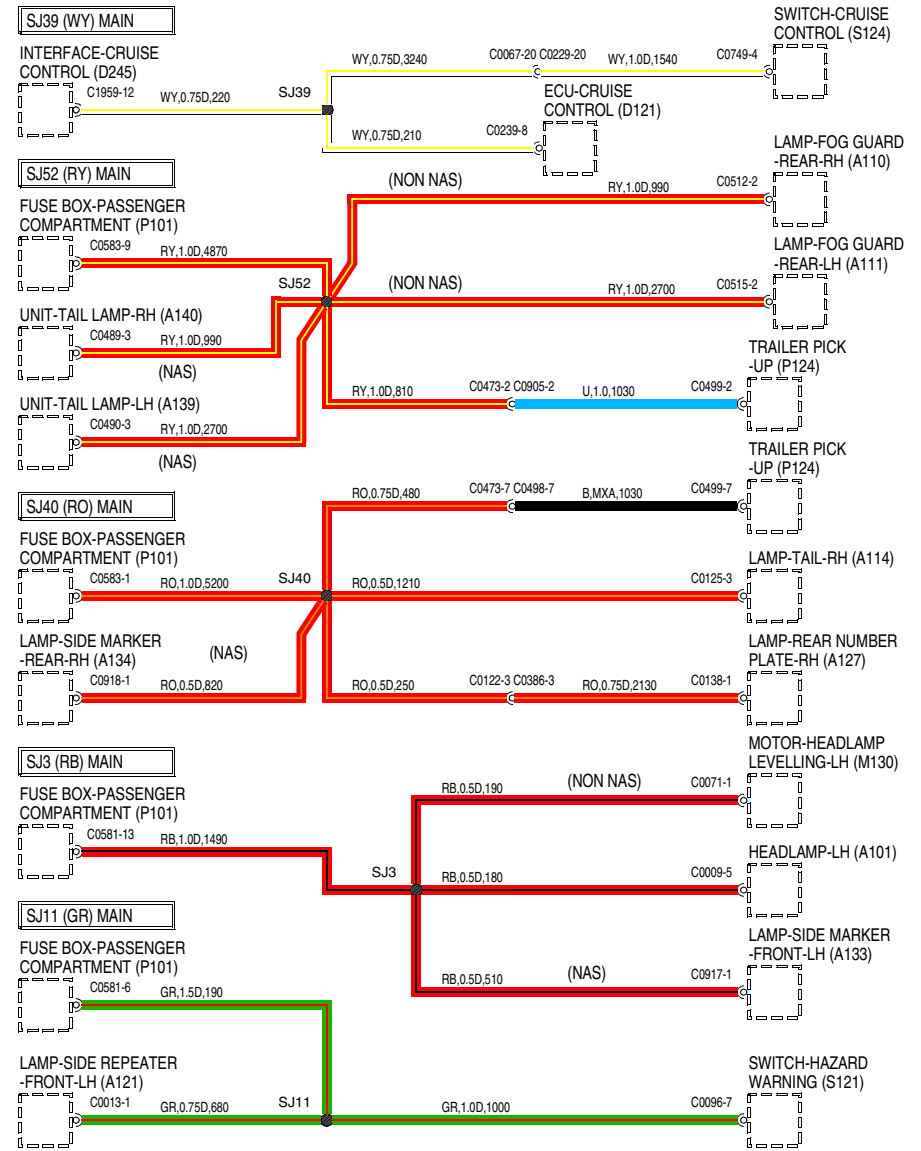
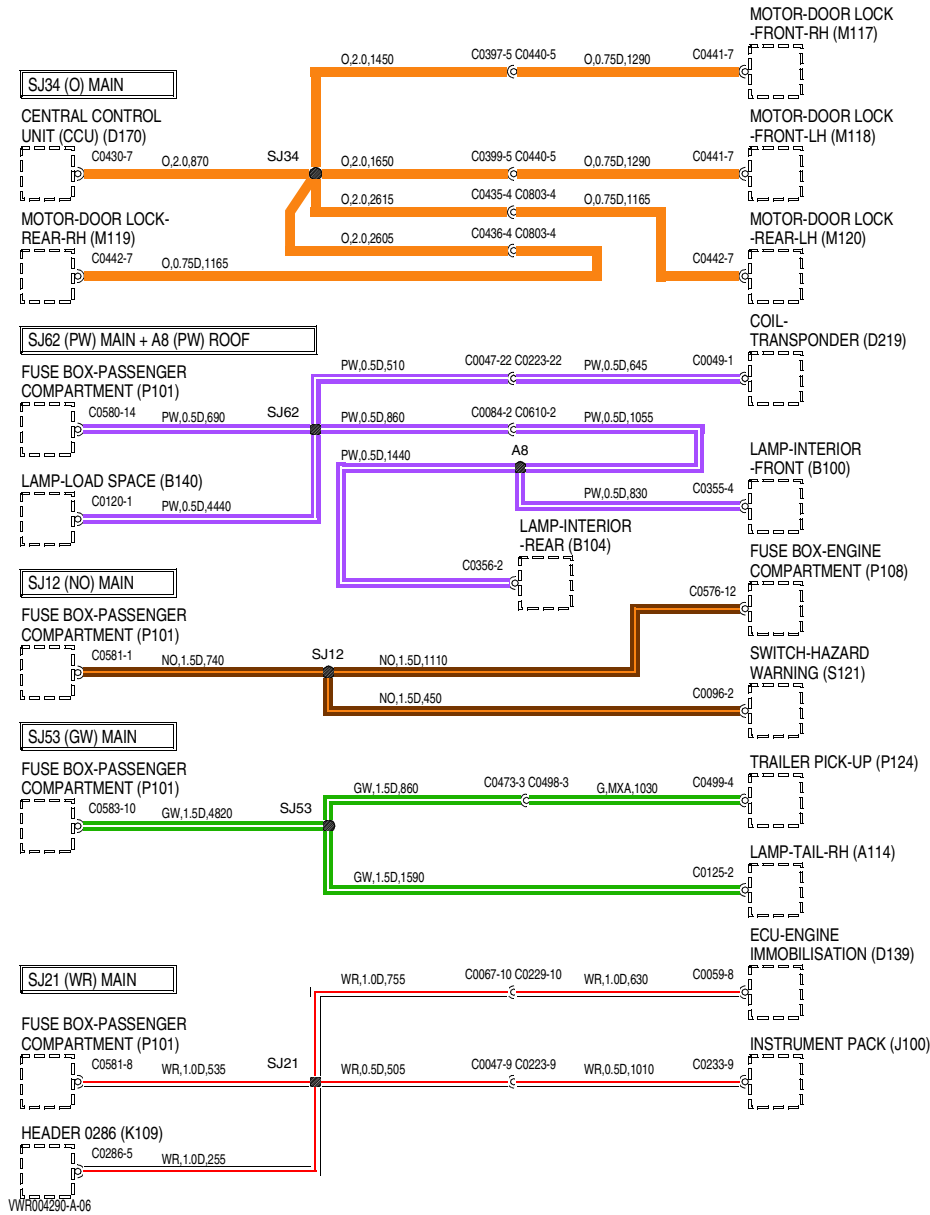
# 65 SPLICES AND CENTRE TAPS



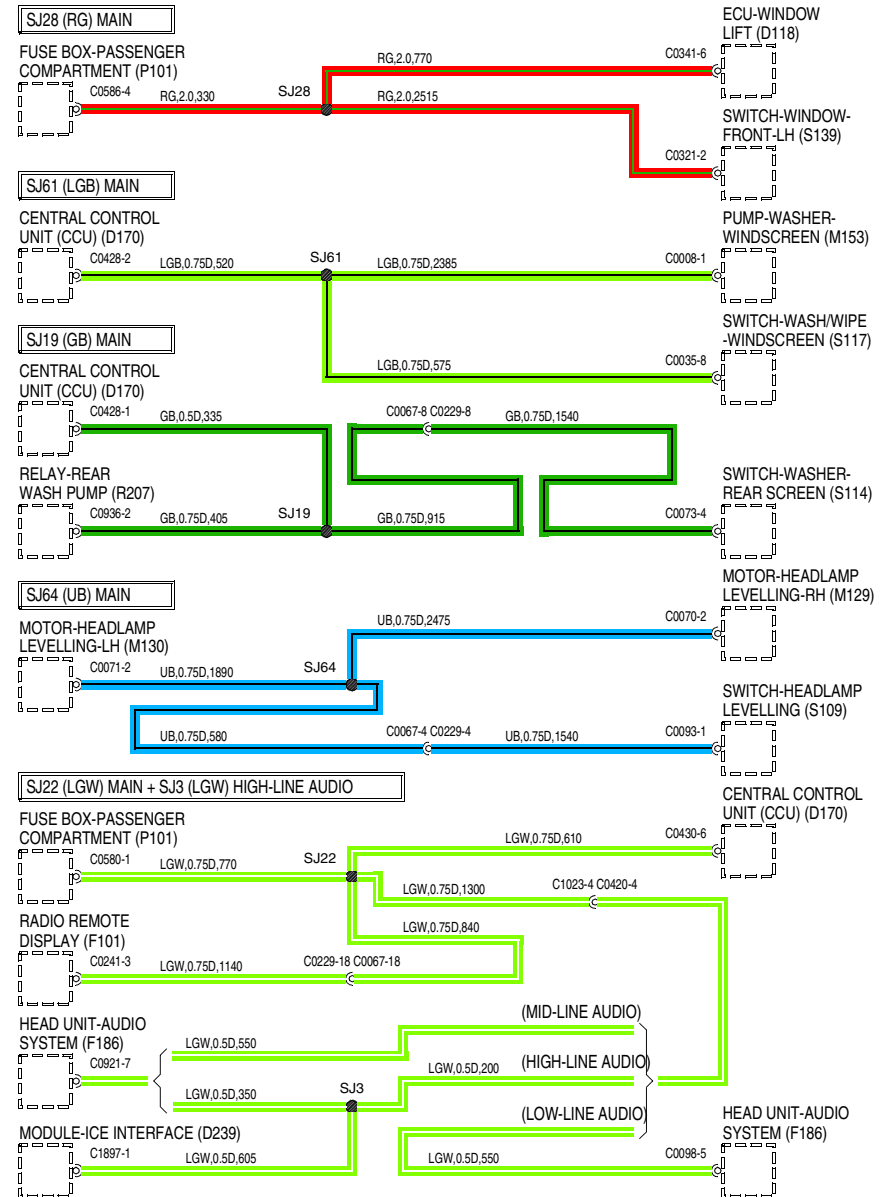
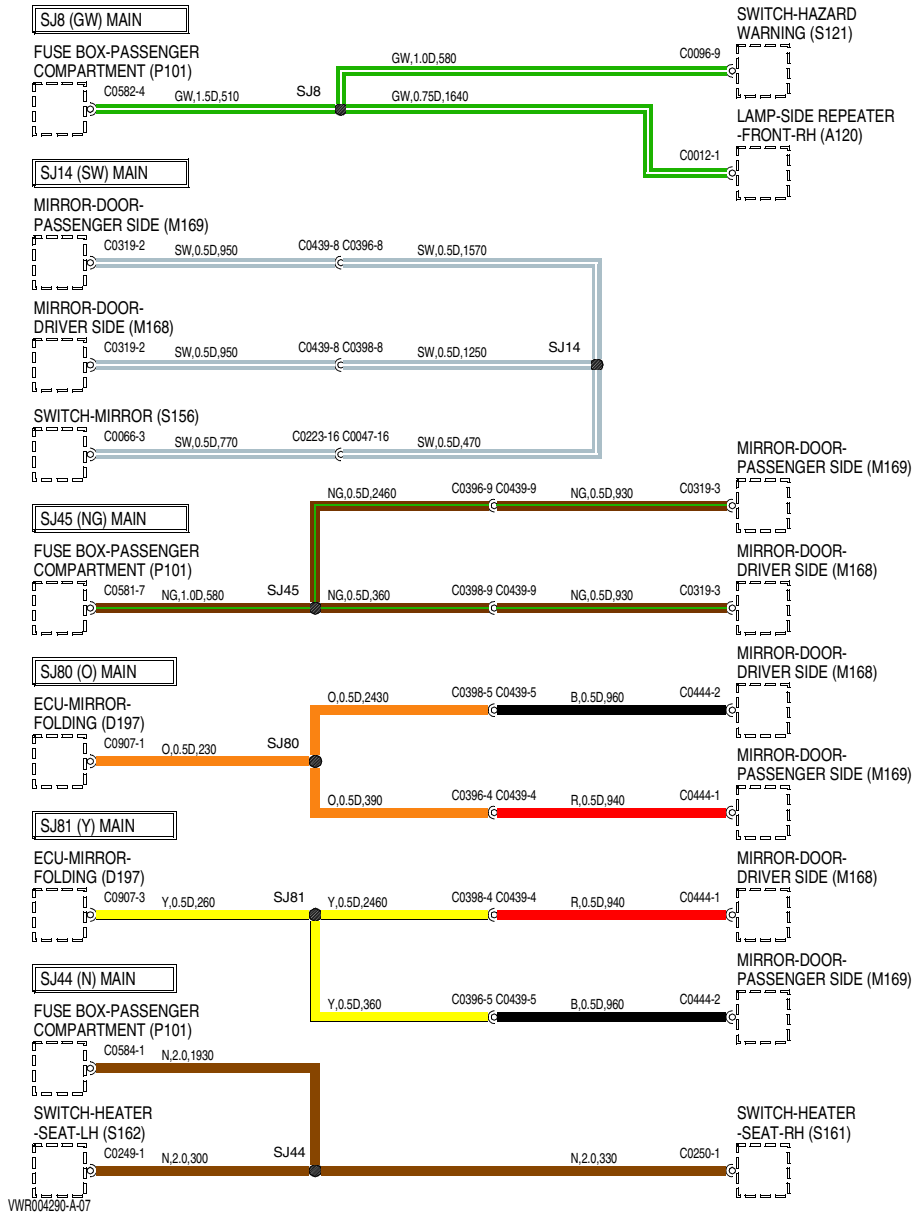
VWR004290-A-05



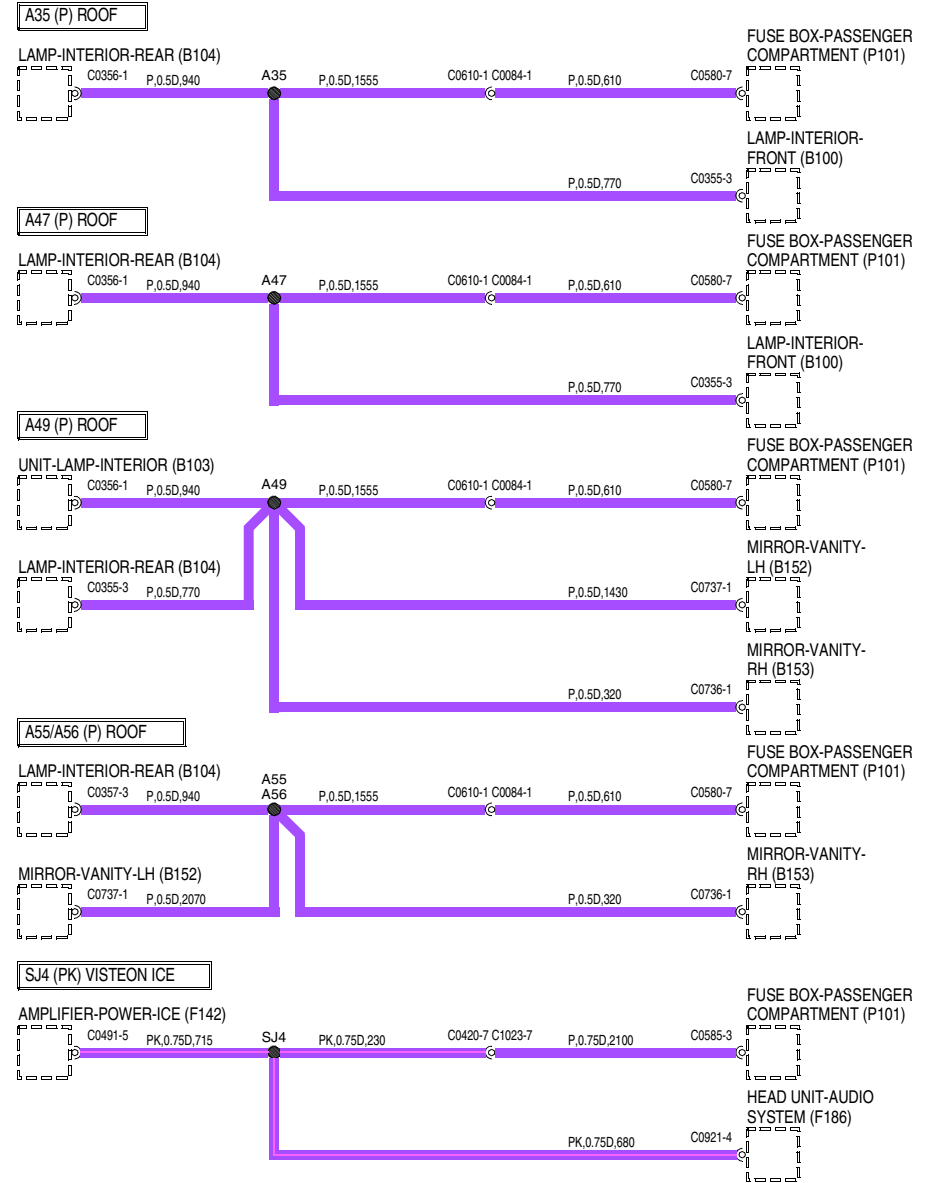
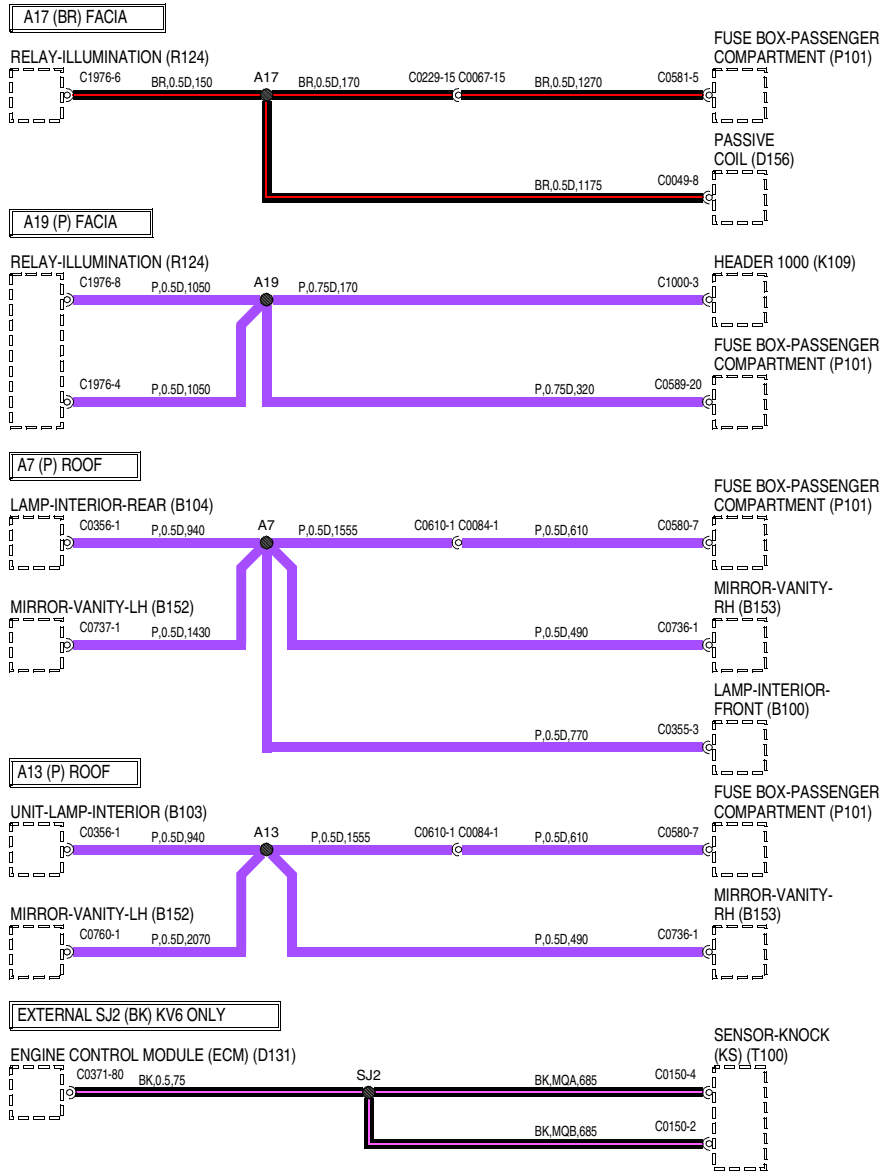
# 65 SPLICES AND CENTRE TAPS



# 65 SPLICES AND CENTRE TAPS

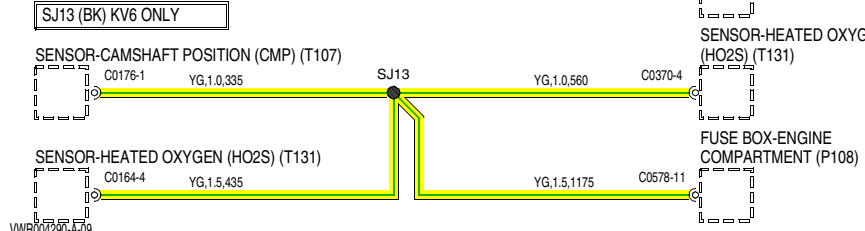
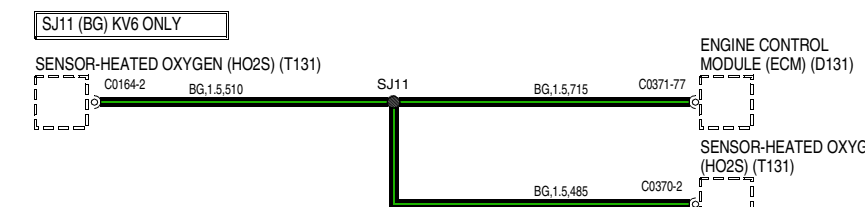
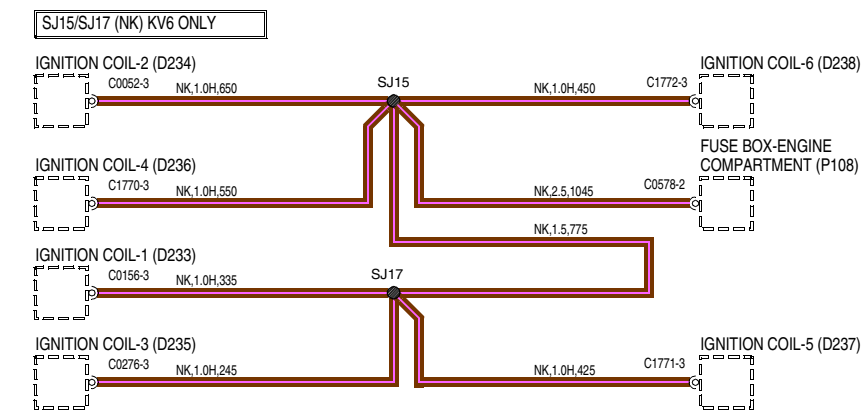
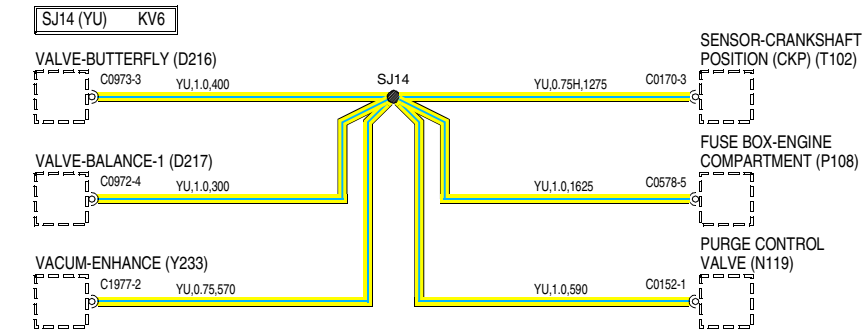


# 65 SPLICES AND CENTRE TAPS

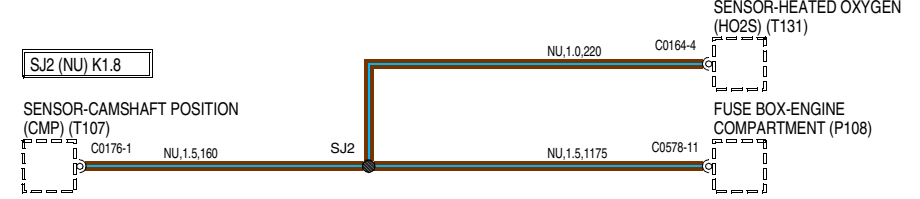
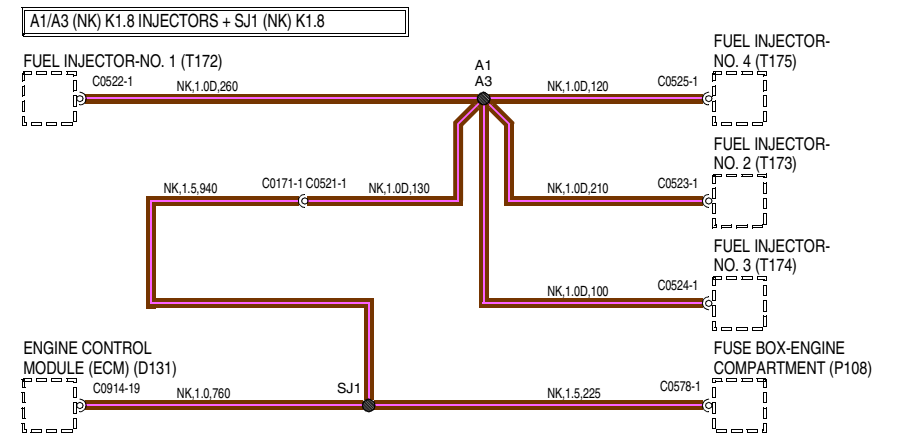
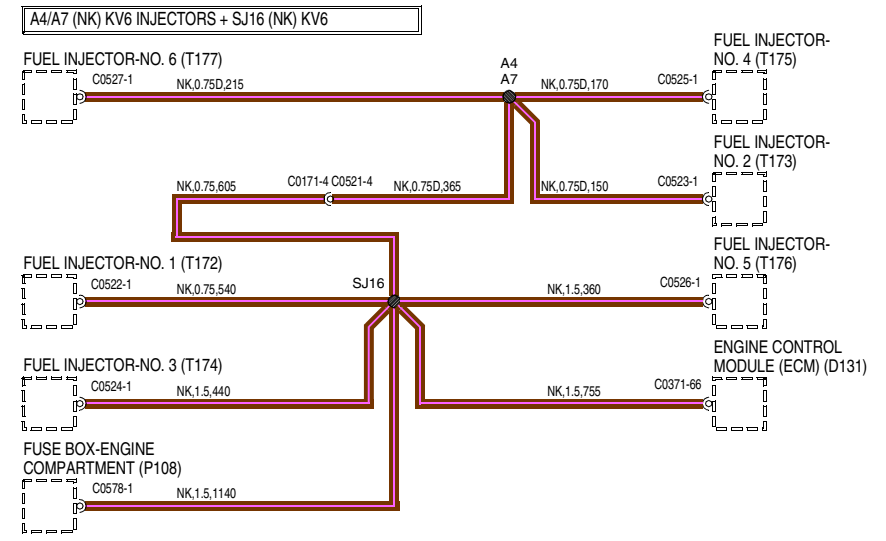


WVR004290-A-08

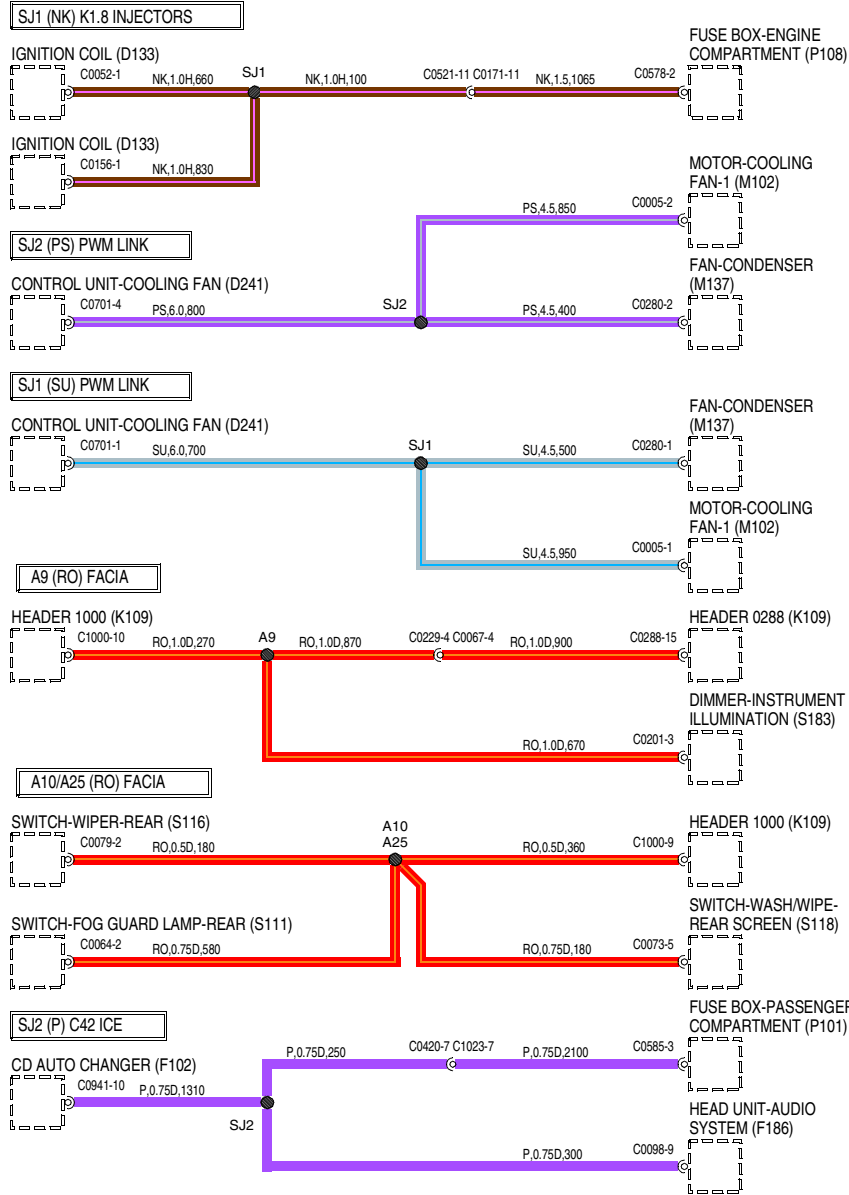
# 65 SPLICES AND CENTRE TAPS



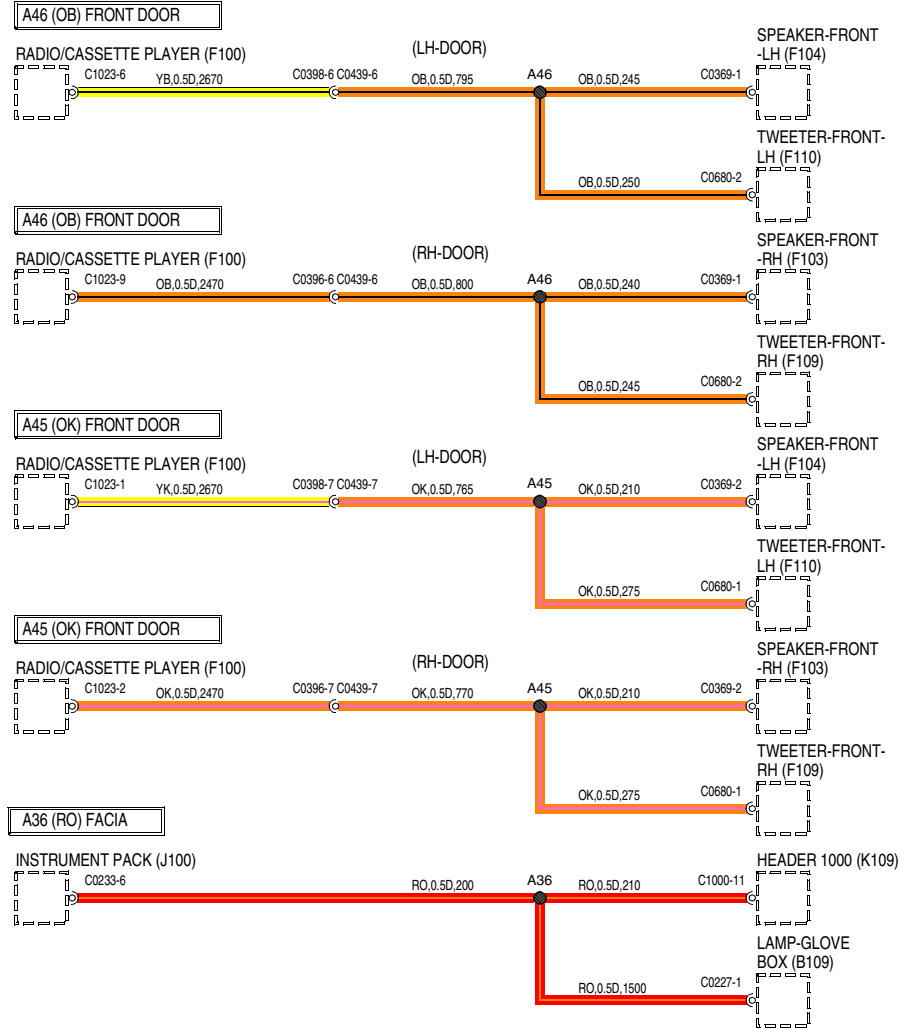
WR004290-A-09



# 65 SPLICES AND CENTRE TAPS

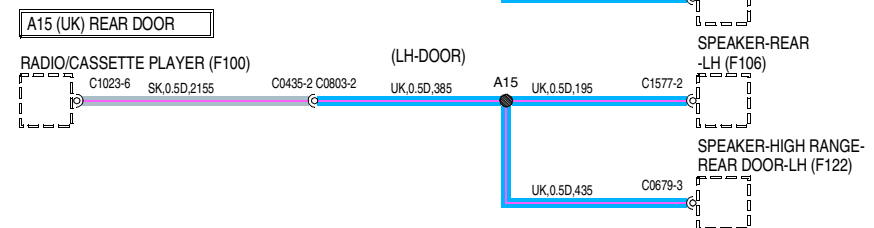
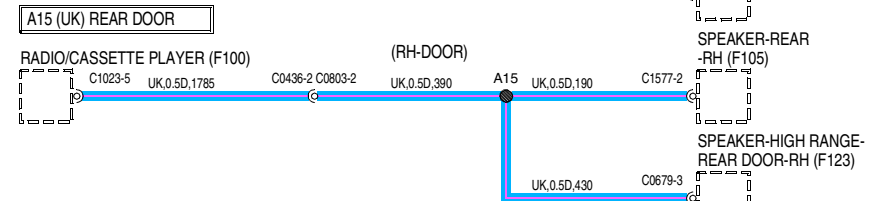
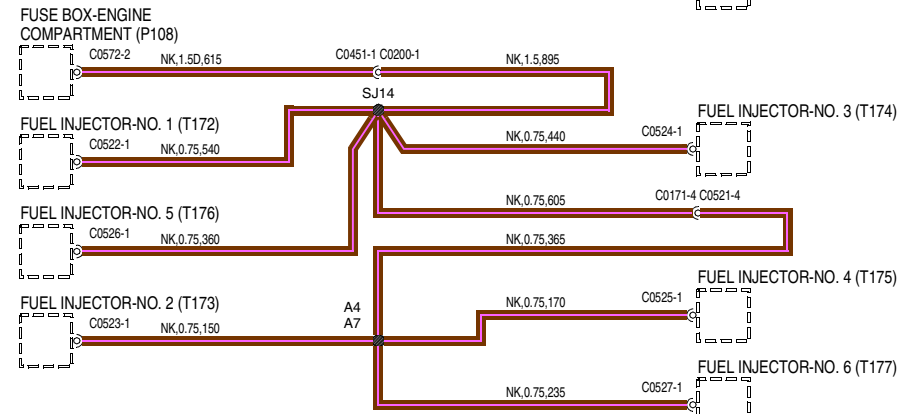
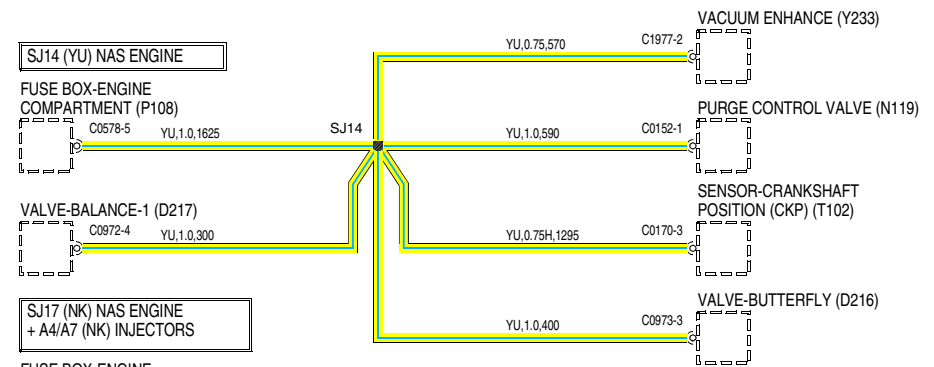
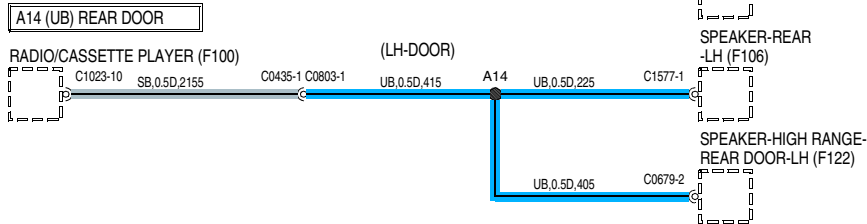
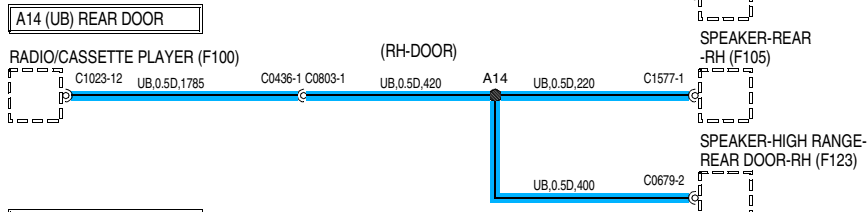
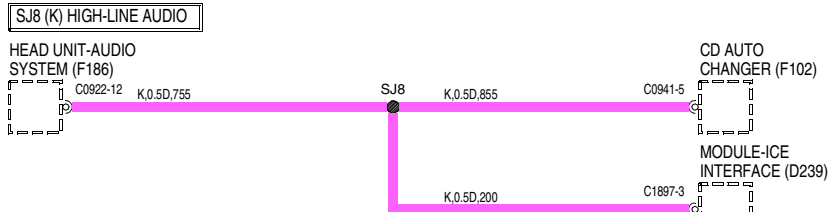
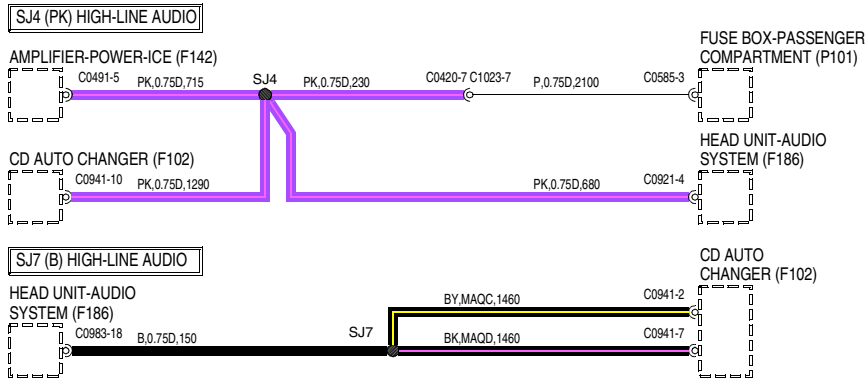


WVR004290-A-10





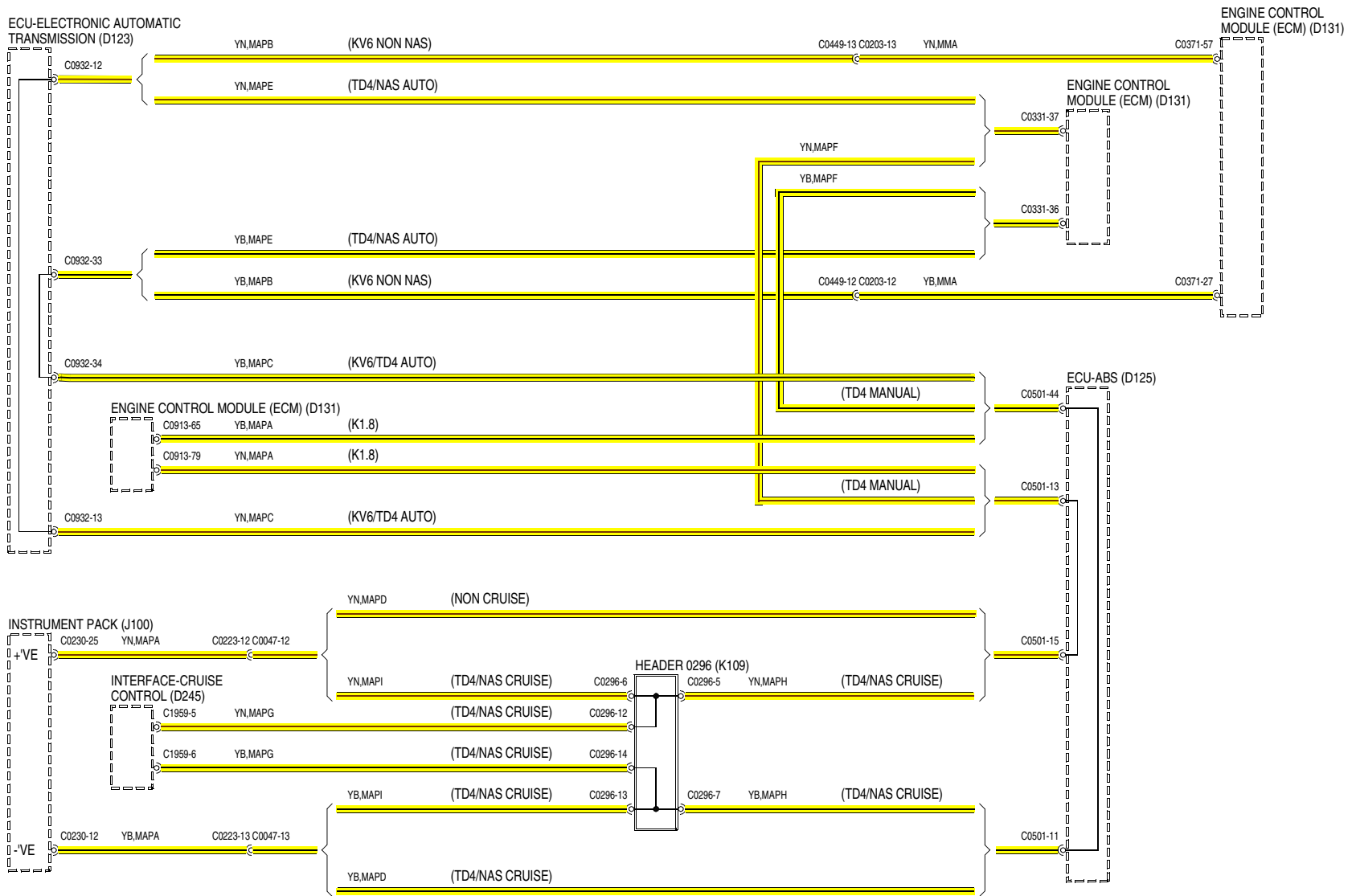
# 65 SPLICES AND CENTRE TAPS



VWR004230-A-11



# 70 COMMUNICATION DATA BUSES



VWR003990-A-01

