



Electrical Circuit Diagrams



FREELANDER

2003MY

Electrical Circuit Diagrams

Publication Part No. LRL 0587NAS(2)

Published by Land Rover

© 2002 Land Rover

COLOUR CODES**DRAADKLEURCODES****CODICI COLORI DEI CAVI****CODES DES COULEURS DES FILS****CODIGOS DE COLORES DE LOS CABLES****KABELFARBCODES****CÓDIGOS DAS CORES DOS FIOS**

CODE	COLOUR	CODE	KLEUR	CODE	COULEUR	CODE	FARBE	CODICE	COLORE	CODIGO	COLOR	CÓDIGO	COR
B	BLACK	B	ZWART	B	NOIR	B	SCHWARZ	B	NERO	B	NEGRO	B	PRETO
G	GREEN	G	GROEN	G	VERT	G	GRÜN	G	VERDE	G	VERDE	G	VERDE
K	PINK	K	ROZE	K	ROSE	K	ROSA	K	ROSA	K	ROSA	K	ROSA
LG	LIGHT GREEN	LG	LICHTGROEN	LG	VERT CLAIR	LG	HELLGRÜN	LG	VERDE CHIARO	LG	VERDE CLARO	LG	VERDE CLARO
N	BROWN	N	BRUIN	N	BRUN	N	BRAUN	N	MARRONE	N	MARRON	N	CASTANHO
O	ORANGE	O	ORANJE	O	ORANGE	O	ORANGE	O	ARANCIONE	O	NARANJA	O	LARANJA
P	PURPLE	P	PAARS	P	VIOLET	P	LILA	P	PORPORA	P	PURPURA	P	ROXO
R	RED	R	ROOD	R	ROUGE	R	ROT	R	ROSSO	R	ROJO	R	VERMELHO
S	SLATE (grey)	S	LEIGRIJS	S	GRIS	S	GRAU	S	ARDESIA (grigio)	S	PIZARRO (gris)	S	CINZENTO
T	TRANSPARENT	T	TRANSPARANT	T	TRANSPARENT	T	TRANSPARENT	T	TRASPARENTE	T	TRANSPARENTE	T	TRANSPARENTE
U	BLUE	U	BLAUW	U	BLEU	U	BLAU	U	BLU	U	AZUL	U	AZUL
W	WHITE	W	WIT	W	BLANC	W	WEISS	W	BIANCO	W	BLANCO	W	BRANCO
Y	YELLOW	Y	GEEL	Y	JAUNE	Y	GELB	Y	GIALLO	Y	AMARILLO	Y	AMARELO

CONTENTS

1 POWER DISTRIBUTION	6	20 ENGINE MANAGEMENT SYSTEM	52	43 EXTERIOR LAMPS	84
Engine Compartment Fuse Box - NAS	6	KV6 - NAS	52	Brake and reverse lamps	84
Passenger Compartment Fuse Box - NAS	12	20 FUEL PUMP	56	Fog lamps - Rear	86
2 EARTH DISTRIBUTION	18	22 COOLING FANS	58	Direction indicator lamps\hazard warning	88
NAS	18	31 CRUISE CONTROL	60	Head, side and tail lamps - NAS	90
3 ANTI-THEFT ALARM AND CENTRAL DOOR LOCKING	24	Td4 and NAS	60	Head, side and tail lamps - Canada	92
3 ENGINE IMMOBILISATION	28	32 ELECTRONIC AUTOMATIC TRANSMISSION .	62	44 INTERIOR LAMPS	96
5 WINDOWS	30	35 ANTI-LOCK BRAKING SYSTEM (ABS)	66	46 INTERIOR ILLUMINATION	100
Front	30	36 SUPPLEMENTARY RESTRAINT SYSTEM (SRS)	68	47 INSTRUMENTS	104
Rear	32	38 AIR CONDITIONING	70	47 ROTARY COUPLER	108
Tail Door	34	NAS	70	48 HORN (S)	110
6 SUNROOF	36	39 HEATER	74	49 ACCESSORY SOCKET	112
7 DOOR MIRRORS	38	40 HEATED REAR SCREEN	76	49 CIGAR LIGHTER	114
Folding	40	40 HEATED FRONT SCREEN	78	50 AUDIO SYSTEMS	116
8 SEATS	42	42 WIPERS AND WASHERS	80	Low-Line	116
Heated	42	Front	80	Mid-Line	120
10 DIAGNOSTIC SOCKET	44	Rear	82	50 NAVIGATION SYSTEMS	124
11 BODY CONTROL UNIT	46	60 HEADER JOINTS	128	65 SPLICES AND CENTRE TAPS	134
15 CHARGING AND STARTING	50	65 SPLICES AND CENTRE TAPS	134	70 COMMUNICATION DATA BUSES	146
KV6 - NAS	50				

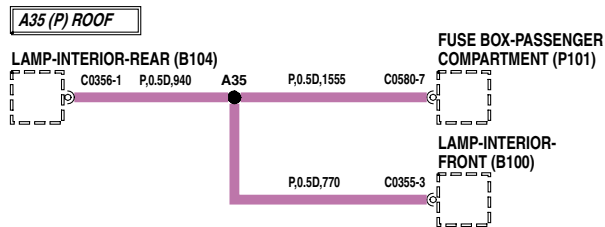
HOW TO USE THE CIRCUIT DIAGRAMS

All of the information in this publication is intended for use in conjunction with the Electrical Library, which can be found on RAVE.

The circuit diagrams are presented with Power and Earth distribution first, followed by individual circuits for each electrical system on the vehicle.

Power Distribution

The Power Distribution diagram shows the connections from the battery to the engine, passenger, and where applicable, rear fuse box. It also shows the internal circuitry of the fuse boxes.



M86 5963

The fuse box details are followed by independent functionally specific circuits and then a splices and centre taps section outlining the way in which internal harness splices and centre taps distribute power in the harnesses. This information should be used during diagnosis of electrical faults to check for symptoms in associated circuits and narrow down the search area.

Earth Distribution

The earth distribution section comprises a number of Headers and Splices circuits. These are used in a similar manner to those in Power Distribution; to narrow the search area by checking for fault symptoms in associated circuits.

Splices and centre taps

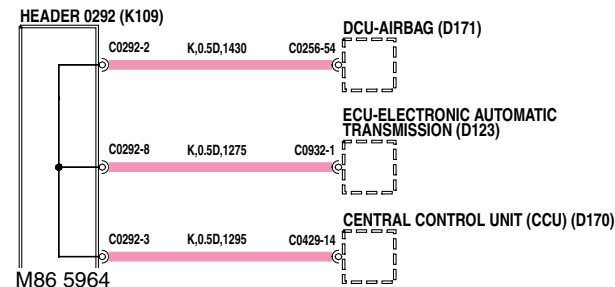
Header and splice tables present the joint(s) and wiring up to the first component. Splices are identified by a number with an alphabetical prefix and the wire colour.

The splice information shown on individual system circuits is not complete. Always refer to the splices circuit for complete information on each splice.

Wire length (Power & Earth Distribution only)

The length of the wire is shown in millimetres. This can be used to locate internal harness splices; look for the shortest wire between the joint and connector. For example, it can be seen that C0580-7 is 1555mm from joint A35.

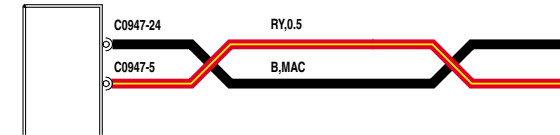
Connectors



M86 5964

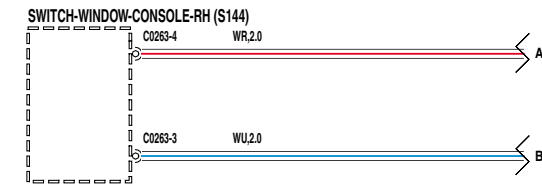
Header joints are identified by their corresponding connector number with a numbered suffix to indicate the pin-out detail of the wire, i.e. C0292-1 identifies connector 292, pin number 1. Wire insulation colour is identified in the normal way. Where wires have a predominant colour with a secondary colour tracer, the main colour is identified first, i.e. LGS - Light Green with a Slate tracer.

Line Types



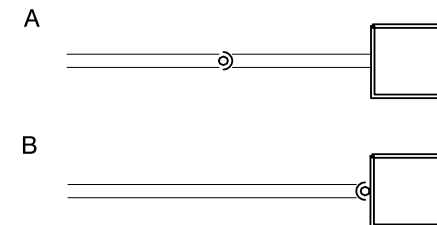
M86 5967

This denotes the wires are a twisted pair.



M86 5968

These page break symbols indicate the circuit continues on later pages.



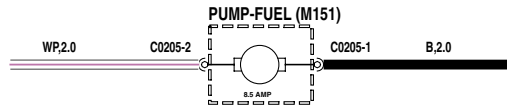
86M4230A

The cup and ball symbol indicates the male and female halves of connector.

- A. Plug on lead (Flylead) wired directly to the component.
- B. Connector plugs directly into component.

HOW TO USE THE CIRCUIT DIAGRAMS

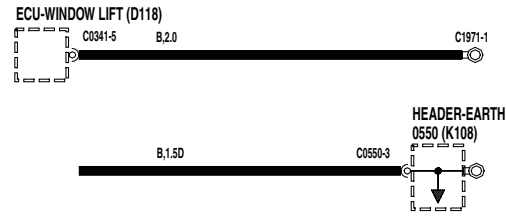
Components



M86 5965

The name or description of the component is shown. A dotted outline indicates that the component is not shown in its entirety.

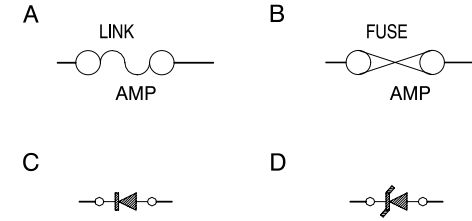
Earth points



M86 5966

Earth points are identified with an eyelet symbol and a connector number, except where components are grounded through their fixings, when only the eyelet is shown.

Fuses and Diodes



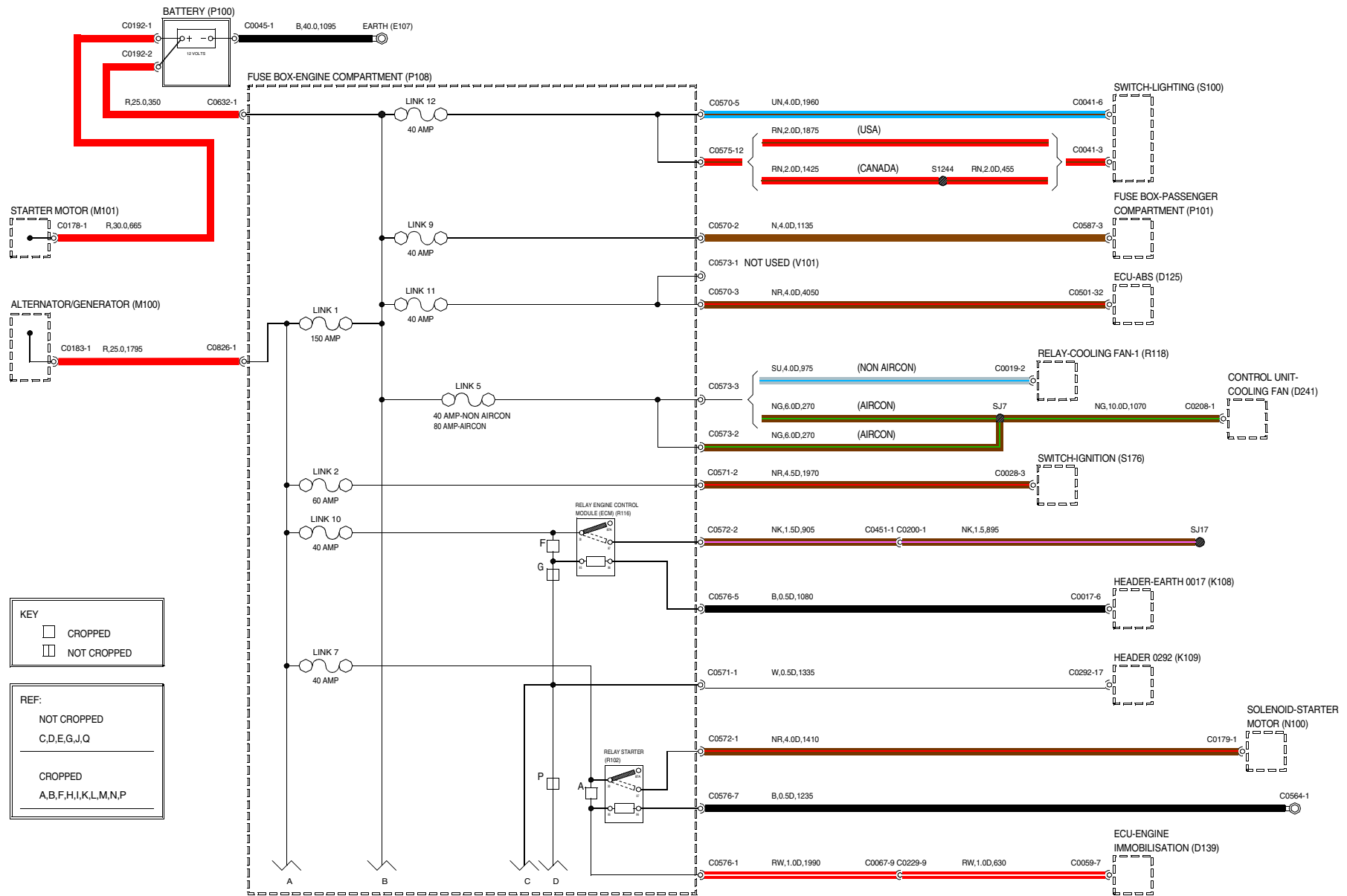
86M4234A

Fusible links (A) and current rated fuses (B) are identified as shown.

The direction of the arrow in a Diode symbol (C) indicates the direction of current flow. The Zener diode (D) - prevents current flow until a precise voltage is reached.

1 POWER DISTRIBUTION

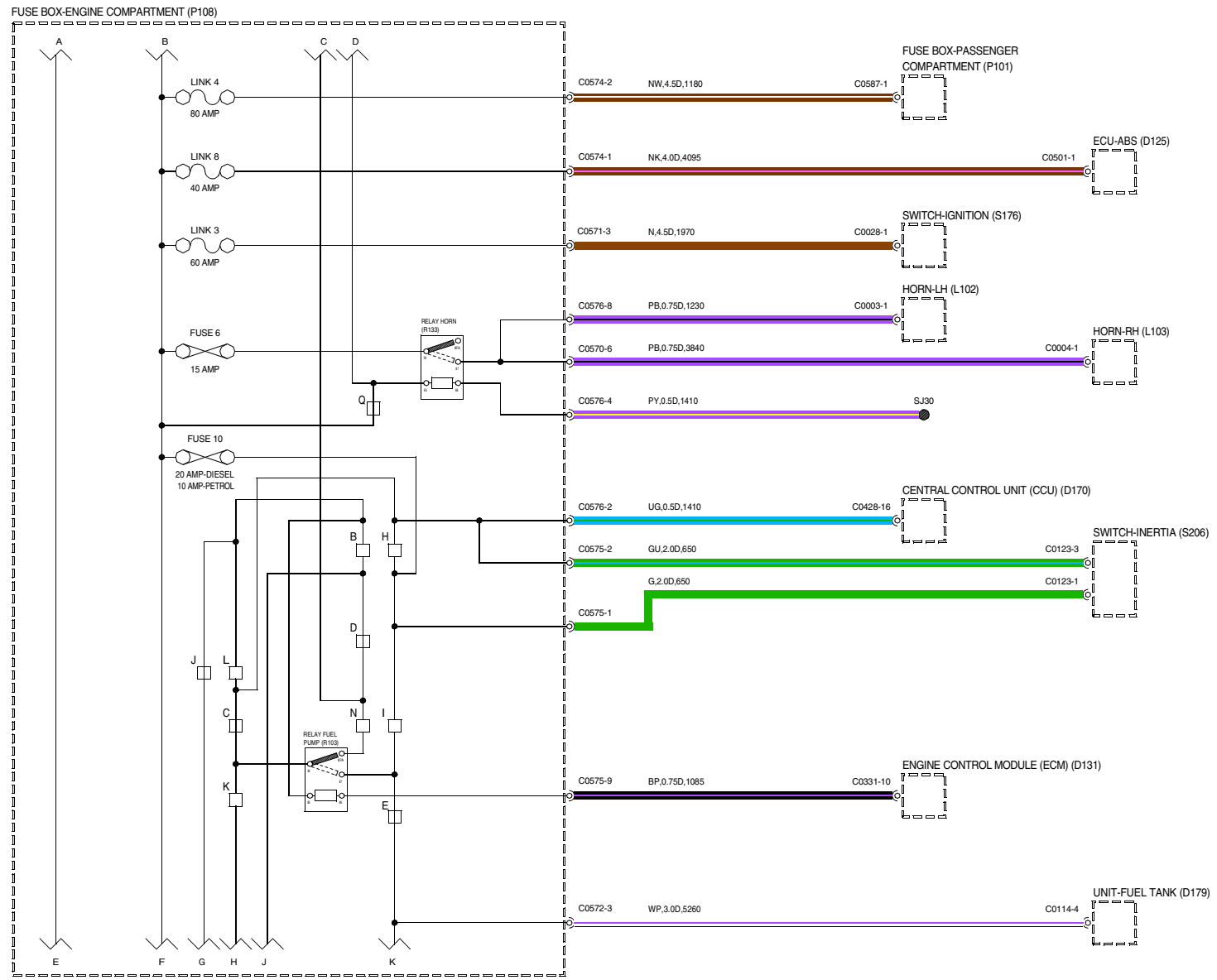
Engine Compartment Fuse Box - NAS



KEY
 □ CROPPED
 ▣ NOT CROPPED

REF:
 NOT CROPPED
 C,D,E,G,J,Q
 CROPPED
 A,B,F,H,I,K,L,M,N,P

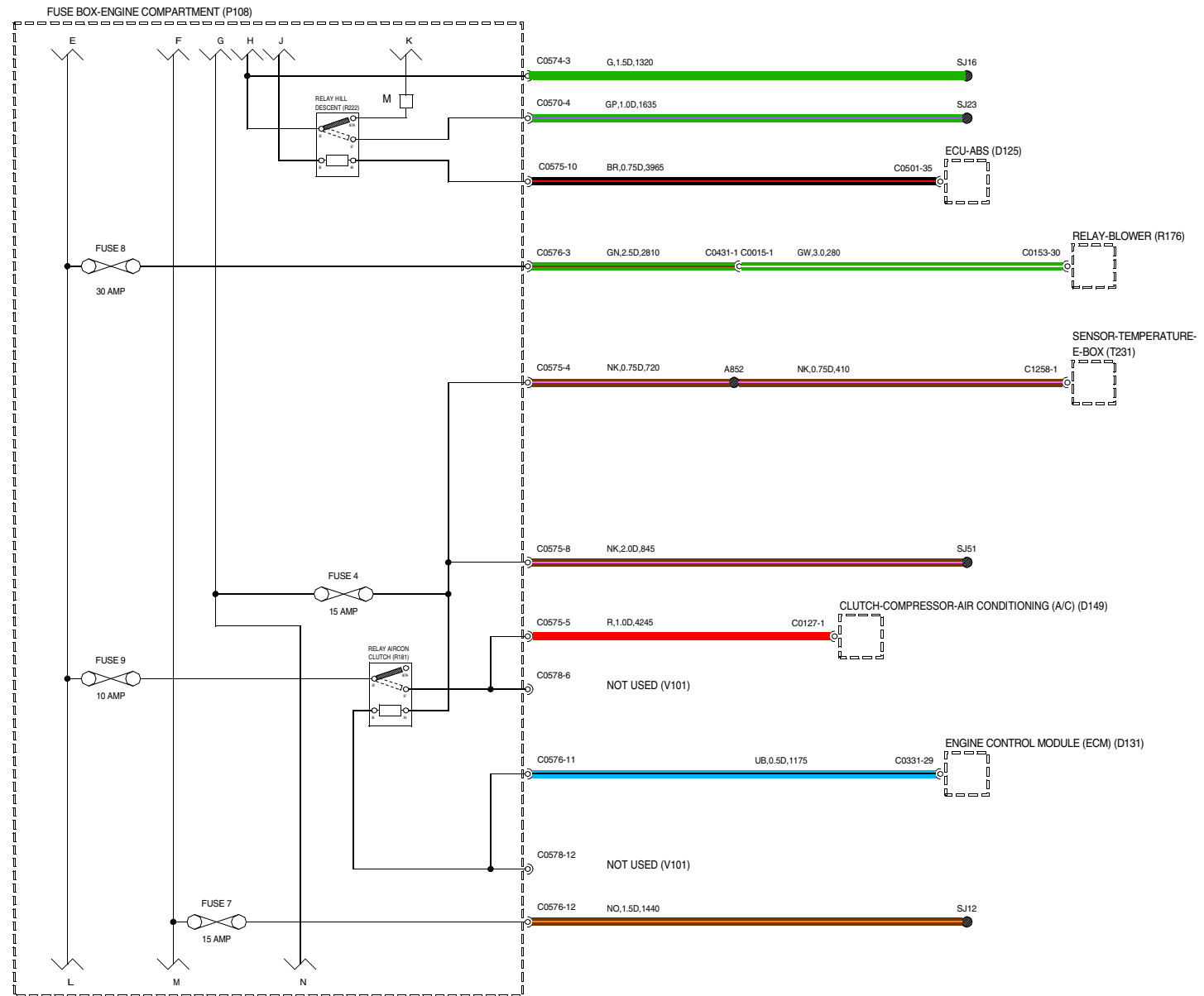
WVR004250-A-01



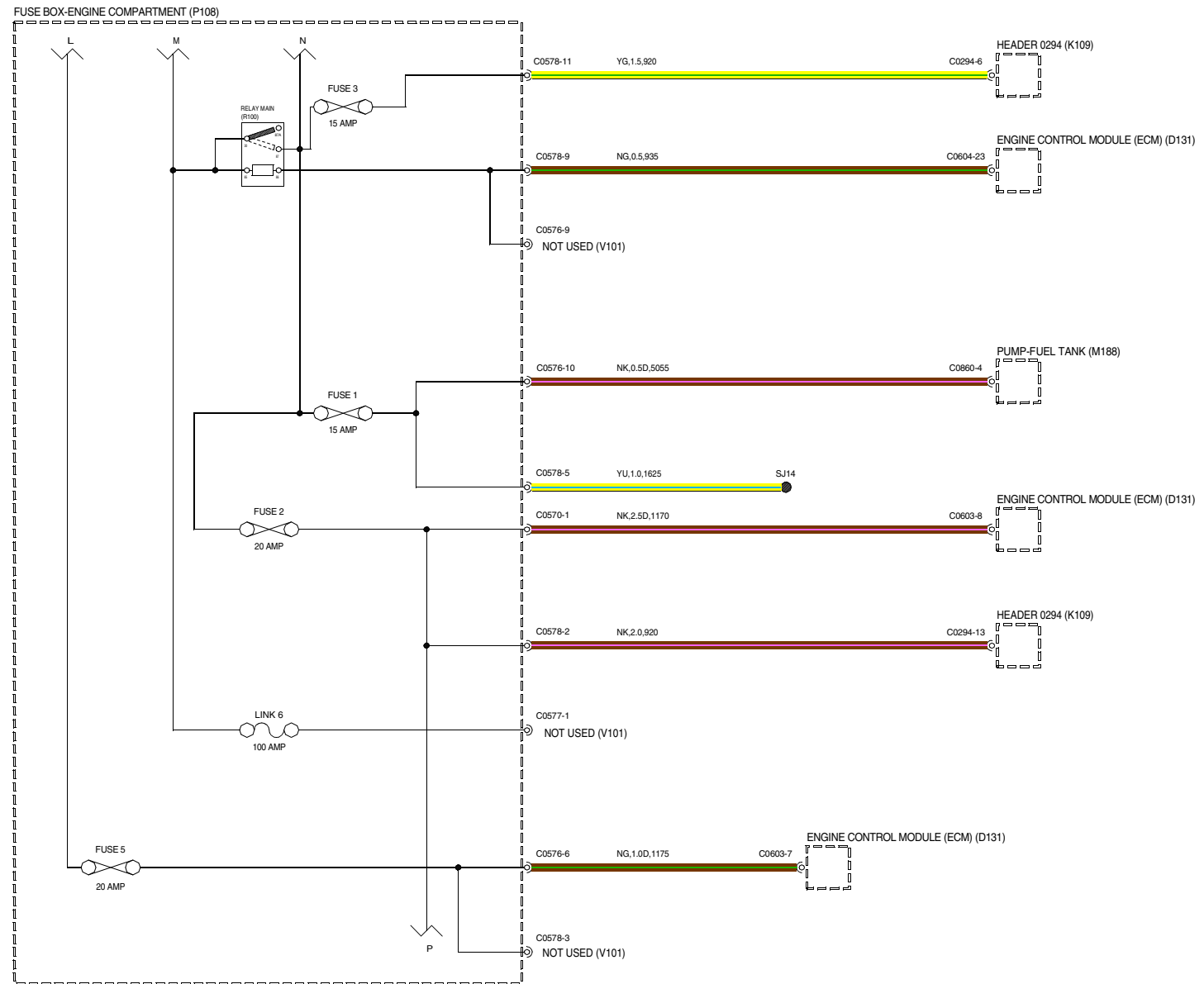
WWR004250-A-02

1 POWER DISTRIBUTION

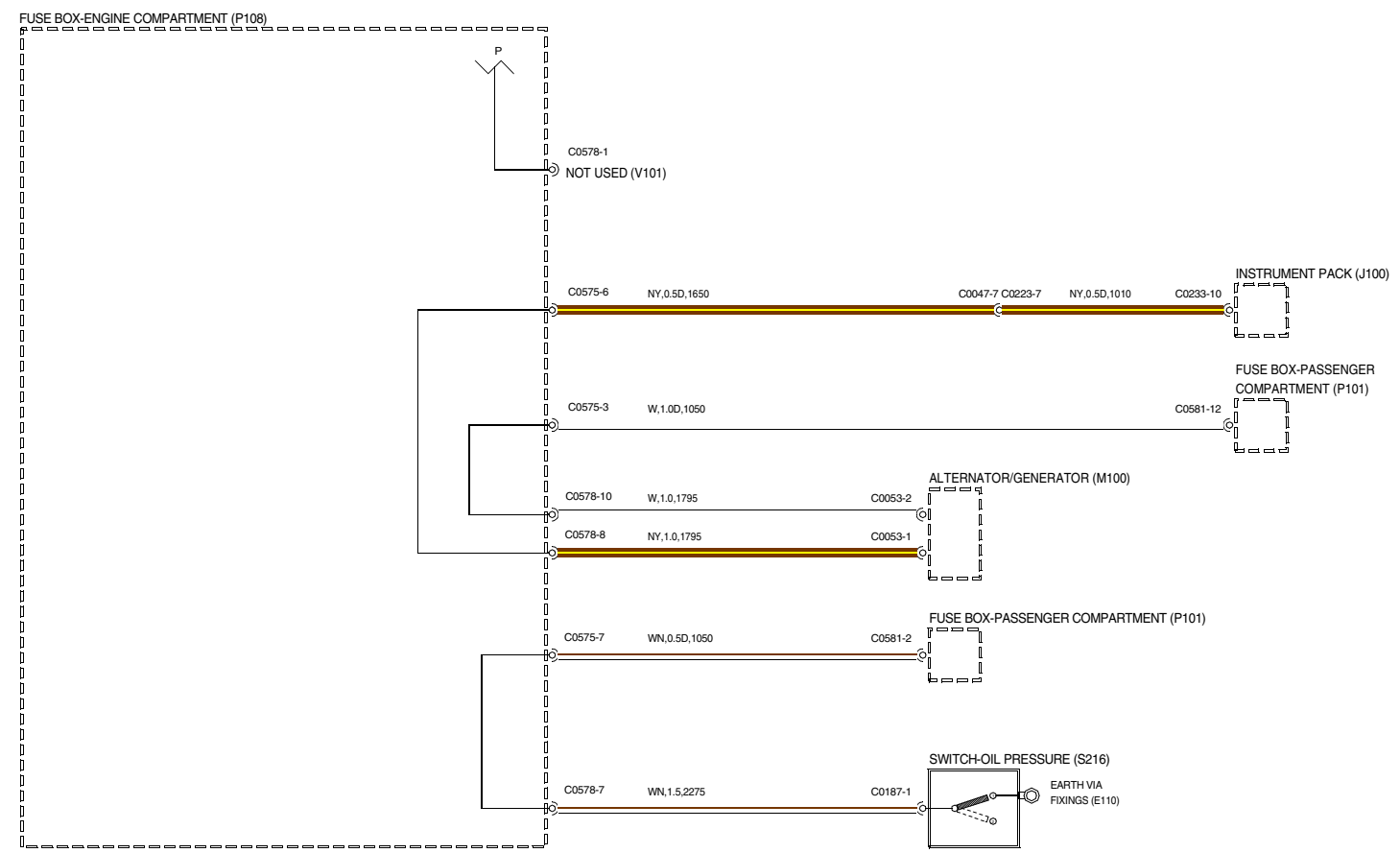
Engine Compartment Fuse Box - NAS



WVR004250-A-03



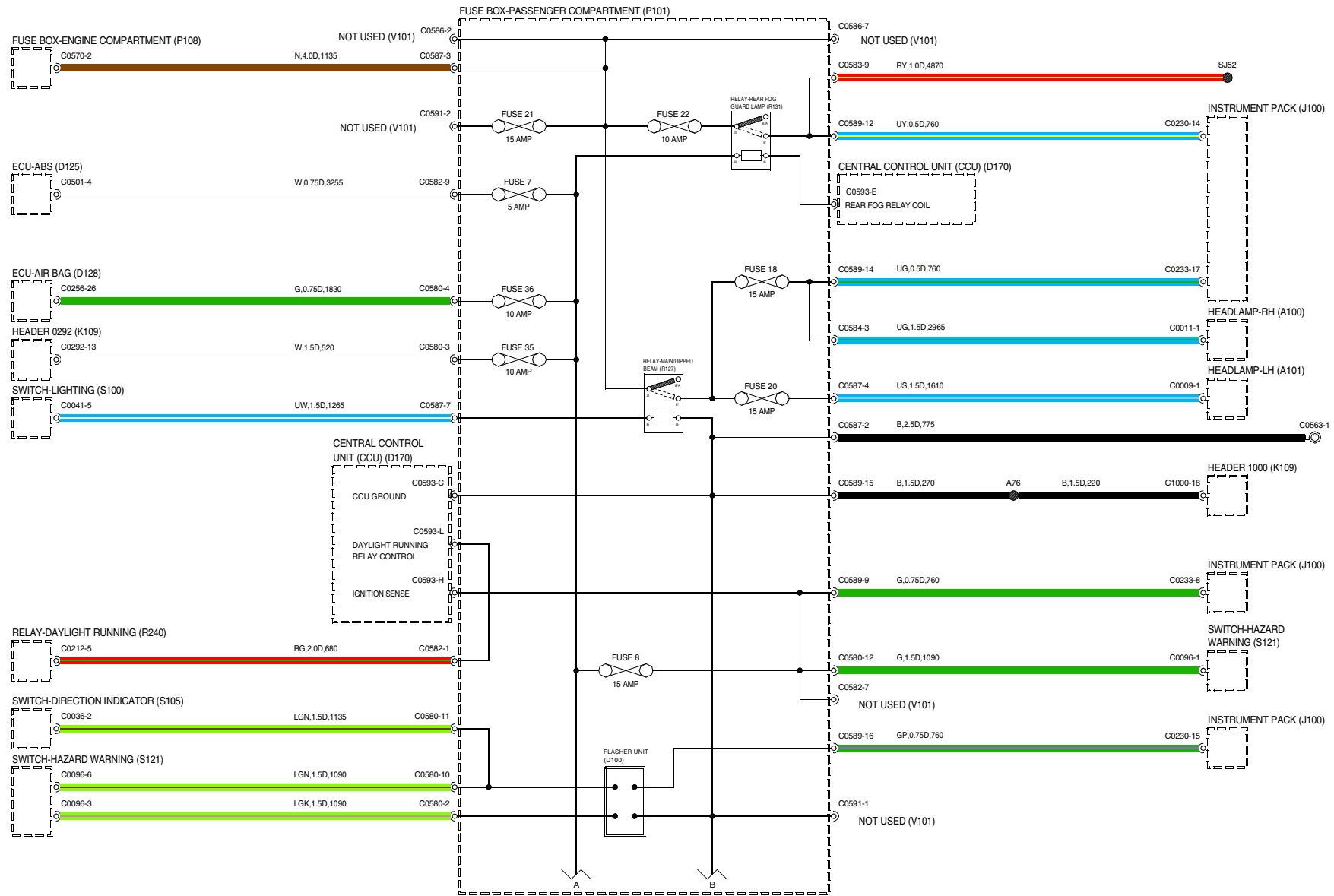
WWR004250-A-04



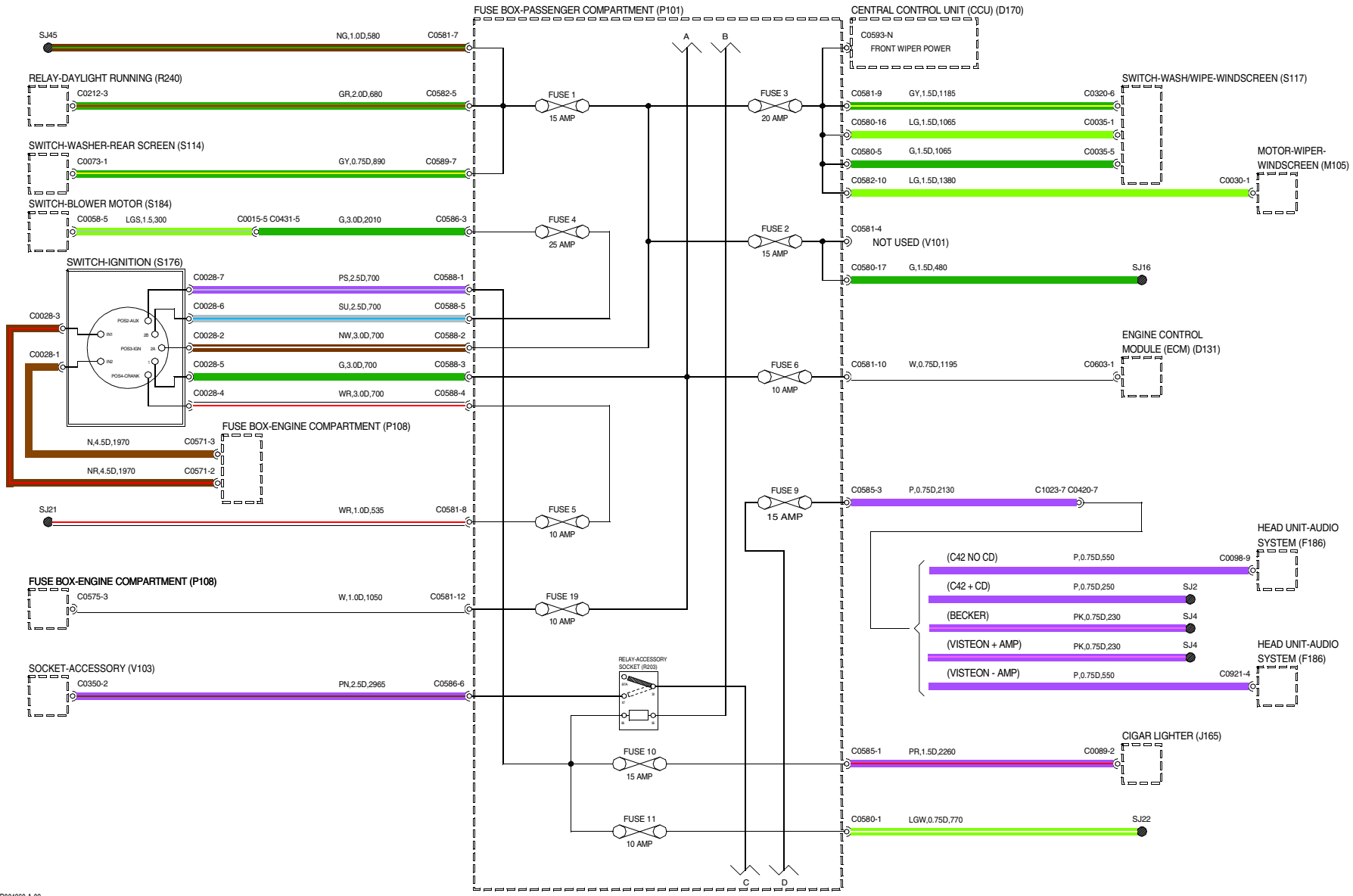
WVR004250-A-05

1 POWER DISTRIBUTION

Passenger Compartment Fuse Box - NAS



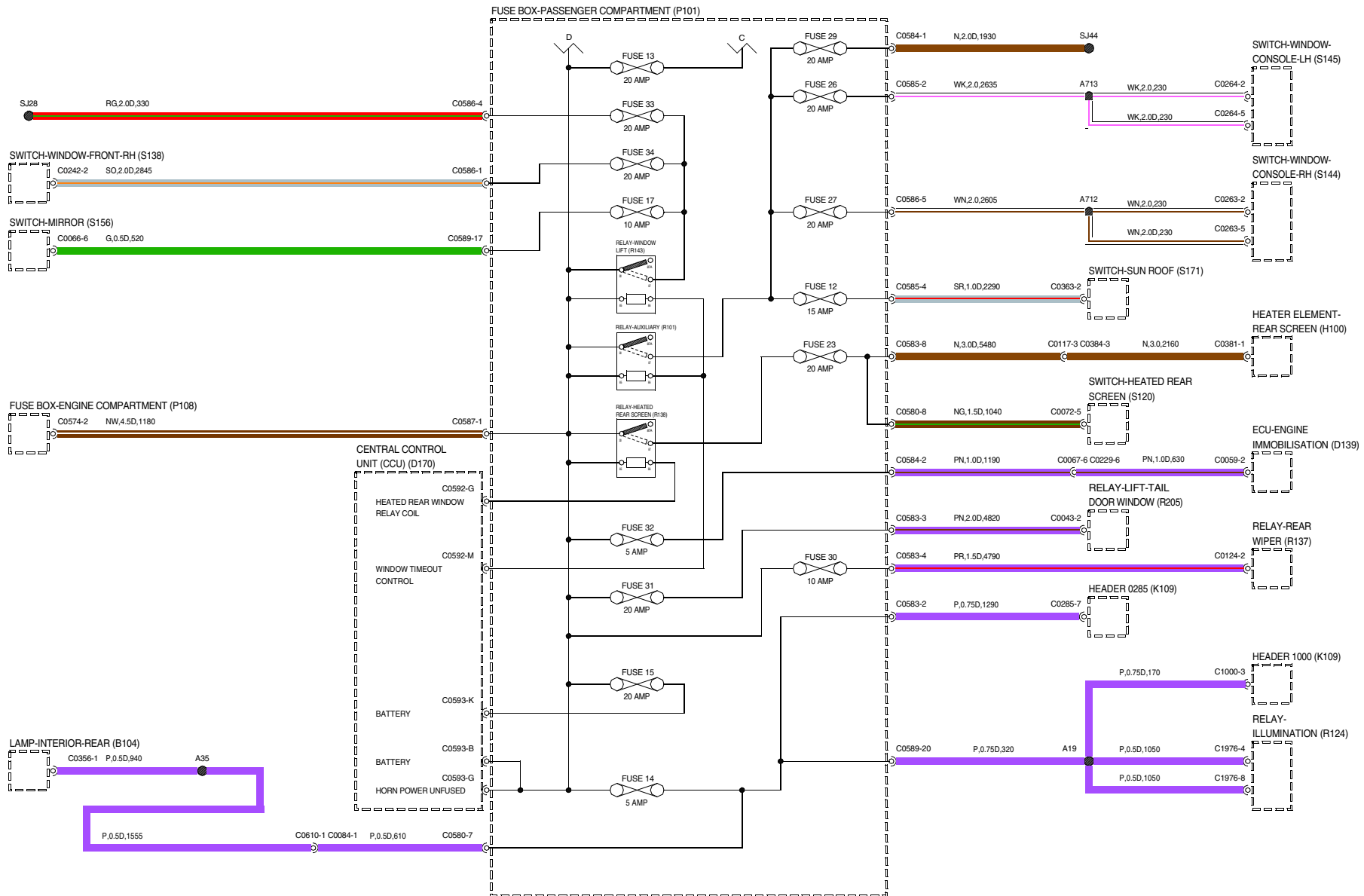
WFR004260-A-01



WVR004280-A-02

1 POWER DISTRIBUTION

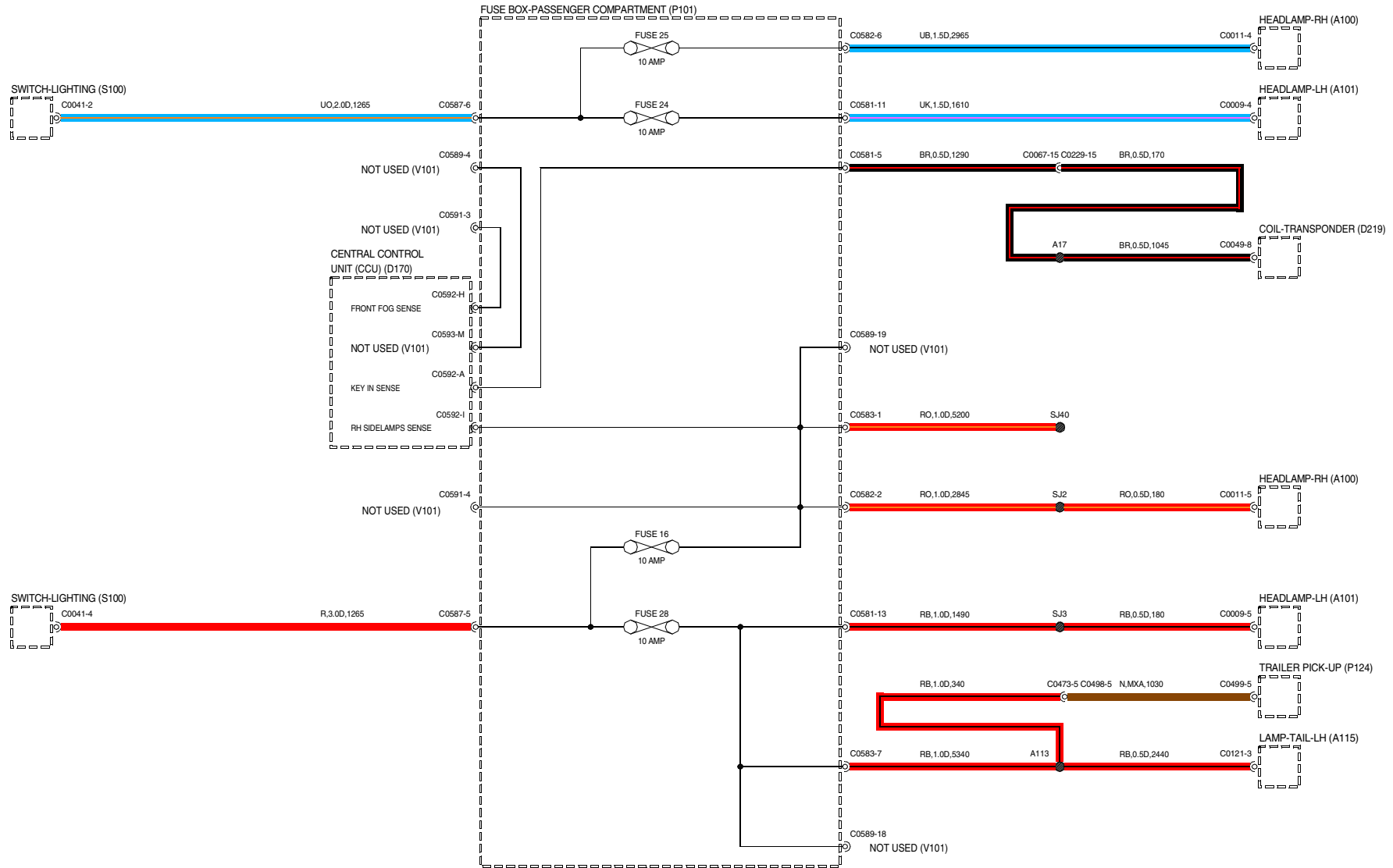
Passenger Compartment Fuse Box - NAS



WVR004260-A-03

1 POWER DISTRIBUTION

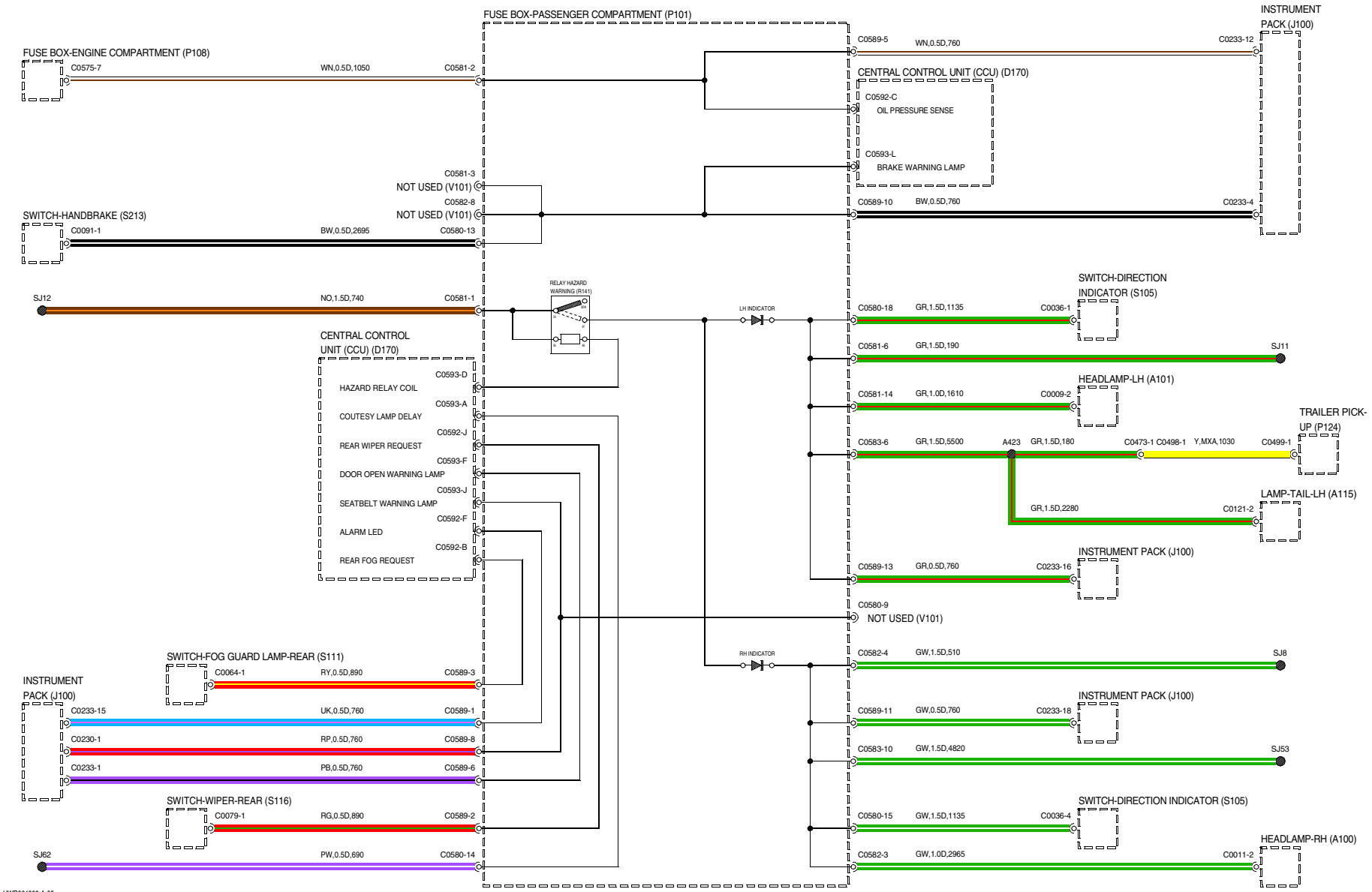
Passenger Compartment Fuse Box - NAS



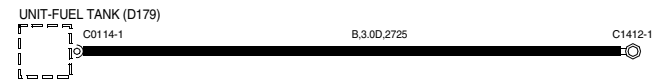
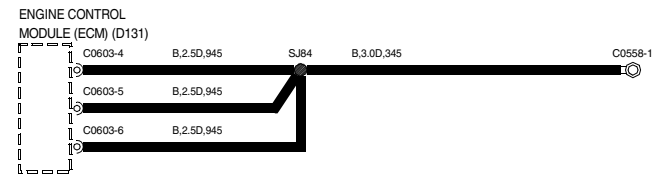
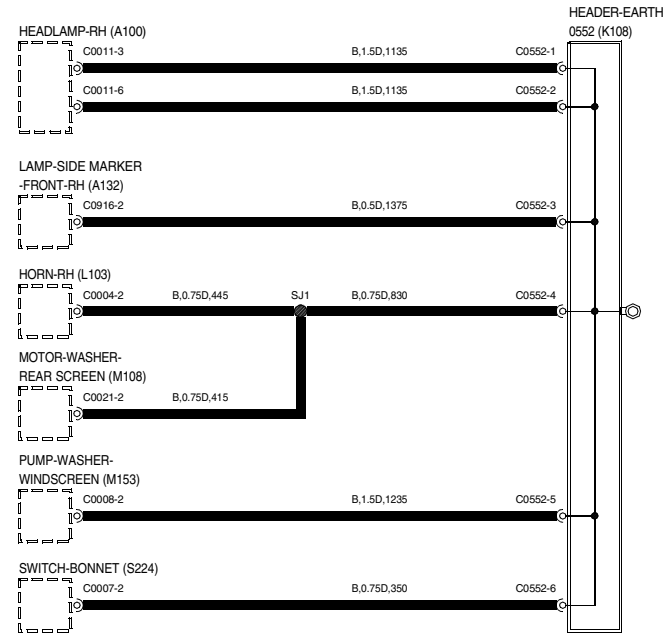
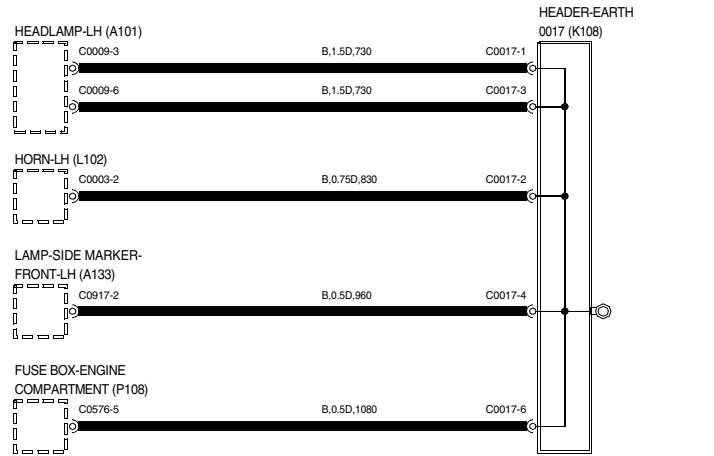
WVR004280-A-04

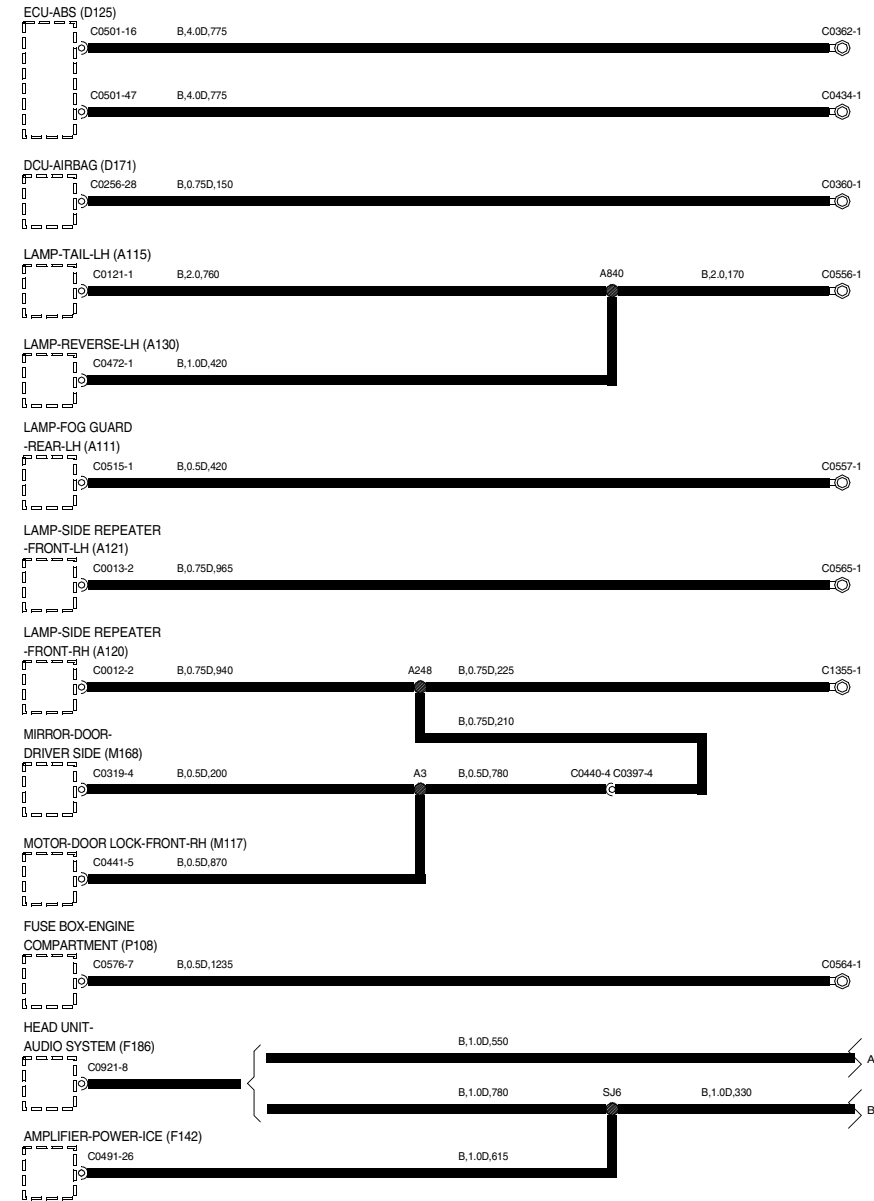
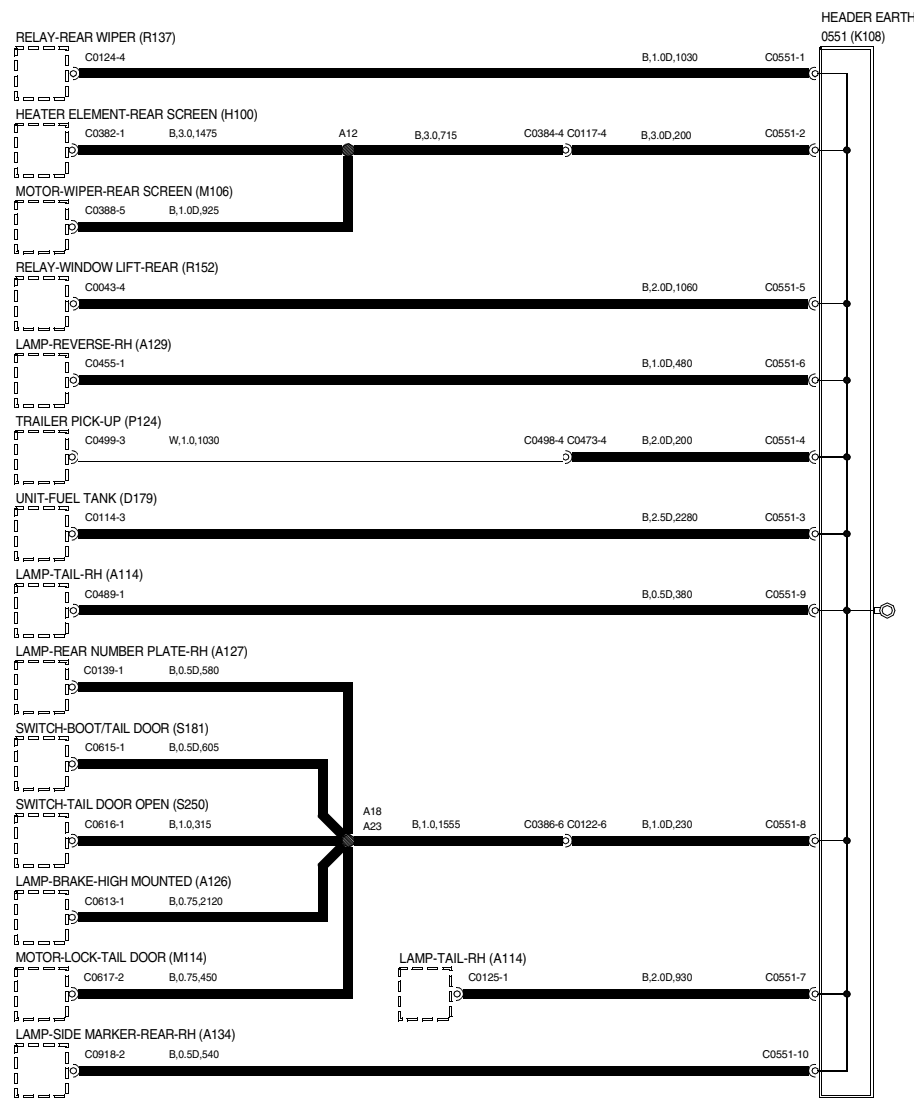
1 POWER DISTRIBUTION

Passenger Compartment Fuse Box - NAS



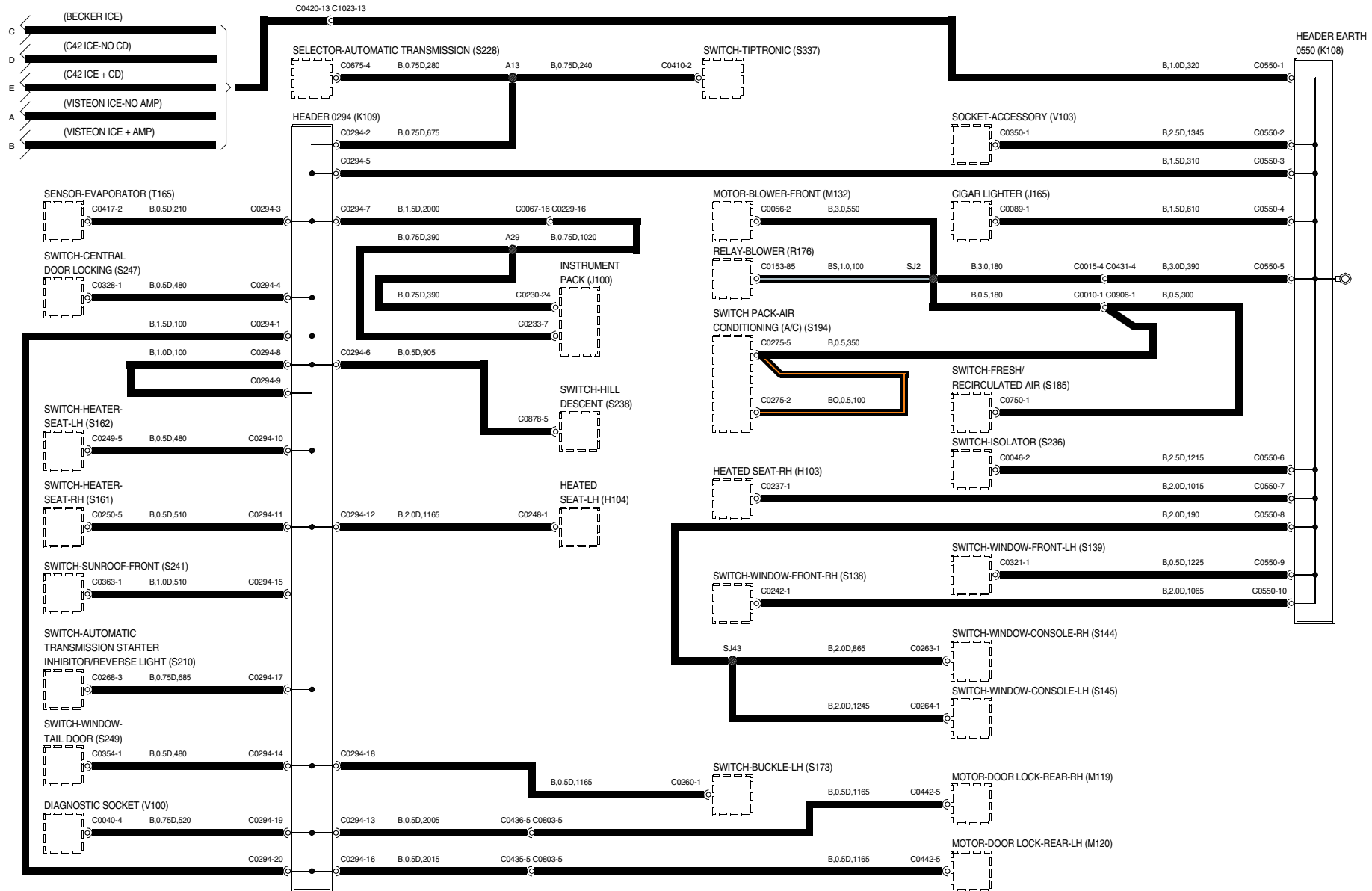
WVR004260-A-05



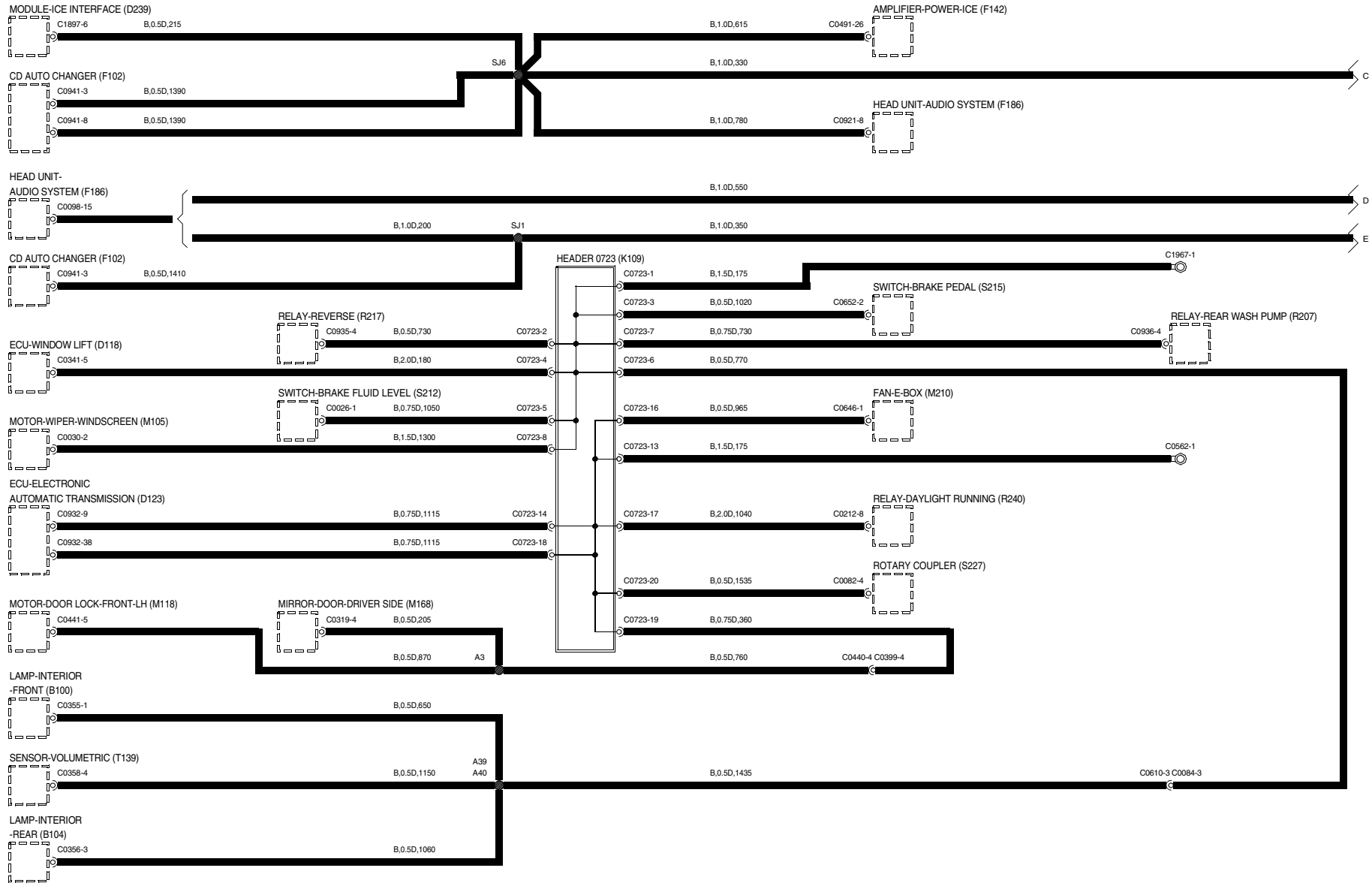


WWR004460-A-02

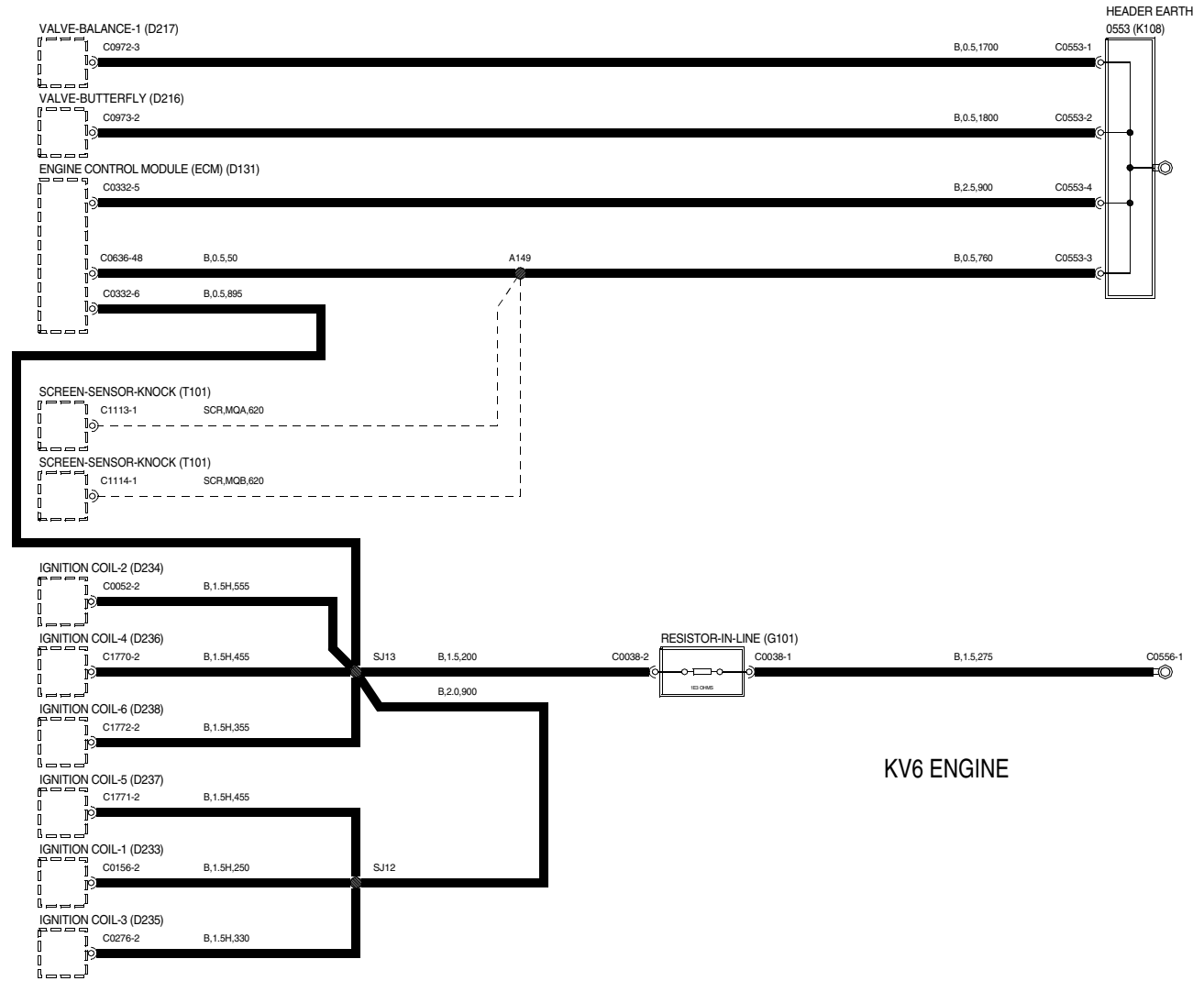
2 EARTH DISTRIBUTION



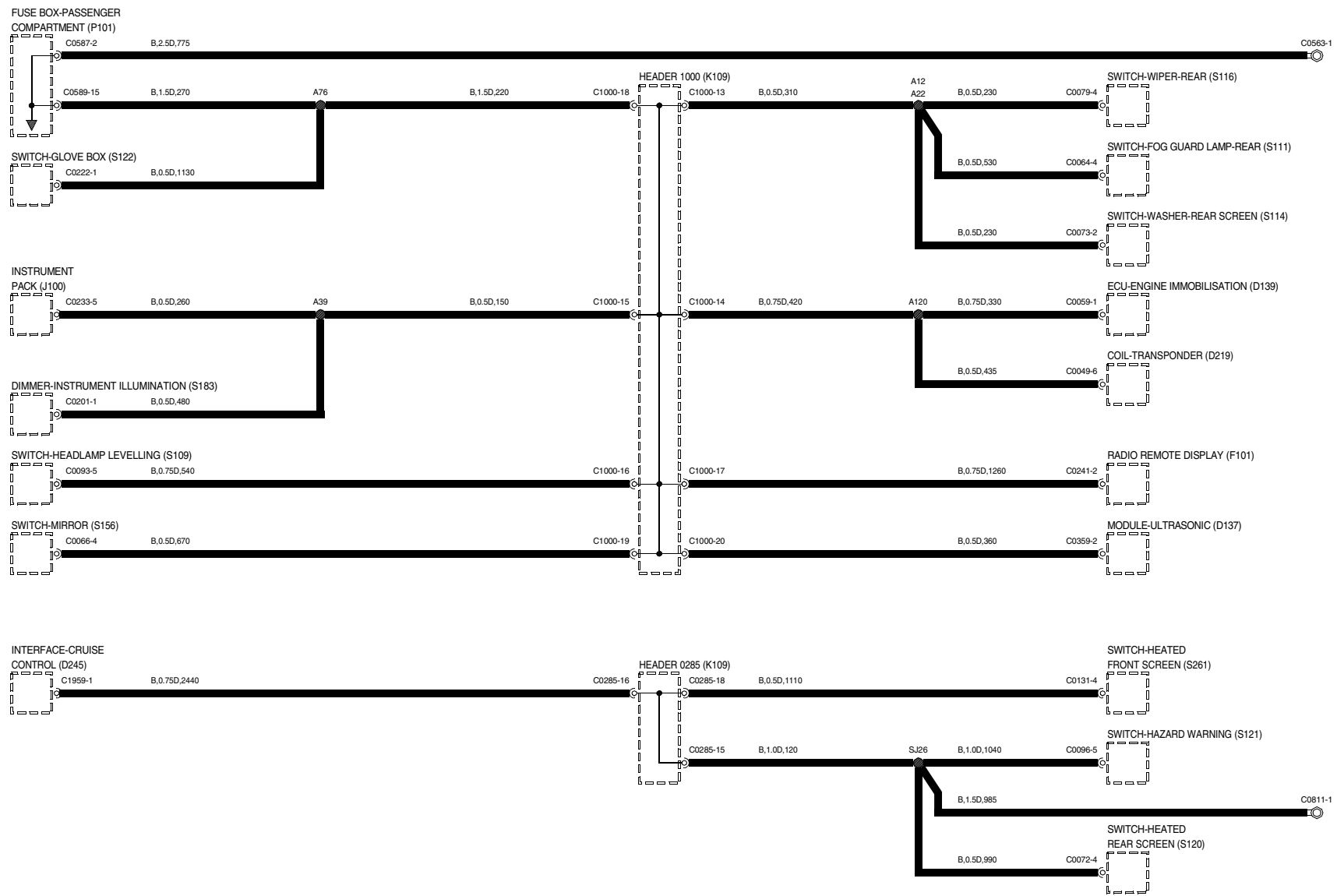
WVR00460-A-04



WWR004460-A-05

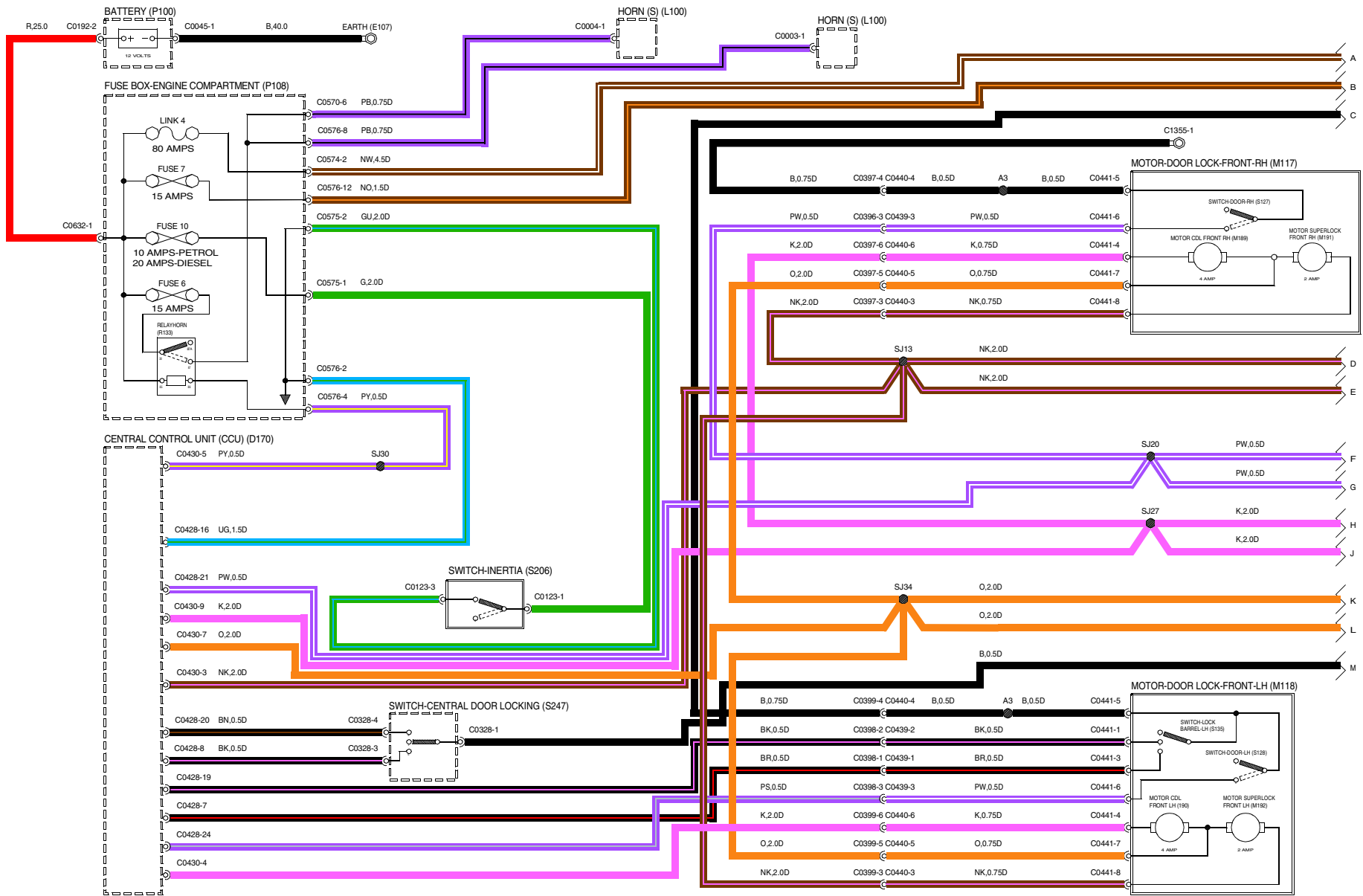


WVR004460-A-06



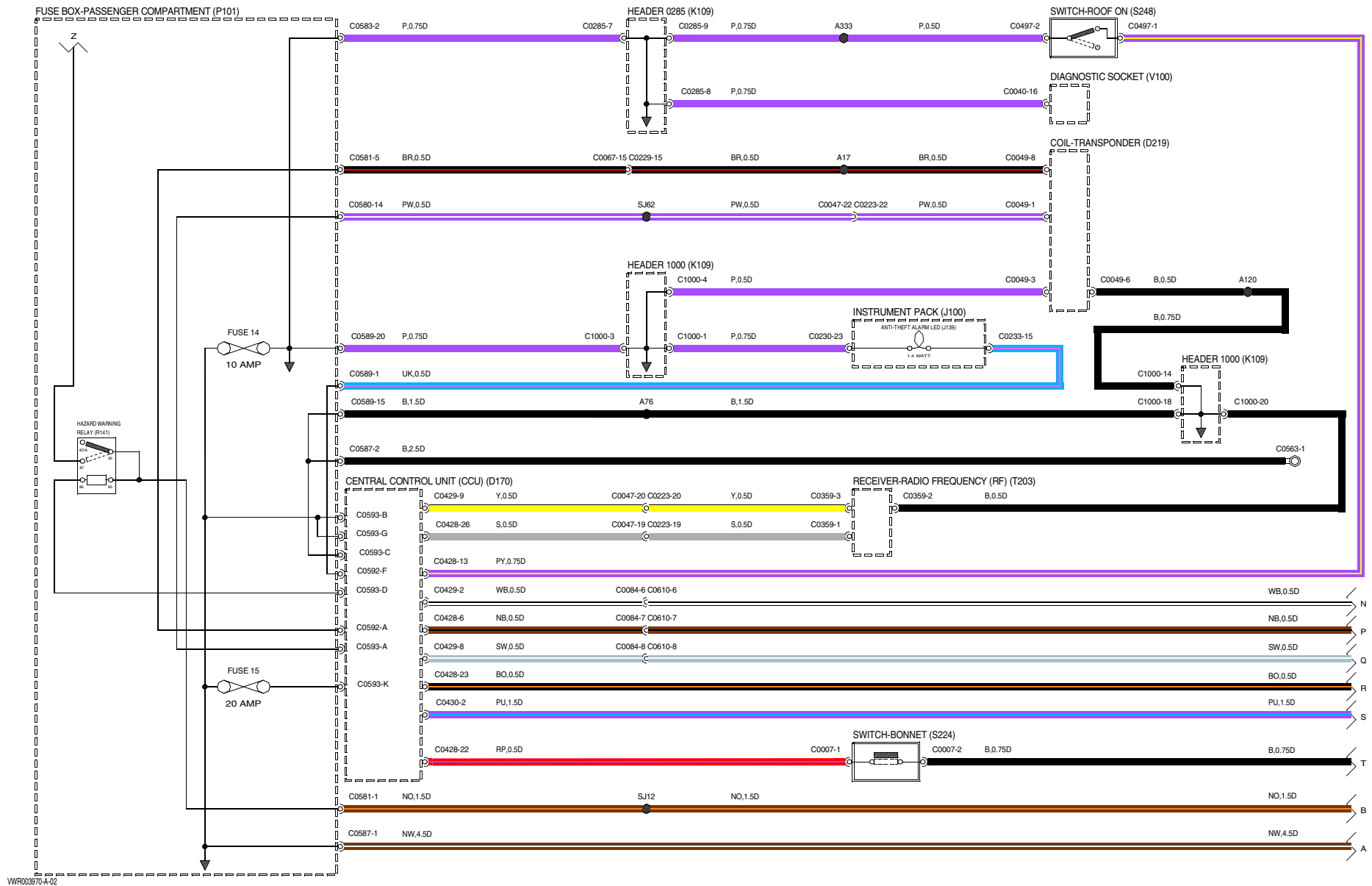
WVR004460-A-07

3 ANTI-THEFT ALARM AND CENTRAL DOOR LOCKING



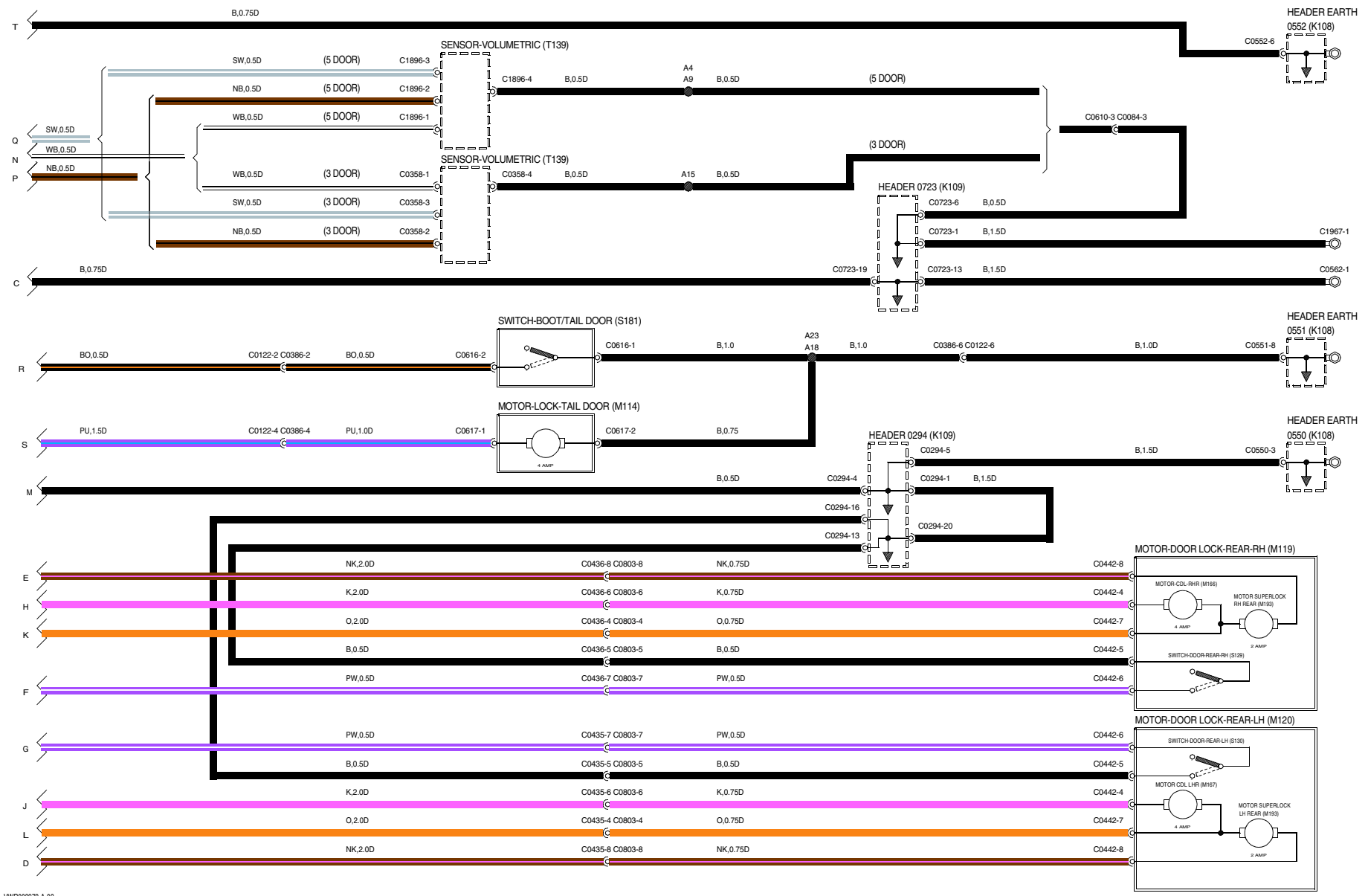
WFR003970-A-01

3 ANTI-THEFT ALARM AND CENTRAL DOOR LOCKING



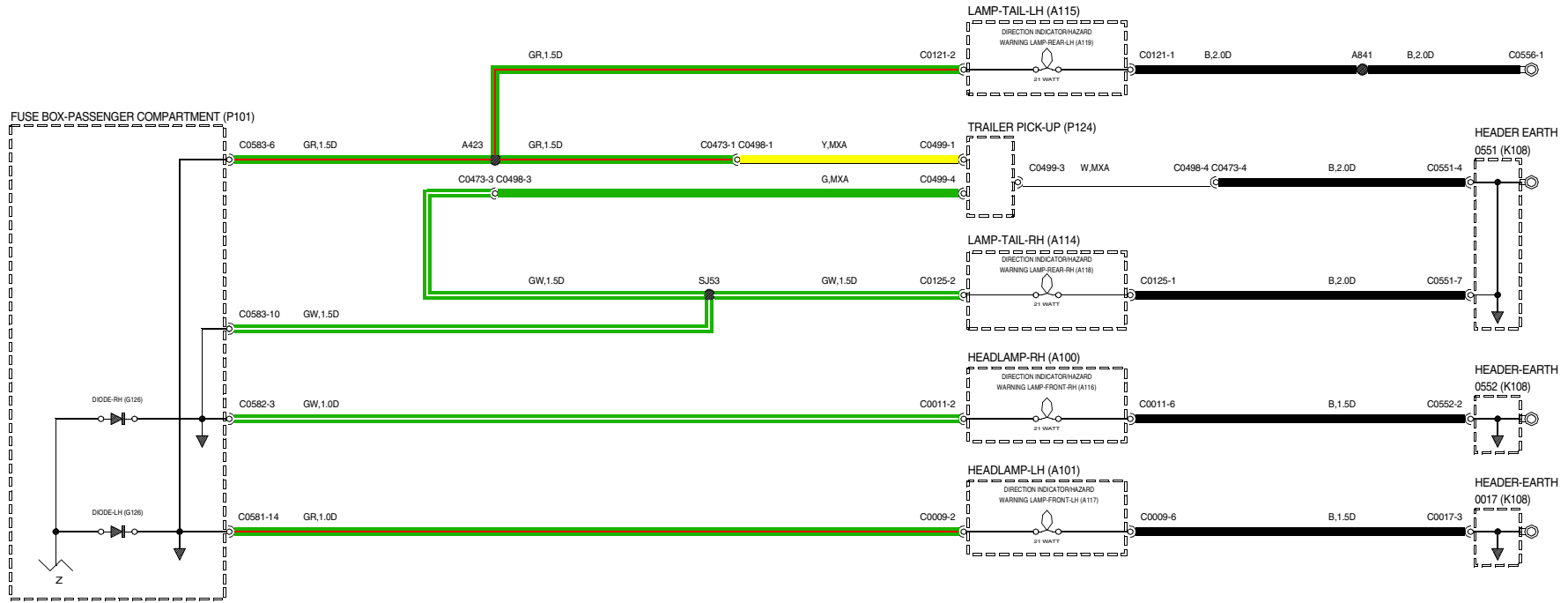
WVR003970-A-02

3 ANTI-THEFT ALARM AND CENTRAL DOOR LOCKING



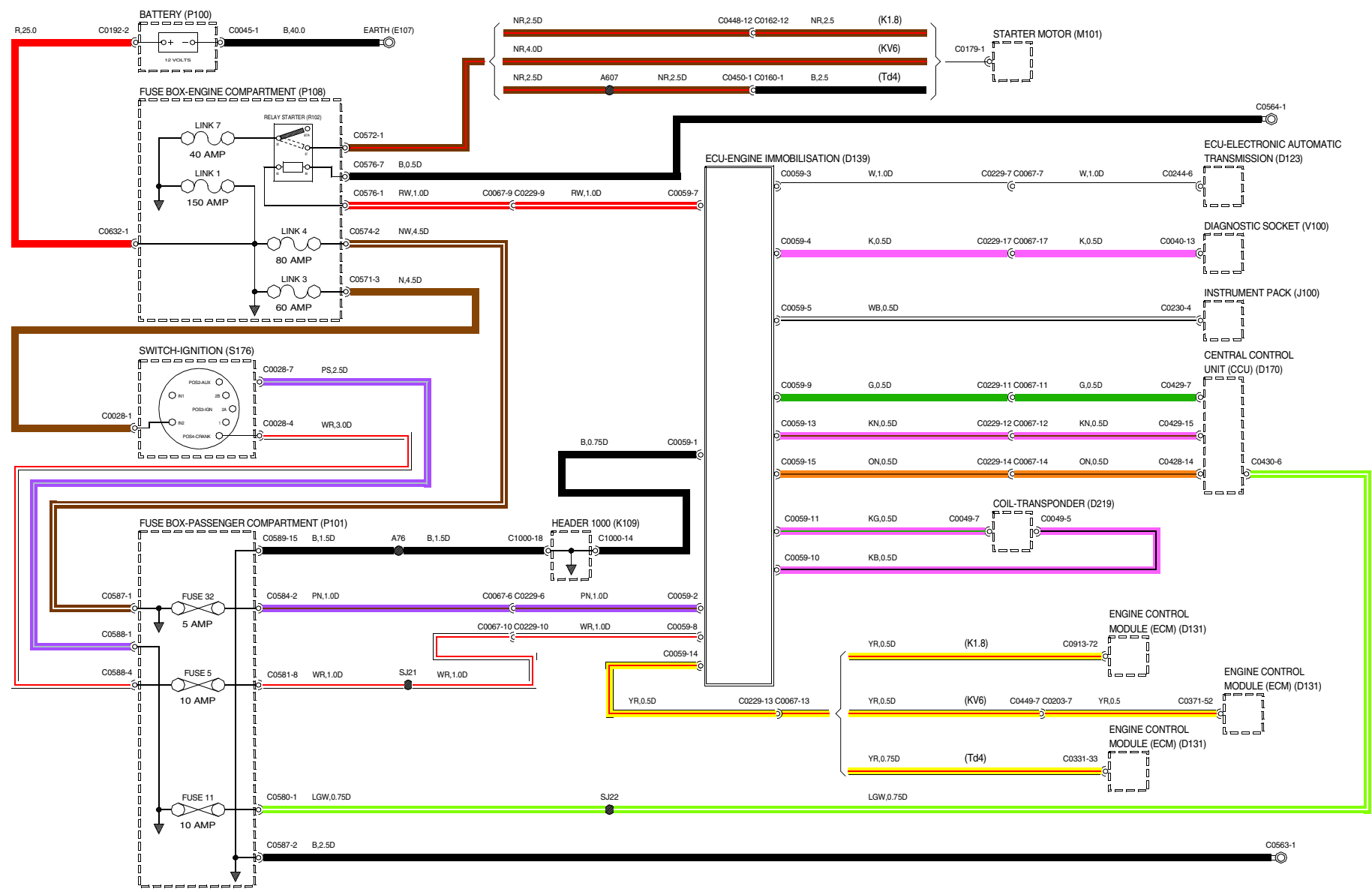
WFR003970-A-03

3 ANTI-THEFT ALARM AND CENTRAL DOOR LOCKING



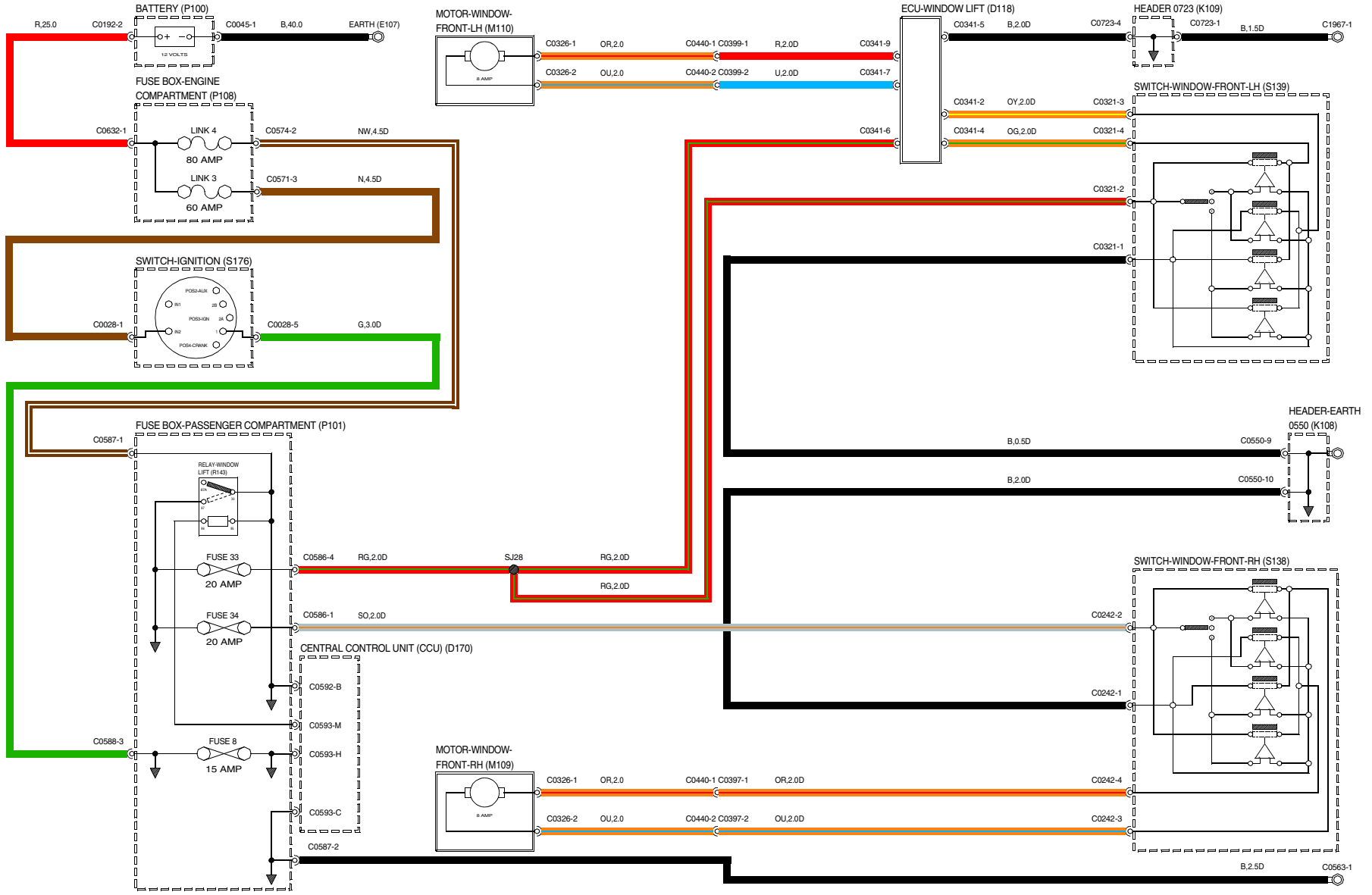
WVR003970-A-04

3 ENGINE IMMOBILISATION

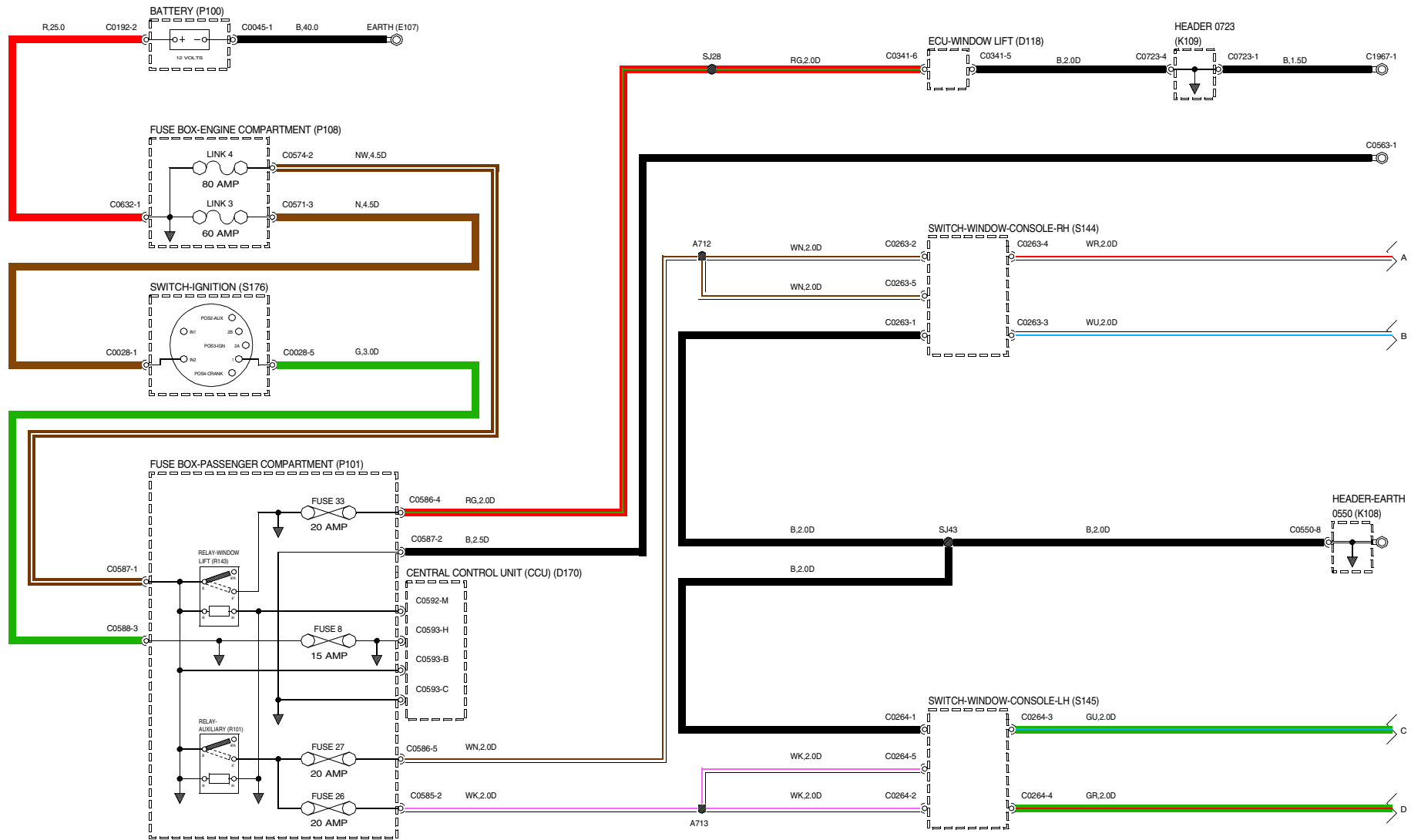


WFR004190-A-01

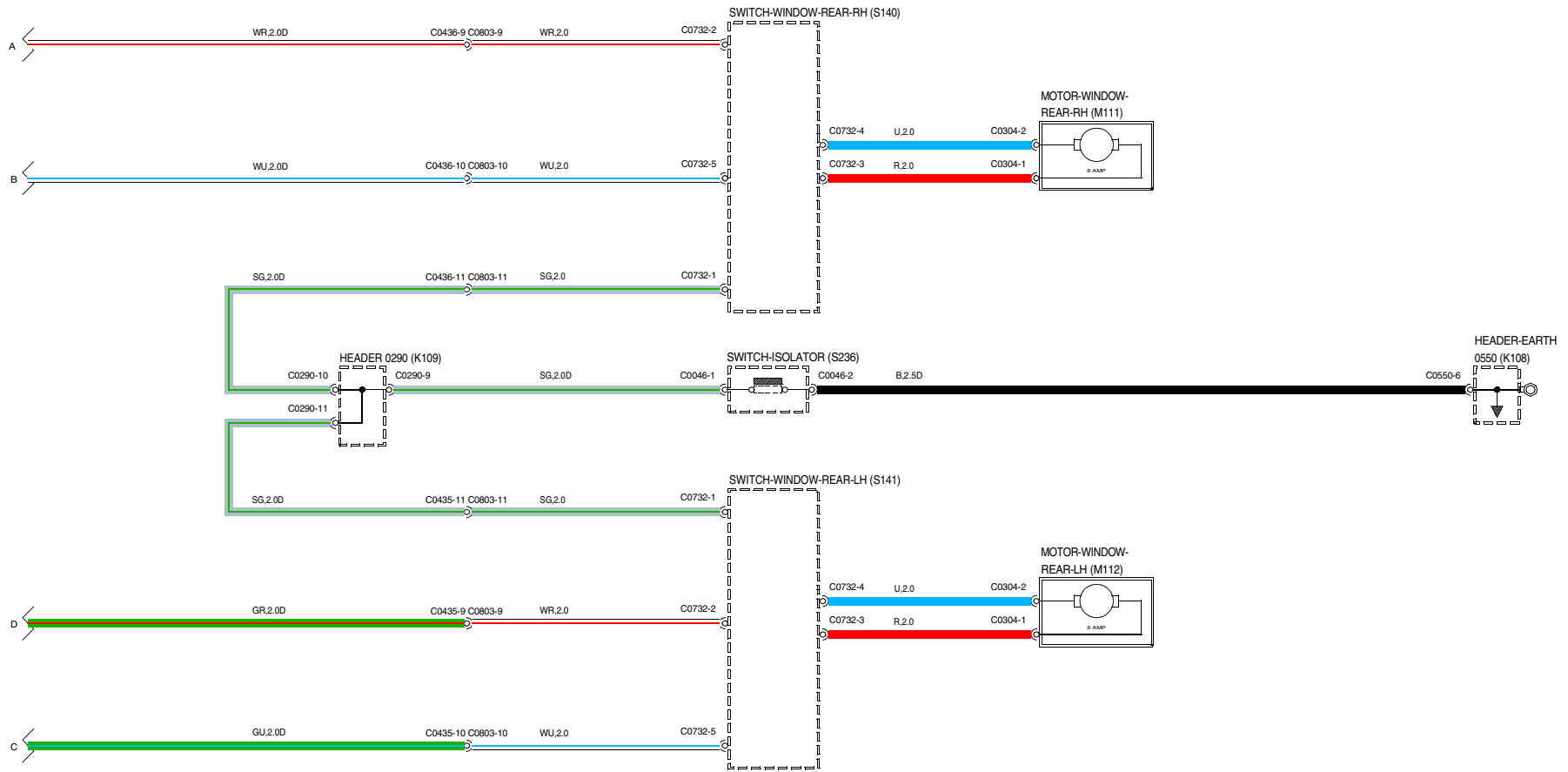
5 WINDOWS



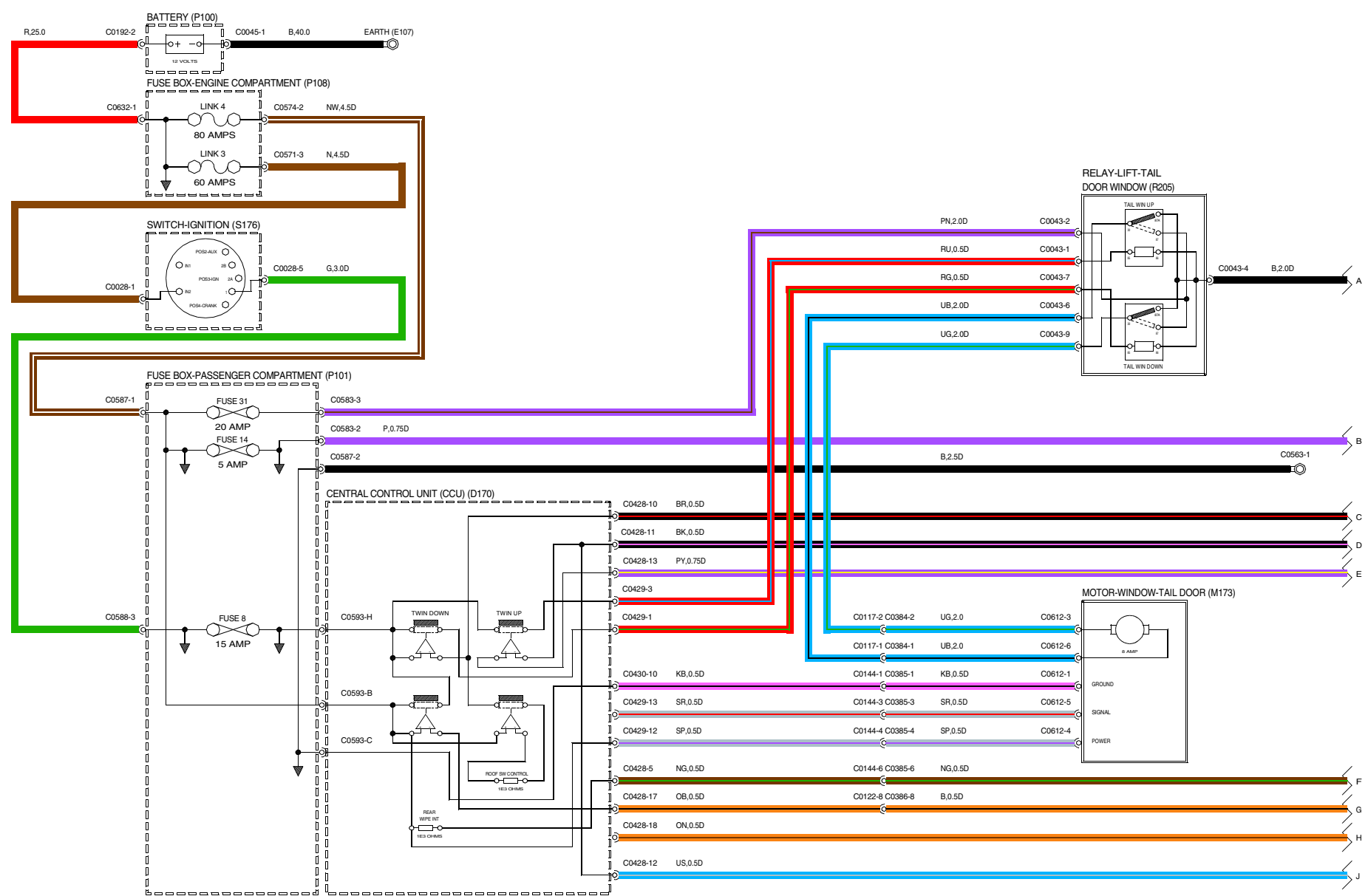
WVR004300-A-01



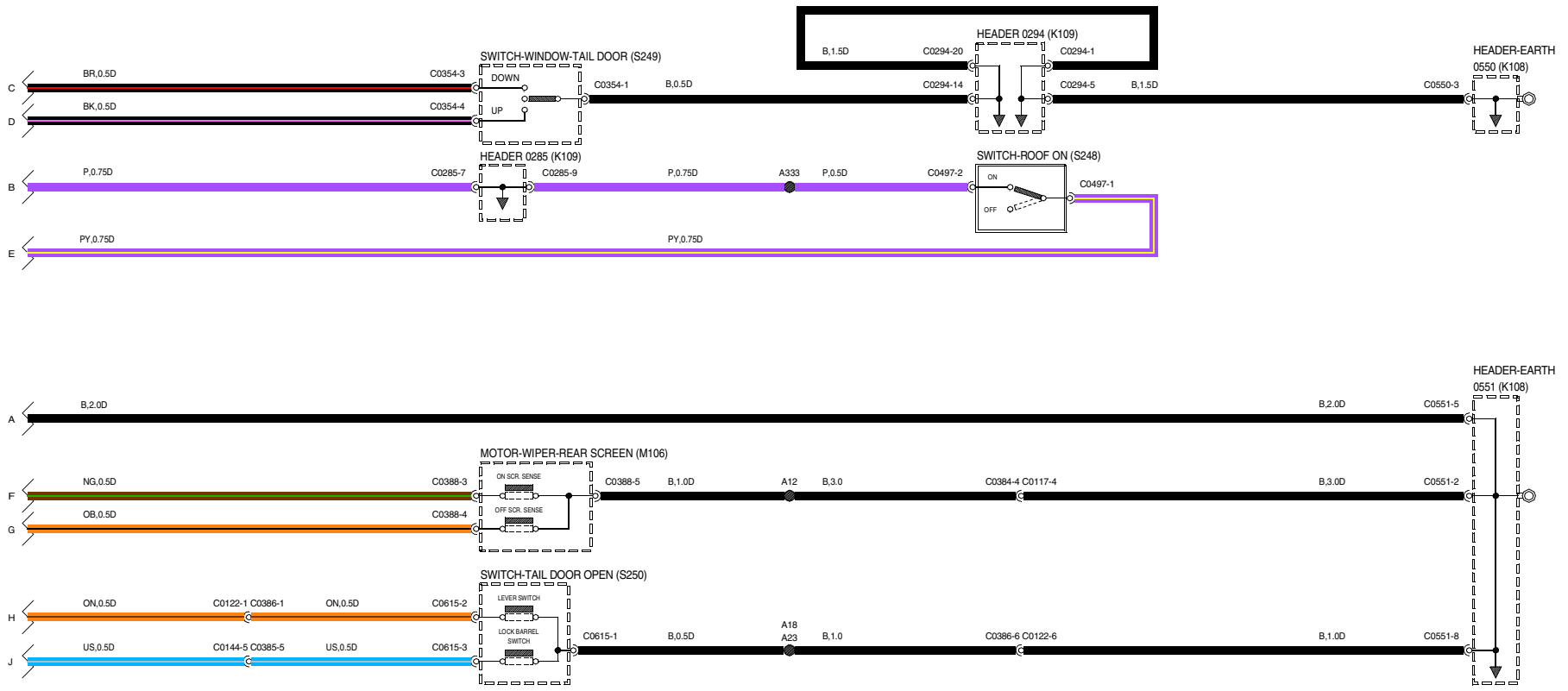
WVR004370-A-01



WVR004370-A-02

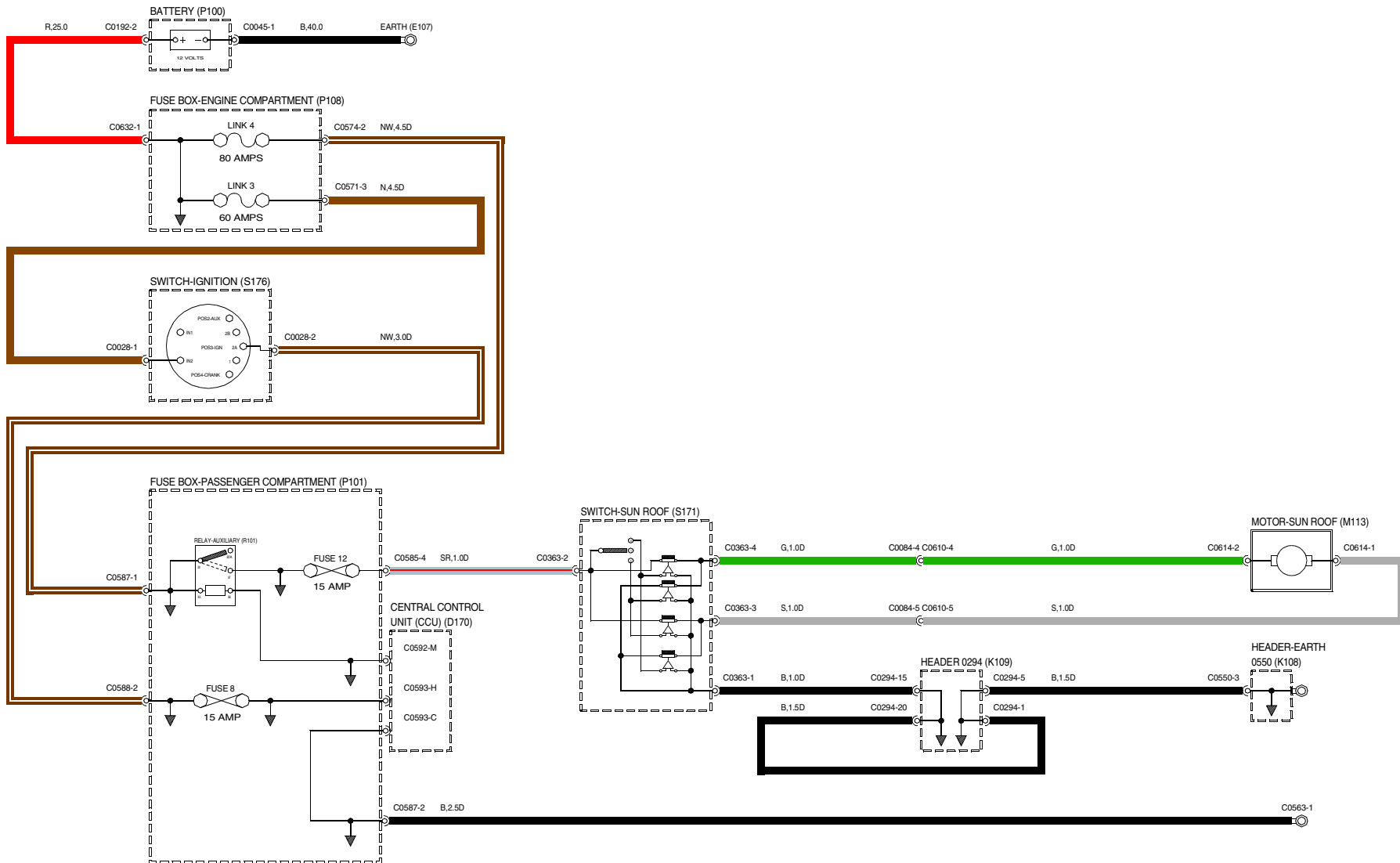


WFR004380-A-01



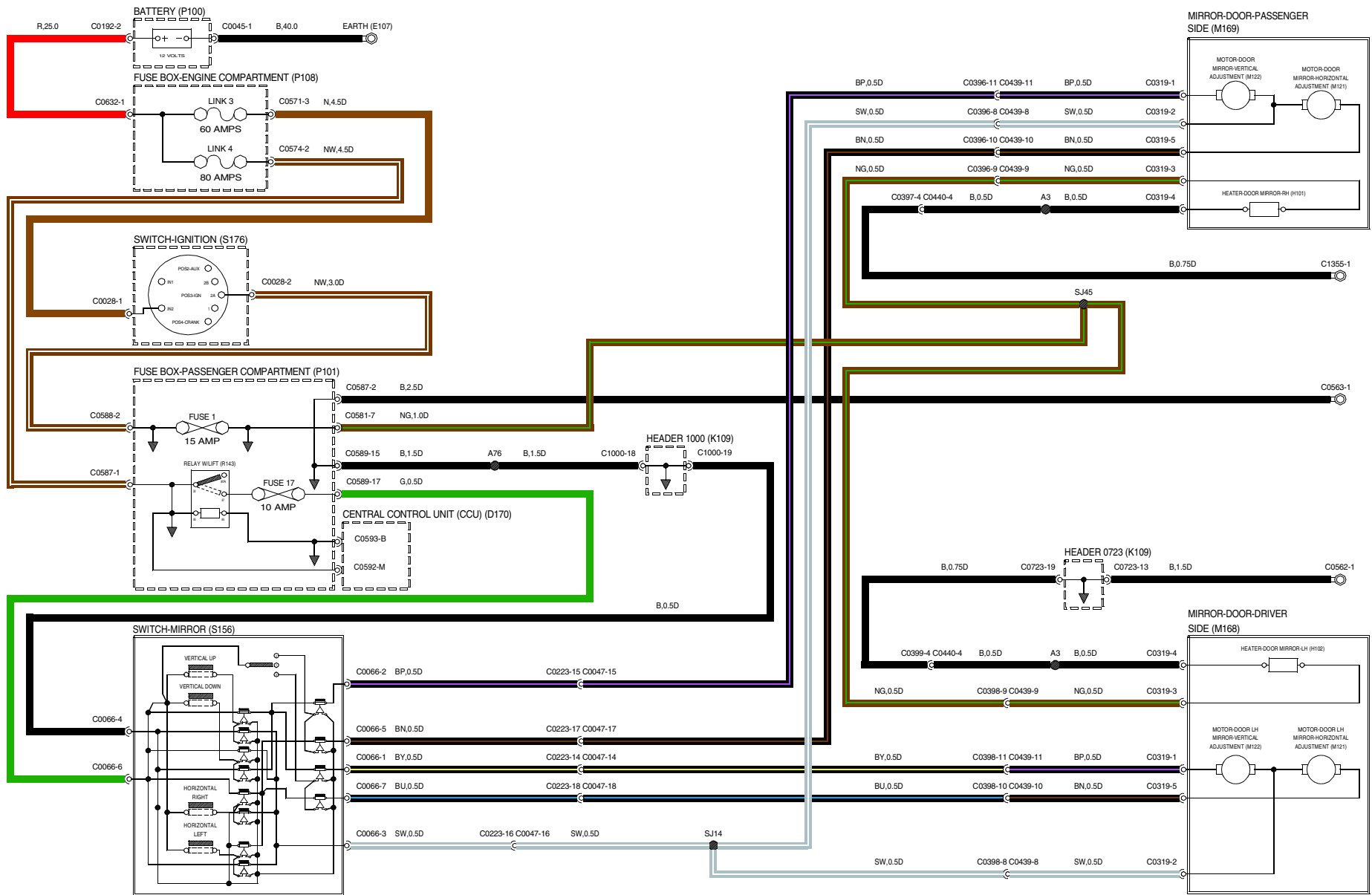
WWR004380-A-02

6 SUNROOF



WFR00430-A-01

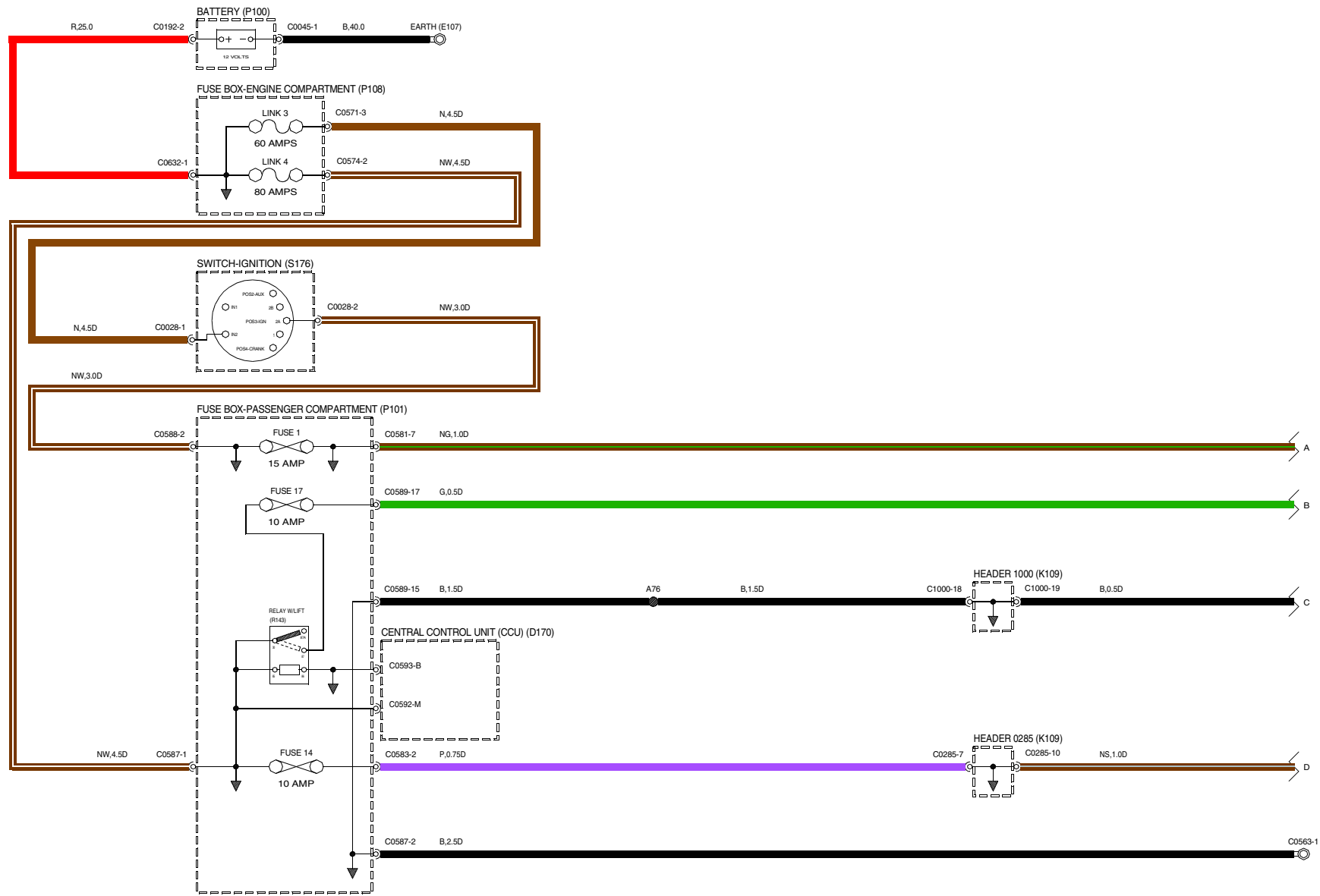
7 DOOR MIRRORS



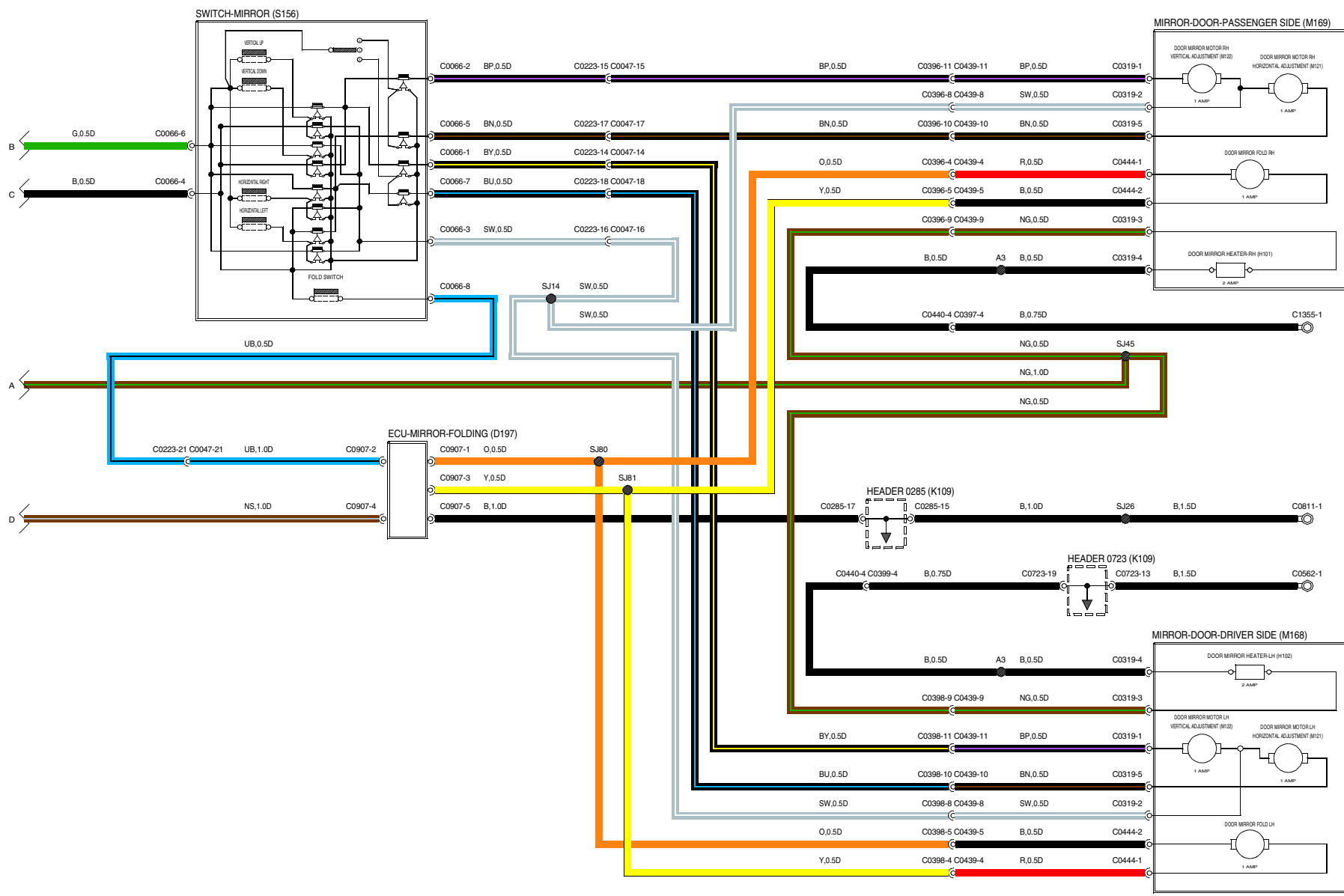
WFR004240-A-01

7 DOOR MIRRORS

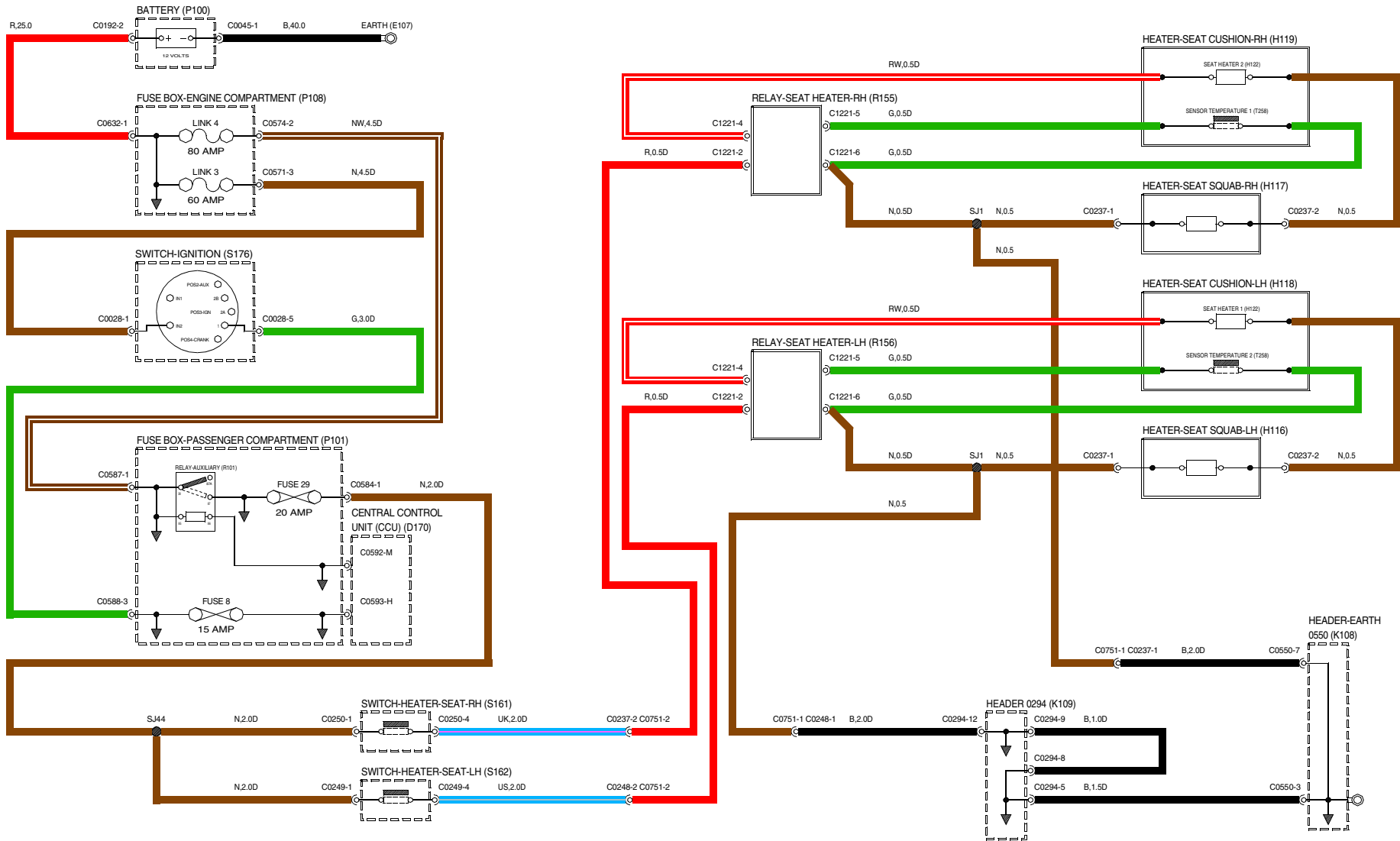
Folding



WFR004600-A-01

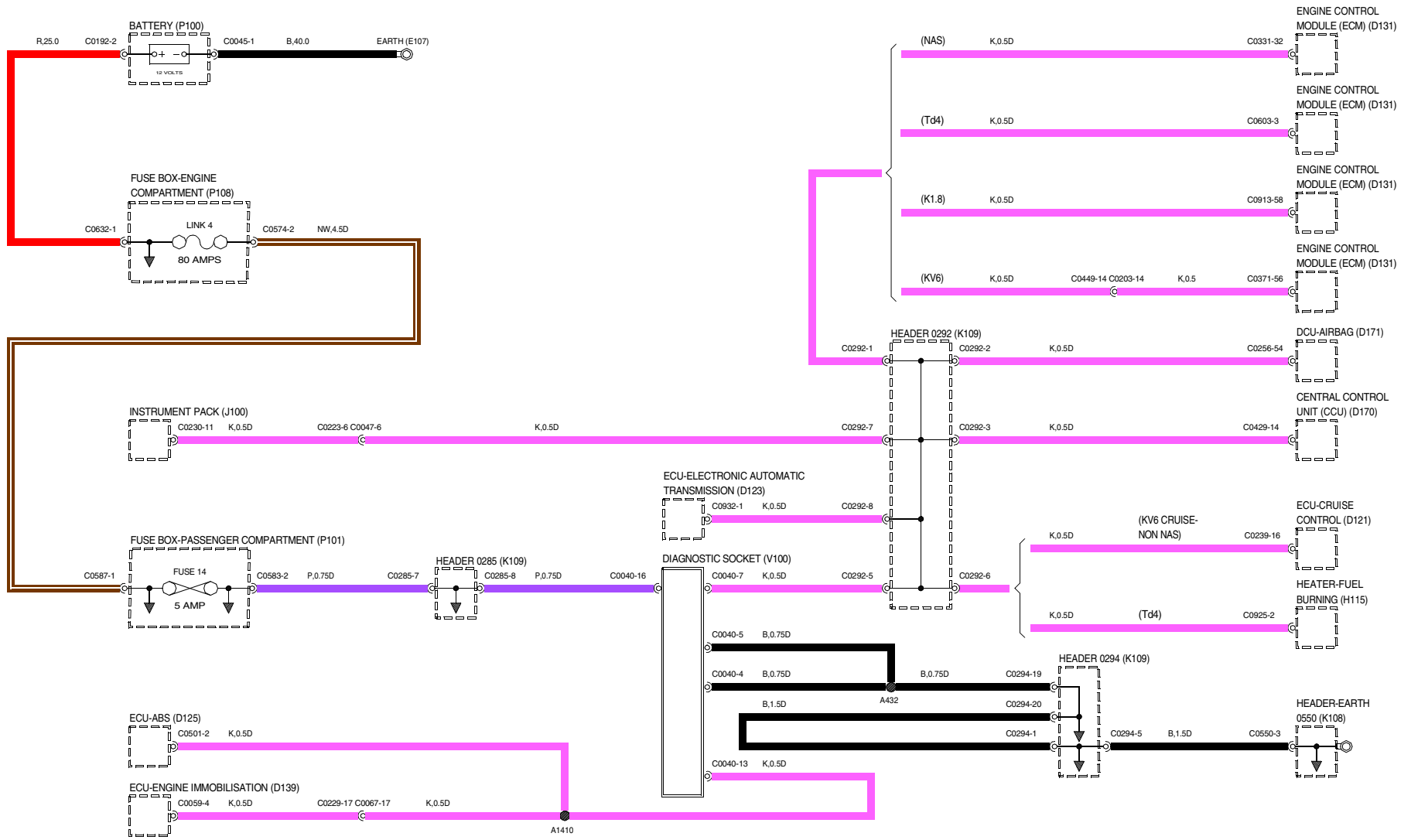


WVR004600-A-02



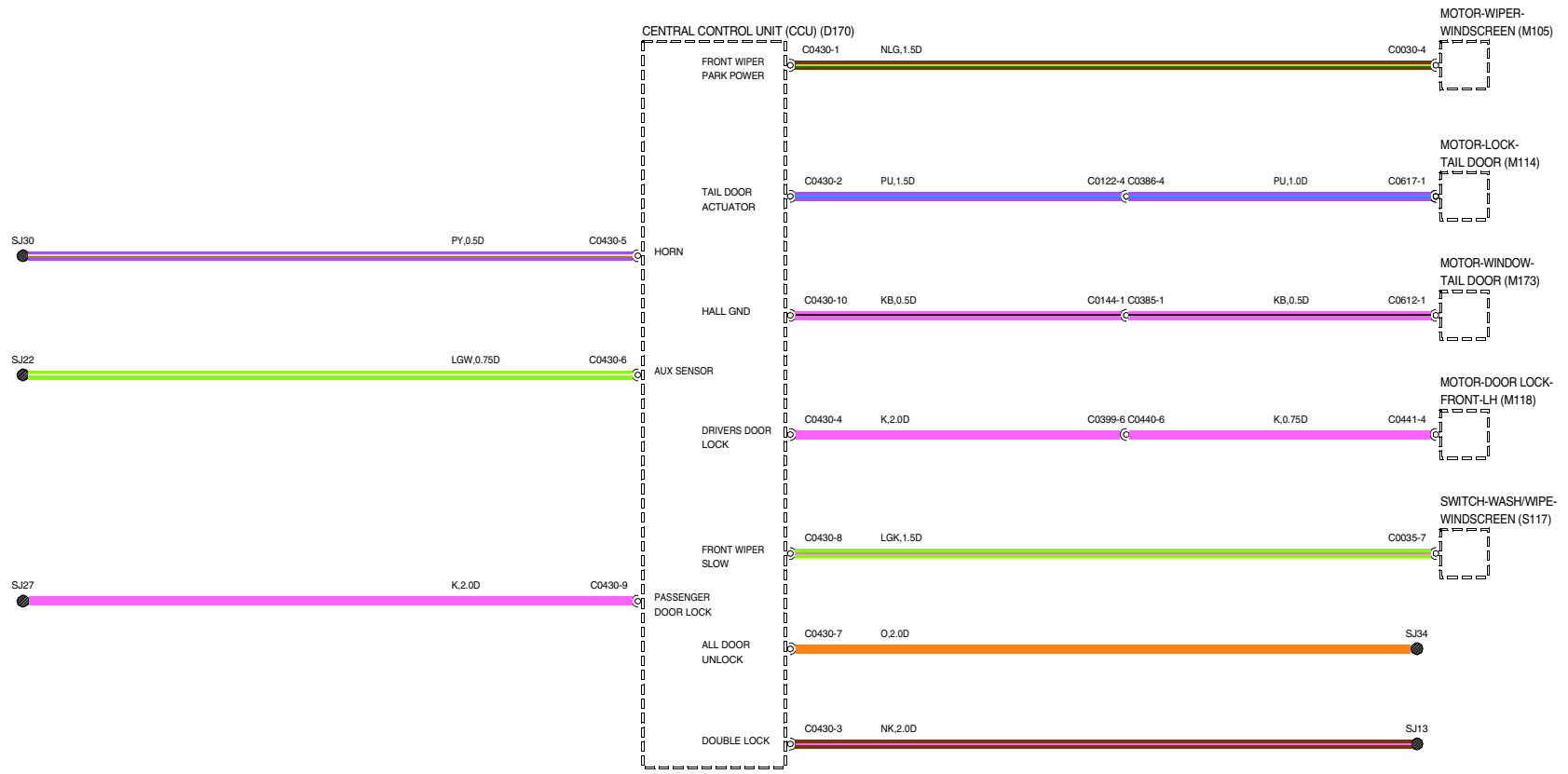
WFR004280-A-01

10 DIAGNOSTIC SOCKET

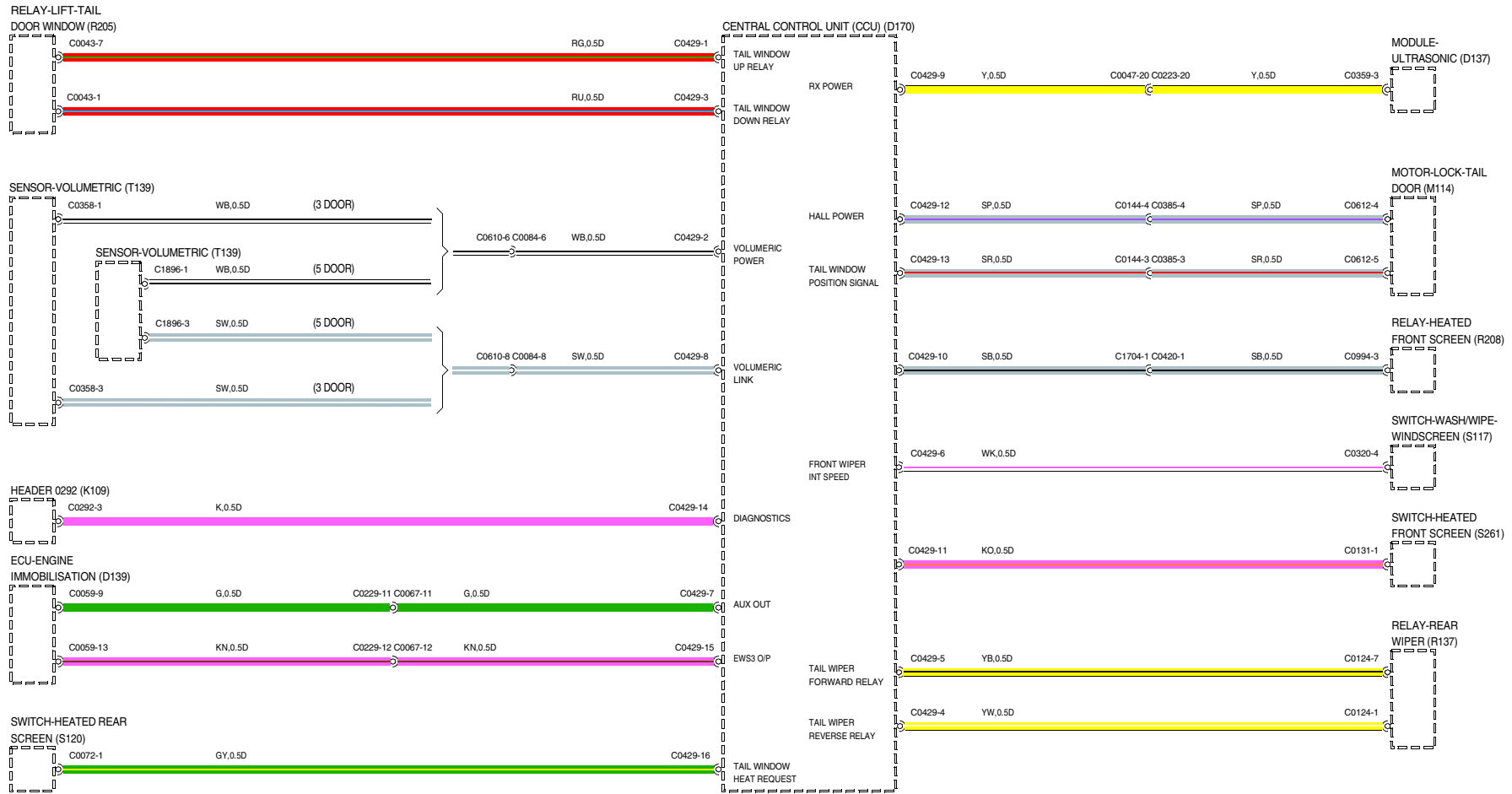


WVR004030-A-01

11 BODY CONTROL UNIT

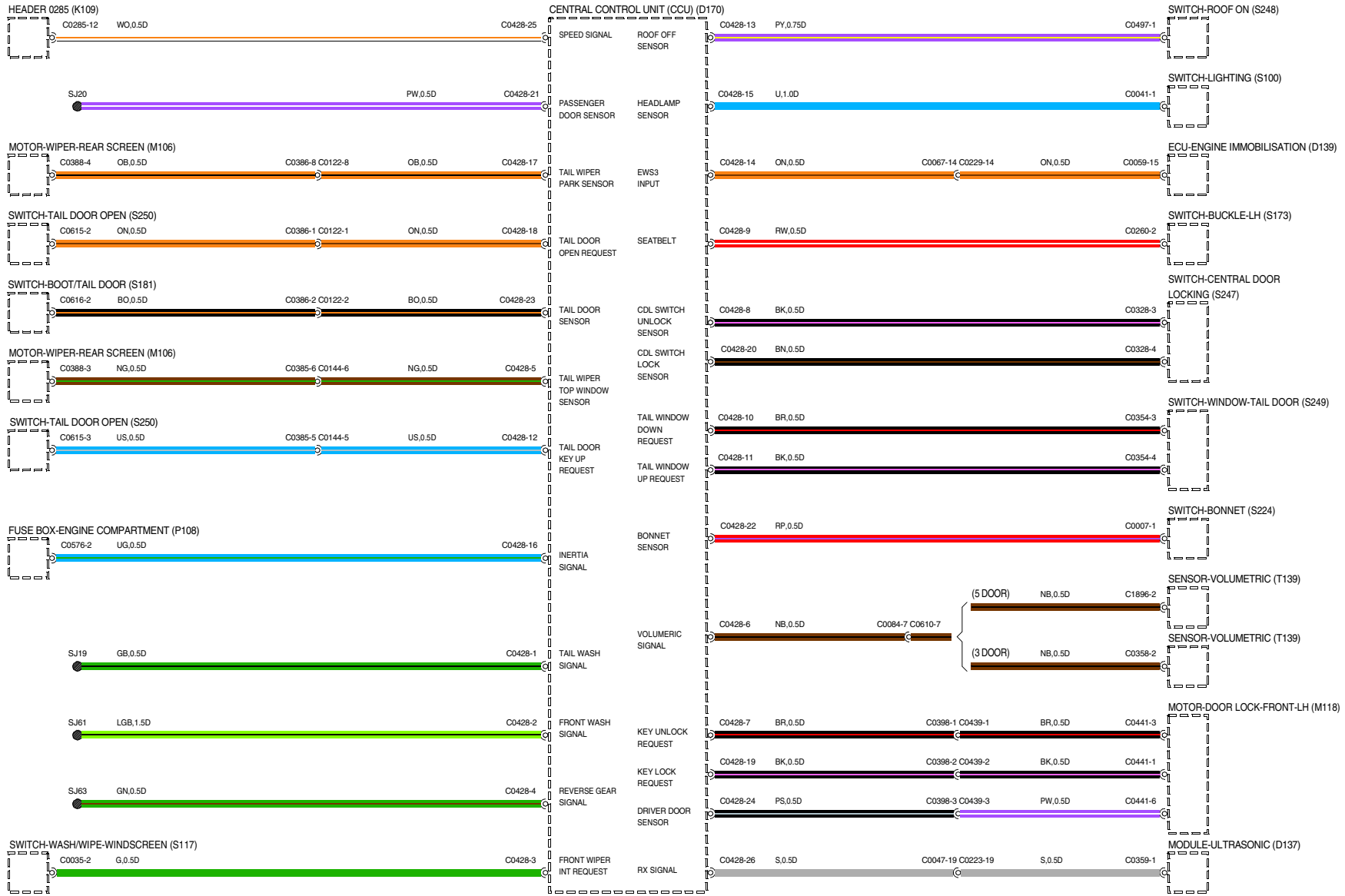


11 BODY CONTROL UNIT



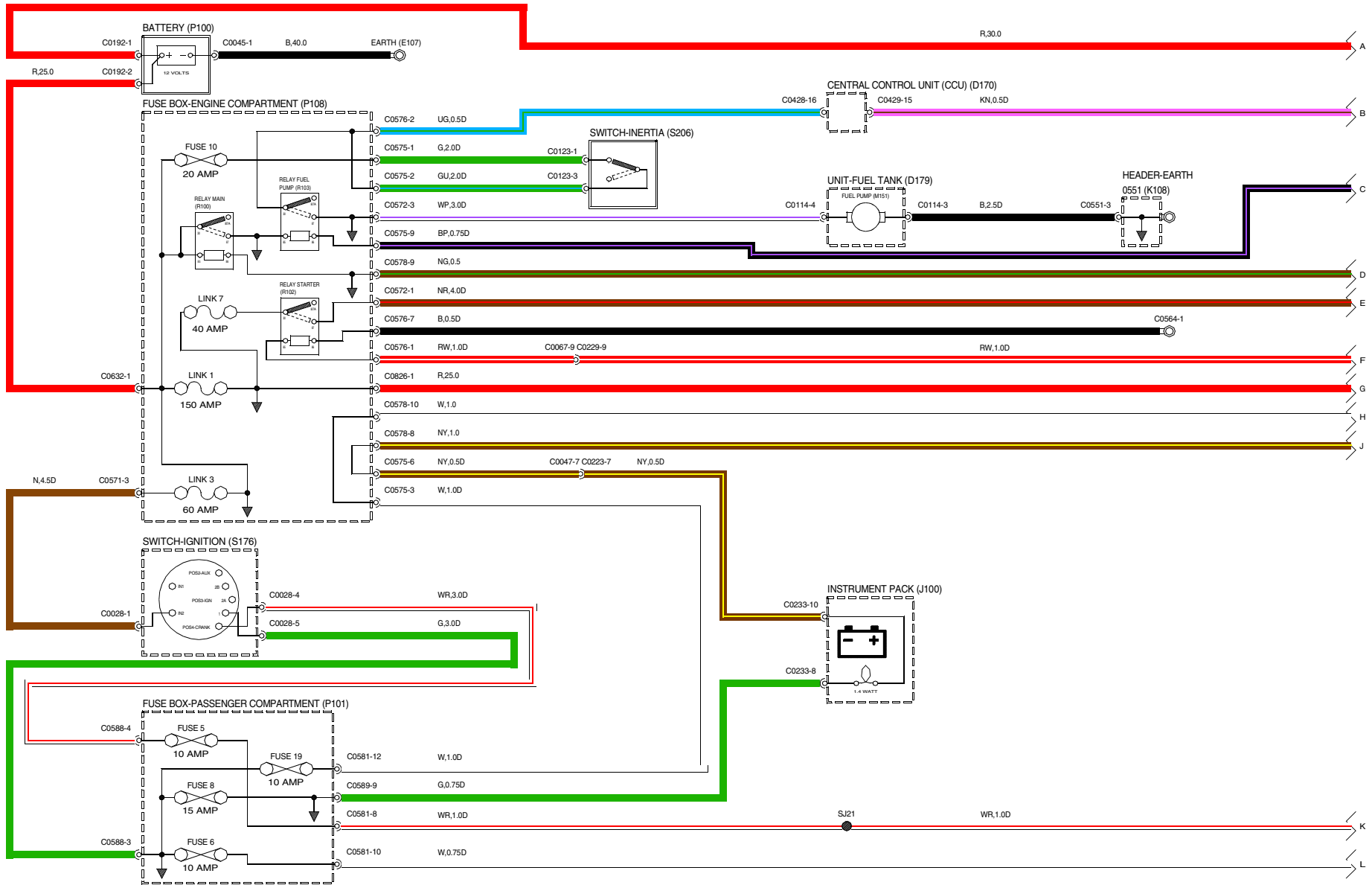
WVR004010-A-02

11 BODY CONTROL UNIT

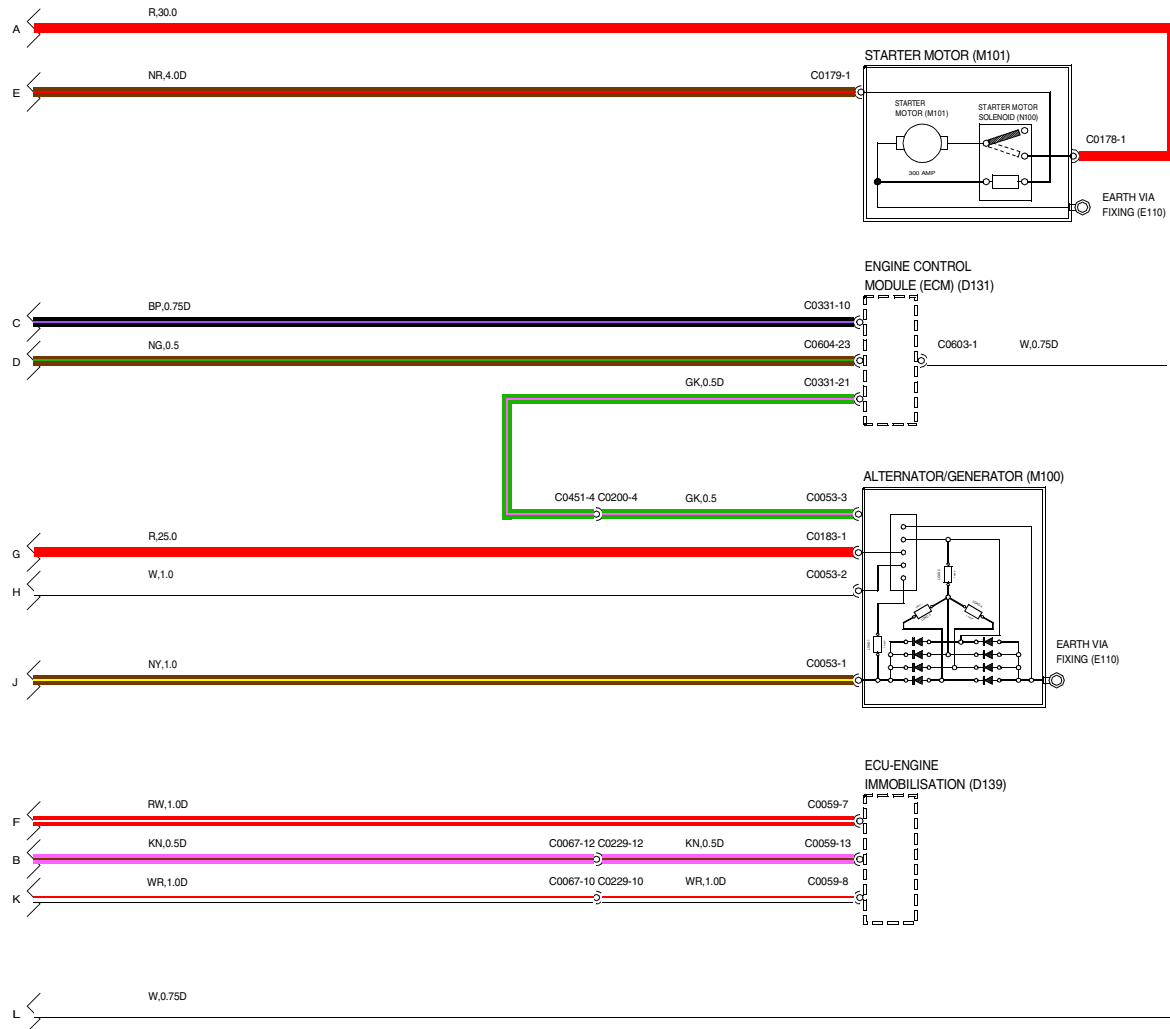


WVR004010-A-03

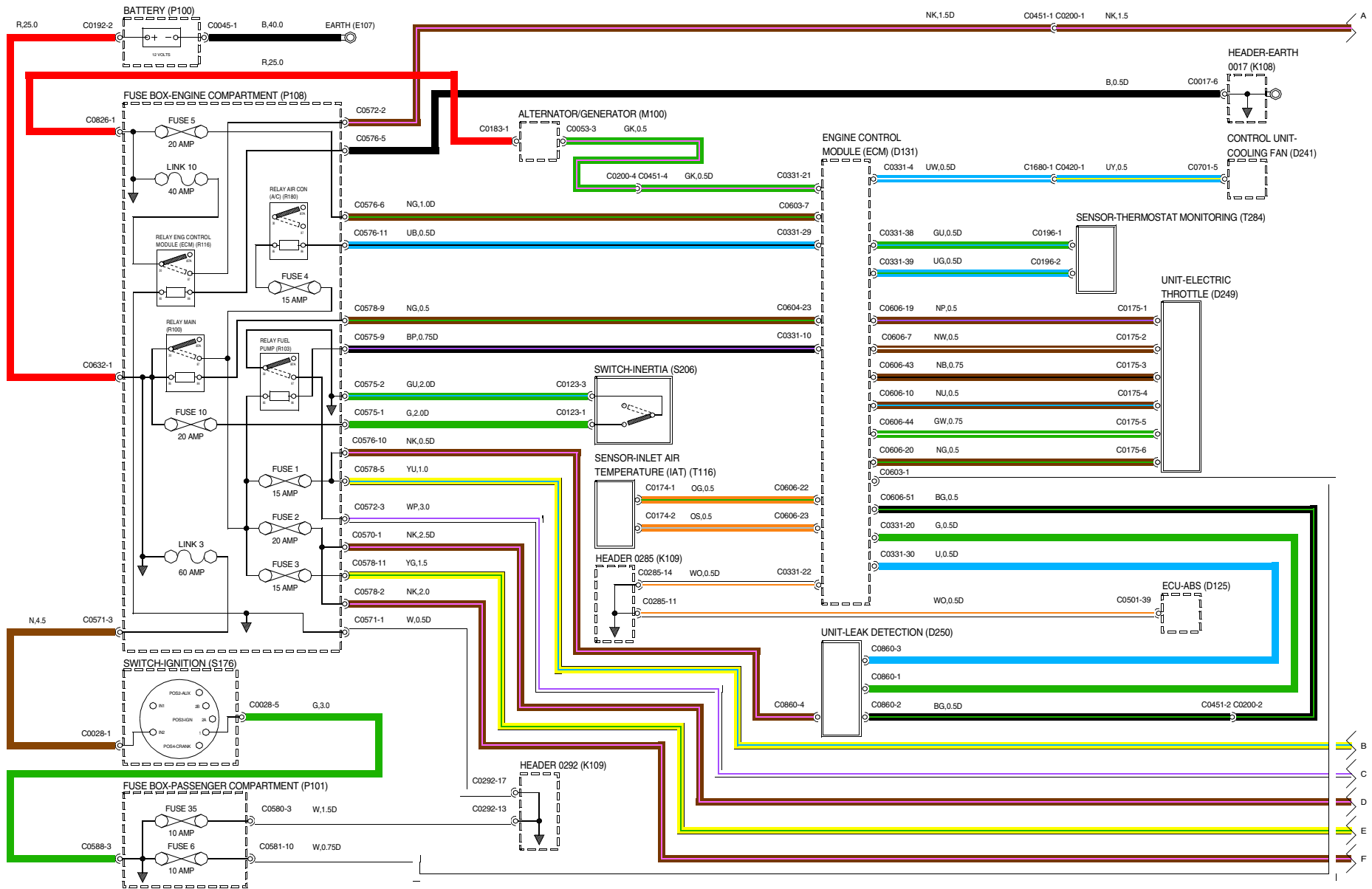
15 CHARGING AND STARTING



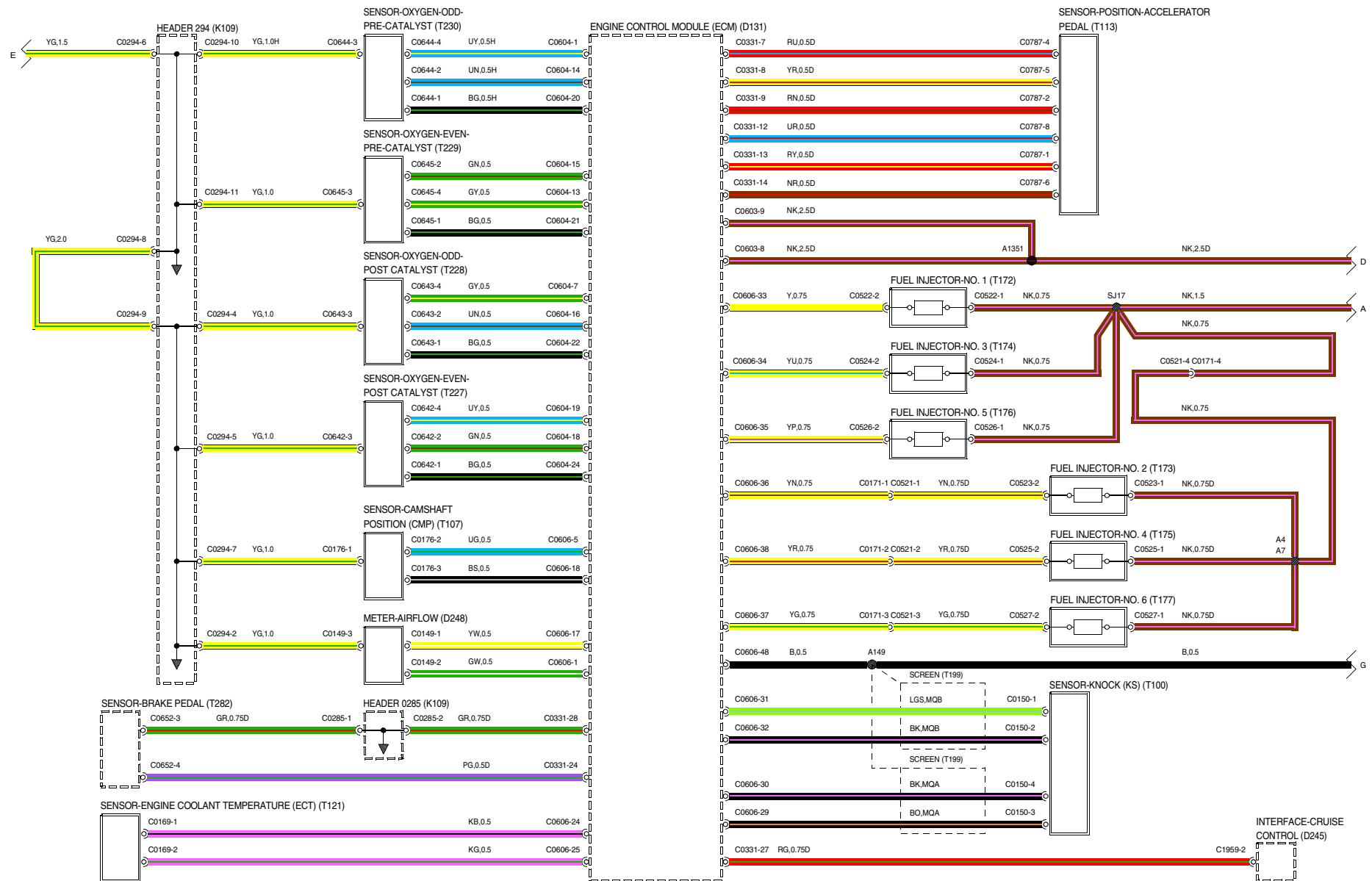
WFR004500-A-01



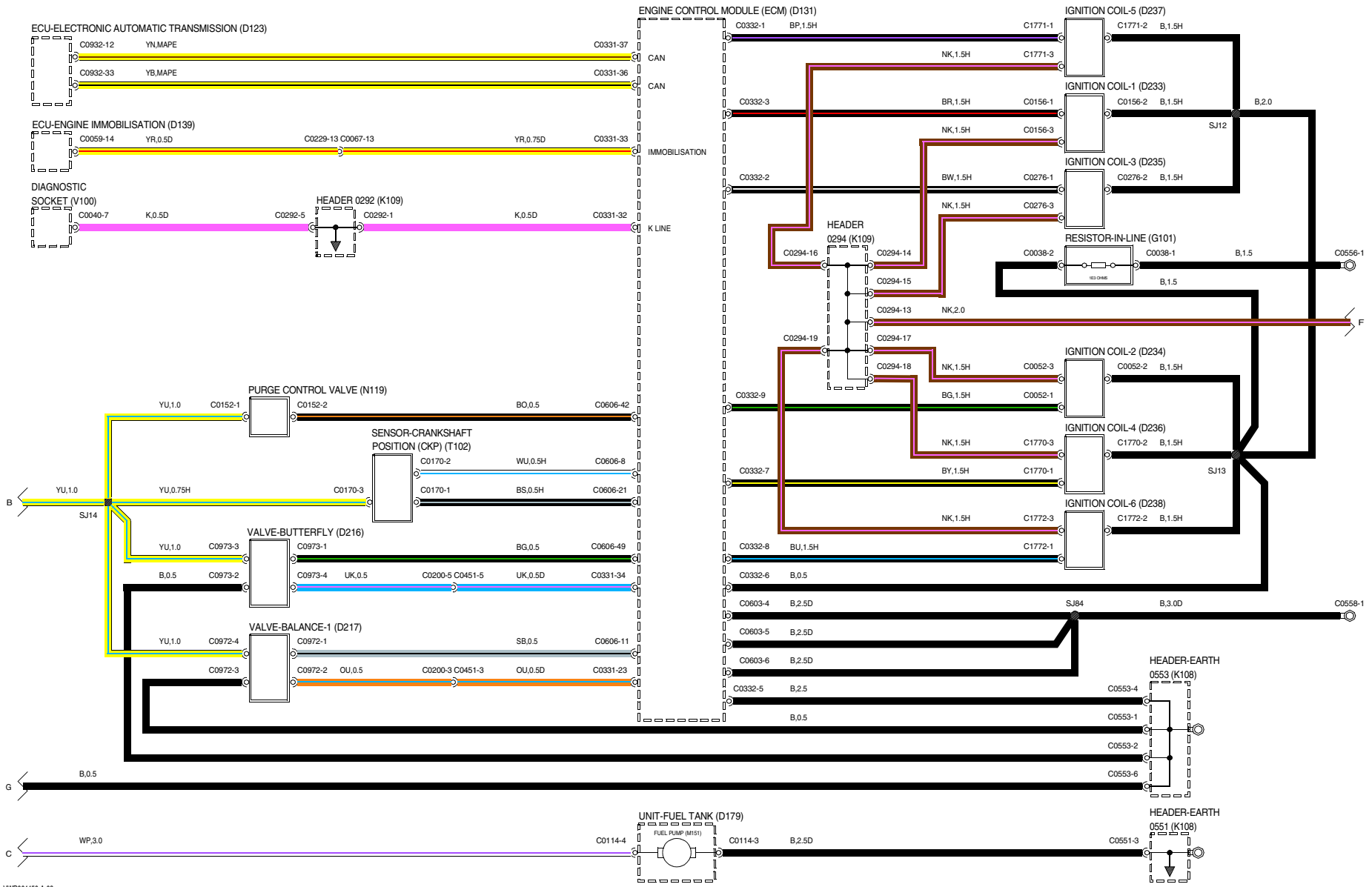
WWR004560-A-02



WVR004450-A-01

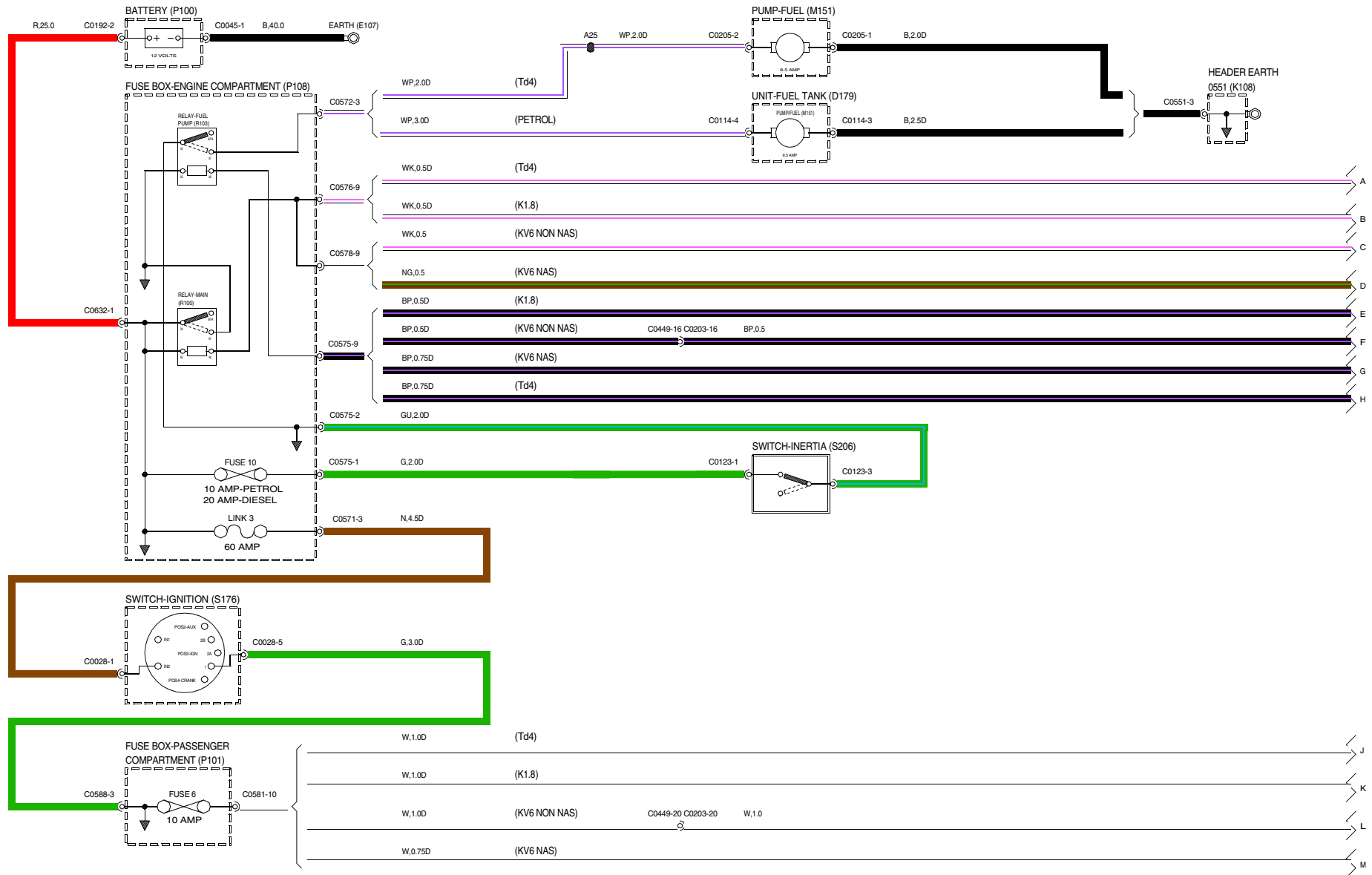


WVR004450-A-02



WVR004450-A-03

20 FUEL PUMP



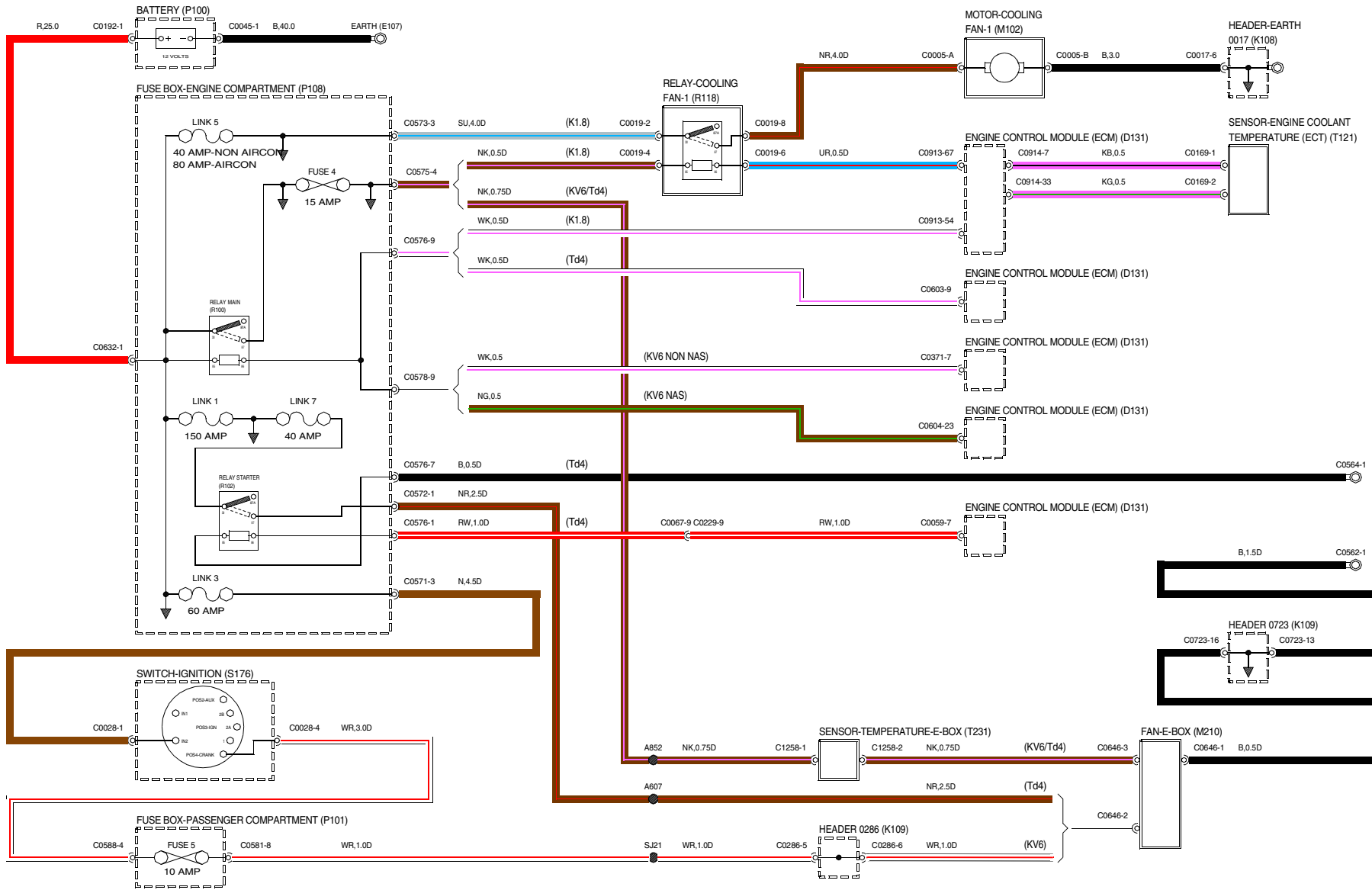
WVR004120-A-01

20 FUEL PUMP

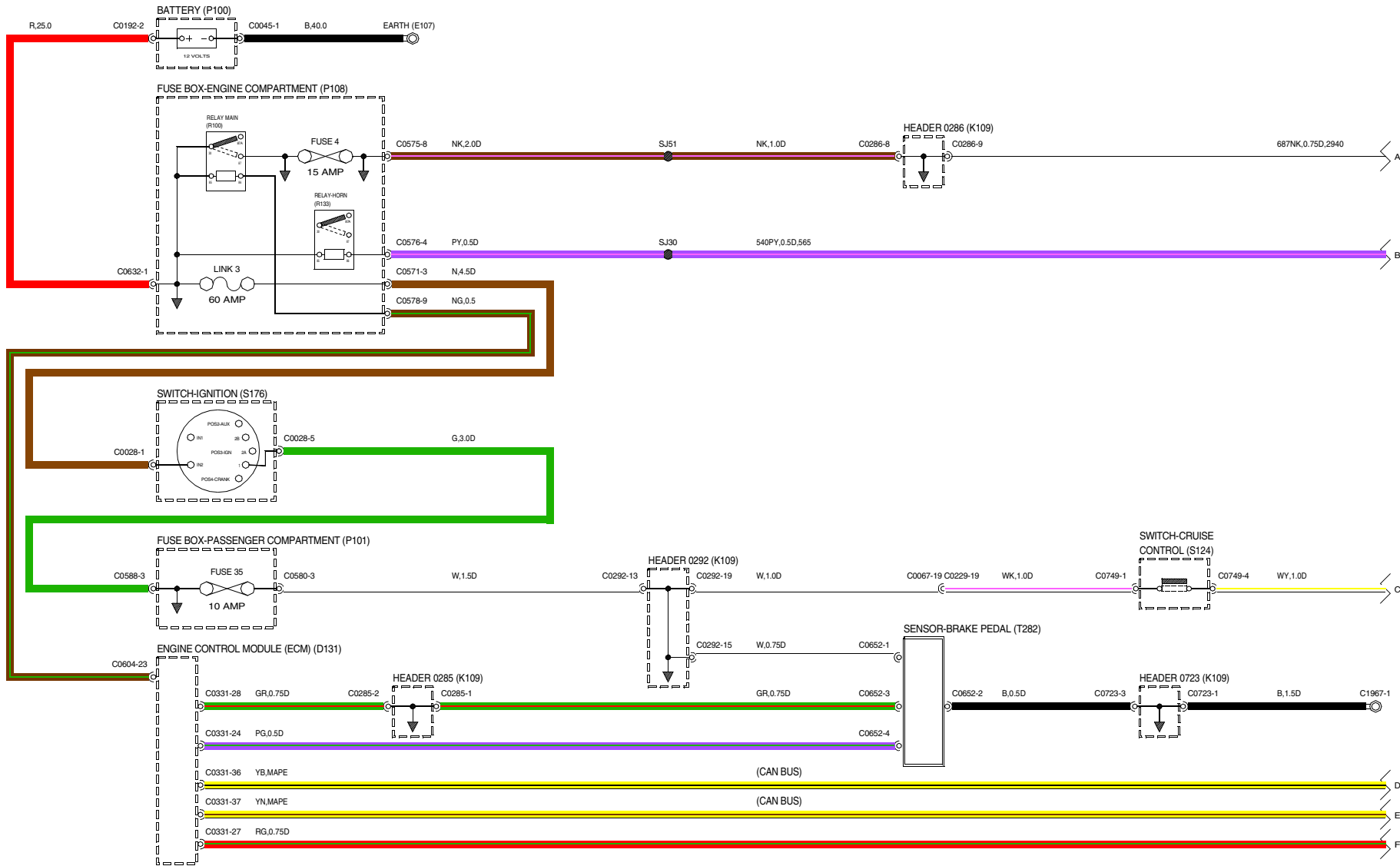


WWR004120-A-02

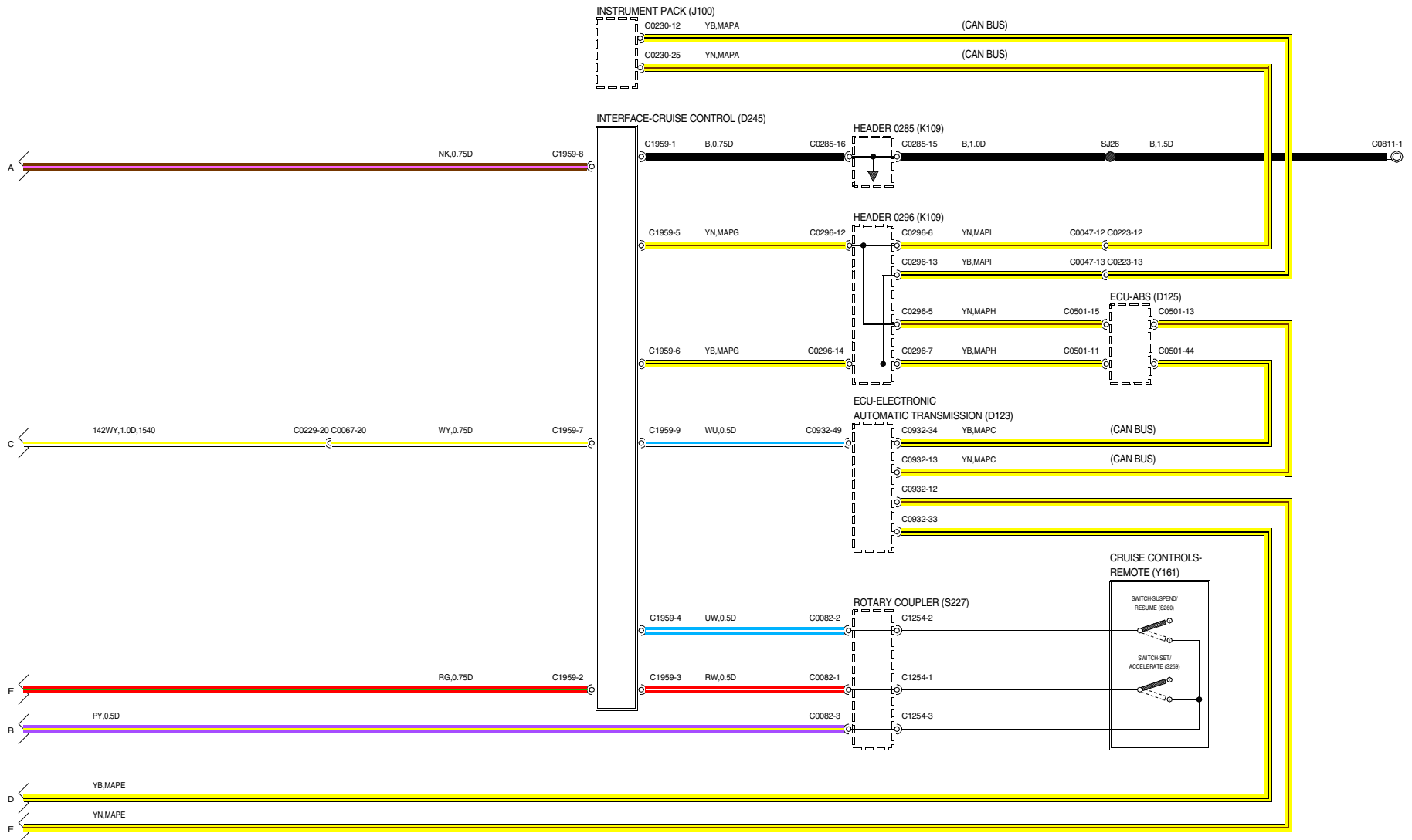
22 COOLING FANS



WFR004020-A-01

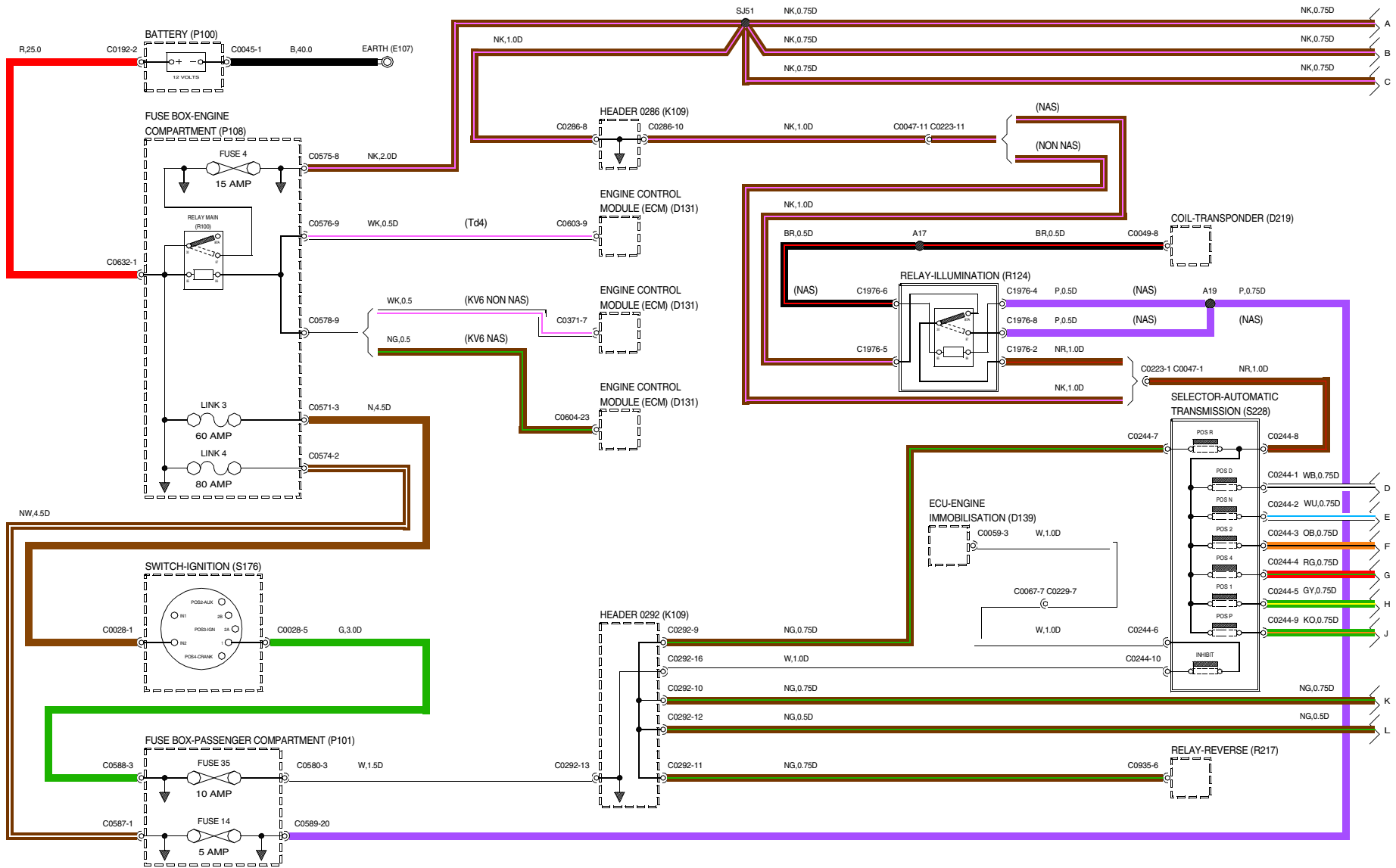


WFR004030-A-01



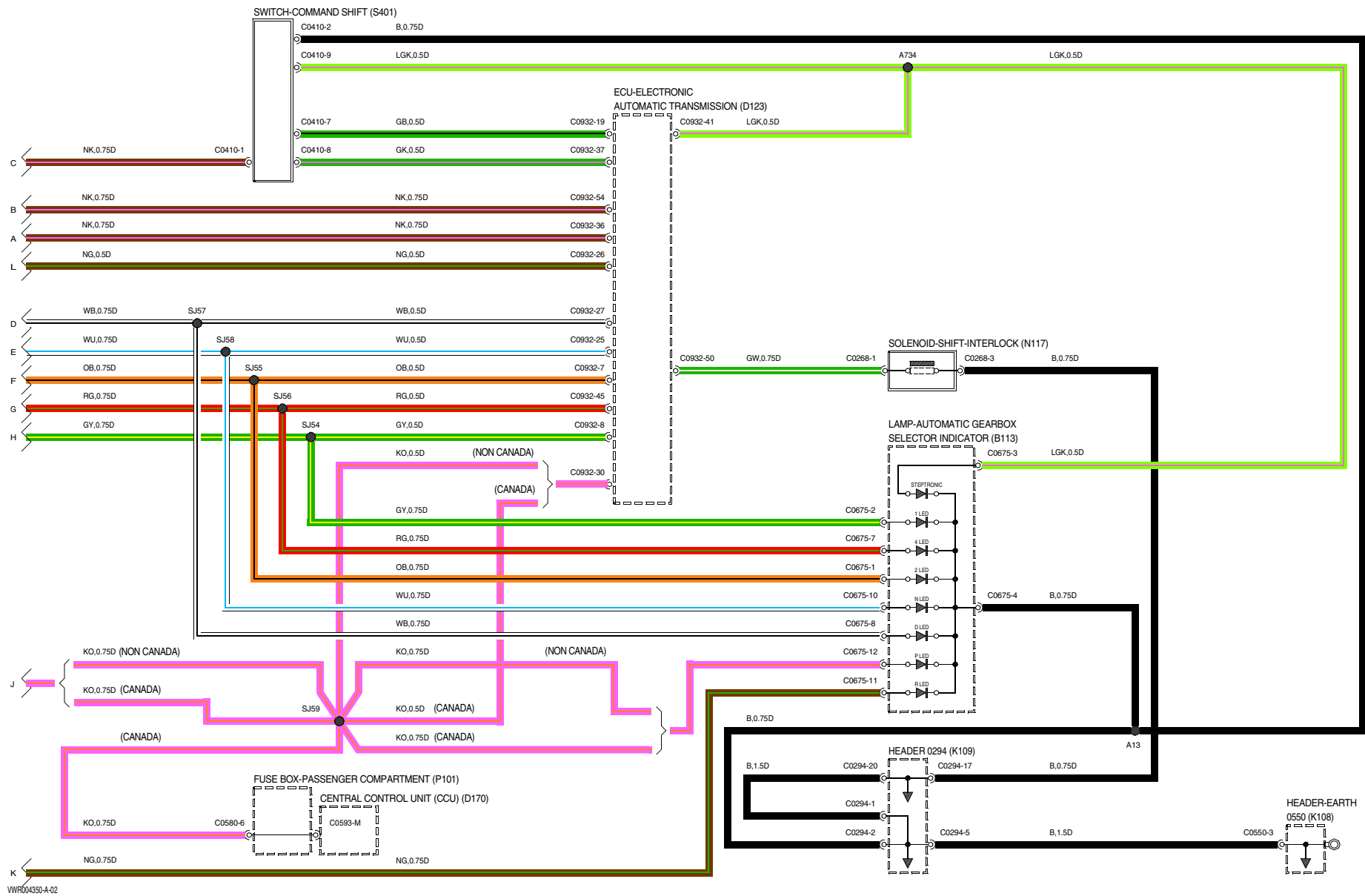
WVR004030-A-02

32 ELECTRONIC AUTOMATIC TRANSMISSION

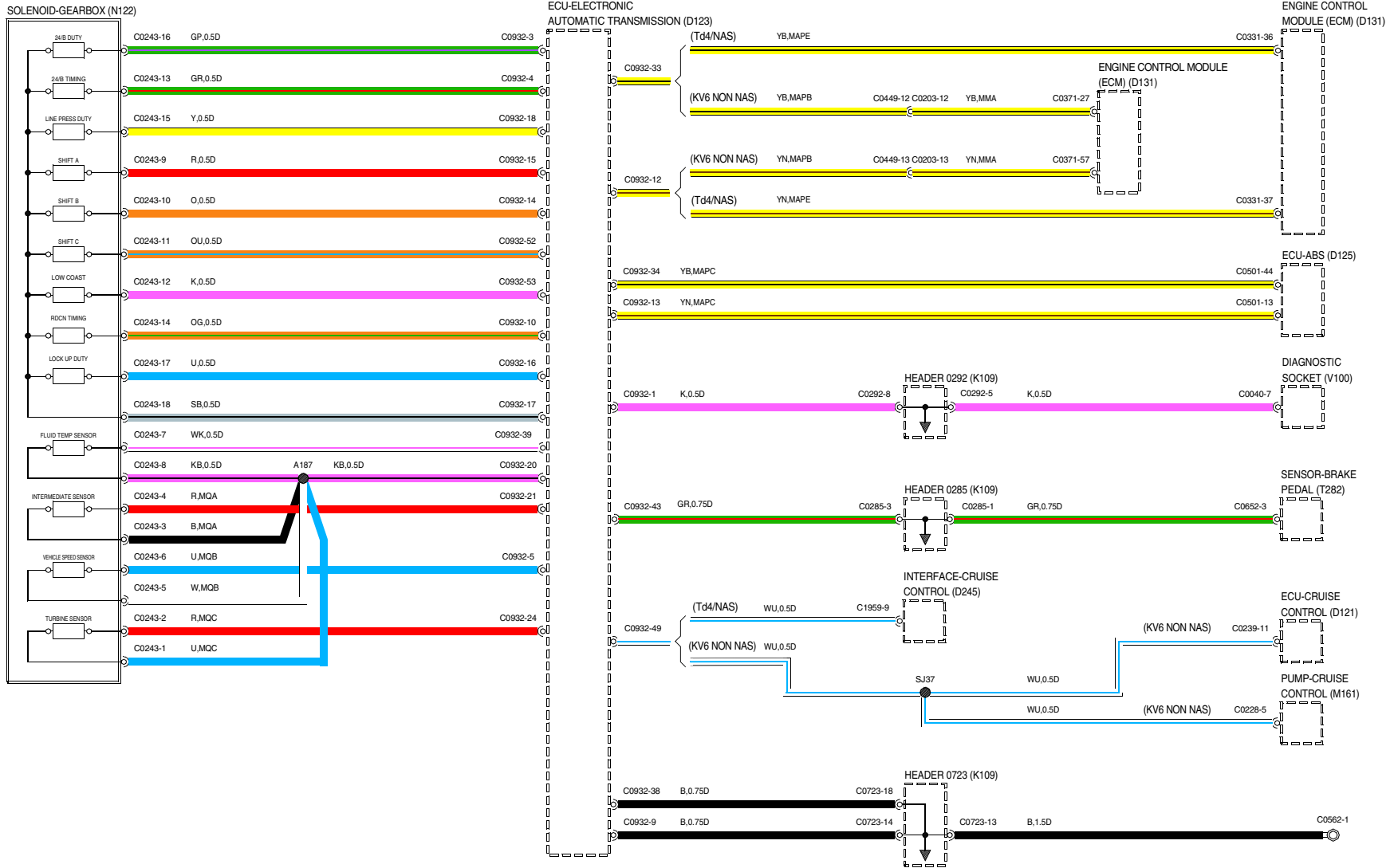


WVR004350-A-01

32 ELECTRONIC AUTOMATIC TRANSMISSION

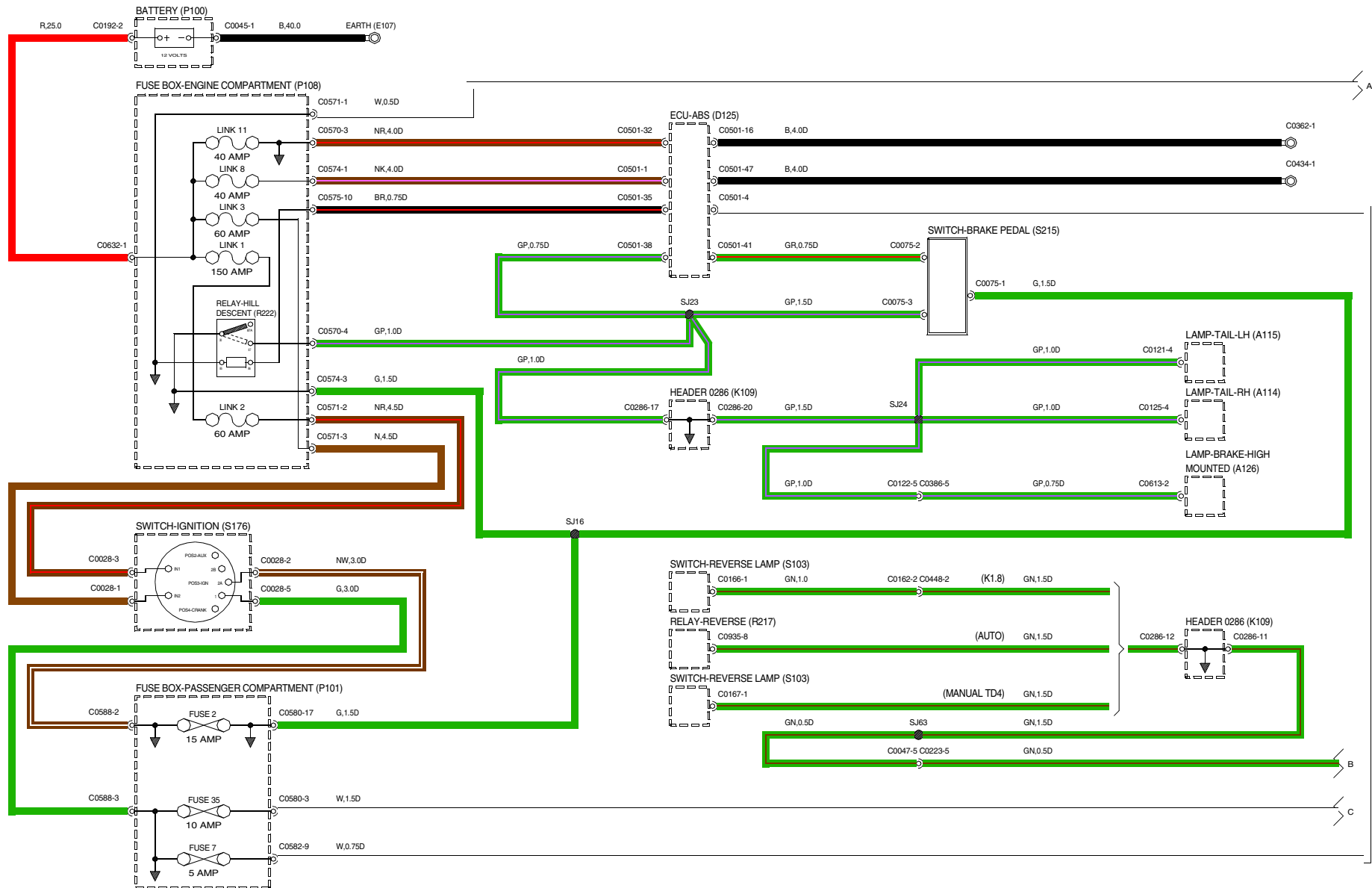


32 ELECTRONIC AUTOMATIC TRANSMISSION



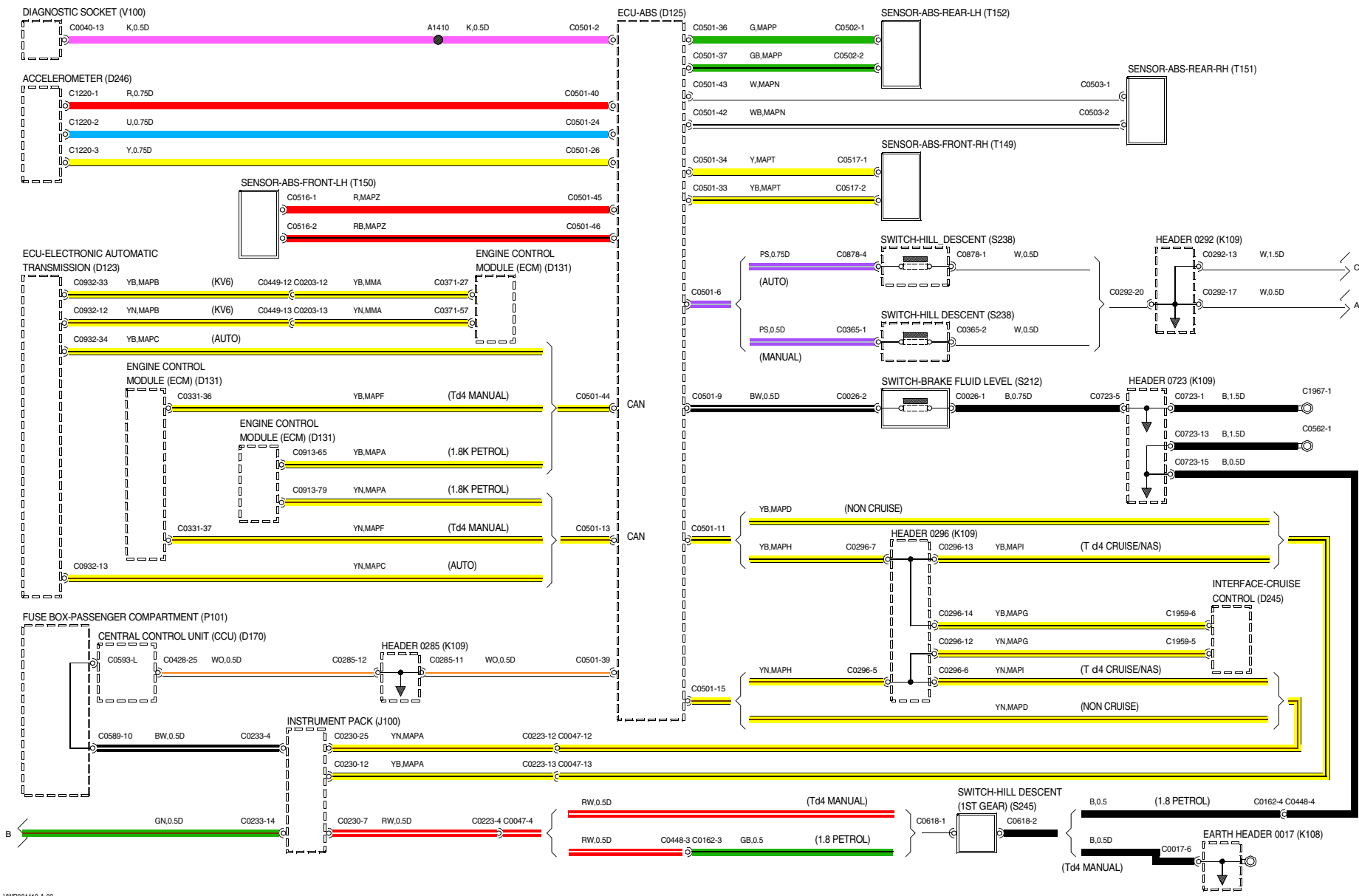
WFR004350-A-03

35 ANTI-LOCK BRAKING SYSTEM (ABS)



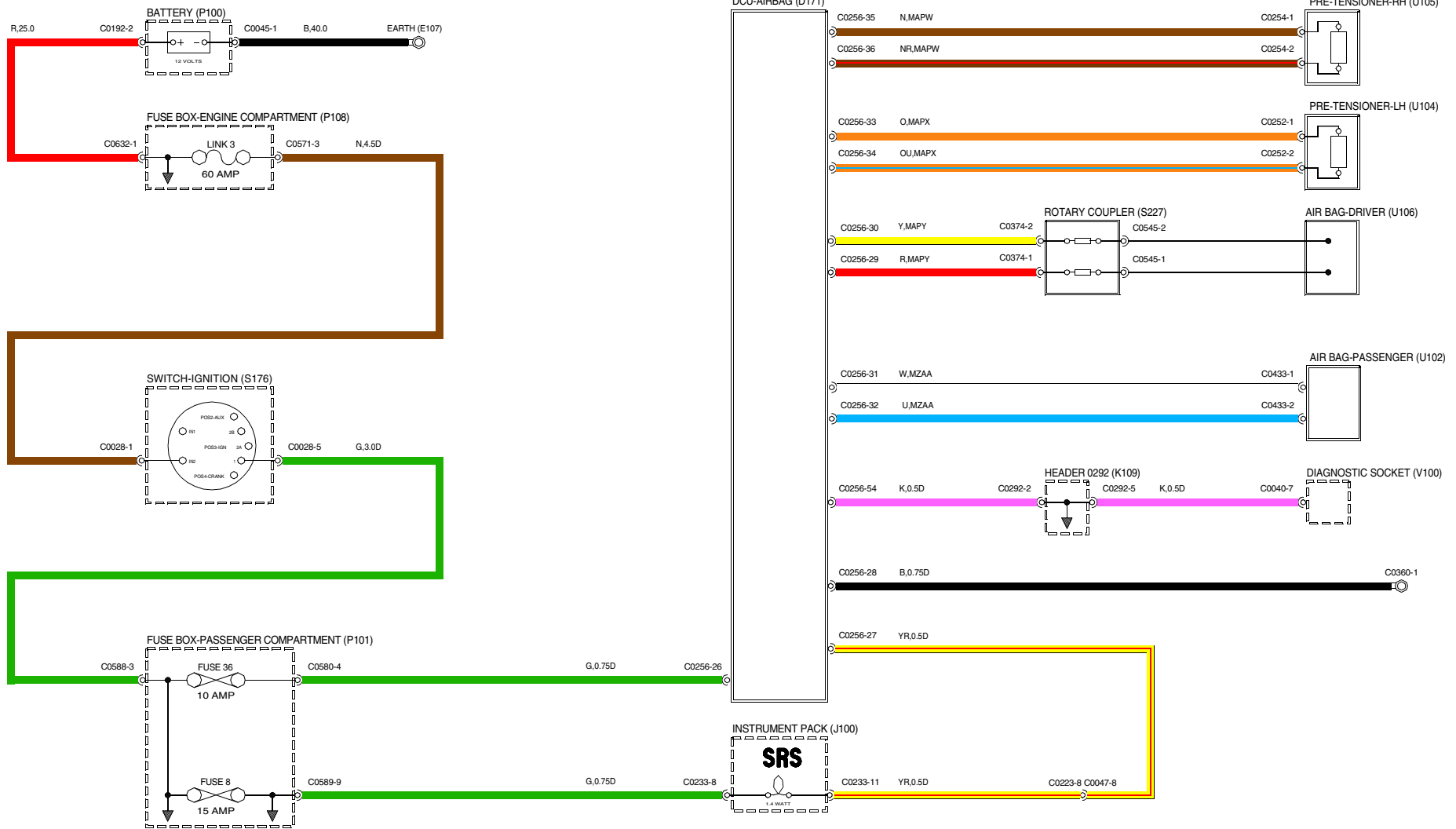
WVR004410-A-01

35 ANTI-LOCK BRAKING SYSTEM (ABS)

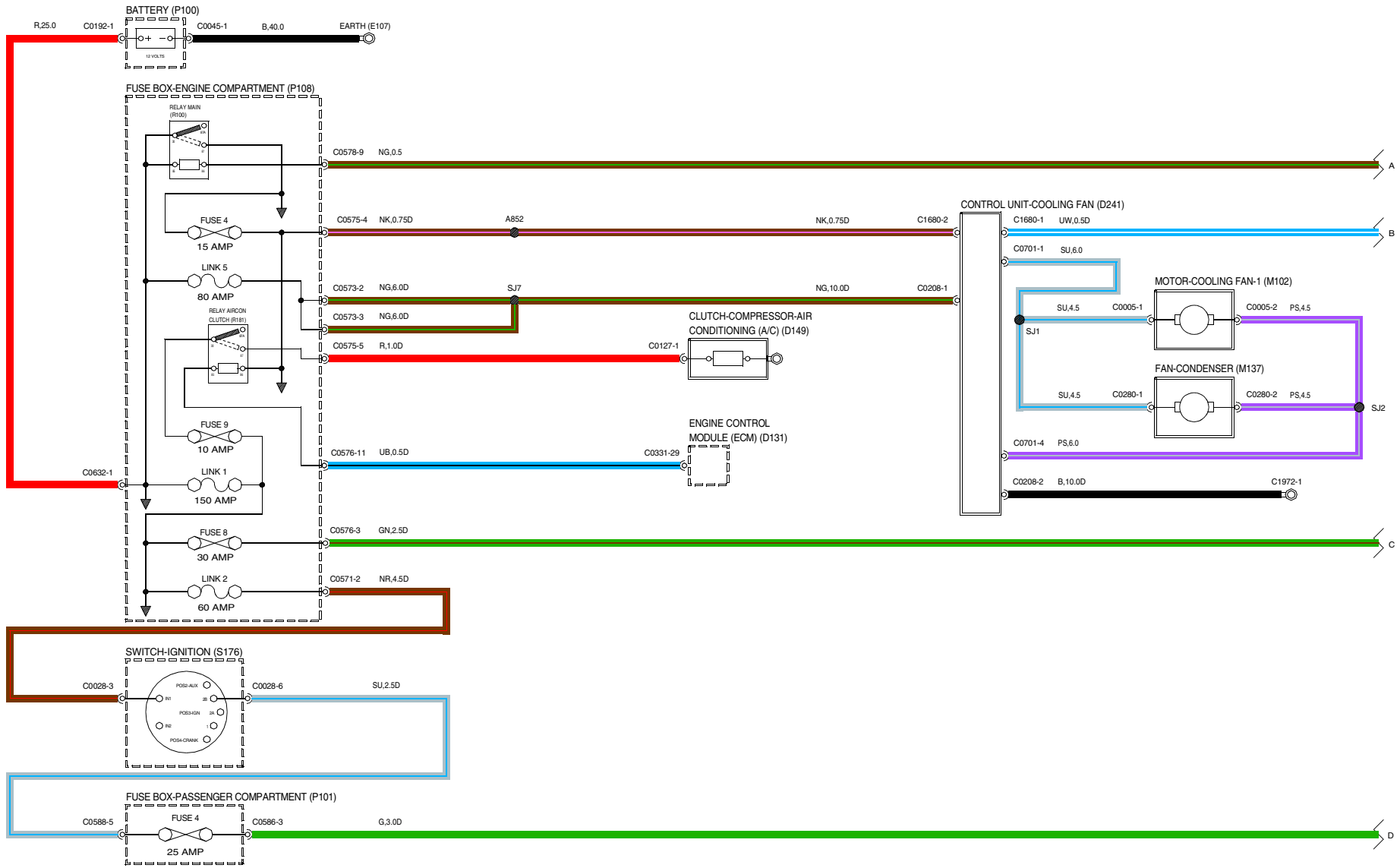


WVR004410-A-02

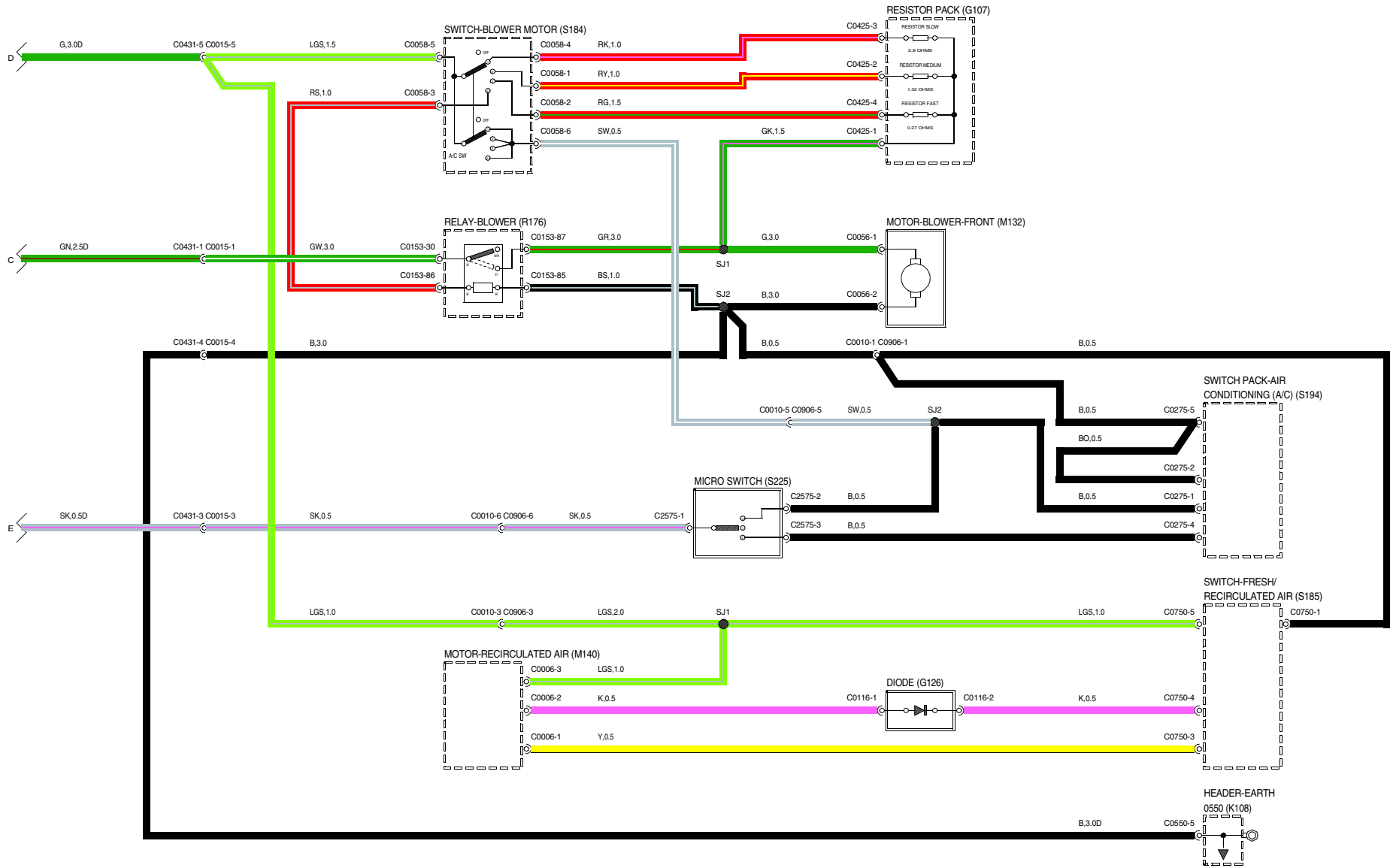
36 SUPPLEMENTARY RESTRAINT SYSTEM (SRS)



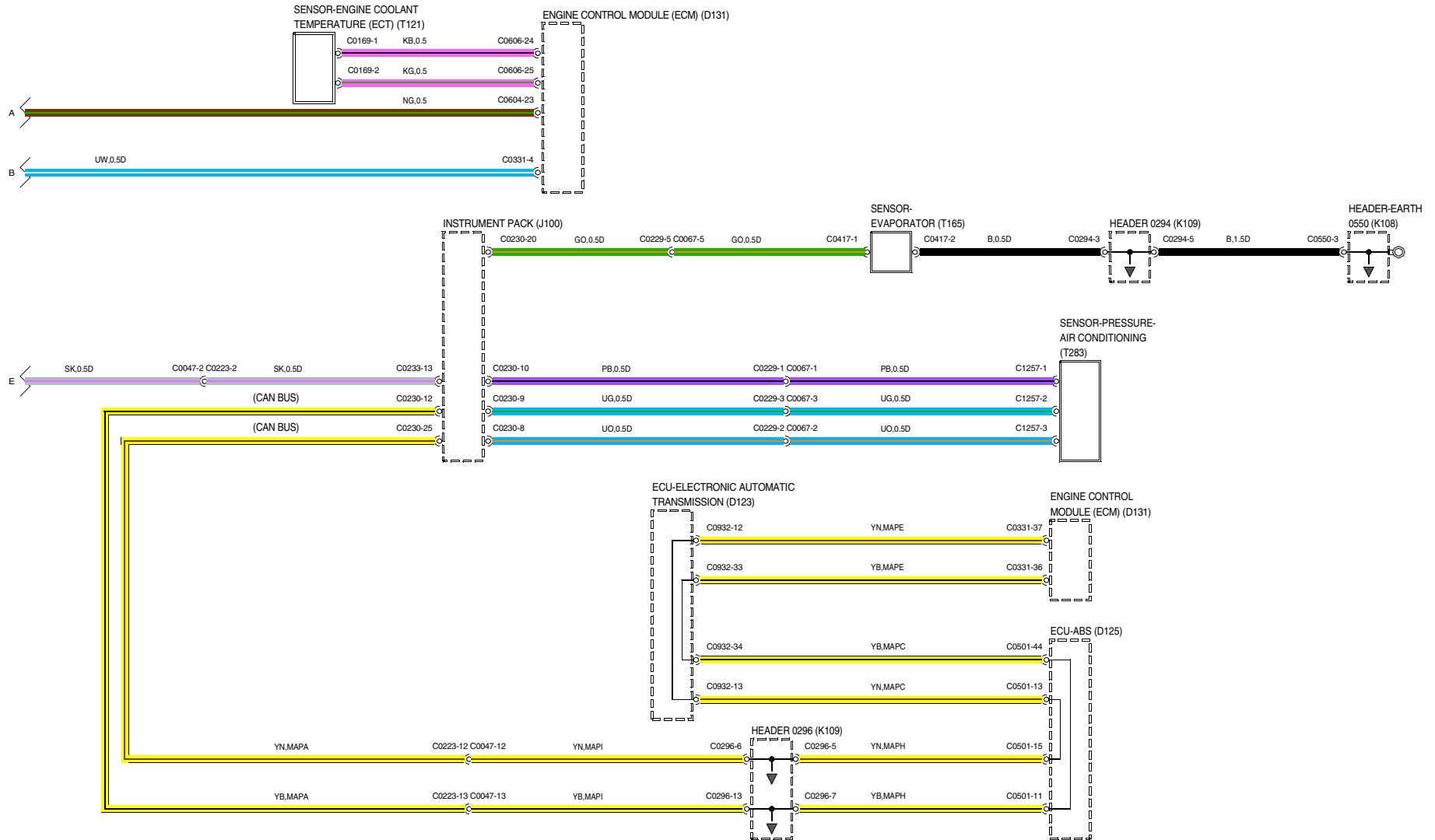
WFR004300-A-01



WFR003960-A-01

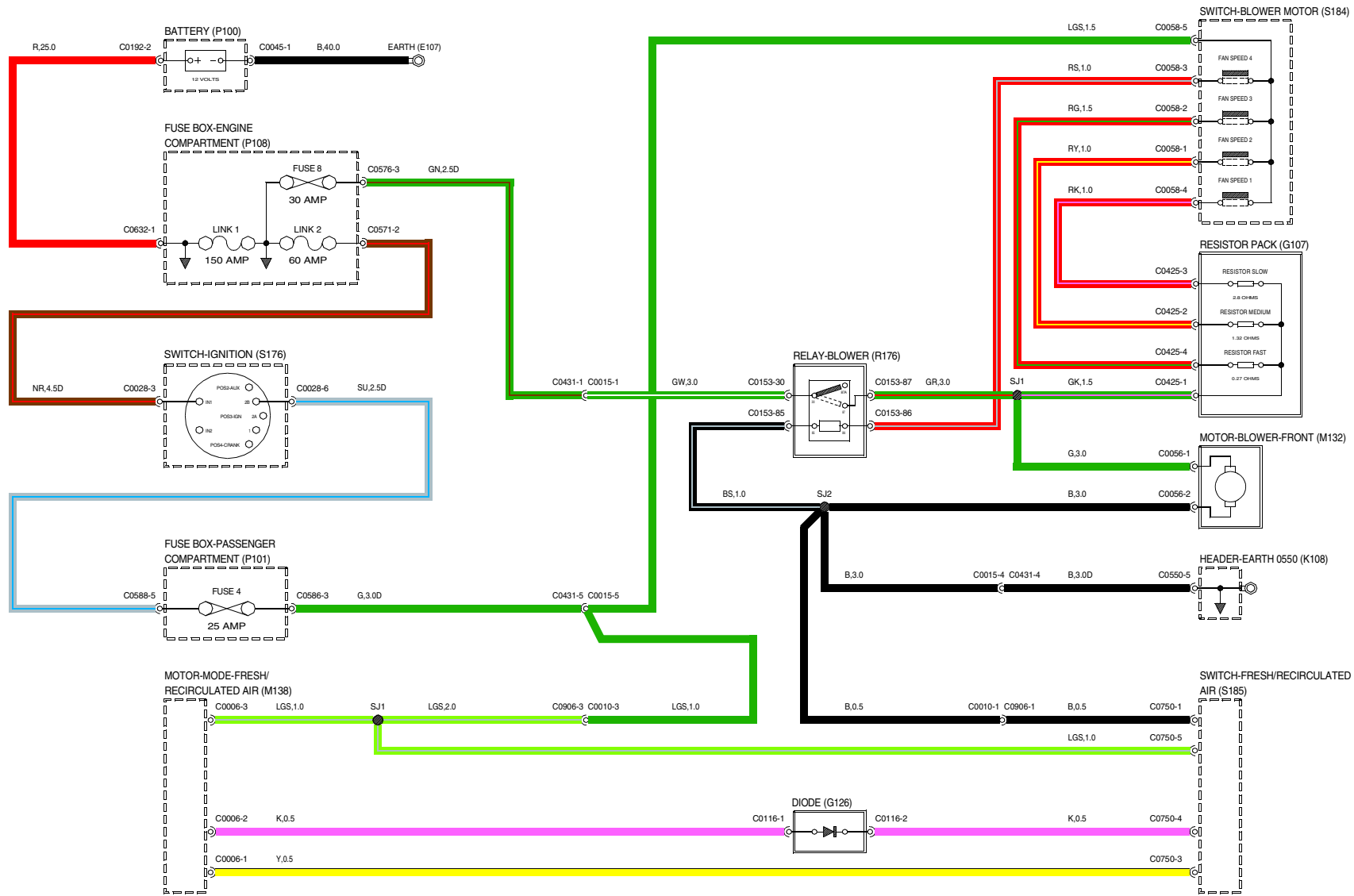


WFR003980-A-02



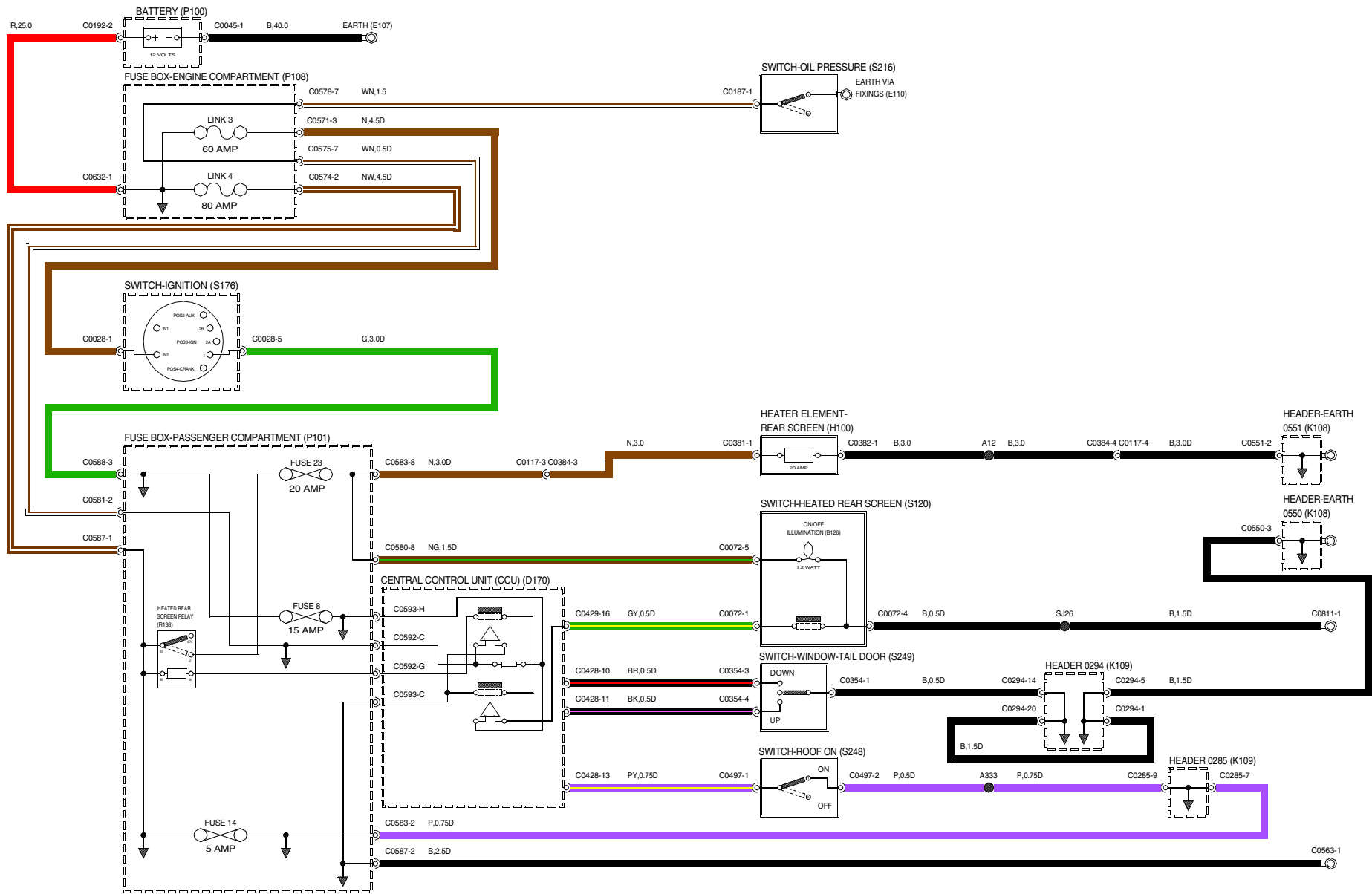
WFR003960-A-03

39 HEATER



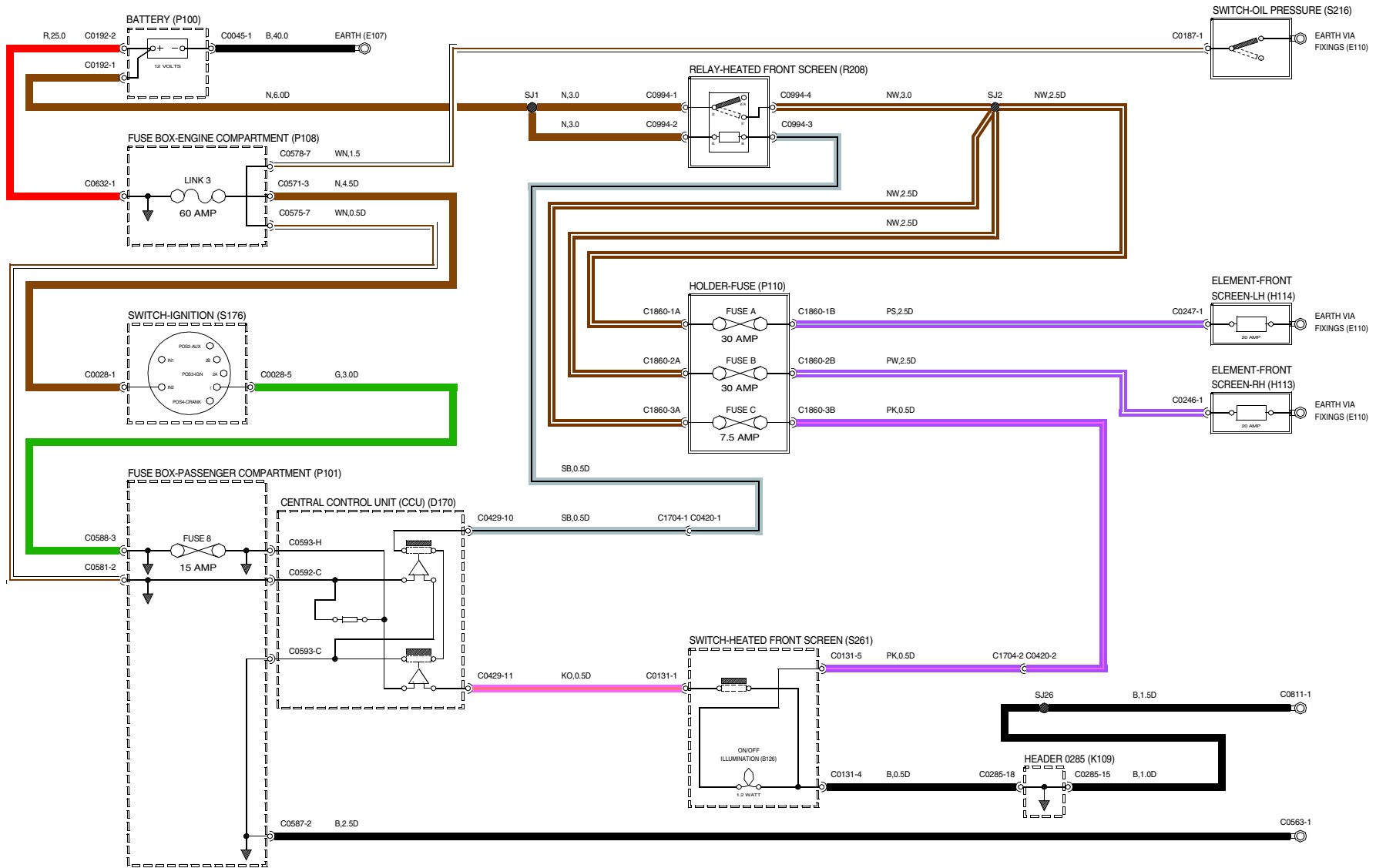
WVR004160-A-01

40 HEATED REAR SCREEN



WVR004150-A-01

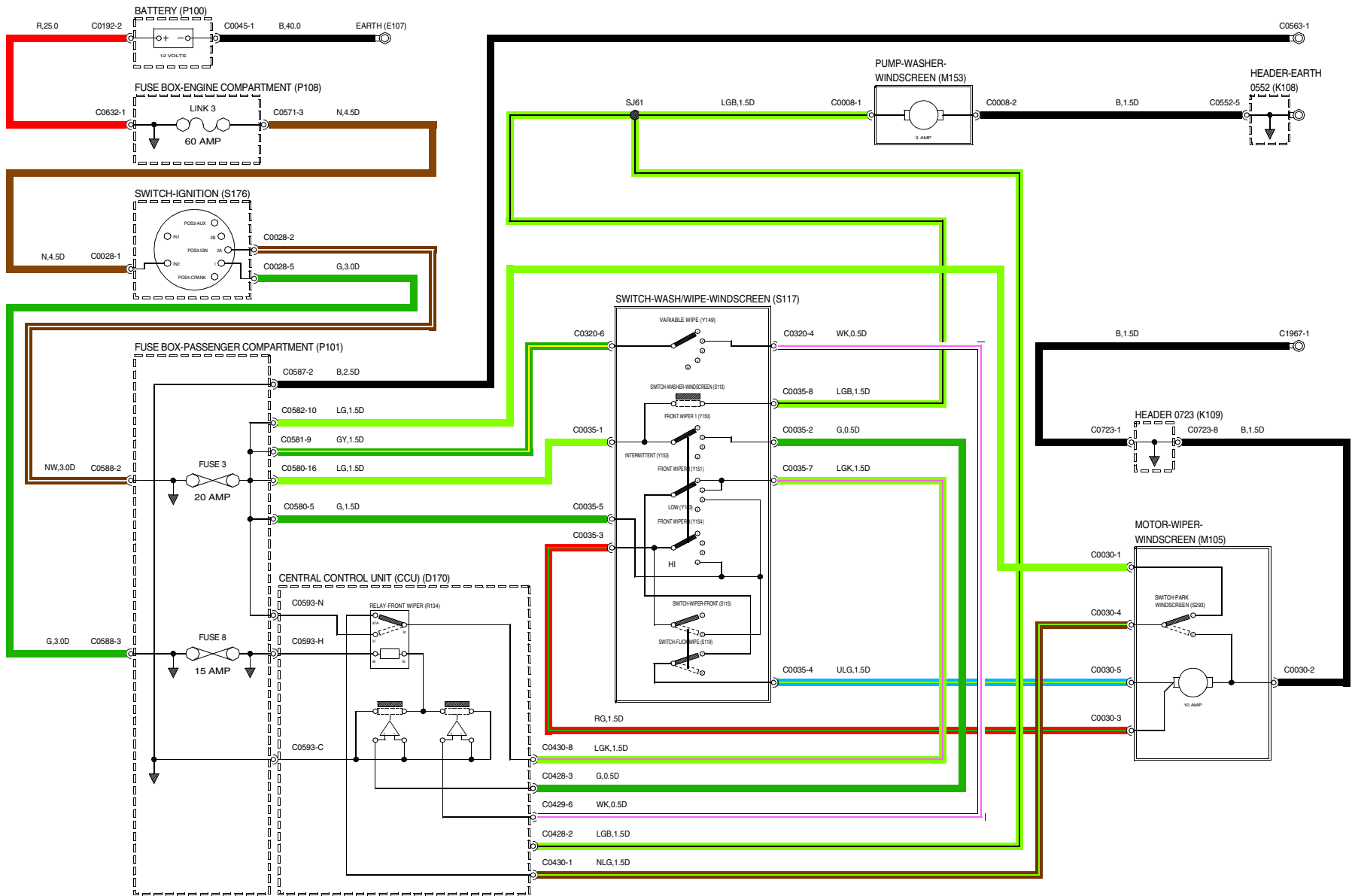
40 HEATED FRONT SCREEN



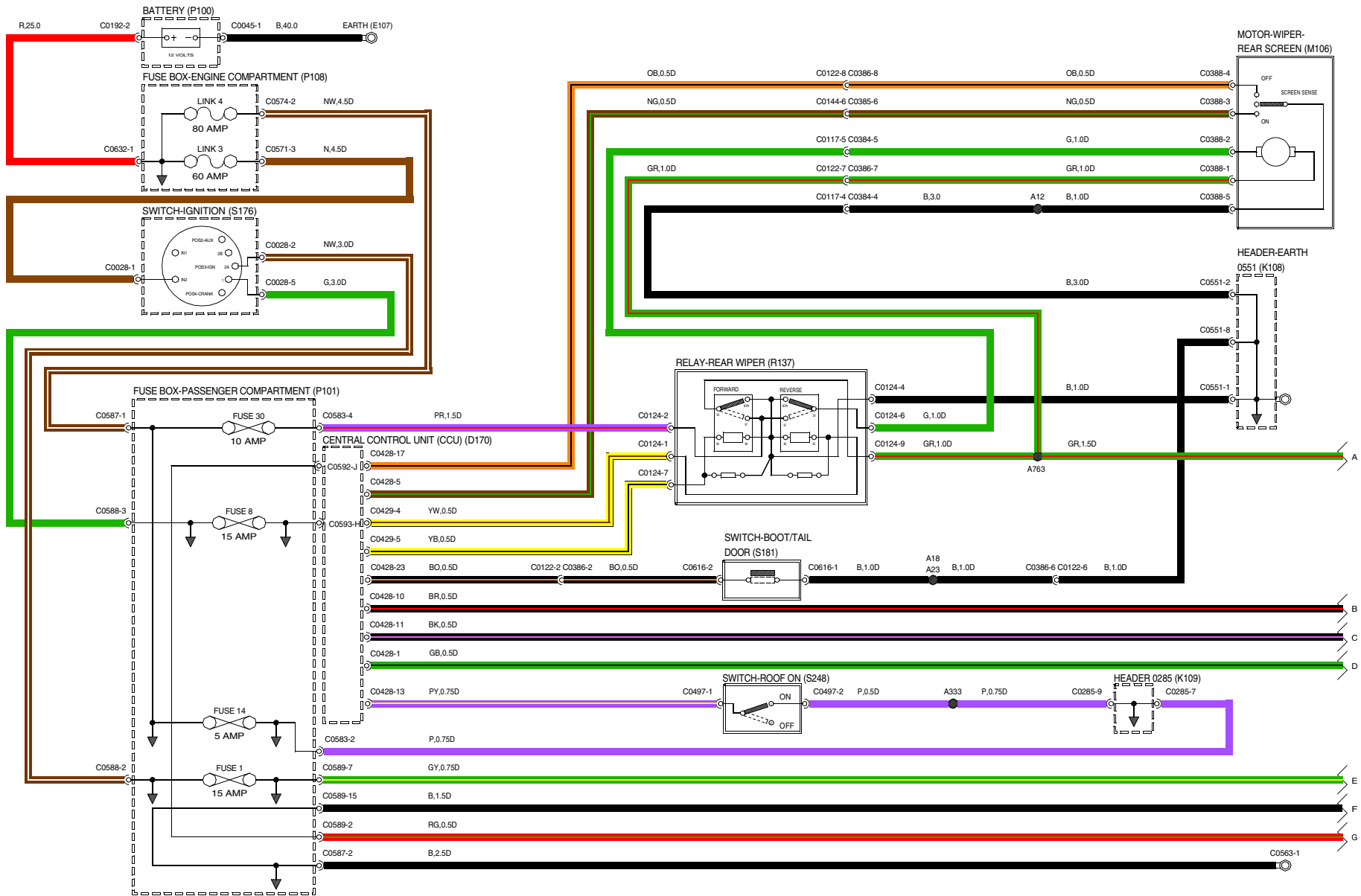
WVR004570-A-01

42 WIPERS AND WASHERS

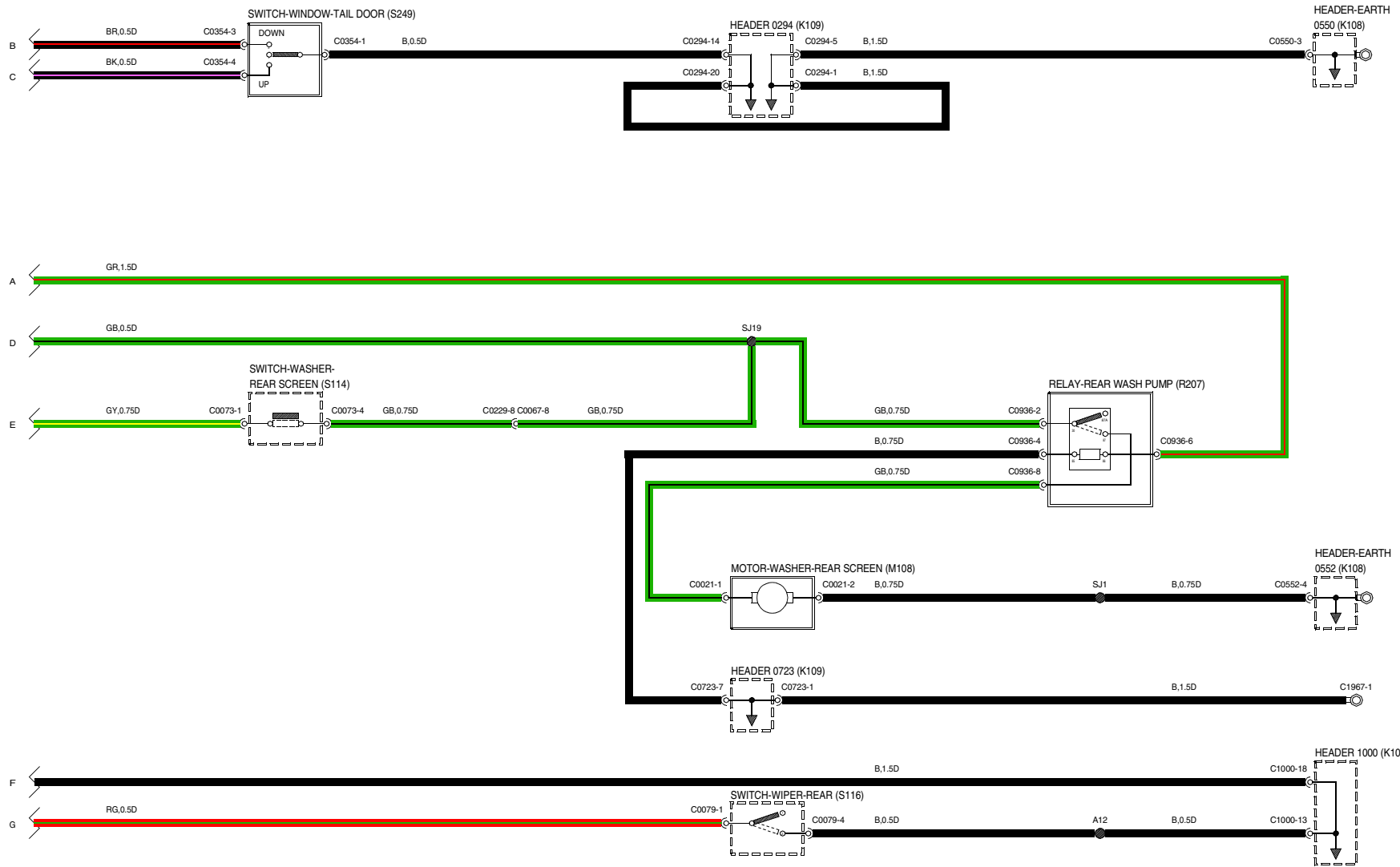
Front



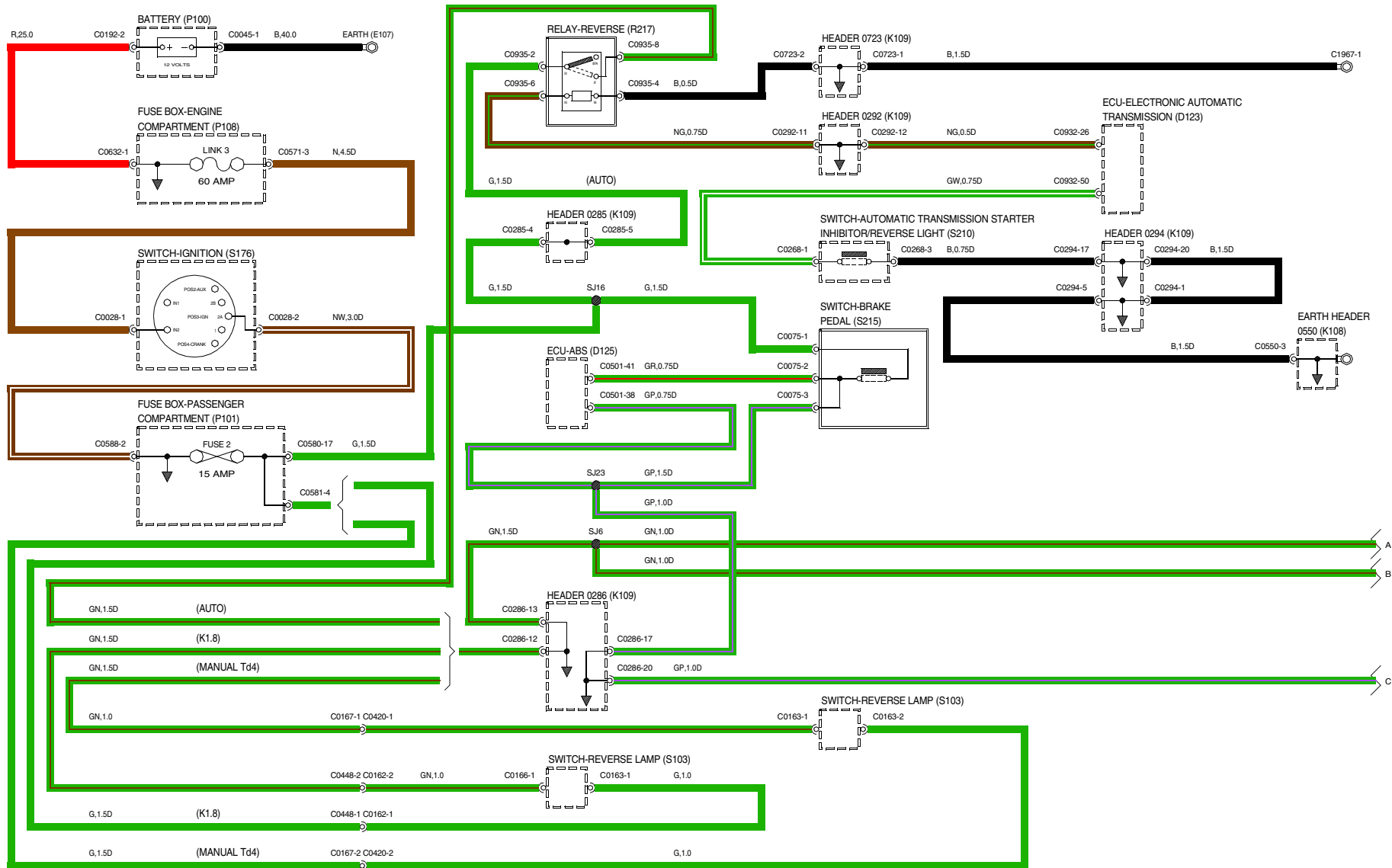
WFR004930-A-01



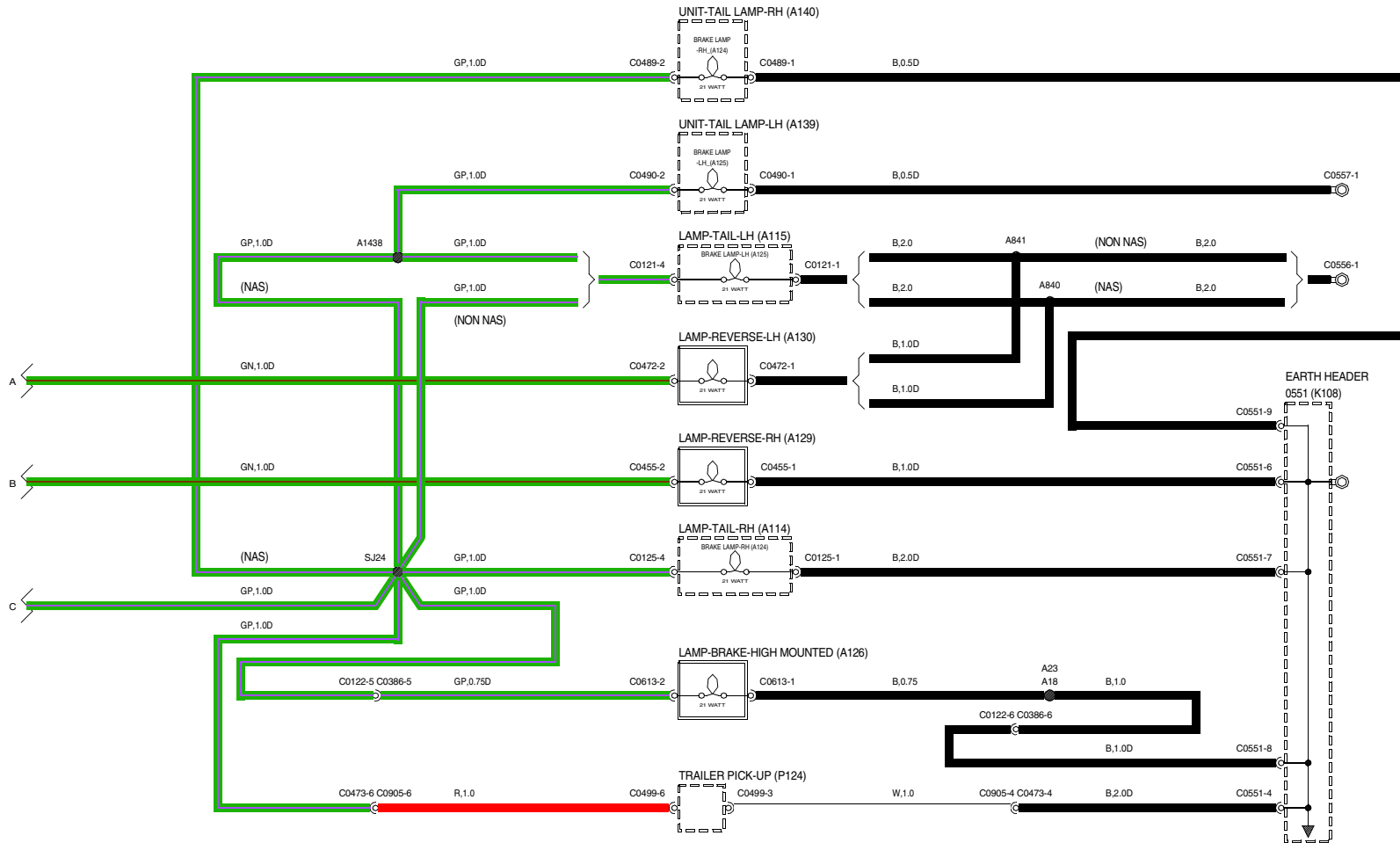
WFR00400-A-01



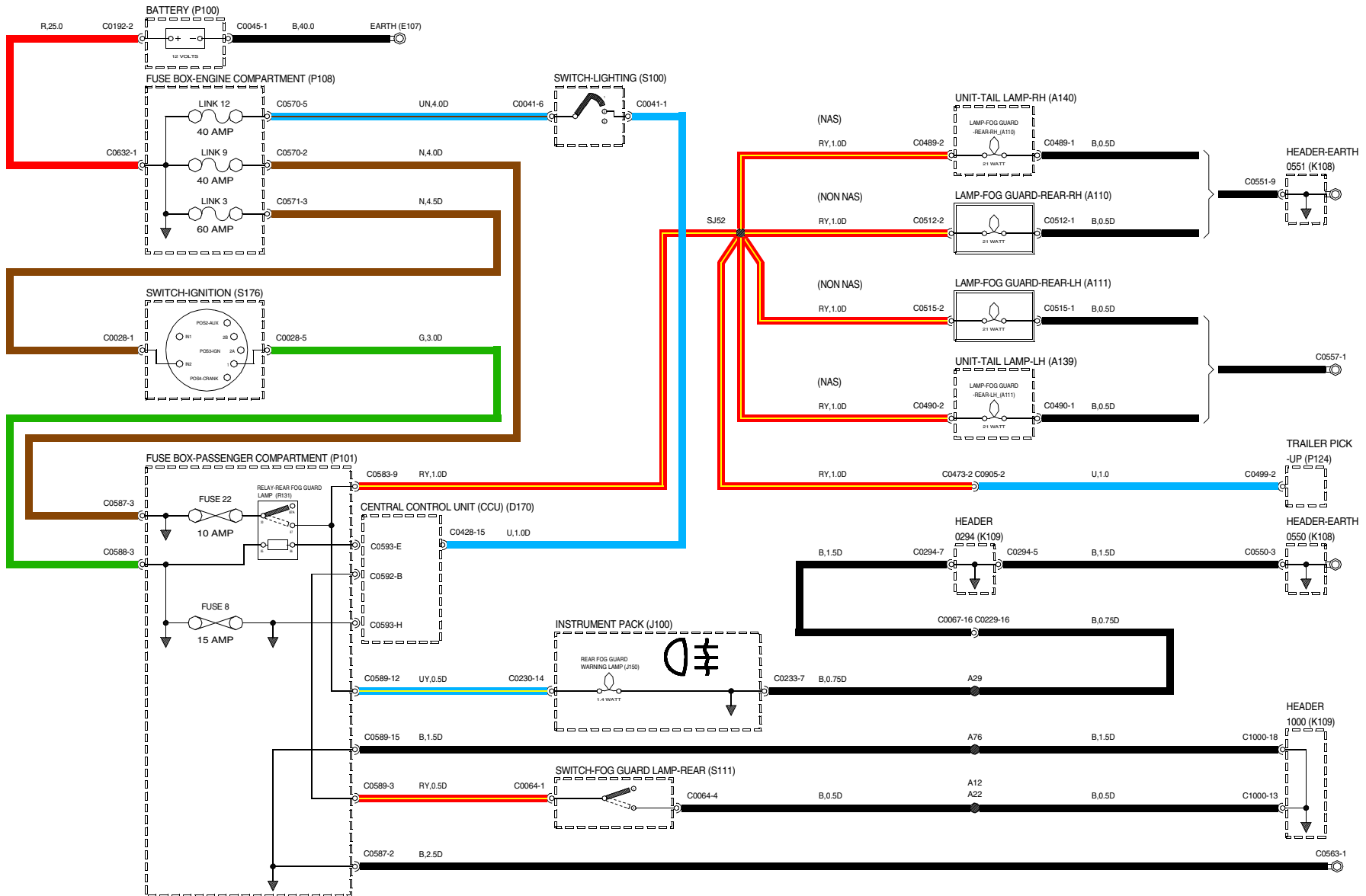
WVR004400-A-02



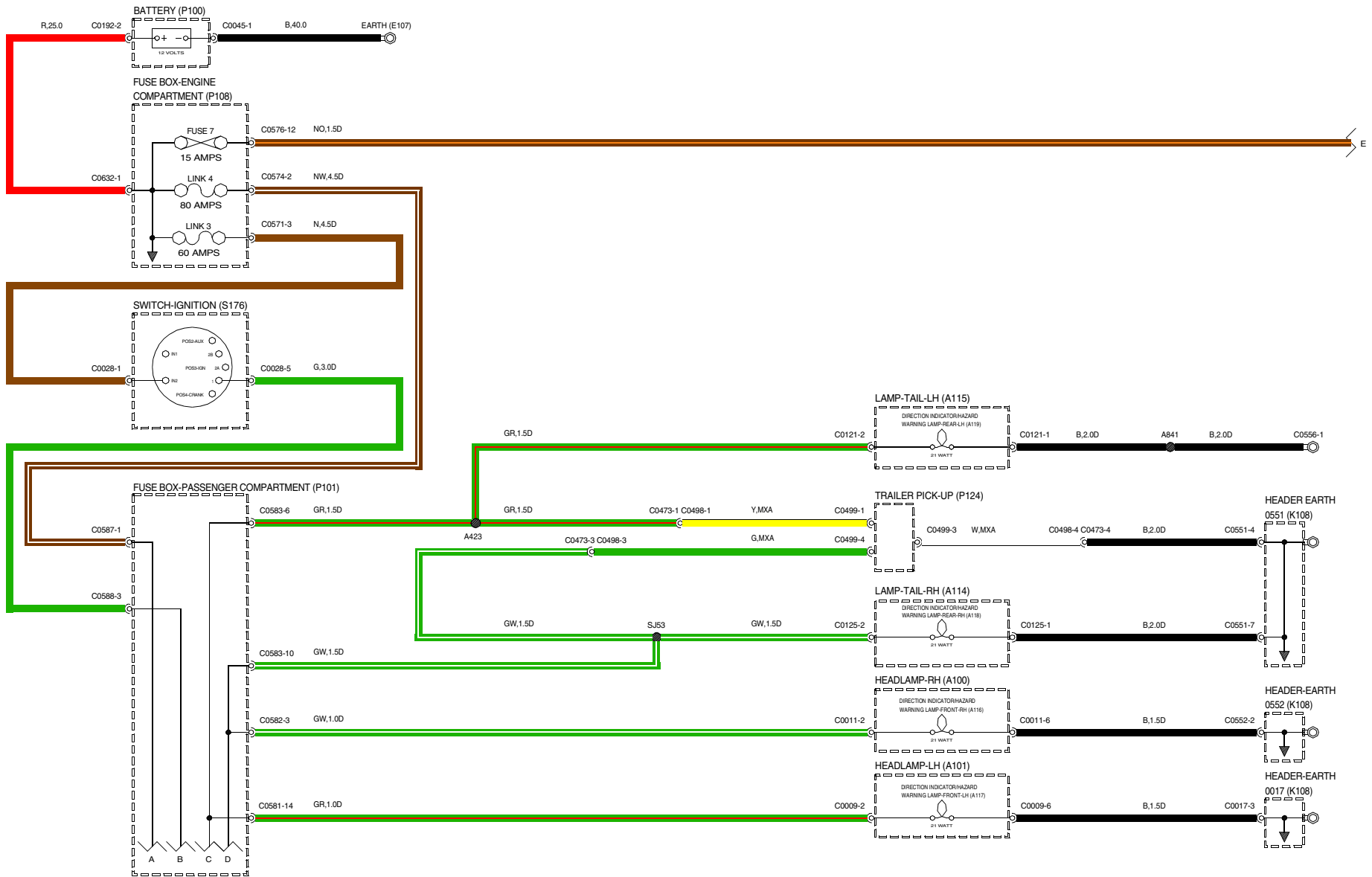
WFR003930-A-01



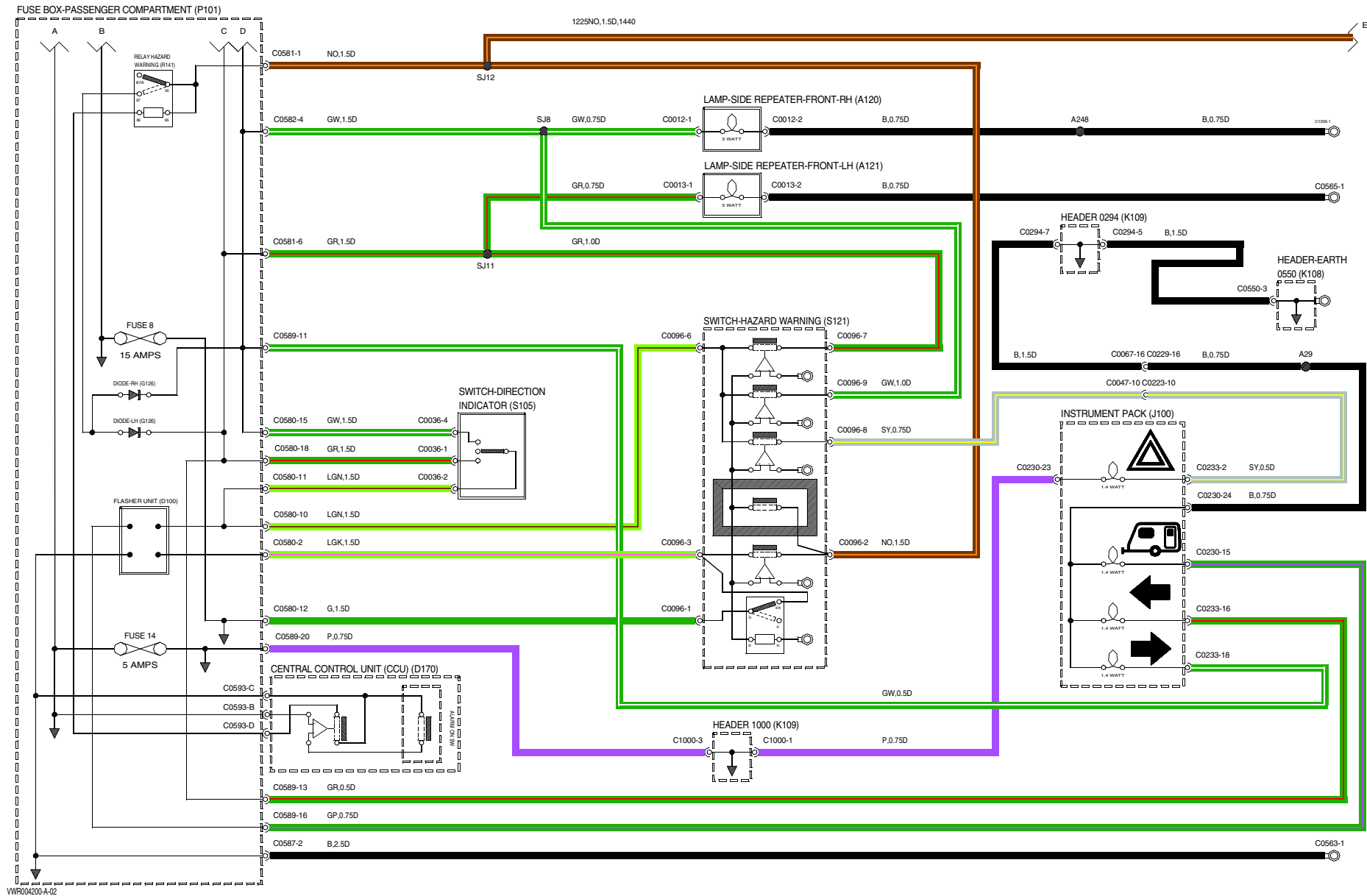
WVR003880-A-02

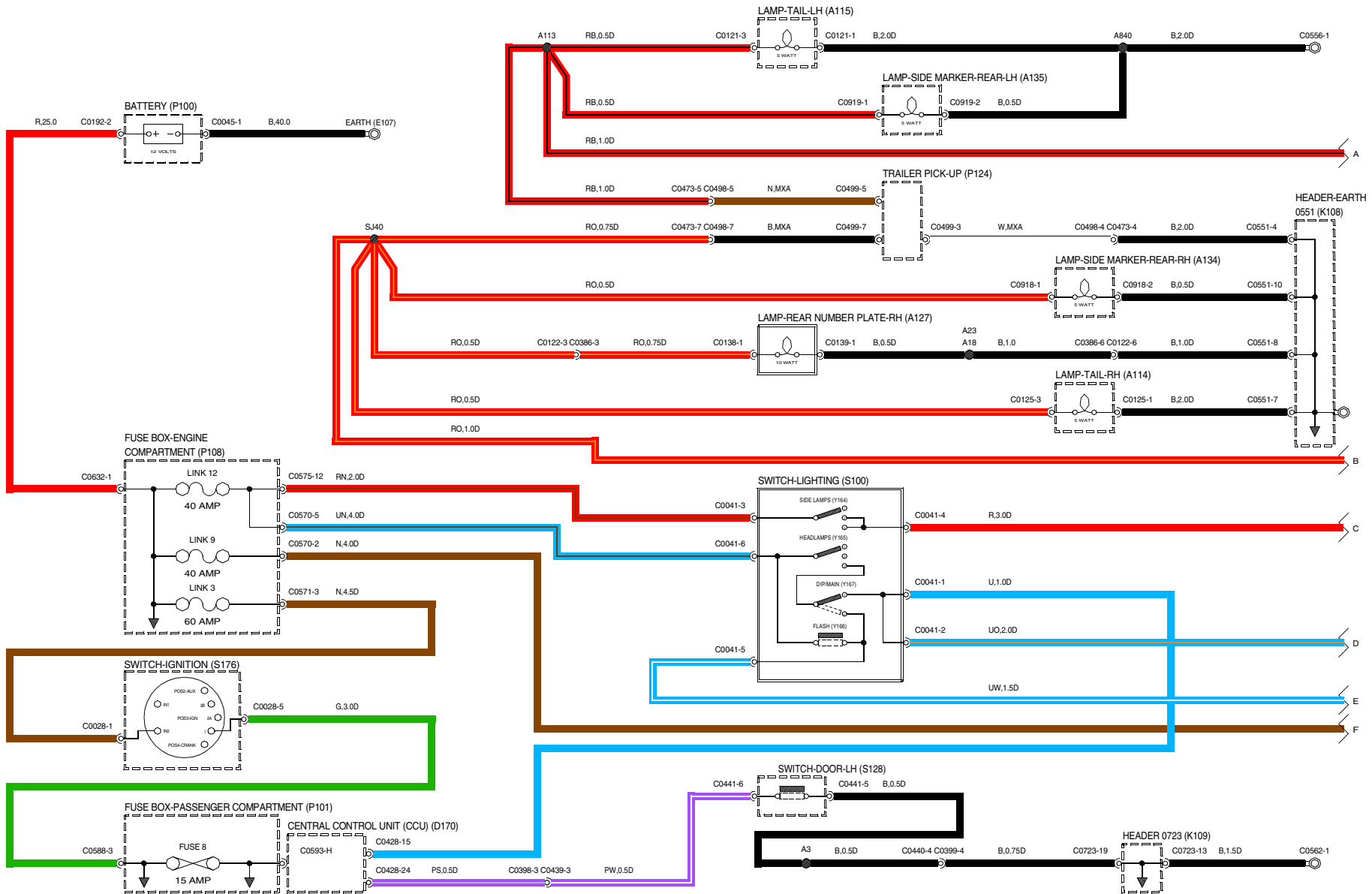


WVR004100-A-01

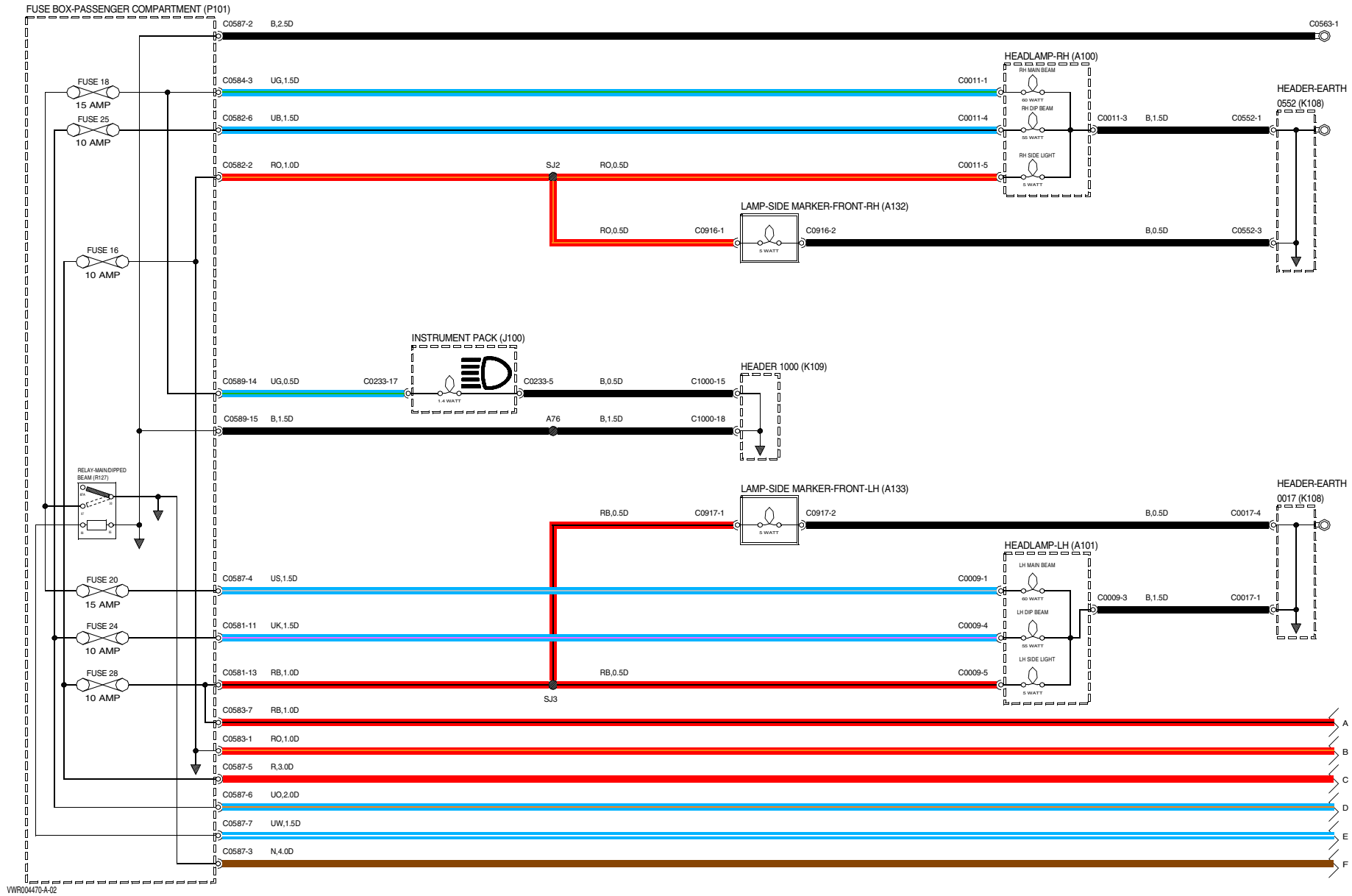


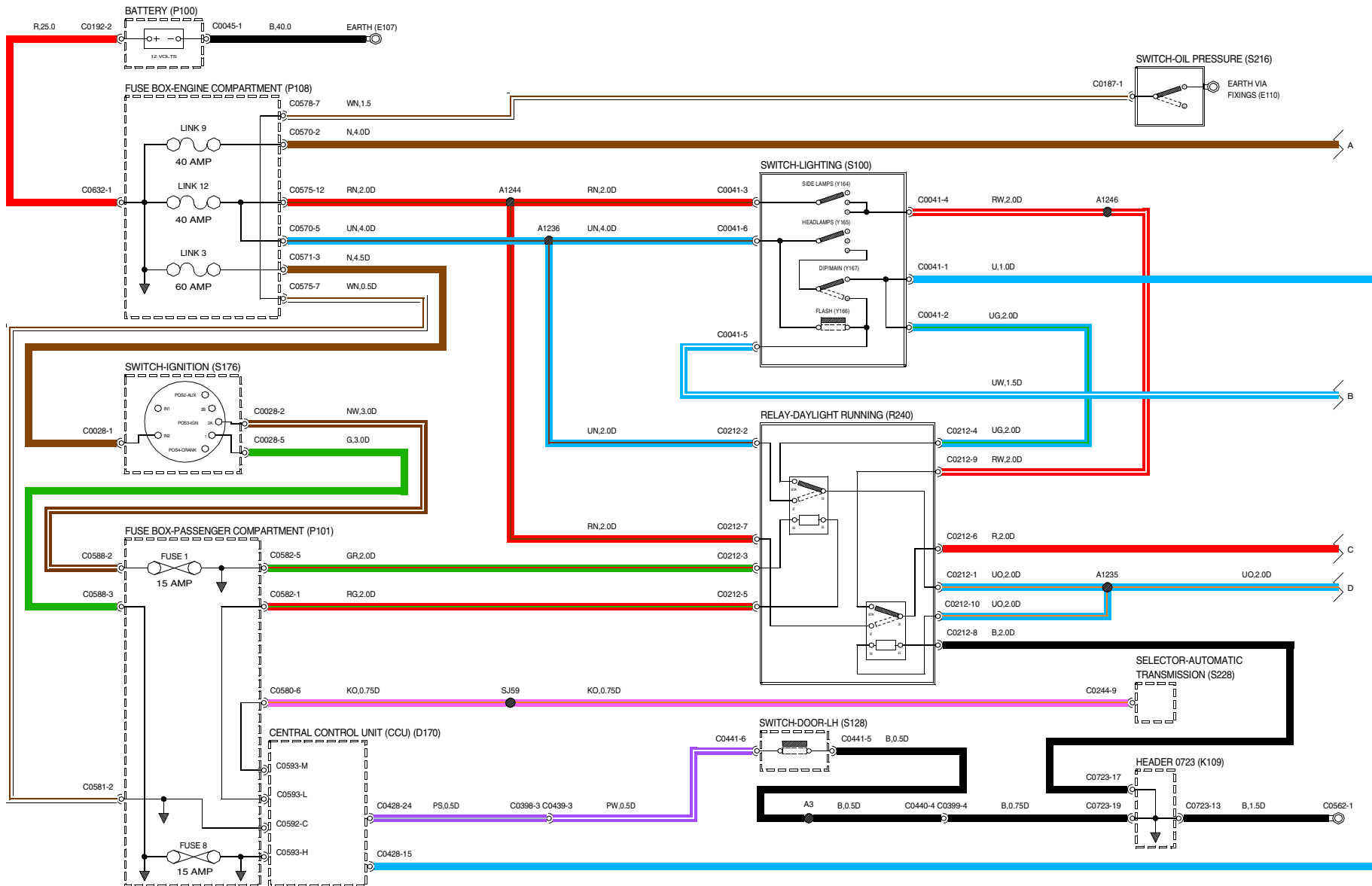
WFR004200-A-01



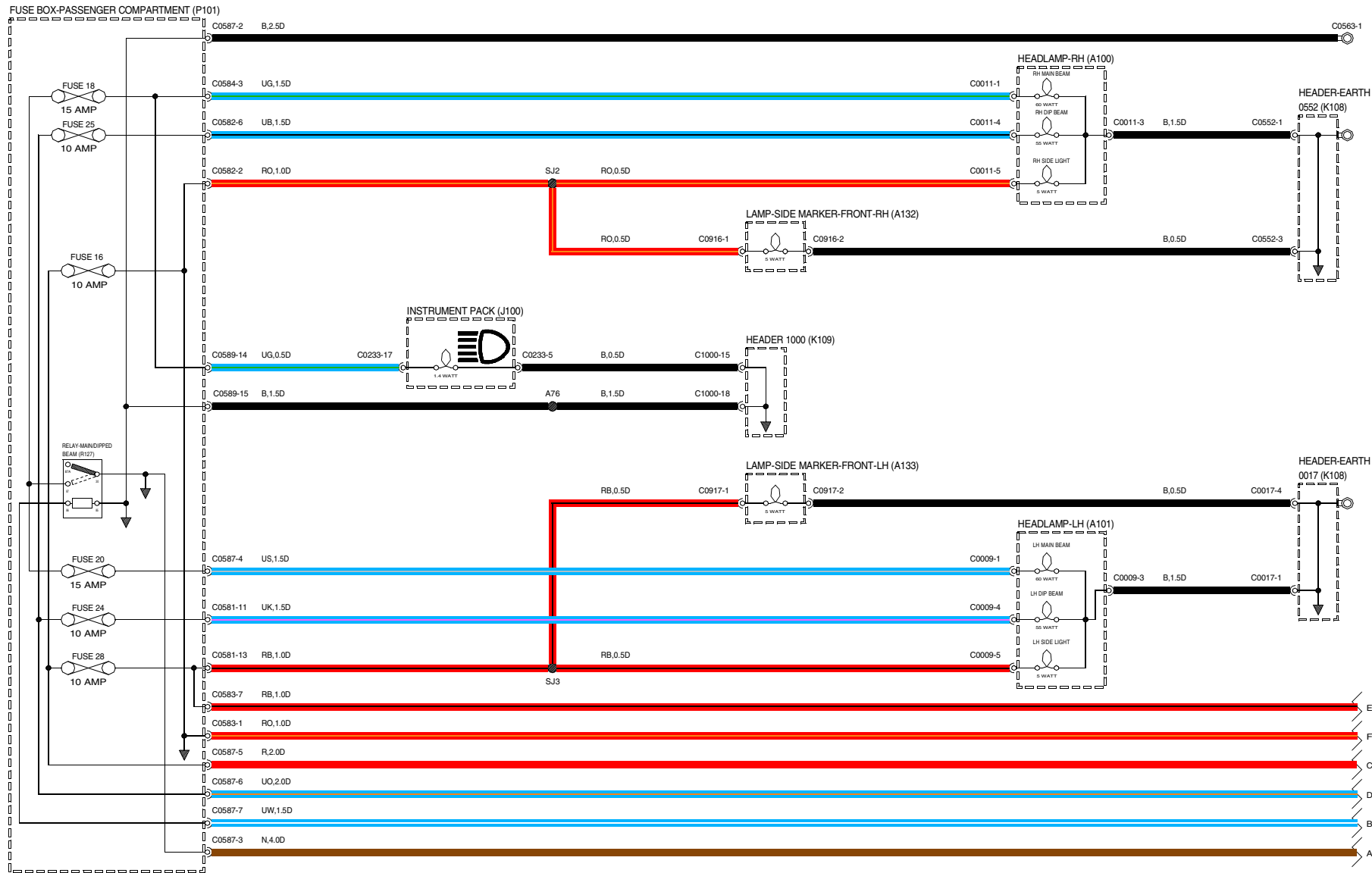


WVR004470-A-01

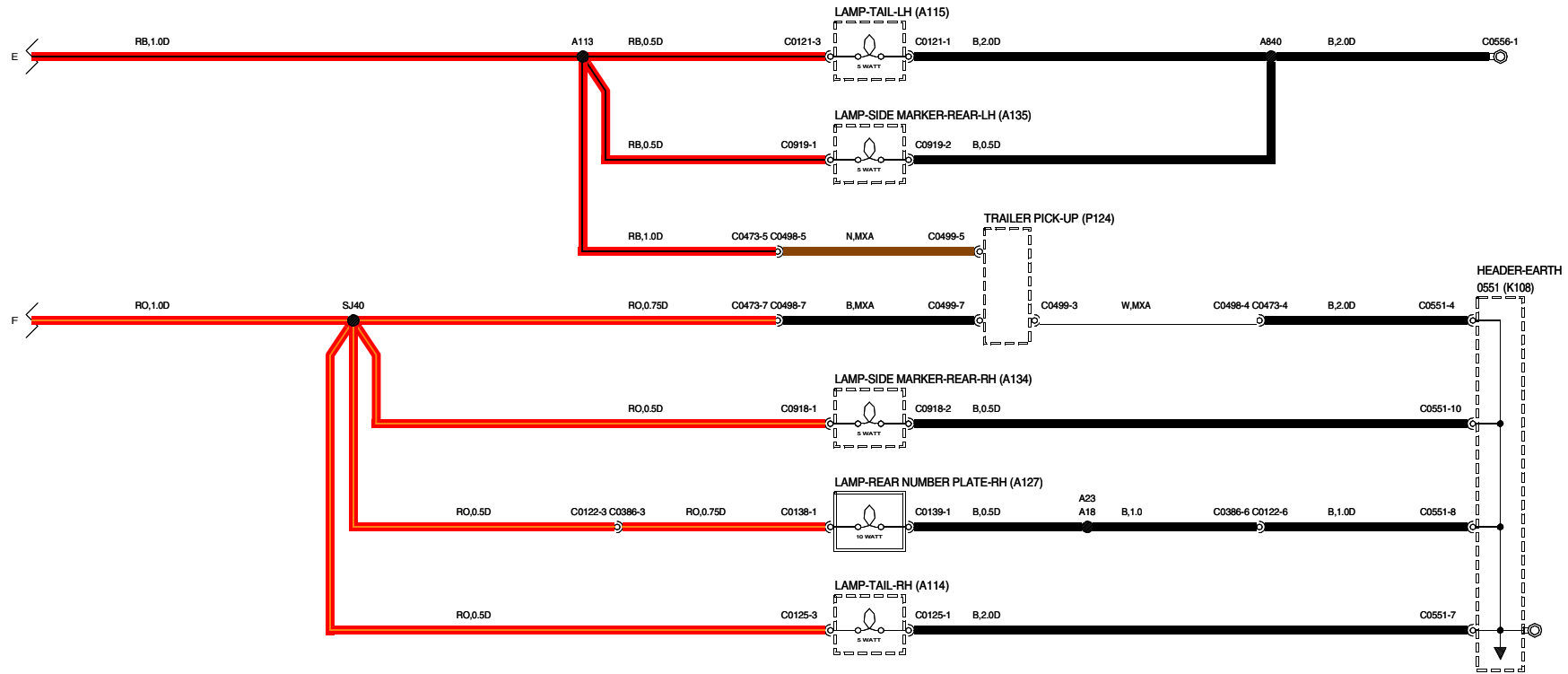




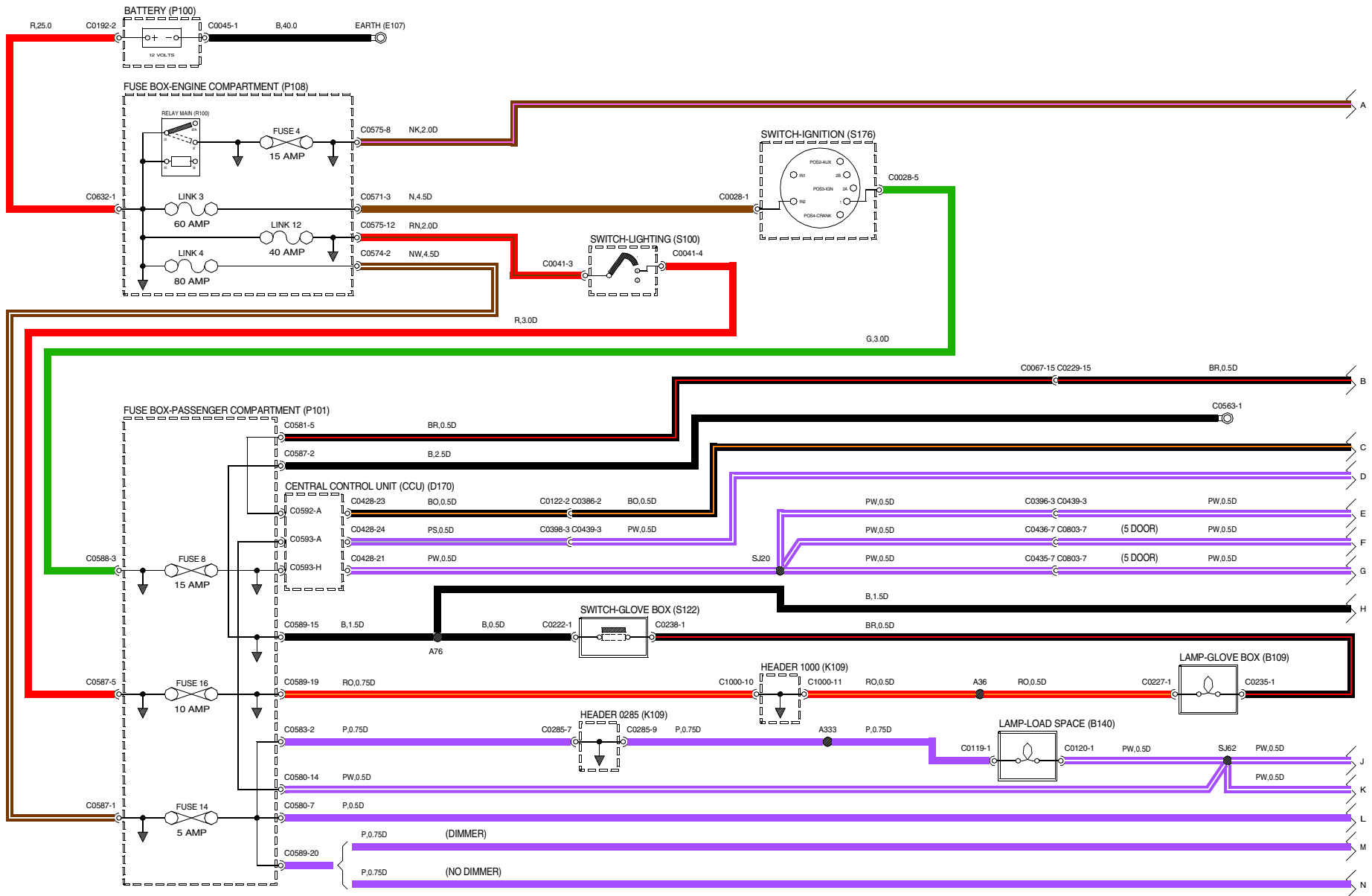
WFR004580-A-01



WVR004580-A-02

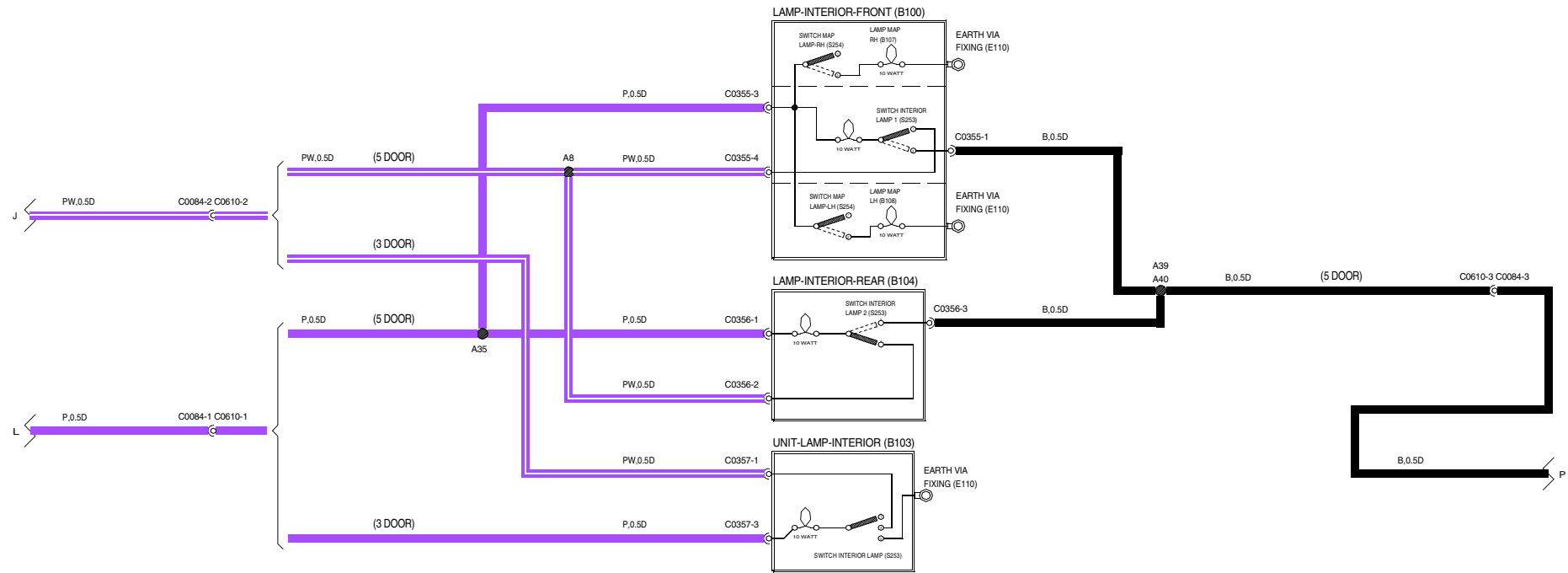


44 INTERIOR LAMPS



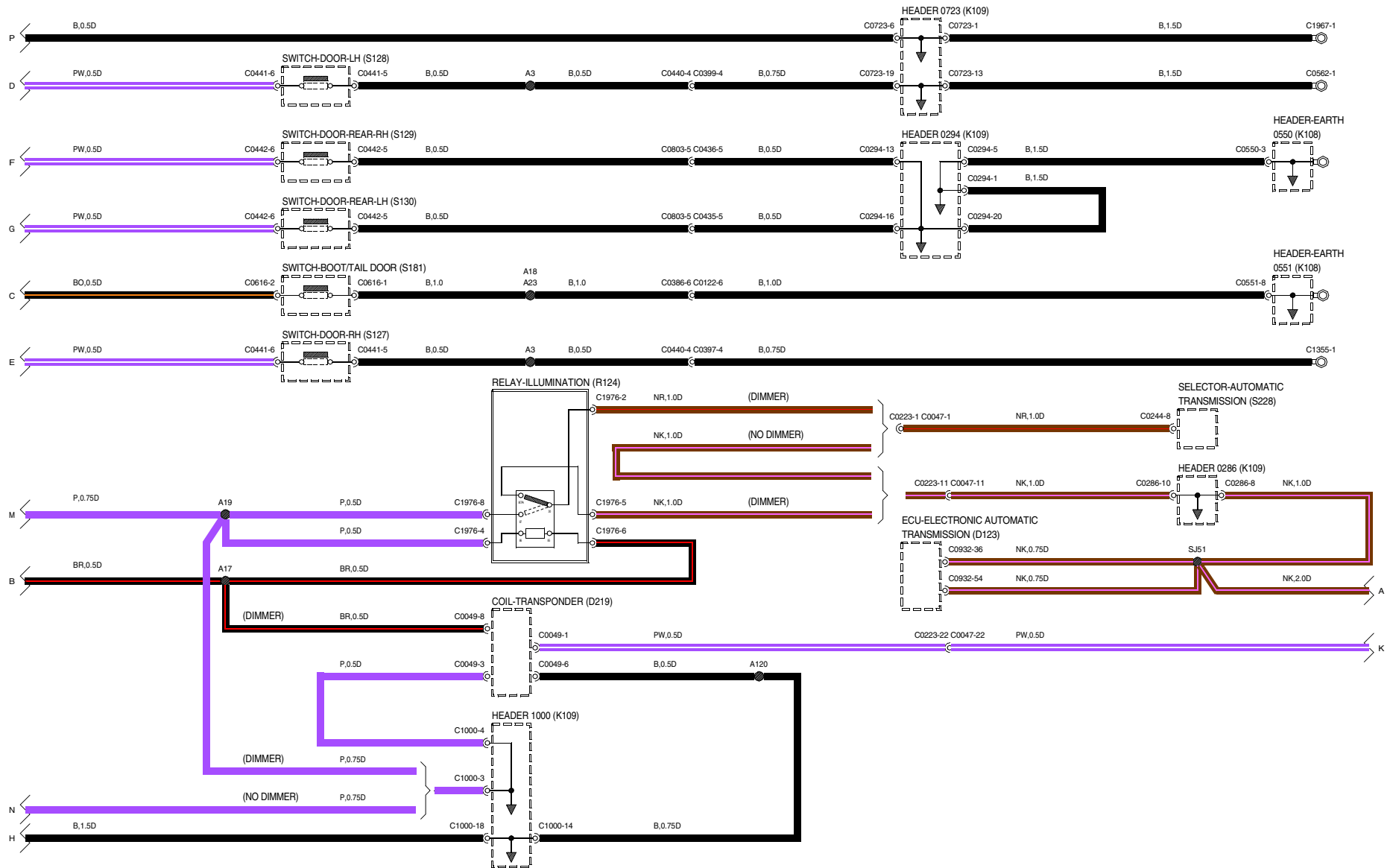
WVR004230-A-01

44 INTERIOR LAMPS



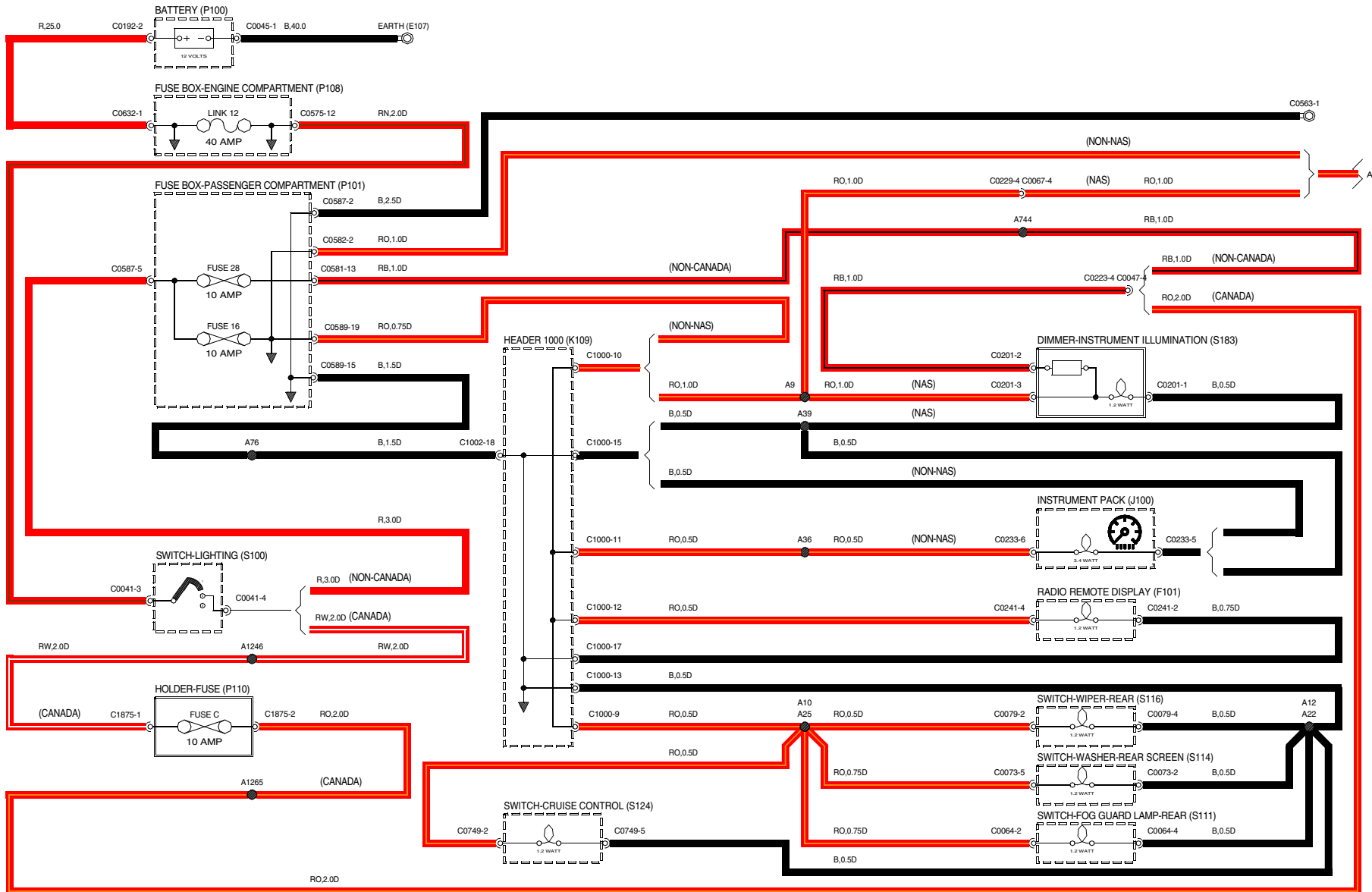
WVR004230-A-02

44 INTERIOR LAMPS



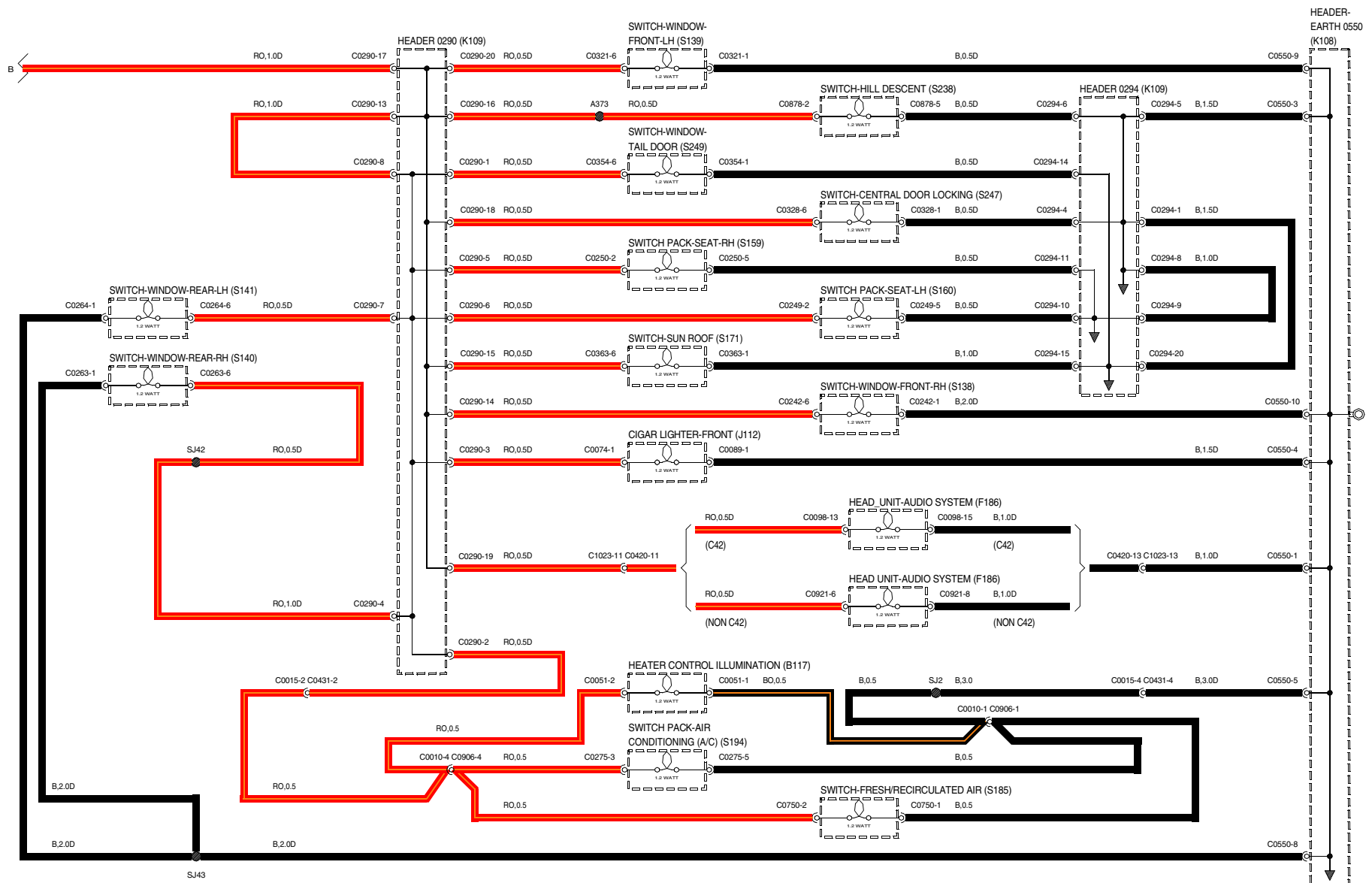
WVR004230-A-03

46 INTERIOR ILLUMINATION



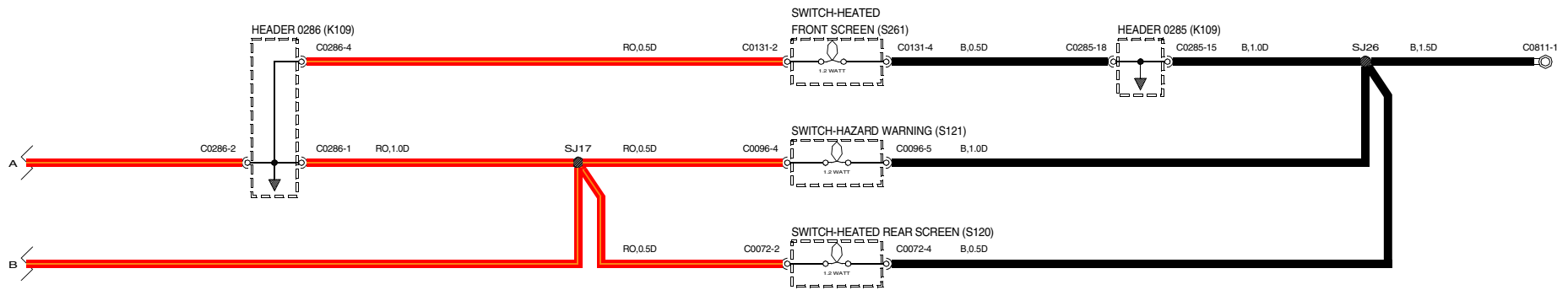
WVR004220-B-03

46 INTERIOR ILLUMINATION

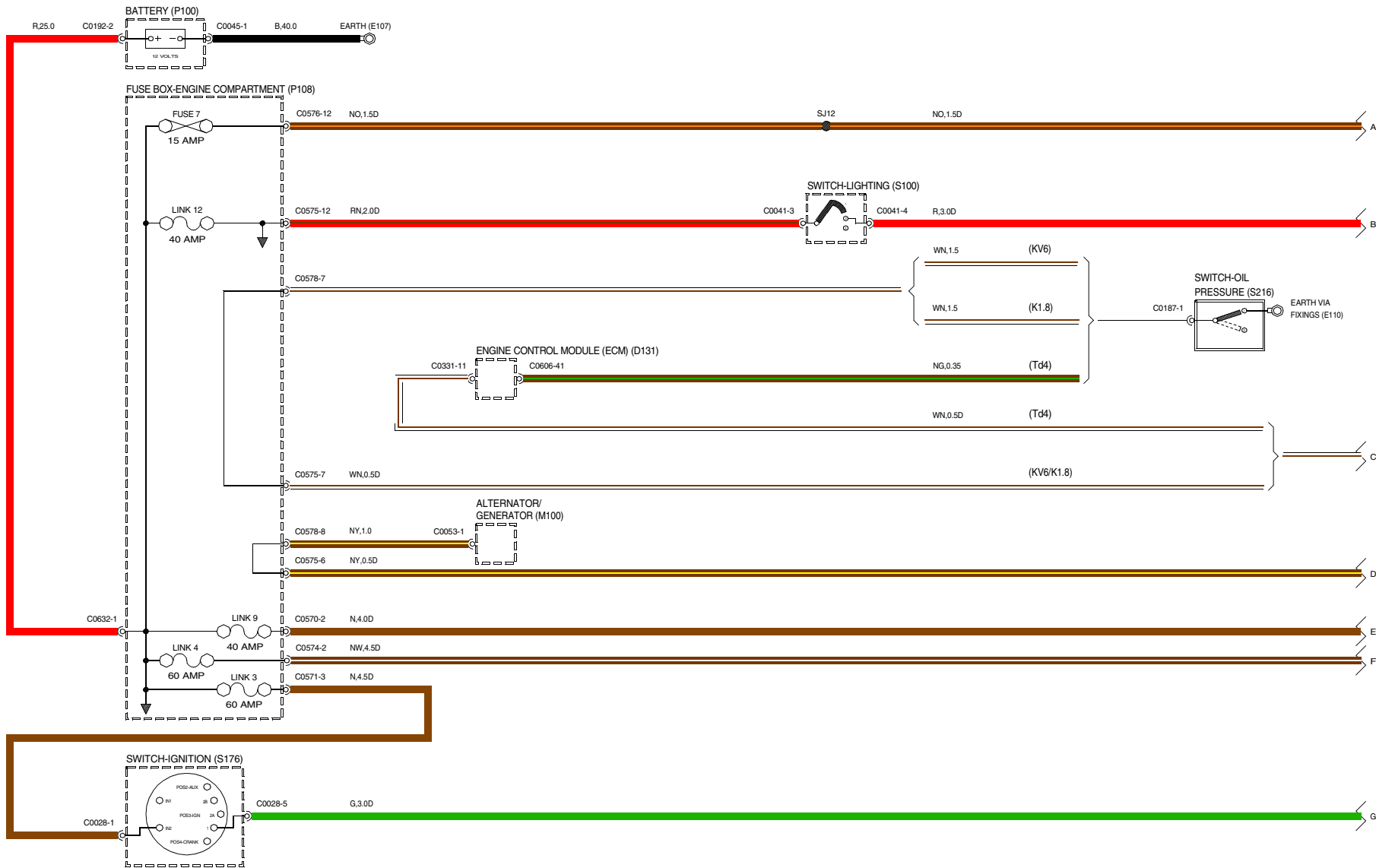


WVR004220-A-02

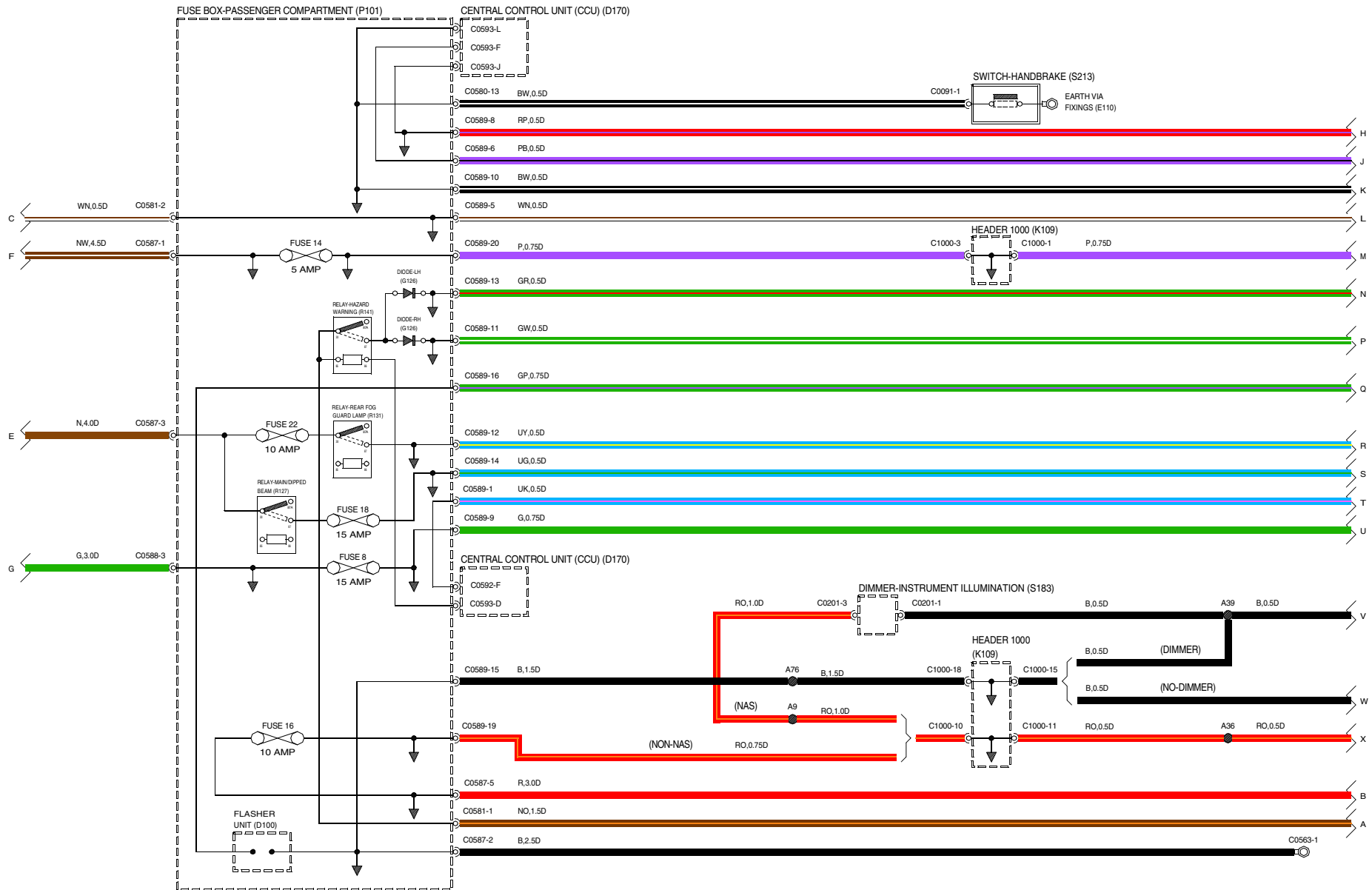
46 INTERIOR ILLUMINATION



47 INSTRUMENTS

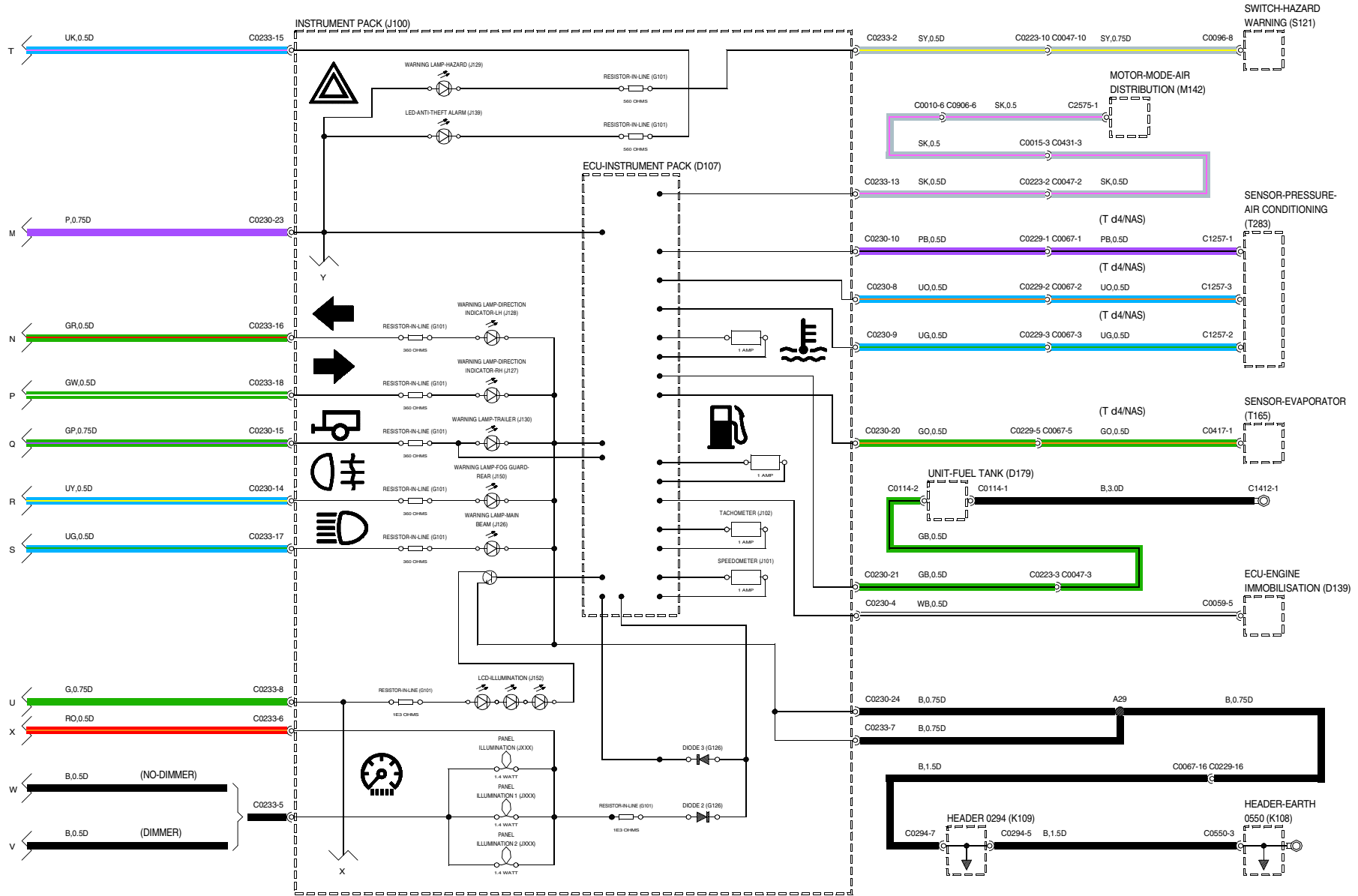


WFR004210-A-01

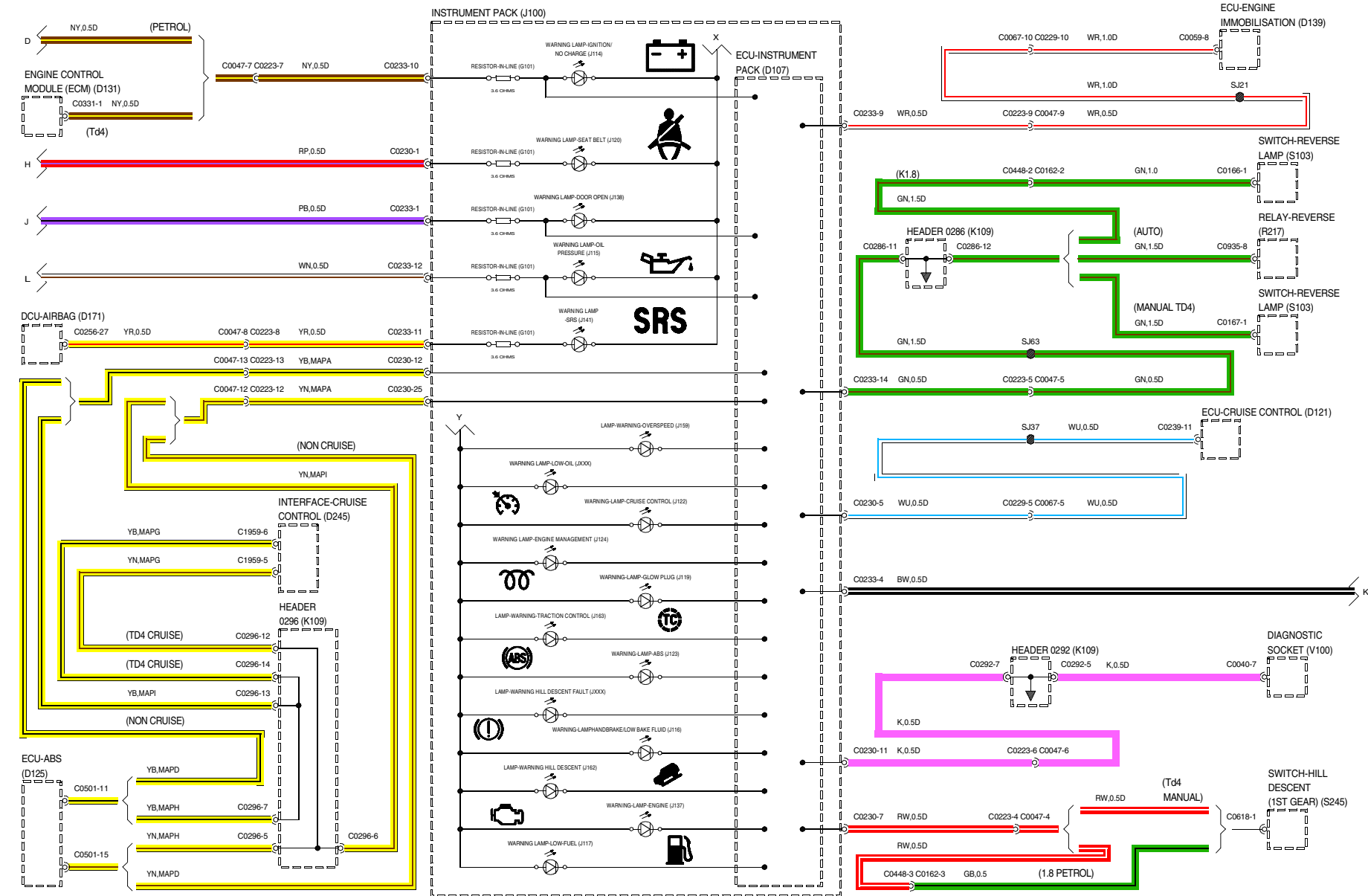


WR004210-A-02

47 INSTRUMENTS

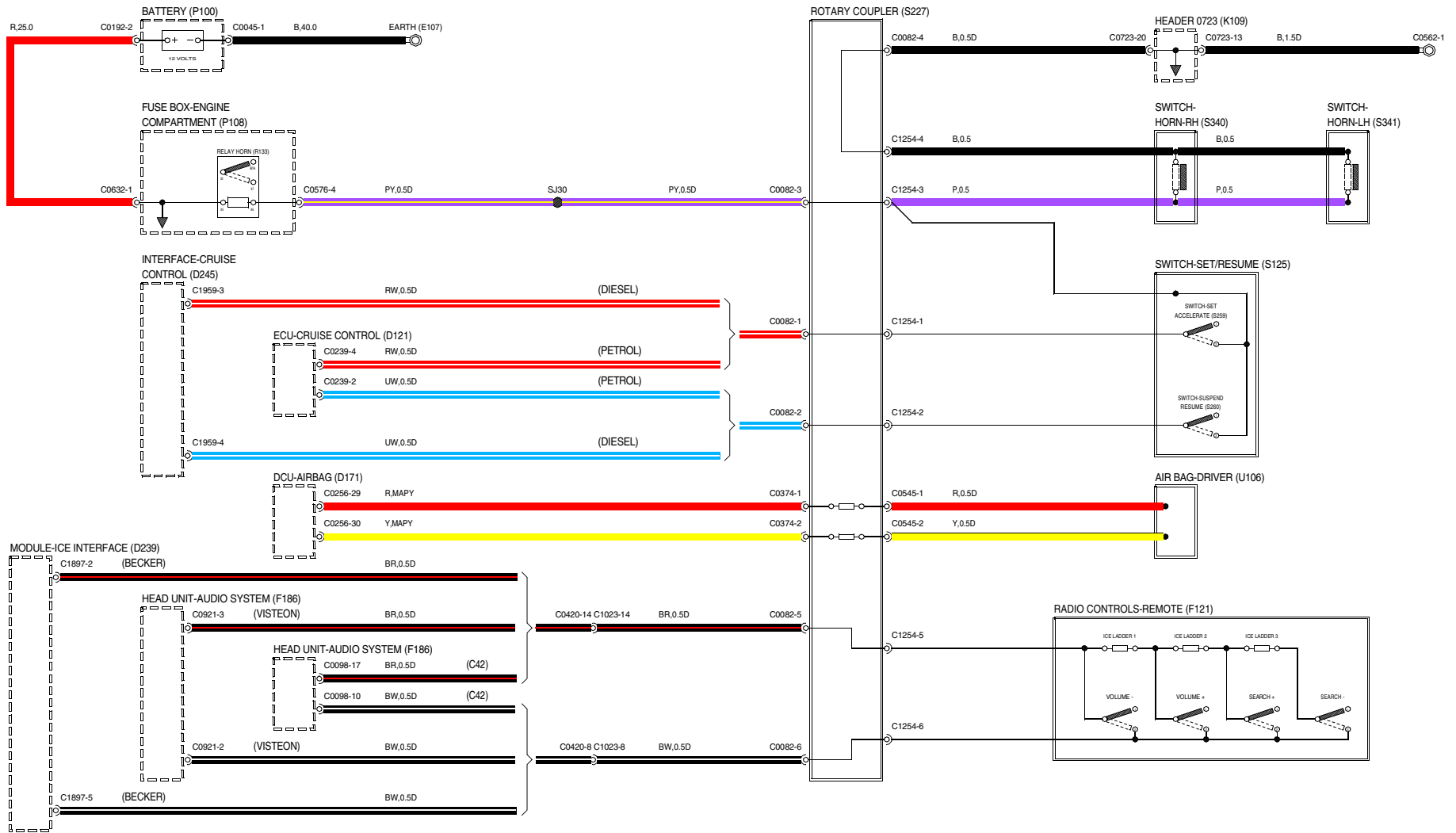


WFR004210-A-03

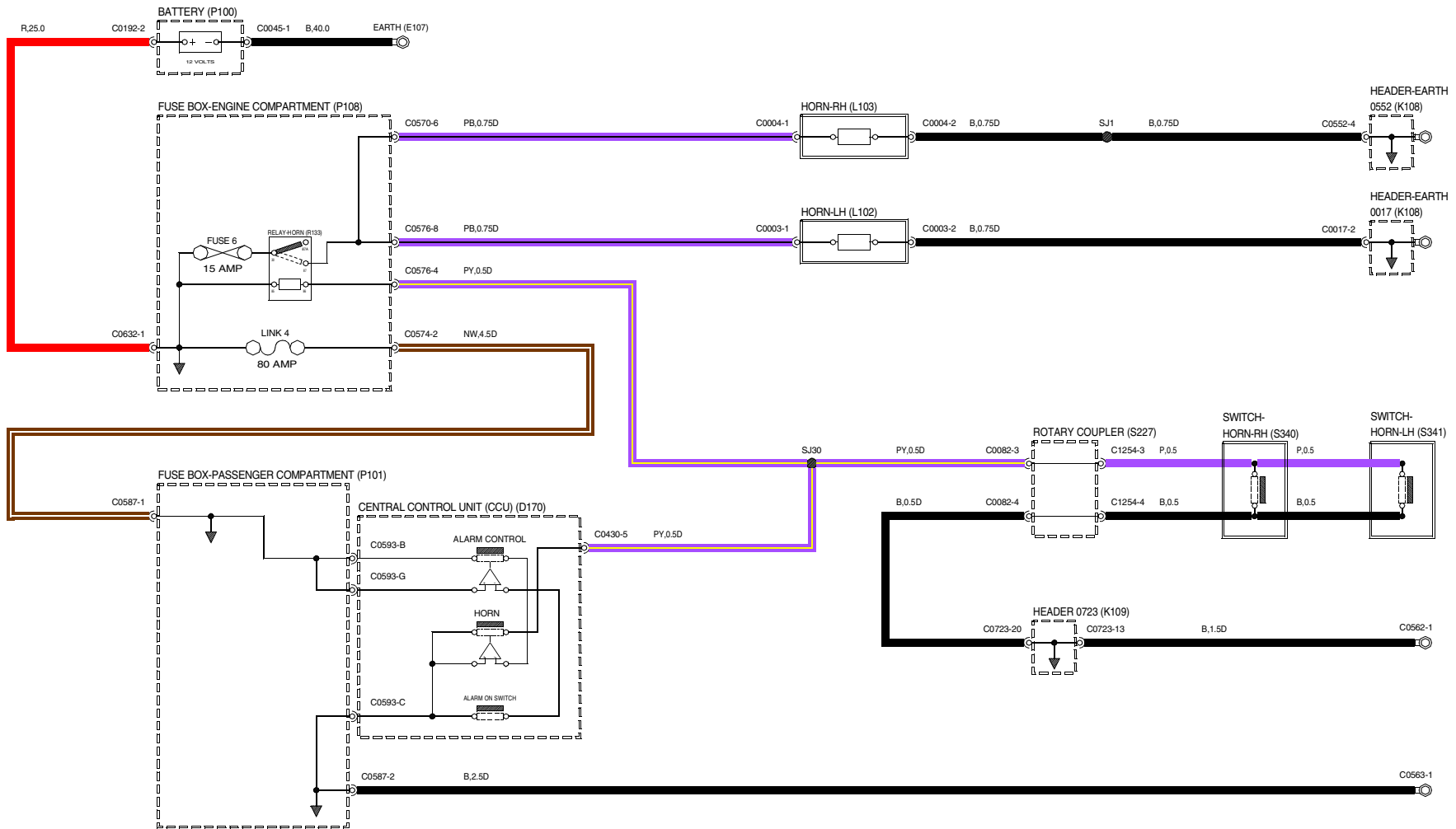


WR004210-A-04

47 ROTARY COUPLER

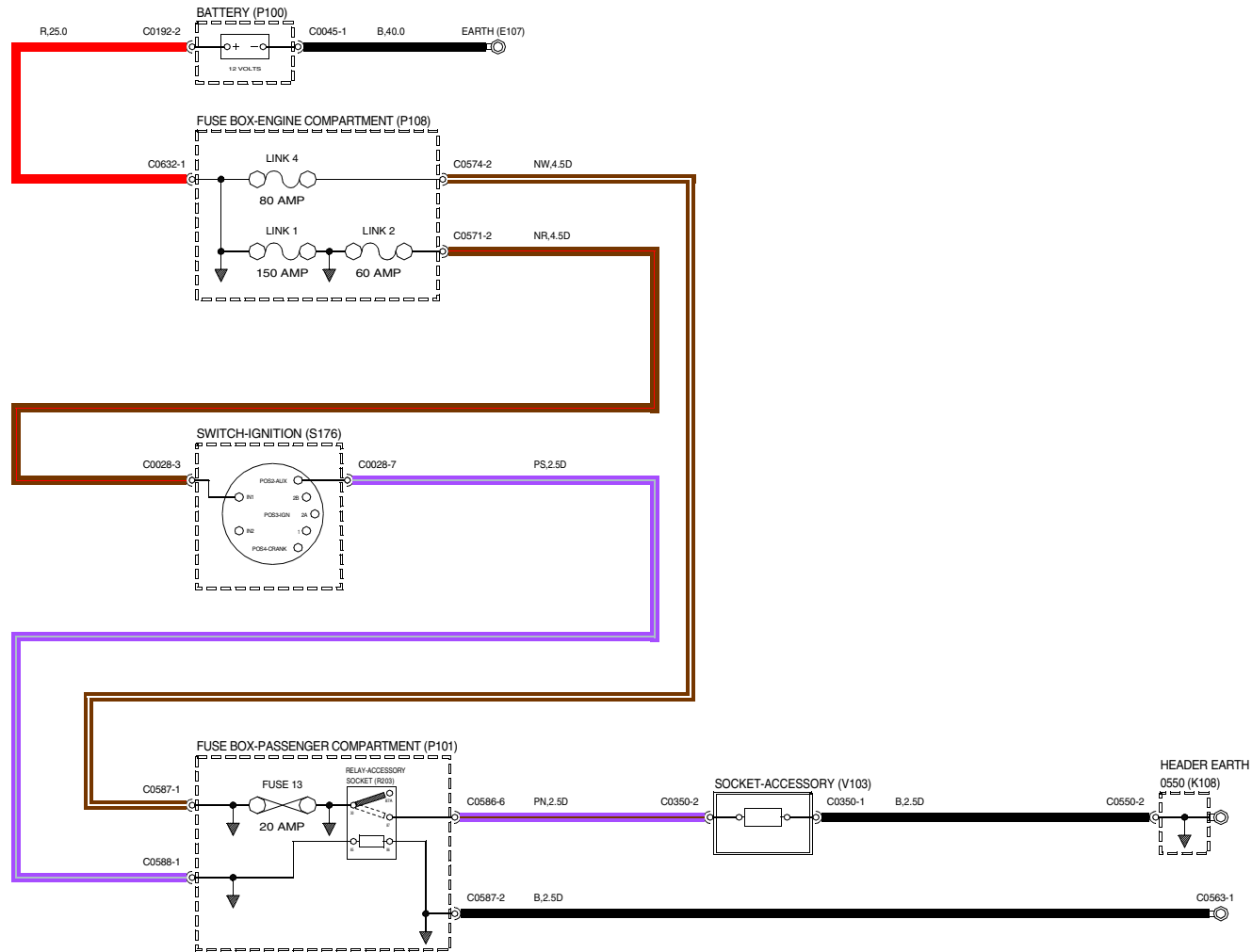


48 HORN (S)



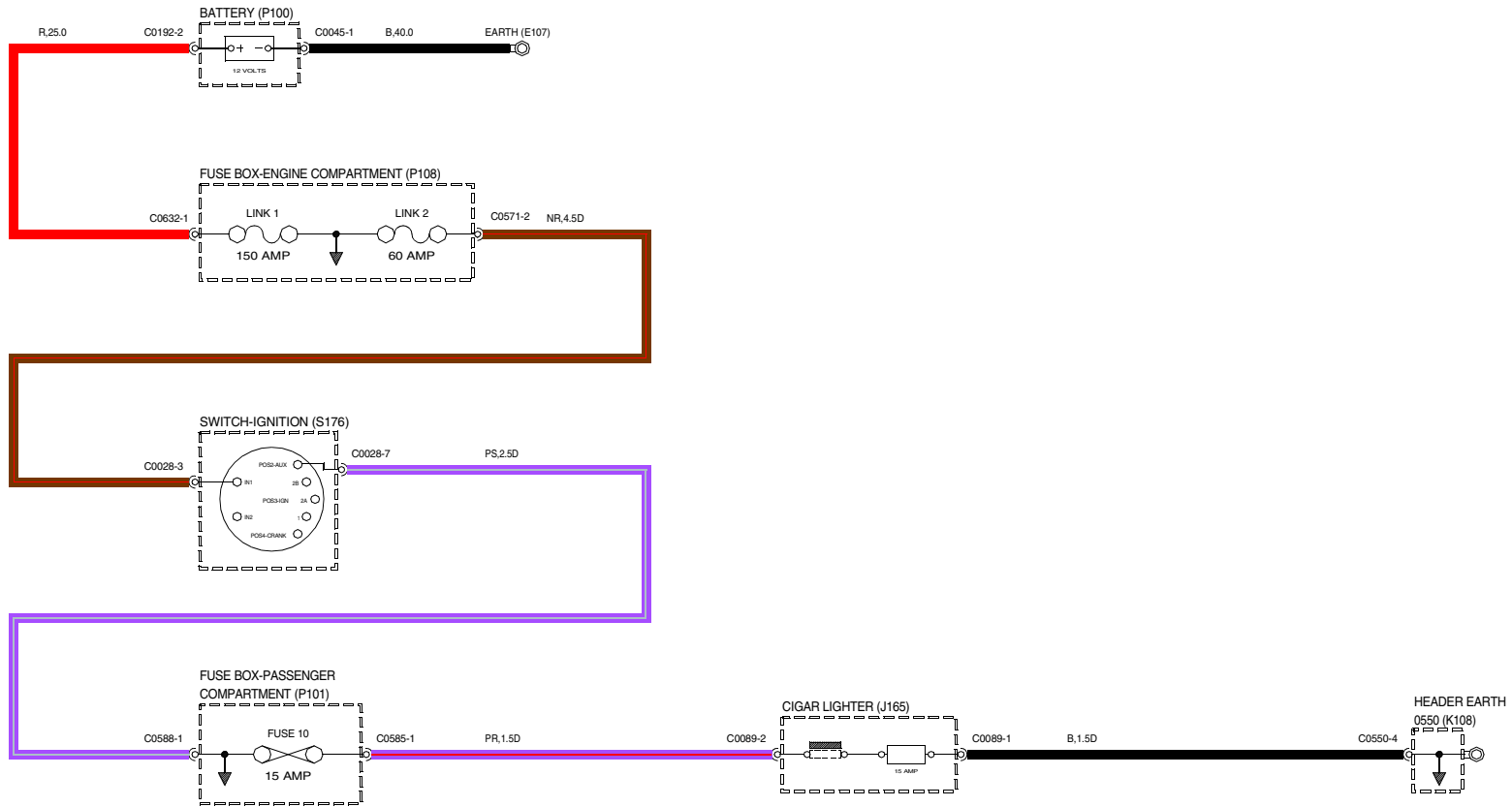
WVR004170-A-01

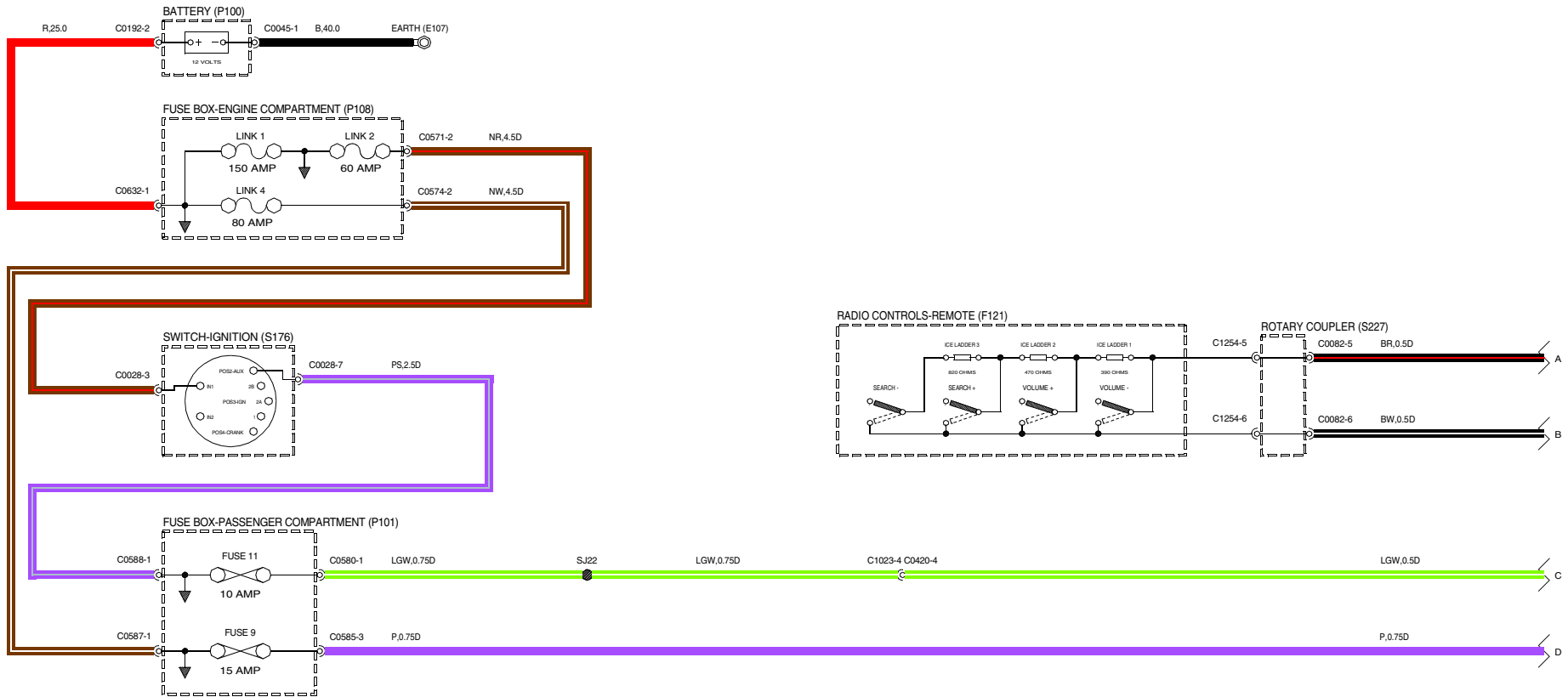
49 ACCESSORY SOCKET



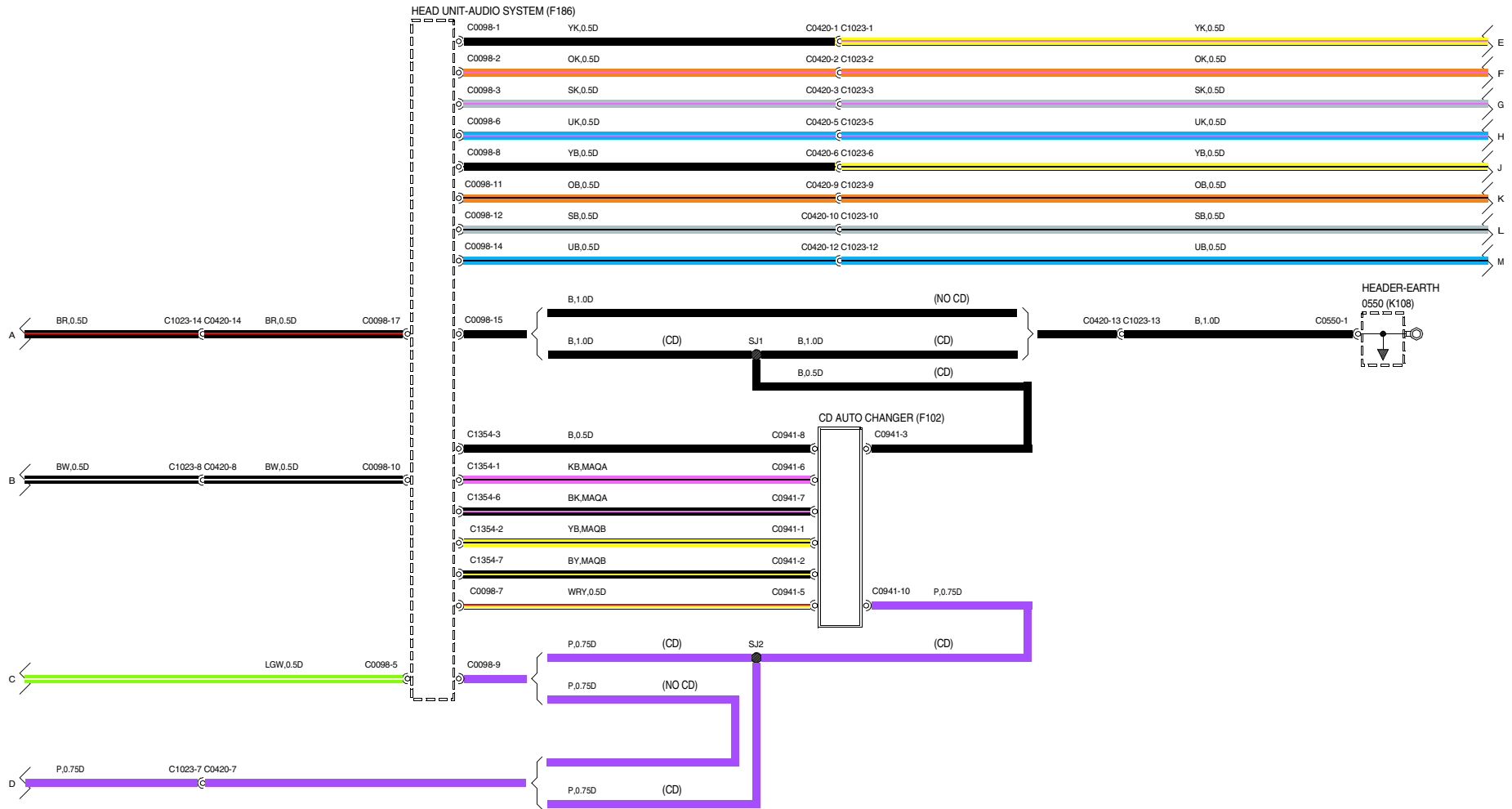
WVR003940-A-01

49 CIGAR LIGHTER

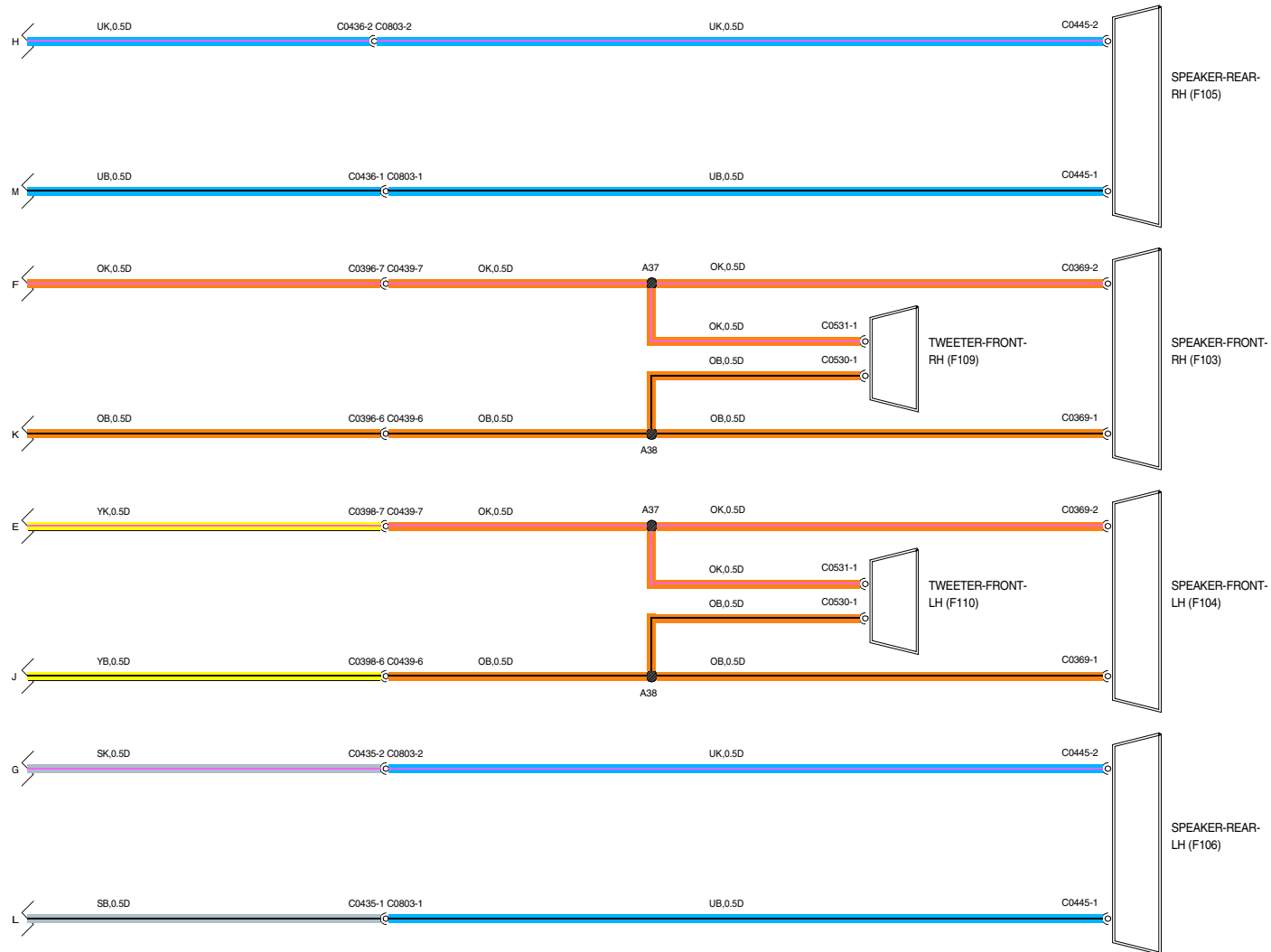




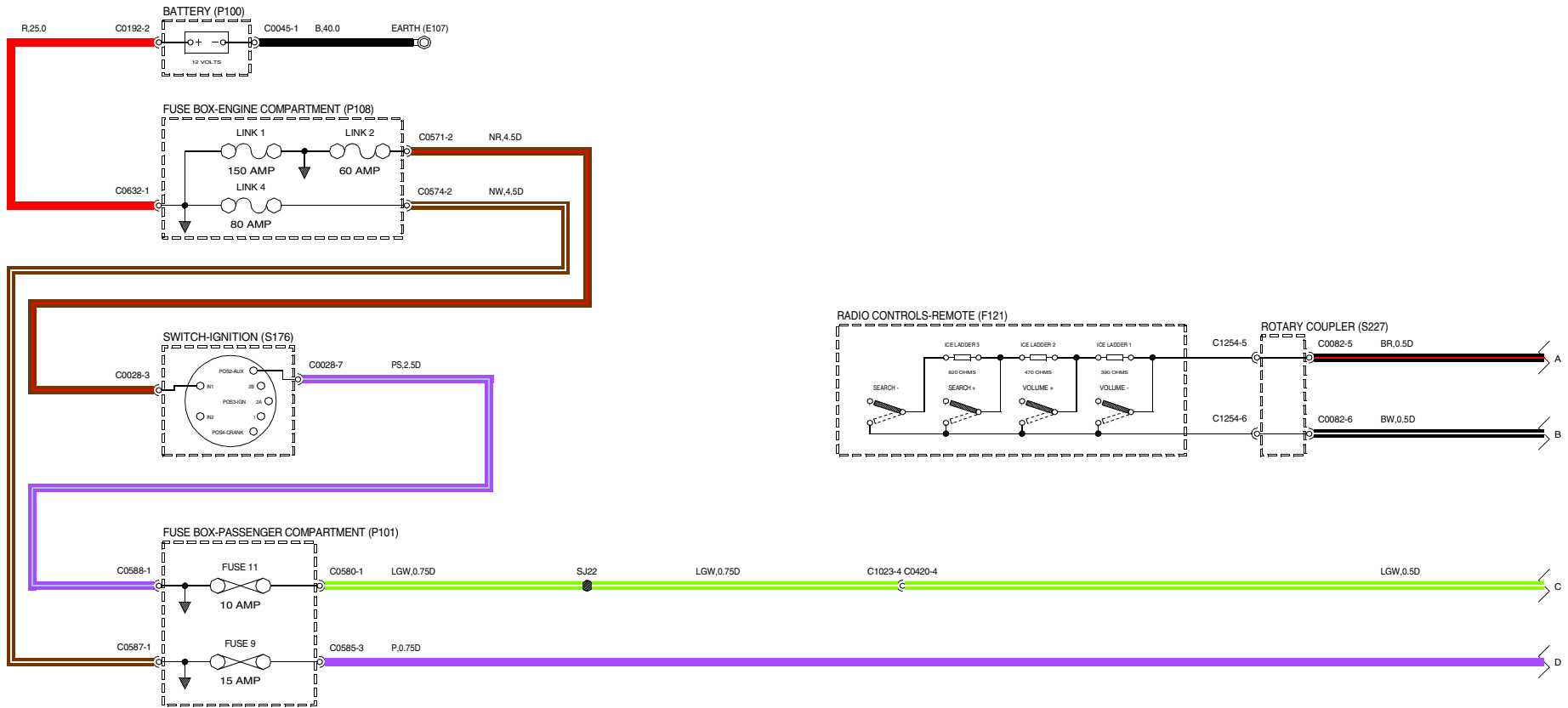
WFR004180-A-01



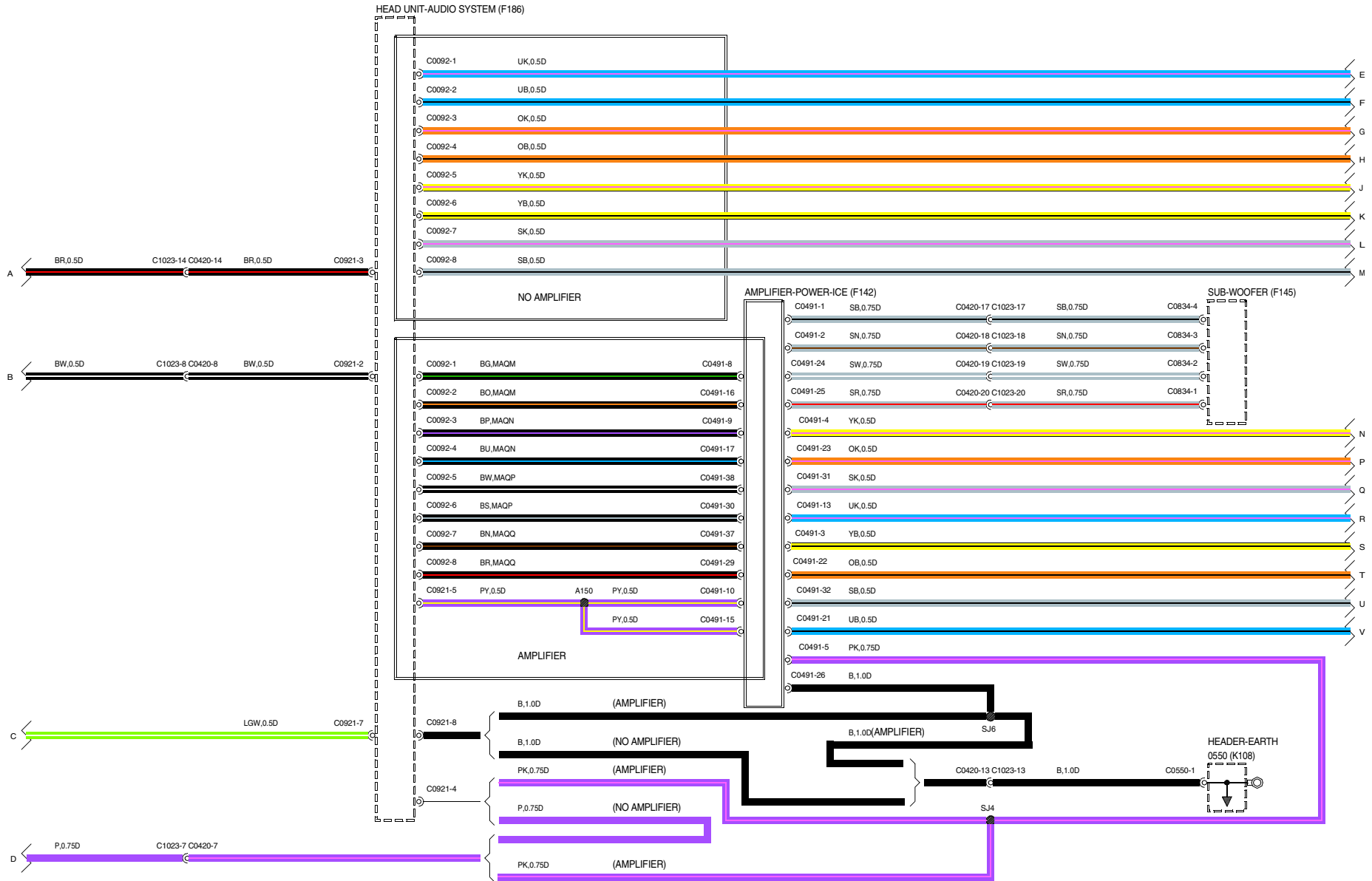
WWR004180-A-02



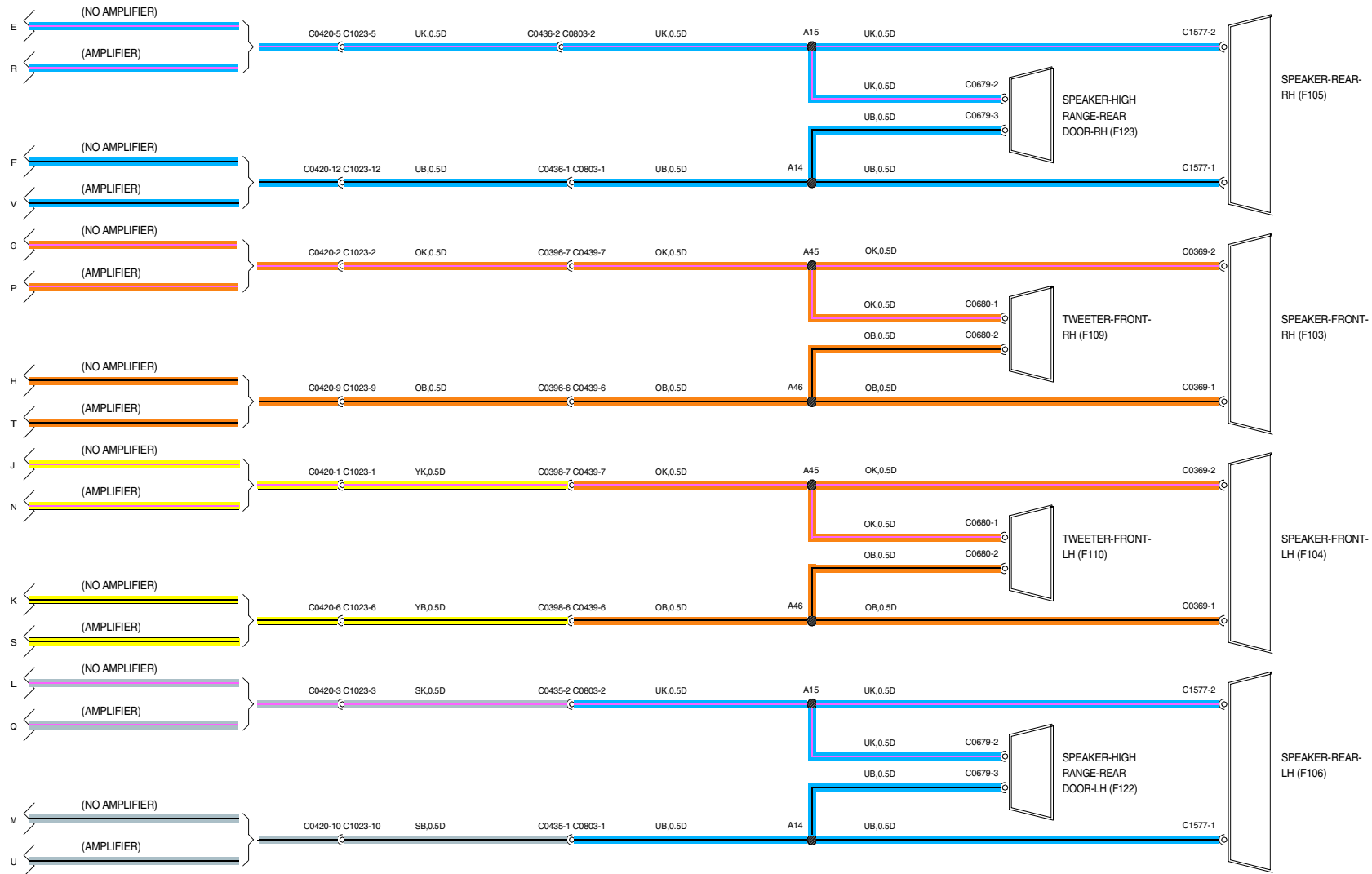
WVR004180-A-03



WFR004420-A-01

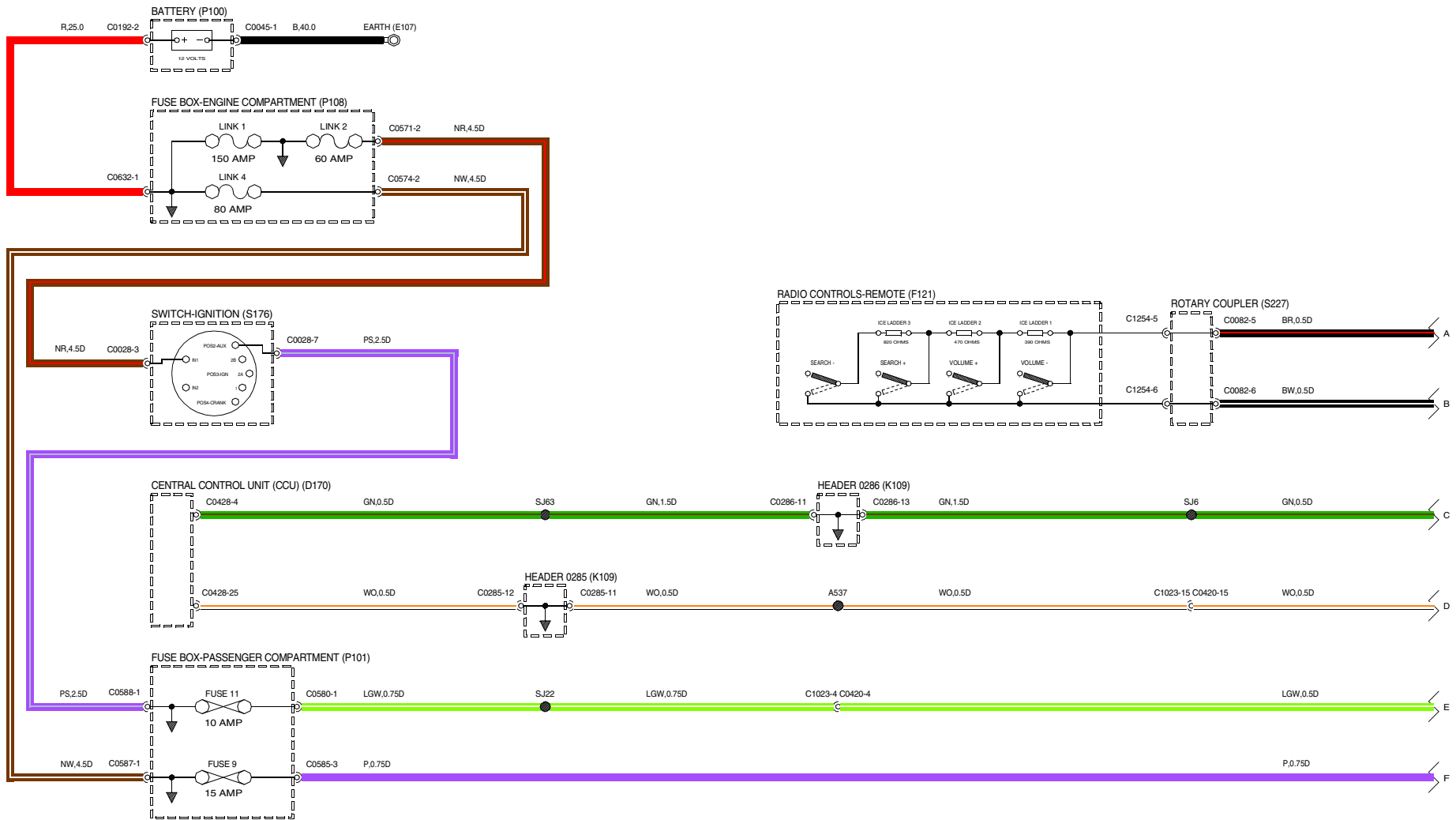


WVR004420-A-02

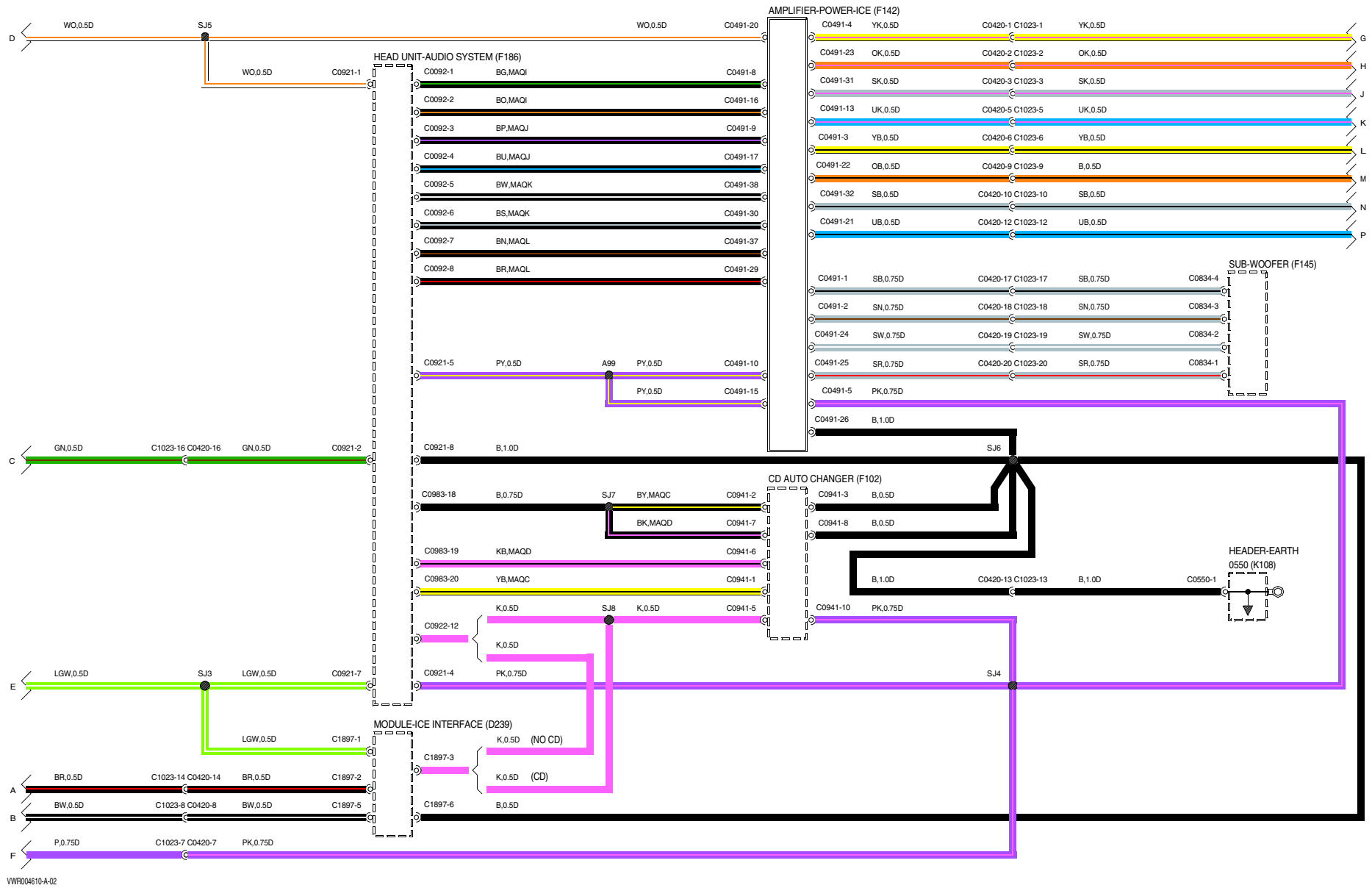


WVR004420-A-03

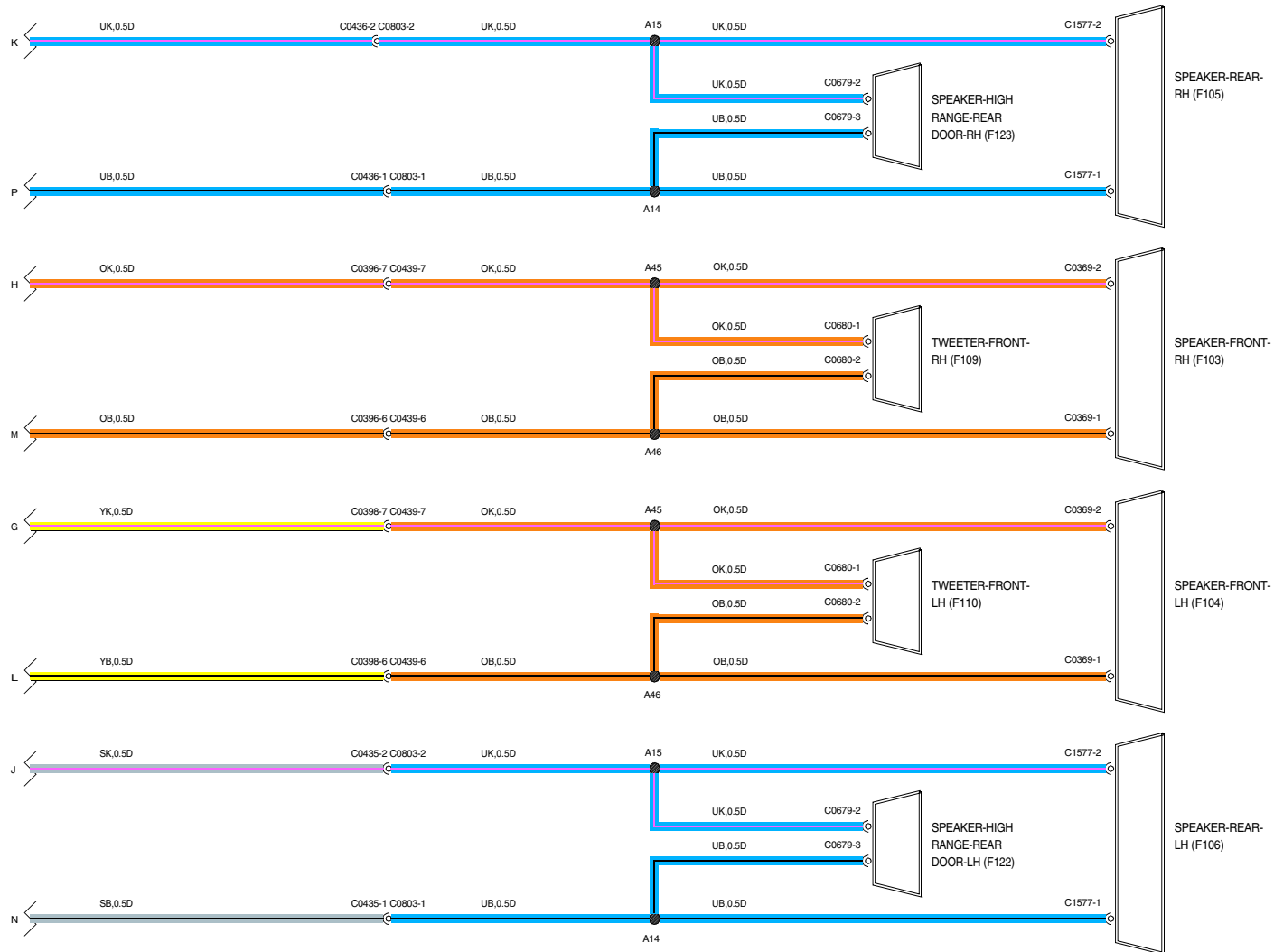
50 NAVIGATION SYSTEMS



WFR004610-A-01

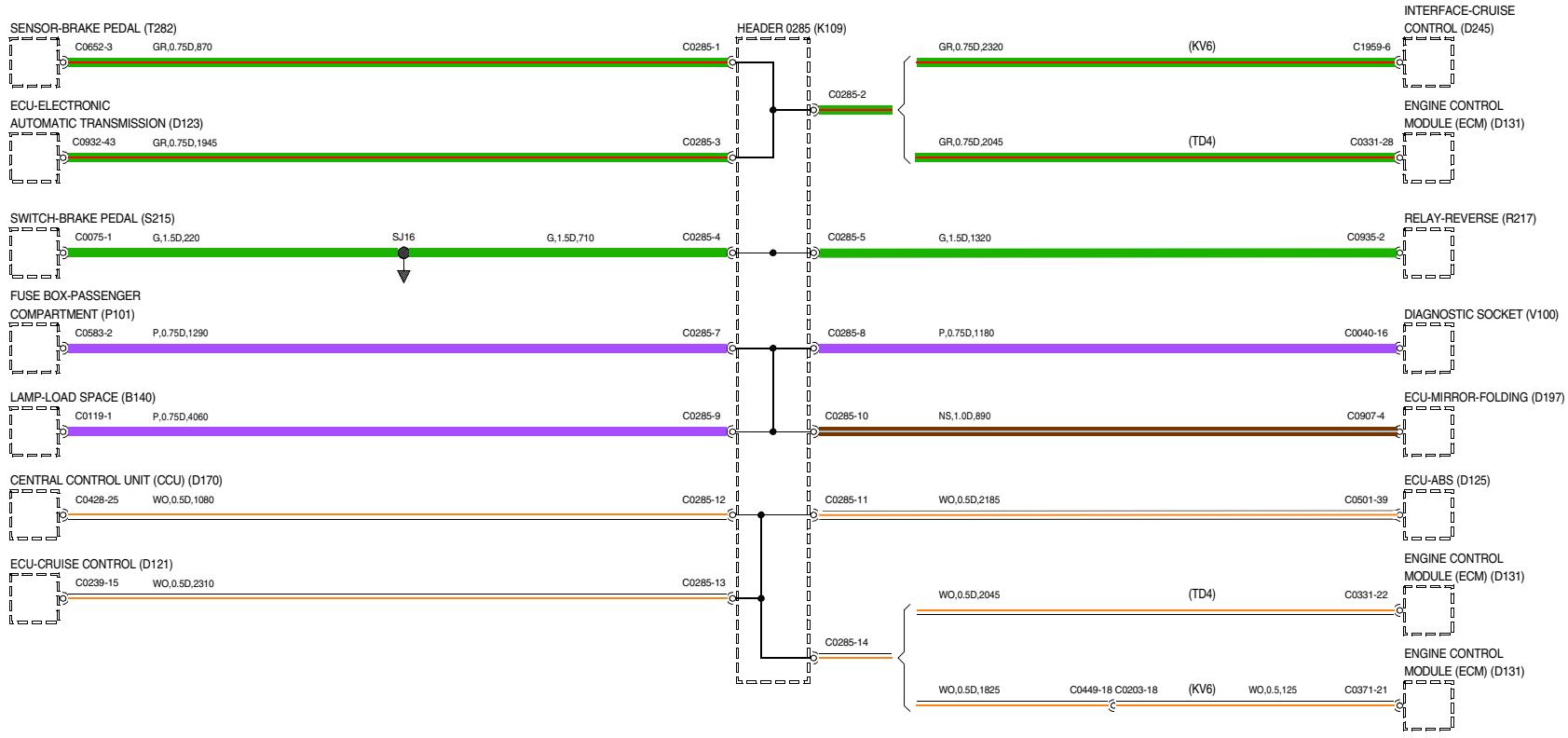


50 NAVIGATION SYSTEMS

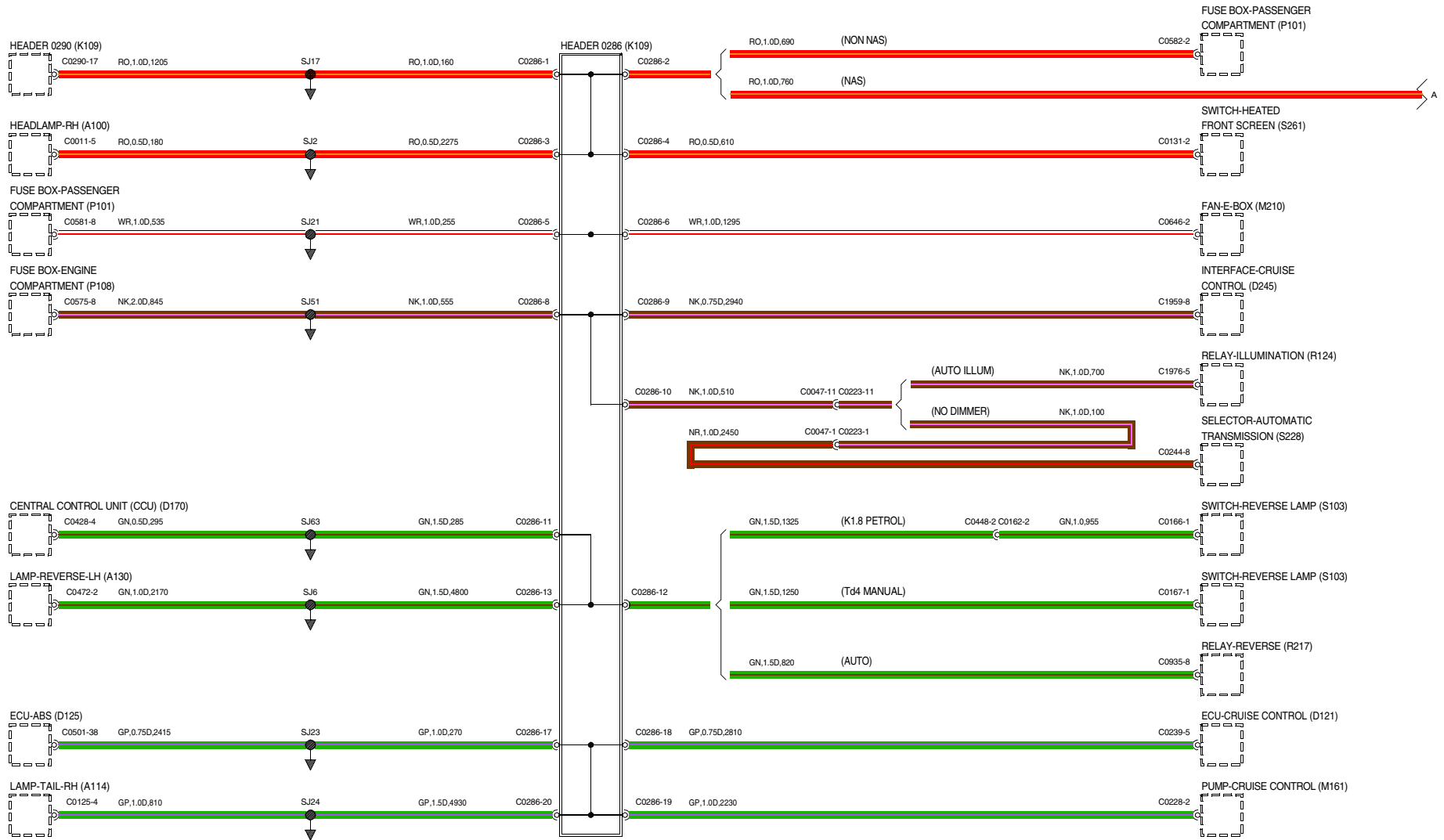


WVR004610-A-03

60 HEADER JOINTS



60 HEADER JOINTS



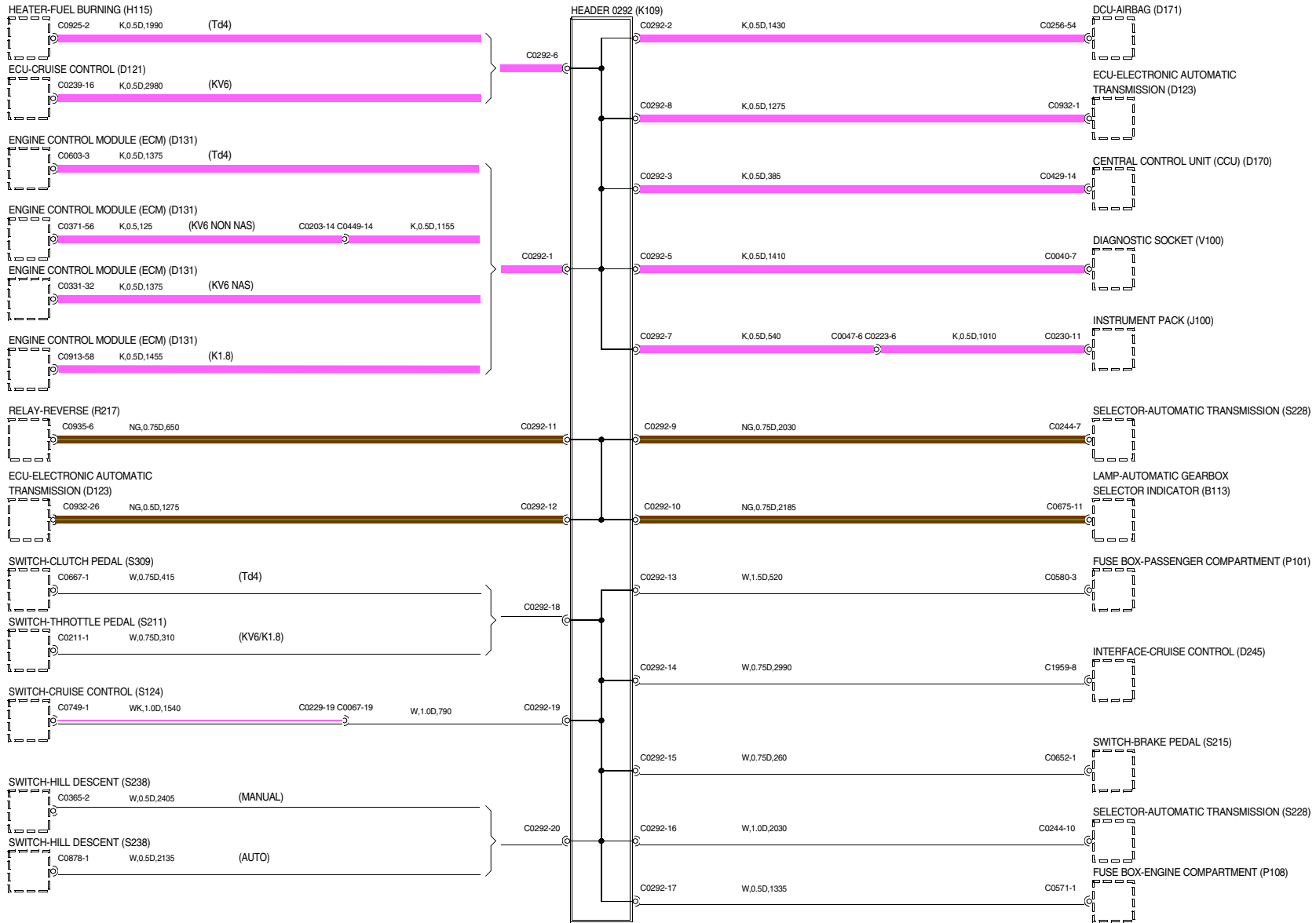
WWR004140-A-02

60 HEADER JOINTS



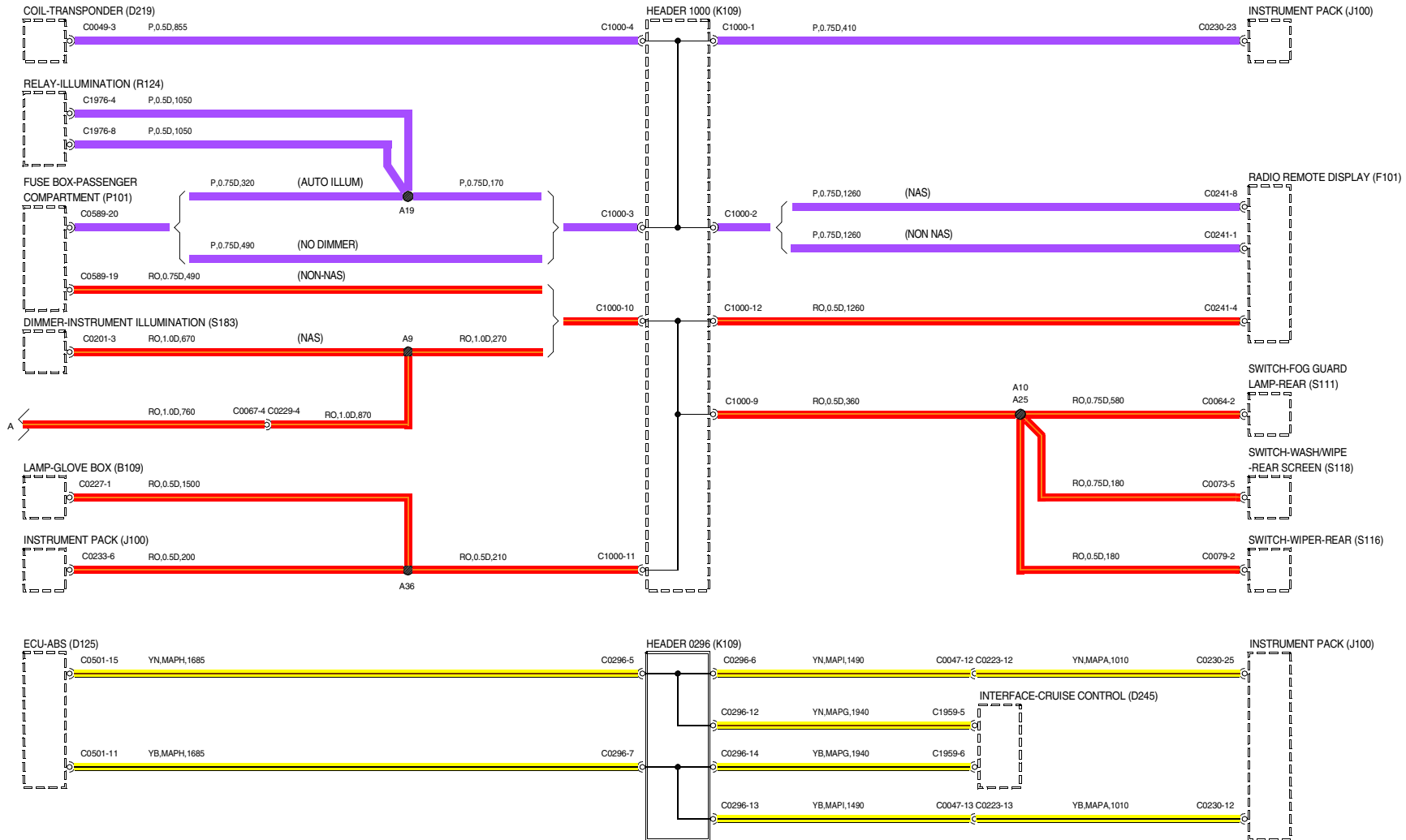
WVR004140-A-03

60 HEADER JOINTS

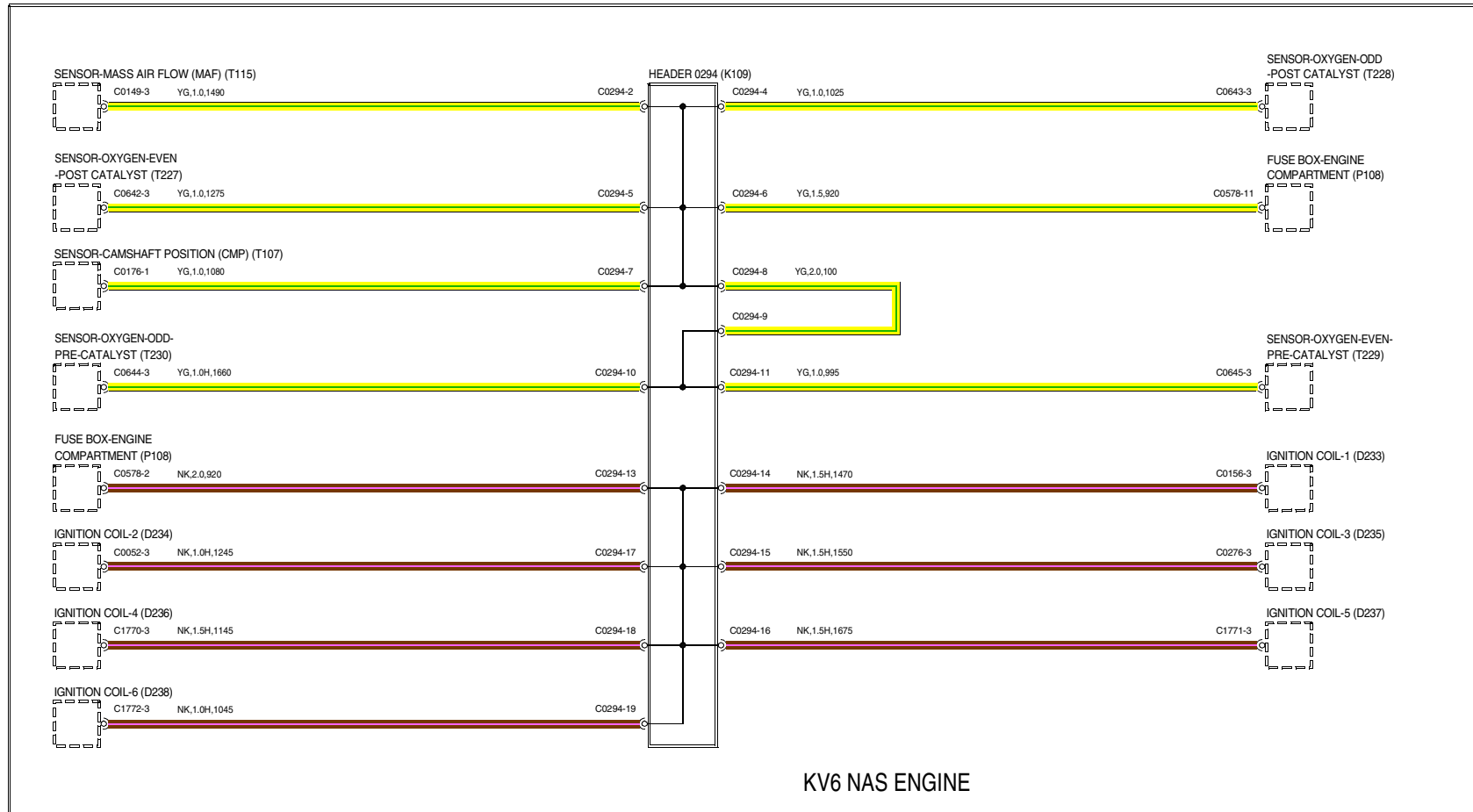


WWR004140-A-04

60 HEADER JOINTS

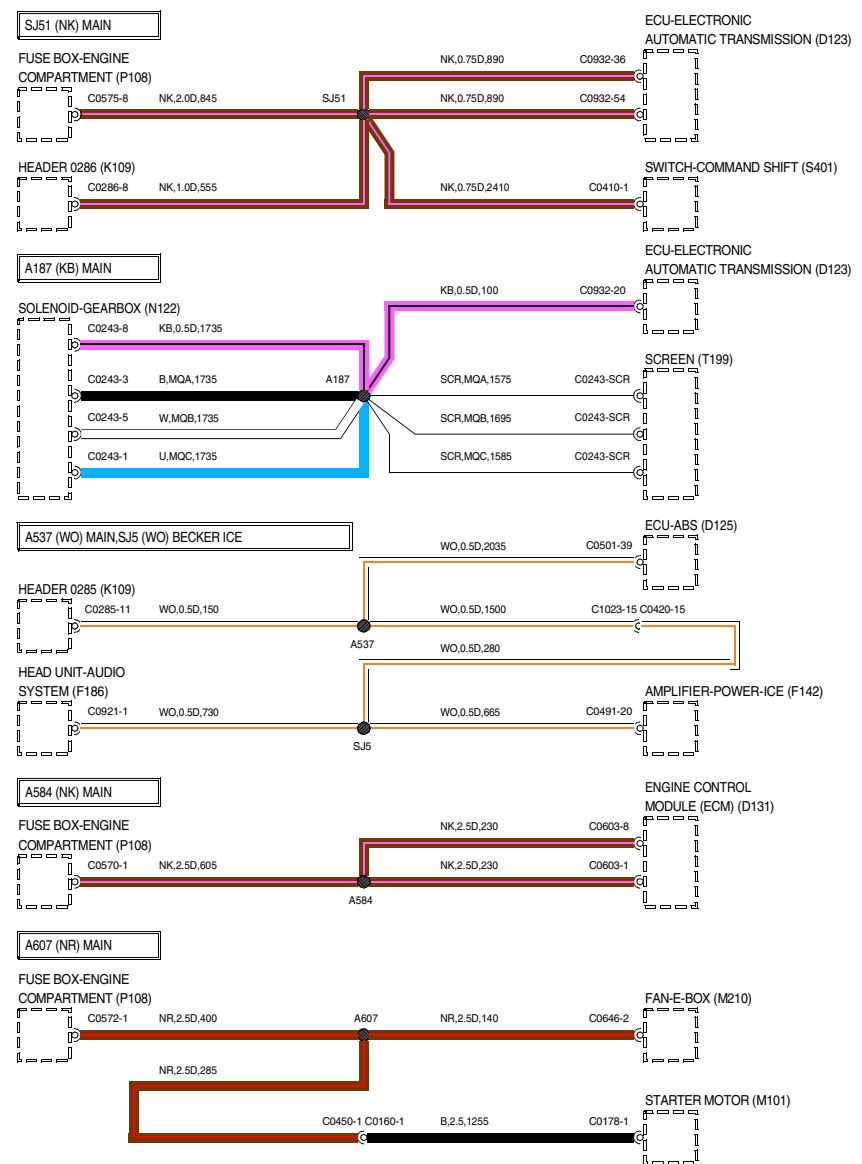
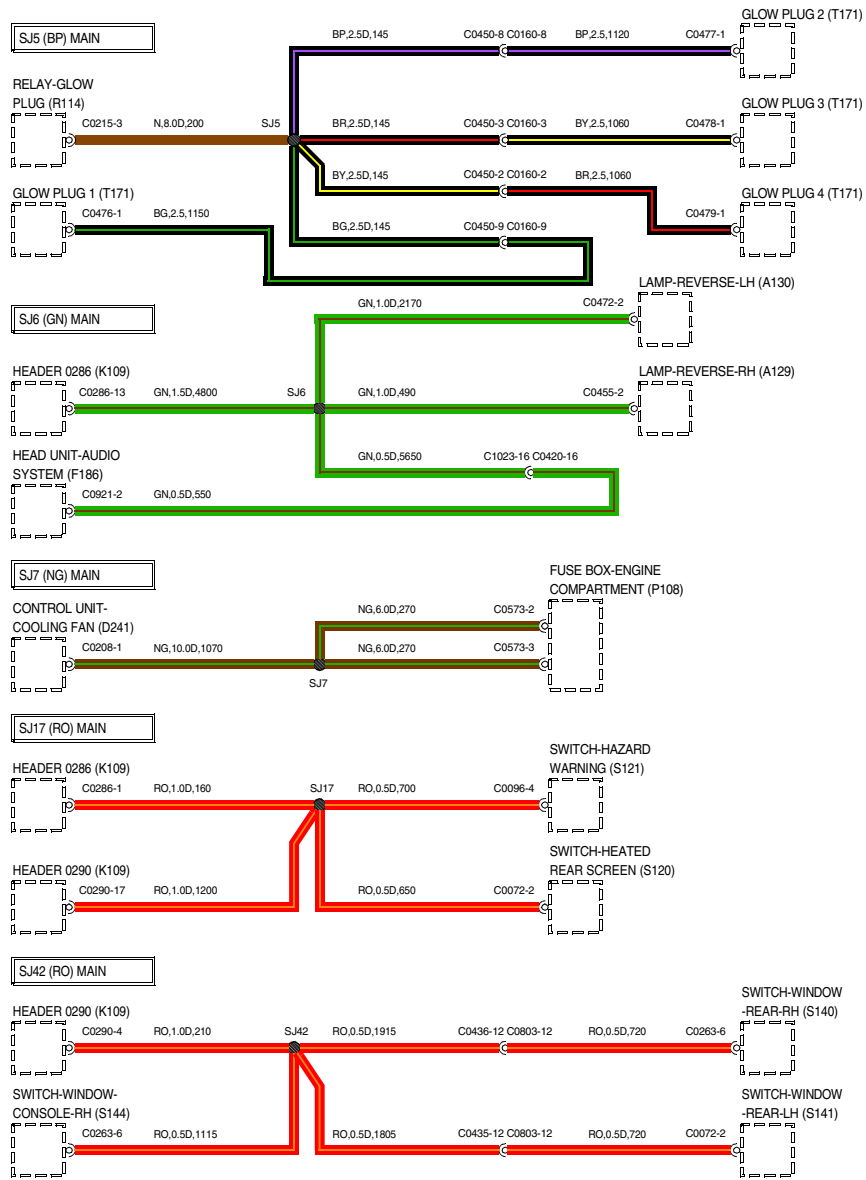


WVR004140-A-05



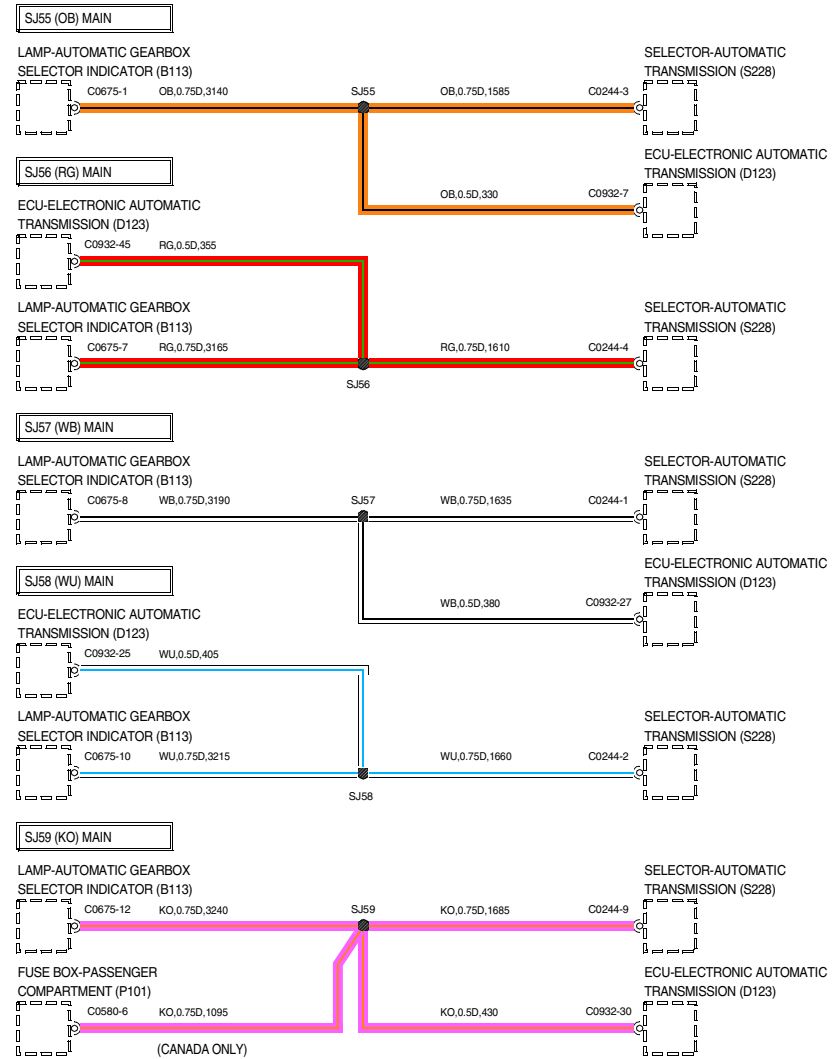
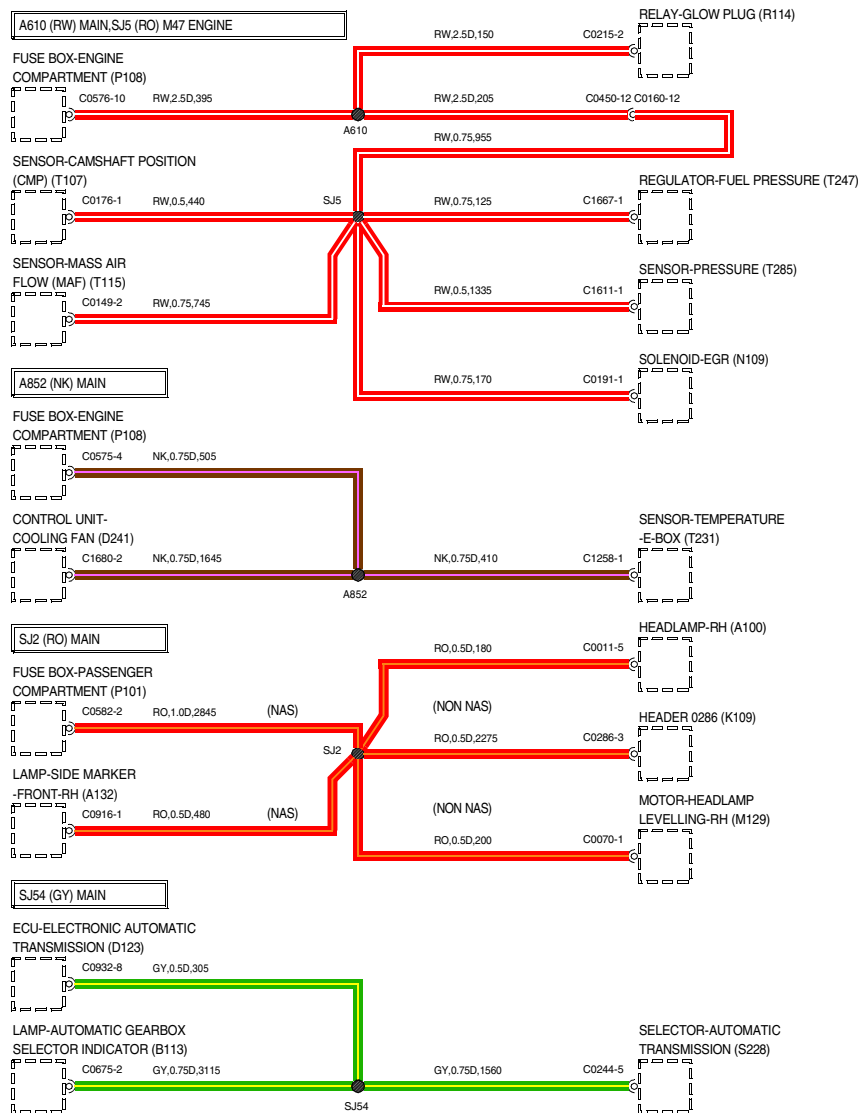
WVR004140-A-06

65 SPLICES AND CENTRE TAPS



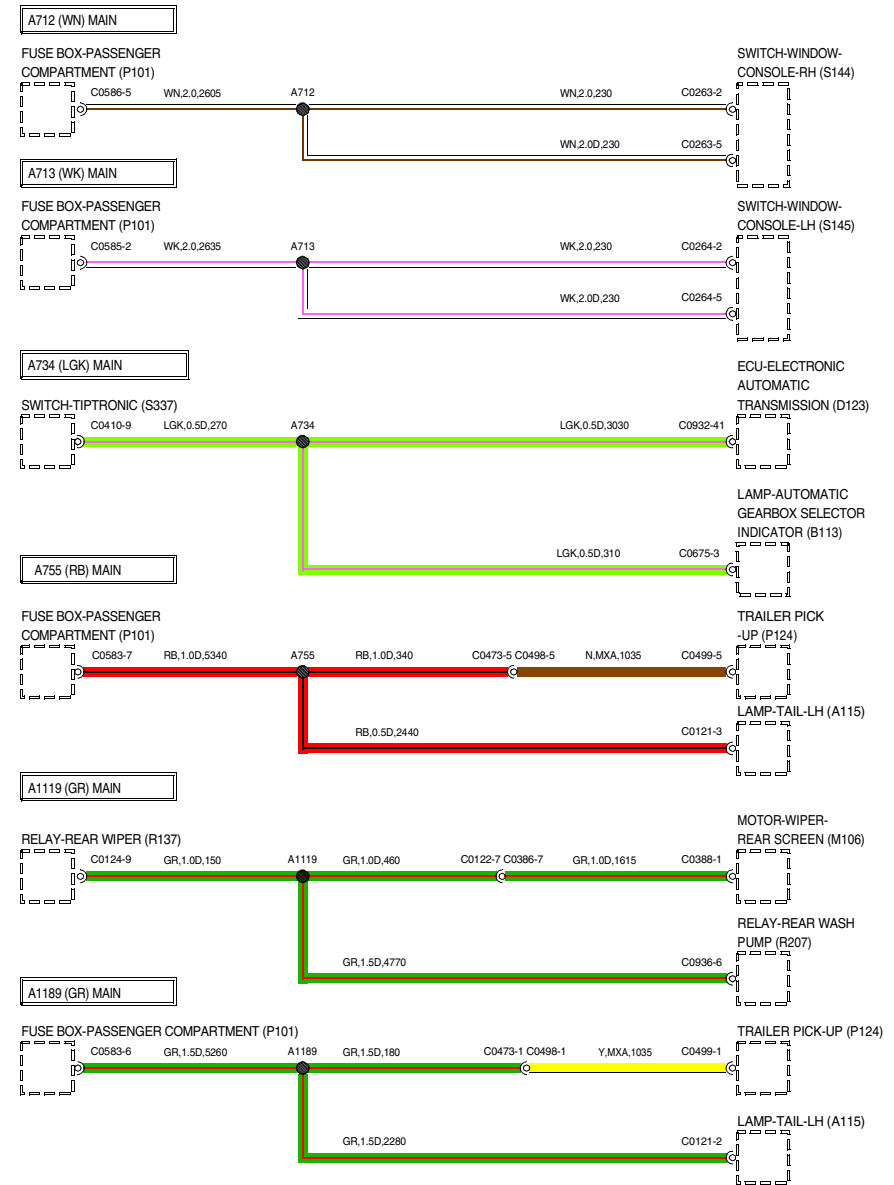
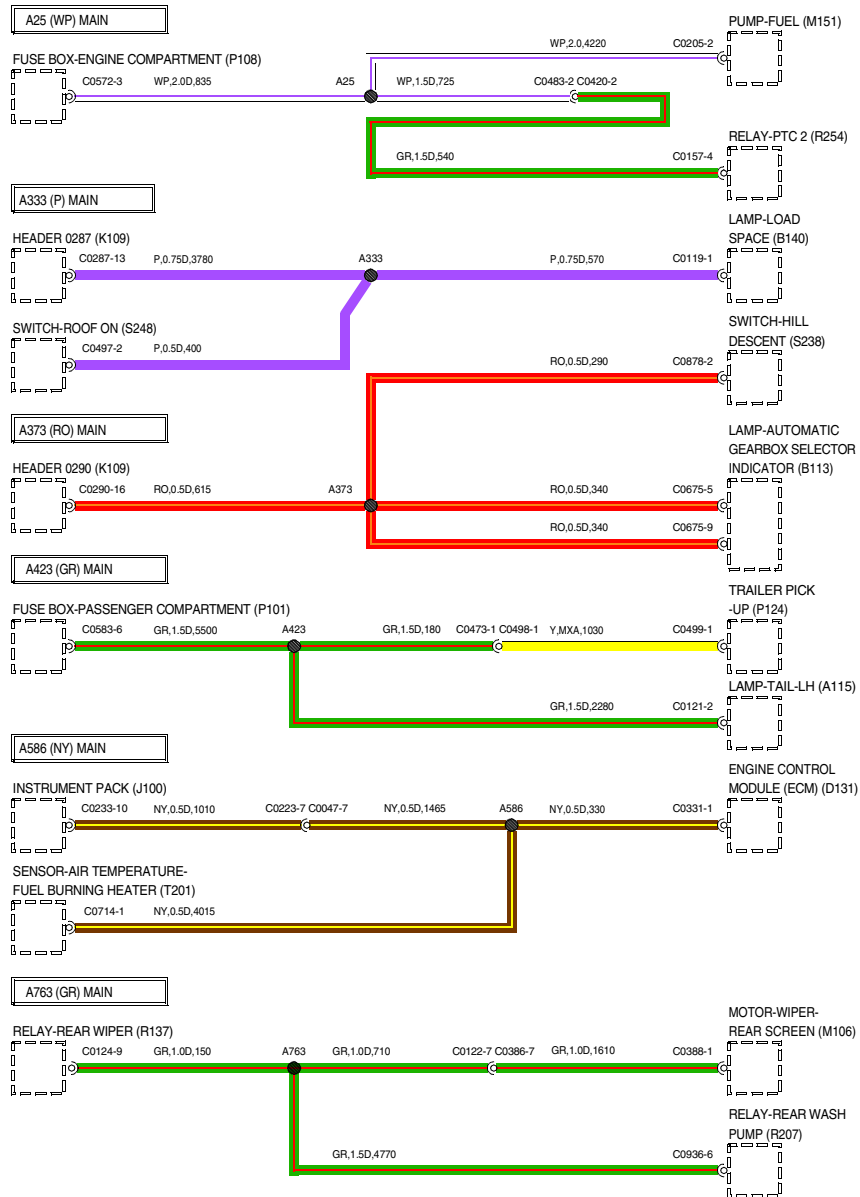
WVR004230-A-01

65 SPLICES AND CENTRE TAPS



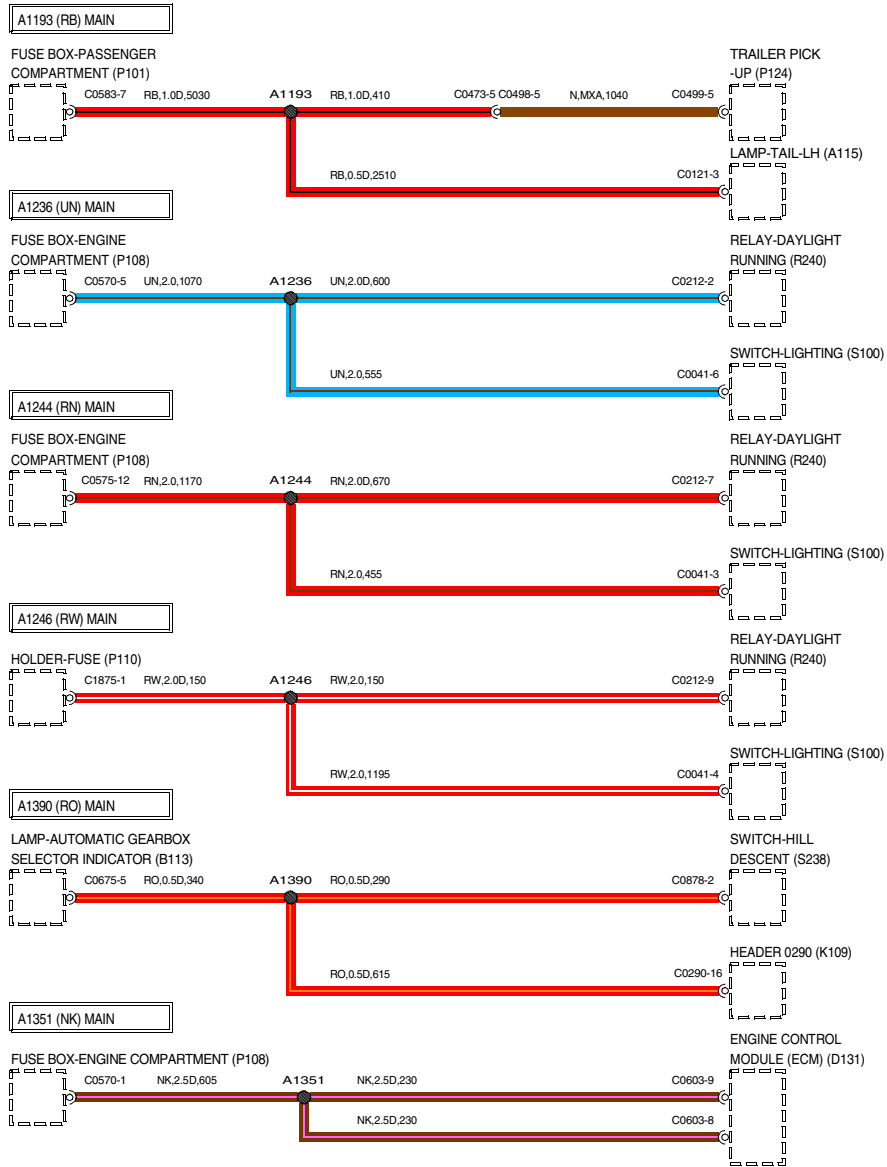
WWR004290-A-02

65 SPLICES AND CENTRE TAPS

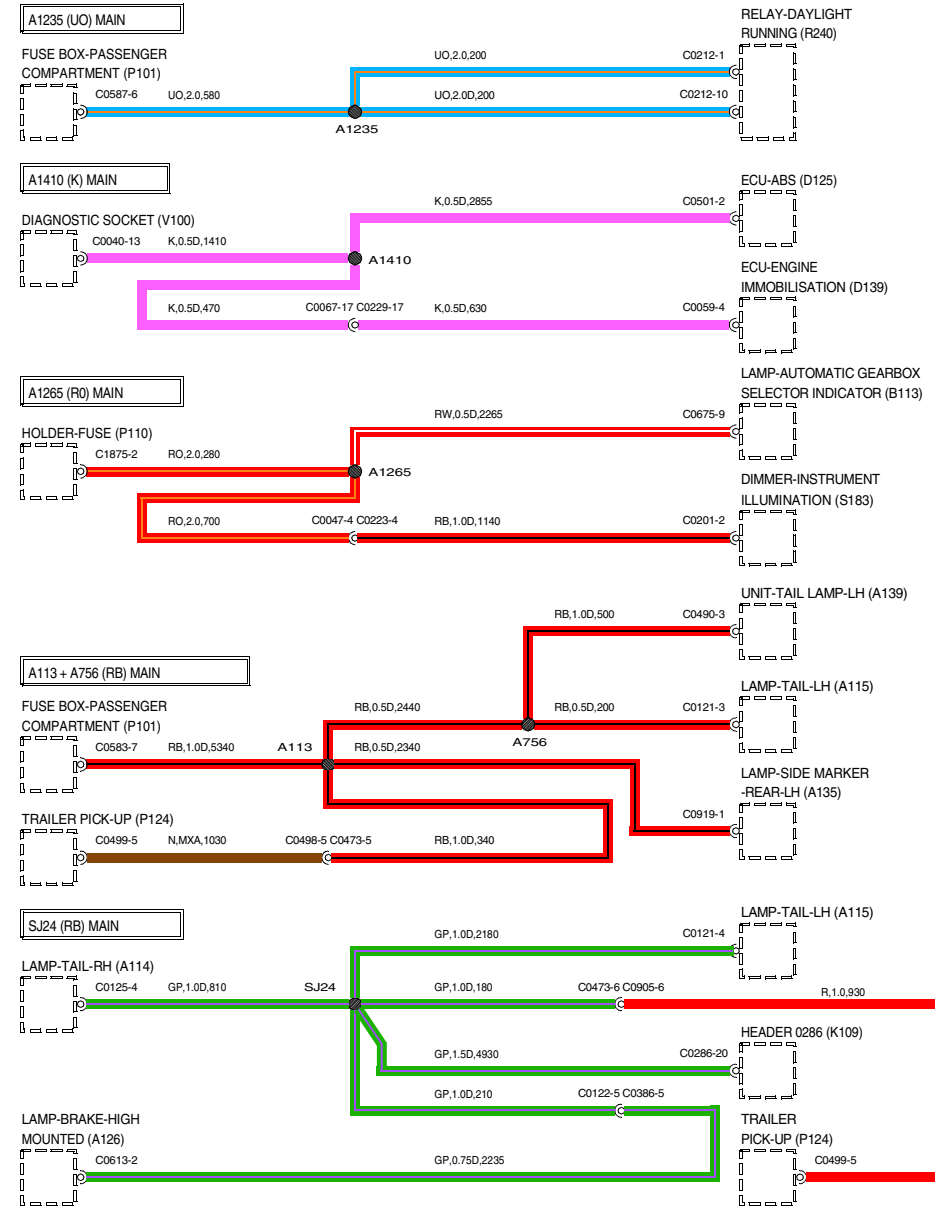


WVR004290-A-03

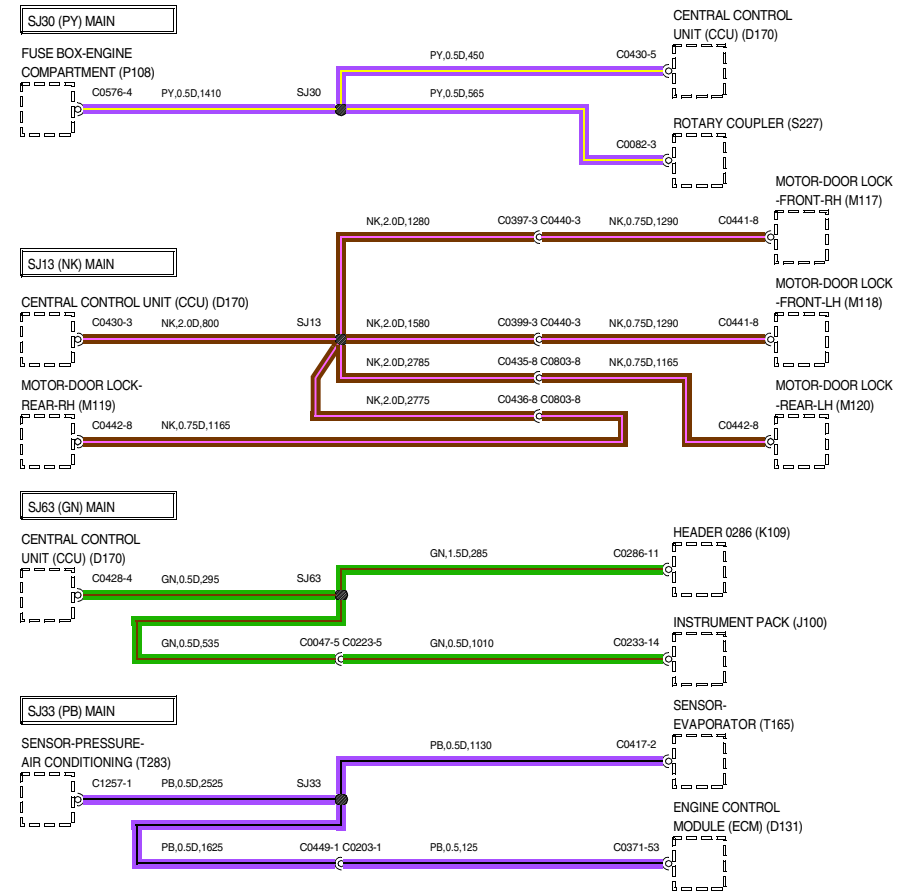
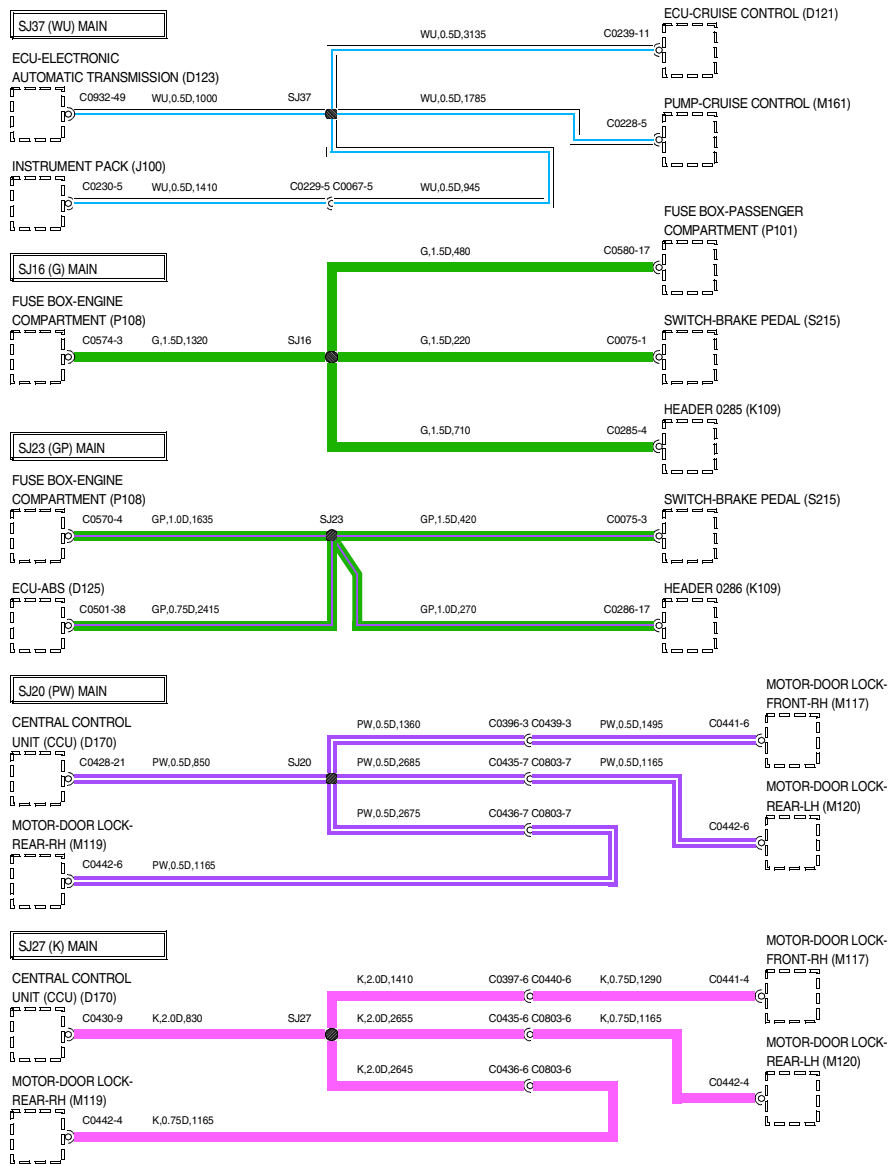
65 SPLICES AND CENTRE TAPS



VR004280-A-04

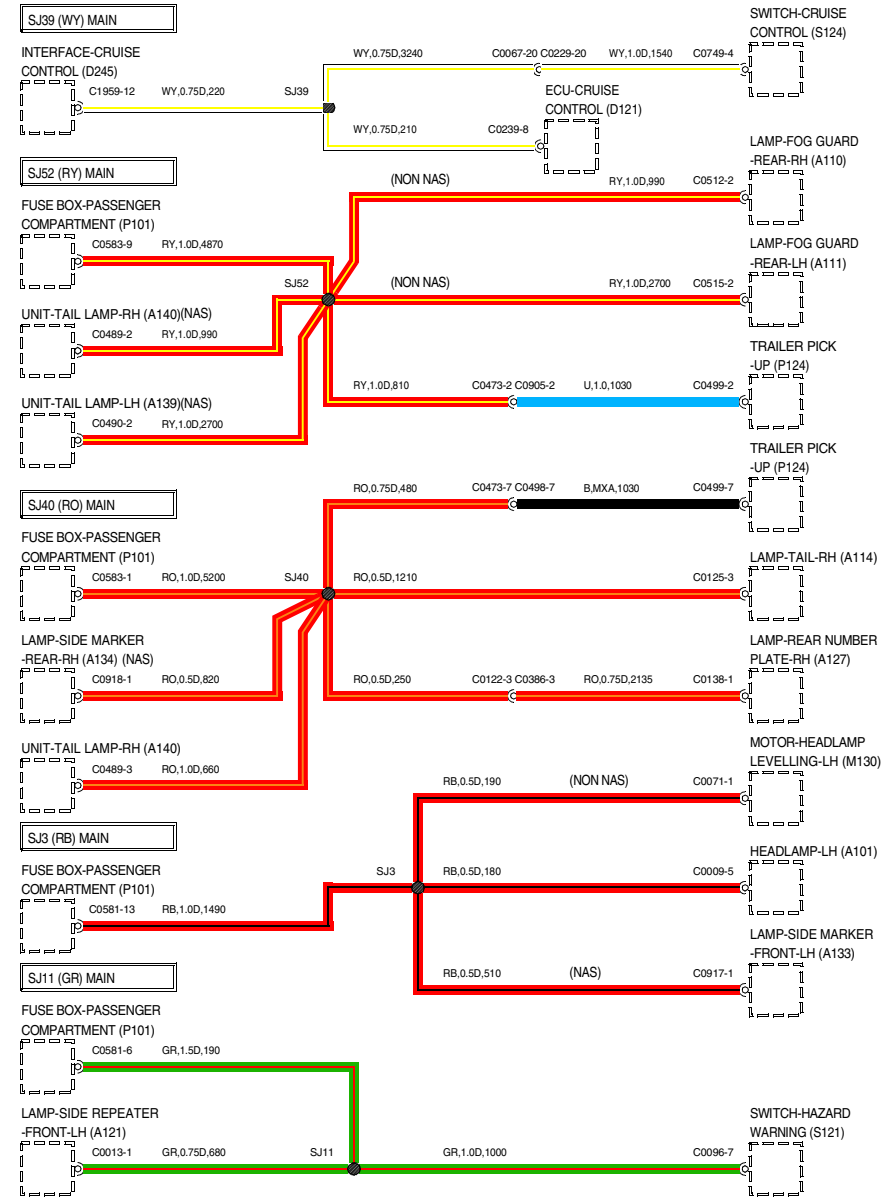
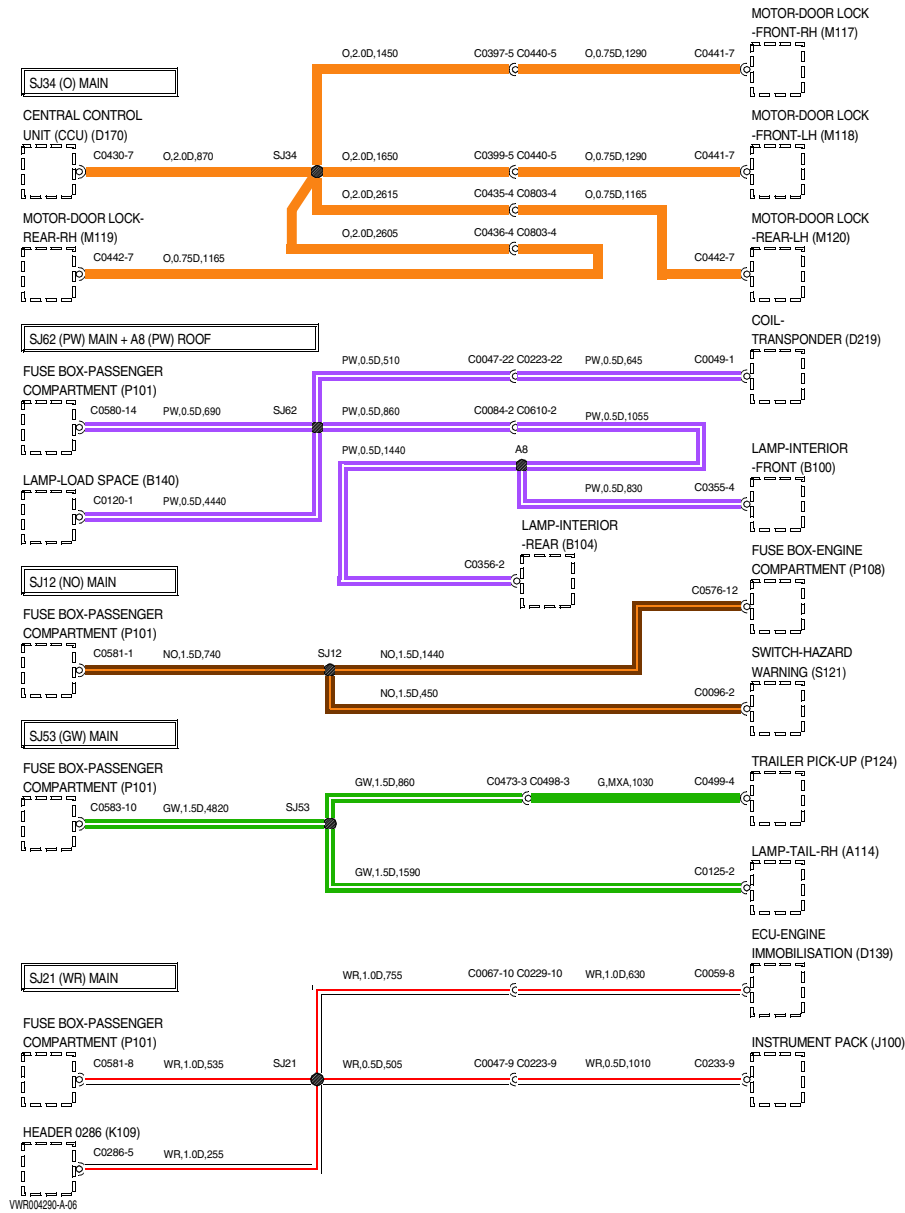


65 SPLICES AND CENTRE TAPS

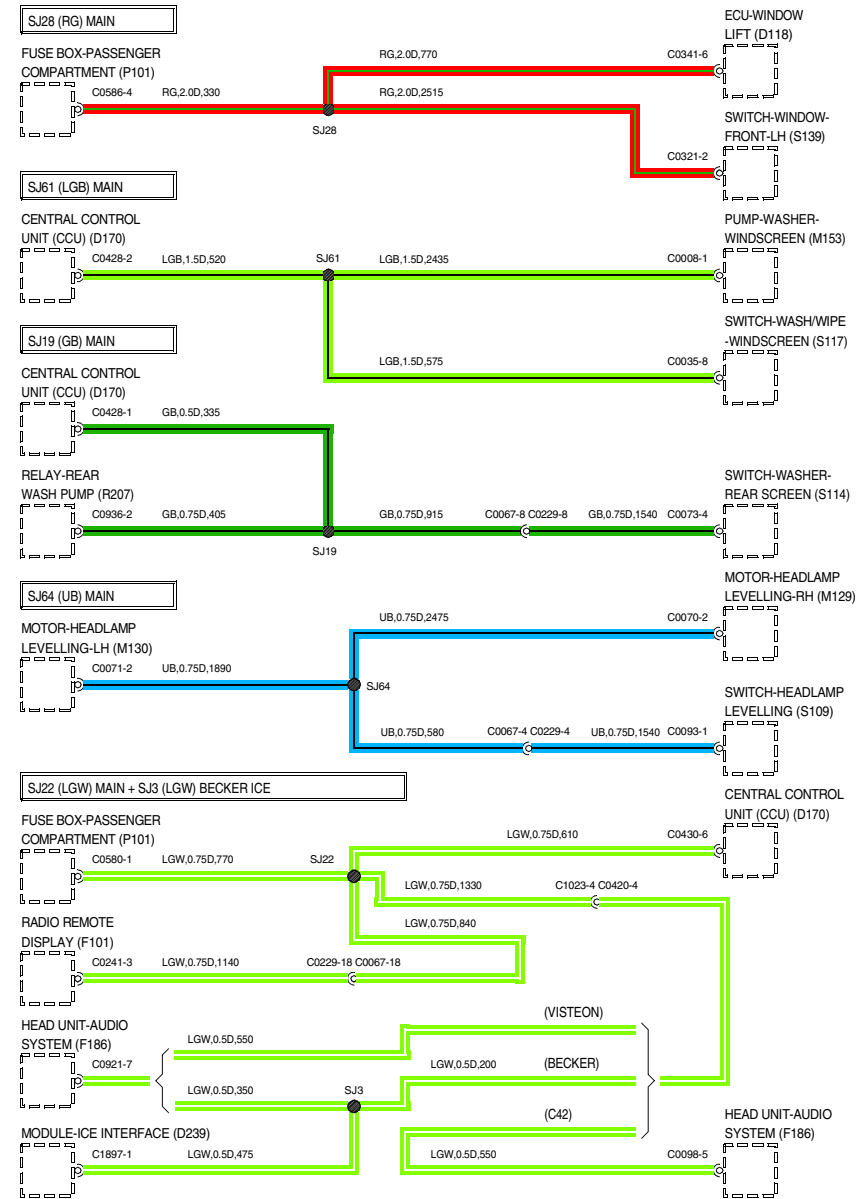
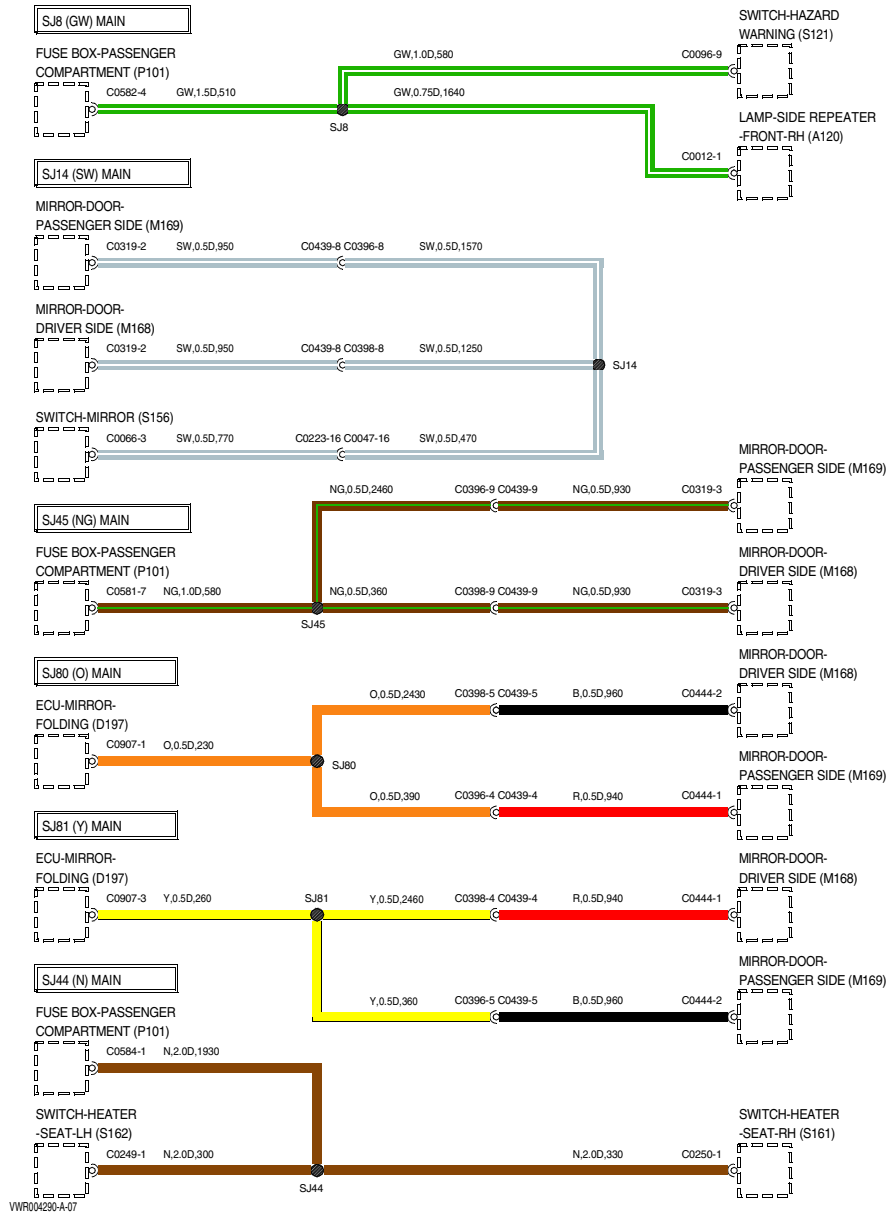


WVR004290-A-05

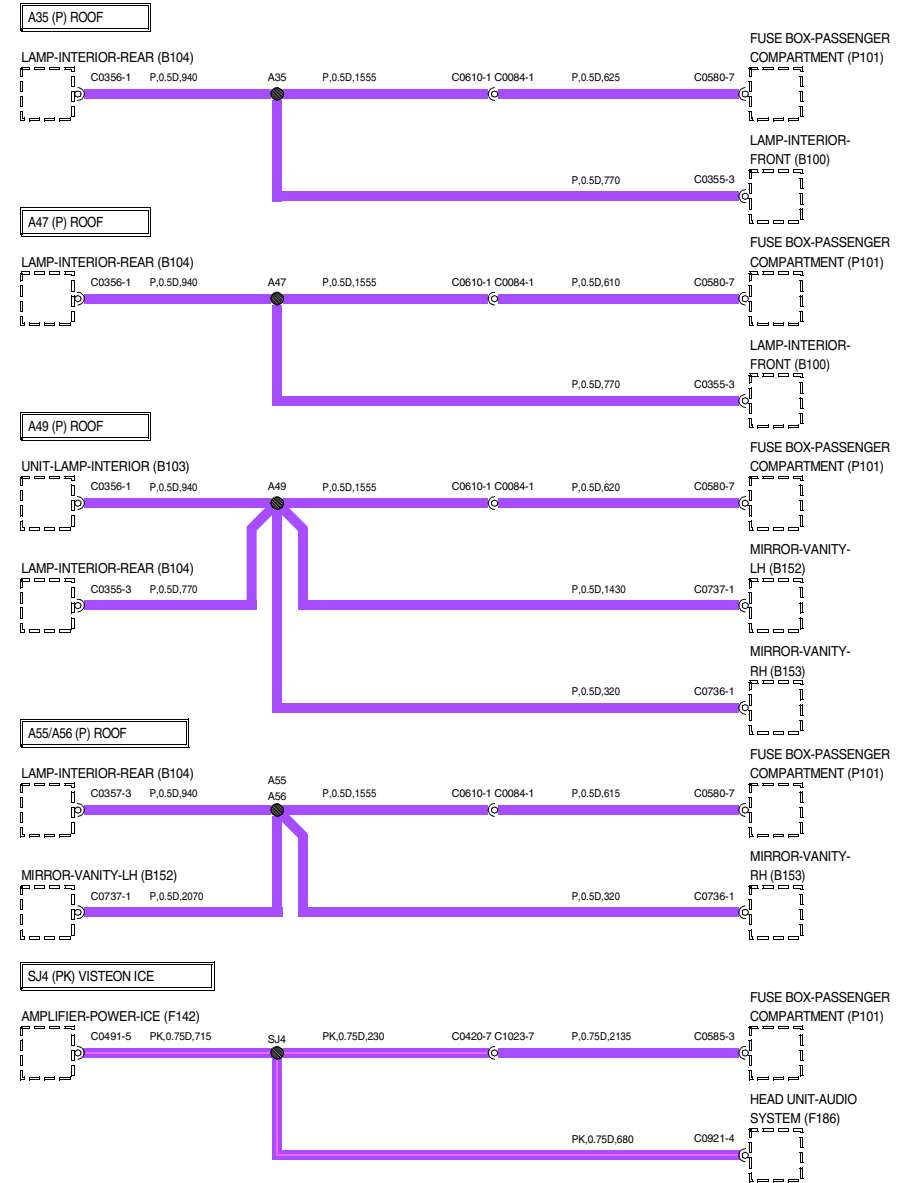
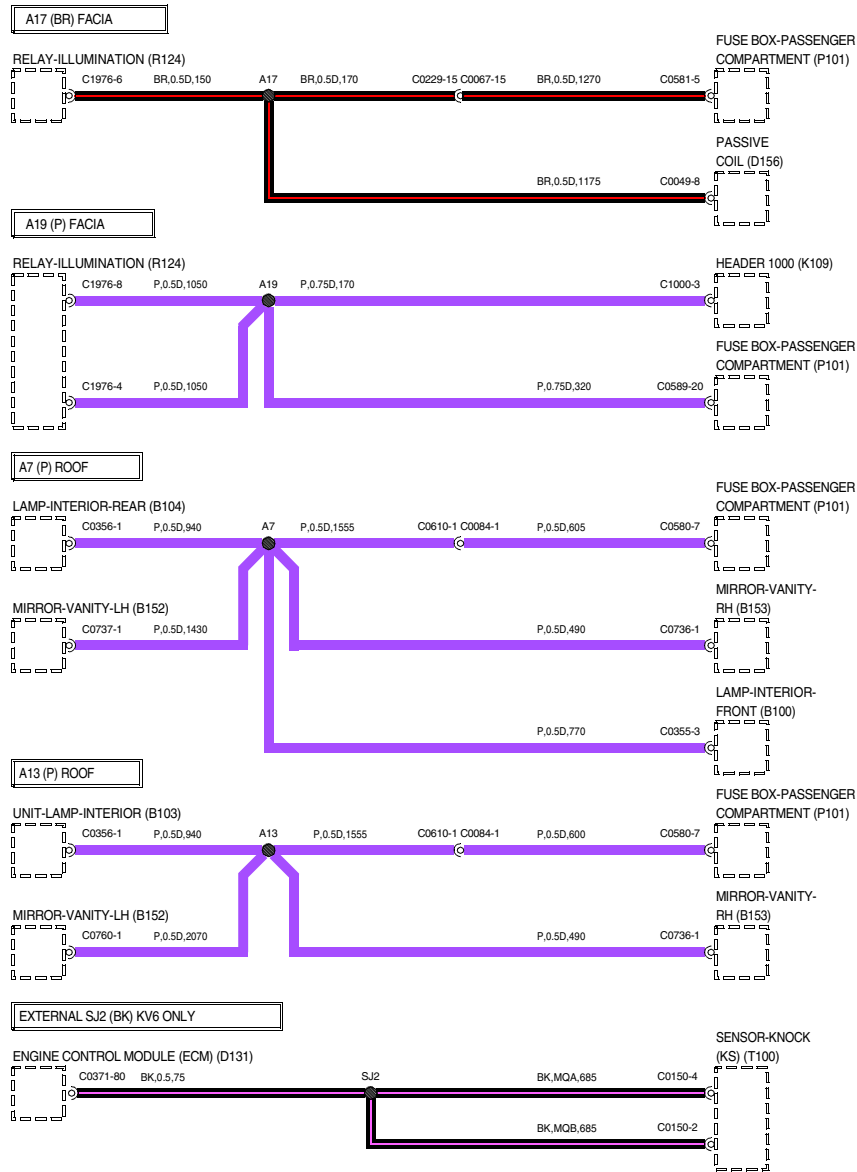
65 SPLICES AND CENTRE TAPS



65 SPLICES AND CENTRE TAPS

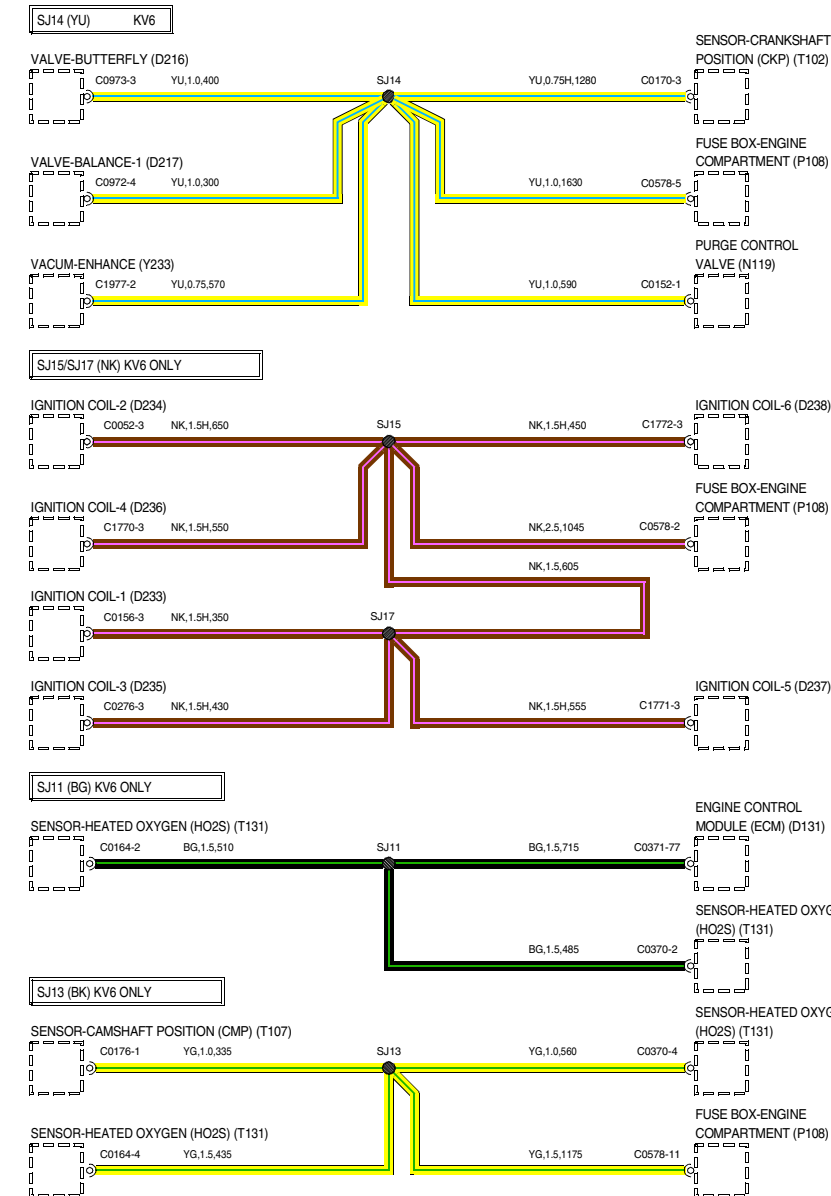


65 SPLICES AND CENTRE TAPS

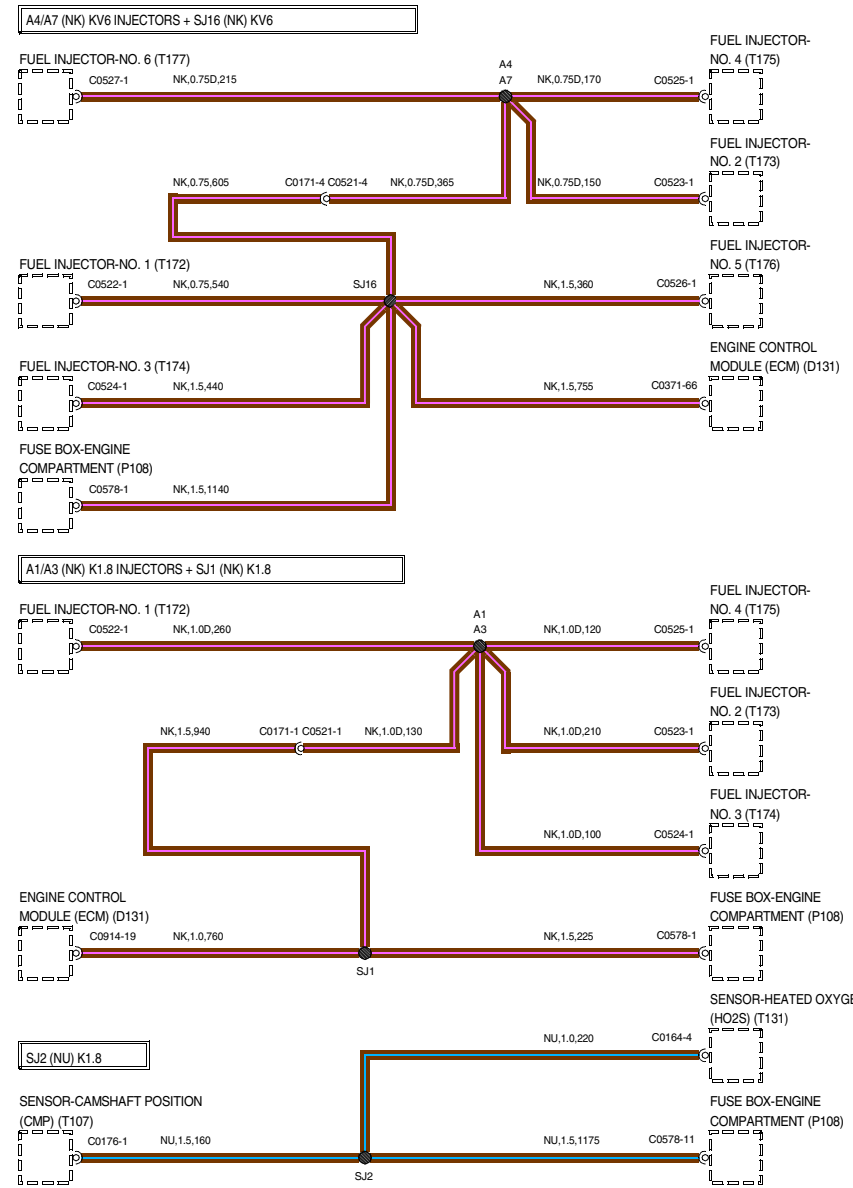


WWR004290-A-08

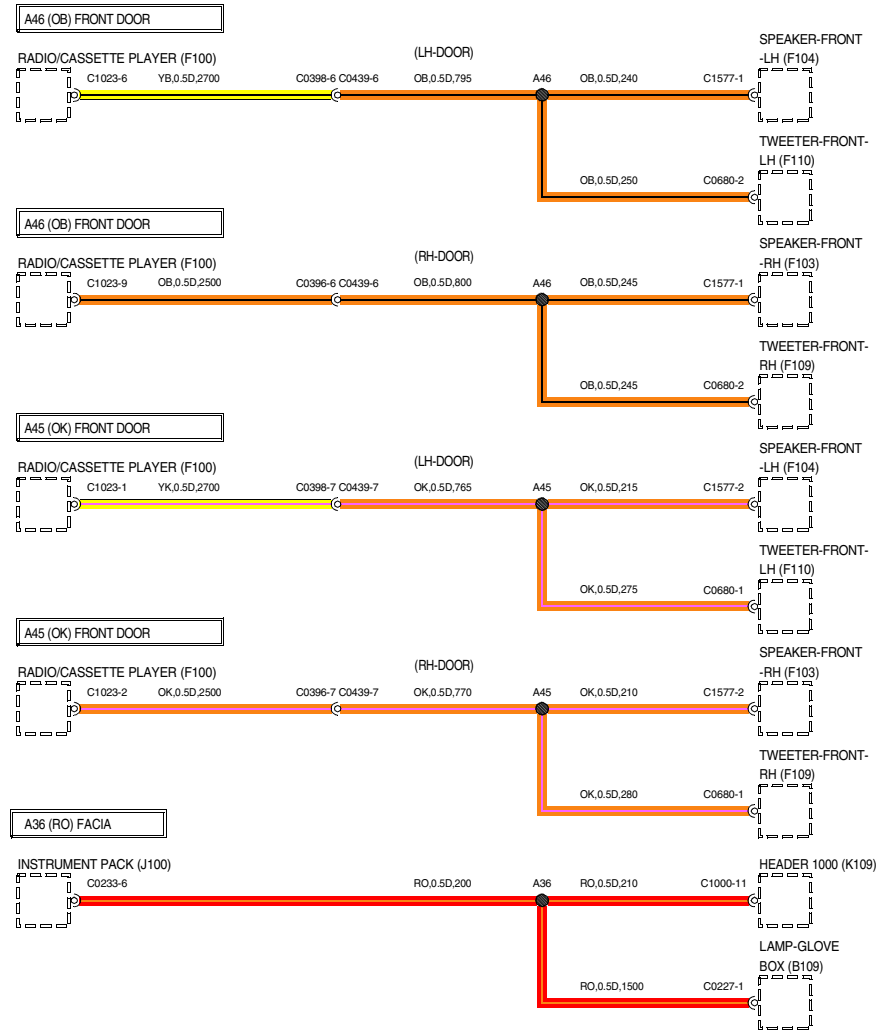
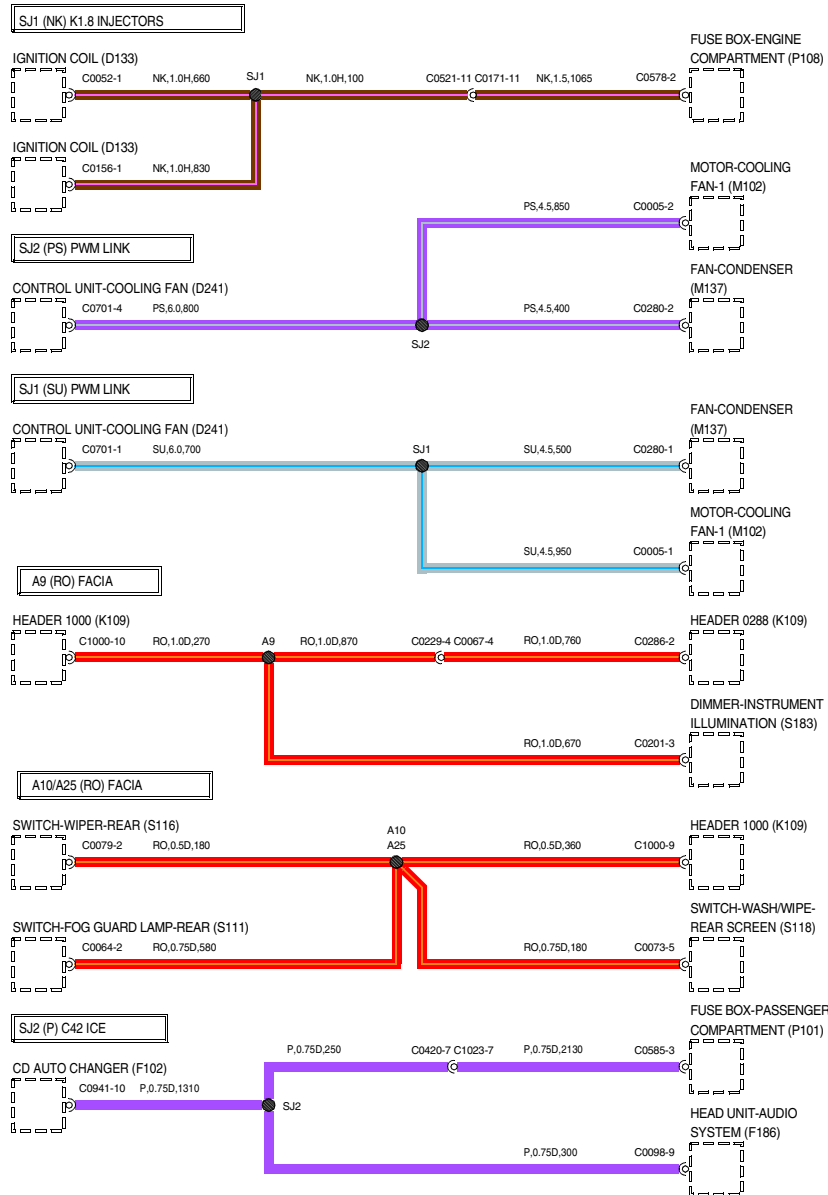
65 SPLICES AND CENTRE TAPS



WV004230-A-09

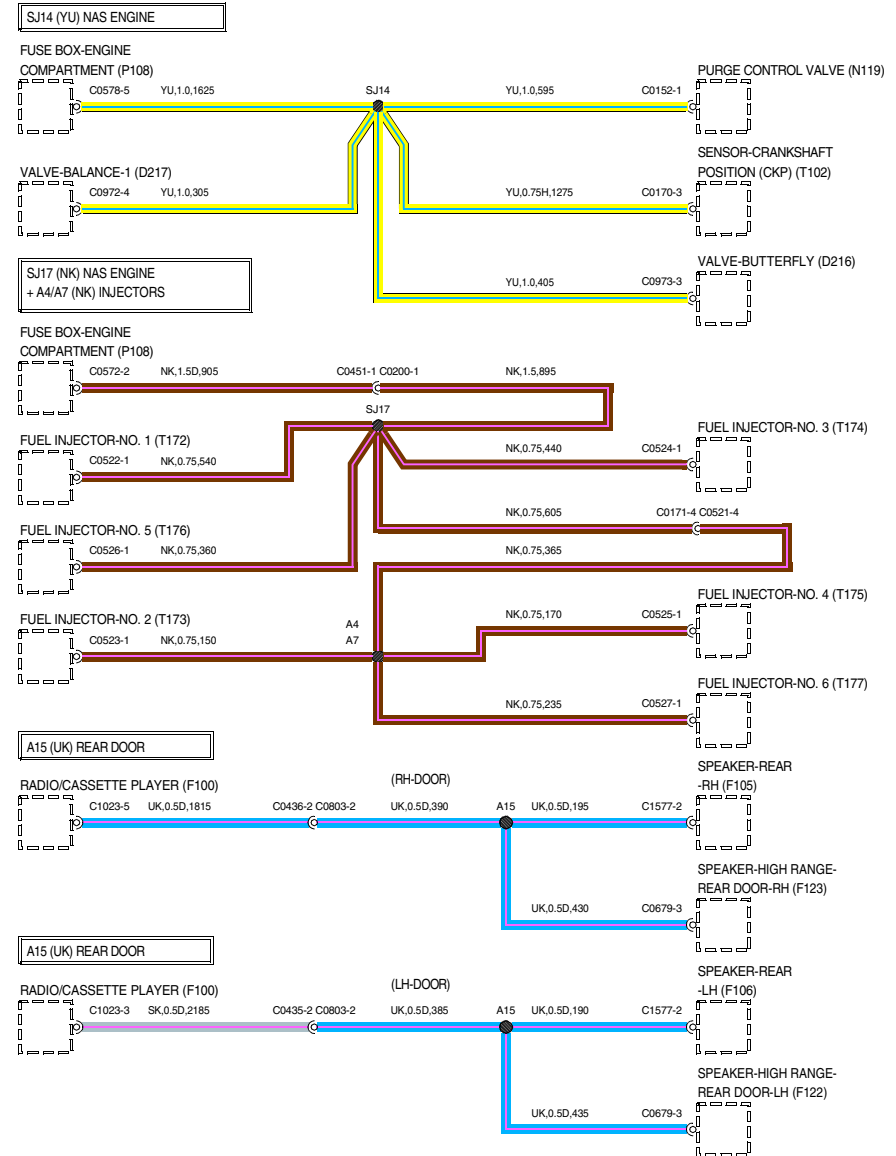
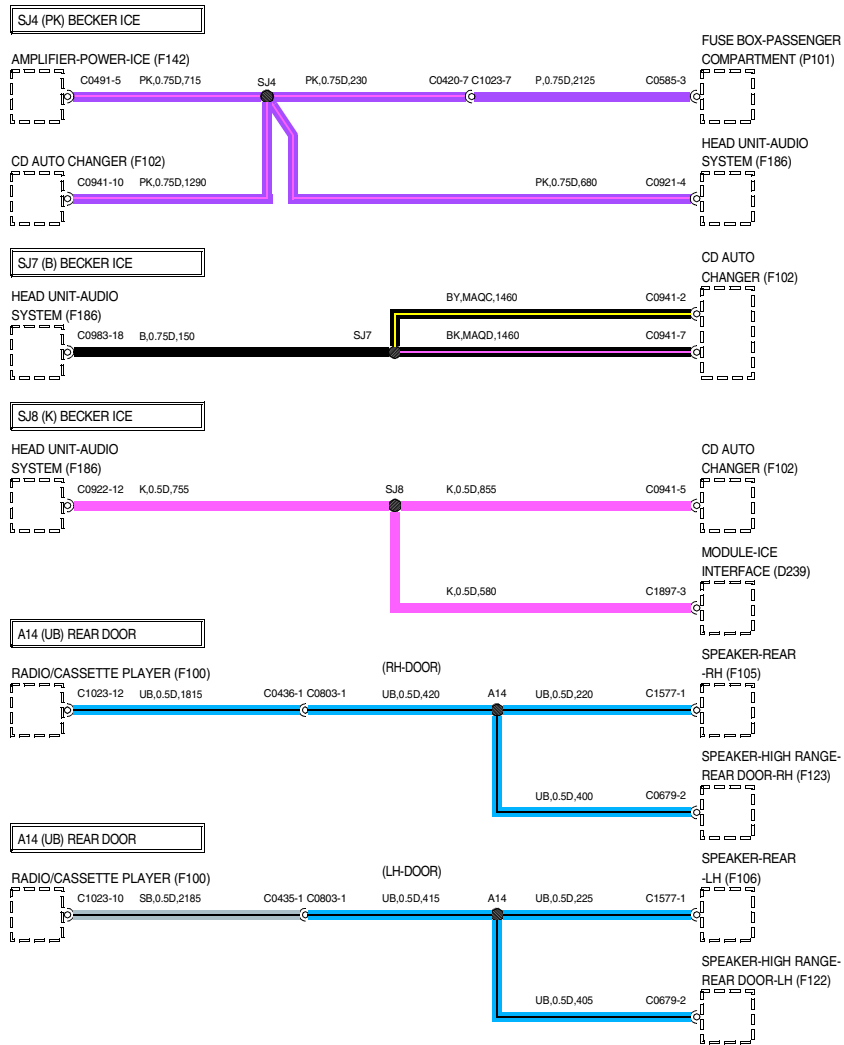


65 SPLICES AND CENTRE TAPS



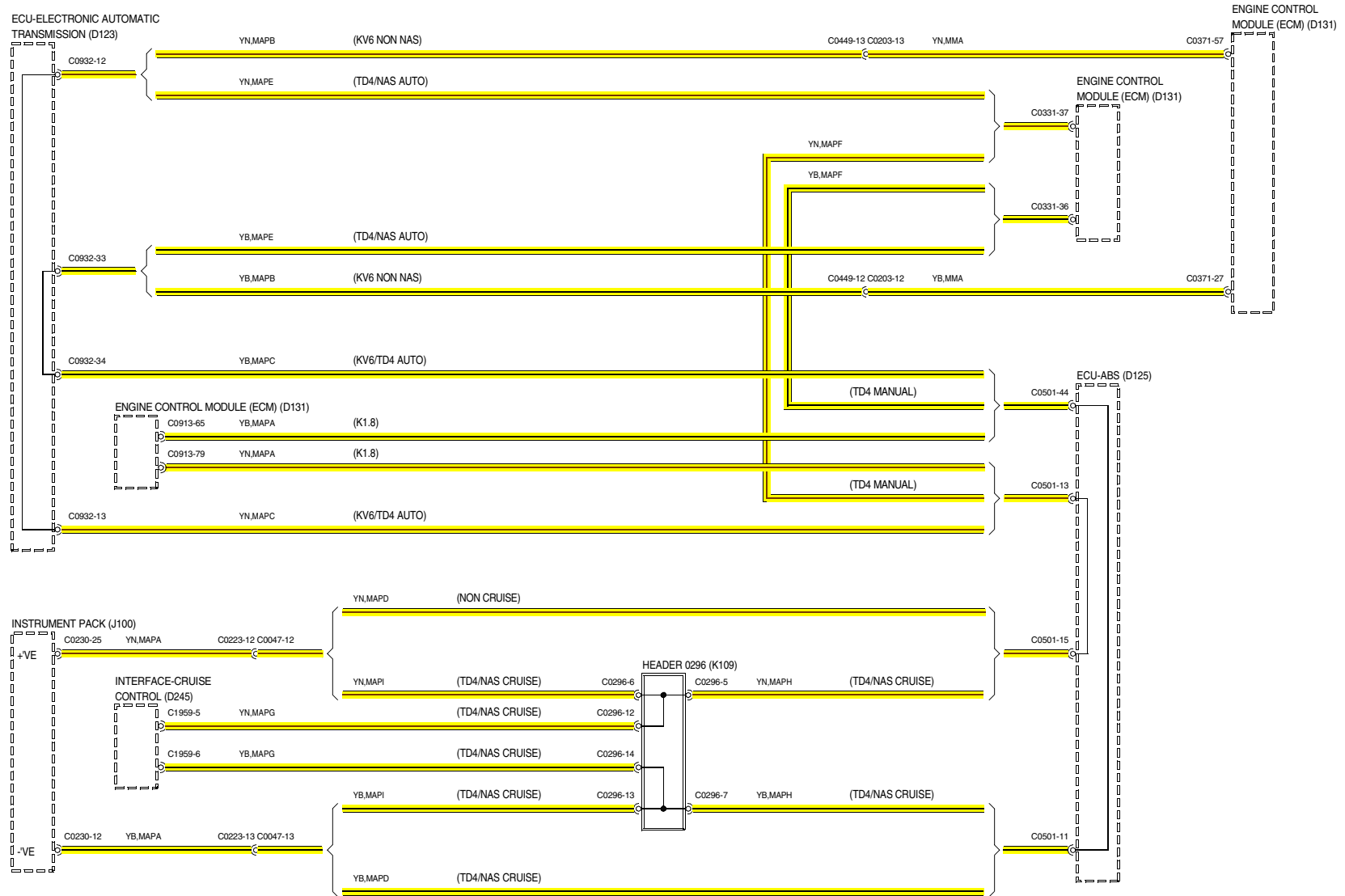
WWR004290-A-10

65 SPLICES AND CENTRE TAPS



WV004230-A-11

70 COMMUNICATION DATA BUSES



WFR003930-A-01

