

Auto Store

Traffic



FM

RDS

In-Car Entertainment

Compact Disc





# DISCOVERY

## In-Car Entertainment

Publication Part No. LRL 0362NAS

© Land Rover 2000

All rights reserved. No part of this publication may be reproduced, stored in a retrieval system or transmitted in any form, electronic, mechanical, recording or other means without prior written permission from Land Rover Group Limited.



As part of Land Rover environmental policy, this publication is printed on paper made from chlorine free pulp.



# Contents

---

## **R980 Audio System**

|                           |    |
|---------------------------|----|
| Radio .....               | 6  |
| Cassette Player .....     | 9  |
| Compact Disc Player ..... | 11 |
| Radio Tuning .....        | 12 |

## **R990 Audio System**

|                           |    |
|---------------------------|----|
| Radio .....               | 14 |
| Cassette Player .....     | 17 |
| Compact Disc Player ..... | 19 |
| Radio Tuning .....        | 20 |
| Radio Data System .....   | 22 |
| Programme Type .....      | 23 |

## **All Audio Systems**

|   |    |
|---|----|
| Headphones .....                        | 24 |
| Radio Reception .....                   | 25 |
| Care of Cassette Player and Tapes ..... | 26 |
| CD Changer Unit .....                   | 27 |
| Caring for Compact Discs .....          | 29 |
| Security Code .....                     | 30 |

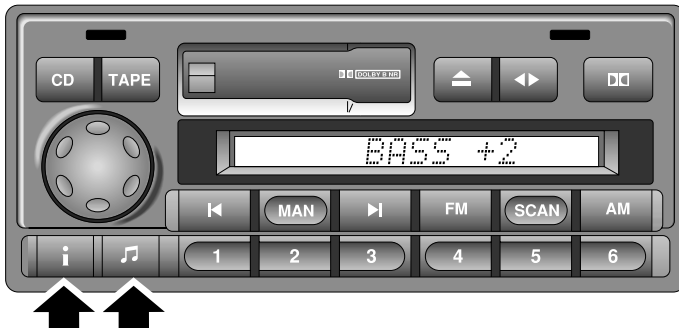
# Introduction

## AUDIO SYSTEMS FITTED TO YOUR VEHICLE



ICE0206

*R980 Audio System as fitted as standard to vehicles with Duragrain interior*



ICE0207

*R990 Audio System as fitted as standard to vehicles with leather interior*

The two audio systems can be identified visually by differences between the graphics used on the buttons arrowed in the illustrations. The units will be described throughout this book as the R980 and the R990 respectively.

# Introduction

---

# R980 - Radio



## SOUND CONTROLS

### 1. On/off and volume control

Press to switch on (display shows 'LAND ROVER'). Press again to switch off.

Rotate steadily to right or left to adjust the volume. Note that turning the control rapidly has no effect!

The volume can also be adjusted using the remote switches on the steering wheel (see 'Owner's handbook').

**NOTE:** If you have a car telephone with a mute signal output connected to the stereo system, radio, tape or CD play automatically mutes when the telephone is in use.

### 2. Bass/Treble button

*Bass:*

Press once then rotate the volume control to left or right to increase or reduce bass response.

Display shows:

- 'BASS -9' = minimum bass
- 'BASS 0' = normal bass
- 'BASS +9' = maximum bass

*Treble:*

Press twice then rotate the volume control to left or right to increase or reduce treble response.

Display shows:

- 'TREB -9' = minimum treble
- 'TREB 0' = normal treble
- 'TREB +9' = maximum treble

Press the button again (or wait 5 seconds without further adjustment) to return to volume control.

Press and hold the button to reset the settings to their default values.

# R980 - Radio

---

## 3. Balance/Fader button

### *Balance:*

Press three times then rotate volume control to left or right to adjust balance between left and right speakers. Display shows:

- 'BAL R9' = max sound from RIGHT
- 'BAL 0' = equal balance
- 'BAL L9' = max sound from LEFT

### *Fader:*

Press four times then rotate volume control to left or right to adjust balance between front and rear speakers. Display shows:

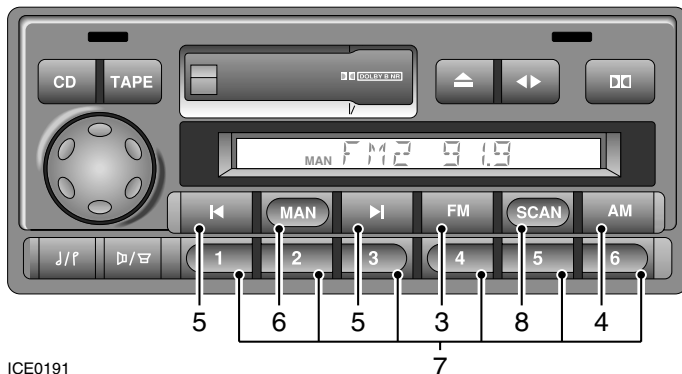
- 'FAD F9' = max sound from FRONT
- 'FAD 0' = equal balance
- 'FAD R9' = max sound from REAR

Press the button again (or wait 5 seconds without further adjustment) to return to volume control.

Press and hold the button to reset the settings to their default values.



# R980 - Radio



ICE0191

## RADIO CONTROLS

### 3. FM waveband selector

Press briefly to select FM frequencies. There are two FM bands (FM1 and FM2). Both have the same tuning range, and each one can be used to store six frequencies on the pre-set buttons.

Press and hold to activate auto-store (on FM2 only - see 'AUTO-STORE', page 13).

### 4. AM waveband selector

Press briefly to select one of the three AM bands (AM1, AM2 and WB). Both AM wavebands can be used to store six stations on the pre-set buttons. For more information on WB mode, see 'Weather band', page 12.

Press and hold to activate auto-store (on AM2 only - see 'AUTO-STORE', page 13).

### 5. Tuning buttons

Briefly press either button to search (manually or automatically) up or down the frequency range (see 'RADIO TUNING', page 12).

### 6. Manual tuning selector

Press to select manual tuning mode ('MAN') is displayed - use in conjunction with the tuning buttons (see 'RADIO TUNING', page 12). Press again to return to automatic tuning.

**NOTE:** The frequency can also be adjusted by using the remote switches on the steering wheel (see 'Owner's handbook').

### 7. Radio pre-set buttons (1-6)

Use to store up to 6 radio stations on each waveband.

Press briefly to select a stored frequency.

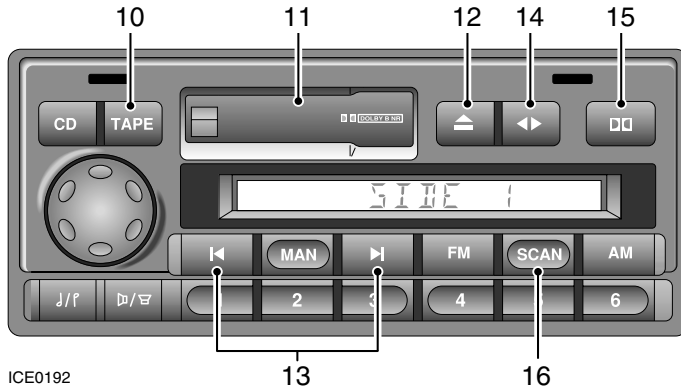
Press and hold (until radio beeps) to store a frequency on a pre-set (see 'Programming the pre-sets', page 13).

### 8. Scan mode button

Press the button to scan through all frequencies on the chosen waveband (10 seconds of each frequency will be played).

Press again to cancel the scan.

# R980 - Cassette Player



## CASSETTE PLAYER CONTROLS

### 10. Tape mode selector

Press to select tape play (display shows 'SIDE-1' or 'SIDE-2').

If the set is switched off during tape play, the cassette remains in stand-by mode. Play resumes when the set is switched on again.

### 11. Cassette compartment

Insert the tape with the open side to the right and push in gently. The radio mutes and tape play starts immediately.

**NOTE:** At the end of either side of the tape, play will automatically continue in the opposite direction.

### 12. Cassette eject button

Press to eject the tape (display shows 'TAPE EJECT'). The unit returns to radio mode, selecting the waveband and frequency last in use.

**NOTE:** If the tape is ejected when the set is in radio or CD mode, sound briefly mutes.

### 13. Tape search controls

*Fast forward/rewind:*

Press the manual mode button ('MAN'), then press and hold (for at least 1 second) the appropriate search button ('TAPE FFWD' or 'TAPE REW') appear in the display). The tape will fast forward/rewind until either the search button or the 'MAN' button are pressed again.

*Skip:*

With the unit in automatic mode, press the appropriate search button to skip to either the beginning of the next track, or the beginning of the current track ('SEEK' and chevrons indicating direction appear in the display).

**NOTE:** The skip function may not find spaces between tracks of less than three seconds duration, and also may be confused by excessive background noise, very soft musical passages and intermittent pauses in music or speech.

**NOTE:** Skip and mode selection can be operated using the remote switches on the steering wheel (see 'Owner's handbook').

# R980 - Cassette Player

---

## 14. Tape reverse

Press to play the opposite side of the tape.

## 15. Dolby B noise reduction<sup>†</sup>

Press when playing tapes recorded using the Dolby B NR system (display shows the double 'D' symbol).

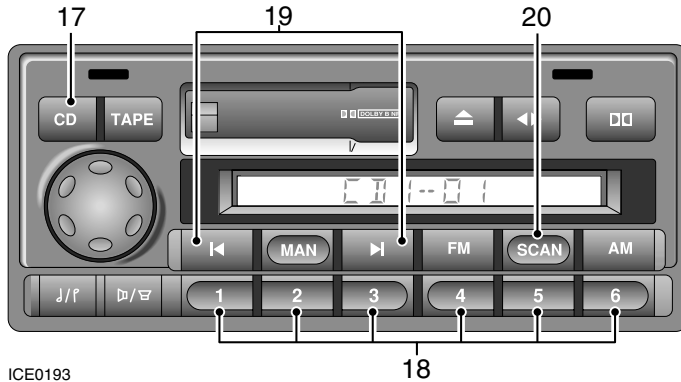
## 16. Tape scan button

Press the SCAN button to listen to the first 10 seconds of each track on the tape (both sides). The display shows 'TAPE SCAN'. The scan continues until the button is pressed again or until another function is selected.

---

<sup>†</sup> Noise reduction manufactured under license. Dolby and the double 'D' symbol are trade marks of Dolby Laboratories Licensing Corporation.

# R980 - Compact Disc Player



## COMPACT DISC PLAYER CONTROLS\*

### 17. CD mode selector

Press to select CD player mode. Playback starts from the point on the disc at which play last stopped, or from the start of the first disc if the magazine is newly inserted. The display shows disc number ('CD1') and track number ('01'). If no magazine has been inserted into the autochanger, 'NO MAGAZINE' is displayed.

At the end of each disc, playback automatically continues with the next disc (missing discs are skipped if less than six have been loaded).

### 18. Disc selection buttons (1-6)

Press the appropriate button to select the desired disc. If an empty compartment is selected, the display shows 'NO DISC' and the next available disc is selected instead.

**NOTE:** Skip and mode selection can be operated using the remote switches on the steering wheel (see 'Owner's handbook').

### 19. Track search buttons

*Skip:*

Press the appropriate button to skip to the beginning of the next, or back to the beginning of the current track (the display shows disc and track numbers). If the button is pressed and held, the CD player continues to skip tracks until the button is released.

*Search:*

Press the Manual mode button ('MAN'), then press and hold the appropriate search button to move forward or backward (display shows 'FFWD' or 'FREW') through the track at a greatly increased play speed (volume reduces).

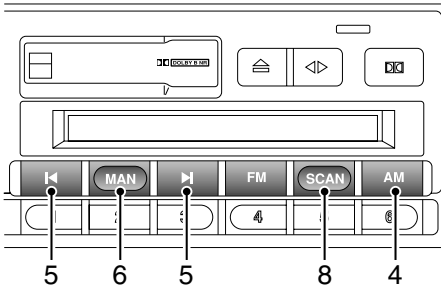
### 20. Scan mode button (SCAN)

Press the SCAN button to listen to the first 10 seconds of every track on the selected disc. 'SCAN' appears in the display, along with the numbers of the disc and the scanned track. The scan continues until the button is pressed again or until another function is selected.

**NOTE:** The compact disc player controls are operational only with the optional CD changer unit.

# R980 - Radio Tuning

## RADIO TUNING



ICE0112

### Manual tuning

If you know the frequency of the radio station you are seeking, or you need to select a radio station that is too weak to be found by automatic tuning, use manual tuning, as follows:

Select the desired waveband (FM or AM), then press the 'MAN' button (6). By briefly pressing either tuning button (5), the frequency changes (either up or down) in steps of 0.1 MHz for FM, or 1 kHz for AM.

### Fast manual tuning

By keeping either tuning button depressed, the waveband will be scanned rapidly (up or down) until the button is released.

### Automatic tuning

Select the required waveband (FM or AM), then briefly press one of the tuning buttons (5) - ('SEEK' along with the chosen waveband appear in the display).

The radio automatically searches the frequency range (either up or down depending upon which of the tuning buttons is pressed) looking for a radio station of acceptable strength. Once a suitable station is found, the search stops unless you choose to continue by pressing the tuning button again.

The search can be stopped at any time by pressing any pre-set button.

### Waveband scan

Select the desired waveband (FM or AM) and press the SCAN button (8). The radio scans through the waveband, seeking stations of acceptable strength (the waveband, frequency and 'SC' are displayed). The radio stops at each one it finds and plays that station for 10 seconds, the radio then mutes and scans for the next station.

To stop the scan, press the button again - the radio commences playing the station at which the scan was stopped.

### Weather band\*

Press the AM button (4) up to three times until 'WB' appears in the display. The radio will automatically search for the strongest national weather station signal in the area.

If the radio is unable to find a sufficiently strong weather information signal, it will continue to search ('NO WB' appears in the display) until a strong enough signal is found. To leave WB mode and return to radio/cassette or CD play, press the appropriate AM, FM, TAPE or CD mode button.

### Local radio stations

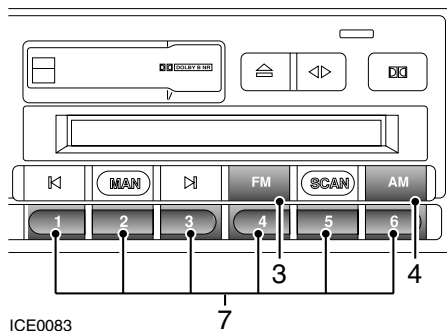
Reception of most local radio stations is intentionally limited to a comparatively small area around the transmitter.

### MONO/STEREO

Whenever the FM waveband is selected, the radio automatically reproduces stereo sound, provided a suitable signal is available. However, if a signal becomes too weak for good stereo reception, only mono sound is produced until the signal strengthens sufficiently for stereo sound reproduction.

# R980 - Radio Tuning

## RADIO PRE-SET BUTTONS



The six pre-set buttons (7) can be used to manually store up to twelve FM stations (six each on FM1 and FM2) and twelve AM stations (six each on AM1 and AM2). The pre-sets are programmed as follows:

### Programming the pre-sets

- Select the required waveband (FM1, FM2, AM1 or AM2).
- Tune to the desired frequency using either automatic or manual tuning.
- Press and hold one of the pre-set buttons until a bleep sounds. The frequency is now stored (the display shows the waveband and frequency of the station you have tuned).

**NOTE:** *Once the pre-sets have been programmed, they will be retained by the unit until they are re-programmed or until the battery is disconnected.*

### Operating the pre-sets

Once the pre-set buttons have been programmed, operation is simple; select the desired waveband, then press the pre-set button of your choice.

## AUTO-STORE

Auto-store enables you to rapidly tune and store the strongest FM and AM radio signals in a single operation. This facility is particularly useful if you are in an unfamiliar area and have little knowledge of local transmitter frequencies.

### Programming auto-store

Press and hold the appropriate waveband selection button (3 or 4) until a bleep sounds (the radio mutes and the display shows either 'FM AUTOSTORE' or 'AM AUTOSTORE').

Auto-store scans the waveband to find the six strongest frequencies and then stores them on either the FM2 or AM2 pre-set buttons in order of signal strength.

Auto-store overwrites any stations already stored on the FM2 or AM2 pre-set buttons.

Radio play restores when the operation is complete.

**NOTE:** *If auto-store is unable to find six strong stations, the remaining pre-set buttons remain blank.*

### Operating auto-store

To tune to one of the auto-store frequencies, select FM2 or AM2, then press the pre-set button of your choice; the frequency will appear on the display.

# R990 - Radio



## SOUND CONTROLS

### 1. On/off and volume control

Press to switch on (display shows 'LAND ROVER'). Press again to switch off.

Rotate steadily to right or left to adjust the volume. Note that turning the control rapidly has no effect!

The volume can also be adjusted using the remote switches on the steering wheel (see 'Owner's handbook').

**NOTE:** If you have a car telephone with a mute signal output connected to the stereo system, radio, tape or CD play automatically mutes when the telephone is in use.

### IMPORTANT

This unit is equipped with a 20 minute time-out function. This enables the unit to be switched on and then used for up to 20 minutes after the vehicle starter switch has been turned to position '0', even if the key is removed. This means that if a passenger is to be left in the vehicle, music can be listened to, without the security risk of leaving the keys in the starter switch (at the end of the 20 minutes, the unit will switch off automatically).

### 2. Audio selection button

Press one or more times to select bass, treble, balance or fader (display confirms selection), as described below.

**Bass:**

Press once then rotate the volume control to left or right to increase or reduce bass response.

Display shows:

- 'BASS -9' = minimum bass
- 'BASS 0' = normal bass
- 'BASS +9' = maximum bass

**Treble:**

Press twice then rotate volume control to left or right to increase or reduce treble response.

Display shows:

- 'TREB -9' = minimum treble
- 'TREB 0' = normal treble
- 'TREB +9' = maximum treble

# R990 - Radio

---

## *Balance:*

Press three times then rotate volume control to left or right to adjust balance between left and right speakers. Display shows:

- 'BAL R9' = max sound from RIGHT
- 'BAL 0' = equal balance
- 'BAL L9' = max sound from LEFT

## *Fader:*

Press four times then rotate volume control to left or right to adjust balance between front and rear speakers. Display shows:

- 'FAD F9' = max sound from FRONT
- 'FAD 0' = equal balance
- 'FAD R9' = max sound from REAR

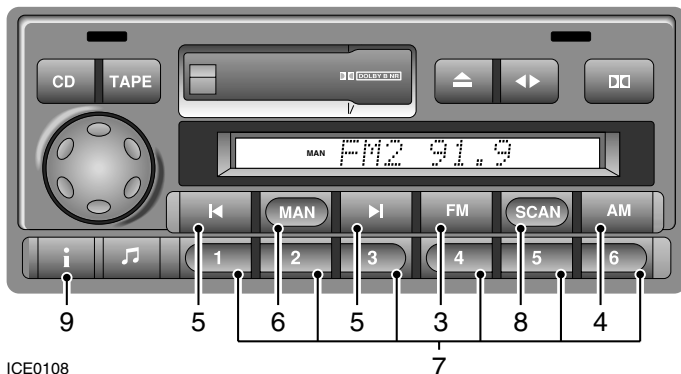
Press the button again to return to volume control.

***NOTE:*** After 5 seconds without further adjustment, audio mode is deselected and reverts to volume control.

Press and hold the button to reset the audio settings to their default values.



# R990 - Radio



ICE0108

## RADIO CONTROLS

### 3. FM waveband selector

Press briefly to select FM frequencies. There are two FM bands (FM1 and FM2). Both have the same tuning range, and each one can be used to store six frequencies on the pre-set buttons.

Press and hold to activate auto-store (on FM2 only - see 'AUTO-STORE', page 21).

### 4. AM waveband selector

Press briefly to select one of the three AM bands (AM1, AM2 and WB). Both AM wavebands can be used to store six stations on the pre-set buttons. For more information on WB mode, see 'Weather band', page 20.

Press and hold to activate auto-store (on AM2 only - see 'AUTO-STORE', page 21).

### 5. Tuning buttons

Briefly press either button to search (manually or automatically) up or down the frequency range (see 'RADIO TUNING', page 20).

### 6. Manual tuning selector

Press to select manual tuning mode ('MAN' is displayed) - use in conjunction with the tuning buttons (see 'RADIO TUNING', page 20). Press again to return to automatic tuning.

**NOTE:** The frequency can also be adjusted by using the remote switches on the steering wheel (see 'Owner's handbook').

### 7. Radio pre-set buttons (1-6)

Use to store up to 6 radio stations on the FM and AM wavebands.

Press briefly to select a stored frequency.

Press and hold (until radio beeps) to store a frequency on a pre-set (see 'Programming the pre-sets', page 21).

### 8. Scan mode button

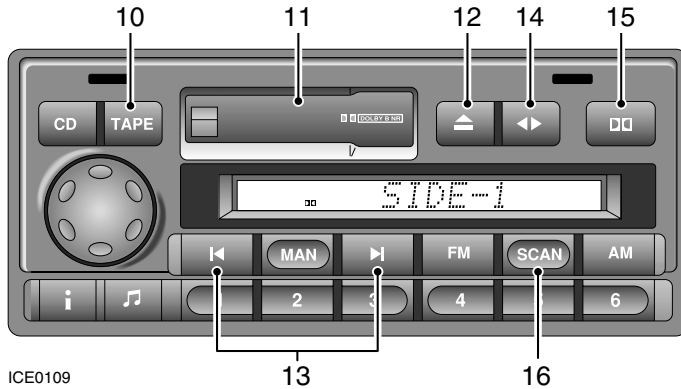
Press the button to scan through all frequencies on the chosen waveband (10 seconds of each frequency will be played).

Press again to cancel the scan.

### 9. Programme type (PTY)

Press to activate PTY mode. Use the tuning buttons (5) to select the desired category, then press the PTY button again to find a station broadcasting the selected programme type (see 'PROGRAMME TYPE (PTY)', page 23).

# R990 - Cassette Player



ICE0109

## CASSETTE PLAYER CONTROLS

### 10. Tape mode selector

Press to select tape play (display shows 'SIDE-1' or 'SIDE-2').

If the set is switched off during tape play, the cassette remains in stand-by mode. Play resumes when the set is switched on again.

### 11. Cassette compartment

Insert the tape with the open side to the right and push in gently. The radio mutes and tape play starts immediately.

**NOTE:** At the end of either side of the tape, play will automatically continue in the opposite direction.

### 12. Cassette eject button

Press to eject the tape (display shows 'TAPE EJECT'). The unit returns to radio mode, selecting the waveband and frequency last in use.

**NOTE:** If the tape is ejected when the set is in radio or CD mode, sound briefly mutes.

### 13. Tape search controls

*Fast forward/rewind:*

Press the manual mode button ('MAN'), then press and hold (for at least 1 second) the appropriate search button ('TAPE FFWD' or 'TAPE FREW' appear in the display). The tape will fast forward/rewind until either the search button or the 'MAN' button are pressed again.

*Skip:*

With the unit in automatic mode, press the appropriate search button to skip to either the beginning of the next track, or the beginning of the current track ('SEEK' and chevrons indicating direction appear in the display).

**NOTE:** The skip function may not find spaces between tracks of less than three seconds duration, and also may be confused by excessive background noise, very soft musical passages and intermittent pauses in music or speech.

**NOTE:** Skip and mode selection can be operated using the remote switches on the steering wheel (see 'Owner's handbook').

# R990 - Cassette Player

---

## 14. Tape reverse

Press to play the opposite side of the tape.

## 15. Dolby B noise reduction<sup>†</sup>

Press when playing tapes recorded using the Dolby B NR system (display shows the double 'D' symbol).

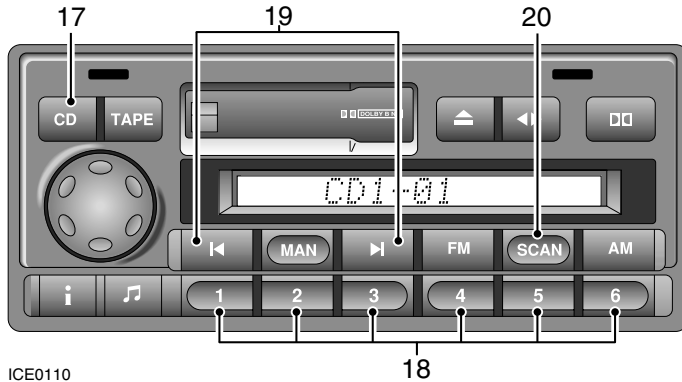
## 16. Tape scan button

Press the SCAN button to listen to the first 10 seconds of each track on the tape (both sides). The display shows 'TAPE SCAN'. The scan continues until the button is pressed again or until another function is selected.

---

<sup>†</sup> Noise reduction manufactured under license. Dolby and the double 'D' symbol are trade marks of Dolby Laboratories Licensing Corporation.

# R990 - Compact Disc Player



## COMPACT DISC PLAYER CONTROLS\*

### 17. CD mode selector

Press to select CD player mode. Playback starts from the point on the disc at which play last stopped, or from the start of the first disc if the magazine is newly inserted. The display shows disc number ('CD1') and track number ('01'). If no magazine has been inserted into the autochanger, 'NO MAGAZINE' is displayed.

At the end of each disc, playback automatically continues with the next disc (missing discs are skipped if less than six have been loaded).

### 18. Disc selection buttons (1-6)

Press the appropriate button to select the desired disc. If an empty compartment is selected, the display shows 'NO DISC' and the next available disc is selected instead.

**NOTE:** Skip and mode selection can be operated using the remote switches on the steering wheel (see 'Owner's handbook').

### 19. Track search buttons

*Skip:*

Press the appropriate button to skip to the beginning of the next, or back to the beginning of the current track (the display shows disc and track numbers). If the button is pressed and held, the CD player continues to skip tracks until the button is released.

*Search:*

Press the Manual mode button ('MAN'), then press and hold the appropriate search button to move forward or backward (display shows 'FFWD' or 'FREW') through the track at a greatly increased play speed (volume reduces).

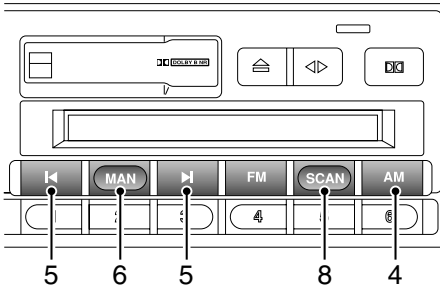
### 20. Scan mode button (SCAN)

Press the SCAN button to listen to the first 10 seconds of every track on the selected disc. 'SCAN' appears in the display, along with the numbers of the disc and the scanned track. The scan continues until the button is pressed again or until another function is selected.

**NOTE:** The compact disc player controls are operational only with the optional CD changer unit.

# R990 - Radio Tuning

## RADIO TUNING



ICE0112

### Manual tuning

If you know the frequency of the radio station you are seeking, or you need to select a radio station that is too weak to be found by automatic tuning, use manual tuning, as follows:

Select the desired waveband (FM or AM), then press the 'MAN' button (6). By briefly pressing either tuning button (5), the frequency changes (either up or down) in steps of 0.1 MHz for FM, or 1 kHz for AM.

### Fast manual tuning

By keeping either tuning button depressed, the waveband will be scanned rapidly (up or down) until the button is released.

### Automatic tuning

Select the required waveband (FM or AM), then briefly press one of the tuning buttons (5) - ('SEEK' along with the chosen waveband appear in the display).

The radio automatically searches the frequency range (either up or down depending upon which of the tuning buttons is pressed) looking for a radio station of acceptable strength. Once a suitable station is found, the search stops unless you choose to continue by pressing the tuning button again.

The search can be stopped at any time by pressing any pre-set button.

### Waveband scan

Select the desired waveband (FM or AM) and press the SCAN button (8). The radio scans through the waveband, seeking stations of acceptable strength (the waveband, frequency and 'SC' are displayed). The radio stops at each one it finds and plays that station for 10 seconds, the radio then mutes and scans for the next station.

To stop the scan, press the button again - the radio commences playing the station at which the scan was stopped.

### Weather band\*

Press the AM button (4) up to three times until 'WB' appears in the display. The radio will automatically search for the strongest national weather station signal in the area.

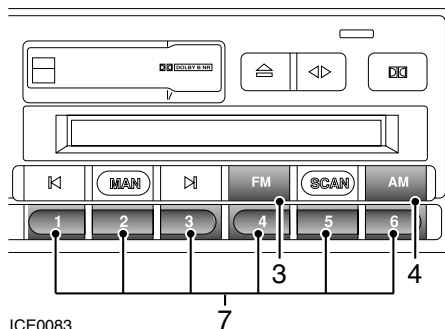
If the radio is unable to find a sufficiently strong weather information signal, it will continue to search ('NO WB' appears in the display) until a strong enough signal is found. To leave WB mode and return to radio/cassette or CD play, press the appropriate AM, FM, TAPE or CD mode button.

### MONO/STEREO

Whenever the FM waveband is selected, the radio automatically reproduces stereo sound, provided a suitable signal is available. However, if a signal becomes too weak for good stereo reception, only mono sound is produced until the signal strengthens sufficiently for stereo sound reproduction.

# R990 - Radio Tuning

## RADIO PRE-SET BUTTONS



The six pre-set buttons (7) can be used to manually store up to twelve FM stations (six each on FM1 and FM2) and twelve AM stations (six each on AM1 and AM2). The pre-sets are programmed as follows:

### Programming the pre-sets

- Select the required waveband (FM1, FM2, AM1 or AM2).
- Tune to the desired frequency using either automatic or manual tuning.
- Press and hold one of the pre-set buttons until a bleep sounds. The frequency is now stored (the display shows the waveband and frequency or name of the station you have tuned).

**NOTE:** *Once the pre-sets have been programmed, they will be retained by the unit until they are re-programmed or until the battery is disconnected.*

### Operating the pre-sets

Once the pre-set buttons have been programmed, operation is simple; select the desired waveband, then press the pre-set button of your choice.

## AUTO-STORE

Auto-store enables you to rapidly tune and store the strongest FM and AM radio signals in a single operation. This facility is particularly useful if you are in an unfamiliar area and have little knowledge of local transmitter frequencies.

### Programming auto-store

Press and hold the appropriate waveband selection button (3 or 4) until a bleep sounds (the radio mutes and the display shows either 'FM AUTOSTORE' or 'AM AUTOSTORE').

Auto-store scans the waveband to find the six strongest frequencies and then stores them on either the FM2 or AM2 pre-set buttons in order of signal strength.

Auto-store overwrites any stations already stored on the FM2 or AM2 pre-set buttons.

Radio play restores when the operation is complete.

**NOTE:** *If auto-store is unable to find six strong stations, the remaining pre-set buttons remain blank.*

### Operating auto-store

To tune to one of the auto-store frequencies, select FM2 or AM2, then press the pre-set button of your choice; the frequency or radio station name will appear on the display.

# R990 - Radio Data System

---

## **RADIO DATA SYSTEM (RDS)**

This radio is equipped with RDS (Radio Data System). RDS operates on the FM waveband and enables the radio to receive other information in addition to radio signals, including:

- *the programme service name*: this enables the set to display the radio station name instead of the frequency.
- *programme type selection*: allows choice of listening by one of 22 programme types rather than by radio station name.
- *an alarm announcement facility*: this enables the set to give priority to emergency information broadcasts; e.g. a very serious accident or natural disaster. All other audio functions will be overridden ('ALERT' appears in the display).

## **Receiving RDS stations**

The radio is automatically in the RDS mode whenever the FM waveband is selected.

Whenever an RDS radio station is received, the radio station name illuminates in the display.

**NOTE:** Not all FM radio stations broadcast RDS. If a non-RDS station is received the RDS features described previously will not be available.

## **Local radio stations**

Reception of most local radio stations is intentionally limited to a comparatively small area around the transmitter.

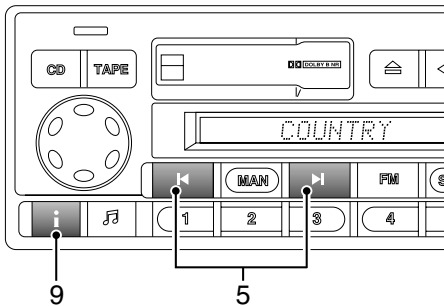
# R990 - Programme Type

## PROGRAMME TYPE (PTY)

PTY is a service whereby RDS compatible radio stations are able to transmit a signal which identifies the programme content. Your radio is able to receive and decipher this signal, thereby enabling you to select a programme category, which will then be given priority over other broadcasts.

For example, if you want to listen to classical music, select the 'CLASSICAL' category and the set will automatically search for and broadcast a station transmitting the 'CLASSICAL' PTY code.

## Operating PTY



ICE0111

Select your chosen PTY category as follows:

- Press the Programme type button (9); the current PTY category will appear in the display (eg. 'COUNTRY').
- To change the category, scroll up or down through the list of 22 options using the tuning buttons (5).
- Press the Programme type button again - the radio will search through the waveband for a station broadcasting the selected PTY code.

In some circumstances (depending on the time of day, popularity of programme choice, etc), the set may not be able to immediately locate a radio station broadcasting the chosen PTY code - the display will show 'NO PTY' and return to the original station.

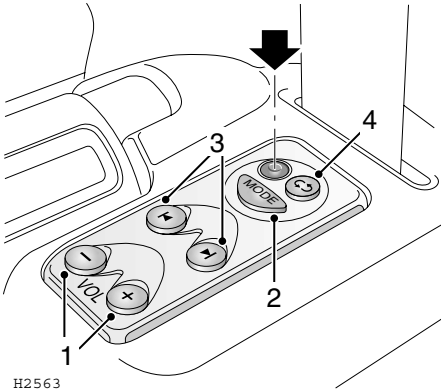
The 22 categories available for selection are as follows.

1. 'NEWS'
2. 'INFORM'
3. 'SPORTS'
4. 'TALK'
5. 'ROCK'
6. 'CLASSIC ROCK'
7. 'ADULT HIT'
8. 'SOFT ROCK'
9. 'TOP 40'
10. 'COUNTRY'
11. 'OLDIES'
12. 'SOFT'
13. 'NOSTALGIA'
14. 'JAZZ'
15. 'CLASSICAL'
16. 'R & B'
17. 'SOFT R&B'
18. 'LANGUAGE'
19. 'REL MUSIC' - (religious music)
20. 'REL TALK' - (religious talk)
21. 'PERSONALITY'
22. 'PUBLIC'



# Headphones

## HEADPHONE CONTROLS



The rear passenger headphone controls only operate with the main audio unit switched on. Plug the headphones into the socket (arrowed in illustration) to activate the controls - bass response from the vehicle speakers reduces and the headphone symbol, along with a symbol indicating the current headphone unit mode, appears in the display.

**NOTE:** To override the drop in bass response, press and hold the on/off volume control on the main audio unit.

**NOTE:** Only headphones compatible with a 3.5 mm jack plug socket can be used. To obtain optimum sound quality, use headphones with a resistance of 16 Ohms.

### 1. Volume controls

Press the +/- buttons to increase/reduce headphone volume output.

**NOTE:** Adjusting the volume on the main audio unit does not alter the headphone volume.

### 2. Mode control

If a tape and CDs have been loaded, press the control to change between cassette, CD and radio play back.

**NOTE:** Changing mode using the headphone control unit does NOT effect the audio output for the rest of the vehicle.

### 3. Auto search controls

The auto search controls has no effect if the headphone control unit is in the same mode as the main audio unit. For example; if the main audio unit AND the headphone unit are both in tape mode, the control does not operate.

*During radio play:*

Press the appropriate button to search up or down the selected waveband to locate the next or previous radio station.

*During tape play:*

Press the appropriate button to skip to the beginning of the next, or current track. Press repeatedly to search through more than one track.

*During CD play:*

Press the appropriate button to skip to the beginning of the next, or current track.

Press and hold the button to search through more than one track on the currently selected CD. The search stops when the button is released.

### 4. Selection button

The selection button has no effect if the headphone control unit is in the same mode as the main audio unit.

*During radio play:*

Press to select the next pre-set station on the current waveband.

*During tape play:*

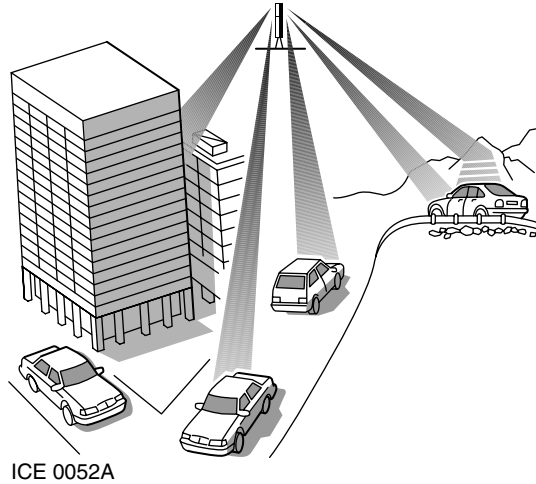
Press to reverse the direction of play.

*During CD play:*

Press to select the next CD in the autochanger.

# Radio Reception

---



## RADIO RECEPTION

Distortion, interference and lack of signal clarity, are often attributed to a fault in the radio - this is rarely the case.

Problems of this kind are usually caused by phenomena such as atmospheric conditions, signal strength, hilly terrain, tall buildings, bridges and even electrical interference from power lines.

**Please remember:** A car radio receives signals while the vehicle is in motion (unlike a domestic set) - constantly changing direction and moving away from, or nearer to, the transmitter whilst negotiating terrain with widely differing reception characteristics. Some interference is to be expected from time to time.

FM transmitters can only broadcast over a limited range and good, clear signals will only be received in the immediate area of the transmitter. When travelling, it may be necessary to re-tune the radio from time to time, to offset the effects of moving from one transmitter area to another.

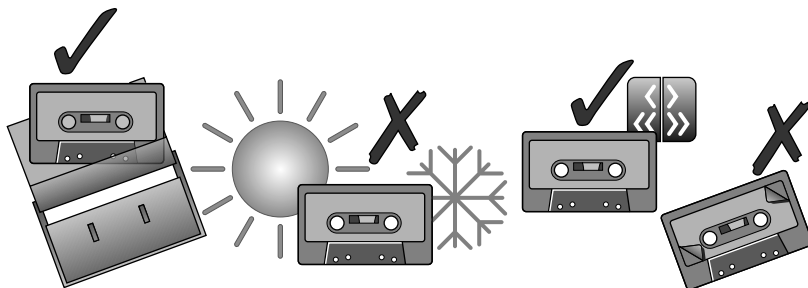
The broadcast range for good stereo reception (usually within a 30 to 40 mile radius of the transmitter) is noticeably less than it is for mono.

FM Signals (like light waves) travel in a straight line, so large obstacles, such as tall buildings, can shield the car from the signal causing distortion or loss of reception (known as dead spots).

Distortion can also occur if FM signals received directly from the transmitter mix with signals which have been reflected by obstructions such as mountains, hills and tall buildings (this is known as multi-path distortion).

# Care of Cassette Player and Tapes

---



ICE 0054

## CARE OF CASSETTE PLAYER AND TAPES

Use only good quality tapes with a maximum capacity of ninety minutes (C90). Check that both spools rotate freely and remove any loose turns at the start of the tape by winding one spool with a pen or pencil.

### Cassette player

In use, the tape head accumulates dust and contamination, gradually impairing sound reproduction and, in extreme cases, reducing volume too. To combat contamination, clean the tape head periodically (after approximately every 20 hours playing time) by passing a wet type cleaning cassette through the player.

**NOTE:** *Because your cassette player is fitted with auto reverse, the cleaning cassette must be played in both directions.*

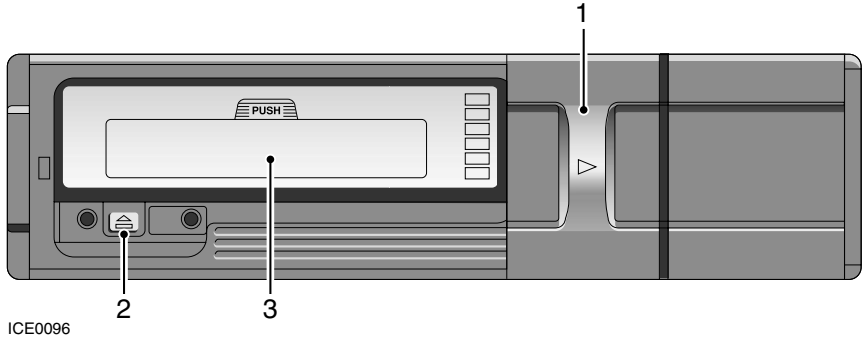
The tape will require more frequent cleaning in winter, as contamination is greater in conditions of low temperature and increased humidity. However, the use of good quality tapes keeps the build up to a minimum.

### Cassette tapes

- Always store cassettes in their boxes when not in use.
- Never leave cassettes in the vehicle during extremes of temperature. In particular, do not leave tapes in direct sunlight as they may warp and become unusable, or jam the tape player mechanism.
- Fast forward, or rewind tapes every 8 to 10 plays to prevent them from becoming too tightly wound.
- Ensure that labels attached to the cassette are glued firmly in place.
- DO NOT leave tapes in the cassette player for more than a few hours in very cold or humid conditions - the oxides on the tape surface may contaminate the cassette player mechanism.

**NOTE:** *After continuous playing, cassettes may become hot to touch. This is normal and will not harm good quality tape.*

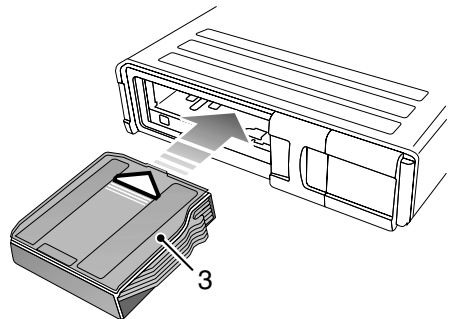
# CD Changer Unit



## COMPACT DISC CHANGER UNIT\*

The CD autochanger is located under the right hand front seat. The panel at the front of the seat pedestal allows access to insert and remove magazines.

### Removing/inserting the magazine



ICE0097A

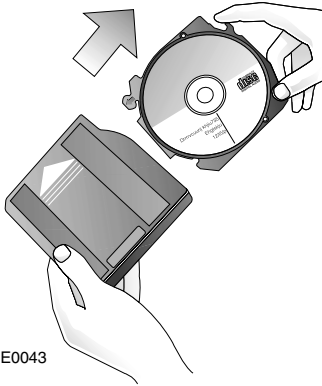
Fully open the sliding cover (1) to insert or remove the magazine. Keep the cover closed at all other times to prevent dust and dirt from entering the changer unit.

Press the button (2) to eject the magazine.

Insert the magazine (3) in the direction of the arrow marked on the magazine casing and push it fully into the changer. Finally, close the sliding cover.

# CD Changer Unit

## LOADING & UNLOADING THE MAGAZINE



ICE0043

Holding the magazine as shown (arrow on magazine casing uppermost), remove each CD tray in turn.

Place a disc (label side uppermost) onto each tray - holding **ONLY** the outside edge and centre hole of the disc. Load only one disc in each tray.

Correctly align the tray with the parallel slots on each side of the magazine and slide the tray into the magazine.

To unload the magazine, hold the magazine with the arrow uppermost, pull out each tray in turn, holding the tray securely so as not to drop the disc. Unload one disc at a time and handle only the edge and centre of the disc.

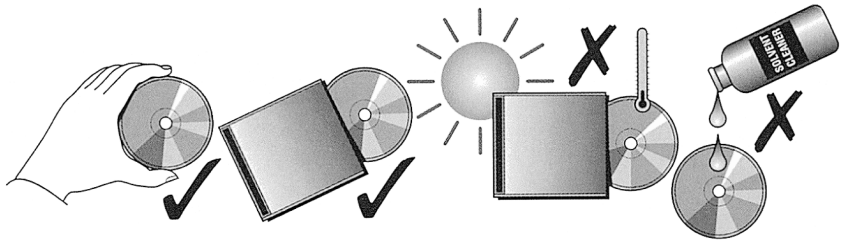
### **Important:**

- Use standard 12cm CDs only.
- **DO NOT** use irregularly shaped or damaged CDs - these may damage the compact disc changer.
- 8cm CD singles must **NOT** be used, even if a CD adaptor is fitted.
- The CD autochanger should not be used in temperatures outside the range  $-10^{\circ}\text{C}$  to  $+60^{\circ}\text{C}$ .
- In the unlikely event that the CD auto changer overheats, 'CD OVER TEMP' will be displayed - change to radio or tape mode until the unit has cooled.
- The CD autochanger should only be used as described - any other application or method of use could result in the user being exposed to invisible laser radiation exceeding the limit of laser class 1.

**NOTE:** Additional magazines can be obtained from a Land Rover dealer.

# Caring for Compact Discs

---



ICE 0022

## CARING FOR COMPACT DISCS

Dirt, dust, condensation and heat can damage discs. Always observe the following precautions:

**NEVER** touch the horizontal playing surface (the unlabelled side) of a disc! Handle discs by holding the outer edges, or the edge of the central hole and the outer edge, between finger and thumb.

**ALWAYS** return discs to their boxes after use (dirt detracts from the sound quality).

**NEVER** leave the disc or the box exposed to excessive heat or direct sunlight!

**NEVER** use a solvent or abrasive cleaner! Dust or dirt should be removed from the playing surface by wiping with a clean, dry, lint-free cloth always wipe in a straight line from the centre to the edge of the disc!

# Security Code

## SECURITY CODE INFORMATION

### IMPORTANT

Your vehicle was delivered with the security code disabled, if you wish to have the code activated, consult your Land Rover dealer.

To reduce the risk of theft, Discovery radio/cassette and CD players are programmed with a four digit security code. Once activated, this code prevents the unit from functioning if it is illegally removed from the vehicle. There are 10,000 different codes - making your radio equipment valueless to a thief unless he has the correct one. In addition, each unit is further protected by a time delay penalty system that effectively defies even the most systematic attempt to break the code.

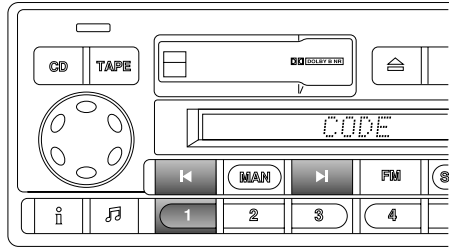
**NOTE:** *If an incorrect code is entered, a one minute time delay is imposed before a second code can be attempted. Each time a wrong code is entered, the time delay doubles (2 min, 4 min, 8 min, etc.) making theft a very unattractive proposition.*

On delivery of the vehicle you were supplied with a Security Information card. This card contains a record of the four digit security code, as well as the unit's unique serial number. The serial number is also stamped into the metal side of the unit and, in the event of theft, would confirm proof of ownership.

It is VERY IMPORTANT that you keep a safe record of the security code and heed the following advice:

- NEVER keep a record of the security code in the car.
- If you lose your code number, contact the nearest Land Rover dealer, who will be able to obtain this information for you.

## ENTERING THE SECURITY CODE



ICE0085

If the code has not already been entered, or power to the set has been interrupted, the code MUST be entered before the set will operate. Enter the code as follows:

- Switch on the radio ('CODE' appears in the display). Press pre-set button 1.
- Press either the up or down tuning button (highlighted in illustration) until the first digit of the security code appears in the display. Press pre-set 1 to store the first digit in the unit's memory.
- Use either tuning button to select the second digit of the code (until the correct digit appears in the display). Press pre-set 1 to store the second digit.
- Select the third digit, again using the tuning buttons (until the correct digit is displayed). Press pre-set 1 to store the third digit.
- Select the final digit (the display now shows the full four digit code). Press pre-set 1 to store the final digit.

If the correct code has been selected, a two-tone beep will sound and the radio will operate.

If an incorrect code has been entered, the first time delay period commences. During the delay period, 'Err' or 'WAIT' appears in the display - DO NOT switch off. At the end of the delay period, 'CODE' reappears in the display and you can then enter the correct code. Remember; the time delay period doubles each time an incorrect code is entered.