

TECHNICAL INFORMATION



No: 86/08/99/NAS
Ref:
Issue: 1
Date: 10/08/99

Series II Battery Cover Latch

AFFECTED VEHICLE RANGE:

DISCOVERY Series II (LT)

All

SITUATION:

BATTERY COVER LATCH FAILS

Battery covers on some Discovery Series II vehicles may not latch. This may be due to a failed latch mechanism.

RESOLUTION:

REPLACE LATCH MECHANISM

Latch mechanisms with receivers are now available as separate parts. Installation of these parts will solve battery cover security problems resulting from a broken latch.

PARTS INFORMATION:

DZM100070..... Latch mechanism

DZM100060..... Receiver

WARRANTY CLAIMS:

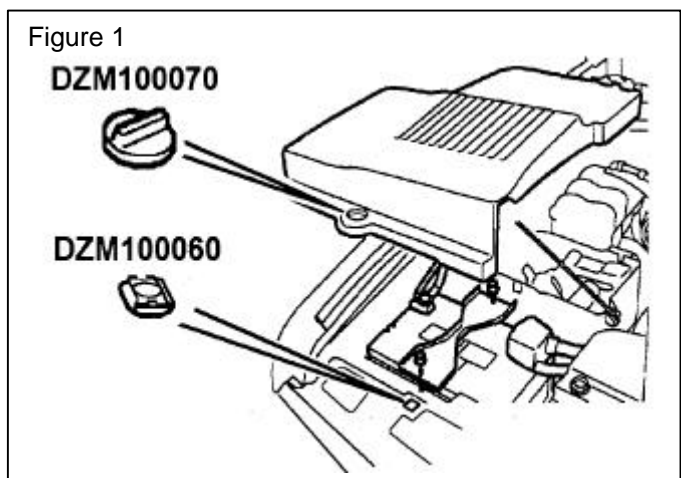
86.15.12 Time 0.20 hrs.
Replace latch mechanism.
FAULT CODE: G

Normal warranty policy and procedures apply

REPAIR PROCEDURE

REPLACE LATCH MECHANISM

1. Remove and save plastic washer from failed latch mechanism
2. Install new latch in battery cover.
3. Secure latch with original plastic washer.
4. Remove latch receiver by pressing downwards and retrieving from below the hood platform.
5. Install new receiver as follows:
 - Place new receiver underneath hood platform
 - Align with receiver hole
 - Press upwards until receiver snaps in place
6. Close battery cover.
7. Fasten cover by rotating latch mechanism one-quarter turn.



TIB	CIRCULATE:	Service Mgr	Warranty	Workshop	Body Shop	Parts
86/08/99/NAS	TO	X	X	X	X	X