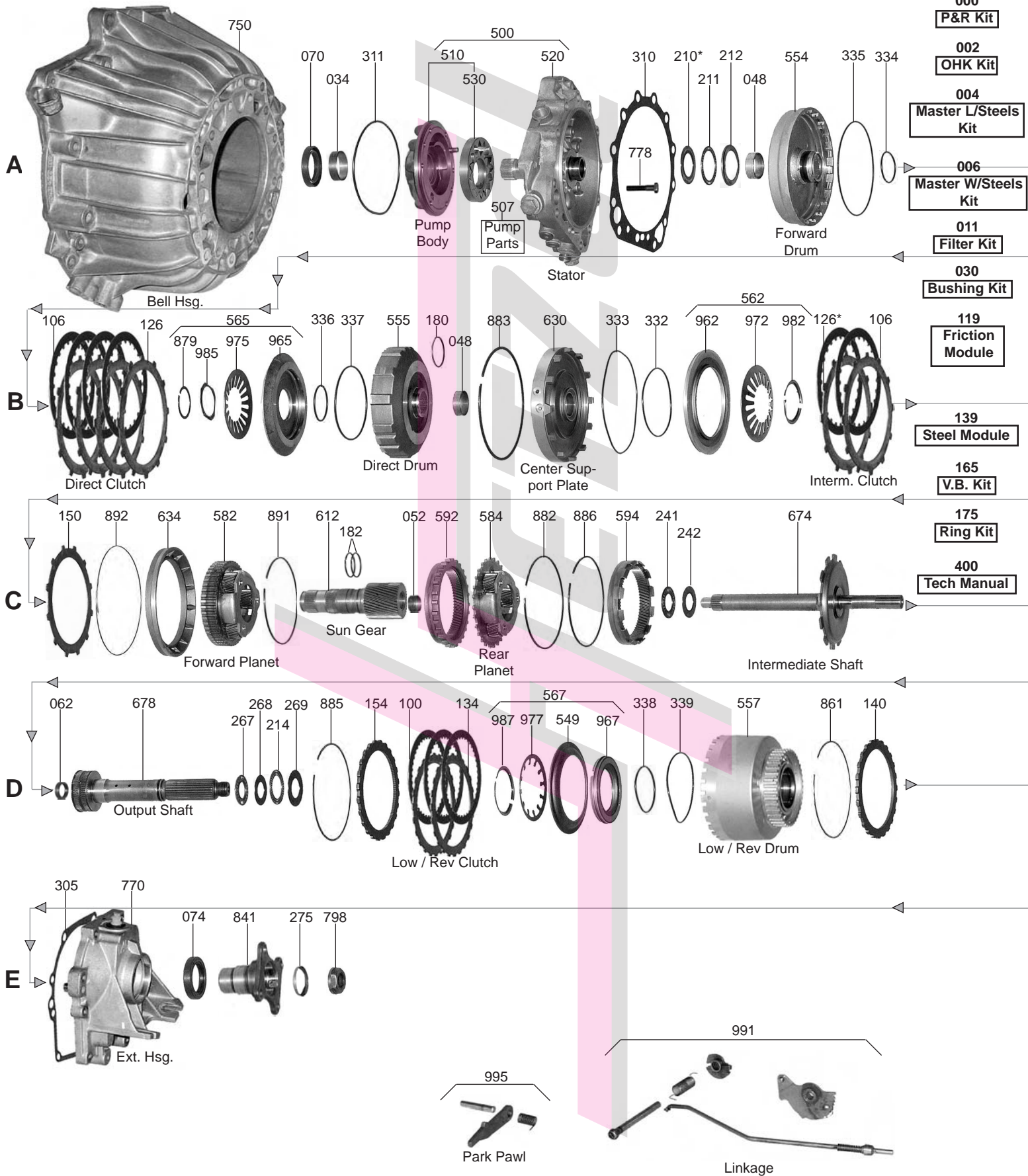
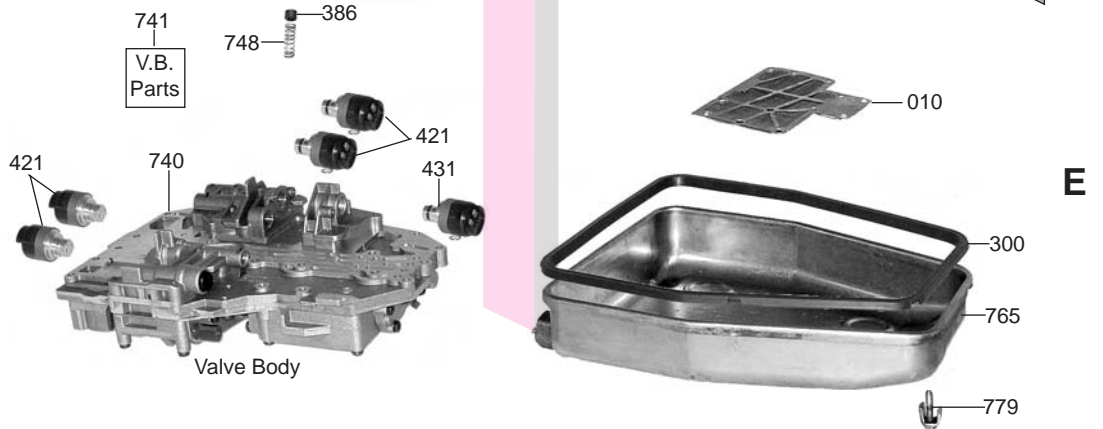
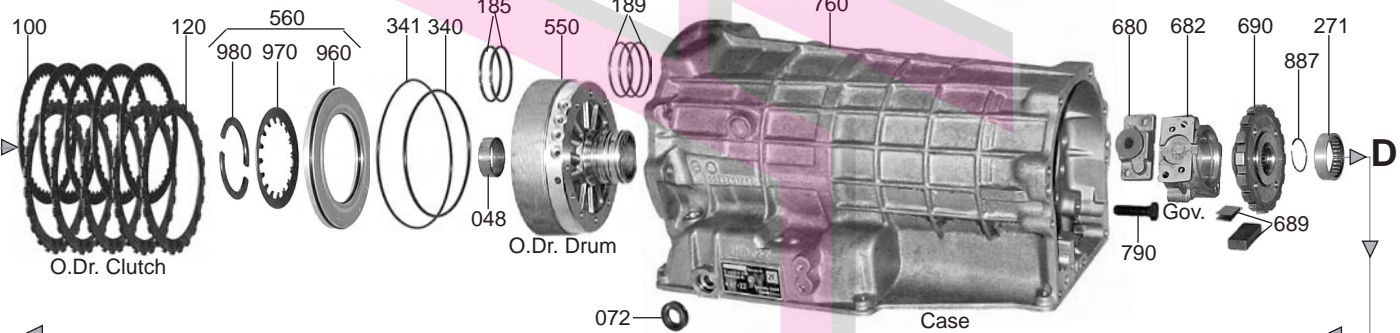
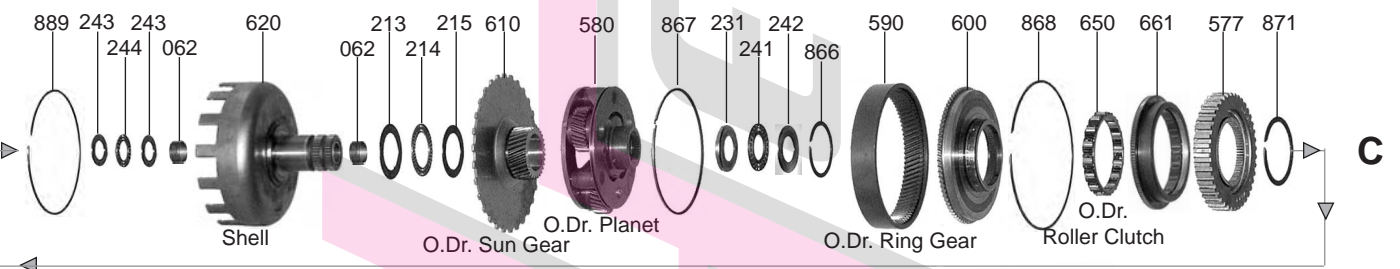
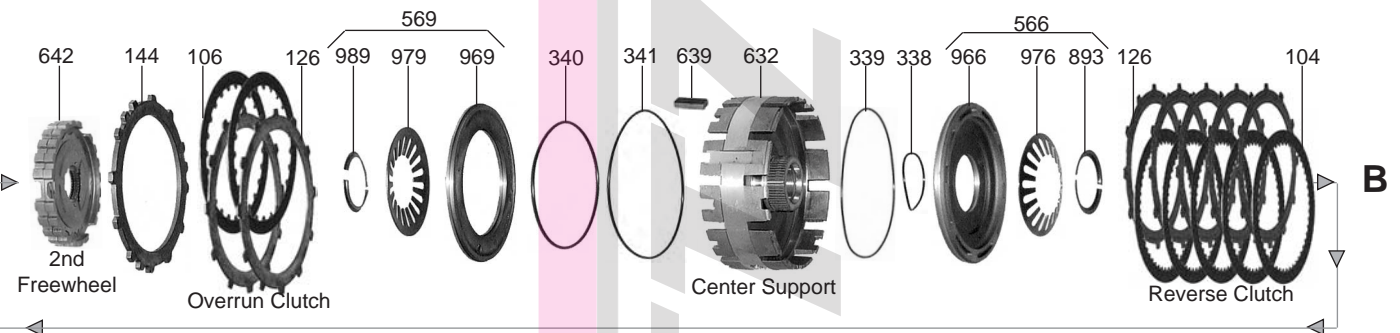
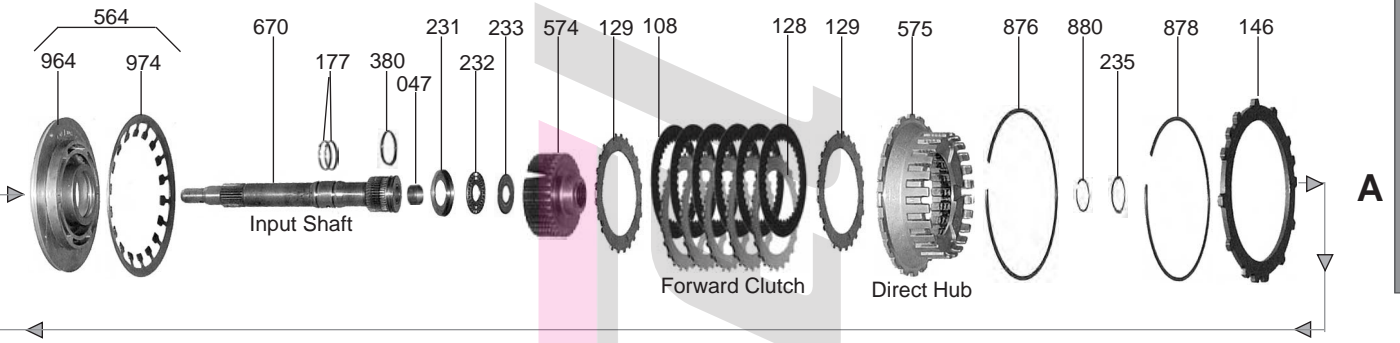


ZF





PART #	PAPER & RUBBER KIT	QTY.	REFERENCE #
69000.....	Paper & Rubber Kit, ZF3HP22 Combo 1976-84	1	1043-298-923
69000A	Paper & Rubber Kit, ZF4HP22 1984-Up	1	1043-298-092
69000E	Paper & Rubber Kit, ZF4HP24 1988-Up	1	1043-298-072
69000EA.....	Paper & Rubber Kit, ZF4HP24FLA (Audi) V-8 (AWD) 1989-94.....	1	
PART #	OVERHAUL KITS	QTY.	REFERENCE #
69002.....	Overhaul Kit, ZF3HP22 Combo 1976-84	1	
69002A	Overhaul Kit, ZF4HP22/ZF4HP24 1984-Up	1	1043-298-095
69002EA.....	Overhaul Kit, ZF4HP24A (Audi Quattro V-8)(With Transfer Case Parts) 1989-94	1	1043-298-084
PART #	MASTER L/STEEL KIT	QTY.	REFERENCE #
69004.....	Master L/Steels Kit, ZF3HP22 1976-84	1	
69004A	Master L/Steels Kit, ZF4HP22 1984-Up	1	
69004E	Master L/Steels Kit, ZF4HP24 1988-Up	1	
69004EA.....	Master L/Steels Kit, ZF4HP24FLA Audi V-8 (AWD) (With Transfer Case Parts) 1989-94	1	
PART #	MASTER W/STEEL KIT	QTY.	REFERENCE #
69006.....	Master W/Steels Kit, ZF3HP22 1976-84	1	
69006A	Master W/Steels Kit, ZF4HP22 1984-Up	1	
69006E	Master W/Steels Kit, ZF4HP24 1988-Up	1	
69006EA.....	Master W/Steels Kit, ZF4HP24FLA Audi V-8 (AWD) (With Transfer Case Parts) 1989-94	1	
PART #	FILTER	QTY.	REFERENCE #
69010.....	Filter, ZF3HP22 1976-84	1	24-34-1-209-791
69010A	Filter, ZF4HP22 (No Pick-Up Tube) 1984-Up.....	1	24-31-1-218-550
69010B	Filter, ZF4HP22 (With 1" Long Pick-Up Tube) 1985-Up.....	1	24-31-1-218-204
69010E	Filter, ZF4HP24 Land Rover 1988-Up.....	1	1043-226-037
69010EB.....	Filter, ZF4HP24A (Audi) (With 2 1/2" Long Pick-Up Tube).....	1	1043-226-035
PART #	FILTER KIT	QTY.	REFERENCE #
69011	Filter Kit, ZF3HP22 1976-84	1	
69011A.....	Filter Kit, ZF4HP22 (No Pick-Up tube)	1	
69011B	Filter Kit, ZF4HP22 (With 1 Pick-Up Tube)	1	
69011E	Filter Kit, ZF4HP24 Land Rover 1988-Up	1	
69011EB.....	Filter Kit, ZF4HP24FLA Audi (2 1/2" Tube).....	1	
PART #	BUSHINGS	QTY.	REFERENCE #
69030.....	Bushing Kit, ZF3HP22 1976-84	1	
69030A	Bushing, ZF4HP22 1984-Up	1	
69034.....	Bushing, ZF3HP22 / ZF4HP22 Pump 1976-93.....	1	750101031
69034B	Bushing, ZF4HP22 / ZF4HP24 Pump 1994-Up	1	0501-311-812
69048.....	Bushing, ZF4HP22 Forward Drum, Overdrive Drum, & Center Support Plate	1-3.....	
69047.....	Bushing, ZF3HP22 / ZF4HP22 Input Shaft	1	
69052.....	Bushing, ZF3HP22 / ZF4HP22 Sun Gear	1	
69062A	Bushing, ZF4HP22 Output Shaft & Shell With Shaft.....	1-3.....	
PART #	METAL CLAD SEALS	QTY.	REFERENCE #
69070.....	Seal, ZF3HP22 / ZF4HP22 Front 1976-Up	1	24-311-207-621
69072.....	Seal, ZF3HP22 / ZF4HP22 Manual Lever Seal 1976-Up	1	750110062
69074.....	Seal, ZF3HP22 / ZF4HP22 Extension Housing (BMW, Puegeot)(2.292"OD).....	1	046-504-4002H
69074AA.....	Seal, ZF4HP22 Extension Housing (Land Rover) 1988-97	1	
69074AB.....	Seal, ZF4HP22 Extension Housing (Land Rover) 1998-02	1	
56074B	Seal, ZF4HP22 Extension Housing (Lincoln With Boot)	1	E2ZZ-7052-A
PART #	FRICTION CLUTCH	QTY.	REFERENCE #
69100.....	Friction, ZF4HP22 Low/Reverse & Overdrive Clutch (.061") 40 Teeth (E/F Pack)(Also Fits ZF4HP24 A Clutch #108)	8	24-23-1-214-441
69104.....	Friction, ZF3HP22 / ZF4HP22 Reverse Clutch (.063") 48 Teeth (D Pack).....	4-5.....	24-23-1-205-955
69104E	Friction, ZF4HP22 Reverse Clutch (.061") 58 Teeth (D Pack)	5	1043-217-015

69106.....	Friction, ZF3HP22 / ZF4HP22 Direct, Intermediate, & Overrun Clutch (.059") 24 Teeth (B & C Pack).....	6-8.....	24-23-1-215-770
69108.....	Friction, ZF3HP22 / ZF4HP22 Forward Clutch (.061") 34 Teeth (A Pack)	4-6.....	24239-059-361
69108E.....	Use 69100.....	4-6.....	1043-202-189
A69108PPK.....	Friction & Steel Kit, ZF4HP22 Forward Clutch (.061") 34 Teeth (A Pack) (6 Frictions & 8 Steels) (Alto) (Power Pack) (Kevlar) (HI-Performance)	1.....	
69119A.....	Friction Module, ZF4HP22	1.....	
69119E.....	Friction Module, ZF4HP24/ZF4HP24A 1988-Up.....	1.....	

PART #	STEEL CLUTCH	QTY.	REFERENCE #
69120.....	Steel, ZF4HP22 Overdrive Clutch (.083") 24 Teeth (F Pack).....	4.....	2431-215-453
69126.....	Steel, ZF3HP22 / ZF4HP22 Direct, Intermediate, Overrun, & Reverse Clutch (.082") 12 Teeth (B, C & D Pack).....	AR.....	24231-209-825
69126A.....	Steel, ZF3HP22 / ZF4HP22 Direct, Intermediate, Overrun, & Reverse Clutch (.060") 12 Teeth (B, C & D Pack).....	AR.....	24231-209-824
69126B.....	Steel, ZF3HP22 / ZF4HP22 Direct, Intermediate, Overrun, & Reverse Clutch (.071") 12 Teeth (B, C & D Pack).....	11-13.....	24231-205-935
69126C.....	Steel, ZF3HP22 / ZF4HP22 Direct, Intermediate, Overrun, & Reverse Clutch (.047") 12 Teeth (B, C & D Pack)(4.693"ID).....	AR.....	24231-209-842
69126CA.....	Steel, ZF3HP22 / ZF4HP22 Direct, Intermediate, Overrun, & Reverse Clutch (.047") 12 Teeth (Waved) (B, C & D Pack)	AR.....	1043-302-036
69126CB.....	Steel, ZF3HP22 / ZF4HP22 Direct, Intermediate, Overrun, & Reverse Clutch (.158") 12 Teeth (B, C & D Pack).....	AR.....	24231-217-334
69126D.....	Steel, ZF4HP24 Reverse Clutch (.047") 12 Teeth (D Pack) (4.810"ID) 1987-Up.....	6.....	1043-317-040
69126DA.....	Steel, ZF4HP24 Reverse Clutch (.059") 12 Teeth (D Pack).....	AR.....	1043-317-061
69126DB.....	Steel, ZF4HP24 Reverse Clutch (.071") 12 Teeth (D Pack).....	AR.....	1043-317-062
69126DC.....	Steel, ZF4HP24 Reverse Clutch (.083") 12 Teeth (D Pack).....	AR.....	1043-317-063
69128.....	Steel, ZF3HP22 / ZF4HP22 Forward Clutch (.071") 24 Teeth (A Pack).....	5-6.....	24231-205-917
69128A.....	Steel, ZF3HP22 / ZF4HP22 Forward Clutch (.060") 24 Teeth (A Pack).....	AR.....	24231-205917A
69128B.....	Steel, ZF3HP22 / ZF4HP22 Forward Clutch (.047") 24 Teeth (A Pack).....	AR.....	24231-205-919
69129.....	Steel, ZF3HP22 / ZF4HP22 Forward Clutch (.040") 24 Teeth (Waved) (A Pack)	2.....	1043-202-001
69129A.....	Steel, ZF4HP22 Forward Clutch (.064") 21 Teeth (Waved) (A Pack).....	1.....	
69129D.....	Steel, ZF4HP22 Forward Clutch (.055") 24 Teeth (Waved) (A Pack).....	2.....	1043-330-140
69134.....	Steel, ZF4HP22 Low/Reverse Clutch (.059") 24 Teeth (E Pack)	4.....	24231-215-440
69139A.....	Steel Module, ZF4HP22 1983-Up.....	1.....	
69139E.....	Steel Module, ZF4HP24 1988-Up.....	1.....	

PART #	CLUTCH PRESSURE PLATES	QTY.	REFERENCE #
69140.....	Pressure Plate, ZF4HP22 Overdrive Clutch	1.....	1043-330-023
69144.....	Pressure Plate, ZF3HP22 / ZF4HP22 Overrun Clutch.....	1.....	301302004
69146.....	Pressure Plate, ZF3HP22 / ZF4HP22 Direct Clutch	1.....	
69150.....	Pressure Plate, ZF3HP22 / ZF4HP22 Reverse Clutch	1.....	301317017
69154.....	Pressure Plate, ZF4HP22 Low/Reverse Clutch	1.....	1043-330-073

PART #	VALVE BODY KITS	QTY.	REFERENCE #
S69165A.....	Valve Body Kit, ZF4HP22.....	1.....	

PART #	OIL SEALING RINGS	QTY.	REFERENCE #
69175A.....	Ring Kit, ZF3HP22 1976-84	1.....	1043298942
69175B.....	Ring Kit, ZF4HP22 1984-Up	1.....	4HP22MPSR
69175E.....	Ring Kit, ZF4HP24 1988-Up	1.....	
69177A.....	Ring, ZF3HP22 Input Shaft (Metal) 1976-84.....	1.....	
69177B.....	Ring, ZF4HP22 Input Shaft (Metal) 1984-Up	2.....	750113019
69177BT.....	Ring, ZF4HP22 Input Shaft (Teflon) 1984-Up	1.....	
69180.....	Ring, ZF3HP22 / ZF4HP22 Direct Clutch Drum (Metal)	1.....	301302051
69182A.....	Ring, ZF3HP22 / ZF4HP22 Sun Gear Shaft (Metal)	2.....	750113021
69185B.....	Ring, ZF4HP22 Low/Reverse Clutch (Metal).....	2.....	750113026
69189A.....	Ring, ZF3HP22 Governor (Metal) 1976-84	2.....	734401137
69189B.....	Ring, ZF4HP22 Governor (Metal) 1984-Up	1-3.....	750113005
69189V.....	Ring, ZF4HP22 Governor (Viton).....	1-3.....	501306311
69189VK.....	Ring Kit, ZF4HP22 Governor (Viton) Contains 3 Rings	1.....	501306311

PART #	WASHERS & BEARINGS	QTY.	REFERENCE #
69210	Race, ZF3HP22/ZF4HP22 Stator To Front Drum (Front) .042"	1	0730104149
69210A	Race, ZF3HP22/ZF4HP22 Stator To Front Drum (Front) .040"	1	0301302047
69210B	Race, ZF3HP22/ZF4HP22 Stator To Front Drum (Front) .059"	1	0730104150
69210C	Race, ZF3HP22/ZF4HP22 Stator To Front Drum (Front) .056"	1	0730104151
69210D	Race, ZF3HP22/ZF4HP22 Stator To Front Drum (Front) .081"	1	0730104152
69210E	Race, ZF3HP22/ZF4HP22 Stator To Front Drum (Front) .084"	1	0730104153
69210F	Race, ZF3HP22/ZF4HP22 Stator To Front Drum (Front) .090"	1	0730104154
69210G	Race, ZF3HP22/ZF4HP22 Stator To Front Drum (Front) .098"	1	0730104155
69210H	Race, ZF3HP22/ZF4HP22 Stator To Front Drum (Front) .107"	1	0730104156
69210J	Race, ZF3HP22/ZF4HP22 Stator To Front Drum (Front) .115"	1	0730104157
69210L	Race, ZF3HP22/ZF4HP22 Stator To Front Drum (Front) .125"	1	0730104158
69211	Bearing, ZF3HP22/ZF4HP22 Stator To Front Drum	1	24231215419
69212	Race, ZF3HP22/ZF4HP22 Stator To Front Drum (Rear)	1	0501311020
69213	Race, ZF3HP22/ZF4HP22 Bowl With Shaft To Flange (Front)	1	0301314005
69214	Bearing, ZF3HP22/ZF4HP22 Bowl With Shaft To Flange (BMW, Peugeot) Also Fits ZF4HP22 Output Shaft To Rear Drum	1-2	0301332002
69214A	Bearing, ZF4HP22 Bowl With Shaft To Flange (Lincoln)	1	0750115151
69215	Race, ZF3HP22 Bowl With Shaft To Flange (Rear)	2	1043331062
69231	Race, ZF4HP22 Forward Drum To Hub (Front) & Overdrive Planet To Output Shaft (Front)	1	1043332058
69232	Washer, ZF3HP22 Forward Drum To Hub (Plastic)	1	0301302020
69232A	Bearing, ZF4HP22 Forward Drum To Hub	1	0750115149
69233	Washer, ZF3HP22 Forward Drum To Hub (Steel)	1	0301302041
69233A	Race, ZF4HP22 Forward Drum To Hub (Rear)	1	
69235	Washer, ZF3HP22/ZF4HP22 Snap Ring To O-Ring	1	0301302051
69241	Bearing, ZF3HP22/ZF4HP22 Sun Gear To Intermediate Shaft	1	0750115150
69242	Race, ZF3HP22/ZF4HP22 Sun Gear To Intermediate Shaft (Also Fits ZF4HP22 Overdrive Planet To Output Shaft (Rear)	1-2	0301332025
69243	Race, ZF3HP22 Intermediate Shaft To Output Shaft	2	0301332020
69243A	Race, ZF4HP22 Intermediate Shaft To Shell	2	0635290026
69244	Bearing, ZF3HP22 Intermediate Shaft To Output Shaft	1	
69244A	Bearing, ZF4HP22 Intermediate Shaft To Shell	1	0635302051
69267	Race, ZF4HP22 Output Shaft To Rear Drum (Front) (BMW, Peugeot)	1	
69267A	Race, ZF4HP22 Output Shaft To Rear Drum (Front) (Lincoln)	1	1043330076
69268	Race, ZF4HP22 Output Shaft To Rear Drum (Bronze) (BMW, Peugeot)	1	
69268A	Race, ZF4HP22 Output Shaft To Rear Drum (Lincoln)	1	1043330077
69269	Race, ZF4HP22 Output Shaft To Rear Drum (Rear) (BMW, Peugeot)	1	
69269A	Race, ZF4HP22 Output Shaft To Rear Drum (Rear) (Lincoln)	1	1043330080
69270	Spacer, ZF4HP22 Output Shaft To Rear Drum (Rear)	1	1043314109
69271	Caged Bearing, ZF3HP22 Extension Housing	1	
69271A	Bearing, ZF4HP22 Extension Housing (2 Piece Split)	1	0635303058
69275	Washer, ZF3HP22 Under Yoke Nut	1	
69275A	Washer, ZF4HP22 Under Yoke Nut	1	0730749139

PART #	GASKETS & RUBBER COMPONENTS	QTY.	REFERENCE #
69300	Gasket, ZF3HP22 Bottom Pan (Rubber)	1	24-11-1-205-903
69300A	Gasket, ZF4HP22/ZF4HP24 Bottom Pan (Rubber)	1	24-11-1-215-488
69305	Gasket, ZF3HP22 Extension Housing	1	0301325002
69305A	Gasket, ZF4HP22 Extension Housing 1984-Up	1	070112012
69310	Gasket, ZF3HP22 Pump Stator To Bell Housing	1	1043322129
69310A	Gasket, ZF4HP22 Pump Stator To Bell Housing	1	0301301009
69310B	Gasket, ZF4HP22 Pump Stator To Case	1	750112012
69310C	Gasket, ZF3HP22 Pump Plate To Stator	1	750112009
69311	O-Ring, ZF3HP22 Pump	1	0634316308
69311A	O-Ring, ZF4HP22 Pump	1	734313061
69320A	Gasket, ZF4HP22 Valve Body (Upper)	1	1043326162
69320AA	Gasket, ZF4HP22 Valve Body (Upper)	1	1043326253
69320E	Gasket, ZF4HP24 Valve Body (Upper) Electronic	1	1043326232
69320EA	Gasket, ZF4HP24 Valve Body (Upper) Electronic	1	1043328050
69321E	Gasket, ZF4HP24 Valve Body (Lower) Electronic	1	
69330	O-Ring, ZF4HP22 Overdrive Clutch (Inner)	1	0734313028
69331	O-Ring, ZF4HP22 Overdrive Clutch (Outer)	1	0734313017
69332	O-Ring, ZF4HP22 Intermediate Clutch (Inner)	1	0734313027
69333	O-Ring, ZF4HP22 Intermediate Clutch (Outer)	1	0734313006
69335	O-Ring, ZF4HP22 Forward Clutch (Outer)	1	0301302061
69336	O-Ring, ZF4HP22 Direct Clutch (Inner)	1	0301302040
69337	O-Ring, ZF4HP22 Direct Clutch (Outer)	1	0734313008

69338.....	O-Ring, ZF4HP22 Low/Reverse Clutch (Inner).....	1	0734313025
69338A.....	O-Ring, ZF4HP22 Reverse Clutch (Inner).....	1	1043317001
69374.....	O-Ring, ZF4HP22 Output Shaft.....	1	0734313066
69379.....	O-Ring, ZF4HP22 Filter.....	1	0734313110
69380.....	O-Ring, ZF4HP22 Input Shaft.....	1	0734313065

PART #	TECHNICAL MANUALS	QTY.	REFERENCE #
69400.....	Technical Manual, ZF3HP22 1976-84.....	1	83-ZF3HP22TM
69400A.....	Technical Manual, ZF4HP22 1984-Up.....	1	83-ZF4HP22TM

PART #	ELECTRICAL COMPONENTS	QTY.	REFERENCE #
69421.....	Solenoid, ZF4HP22/ZF4HP24 (Shift / TCC / Reverse Lock-Out).....	1-3	501307869
69421K.....	Solenoid Master Kit, ZF4HP22/ZF4HP24 (For 5 Solenoid Valve Body Only).....	1	MS-ZFHP22
69431.....	Solenoid, ZF4HP22 (EPC) Pressure Regulator Solenoid (Fits The 5 Solenoid Valve Body).....	1	0501206997
69446.....	Wire Harness, ZF4HP24 Internal.....	1	1043227016

PART #	MISC. COMPONENTS	QTY.	REFERENCE #
69490.....	Breather Cap, ZF4HP22.....	1	1043325007

PART #	HARD PARTS	QTY.	REFERENCE #
69510.....	Pump Body W/Gears, ZF3HP22 1976-84.....	1	24-31-1-207-748
69510A.....	Pump Body W/Gears, ZF4HP22 (Bushing Type).....	1	24-40-1-624-401
69510B.....	Pump Body W/Gears, ZF4HP22 (Roller Bearing Type).....	1	
69520.....	Stator, ZF3HP22 1976-84.....	1	24-40-1-624-401
69520A.....	Stator, ZF4HP22 (Cast # 103) (.570"ID Cooler Line Fitting).....	1	24-16-1-217-085
69520B.....	Stator, ZF4HP22 (Cast # 133) (.570"ID Cooler Line Fitting).....	1	
69520C.....	Stator, ZF4HP22 (Cast # 158) (.570"ID Cooler Line Fitting).....	1	
69520D.....	Stator, ZF4HP22 (Cast # 258) (.570"ID Cooler Line Fitting).....	1	
69520E.....	Stator, ZF4HP22 (Cast # 206) (.655"ID Cooler Line Fitting).....	1	
69520G.....	Stator, ZF4HP22 (Cast # 253) (.492"ID Cooler Line Fitting).....	1	
69520H.....	Stator, ZF4HP22 (Cast # 255) (.492"ID Cooler Line Fitting).....	1	1043222079
69520J.....	Stator, ZF4HP22 (Cast # 236) Bolt On Shaft 3 7/16" Long.....	1	
69529.....	Shaft, ZF4HP22 Stator Tube.....	1	
69550.....	Drum, ZF4HP22 Overdrive (3 Clutch) Hydraulic Units.....	1	24-23-1-217-090
69550A.....	Drum, ZF4HP22 Overdrive (4 Clutch) Hydraulic Units.....	1	1043280081
69550B.....	Drum, ZF4HP22 Overdrive (3 Clutch) Electronic Units.....	1	
69550C.....	Drum, ZF4HP22 Overdrive (4 Clutch) Electronic (With 4 Apply Holes On OD).....	1	1043230084
69550CA.....	Drum, ZF4HP22 Overdrive (4 Clutch) Electronic (With 3 Apply Holes On OD) The Flat Machined Surface On Back Has 10 Threaded Bolt Holes (1.330"ID Of The Inside Bore At The Rear Of Drum).....	1	1043230093
69550CAA.....	Drum, ZF5HP22 Overdrive (4 Clutch) Electronic (With 3 Apply Holes On OD) The Flat Machined Surface On Back Has 10 Threaded Bolt Holes (1.410"ID Of The Inside Bore At The Rear Of Drum).....	1	
69550CB.....	Drum, ZF4HP22 Overdrive (4 Clutch) Electronic (With 3 Apply Holes On OD) The Flat Machined Surface On Back Has 10 Un-Threaded Bolt Holes.....	1	
69554.....	Drum, ZF3HP22 Forward Clutch (A Clutch)(1.125" Thick).....	1	24-21-1-206-821
69554A.....	Drum, ZF4HP22 Forward Clutch (A Clutch)(1.125" Thick) (Cast # 1043 402 050).....	1	24-23-1-215-420
69554B.....	Drum, ZF4HP24 Forward Clutch (A Clutch) (1.755" Thick) (Cast # 1043 402 077).....	1	
69555.....	Drum, ZF3HP22 / ZF4HP22 Direct Clutch (3 Clutch).....	1	
69555A.....	Drum, ZF3HP22 / ZF4HP22 Direct Clutch (4 Clutch).....	1	
69555E.....	Drum, ZF4HP24 Direct Clutch (5 Clutch) (Cast # 1043 402 086).....	1	
69557.....	Drum, ZF4HP22 Low/Reverse Clutch.....	1	24-23-1-215-389
69560.....	Piston Kit, ZF4HP22 Overdrive Clutch.....	1	
69562.....	Piston Kit, ZF3HP22 / ZF4HP22 Intermediate Clutch.....	1	
69564.....	Piston Kit, ZF3HP22 / ZF4HP22 Forward Clutch.....	1	
69564B.....	Piston Kit, ZF4HP24 Forward Clutch (Cast # 1043 402 095 Or 1043 402 129).....	1	
69565.....	Piston Kit, ZF3HP22 / ZF4HP22 Direct Drum.....	1	
69566.....	Piston Kit, ZF3HP22 / ZF4HP22 Reverse Clutch.....	1	
69567.....	Piston Kit, ZF4HP22 Low/Reverse Clutch.....	1	
69569.....	Piston Kit, ZF3HP22 / ZF4HP22 Overrun Clutch.....	1	
69574.....	Clutch Hub, ZF3HP22 Forward Clutch (Washer Type).....	1	
69574A.....	Clutch Hub, ZF4HP22 Forward Clutch (Bearing Type).....	1	1043302049
69575.....	Clutch Hub, ZF3HP22 / ZF4HP22 Direct Clutch (1.734" Tall).....	1	1043302110
69575E.....	Clutch Hub, ZF4HP24 Direct Clutch (2.380" Tall).....	1	
69577.....	Clutch Hub, ZF4HP22 Low/Reverse Output (Aluminum) Cast # 1043-430-058.....	1	1043330144
69577A.....	Clutch Hub, ZF4HP22 Low/Reverse Output (Aluminum) Cast # 1043-430-144.....	1	

ZF

PART #	HARD PARTS (Continued)	QTY.	REFERENCE #
69580	Planet, ZF4HP22 Overdrive (Rear)	1	
69582K	Planet, ZF3HP22 / ZF4HP22 Front W/Sprag (3 Gear) Used With 35 Teeth Sun Gear W/Out	1	
	Sealing Ring	1	23-41-0-924-241
69582AK	Planet, ZF3HP22 / ZF4HP22 Front W/Sprag (3 Gear) Used With 35 Teeth Sun Gear With 2	1	
	Sealing Rings	1	
69582BK	Planet, ZF3HP22 / ZF4HP22 Front With Sprag (4 Gear)	1	
69584A	Planet, ZF3HP22 / ZF4HP22 2nd (Used With 41 Teeth Sun Gear)	1	
69584B	Planet, ZF3HP22 / ZF4HP22 2nd (4 Gear) Used With 35 Teeth Sun Gear	1	
69584C	Planet, ZF3HP22 / ZF4HP22 2nd (3 Gear) Used With 35 Teeth Sun Gear	1	23-41-1-124-341
69590	Ring Gear, ZF4HP22 Overdrive Planet	1	1036332015
69592	Ring Gear, ZF3HP22 / ZF4HP22 Front Planet	1	24-41-1-024-241
69594	Ring Gear, ZF3HP22 / ZF4HP22 2nd Planet	1	
69600	Hub, ZF4HP22 Rear Ring Gear (Inner Sprag Race)	1	
69610	Sun Gear, ZF4HP22 Overdrive With Flange	1	
69612	Sun Gear, ZF3HP22 / ZF4HP22 (35 Teeth Without Sealing Rings)	1	
69612A	Sun Gear, ZF3HP22 / ZF4HP22 (35 Teeth With 2 Sealing rings)	1	
69612B	Sun Gear, ZF3HP22 / ZF4HP22 (41/35 Teeth With 2 Sealing Rings)	1	
69612C	Sun Gear, ZF3HP22 / ZF4HP22 (41/35 Teeth Without Sealing Rings)	1	
69620	Shell, ZF4HP22 Connecting With Shaft	1	
69630	Center Support Plate, ZF3HP22 / ZF4HP22 (Cast # 1043 431020)	1	
69630A	Center Support Plate, ZF3HP22 / ZF4HP22 (Cast # 1043 431030)	1	
69630B	Center Support Plate, ZF3HP22 / ZF4HP22 (Cast # 1043 431055)	1	1043231038
69632	Center Support, ZF3HP22 / ZF4HP22 (1 Snap Ring On Outside For Clutch Packs) (2.480" Tall)	1	1043217008
69632A	Center Support, ZF3HP22 / ZF4HP22 (1 Snap Ring On Outside & 1 Snap Ring On Inside)	1	
69632B	Center Support, ZF3HP22 / ZF4HP22 (1 Snap Ring On Outside For Clutch Packs) (2.650" Tall)	1	
69634	Support Ring, ZF4HP22	1	
69639	Lock Keys, ZF3HP22 / ZF4HP22 Center Support	3	

PART #	SPRAGS & ONE WAY CLUTCHES	QTY.	REFERENCE #
69642	Sprag Assembly, ZF3HP22 / ZF4HP22 2nd Freewheel (Non Turbo)	1	1043231006
69642A	Sprag Assembly, ZF3HP22 / ZF4HP22 2nd Freewheel (Turbo) Extra Wide	1	
69650	Sprag, ZF4HP22 Overdrive Roller Clutch	1	
69661	Outer Race, ZF4HP22 Overdrive Roller Clutch	1	

PART #	HARD PARTS (Continued)	QTY.	REFERENCE #
69670	Input Shaft, ZF3HP22	1	
69670A	Input Shaft, ZF4HP22	1	1043202048
69674	Shaft, ZF3HP22 Intermediate	1	
69674A	Shaft, ZF4HP22 Intermediate	1	
69678	Output Shaft, ZF3HP22 (10" Long)	1	
69678A	Output Shaft, ZF3HP22 (9" Long)	1	
69678B	Output Shaft, ZF4HP22 (8 1/4" Long)	1	1043214060
69678C	Output Shaft, ZF4HP22 (17 3/4" Long)	1	
69678D	Output Shaft, ZF4HP22 (9 3/16" Long)	1	1043214067
69678E	Output Shaft, ZF4HP22 (9 7/8" Long)	1	
69678G	Output Shaft, ZF4HP22 (13 1/4" Long)	1	
69680	Valve, ZF3HP22 For The Governor	1	
69680A	Valve, ZF4HP22 For The Governor (Two Valve Type)	1	
69680AA	Valve, ZF4HP22 For The Governor (One Valve Type)	1	
69682	Support, ZF3HP22 Governor Housing	1	1043333008
69682A	Support, ZF4HP22 Governor Housing (For 1 Valve Type)	1	E4LY-7C053-A
69682B	Support, ZF4HP22 Governor Housing (For 2 Valve Type)	1	1043333104
69685	Governor Flange, ZF3HP22	1	1043233005
69689	Governor Weights, ZF4HP22	1	
69690	Park Wheel, ZF4HP22 (Hydraulic) Governor Type	1	
69690A	Park Wheel, ZF4HP22 (Electronic) With 36 Lug Reluctor (The Reluctor Is Bolted To The Park Wheel In Place Of The Governor)	1	
69740	Valve Body, ZF3HP22	1	
69740A	Valve Body, ZF4HP22 (Hydraulic)	1	
69740AC	Valve Body, ZF4HP22 (Electronic) With 5 Solenoids (4 On 1 Side & 1 On The Other)	1	
69740B	Valve Body, ZF4HP22 (Electronic) With 5 Solenoids On One Side & 8 Wire Connectors	1	
69740BA	Valve Body, ZF4HP22 (Electronic) With 4 Solenoids (7 Wire Connector)	1	
69740BB	Valve Body, ZF4HP22 (Electronic) With 4 Solenoids (9 Wire Connector)	1	

PART #	VALVE BODY COMPONENTS	QTY.	REFERENCE #
69741-3K.....	Spring Kit, ZF4HP22 (In Valve Body) Hydraulic Units.....	1	
69741E-3K.....	Spring Kit, ZF4HP22 (In Valve Body) Electronic Units.....	1	
69741C-3.....	Spring, ZF4HP22 Converter Control (In Valve Body).....	1	
69741-5.....	Check Ball, ZF4HP22 Valve Body.....	AR	1043323017
69741-8.....	Valve Body Plug, ZF4HP22 Small Rubber.....	6	0734317003
69741A-8.....	Valve Body Plug, ZF4HP22 Large Rubber.....	1	1043301514
69741-9.....	Tube, ZF4HP22 On Valve Body (J Shaped).....	1	1043326229
69748K.....	Spring & Hocket Puck Kit, ZF3HP22.....	1	
69748AK.....	Spring & Hocket Puck Kit, ZF4HP23.....	1	
69748A-1.....	Snap Ring, ZF4HP22 Holds In Spring & Rubber Plug.....	7	0630502079
69748A-2.....	Spring, ZF4HP22 Between Valve Body & Small Rubber Plug.....	4	0732040687
69748A-2A.....	Spring, ZF4HP22 Between Valve Body & Large Rubber Plug.....	4	030132087

PART #	HARD PARTS (Continued)	QTY.	REFERENCE #
69750.....	Bell Housing, ZF3HP22 (Cast # 034).....	1	
69750A.....	Bell Housing, ZF3HP22 (Cast # 019).....	1	
69750B.....	Bell Housing, ZF3HP22 (Cast # 041).....	1	
69750C.....	Bell Housing, ZF3HP22 (Cast # 084).....	1	
69750D.....	Bell Housing, ZF4HP22 (Cast # 18/F4).....	1	
69750E.....	Bell Housing, ZF4HP22 (Cast # 012).....	1	
69750F.....	Bell Housing, ZF4HP22 (Cast # 102).....	1	
69750G.....	Bell Housing, ZF4HP22 (Cast # 106).....	1	
69760.....	Case, ZF3HP22.....	1	
69760A.....	Case, ZF4HP22 (Hydraulic).....	1	
69760B.....	Case, ZF4HP22 (BMW, Peugeot).....	1	
69765.....	Pan, ZF3HP22.....	1	
69765A.....	Pan, ZF4HP22 2WD.....	1	
69765B.....	Pan, ZF4HP22 4x4 (5 1/2" Deep In Center)(With Drain Plug).....	1	
69770.....	Extension Housing, ZF3HP22 (Cast # 004).....	1	
69770A.....	Extension Housing, ZF3HP22 (Cast # 009).....	1	
69770B.....	Extension Housing, ZF3HP22 (Cast # 020).....	1	
69770C.....	Extension Housing, ZF3HP22 (Cast # 008).....	1	
69770H.....	Extension Housing, ZF4HP22 (Cast # 036).....	1	
69774.....	Housing, ZF3HP22 Driven Speed-O Gear.....	1	
69774A.....	Housing, ZF4HP22 Driven Speed-O Gear.....	1	
69779K.....	Bolt Set, ZF4HP22 Pan To Case.....	1	
69782K.....	Bolt Set, ZF4HP22 Valve Body.....	1	
69790.....	Bolt, ZF4HP22 Holds Overdrive Drum To Case.....	10	
69790K.....	Bolt Set, ZF4HP22 Holds Overdrive Drum To Case.....	1	
69798.....	Nut, ZF3HP22 Yoke.....	1	0737006036
69798A.....	Nut, ZF4HP22 Yoke.....	1	0737006036
69841.....	Yoke, ZF3HP22.....	1	
69843.....	Retainer, ZF4HP22 Solenoid.....	1	1043326045
69848.....	Gear, ZF4HP22 Driven Speed-O.....	1	
69861.....	Snap Ring, ZF4HP22 Holds Overdrive Pressure Plate In Drum.....	1	
69866.....	Snap Ring, ZF4HP22 Holds Shell To Overdrive Planet.....	1	0730513194
69868.....	Snap Ring, ZF4HP22 Holds Overdrive Hub To Overdrive Ring Gear.....	1	0730513193
69871.....	Snap Ring, ZF4HP22 Output Shaft (Front).....	1	0730513229
69873.....	Snap Ring, ZF3HP22 / ZF4HP22 Center Support (Front).....	1	
69876.....	Snap Ring, ZF4HP22 Holds Direct Hub To Forward Drum.....	1	0730513352
69876A.....	Snap Ring, ZF3HP22 Holds Direct Hub To Forward Drum.....	1	0301302043
69877B.....	Snap Ring, ZF4HP24 Holds Forward Clutch Spring Retainer In.....	1	
69878.....	Snap Ring, ZF3HP22 / ZF4HP22 (2.0L) Holds Direct Pressure Plate In Drum.....	1	0730513138
69878A.....	Snap Ring, ZF3HP22 / ZF4HP22 (2.5L) Holds Direct Pressure Plate In Drum.....	1	0730513325
69879.....	Snap Ring, ZF3HP22 / ZF4HP22 Holds Direct Clutch Retainer In Drum.....	1	0301302053
69880.....	Snap Ring, ZF3HP22 / ZF4HP22 Holds Direct Drum To Sun Gear Shaft.....	1	0301302052
69882.....	Snap Ring, ZF3HP22 / ZF4HP22 Holds Front Ring Gear To Rear Planet.....	1	0730513272
69883.....	Snap Ring, ZF3HP22 / ZF4HP22 Holds Center Plate In Case.....	1	0730503057
69885.....	Snap Ring, ZF4HP22 Holds Low/Reverse Pressure Plate In Drum.....	1	0730513190
69886.....	Snap Ring, ZF3HP22 / ZF4HP22 Holds Front Planet Ring Gear To Shell.....	1	
69887.....	Snap Ring, ZF4HP22 Holds Park Gear To Output Shaft.....	1	
69889.....	Snap Ring, ZF3HP22 / ZF4HP22 Holds Rear Ring Gear To Intermediate Shaft.....	1	0301332015
69891.....	Snap Ring, ZF3HP22 / ZF4HP22 Holds Reverse Pressure Plate In Center Support.....	1	0301314012
69892.....	Snap Ring, ZF3HP22 / ZF4HP22 Center Support (Rear).....	1	
69893.....	Retainer, ZF3HP22 / ZF4HP22 Holds Reverse Clutch Return Spring To Center Support (2 piece).....	1	0630503036
69894.....	Snap Ring, ZF3HP22 / ZF4HP22 Park Gear To Output Shaft (Front).....	1	

ZF4HP22 /24

RWD 4 Speed

ZF

PART #	HARD PARTS (Continued)	QTY.	REFERENCE #
69960.....	Piston, ZF4HP22 Overdrive Clutch	1	
69962.....	Piston, ZF3HP22 / ZF4HP22 Center Plate	1	
69964.....	Piston, ZF3HP22 / ZF4HP22 Forward Clutch	1	1043202040
69964B.....	Piston, ZF4HP24 Forward Clutch (Cast # 1043 402 095 or 1043 402 129)	1	
69965.....	Piston, ZF4HP22 Direct Clutch	1	1043302093
69966.....	Piston, ZF3HP22 / ZF4HP22 Reverse Clutch	1	
69967.....	Piston, ZF4HP22 Low/Reverse Clutch.....	1	
69969.....	Piston, ZF3HP22 / ZF4HP22 Overrun Clutch	1	
69970.....	Spring, ZF4HP22 Overdrive Clutch Return	1	1043330049
69972.....	Spring, ZF3HP22 / ZF4HP22 Intermediate Clutch Return	1	
69974.....	Spring, ZF3HP22 / ZF4HP22 Forward Clutch Return	1	1043302007
69974B.....	Spring, ZF4HP24 Forward Clutch Return (12 Fingers)(3.540"OD).....	1	
69975.....	Spring, ZF3HP22 / ZF4HP22 Diaphragm Spring Direct Clutch Return	1	0301302028
69976.....	Spring, ZF3HP22 / ZF4HP22 Diaphragm Spring Reverse Clutch Return	1	0301317003
69977.....	Spring, ZF4HP22 Low/Reverse Clutch Return	1	1043330079
69979.....	Spring, ZF3HP22 / ZF4HP22 Diaphragm Spring Overrun Clutch Return	1	0301331031
69980.....	Retainer, ZF4HP22 Holds Overdrive Clutch Return Spring To Drum (2 piece)	1	1043330166
69982.....	Retainer, ZF3HP22 / ZF4HP22 Holds Intermediate Clutch Return Spring to Centering Support Plate (2 Piece)	1	31436AAA000
69984B.....	Retainer, ZF4HP24 Forward Clutch Spring (1.950" Wide)(Sets On Top Of The Return Spring # 974)	1	
69985.....	Retainer, ZF3HP22 / ZF4HP22 Holds Direct Clutch Return Spring To Drum (2 piece)	1	0301302054
69987.....	Retainer, ZF4HP22 Holds Low/Reverse Clutch Return Spring To Drum (2 Piece)	1	
69989.....	Retainer, ZF3HP22 / ZF4HP22 Overrun Clutch Return Spring To Center Support (2 Piece)	1	1043330056
69991.....	Linkage Assembly, ZF3HP22 Internal	1	
69991A.....	Linkage Assembly, ZF4HP22 Internal	1	
69995.....	Park Pawl Assembly, ZF4HP22.....	1	

