

## FOREWORD

This supplement provides information covering changes in the electrical system specifications of the LAND CRUISER / LAND CRUISER PRADO which were made in Aug., 2004.

Applicable models: GRJ120, 125 Series  
TRJ120, 125 Series  
KDJ120, 125 Series  
KZJ120 Series  
LJ120, 125 Series

For information which is not mentioned in this manual, please refer to the following manuals:

Manual Name	Pub. No.
● LAND CRUISER / LAND CRUISER PRADO Electrical Wiring Diagram	EWD527E
● LAND CRUISER / LAND CRUISER PRADO Repair Manual Supplement	RM1151E
● 2TR-FE Engine Repair Manual	RM1152E
● 1KD-FTV Engine Repair Manual	RM1153E
● TOYOTA New Car Features	NCF276E

All information in this manual is based on the latest product information at the time of publication. However, specifications and procedures are subject to change without notice.

## TOYOTA MOTOR CORPORATION

### NOTICE

**When handling supplemental restraint system components (removal, installation or inspection, etc.), always follow the direction given in the repair manuals listed above to prevent accidents and supplemental restraint system malfunction.**

### ©2004 TOYOTA MOTOR CORPORATION

All rights reserved. This book may not be reproduced or copied, in whole or in part, without the written permission of Toyota Motor Corporation.

First Printing : Aug. 04, 2004 01-040804-00



# LAND CRUISER / LAND CRUISER PRADO ELECTRICAL WIRING DIAGRAM

	Section Code	Page
INTRODUCTION .....	A .....	<b>3</b>
HOW TO USE THIS MANUAL .....	B .....	<b>4</b>
ABBREVIATIONS .....	C .....	<b>6</b>
RELAY LOCATIONS .....	D .....	<b>8</b>
ELECTRICAL WIRING ROUTING .....	E .....	<b>26</b>
CONNECTOR LIST .....	F .....	<b>114</b>
PART NUMBER OF CONNECTORS .....	G .....	<b>134</b>
OVERALL ELECTRICAL WIRING DIAGRAM .	H .....	<b>140</b>



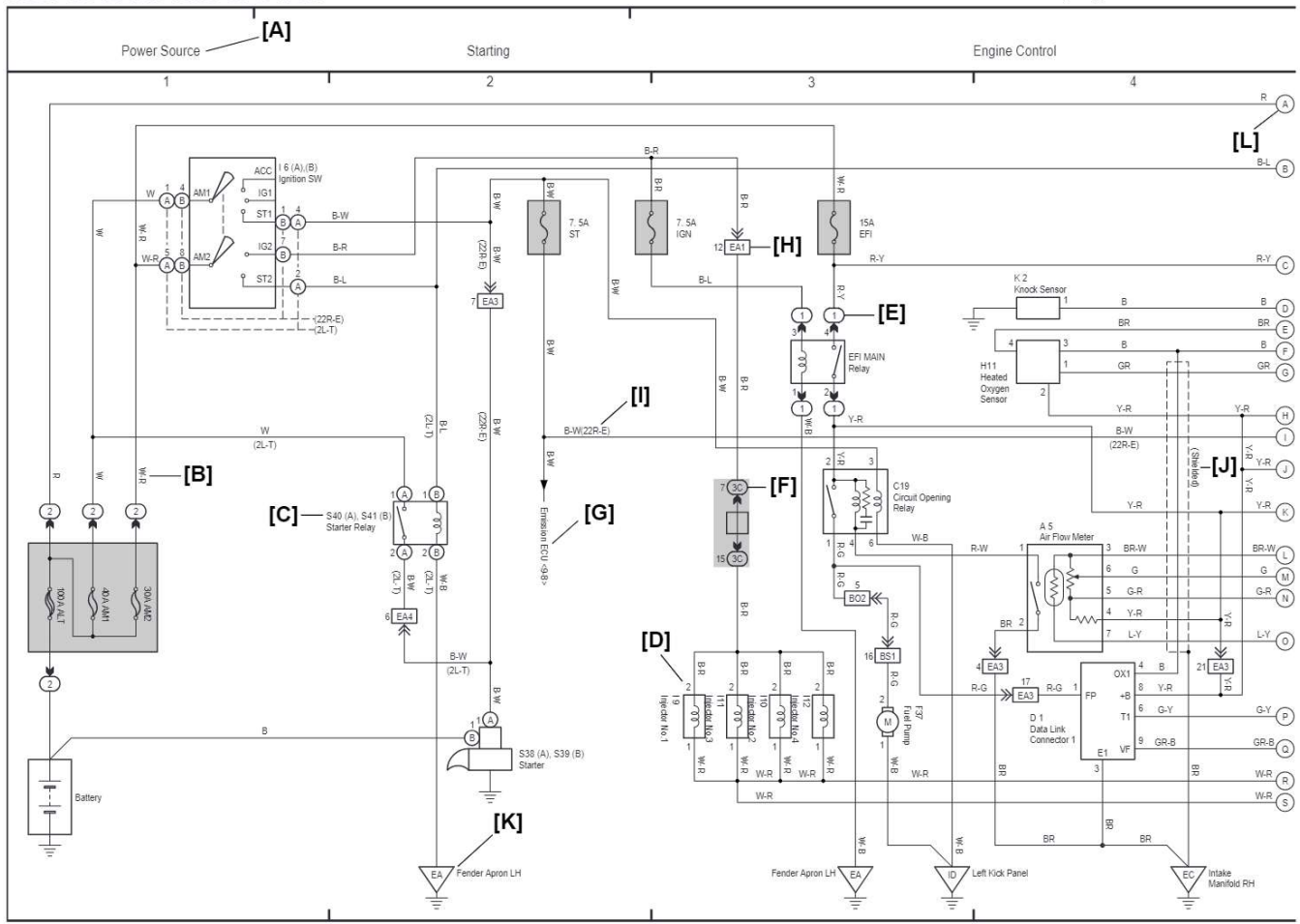
## INTRODUCTION A

This manual consists of the following 8 sections:

No.	Section	Description
A	INDEX	Index of the contents of this manual.
	INTRODUCTION	Brief explanation of each section.
B	HOW TO USE THIS MANUAL	Instructions on how to use this manual.
C	ABBREVIATIONS	Defines the abbreviations used in this manual.
D	RELAY LOCATIONS	Shows position of the Electronic Control Unit, Relays, Relay Block, etc. This section is closely related to the wiring diagram.
E	ELECTRICAL WIRING ROUTING	Describes position of the Parts Connectors, Ground points, etc. This section is closely related to the wiring diagram.
F	CONNECTOR LIST	Describes the form of the connectors for the parts appeared in this book. This section is closely related to the wiring diagram.
G	PART NUMBER OF CONNECTORS	Indicates the part number of the connectors used in this manual.
H	OVERALL ELECTRICAL WIRING DIAGRAM	Provides circuit diagrams showing the circuit connections.

\* The system shown here is an EXAMPLE ONLY. It is different to the actual circuit shown in the wiring diagram section.

4 HOW TO READ THIS SECTION



LAND CRUISER / LAND CRUISER PRADO (EWD595E)

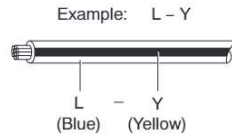
[A] : System Title

[B] : Indicates the wiring color.

Wire colors are indicated by an alphabetical code.

B = Black    W = White    BR = Brown  
 L = Blue    V = Violet    SB = Sky Blue  
 R = Red    G = Green    LG = Light Green  
 P = Pink    Y = Yellow    GR = Gray  
 O = Orange

The first letter indicates the basic wire color and the second letter indicates the color of the stripe.

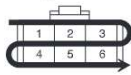


[C] : The position of the parts is the same as shown in the wiring diagram and wire routing.

[D] : Indicates the pin number of the connector.

The numbering system is different for female and male connectors.

Example: Numbered in order from upper left to lower right



Female

Example: Numbered in order from upper right to lower left



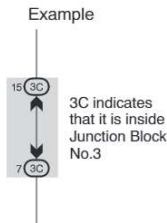
Male

The numbering system for the overall wiring diagram is the same as above.

[E] : Indicates a Relay Block. No shading is used and only the Relay Block No. is shown to distinguish it from the J/B.

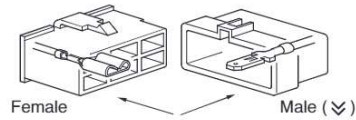
Example: Indicates Relay Block No.1

[F] : Junction Block (The number in the circle is the J/B No. and the connector code is shown beside it). Junction Blocks are shaded to clearly separate them from other parts.



[G] : Indicates related system.

[H] : Indicates the wiring harness and wiring harness connector. The wiring harness with male terminal is shown with arrows (↗). Outside numerals are pin numbers.



[I] : ( ) is used to indicate different wiring and connector, etc. when the vehicle model, engine type, or specification is different.

[J] : Indicates a shielded cable.



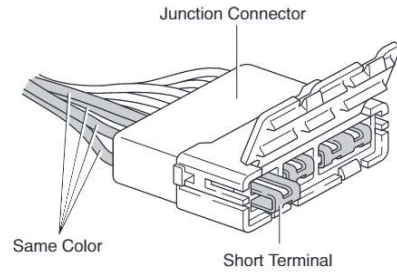
[K] : Indicates and located on ground point.

[L] : The same code occurring on the next page indicates that the wire harness is continuous.

**HINT :**

Junction connector in this manual include a short terminal which is connected to a number of wire harnesses. Always perform inspection with the short terminal installed. (When installing the wire harnesses, the harnesses can be connected to any position within the short terminal grouping. Accordingly, in other vehicles, the same position in the short terminal may be connected to a wire harness from a different part.)

Wire harness sharing the same short terminal grouping have the same color.



### ABBREVIATIONS

The following abbreviations are used in this manual.

4WD	=	Four Wheel Drive Vehicles
A/C	=	Air Conditioner
A/T	=	Automatic Transmission
ABS	=	Anti-Lock Brake System
ACIS	=	Acoustic Control Induction System
BA	=	Brake Assist
CD	=	Compact Disc
DIFF.	=	Differential
DLC3	=	Data Link Connector 3
ECT	=	Electronic Control Transmission
ECU	=	Electronic Control Unit
EGR	=	Exhaust Gas Recirculation
EVAP	=	Evaporative Emission
J/B	=	Junction Block
LH	=	Left-Hand
LHD	=	Left-Hand Drive
M/T	=	Manual Transmission
PTC	=	Positive Temperature Coefficient
R/B	=	Relay Block
RH	=	Right-Hand
RHD	=	Right-Hand Drive
SRS	=	Supplemental Restraint System
SW	=	Switch
TEMP.	=	Temperature
TRC	=	Traction Control
VRV	=	Vacuum Regulating Valve
VSC	=	Vehicle Stability Control
VSV	=	Vacuum Switching Valve
VVT	=	Variable Valve Timing
w/	=	With
w/o	=	Without

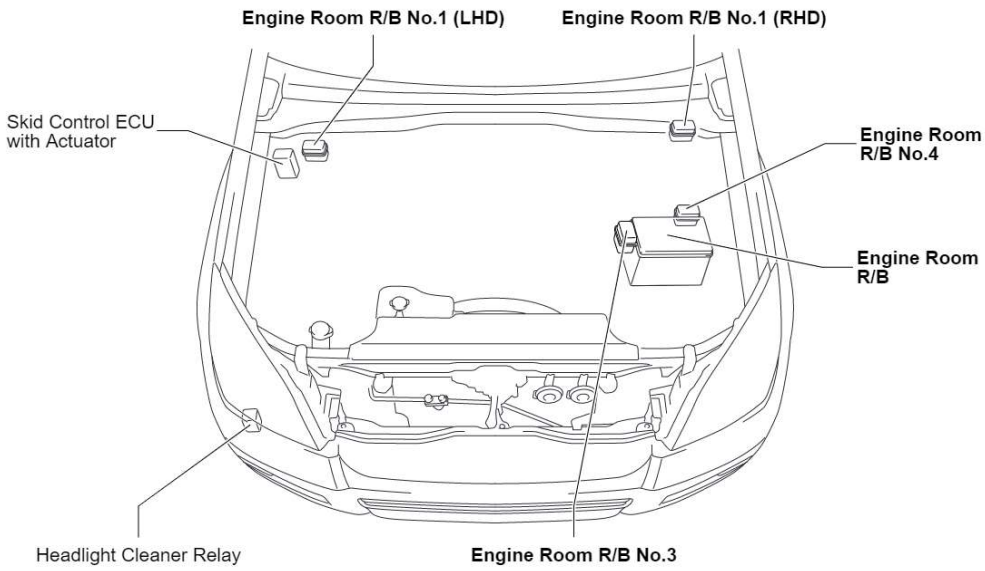
\* The titles given inside the components are the names of the terminals (terminal codes) and are not treated as being abbreviations.



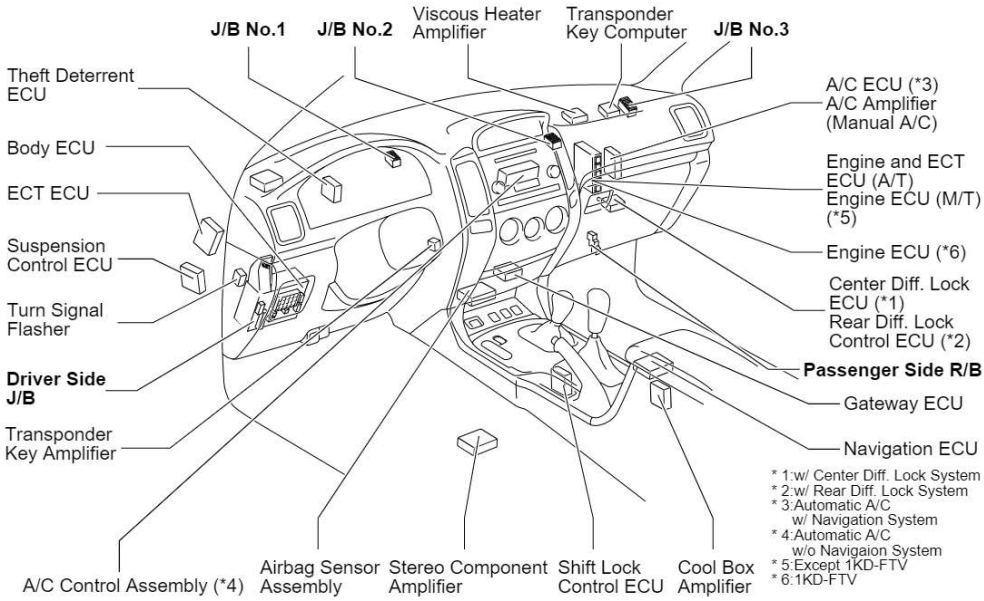


## D RELAY LOCATIONS

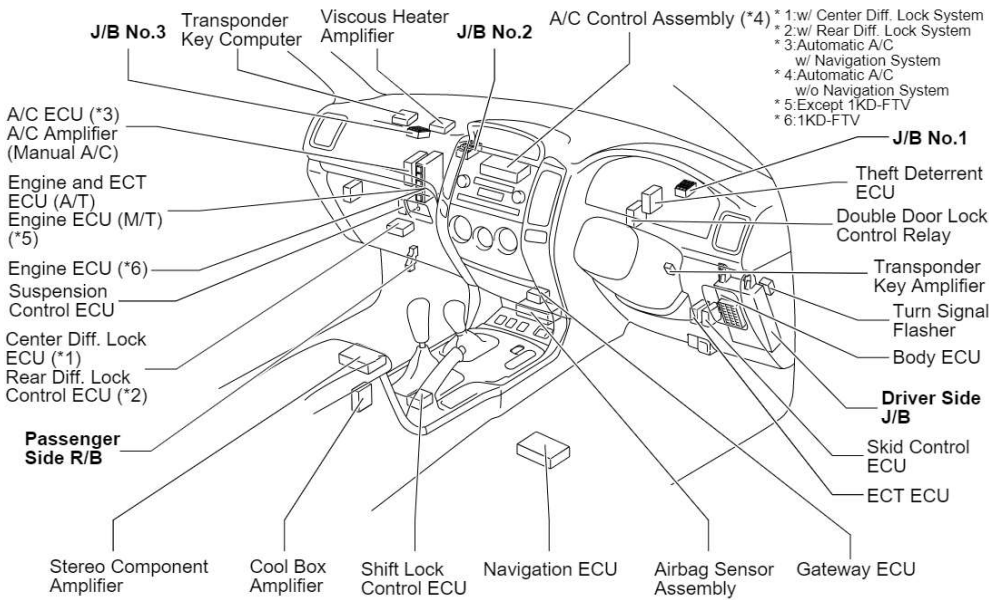
### [Engine Compartment]



**[Instrument Panel]  
(LHD)**



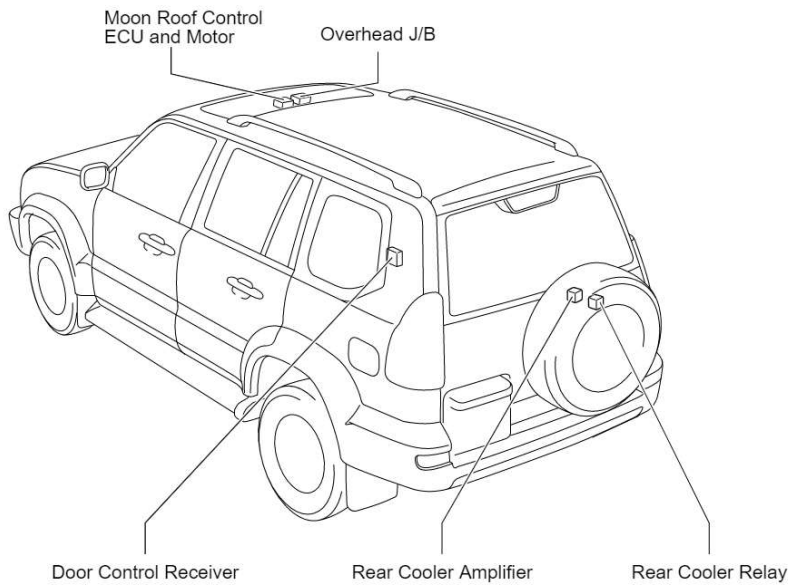
**(RHD)**



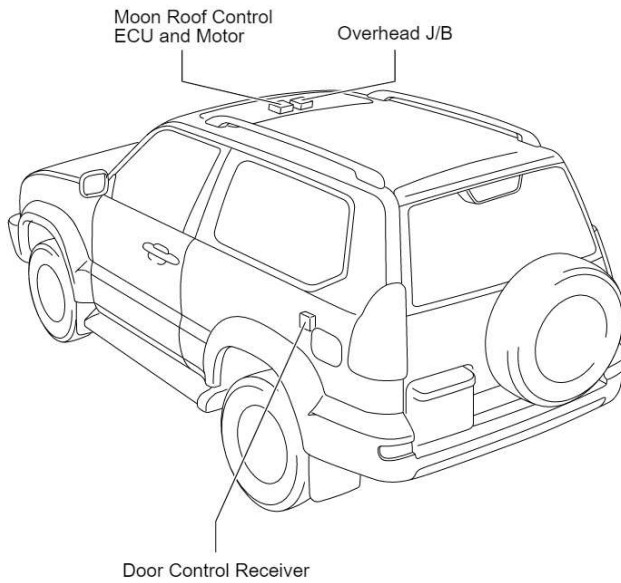
## D RELAY LOCATIONS

---

### [Body] (5-Door)

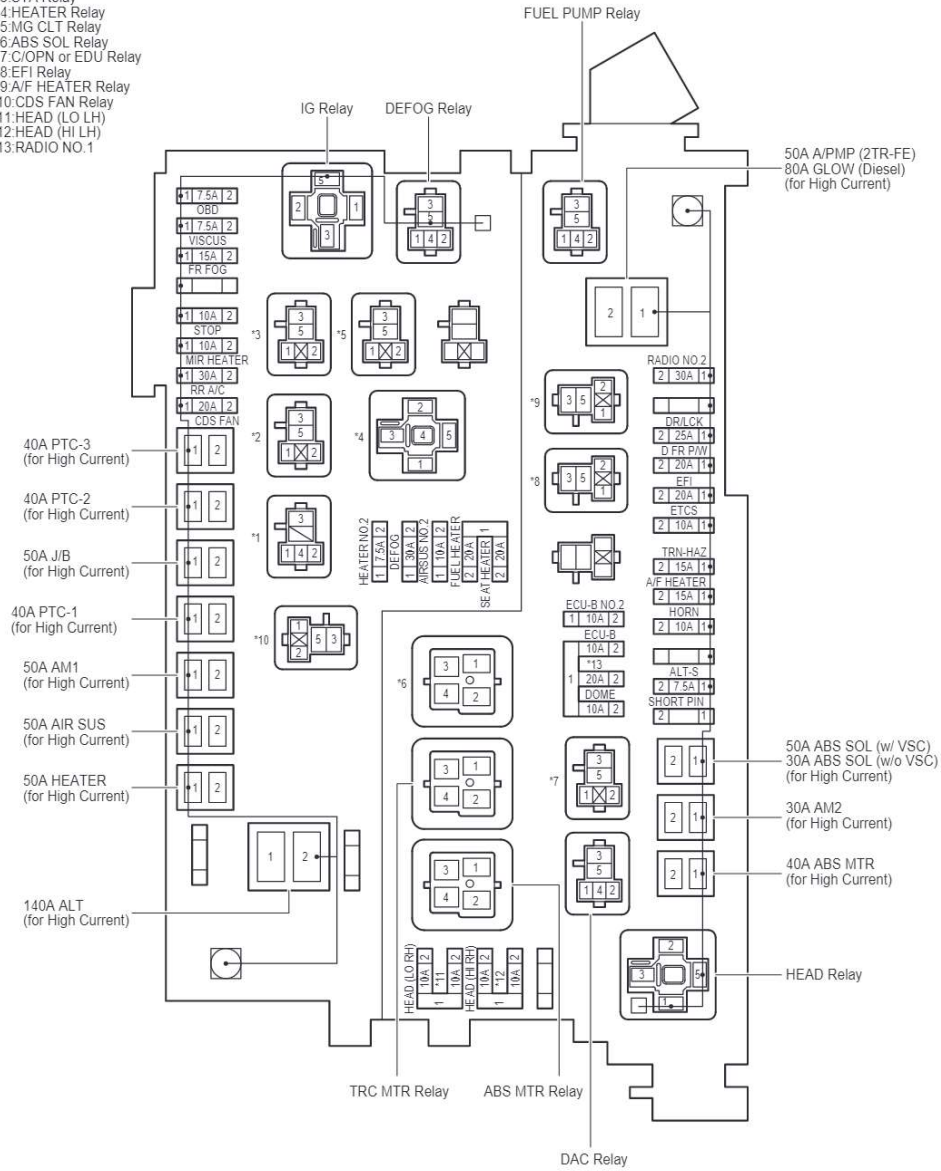


### (3-Door)



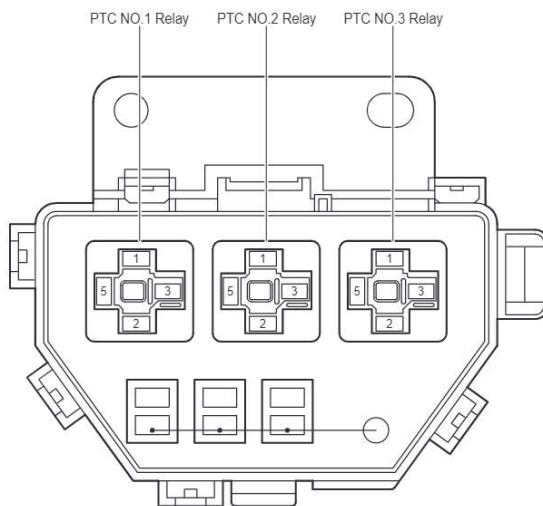
② : Engine Room R/B Engine Compartment Left (See Page 8)

- \*1:ACC CUT Relay
- \*2:FR FOG Relay
- \*3:STA Relay
- \*4:HEATER Relay
- \*5:MG CLT Relay
- \*6:ABS SOL Relay
- \*7:C/OPN or EDU Relay
- \*8:EFI Relay
- \*9:A/F HEATER Relay
- \*10:CDS FAN Relay
- \*11:HEAD (LO LH)
- \*12:HEAD (HI LH)
- \*13:RADIO NO.1

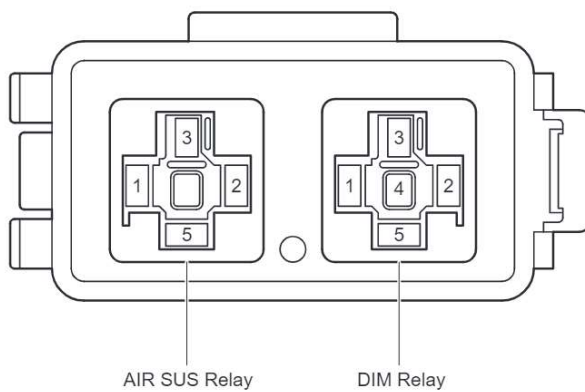


## D RELAY LOCATIONS

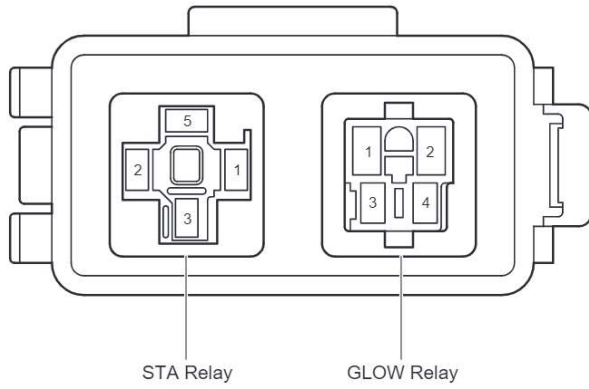
① : Engine Room R/B No.1	LHD : Engine Compartment Right (See Page 8)
	RHD : Engine Compartment Left (See Page 8)



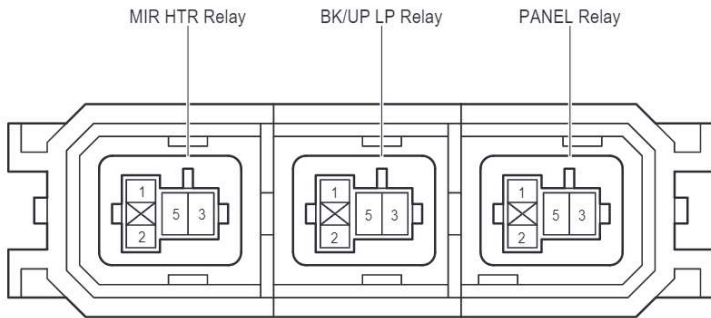
③ : Engine Room R/B No.3	Engine Compartment Left (See Page 8)
--------------------------	--------------------------------------



④ : Engine Room R/B No.4 Engine Compartment Left (See Page 8)



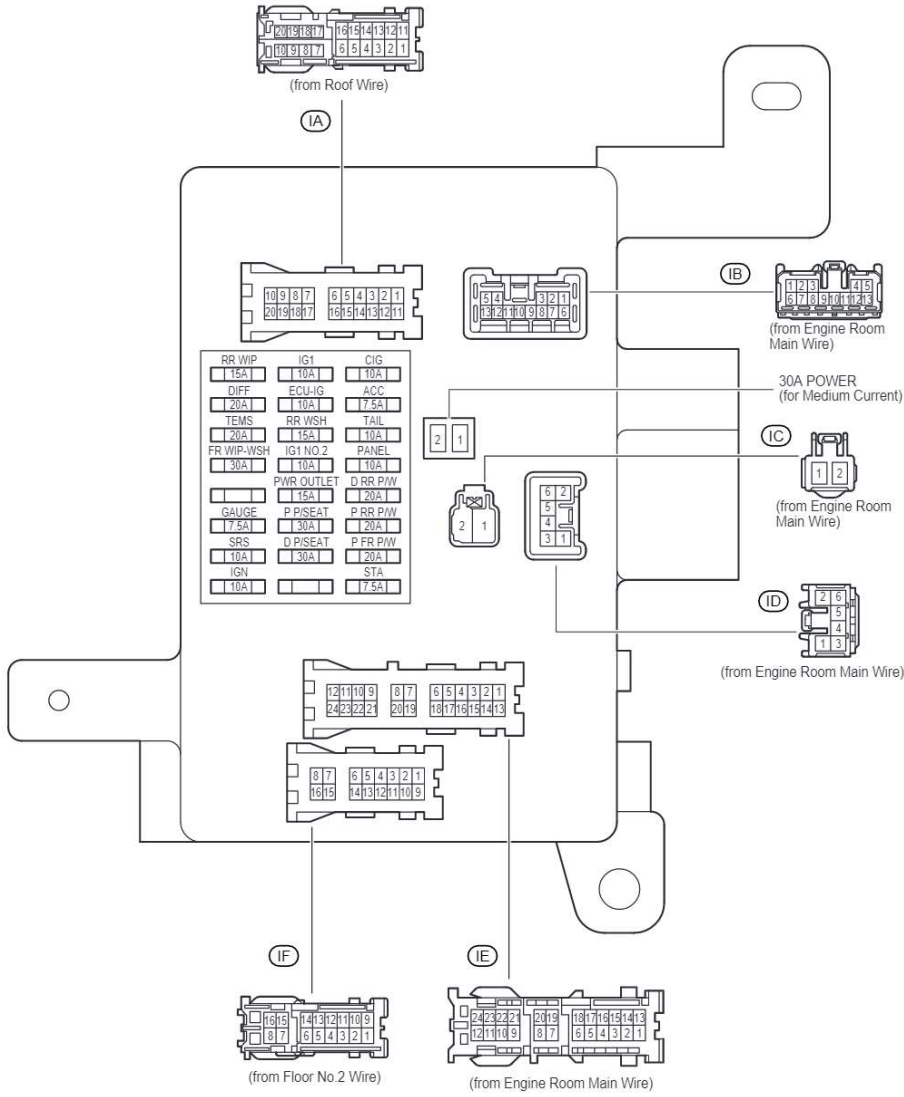
⑤ : Passenger Side R/B LHD : Right Kick Panel (See Page 9)  
RHD : Left Kick Panel (See Page 9)



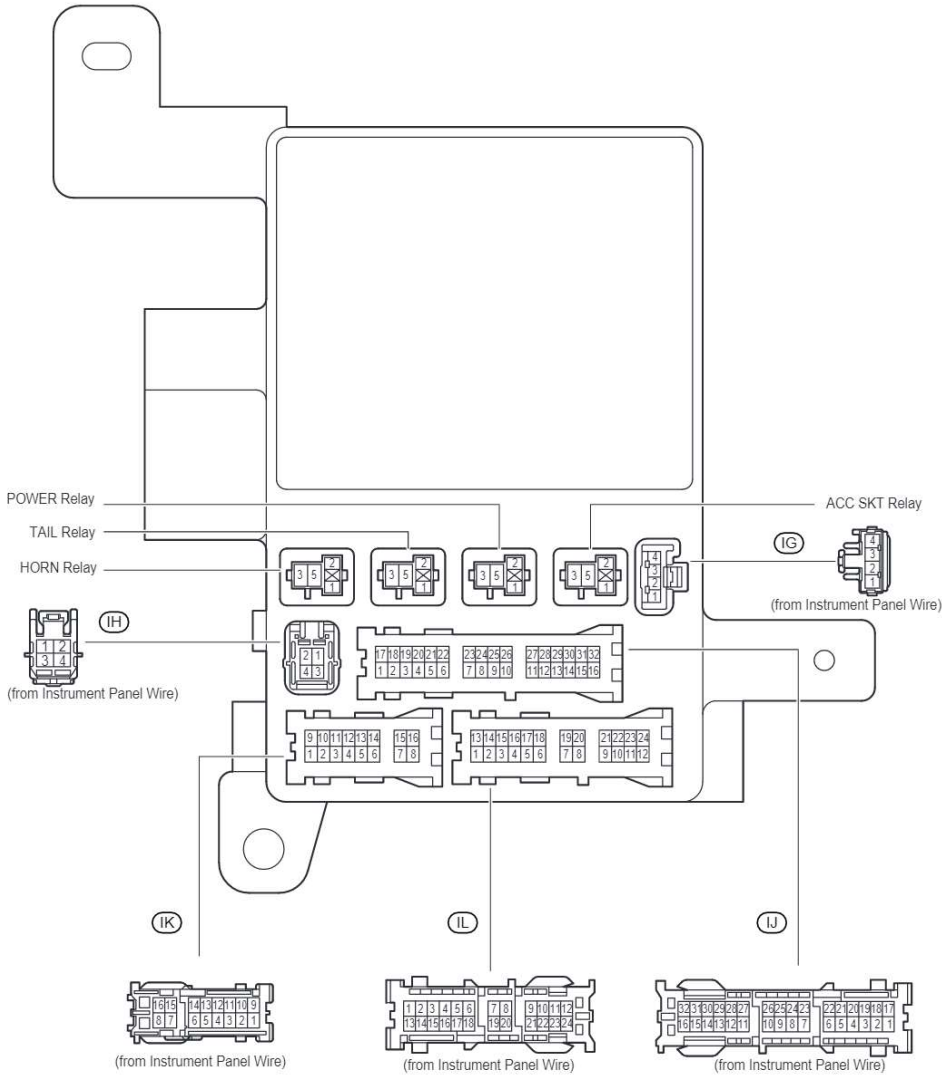
# D RELAY LOCATIONS

○ : Driver Side J/B      Lower Finish Panel (See Page 9)

(LHD)



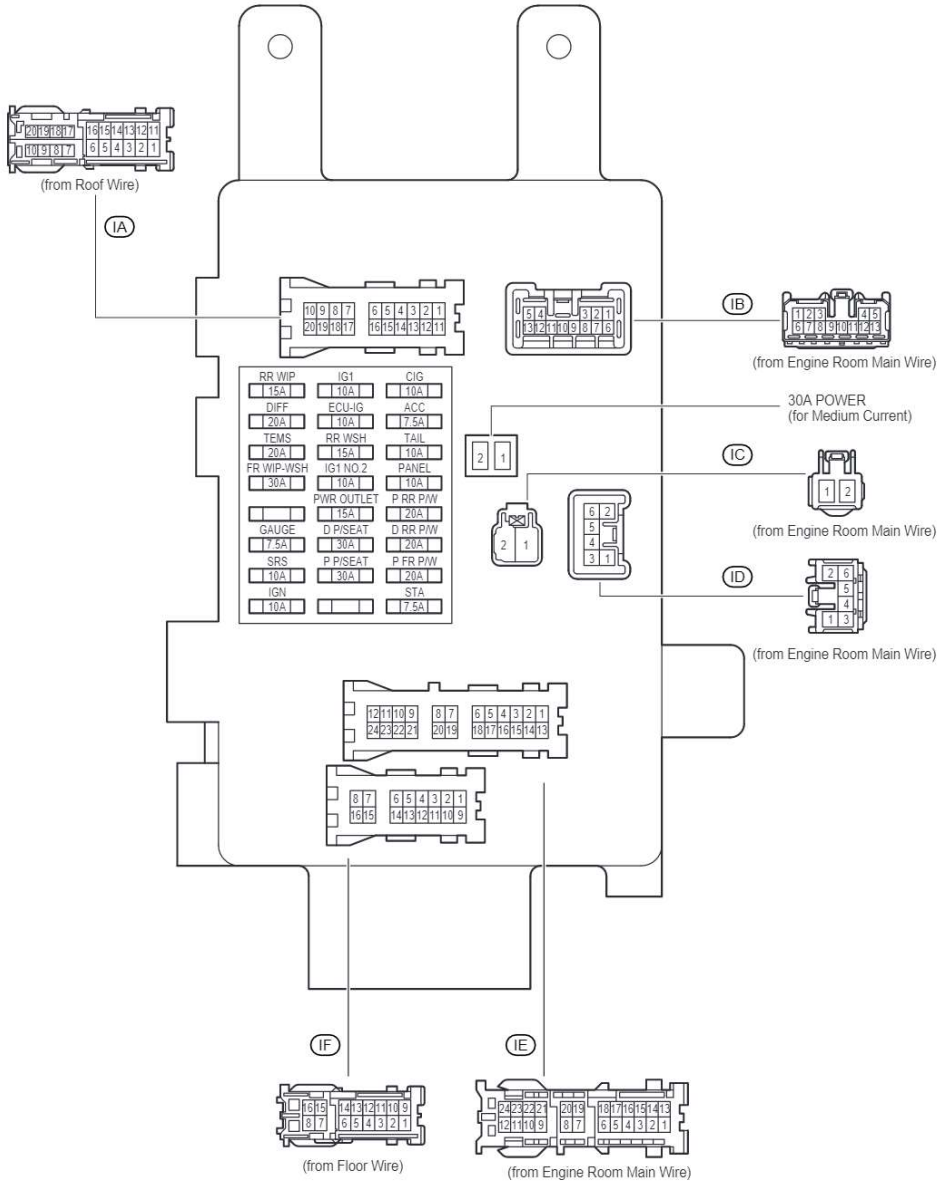


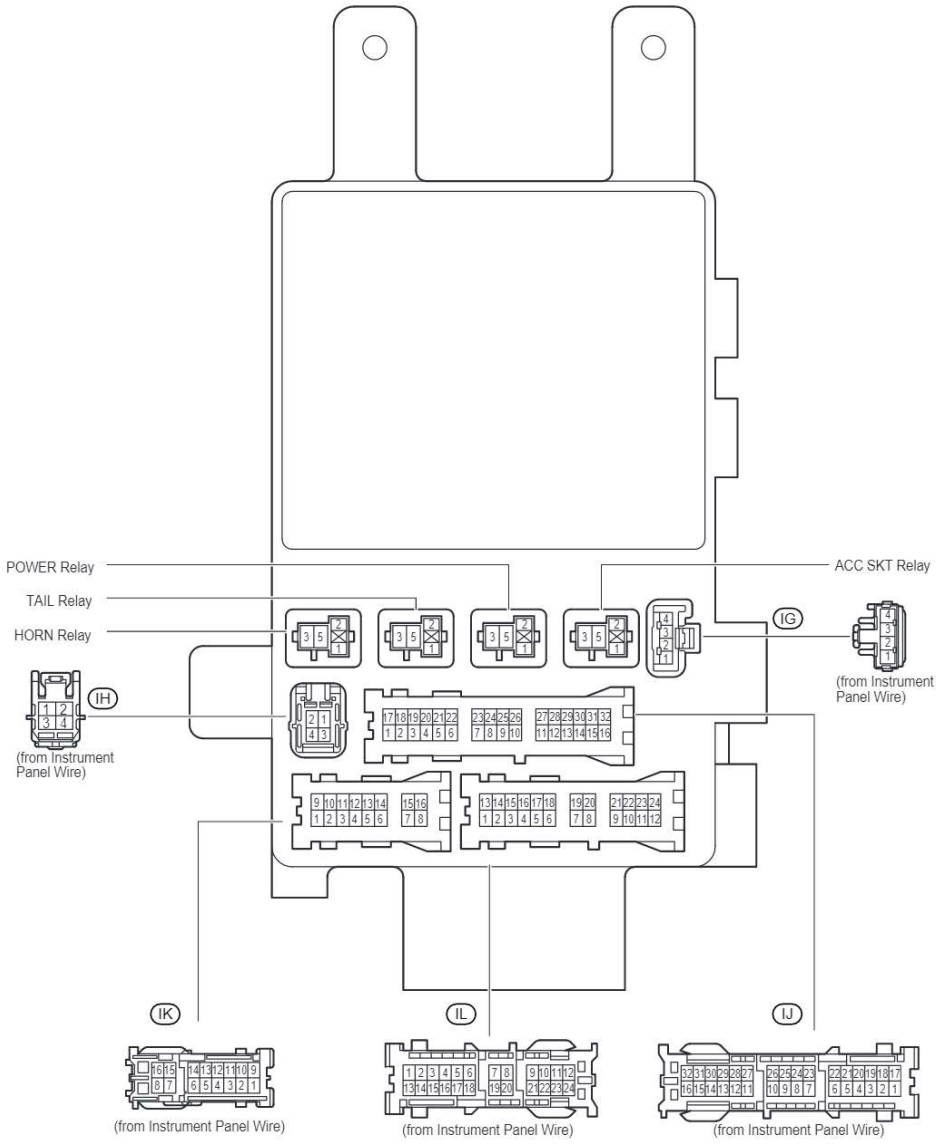


# D RELAY LOCATIONS

○ : Driver Side J/B      Lower Finish Panel (See Page 9)

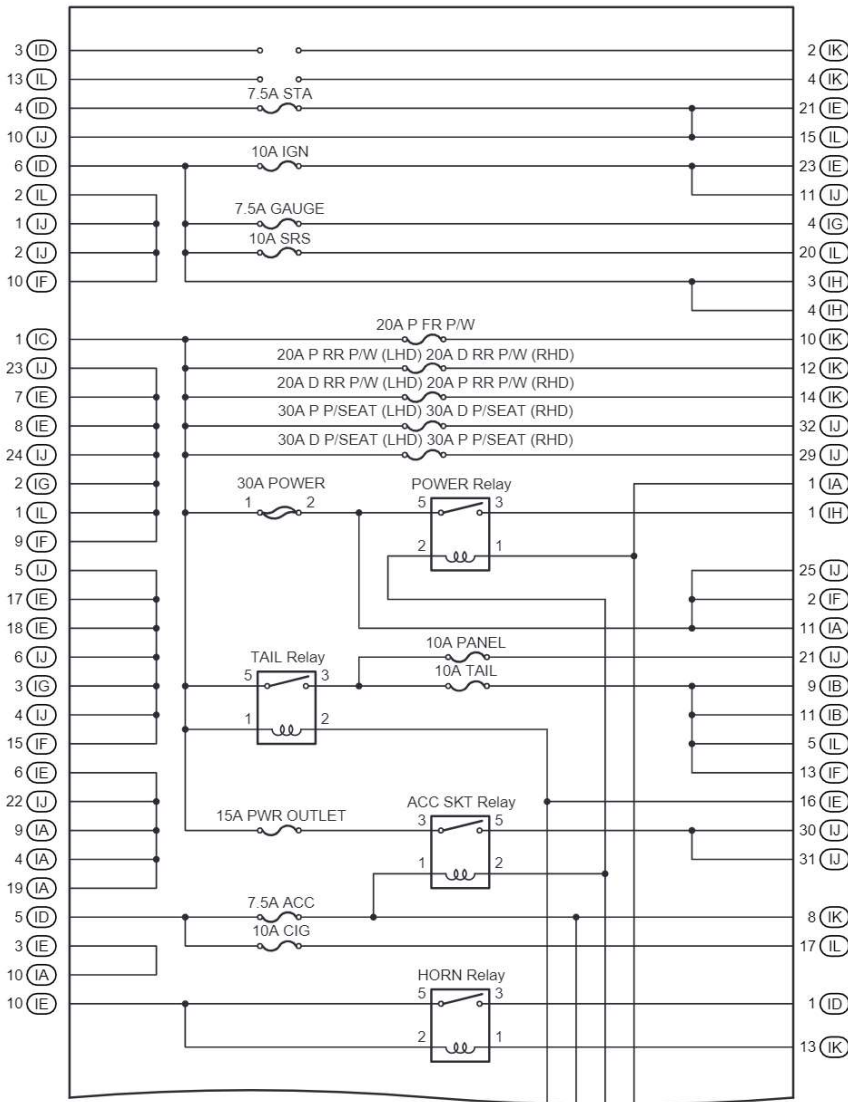
(RHD)



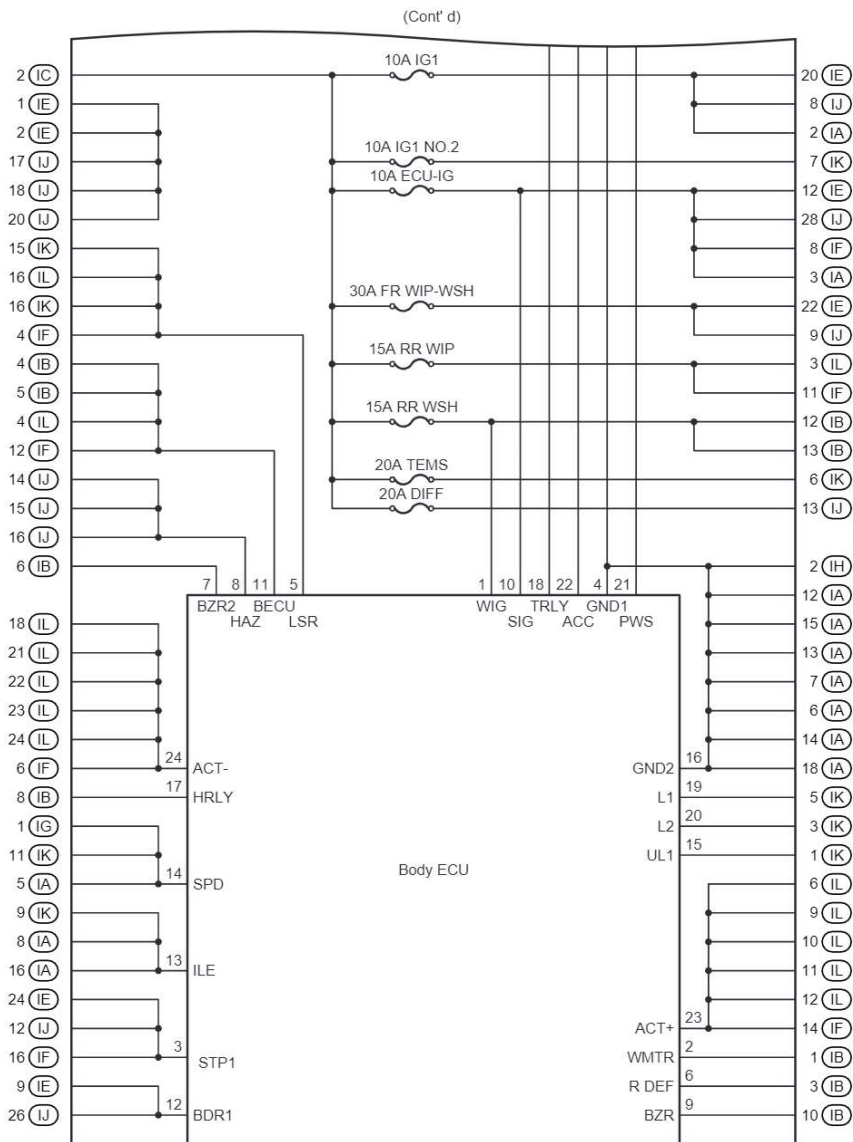


# D RELAY LOCATIONS

## [Driver Side J/B Inner Circuit]

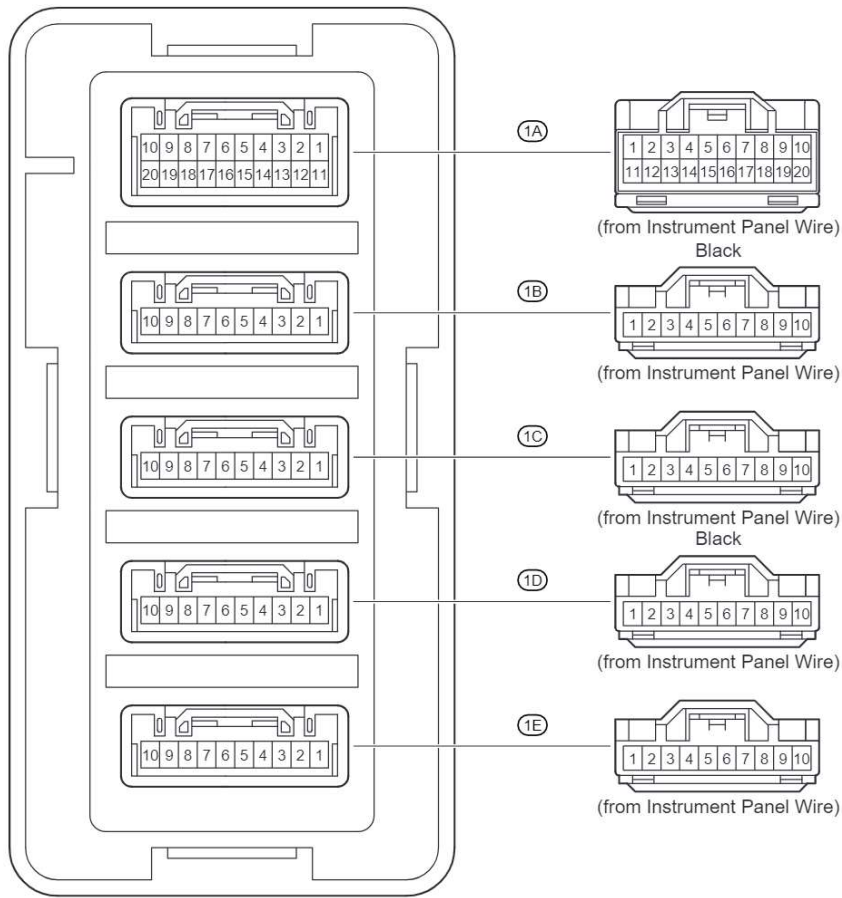


(Cont. next page)

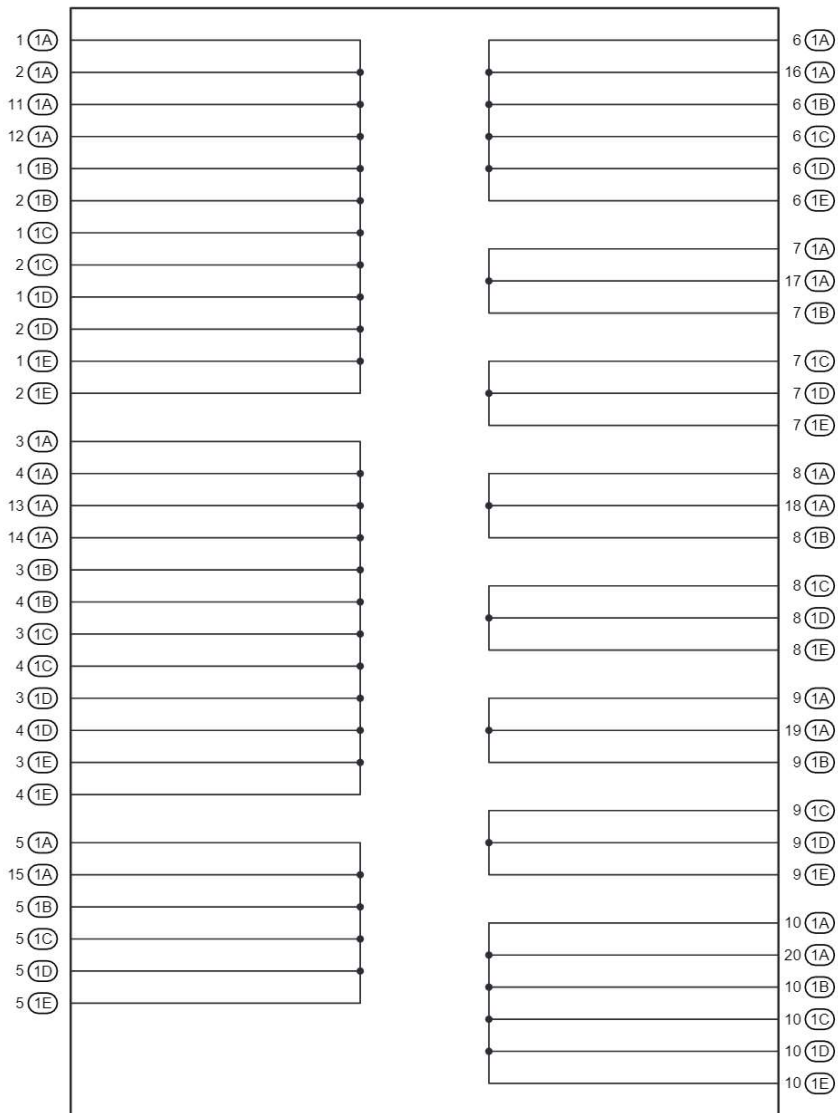


## D RELAY LOCATIONS

○ : J/B No.1	LHD : Instrument Panel Reinforcement Left (See Page 9)
	RHD : Instrument Panel Reinforcement Right (See Page 9)

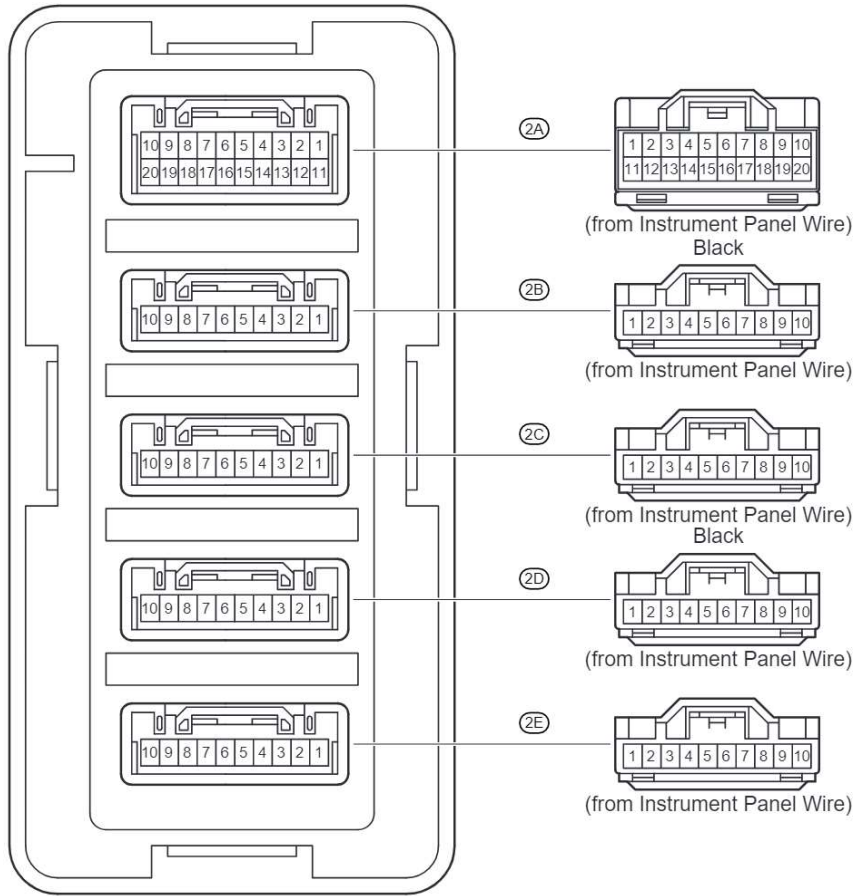


[J/B No.1 Inner Circuit]



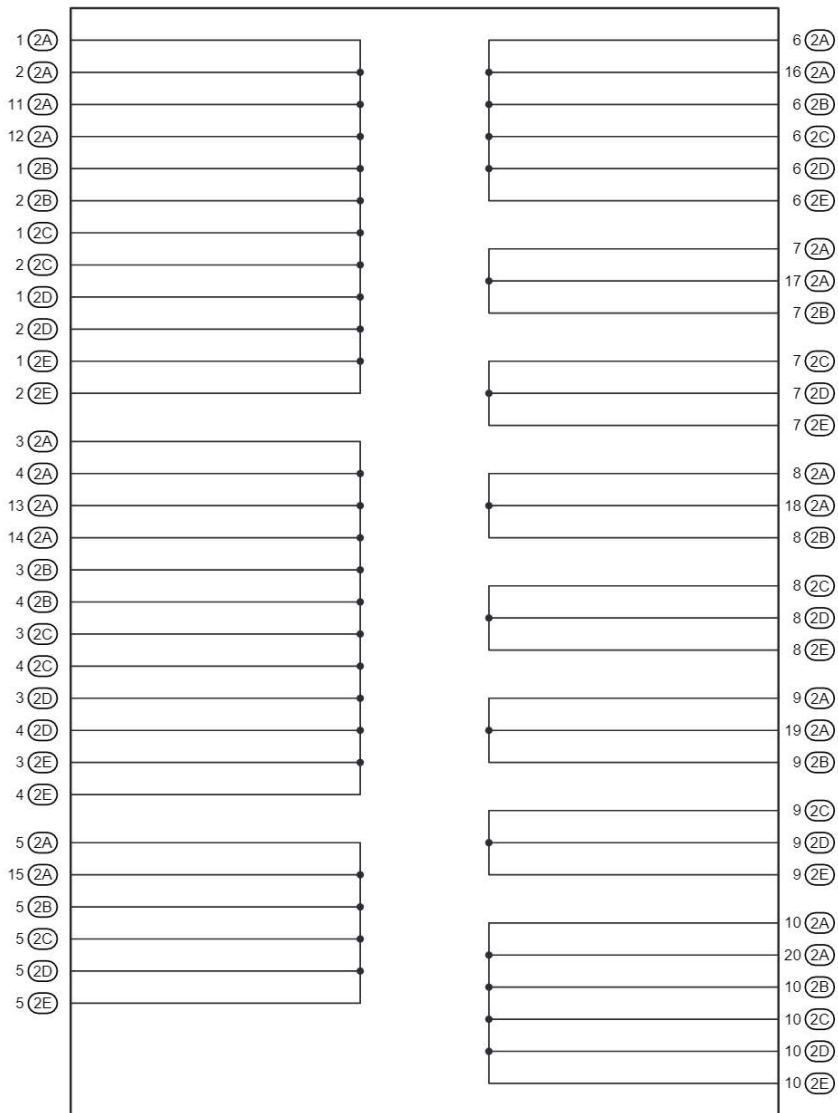
## D RELAY LOCATIONS

○ : J/B No.2      Instrument Panel Reinforcement Center (See Page 9)



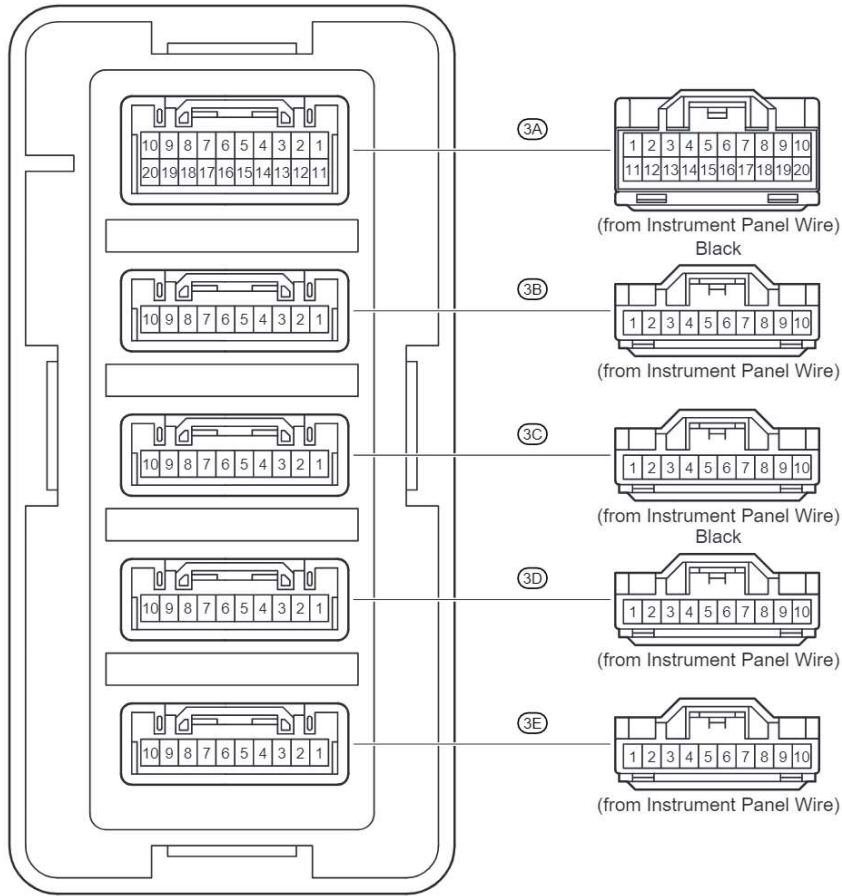


## [J/B No.2 Inner Circuit]

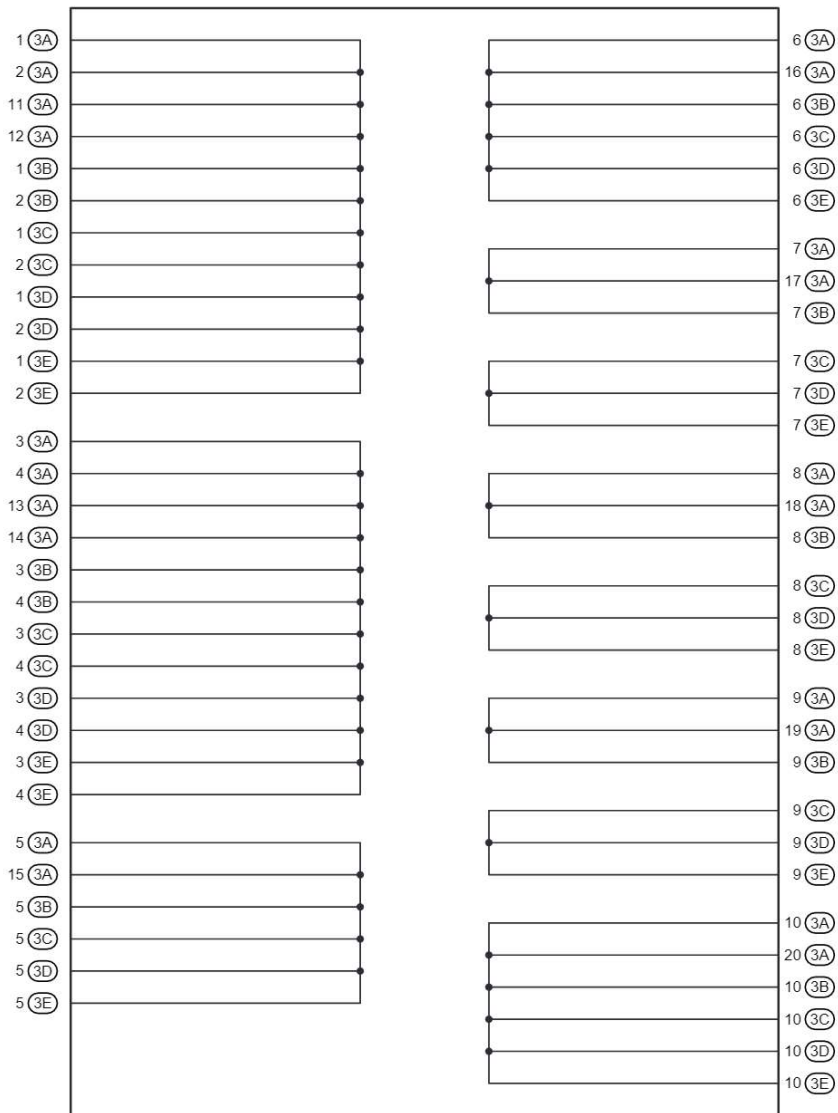


## D RELAY LOCATIONS

○ : J/B No.3	LHD : Instrument Panel Reinforcement Right (See Page 9)
	RHD : Instrument Panel Reinforcement Left (See Page 9)



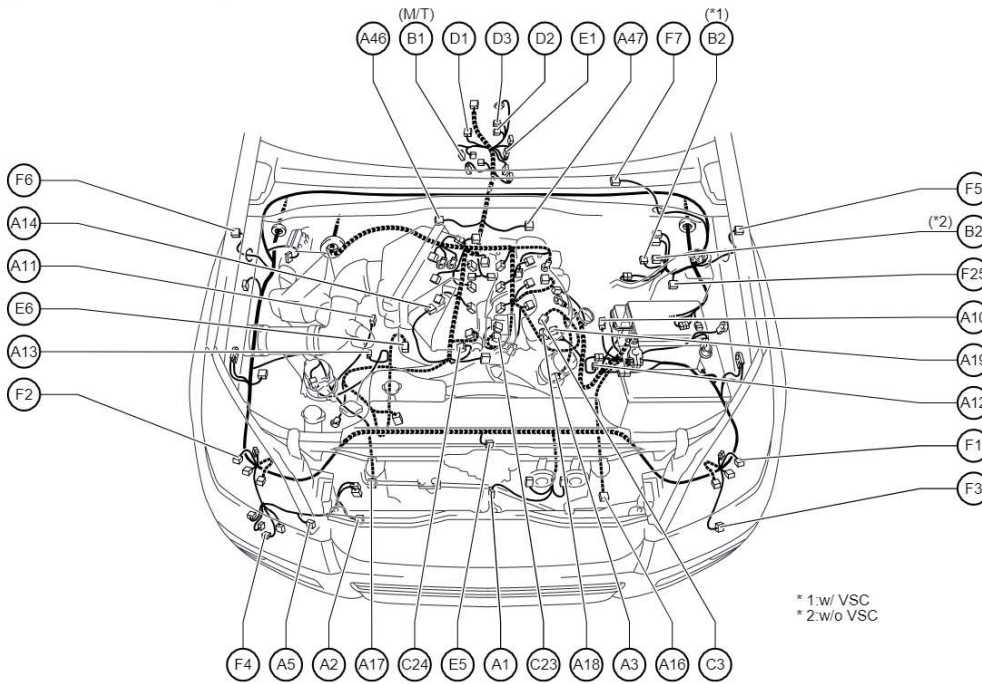
## [J/B No.3 Inner Circuit]



# E ELECTRICAL WIRING ROUTING

## Position of Parts in Engine Compartment

[LHD : 1GR-FE]

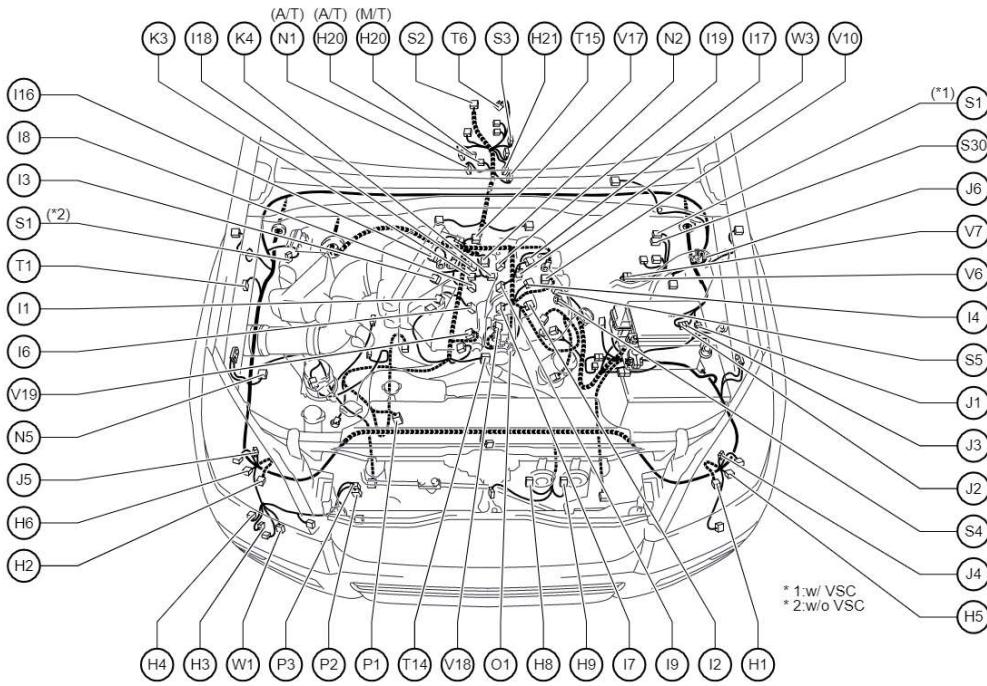


\* 1:w/ VSC  
\* 2:w/o VSC

- |  |  |
|--|--|
| A 1 A/C Ambient Temp. Sensor                 | D 1 Detection SW (Transfer 4WD Position)     |
| A 2 A/C Condenser Fan Motor                  | D 2 Detection SW (Transfer L4 Position)      |
| A 3 A/C Lock Sensor                          | D 3 Detection SW (Transfer Neutral Position) |
| A/C Magnetic Clutch                          |  |
| A 5 A/C Magnetic Valve                       | E 1 ECT Solenoid                             |
| A 10 ABS Speed Sensor Front LH               | E 5 Engine Hood Courtesy SW                  |
| A 11 ABS Speed Sensor Front RH               | E 6 Engine Oil Level Sensor                  |
| A 12 Absorber Control Actuator Front LH      |  |
| A 13 Absorber Control Actuator Front RH      | F 1 Front Clearance Light LH                 |
| A 14 Air Flow Meter                          | Front Turn Signal Light LH                   |
| A 16 Airbag Sensor Front LH                  | F 2 Front Clearance Light RH                 |
| A 17 Airbag Sensor Front RH                  | Front Turn Signal Light RH                   |
| A 18 Alternator                              | F 3 Front Fog Light LH                       |
| A 19 Alternator                              | F 4 Front Fog Light RH                       |
| A 46 Air Fuel Ratio Sensor (Bank 1 Sensor 1) | F 5 Front Side Turn Signal Light LH          |
| A 47 Air Fuel Ratio Sensor (Bank 2 Sensor 1) | F 6 Front Side Turn Signal Light RH          |
|  | F 7 Front Wiper Motor                        |
| B 1 Back-Up Light SW                         | F 25 Fuel Pump Resistor                      |
| B 2 Brake Fluid Level Warning SW             |  |
| C 3 Crankshaft Position Sensor               |  |
| C 23 Camshaft Timing Oil Control Valve LH    |  |
| C 24 Camshaft Timing Oil Control Valve RH    |  |

## Position of Parts in Engine Compartment

[LHD : 1GR-FE]



H 1 Headlight Beam Level Control Actuator LH  
 H 2 Headlight Beam Level Control Actuator RH  
 H 3 Headlight Cleaner Motor  
 H 4 Headlight Cleaner Relay  
 H 5 Headlight LH  
 H 6 Headlight RH  
 H 8 Horn (High)  
 H 9 Horn (Low)  
 H 20 Heated Oxygen Sensor (Bank 1 Sensor 2)  
 H 21 Heated Oxygen Sensor (Bank 2 Sensor 2)

I 1 Ignition Coil and Igniter No.1  
 I 2 Ignition Coil and Igniter No.2  
 I 3 Ignition Coil and Igniter No.3  
 I 4 Ignition Coil and Igniter No.4  
 I 6 Injector No.1  
 I 7 Injector No.2  
 I 8 Injector No.3  
 I 9 Injector No.4  
 I 16 Ignition Coil and Igniter No.5  
 I 17 Ignition Coil and Igniter No.6  
 I 18 Injector No.5  
 I 19 Injector No.6

J 1 Junction Connector  
 J 2 Junction Connector  
 J 3 Junction Connector  
 J 4 Junction Connector  
 J 5 Junction Connector  
 J 6 Junction Connector

K 3 Knock Sensor (Bank 1)  
 K 4 Knock Sensor (Bank 2)

N 1 Neutral Start SW  
 N 2 Noise Filter  
 N 5 Noise Filter (Condenser Fan)

O 1 Oil Pressure SW  
 P 1 Power Steering Oil Pressure SW  
 P 2 Pressure SW  
 P 3 Pressure SW

S 1 Skid Control ECU with Actuator  
 S 2 Speed Sensor (Combination Meter)  
 S 3 Speed Sensor (ECT)  
 S 4 Starter  
 S 5 Starter  
 S 30 Skid Control ECU with Actuator

T 1 Theft Deterrent Horn  
 T 6 Transfer Actuator  
 T 14 Throttle Control Motor  
 Throttle Position Sensor  
 T 15 Turbine Speed Sensor

V 6 VSC Check Connector  
 V 7 VSC Check Connector  
 V 10 VSV (EVAP)  
 V 17 VSV (ACIS)  
 V 18 VVT Sensor LH  
 V 19 VVT Sensor RH

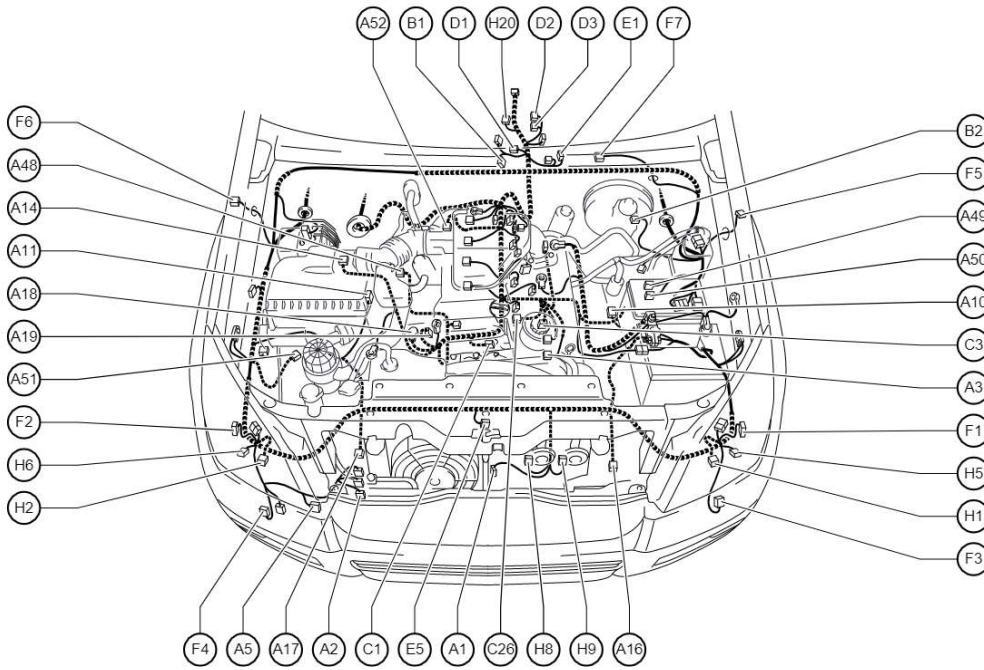
W 1 Washer Motor  
 W 3 Water Temp. Sensor

\* 1:w/ VSC  
 \* 2:w/o VSC

# E ELECTRICAL WIRING ROUTING

## Position of Parts in Engine Compartment

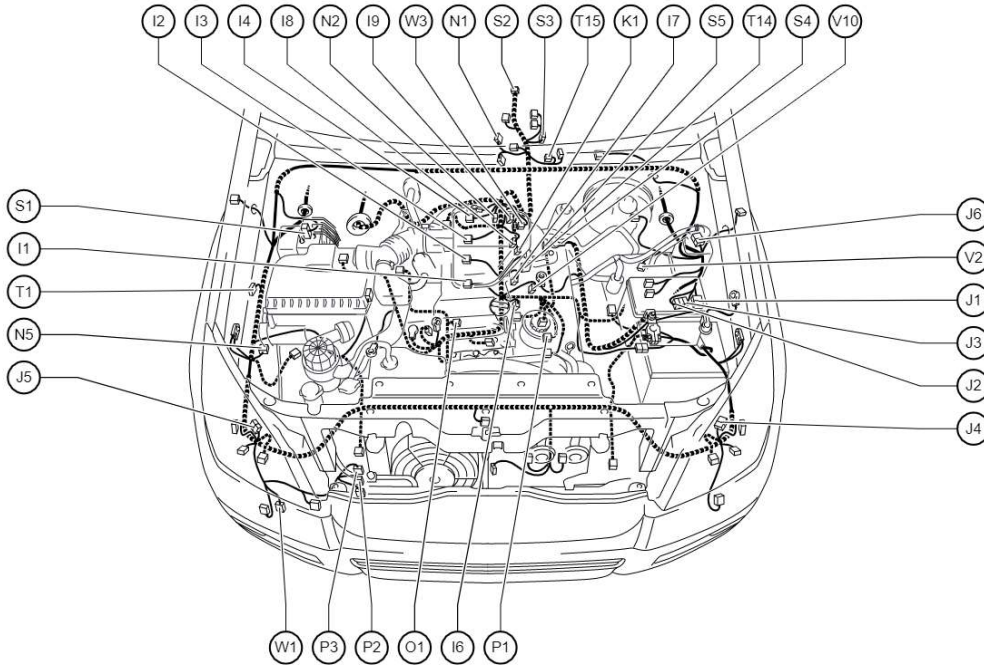
[LHD : 2TR-FE]



- |  |  |
|--|--|
| A 1 A/C Ambient Temp. Sensor                 | D 1 Detection SW (Transfer 4WD Position)                   |
| A 2 A/C Condenser Fan Motor                  | D 2 Detection SW (Transfer L4 Position)                    |
| A 3 A/C Lock Sensor<br>A/C Magnetic Clutch   | D 3 Detection SW (Transfer Neutral Position)               |
| A 5 A/C Magnetic Valve                       | E 1 ECT Solenoid   |
| A 10 ABS Speed Sensor Front LH               | E 5 Engine Hood Courtesy SW                                |
| A 11 ABS Speed Sensor Front RH               | F 1 Front Clearance Light LH<br>Front Turn Signal Light LH |
| A 14 Air Flow Meter                          | F 2 Front Clearance Light RH<br>Front Turn Signal Light RH |
| A 16 Airbag Sensor Front LH                  | F 3 Front Fog Light LH                                     |
| A 17 Airbag Sensor Front RH                  | F 4 Front Fog Light RH                                     |
| A 18 Alternator                              | F 5 Front Side Turn Signal Light LH                        |
| A 19 Alternator                              | F 6 Front Side Turn Signal Light RH                        |
| A 48 Air Fuel Ratio Sensor (Bank 1 Sensor 1) | F 7 Front Wiper Motor                                      |
| A 49 Air Injection Control Driver            | H 1 Headlight Beam Level Control Actuator LH               |
| A 50 Air Injection Control Driver            | H 2 Headlight Beam Level Control Actuator RH               |
| A 51 Air Pump                                | H 5 Headlight LH   |
| A 52 Air Switching Valve                     | H 6 Headlight RH   |
| B 1 Back-Up Light SW                         | H 8 Horn (High)  |
| B 2 Brake Fluid Level Warning SW             | H 9 Horn (Low)   |
| C 1 Camshaft Position Sensor                 | H 20 Heated Oxygen Sensor (Bank 1 Sensor 2)                |
| C 3 Crankshaft Position Sensor               |  |
| C 26 Camshaft Timing Oil Control Valve       |  |

## Position of Parts in Engine Compartment

[LHD : 2TR-FE]

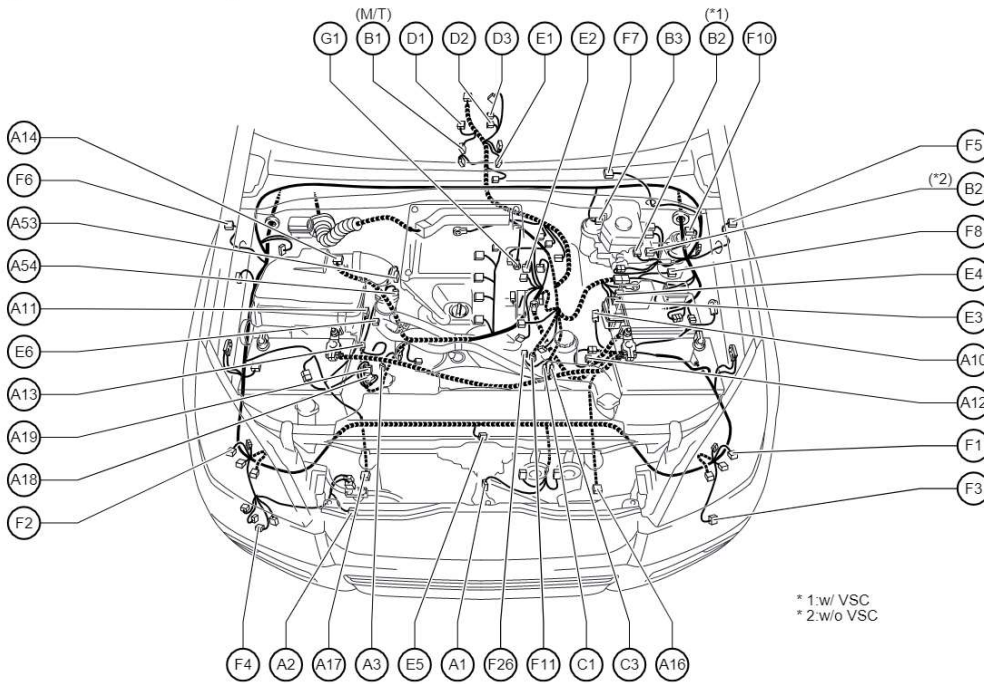


- |                                    |                                      |
|------------------------------------|--------------------------------------|
| I 1 Ignition Coil and Igniter No.1 | P 1 Power Steering Oil Pressure SW   |
| I 2 Ignition Coil and Igniter No.2 | P 2 Pressure SW                      |
| I 3 Ignition Coil and Igniter No.3 | P 3 Pressure SW                      |
| I 4 Ignition Coil and Igniter No.4 |                                      |
| I 6 Injector No.1                  | S 1 Skid Control ECU with Actuator   |
| I 7 Injector No.2                  | S 2 Speed Sensor (Combination Meter) |
| I 8 Injector No.3                  | S 3 Speed Sensor (ECT)               |
| I 9 Injector No.4                  | S 4 Starter                          |
|                                    | S 5 Starter                          |
| J 1 Junction Connector             | T 1 Theft Deterrent Horn             |
| J 2 Junction Connector             | T 14 Throttle Control Motor          |
| J 3 Junction Connector             | Throttle Position Sensor             |
| J 4 Junction Connector             | T 15 Turbine Speed Sensor            |
| J 5 Junction Connector             |                                      |
| J 6 Junction Connector             |                                      |
| K 1 Knock Sensor (Bank 1)          | V 2 Variable Resistor                |
|                                    | V 10 VSV (EVAP)                      |
| N 1 Neutral Start SW               | W 1 Washer Motor                     |
| N 2 Noise Filter                   | W 3 Water Temp. Sensor               |
| N 5 Noise Filter (Condenser Fan)   |                                      |
| O 1 Oil Pressure SW                |                                      |

# E ELECTRICAL WIRING ROUTING

## Position of Parts in Engine Compartment

[LHD : 1KD-FTV]

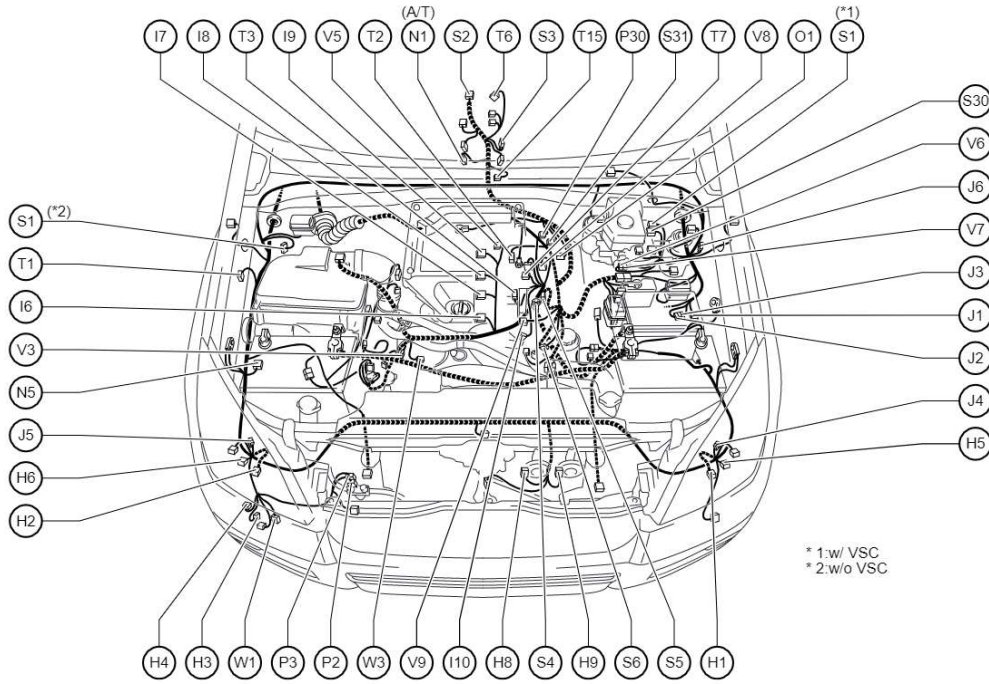


- |  |                                     |
|--|-------------------------------------|
| A 1 A/C Ambient Temp. Sensor                 | E 1 ECT Solenoid                    |
| A 2 A/C Condenser Fan Motor                  | E 2 EGR Valve Position Sensor       |
| A 3 A/C Lock Sensor                          | E 3 Electronic Driver Unit          |
| A/C Magnetic Clutch                          | E 4 Electronic Driver Unit          |
| A 10 ABS Speed Sensor Front LH               | E 5 Engine Hood Courtesy SW         |
| A 11 ABS Speed Sensor Front RH               | E 6 Engine Oil Level Sensor         |
| A 12 Absorber Control Actuator Front LH      | F 1 Front Clearance Light LH        |
| A 13 Absorber Control Actuator Front RH      | Front Turn Signal Light LH          |
| A 14 Air Flow Meter                          | F 2 Front Clearance Light RH        |
| A 16 Airbag Sensor Front LH                  | Front Turn Signal Light RH          |
| A 17 Airbag Sensor Front RH                  | F 3 Front Fog Light LH              |
| A 18 Alternator                              | F 4 Front Fog Light RH              |
| A 19 Alternator                              | F 5 Front Side Turn Signal Light LH |
| A 53 Air Vent Control Servo Motor            | F 6 Front Side Turn Signal Light RH |
| A 54 Air Vent Control Servo Motor            | F 7 Front Wiper Motor               |
| B 1 Back-Up Light SW                         | F 8 Fuel Heater                     |
| B 2 Brake Fluid Level Warning SW             | F 10 Fuel Sedimentary SW            |
| B 3 Brake Vacuum Warning SW                  | F 11 Fuel Temp. Sensor              |
| C 1 Camshaft Position Sensor                 | F 26 Fuel Pressure Sensor           |
| C 3 Crankshaft Position Sensor               | G 1 Glow Plug                       |
| D 1 Detection SW (Transfer 4WD Position)     |                                     |
| D 2 Detection SW (Transfer L4 Position)      |                                     |
| D 3 Detection SW (Transfer Neutral Position) |                                     |



## Position of Parts in Engine Compartment

[LHD : 1KD-FTV]



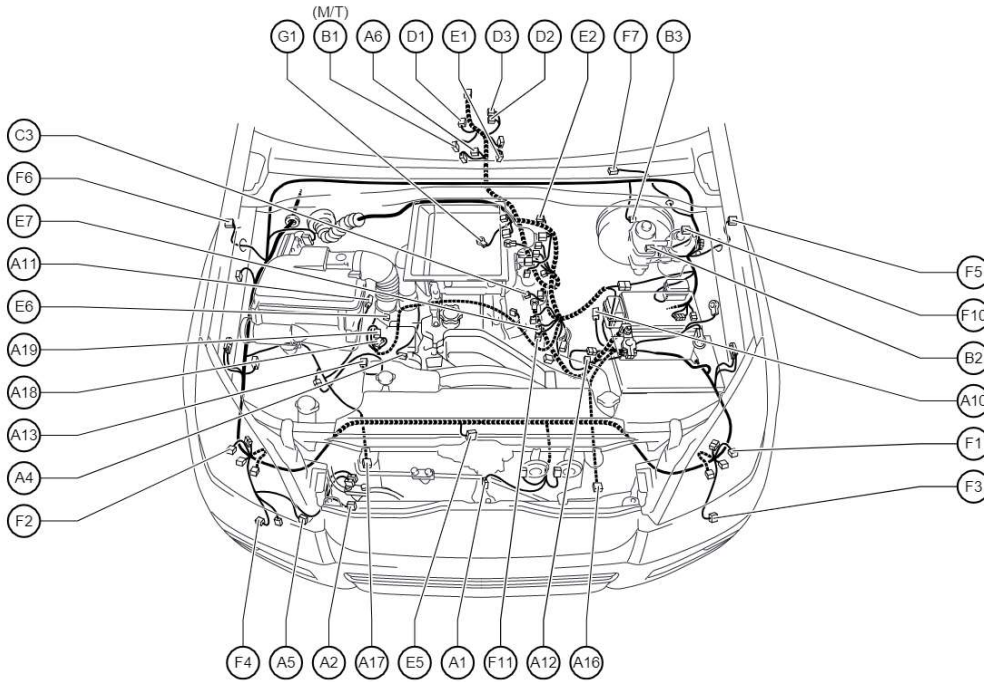
\* 1.w/ VSC  
\* 2.w/o VSC

- |  |                                      |
|--|--------------------------------------|
| H 1 Headlight Beam Level Control Actuator LH | S 1 Skid Control ECU with Actuator   |
| H 2 Headlight Beam Level Control Actuator RH | S 2 Speed Sensor (Combination Meter) |
| H 3 Headlight Cleaner Motor                  | S 3 Speed Sensor (ECT)               |
| H 4 Headlight Cleaner Relay                  | S 4 Starter                          |
| H 5 Headlight LH                             | S 5 Starter                          |
| H 6 Headlight RH                             | S 6 Suction Control Valve            |
| H 8 Horn (High)                              | S30 Skid Control ECU with Actuator   |
| H 9 Horn (Low)                               | S31 Swirl Control Valve              |
| I 6 Injector No.1                            | T 1 Theft Deterrent Horn             |
| I 7 Injector No.2                            | T 2 Throttle Control Motor           |
| I 8 Injector No.3                            | T 3 Throttle Open SW                 |
| I 9 Injector No.4                            | T 6 Transfer Actuator                |
| I 10 Intake Air Temp. Sensor                 | T 7 Turbo Pressure Sensor            |
| J 1 Junction Connector                       | T 15 Turbine Speed Sensor            |
| J 2 Junction Connector                       | V 3 Viscous Heater Magnetic Clutch   |
| J 3 Junction Connector                       | V 5 VRV (EGR)                        |
| J 4 Junction Connector                       | V 6 VSC Check Connector              |
| J 5 Junction Connector                       | V 7 VSC Check Connector              |
| J 6 Junction Connector                       | V 8 VSV (EGR Cut)                    |
| N 1 Neutral Start SW                         | V 9 VSV (Engine Mount)               |
| N 5 Noise Filter (Condenser Fan)             | W 1 Washer Motor                     |
| O 1 Oil Pressure SW                          | W 3 Water Temp. Sensor               |
| P 2 Pressure SW                              |                                      |
| P 3 Pressure SW                              |                                      |
| P30 Pressure Discharge Valve                 |                                      |

# E ELECTRICAL WIRING ROUTING

## Position of Parts in Engine Compartment

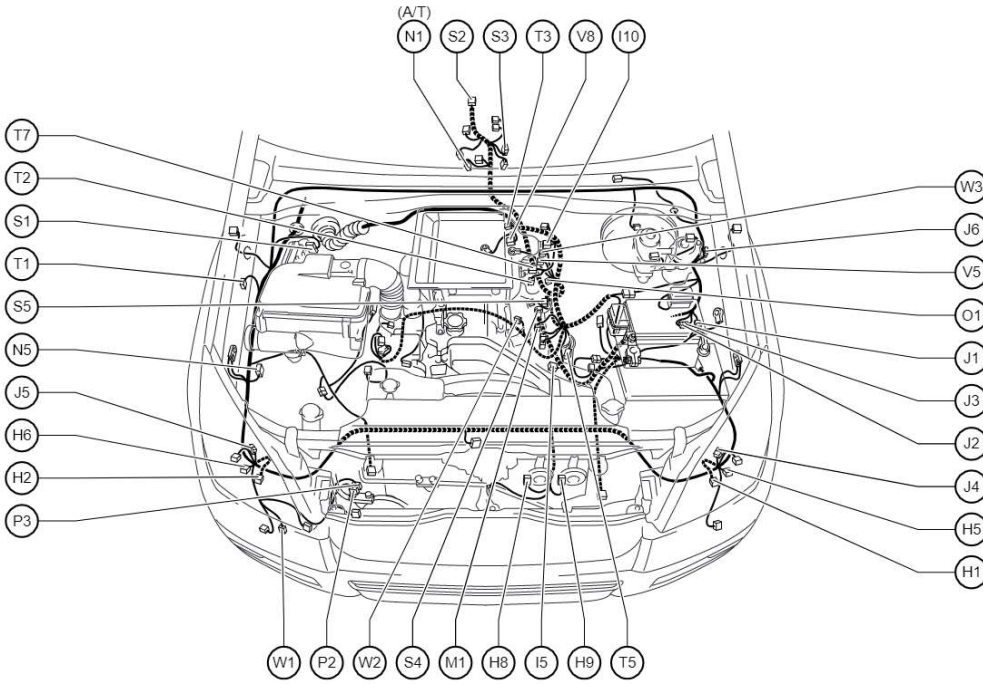
[LHD : 1KZ-TE]



- |  |  |
|--|--|
| A 1 A/C Ambient Temp. Sensor                 | E 1 ECT Solenoid   |
| A 2 A/C Condenser Fan Motor                  | E 2 EGR Valve Position Sensor                              |
| A 4 A/C Magnetic Clutch                      | E 5 Engine Hood Courtesy SW                                |
| A 5 A/C Magnetic Valve                       | E 6 Engine Oil Level Sensor                                |
| A 6 A/T Oil Temp. Sensor                     | E 7 Engine Speed Sensor                                    |
| A 10 ABS Speed Sensor Front LH               | F 1 Front Clearance Light LH<br>Front Turn Signal Light LH |
| A 11 ABS Speed Sensor Front RH               | F 2 Front Clearance Light RH<br>Front Turn Signal Light RH |
| A 12 Absorber Control Actuator Front LH      | F 3 Front Fog Light LH                                     |
| A 13 Absorber Control Actuator Front RH      | F 4 Front Fog Light RH                                     |
| A 16 Airbag Sensor Front LH                  | F 5 Front Side Turn Signal Light LH                        |
| A 17 Airbag Sensor Front RH                  | F 6 Front Side Turn Signal Light RH                        |
| A 18 Alternator                              | F 7 Front Wiper Motor                                      |
| A 19 Alternator                              | F 10 Fuel Sedimentary SW                                   |
| B 1 Back-Up Light SW                         | F 11 Fuel Temp. Sensor                                     |
| B 2 Brake Fluid Level Warning SW             |  |
| B 3 Brake Vacuum Warning SW                  |  |
| C 3 Crankshaft Position Sensor               | G 1 Glow Plug  |
| D 1 Detection SW (Transfer 4WD Position)     |  |
| D 2 Detection SW (Transfer L4 Position)      |  |
| D 3 Detection SW (Transfer Neutral Position) |  |

## Position of Parts in Engine Compartment

[LHD : 1KZ-TE]



H 1 Headlight Beam Level Control Actuator LH  
 H 2 Headlight Beam Level Control Actuator RH  
 H 5 Headlight LH  
 H 6 Headlight RH  
 H 8 Horn (High)  
 H 9 Horn (Low)

I 5 Injection Pump  
 I 10 Intake Air Temp. Sensor

J 1 Junction Connector  
 J 2 Junction Connector  
 J 3 Junction Connector  
 J 4 Junction Connector  
 J 5 Junction Connector  
 J 6 Junction Connector

M 1 Magnetic Spill Valve

N 1 Neutral Start SW  
 N 5 Noise Filter (Condenser Fan)

O 1 Oil Pressure SW

P 2 Pressure SW  
 P 3 Pressure SW

S 1 Skid Control ECU with Actuator  
 S 2 Speed Sensor (Combination Meter)  
 S 3 Speed Sensor (ECT)  
 S 4 Starter  
 S 5 Starter

T 1 Theft Deterrent Horn  
 T 2 Throttle Control Motor  
 T 3 Throttle Open SW  
 T 5 Timing Control Valve  
 T 7 Turbo Pressure Sensor

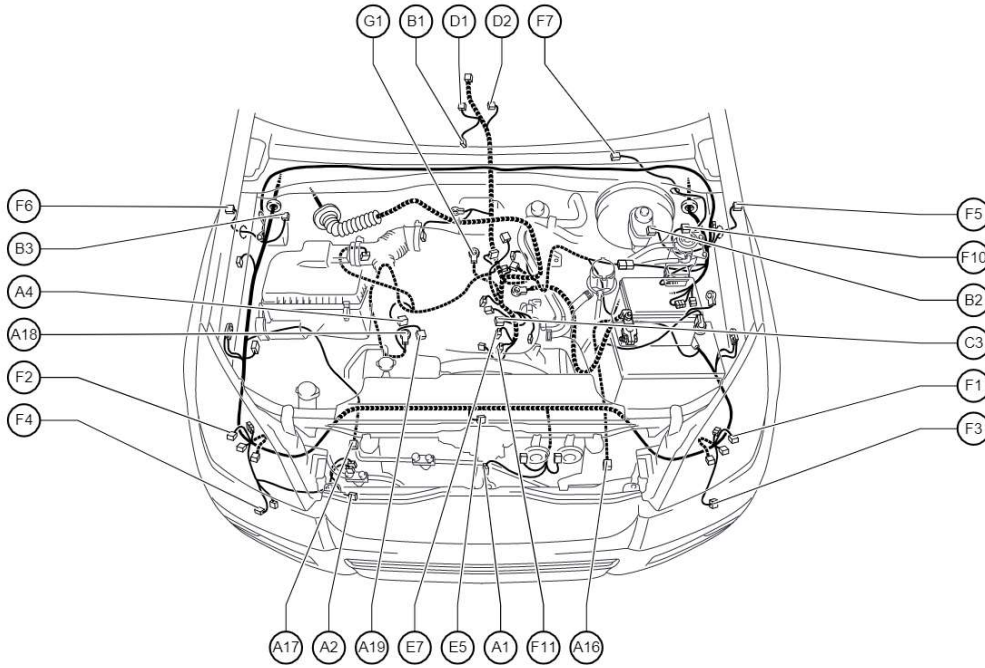
V 5 VRV (EGR)  
 V 8 VSV (EGR Cut)

W 1 Washer Motor  
 W 2 Water Temp. Sender  
 W 3 Water Temp. Sensor

## E ELECTRICAL WIRING ROUTING

### Position of Parts in Engine Compartment

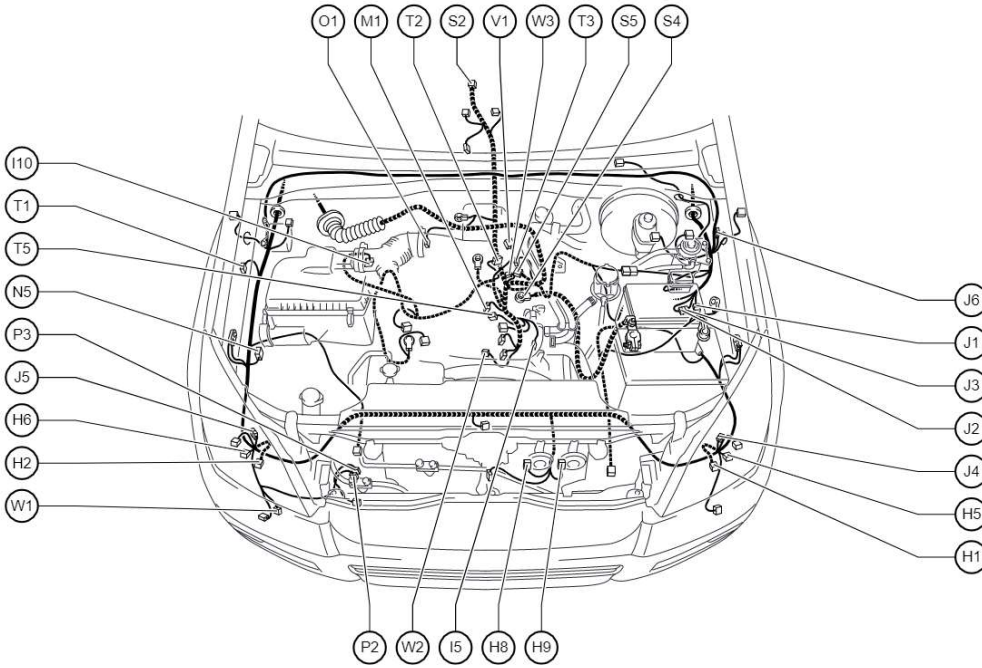
[LHD : 5L-E]



- |  |  |
|--|--|
| A 1 A/C Ambient Temp. Sensor             | E 5 Engine Hood Courtesy SW                                |
| A 2 A/C Condenser Fan Motor              | E 7 Engine Speed Sensor                                    |
| A 4 A/C Magnetic Clutch                  |  |
| A 16 Airbag Sensor Front LH              | F 1 Front Clearance Light LH<br>Front Turn Signal Light LH |
| A 17 Airbag Sensor Front RH              | F 2 Front Clearance Light RH<br>Front Turn Signal Light RH |
| A 18 Alternator                          | F 3 Front Fog Light LH                                     |
| A 19 Alternator                          | F 4 Front Fog Light RH                                     |
|  | F 5 Front Side Turn Signal Light LH                        |
| B 1 Back-Up Light SW                     | F 6 Front Side Turn Signal Light RH                        |
| B 2 Brake Fluid Level Warning SW         | F 7 Front Wiper Motor                                      |
| B 3 Brake Vacuum Warning SW              | F 10 Fuel Sedimentary SW                                   |
|  | F 11 Fuel Temp. Sensor                                     |
| C 3 Crankshaft Position Sensor           |  |
| D 1 Detection SW (Transfer 4WD Position) | G 1 Glow Plug  |
| D 2 Detection SW (Transfer L4 Position)  |  |

## Position of Parts in Engine Compartment

[LHD : 5L-E]



H 1 Headlight Beam Level Control Actuator LH  
 H 2 Headlight Beam Level Control Actuator RH  
 H 5 Headlight LH  
 H 6 Headlight RH  
 H 8 Horn (High)  
 H 9 Horn (Low)

I 5 Injection Pump  
 I 10 Intake Air Temp. Sensor

J 1 Junction Connector  
 J 2 Junction Connector  
 J 3 Junction Connector  
 J 4 Junction Connector  
 J 5 Junction Connector  
 J 6 Junction Connector

M 1 Magnetic Spill Valve

N 5 Noise Filter (Condenser Fan)

O 1 Oil Pressure SW

P 2 Pressure SW  
 P 3 Pressure SW

S 2 Speed Sensor (Combination Meter)  
 S 4 Starter  
 S 5 Starter

T 1 Theft Deterrent Horn  
 T 2 Throttle Control Motor  
 T 3 Throttle Open SW  
 T 5 Timing Control Valve

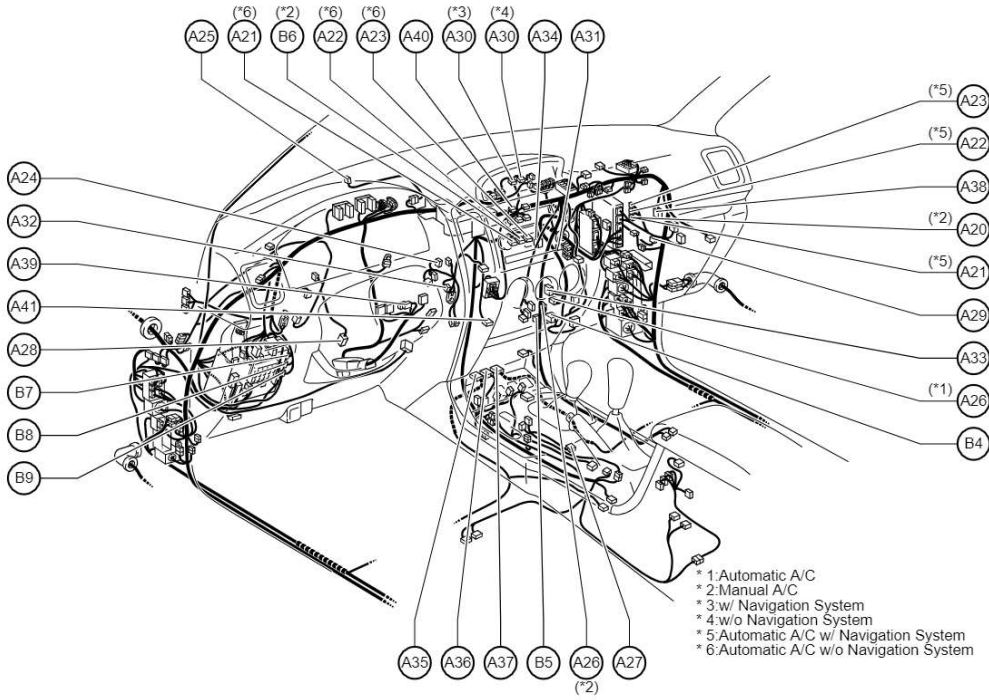
V 1 Vacuum Sensor

W 1 Washer Motor  
 W 2 Water Temp. Sender  
 W 3 Water Temp. Sensor

# E ELECTRICAL WIRING ROUTING

## Position of Parts in Instrument Panel

[LHD]

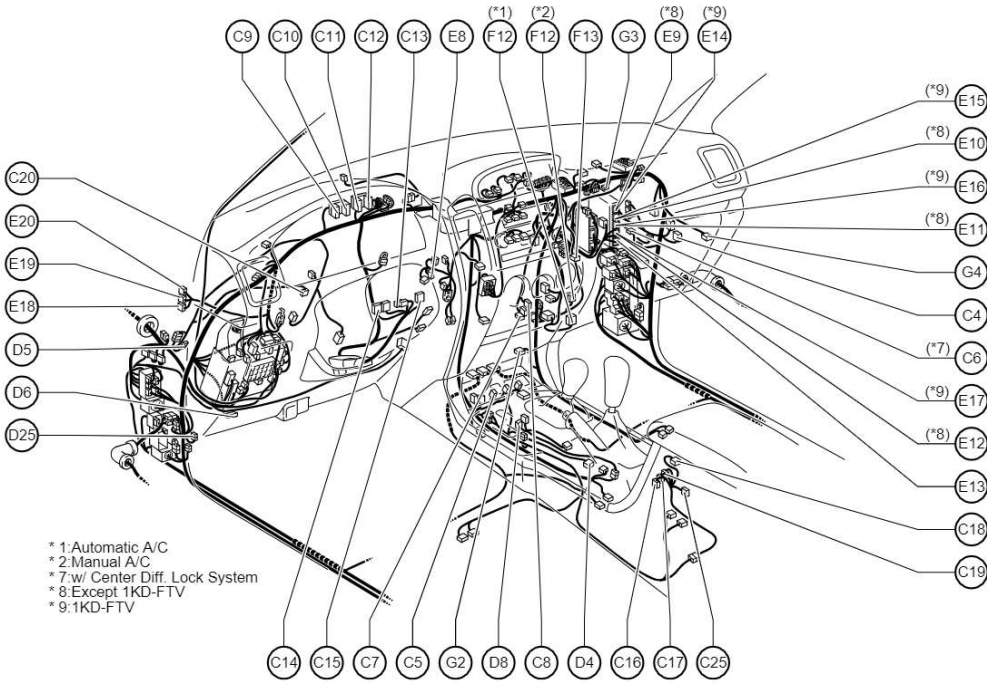


- A20 A/C Amplifier
- A21 A/C Control Assembly (w/o Navigation System)  
A/C ECU (w/ Navigation System)
- A22 A/C Control Assembly (w/o Navigation System)  
A/C ECU (w/ Navigation System)
- A23 A/C Control Assembly (w/o Navigation System)  
A/C ECU (w/ Navigation System)
- A24 A/C Room Temp. Sensor
- A25 A/C Solar Sensor
- A26 A/C Thermistor
- A27 A/T Shift Indicator
- A28 Accel Position Sensor
- A29 Acceleration Control Sensor Front
- A30 Accessory Meter
- A31 Air Inlet Control Servo Motor
- A32 Air Mix Control Servo Motor LH
- A33 Air Mix Control Servo Motor RH
- A34 Air Vent Mode Control Servo Motor
- A35 Airbag Sensor Assembly
- A36 Airbag Sensor Assembly
- A37 Airbag Sensor Assembly
- A38 Airbag Squib (Front Passenger Airbag Assembly)
- A39 Airbag Squib (Steering Wheel Pad)
- A40 Antenna Amplifier
- A41 Ashtray Illumination

- B 4 Blower Motor Linear Controller
- B 5 Blower Resistor
- B 6 Blower SW
- B 7 Body ECU
- B 8 Body ECU
- B 9 Body ECU

## Position of Parts in Instrument Panel

[LHD]



- \* 1: Automatic A/C
- \* 2: Manual A/C
- \* 7: w/ Center Diff. Lock System
- \* 8: Except 1KD-FTV
- \* 9: 1KD-FTV

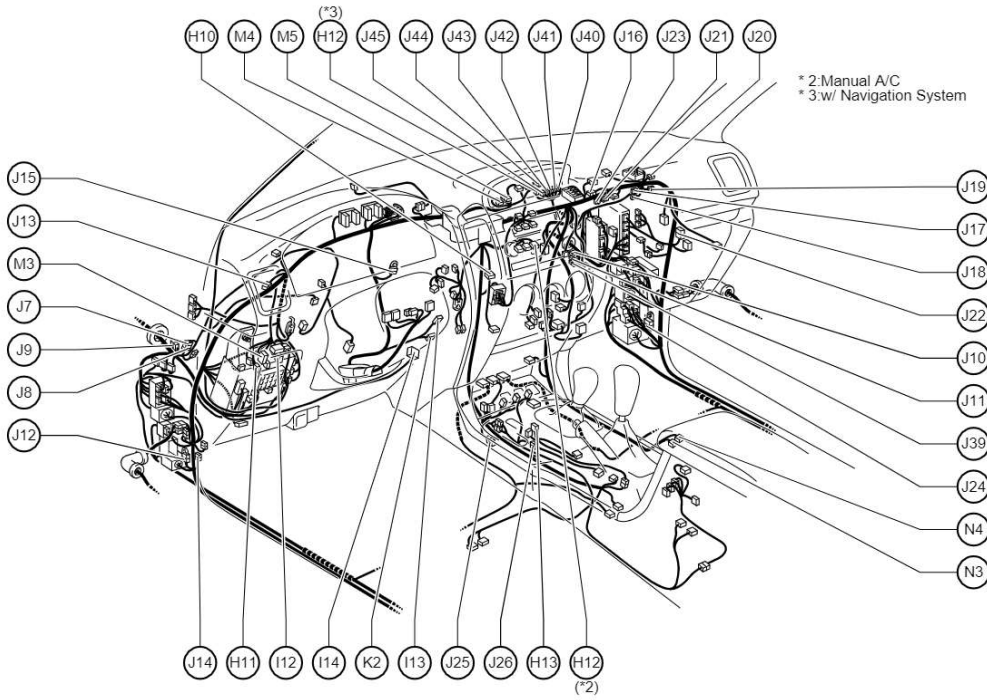
- C 4 CD Automatic Changer
- C 5 Center Diff. Lock Control SW
- C 6 Center Diff. Lock ECU
- C 7 Cigarette Lighter
- C 8 Cigarette Lighter Illumination
- C 9 Combination Meter
- C10 Combination Meter
- C11 Combination Meter
- C12 Combination Meter
- C13 Combination SW
- C14 Combination SW
- C15 Combination SW
- C16 Cool Box Amplifier
- C17 Cool Box Motor
- C18 Cool Box SW
- C19 Cool Box Thermistor
- C20 Cruise Control Clutch SW
- C25 Cool Box Magnetic Valve
  
- D 4 Deceleration Sensor
- D 5 Diode (Front Fog Light)
- D 6 DLC3
- D 8 Downhill Assist Control SW
- D25 Diode (Luggage Compartment Light)

- E 8 ECT Pattern Select SW
- E 9 Engine and ECT ECU (A/T)  
Engine ECU (M/T)
- E10 Engine and ECT ECU (A/T)  
Engine ECU (M/T)
- E11 Engine and ECT ECU (A/T)  
Engine ECU (M/T)
- E12 Engine and ECT ECU (A/T)  
Engine ECU (M/T)
- E13 Engine and ECT ECU (A/T)  
Engine ECU (M/T)
- E14 Engine ECU
- E15 Engine ECU
- E16 Engine ECU
- E17 Engine ECU
- E18 ECT ECU
- E19 ECT ECU
- E20 ECT ECU
  
- F12 Front Blower Motor
- F13 Front Passenger's Seat Belt Warning Light
  
- G 2 Gateway ECU
- G 3 Glove Box Light
- G 4 Glove Box Light SW

# E ELECTRICAL WIRING ROUTING

## Position of Parts in Instrument Panel

[LHD]



- H10 Hazard SW
- H11 Headlight Beam Level Control SW
- H12 Heater Control SW
- H13 Height Control and Suspension SW

- I 12 Idle-Up SW
- I 13 Ignition Key Cylinder Light  
Transponder Key Amplifier
- I 14 Ignition SW

- J 7 Junction Connector
- J 8 Junction Connector
- J 9 Junction Connector
- J 10 Junction Connector
- J 11 Junction Connector
- J 12 Junction Connector
- J 13 Junction Connector
- J 14 Junction Connector
- J 15 Junction Connector
- J 16 Junction Connector
- J 17 Junction Connector
- J 18 Junction Connector
- J 19 Junction Connector
- J 20 Junction Connector

- J 21 Junction Connector
- J 22 Junction Connector
- J 23 Junction Connector
- J 24 Junction Connector
- J 25 Junction Connector
- J 26 Junction Connector
- J 39 Junction Connector
- J 40 Junction Connector
- J 41 Junction Connector
- J 42 Junction Connector
- J 43 Junction Connector
- J 44 Junction Connector
- J 45 Junction Connector

- K 2 Key Interlock Solenoid  
Unlock Warning SW

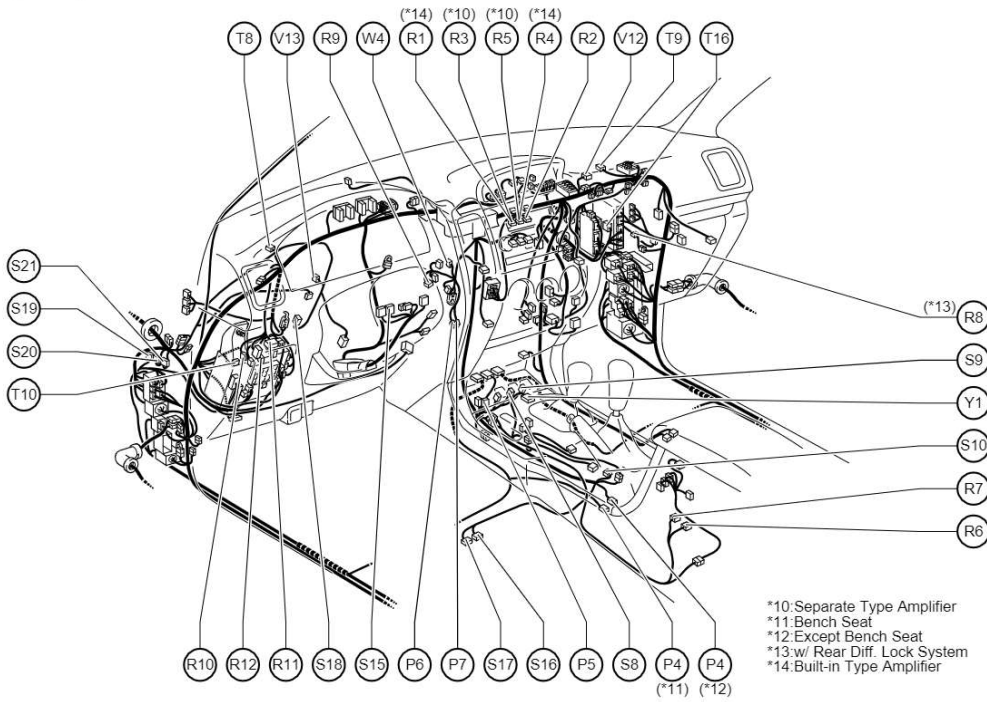
- M 3 Mirror Heater SW
- M 4 Multi-Display
- M 5 Multi-Display

- N 3 Navigation ECU
- N 4 Navigation ECU



## Position of Parts in Instrument Panel

[LHD]



\*10: Separate Type Amplifier  
 \*11: Bench Seat  
 \*12: Except Bench Seat  
 \*13: w/ Rear Diff. Lock System  
 \*14: Built-in Type Amplifier

P 4 Parking Brake SW  
 P 5 Power Outlet (Front)  
 P 6 PTC Heater  
 P 7 PTC Heater

R 1 Radio and Player  
 R 2 Radio and Player  
 R 3 Radio and Player  
 R 4 Radio and Player  
 R 5 Radio and Player  
 R 6 Rear Blower SW  
 R 7 Rear Cooler Control SW  
 R 8 Rear Diff. Lock Control ECU  
 R 9 Rear Diff. Lock SW  
 R10 Rear Fog Light SW  
 R11 Remote Control Mirror SW  
 R12 Rheostat

S 8 Seat Heater SW Front LH  
 S 9 Seat Heater SW Front RH  
 S10 Shift Lock Control ECU  
 S15 Steering Sensor  
 S16 Stereo Component Amplifier  
 S17 Stereo Component Amplifier  
 S18 Stop Light SW  
 S19 Suspension Control ECU  
 S20 Suspension Control ECU  
 S21 Suspension Control ECU

T 8 Theft Deterrent ECU  
 T 9 Transponder Key Computer  
 T10 Turn Signal Flasher  
 T16 Turbo Motor Driver

V12 Viscous Heater Amplifier  
 V13 VSC Warning Buzzer

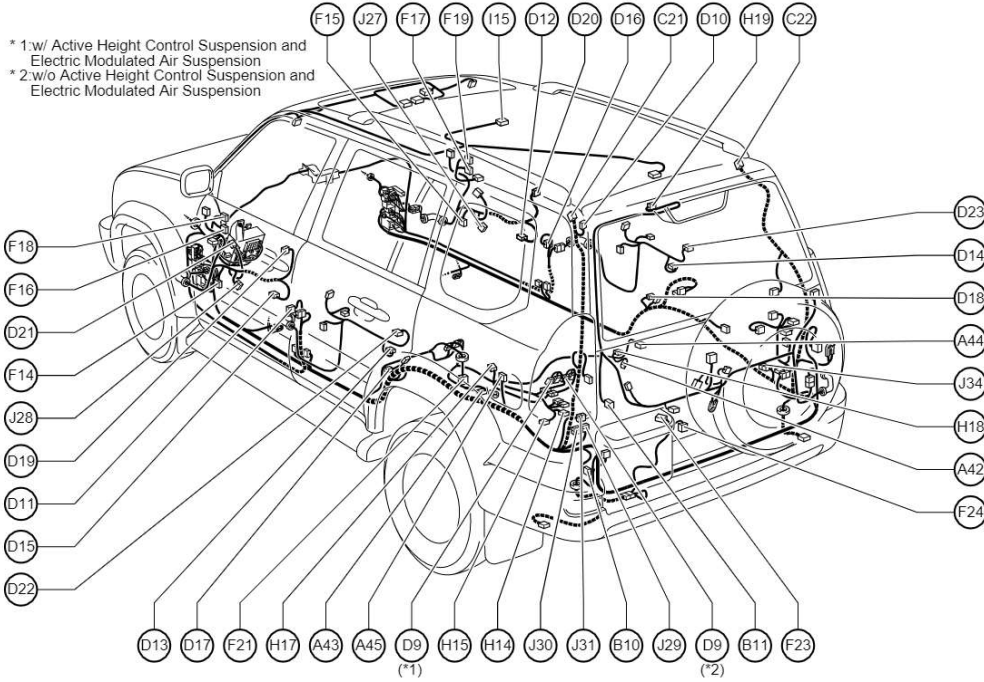
W 4 Water Temp. Sensor (A/C)

Y 1 Yaw Rate Sensor

# E ELECTRICAL WIRING ROUTING

## Position of Parts in Body

[LHD : 5-Door]

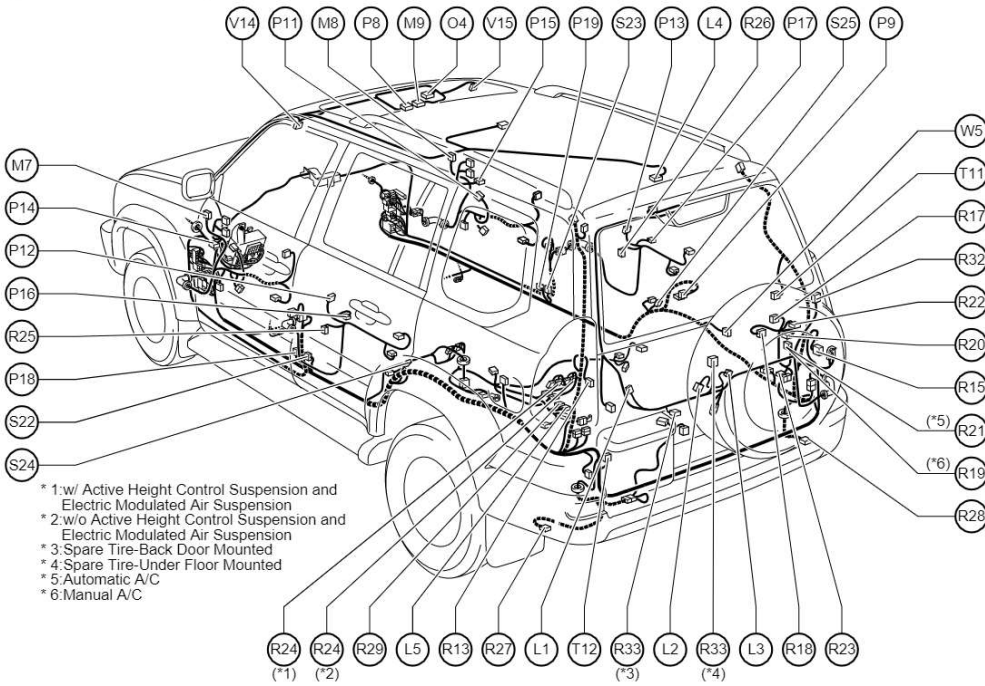


\* 1:w/ Active Height Control Suspension and Electric Modulated Air Suspension  
 \* 2:w/o Active Height Control Suspension and Electric Modulated Air Suspension

- |   |                                      |
|---|--------------------------------------|
| A 42 ABS Speed Sensor Rear                | D 22 Door Lock Motor Rear LH         |
| A 43 Absorber Control Actuator Rear LH    | Door Unlock Detection SW Rear LH     |
| A 44 Absorber Control Actuator Rear RH    | D 23 Door Lock Motor Rear RH         |
| A 45 Acceleration Control Sensor Rear     | Door Unlock Detection SW Rear RH     |
| B 10 Back Door Courtesy SW                | F 14 Front Door Speaker LH           |
| B 11 Back Door Key Lock and Unlock SW     | F 15 Front Door Speaker RH           |
| Back Door Lock Motor                      | F 16 Front Door Squawker LH          |
| Back Door Unlock Detection SW             | F 17 Front Door Squawker RH          |
| C 21 Curtain Shield Airbag Squib LH       | F 18 Front Door Tweeter Speaker LH   |
| C 22 Curtain Shield Airbag Squib RH       | F 19 Front Door Tweeter Speaker RH   |
| D 9 Detection SW (Rear Diff. Lock)        | F 21 Fuel Pump and Sender (Gasoline) |
| D 10 Door Control Receiver                | Fuel Sender (Diesel)                 |
| D 11 Door Courtesy Light Front LH         | F 23 Fuel Sender (Sub)               |
| D 12 Door Courtesy Light Front RH         | F 24 Fuel Sender (Sub)               |
| D 13 Door Courtesy Light Rear LH          | H 14 Height Control Compressor       |
| D 14 Door Courtesy Light Rear RH          | H 15 Height Control Exhaust Valve    |
| D 15 Door Courtesy SW Front LH            | H 17 Height Control Sensor Rear LH   |
| D 16 Door Courtesy SW Front RH            | H 18 Height Control Sensor Rear RH   |
| D 17 Door Courtesy SW Rear LH             | H 19 High Mounted Stop Light         |
| D 18 Door Courtesy SW Rear RH             | I 15 Interior Light                  |
| D 19 Door Key Lock and Unlock SW Front LH | J 27 Junction Connector              |
| Door Lock Motor Front LH                  | J 28 Junction Connector              |
| Door Unlock Detection SW Front LH         | J 29 Junction Connector              |
| D 20 Door Key Lock and Unlock SW Front RH | J 30 Junction Connector              |
| Door Lock Motor Front RH                  | J 31 Junction Connector              |
| Door Unlock Detection SW Front RH         | J 34 Junction Connector              |
| D 21 Door Lock Control SW                 |                                      |
| Power Window Master SW                    |                                      |

## Position of Parts in Body

[LHD : 5-Door]



- \* 1:w/ Active Height Control Suspension and Electric Modulated Air Suspension
- \* 2:w/o Active Height Control Suspension and Electric Modulated Air Suspension
- \* 3:Spare Tire-Back Door Mounted
- \* 4:Spare Tire-Under Floor Mounted
- \* 5:Automatic A/C
- \* 6:Manual A/C

- L 1 License Plate Light
- L 2 License Plate Light LH
- L 3 License Plate Light RH
- L 4 Luggage Compartment Light
- L 5 Low Pressure Tank Valve

- M 7 Mirror Heater LH  
Remote Control Mirror LH
- M 8 Mirror Heater RH  
Remote Control Mirror RH
- M 9 Moon Roof Control ECU and Motor

- O 4 Overhead J/B

- P 8 Personal Light
- P 9 Power Outlet (Rear)
- P 11 Power Window Control SW Front RH
- P 12 Power Window Control SW Rear LH
- P 13 Power Window Control SW Rear RH
- P 14 Power Window Motor Front LH
- P 15 Power Window Motor Front RH
- P 16 Power Window Motor Rear LH
- P 17 Power Window Motor Rear RH
- P 18 Pretensioner LH
- P 19 Pretensioner RH

- R 13 Rear Combination Light LH
- R 15 Rear Combination Light RH
- R 17 Rear Cooler Amplifier
- R 18 Rear Cooler Blower Motor
- R 19 Rear Cooler Blower Resistor
- R 20 Rear Cooler Magnetic Valve
- R 21 Rear Cooler Power Transistor
- R 22 Rear Cooler Relay
- R 23 Rear Cooler Thermistor
- R 24 Rear Diff. Lock Motor
- R 25 Rear Door Speaker LH
- R 26 Rear Door Speaker RH
- R 27 Rear Fog Light LH
- R 28 Rear Fog Light RH
- R 29 Rear Height Control Valve
- R 32 Rear Window Defogger
- R 33 Rear Wiper Motor

- S 22 Side Airbag Sensor Front LH
- S 23 Side Airbag Sensor Front RH
- S 24 Side Airbag Sensor Rear LH
- S 25 Side Airbag Sensor Rear RH

- T 11 Theft Deterrent Siren
- T 12 Trailer Socket

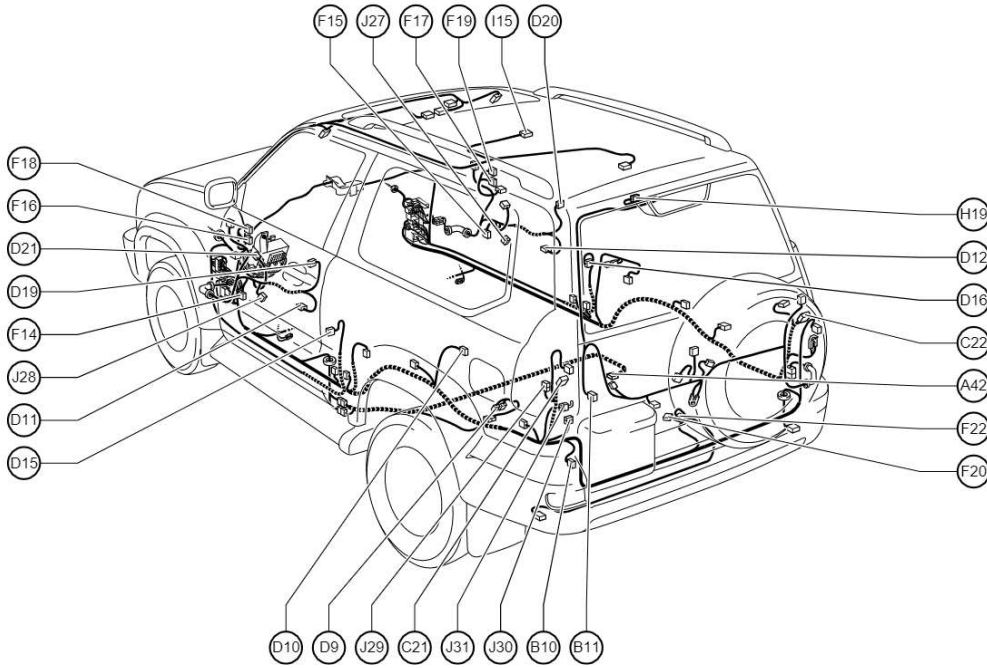
- V 14 Vanity Light LH
- V 15 Vanity Light RH

- W 5 Woofer Speaker

# E ELECTRICAL WIRING ROUTING

## Position of Parts in Body

[LHD : 3-Door]

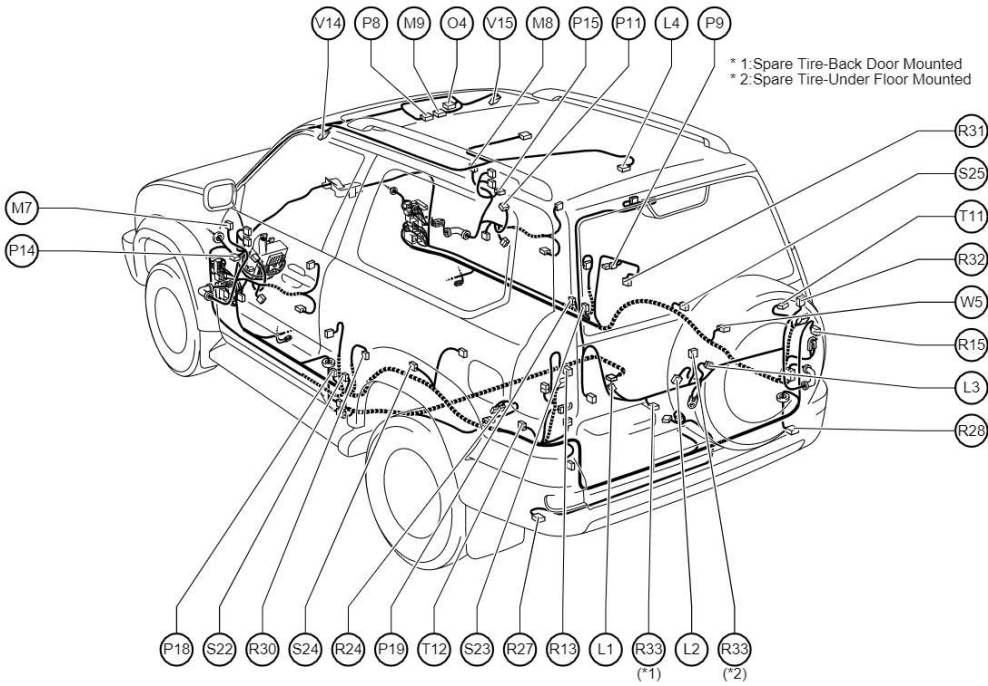


- A 42 ABS Speed Sensor Rear
- B 10 Back Door Courtesy SW
- B 11 Back Door Key Lock and Unlock SW  
Back Door Lock Motor  
Back Door Unlock Detection SW
- C 21 Curtain Shield Airbag Squib LH
- C 22 Curtain Shield Airbag Squib RH
- D 9 Detection SW (Rear Diff. Lock)
- D 10 Door Control Receiver
- D 11 Door Courtesy Light Front LH
- D 12 Door Courtesy Light Front RH
- D 15 Door Courtesy SW Front LH
- D 16 Door Courtesy SW Front RH
- D 19 Door Key Lock and Unlock SW Front LH  
Door Lock Motor Front LH  
Door Unlock Detection SW Front LH
- D 20 Door Key Lock and Unlock SW Front RH  
Door Lock Motor Front RH  
Door Unlock Detection SW Front RH
- D 21 Door Lock Control SW  
Power Window Master SW

- F 14 Front Door Speaker LH
- F 15 Front Door Speaker RH
- F 16 Front Door Squawker LH
- F 17 Front Door Squawker RH
- F 18 Front Door Tweeter Speaker LH
- F 19 Front Door Tweeter Speaker RH
- F 20 Fuel Pump
- F 22 Fuel Sender
- H 19 High Mounted Stop Light
- I 15 Interior Light
- J 27 Junction Connector
- J 28 Junction Connector
- J 29 Junction Connector
- J 30 Junction Connector
- J 31 Junction Connector

## Position of Parts in Body

[LHD : 3-Door]



L 1 License Plate Light  
L 2 License Plate Light LH  
L 3 License Plate Light RH  
L 4 Luggage Compartment Light

M 7 Mirror Heater LH  
Remote Control Mirror LH  
M 8 Mirror Heater RH  
Remote Control Mirror RH  
M 9 Moon Roof Control ECU and Motor

O 4 Overhead J/B

P 8 Personal Light  
P 9 Power Outlet (Rear)  
P 11 Power Window Control SW Front RH  
P 14 Power Window Motor Front LH  
P 15 Power Window Motor Front RH  
P 18 Pretensioner LH  
P 19 Pretensioner RH

R 13 Rear Combination Light LH  
R 15 Rear Combination Light RH  
R 24 Rear Diff. Lock Motor  
R 27 Rear Fog Light LH  
R 28 Rear Fog Light RH  
R 30 Rear Speaker LH  
R 31 Rear Speaker RH  
R 32 Rear Window Defogger  
R 33 Rear Wiper Motor

S 22 Side Airbag Sensor Front LH  
S 23 Side Airbag Sensor Front RH  
S 24 Side Airbag Sensor Rear LH  
S 25 Side Airbag Sensor Rear RH

T 11 Theft Deterrent Siren  
T 12 Trailer Socket

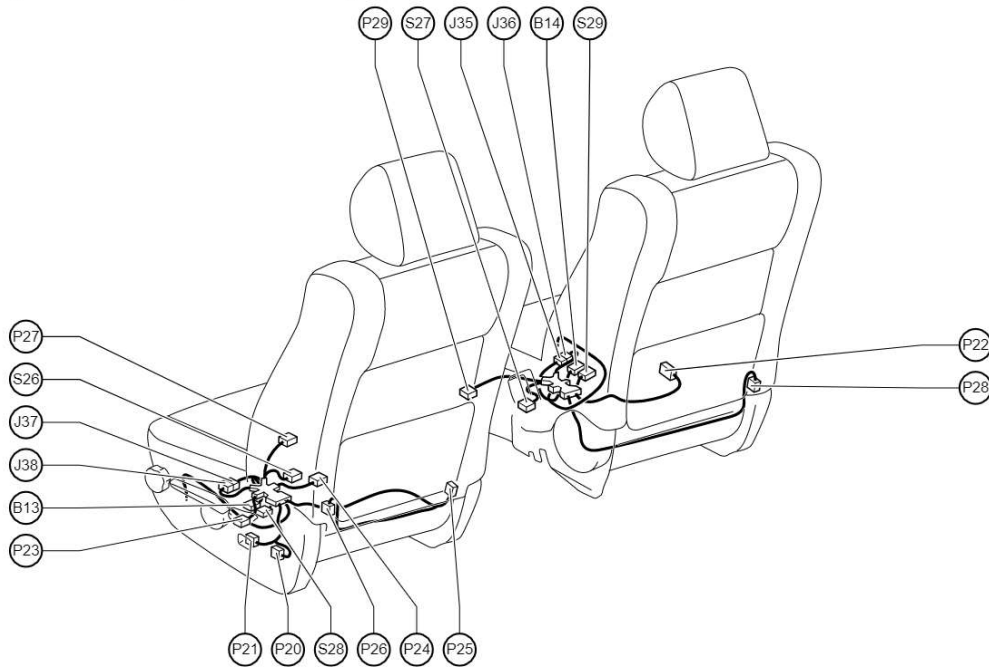
V 14 Vanity Light LH  
V 15 Vanity Light RH

W 5 Woofer Speaker

## E ELECTRICAL WIRING ROUTING

### Position of Parts in Seat

[LHD : 8 Way Power Seat]



B13 Buckle SW LH  
Seat Position Sensor  
B14 Buckle SW RH  
Occupant Detection Sensor

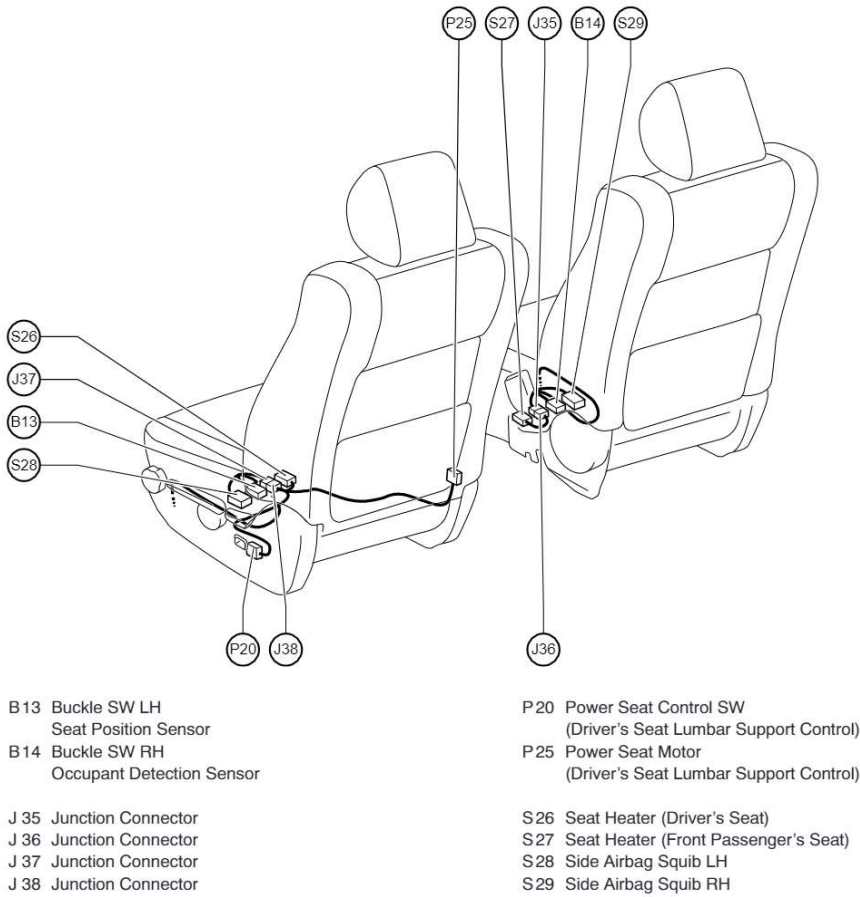
S26 Seat Heater (Driver's Seat)  
S27 Seat Heater (Front Passenger's Seat)  
S28 Side Airbag Squib LH  
S29 Side Airbag Squib RH

J35 Junction Connector  
J36 Junction Connector  
J37 Junction Connector  
J38 Junction Connector

P20 Power Seat Control SW  
(Driver's Seat Lumbar Support Control)  
P21 Power Seat Control SW (Driver's Seat)  
P22 Power Seat Control SW (Front Passenger's Seat)  
P23 Power Seat Motor (Driver's Seat Front Vertical Control)  
P24 Power Seat Motor (Driver's Seat Lifter Control)  
P25 Power Seat Motor  
(Driver's Seat Lumbar Support Control)  
P26 Power Seat Motor (Driver's Seat Reclining Control)  
P27 Power Seat Motor (Driver's Seat Slide Control)  
P28 Power Seat Motor  
(Front Passenger's Seat Reclining Control)  
P29 Power Seat Motor  
(Front Passenger's Seat Slide Control)

## Position of Parts in Seat

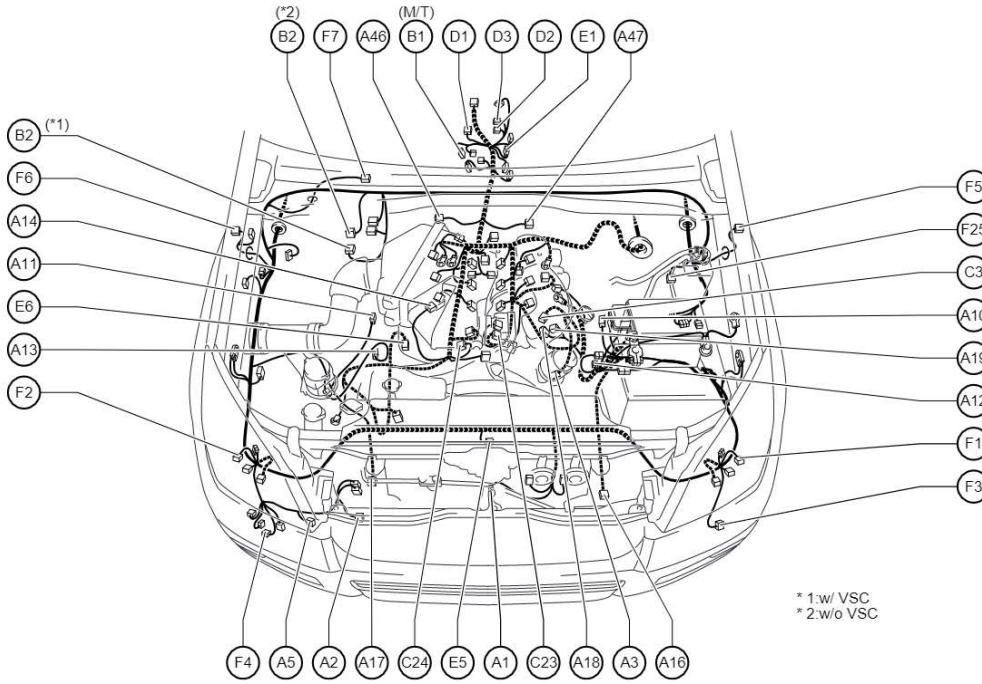
[LHD : Except 8 Way Power Seat]



# E ELECTRICAL WIRING ROUTING

## Position of Parts in Engine Compartment

[RHD : 1GR-FE]



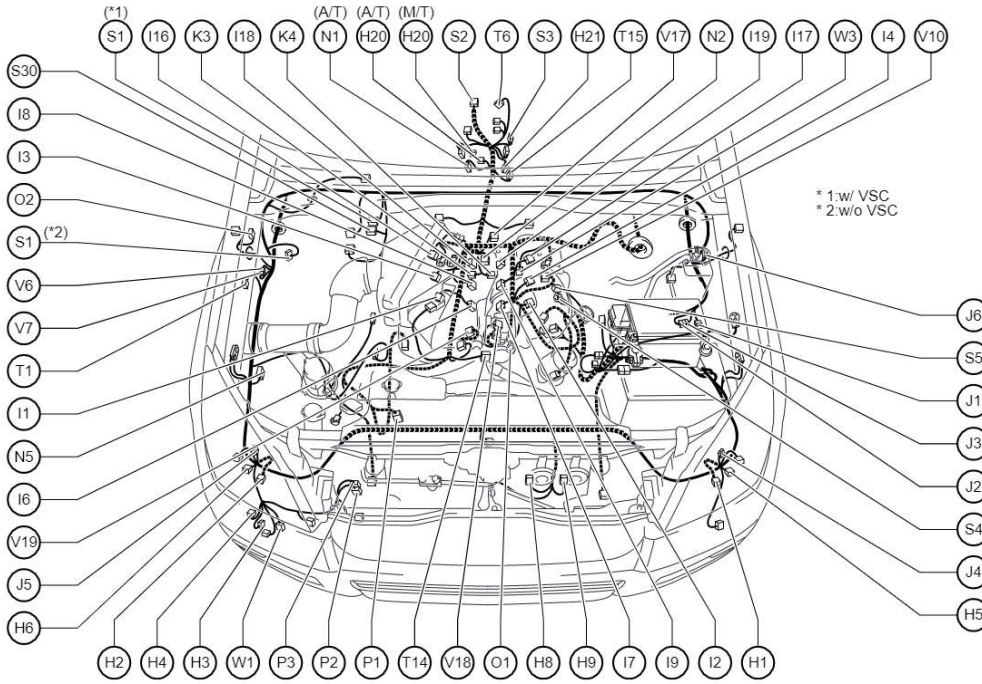
\* 1:w/ VSC  
\* 2:w/o VSC

- |  |  |
|--|--|
| A 1 A/C Ambient Temp. Sensor                 | D 1 Detection SW (Transfer 4WD Position)     |
| A 2 A/C Condenser Fan Motor                  | D 2 Detection SW (Transfer L4 Position)      |
| A 3 A/C Lock Sensor                          | D 3 Detection SW (Transfer Neutral Position) |
| A/C Magnetic Clutch                          |  |
| A 5 A/C Magnetic Valve                       | E 1 ECT Solenoid                             |
| A 10 ABS Speed Sensor Front LH               | E 5 Engine Hood Courtesy SW                  |
| A 11 ABS Speed Sensor Front RH               | E 6 Engine Oil Level Sensor                  |
| A 12 Absorber Control Actuator Front LH      |  |
| A 13 Absorber Control Actuator Front RH      | F 1 Front Clearance Light LH                 |
| A 14 Air Flow Meter                          | Front Turn Signal Light LH                   |
| A 16 Airbag Sensor Front LH                  | F 2 Front Clearance Light RH                 |
| A 17 Airbag Sensor Front RH                  | Front Turn Signal Light RH                   |
| A 18 Alternator                              | F 3 Front Fog Light LH                       |
| A 19 Alternator                              | F 4 Front Fog Light RH                       |
| A 46 Air Fuel Ratio Sensor (Bank 1 Sensor 1) | F 5 Front Side Turn Signal Light LH          |
| A 47 Air Fuel Ratio Sensor (Bank 2 Sensor 1) | F 6 Front Side Turn Signal Light RH          |
|  | F 7 Front Wiper Motor                        |
| B 1 Back-Up Light SW                         | F 25 Fuel Pump Resistor                      |
| B 2 Brake Fluid Level Warning SW             |  |
| C 3 Crankshaft Position Sensor               |  |
| C 23 Camshaft Timing Oil Control Valve LH    |  |
| C 24 Camshaft Timing Oil Control Valve RH    |  |



## Position of Parts in Engine Compartment

[RHD : 1GR-FE]



H 1 Headlight Beam Level Control Actuator LH  
 H 2 Headlight Beam Level Control Actuator RH  
 H 3 Headlight Cleaner Motor  
 H 4 Headlight Cleaner Relay  
 H 5 Headlight LH  
 H 6 Headlight RH  
 H 8 Horn (High)  
 H 9 Horn (Low)  
 H 20 Heated Oxygen Sensor (Bank 1 Sensor 2)  
 H 21 Heated Oxygen Sensor (Bank 2 Sensor 2)

I 1 Ignition Coil and Igniter No.1  
 I 2 Ignition Coil and Igniter No.2  
 I 3 Ignition Coil and Igniter No.3  
 I 4 Ignition Coil and Igniter No.4  
 I 6 Injector No.1  
 I 7 Injector No.2  
 I 8 Injector No.3  
 I 9 Injector No.4  
 I 16 Ignition Coil and Igniter No.5  
 I 17 Ignition Coil and Igniter No.6  
 I 18 Injector No.5  
 I 19 Injector No.6

J 1 Junction Connector  
 J 2 Junction Connector  
 J 3 Junction Connector  
 J 4 Junction Connector  
 J 5 Junction Connector  
 J 6 Junction Connector

K 3 Knock Sensor (Bank 1)  
 K 4 Knock Sensor (Bank 2)

N 1 Neutral Start SW  
 N 2 Noise Filter  
 N 5 Noise Filter (Condenser Fan)  
 O 1 Oil Pressure SW  
 O 2 Option Connector (Keyless Buzzer)  
 P 1 Power Steering Oil Pressure SW  
 P 2 Pressure SW  
 P 3 Pressure SW

S 1 Skid Control ECU with Actuator  
 S 2 Speed Sensor (Combination Meter)  
 S 3 Speed Sensor (ECT)  
 S 4 Starter  
 S 5 Starter  
 S 30 Skid Control ECU with Actuator  
 T 1 Theft Deterrent Horn  
 T 6 Transfer Actuator  
 T 14 Throttle Control Motor  
 Throttle Position Sensor  
 T 15 Turbine Speed Sensor

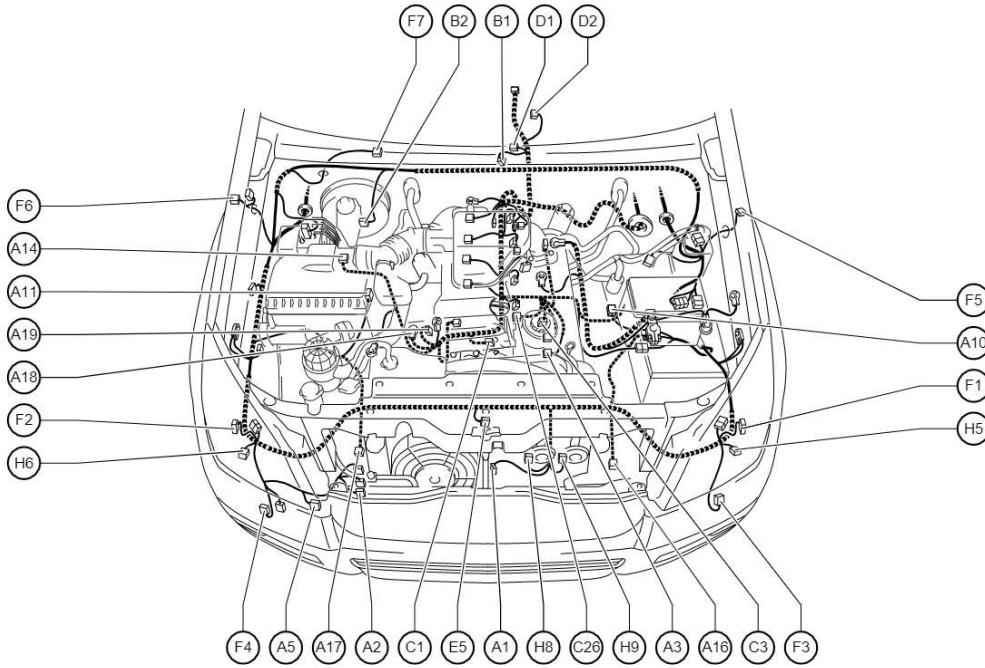
V 6 VSC Check Connector  
 V 7 VSC Check Connector  
 V 10 VSV (EVAP)  
 V 17 VSV (ACIS)  
 V 18 VVT Sensor LH  
 V 19 VVT Sensor RH

W 1 Washer Motor  
 W 3 Water Temp. Sensor

# E ELECTRICAL WIRING ROUTING

## Position of Parts in Engine Compartment

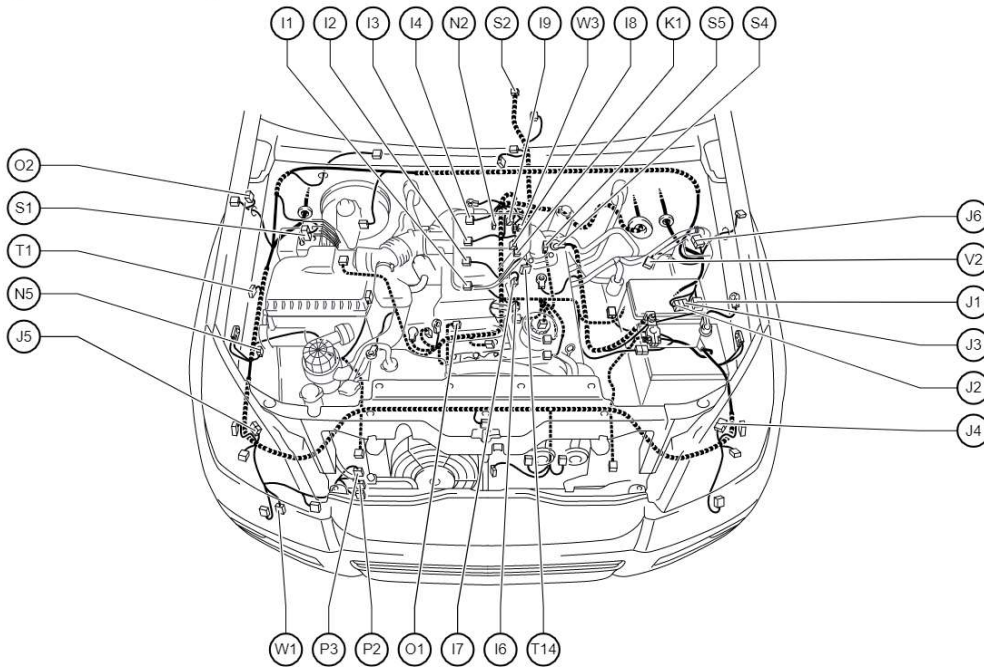
[RHD : 2TR-FE]



- |  |  |
|--|--|
| A 1 A/C Ambient Temp. Sensor               | D 1 Detection SW (Transfer 4WD Position)                   |
| A 2 A/C Condenser Fan Motor                | D 2 Detection SW (Transfer L4 Position)                    |
| A 3 A/C Lock Sensor<br>A/C Magnetic Clutch | E 5 Engine Hood Courtesy SW                                |
| A 5 A/C Magnetic Valve                     | F 1 Front Clearance Light LH<br>Front Turn Signal Light LH |
| A 10 ABS Speed Sensor Front LH             | F 2 Front Clearance Light RH<br>Front Turn Signal Light RH |
| A 11 ABS Speed Sensor Front RH             | F 3 Front Fog Light LH                                     |
| A 14 Air Flow Meter                        | F 4 Front Fog Light RH                                     |
| A 16 Airbag Sensor Front LH                | F 5 Front Side Turn Signal Light LH                        |
| A 17 Airbag Sensor Front RH                | F 6 Front Side Turn Signal Light RH                        |
| A 18 Alternator                            | F 7 Front Wiper Motor                                      |
| A 19 Alternator                            | H 5 Headlight LH   |
| B 1 Back-Up Light SW                       | H 6 Headlight RH   |
| B 2 Brake Fluid Level Warning SW           | H 8 Horn (High)  |
| C 1 Camshaft Position Sensor               | H 9 Horn (Low)   |
| C 3 Crankshaft Position Sensor             |  |
| C26 Camshaft Timing Oil Control Valve      |  |

## Position of Parts in Engine Compartment

[RHD : 2TR-FE]

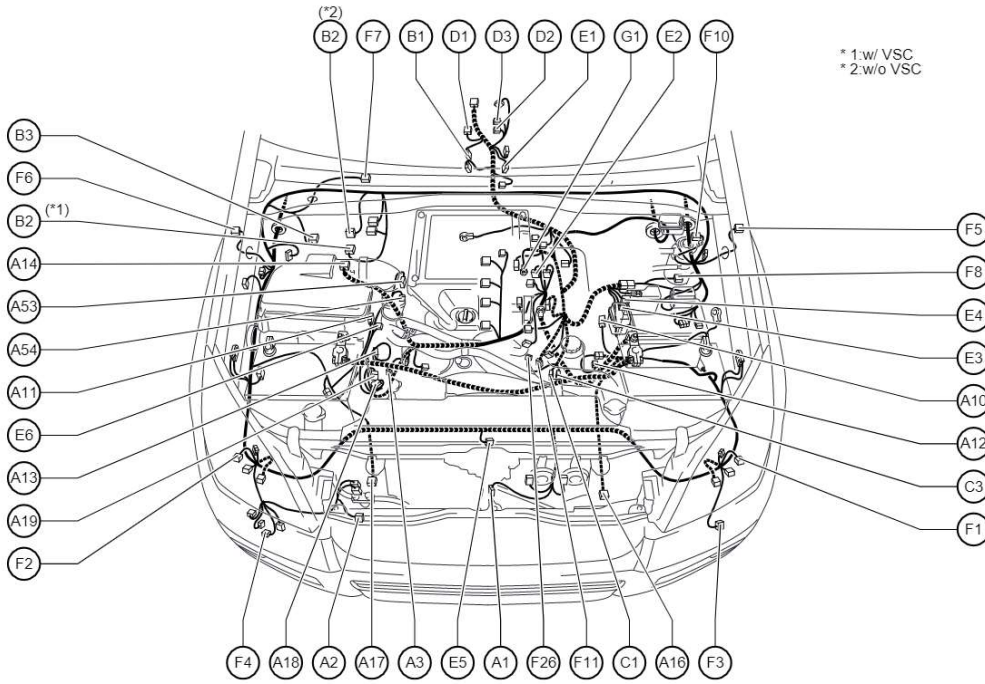


- |                                    |                                       |
|------------------------------------|---------------------------------------|
| I 1 Ignition Coil and Igniter No.1 | O 1 Oil Pressure SW                   |
| I 2 Ignition Coil and Igniter No.2 | O 2 Option Connector (Keyless Buzzer) |
| I 3 Ignition Coil and Igniter No.3 |                                       |
| I 4 Ignition Coil and Igniter No.4 | P 2 Pressure SW                       |
| I 6 Injector No.1                  | P 3 Pressure SW                       |
| I 7 Injector No.2                  |                                       |
| I 8 Injector No.3                  | S 1 Skid Control ECU with Actuator    |
| I 9 Injector No.4                  | S 2 Speed Sensor (Combination Meter)  |
|                                    | S 4 Starter                           |
|                                    | S 5 Starter                           |
| J 1 Junction Connector             |                                       |
| J 2 Junction Connector             | T 1 Theft Deterrent Horn              |
| J 3 Junction Connector             | T 14 Throttle Control Motor           |
| J 4 Junction Connector             | Throttle Position Sensor              |
| J 5 Junction Connector             |                                       |
| J 6 Junction Connector             | V 2 Variable Resistor                 |
|                                    |                                       |
| K 1 Knock Sensor (Bank 1)          |                                       |
|                                    | W 1 Washer Motor                      |
| N 2 Noise Filter                   | W 3 Water Temp. Sensor                |
| N 5 Noise Filter (Condenser Fan)   |                                       |

# E ELECTRICAL WIRING ROUTING

## Position of Parts in Engine Compartment

[RHD : 1KD-FTV]

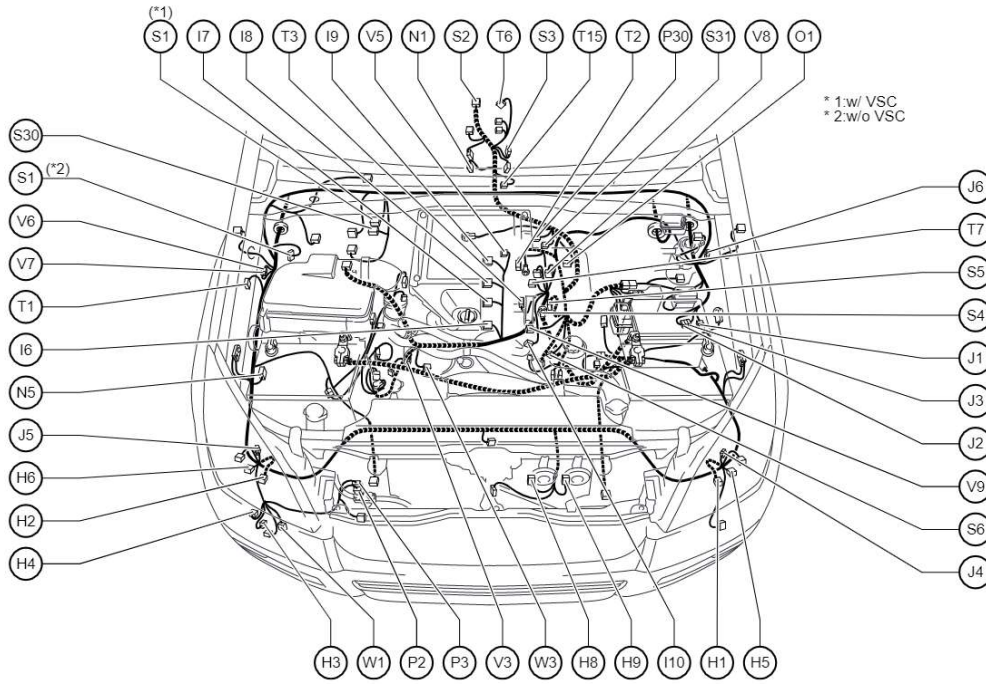


\* 1:w/ VSC  
\* 2:w/o VSC

- |  |                                     |
|--|-------------------------------------|
| A 1 A/C Ambient Temp. Sensor                 | E 1 ECT Solenoid                    |
| A 2 A/C Condenser Fan Motor                  | E 2 EGR Valve Position Sensor       |
| A 3 A/C Lock Sensor                          | E 3 Electronic Driver Unit          |
| A/C Magnetic Clutch                          | E 4 Electronic Driver Unit          |
| A 10 ABS Speed Sensor Front LH               | E 5 Engine Hood Courtesy SW         |
| A 11 ABS Speed Sensor Front RH               | E 6 Engine Oil Level Sensor         |
| A 12 Absorber Control Actuator Front LH      | F 1 Front Clearance Light LH        |
| A 13 Absorber Control Actuator Front RH      | Front Turn Signal Light LH          |
| A 14 Air Flow Meter                          | F 2 Front Clearance Light RH        |
| A 16 Airbag Sensor Front LH                  | Front Turn Signal Light RH          |
| A 17 Airbag Sensor Front RH                  | F 3 Front Fog Light LH              |
| A 18 Alternator                              | F 4 Front Fog Light RH              |
| A 19 Alternator                              | F 5 Front Side Turn Signal Light LH |
| A 53 Air Vent Control Servo Motor            | F 6 Front Side Turn Signal Light RH |
| A 54 Air Vent Control Servo Motor            | F 7 Front Wiper Motor               |
| B 1 Back-Up Light SW                         | F 8 Fuel Heater                     |
| B 2 Brake Fluid Level Warning SW             | F 10 Fuel Sedimentary SW            |
| B 3 Brake Vacuum Warning SW                  | F 11 Fuel Temp. Sensor              |
| C 1 Camshaft Position Sensor                 | F 26 Fuel Pressure Sensor           |
| C 3 Crankshaft Position Sensor               | G 1 Glow Plug                       |
| D 1 Detection SW (Transfer 4WD Position)     |                                     |
| D 2 Detection SW (Transfer L4 Position)      |                                     |
| D 3 Detection SW (Transfer Neutral Position) |                                     |

## Position of Parts in Engine Compartment

[RHD : 1KD-FTV]



H 1 Headlight Beam Level Control Actuator LH  
 H 2 Headlight Beam Level Control Actuator RH  
 H 3 Headlight Cleaner Motor  
 H 4 Headlight Cleaner Relay  
 H 5 Headlight LH  
 H 6 Headlight RH  
 H 8 Horn (High)  
 H 9 Horn (Low)

I 6 Injector No.1  
 I 7 Injector No.2  
 I 8 Injector No.3  
 I 9 Injector No.4  
 I 10 Intake Air Temp. Sensor

J 1 Junction Connector  
 J 2 Junction Connector  
 J 3 Junction Connector  
 J 4 Junction Connector  
 J 5 Junction Connector  
 J 6 Junction Connector

N 1 Neutral Start SW  
 N 5 Noise Filter (Condenser Fan)

O 1 Oil Pressure SW

P 2 Pressure SW  
 P 3 Pressure SW  
 P30 Pressure Discharge Valve

S 1 Skid Control ECU with Actuator  
 S 2 Speed Sensor (Combination Meter)  
 S 3 Speed Sensor (ECT)  
 S 4 Starter  
 S 5 Starter  
 S 6 Suction Control Valve  
 S30 Skid Control ECU with Actuator  
 S31 Swirl Control Valve

T 1 Theft Deterrent Horn  
 T 2 Throttle Control Motor  
 T 3 Throttle Open SW  
 T 6 Transfer Actuator  
 T 7 Turbo Pressure Sensor  
 T 15 Turbine Speed Sensor

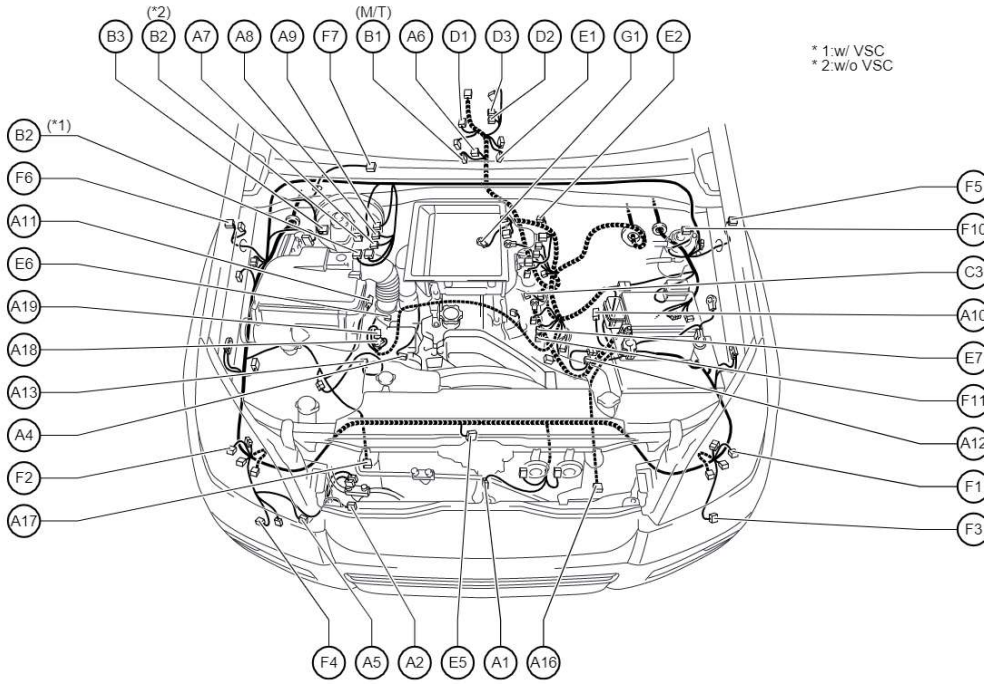
V 3 Viscous Heater Magnetic Clutch  
 V 5 VRV (EGR)  
 V 6 VSC Check Connector  
 V 7 VSC Check Connector  
 V 8 VSV (EGR Cut)  
 V 9 VSV (Engine Mount)

W 1 Washer Motor  
 W 3 Water Temp. Sensor

# E ELECTRICAL WIRING ROUTING

## Position of Parts in Engine Compartment

[RHD : 1KZ-TE]



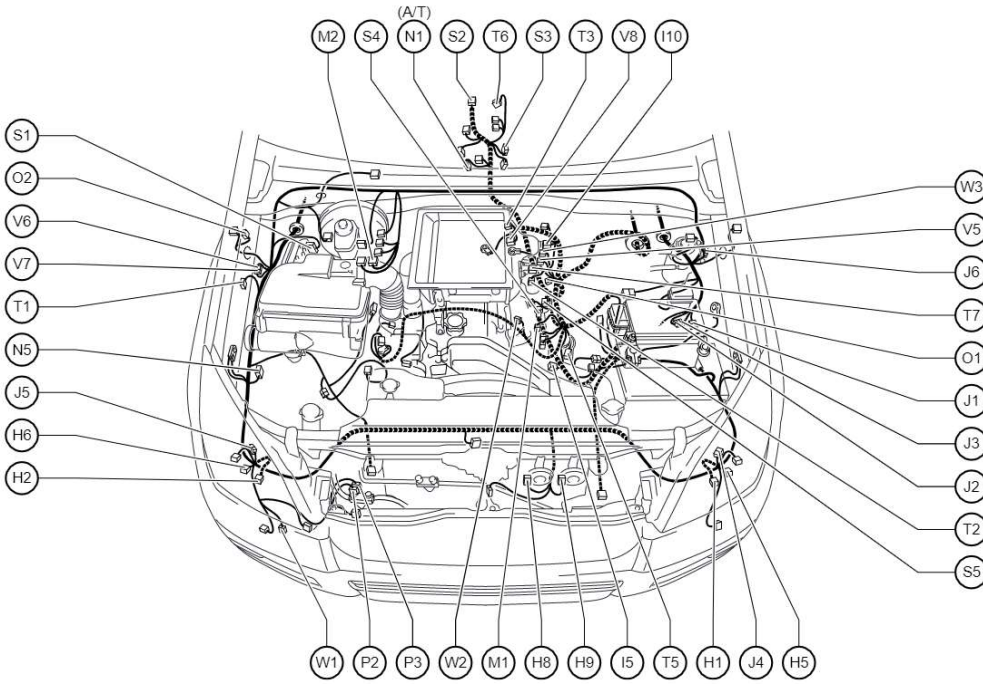
\* 1:w/ VSC  
\* 2:w/o VSC

- A 1 A/C Ambient Temp. Sensor
- A 2 A/C Condenser Fan Motor
- A 4 A/C Magnetic Clutch
- A 5 A/C Magnetic Valve
- A 6 A/T Oil Temp. Sensor
- A 7 ABS & BA & TRC & VSC Actuator
- A 8 ABS & BA & TRC & VSC Actuator
- A 9 ABS & BA & TRC & VSC Actuator
- A 10 ABS Speed Sensor Front LH
- A 11 ABS Speed Sensor Front RH
- A 12 Absorber Control Actuator Front LH
- A 13 Absorber Control Actuator Front RH
- A 16 Airbag Sensor Front LH
- A 17 Airbag Sensor Front RH
- A 18 Alternator
- A 19 Alternator
  
- B 1 Back-Up Light SW
- B 2 Brake Fluid Level Warning SW
- B 3 Brake Vacuum Warning SW
  
- C 3 Crankshaft Position Sensor

- D 1 Detection SW (Transfer 4WD Position)
- D 2 Detection SW (Transfer L4 Position)
- D 3 Detection SW (Transfer Neutral Position)
  
- E 1 ECT Solenoid
- E 2 EGR Valve Position Sensor
- E 5 Engine Hood Courtesy SW
- E 6 Engine Oil Level Sensor
- E 7 Engine Speed Sensor
  
- F 1 Front Clearance Light LH  
Front Turn Signal Light LH
- F 2 Front Clearance Light RH  
Front Turn Signal Light RH
- F 3 Front Fog Light LH
- F 4 Front Fog Light RH
- F 5 Front Side Turn Signal Light LH
- F 6 Front Side Turn Signal Light RH
- F 7 Front Wiper Motor
- F 10 Fuel Sedimentary SW
- F 11 Fuel Temp. Sensor
  
- G 1 Glow Plug

## Position of Parts in Engine Compartment

[RHD : 1KZ-TE]



H 1 Headlight Beam Level Control Actuator LH  
 H 2 Headlight Beam Level Control Actuator RH  
 H 5 Headlight LH  
 H 6 Headlight RH  
 H 8 Horn (High)  
 H 9 Horn (Low)

I 5 Injection Pump  
 I 10 Intake Air Temp. Sensor

J 1 Junction Connector  
 J 2 Junction Connector  
 J 3 Junction Connector  
 J 4 Junction Connector  
 J 5 Junction Connector  
 J 6 Junction Connector

M 1 Magnetic Spill Valve  
 M 2 Master Cylinder Pressure Sensor

N 1 Neutral Start SW  
 N 5 Noise Filter (Condenser Fan)

O 1 Oil Pressure SW  
 O 2 Option Connector (Keyless Buzzer)

P 2 Pressure SW  
 P 3 Pressure SW  
 S 1 Skid Control ECU with Actuator  
 S 2 Speed Sensor (Combination Meter)  
 S 3 Speed Sensor (ECT)  
 S 4 Starter  
 S 5 Starter

T 1 Theft Deterrent Horn  
 T 2 Throttle Control Motor  
 T 3 Throttle Open SW  
 T 5 Timing Control Valve  
 T 6 Transfer Actuator  
 T 7 Turbo Pressure Sensor

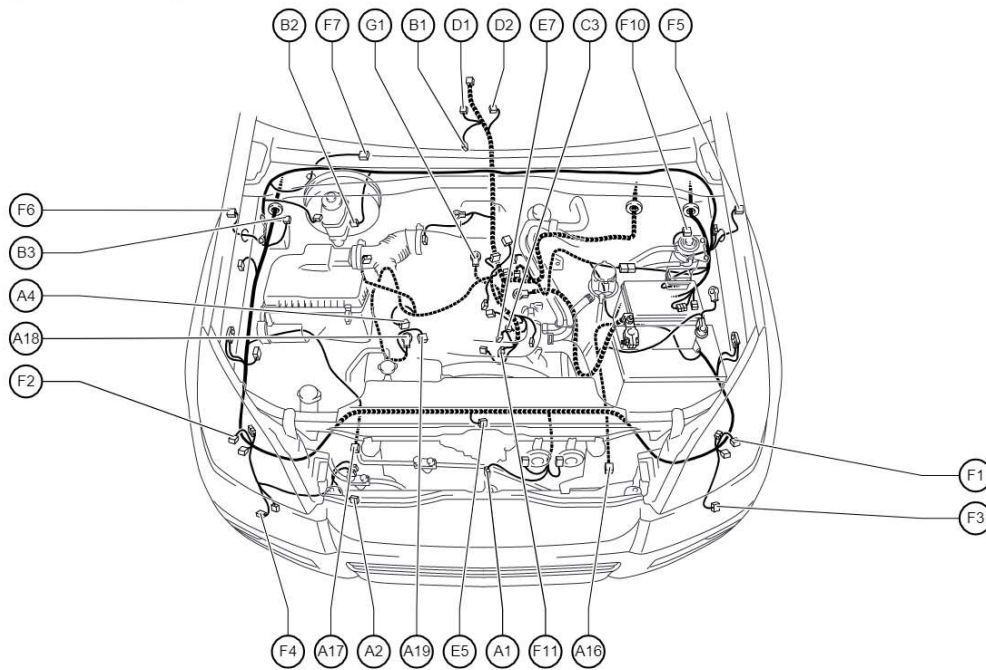
V 5 VRV (EGR)  
 V 6 VSC Check Connector  
 V 7 VSC Check Connector  
 V 8 VSV (EGR Cut)

W 1 Washer Motor  
 W 2 Water Temp. Sender  
 W 3 Water Temp. Sensor

## E ELECTRICAL WIRING ROUTING

### Position of Parts in Engine Compartment

[RHD : 5L-E]

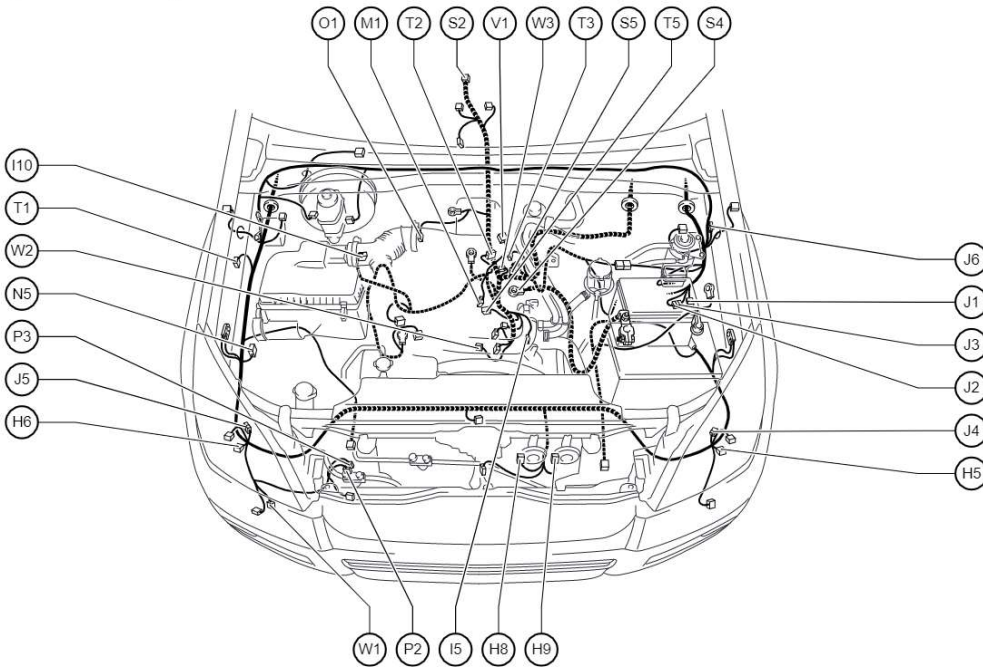


- |  |  |
|--|--|
| A 1 A/C Ambient Temp. Sensor             | E 5 Engine Hood Courtesy SW                                |
| A 2 A/C Condenser Fan Motor              | E 7 Engine Speed Sensor                                    |
| A 4 A/C Magnetic Clutch                  | F 1 Front Clearance Light LH<br>Front Turn Signal Light LH |
| A 16 Airbag Sensor Front LH              | F 2 Front Clearance Light RH<br>Front Turn Signal Light RH |
| A 18 Alternator                          | F 3 Front Fog Light LH                                     |
| A 19 Alternator                          | F 4 Front Fog Light RH                                     |
| B 1 Back-Up Light SW                     | F 5 Front Side Turn Signal Light LH                        |
| B 2 Brake Fluid Level Warning SW         | F 6 Front Side Turn Signal Light RH                        |
| B 3 Brake Vacuum Warning SW              | F 7 Front Wiper Motor                                      |
| C 3 Crankshaft Position Sensor           | F 10 Fuel Sedimentary SW                                   |
| D 1 Detection SW (Transfer 4WD Position) | F 11 Fuel Temp. Sensor                                     |
| D 2 Detection SW (Transfer L4 Position)  | G 1 Glow Plug  |



## Position of Parts in Engine Compartment

[RHD : 5L-E]



H 5 Headlight LH  
H 6 Headlight RH  
H 8 Horn (High)  
H 9 Horn (Low)

I 5 Injection Pump  
I 10 Intake Air Temp. Sensor

J 1 Junction Connector  
J 2 Junction Connector  
J 3 Junction Connector  
J 4 Junction Connector  
J 5 Junction Connector  
J 6 Junction Connector

M 1 Magnetic Spill Valve

N 5 Noise Filter (Condenser Fan)

O 1 Oil Pressure SW

P 2 Pressure SW  
P 3 Pressure SW

S 2 Speed Sensor (Combination Meter)  
S 4 Starter  
S 5 Starter

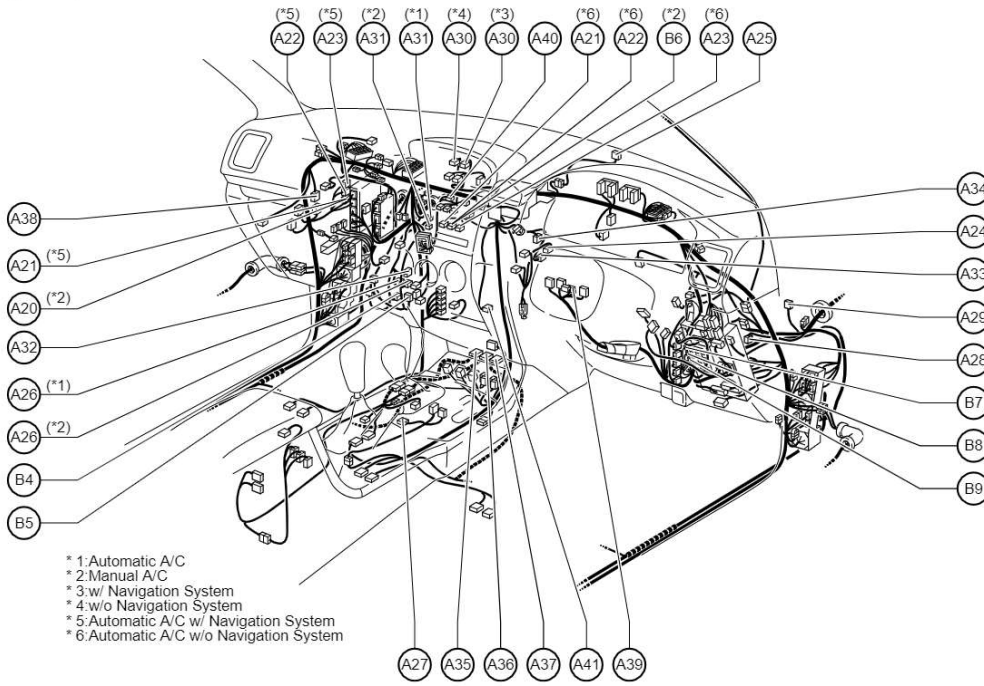
T 1 Theft Deterrent Horn  
T 2 Throttle Control Motor  
T 3 Throttle Open SW  
T 5 Timing Control Valve

V 1 Vacuum Sensor

W 1 Washer Motor  
W 2 Water Temp. Sender  
W 3 Water Temp. Sensor

Position of Parts in Instrument Panel

[RHD]

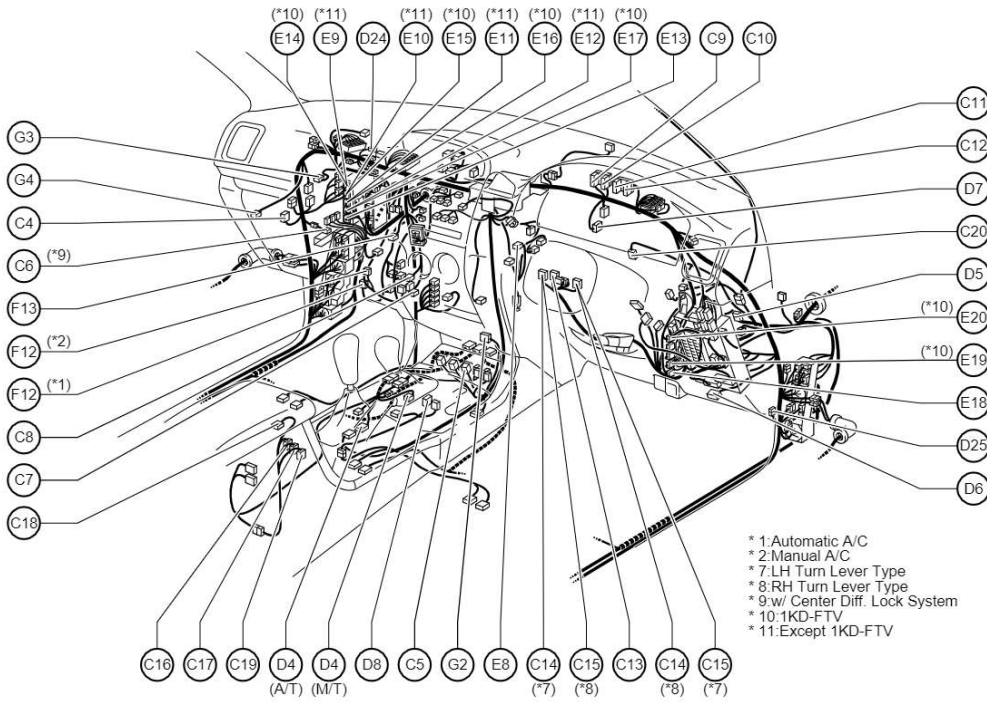


- \* 1:Automatic A/C
- \* 2:Manual A/C
- \* 3:w/ Navigation System
- \* 4:w/o Navigation System
- \* 5:Automatic A/C w/ Navigation System
- \* 6:Automatic A/C w/o Navigation System

- |  |                                    |
|--|------------------------------------|
| A20 A/C Amplifier  | B 4 Blower Motor Linear Controller |
| A21 A/C Control Assembly (w/o Navigation System)<br>A/C ECU (w/ Navigation System) | B 5 Blower Resistor                |
| A22 A/C Control Assembly (w/o Navigation System)<br>A/C ECU (w/ Navigation System) | B 6 Blower SW                      |
| A23 A/C Control Assembly (w/o Navigation System)<br>A/C ECU (w/ Navigation System) | B 7 Body ECU                       |
| A24 A/C Room Temp. Sensor  | B 8 Body ECU                       |
| A25 A/C Solar Sensor   | B 9 Body ECU                       |
| A26 A/C Thermistor   |                                    |
| A27 A/T Shift Indicator  |                                    |
| A28 Accel Position Sensor  |                                    |
| A29 Acceleration Control Sensor Front  |                                    |
| A30 Accessory Meter  |                                    |
| A31 Air Inlet Control Servo Motor  |                                    |
| A32 Air Mix Control Servo Motor LH   |                                    |
| A33 Air Mix Control Servo Motor RH   |                                    |
| A34 Air Vent Mode Control Servo Motor  |                                    |
| A35 Airbag Sensor Assembly   |                                    |
| A36 Airbag Sensor Assembly   |                                    |
| A37 Airbag Sensor Assembly   |                                    |
| A38 Airbag Squib (Front Passenger Airbag Assembly)                                 |                                    |
| A39 Airbag Squib (Steering Wheel Pad)  |                                    |
| A40 Antenna Amplifier  |                                    |
| A41 Ashtray Illumination   |                                    |

## Position of Parts in Instrument Panel

[RHD]



- \* 1:Automatic A/C
- \* 2:Manual A/C
- \* 7:LH Turn Lever Type
- \* 8:RH Turn Lever Type
- \* 9:w/ Center Diff. Lock System
- \* 10:1KD-FTV
- \* 11:Except 1KD-FTV

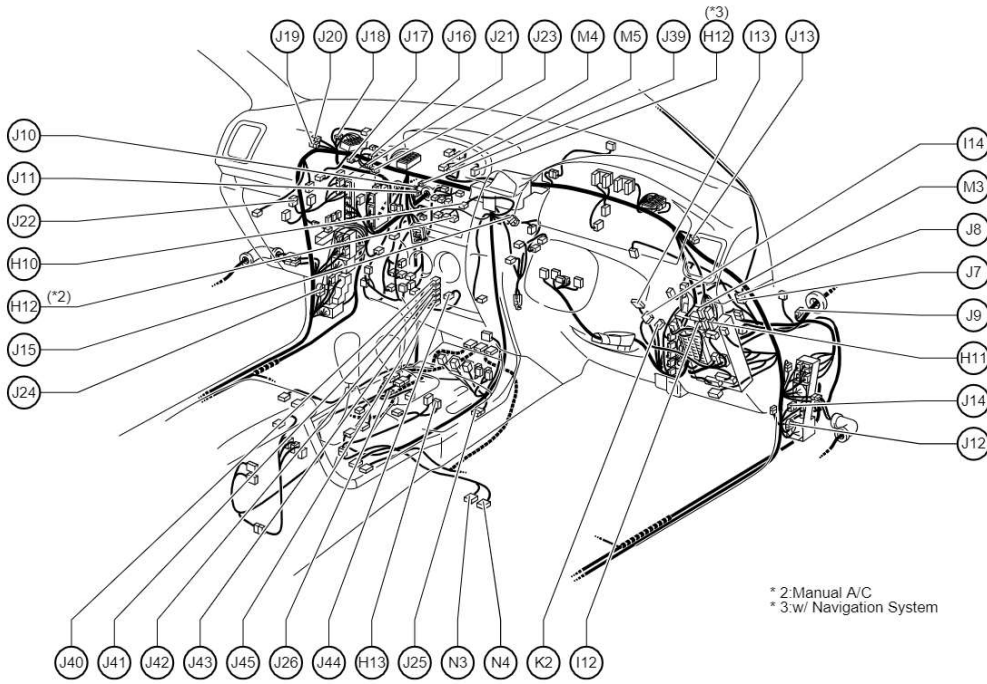
- C 4 CD Automatic Changer
- C 5 Center Diff. Lock Control SW
- C 6 Center Diff. Lock ECU
- C 7 Cigarette Lighter
- C 8 Cigarette Lighter Illumination
- C 9 Combination Meter
- C10 Combination Meter
- C11 Combination Meter
- C12 Combination Meter
- C13 Combination SW
- C14 Combination SW
- C15 Combination SW
- C16 Cool Box Amplifier
- C17 Cool Box Motor
- C18 Cool Box SW
- C19 Cool Box Thermistor
- C20 Cruise Control Clutch SW
  
- D 4 Deceleration Sensor
- D 5 Diode (Front Fog Light)
- D 6 DLC3
- D 7 Double Door Lock Control Relay
- D 8 Downhill Assist Control SW
- D24 Diode (Back-Up Light)
- D25 Diode (Luggage Compartment Light)

- E 8 ECT Pattern Select SW
- E 9 Engine and ECT ECU (A/T)  
Engine ECU (M/T)
- E10 Engine and ECT ECU (A/T)  
Engine ECU (M/T)
- E11 Engine and ECT ECU (A/T)  
Engine ECU (M/T)
- E12 Engine and ECT ECU (A/T)  
Engine ECU (M/T)
- E13 Engine and ECT ECU (A/T)  
Engine ECU (M/T)
- E14 Engine ECU
- E15 Engine ECU
- E16 Engine ECU
- E17 Engine ECU
- E18 ECT ECU
- E19 ECT ECU
- E20 ECT ECU
  
- F 12 Front Blower Motor
- F 13 Front Passenger's Seat Belt Warning Light
  
- G 2 Gateway ECU
- G 3 Glove Box Light
- G 4 Glove Box Light SW

# E ELECTRICAL WIRING ROUTING

## Position of Parts in Instrument Panel

[RHD]



- H10 Hazard SW
- H11 Headlight Beam Level Control SW
- H12 Heater Control SW
- H13 Height Control and Suspension SW

- I 12 Idle-Up SW
- I 13 Ignition Key Cylinder Light  
Transponder Key Amplifier
- I 14 Ignition SW

- J 7 Junction Connector
- J 8 Junction Connector
- J 9 Junction Connector
- J 10 Junction Connector
- J 11 Junction Connector
- J 12 Junction Connector
- J 13 Junction Connector
- J 14 Junction Connector
- J 15 Junction Connector
- J 16 Junction Connector
- J 17 Junction Connector
- J 18 Junction Connector
- J 19 Junction Connector
- J 20 Junction Connector

- J 21 Junction Connector
- J 22 Junction Connector
- J 23 Junction Connector
- J 24 Junction Connector
- J 25 Junction Connector
- J 26 Junction Connector
- J 39 Junction Connector
- J 40 Junction Connector
- J 41 Junction Connector
- J 42 Junction Connector
- J 43 Junction Connector
- J 44 Junction Connector
- J 45 Junction Connector

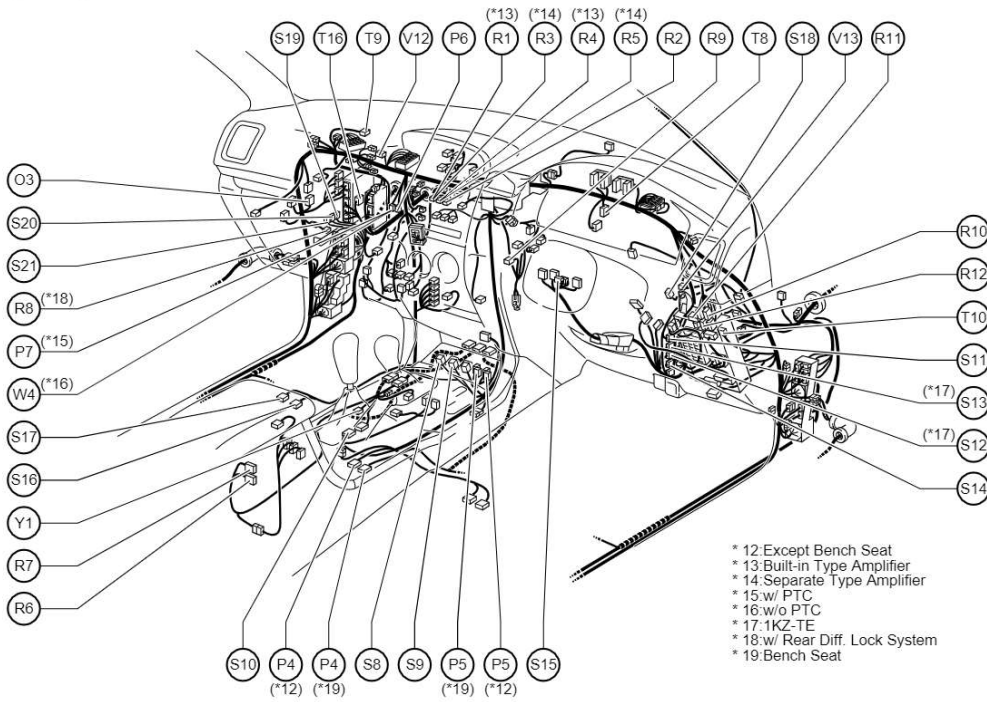
- K 2 Key Interlock Solenoid  
Unlock Warning SW

- M 3 Mirror Heater SW
- M 4 Multi-Display
- M 5 Multi-Display

- N 3 Navigation ECU
- N 4 Navigation ECU

## Position of Parts in Instrument Panel

[RHD]



O 3 Option Connector (Door Control Receiver)

P 4 Parking Brake SW  
 P 5 Power Outlet (Front)  
 P 6 PTC Heater  
 P 7 PTC Heater

R 1 Radio and Player  
 R 2 Radio and Player  
 R 3 Radio and Player  
 R 4 Radio and Player  
 R 5 Radio and Player  
 R 6 Rear Blower SW  
 R 7 Rear Cooler Control SW  
 R 8 Rear Diff. Lock Control ECU  
 R 9 Rear Diff. Lock SW  
 R10 Rear Fog Light SW  
 R11 Remote Control Mirror SW  
 R12 Rheostat

S 8 Seat Heater SW Front LH  
 S 9 Seat Heater SW Front RH  
 S10 Shift Lock Control ECU  
 S11 Skid Control ECU  
 S12 Skid Control ECU  
 S13 Skid Control ECU  
 S14 Skid Control ECU  
 S15 Steering Sensor  
 S16 Stereo Component Amplifier  
 S17 Stereo Component Amplifier  
 S18 Stop Light SW  
 S19 Suspension Control ECU  
 S20 Suspension Control ECU  
 S21 Suspension Control ECU

T 8 Theft Deterrent ECU  
 T 9 Transponder Key Computer  
 T10 Turn Signal Flasher  
 T16 Turbo Motor Driver

V12 Viscous Heater Amplifier  
 V13 VSC Warning Buzzer

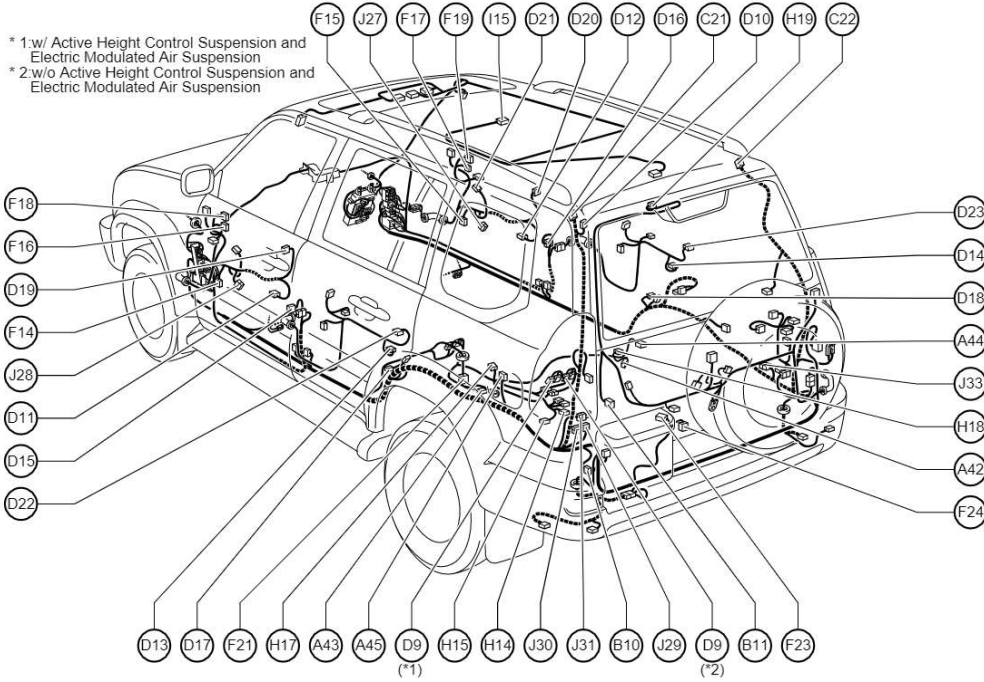
W 4 Water Temp. Sensor (A/C)

Y 1 Yaw Rate Sensor

# E ELECTRICAL WIRING ROUTING

## Position of Parts in Body

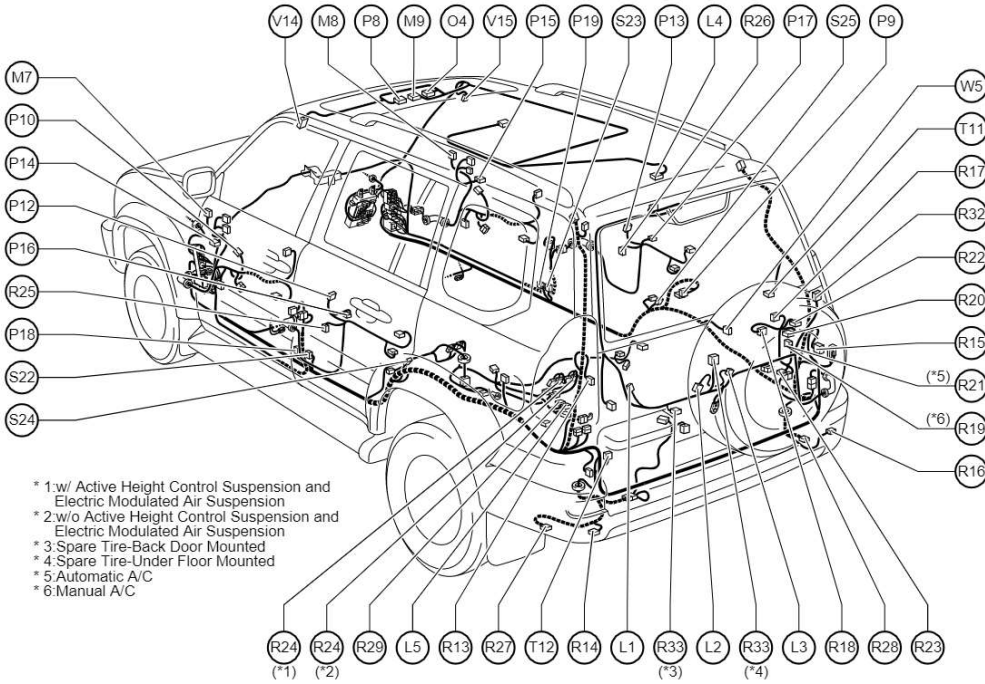
[RHD : 5-Door]



- |   |   |
|---|---|
| <p>A 42 ABS Speed Sensor Rear<br/>         A 43 Absorber Control Actuator Rear LH<br/>         A 44 Absorber Control Actuator Rear RH<br/>         A 45 Acceleration Control Sensor Rear</p> <p>B 10 Back Door Courtesy SW<br/>         B 11 Back Door Key Lock and Unlock SW<br/>         Back Door Lock Motor<br/>         Back Door Unlock Detection SW</p> <p>C 21 Curtain Shield Airbag Squib LH<br/>         C 22 Curtain Shield Airbag Squib RH</p> <p>D 9 Detection SW (Rear Diff. Lock)<br/>         D 10 Door Control Receiver<br/>         D 11 Door Courtesy Light Front LH<br/>         D 12 Door Courtesy Light Front RH<br/>         D 13 Door Courtesy Light Rear LH<br/>         D 14 Door Courtesy Light Rear RH<br/>         D 15 Door Courtesy SW Front LH<br/>         D 16 Door Courtesy SW Front RH<br/>         D 17 Door Courtesy SW Rear LH<br/>         D 18 Door Courtesy SW Rear RH<br/>         D 19 Door Key Lock and Unlock SW Front LH<br/>         Door Lock Motor Front LH<br/>         Door Unlock Detection SW Front LH<br/>         Double Door Lock Motor Front LH<br/>         Position SW Front LH<br/>         D 20 Door Key Lock and Unlock SW Front RH<br/>         Door Lock Motor Front RH<br/>         Door Unlock Detection SW Front RH<br/>         Double Door Lock Motor Front RH<br/>         Position SW Front RH<br/>         D 21 Door Lock Control SW<br/>         Power Window Master SW</p> | <p>D 22 Door Lock Motor Rear LH<br/>         Door Unlock Detection SW Rear LH<br/>         Double Door Lock Motor Rear LH<br/>         Position SW Rear LH<br/>         D 23 Door Lock Motor Rear RH<br/>         Door Unlock Detection SW Rear RH<br/>         Double Door Lock Motor Rear RH<br/>         Position SW Rear RH</p> <p>F 14 Front Door Speaker LH<br/>         F 15 Front Door Speaker RH<br/>         F 16 Front Door Squawker LH<br/>         F 17 Front Door Squawker RH<br/>         F 18 Front Door Tweeter Speaker LH<br/>         F 19 Front Door Tweeter Speaker RH<br/>         F 21 Fuel Pump and Sender (Gasoline)<br/>         Fuel Sender (Diesel)<br/>         F 23 Fuel Sender (Sub)<br/>         F 24 Fuel Sender (Sub)</p> <p>H 14 Height Control Compressor<br/>         H 15 Height Control Exhaust Valve<br/>         H 17 Height Control Sensor Rear LH<br/>         H 18 Height Control Sensor Rear RH<br/>         H 19 High Mounted Stop Light</p> <p>I 15 Interior Light</p> <p>J 27 Junction Connector<br/>         J 28 Junction Connector<br/>         J 29 Junction Connector<br/>         J 30 Junction Connector<br/>         J 31 Junction Connector<br/>         J 33 Junction Connector</p> |
|---|---|

## Position of Parts in Body

[RHD : 5-Door]



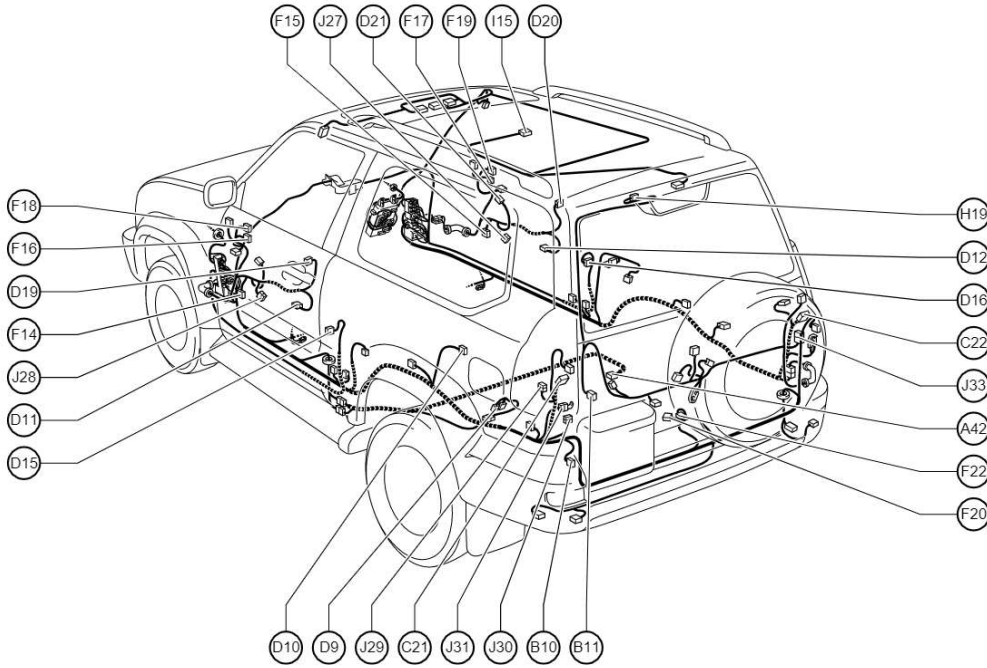
- \* 1:w/ Active Height Control Suspension and Electric Modulated Air Suspension
- \* 2:w/o Active Height Control Suspension and Electric Modulated Air Suspension
- \* 3:Spare Tire-Back Door Mounted
- \* 4:Spare Tire-Under Floor Mounted
- \* 5:Automatic A/C
- \* 6:Manual A/C

- |  |  |
|--|--|
| <ul style="list-style-type: none"> <li>L 1 License Plate Light</li> <li>L 2 License Plate Light LH</li> <li>L 3 License Plate Light RH</li> <li>L 4 Luggage Compartment Light</li> <li>L 5 Low Pressure Tank Valve</li> </ul>  | <ul style="list-style-type: none"> <li>R 13 Rear Combination Light LH</li> <li>R 14 Rear Combination Light LH</li> <li>R 15 Rear Combination Light RH</li> <li>R 16 Rear Combination Light RH</li> <li>R 17 Rear Cooler Amplifier</li> <li>R 18 Rear Cooler Blower Motor</li> <li>R 19 Rear Cooler Blower Resistor</li> <li>R 20 Rear Cooler Magnetic Valve</li> <li>R 21 Rear Cooler Power Transistor</li> <li>R 22 Rear Cooler Relay</li> <li>R 23 Rear Cooler Thermistor</li> <li>R 24 Rear Diff. Lock Motor</li> <li>R 25 Rear Door Speaker LH</li> <li>R 26 Rear Door Speaker RH</li> <li>R 27 Rear Fog Light LH</li> <li>R 28 Rear Fog Light RH</li> <li>R 29 Rear Height Control Valve</li> <li>R 32 Rear Window Defogger</li> <li>R 33 Rear Wiper Motor</li> </ul> |
| <ul style="list-style-type: none"> <li>M 7 Mirror Heater LH<br/>Remote Control Mirror LH</li> <li>M 8 Mirror Heater RH<br/>Remote Control Mirror RH</li> <li>M 9 Moon Roof Control ECU and Motor</li> </ul>  | <ul style="list-style-type: none"> <li>S 22 Side Airbag Sensor Front LH</li> <li>S 23 Side Airbag Sensor Front RH</li> <li>S 24 Side Airbag Sensor Rear LH</li> <li>S 25 Side Airbag Sensor Rear RH</li> </ul>   |
| <ul style="list-style-type: none"> <li>O 4 Overhead J/B</li> </ul>   | <ul style="list-style-type: none"> <li>T 11 Theft Deterrent Siren</li> <li>T 12 Trailer Socket</li> </ul>  |
| <ul style="list-style-type: none"> <li>P 8 Personal Light</li> <li>P 9 Power Outlet (Rear)</li> <li>P 10 Power Window Control SW Front LH</li> <li>P 12 Power Window Control SW Rear LH</li> <li>P 13 Power Window Control SW Rear RH</li> <li>P 14 Power Window Motor Front LH</li> <li>P 15 Power Window Motor Front RH</li> <li>P 16 Power Window Motor Rear LH</li> <li>P 17 Power Window Motor Rear RH</li> <li>P 18 Pretensioner LH</li> <li>P 19 Pretensioner RH</li> </ul> | <ul style="list-style-type: none"> <li>V 14 Vanity Light LH</li> <li>V 15 Vanity Light RH</li> <li>W 5 Woofer Speaker</li> </ul>   |

# E ELECTRICAL WIRING ROUTING

## Position of Parts in Body

[RHD : 3-Door]

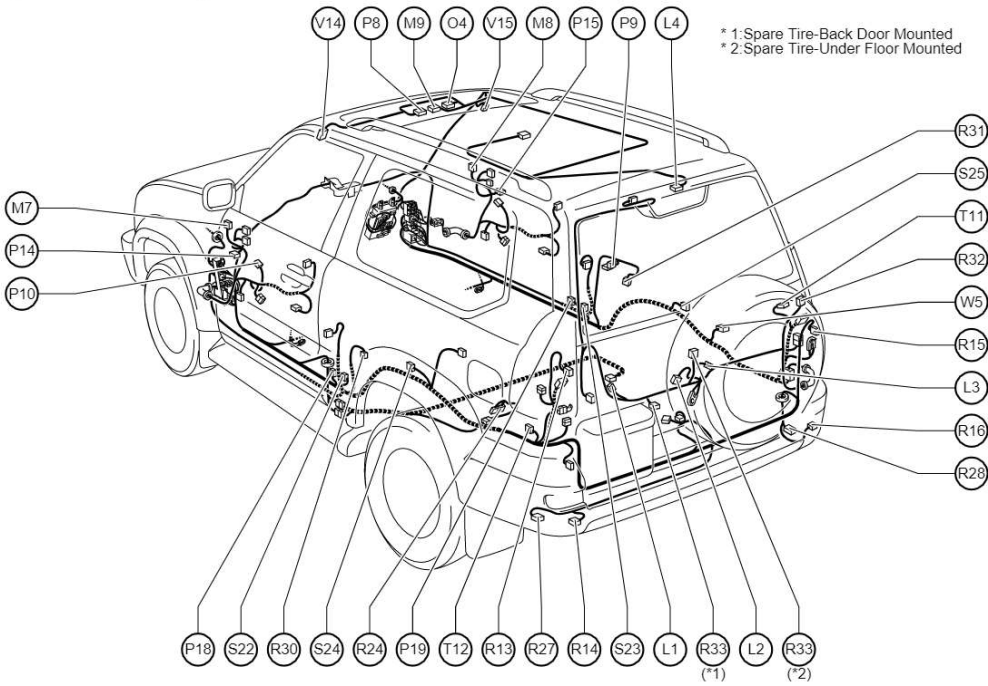


- |  |                                   |
|--|-----------------------------------|
| A42 ABS Speed Sensor Rear  | F14 Front Door Speaker LH         |
| B10 Back Door Courtesy SW  | F15 Front Door Speaker RH         |
| B11 Back Door Key Lock and Unlock SW<br>Back Door Lock Motor<br>Back Door Unlock Detection SW  | F16 Front Door Squawker LH        |
| C21 Curtain Shield Airbag Squib LH   | F17 Front Door Squawker RH        |
| C22 Curtain Shield Airbag Squib RH   | F18 Front Door Tweeter Speaker LH |
| D 9 Detection SW (Rear Diff. Lock)   | F19 Front Door Tweeter Speaker RH |
| D10 Door Control Receiver  | F20 Fuel Pump                     |
| D11 Door Courtesy Light Front LH   | F22 Fuel Sender                   |
| D12 Door Courtesy Light Front RH   | H19 High Mounted Stop Light       |
| D15 Door Courtesy SW Front LH  | I 15 Interior Light               |
| D16 Door Courtesy SW Front RH  | J27 Junction Connector            |
| D19 Door Key Lock and Unlock SW Front LH<br>Door Lock Motor Front LH<br>Door Unlock Detection SW Front LH<br>Double Door Lock Motor Front LH<br>Position SW Front LH | J28 Junction Connector            |
| D20 Door Key Lock and Unlock SW Front RH<br>Door Lock Motor Front RH<br>Door Unlock Detection SW Front RH<br>Double Door Lock Motor Front RH<br>Position SW Front RH | J29 Junction Connector            |
| D21 Door Lock Control SW<br>Power Window Master SW   | J30 Junction Connector            |
|  | J31 Junction Connector            |
|  | J33 Junction Connector            |



## Position of Parts in Body

[RHD : 3-Door]



L 1 License Plate Light  
L 2 License Plate Light LH  
L 3 License Plate Light RH  
L 4 Luggage Compartment Light

M 7 Mirror Heater LH  
Remote Control Mirror LH  
M 8 Mirror Heater RH  
Remote Control Mirror RH  
M 9 Moon Roof Control ECU and Motor

O 4 Overhead J/B

P 8 Personal Light  
P 9 Power Outlet (Rear)  
P10 Power Window Control SW Front LH  
P14 Power Window Motor Front LH  
P15 Power Window Motor Front RH  
P18 Pretensioner LH  
P19 Pretensioner RH

R13 Rear Combination Light LH  
R14 Rear Combination Light LH  
R15 Rear Combination Light RH  
R16 Rear Combination Light RH  
R24 Rear Diff. Lock Motor  
R27 Rear Fog Light LH  
R28 Rear Fog Light RH  
R30 Rear Speaker LH  
R31 Rear Speaker RH  
R32 Rear Window Defogger  
R33 Rear Wiper Motor

S22 Side Airbag Sensor Front LH  
S23 Side Airbag Sensor Front RH  
S24 Side Airbag Sensor Rear LH  
S25 Side Airbag Sensor Rear RH

T 11 Theft Deterrent Siren  
T 12 Trailer Socket

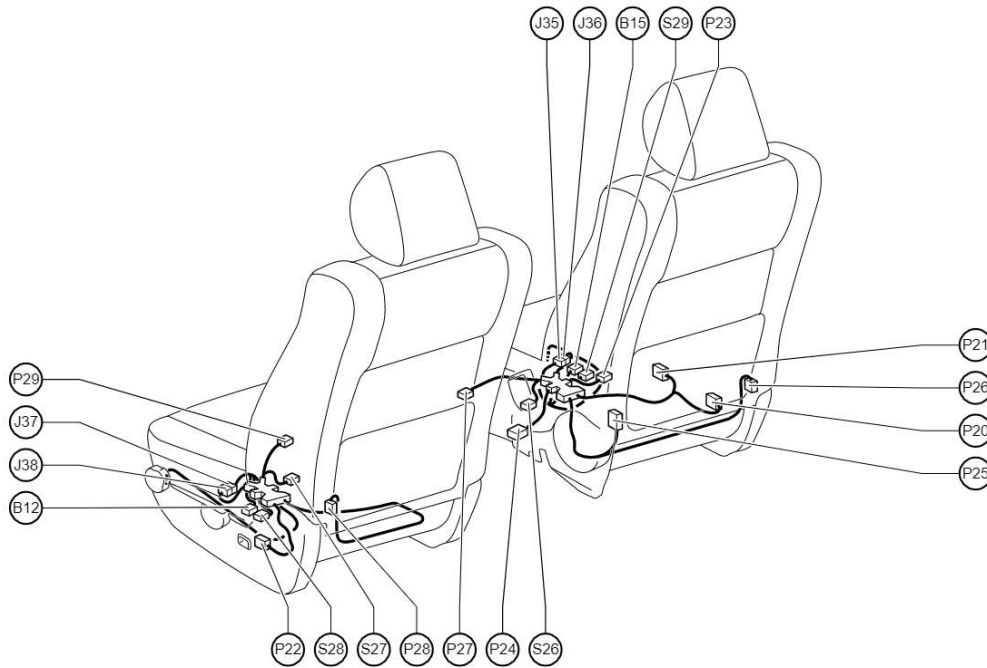
V 14 Vanity Light LH  
V 15 Vanity Light RH

W 5 Woofer Speaker

## E ELECTRICAL WIRING ROUTING

### Position of Parts in Seat

[RHD : 8 Way Power Seat]



B12 Buckle SW LH  
Occupant Detection Sensor  
B15 Buckle SW RH  
Seat Position Sensor

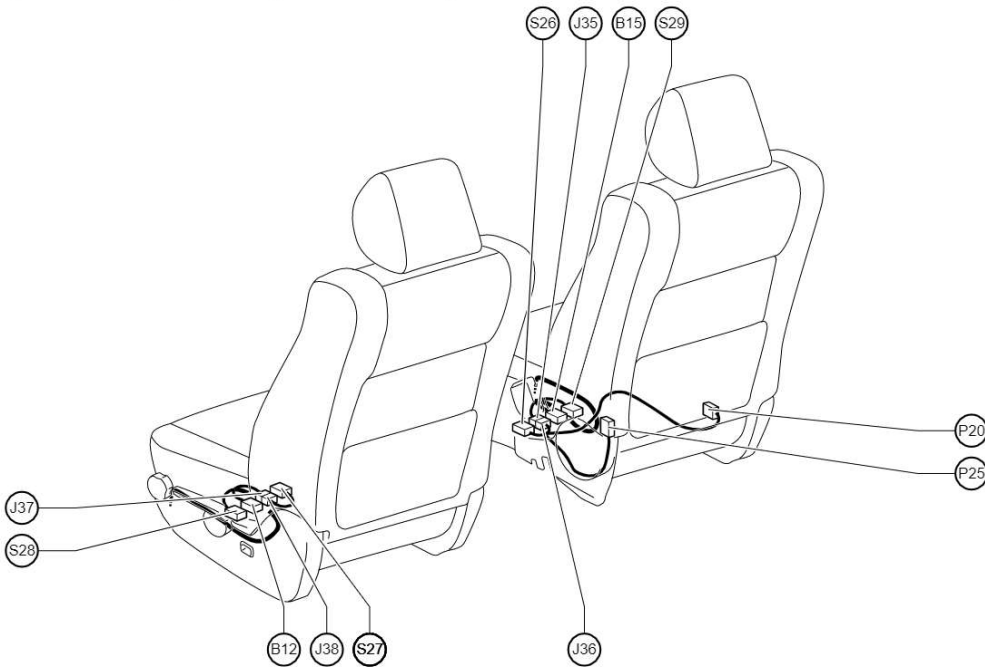
S26 Seat Heater (Driver's Seat)  
S27 Seat Heater (Front Passenger's Seat)  
S28 Side Airbag Squib LH  
S29 Side Airbag Squib RH

J35 Junction Connector  
J36 Junction Connector  
J37 Junction Connector  
J38 Junction Connector

P20 Power Seat Control SW  
(Driver's Seat Lumbar Support Control)  
P21 Power Seat Control SW (Driver's Seat)  
P22 Power Seat Control SW (Front Passenger's Seat)  
P23 Power Seat Motor (Driver's Seat Front Vertical Control)  
P24 Power Seat Motor (Driver's Seat Lifter Control)  
P25 Power Seat Motor  
(Driver's Seat Lumbar Support Control)  
P26 Power Seat Motor (Driver's Seat Reclining Control)  
P27 Power Seat Motor (Driver's Seat Slide Control)  
P28 Power Seat Motor  
(Front Passenger's Seat Reclining Control)  
P29 Power Seat Motor  
(Front Passenger's Seat Slide Control)

## Position of Parts in Seat

[RHD : Except 8 Way Power Seat]



B12 Buckle SW LH  
Occupant Detection Sensor  
B15 Buckle SW RH  
Seat Position Sensor

J35 Junction Connector  
J36 Junction Connector  
J37 Junction Connector  
J38 Junction Connector

P20 Power Seat Control SW  
(Driver's Seat Lumbar Support Control)  
P25 Power Seat Motor  
(Driver's Seat Lumbar Support Control)

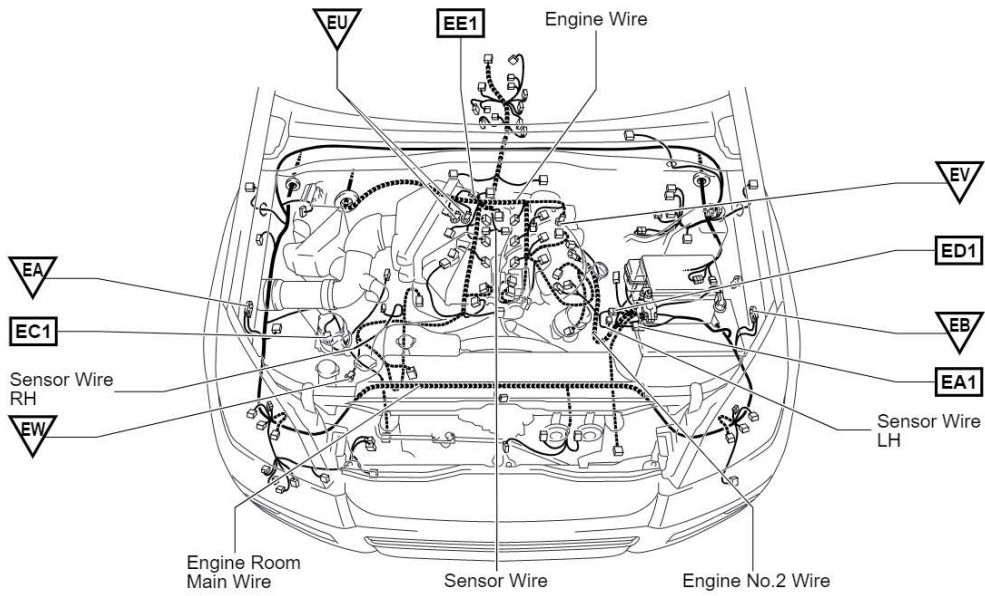
S26 Seat Heater (Driver's Seat)  
S27 Seat Heater (Front Passenger's Seat)  
S28 Side Airbag Squib LH  
S29 Side Airbag Squib RH

## E ELECTRICAL WIRING ROUTING

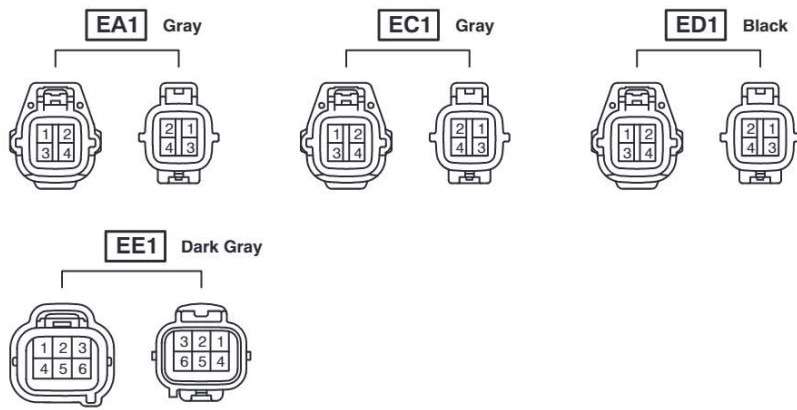
□ : Location of Connector Joining Wire Harness and Wire Harness

▽ : Location of Ground Points

[LHD : 1GR-FE]



## Connector Joining Wire Harness and Wire Harness



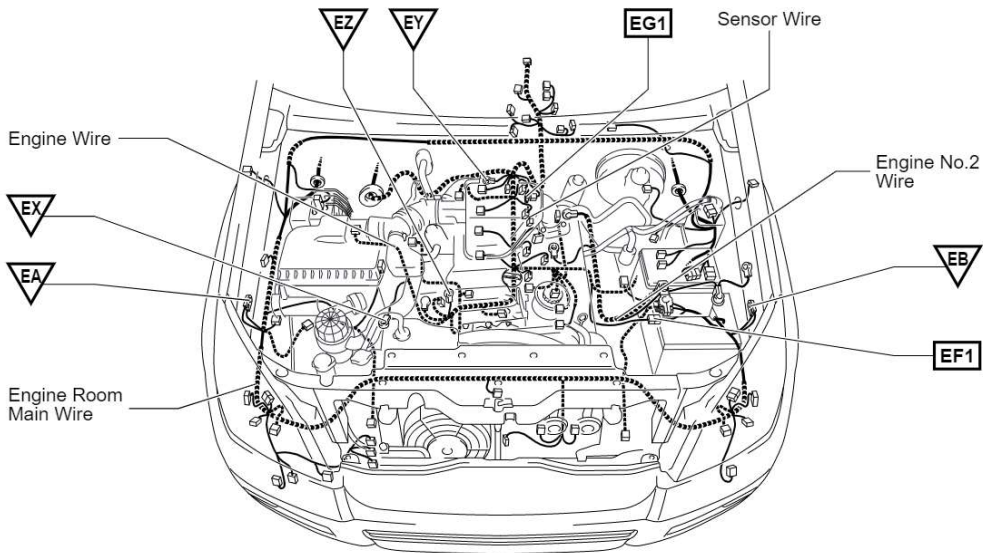
Code	Joining Wire Harness and Wire Harness (Connector Location)
EA1	Engine No.2 Wire and Engine Room Main Wire (Near the Engine Room R/B)
EC1	Sensor Wire RH and Engine Room Main Wire (Near the Air Cleaner)
ED1	Sensor Wire LH and Engine Room Main Wire (Near the Engine Room R/B)
EE1	Engine Wire and Sensor Wire (Behind the Cylinder Head RH)

## E ELECTRICAL WIRING ROUTING

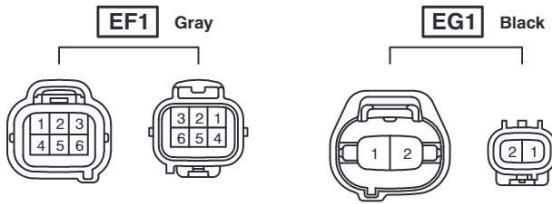
□ : Location of Connector Joining Wire Harness and Wire Harness

▽ : Location of Ground Points

[LHD : 2TR-FE]



## Connector Joining Wire Harness and Wire Harness



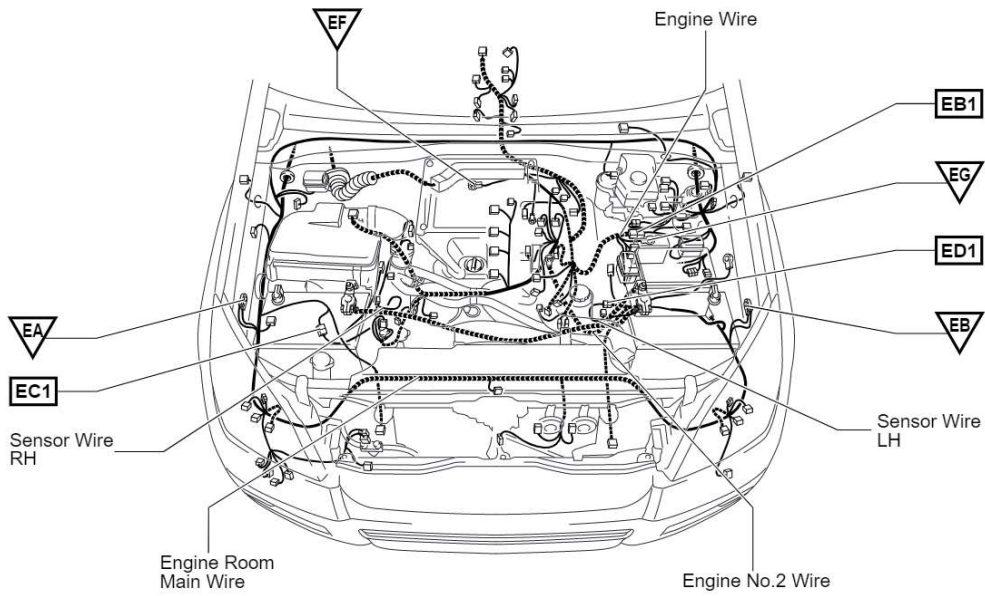
Code	Joining Wire Harness and Wire Harness (Connector Location)
EF1	Engine Wire and Engine Room Main Wire (Near the Engine Room R/B)
EG1	Engine Wire and Sensor Wire (Cylinder Head LH)

## E ELECTRICAL WIRING ROUTING

□ : Location of Connector Joining Wire Harness and Wire Harness

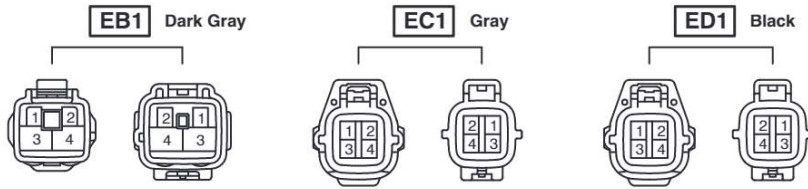
▽ : Location of Ground Points

[LHD : 1KD-FTV]





## Connector Joining Wire Harness and Wire Harness



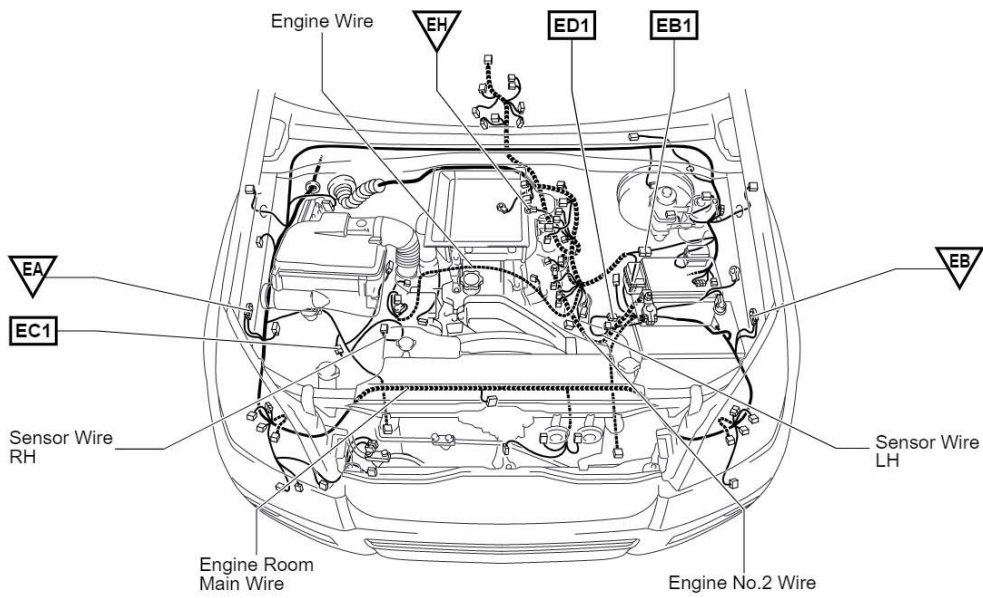
Code	Joining Wire Harness and Wire Harness (Connector Location)
EB1	Engine Room Main Wire and Engine Wire (Rear Side of the Engine Room R/B)
EC1	Sensor Wire RH and Engine Room Main Wire (Near the Air Cleaner)
ED1	Sensor Wire LH and Engine Room Main Wire (Near the Engine Room R/B)

## E ELECTRICAL WIRING ROUTING

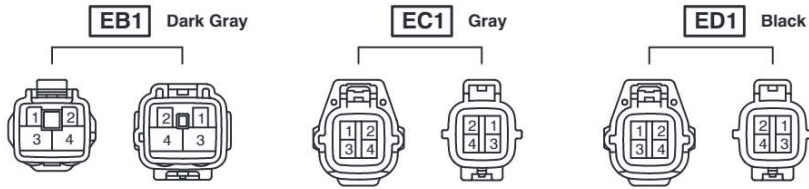
□ : Location of Connector Joining Wire Harness and Wire Harness

▽ : Location of Ground Points

[LHD : 1KZ-TE]



## Connector Joining Wire Harness and Wire Harness



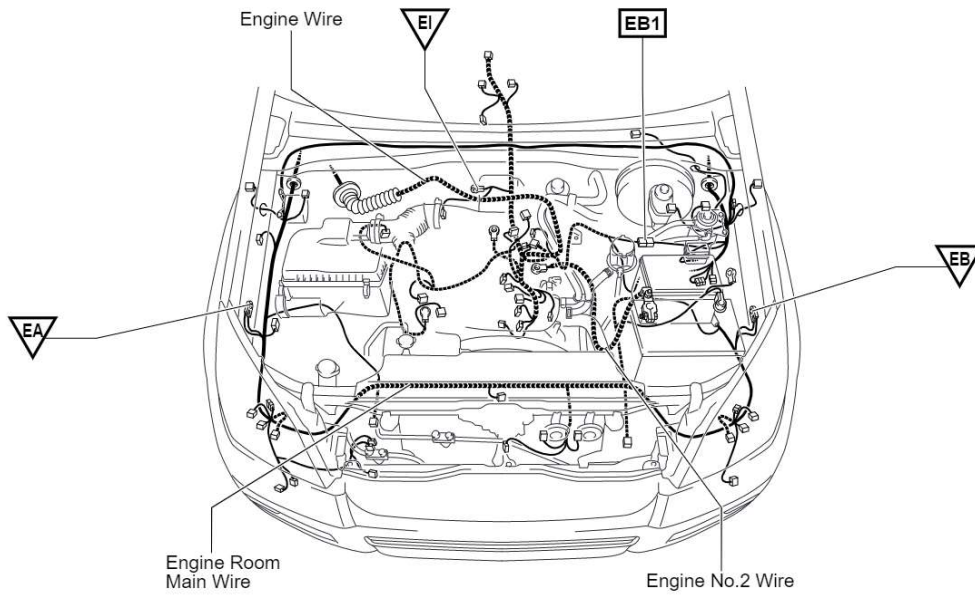
Code	Joining Wire Harness and Wire Harness (Connector Location)
EB1	Engine Room Main Wire and Engine Wire (Rear Side of the Engine Room R/B)
EC1	Sensor Wire RH and Engine Room Main Wire (Near the Air Cleaner)
ED1	Sensor Wire LH and Engine Room Main Wire (Near the Engine Room R/B)

## E ELECTRICAL WIRING ROUTING

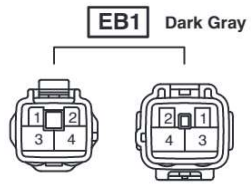
□ : Location of Connector Joining Wire Harness and Wire Harness

▽ : Location of Ground Points

[LHD : 5L-E]



## Connector Joining Wire Harness and Wire Harness

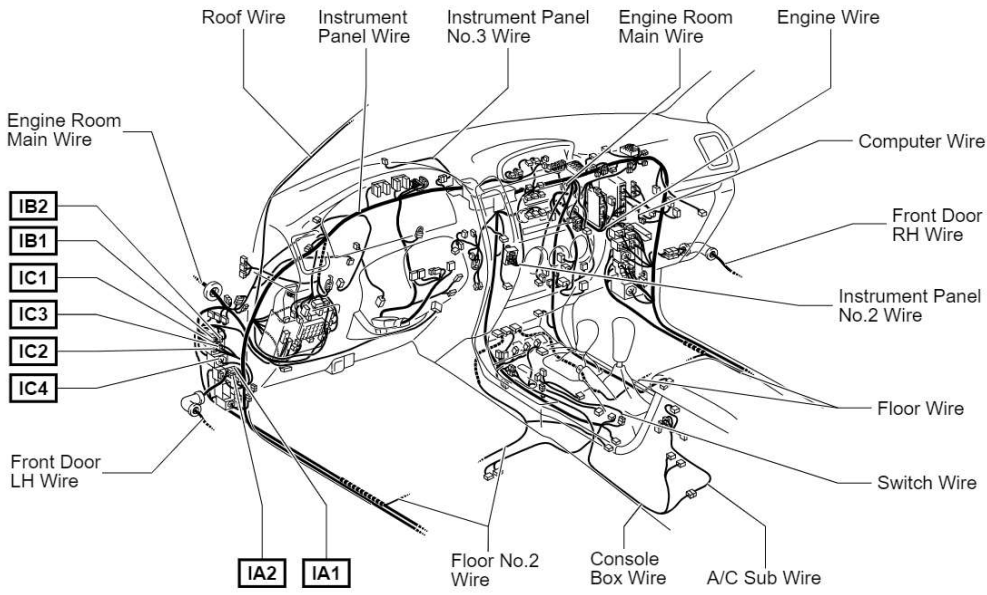


Code	Joining Wire Harness and Wire Harness (Connector Location)
EB1	Engine Room Main Wire and Engine Wire (Rear Side of the Engine Room R/B)

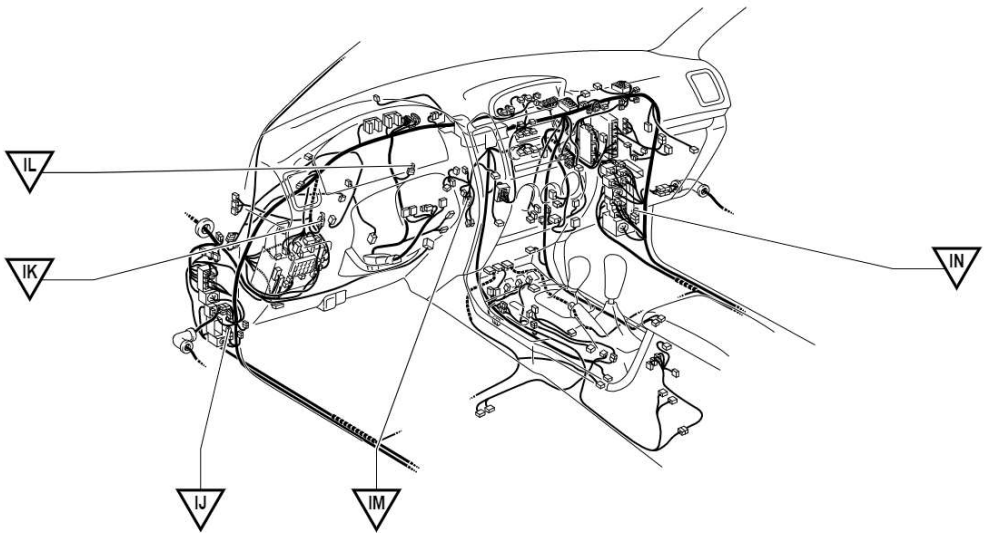
# E ELECTRICAL WIRING ROUTING

□ : Location of Connector Joining Wire Harness and Wire Harness

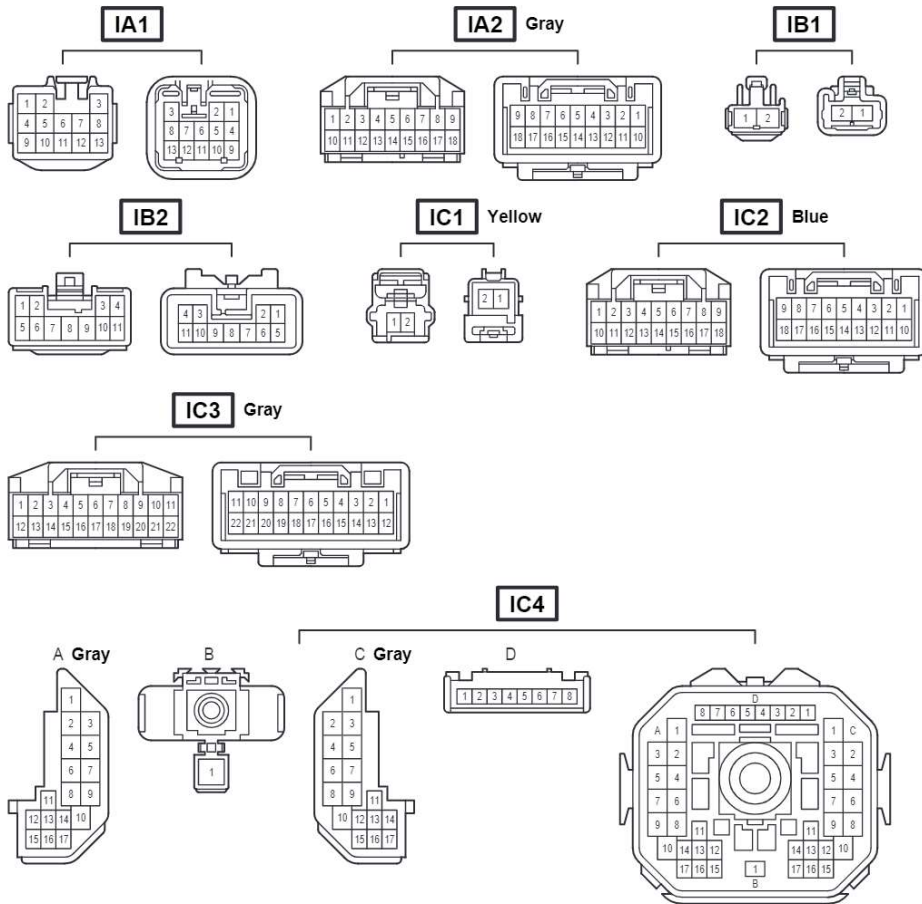
[LHD]



▽ : Location of Ground Points



## Connector Joining Wire Harness and Wire Harness

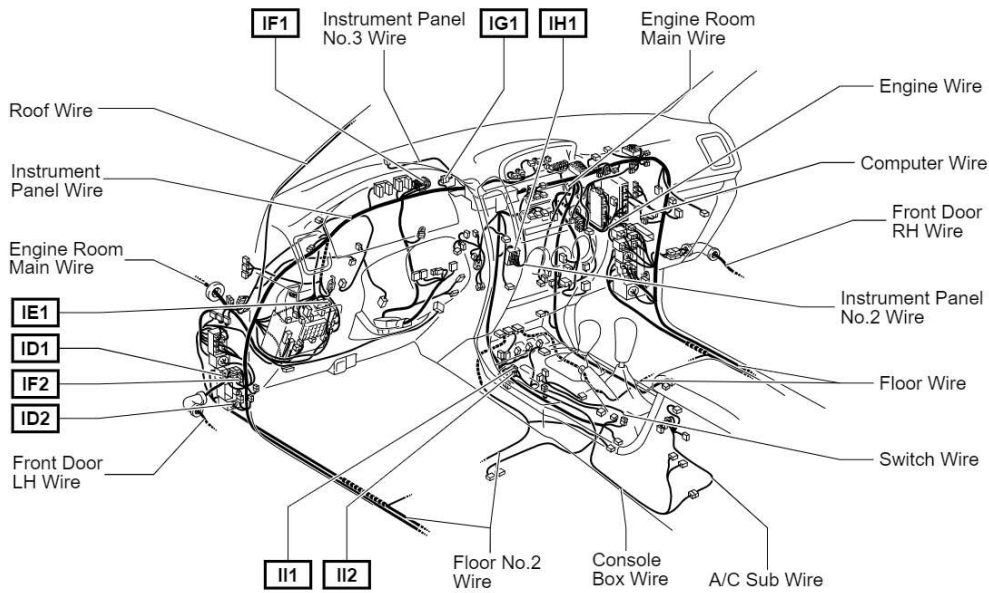


Code	Joining Wire Harness and Wire Harness (Connector Location)
IA1	Front Door LH Wire and Instrument Panel Wire (Left Kick Panel)
IA2	
IB1	Floor No.2 Wire and Engine Room Main Wire (Left Kick Panel)
IB2	
IC1	Instrument Panel Wire and Engine Room Main Wire (Left Kick Panel)
IC2	
IC3	
IC4	

## E ELECTRICAL WIRING ROUTING

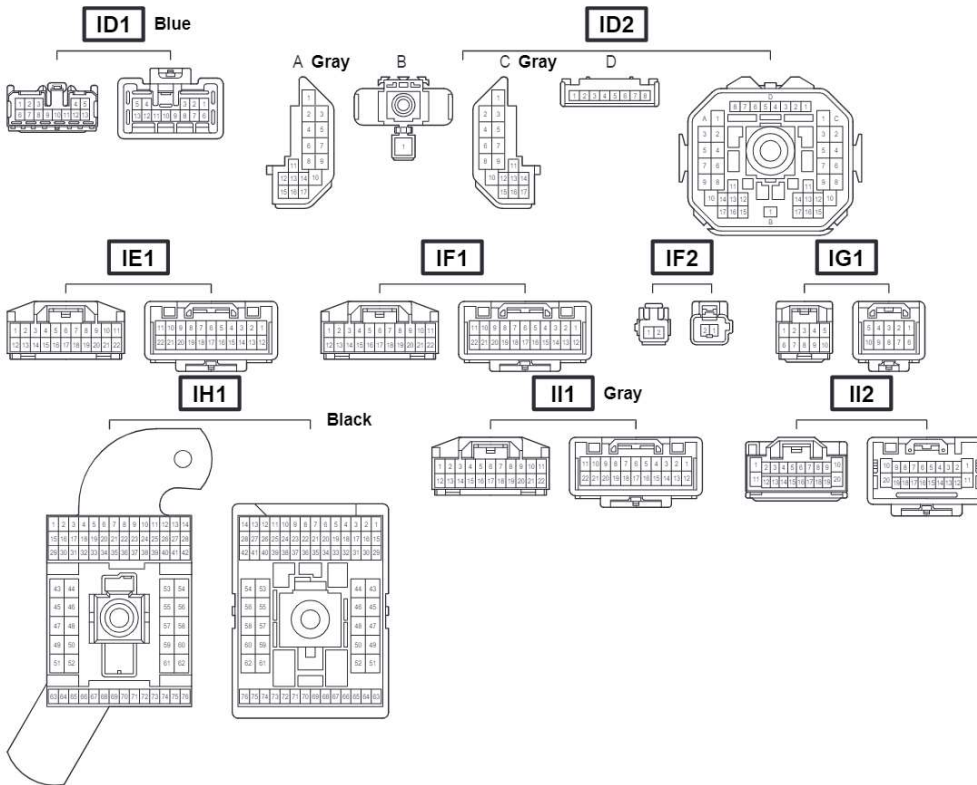
**□** : Location of Connector Joining Wire Harness and Wire Harness

[LHD]





## Connector Joining Wire Harness and Wire Harness

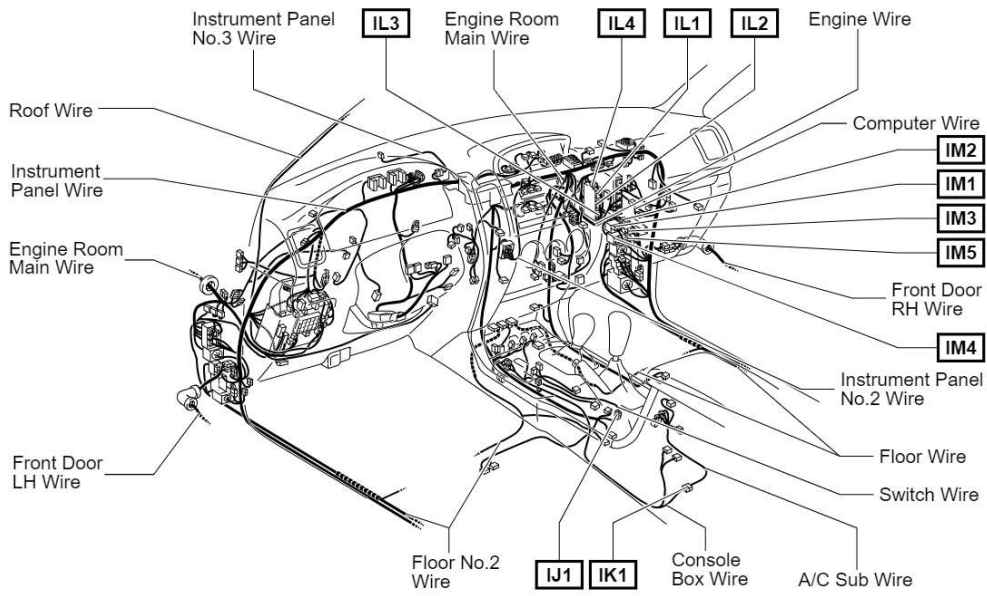


Code	Joining Wire Harness and Wire Harness (Connector Location)
ID1	Instrument Panel Wire and Floor No.2 Wire (Left Kick Panel)
ID2	
IE1	Roof Wire and Instrument Panel Wire (Upper the Driver Side J/B)
IF1	Instrument Panel Wire and Instrument Panel Wire (Near the Center J/B No.1)
IF2	Instrument Panel Wire and Instrument Panel Wire (Left Kick Panel)
IG1	Instrument Panel No.3 Wire and Instrument Panel Wire (Near the Combination Meter)
IH1	Instrument Panel Wire and Instrument Panel No.2 Wire (Instrument Panel Brace LH)
II1	Console Box Wire and Instrument Panel Wire (Under the Instrument Panel Brace LH)
II2	

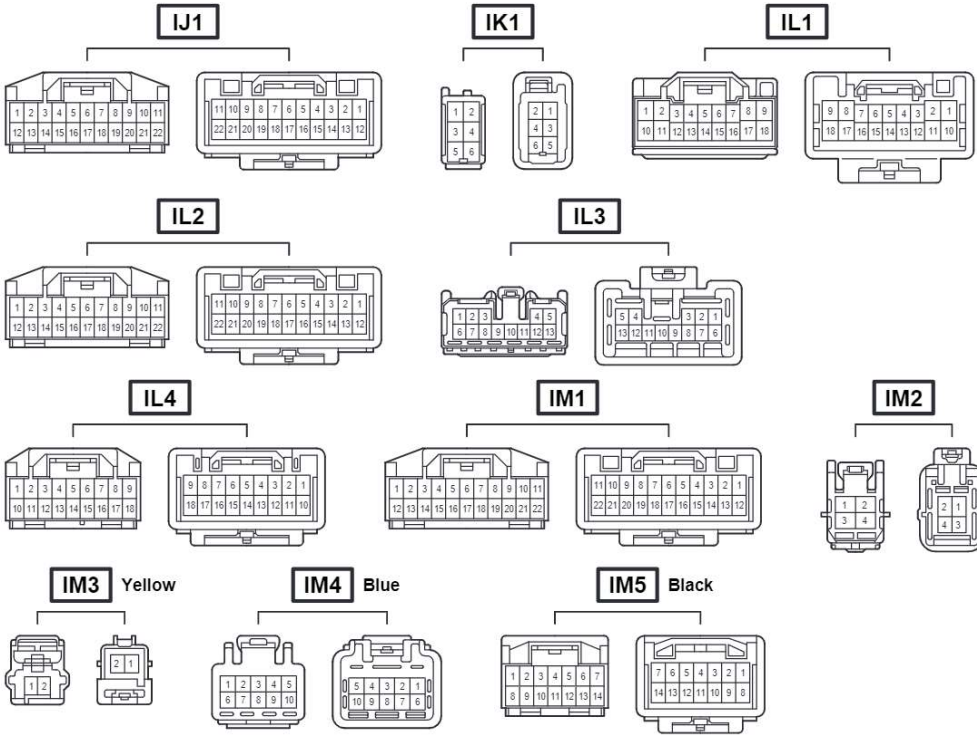
## E ELECTRICAL WIRING ROUTING

 : Location of Connector Joining Wire Harness and Wire Harness

[LHD]



## Connector Joining Wire Harness and Wire Harness

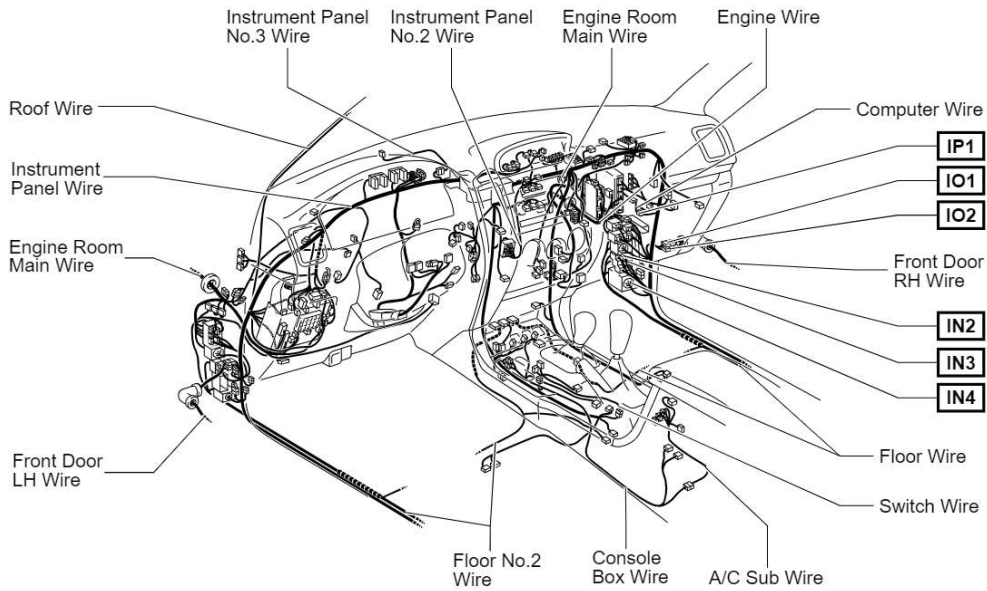


Code	Joining Wire Harness and Wire Harness (Connector Location)
IJ1	Instrument Panel Wire and Switch Wire (Front Side of the Console Box)
IK1	Console Box Wire and A/C Sub Wire (Rear Side of the Console Box)
IL1	Engine Wire and Instrument Panel Wire (Right Side of the Blower Unit)
IL2	
IL3	
IL4	
IM1	Instrument Panel Wire and Engine Room Main Wire (Right Kick Panel)
IM2	
IM3	
IM4	
IM5	

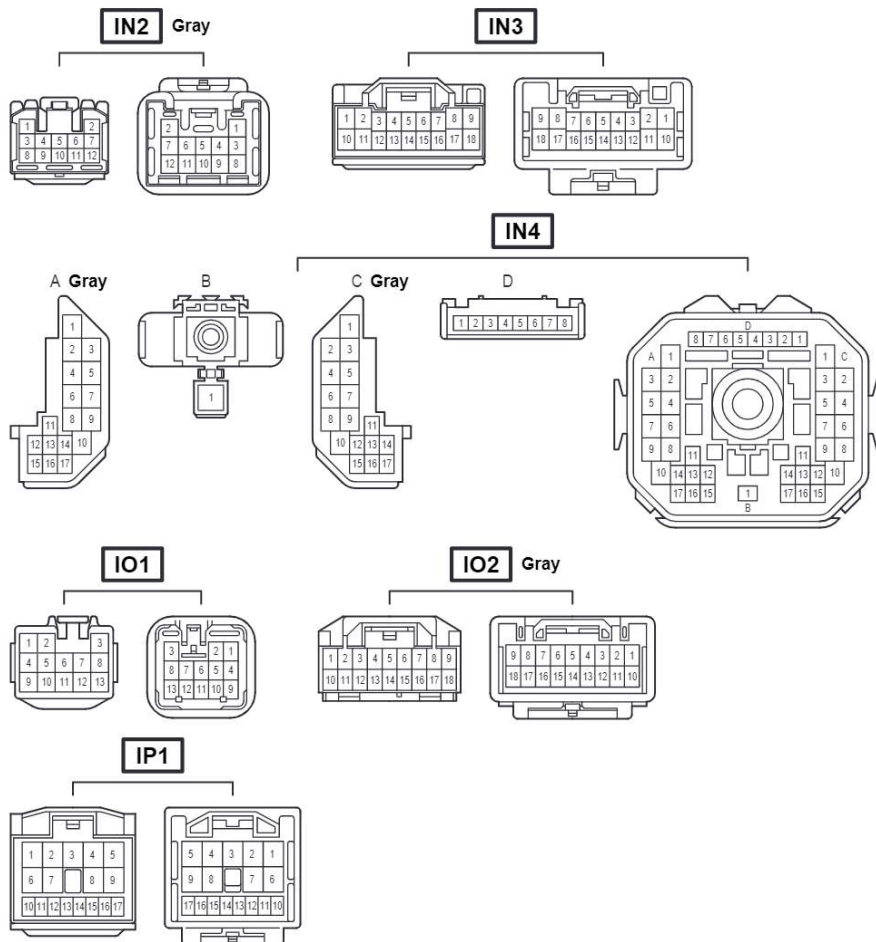
## E ELECTRICAL WIRING ROUTING

 : Location of Connector Joining Wire Harness and Wire Harness

[LHD]



## Connector Joining Wire Harness and Wire Harness

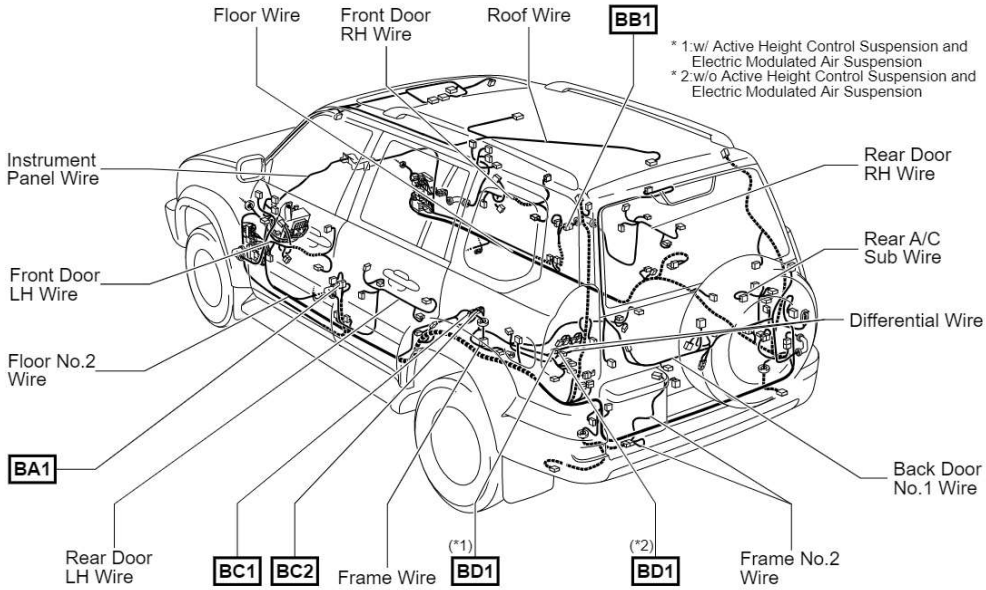


Code	Joining Wire Harness and Wire Harness (Connector Location)
IN2	
IN3	Instrument Panel Wire and Floor Wire (Right Kick Panel)
IN4	
IO1	Front Door RH Wire and Instrument Panel Wire (Right Kick Panel)
IO2	
IP1	Computer Wire and Instrument Panel Wire (Right Kick Panel)

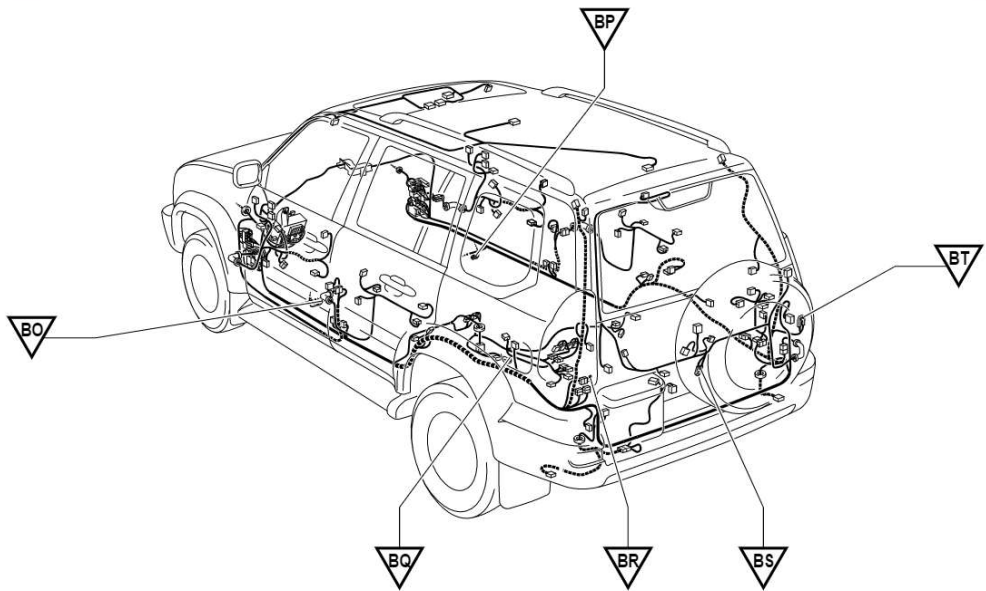
# E ELECTRICAL WIRING ROUTING

**□ : Location of Connector Joining Wire Harness and Wire Harness**

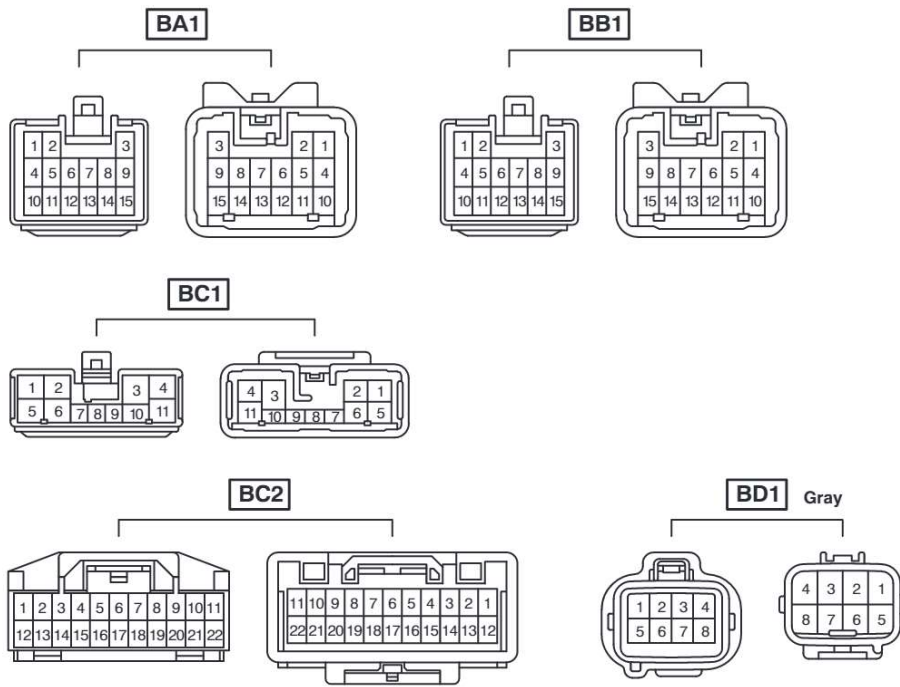
[LHD : 5-Door]



**▽ : Location of Ground Points**



## Connector Joining Wire Harness and Wire Harness

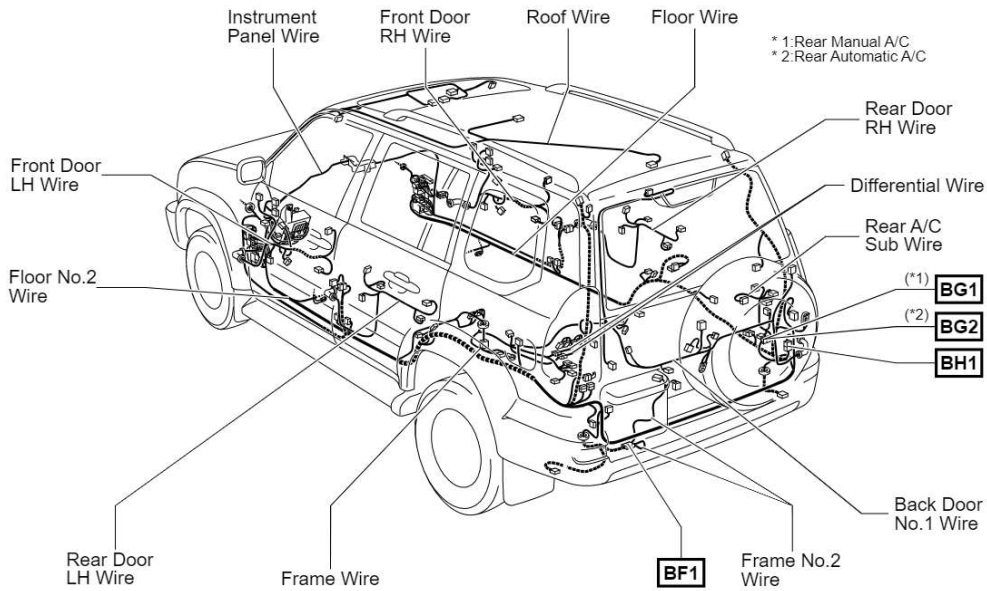


Code	Joining Wire Harness and Wire Harness (Connector Location)
BA1	Rear Door LH Wire and Instrument Panel Wire (Center Pillar LH)
BB1	Rear Door RH Wire and Instrument Panel Wire (Center Pillar RH)
BC1	Frame Wire and Floor No.2 Wire (Under the Left Side of Rear Seat Cushion)
BC2	
BD1	Frame Wire and Differential Wire (Left Side of the No.6 Cross Member)

## E ELECTRICAL WIRING ROUTING

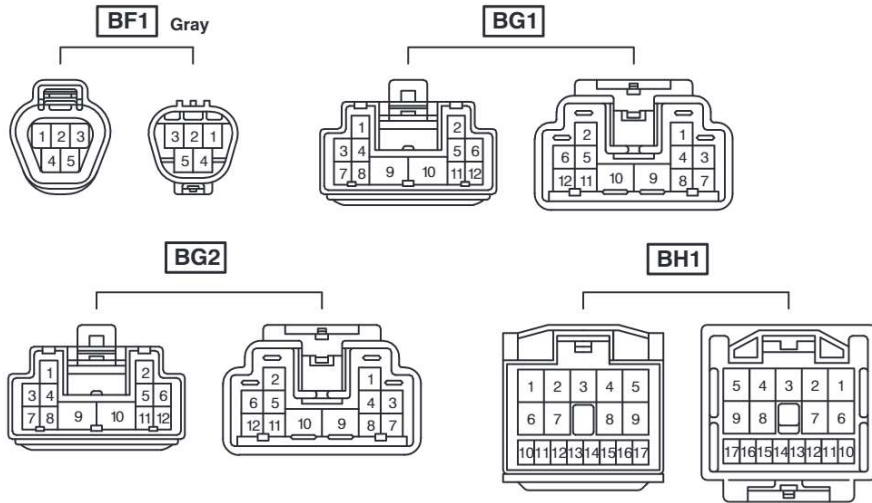
 : Location of Connector Joining Wire Harness and Wire Harness

[LHD : 5-Door]





## Connector Joining Wire Harness and Wire Harness



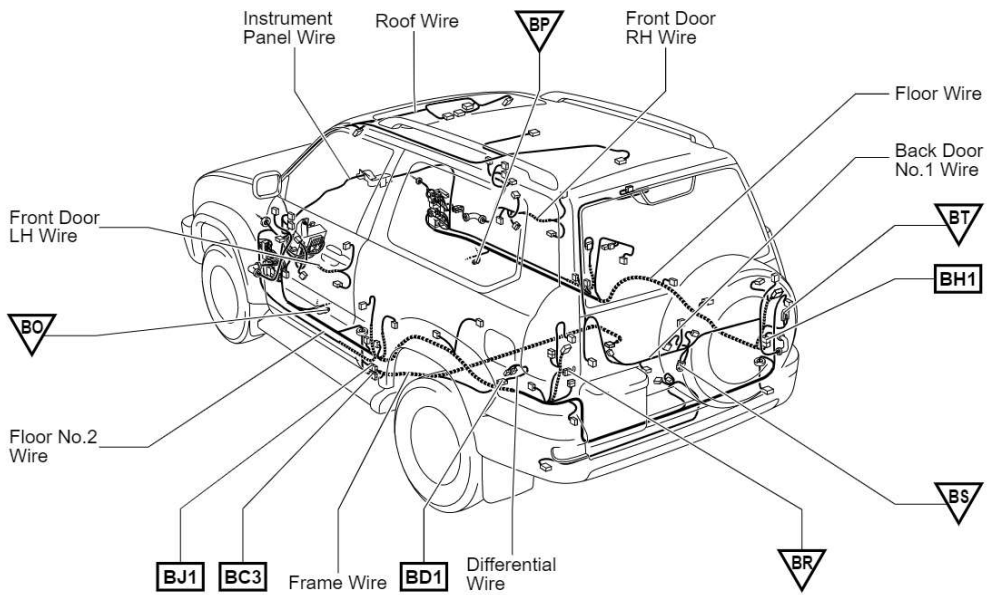
Code	Joining Wire Harness and Wire Harness (Connector Location)
BF1	Floor No.2 Wire and Frame No.2 Wire (Left Side of the Rear Floor)
BG1	Floor Wire and Rear A/C Sub Wire (Right Quarter Panel Inner)
BG2	Floor Wire and Rear A/C Sub Wire (Right Quarter Panel Inner)
BH1	Back Door No.1 Wire and Floor Wire (Rear Quarter Panel Inner)

## E ELECTRICAL WIRING ROUTING

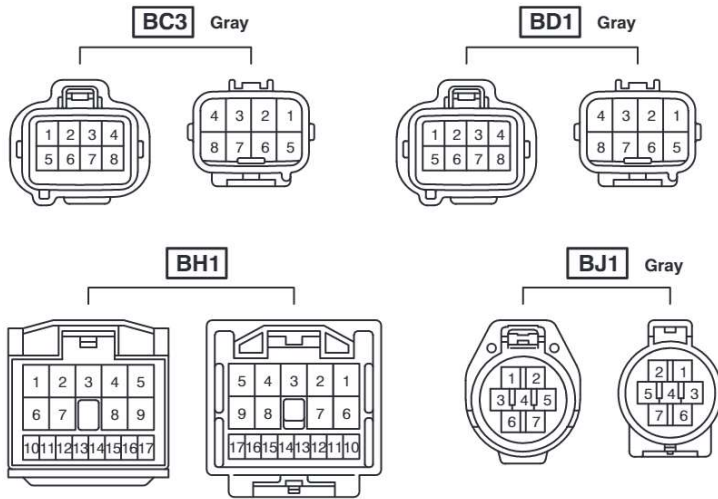
□ : Location of Connector Joining Wire Harness and Wire Harness

▽ : Location of Ground Points

[LHD : 3-Door]



## Connector Joining Wire Harness and Wire Harness



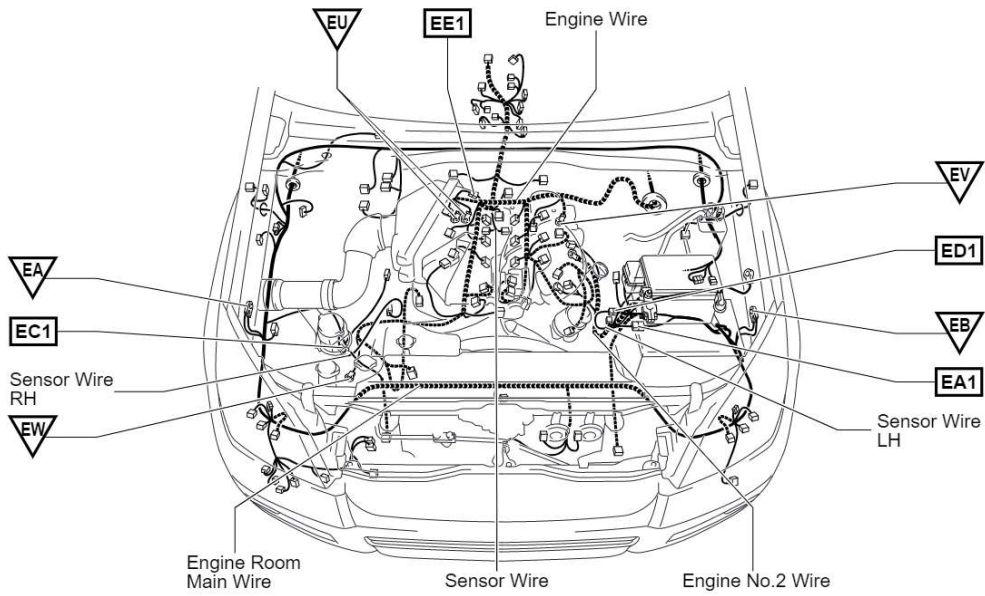
Code	Joining Wire Harness and Wire Harness (Connector Location)
BC3	Floor No.2 Wire and Frame Wire (Frame Side Rail LH)
BD1	Frame Wire and Differential Wire (Left Side of the No.6 Cross Member)
BH1	Back Door No.1 Wire and Floor Wire (Right Quarter Panel Inner)
BJ1	Floor No.2 Wire and Frame Wire (Frame Side Rail LH)

## E ELECTRICAL WIRING ROUTING

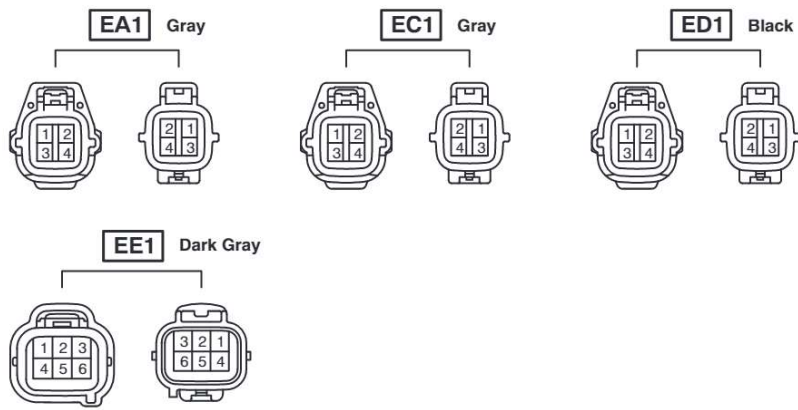
□ : Location of Connector Joining Wire Harness and Wire Harness

▽ : Location of Ground Points

[RHD : 1GR-FE]



## Connector Joining Wire Harness and Wire Harness



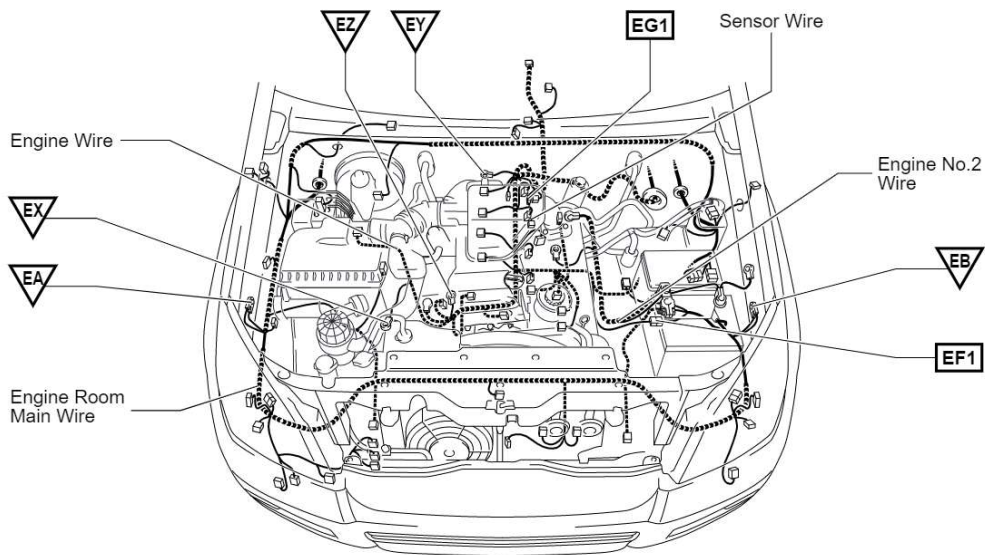
Code	Joining Wire Harness and Wire Harness (Connector Location)
EA1	Engine No.2 Wire and Engine Room Main Wire (Near the Engine Room R/B)
EC1	Sensor Wire RH and Engine Room Main Wire (Near the Air Cleaner)
ED1	Sensor Wire LH and Engine Room Main Wire (Near the Engine Room R/B)
EE1	Engine Wire and Sensor Wire (Behind the Cylinder Head RH)

## E ELECTRICAL WIRING ROUTING

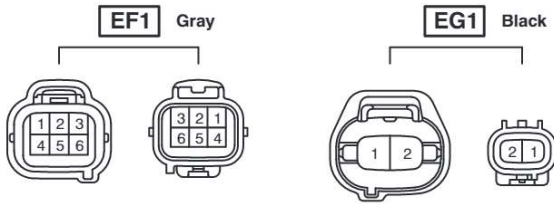
□ : Location of Connector Joining Wire Harness and Wire Harness

▽ : Location of Ground Points

[RHD : 2TR-FE]



## Connector Joining Wire Harness and Wire Harness



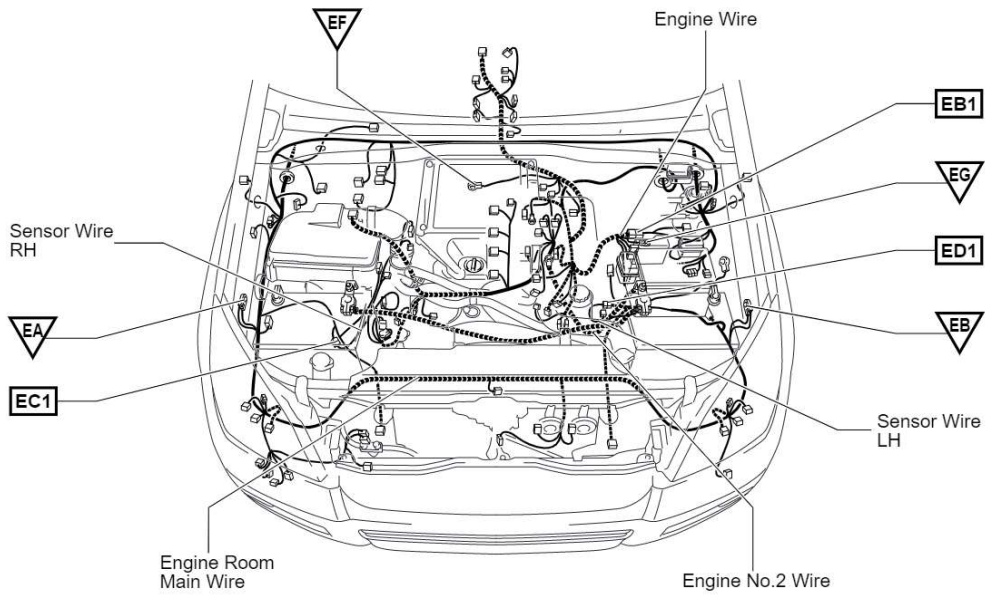
Code	Joining Wire Harness and Wire Harness (Connector Location)
EF1	Engine Wire and Engine Room Main Wire (Near the Engine Room R/B)
EG1	Engine Wire and Sensor Wire (Cylinder Head LH)

## E ELECTRICAL WIRING ROUTING

□ : Location of Connector Joining Wire Harness and Wire Harness

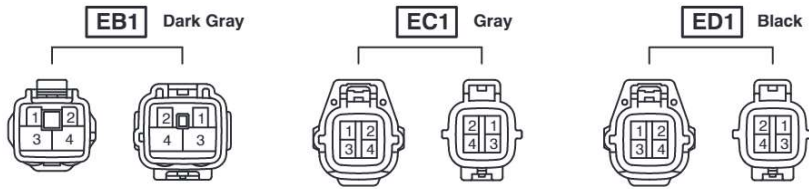
▽ : Location of Ground Points

[RHD : 1KD-FTV]





## Connector Joining Wire Harness and Wire Harness



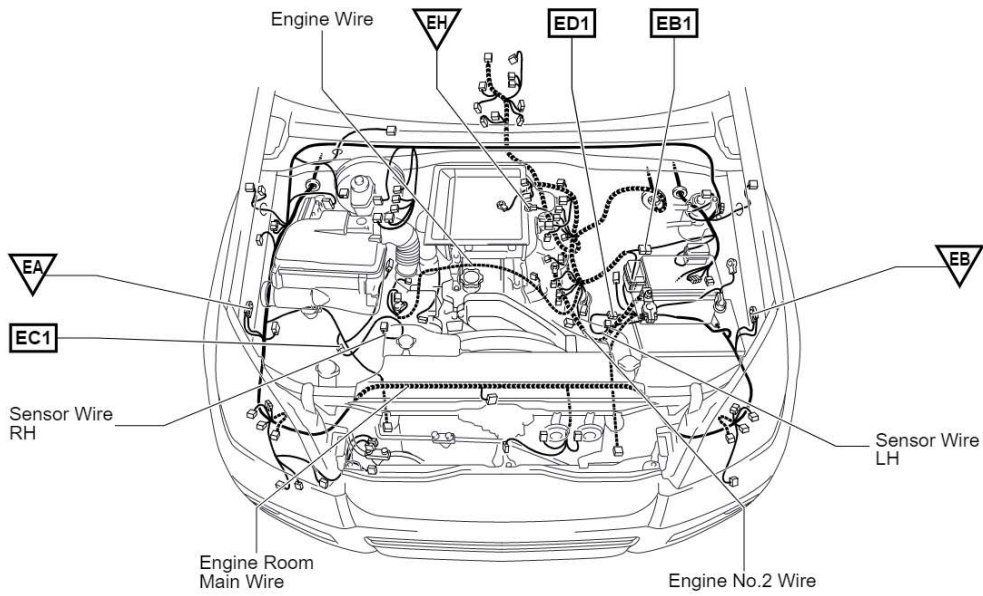
Code	Joining Wire Harness and Wire Harness (Connector Location)
EB1	Engine Room Main Wire and Engine Wire (Rear Side of the Engine Room R/B)
EC1	Sensor Wire RH and Engine Room Main Wire (Near the Air Cleaner)
ED1	Sensor Wire LH and Engine Room Main Wire (Near the Engine Room R/B)

## E ELECTRICAL WIRING ROUTING

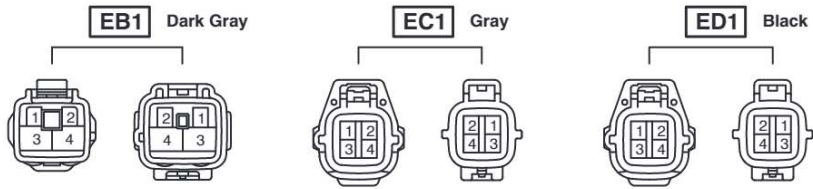
□ : Location of Connector Joining Wire Harness and Wire Harness

▽ : Location of Ground Points

[RHD : 1KZ-TE]



## Connector Joining Wire Harness and Wire Harness



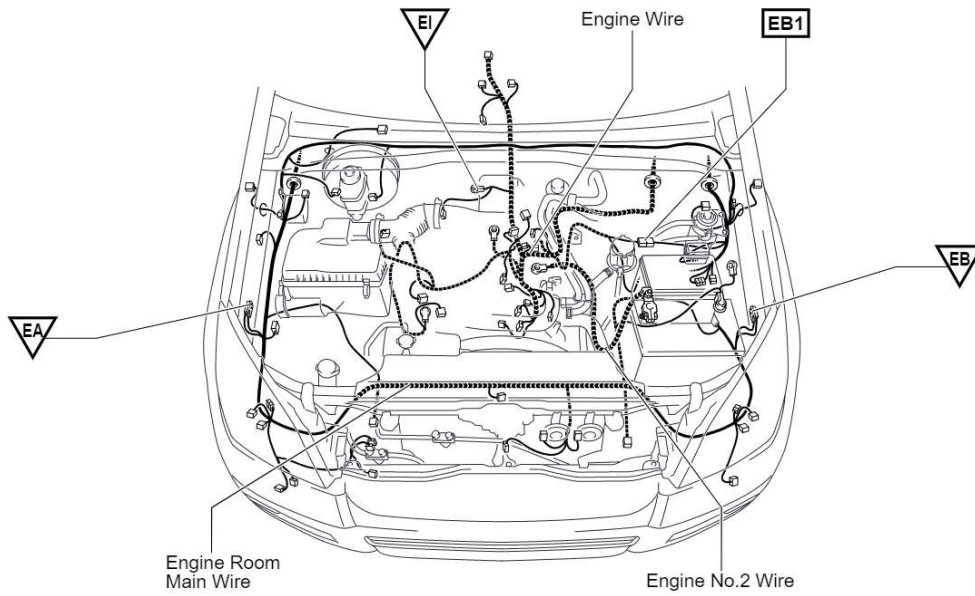
Code	Joining Wire Harness and Wire Harness (Connector Location)
EB1	Engine Room Main Wire and Engine Wire (Rear Side of the Engine Room R/B)
EC1	Sensor Wire RH and Engine Room Main Wire (Near the Air Cleaner)
ED1	Sensor Wire LH and Engine Room Main Wire (Near the Engine Room R/B)

## E ELECTRICAL WIRING ROUTING

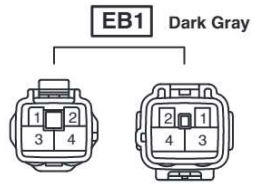
□ : Location of Connector Joining Wire Harness and Wire Harness

▽ : Location of Ground Points

[RHD : 5L-E]



## Connector Joining Wire Harness and Wire Harness

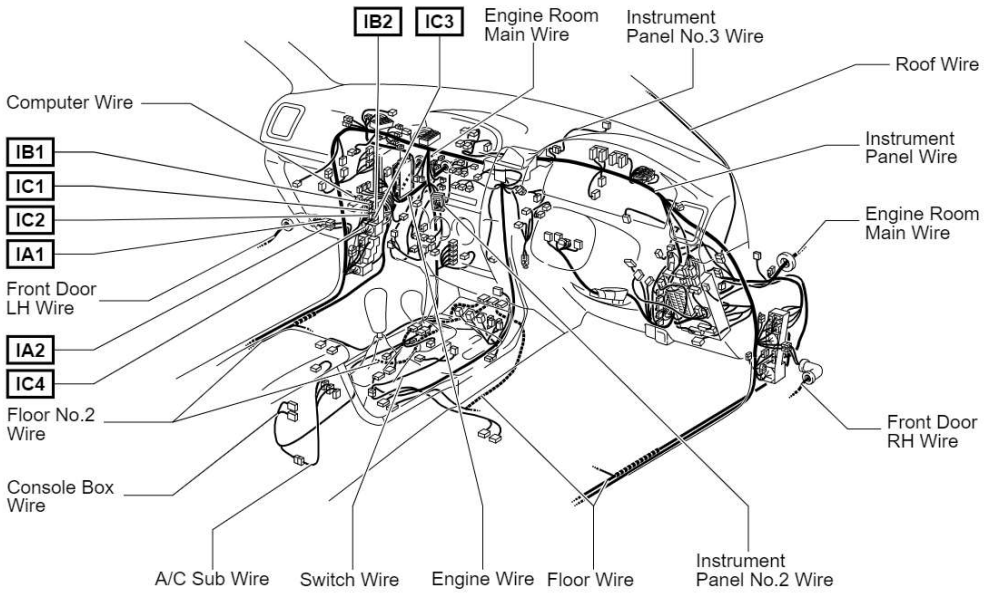


Code	Joining Wire Harness and Wire Harness (Connector Location)
EB1	Engine Room Main Wire and Engine Wire (Rear Side of the Engine Room R/B)

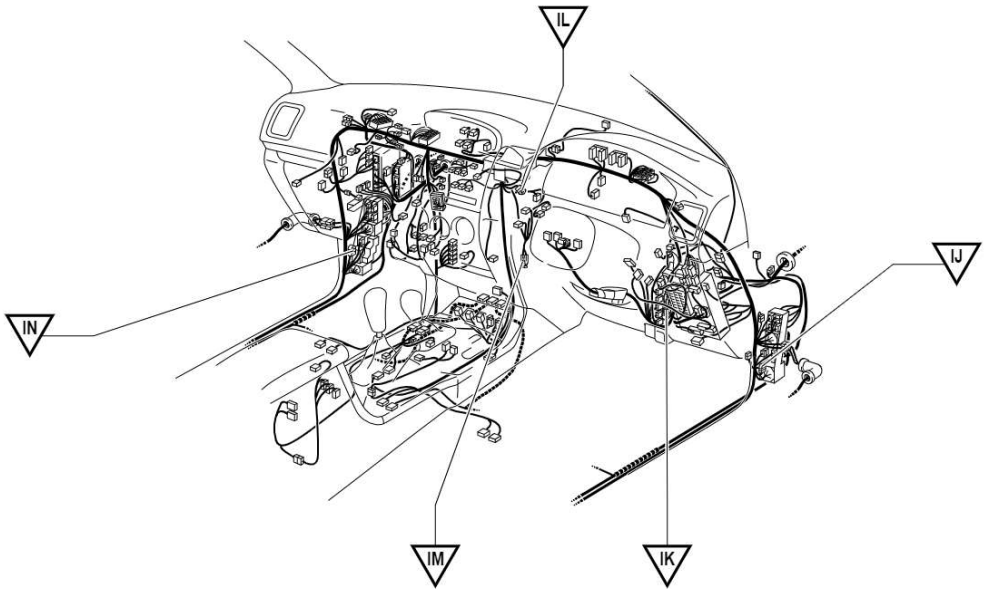
# E ELECTRICAL WIRING ROUTING

**□ : Location of Connector Joining Wire Harness and Wire Harness**

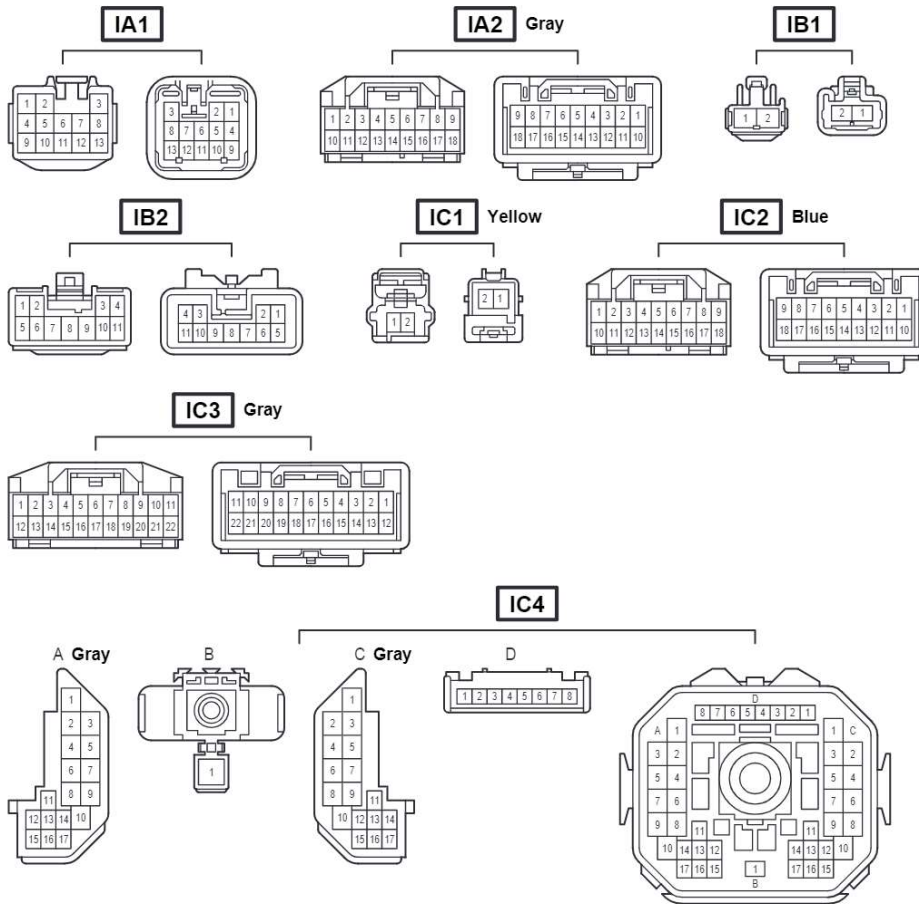
[RHD]



**▽ : Location of Ground Points**



## Connector Joining Wire Harness and Wire Harness

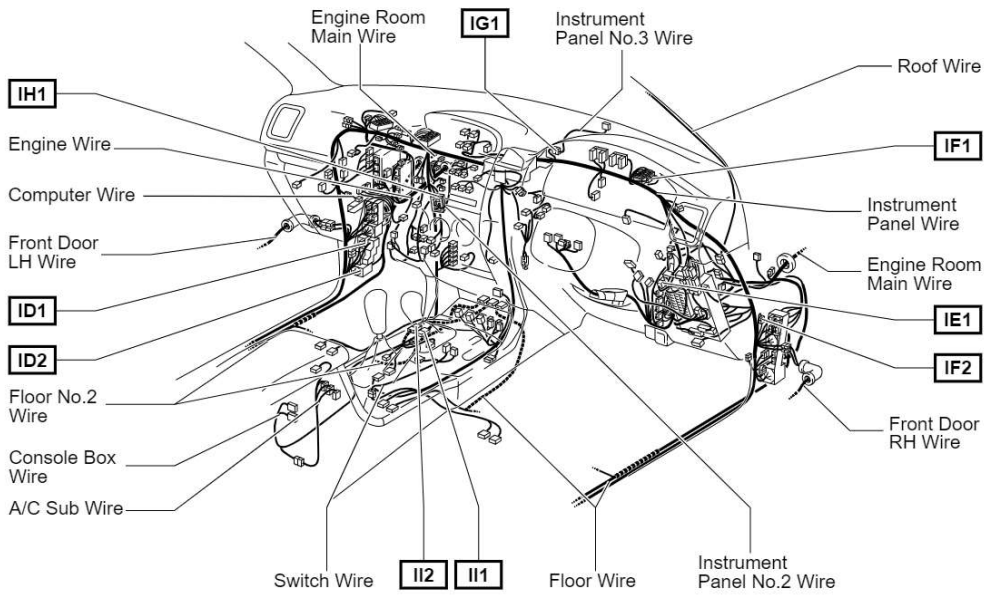


Code	Joining Wire Harness and Wire Harness (Connector Location)
IA1	Front Door LH Wire and Instrument Panel Wire (Left Kick Panel)
IA2	
IB1	Floor No.2 Wire and Engine Room Main Wire (Left Kick Panel)
IB2	
IC1	Instrument Panel Wire and Engine Room Main Wire (Left Kick Panel)
IC2	
IC3	
IC4	

## E ELECTRICAL WIRING ROUTING

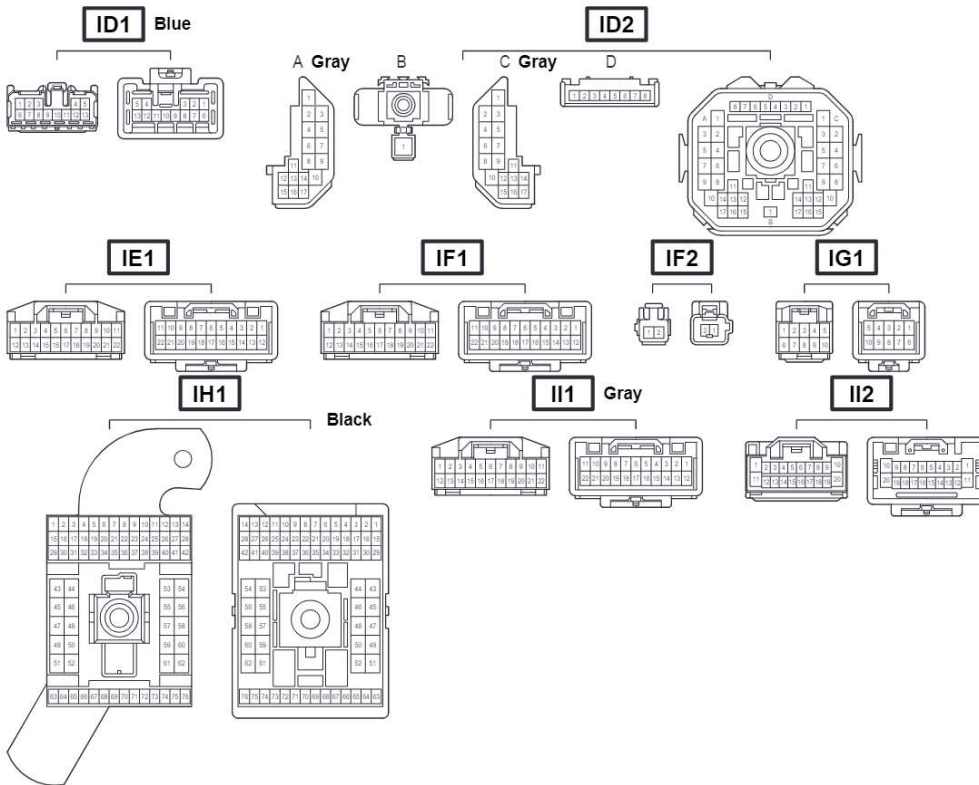
□ : Location of Connector Joining Wire Harness and Wire Harness

[RHD]





## Connector Joining Wire Harness and Wire Harness

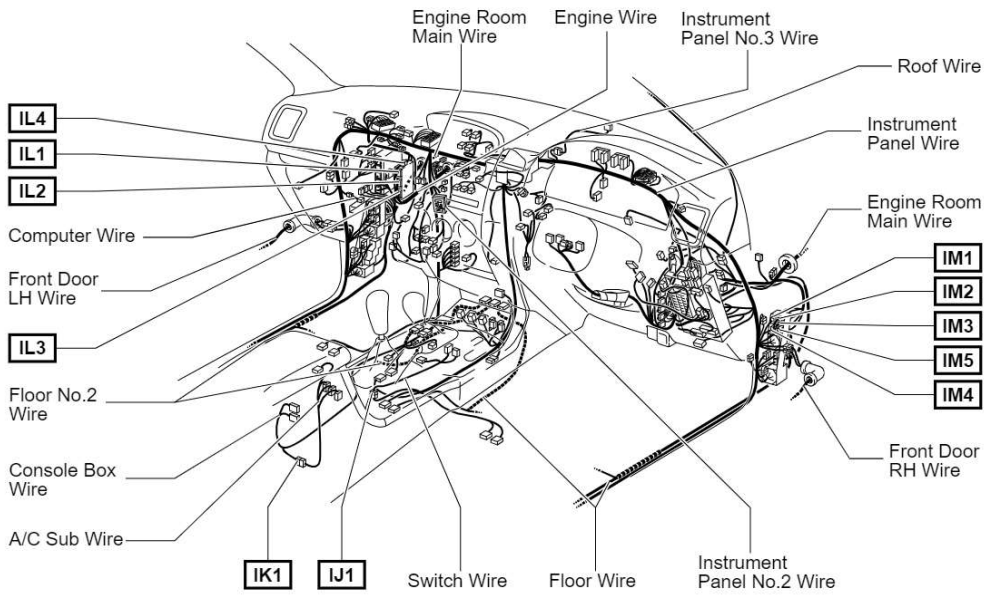


Code	Joining Wire Harness and Wire Harness (Connector Location)
ID1	Instrument Panel Wire and Floor No.2 Wire (Left Kick Panel)
ID2	
IE1	Roof Wire and Instrument Panel Wire (Left Side of the Driver Side J/B)
IF1	Instrument Panel Wire and Instrument Panel Wire (Near the Center J/B No.1)
IF2	Instrument Panel Wire and Instrument Panel Wire (Right Kick Panel)
IG1	Instrument Panel No.3 Wire and Instrument Panel Wire (Near the Combination Meter)
IH1	Instrument Panel Wire and Instrument Panel No.2 Wire (Instrument Panel Brace LH)
II1	Console Box Wire and Instrument Panel Wire (Under the Instrument Panel Brace LH)
II2	

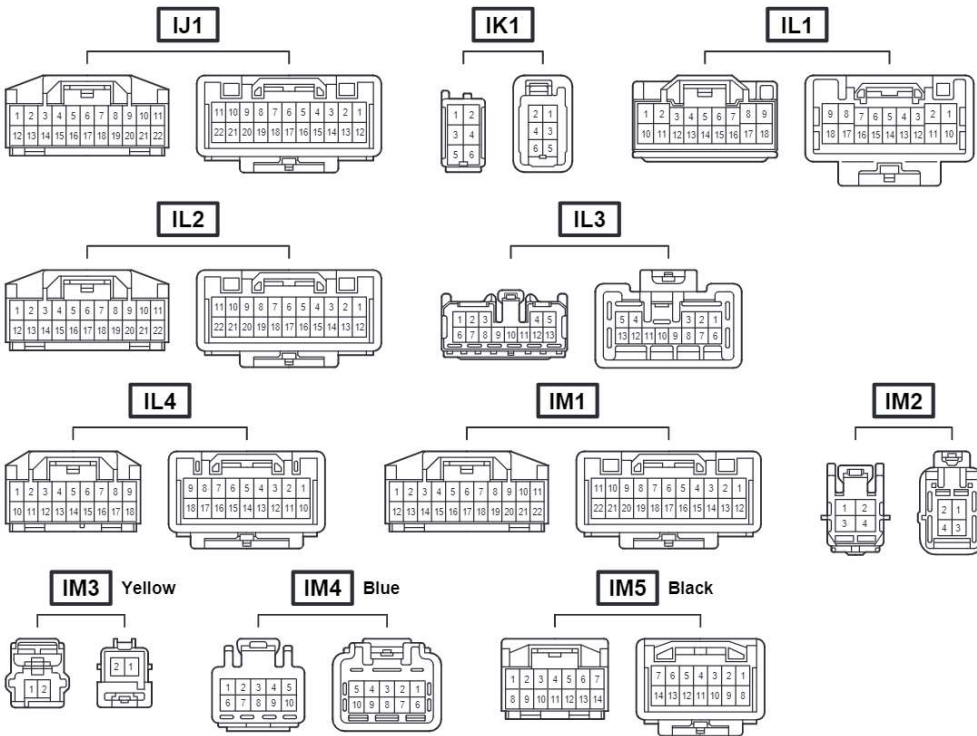
## E ELECTRICAL WIRING ROUTING

 : Location of Connector Joining Wire Harness and Wire Harness

[RHD]



## Connector Joining Wire Harness and Wire Harness

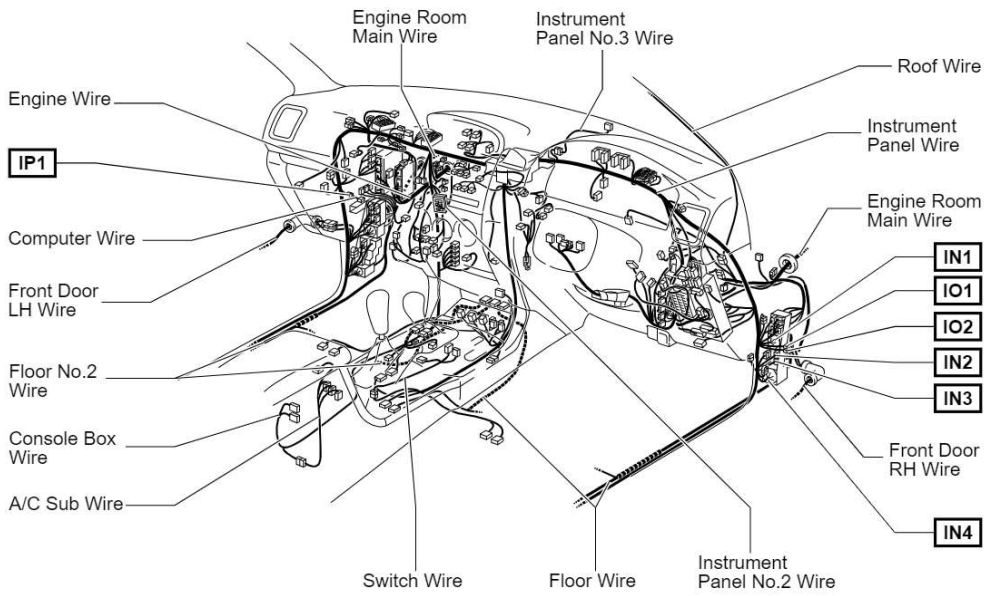


Code	Joining Wire Harness and Wire Harness (Connector Location)
IJ1	Instrument Panel Wire and Switch Wire (Front Side of the Console Box)
IK1	Console Box Wire and A/C Sub Wire (Rear Side of the Console Box)
IL1	Engine Wire and Instrument Panel Wire (Left Side of the Blower Unit)
IL2	
IL3	
IL4	
IM1	Instrument Panel Wire and Engine Room Main Wire (Right Kick Panel)
IM2	
IM3	
IM4	
IM5	

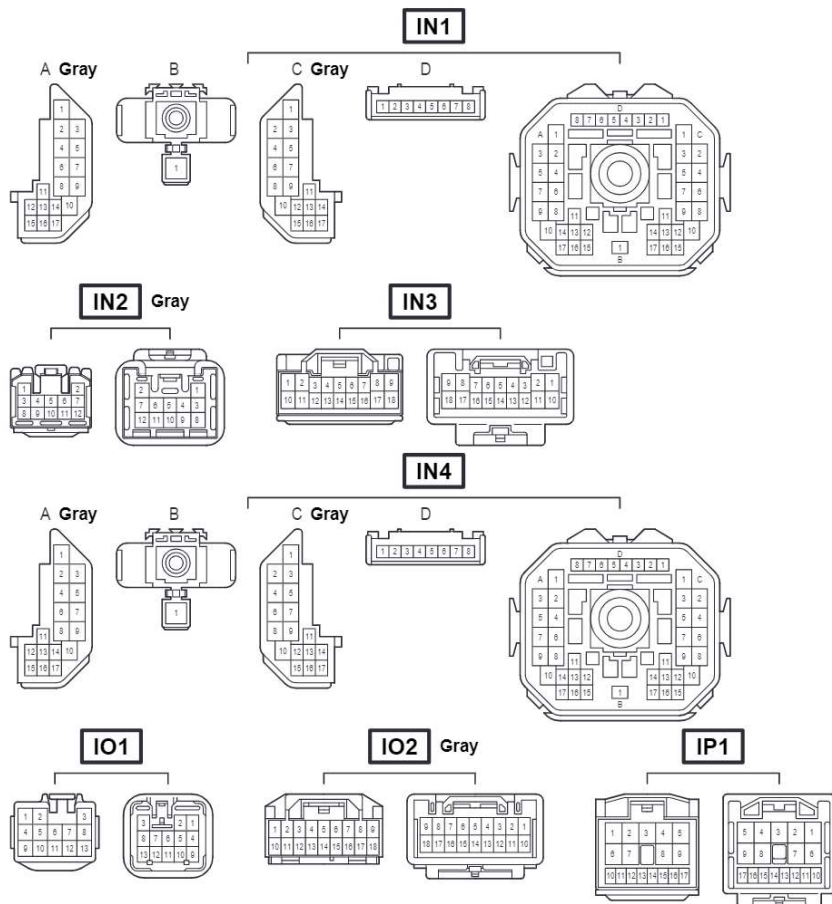
## E ELECTRICAL WIRING ROUTING

**□** : Location of Connector Joining Wire Harness and Wire Harness

[RHD]



## Connector Joining Wire Harness and Wire Harness

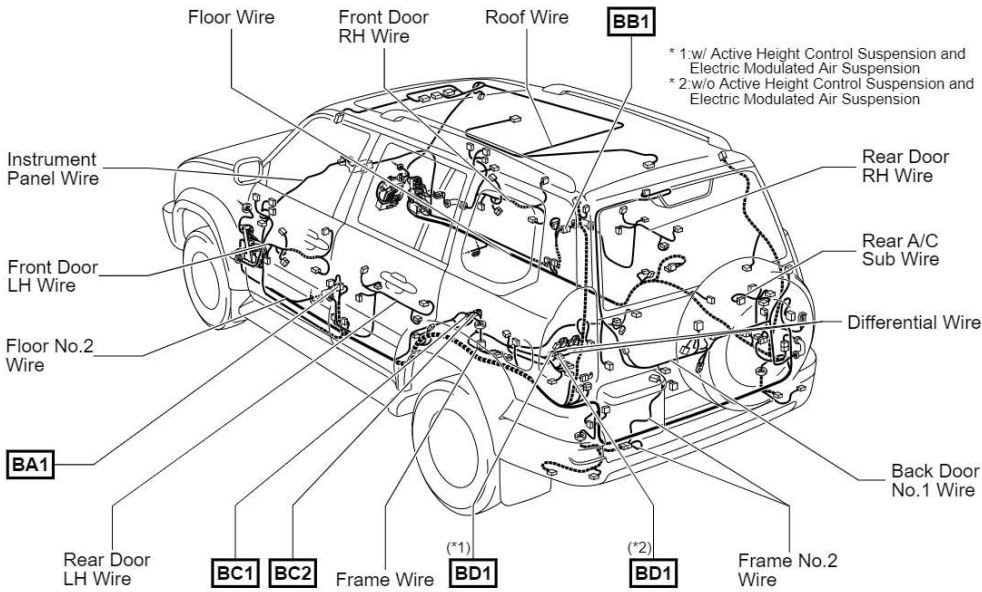


Code	Joining Wire Harness and Wire Harness (Connector Location)
IN1	
IN2	Instrument Panel Wire and Floor Wire (Right Kick Panel)
IN3	
IN4	
IO1	Front Door RH Wire and Instrument Panel Wire (Right Kick Panel)
IO2	
IP1	Computer Wire and Instrument Panel Wire (Left Kick Panel)

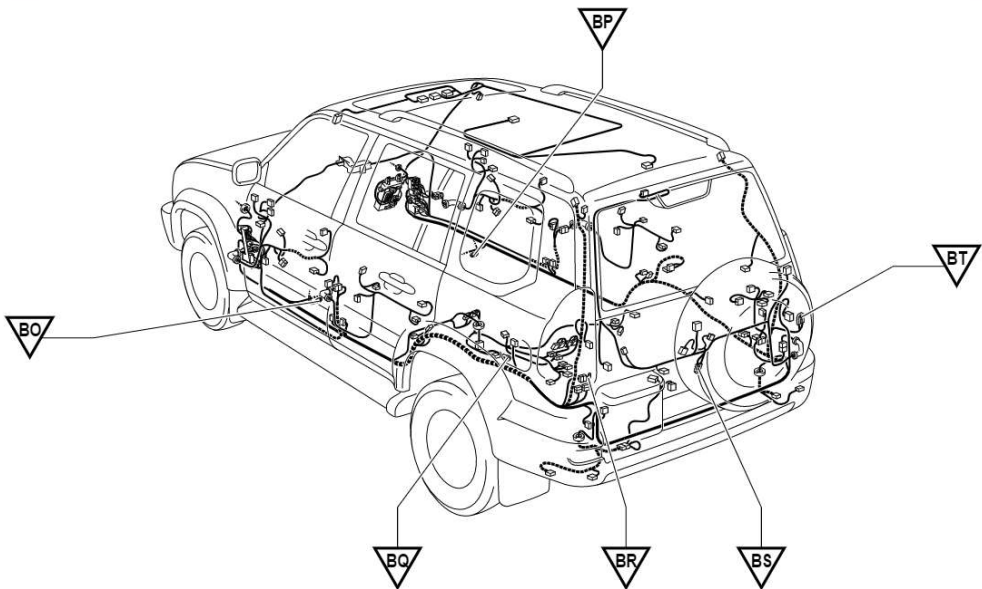
# E ELECTRICAL WIRING ROUTING

**□ : Location of Connector Joining Wire Harness and Wire Harness**

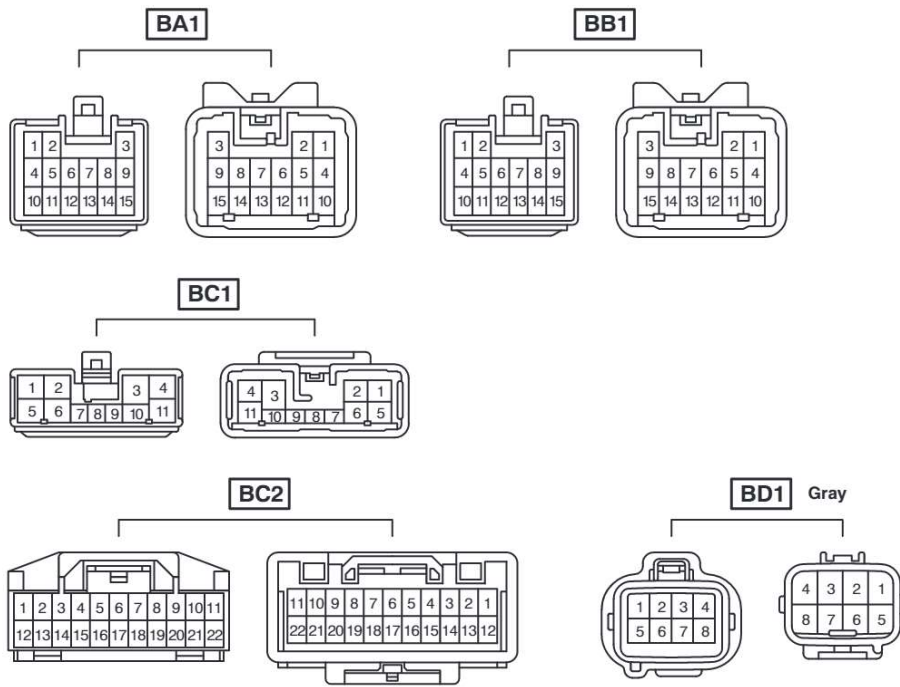
[RHD : 5-Door]



**▽ : Location of Ground Points**



## Connector Joining Wire Harness and Wire Harness

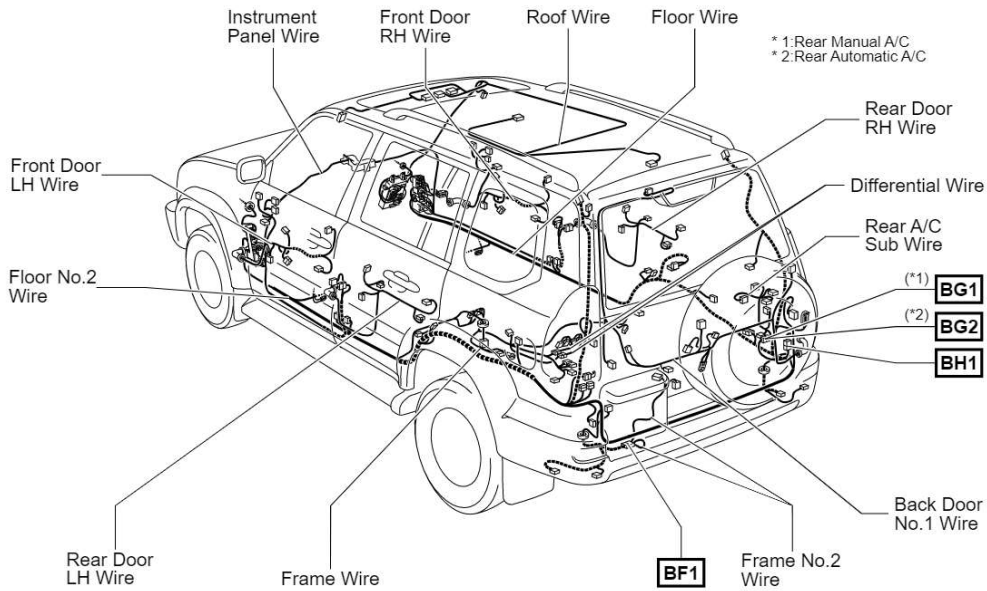


Code	Joining Wire Harness and Wire Harness (Connector Location)
BA1	Rear Door LH Wire and Instrument Panel Wire (Center Pillar LH)
BB1	Rear Door RH Wire and Instrument Panel Wire (Center Pillar RH)
BC1	Frame Wire and Floor No.2 Wire (Under the Left Side of Rear Seat Cushion)
BC2	
BD1	Frame Wire and Differential Wire (Left Side of the No.6 Cross Member)

## E ELECTRICAL WIRING ROUTING

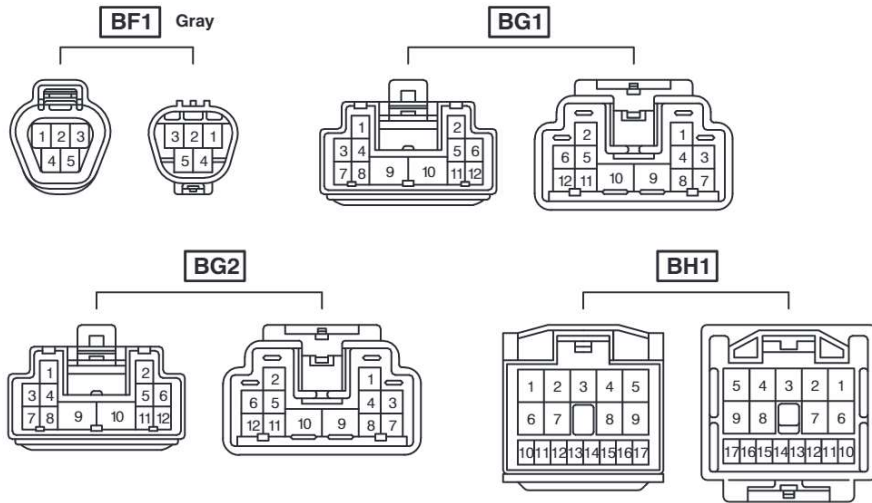
 : Location of Connector Joining Wire Harness and Wire Harness

[RHD : 5-Door]





## Connector Joining Wire Harness and Wire Harness



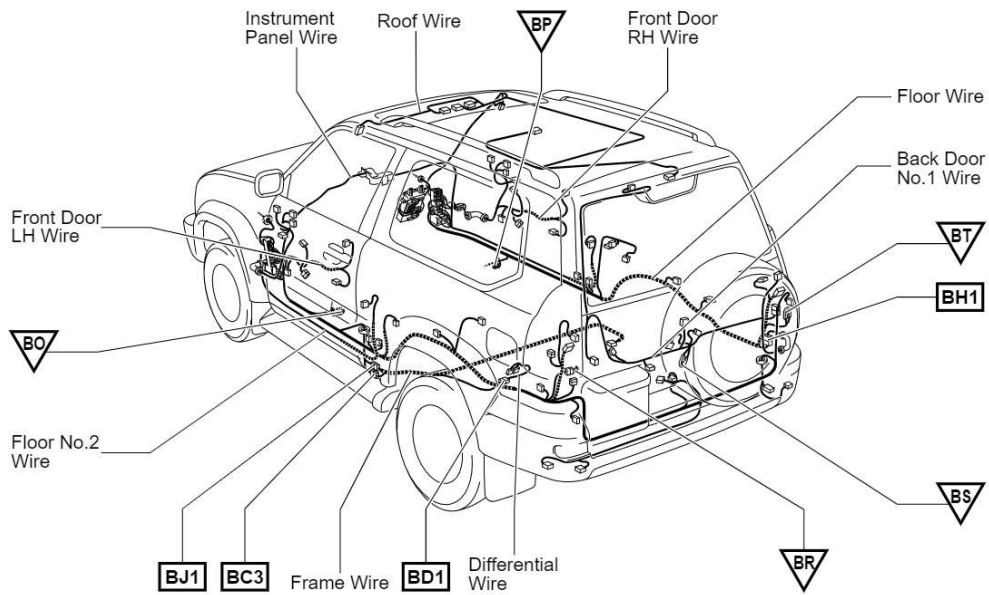
Code	Joining Wire Harness and Wire Harness (Connector Location)
BF1	Floor No.2 Wire and Frame No.2 Wire (Left Side of the Rear Floor)
BG1	Floor Wire and Rear A/C Sub Wire (Right Quarter Panel Inner)
BG2	Floor Wire and Rear A/C Sub Wire (Right Quarter Panel Inner)
BH1	Back Door No.1 Wire and Floor Wire (Rear Quarter Panel Inner)

## E ELECTRICAL WIRING ROUTING

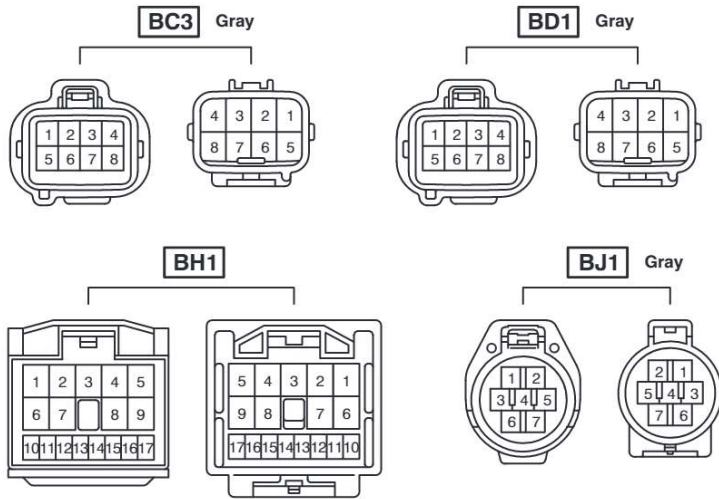
□ : Location of Connector Joining Wire Harness and Wire Harness

▽ : Location of Ground Points

[RHD : 3-Door]



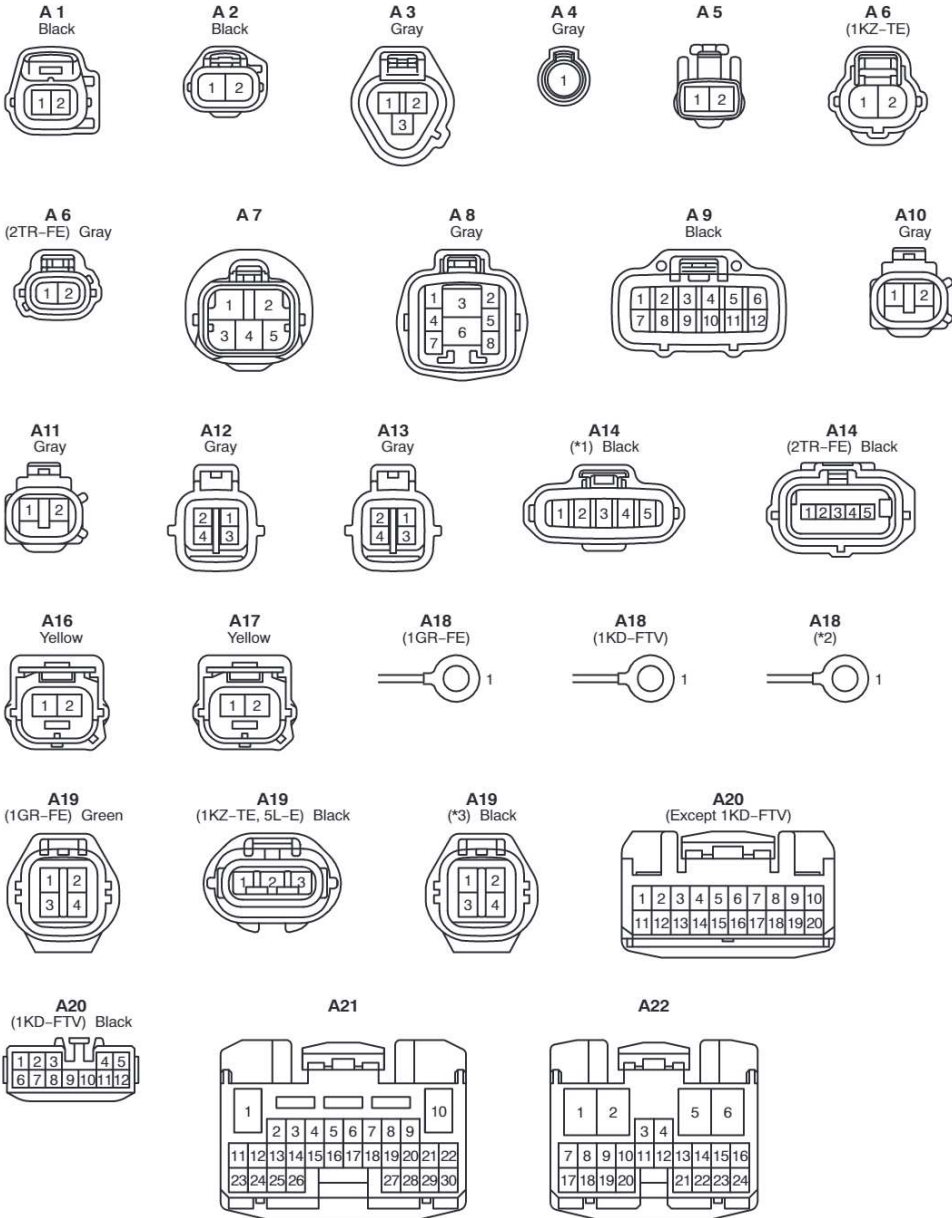
## Connector Joining Wire Harness and Wire Harness



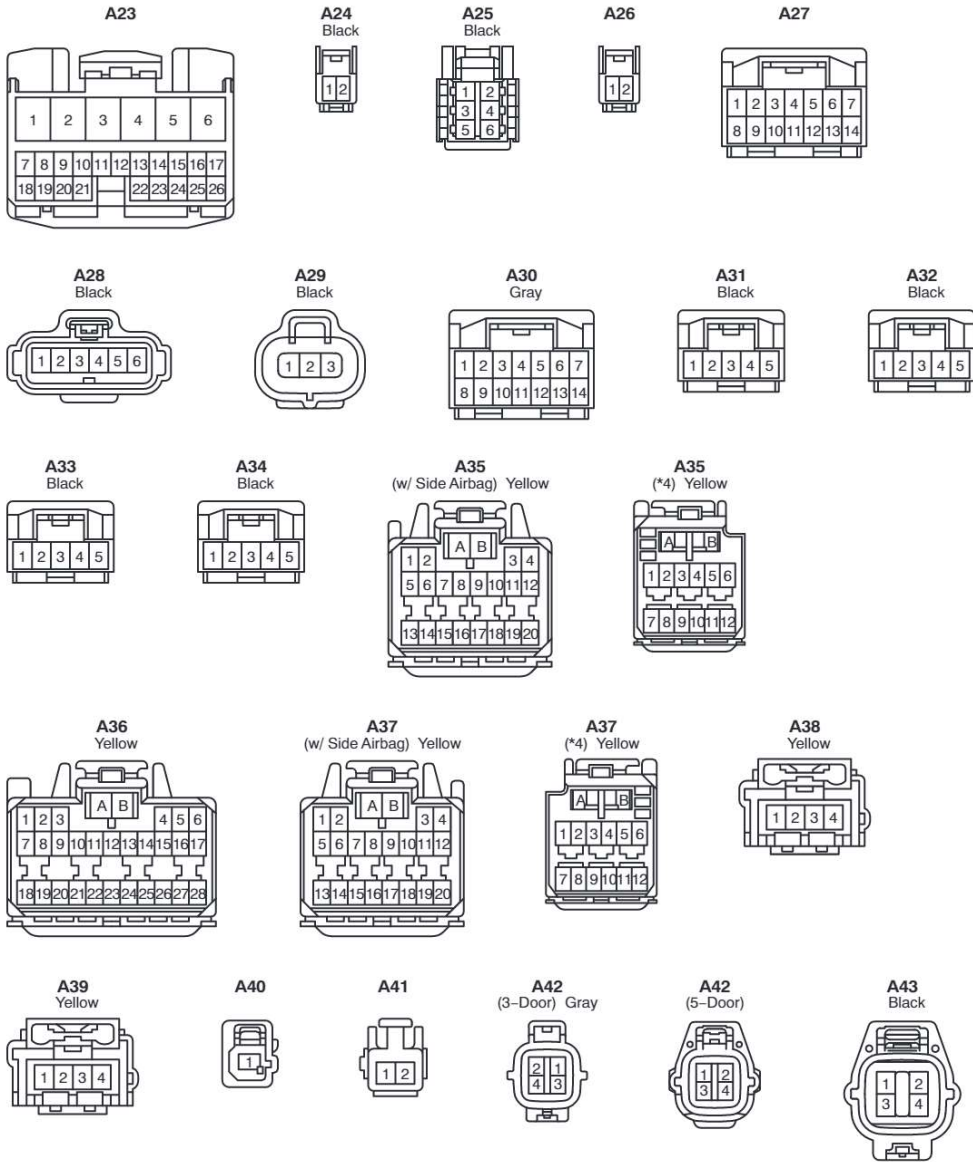
Code	Joining Wire Harness and Wire Harness (Connector Location)
BC3	Floor No.2 Wire and Frame Wire (Frame Side Rail LH)
BD1	Frame Wire and Differential Wire (Left Side of the No.6 Cross Member)
BH1	Back Door No.1 Wire and Floor Wire (Right Quarter Panel Inner)
BJ1	Floor No.2 Wire and Frame Wire (Frame Side Rail LH)

# F CONNECTOR LIST

\*1 : 1GR-FE, 1KD-FTV  
 \*2 : 2TR-FE, 1KZ-TE, 5L-E  
 \*3 : 2TR-FE, 1KD-FTV

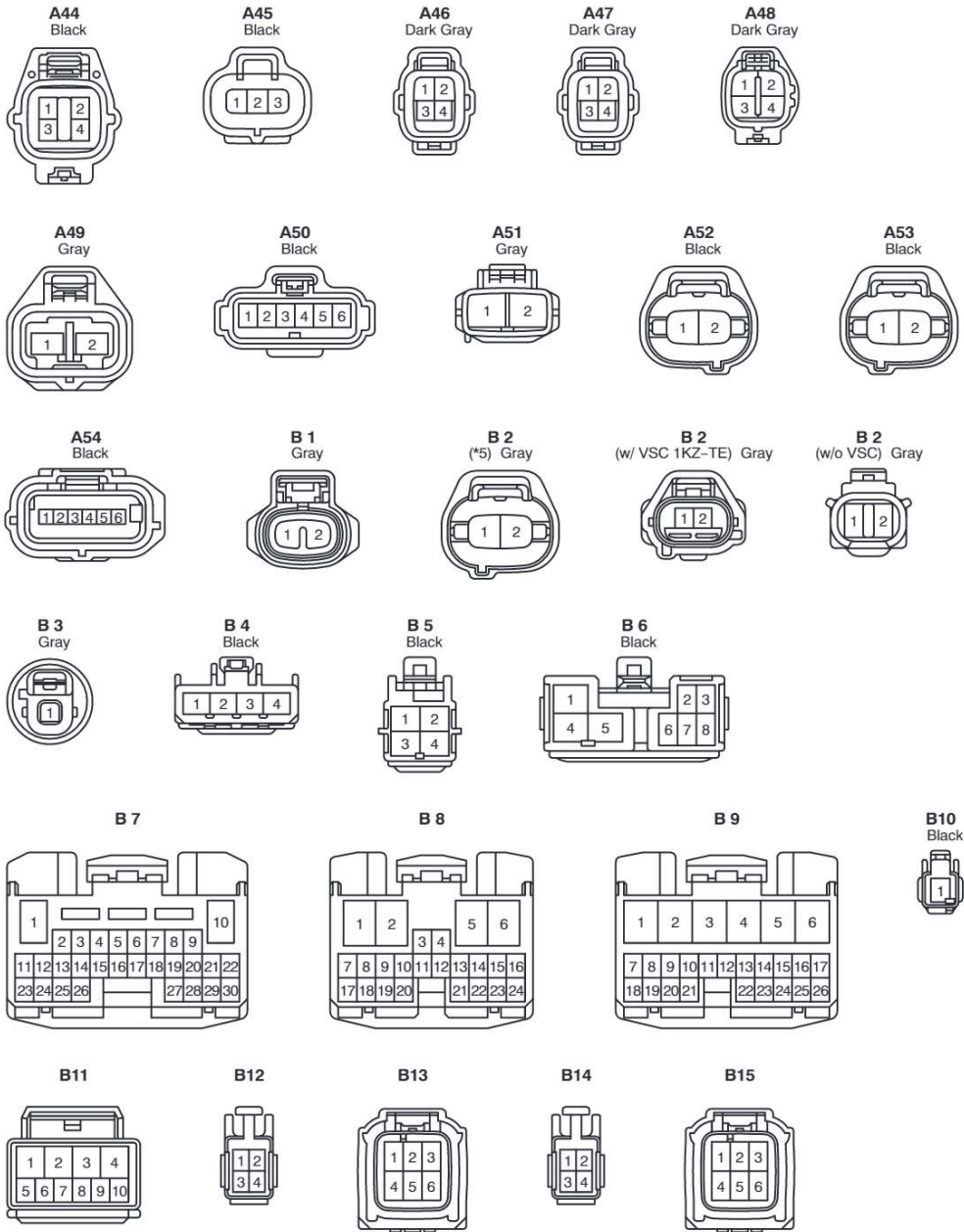


\*4 : w/o Side Airbag



# F CONNECTOR LIST

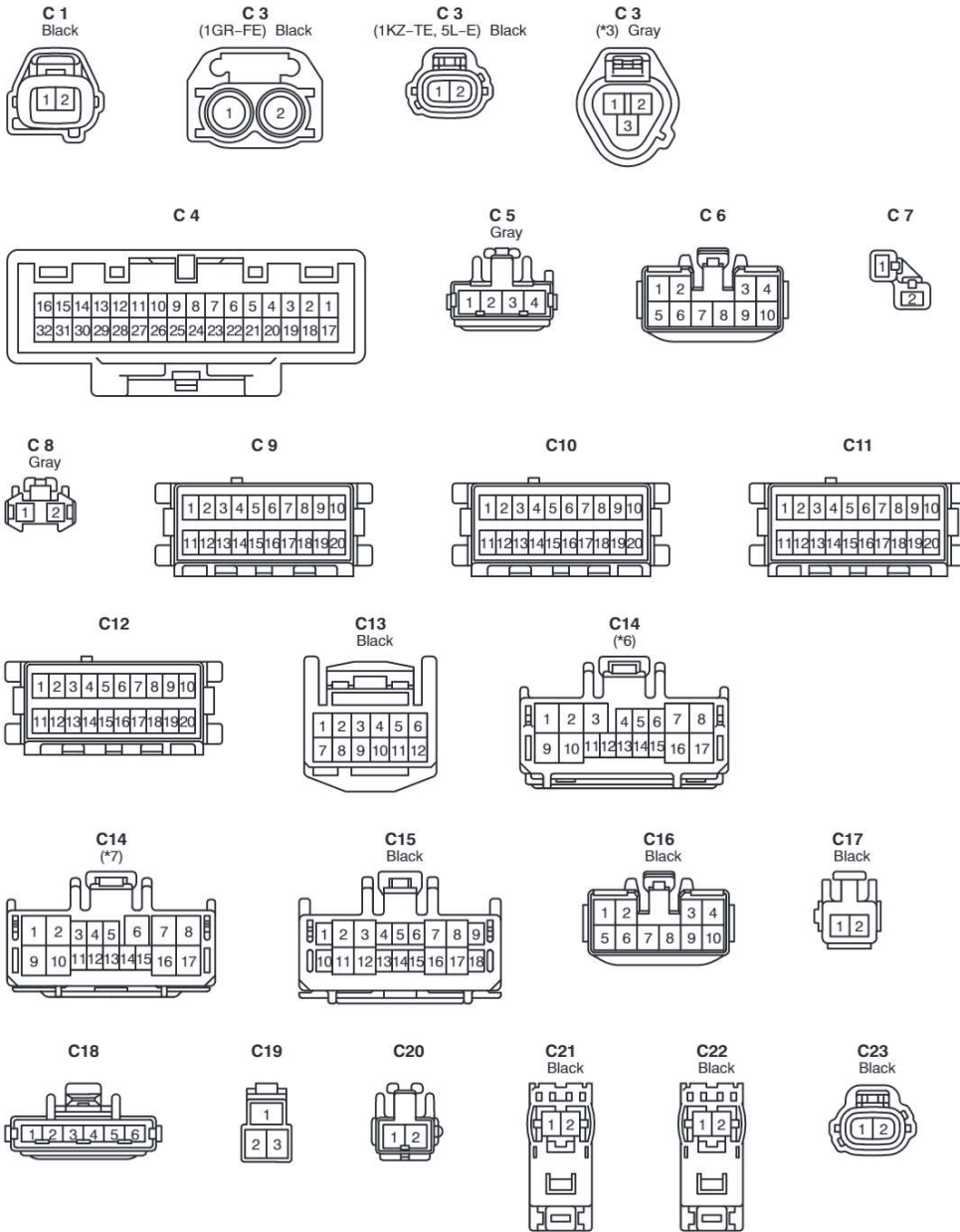
\*5 : w/ VSC Except 1KZ-TE



\*3 : 2TR-FE, 1KD-FTV

\*6 : LH Turn Lever Type

\*7 : RH Turn Lever Type

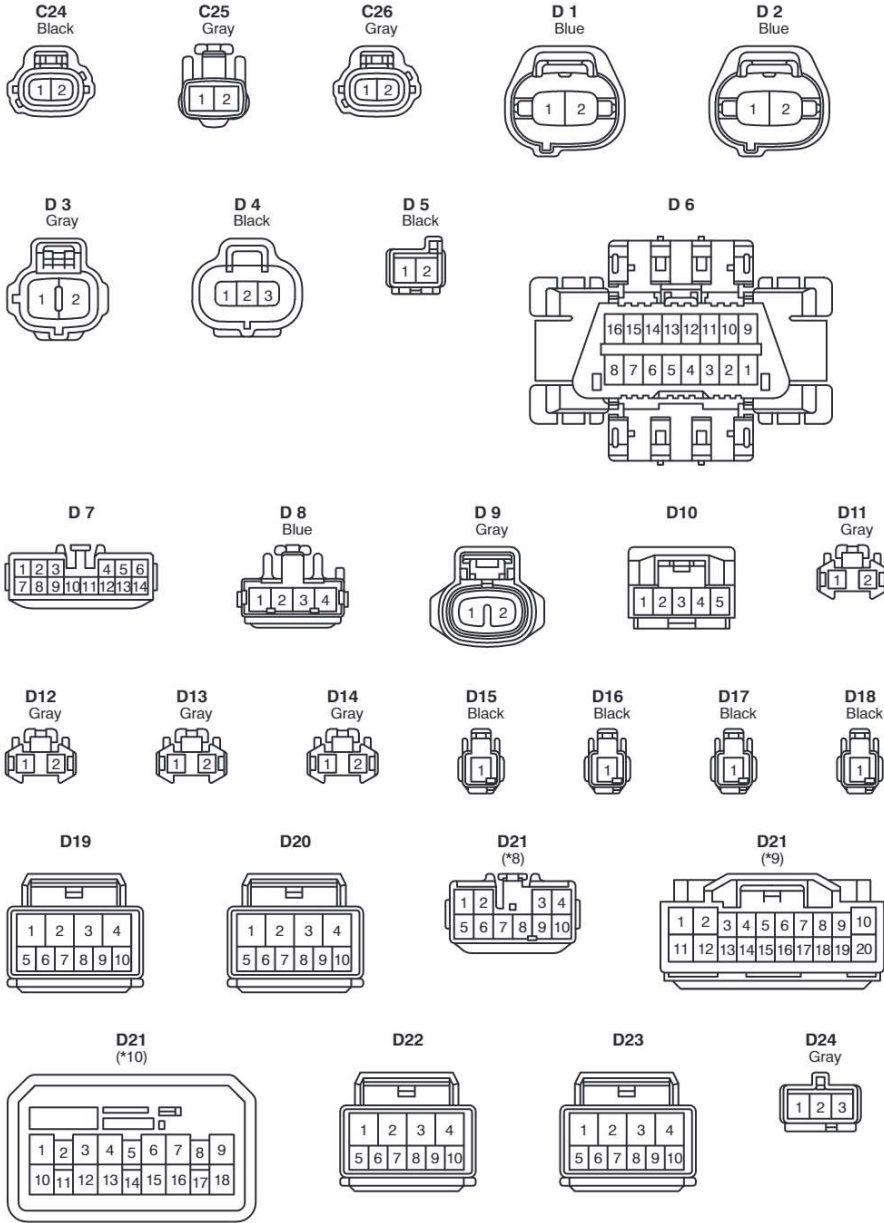


# F CONNECTOR LIST

\*8 : LHD 3-Door w/o Jam Protection

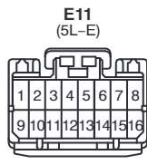
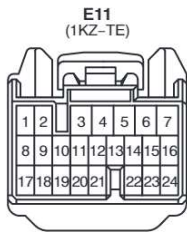
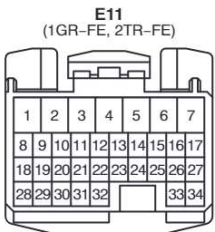
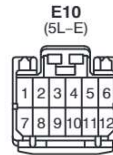
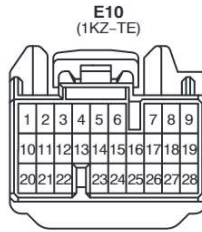
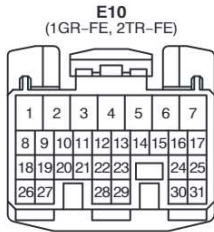
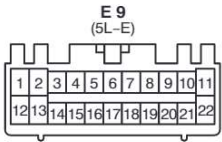
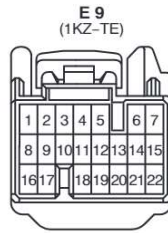
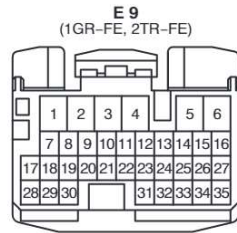
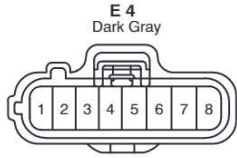
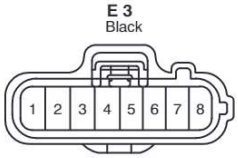
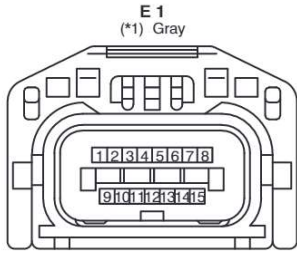
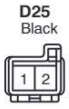
\*9 : w/ Jam Protection

\*10 : w/o Jam Protection Except LHD 3-Door



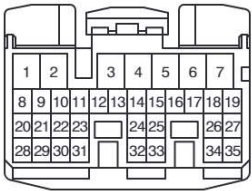


\*1 : 1GR-FE, 1KD-FTV

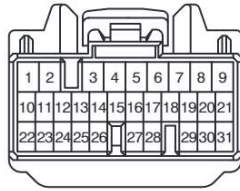


# F CONNECTOR LIST

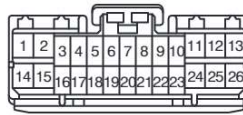
**E12**  
(1GR-FE, 2TR-FE)



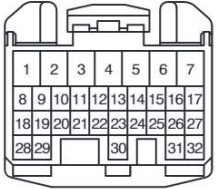
**E12**  
(1KZ-TE)



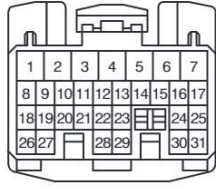
**E12**  
(5L-E)



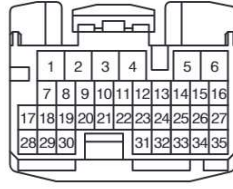
**E13**



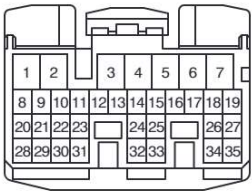
**E14**



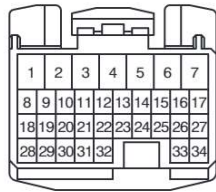
**E15**



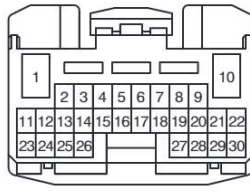
**E16**



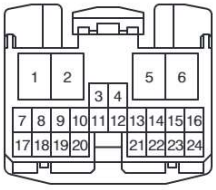
**E17**



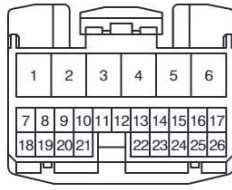
**E18**  
Black



**E19**



**E20**



**F 1**



**F 2**



**F 3**  
Brown



**F 4**  
Brown



**F 5**  
Gray



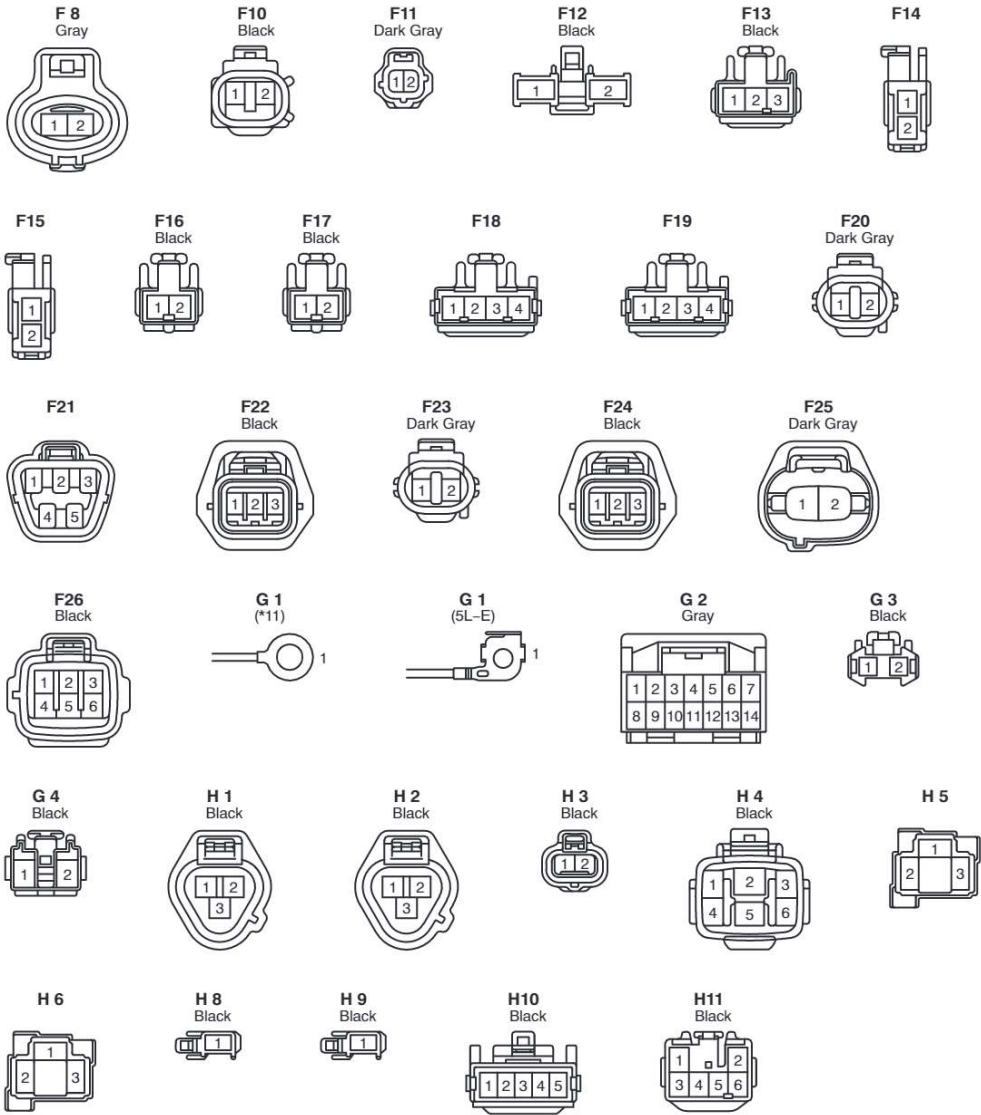
**F 6**  
Gray



**F 7**  
Black

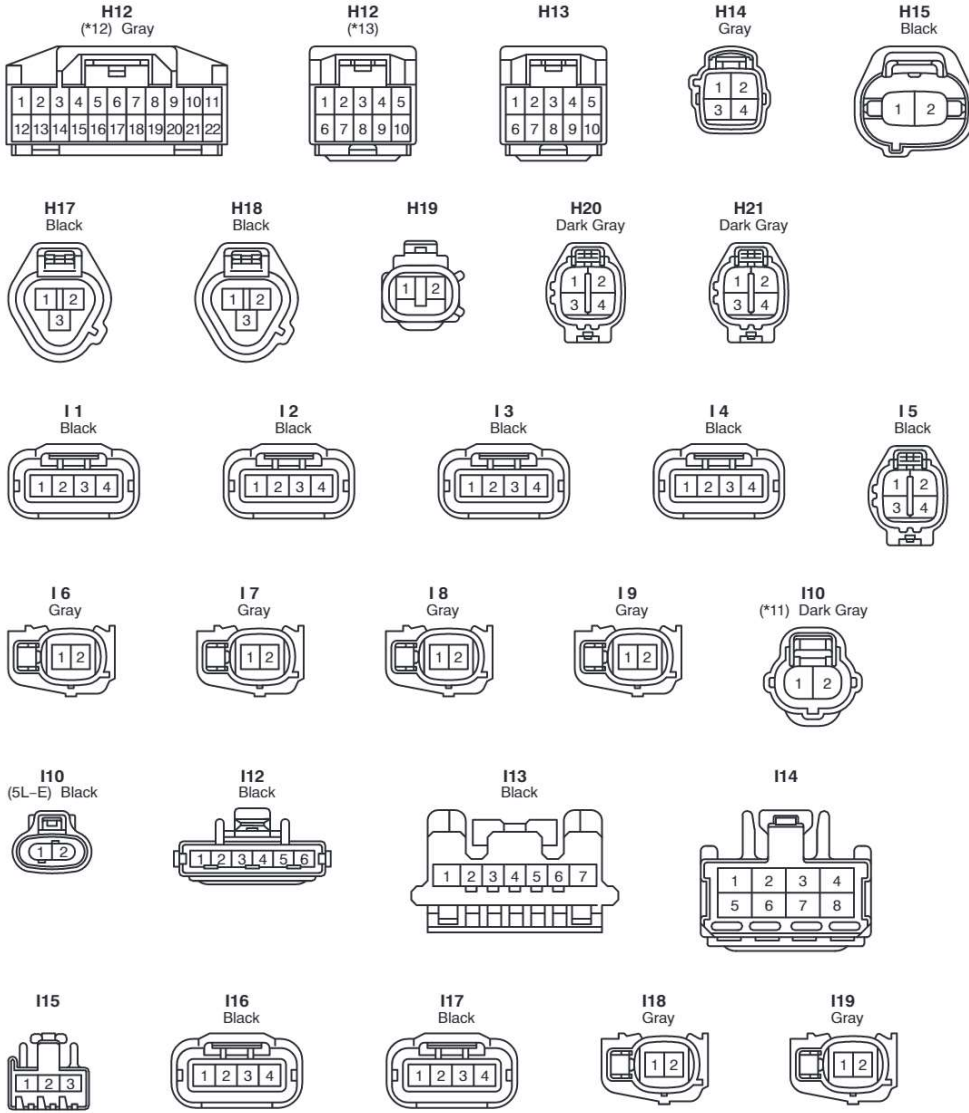


\*11 : 1KD-FTV, 1KZ-TE

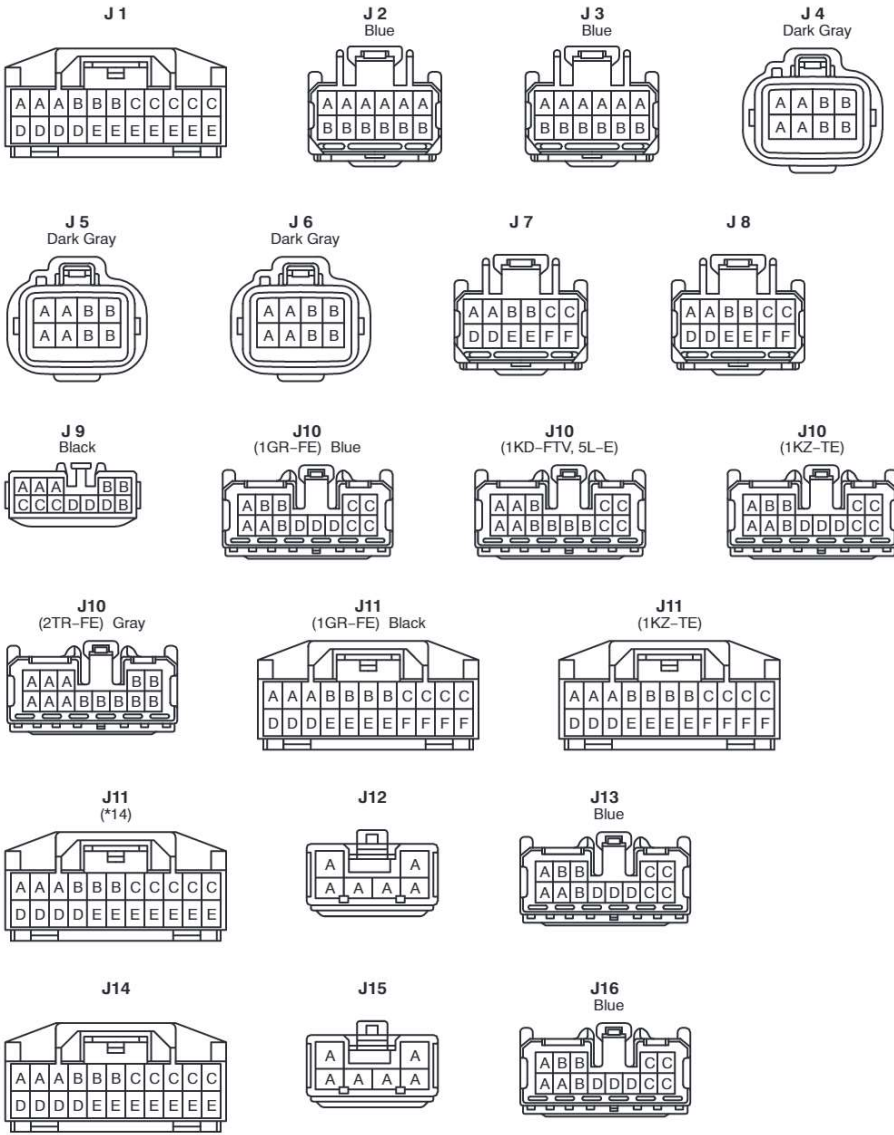


# F CONNECTOR LIST

\*11 : 1KD-FTV, 1KZ-TE  
 \*12 : w/ Navigation System  
 \*13 : w/o Navigation System



\*14 : 2TR-FE, 1KD-FTV, 5L-E



# F CONNECTOR LIST

\*15 : LHD, RHD Australia

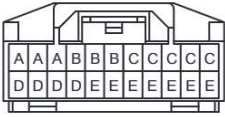
\*16 : RHD Except Australia

\*17 : LHD, RHD Except General

\*18 : LHD, RHD Australia, RHD Europe w/ Navigation System

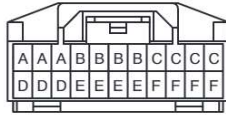
\*19 : RHD Europe w/o Navigation System, RHD General

**J17**



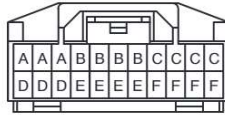
**J18**

(\*15) Black



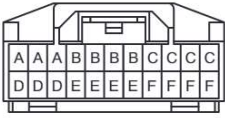
**J18**

(\*16) Gray



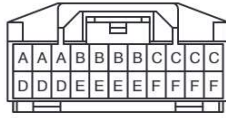
**J19**

(\*15) Black



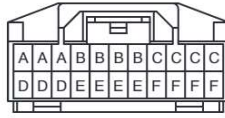
**J19**

(\*16) Gray



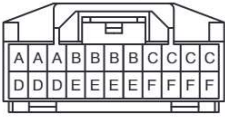
**J20**

(\*17) Black



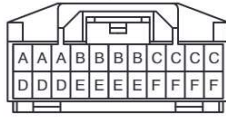
**J20**

(RHD General) Gray



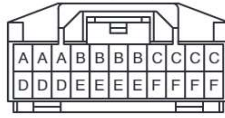
**J21**

(\*18) Black



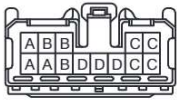
**J21**

(\*19) Gray



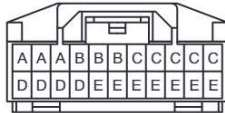
**J22**

Blue



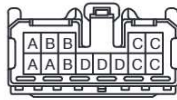
**J23**

(LHD)



**J23**

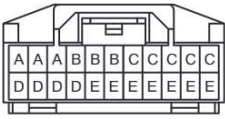
(RHD) Blue



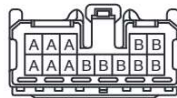
**J24**



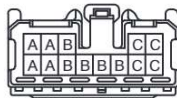
**J25**



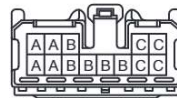
**J26**



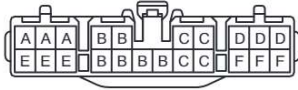
**J27**



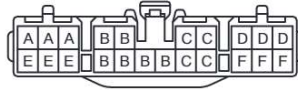
**J28**



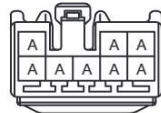
**J29**

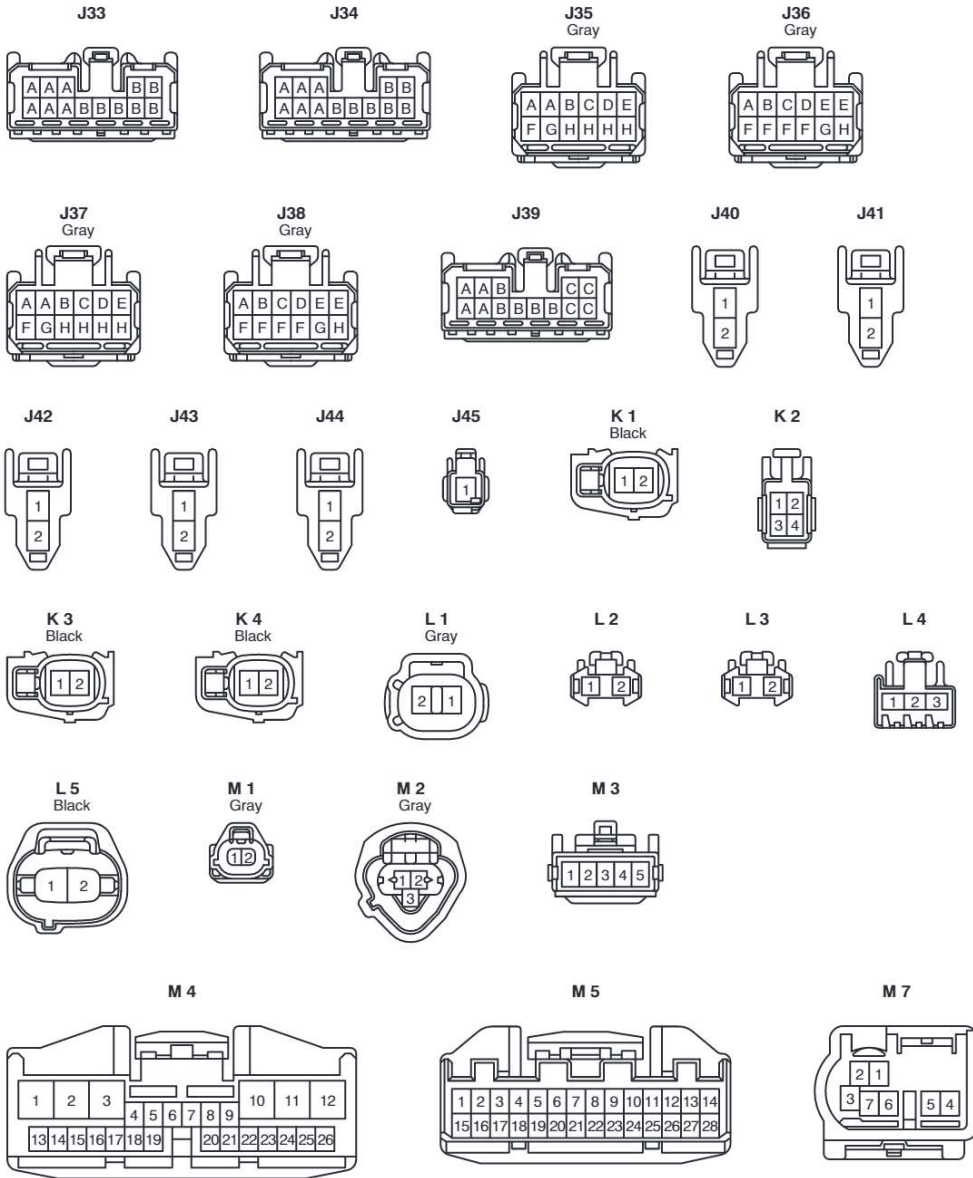


**J30**



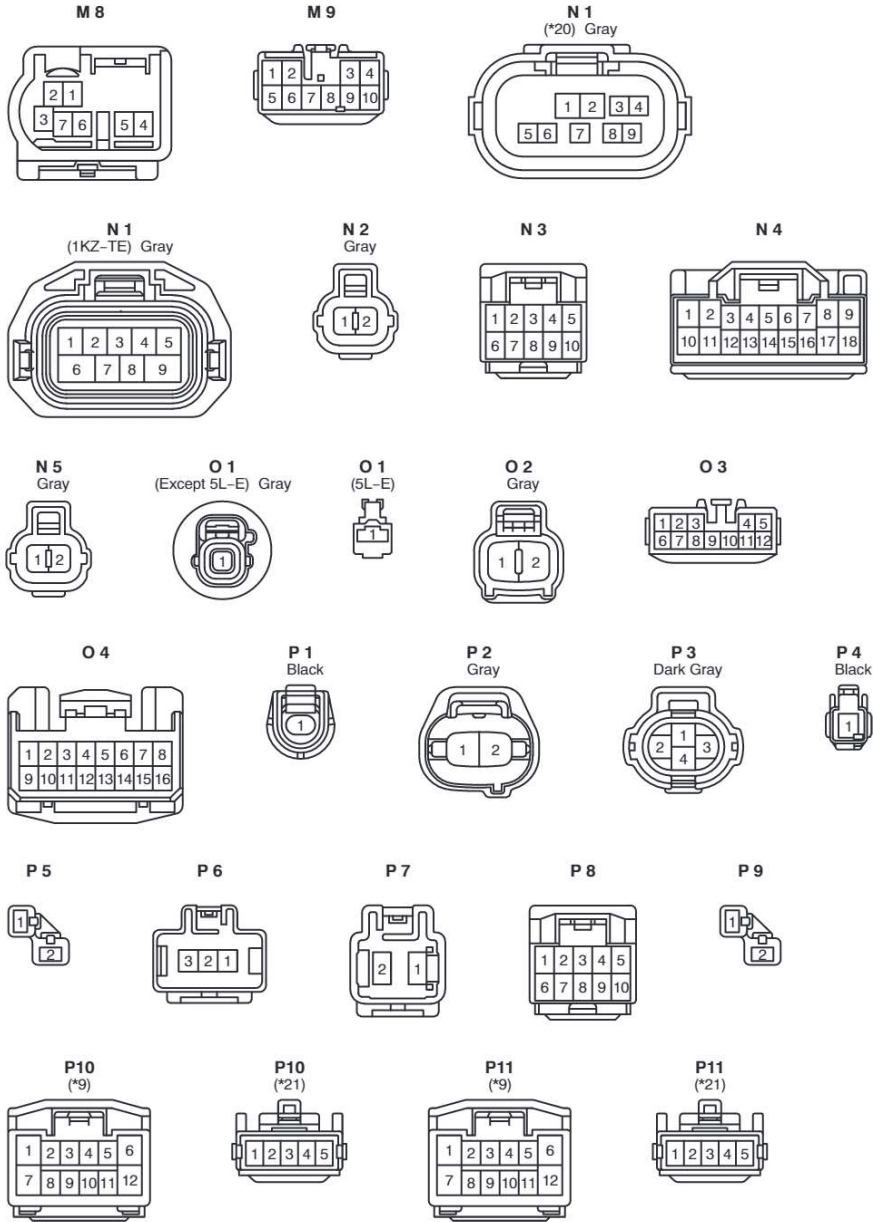
**J31**





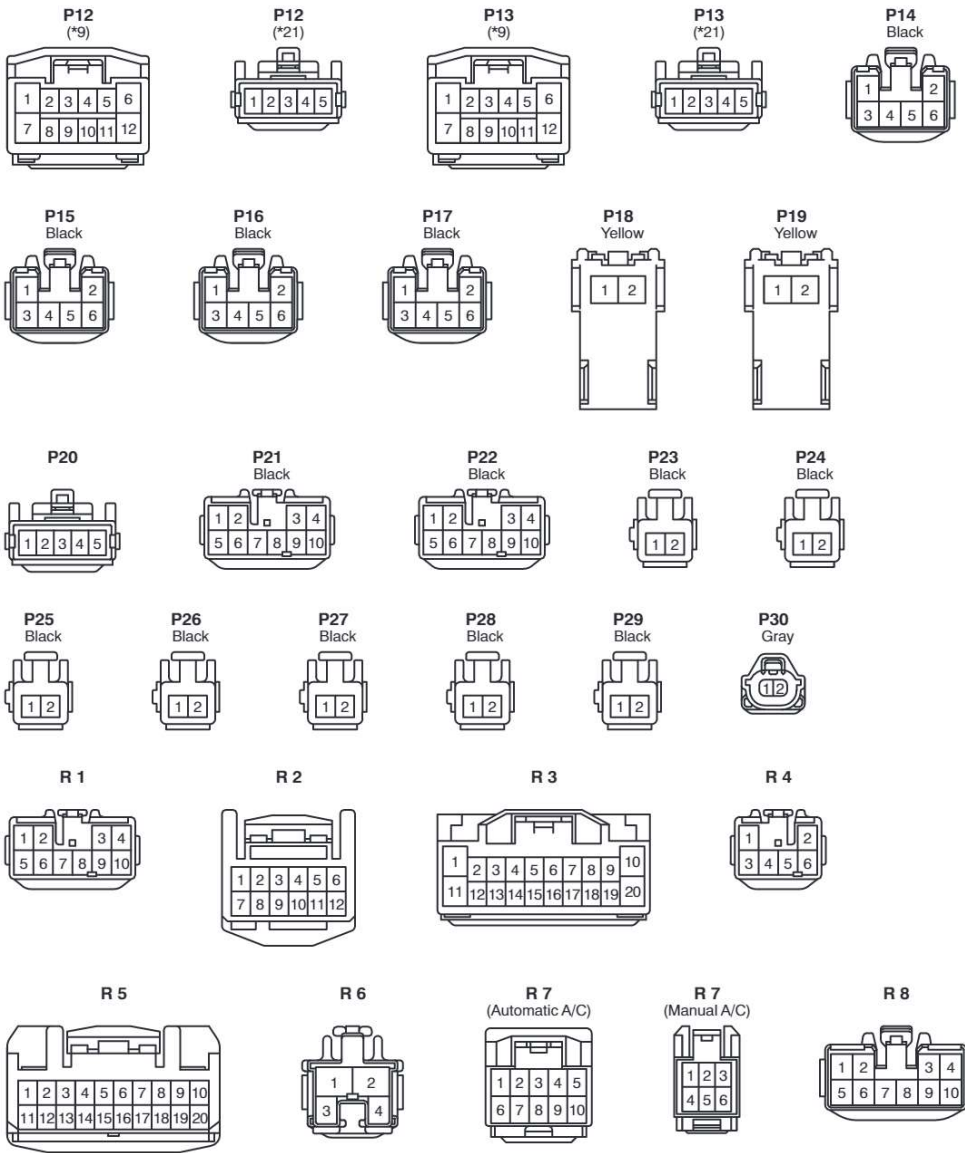
# F CONNECTOR LIST

\*9 : w/ Jam Protection  
 \*20 : 1GR-FE, 2TR-FE, 1KD-FTV  
 \*21 : w/o Jam Protection





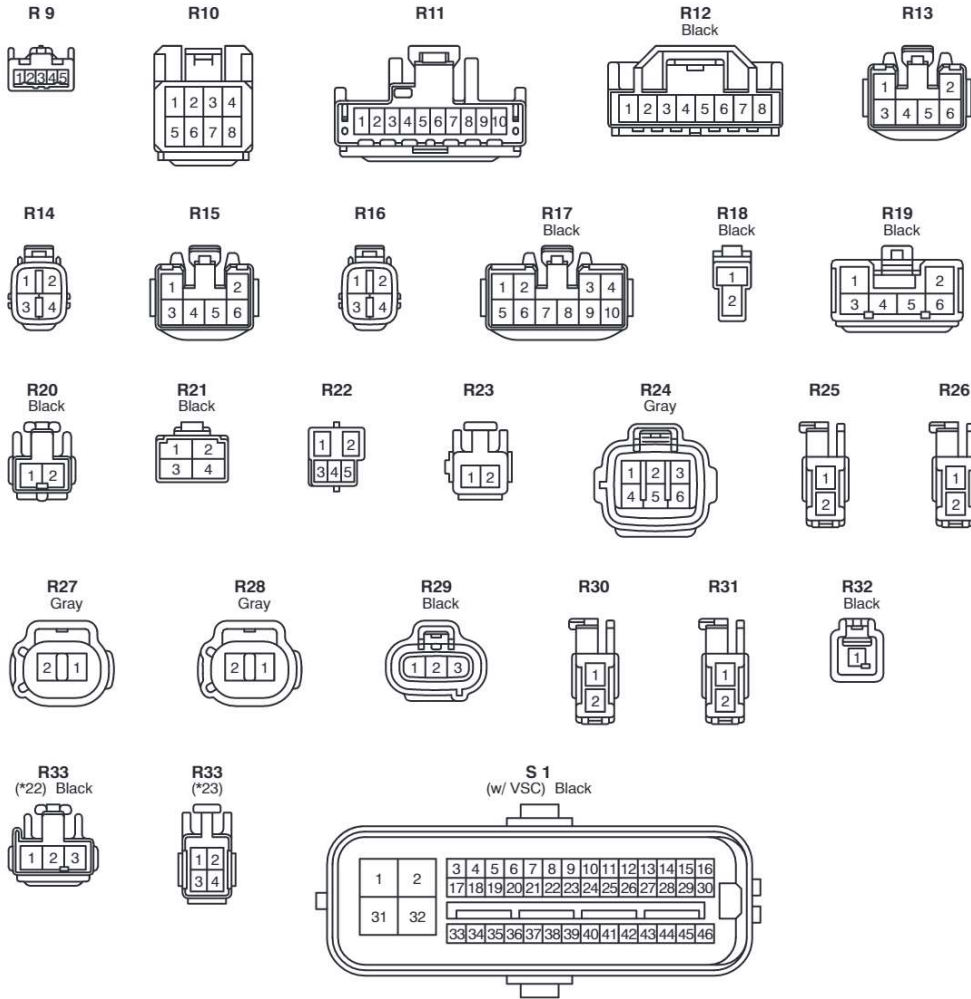
\*9 : w/ Jam Protection  
 \*21 : w/o Jam Protection



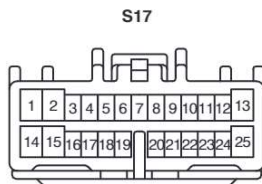
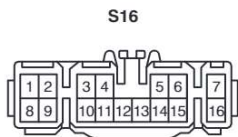
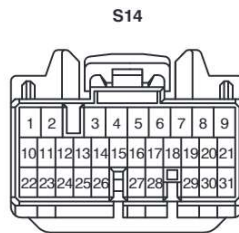
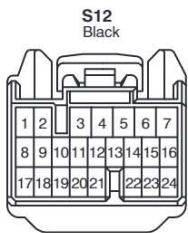
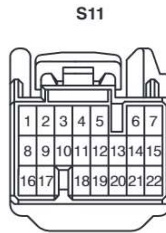
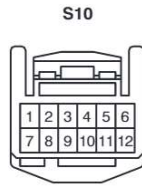
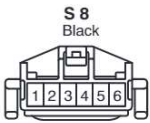
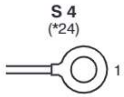
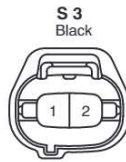
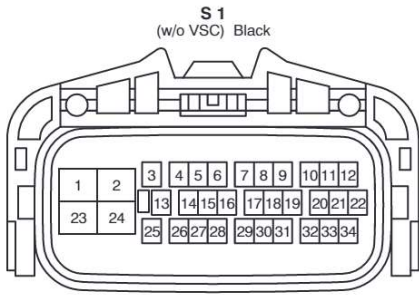
# F CONNECTOR LIST

\*22 : Spare Tire-Back Door Mounted

\*23 : Spare Tire-Under Floor Mounted

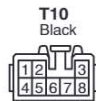
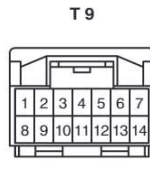
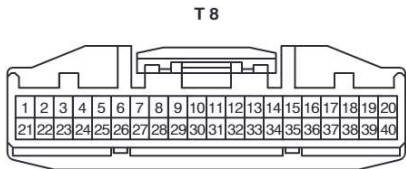
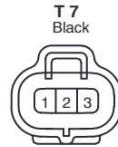
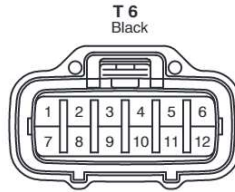
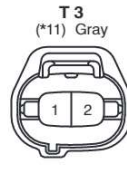
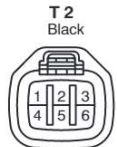
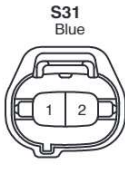
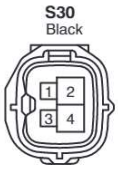
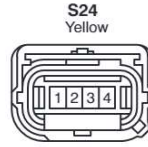
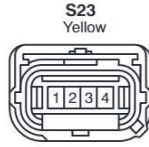
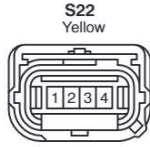
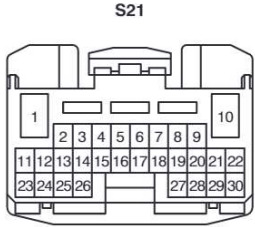
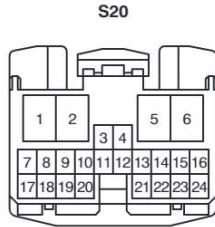
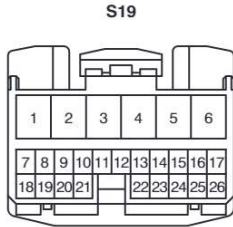
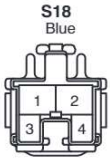


\*24 : 1KD-FTV, 1KZ-TE, 5L-E

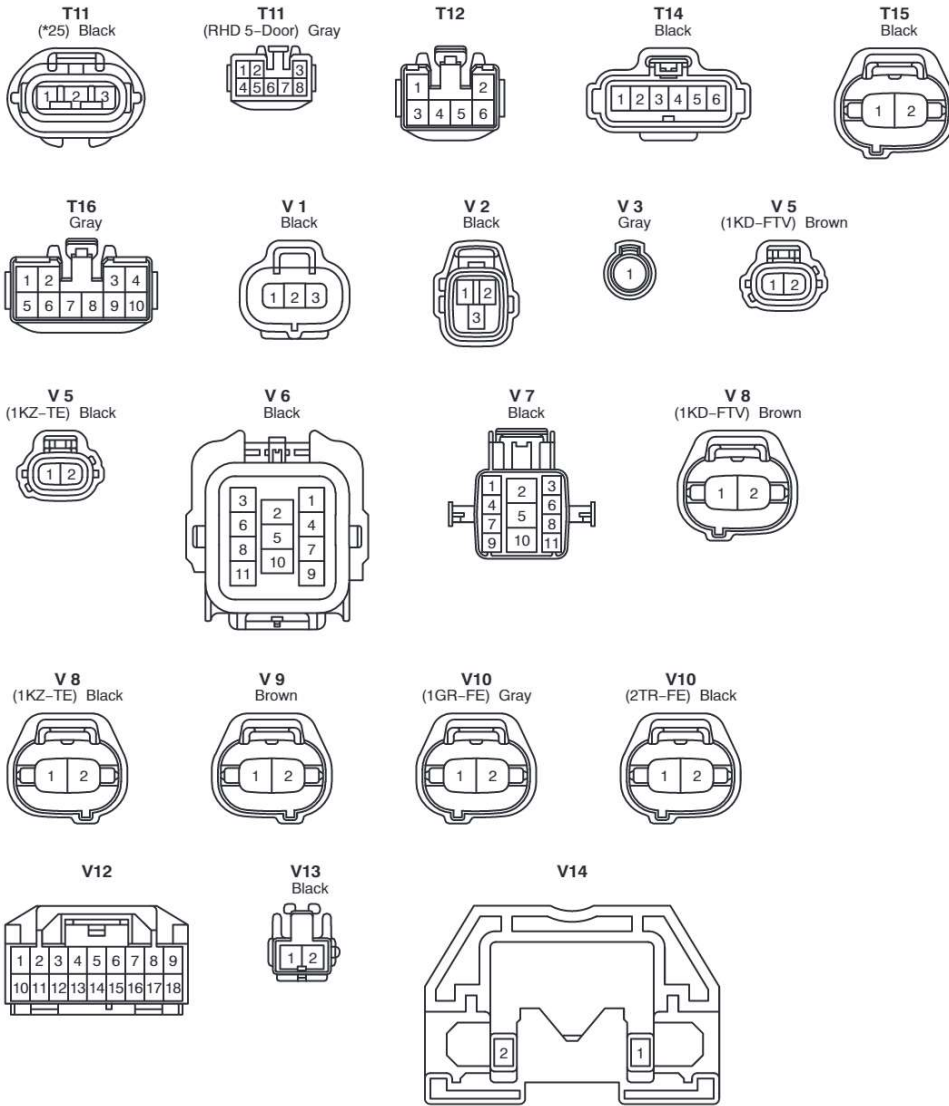


# F CONNECTOR LIST

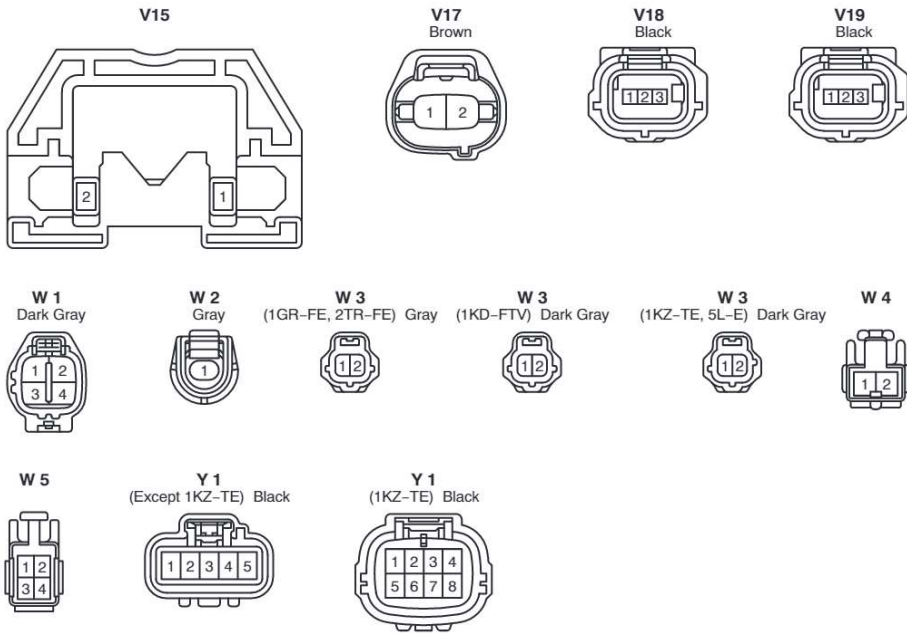
\*11 : 1KD-FTV, 1KZ-TE



\*25 : LHD, RHD 3-Door



# F CONNECTOR LIST





## G PART NUMBER OF CONNECTORS

Code	Part Name	Part Number	Code	Part Name	Part Number
A 1	A/C Ambient Temp. Sensor	90980-11070	A35	Airbag Sensor Assembly (w/ Side Airbag)	82824-50160
A 2	A/C Condenser Fan Motor	90980-11237		Airbag Sensor Assembly (w/o Side Airbag)	90980-11869
A 3	A/C Lock Sensor	90980-11016	A36	Airbag Sensor Assembly	90980-11872
	A/C Magnetic Clutch		A37	Airbag Sensor Assembly (w/ Side Airbag)	82824-50150
A 4	A/C Magnetic Clutch	90980-11271		Airbag Sensor Assembly (w/o Side Airbag)	90980-11867
A 5	A/C Magnetic Valve	90980-11075	A38	Airbag Squib (Front Passenger Airbag Assembly)	90980-12160
A 6	A/T Oil Temp. Sensor (1KZ-TE)	90980-11025		A39	
	A/T Oil Temp. Sensor (2TR-FE)	90980-11162	A40	Antenna Amplifier	90980-11146
A 7	ABS & BA & TRC & VSC Actuator	90980-11413	A41	Ashtray Illumination	90980-10825
A 8	ABS & BA & TRC & VSC Actuator	90980-10895	A42	ABS Speed Sensor Rear (3-Door)	90980-10941
A 9	ABS & BA & TRC & VSC Actuator	90980-11151		ABS Speed Sensor Rear (5-Door)	90980-10942
A10	ABS Speed Sensor Front LH	90980-11003	A43	Absorber Control Actuator Rear LH	90980-11930
A11	ABS Speed Sensor Front RH		A44	Absorber Control Actuator Rear RH	
A12	Absorber Control Actuator Front LH	90980-11929	A45	Acceleration Control Sensor Rear	90980-10845
A13	Absorber Control Actuator Front RH		A46	Air Fuel Ratio Sensor (Bank 1 Sensor 1)	90980-10869
A14	Air Flow Meter (1GR-FE, 1KD-FTV)	90980-11317	A47	Air Fuel Ratio Sensor (Bank 2 Sensor 1)	
	Air Flow Meter (2TR-FE)	90980-12292	A48	Air Fuel Ratio Sensor (Bank 1 Sensor 1)	90980-11178
A16	Airbag Sensor Front LH	90980-11856	A49	Air Injection Control Driver	90980-12068
A17	Airbag Sensor Front RH		A50	Air Injection Control Driver	90980-11858
A18	Alternator (1GR-FE)	90980-09372	A51	Air Pump	90980-11032
	Alternator (1KD-FTV)	90980-09213	A52	Air Switching Valve	90980-11149
	Alternator (2TR-FE, 1KZ-TE, 5L-E)	90980-09212	A53	Air Vent Control Servo Motor	90980-11156
A19	Alternator (1GR-FE)	90980-11964	A54	Air Vent Control Servo Motor	90980-12303
	Alternator (1KZ-TE, 5L-E)	90980-11349	B 1	Back-Up Light SW	90980-11250
	Alternator (2TR-FE, 1KD-FTV)	90980-11964	B 2	Brake Fluid Level Warning SW (w/ VSC Except 1KZ-TE)	90980-11156
A20	A/C Amplifier (Except 1KD-FTV)	90980-12259		Brake Fluid Level Warning SW (w/ VSC 1KZ-TE)	90980-11009
A/C Amplifier (1KD-FTV)	90980-10803	Brake Fluid Level Warning SW (w/o VSC)		90980-11207	
A21	A/C Control Assembly (w/o Navigation System)	90980-12151	B 3	Brake Vacuum Warning SW	90980-11252
	A/C ECU (w/ Navigation System)		B 4	Blower Motor Linear Controller	90980-11676
A22	A/C Control Assembly (w/o Navigation System)	90980-12149	B 5	Blower Resistor	90980-11136
	A/C ECU (w/ Navigation System)		B 6	Blower SW	90980-10877
A23	A/C Control Assembly (w/o Navigation System)	90980-12150	B 7	Body ECU	90980-12151
	A/C ECU (w/ Navigation System)		B 8	Body ECU	90980-12149
A24	A/C Room Temp. Sensor	90980-11918	B 9	Body ECU	90980-12150
A25	A/C Solar Sensor	90980-12056	B10	Back Door Courtesy SW	90980-10871
A26	A/C Thermistor	90980-11918	B11	Back Door Key Lock and Unlock SW	90980-12226
A27	A/T Shift Indicator	90980-11911		Back Door Lock Motor	
A28	Accel Position Sensor	90980-11858		Back Door Unlock Detection SW	
A29	Acceleration Control Sensor Front	90980-10845	B12	Buckle SW LH	90980-10795
A30	Accessory Meter	90980-11911		Occupant Detection Sensor	
A31	Air Inlet Control Servo Motor	90980-11909	B13	Buckle SW LH	90980-12257
A32	Air Mix Control Servo Motor LH			Seat Position Sensor	
A33	Air Mix Control Servo Motor RH		B14	Buckle SW RH	90980-10795
A34	Air Vent Mode Control Servo Motor			Occupant Detection Sensor	

Note: Not all of the above part numbers of the connector are established for the supply.



Code	Part Name	Part Number	Code	Part Name	Part Number	
B15	Buckle SW RH	90980-12257	D15	Door Courtesy SW Front LH	90980-10871	
	Seat Position Sensor		D16	Door Courtesy SW Front RH		
C1	Camshaft Position Sensor	90980-10947	D17	Door Courtesy SW Rear LH		
C3	Crankshaft Position Sensor (1GR-FE)	90980-12028	D18	Door Courtesy SW Rear RH		
	Crankshaft Position Sensor (1KZ-TE, 5L-E)	90980-11162	D19	Door Key Lock and Unlock SW Front LH	90980-12226	
	Crankshaft Position Sensor (2TR-FE, 1KD-FTV)	90980-11016		Door Lock Motor Front LH		
C4	CD Automatic Changer	90980-12262		Door Unlock Detection SW Front LH		
C5	Center Diff. Lock Control SW	90980-11013		Double Door Lock Motor Front LH		
C6	Center Diff. Lock ECU	90980-10801		Position SW Front LH		
C7	Cigarette Lighter	90980-10760	D20	Door Key Lock and Unlock SW Front RH		
C8	Cigarette Lighter Illumination	90980-11148		Door Lock Motor Front RH		
C9	Combination Meter	82824-35030		Door Unlock Detection SW Front RH		
C10	Combination Meter	82824-35040		Double Door Lock Motor Front RH		
C11	Combination Meter	82824-35030	D21	Position SW Front RH		
C12	Combination Meter	82824-35040		Door Lock Control SW (LHD 3-Door w/o Jam Protection)	90980-10997	
C13	Combination SW	90980-12183		Door Lock Control SW (w/ Jam Protection)	90980-12166	
C14	Combination SW (LH Turn Lever Type)	90980-11672		Door Lock Control SW (w/o Jam Protection Except LHD 3-Door)	90980-12122	
	Combination SW (RH Turn Lever Type)	90980-11671		Power Window Master SW (LHD 3-Door w/o Jam Protection)	90980-10997	
C15	Combination SW	90980-11594	Power Window Master SW (w/ Jam Protection)	90980-12166		
C16	Cool Box Amplifier	90980-10801	D22	Power Window Master SW (w/o Jam Protection Except LHD 3-Door)	90980-12122	
C17	Cool Box Motor	90980-10825		Door Lock Motor Rear LH	90980-12226	
C18	Cool Box SW	90980-10933		Door Unlock Detection SW Rear LH		
C19	Cool Box Thermistor	90980-10216		Double Door Lock Motor Rear LH		
C20	Cruise Control Clutch SW	90980-10906	Position SW Rear LH			
C21	Curtain Shield Airbag Squib LH	90980-12219	D23	Door Lock Motor Rear RH		
C22	Curtain Shield Airbag Squib RH			Door Unlock Detection SW Rear RH		
C23	Camshaft Timing Oil Control Valve LH	90980-11162	Double Door Lock Motor Rear RH			
C24	Camshaft Timing Oil Control Valve RH		Position SW Rear RH			
C25	Cool Box Magnetic Valve	90980-11075	D24	Diode (Back-Up Light)		90980-11071
C26	Camshaft Timing Oil Control Valve	90980-11162		D25		Diode (Luggage Compartment Light)
D1	Detection SW (Transfer 4WD Position)	90980-11156	E1	ECT Solenoid (1GR-FE, 1KD-FTV)	90980-12293	
D2	Detection SW (Transfer L4 Position)			ECT Solenoid (2TR-FE, 1KZ-TE)	90980-10891	
D3	Detection SW (Transfer Neutral Position)	90980-10923	E2	EGR Valve Position Sensor	90980-11143	
D4	Deceleration Sensor	90980-10845	E3	Electronic Driver Unit	90980-11592	
D5	Diode (Front Fog Light)	90980-10962	E4	Electronic Driver Unit	90980-11593	
D6	DLC3	90980-11978	E5	Engine Hood Courtesy SW	90980-10942	
D7	Double Door Lock Control Relay	90980-10807	E6	Engine Oil Level Sensor	90980-11235	
D8	Downhill Assist Control SW	90980-11013	E7	Engine Speed Sensor	90980-11250	
D9	Detection SW (Rear Diff. Lock)	90980-11250	E8	ECT Pattern Select SW	90980-11013	
D10	Door Control Receiver	90980-11909				
D11	Door Courtesy Light Front LH	90980-11148				
D12	Door Courtesy Light Front RH					
D13	Door Courtesy Light Rear LH					
D14	Door Courtesy Light Rear RH					

## G PART NUMBER OF CONNECTORS

Code	Part Name	Part Number	Code	Part Name	Part Number	
E 9	Engine and ECT ECU (A/T) (1GR-FE, 2TR-FE)	90980-12529	F11	Fuel Temp. Sensor	90980-10737	
	Engine and ECT ECU (A/T) (1KZ-TE)	90980-11638	F12	Front Blower Motor	90980-10385	
	Engine and ECT ECU (A/T) (5L-E)	90980-10765	F13	Front Passenger's Seat Belt Warning Light	90980-11296	
	Engine ECU (M/T) (1GR-FE, 2TR-FE)	90980-12529	F14	Front Door Speaker LH	90980-10935	
	Engine ECU (M/T) (1KZ-TE)	90980-11638	F15	Front Door Speaker RH		
	Engine ECU (M/T) (5L-E)	90980-10765	F16	Front Door Squawker LH	90980-10860	
E10	Engine and ECT ECU (A/T) (1GR-FE, 2TR-FE)	90980-12525	F17	Front Door Squawker RH		
	Engine and ECT ECU (A/T) (1KZ-TE)	90980-11637	F18	Front Door Tweeter Speaker LH	90980-11013	
	Engine and ECT ECU (A/T) (5L-E)	90980-11408	F19	Front Door Tweeter Speaker RH		
	Engine ECU (M/T) (1GR-FE, 2TR-FE)	90980-12525	F20	Fuel Pump	90980-11038	
	Engine ECU (M/T) (1KZ-TE)	90980-11637	F21	Fuel Pump and Sender (Gasoline)	90980-11077	
	Engine ECU (M/T) (5L-E)	90980-11408		Fuel Sender (Diesel)		
E11	Engine and ECT ECU (A/T) (1GR-FE, 2TR-FE)	90980-12527	F22	Fuel Sender	82890-32030	
	Engine and ECT ECU (A/T) (1KZ-TE)	90980-11476	F23	Fuel Sender (Sub)	90980-11038	
	Engine and ECT ECU (A/T) (5L-E)	90980-11391	F24	Fuel Sender (Sub)	82890-32030	
	Engine ECU (M/T) (1GR-FE, 2TR-FE)	90980-12527	F25	Fuel Pump Resistor	90980-11156	
	Engine ECU (M/T) (1KZ-TE)	90980-11476	F26	Fuel Pressure Sensor	90980-11194	
	Engine ECU (M/T) (5L-E)	90980-11391	G 1	Glow Plug (1KD-FTV, 1KZ-TE)	99141-13004	
E12	Engine and ECT ECU (A/T) (1GR-FE, 2TR-FE)	90980-12528	G 2	Glow Plug (5L-E)	90980-09318	
	Engine and ECT ECU (A/T) (1KZ-TE)	90980-11421	G 3	Gateway ECU	90980-11911	
	Engine and ECT ECU (A/T) (5L-E)	90980-11390	G 4	Glove Box Light	90980-11148	
	Engine ECU (M/T) (1GR-FE, 2TR-FE)	90980-12528	H 1	Glove Box Light SW	90980-11098	
	Engine ECU (M/T) (1KZ-TE)	90980-11421	H 2	Headlight Beam Level Control Actuator LH	90980-11016	
	Engine ECU (M/T) (5L-E)	90980-11390	H 3	Headlight Beam Level Control Actuator RH		
E13	Engine and ECT ECU (A/T)	90980-12526	H 4	Headlight Cleaner Motor	90980-11410	
	Engine ECU (M/T)		H 5	Headlight Cleaner Relay	90980-10939	
E14	Engine ECU	90980-12142	H 6	Headlight LH	90980-11314	
E15	Engine ECU	90980-12146	H 8	Headlight RH		
E16	Engine ECU	90980-12528	H 9	Horn (High)	90980-10619	
E17	Engine ECU	90980-12527	H 10	Horn (Low)		
E18	ECT ECU	90980-12151	H11	Hazard SW	90980-10789	
E19	ECT ECU	90980-12149	H12	Headlight Beam Level Control SW	90980-10996	
E20	ECT ECU	90980-12150	H12	Heater Control SW (w/ Navigation System)	90980-11915	
F 1	Front Clearance Light LH	90980-10942		H13	Heater Control SW (w/o Navigation System)	90980-11923
	Front Turn Signal Light LH		H14	Height Control and Suspension SW	90980-11923	
F 2	Front Clearance Light RH		H15	Height Control Compressor	90980-10990	
	Front Turn Signal Light RH		H17	Height Control Exhaust Valve	90980-11156	
F 3	Front Fog Light LH		90980-11096	H18	Height Control Sensor Rear LH	90980-11016
F 4	Front Fog Light RH			H19	Height Control Sensor Rear RH	
F 5	Front Side Turn Signal Light LH	90980-11162	H20	High Mounted Stop Light	90980-11003	
F 6	Front Side Turn Signal Light RH		H21	Heated Oxygen Sensor (Bank 1 Sensor 2)	90980-11028	
F 7	Front Wiper Motor	90980-11599	I 1	Heated Oxygen Sensor (Bank 2 Sensor 2)		
F 8	Fuel Heater	90980-10928	I 1	Ignition Coil and Igniter No.1	90980-11885	
F10	Fuel Sedimentary SW	90980-11003		I 2		Ignition Coil and Igniter No.2
				I 3		Ignition Coil and Igniter No.3
				I 4		Ignition Coil and Igniter No.4

Note: Not all of the above part numbers of the connector are established for the supply.

Code	Part Name	Part Number	Code	Part Name	Part Number
I 5	Injection Pump	90980-11028	J29	Junction Connector	90980-11238
I 6	Injector No.1	90980-11875	J30	Junction Connector	
I 7	Injector No.2		J31	Junction Connector	90980-11686
I 8	Injector No.3		J33	Junction Connector	90980-11542
I 9	Injector No.4		J34	Junction Connector	
I10	Intake Air Temp. Sensor (1KD-FTV, 1KZ-TE)		90980-11025	J35	Junction Connector
	Intake Air Temp. Sensor (5L-E)	90980-11163	J36	Junction Connector	
I12	Idle-Up SW	90980-10933	J37	Junction Connector	
I13	Ignition Key Cylinder Light	90980-12092	J38	Junction Connector	90980-11542
	Transponder Key Amplifier		J39	Junction Connector	
I14	Ignition SW	90980-11615	J40	Junction Connector	90980-12355
I15	Interior Light	90980-12321	J41	Junction Connector	
I16	Ignition Coil and Igniter No.5	90980-11885	J42	Junction Connector	
I17	Ignition Coil and Igniter No.6		J43	Junction Connector	
I18	Injector No.5		J44	Junction Connector	
I19	Injector No.6	90980-11875	J45	Junction Connector	90980-10871
J 1	Junction Connector	90980-11915	K 1	Knock Sensor (Bank 1)	90980-11875
J 2	Junction Connector	90980-11661	K 2	Key Interlock Solenoid	90980-10795
J 3	Junction Connector			Unlock Warning SW	
J 4	Junction Connector	90980-10891	K 3	Knock Sensor (Bank 1)	90980-11875
J 5	Junction Connector		K 4	Knock Sensor (Bank 2)	
J 6	Junction Connector		L 1	License Plate Light	90980-11002
J 7	Junction Connector		L 2	License Plate Light LH	90980-11148
J 8	Junction Connector		L 3	License Plate Light RH	
J 9	Junction Connector	90980-10803	L 4	Luggage Compartment Light	90980-12321
J10	Junction Connector	90980-11542	L 5	Low Pressure Tank Valve	90980-11156
J11	Junction Connector	90980-11915	M 1	Magnetic Spill Valve	90980-11284
J12	Junction Connector	90980-10976	M 2	Master Cylinder Pressure Sensor	90980-11451
J13	Junction Connector	90980-11542	M 3	Mirror Heater SW	90980-10789
J14	Junction Connector	90980-11915	M 4	Multi-Display	90980-12203
J15	Junction Connector	90980-10976	M 5	Multi-Display	90980-12410
J16	Junction Connector	90980-11542	M 7	Mirror Heater LH	90980-12059
J17	Junction Connector	90980-11915		Remote Control Mirror LH	
J18	Junction Connector		M 8	Mirror Heater RH	
J19	Junction Connector		Remote Control Mirror RH		
J20	Junction Connector		M 9	Moon Roof Control ECU and Motor	90980-10997
J21	Junction Connector		90980-11542	N 1	Neutral Start SW (1GR-FE, 2TR-FE, 1KD-FTV)
J22	Junction Connector	Neutral Start SW (1KZ-TE)			90980-11784
J23	Junction Connector (LHD)	90980-11915	N 2	Noise Filter	90980-10843
	Junction Connector (RHD)	90980-11542	N 3	Navigation ECU	90980-11923
J24	Junction Connector	90980-10976	N 4	Navigation ECU	90980-11973
J25	Junction Connector	90980-11915	N 5	Noise Filter (Condenser Fan)	90980-10843
J26	Junction Connector	90980-11542	O 1	Oil Pressure SW (Except 5L-E)	90980-11363
J27	Junction Connector			Oil Pressure SW (5L-E)	90980-10703
J28	Junction Connector		O 2	Option Connector (Keyless Buzzer)	90980-11051

## G PART NUMBER OF CONNECTORS

Code	Part Name	Part Number	Code	Part Name	Part Number
O 3	Option Connector (Door Control Receiver)	90980-10803	P30	Pressure Discharge Valve	90980-11153
O 4	Overhead J/B	90980-12155	R 1	Radio and Player	90980-10997
P 1	Power Steering Oil Pressure SW	90980-11428	R 2	Radio and Player	90980-12183
P 2	Pressure SW	90980-11149	R 3	Radio and Player	90980-12038
P 3	Pressure SW	90980-10943	R 4	Radio and Player	90980-10996
P 4	Parking Brake SW	90980-10871	R 5	Radio and Player	90980-12259
P 5	Power Outlet (Front)	90980-10760	R 6	Rear Blower SW	90980-11118
P 6	PTC Heater	90980-11385	R 7	Rear Cooler Control SW (Automatic A/C)	90980-11923
P 7	PTC Heater	90980-10958		Rear Cooler Control SW (Manual A/C)	90980-12012
P 8	Personal Light	90980-11923	R 8	Rear Diff. Lock Control ECU	90980-10801
P 9	Power Outlet (Rear)	90980-10760	R 9	Rear Diff. Lock SW	90980-10631
P10	Power Window Control SW Front LH (w/ Jam Protection)	90980-11947	R10	Rear Fog Light SW	90980-12113
	Power Window Control SW Front LH (w/o Jam Protection)	90980-10789	R11	Remote Control Mirror SW	90980-11657
P11	Power Window Control SW Front RH (w/ Jam Protection)	90980-11947	R12	Rheostat	90980-11989
	Power Window Control SW Front RH (w/o Jam Protection)	90980-10789	R13	Rear Combination Light LH	90980-10797
P12	Power Window Control SW Rear LH (w/ Jam Protection)	90980-11947	R14	Rear Combination Light LH	90980-11292
	Power Window Control SW Rear LH (w/o Jam Protection)	90980-10789	R15	Rear Combination Light RH	90980-10797
P13	Power Window Control SW Rear RH (w/ Jam Protection)	90980-11947	R16	Rear Combination Light RH	90980-11292
	Power Window Control SW Rear RH (w/o Jam Protection)	90980-10789	R17	Rear Cooler Amplifier	90980-10801
P14	Power Window Motor Front LH	90980-10797	R18	Rear Cooler Blower Motor	90980-10214
P15	Power Window Motor Front RH		R19	Rear Cooler Blower Resistor	90980-10976
P16	Power Window Motor Rear LH		R20	Rear Cooler Magnetic Valve	90980-10860
P17	Power Window Motor Rear RH		R21	Rear Cooler Power Transistor	90980-10171
P18	Pretensioner LH	90980-12253	R22	Rear Cooler Relay	90980-10713
P19	Pretensioner RH		R23	Rear Cooler Thermistor	90980-10825
P20	Power Seat Control SW (Driver's Seat Lumbar Support Control)	90980-10789	R24	Rear Diff. Lock Motor	90980-11194
P21	Power Seat Control SW (Driver's Seat)	90980-10825	R25	Rear Door Speaker LH	90980-10935
P22	Power Seat Control SW (Front Passenger's Seat)		R26	Rear Door Speaker RH	
P23	Power Seat Motor (Driver's Seat Front Vertical Control)		R27	Rear Fog Light LH	90980-11002
P24	Power Seat Motor (Driver's Seat Lifter Control)		R28	Rear Fog Light RH	
P25	Power Seat Motor (Driver's Seat Lumbar Support Control)		R29	Rear Height Control Valve	90980-11143
P26	Power Seat Motor (Driver's Seat Reclining Control)		R30	Rear Speaker LH	90980-10935
P27	Power Seat Motor (Driver's Seat Slide Control)		R31	Rear Speaker RH	
P28	Power Seat Motor (Front Passenger's Seat Reclining Control)	90980-10870	R32	Rear Window Defogger	
P29	Power Seat Motor (Front Passenger's Seat Slide Control)		R33	Rear Wiper Motor (Spare Tire-Back Door Mounted)	90980-10908
				Rear Wiper Motor (Spare Tire-Under Floor Mounted)	90980-10795
		S 1	Skid Control ECU with Actuator (w/ VSC)	90980-12297	
			Skid Control ECU with Actuator (w/o VSC)	90980-12020	
		S 2	Speed Sensor (Combination Meter)	90980-11143	
		S 3	Speed Sensor (ECT)	90980-11156	
		S 4	Starter (1GR-FE, 2TR-FE)	90980-09463	
			Starter (1KD-FTV, 1KZ-TE, 5L-E)	90980-09529	

Note: Not all of the above part numbers of the connector are established for the supply.

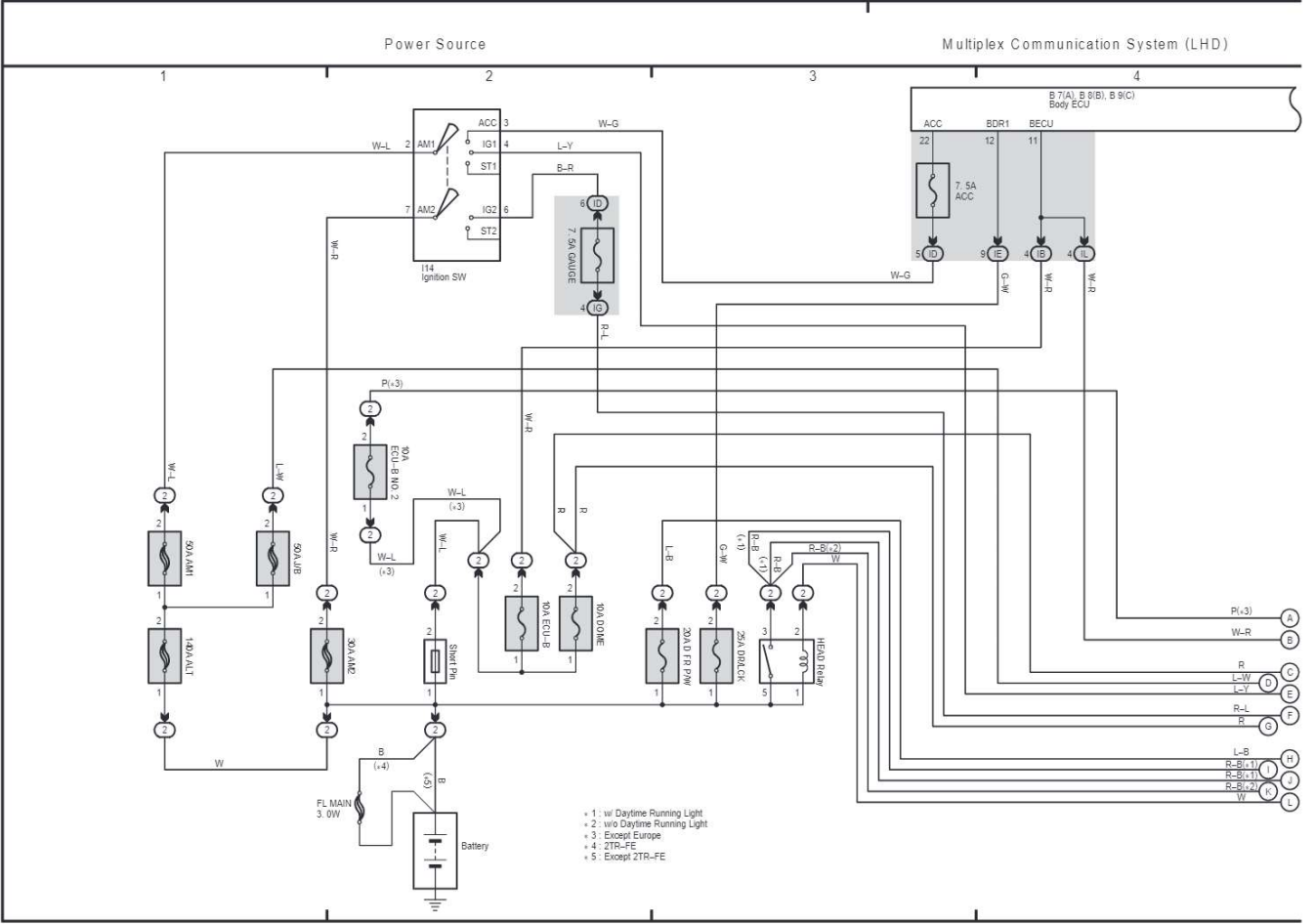
Code	Part Name	Part Number	Code	Part Name	Part Number
S 5	Starter (1GR-FE, 2TR-FE)	90980-11400	T 9	Transponder Key Computer	90980-11911
	Starter (1KD-FTV, 5L-E)	90980-11184	T10	Turn Signal Flasher	90980-10799
	Starter (1KZ-TE)		T11	Theft Deterrent Siren (LHD, RHD 3-Door)	90980-11349
S 6	Suction Control Valve	90980-11285			Theft Deterrent Siren (RHD 5-Door)
S 8	Seat Heater SW Front LH	90980-10964	T12	Trailer Socket	90980-10797
S 9	Seat Heater SW Front RH	90980-10933	T14	Throttle Control Motor	90980-11858
S10	Shift Lock Control ECU	90980-12183		Throttle Position Sensor	
S11	Skid Control ECU	90980-11638	T15	Turbine Speed Sensor	90980-11156
S12	Skid Control ECU	90980-11476	T16	Turbo Motor Driver	90980-10801
S13	Skid Control ECU	90980-11637	V 1	Vacuum Sensor	90980-10845
S14	Skid Control ECU	90980-11935	V 2	Variable Resistor	90980-10902
S15	Steering Sensor	90980-12155	V 3	Viscous Heater Magnetic Clutch	90980-11271
S16	Stereo Component Amplifier	90980-10848	V 5	VRV (EGR)	90980-11162
S17	Stereo Component Amplifier	90980-11877	V 6	VSC Check Connector	90980-11609
S18	Stop Light SW	90980-11118	V 7	VSC Check Connector	90980-11612
S19	Suspension Control ECU	90980-12150	V 8	VSV (EGR Cut) (1KD-FTV)	90980-11156
S20	Suspension Control ECU	90980-12149		VSV (EGR Cut) (1KZ-TE)	90980-11149
S21	Suspension Control ECU	90980-12151	V 9	VSV (Engine Mount)	90980-11149
S22	Side Airbag Sensor Front LH	90980-12225	V10	VSV (EVAP)	90980-11156
S23	Side Airbag Sensor Front RH		V12	Viscous Heater Amplifier	90980-11913
S24	Side Airbag Sensor Rear LH		V13	VSC Warning Buzzer	90980-10906
S25	Side Airbag Sensor Rear RH		V14	Vanity Light LH	90980-12322
S26	Seat Heater (Driver's Seat)		V15	Vanity Light RH	
S27	Seat Heater (Front Passenger's Seat)	90980-10797	V17	VSV (ACIS)	90980-11149
S28	Side Airbag Squib LH	90980-11864	V18	VVT Sensor LH	90980-12353
S29	Side Airbag Squib RH		V19	VVT Sensor RH	
S30	Skid Control ECU with Actuator	90980-12294	W 1	Washer Motor	90980-11028
S31	Swirl Control Valve	90980-11156	W 2	Water Temp. Sender	90980-11428
T 1	Theft Deterrent Horn	90980-10619	W 3	Water Temp. Sensor (1GR-FE, 2TR-FE)	90980-10735
T 2	Throttle Control Motor	90980-11144		Water Temp. Sensor (1KD-FTV)	
T 3	Throttle Open SW	90980-11156		Water Temp. Sensor (1KZ-TE, 5L-E)	
T 5	Timing Control Valve	90980-11285	W 4	Water Temp. Sensor (A/C)	90980-10860
T 6	Transfer Actuator	90980-11664	W 5	Woofler Speaker	90980-10795
T 7	Turbo Pressure Sensor	90980-10845	Y 1	Yaw Rate Sensor (Except 1KZ-TE)	90980-11904
T 8	Theft Deterrent ECU	90980-12169		Yaw Rate Sensor (1KZ-TE)	90980-12080

SYSTEM INDEX

SYSTEMS	LOCATION	SYSTEMS	LOCATION
ABS .....	35-2	ECT and A/T Indicator (2TR-FE) .....	17-2
Accessory Meter .....	50-2	Electric Modulated Air Suspension .....	36-2
Active Height Control Suspension .....	36-2	Engine Control (1GR-FE) .....	11-2
Air Conditioner (Automatic A/C) .....	57-2	Engine Control (1KD-FTV) .....	13-2
Air Conditioner (Manual A/C) .....	58-3	Engine Control (1KZ-TE) .....	14-2
Audio System (Built-in Type Amplifier) .....	54-2	Engine Control (2TR-FE) .....	12-2
Audio System (Separate Type Amplifier) .....	53-2	Engine Control (5L-E) .....	15-2
Back-Up Light (Diesel) .....	29-2	Engine Immobilizer System (1GR-FE) .....	11-19
Back-Up Light (Gasoline) .....	28-2	Engine Immobilizer System (1KD-FTV) .....	13-16
Center Differential Lock .....	37-2	Engine Immobilizer System (1KZ-TE) .....	14-12
Charging (Gasoline) .....	8-2	Engine Immobilizer System (2TR-FE) .....	12-19
Charging (1KD-FTV) .....	9-3	Engine Immobilizer System (5L-E) .....	15-9
Charging (1KZ-TE, 5L-E) .....	10-2	Front Fog Light .....	27-2
Cigarette Lighter .....	47-3	Front Wiper and Washer .....	39-2
Combination Meter .....	55-2	Fuel Heater .....	9-4
Condenser Fan .....	58-2	Headlight Beam Level Control .....	30-2
Cooler Box .....	58-11	Headlight Cleaner .....	31-2
Cruise Control (1GR-FE) .....	20-2	Horn .....	47-2
Cruise Control (1KD-FTV) .....	21-2	Ignition (1GR-FE) .....	6-2
Cruise Control (1KZ-TE) .....	22-2	Ignition (2TR-FE) .....	7-2
ECT and A/T Indicator (1GR-FE) .....	16-2	Illumination (LHD) .....	23-2
ECT and A/T Indicator (1KD-FTV) .....	18-2	Illumination (RHD) .....	24-2
ECT and A/T Indicator (1KZ-TE) .....	19-2	Mirror Heater .....	45-2

# SYSTEM INDEX

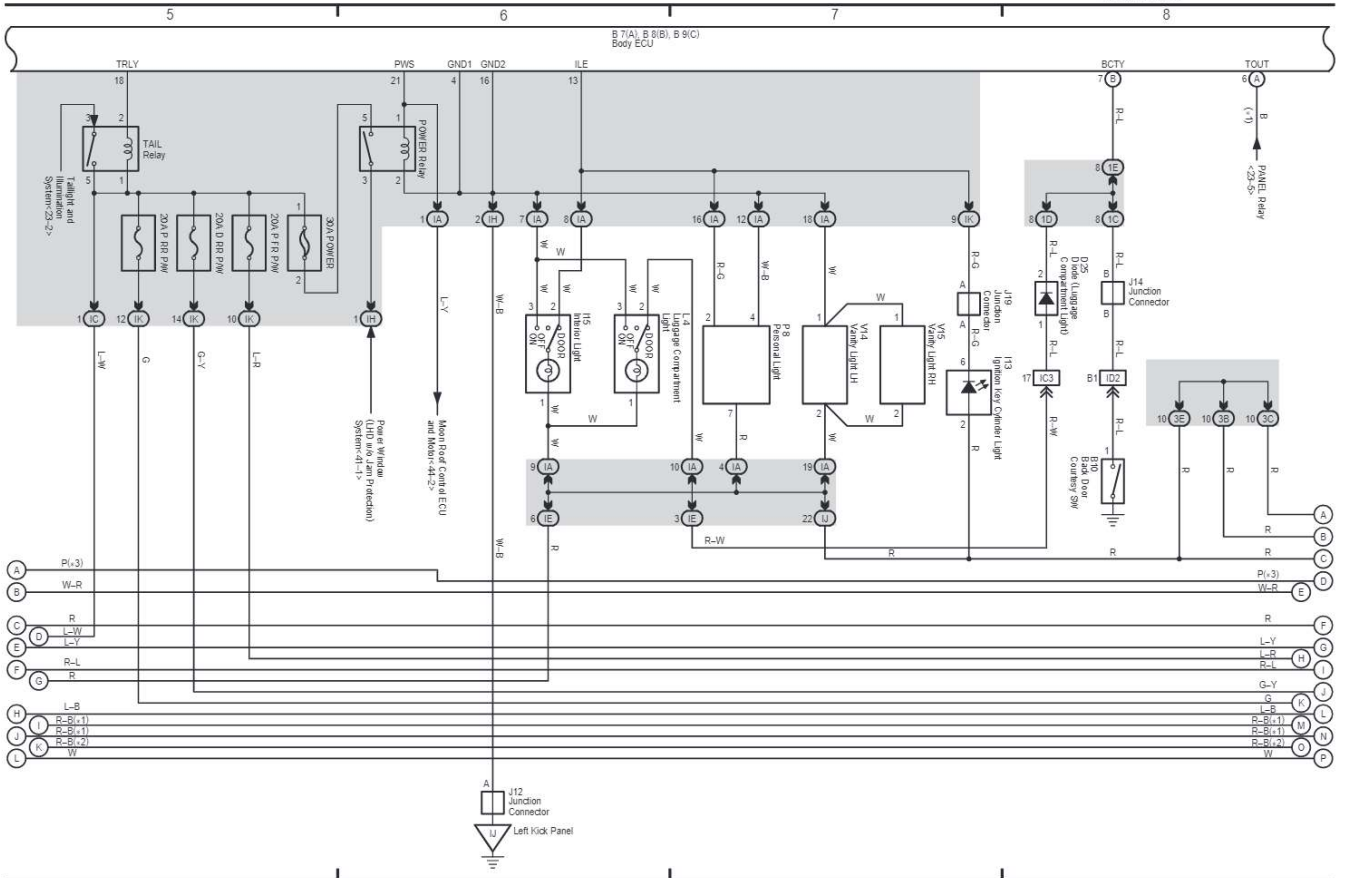
SYSTEMS	LOCATION	SYSTEMS	LOCATION
Moon Roof .....	44-2	Remote Control Mirror .....	44-3
Multiplex Communication System (LHD) .....	1-4	Seat Heater .....	49-2
Multiplex Communication System (RHD) .....	2-4	Shift Lock .....	46-3
* Door Lock Control		SRS .....	32-2
* Double Locking		Starting (Diesel) .....	5-2
* Headlight (w/ Daytime Running Light)		Starting (1GR-FE) .....	3-2
* Headlight (w/o Daytime Running Light)		Starting (2TR-FE) .....	4-2
* Interior Light		Stop Light .....	26-2
* Key Reminder		Taillight (LHD) .....	23-2
* Light Auto Turn Off System		Taillight (RHD) .....	24-2
* Power Window (w/ Jam Protection)		Trailer Towing .....	24-13
* Seat Belt Warning		Turn Signal and Hazard Warning Light .....	25-2
* Theft Deterrent		Viscous Heater .....	56-2
* Wireless Door Lock Control		VSC (1GR-FE, 1KD-FTV) .....	33-2
Navigation System (LHD) .....	51-3	VSC (1KZ-TE) .....	34-2
Navigation System (RHD) .....	52-3	4WD .....	38-4
Option Connector (Wireless Door Lock Control) .....	43-2		
Power Outlet .....	47-4		
Power Seat .....	48-2		
Power Source .....	1-58-1		
Power Window (LHD w/o Jam Protection) .....	41-2		
Power Window (RHD w/o Jam Protection) .....	42-2		
Rear Air Conditioner (Automatic A/C) .....	57-14		
Rear Air Conditioner (Manual A/C) .....	58-9		
Rear Differential Lock .....	38-2		
Rear Fog Light .....	27-4		
Rear Window Defogger .....	46-2		
Rear Wiper and Washer .....	40-2		





Multiplex Communication System (LHD)

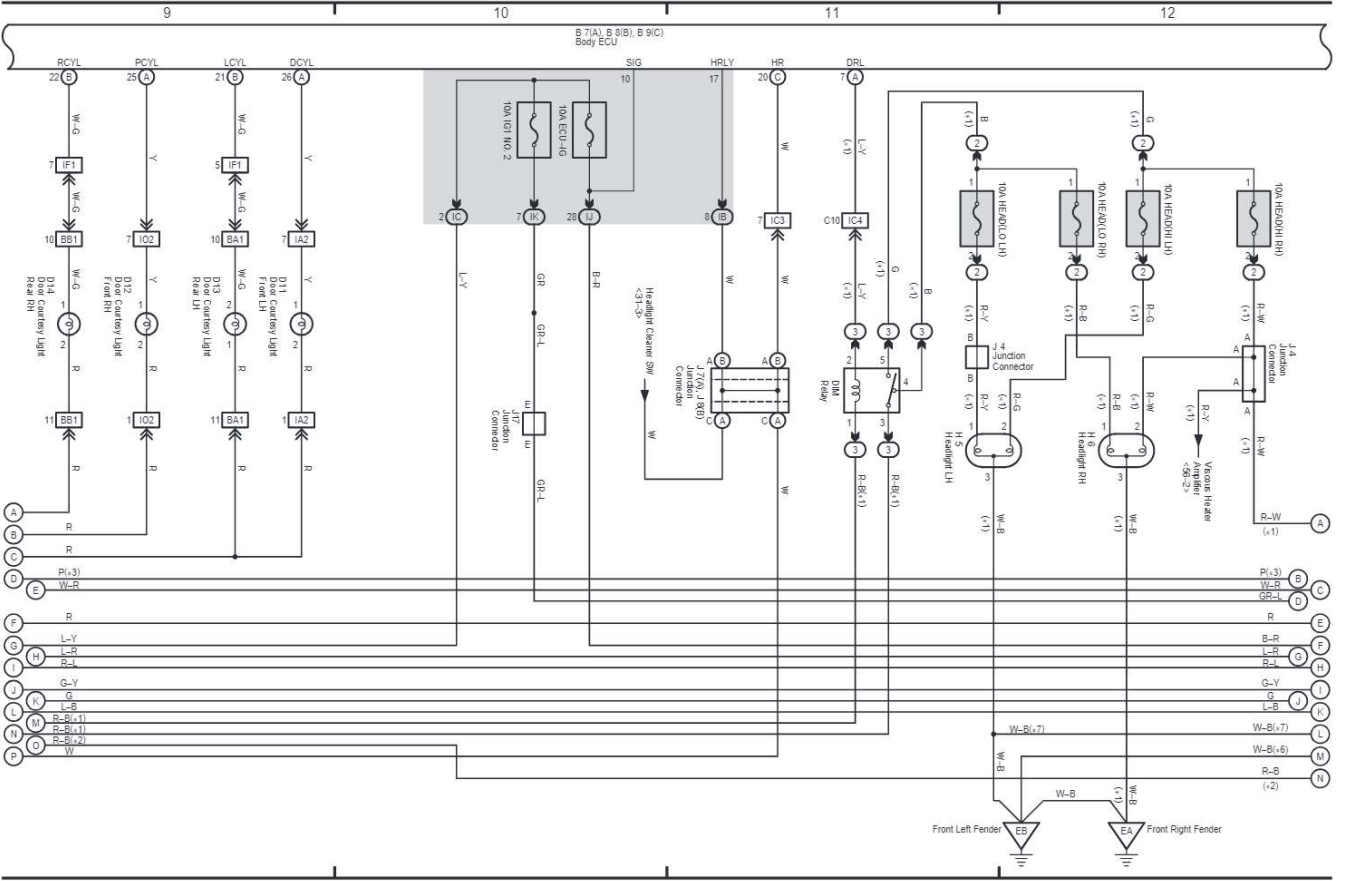
- 1: w/ Daytime Running Light
- 2: w/o Daytime Running Light
- 3: Except Europe



LAND CRUISER / LAND CRUISER PRADO (EWD595E)

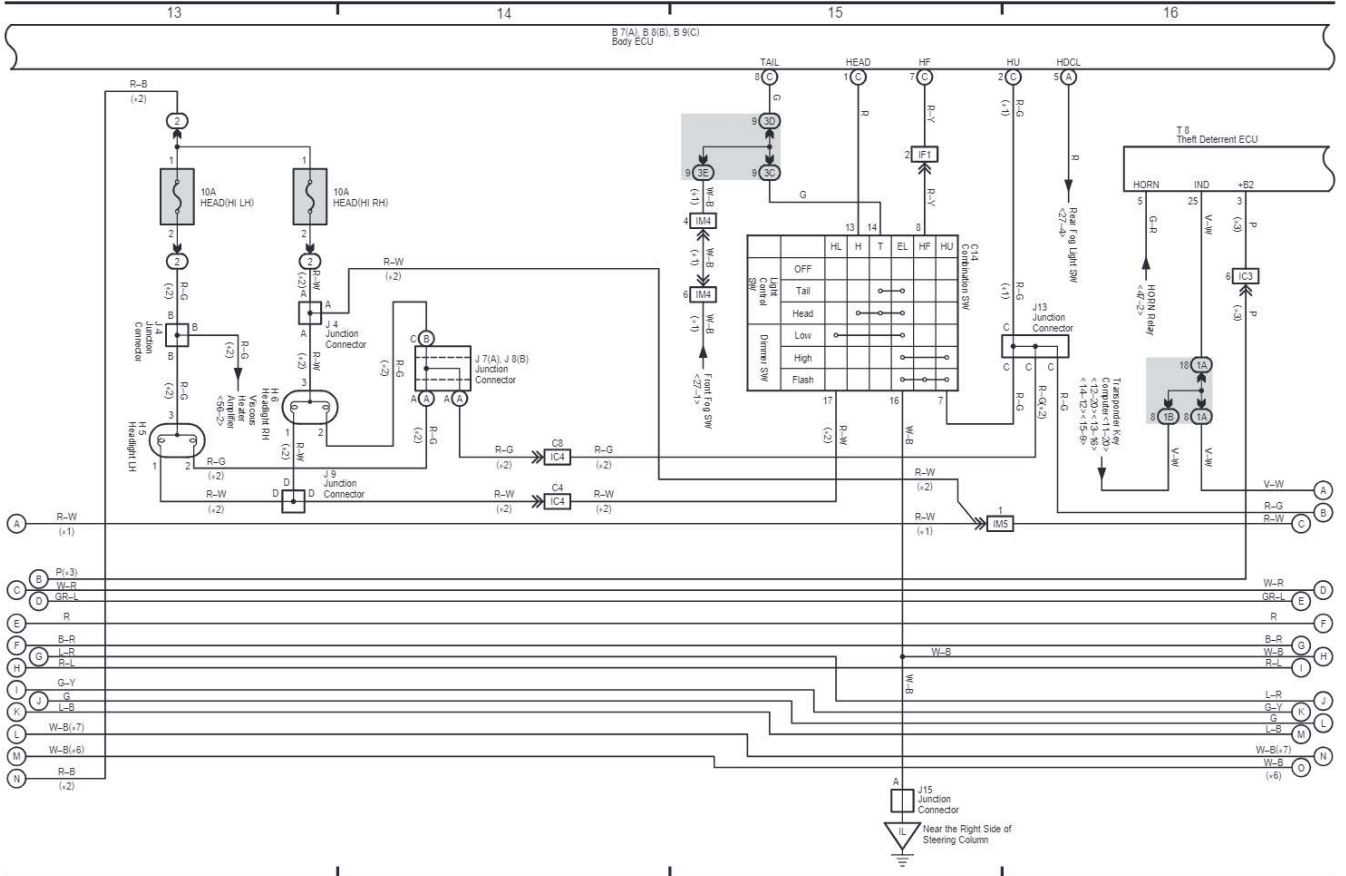
- \* 1: w/ Daytime Running Light
- \* 2: w/o Daytime Running Light
- \* 3: Except Europe
- \* 6: w/ VSC
- \* 7: w/o VSC

Multiplex Communication System (LHD)



Multiplex Communication System (LHD)

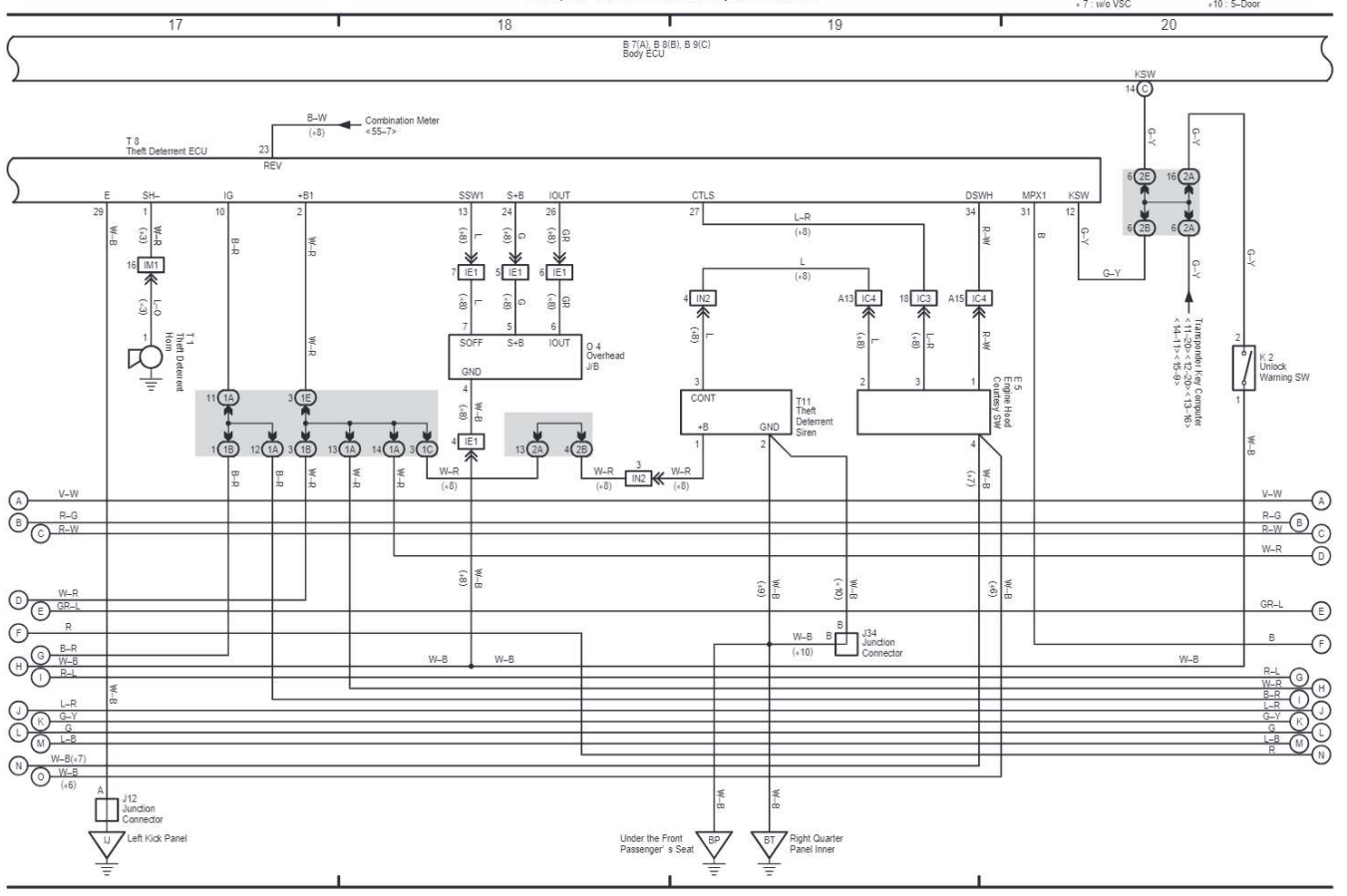
- \* 1 : w/ Daytime Running Light
- \* 2 : w/o Daytime Running Light
- \* 3 : Except Europe
- \* 6 : w/ VSC
- \* 7 : w/o VSC



LAND CRUISER / LAND CRUISER PRADO (EWD595E)

Multiplex Communication System (LHD)

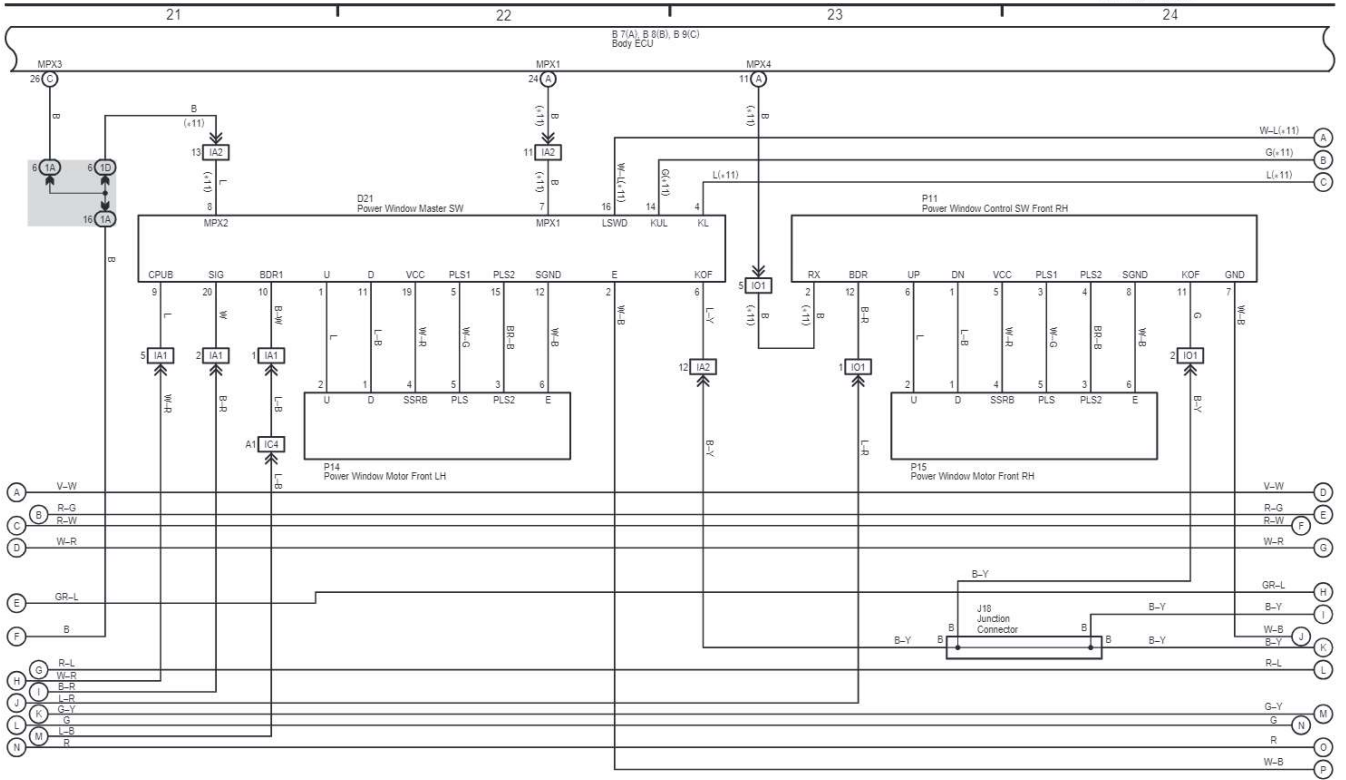
- + 3 : Except Europe
- + 6 : w/ VSC
- + 7 : w/o VSC
- + 8 : Europe
- + 9 : 3-Door
- +10 : 5-Door



LAND CRUISER / LAND CRUISER PRADO (EWD595E)

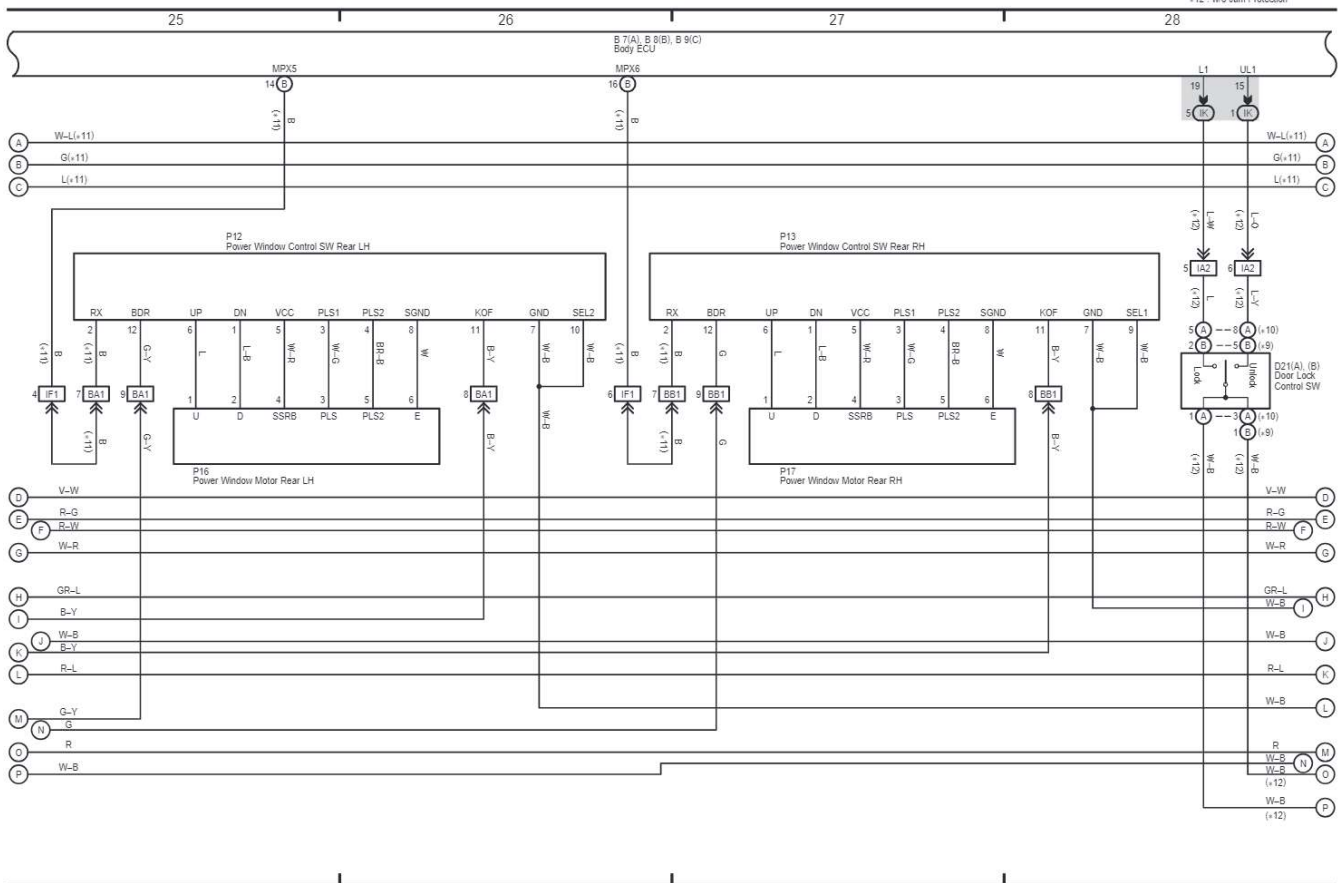
Multiplex Communication System (LHD)

\*11 : w/ Jam Protection



Multiplex Communication System (LHD)

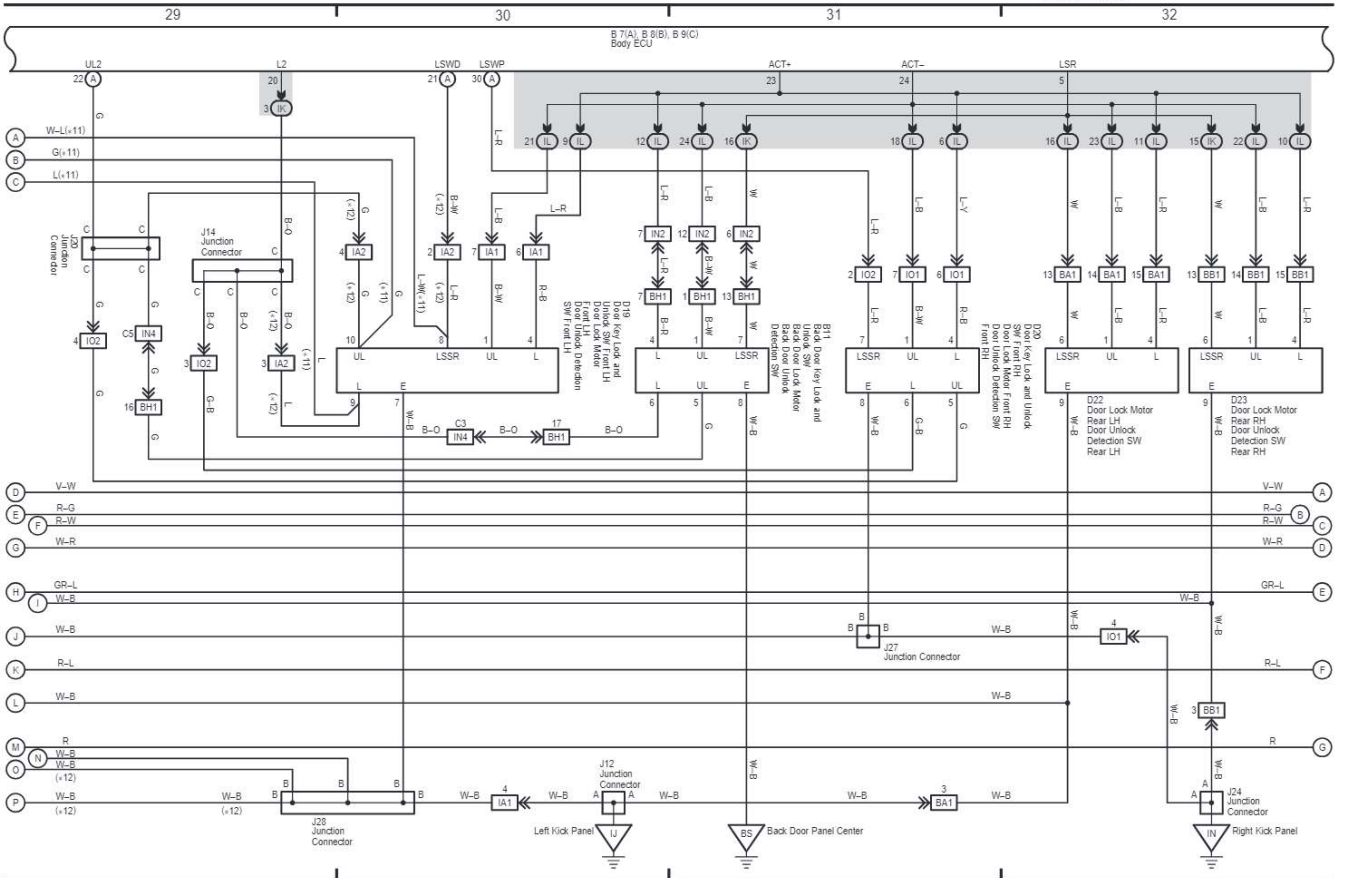
- + 9 : 3-Door
- + 10 : 5-Door
- + 11 : w/ Jam Protection
- + 12 : w/o Jam Protection



LAND CRUISER / LAND CRUISER PRADO (EWD595E)

Multiplex Communication System (LHD)

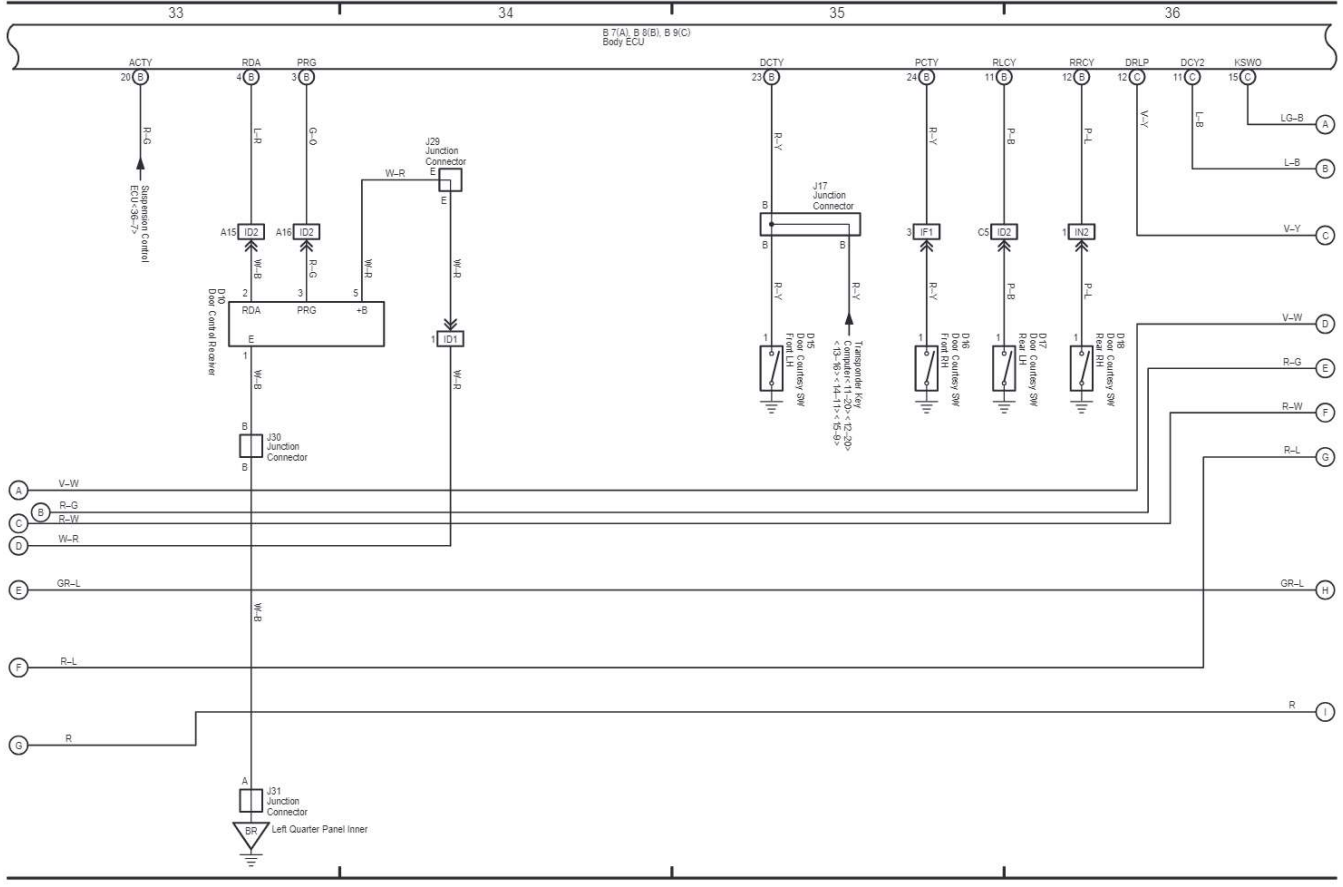
\*11: w/ Jam Protection  
\*12: w/o Jam Protection



LAND CRUISER / LAND CRUISER PRADO (EWD595E)

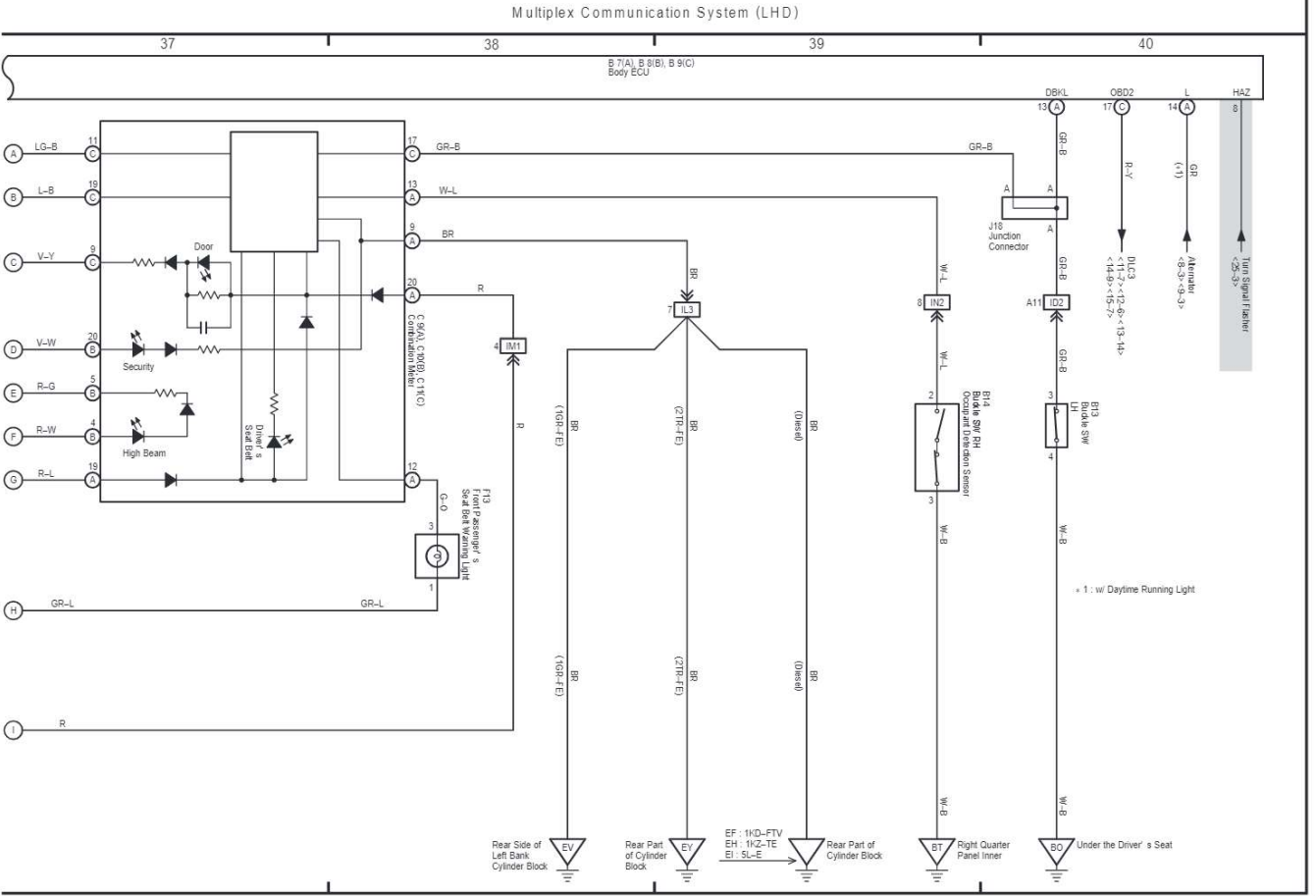


Multiplex Communication System (LHD)

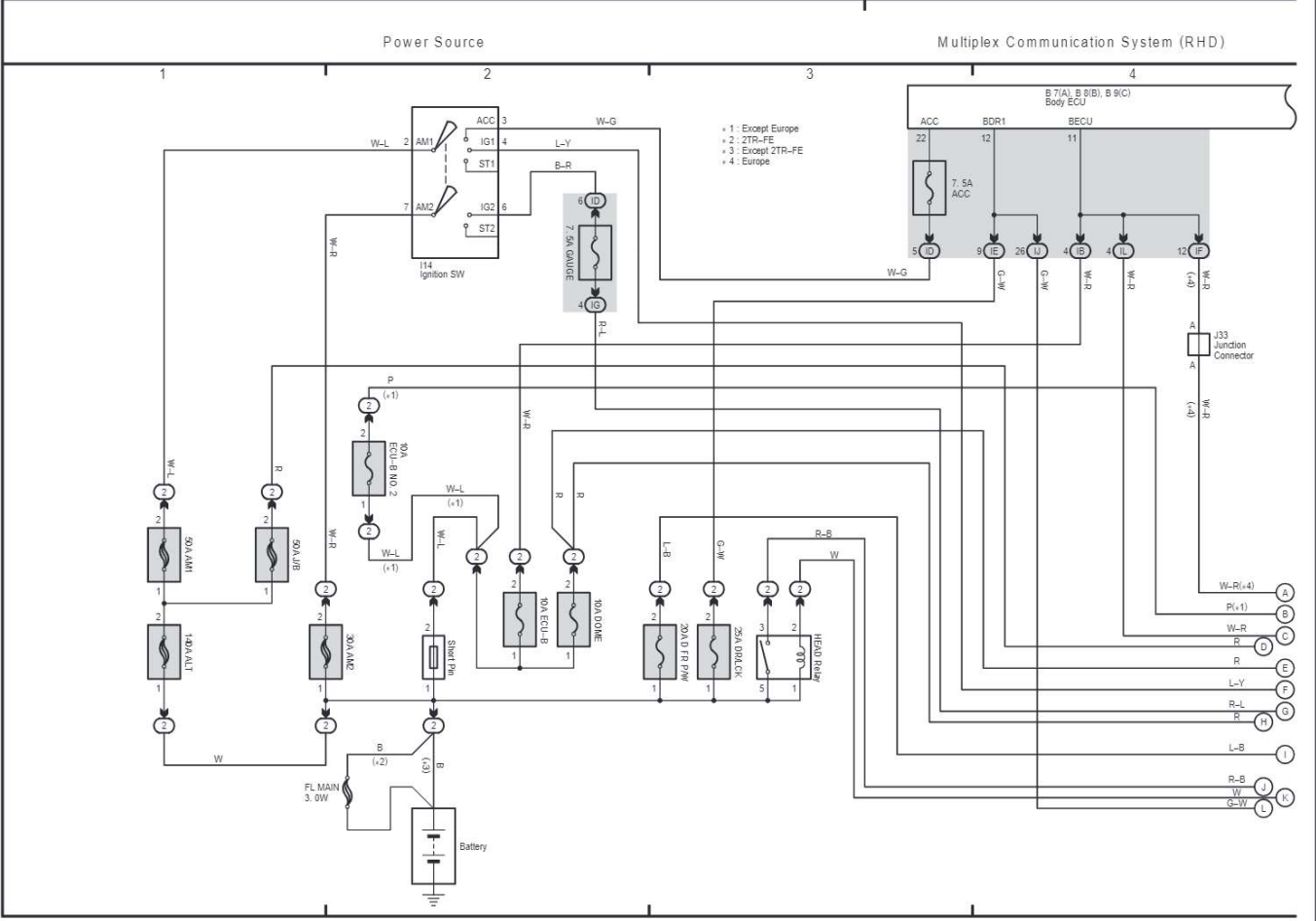


LAND CRUISER / LAND CRUISER PRADO (EWD595E)



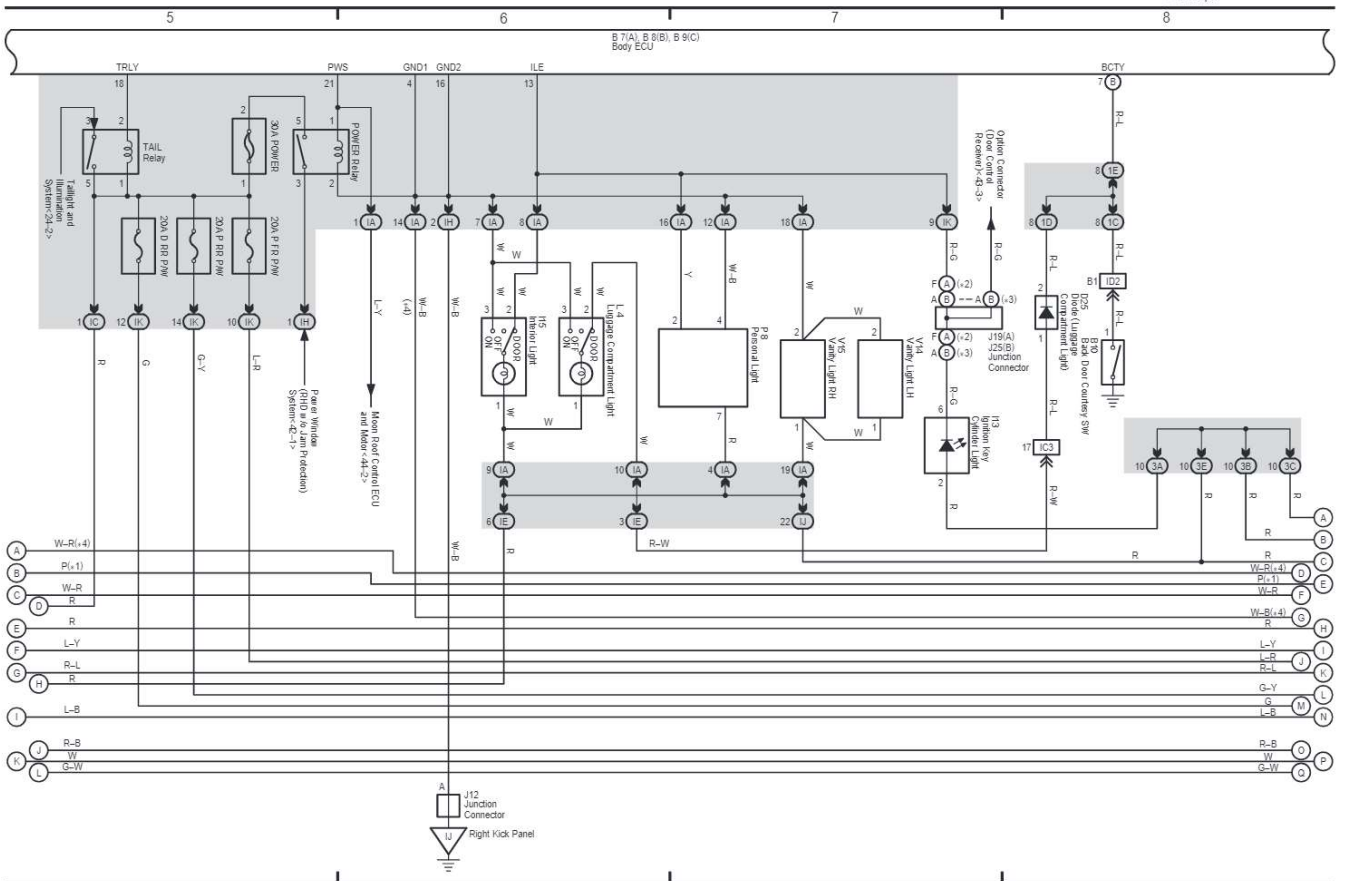


LAND CRUISER / LAND CRUISER PRADO (EWD595E)



Multiplex Communication System (RHD)

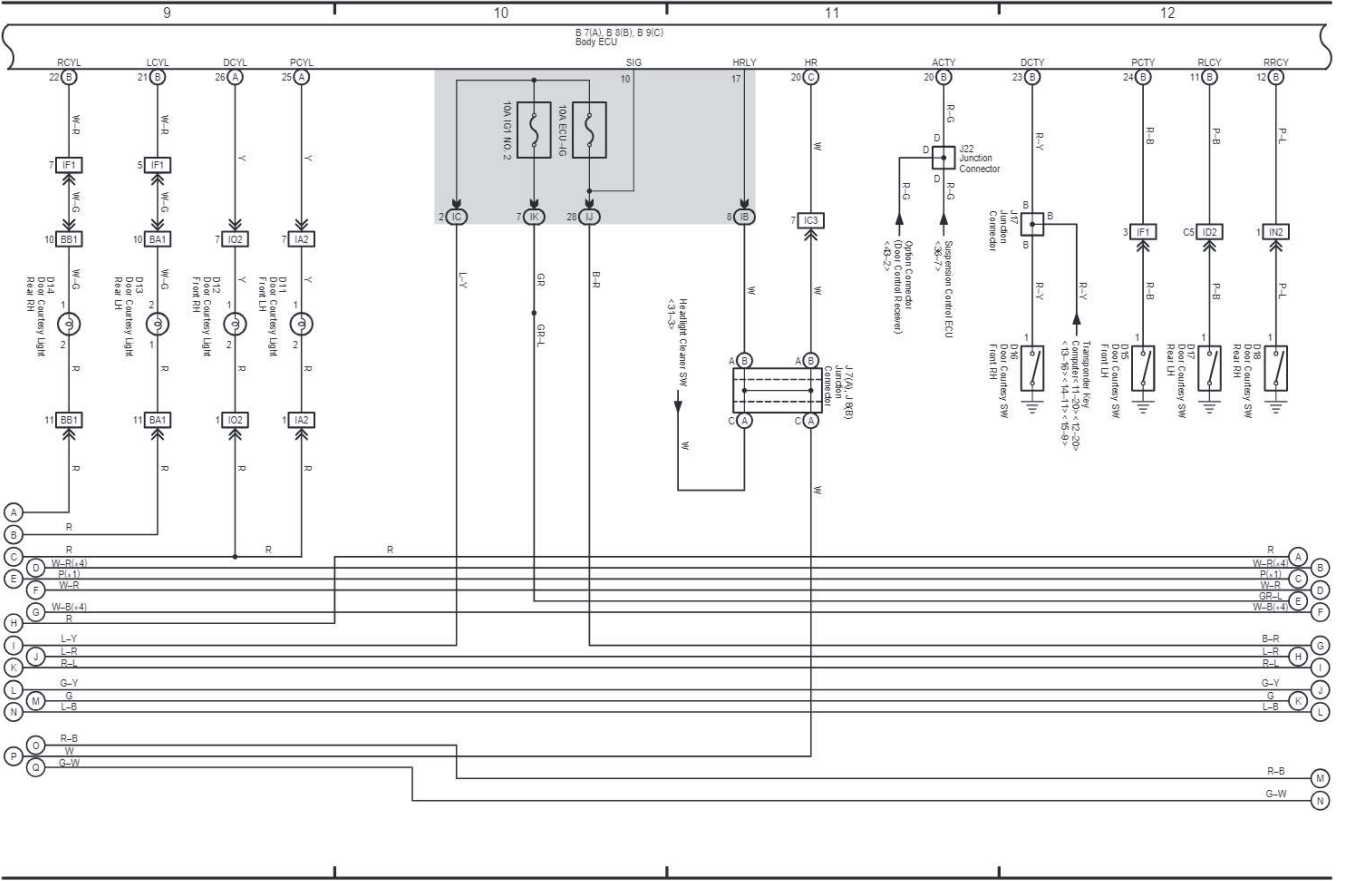
- + 1: Except Europe
- + 2: ZTR-FE
- + 3: Except ZTR-FE
- + 4: Europe



LAND CRUISER / LAND CRUISER PRADO (EWD595E)

Multiplex Communication System (RHD)

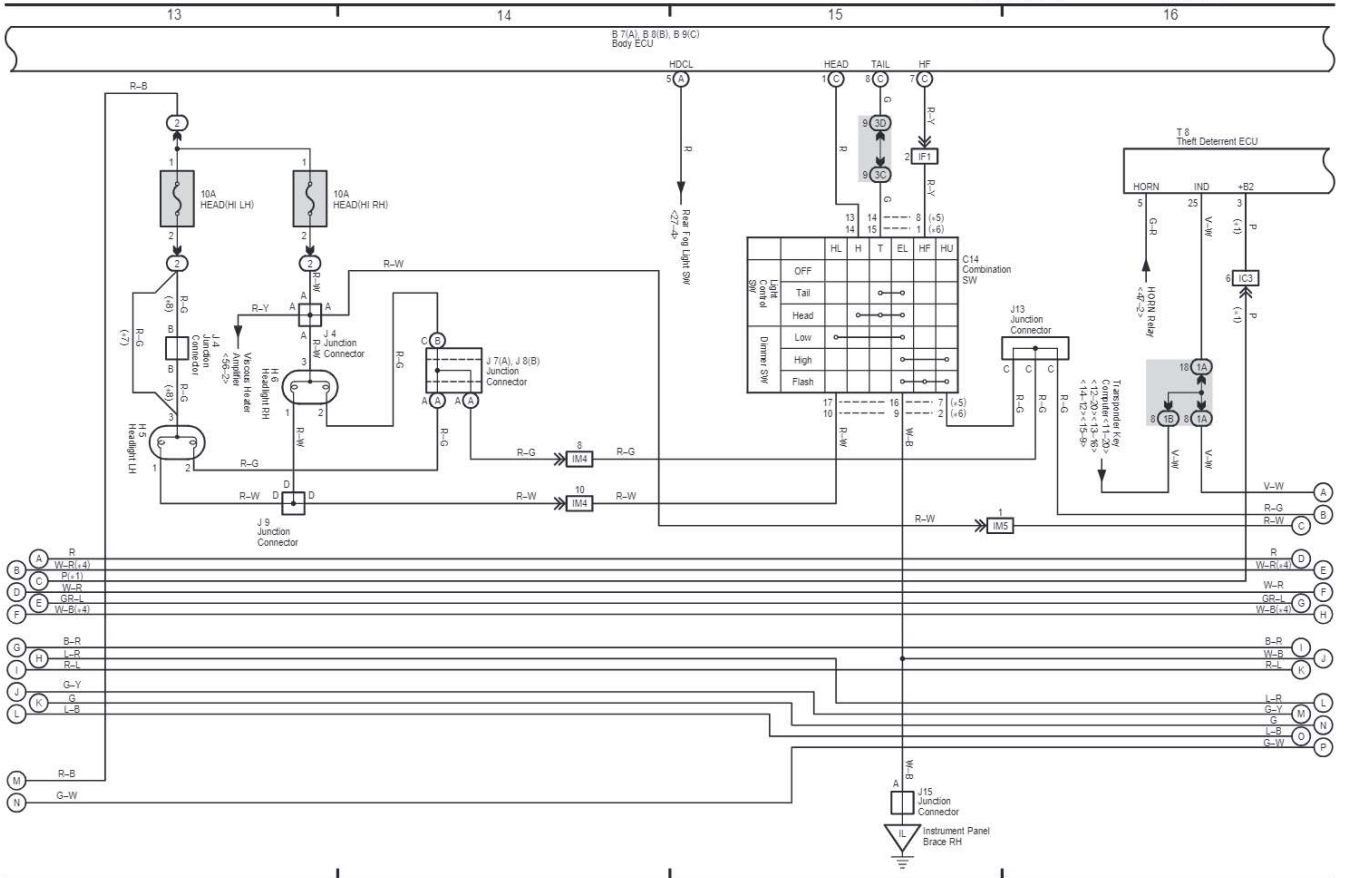
+ 1 : Except Europe  
+ 4 : Europe



LAND CRUISER / LAND CRUISER PRADO (EWD595E)

Multiplex Communication System (RHD)

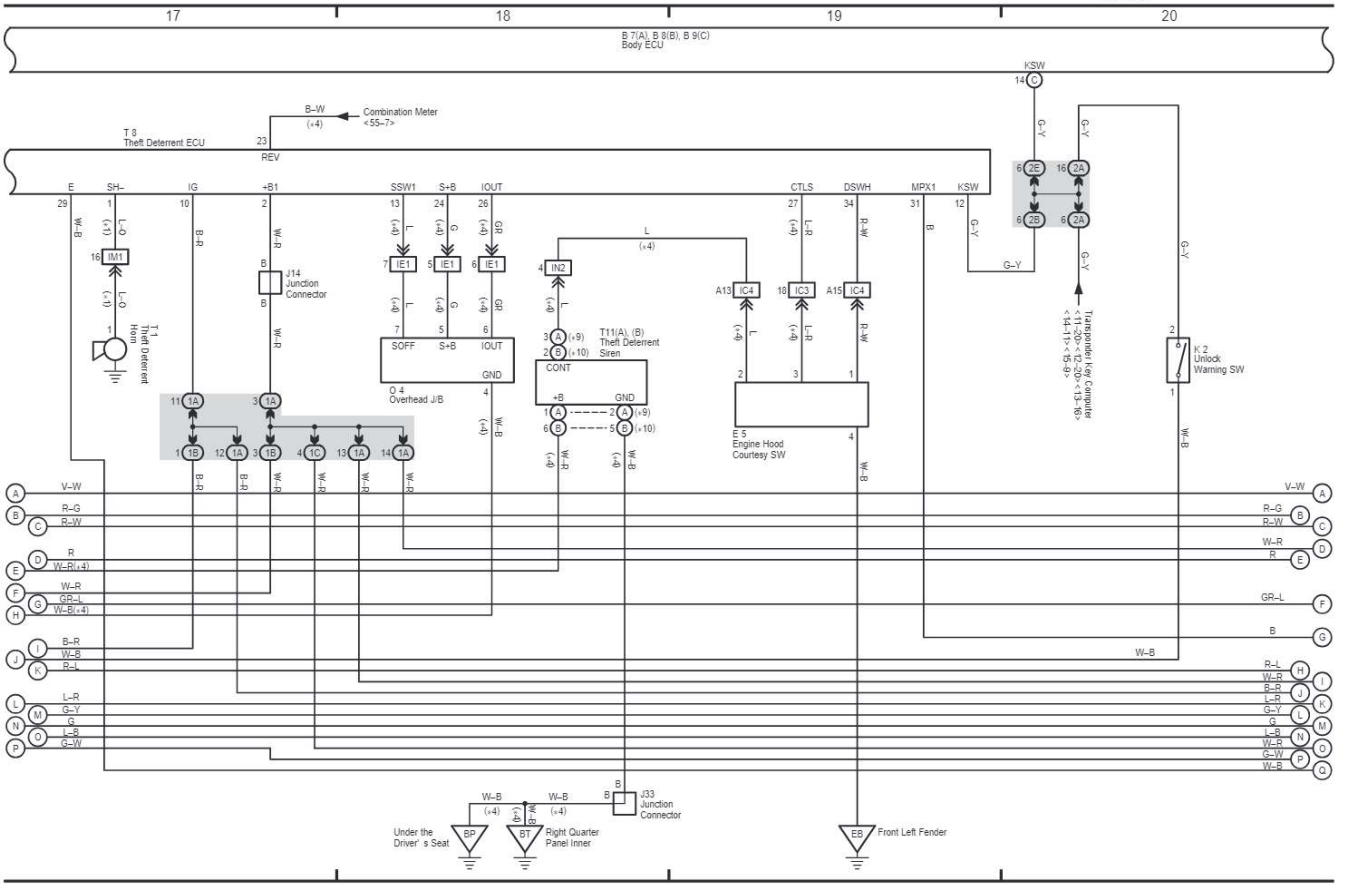
- \* 1 : Except Europe
- \* 4 : Europe
- \* 5 : LH Turn Lever Type
- \* 6 : RH Turn Lever Type
- \* 7 : SL-E
- \* 8 : Except SL-E



LAND CRUISER / LAND CRUISER PRADO (EWD595E)

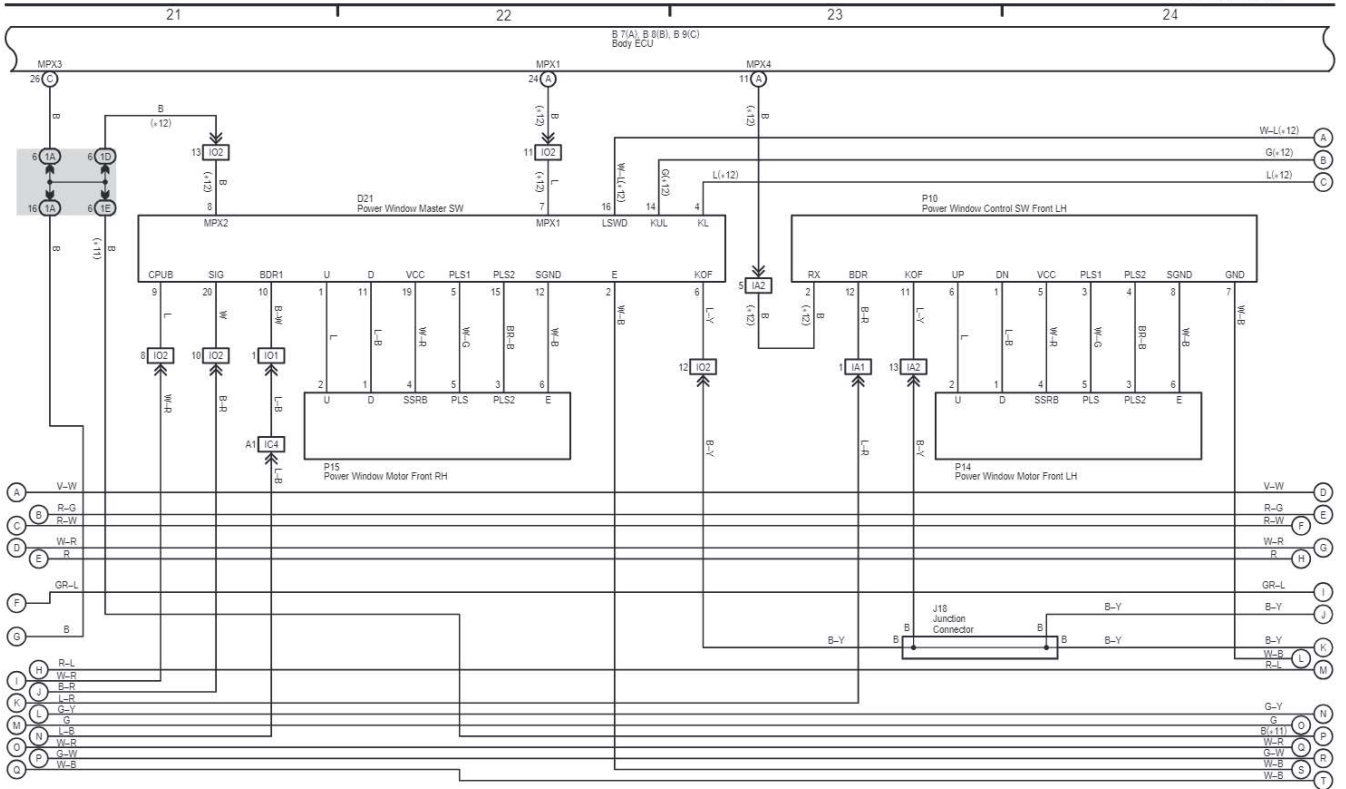
Multiplex Communication System (RHD)

- \* 1: Except Europe
- \* 4: Europe
- \* 9: 3-Door
- \* 10: 5-Door



Multiplex Communication System (RHD)

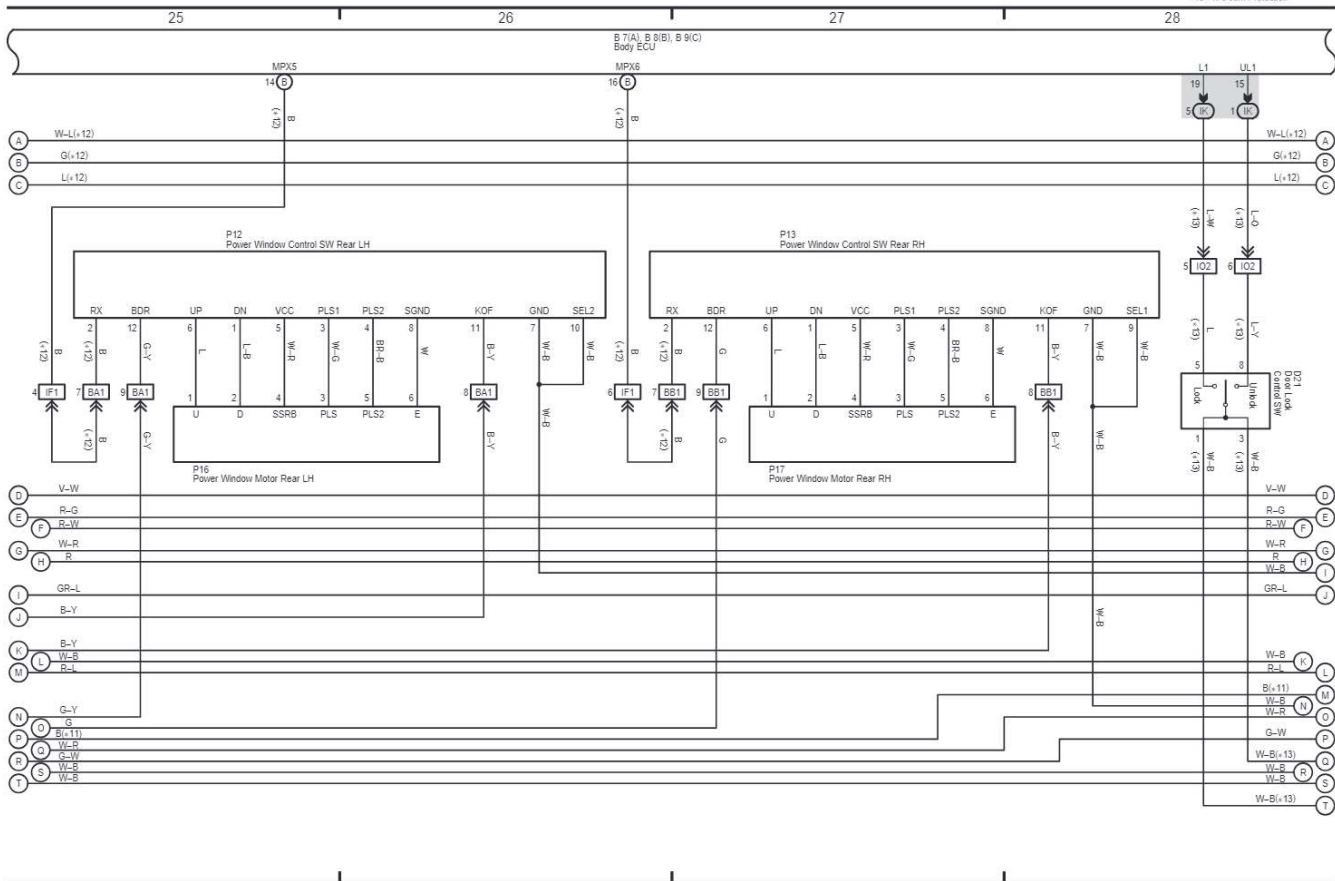
+11 : w/ Double Locking  
+12 : w/ Jam Protection



LAND CRUISER / LAND CRUISER PRADO (EWD595E)

Multiplex Communication System (RHD)

+11 : w/ Double Locking  
+12 : w/ Jam Protection  
+13 : w/o Jam Protection

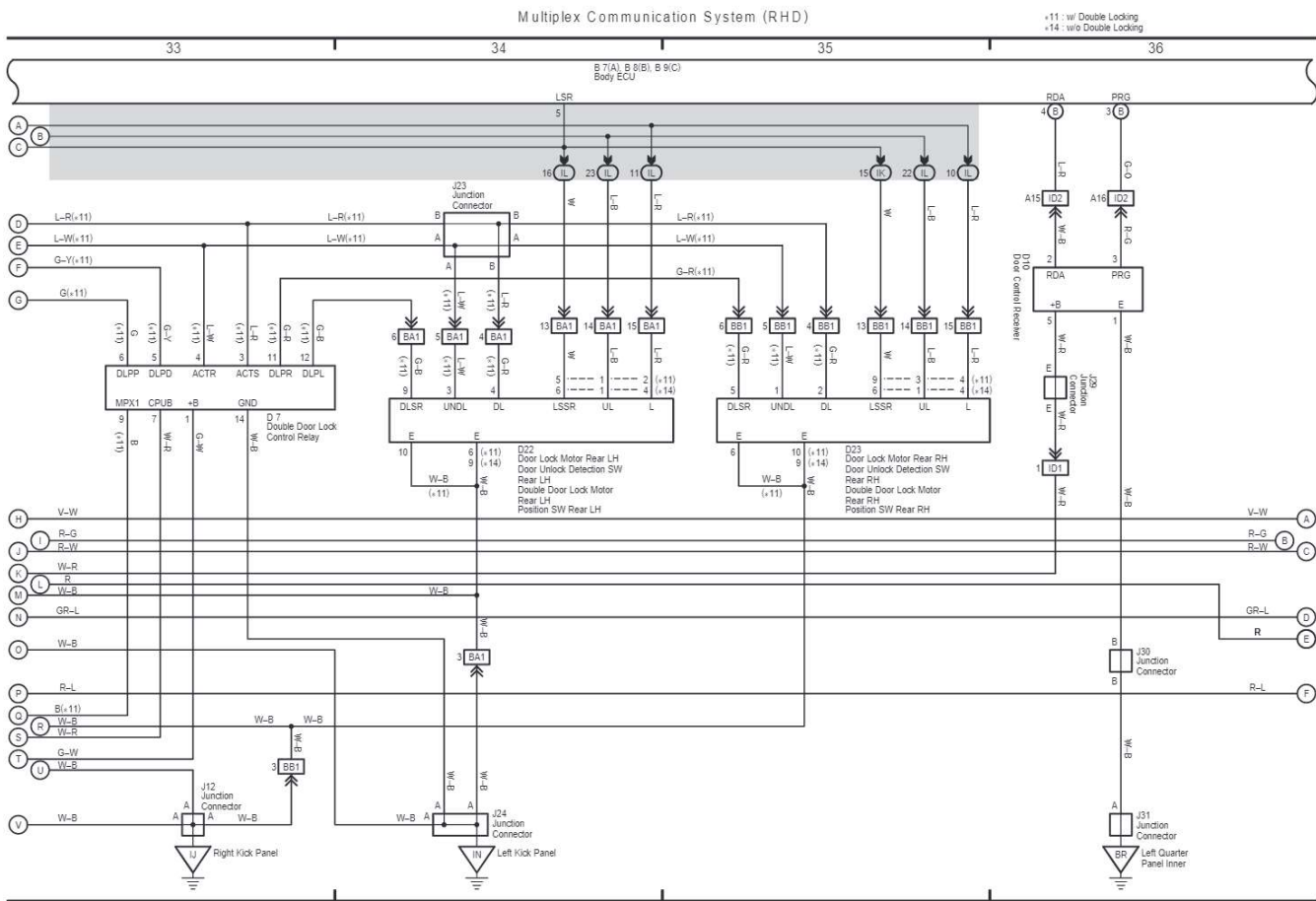


LAND CRUISER / LAND CRUISER PRADO (EWD595E)

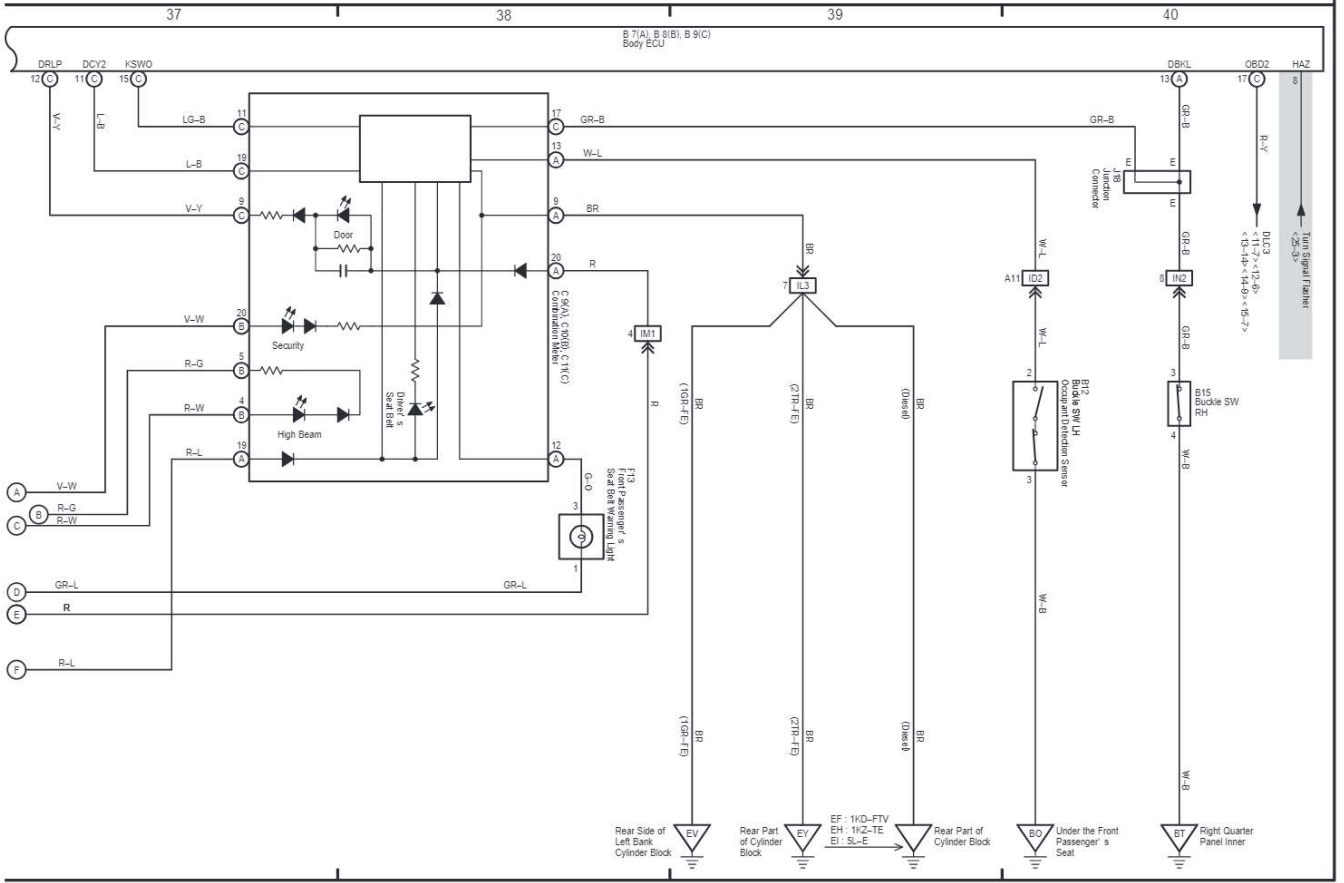




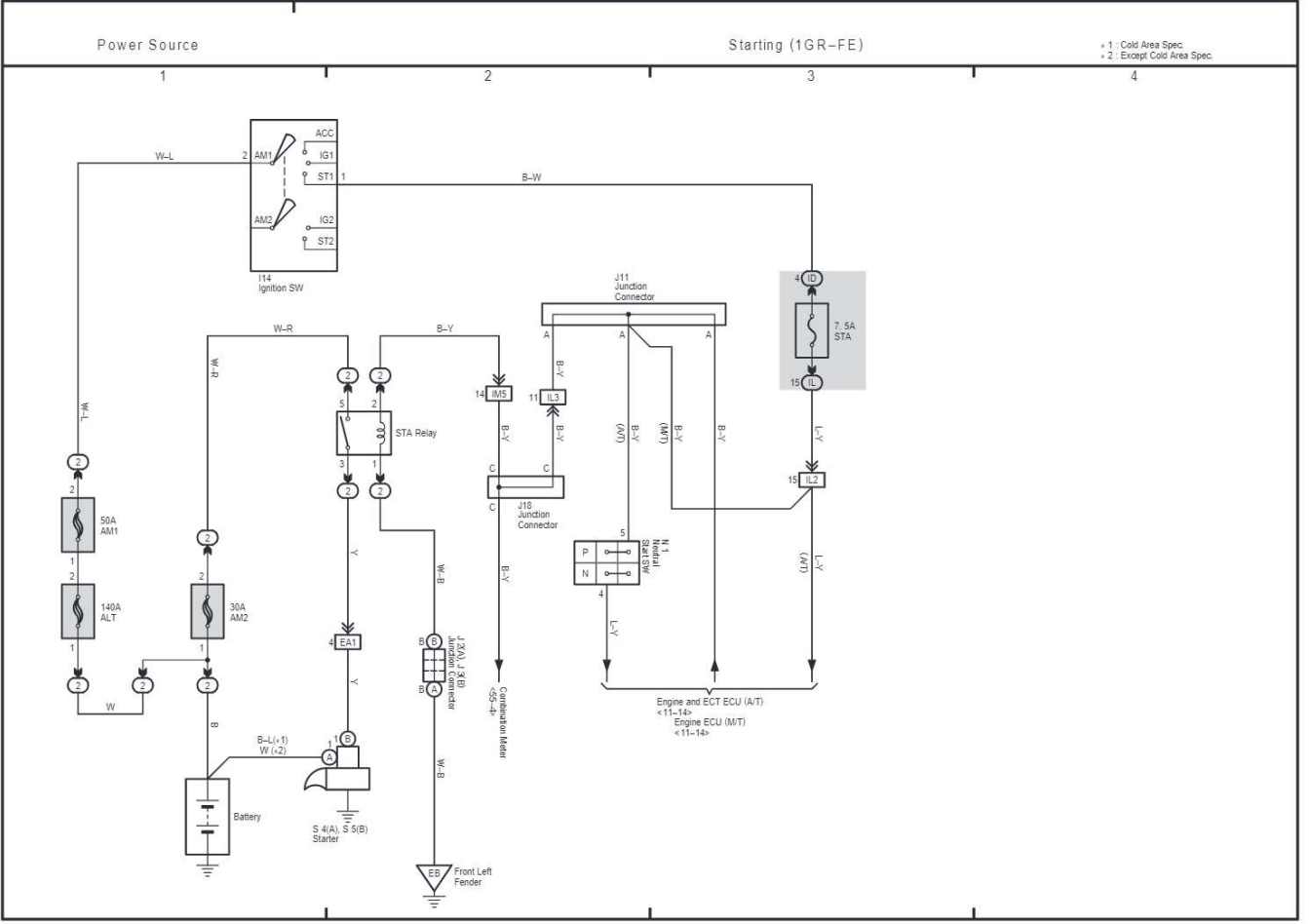
LAND CRUISER / LAND CRUISER PRADO (EWD595E)

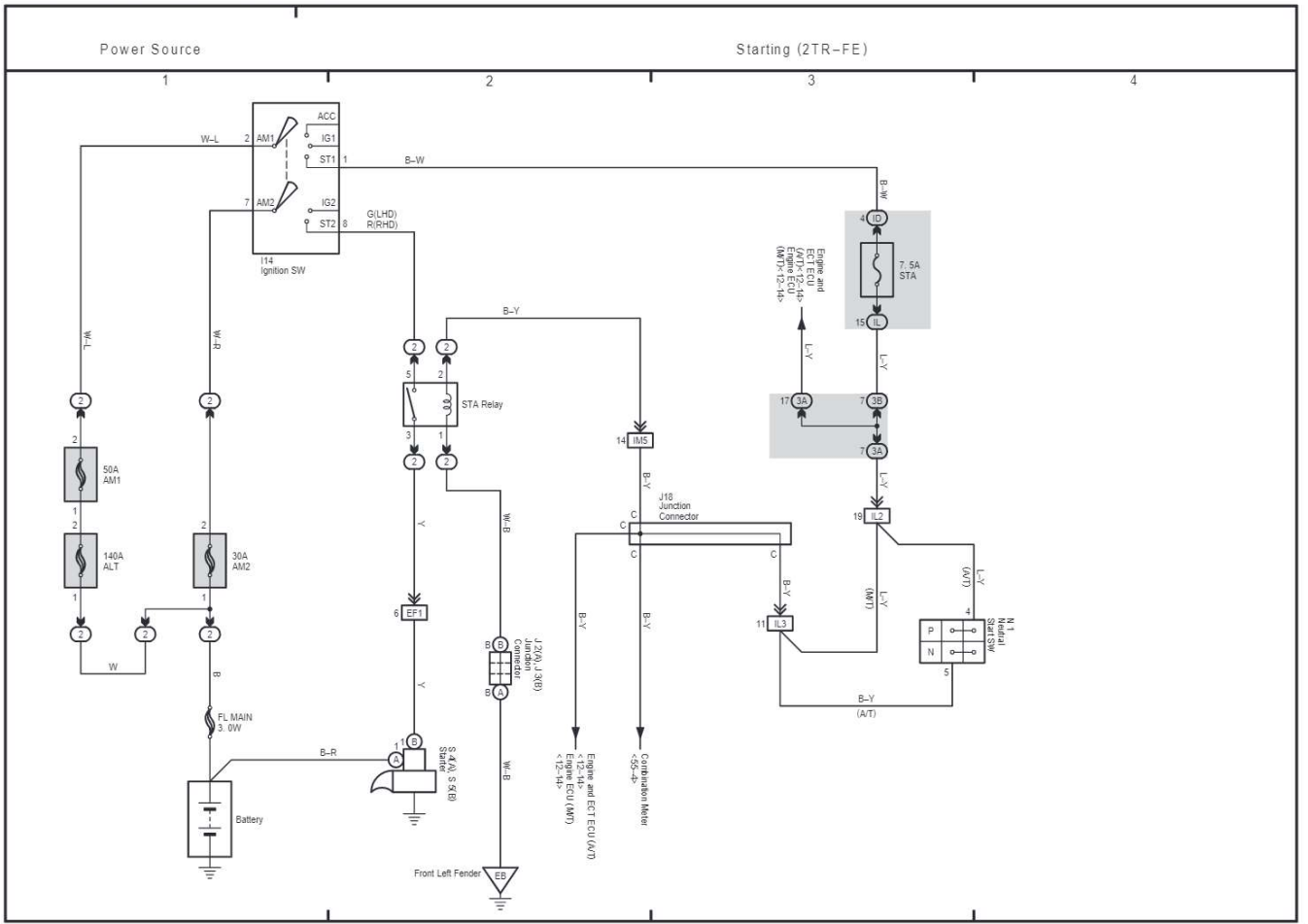


Multiplex Communication System (RHD)

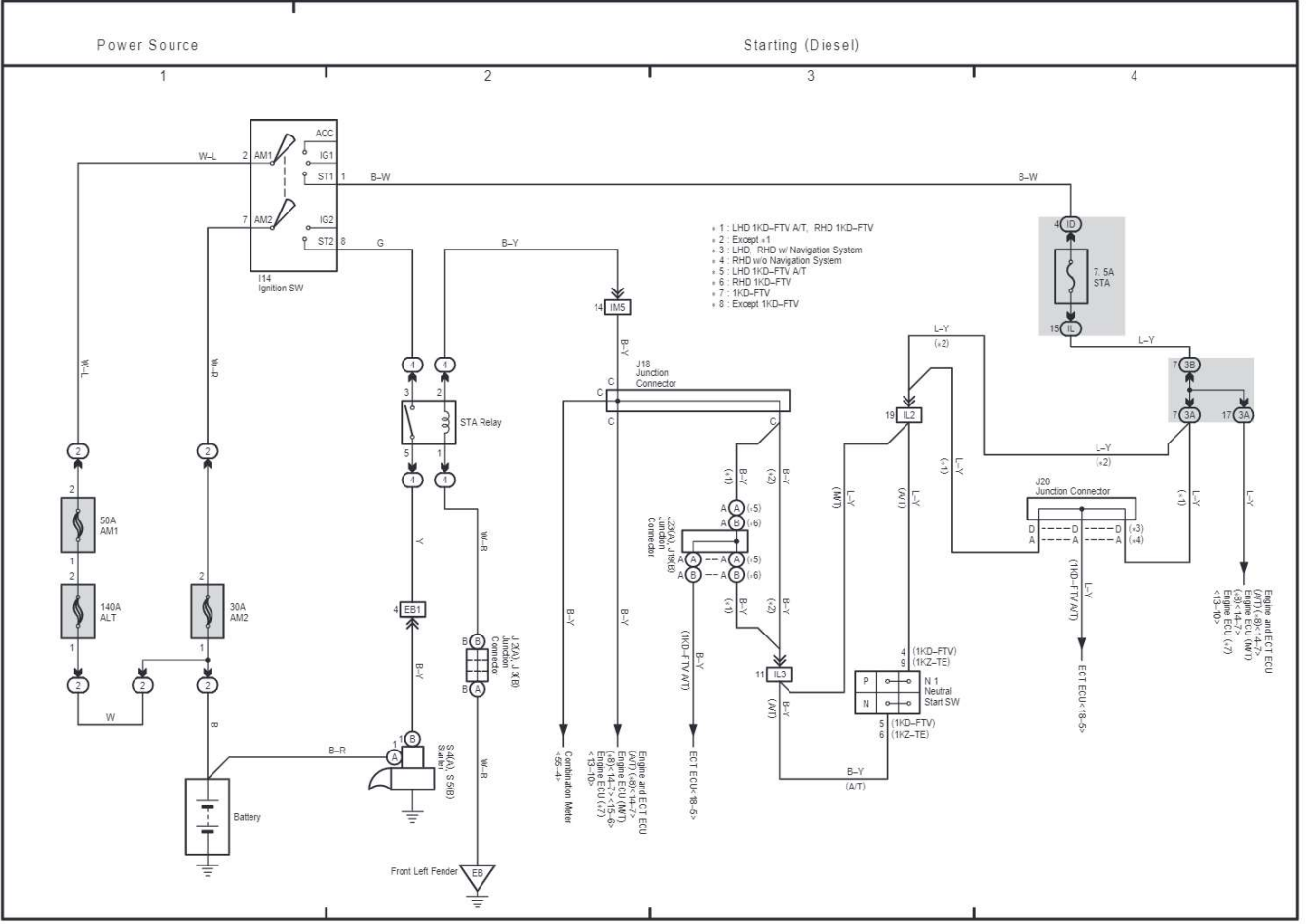


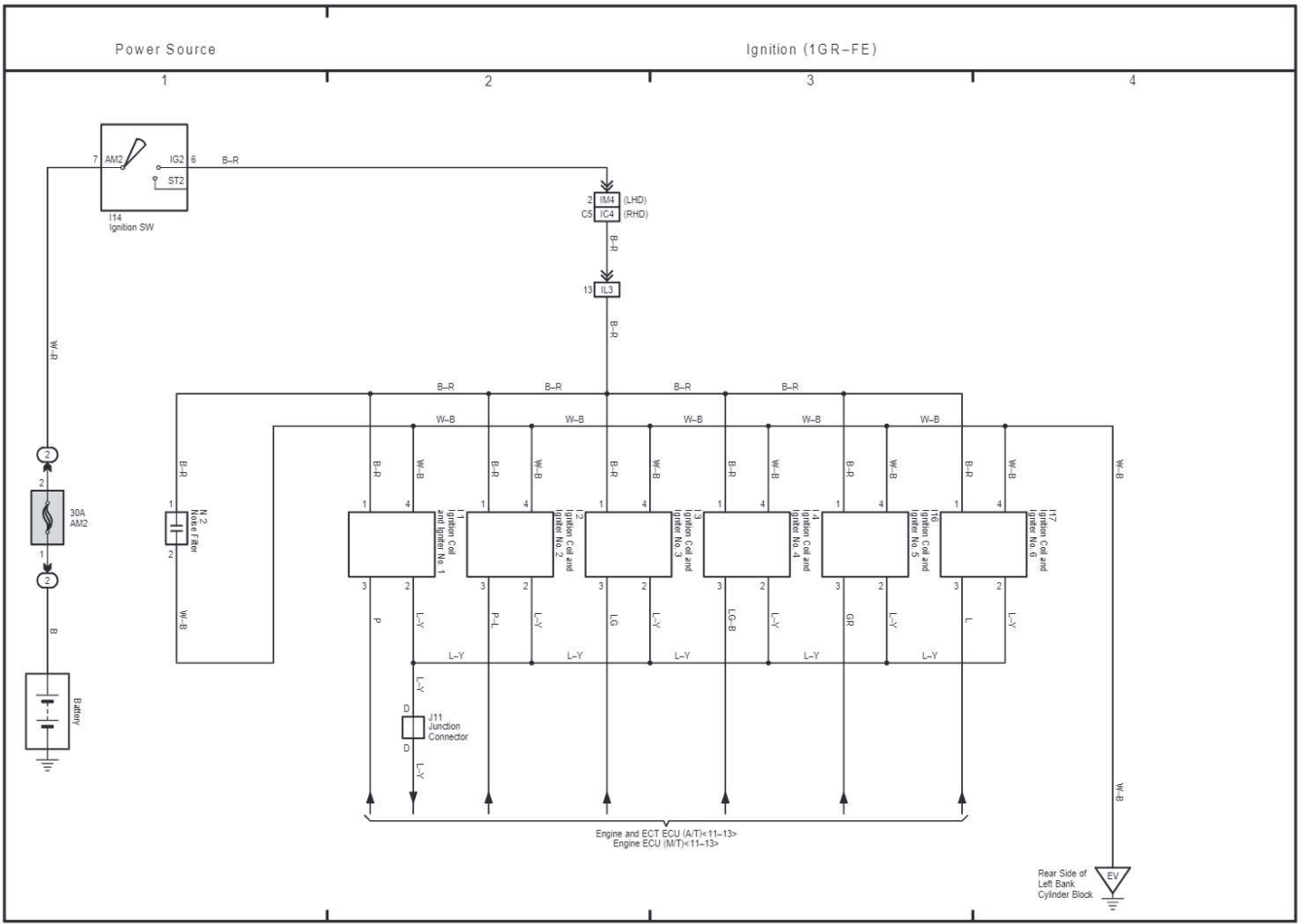
3 LAND CRUISER / LAND CRUISER PRADO



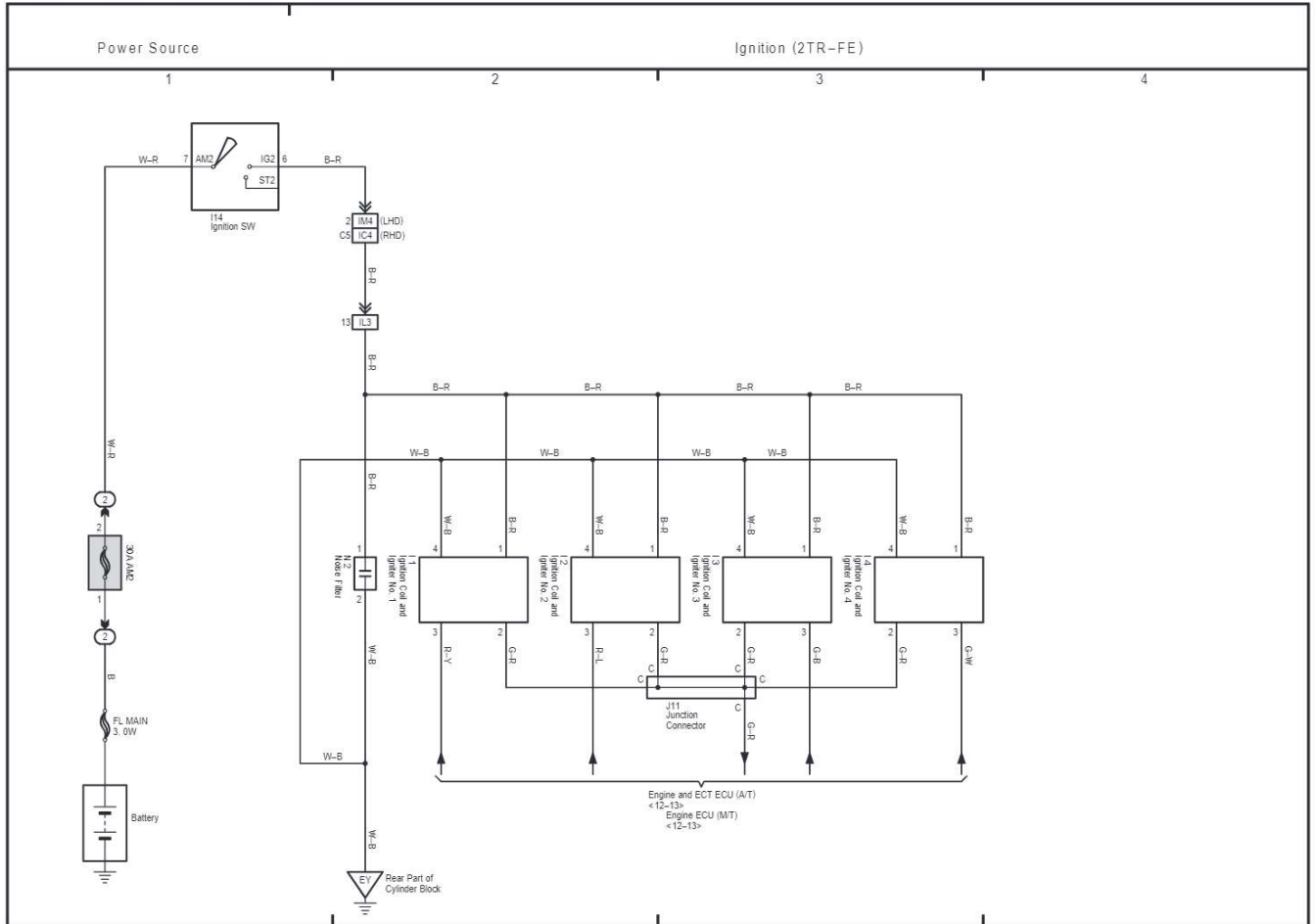


5 LAND CRUISER / LAND CRUISER PRADO

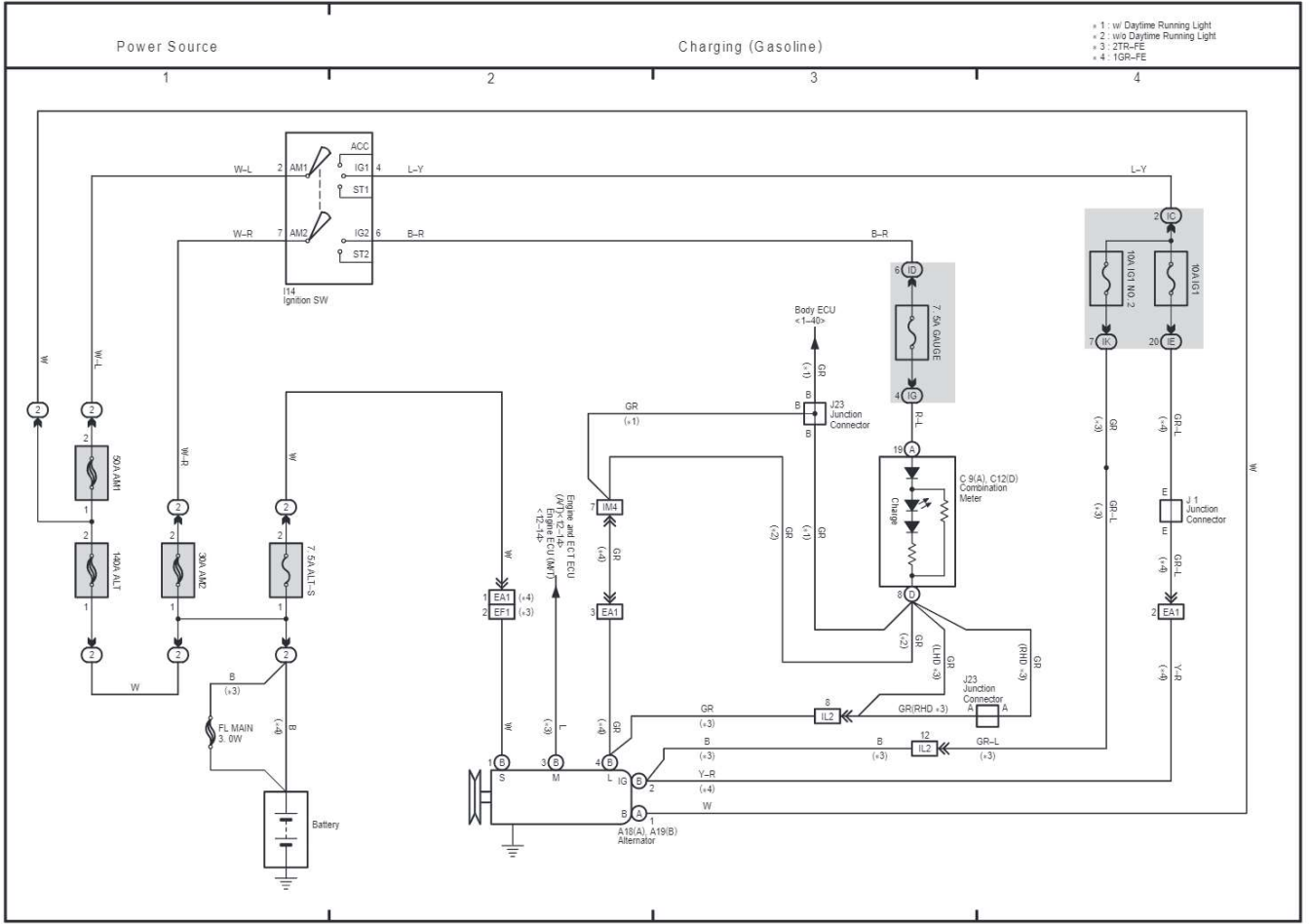


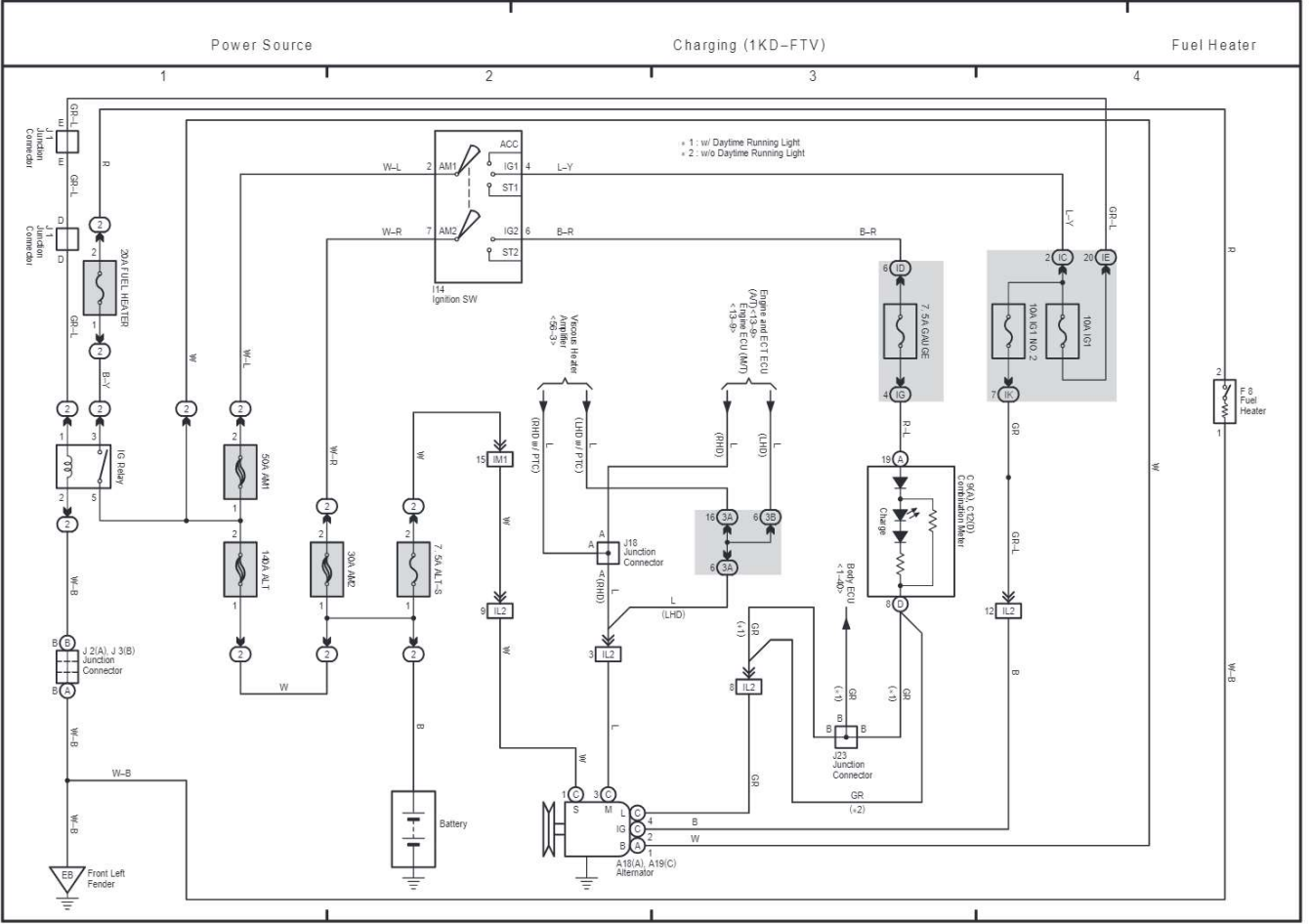


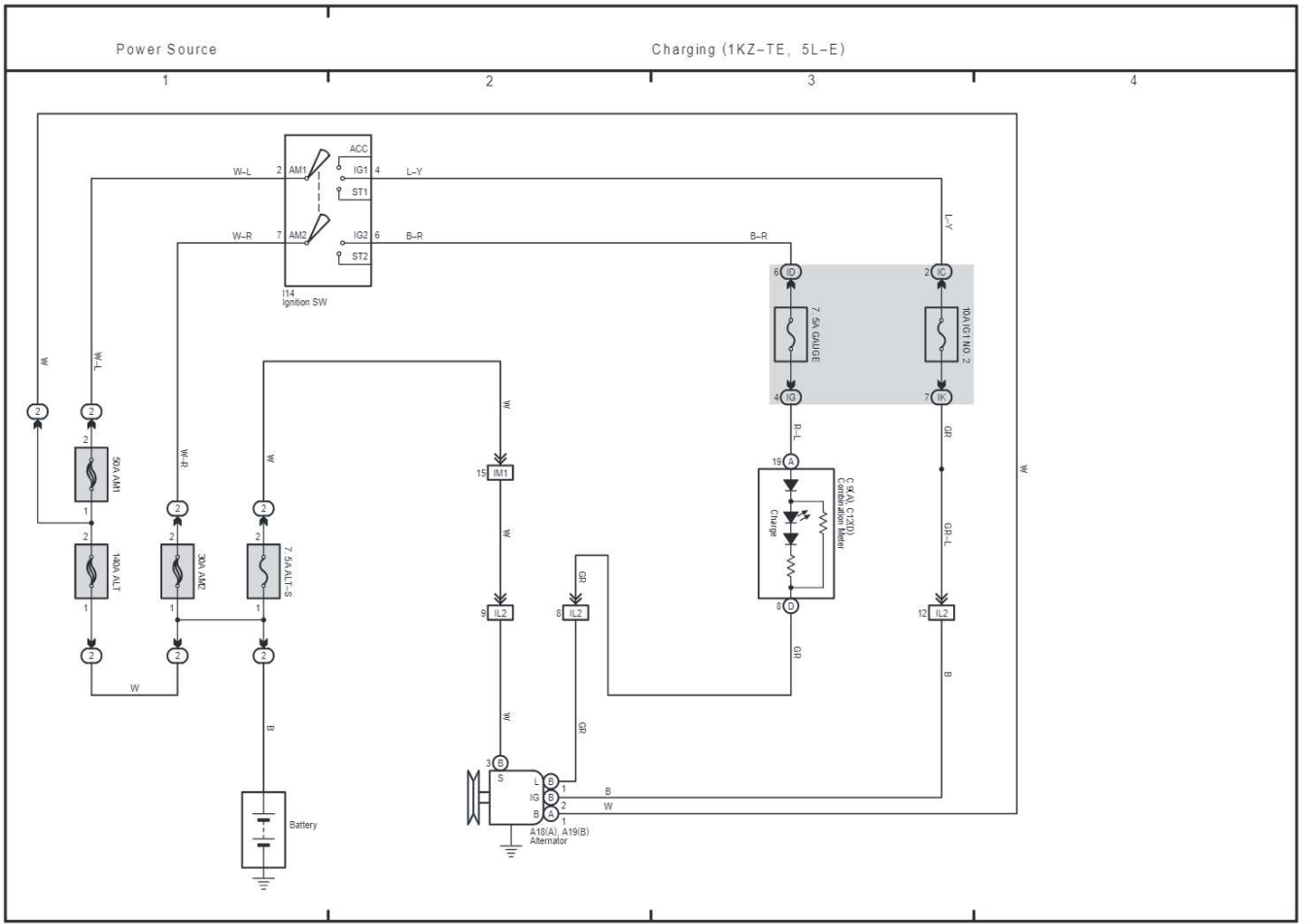
7 LAND CRUISER / LAND CRUISER PRADO

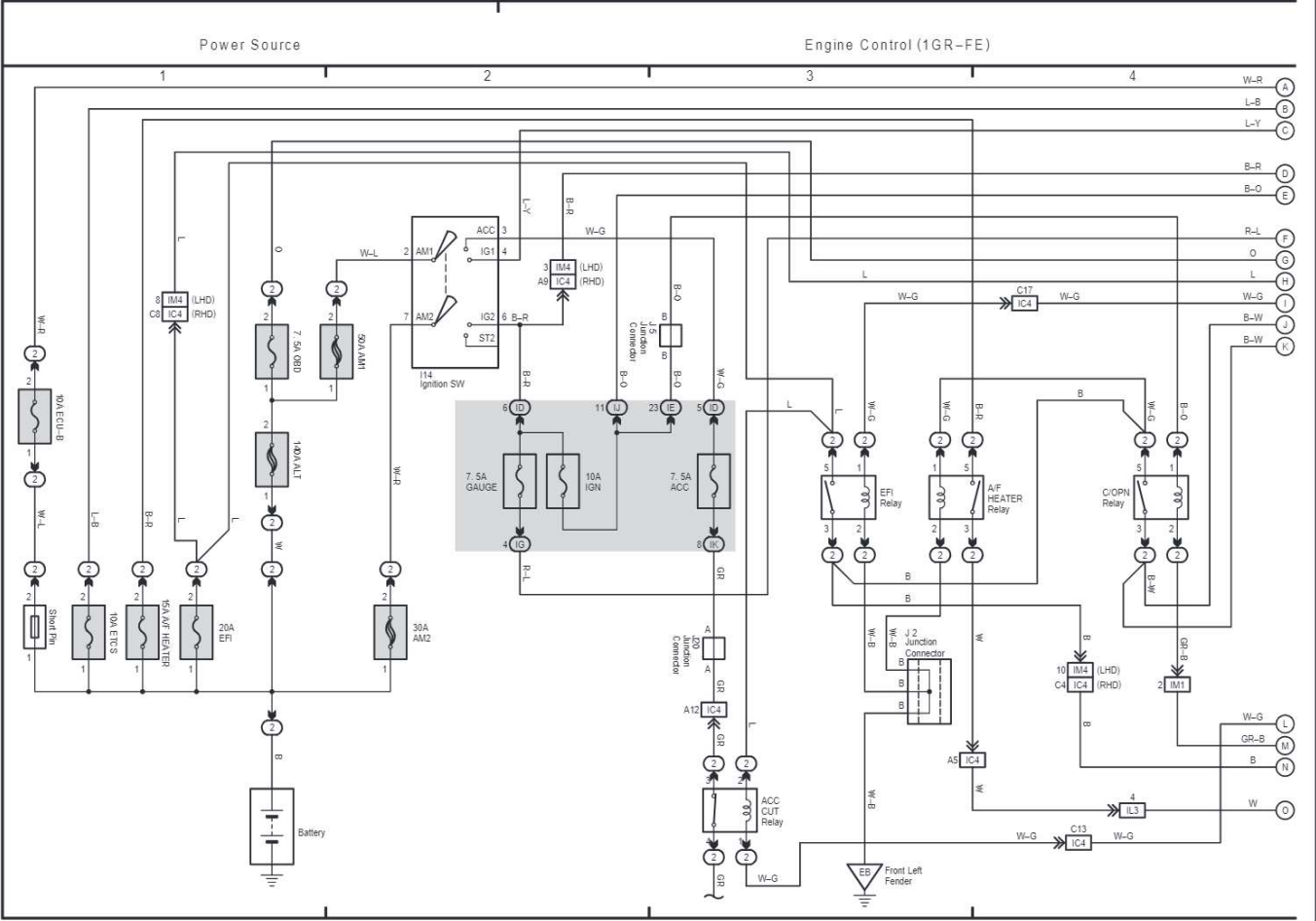




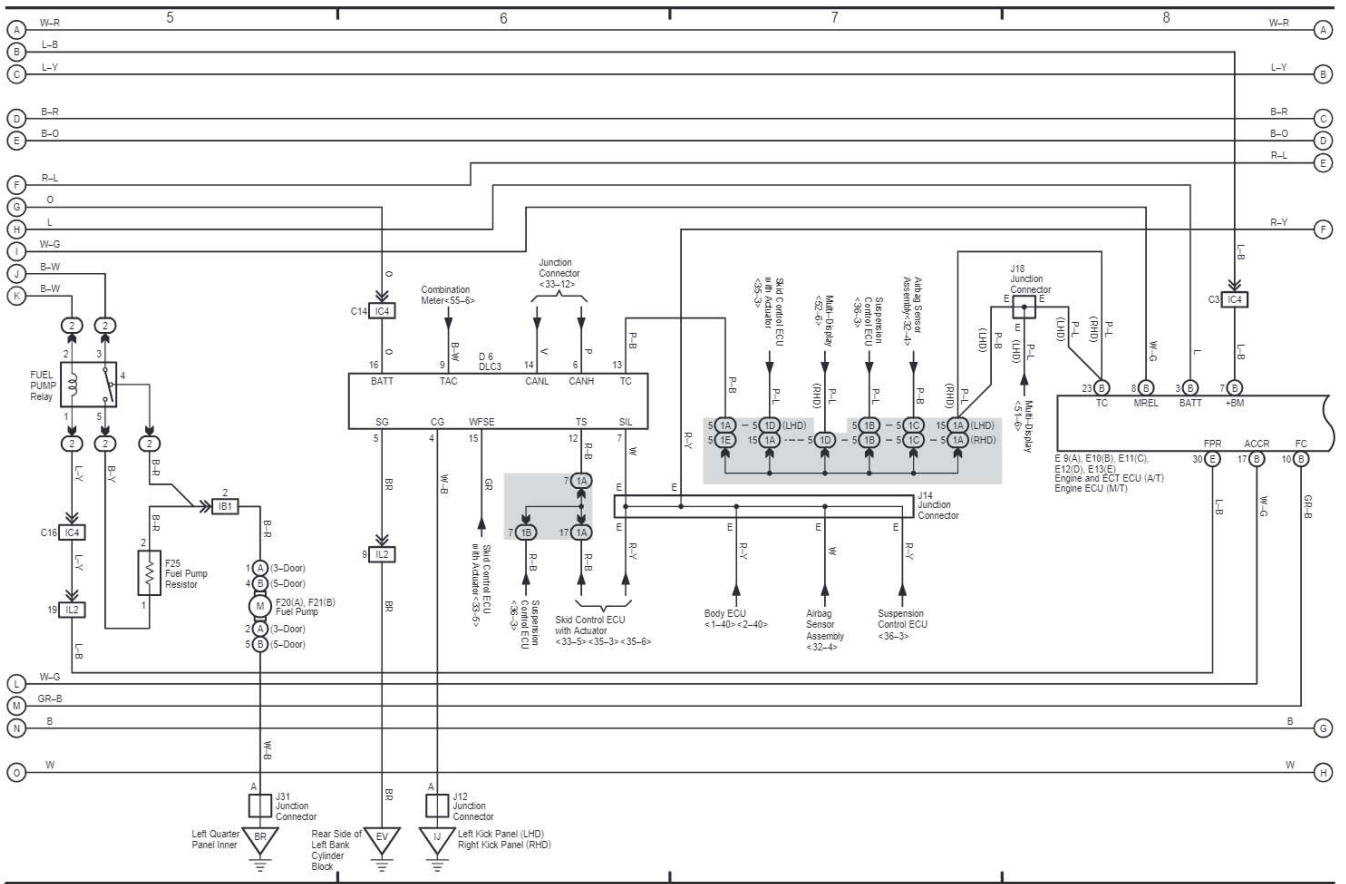




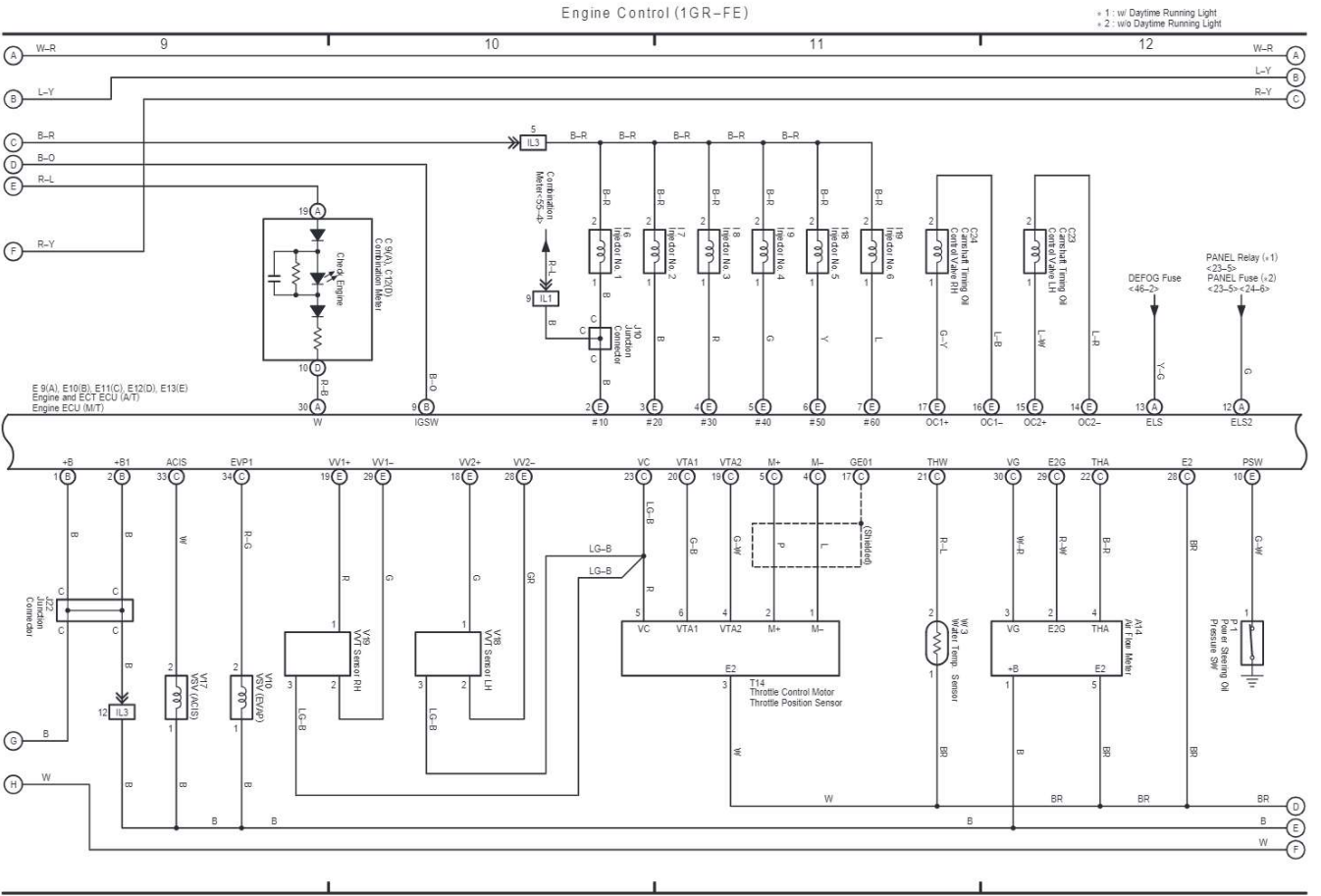




Engine Control (1GR-FE)

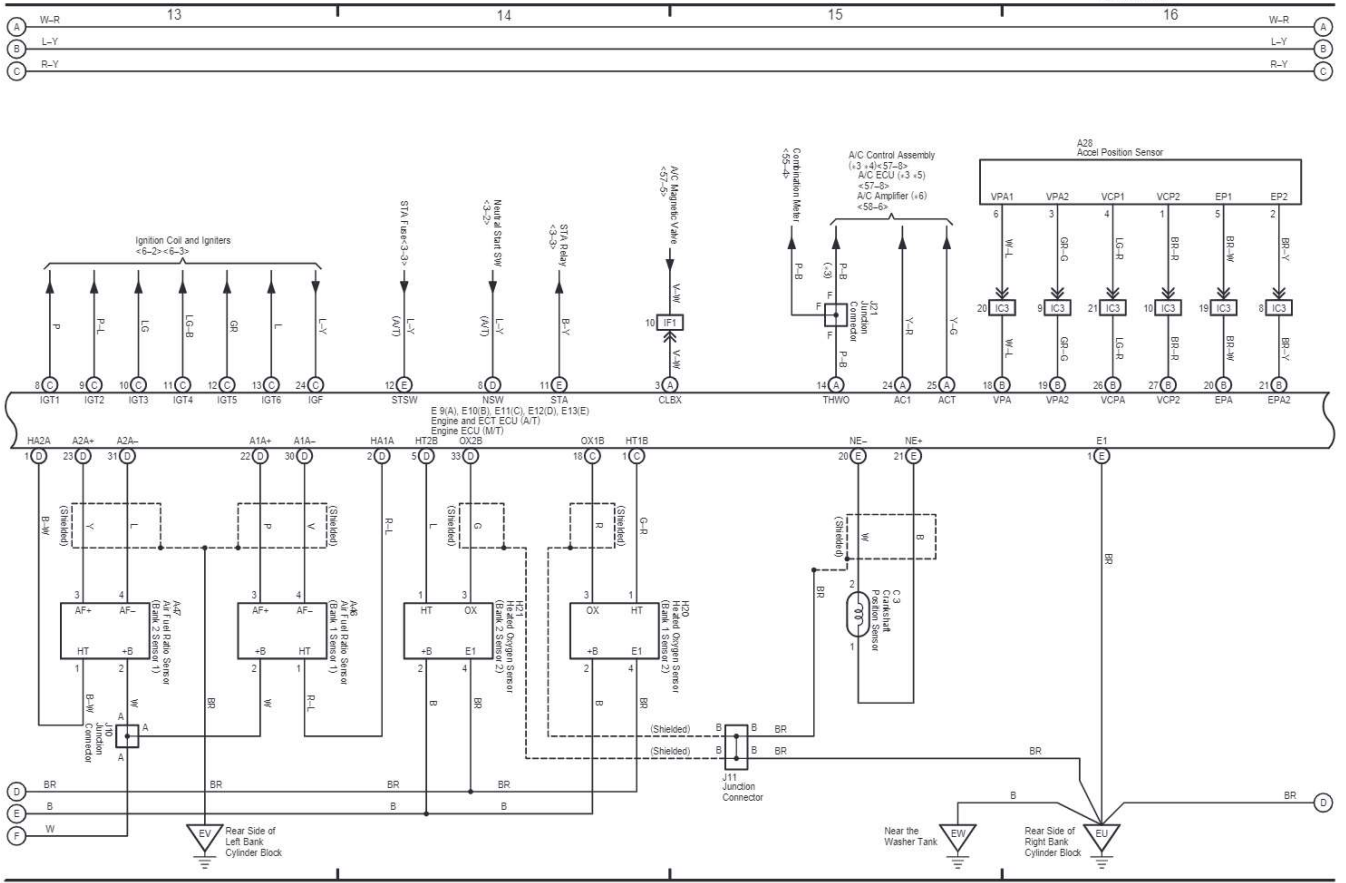


LAND CRUISER / LAND CRUISER PRADO (EWD595E)



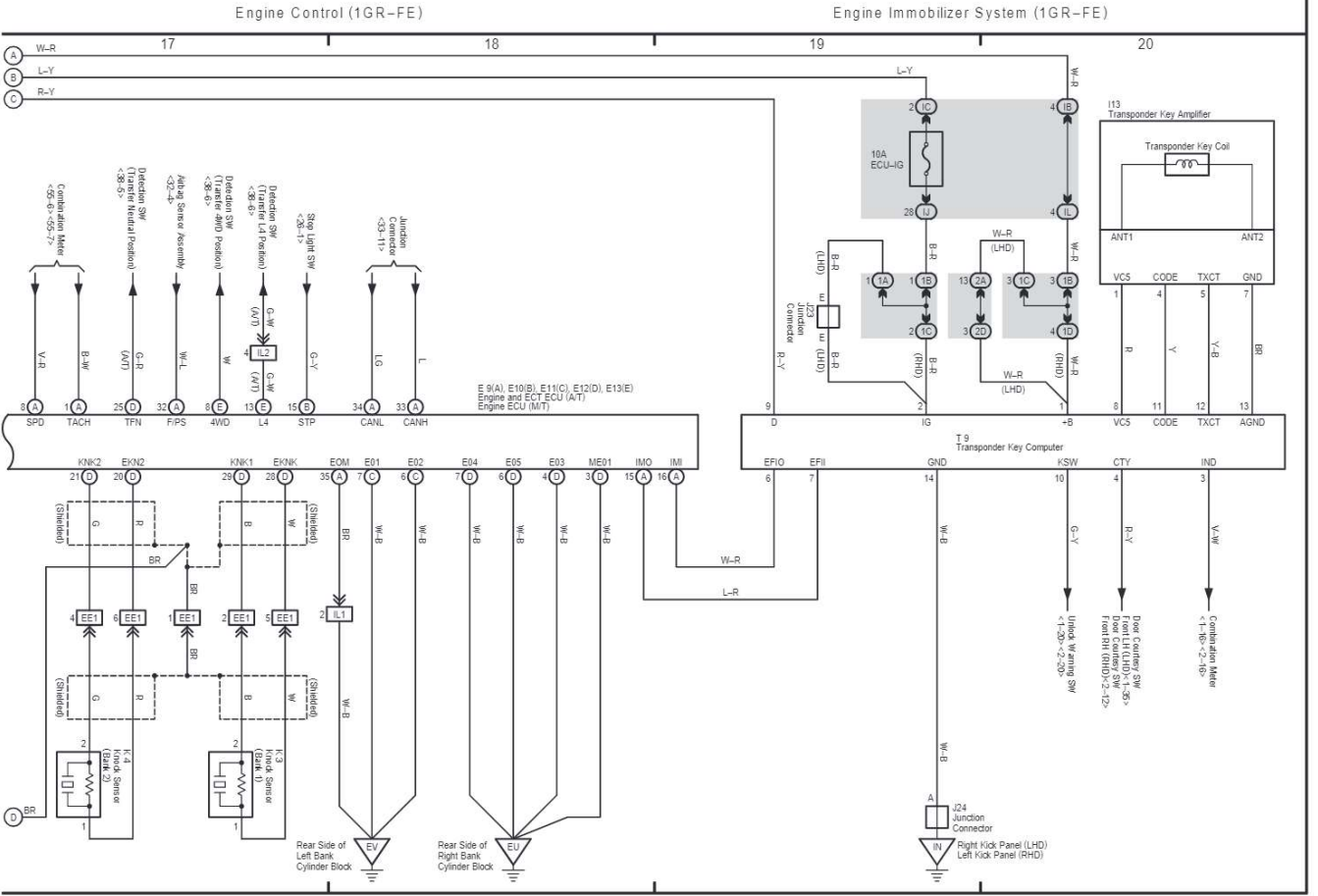
Engine Control (1GR-FE)

- \* 3 : Automatic A/C
- \* 4 : w/o Navigation System
- \* 5 : w/ Navigation System
- \* 6 : Manual A/C



LAND CRUISER / LAND CRUISER PRADO (EWD595E)

11 LAND CRUISER / LAND CRUISER PRADO (Cont' d)

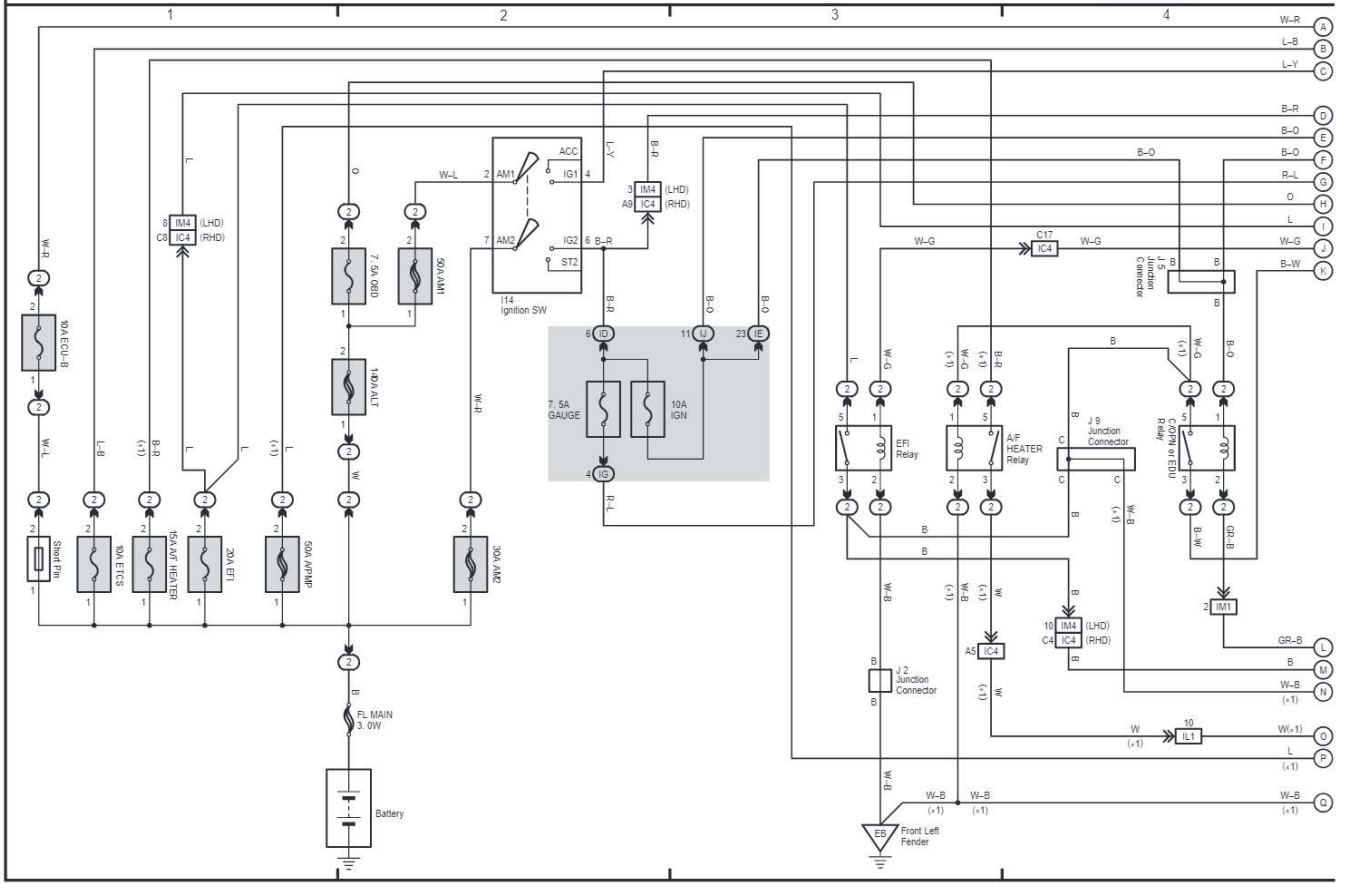




Power Source

Engine Control (2TR-FE)

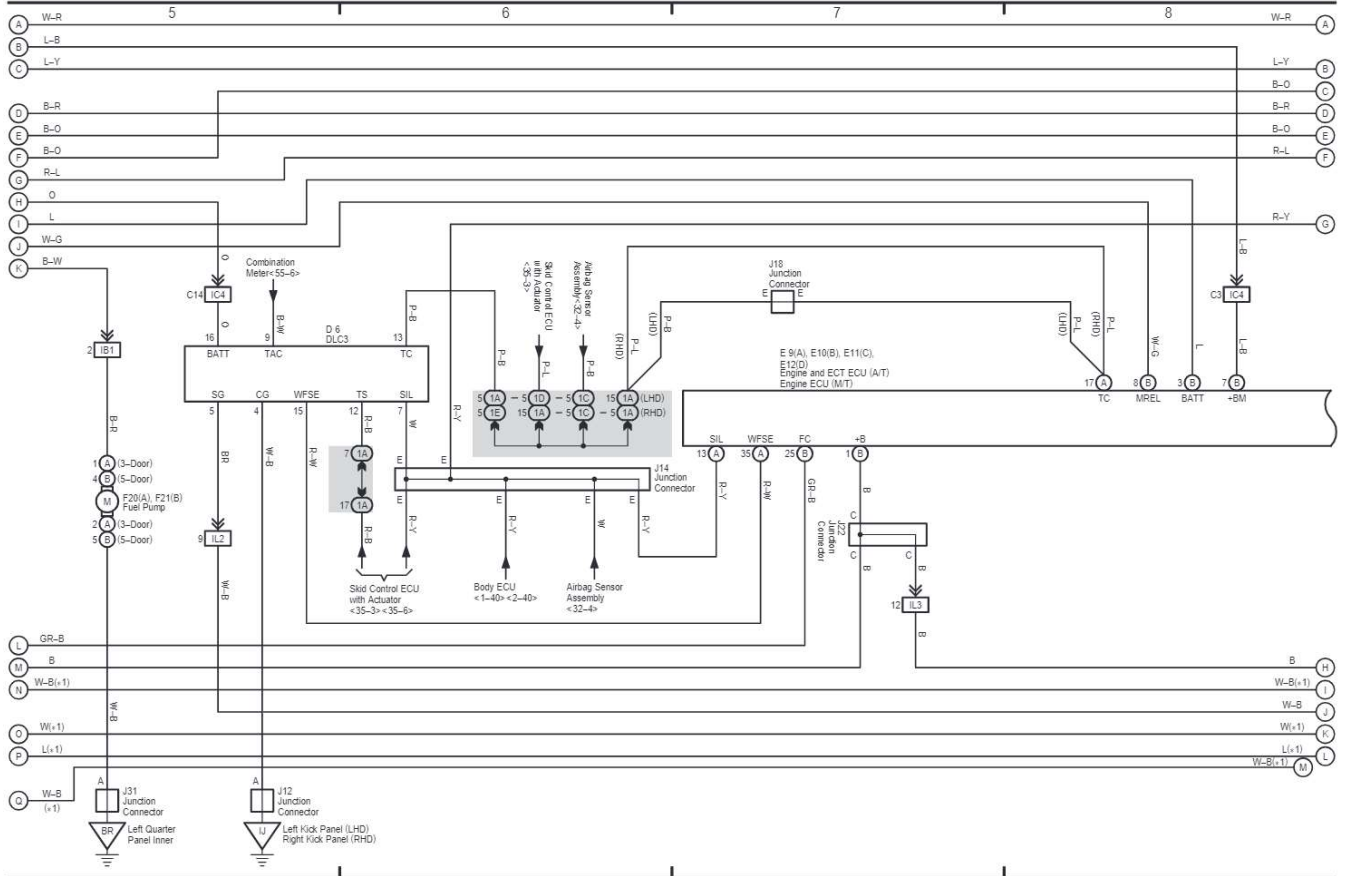
\* 1: Unleaded Gasoline



LAND CRUISER / LAND CRUISER PRADO (EWD595E)

Engine Control (2TR-FE)

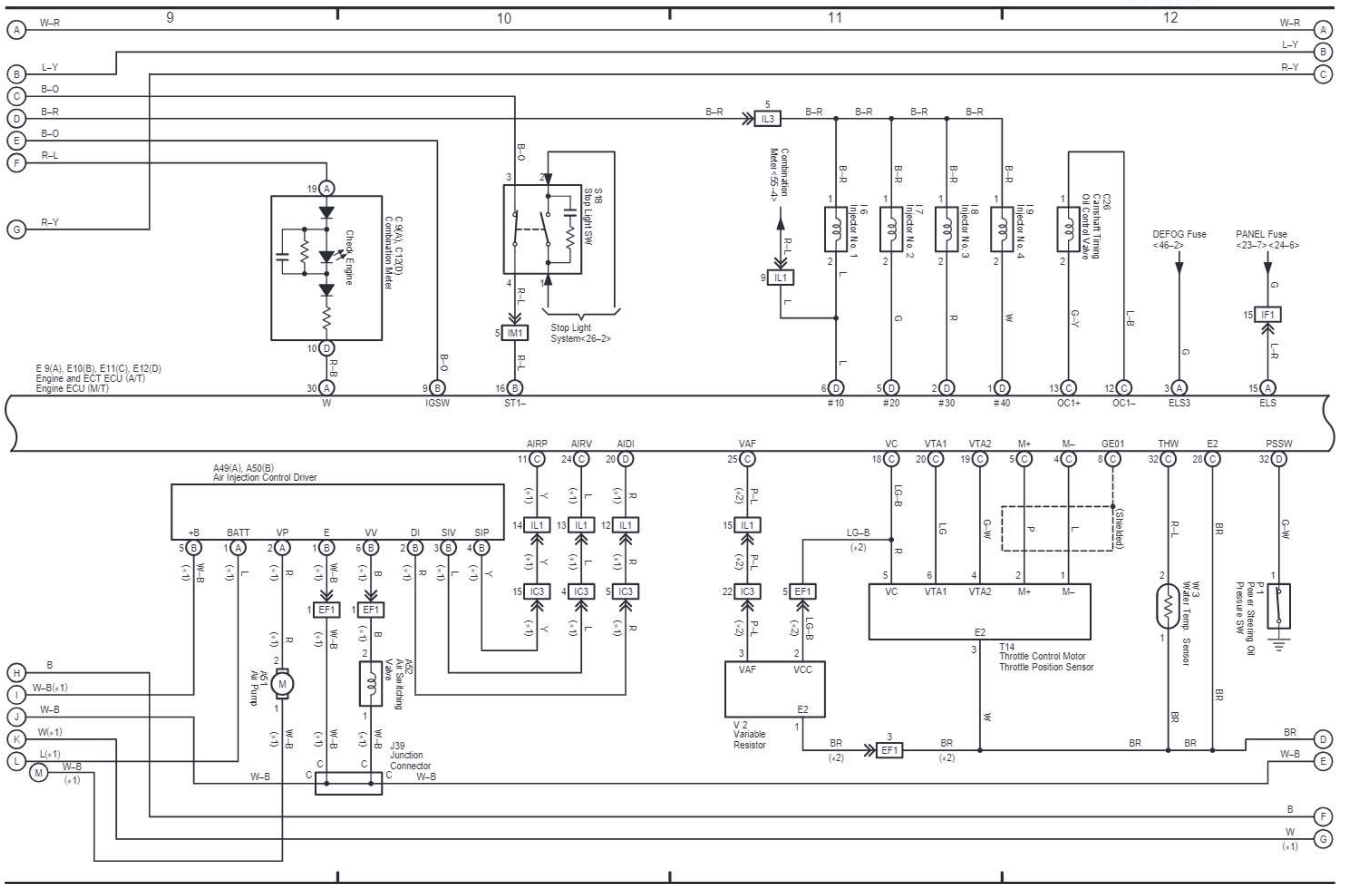
\* 1: Unleaded Gasoline



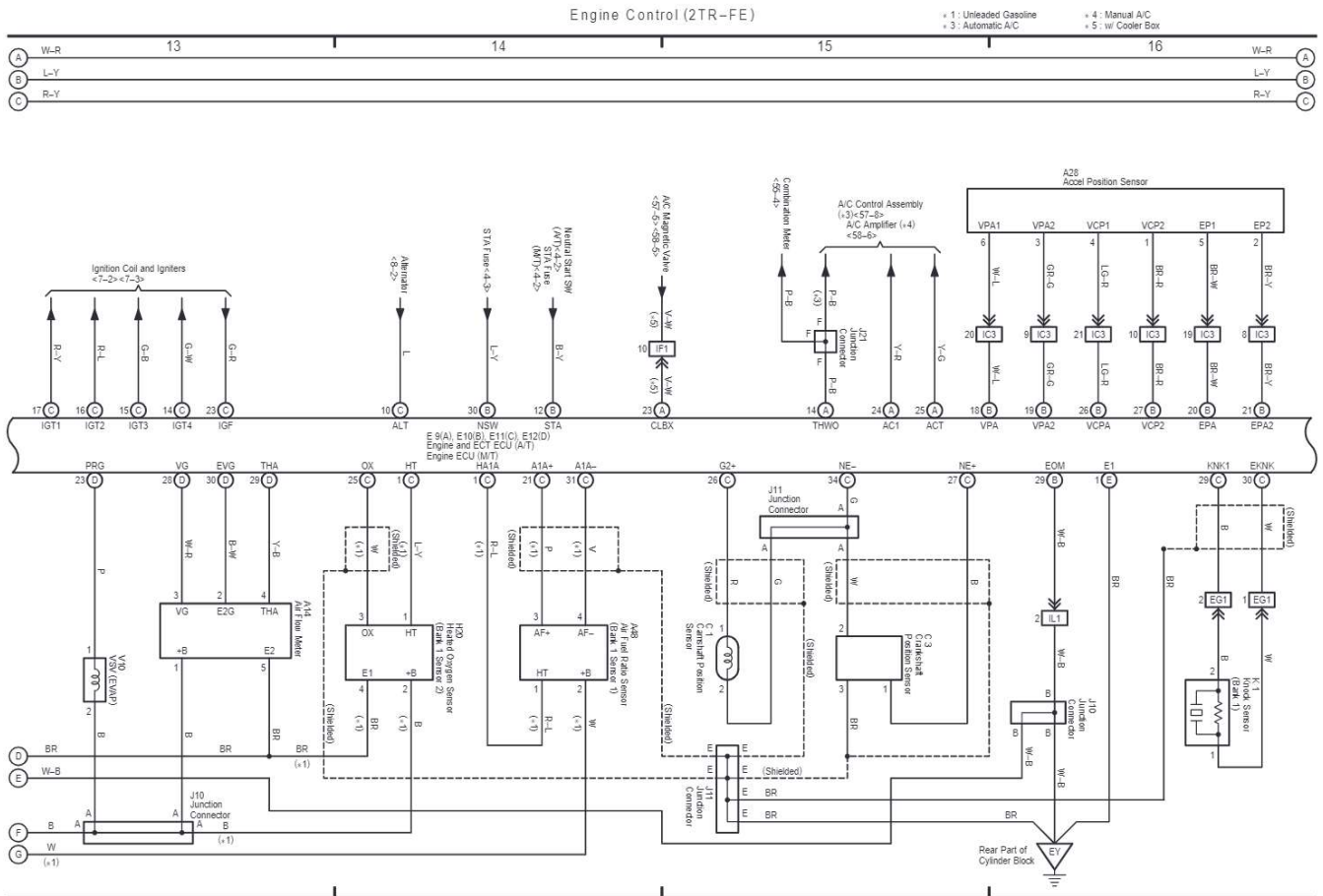
LAND CRUISER / LAND CRUISER PRADO (EWD595E)

Engine Control (2TR-FE)

\* 1: Unleaded Gasoline  
 \* 2: Leaded Gasoline

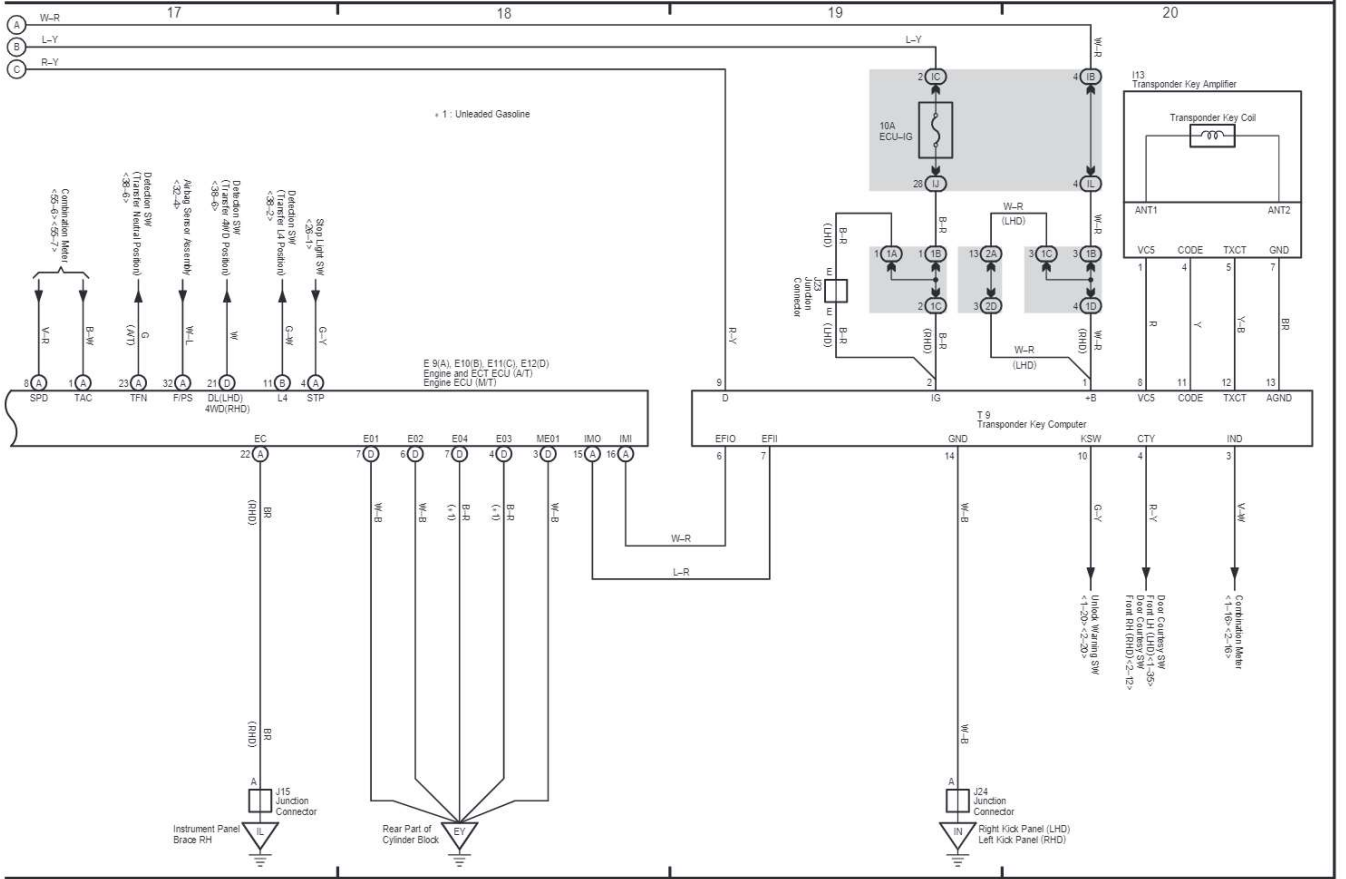


LAND CRUISER / LAND CRUISER PRADO (EWD595E)



Engine Control (2TR-FE)

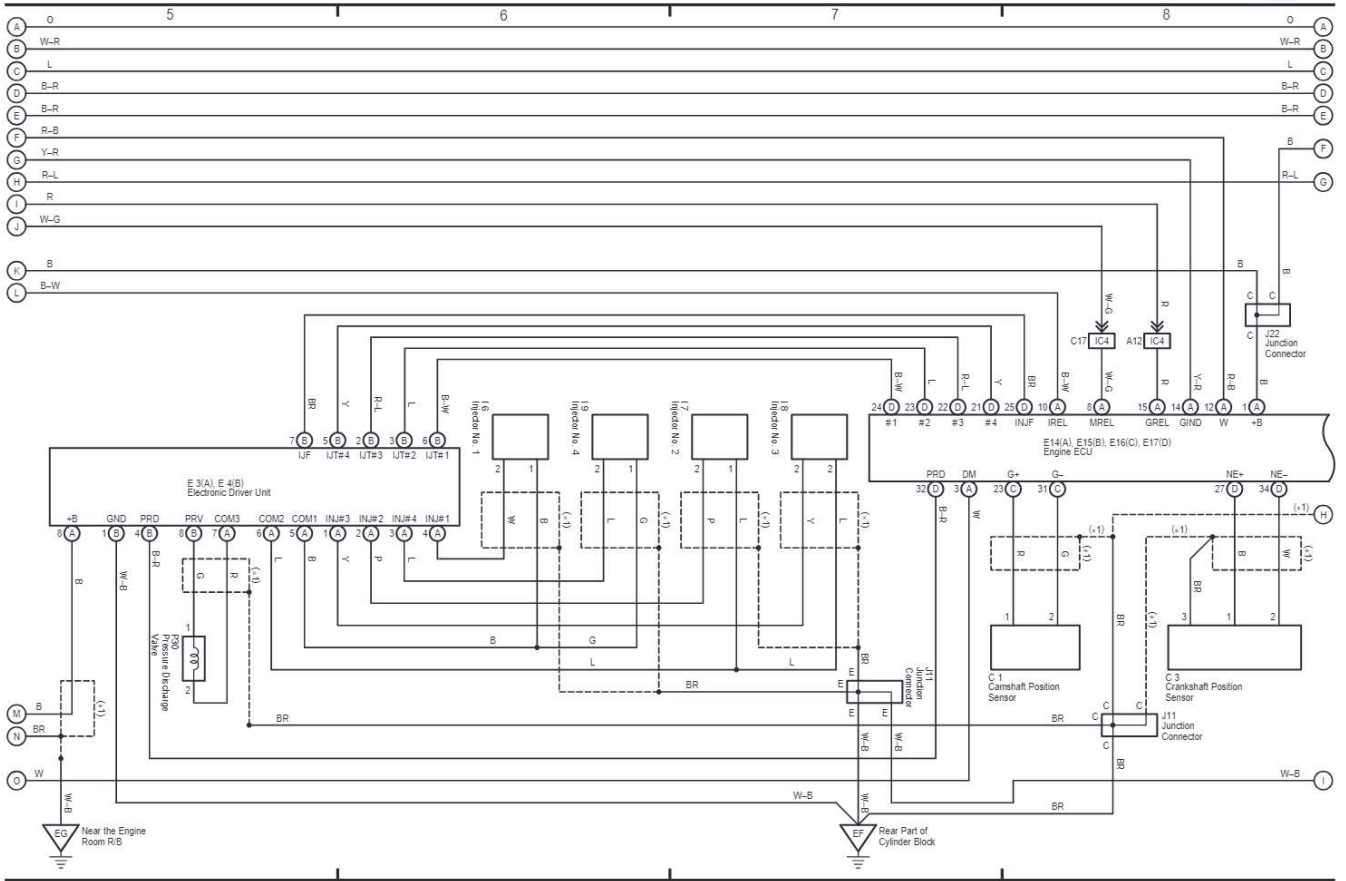
Engine Immobilizer System (2TR-FE)





Engine Control (1KD-FTV)

\* 1: Shielded



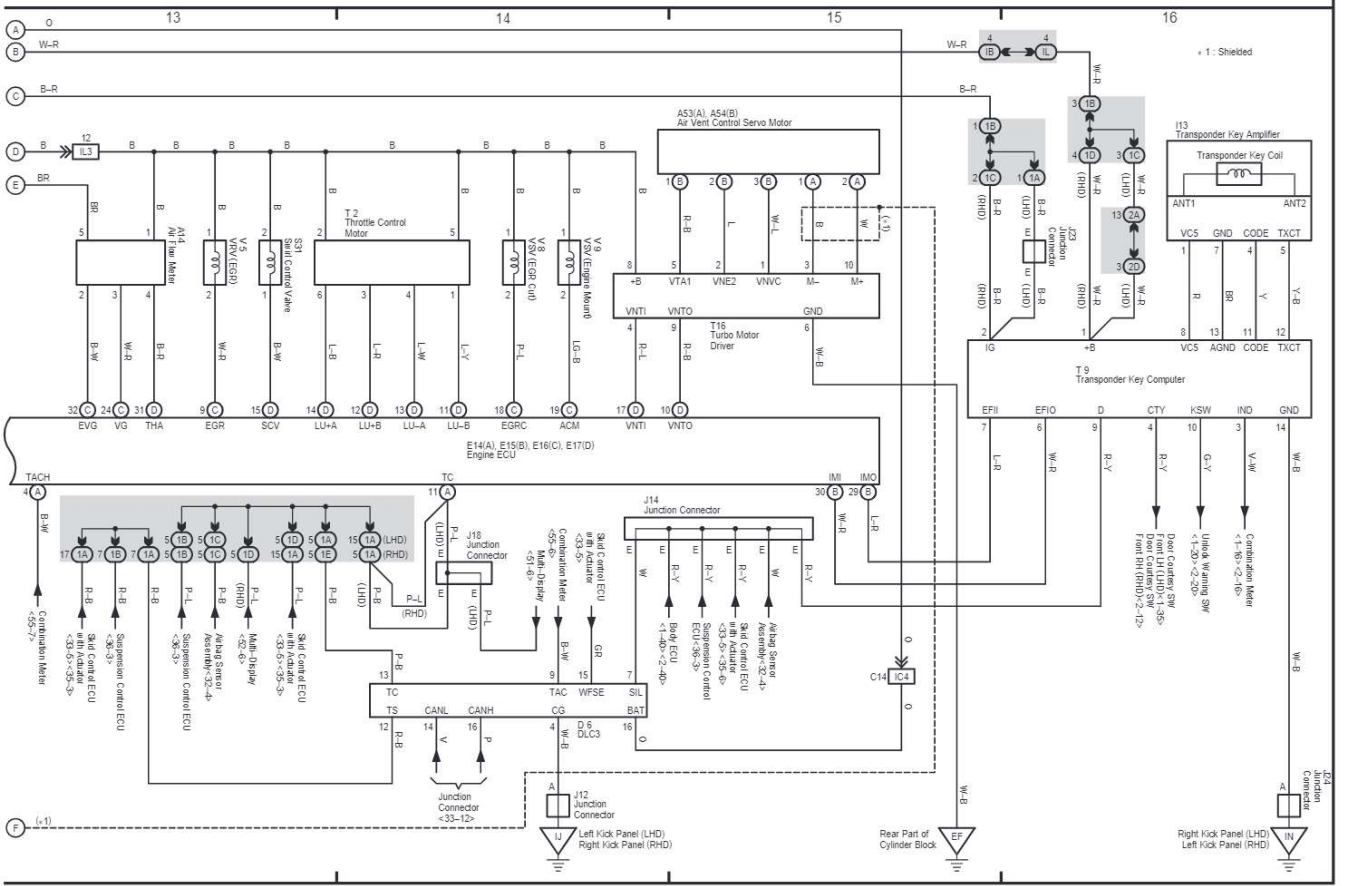
LAND CRUISER / LAND CRUISER PRADO (EWD595E)



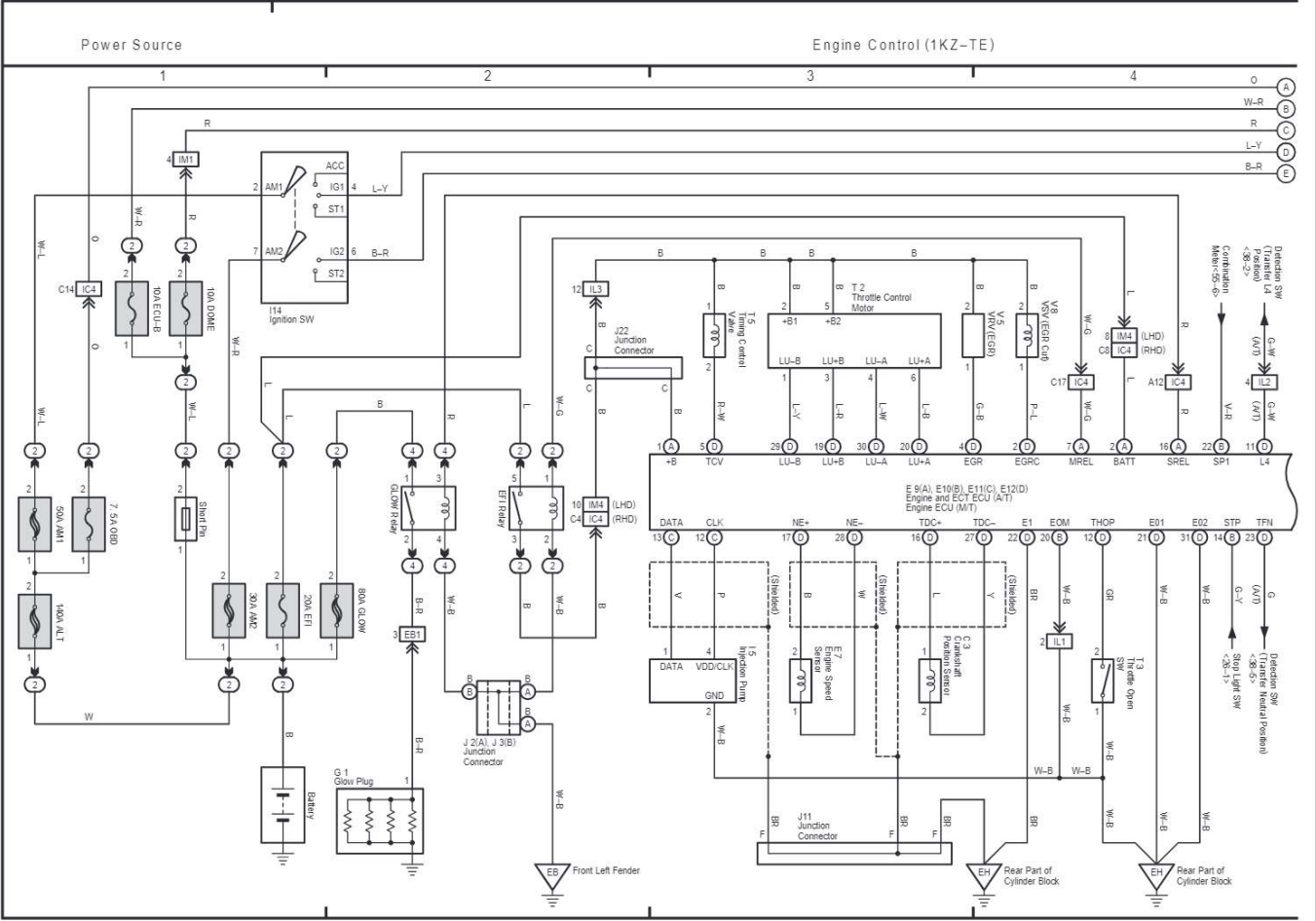


Engine Control (1KD-FTV)

Engine Immobilizer System (1KD-FTV)

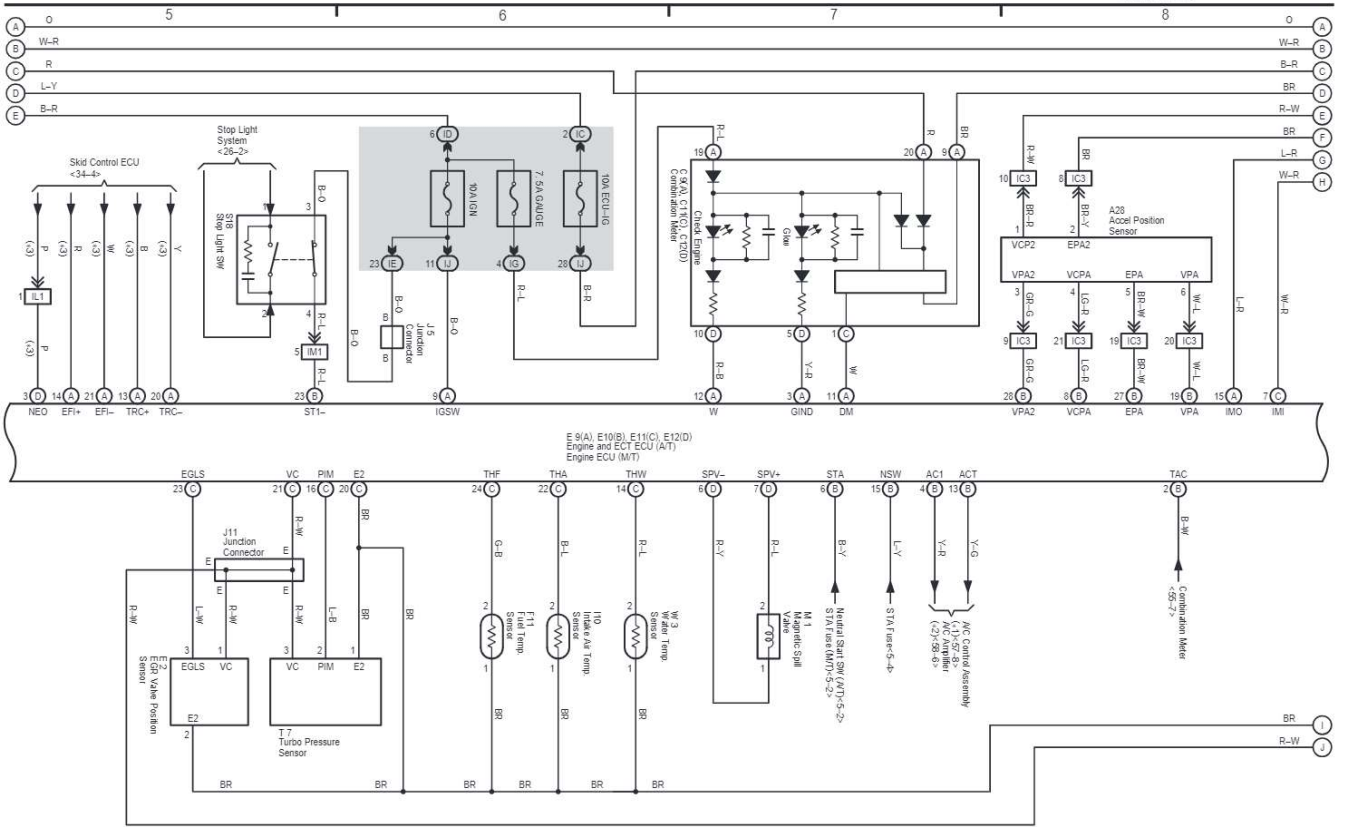


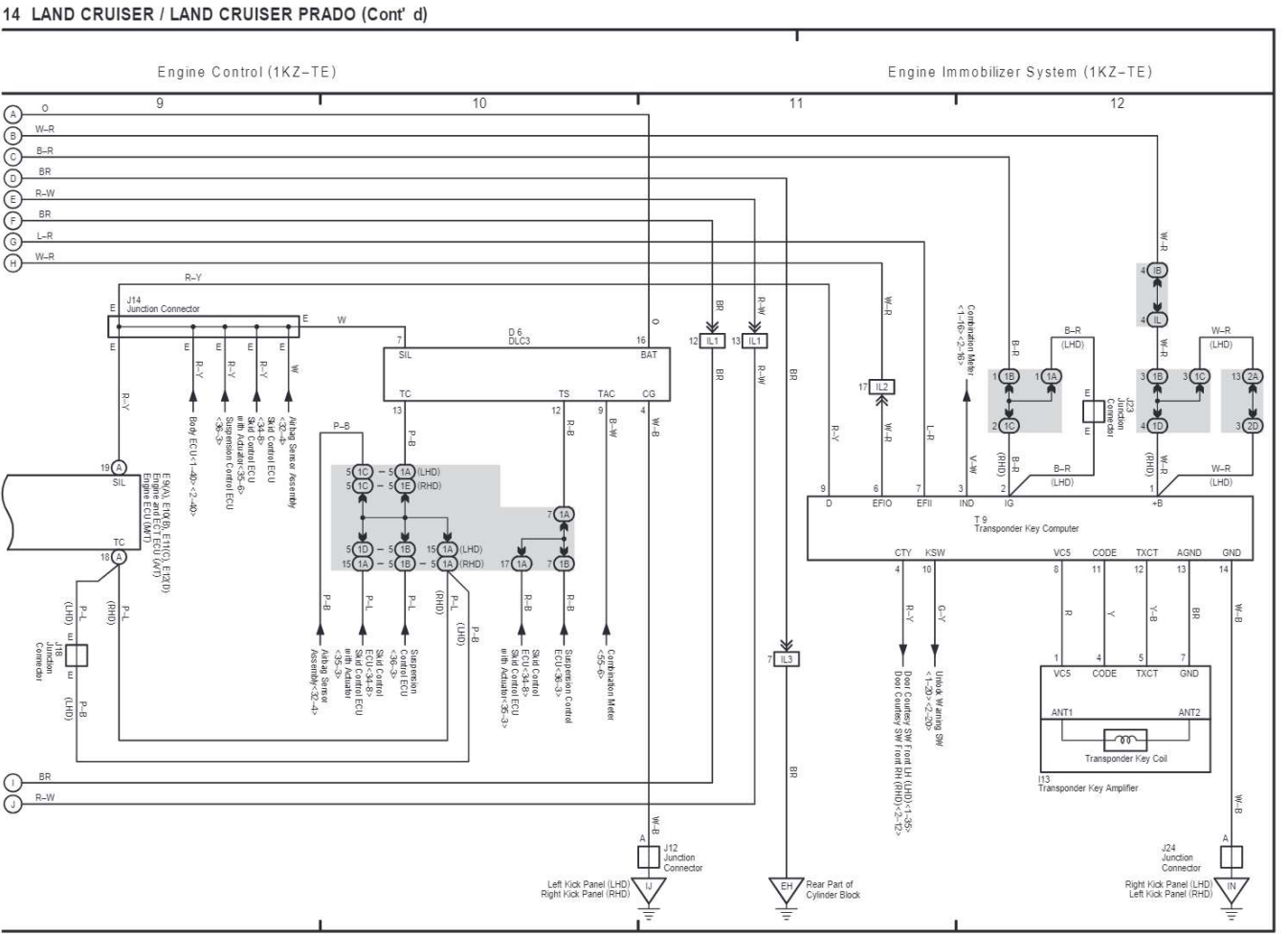
14 LAND CRUISER / LAND CRUISER PRADO



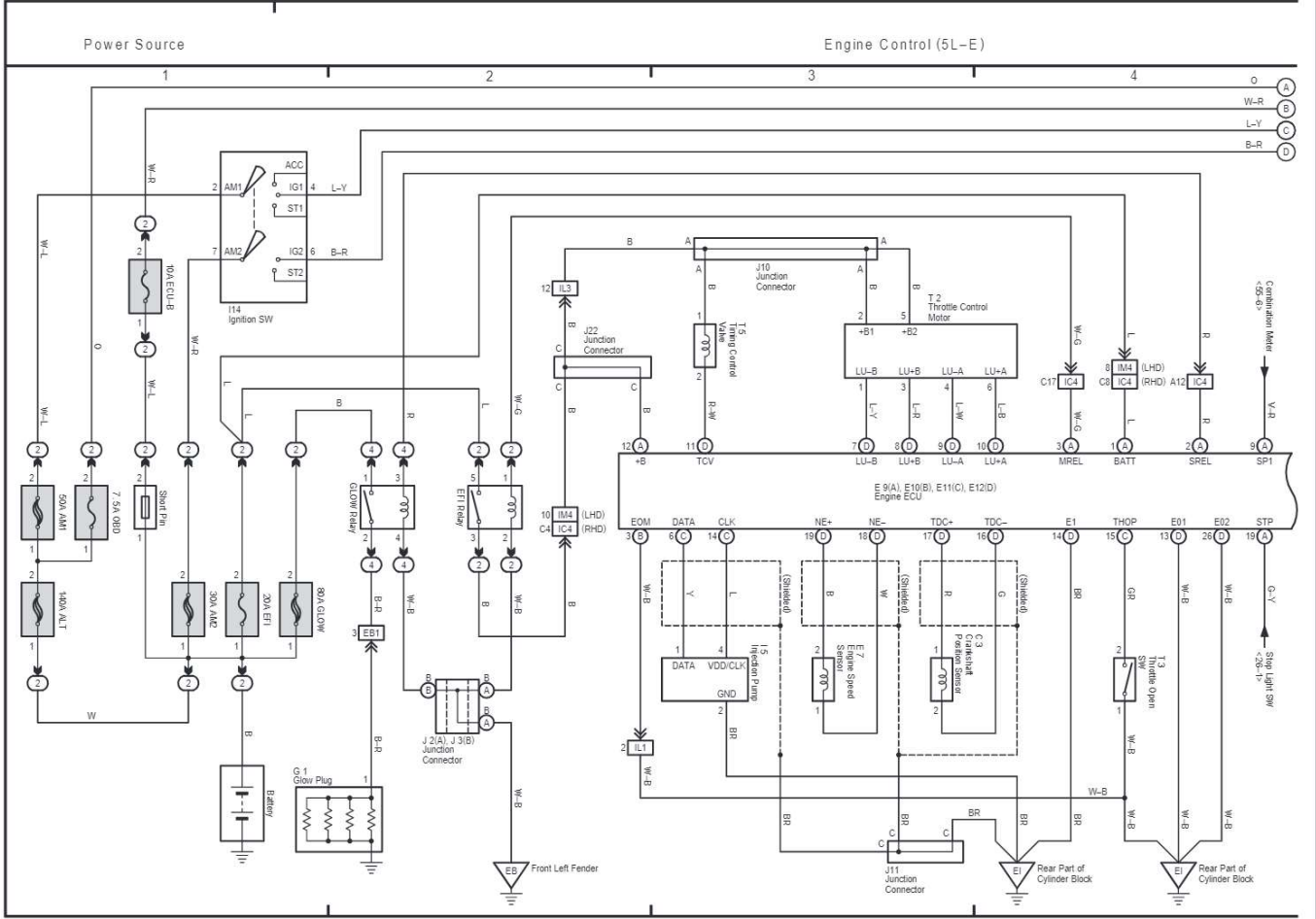
Engine Control (1KZ-TE)

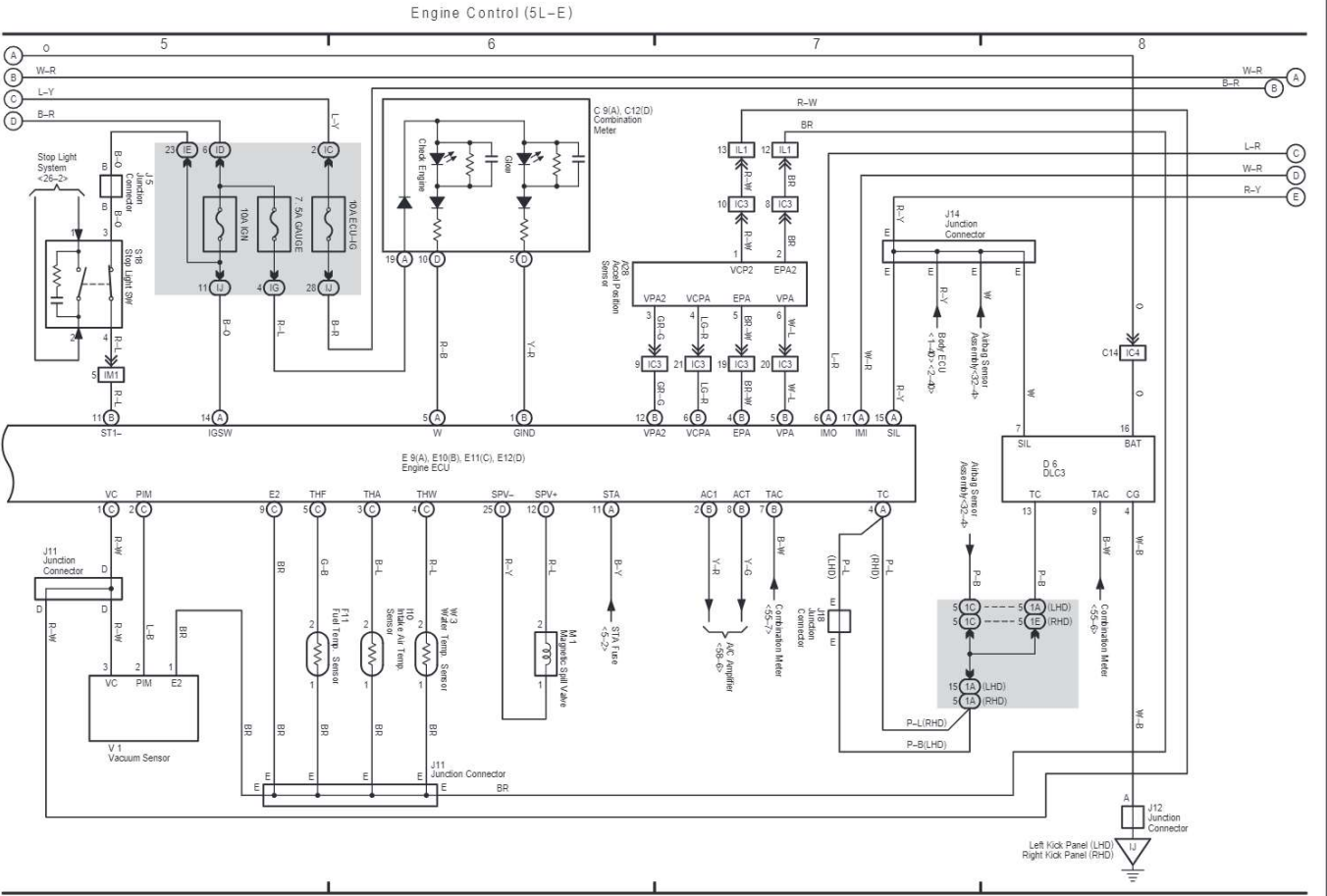
- \* 1. Automatic A/C
- \* 2. Manual A/C
- \* 3. RHD w/ VSC



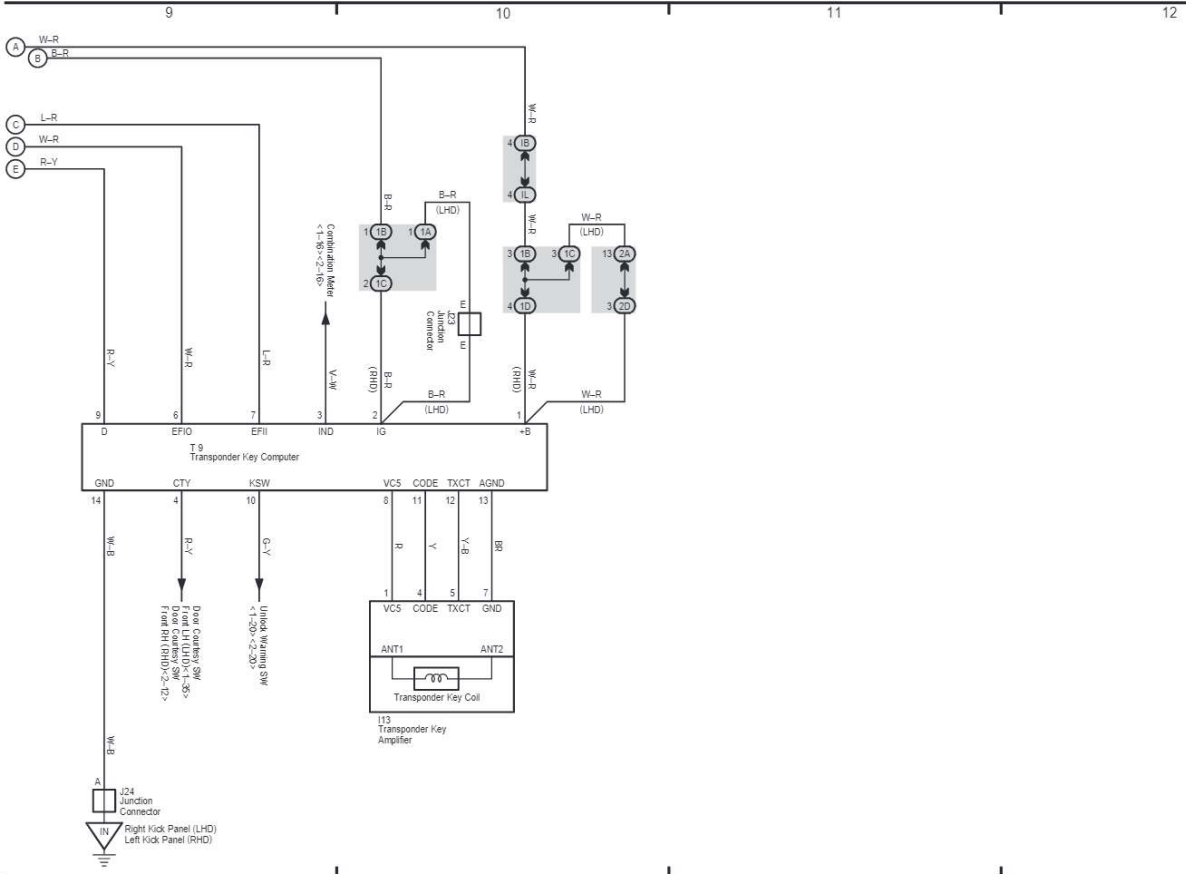


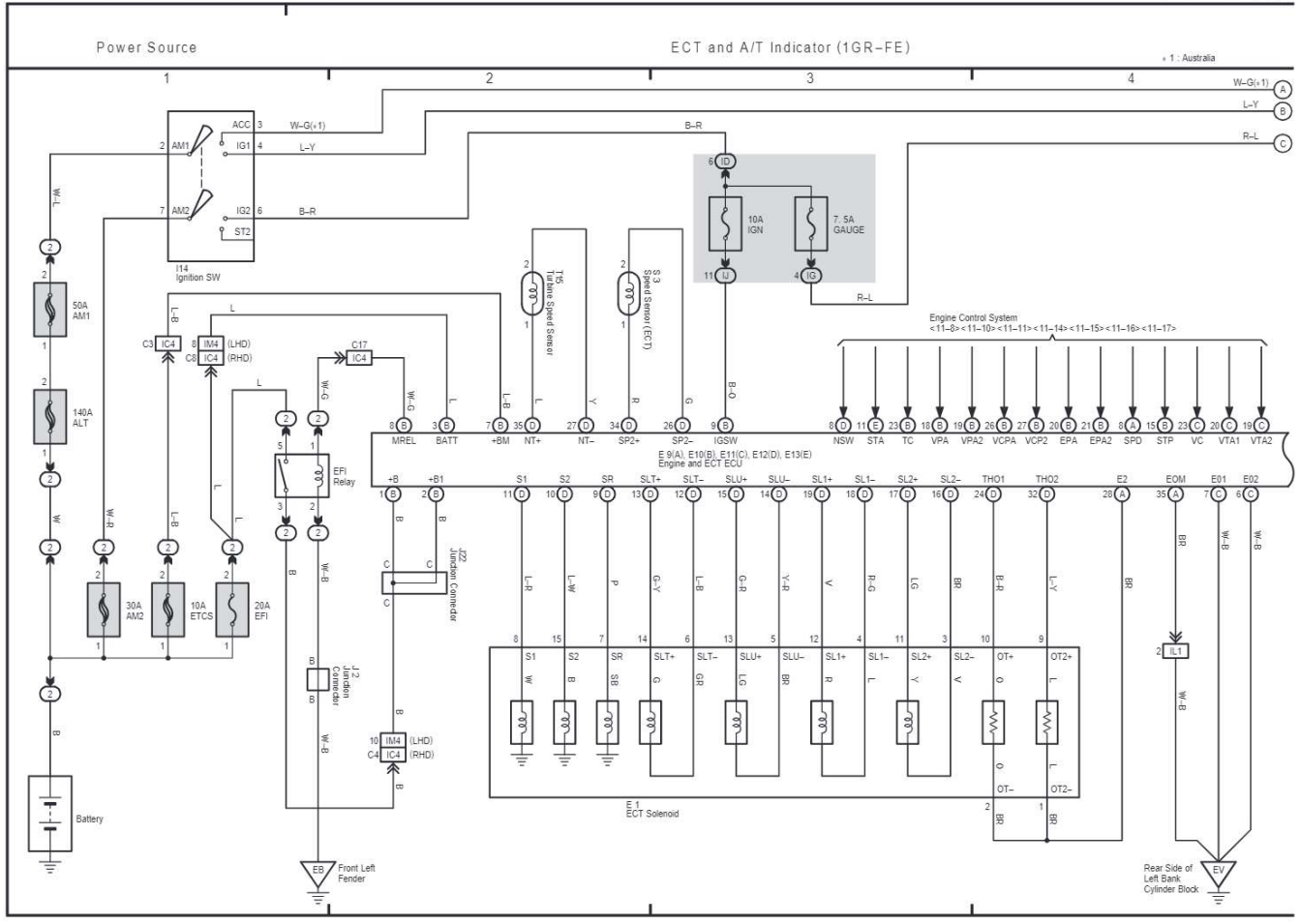
14 LAND CRUISER / LAND CRUISER PRADO (Cont' d)





Engine Immobilizer System (5L-E)



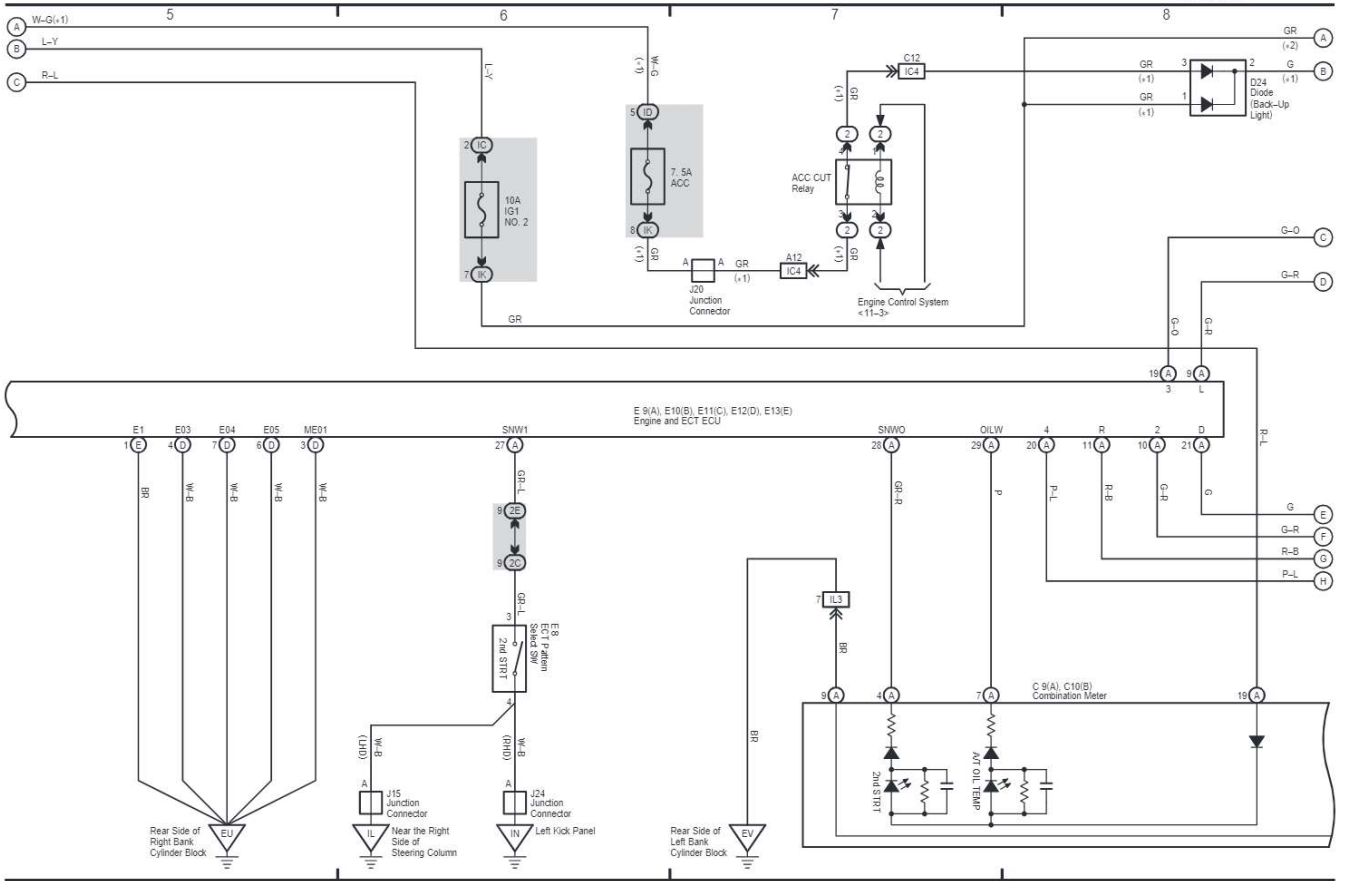


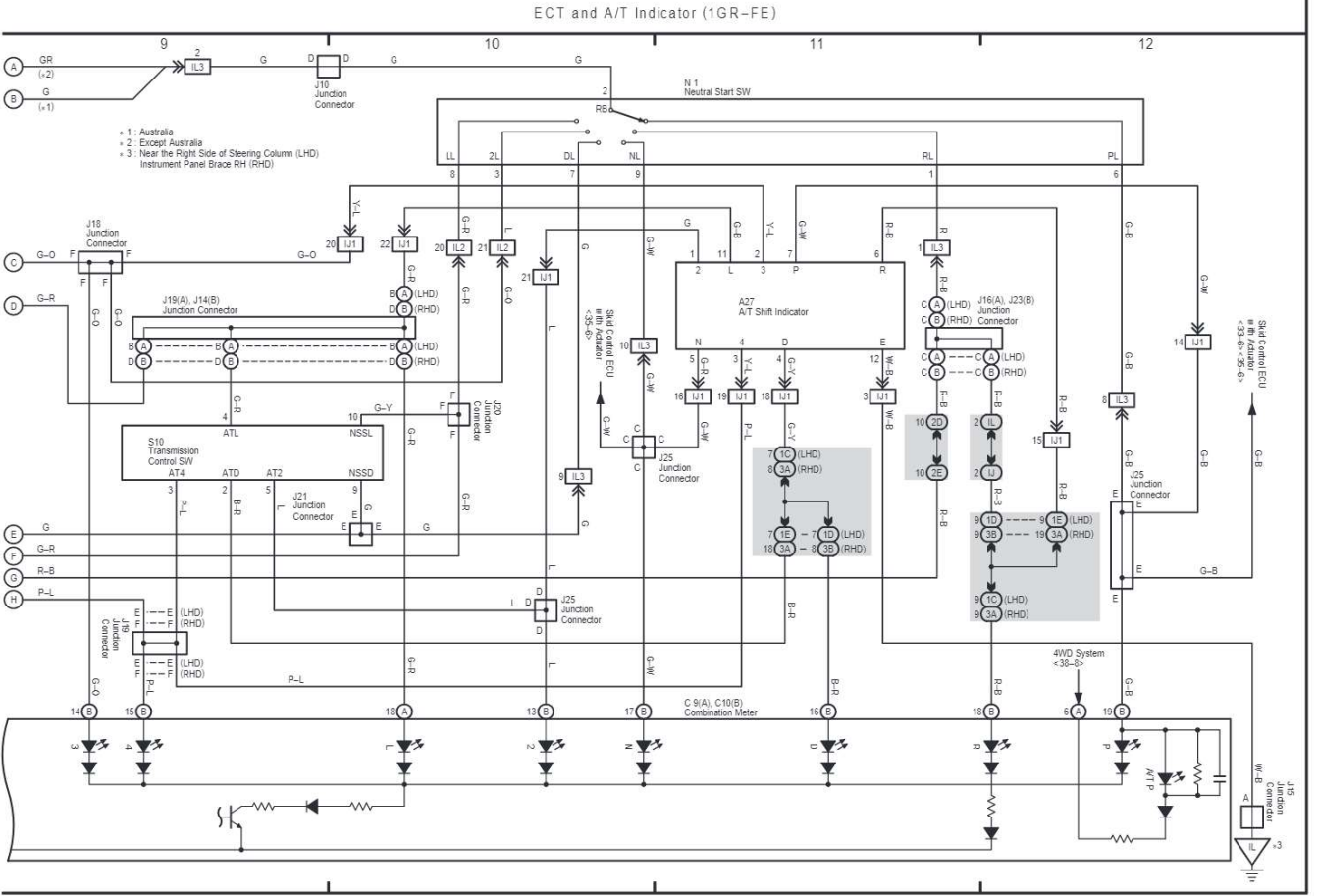
1 : Australia

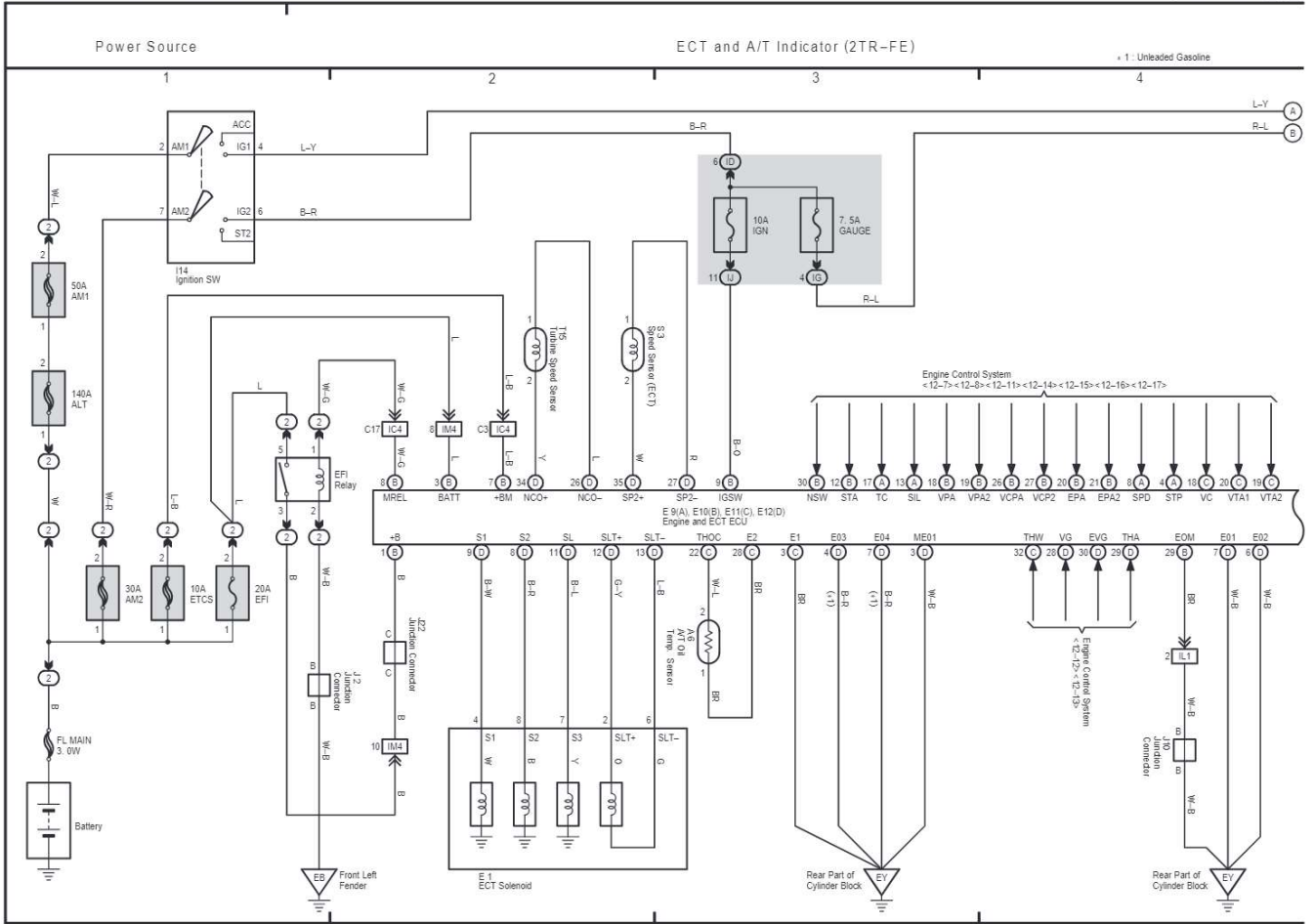


ECT and A/T Indicator (1GR-FE)

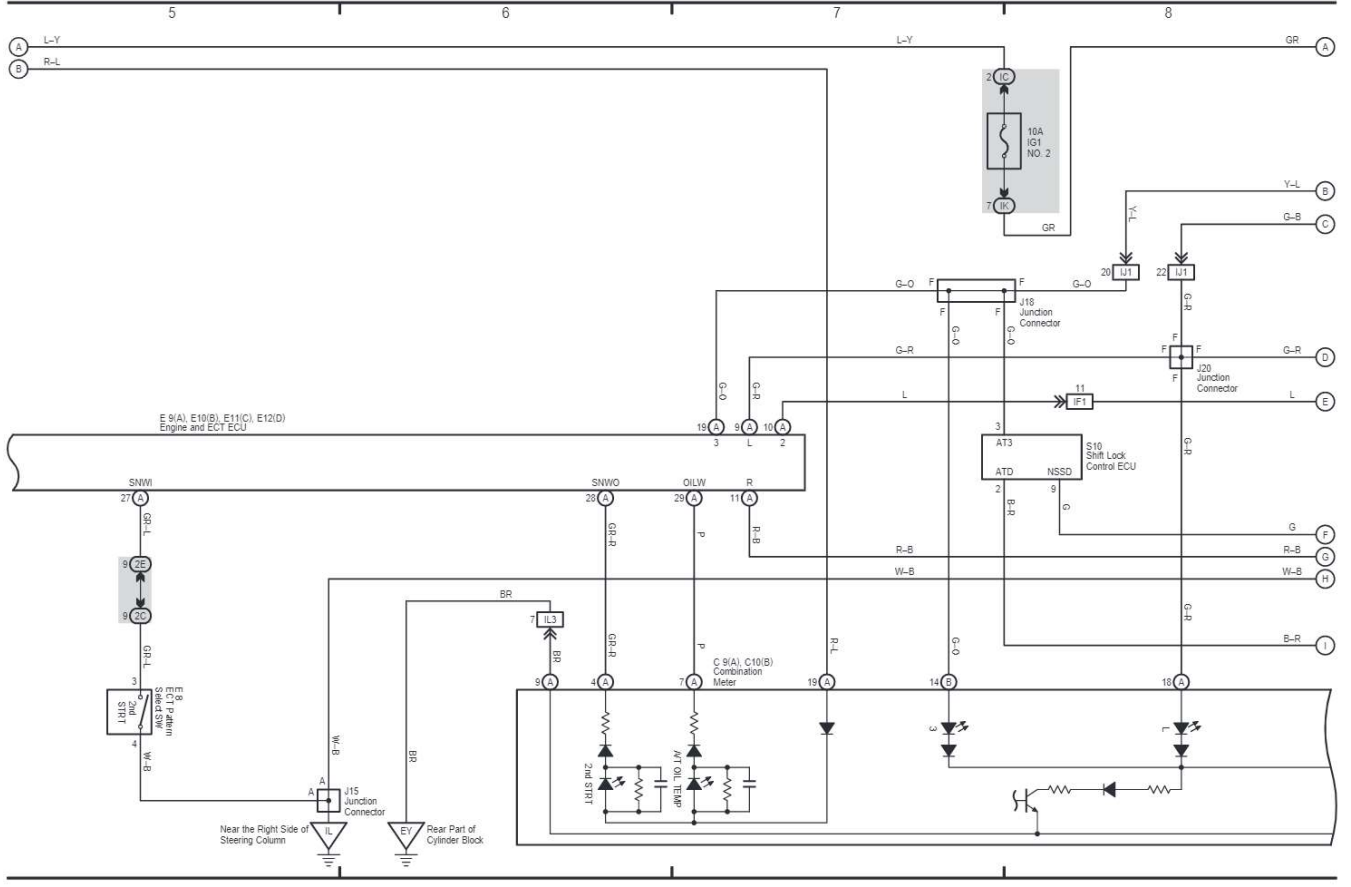
+ 1: Australia  
+ 2: Except Australia



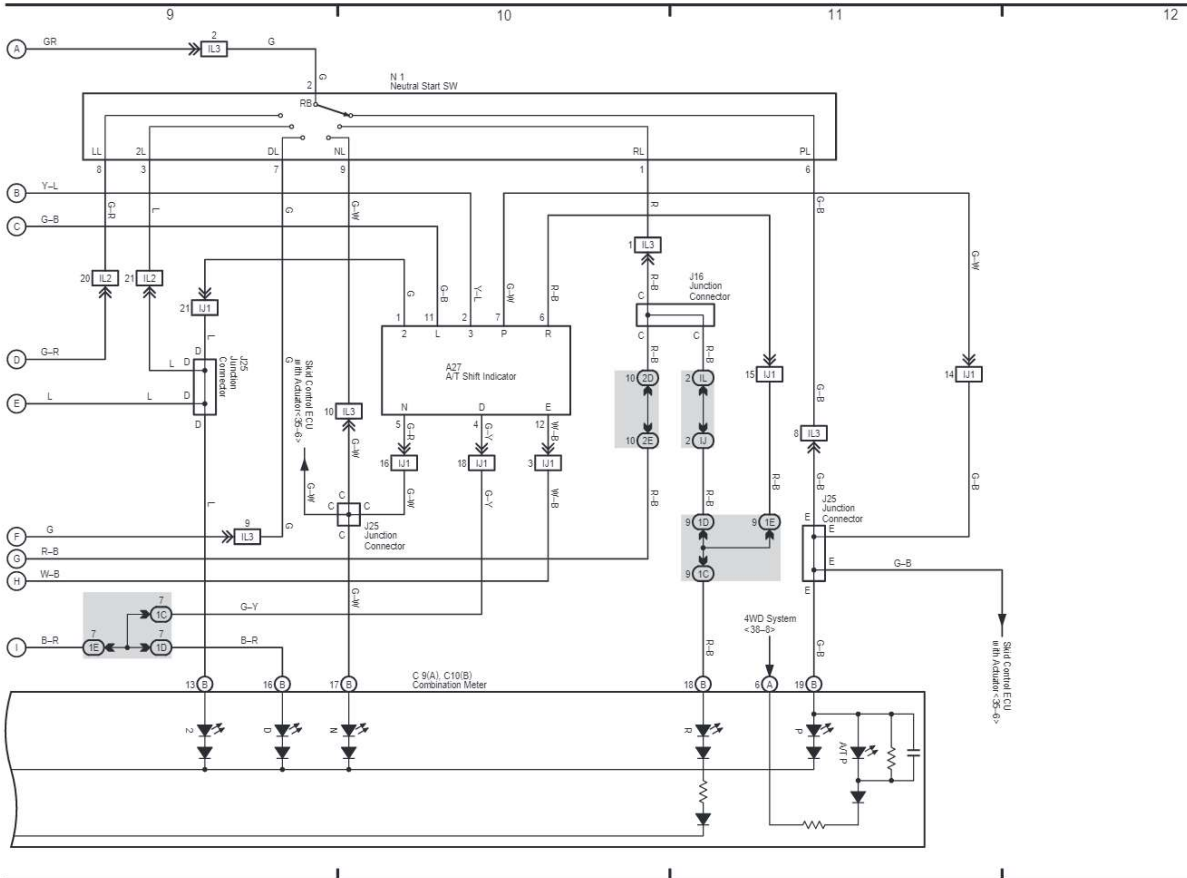


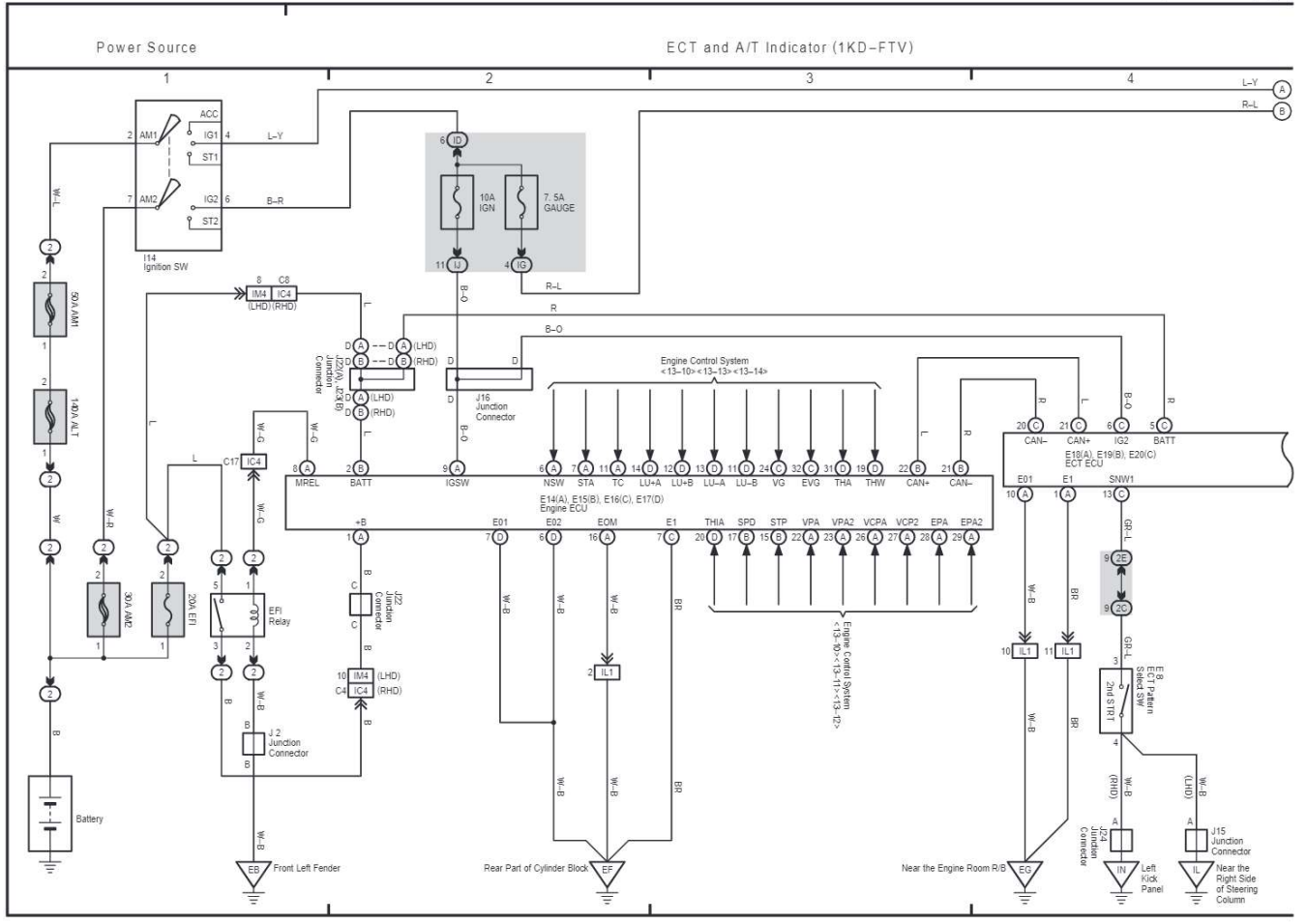


ECT and A/T Indicator (2TR-FE)

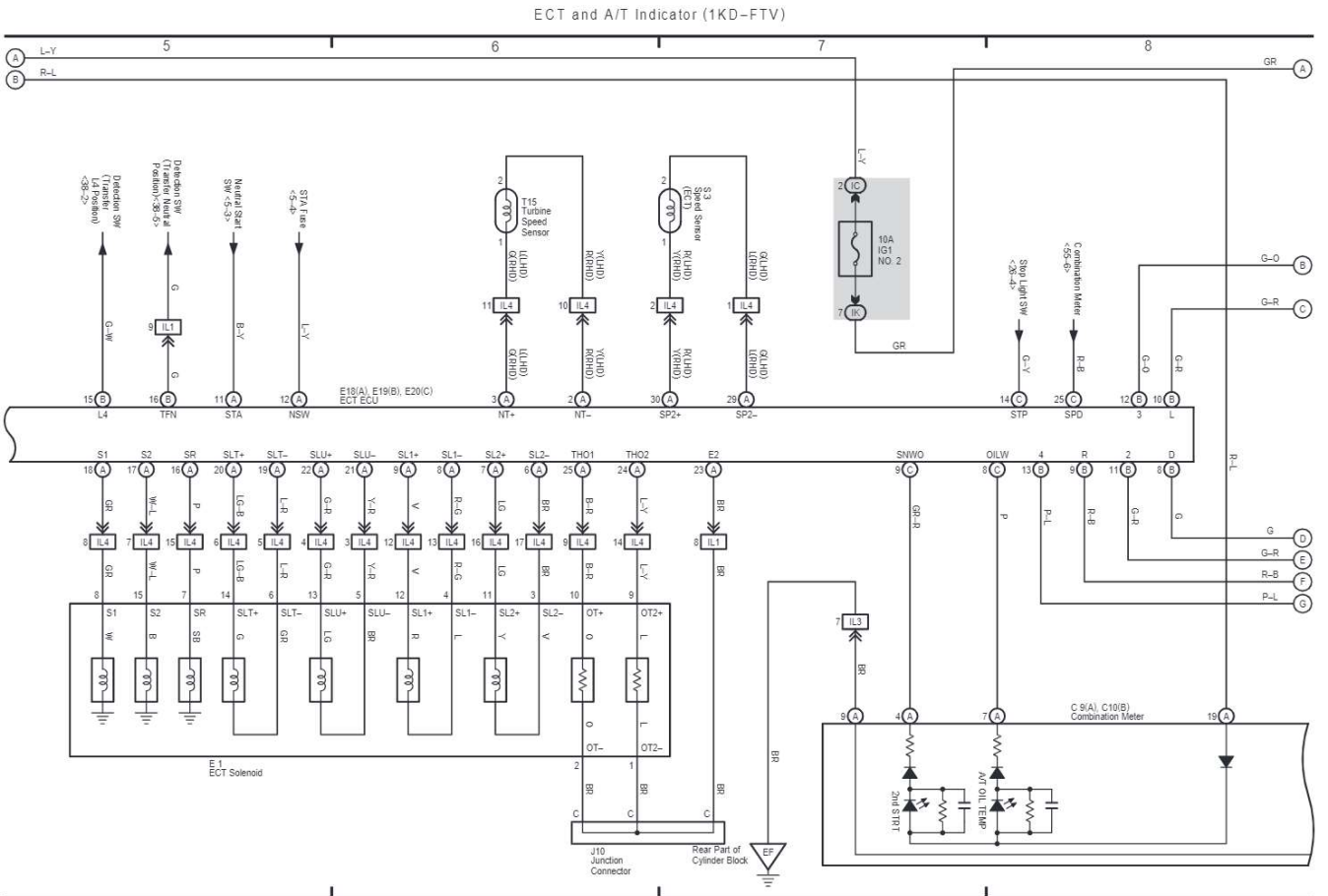


ECT and A/T Indicator (2TR-FE)



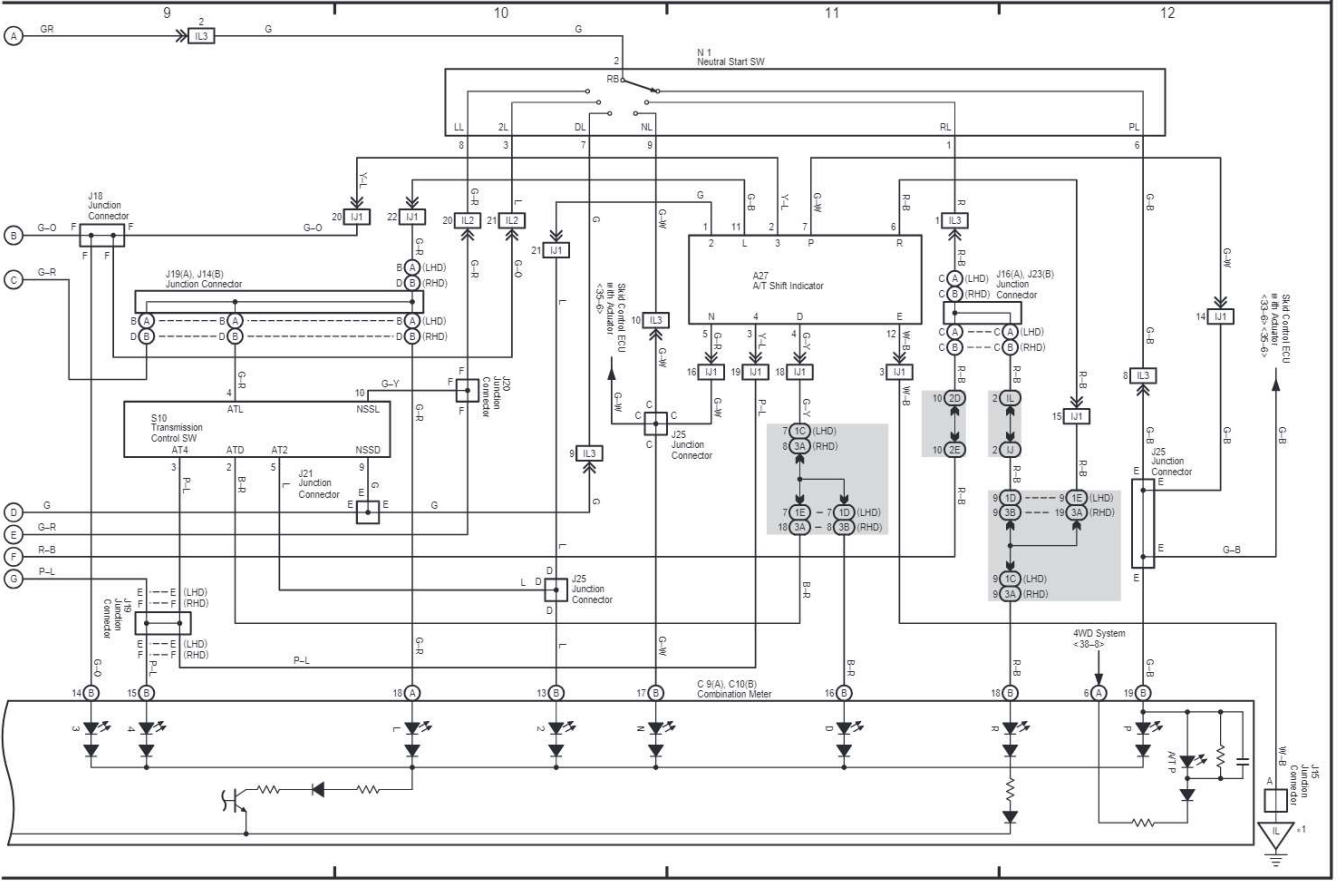


LAND CRUISER / LAND CRUISER PRADO (EWD595E)



ECT and A/T Indicator (1KD-FTV)

\* 1 : Near the Right Side of Steering Column (LHD)  
Instrument Panel Brace RH (RHD)

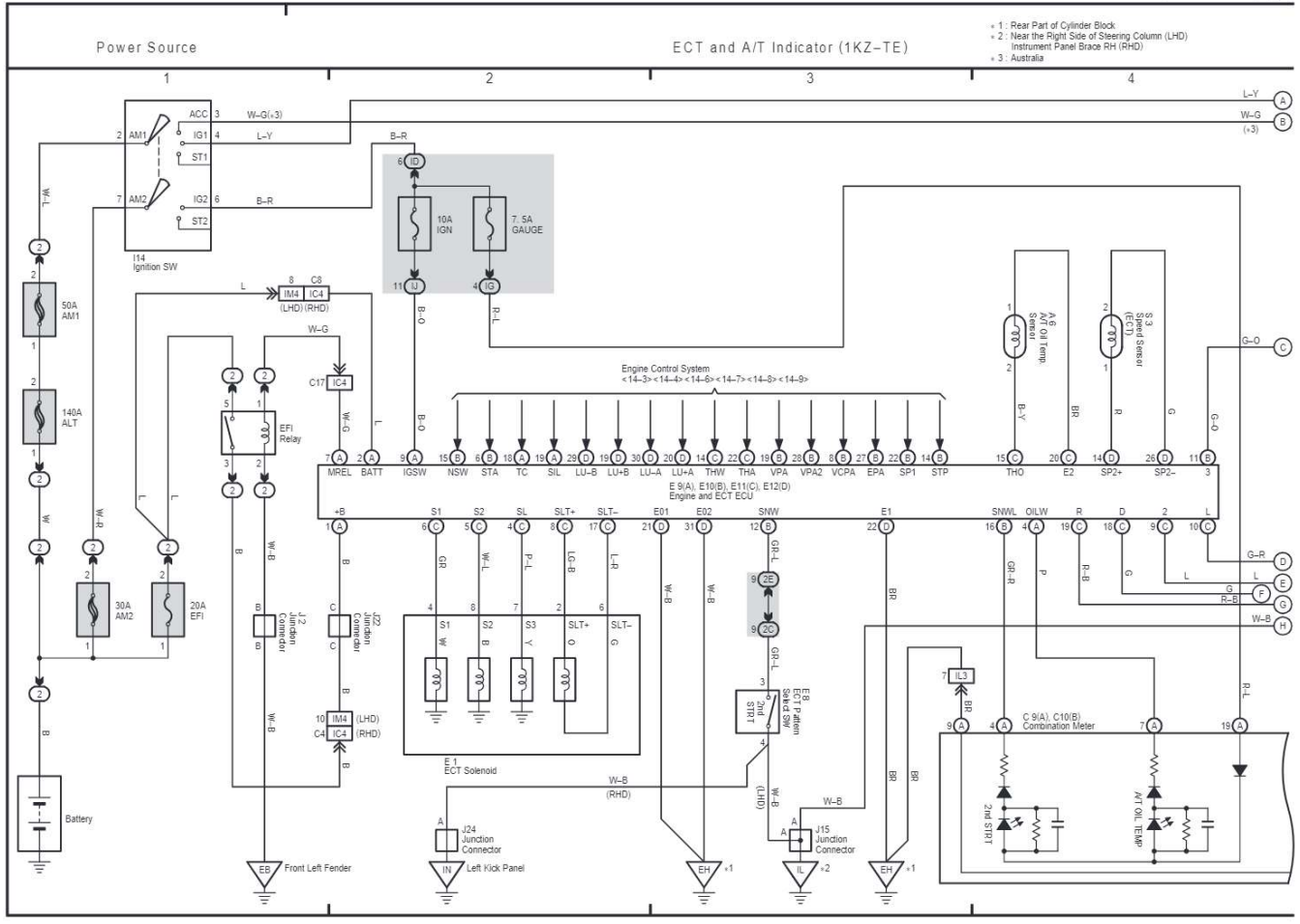




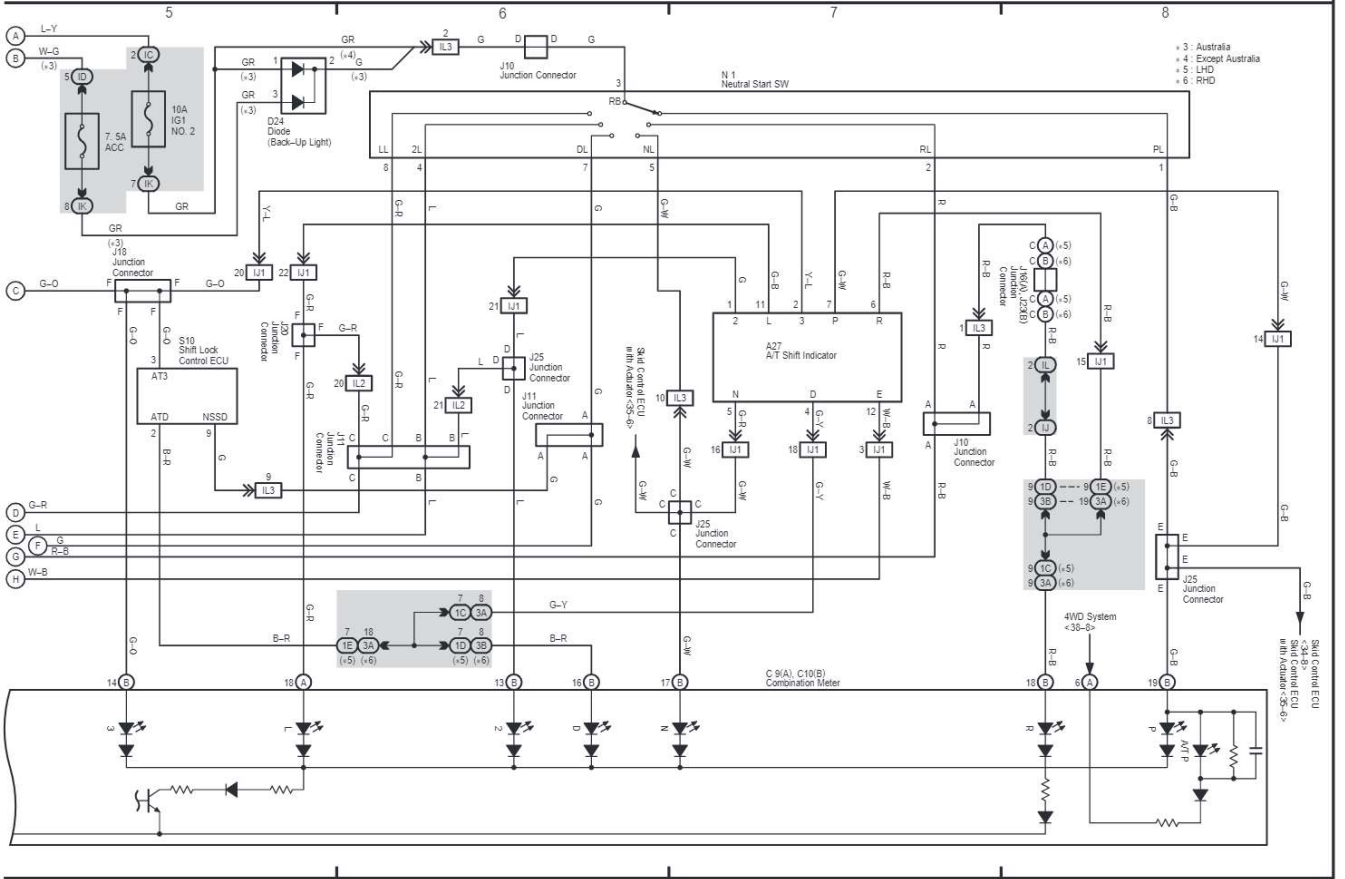
LAND CRUISER / LAND CRUISER PRADO (EWD595E)

199

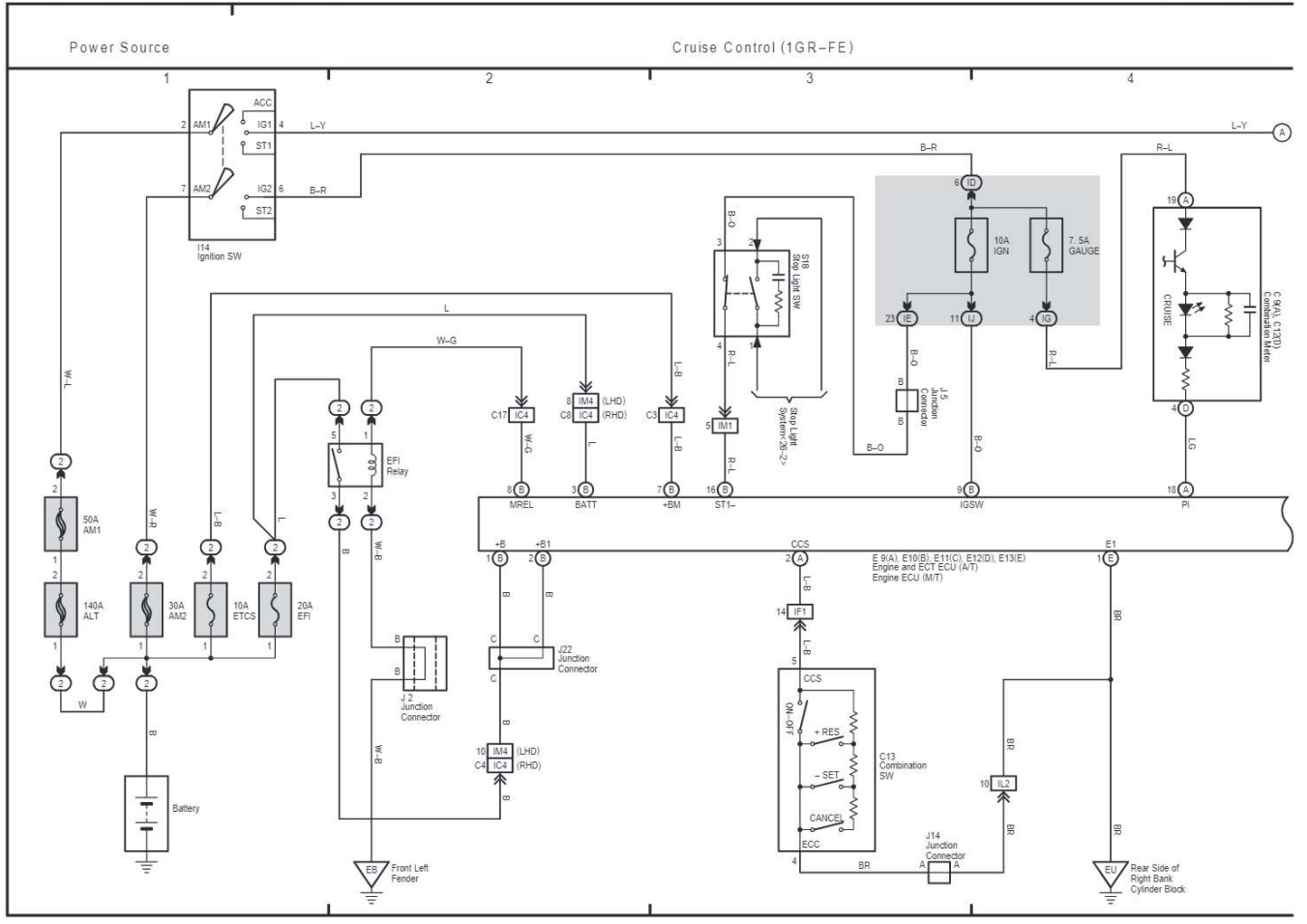
LAND CRUISER / LAND CRUISER PRADO (EWD595E)



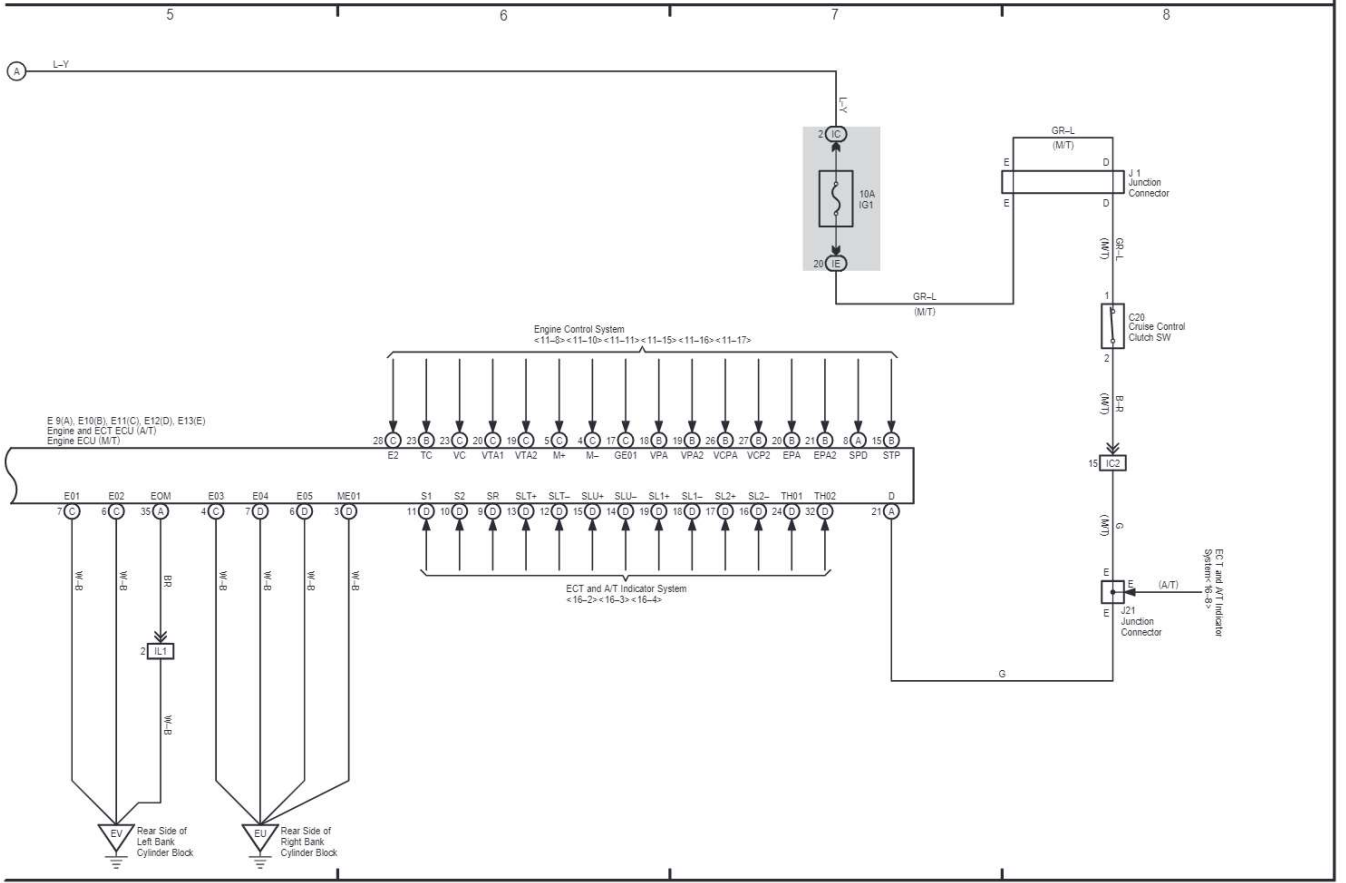
ECT and A/T Indicator (1KZ-TE)



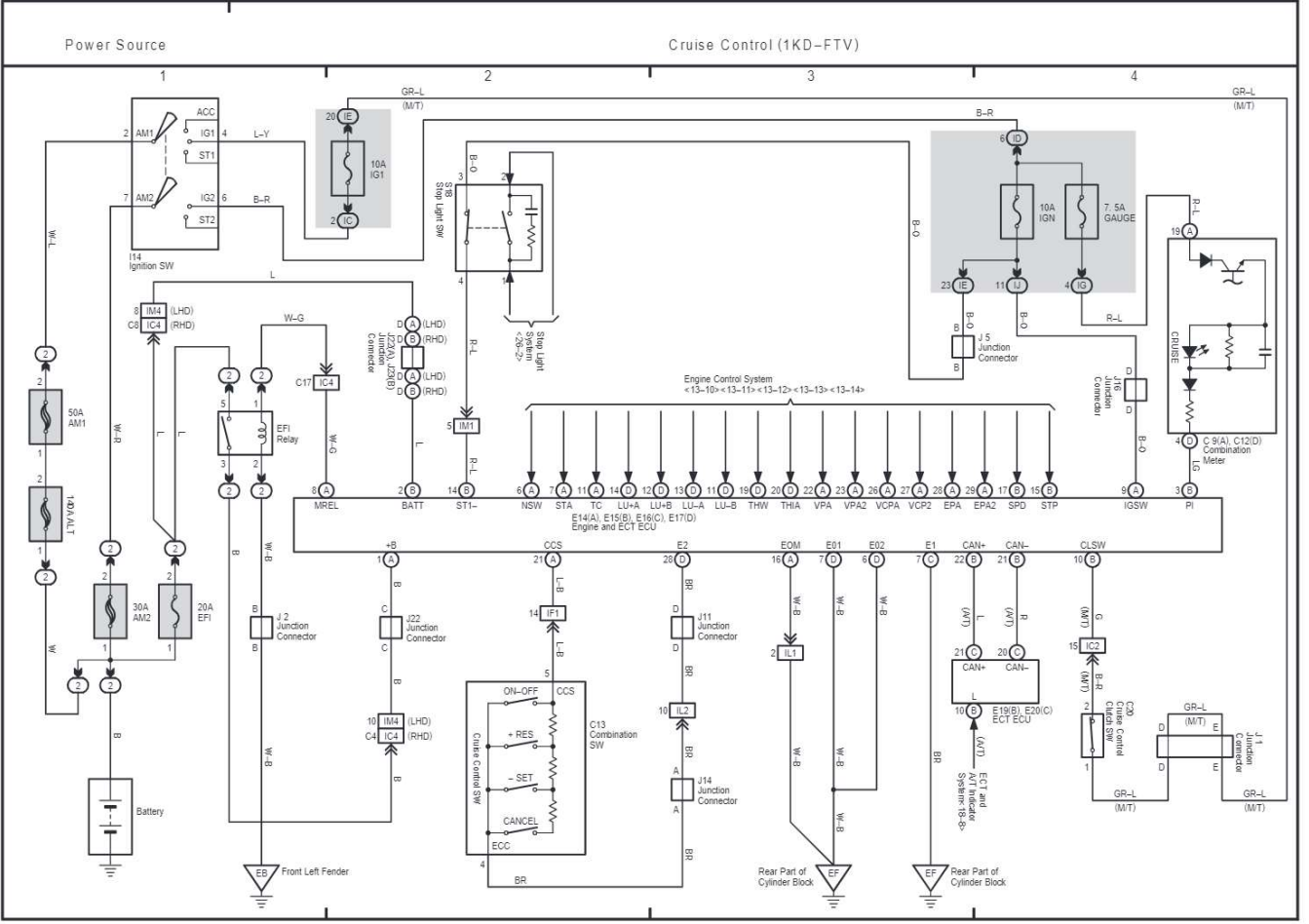
LAND CRUISER / LAND CRUISER PRADO (EWD595E)

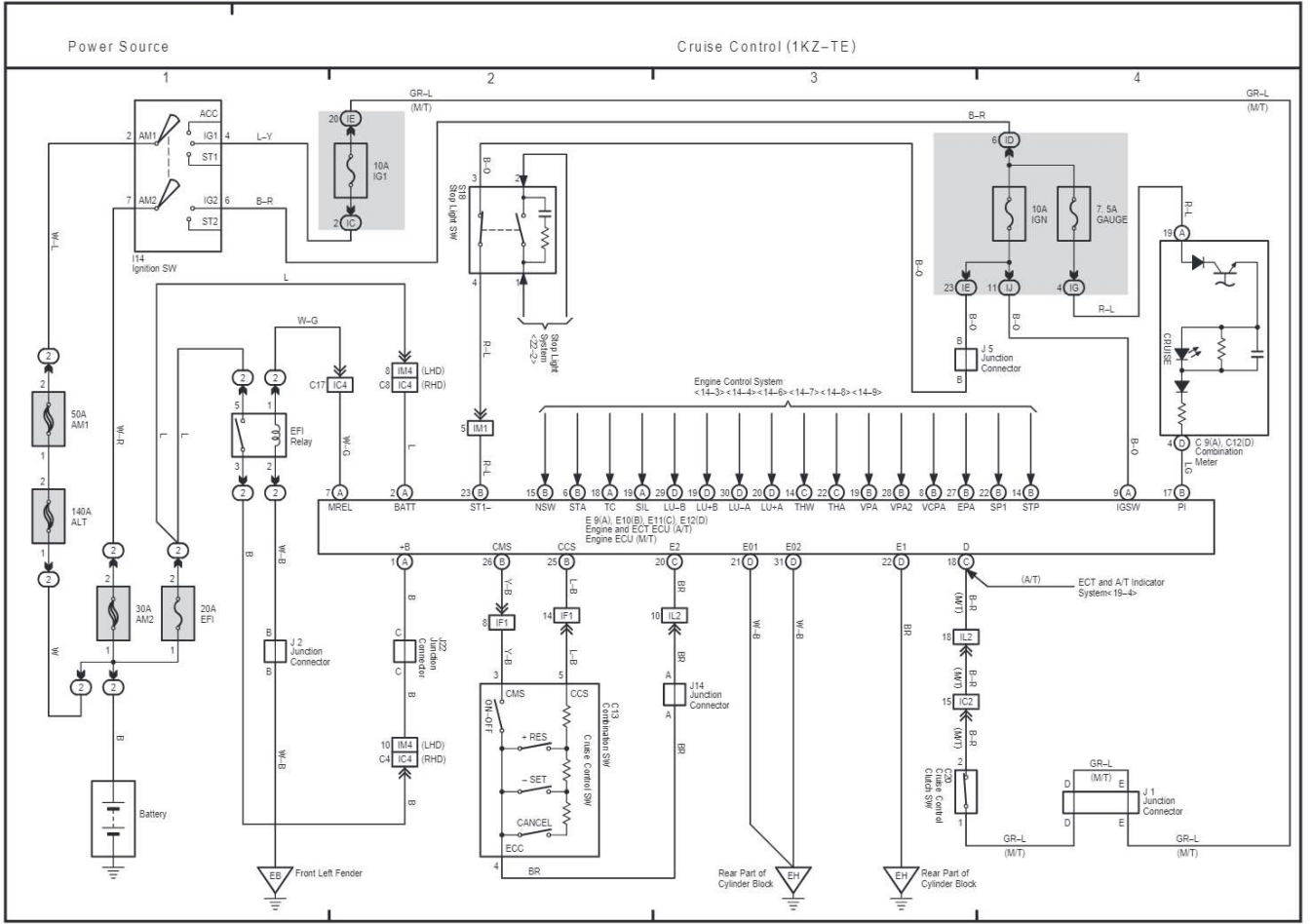


Cruise Control (1GR-FE)



21 LAND CRUISER / LAND CRUISER PRADO



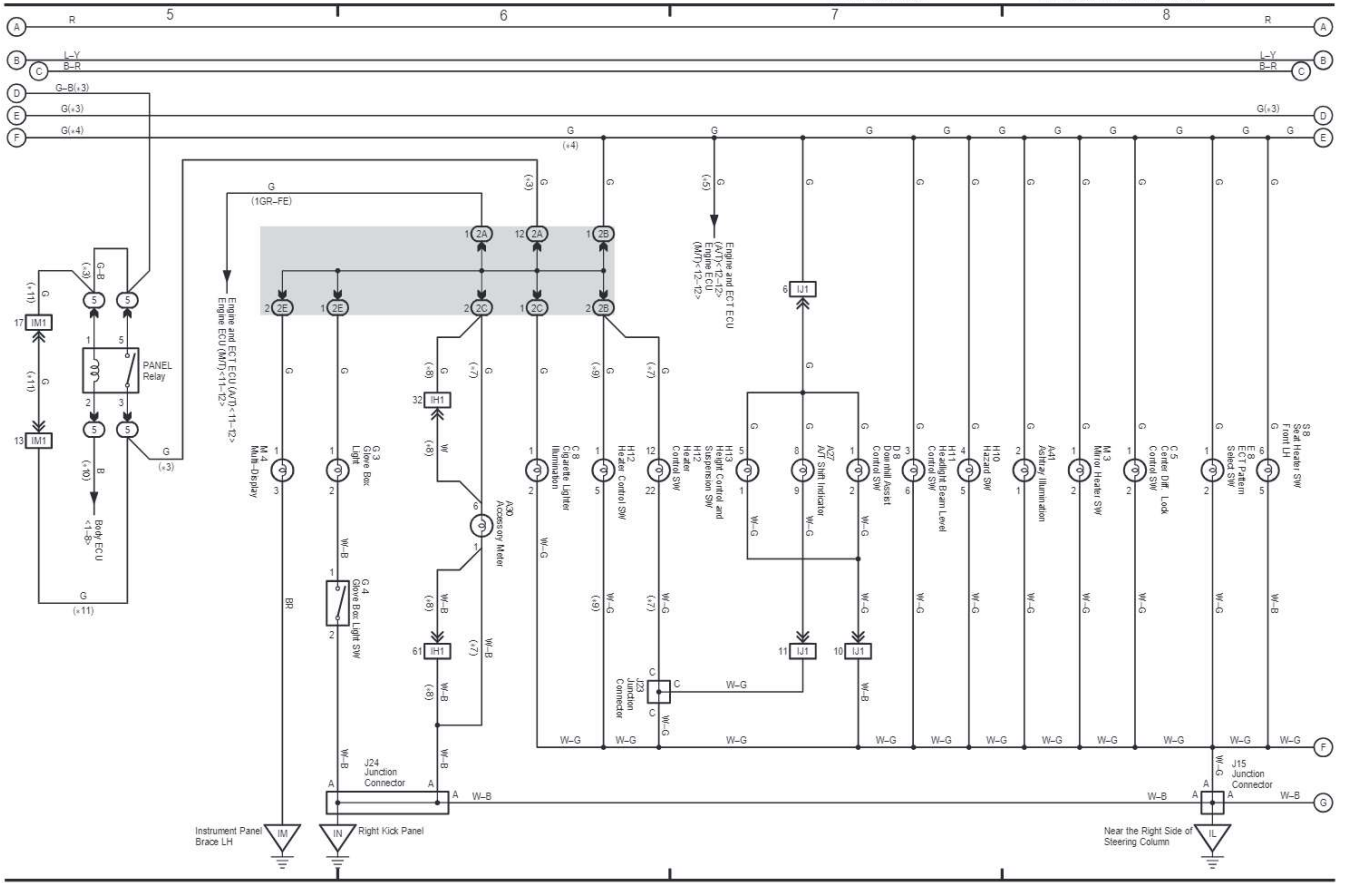




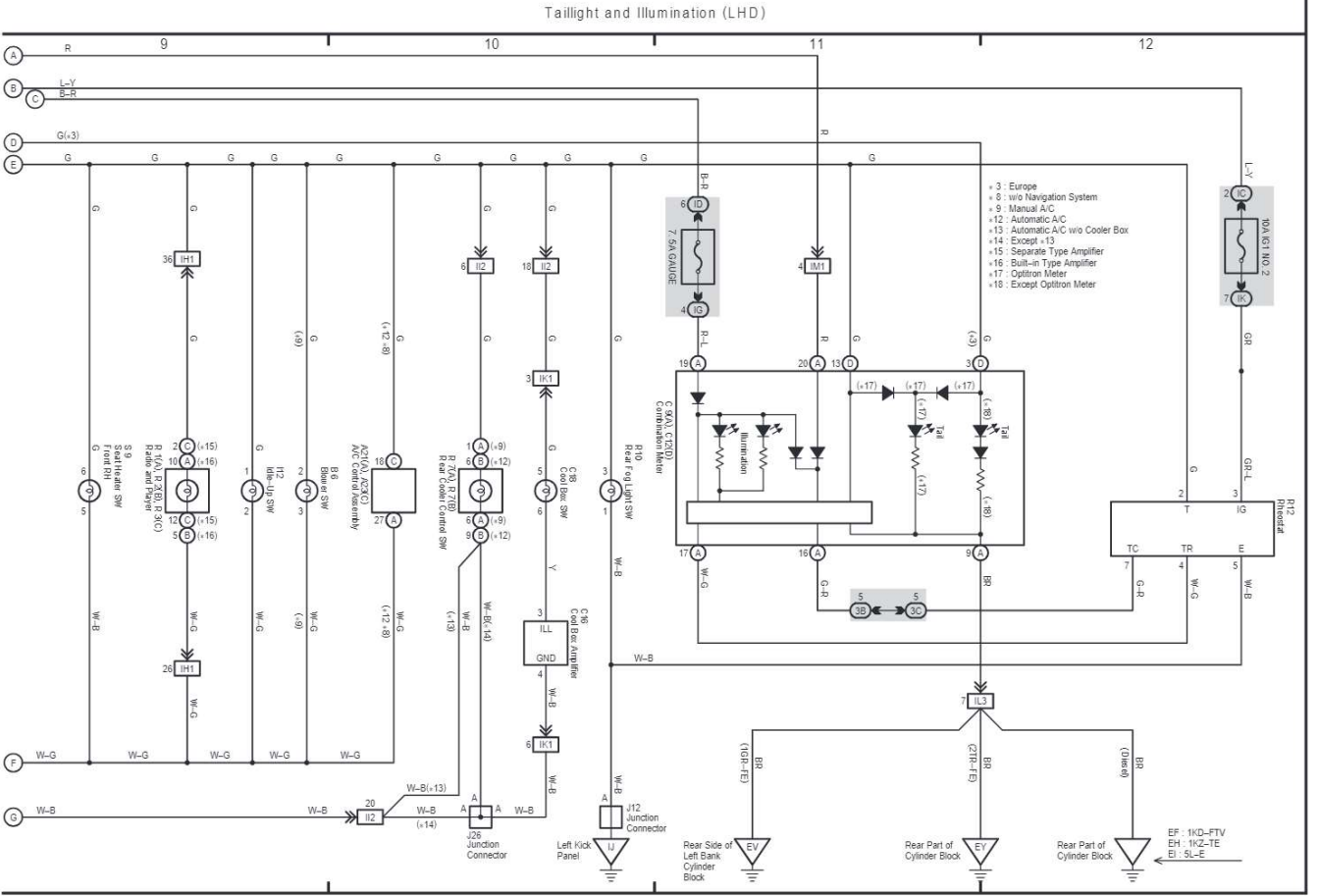


Taillight and Illumination (LHD)

- + 3 : Europe
- + 4 : Except Europe
- + 5 : 2TR-FE
- + 7 : w/ Navigation System
- + 8 : w/o Navigation System
- + 9 : Manual A/C
- + 10 : Europe w/ Daytime Running Light
- + 11 : Europe w/o Daytime Running Light

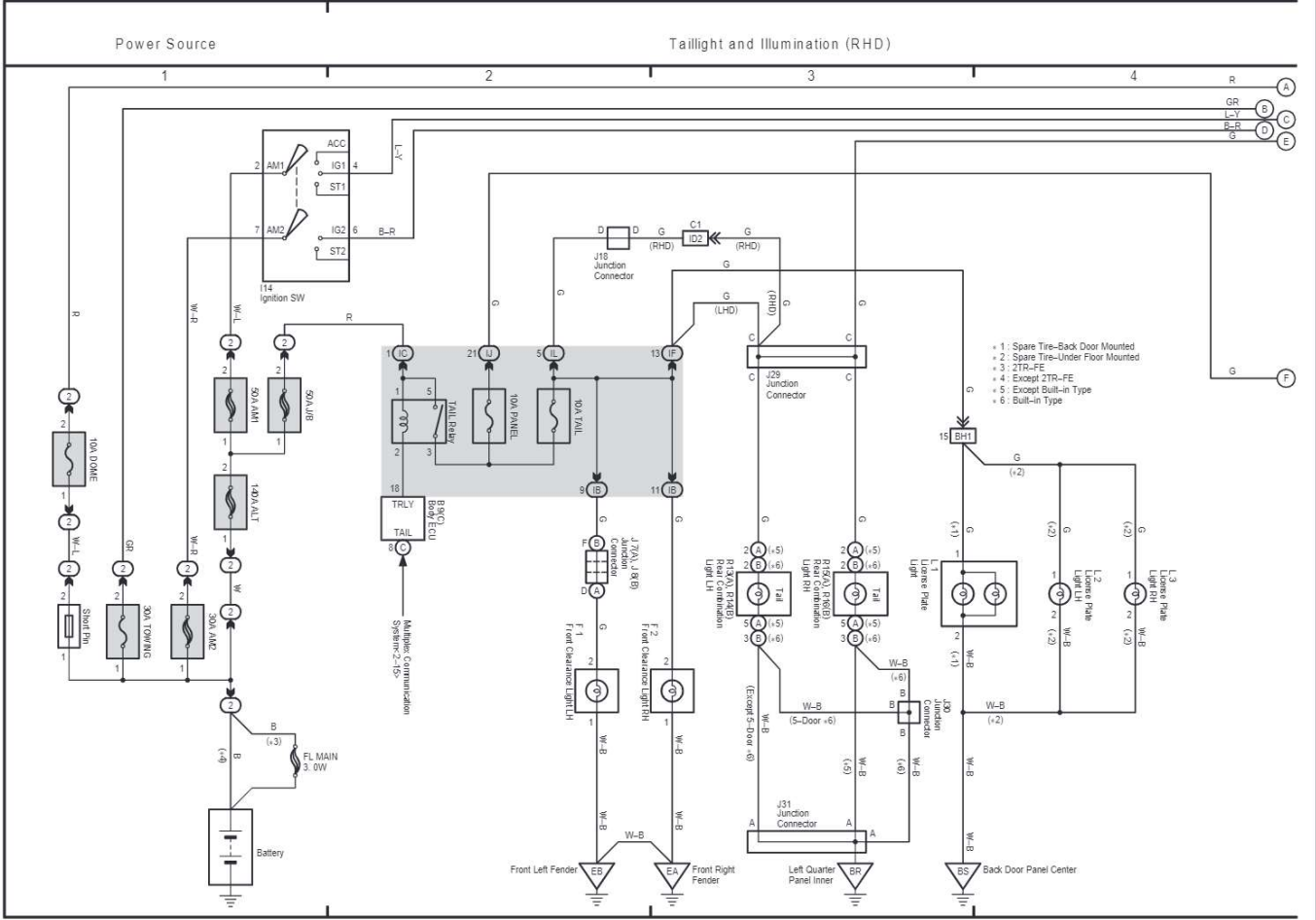


LAND CRUISER / LAND CRUISER PRADO (EWD595E)



LAND CRUISER / LAND CRUISER PRADO (EWD595E)

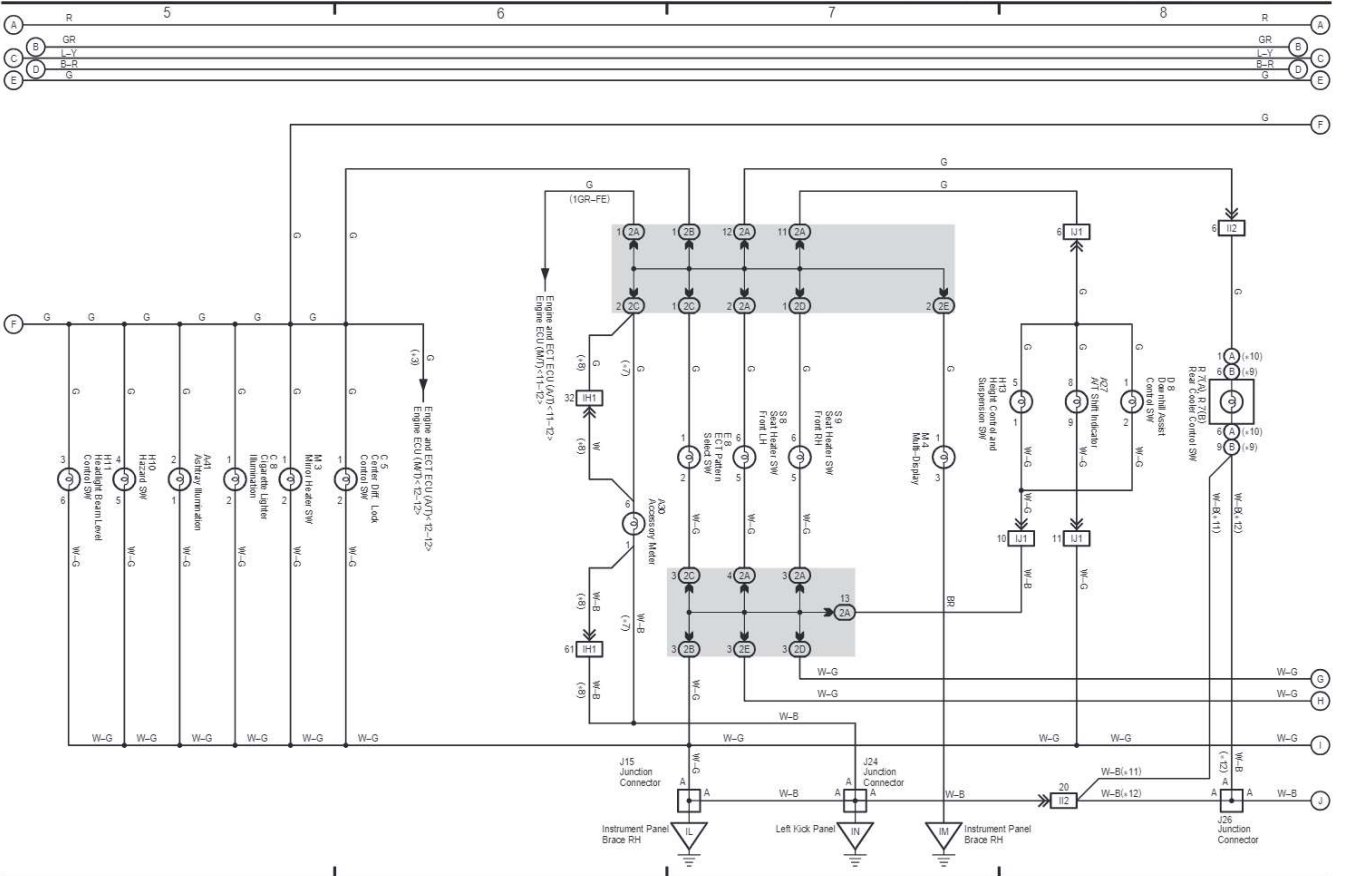
209



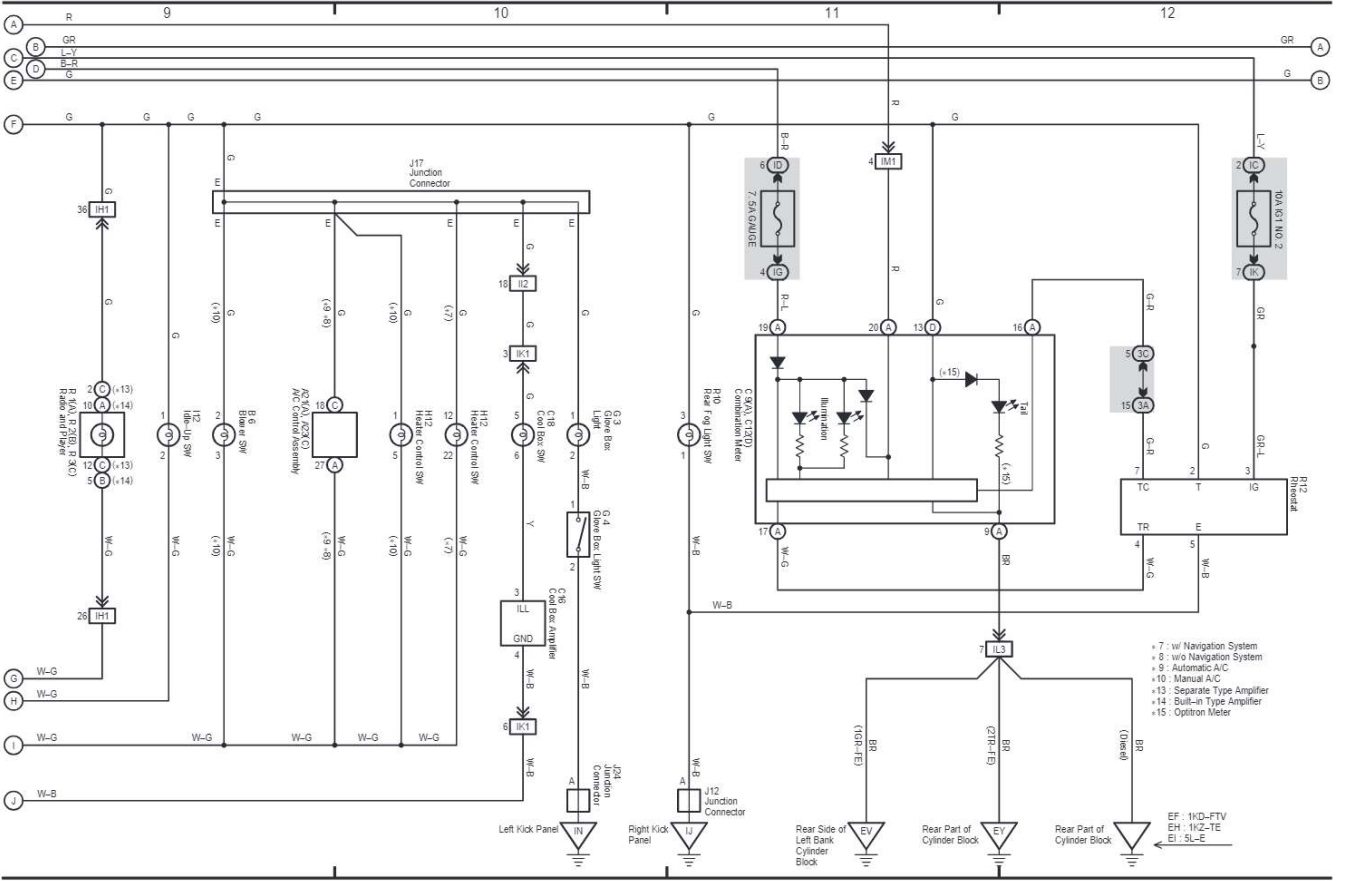
Taillight and Illumination (RHD)

- + 3 : 2TR-FE
- + 7 : w/ Navigation System
- + 8 : w/o Navigation System
- + 9 : Automatic A/C

- + 10 : Manual A/C
- + 11 : Automatic A/C w/o Cooler Box
- + 12 : Except - 11

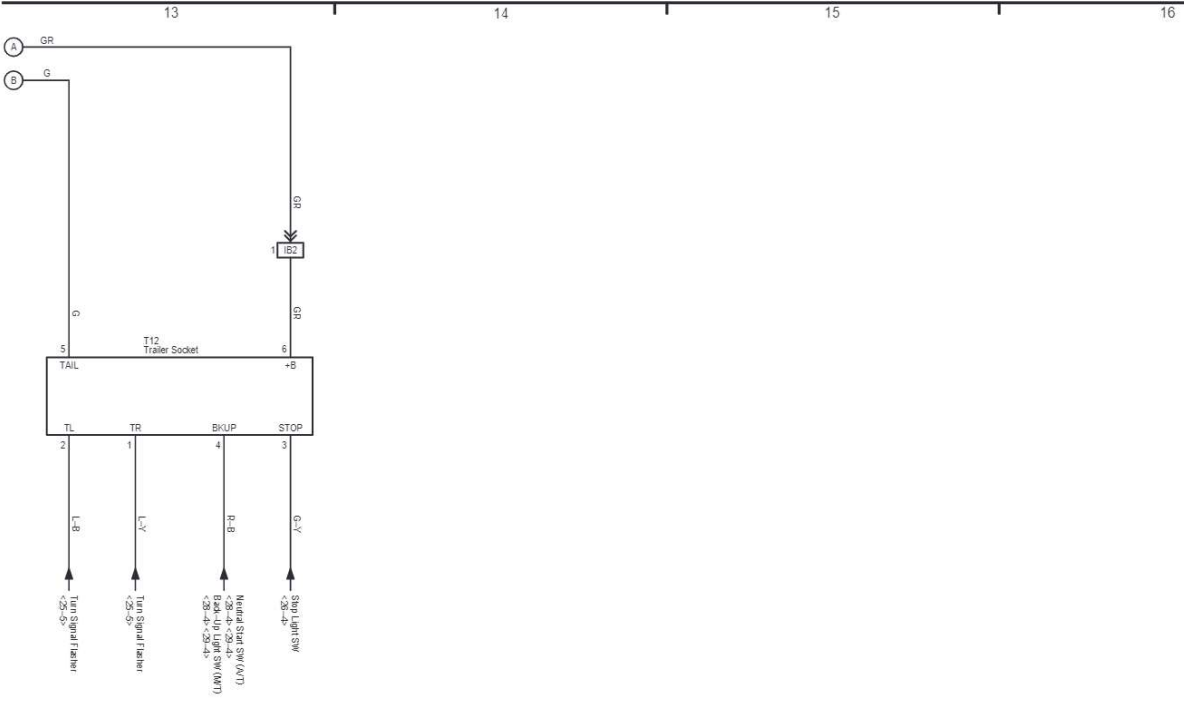


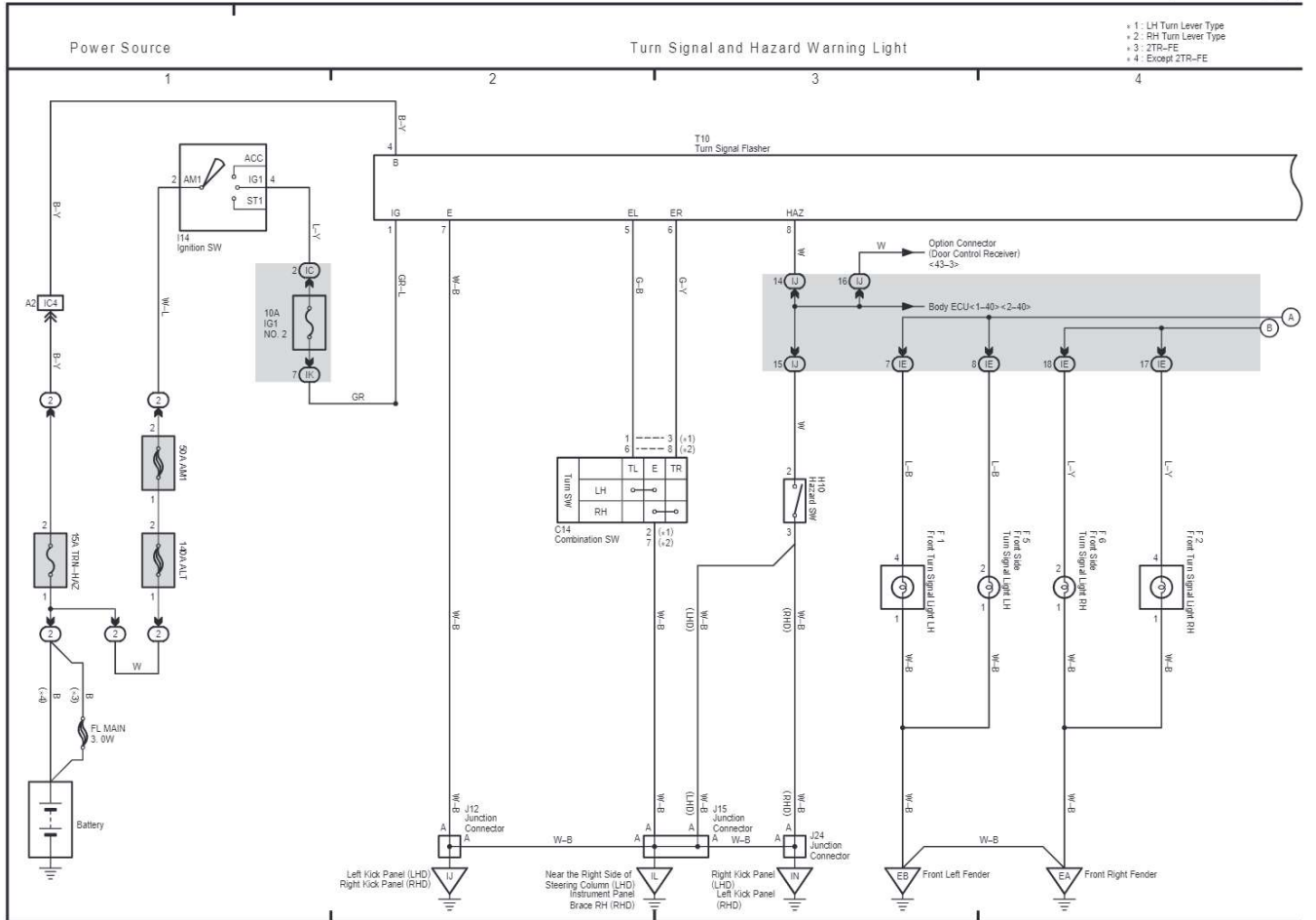
Taillight and Illumination (RHD)



LAND CRUISER / LAND CRUISER PRADO (EWD595E)

Trailer Towing



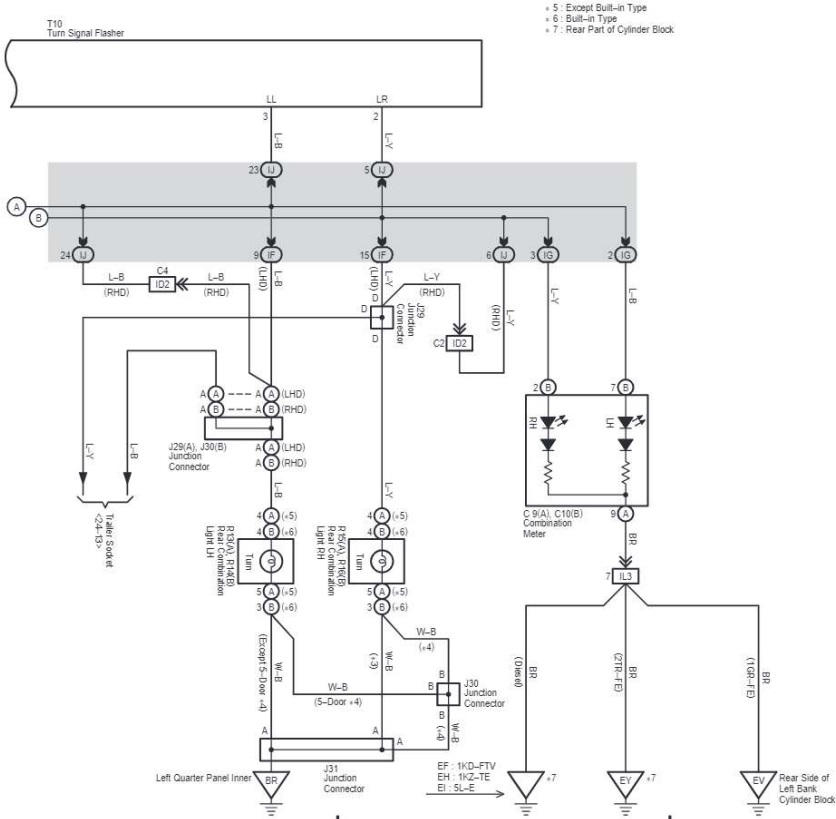


LAND CRUISER / LAND CRUISER PRADO (EWD595E)

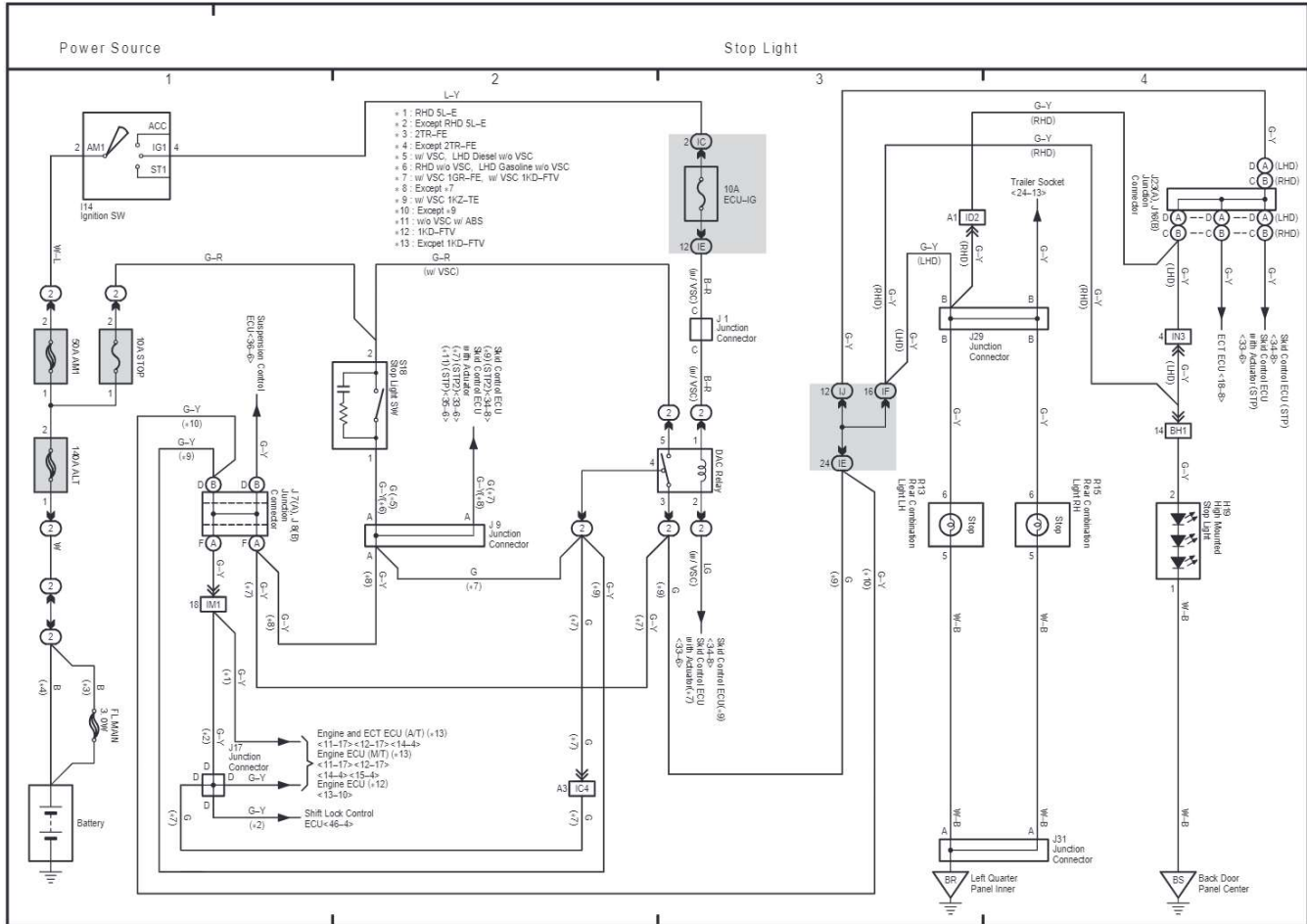


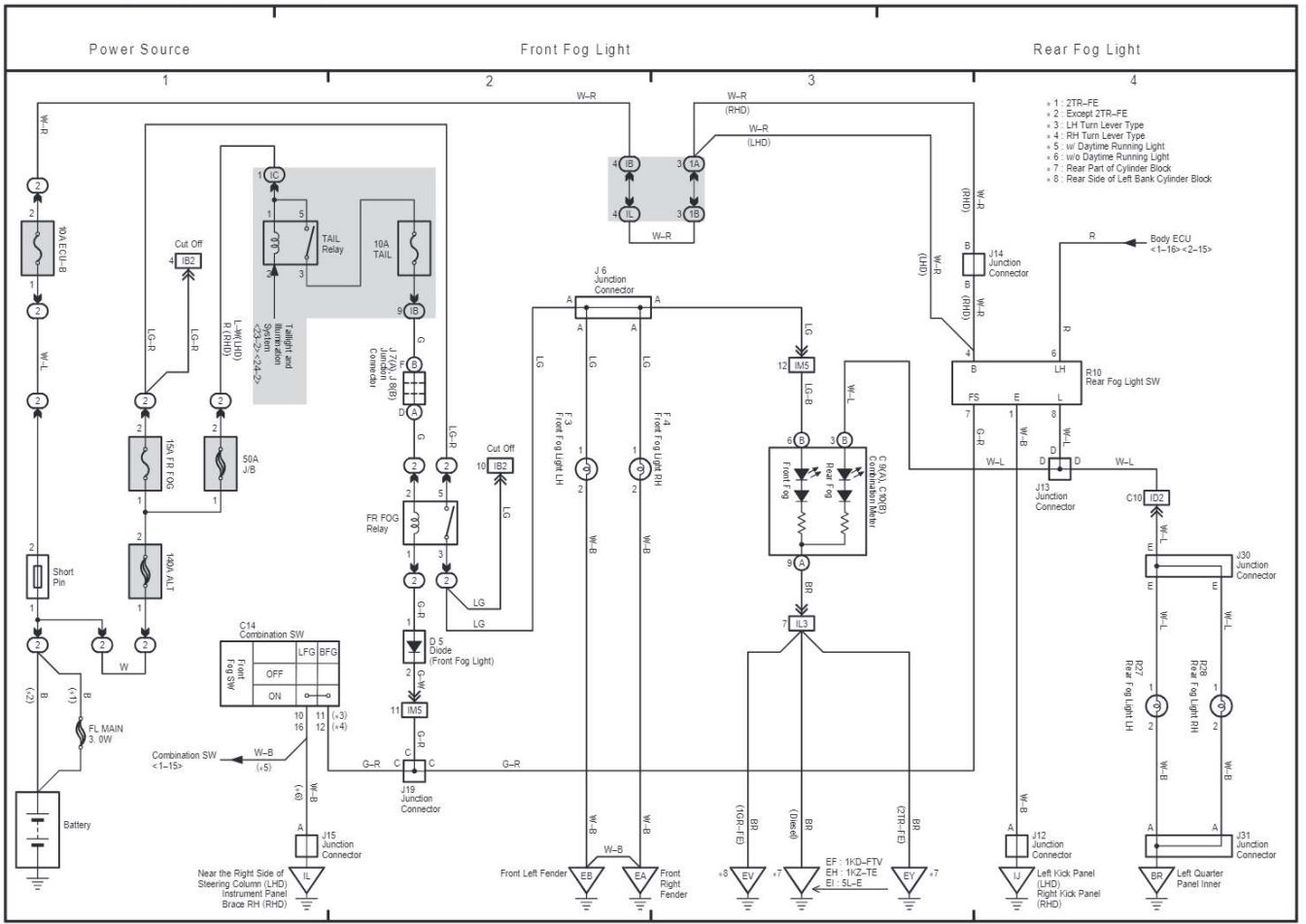
Turn Signal and Hazard Warning Light

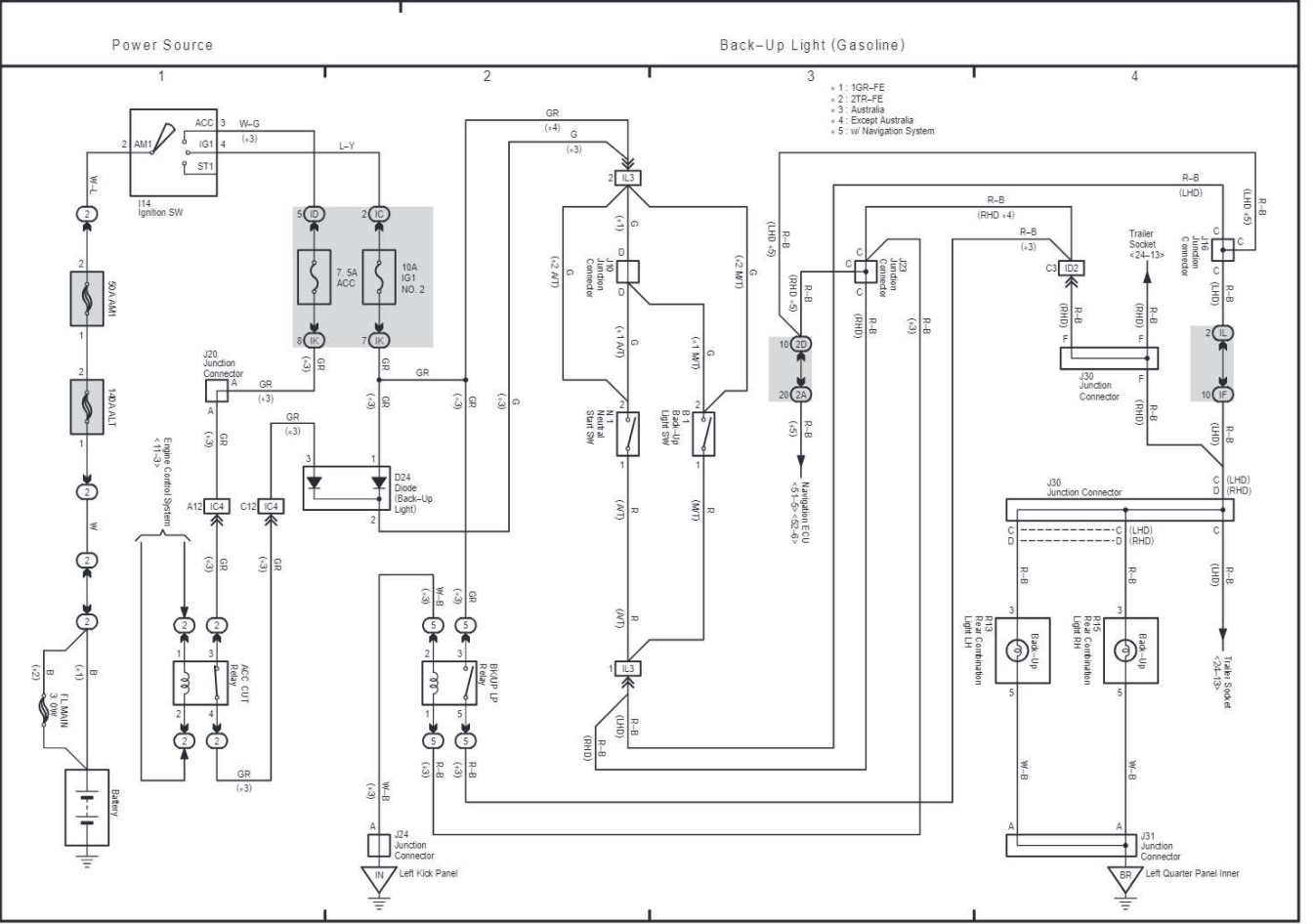
5 | 6 | 7 | 8

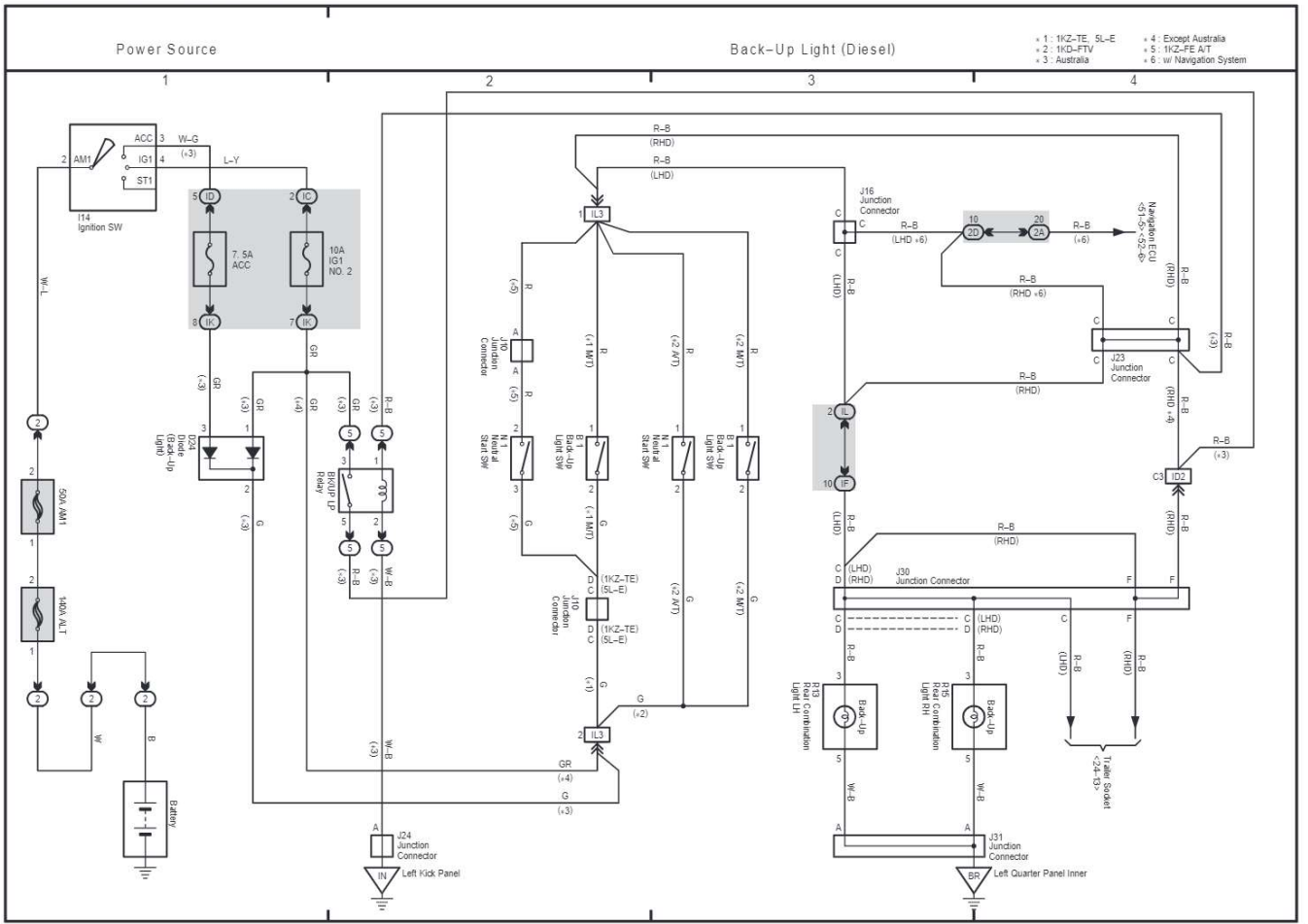


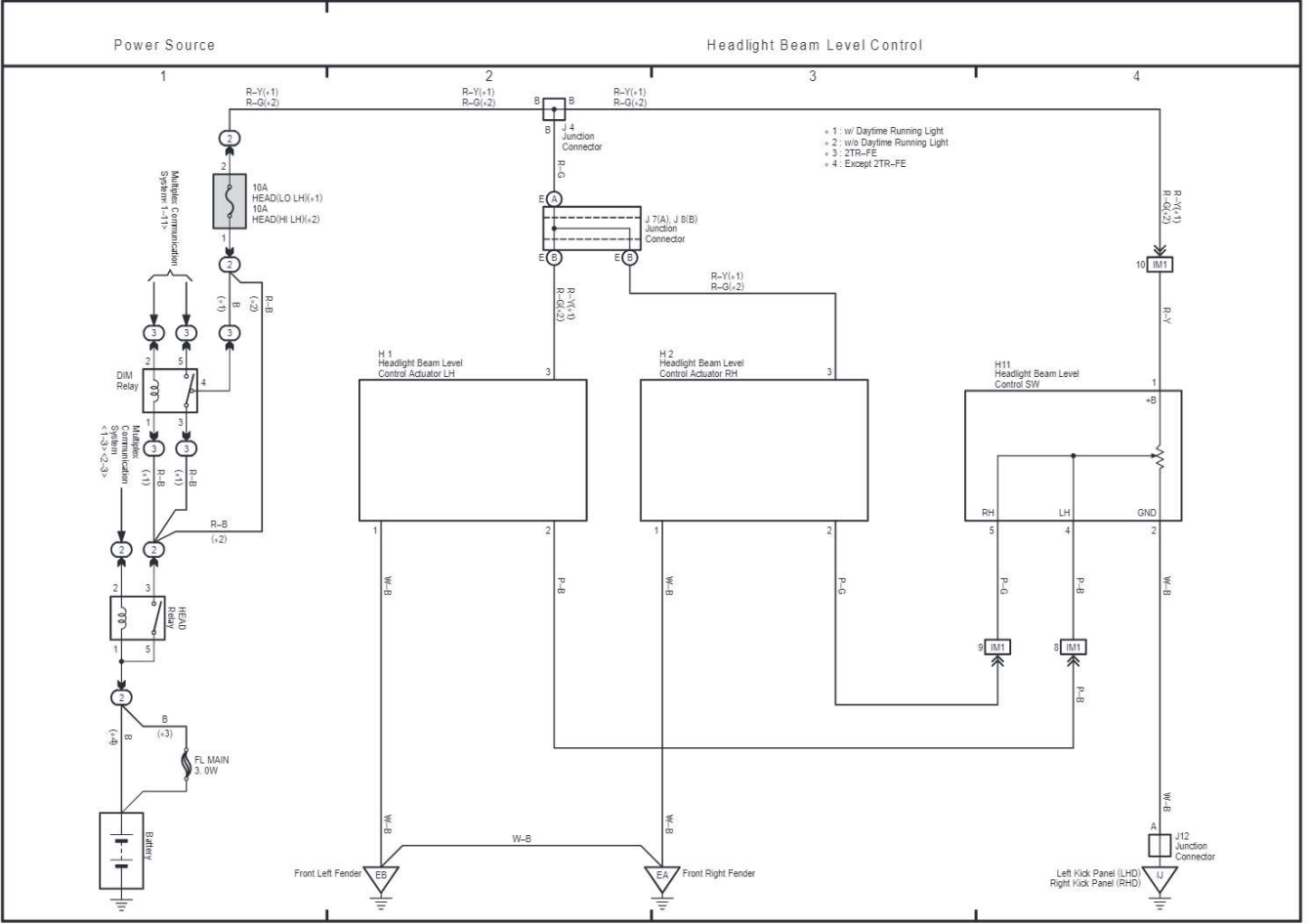
LAND CRUISER / LAND CRUISER PRADO (EWD595E)

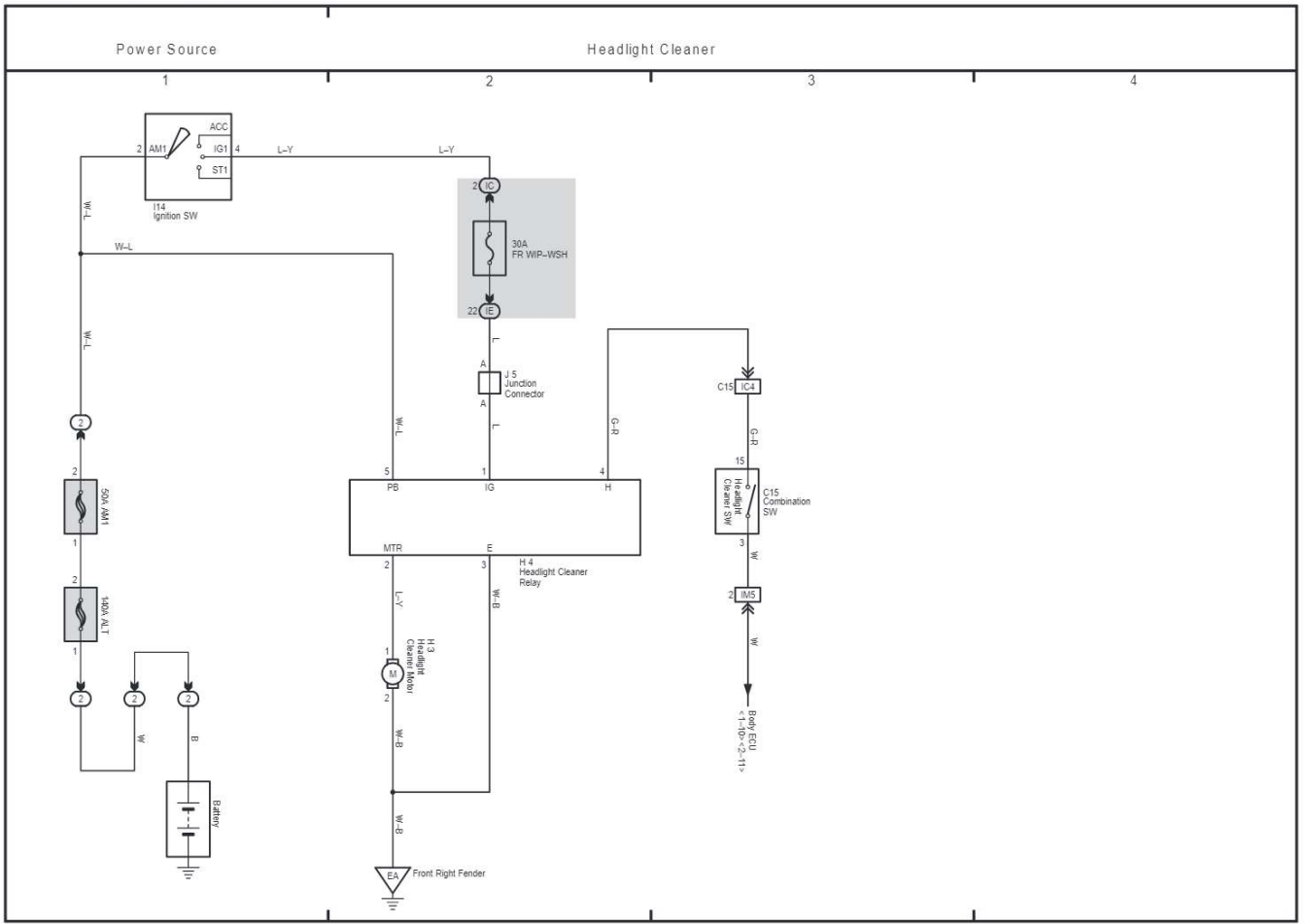


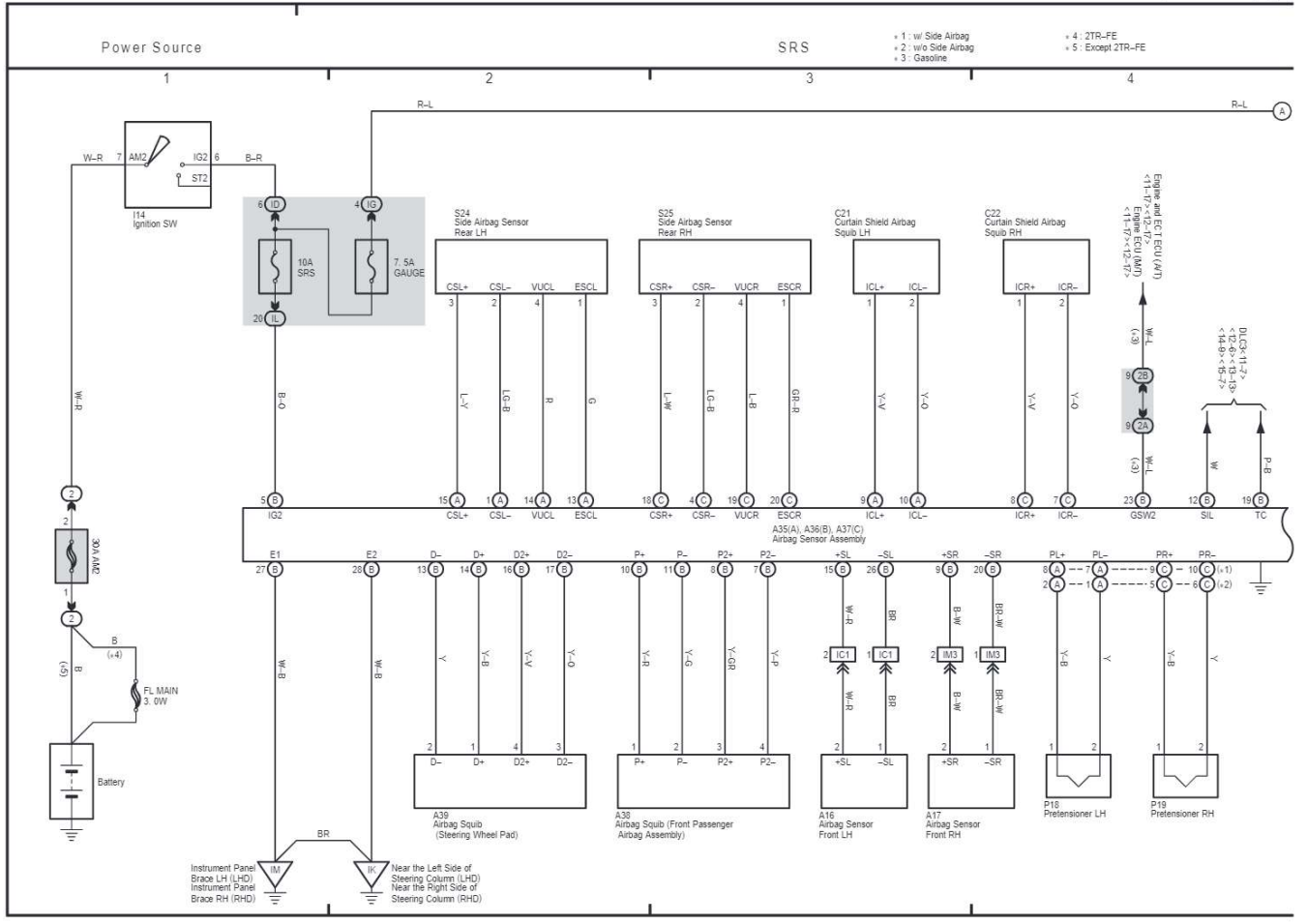








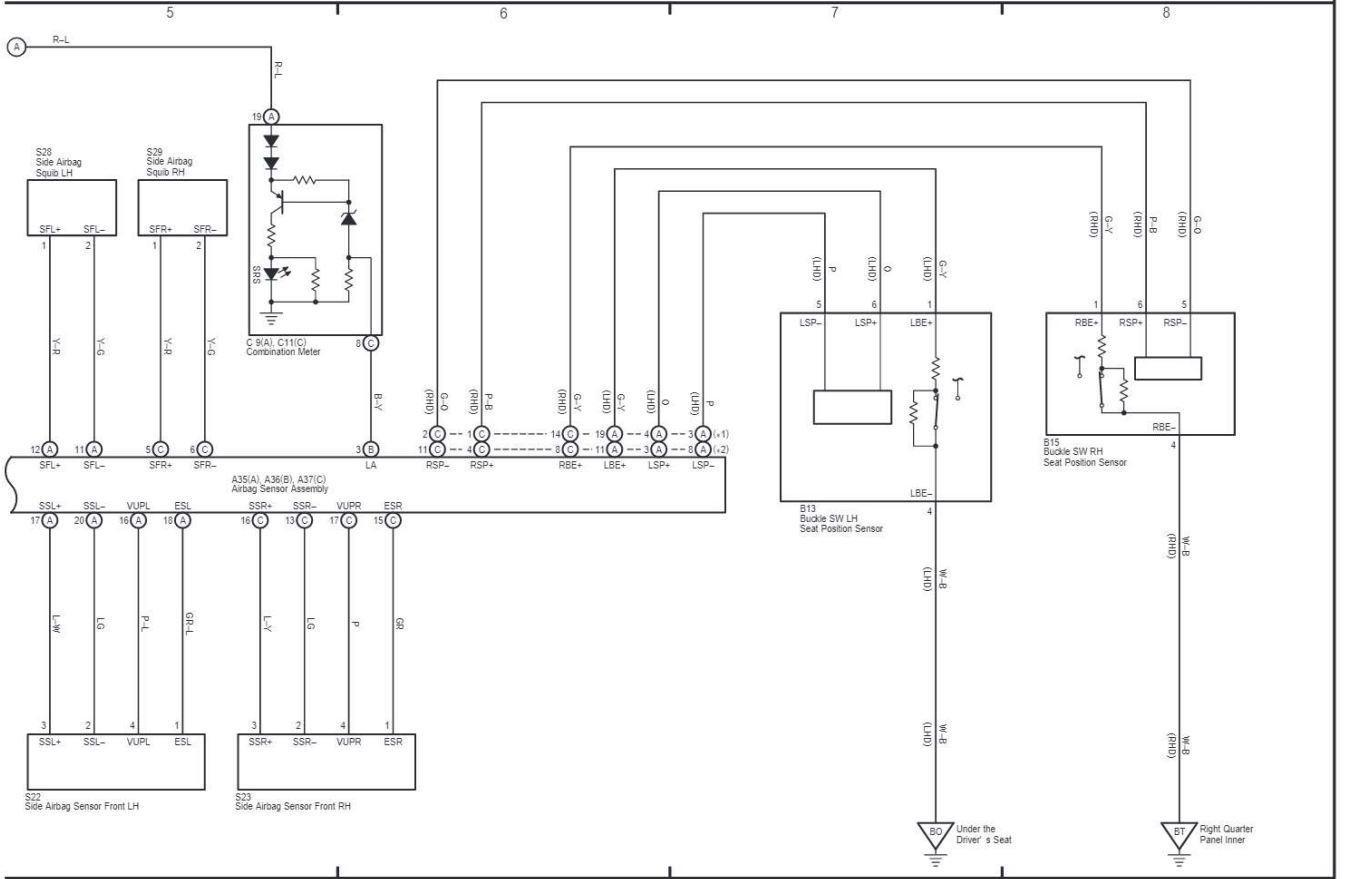




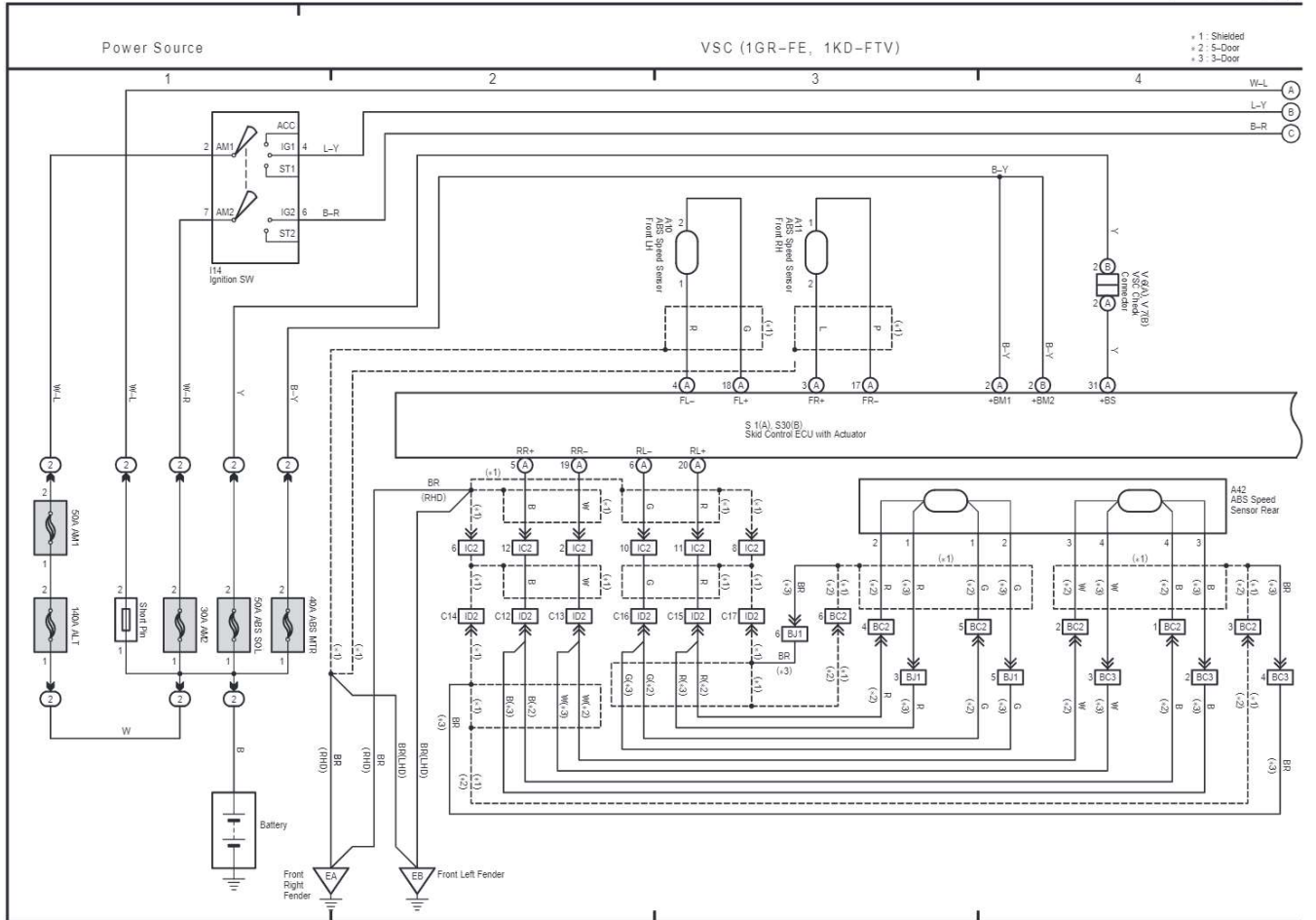


SRS

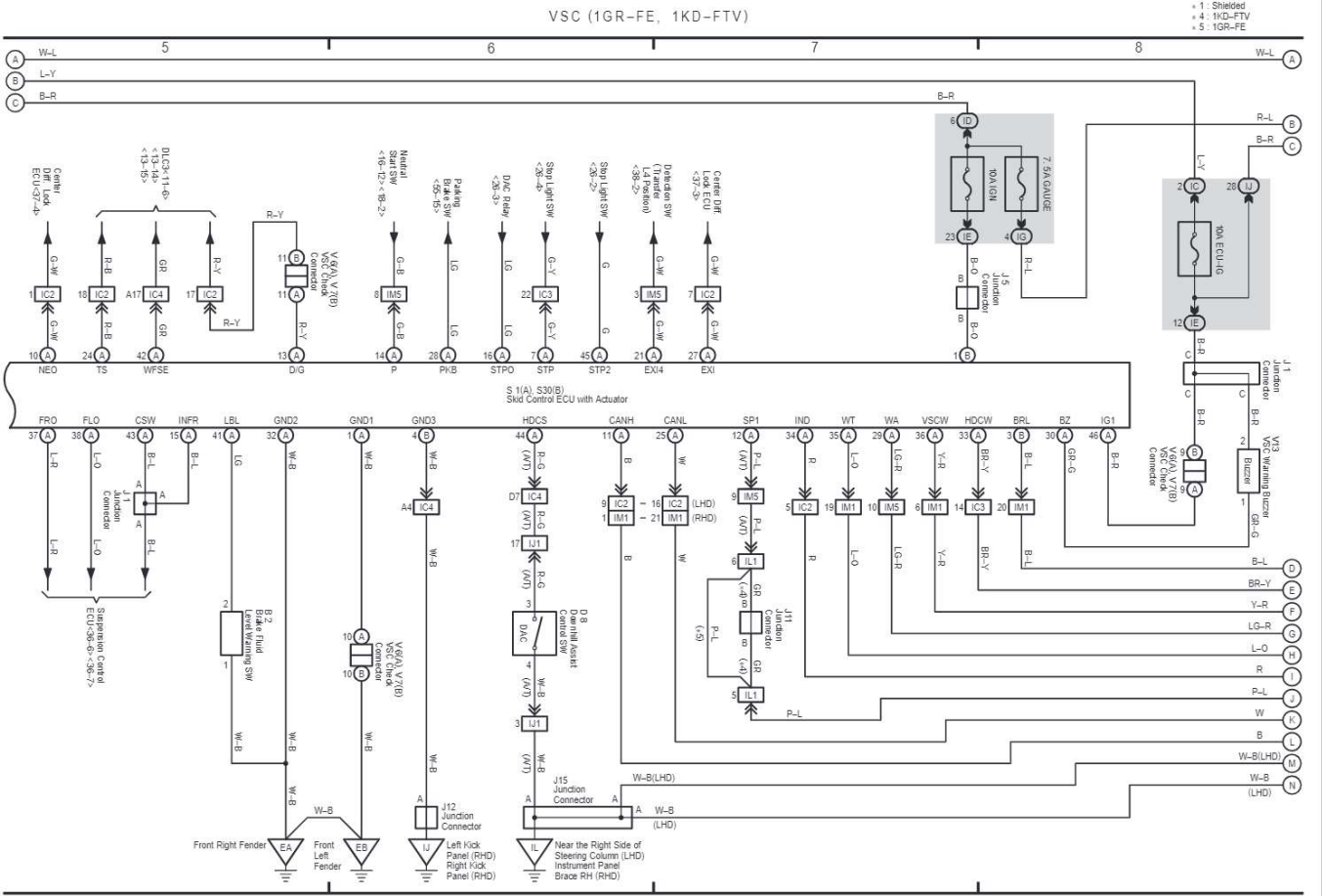
+ 1 : w/ Side Airbag  
+ 2 : w/o Side Airbag

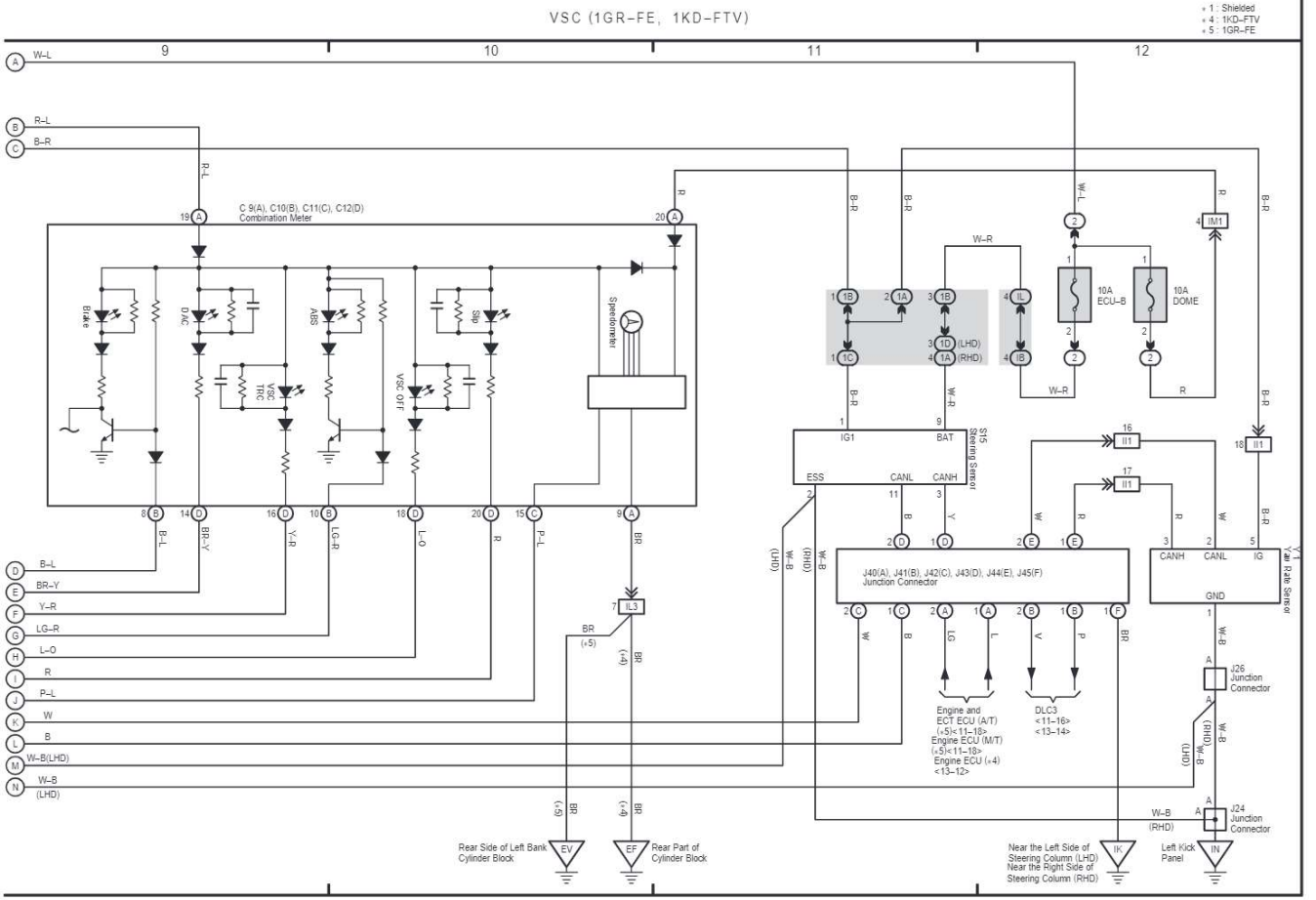


LAND CRUISER / LAND CRUISER PRADO (EWD595E)

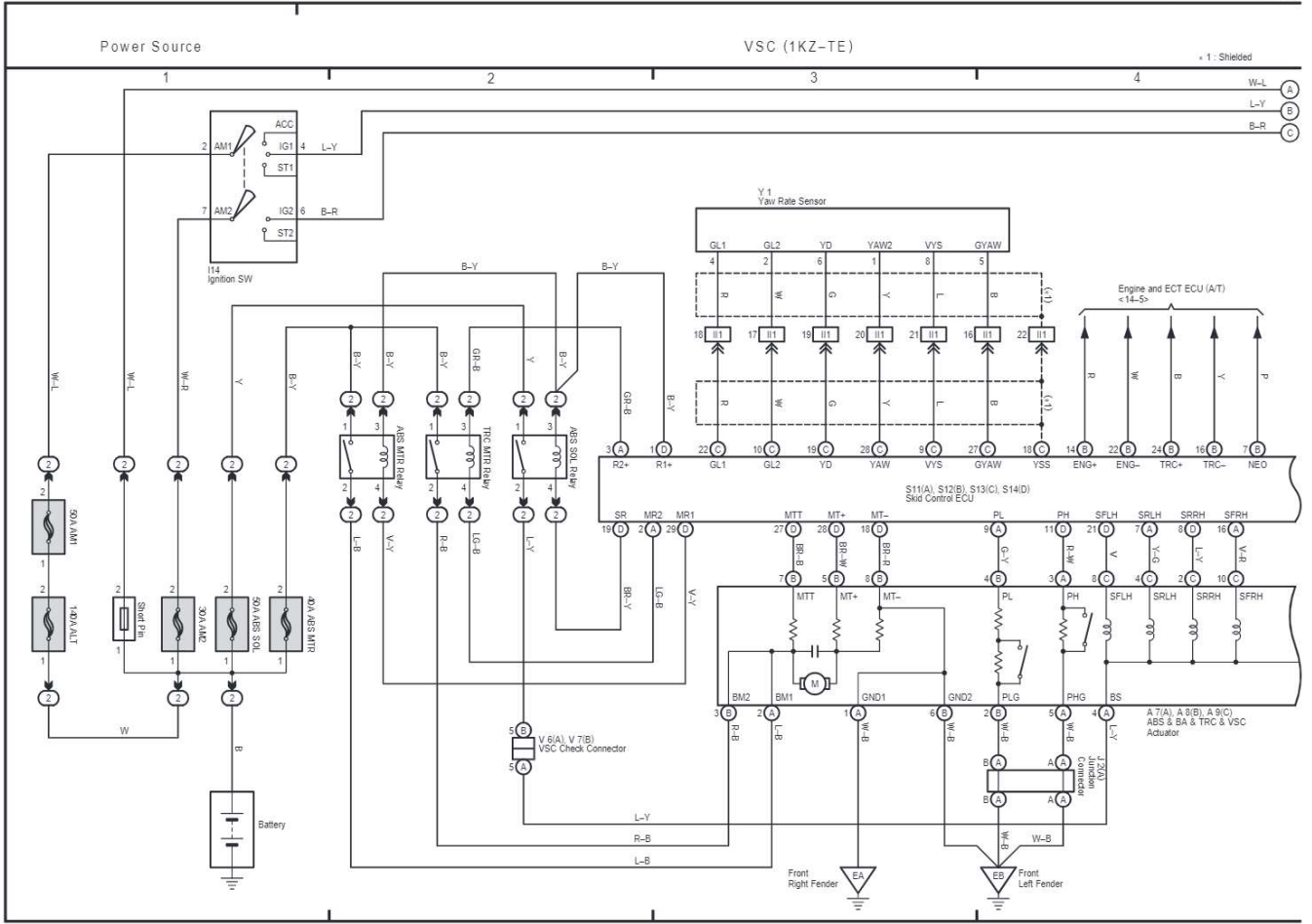


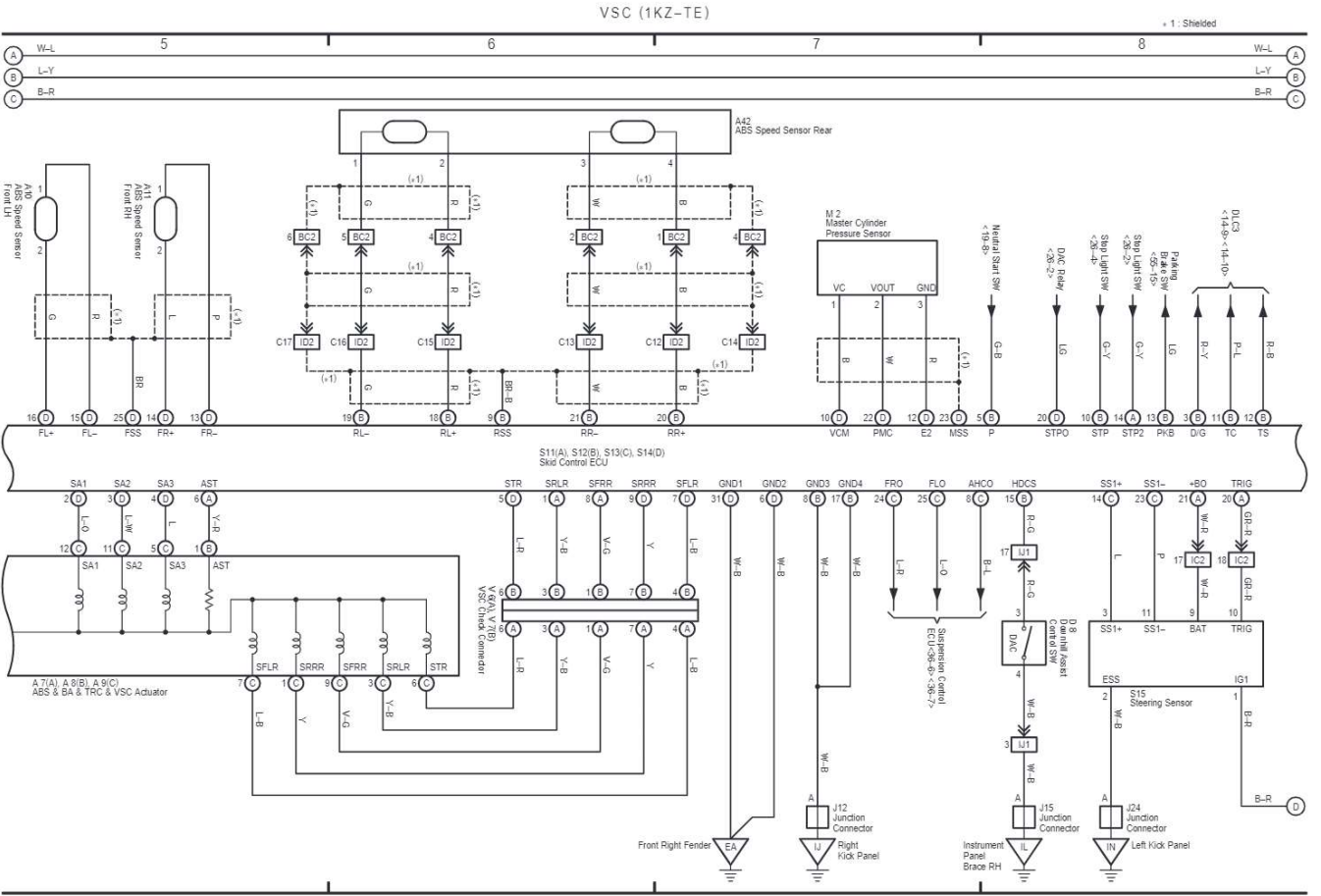
LAND CRUISER / LAND CRUISER PRADO (EWD595E)

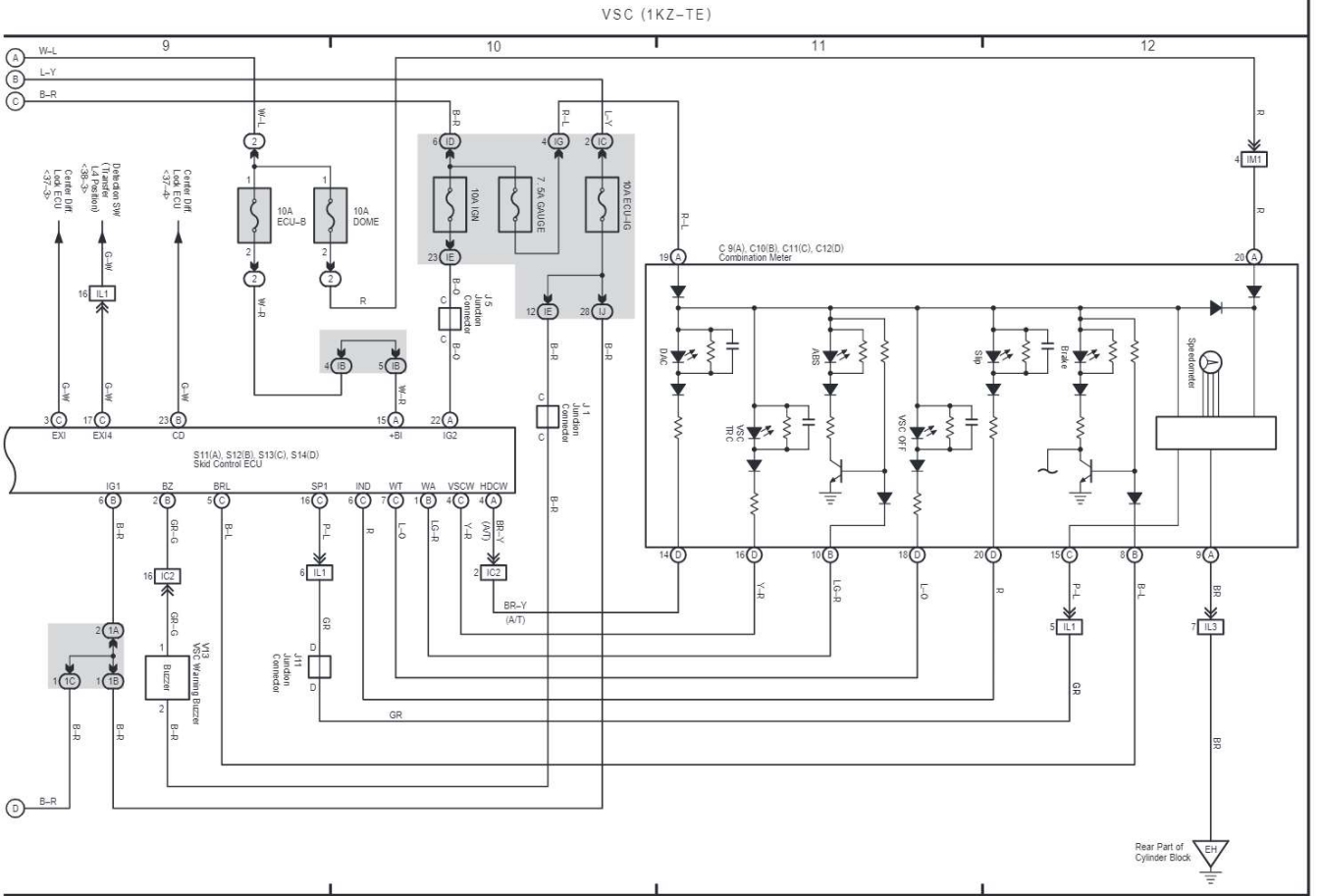


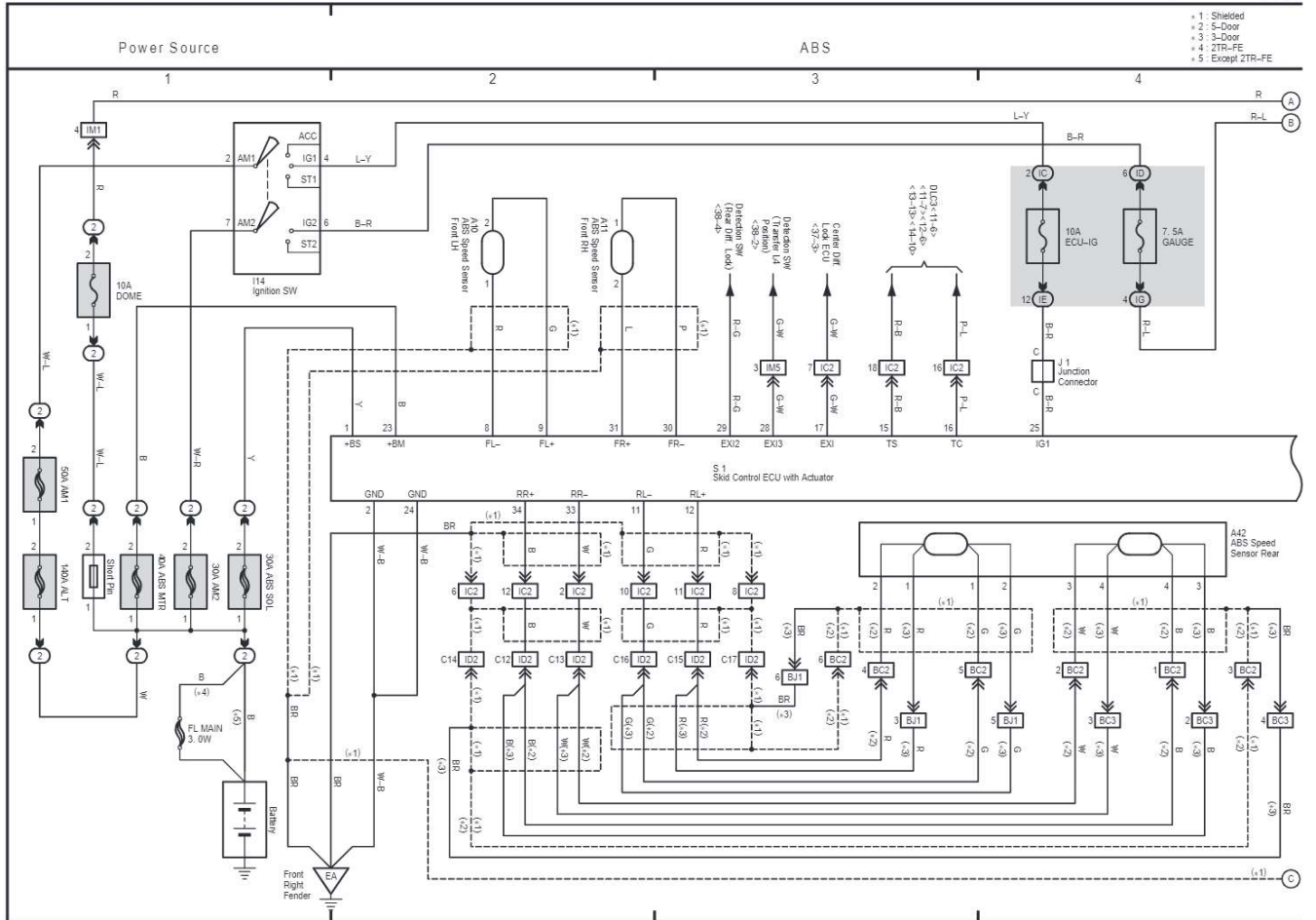


LAND CRUISER / LAND CRUISER PRADO (EWD595E)

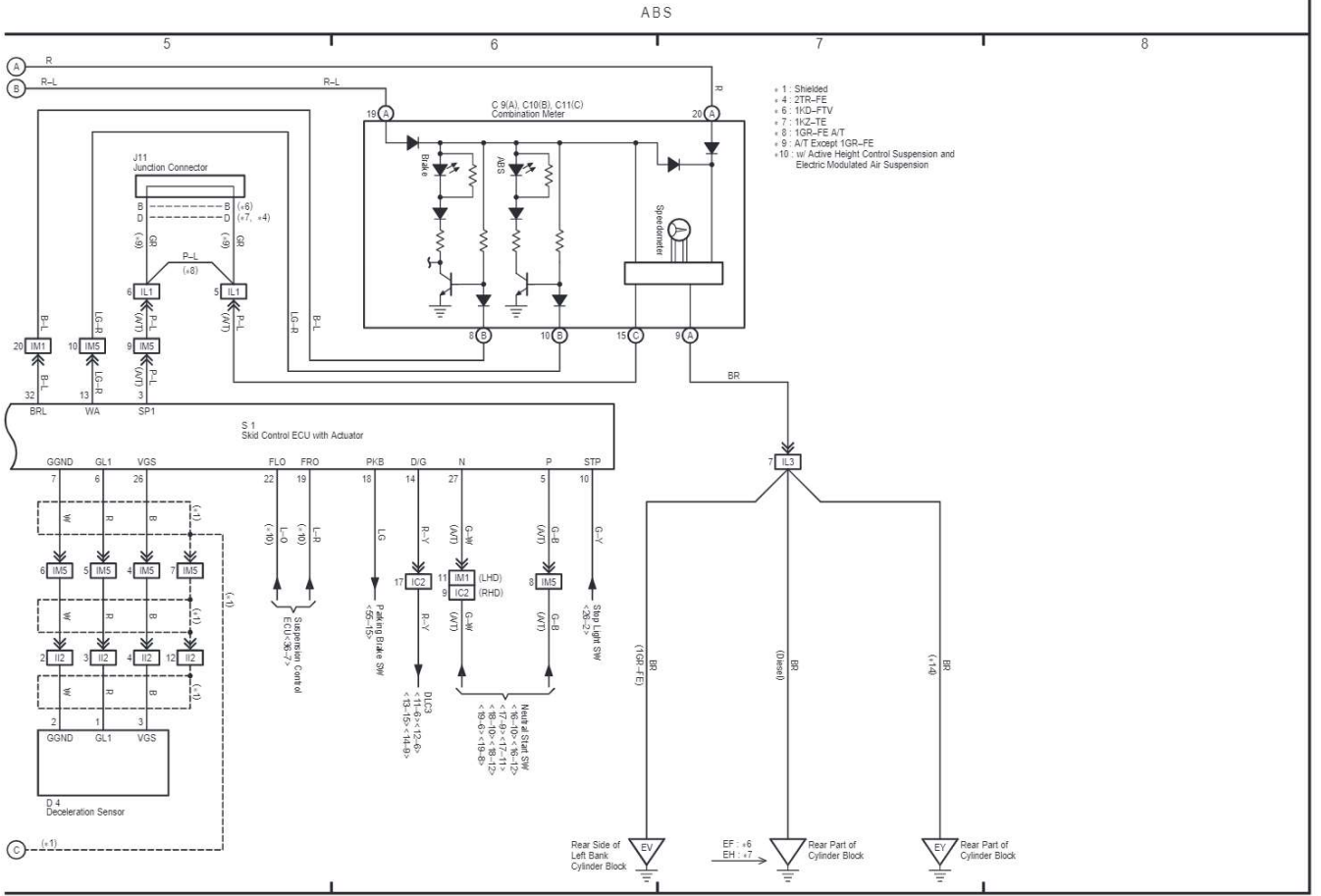








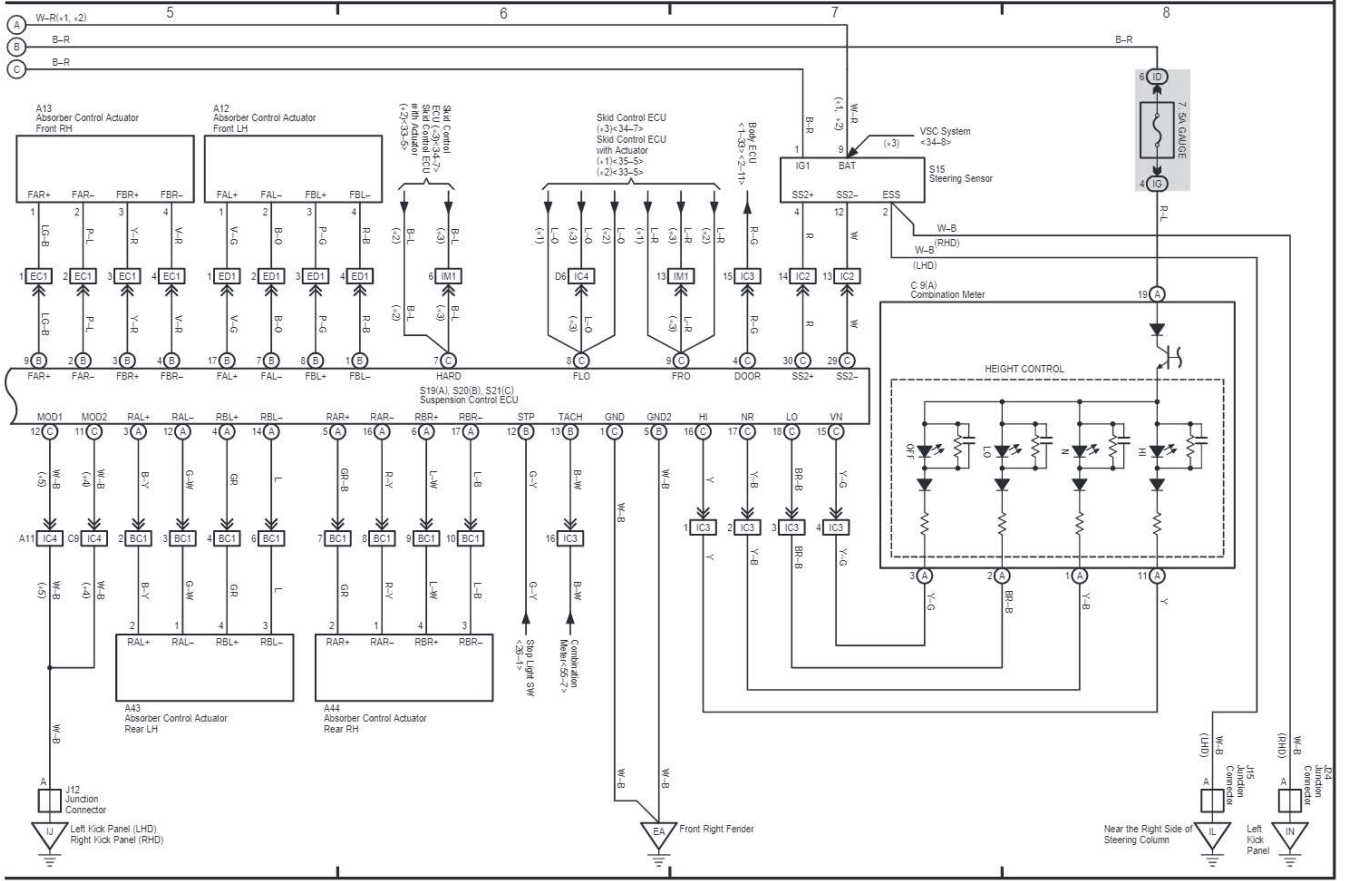




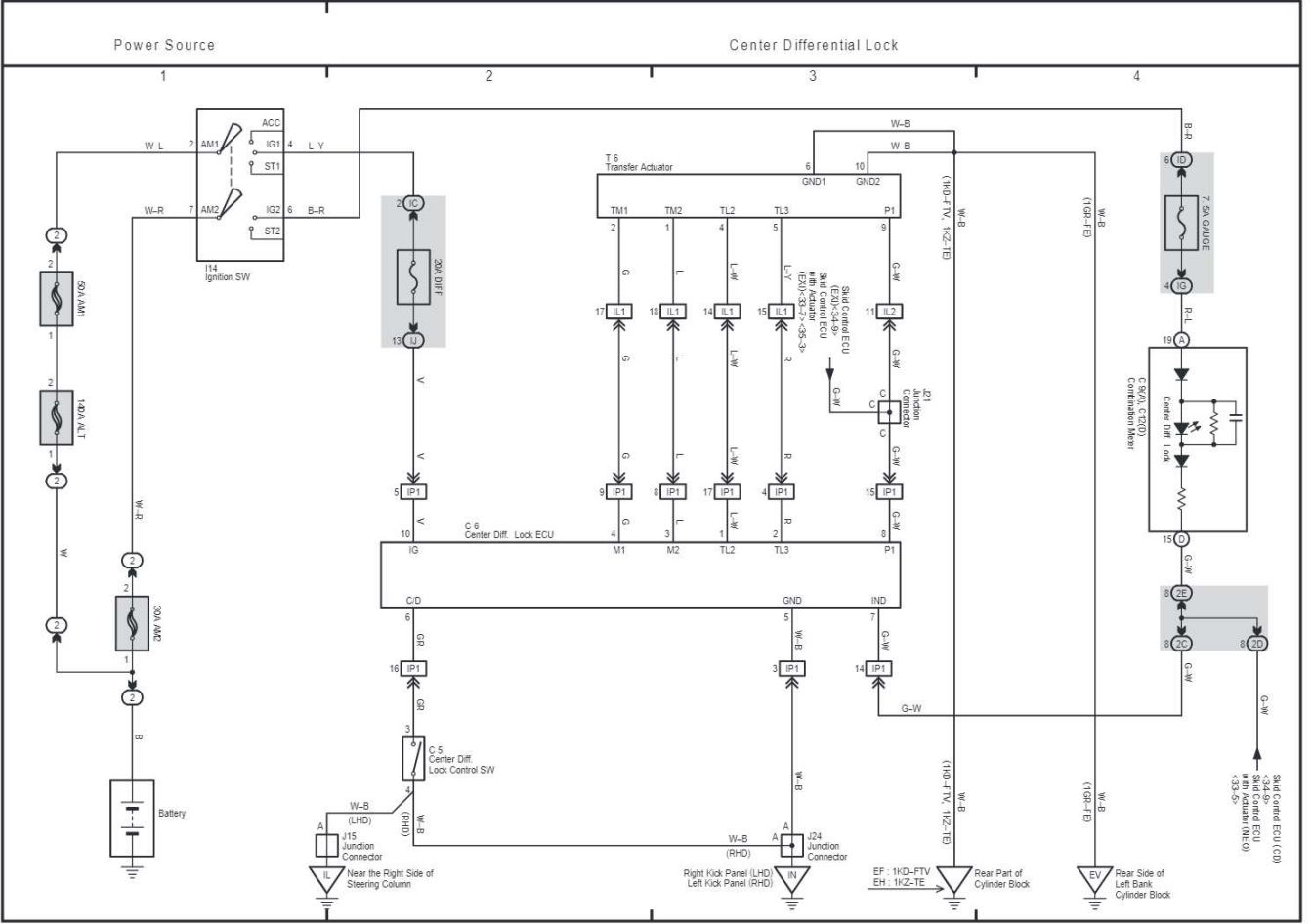


- + 1: w/o VSC, w/ ABS
- + 2: w/ VSC 1K2-FF w/ VSC 1K2-TE
- + 3: w/ VSC 1K2-TE
- + 4: Europe
- + 5: Except Europe

Active Height Control Suspension and Electric Modulated Air Suspension

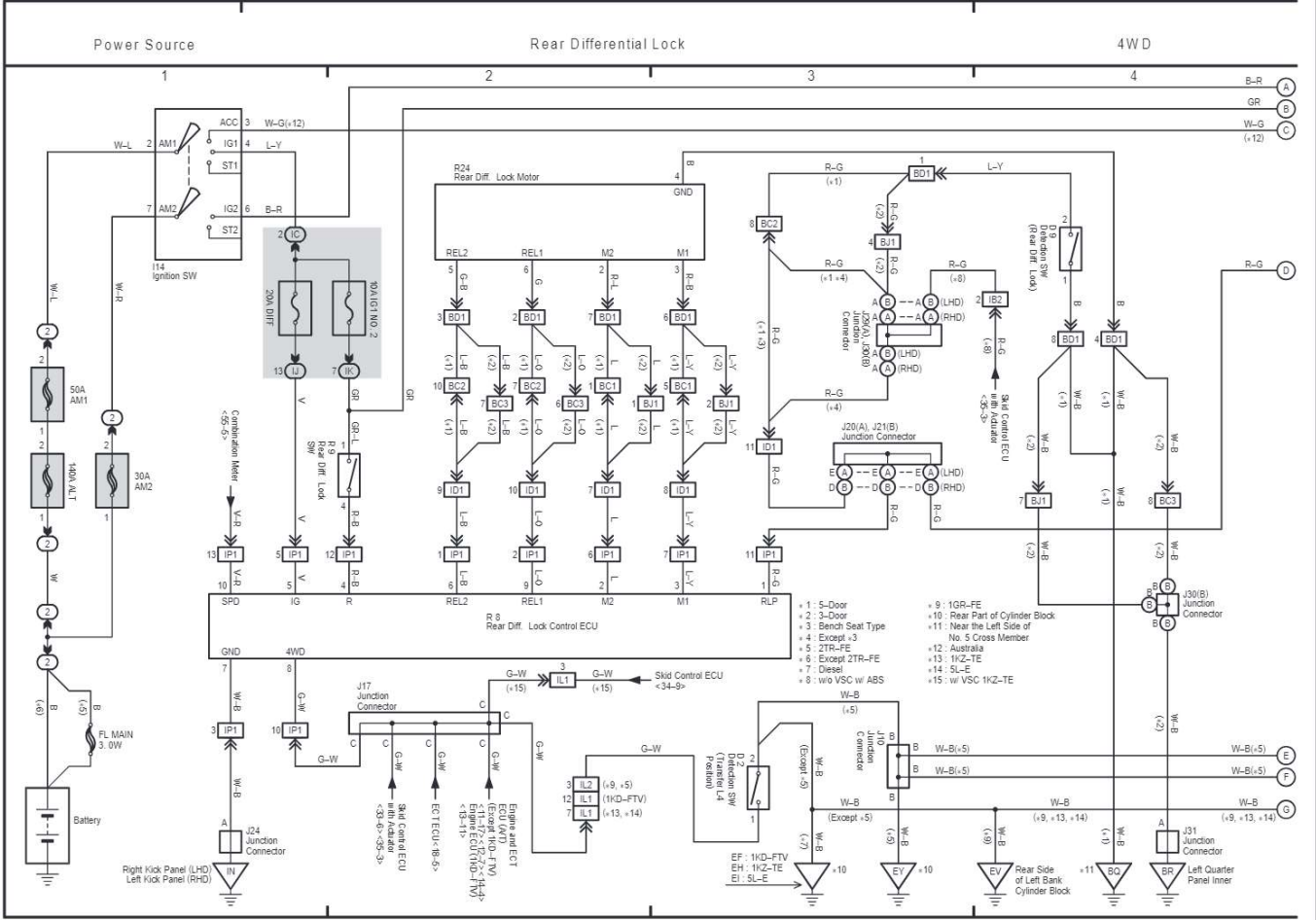


LAND CRUISER / LAND CRUISER PRADO (EWD595E)

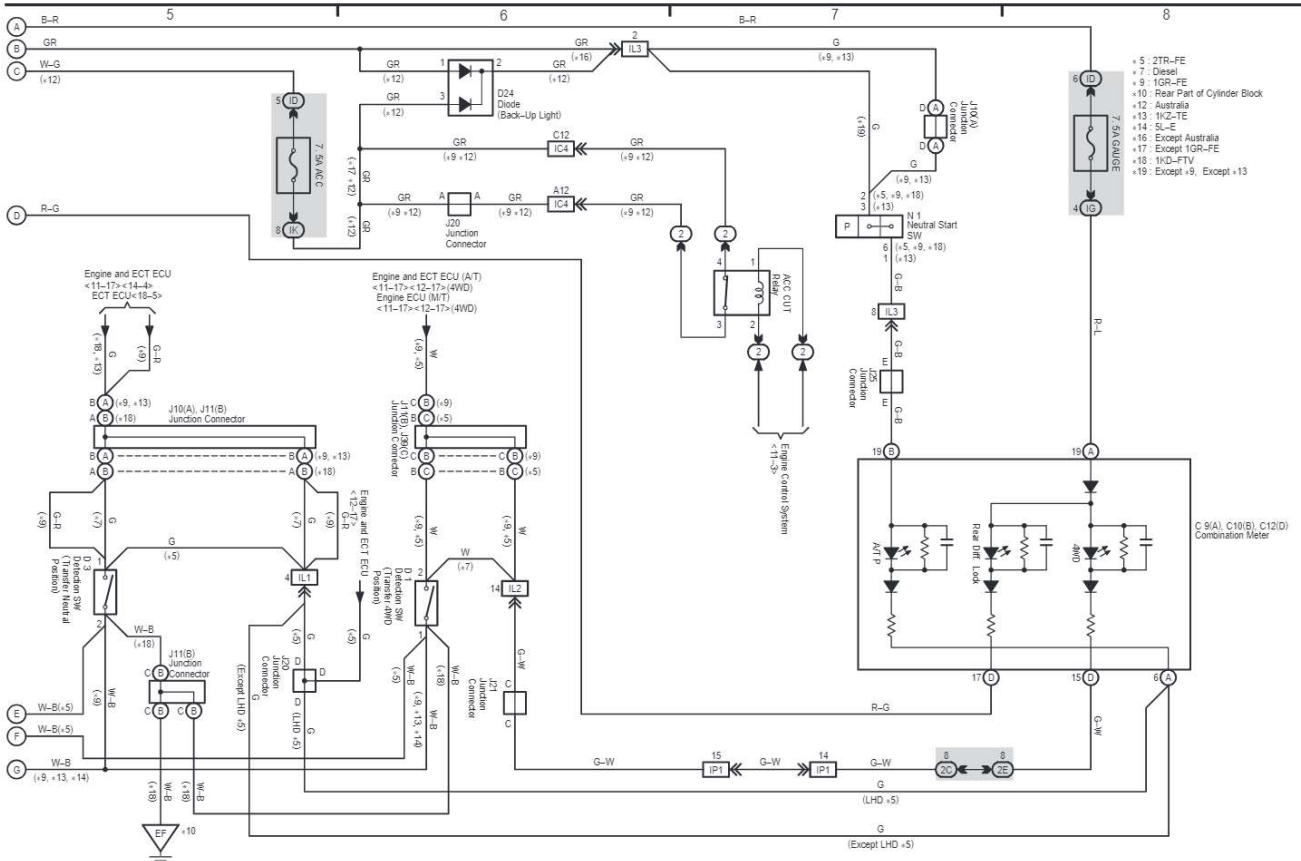


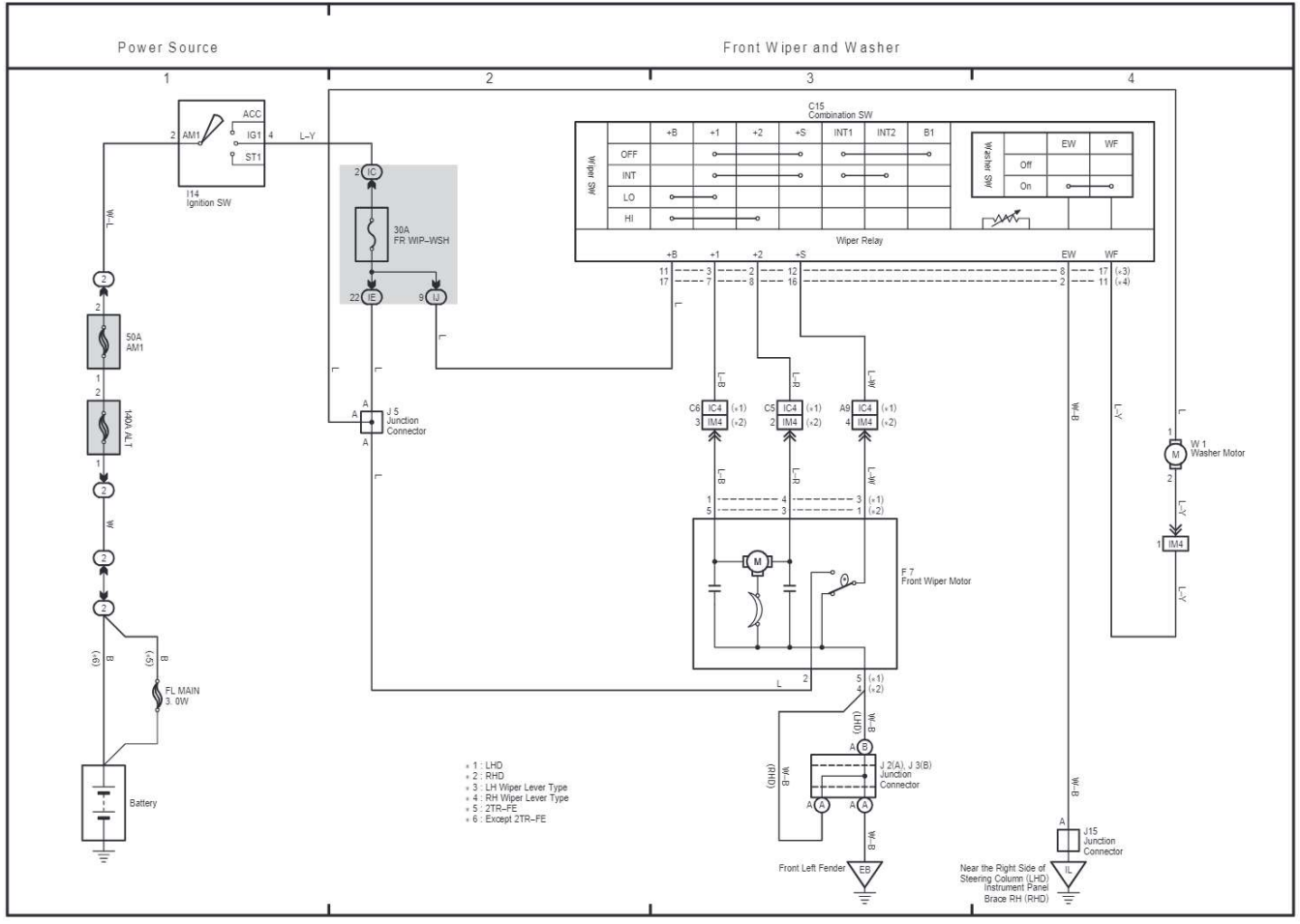
LAND CRUISER / LAND CRUISER PRADO (EWD595E)

235

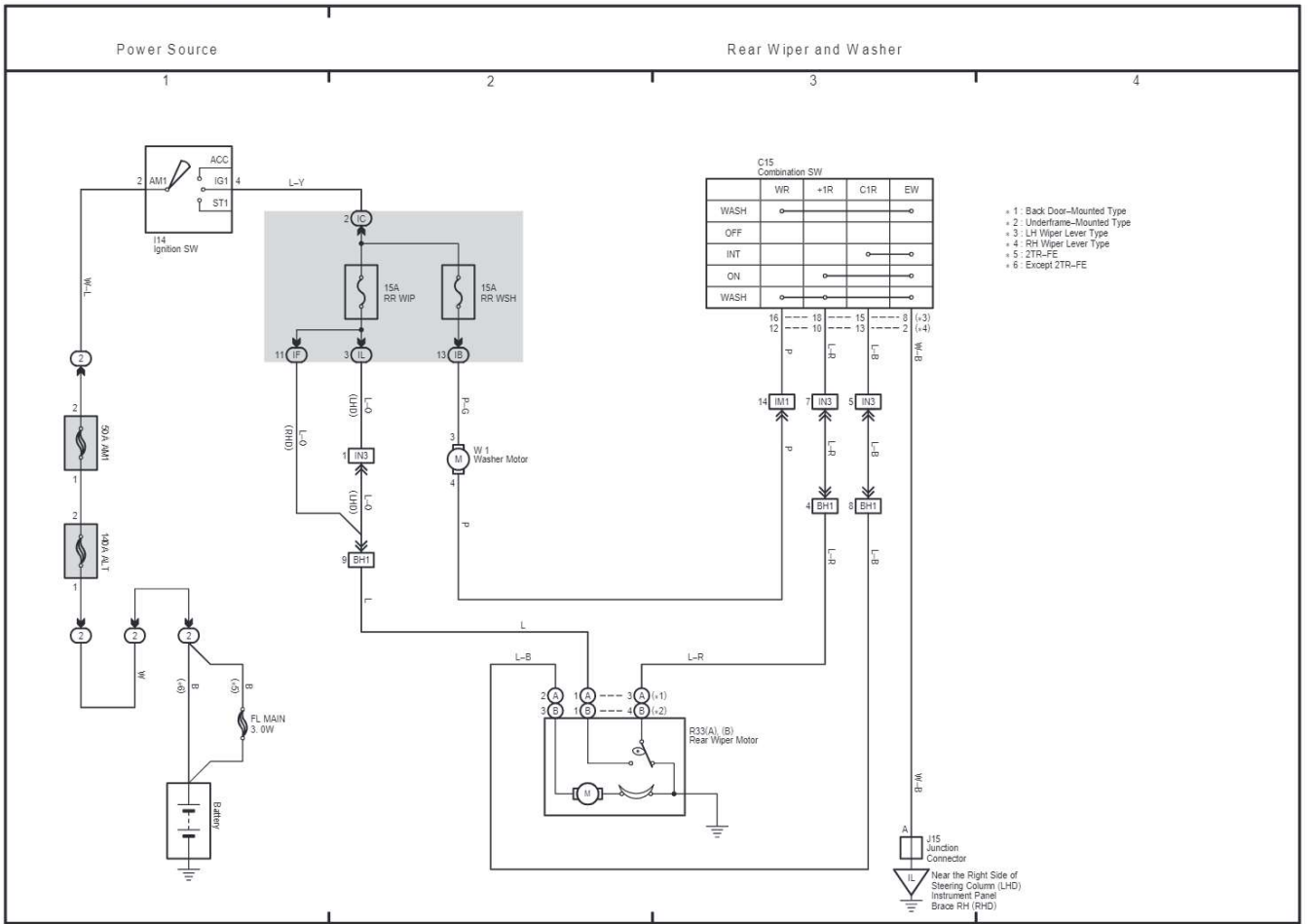


4WD

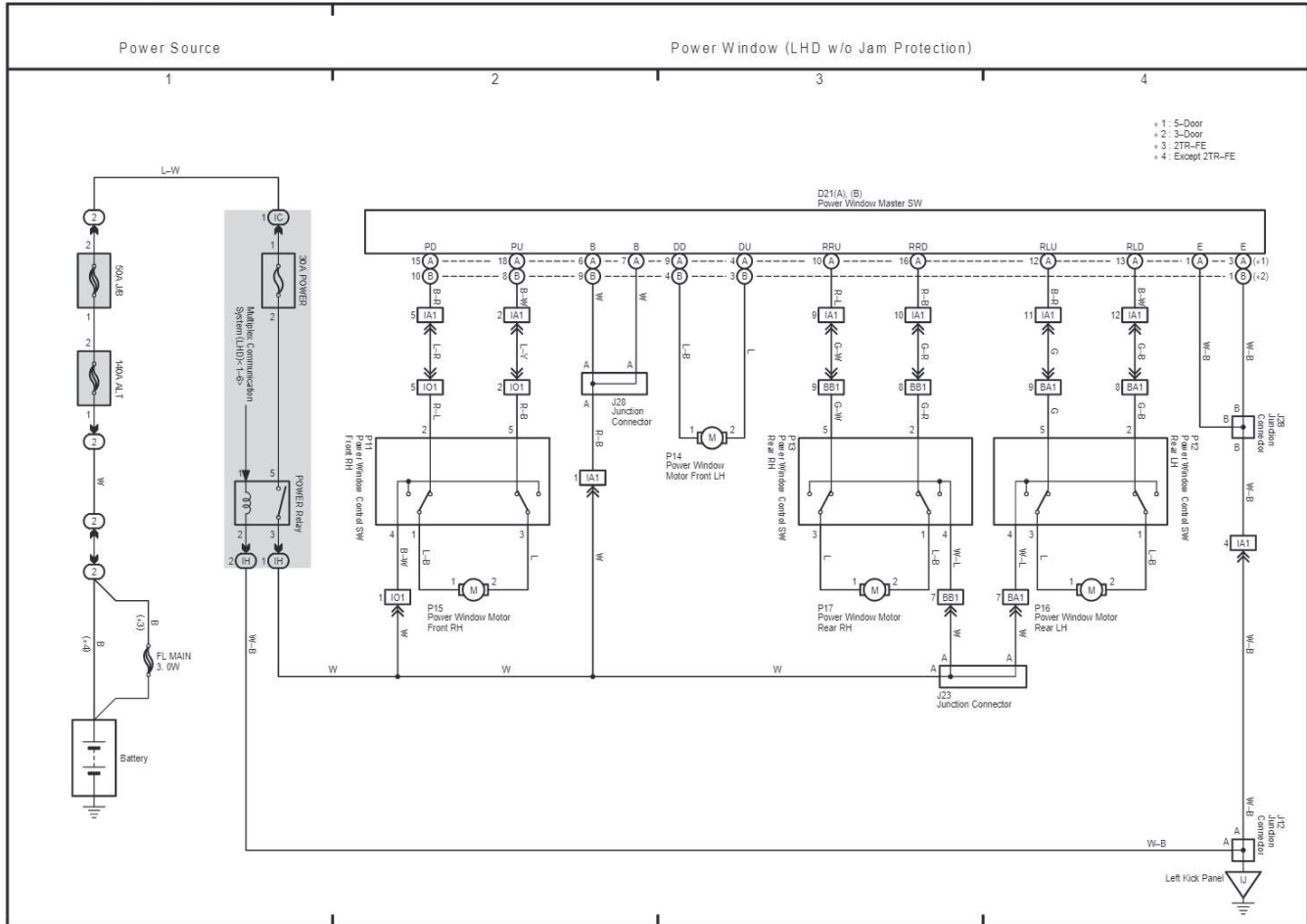


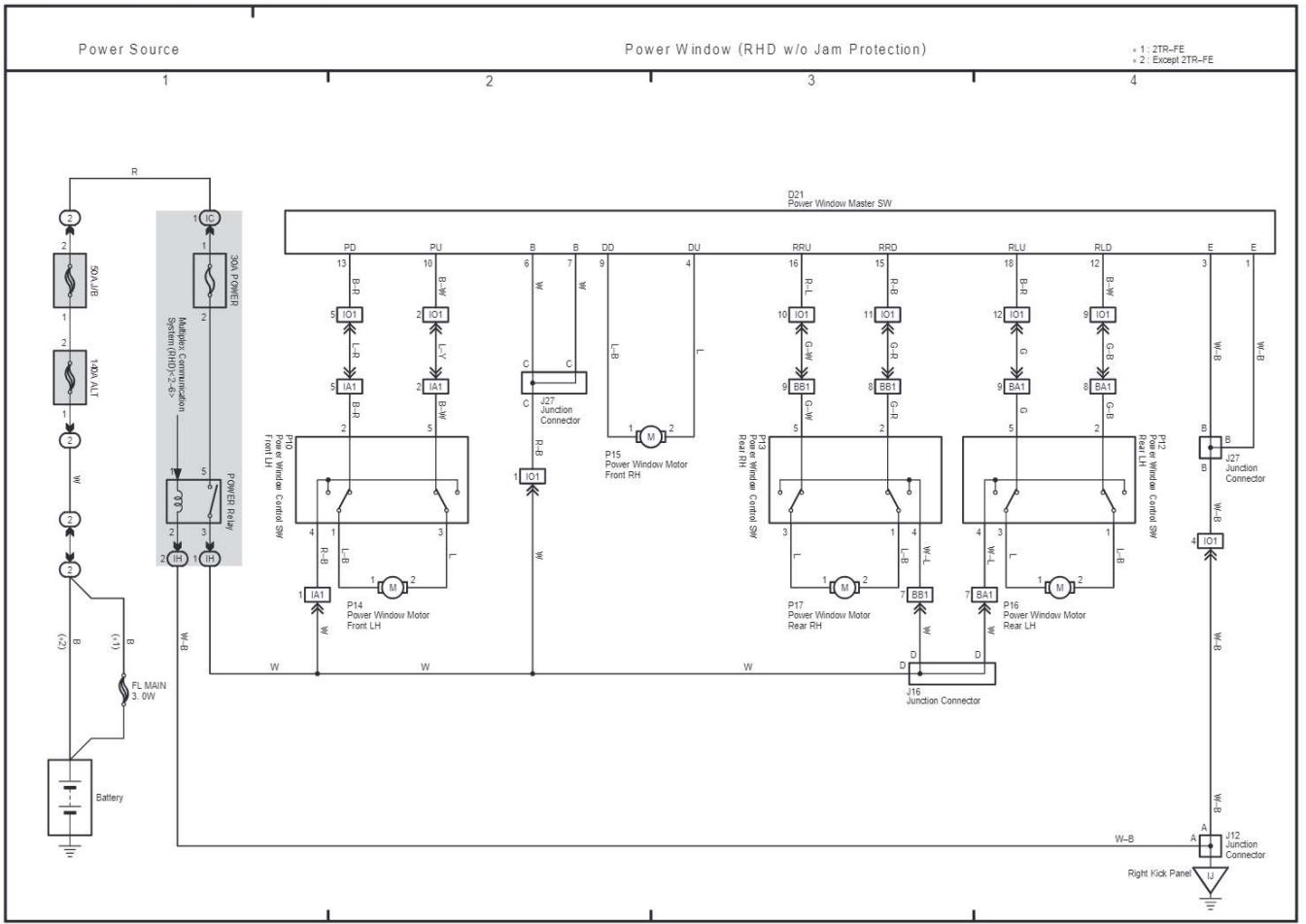




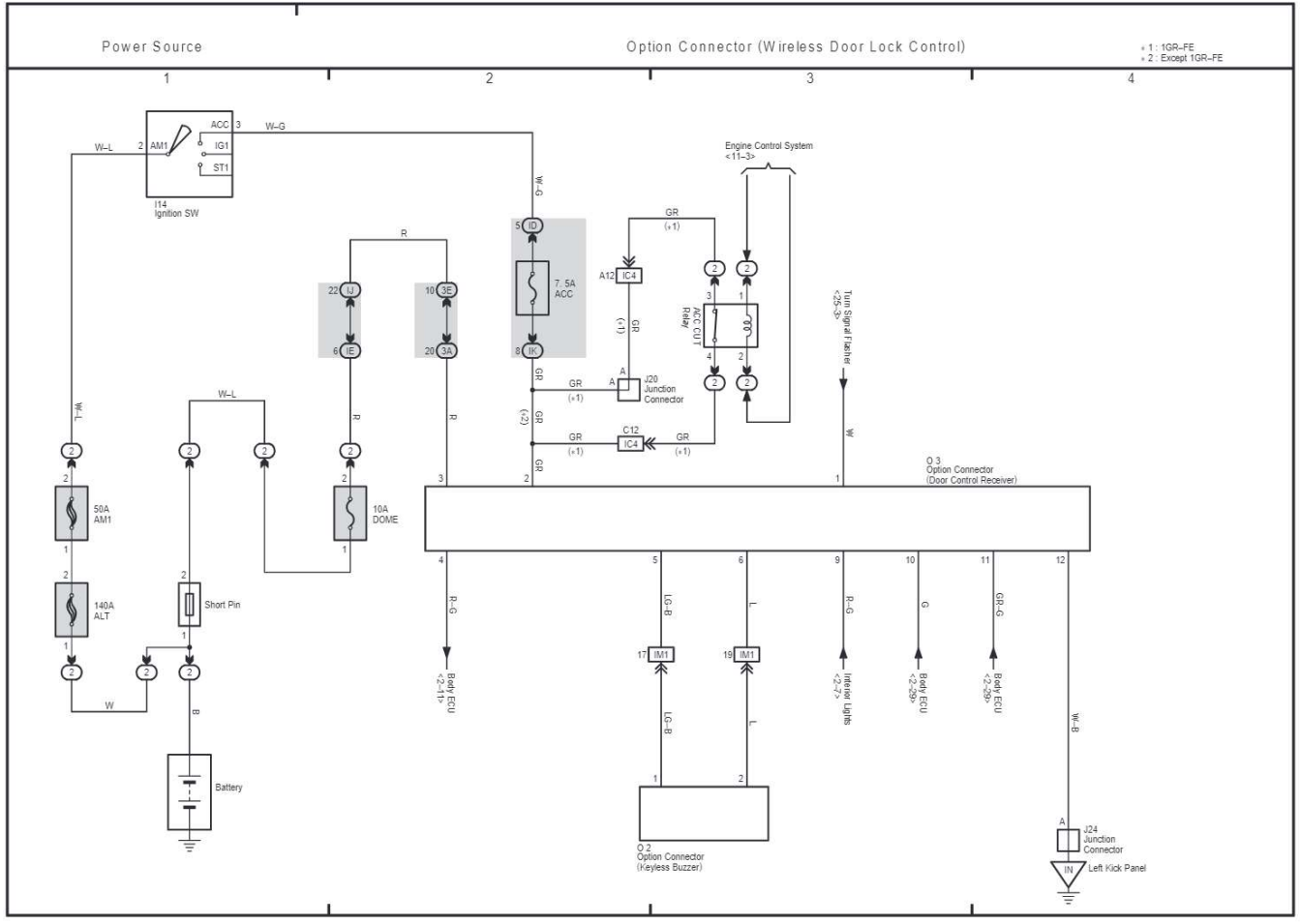


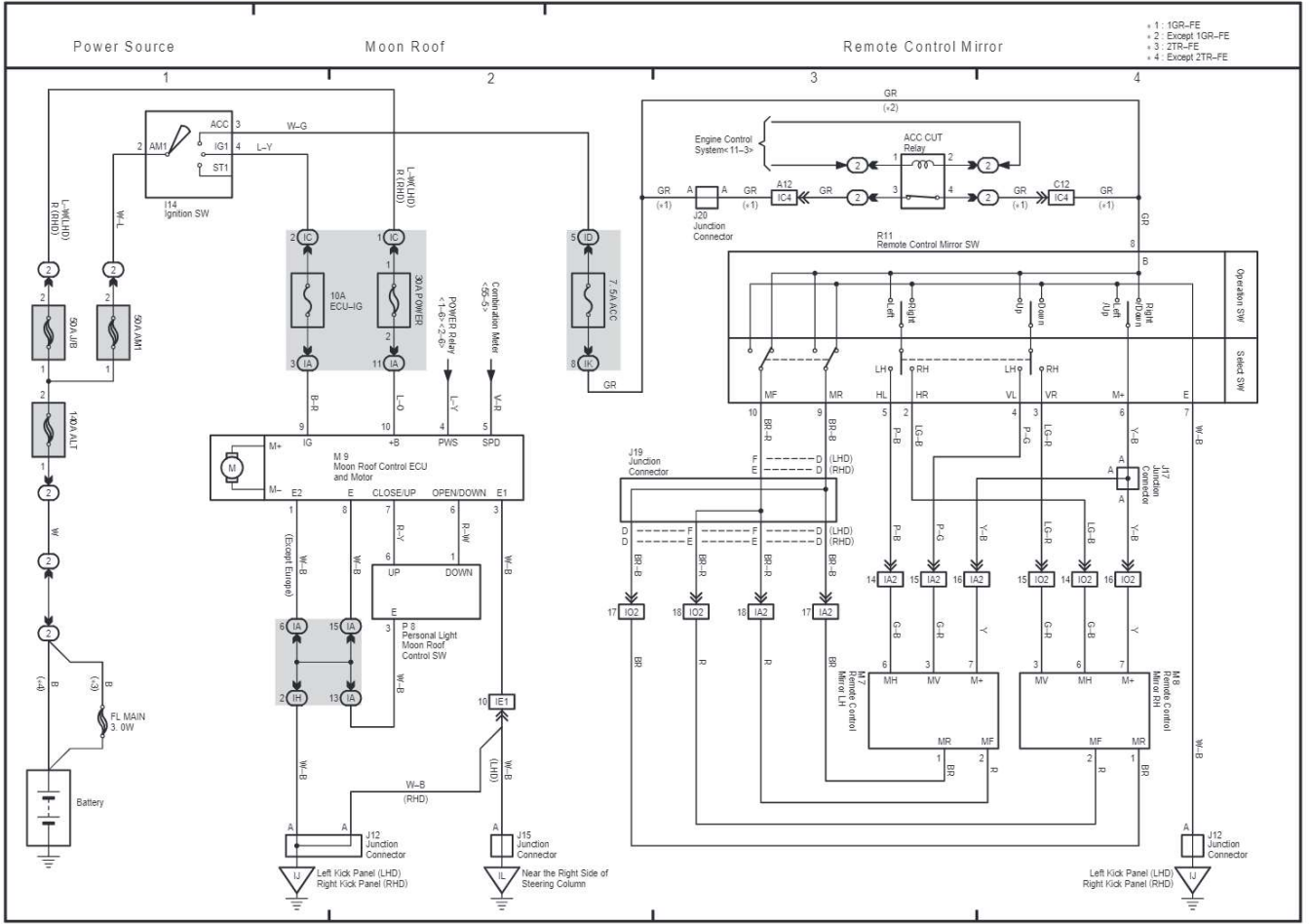
41 LAND CRUISER / LAND CRUISER PRADO



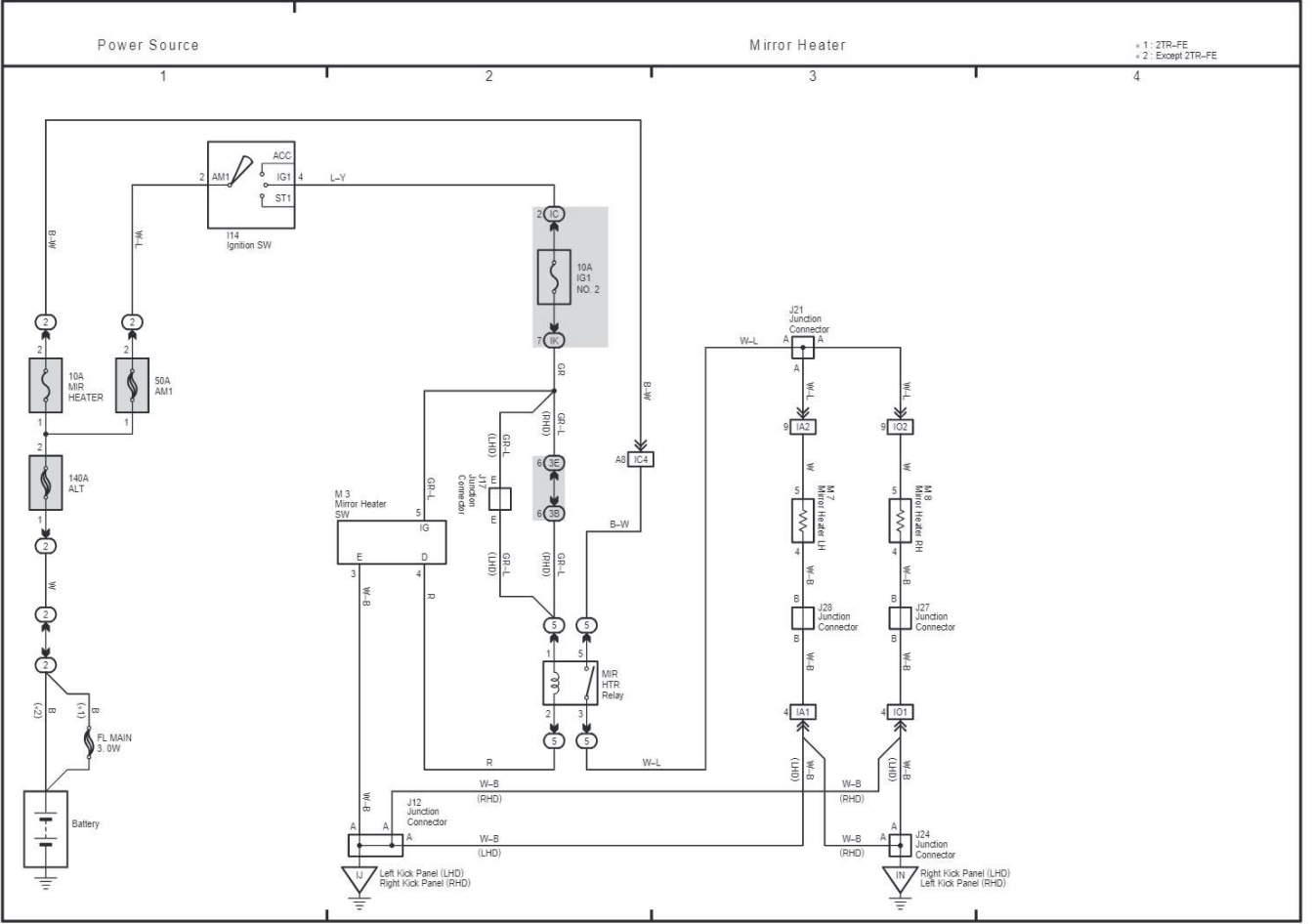


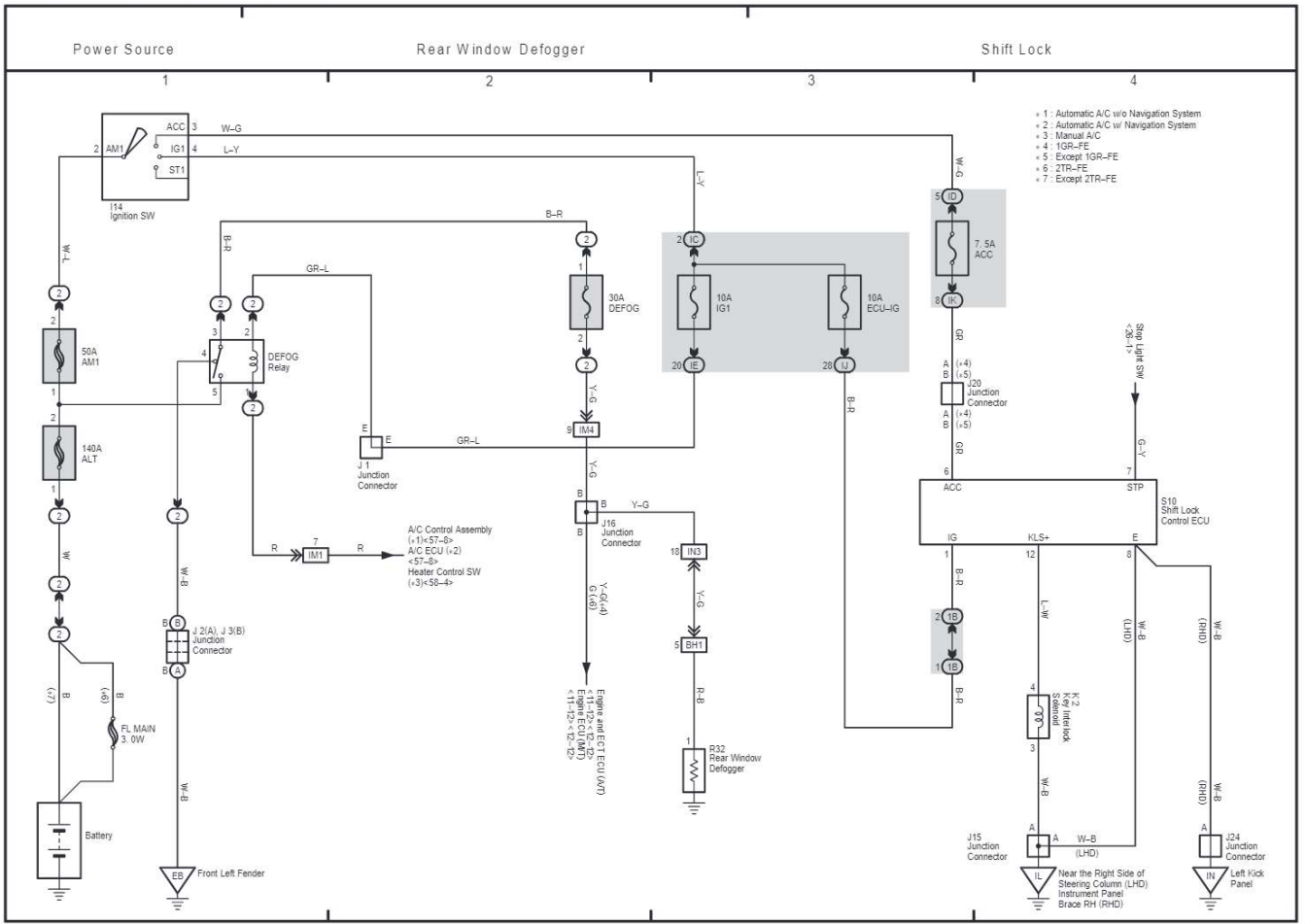
LAND CRUISER / LAND CRUISER PRADO (EWD595E)



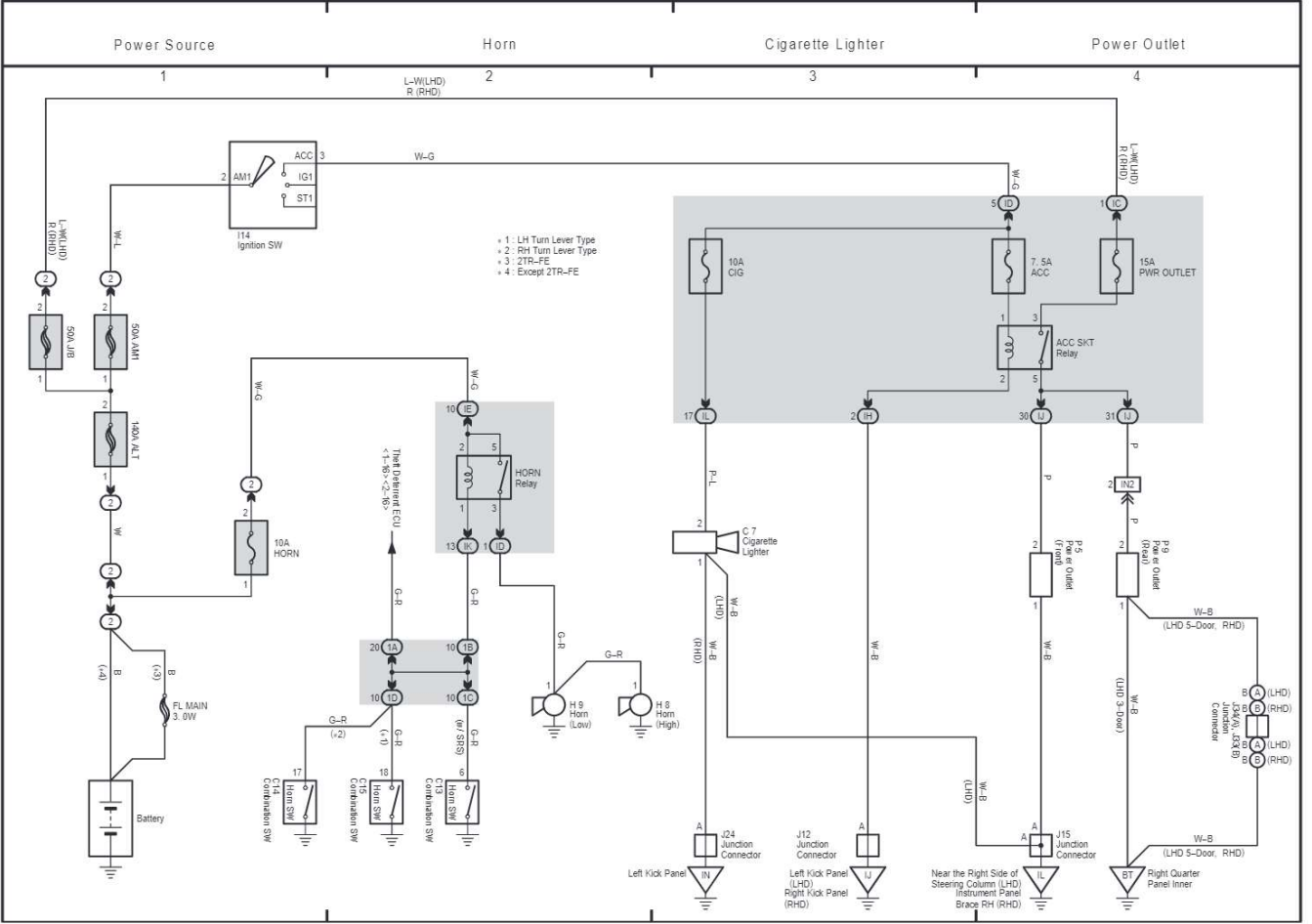


45 LAND CRUISER / LAND CRUISER PRADO

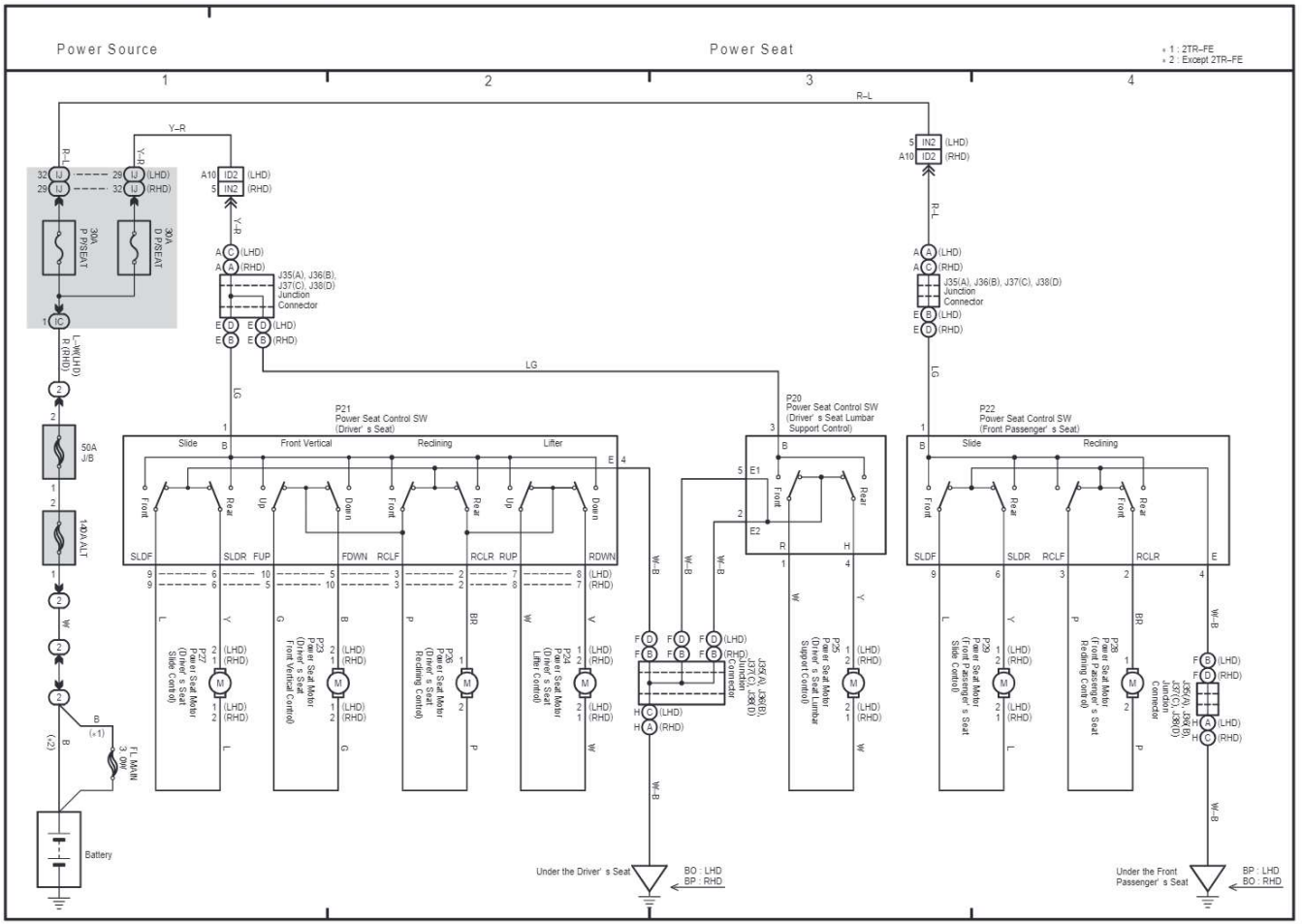




47 LAND CRUISER / LAND CRUISER PRADO

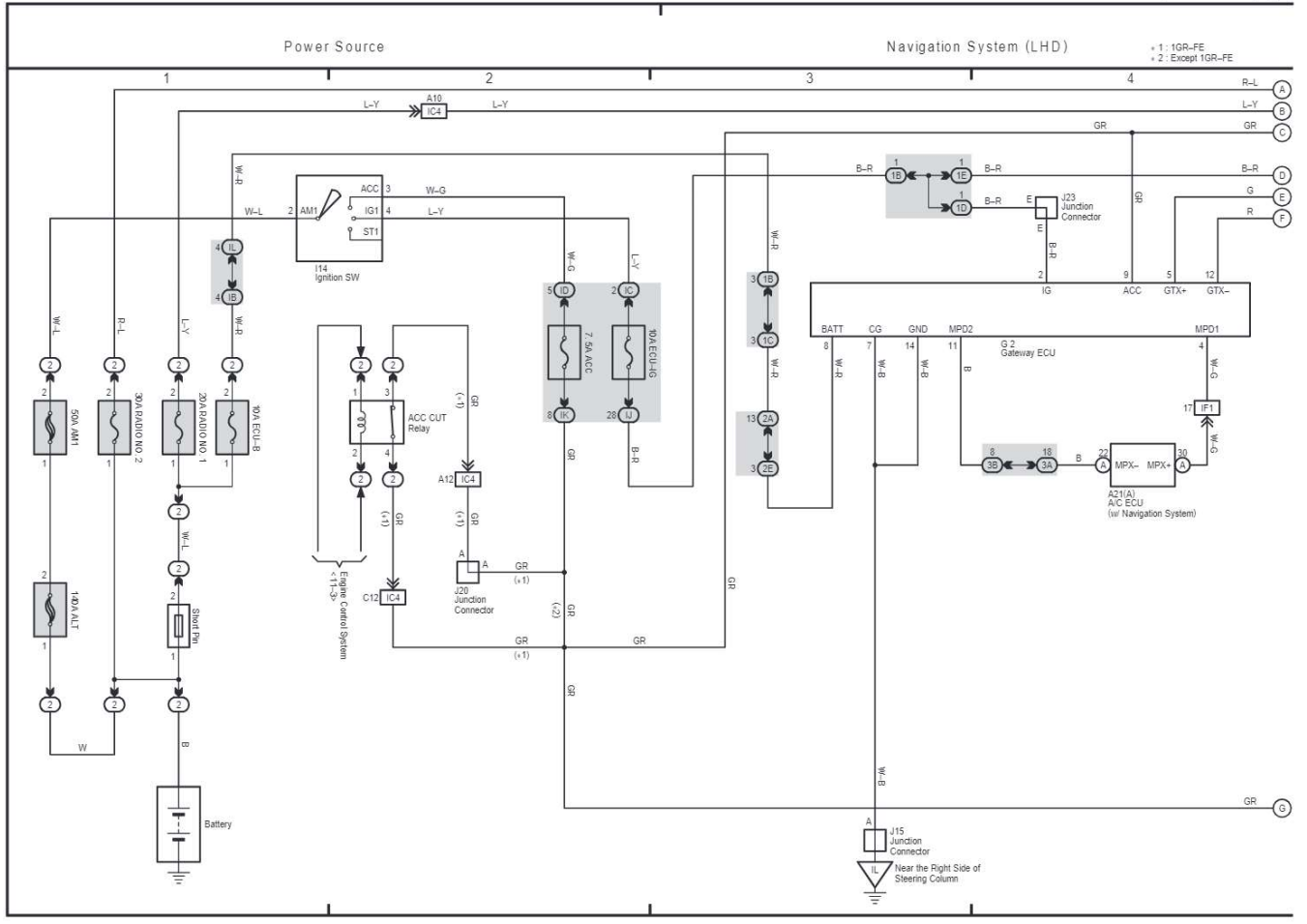






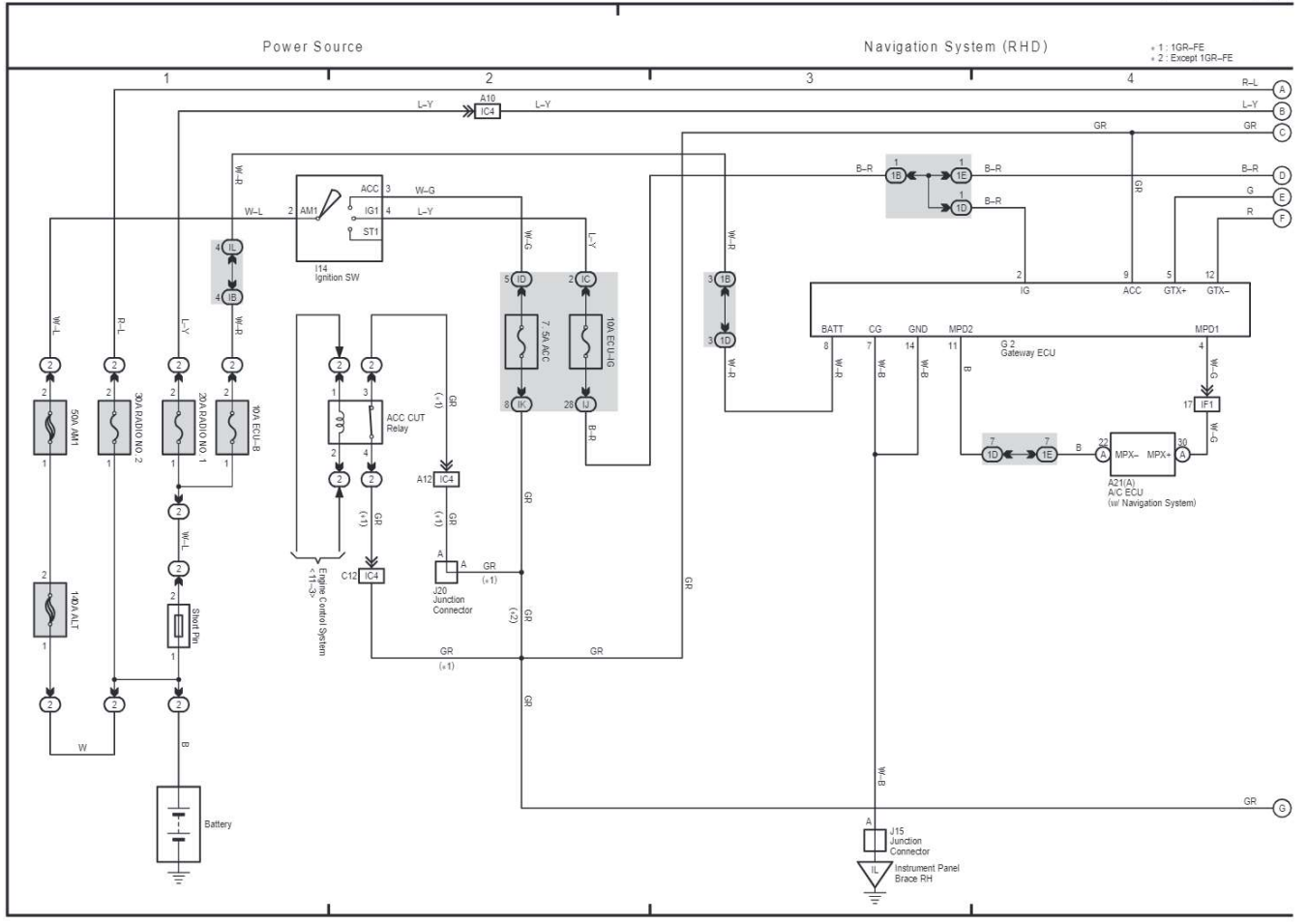






LAND CRUISER / LAND CRUISER PRADO (EWD595E)

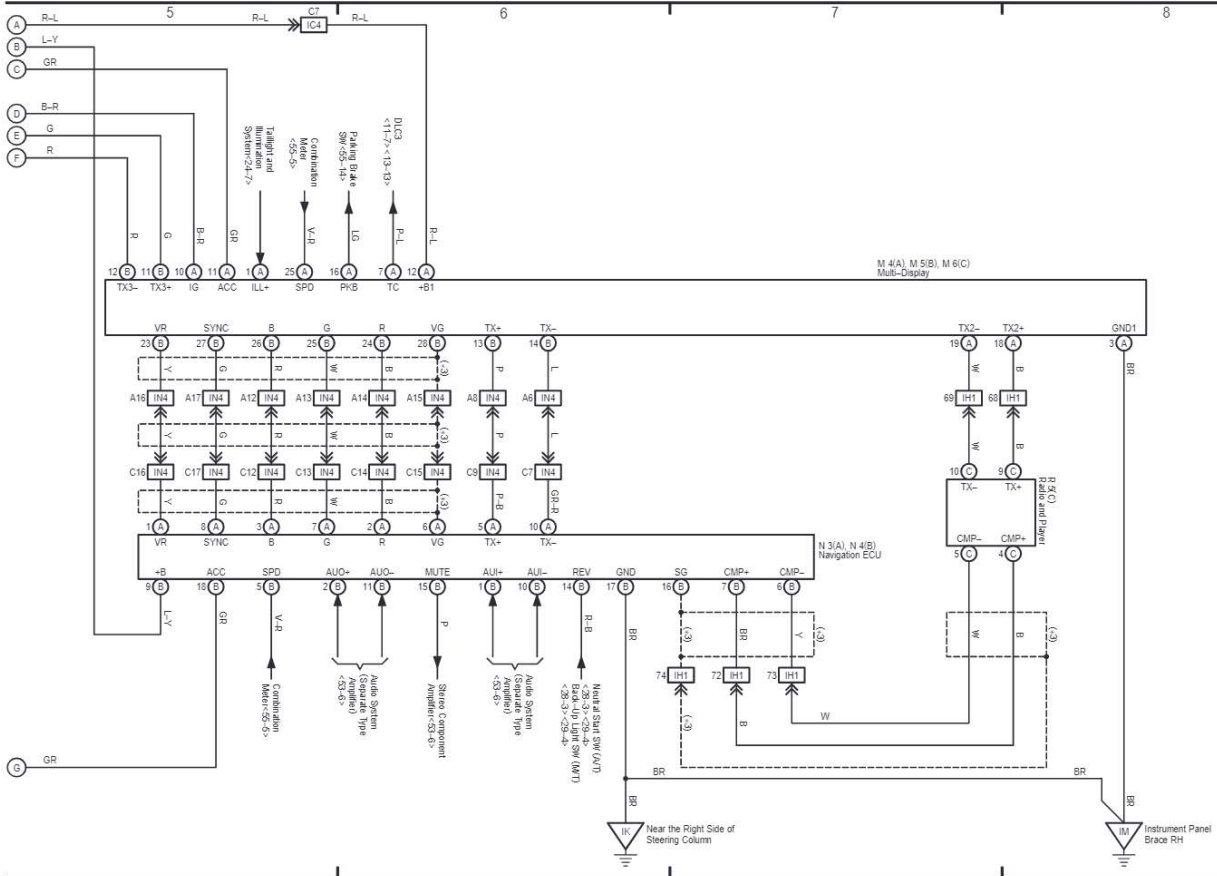




LAND CRUISER / LAND CRUISER PRADO (EWD595E)

Navigation System (RHD)

\* 3 : Shielded



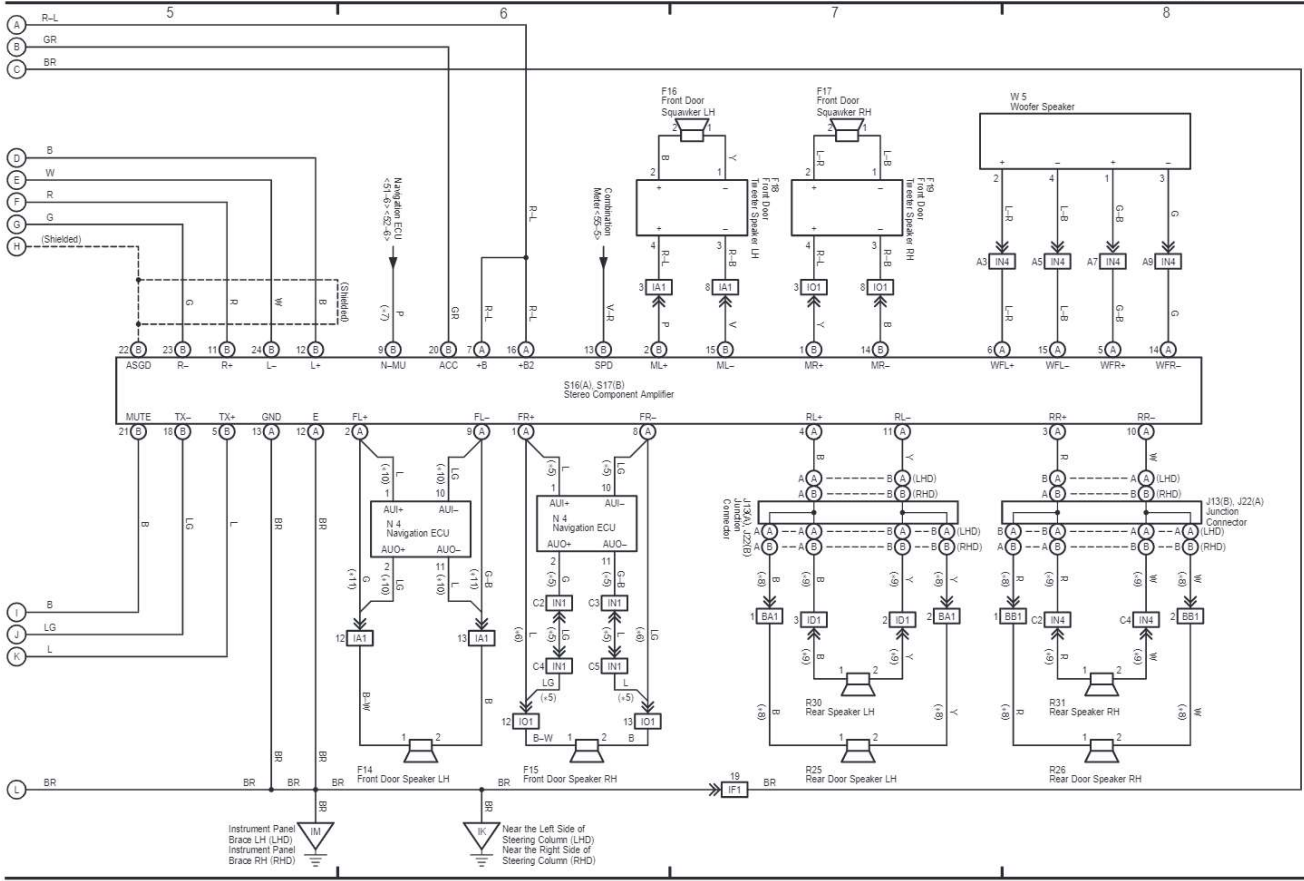
LAND CRUISER / LAND CRUISER PRADO (EWD595E)





Audio System (Separate Type Amplifier)

- + 5 : RHD w/ Navigation System
- + 6 : Except + 5
- + 7 : w/ Navigation System
- + 8 : 5-Door
- + 9 : 3-Door
- + 10 : LHD w/ Navigation System
- + 11 : Except + 10

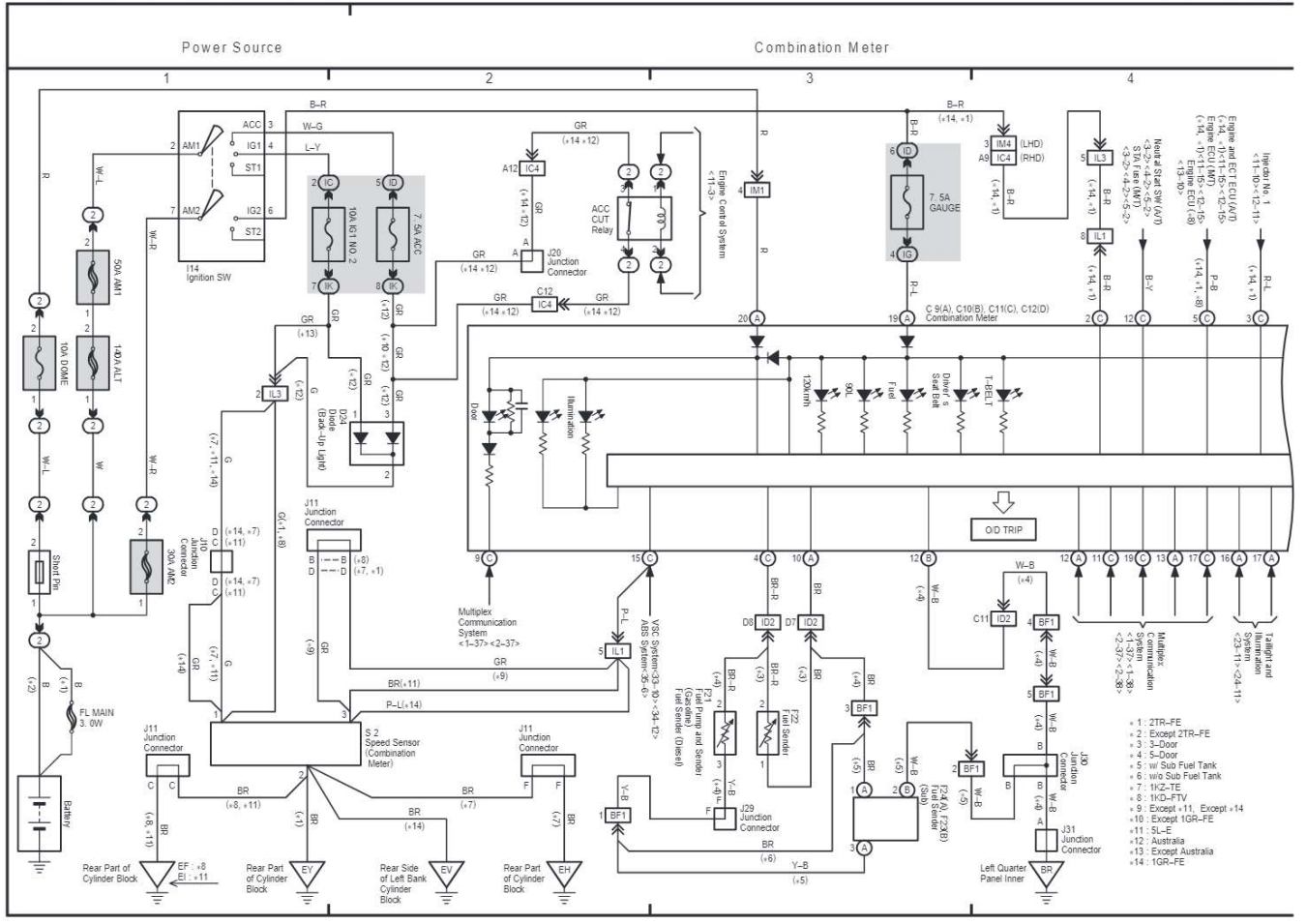


LAND CRUISER / LAND CRUISER PRADO (EWD595E)

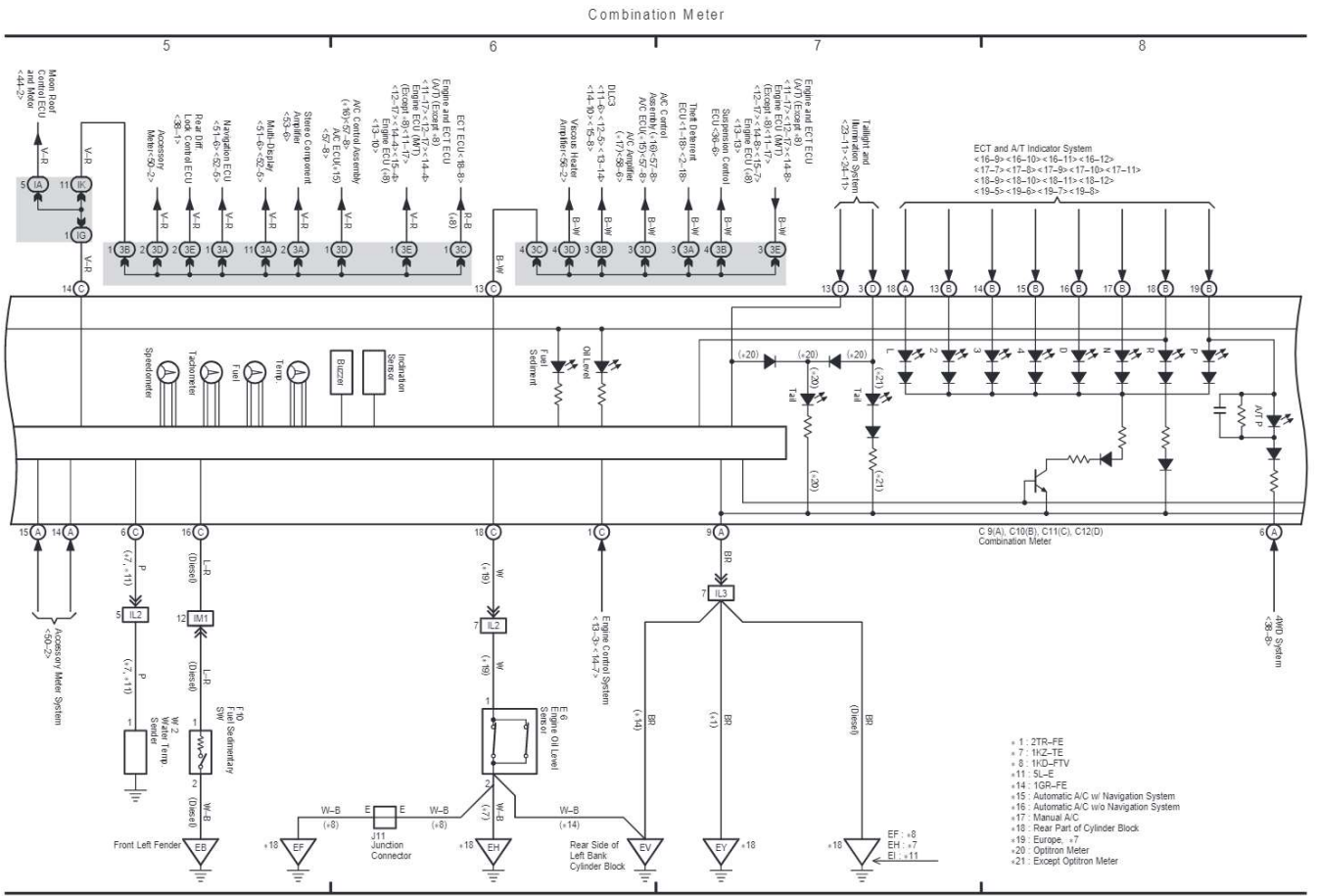


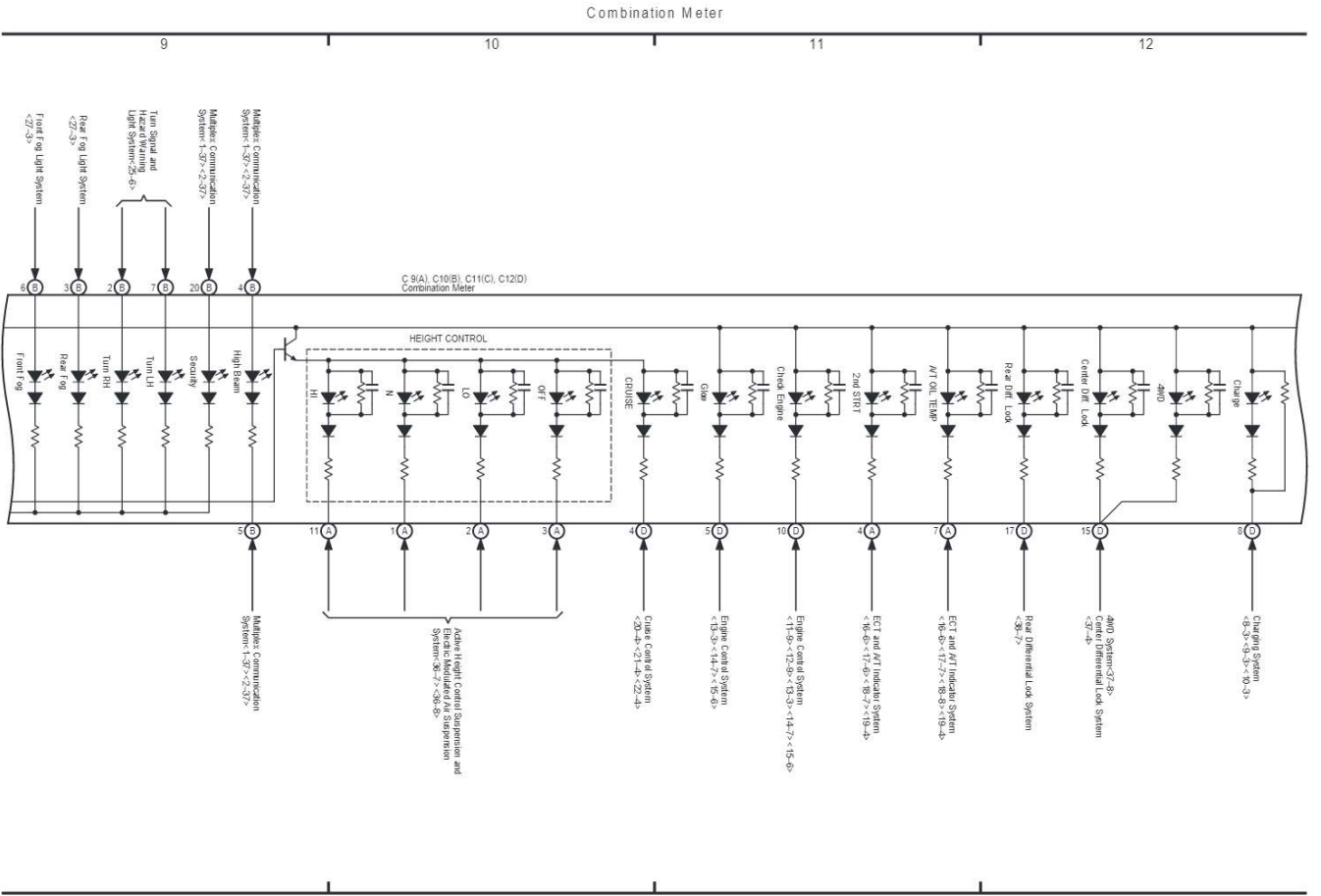
LAND CRUISER / LAND CRUISER PRADO (EWD595E)

257



LAND CRUISER / LAND CRUISER PRADO (EWD595E)





Combination Meter

\*22 : w/o VSC w/o ABS  
 \*23 : w/ VSC 1KZ-TE  
 \*24 : w/o VSC w/ ABS

\*25 : Except Bench Seat  
 \*26 : w/ VSC 1GR-FE, w/ VSC 1KD-FTV  
 \*27 : w/o VSC

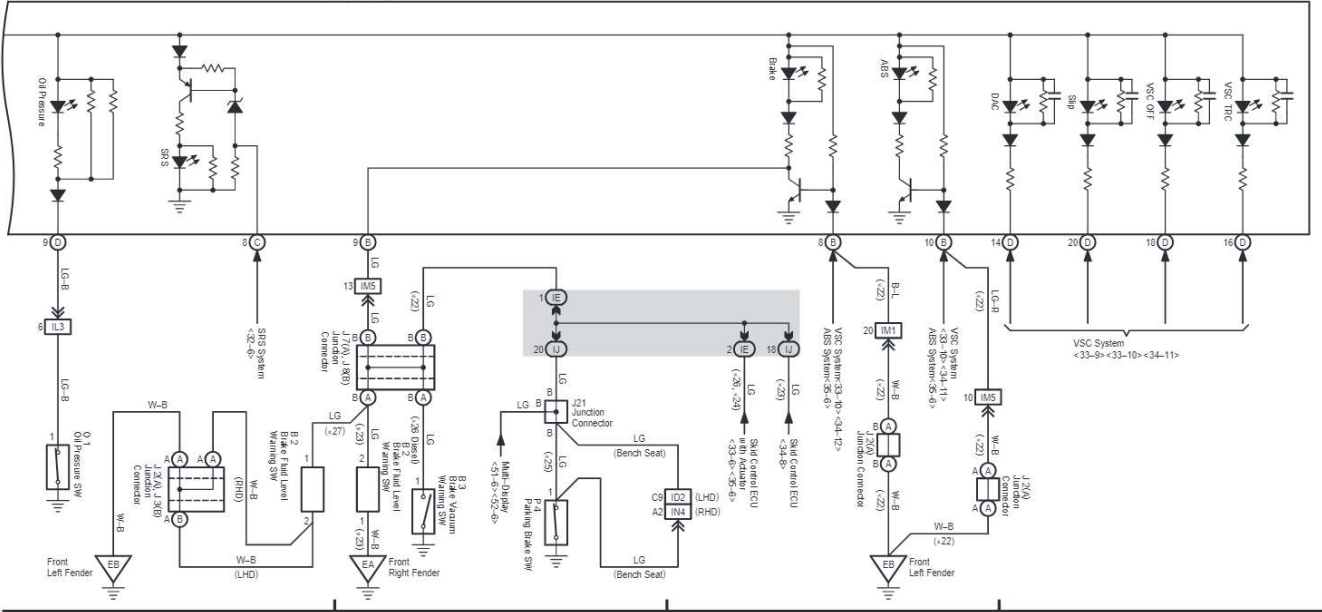
13

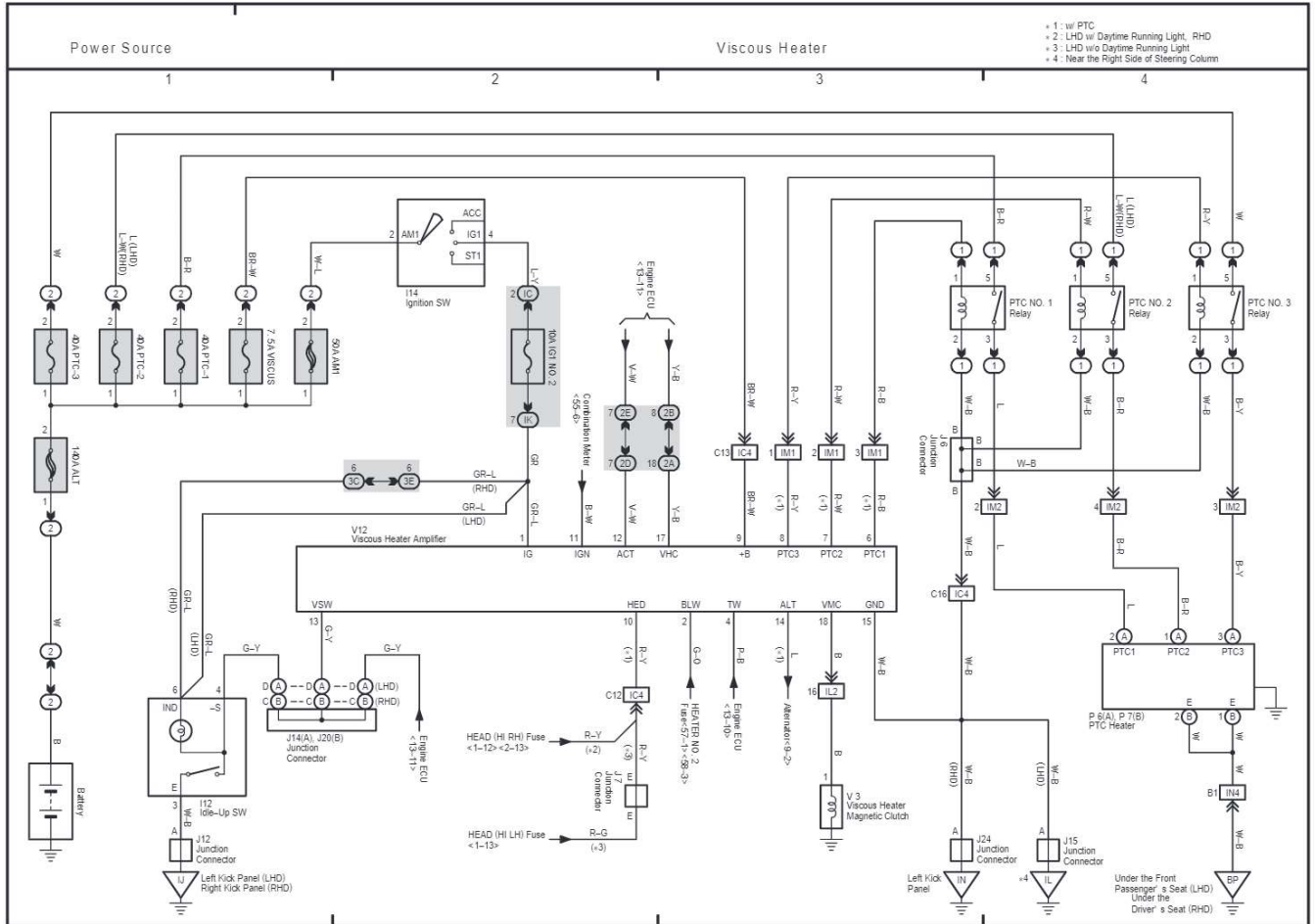
14

15

16

C 5(A), C10(B), C11(C), C12(D)  
 Combination Meter







LAND CRUISER / LAND CRUISER PRADO (EWD595E)

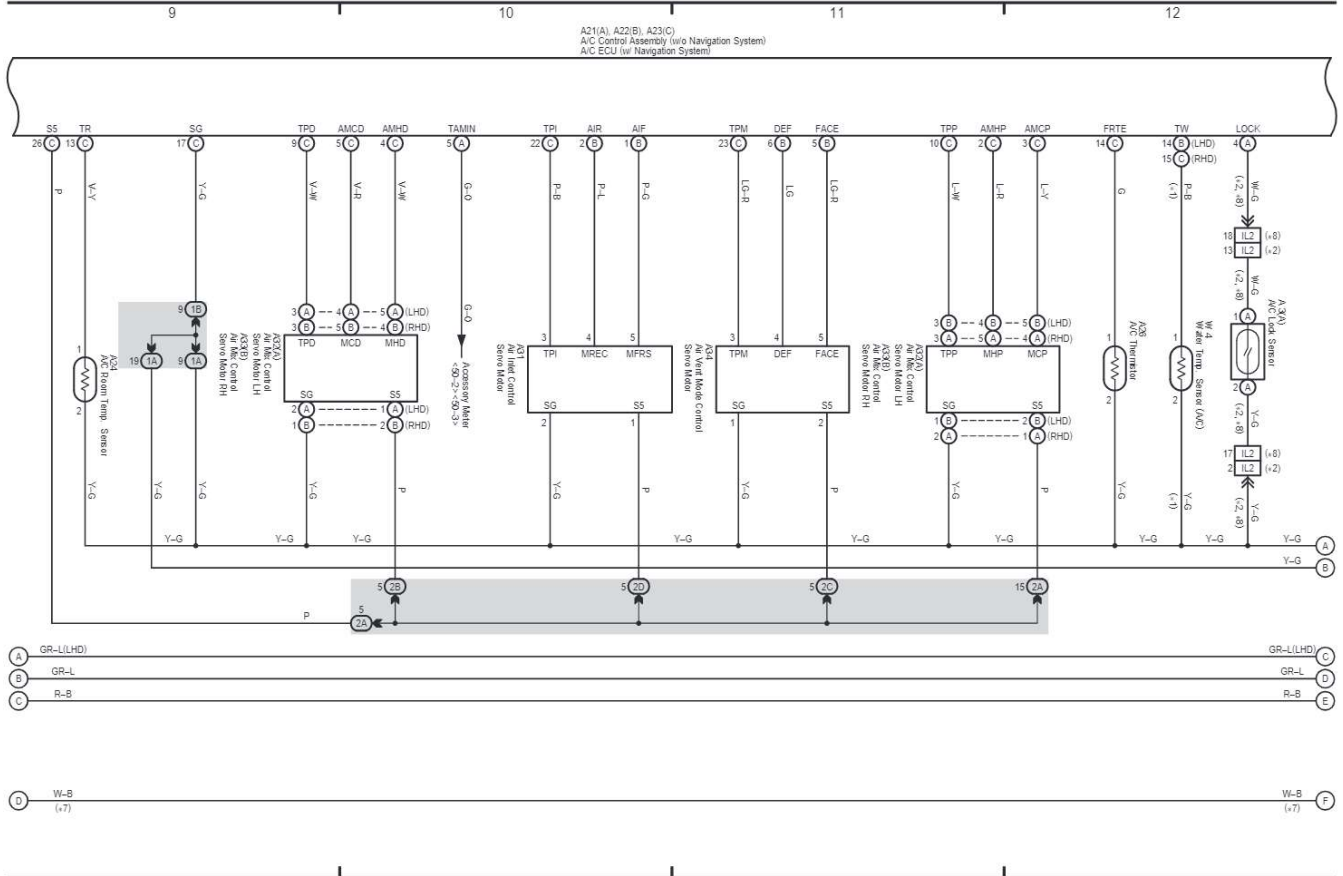
263



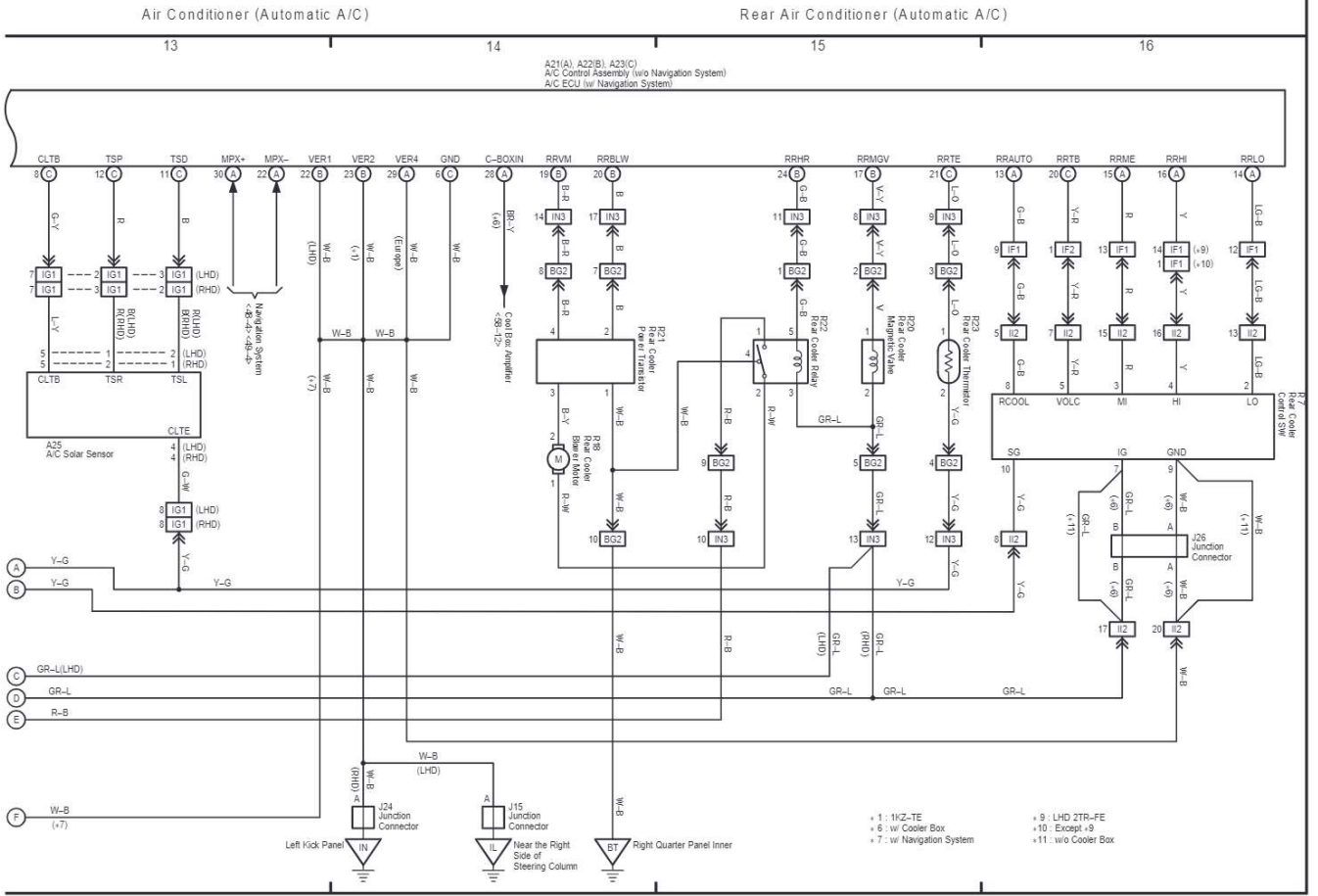


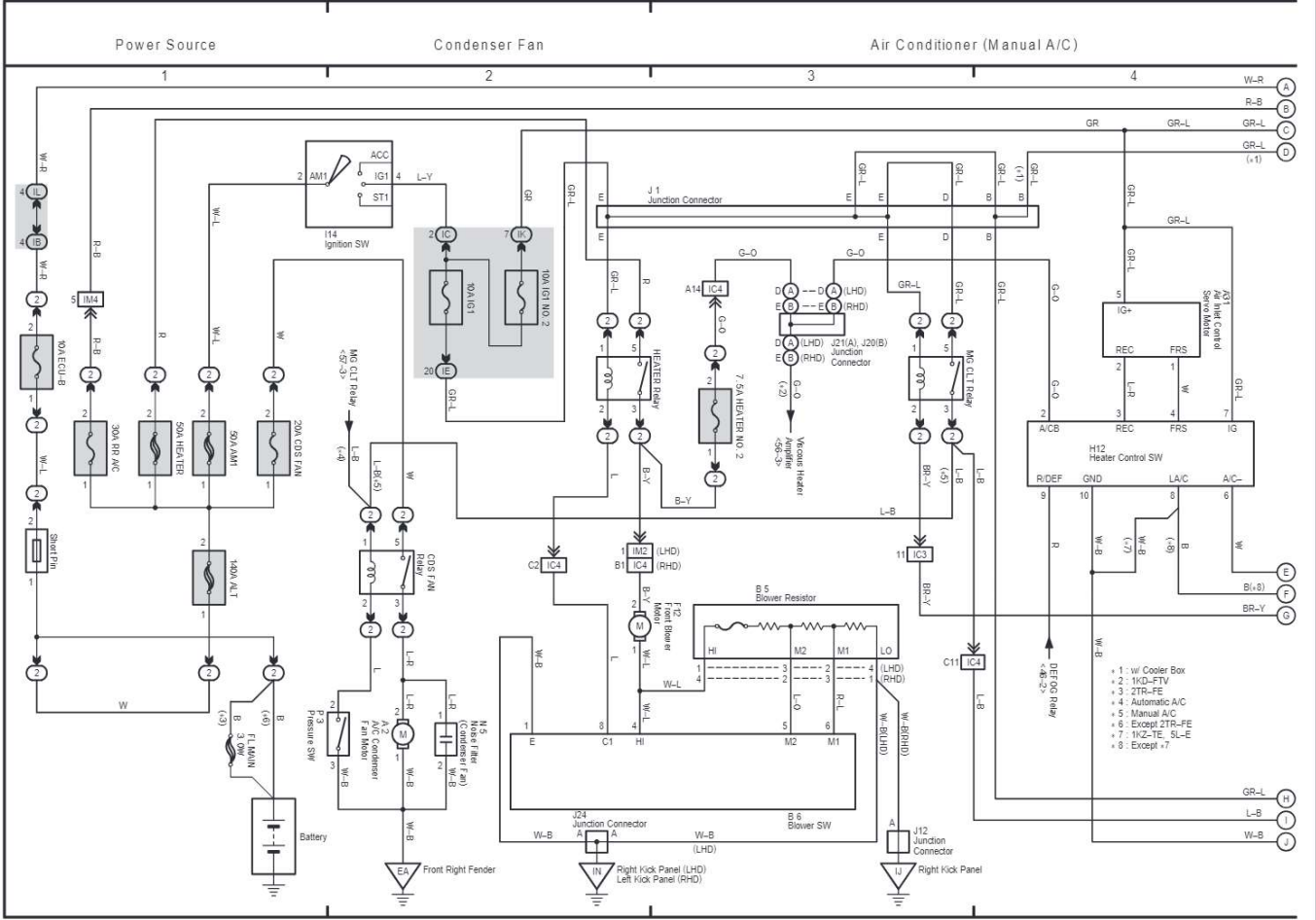
Air Conditioner (Automatic A/C)

+ 1: 1KZ-TE + 7: w/ Navigation System  
+ 2: 1KD-FTV + 8: Gasoline



LAND CRUISER / LAND CRUISER PRADO (EWD595E)





Air Conditioner (Manual A/C)

