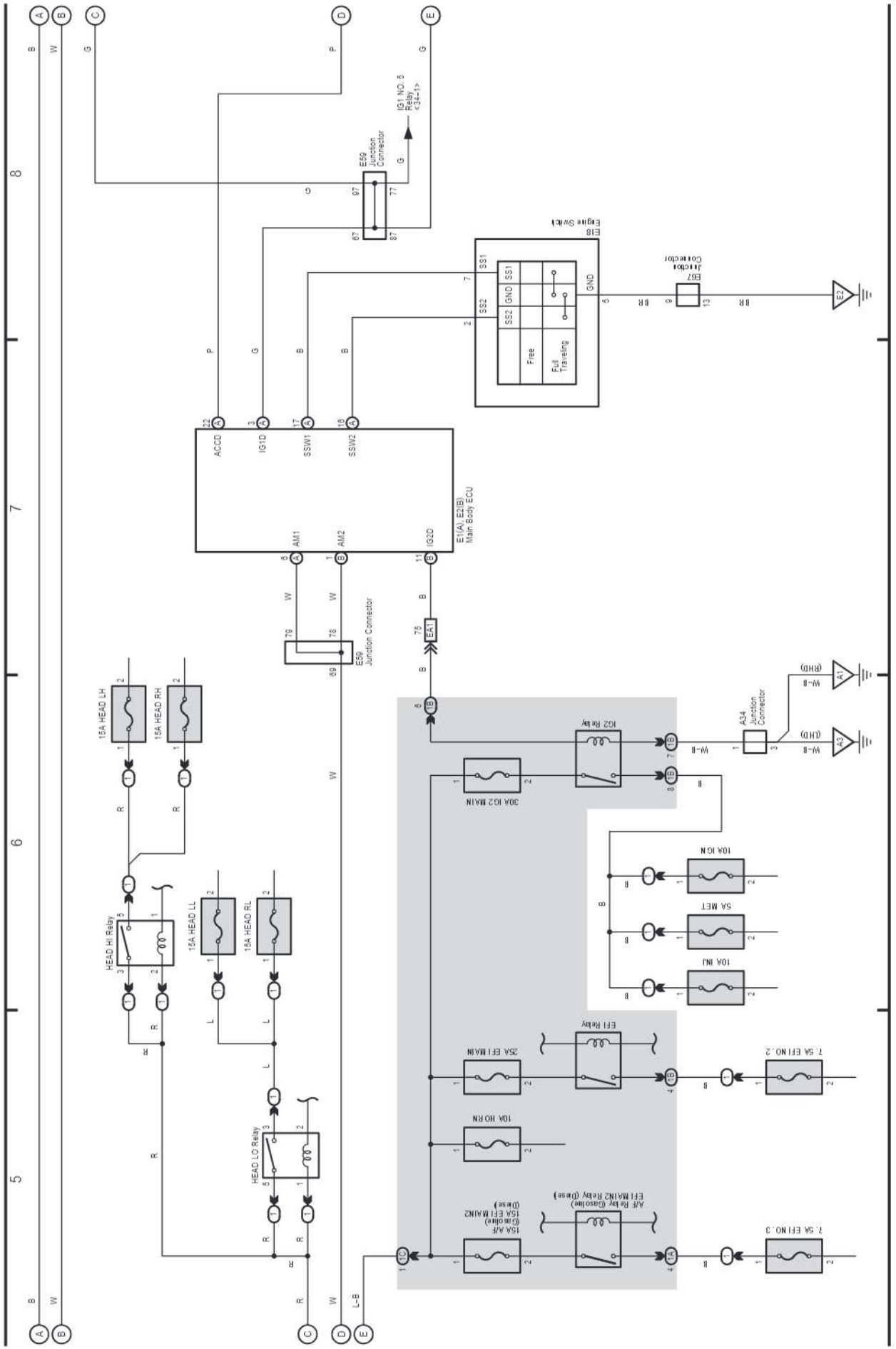




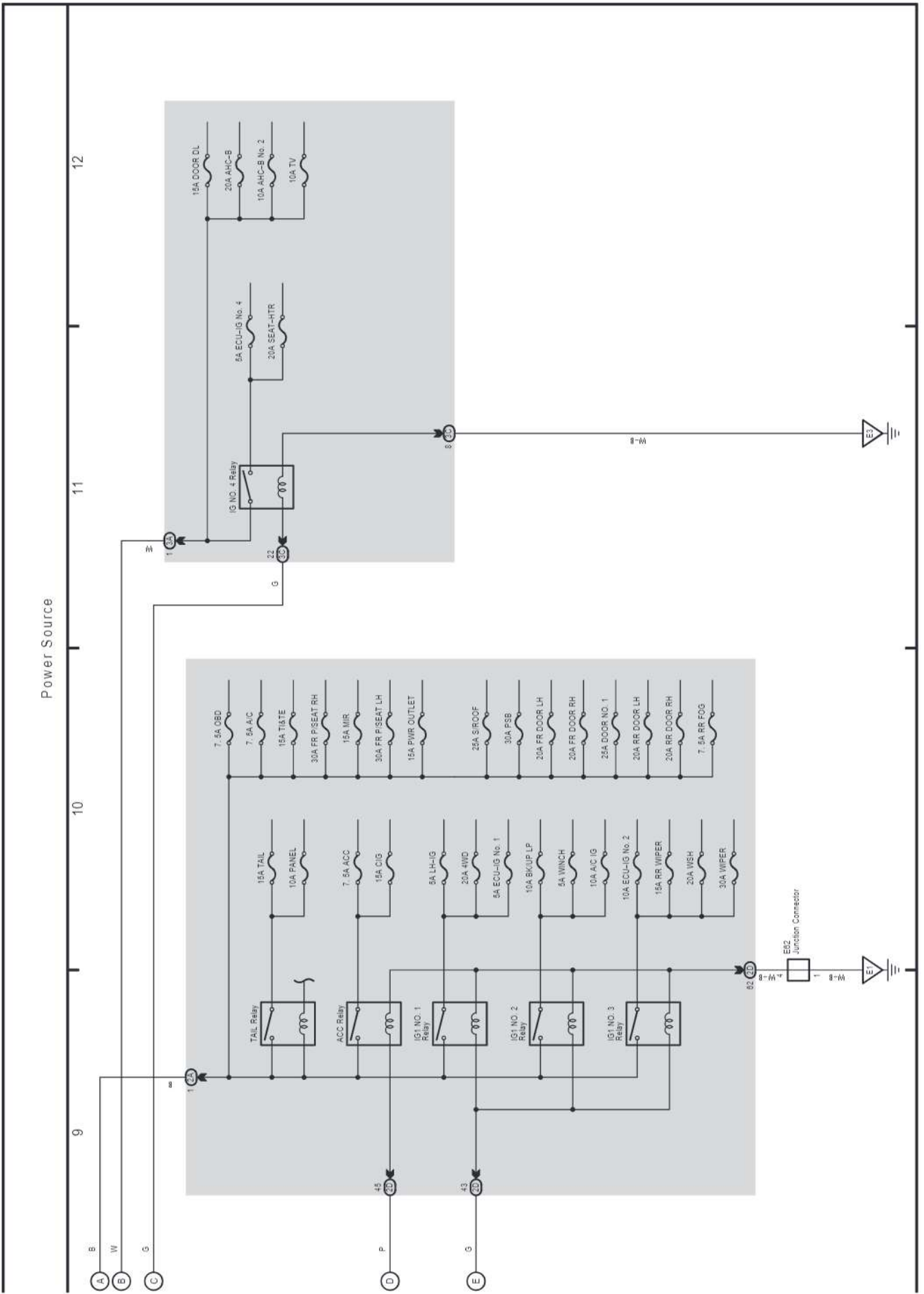
Power Source



LAND CRUISER Station Wagon (EM0810E)

# M OVERALL ELECTRICAL WIRING DIAGRAM

## 1 LAND CRUISER Station Wagon (Cont' d)



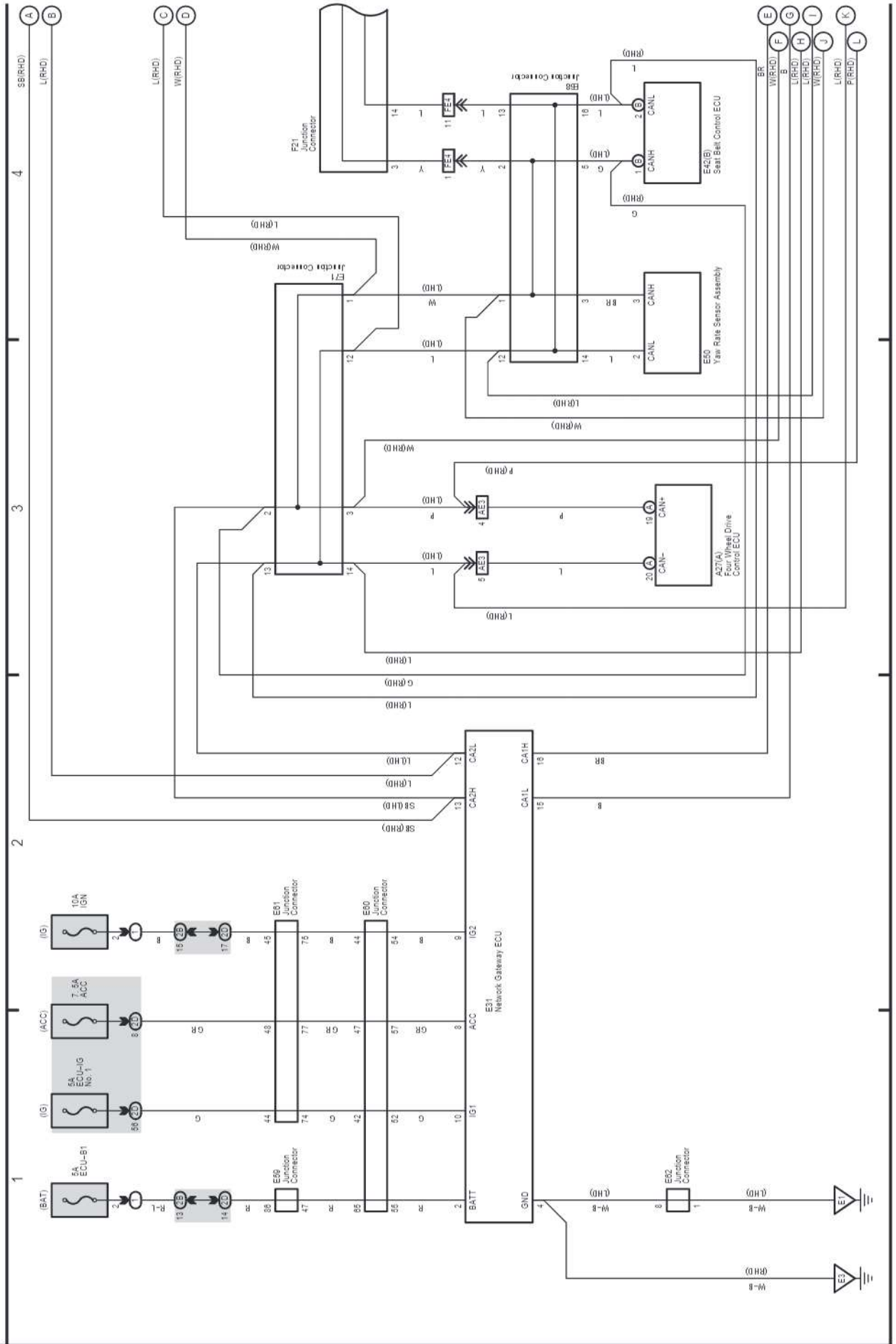
LAND CRUISER Station Wagon (EM0810E)

# M OVERALL ELECTRICAL WIRING DIAGRAM

(Cont. next page)

2 LAND CRUISER Station Wagon

Multiplex Communication System (CAN)

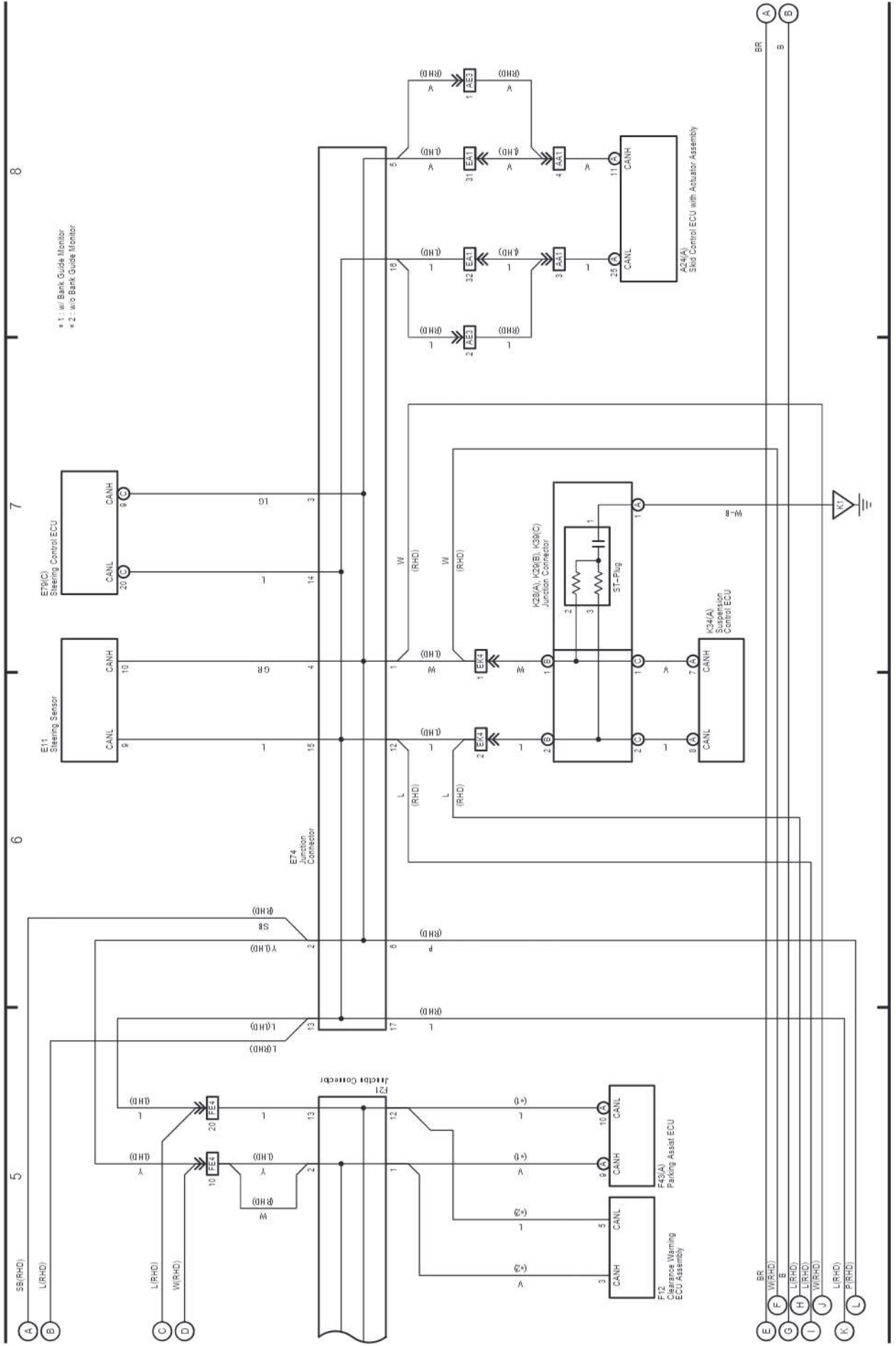


LAND CRUISER Station Wagon (EM0810E)

2 LAND CRUISER Station Wagon (Cont' d)

(Cont. next page)

Multiplex Communication System (CAN)

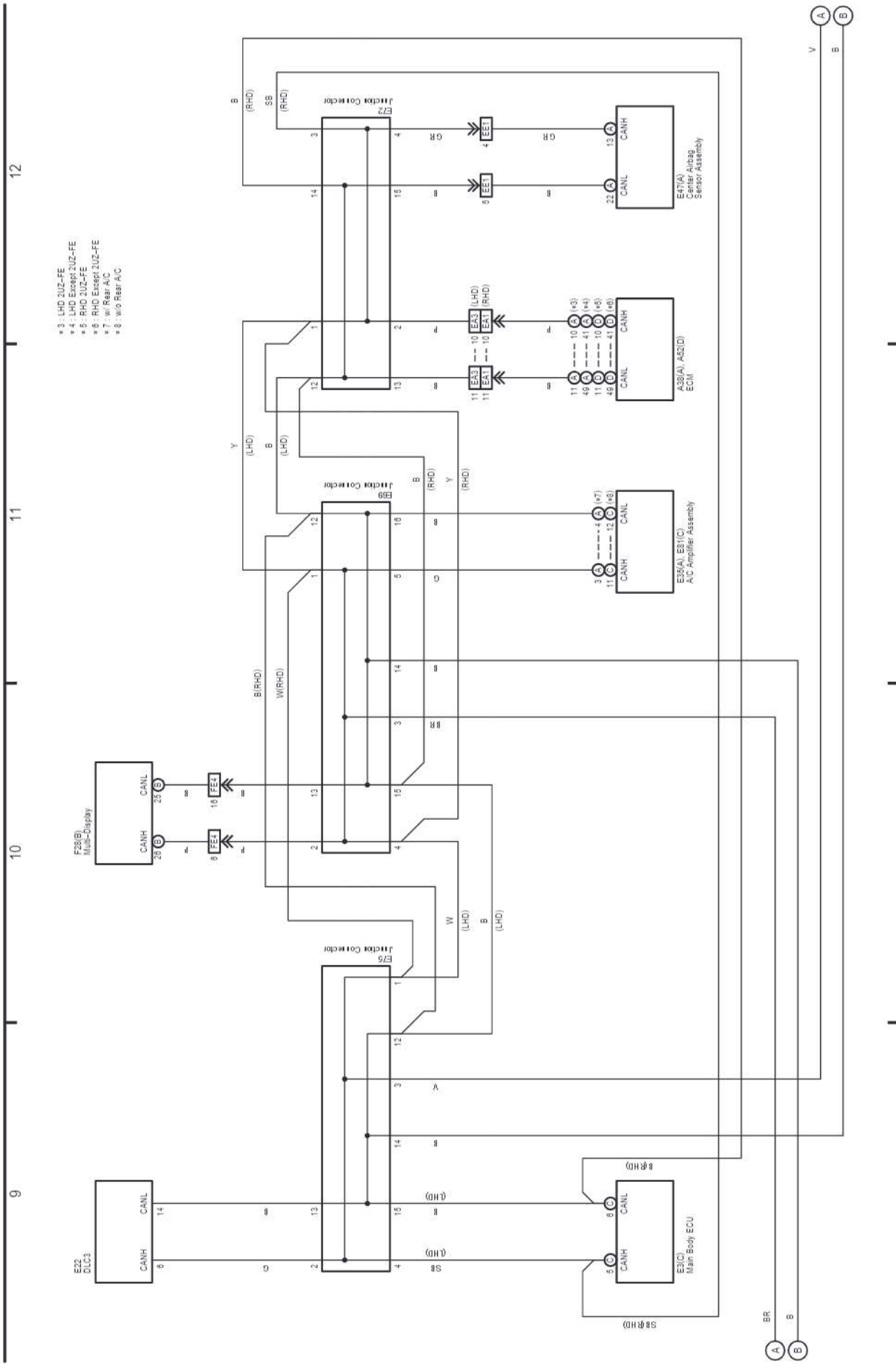


# M OVERALL ELECTRICAL WIRING DIAGRAM

(Cont. next page)

2 LAND CRUISER Station Wagon (Cont' d)

### Multiplex Communication System (CAN)

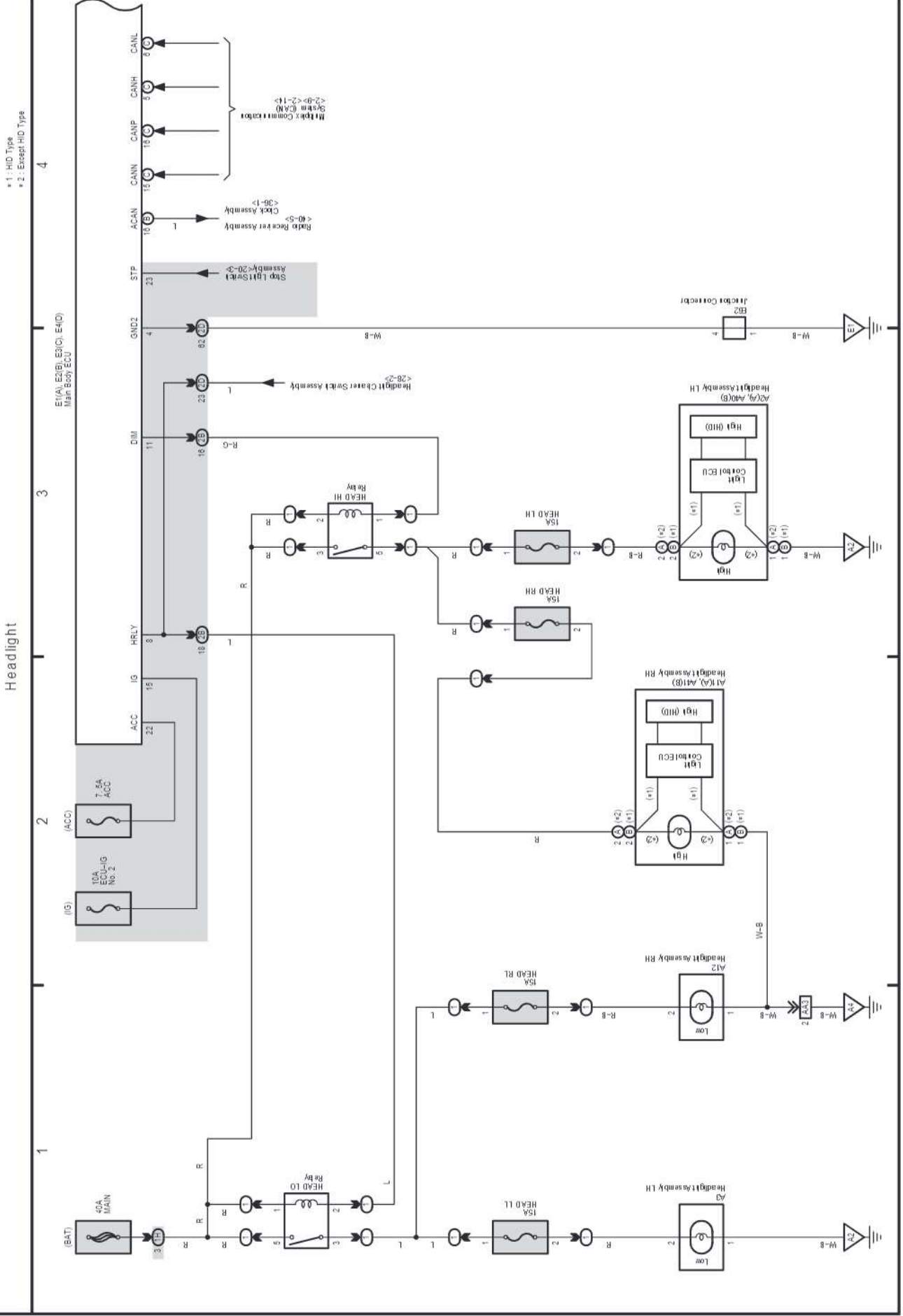




# M OVERALL ELECTRICAL WIRING DIAGRAM

(Cont. next page)

3 LAND CRUISER Station Wagon

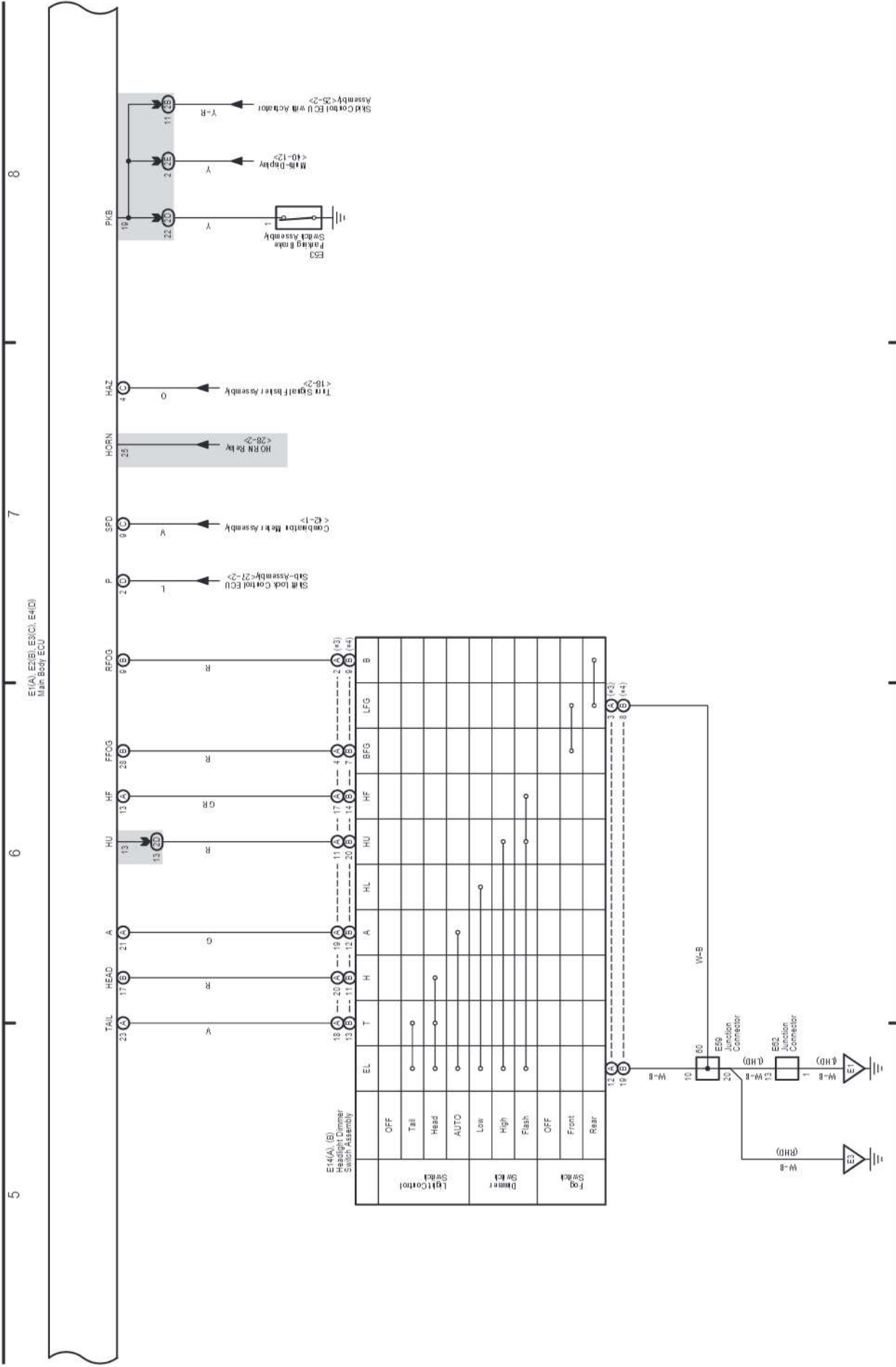


LAND CRUISER Station Wagon (EM0810E)



Headlight

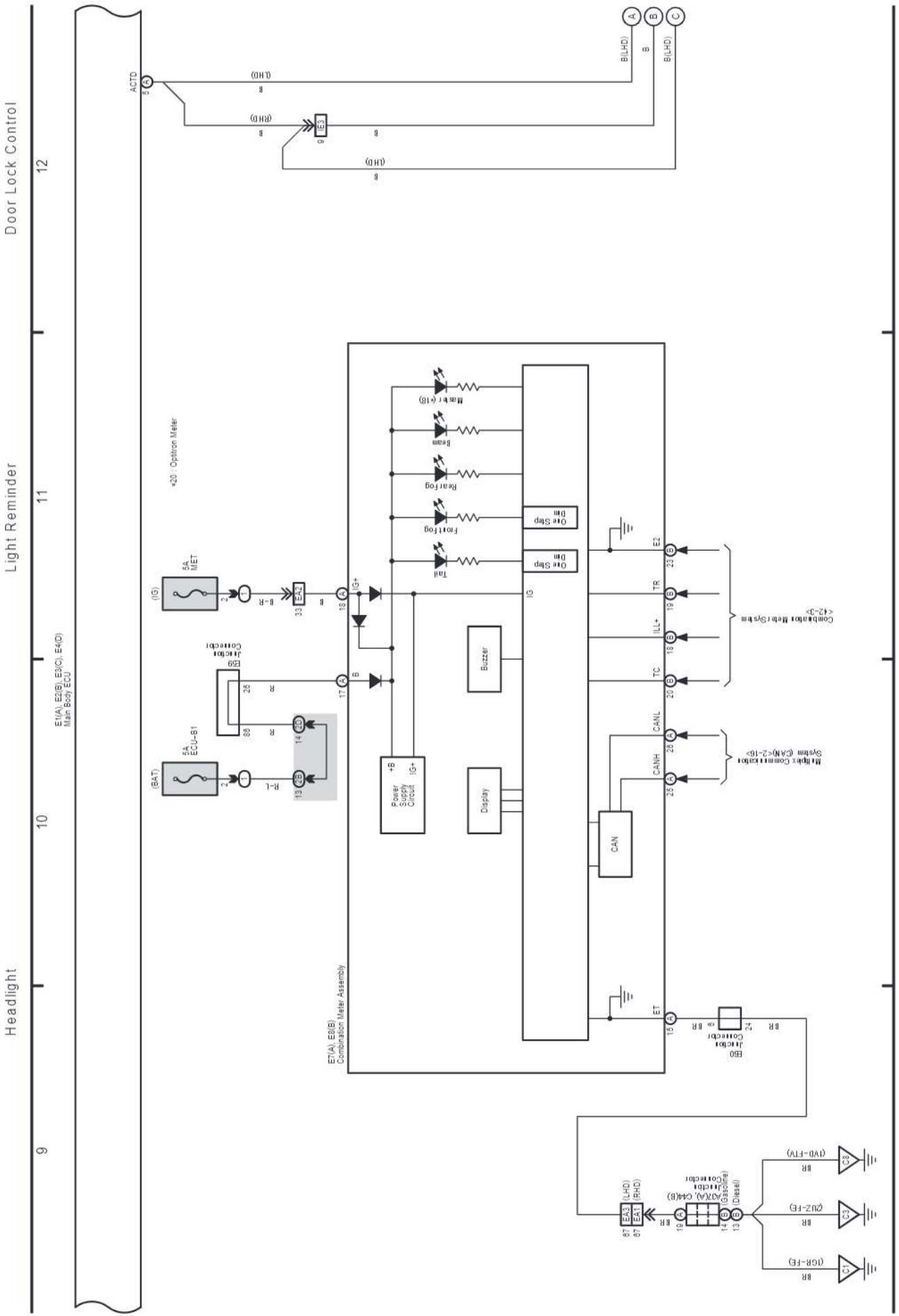
- \* 3 - LH0, RHD Headlight Dimmer Switch Assembly LH Side Type
- \* 4 - RHD Headlight Dimmer Switch Assembly RH Side Type



# M OVERALL ELECTRICAL WIRING DIAGRAM

3 LAND CRUISER Station Wagon (Cont' d)

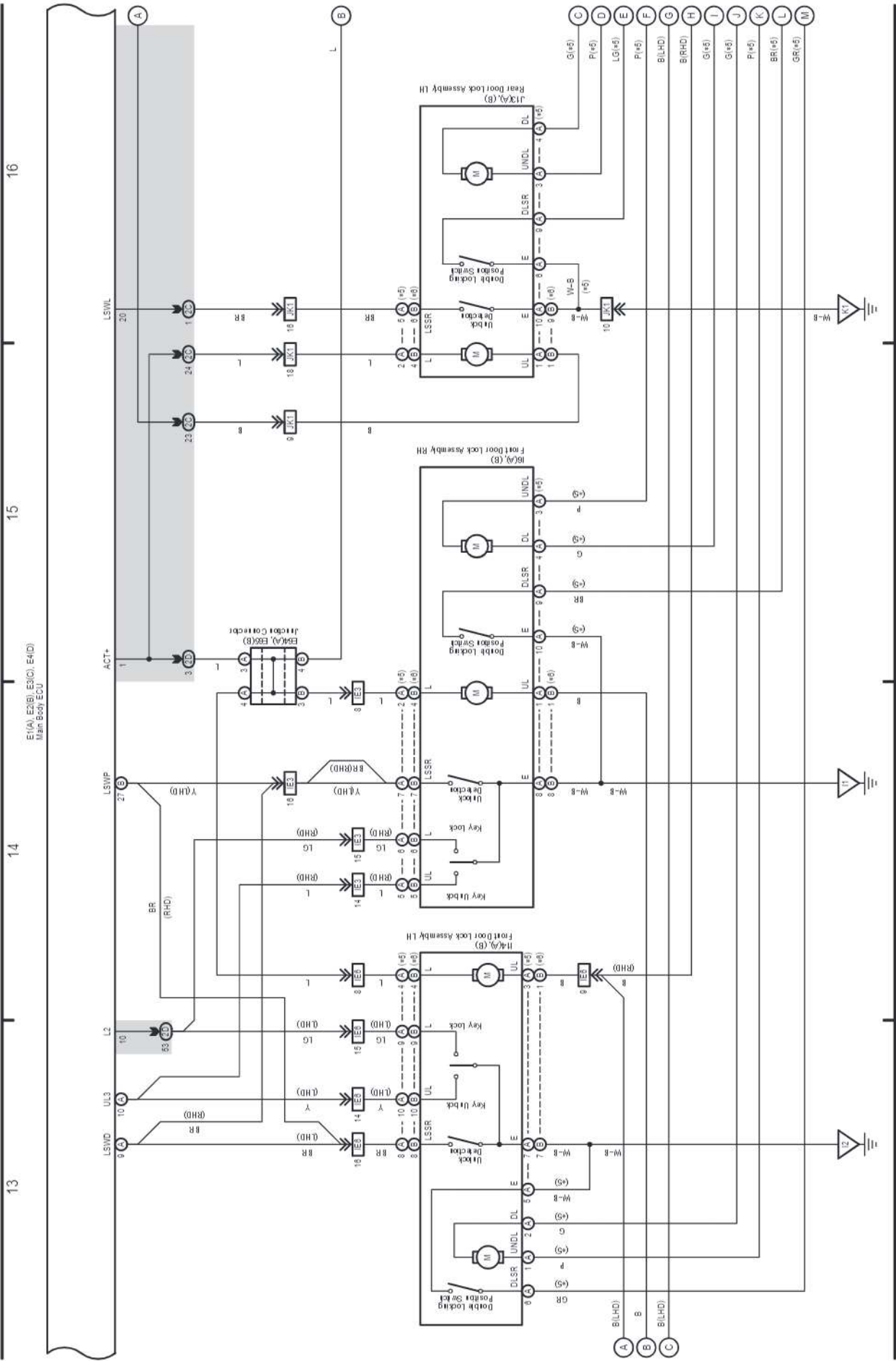
(Cont. next page)



LAND CRUISER Station Wagon (EM0810E)

Door Lock Control

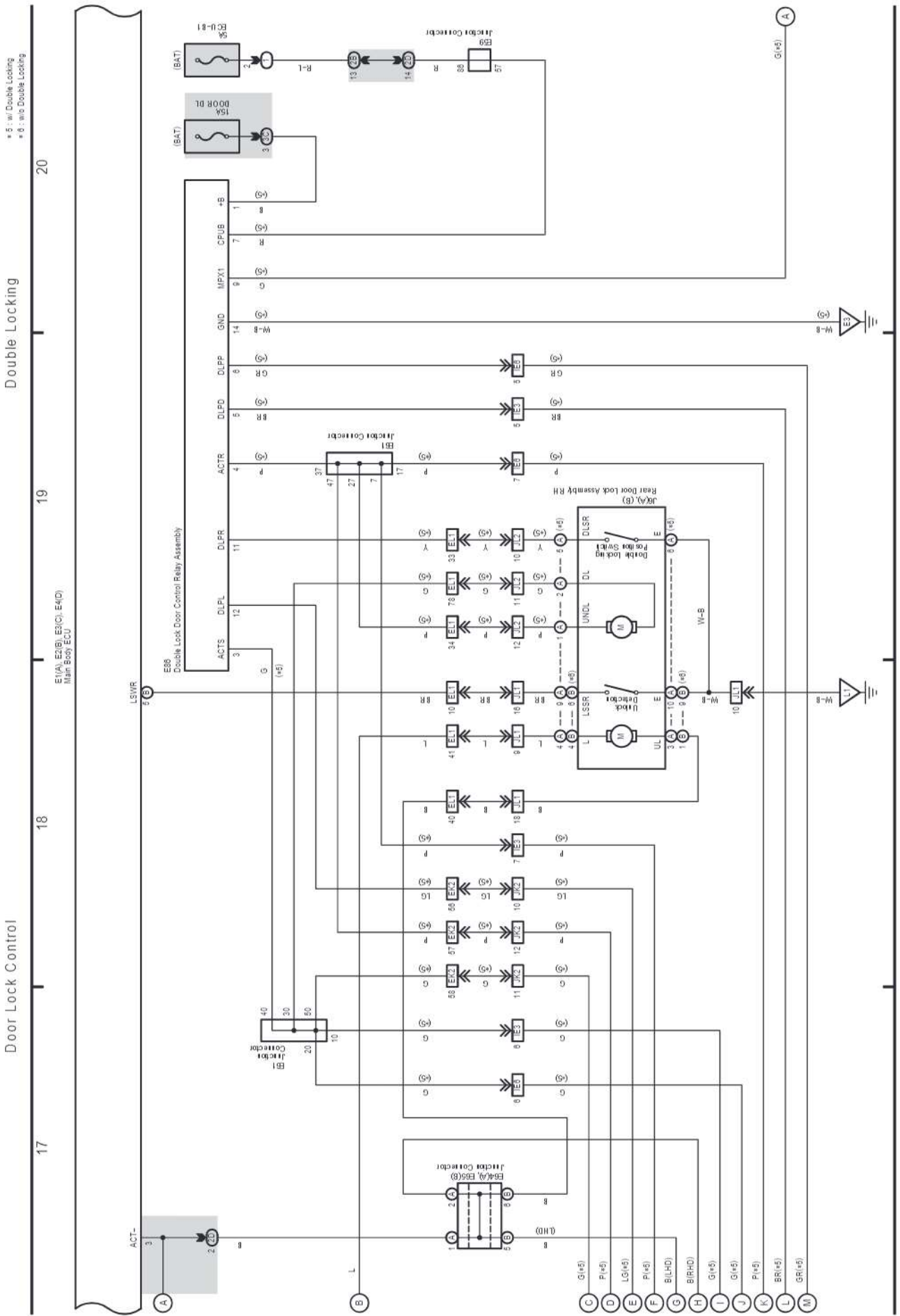
\* 5 - w/ Double Locking  
 \* 6 - w/o Double Locking



# M OVERALL ELECTRICAL WIRING DIAGRAM

## 3 LAND CRUISER Station Wagon (Cont' d)

(Cont. next page)

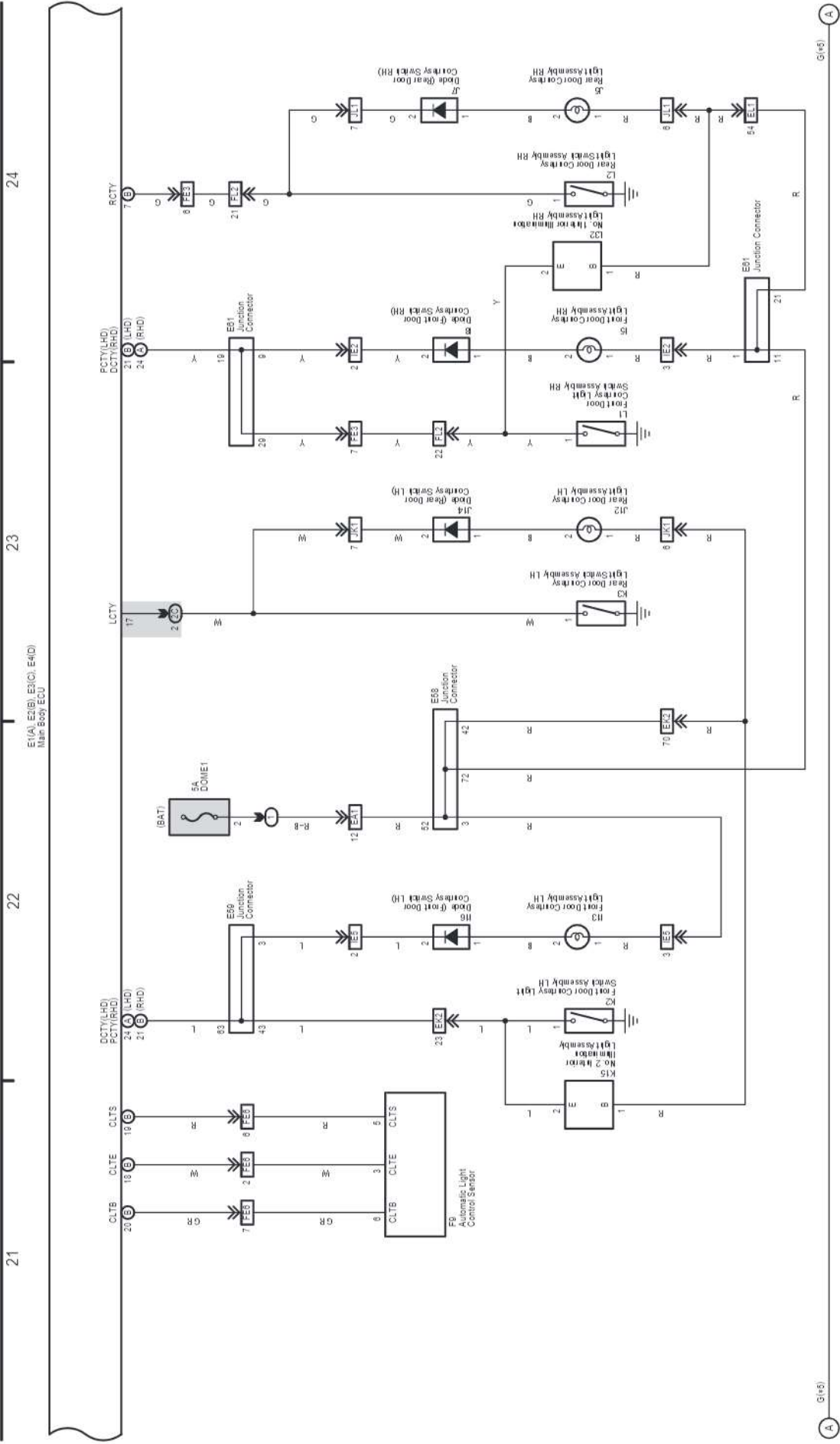


LAND CRUISER Station Wagon (EM0810E)

Automatic Light Control and Light Auto Turn Off System

Interior Light

# 5 - w/ Double Loading

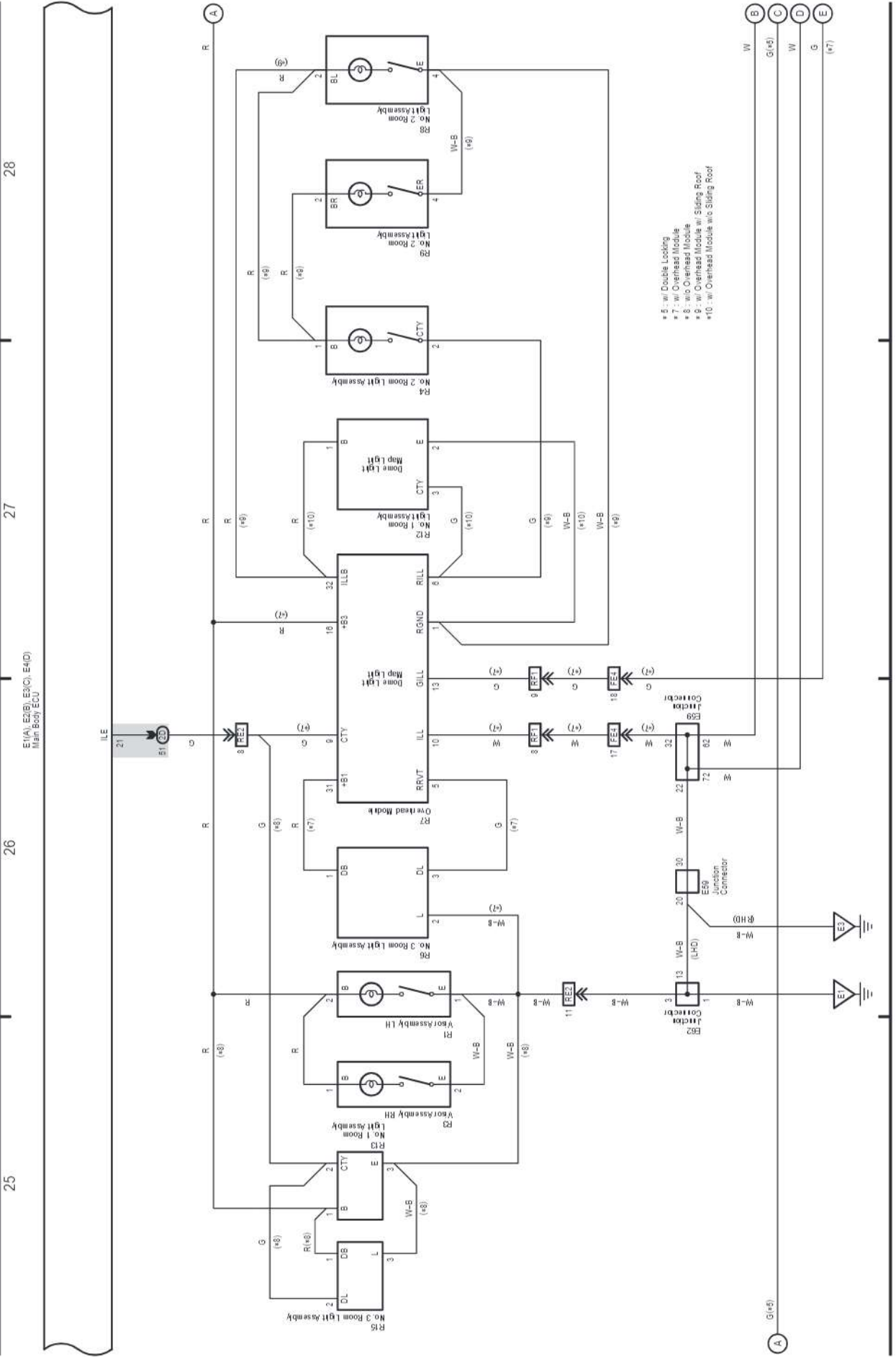


# M OVERALL ELECTRICAL WIRING DIAGRAM

3 LAND CRUISER Station Wagon (Cont' d)

(Cont. next page)

## Interior Light



LAND CRUISER Station Wagon (EM0810E)

Interior Light

Remote Control Mirror  
(w/ Seat Position Memory)

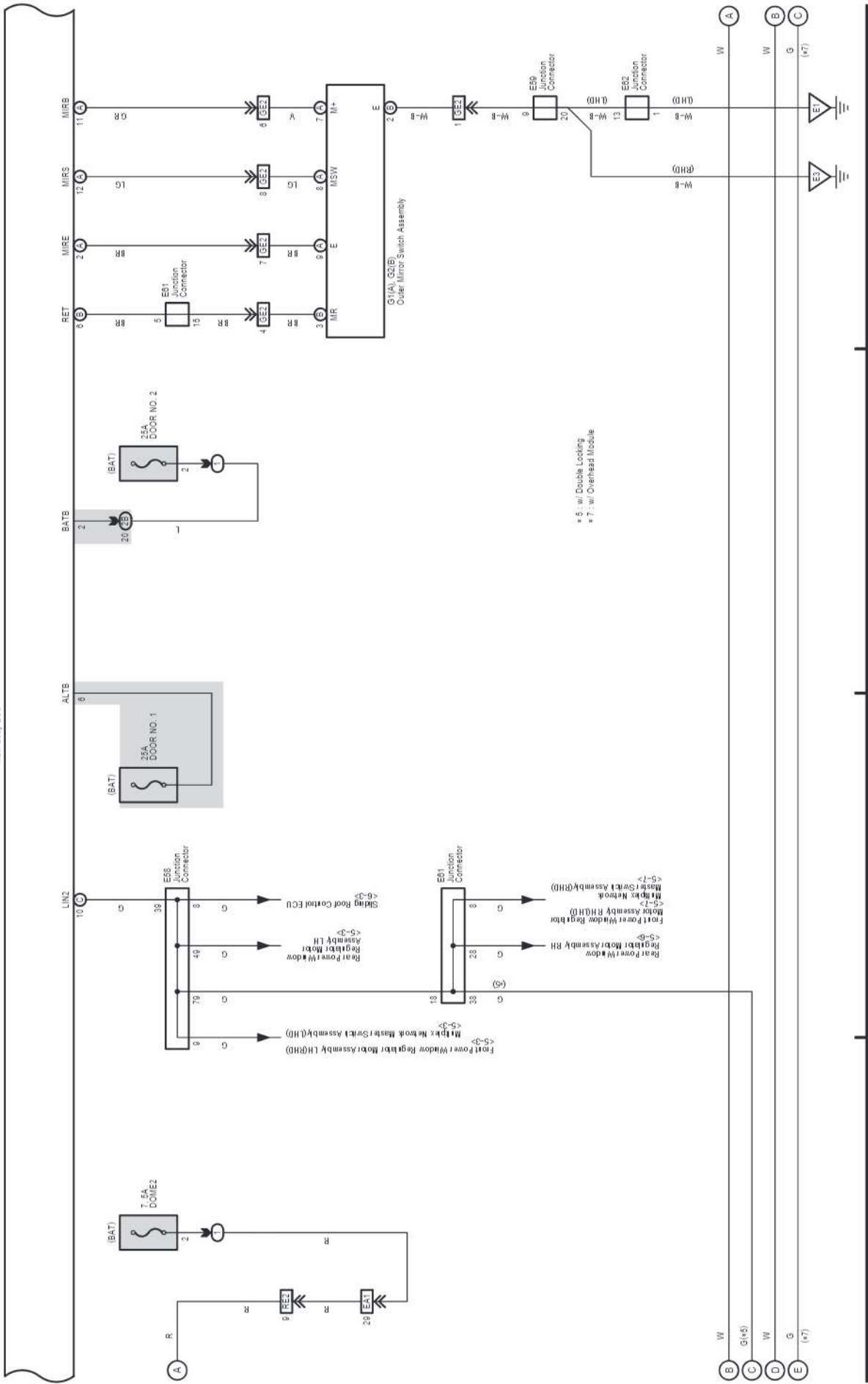
29

30

31

32

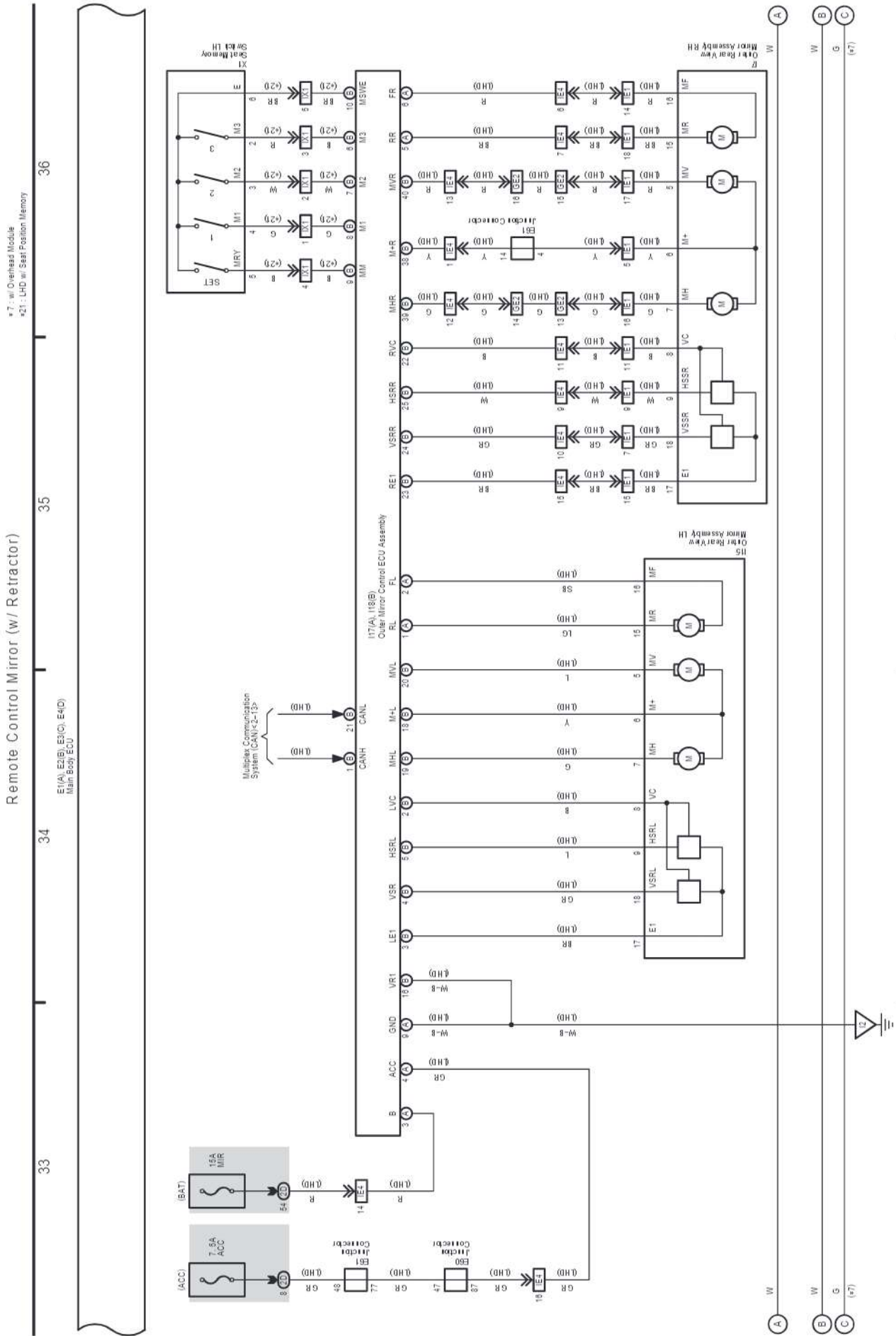
E(VA), E(B), E(C), E(MD)  
Main Body ECU



# M OVERALL ELECTRICAL WIRING DIAGRAM

3 LAND CRUISER Station Wagon (Cont' d)

(Cont. next page)



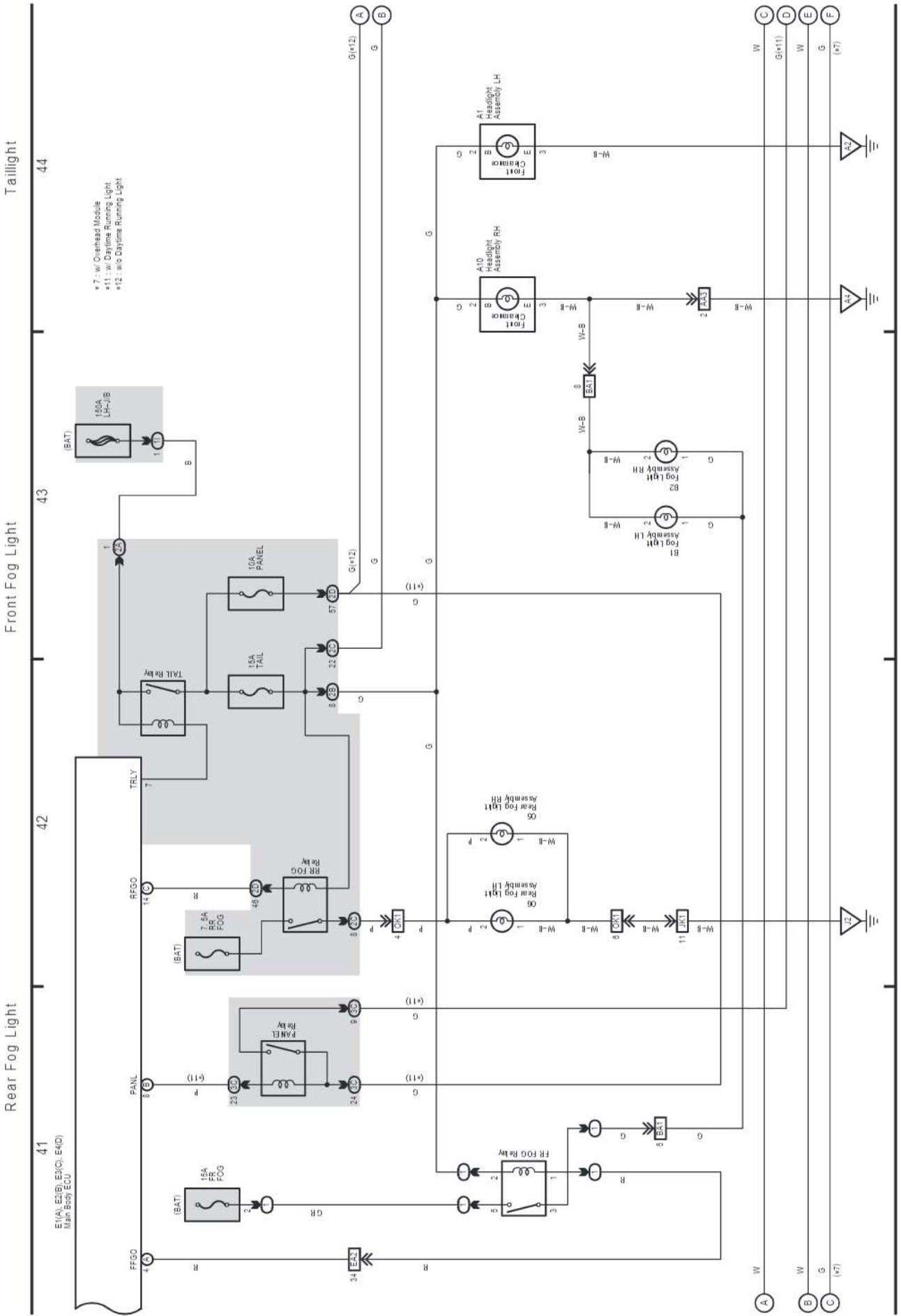




# M OVERALL ELECTRICAL WIRING DIAGRAM

(Cont. next page)

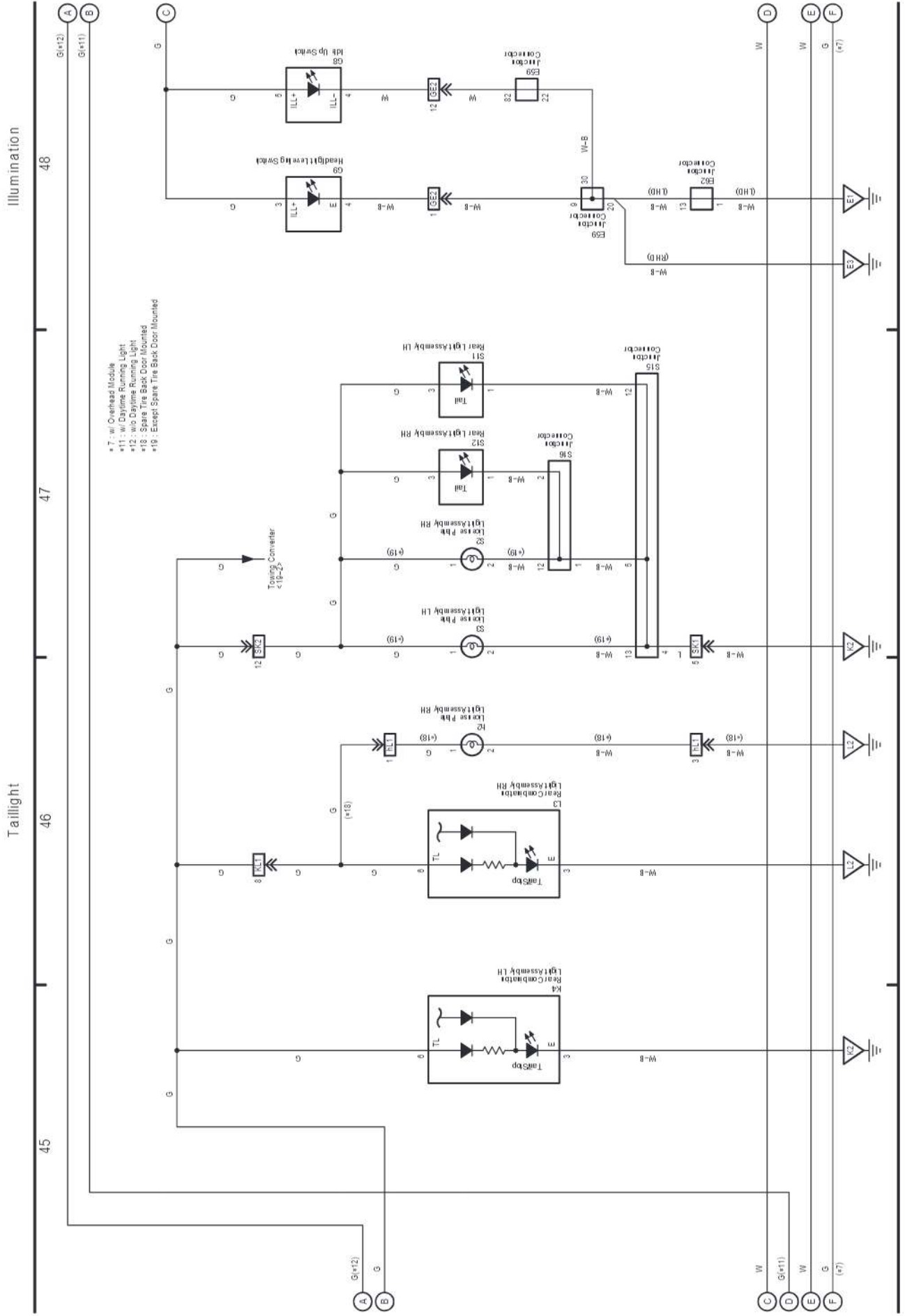
3 LAND CRUISER Station Wagon (Cont' d)



LAND CRUISER Station Wagon (EM0810E)

3 LAND CRUISER Station Wagon (Cont' d)

(Cont. next page)



LAND CRUISER Station Wagon (EM0810E)

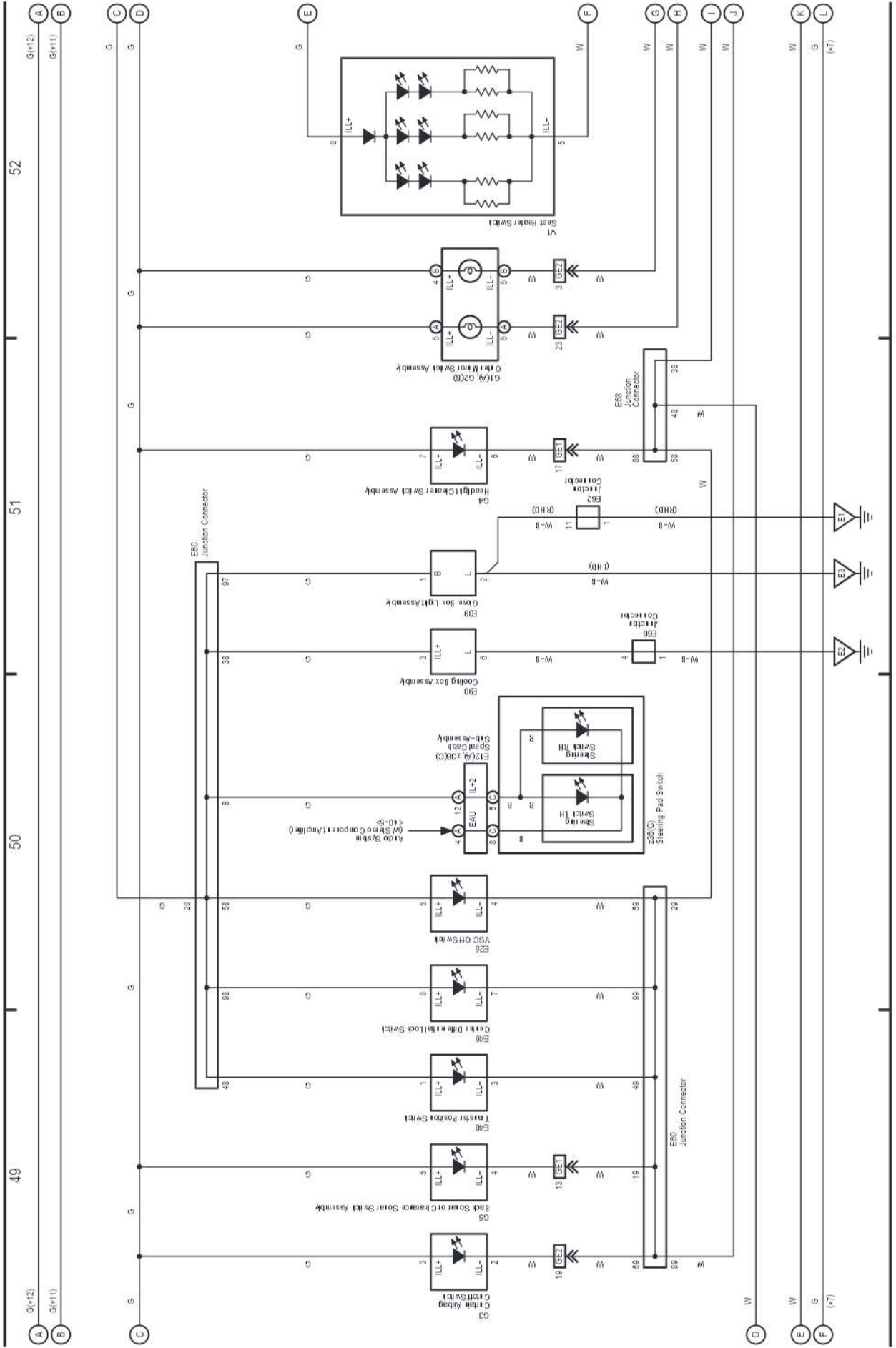
# M OVERALL ELECTRICAL WIRING DIAGRAM

(Cont. next page)

3 LAND CRUISER Station Wagon (Cont'd)

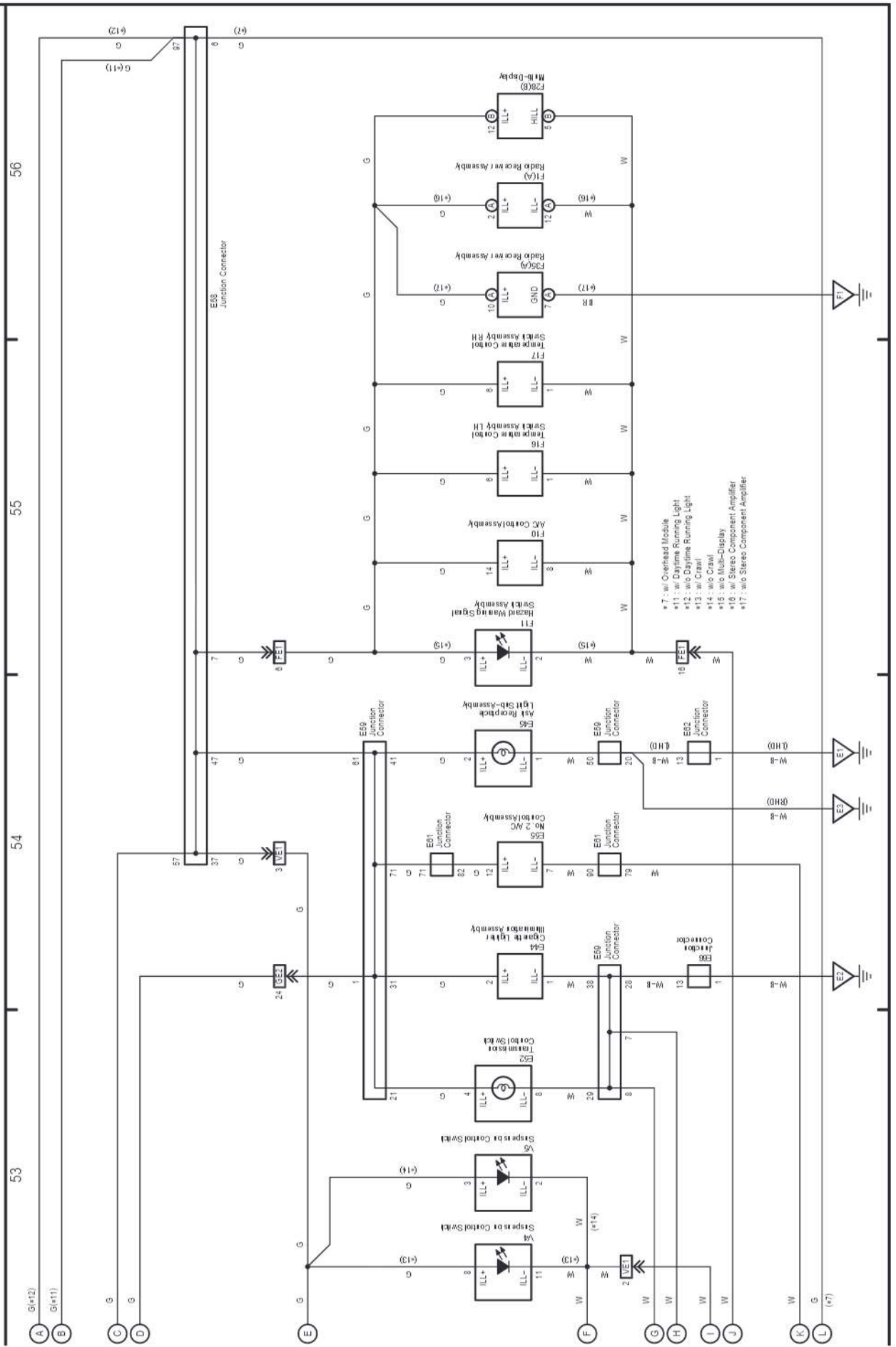
\*7 : w/ Overhead Module  
 \*11 : w/ Daytime Running Light  
 \*12 : w/o Daytime Running Light

## Illumination



3 LAND CRUISER Station Wagon (Cont'd)

Illumination



LAND CRUISER Station Wagon (EM0810E)

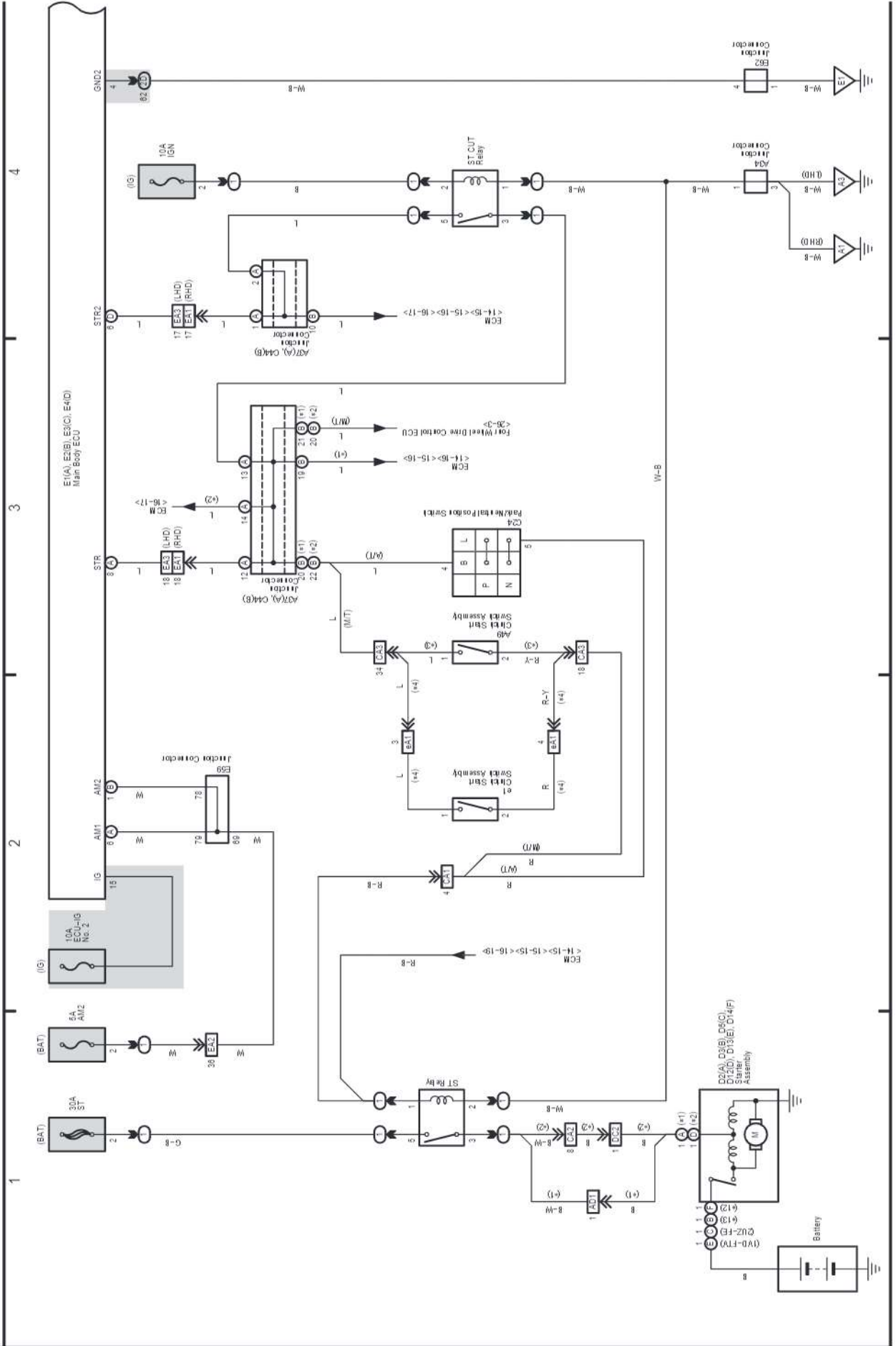
# M OVERALL ELECTRICAL WIRING DIAGRAM

(Cont. next page)

4 LAND CRUISER Station Wagon

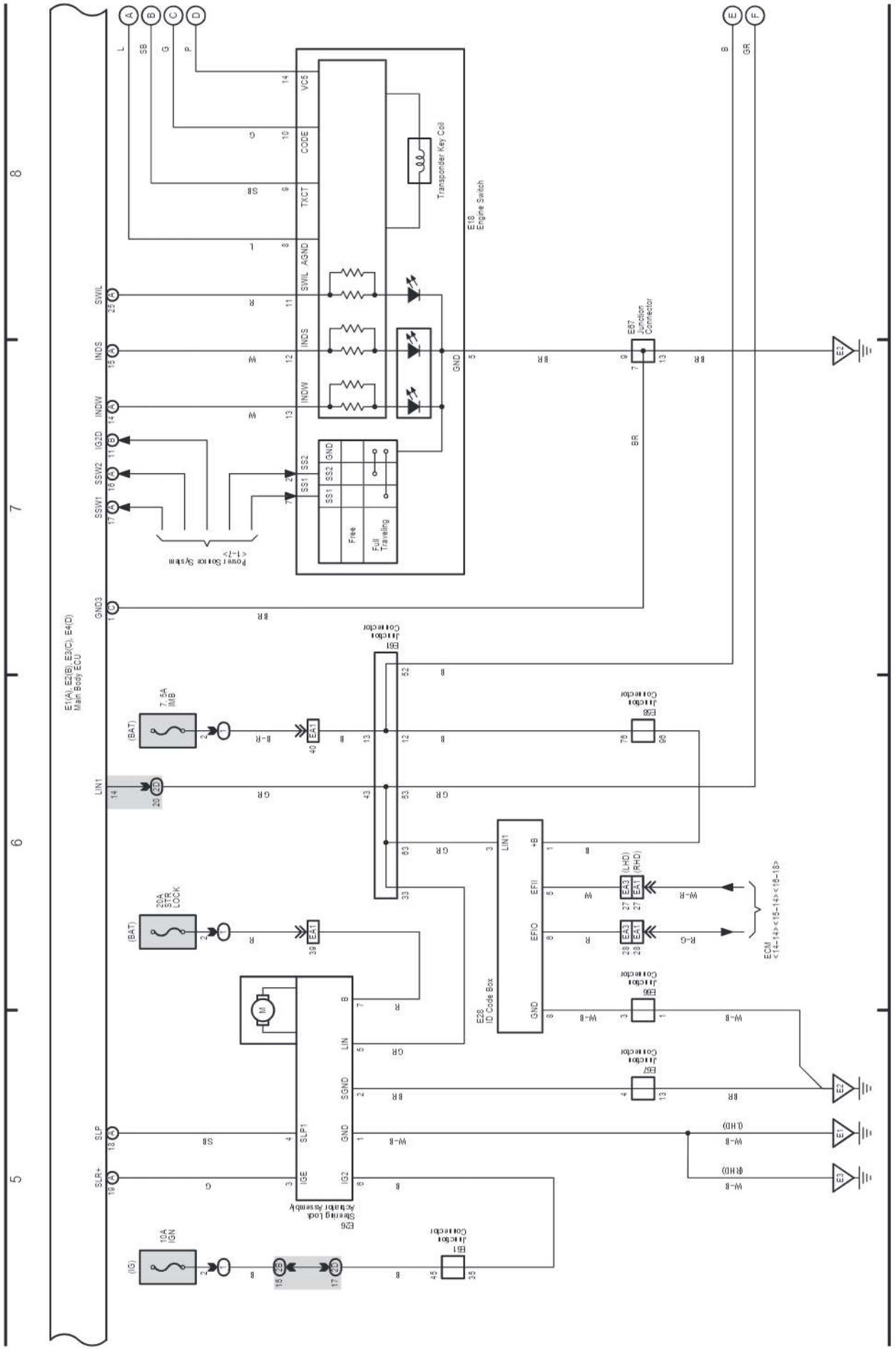
## Entry & Start System and Theft Deterrent

- \*1: Gasoline
- \*2: Diesel
- \*3: LHD MIT
- \*4: RHD MIT
- \*12: IGR-FE Cold Area Spec.
- \*13: IGR-FE Except Cold Area Spec.



LAND CRUISER Station Wagon (EM0810E)

Entry & Start System and Theft Deterrent



LAND CRUISER Station Wagon (EM0810E)

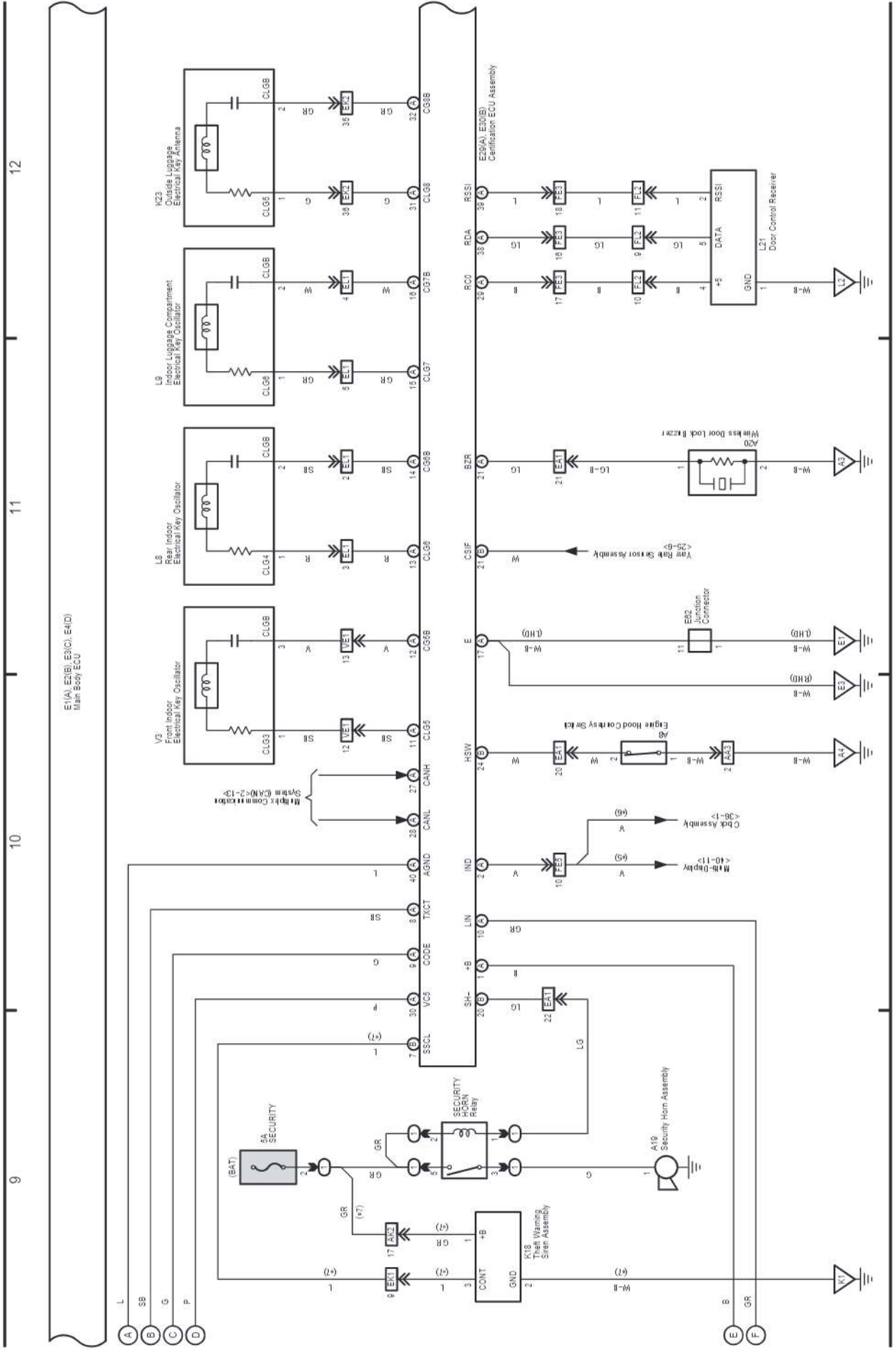
# M OVERALL ELECTRICAL WIRING DIAGRAM

4 LAND CRUISER Station Wagon (Cont' d)

(Cont. next page)

- \* 5 : w/ Multi-Display
- \* 6 : w/o Multi-Display
- \* 7 : w/ Theft Warning Siren

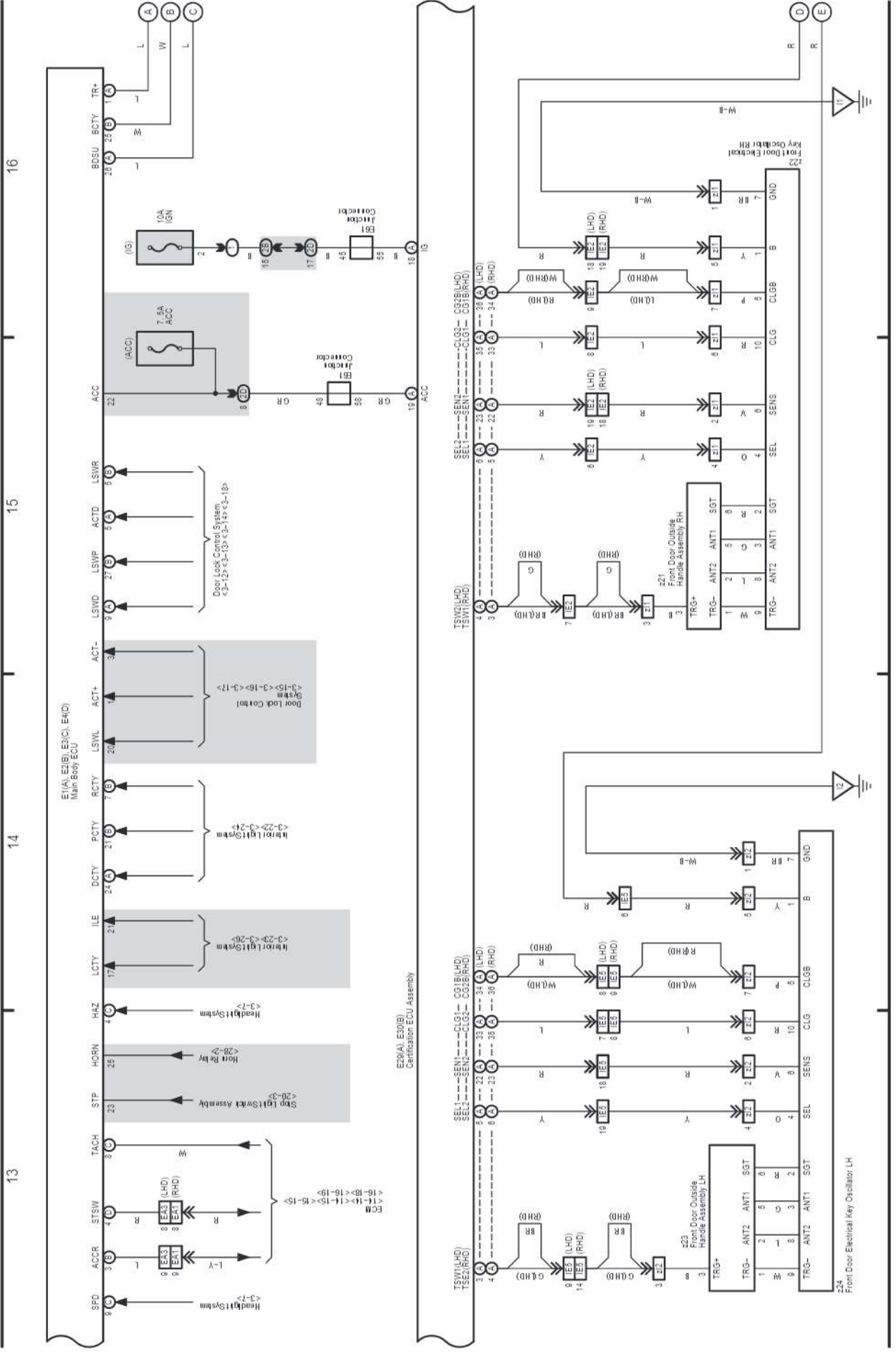
## Entry & Start System and Theft Deterrent



LAND CRUISER Station Wagon (EM0810E)



Entry & Start System and Theft Deterrent

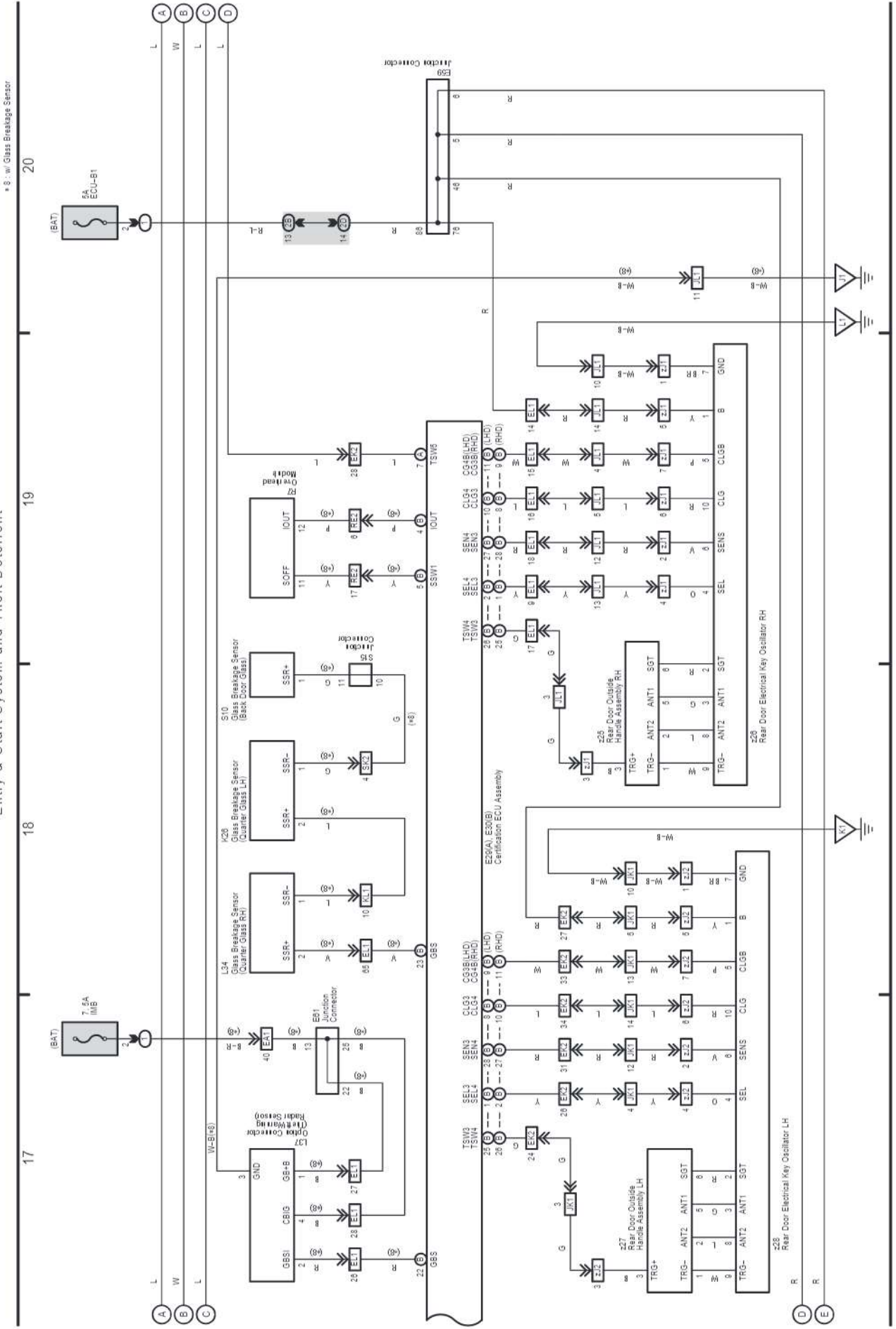


# M OVERALL ELECTRICAL WIRING DIAGRAM

4 LAND CRUISER Station Wagon (Cont' d)

(Cont. next page)

## Entry & Start System and Theft Deterrent



LAND CRUISER Station Wagon (EM0810E)

4 LAND CRUISER Station Wagon (Cont' d)

Back Door Opener

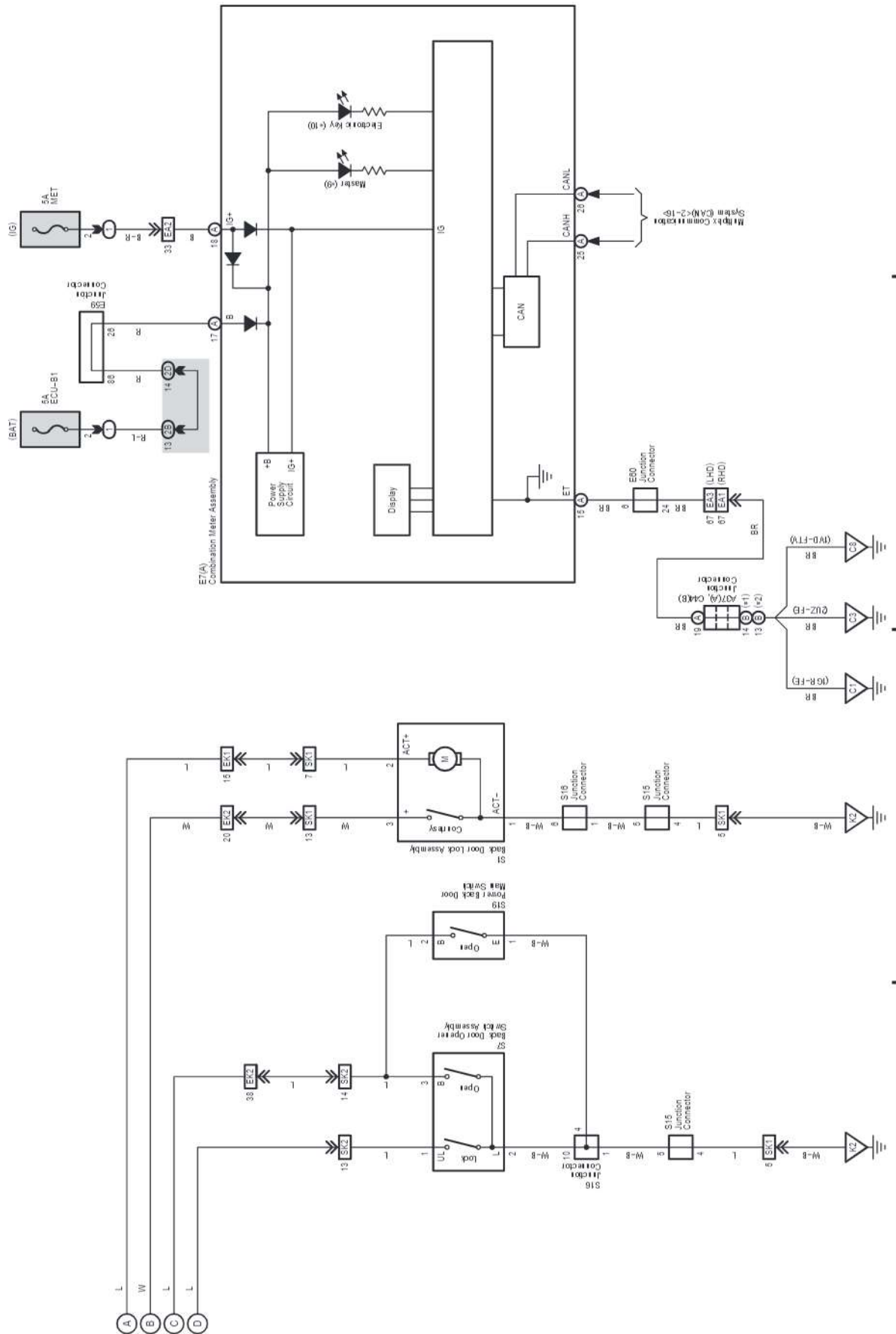
24

23

22

21

- \*1: Gasoline
- \*2: Diesel
- \*9: Option Meter
- \*10: Except Option Meter



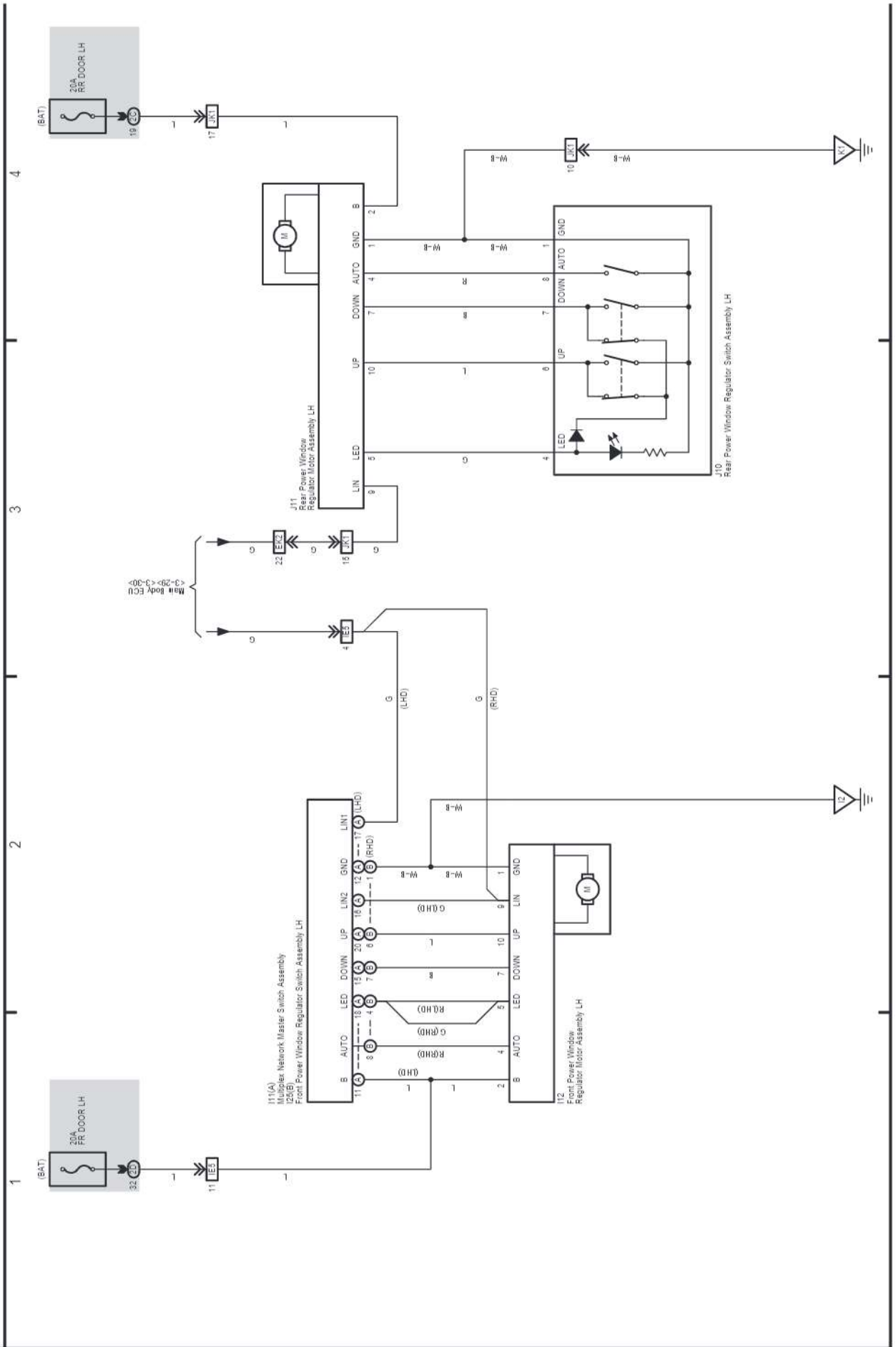
LAND CRUISER Station Wagon (EM0810E)

# M OVERALL ELECTRICAL WIRING DIAGRAM

(Cont. next page)

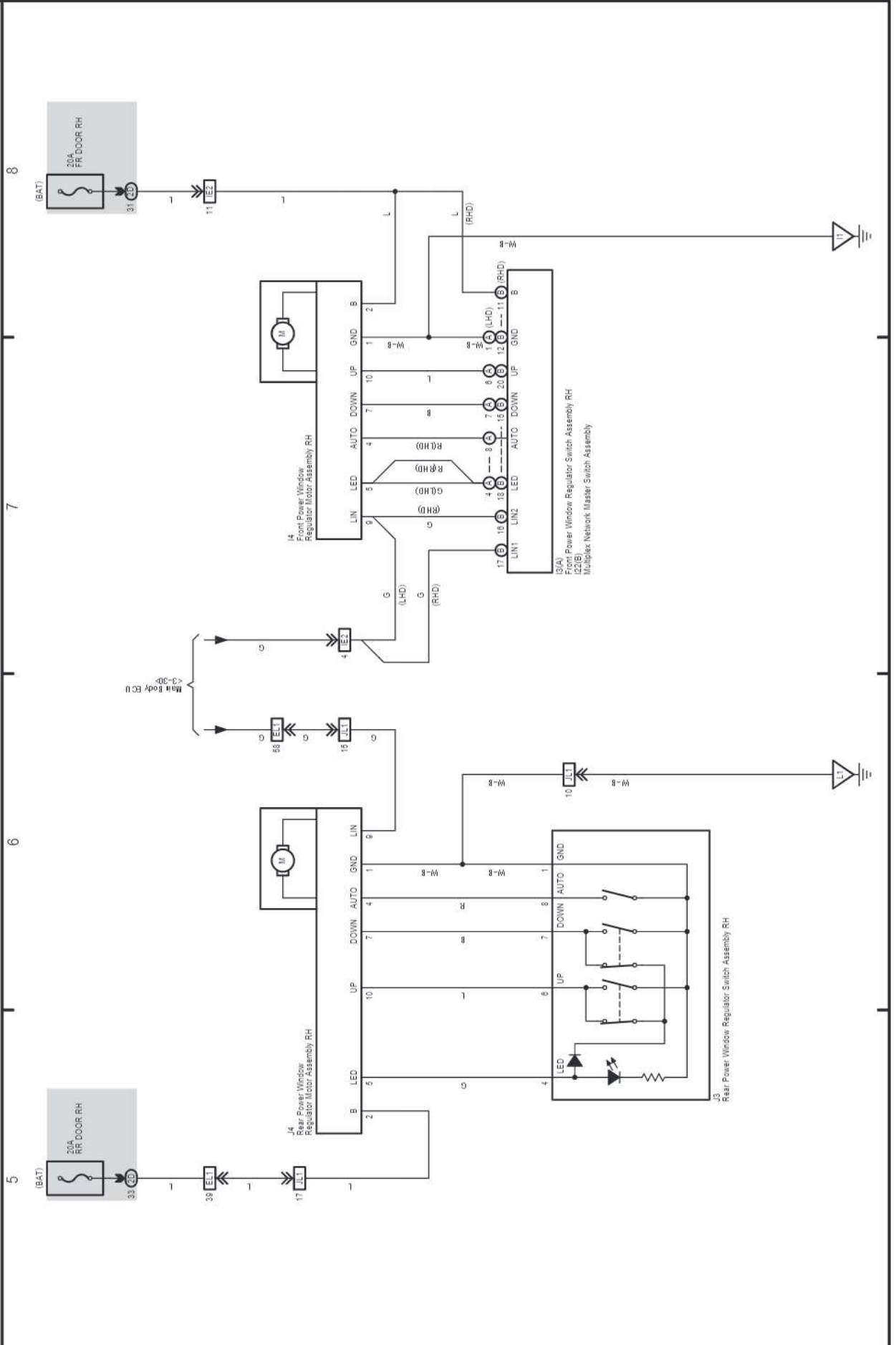
5 LAND CRUISER Station Wagon

Power Window



5 LAND CRUISER Station Wagon (Cont' d)

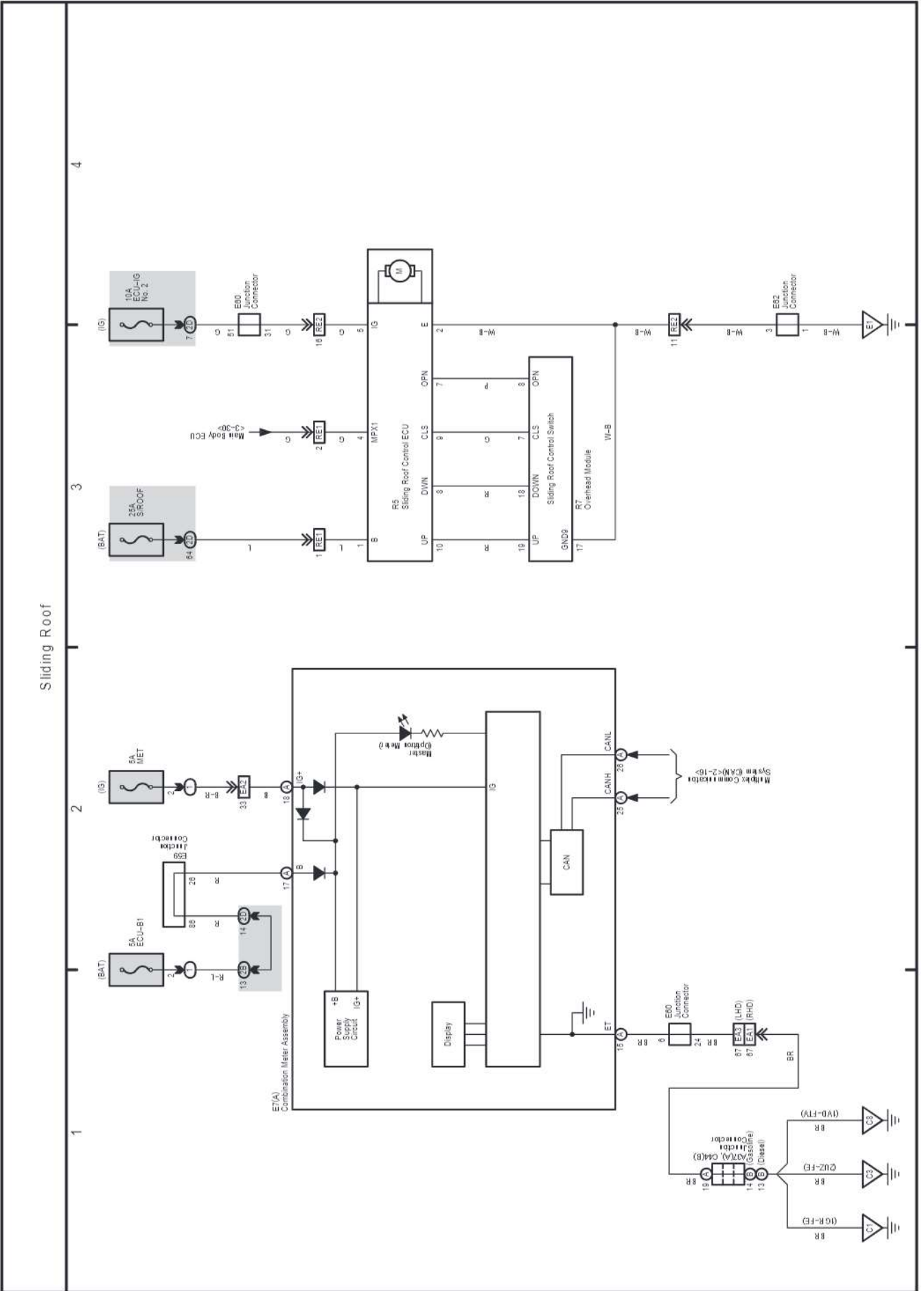
Power Window



LAND CRUISER Station Wagon (EM0810E)

# M OVERALL ELECTRICAL WIRING DIAGRAM

## 6 LAND CRUISER Station Wagon

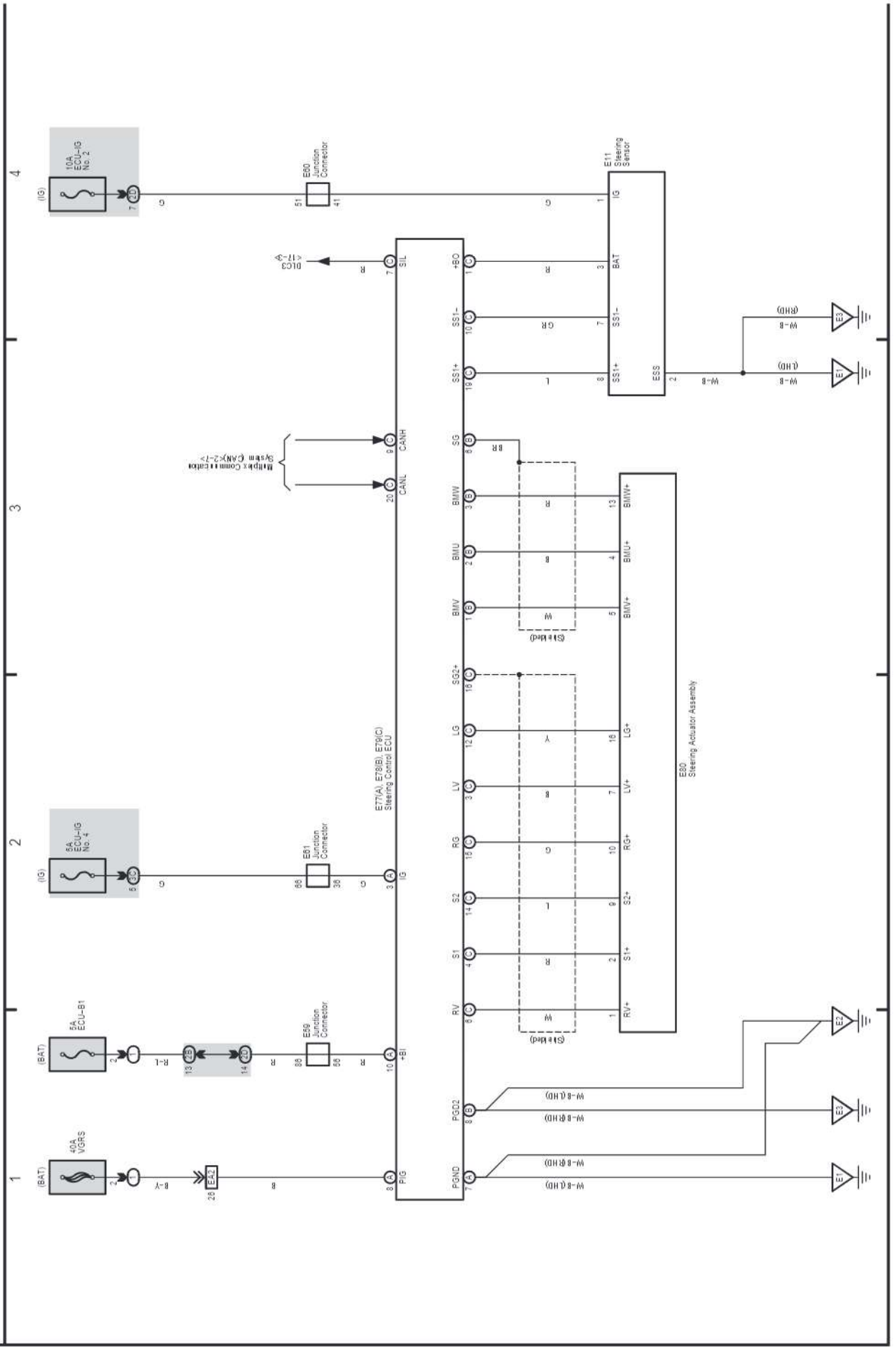


LAND CRUISER Station Wagon (EM0810E)

# M OVERALL ELECTRICAL WIRING DIAGRAM

## 7 LAND CRUISER Station Wagon

### VGRS System



LAND CRUISER Station Wagon (EM0810E)

7 LAND CRUISER Station Wagon (Cont' d)

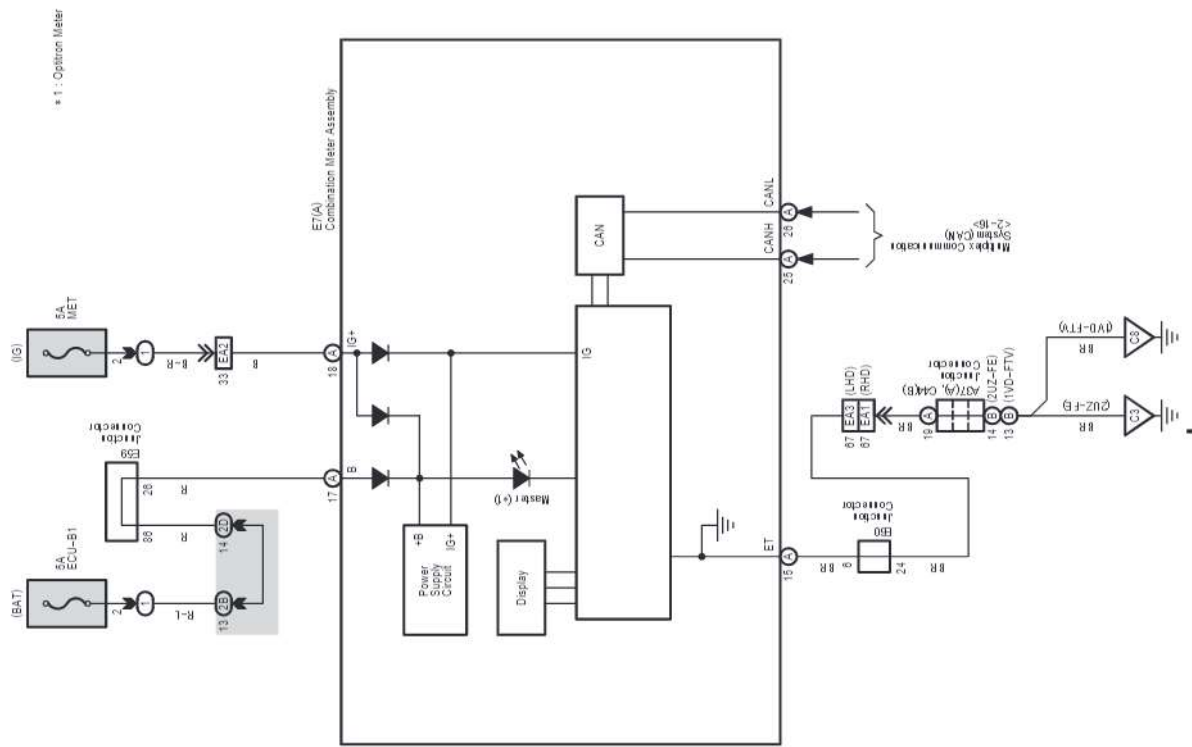
VGRS System

8

7

6

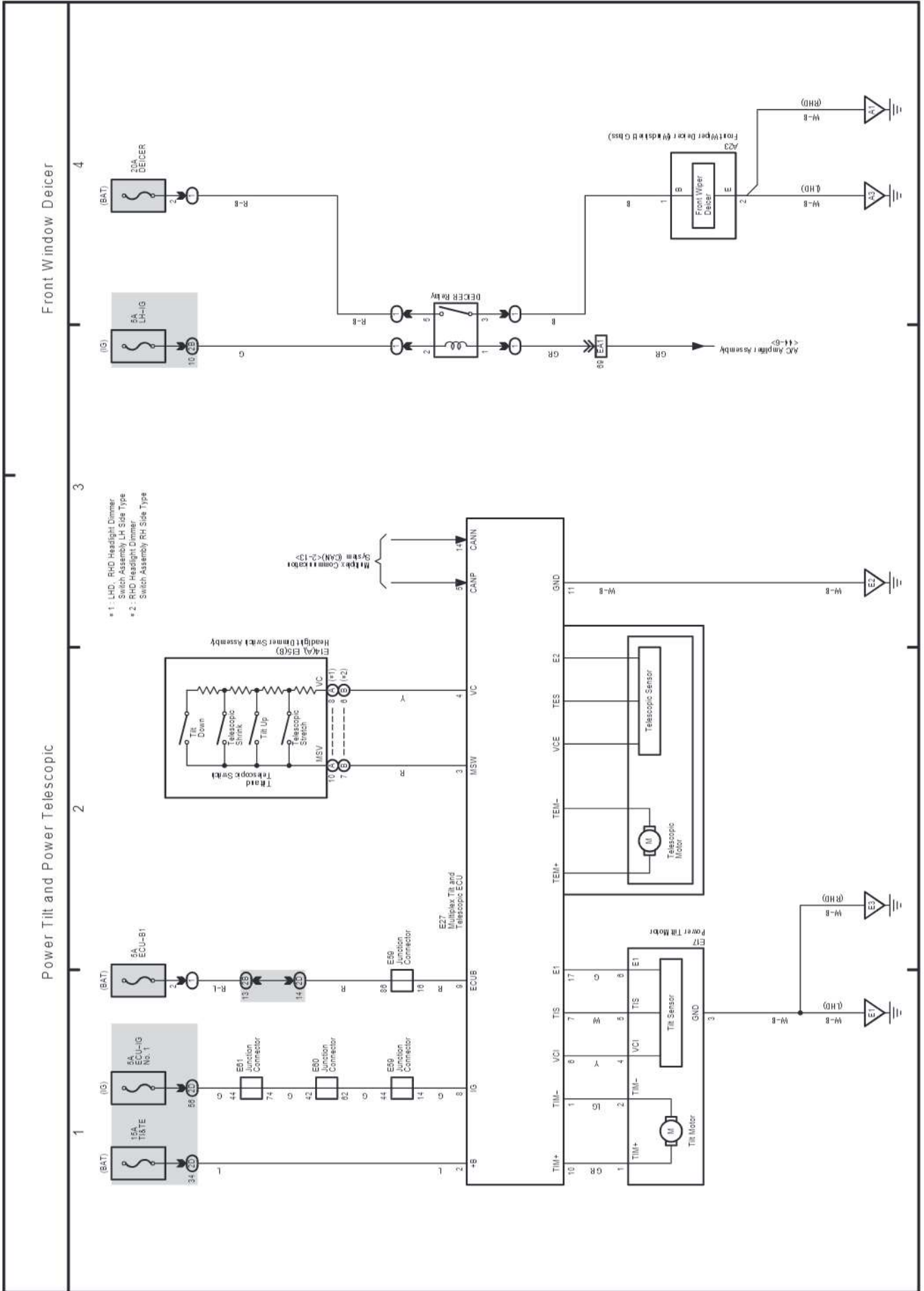
5





# M OVERALL ELECTRICAL WIRING DIAGRAM

## 8 LAND CRUISER Station Wagon



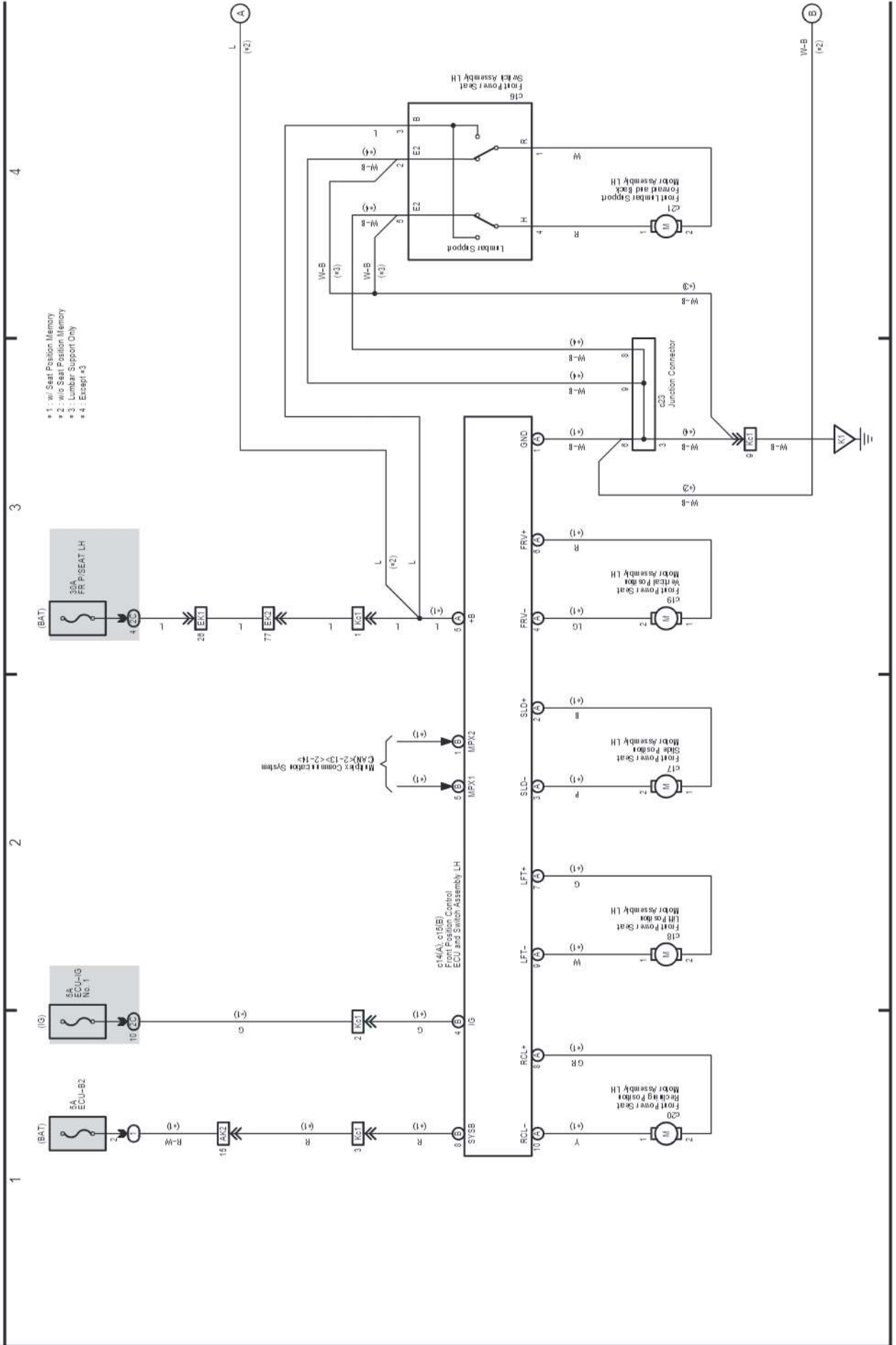
LAND CRUISER Station Wagon (EM0810E)

# M OVERALL ELECTRICAL WIRING DIAGRAM

9 LAND CRUISER Station Wagon

(Cont. next page)

### Power Seat (LHD Driver's Seat w/ Seat Position Memory)



Power Seat (LHD Driver's Seat w/o Seat Position Memory)

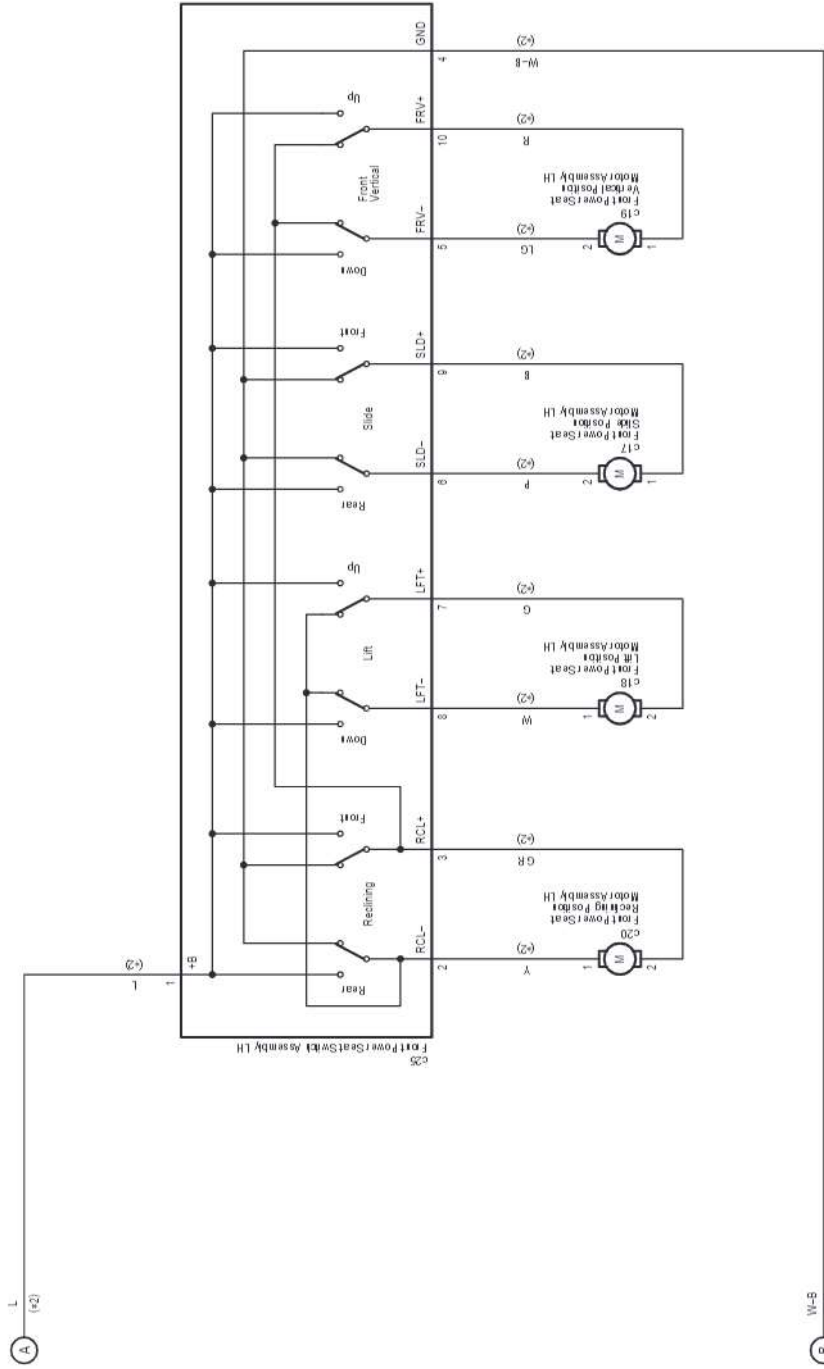
8

7

6

5

\* 2 - w/o Seat Position Memory



B W-B (x2)

# M OVERALL ELECTRICAL WIRING DIAGRAM

## 9 LAND CRUISER Station Wagon (Cont' d)

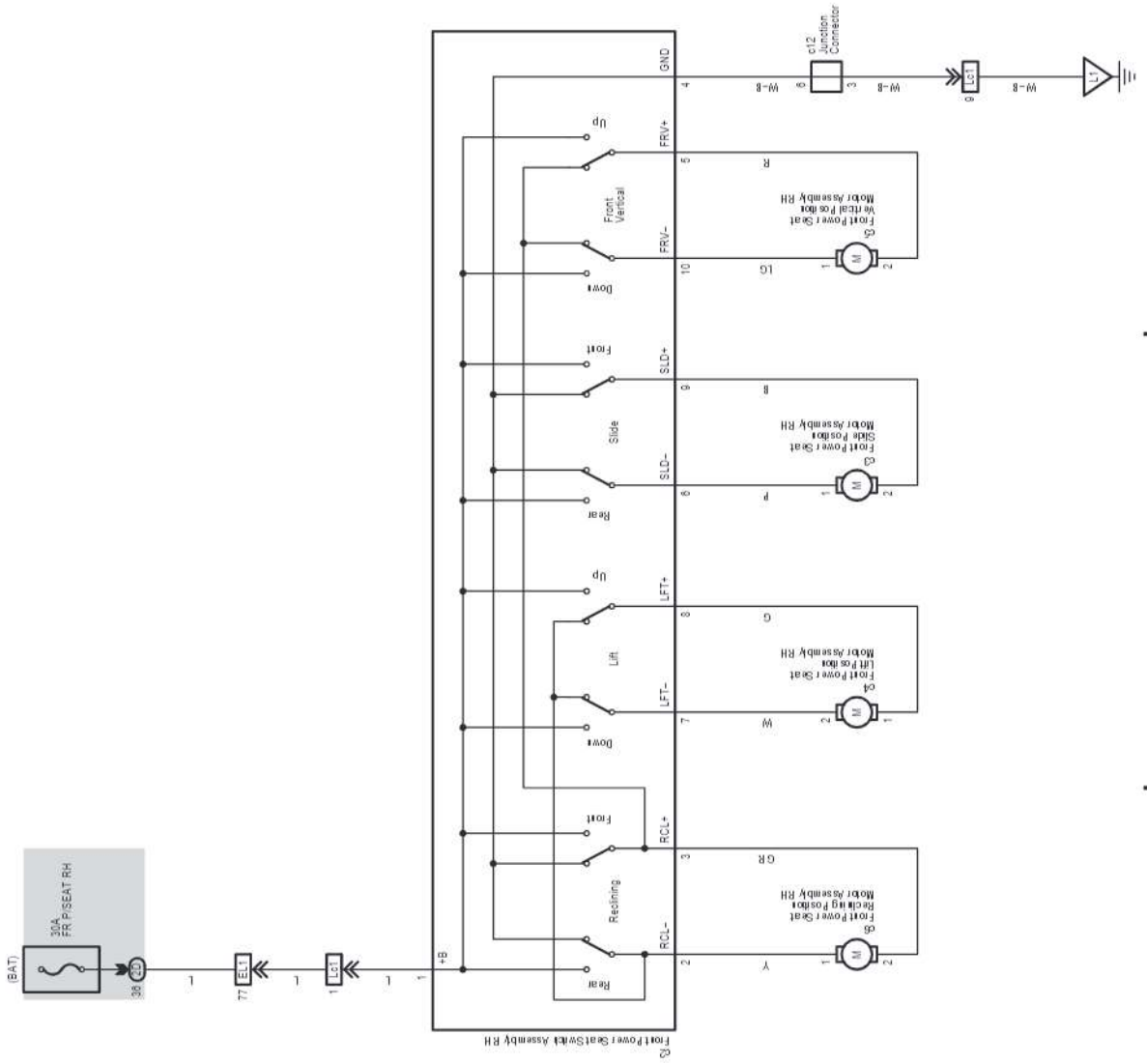
### Power Seat (LHD Front Passenger's Seat)

12

11

10

9

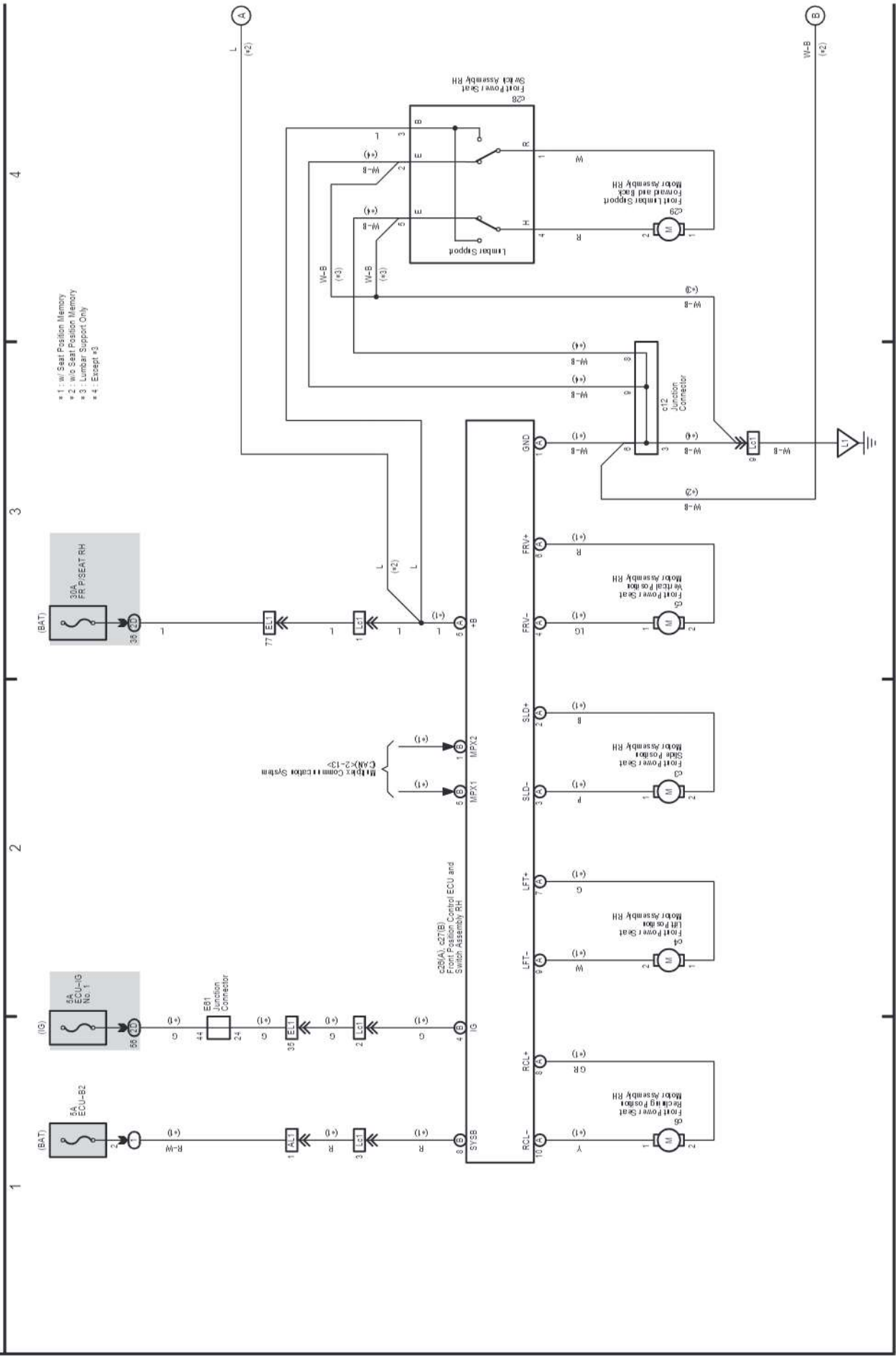


# M OVERALL ELECTRICAL WIRING DIAGRAM

10 LAND CRUISER Station Wagon

(Cont. next page)

## Power Seat (RHD Driver)'s Seat w/ Seat Position Memory



Power Seat (RHD Driver' s Seat w/o Seat Position Memory)

Diagram frame with vertical scale markers 5, 6, 7, 8.

x 2 - w/o Seat Position Memory

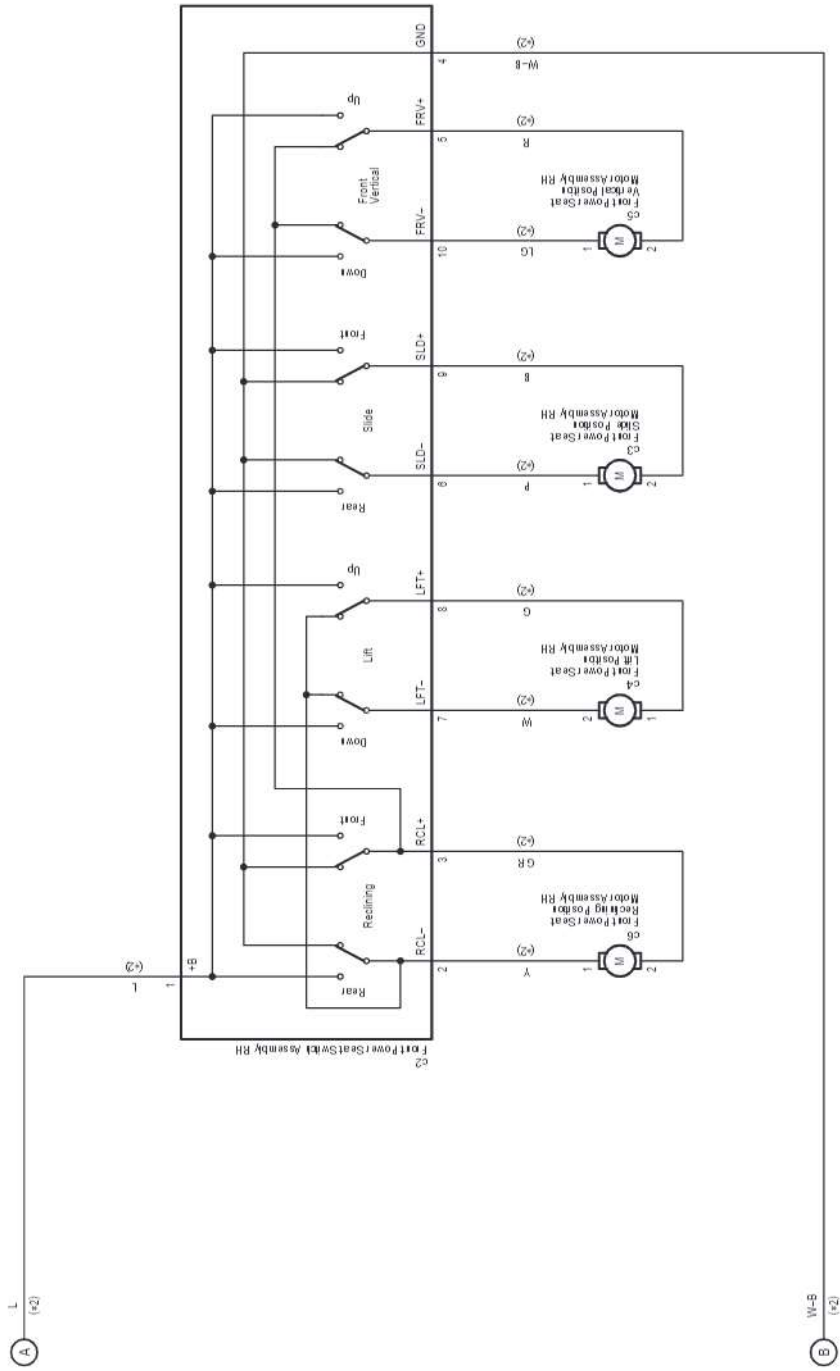


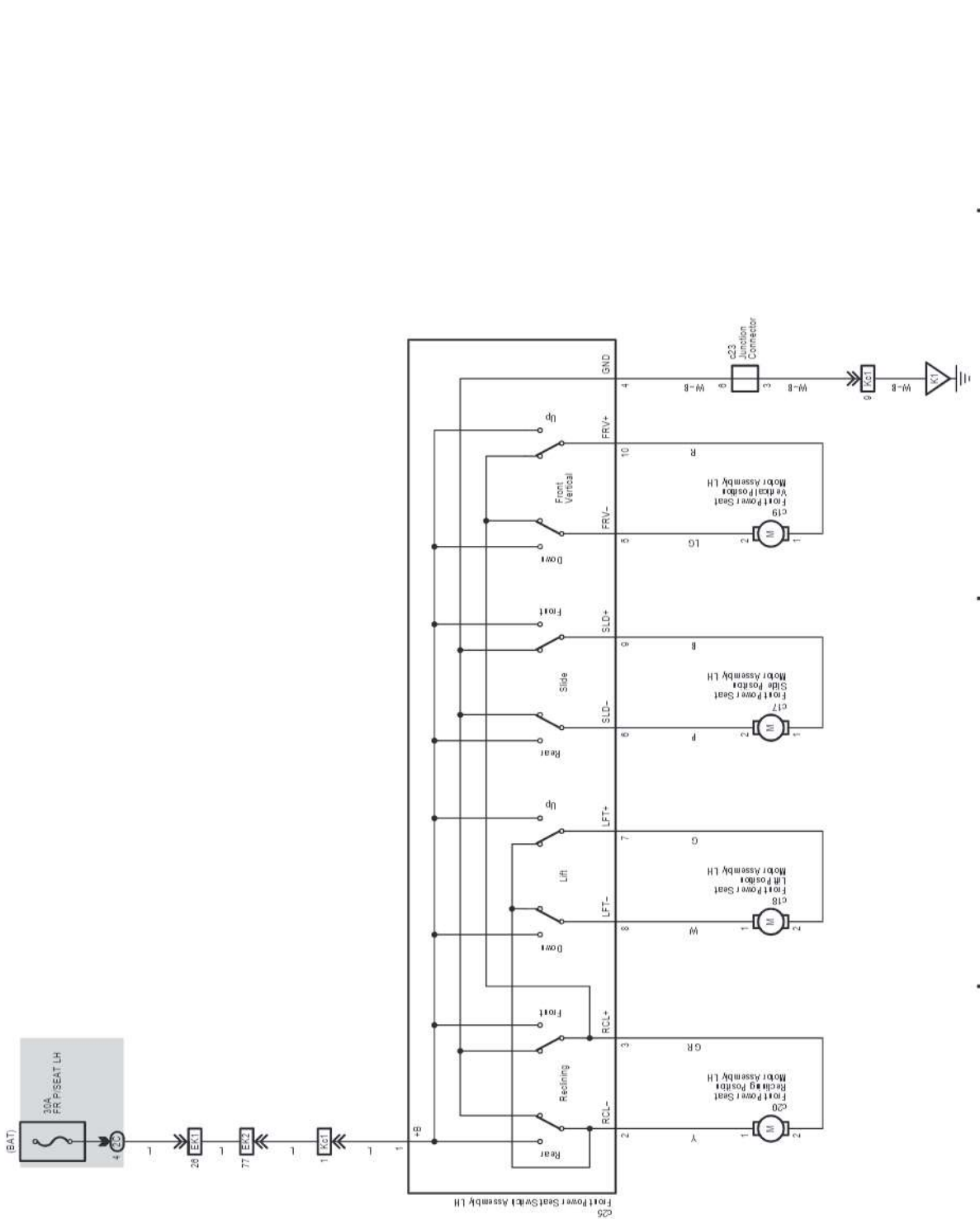
Diagram frame with vertical scale marker 8.

# M OVERALL ELECTRICAL WIRING DIAGRAM

## 10 LAND CRUISER Station Wagon (Cont' d)

### Power Seat (RHD Front Passenger's Seat)

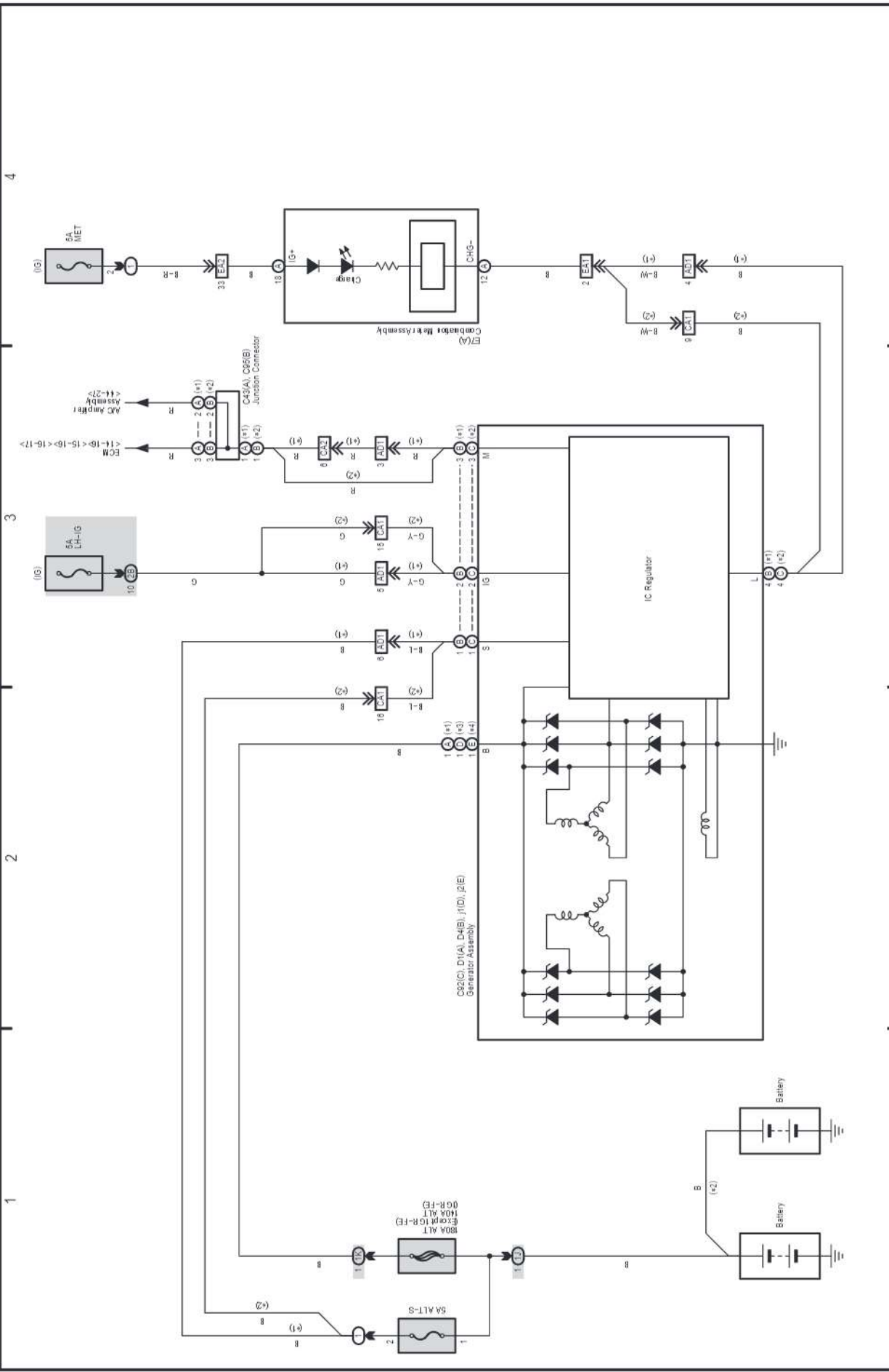
9 10 11 12



11 LAND CRUISER Station Wagon

Charging

- \*1 : Gasoline
- \*2 : Diesel
- \*3 : Diesel Cold Area Spec.
- \*4 : Diesel Except Cold Area Spec.



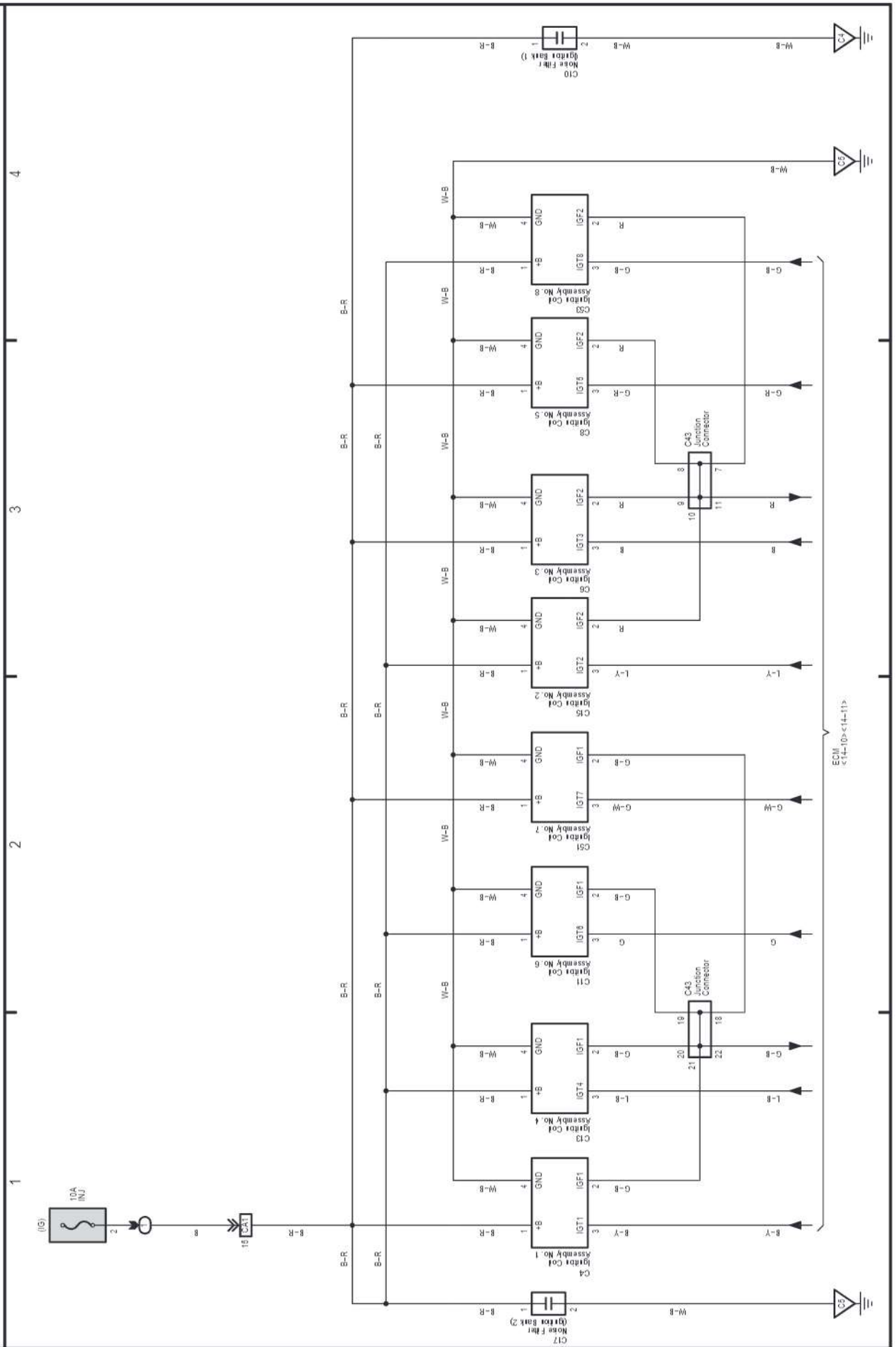
LAND CRUISER Station Wagon (EM0810E)



# M OVERALL ELECTRICAL WIRING DIAGRAM

## 12 LAND CRUISER Station Wagon

### Ignition (2UZ-FE)



LAND CRUISER Station Wagon (EM0810E)

13 LAND CRUISER Station Wagon

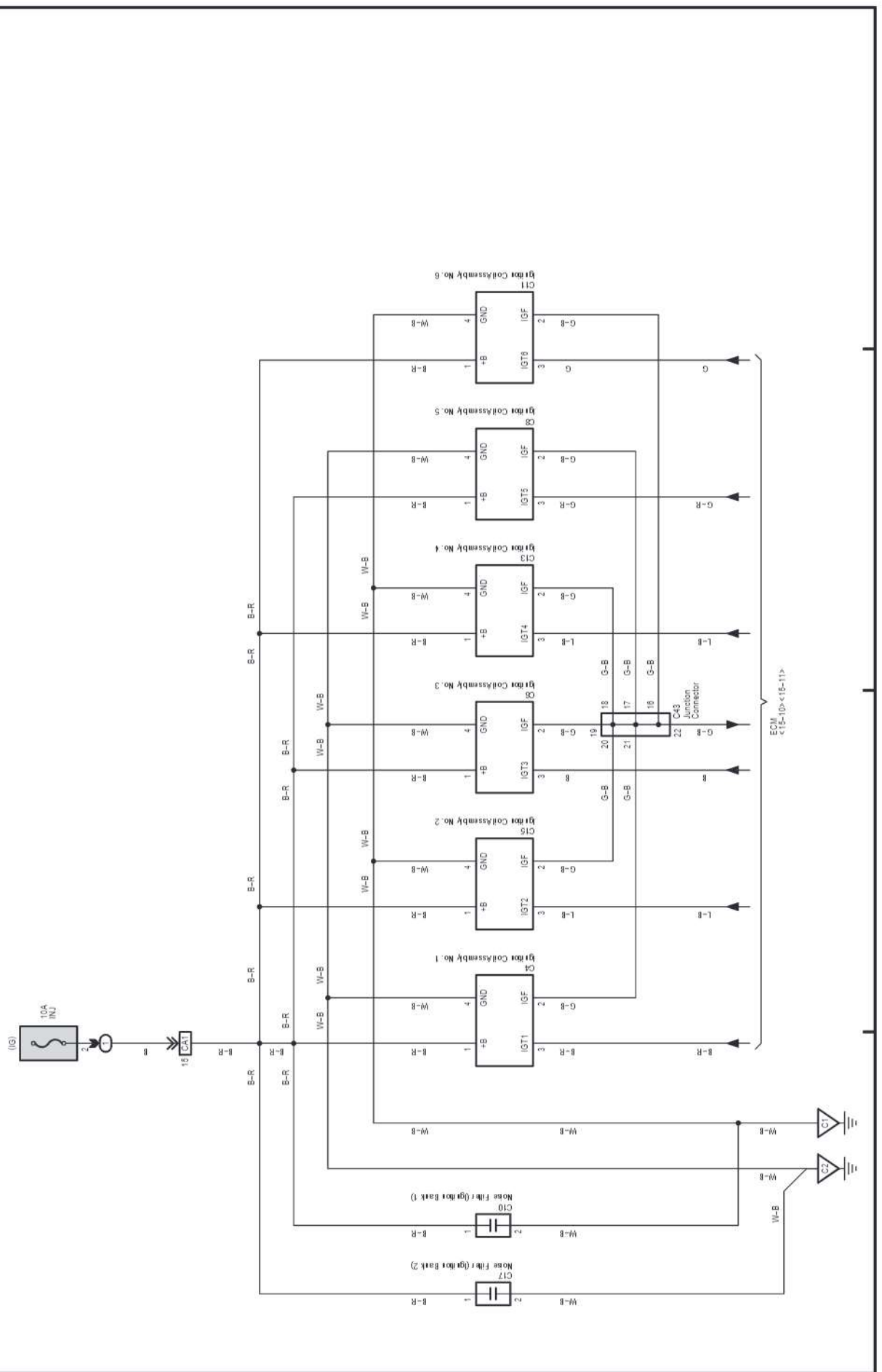
Ignition (1GR-FE)

4

3

2

1



LAND CRUISER Station Wagon (EM0810E)





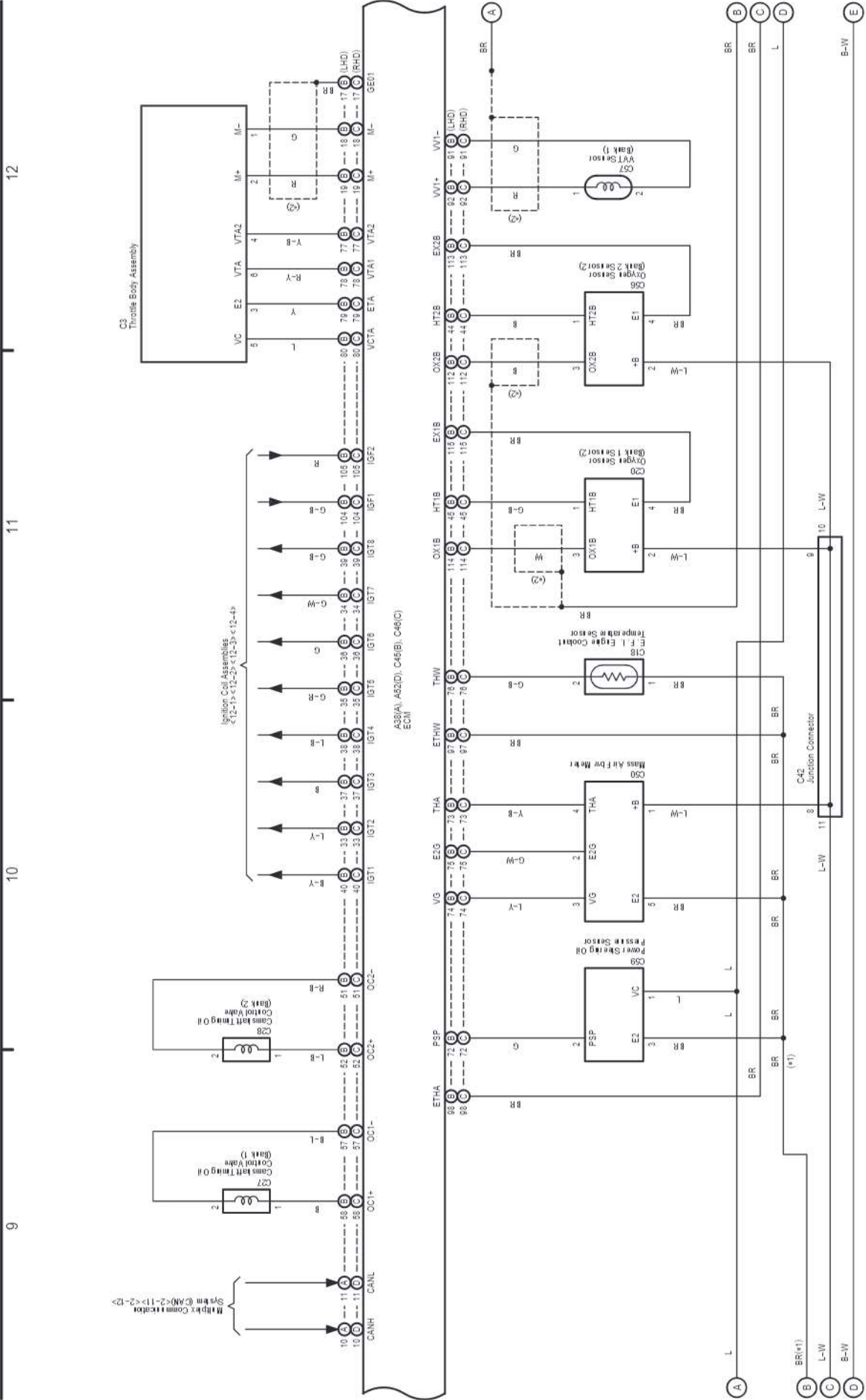
# M OVERALL ELECTRICAL WIRING DIAGRAM

14 LAND CRUISER Station Wagon (Cont' d)

(Cont. next page)

\* 1 : W/ Air Injection Control Driver  
\* 2 : Shielded

Engine Control (2UZ-FE)



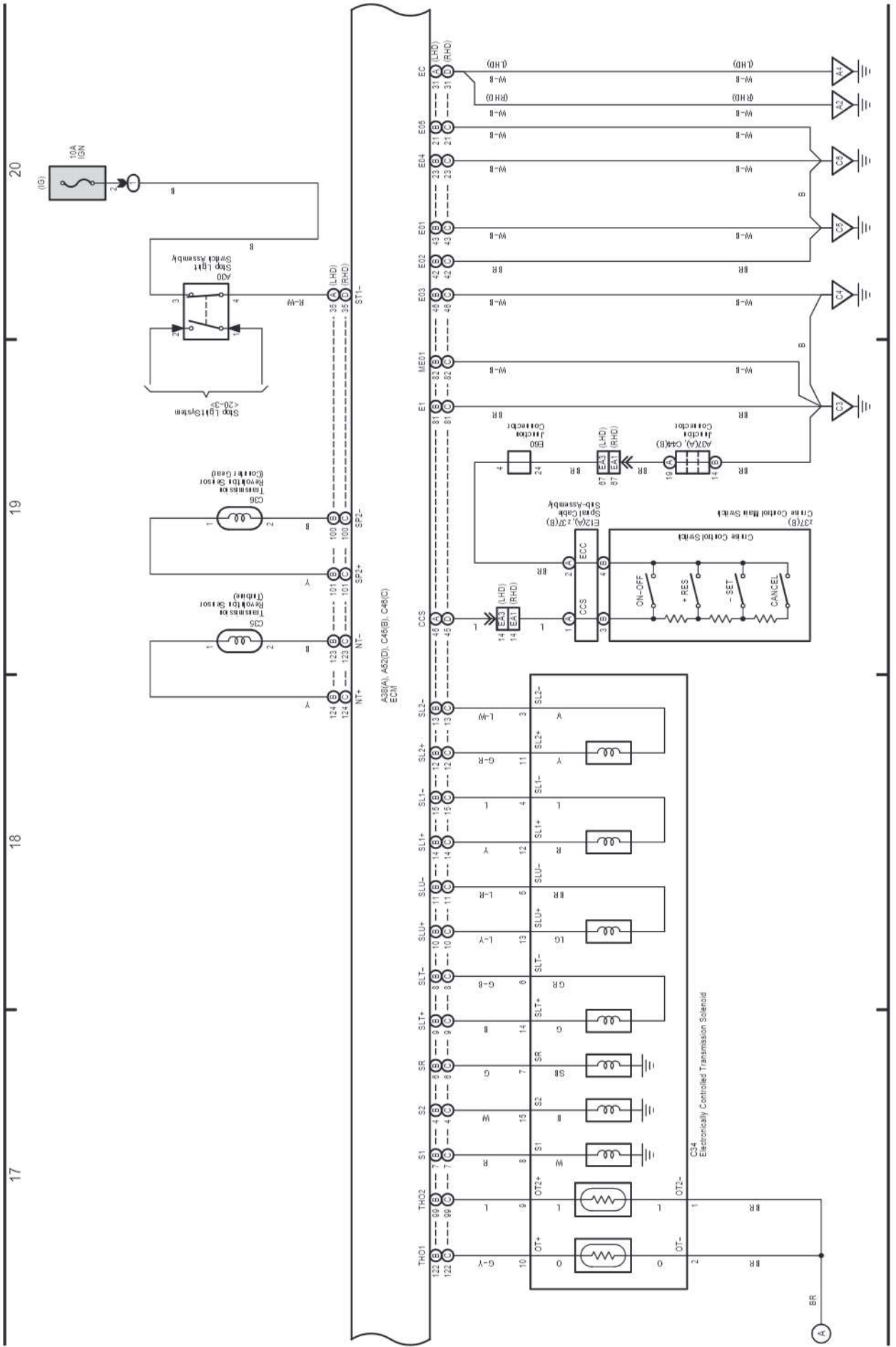


# M OVERALL ELECTRICAL WIRING DIAGRAM

14 LAND CRUISER Station Wagon (Cont' d)

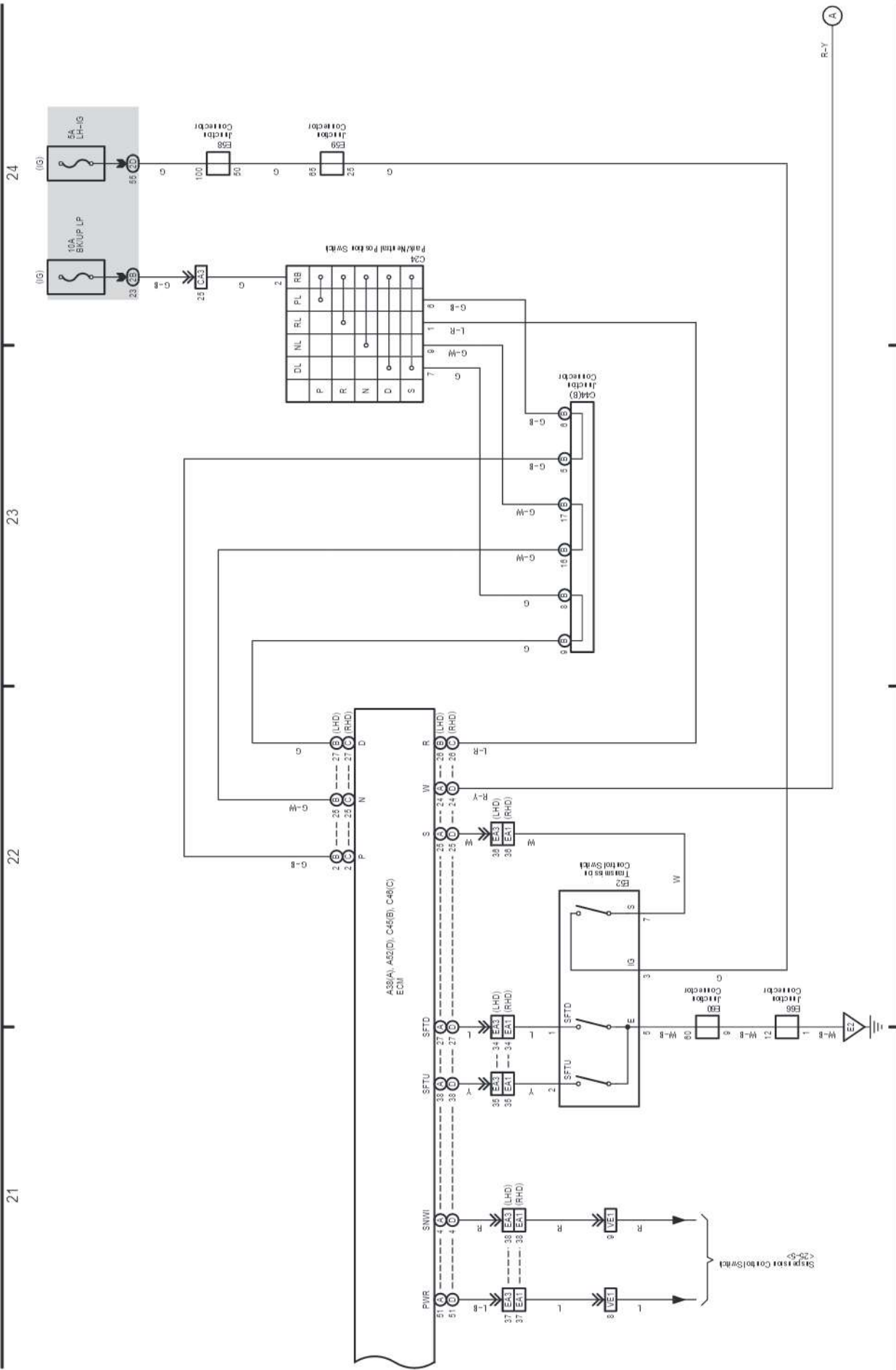
(Cont. next page)

## Cruise Control (2UZ-FE)



LAND CRUISER Station Wagon (EM0810E)

ECT and A/T Indicator (2UZ-FE)



LAND CRUISER Station Wagon (EM0810E)



# M OVERALL ELECTRICAL WIRING DIAGRAM

## 14 LAND CRUISER Station Wagon (Cont' d)

### ECT and A/T Indicator (2UZ-FE)

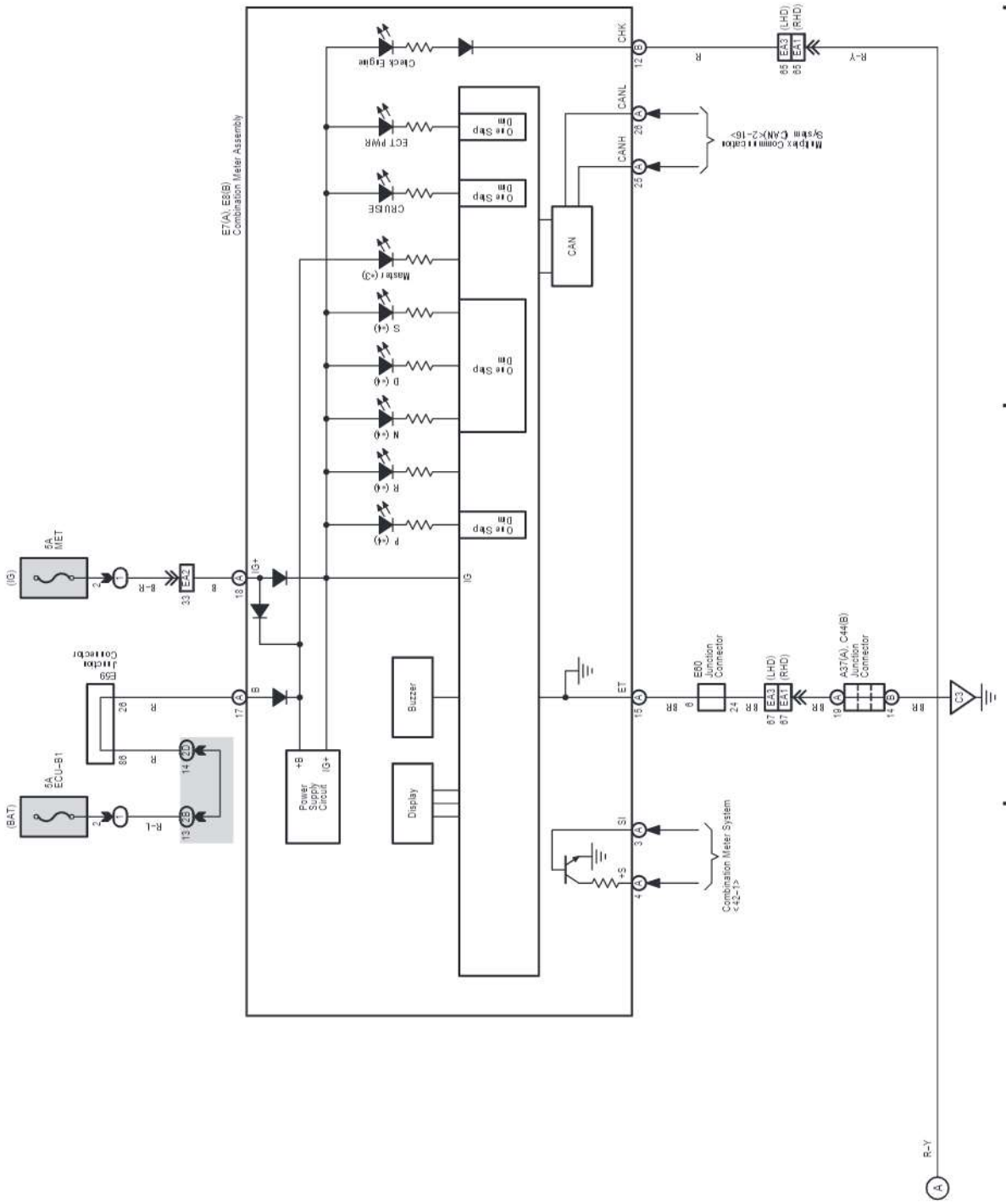
- \* 3 : Option Meter
- \* 4 : Except Option Meter

28

27

26

25

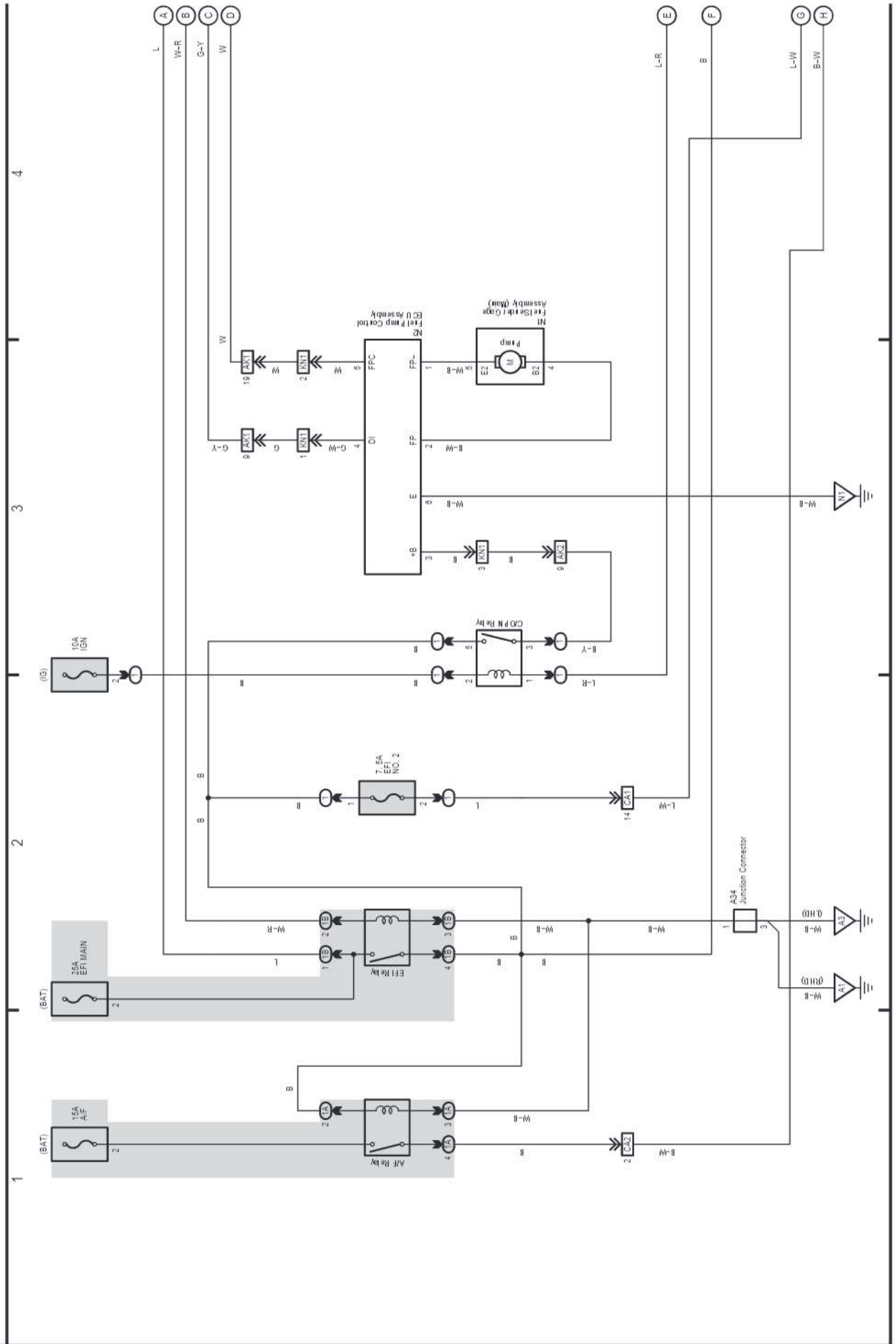


# M OVERALL ELECTRICAL WIRING DIAGRAM

(Cont. next page)

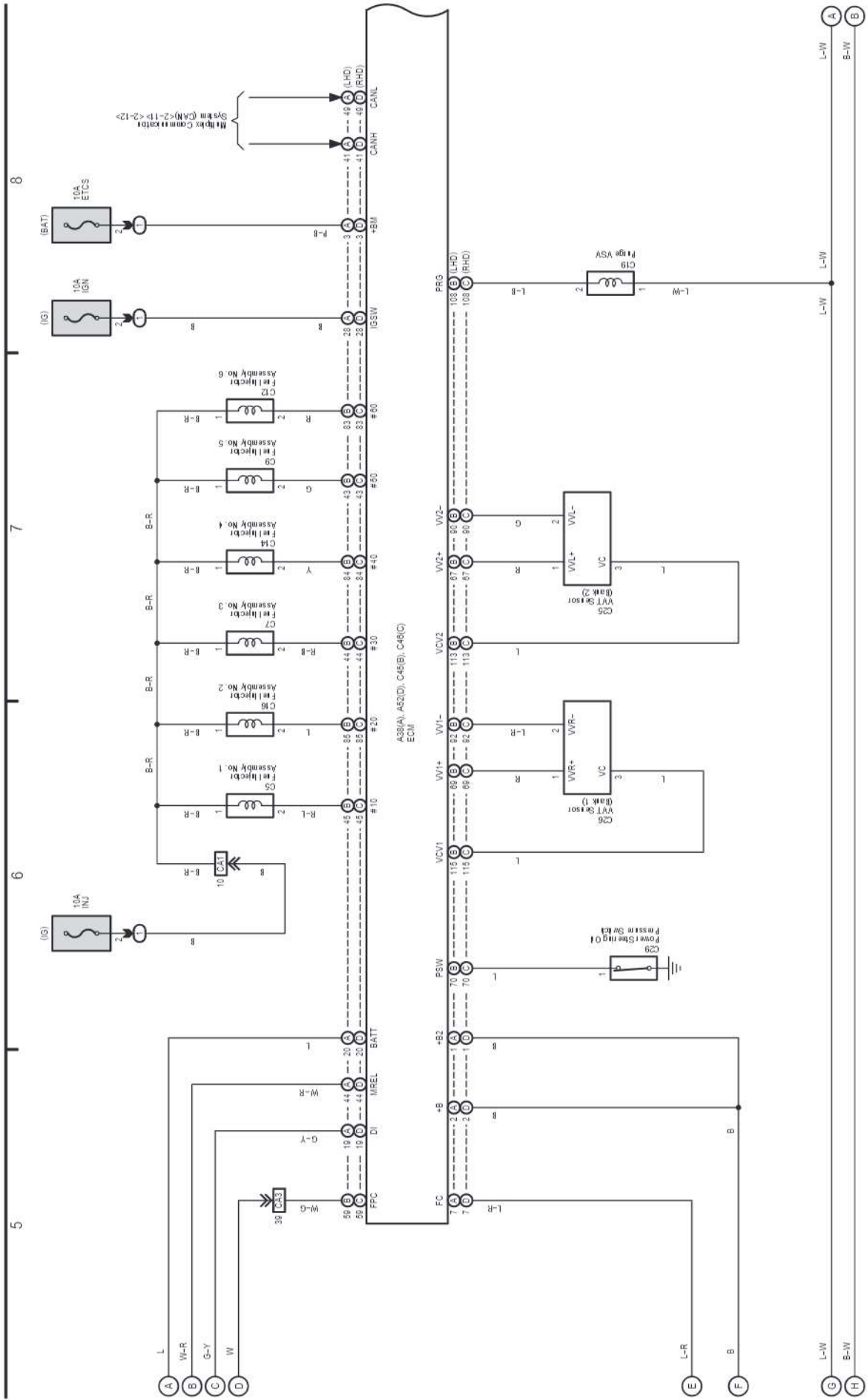
15 LAND CRUISER Station Wagon

## Engine Control (1GR-FE)



LAND CRUISER Station Wagon (EM0810E)

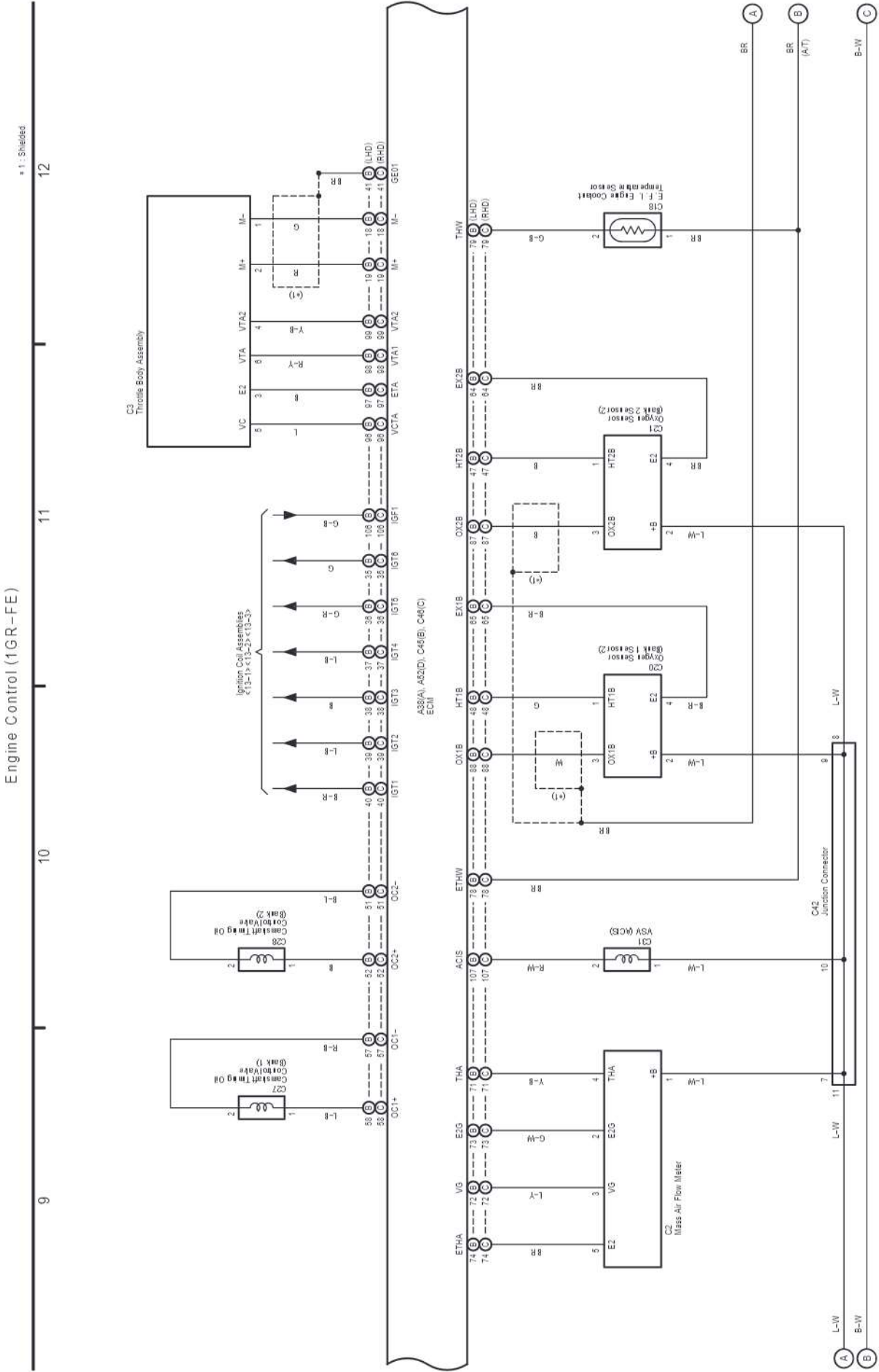
Engine Control (1GR-FE)



# M OVERALL ELECTRICAL WIRING DIAGRAM

15 LAND CRUISER Station Wagon (Cont' d)

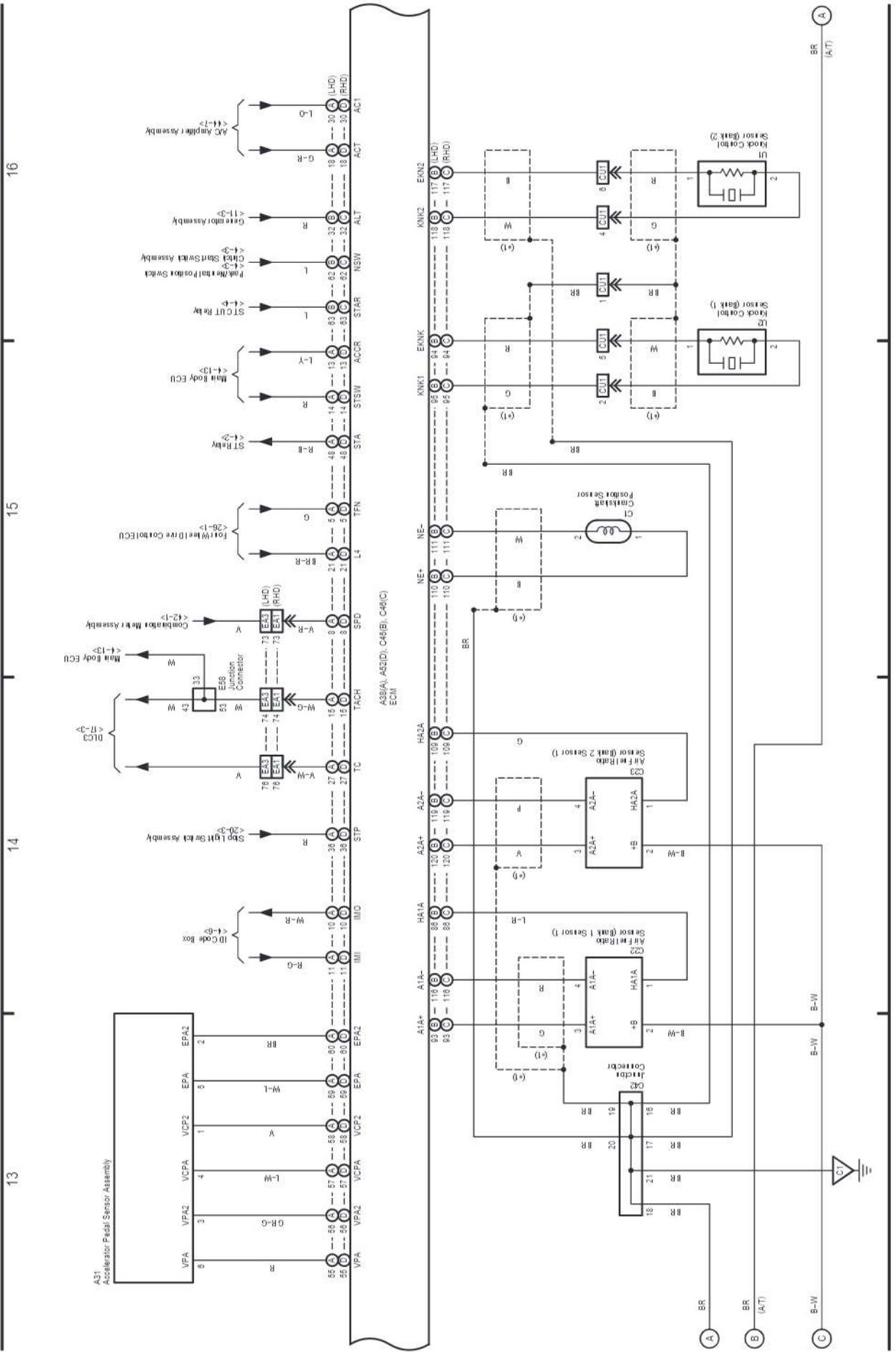
(Cont. next page)



LAND CRUISER Station Wagon (EM0810E)

Engine Control (1GR-FE)

\* 1 - Shielded

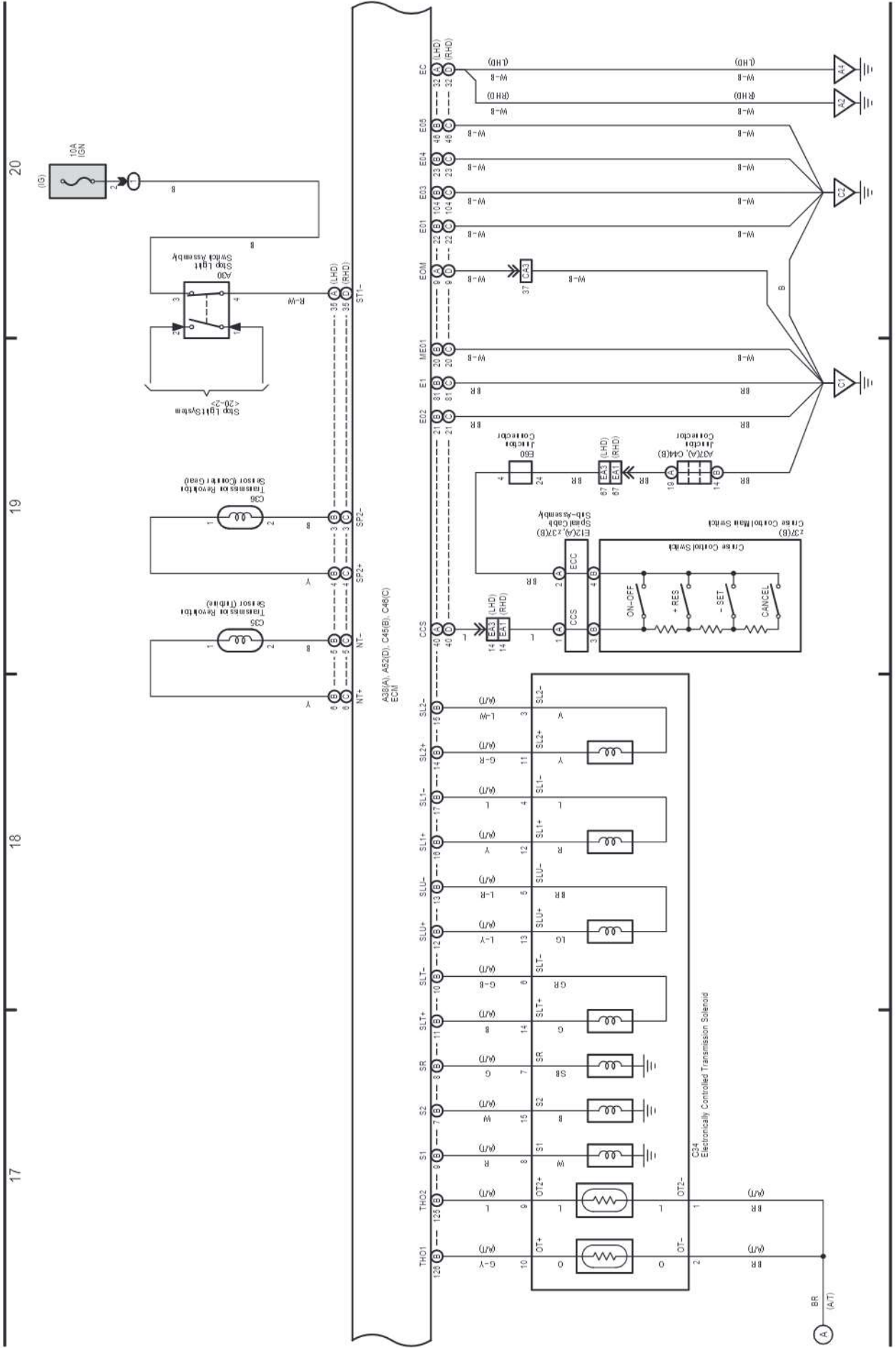


# M OVERALL ELECTRICAL WIRING DIAGRAM

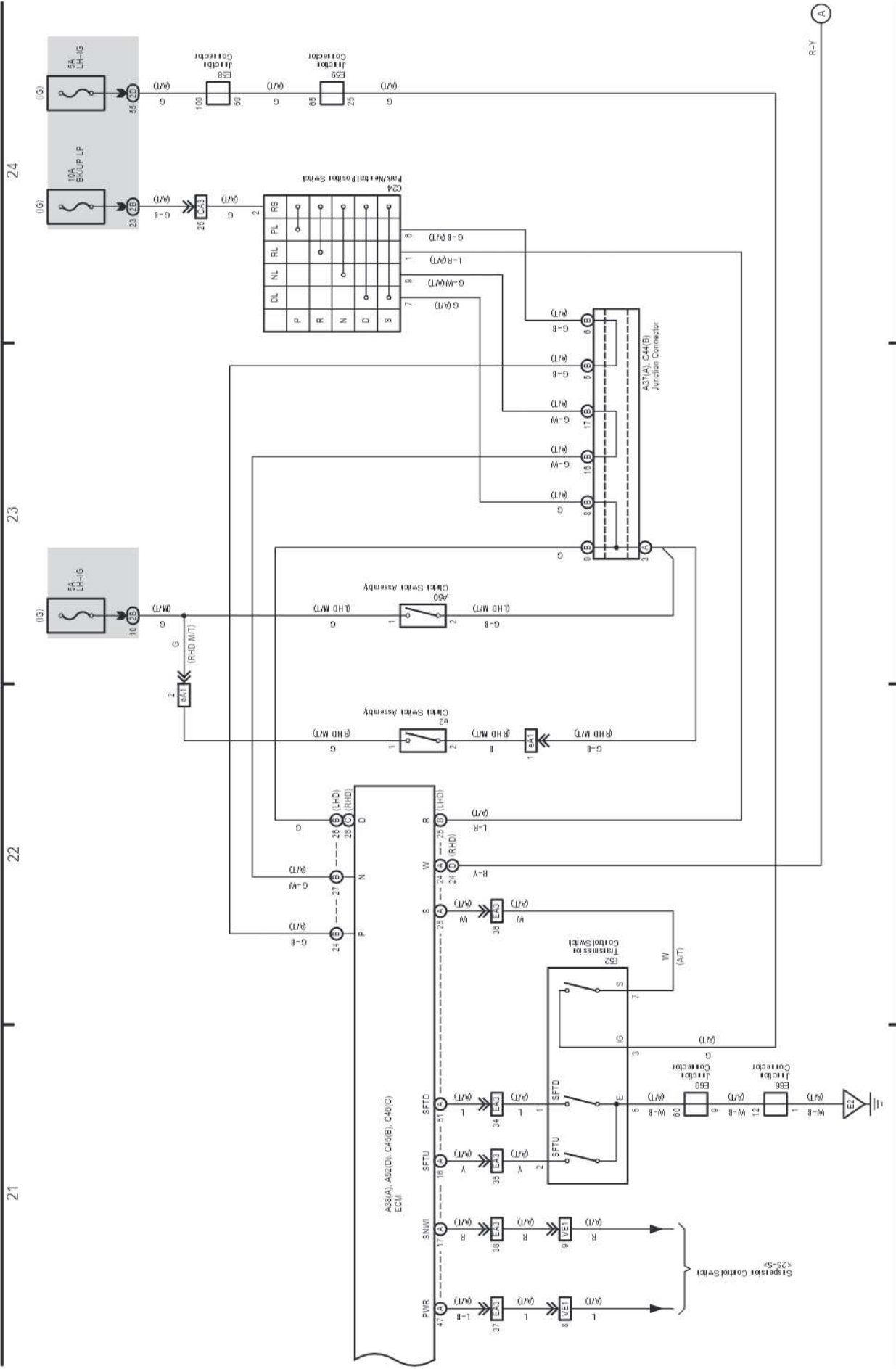
15 LAND CRUISER Station Wagon (Cont' d)

(Cont. next page)

## Cruise Control (1GR-FE)



ECT and A/T Indicator (1GR-FE)



# M OVERALL ELECTRICAL WIRING DIAGRAM

## 15 LAND CRUISER Station Wagon (Cont' d)

### ECT and A/T Indicator (1GR-FE)

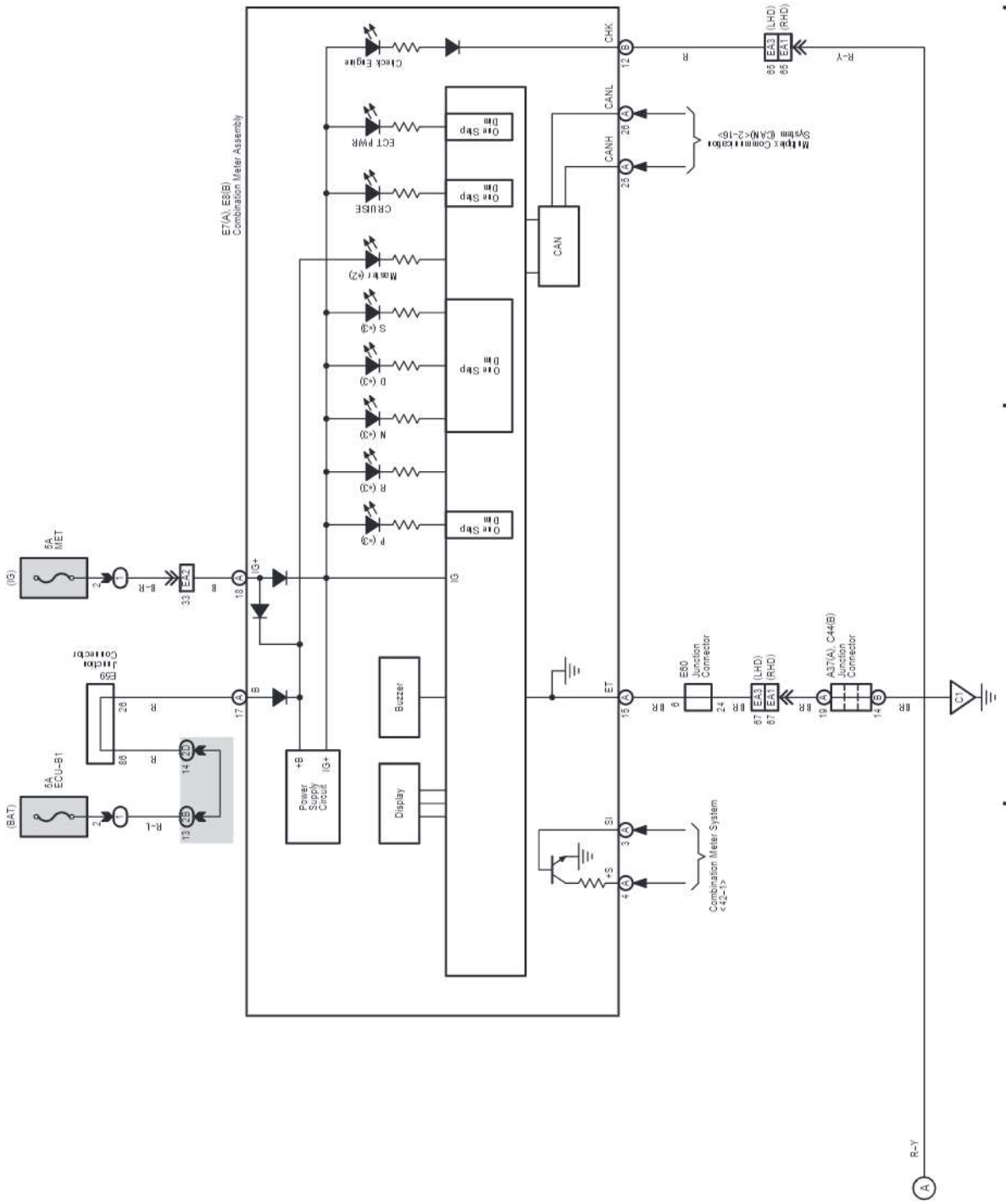
\* 2 : Option Meter  
\* 3 : Except Option Meter

28

27

26

25



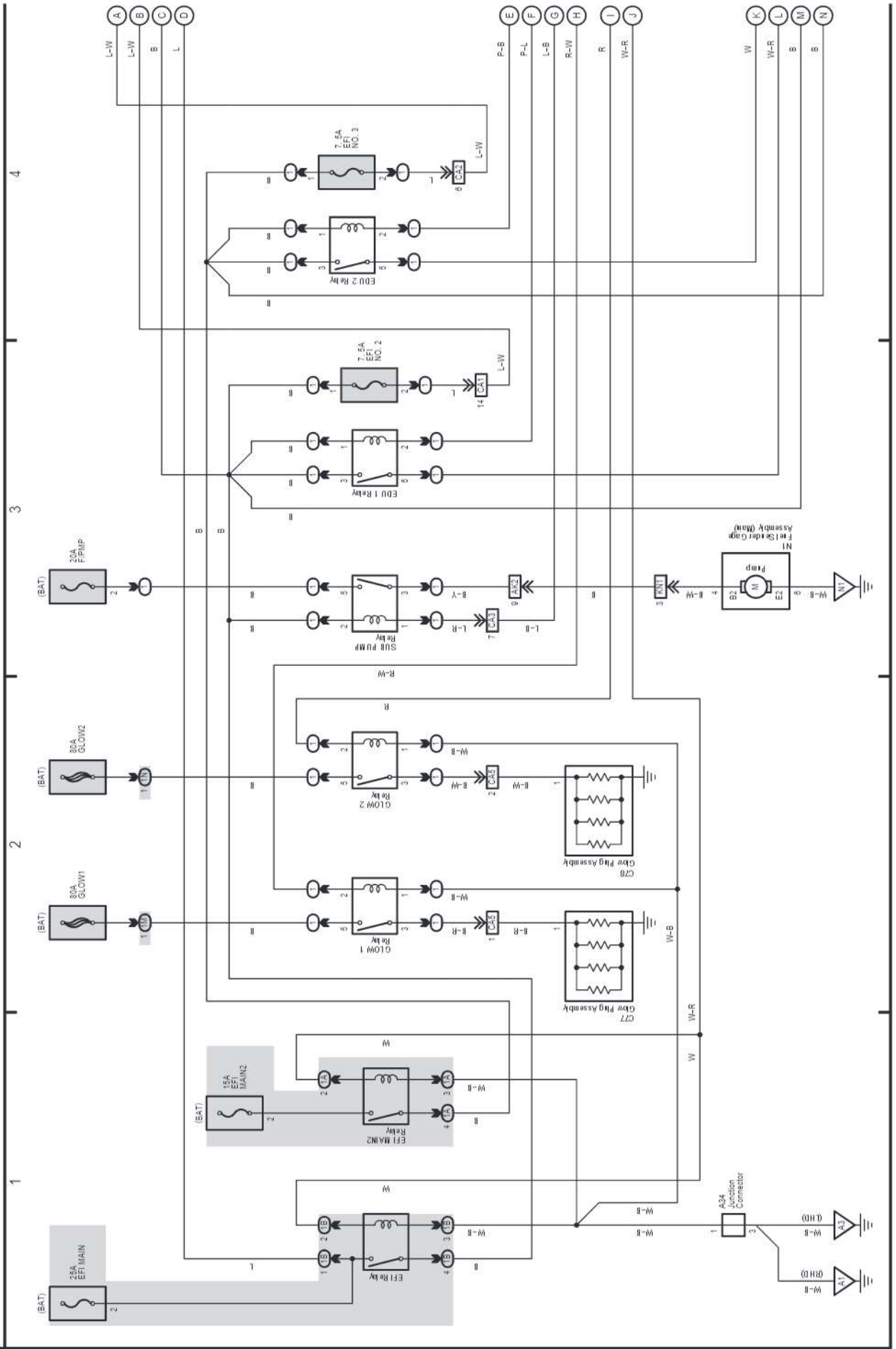


# M OVERALL ELECTRICAL WIRING DIAGRAM

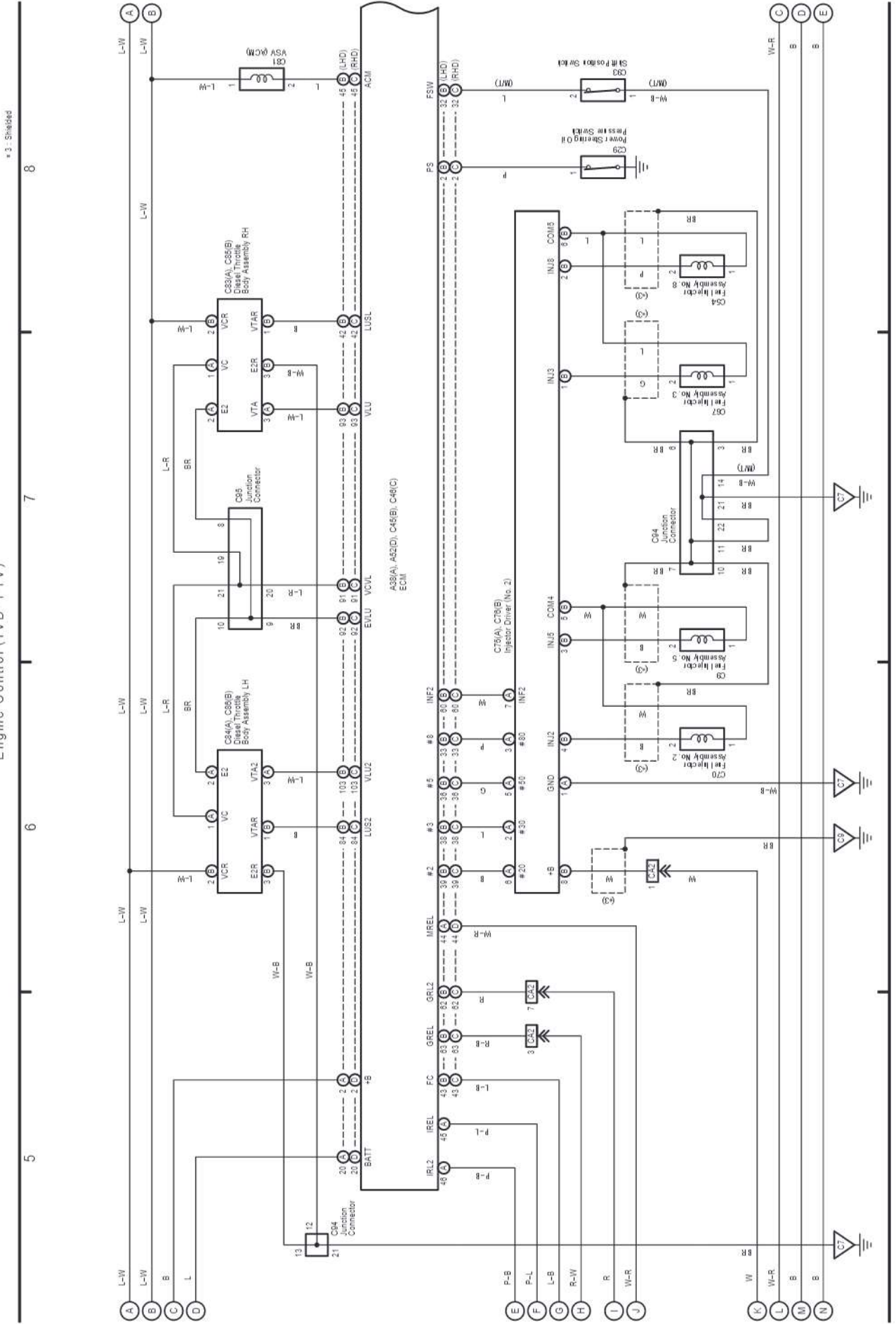
(Cont. next page)

16 LAND CRUISER Station Wagon

## Engine Control (1VD-FTV)



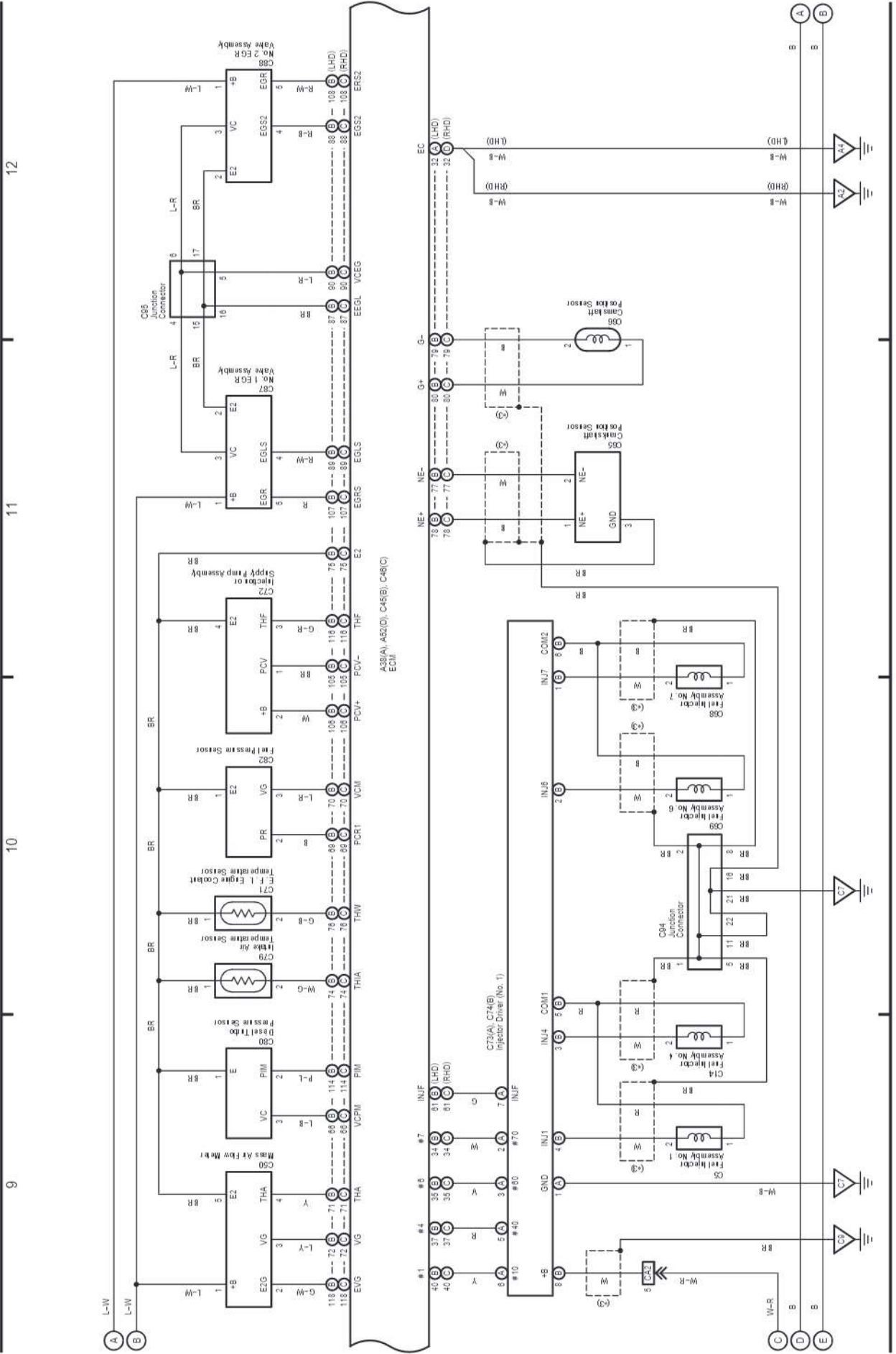
Engine Control (1VD-FTV)



LAND CRUISER Station Wagon (EM0810E)

Engine Control (1VD-FTV)

\* 3: Shielded



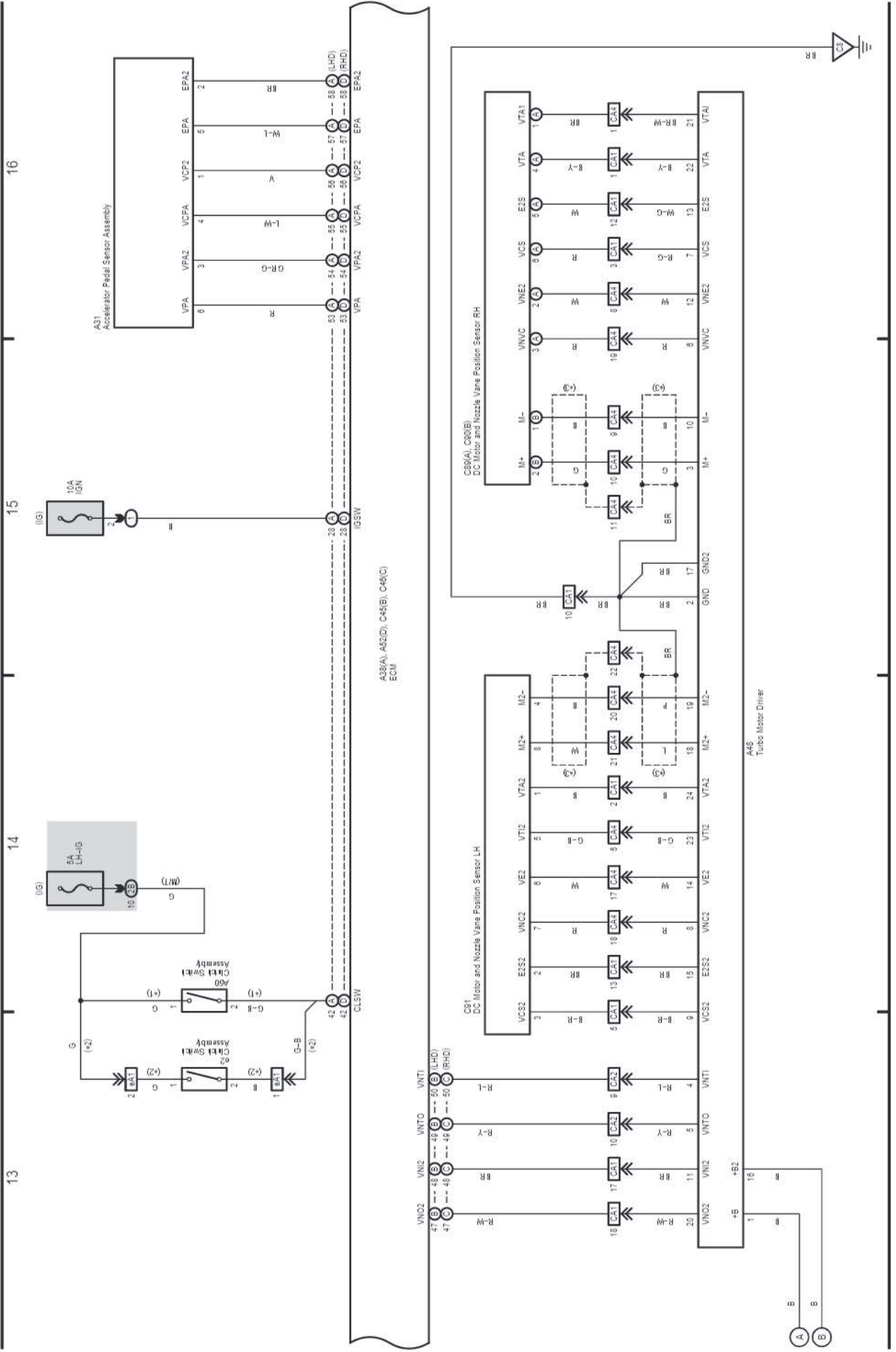
LAND CRUISER Station Wagon (EM0810E)

16 LAND CRUISER Station Wagon (Cont' d)

(Cont. next page)

- \* 1 : LHD / M/T
- \* 2 : RHD / M/T
- \* 3 : Shaded

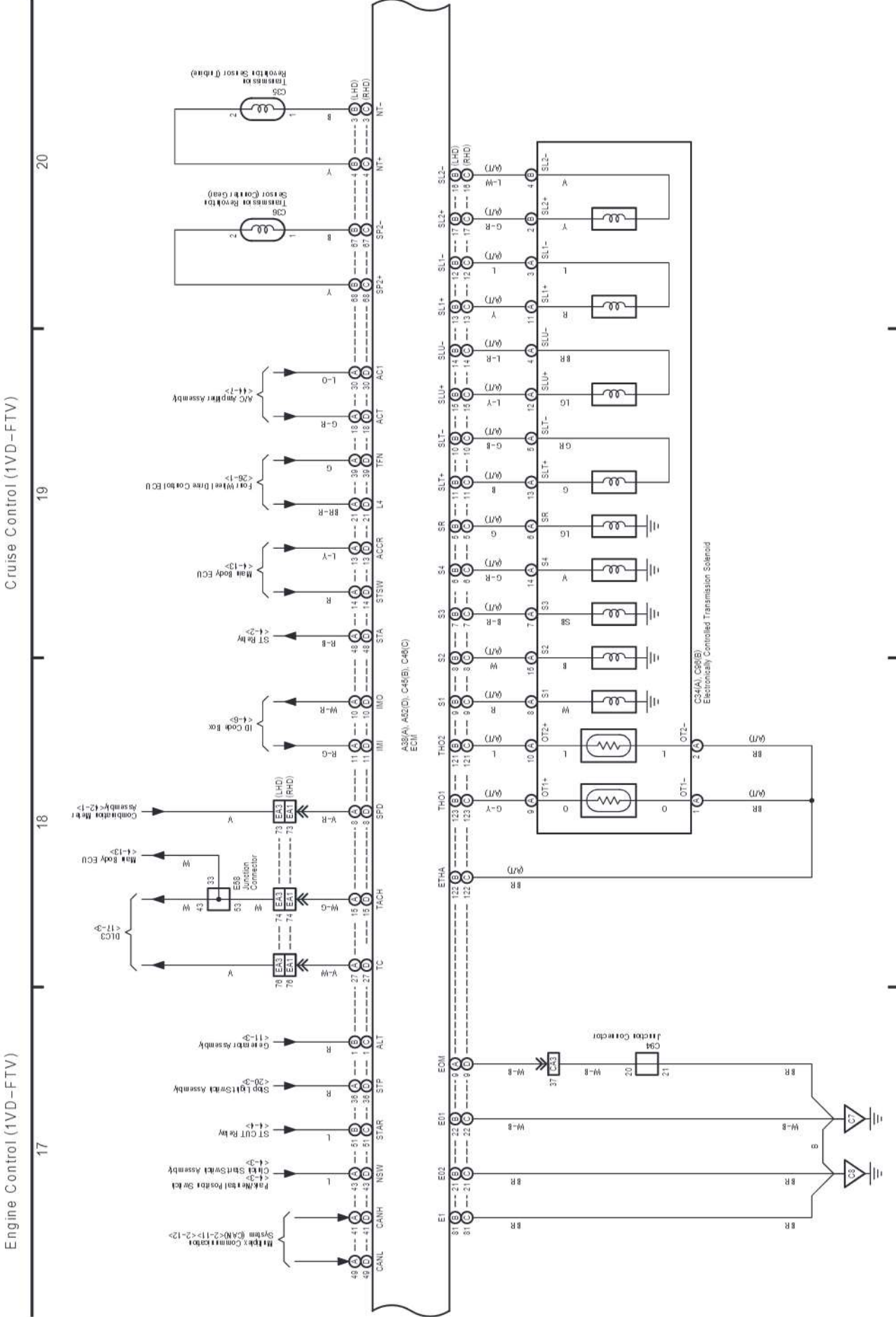
Engine Control (1VD-FTV)



# M OVERALL ELECTRICAL WIRING DIAGRAM

(Cont. next page)

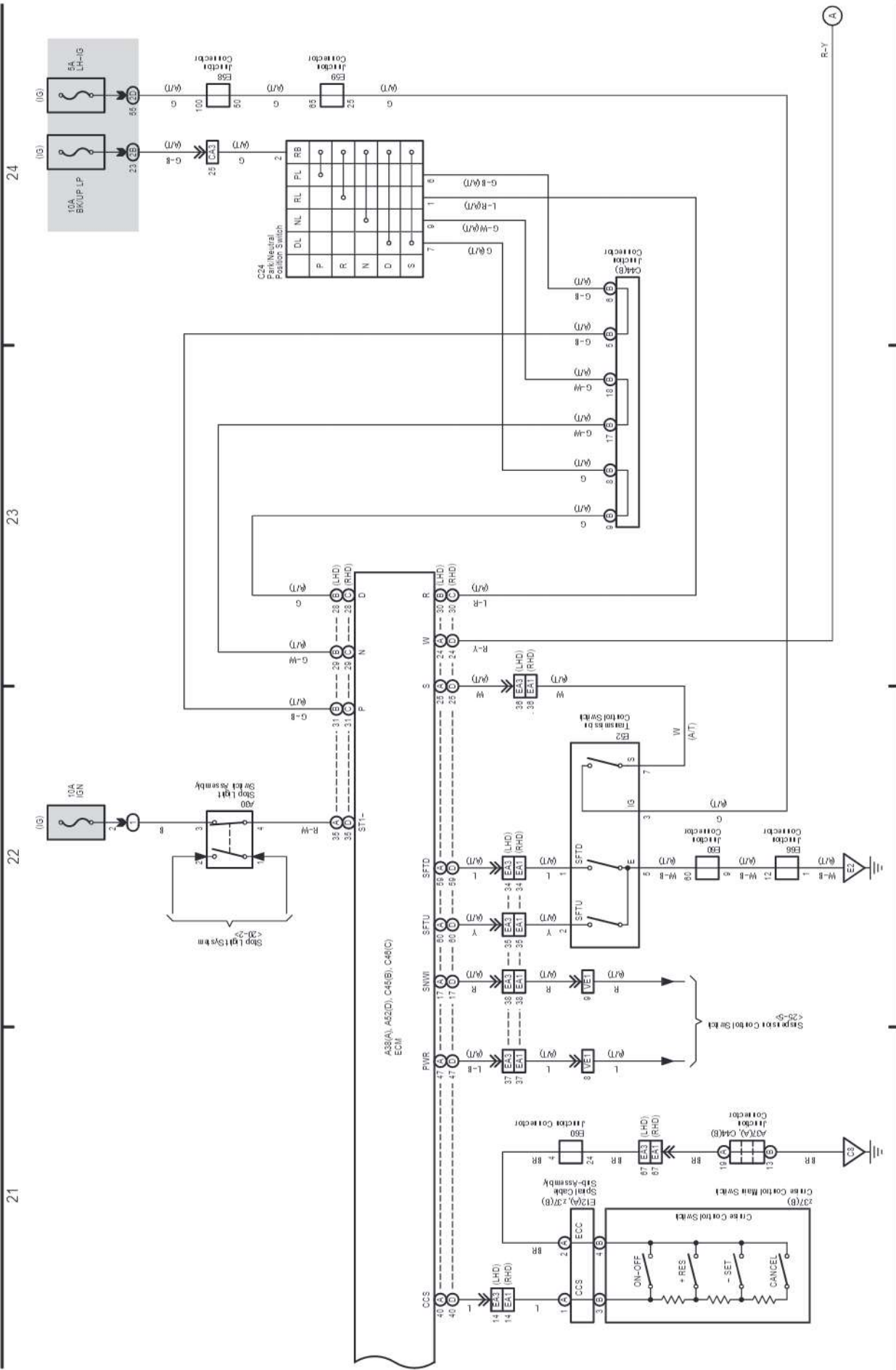
16 LAND CRUISER Station Wagon (Cont' d)



LAND CRUISER Station Wagon (EM0810E)

Cruise Control (1VD-FTV)

ECT and A/T Indicator (1VD-FTV)



# M OVERALL ELECTRICAL WIRING DIAGRAM

## 16 LAND CRUISER Station Wagon (Cont' d)

ECT and A/T Indicator (1VD-FTV)

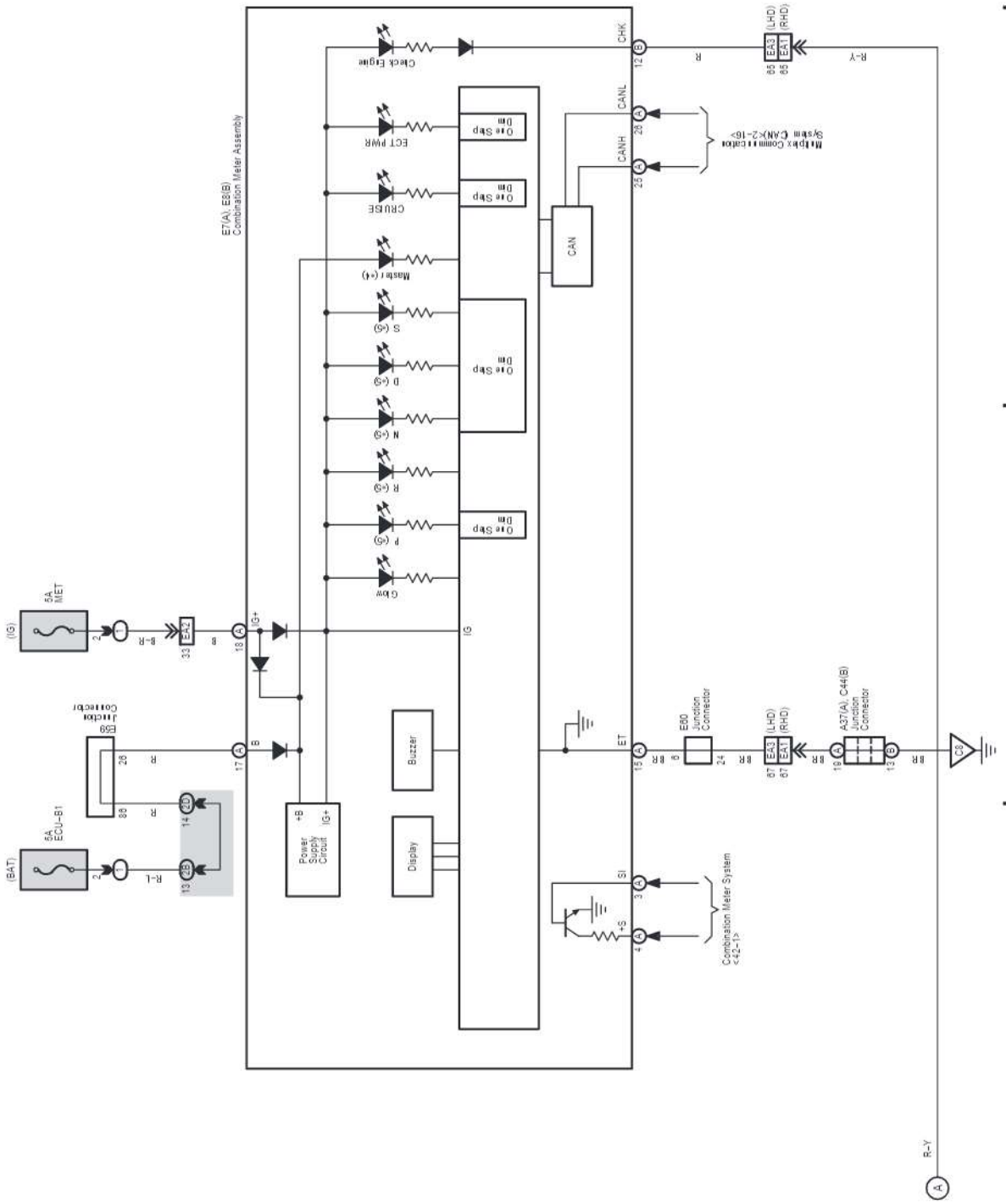
\* 4 : Option Meter  
\* 5 : Except Option Meter

28

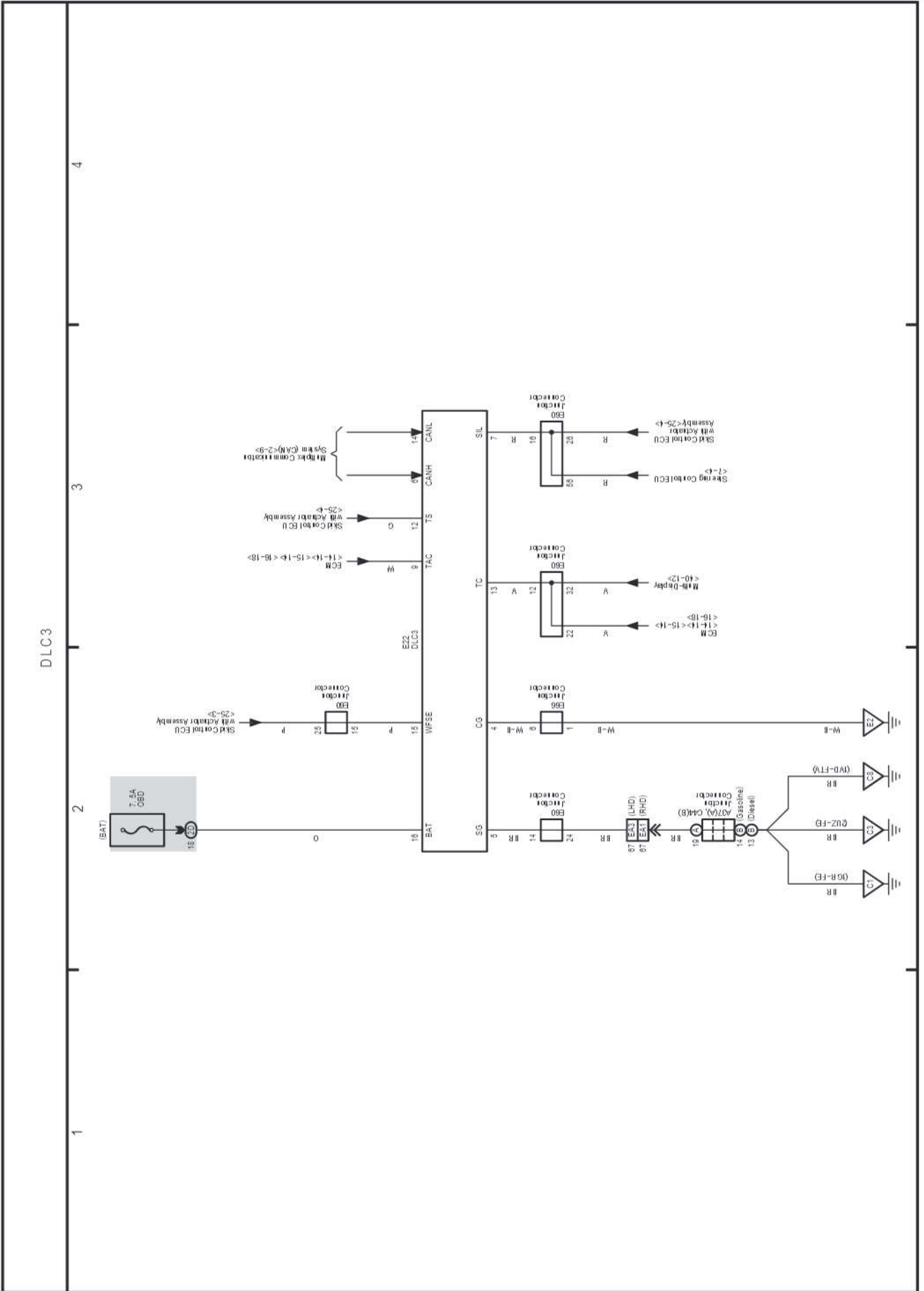
27

26

25



17 LAND CRUISER Station Wagon

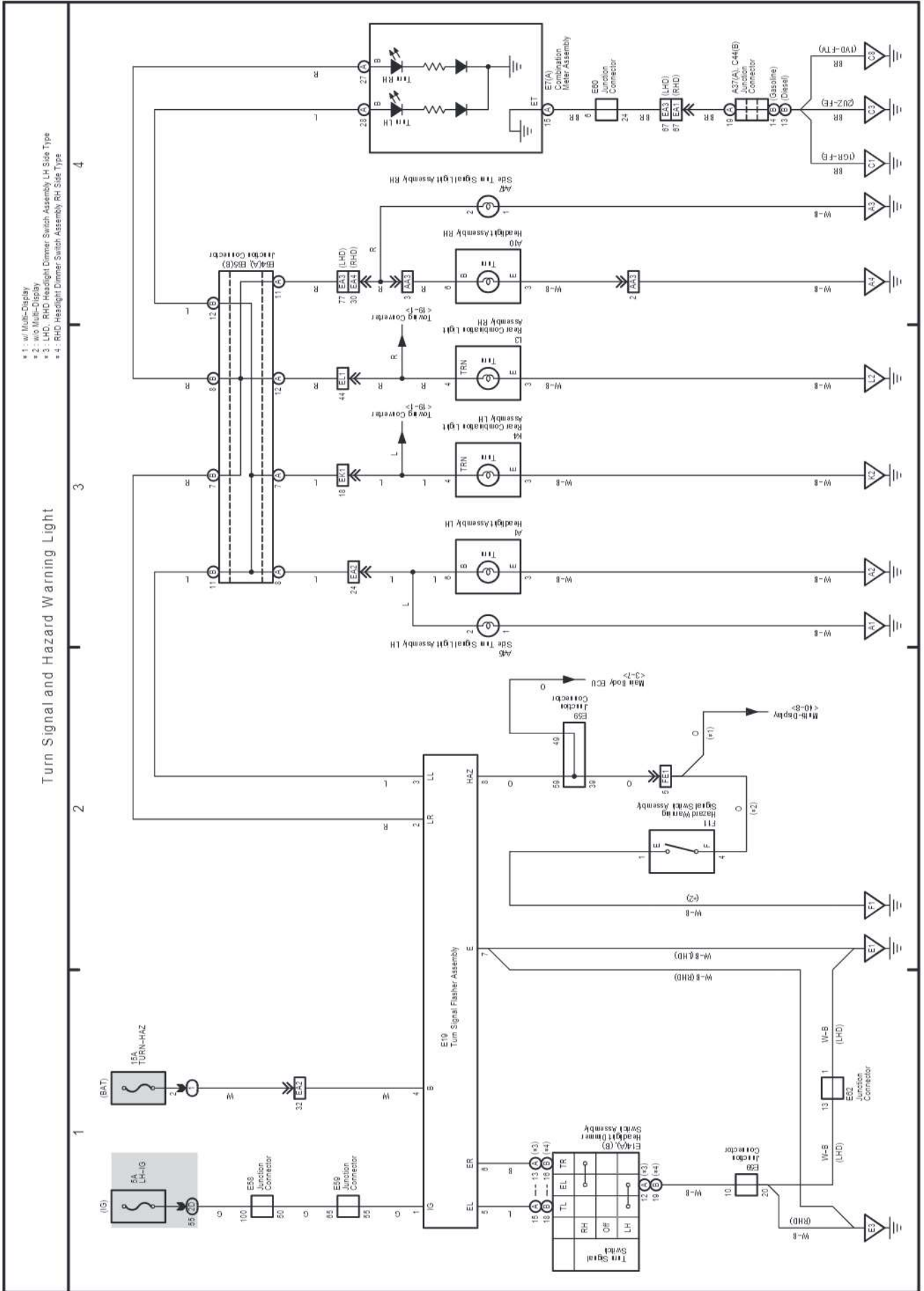


LAND CRUISER Station Wagon (EM0810E)



# M OVERALL ELECTRICAL WIRING DIAGRAM

## 18 LAND CRUISER Station Wagon

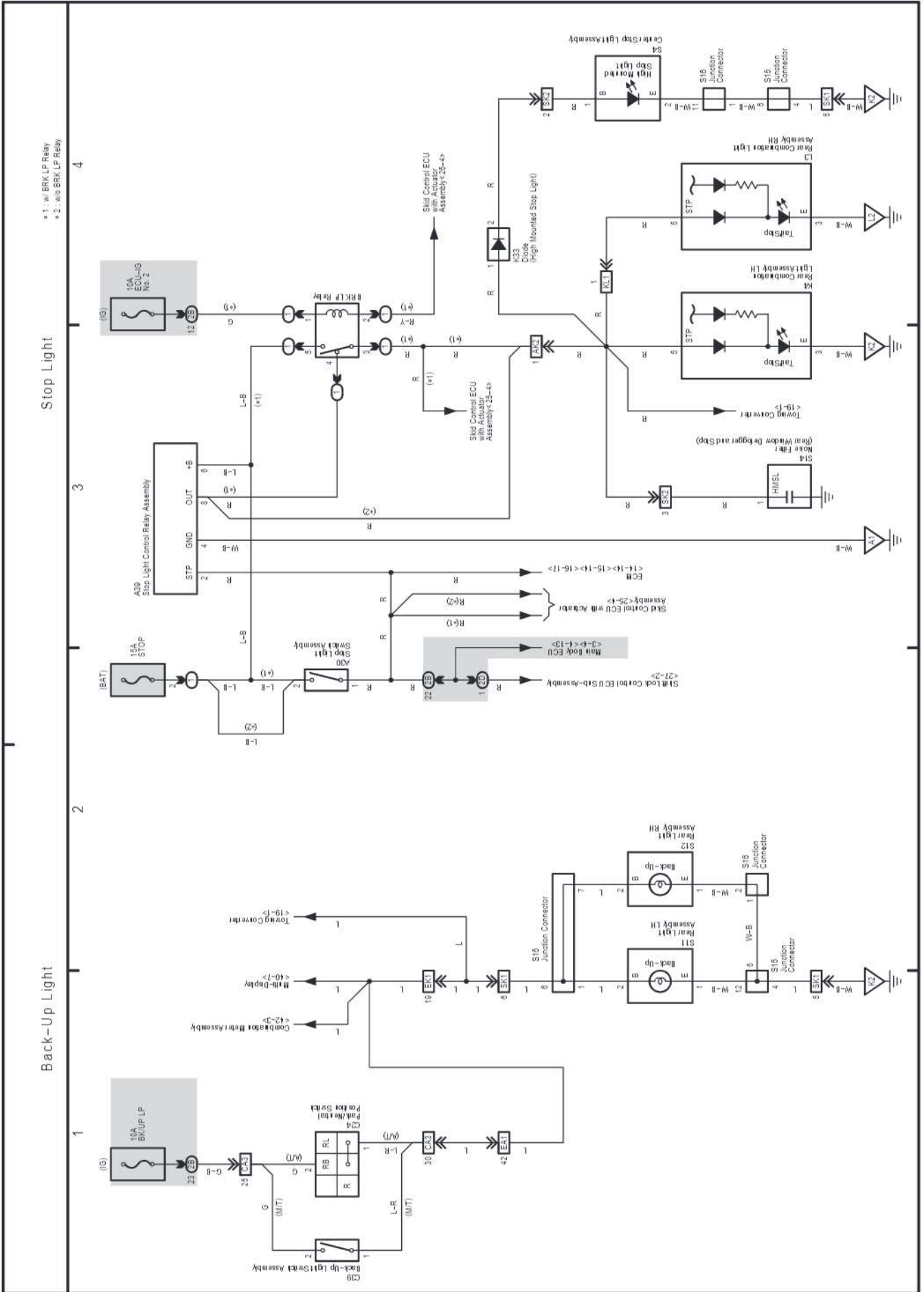


LAND CRUISER Station Wagon (EM0810E)



# M OVERALL ELECTRICAL WIRING DIAGRAM

## 20 LAND CRUISER Station Wagon



LAND CRUISER Station Wagon (EM0810E)

# M OVERALL ELECTRICAL WIRING DIAGRAM

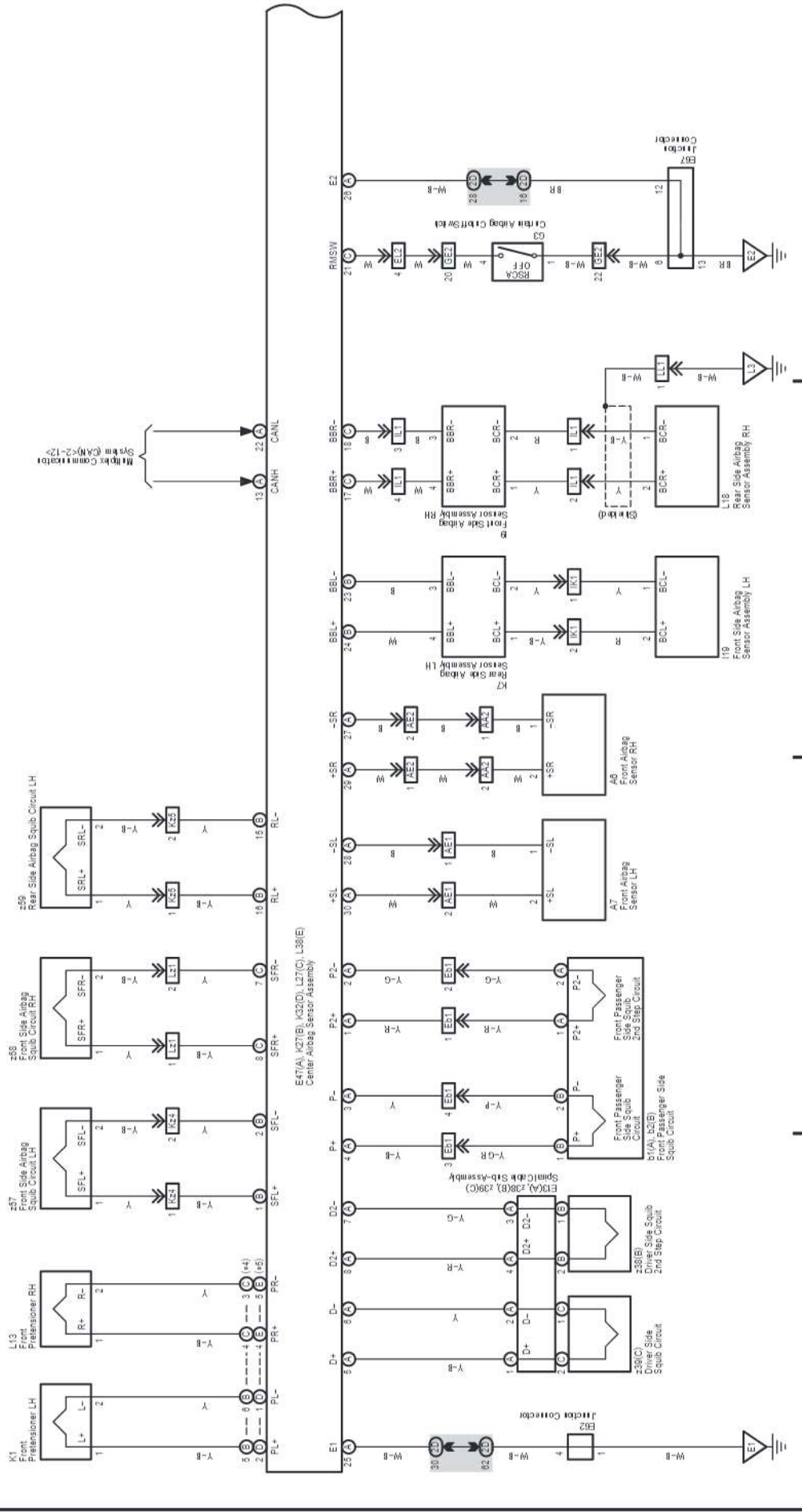
(Cont. next page)

21 LAND CRUISER Station Wagon

\* 4 : w/ Curtain Shield Airbag  
\* 5 : w/o Curtain Shield Airbag

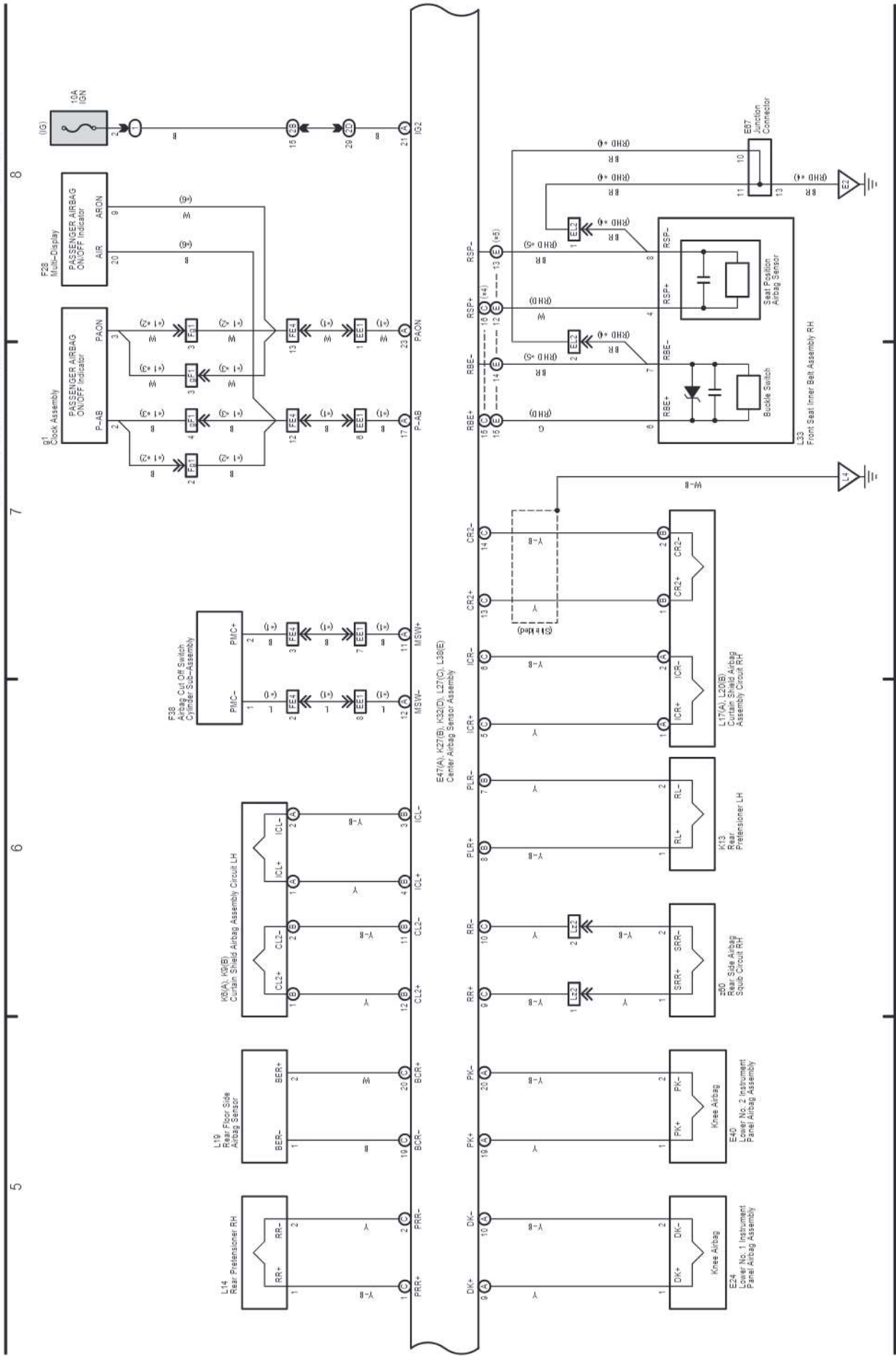
SRS

1 2 3 4



- \* 1 : w/ Airbag Cutoff Switch
- \* 2 : w/o Multi-Display w/ Stereo Component Amplifier
- \* 3 : w/o Multi-Display w/o Stereo Component Amplifier
- \* 4 : w/ Curtain Shield Airbag
- \* 5 : w/o Curtain Shield Airbag
- \* 6 : w/ Multi-Display

SRS



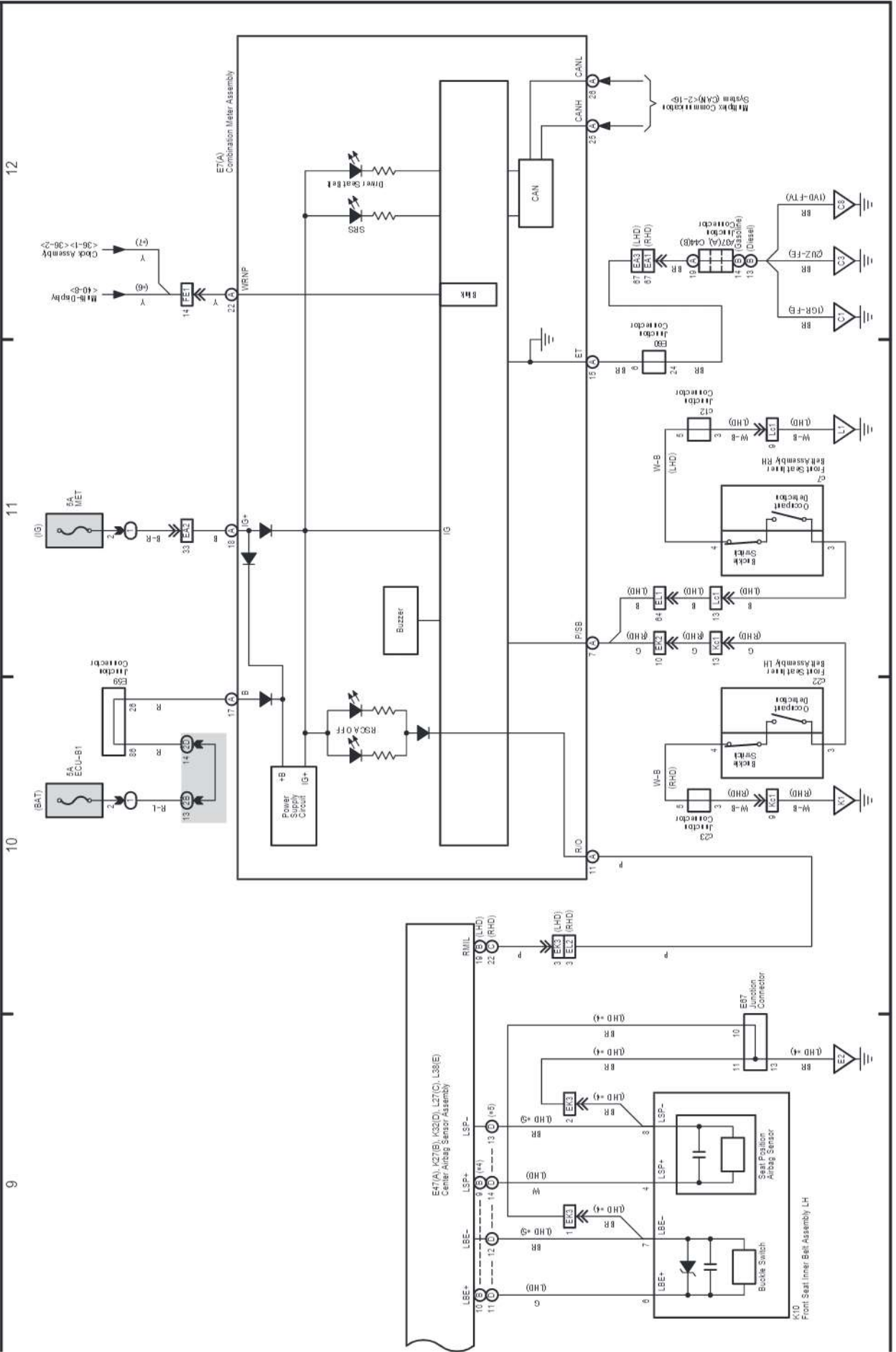
# M OVERALL ELECTRICAL WIRING DIAGRAM

## 21 LAND CRUISER Station Wagon (Cont' d)

SRS

Seat Belt Warning

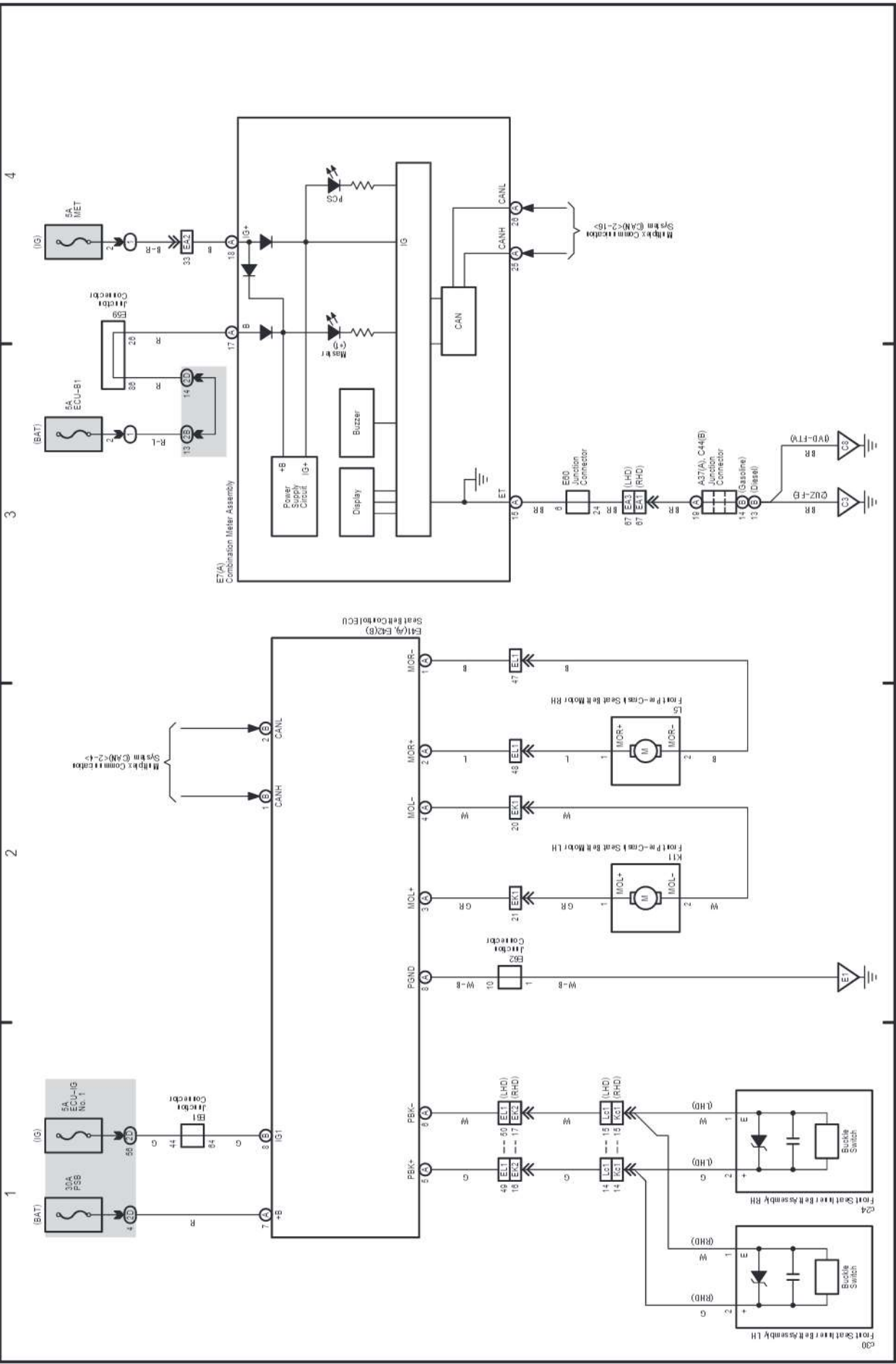
- \*4 : w/ Curtain Shield Airbag
- \*5 : w/o Curtain Shield Airbag
- \*6 : w/ Multi-Display
- \*7 : w/o Multi-Display



22 LAND CRUISER Station Wagon

Pre-Crash Safety System

\* 1: Option Meter

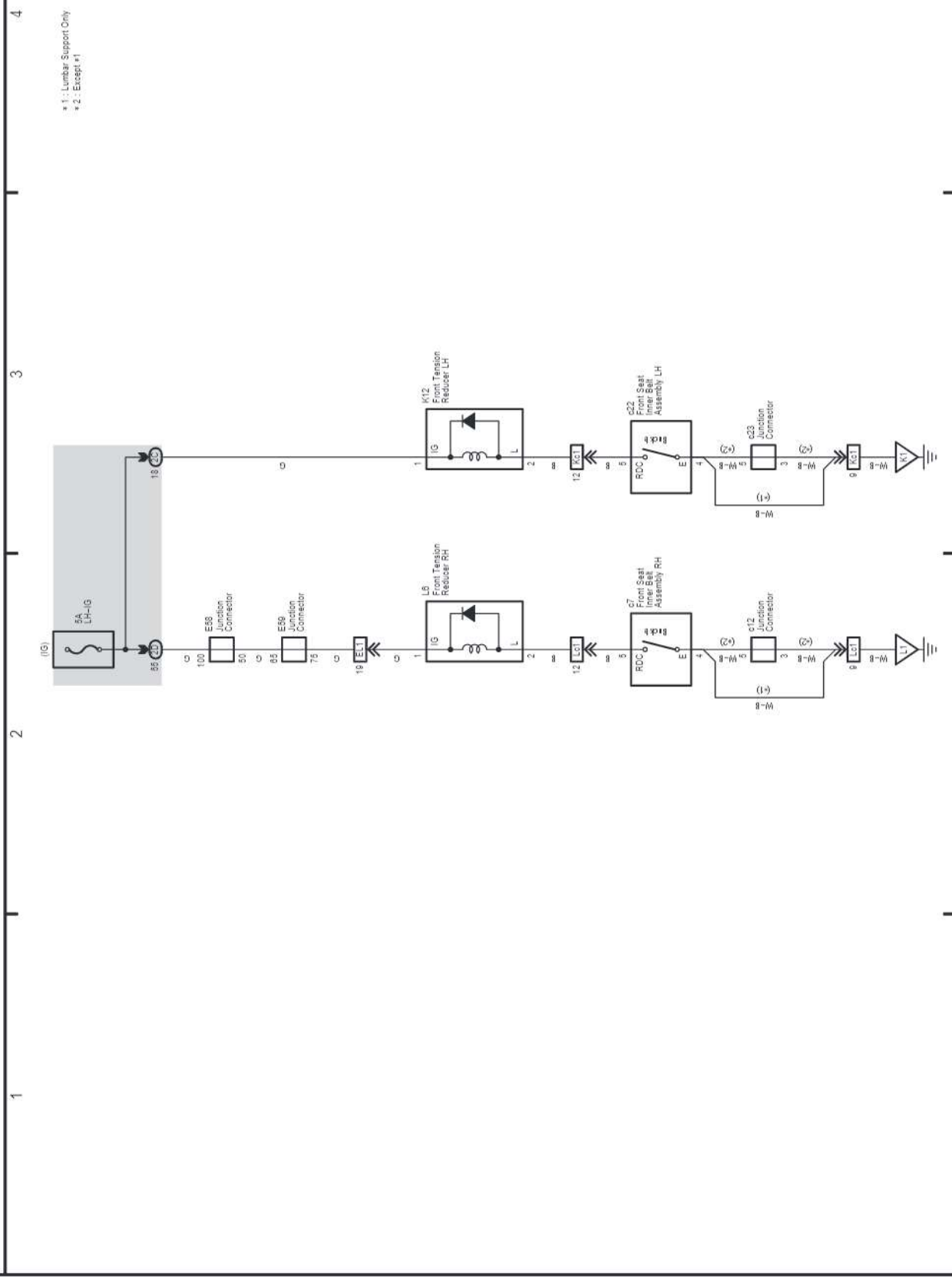


LAND CRUISER Station Wagon (EM0810E)

# M OVERALL ELECTRICAL WIRING DIAGRAM

23 LAND CRUISER Station Wagon

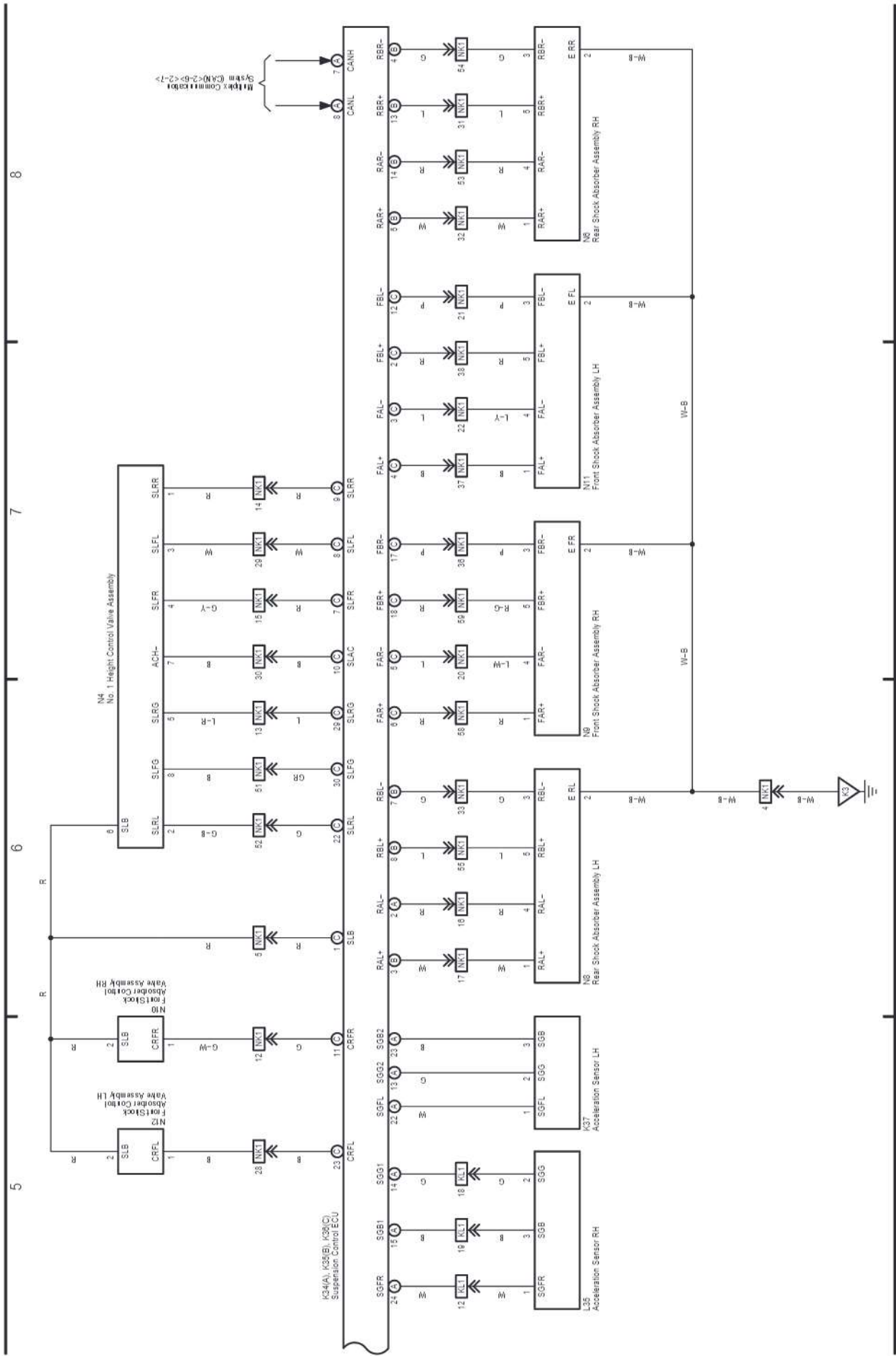
## Electric Tension Reducer







Active Height Control Suspension and Adaptive Variable Suspension

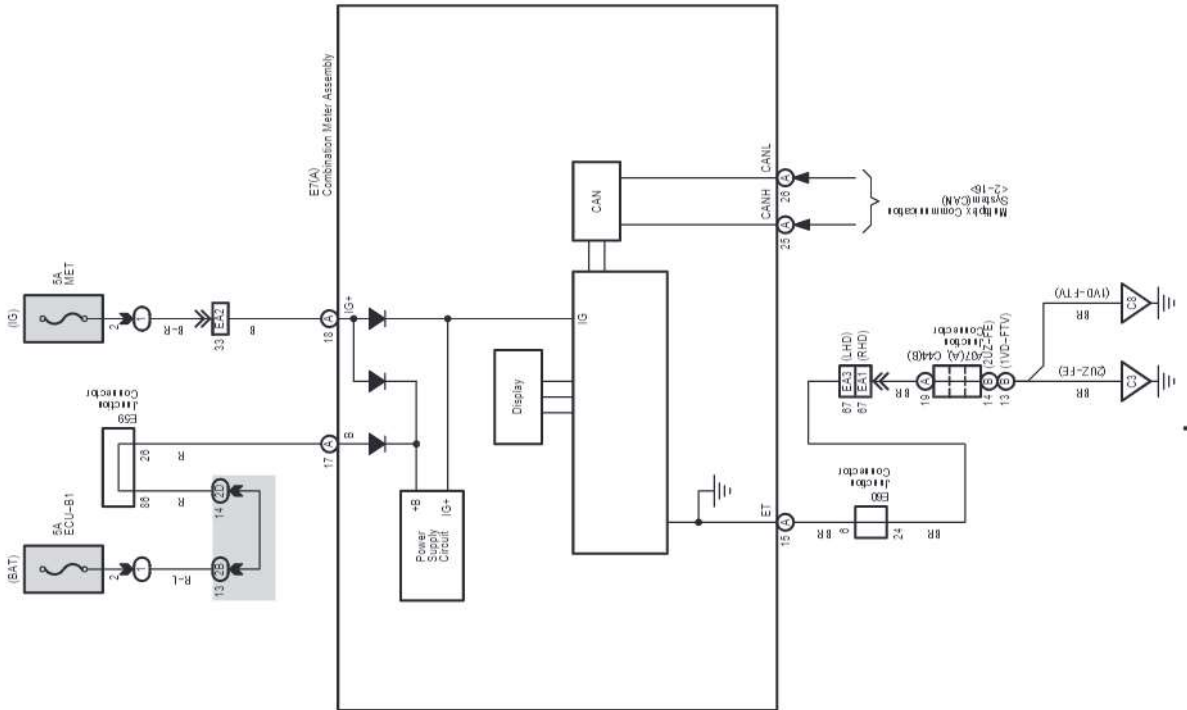


# M OVERALL ELECTRICAL WIRING DIAGRAM

## 24 LAND CRUISER Station Wagon (Cont' d)

### Active Height Control Suspension and Adaptive Variable Suspension

9 10 11 12

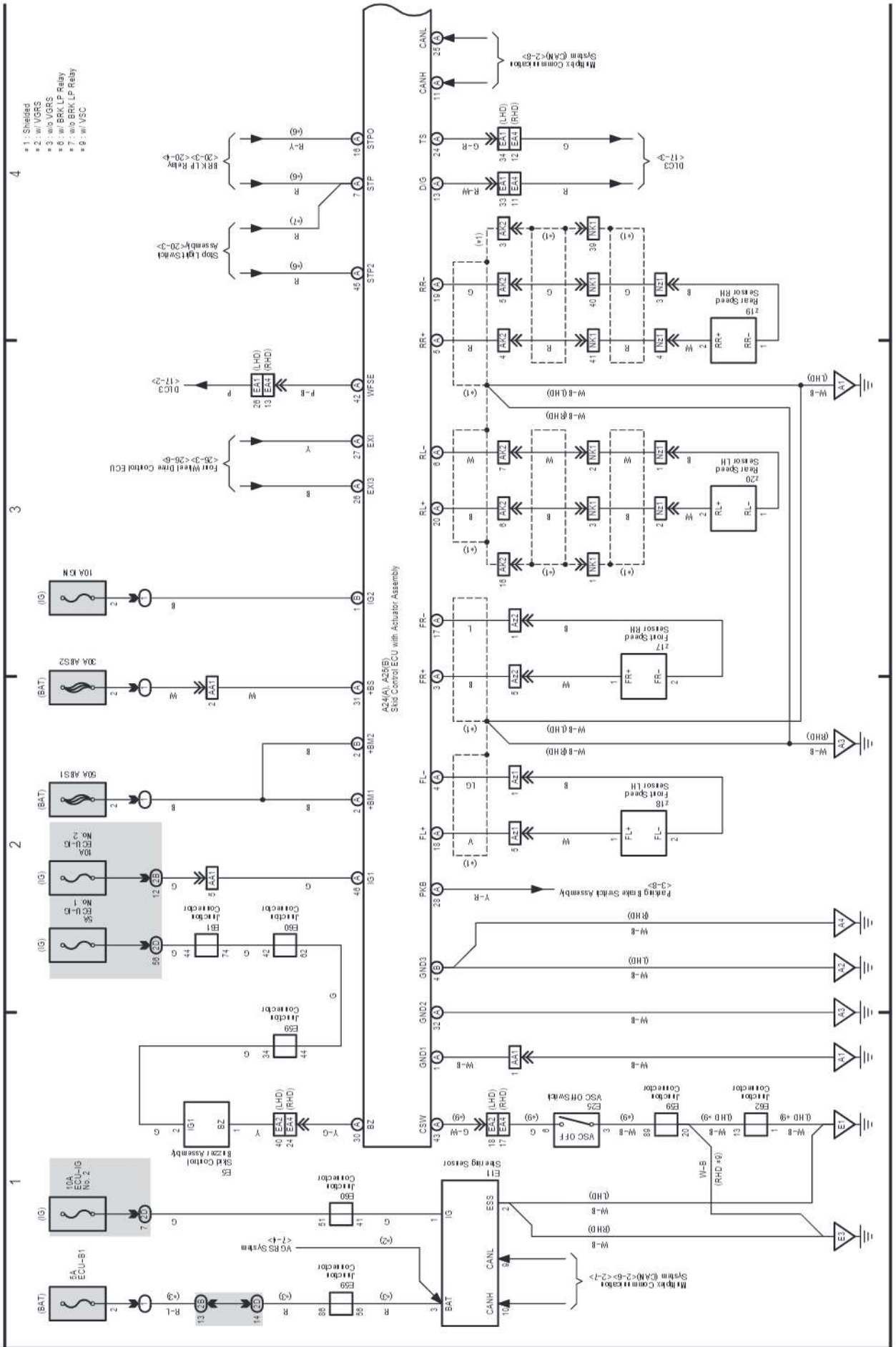


# M OVERALL ELECTRICAL WIRING DIAGRAM

(Cont. next page)

25 LAND CRUISER Station Wagon

ABS, A-TRC, Brake Assist, Crawl, Downhill Assist Control, EBD, Hill-Start Assist Control and VSC



LAND CRUISER Station Wagon (EM0810E)

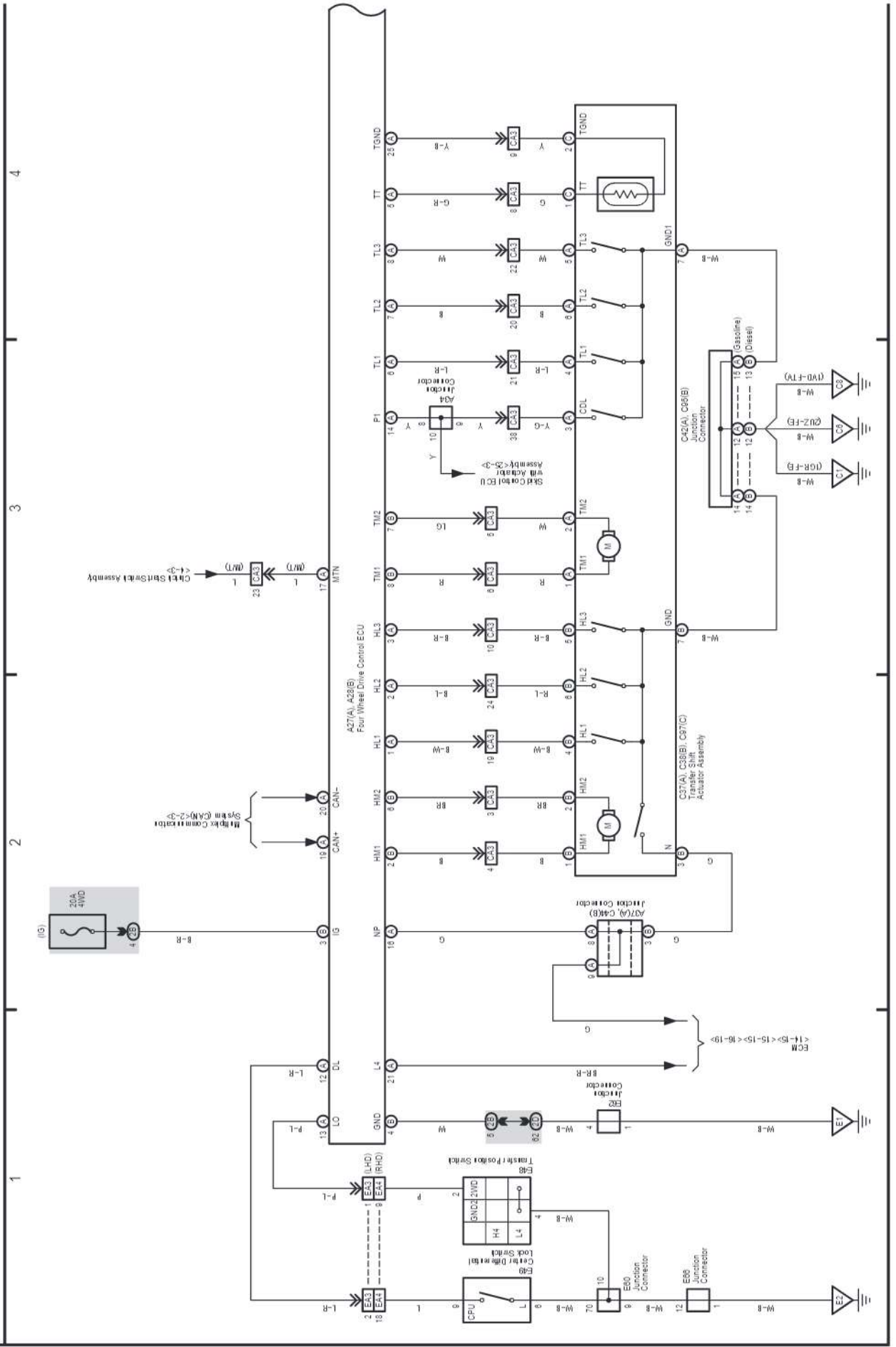


# M OVERALL ELECTRICAL WIRING DIAGRAM

26 LAND CRUISER Station Wagon

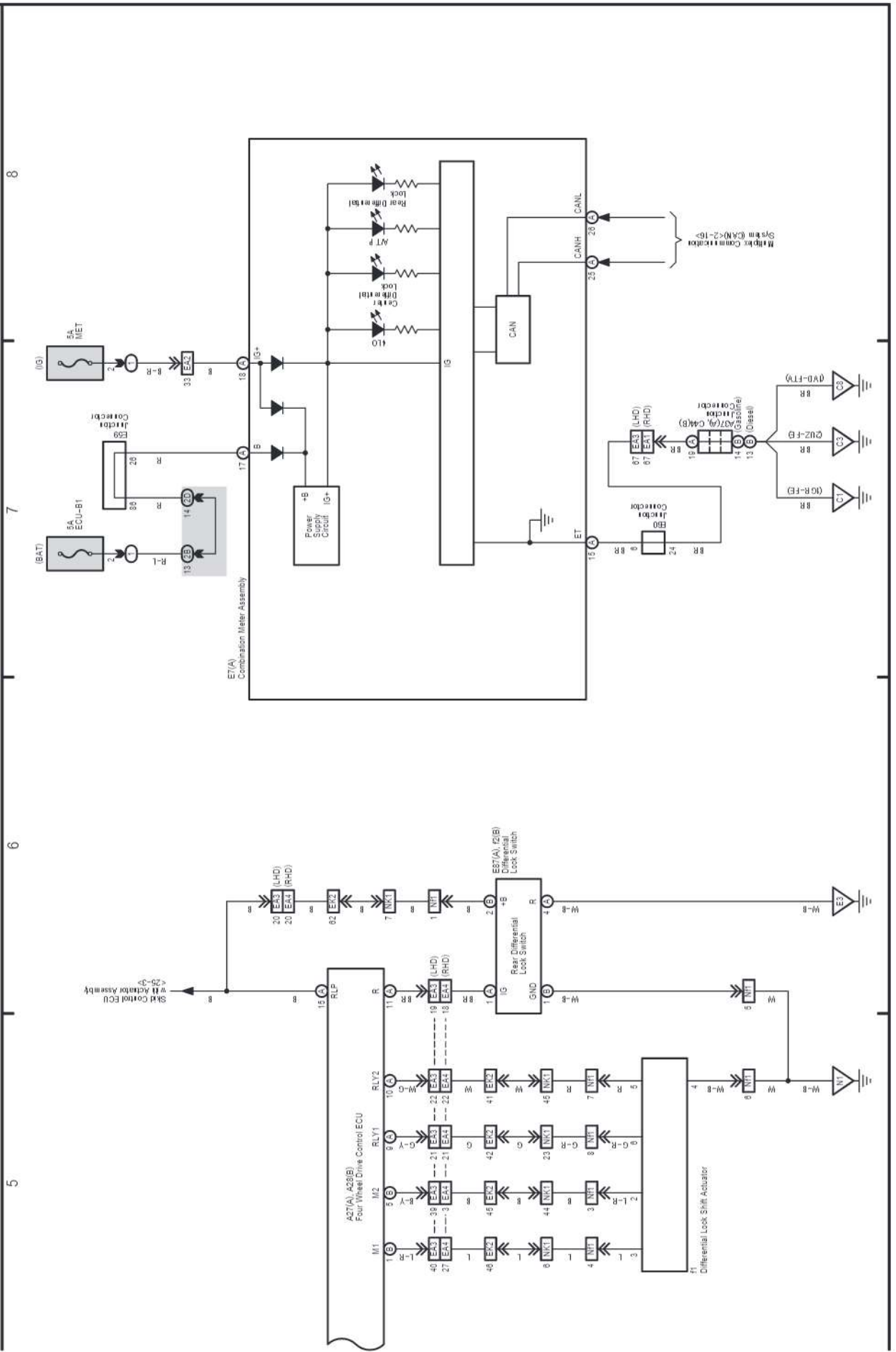
(Cont. next page)

Multi Mode 4WD



LAND CRUISER Station Wagon (EM0810E)

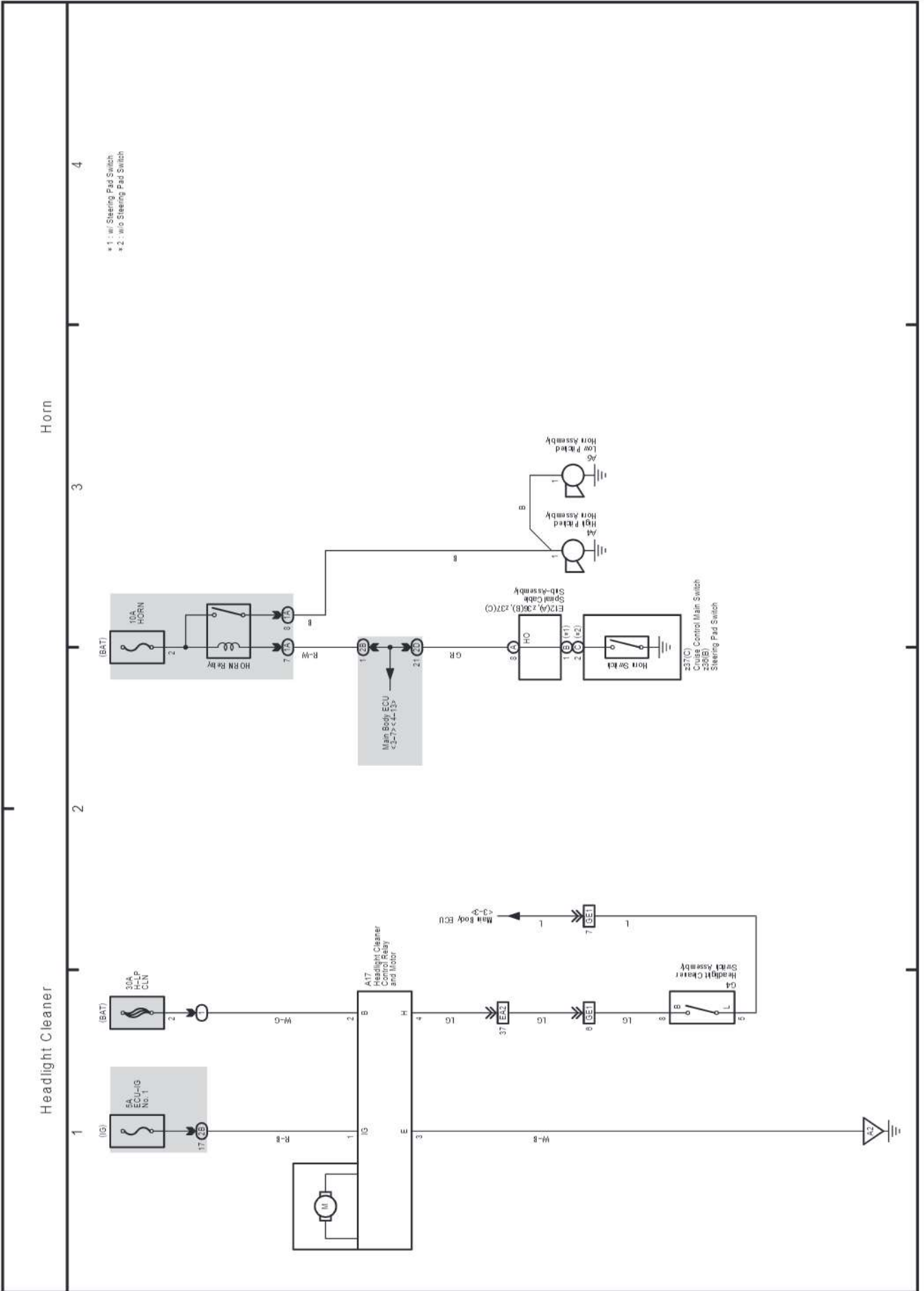
Multi Mode 4WD







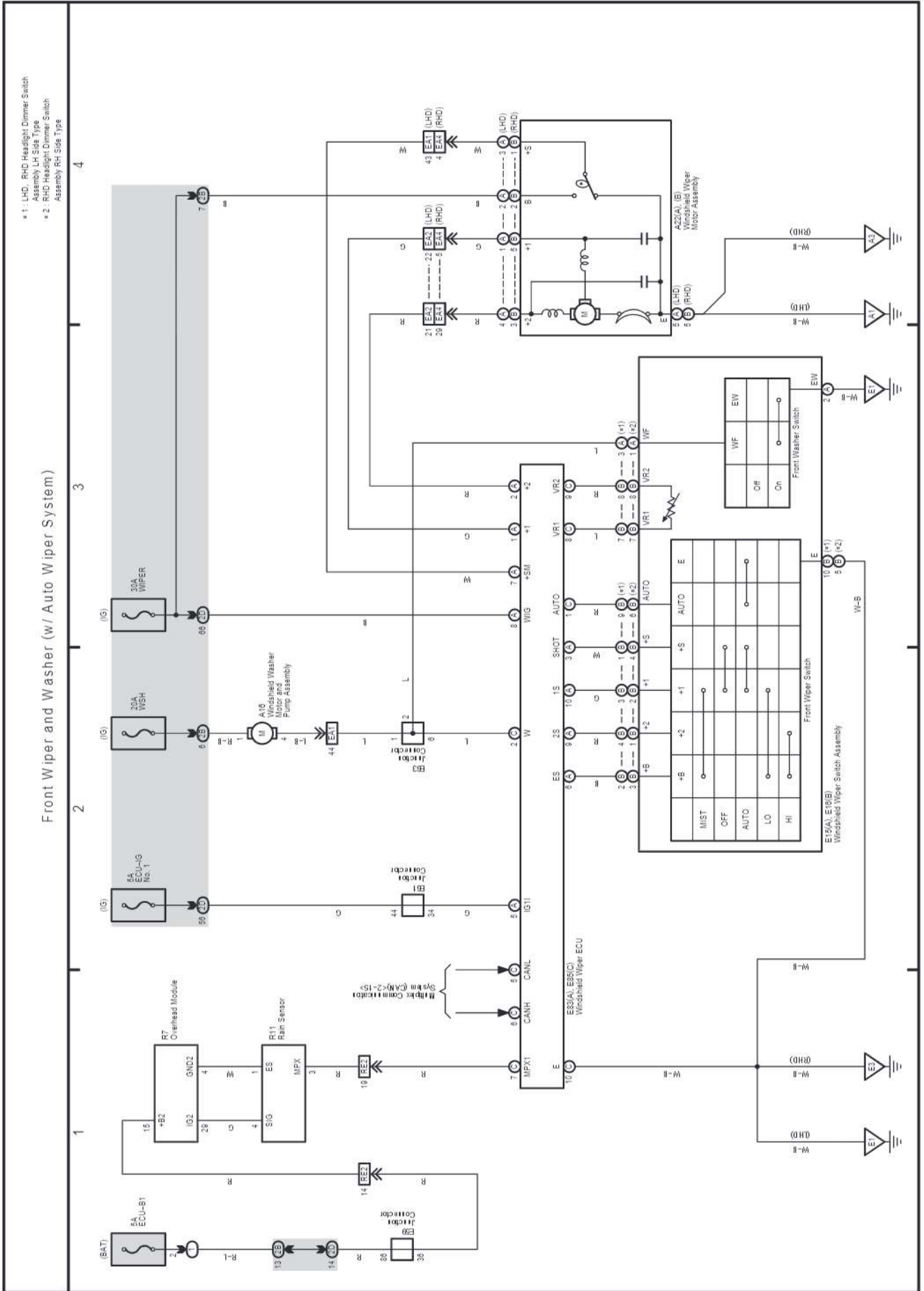
28 LAND CRUISER Station Wagon



LAND CRUISER Station Wagon (EM0810E)

# M OVERALL ELECTRICAL WIRING DIAGRAM

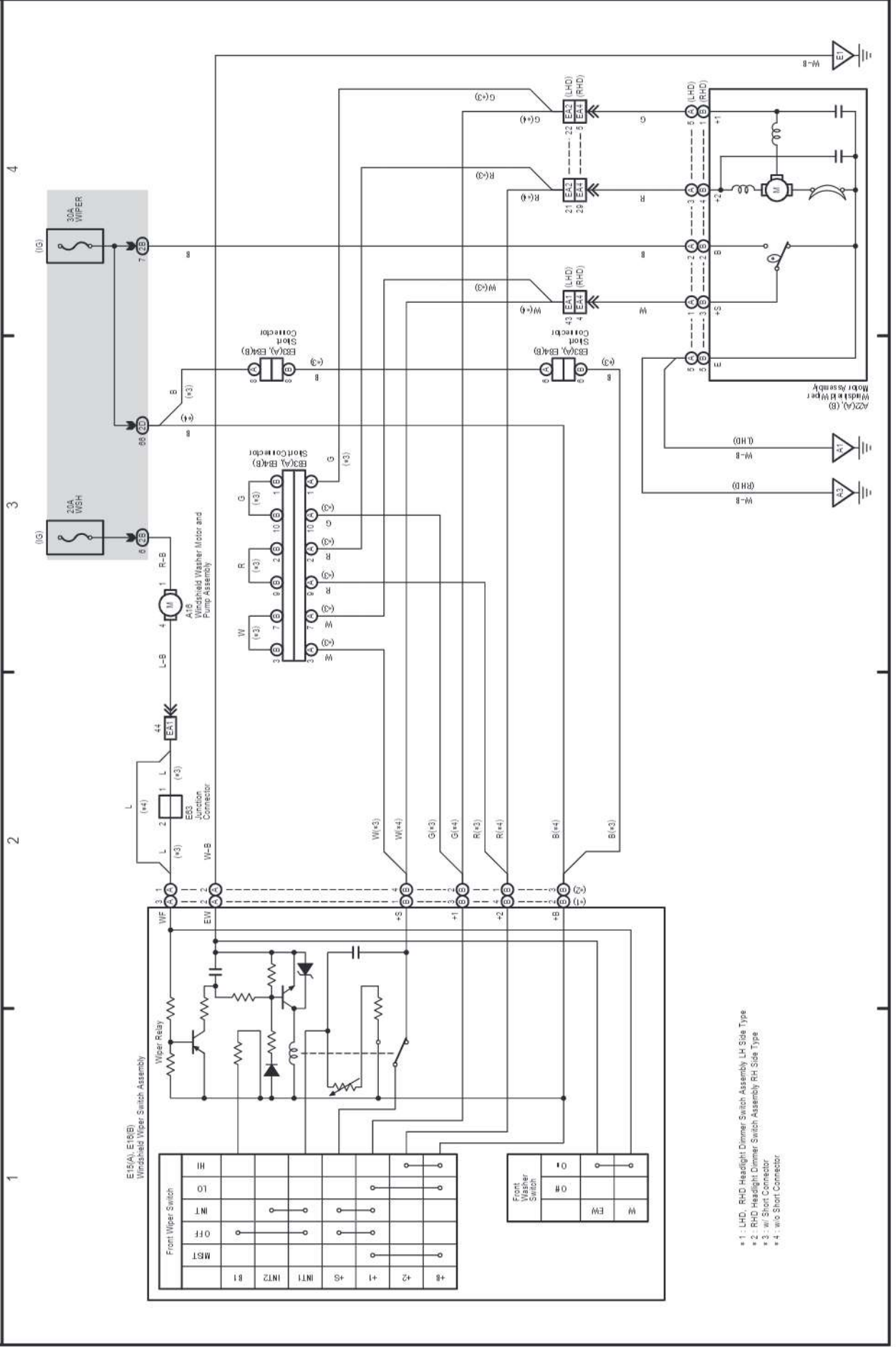
## 29 LAND CRUISER Station Wagon



LAND CRUISER Station Wagon (EM0810E)

30 LAND CRUISER Station Wagon

Front Wiper and Washer (w/o Auto Wiper System)



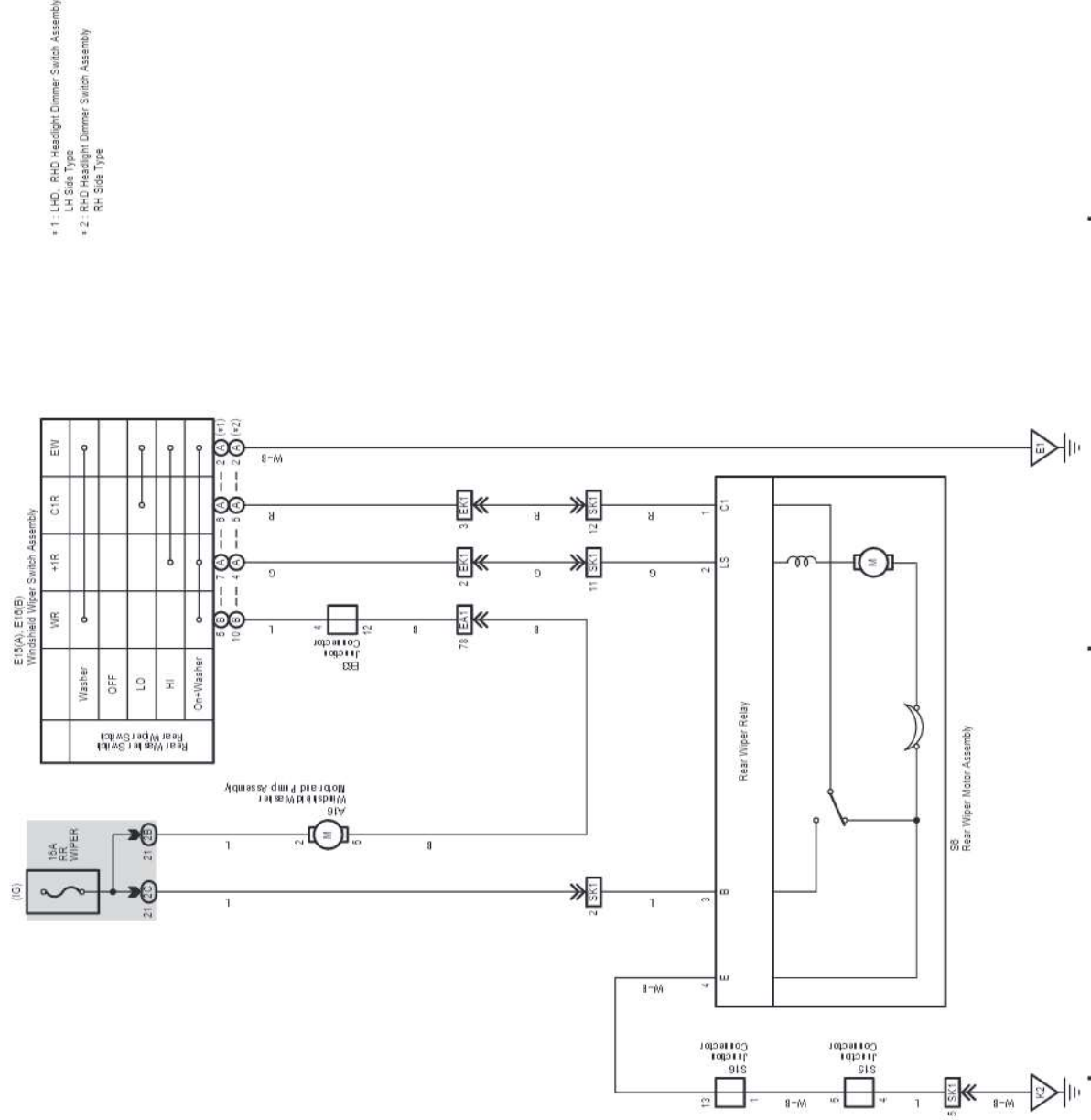
- \* 1 - LHD, RHD Headlight Dimmer Switch Assembly LH Side Type
- \* 2 - RHD Headlight Dimmer Switch Assembly RH Side Type
- \* 3 - w/ Short Connector
- \* 4 - w/o Short Connector

# M OVERALL ELECTRICAL WIRING DIAGRAM

31 LAND CRUISER Station Wagon

## Rear Wiper and Washer

1 2 3 4



- \* 1 : LHD, RHD Headlight Dimmer Switch Assembly  
LH Side Type
- \* 2 : RHD Headlight Dimmer Switch Assembly  
RH Side Type

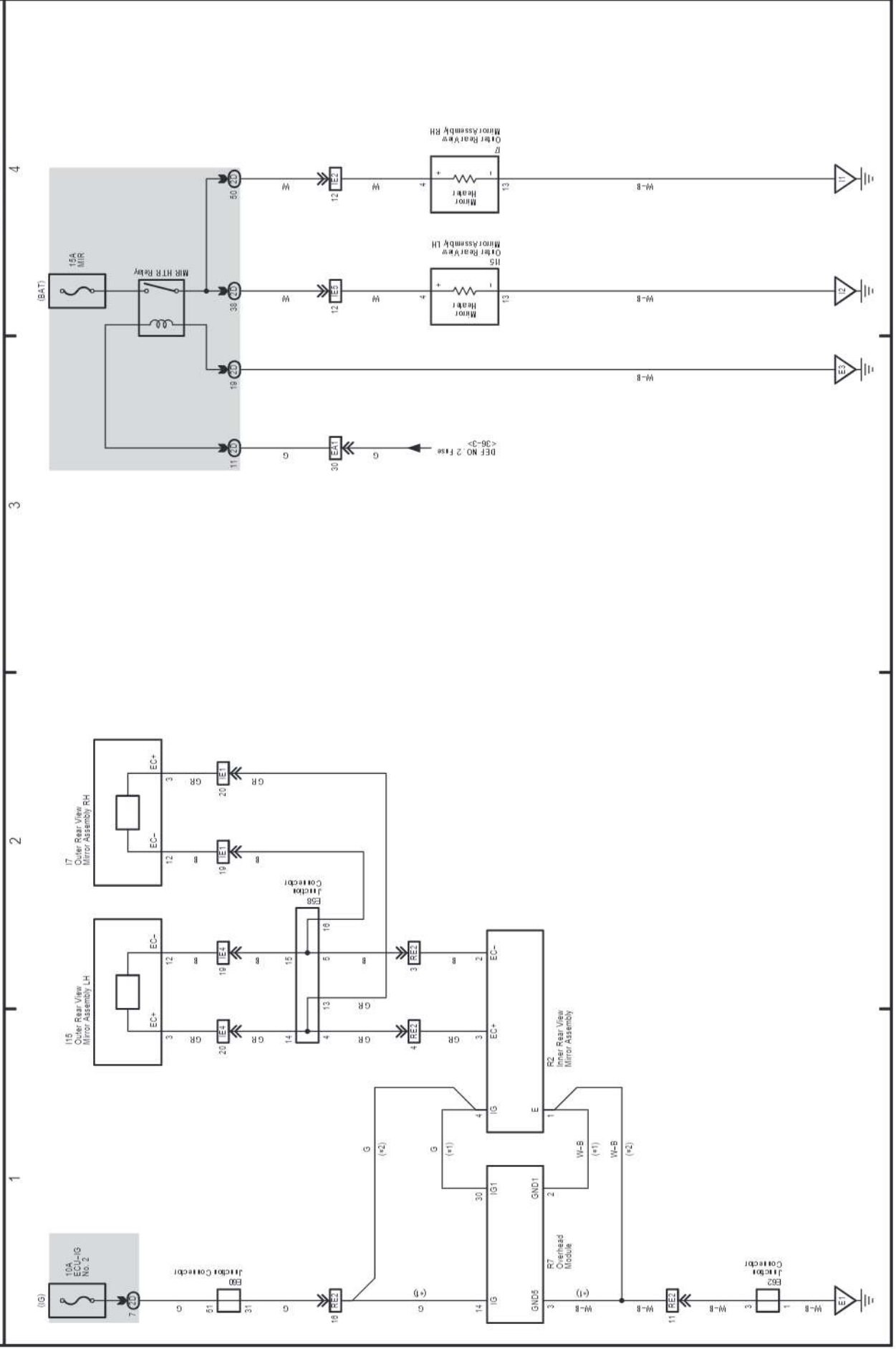
E16(A), E16(B) Windshield Wiper Switch Assembly		WR	+WR	CH	EW
Washer:		OFF			
		LO			
		HI			
On-Washer					

32 LAND CRUISER Station Wagon

Automatic Glare-Resistant EC Mirror with Compass

Mirror Heater

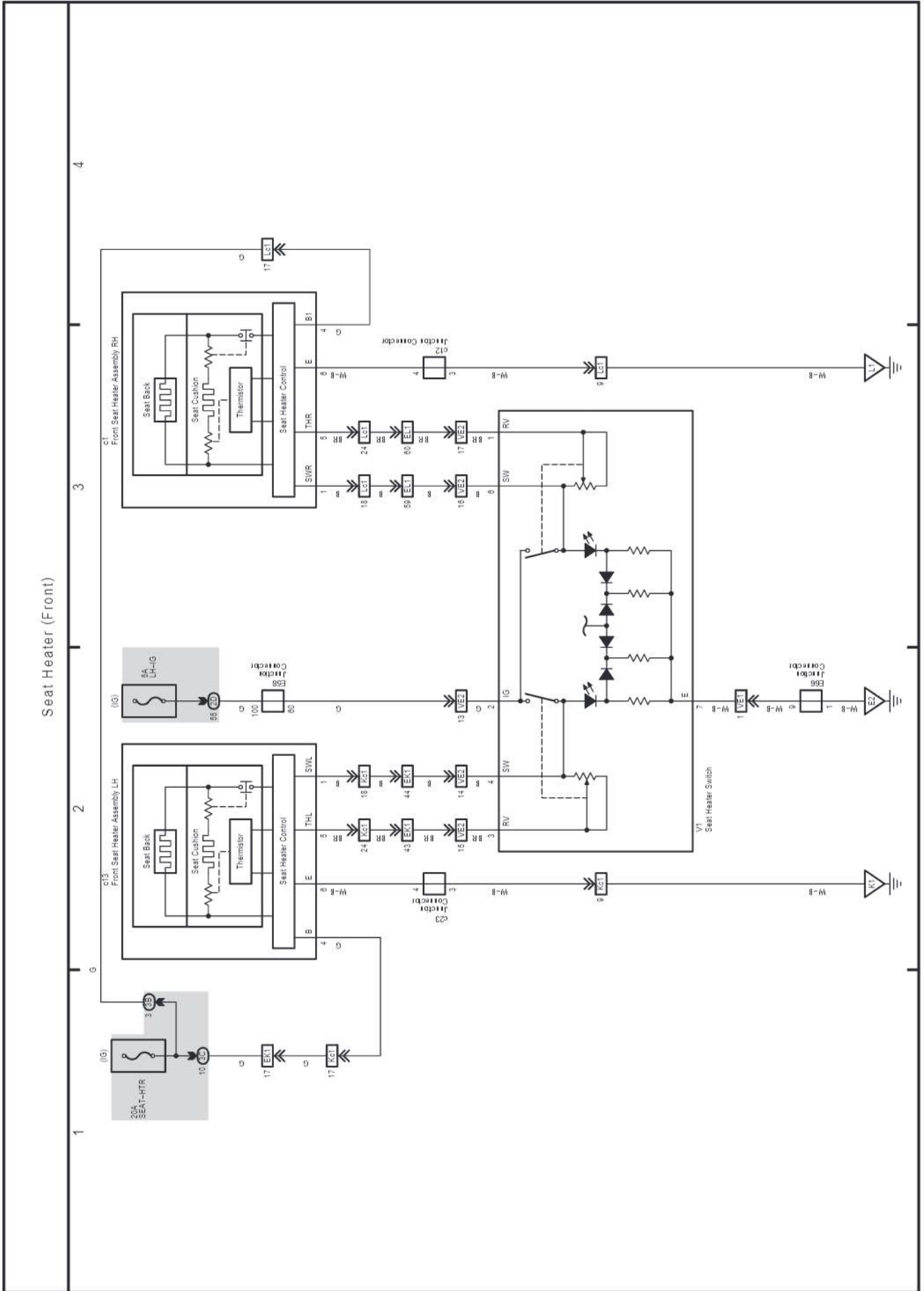
\*1: w/ Overhead Module  
 \*2: w/o Overhead Module



LAND CRUISER Station Wagon (EM0810E)

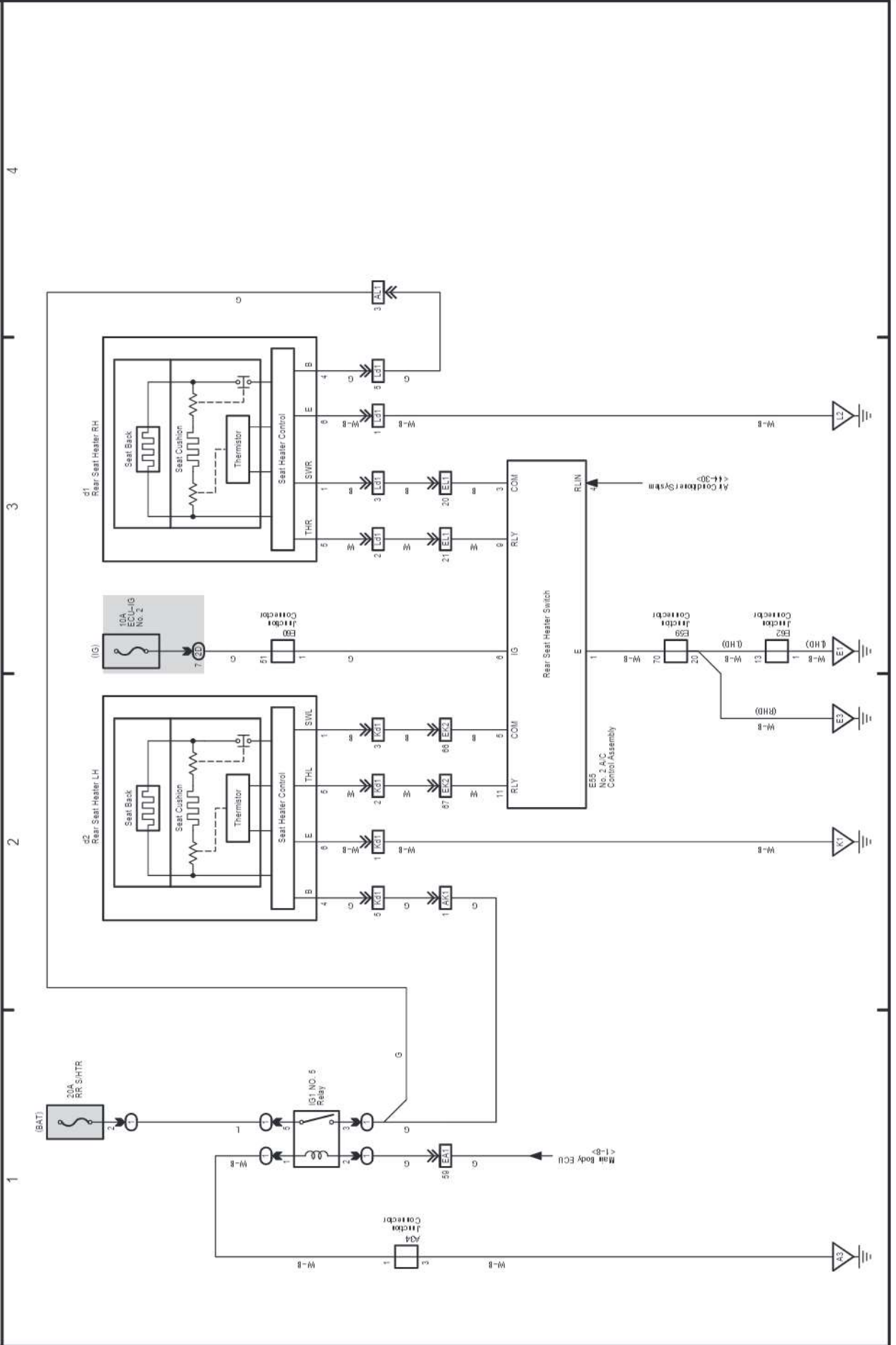
# M OVERALL ELECTRICAL WIRING DIAGRAM

## 33 LAND CRUISER Station Wagon



34 LAND CRUISER Station Wagon

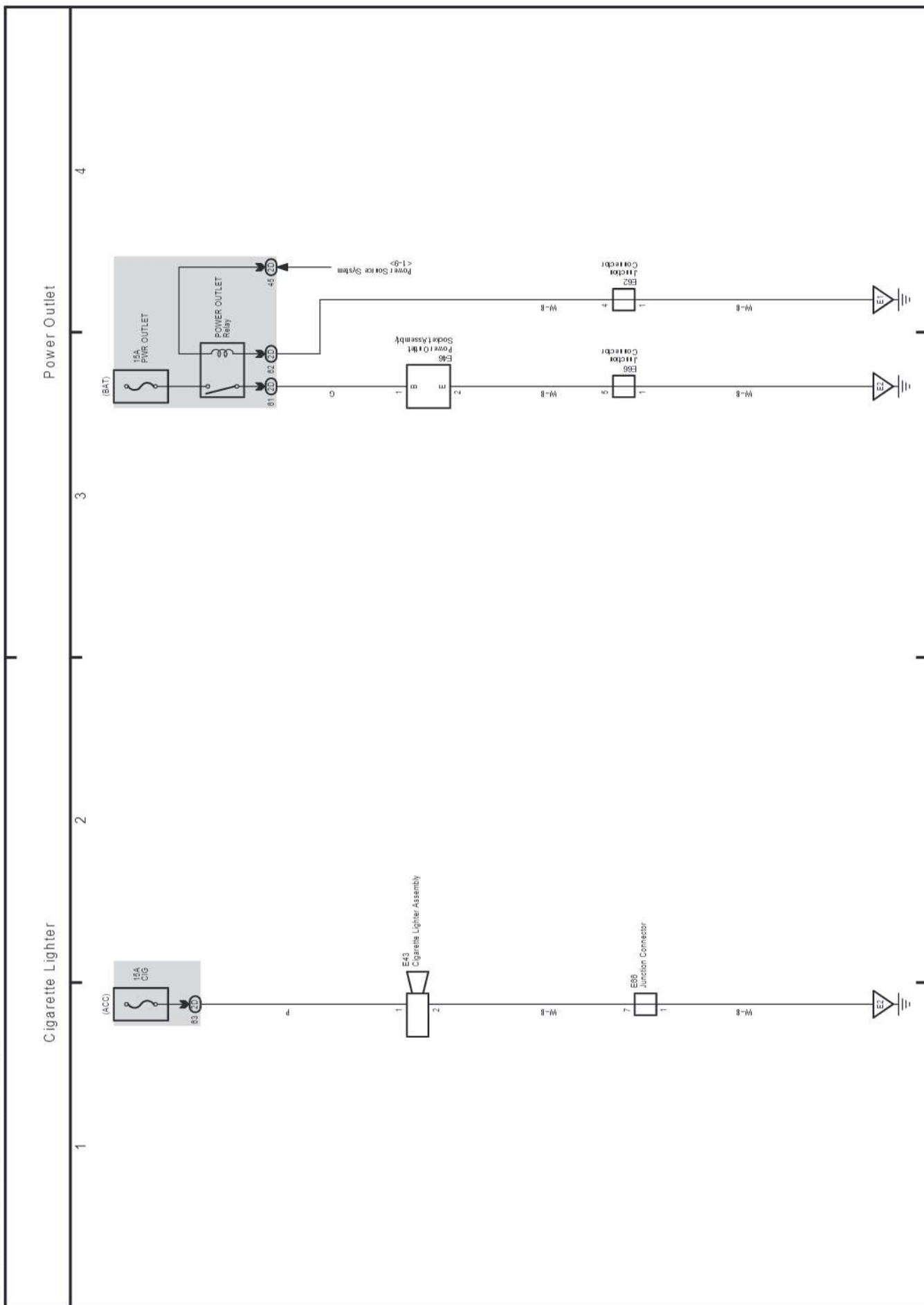
Seat Heater (Rear)



LAND CRUISER Station Wagon (EM0810E)

# M OVERALL ELECTRICAL WIRING DIAGRAM

35 LAND CRUISER Station Wagon



LAND CRUISER Station Wagon (EM0810E)



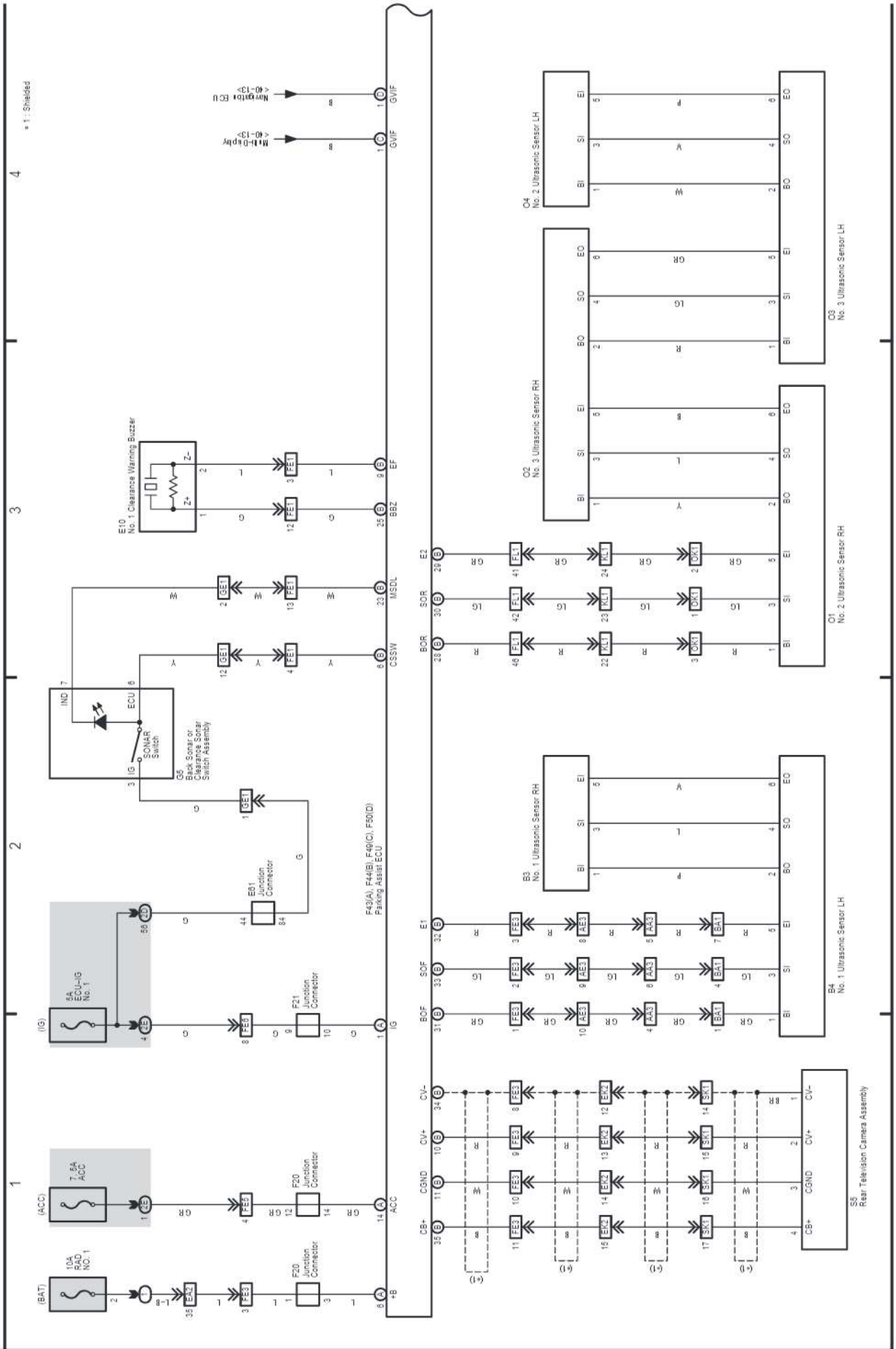


# M OVERALL ELECTRICAL WIRING DIAGRAM

(Cont. next page)

37 LAND CRUISER Station Wagon

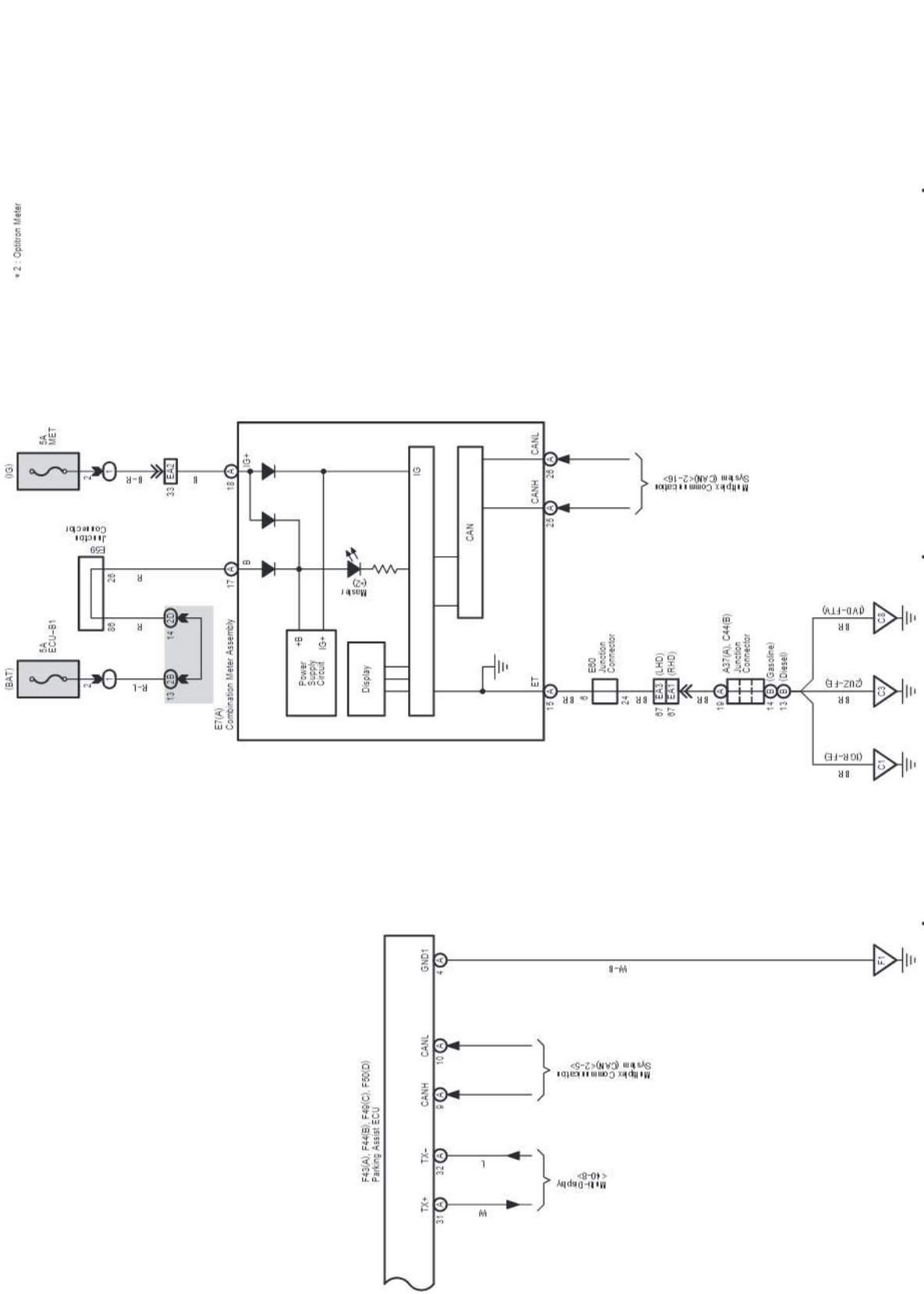
### Parking Assist (Back Guide Monitor) and Parking Assist (Parking-Assist Sensor w/ Back Guide Monitor)



37 LAND CRUISER Station Wagon (Cont' d)

Parking Assist (Back Guide Monitor) and Parking Assist (Parking-Assist Sensor w/ Back Guide Monitor)

5 6 7 8



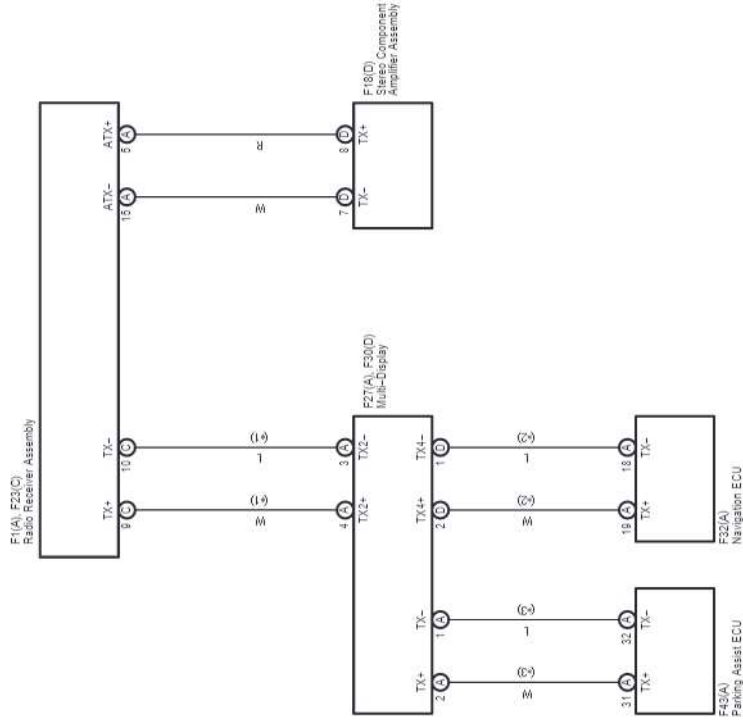


Multiplex Communication System (AVC-LAN)

4

1

- 1 - w/ Multi-Display
- 2 - w/ Navigation System
- 3 - w/ Back Guide Monitor





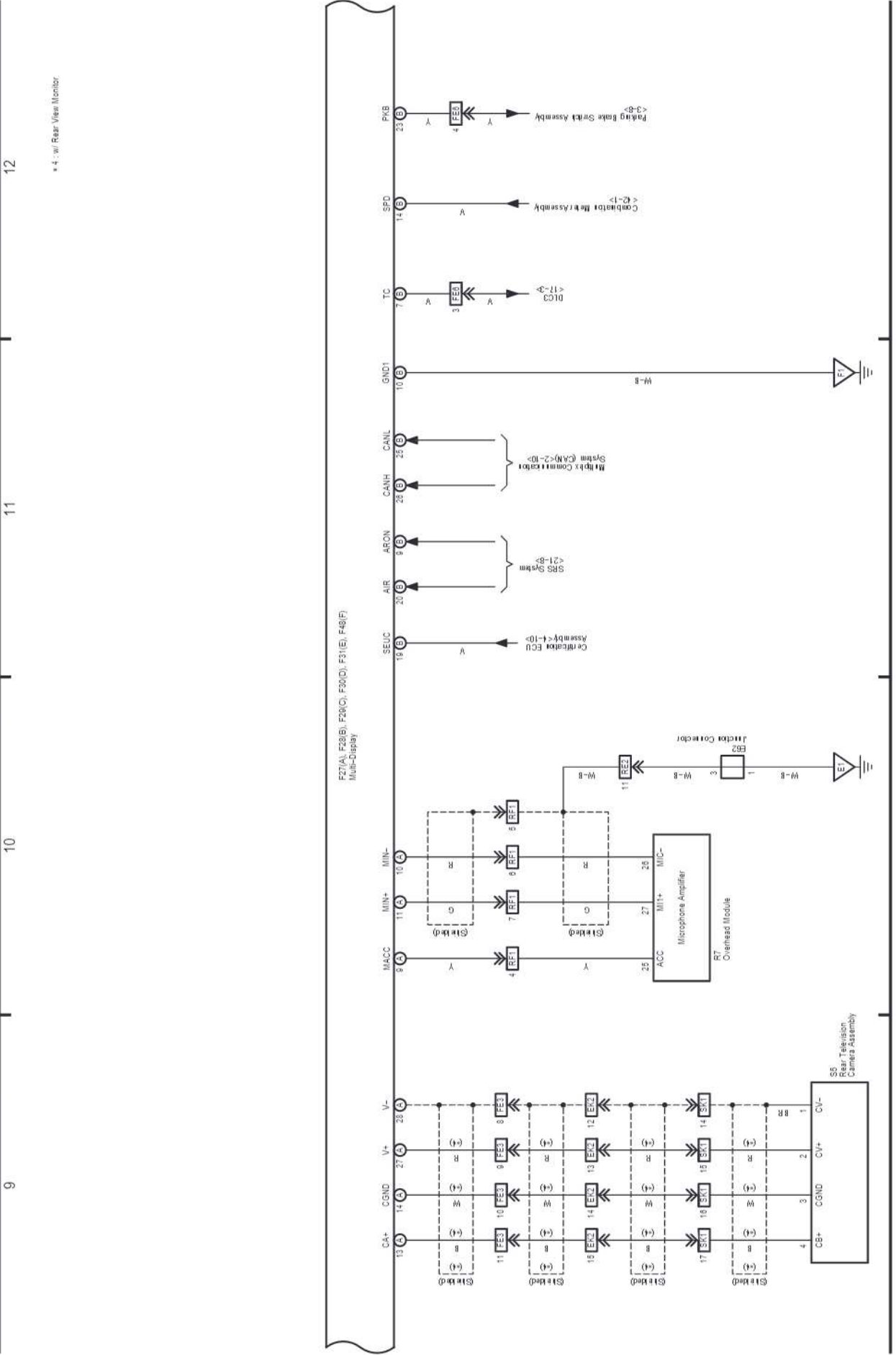


# M OVERALL ELECTRICAL WIRING DIAGRAM

40 LAND CRUISER Station Wagon (Cont' d)

(Cont. next page)

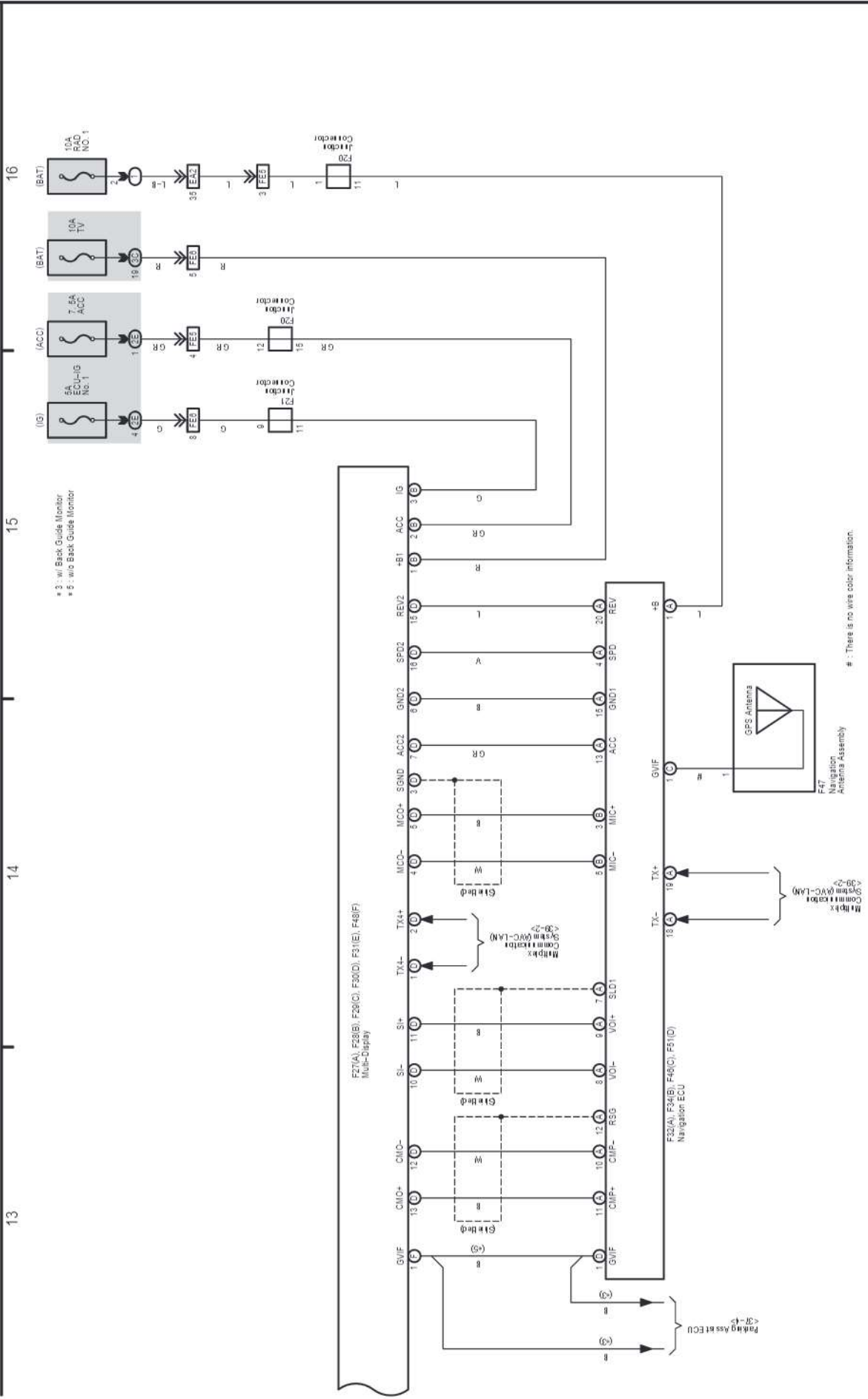
Audio System  
(w/ Stereo Component Amplifier), Multi-Display, Navigation System and Parking Assist (Rear View Monitor)





40 LAND CRUISER Station Wagon (Cont' d)

Audio System  
(w/ Stereo Component Amplifier), Multi-Display, Navigation System and Parking Assist (Rear View Monitor)

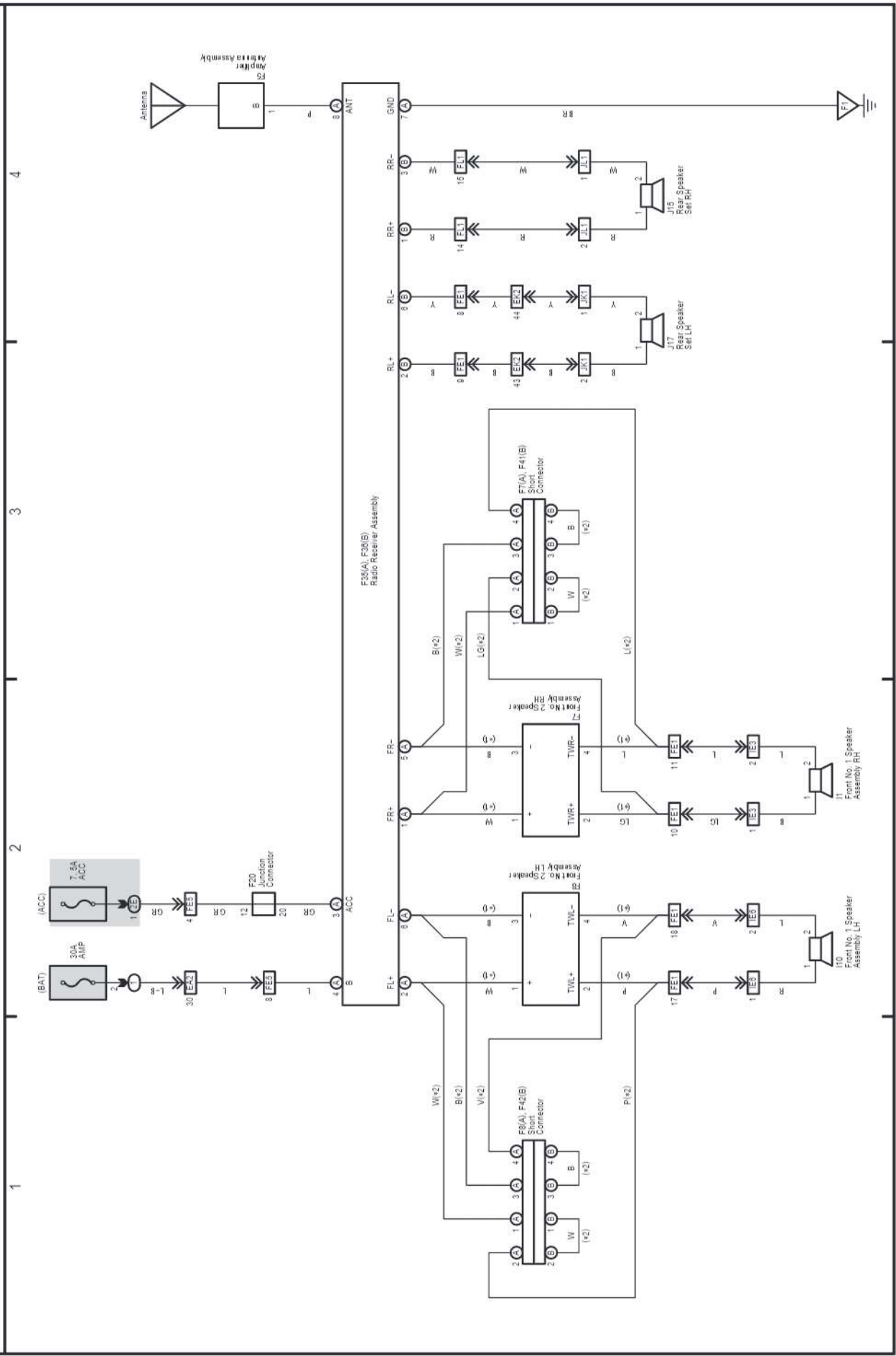


# M OVERALL ELECTRICAL WIRING DIAGRAM

## 41 LAND CRUISER Station Wagon

### Audio System (w/o Stereo Component Amplifier)

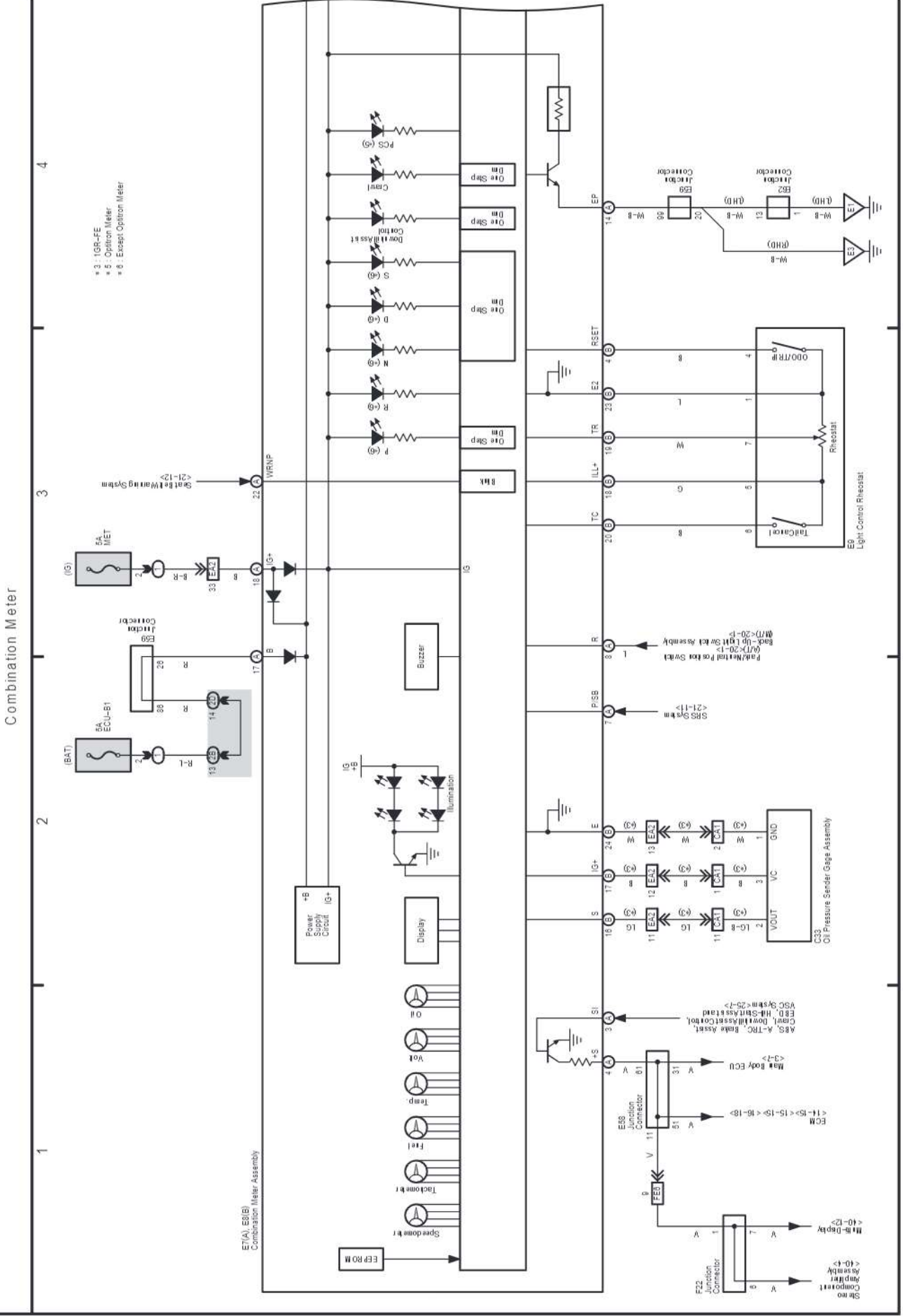
\*1: 1-6 Speaker  
\*2: 4-Speaker



# M OVERALL ELECTRICAL WIRING DIAGRAM

(Cont. next page)

42 LAND CRUISER Station Wagon

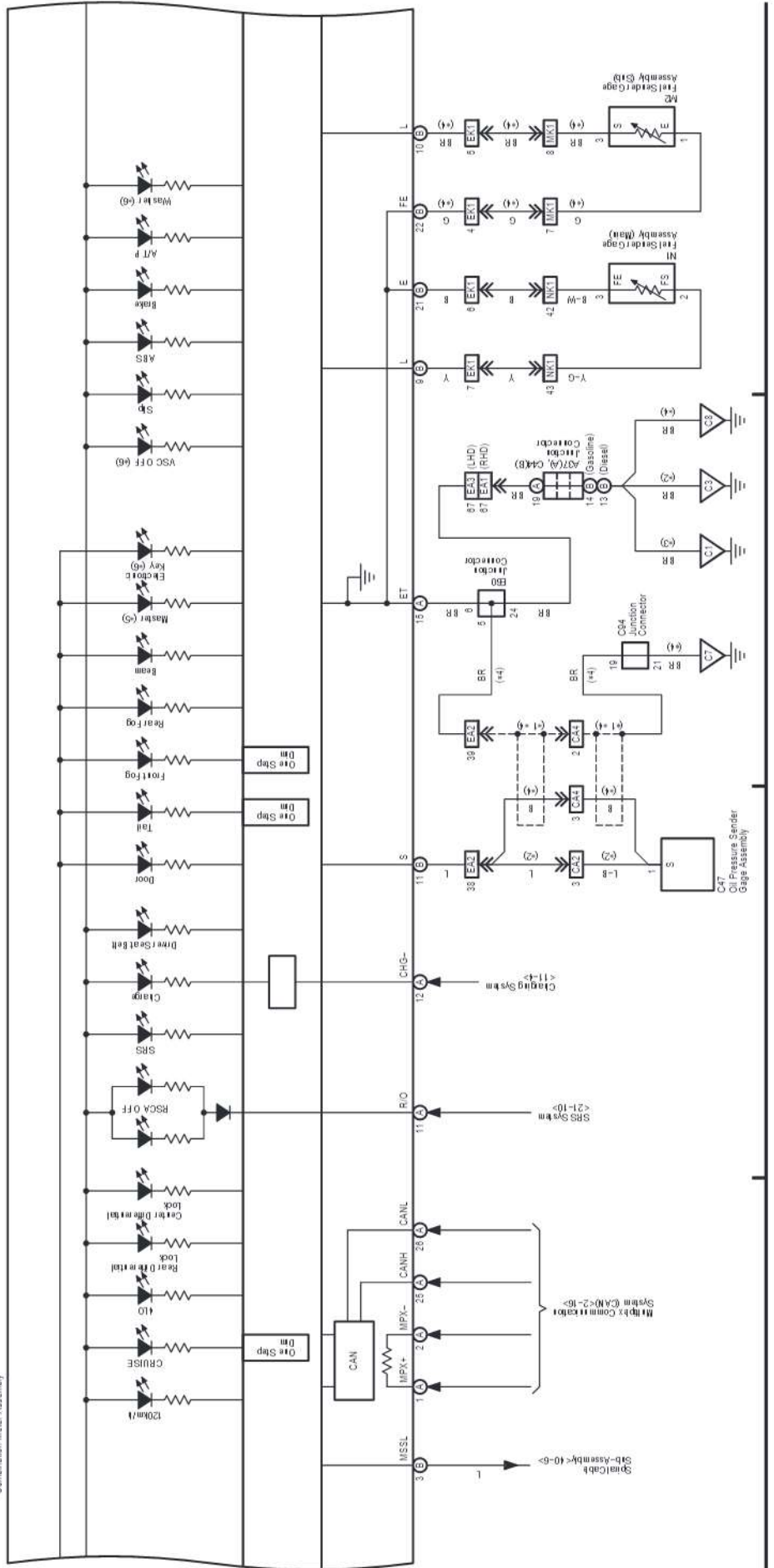


LAND CRUISER Station Wagon (EM0810E)

Combination Meter

- \* 1 : Shielded
- \* 2 : 20Z-FE
- \* 3 : 135F-FE
- \* 4 : 1VD-FTV
- \* 5 : Option Meter
- \* 6 : Except Option Meter

ET(A), E8(B)  
Combination Meter Assembly



# M OVERALL ELECTRICAL WIRING DIAGRAM

## 42 LAND CRUISER Station Wagon (Cont' d)

- \*2: 2UZ-FE
- \*3: 1GR-FE
- \*4: 1VD-FTV
- \*6: Except Opticon Meter

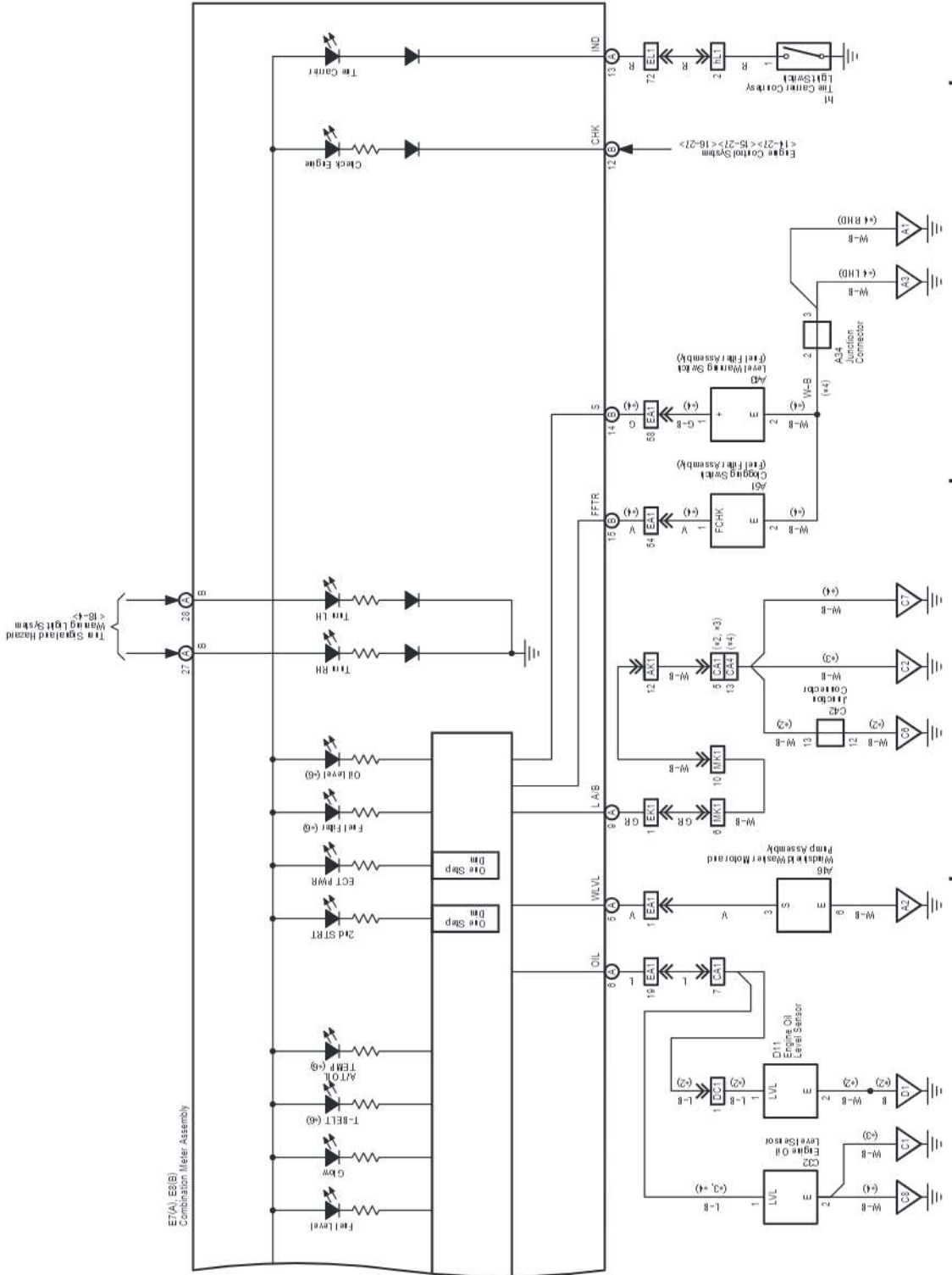
Combination Meter

12

11

10

9



43 LAND CRUISER Station Wagon

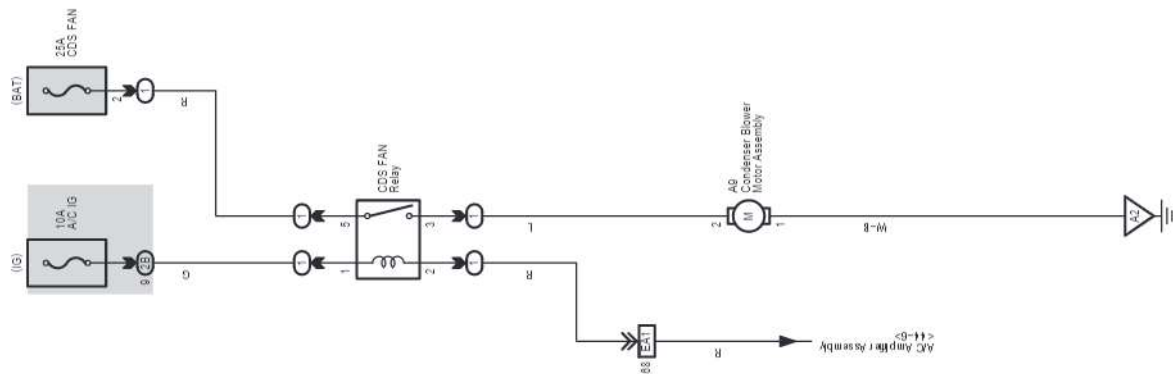
Condenser Fan

4

3

2

1



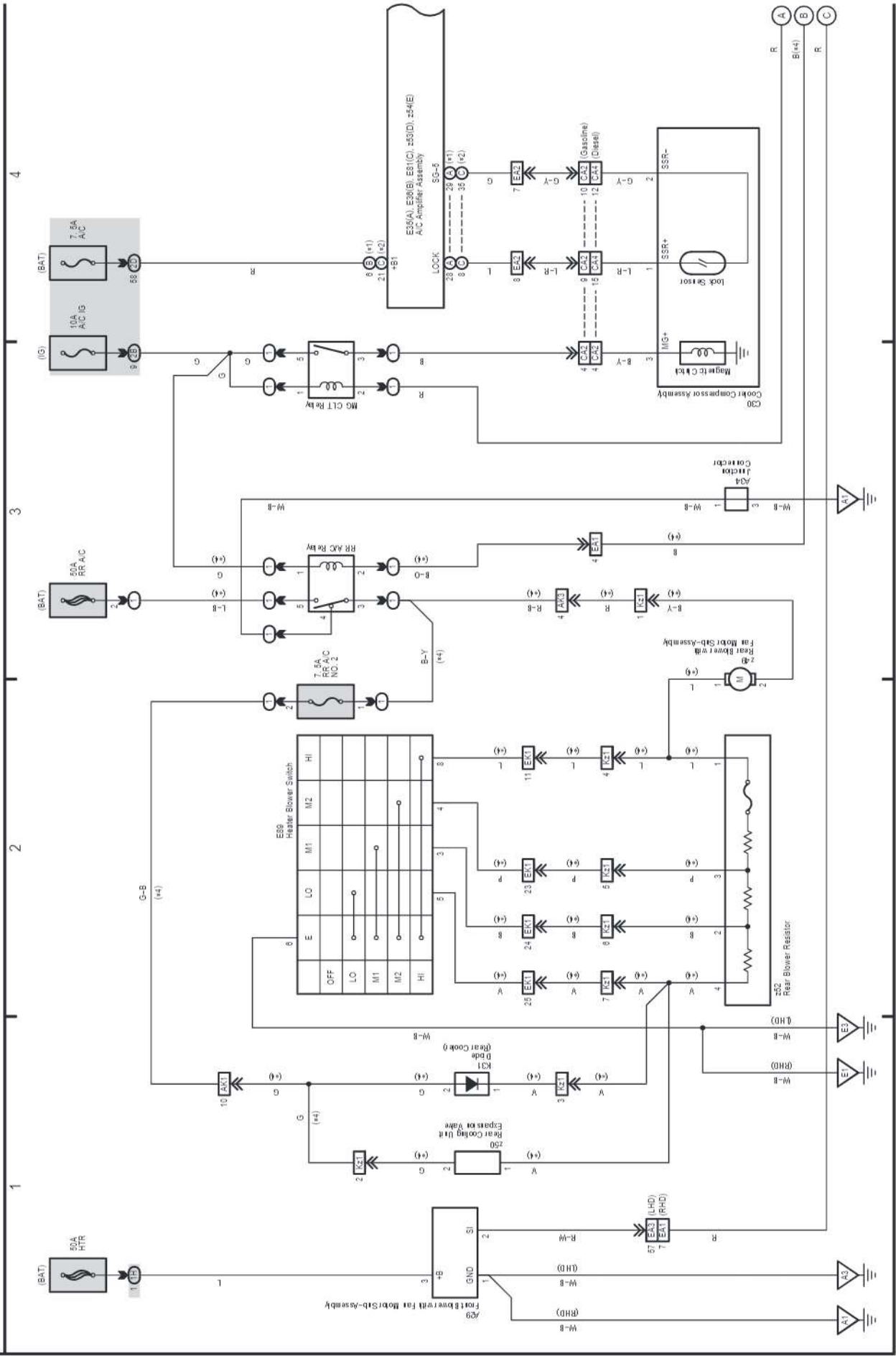
# M OVERALL ELECTRICAL WIRING DIAGRAM

(Cont. next page)

44 LAND CRUISER Station Wagon

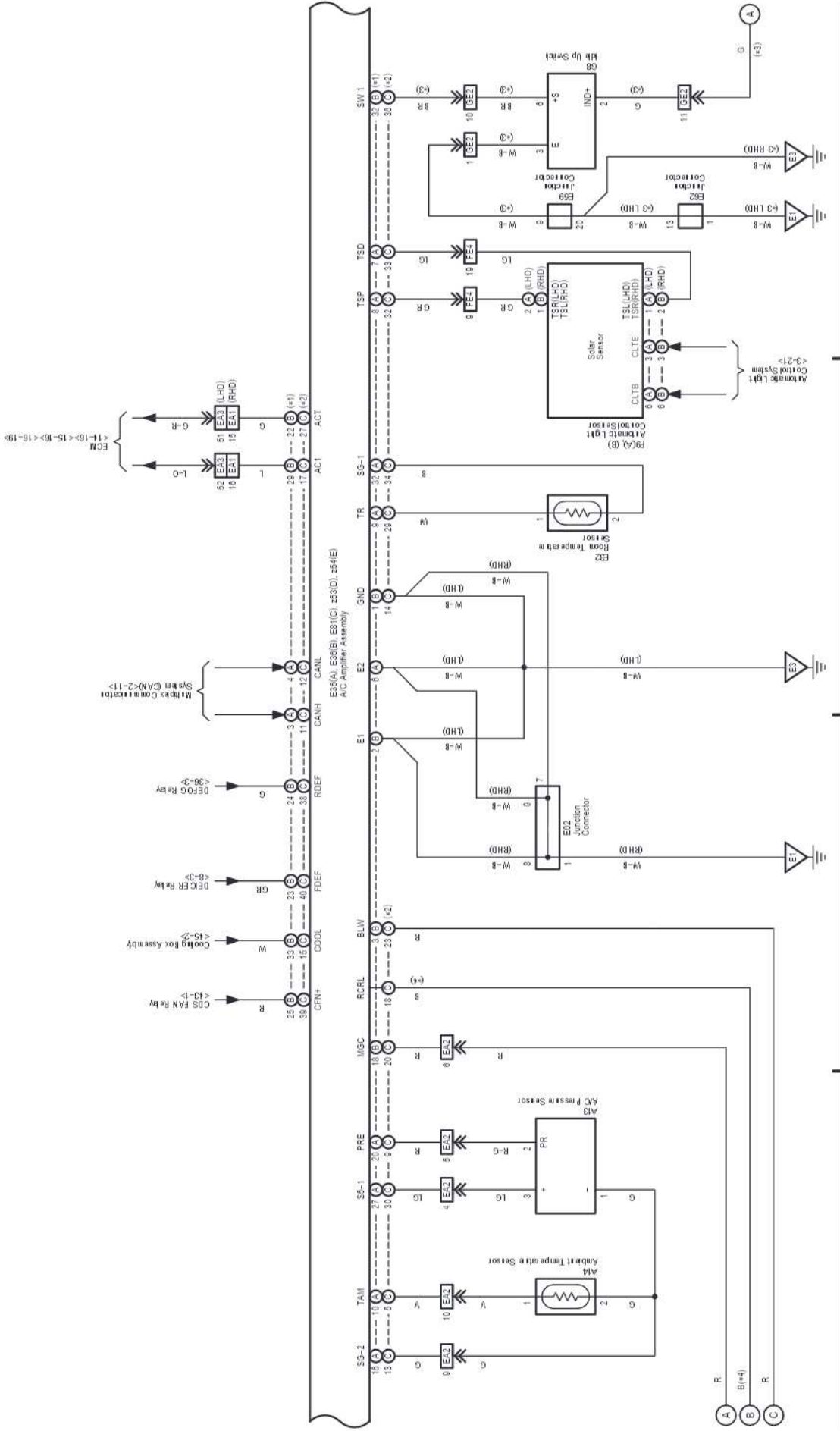
- \*1.: w/ Rear A/C
- \*2.: w/o Rear A/C
- \*4.: w/ Rear Cooler

## Air Conditioner



- \*1: w/ Rear A/C
- \*2: w/o Rear A/C
- \*3: w/ Viscous Helder
- \*4: w/ Rear Cooler

Air Conditioner





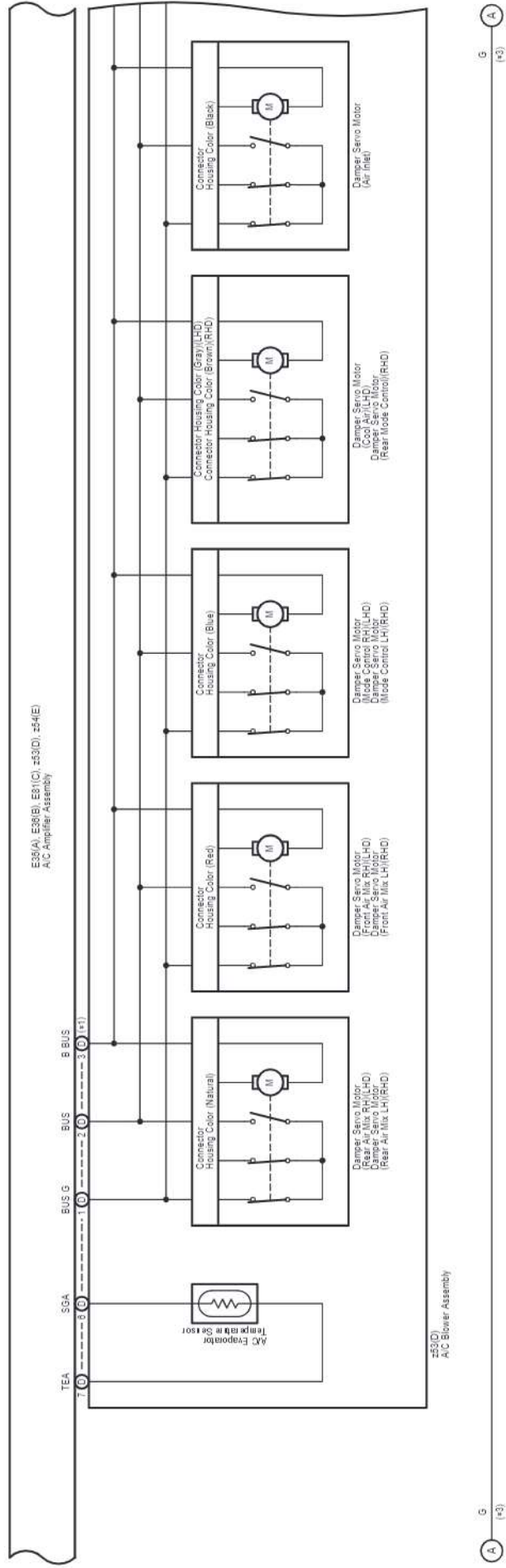
# M OVERALL ELECTRICAL WIRING DIAGRAM

44 LAND CRUISER Station Wagon (Cont' d)

(Cont. next page)

- \* 1: w/ Rear A/C
- \* 3: w/ Viscous Heater

Air Conditioner



Air Conditioner

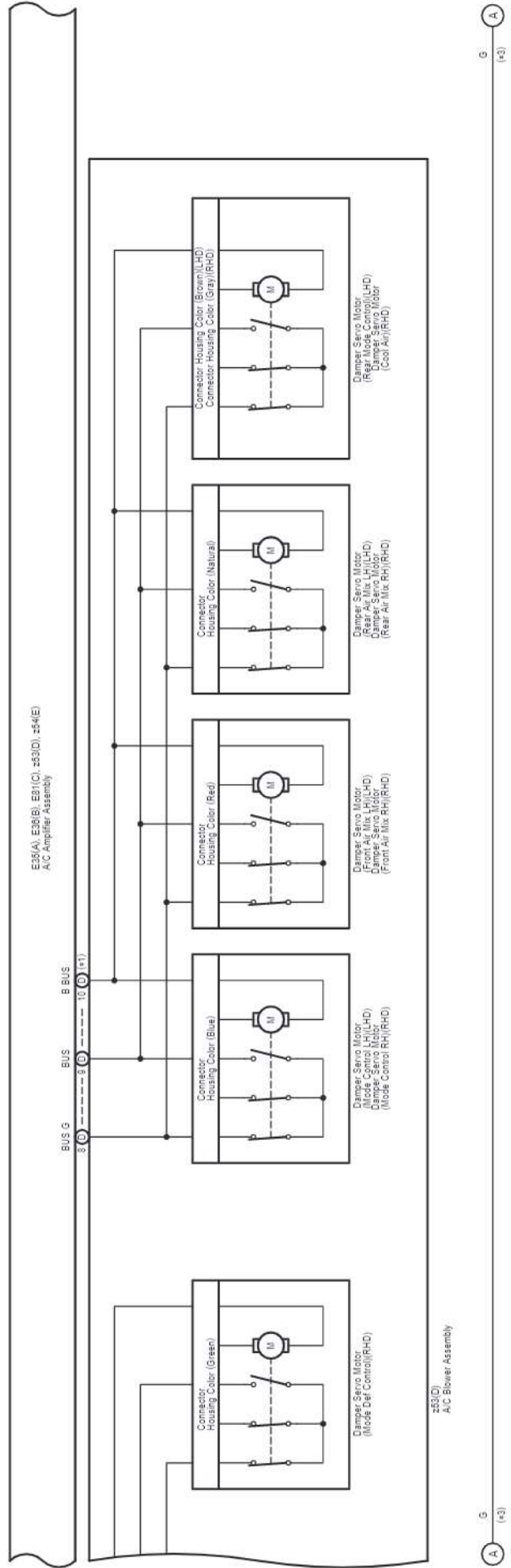
- \* 1.: w/ Rear A/C
- \* 2.: w/ Viscous Heater

13

14

15

16



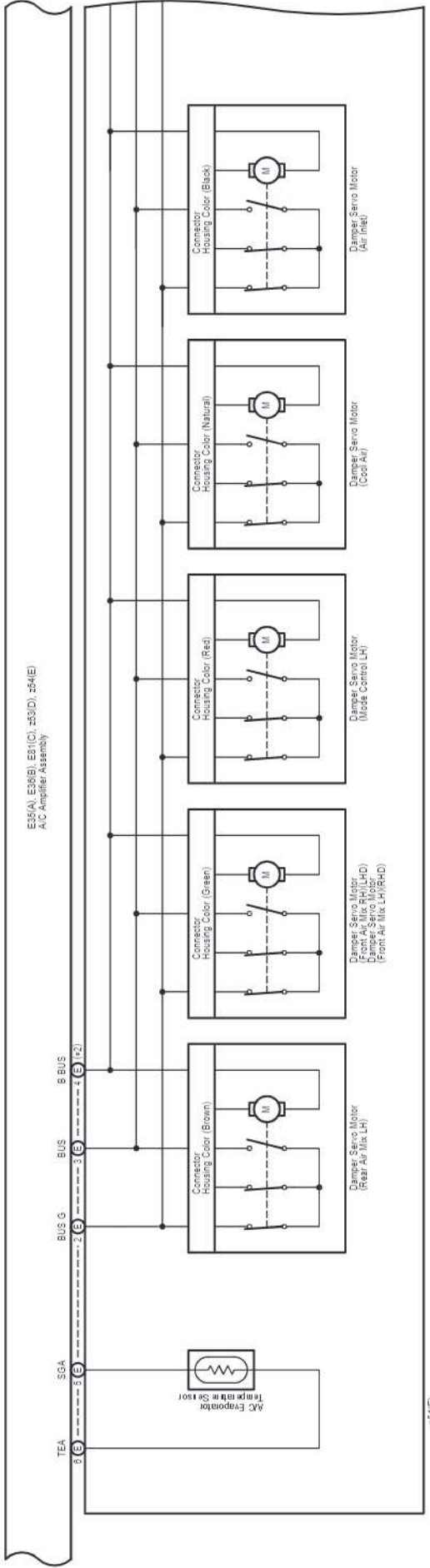
# M OVERALL ELECTRICAL WIRING DIAGRAM

44 LAND CRUISER Station Wagon (Cont' d)

(Cont. next page)

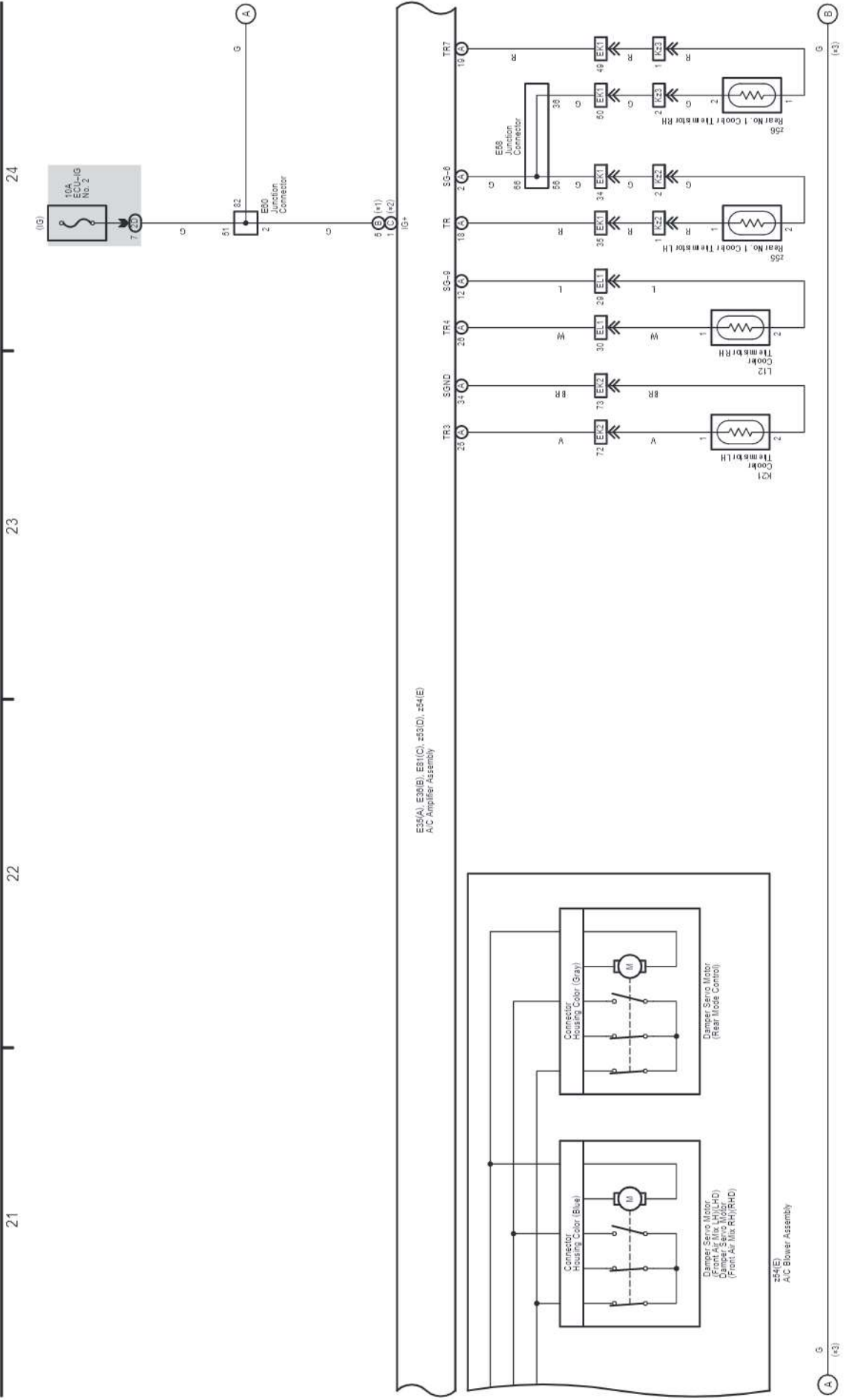
- \* 2 : w/o Rear A/C
- \* 3 : w/ Viscous Heater

Air Conditioner



Air Conditioner

- \*1: w/ Rear A/C
- \*2: w/o Rear A/C
- \*3: w/ Viscous Heater



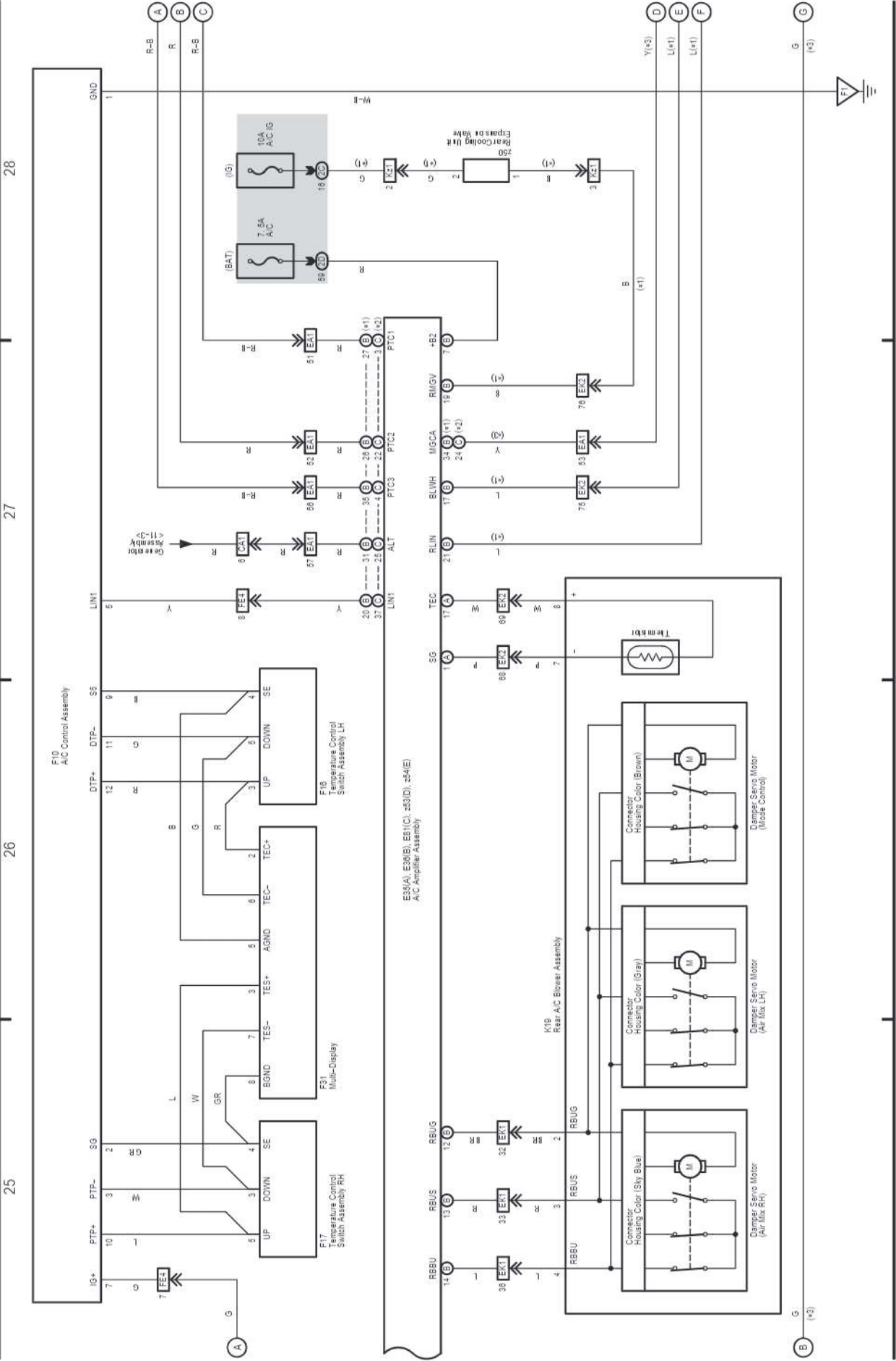
# M OVERALL ELECTRICAL WIRING DIAGRAM

44 LAND CRUISER Station Wagon (Cont' d)

(Cont. next page)

- \* 1.: w/ Rear A/C
- \* 2.: w/o Rear A/C
- \* 3.: w/ Viscous Heater

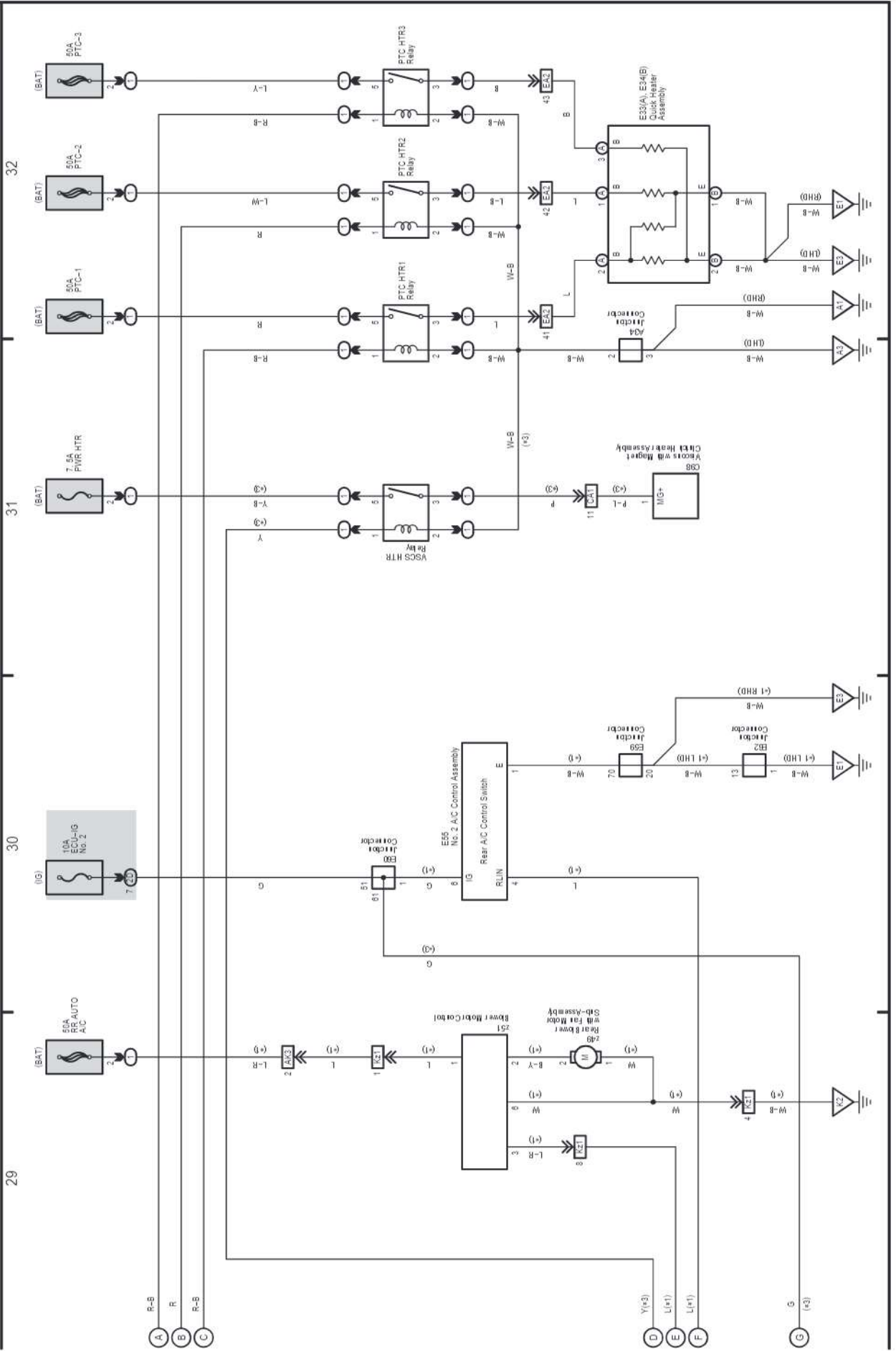
## Air Conditioner



44 LAND CRUISER Station Wagon (Cont' d)

Air Conditioner

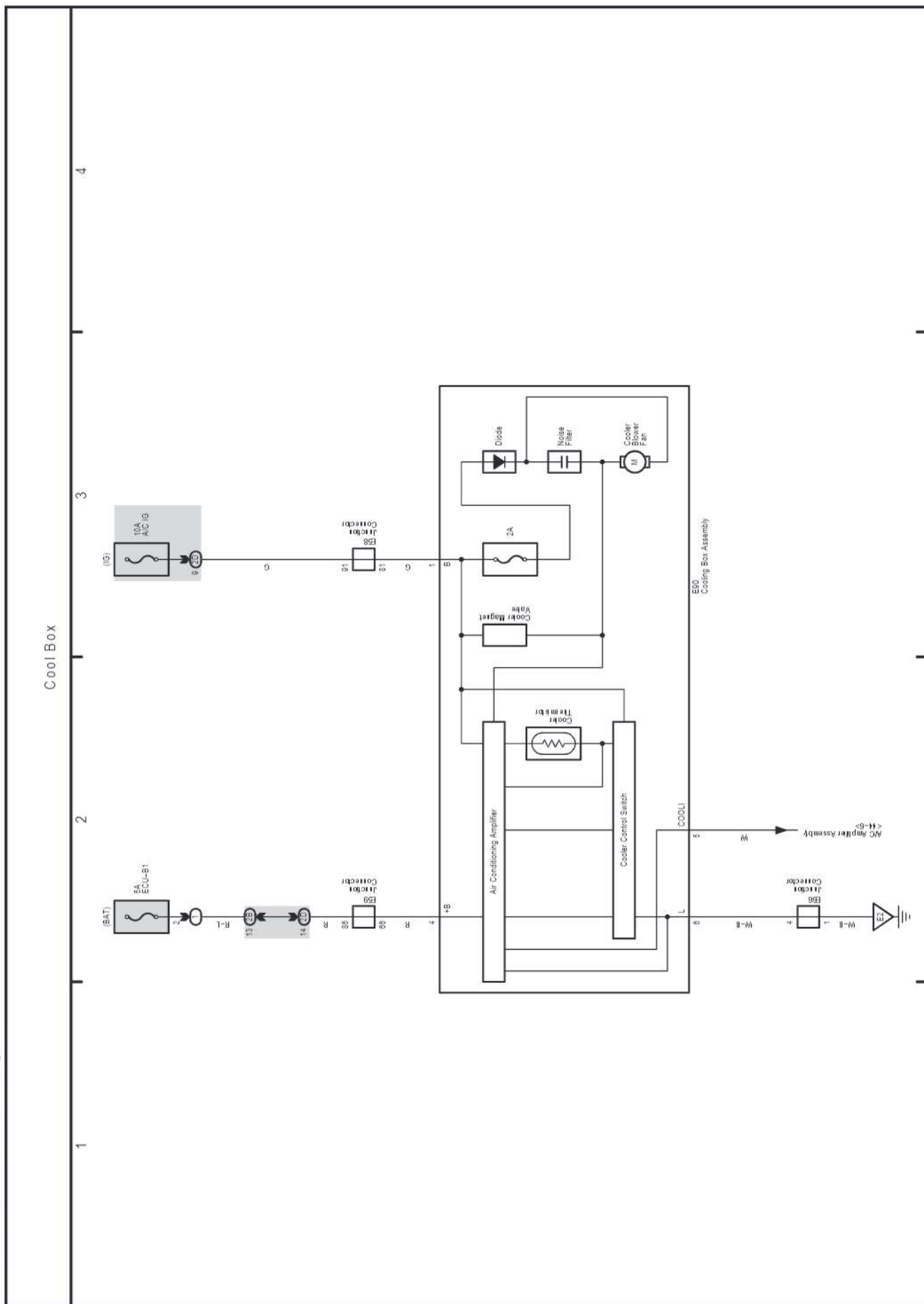
\*1: w/ Rear A/C  
\*3: w/ Viscous Header



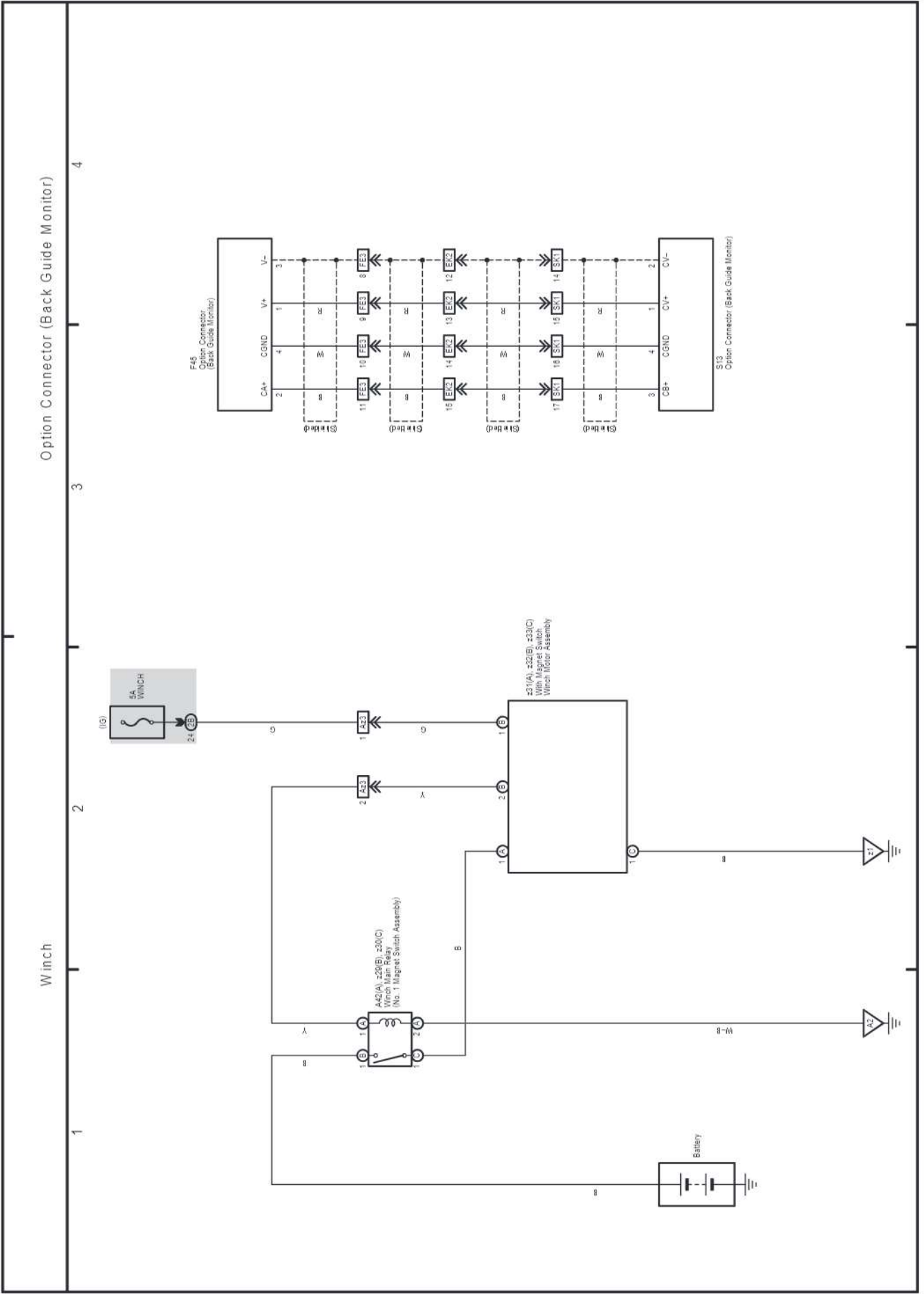
LAND CRUISER Station Wagon (EM0810E)

# M OVERALL ELECTRICAL WIRING DIAGRAM

45 LAND CRUISER Station Wagon



46 LAND CRUISER Station Wagon



LAND CRUISER Station Wagon (EM0810E)



