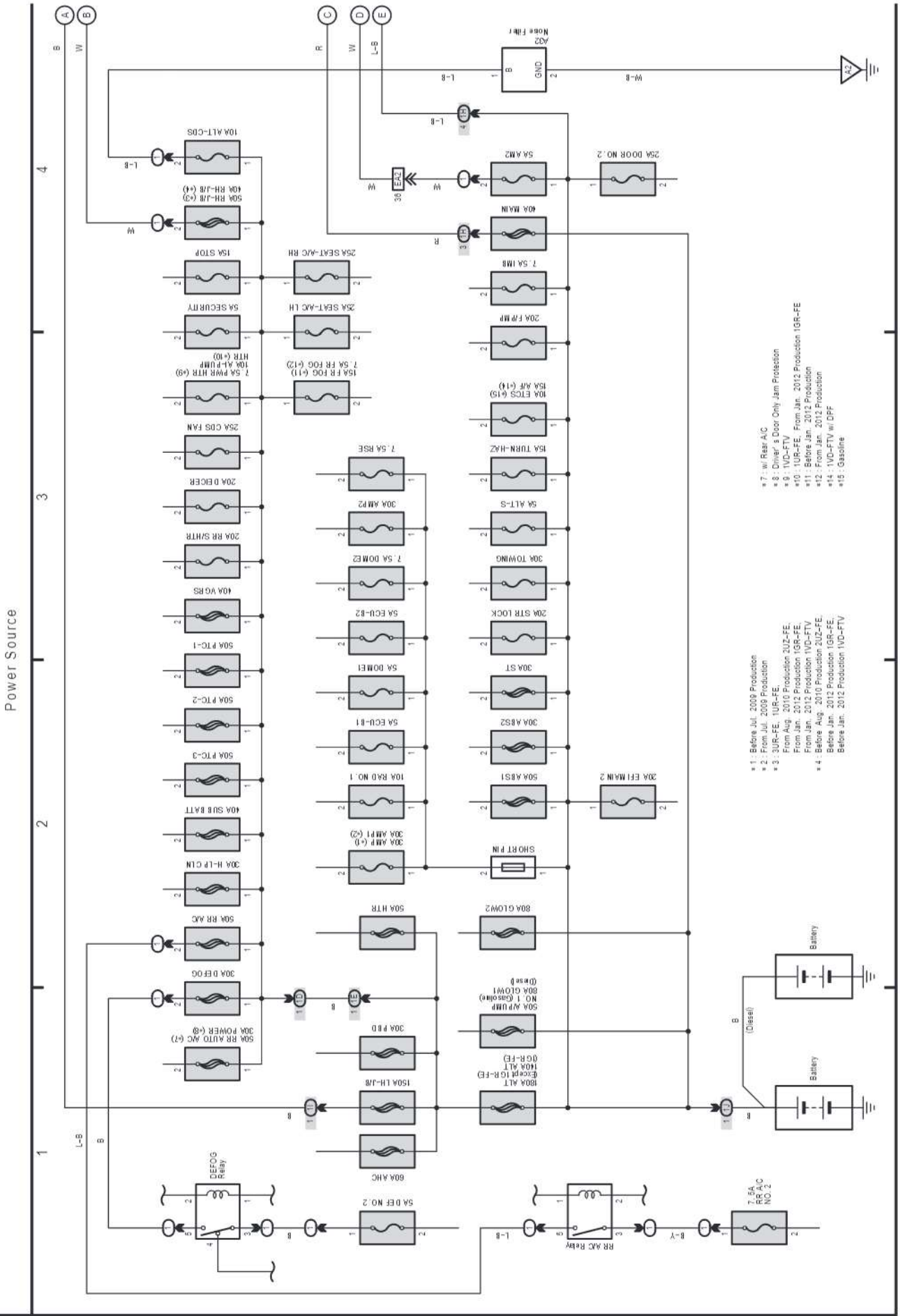


# M OVERALL ELECTRICAL WIRING DIAGRAM

(Cont. next page)

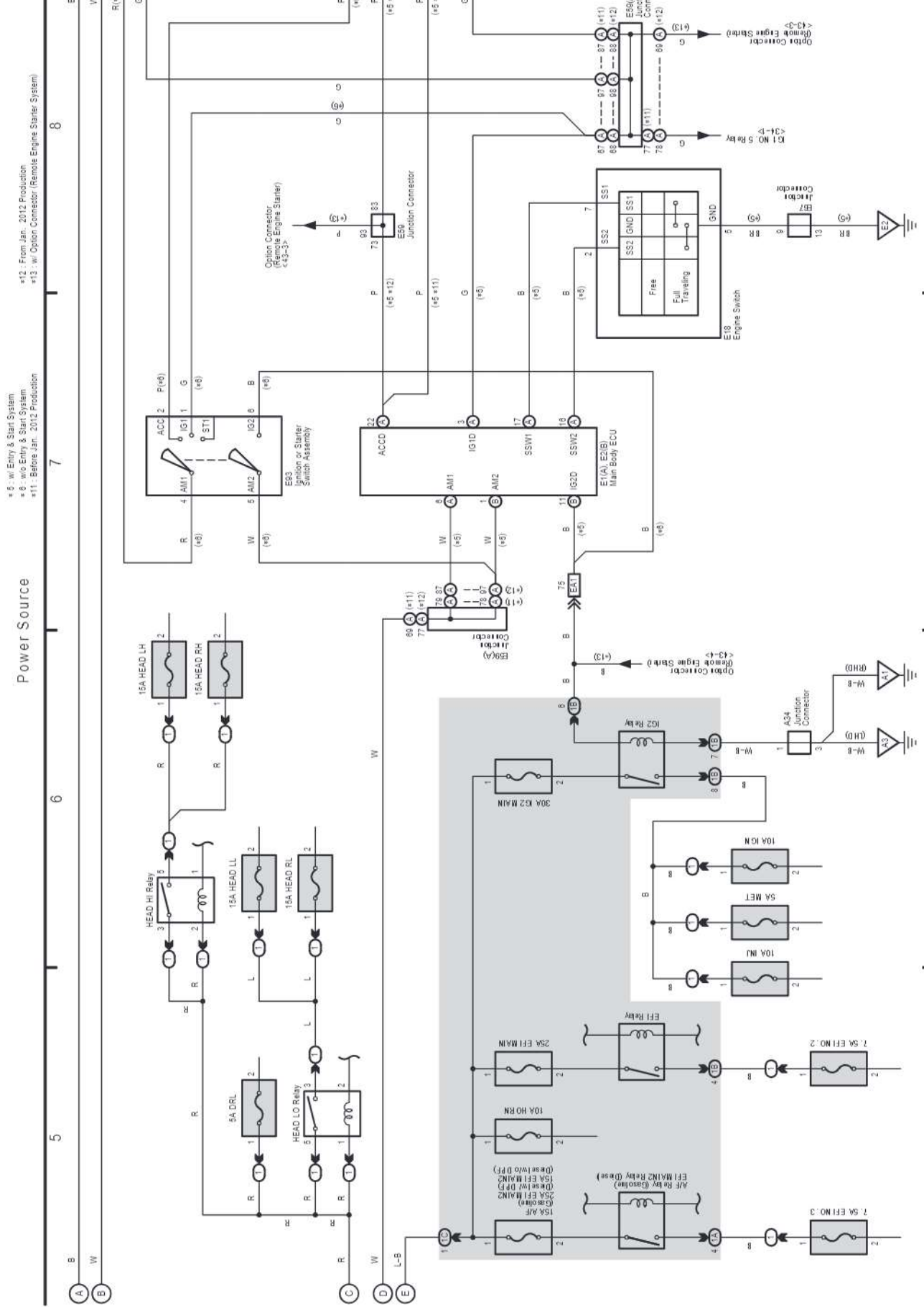
1 LAND CRUISER Station Wagon



LAND CRUISER Station Wagon (EM19U2E)

1 LAND CRUISER Station Wagon (Cont' d)

(Cont. next page)



LAND CRUISER Station Wagon (EM19U2E)

Power Source

15A DRLL

10A HO RN

25A EFI MAIN2

10A IC N

5A MET

10A INJ

15A HEAD LH

15A HEAD RH

5A DRLL

HEAD HI RELAY

HEAD LO RELAY

10A HO RN

25A EFI MAIN2

10A IC N

5A MET

10A INJ

ACC2 F(+6)

E93 Ignition/ Starter Switch Assembly

E90(A) Junction Connector

E90(A) Main Body ECU

E18 Engine Switch

E90(A) Option Engine Starter

E90(A) Junction Connector

E90(A) Main Body ECU

E18 Engine Switch

E90(A) Option Engine Starter

E90(A) Junction Connector

E90(A) Main Body ECU

E18 Engine Switch

E90(A) Option Engine Starter

E90(A) Junction Connector

E90(A) Main Body ECU

E18 Engine Switch

E90(A) Option Engine Starter

E90(A) Junction Connector

E90(A) Main Body ECU

E18 Engine Switch

E90(A) Option Engine Starter

E90(A) Junction Connector

E90(A) Main Body ECU

E18 Engine Switch

E90(A) Option Engine Starter

E90(A) Junction Connector

E90(A) Main Body ECU

E18 Engine Switch

E90(A) Option Engine Starter

E90(A) Junction Connector

E90(A) Main Body ECU

E18 Engine Switch

E90(A) Option Engine Starter

E90(A) Junction Connector

E90(A) Main Body ECU

E18 Engine Switch

E90(A) Option Engine Starter

# M OVERALL ELECTRICAL WIRING DIAGRAM

## 1 LAND CRUISER Station Wagon (Cont' d)

\*5 : w/ Entry & Start System  
 \*6 : w/o Entry & Start System  
 \*11 : Before Jan. 2012 Production  
 \*12 : From Jan. 2012 Production

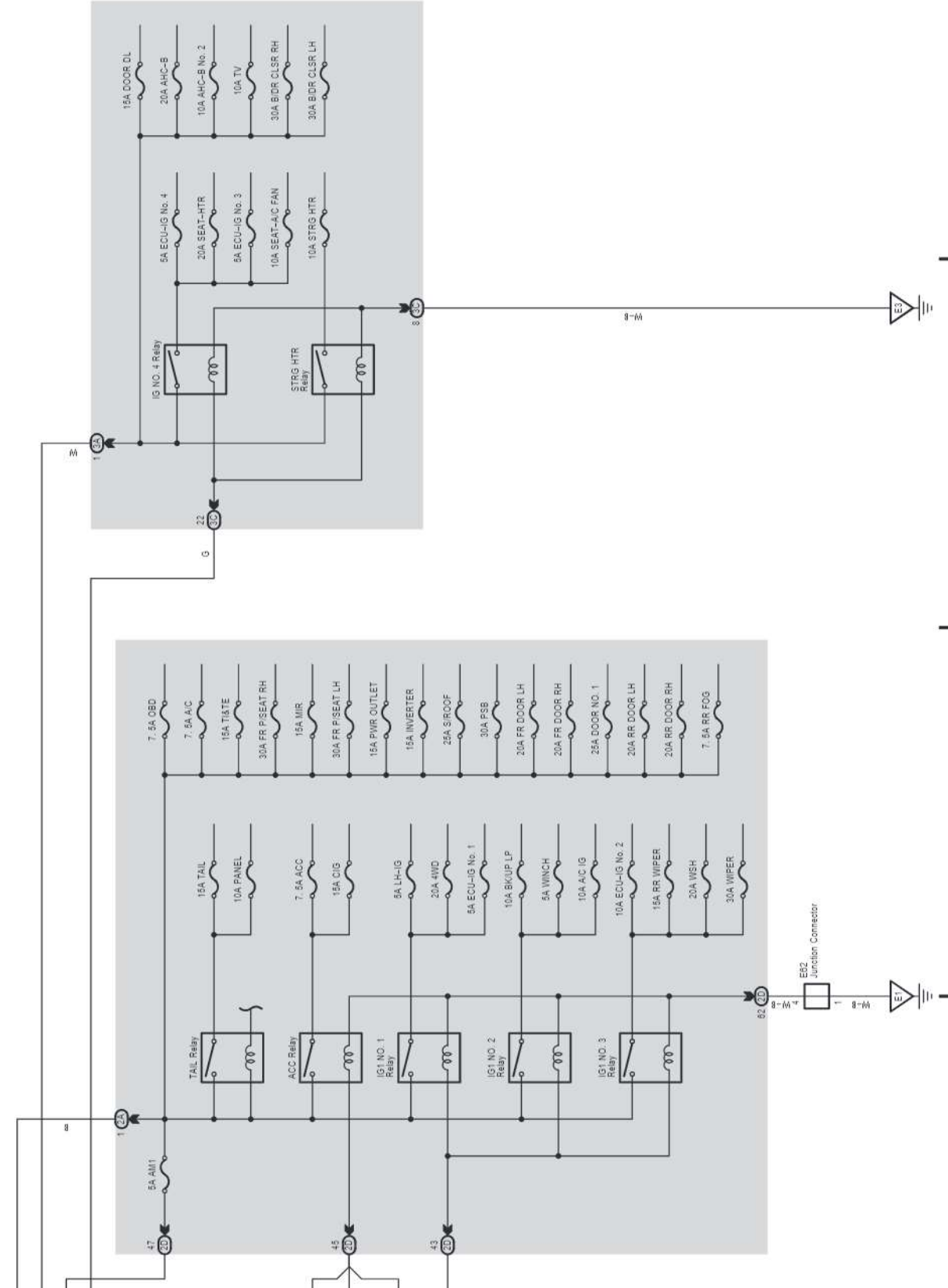
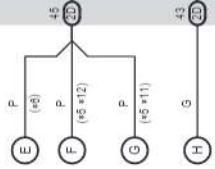
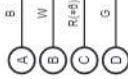
Power Source

12

11

10

9



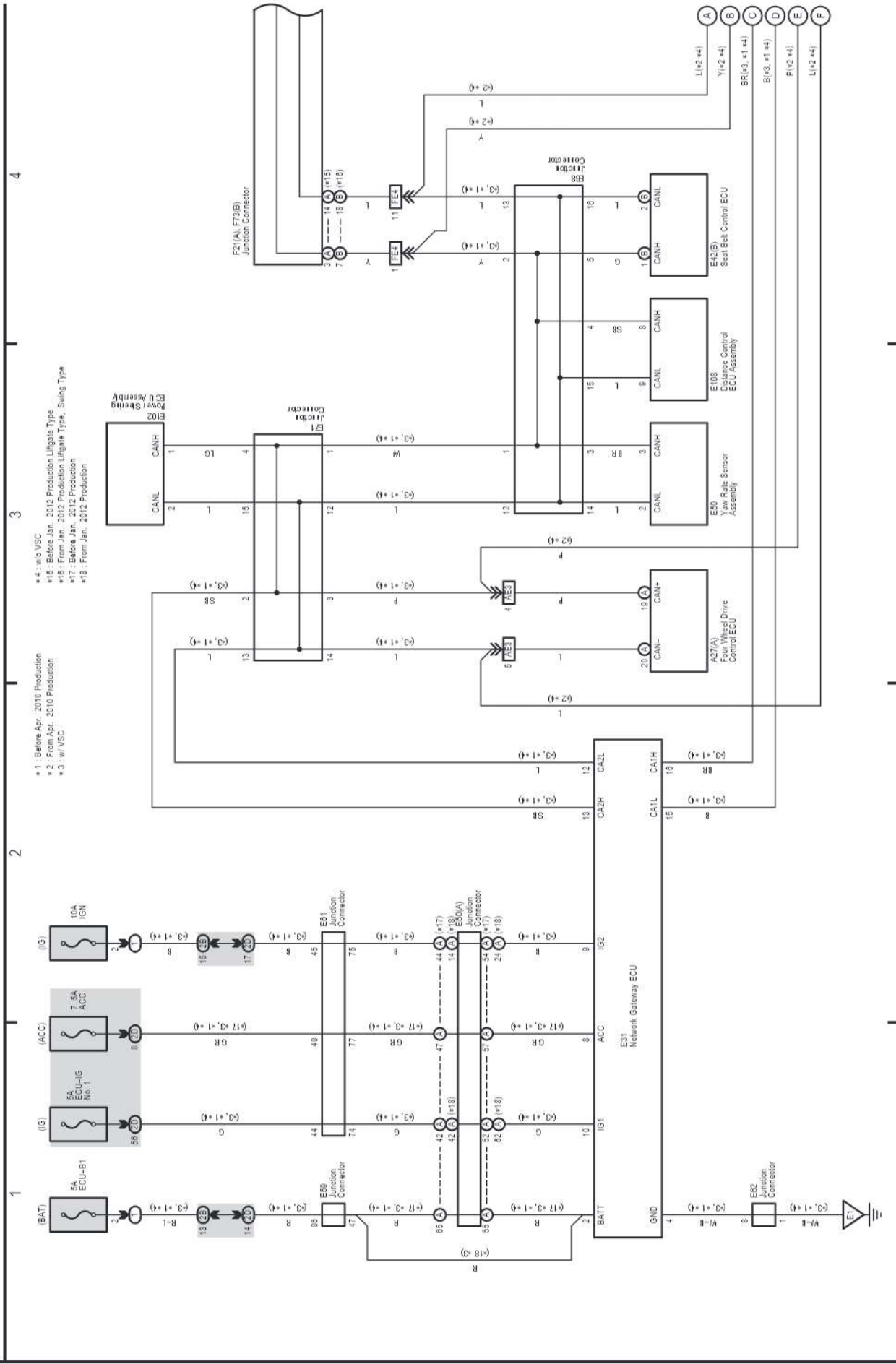
LAND CRUISER Station Wagon (EM19U2E)

# M OVERALL ELECTRICAL WIRING DIAGRAM

(Cont. next page)

2 LAND CRUISER Station Wagon

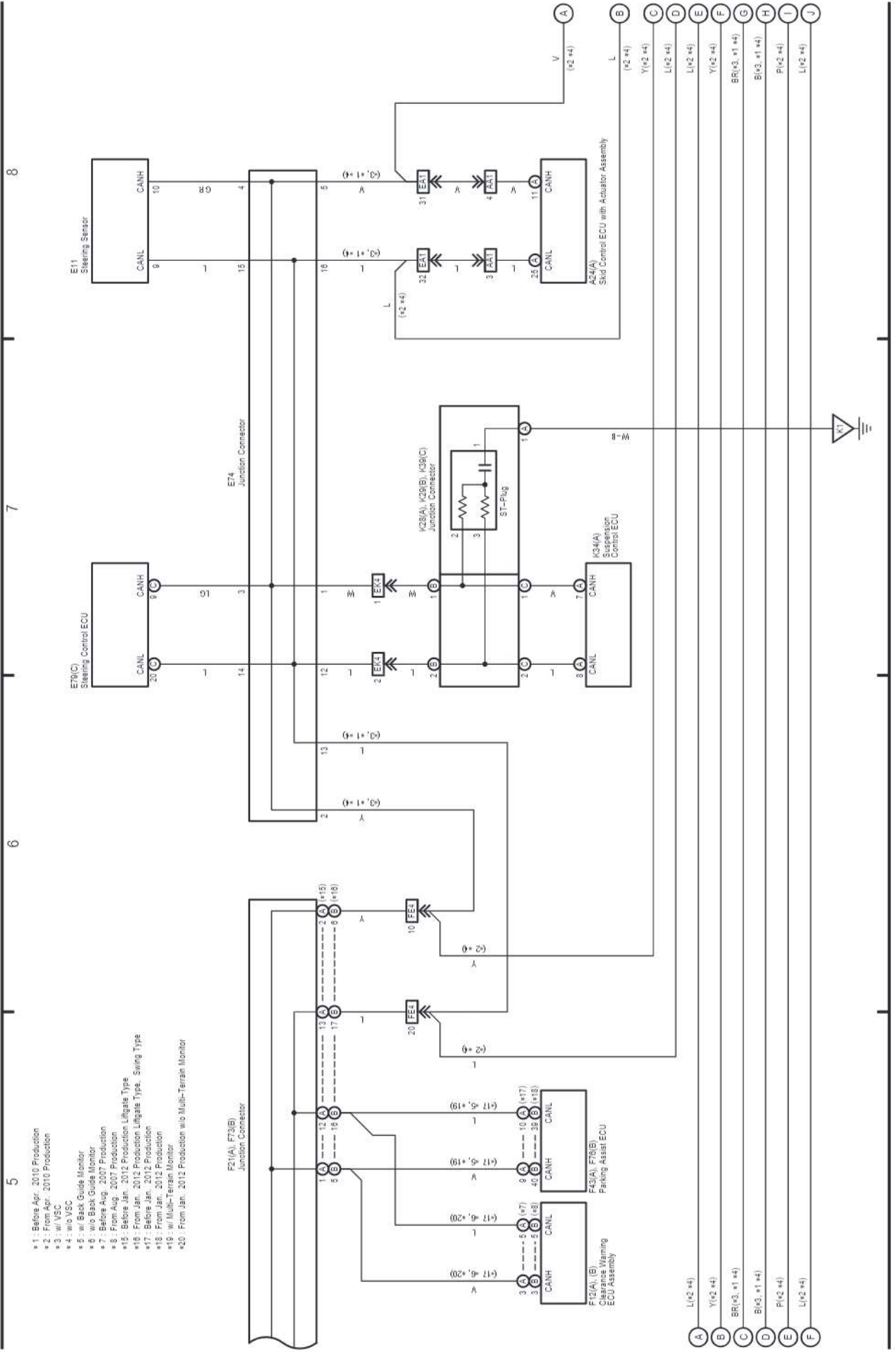
## Multiplex Communication System (CAN LHD)



2 LAND CRUISER Station Wagon (Cont' d)

(Cont. next page)

Multiplex Communication System (CAN LHD)

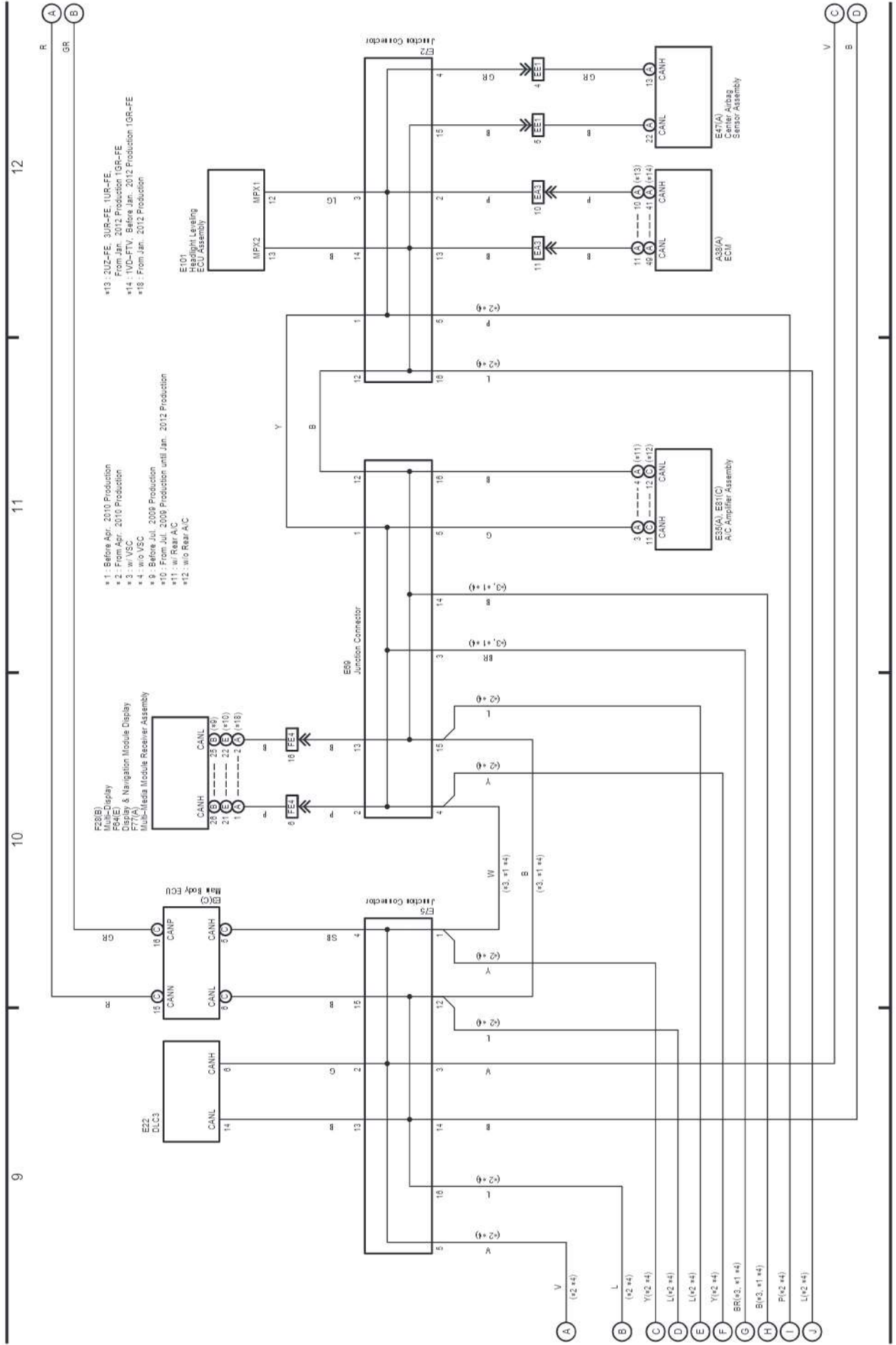


# M OVERALL ELECTRICAL WIRING DIAGRAM

(Cont. next page)

2 LAND CRUISER Station Wagon (Cont' d)

## Multiplex Communication System (CAN LHD)



2 LAND CRUISER Station Wagon (Cont' d)

Multiplex Communication System (CAN LHD)

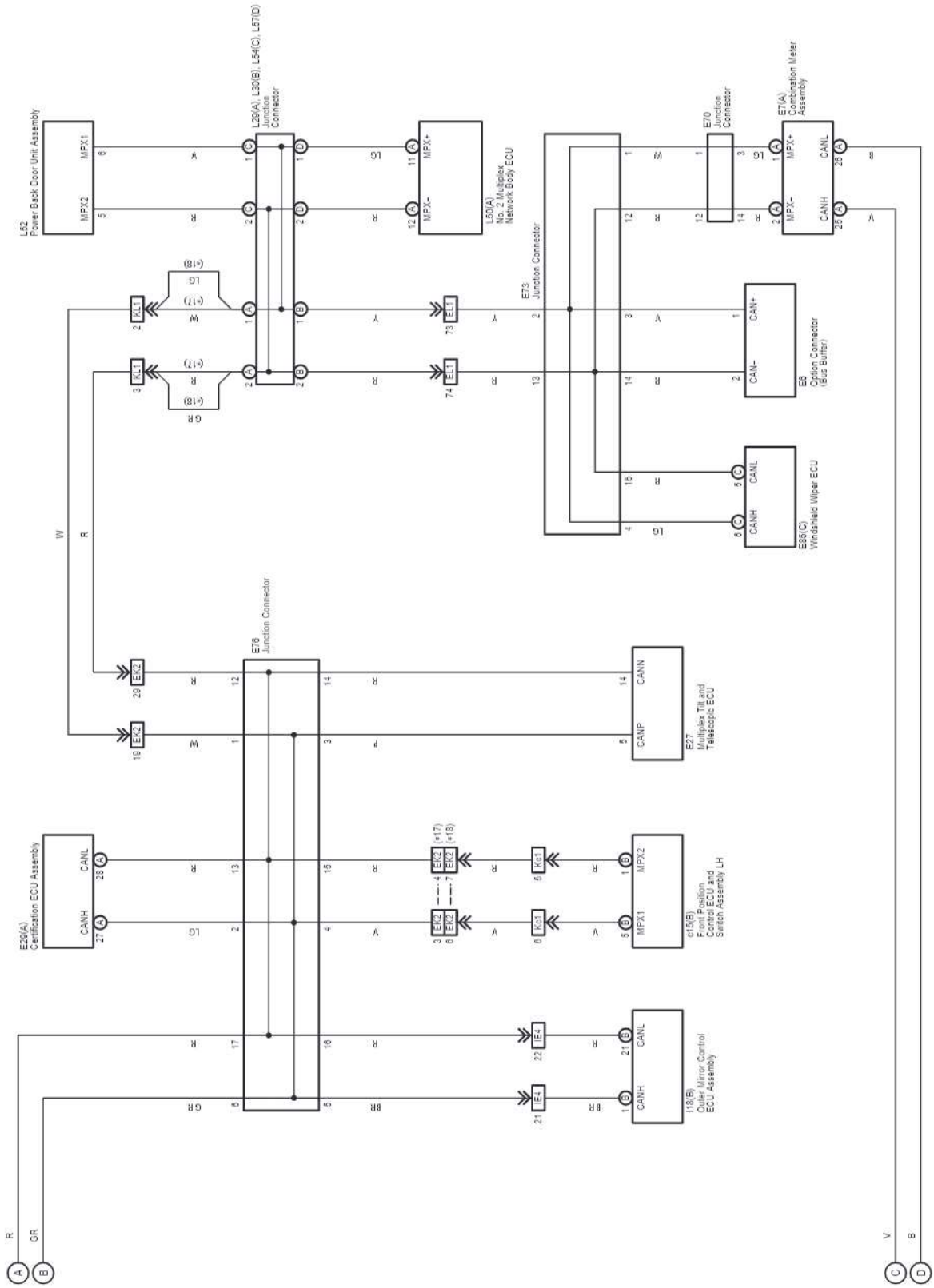
\*17: Before Jan. 2013 Production  
\*18: From Jan. 2013 Production

16

15

14

13

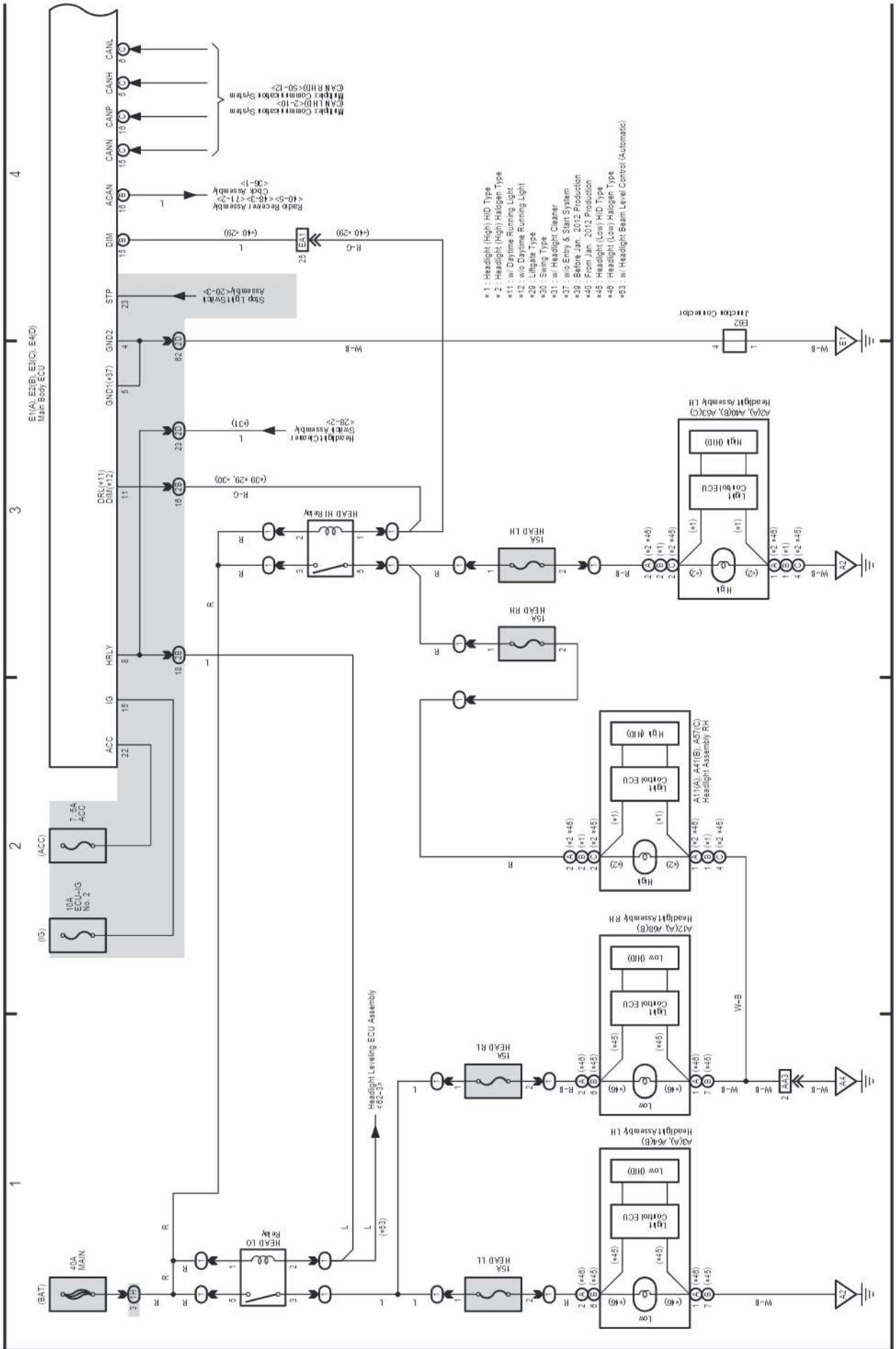


# M OVERALL ELECTRICAL WIRING DIAGRAM

(Cont. next page)

3 LAND CRUISER Station Wagon

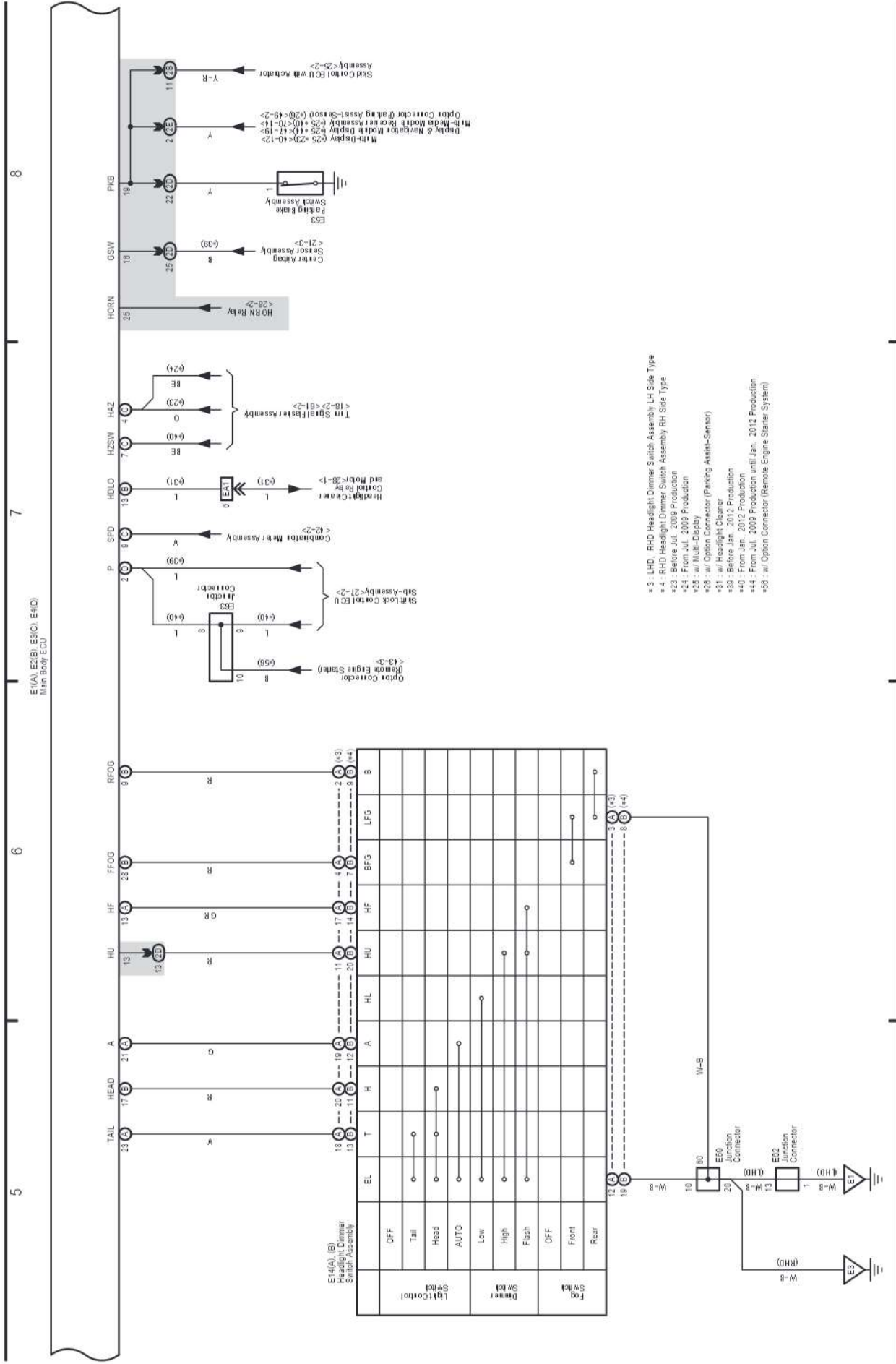
## Headlight



LAND CRUISER Station Wagon (EM19U2E)



Headlight



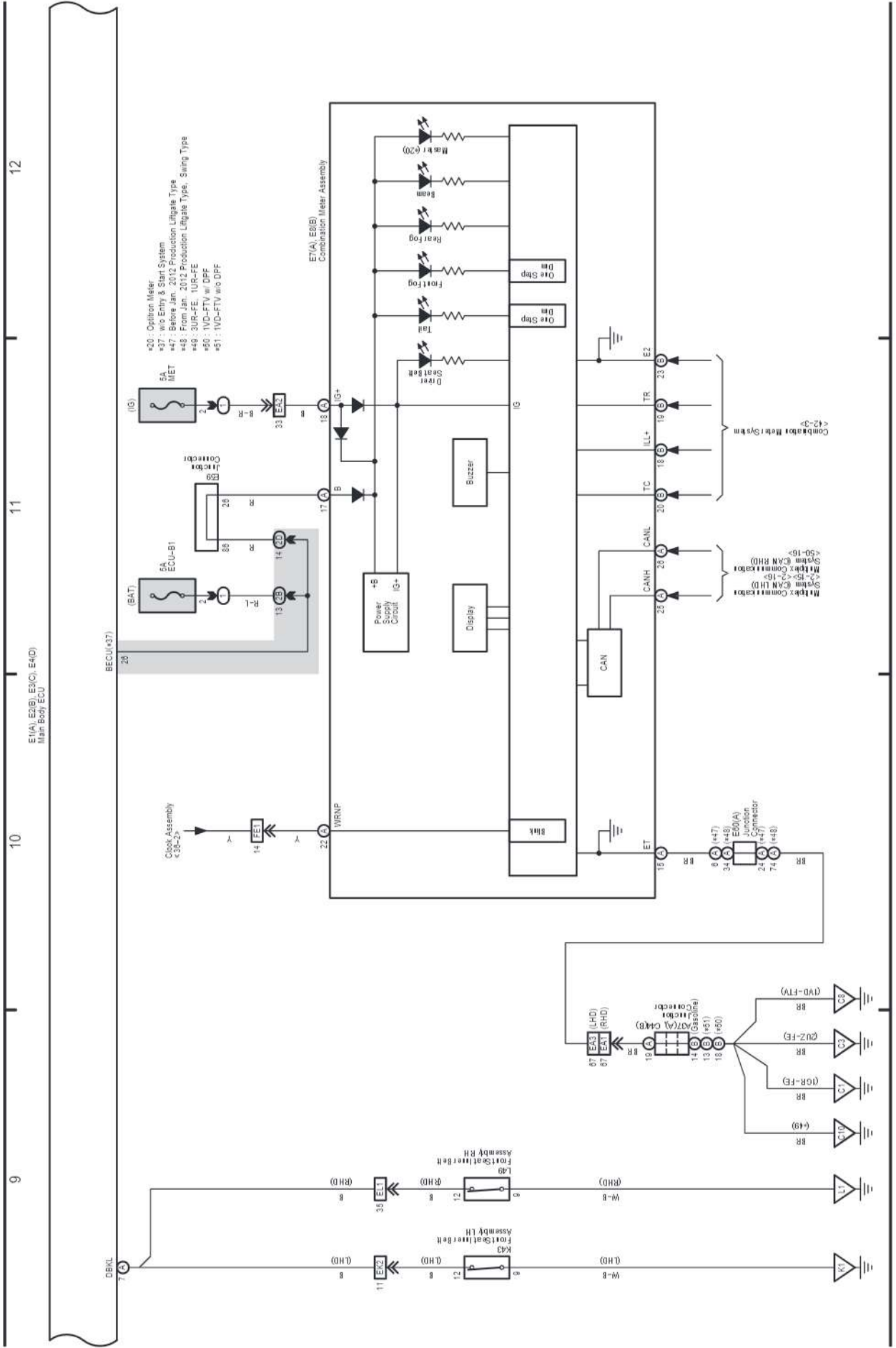
# M OVERALL ELECTRICAL WIRING DIAGRAM

3 LAND CRUISER Station Wagon (Cont' d)

(Cont. next page)

Seat Belt Warning (w/o SRS)

Light Reminder

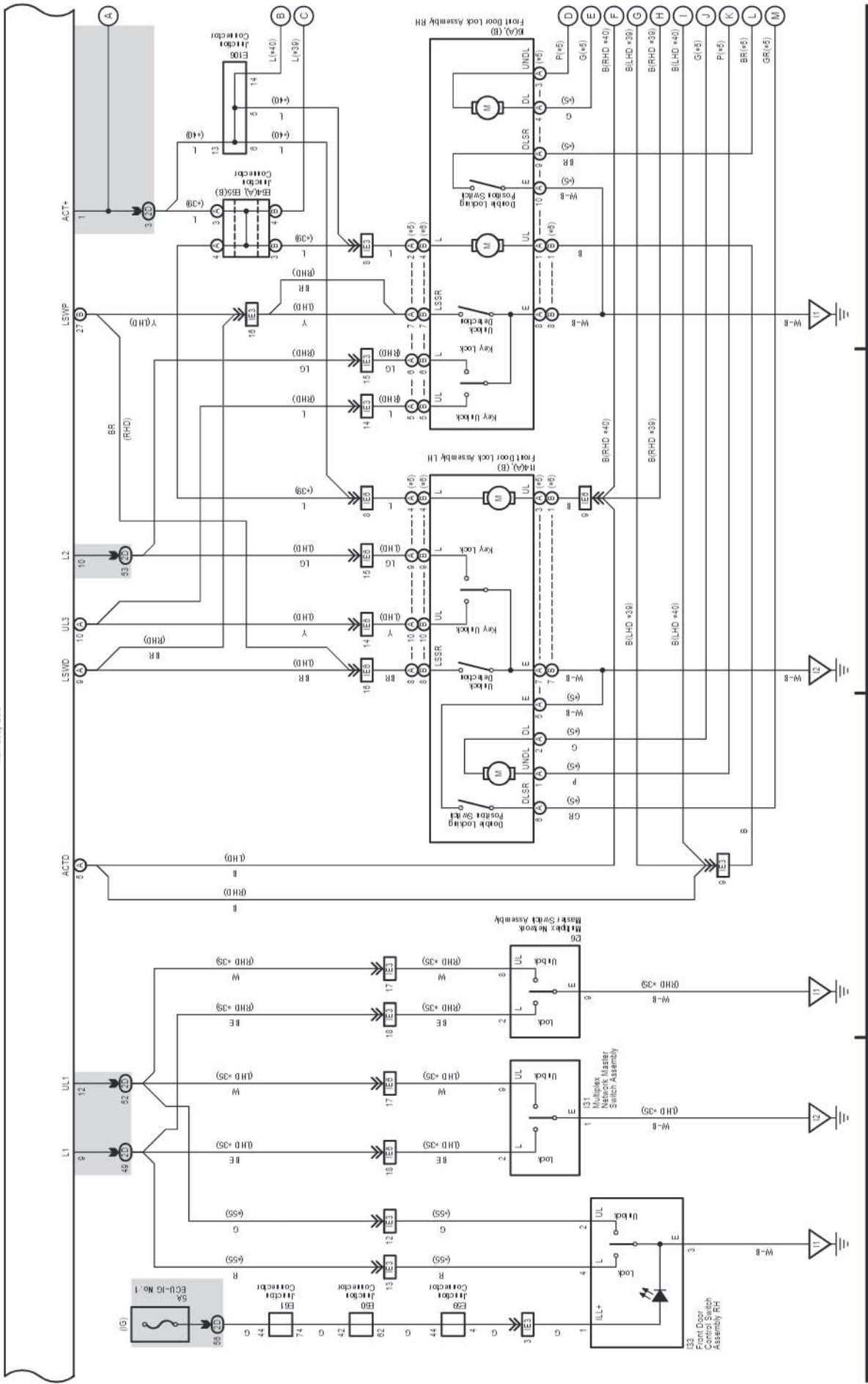


LAND CRUISER Station Wagon (EM19U2E)

\*39 - Before Jan. 2012 Production  
\*40 - From Jan. 2012 Production  
\*48 - w/o Double Locking  
\*55 - Driver's Door Only Jam Protection

Door Lock Control

E(VA), E(B), E(C), E(H), E(I)  
Main Body ECU



LAND CRUISER Station Wagon (EM19U2E)

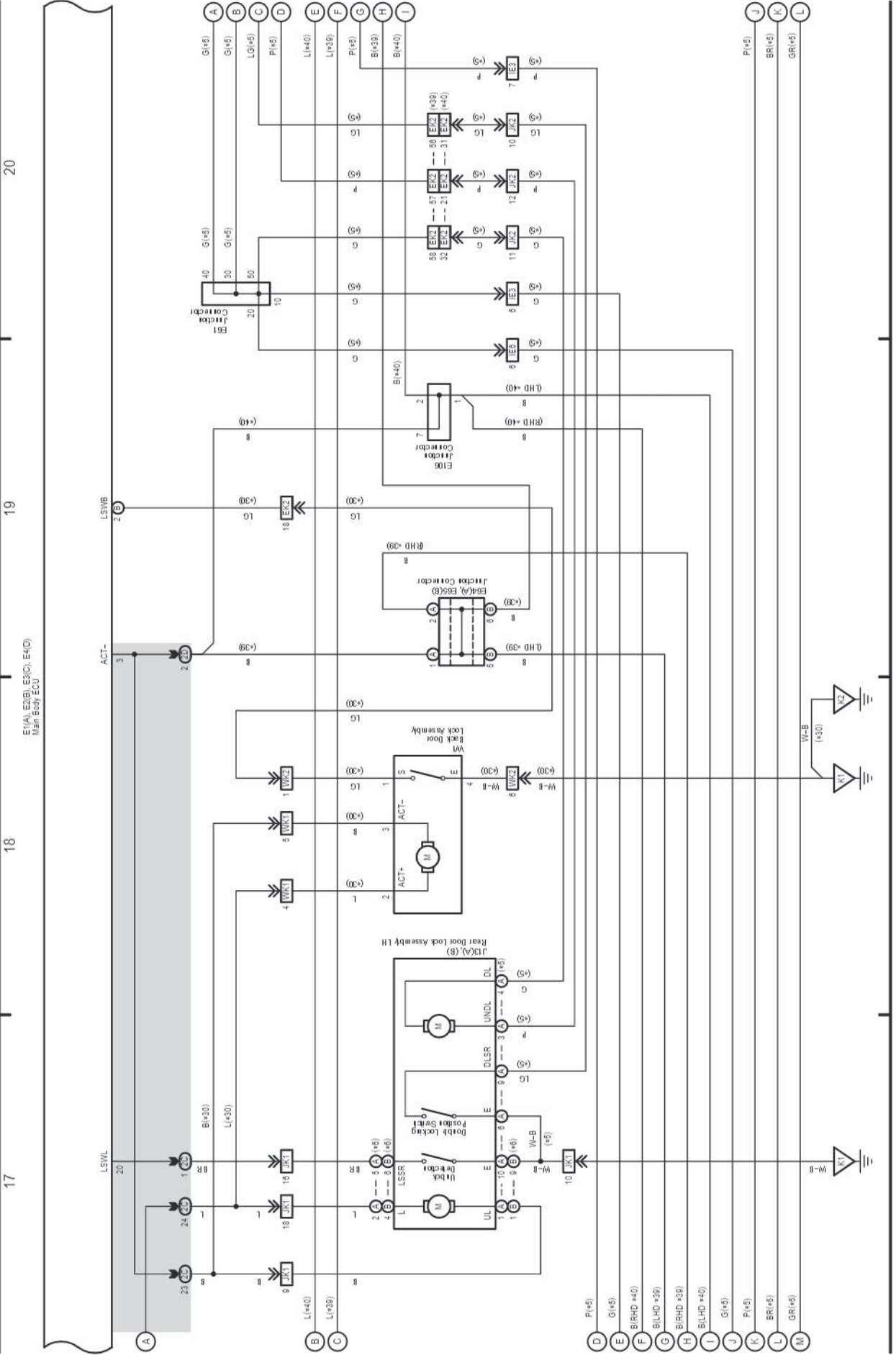
# M OVERALL ELECTRICAL WIRING DIAGRAM

## 3 LAND CRUISER Station Wagon (Cont' d)

(Cont. next page)

- \* 5 : w/ Double Locking
- \* 6 : w/o Double Locking
- \*30 : Swing Type
- \*39 : Before Jan. 2012 Production
- \*40 : From Jan. 2012 Production

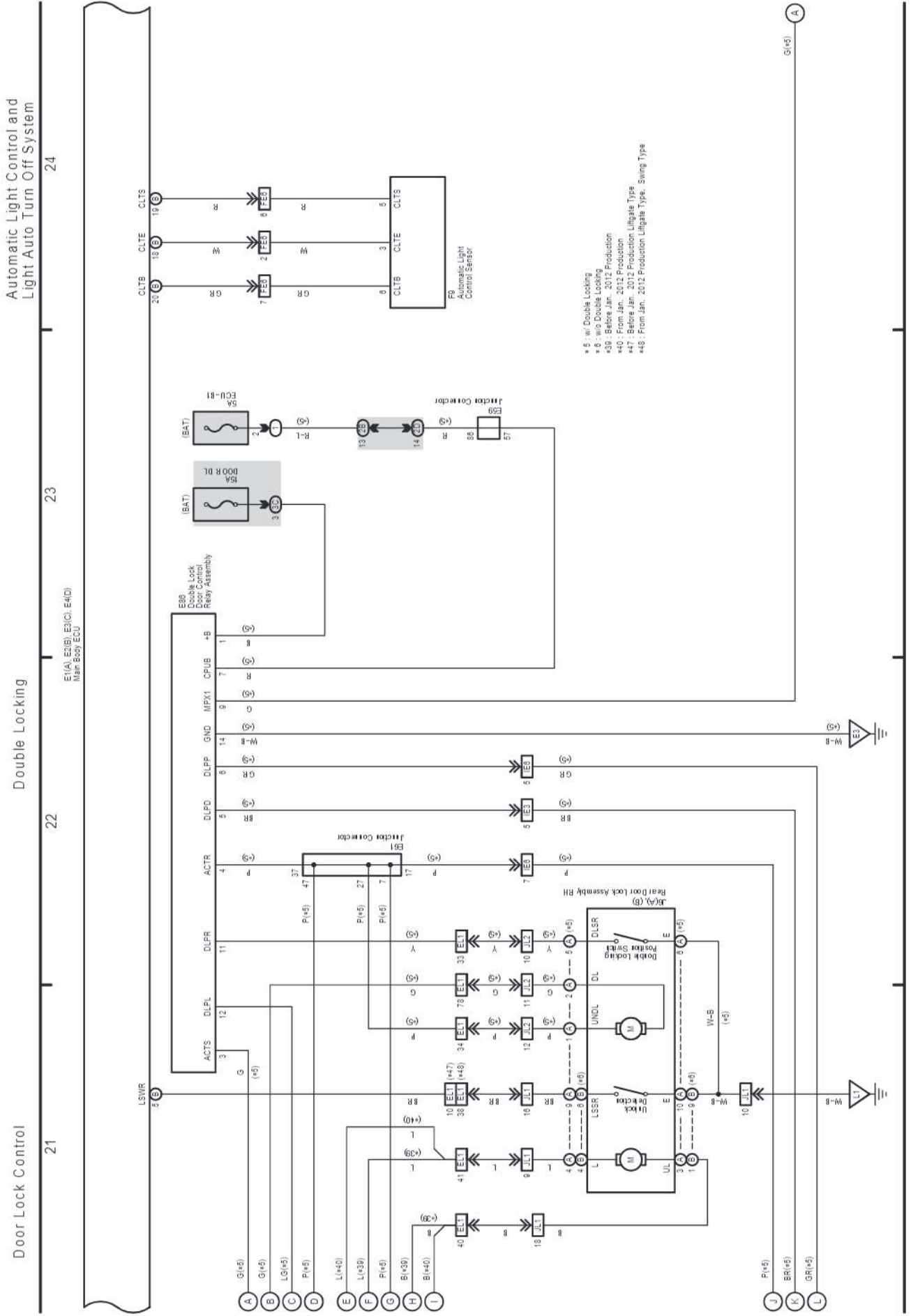
### Door Lock Control



LAND CRUISER Station Wagon (EM19U2E)

3 LAND CRUISER Station Wagon (Cont' d)

(Cont. next page)



\* 5 : w/ Double Locking  
 \* 6 : w/o Double Locking  
 \* 39 : Before Jan. 2012 Production  
 \* 40 : From Jan. 2012 Production  
 \* 47 : Before Jan. 2012 Production, Liftgate Type  
 \* 48 : From Jan. 2012 Production, Liftgate Type, Swing Type

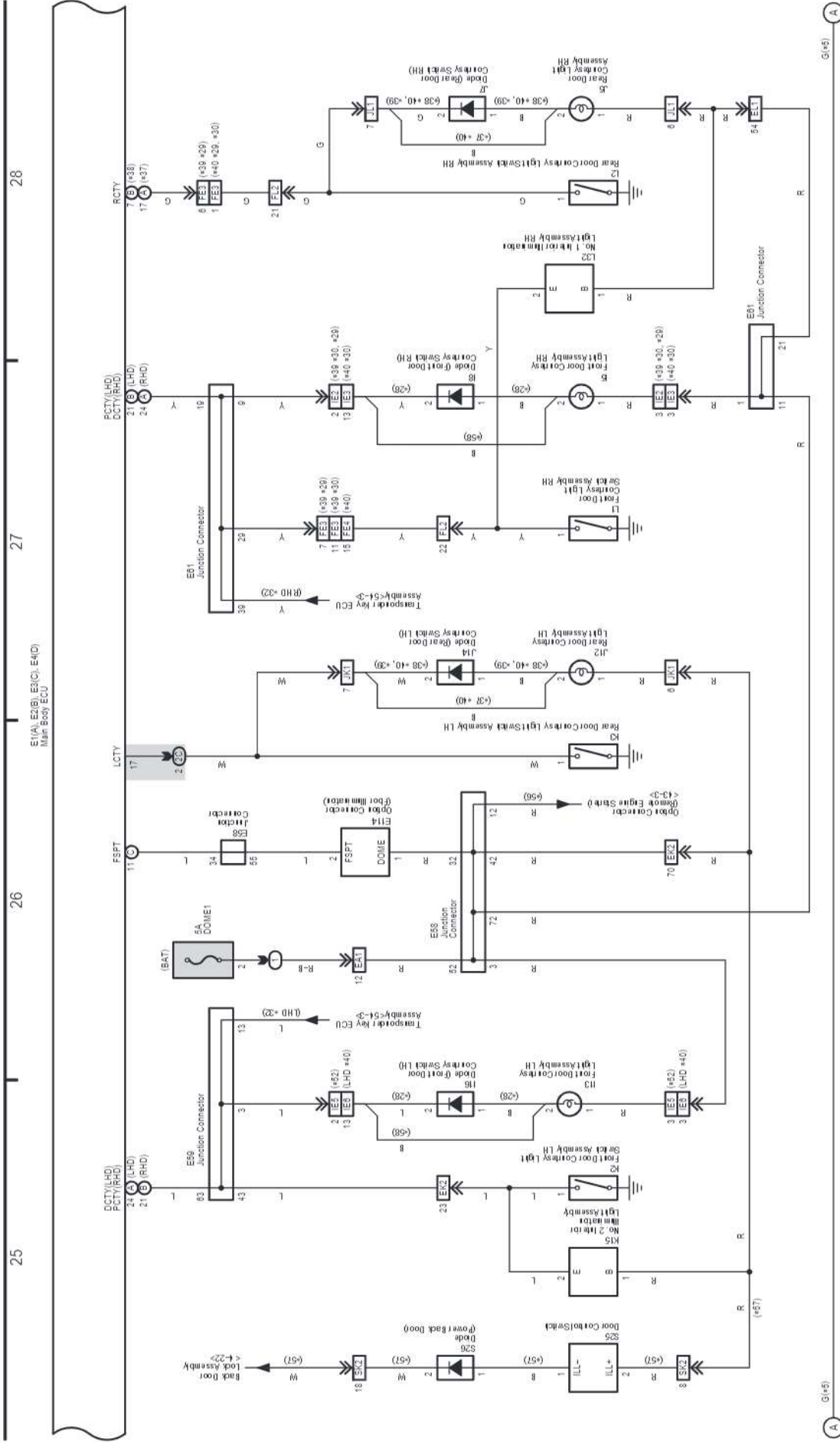
LAND CRUISER Station Wagon (EM19U2E)

# M OVERALL ELECTRICAL WIRING DIAGRAM

## 3 LAND CRUISER Station Wagon (Cont' d)

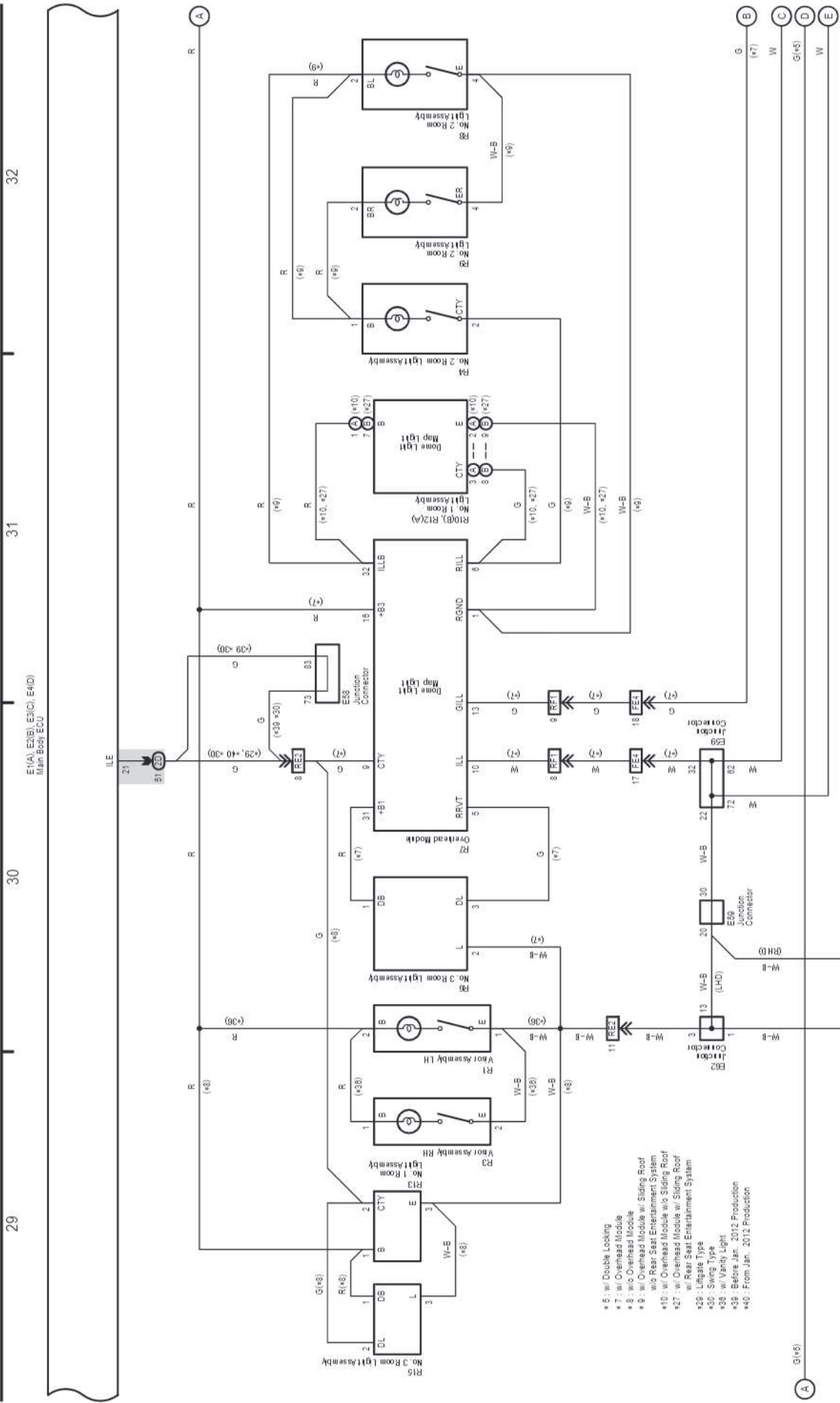
(Cont. next page)

### Interior Light



\*5 : w/ Double Locking  
 \*28 : w/ Curtain Shield Airbag  
 \*29 : Luggage Type  
 \*30 : Swing Type  
 \*32 : w/ Engine Immobilizer System (w/o Entry & Start System)  
 \*37 : w/o Entry & Start System  
 \*38 : w/ Entry & Start System  
 \*39 : Before Jan. 2012 Production  
 \*40 : From Jan. 2012 Production  
 \*41 : From Jan. 2012 Production  
 \*42 : Before Jan. 2012 Production LHD, RHD  
 \*45 : w/ Option Connector (Remote Engine Starter System)  
 \*47 : w/ Power Back Door  
 \*48 : w/o Curtain Shield Airbag

Interior Light



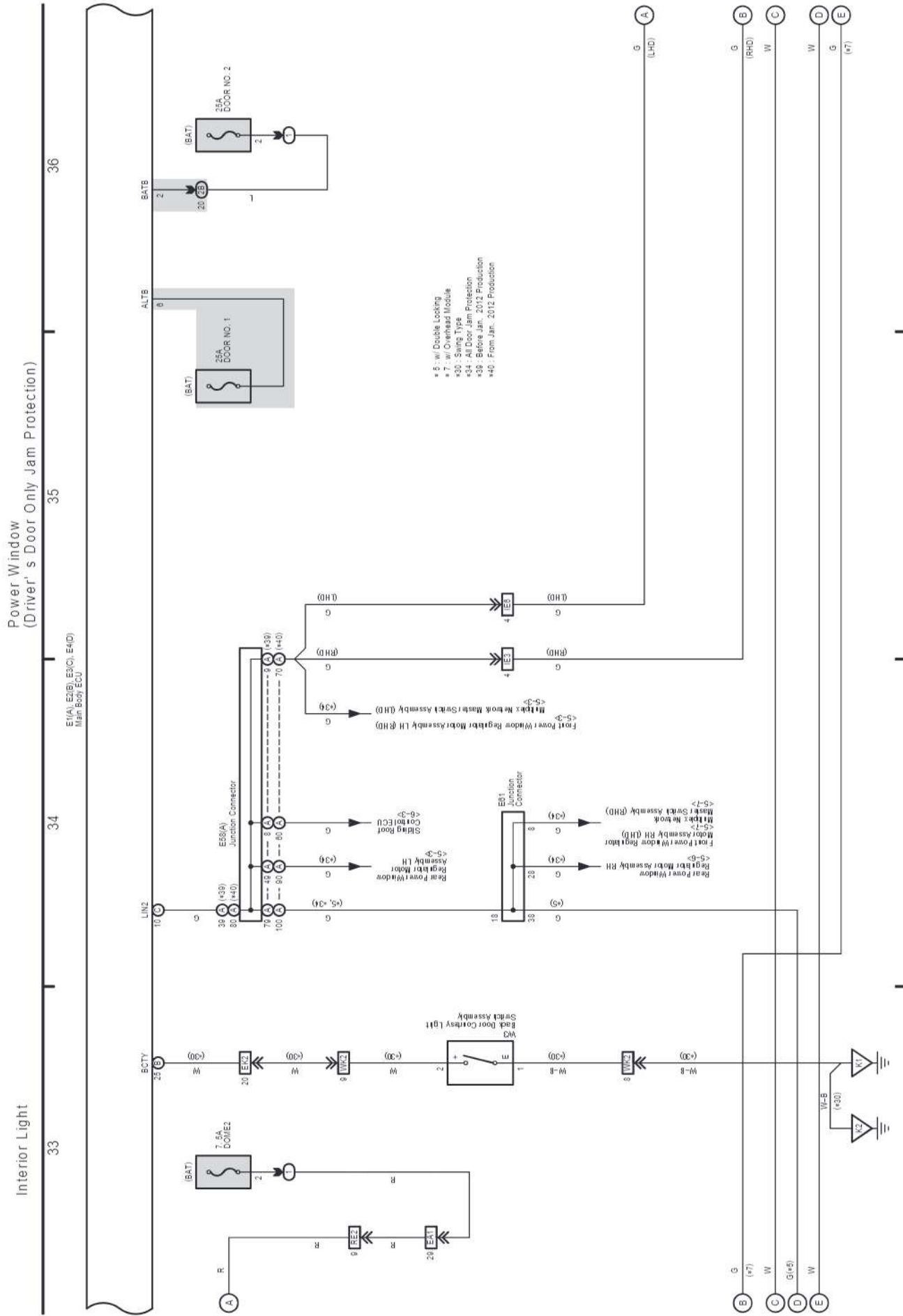
- \* 5 : w/ Double Locking
- \* 7 : w/ Overhead Module
- \* 8 : w/o Overhead Module
- \* 9 : w/ Overhead Module w/ Sliding Roof
- \* 10 : w/ Overhead Module w/o Sliding Roof
- \* 11 : w/ Overhead Module w/ Sliding Roof
- \* 12 : w/ Overhead Module w/o Sliding Roof
- \* 13 : w/ Overhead Module w/ Sliding Roof
- \* 14 : w/ Overhead Module w/o Sliding Roof
- \* 15 : w/ Overhead Module w/ Sliding Roof
- \* 16 : w/ Overhead Module w/o Sliding Roof
- \* 17 : w/ Overhead Module w/ Sliding Roof
- \* 18 : w/ Overhead Module w/o Sliding Roof
- \* 19 : w/ Overhead Module w/ Sliding Roof
- \* 20 : w/ Overhead Module w/o Sliding Roof
- \* 21 : w/ Overhead Module w/ Sliding Roof
- \* 22 : w/ Overhead Module w/o Sliding Roof
- \* 23 : w/ Overhead Module w/ Sliding Roof
- \* 24 : w/ Overhead Module w/o Sliding Roof
- \* 25 : w/ Overhead Module w/ Sliding Roof
- \* 26 : w/ Overhead Module w/o Sliding Roof
- \* 27 : w/ Overhead Module w/ Sliding Roof
- \* 28 : w/ Overhead Module w/o Sliding Roof
- \* 29 : w/ Overhead Module w/ Sliding Roof
- \* 30 : w/ Overhead Module w/o Sliding Roof
- \* 31 : w/ Overhead Module w/ Sliding Roof
- \* 32 : w/ Overhead Module w/o Sliding Roof
- \* 33 : w/ Overhead Module w/ Sliding Roof
- \* 34 : w/ Overhead Module w/o Sliding Roof
- \* 35 : w/ Overhead Module w/ Sliding Roof
- \* 36 : w/ Overhead Module w/o Sliding Roof
- \* 37 : w/ Overhead Module w/ Sliding Roof
- \* 38 : w/ Overhead Module w/o Sliding Roof
- \* 39 : w/ Overhead Module w/ Sliding Roof
- \* 40 : w/ Overhead Module w/o Sliding Roof
- \* 41 : w/ Overhead Module w/ Sliding Roof
- \* 42 : w/ Overhead Module w/o Sliding Roof
- \* 43 : w/ Overhead Module w/ Sliding Roof
- \* 44 : w/ Overhead Module w/o Sliding Roof
- \* 45 : w/ Overhead Module w/ Sliding Roof
- \* 46 : w/ Overhead Module w/o Sliding Roof
- \* 47 : w/ Overhead Module w/ Sliding Roof
- \* 48 : w/ Overhead Module w/o Sliding Roof
- \* 49 : w/ Overhead Module w/ Sliding Roof
- \* 50 : w/ Overhead Module w/o Sliding Roof
- \* 51 : w/ Overhead Module w/ Sliding Roof
- \* 52 : w/ Overhead Module w/o Sliding Roof
- \* 53 : w/ Overhead Module w/ Sliding Roof
- \* 54 : w/ Overhead Module w/o Sliding Roof
- \* 55 : w/ Overhead Module w/ Sliding Roof
- \* 56 : w/ Overhead Module w/o Sliding Roof
- \* 57 : w/ Overhead Module w/ Sliding Roof
- \* 58 : w/ Overhead Module w/o Sliding Roof
- \* 59 : w/ Overhead Module w/ Sliding Roof
- \* 60 : w/ Overhead Module w/o Sliding Roof
- \* 61 : w/ Overhead Module w/ Sliding Roof
- \* 62 : w/ Overhead Module w/o Sliding Roof
- \* 63 : w/ Overhead Module w/ Sliding Roof
- \* 64 : w/ Overhead Module w/o Sliding Roof
- \* 65 : w/ Overhead Module w/ Sliding Roof
- \* 66 : w/ Overhead Module w/o Sliding Roof
- \* 67 : w/ Overhead Module w/ Sliding Roof
- \* 68 : w/ Overhead Module w/o Sliding Roof
- \* 69 : w/ Overhead Module w/ Sliding Roof
- \* 70 : w/ Overhead Module w/o Sliding Roof
- \* 71 : w/ Overhead Module w/ Sliding Roof
- \* 72 : w/ Overhead Module w/o Sliding Roof
- \* 73 : w/ Overhead Module w/ Sliding Roof
- \* 74 : w/ Overhead Module w/o Sliding Roof
- \* 75 : w/ Overhead Module w/ Sliding Roof
- \* 76 : w/ Overhead Module w/o Sliding Roof
- \* 77 : w/ Overhead Module w/ Sliding Roof
- \* 78 : w/ Overhead Module w/o Sliding Roof
- \* 79 : w/ Overhead Module w/ Sliding Roof
- \* 80 : w/ Overhead Module w/o Sliding Roof
- \* 81 : w/ Overhead Module w/ Sliding Roof
- \* 82 : w/ Overhead Module w/o Sliding Roof
- \* 83 : w/ Overhead Module w/ Sliding Roof
- \* 84 : w/ Overhead Module w/o Sliding Roof
- \* 85 : w/ Overhead Module w/ Sliding Roof
- \* 86 : w/ Overhead Module w/o Sliding Roof
- \* 87 : w/ Overhead Module w/ Sliding Roof
- \* 88 : w/ Overhead Module w/o Sliding Roof
- \* 89 : w/ Overhead Module w/ Sliding Roof
- \* 90 : w/ Overhead Module w/o Sliding Roof
- \* 91 : w/ Overhead Module w/ Sliding Roof
- \* 92 : w/ Overhead Module w/o Sliding Roof
- \* 93 : w/ Overhead Module w/ Sliding Roof
- \* 94 : w/ Overhead Module w/o Sliding Roof
- \* 95 : w/ Overhead Module w/ Sliding Roof
- \* 96 : w/ Overhead Module w/o Sliding Roof
- \* 97 : w/ Overhead Module w/ Sliding Roof
- \* 98 : w/ Overhead Module w/o Sliding Roof
- \* 99 : w/ Overhead Module w/ Sliding Roof
- \* 100 : w/ Overhead Module w/o Sliding Roof

A G(+6)

# M OVERALL ELECTRICAL WIRING DIAGRAM

(Cont. next page)

## 3 LAND CRUISER Station Wagon (Cont'd)





\*7 - w/ Overhead Module  
 \*29 - Liftgate Type  
 \*30 - Switch Type  
 \*38 - Before Jan. 2012 Production  
 \*40 - From Jan. 2012 Production

Power Window (Driver's Door Only Jam Protection)

37

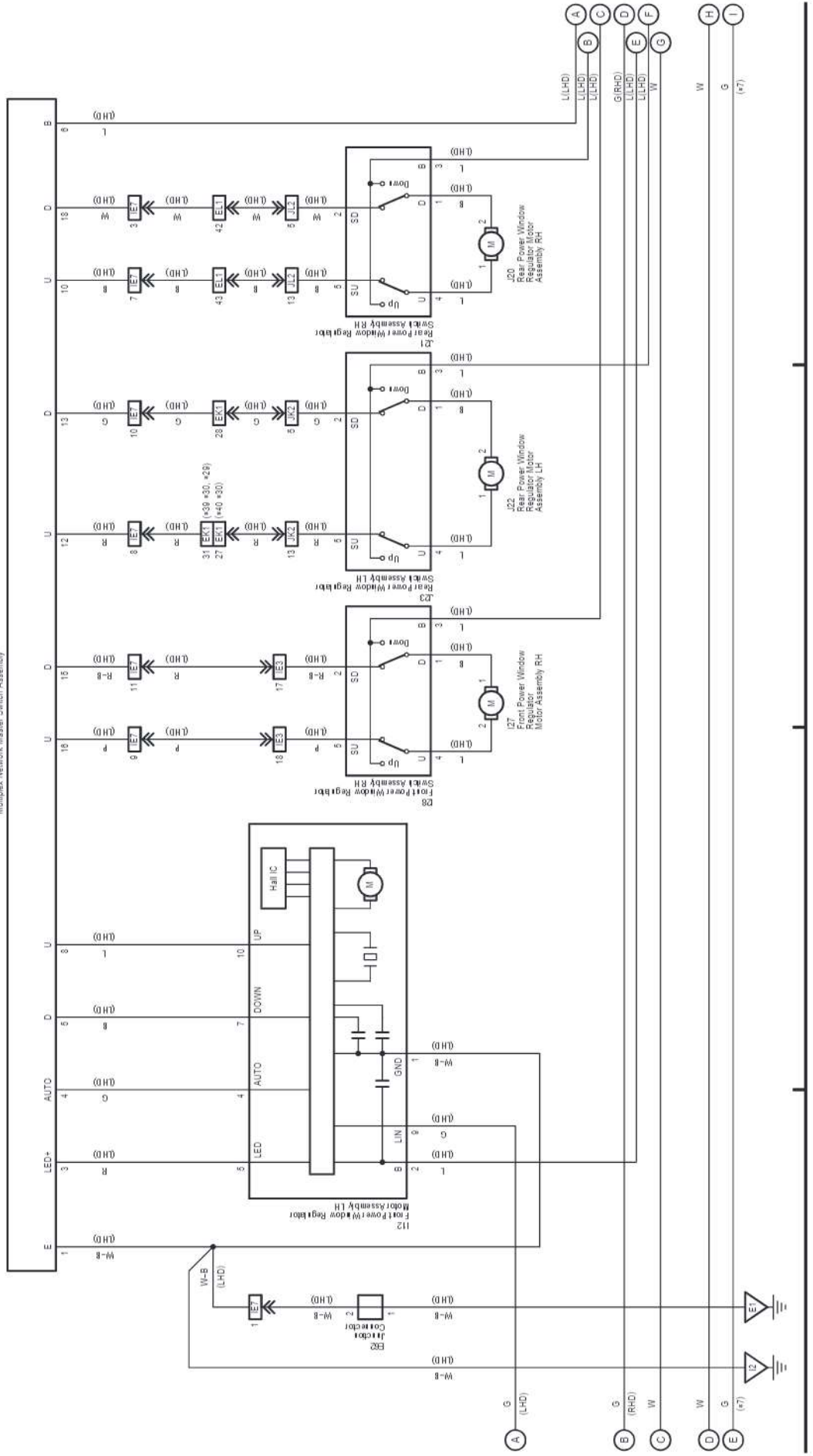
38

39

40

E(VA), E(B), E(C), E(H)  
 Main Body ECU

131 Multiple Network Master Switch Assembly



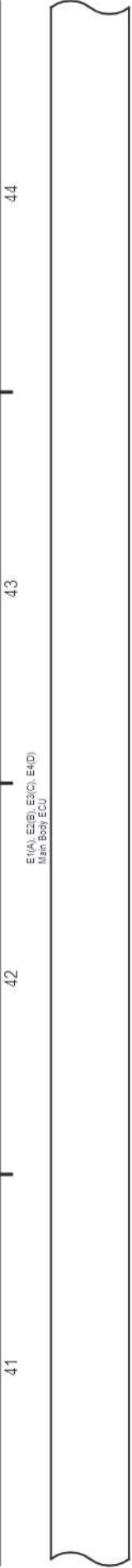
# M OVERALL ELECTRICAL WIRING DIAGRAM

3 LAND CRUISER Station Wagon (Cont' d)

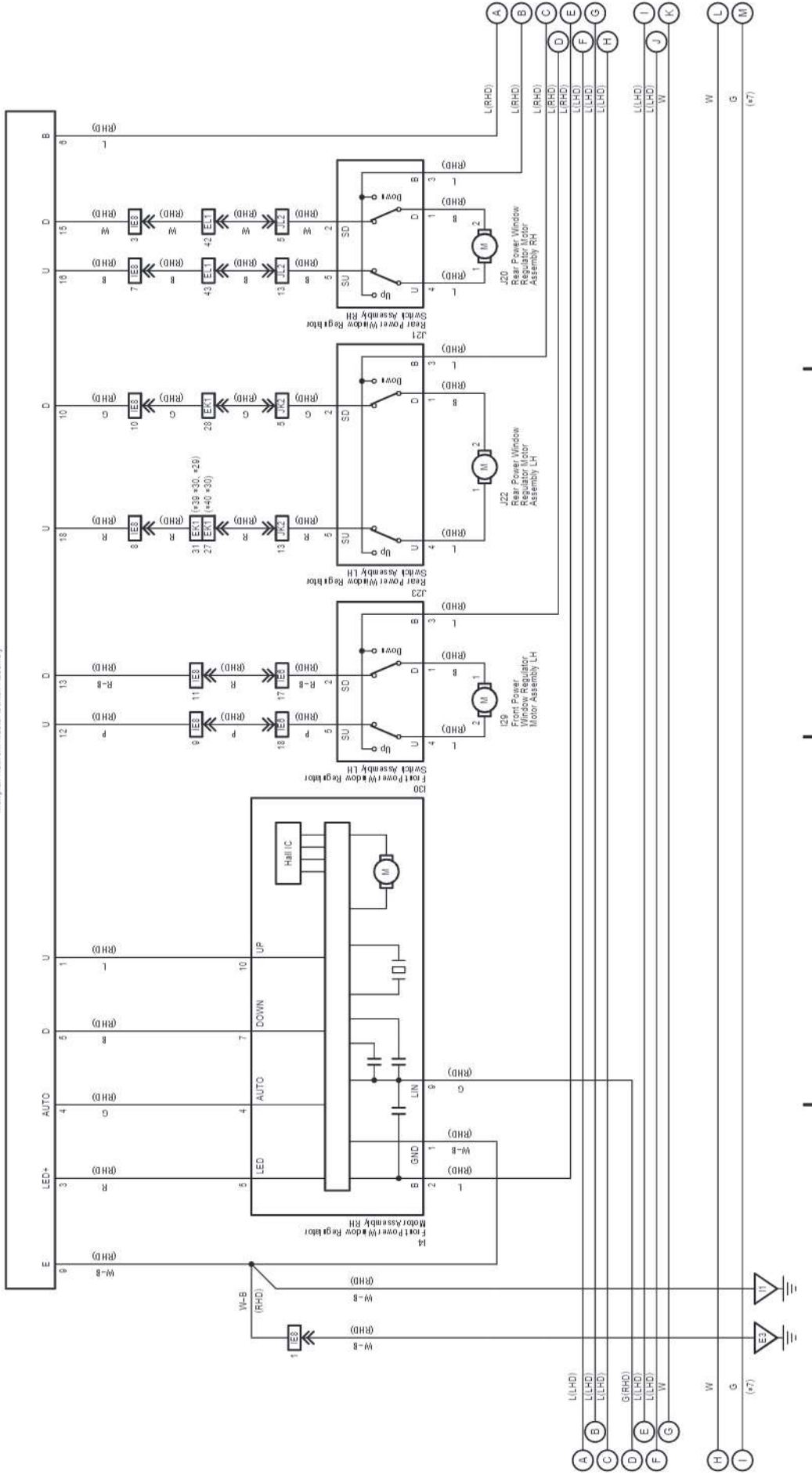
(Cont. next page)

w7 - w/ Overhead Module  
\*38 - Liftgate Type  
\*39 - Sliding Type  
\*38 - Before Jan. 2012 Production  
\*40 - From Jan. 2012 Production

Power Window (Driver's Door Only Jam Protection)



I26 Multiplex Network Master Switch Assembly



3 LAND CRUISER Station Wagon (Cont' d)

(Cont. next page)

Power Window (Driver's Door Only Jam Protection)

Key Reminder (w/o Entry & Start System)

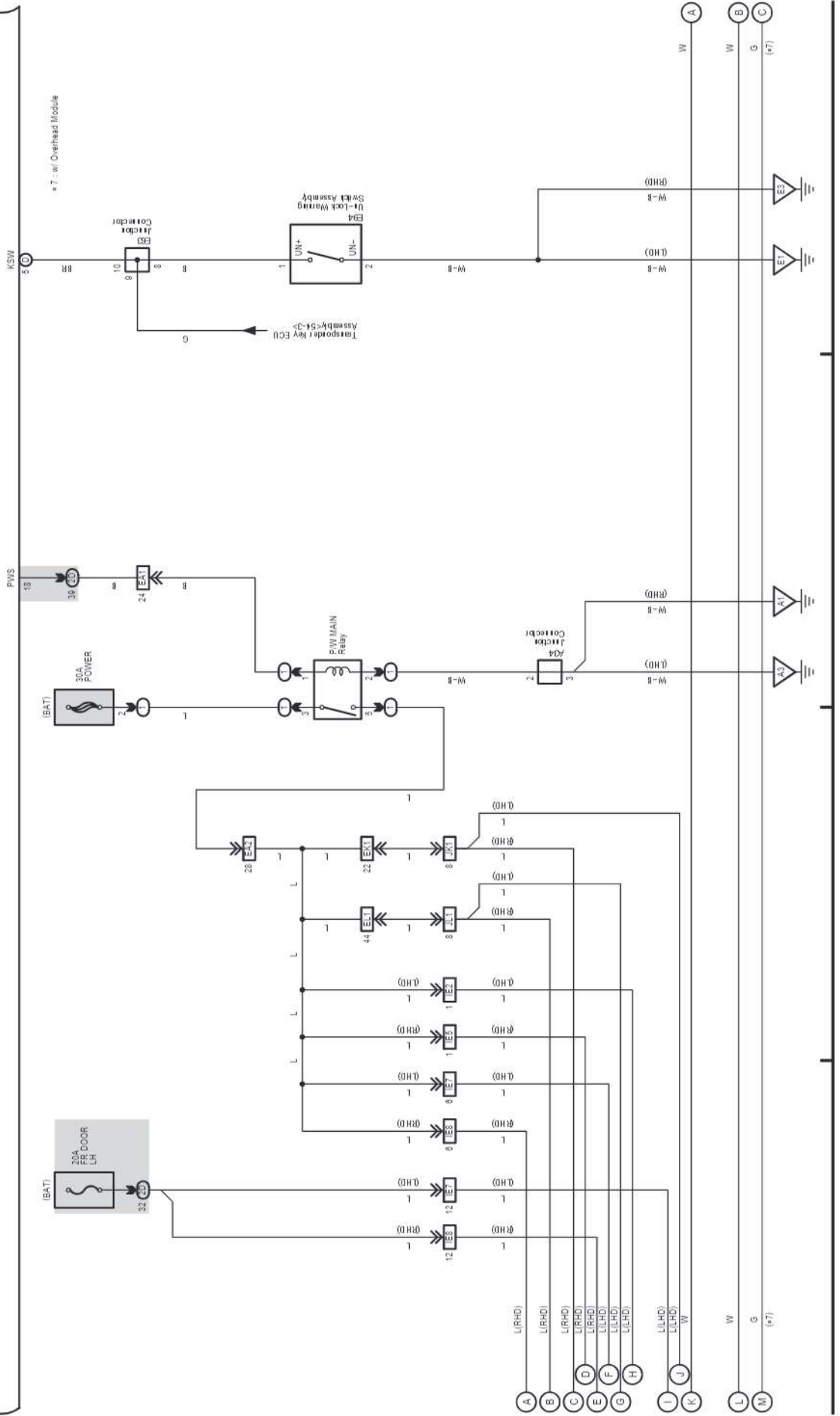
45

46

47

48

EVAL, E8(B), E8(C), E8(D)  
Main Body ECU



LAND CRUISER Station Wagon (EM19U2E)

# M OVERALL ELECTRICAL WIRING DIAGRAM

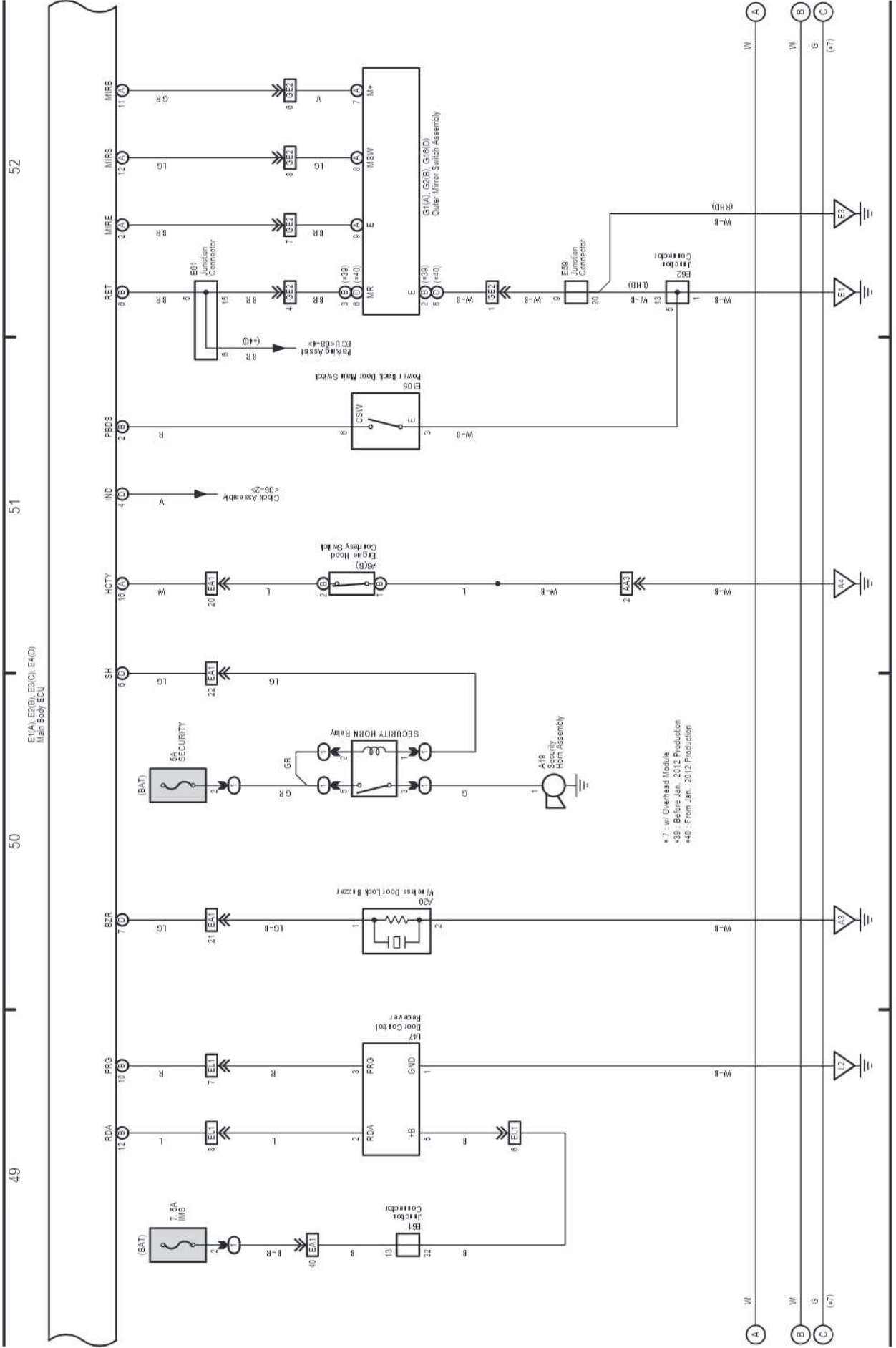
## 3 LAND CRUISER Station Wagon (Cont' d)

(Cont. next page)

Wireless Door Lock Control  
(w/o Entry & Start System)

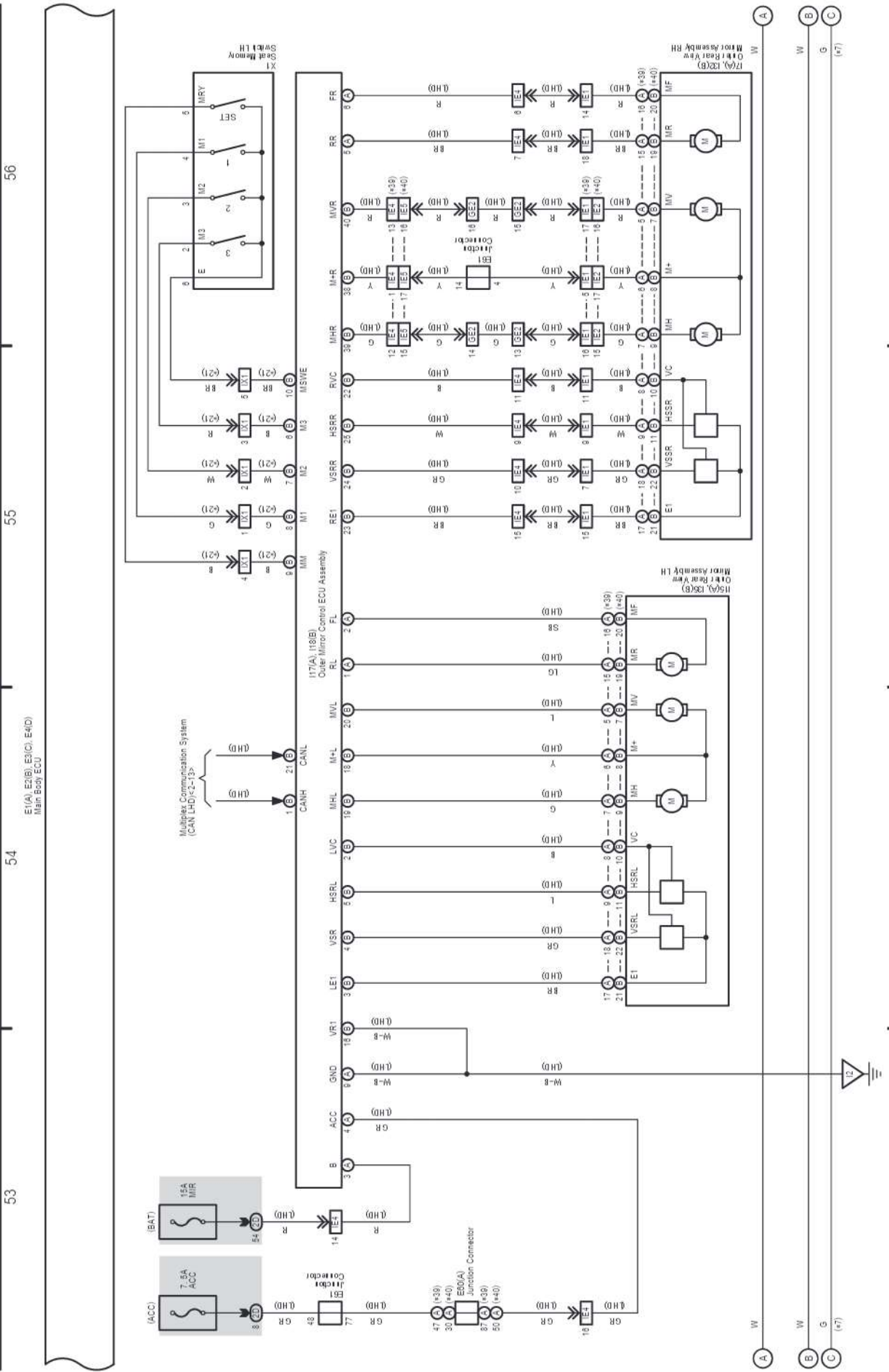
Theft Deterrent  
(w/o Entry & Start System)

Remote Control Mirror  
(w/ Retractor)



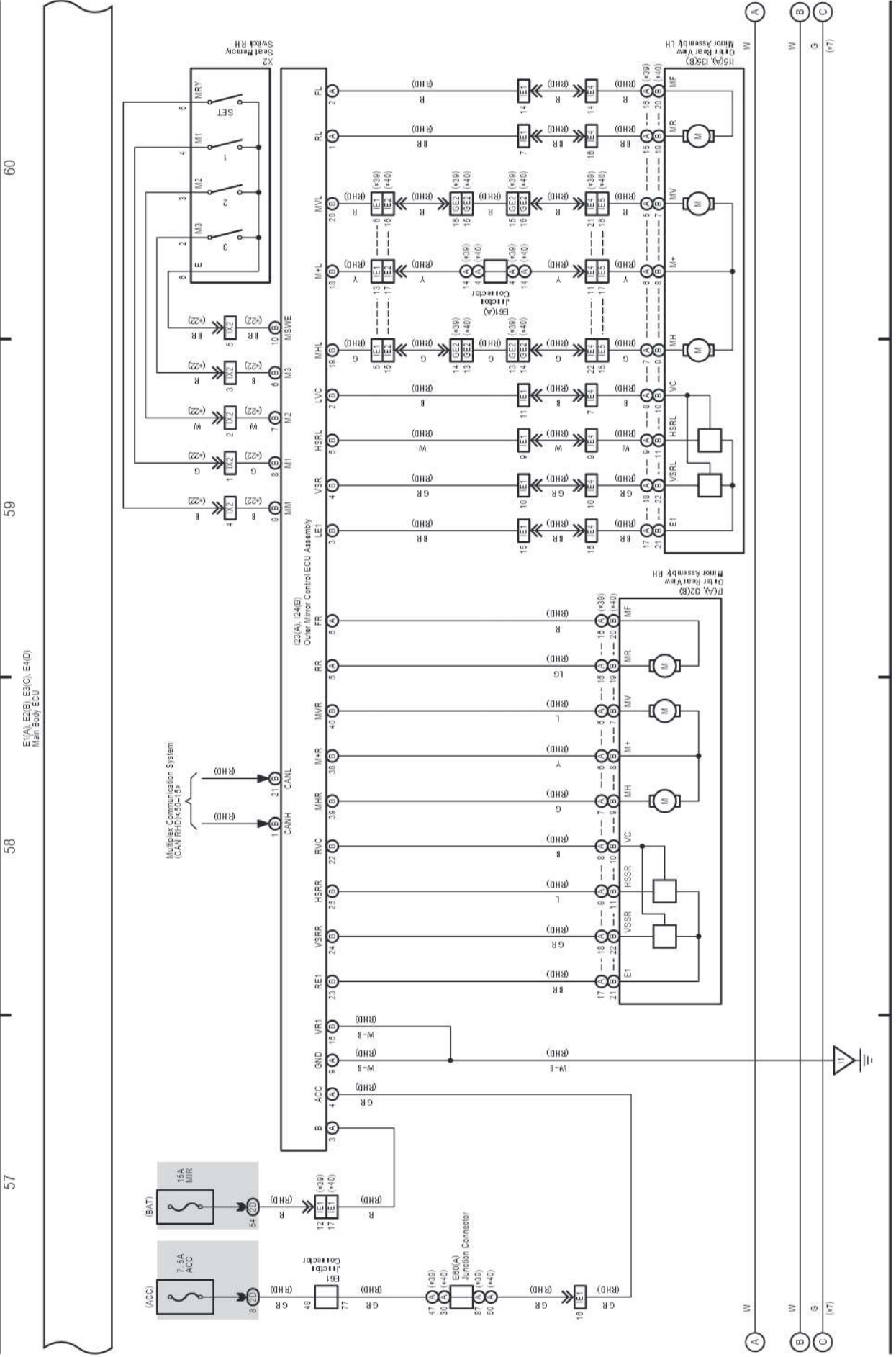
\* 7 - w/ Overhead Module  
 \*21 - LHD w/ Seat Position Memory  
 \*38 - Before Jan. 2013 Production  
 \*40 - From Jan. 2012 Production

Remote Control Mirror (w/ Retractor)



\*7 : w/ Overhead Module  
\*22 : RHD w/ Seat Position Memory  
\*38 : Before Jan. 2012 Production  
\*40 : From Jan. 2012 Production

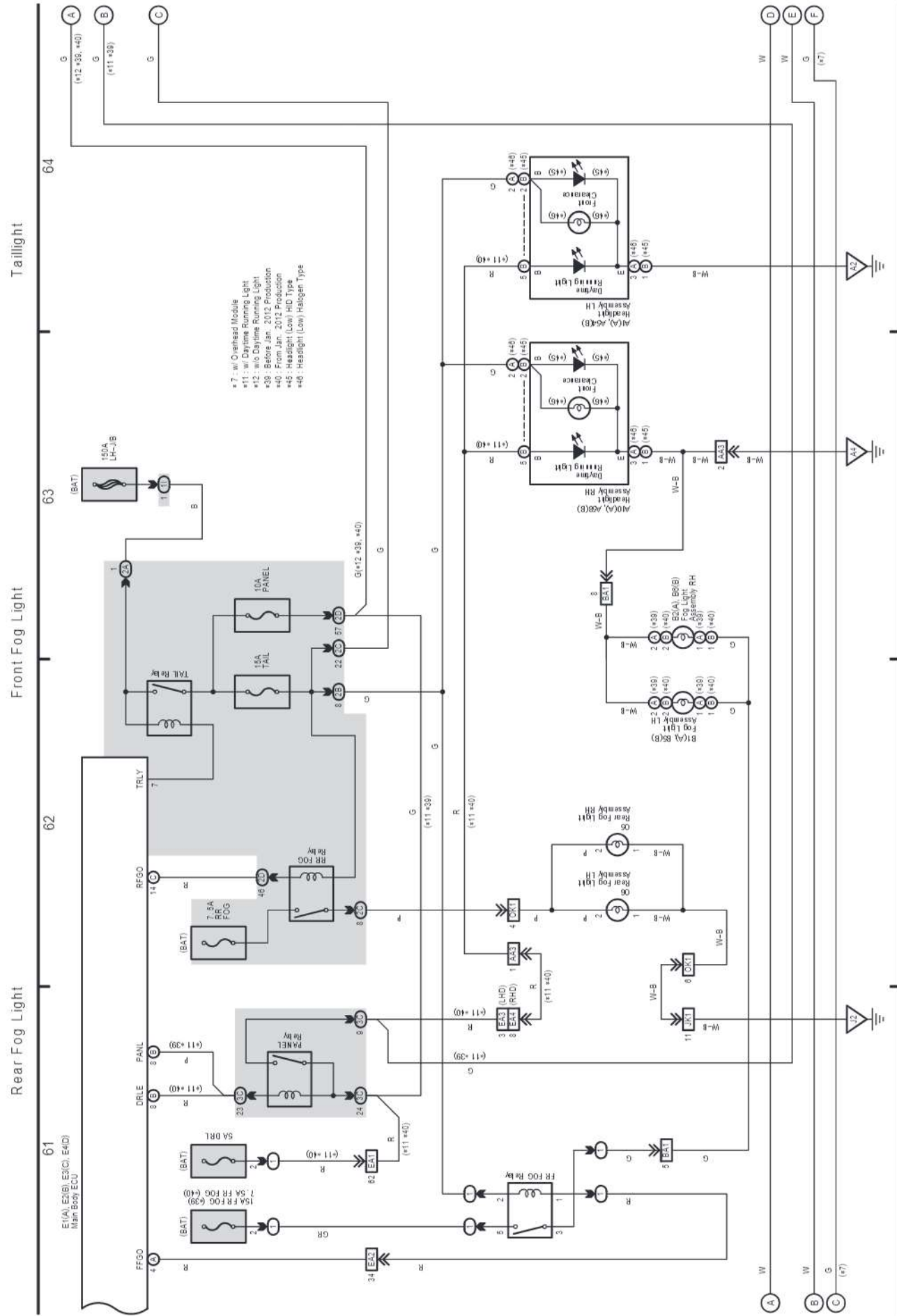
Remote Control Mirror (w/ Retractor)



LAND CRUISER Station Wagon (EM19U2E)

3 LAND CRUISER Station Wagon (Cont' d)

(Cont. next page)

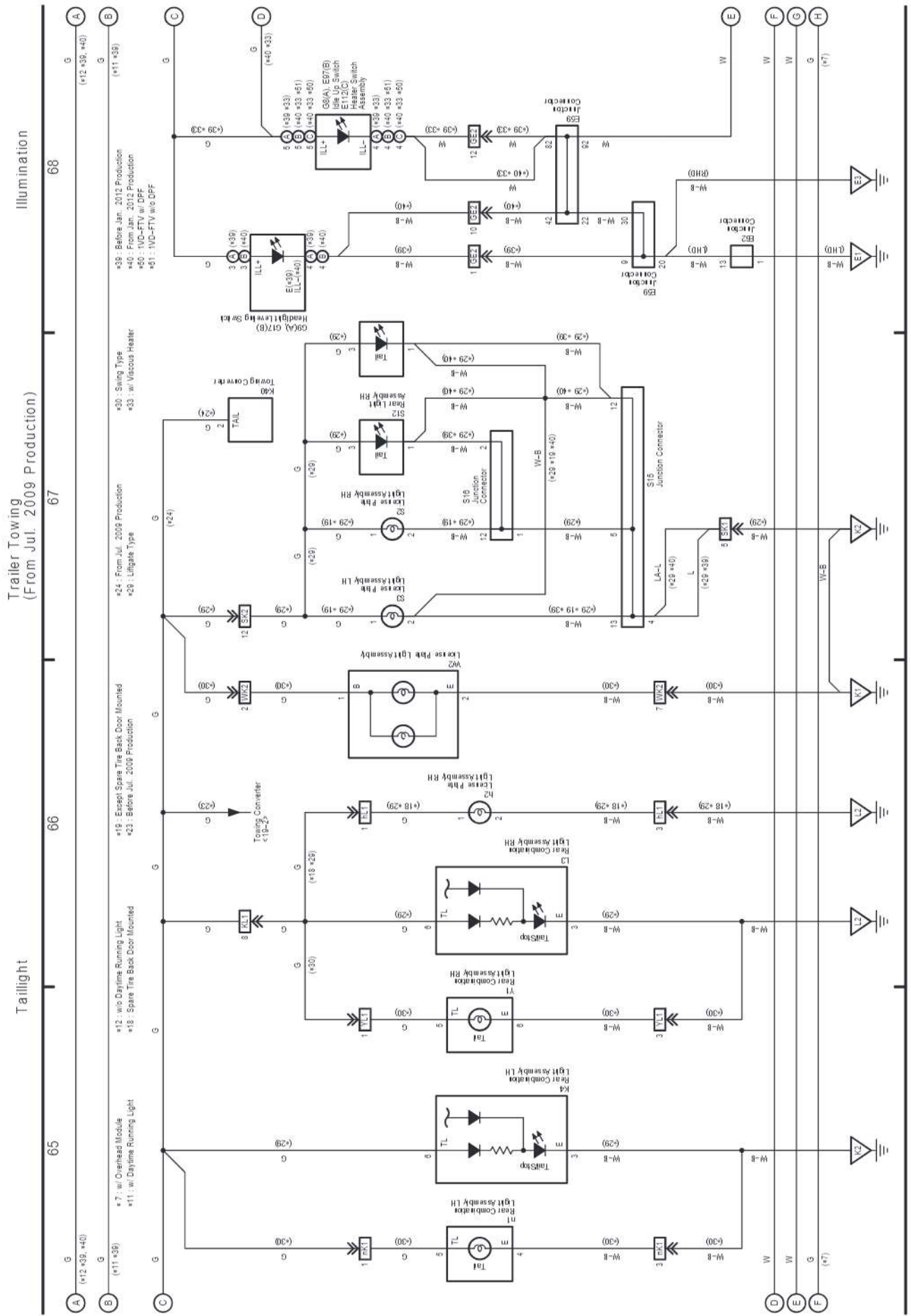


LAND CRUISER Station Wagon (EM19U2E)

# M OVERALL ELECTRICAL WIRING DIAGRAM

## 3 LAND CRUISER Station Wagon (Cont' d)

(Cont. next page)



LAND CRUISER Station Wagon (EM19U2E)



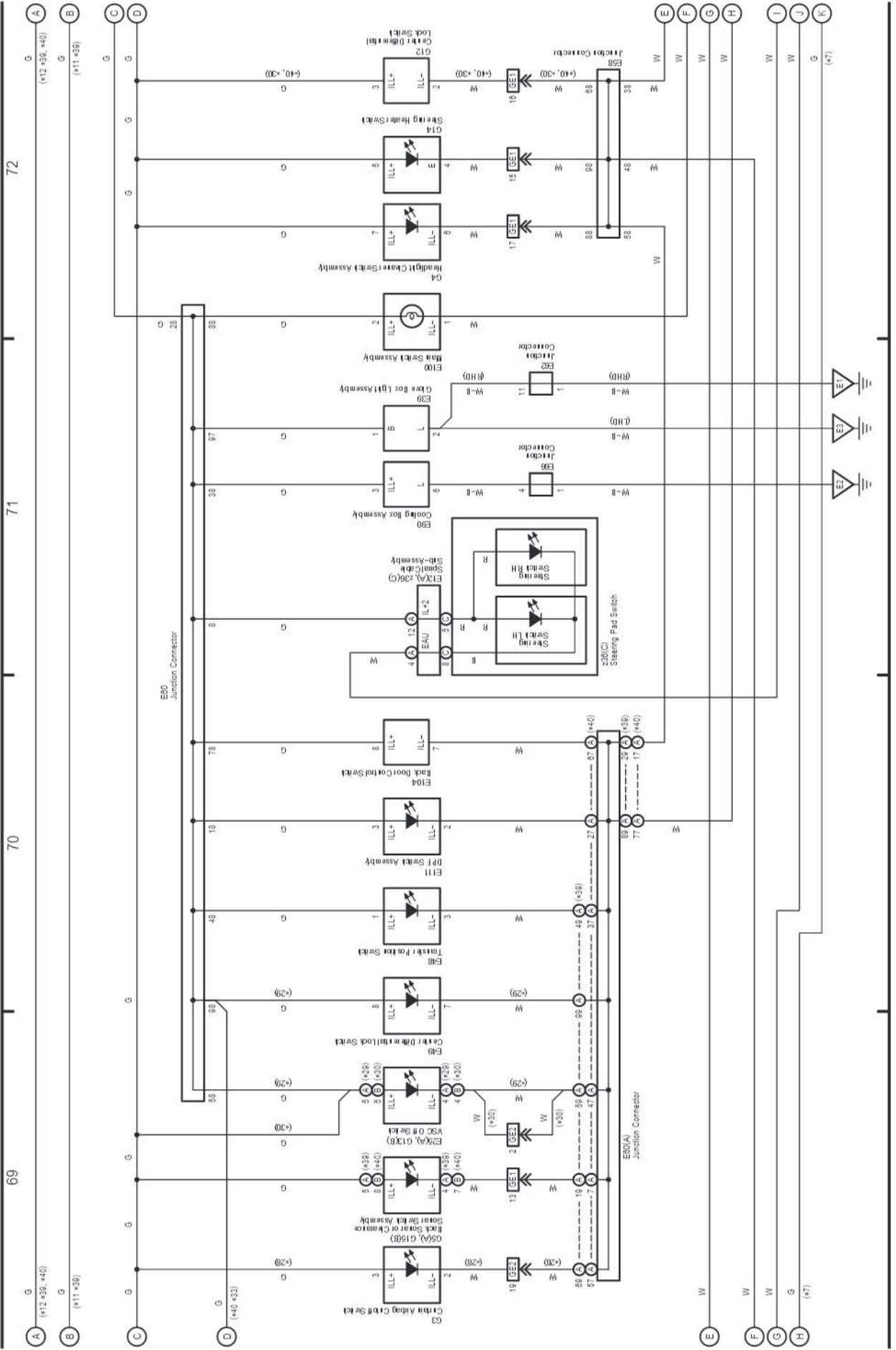
### 3 LAND CRUISER Station Wagon (Cont' d)

(Cont. next page)

\*7 - w/ Overhead Module  
 \*11 - w/ Daytime Running Light  
 \*12 - w/ Daytime Running Light  
 \*38 - w/ Curbside Shield Aidtag  
 \*39 - Ligata Type

\*30 - Swing Type  
 \*33 - w/ Viscous Heater  
 \*39 - Before Jan. 2012 Production  
 \*40 - From Jan. 2012 Production

#### Illumination

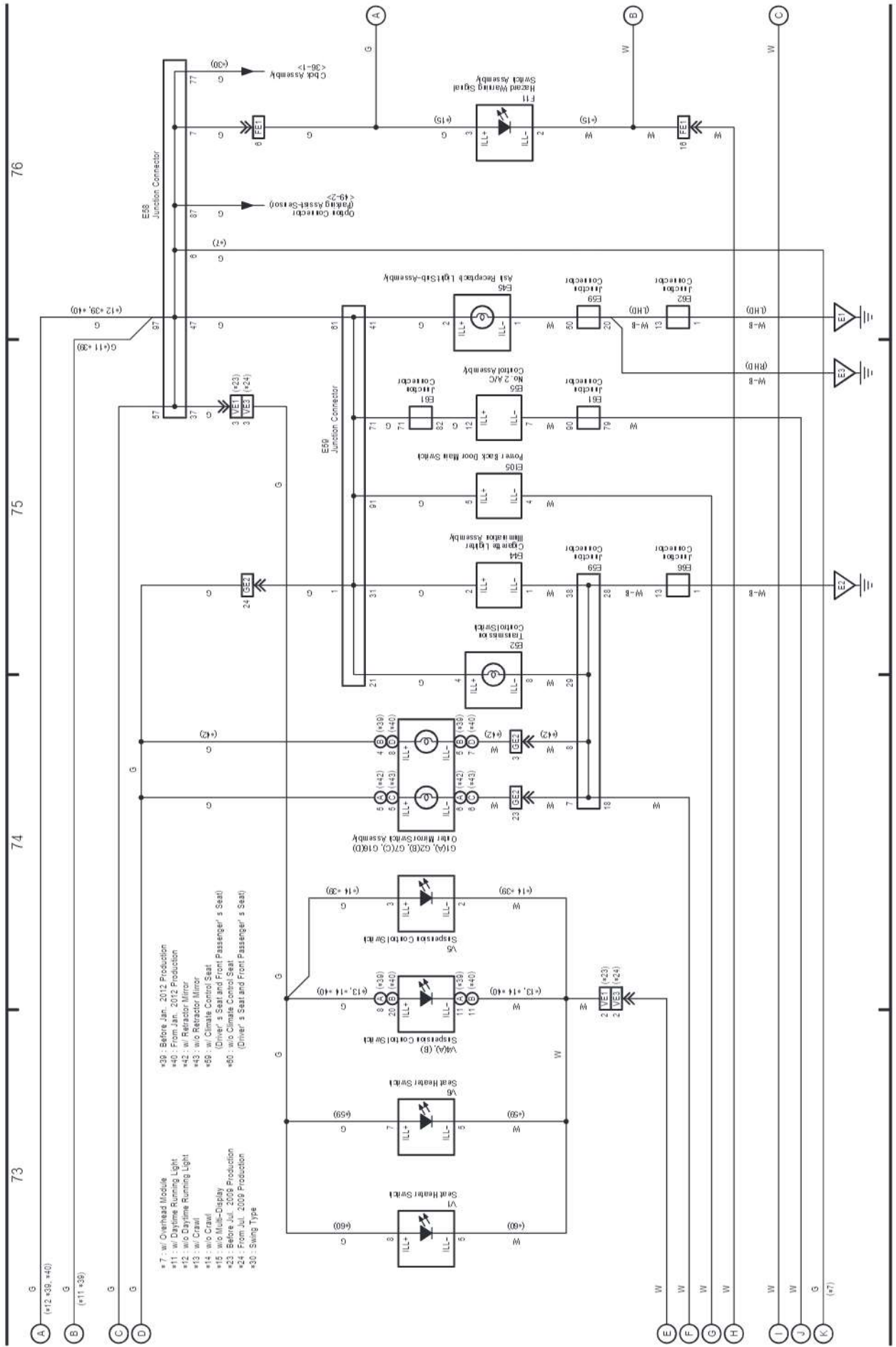


# M OVERALL ELECTRICAL WIRING DIAGRAM

(Cont. next page)

3 LAND CRUISER Station Wagon (Cont' d)

## Illumination



LAND CRUISER Station Wagon (EM19U2E)

3 LAND CRUISER Station Wagon (Cont' d)

Illumination

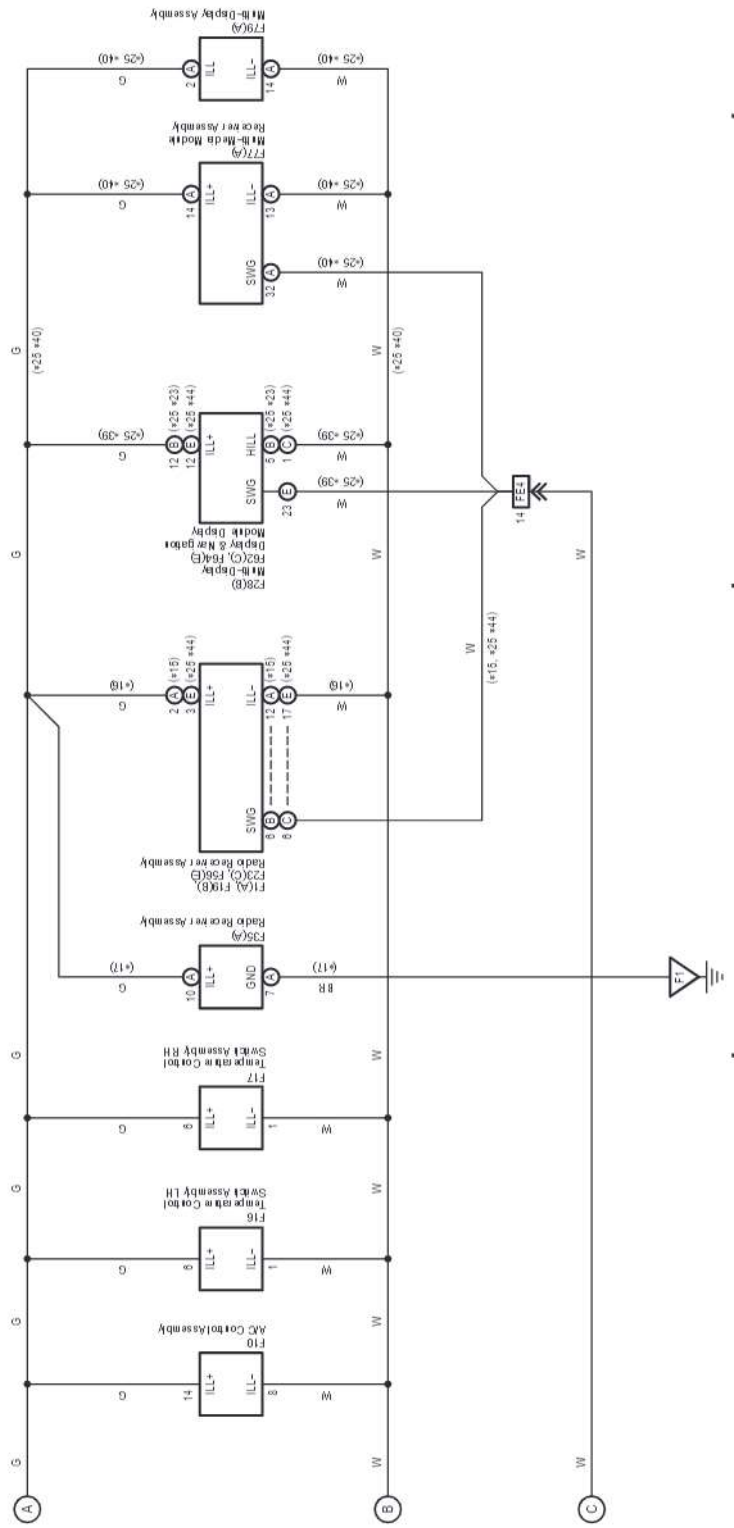
80

79

78

77

- \*15 : w/o Multi-Display
- \*16 : w/ Stereo Component Amplifier
- \*17 : w/o Stereo Component Amplifier
- \*23 : Before Jul. 2008 Production
- \*25 : w/ Multi-Display
- \*39 : Before Jan. 2012 Production
- \*40 : From Jan. 2012 Production
- \*44 : From Jul. 2008 Production until Jan. 2012 Production

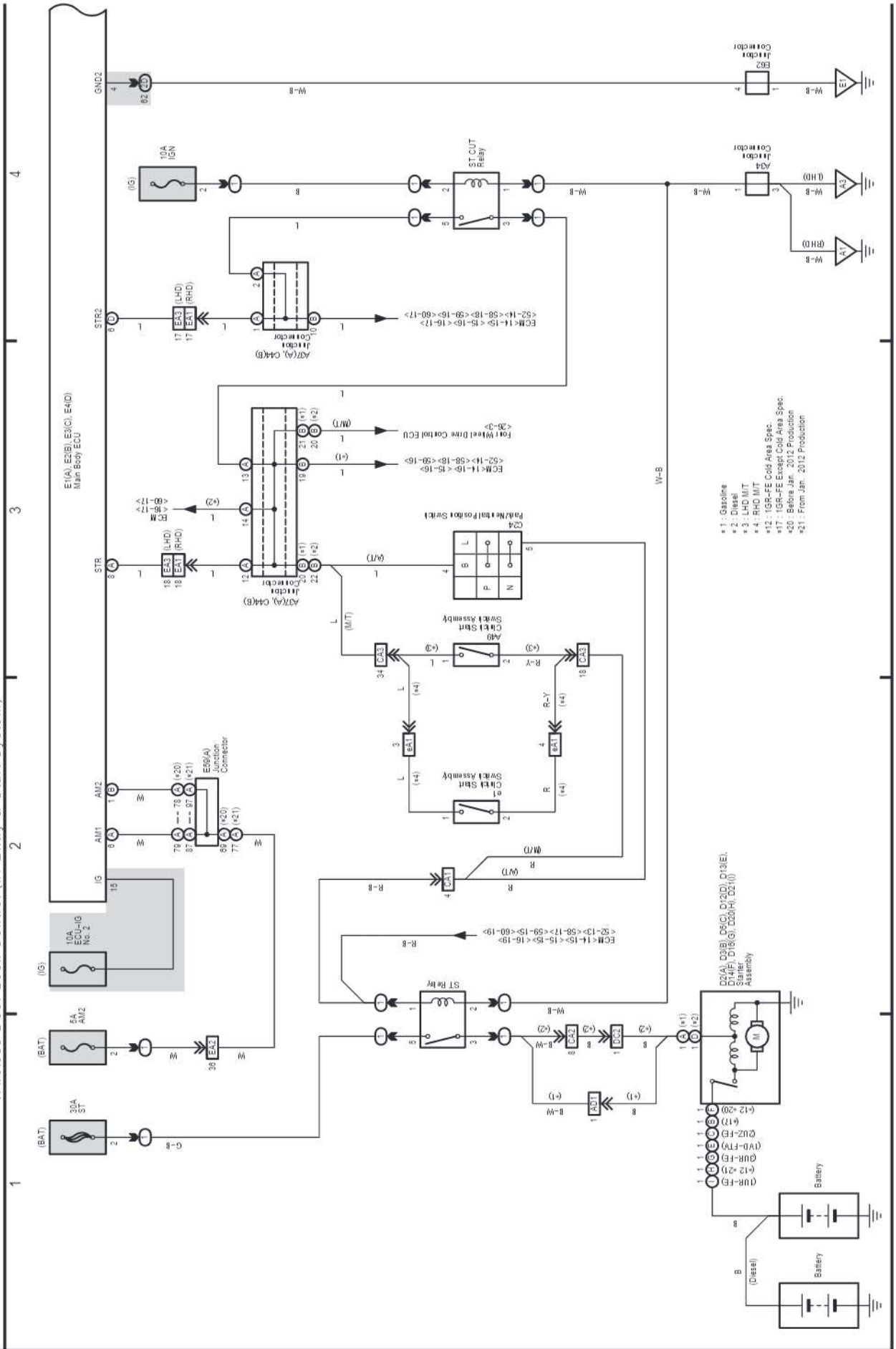


# M OVERALL ELECTRICAL WIRING DIAGRAM

(Cont. next page)

4 LAND CRUISER Station Wagon

Engine Immobiliser System (w/ Entry & Start System), Entry & Start System, Starting (w/ Entry & Start System),  
Steering Lock (w/ Entry & Start System), Theft Deterrent (w/ Entry & Start System),  
Wireless Door Lock Control (w/ Entry & Start System)

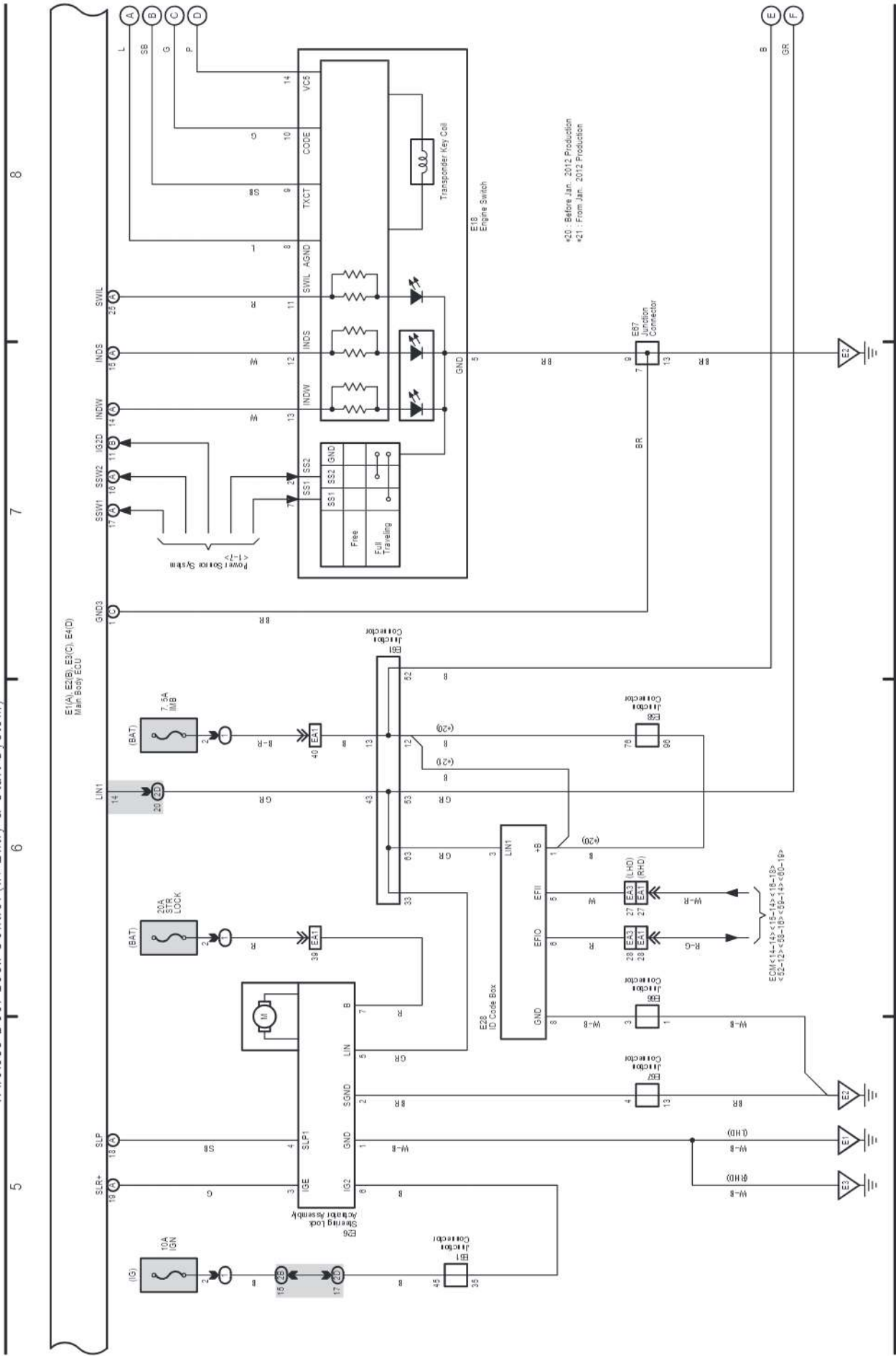


LAND CRUISER Station Wagon (EM19U2E)

4 LAND CRUISER Station Wagon (Cont' d)

(Cont. next page)

Engine Immobiliser System (w/ Entry & Start System), Entry & Start System, Starting (w/ Entry & Start System),  
Steering Lock (w/ Entry & Start System), Theft Deterrent (w/ Entry & Start System),  
Wireless Door Lock Control (w/ Entry & Start System)

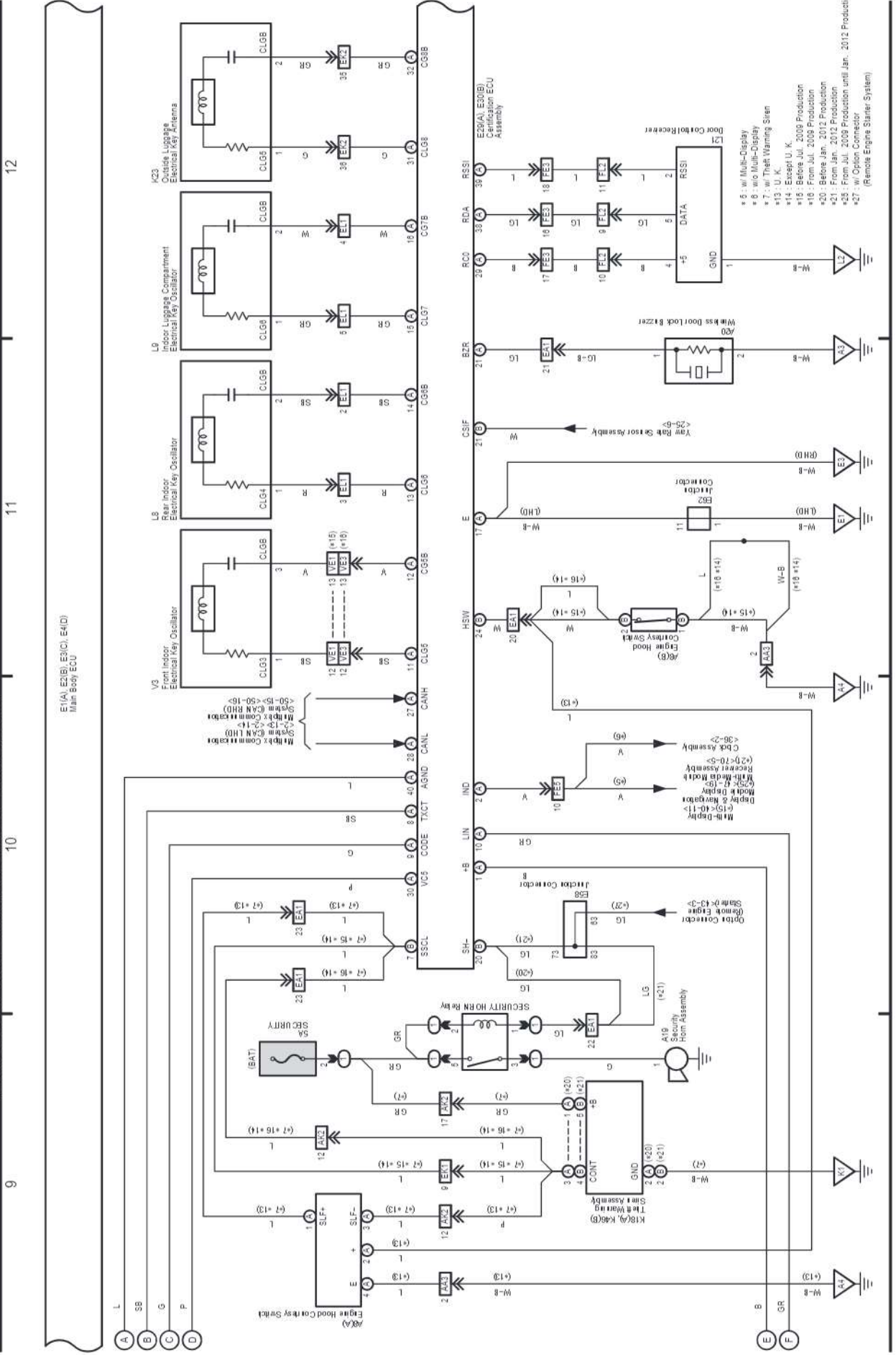


LAND CRUISER Station Wagon (EM19U2E)

4 LAND CRUISER Station Wagon (Cont' d)

(Cont. next page)

Engine Immobiliser System (w/ Entry & Start System), Entry & Start System, Starting (w/ Entry & Start System),  
Steering Lock (w/ Entry & Start System), Theft Deterrent (w/ Entry & Start System),  
Wireless Door Lock Control (w/ Entry & Start System)

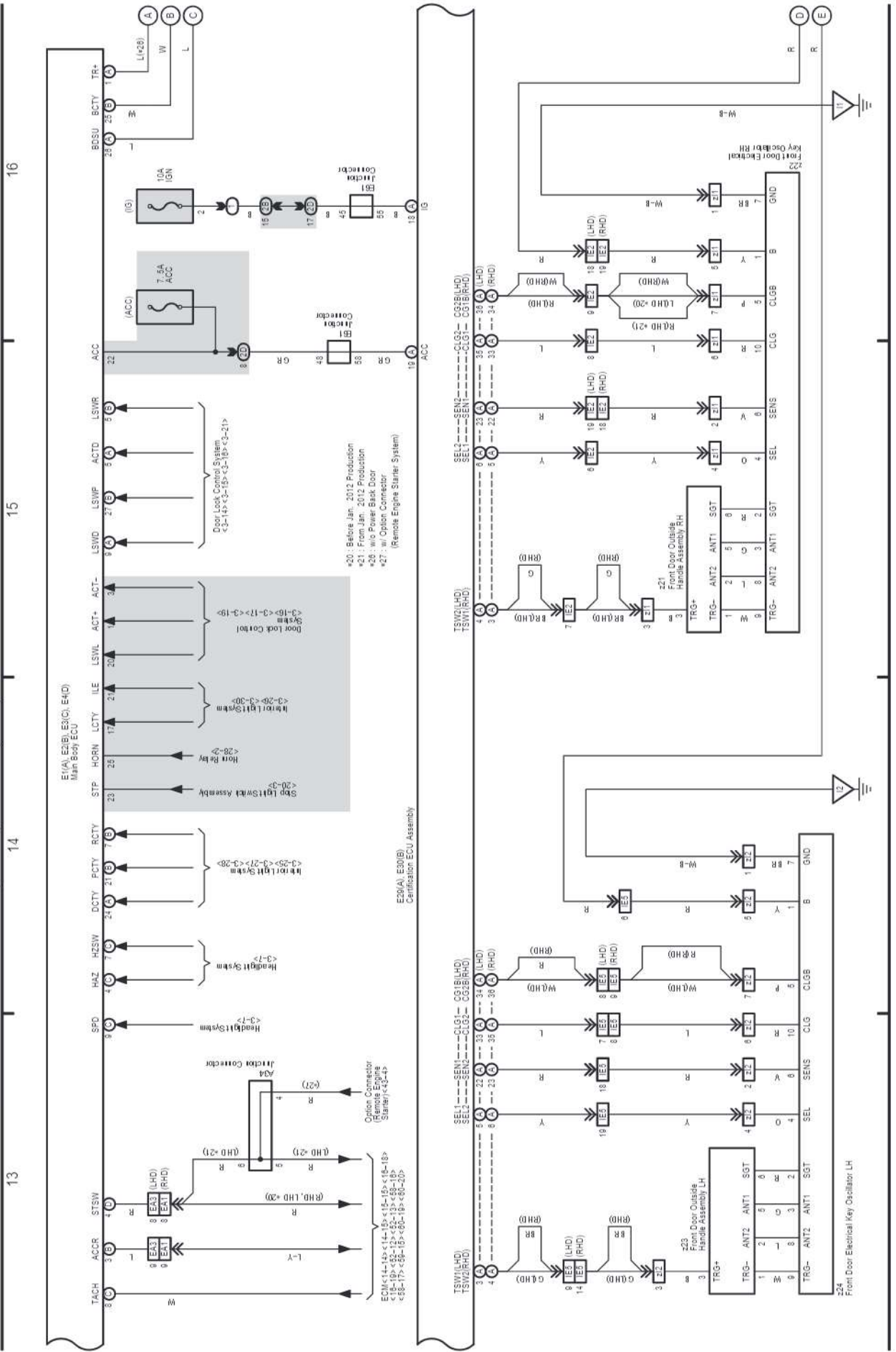


LAND CRUISER Station Wagon (EM19U2E)

4 LAND CRUISER Station Wagon (Cont' d)

(Cont. next page)

Engine Immobiliser System (w/ Entry & Start System), Entry & Start System, Starting (w/ Entry & Start System), Steering Lock (w/ Entry & Start System), Theft Deterrent (w/ Entry & Start System), Wireless Door Lock Control (w/ Entry & Start System)



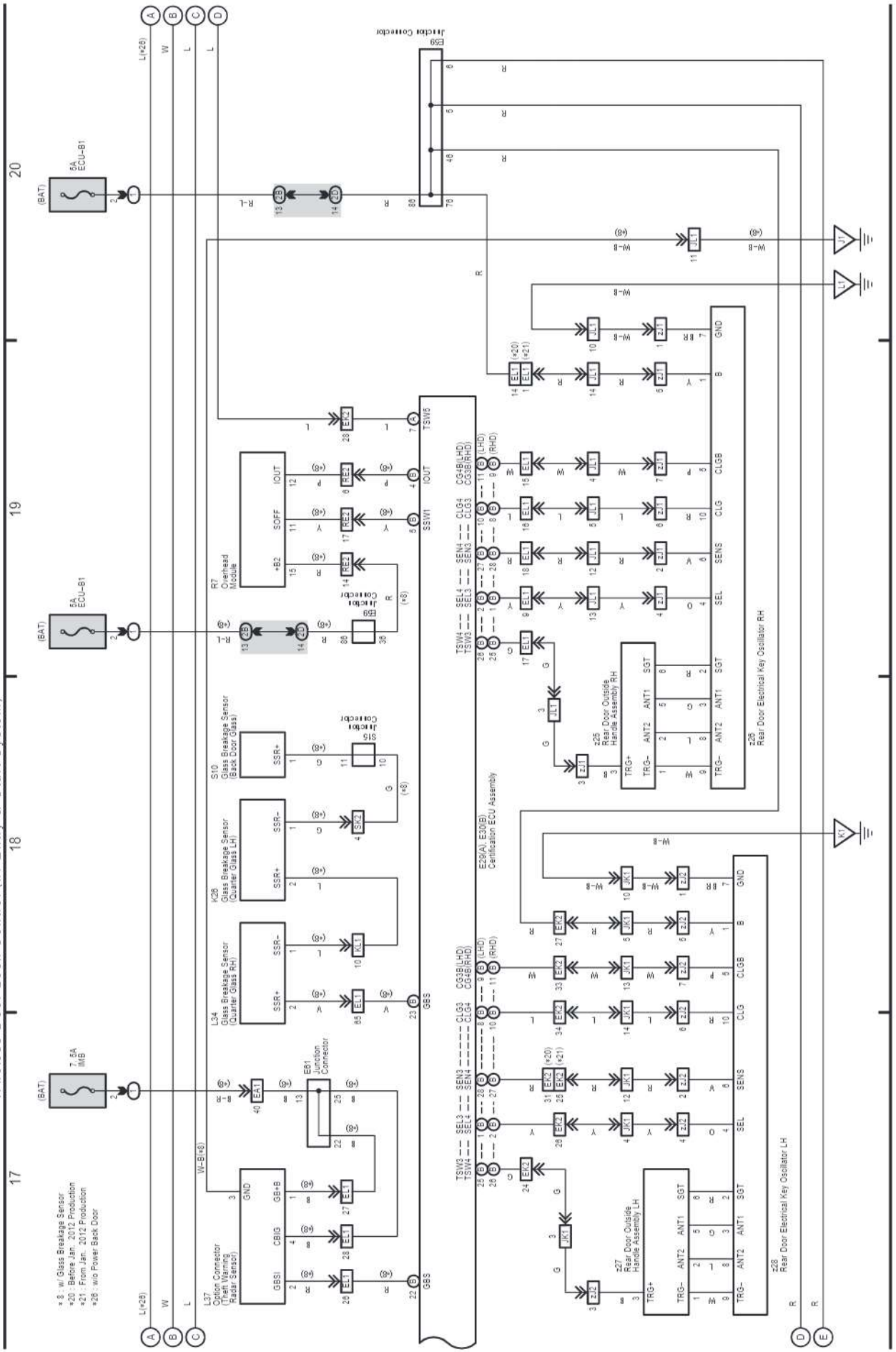
LAND CRUISER Station Wagon (EM19U2E)

# M OVERALL ELECTRICAL WIRING DIAGRAM

(Cont. next page)

## 4 LAND CRUISER Station Wagon (Cont' d)

Engine Immobiliser System (w/ Entry & Start System), Entry & Start System, Starting (w/ Entry & Start System),  
Steering Lock (w/ Entry & Start System), Theft Deterrent (w/ Entry & Start System),  
Wireless Door Lock Control (w/ Entry & Start System)



- \* 8 : w/ Glass Breakage Sensor
- \* 20 : Before Jan. 2012 Production
- \* 21 : From Jan. 2012 Production
- \* 28 : w/o Power Back Door



4 LAND CRUISER Station Wagon (Cont' d)

Back Door Opener

24

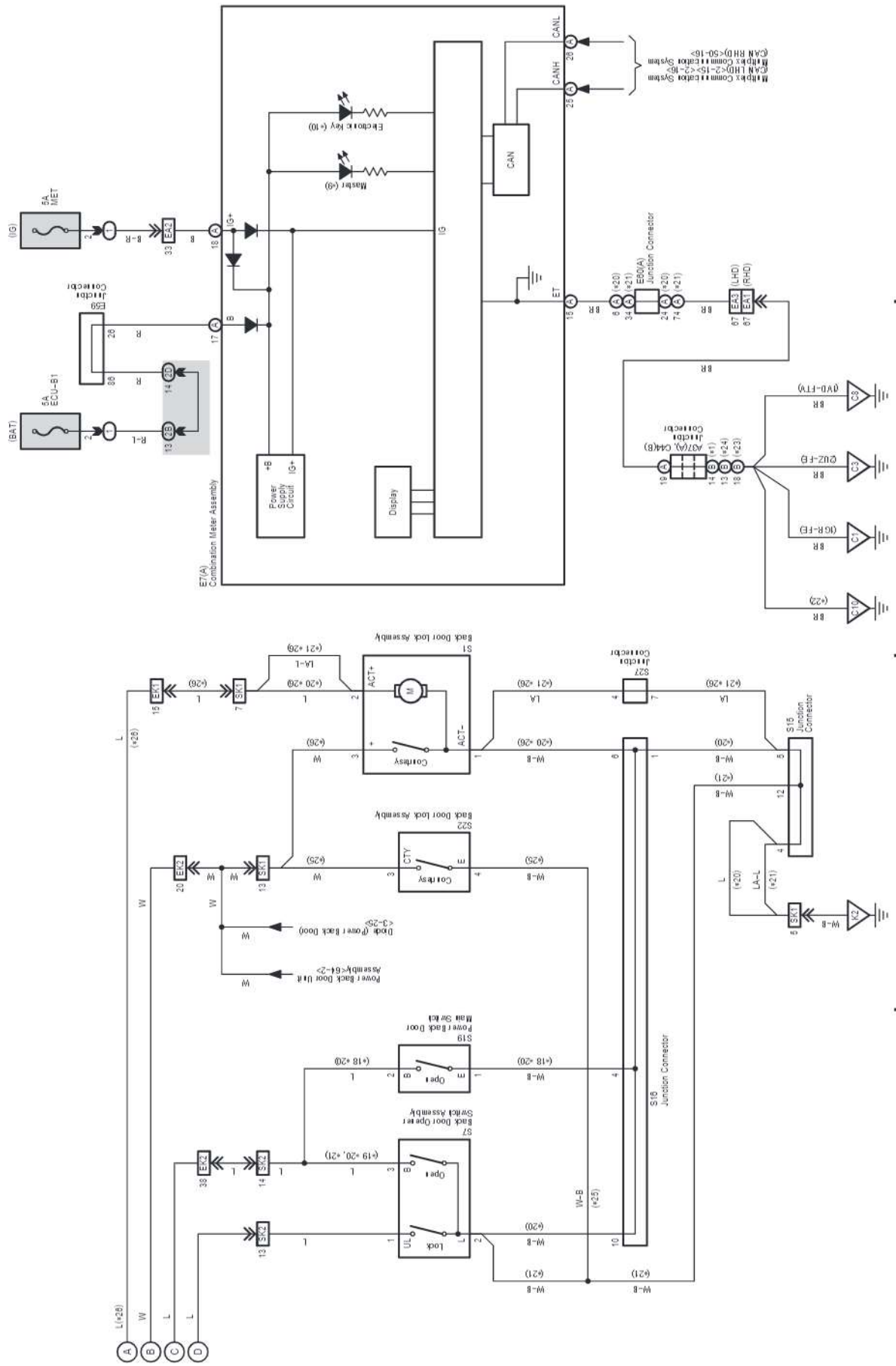
23

22

21

- \*1: Gasoline
- \*10: Except Meter
- \*11: Except Option Meter
- \*18: 8 Seater
- \*23: 1VCL-FTV w/DPF
- \*24: 1VCL-FTV w/o DPF
- \*25: w/ Power Back Door
- \*26: w/o Power Back Door

- \*19: Except 8 Seater
- \*20: Before Jan. 2012 Production
- \*21: From Jan. 2012 Production
- \*22: 3UR-EE, 1UR-EE



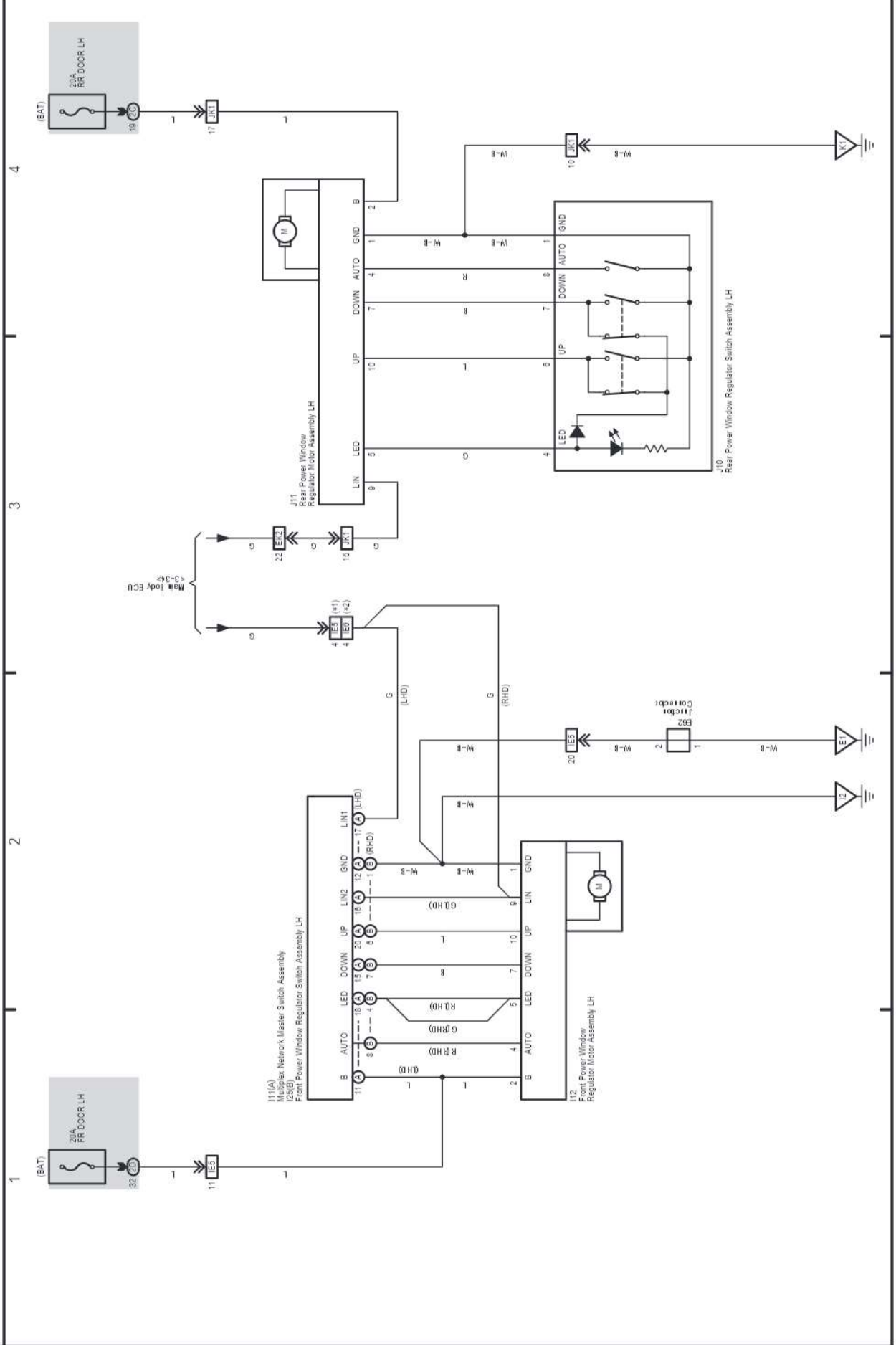
# M OVERALL ELECTRICAL WIRING DIAGRAM

(Cont. next page)

5 LAND CRUISER Station Wagon

## Power Window (All Door Jam Protection)

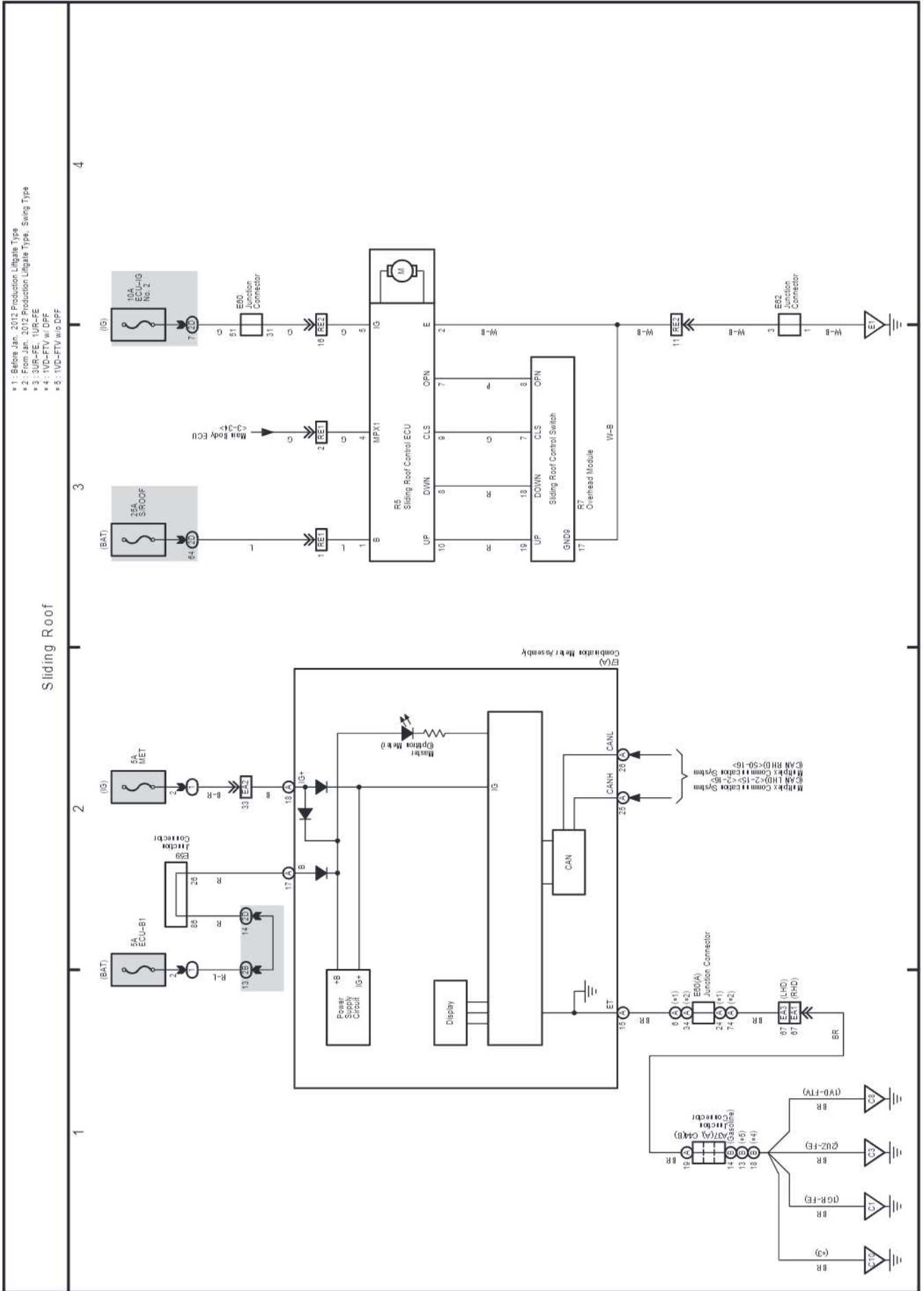
\*1: Ligate Type  
\*2: Swing Type





# M OVERALL ELECTRICAL WIRING DIAGRAM

## 6 LAND CRUISER Station Wagon



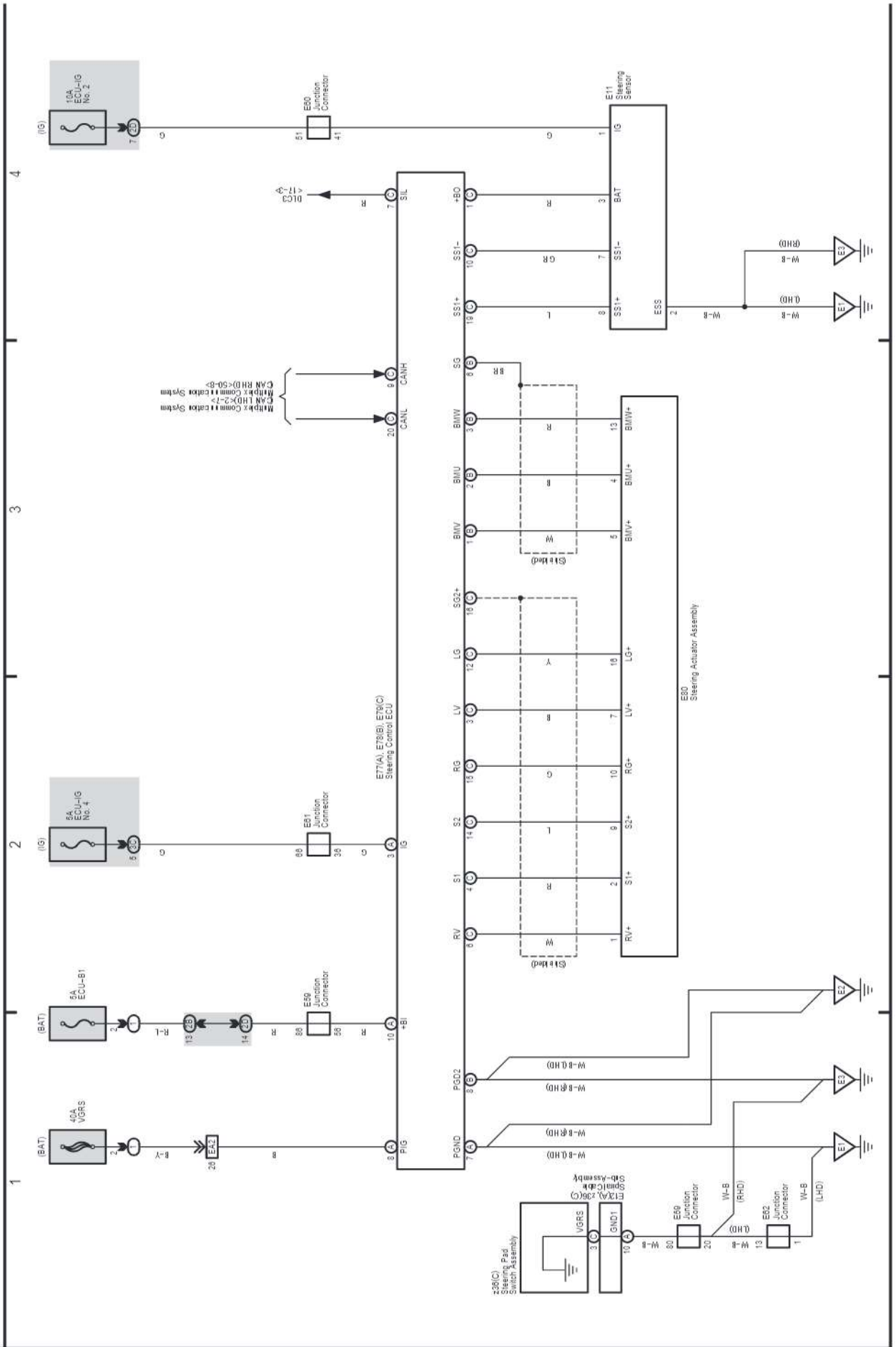
LAND CRUISER Station Wagon (EM19U2E)

# M OVERALL ELECTRICAL WIRING DIAGRAM

(Cont. next page)

7 LAND CRUISER Station Wagon

## VGRS System



LAND CRUISER Station Wagon (EM19U2E)

7 LAND CRUISER Station Wagon (Cont' d)

VGRS System

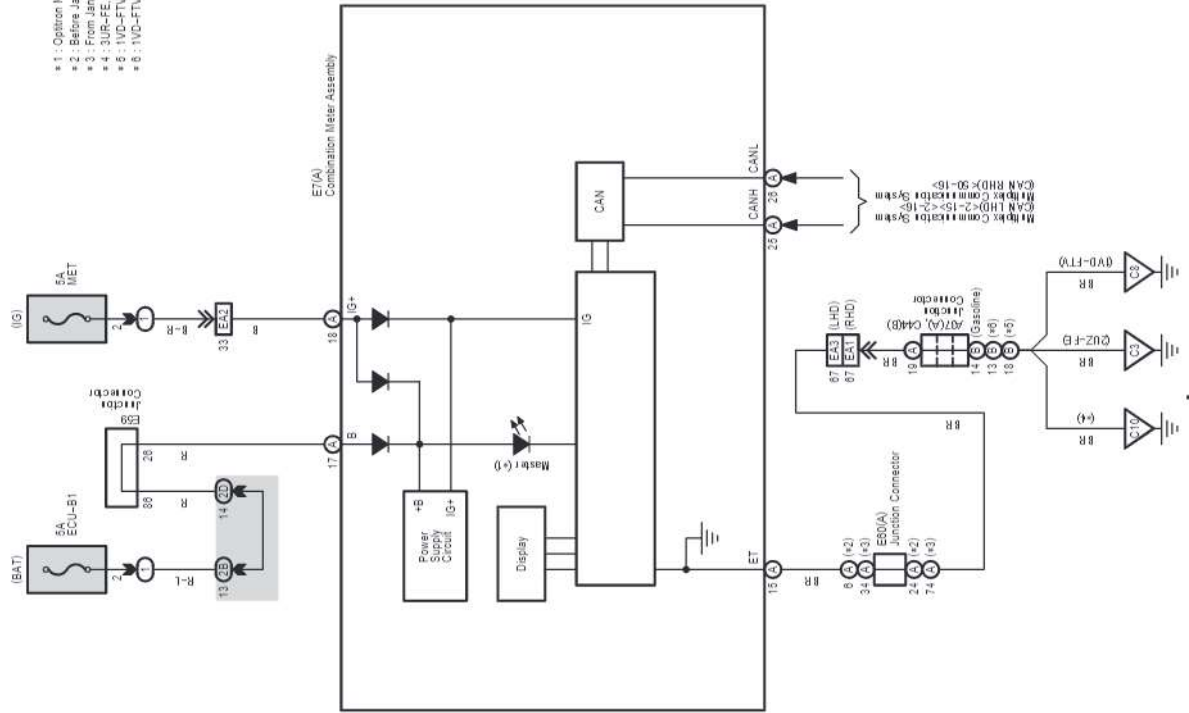
8

7

6

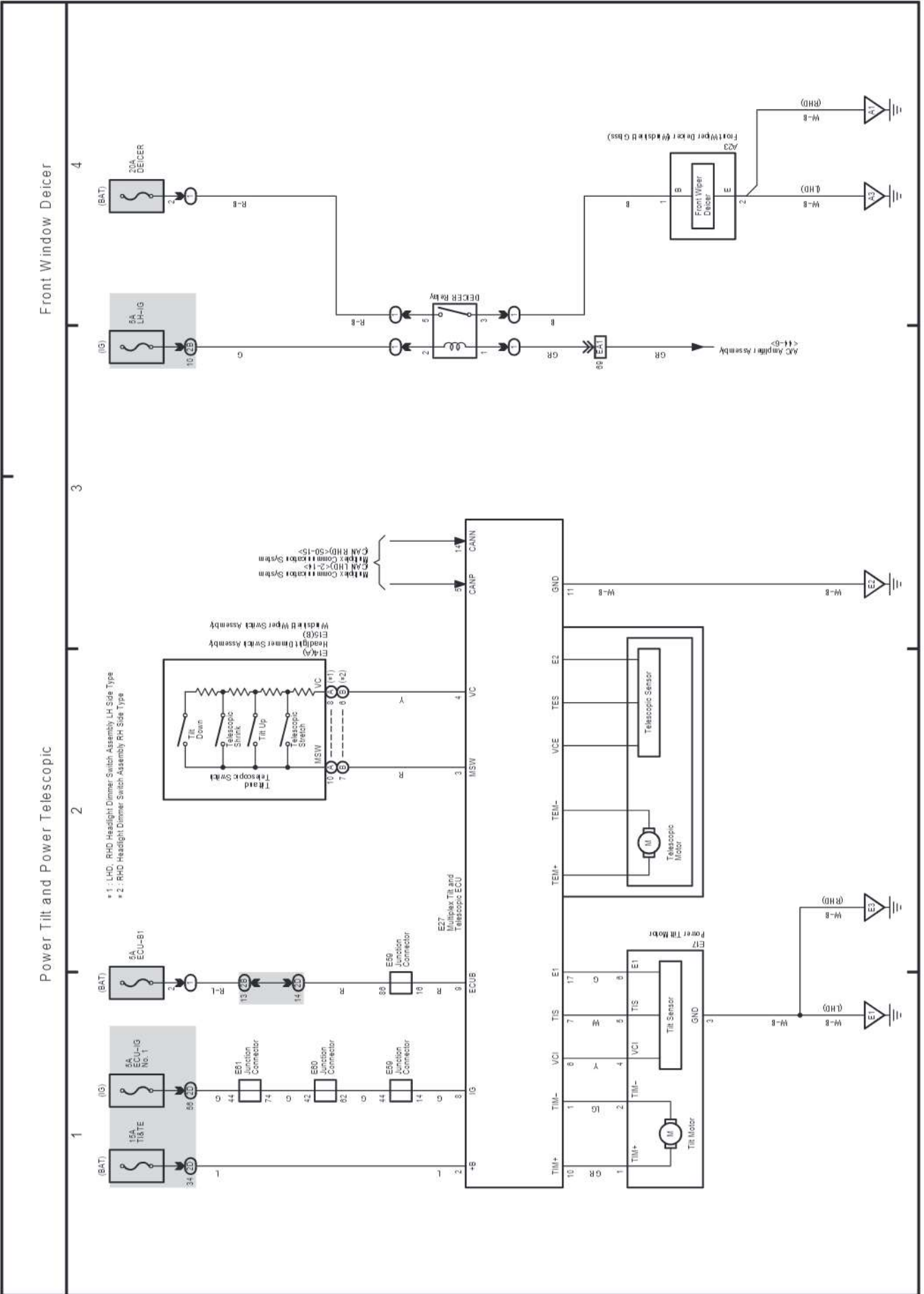
5

- \* 1 : Option Meter
- \* 2 : Before Jan. 2012 Production
- \* 3 : From Jan. 2012 Production
- \* 4 : 3UR-FE, 1UR-FE
- \* 5 : 1VD-FTV w/DPF
- \* 6 : 1VD-FTV w/o DPF



# M OVERALL ELECTRICAL WIRING DIAGRAM

## 8 LAND CRUISER Station Wagon



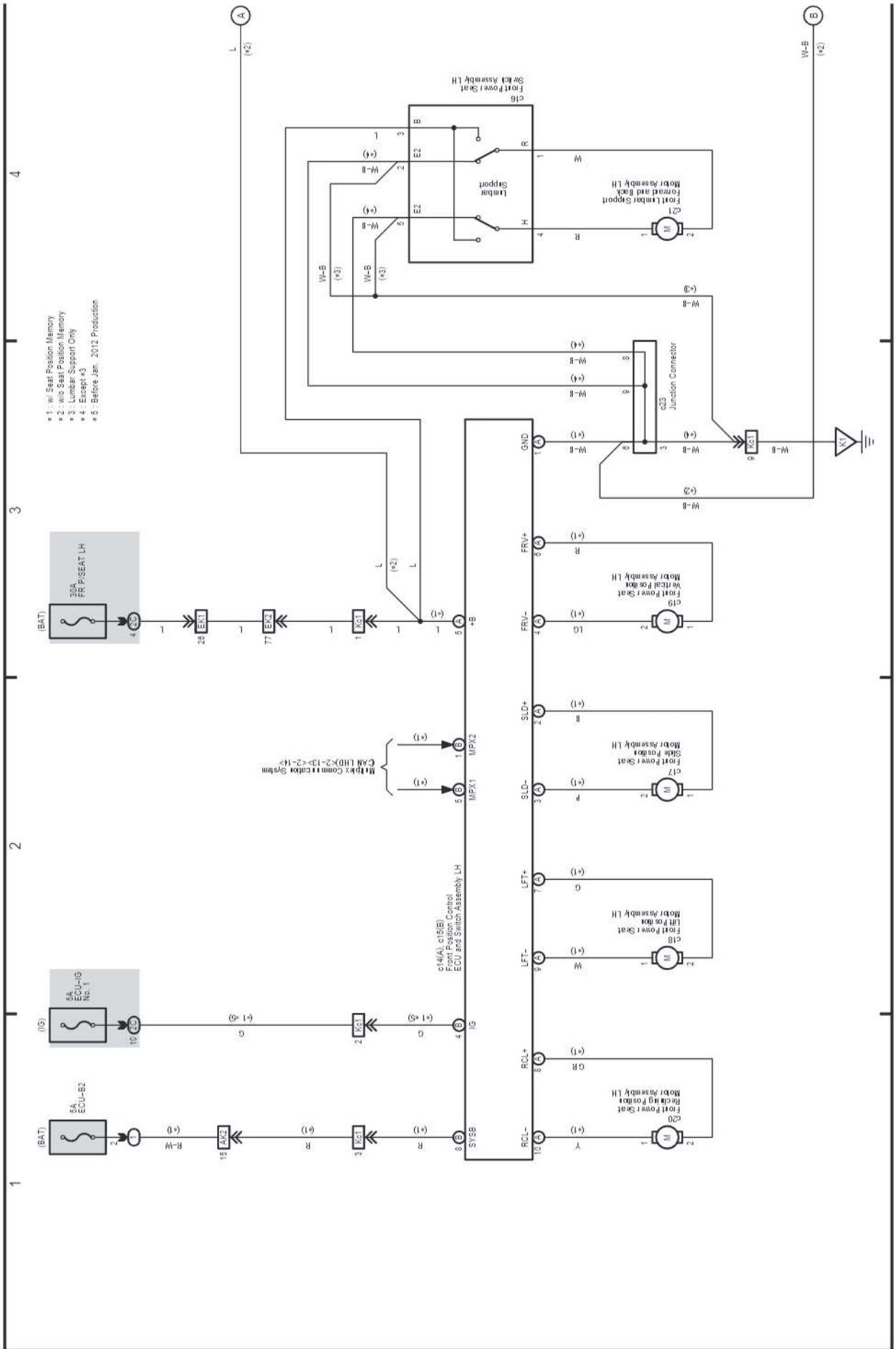
LAND CRUISER Station Wagon (EM19U2E)

# M OVERALL ELECTRICAL WIRING DIAGRAM

(Cont. next page)

9 LAND CRUISER Station Wagon

### Power Seat (LHD Driver's Seat w/ Seat Position Memory)





Power Seat (LHD Driver's Seat w/o Seat Position Memory)

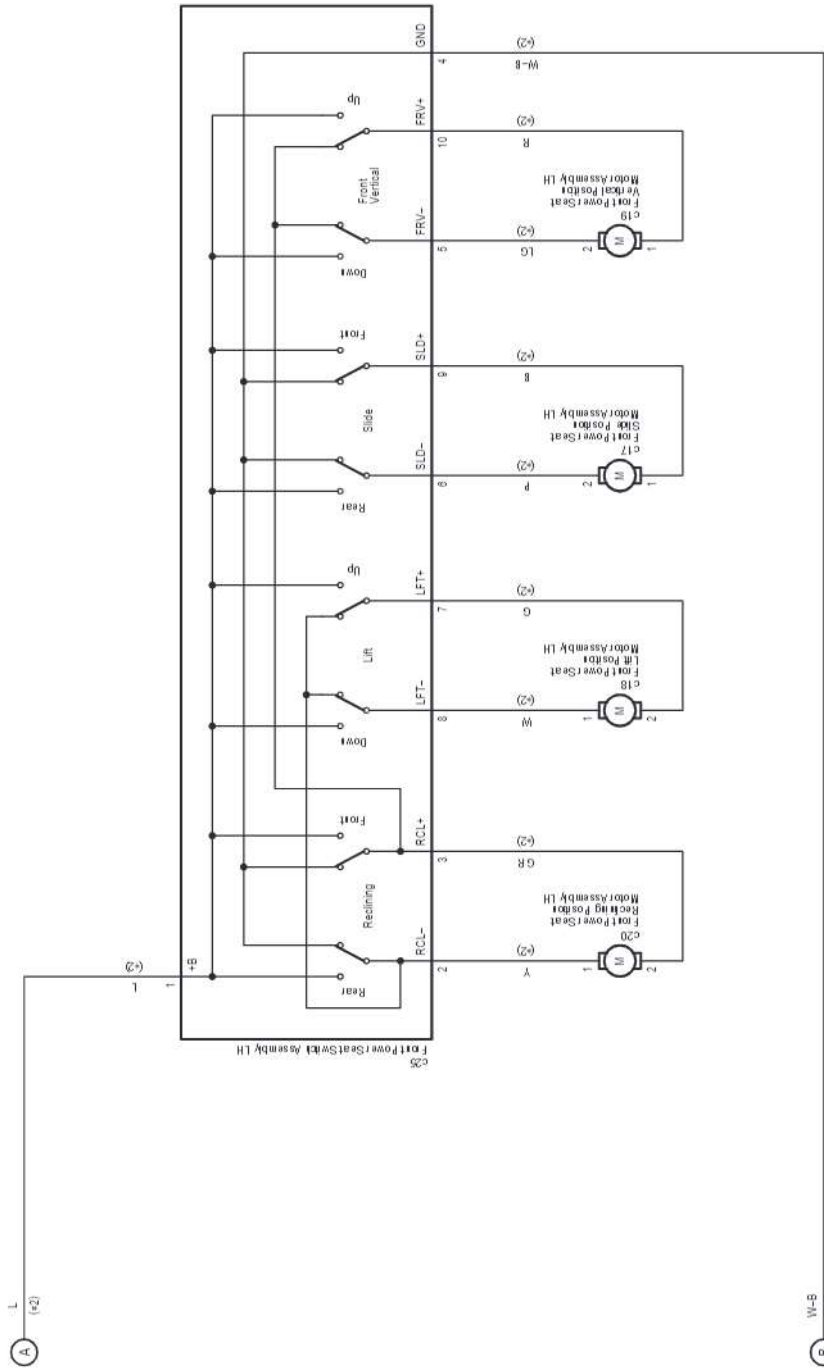
8

7

6

5

\* 2 - w/o Seat Position Memory



B (x2)

W-B (x2)

# M OVERALL ELECTRICAL WIRING DIAGRAM

## 9 LAND CRUISER Station Wagon (Cont' d)

### Power Seat (LHD Front Passenger's Seat)

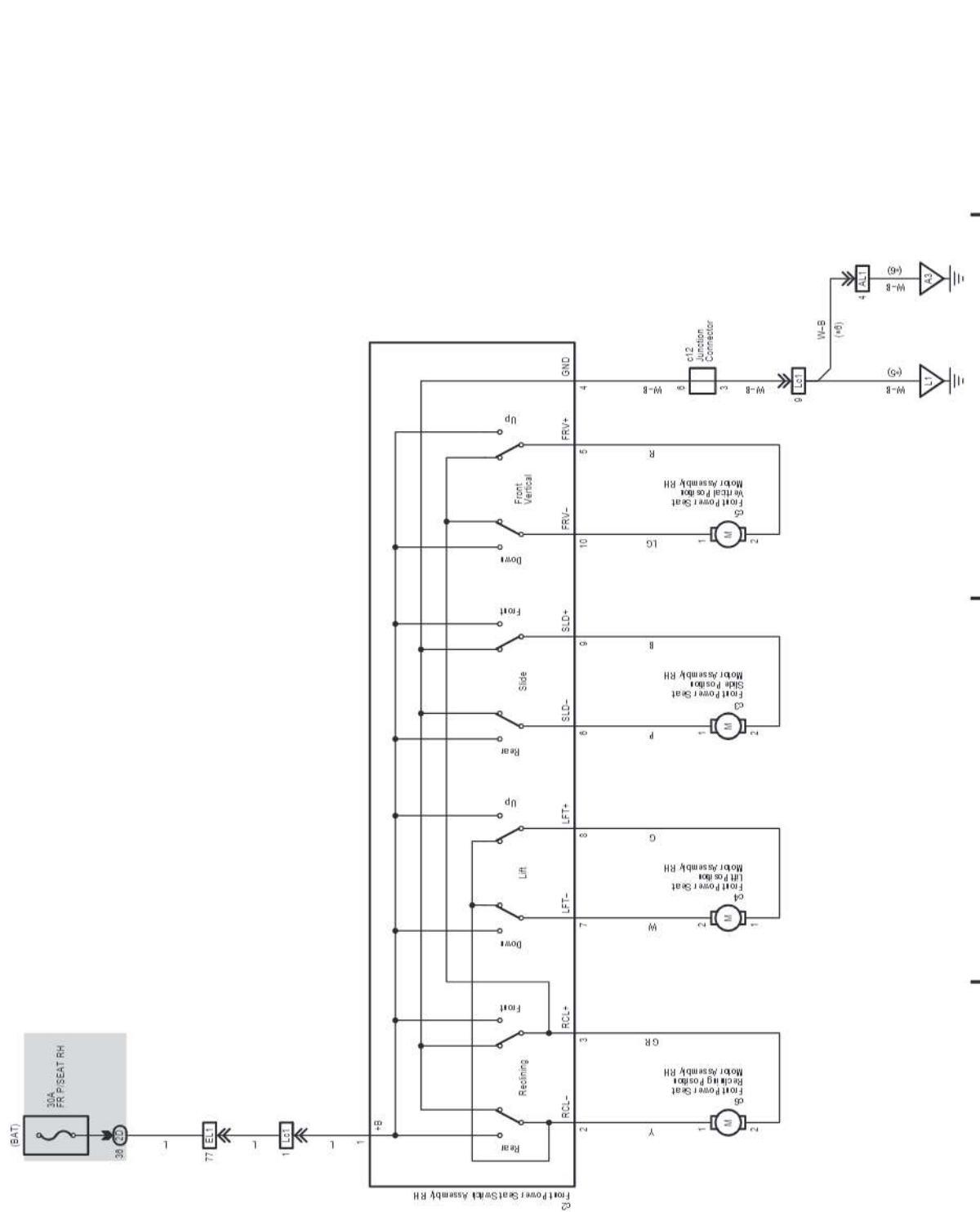
\* 5 : Before Jan. 2012 Production  
\* 6 : From Jan. 2012 Production

12

11

10

9

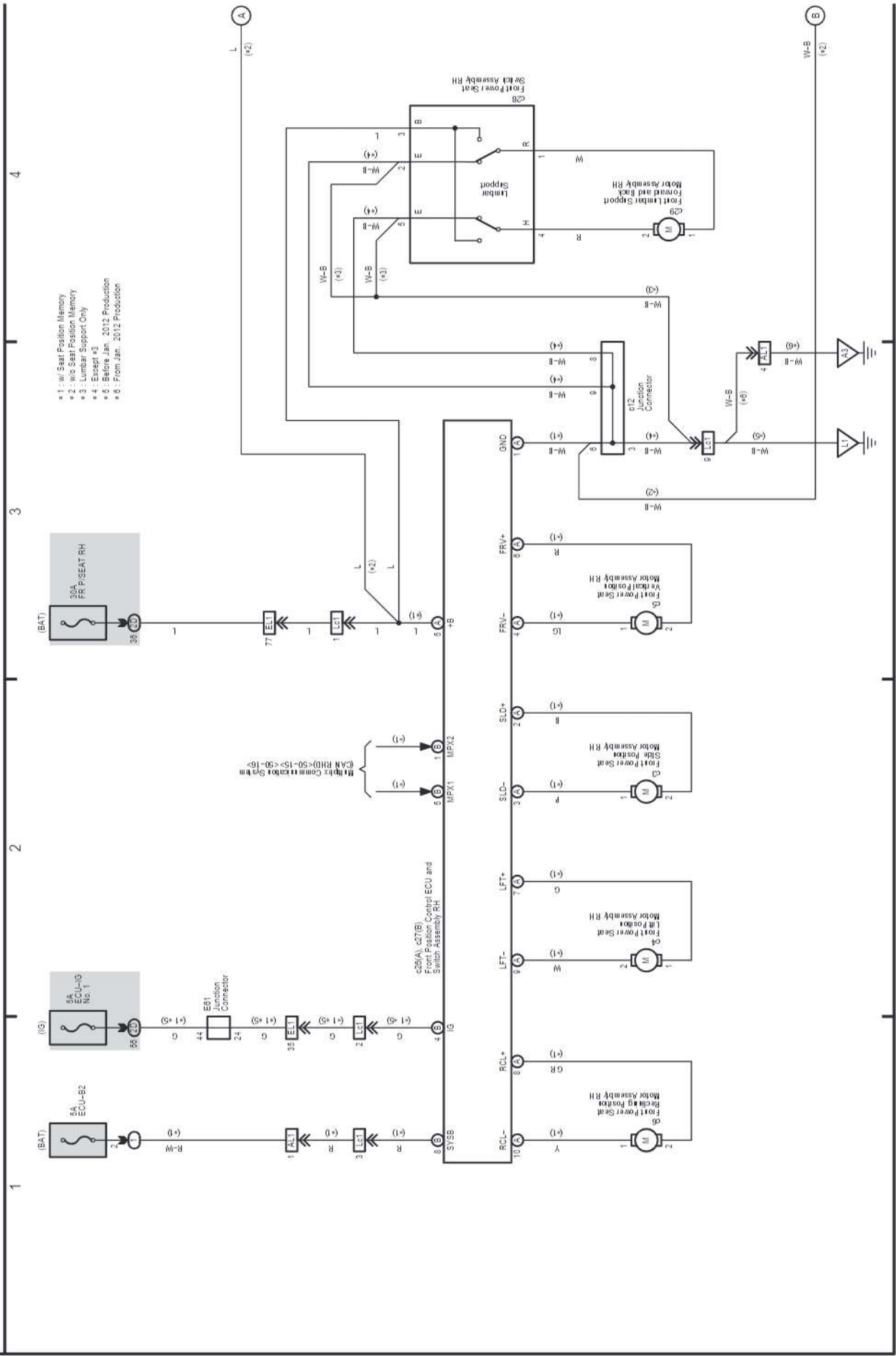


# M OVERALL ELECTRICAL WIRING DIAGRAM

10 LAND CRUISER Station Wagon

(Cont. next page)

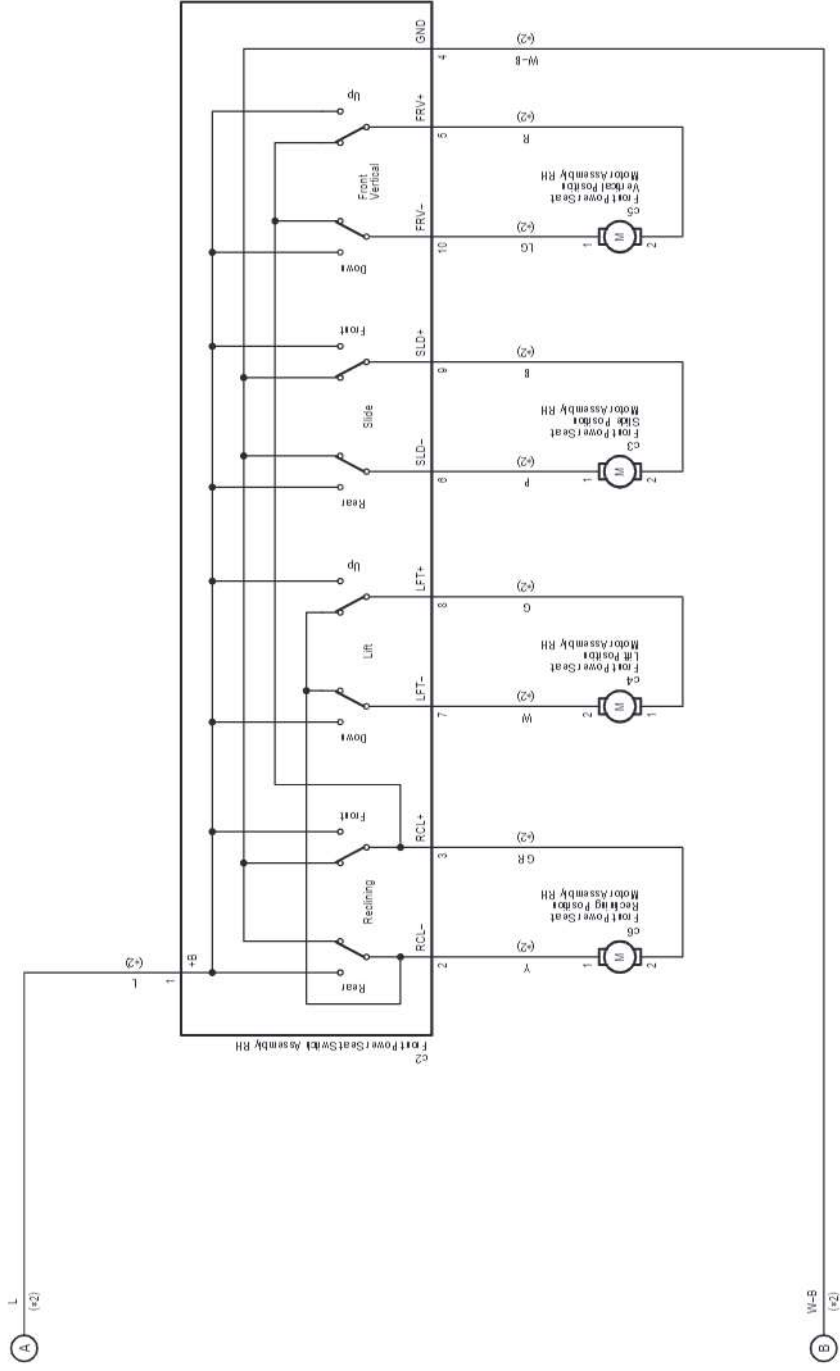
### Power Seat (RHD Driver)'s Seat w/ Seat Position Memory



Power Seat (RHD Driver' s Seat w/o Seat Position Memory)



x 2 - w/o Seat Position Memory

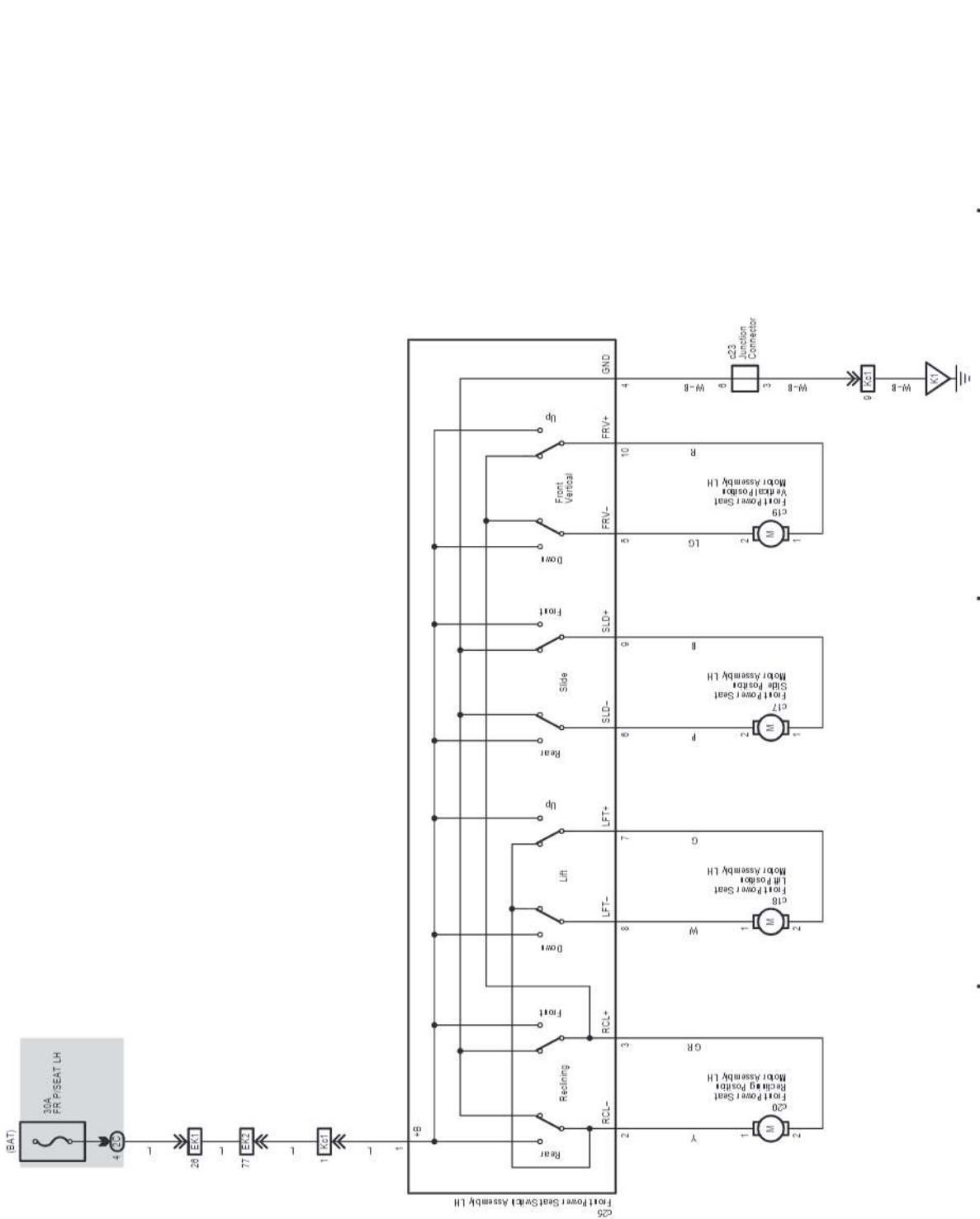


# M OVERALL ELECTRICAL WIRING DIAGRAM

## 10 LAND CRUISER Station Wagon (Cont' d)

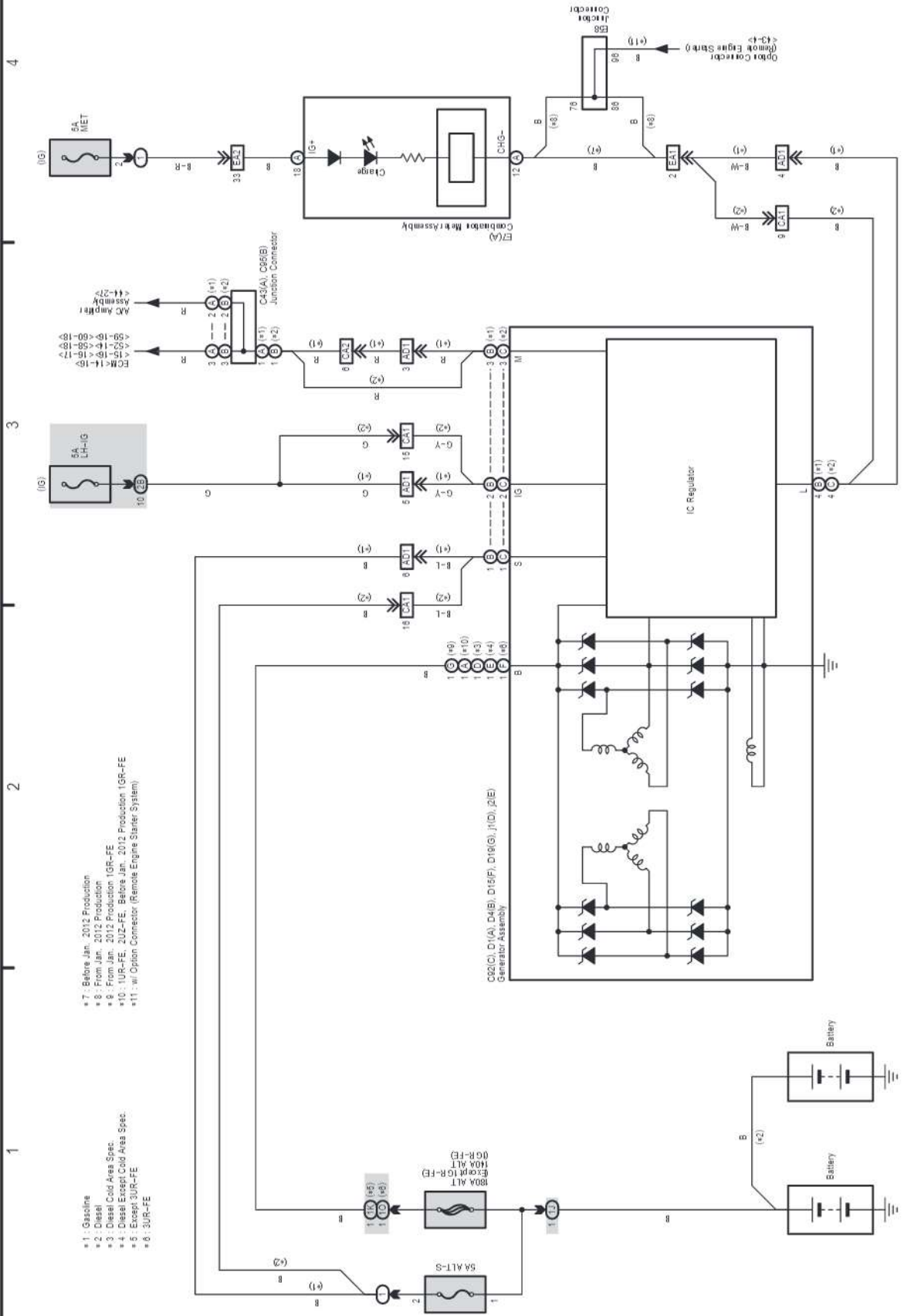
### Power Seat (RHD Front Passenger's Seat)

9 10 11 12



11 LAND CRUISER Station Wagon

Charging



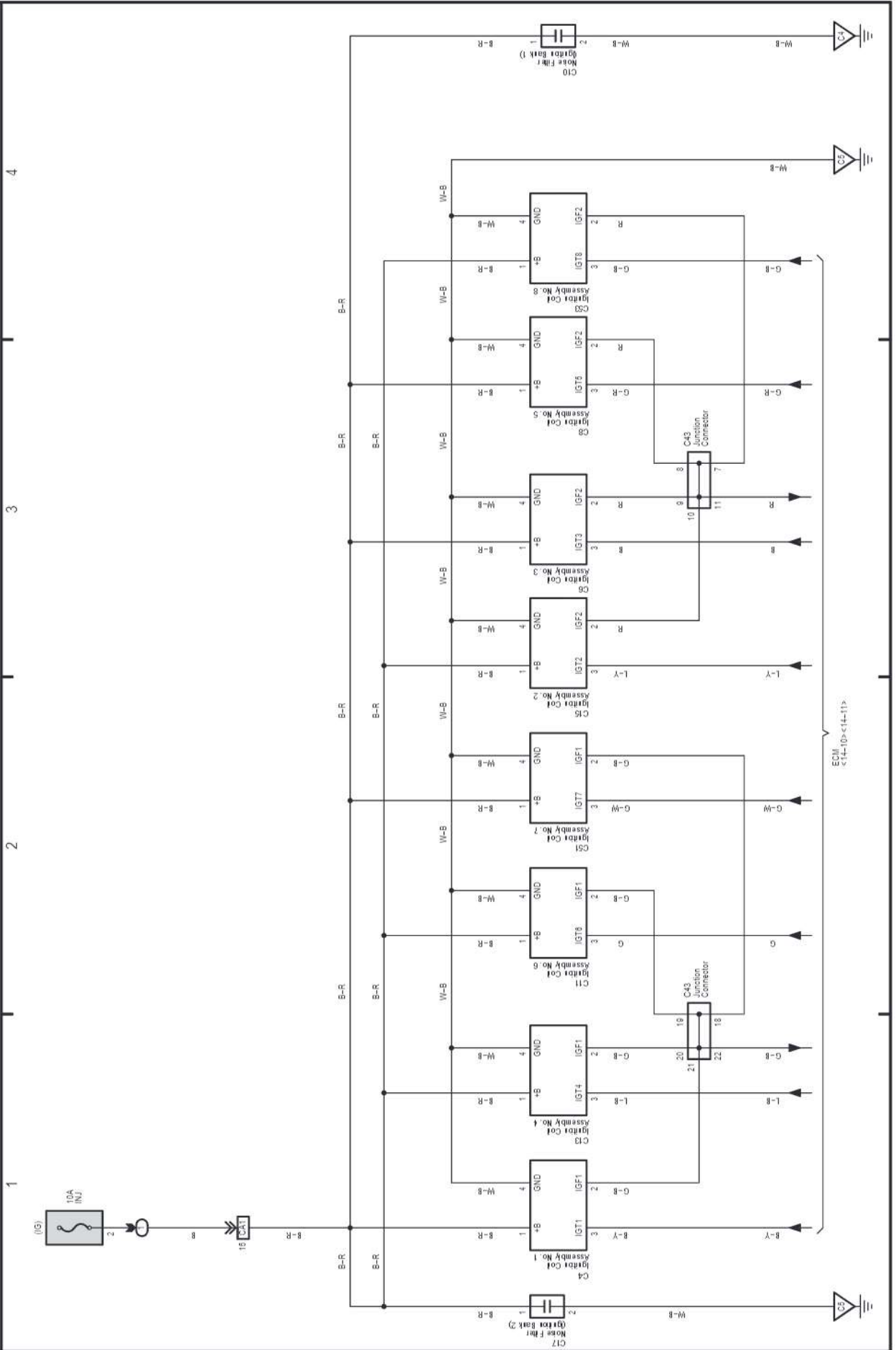
- \* 1: Gasoline
- \* 2: Diesel
- \* 3: Diesel Cold Area Spec.
- \* 4: Diesel Except Cold Area Spec.
- \* 5: Except 3UR-FE
- \* 6: 3UR-FE
- \* 7: Before Jan. 2012 Production
- \* 8: From Jan. 2012 Production
- \* 9: From Jan. 2012 Production 1GR-FE
- \* 10: 1UR-FE, 2UR-FE, Before Jan. 2012 Production 1GR-FE
- \* 11: w/ Option Connector (Remote Engine Starter System)

LAND CRUISER Station Wagon (EM19U2E)

# M OVERALL ELECTRICAL WIRING DIAGRAM

## 12 LAND CRUISER Station Wagon

### Ignition (2UZ-FE)

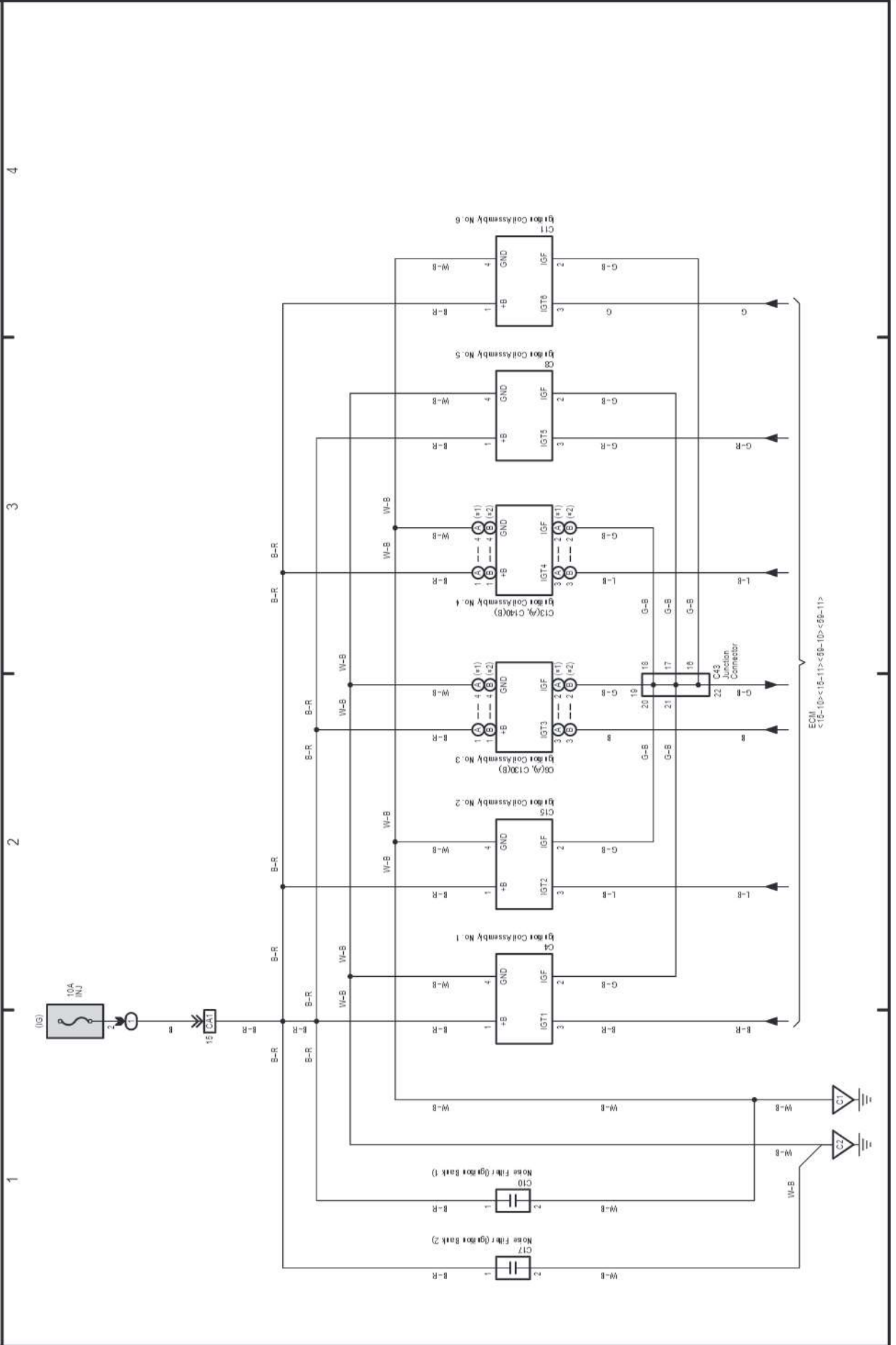


LAND CRUISER Station Wagon (EM19U2E)

13 LAND CRUISER Station Wagon

Ignition (1GR-FE)

\*1: Before Jan. 2013 Production  
\*2: From Jan. 2013 Production



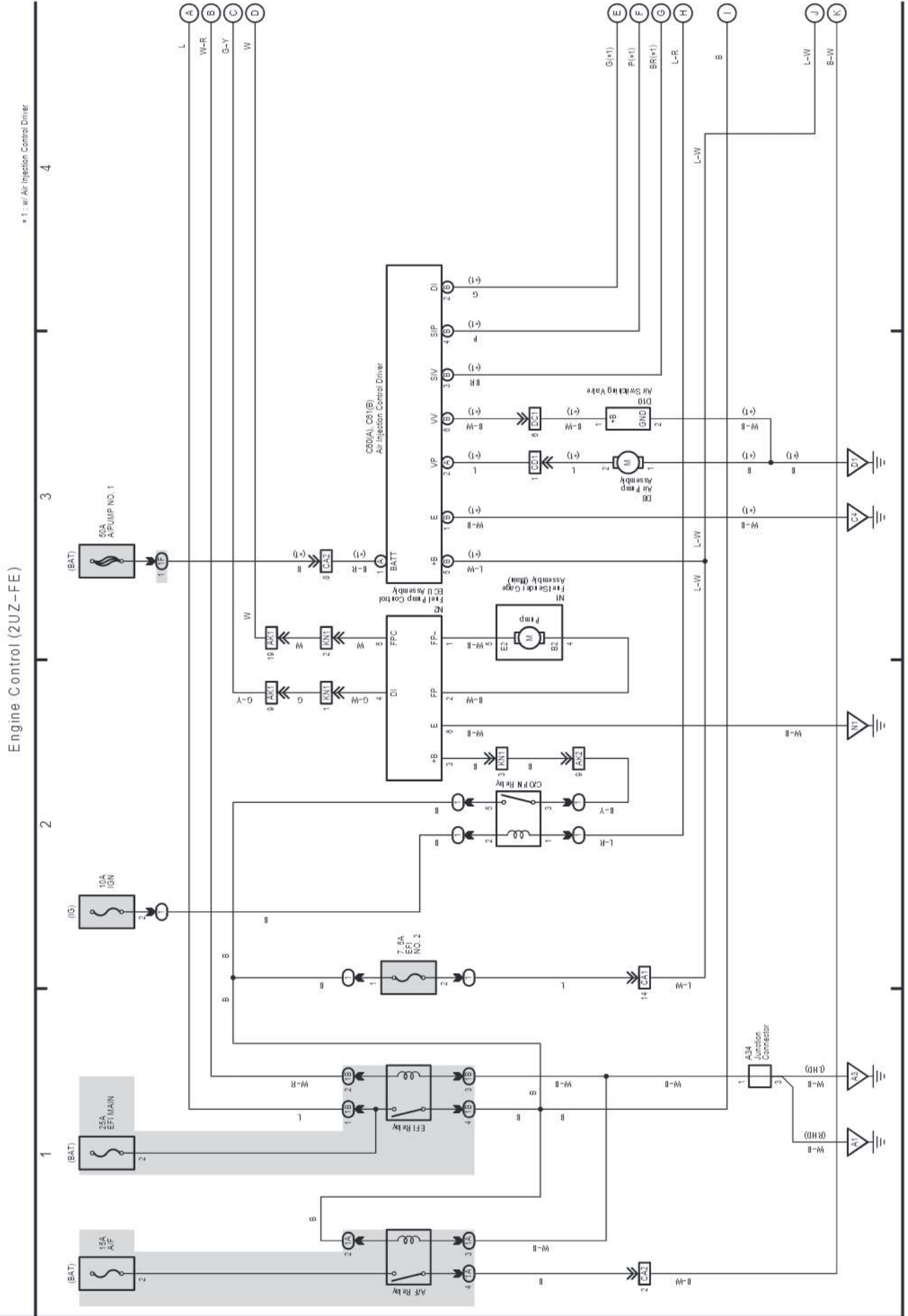
LAND CRUISER Station Wagon (EM19U2E)



# M OVERALL ELECTRICAL WIRING DIAGRAM

(Cont. next page)

14 LAND CRUISER Station Wagon



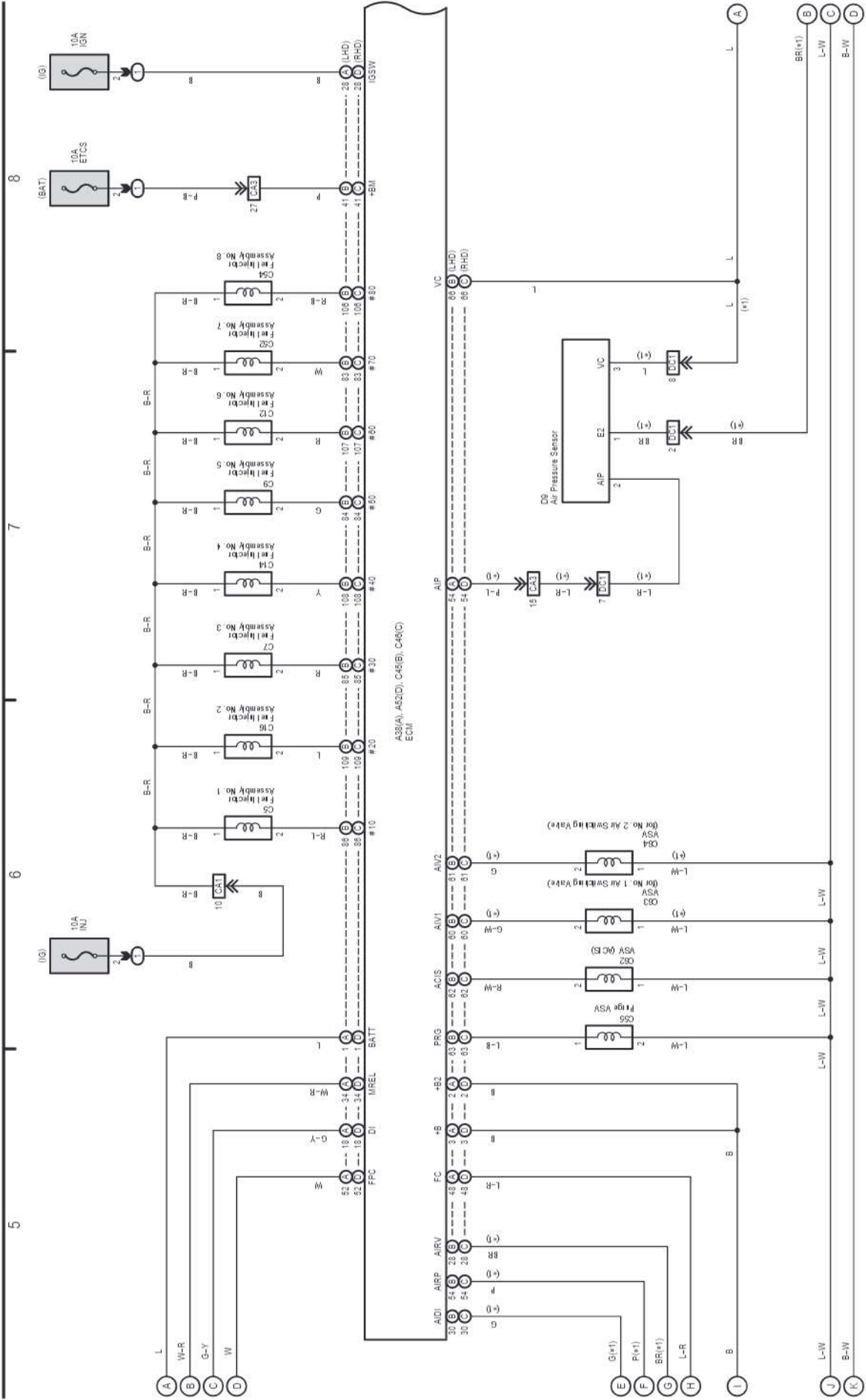
LAND CRUISER Station Wagon (EM19U2E)

14 LAND CRUISER Station Wagon (Cont' d)

(Cont. next page)

Engine Control (2UZ-FE)

\* 1 - w/ Air Injection Control Driver



LAND CRUISER Station Wagon (EM19U2E)

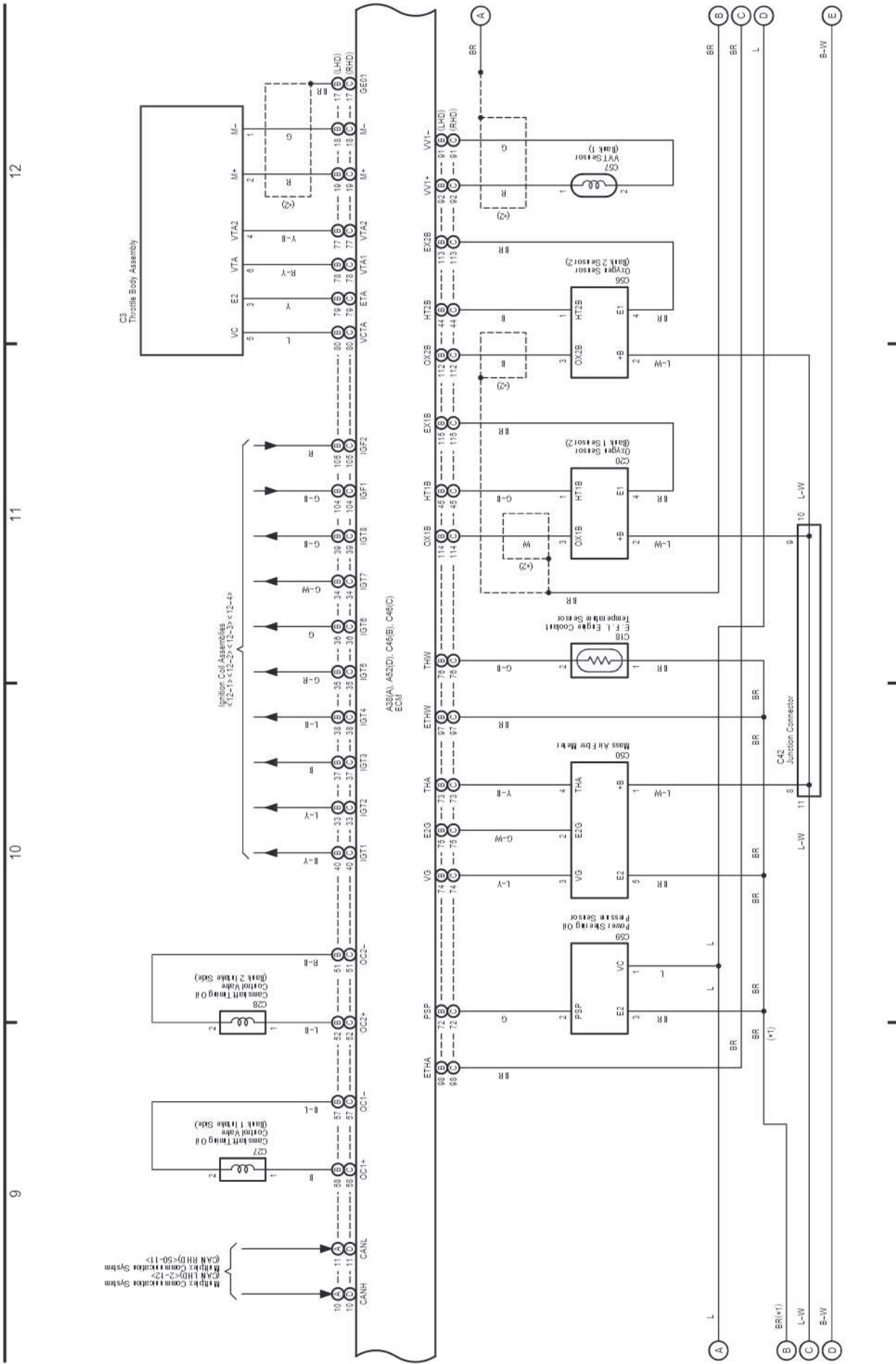
# M OVERALL ELECTRICAL WIRING DIAGRAM

(Cont. next page)

14 LAND CRUISER Station Wagon (Cont' d)

\* 1 : W/ Air Injection Control Driver  
\* 2 : Shielded

Engine Control (2UZ-FE)



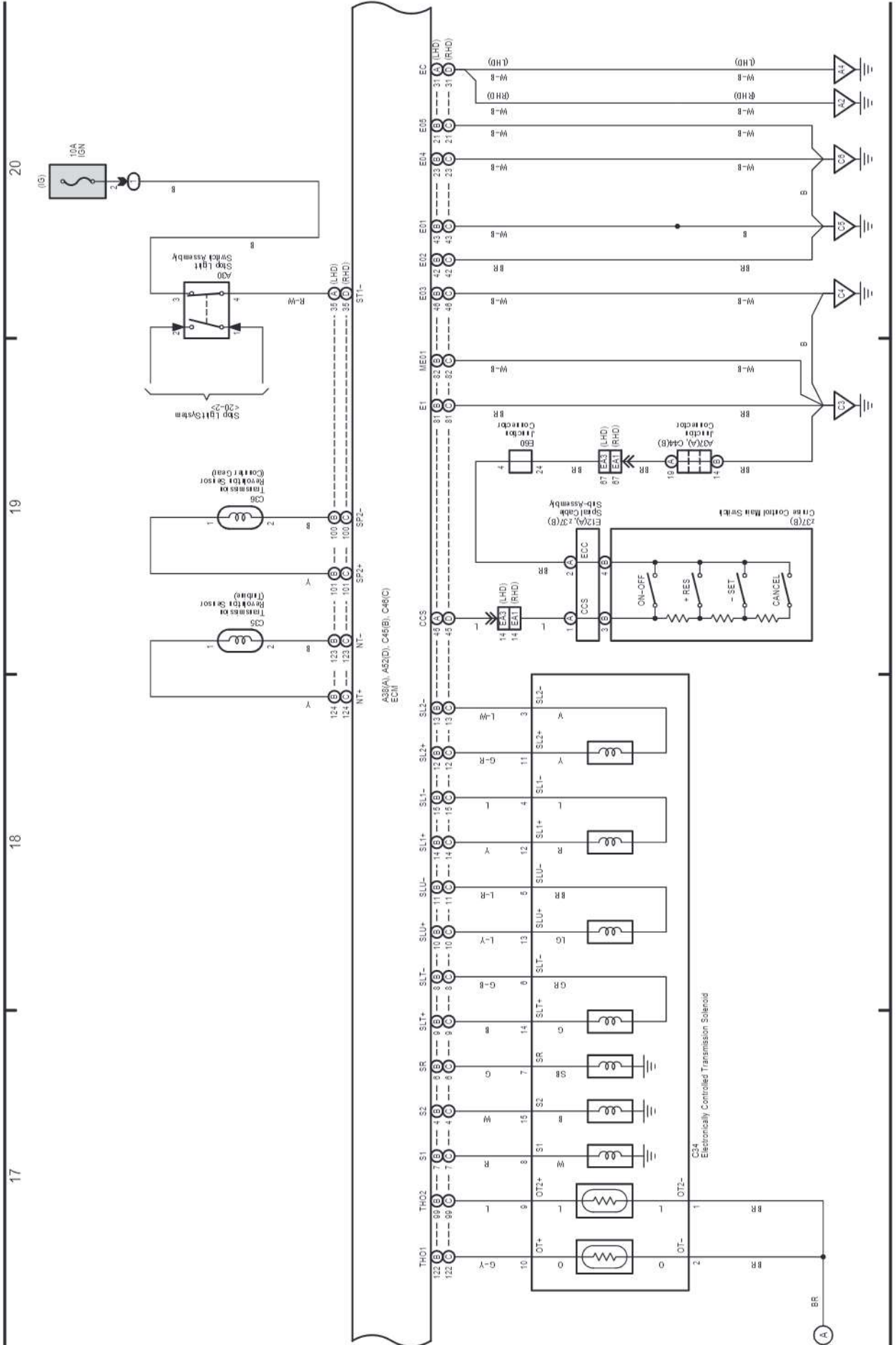


# M OVERALL ELECTRICAL WIRING DIAGRAM

14 LAND CRUISER Station Wagon (Cont' d)

(Cont. next page)

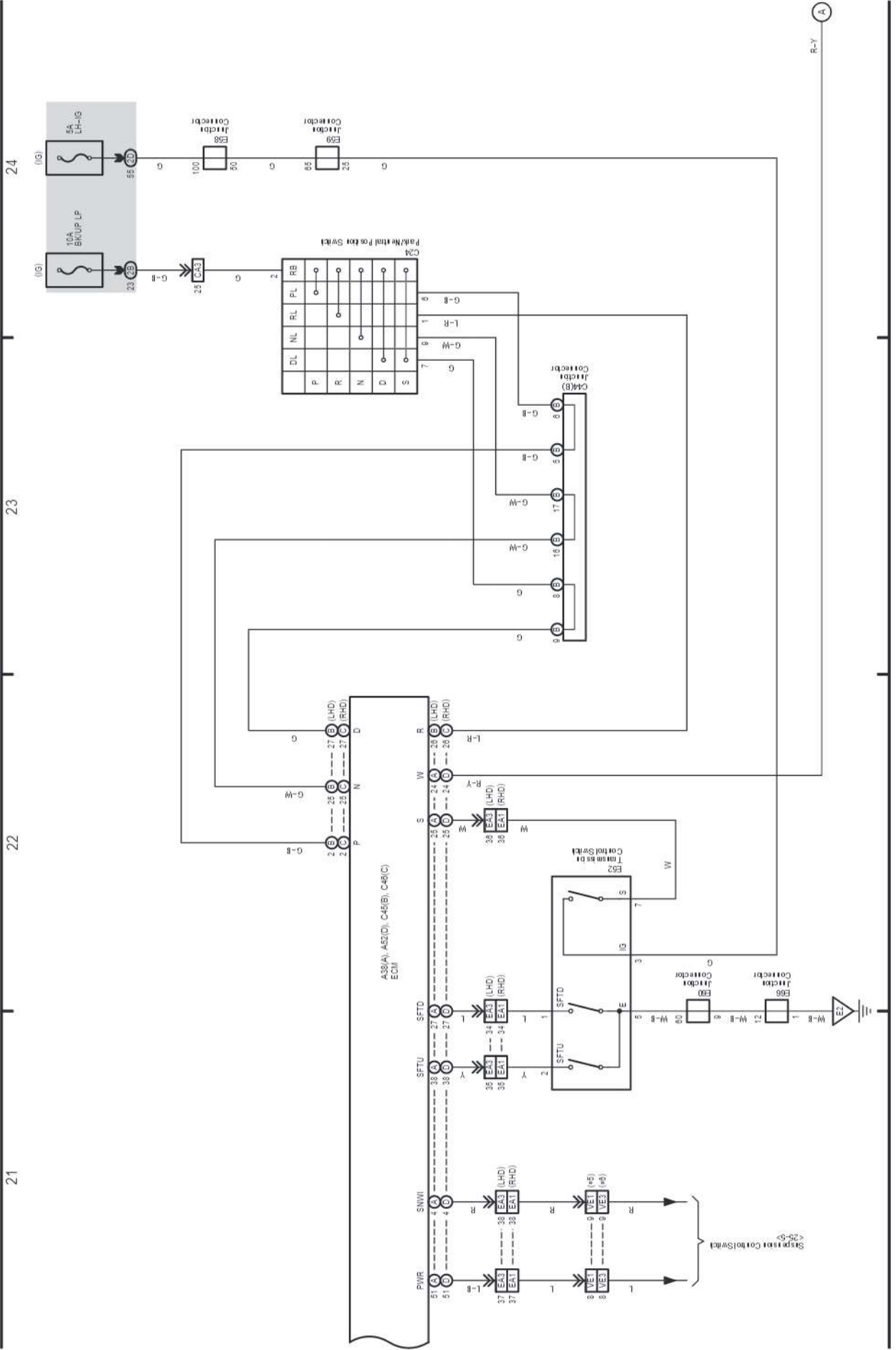
## Cruise Control (2UZ-FE)



LAND CRUISER Station Wagon (EM19U2E)

ECT and A/T Indicator (2UZ-FE)

\* 5: Before Jul. 2000 Production  
\* 6: From Jul. 2000 Production



# M OVERALL ELECTRICAL WIRING DIAGRAM

## 14 LAND CRUISER Station Wagon (Cont' d)

### ECT and A/T Indicator (2UZ-FE)

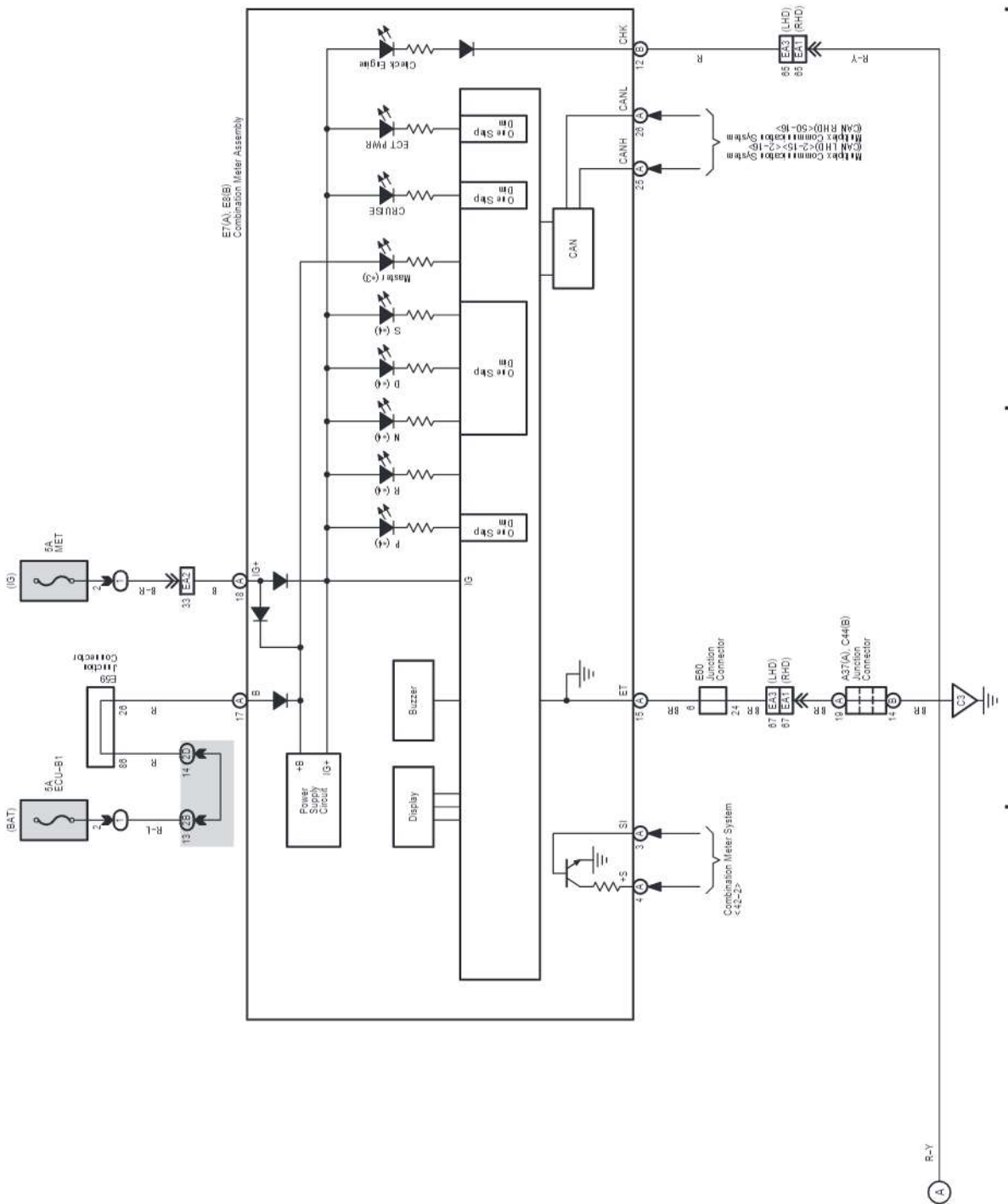
\* 3 : Option Meter  
\* 4 : Except Option Meter

28

27

26

25

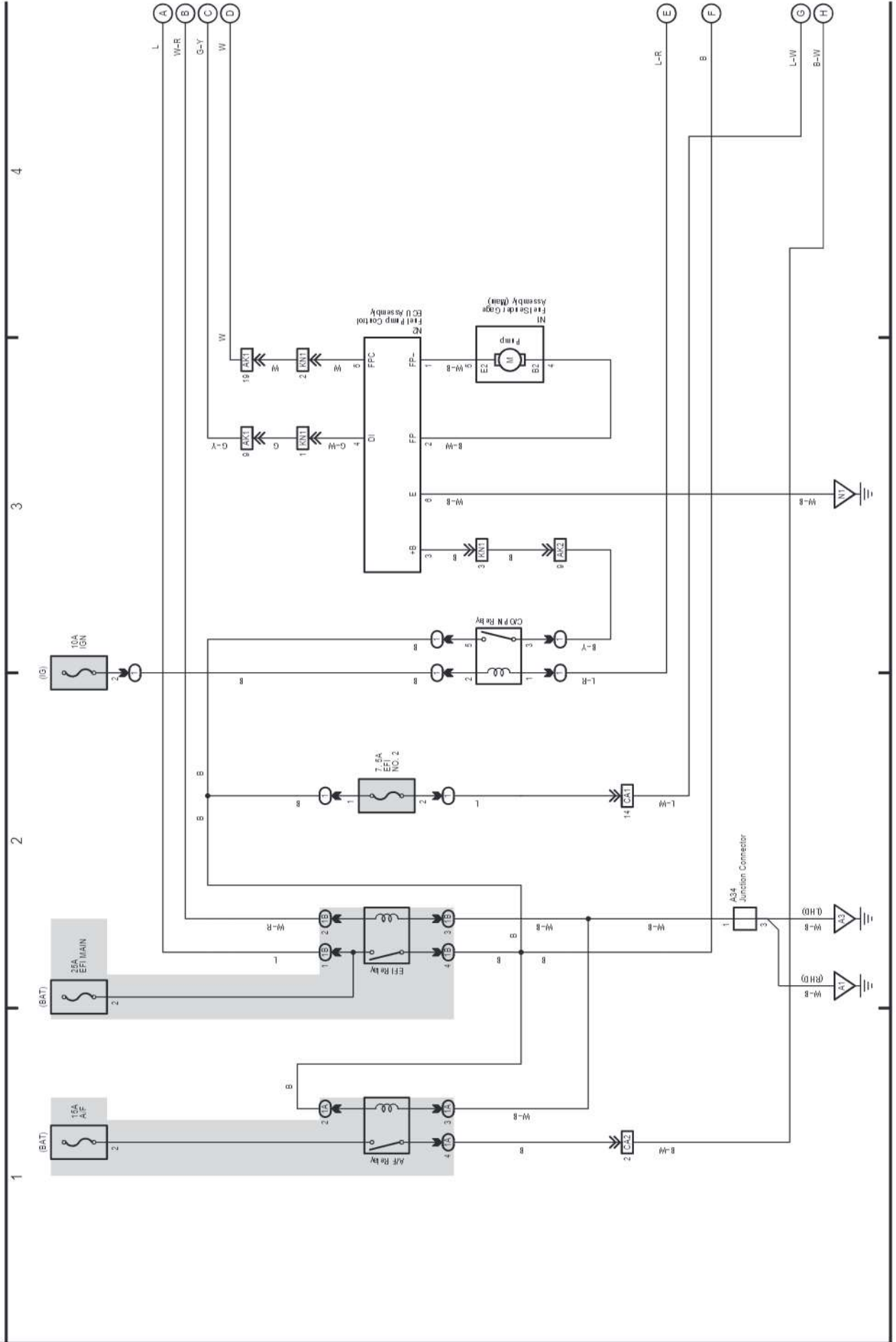


# M OVERALL ELECTRICAL WIRING DIAGRAM

(Cont. next page)

15 LAND CRUISER Station Wagon

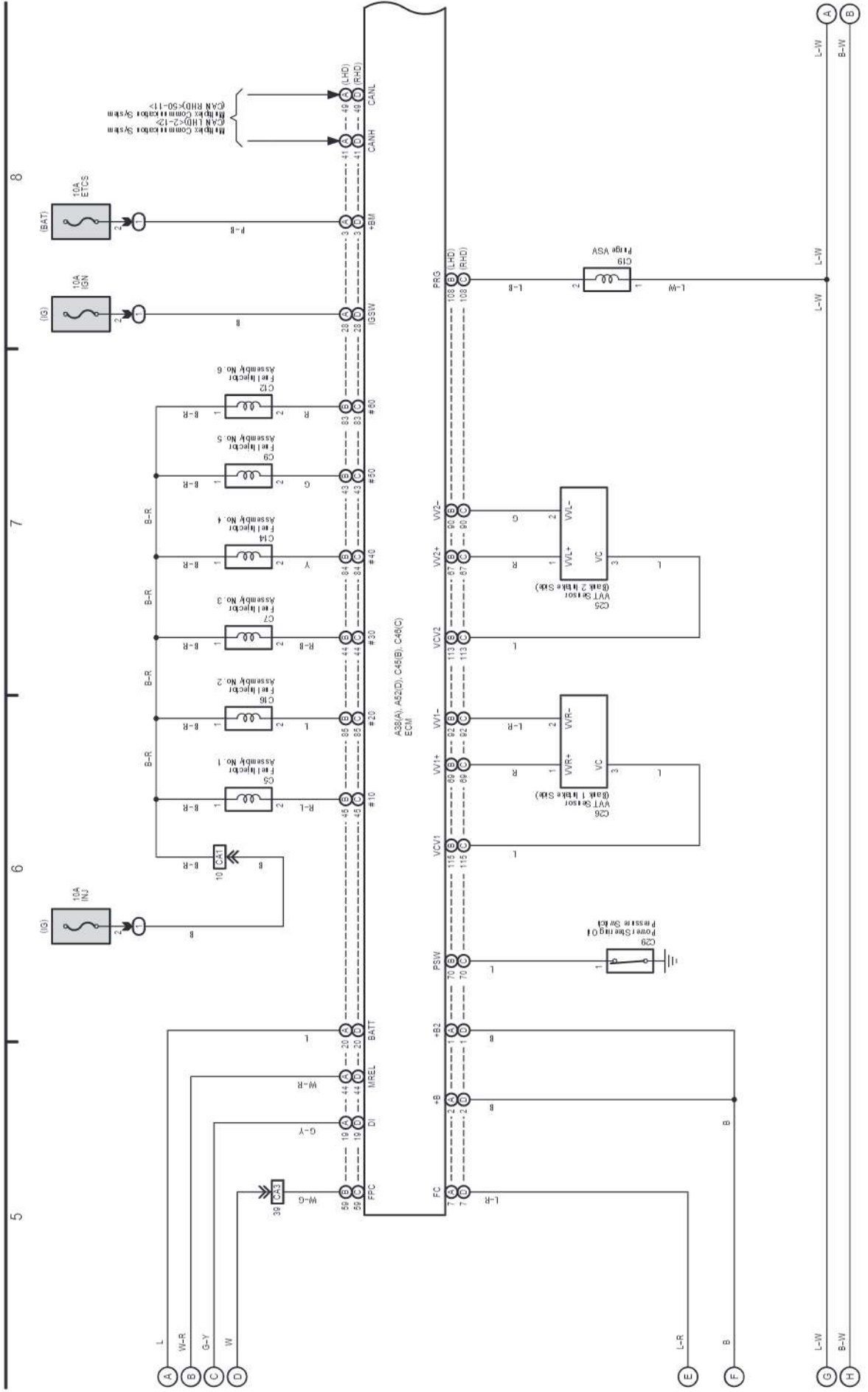
Engine Control (1GR-FE) (Before Jan. 2012 Production)



LAND CRUISER Station Wagon (EM19U2E)



Engine Control (1GR-FE) (Before Jan. 2012 Production)



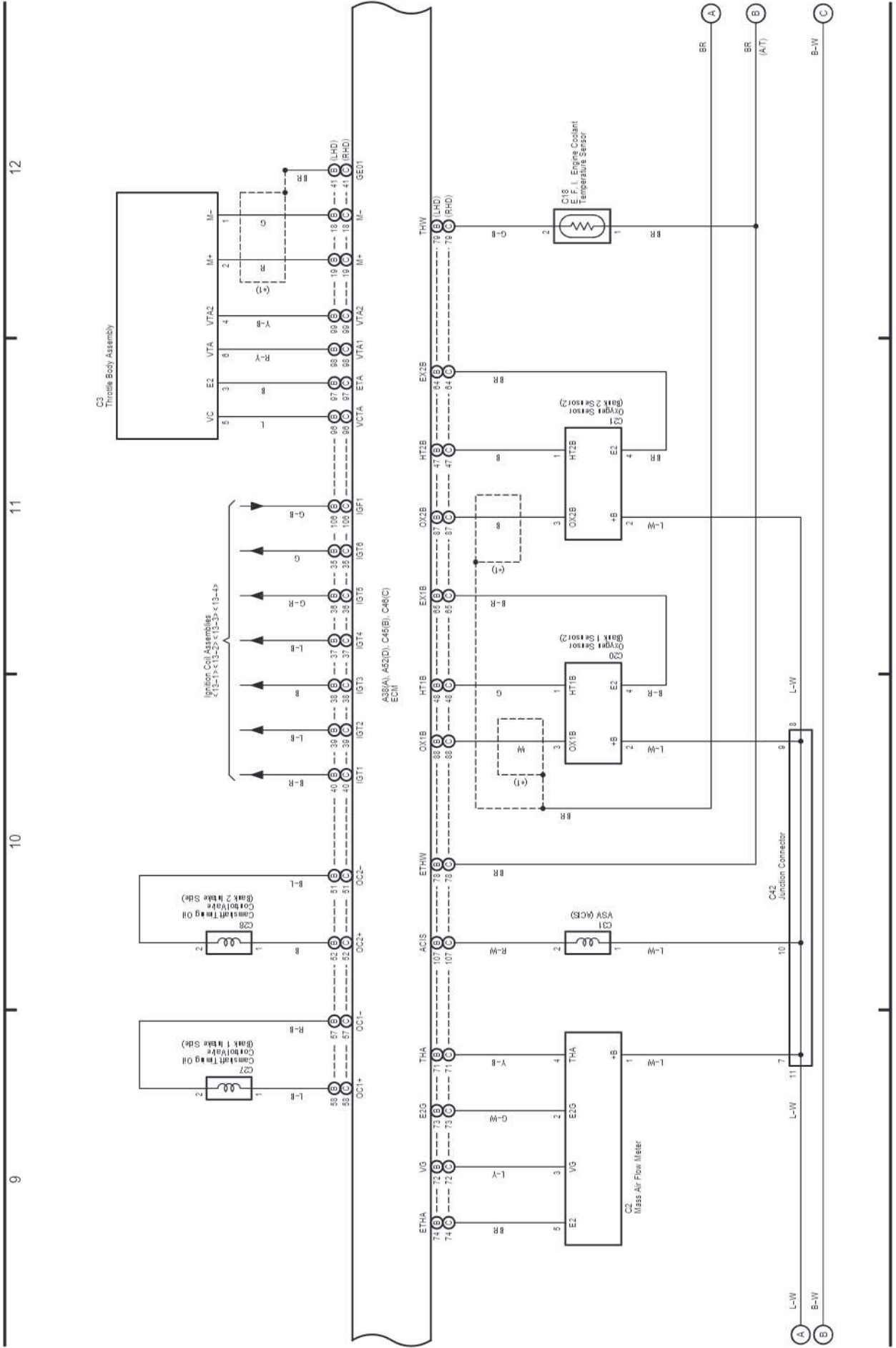
# M OVERALL ELECTRICAL WIRING DIAGRAM

15 LAND CRUISER Station Wagon (Cont' d)

(Cont. next page)

Engine Control (1GR-FE) (Before Jan. 2012 Production)

\* 1: Shielded



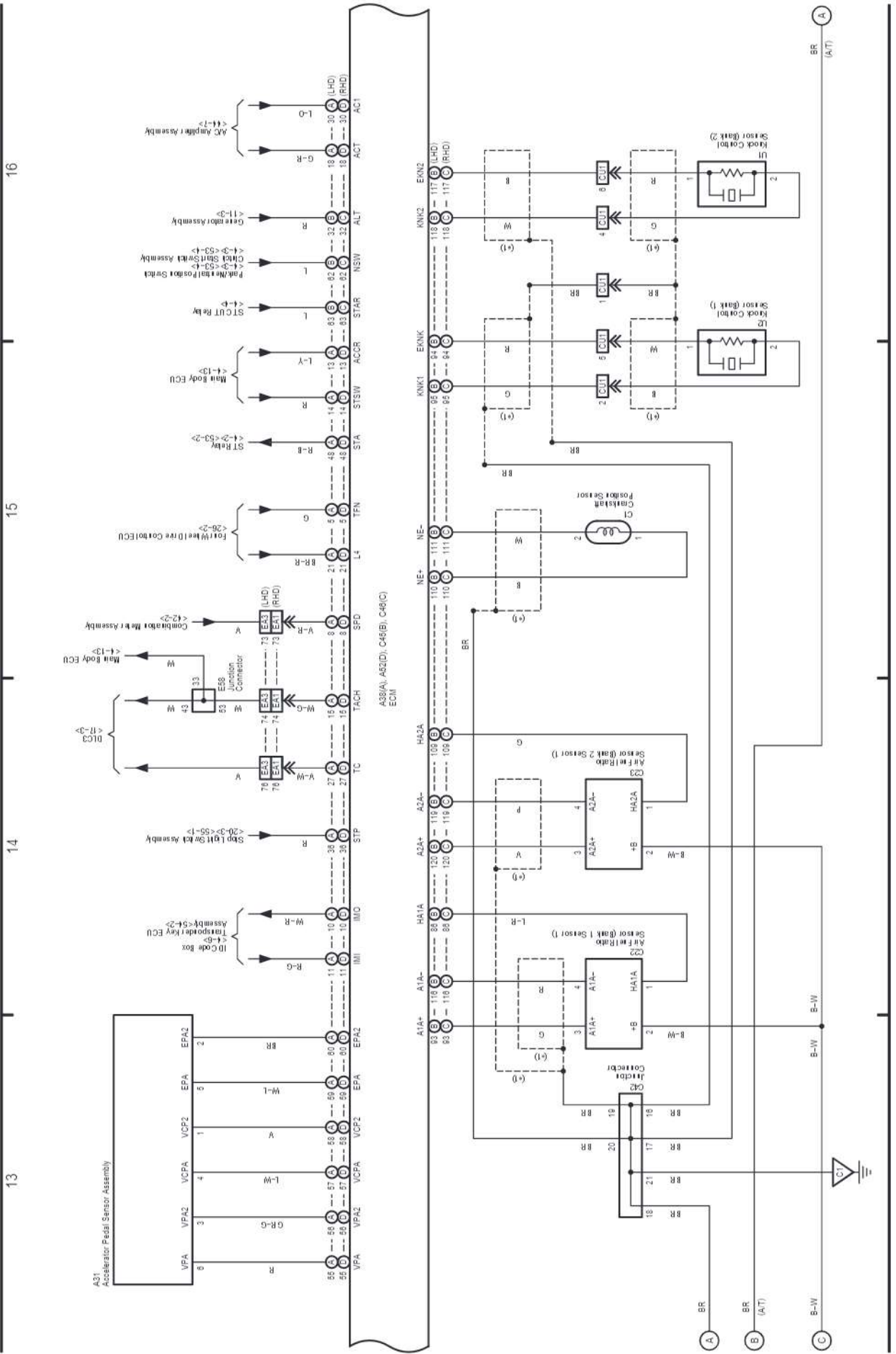
LAND CRUISER Station Wagon (EM19U2E)

15 LAND CRUISER Station Wagon (Cont' d)

(Cont. next page)

Engine Control (1GR-FE) (Before Jan. 2012 Production)

\* 1...Shielded



LAND CRUISER Station Wagon (EM19U2E)

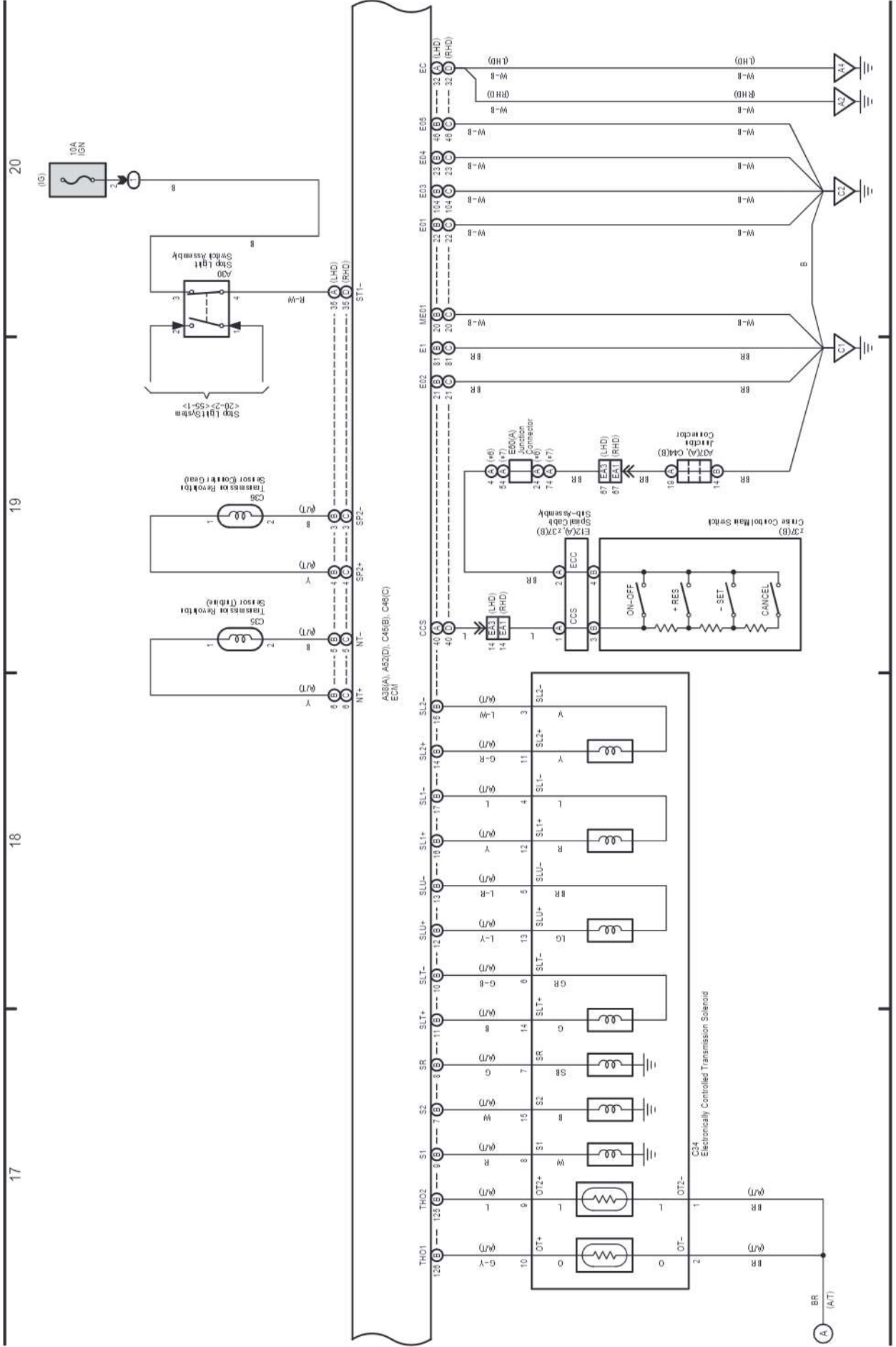
# M OVERALL ELECTRICAL WIRING DIAGRAM

15 LAND CRUISER Station Wagon (Cont' d)

(Cont. next page)

Cruise Control (1GR-FE) (Before Jan. 2012 Production)

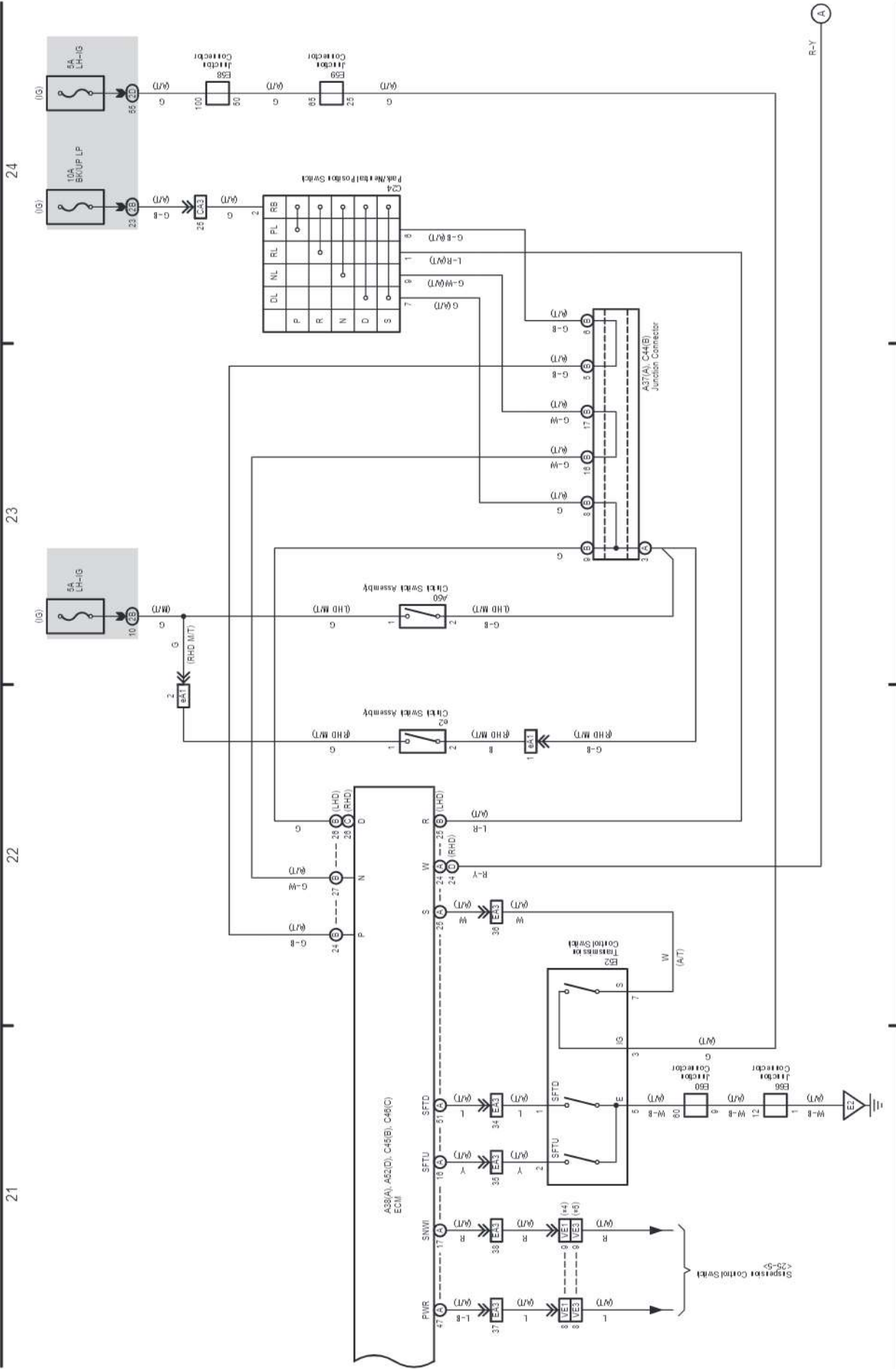
\*6: Liftgate Type  
\*7: Suring Type



LAND CRUISER Station Wagon (EM19U2E)

ECT and A/T Indicator (1GR-FE) (Before Jan. 2012 Production)

\* 4: Before Jul. 2009 Production  
\* 5: From Jul. 2009 Production



# M OVERALL ELECTRICAL WIRING DIAGRAM

## 15 LAND CRUISER Station Wagon (Cont' d)

- \* 2 : Option Meter
- \* 3 : Except Option Meter
- \* 6 : Liftgate Type
- \* 7 : Swing Type

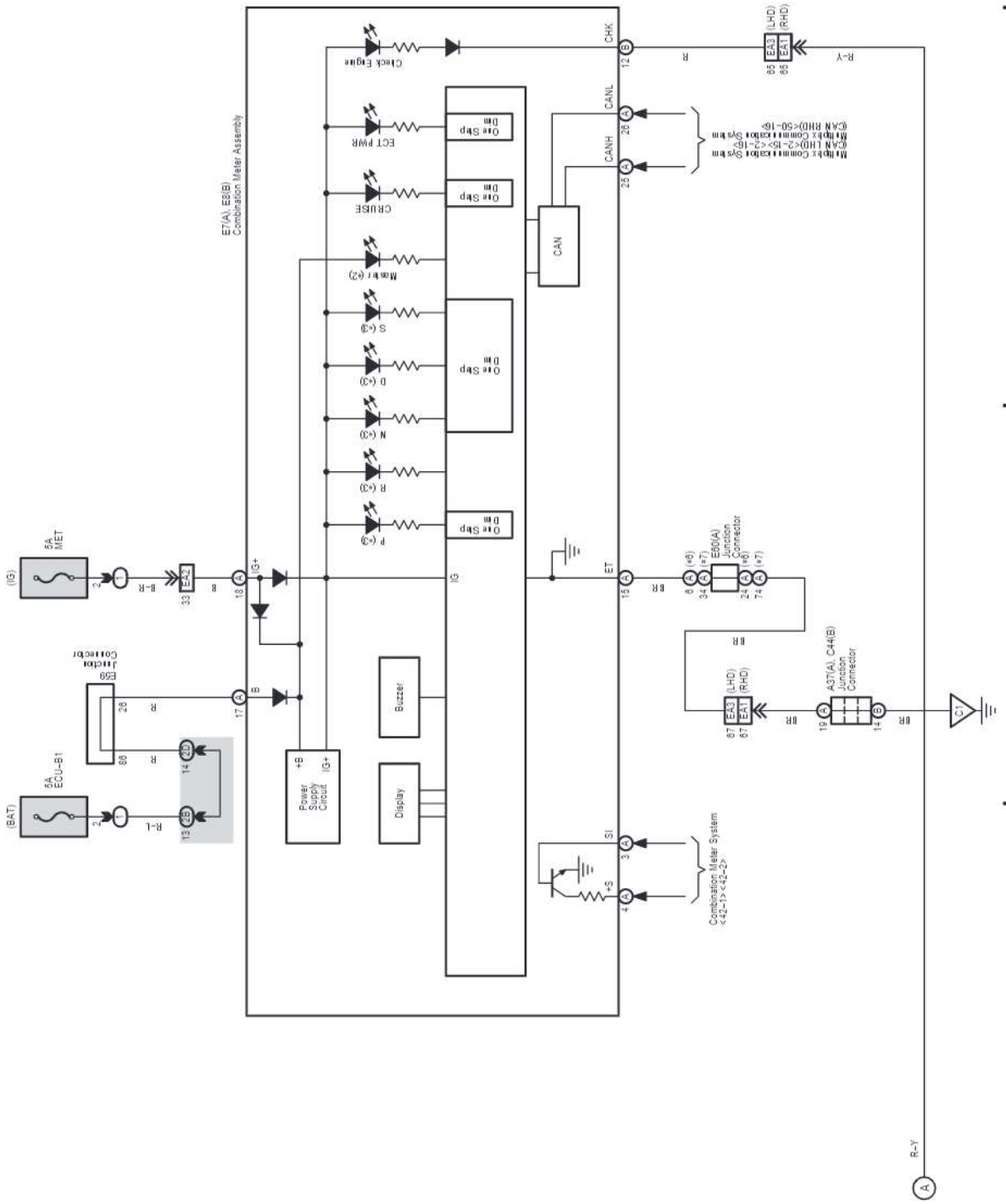
ECT and A/T Indicator (1GR-FE) (Before Jan. 2012 Production)

27

26

25

28



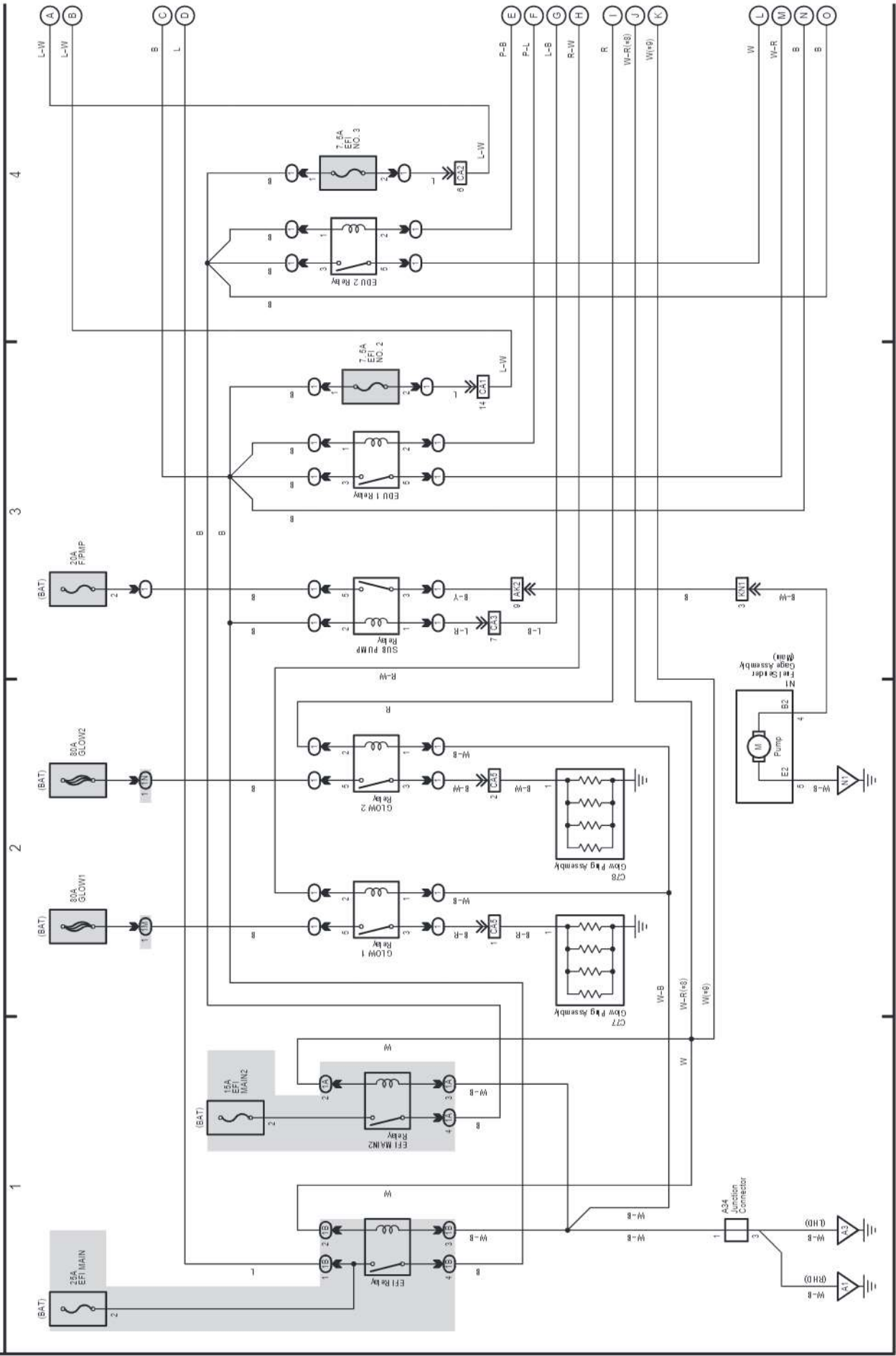
# M OVERALL ELECTRICAL WIRING DIAGRAM

16 LAND CRUISER Station Wagon

(Cont. next page)

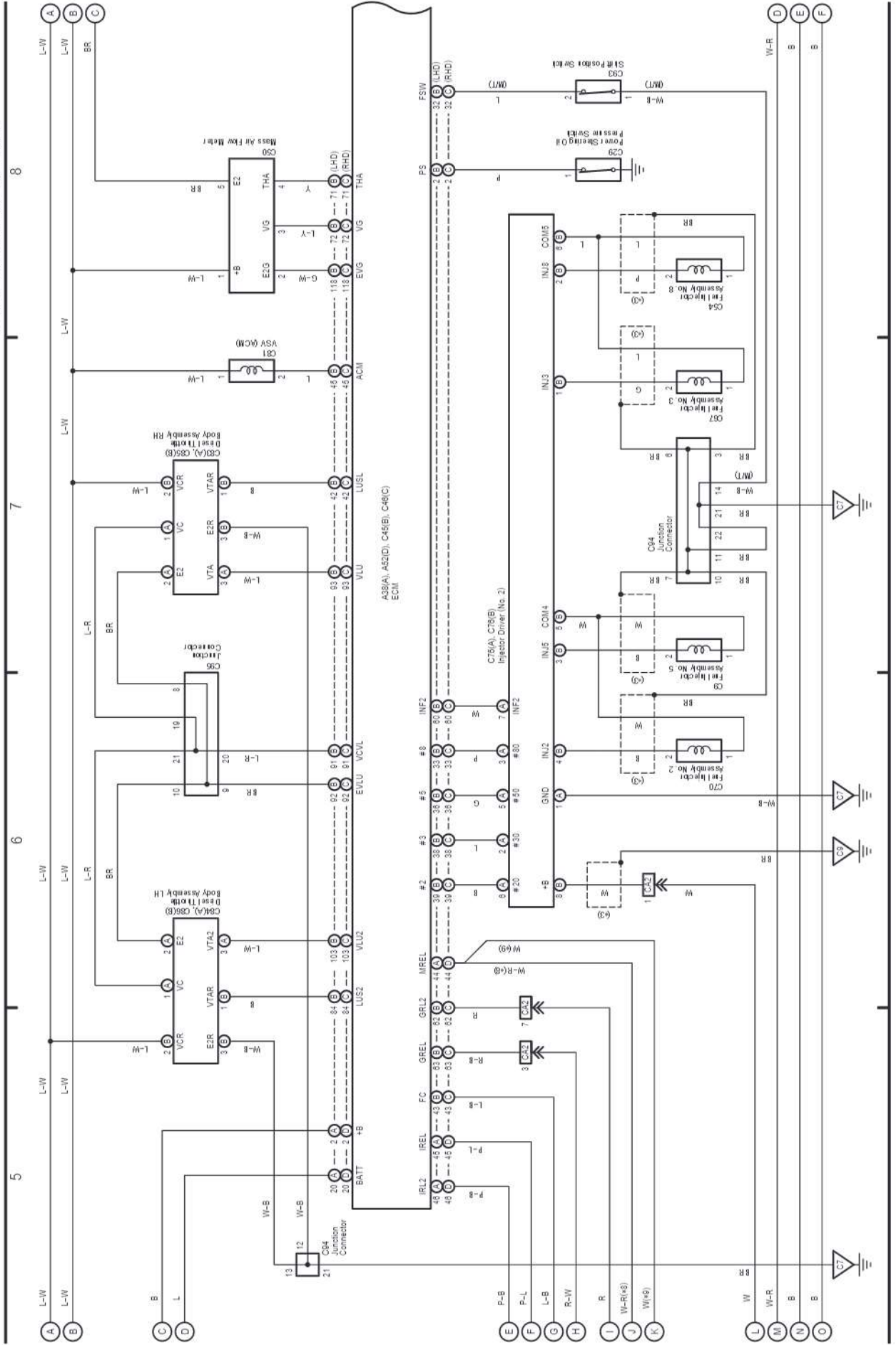
# 8 : Before Jan. 2012 Production Liftgate Type  
# 9 : From Jan. 2012 Production Liftgate Type, Swing Type

Engine Control (1VD-FTV w/o DPF)



\* 3 - Shielded  
 \* 8 - Before Jan. 2010 Production Uthmaniyah Type  
 \* 9 - From Jan. 2012 Production Uthmaniyah Type, Sailing Type

Engine Control (1VD-FTV w/o DPF)

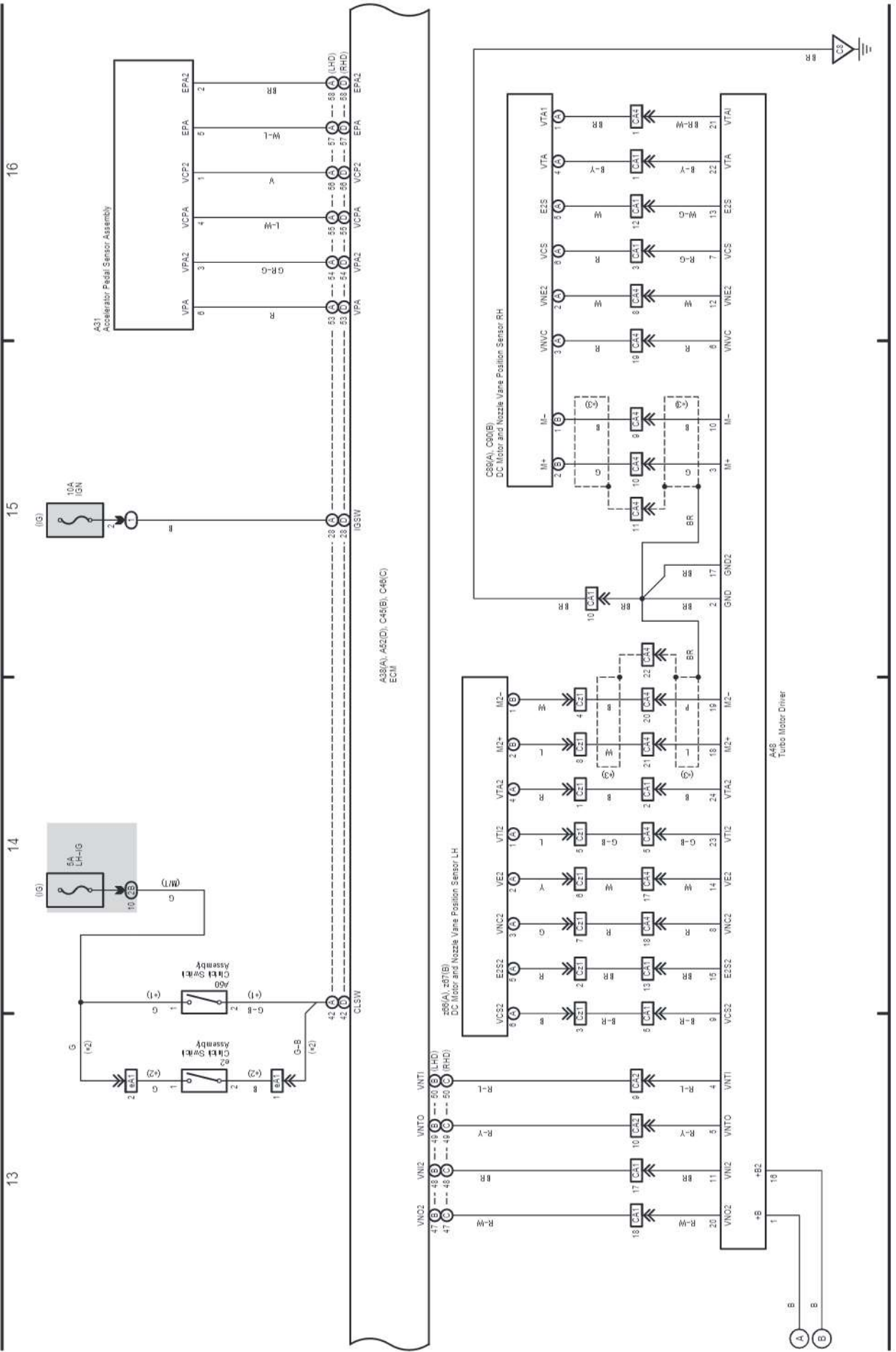






- \* 1: LHD/M/T
- \* 2: RHD/M/T
- \* 3: Shaded

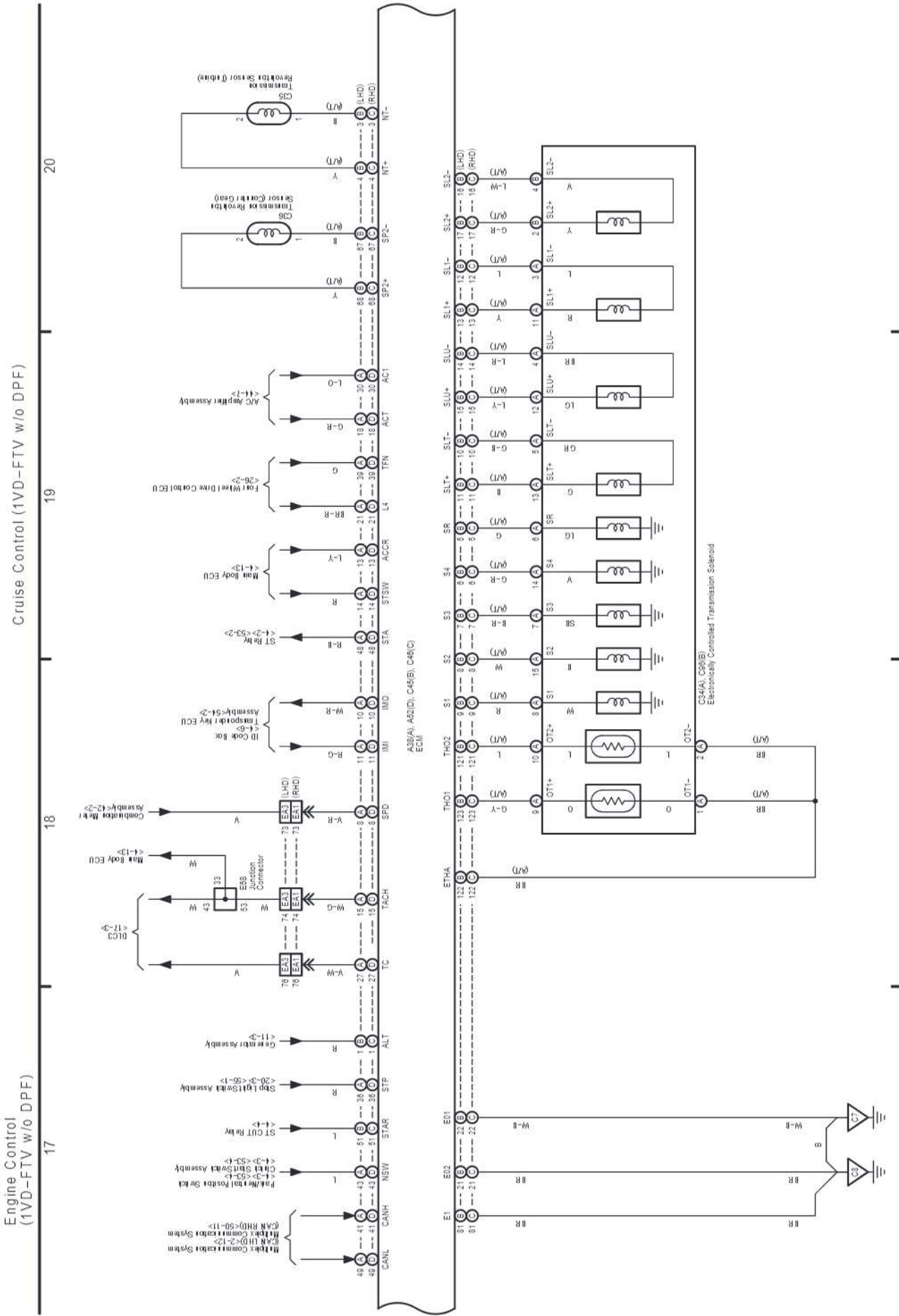
Engine Control (1VD-FTV w/o DPF)



# M OVERALL ELECTRICAL WIRING DIAGRAM

(Cont. next page)

16 LAND CRUISER Station Wagon (Cont' d)



LAND CRUISER Station Wagon (EM19U2E)

Cruise Control (1VD-FTV w/o DPF)

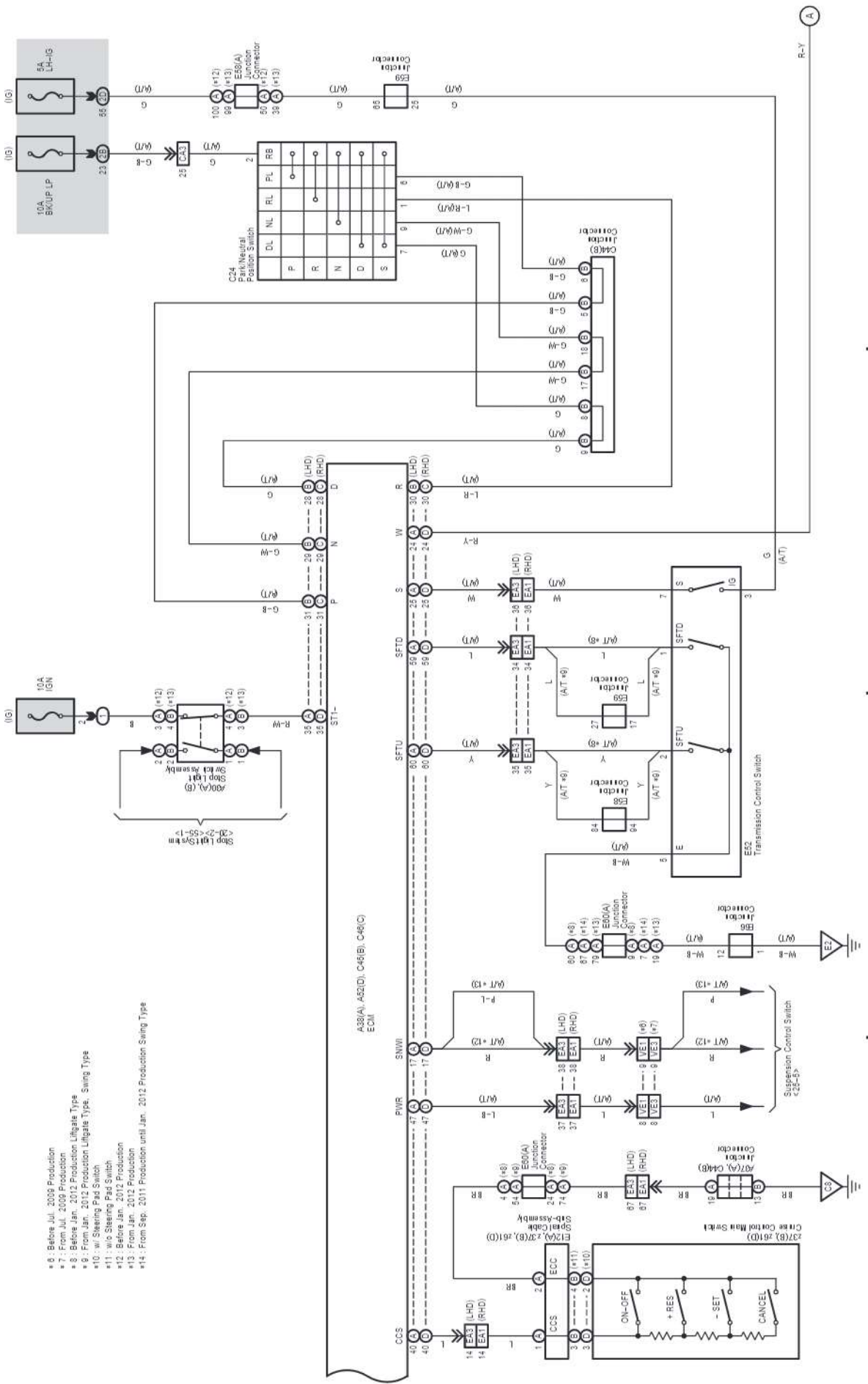
ECT and A/T Indicator (1VD-FTV w/o DPF)

21

22

23

24



- \*6 : Before Jul. 2009 Production
- \*7 : From Jul. 2009 Production
- \*8 : Before Jan. 2012 Production (LH Gate Type)
- \*9 : From Jan. 2012 Production (LH Gate Type, Swing Type)
- \*10 : w/ Steering Pad Switch
- \*11 : w/o Steering Pad Switch
- \*12 : Before Jan. 2012 Production
- \*13 : From Jan. 2012 Production
- \*14 : From Sep. 2011 Production until Jan. 2012 Production (Swing Type)

# M OVERALL ELECTRICAL WIRING DIAGRAM

## 16 LAND CRUISER Station Wagon (Cont' d)

- \* 4 : Option Meter
- \* 5 : Except Option Meter
- \* 8 : Before Jan. 2012 Production Liftgate Type
- \* 9 : From Jan. 2012 Production Liftgate Type. Swing Type

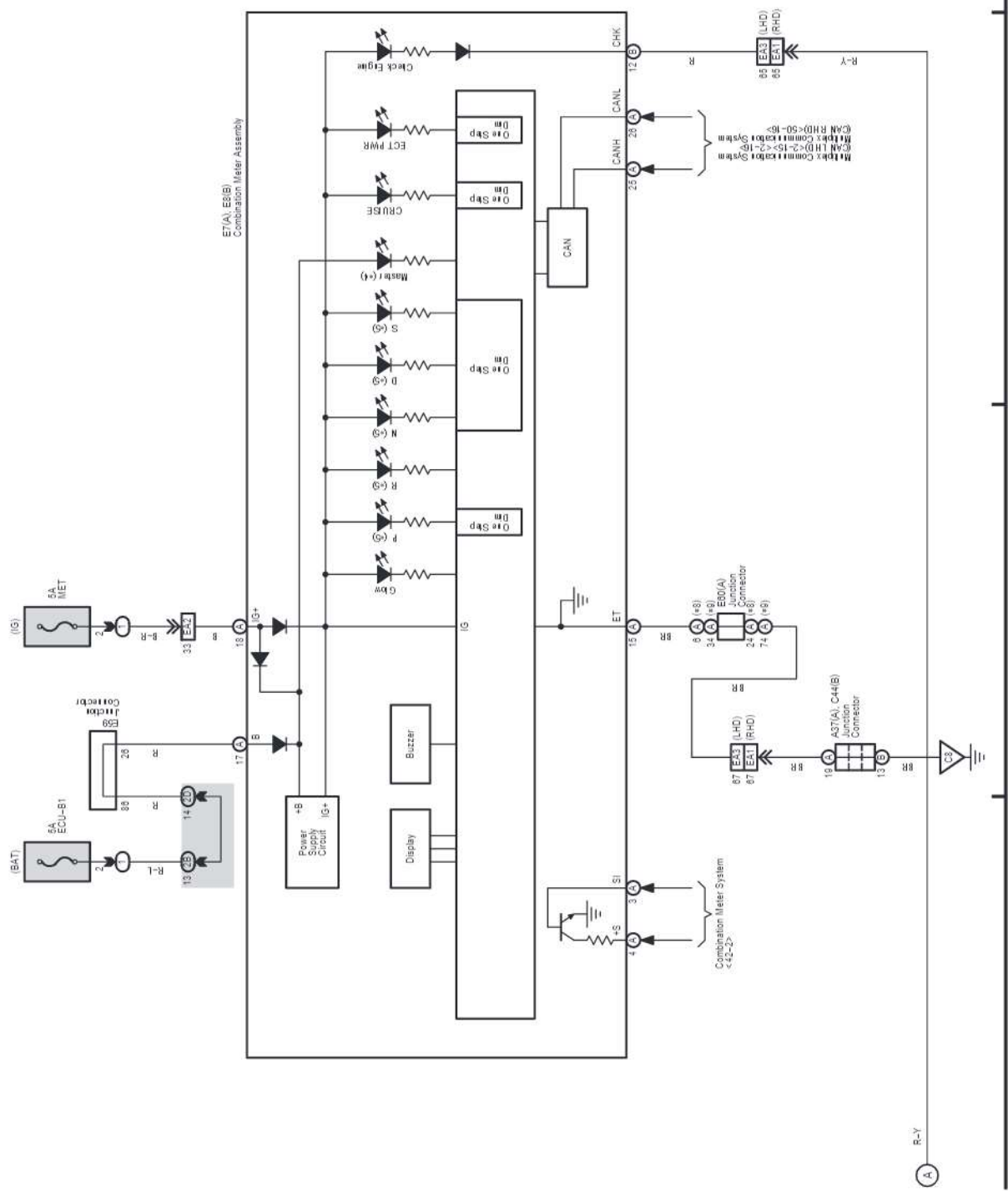
### ECT and A/T Indicator (1VD-FTV w/o DPF)

28

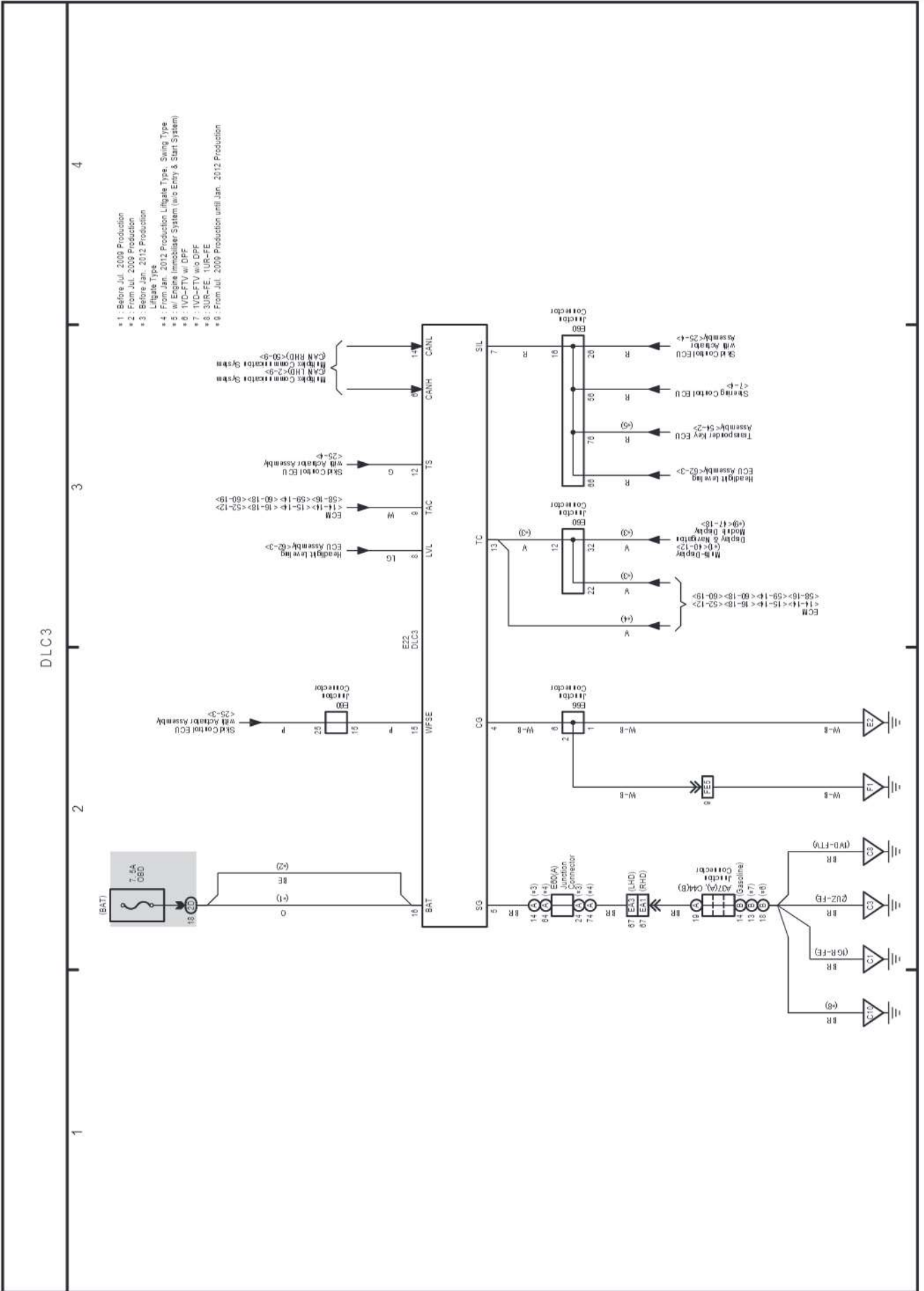
27

26

25



17 LAND CRUISER Station Wagon

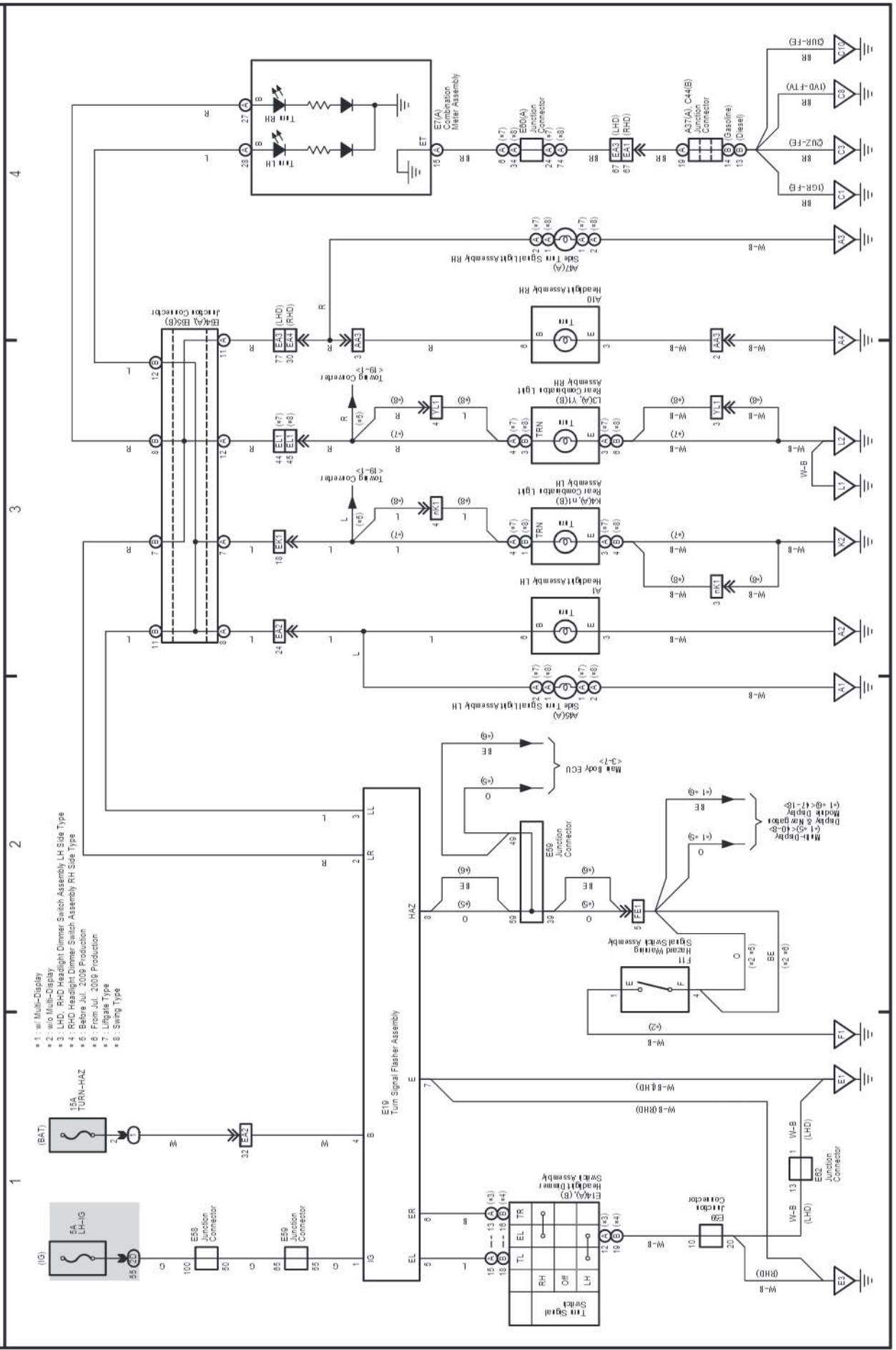


LAND CRUISER Station Wagon (EM19U2E)

18 LAND CRUISER Station Wagon

M OVERALL ELECTRICAL WIRING DIAGRAM

Turn Signal and Hazard Warning Light (Before Jan., 2012 Production)

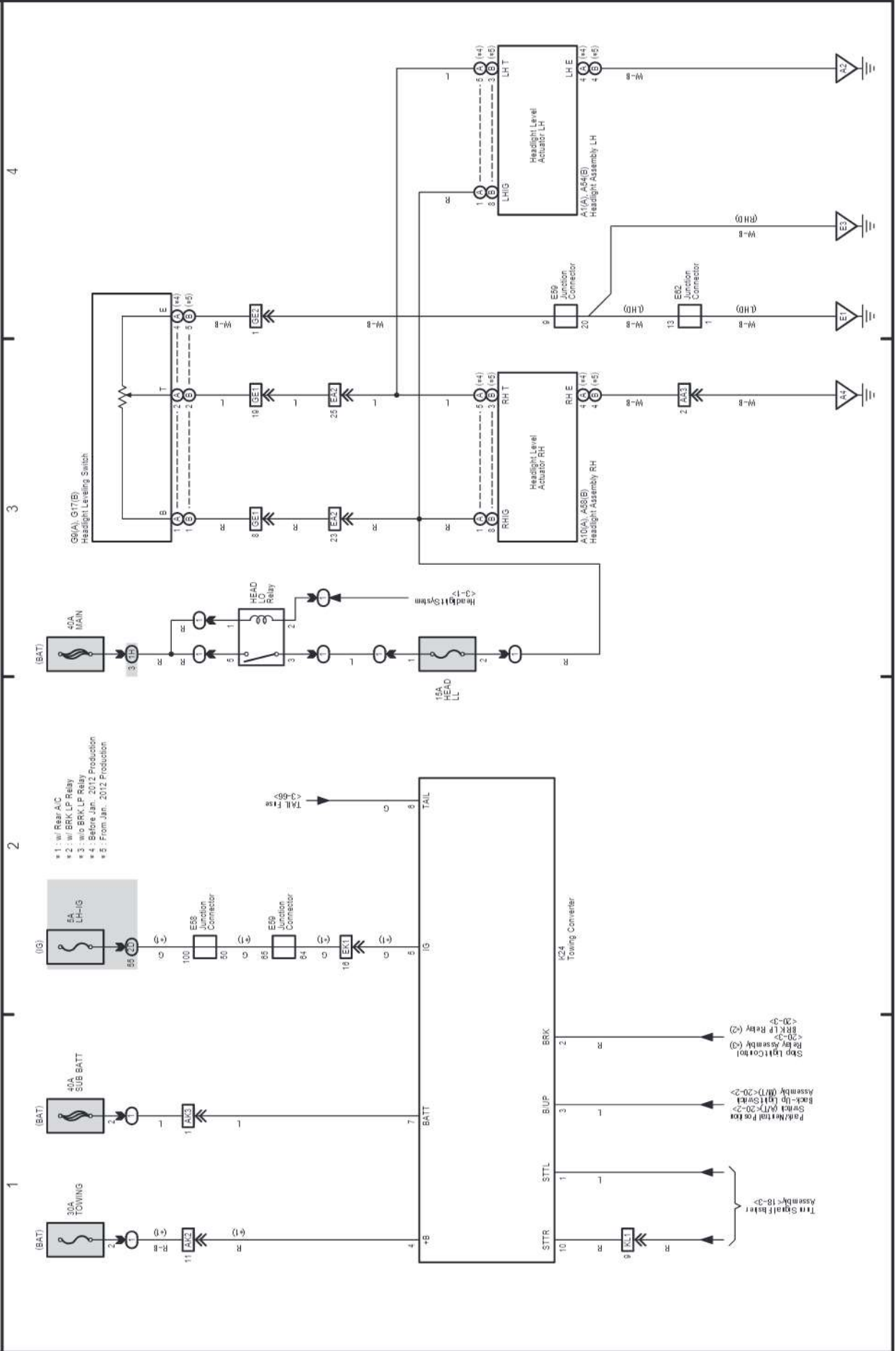


LAND CRUISER Station Wagon (EM19U2E)

19 LAND CRUISER Station Wagon

Trailer Towing (Before Jul. 2009 Production)

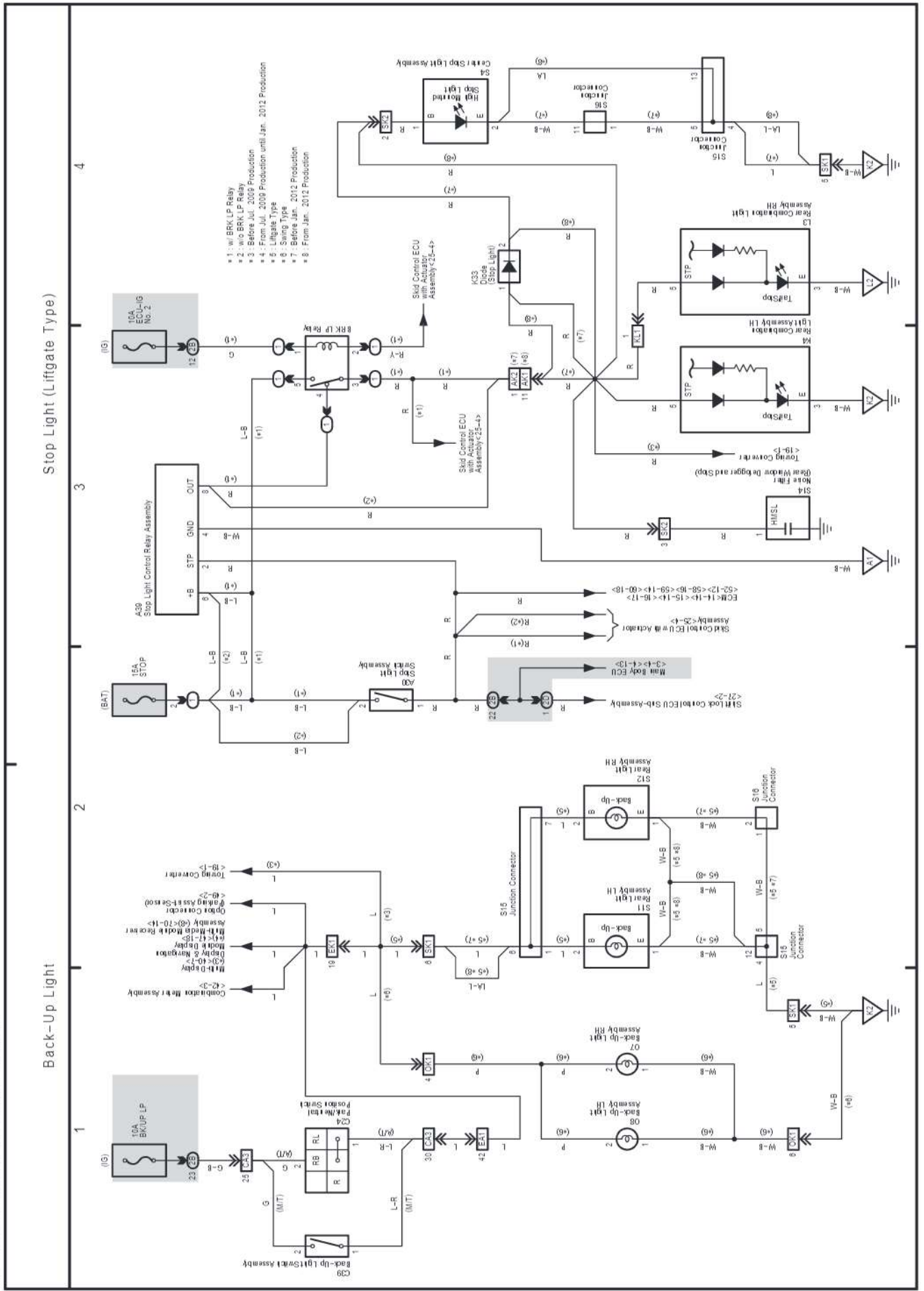
Headlight Beam Level Control (Manual)





# M OVERALL ELECTRICAL WIRING DIAGRAM

## 20 LAND CRUISER Station Wagon



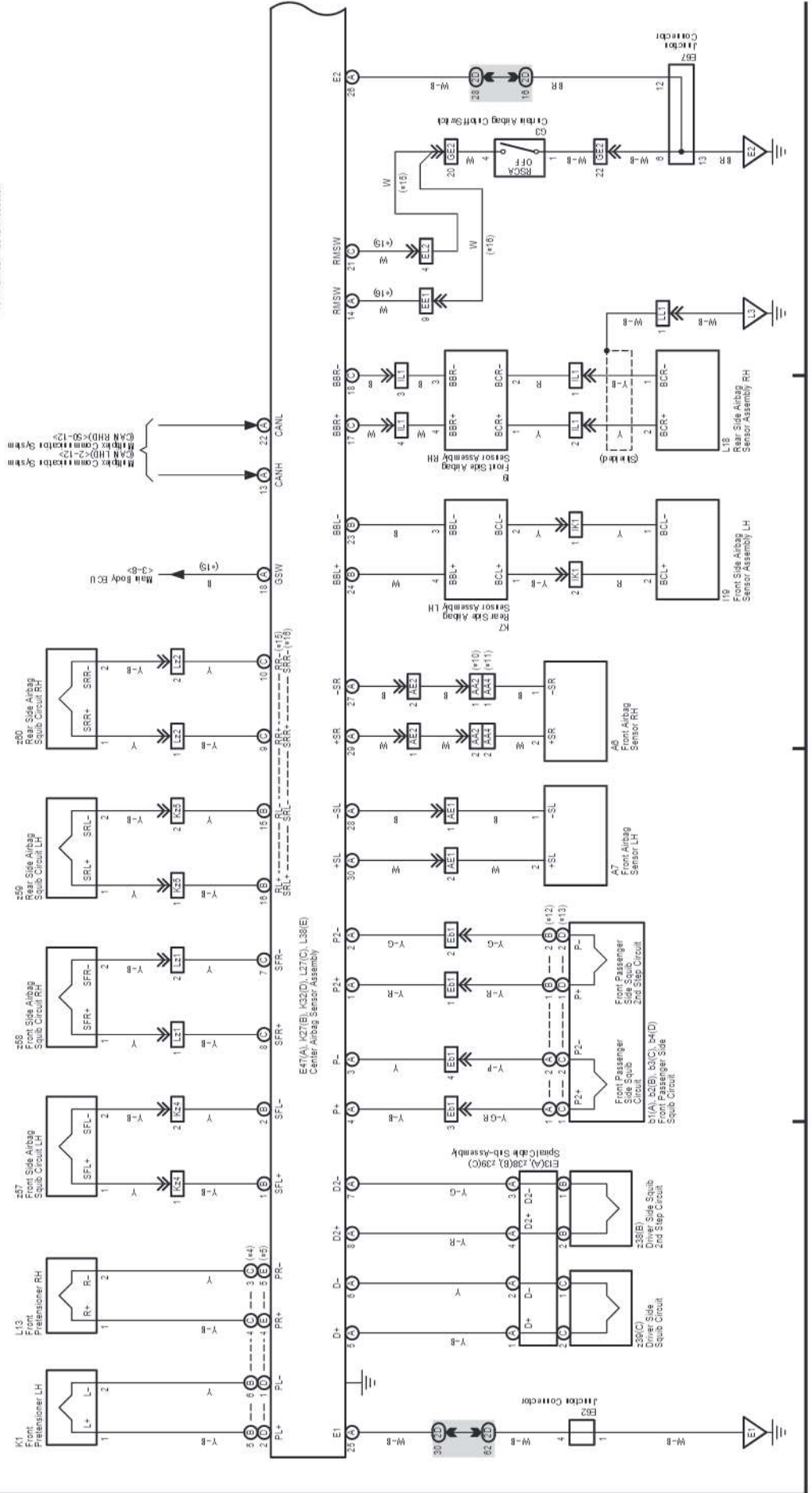
LAND CRUISER Station Wagon (EM19U2E)

# M OVERALL ELECTRICAL WIRING DIAGRAM

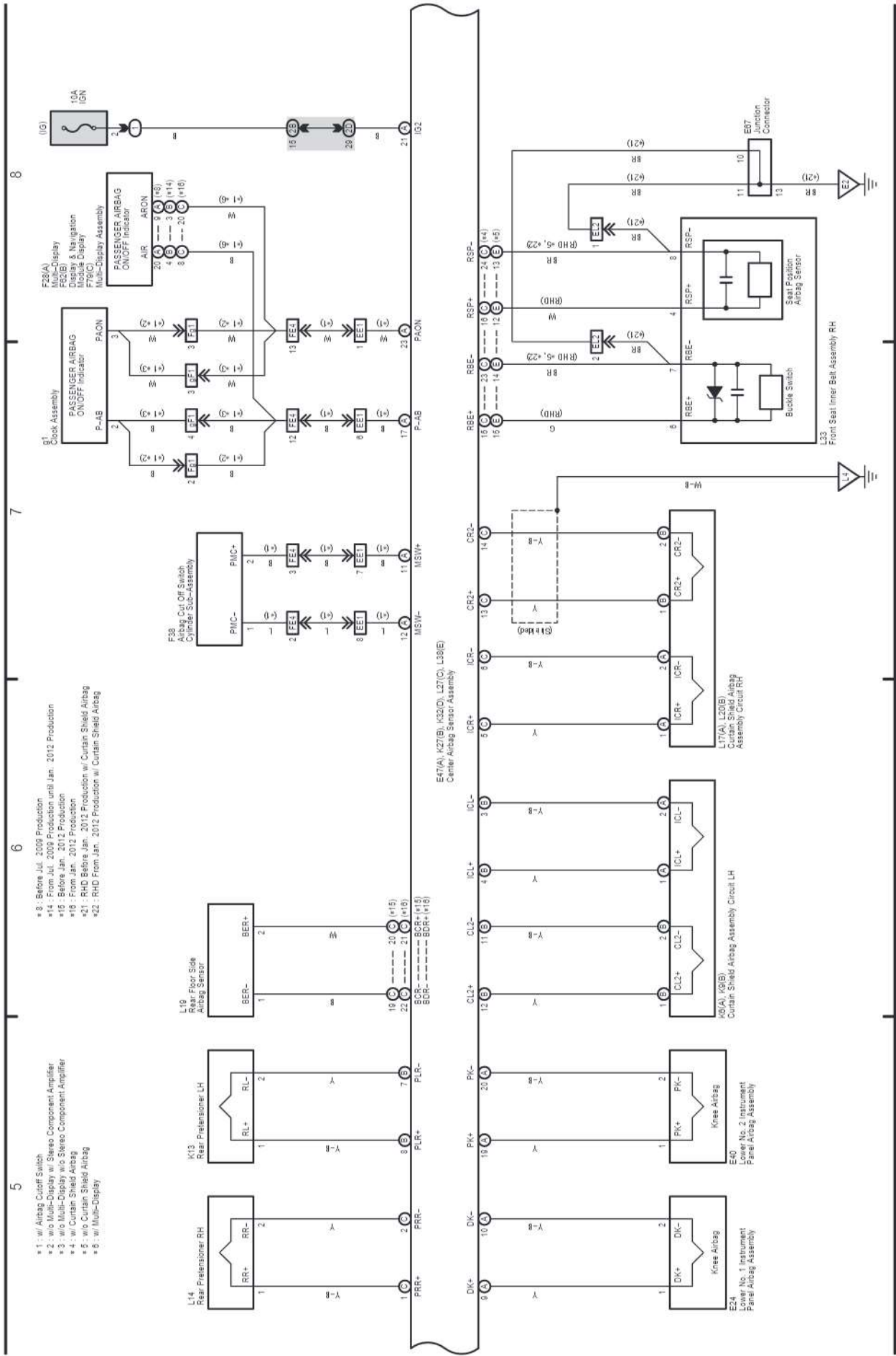
## SRS

1 2 3 4

- \* 4 - w/ Curtain Shield Airbag
- \* 5 - w/o Curtain Shield Airbag
- \*10 - Liftgate Type
- \*11 - Swing Type
- \*12 - Before Sep. 2011 Production
- \*13 - From Sep. 2011 Production
- \*15 - Before Jan. 2012 Production
- \*16 - From Jan. 2012 Production



SRS



- \* 1 - w/ Airbag Cutoff Switch
- \* 2 - w/o Multi-Display w/ Stereo Component Amplifier
- \* 3 - w/o Multi-Display w/o Stereo Component Amplifier
- \* 4 - w/ Curtain Shield Airbag
- \* 5 - w/o Curtain Shield Airbag
- \* 6 - w/ Multi-Display

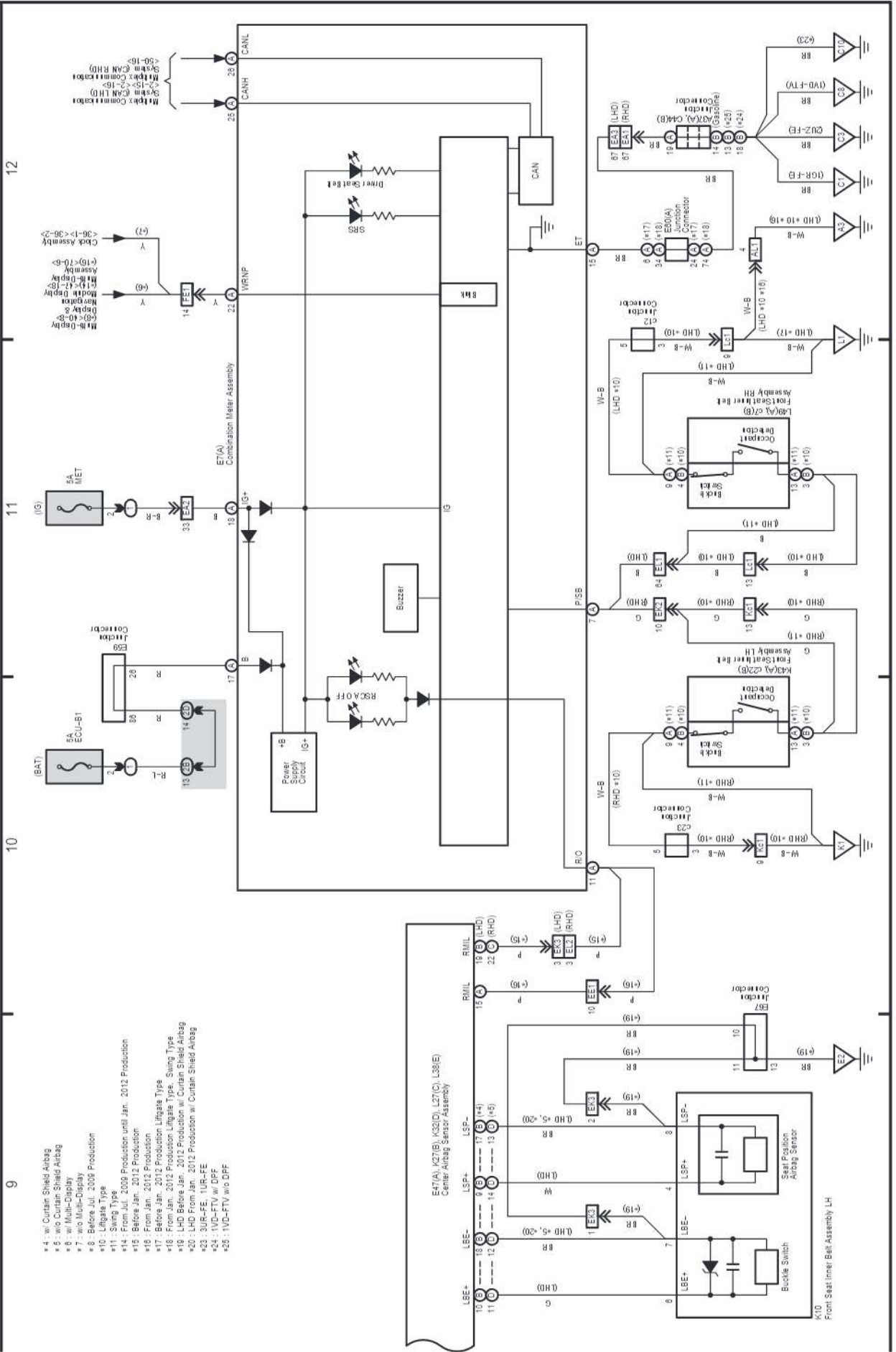
- \* 8 - Before Jul. 2009 Production
- \* 14 - From Jul. 2009 Production until Jan. 2012 Production
- \* 15 - Before Jan. 2012 Production
- \* 16 - From Jan. 2012 Production
- \* 21 - RHD Before Jan. 2012 Production w/ Curtain Shield Airbag
- \* 22 - RHD From Jan. 2012 Production w/ Curtain Shield Airbag

# M OVERALL ELECTRICAL WIRING DIAGRAM

## 21 LAND CRUISER Station Wagon (Cont' d)

SRS

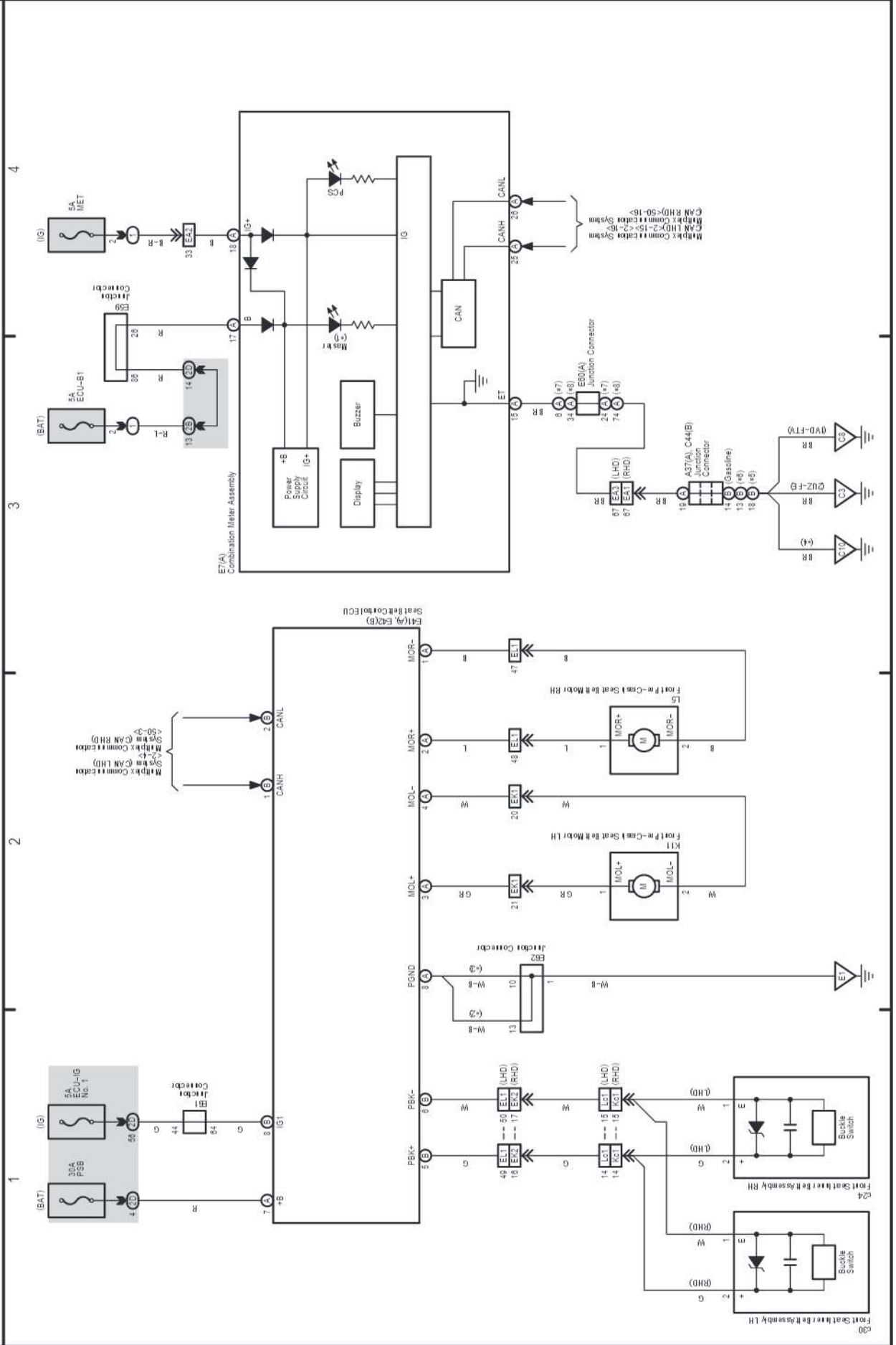
Seat Belt Warning (w/ SRS)



22 LAND CRUISER Station Wagon

Pre-Crash Safety System

- \* 1 : Collision Meter
- \* 2 : From Jan. 2012 Production RHD
- \* 3 : Before Jan. 2012 Production
- \* 4 : From Jan. 2012 Production LHD
- \* 5 : 3UR-FE TUR-FE
- \* 6 : VDC-FTV w/DPF
- \* 7 : VDC-FTV w/o DPF
- \* 8 : Before Jan. 2012 Production
- \* 9 : From Jan. 2012 Production

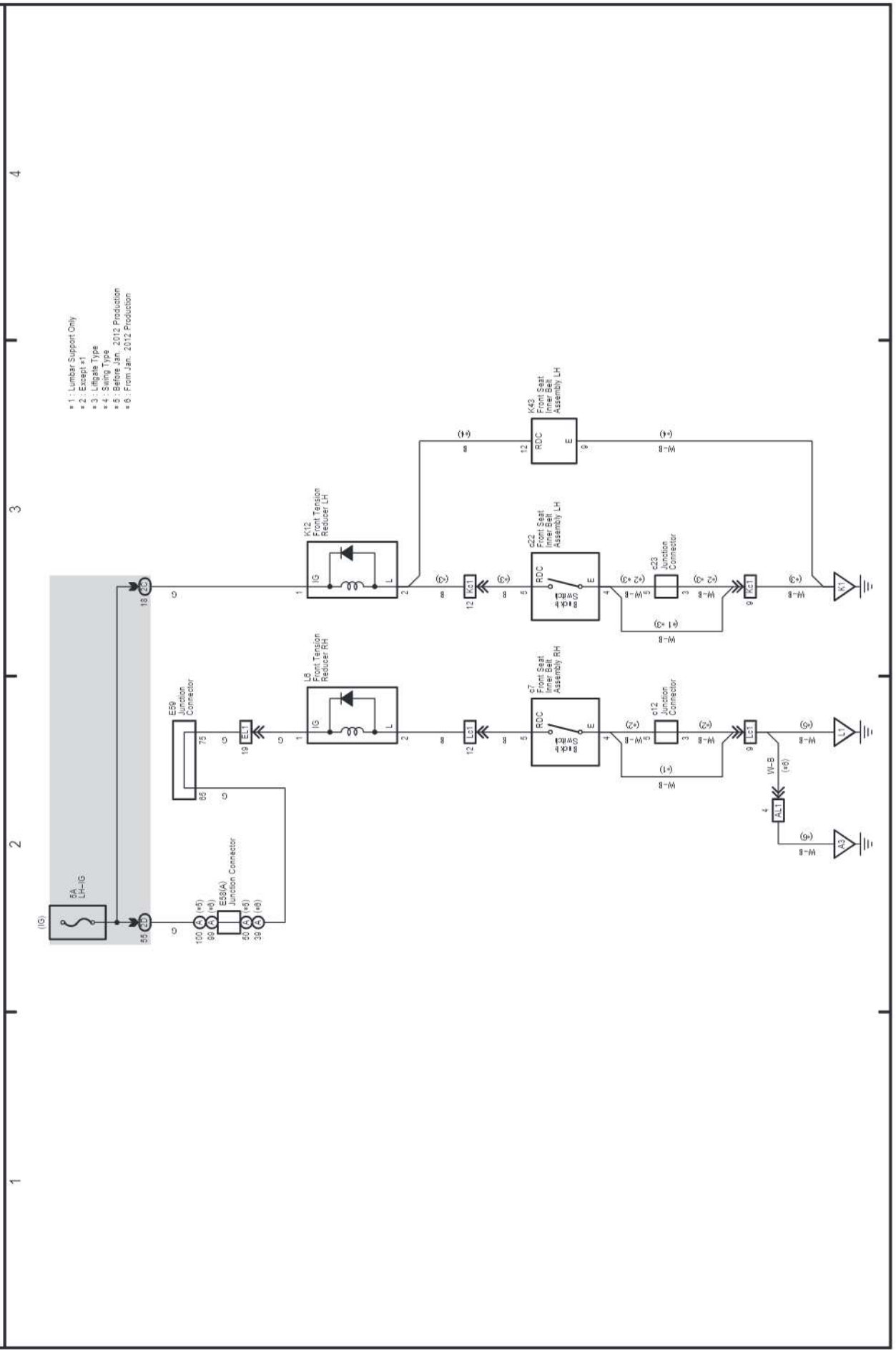


LAND CRUISER Station Wagon (EM19U2E)

# M OVERALL ELECTRICAL WIRING DIAGRAM

23 LAND CRUISER Station Wagon

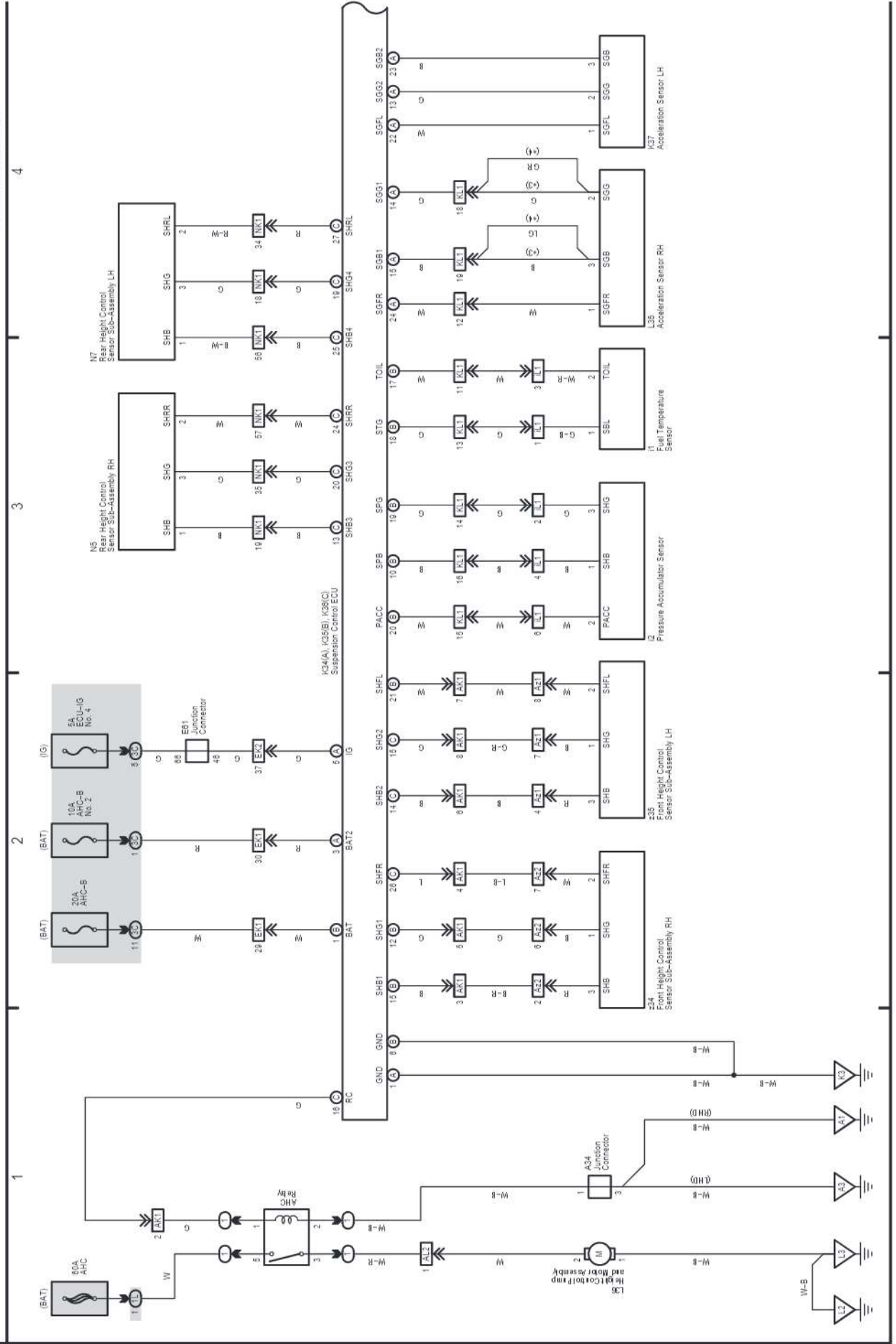
## Electric Tension Reducer



- \* 1 : Lumber Support Only
- \* 2 : Except \*1
- \* 3 : Liftgate Type
- \* 4 : Swing Type
- \* 5 : Before Jan. 2012 Production
- \* 6 : From Jan. 2012 Production

Active Height Control Suspension and Adaptive Variable Suspension

\* 3 : Before Jan. 2012 Production  
 \* 4 : From Jan. 2012 Production







M OVERALL ELECTRICAL WIRING DIAGRAM

24 LAND CRUISER Station Wagon (Cont' d)

Active Height Control Suspension and Adaptive Variable Suspension

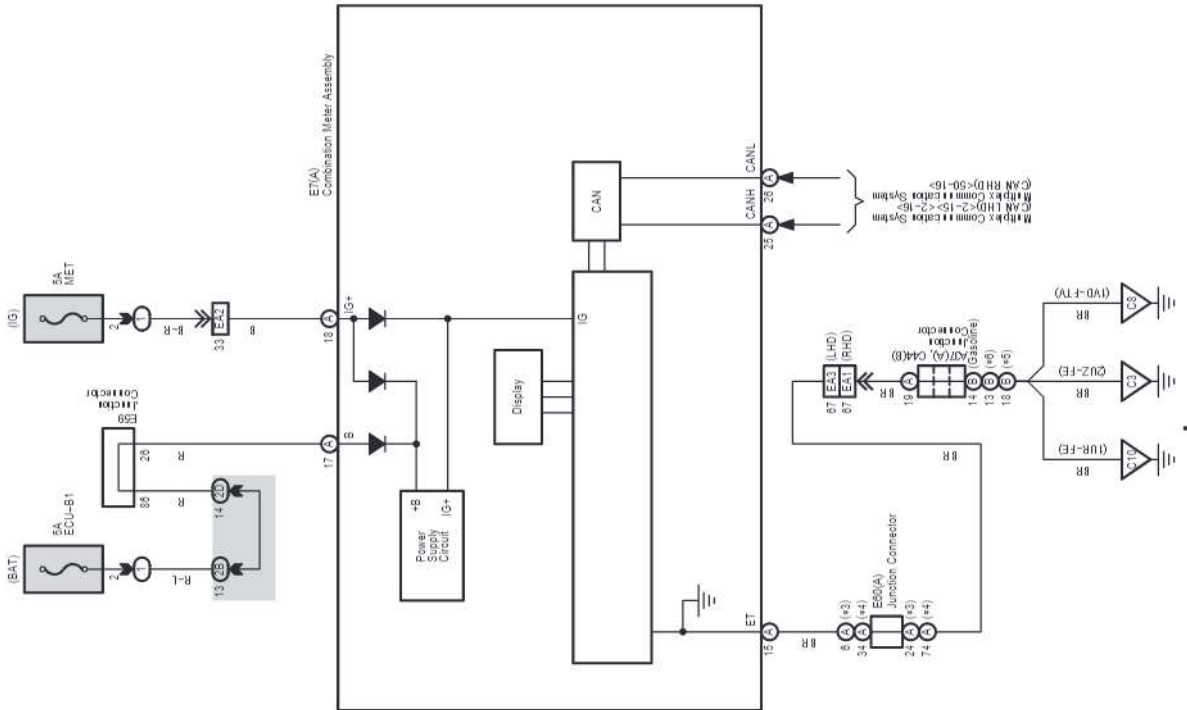
- \* 3 : Before Jan. 2012 Production
- \* 4 : From Jan. 2012 Production
- \* 5 : 1VD-FTV w/ DFF
- \* 8 : 1VD-FTV w/o DFF

12

11

10

9

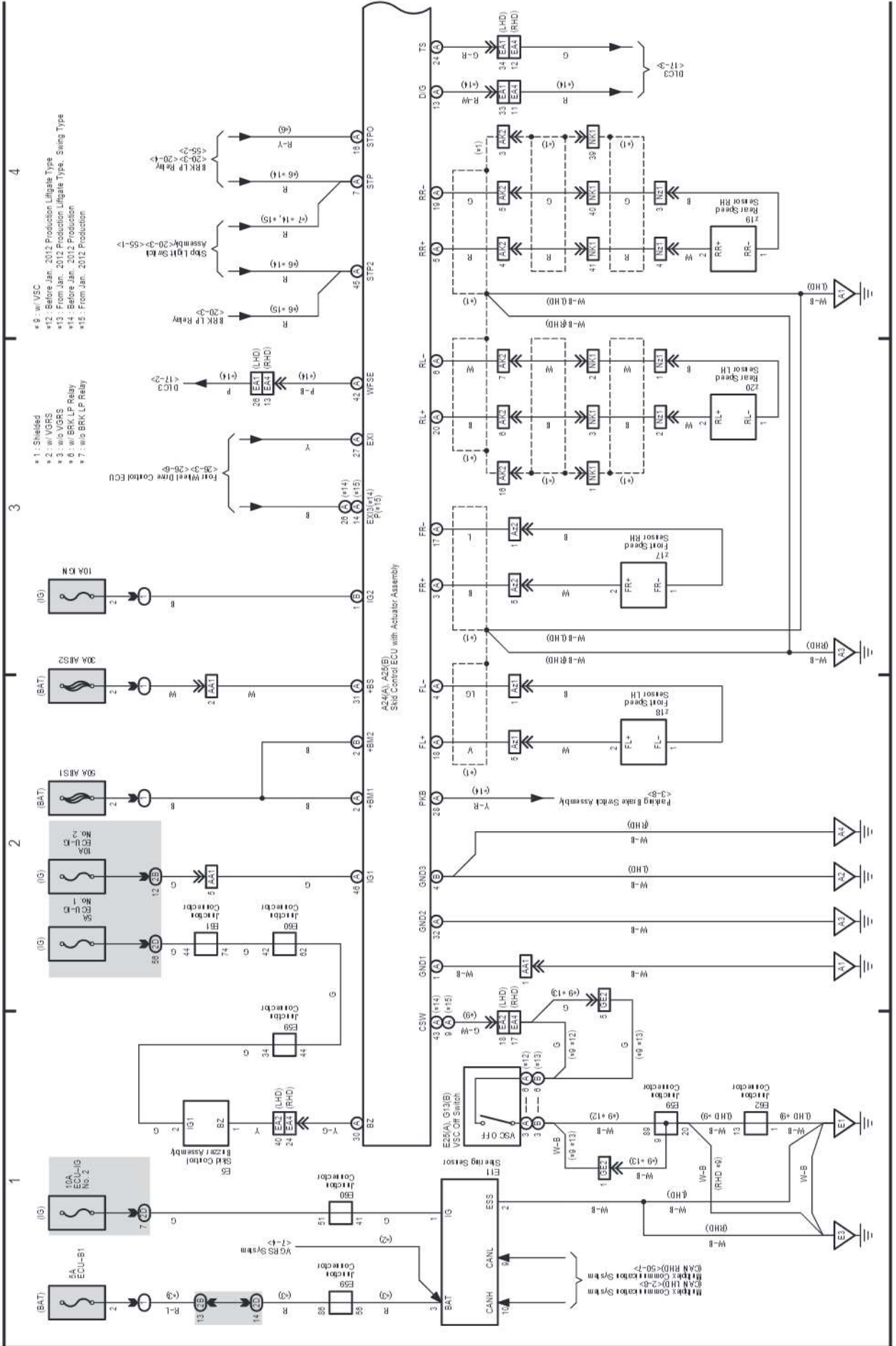


# M OVERALL ELECTRICAL WIRING DIAGRAM

(Cont. next page)

25 LAND CRUISER Station Wagon

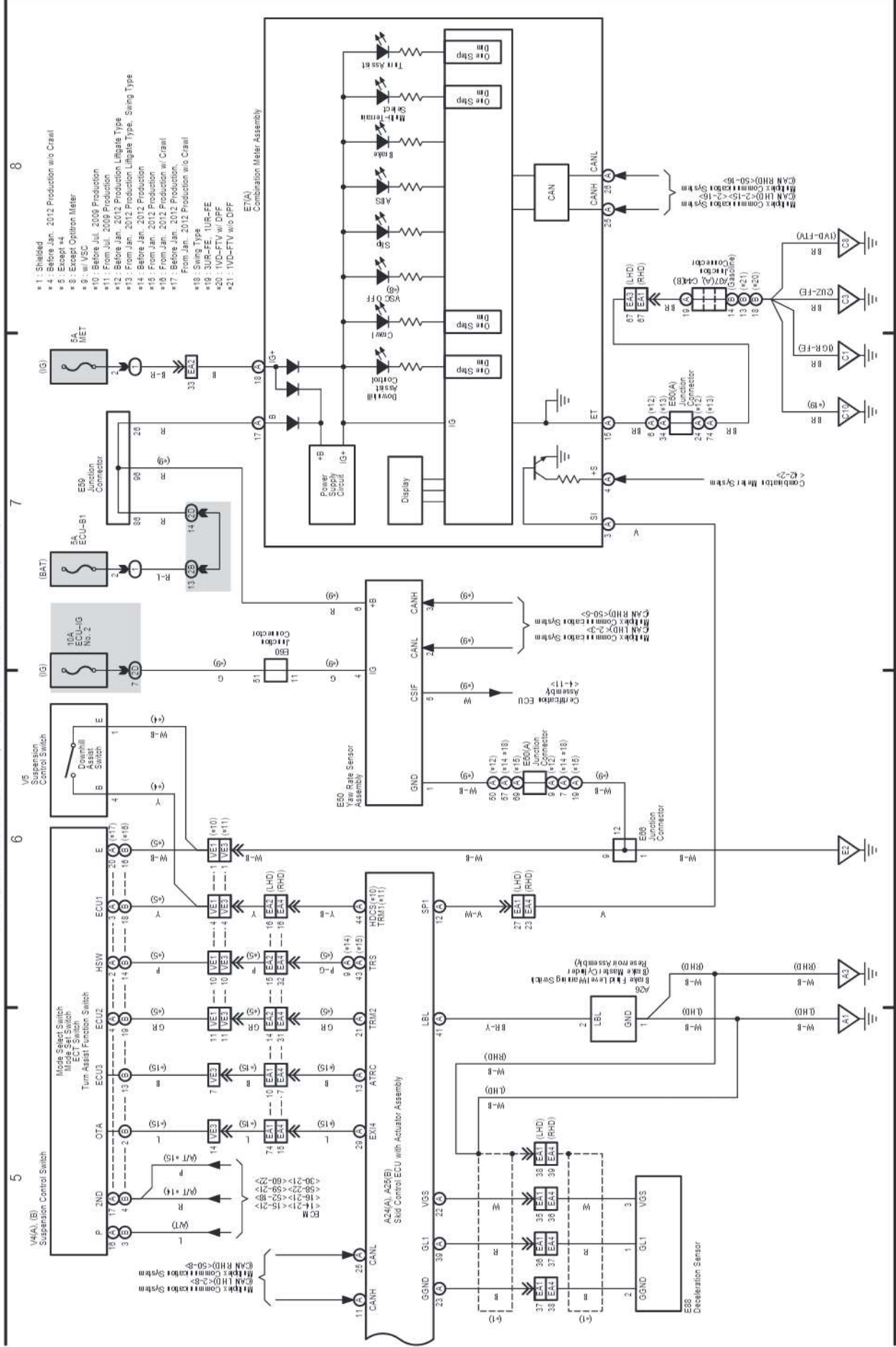
### ABS, A-TRC, Brake Assist, Cruise, Downhill Assist Control, EBD, Hill-Start Assist Control, Multi-Terrain Select and VSC



### LAND CRUISER Station Wagon (EM19U2E)

25 LAND CRUISER Station Wagon (Cont' d)

ABS, A-TRC, Brake Assist, Crawi, Downhill Assist Control, EBD, Hill-Start Assist Control, Multi-Terrain Select and VSC



LAND CRUISER Station Wagon (EM19U2E)

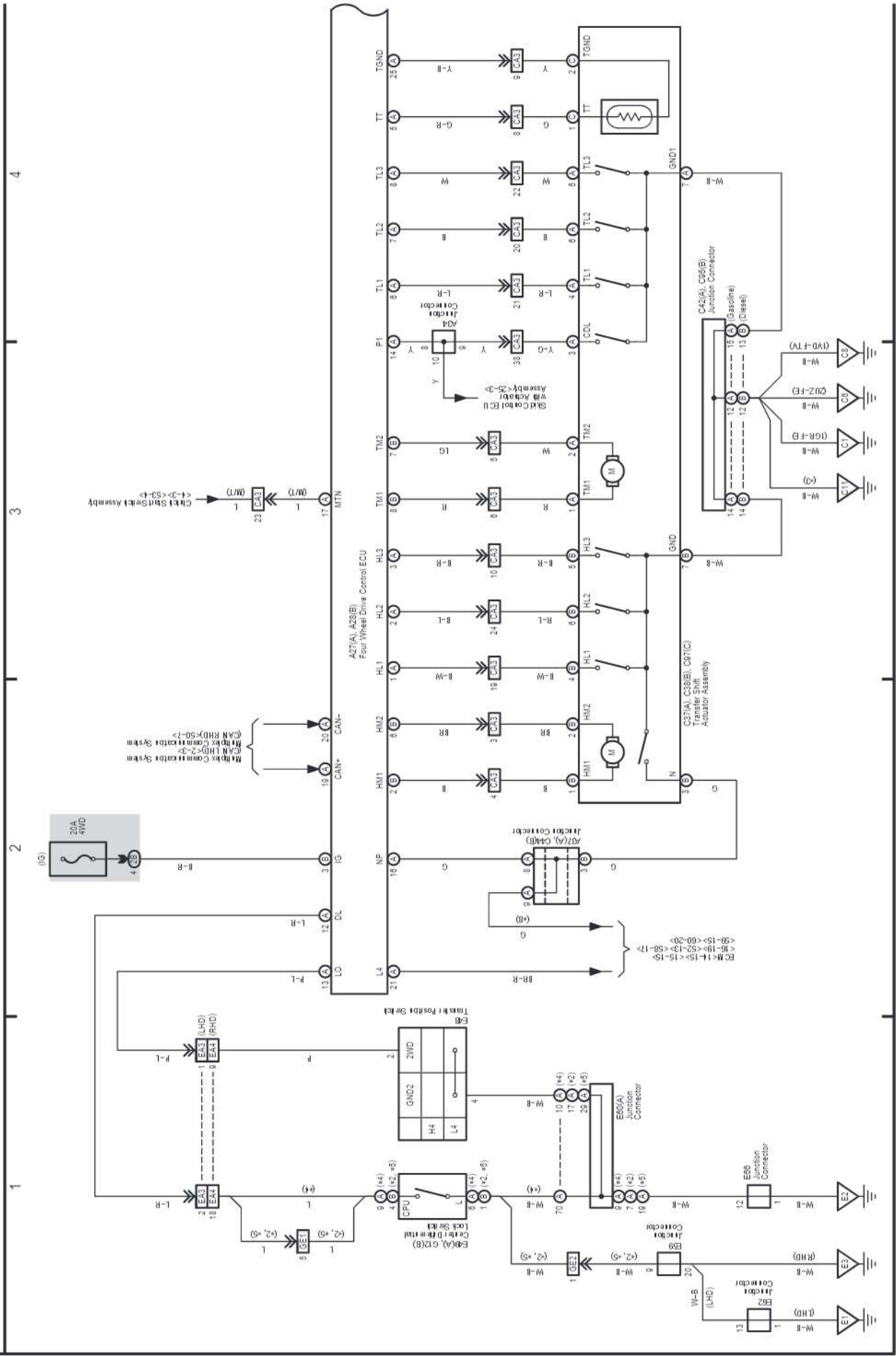
# M OVERALL ELECTRICAL WIRING DIAGRAM

(Cont. next page)

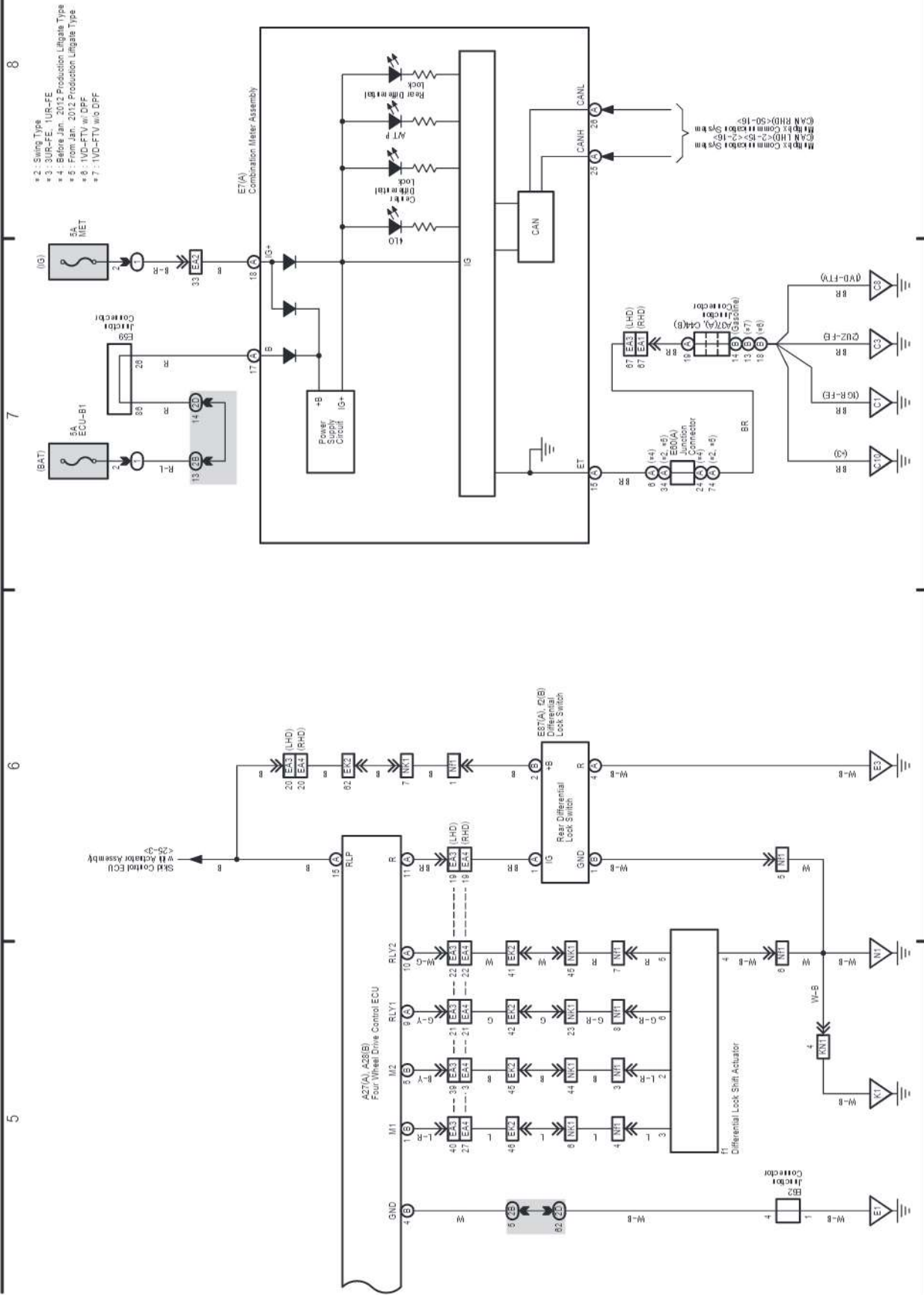
26 LAND CRUISER Station Wagon

- \* 2: Sving Type
- \* 3: 3UR-FE, 1UR-FE
- \* 4: Before Jan. 2012 Production Liftgate Type
- \* 5: From Jan. 2012 Production Liftgate Type
- \* 8: Except 1VD-FTV w/ DFF

Multi Mode 4WD



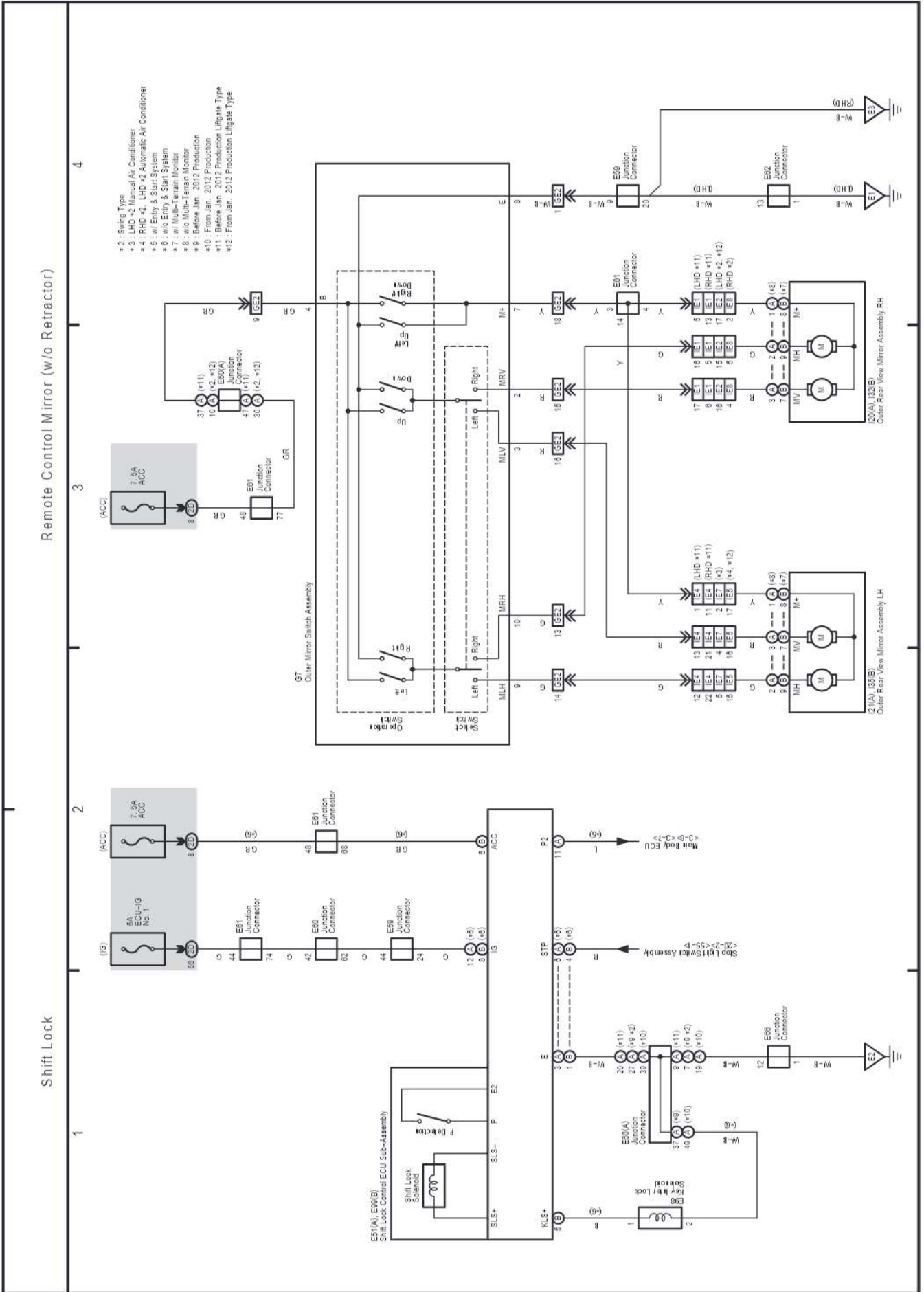
Multi Mode 4WD



LAND CRUISER Station Wagon (EM19U2E)

# M OVERALL ELECTRICAL WIRING DIAGRAM

## 27 LAND CRUISER Station Wagon

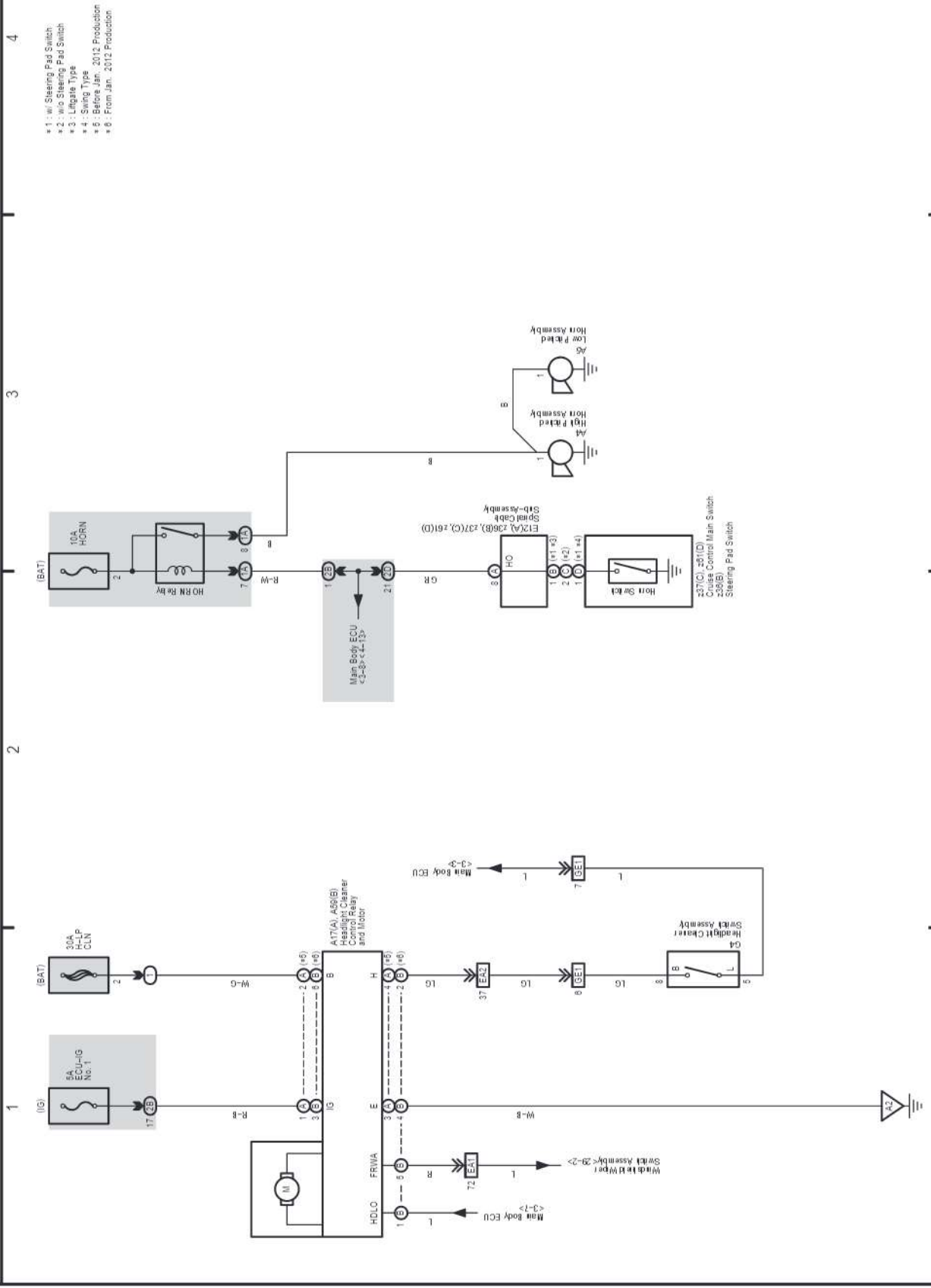


LAND CRUISER Station Wagon (EM19U2E)

28 LAND CRUISER Station Wagon

Headlight Cleaner

Horn

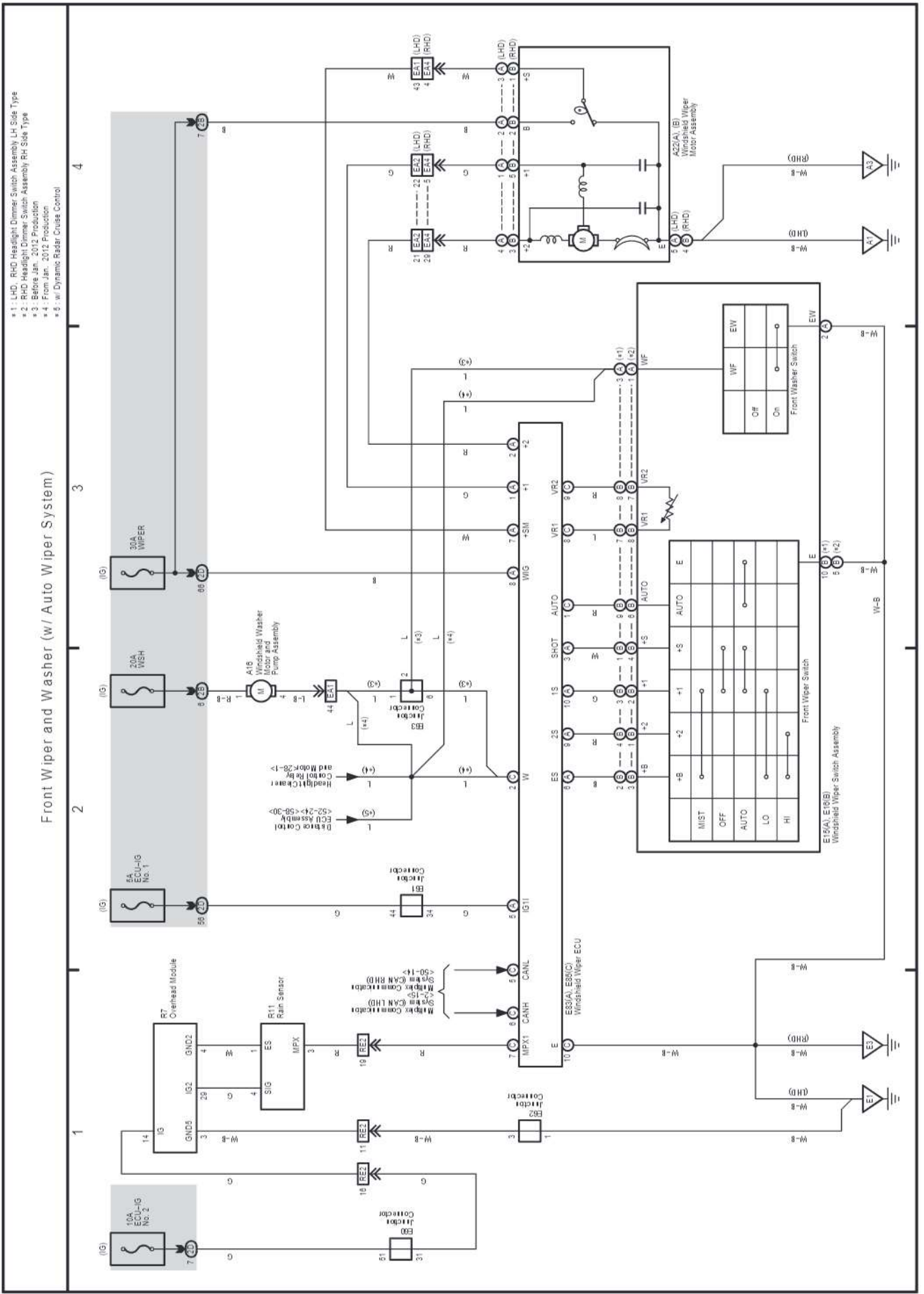


- \* 1 : w/ Steering Pad Switch
- \* 2 : w/o Steering Pad Switch
- \* 3 : Liftgate Type
- \* 4 : Swing Type
- \* 5 : Before Jan. 2012 Production
- \* 6 : From Jan. 2012 Production

LAND CRUISER Station Wagon (EM19U2E)

# M OVERALL ELECTRICAL WIRING DIAGRAM

## 29 LAND CRUISER Station Wagon

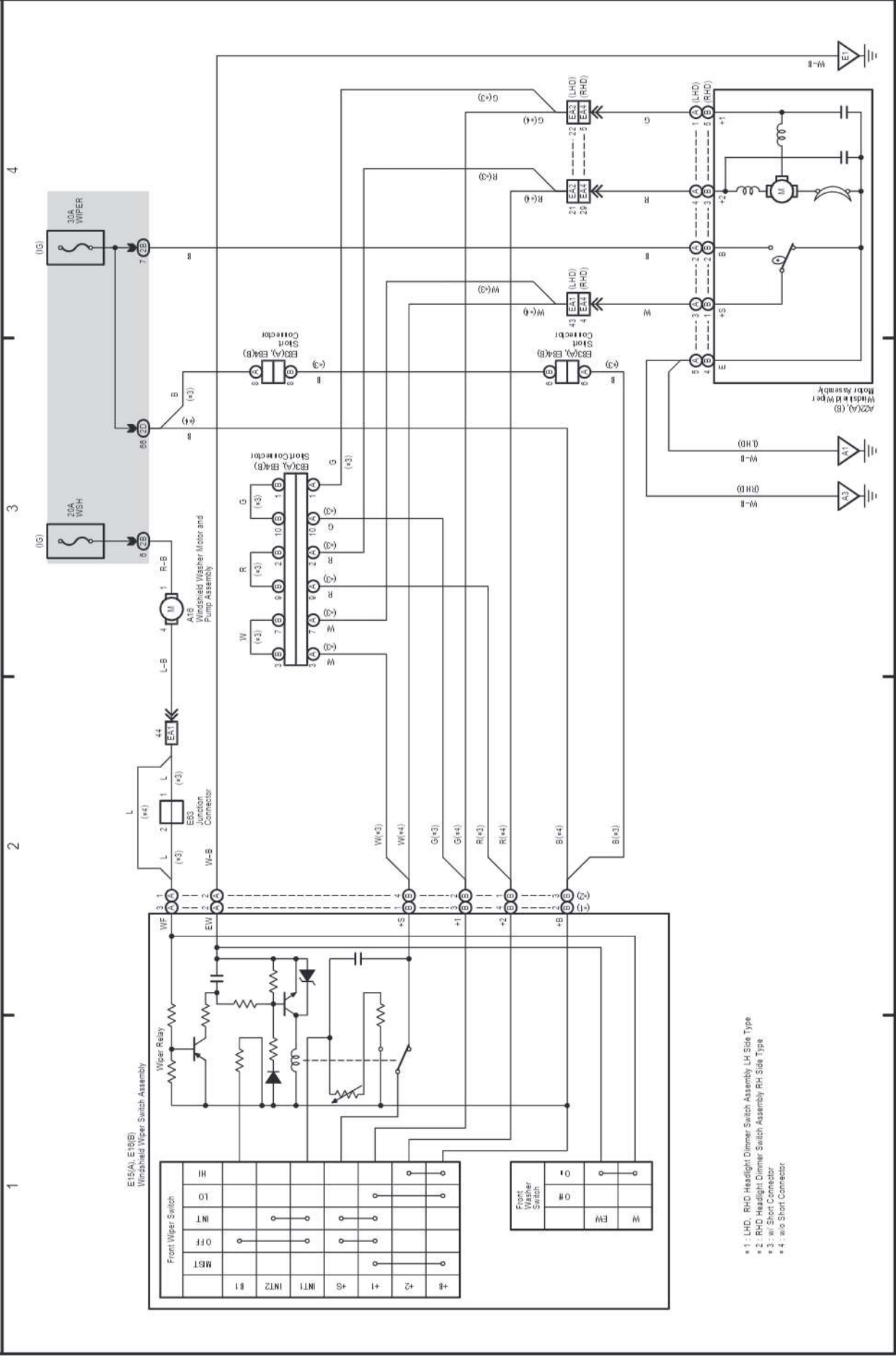


LAND CRUISER Station Wagon (EM19U2E)



30 LAND CRUISER Station Wagon

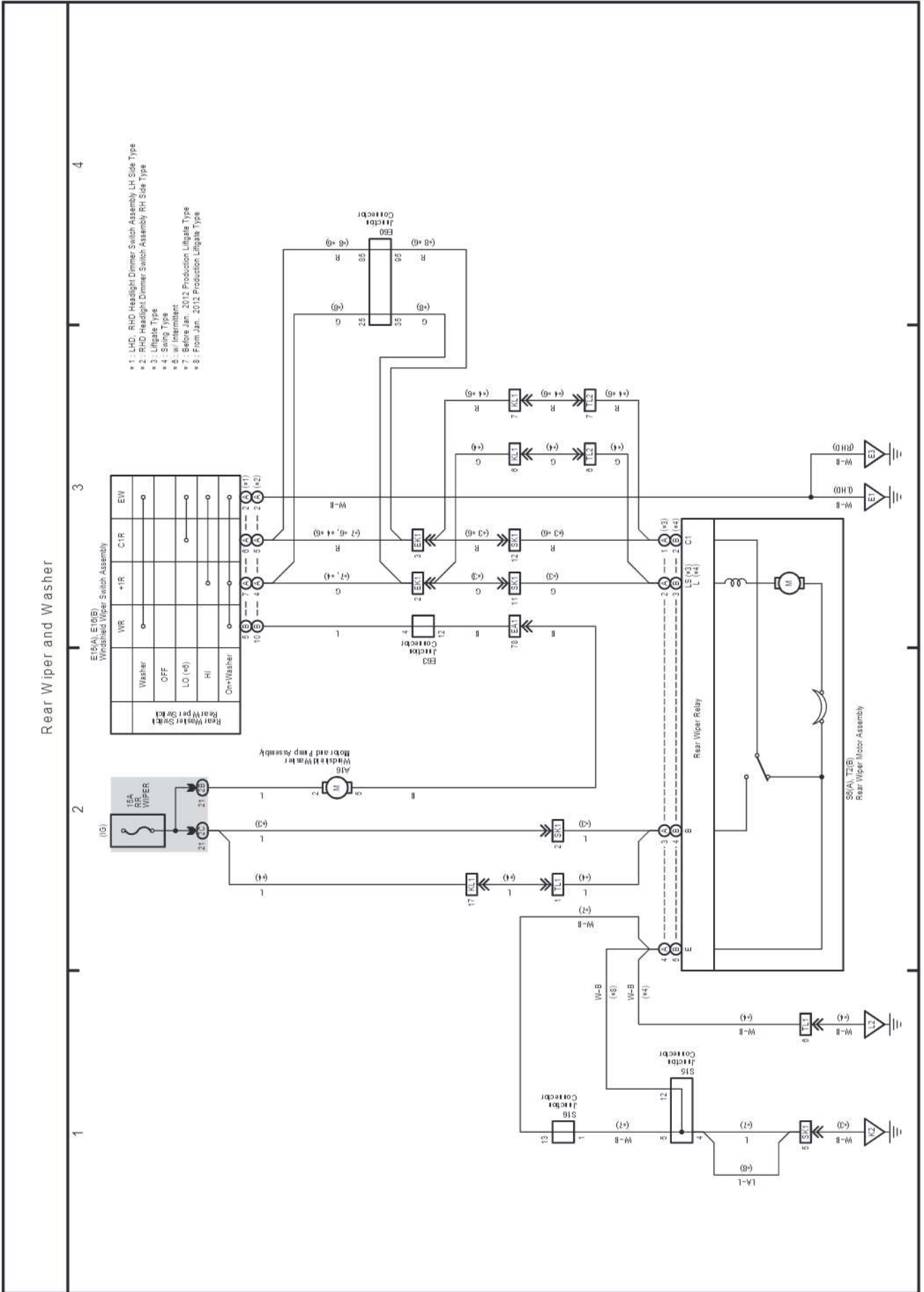
Front Wiper and Washer (w/o Auto Wiper System)



\* 1 - LHD, RHD Headlight Dimmer Switch Assembly LH Side Type  
 \* 2 - RHD Headlight Dimmer Switch Assembly RH Side Type  
 \* 3 - w/ Short Connector  
 \* 4 - w/o Short Connector

# M OVERALL ELECTRICAL WIRING DIAGRAM

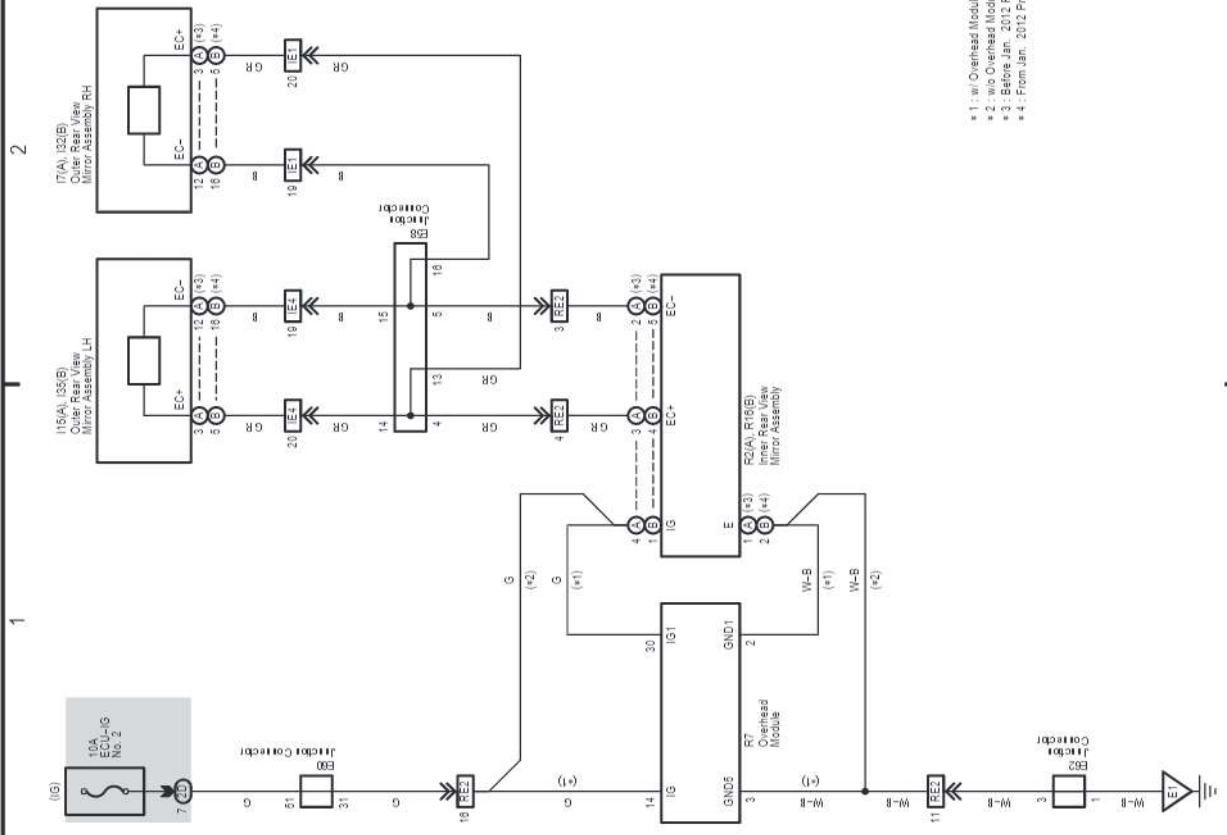
31 LAND CRUISER Station Wagon



LAND CRUISER Station Wagon (EM19U2E)

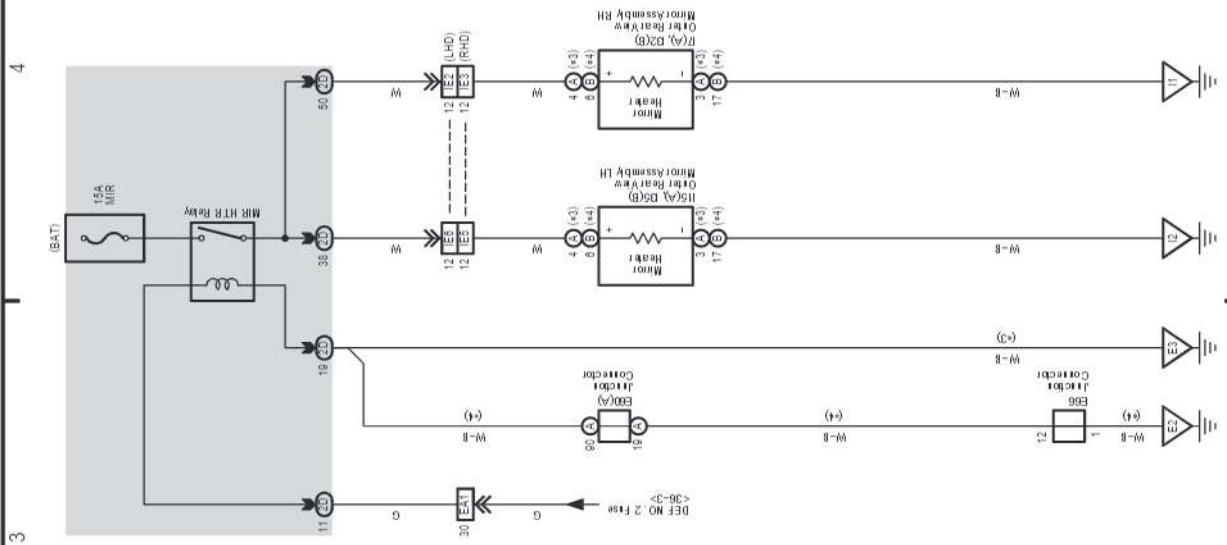
32 LAND CRUISER Station Wagon

Automatic Glare-Resistant EC Mirror with Compass



- \* 1 - w/ Overhead Module
- \* 2 - w/o Overhead Module
- \* 3 - Before Jan. 2012 Production
- \* 4 - From Jan. 2012 Production

Mirror Heater

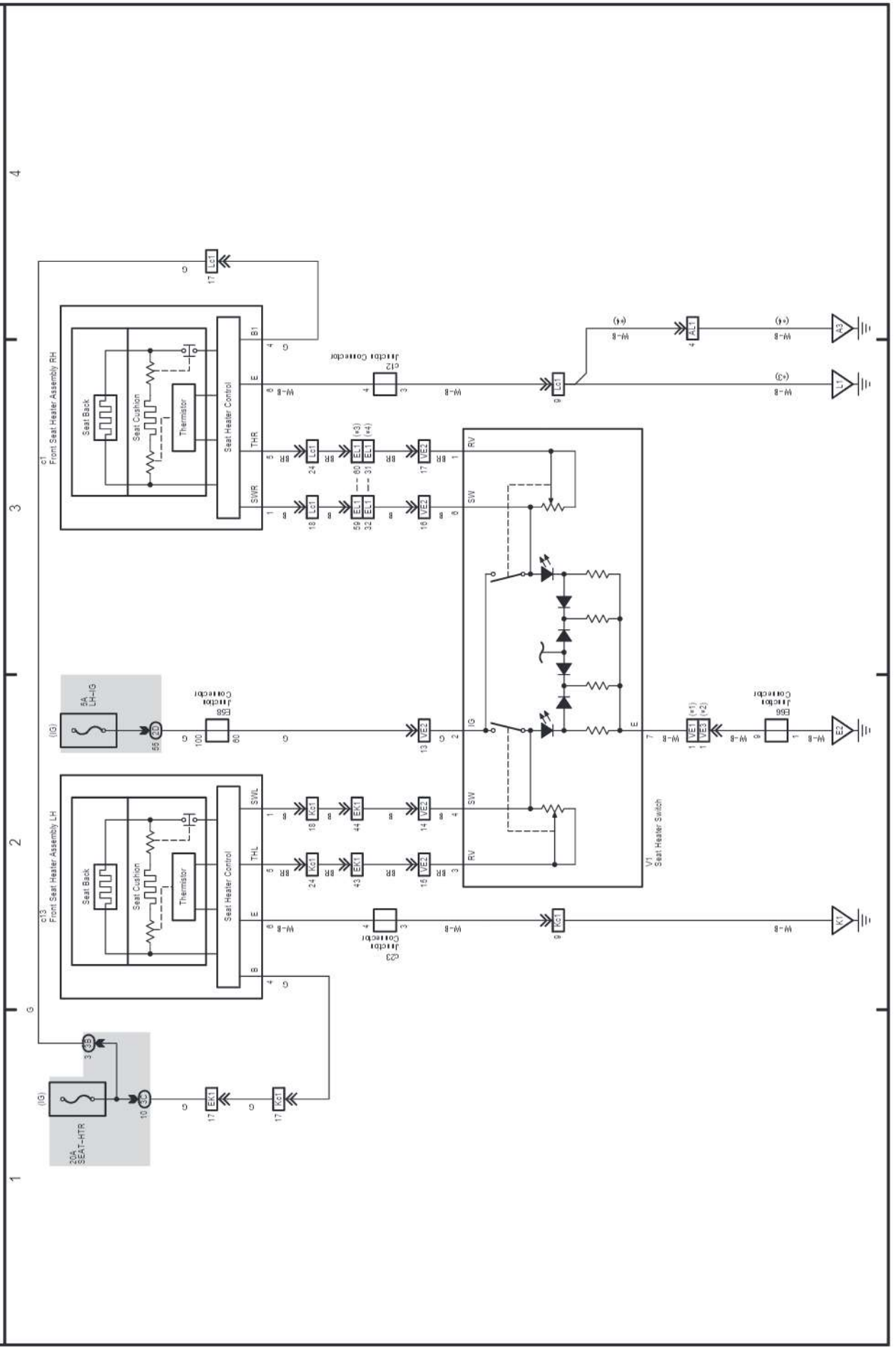


# M OVERALL ELECTRICAL WIRING DIAGRAM

## 33 LAND CRUISER Station Wagon

- \* 1 : Before Jul. 2008 Production
- \* 2 : From Jul. 2009 Production
- \* 3 : Before Jan. 2012 Production
- \* 4 : From Jan. 2012 Production

### Seat Heater (Front)



34 LAND CRUISER Station Wagon

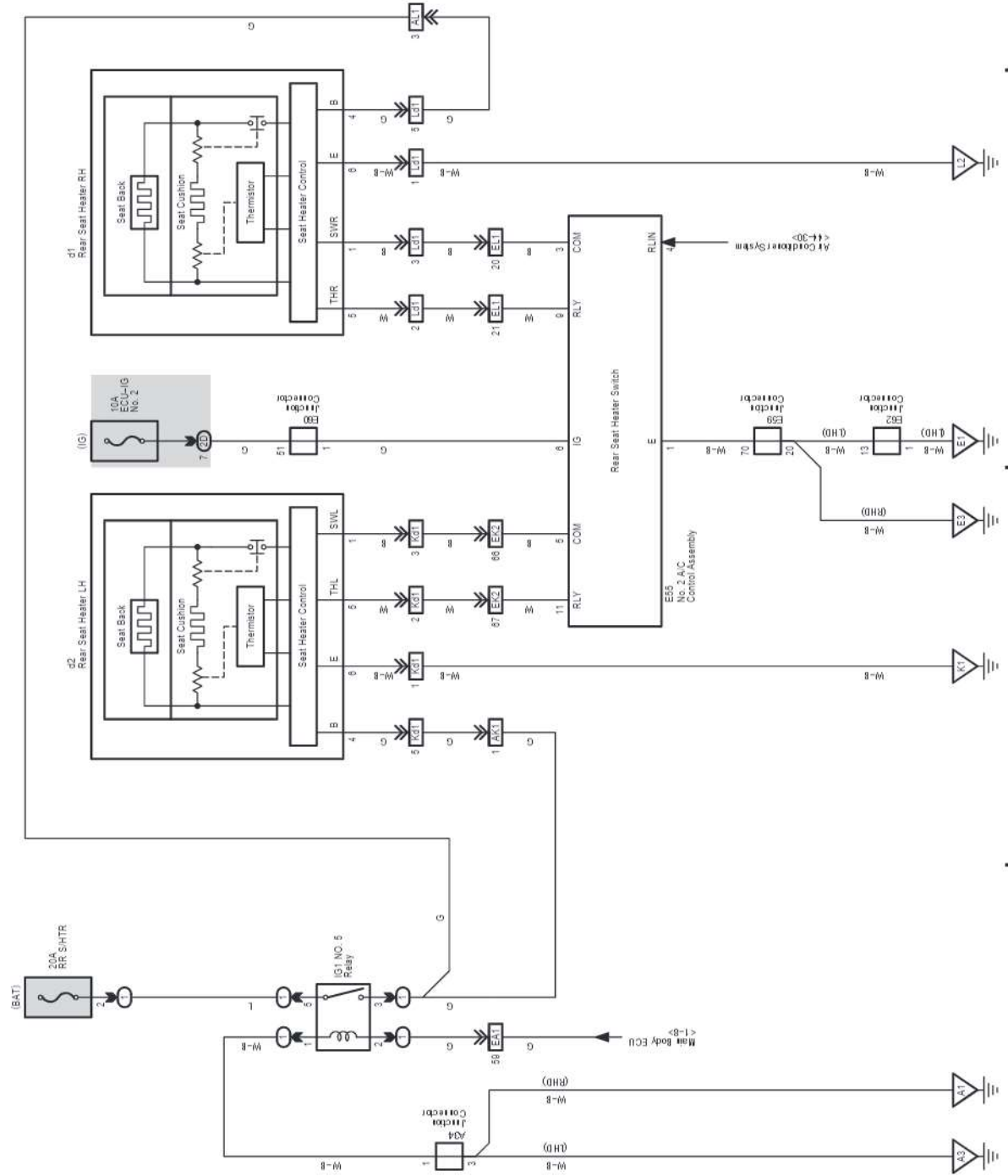
Seat Heater (Rear)

4

3

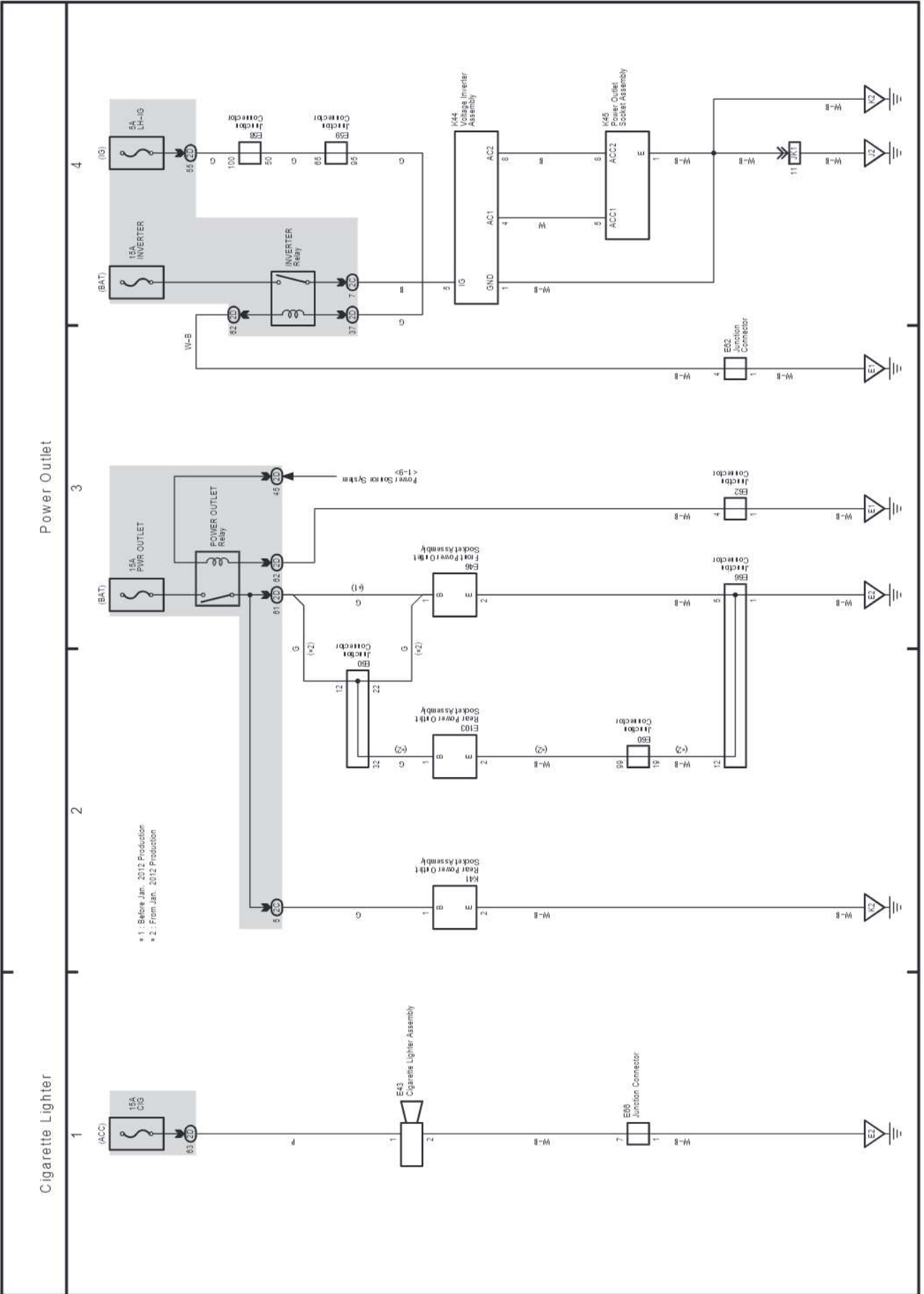
2

1

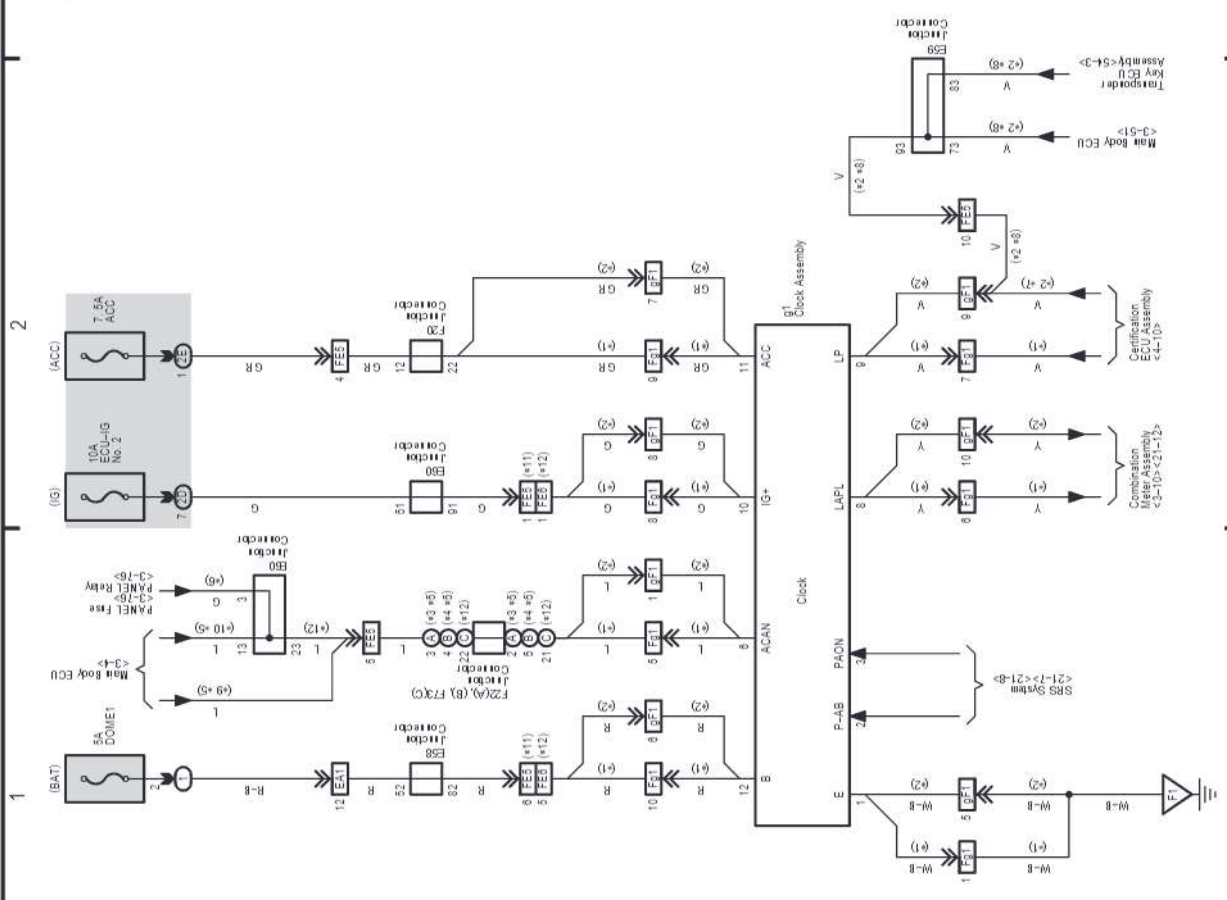


# M OVERALL ELECTRICAL WIRING DIAGRAM

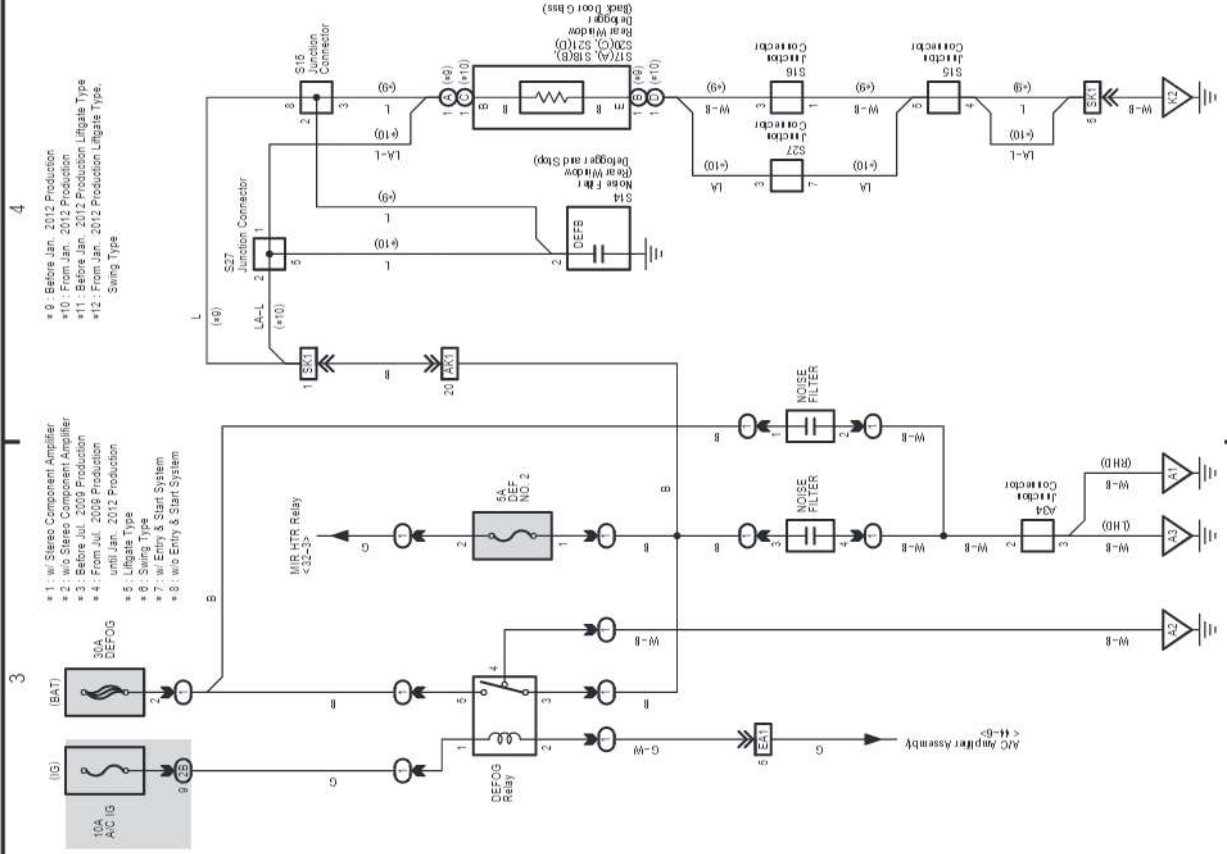
## 35 LAND CRUISER Station Wagon



Clock (w/o Multi-Display)



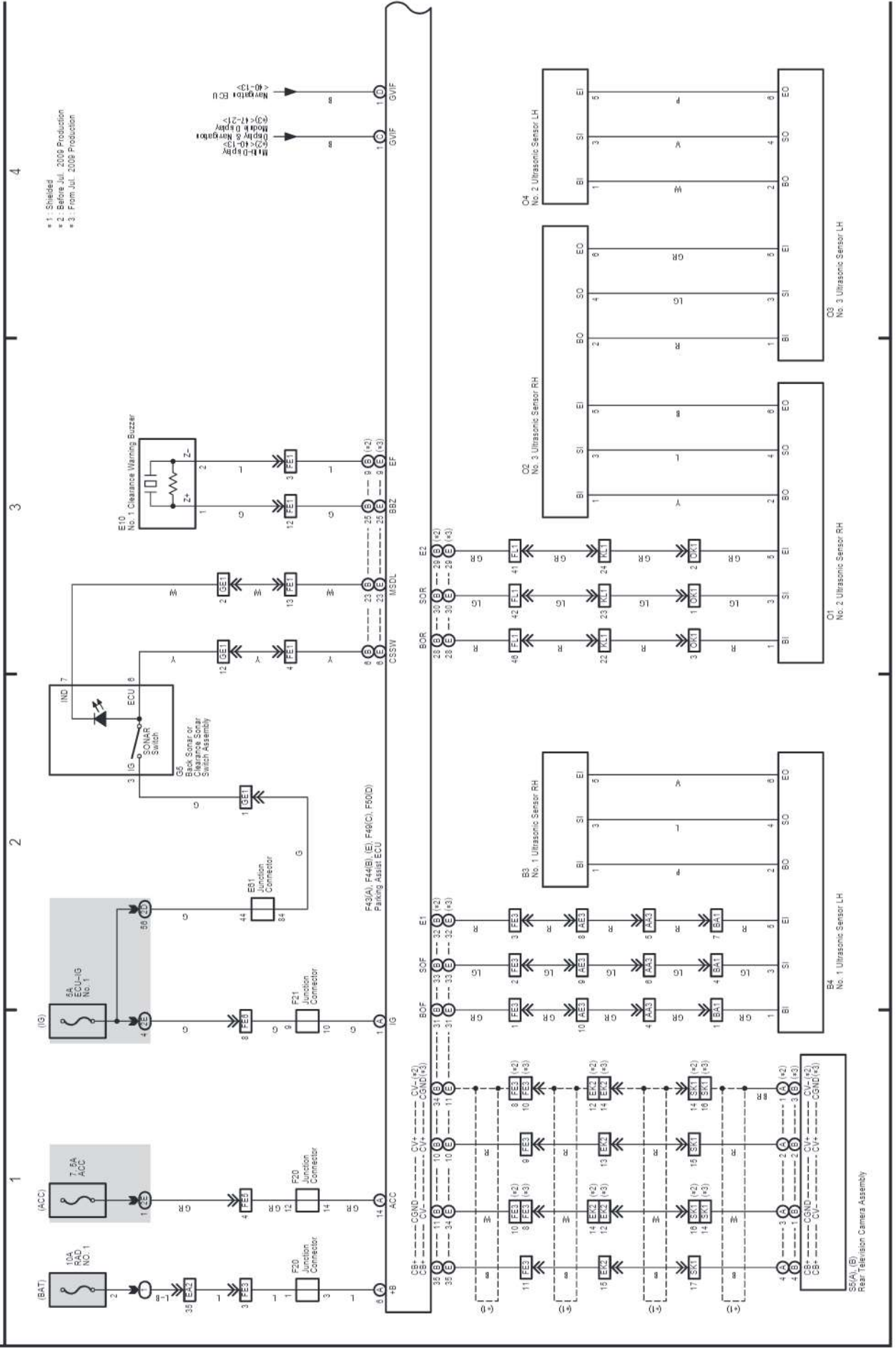
Rear Window Defogger (Lifigate Type)



- \*1: w/ Stereo Component Amplifier
- \*2: w/ Stereo Component Amplifier
- \*3: Before Jul. 2009 Production
- \*4: From Jul. 2009 Production until Jan. 2012 Production
- \*5: Lifigate Type
- \*6: Swing Type
- \*7: w/ Entry & Start System
- \*8: w/ Entry & Start System

- \*9: Before Jan. 2012 Production
- \*10: From Jan. 2012 Production
- \*11: Before Jan. 2012 Production Lifigate Type
- \*12: From Jan. 2012 Production Swing Type

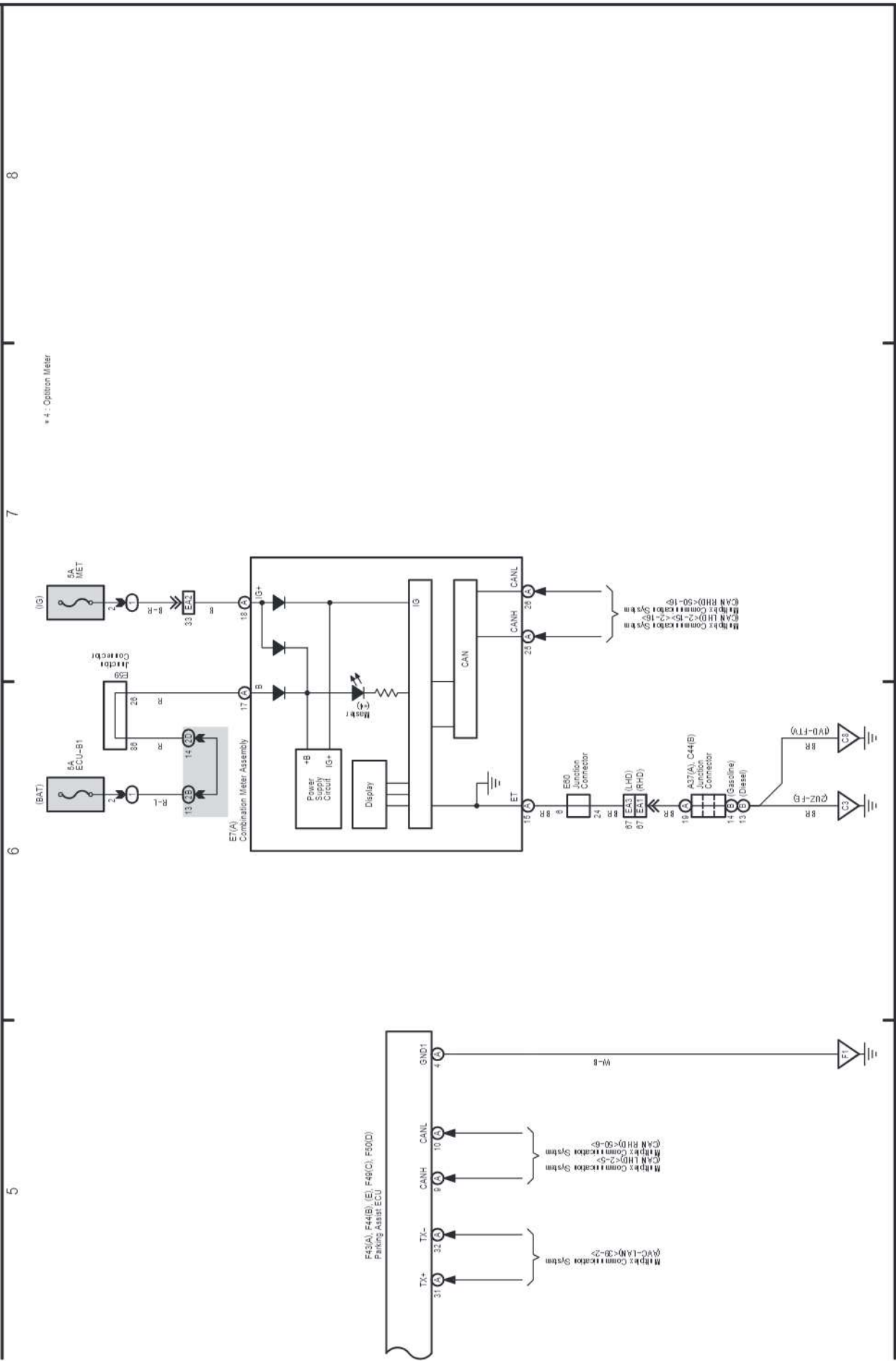
Parking Assist (Back Guide Monitor) and Parking Assist (TOYOTA Parking Assist-Sensor w/ Back Guide Monitor) (Before Jan. 2012 Production)





37 LAND CRUISER Station Wagon (Cont' d)

Parking Assist (Back Guide Monitor) and Parking Assist (TOYOTA Parking Assist-Sensor w/ Back Guide Monitor) (Before Jan. 2012 Production)



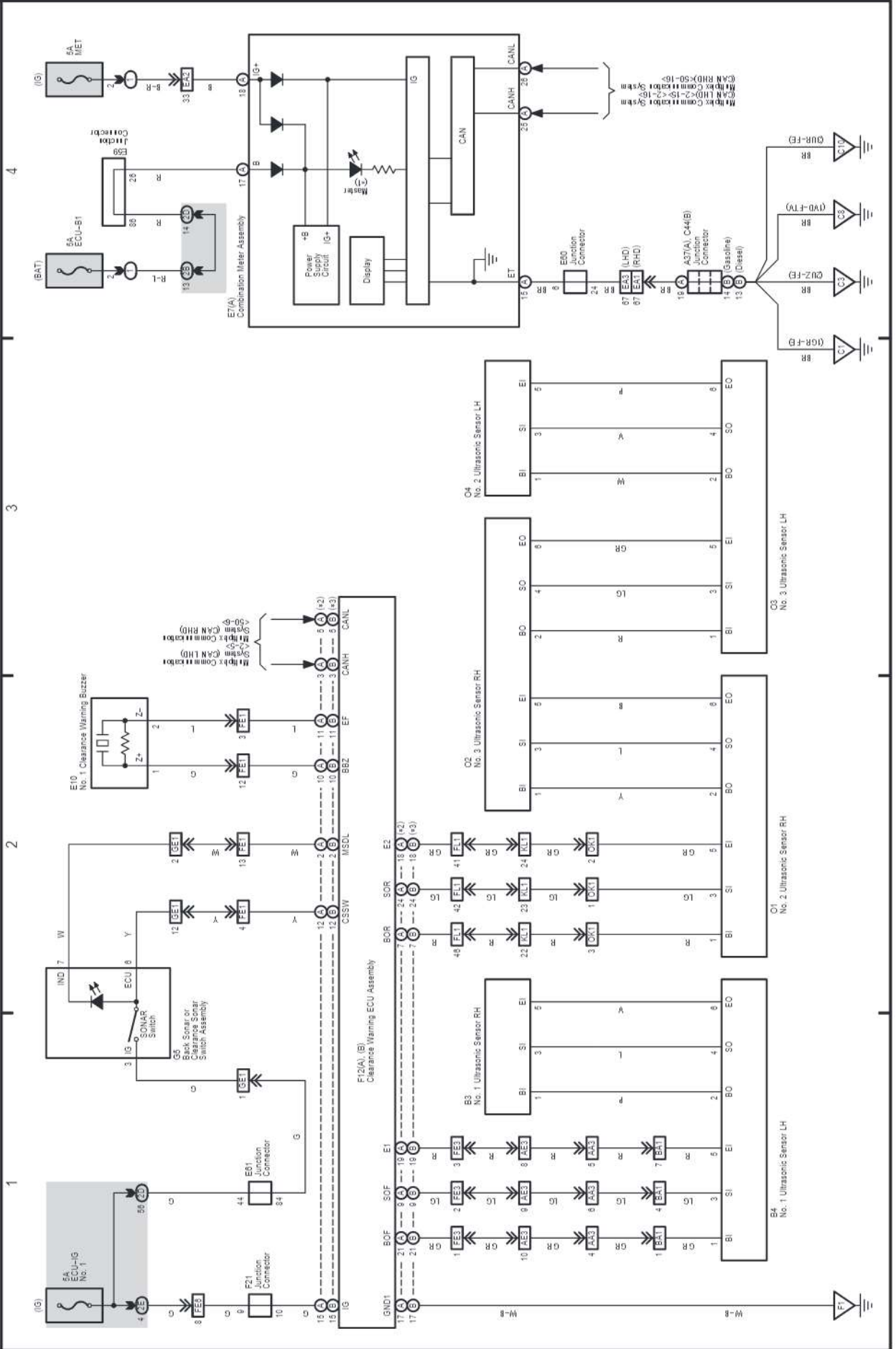
LAND CRUISER Station Wagon (EM19U2E)

# M OVERALL ELECTRICAL WIRING DIAGRAM

## 38 LAND CRUISER Station Wagon

### Parking Assist (TOYOTA Parking Assist-Sensor w/o Back Guide Monitor) (Before Jan. 2012 Production)

- \* 1: Option Meter
- \* 2: Before Aug. 2007 Production
- \* 3: From Aug. 2007 Production

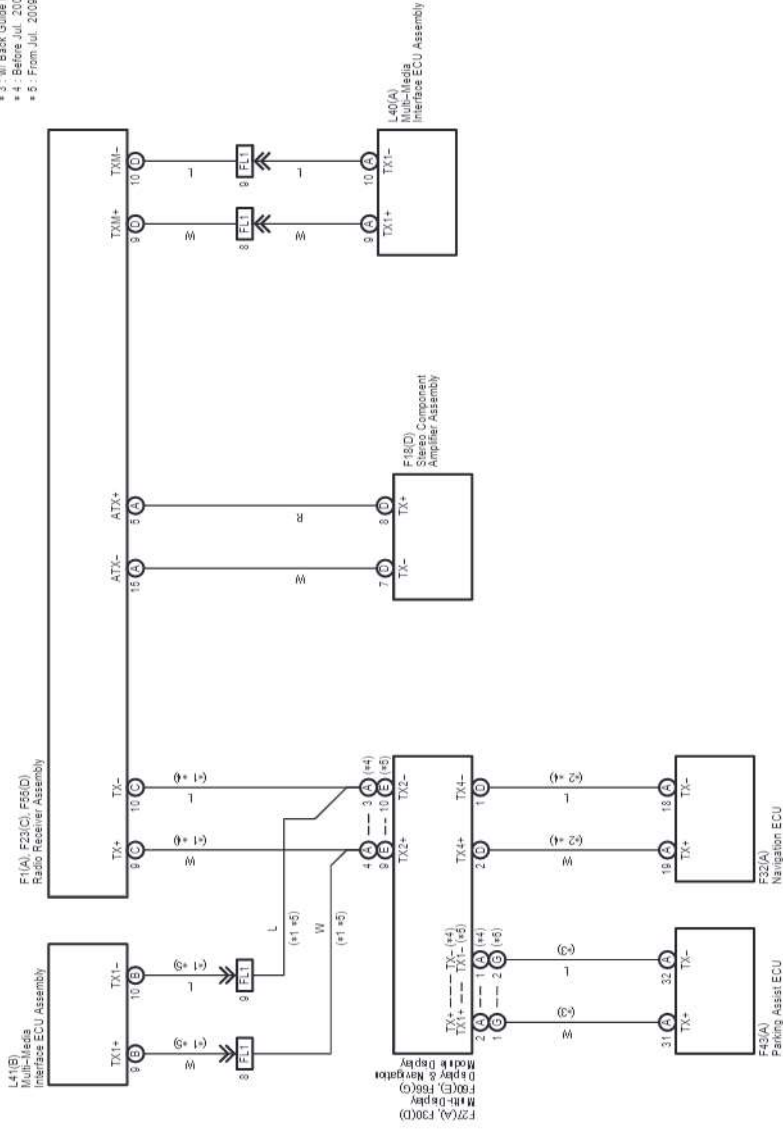


LAND CRUISER Station Wagon (EM19U2E)

Multiplex Communication System (AVC-LAN) (Before Jan. 2012 Production)

1 2 3 4

- 1: w/ Multi-Display
- 2: w/ Navigation System
- 3: w/ Back Guide Monitor
- 4: Before Jul. 2009 Production
- 5: From Jul. 2009 Production

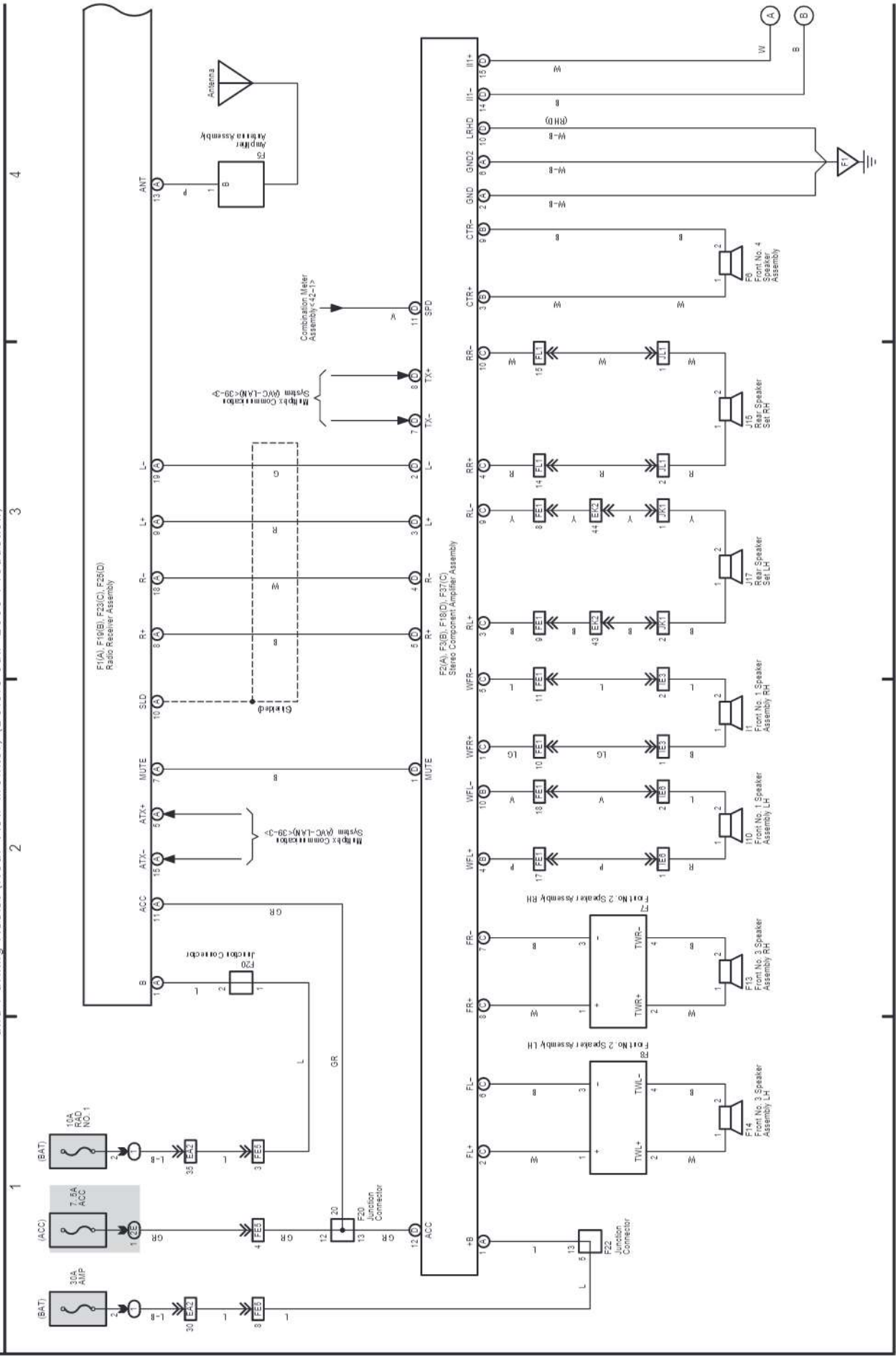


# M OVERALL ELECTRICAL WIRING DIAGRAM

(Cont. next page)

40 LAND CRUISER Station Wagon

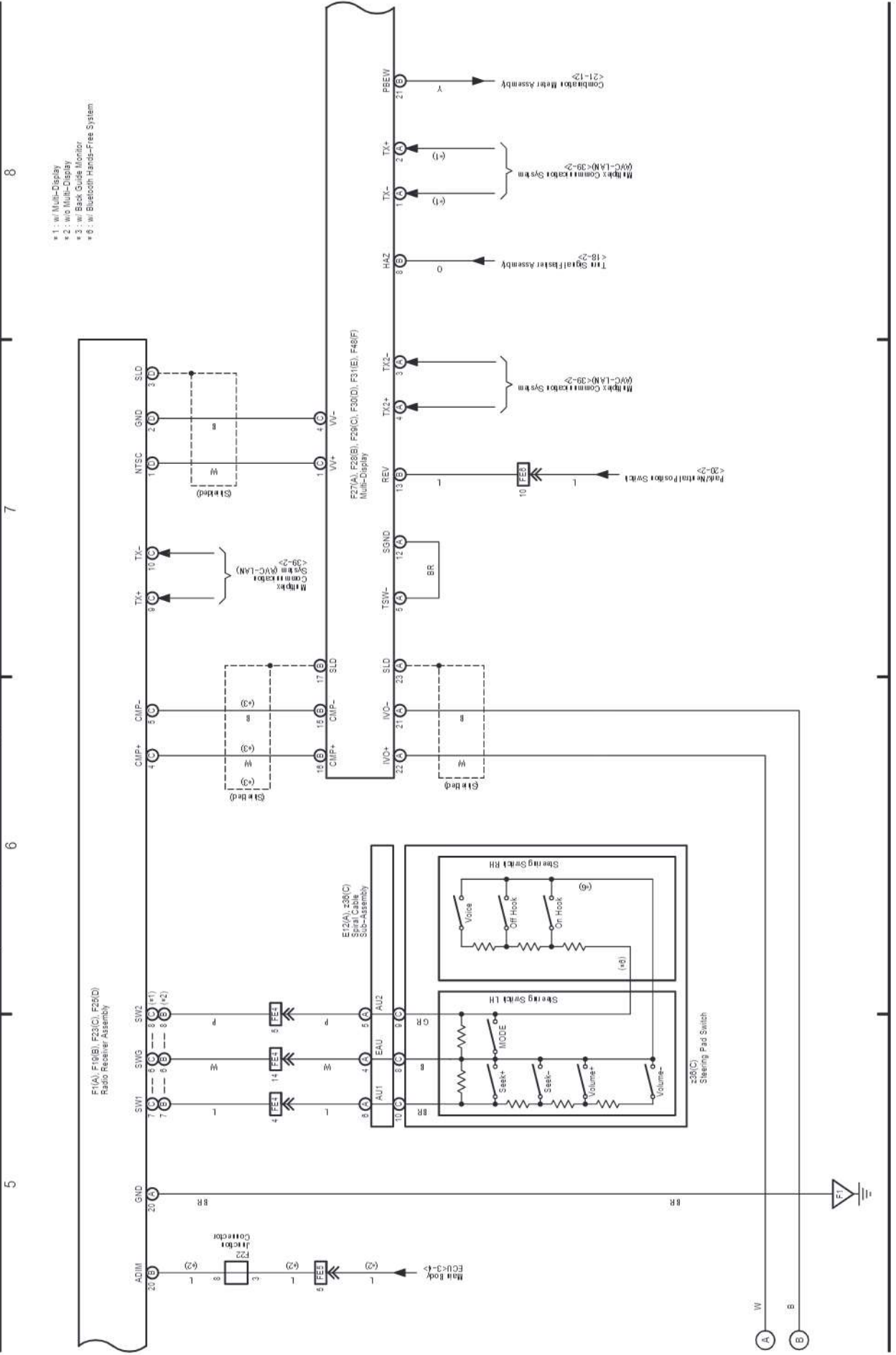
Audio System (w/ Stereo Component Amplifier) (Before Jul. 2009 Production),  
Multi-Display (Before Jul. 2009 Production), Navigation System (Before Jul. 2009 Production)  
and Parking Assist (Rear View Monitor) (Before Jul. 2009 Production)



40 LAND CRUISER Station Wagon (Cont' d)

(Cont. next page)

Audio System (w/ Stereo Component Amplifier) (Before Jul. 2009 Production),  
 Multi-Display (Before Jul. 2009 Production), Navigation System (Before Jul. 2009 Production)  
 and Parking Assist (Rear View Monitor) (Before Jul. 2009 Production)



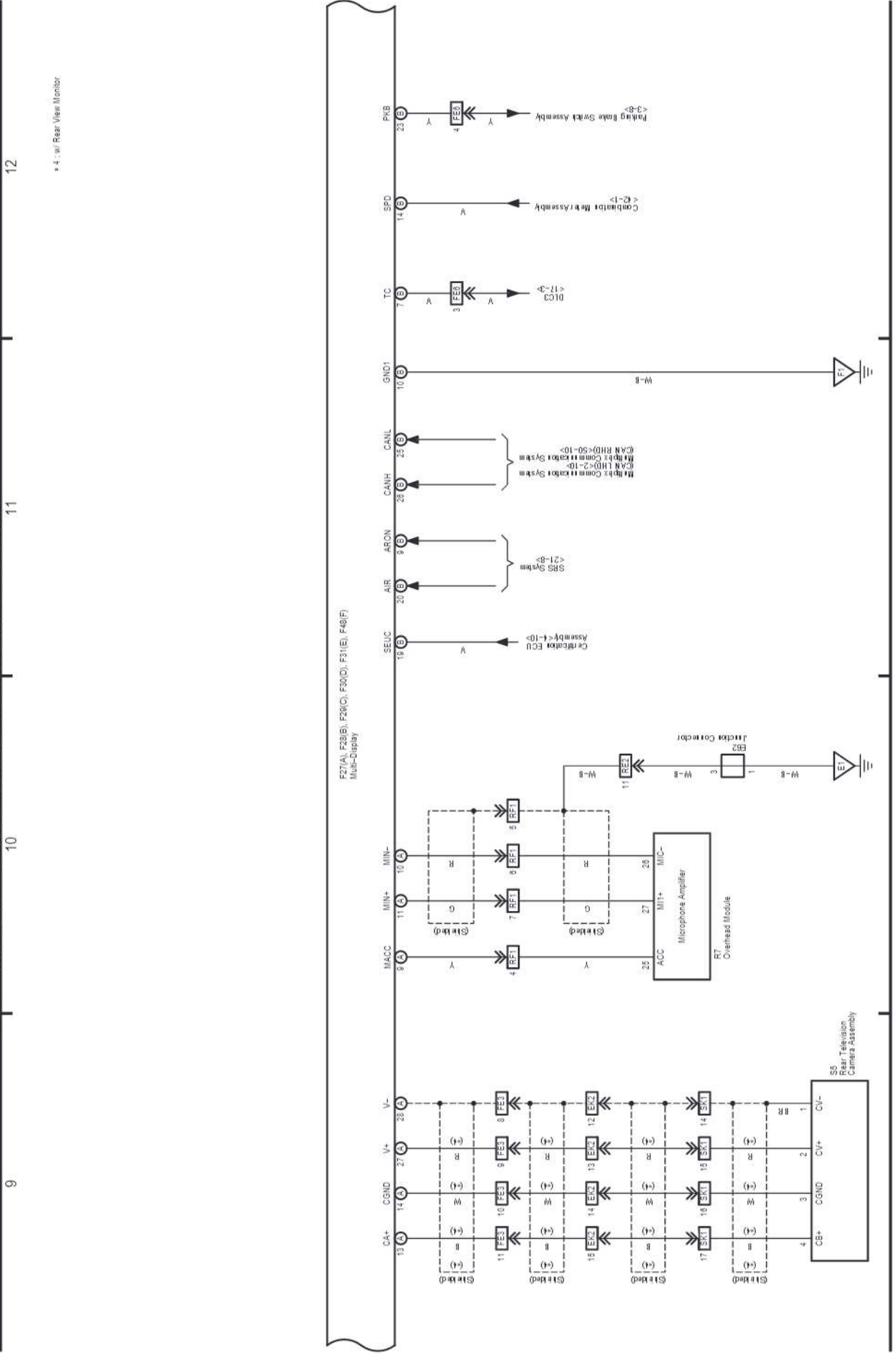
LAND CRUISER Station Wagon (EM19U2E)

# M OVERALL ELECTRICAL WIRING DIAGRAM

40 LAND CRUISER Station Wagon (Cont' d)

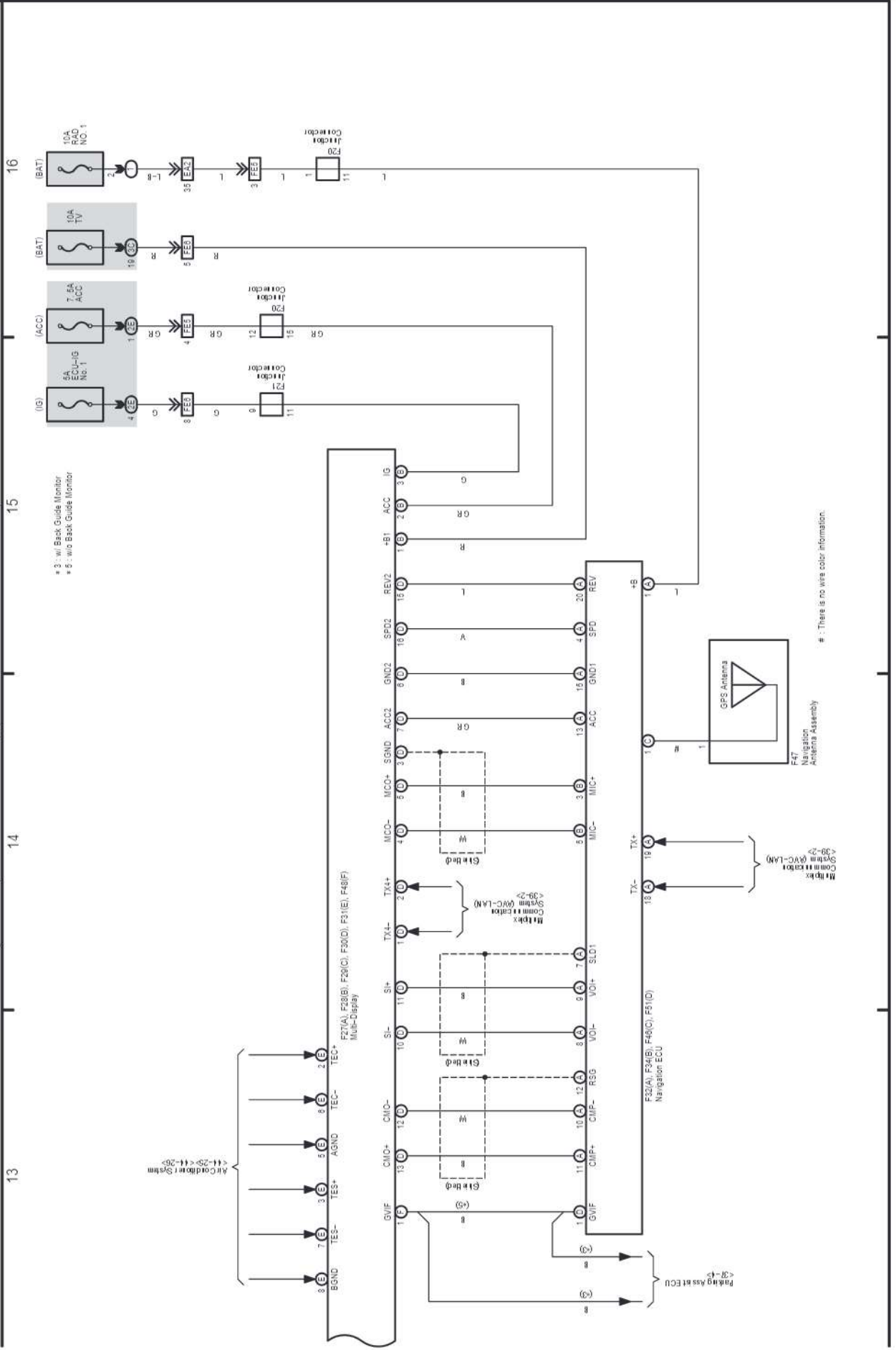
(Cont. next page)

Audio System (w/ Stereo Component Amplifier) (Before Jul. 2009 Production),  
Multi-Display (Before Jul. 2009 Production), Navigation System (Before Jul. 2009 Production)  
and Parking Assist (Rear View Monitor) (Before Jul. 2009 Production)



40 LAND CRUISER Station Wagon (Cont' d)

Audio System (w/ Stereo Component Amplifier) (Before Jul. 2009 Production),  
 Multi-Display (Before Jul. 2009 Production), Navigation System (Before Jul. 2009 Production)  
 and Parking Assist (Rear View Monitor) (Before Jul. 2009 Production)



LAND CRUISER Station Wagon (EM19U2E)

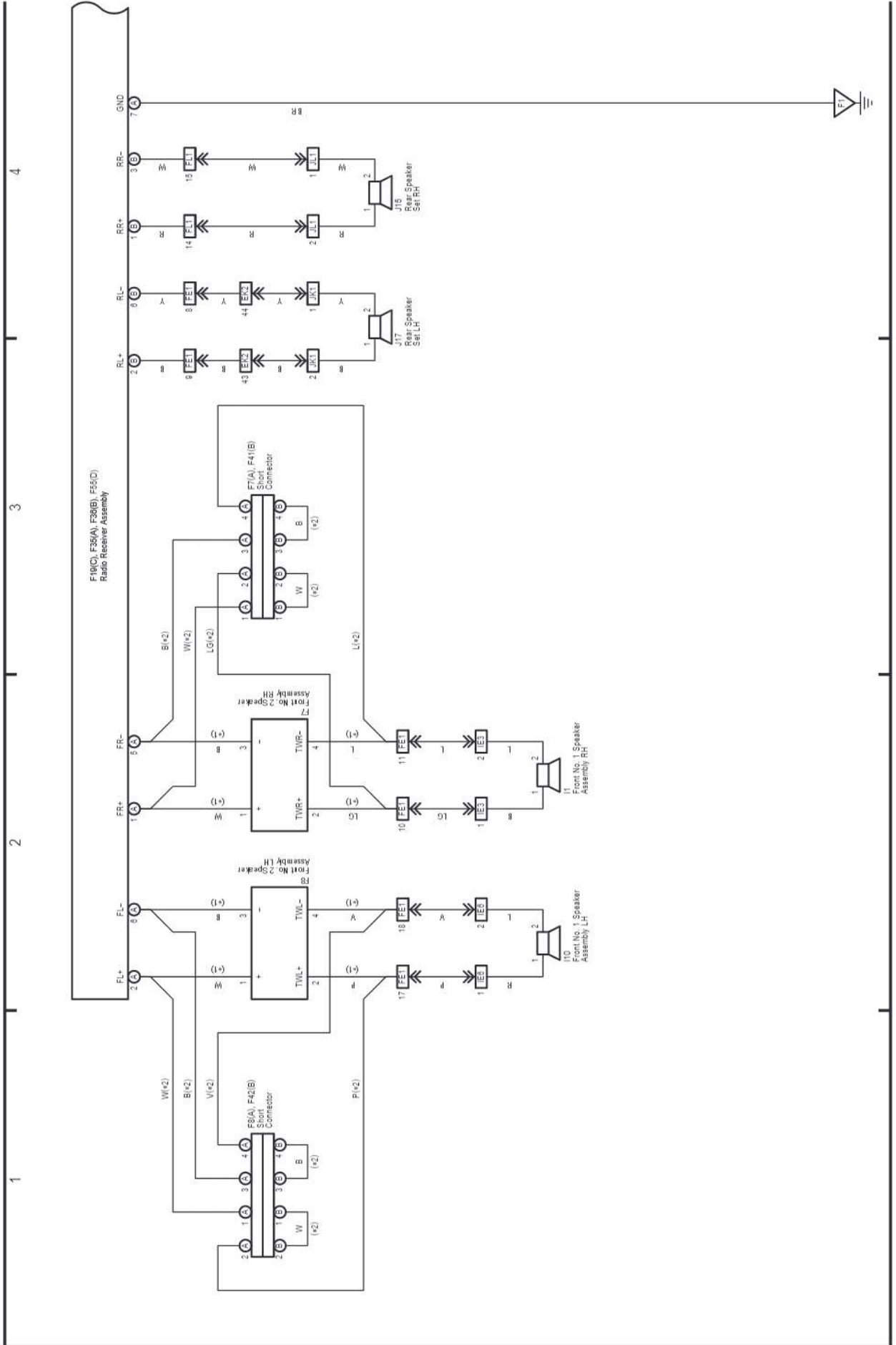
# M OVERALL ELECTRICAL WIRING DIAGRAM

41 LAND CRUISER Station Wagon

(Cont. next page)

## Audio System (w/o Stereo Component Amplifier)

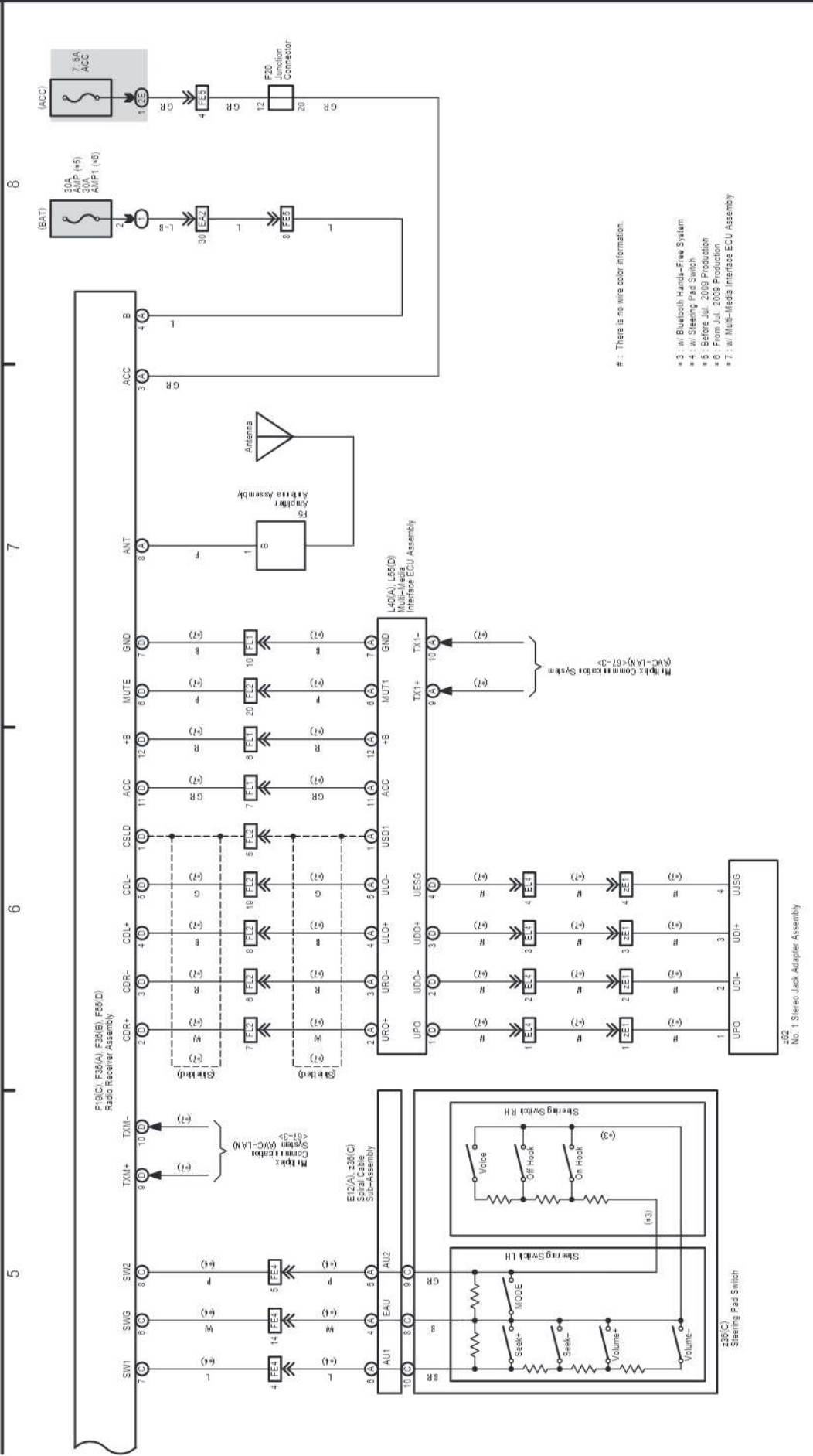
\* 1 : 6 Speaker  
\* 2 : 4 Speaker





41 LAND CRUISER Station Wagon (Cont' d)

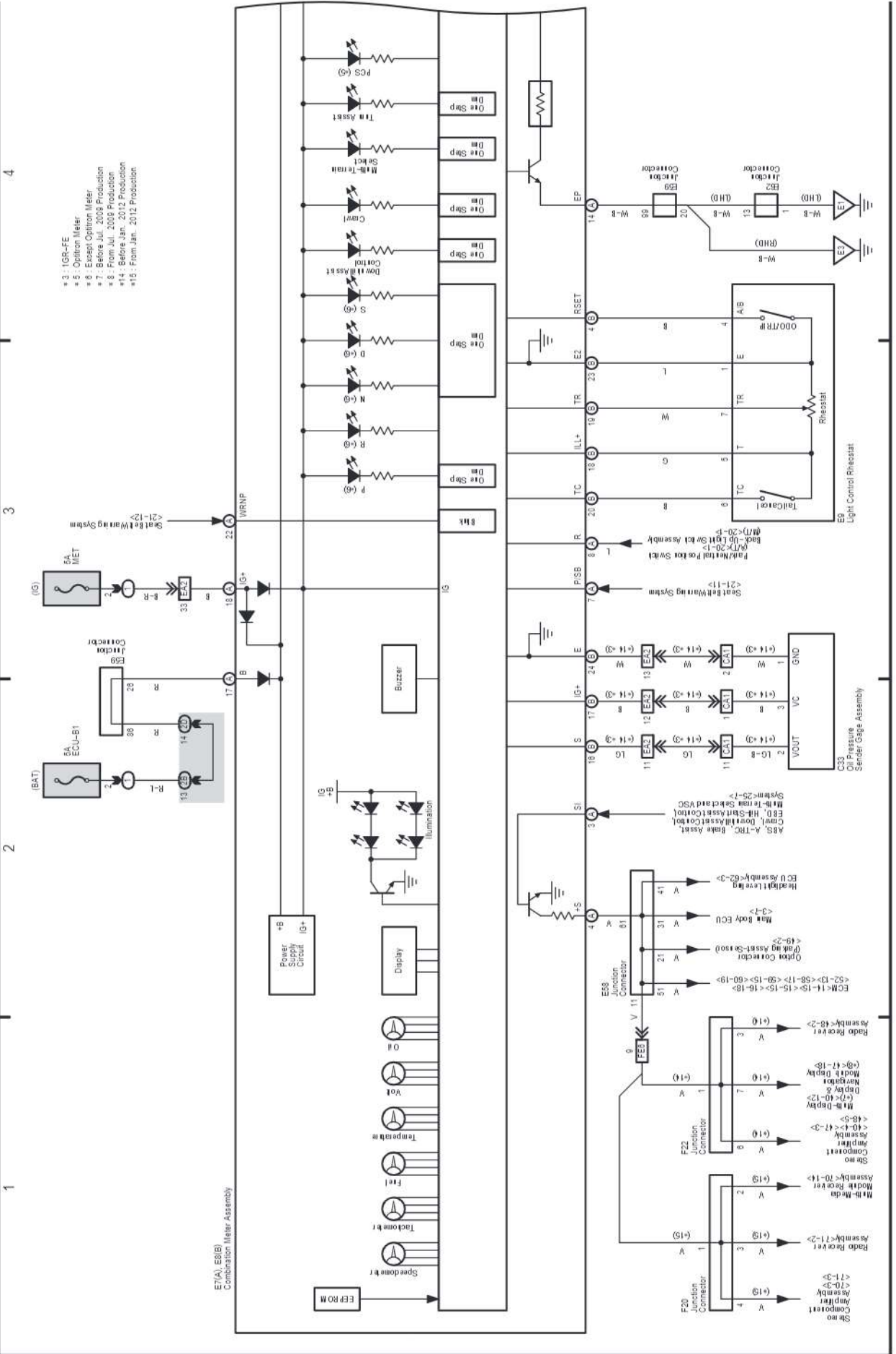
Audio System (w/o Stereo Component Amplifier)



- # 1: There is no wire color information.
- # 3 :w/ Bluetooth Hands-Free System
  - # 4 :w/ Steering Pad Switch
  - # 5 :Before Jul. 2009 Production
  - # 6 :From Jul. 2009 Production
  - # 7 :w/ Multi-Media Interface ECU Assembly

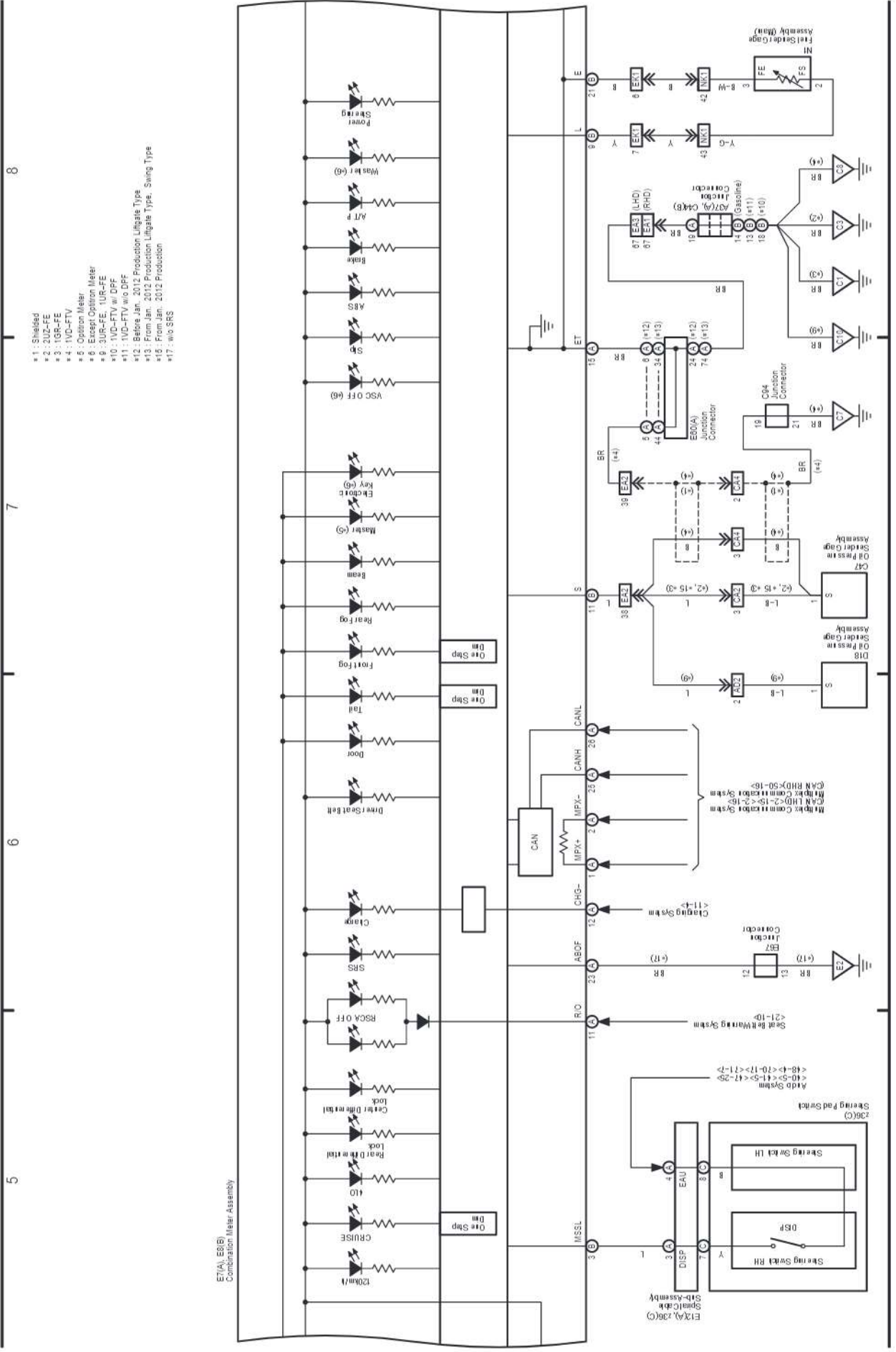
# M OVERALL ELECTRICAL WIRING DIAGRAM

## Combination Meter



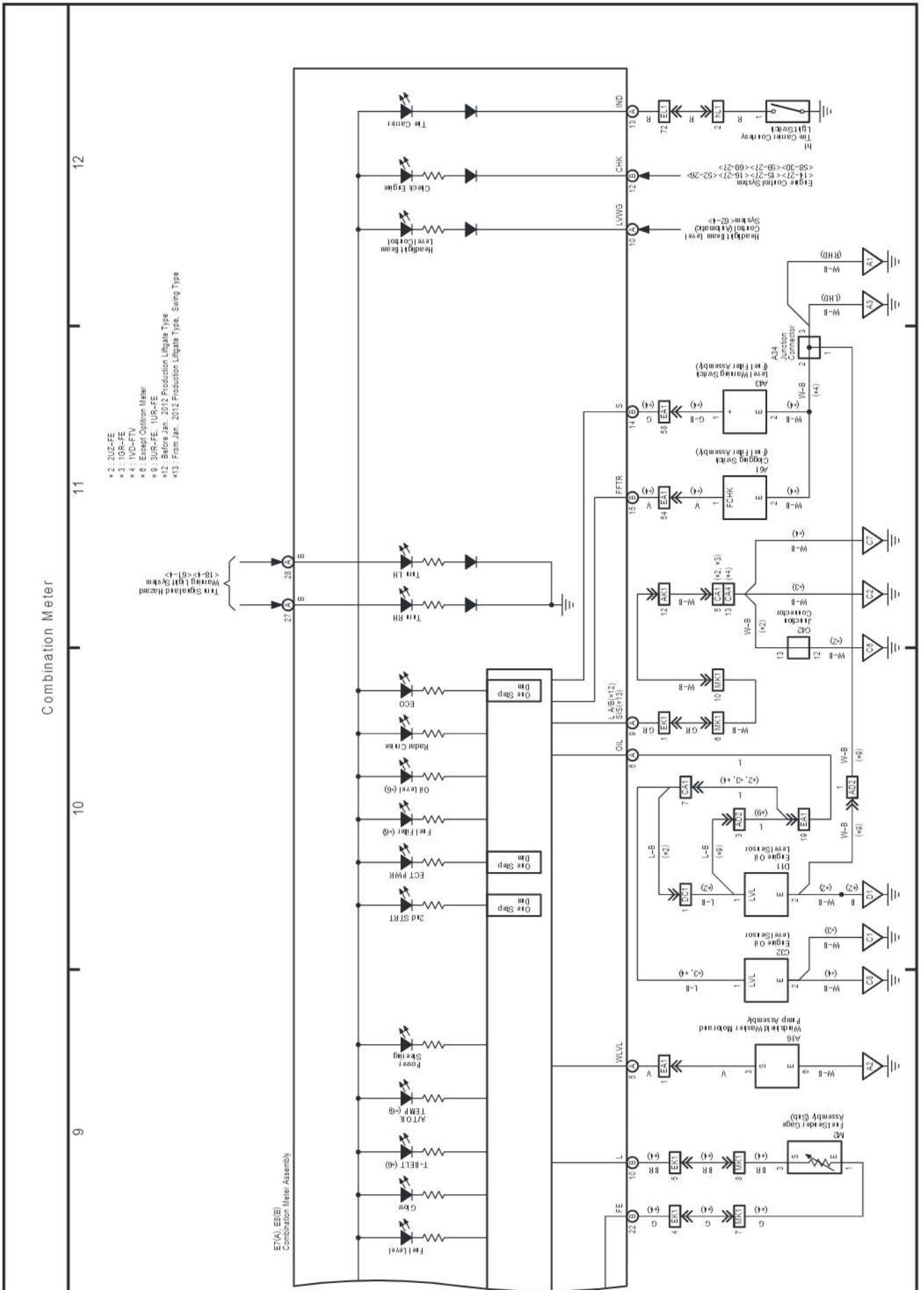
LAND CRUISER Station Wagon (EM19U2E)

Combination Meter



# M OVERALL ELECTRICAL WIRING DIAGRAM

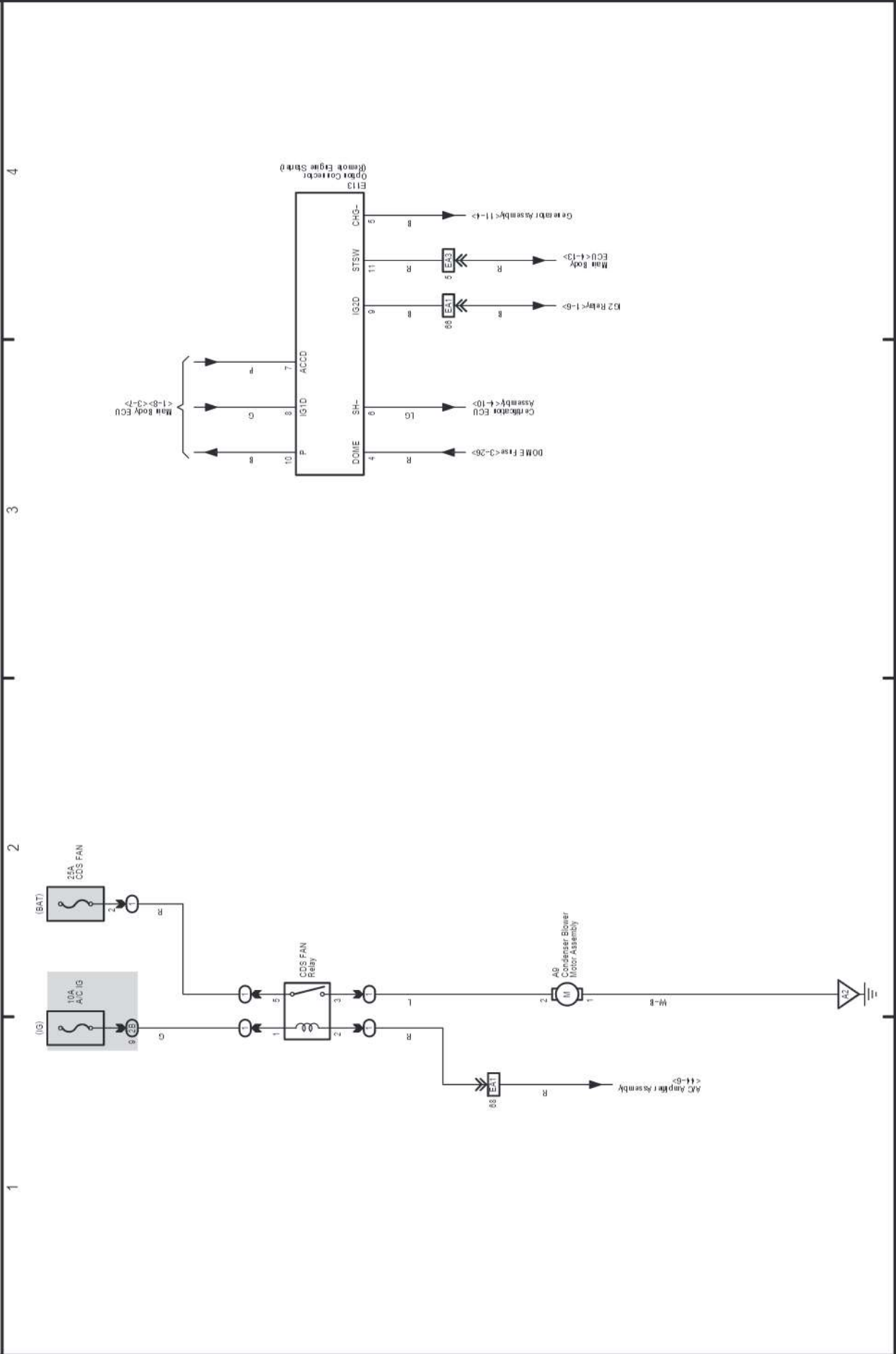
42 LAND CRUISER Station Wagon (Cont' d)



LAND CRUISER Station Wagon (EM19U2E)

43 LAND CRUISER Station Wagon

Option Connector (Remote Engine Starter System)



LAND CRUISER Station Wagon (EM19U2E)

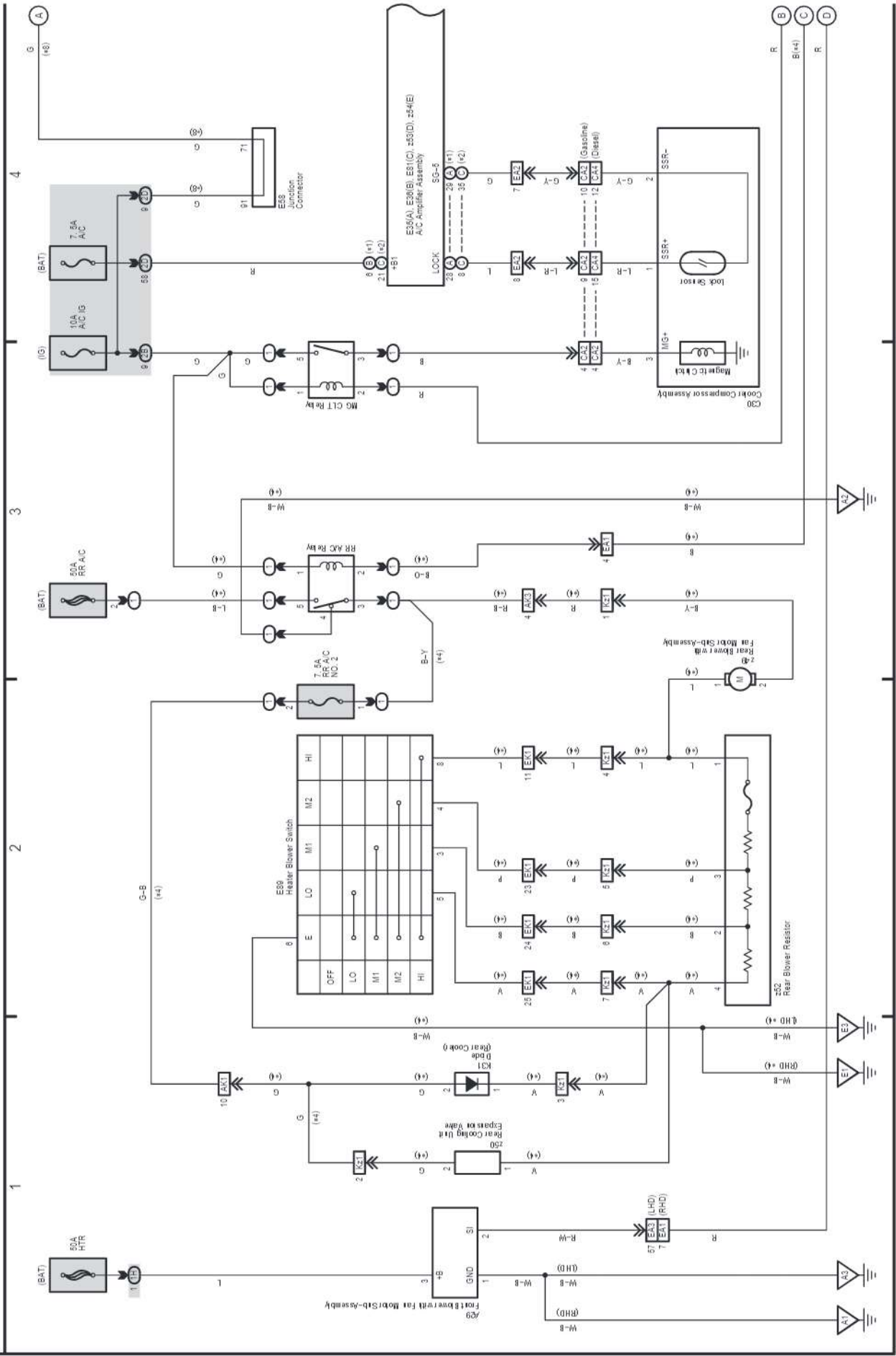
# M OVERALL ELECTRICAL WIRING DIAGRAM

(Cont. next page)

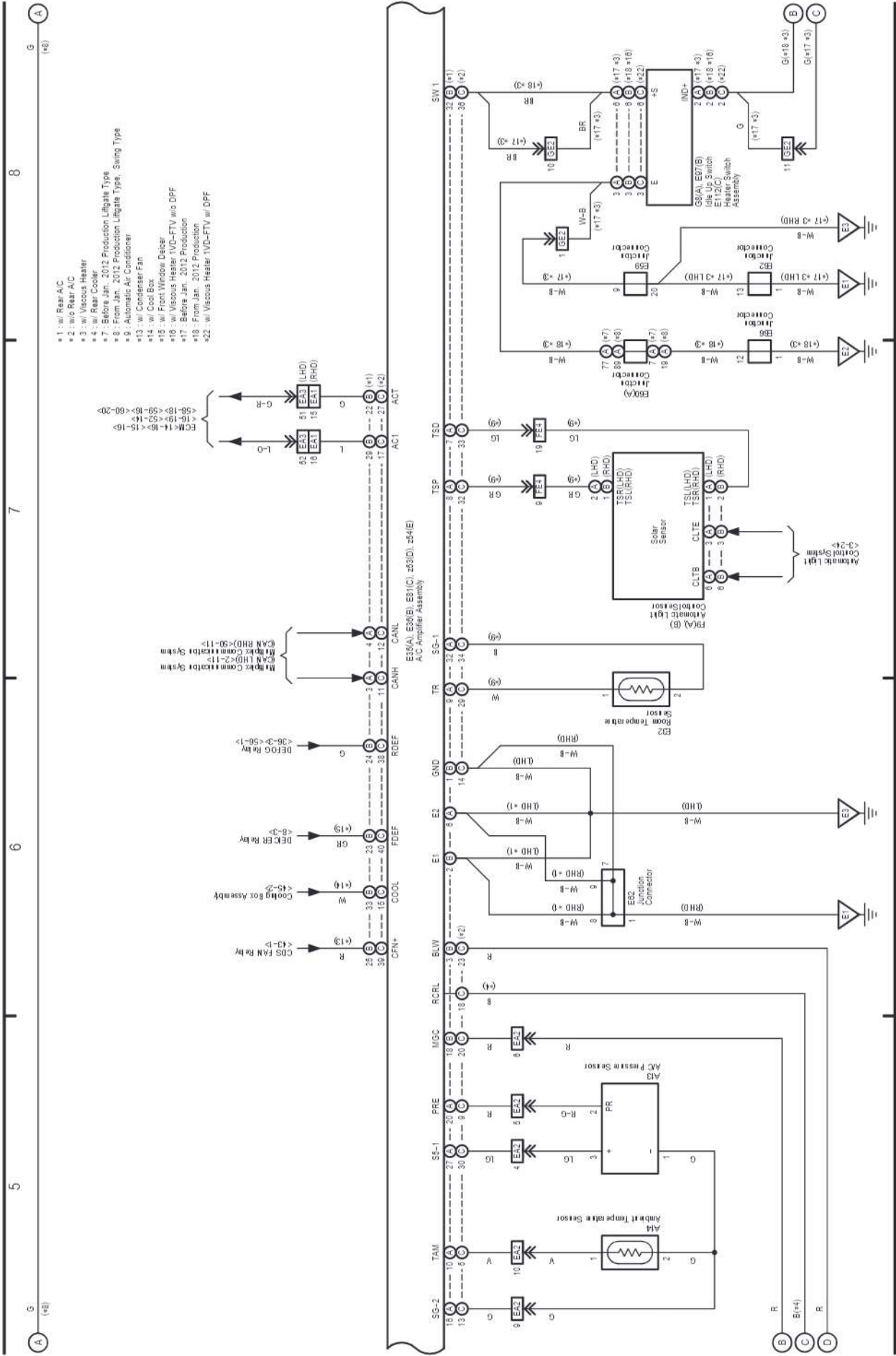
44 LAND CRUISER Station Wagon

- \* 1 : w/ Rear A/C
- \* 2 : w/o Rear A/C
- \* 4 : w/ Rear Cooler
- \* 8 : From Jan. 2012 Production Liftgate Type, Swing Type.

## Air Conditioner



Air Conditioner



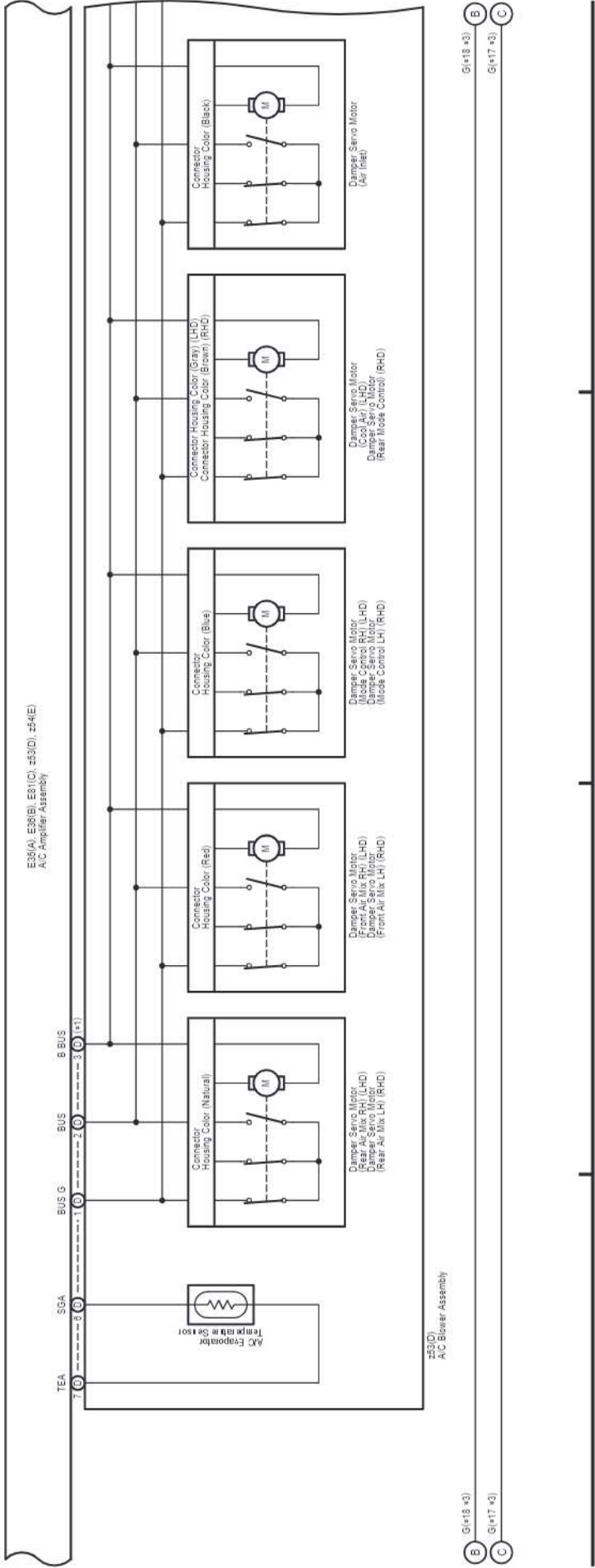
# M OVERALL ELECTRICAL WIRING DIAGRAM

44 LAND CRUISER Station Wagon (Cont' d)

(Cont. next page)

- \*1 : w/ Rear A/C
- \*3 : w/ Viscous Heater
- \*8 : From Jan. 2012 Production (Liftgate Type, Swing Type)
- \*17 : Before Jan. 2012 Production
- \*18 : From Jan. 2012 Production

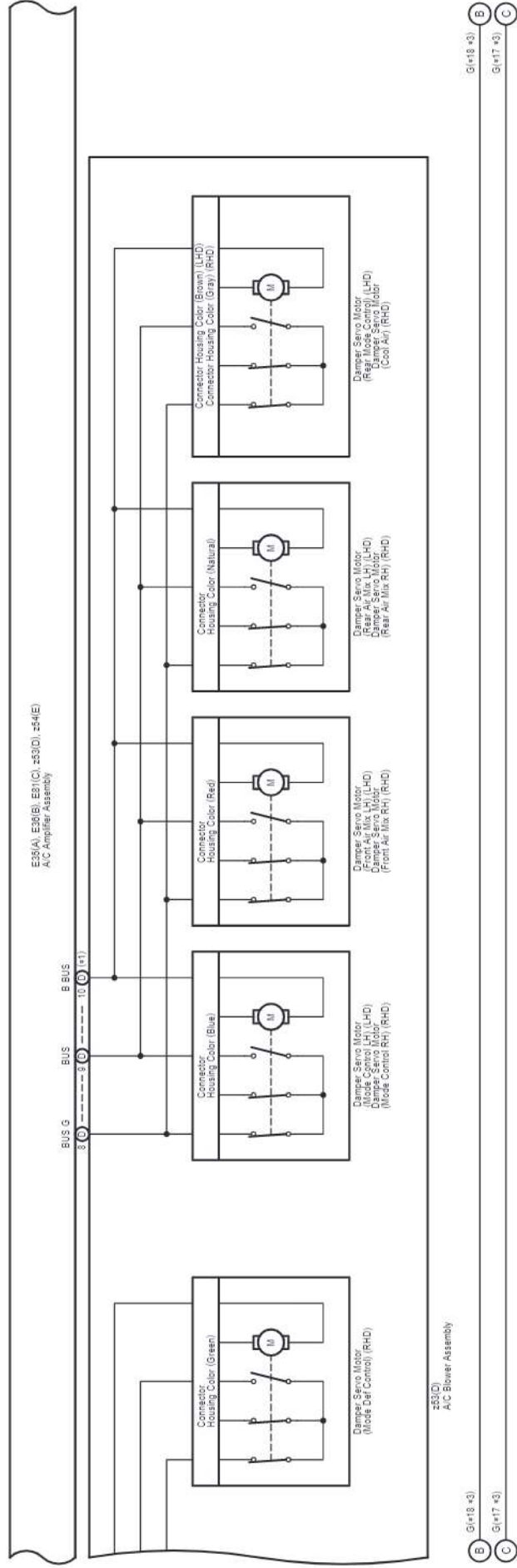
## Air Conditioner





- \*1 - w/ Rear A/C
- \*3 - w/ Viscous Heater
- \*8 - From Jan. 2012 Production (Libgate Type, Sailing Type)
- \*17 - Before Jan. 2012 Production
- \*18 - From Jan. 2012 Production

Air Conditioner

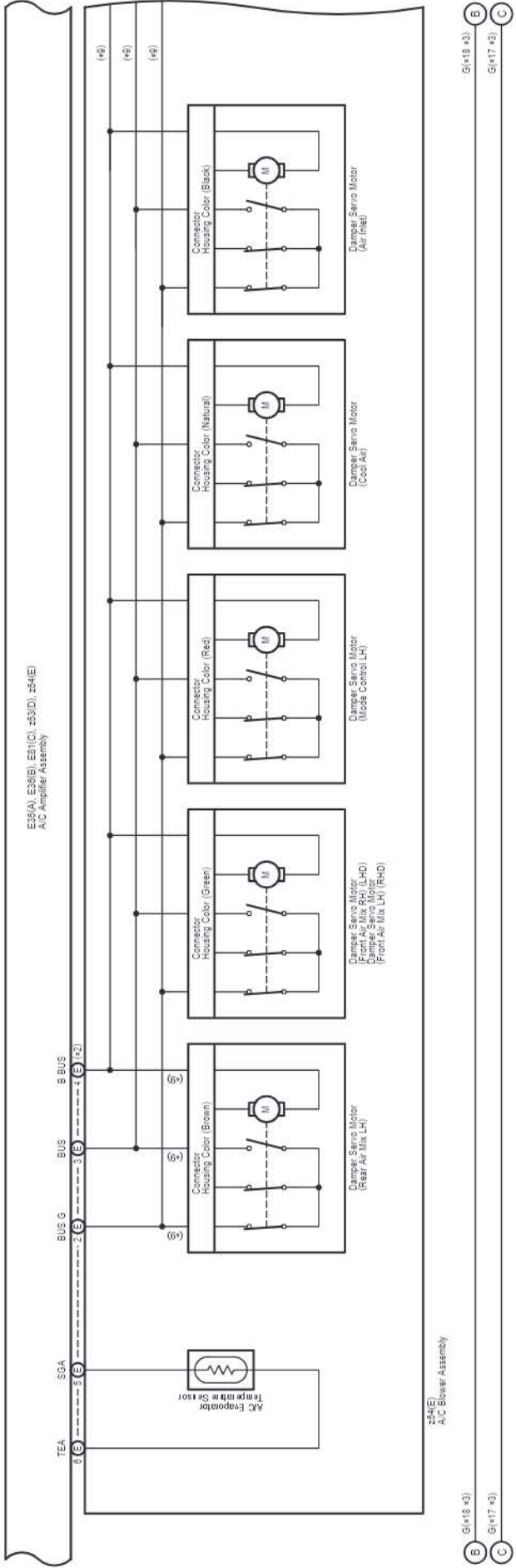


# M OVERALL ELECTRICAL WIRING DIAGRAM

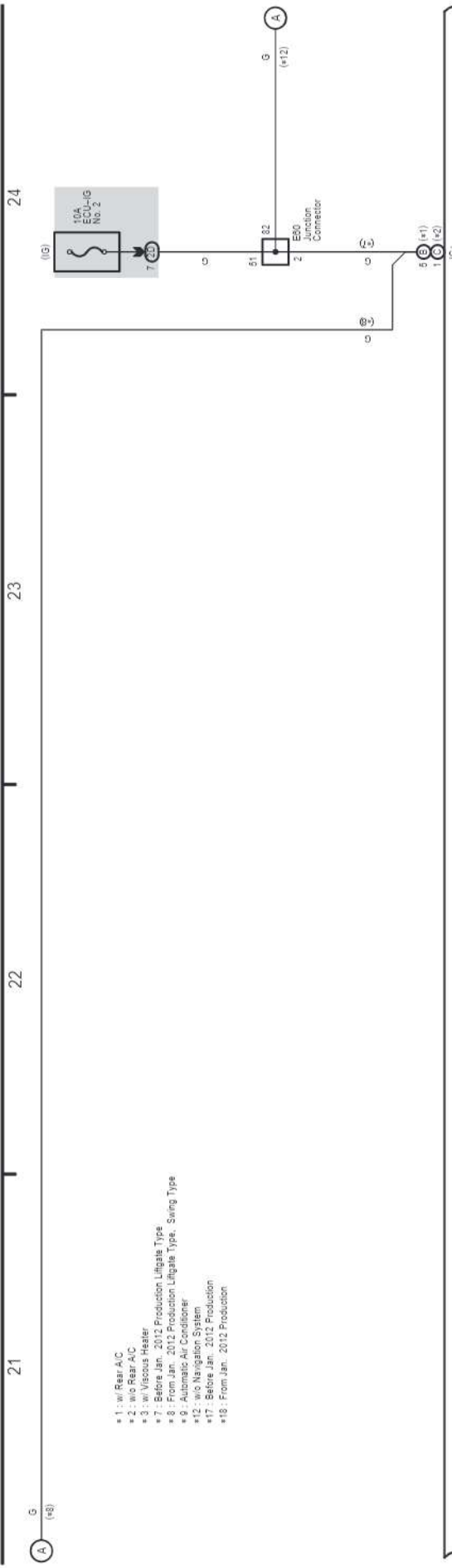
## Air Conditioner



- \* 2 - w/o Rear A/C
- \* 3 - w/ Viscous Hyster
- \* 8 - From Jan. 2012 Production Liftgate Type, Swing Type
- \* 9 - Automatic Air Conditioner
- \* 17 - Before Jan. 2012 Production
- \* 18 - From Jan. 2012 Production

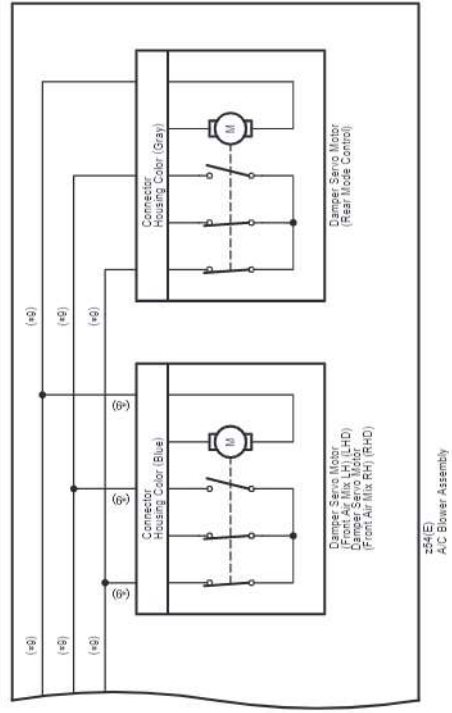


Air Conditioner



- \*1 : w/ Rear A/C
- \*2 : w/o Rear A/C
- \*3 : w/ Viscous Heater
- \*7 : Before Jan., 2012 Production, Liftgate Type
- \*8 : From Jan., 2012 Production, Liftgate Type, Swing Type
- \*9 : Automatic Air Conditioner
- \*12 : w/o Navigation System
- \*17 : Before Jan., 2012 Production
- \*18 : From Jan., 2012 Production

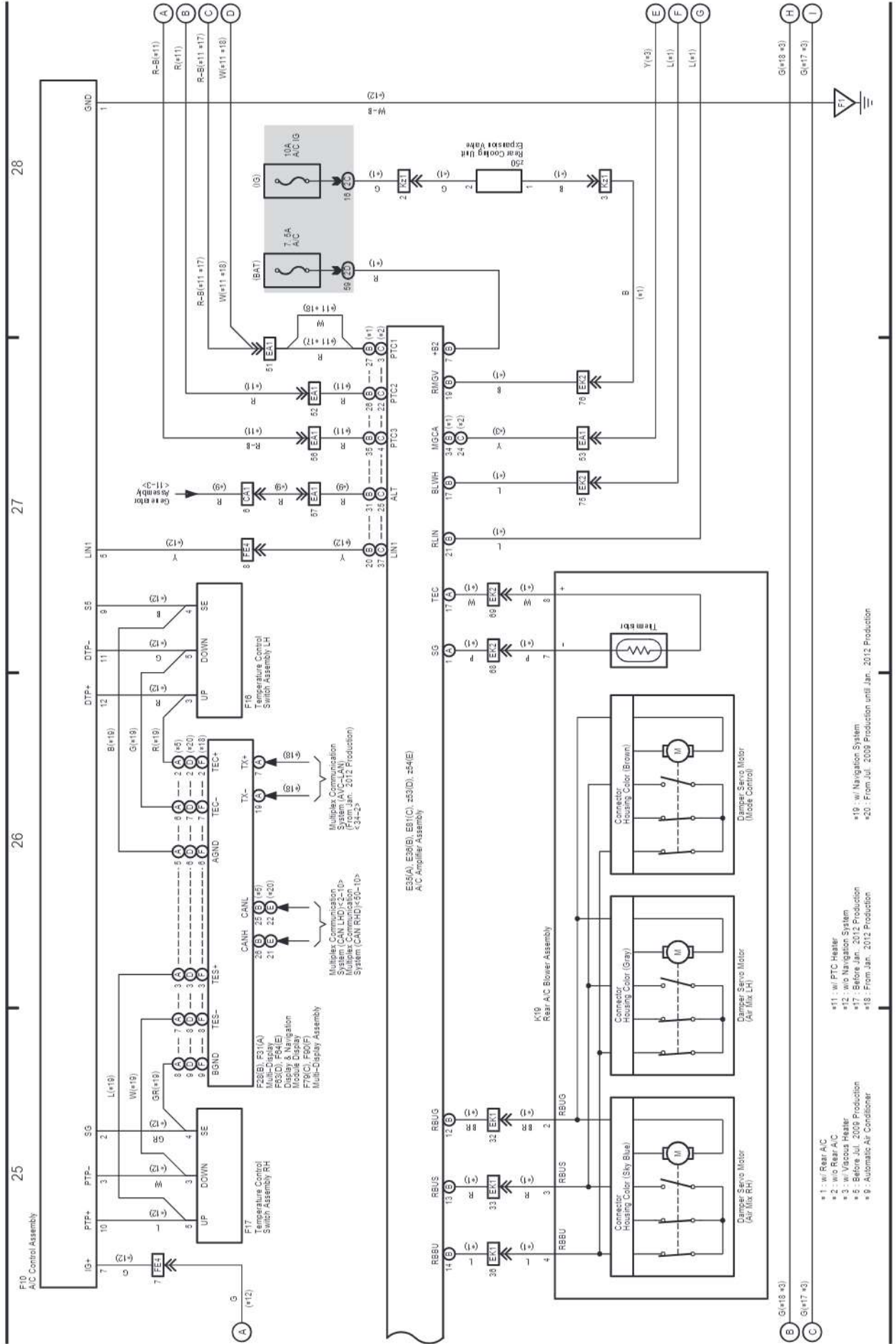
E85(A), E86(B), E81(C), #53(D), #54(E)  
A/C Amplifier Assembly



#54(E)  
A/C Blower Assembly



Air Conditioner



LAND CRUISER Station Wagon (EM19U2E)

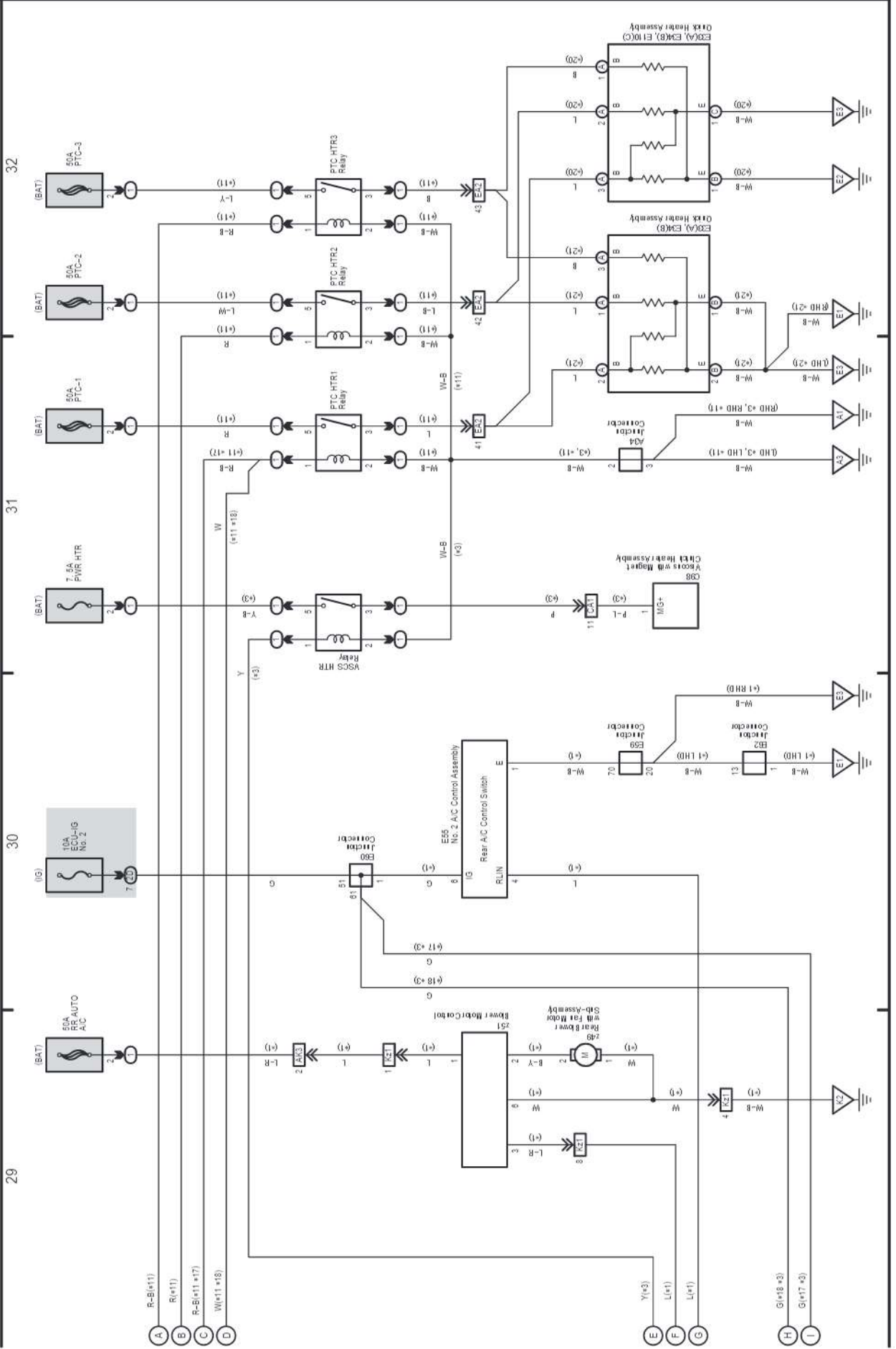
\*1: w/ Rear A/C  
 \*2: w/o Rear A/C  
 \*3: w/ Viscous Heater  
 \*5: Before Jan. 2012 Production  
 \*8: Automatic Air Conditioner  
 \*11: w/ PTC Heater  
 \*12: w/o Navigation System  
 \*17: Before Jan. 2012 Production  
 \*18: From Jan. 2012 Production  
 \*19: w/ Navigation System  
 \*20: From Jul. 2009 Production until Jan. 2012 Production

44 LAND CRUISER Station Wagon (Cont' d)

\*18: From Jan. 2012 Production  
 \*20: w/ PTC Heater From Jan. 2012 Production China 1GR-FE  
 \*21: w/ PTC Heater Except From Jan. 2012 Production China 1GR-FE

\*1: w/ Rear A/C  
 \*3: w/ Viscous Healer  
 \*11: w/ PTC Heater  
 \*17: Before Jan. 2012 Production

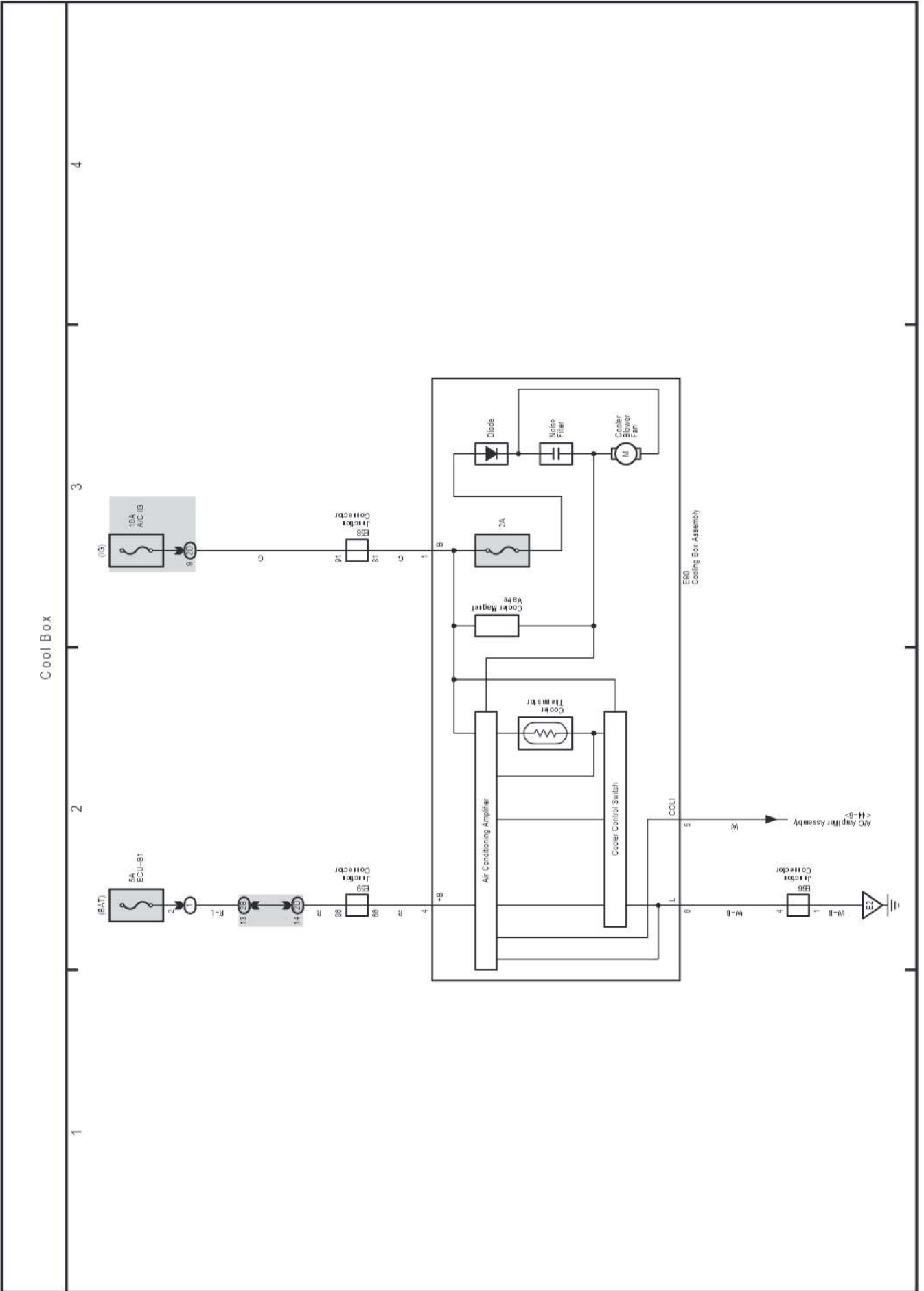
Air Conditioner



LAND CRUISER Station Wagon (EM19U2E)

# M OVERALL ELECTRICAL WIRING DIAGRAM

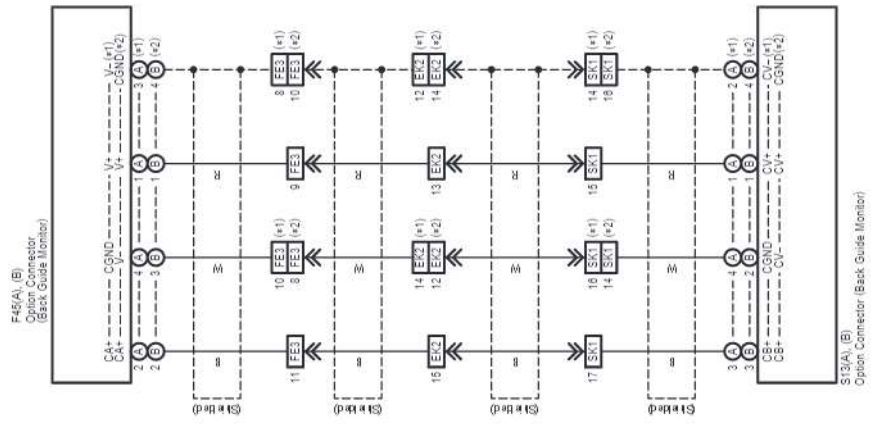
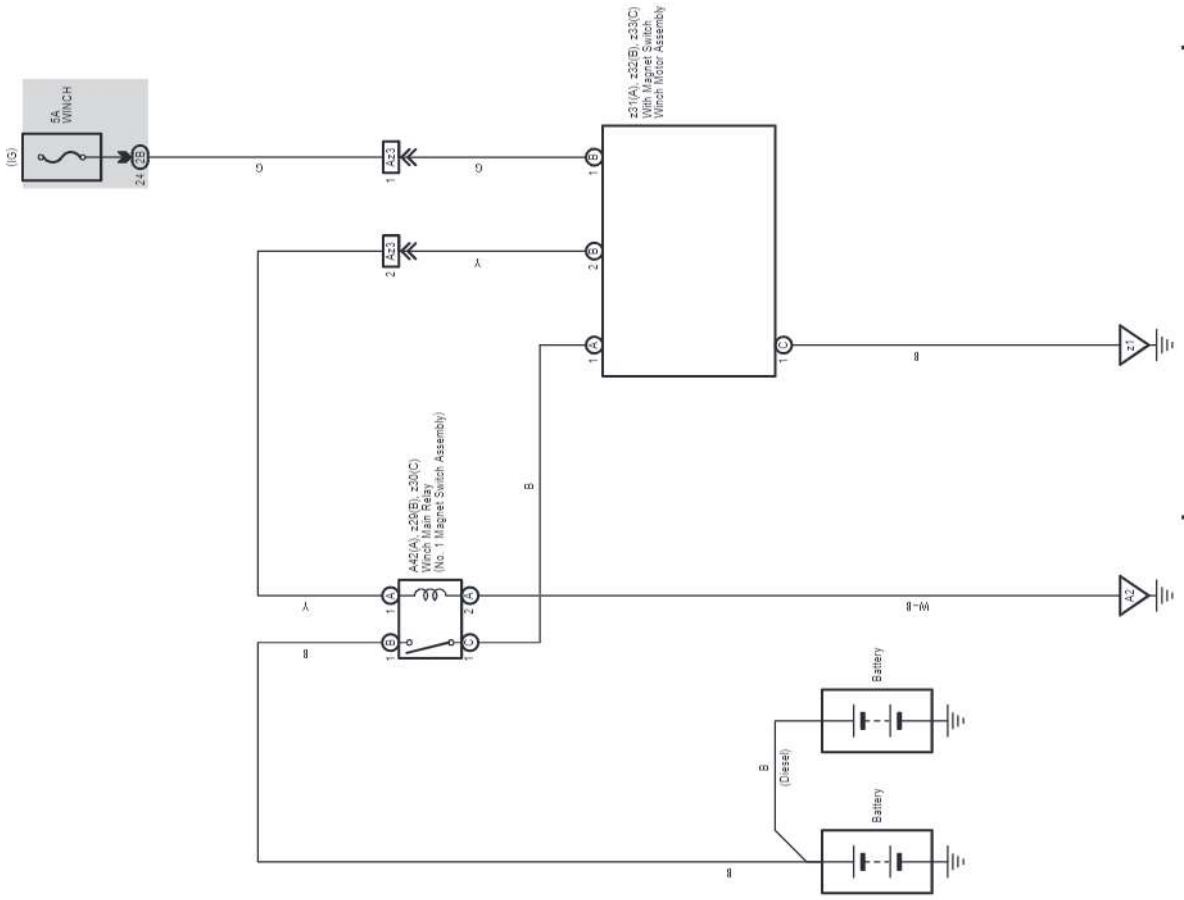
45 LAND CRUISER Station Wagon



Winch

Option Connector (Parking Assist (Back Guide Monitor))

\* 1. Before Jul. 2009 Production  
 \* 2. From Jul. 2009 Production

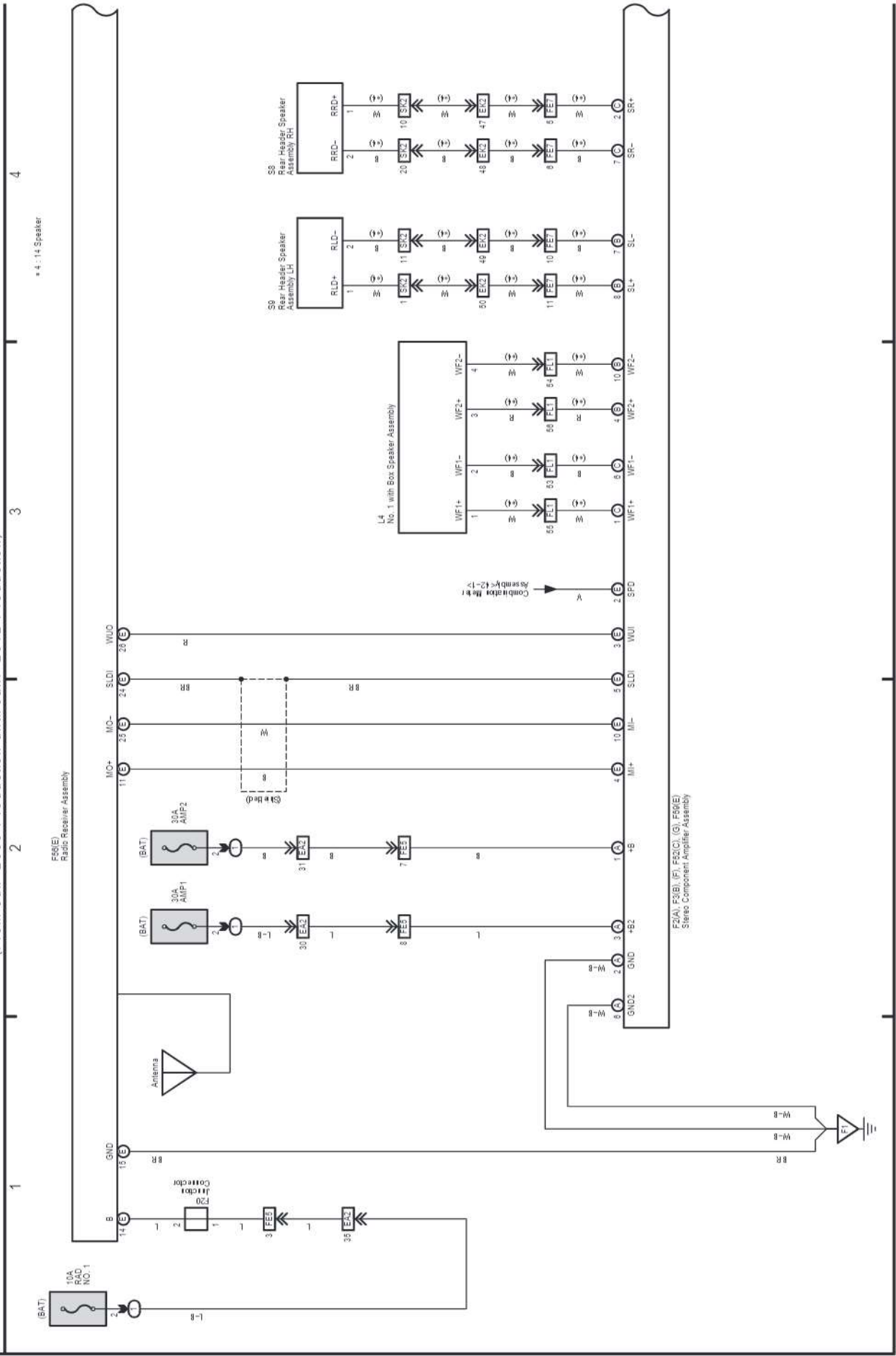


# M OVERALL ELECTRICAL WIRING DIAGRAM

(Cont. next page)

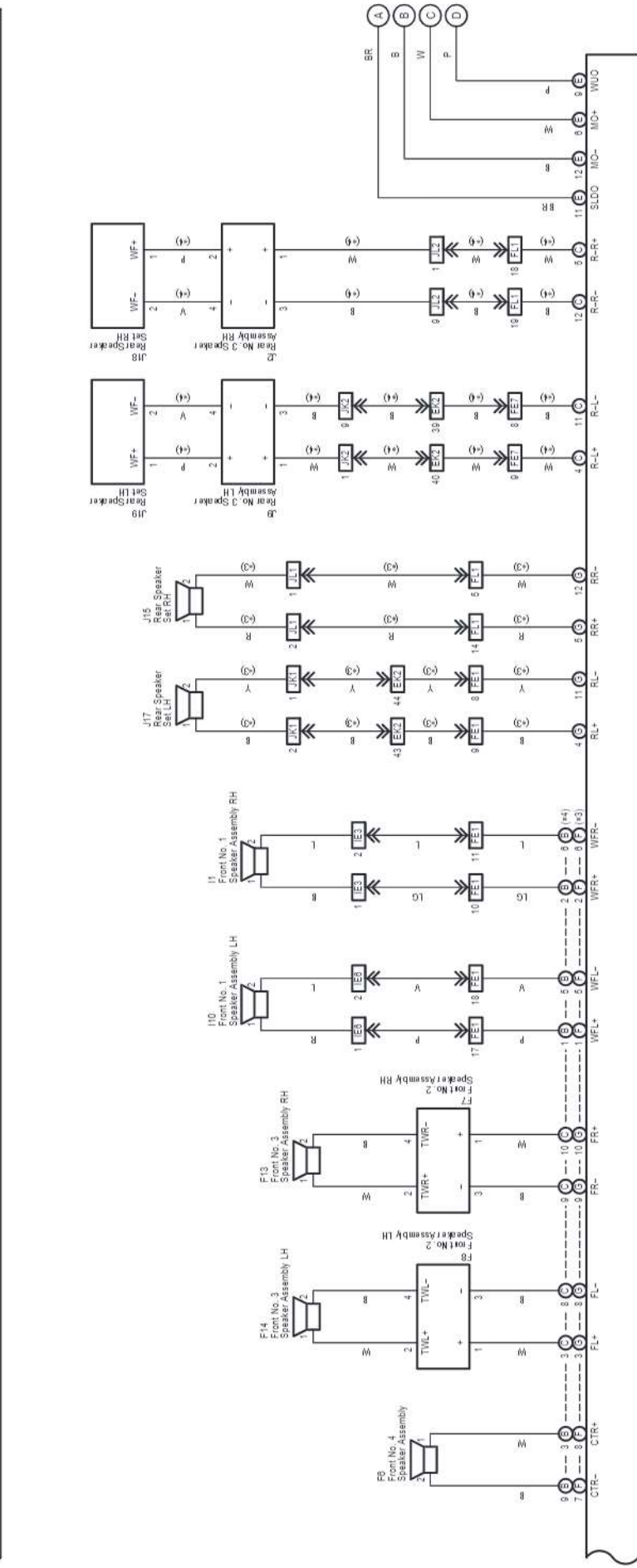
47 LAND CRUISER Station Wagon

Audio System (w/ Stereo Component Amplifier w/ Navigation System),  
Multi-Display, Navigation System and Parking Assist (Rear View Monitor)  
(From Jul. 2009 Production until Jan. 2012 Production)





Audio System (w/ Stereo Component Amplifier w/ Navigation System),  
Multi-Display, Navigation System and Parking Assist (Rear View Monitor)  
(From Jul. 2009 Production until Jan. 2012 Production)



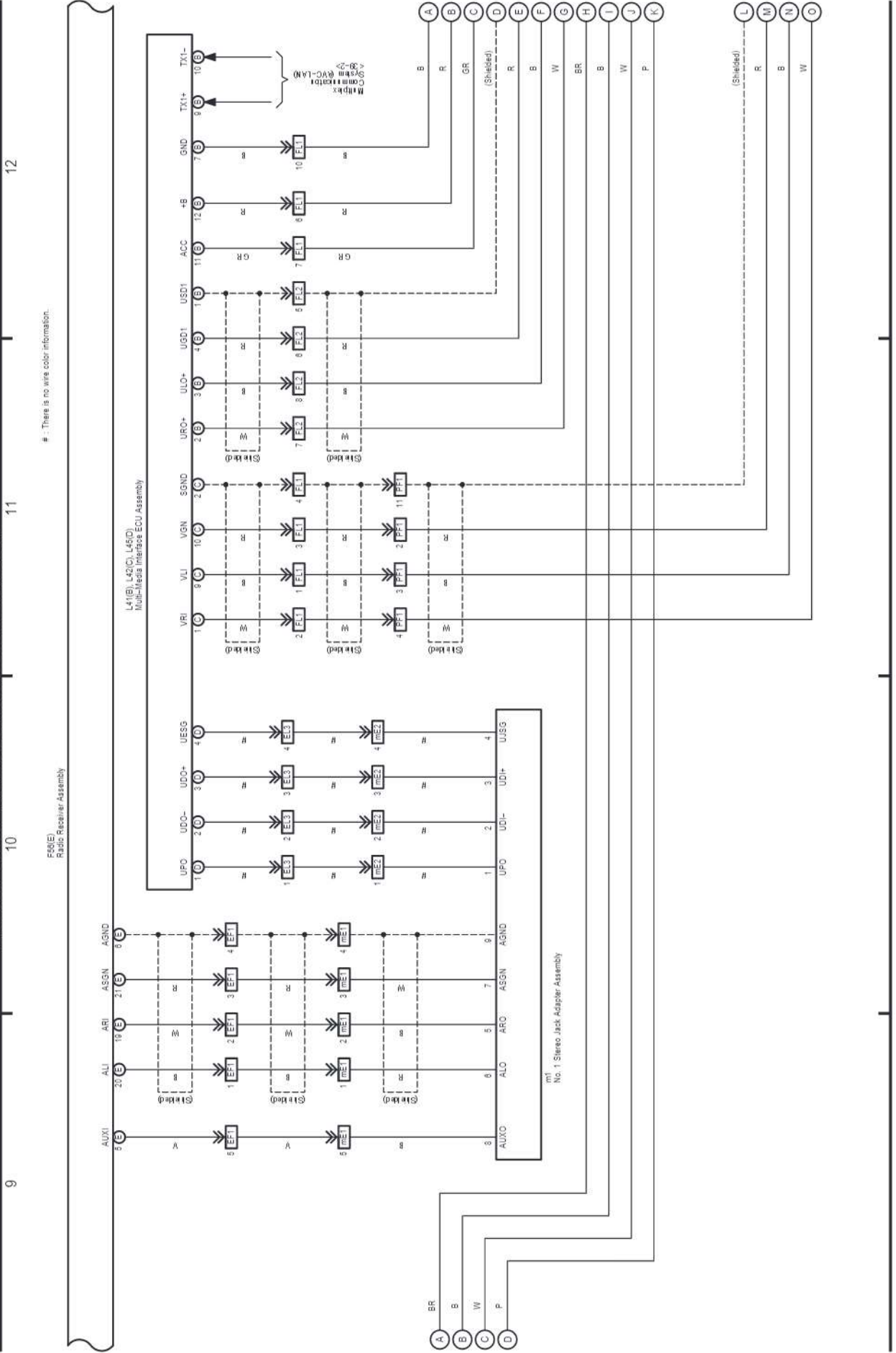
F2(A), F3(B), F4(C), F5(E)  
Stereo Component Amplifier Assembly

# M OVERALL ELECTRICAL WIRING DIAGRAM

47 LAND CRUISER Station Wagon (Cont' d)

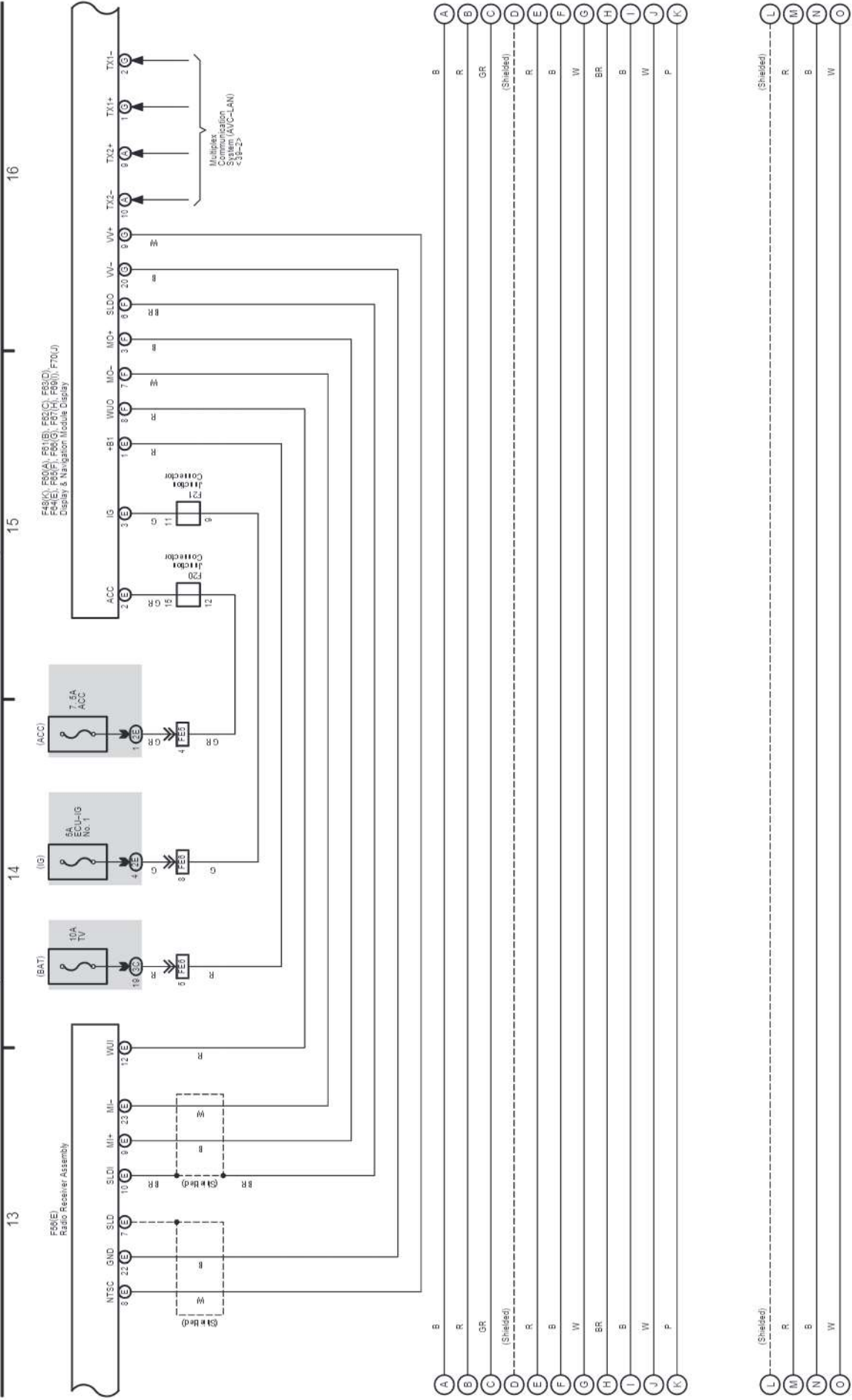
(Cont. next page)

Audio System (w/ Stereo Component Amplifier w/ Navigation System),  
Multi-Display, Navigation System and Parking Assist (Rear View Monitor)  
(From Jul. 2009 Production until Jan. 2012 Production)



# : There is no wire color information.

Audio System (w/ Stereo Component Amplifier w/ Navigation System),  
Multi-Display, Navigation System and Parking Assist (Rear View Monitor)  
(From Jul. 2009 Production until Jan. 2012 Production)

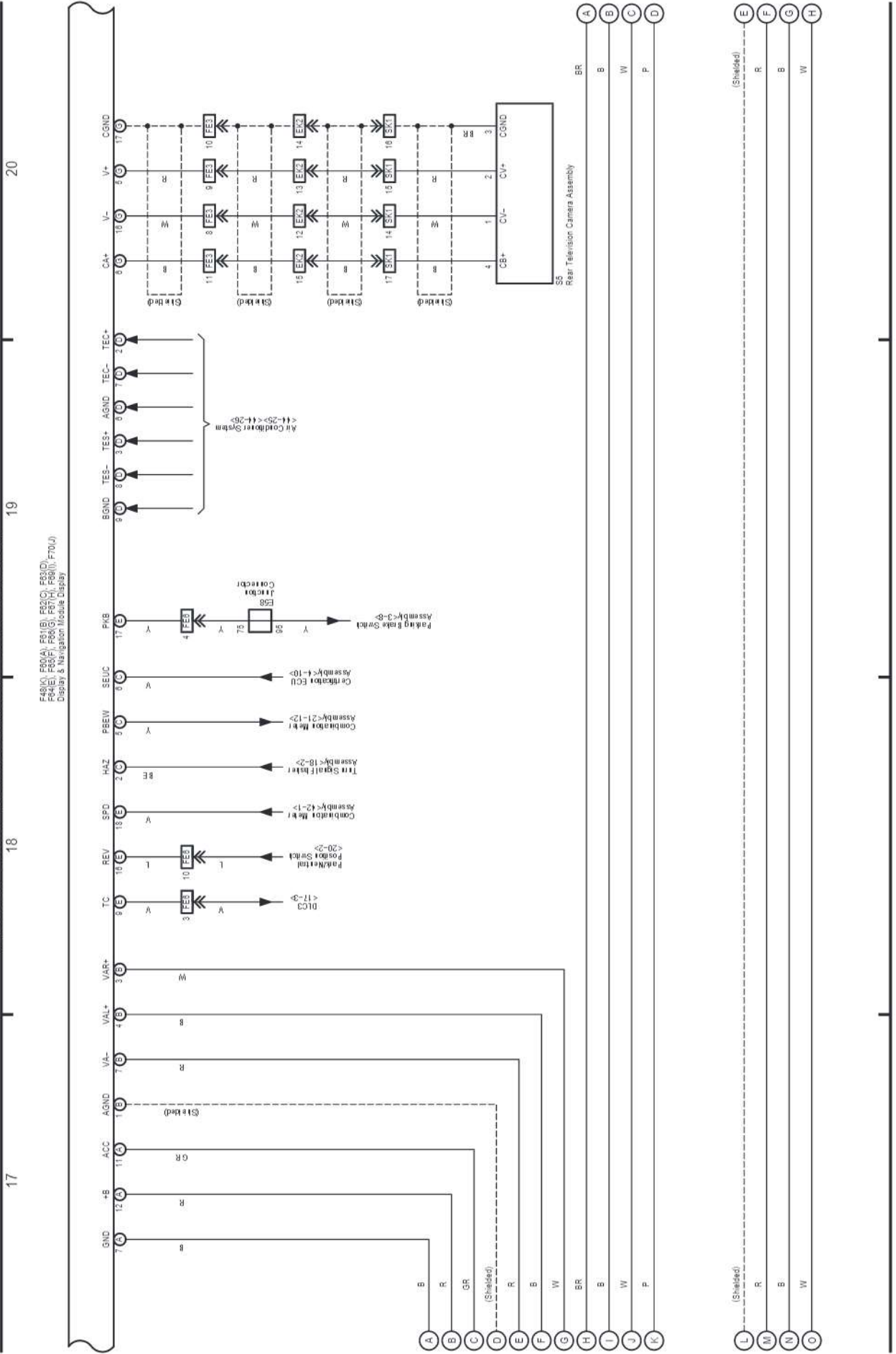


# M OVERALL ELECTRICAL WIRING DIAGRAM

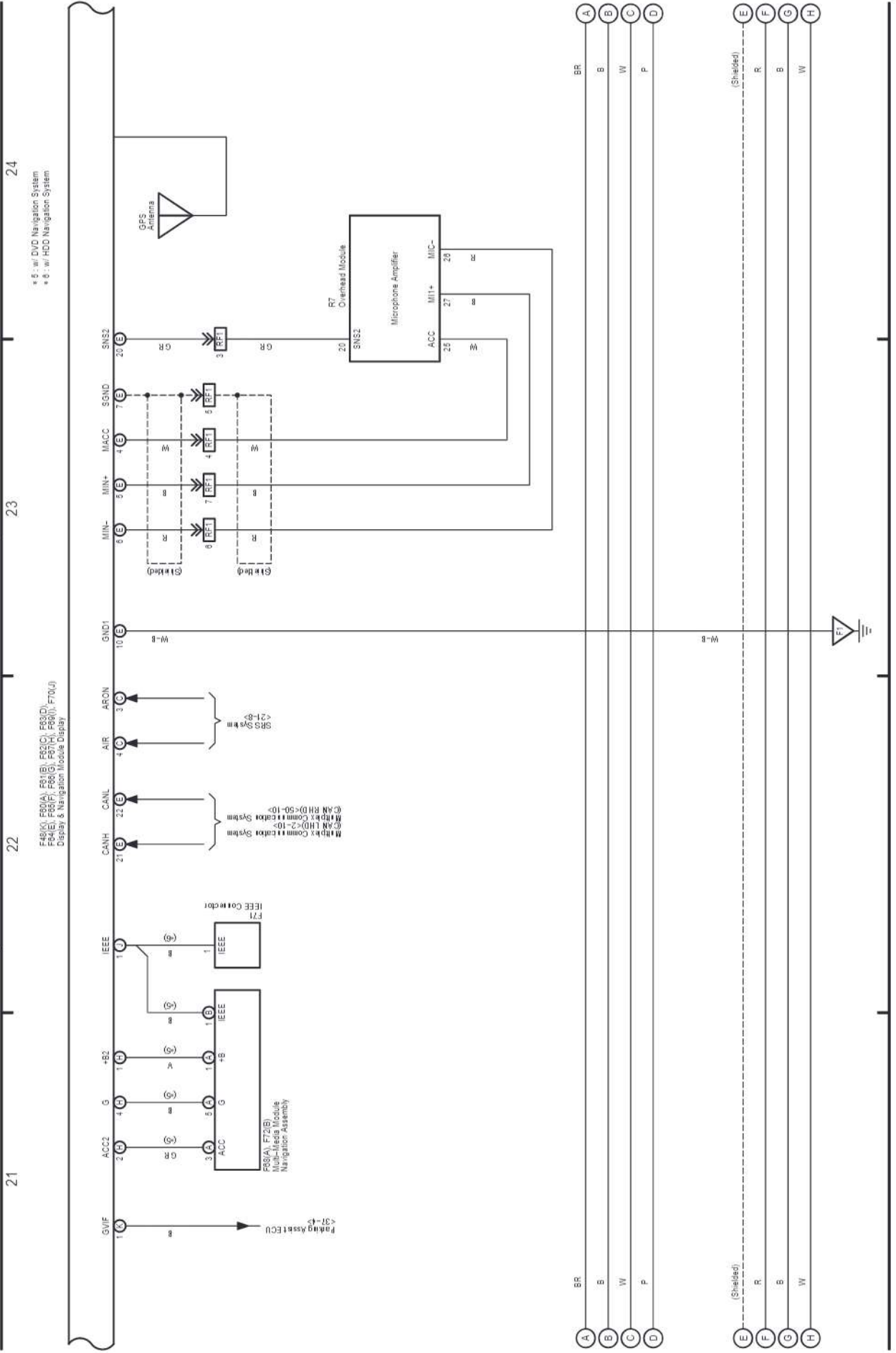
47 LAND CRUISER Station Wagon (Cont' d)

(Cont. next page)

Audio System (w/ Stereo Component Amplifier w/ Navigation System),  
Multi-Display, Navigation System and Parking Assist (Rear View Monitor)  
(From Jul. 2009 Production until Jan. 2012 Production)



Audio System (w/ Stereo Component Amplifier w/ Navigation System),  
Multi-Display, Navigation System and Parking Assist (Rear View Monitor)  
(From Jul. 2009 Production until Jan. 2012 Production)

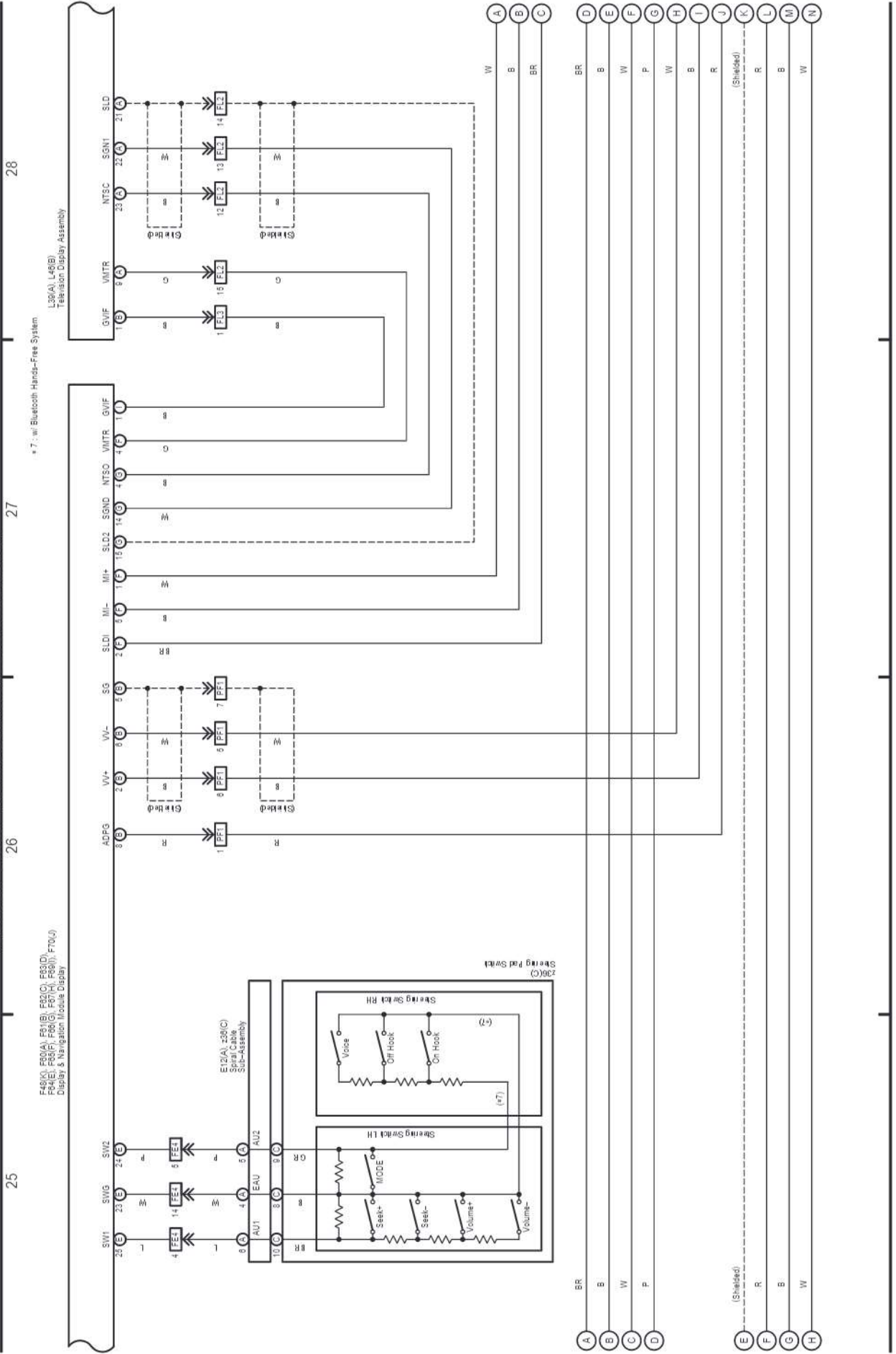


# M OVERALL ELECTRICAL WIRING DIAGRAM

47 LAND CRUISER Station Wagon (Cont' d)

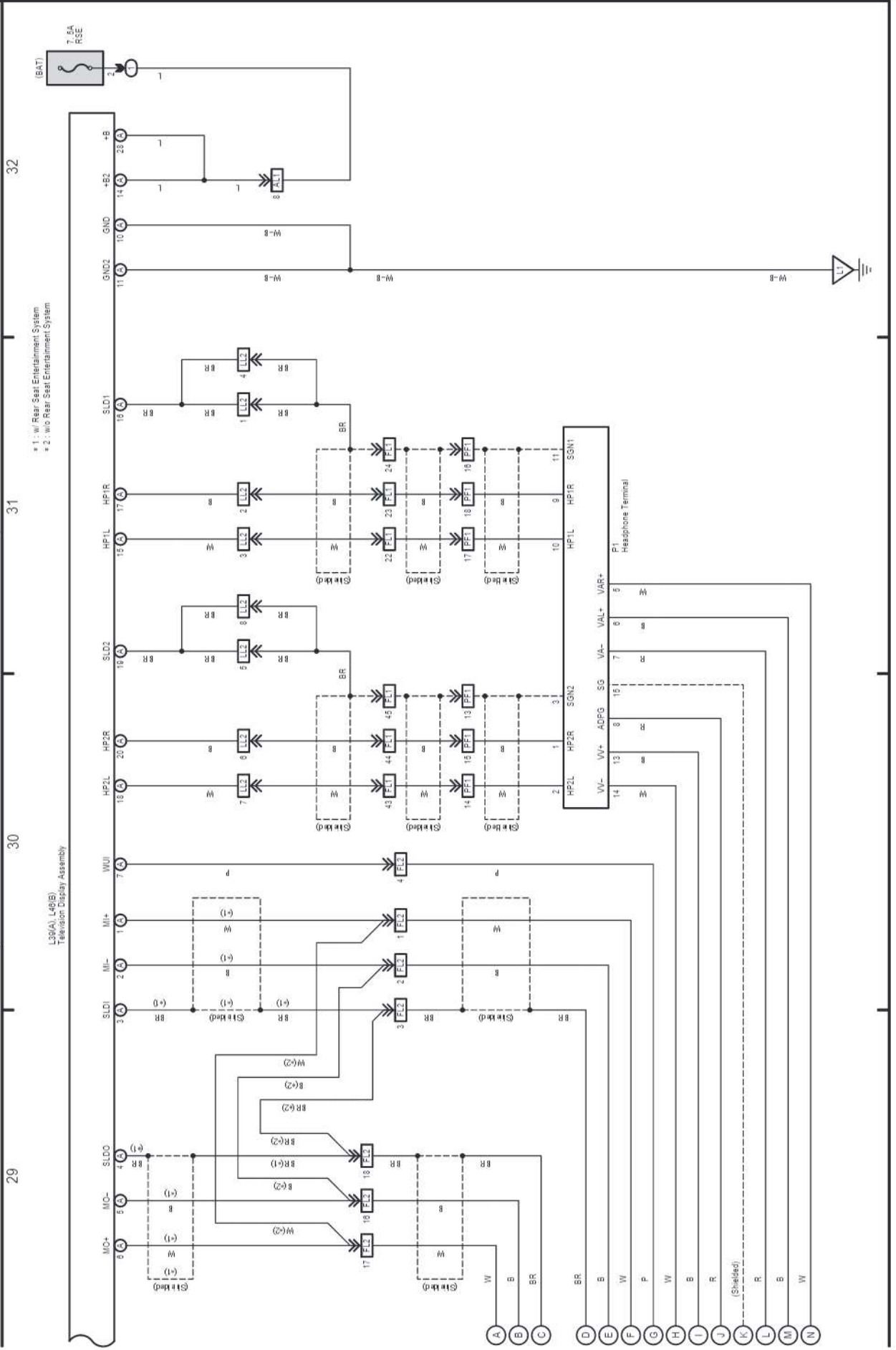
(Cont. next page)

Audio System (w/ Stereo Component Amplifier w/ Navigation System),  
Multi-Display, Navigation System and Parking Assist (Rear View Monitor)  
(From Jul. 2009 Production until Jan. 2012 Production)



47 LAND CRUISER Station Wagon (Cont' d)

Audio System (w/ Stereo Component Amplifier w/ Navigation System),  
Multi-Display, Navigation System and Parking Assist (Rear View Monitor)  
(From Jul. 2009 Production until Jan. 2012 Production)



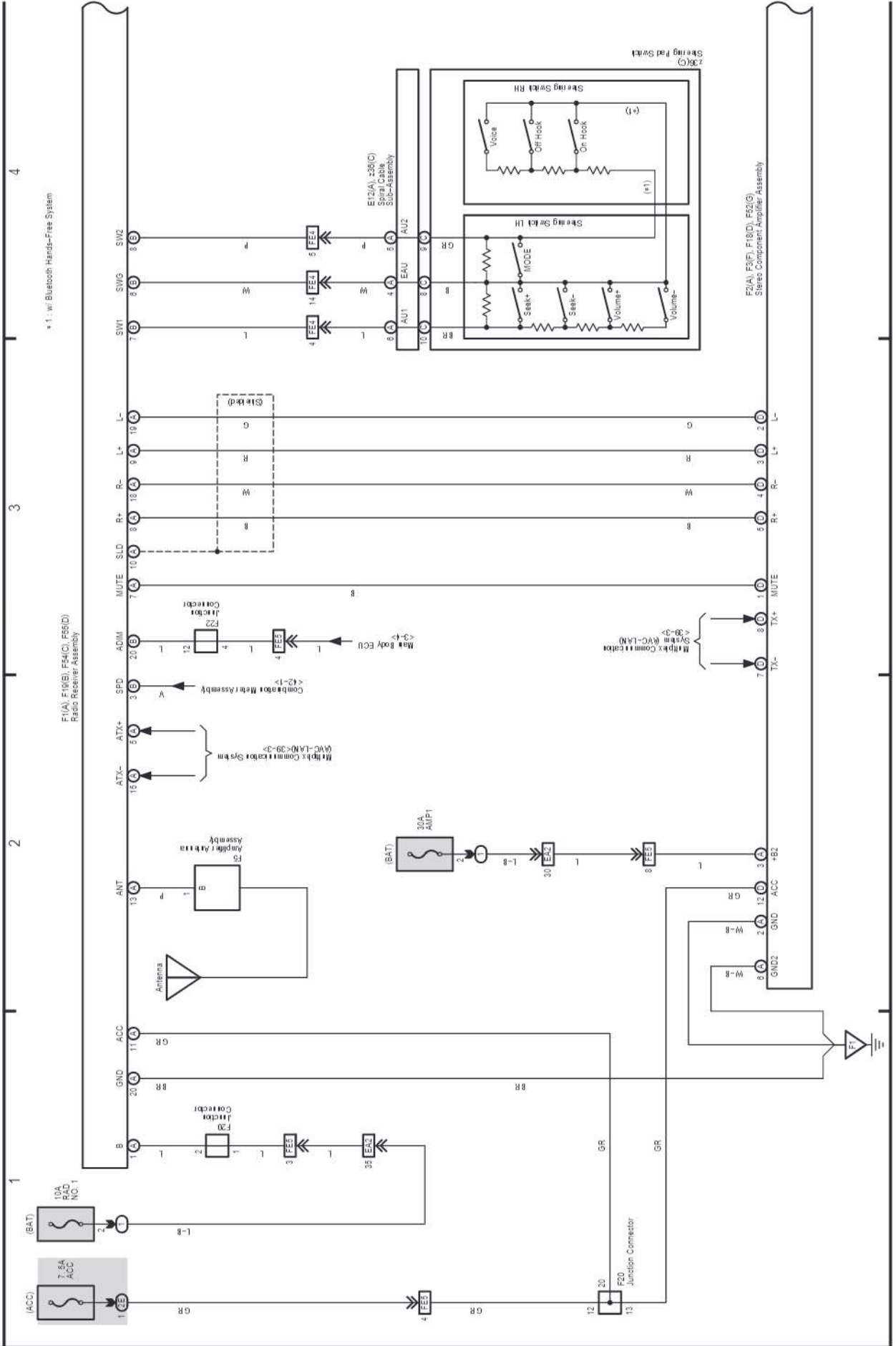
LAND CRUISER Station Wagon (EM19U2E)

# M OVERALL ELECTRICAL WIRING DIAGRAM

(Cont. next page)

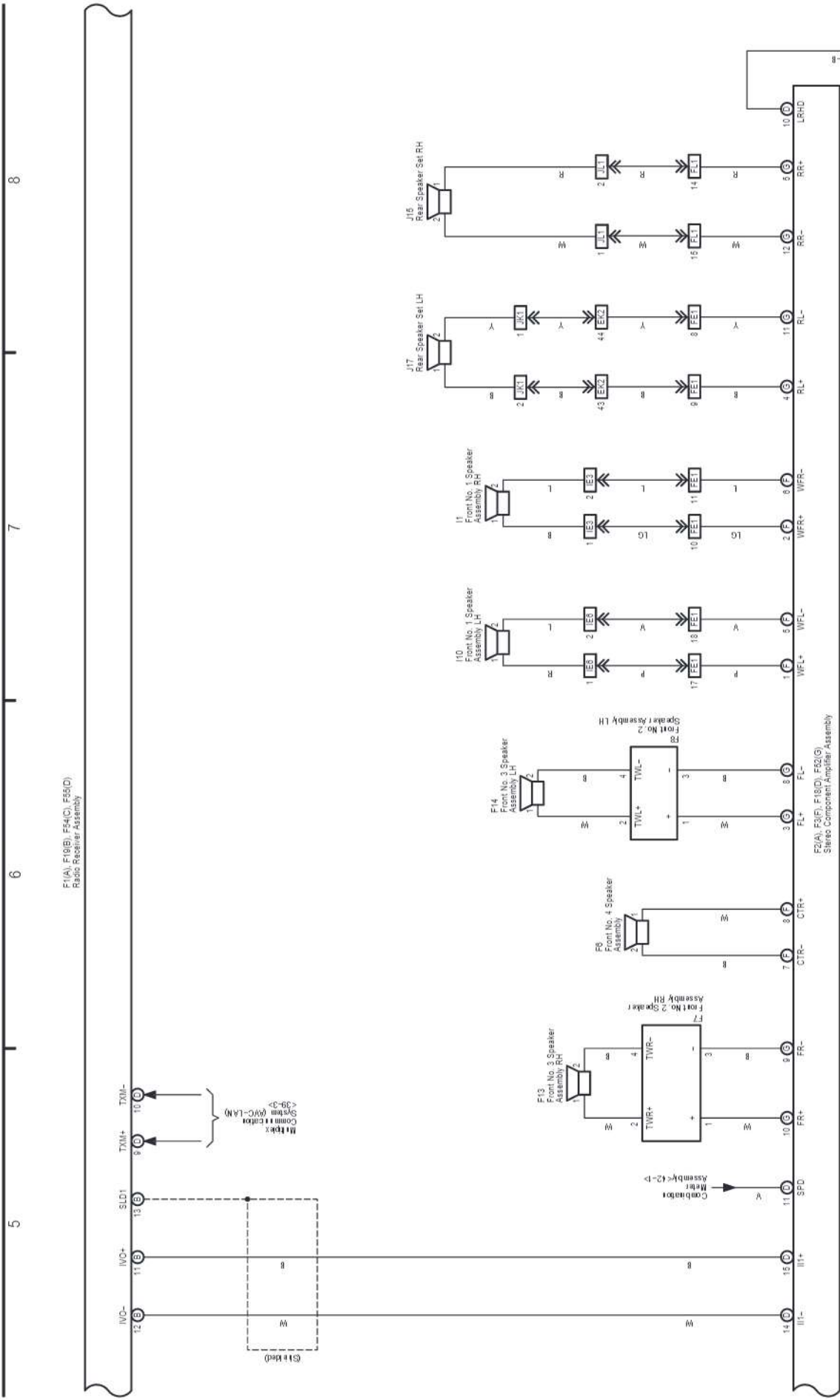
48 LAND CRUISER Station Wagon

### Audio System (w/ Stereo Component Amplifier w/o Navigation System) (From Jul. 2009 Production until Jan. 2012 Production)





Audio System (w/ Stereo Component Amplifier w/o Navigation System)  
 (From Jul. 2009 Production until Jan. 2012 Production)



# M OVERALL ELECTRICAL WIRING DIAGRAM

## 48 LAND CRUISER Station Wagon (Cont' d)

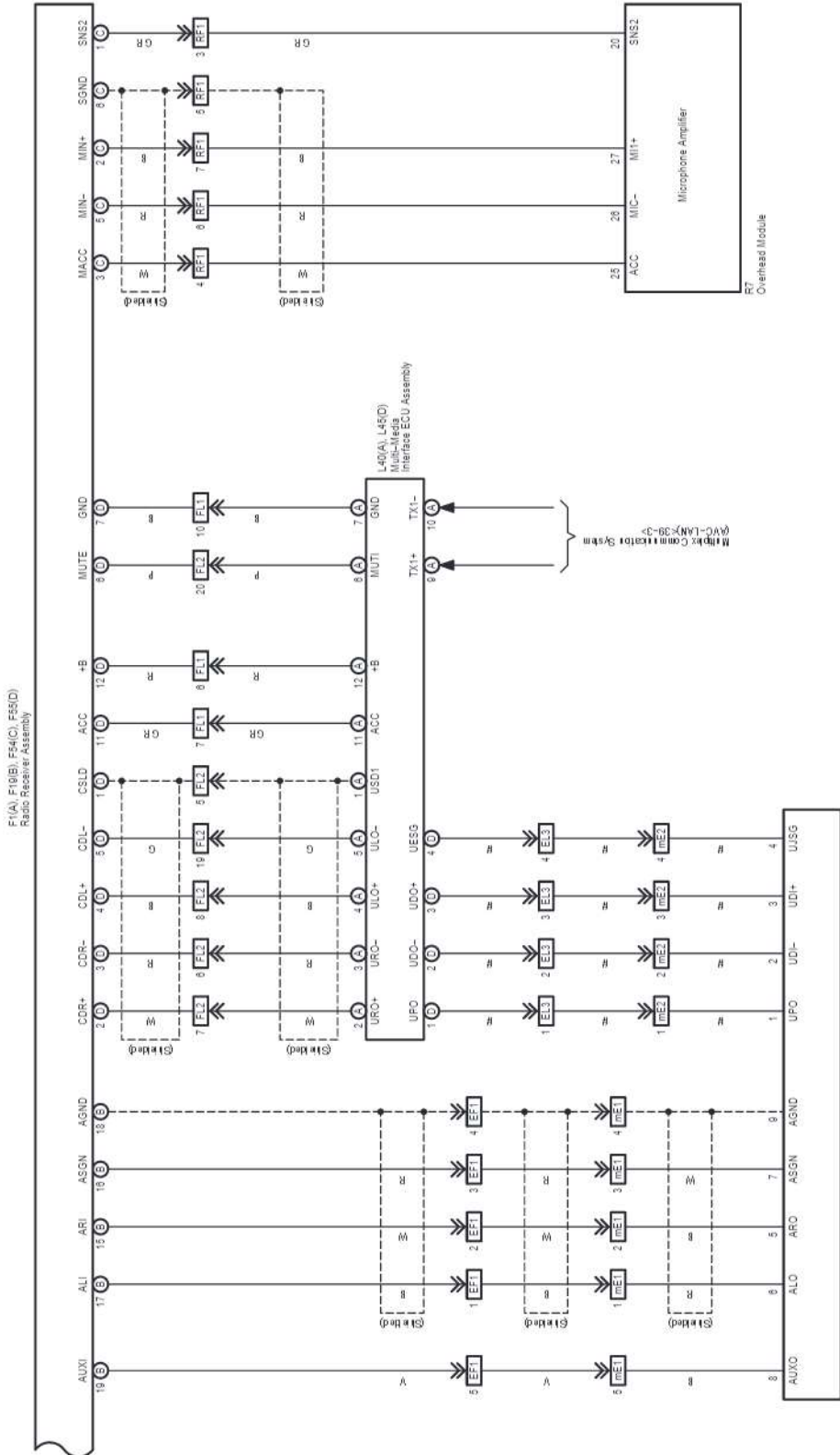
Audio System (w/ Stereo Component Amplifier w/o Navigation System)  
(From Jul. 2009 Production until Jan. 2012 Production)

12

11

10

9



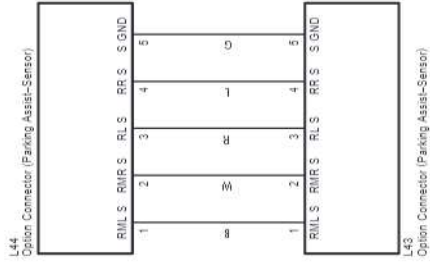
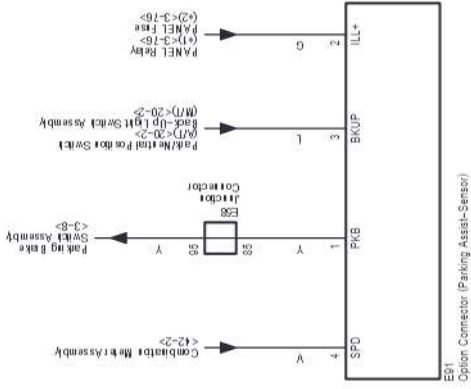
m1 No. 1 Stereo Jack Adapter Assembly

# : There is no wire color information.

49 LAND CRUISER Station Wagon

Option Connector (Parking Assist (TOYOTA Parking Assist-Sensor))

1 2 3 4



\* 1. Before Jan. 2012 Production w/ Daytime Running Light  
 \* 2. Before Jan. 2012 Production w/o Daytime Running Light. From Jan. 2012 Production

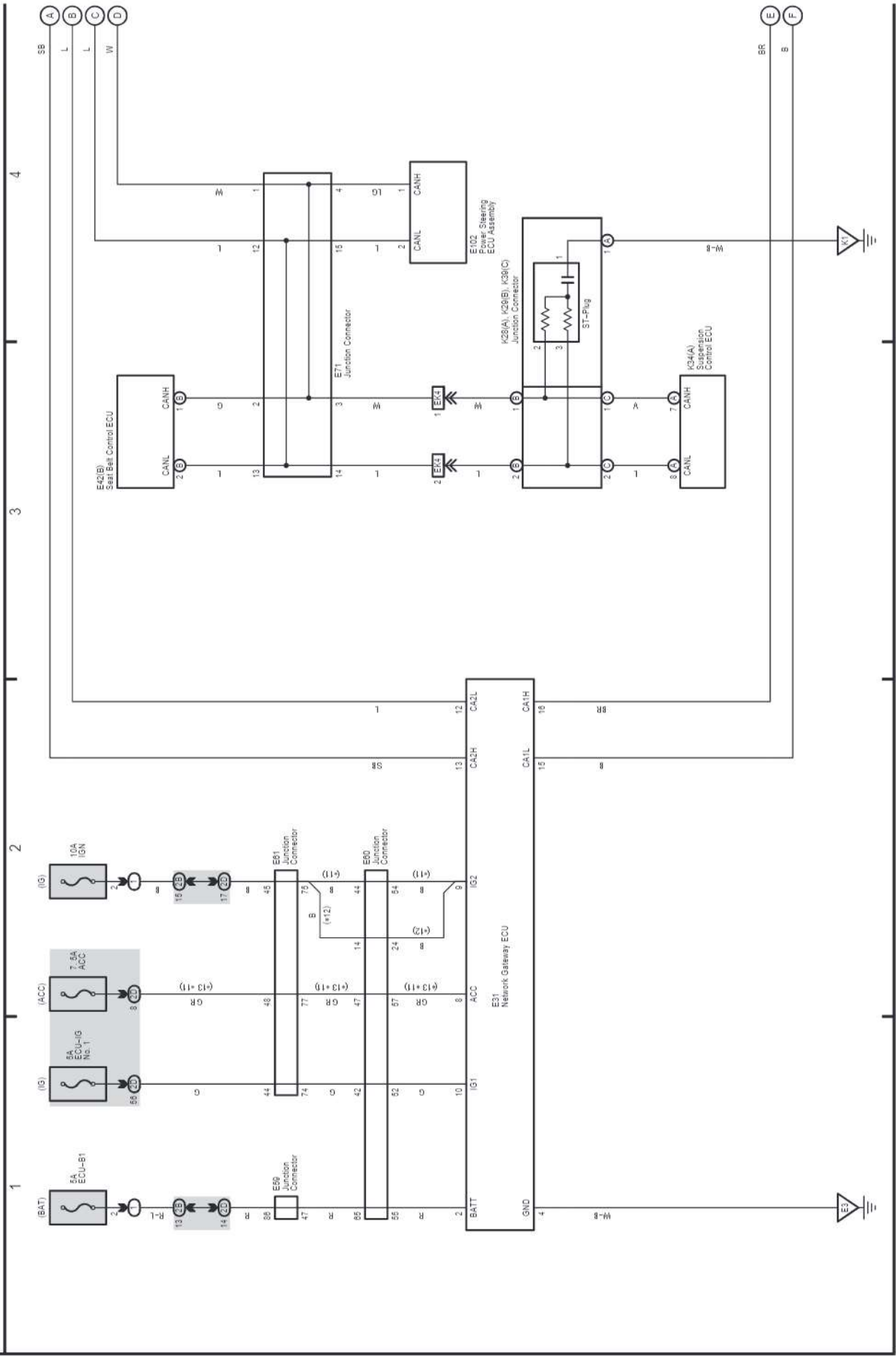
# M OVERALL ELECTRICAL WIRING DIAGRAM

(Cont. next page)

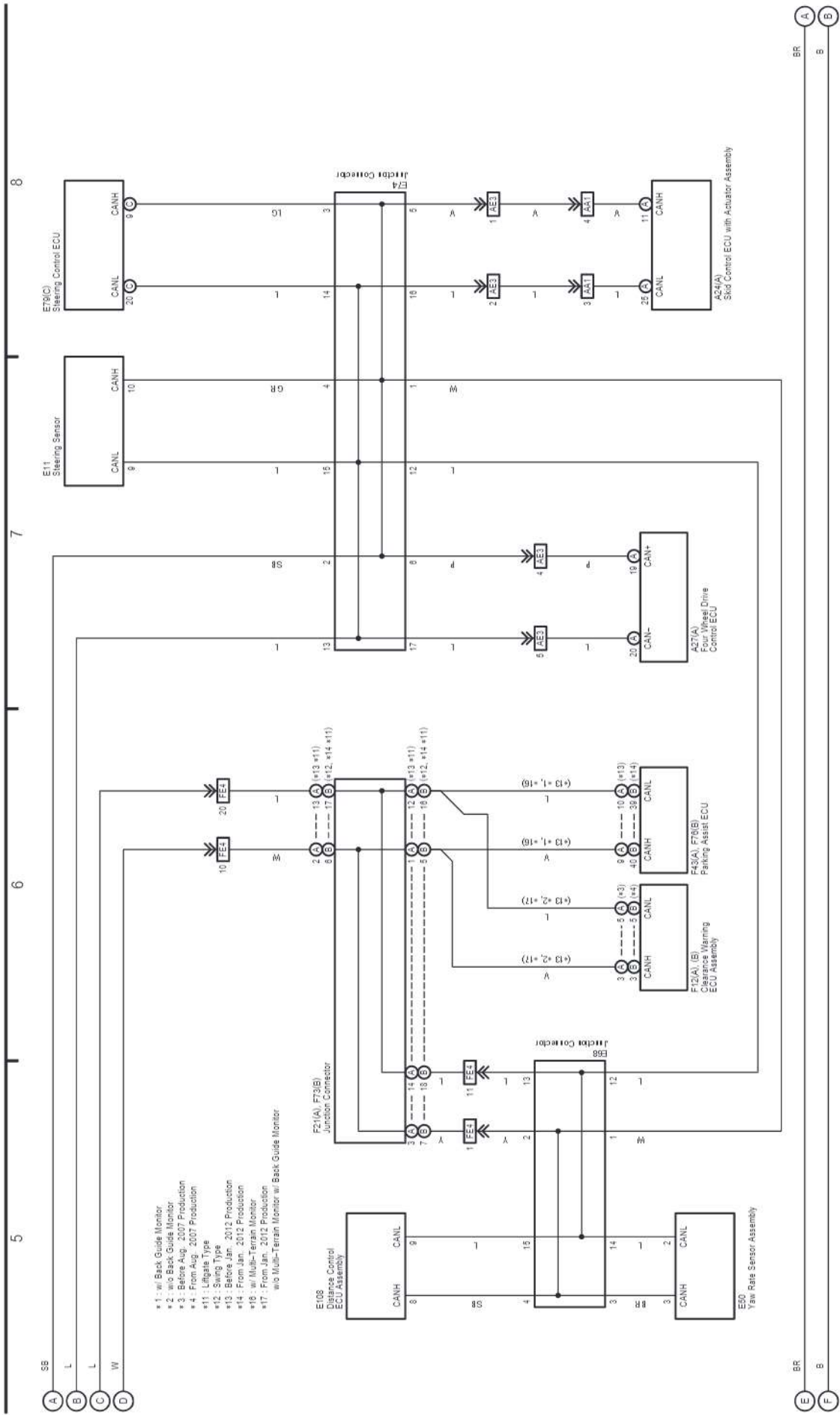
50 LAND CRUISER Station Wagon

\*11 : Liftgate Type  
\*12 : Swing Type  
\*13 : Before Jan. 2012 Production

### Multiplex Communication System (CAN RHD)



Multiplex Communication System (CAN RHD)

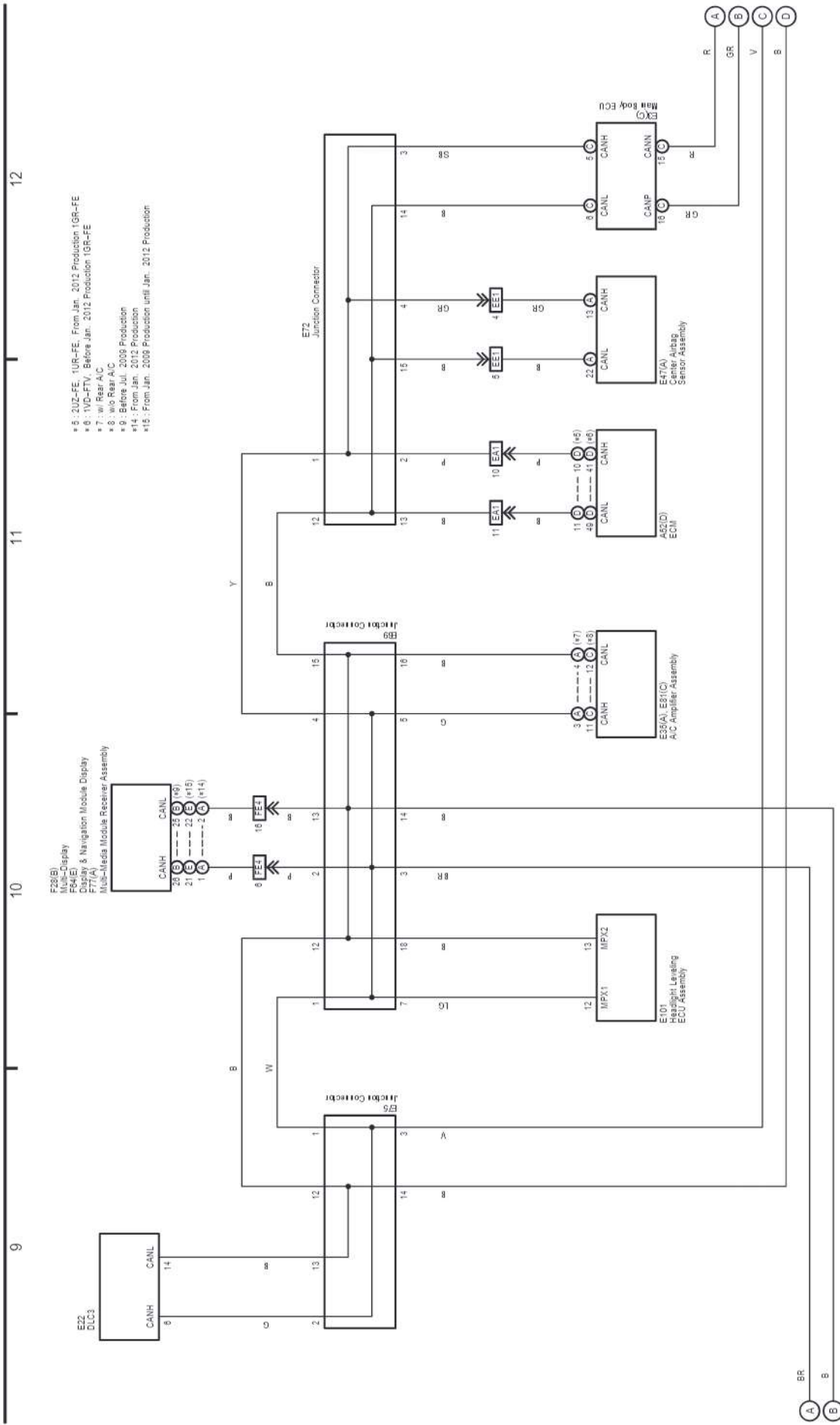


# M OVERALL ELECTRICAL WIRING DIAGRAM

50 LAND CRUISER Station Wagon (Cont' d)

(Cont. next page)

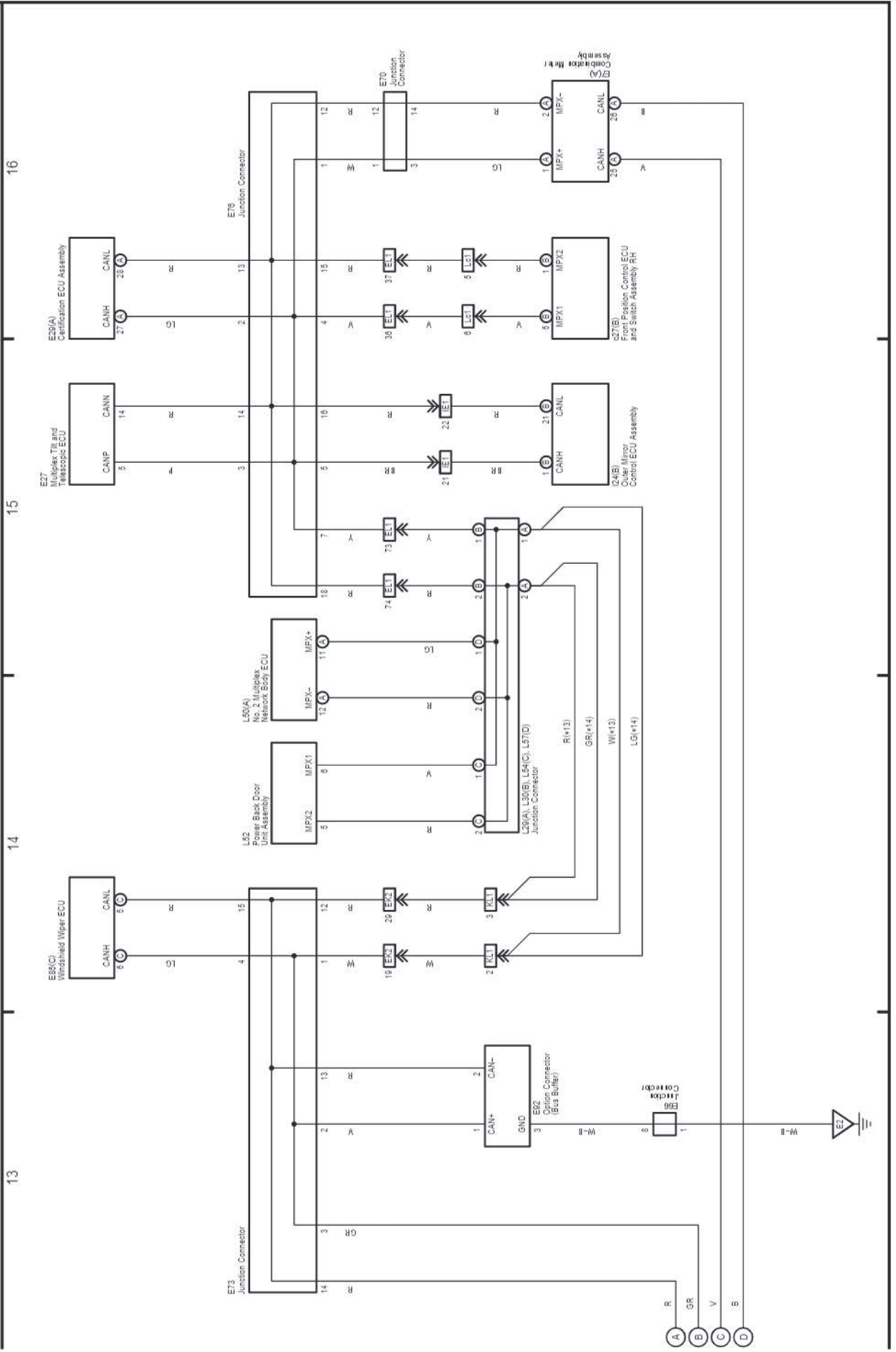
## Multiplex Communication System (CAN RHD)



- \* 5 : 20Z-FE, 1UR-FE, From Jan. 2012 Production 1GR-FE
- \* 6 : 1VD-FTV, Before Jan. 2012 Production 1GR-FE
- \* 7 : w/ Rear A/C
- \* 8 : w/o Rear A/C
- \* 9 : Before Jul. 2009 Production
- \* 14 : From Jan. 2012 Production
- \* 15 : From Jan. 2009 Production until Jan. 2012 Production

Multiplex Communication System (CAN RHD)

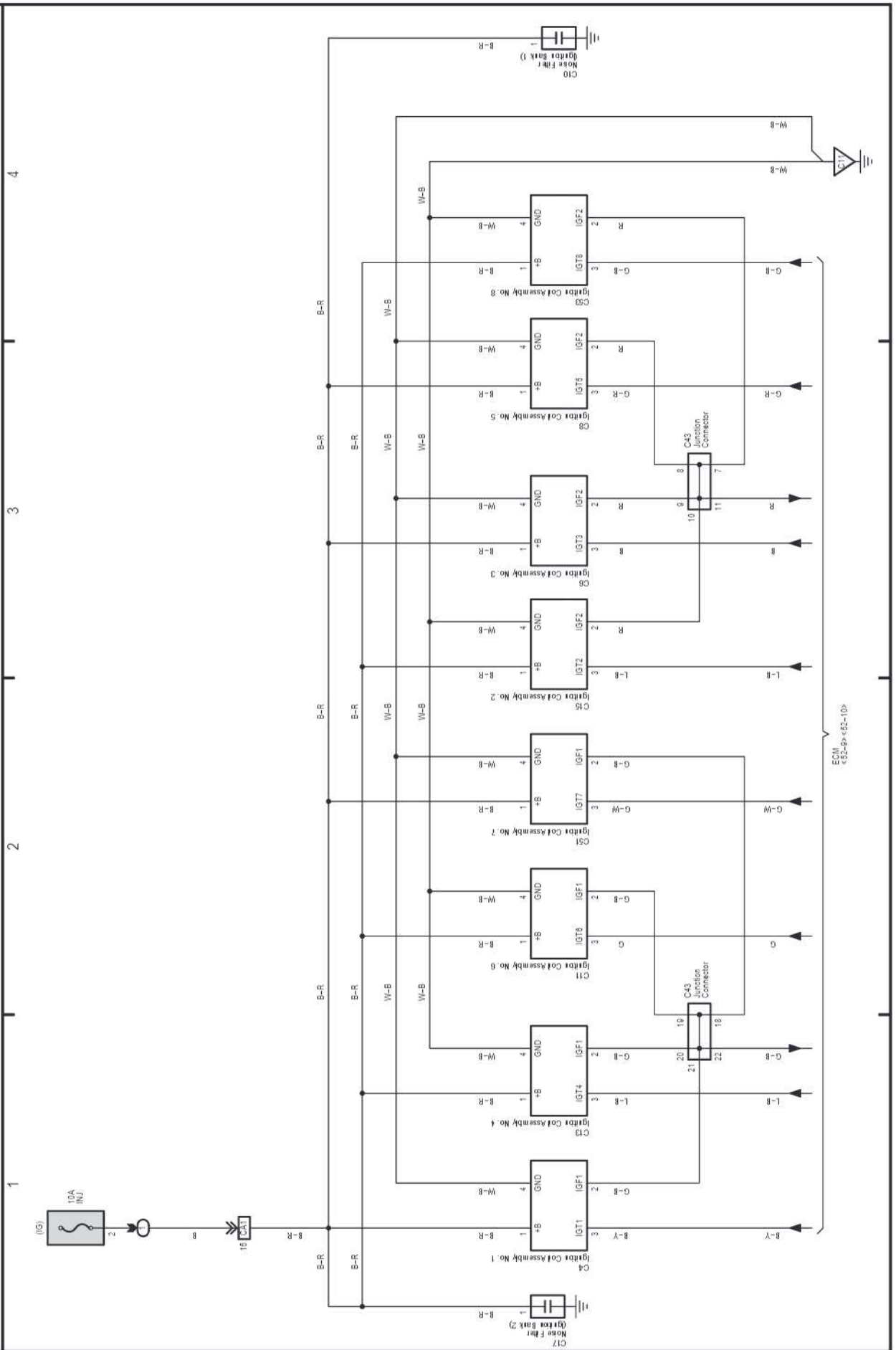
\*13 - Before Jan. 2012 Production  
 \*14 - From Jan. 2012 Production



# M OVERALL ELECTRICAL WIRING DIAGRAM

51 LAND CRUISER Station Wagon

Ignition (3UR-FE)



LAND CRUISER Station Wagon (EM19U2E)



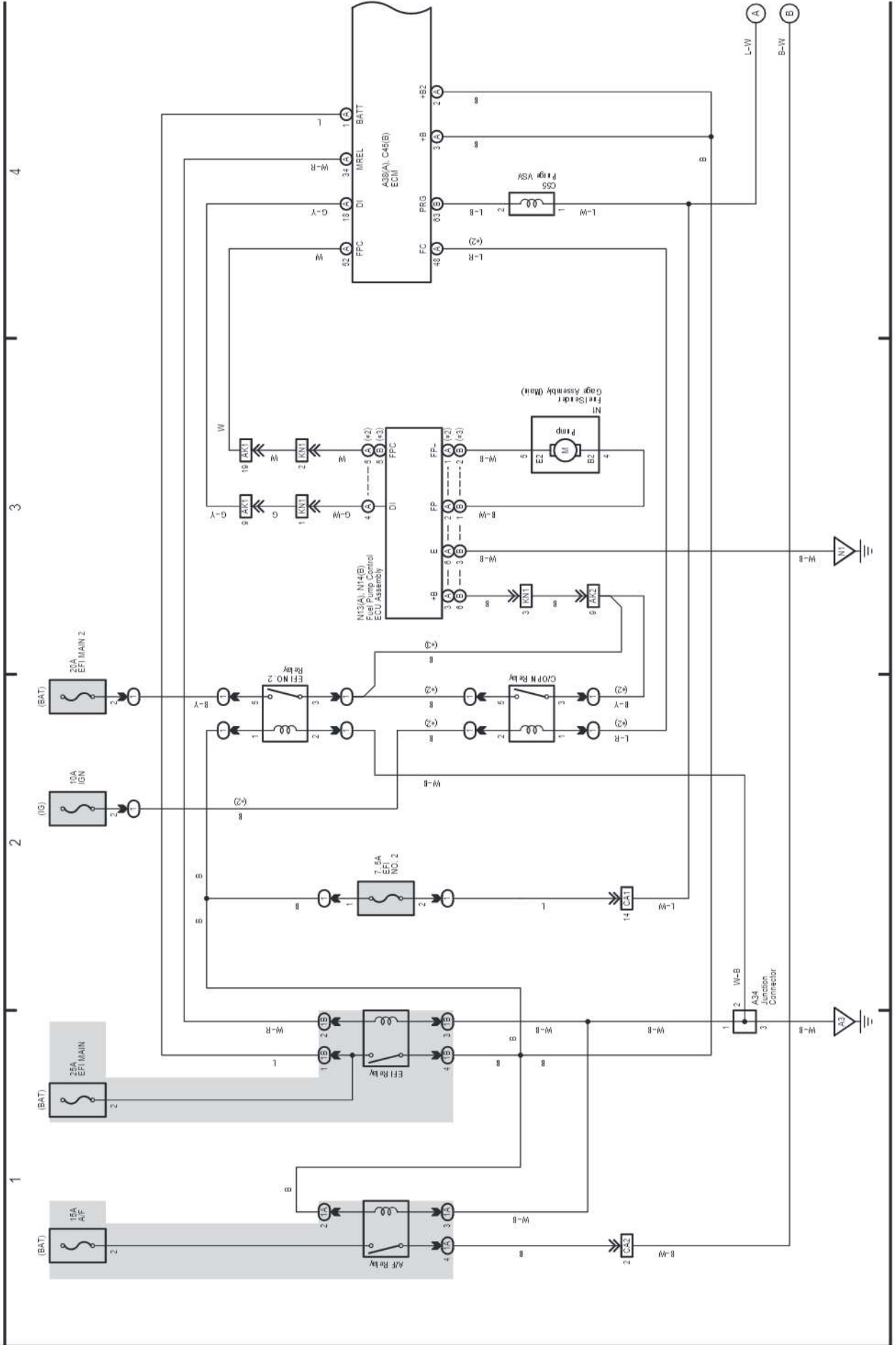
# M OVERALL ELECTRICAL WIRING DIAGRAM

(Cont. next page)

52 LAND CRUISER Station Wagon

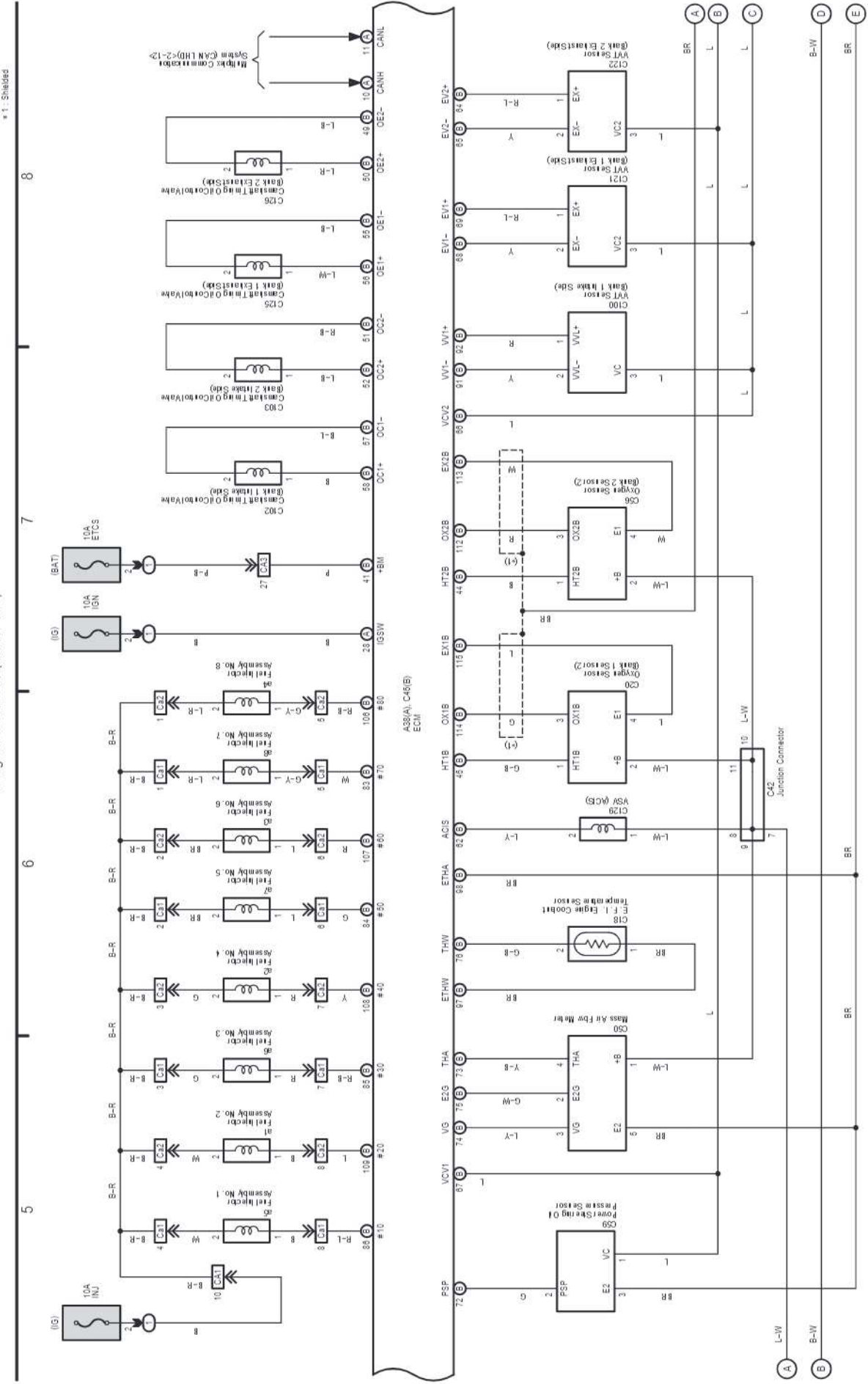
\* 2 : Before Jan. 2012 Production  
\* 3 : From Jan. 2012 Production

Engine Control (3UR-FE)



LAND CRUISER Station Wagon (EM19U2E)

Engine Control (3UR-FE)

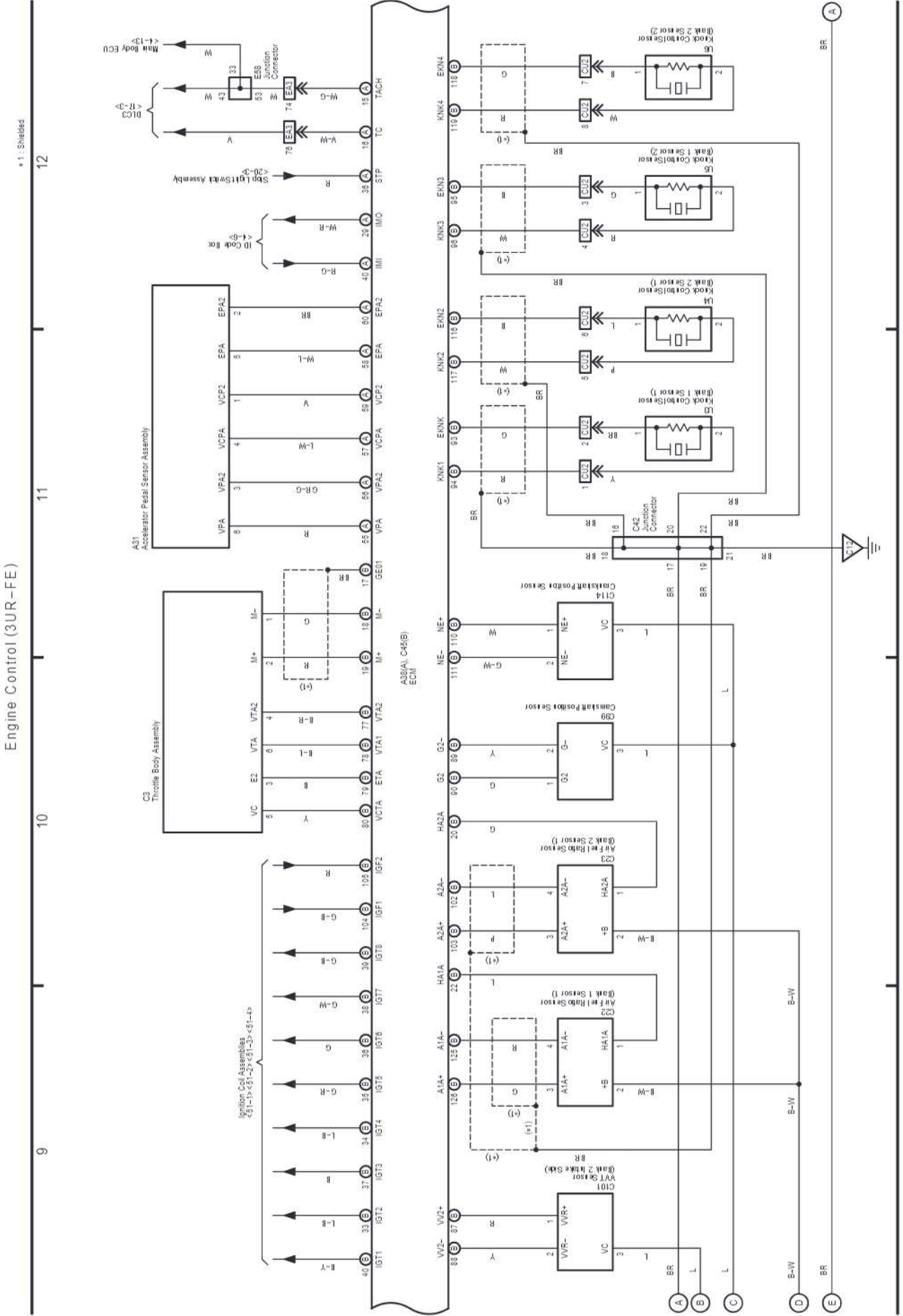


LAND CRUISER Station Wagon (EM19U2E)

# M OVERALL ELECTRICAL WIRING DIAGRAM

52 LAND CRUISER Station Wagon (Cont' d)

(Cont. next page)





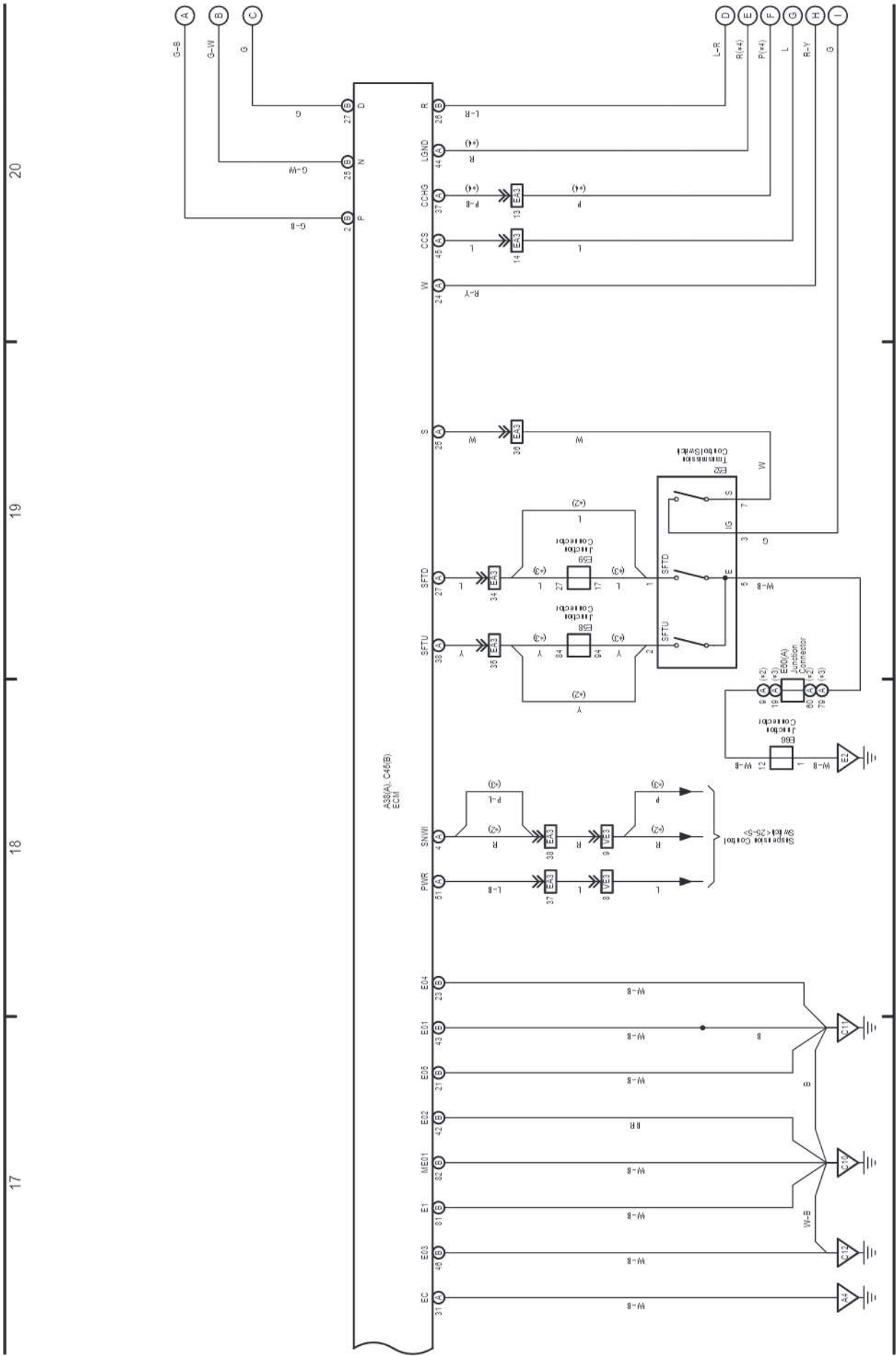
# M OVERALL ELECTRICAL WIRING DIAGRAM

52 LAND CRUISER Station Wagon (Cont' d)

(Cont. next page)

\* 2 : Before Jan. 2012 Production  
 \* 3 : From Jan. 2012 Production  
 \* 4 : w/ Dynamic Radar Cruise Control

ECT and A/T Indicator (3UR-FE)





# M OVERALL ELECTRICAL WIRING DIAGRAM

## 52 LAND CRUISER Station Wagon (Cont' d)

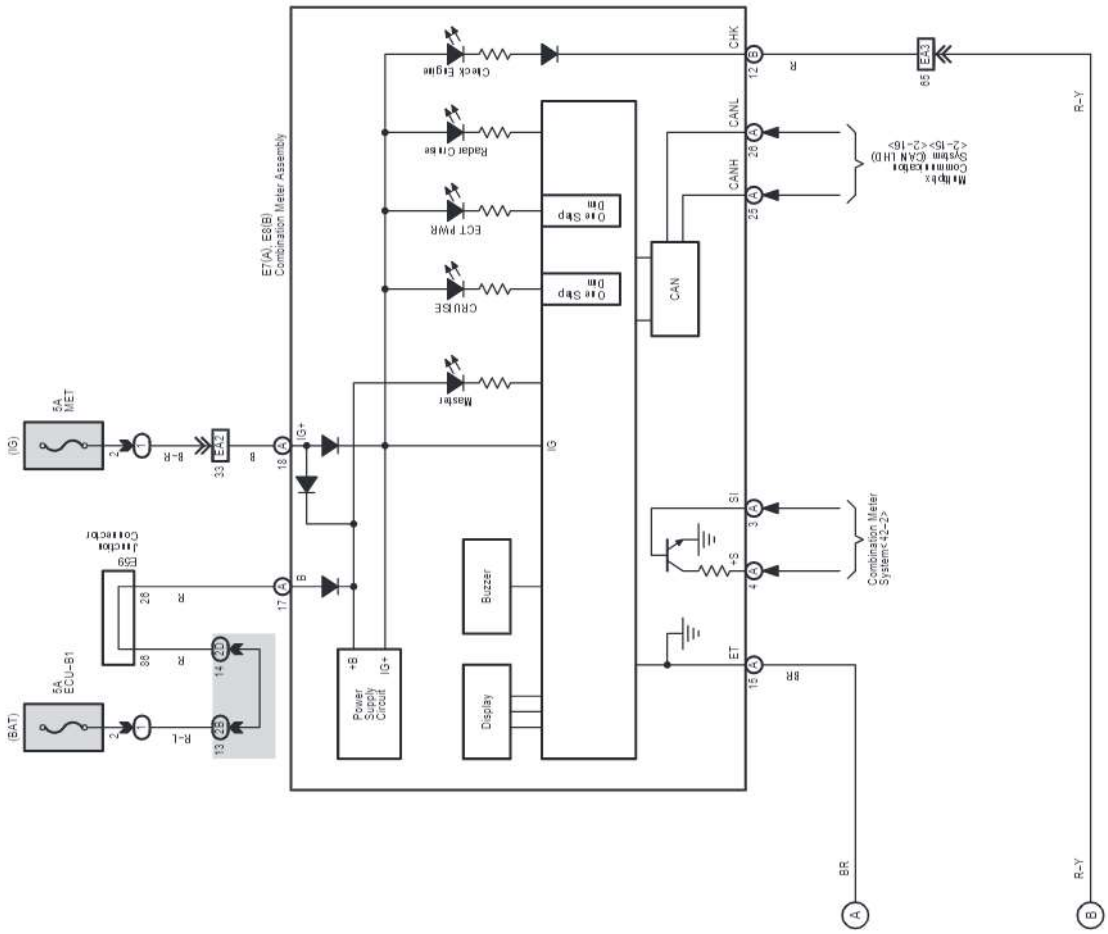
Dynamic Radar Cruise Control (3UR-FE) or Cruise Control (3UR-FE)

28

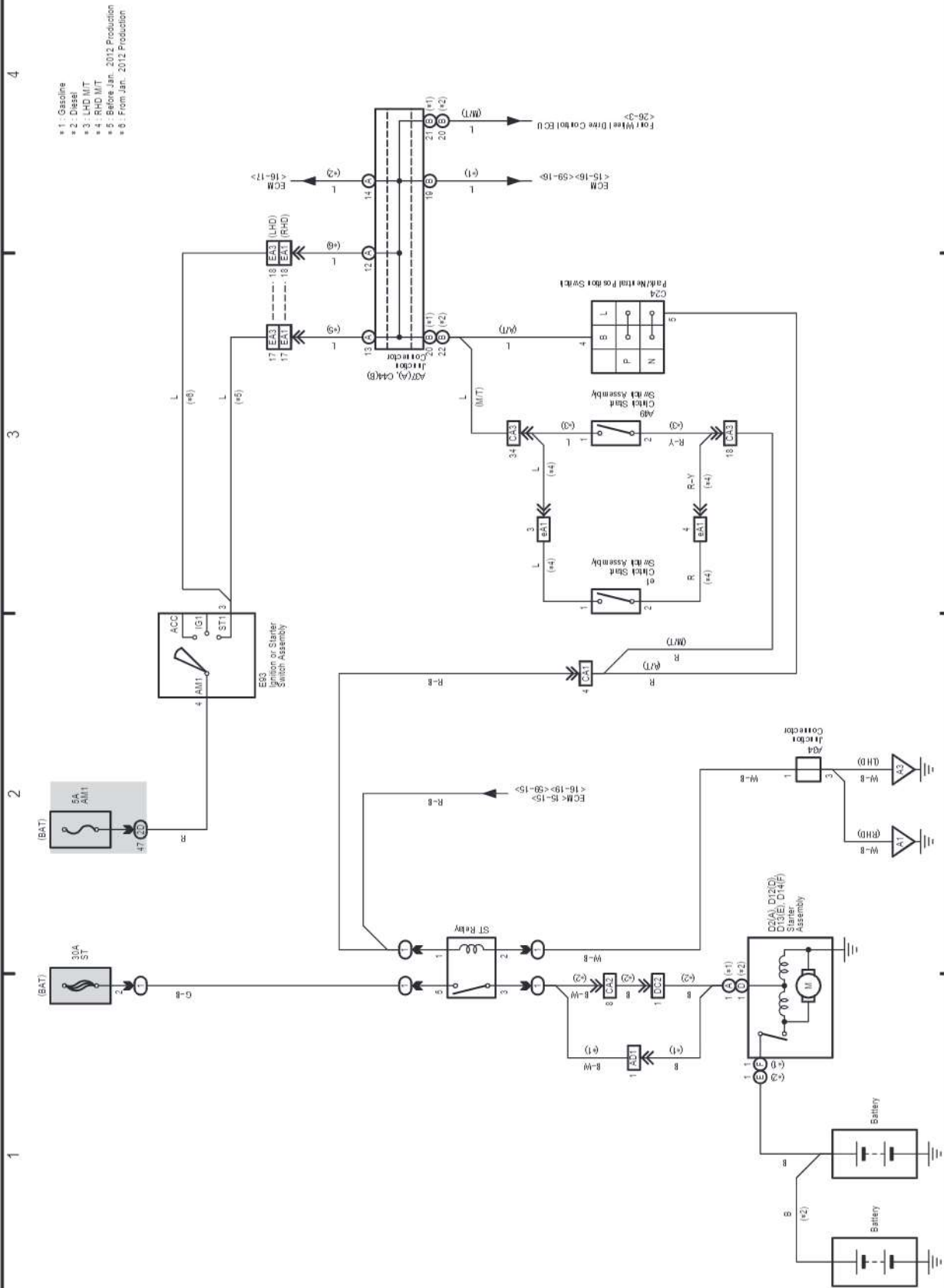
27

26

25



Starting (w/o Entry & Start System)



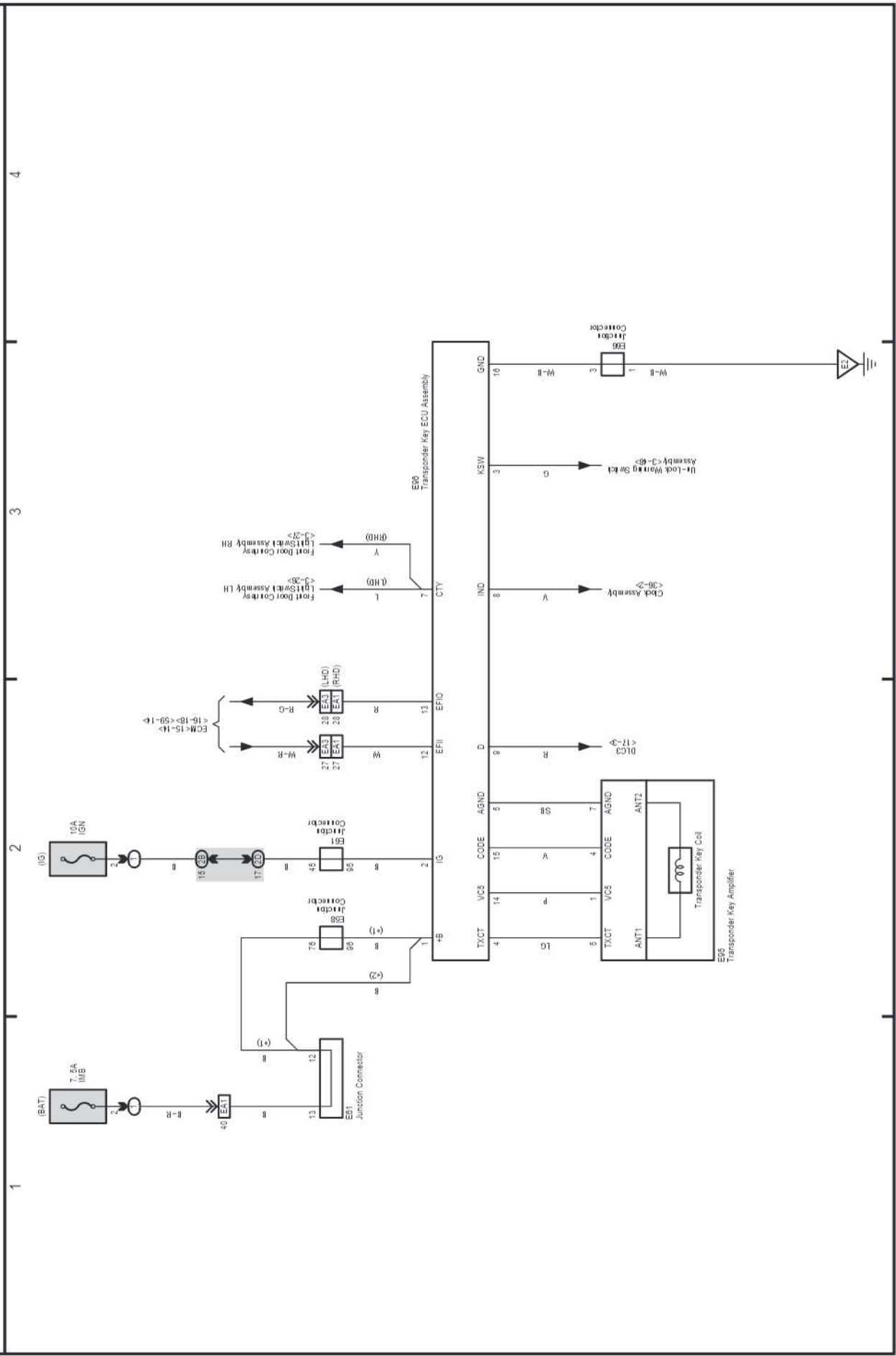


# M OVERALL ELECTRICAL WIRING DIAGRAM

## 54 LAND CRUISER Station Wagon

### Engine Immobiliser System (w/o Entry & Start System)

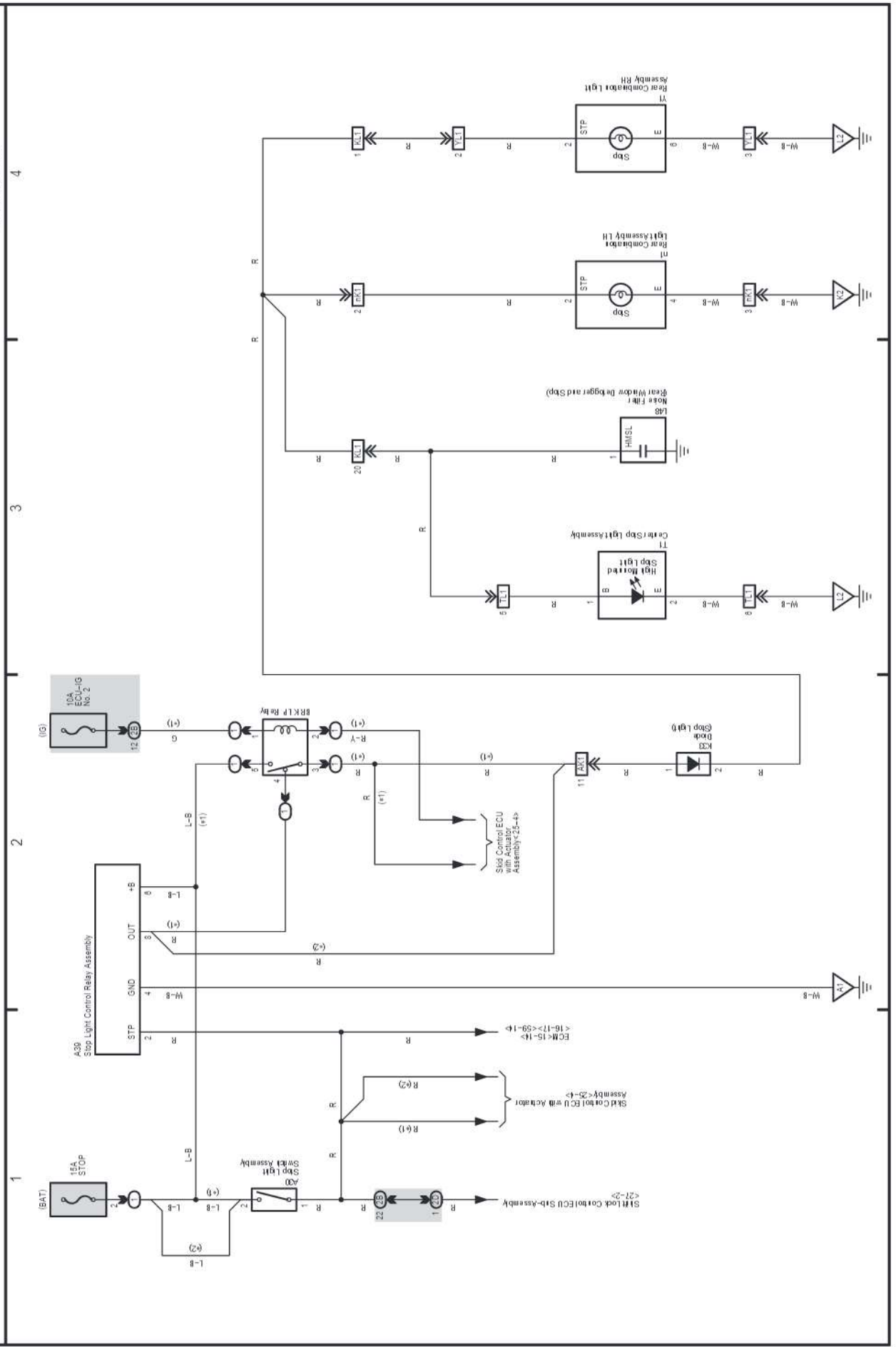
# 1 : Before Jan. 2012 Production  
# 2 : From Jan. 2012 Production



55 LAND CRUISER Station Wagon

Stop Light (Swing Type)

\*1 : w/ BRK L.P. Relay  
\*2 : w/o BRK L.P. Relay

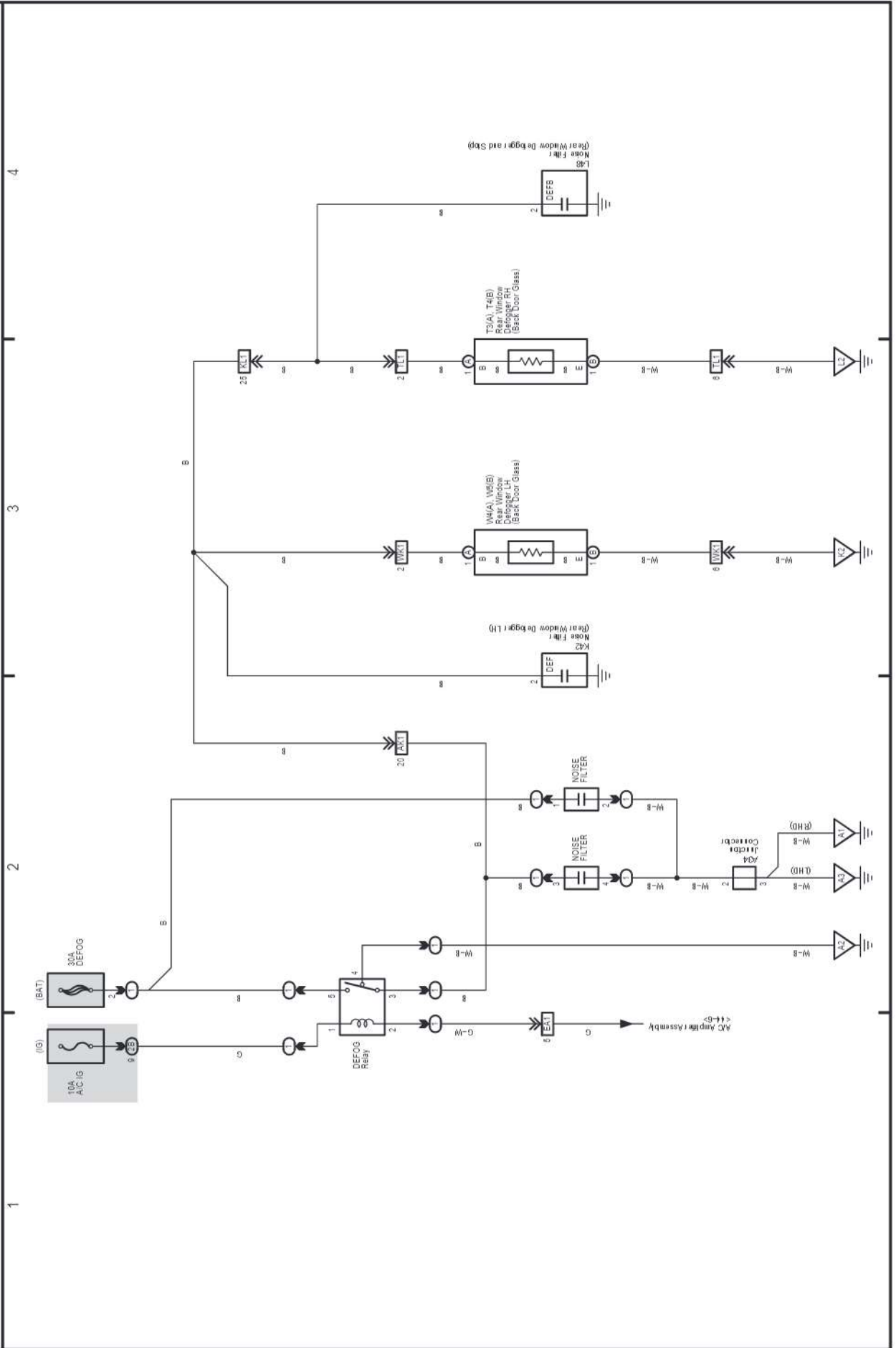


LAND CRUISER Station Wagon (EM19U2E)

# M OVERALL ELECTRICAL WIRING DIAGRAM

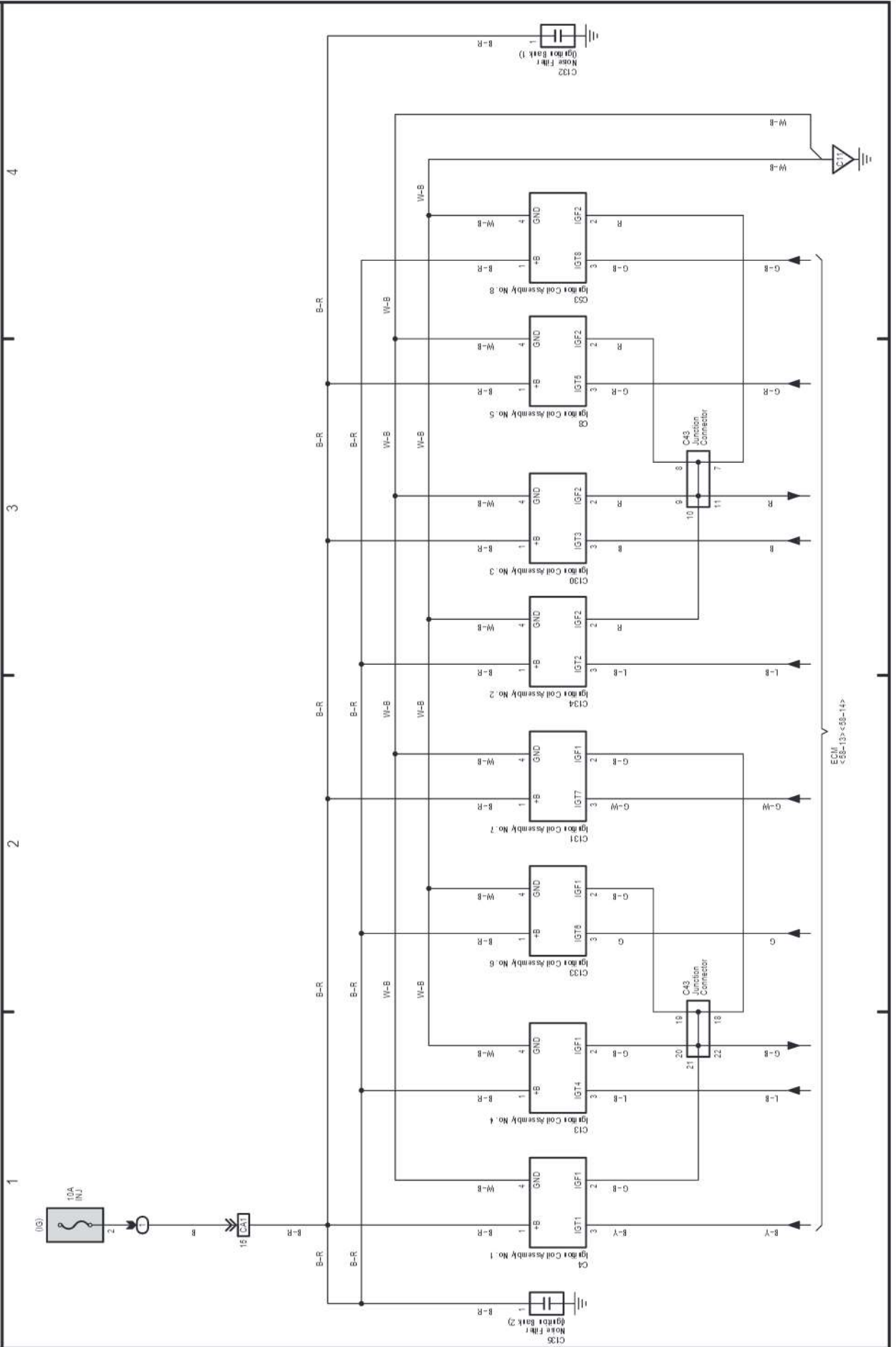
56 LAND CRUISER Station Wagon

Rear Window Defogger (Swing Type)



57 LAND CRUISER Station Wagon

Ignition (1UR-FE)

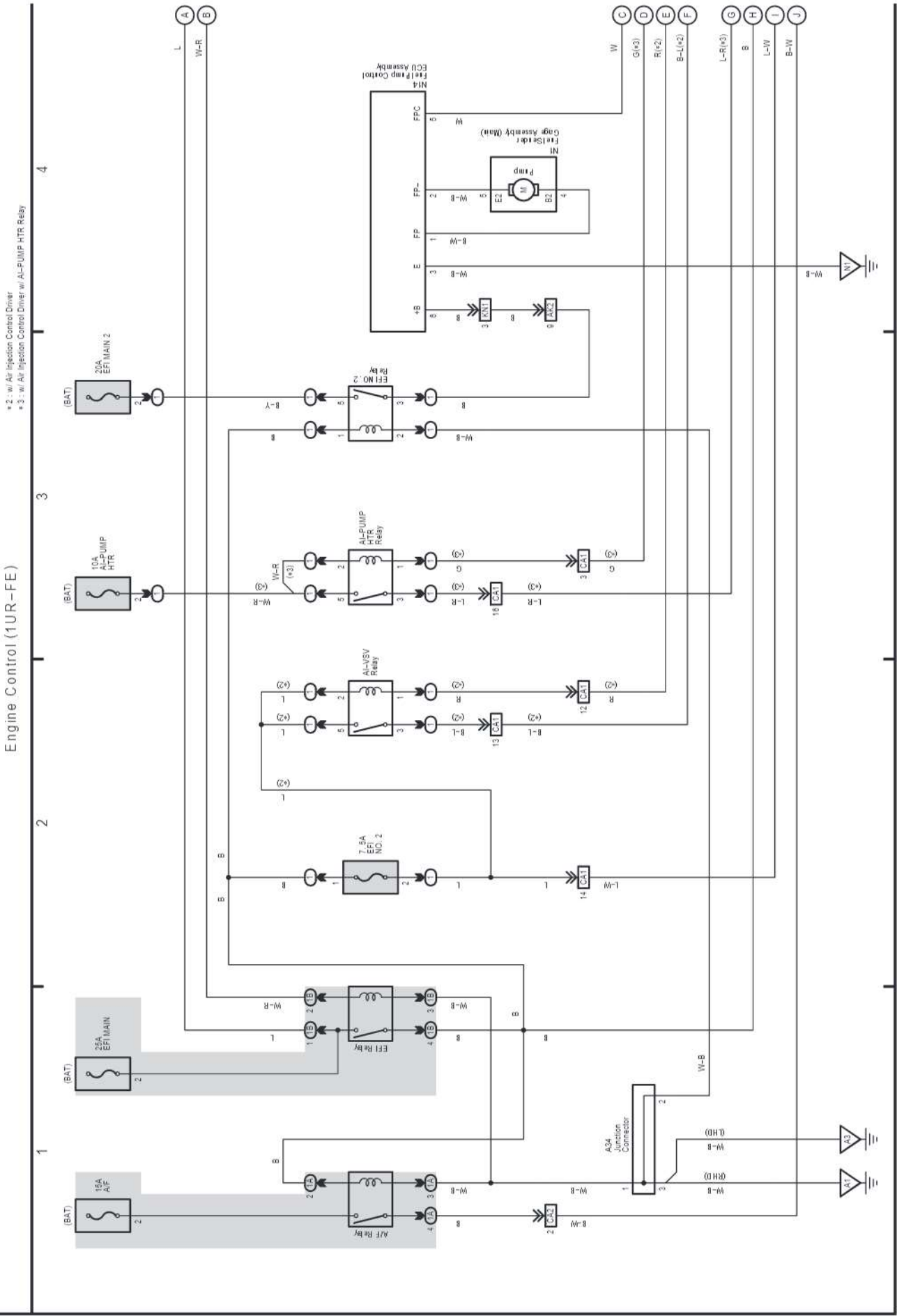


LAND CRUISER Station Wagon (EM19U2E)

# M OVERALL ELECTRICAL WIRING DIAGRAM

58 LAND CRUISER Station Wagon

(Cont. next page)

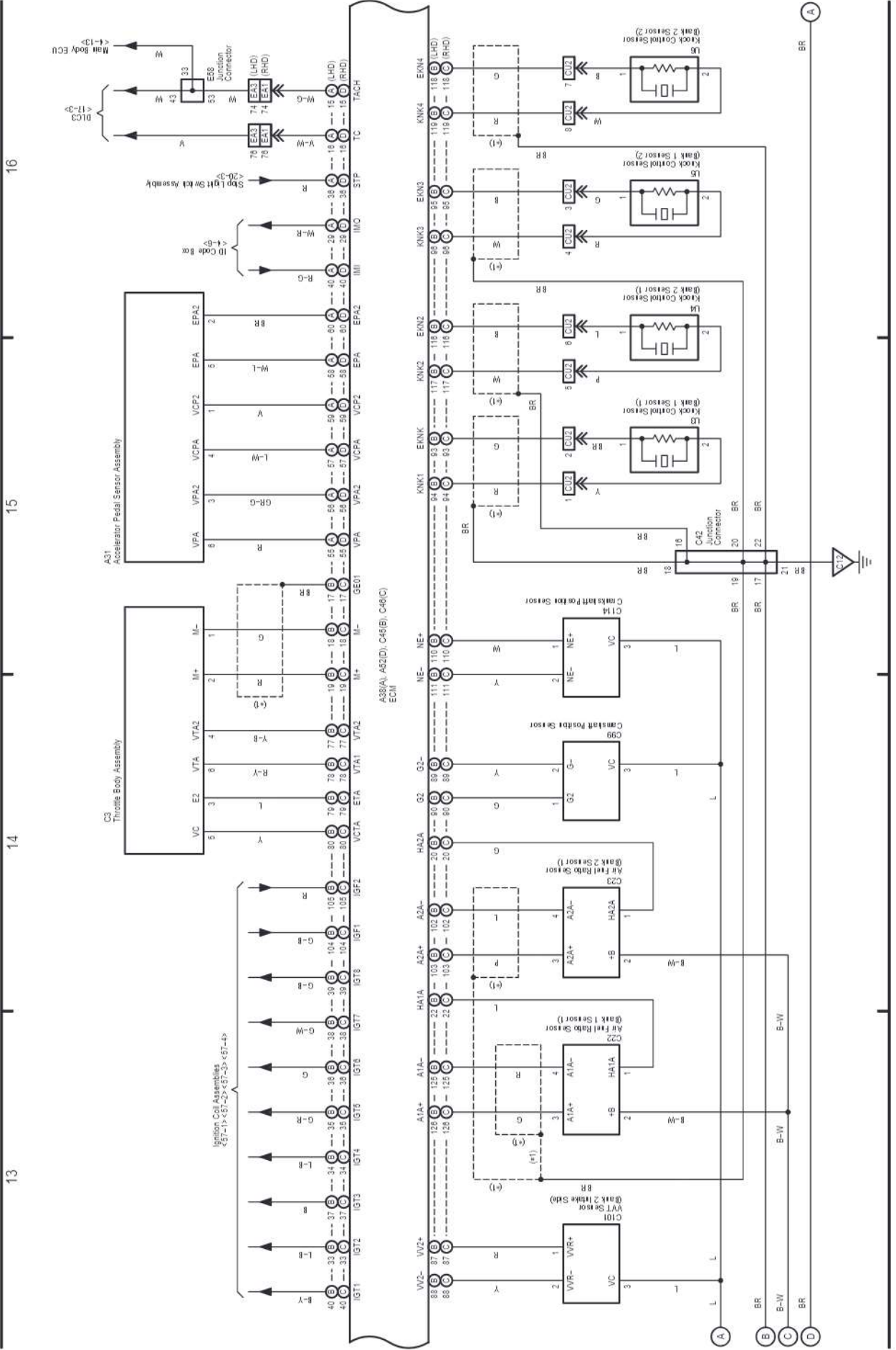






Engine Control (1UR-FE)

\* 1 - Shielded





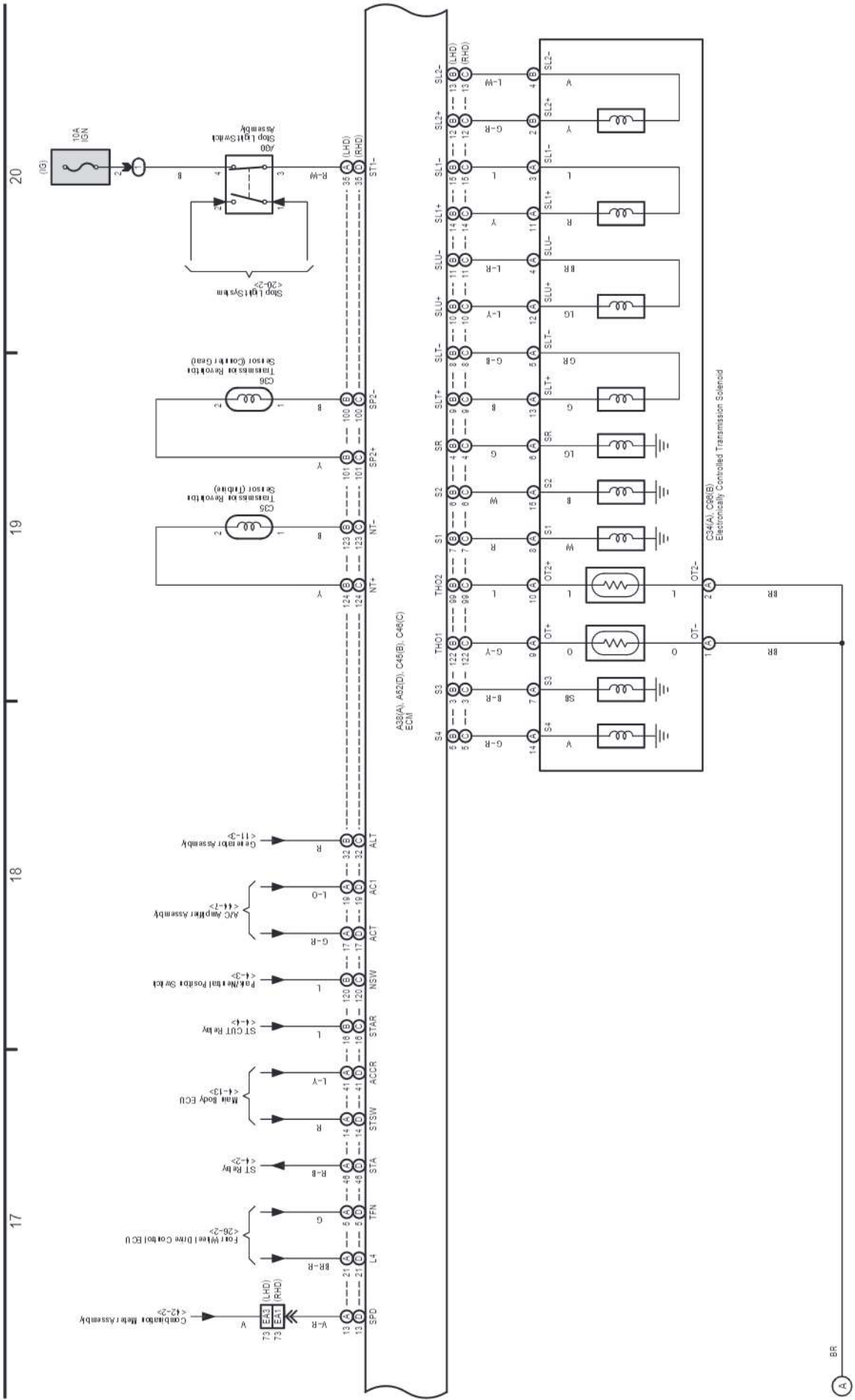
# M OVERALL ELECTRICAL WIRING DIAGRAM

58 LAND CRUISER Station Wagon (Cont' d)

(Cont. next page)

Engine Control (1UR-FE)

ECT and A/T Indicator (1UR-FE)



ECT and A/T Indicator (1UR-FE)

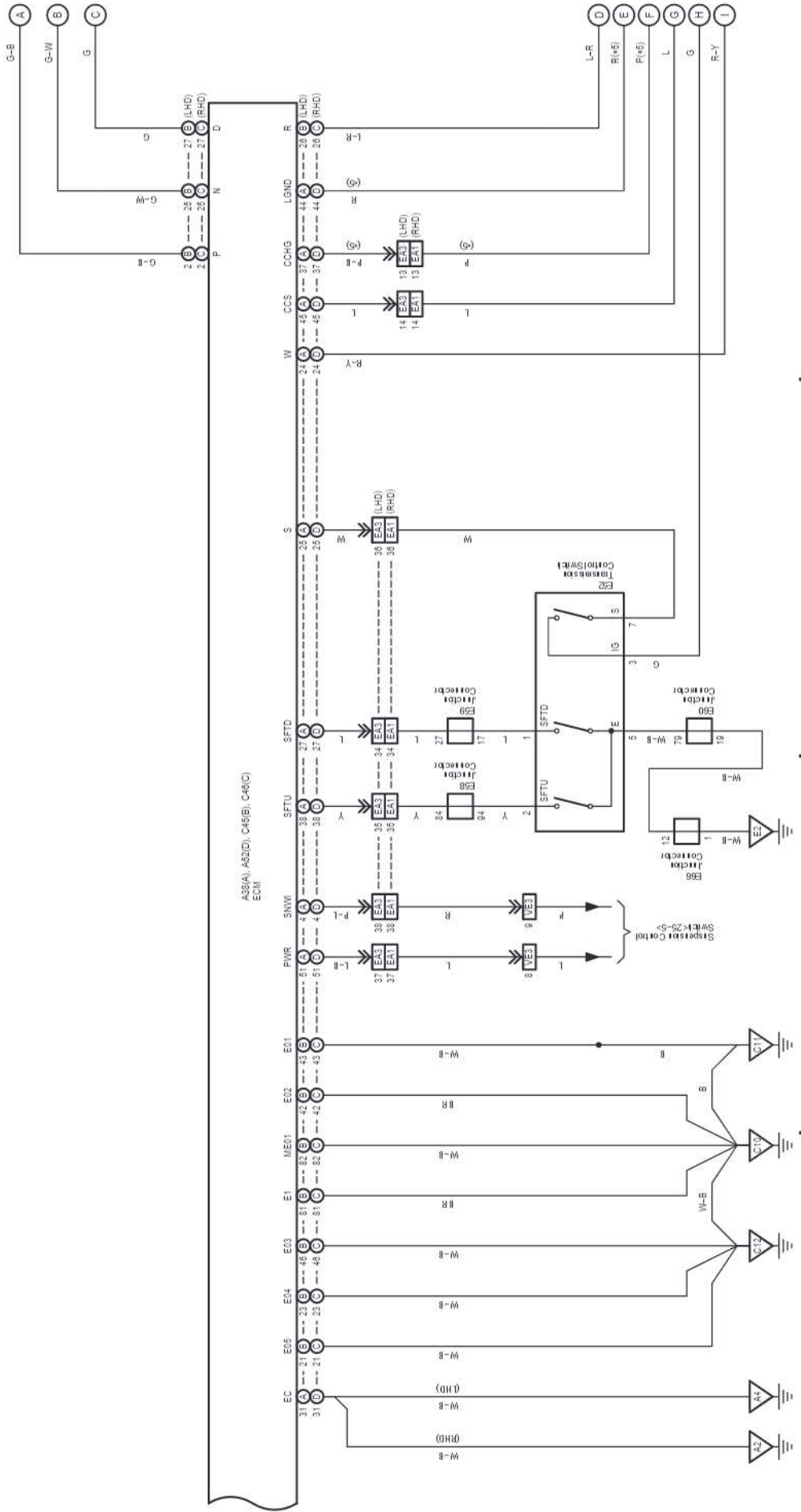
21

22

23

24

\* 6 - w/ Dynamic Radar Cruise Control





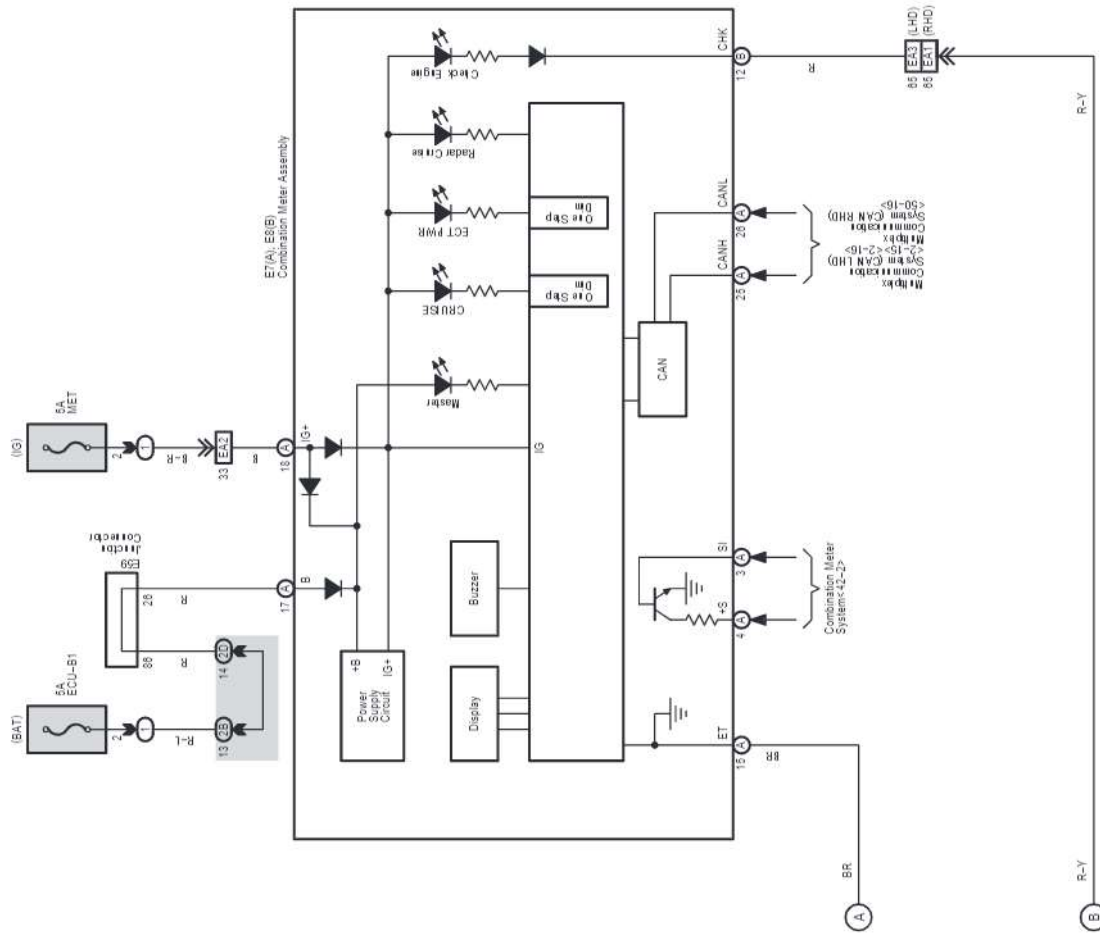
Dynamic Radar Cruise Control (1UR-FE) or Cruise Control (1UR-FE)

32

31

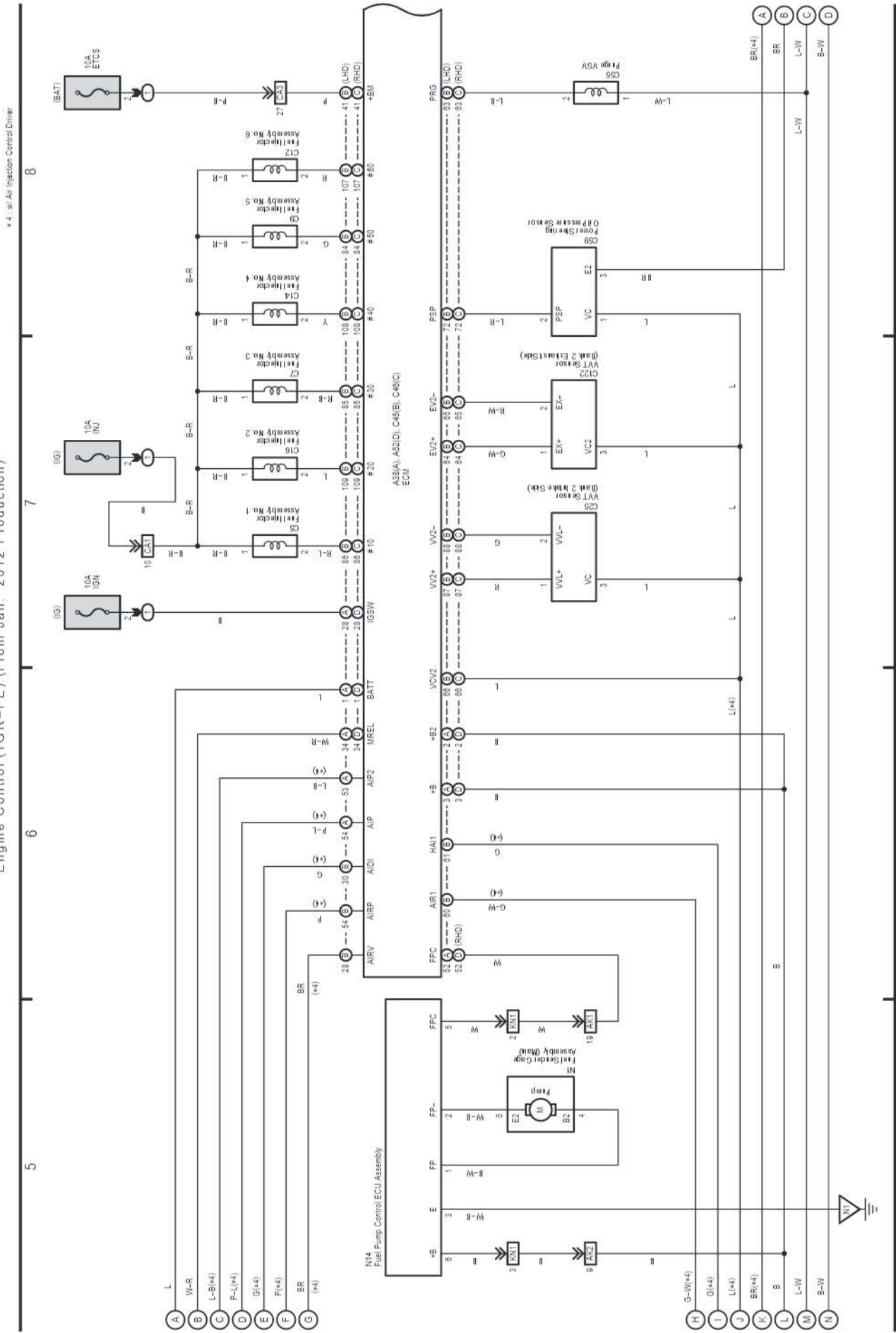
30

29





Engine Control (1GR-FE) (From Jan. 2012 Production)



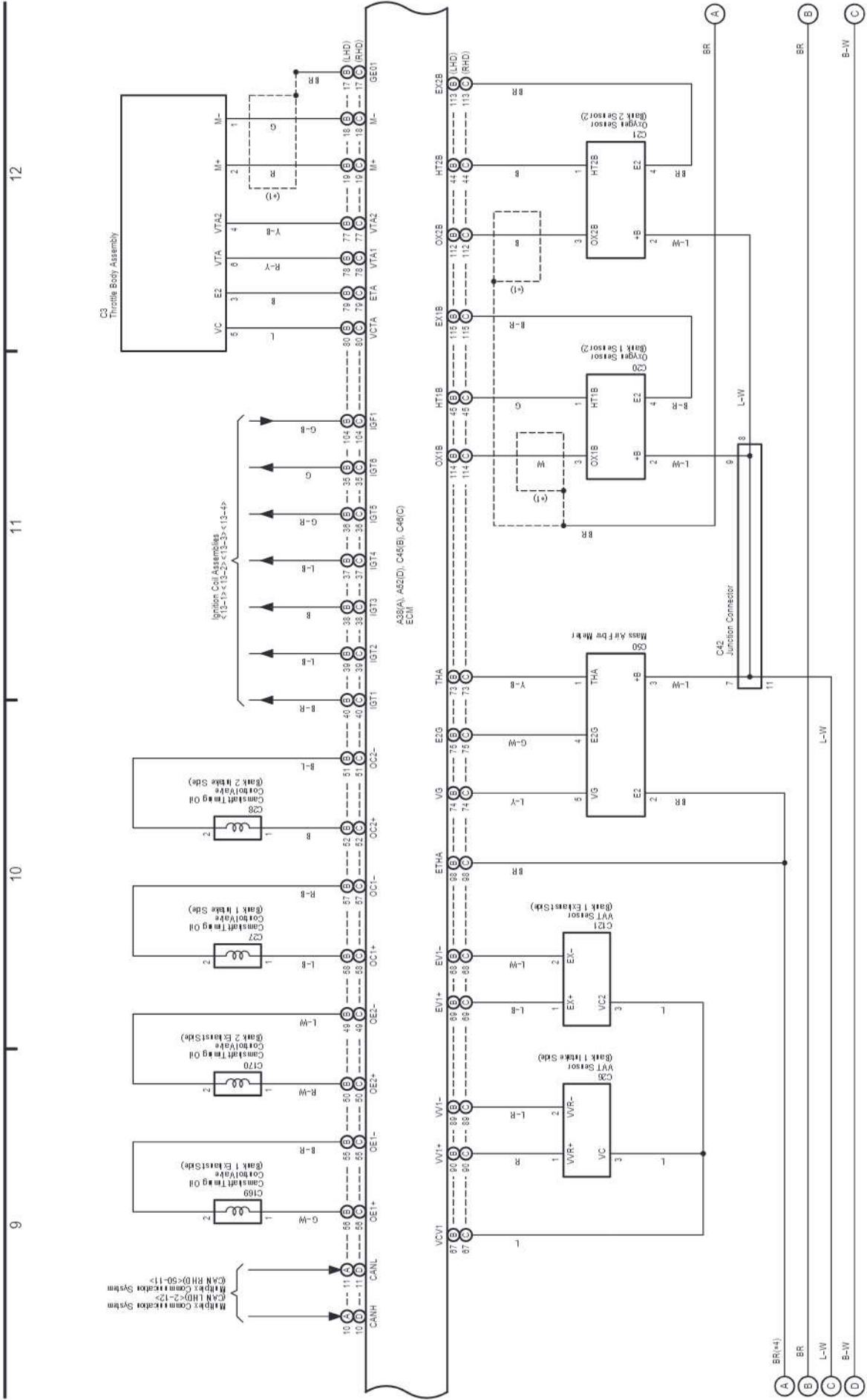
# M OVERALL ELECTRICAL WIRING DIAGRAM

59 LAND CRUISER Station Wagon (Cont' d)

(Cont. next page)

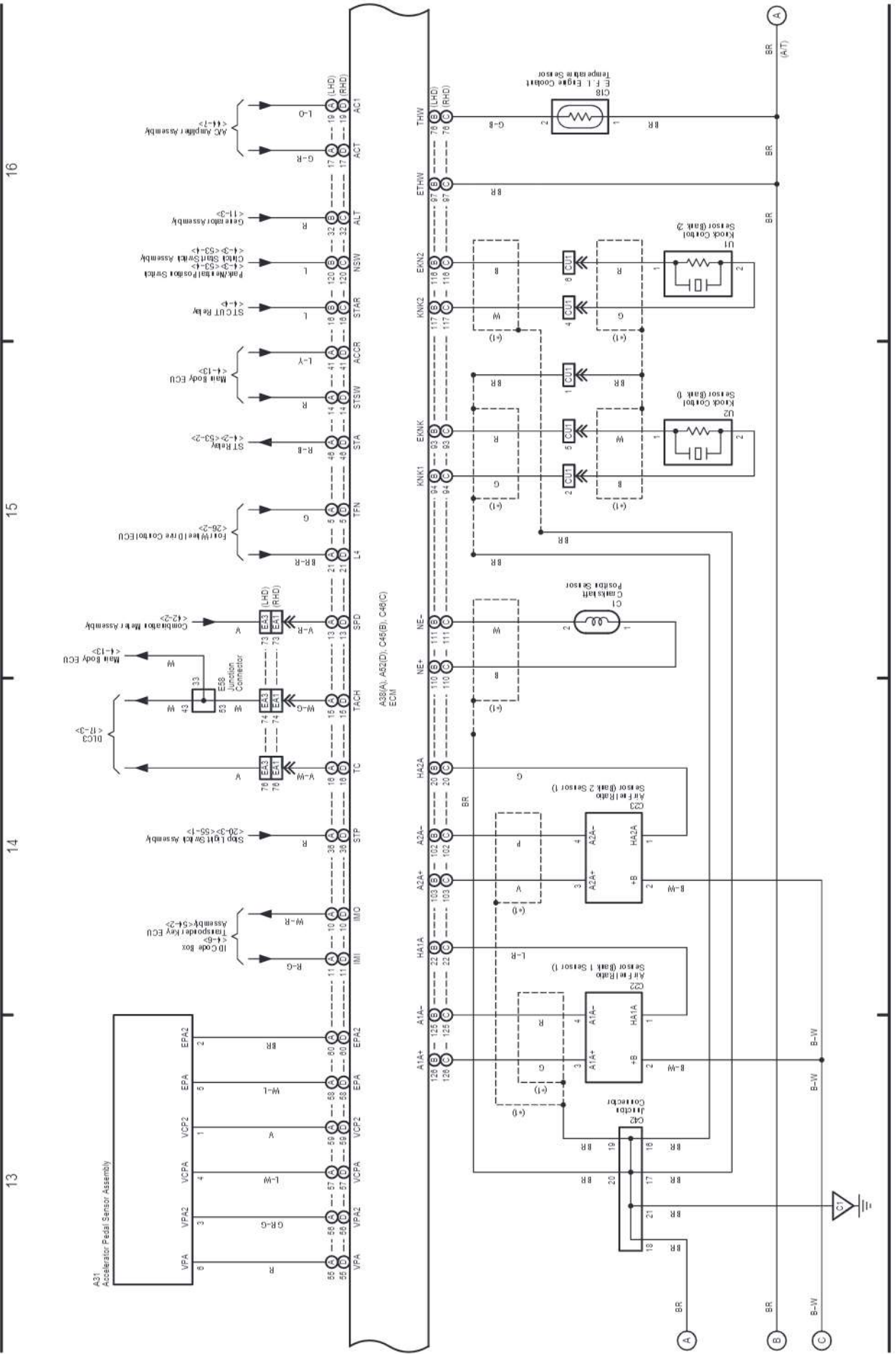
\* 1 : Shielded  
\* 4 : w/ Air Injection Control Driver

Engine Control (1GR-FE) (From Jan. 2012 Production)



Engine Control (1GR-FE) (From Jan. 2012 Production)

\* 1: Shielded



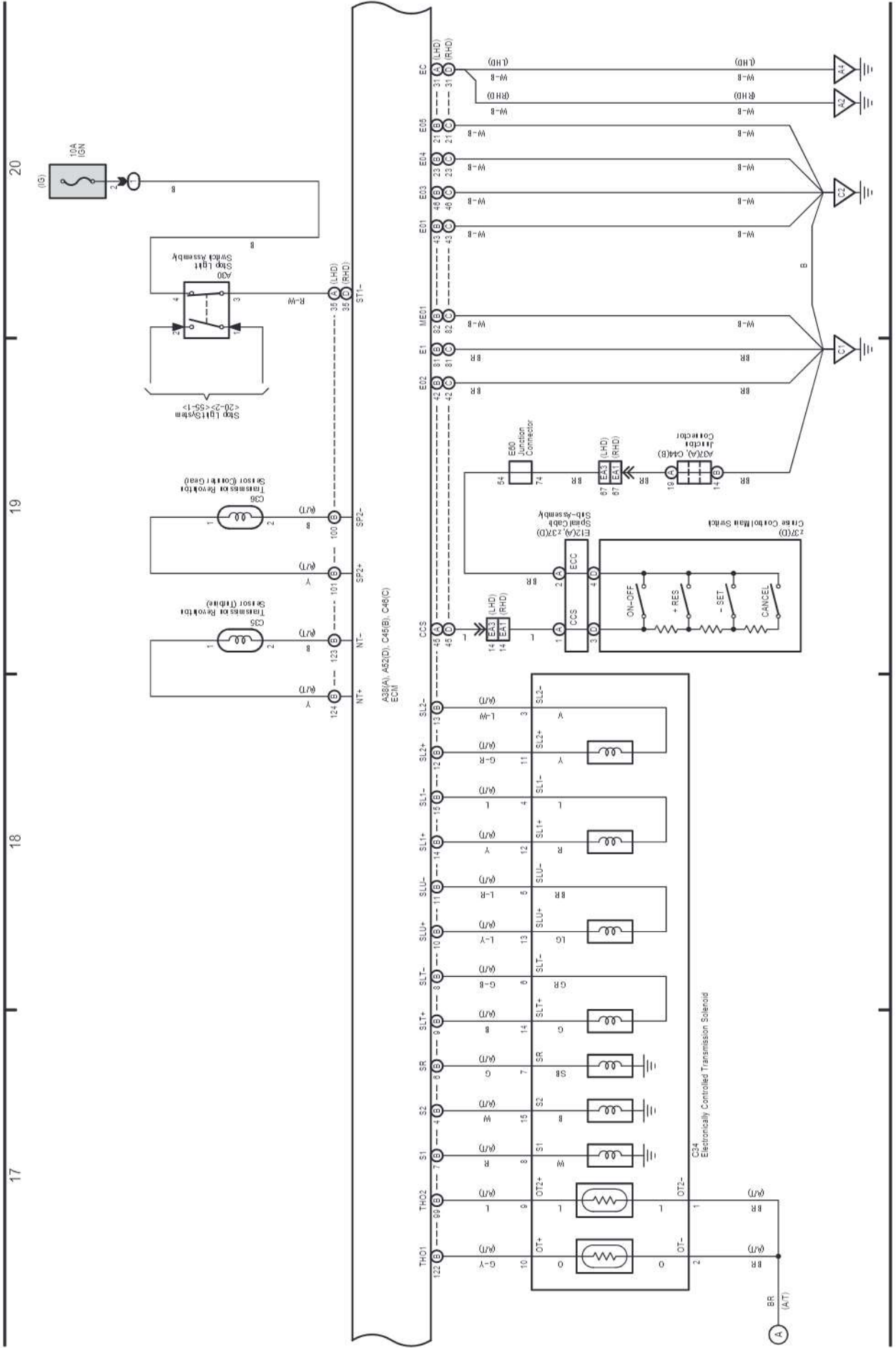


# M OVERALL ELECTRICAL WIRING DIAGRAM

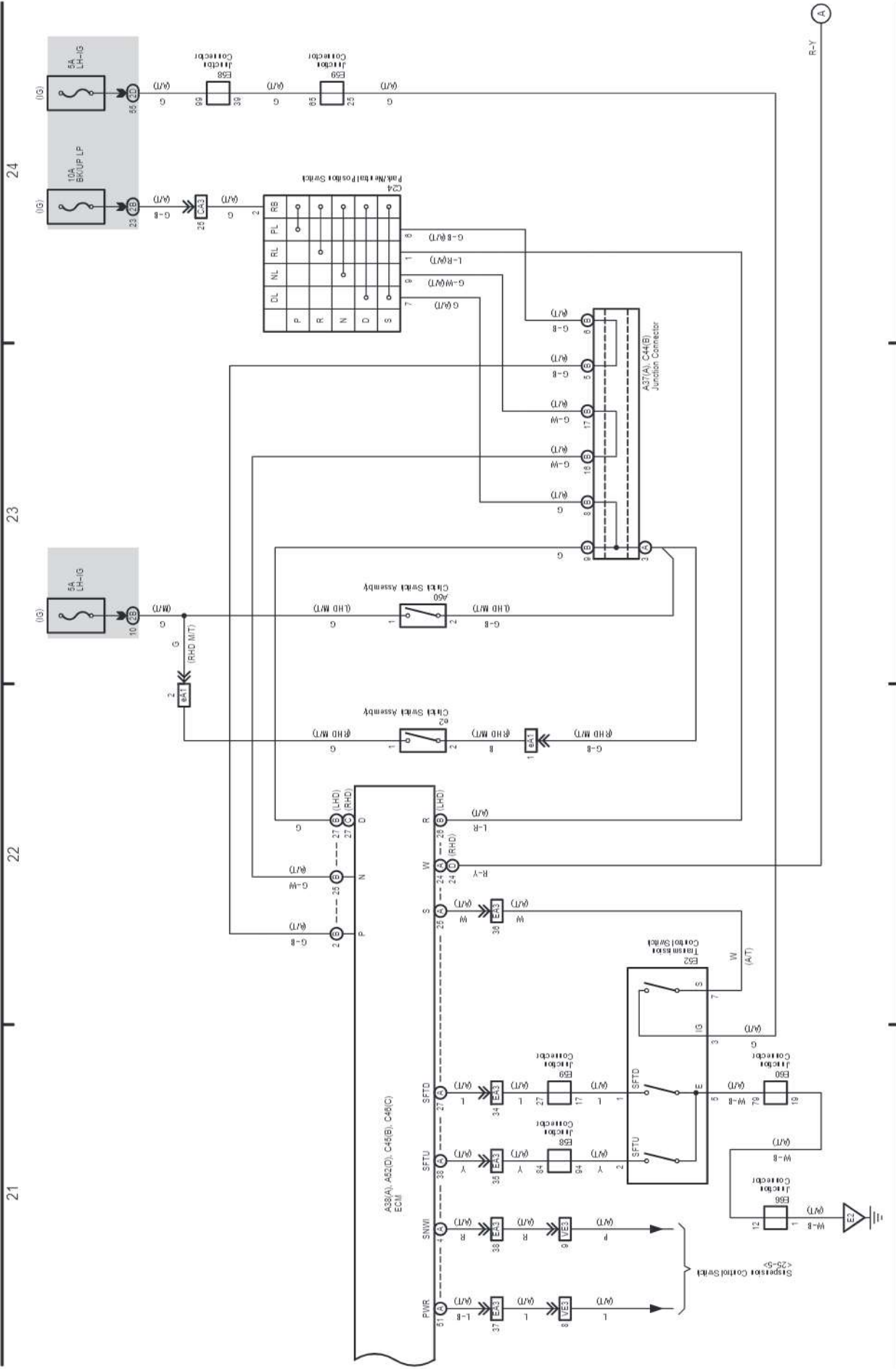
59 LAND CRUISER Station Wagon (Cont' d)

(Cont. next page)

Cruise Control (1GR-FE) (From Jan., 2012 Production)



ECT and A/T Indicator (1GR-FE) (From Jan. 2012 Production)



LAND CRUISER Station Wagon (EM19U2E)

# M OVERALL ELECTRICAL WIRING DIAGRAM

## 59 LAND CRUISER Station Wagon (Cont' d)

ECT and A/T Indicator (1GR-FE) (From Jan. 2012 Production)

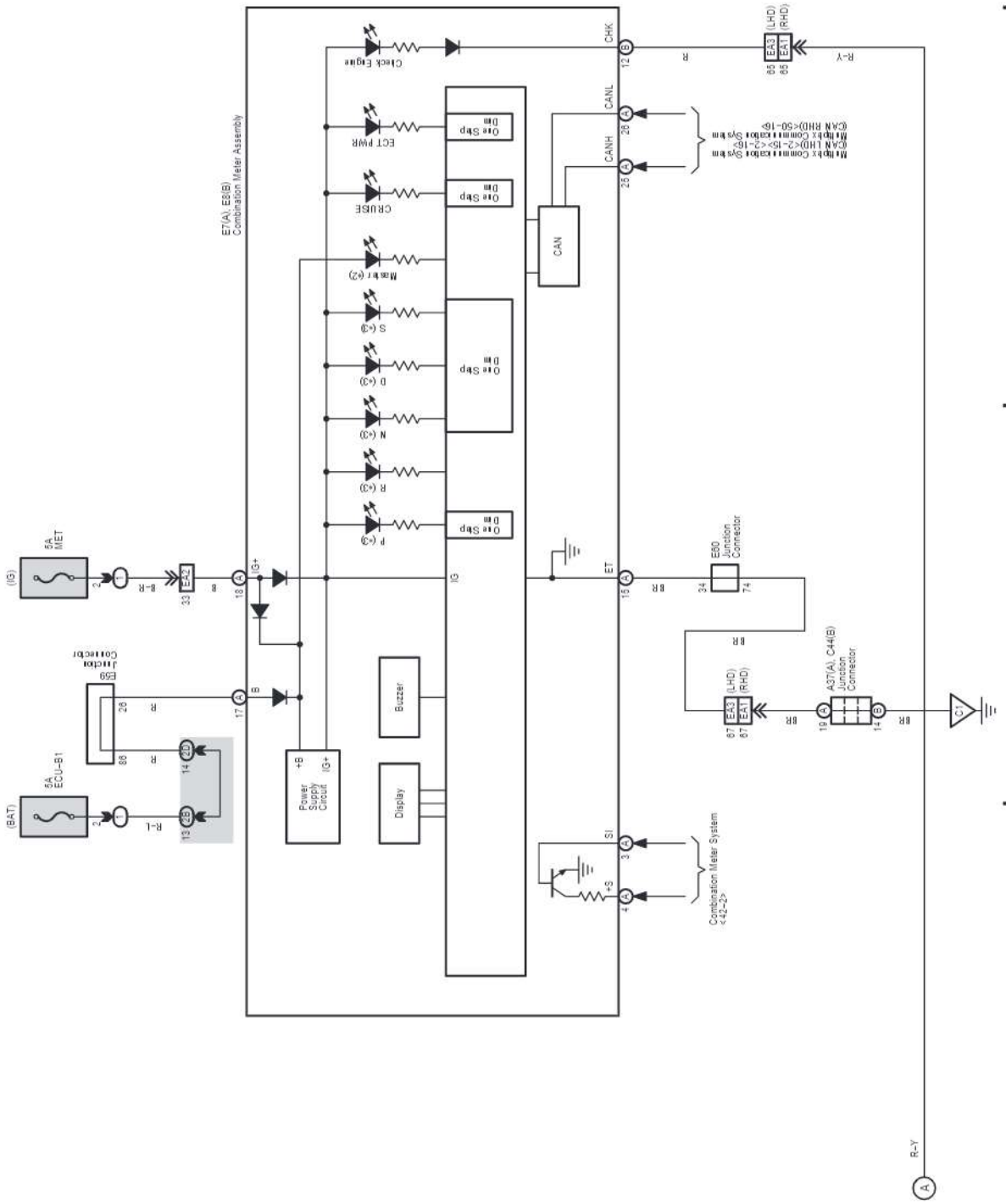
\* 2 : Option Meter  
\* 3 : Except Option Meter

28

27

26

25

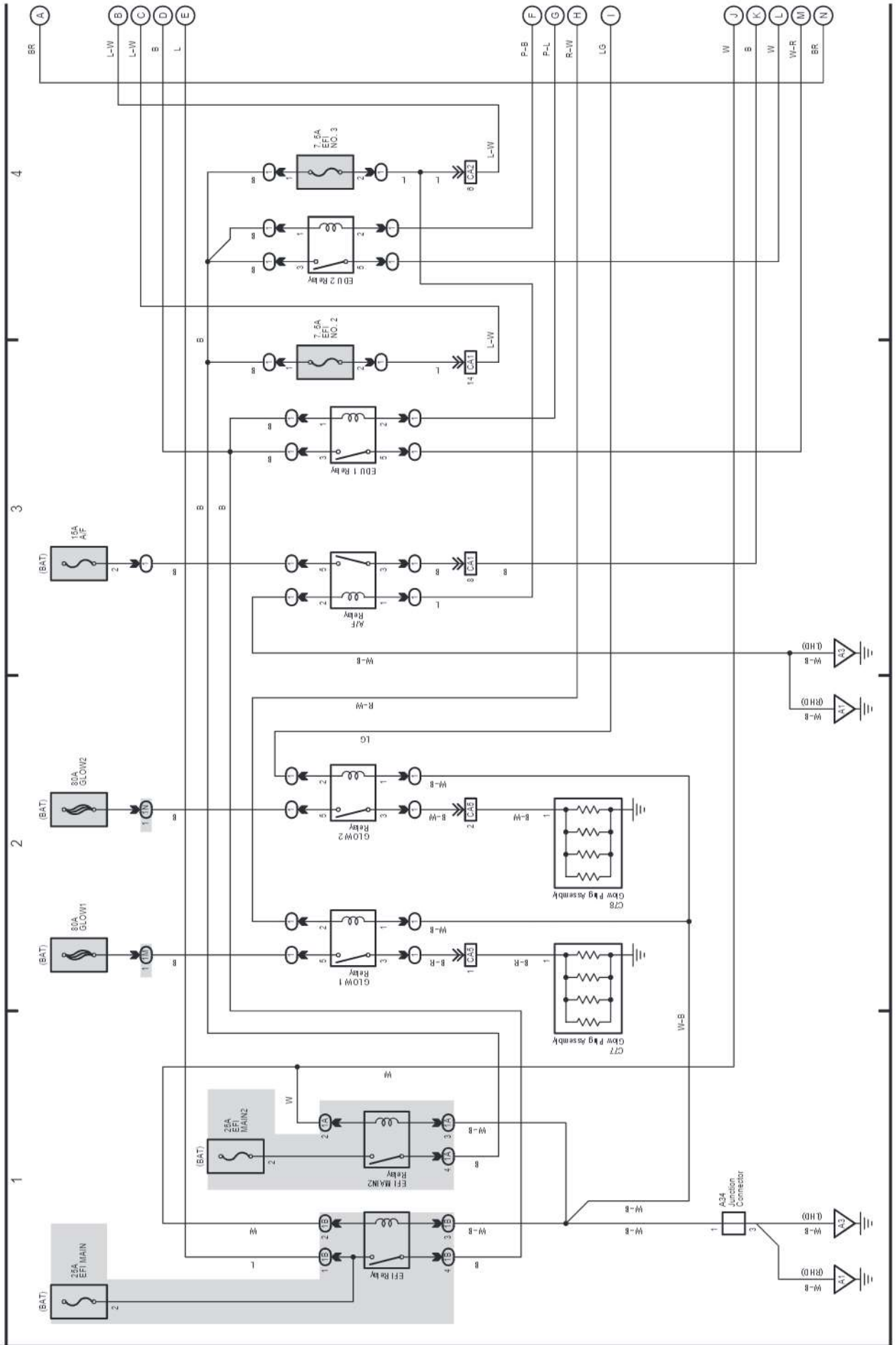


# M OVERALL ELECTRICAL WIRING DIAGRAM

(Cont. next page)

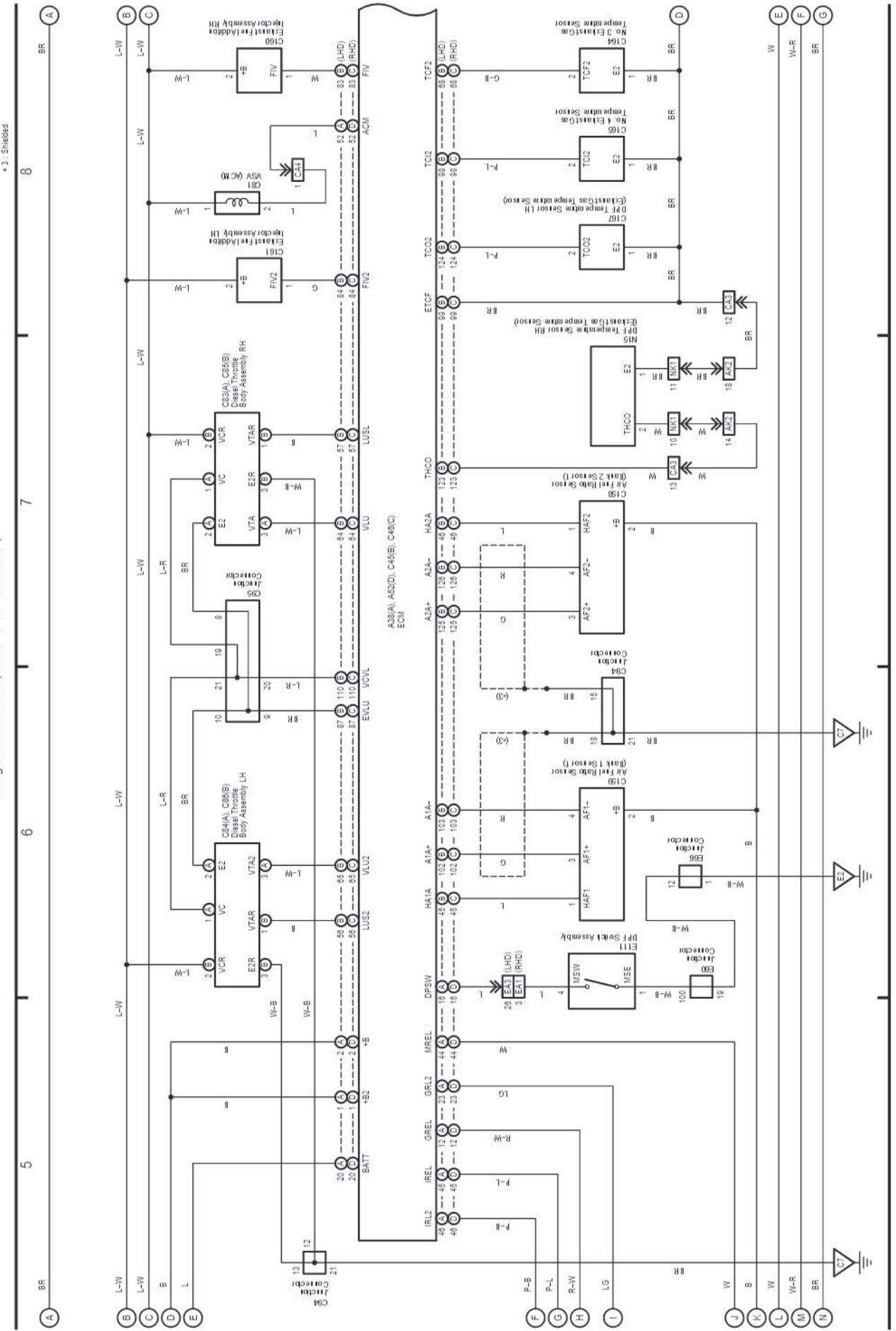
60 LAND CRUISER Station Wagon

Engine Control (1VD-FTV w/DPF)



LAND CRUISER Station Wagon (EM19U2E)

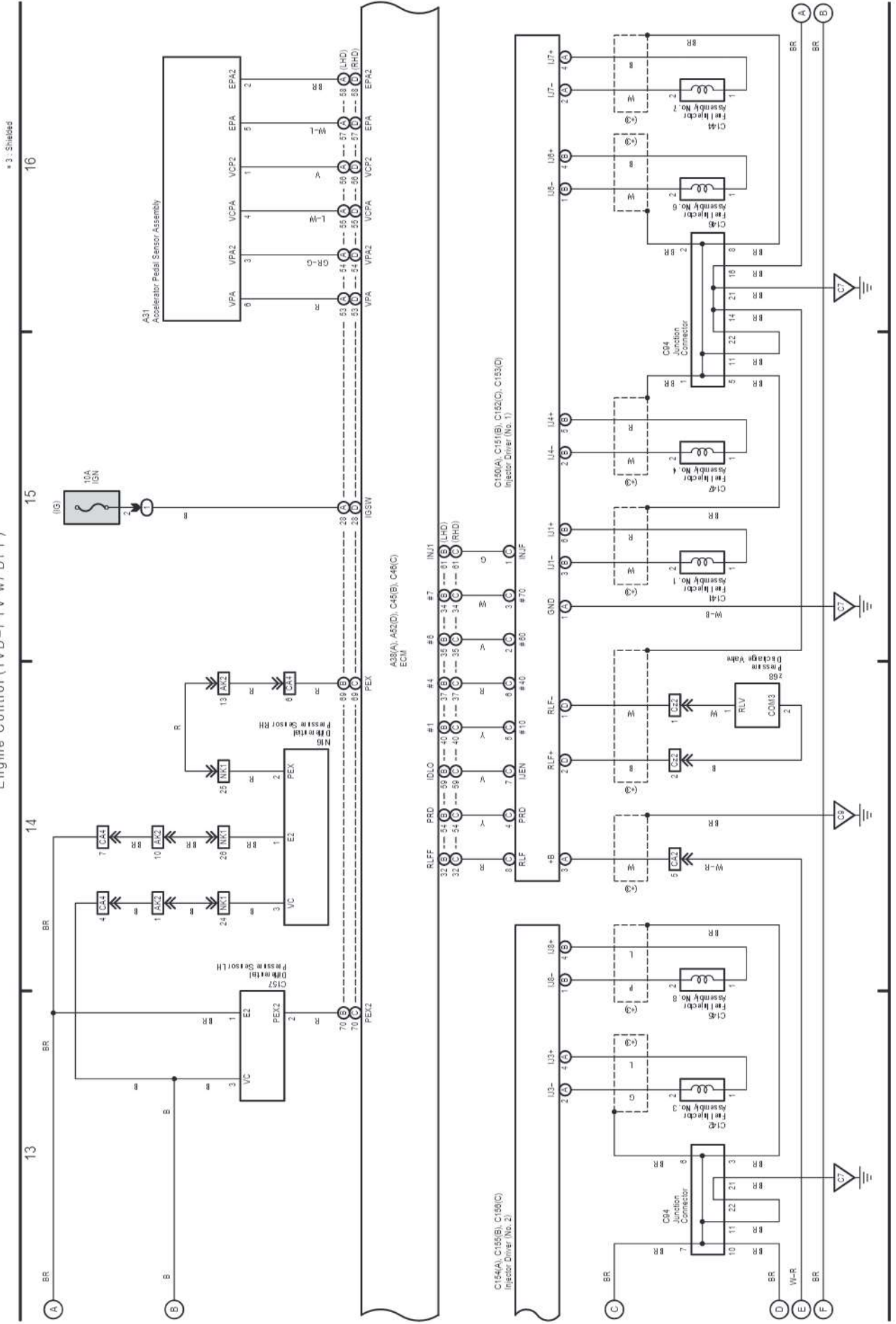
Engine Control (1VD-FTV w/DPF)



LAND CRUISER Station Wagon (EM19U2E)



Engine Control (1VD-FTV w/DPF)

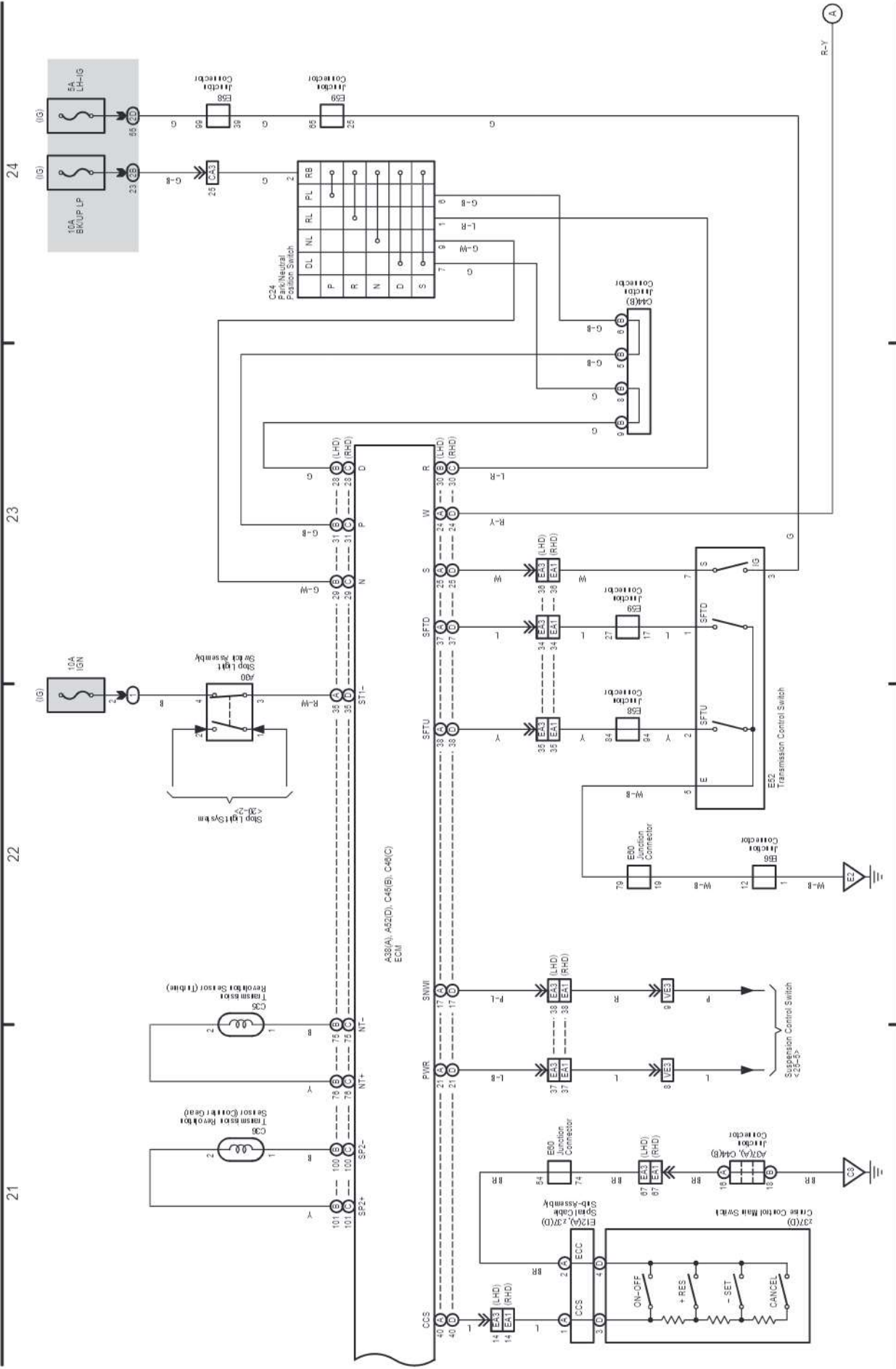






Cruise Control (1VD-FTV w/ DPF)

ECT and A/T Indicator (1VD-FTV w/ DPF)



# M OVERALL ELECTRICAL WIRING DIAGRAM

## 60 LAND CRUISER Station Wagon (Cont' d)

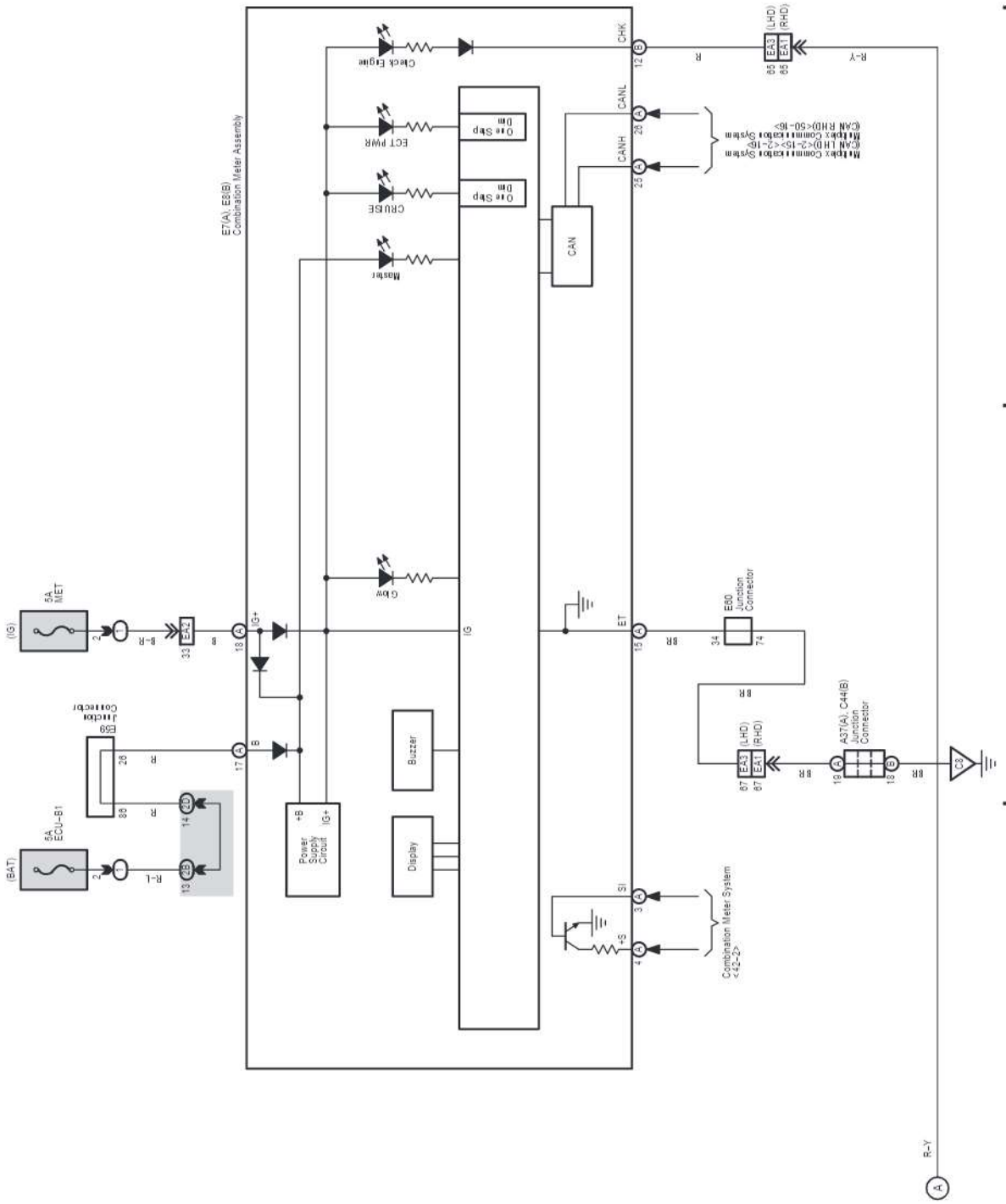
ECT and A/T Indicator (1VD-FTV w/ DPF)

28

27

26

25

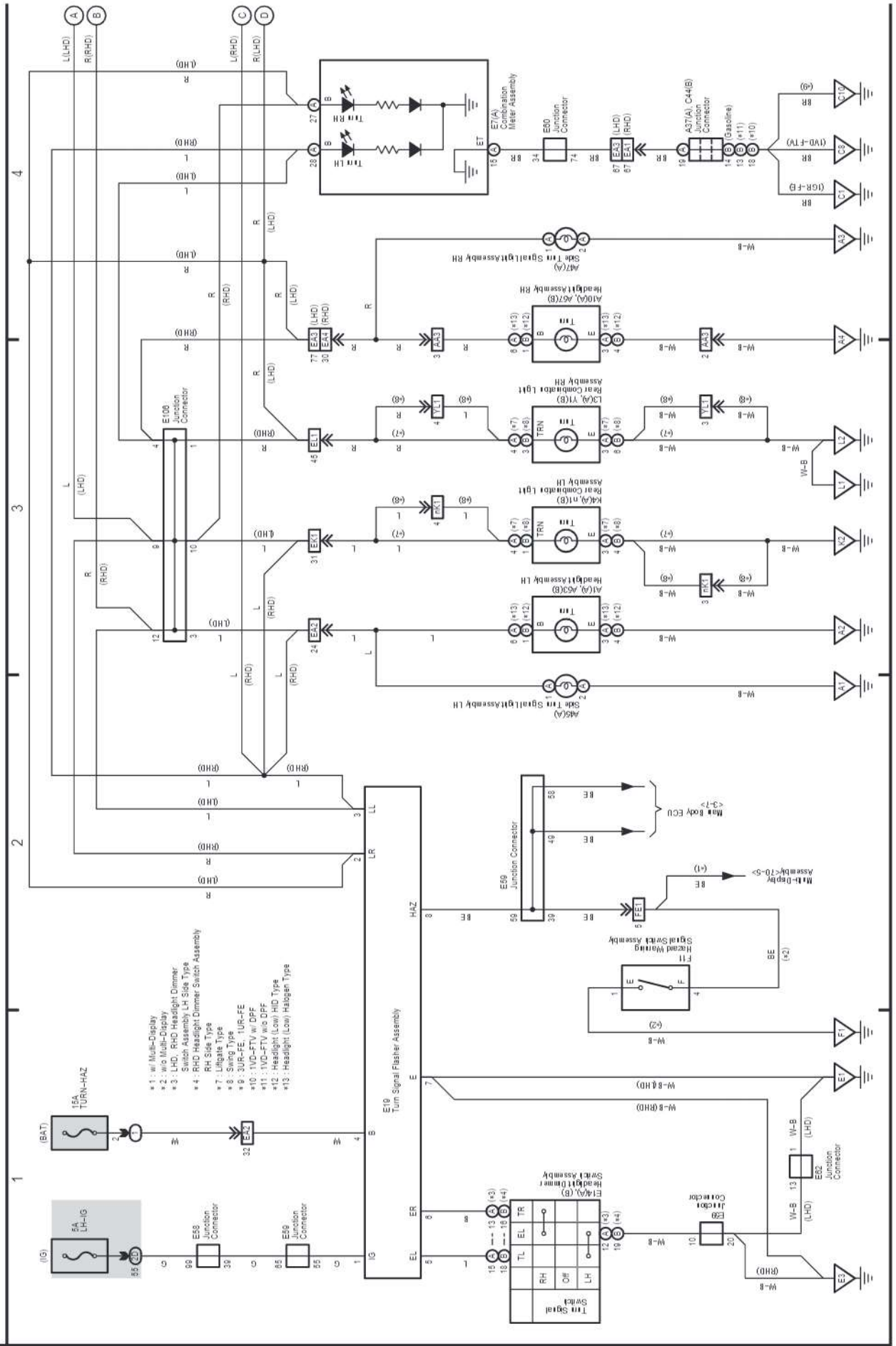


# M OVERALL ELECTRICAL WIRING DIAGRAM

(Cont. next page)

61 LAND CRUISER Station Wagon

Turn Signal and Hazard Warning Light (From Jan. 2012 Production)

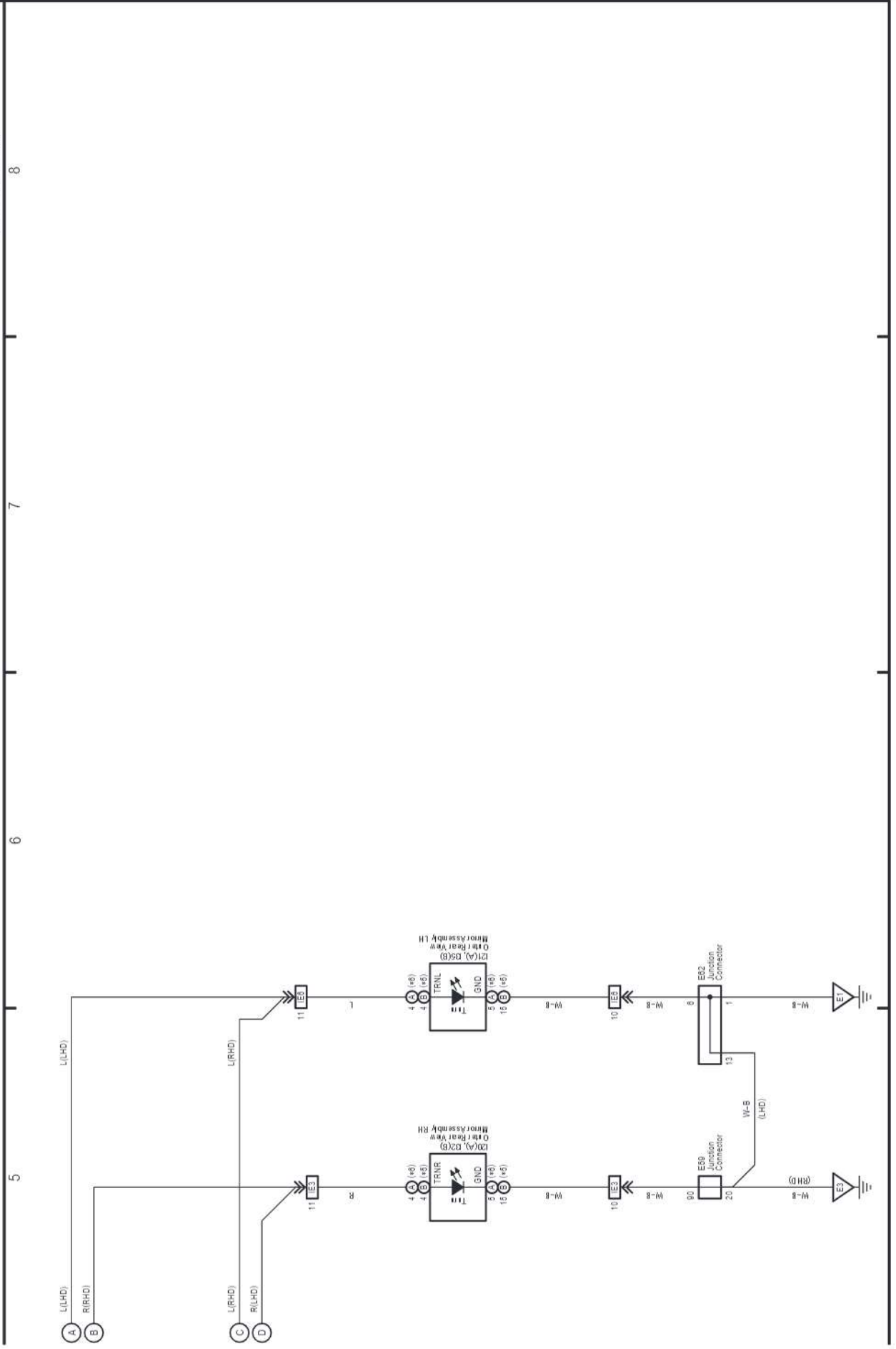


LAND CRUISER Station Wagon (EM19U2E)

61 LAND CRUISER Station Wagon (Cont' d)

Turn Signal and Hazard Warning Light (From Jan. 2012 Production)

\* 5 : w/ Multi-Terrain Monitor  
 \* 6 : w/o Multi-Terrain Monitor



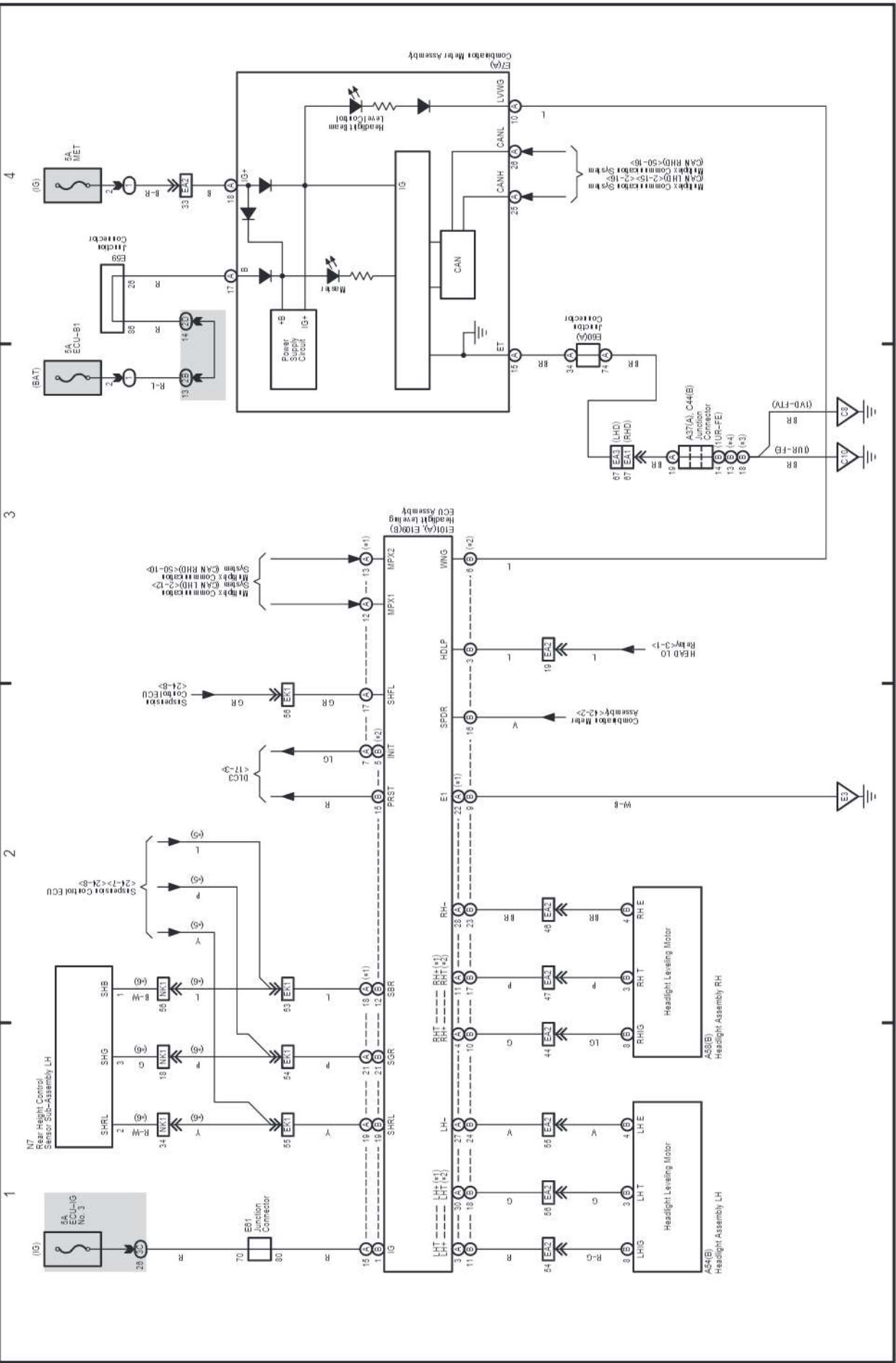
LAND CRUISER Station Wagon (EM19U2E)

# M OVERALL ELECTRICAL WIRING DIAGRAM

## 62 LAND CRUISER Station Wagon

### Headlight Beam Level Control (Automatic)

- \* 1 : Dynamic Type
- \* 2 : Static Type
- \* 3 : 1VD-FTV w/ DFF
- \* 4 : 1VD-FTV w/o DFF
- \* 5 : Dynamic Type w/ Active Height Suspension
- \* 6 : Static Type
- \* 7 : 1VD-FTV w/ DFF
- \* 8 : Dynamic Type w/o Active Height Suspension, Static Type

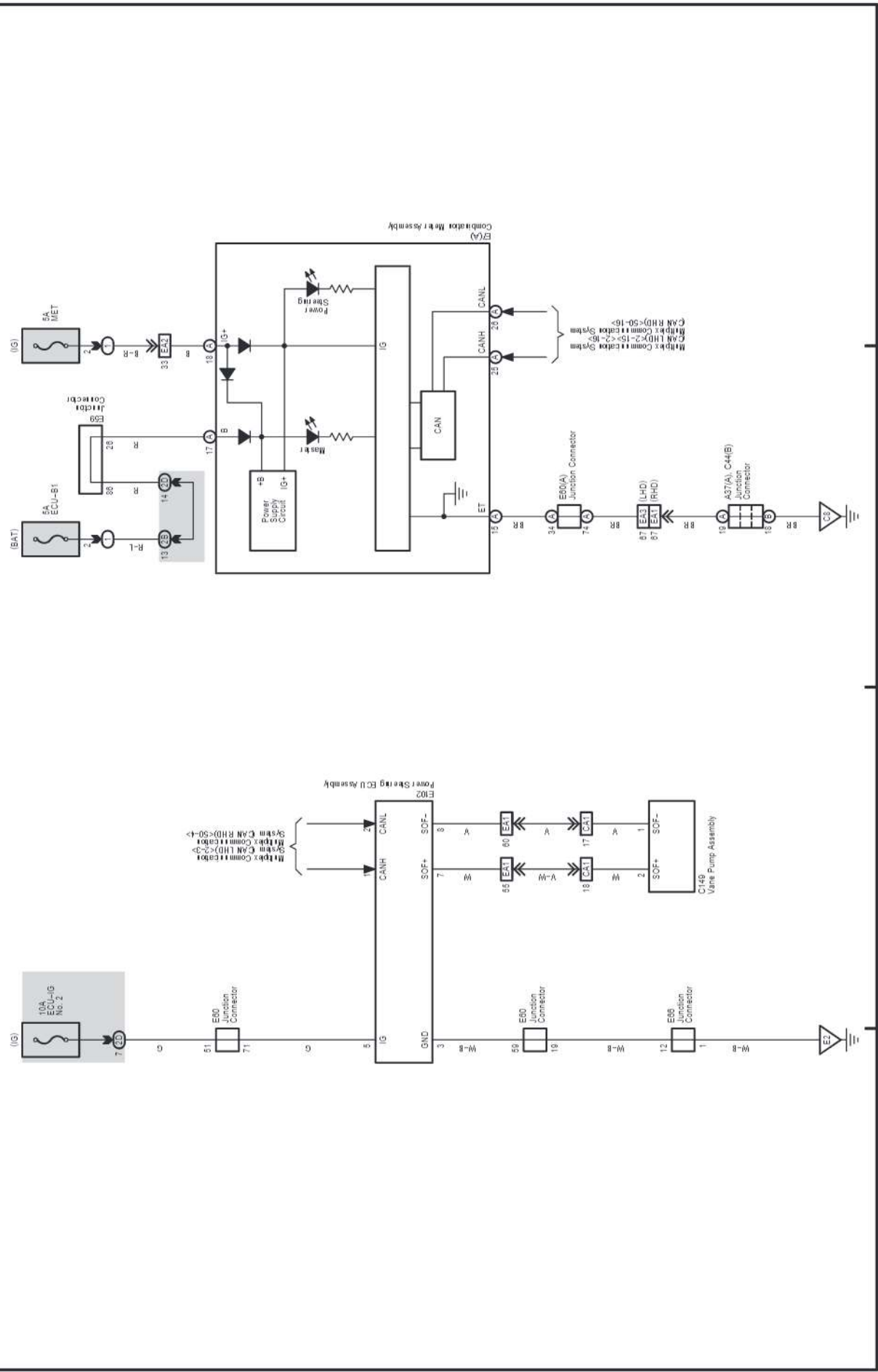


Power Steering

4

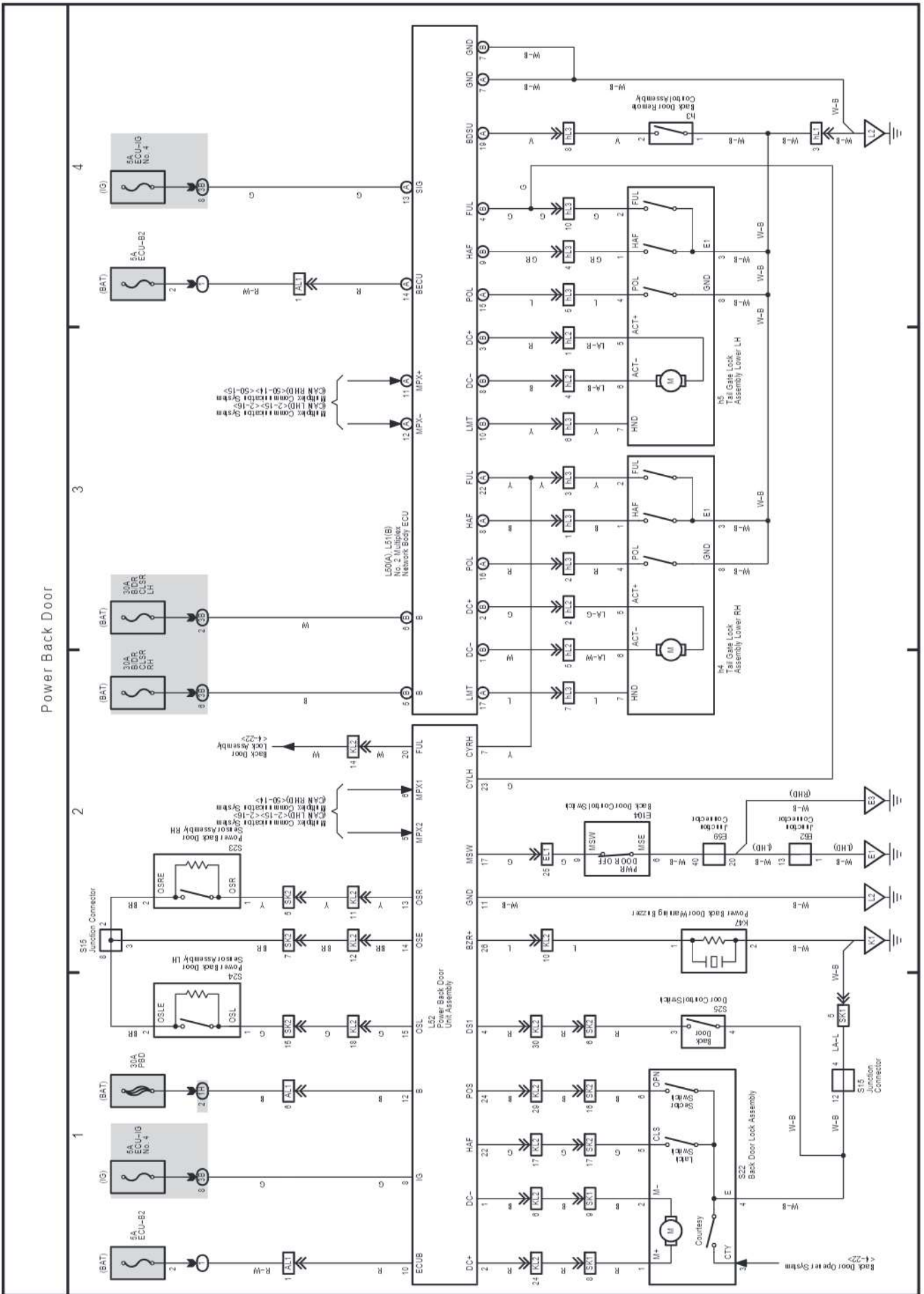
2

1



# M OVERALL ELECTRICAL WIRING DIAGRAM

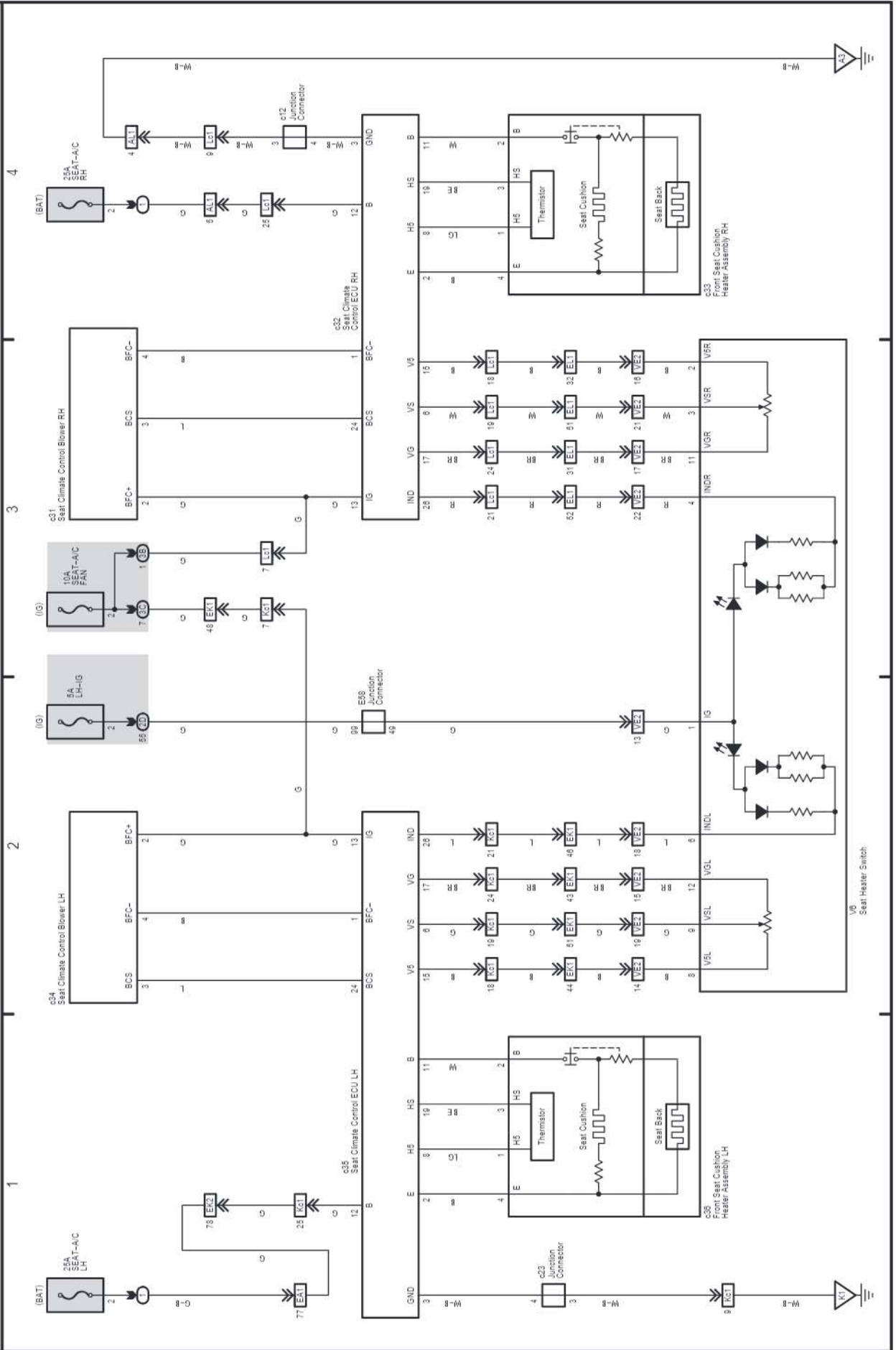
## 64 LAND CRUISER Station Wagon



LAND CRUISER Station Wagon (EM19U2E)

65 LAND CRUISER Station Wagon

Climate Control Seat (Driver's Seat and Front Passenger's Seat)

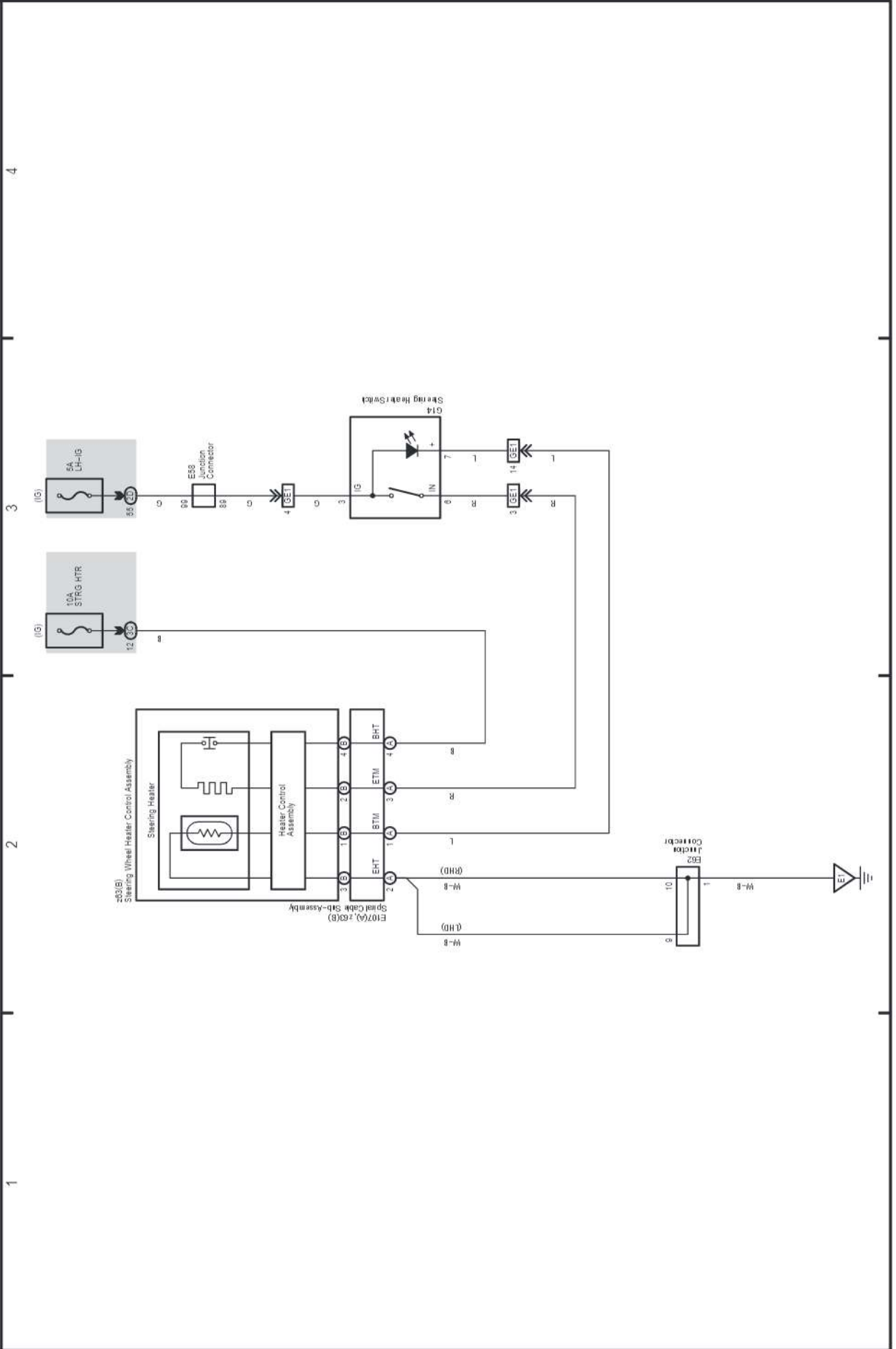




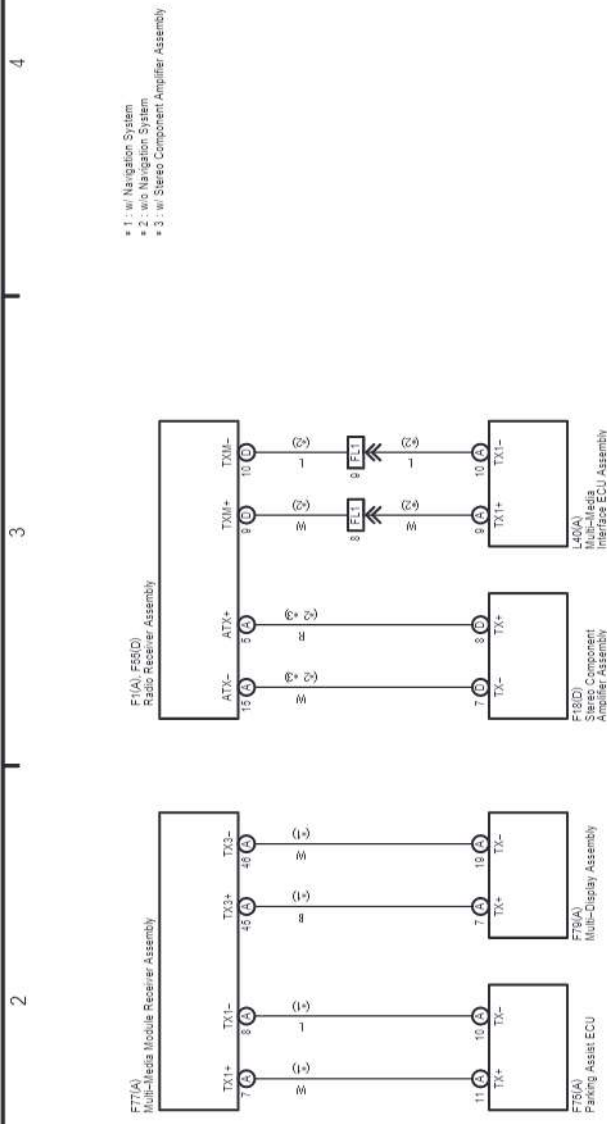
# M OVERALL ELECTRICAL WIRING DIAGRAM

66 LAND CRUISER Station Wagon

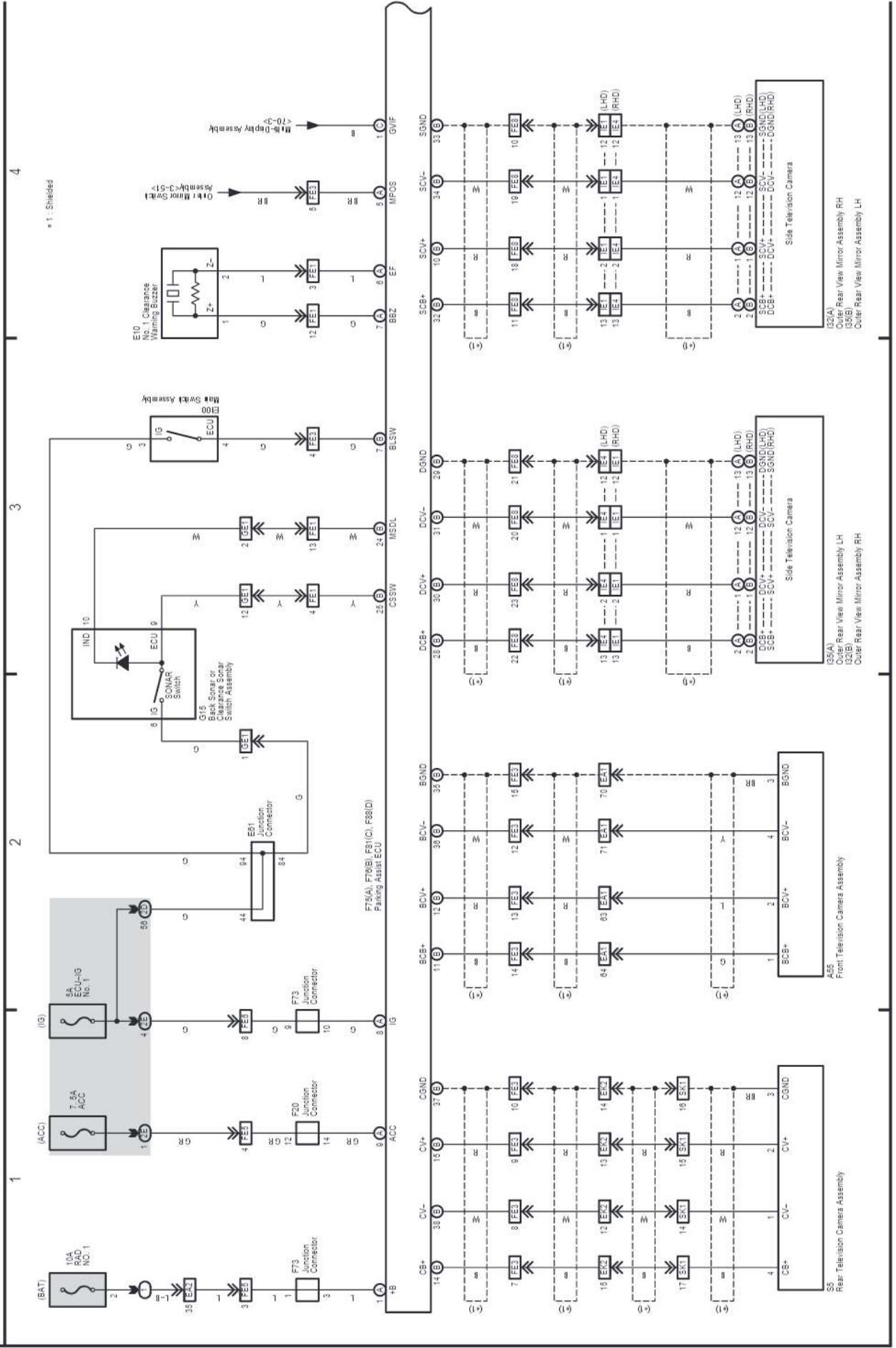
## Heated Steering Wheel System



Multiplex Communication System (AVC-LAN) (From Jan. 2012 Production)



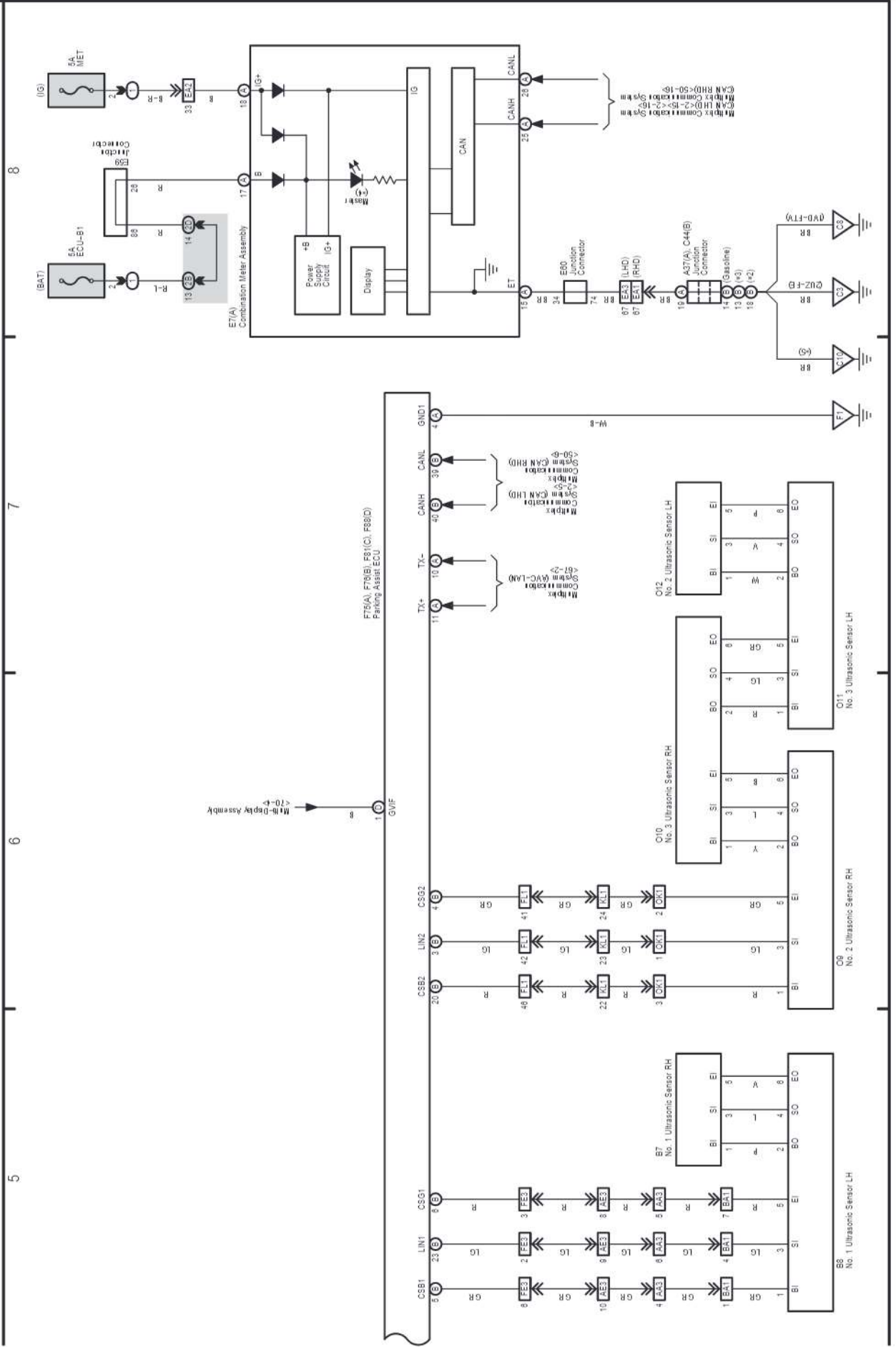
Multi-Terrain Monitor, Parking Assist (Back Guide Monitor) and Parking Assist (TOYOTA Parking Assist-Sensor w/ Multi-Terrain Monitor) (From Jan. 2012 Production)



68 LAND CRUISER Station Wagon (Cont' d)

Multi-Terrain Monitor, Parking Assist (Back Guide Monitor) and Parking Assist (TOYOTA Parking Assist-Sensor w/ Multi-Terrain Monitor) (From Jan. 2012 Production)

- \* 2: 1UD-FTV w/DPF
- \* 3: 1UD-FTV w/o DPF
- \* 4: Option Make
- \* 5: 3UR-FE 1UR-FE

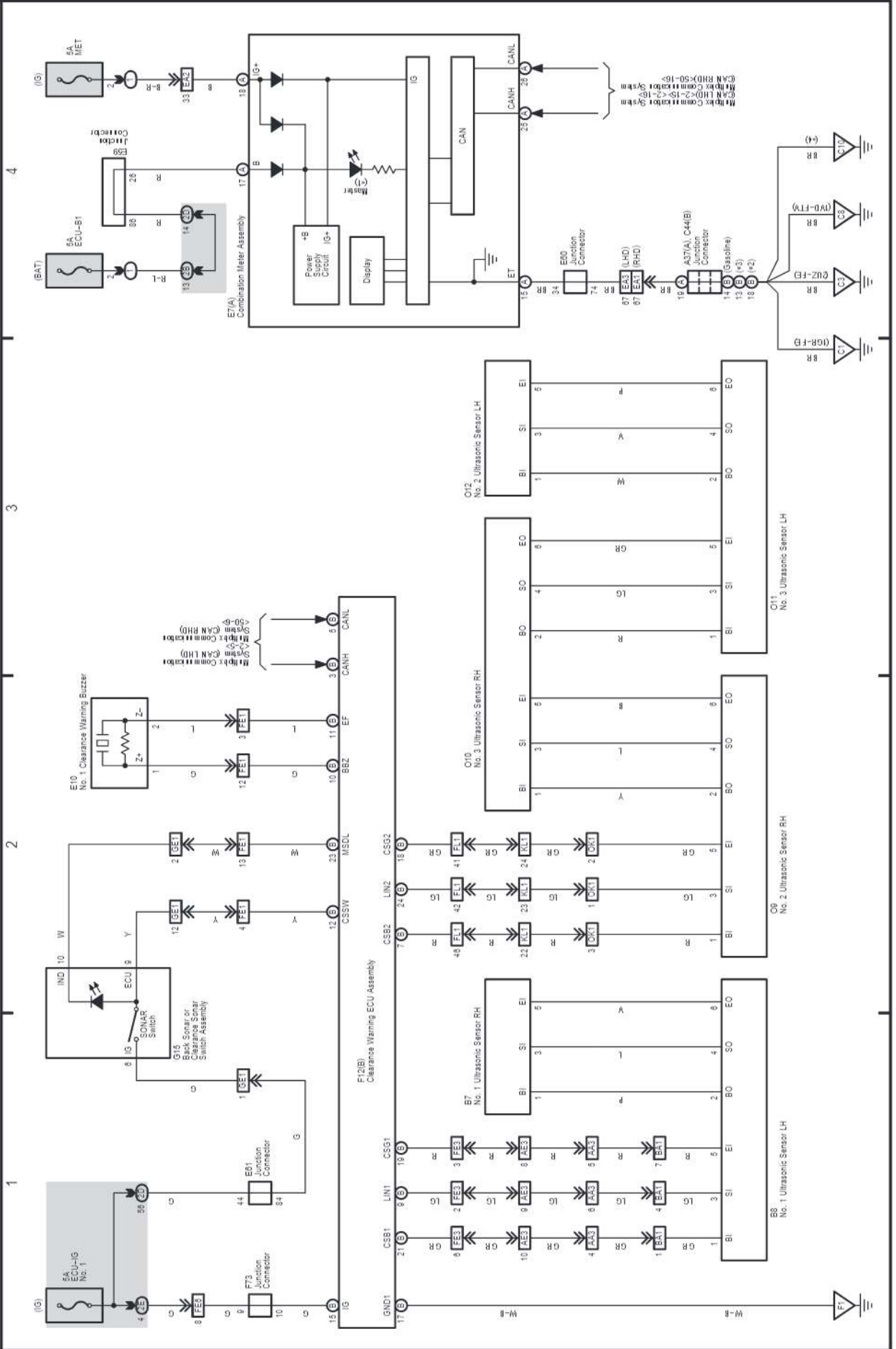


# M OVERALL ELECTRICAL WIRING DIAGRAM

## 69 LAND CRUISER Station Wagon

Parking Assist (TOYOTA Parking Assist-Sensor w/o Multi-Terrain Monitor) (From Jan. 2012 Production)

- \* 1.: Option Meter
- \* 2.: 1VD-FTV w/ DFF
- \* 3.: 1VD-FTV w/o DFF
- \* 4.: 3UR-FE, 1UR-FE

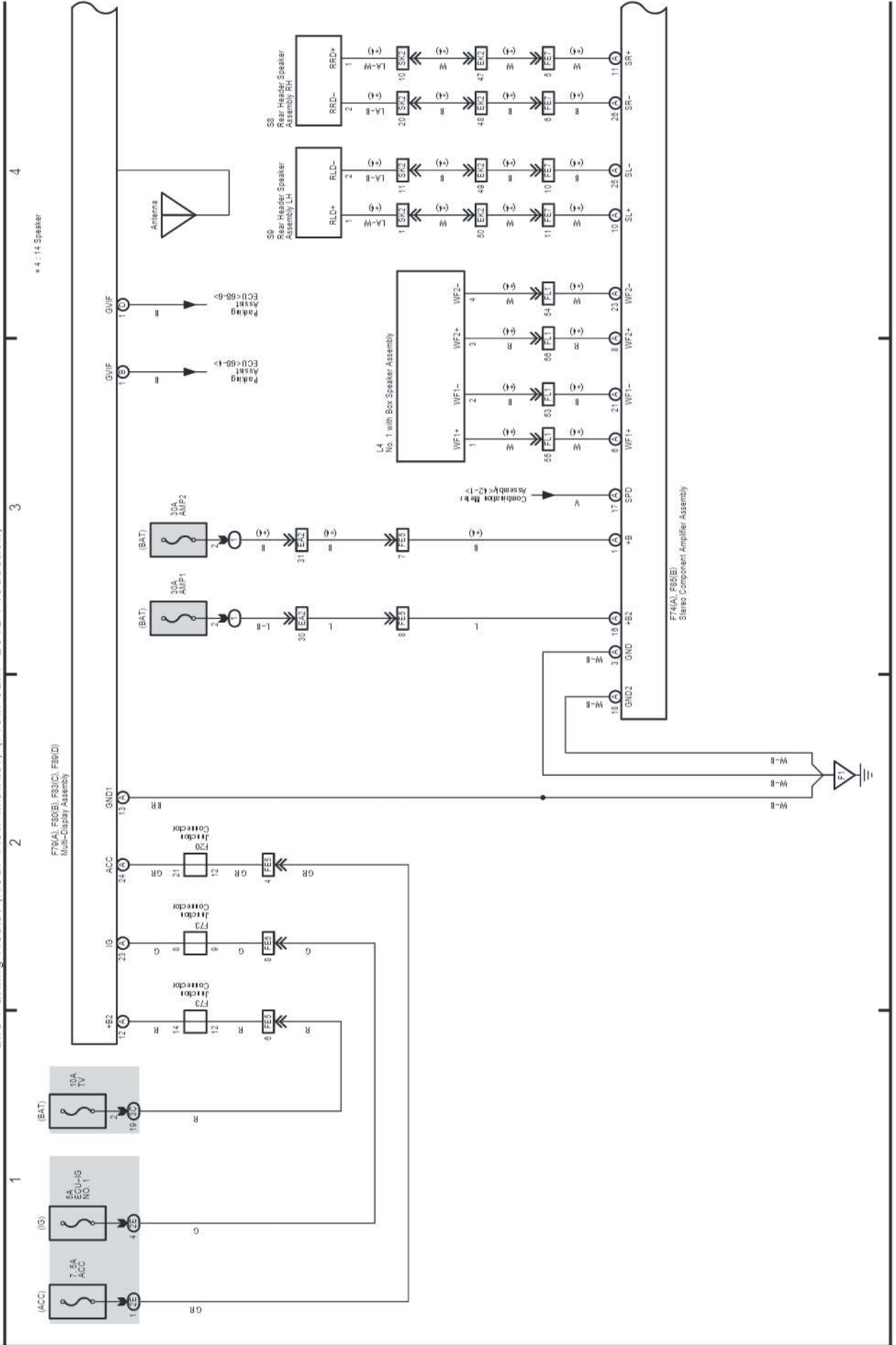


# M OVERALL ELECTRICAL WIRING DIAGRAM

(Cont. next page)

70 LAND CRUISER Station Wagon

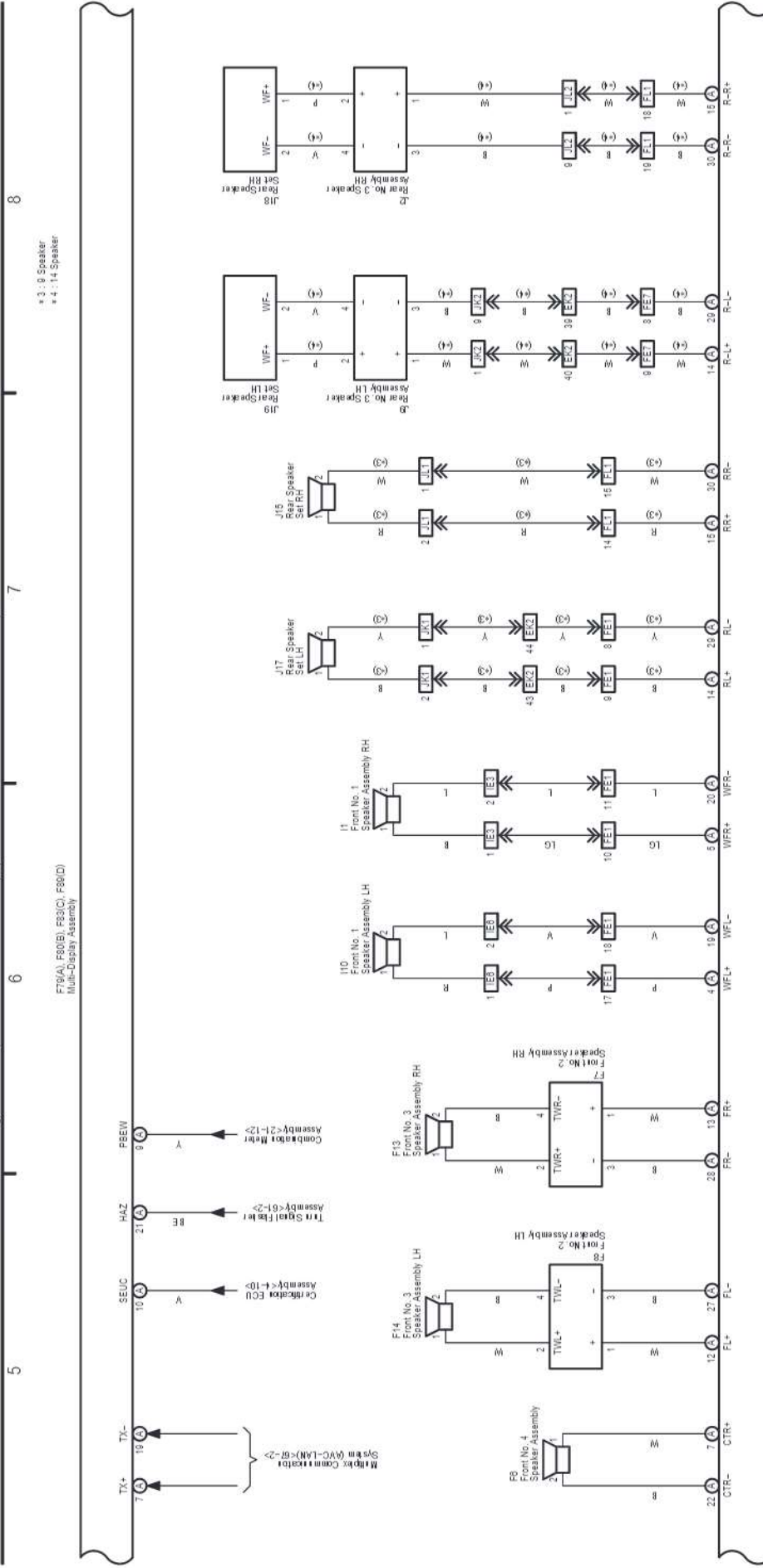
Audio System (w/ Stereo Component Amplifier w/ Navigation System) (From Jan. 2012 Production),  
Multi-Display (From Jan. 2012 Production), Navigation System (From Jan. 2012 Production)  
and Parking Assist (Rear View Monitor) (From Jan. 2012 Production)



70 LAND CRUISER Station Wagon (Cont' d)

(Cont. next page)

Audio System (w/ Stereo Component Amplifier w/ Navigation System) (From Jan. 2012 Production),  
 Multi-Display (From Jan. 2012 Production), Navigation System (From Jan. 2012 Production)  
 and Parking Assist (Rear View Monitor) (From Jan. 2012 Production)



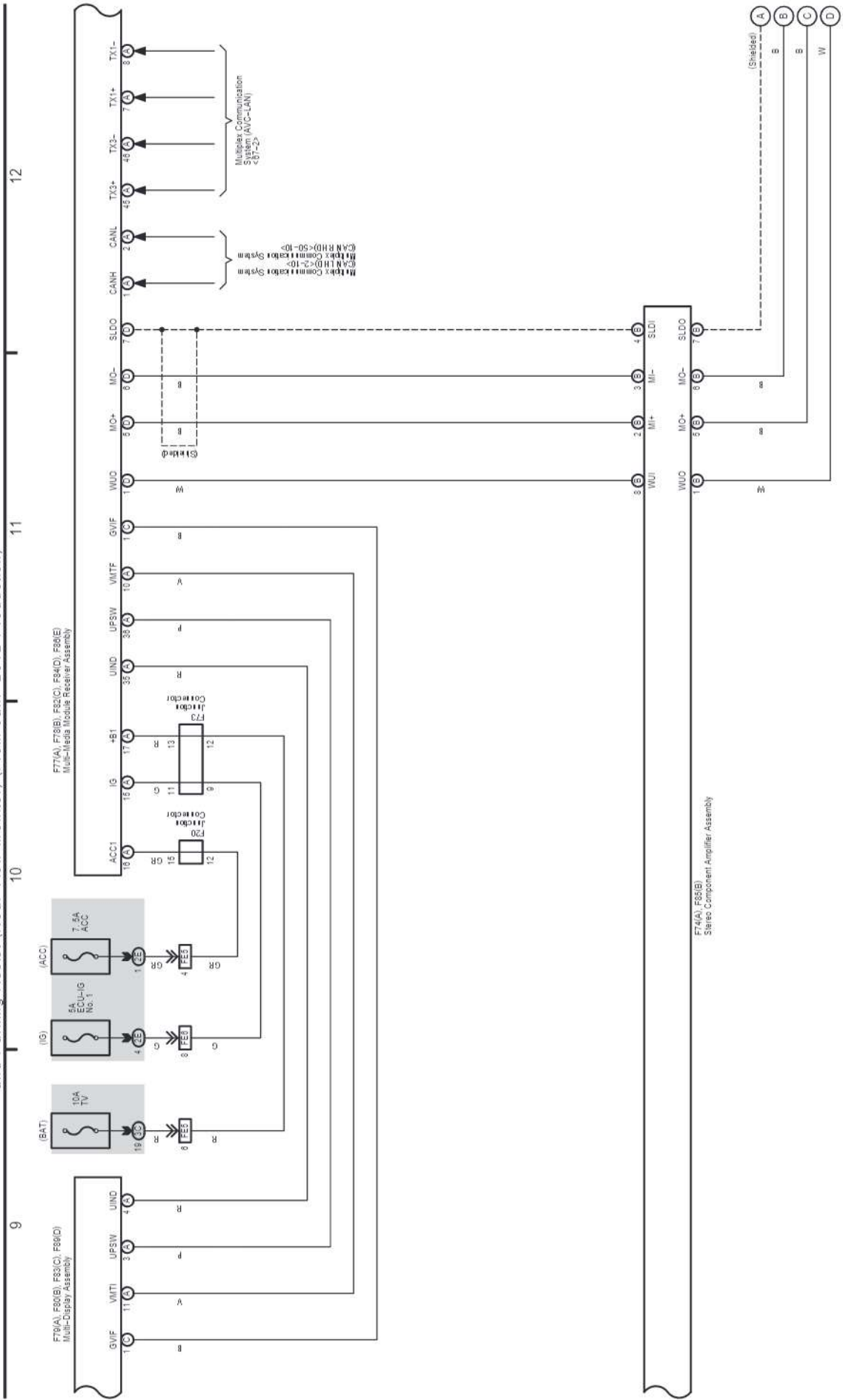
F74(A), F82(B)  
Stereo Component Amplifier Assembly

# M OVERALL ELECTRICAL WIRING DIAGRAM

## 70 LAND CRUISER Station Wagon (Cont' d)

(Cont. next page)

Audio System (w/ Stereo Component Amplifier w/ Navigation System) (From Jan. 2012 Production),  
Multi-Display (From Jan. 2012 Production), Navigation System (From Jan. 2012 Production)  
and Parking Assist (Rear View Monitor) (From Jan. 2012 Production)





70 LAND CRUISER Station Wagon (Cont' d)

(Cont. next page)

Audio System (w/ Stereo Component Amplifier w/ Navigation System) (From Jan. 2012 Production),  
 Multi-Display (From Jan. 2012 Production), Navigation System (From Jan. 2012 Production)  
 and Parking Assist (Rear View Monitor) (From Jan. 2012 Production)

13

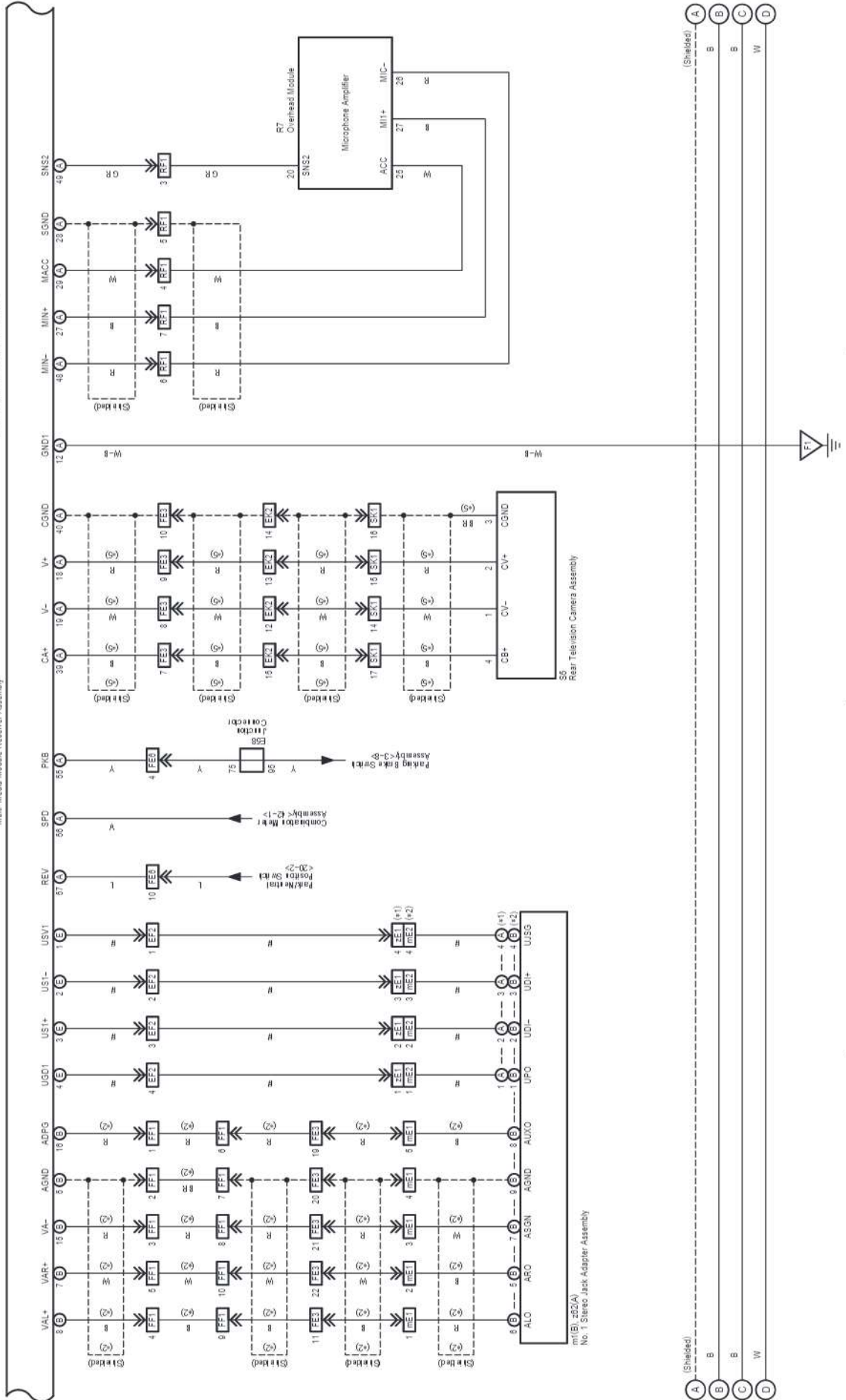
14

15

16

- \*1 - w/ Rear Seat Entertainment System
- \*2 - w/o Rear Seat Entertainment System
- \*6 - w/o Back Guide Monitor
- #: There is no wire color information.

F77(A), F78(B), F82(C), F84(D), F88(E)  
 Multi-Media Module Reader Assembly

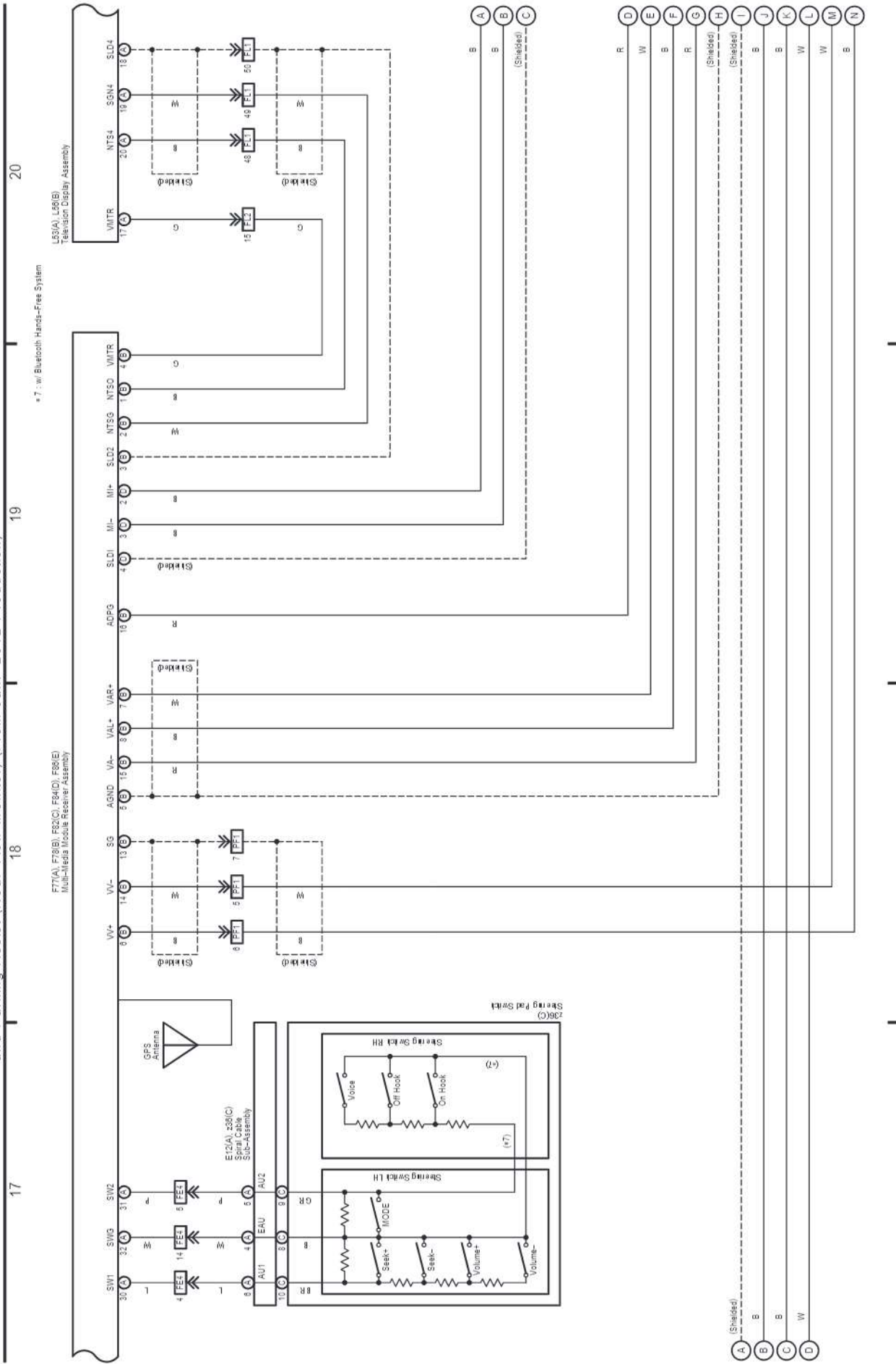


# M OVERALL ELECTRICAL WIRING DIAGRAM

(Cont. next page)

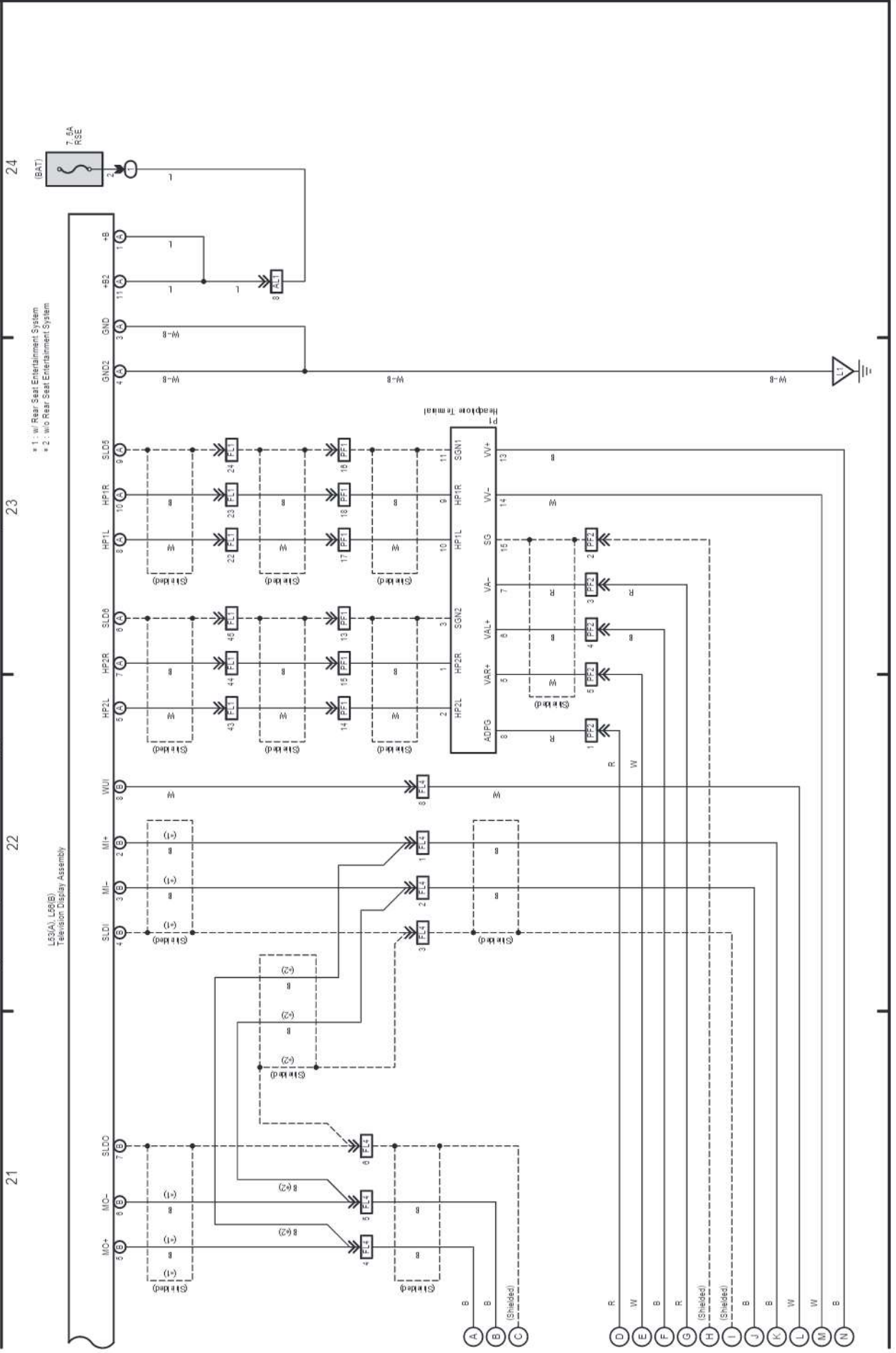
70 LAND CRUISER Station Wagon (Cont' d)

Audio System (w/ Stereo Component Amplifier w/ Navigation System) (From Jan. 2012 Production),  
Multi-Display (From Jan. 2012 Production), Navigation System (From Jan. 2012 Production)  
and Parking Assist (Rear View Monitor) (From Jan. 2012 Production)



70 LAND CRUISER Station Wagon (Cont' d)

Audio System (w/ Stereo Component Amplifier w/ Navigation System) (From Jan. 2012 Production),  
 Multi-Display (From Jan. 2012 Production), Navigation System (From Jan. 2012 Production)  
 and Parking Assist (Rear View Monitor) (From Jan. 2012 Production)

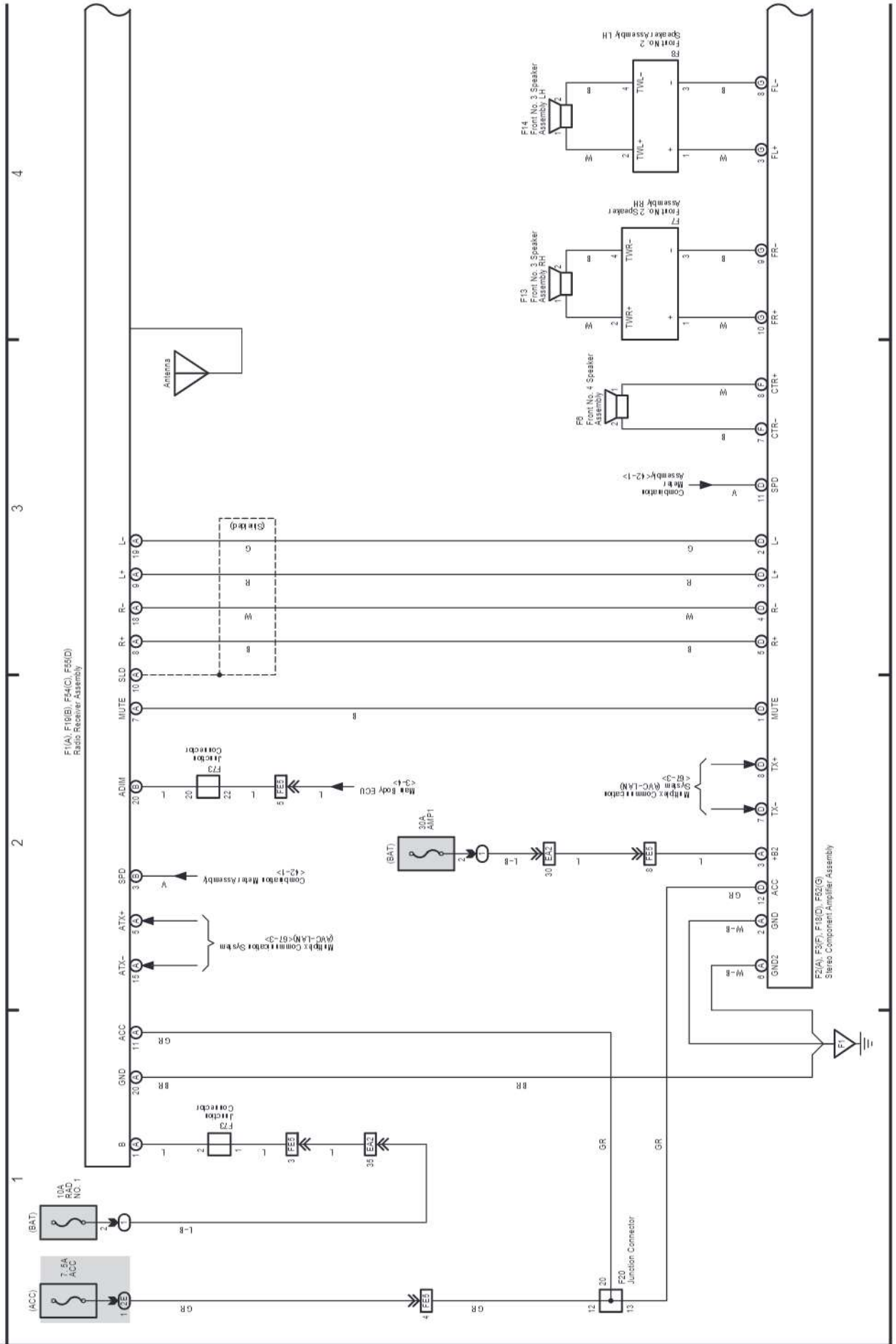


# M OVERALL ELECTRICAL WIRING DIAGRAM

(Cont. next page)

71 LAND CRUISER Station Wagon

Audio System (w/ Stereo Component Amplifier w/o Navigation System) (From Jan. 2012 Production)

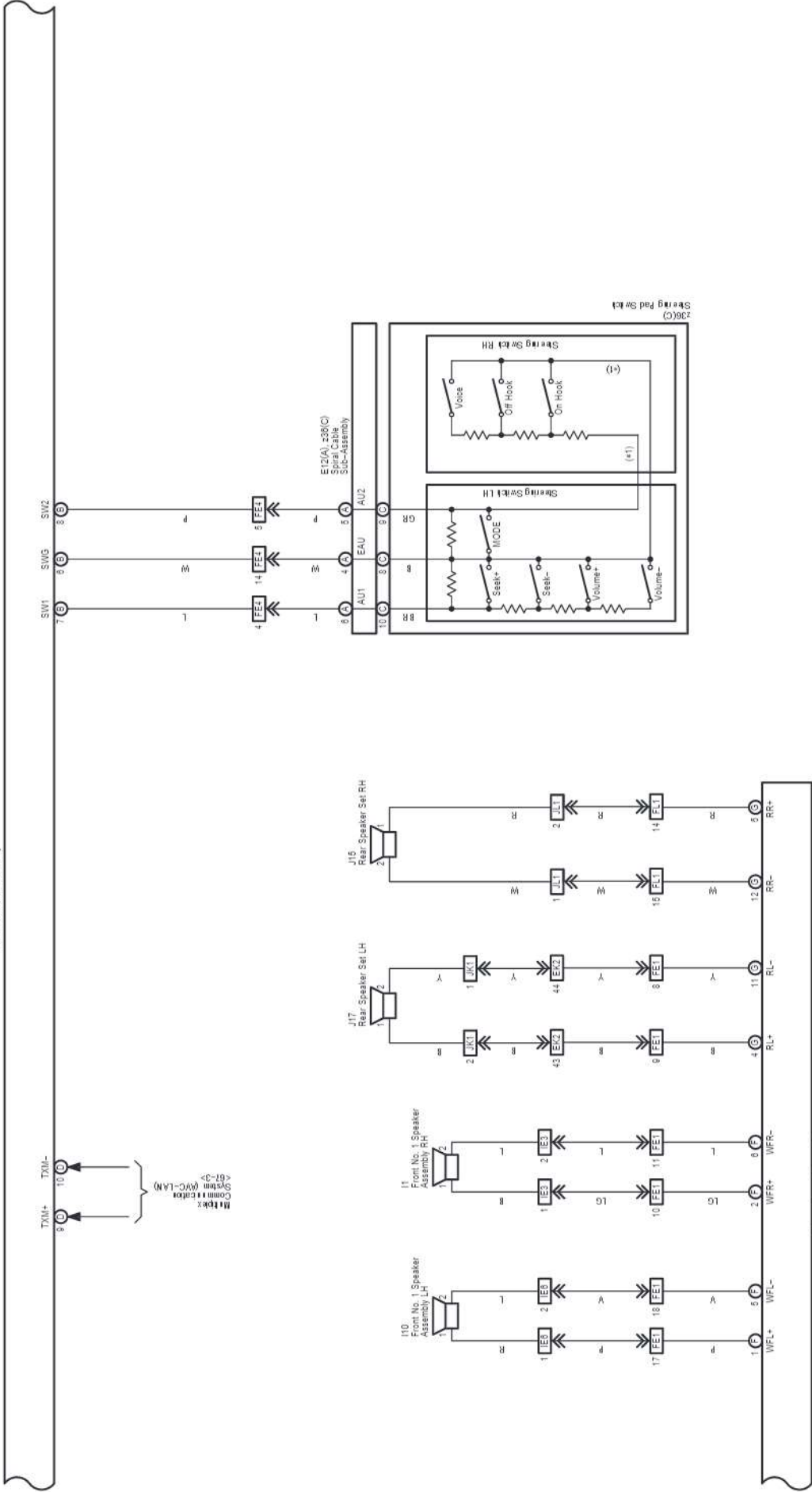


Audio System (w/ Stereo Component Amplifier w/o Navigation System) (From Jan. 2012 Production)

5 6 7 8

\* 1 - w/ Bluetooth Hands-Free System

F1(A), F10(B), F54(C), F55(D)  
Radio Receiver Assembly

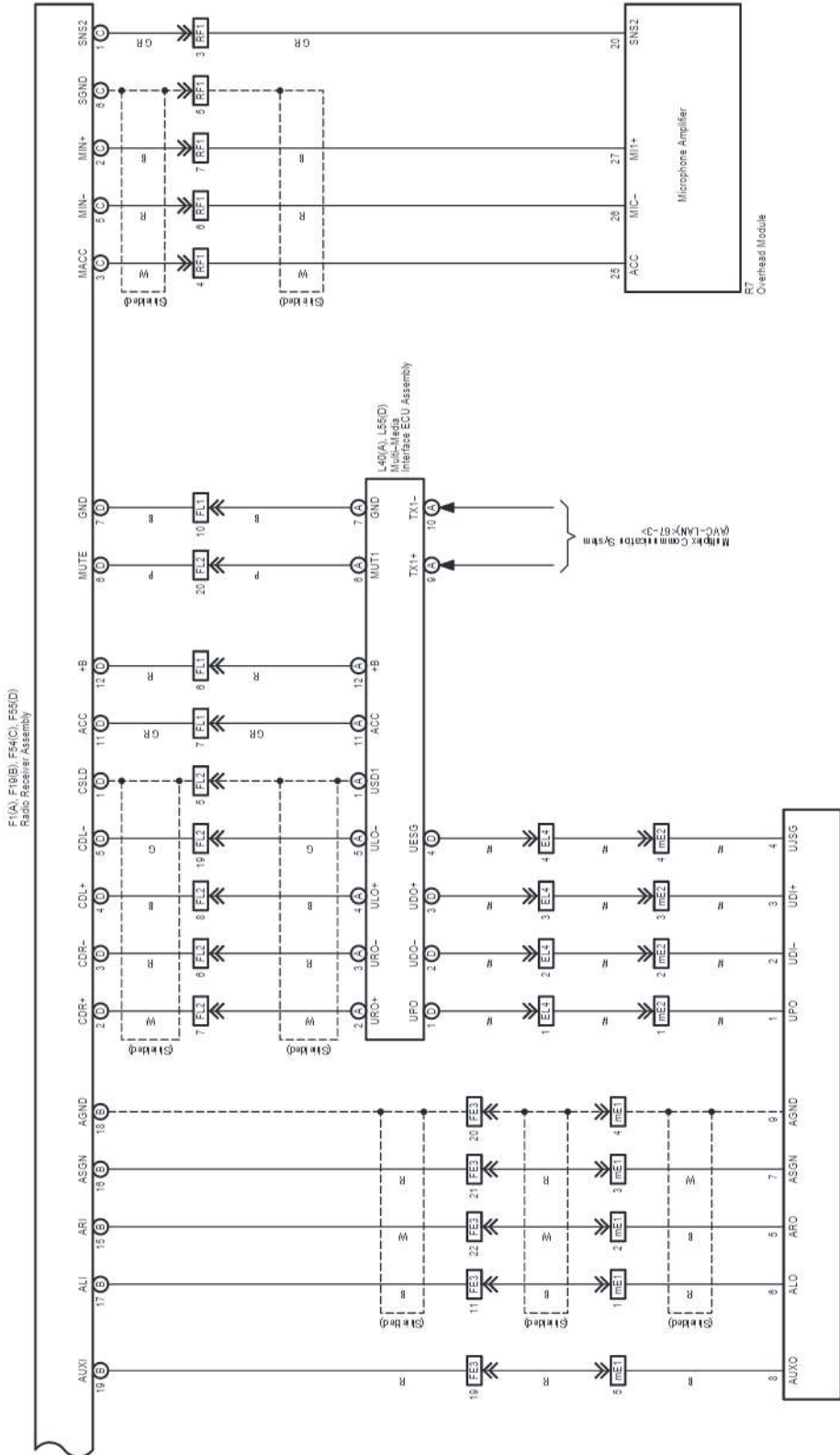


# M OVERALL ELECTRICAL WIRING DIAGRAM

## 71 LAND CRUISER Station Wagon (Cont' d)

Audio System (w/ Stereo Component Amplifier w/o Navigation System) (From Jan. 2012 Production)

9 10 11 12



#1: There is no wire color information.

