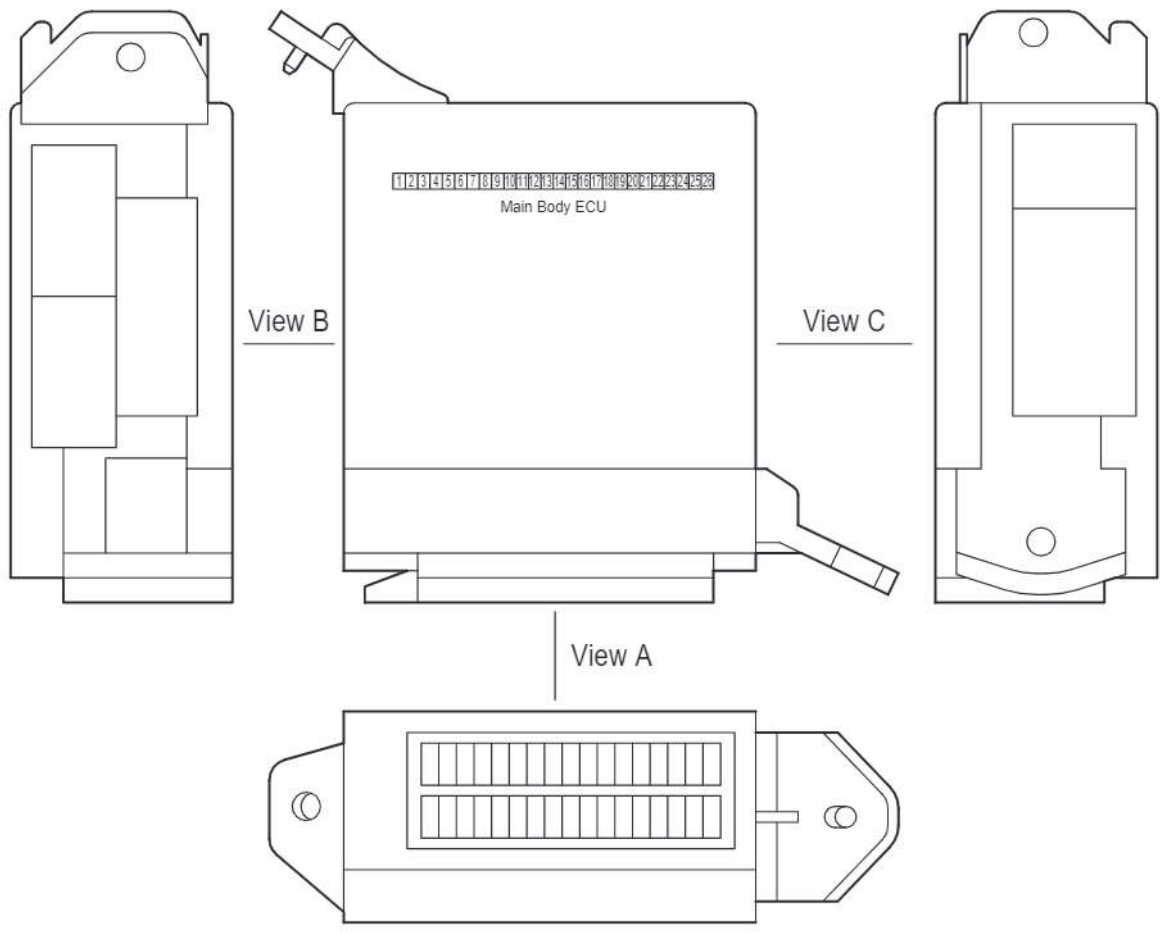


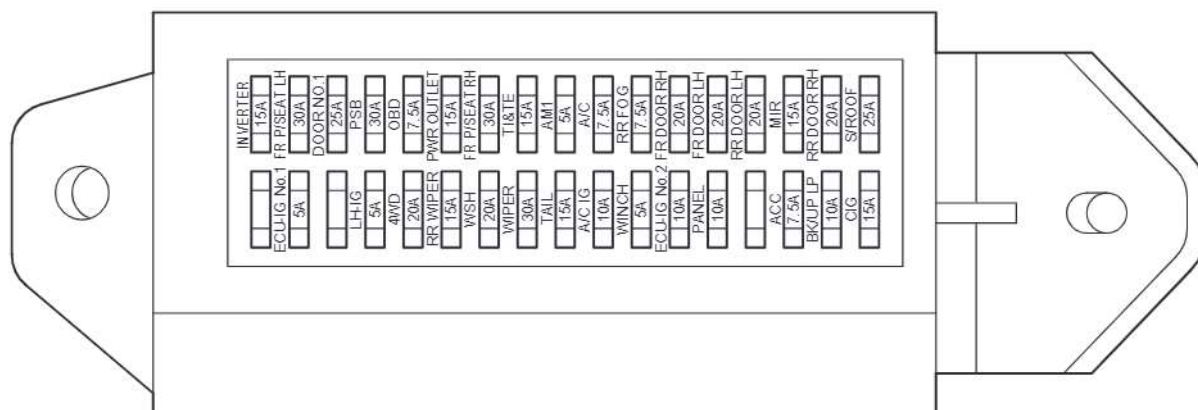
F RELAY LOCATIONS

 : Cowl Side J/B LH Assembly | **Cowl Side Left (See Page 21)**



cardiagn.com

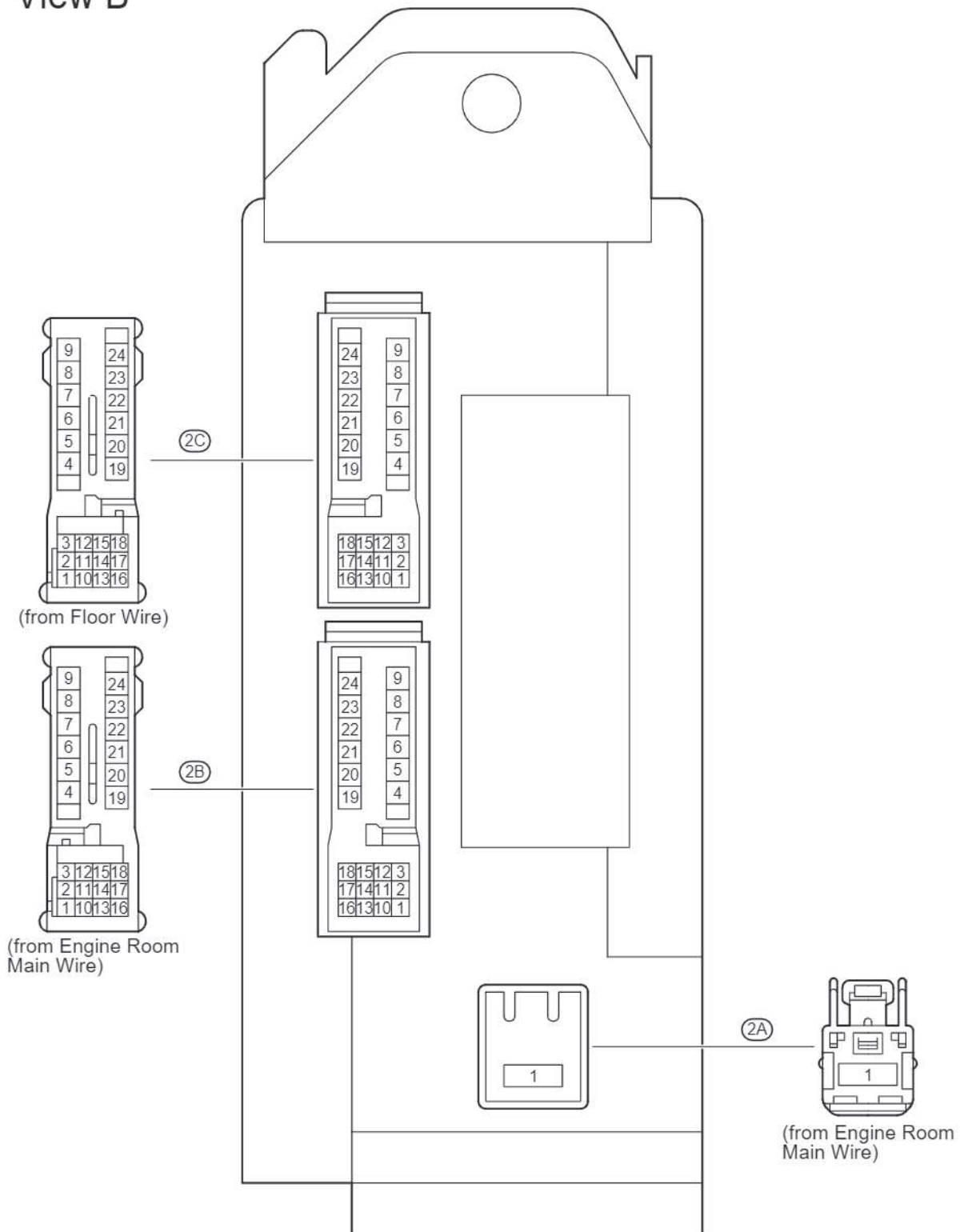
View A



F RELAY LOCATIONS

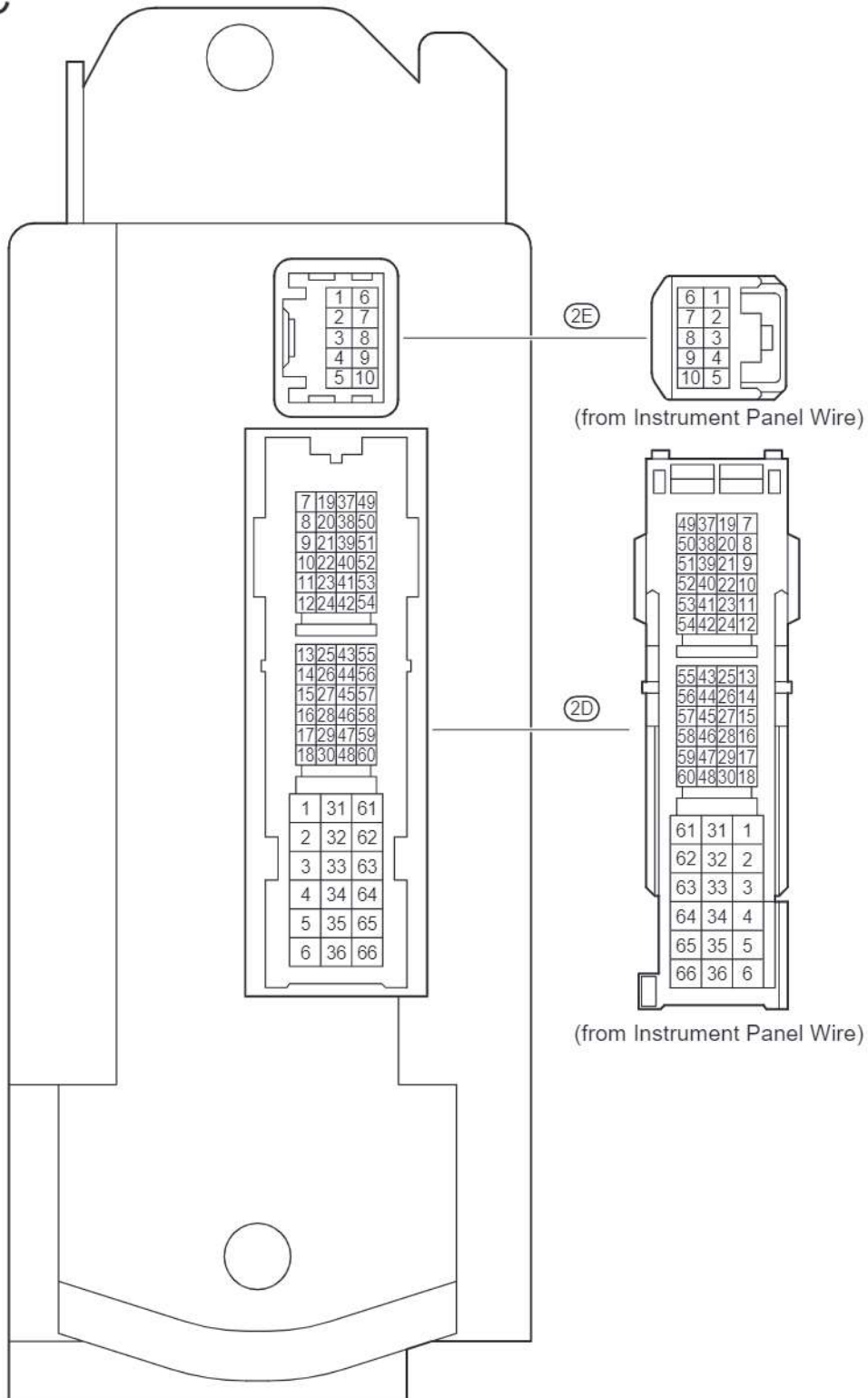
○ : Cowl Side J/B LH Assembly Cowl Side Left (See Page 21)

View B



cardiagn.com

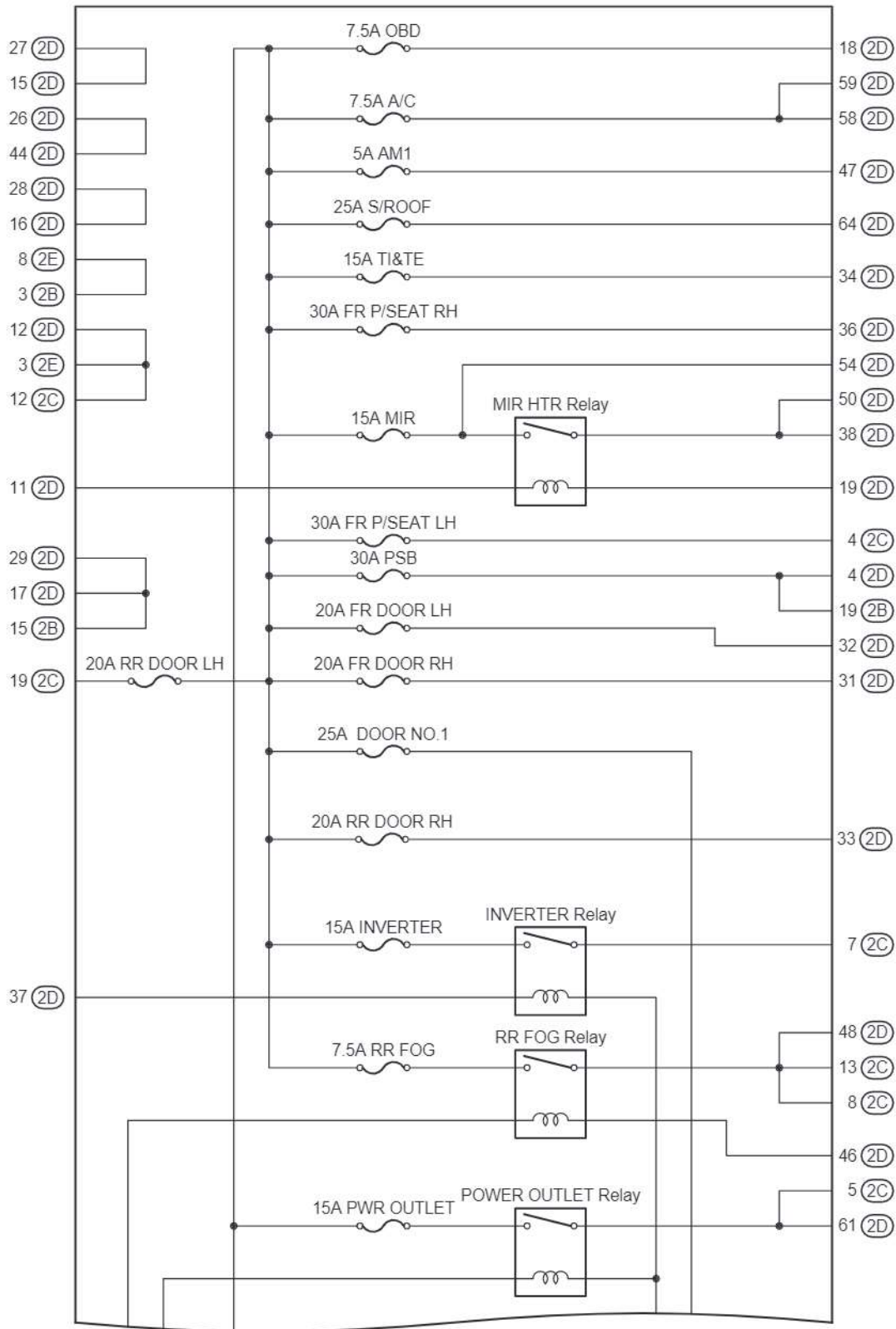
View C



cardiagn.com

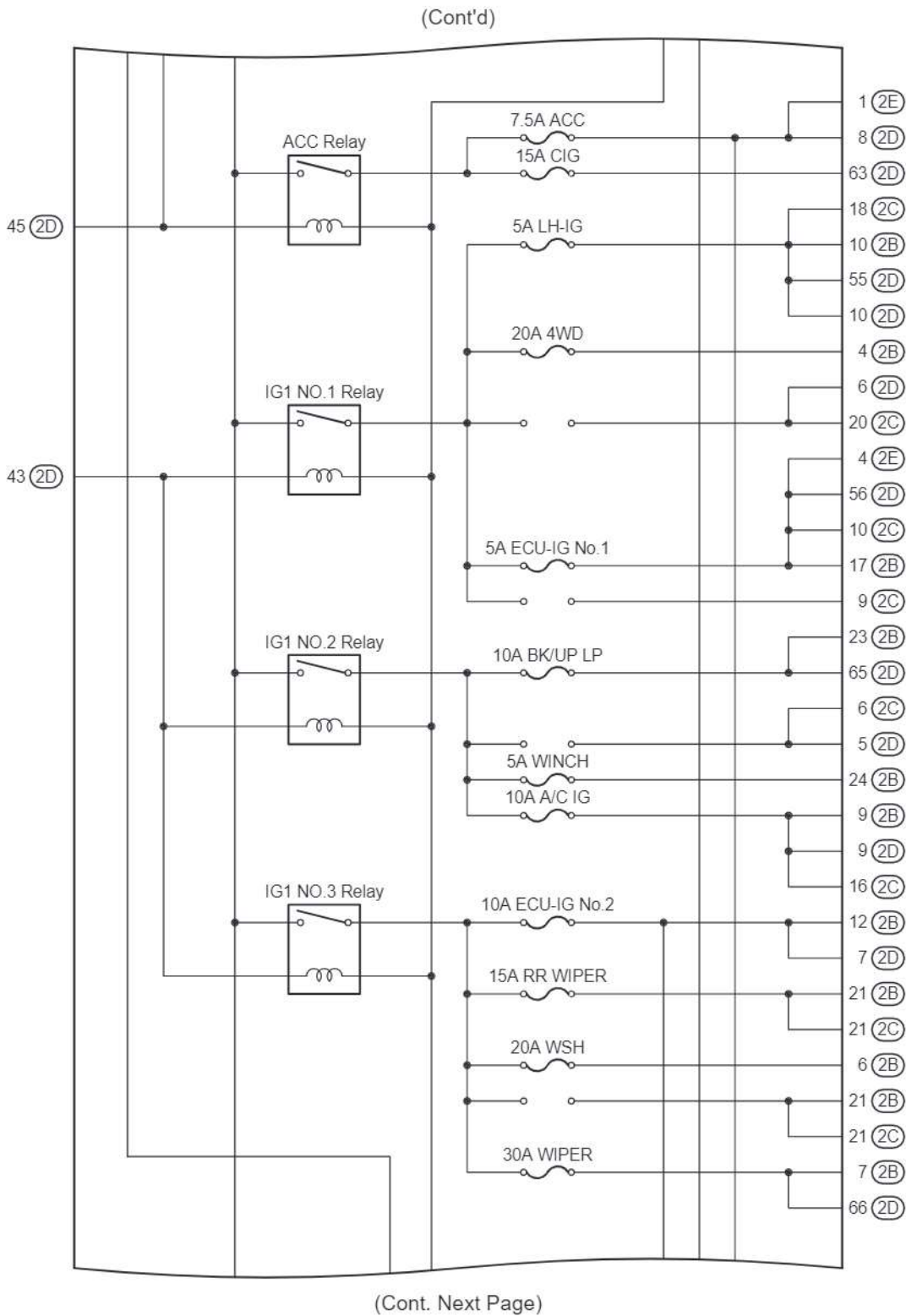
F RELAY LOCATIONS

[Cowl Side J/B LH Assembly Inner Circuit]



(Cont. Next Page)

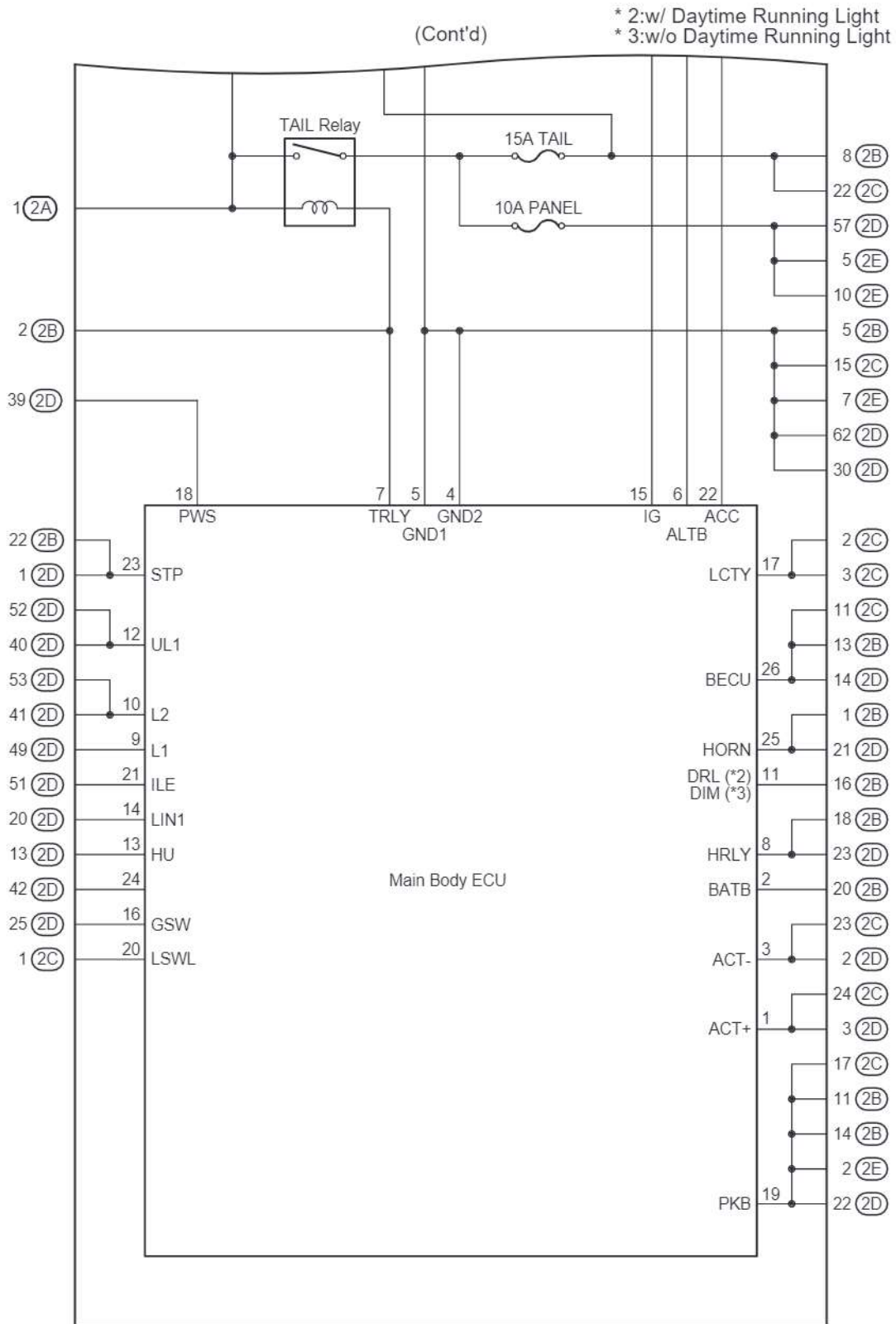
cardiagn.com



cardiagn.com

F RELAY LOCATIONS

[Cowl Side J/B LH Assembly Inner Circuit]

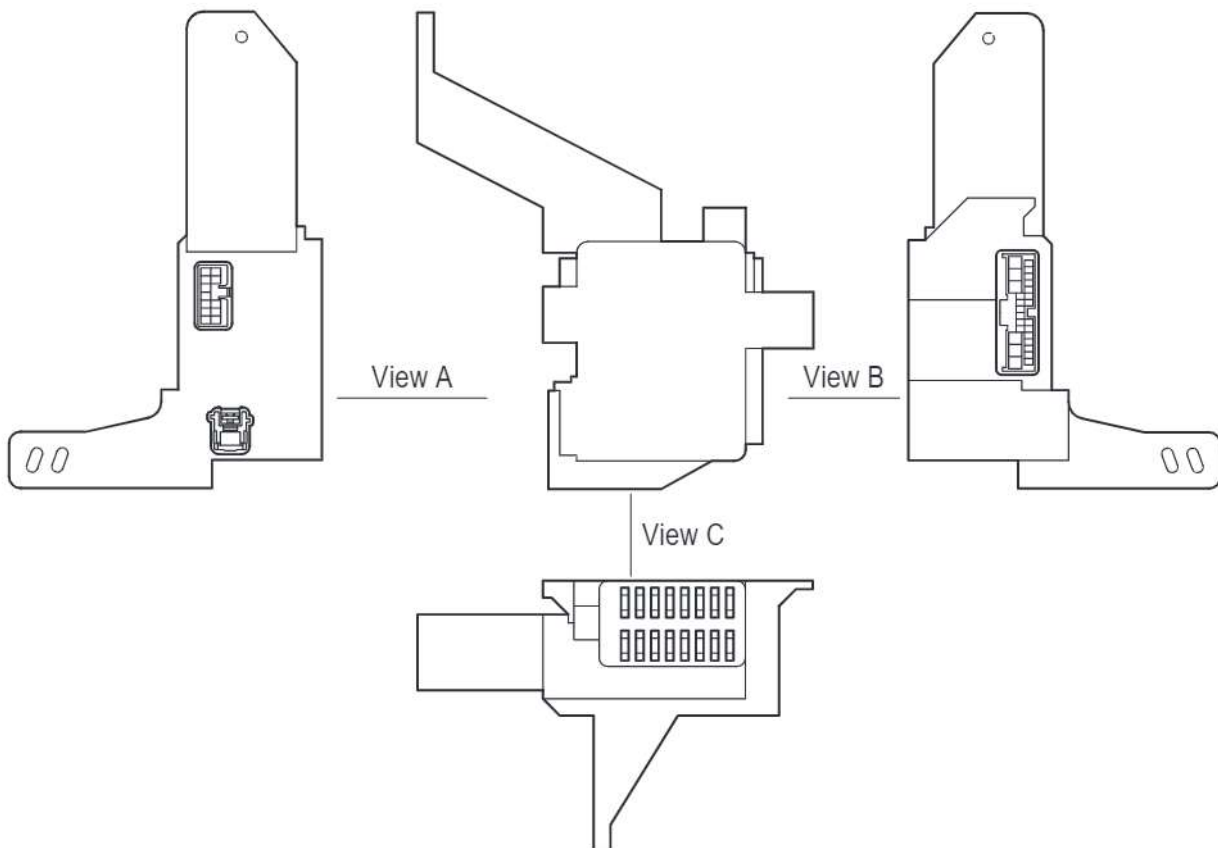


cardiagn.com

F RELAY LOCATIONS

 : Cowl Side J/B RH Assembly Cowl Side Right (See Page 21)

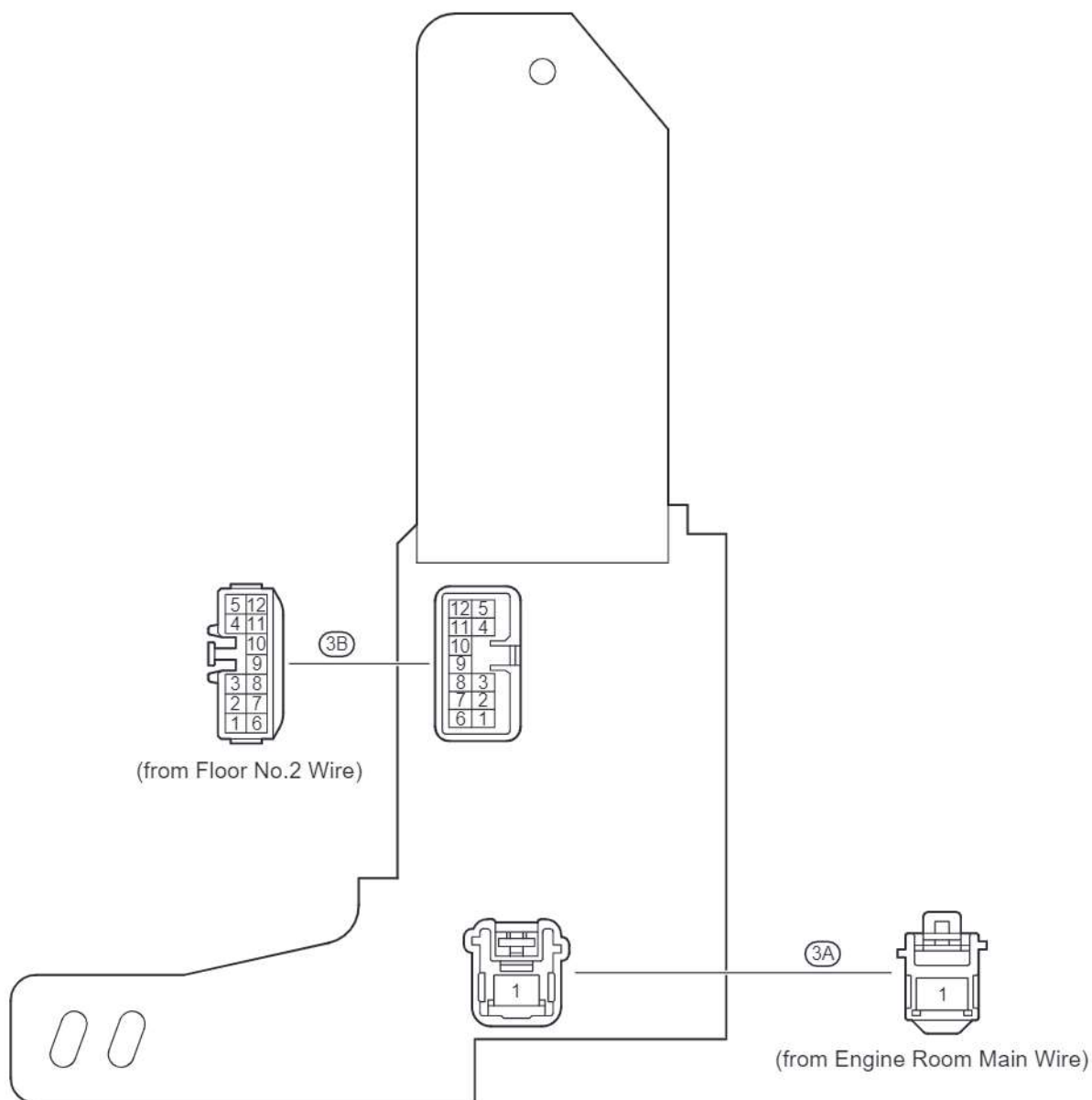
(LHD)



cardiagn.com

(LHD)

View A

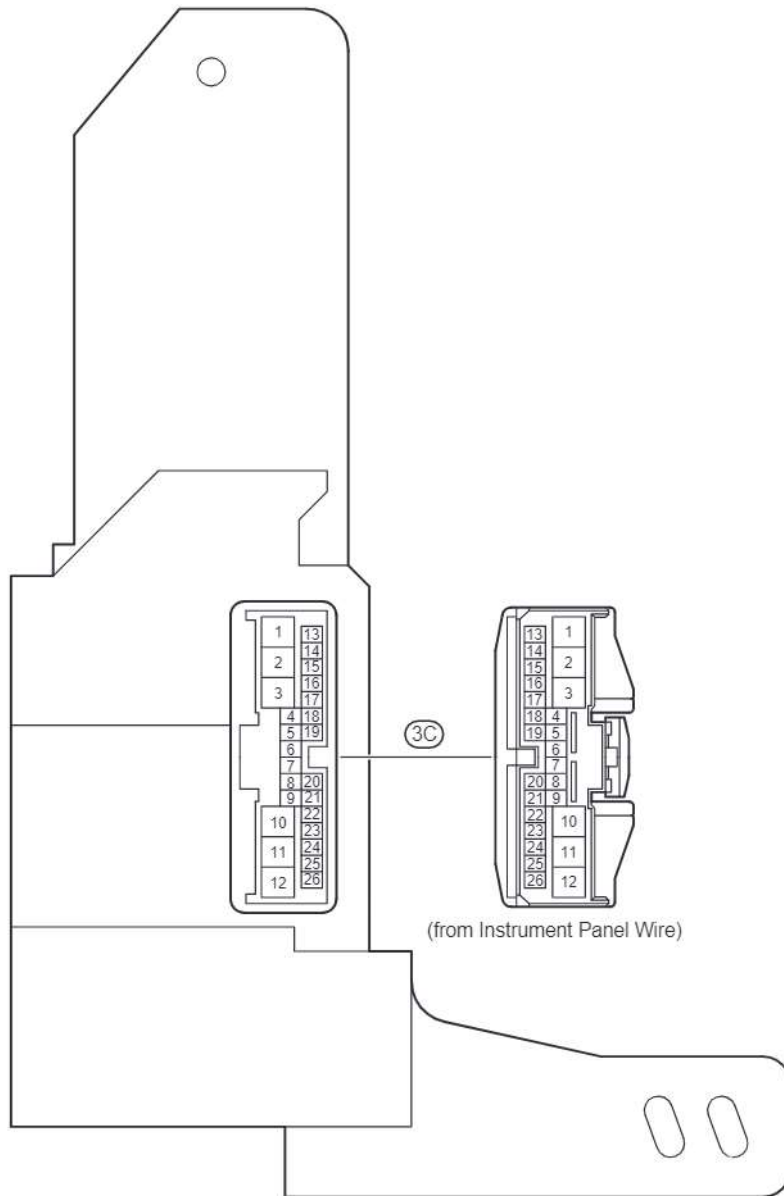


F RELAY LOCATIONS

 : Cowl Side J/B RH Assembly **Cowl Side Right (See Page 21)**

(LHD)

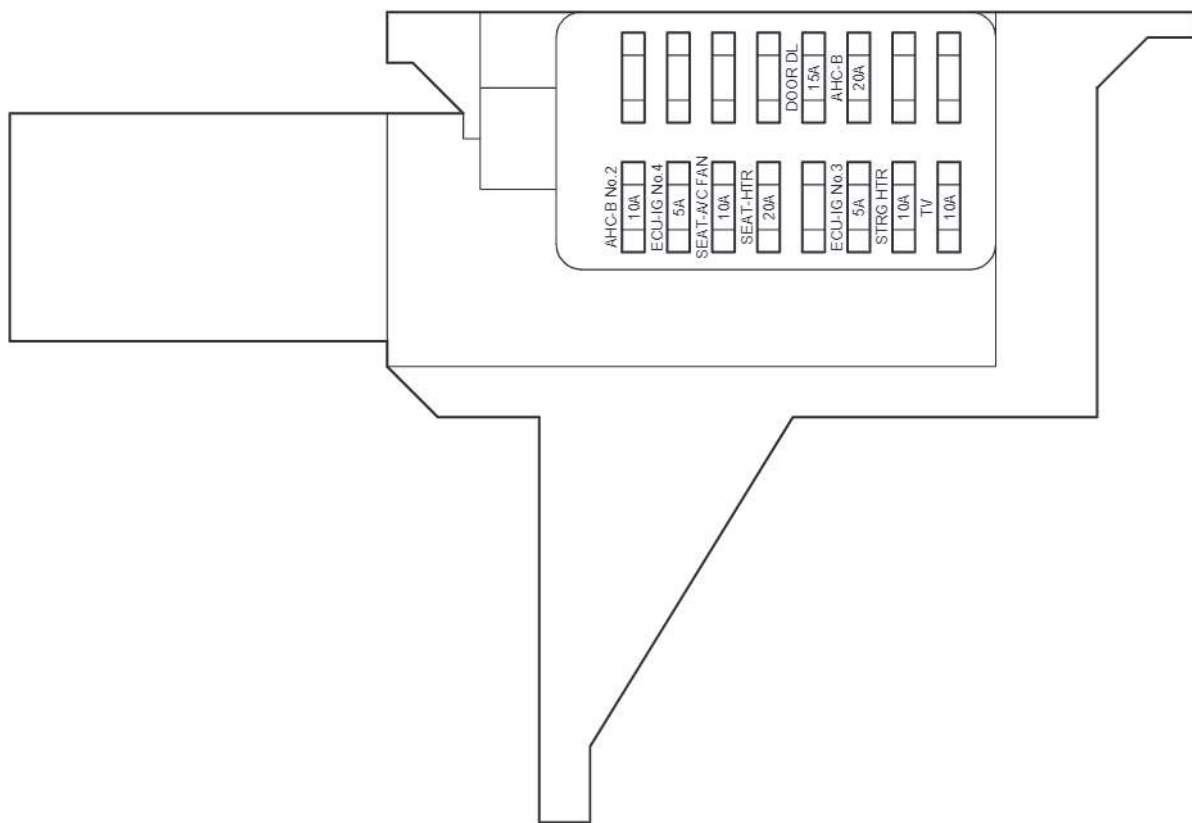
View B



cardiagn.com

(LHD)

View C

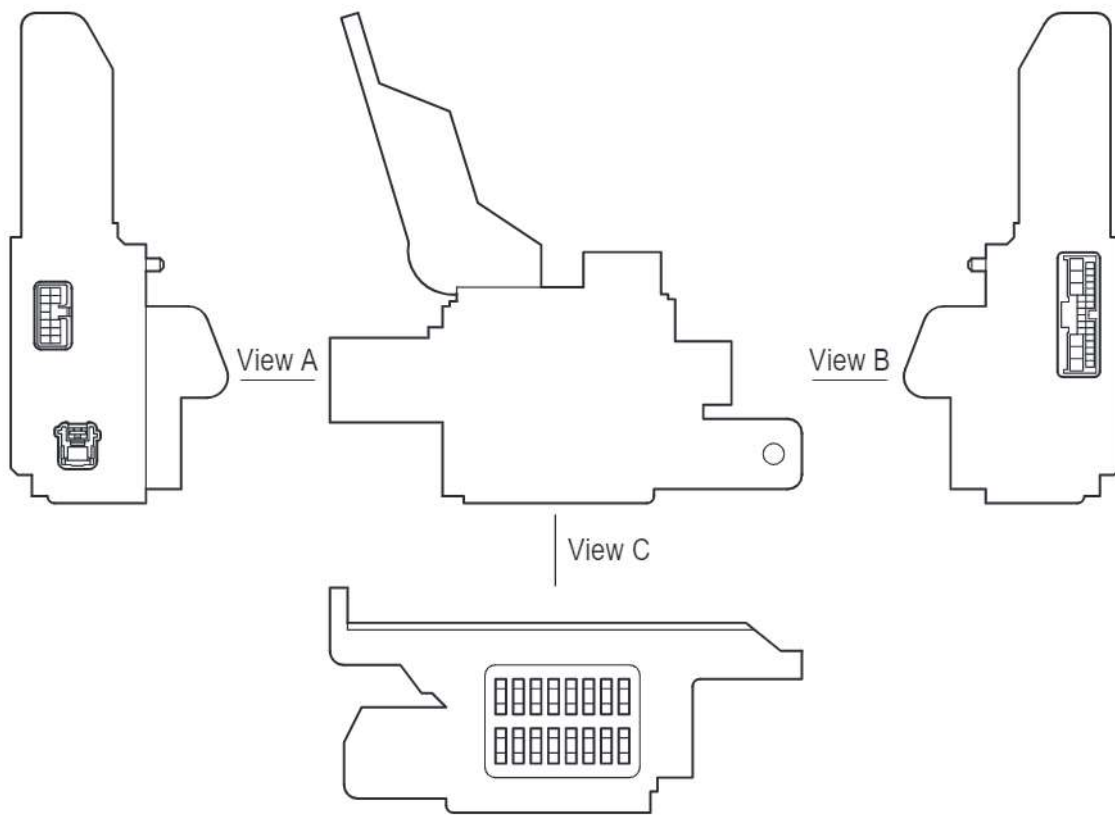


cardiagn.com

F RELAY LOCATIONS

○ : Cowl Side J/B RH Assembly Cowl Side Right (See Page 21)

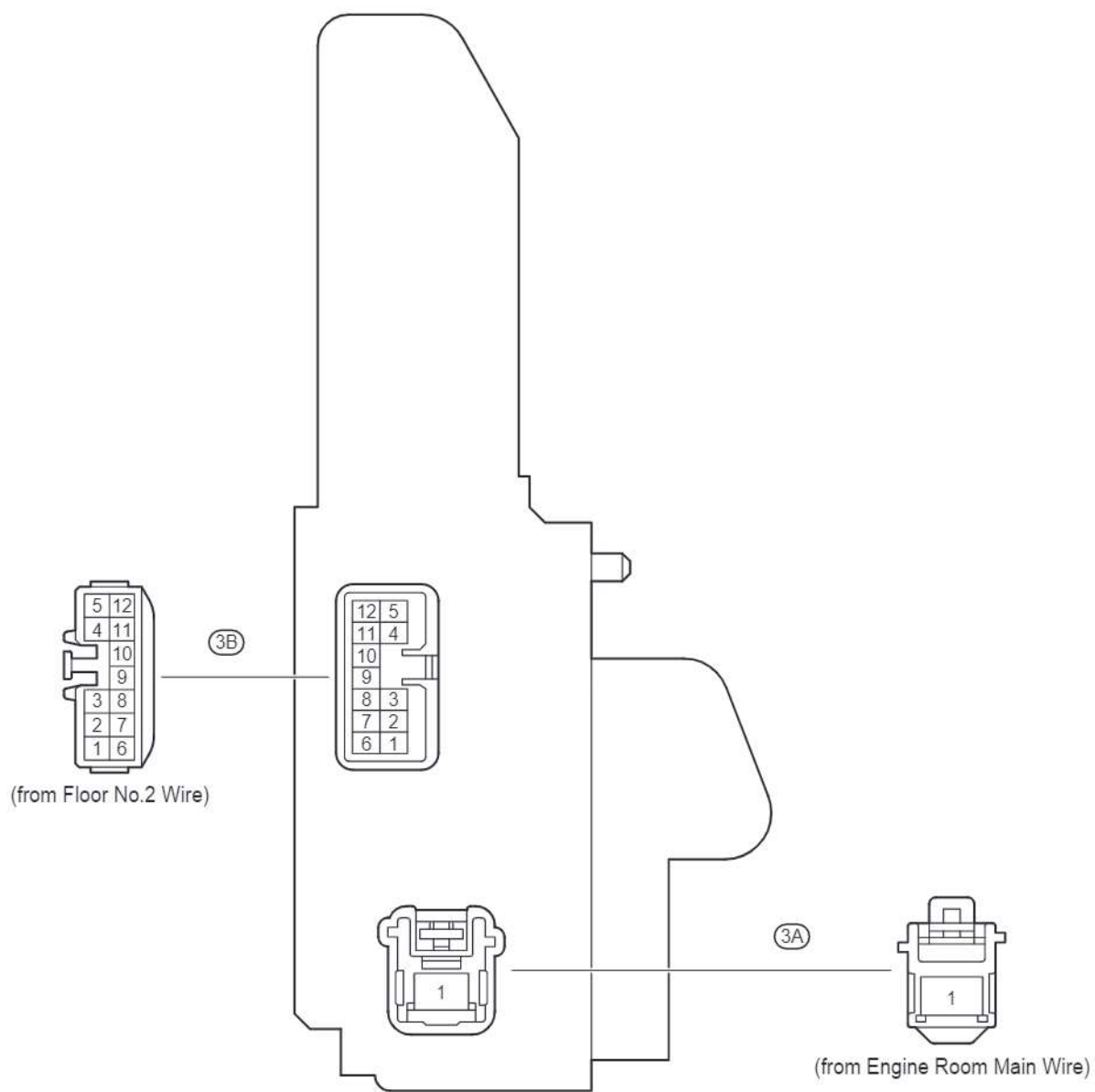
(RHD)



cardiagn.com

(RHD)

View A



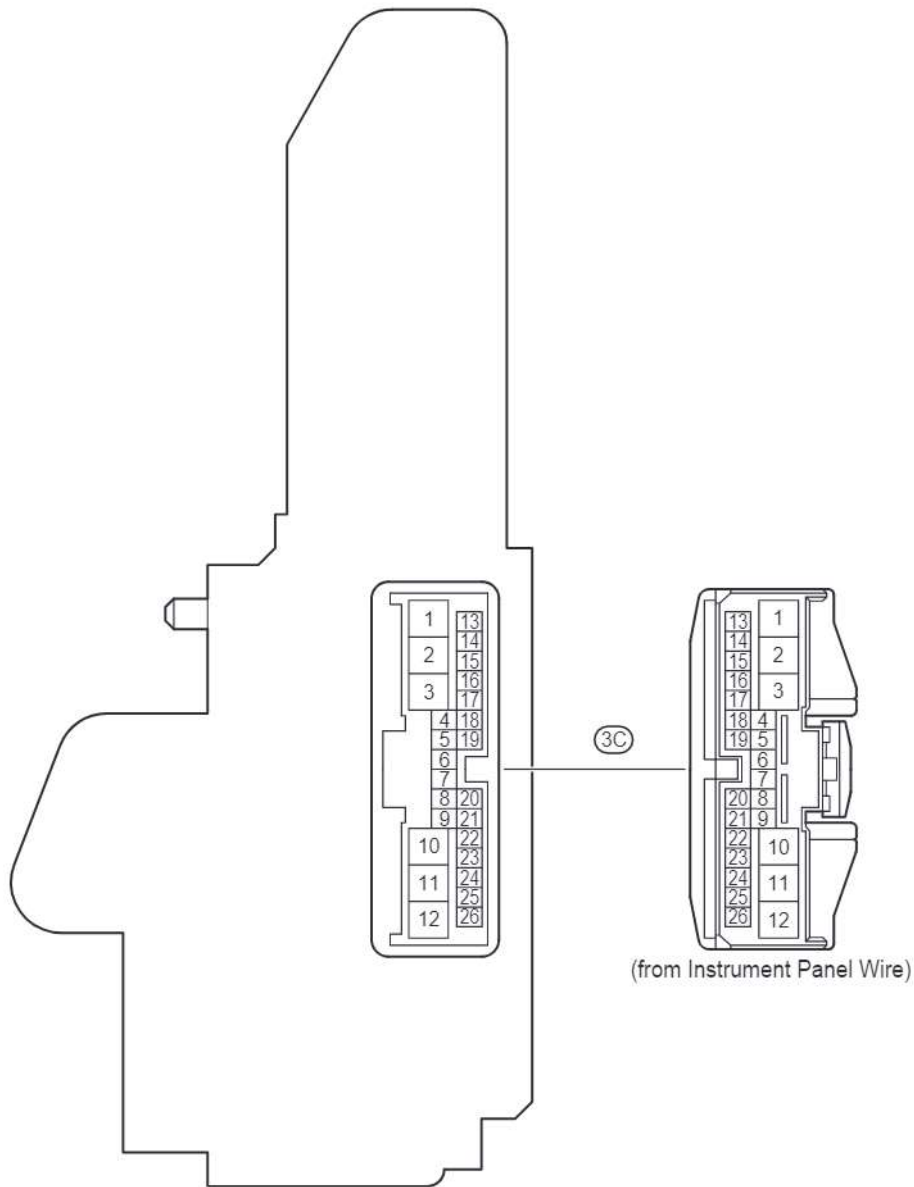
F RELAY LOCATIONS

 : Cowl Side J/B RH Assembly

Cowl Side Right (See Page 21)

(RHD)

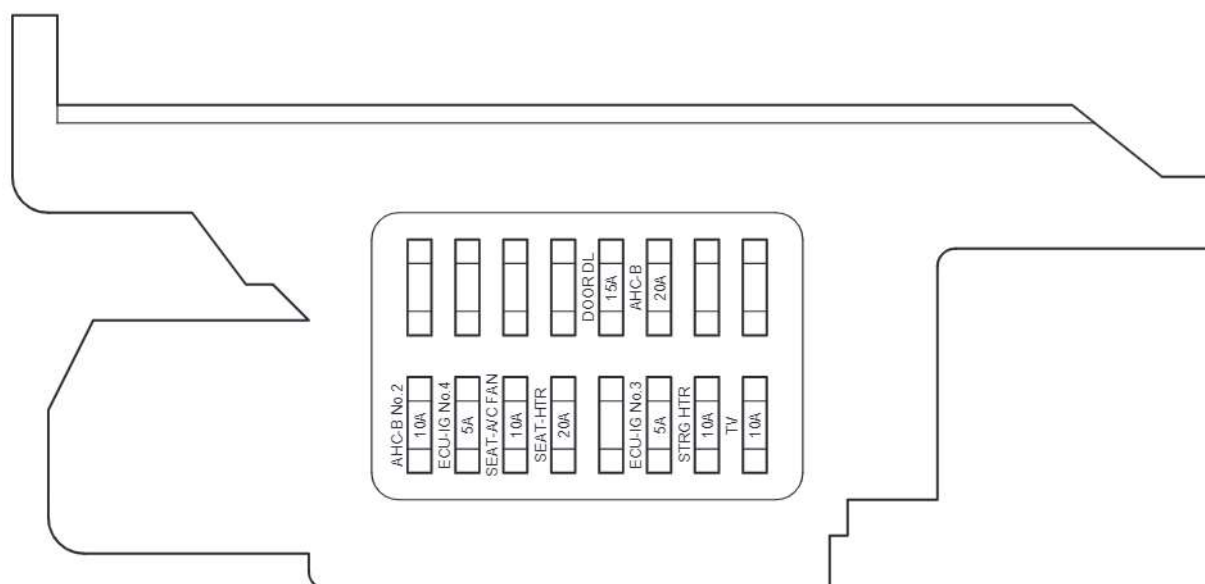
View B



cardiagn.com

(RHD)

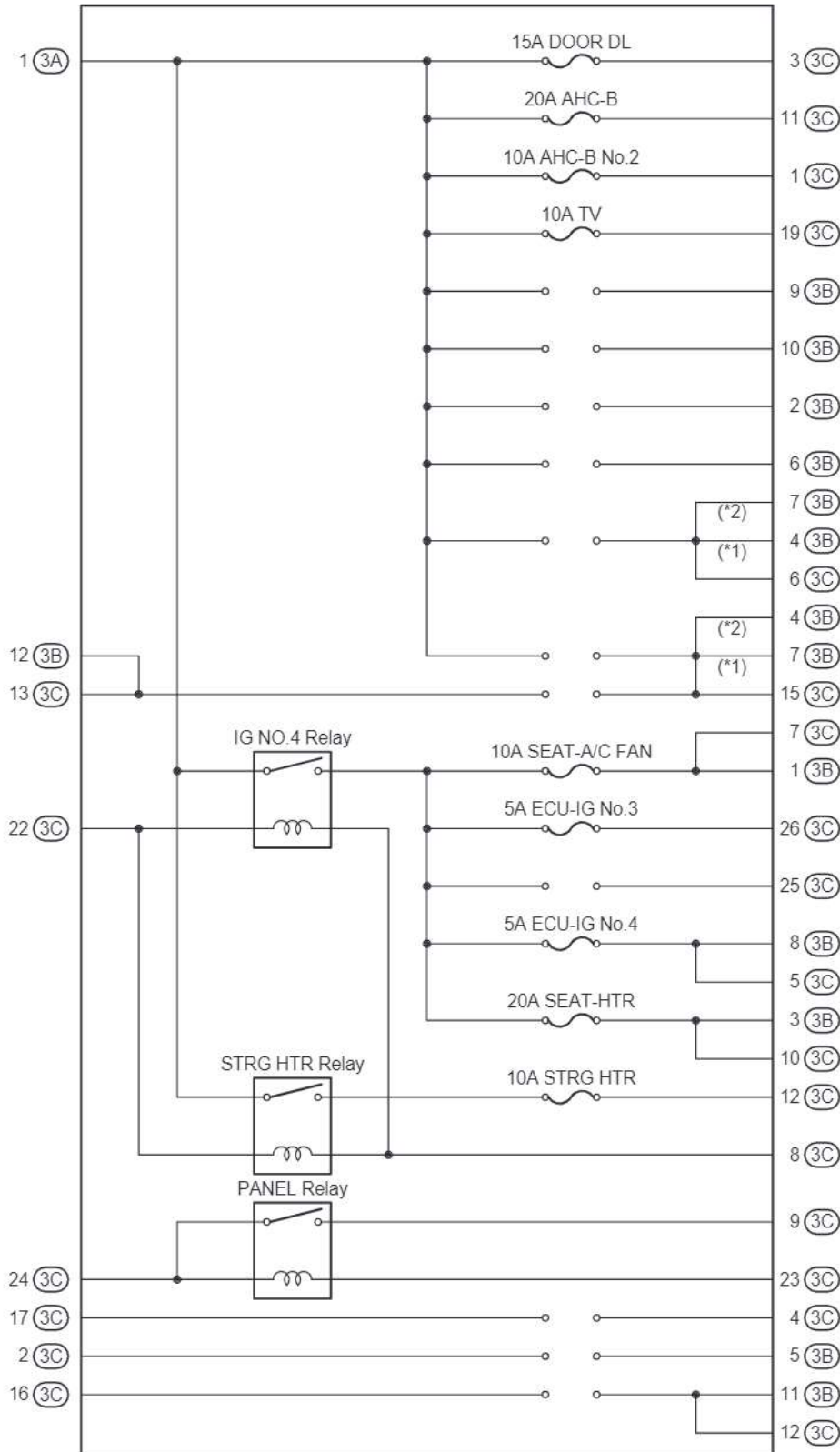
View C



F RELAY LOCATIONS

[Cowl Side J/B RH Assembly Inner Circuit] (LHD)

* 1: Before Jul. 2009 Production
* 2: From Jul. 2009 Production

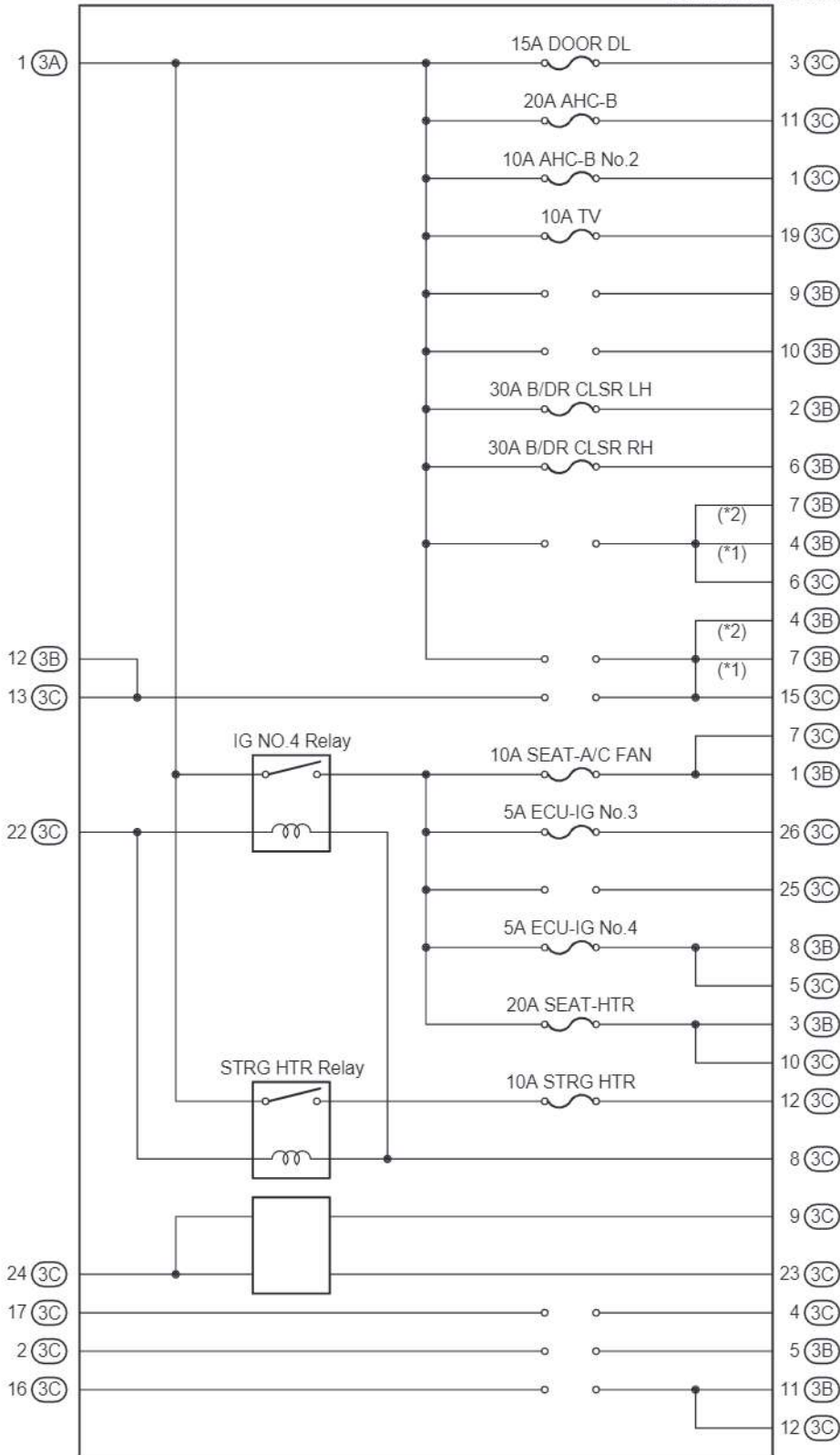


cardiagn.com

F RELAY LOCATIONS

[Cowl Side J/B RH Assembly Inner Circuit] (RHD)

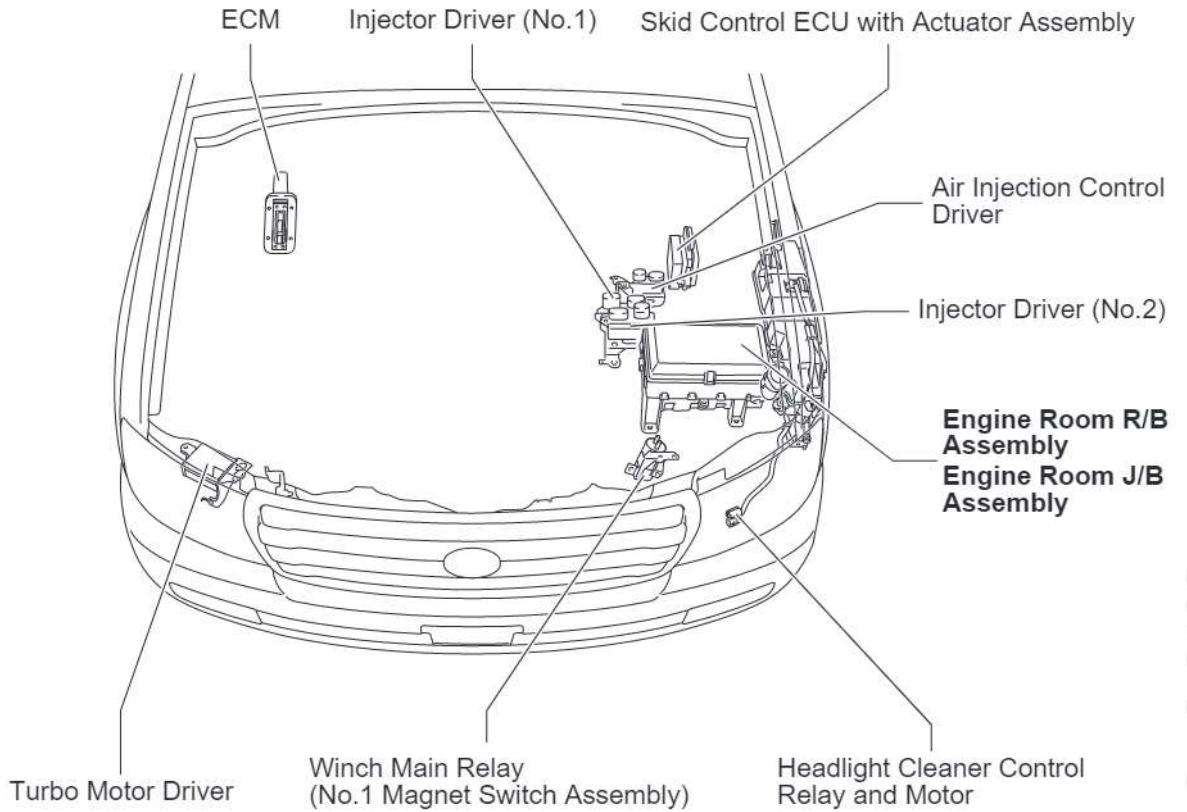
* 1: Before Jul. 2009 Production
* 2: From Jul. 2009 Production



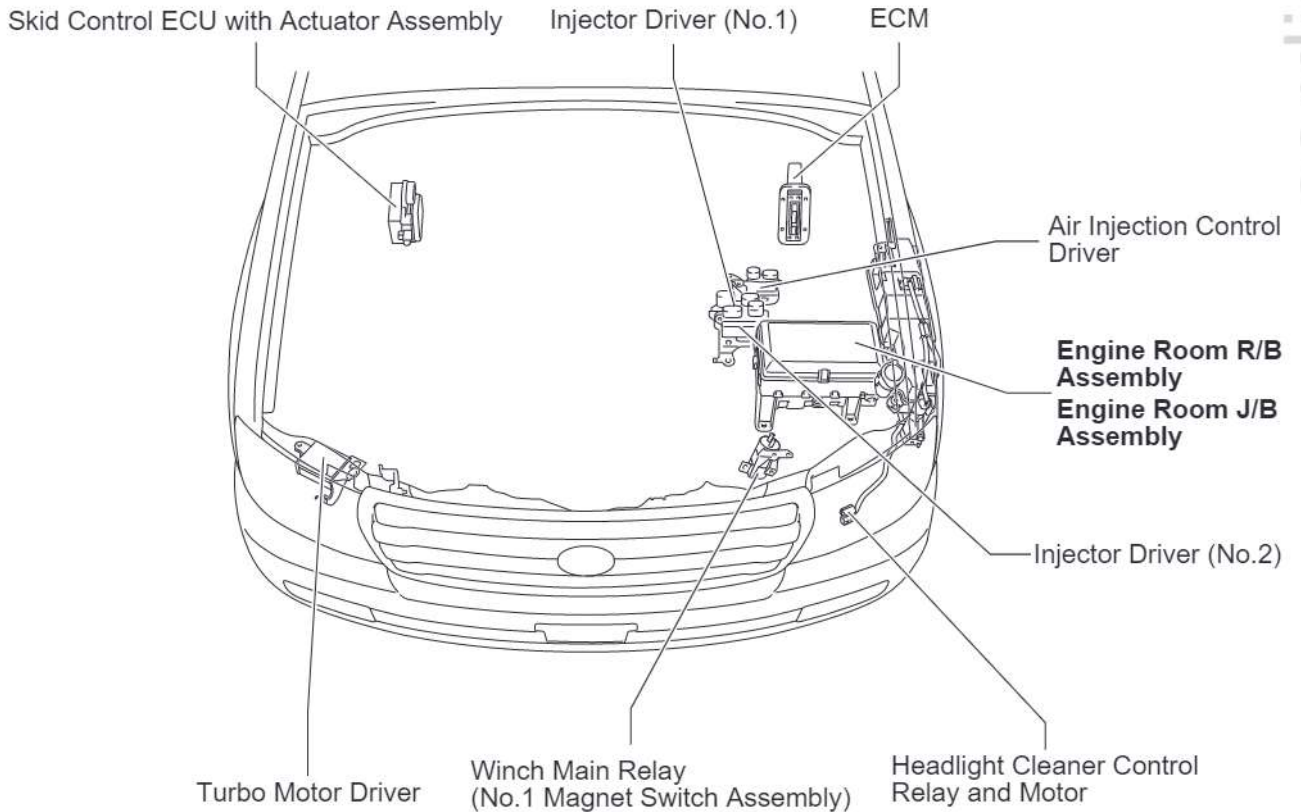
cardiagn.com

F RELAY LOCATIONS

[Engine Compartment] (LHD)

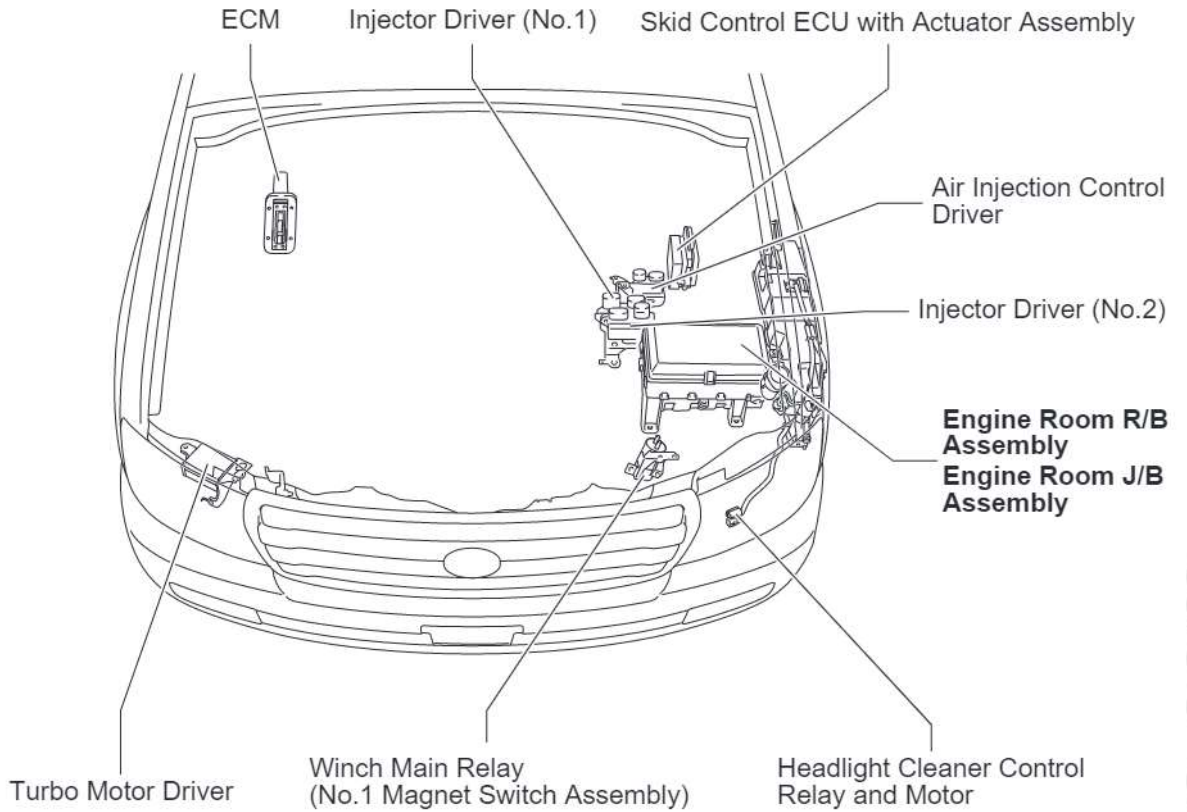


(RHD)

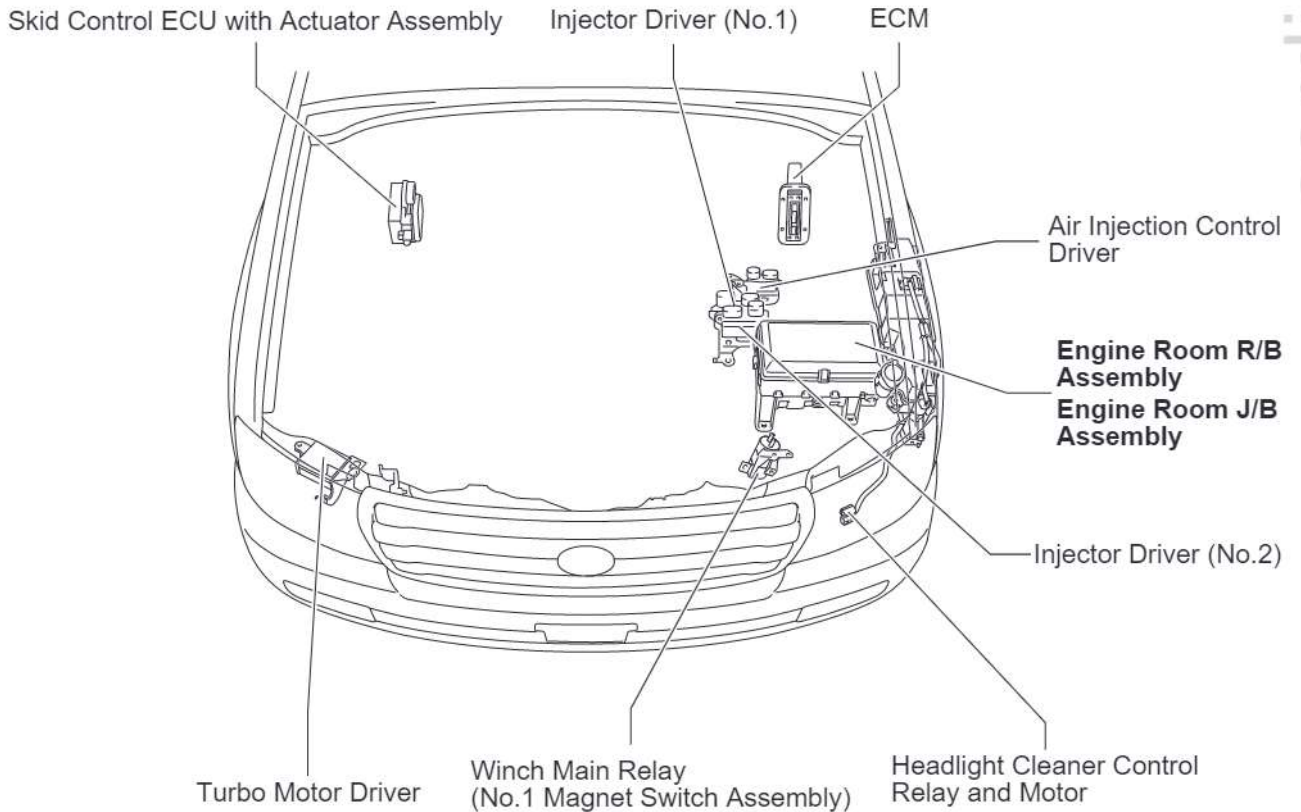


F RELAY LOCATIONS

[Engine Compartment] (LHD)



(RHD)

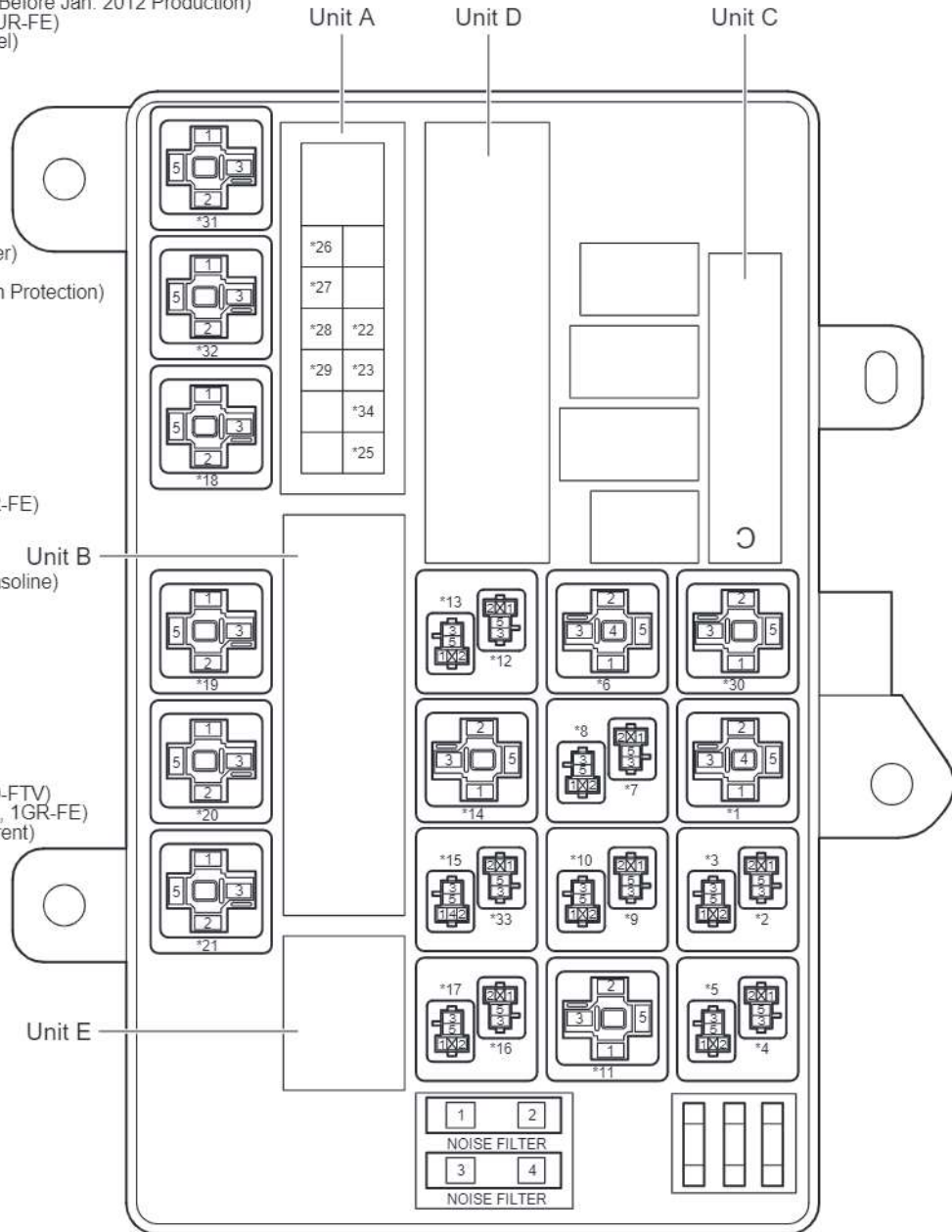


F RELAY LOCATIONS

- ① : Engine Room R/B Assembly
- : Engine Room J/B Assembly

Engine Compartment Left (See Page 20)

- * 1: DEFOG Relay
- * 2: EDU 2 Relay
- * 3: EDU 1 Relay
- * 4: IG1 NO.5 Relay
- * 5: EFI NO.2 Relay (Except 1VD-FTV w/ DPF)
A/F Relay (1VD-FTV w/ DPF)
- * 6: RR A/C Relay
- * 7: ST Relay (Gasoline)
- * 8: C/OPN Relay (Gasoline Before Jan. 2012 Production)
AI-PUMP HTR Relay (1UR-FE)
SUB PUMP Relay (Diesel)
- * 9: SECURITY
HORN Relay
- * 10: FR FOG Relay
- * 11: PTC HTR1 Relay
- * 12: ST CUT Relay
- * 13: CDS FAN Relay
- * 14: PTC HTR2 Relay
- * 15: BRK LP Relay
- * 16: MG CLT Relay
- * 17: DEICER Relay
(w/ Front Window Deicer)
P/W MAIN Relay
(Driver's Door Only Jam Protection)
- * 18: PTC HTR3 Relay
- * 19: ST Relay (Diesel)
- * 20: HEAD HI Relay
- * 21: HEAD LO Relay
- * 22: 60A AHC
(for High Current)
- * 23: 50A HTR
(for High Current)
- * 25: 150A LH-J/B
(for High Current)
- * 26: 180A ALT (Except 1GR-FE)
(for High Current)
140A ALT (1GR-FE)
(for High Current)
- * 27: 50A A/PUMP NO.1 (Gasoline)
(for High Current)
80A GLOW1 (Diesel)
(for High Current)
- * 28: 80A GLOW2
(for High Current)
- * 29: 40A MAIN
(for High Current)
- * 30: AHC Relay
- * 31: GLOW 1 Relay
- * 32: GLOW 2 Relay
- * 33: VSCS HTR Relay (1VD-FTV)
AI-VSV Relay (1UR-FE, 1GR-FE)
- * 34: 30A PBD (for High Current)



cardiagn.com

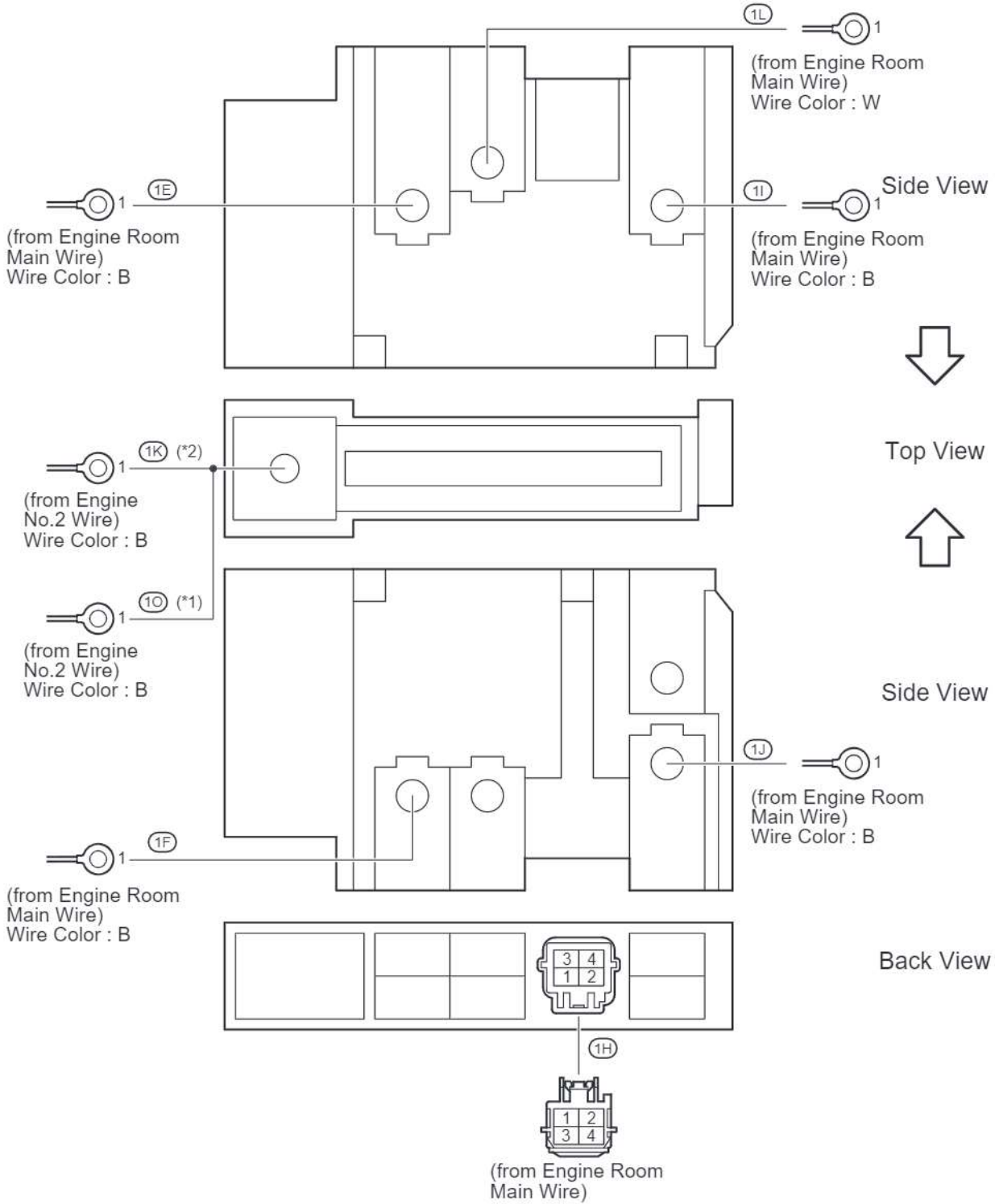
F RELAY LOCATIONS

① : Engine Room R/B Assembly	Engine Compartment Left (See Page 20)
○ : Engine Room J/B Assembly	

(Gasoline)

* 1:3UR-FE
* 2:Except 3UR-FE

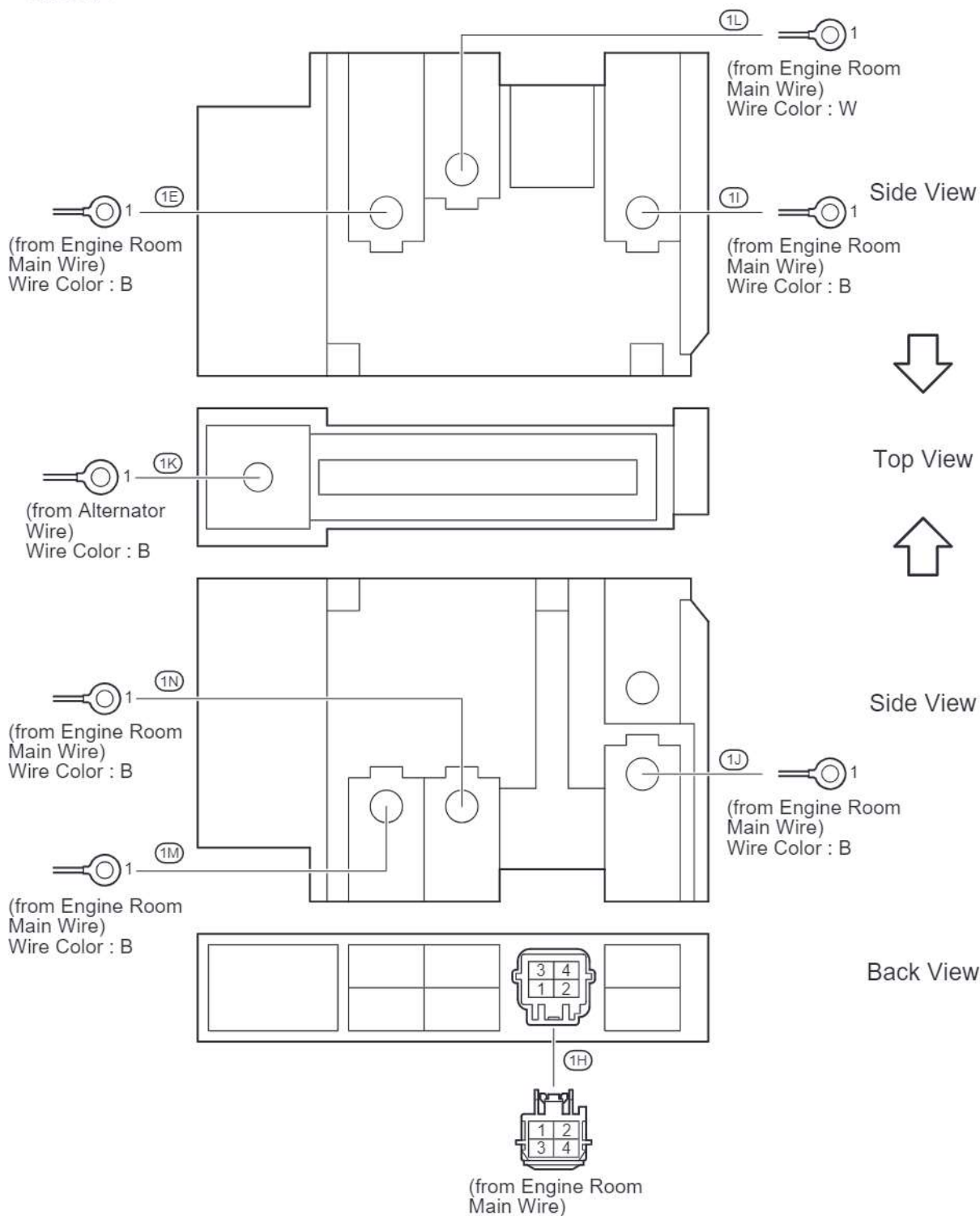
Unit A



cardiagn.com

(Diesel)

Unit A



cardiagn.com

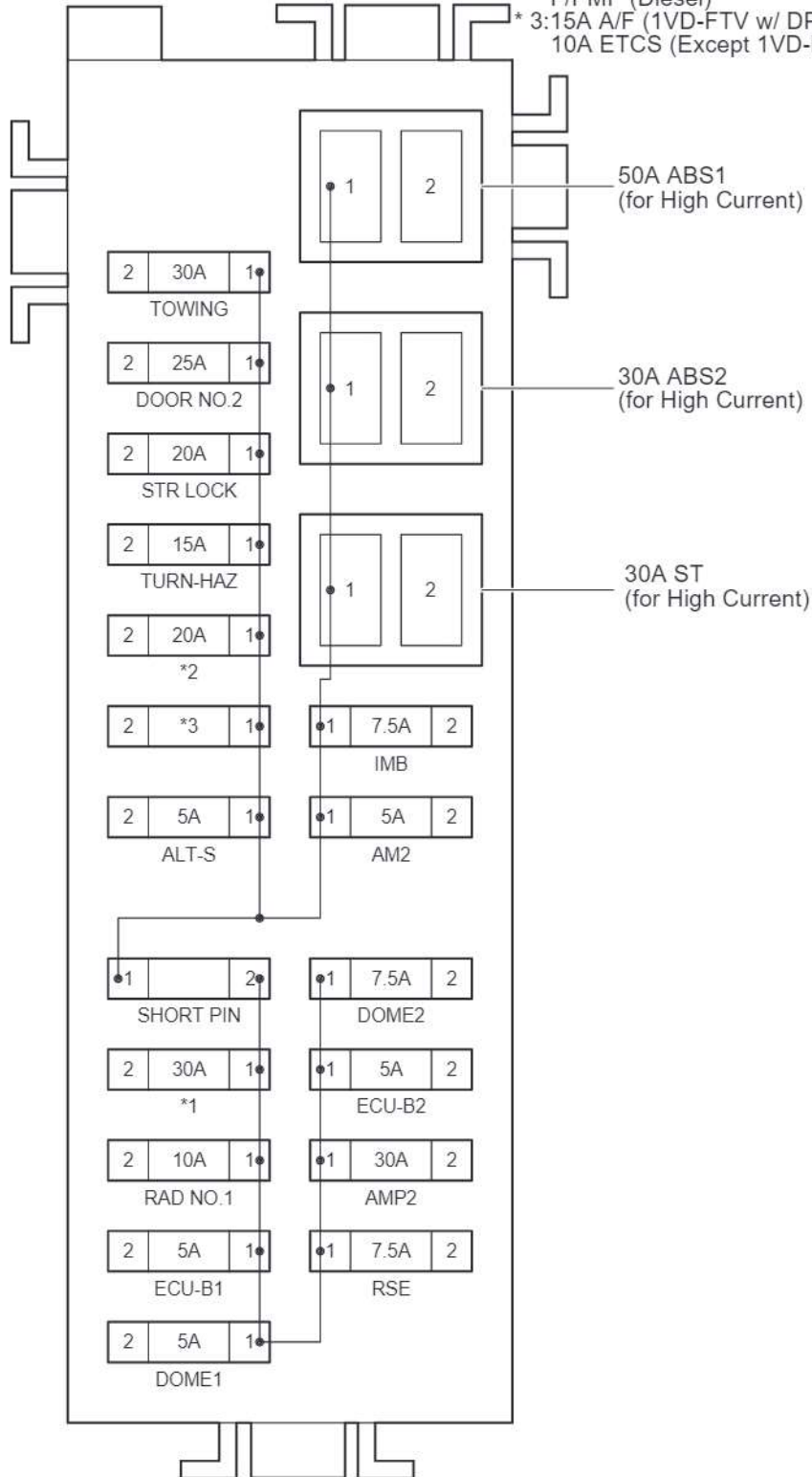
F RELAY LOCATIONS

- ① : Engine Room R/B Assembly
- : Engine Room J/B Assembly

Engine Compartment Left (See Page 20)

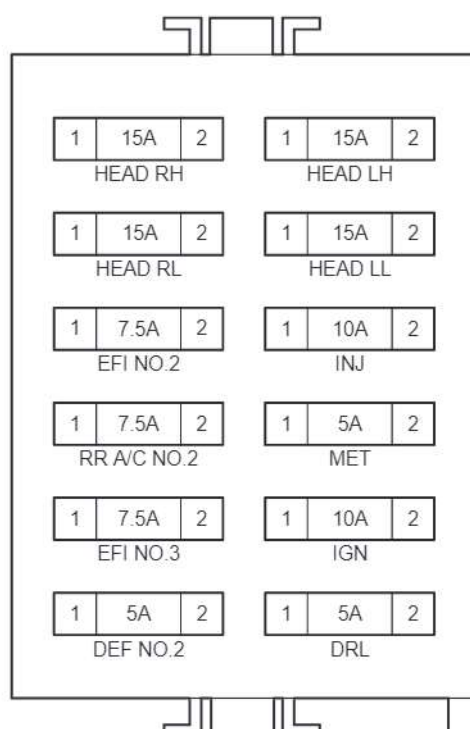
Unit B

- * 1:AMP (Before Jul. 2009 Production)
AMP1 (From Jul. 2009 Production)
- * 2:EFI MAIN 2 (Gasoline)
F/PMP (Diesel)
- * 3:15A A/F (1VD-FTV w/ DPF)
10A ETCS (Except 1VD-FTV w/ DPF)



cardiagn.com

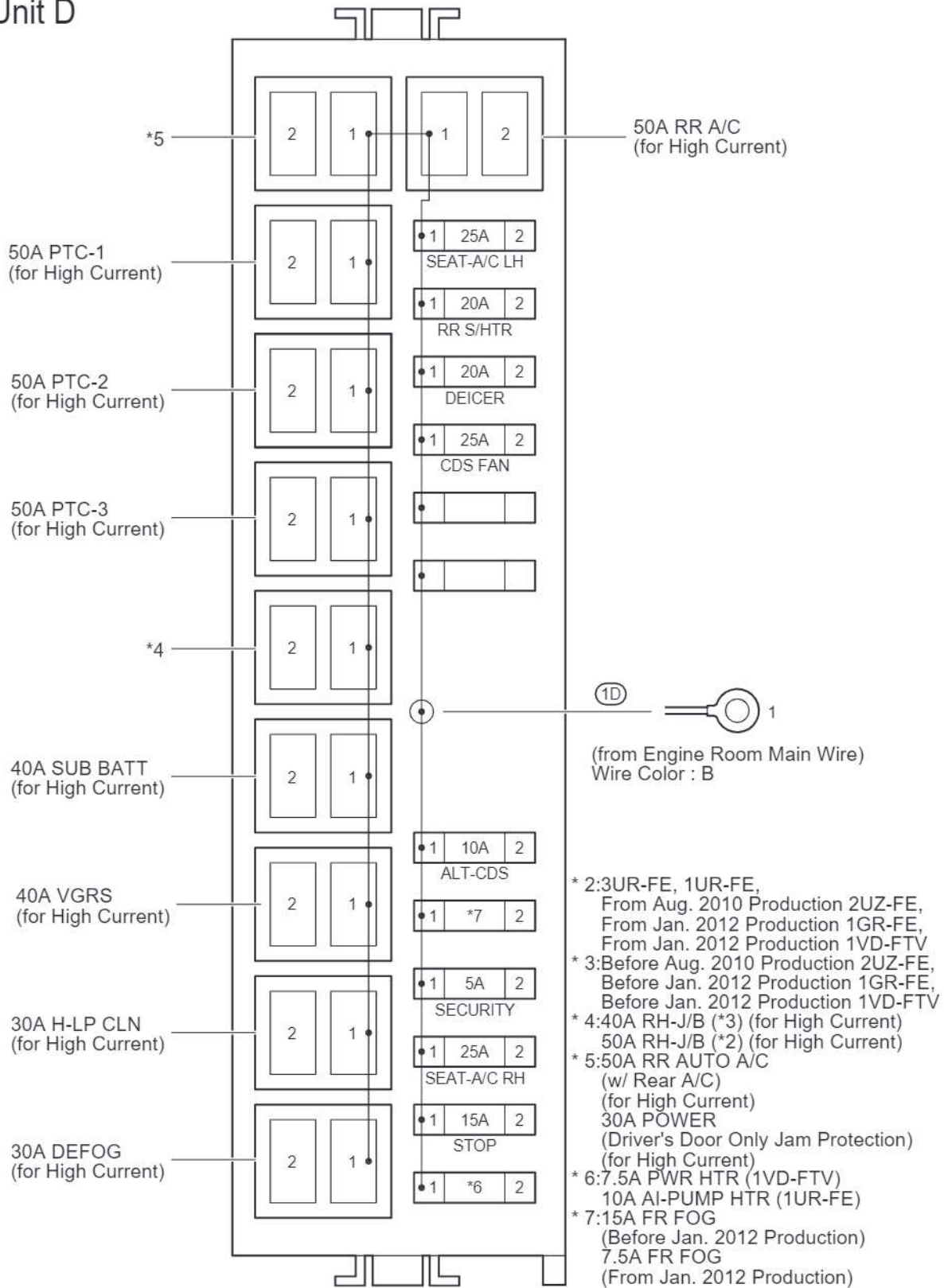
Unit E



F RELAY LOCATIONS

① : Engine Room R/B Assembly ○ : Engine Room J/B Assembly	Engine Compartment Left (See Page 20)
--	--

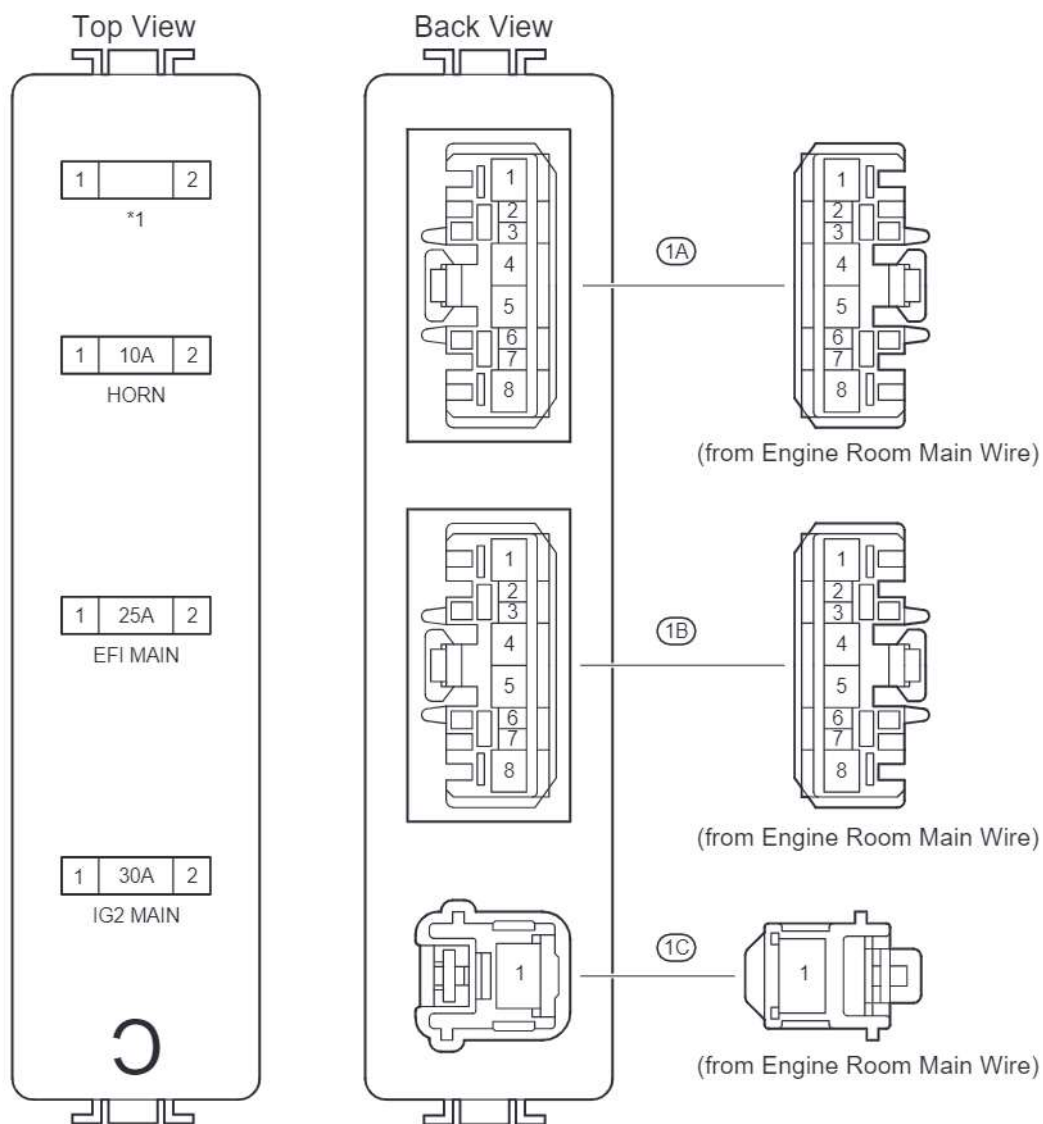
Unit D



cardiagn.com

Unit C

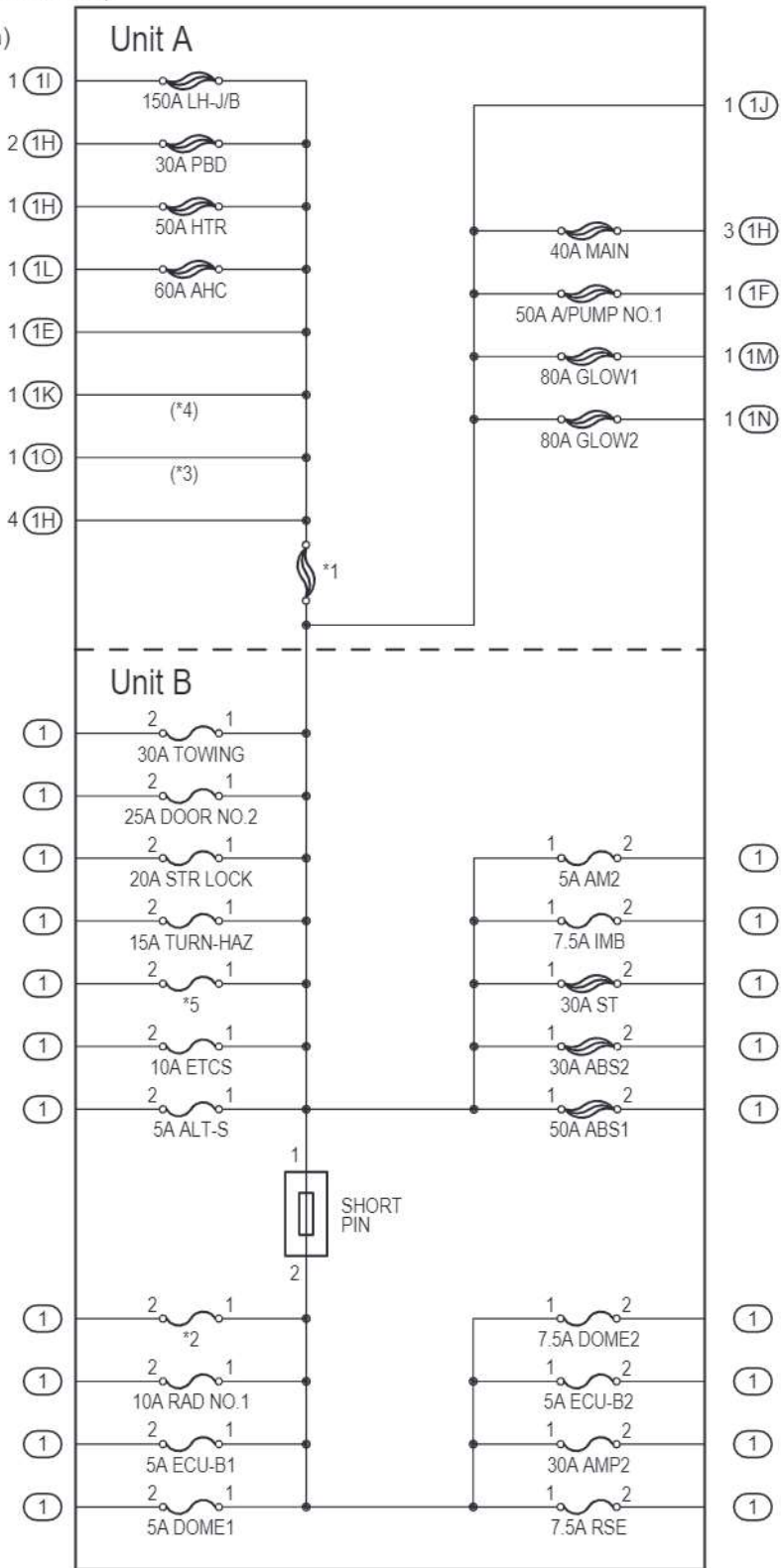
- * 1:15A A/F (Gasoline)
- 15A EFI MAIN2 (Diesel w/o DPF)
- 25A EFI MAIN2 (Diesel w/ DPF)



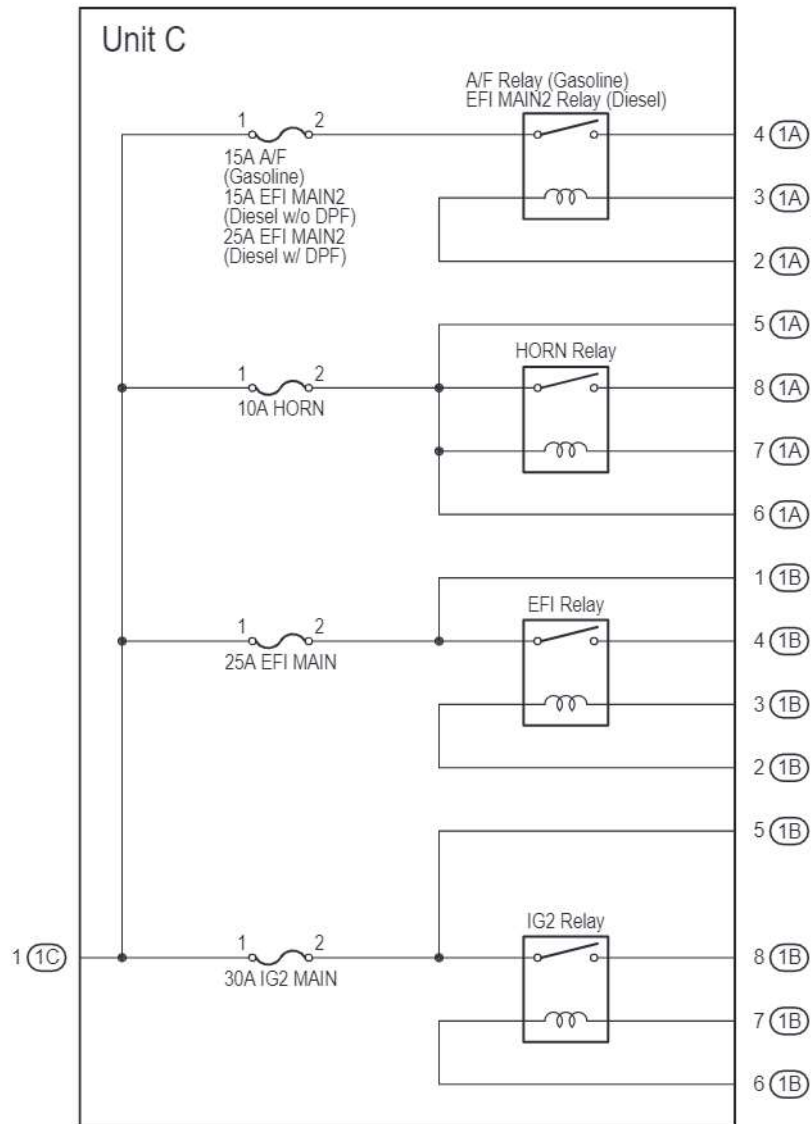
F RELAY LOCATIONS

[Engine Room R/B Assembly and Engine Room J/B Assembly Inner Circuit]

- * 1:180A ALT (Except 1GR-FE) (for High Current)
140A ALT (1GR-FE) (for High Current)
- * 2:30A AMP
(Before Jul. 2009 Production)
30A AMP1
(From Jul. 2009 Production)
- * 3:3UR-FE
- * 4:Except 3UR-FE
- * 5:20A EFI MAIN 2 (Gasoline)
20A F/PMP (Diesel)



cardiagn.com

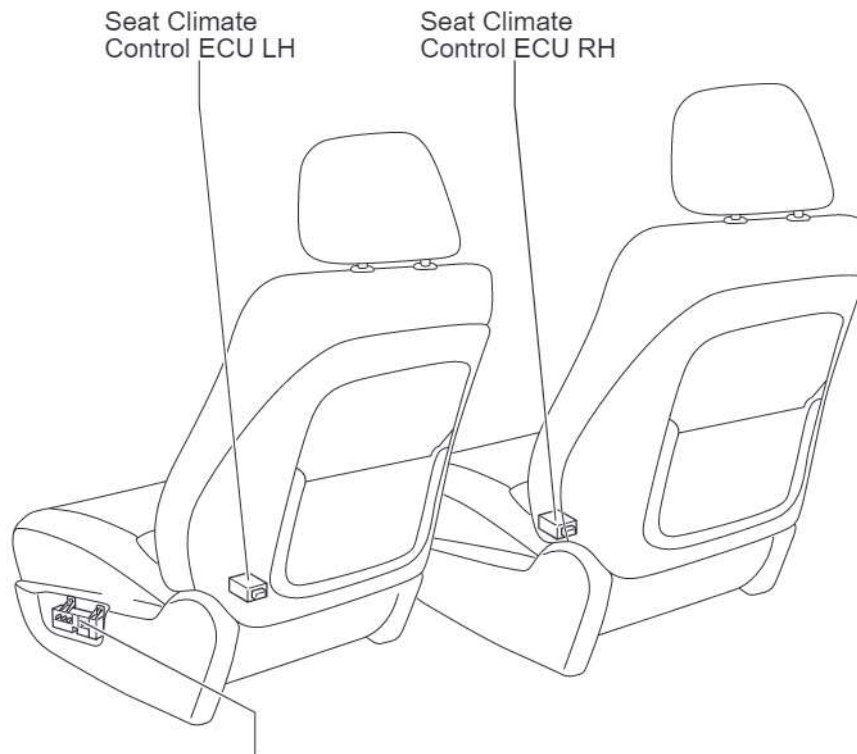


cardiagn.com

F RELAY LOCATIONS

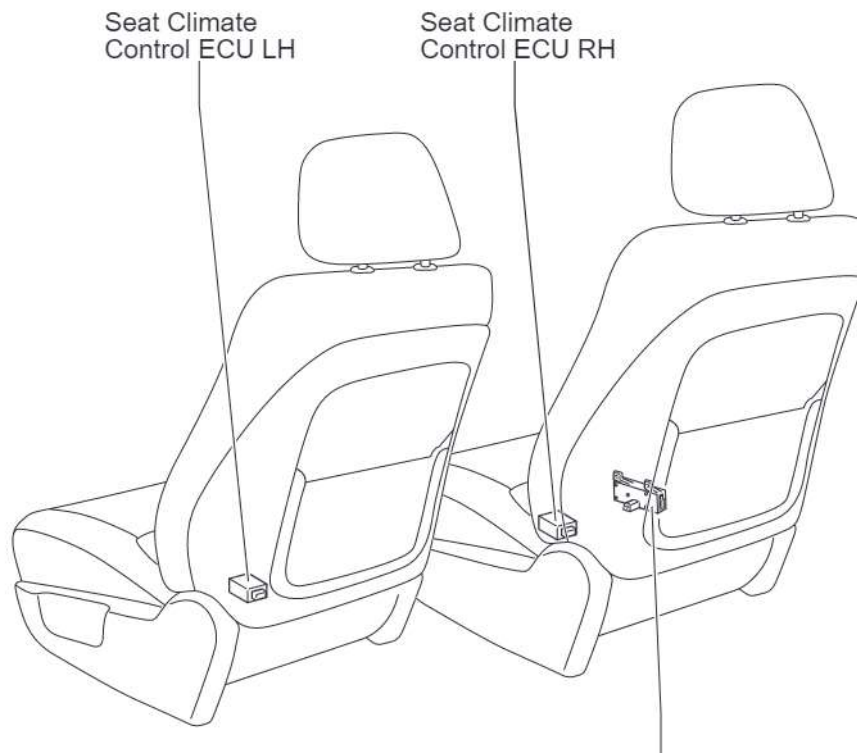
[Seat]

(LHD Front Separate Seat)



Front Position Control ECU and Switch Assembly LH

(RHD Front Separate Seat)

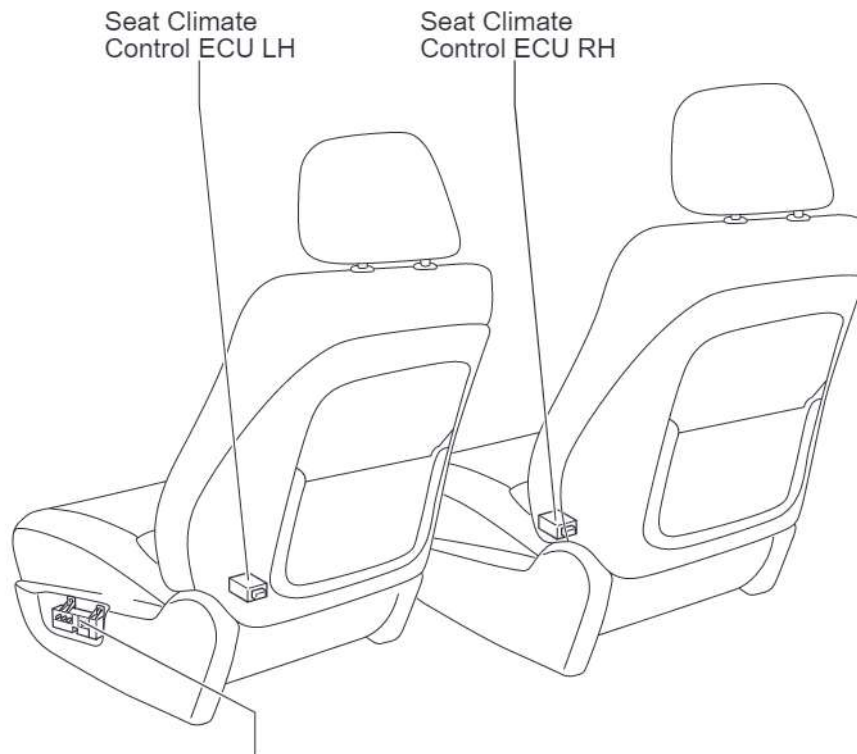


Front Position Control ECU and Switch Assembly RH

F RELAY LOCATIONS

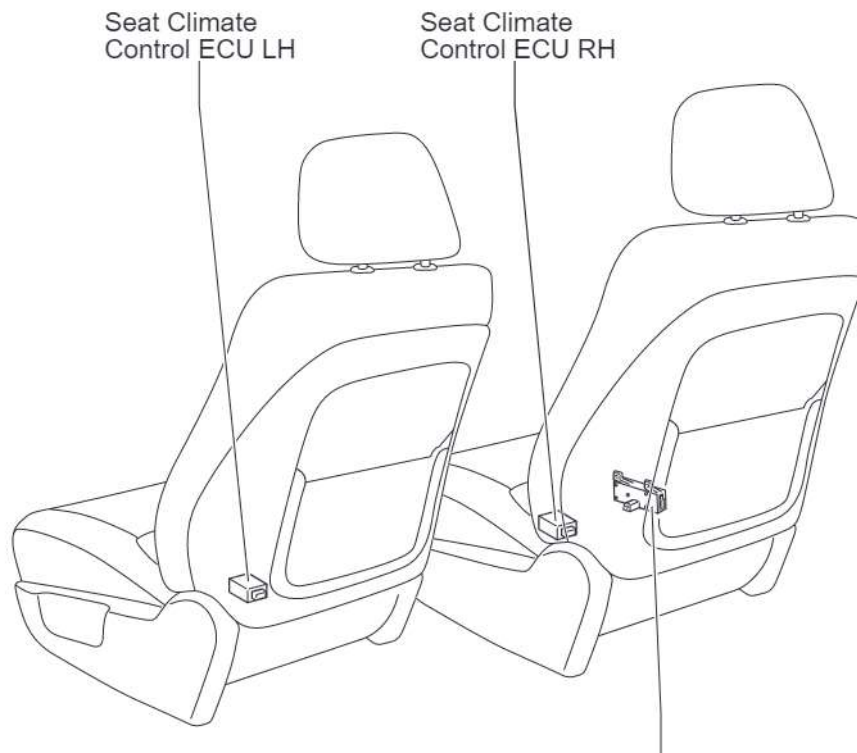
[Seat]

(LHD Front Separate Seat)



Front Position Control ECU and Switch Assembly LH

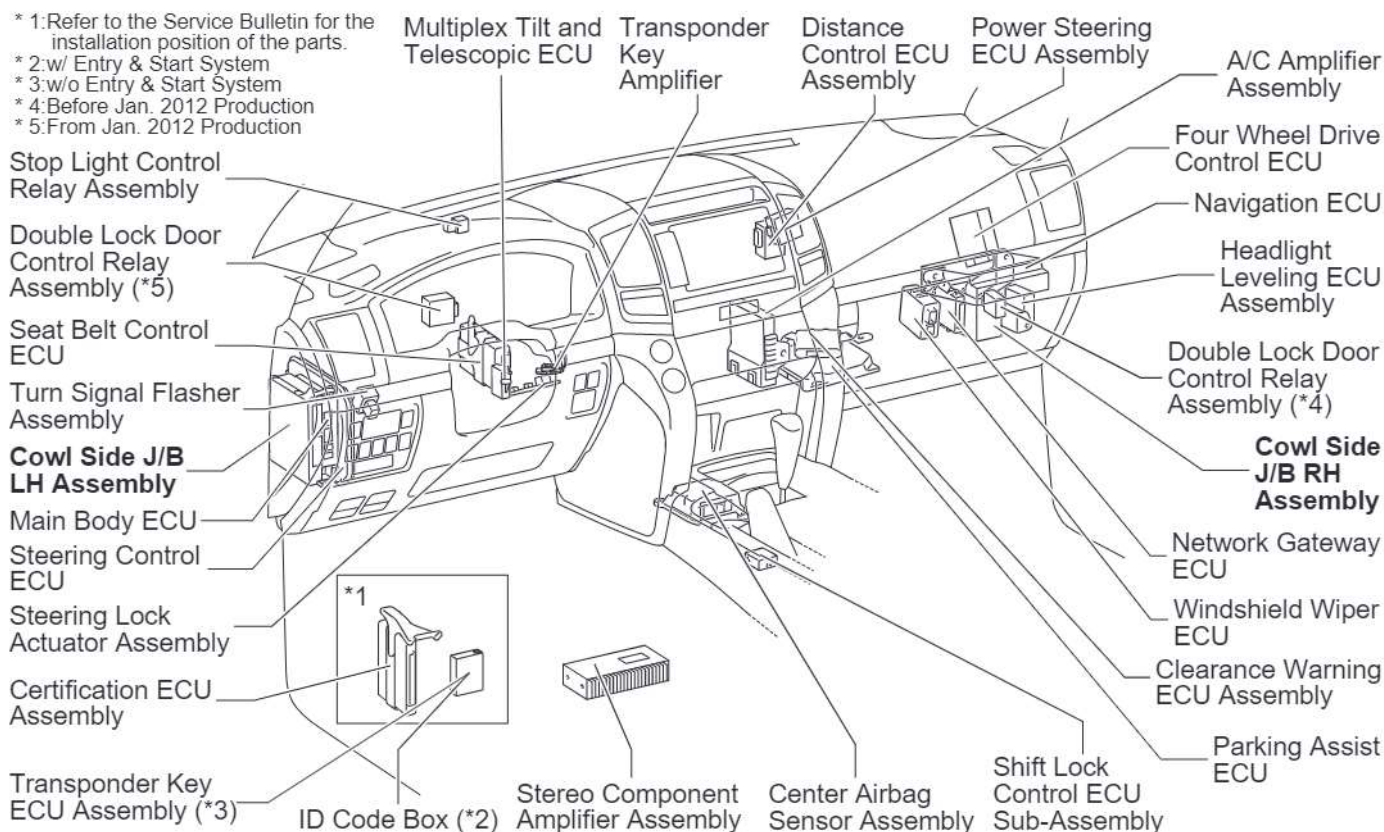
(RHD Front Separate Seat)



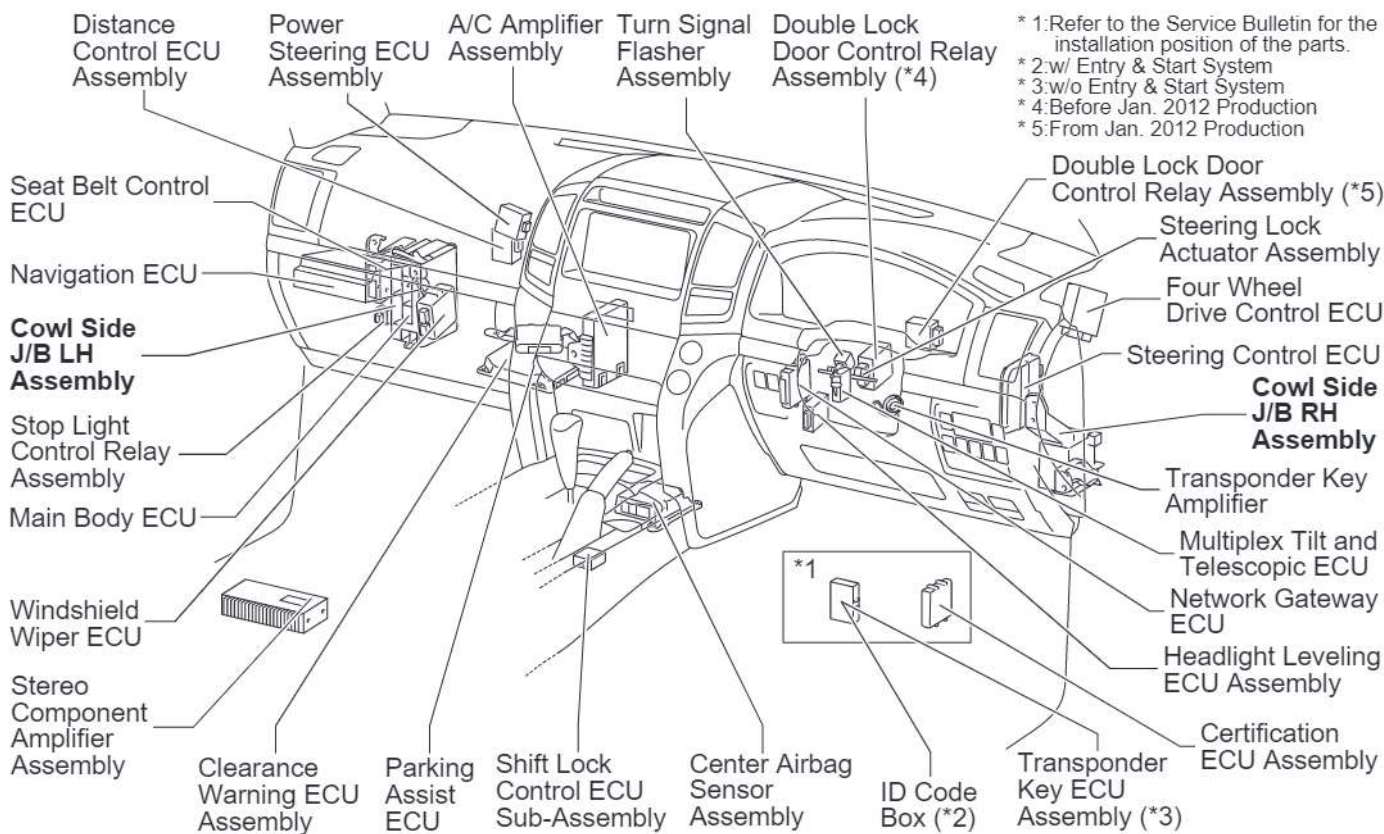
Front Position Control ECU and Switch Assembly RH

[Instrument Panel]

(LHD)

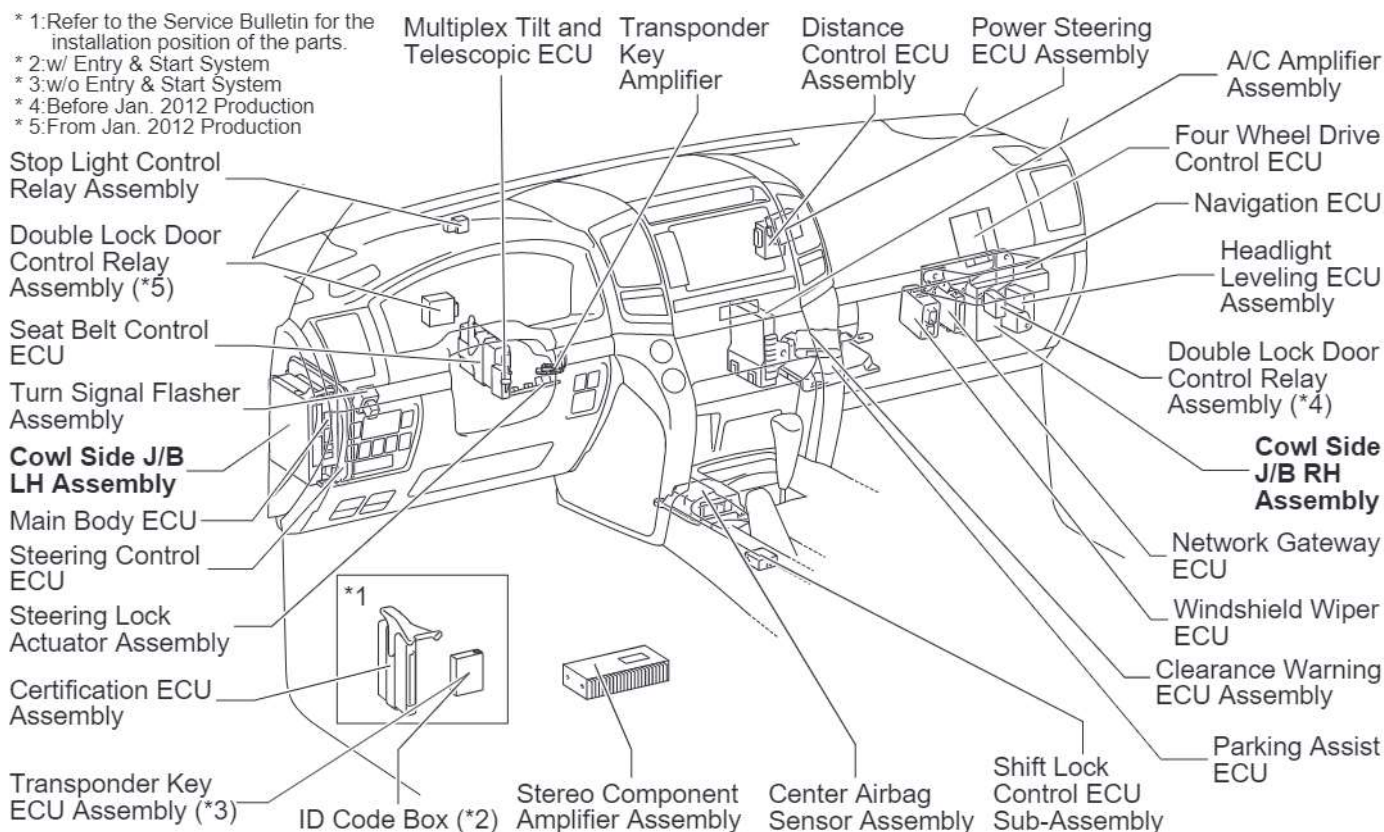


(RHD)

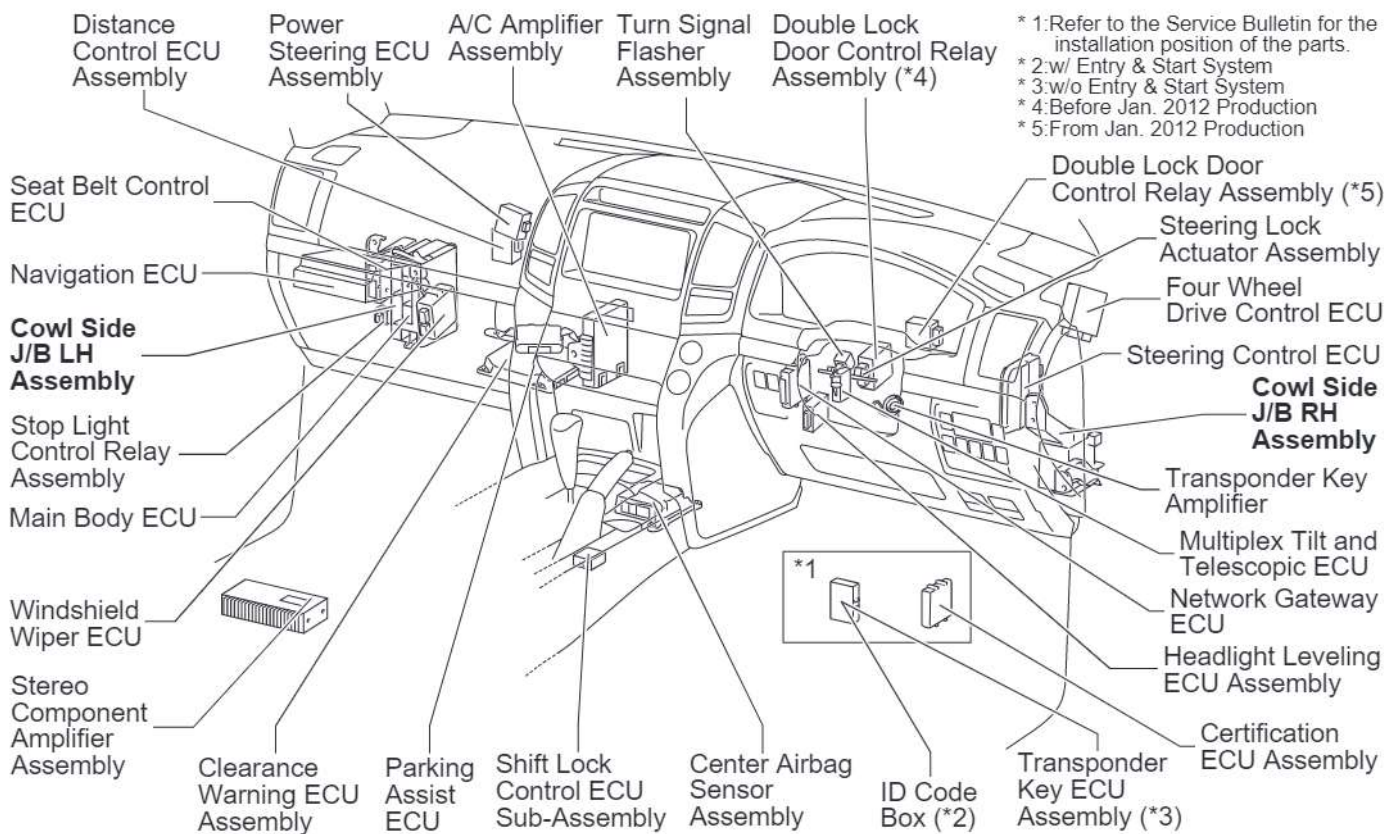


[Instrument Panel]

(LHD)



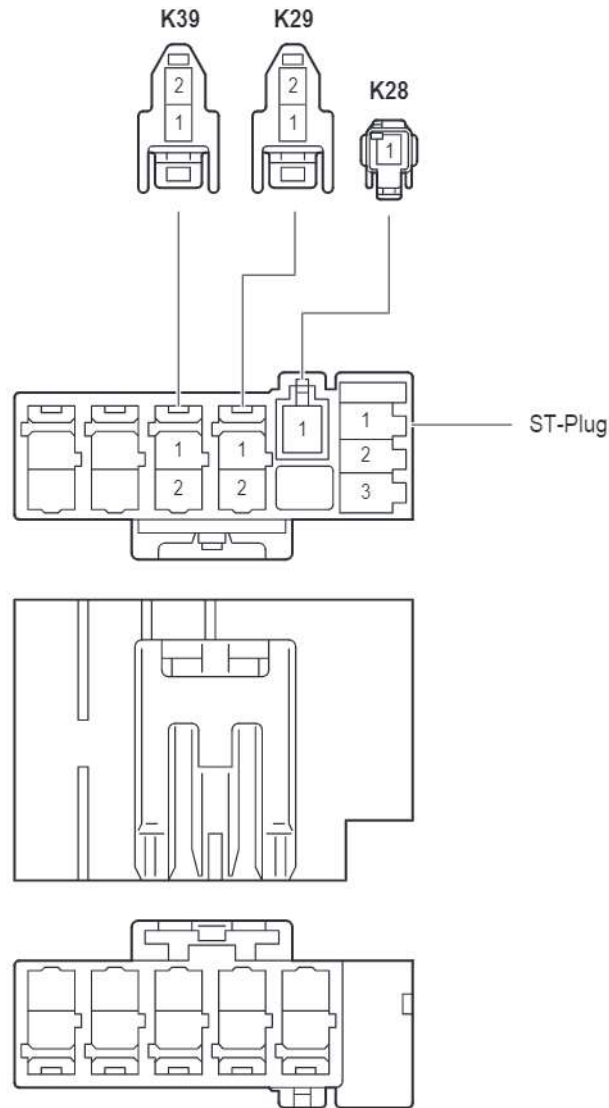
(RHD)



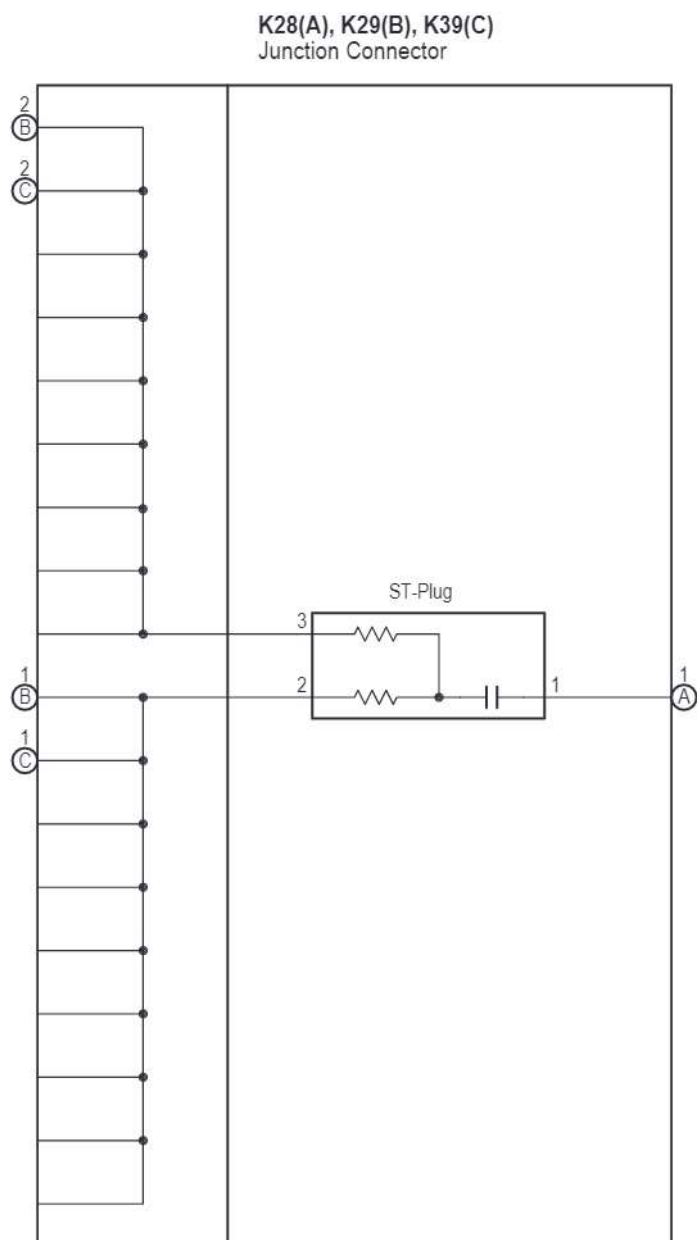
F RELAY LOCATIONS

Junction Connector (CAN No.1)

Left Luggage Compartment (See Page 22, 23)



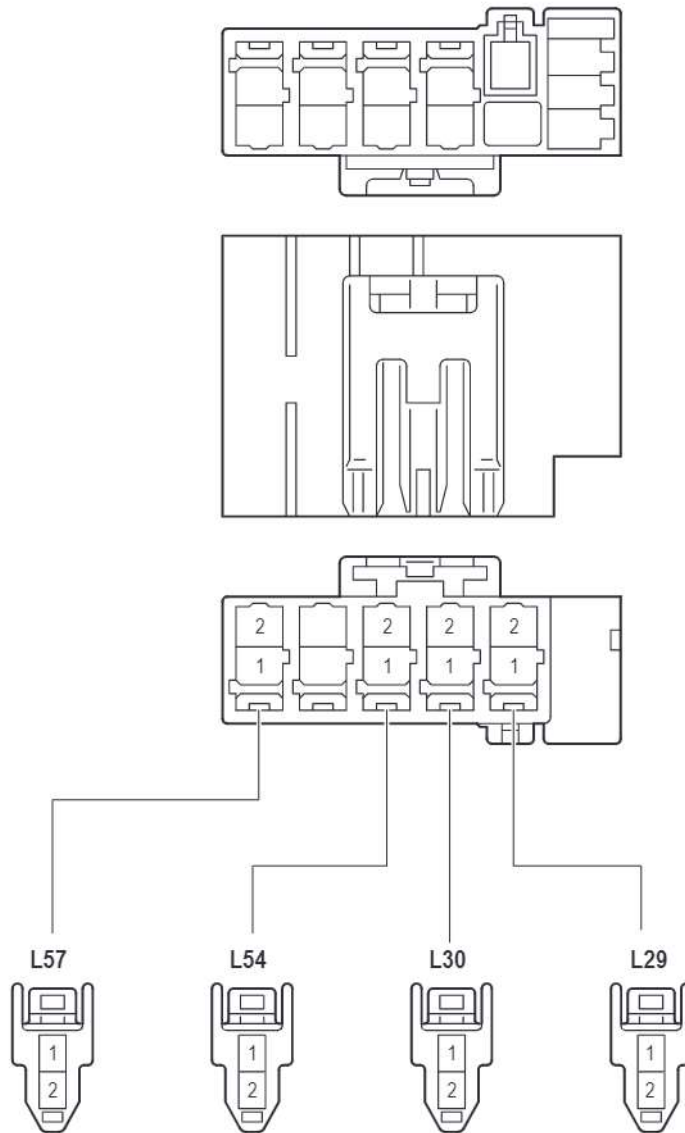
cardiagn.com

[Junction Connector (CAN No.1) Inner Circuit]

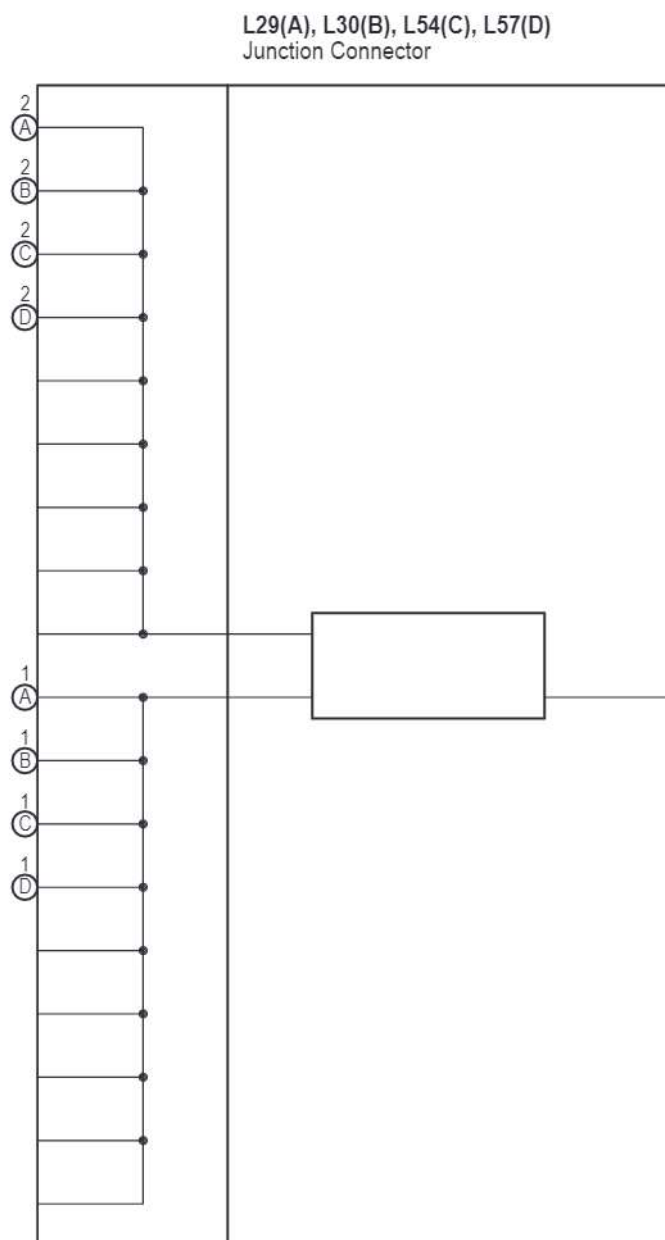
F RELAY LOCATIONS

Junction Connector (CAN No.2)

Right Luggage Compartment (See Page 22, 23)

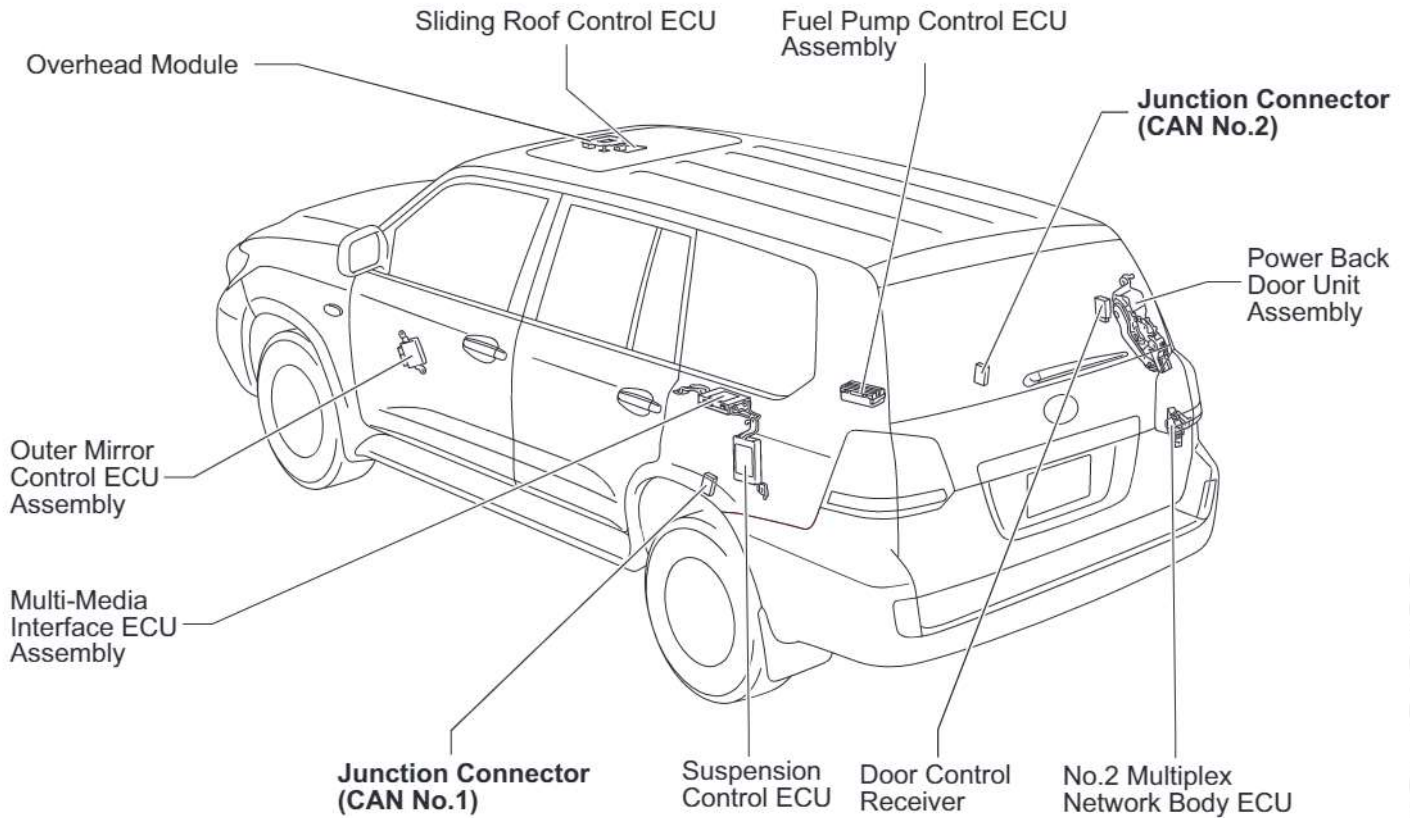


cardiagn.com

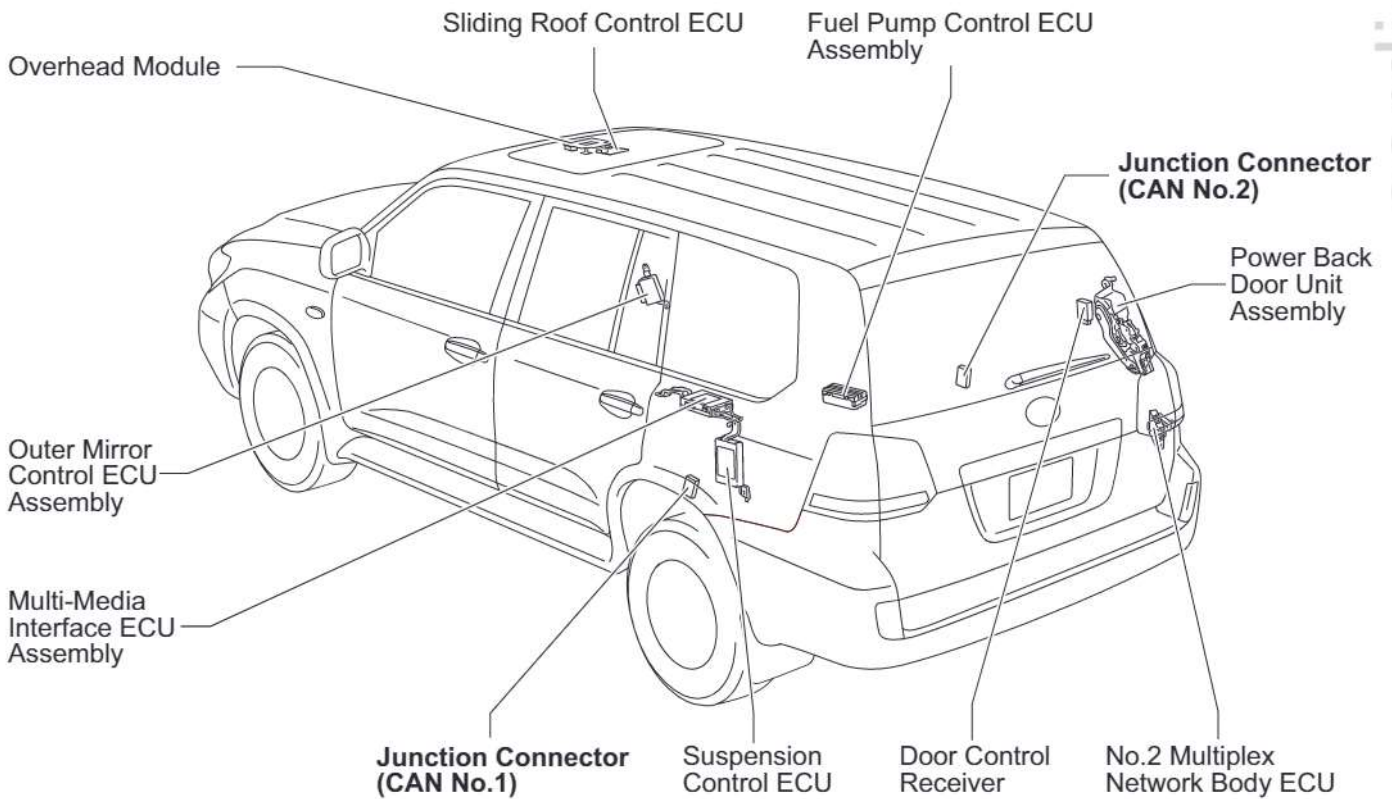
[Junction Connector (CAN No.2) Inner Circuit]

F RELAY LOCATIONS

[Body] (LHD Liftgate Type)

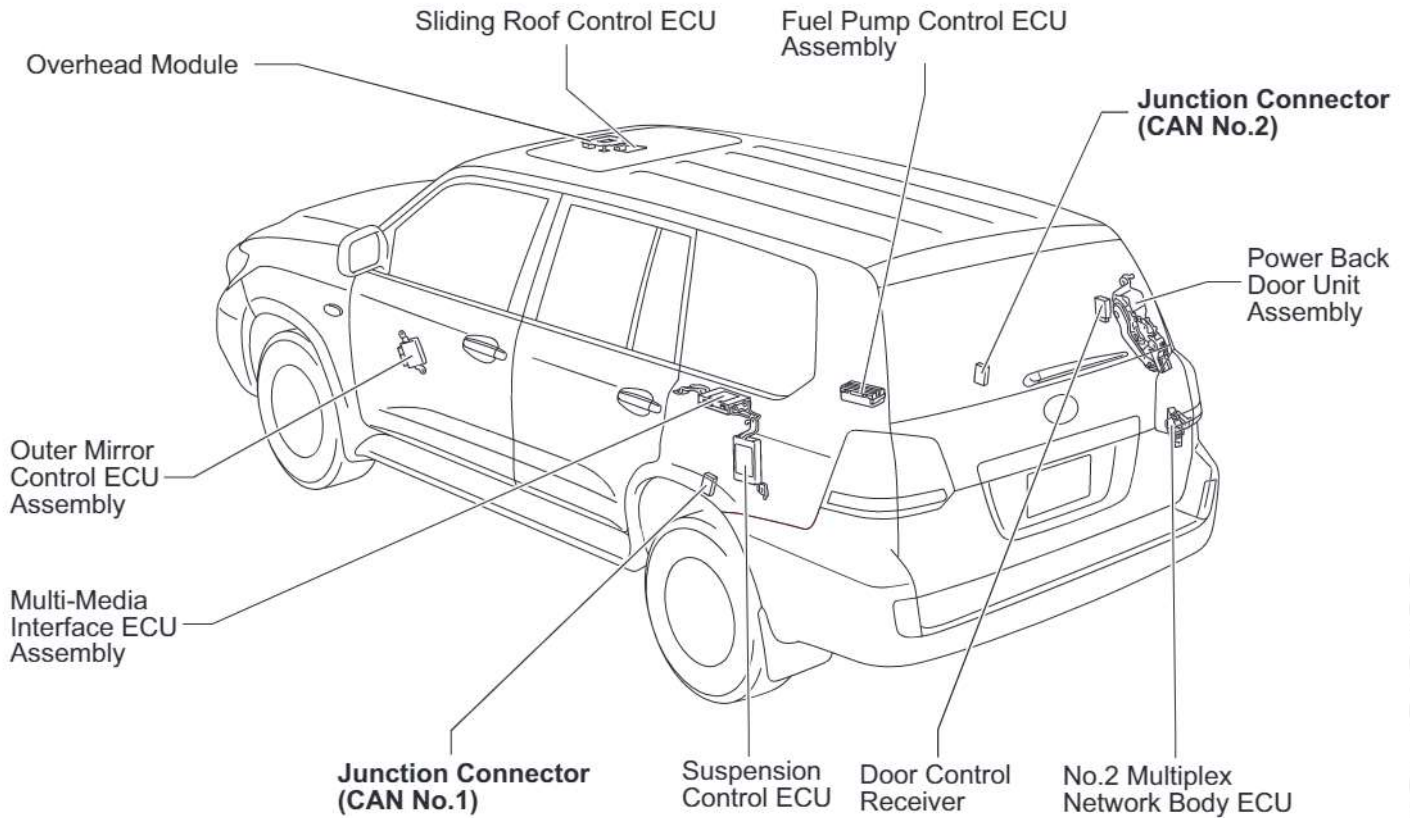


(RHD Liftgate Type)

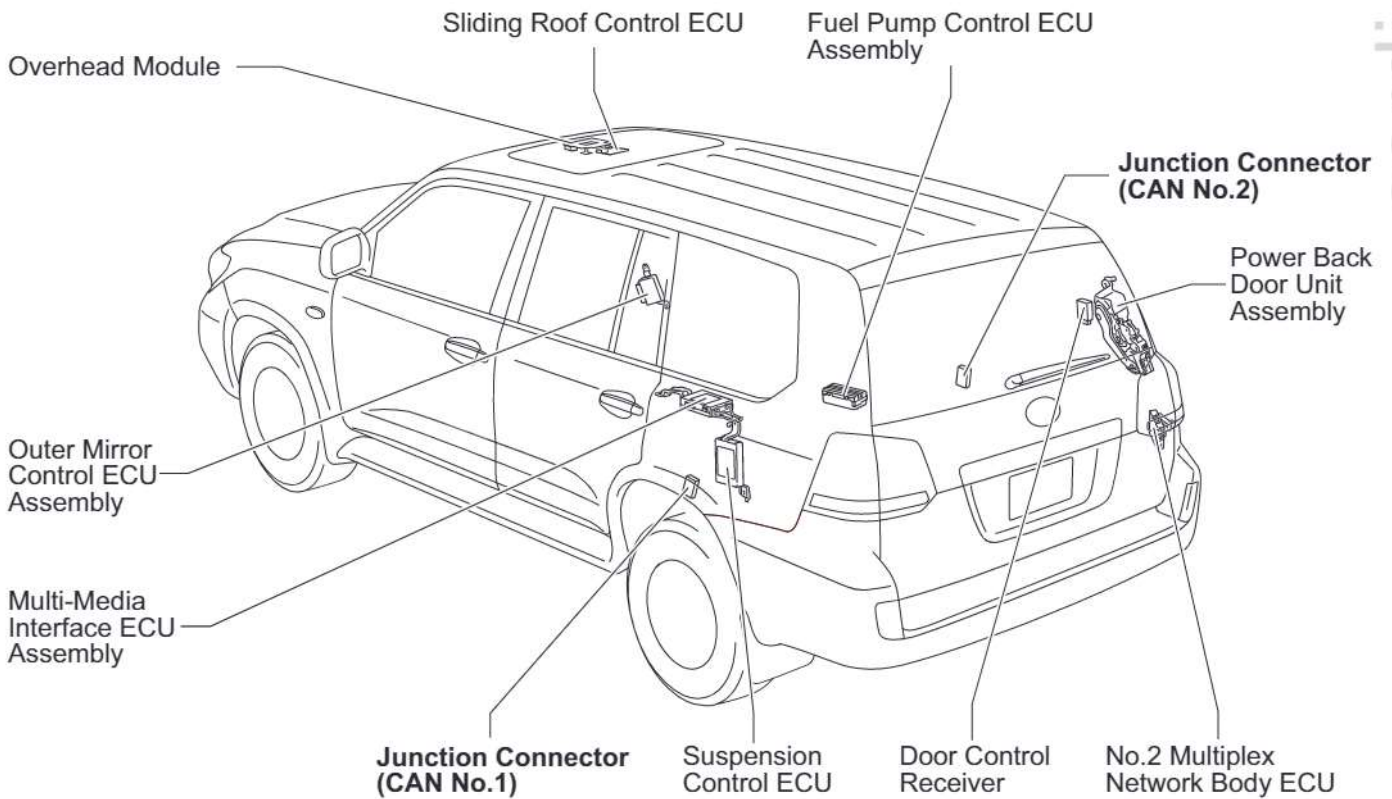


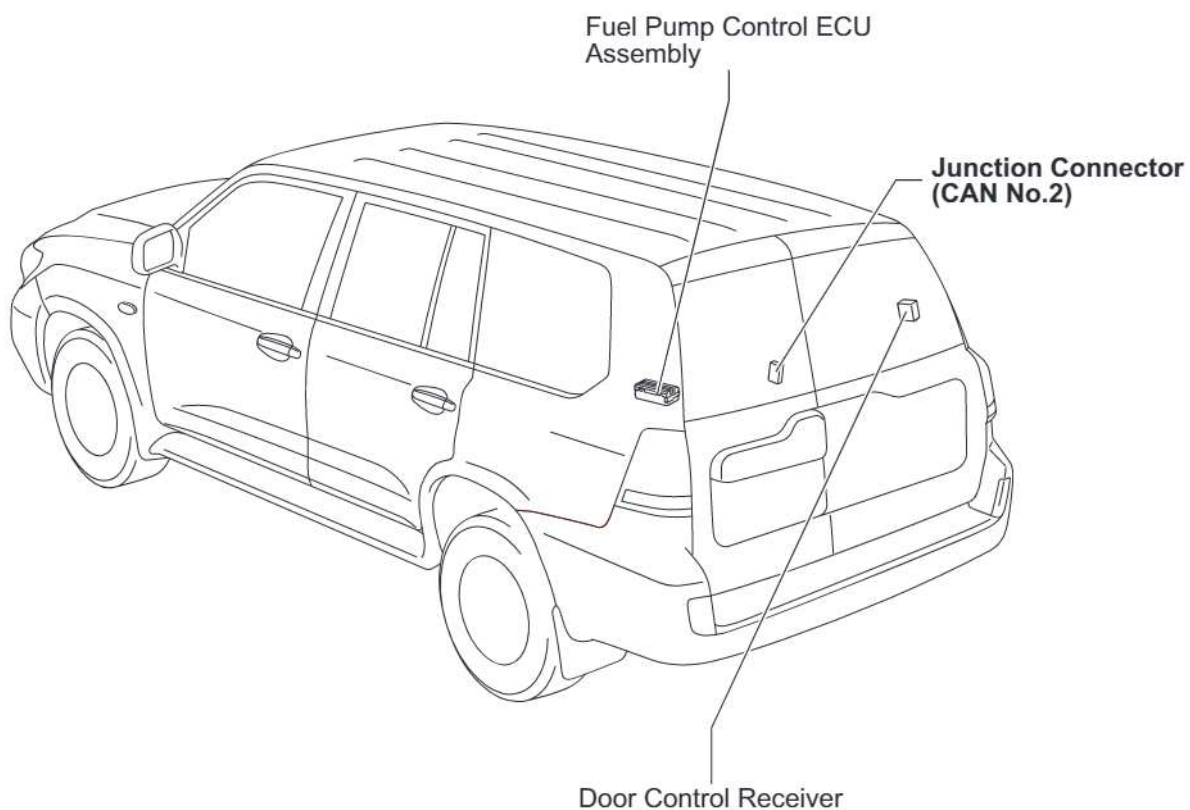
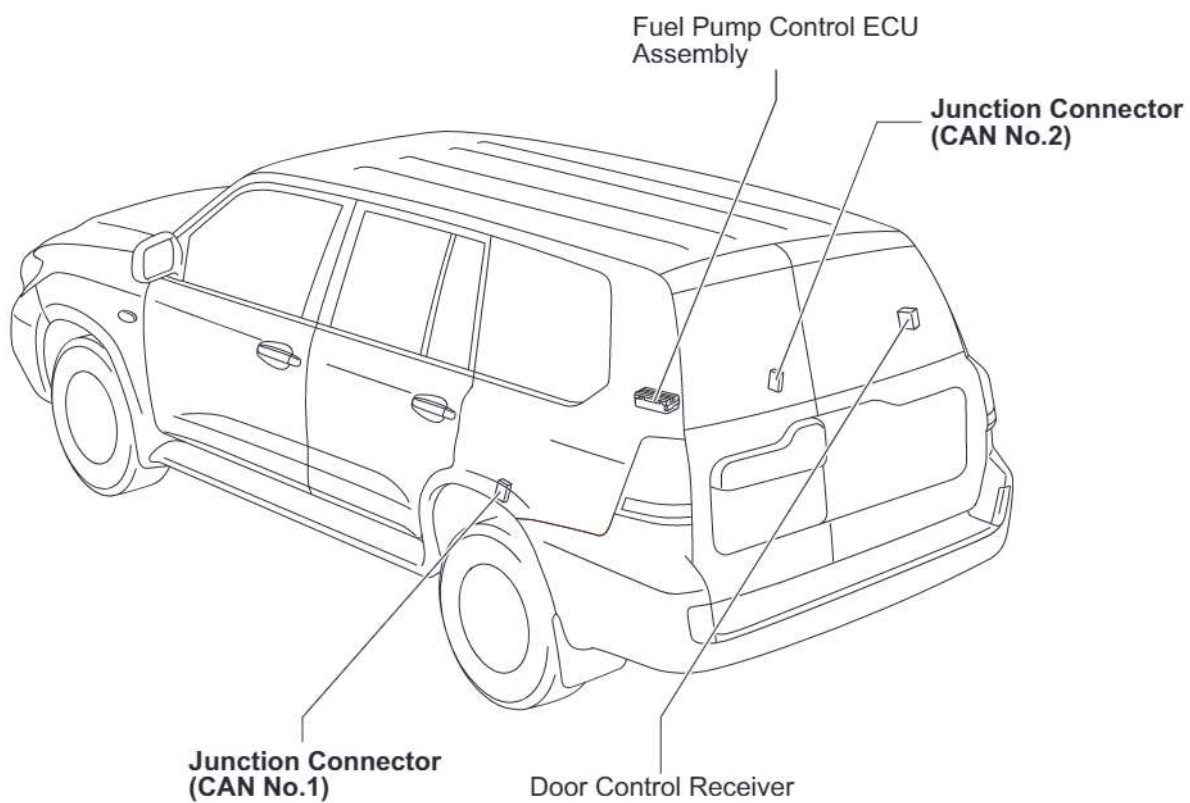
F RELAY LOCATIONS

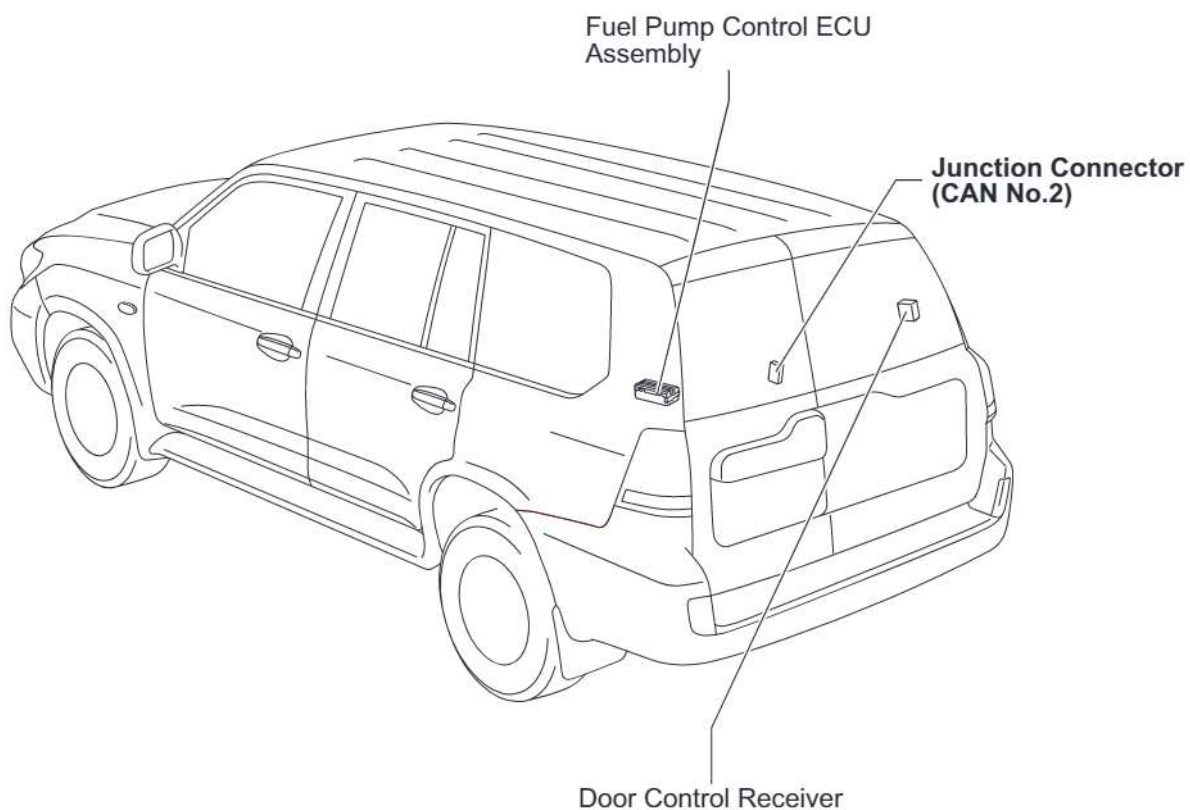
[Body] (LHD Liftgate Type)



(RHD Liftgate Type)



(LHD Swing Type)**(RHD Swing Type)**

(LHD Swing Type)**(RHD Swing Type)**