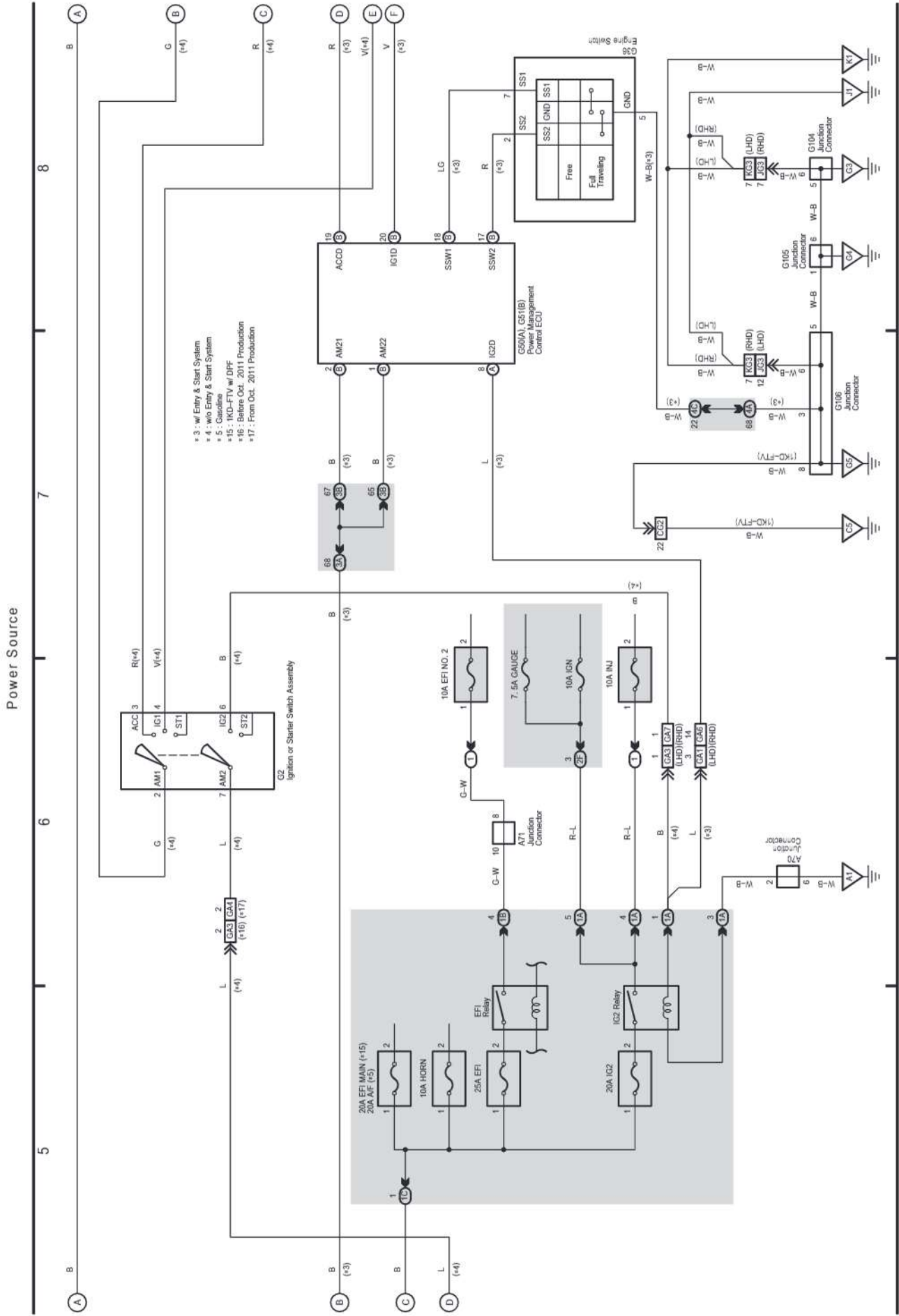


- \* 1 : Before Aug. 2013 Production LHD 1KD-FTV
- \* 2 : Before Aug. 2013 Production Except LHD 1KD-FTV
- \* 3 : w/ Entry & Start System
- \* 4 : w/o Entry & Start System
- \* 5 : Gasoline
- \* 6 : Diesel
- \* 14 : 1GR-FE, 2TR-FE
- \* 15 : 1KD-FTV w/ DFF
- \* 16 : 1KD-FTV w/o DFF
- \* 18 : China 2TR-FE
- \* 19 : China 2TR-FE
- \* 20 : Before Aug. 2013 Production
- \* 21 : After Aug. 2013 Production
- \* 22 : From Aug. 2013 Production 1GR-FE
- \* 23 : From Aug. 2013 Production 1KD-FTV
- \* 24 : From Aug. 2013 Production 1GR-FE
- \* 25 : From Aug. 2013 Production 2TR-FE, From Aug. 2013 Production 5L-E

# M OVERALL ELECTRICAL WIRING DIAGRAM

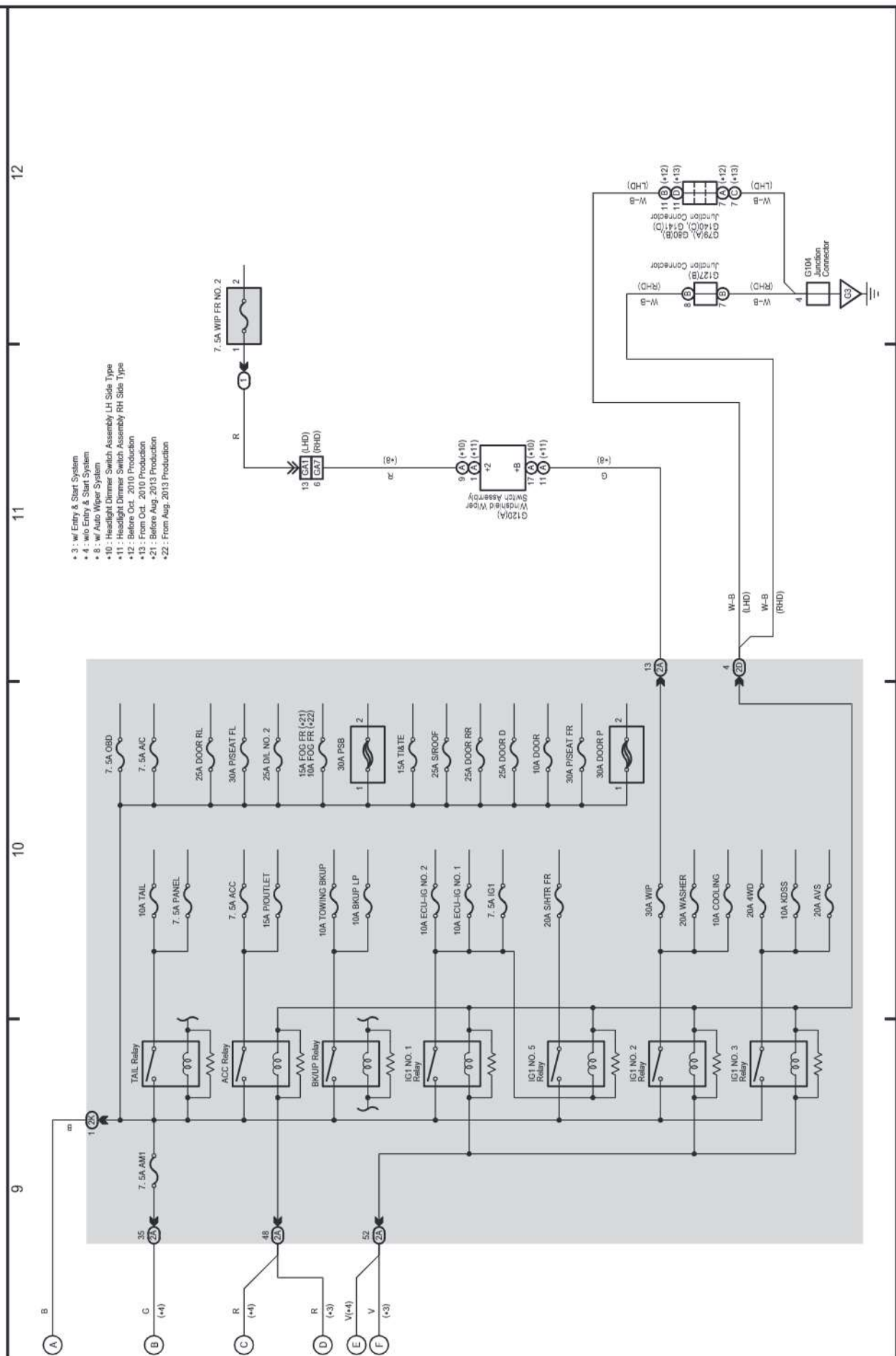
1 LAND CRUISER / LAND CRUISER PRADO (Cont'd)

(Cont. next page)



1 LAND CRUISER / LAND CRUISER PRADO (Cont'd)

Power Source

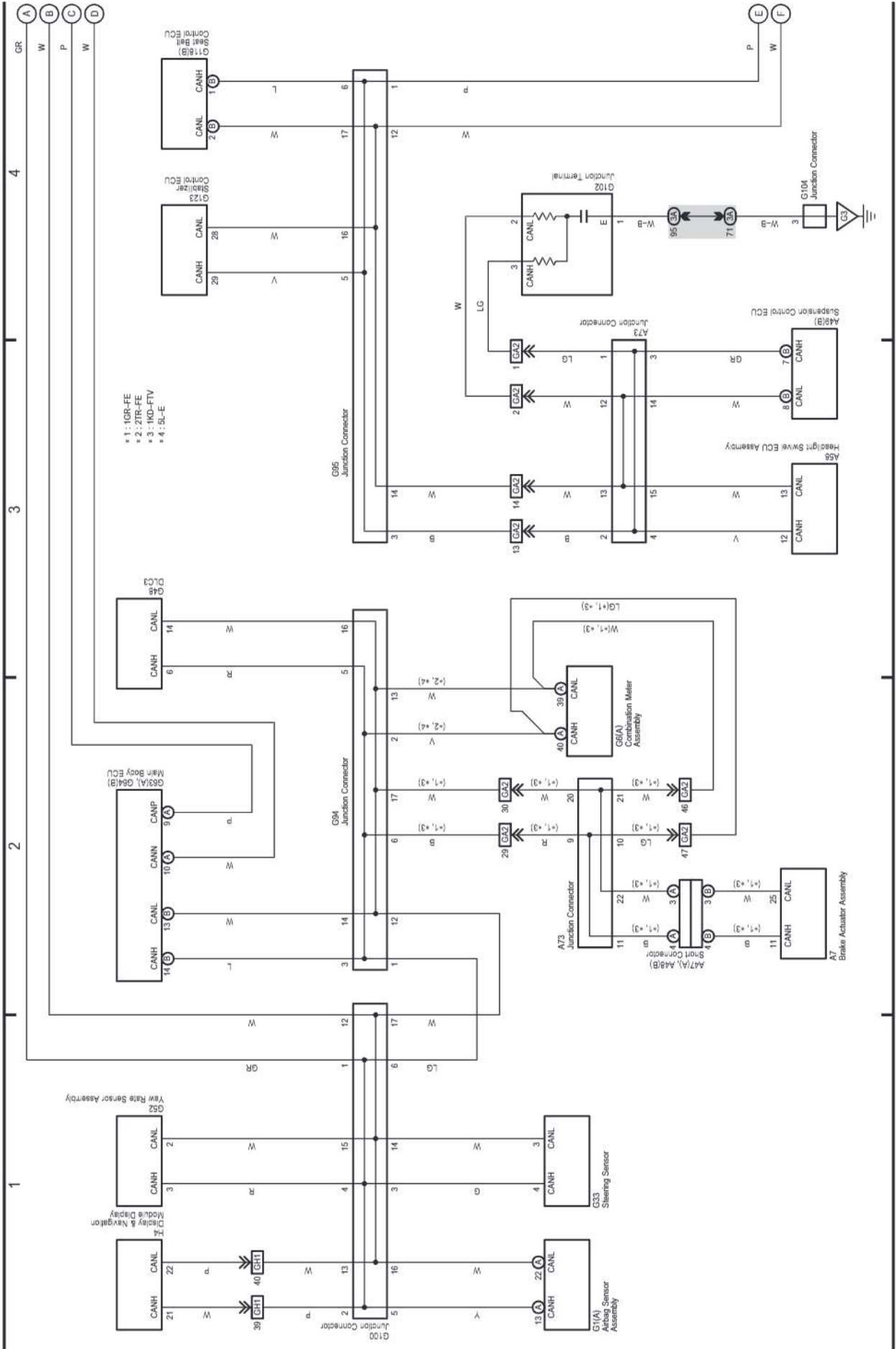


- 2 : w/ Entry & Start System
- 4 : w/ Entry & Start System
- 8 : w/ Auto Wiper System
- 10 : Headlight Dimmer Switch Assembly (LH Side Type)
- 11 : Headlight Dimmer Switch Assembly (RH Side Type)
- 12 : Before Oct. 2010 Production
- 13 : From Oct. 2010 Production
- 21 : Before Aug. 2013 Production
- 22 : From Aug. 2013 Production

(Cont. next page)

2 LAND CRUISER / LAND CRUISER PRADO

Multiplex Communication System (CAN LHD) (Before Aug. 2013 Production)



# M OVERALL ELECTRICAL WIRING DIAGRAM

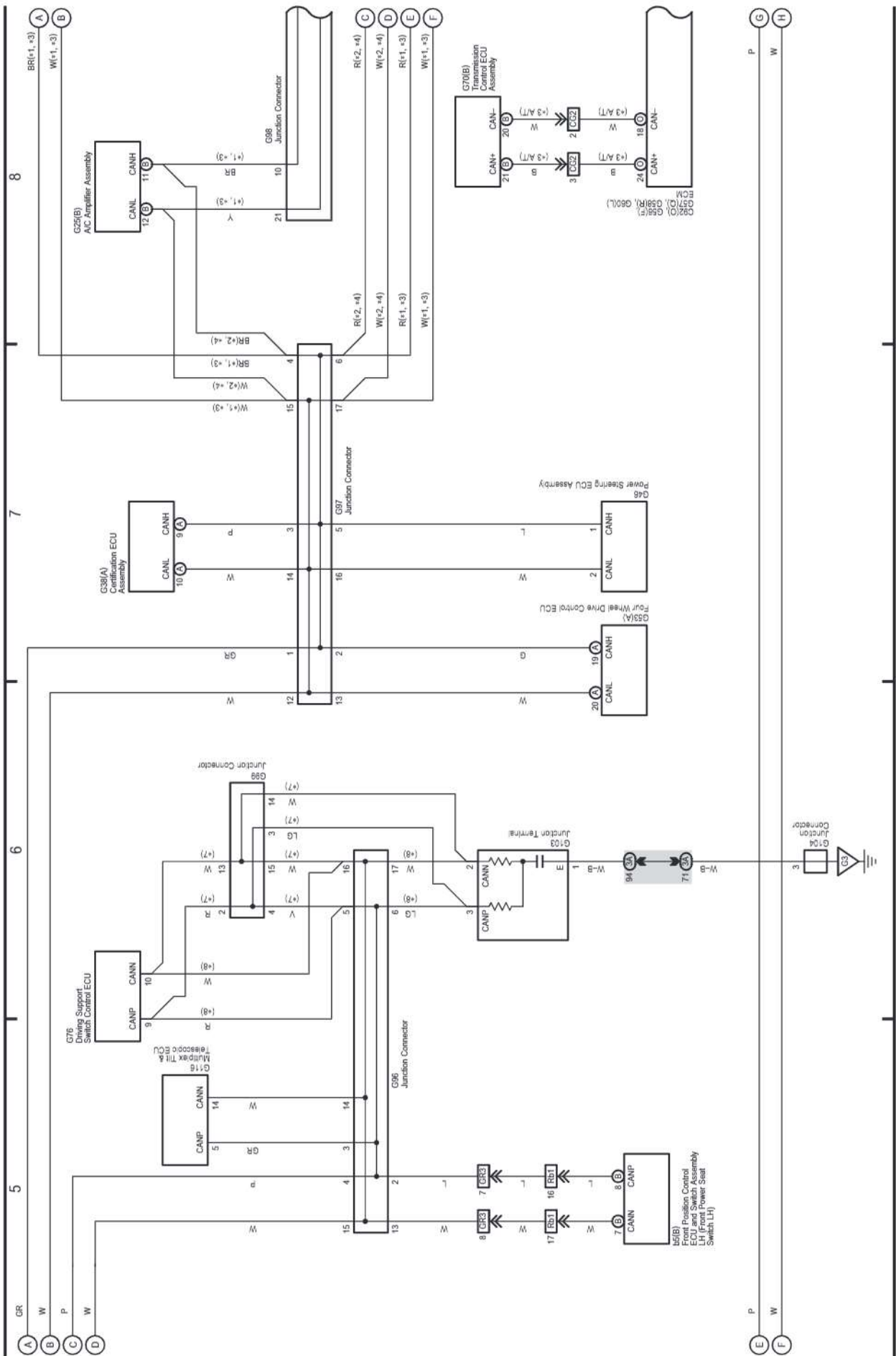
(Cont. next page)

2 LAND CRUISER / LAND CRUISER PRADO (Cont'd)

\* 1.: 1GR-FE  
 \* 2.: 2TR-FE  
 \* 3.: 1KD-FTV  
 \* 4.: 5L-E

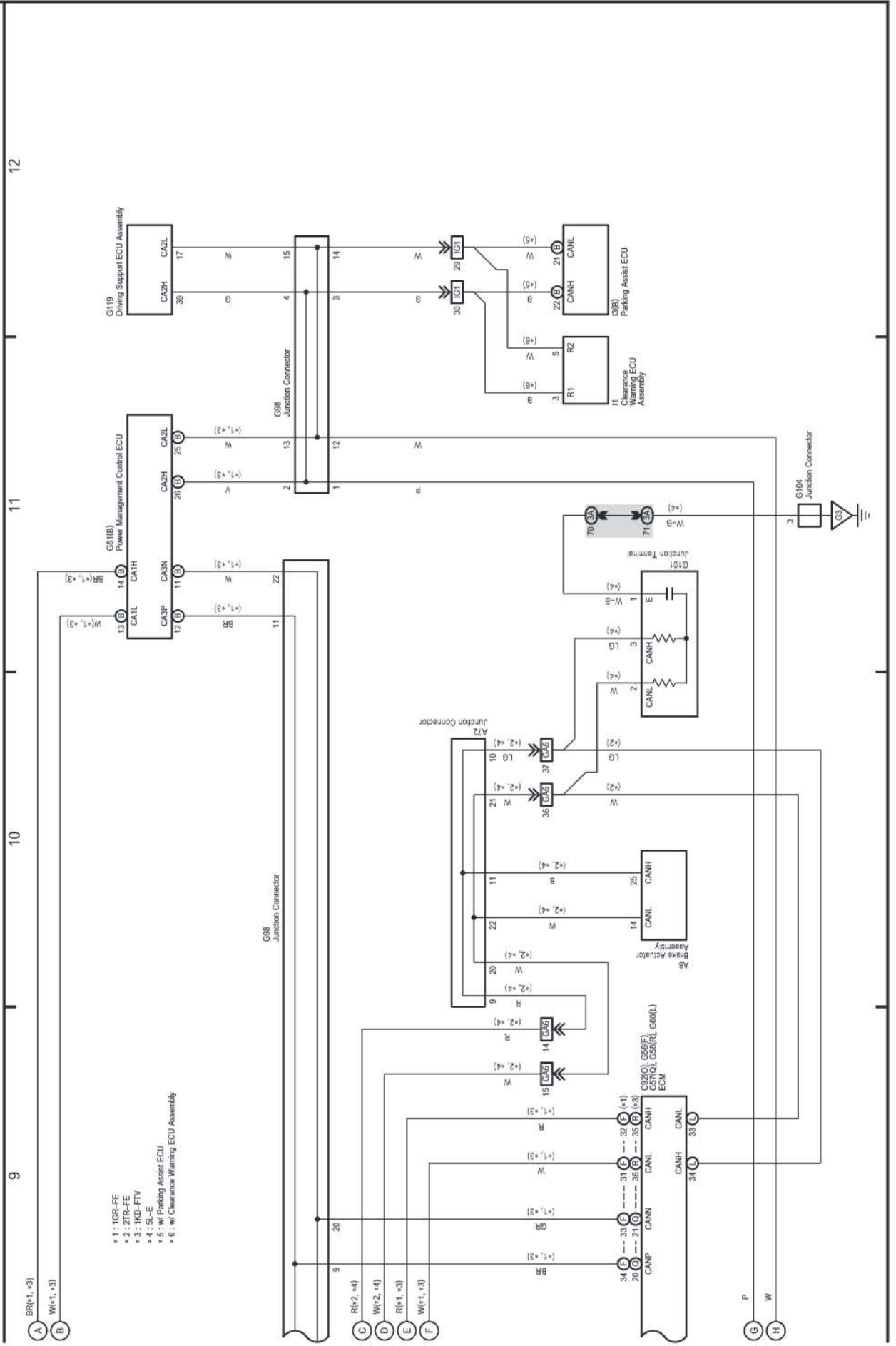
\* 7.: For production through approximately Jan. 2011  
 \* 8.: For production from approximately Jan. 2011

## Multiplex Communication System (CAN LHD) (Before Aug. 2013 Production)



2 LAND CRUISER / LAND CRUISER PRADO (Cont'd)

Multiplex Communication System (CAN LHD) (Before Aug. 2013 Production)

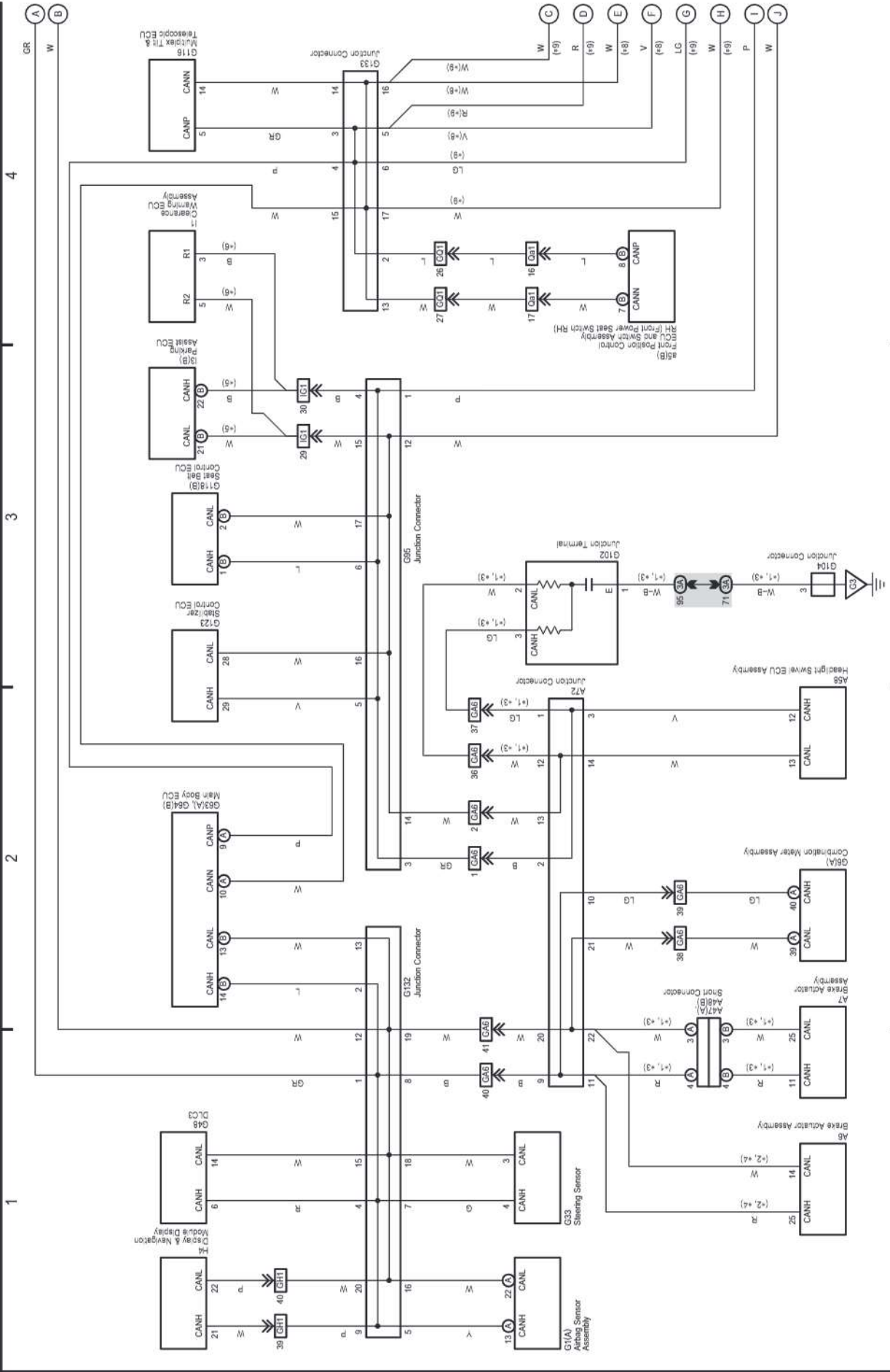


(Cont. next page)

3 LAND CRUISER / LAND CRUISER PRADO

- \* 1 : TGR-FE
- \* 2 : ZTR-FE
- \* 3 : HKD-FTV
- \* 4 : SL-E
- \* 5 : w/ Parking Assist ECU
- \* 6 : w/ Clearance Warning ECU Assembly
- \* 8 : For production through approximately Jan. 2011
- \* 9 : For production from approximately Jan. 2011

Multiplex Communication System (CAN RHD) (Before Aug. 2013 Production)

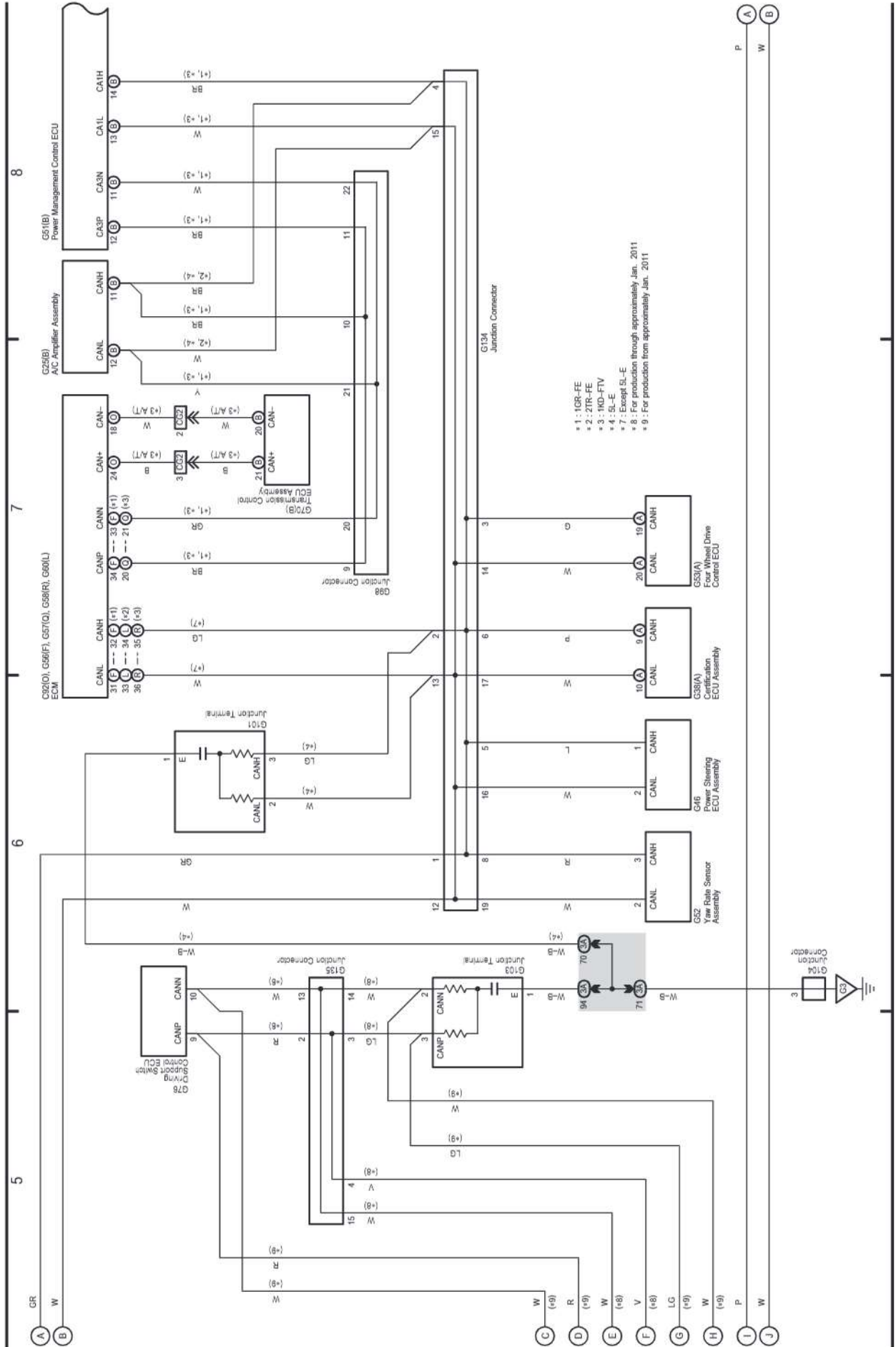


# M OVERALL ELECTRICAL WIRING DIAGRAM

3 LAND CRUISER / LAND CRUISER PRADO (Cont'd)

(Cont. next page)

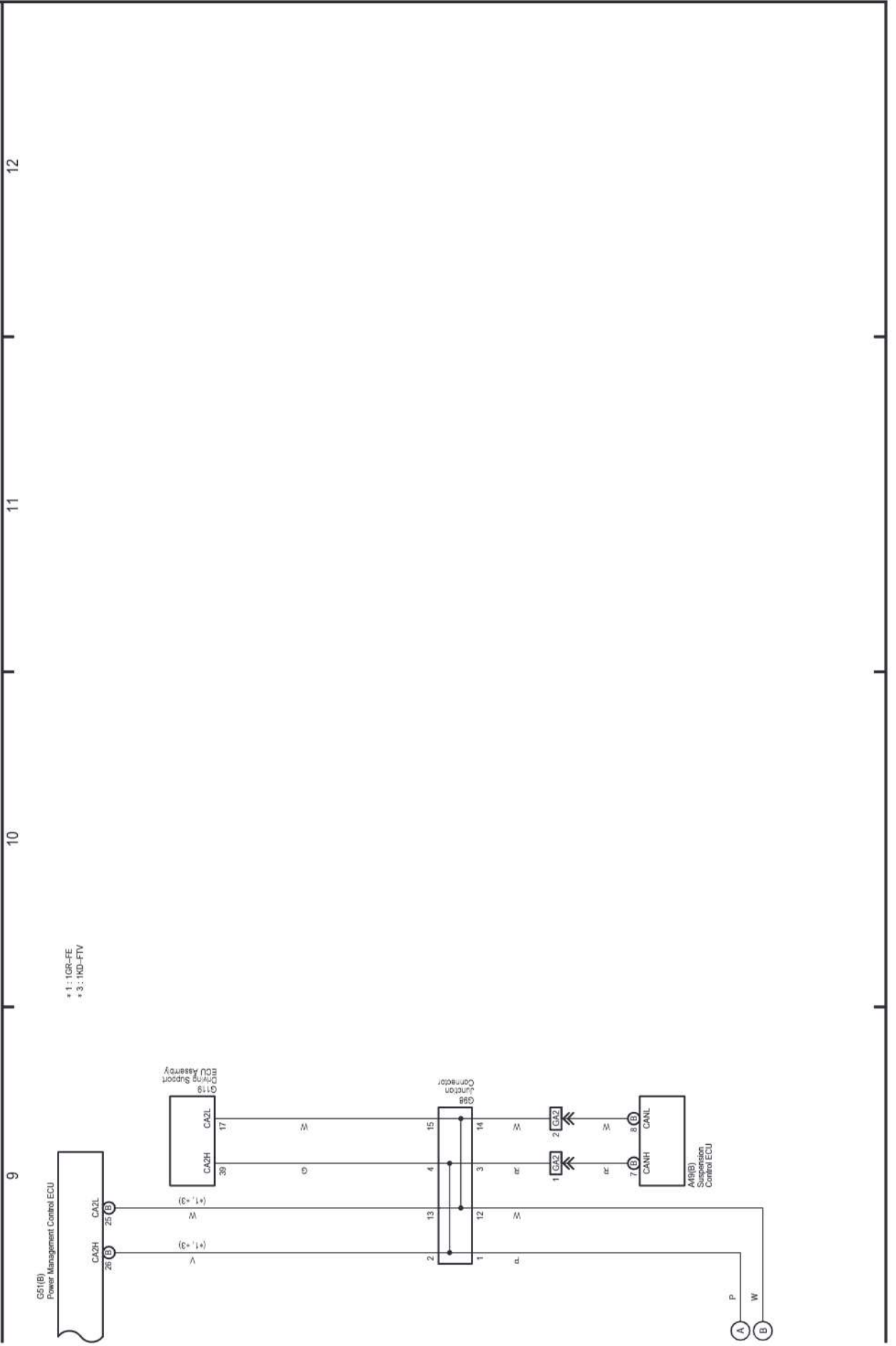
Multiplex Communication System (CAN RHD) (Before Aug. 2013 Production)





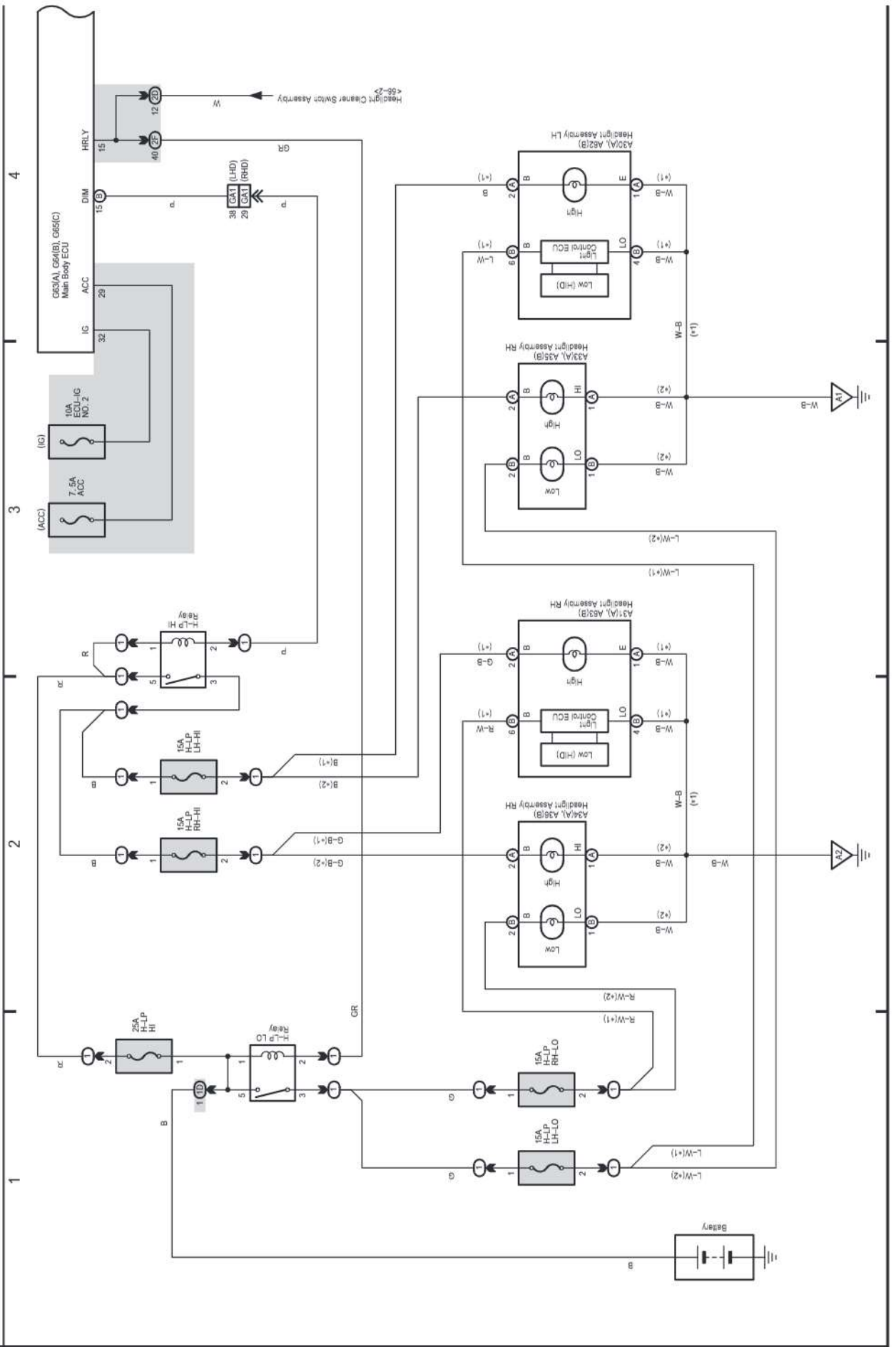
3 LAND CRUISER / LAND CRUISER PRADO (Cont'd)

Multiplex Communication System (CAN RHD) (Before Aug. 2013 Production)



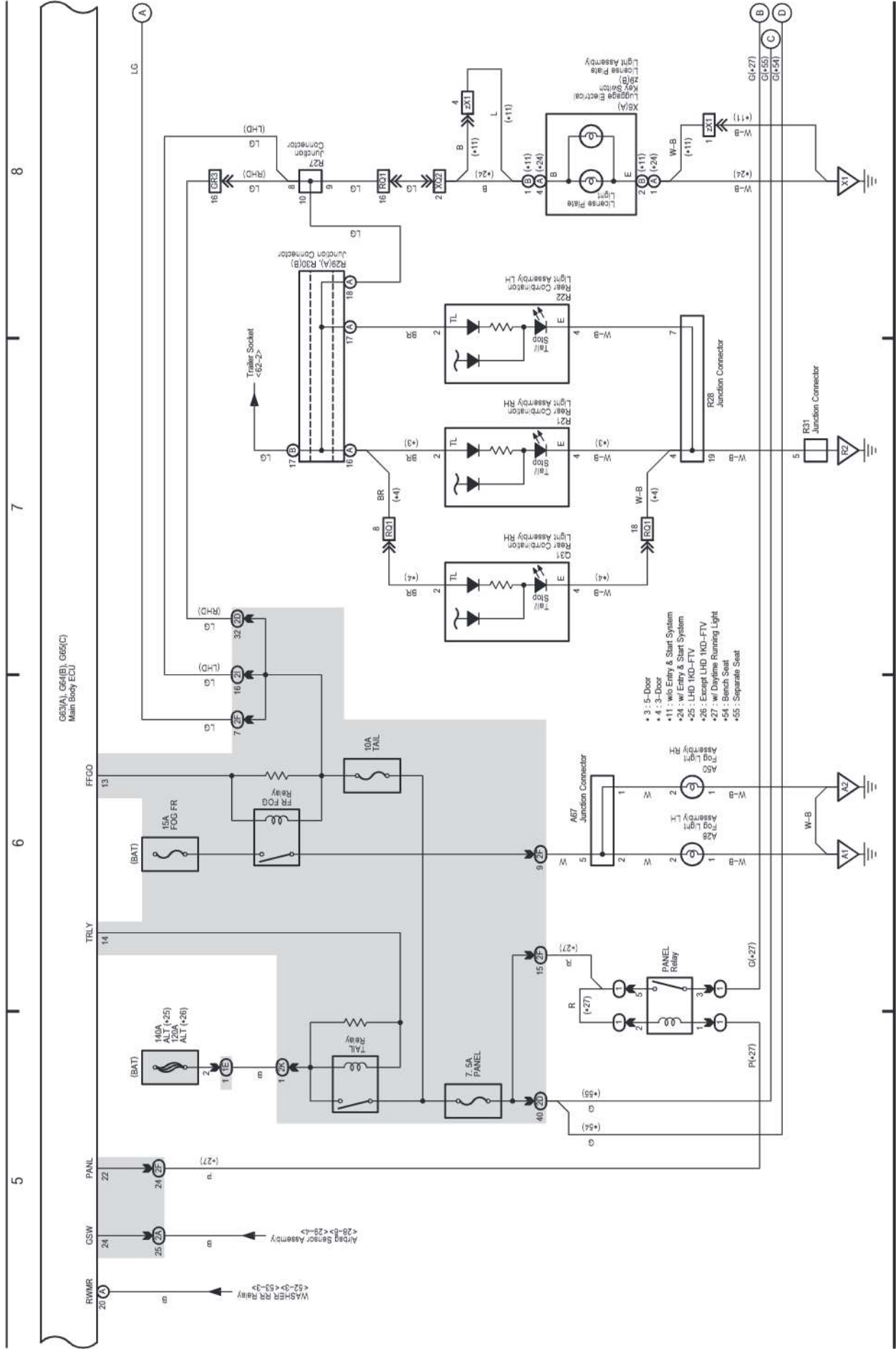
Multiplex Communication System (Body Control) (Before Aug. 2013 Production)

\* 1 : HID Type  
 \* 2 : Except HID Type



M OVERALL ELECTRICAL WIRING DIAGRAM

M Multiplex Communication System (Body Control) (Before Aug. 2013 Production)



- \*27 : w/ Daytime Running Light
- \*52 : Before Oct. 2010 Production
- \*53 : From Oct. 2010 Production
- \*1 : HID Type
- \*2 : Except HID Type
- \*3 : 5-Door
- \*4 : 3-Door
- \*54 : Bench Seat
- \*55 : Separate Seat

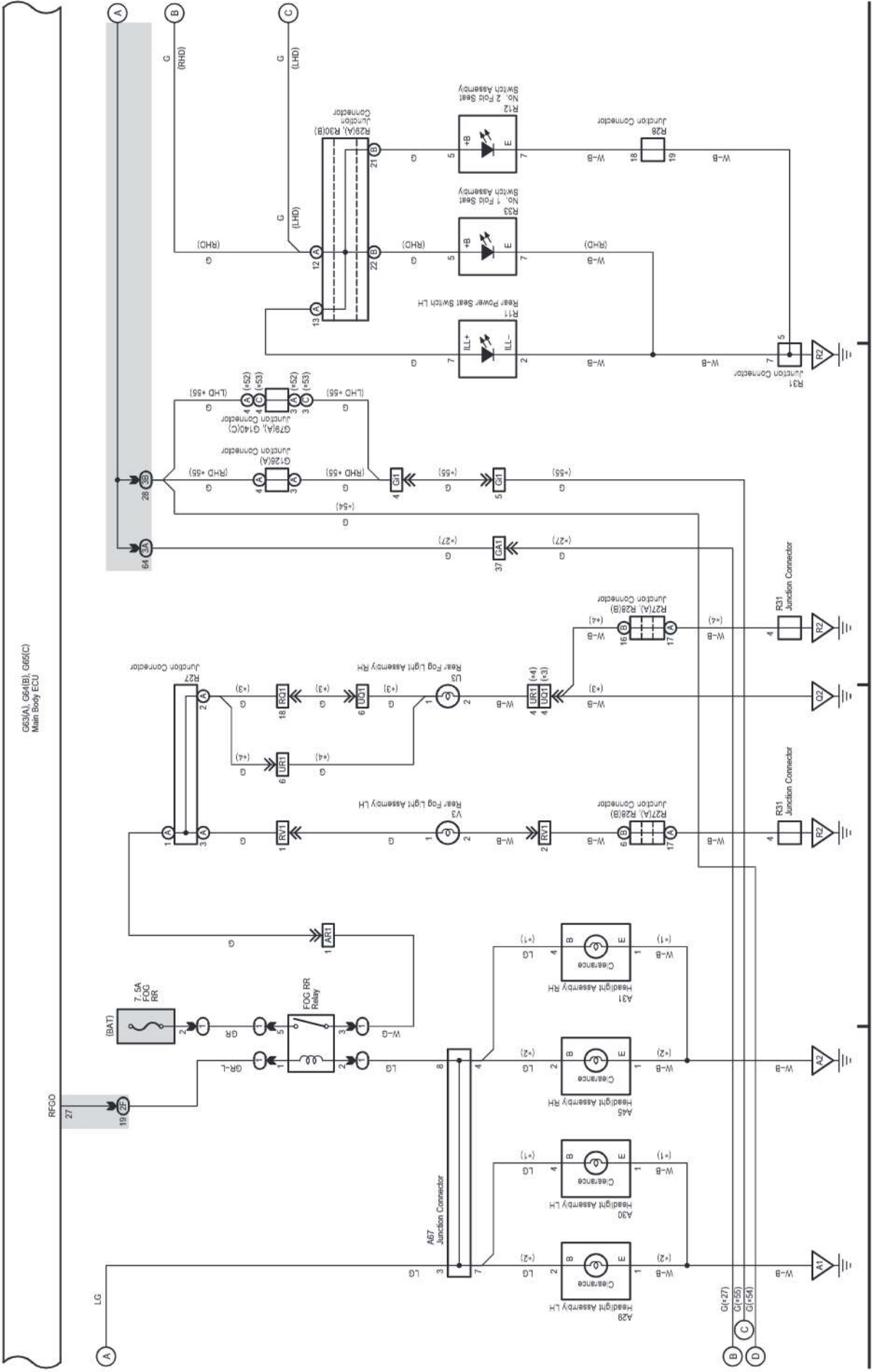
Multiplex Communication System (Body Control) (Before Aug. 2013 Production)

12

11

10

9



# M OVERALL ELECTRICAL WIRING DIAGRAM

4 LAND CRUISER / LAND CRUISER PRADO (Cont'd)

(Cont. next page)

\*29: w/ Clearance Warning Indicator Assembly  
 \*30: w/ Driving Support Switch Control ECU  
 \*52: Before Oct. 2010 Production  
 \*53: From Oct. 2010 Production

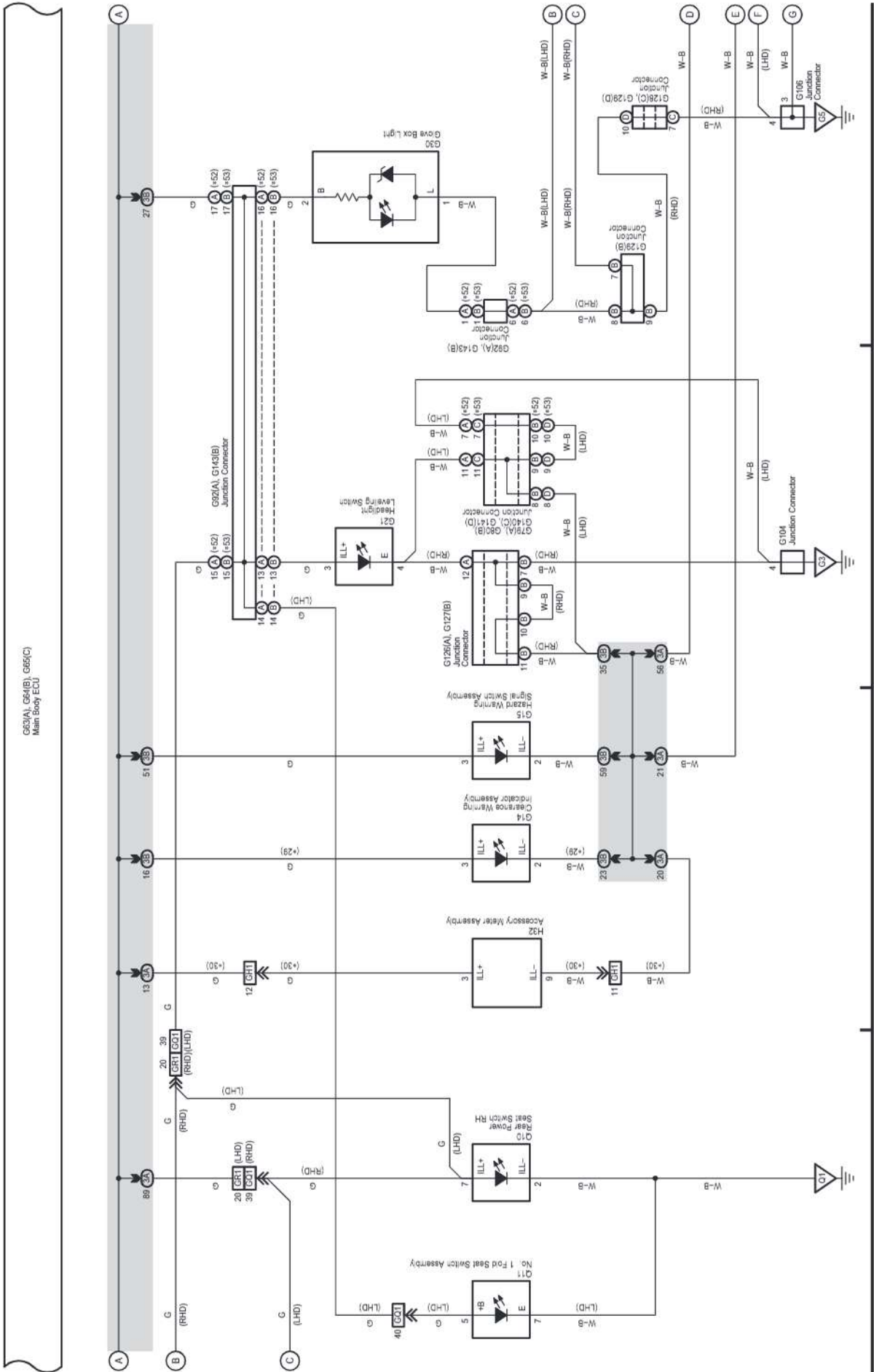
## M Multiplex Communication System (Body Control) (Before Aug. 2013 Production)

16

15

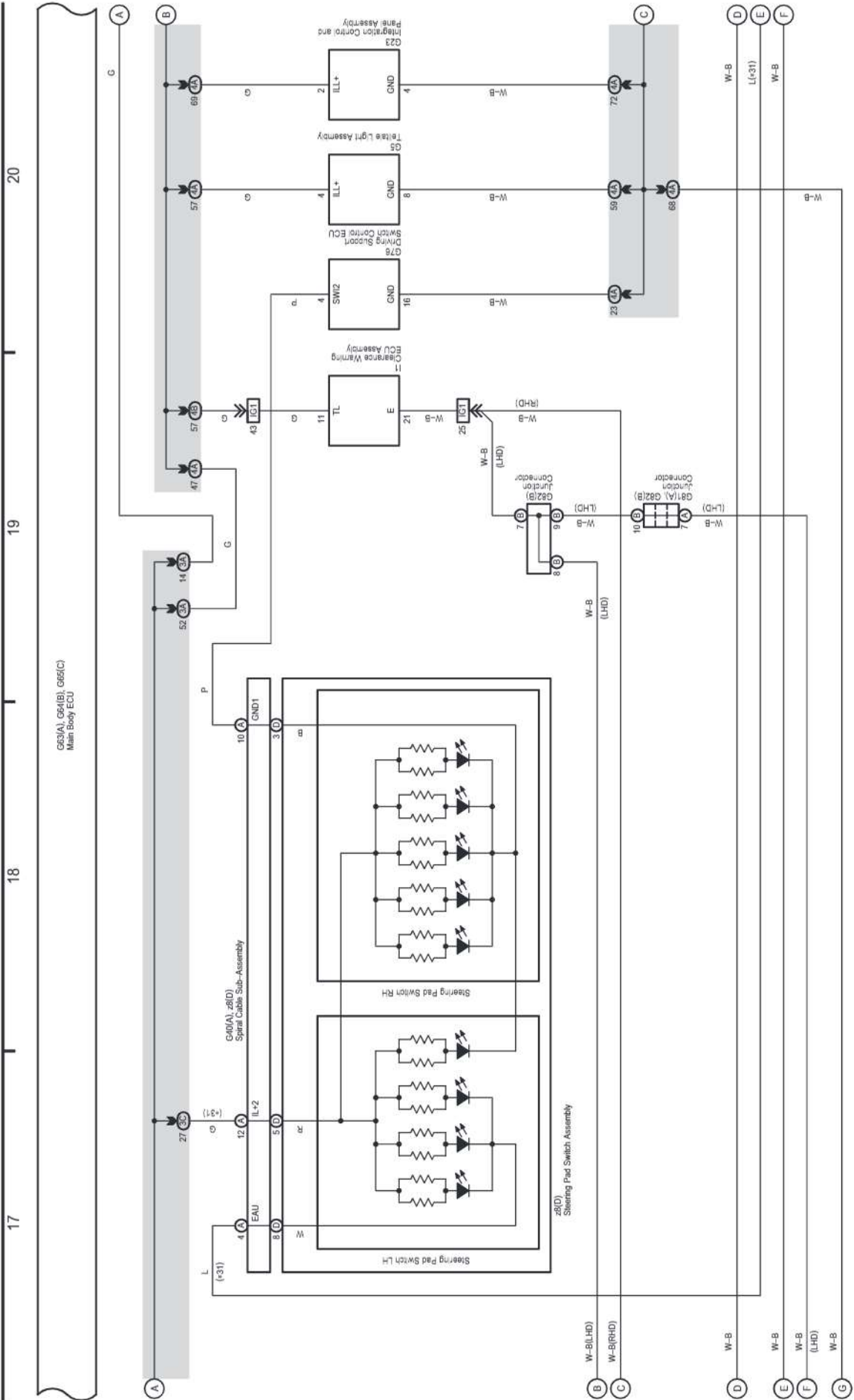
14

13



Multiplex Communication System (Body Control) (Before Aug. 2013 Production)

\*31: w/ Navigation System

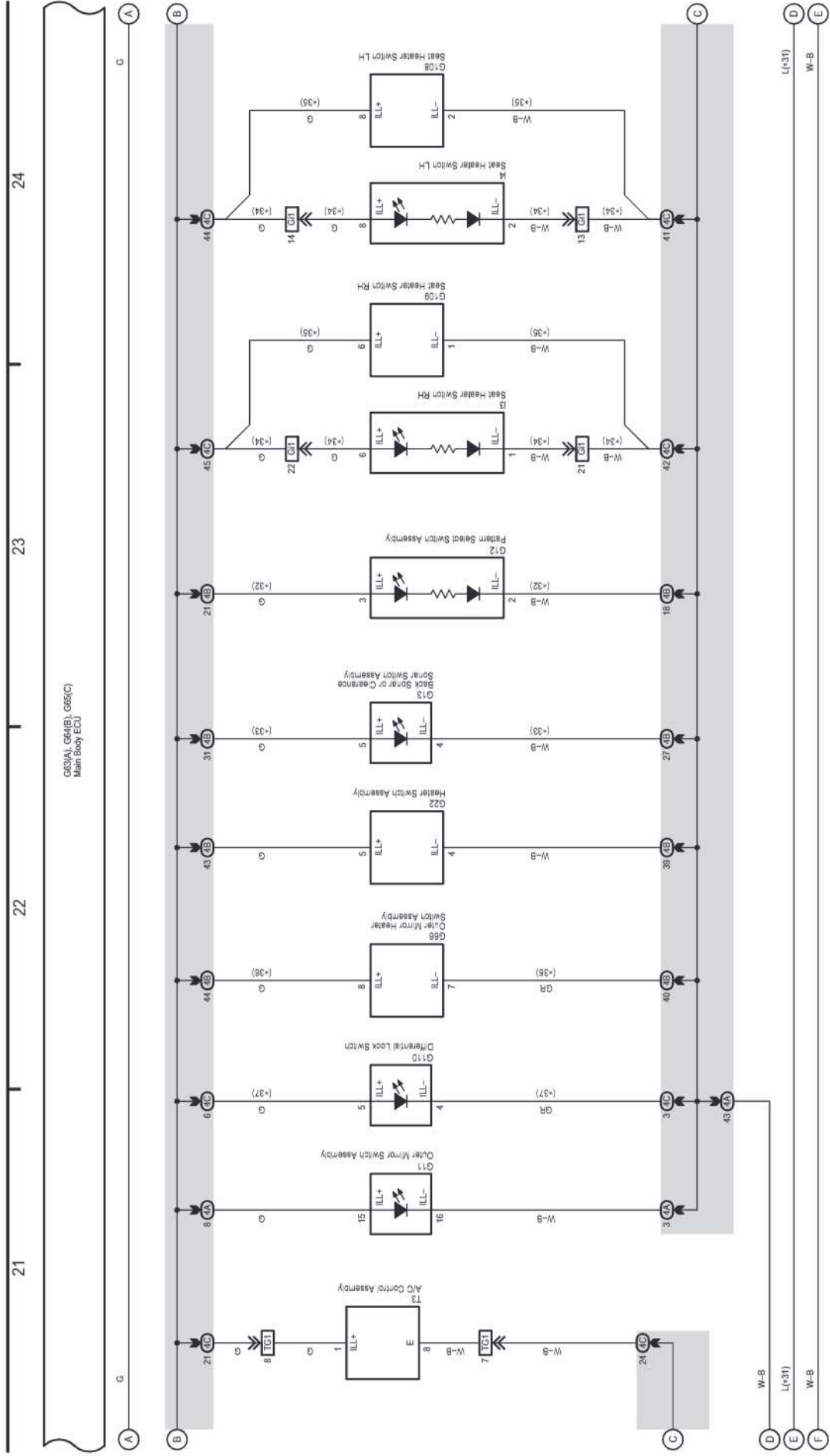


# M OVERALL ELECTRICAL WIRING DIAGRAM

(Cont. next page)

4 LAND CRUISER / LAND CRUISER PRADO (Cont'd)

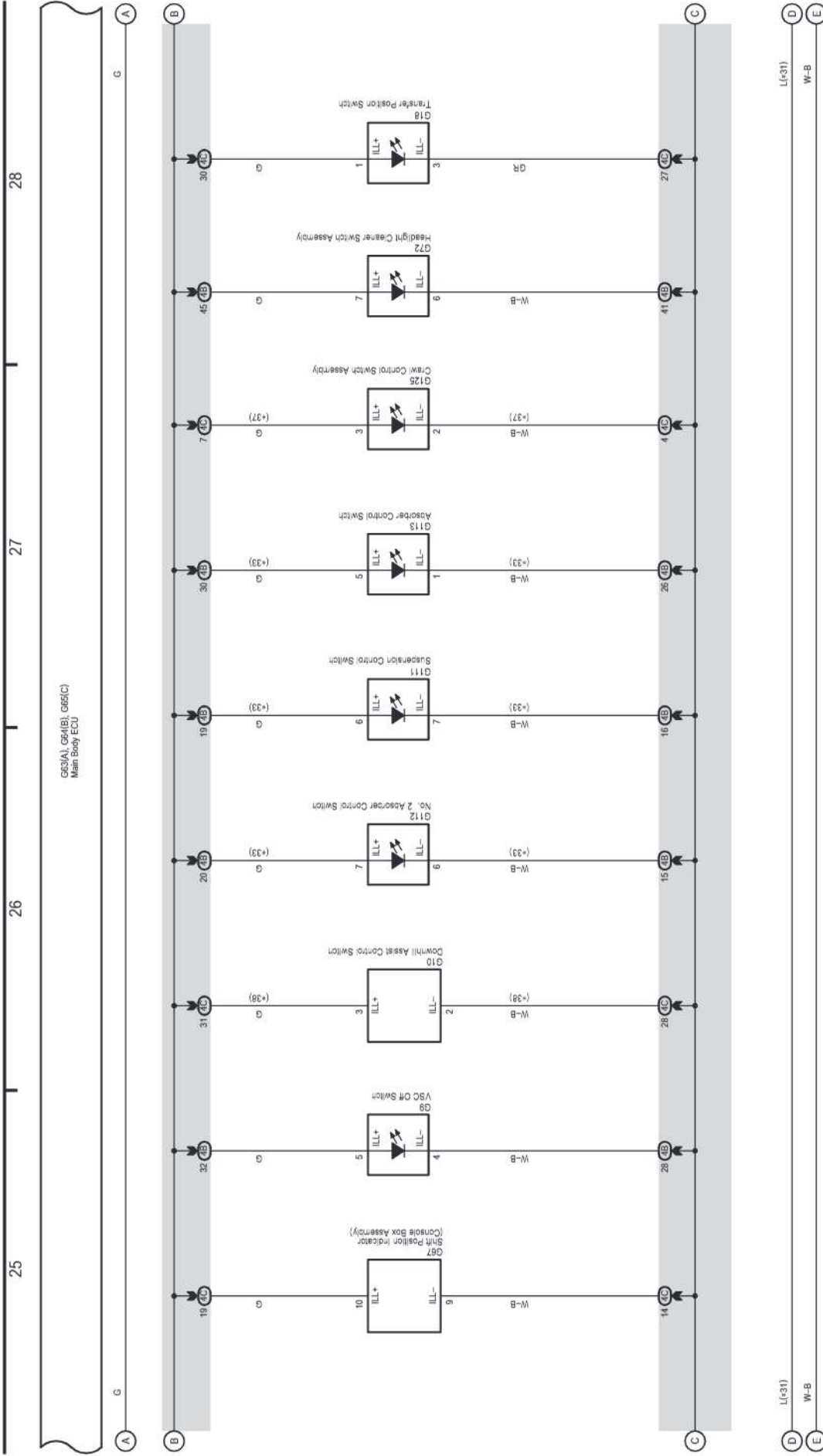
Multiplex Communication System (Body Control) (Before Aug. 2013 Production)



\*31 : w/ Navigation System  
 \*32 : w/ Pattern Select Switch Assembly  
 \*33 : w/ Electronic Modulated Air Suspension  
 \*34 : w/ Entry & Start System w/ Seat Heater  
 \*35 : w/ Entry & Start System w/ Seat Heater  
 \*36 : w/ Front Window Deicer  
 \*37 : w/ Rear Differential Lock

\*31: w/ Navigation System  
 \*33: w/ Electronic Modulated Air Suspension  
 \*37: w/ Rear Differential Lock  
 \*38: AT Except 2TR-FE

Multiplex Communication System (Body Control) (Before Aug. 2013 Production)







- \* 5 : Headlight Dimmer Switch Assembly LH Side Type
- \* 6 : Headlight Dimmer Switch Assembly RH Side Type
- \* 27 : w/ Daytime Running Light
- \* 28 : w/o Daytime Running Light

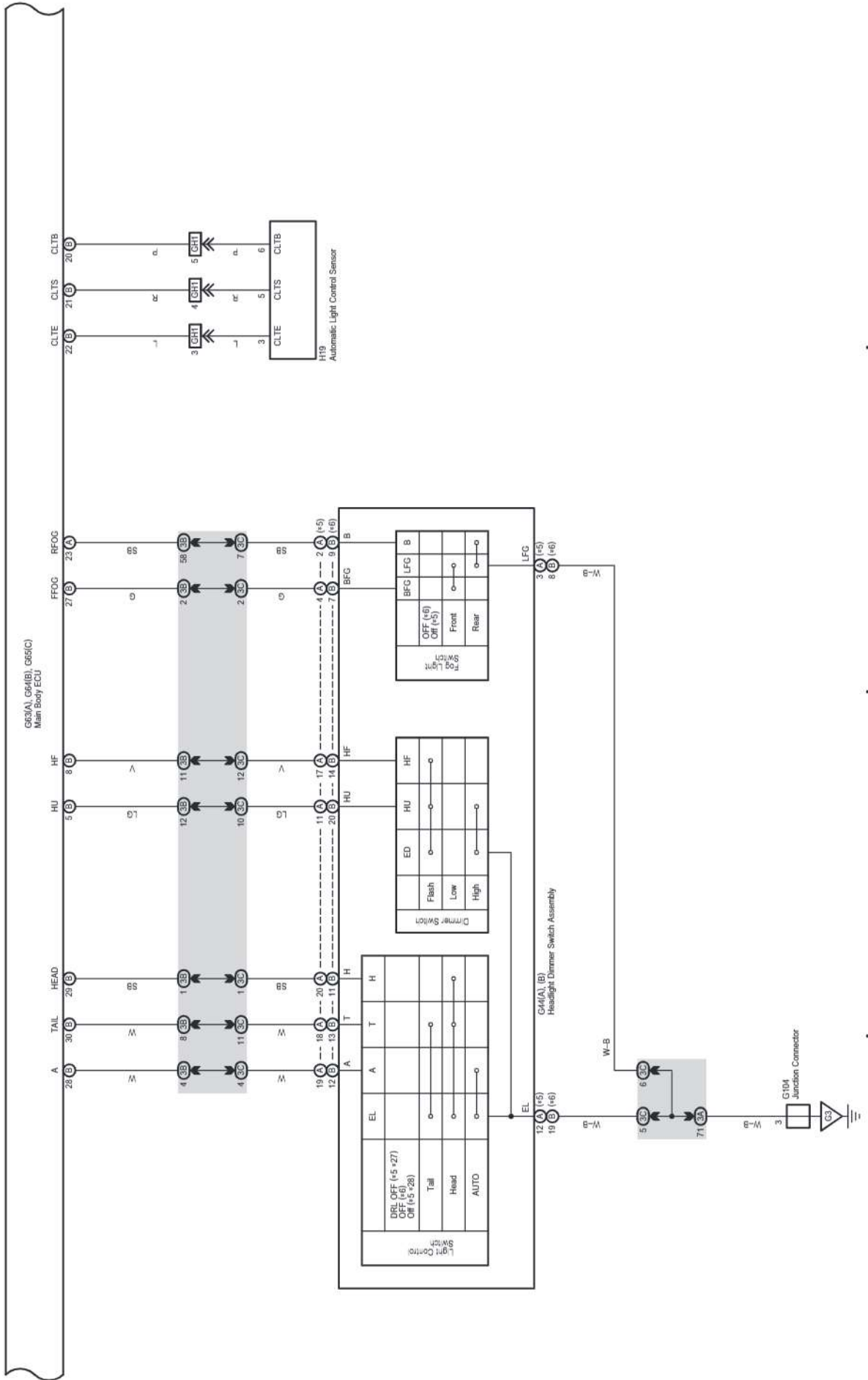
Multiplex Communication System (Body Control) (Before Aug. 2013 Production)

36

35

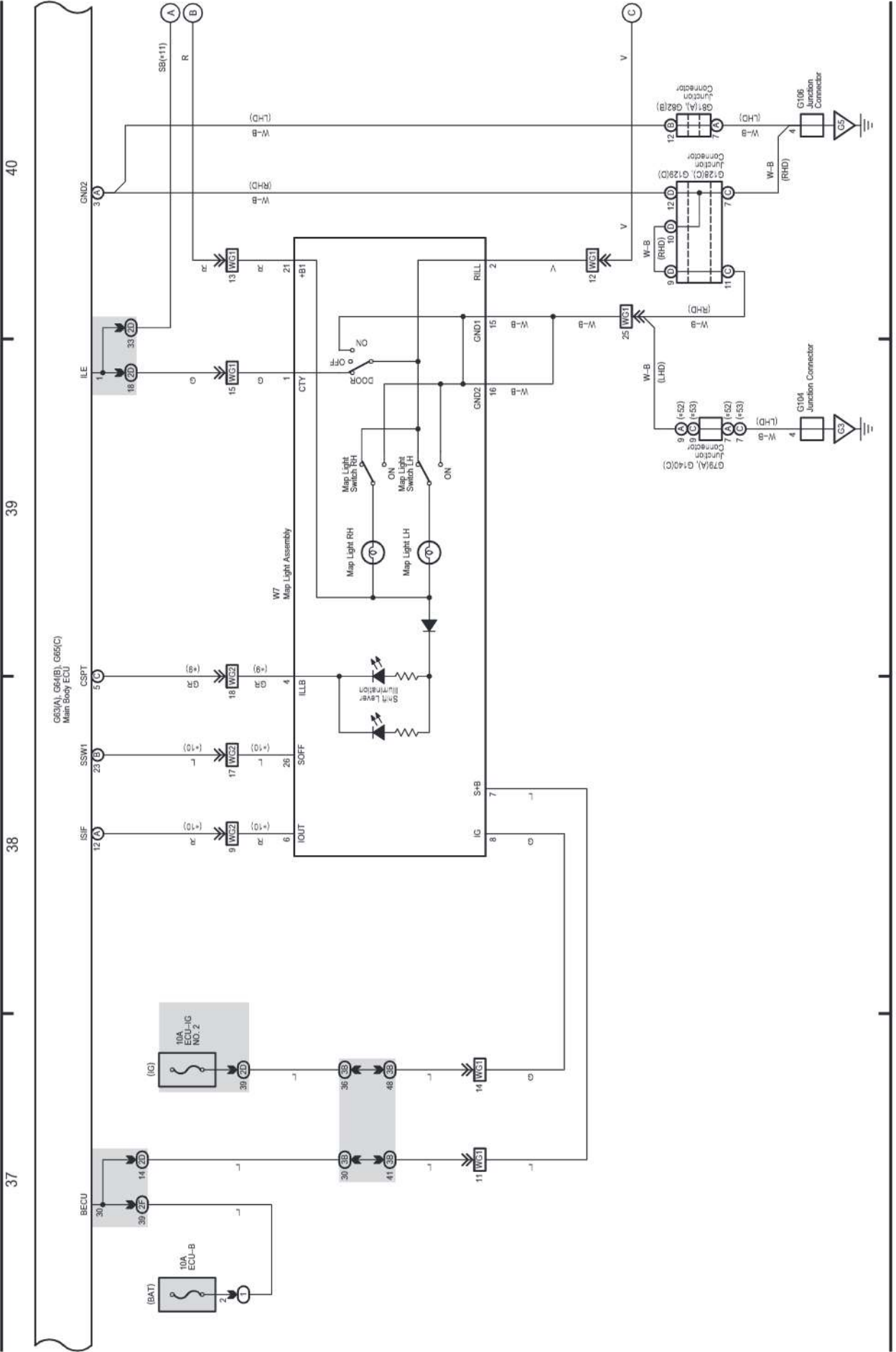
34

33



Multiplex Communication System (Body Control) (Before Aug. 2013 Production)

\* 9 : w/ Automatic Clare-Resistant EC Mirror  
 \*10 : w/ Theft Warning Siren Assembly  
 \*11 : w/o Entry & Start System  
 \*52 : Before Oct. 2010 Production  
 \*53 : From Oct. 2010 Production



(Cont. next page)

4 LAND CRUISER / LAND CRUISER PRADO (Cont'd)

- \*11: w/o Entry & Start System
- \*12: w/ Reading Light
- \*13: w/o Reading Light
- \*14: w/ Reading Light 5-Door Except Rear No. 2 Seat
- \*15: w/ Reading Light 5-Door Rear No. 2 Seat

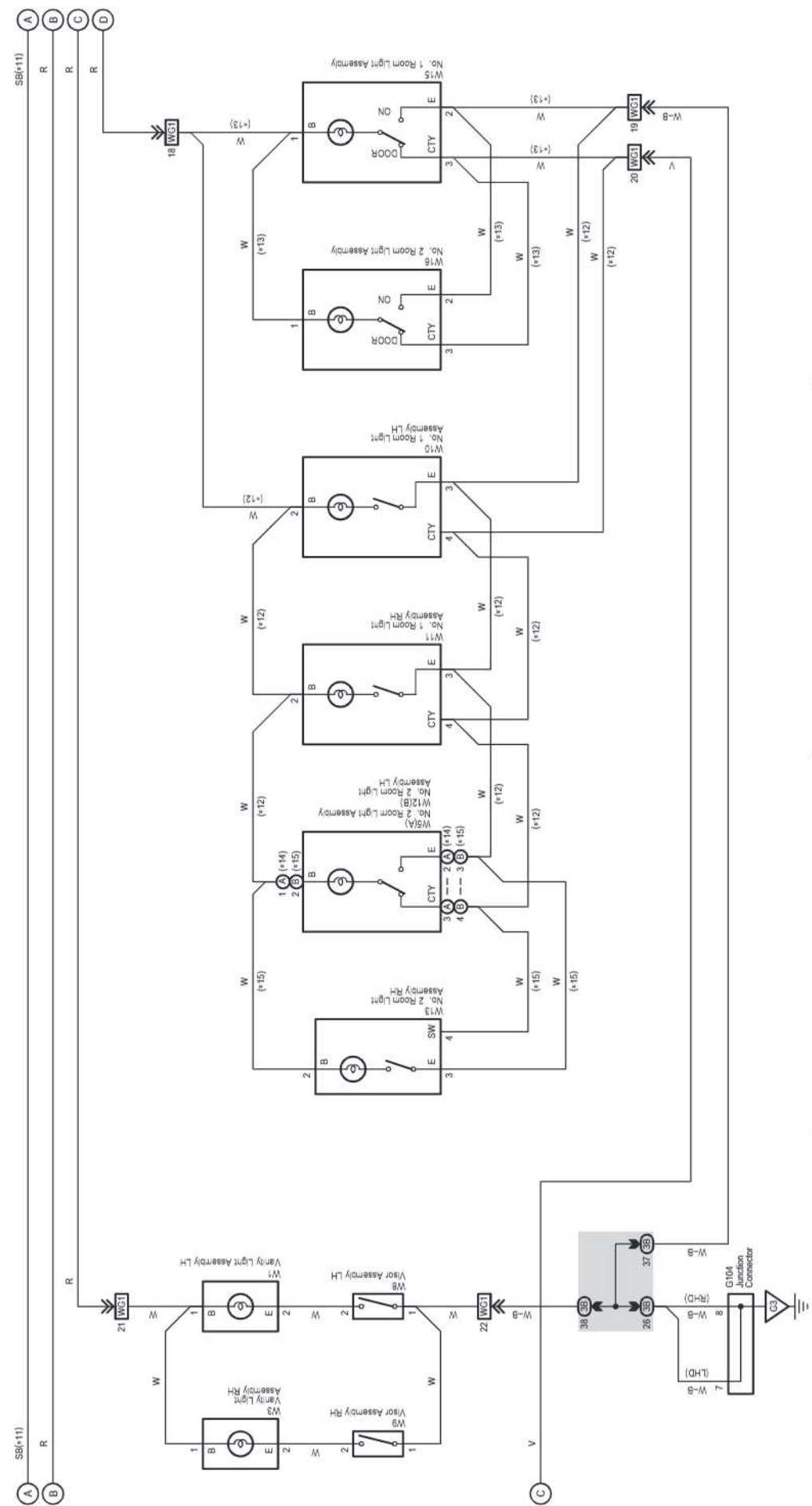
Multiplex Communication System (Body Control) (Before Aug. 2013 Production)

44

43

42

41



# M OVERALL ELECTRICAL WIRING DIAGRAM

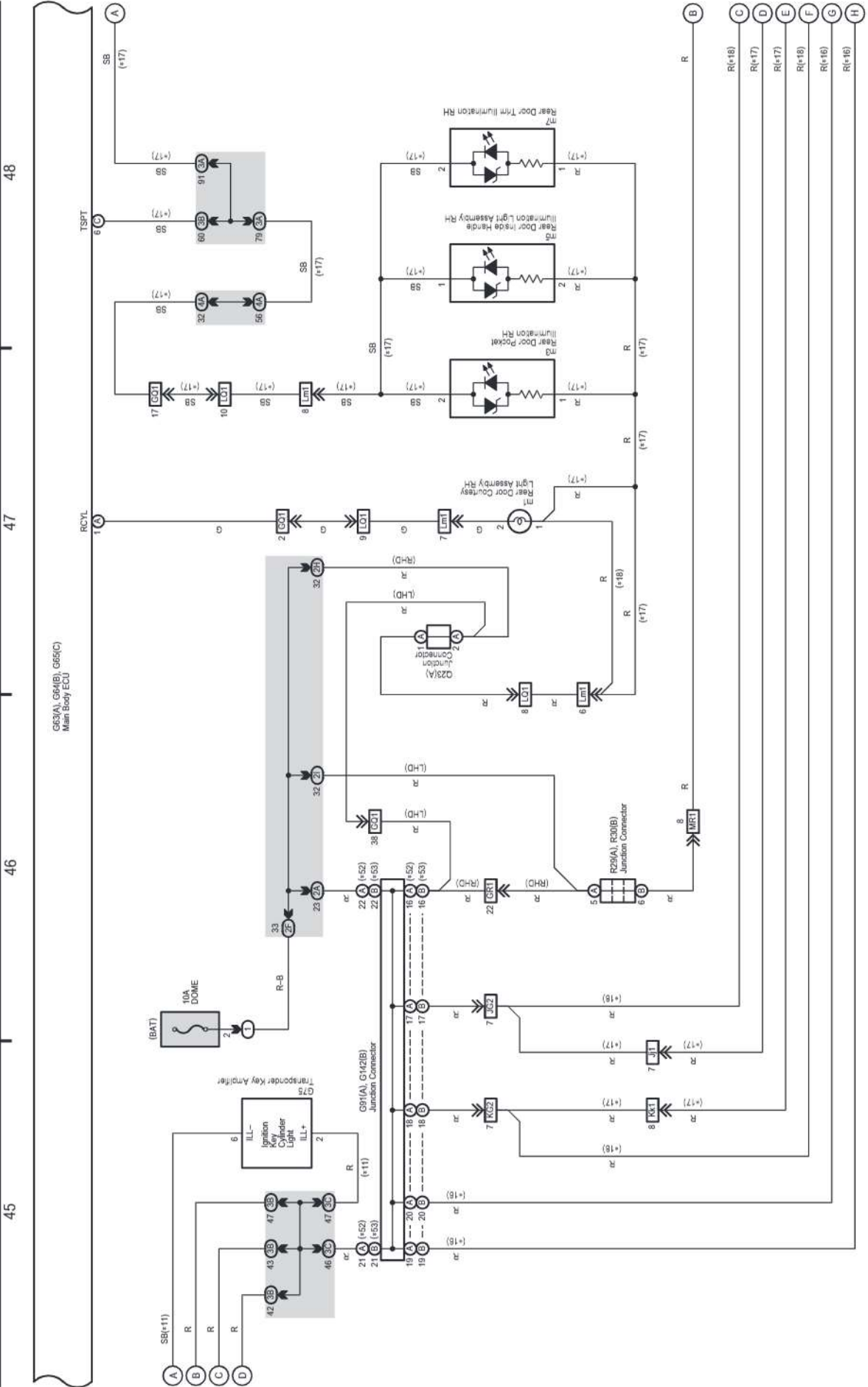
4 LAND CRUISER / LAND CRUISER PRADO (Cont'd)

(Cont. next page)

\*18 : w/o Door Pocket Illumination  
\*52 : Before Oct. 2010 Production  
\*53 : From Oct. 2010 Production

\*11 : w/o Entry & Start System  
\*16 : w/ Foot Light  
\*17 : w/ Door Pocket Illumination

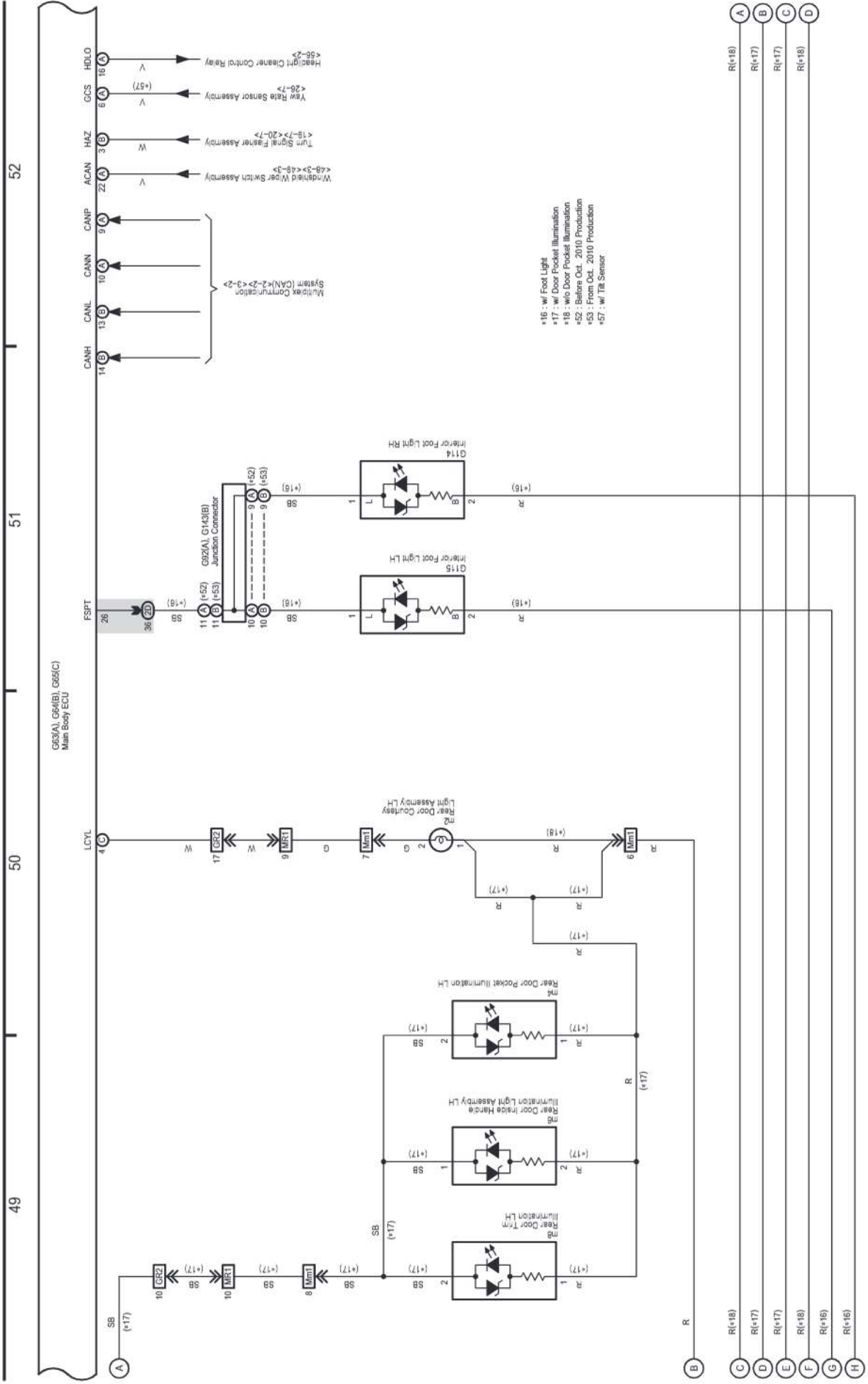
Multiplex Communication System (Body Control) (Before Aug. 2013 Production)



(Cont. next page)

4 LAND CRUISER / LAND CRUISER PRADO (Cont'd)

Multiplex Communication System (Body Control) (Before Aug. 2013 Production)



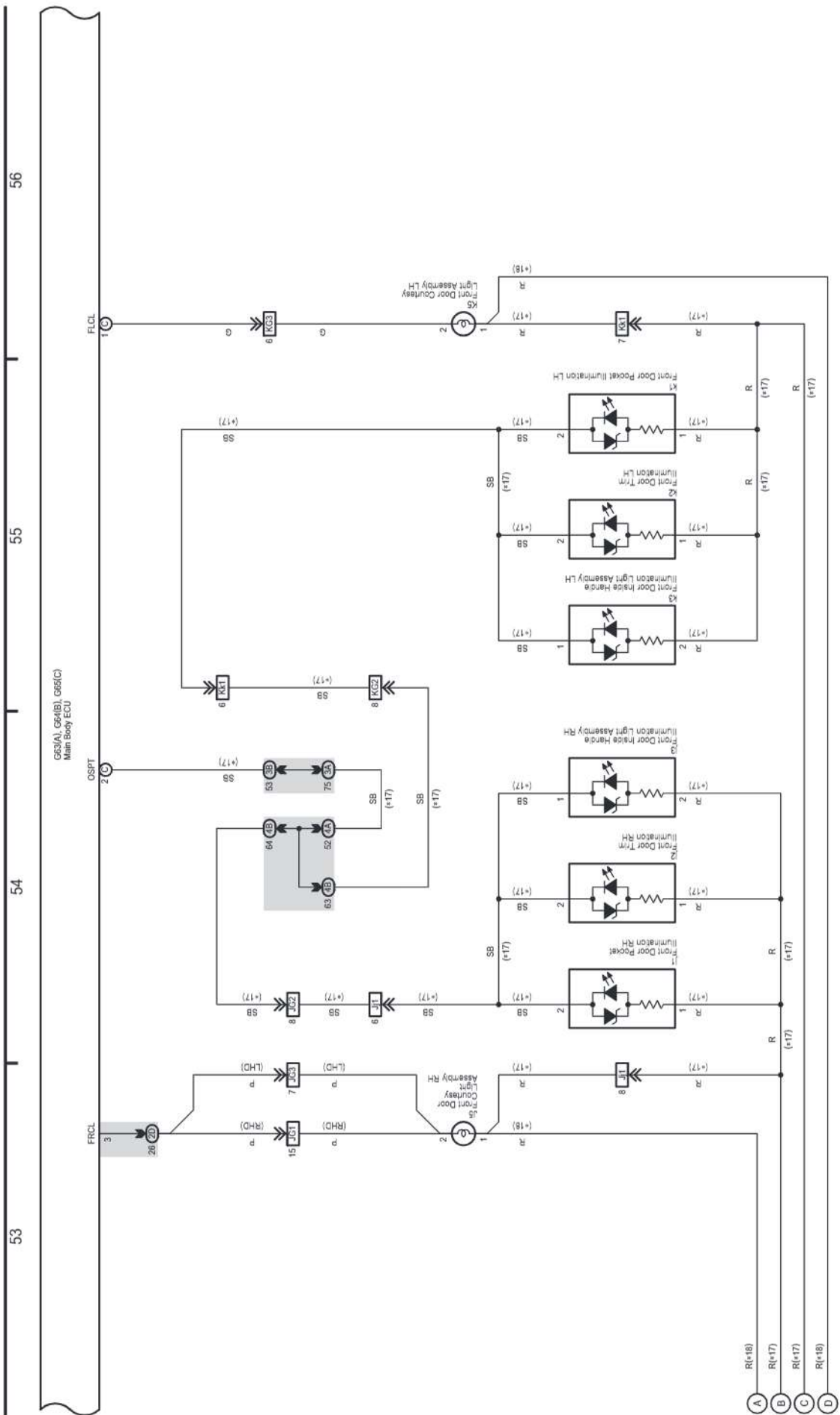
# M OVERALL ELECTRICAL WIRING DIAGRAM

(Cont. next page)

4 LAND CRUISER / LAND CRUISER PRADO (Cont'd)

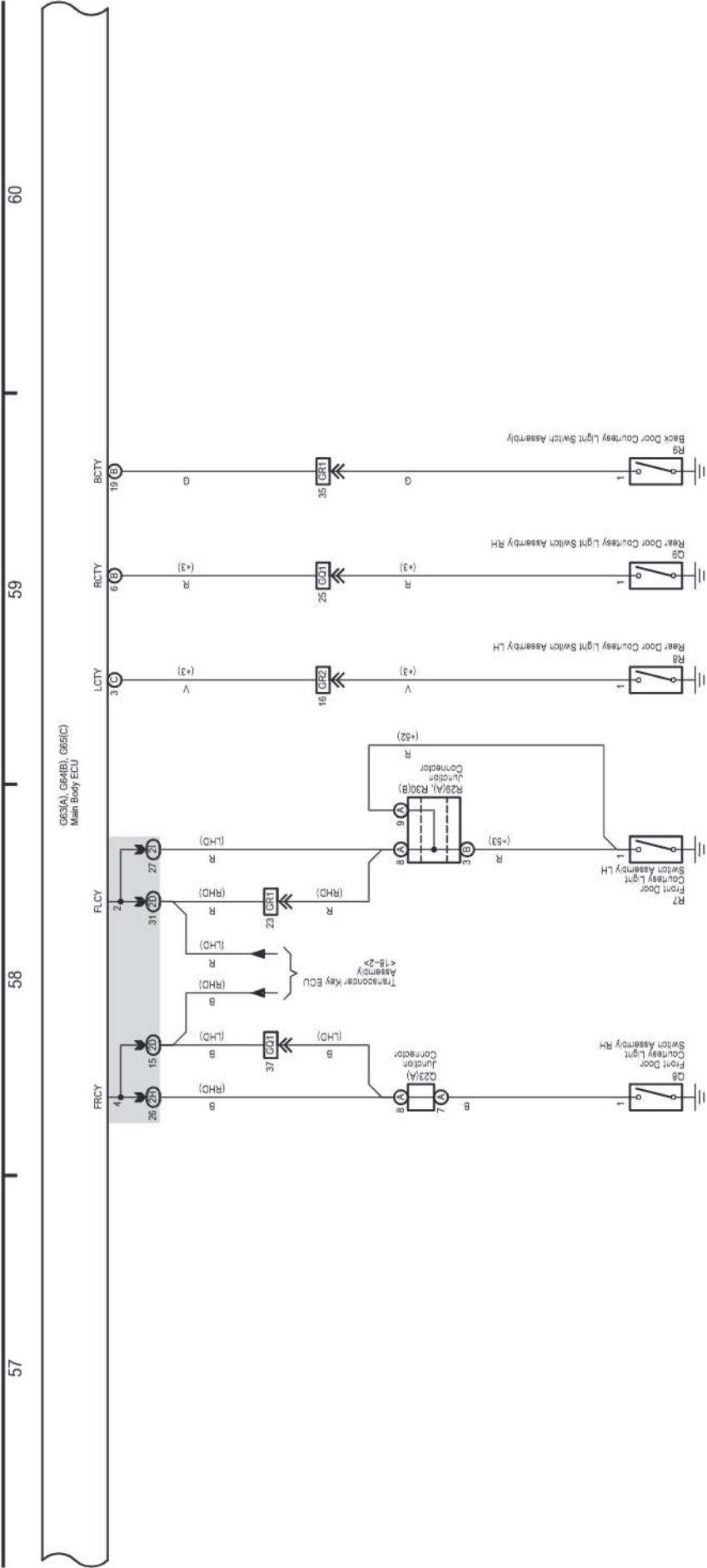
Multiplex Communication System (Body Control) (Before Aug. 2013 Production)

\*17 : w/ Door Pocket Illumination  
\*18 : w/o Door Pocket Illumination



\*3 : 5-Door  
 \*52 : Before Oct. 2010 Production  
 \*53 : From Oct. 2010 Production

Multiplex Communication System (Body Control) (Before Aug. 2013 Production)



57

58

59

60



Multiplex Communication System (Body Control) (Before Aug. 2013 Production)

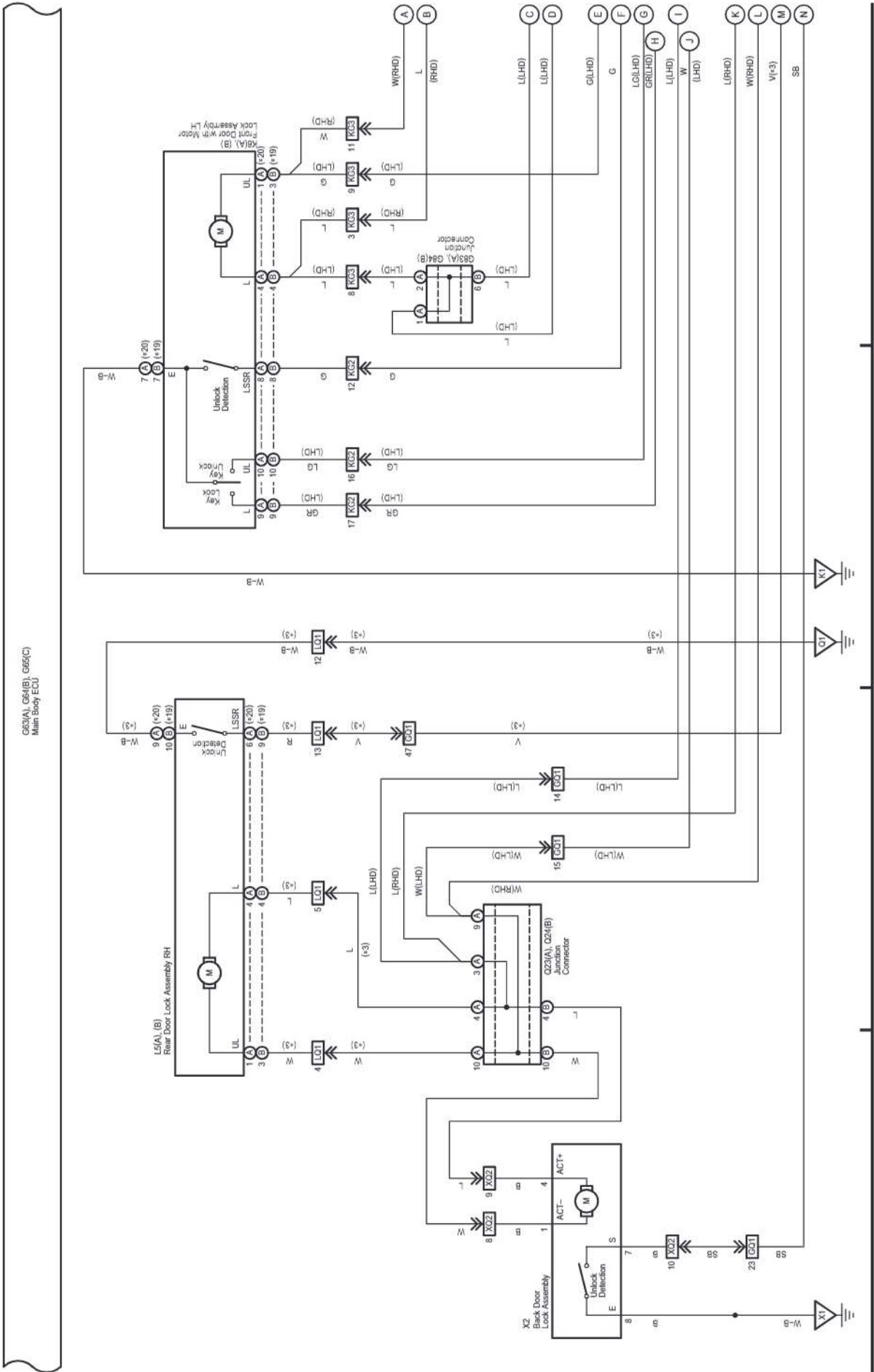
\* 3 : 5-Door  
+19 : w/ Double Locking  
+20 : w/o Double Locking

61

62

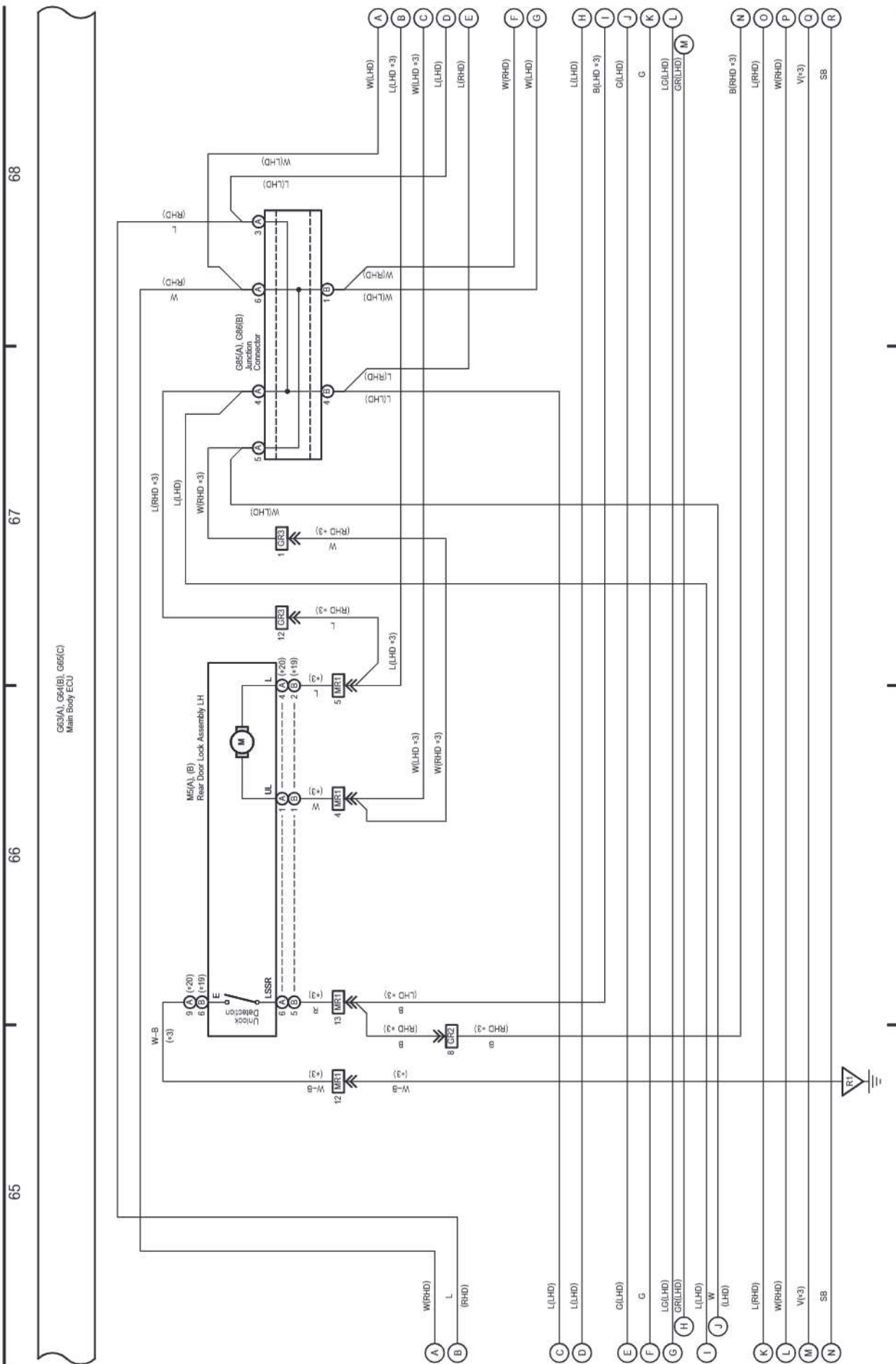
63

64



Multiplex Communication System (Body Control) (Before Aug. 2013 Production)

\* 3 : 5-Door  
\* 19 : w/ Double Locking  
\* 20 : w/o Double Locking



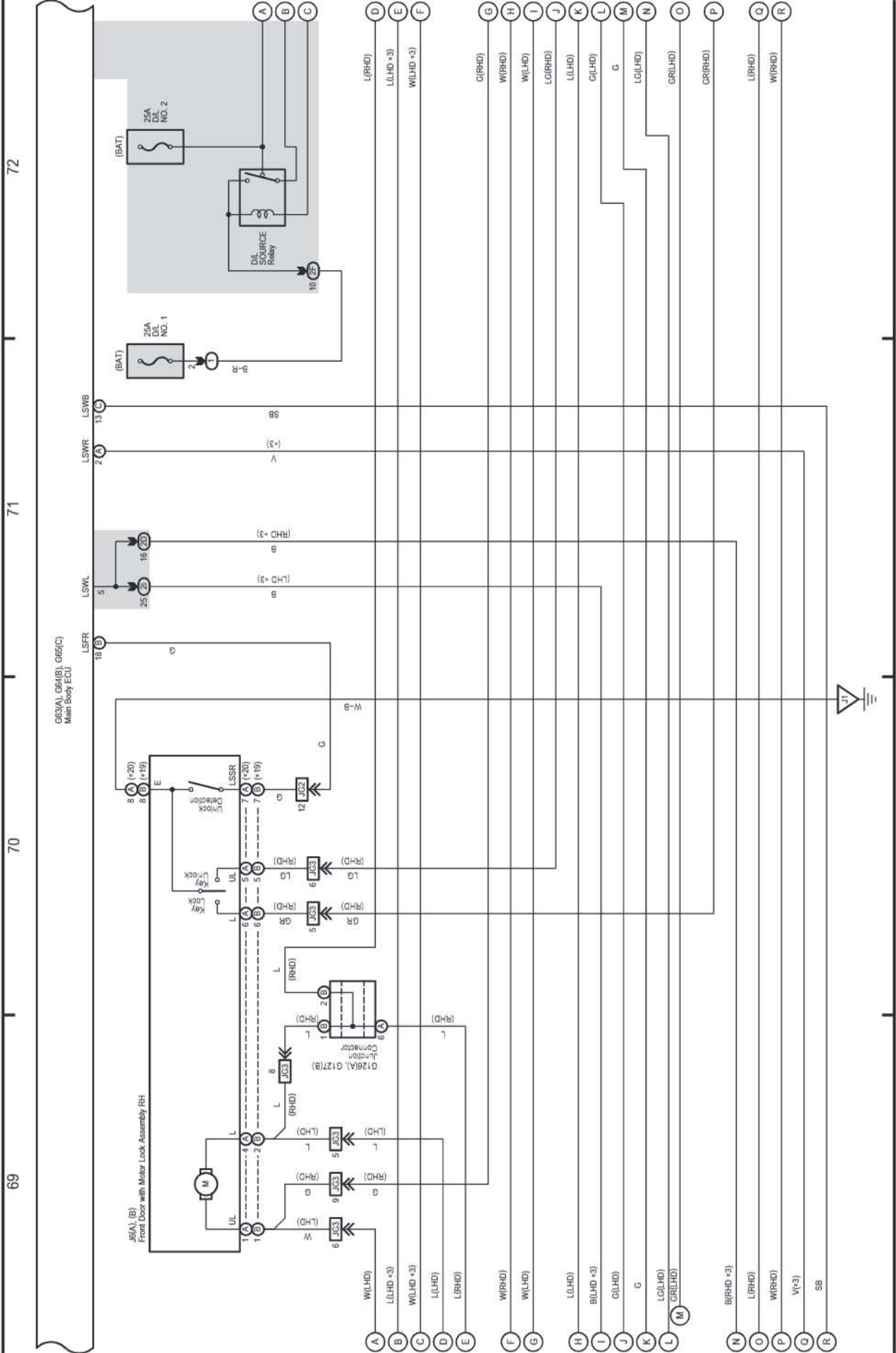
# M OVERALL ELECTRICAL WIRING DIAGRAM

4 LAND CRUISER / LAND CRUISER PRADO (Cont'd)

(Cont. next page)

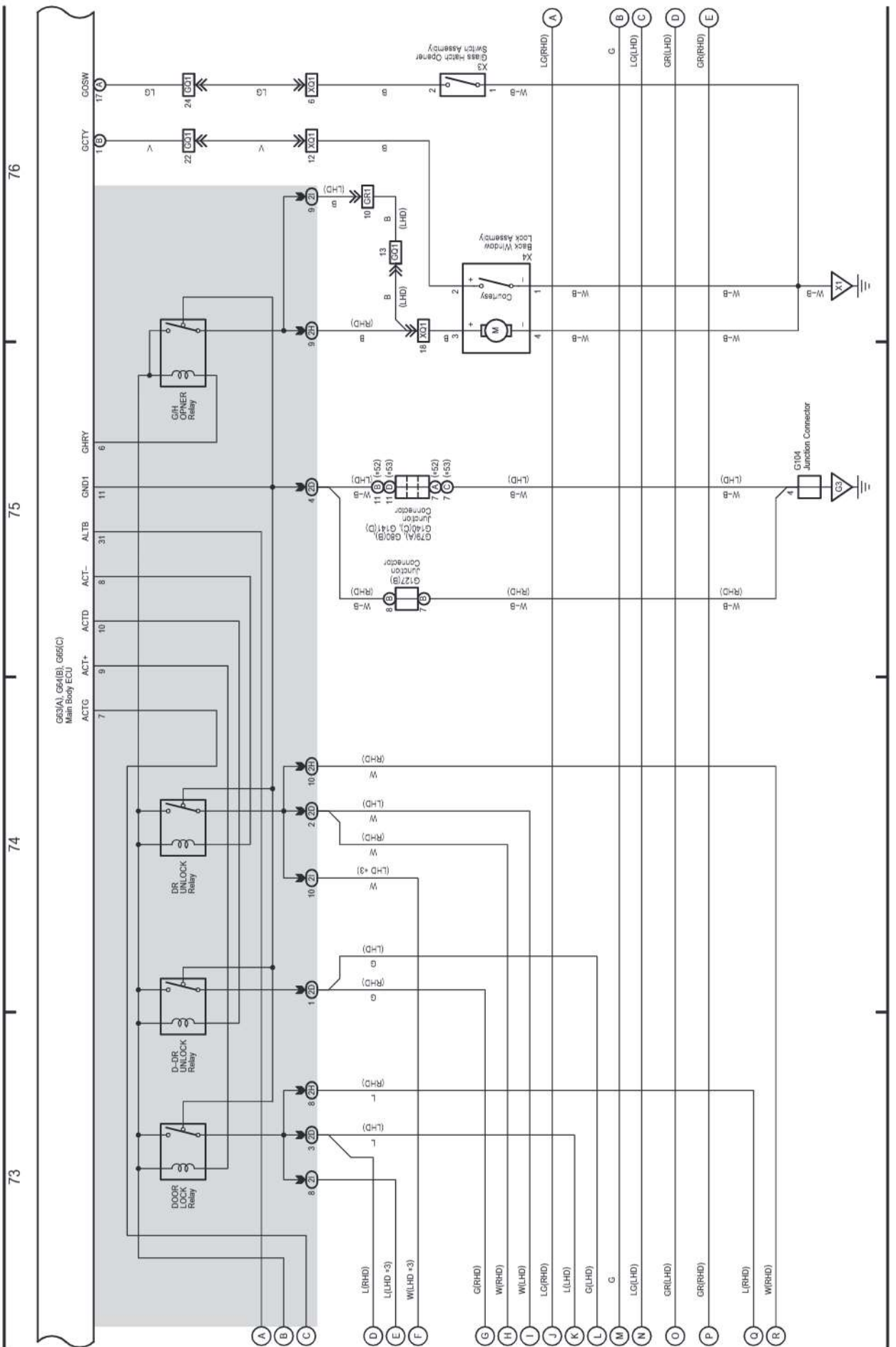
\* 3 : 5-Door  
+19 : w/ Double Locking  
+20 : w/o Double Locking

Multiplex Communication System (Body Control) (Before Aug. 2013 Production)



\* 3 : 5-Door  
 \*52 : Before Oct. 2010 Production  
 \*53 : From Oct. 2010 Production

Multiplex Communication System (Body Control) (Before Aug. 2013 Production)



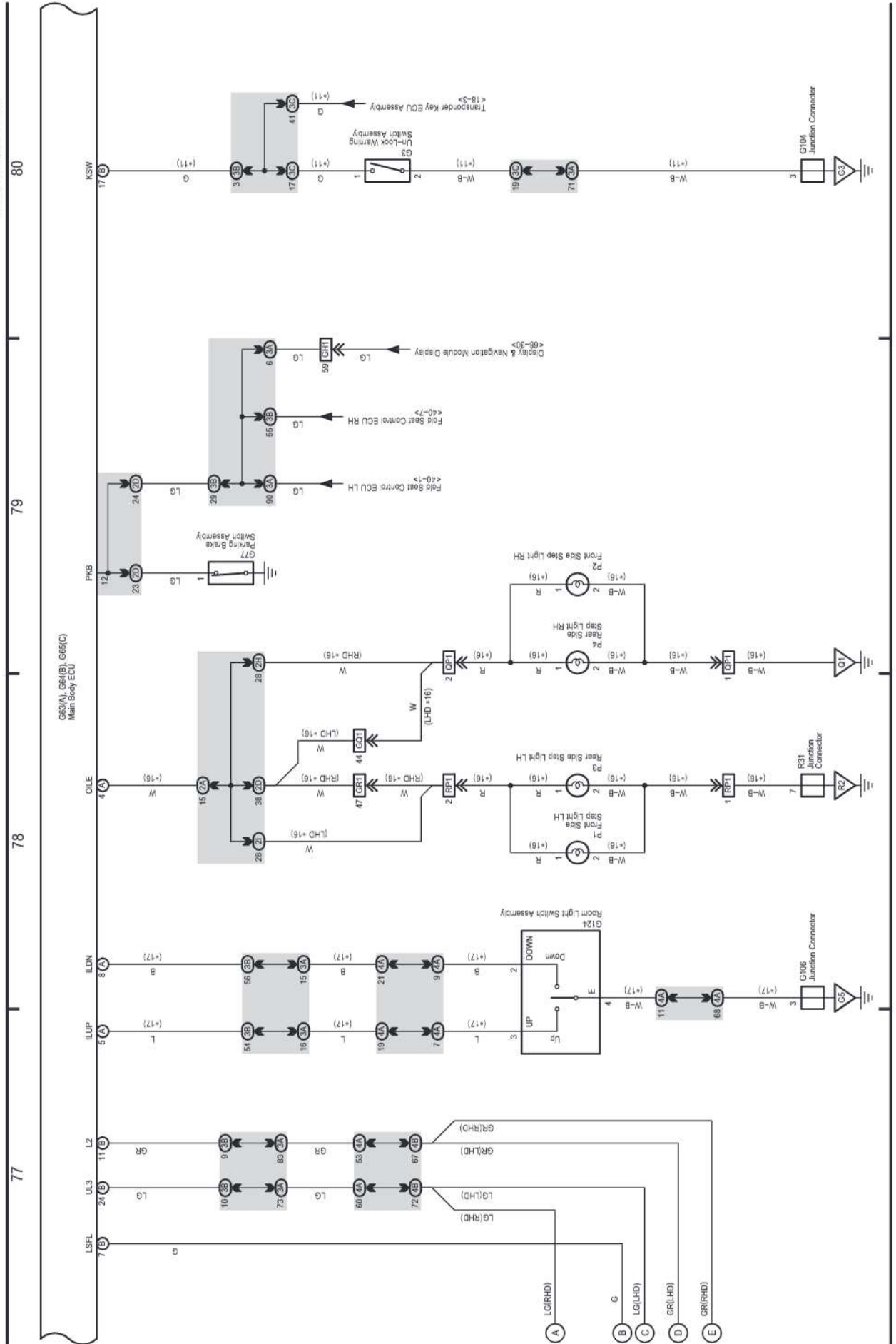
# M OVERALL ELECTRICAL WIRING DIAGRAM

4 LAND CRUISER / LAND CRUISER PRADO (Cont'd)

(Cont. next page)

\*11 : w/o Entry & Start System  
\*16 : w/ Foot Light  
\*17 : w/ Door Pocket Illumination

## M Multiplex Communication System (Body Control) (Before Aug. 2013 Production)



\*3 : 5-Door  
 \*4 : 3-Door  
 \*52 : Before Oct. 2010 Production  
 \*53 : From Oct. 2010 Production  
 \*55 : Before Oct. 2011 Production  
 \*56 : From Oct. 2011 Production

\*10 : w/ Theft Warning Stren Assembly  
 \*21 : w/o Theft Warning Stren Assembly  
 \*22 : w/ Glass Hatch Opener

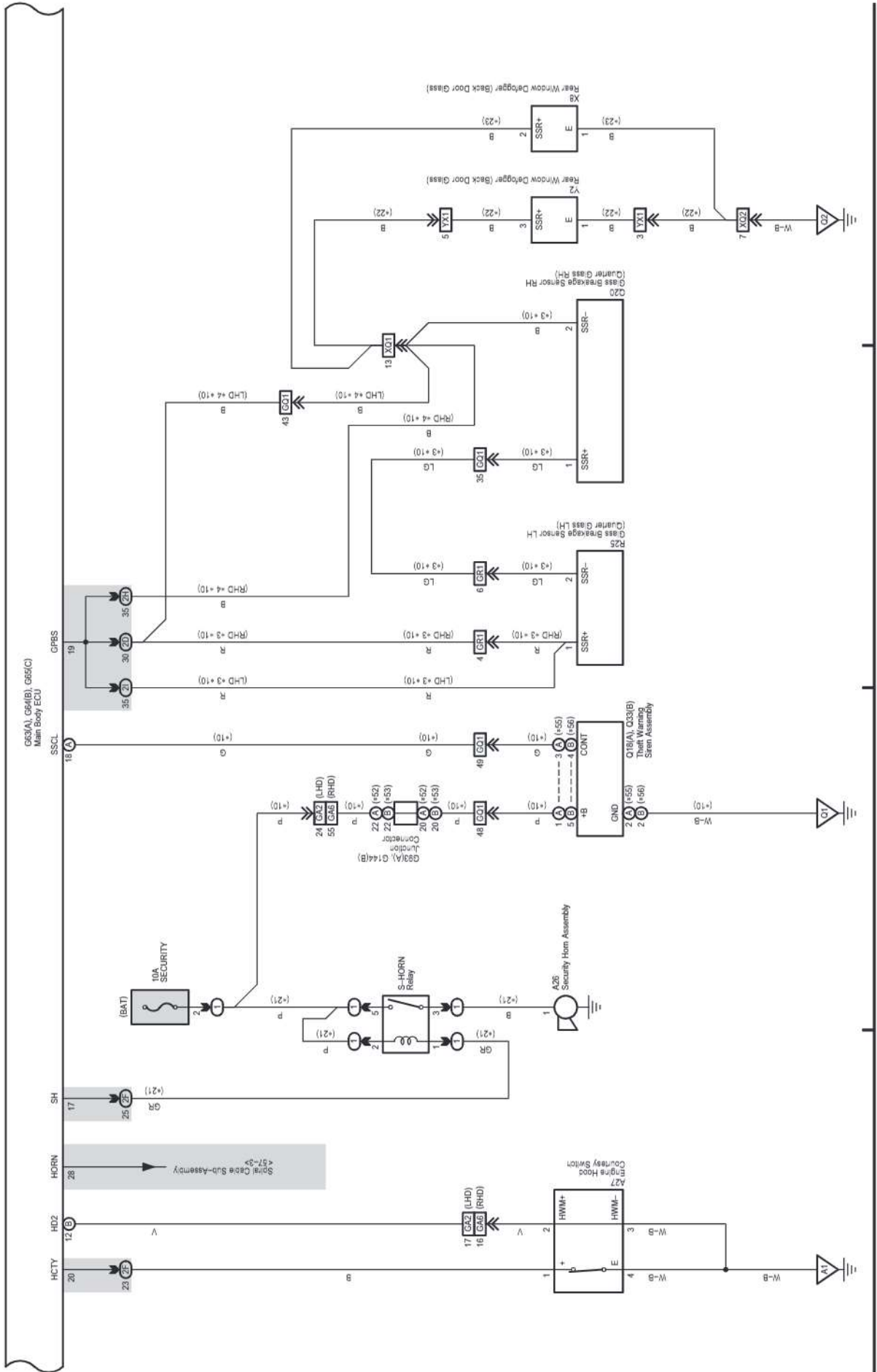
Multiplex Communication System (Body Control) (Before Aug. 2013 Production)

84

83

82

81



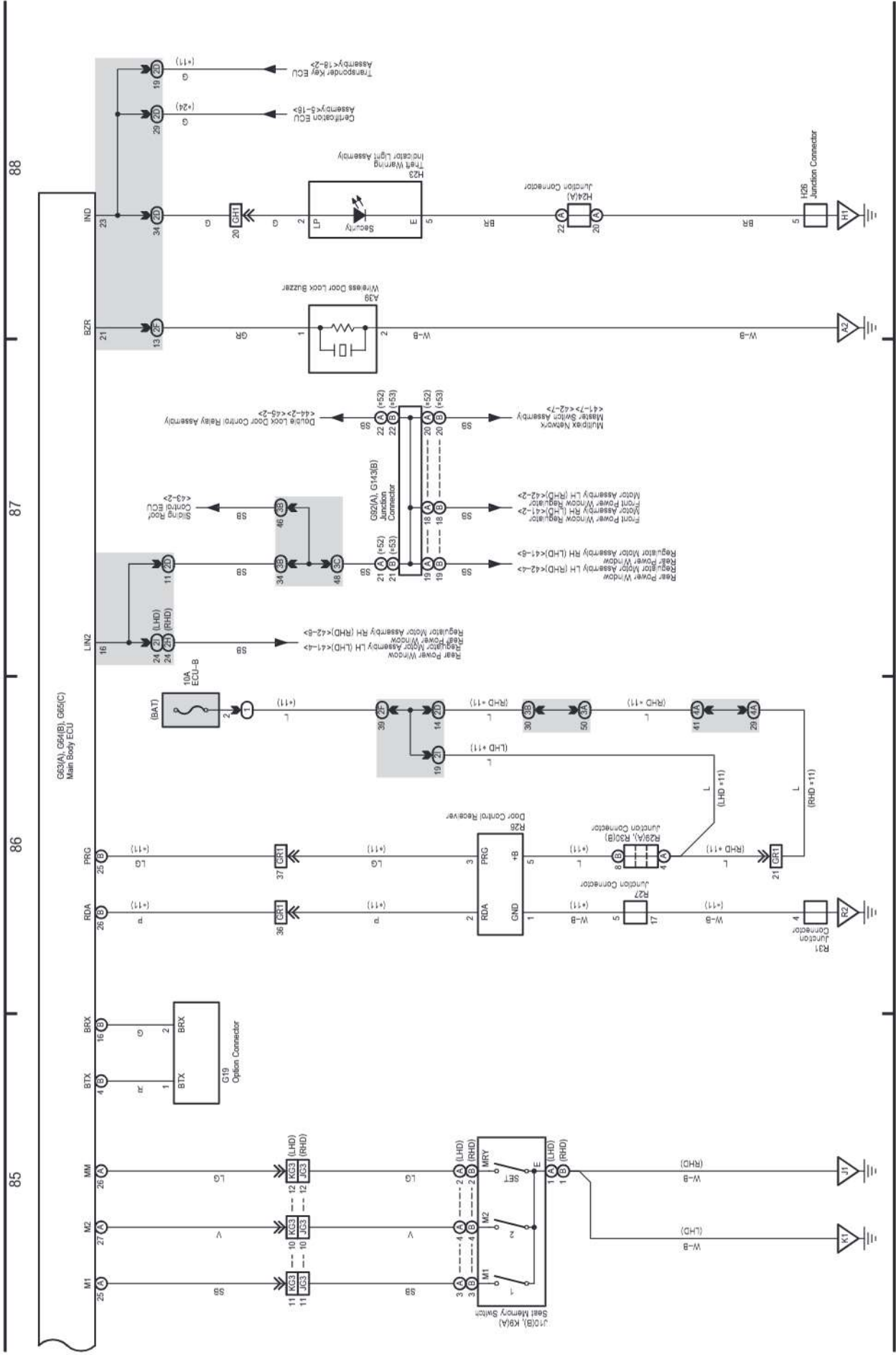
# M OVERALL ELECTRICAL WIRING DIAGRAM

(Cont. next page)

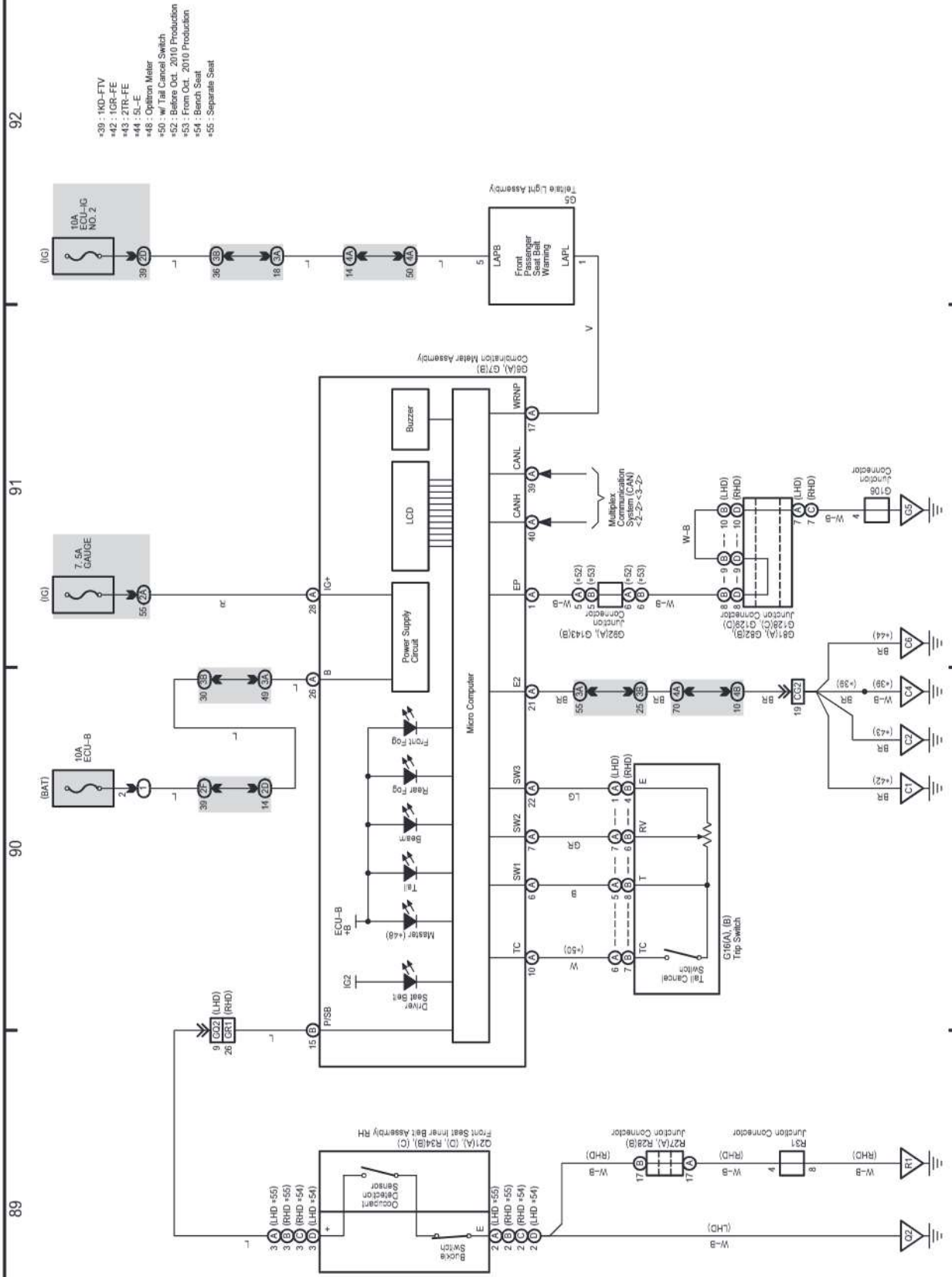
4 LAND CRUISER / LAND CRUISER PRADO (Cont'd)

\*11 : w/o Entry & Start System  
 \*24 : w/ Entry & Start System  
 \*52 : Before Oct. 2010 Production  
 \*53 : From Oct. 2010 Production

## Multiplex Communication System (Body Control) (Before Aug. 2013 Production)



Multiplex Communication System (Body Control) (Before Aug. 2013 Production)

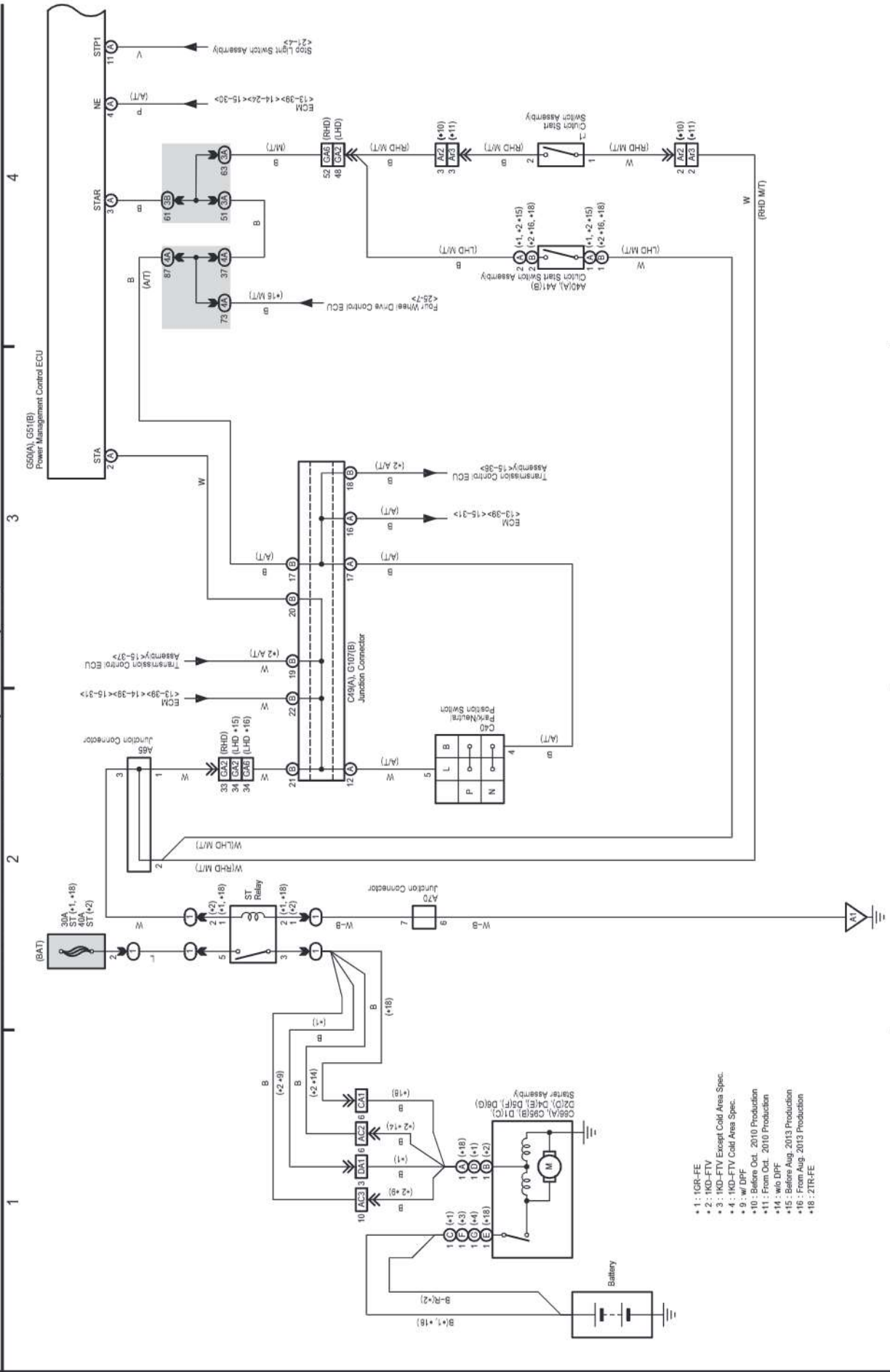




(Cont. next page)

5 LAND CRUISER / LAND CRUISER PRADO

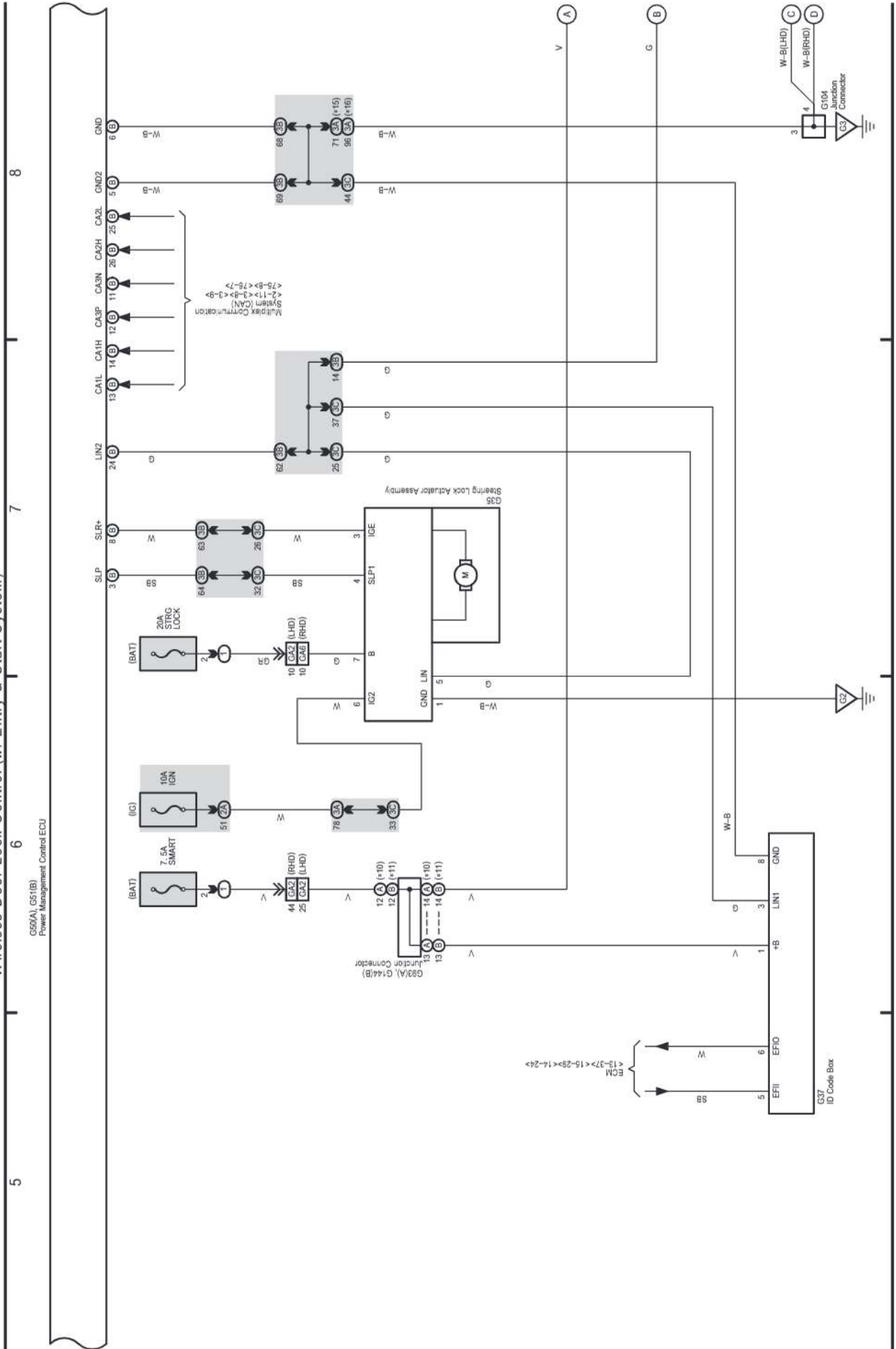
Engine Immobiliser System (w/ Entry & Start System), Entry & Start System, Starting (w/ Entry & Start System), Steering Lock (w/ Entry & Start System) and Wireless Door Lock Control (w/ Entry & Start System)



- \*1: 1GR-FE
- \*2: 1KD-FTV
- \*3: 1KD-FTV Except Cold Area Spec.
- \*4: 1KD-FTV Cold Area Spec.
- \*9: w/ DPF
- \*10: Before Oct. 2010 Production
- \*11: From Oct. 2010 Production
- \*14: w/o DPF
- \*15: Before Aug. 2013 Production
- \*16: From Aug. 2013 Production
- \*18: 2TR-FE

Engine Immobiliser System (w/ Entry & Start System), Entry & Start System, Starting (w/ Entry & Start System), Steering Lock (w/ Entry & Start System) and Wireless Door Lock Control (w/ Entry & Start System)

\*10 - Before Oct. 2010 Production  
 \*11 - From Oct. 2010 Production  
 \*15 - Before Aug. 2013 Production  
 \*16 - From Aug. 2013 Production



5 LAND CRUISER / LAND CRUISER PRADO (Cont'd)

(Cont. next page)

Engine Immobiliser System (w/ Entry & Start System), Entry & Start System,  
Starting (w/ Entry & Start System), Steering Lock (w/ Entry & Start System) and  
Wireless Door Lock Control (w/ Entry & Start System)

\*10 - Before Oct. 2010 Production  
\*11 - From Oct. 2010 Production

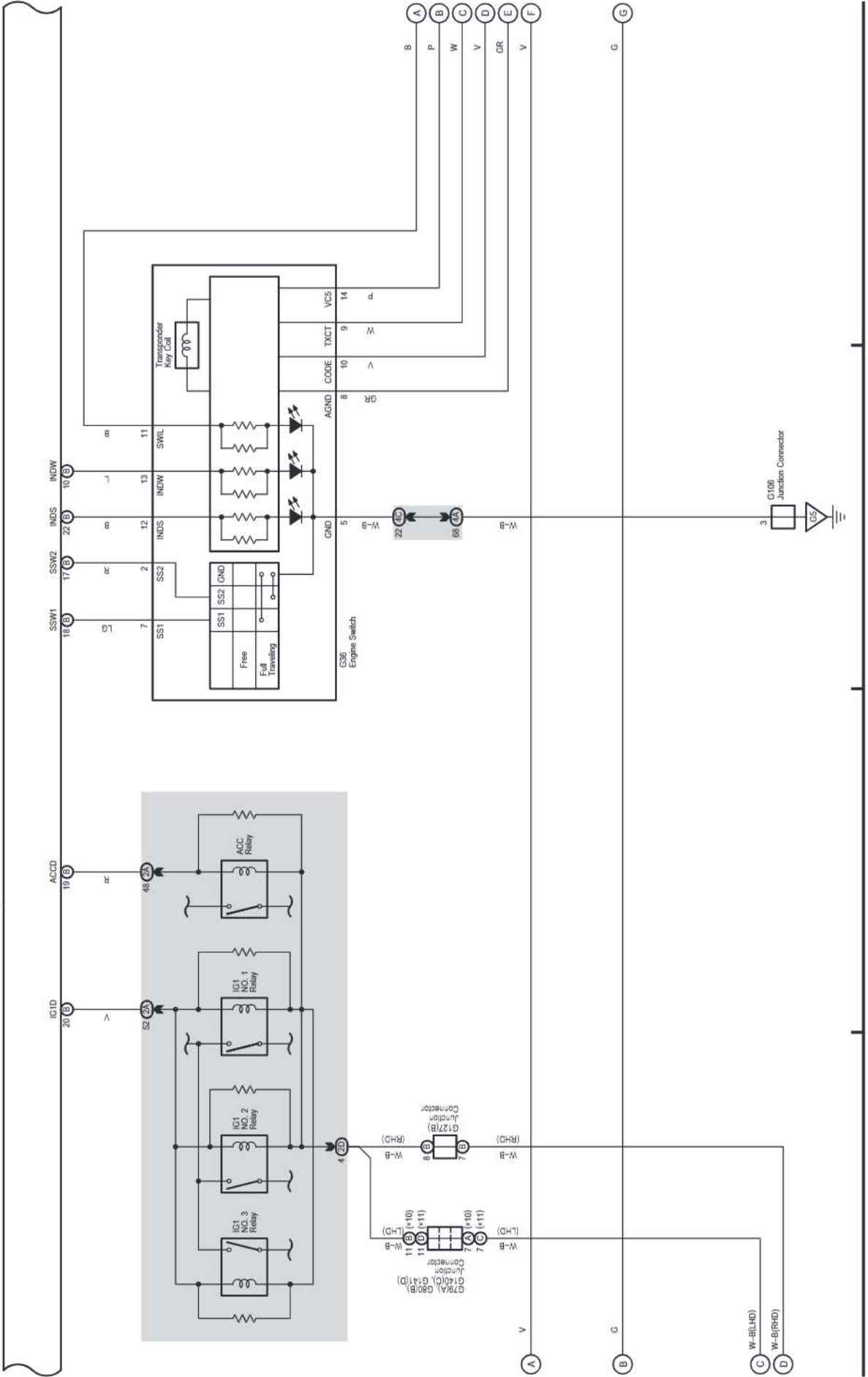
12

11

10

9

G50(A) G51(B)  
Power Management Control ECU

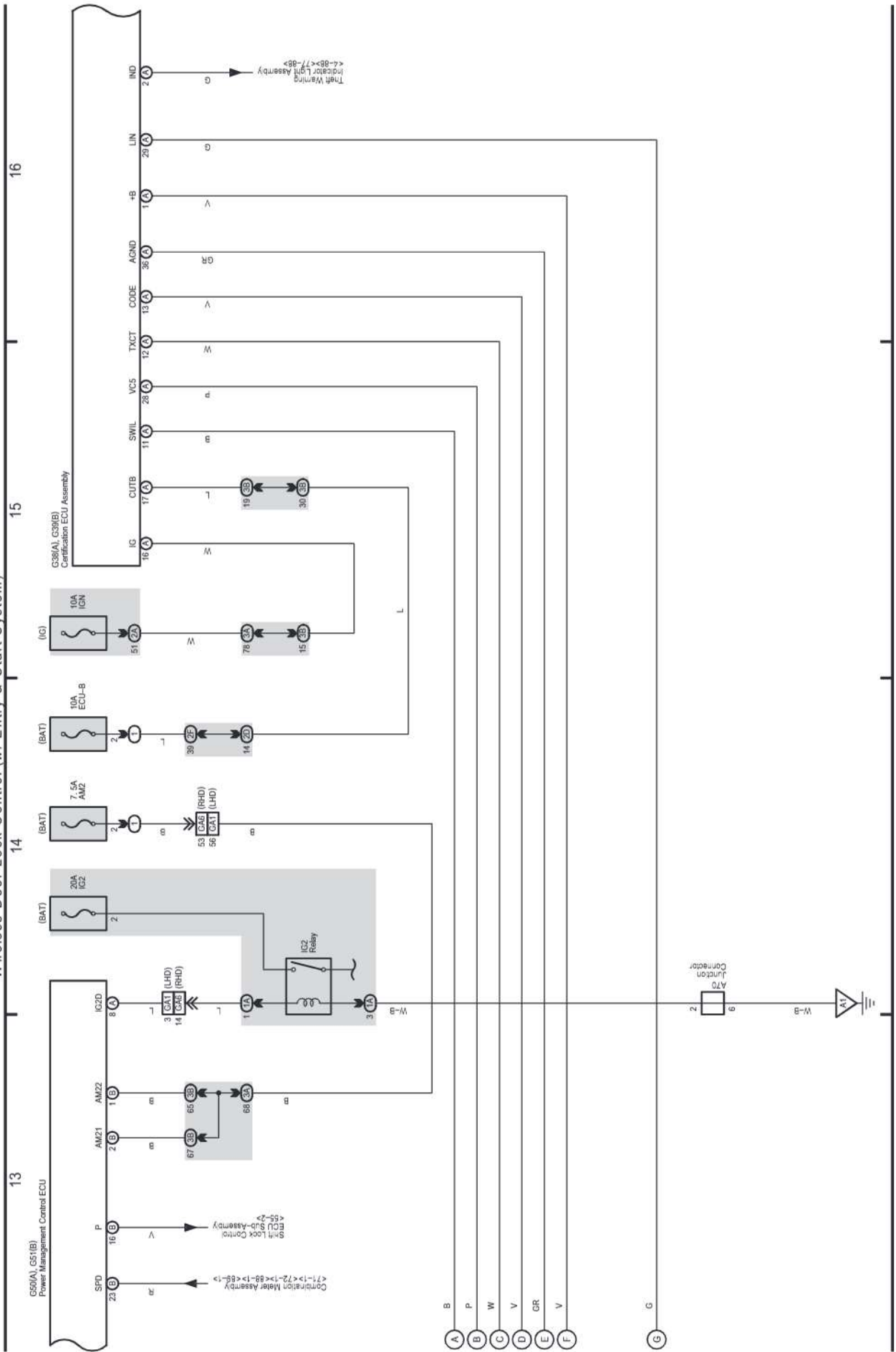


# M OVERALL ELECTRICAL WIRING DIAGRAM

(Cont. next page)

## 5 LAND CRUISER / LAND CRUISER PRADO (Cont'd)

Engine Immobiliser System (w/ Entry & Start System), Entry & Start System, Starting (w/ Entry & Start System), Steering Lock (w/ Entry & Start System) and Wireless Door Lock Control (w/ Entry & Start System)

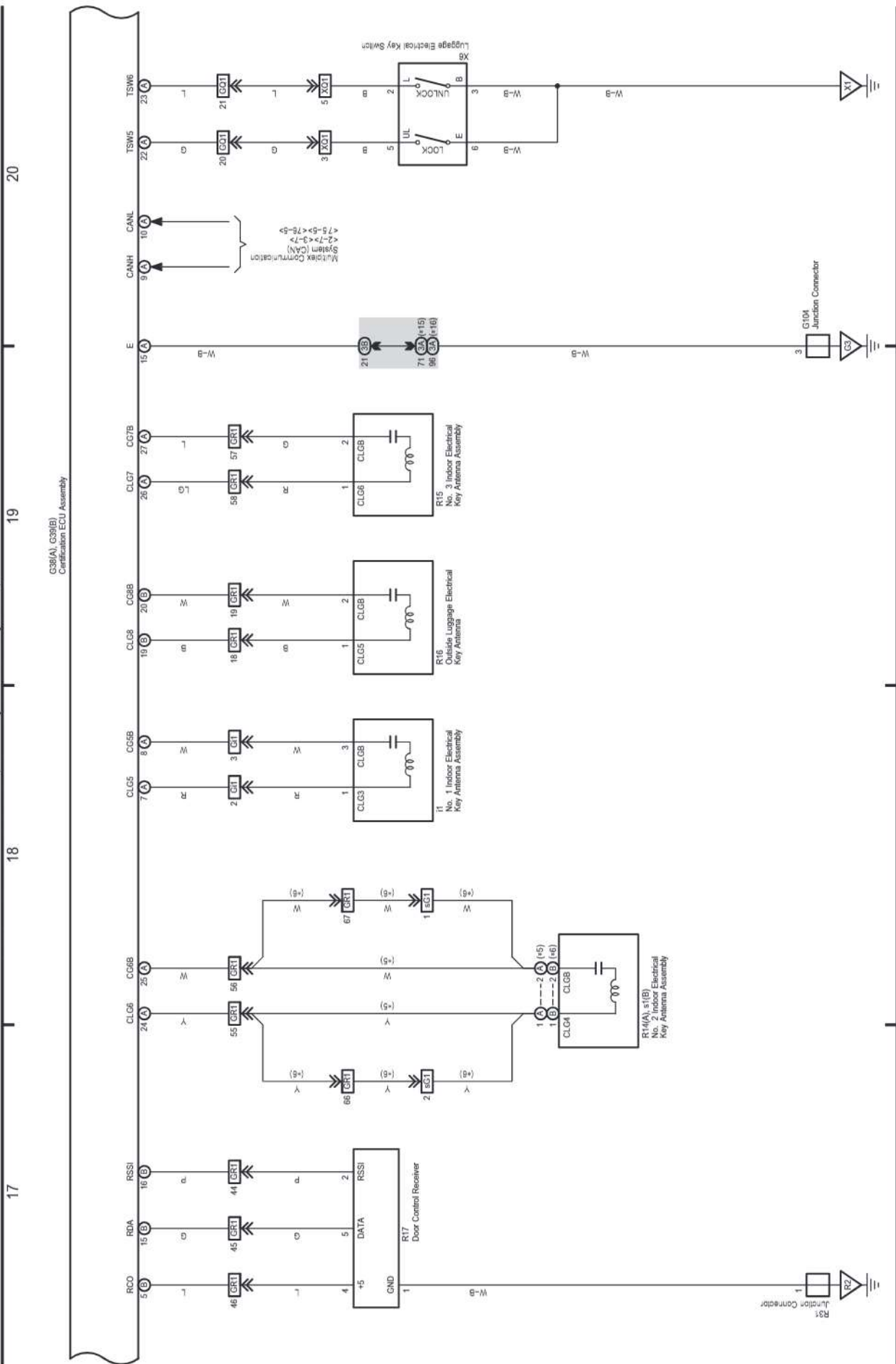


(Cont. next page)

5 LAND CRUISER / LAND CRUISER PRADO (Cont'd)

- \* 5 : 5-Door
- \* 6 : 3-Door
- \* 15 : Before Aug. 2013 Production
- \* 16 : From Aug. 2013 Production

Engine Immobiliser System (w/ Entry & Start System), Entry & Start System,  
Starting (w/ Entry & Start System), Steering Lock (w/ Entry & Start System) and  
Wireless Door Lock Control (w/ Entry & Start System)



5 LAND CRUISER / LAND CRUISER PRADO (Cont'd)

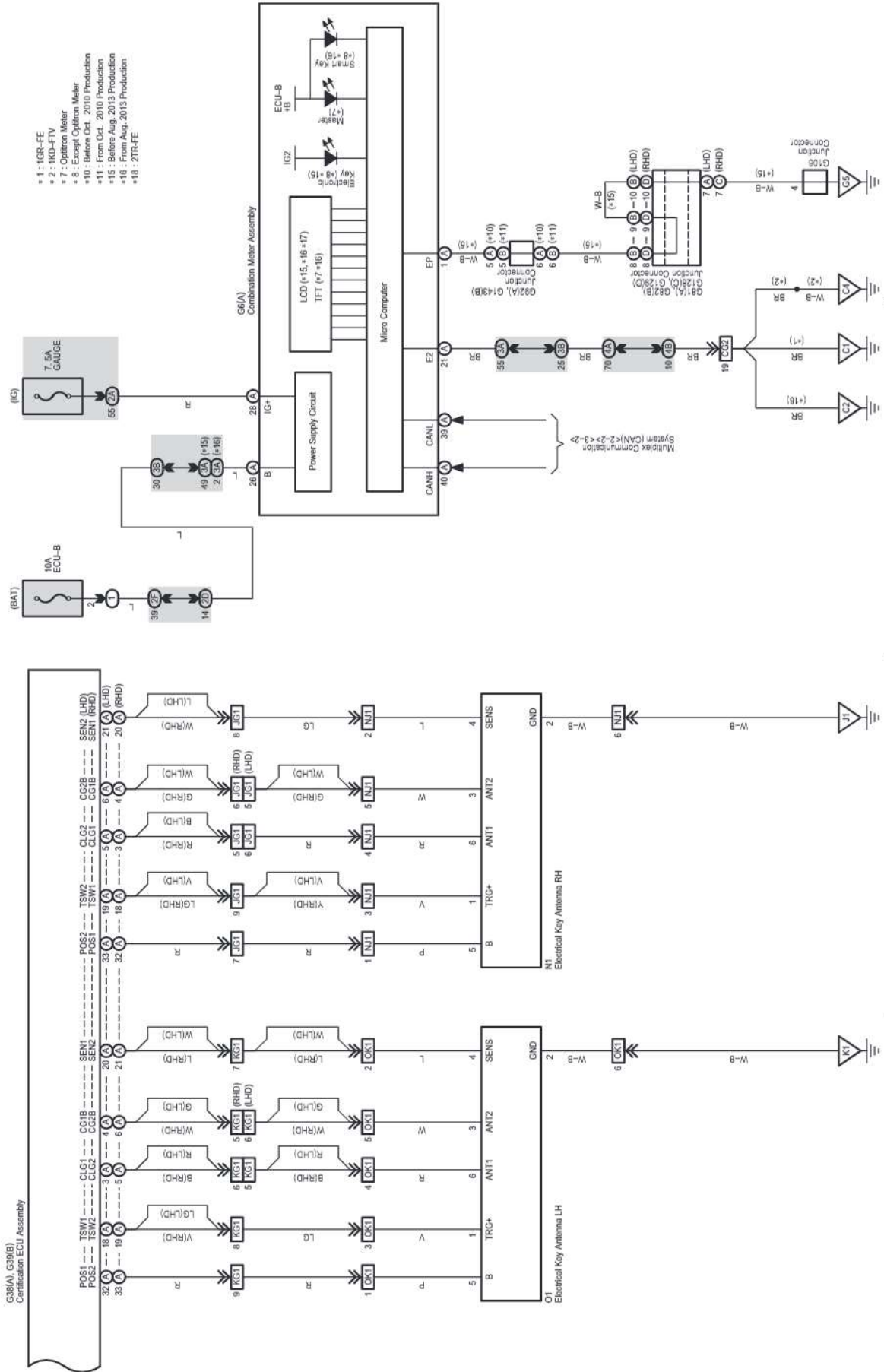
Engine Immobiliser System (w/ Entry & Start System), Entry & Start System, Starting (w/ Entry & Start System), Steering Lock (w/ Entry & Start System) and Wireless Door Lock Control (w/ Entry & Start System)

21

22

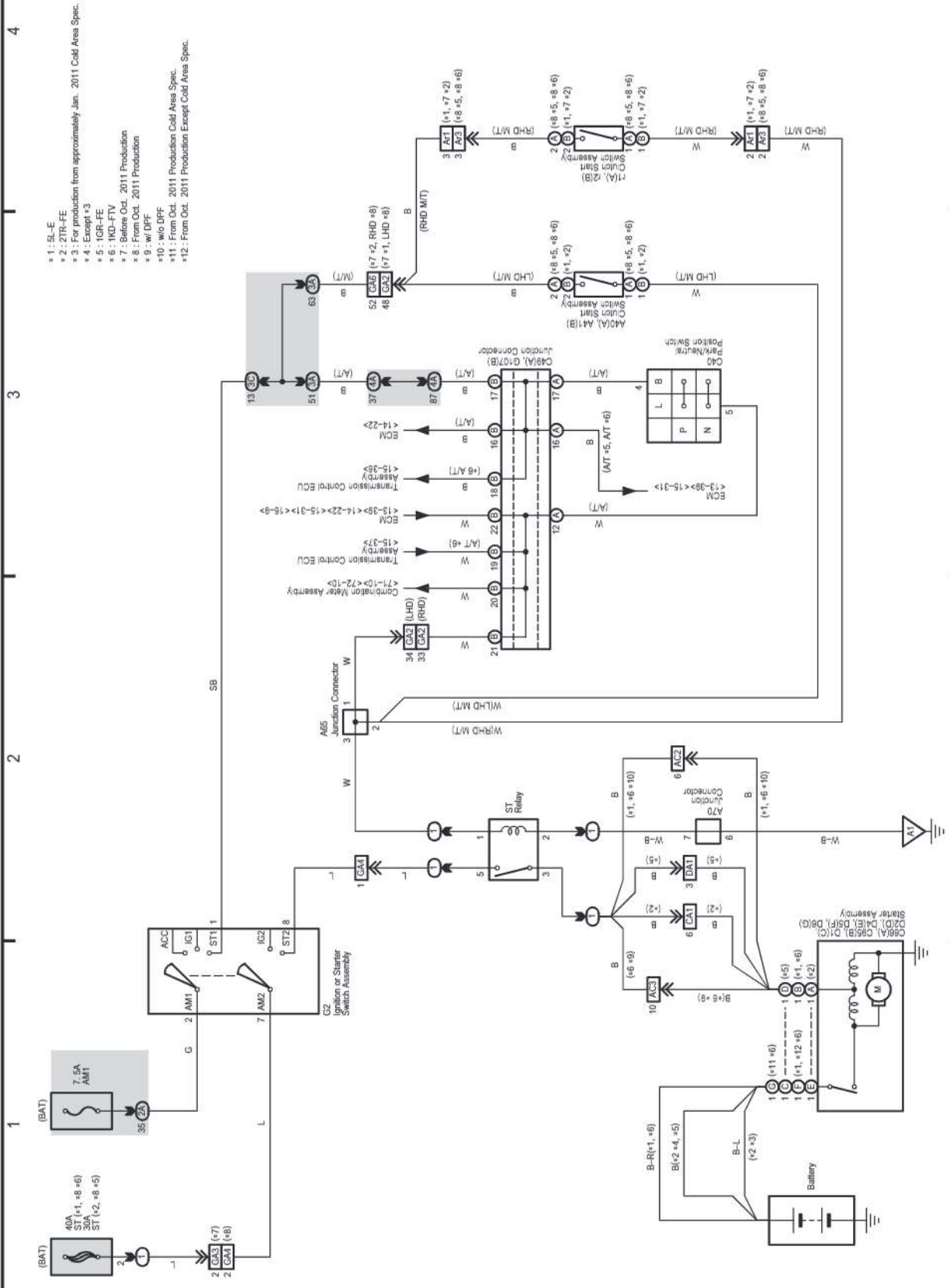
23

24



6 LAND CRUISER / LAND CRUISER PRADO

Starting (w/o Entry & Start System) (Before Aug. 2013 Production)

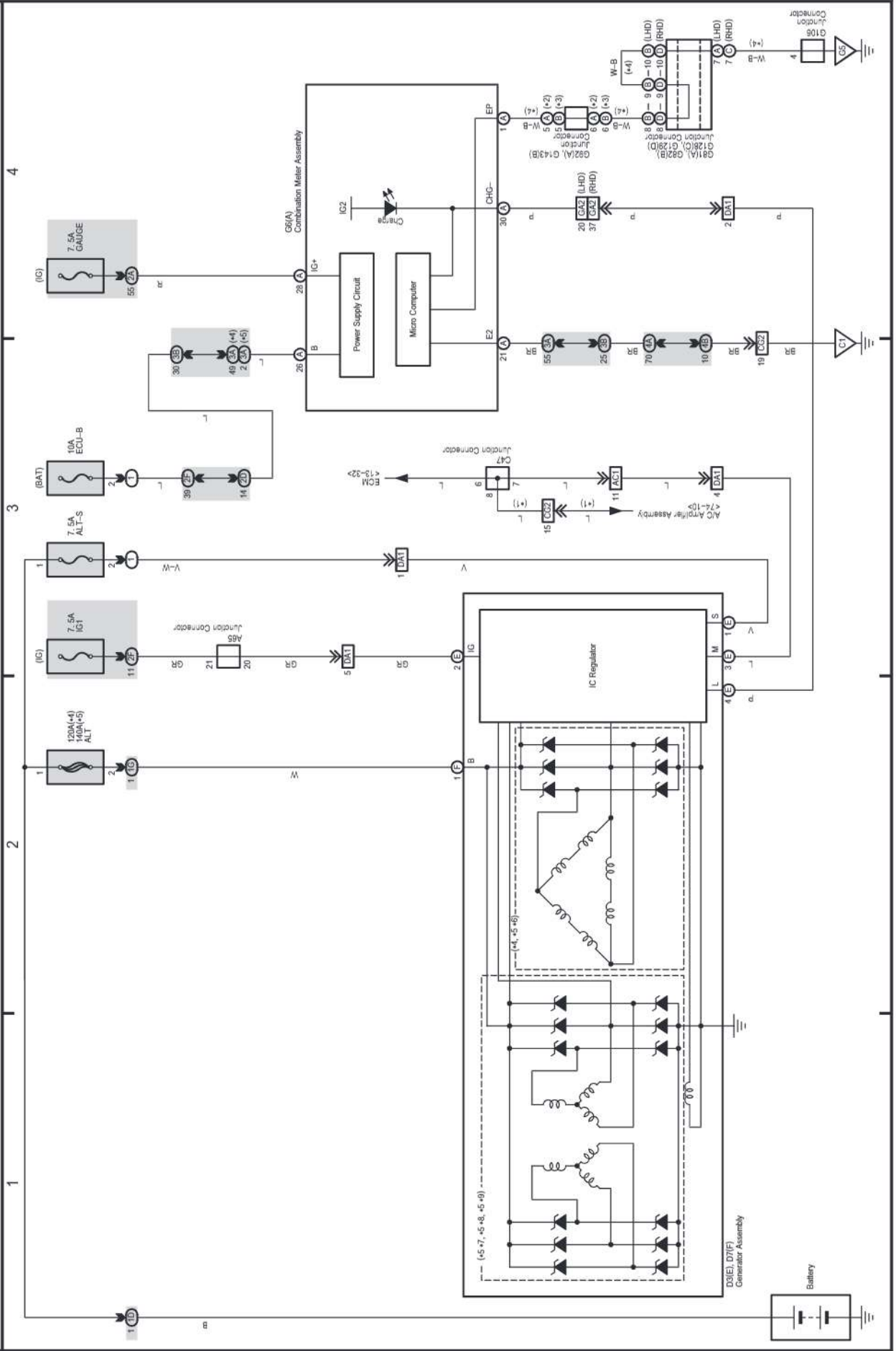


LAND CRUISER / LAND CRUISER PRADO (EM24N0E)

7 LAND CRUISER / LAND CRUISER PRADO

Charging (1GR-FE)

- 1 : w/ PTC Heater
- 2 : Before Oct. 2010 Production
- 3 : From Oct. 2010 Production
- 4 : Before Aug. 2013 Production
- 5 : From Aug. 2013 Production
- 6 : Generator 100A Type (Identification Card GB)
- 7 : Generator 100A Type (Identification Card GC)
- 8 : Generator 130A Type
- 9 : Generator 150A Type



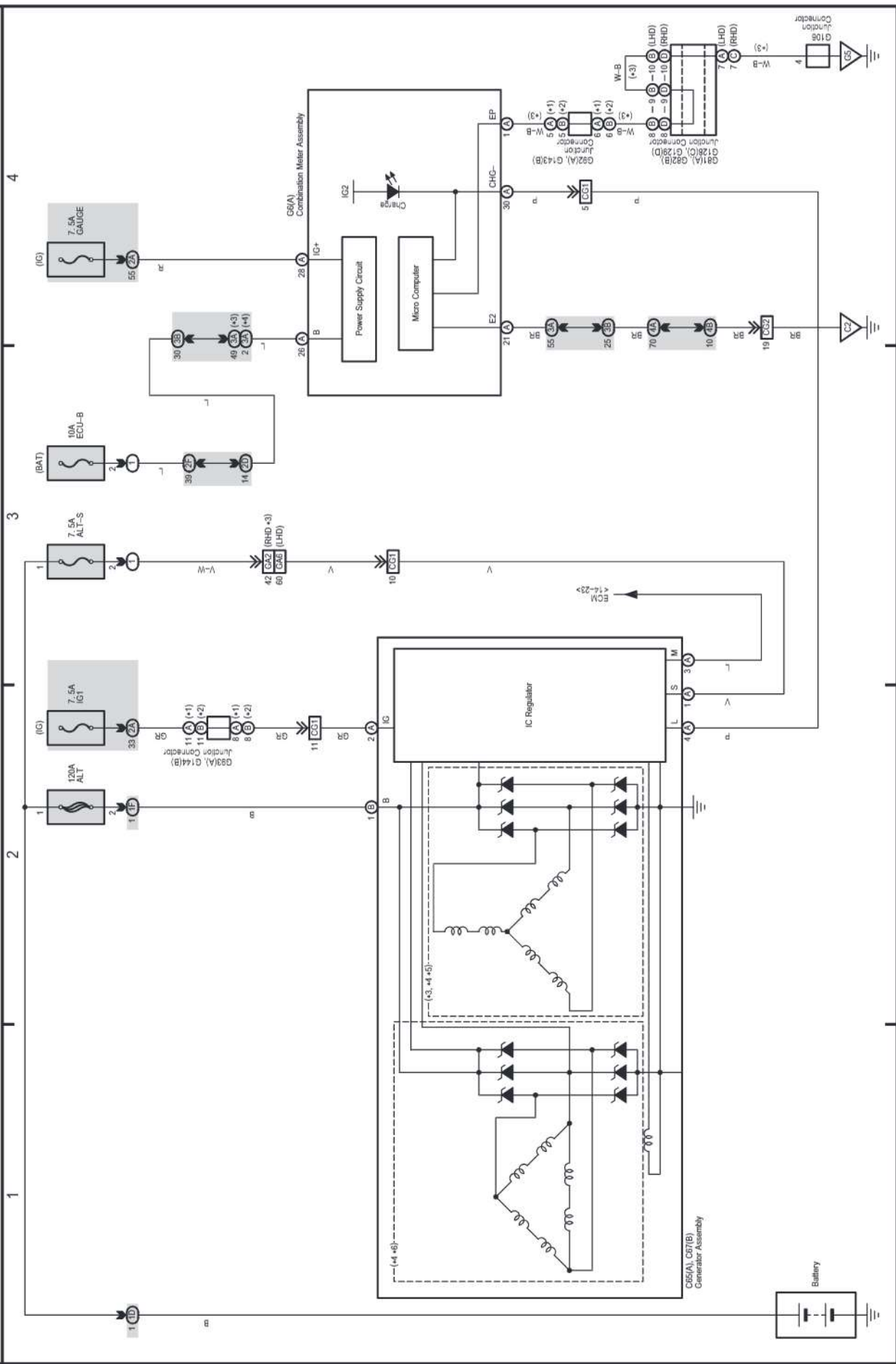
LAND CRUISER / LAND CRUISER PRADO (EM24N0E)



8 LAND CRUISER / LAND CRUISER PRADO

- 1.: Before Oct., 2010 Production
- 2.: From Oct., 2010 Production
- 3.: Before Aug., 2013 Production
- 4.: From Aug., 2013 Production
- 5.: Generator 80A Type
- 6.: Generator 100A Type

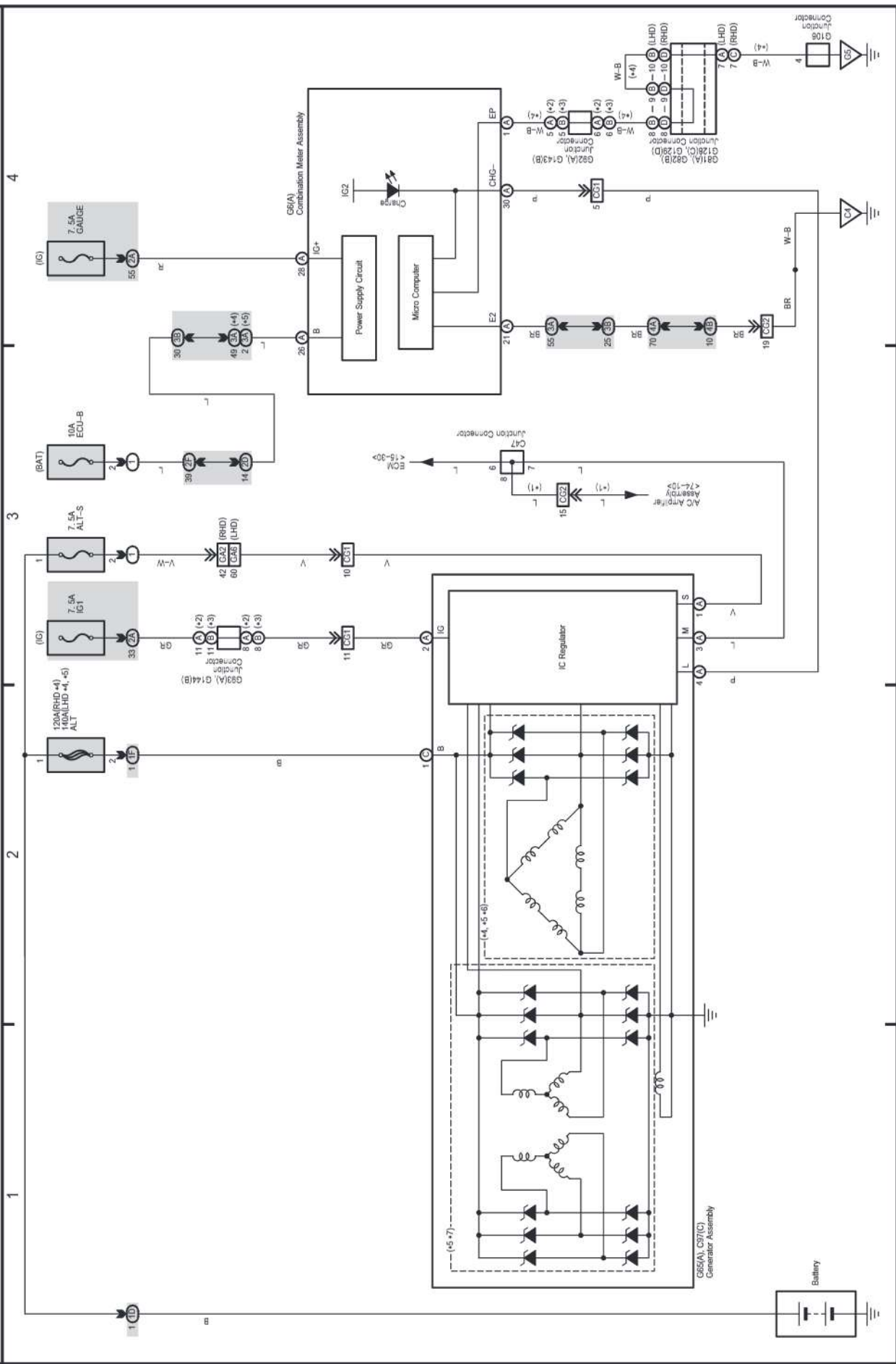
Charging (2TR-FE)



9 LAND CRUISER / LAND CRUISER PRADO

- 1 : w/ Viscous Heater
- 2 : Before Oct. 2010 Production
- 3 : From Oct. 2010 Production
- 4 : Before Aug. 2013 Production
- 5 : From Aug. 2013 Production
- 6 : Generator 100A Type
- 7 : Generator 130A Type

Charging (1KD-FTV)

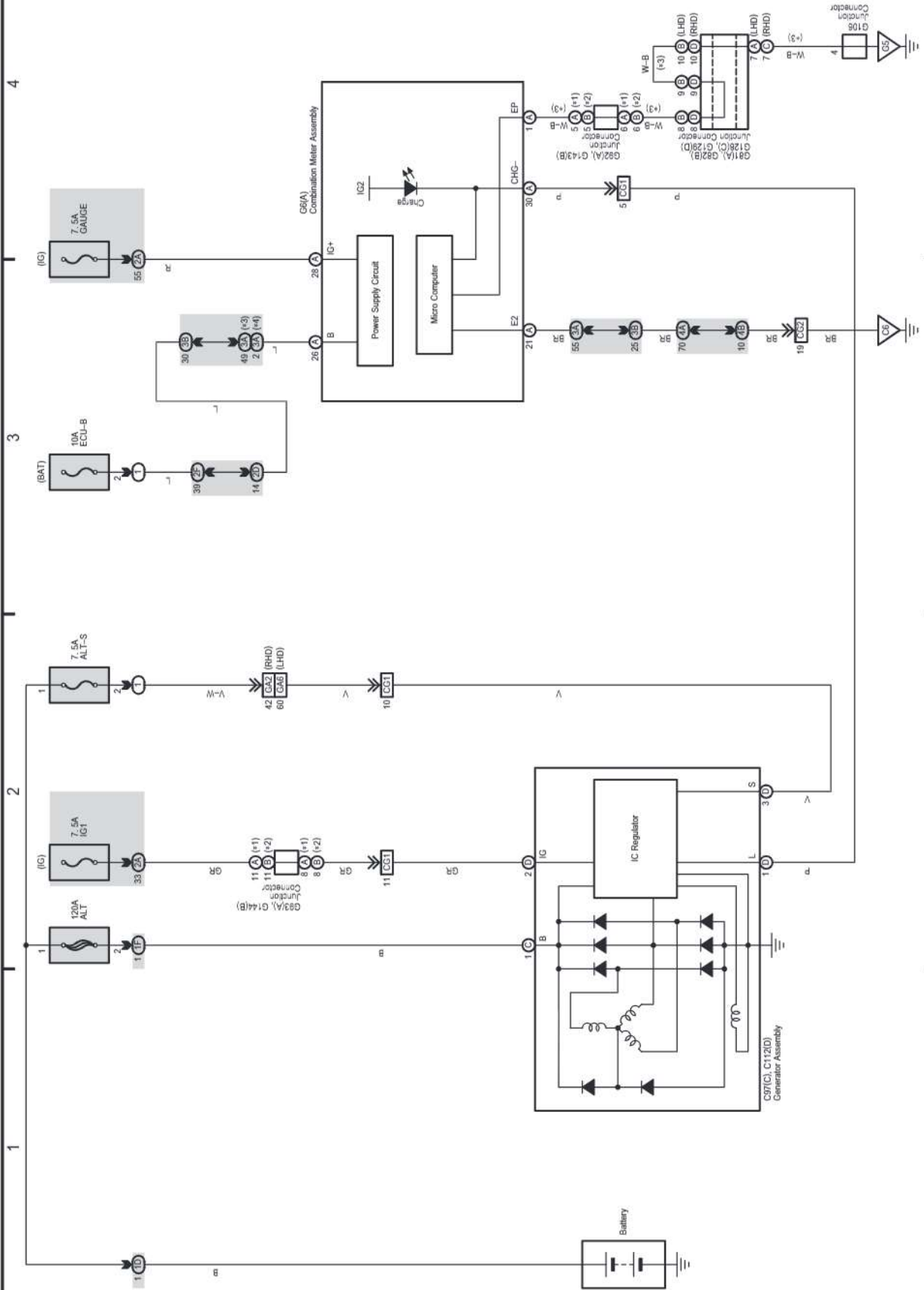


LAND CRUISER / LAND CRUISER PRADO (EM24N0E)

10 LAND CRUISER / LAND CRUISER PRADO

- \* 1 : Before Oct. 2010 Production
- \* 2 : From Oct. 2010 Production
- \* 3 : Before Aug. 2013 Production
- \* 4 : From Aug. 2013 Production

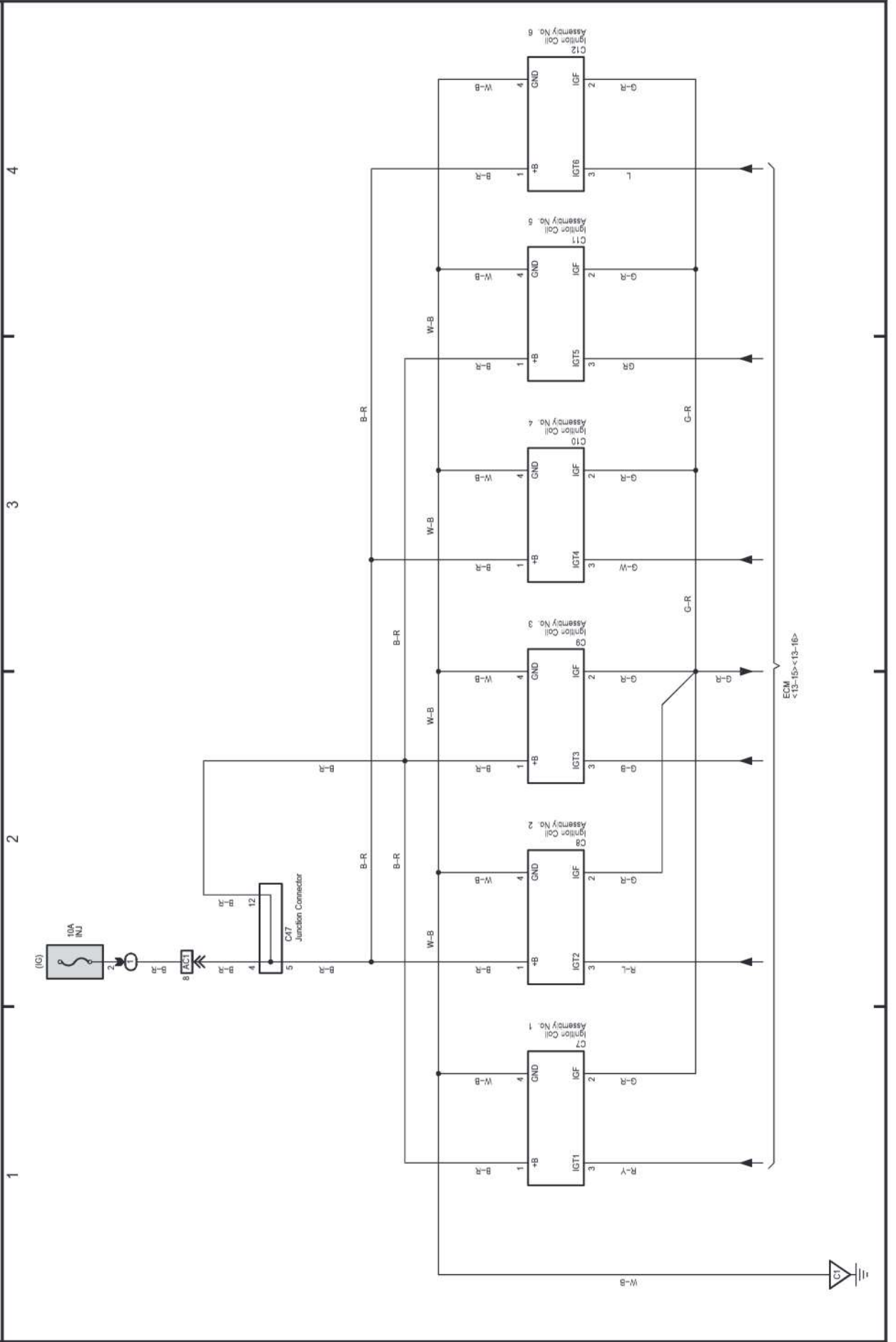
Charging (5L-E)



LAND CRUISER / LAND CRUISER PRADO (EM24N0E)

11 LAND CRUISER / LAND CRUISER PRADO

Ignition (1GR-FE)



12 LAND CRUISER / LAND CRUISER PRADO

Ignition (2TR-FE)

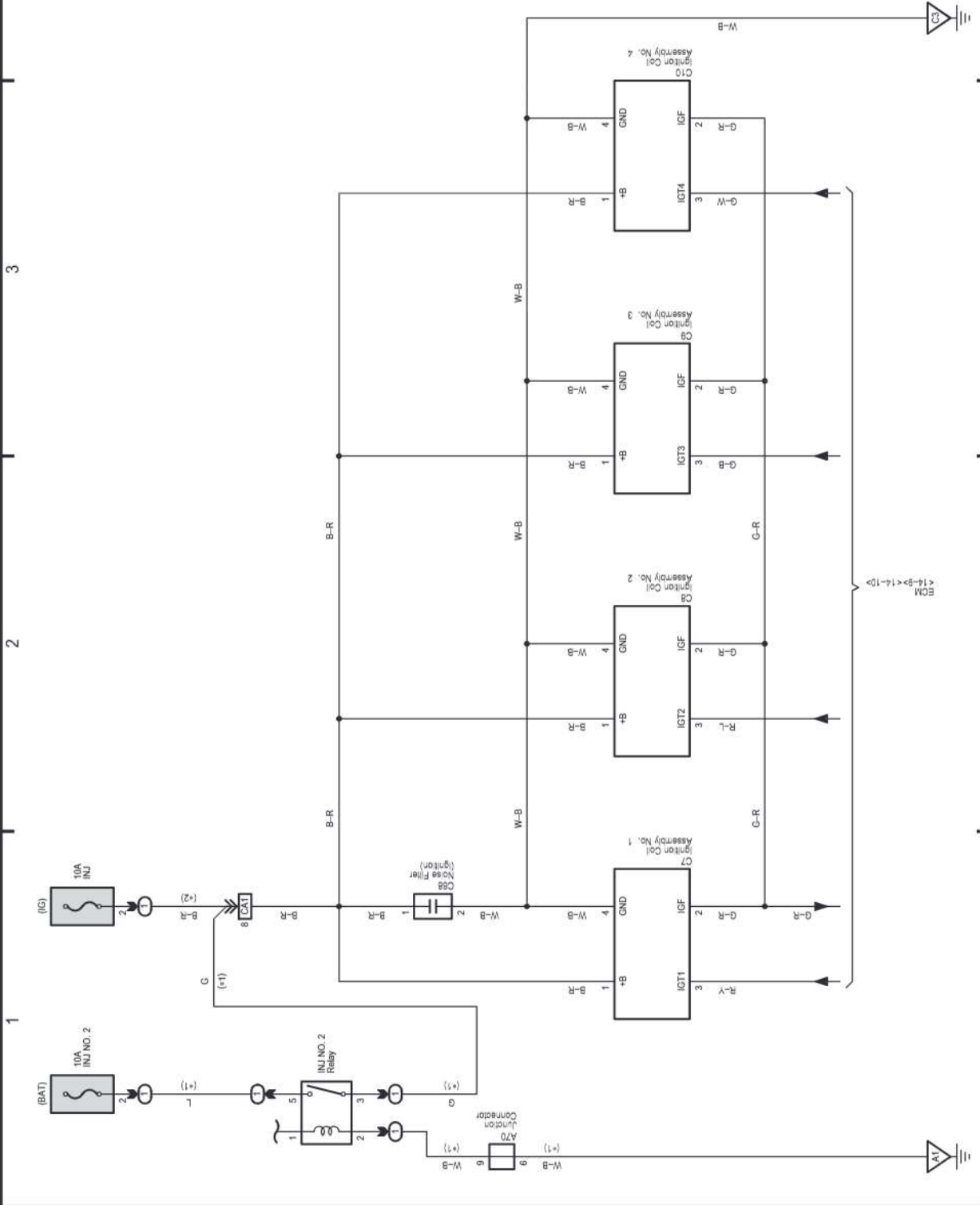
\* 1 : China  
\* 2 : Except China

4

2

3

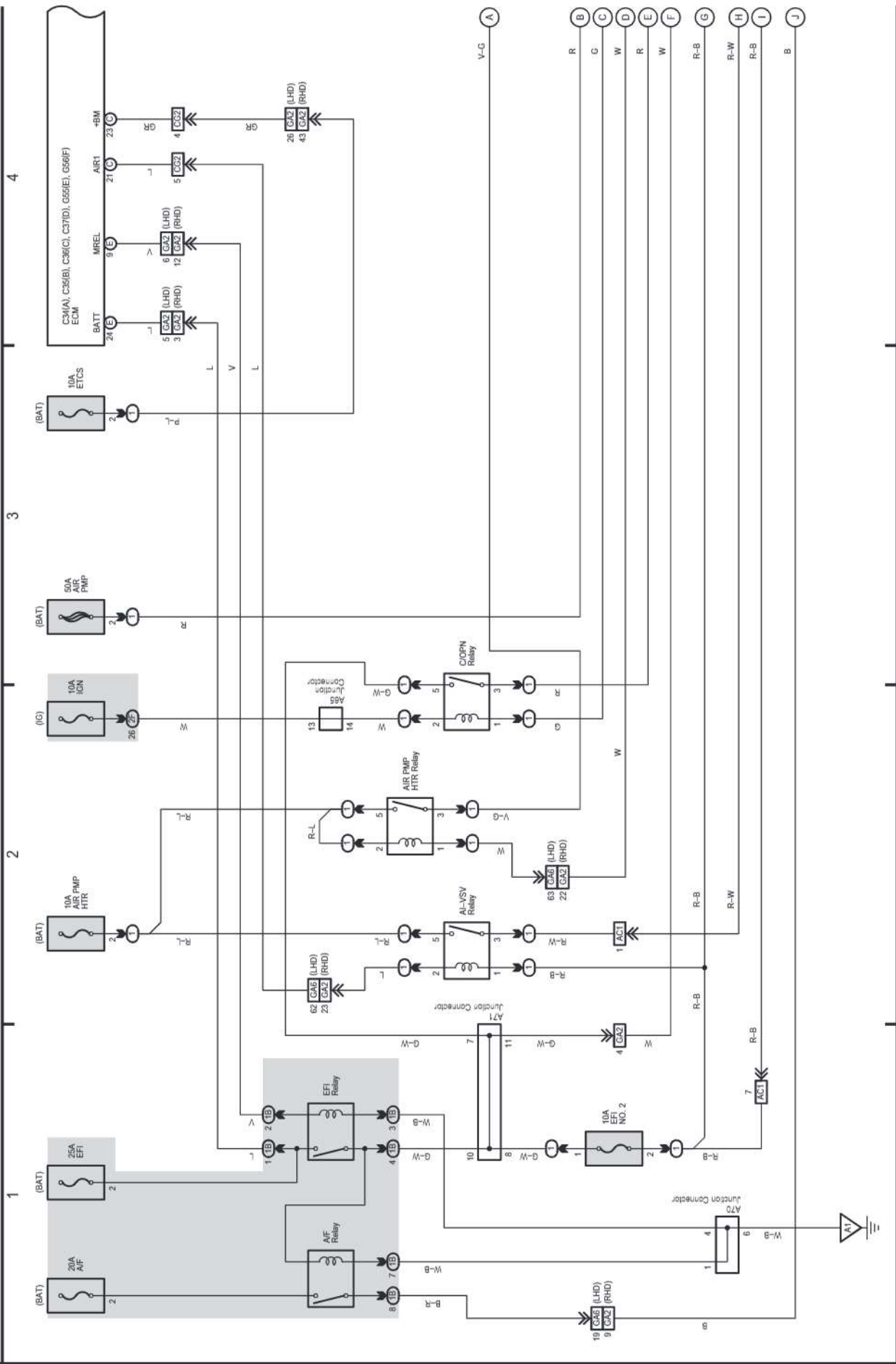
1



(Cont. next page)

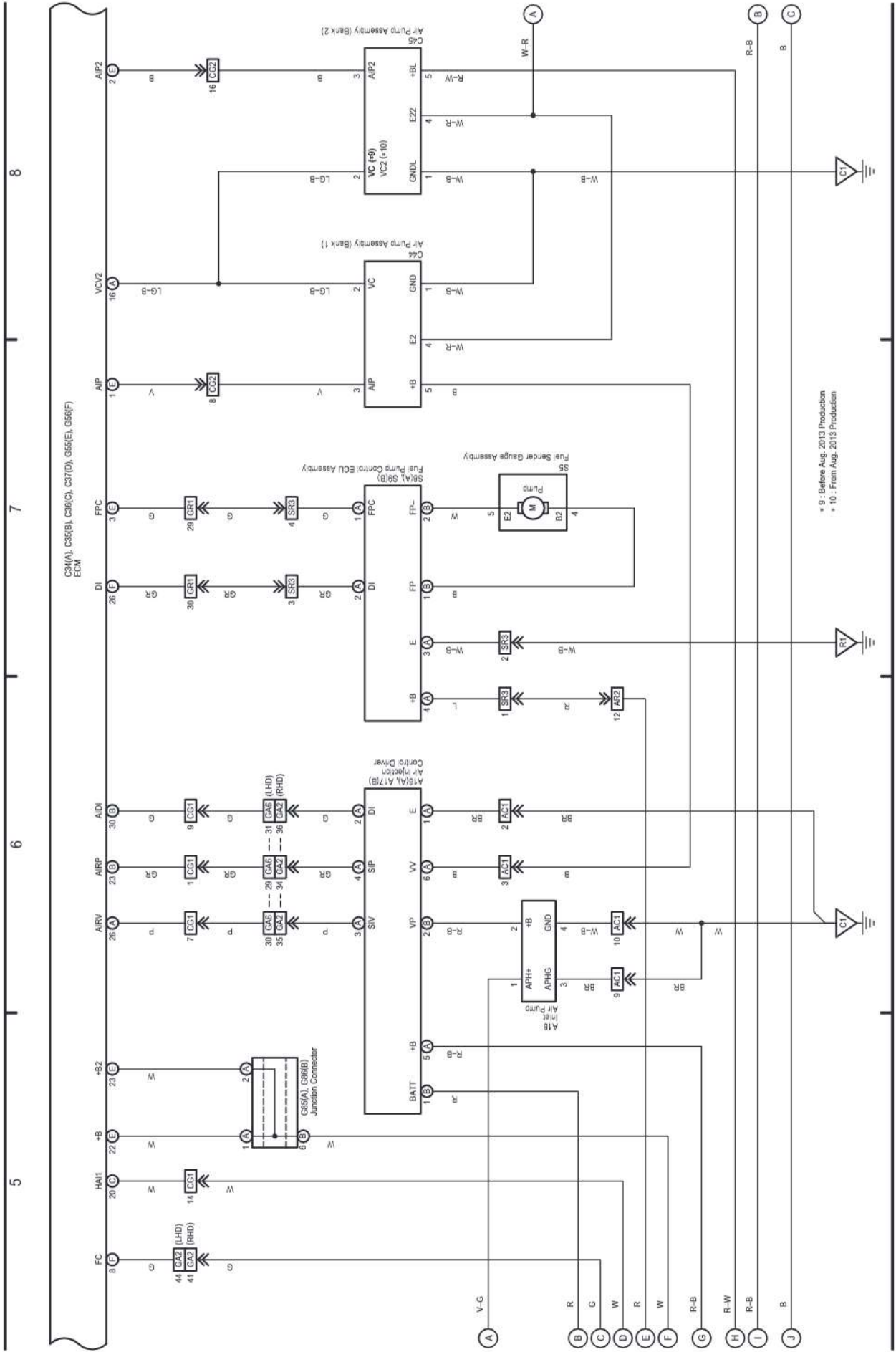
13 LAND CRUISER / LAND CRUISER PRADO

Engine Control (1GR-FE), Dynamic Radar Cruise Control or Cruise Control (1GR-FE), ECT and A/T Indicator (1GR-FE)



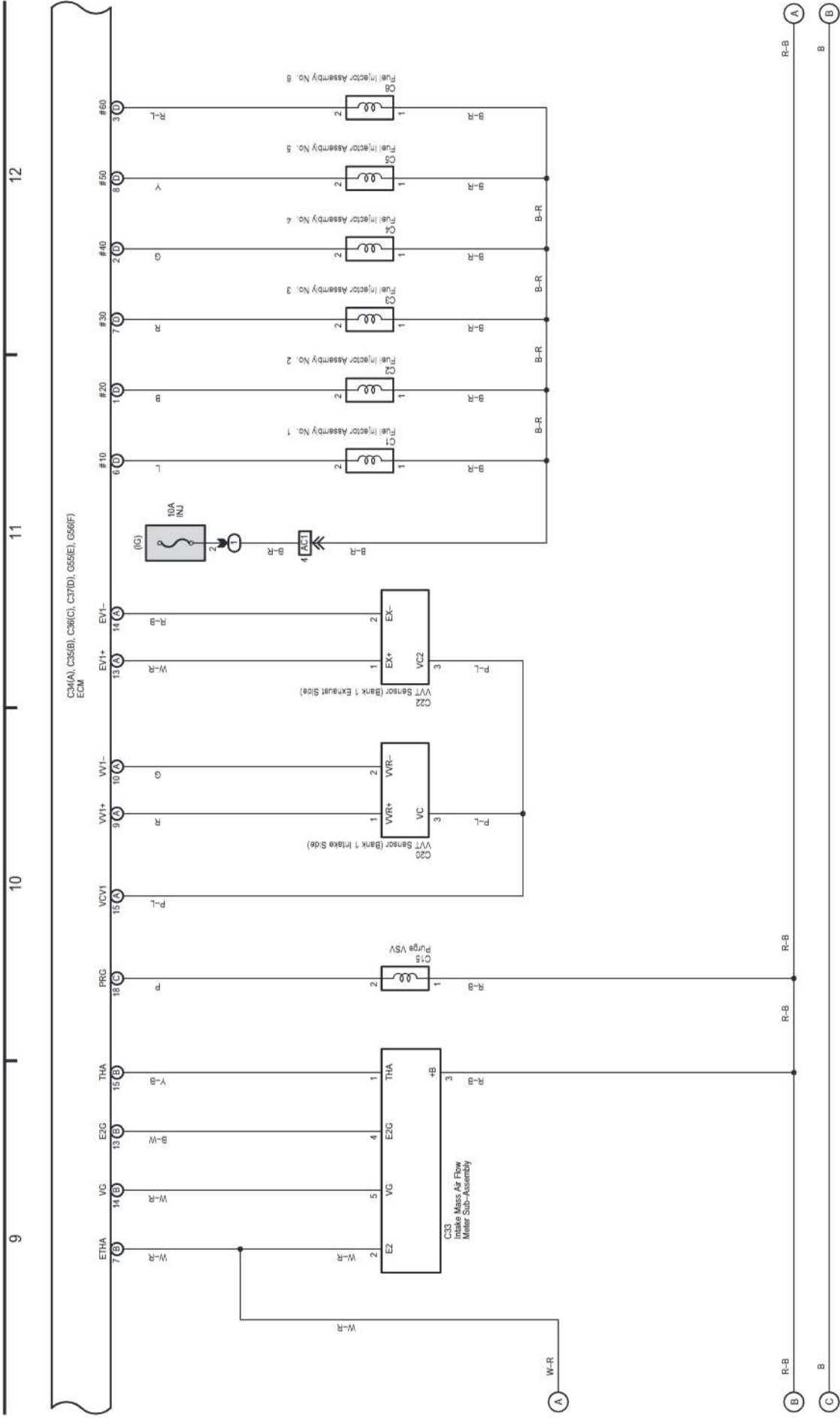
M OVERALL ELECTRICAL WIRING DIAGRAM

Engine Control (1GR-FE), Dynamic Radar Cruise Control or Cruise Control (1GR-FE), ECT and A/T Indicator (1GR-FE)



\* 9: Before Aug. 2013 Production  
 \* 10: From Aug. 2013 Production

Engine Control (1GR-FE), Dynamic Radar Cruise Control or Cruise Control (1GR-FE), ECT and A/T Indicator (1GR-FE)



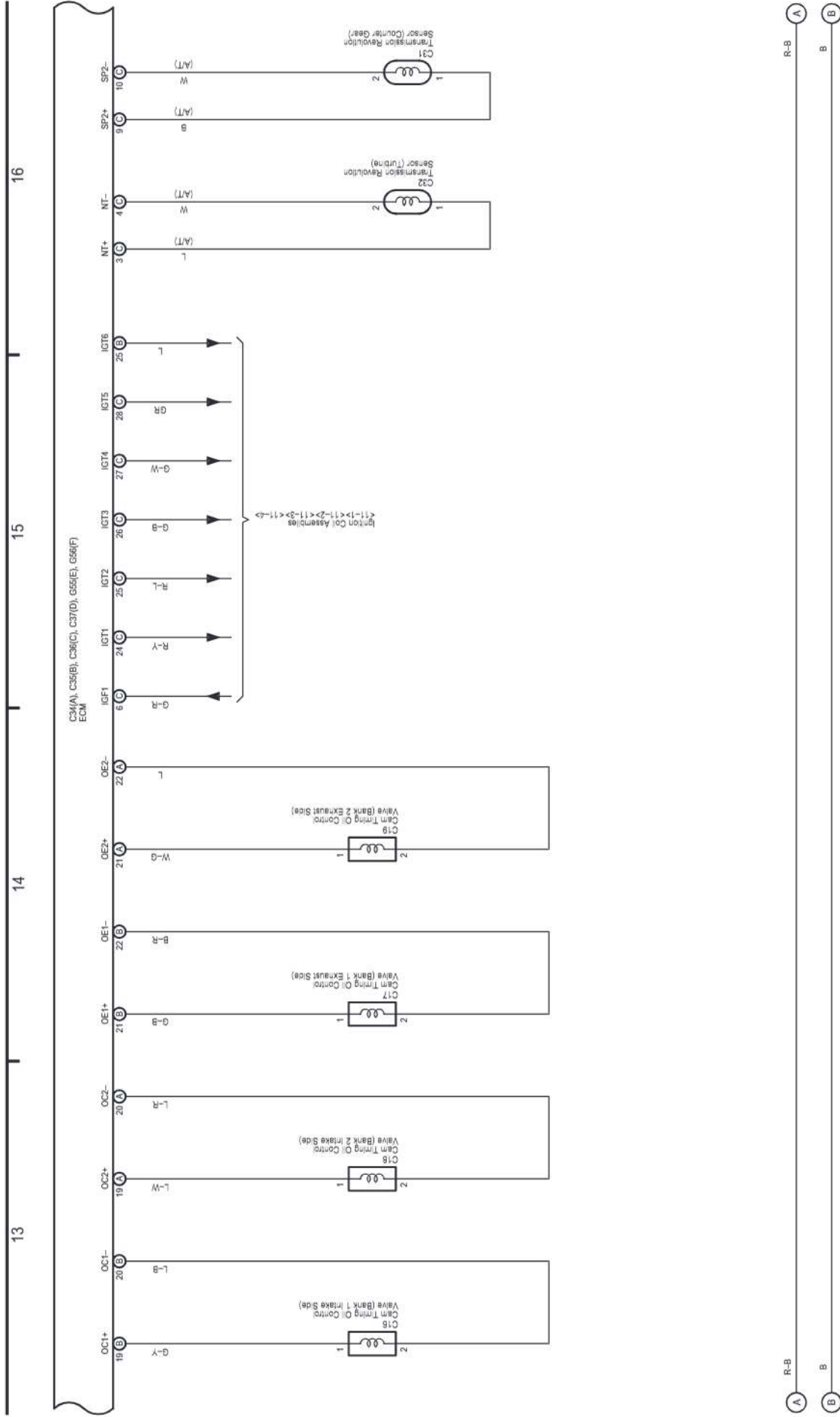


# M OVERALL ELECTRICAL WIRING DIAGRAM

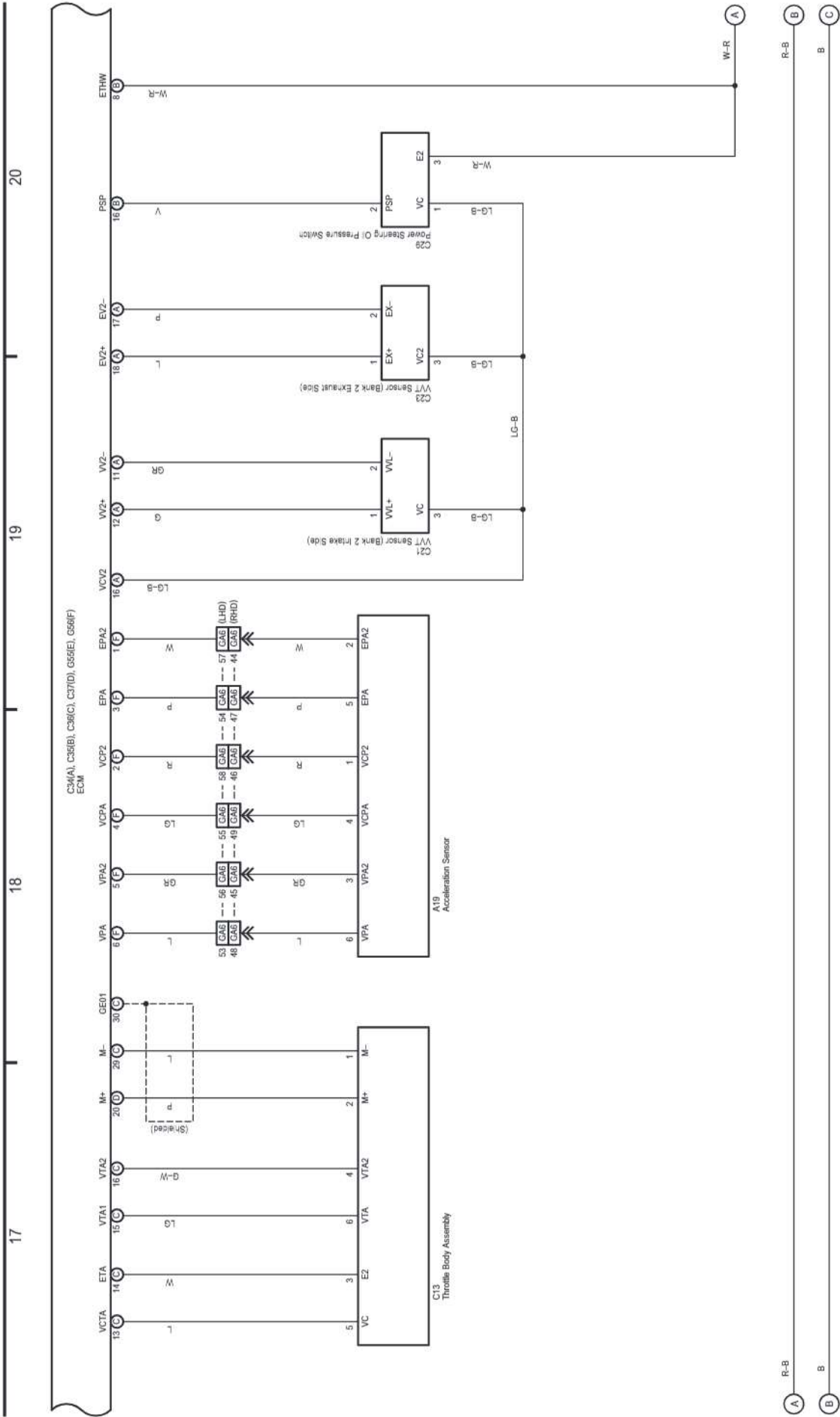
(Cont. next page)

13 LAND CRUISER / LAND CRUISER PRADO (Cont'd)

Engine Control (1GR-FE), Dynamic Radar Cruise Control or Cruise Control (1GR-FE), ECT and A/T Indicator (1GR-FE)

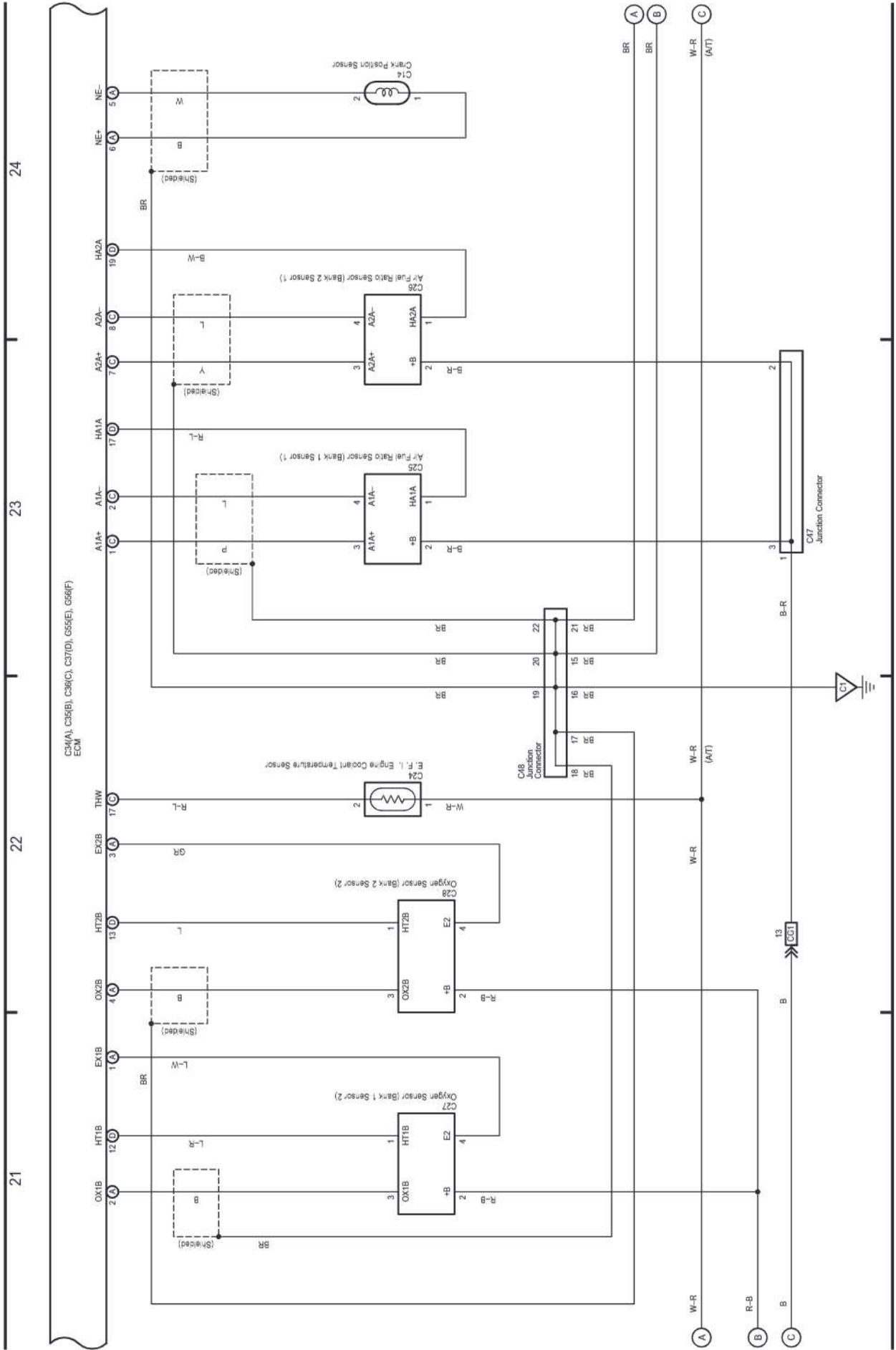


Engine Control (1GR-FE), Dynamic Radar Cruise Control or Cruise Control (1GR-FE), ECT and A/T Indicator (1GR-FE)

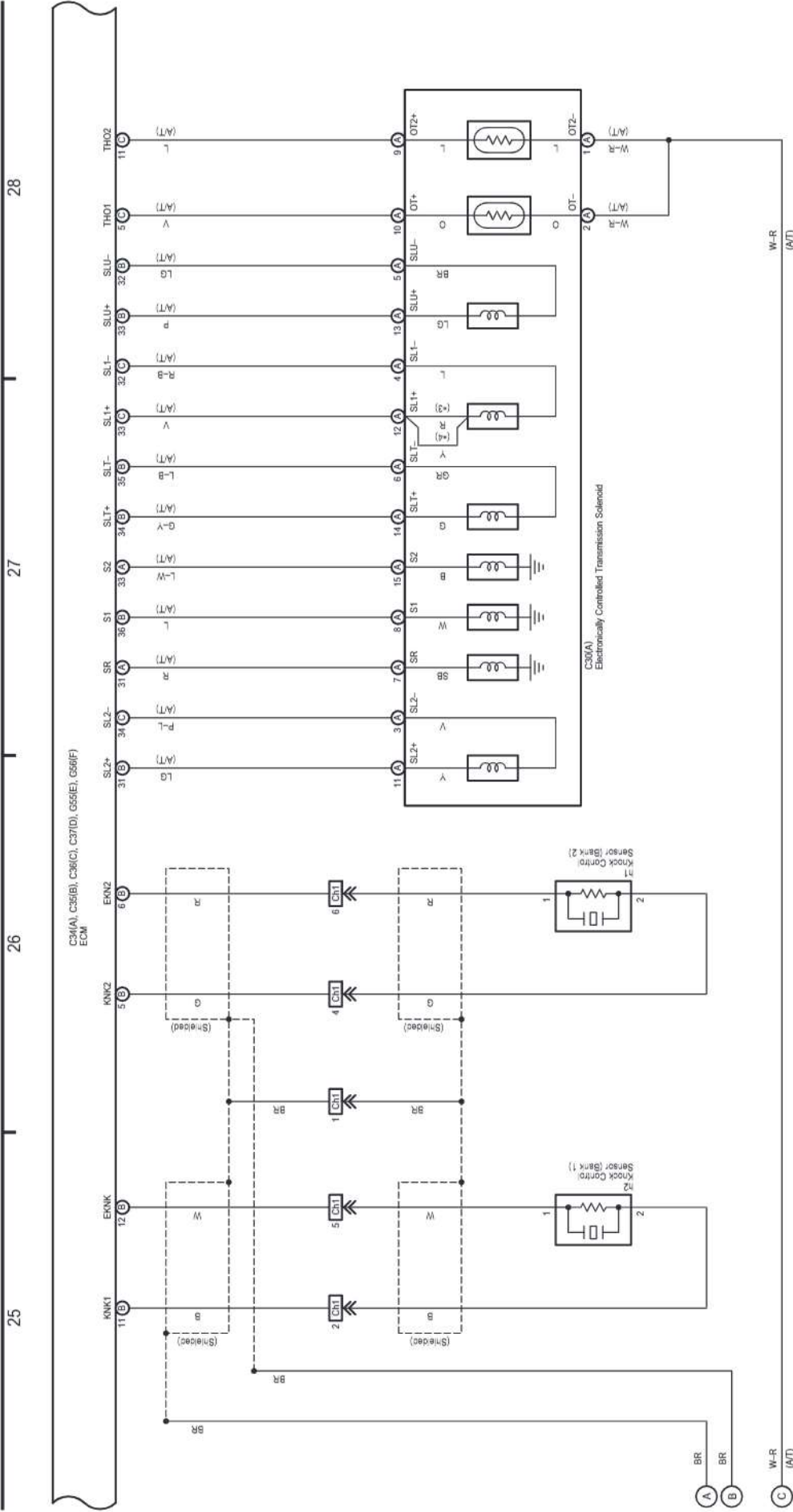


M OVERALL ELECTRICAL WIRING DIAGRAM

Engine Control (1GR-FE), Dynamic Radar Cruise Control or Cruise Control (1GR-FE), ECT and A/T Indicator (1GR-FE)



Engine Control (1GR-FE), Dynamic Radar Cruise Control or Cruise Control (1GR-FE), ECT and A/T Indicator (1GR-FE)



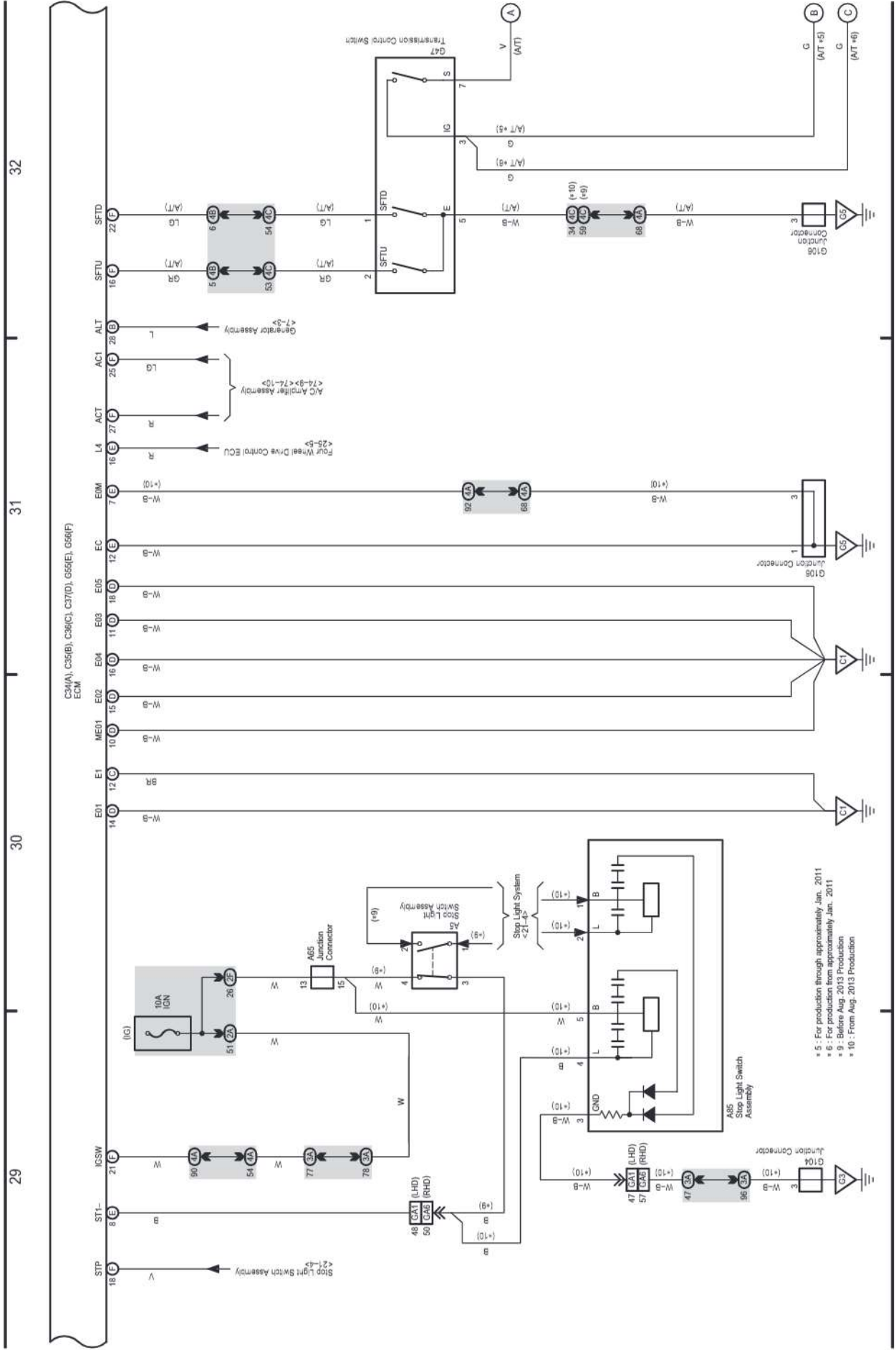
\* 3 : Before Oct. 2010 Production  
 \* 4 : From Oct. 2010 Production

# M OVERALL ELECTRICAL WIRING DIAGRAM

(Cont. next page)

13 LAND CRUISER / LAND CRUISER PRADO (Cont'd)

Engine Control (1GR-FE), Dynamic Radar Cruise Control or Cruise Control (1GR-FE), ECT and A/T Indicator (1GR-FE)

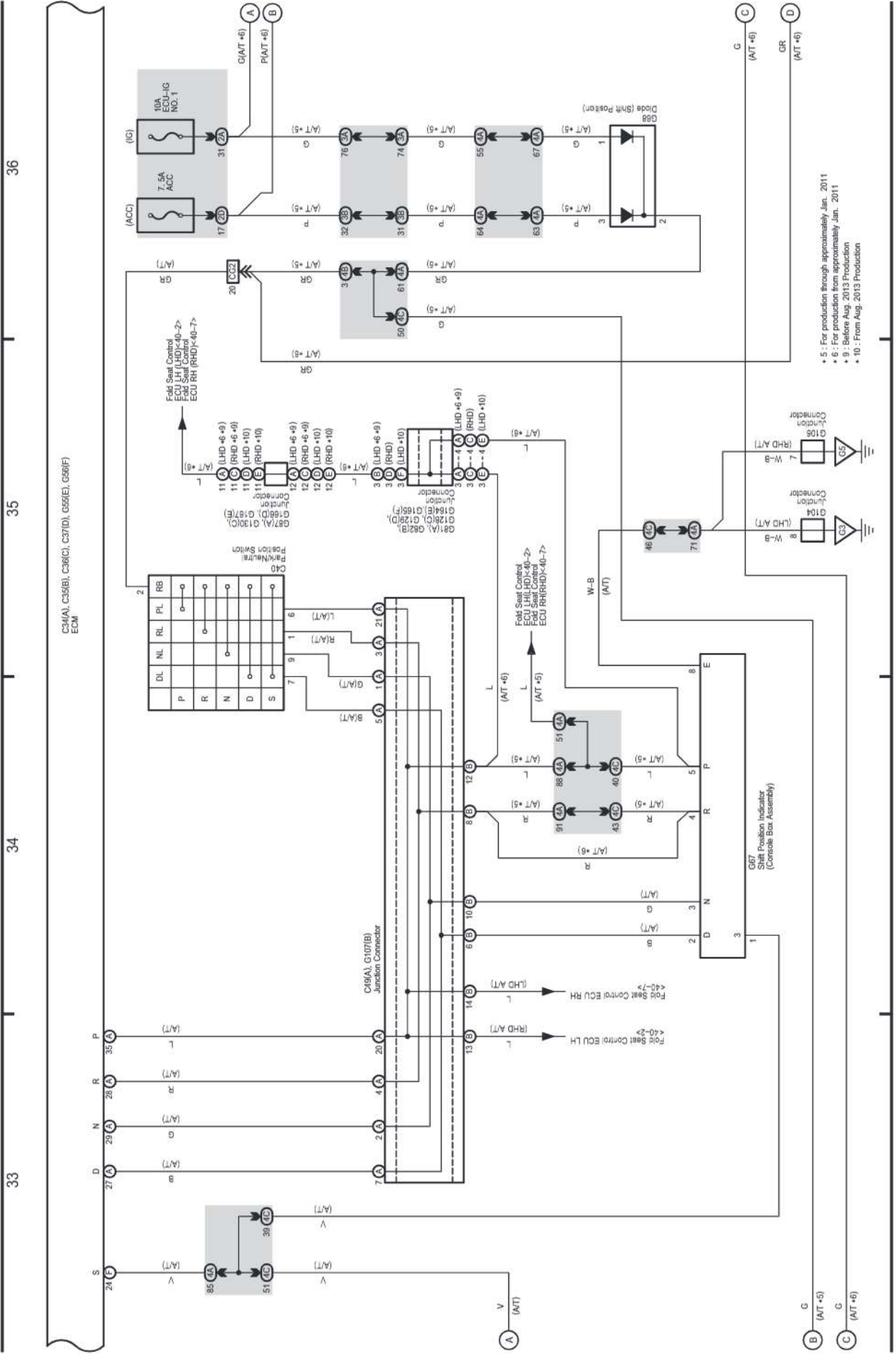


\* 5 : For production through approximately Jan., 2011  
 \* 6 : For production from approximately Jan., 2011  
 \* 9 : Before Aug., 2013 Production  
 \* 10 : From Aug., 2013 Production

(Cont. next page)

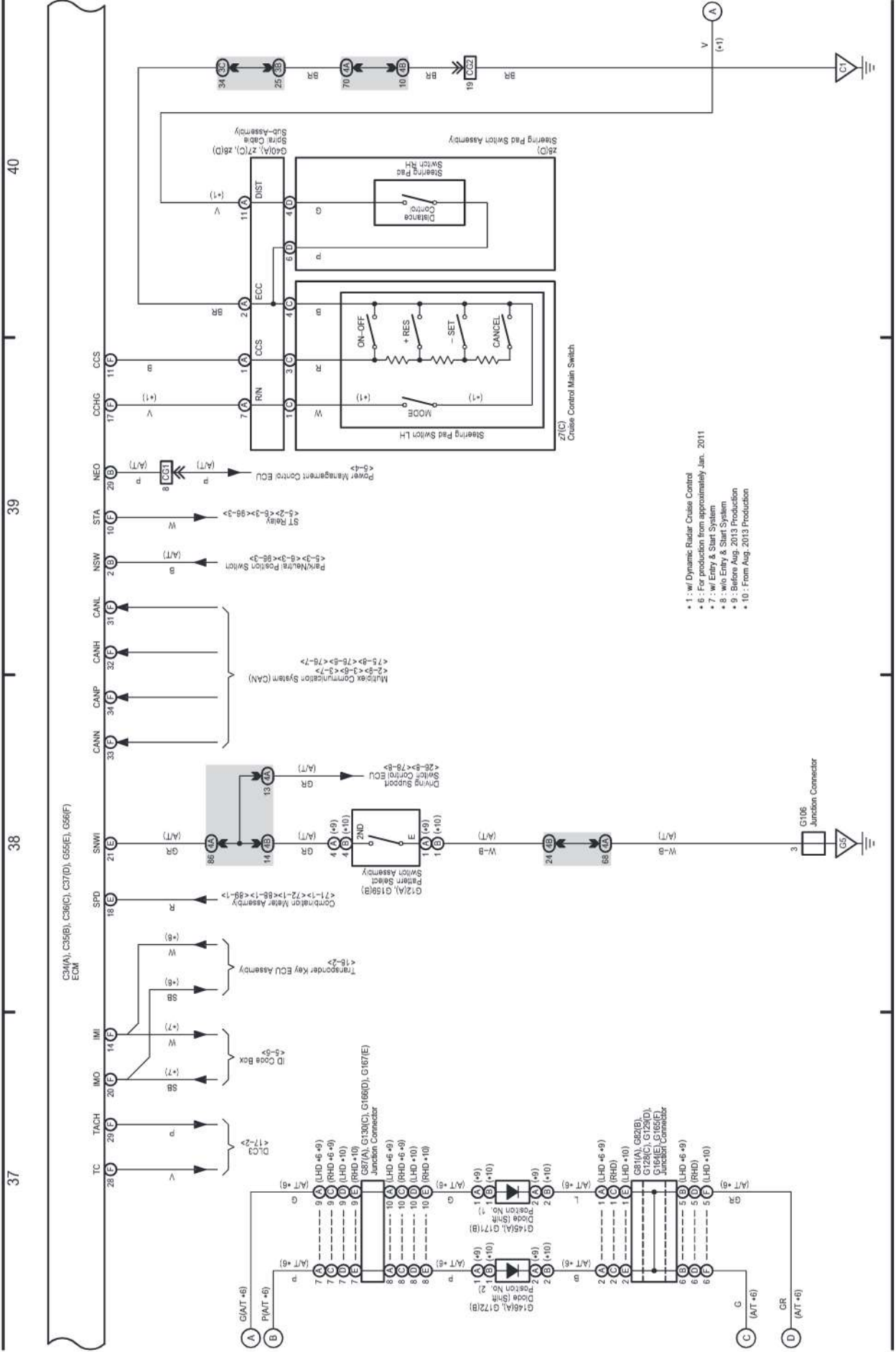
13 LAND CRUISER / LAND CRUISER PRADO (Cont'd)

Engine Control (1GR-FE), Dynamic Radar Cruise Control (1GR-FE), ECT and A/T Indicator (1GR-FE)

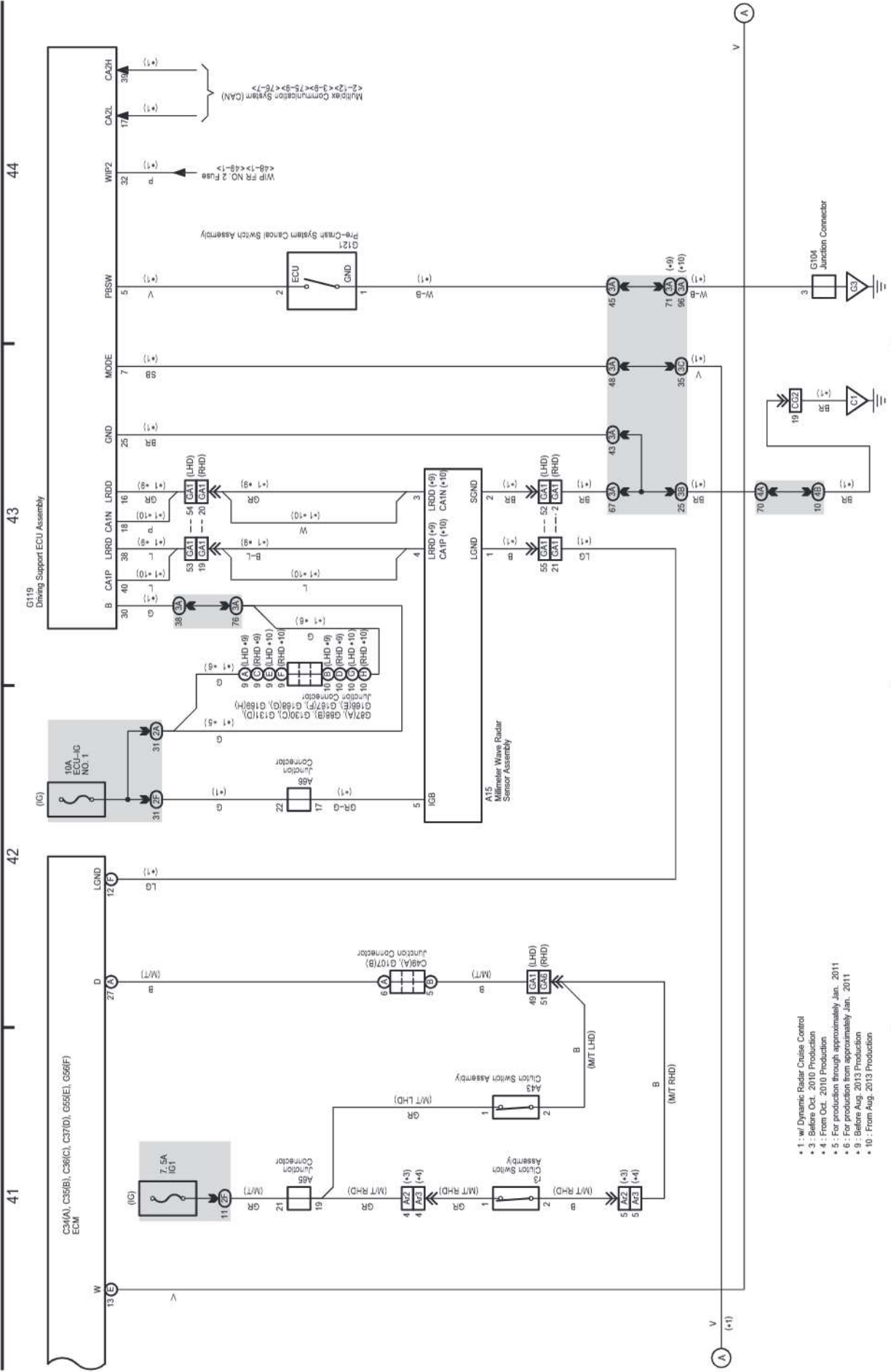


M OVERALL ELECTRICAL WIRING DIAGRAM

Engine Control (1GR-FE), Dynamic Radar Cruise Control or Cruise Control (1GR-FE), ECT and A/T Indicator (1GR-FE)



Engine Control (1GR-FE), Dynamic Radar Cruise Control or Cruise Control (1GR-FE), ECT and A/T Indicator (1GR-FE)



- 1 : w/ Dynamic Radar Cruise Control
- 3 : Before Oct. 2010 Production
- 4 : From Oct. 2010 Production
- 5 : For production through approximately Jan. 2011
- 6 : For production from approximately Jan. 2011
- 9 : Before Aug. 2013 Production
- 10 : From Aug. 2013 Production



M OVERALL ELECTRICAL WIRING DIAGRAM

13 LAND CRUISER / LAND CRUISER PRADO (Cont'd)

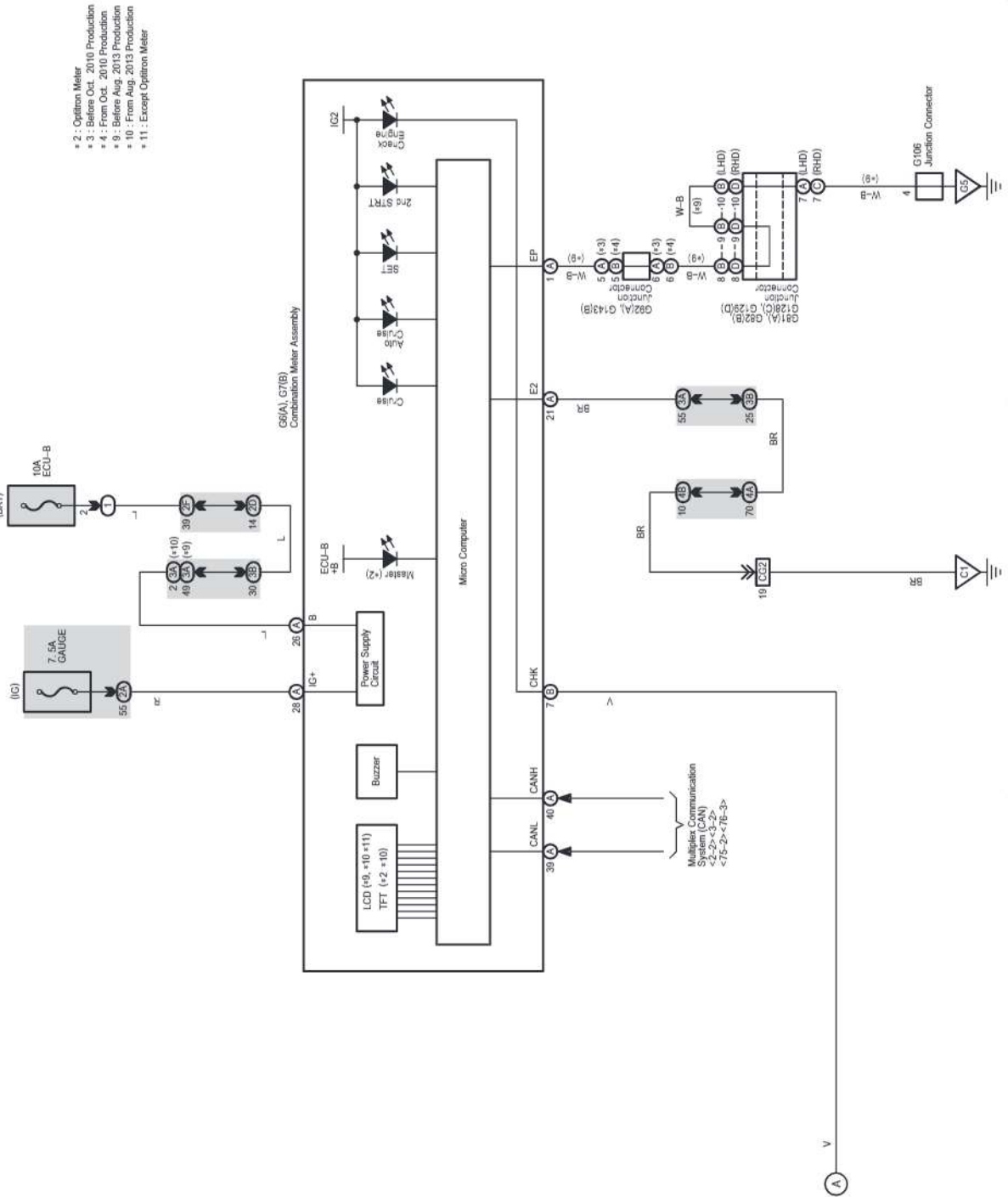
Engine Control (1GR-FE), Dynamic Radar Cruise Control or Cruise Control (1GR-FE), ECT and A/T Indicator (1GR-FE)

48

47

46

45

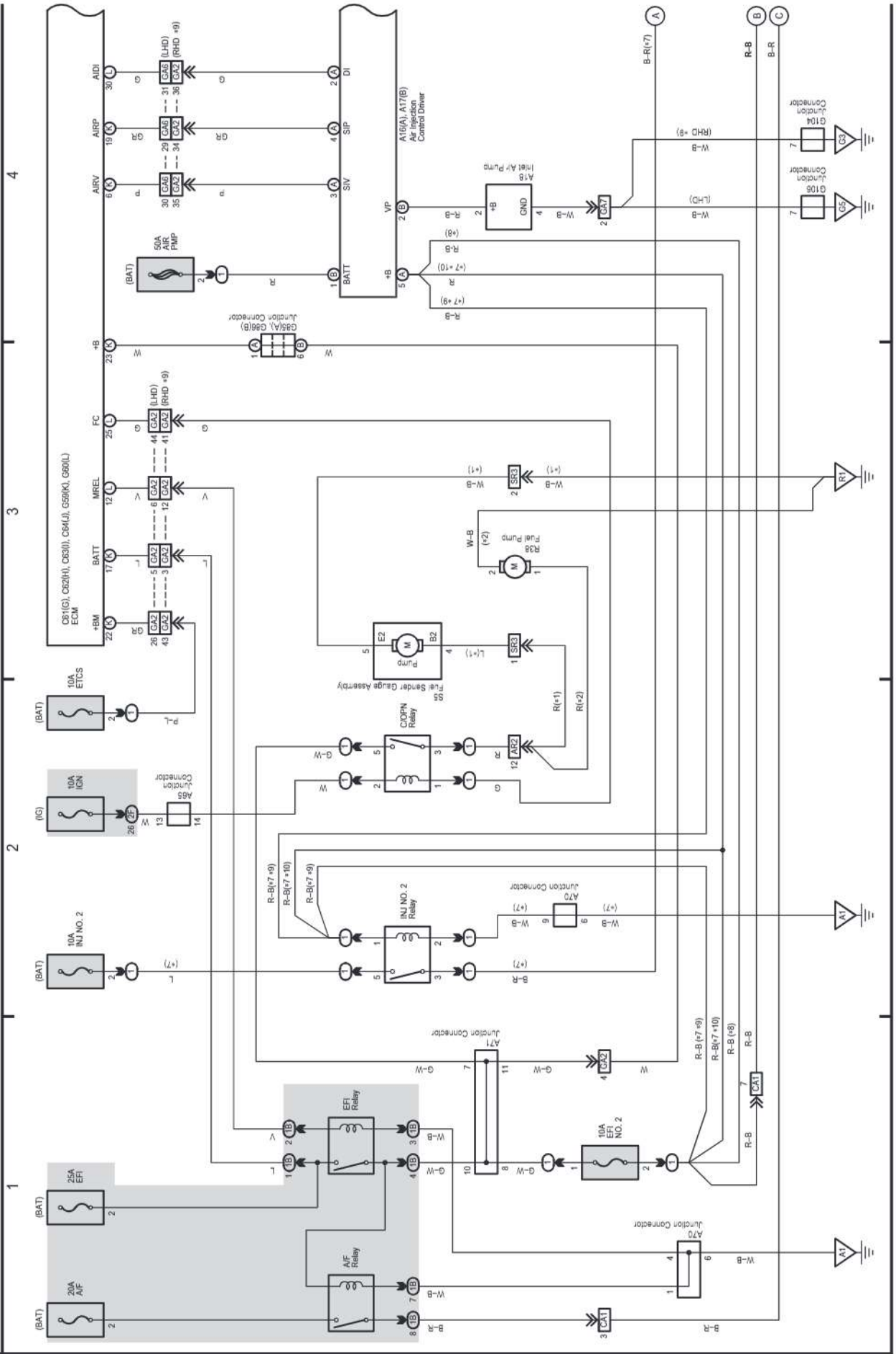


(Cont. next page)

14 LAND CRUISER / LAND CRUISER PRADO

\* 1 : 5-Door  
\* 2 : 3-Door  
\* 7 : China  
\* 8 : Except China  
\* 9 : Before Aug. 2013 Production  
\* 10 : From Aug. 2013 Production

Engine Control (2TR-FE), Cruise Control (2TR-FE), ECT and A/T Indicator (2TR-FE)



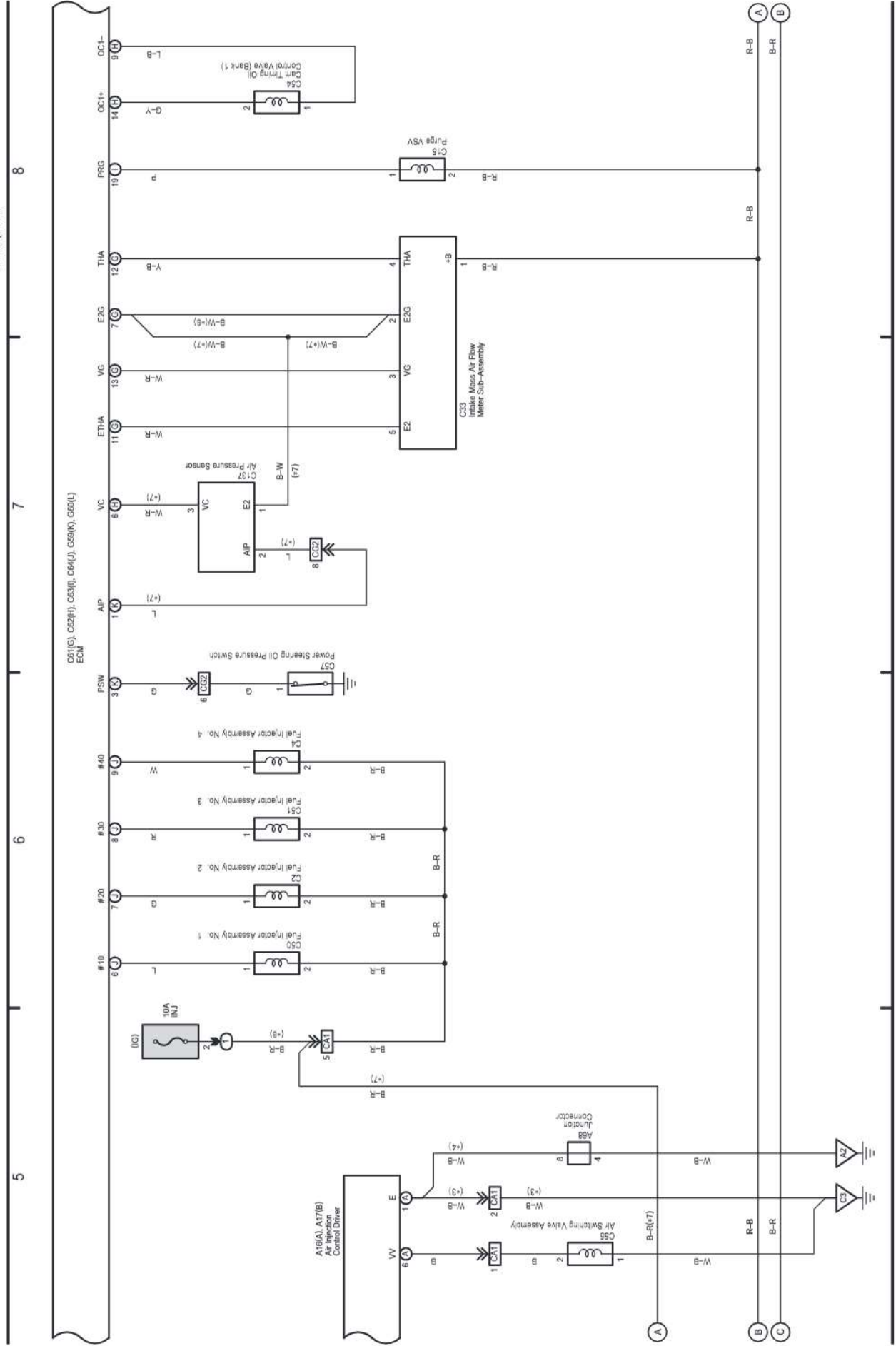
# M OVERALL ELECTRICAL WIRING DIAGRAM

(Cont. next page)

\* 3 : Before Oct. 2010 Production  
 \* 4 : From Oct. 2010 Production  
 \* 7 : China  
 \* 8 : Except China

14 LAND CRUISER / LAND CRUISER PRADO (Cont'd)

## Engine Control (2TR-FE), Cruise Control (2TR-FE), ECT and A/T Indicator (2TR-FE)

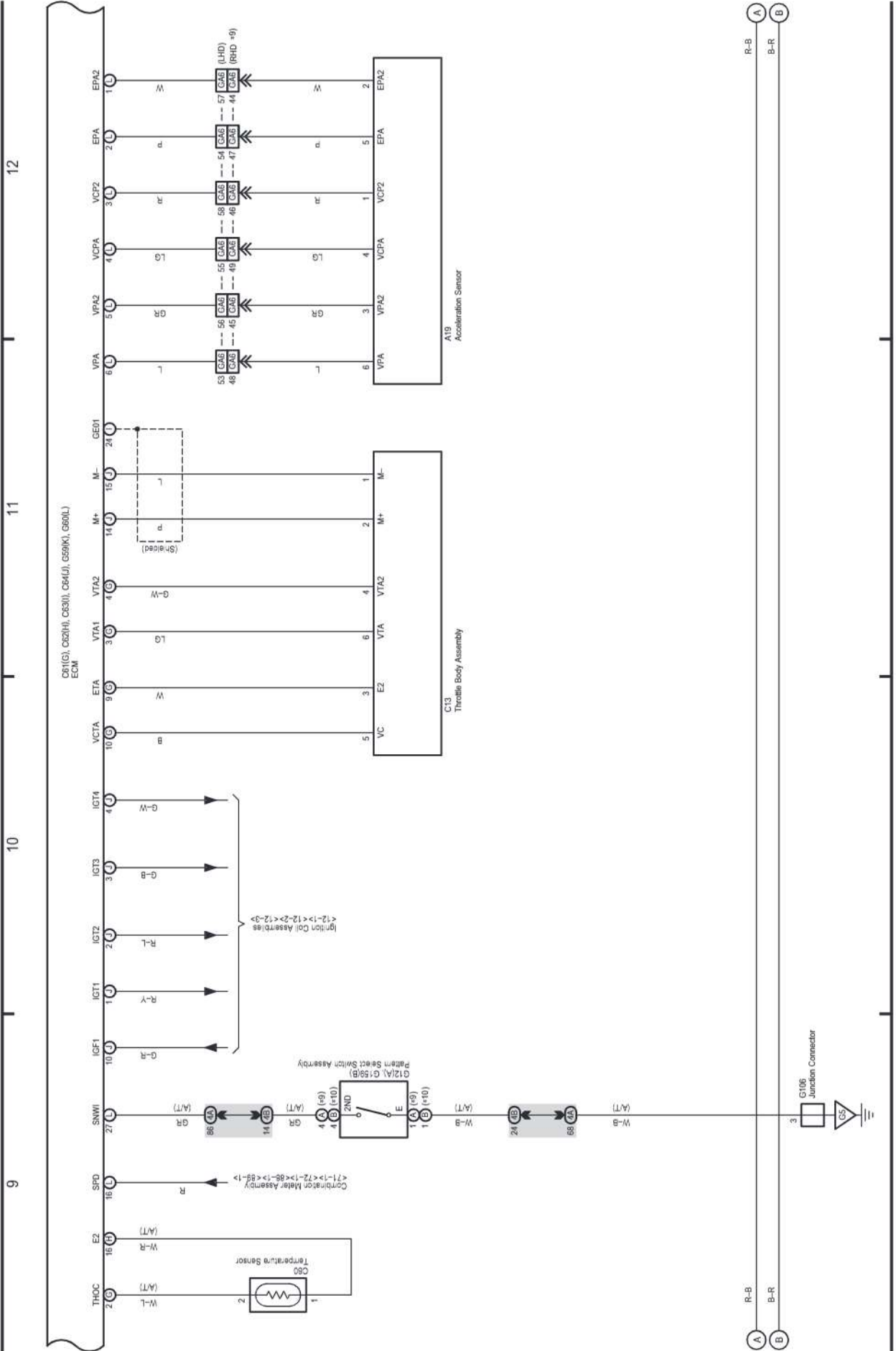


(Cont. next page)

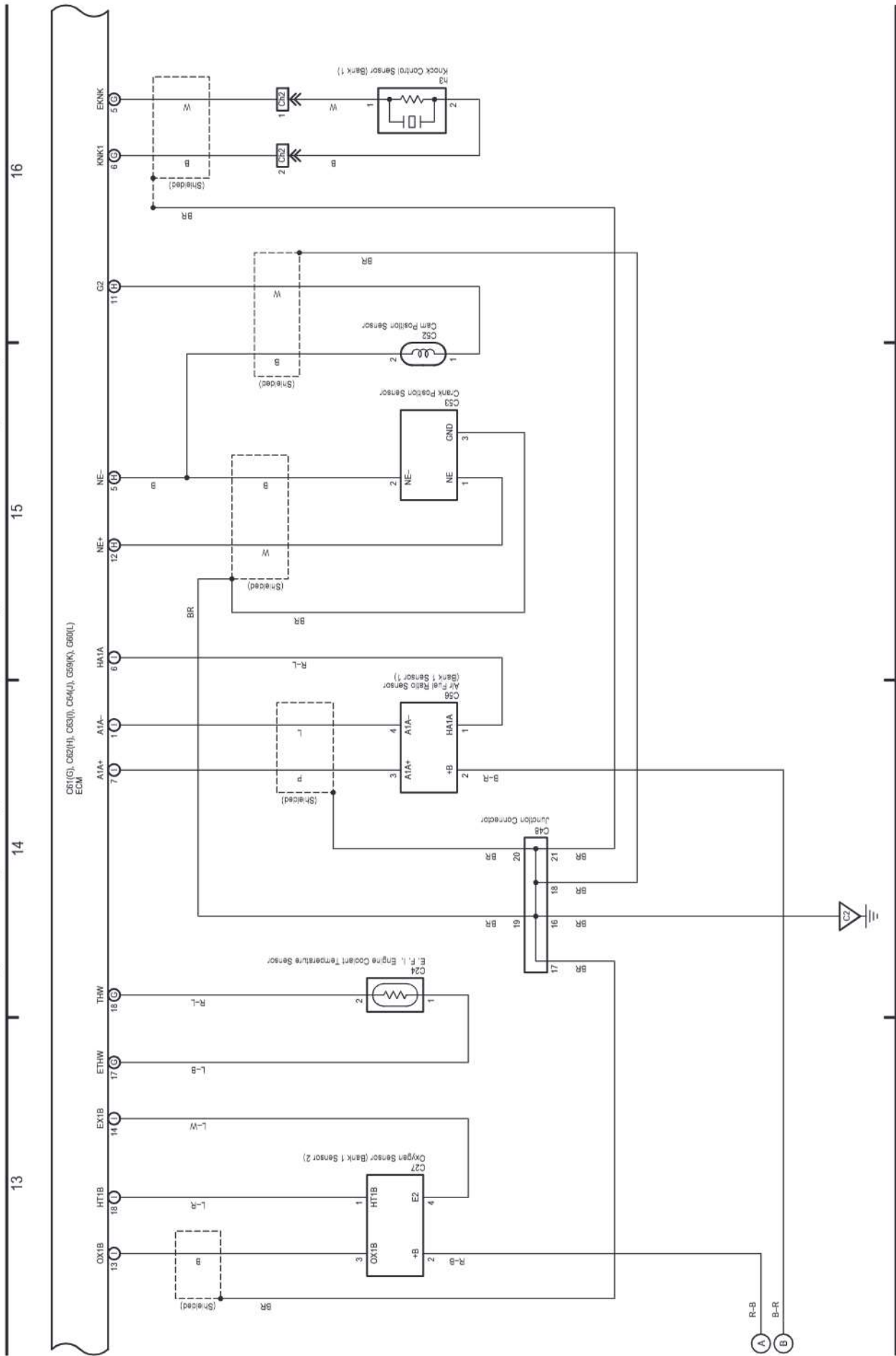
14 LAND CRUISER / LAND CRUISER PRADO (Cont'd)

\* 9 : Before Aug. 2013 Production  
\* 10 : From Aug. 2013 Production

Engine Control (2TR-FE), Cruise Control (2TR-FE), ECT and A/T Indicator (2TR-FE)



Engine Control (2TR-FE), Cruise Control (2TR-FE), ECT and A/T Indicator (2TR-FE)





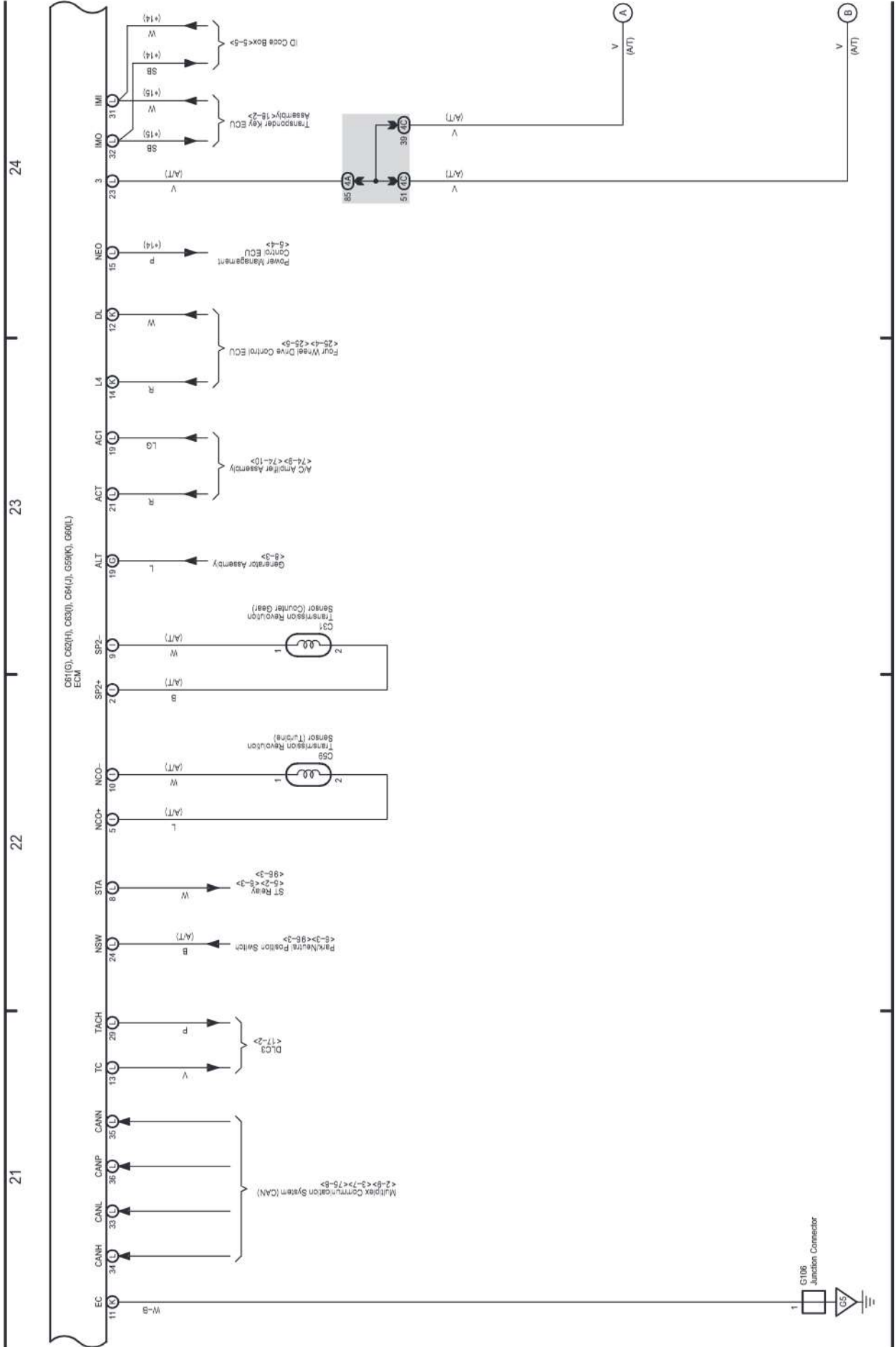
# M OVERALL ELECTRICAL WIRING DIAGRAM

(Cont. next page)

14 LAND CRUISER / LAND CRUISER PRADO (Cont'd)

## Engine Control (2TR-FE), Cruise Control (2TR-FE), ECT and A/T Indicator (2TR-FE)

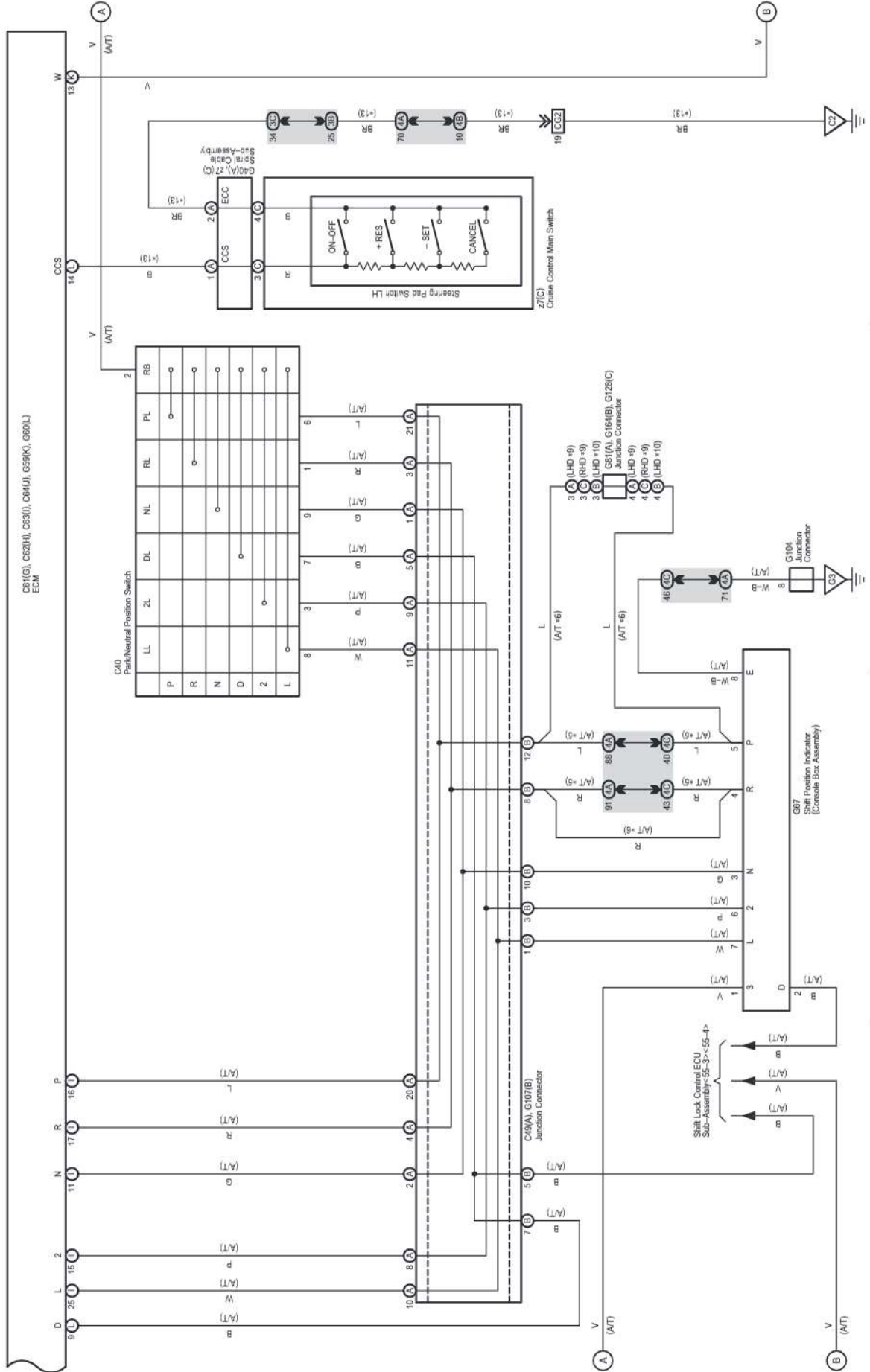
\* 14 : w/ Entry & Start System  
\* 15 : w/o Entry & Start System



- \* 6 : For production from approximately Jan. 2011
- \* 9 : Before Aug. 2013 Production
- \* 10 : From Aug. 2013 Production
- \* 13 : w/ Cruise Control

Engine Control (2TR-FE), Cruise Control (2TR-FE), ECT and A/T Indicator (2TR-FE)

25 26 27 28

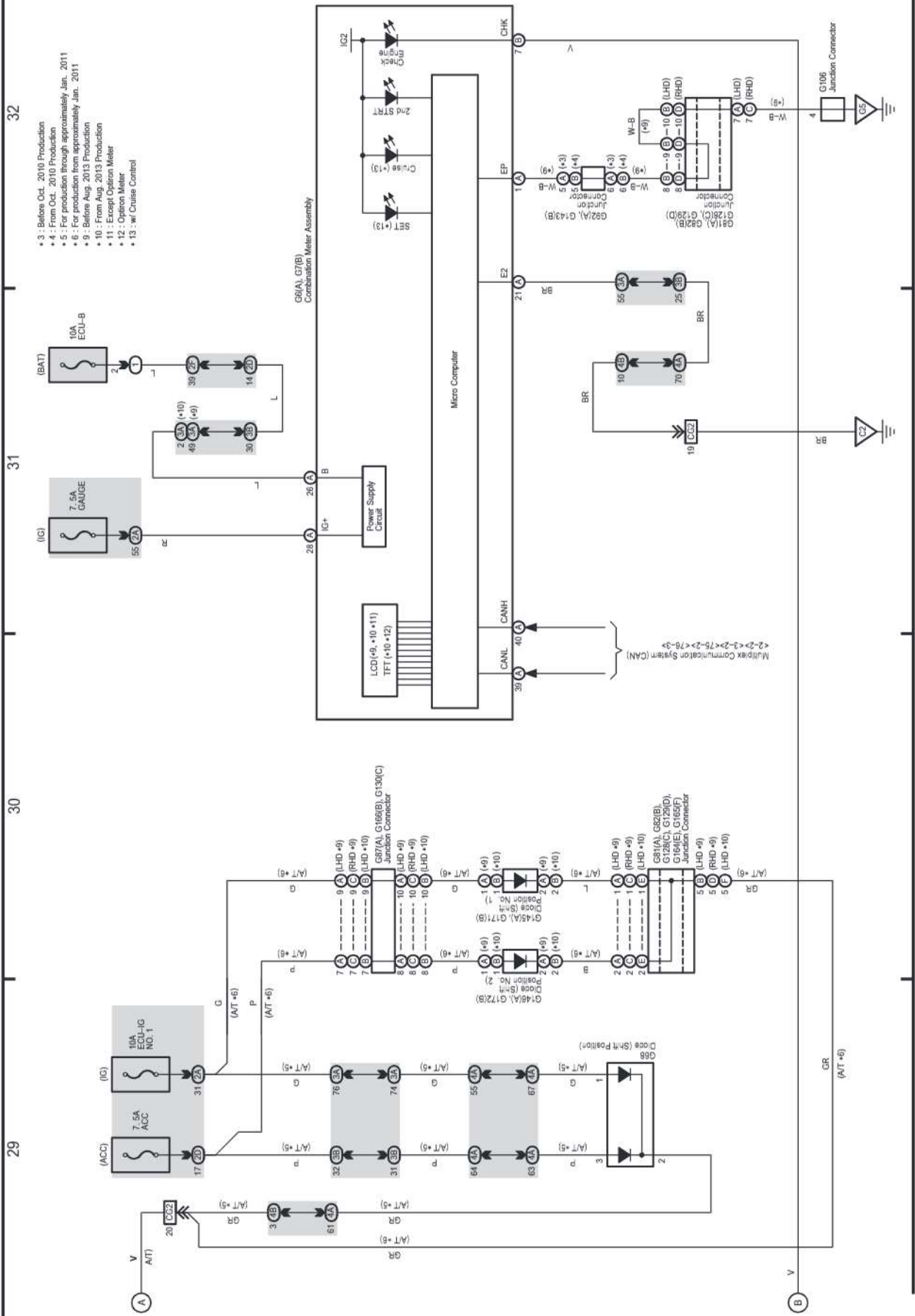




# M OVERALL ELECTRICAL WIRING DIAGRAM

## 14 LAND CRUISER / LAND CRUISER PRADO (Cont'd)

### Engine Control (2TR-FE), Cruise Control (2TR-FE), ECT and A/T Indicator (2TR-FE)



- 3 : Before Oct. 2010 Production
- 4 : From Oct. 2010 Production
- 5 : For production through approximately Jan. 2011
- 6 : For production from approximately Jan. 2011
- 9 : Before Aug. 2013 Production
- 10 : From Aug. 2013 Production
- 11 : Except Option Meter
- 12 : Option Meter
- 13 : w/ Cruise Control

10A ECU-B

7.5A GAUGE

100A ACC

100A ECU-IG NO. 1

100A ECU-B

7.5A GAUGE

100A ACC

100A ECU-IG NO. 1

100A ECU-B

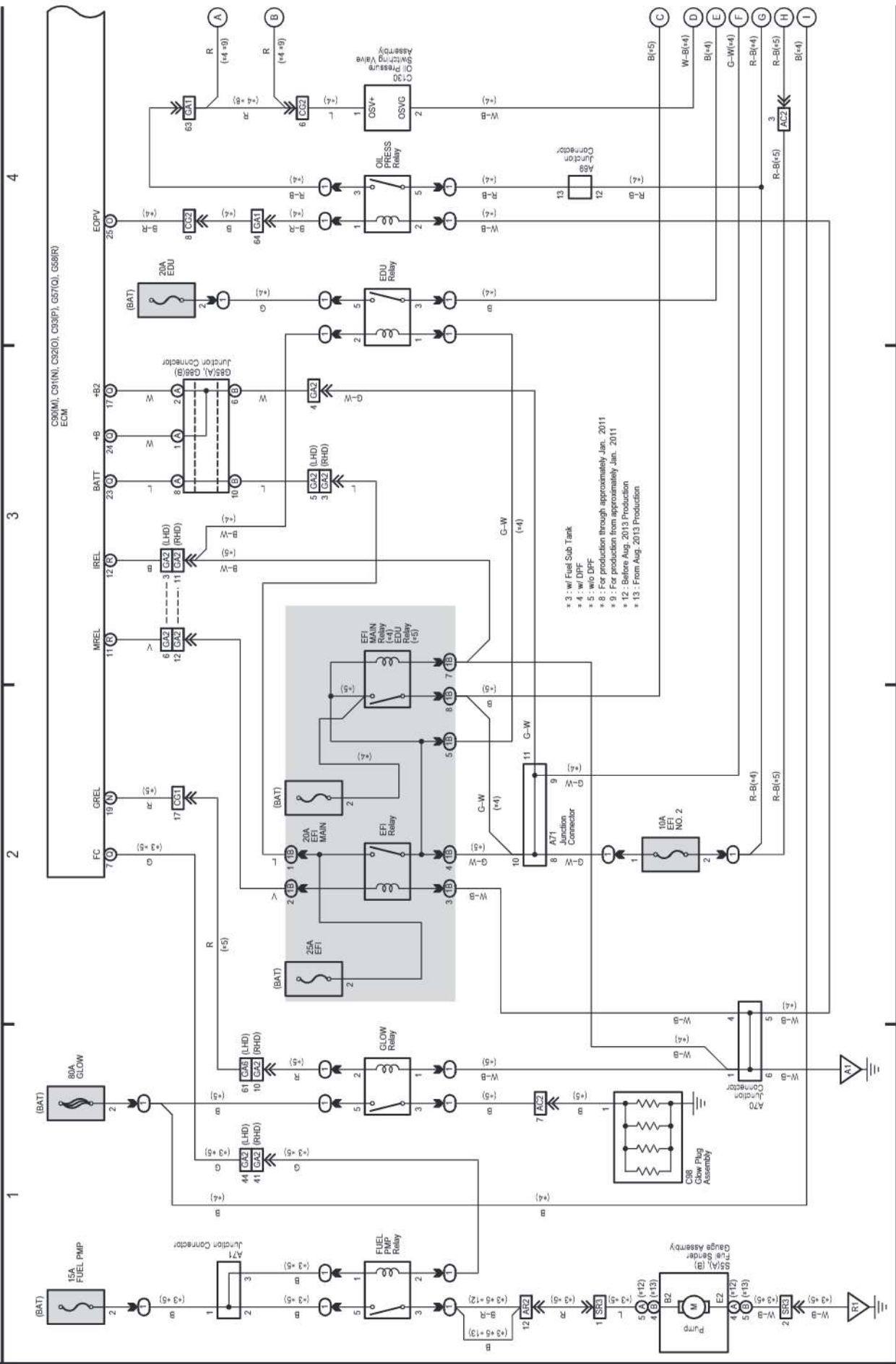
7.5A GAUGE

100A ACC

(Cont. next page)

15 LAND CRUISER / LAND CRUISER PRADO

Engine Control (1KD-FTV) , Dynamic Radar Cruise Control (1KD-FTV) , ECT and A/T Indicator (1KD-FTV)

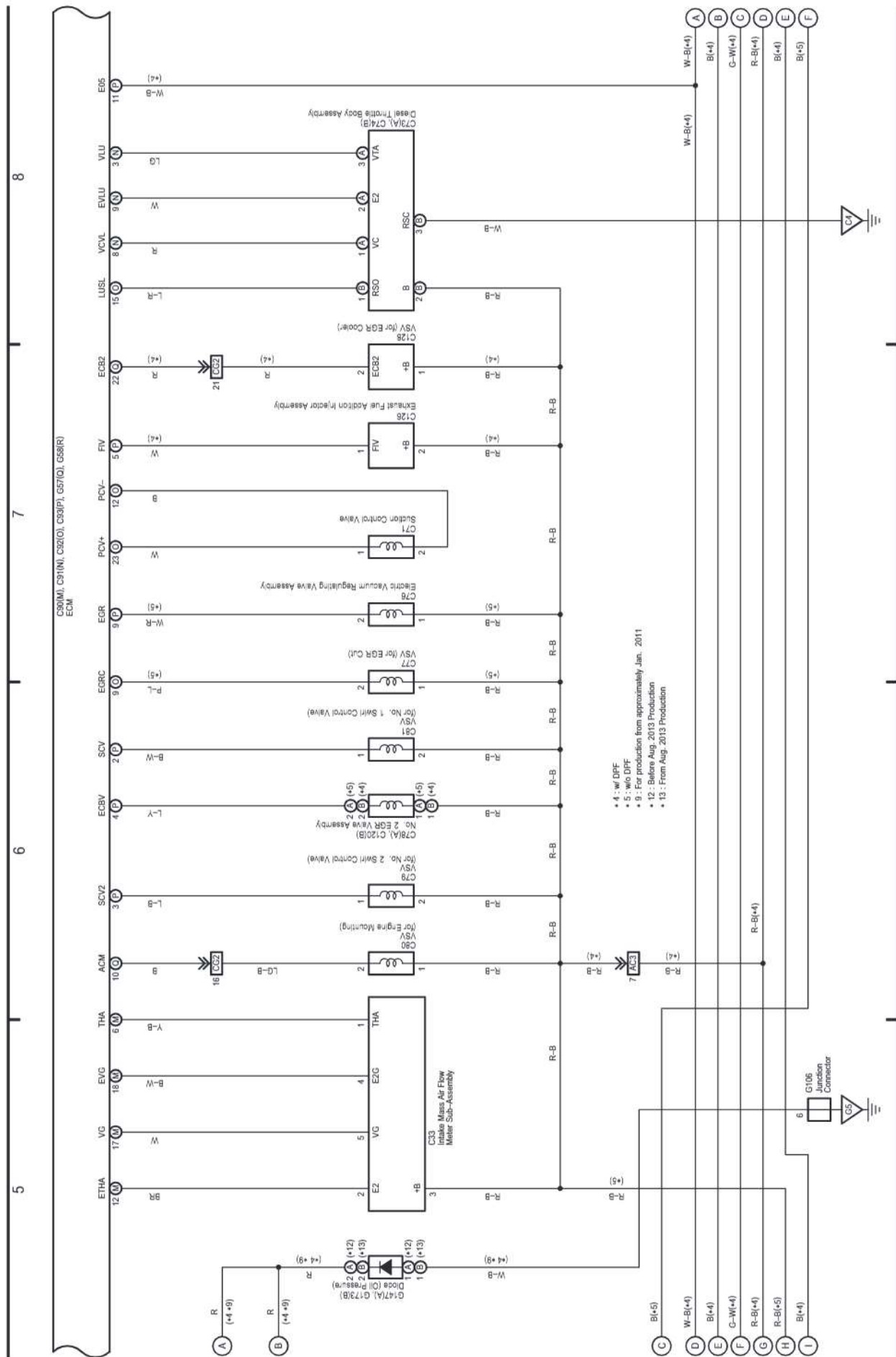


# M OVERALL ELECTRICAL WIRING DIAGRAM

(Cont. next page)

15 LAND CRUISER / LAND CRUISER PRADO (Cont'd)

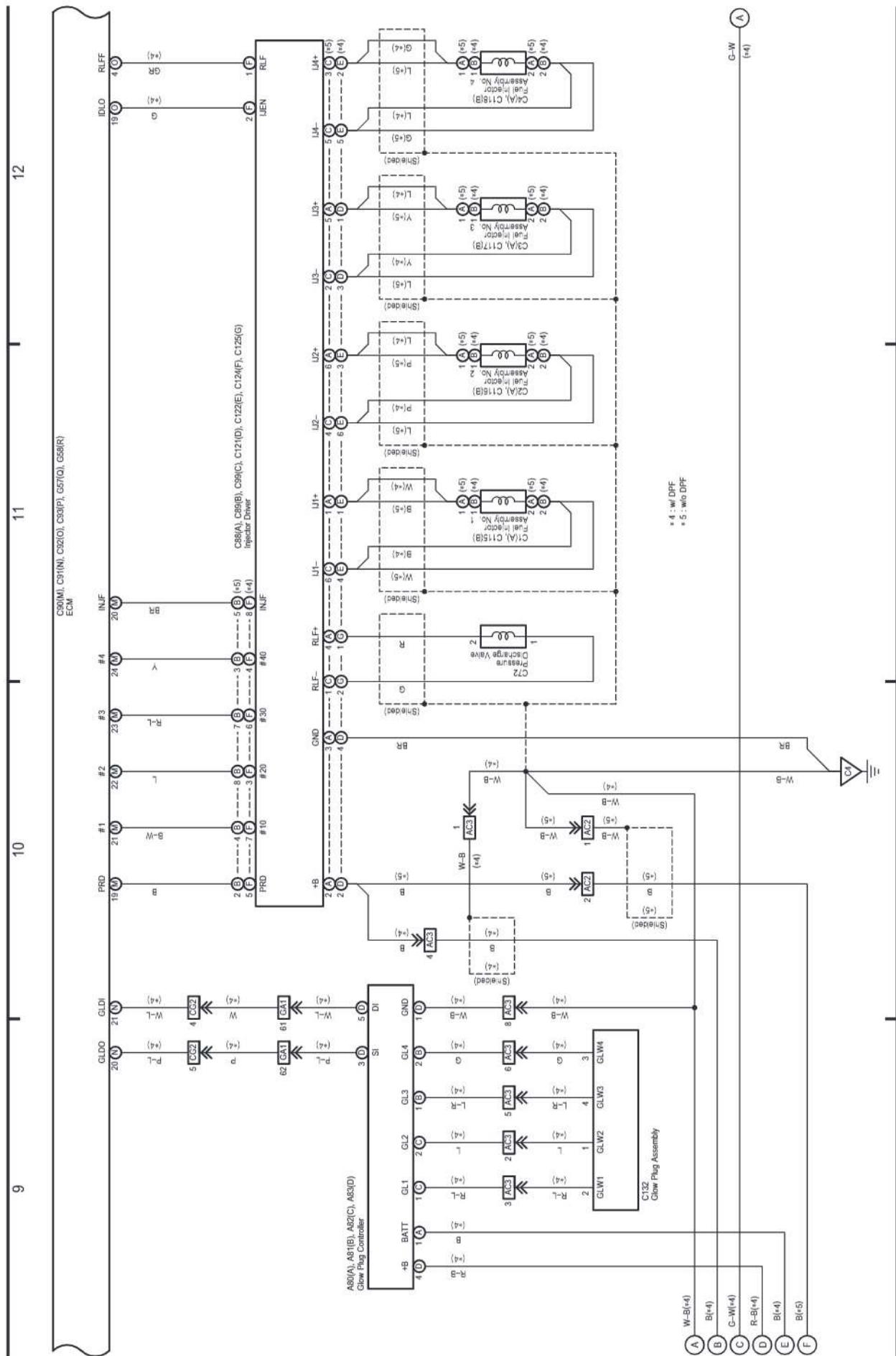
Engine Control (1KD-FTV), Dynamic Radar Cruise Control or Cruise Control (1KD-FTV), ECT and A/T Indicator (1KD-FTV)



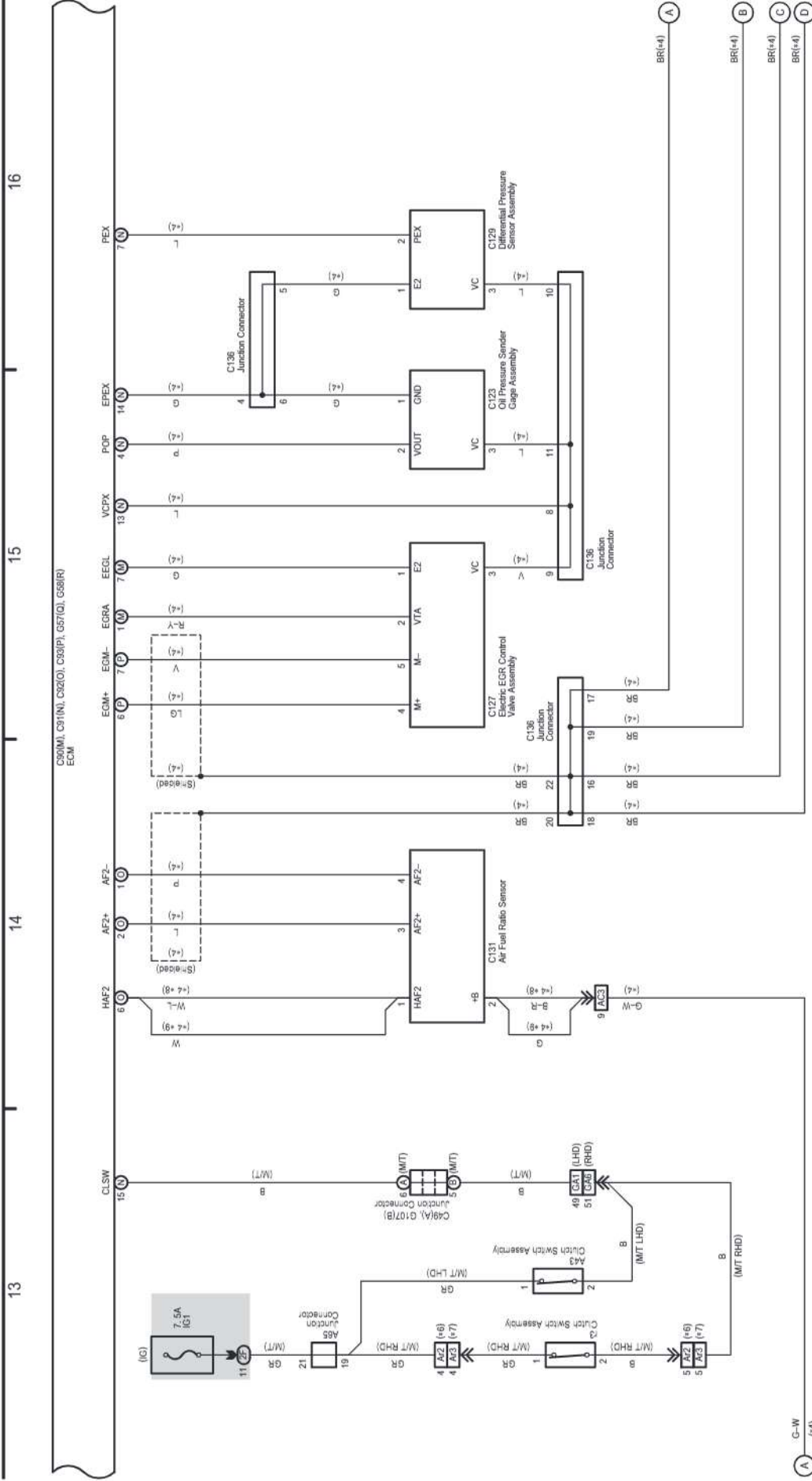
(Cont. next page)

15 LAND CRUISER / LAND CRUISER PRADO (Cont'd)

Engine Control (1KD-FTV), Dynamic Radar Cruise Control (1KD-FTV), ECT and A/T Indicator (1KD-FTV)

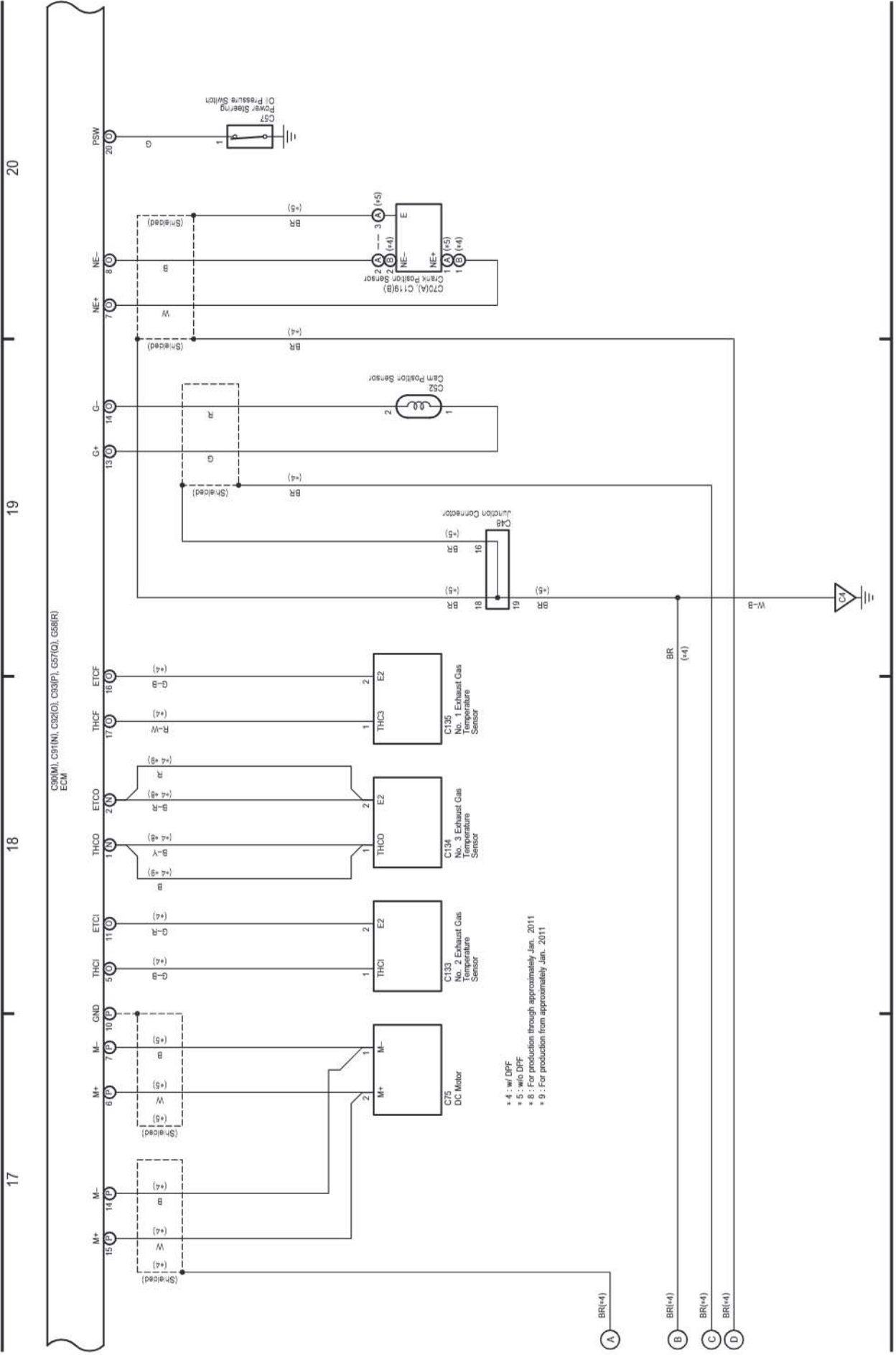


Engine Control (1KD-FTV), Dynamic Radar Cruise Control (1KD-FTV), ECT and A/T Indicator (1KD-FTV)



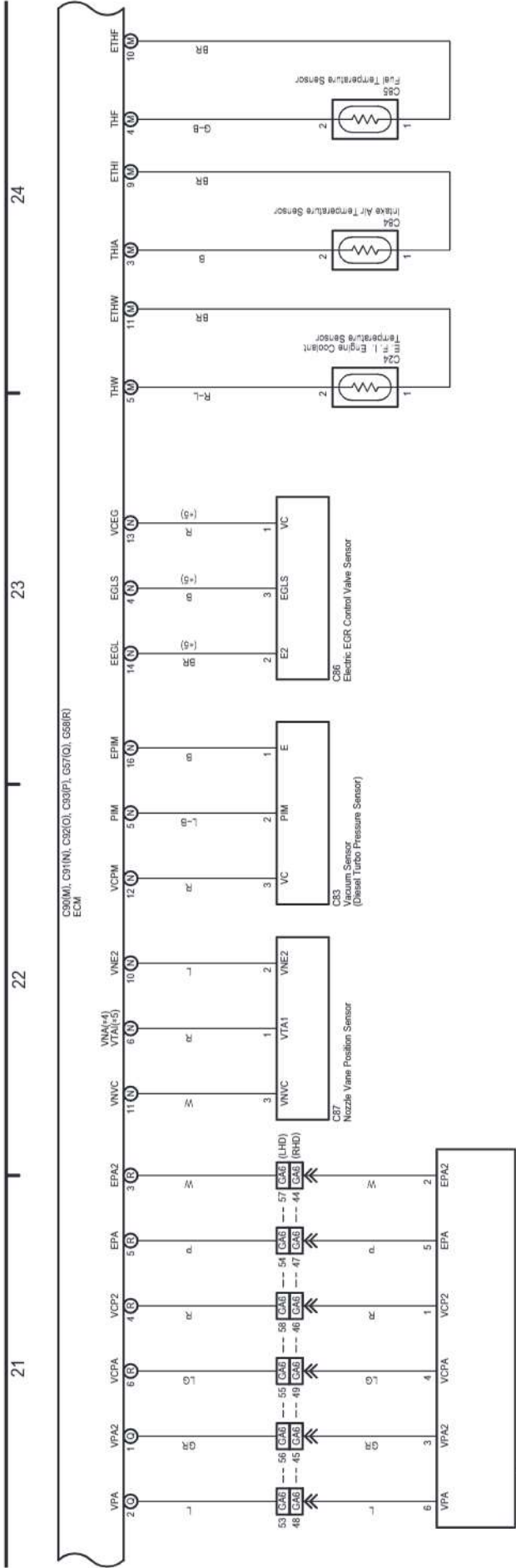
\* 4 : w/ DPF  
 \* 6 : Before Oct. 2010 Production  
 \* 7 : From Oct. 2010 Production  
 \* 8 : For production through approximately Jan. 2011  
 \* 9 : For production from approximately Jan. 2011

Engine Control (1KD-FTV), Dynamic Radar Cruise Control (1KD-FTV), ECT and A/T Indicator (1KD-FTV)



M OVERALL ELECTRICAL WIRING DIAGRAM

Engine Control (1KD-FTV), Dynamic Radar Cruise Control or Cruise Control (1KD-FTV), ECT and A/T Indicator (1KD-FTV)



\* 4 : w/ DPF  
+ 5 : w/o DPF



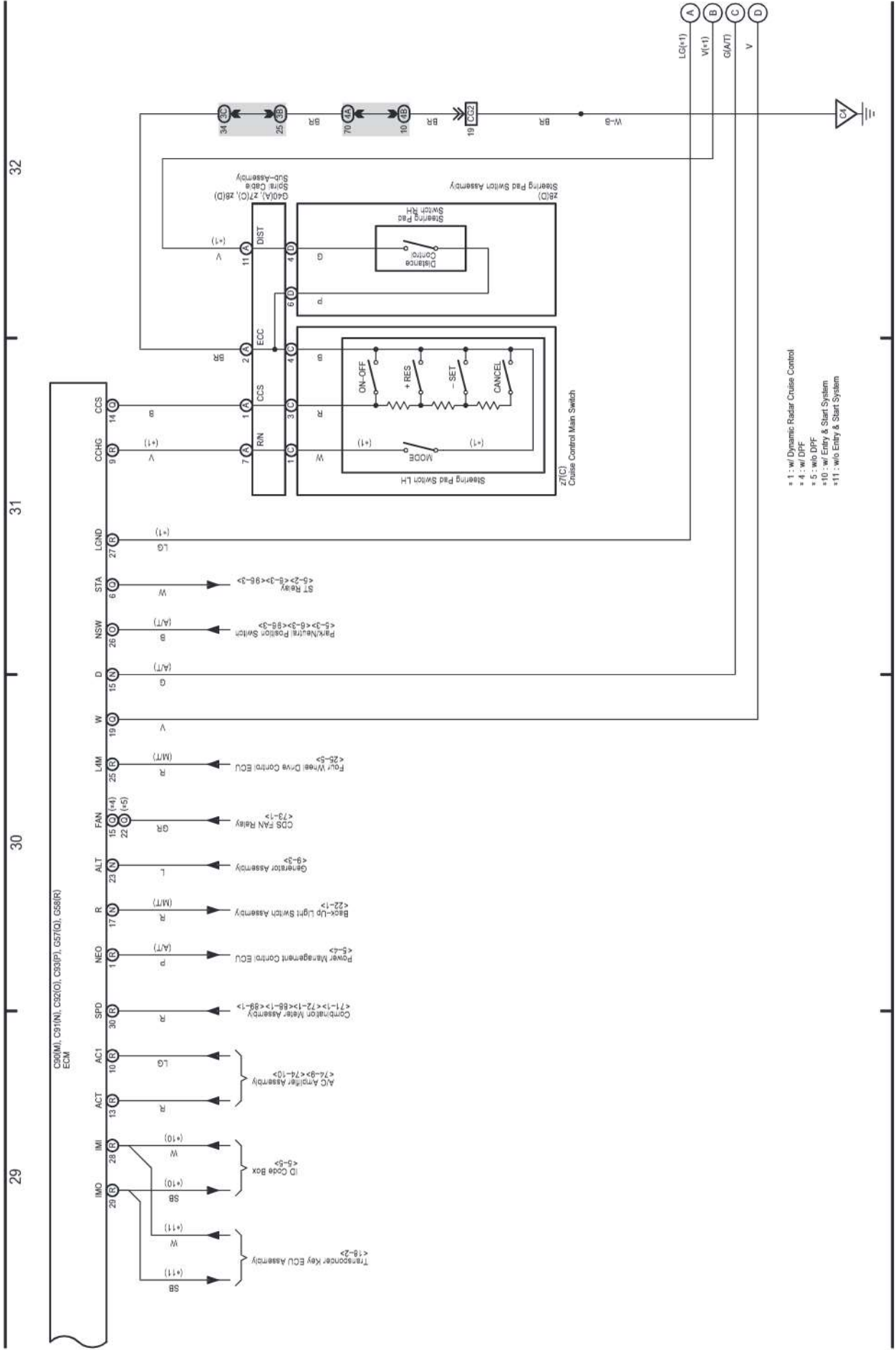


# M OVERALL ELECTRICAL WIRING DIAGRAM

(Cont. next page)

15 LAND CRUISER / LAND CRUISER PRADO (Cont'd)

### Engine Control (1KD-FTV), Dynamic Radar Cruise Control (1KD-FTV), ECT and A/T Indicator (1KD-FTV)

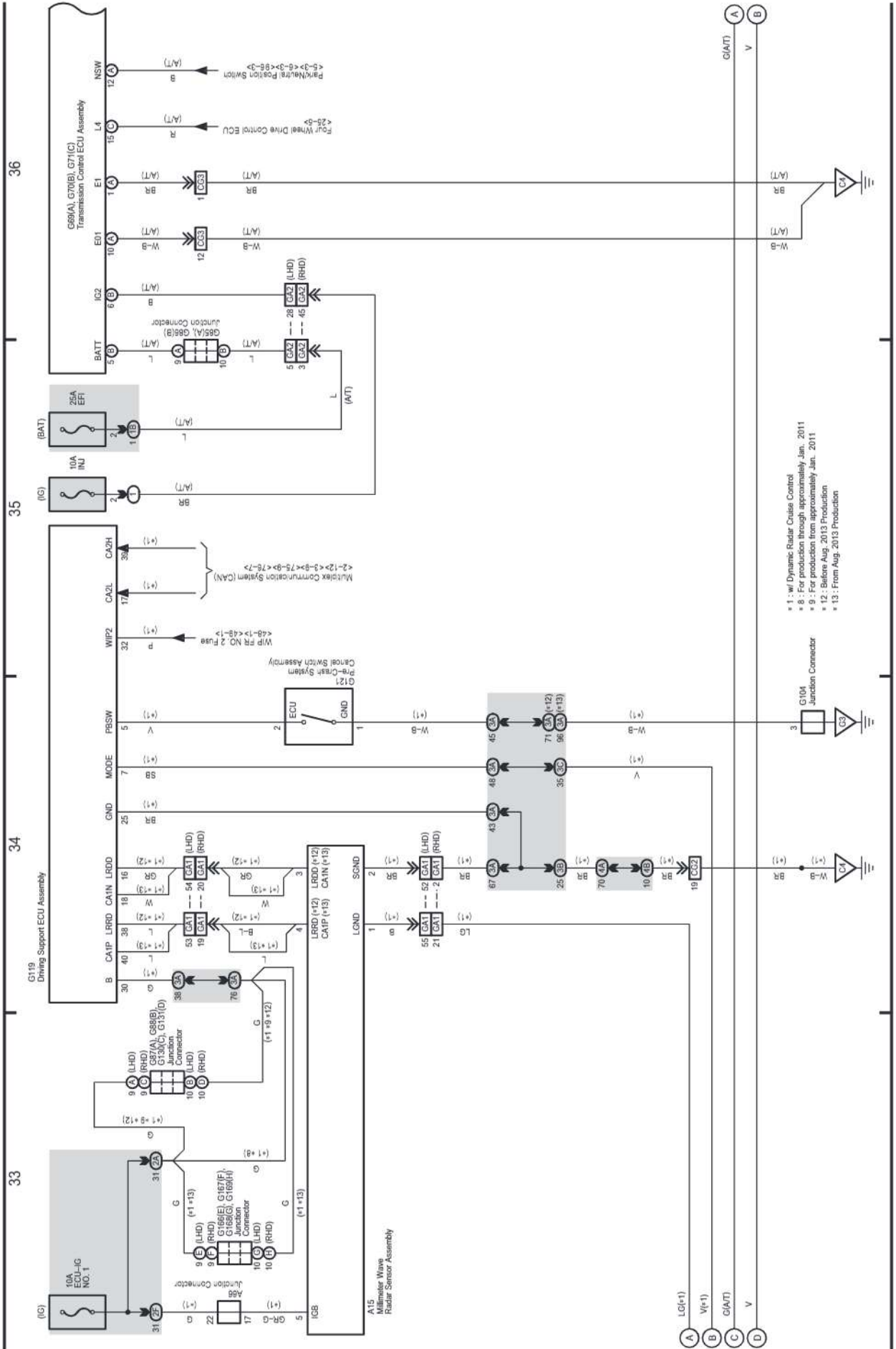


- \* 1 : w/ Dynamic Radar Cruise Control
- \* 4 : w/ DPF
- \* 5 : w/o DPF
- \* 10 : w/ Entry & Start System
- \* 11 : w/o Entry & Start System

(Cont. next page)

15 LAND CRUISER / LAND CRUISER PRADO (Cont'd)

Engine Control (1KD-FTV), Dynamic Radar Cruise Control (1KD-FTV), ECT and A/T Indicator (1KD-FTV)

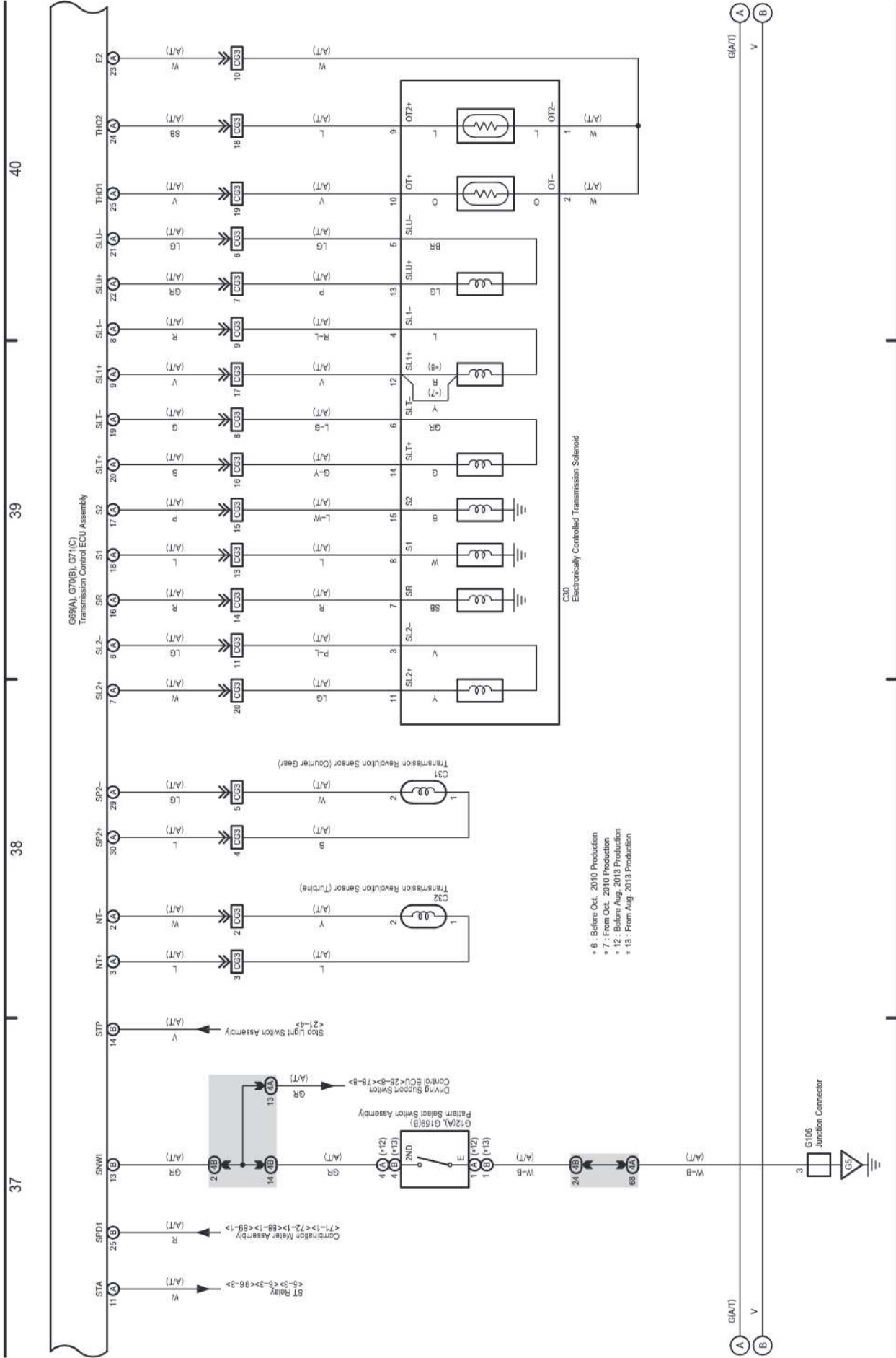


# M OVERALL ELECTRICAL WIRING DIAGRAM

(Cont. next page)

15 LAND CRUISER / LAND CRUISER PRADO (Cont'd)

Engine Control (1KD-FTV), Dynamic Radar Cruise Control or Cruise Control (1KD-FTV), ECT and A/T Indicator (1KD-FTV)

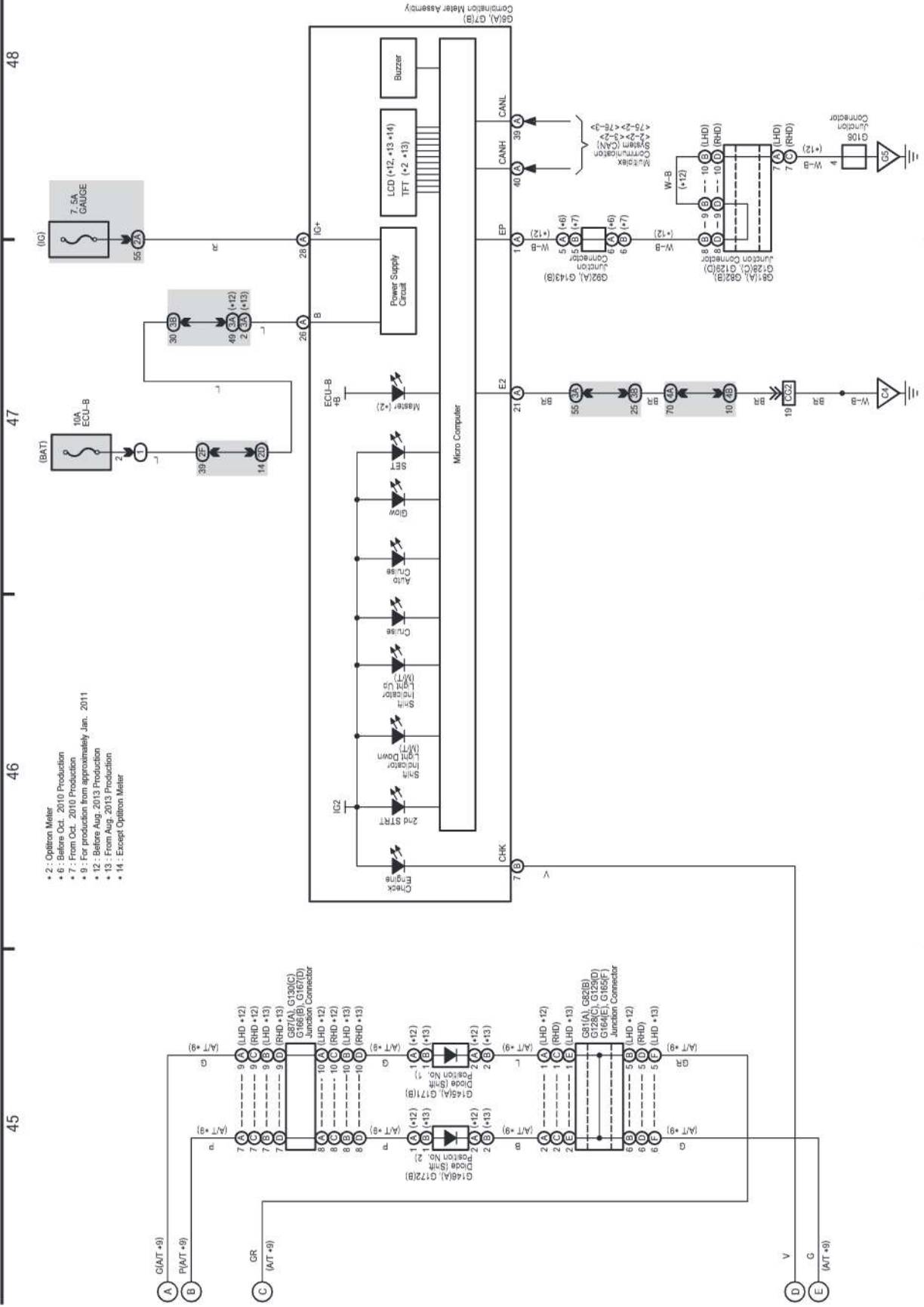




# M OVERALL ELECTRICAL WIRING DIAGRAM

## 15 LAND CRUISER / LAND CRUISER PRADO (Cont'd)

### Engine Control (1KD-FTV) , Dynamic Radar Cruise Control or Cruise Control (1KD-FTV) , ECT and A/T Indicator (1KD-FTV)



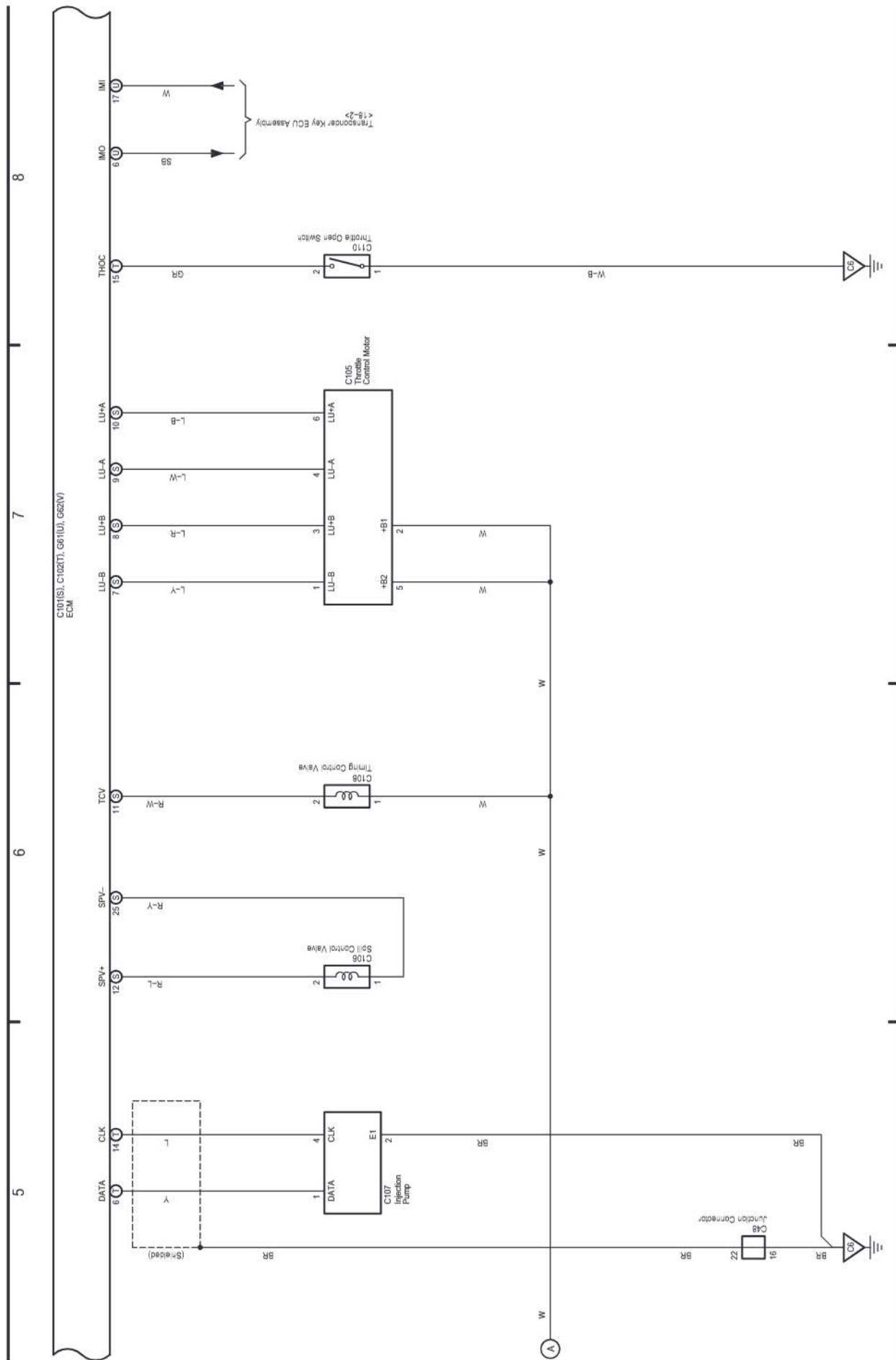


# M OVERALL ELECTRICAL WIRING DIAGRAM

(Cont. next page)

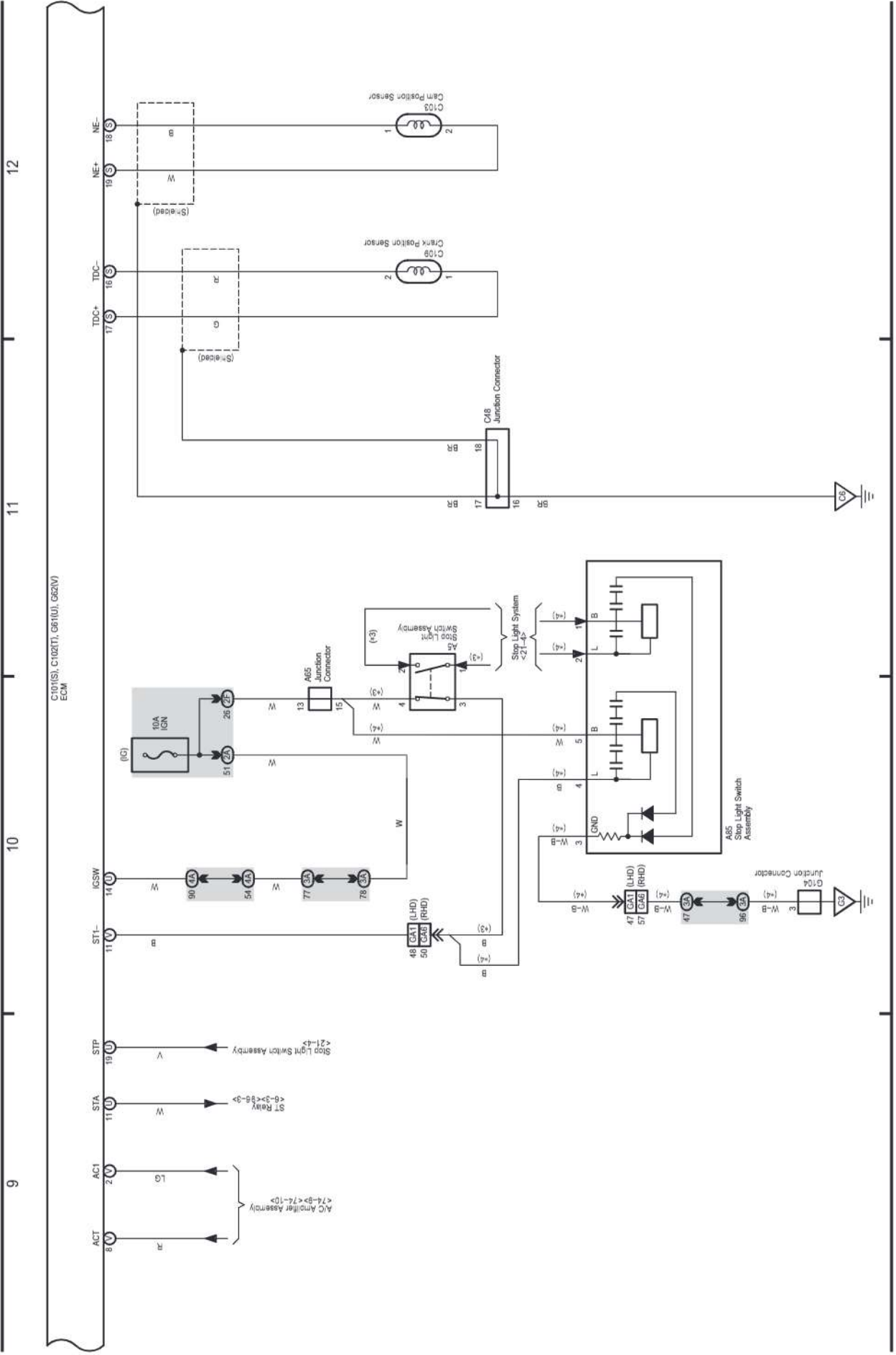
16 LAND CRUISER / LAND CRUISER PRADO (Cont'd)

## Engine Control (5L-E)



Engine Control (5L-E)

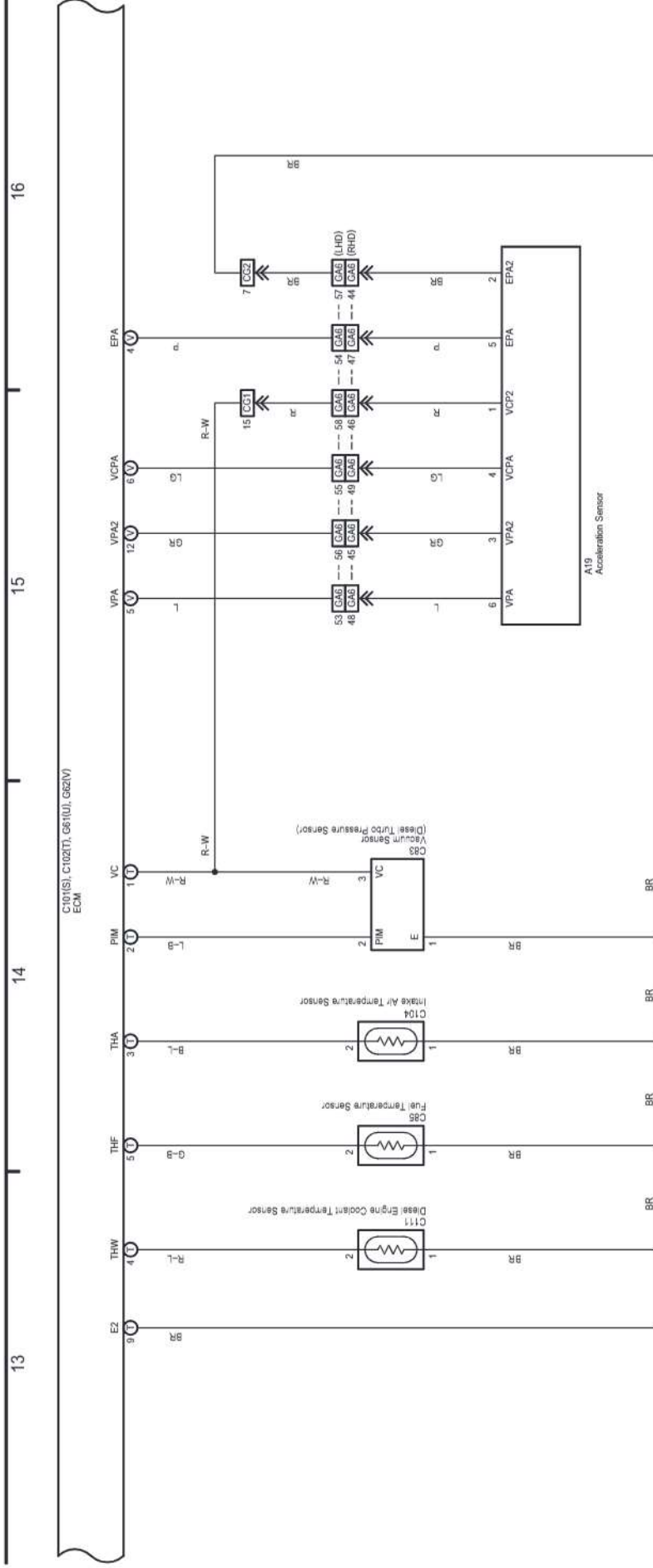
\* 3 : Before Aug. 2013 Production  
 \* 4 : From Aug. 2013 Production





M OVERALL ELECTRICAL WIRING DIAGRAM

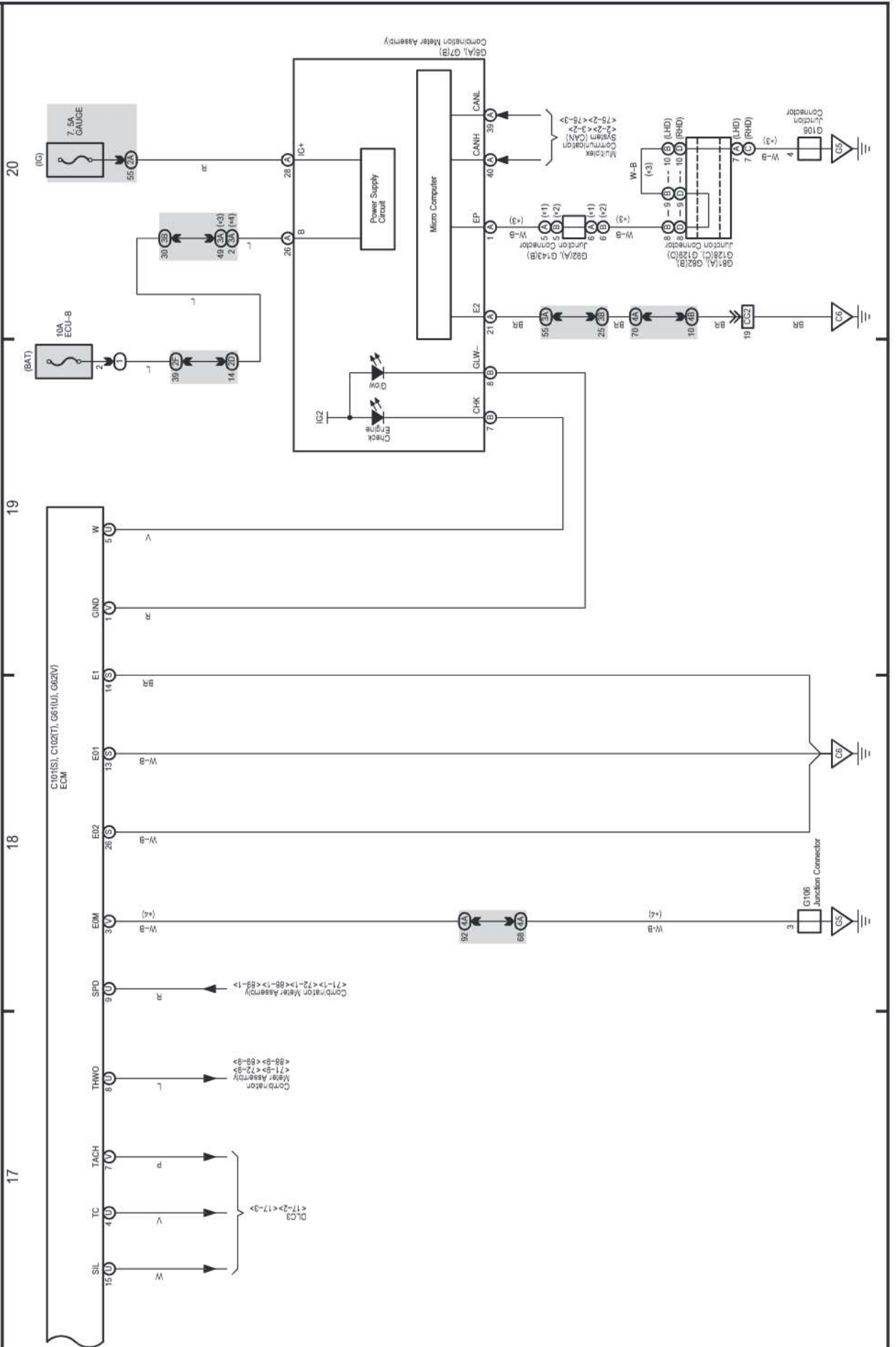
Engine Control (5L-E)



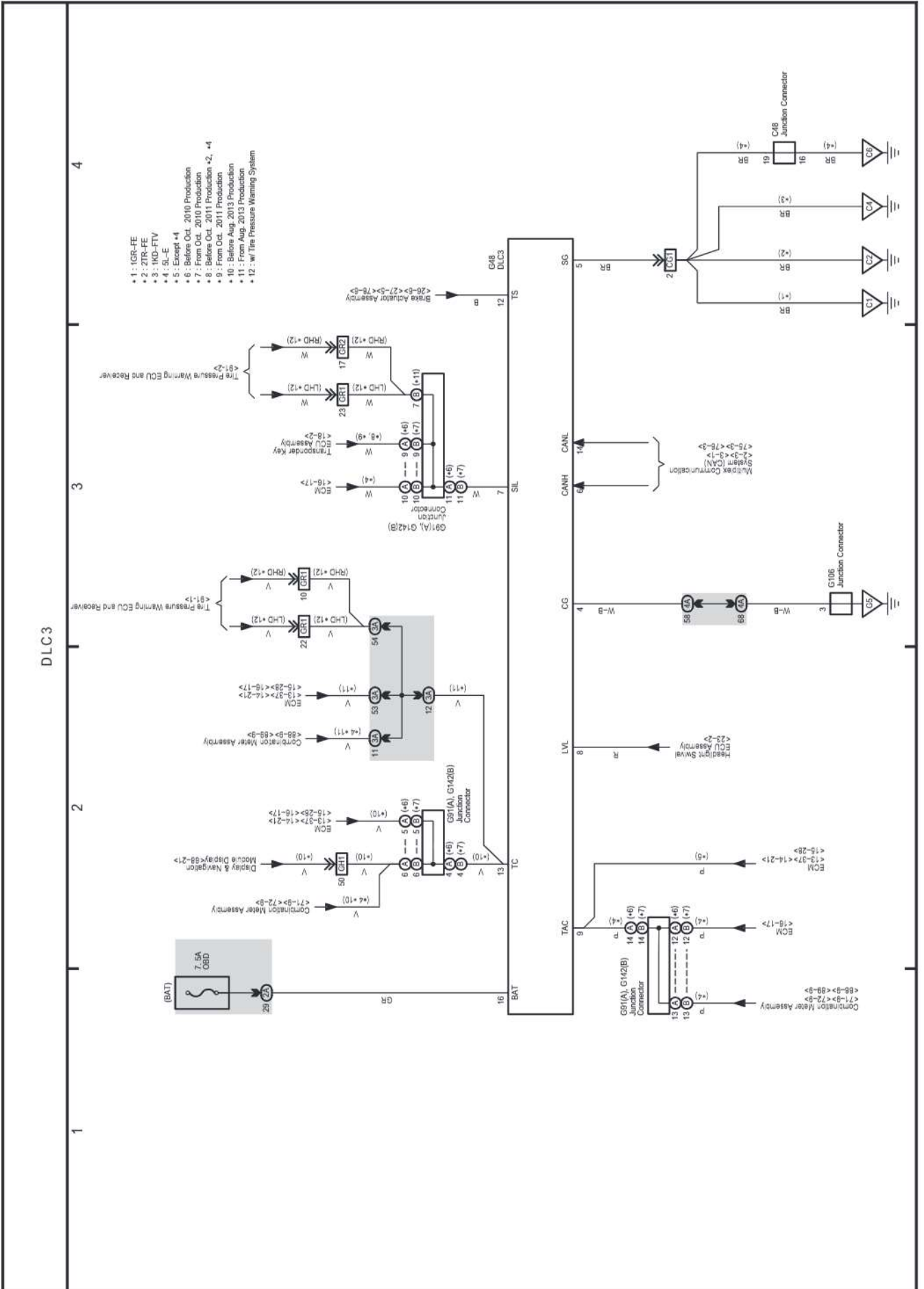
16 LAND CRUISER / LAND CRUISER PRADO (Cont'd)

Engine Control (5L-E)

\* 1 : Before Oct. 2010 Production  
\* 2 : From Oct. 2010 Production



17 LAND CRUISER / LAND CRUISER PRADO



LAND CRUISER / LAND CRUISER PRADO (EM24N0E)

Engine Immobiliser System (w/o Entry & Start System)

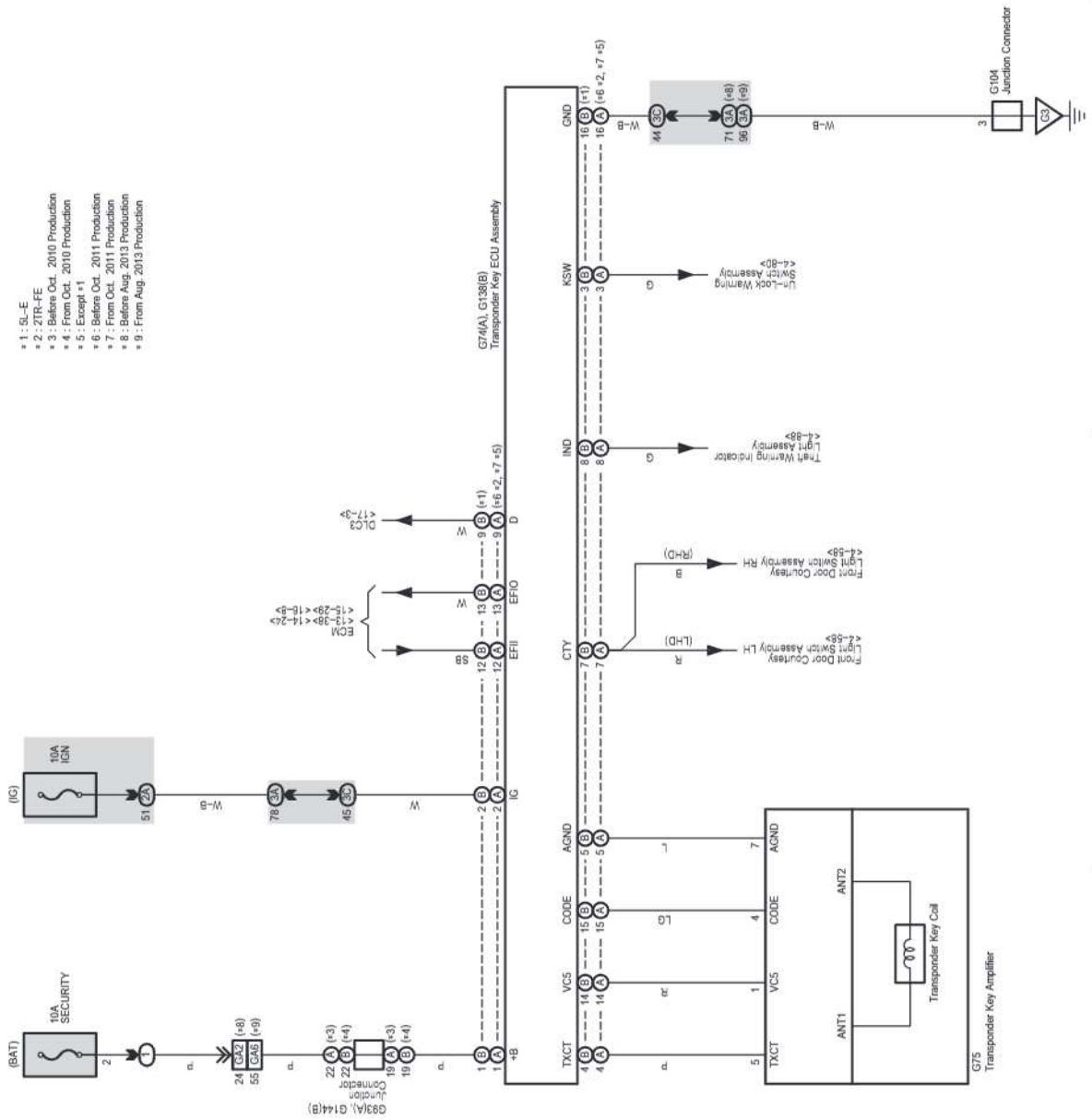
4

3

2

1

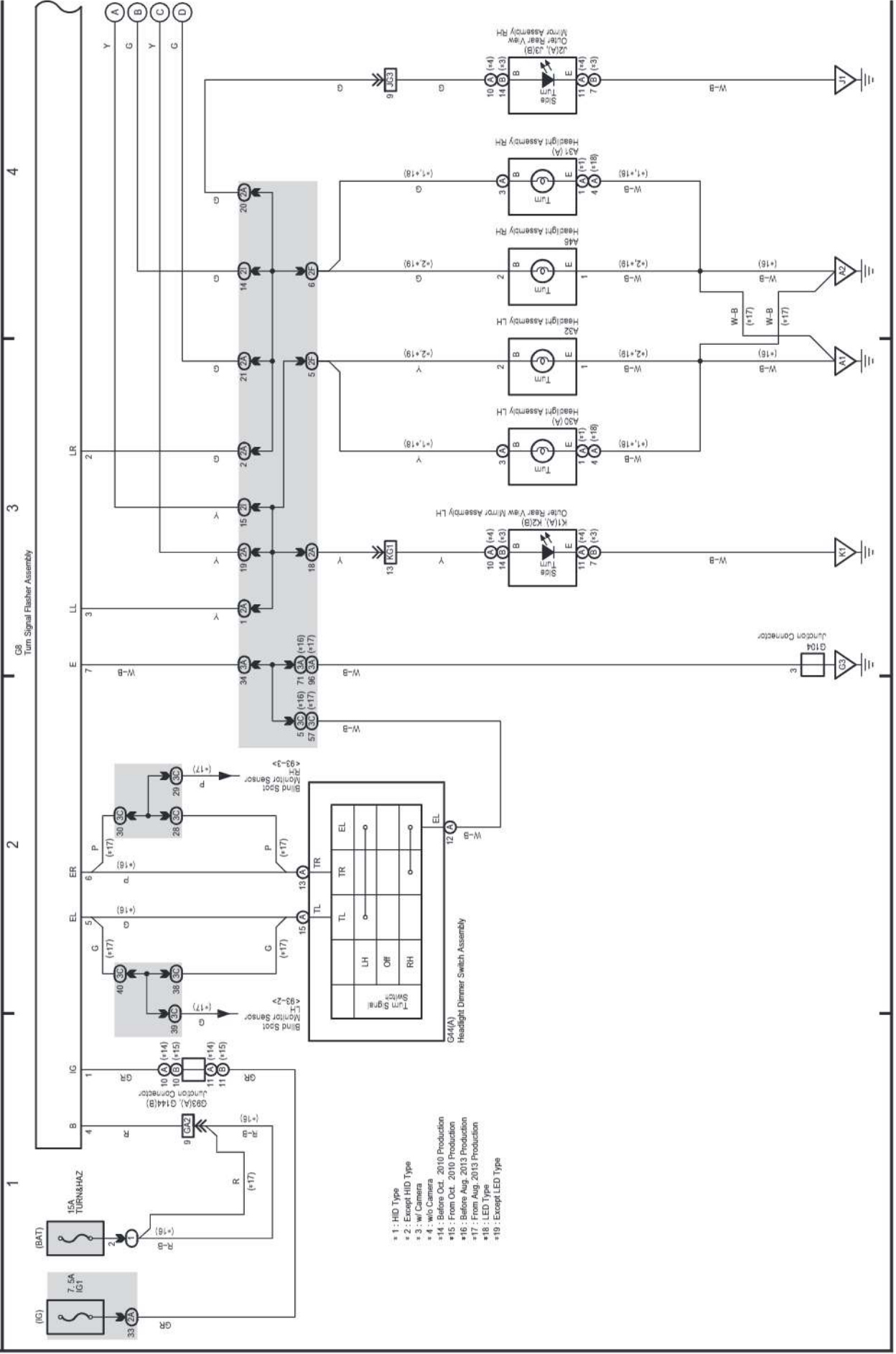
- \*1 : SL-E
- \*2 : 2TR-FE
- \*3 : Before Oct. 2010 Production
- \*4 : From Oct. 2010 Production
- \*5 : Except \*1
- \*6 : Before Oct. 2011 Production
- \*7 : From Oct. 2011 Production
- \*8 : Before Aug. 2013 Production
- \*9 : From Aug. 2013 Production



(Cont. next page)

19 LAND CRUISER / LAND CRUISER PRADO

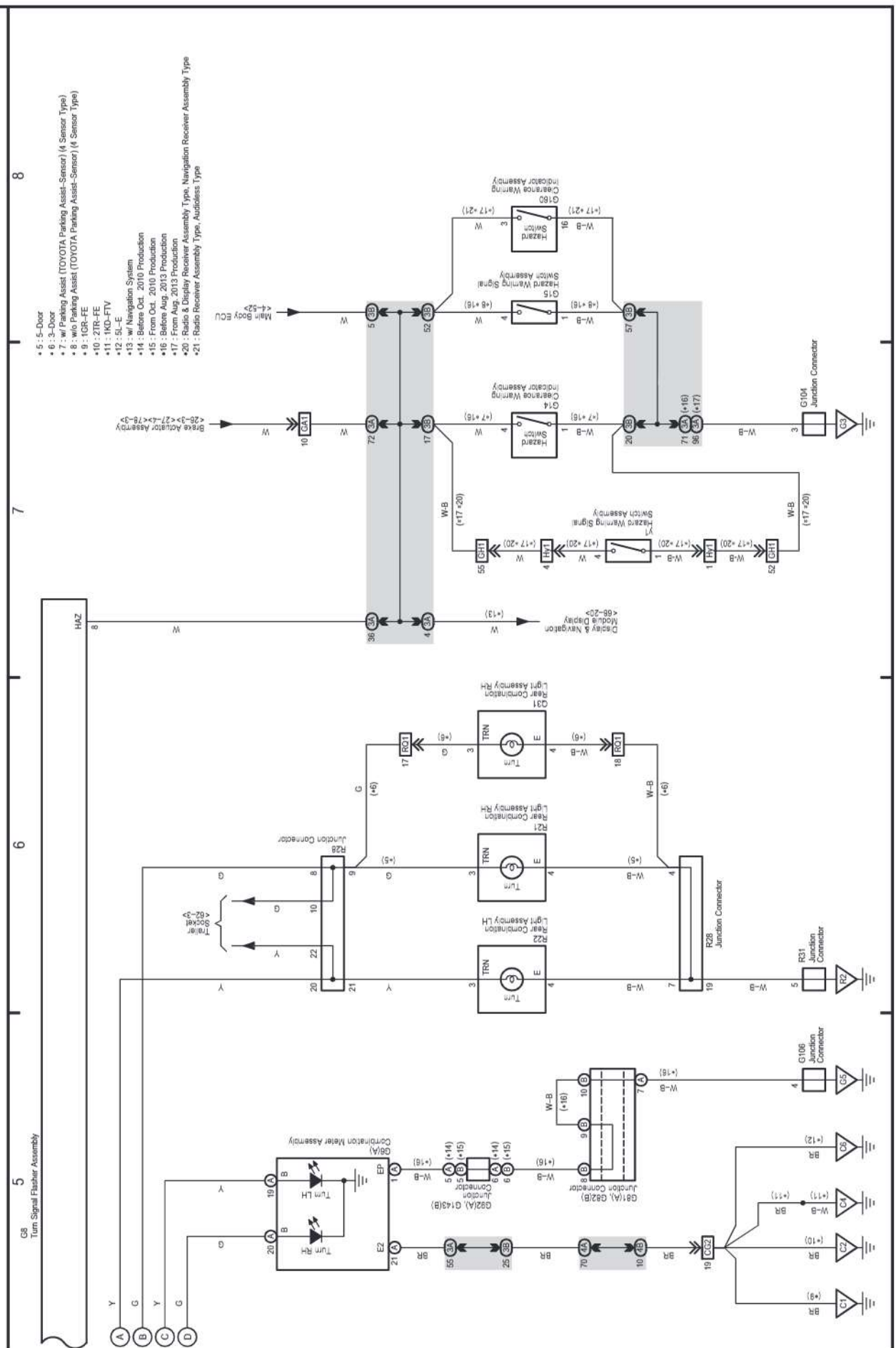
Turn Signal and Hazard Warning Light (LHD)



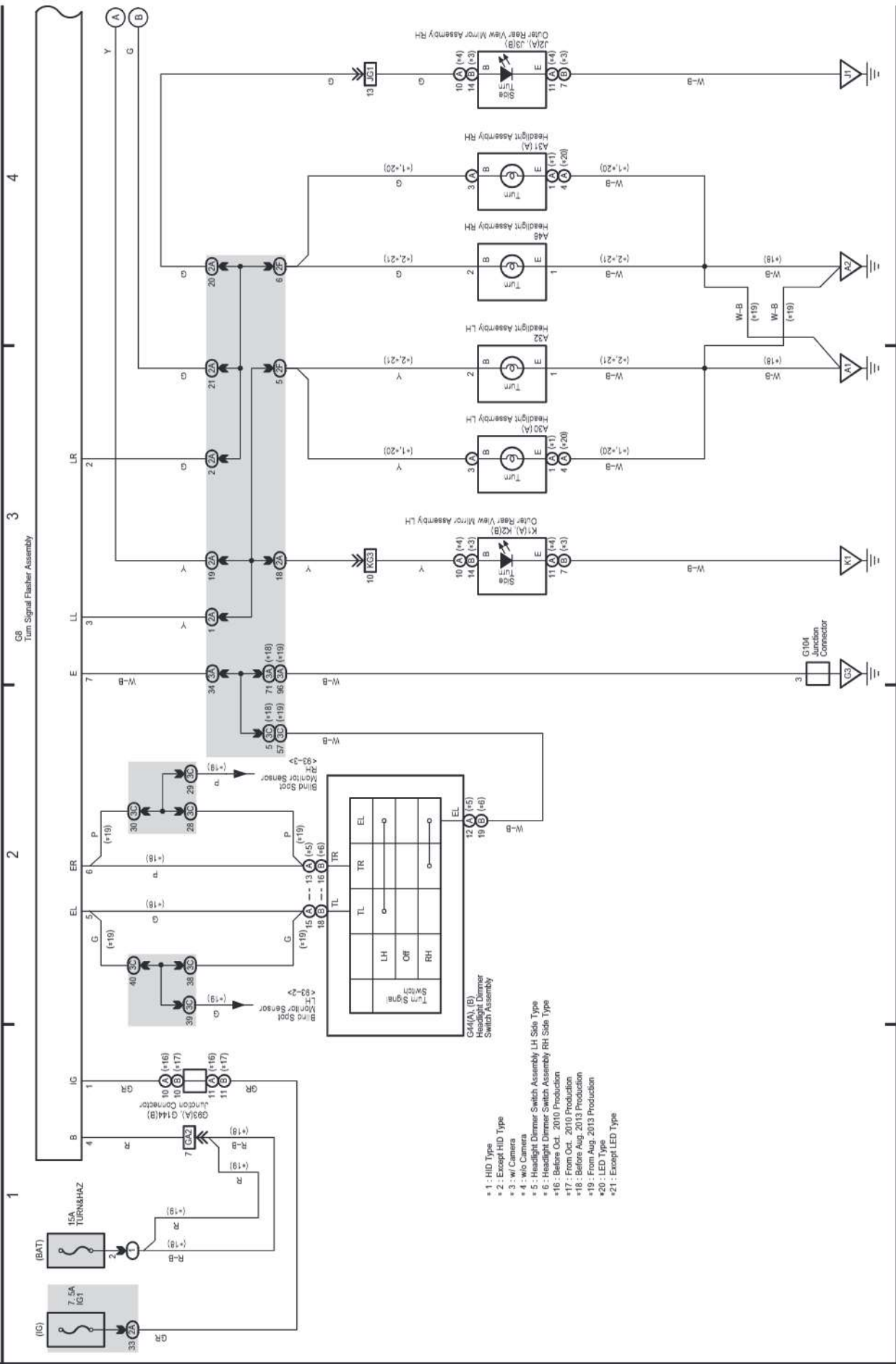
# M OVERALL ELECTRICAL WIRING DIAGRAM

## 19 LAND CRUISER / LAND CRUISER PRADO (Cont'd)

### Turn Signal and Hazard Warning Light (LHD)



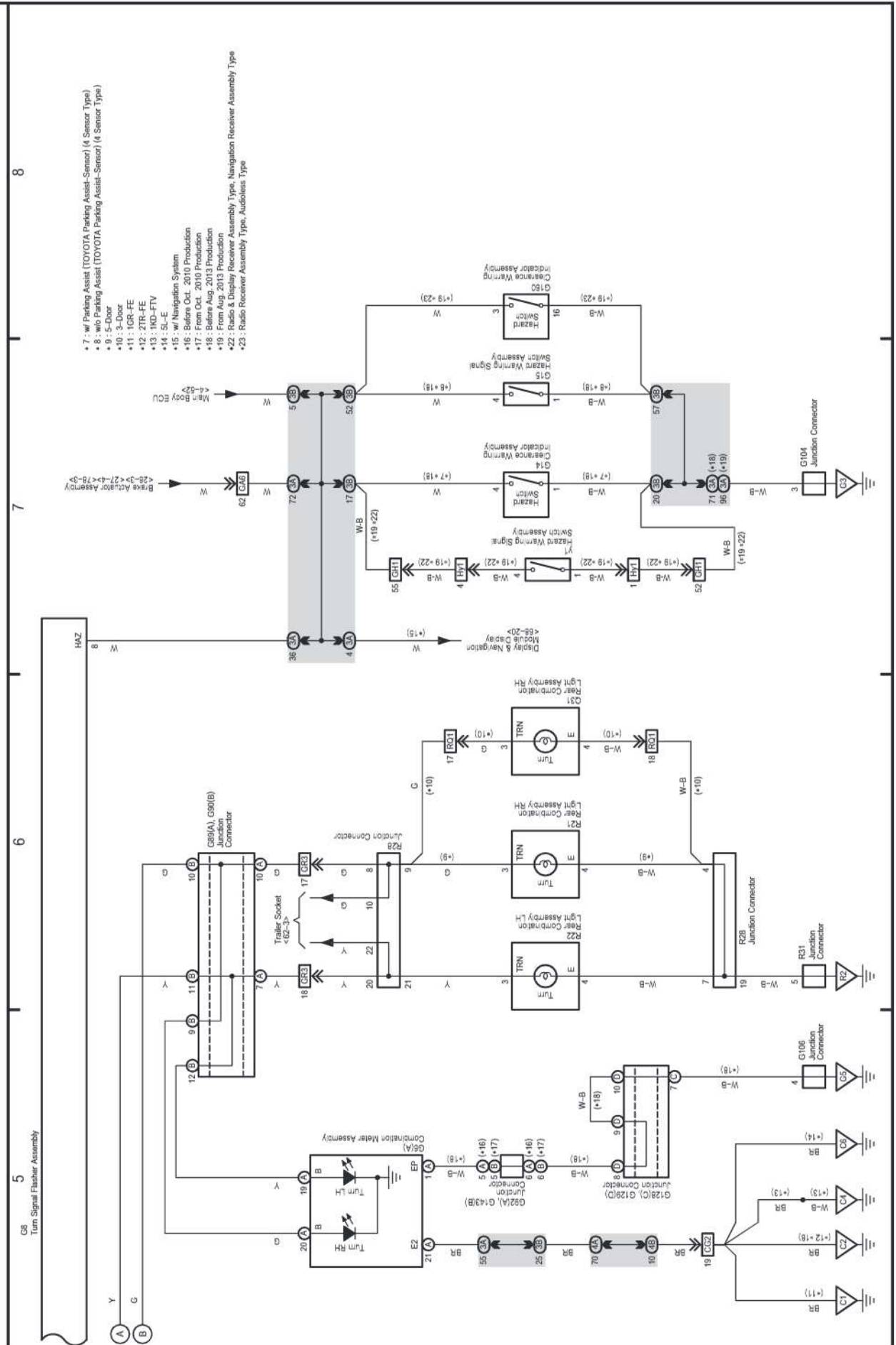
Turn Signal and Hazard Warning Light (RHD)



# M OVERALL ELECTRICAL WIRING DIAGRAM

## 20 LAND CRUISER / LAND CRUISER PRADO (Cont'd)

### Turn Signal and Hazard Warning Light (RHD)

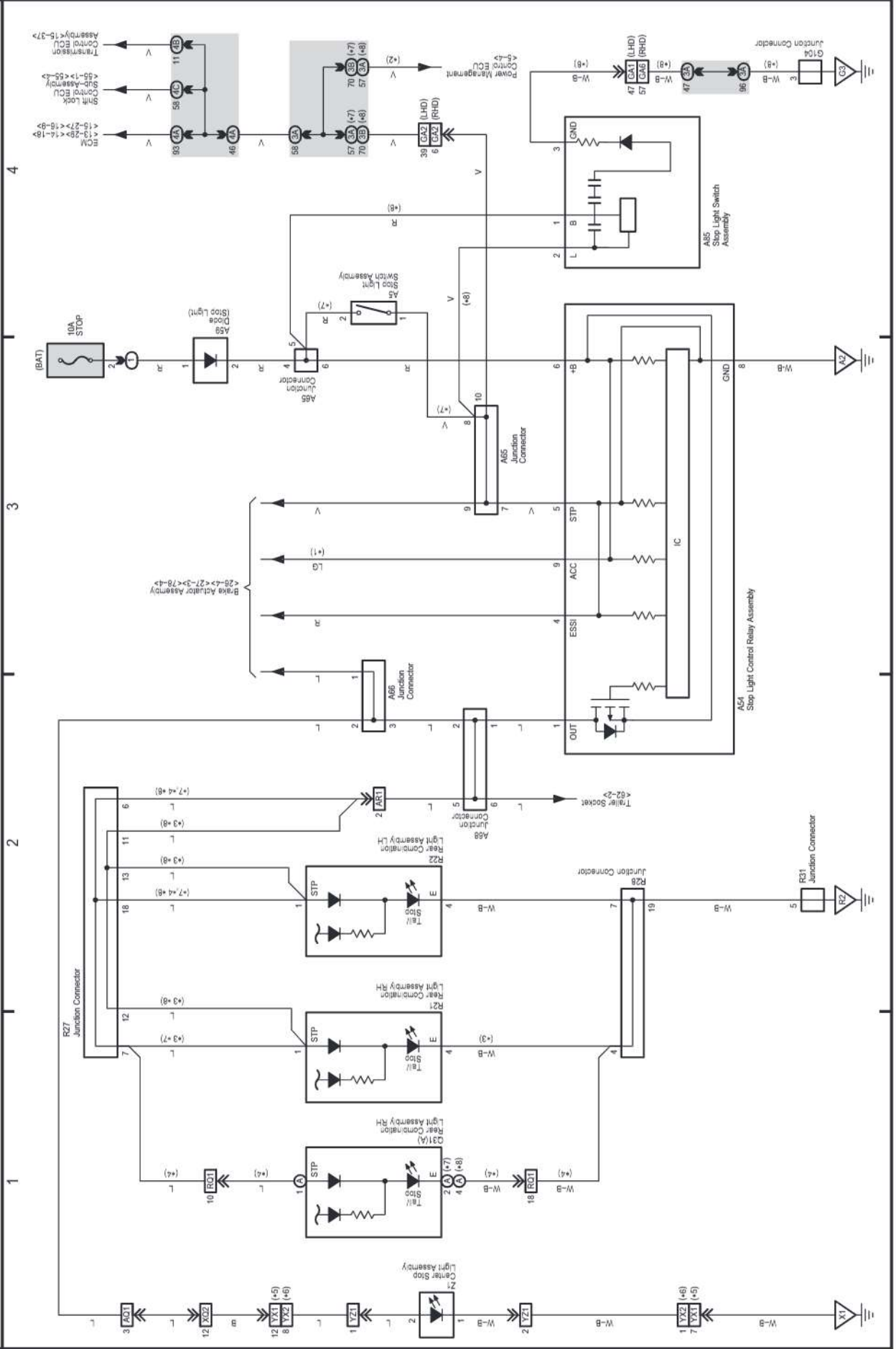




21 LAND CRUISER / LAND CRUISER PRADO

Stop Light

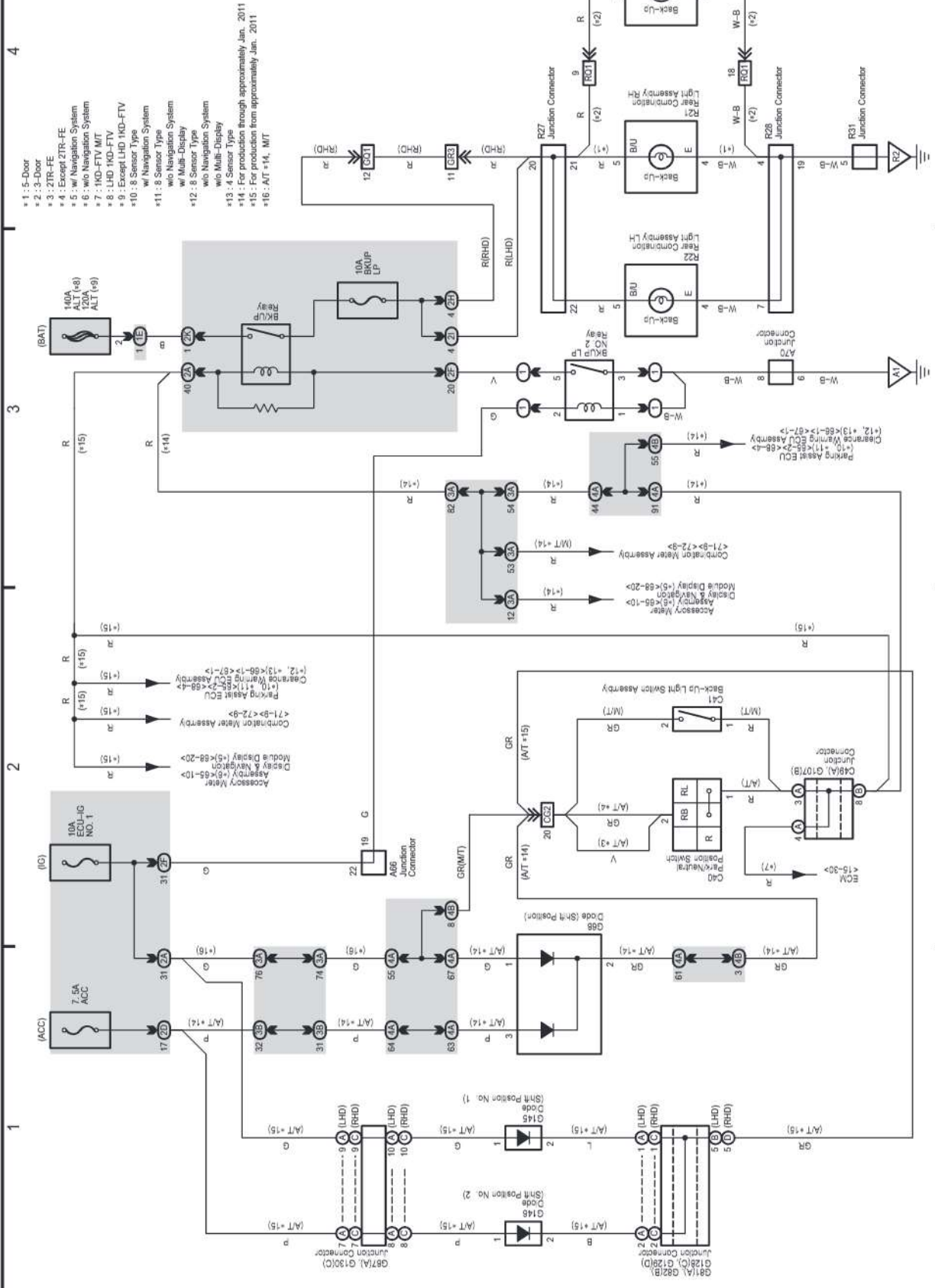
- 1 : 1GR-FE, 1KD-FTV
- 2 : w/ Entry & Start System
- 3 : 5-Door
- 4 : 3-Door
- 5 : w/ Glass Hatch Opener
- 6 : w/o Glass Hatch Opener
- 7 : Before Aug. 2013 Production
- 8 : From Aug. 2013 Production



LAND CRUISER / LAND CRUISER PRADO (EM24N0E)

22 LAND CRUISER / LAND CRUISER PRADO

Back-Up Light (Before Aug. 2013 Production)



- +1: 5-Door
- +2: 3-Door
- +3: ZTR-FE
- +4: Except ZTR-FE
- +5: w/ Navigation System
- +6: w/o Navigation System
- +7: 1KD-FTV MIT
- +8: LHD 1KD-FTV
- +9: Except LHD 1KD-FTV
- +10: 8 Sensor Type
- +11: 8 Sensor Type w/ Navigation System
- +12: 8 Sensor Type w/o Multi-Display
- +13: 4 Sensor Type w/o Navigation System
- +14: For production through approximately Jan. 2011
- +15: For production from approximately Jan. 2011
- +16: AT +14, MIT

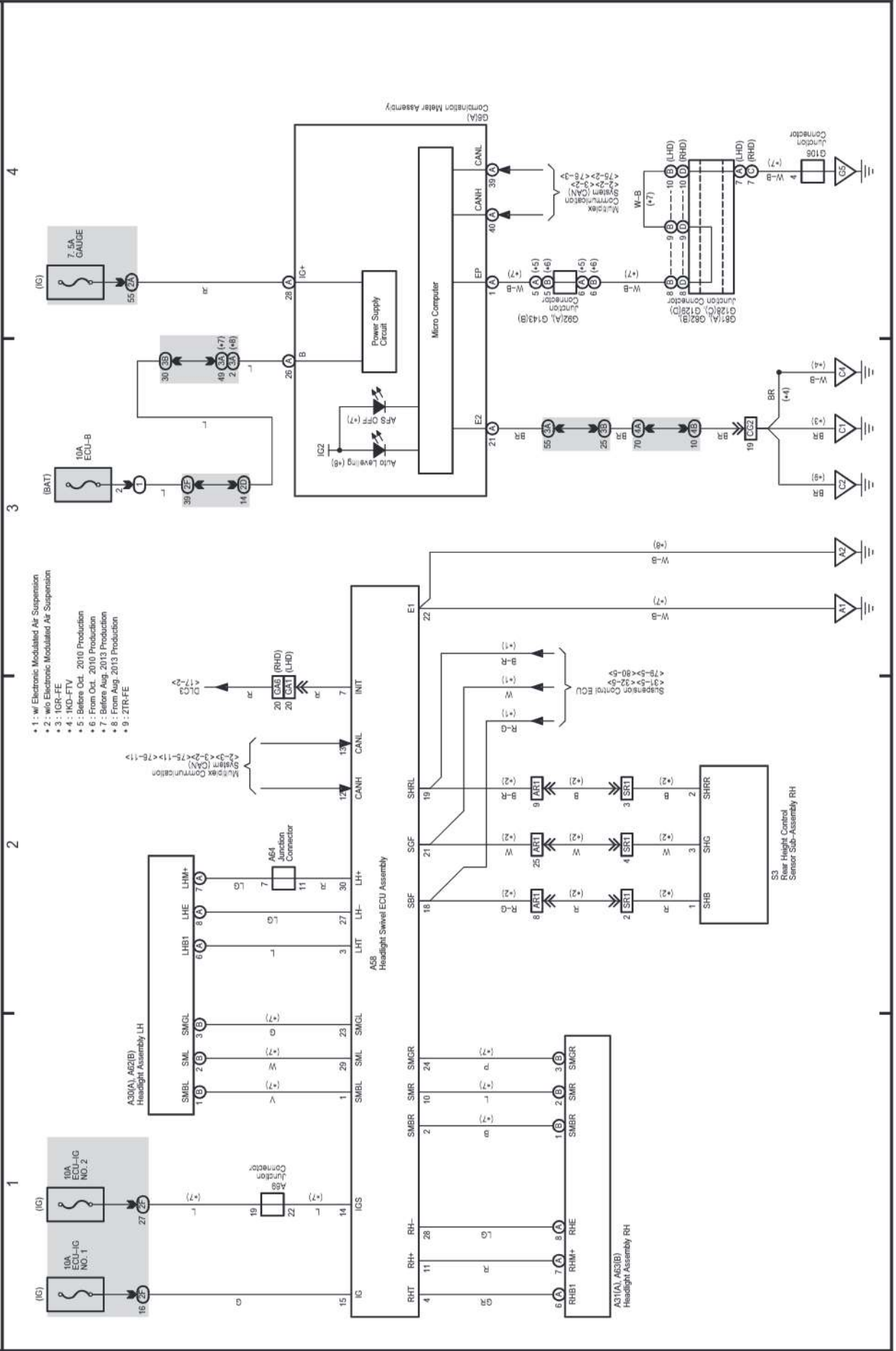
4

3

2

1

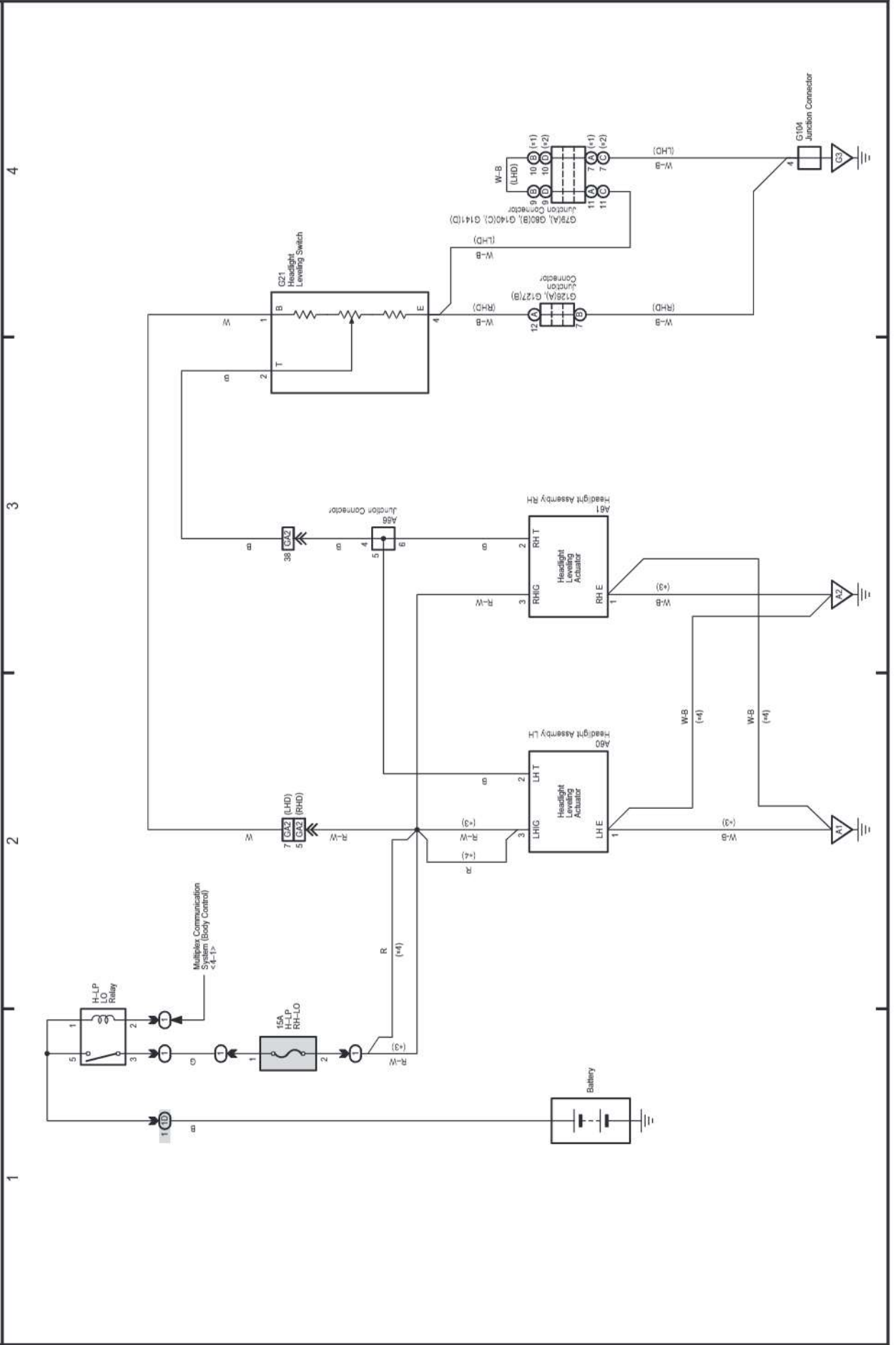
Adaptive Front-Lighting System (Before Aug. 2013 Production) or Headlight Beam Level Control (Automatic) (From Aug. 2013 Production)



24 LAND CRUISER / LAND CRUISER PRADO

Headlight Beam Level Control (Manual)

- \* 1 : Before Oct. 2010 Production
- \* 2 : From Oct. 2010 Production
- \* 3 : Before Aug. 2013 Production
- \* 4 : From Aug. 2013 Production



4

3

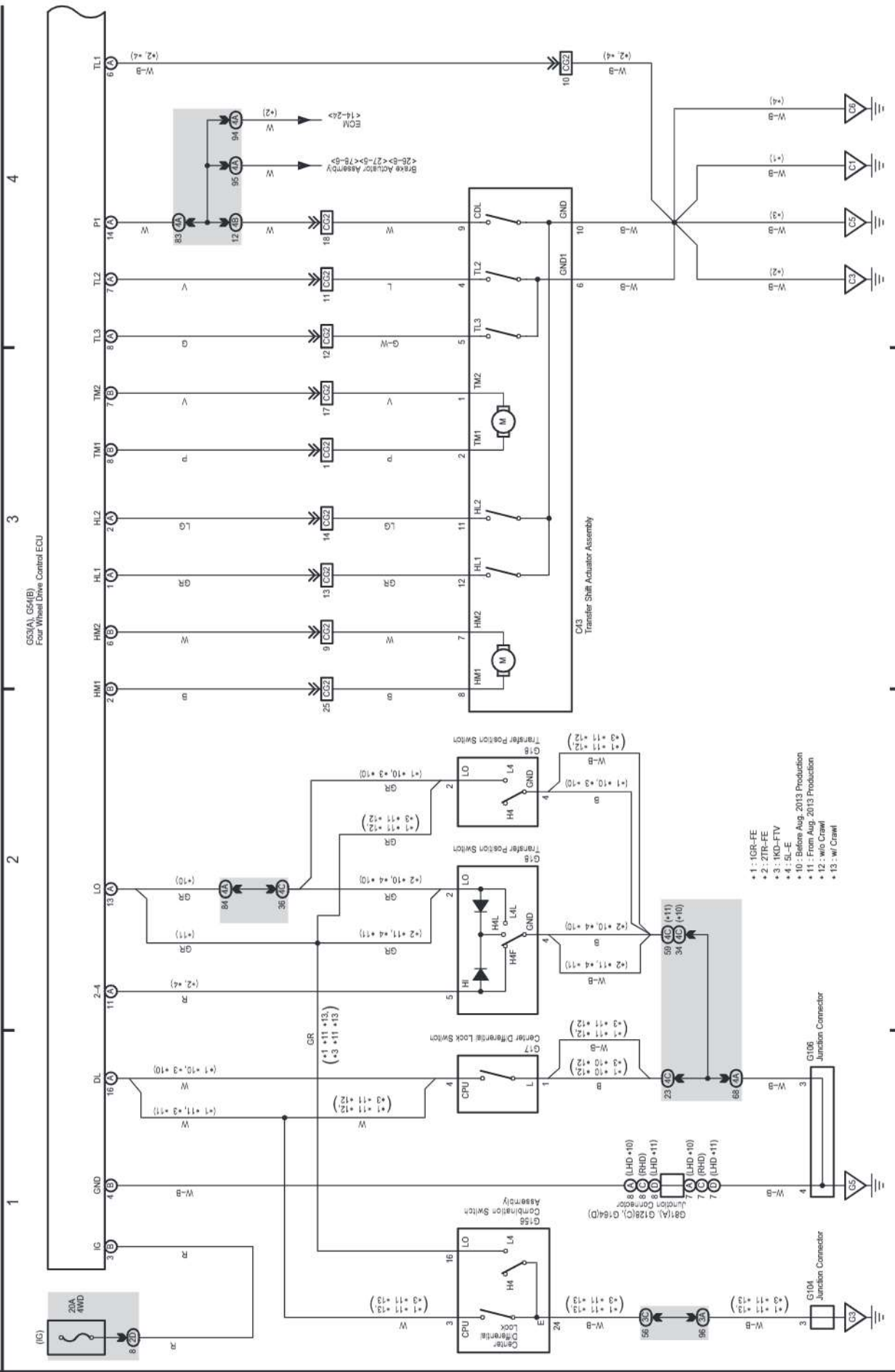
2

1

(Cont. next page)

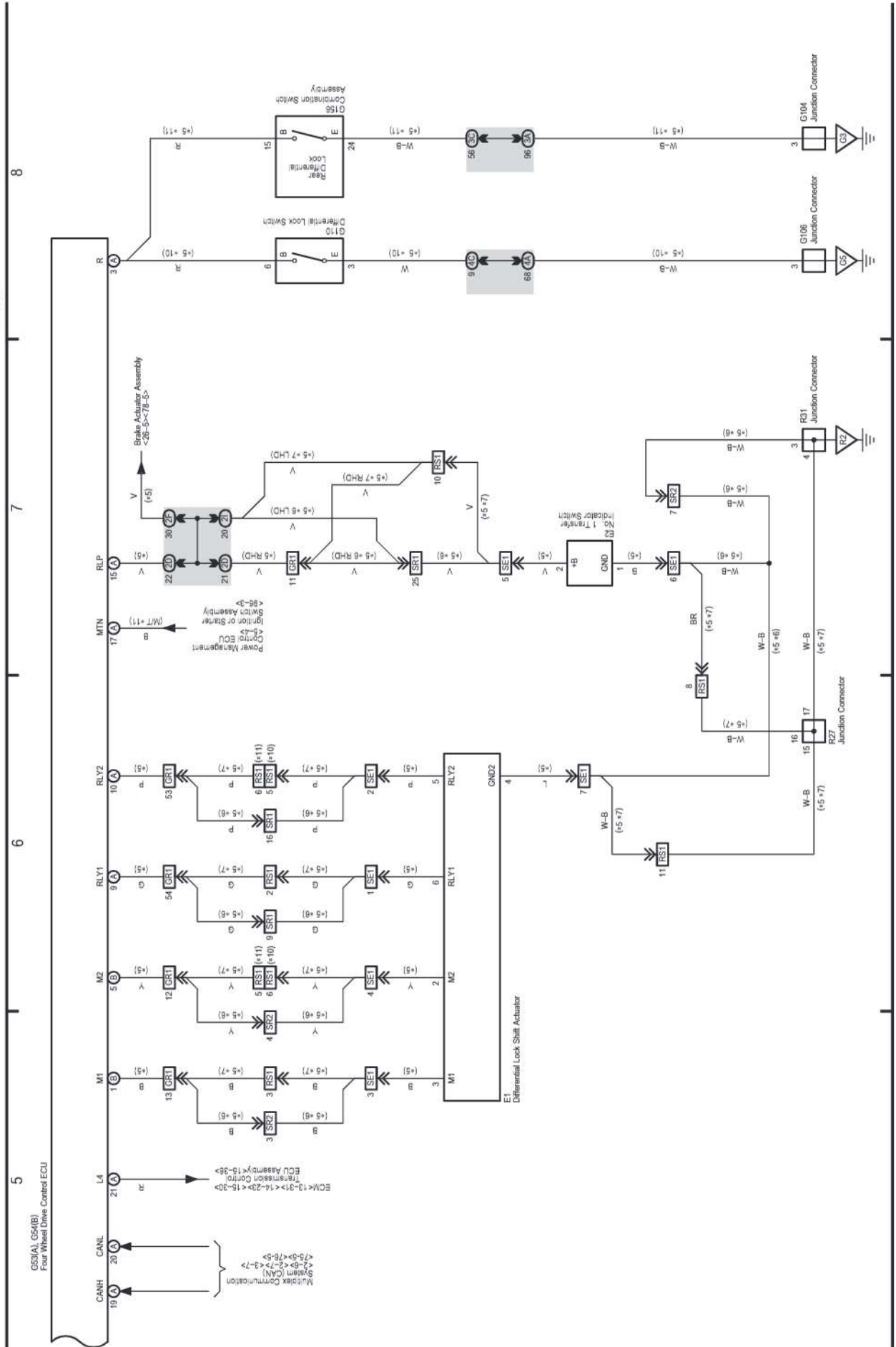
25 LAND CRUISER / LAND CRUISER PRADO

4WD and Rear Differential Lock



\* 5 : w/ Rear Differential Lock  
 \* 6 : 5-Door  
 \* 7 : 3-Door  
 \* 10 : Before Aug. 2013 Production  
 \* 11 : From Aug. 2013 Production

4WD and Rear Differential Lock



25 LAND CRUISER / LAND CRUISER PRADO (Cont'd)

4WD and Rear Differential Lock

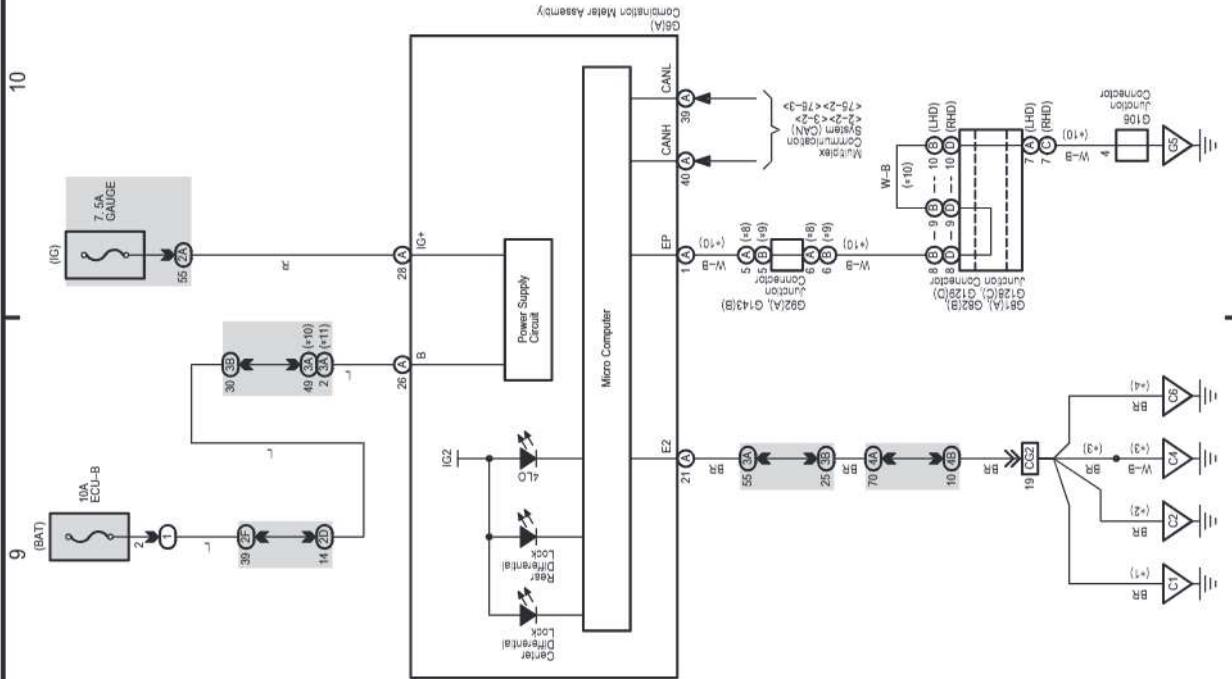
12

11

10

9

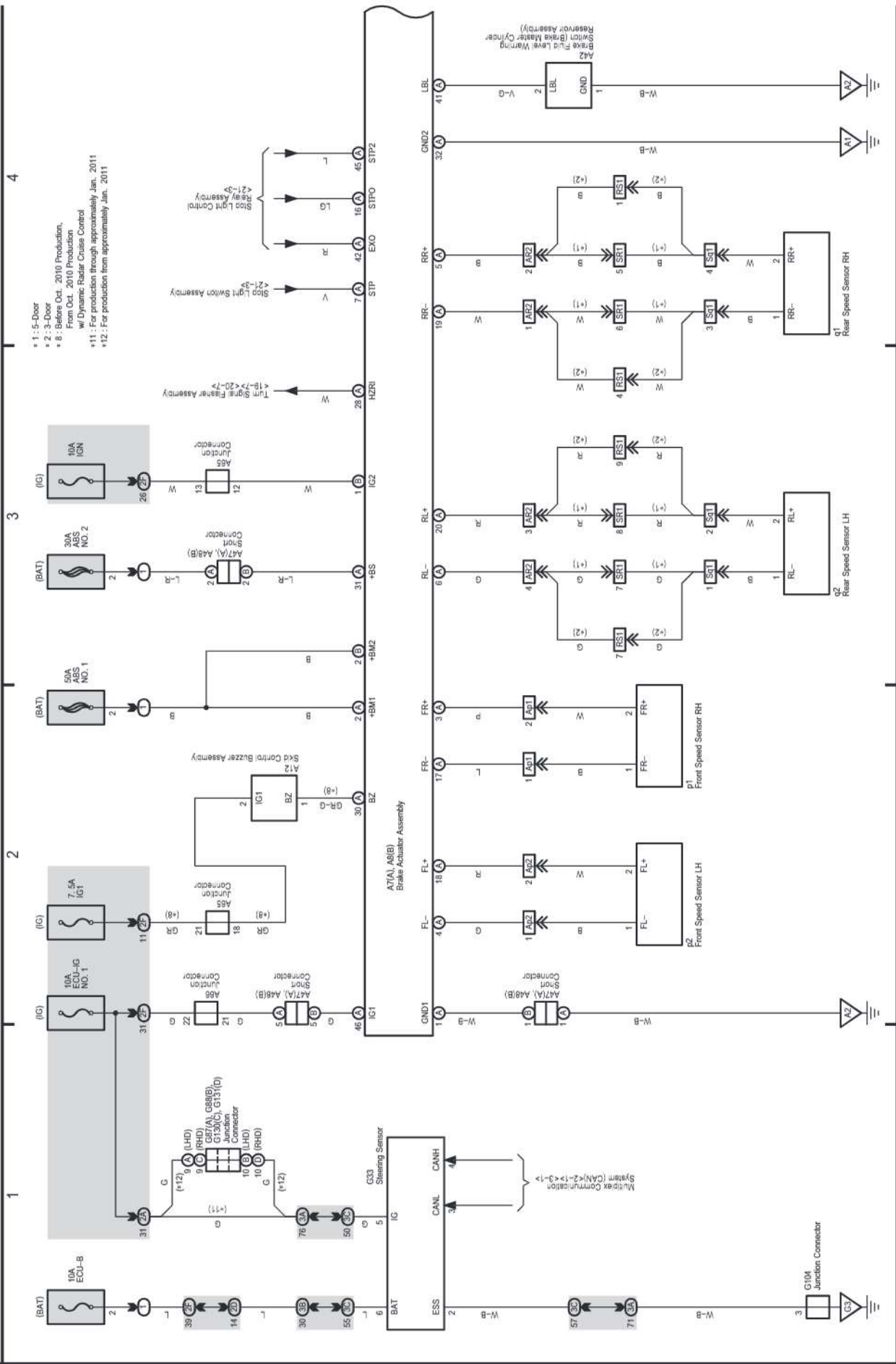
- \* 1 : IGR-FE
- \* 2 : 2TR-FE
- \* 3 : 1KD-FTV
- \* 4 : 5L-E
- \* 8 : Before Oct. 2010 Production
- \* 9 : From Oct. 2010 Production
- \* 10 : Before Aug. 2013 Production
- \* 11 : From Aug. 2013 Production



(Cont. next page)

26 LAND CRUISER / LAND CRUISER PRADO

A-TRC (Before Aug. 2013 Production), ABS (1GR-FE, 1KD-FTV) (Before Aug. 2013 Production), Crawl (Before Aug. 2013 Production),  
 Downhill Assist Control (Before Aug. 2013 Production), Hill-Start Assist Control (Before Aug. 2013 Production),  
 Multi-Terrain Select (Before Aug. 2013 Production) and VSC (1GR-FE, 1KD-FTV) (Before Aug. 2013 Production)



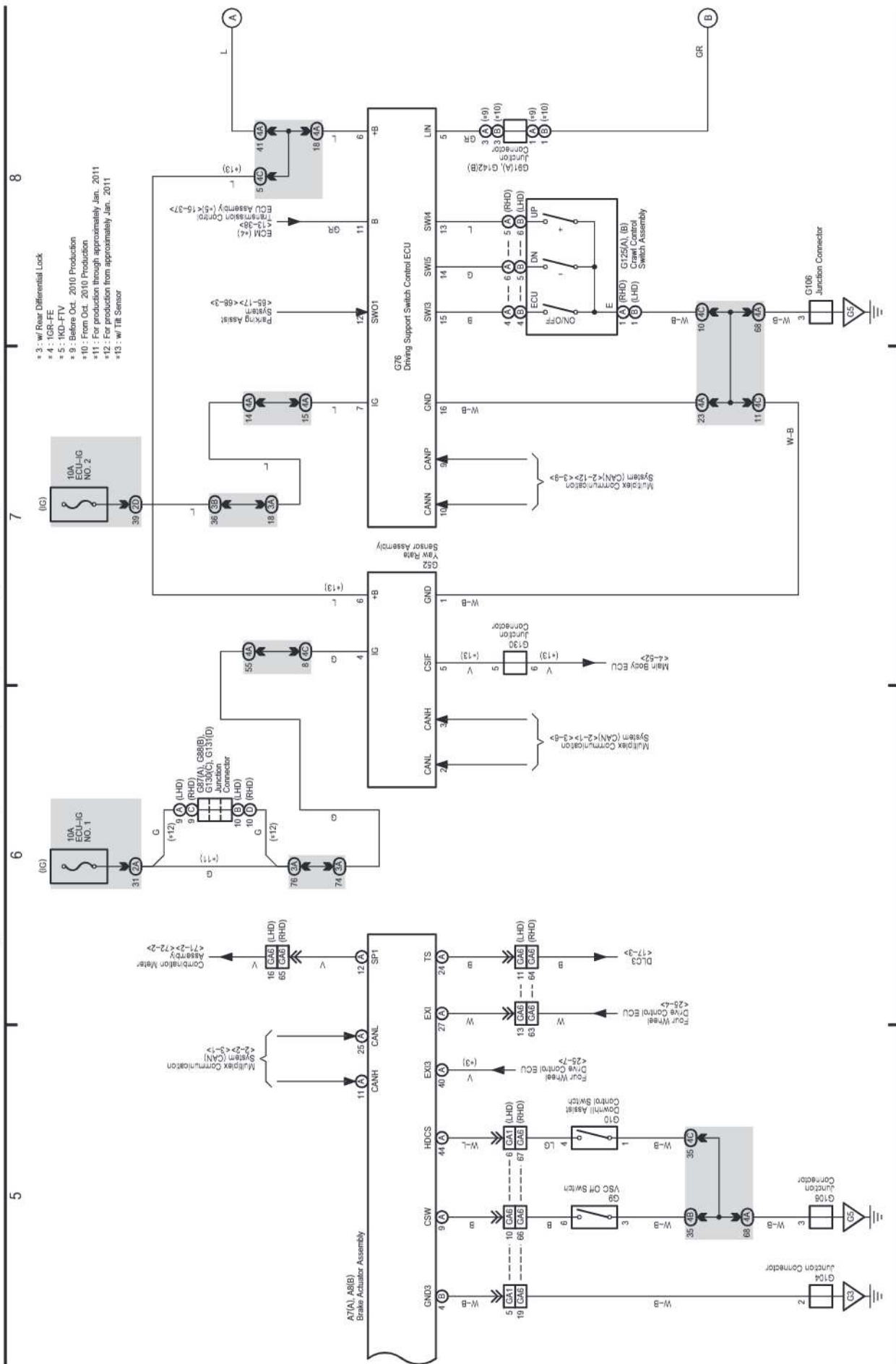


# M OVERALL ELECTRICAL WIRING DIAGRAM

(Cont. next page)

26 LAND CRUISER / LAND CRUISER PRADO (Cont'd)

A-TRC (Before Aug. 2013 Production), ABS (1GR-FE, 1KD-FTV) (Before Aug. 2013 Production), Crawl (Before Aug. 2013 Production),  
 Downhill Assist Control (Before Aug. 2013 Production), Hill-Start Assist Control (Before Aug. 2013 Production),  
 Multi-Terrain Select (Before Aug. 2013 Production) and VSC (1GR-FE, 1KD-FTV) (Before Aug. 2013 Production)



26 LAND CRUISER / LAND CRUISER PRADO (Cont'd)

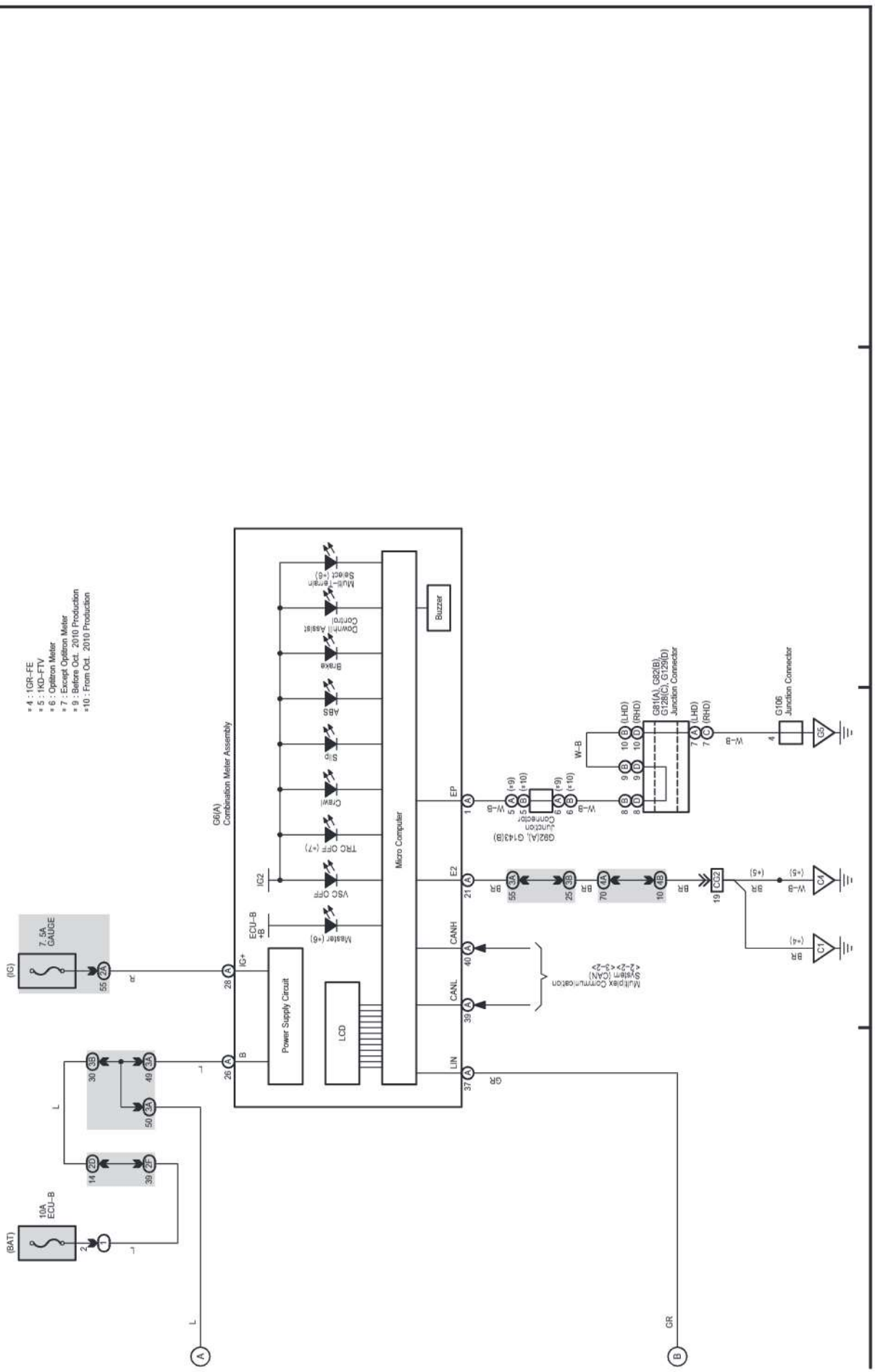
A-TRC (Before Aug. 2013 Production), ABS (1GR-FE, 1KD-FTV) (Before Aug. 2013 Production), Crawl (Before Aug. 2013 Production), Downhill Assist Control (Before Aug. 2013 Production), Hill-Start Assist Control (Before Aug. 2013 Production), Multi-Terrain Select (Before Aug. 2013 Production) and VSC (1GR-FE, 1KD-FTV) (Before Aug. 2013 Production)

12

11

10

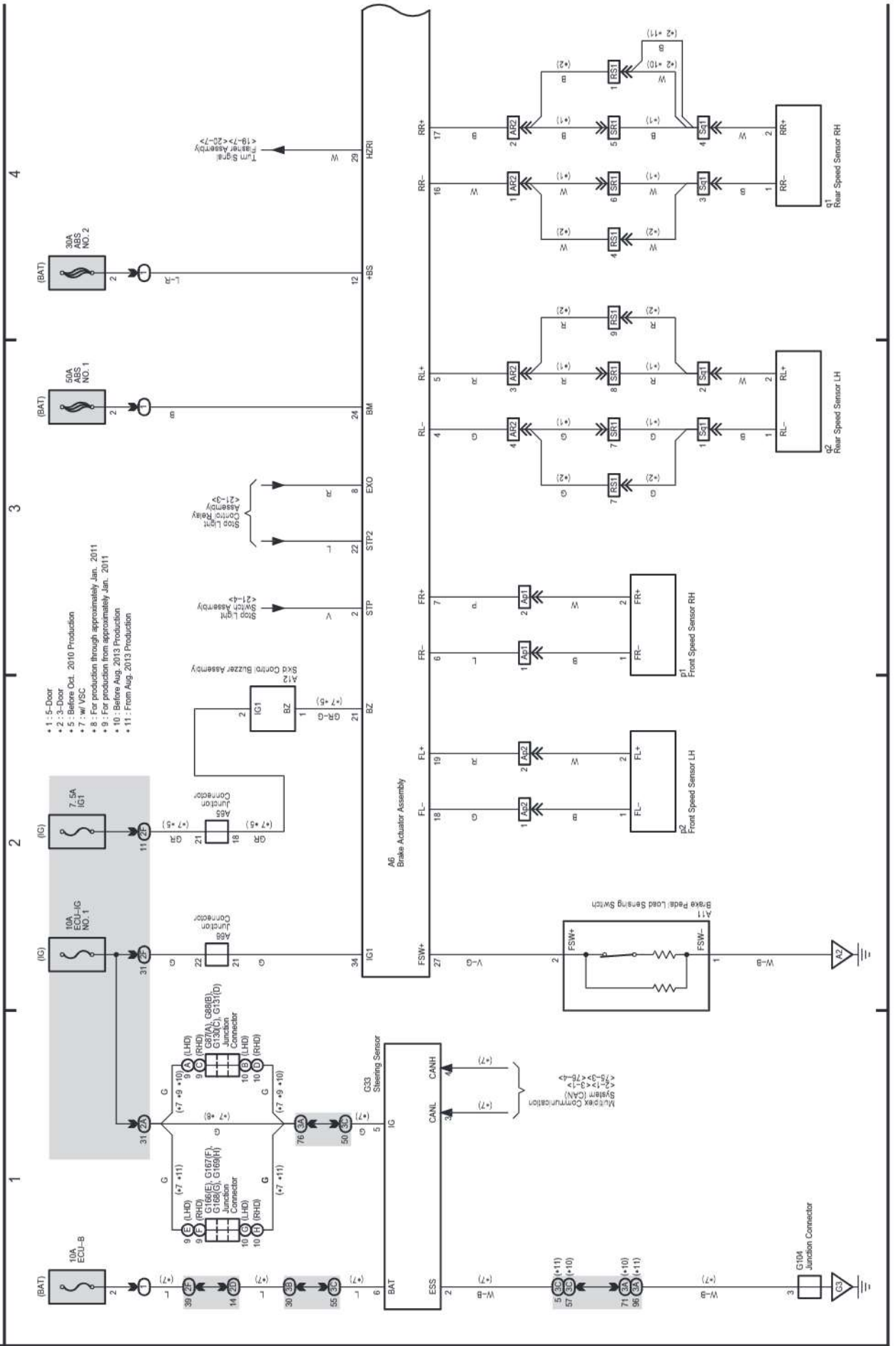
9



(Cont. next page)

27 LAND CRUISER / LAND CRUISER PRADO

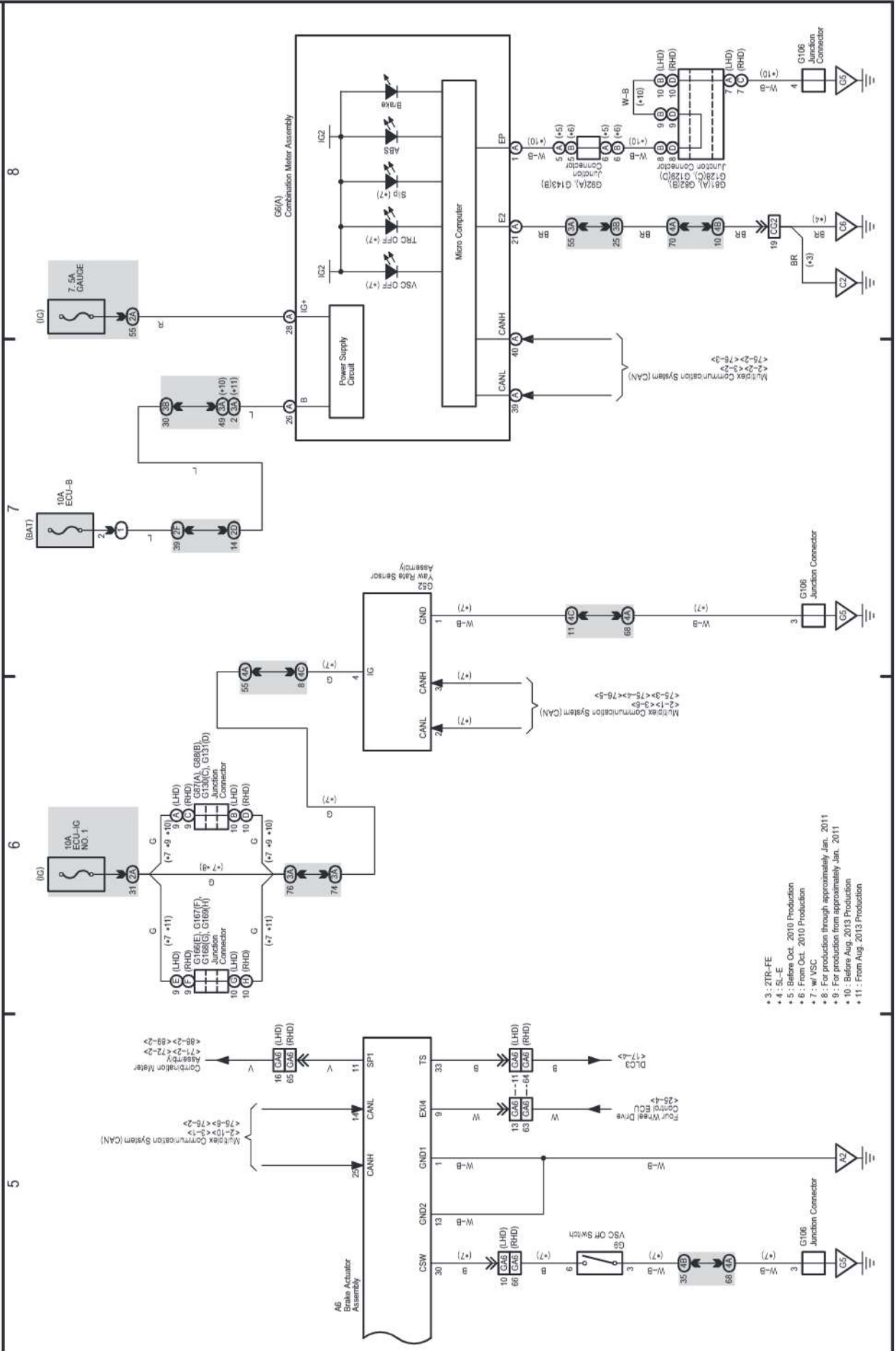
ABS (2TR-FE, 5L-E), TRC (2TR-FE) and VSC (2TR-FE)



# M OVERALL ELECTRICAL WIRING DIAGRAM

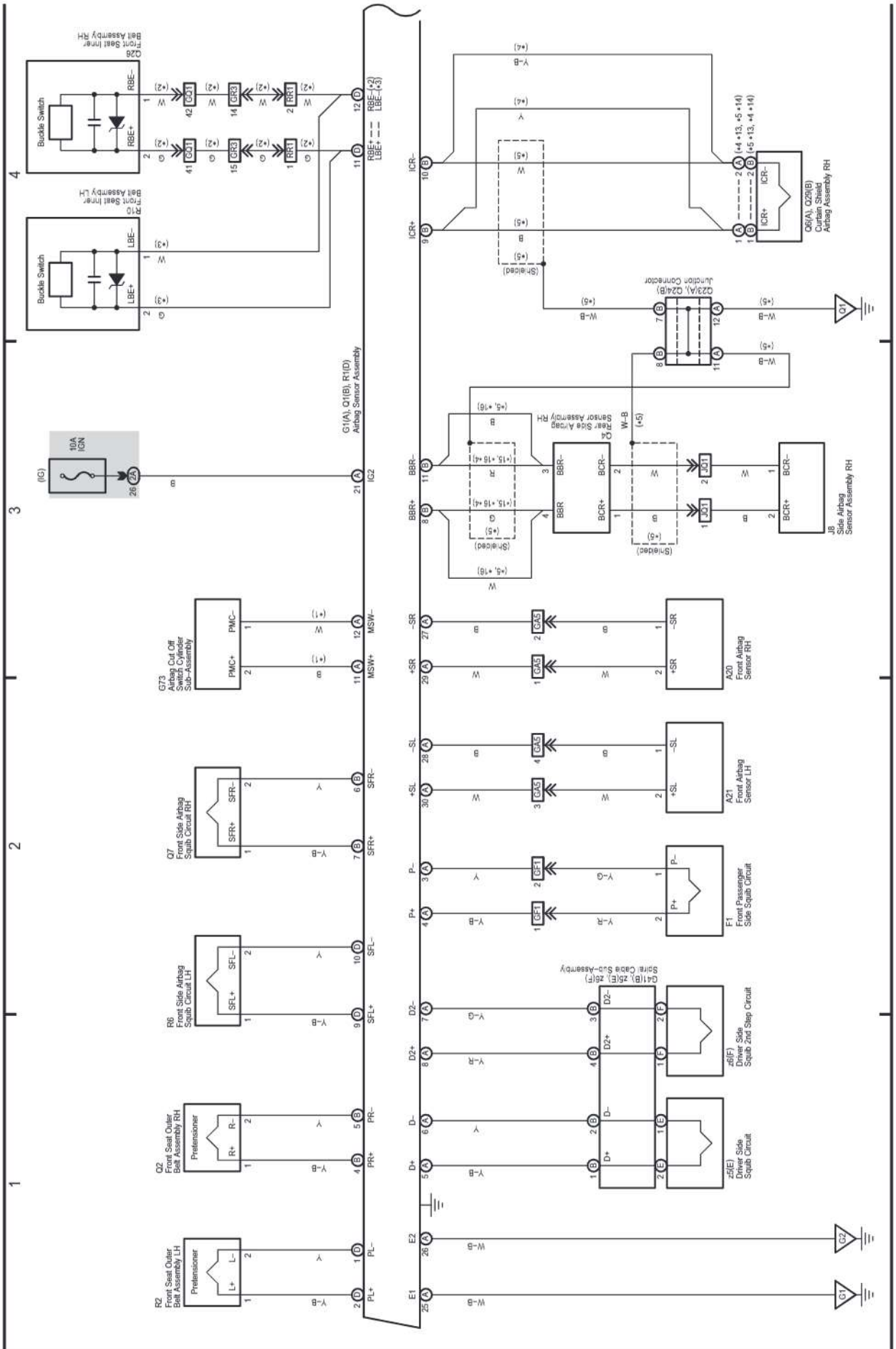
## 27 LAND CRUISER / LAND CRUISER PRADO (Cont'd)

ABS (2TR-FE, 5L-E), TRC (2TR-FE) and VSC (2TR-FE)



- 1 : w/ Airbag Cut Off Switch Cylinder Sub-Assembly
- 13 : Before Oct. 2011 Production
- 2 : RHD 5-Door
- 14 : From Oct. 2011 Production
- 3 : LHD
- 15 : Before Aug. 2013 Production
- 4 : 5-Door
- 5 : 3-Door
- 16 : From Aug. 2013 Production

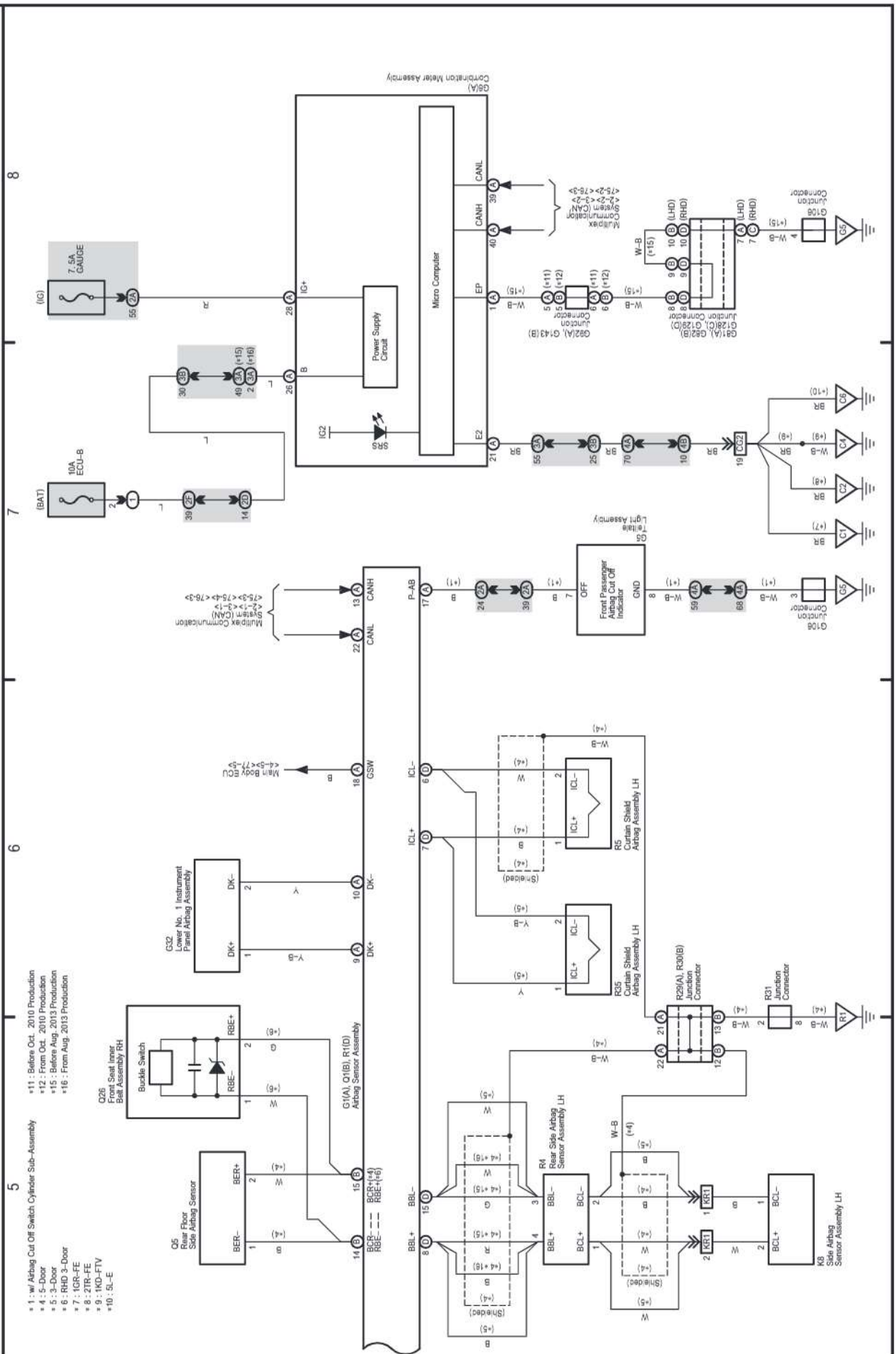
SRS (w/ Curtain Shield Airbag)



# M OVERALL ELECTRICAL WIRING DIAGRAM

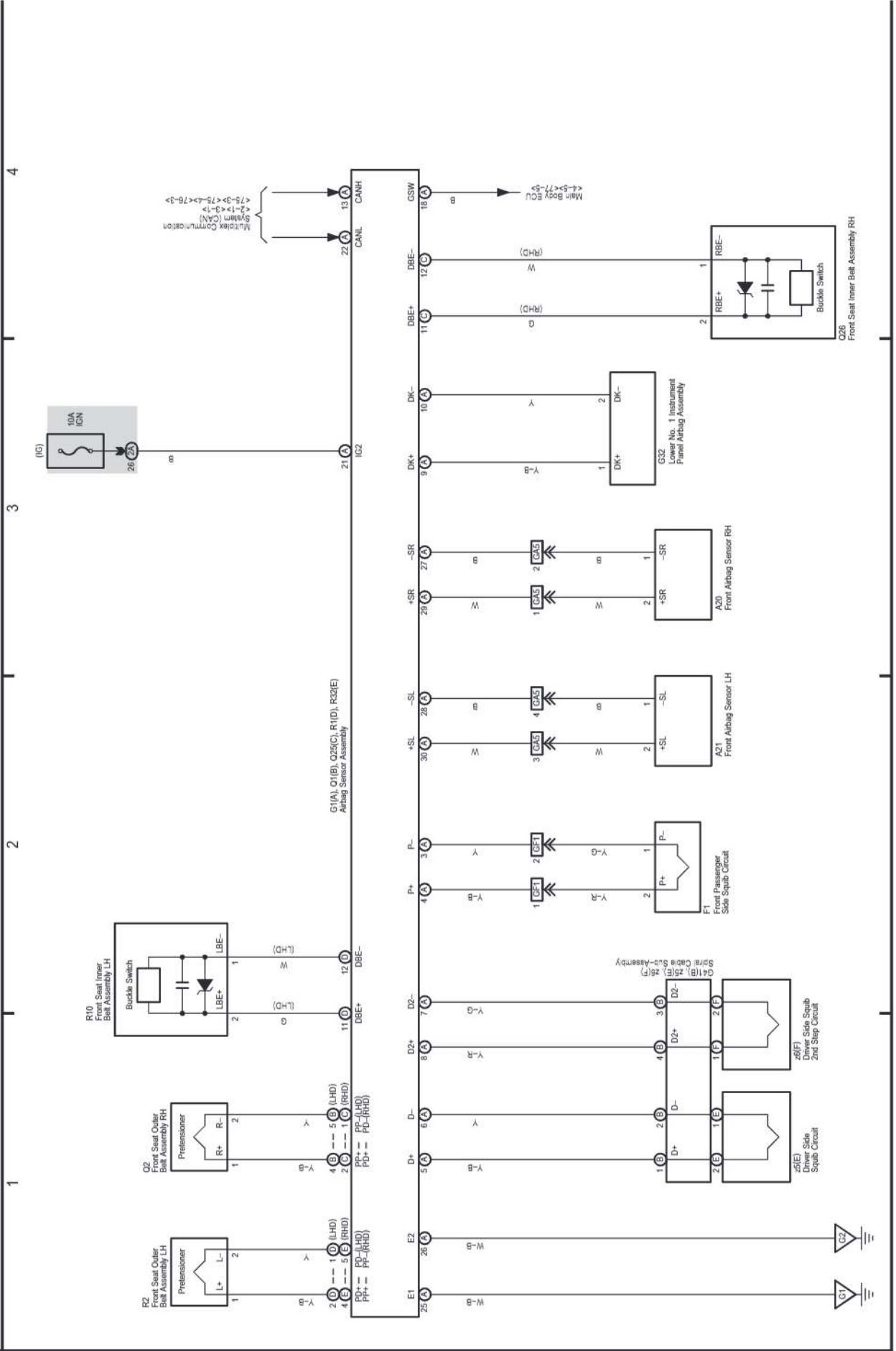
## 28 LAND CRUISER / LAND CRUISER PRADO (Cont'd)

### SRS (w/ Curtain Shield Airbag)



## LAND CRUISER / LAND CRUISER PRADO (EM24N0E)

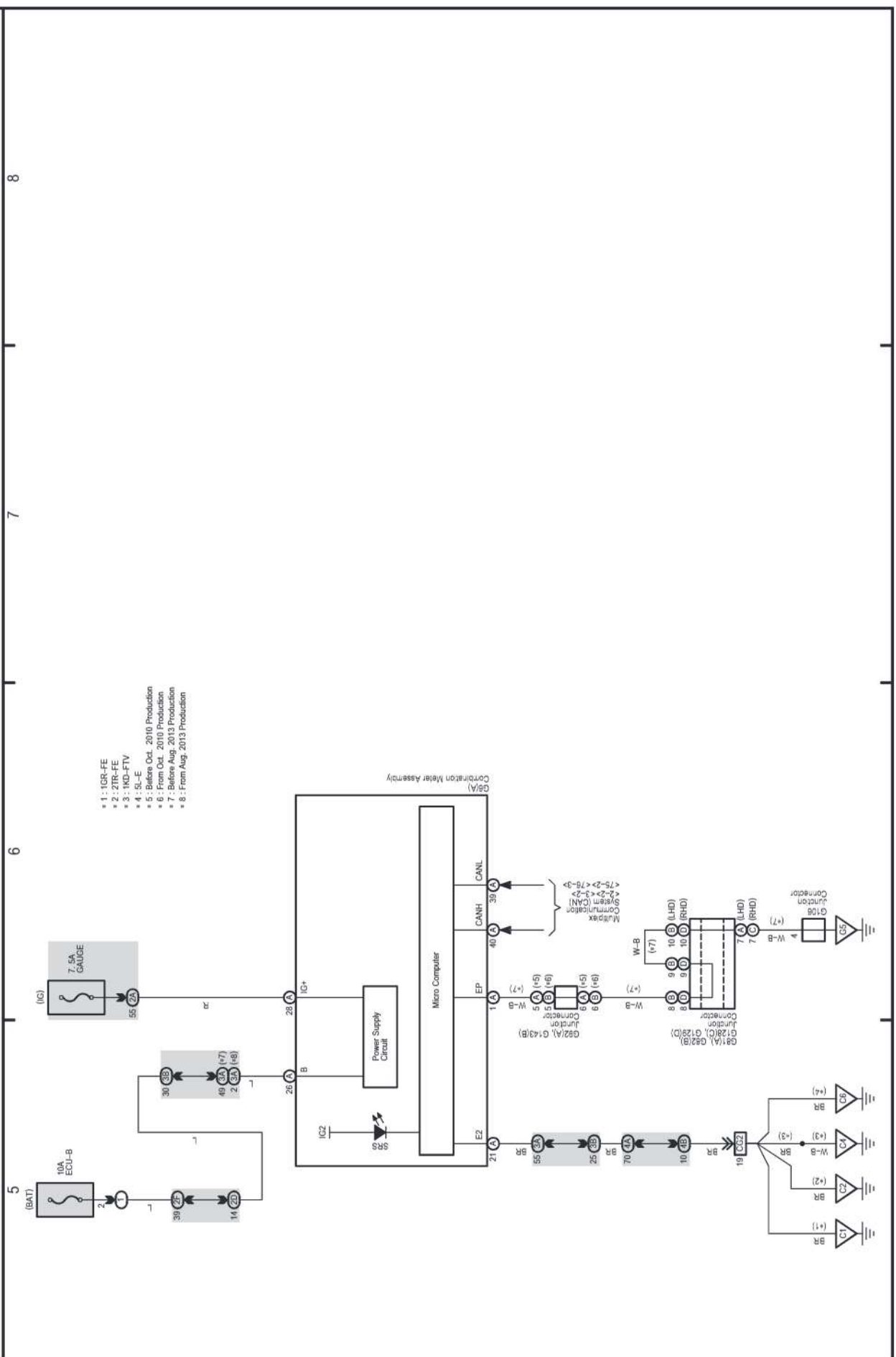
SRS (w/o Curtain Shield Airbag)



M OVERALL ELECTRICAL WIRING DIAGRAM

29 LAND CRUISER / LAND CRUISER PRADO (Cont'd)

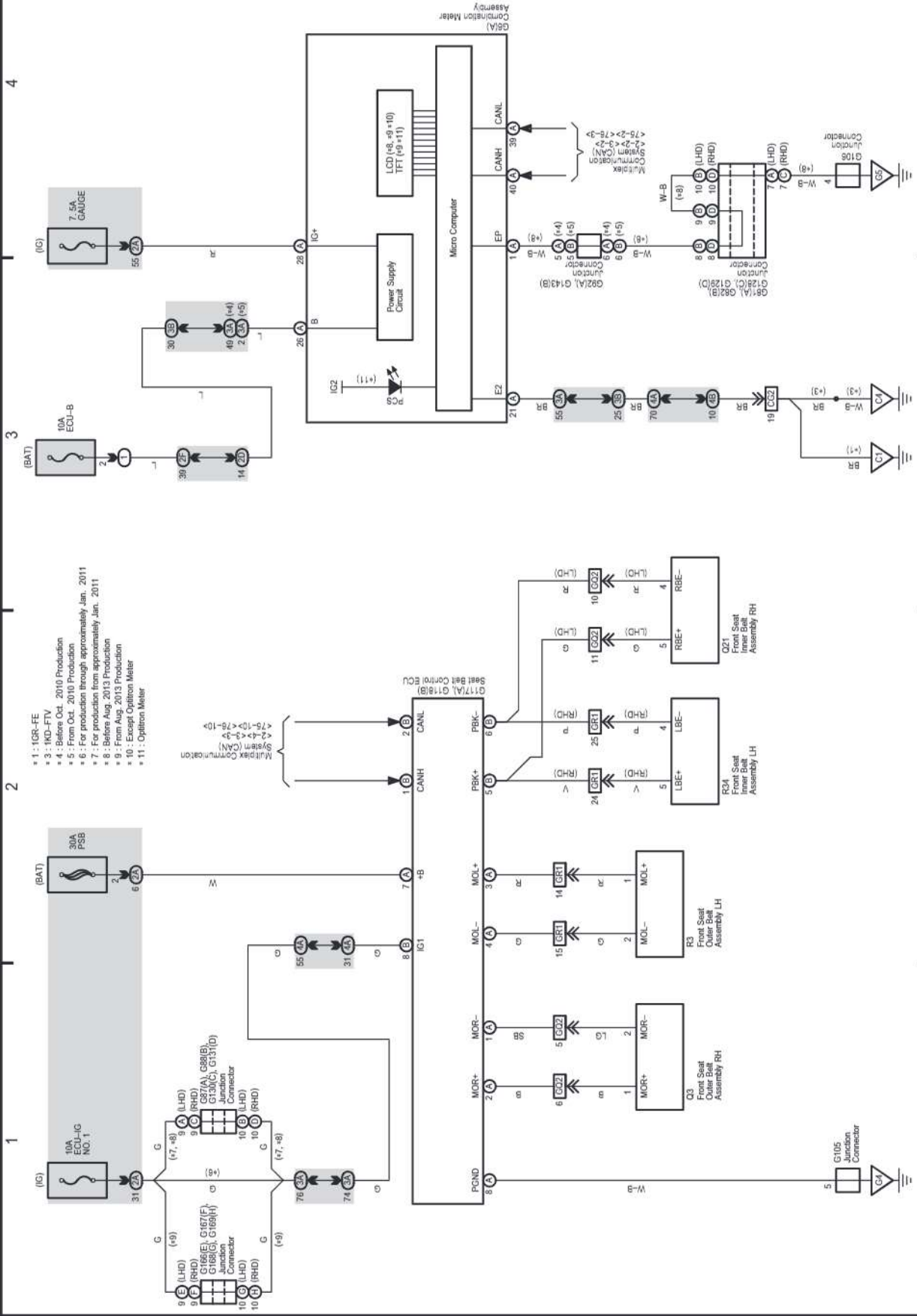
SRS (w/o Curtain Shield Airbag)





30 LAND CRUISER / LAND CRUISER PRADO

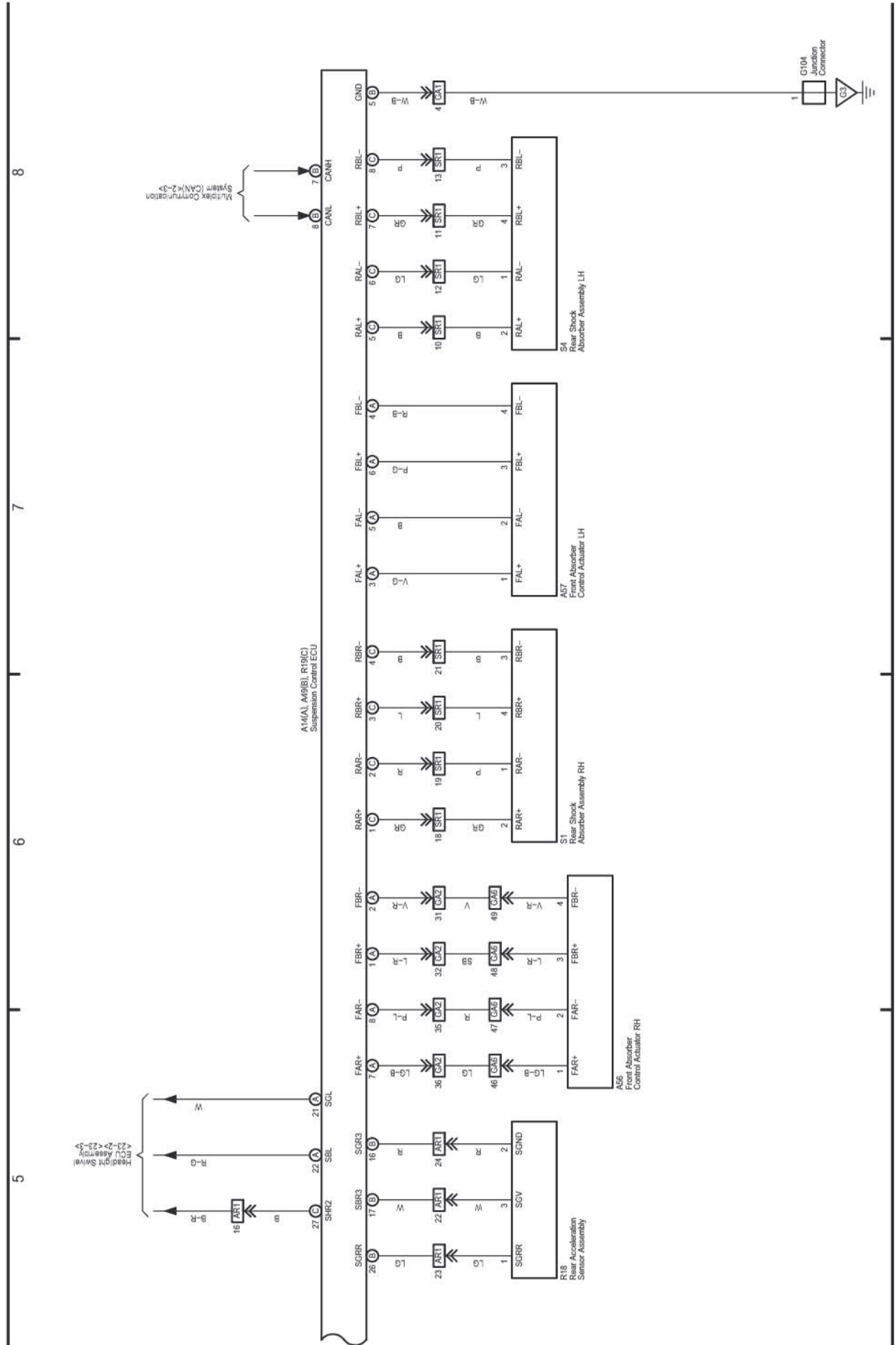
Pre-Crash Safety System



LAND CRUISER / LAND CRUISER PRADO (EM24N0E)



Electronic Modulated Air Suspension (LHD) (Before Aug. 2013 Production)



Electronic Modulated Air Suspension (LHD) (Before Aug. 2013 Production)

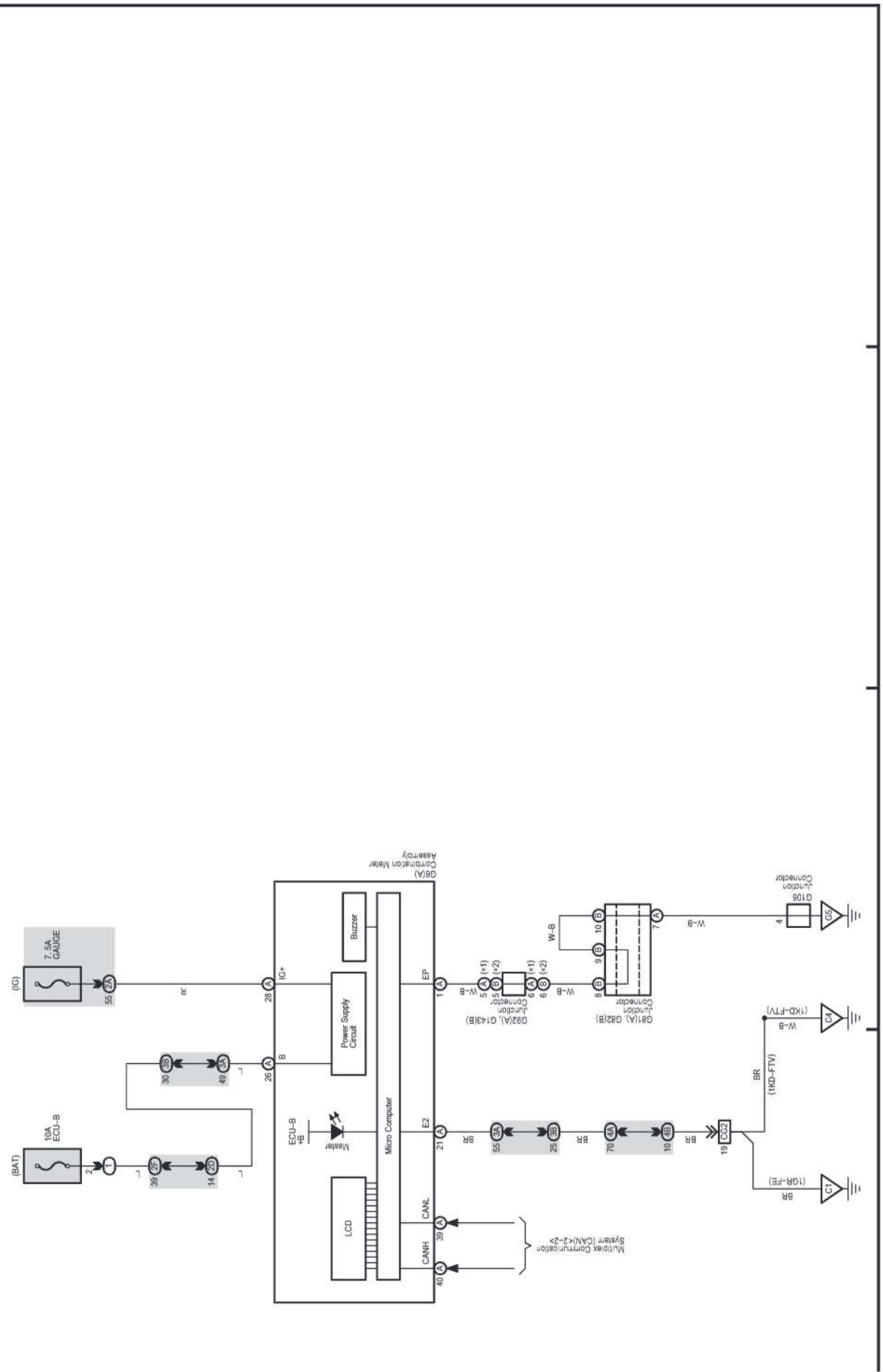
\* 1 : Before Oct. 2010 Production  
 \* 2 : From Oct. 2010 Production

12

11

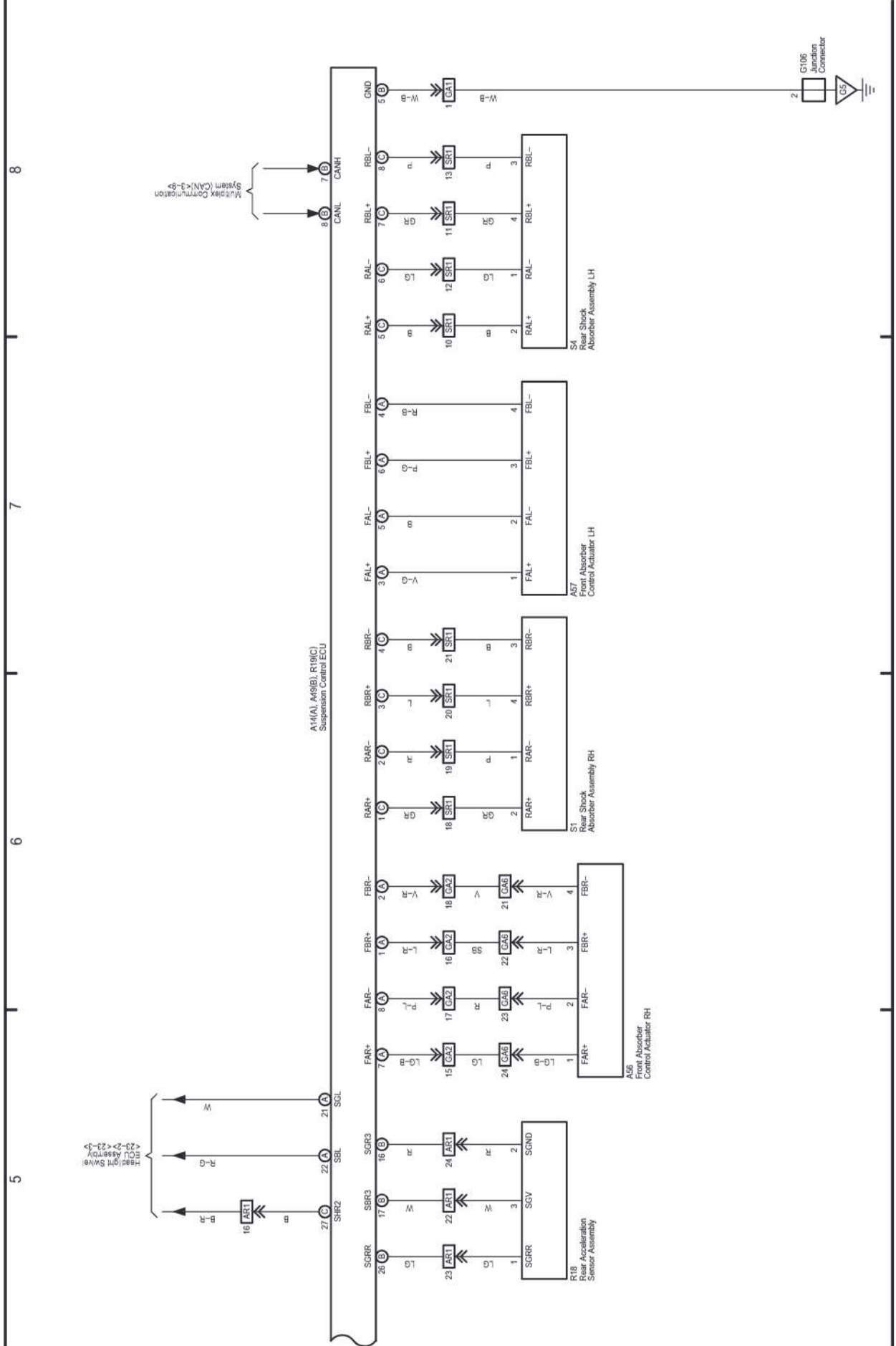
10

9





Electronic Modulated Air Suspension (RHD) (Before Aug. 2013 Production)



Electronic Modulated Air Suspension (RH) (Before Aug. 2013 Production)

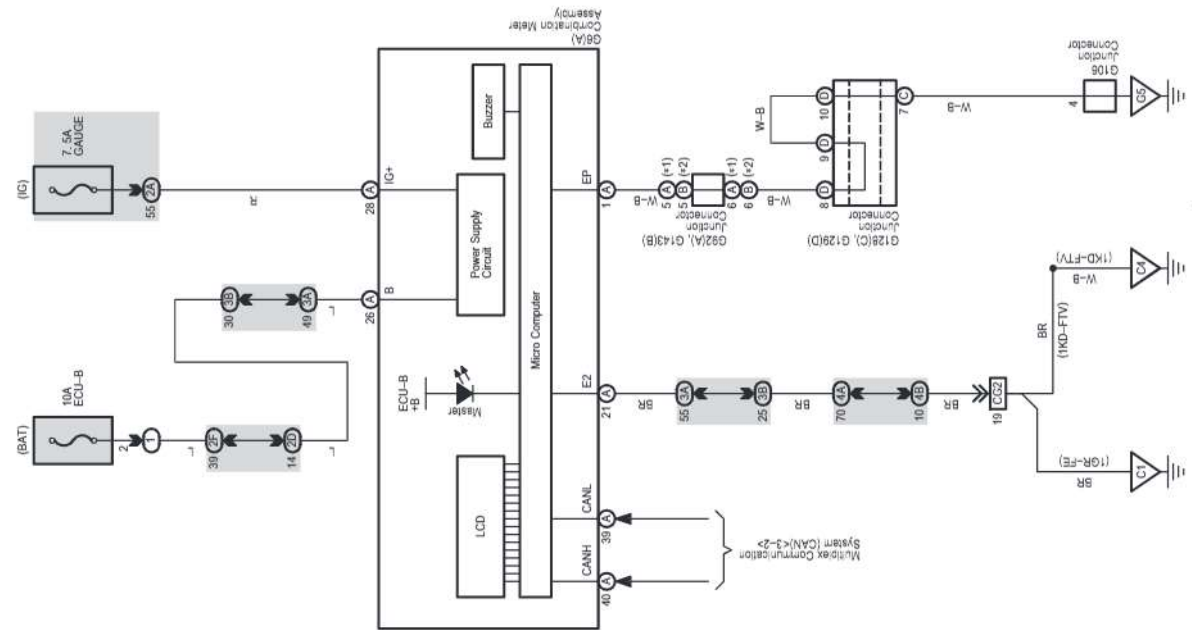
12

11

10

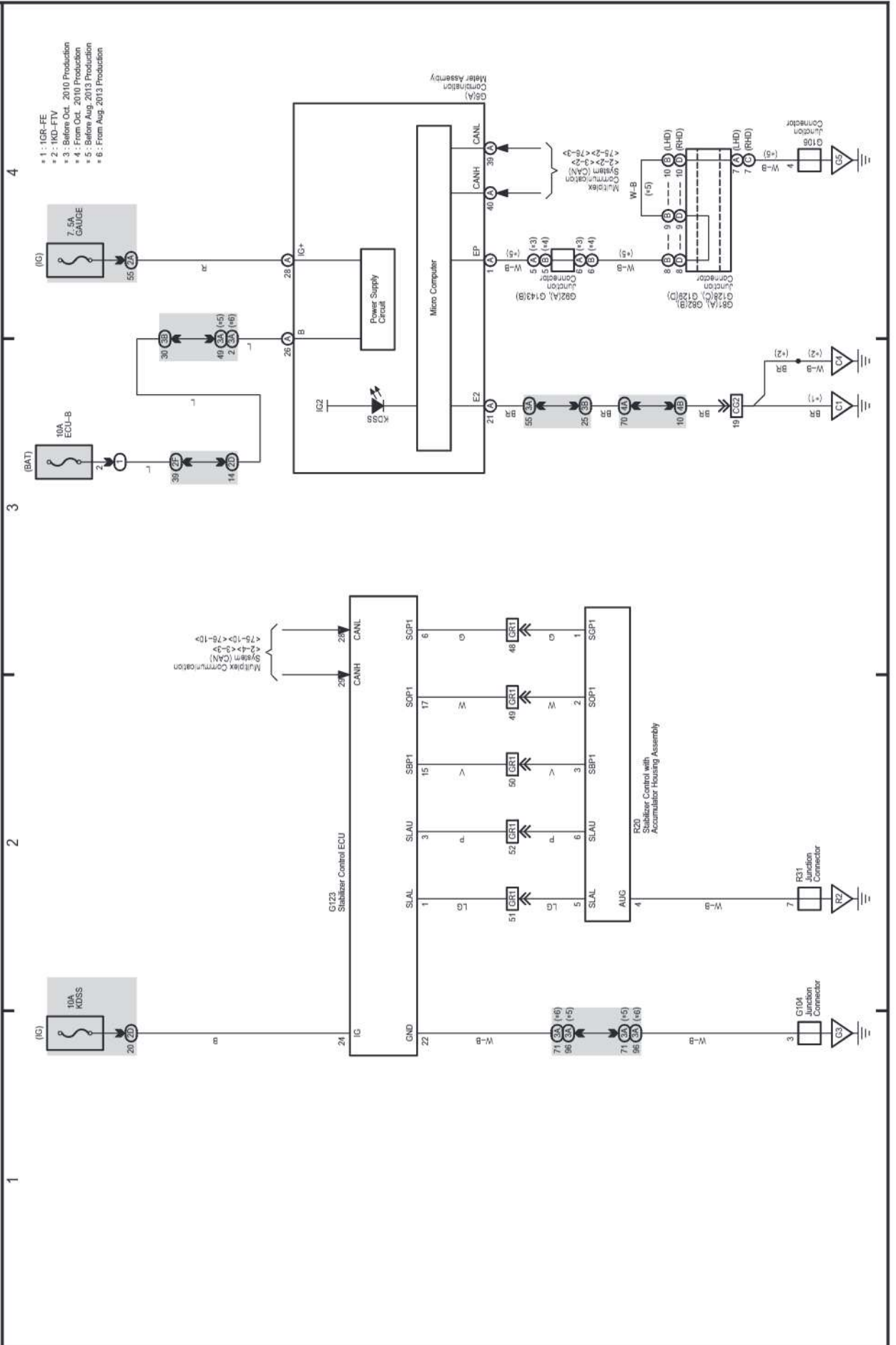
9

\* 1 : Before Oct. 2010 Production  
 \* 2 : From Oct. 2010 Production



33 LAND CRUISER / LAND CRUISER PRADO

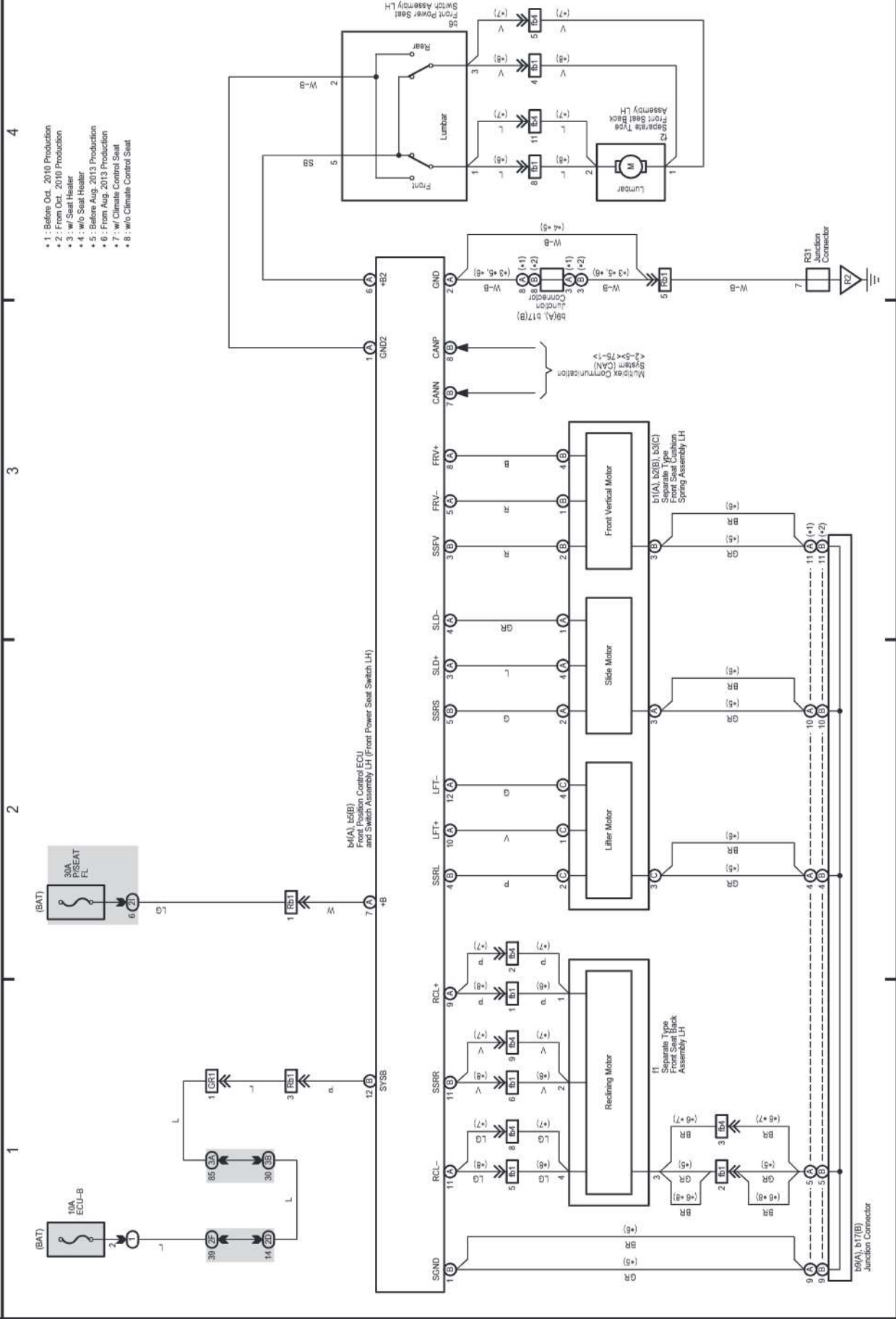
Kinetic Dynamic Suspension System





34 LAND CRUISER / LAND CRUISER PRADO

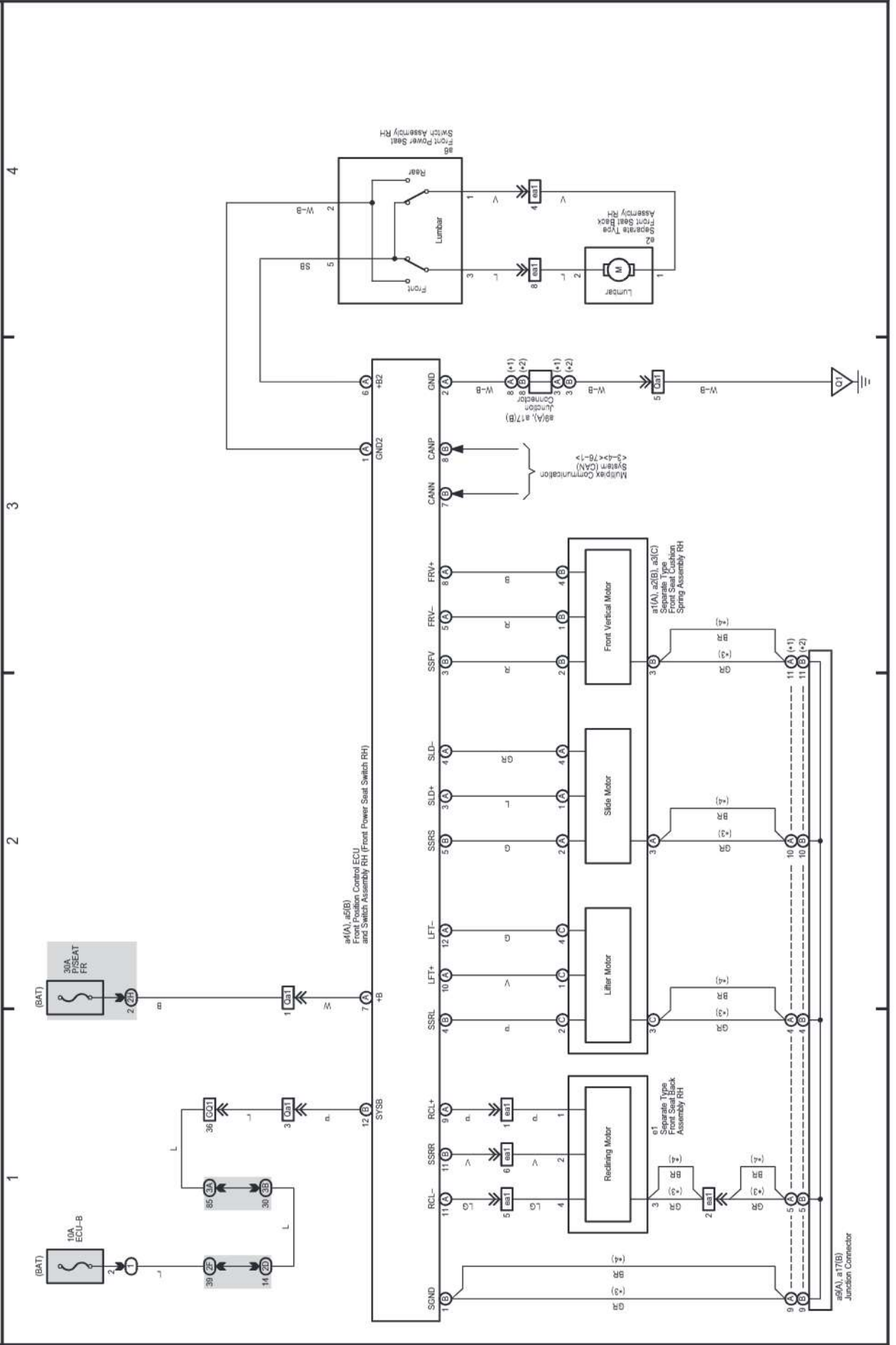
Power Seat (LHD Driver's Seat w/ Seat Position Memory)



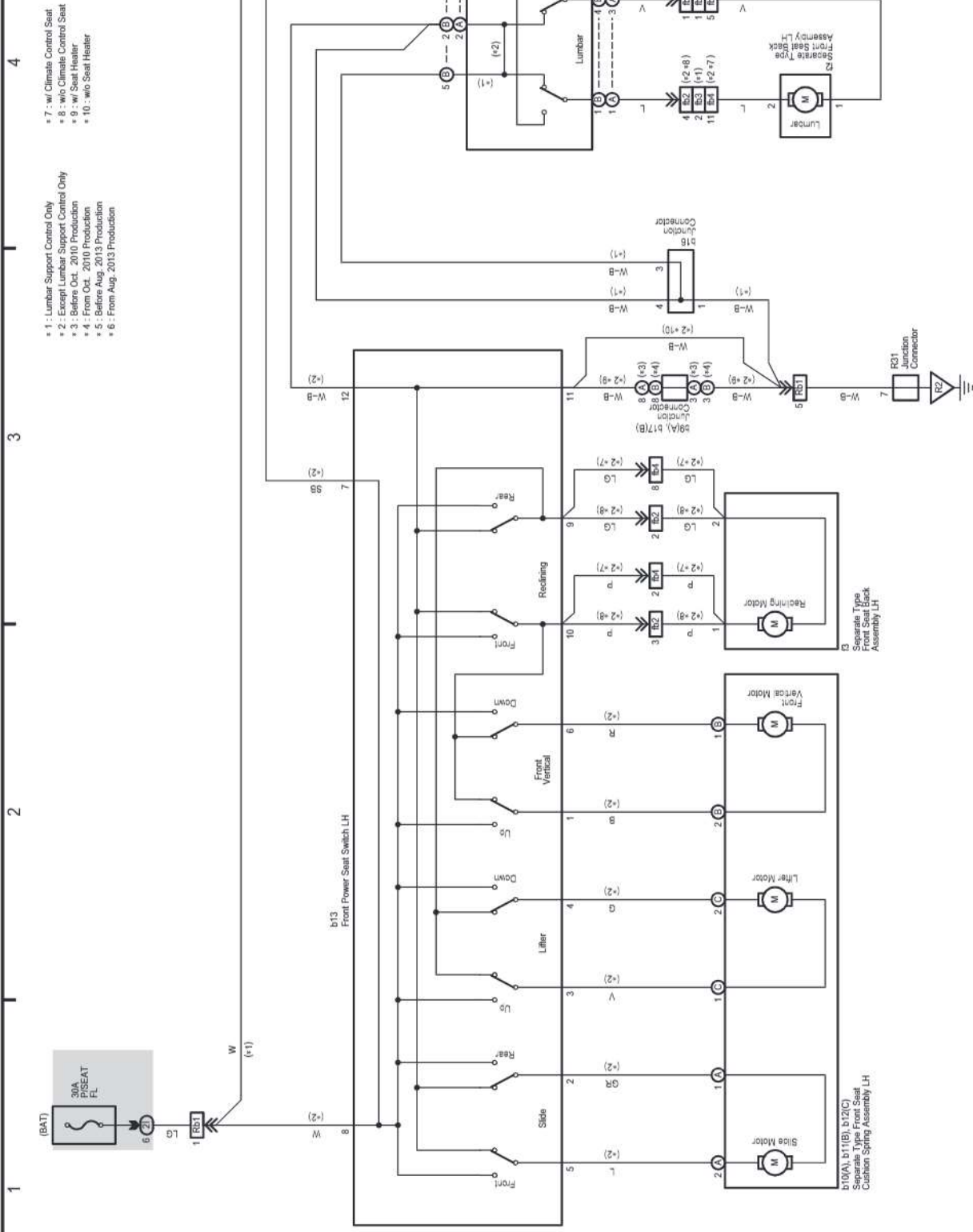
35 LAND CRUISER / LAND CRUISER PRADO

Power Seat (RHD Driver' s Seat w/ Seat Position Memory)

- 1: Before Oct. 2010 Production
- 2: From Oct. 2010 Production
- 3: Before Aug. 2013 Production
- 4: From Aug. 2013 Production



Power Seat (LHD Driver's Seat w/o Seat Position Memory)



- \* 1 : Lumbar Support Control Only
- \* 2 : Except Lumbar Support Control Only
- \* 3 : Before Oct. 2010 Production
- \* 4 : From Oct. 2010 Production
- \* 5 : Before Aug. 2013 Production
- \* 6 : From Aug. 2013 Production
- \* 7 : w/ Climate Control Seat
- \* 8 : w/o Climate Control Seat
- \* 9 : w/ Seat Heater
- \* 10 : w/o Seat Heater

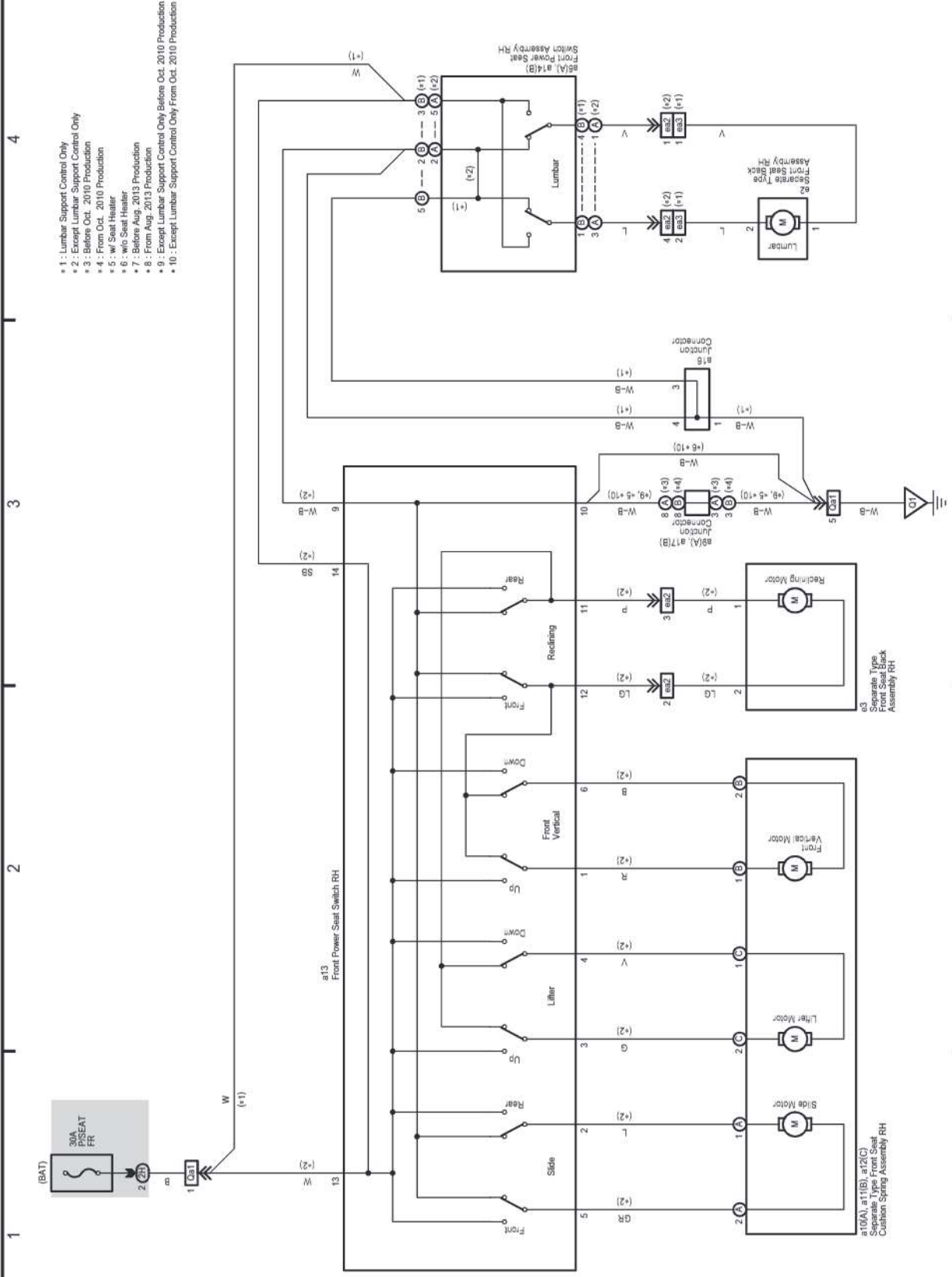
4

3

2

1

Power Seat (RHD Driver's Seat w/o Seat Position Memory)



- \* 1 : Lumber Support Control Only
- \* 2 : Except Lumber Support Control Only
- \* 3 : Before Oct. 2010 Production
- \* 4 : From Oct. 2010 Production
- \* 5 : w/ Seat Heater
- \* 6 : w/o Seat Heater
- \* 7 : Before Aug. 2013 Production
- \* 8 : From Aug. 2013 Production
- \* 9 : Except Lumber Support Control Only Before Oct. 2010 Production
- \* 10 : Except Lumber Support Control Only From Oct. 2010 Production

4

3

2

1

38 LAND CRUISER / LAND CRUISER PRADO

Power Seat (LHD Front Passenger's Seat)

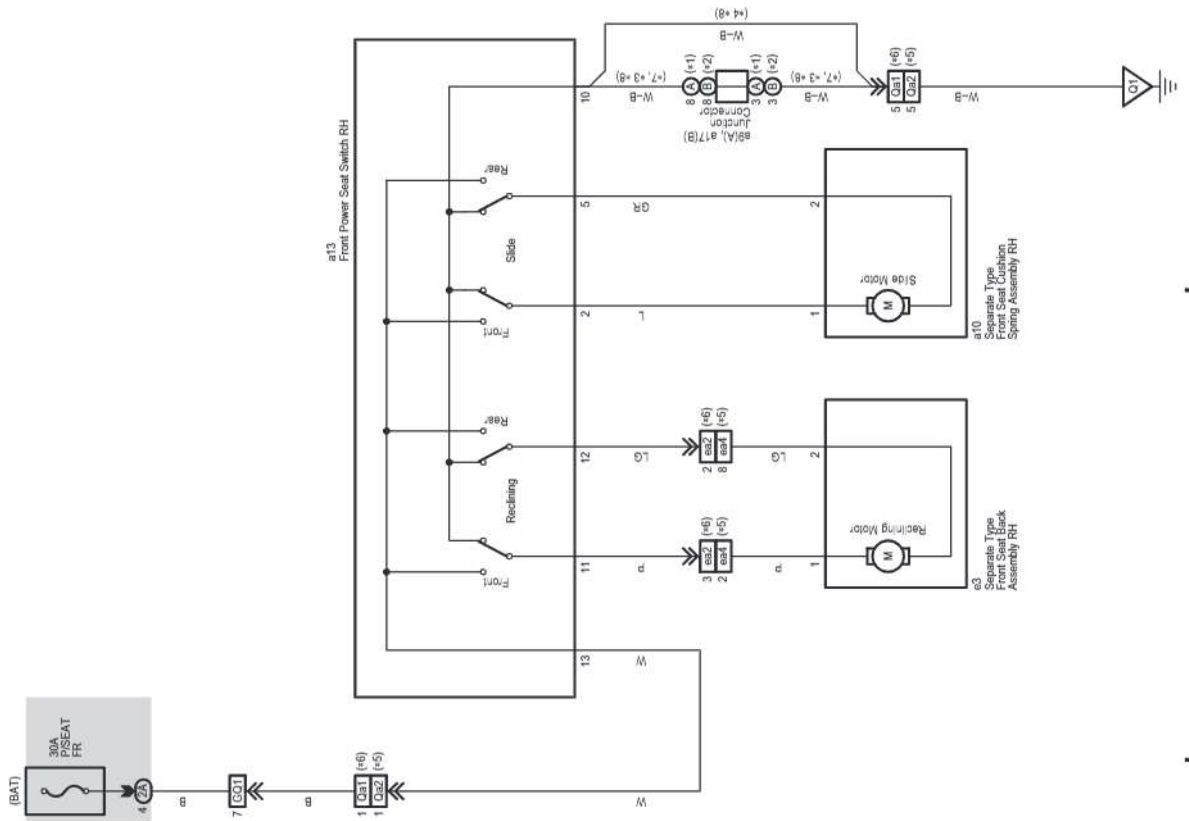
- 1 - Before Oct. 2010 Production
- 2 - From Oct. 2010 Production
- 3 - w/ Seat Heater
- 4 - w/o Seat Heater
- 5 - w/ Climate Control Seat
- 6 - w/o Climate Control Seat
- 7 - Before Aug. 2013 Production
- 8 - From Aug. 2013 Production

4

2

3

1



39 LAND CRUISER / LAND CRUISER PRADO

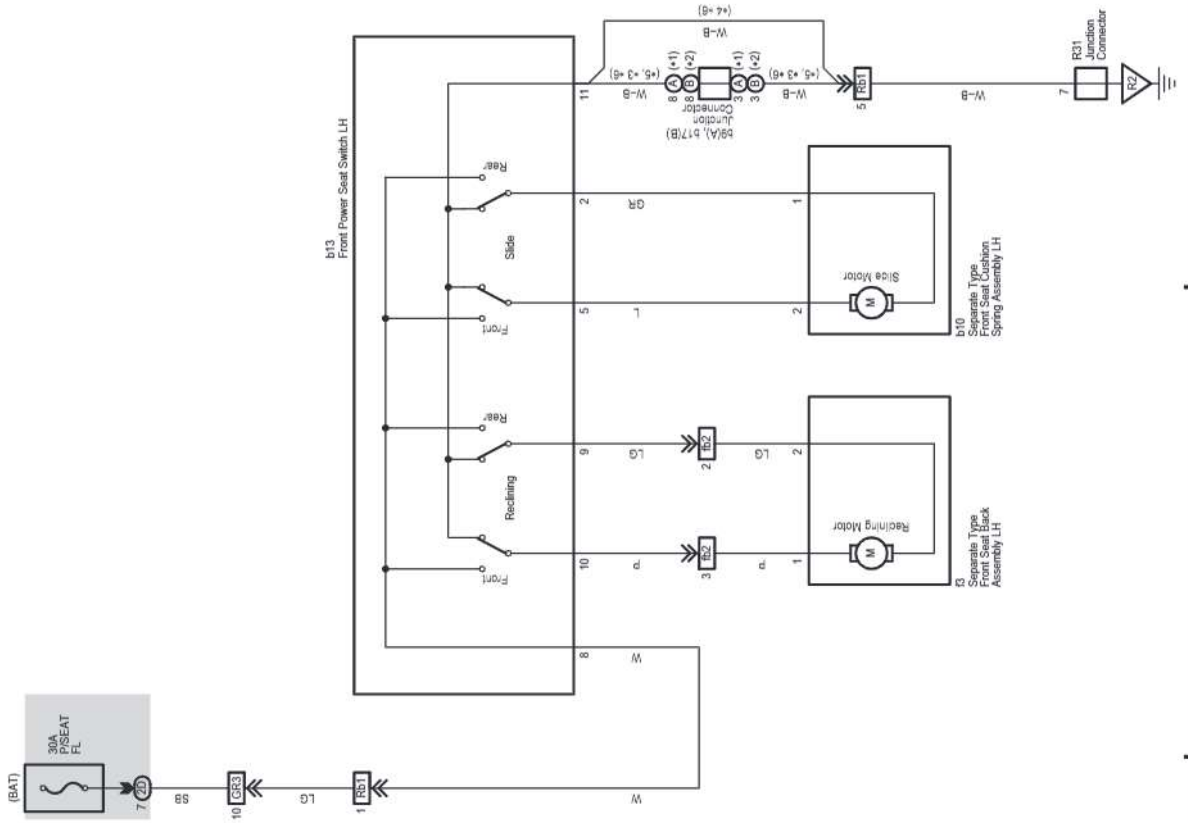
Power Seat (RHD Front Passenger's Seat)

4

2

3

- 1: Before Oct. 2010 Production
- 2: From Oct. 2010 Production
- 3: w/ Seat Heater
- 4: w/o Seat Heater
- 5: Before Aug. 2013 Production
- 6: From Aug. 2013 Production

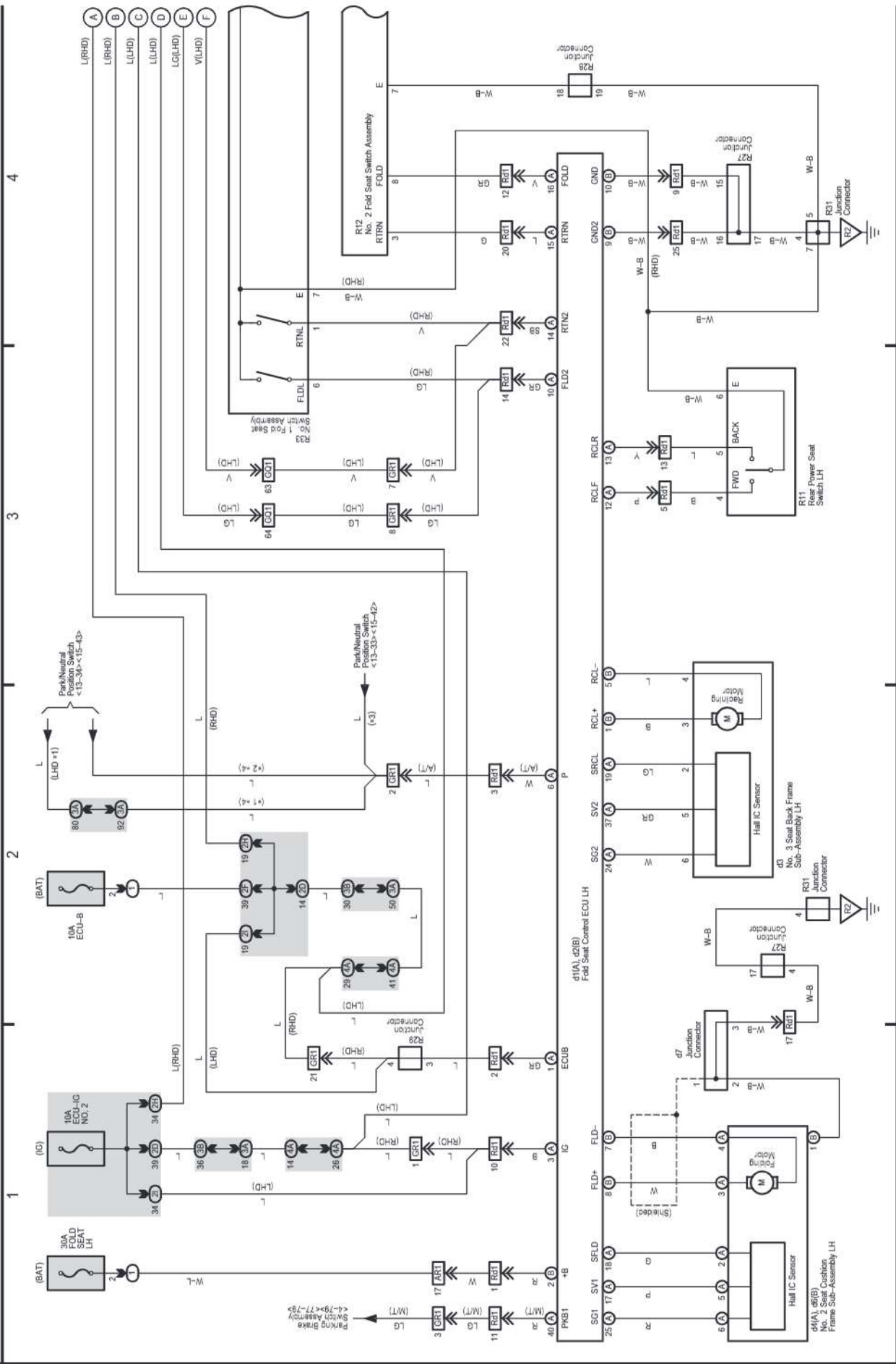


(Cont. next page)

40 LAND CRUISER / LAND CRUISER PRADO

- \* 1 : For production through approximately Jan. 2011
- \* 2 : For production from approximately Jan. 2011
- \* 3 : RHD A/T
- \* 4 : LHD A/T

Power Rear No. 2 Seat with Stowing Function

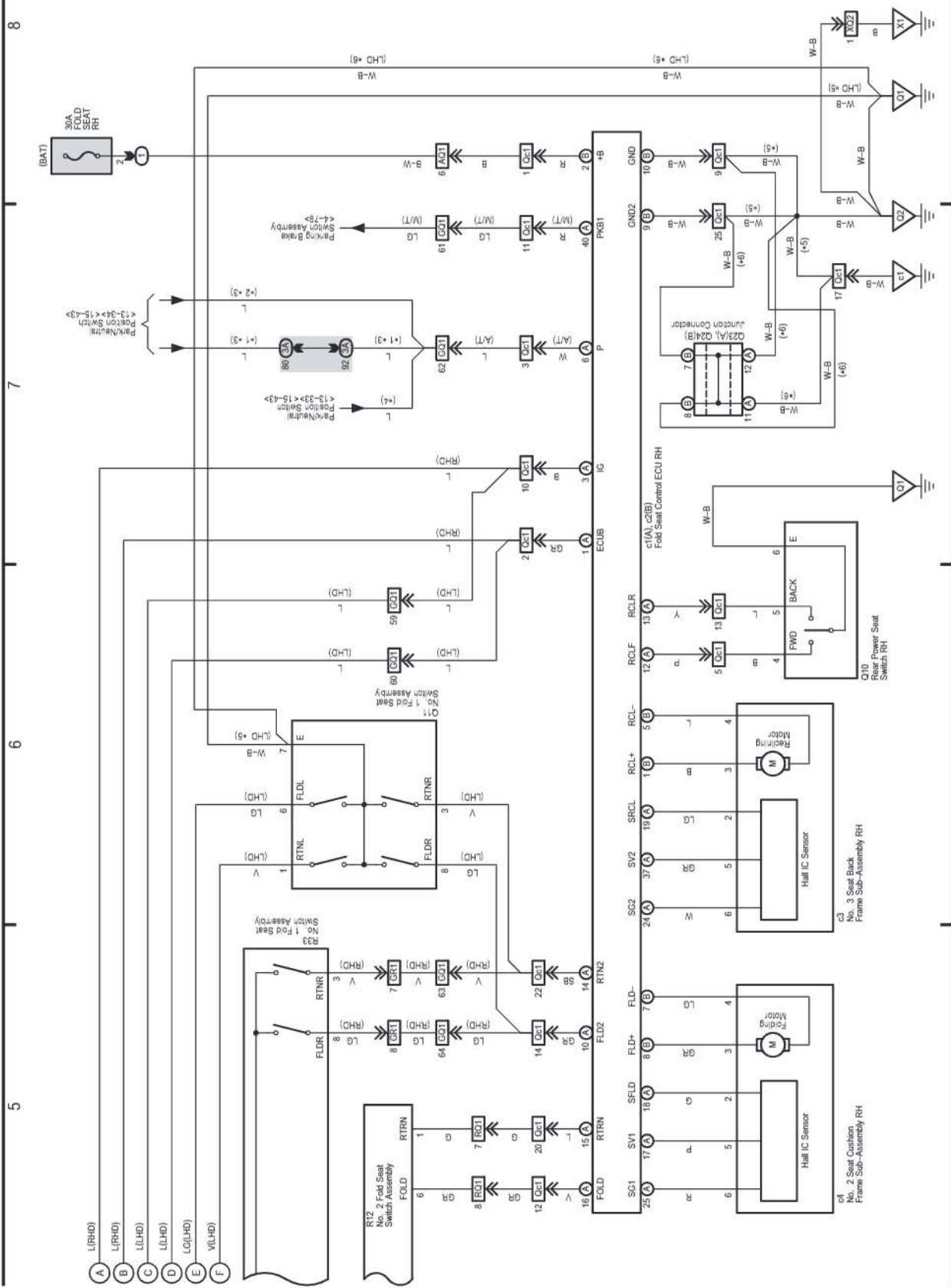


# M OVERALL ELECTRICAL WIRING DIAGRAM

## 40 LAND CRUISER / LAND CRUISER PRADO (Cont'd)

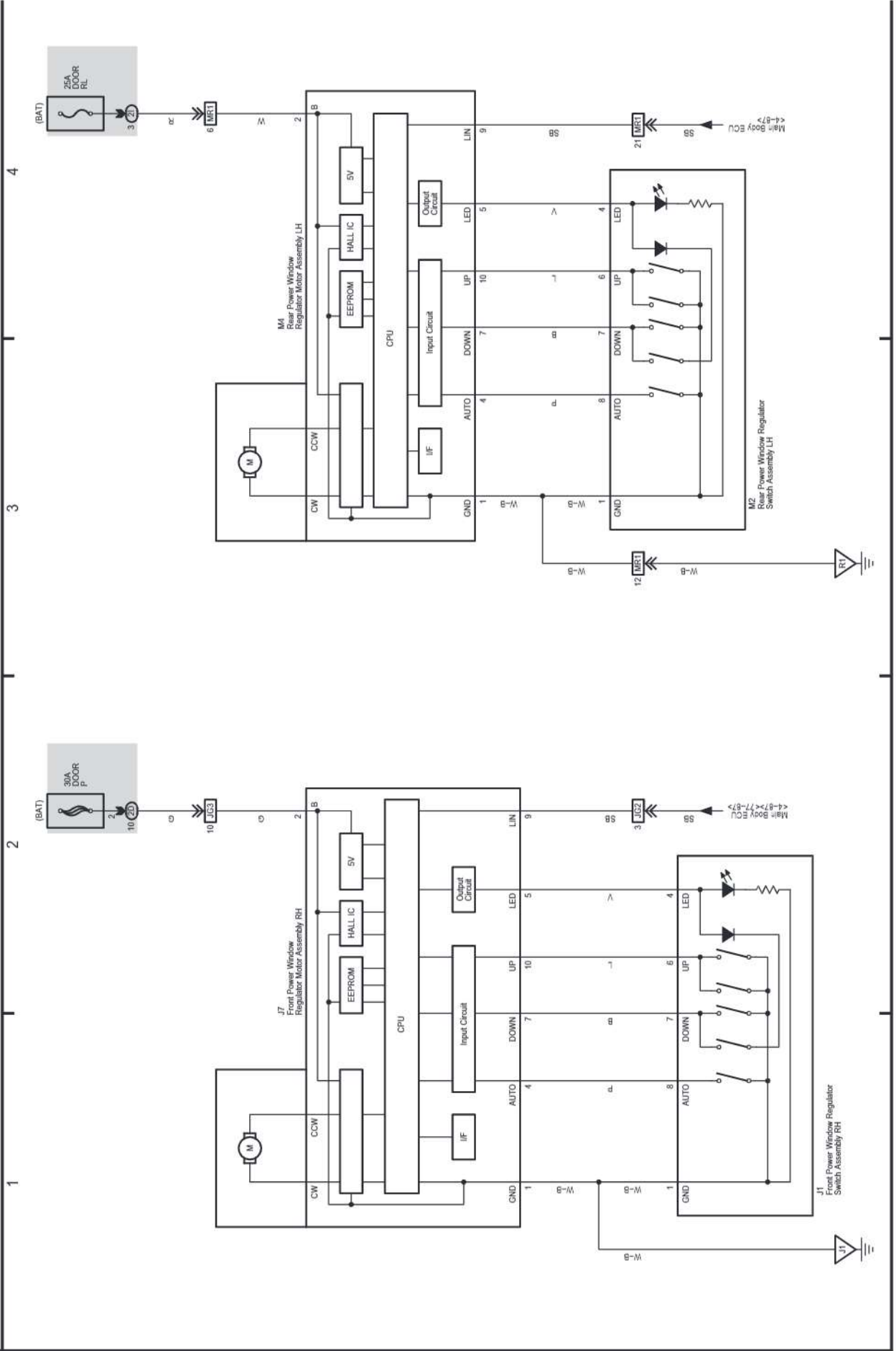
- 1 : For production through approximately Jan. 2011
- 2 : For production from approximately Jan. 2011
- 3 : RHD/AT
- 4 : LHD/AT
- 5 : Before Aug. 2013 Production
- 6 : From Aug. 2013 Production

### Power Rear No. 2 Seat with Stowing Function





Power Window (LHD)

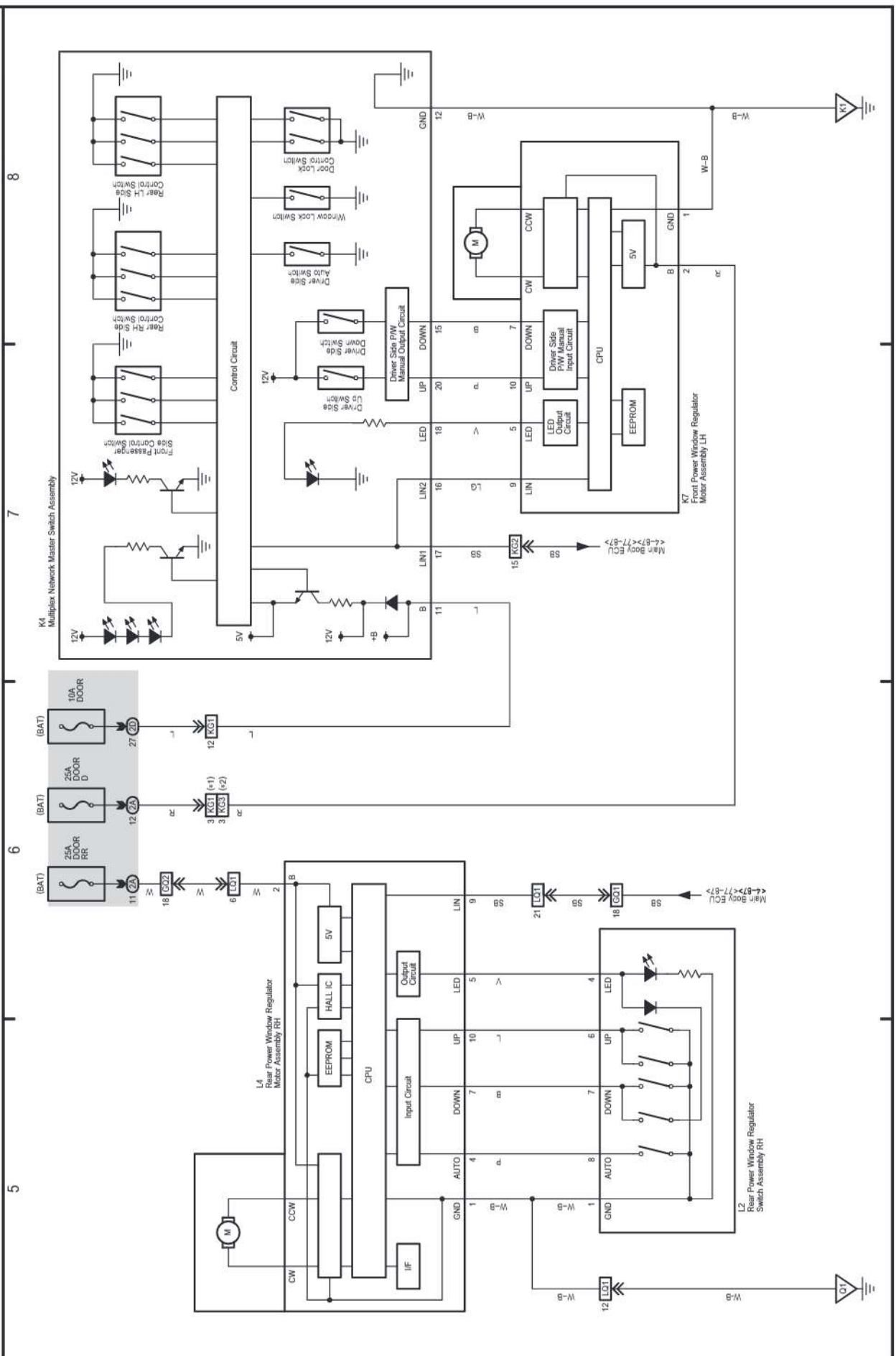


# M OVERALL ELECTRICAL WIRING DIAGRAM

41 LAND CRUISER / LAND CRUISER PRADO (Cont'd)

- \* 1 : Before Aug. 2013 Production
- \* 2 : From Aug. 2013 Production
- \* 3 : Bench Seat
- \* 4 : Separate Seat

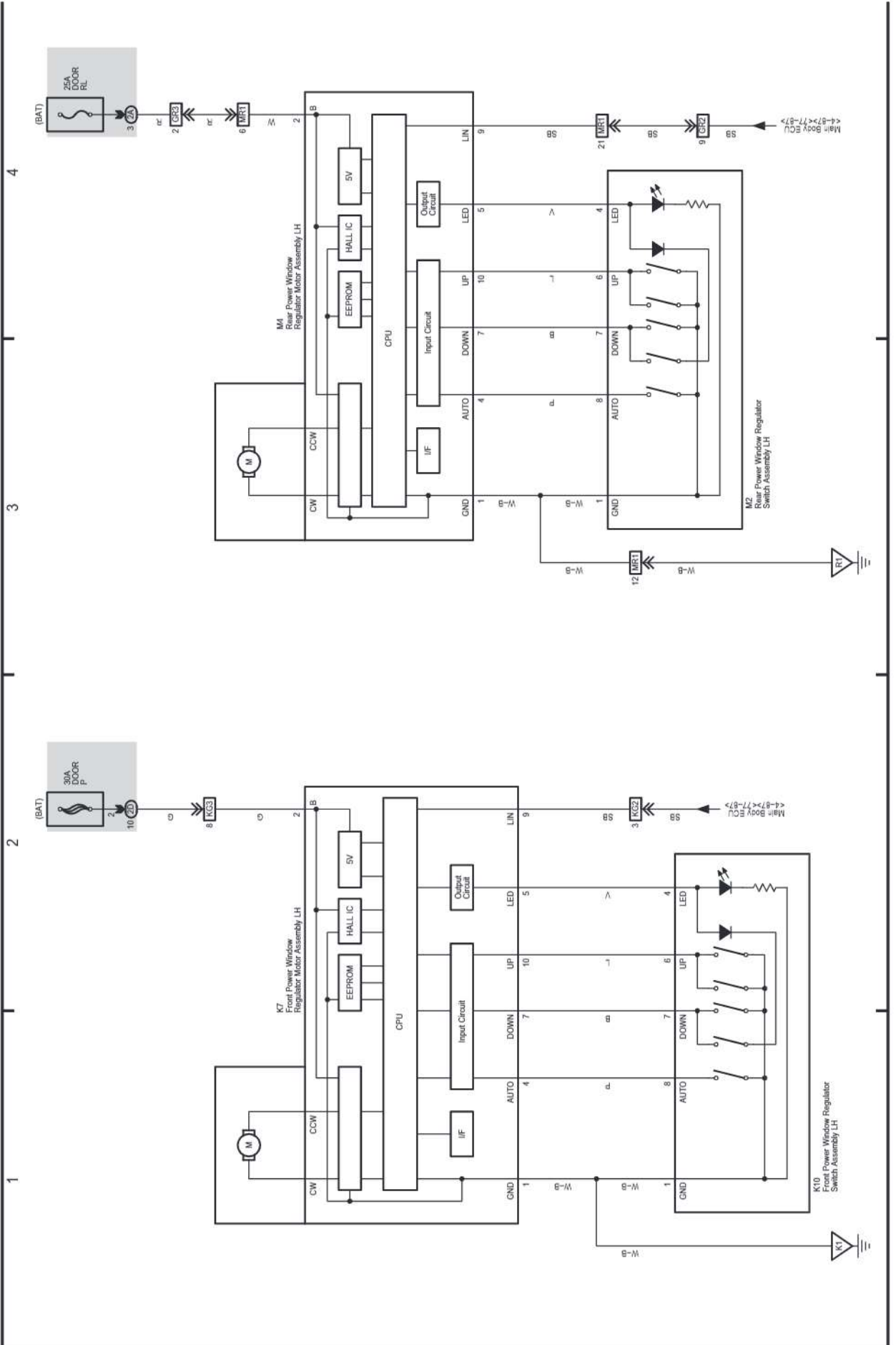
## Power Window (LHD)



(Cont. next page)

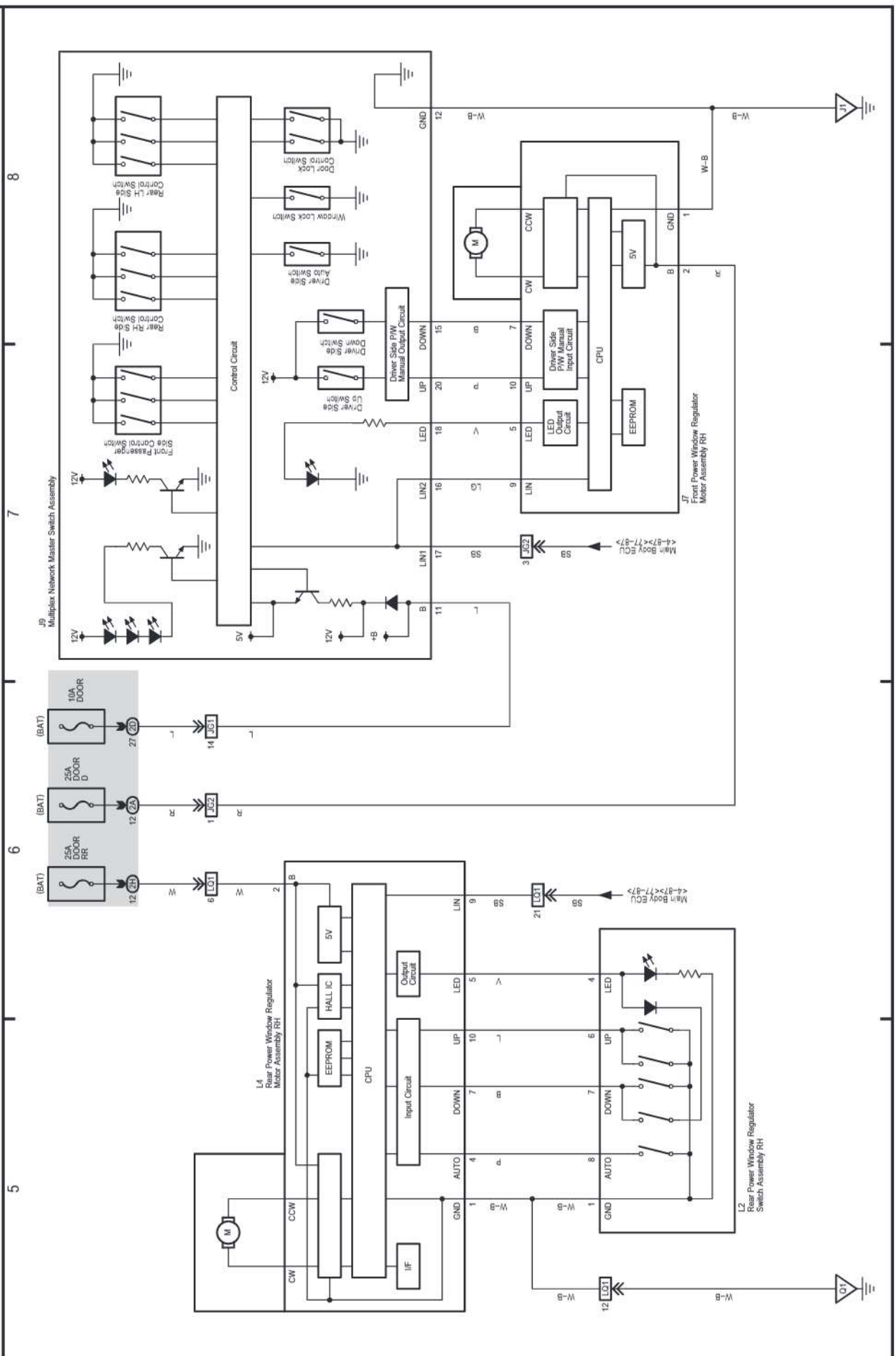
42 LAND CRUISER / LAND CRUISER PRADO

Power Window (RHD)



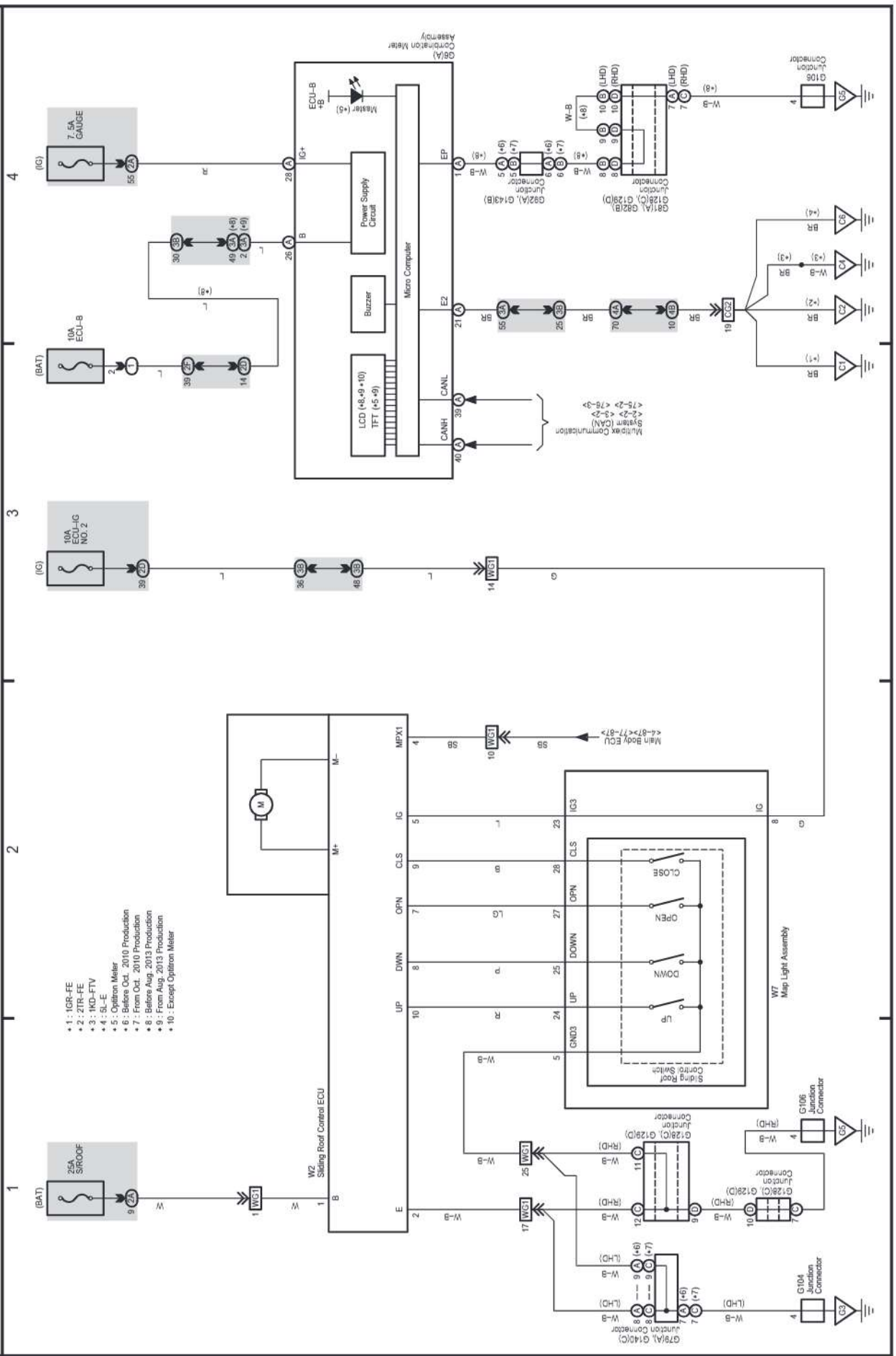
M OVERALL ELECTRICAL WIRING DIAGRAM

Power Window (RHD)



43 LAND CRUISER / LAND CRUISER PRADO

Sliding Roof

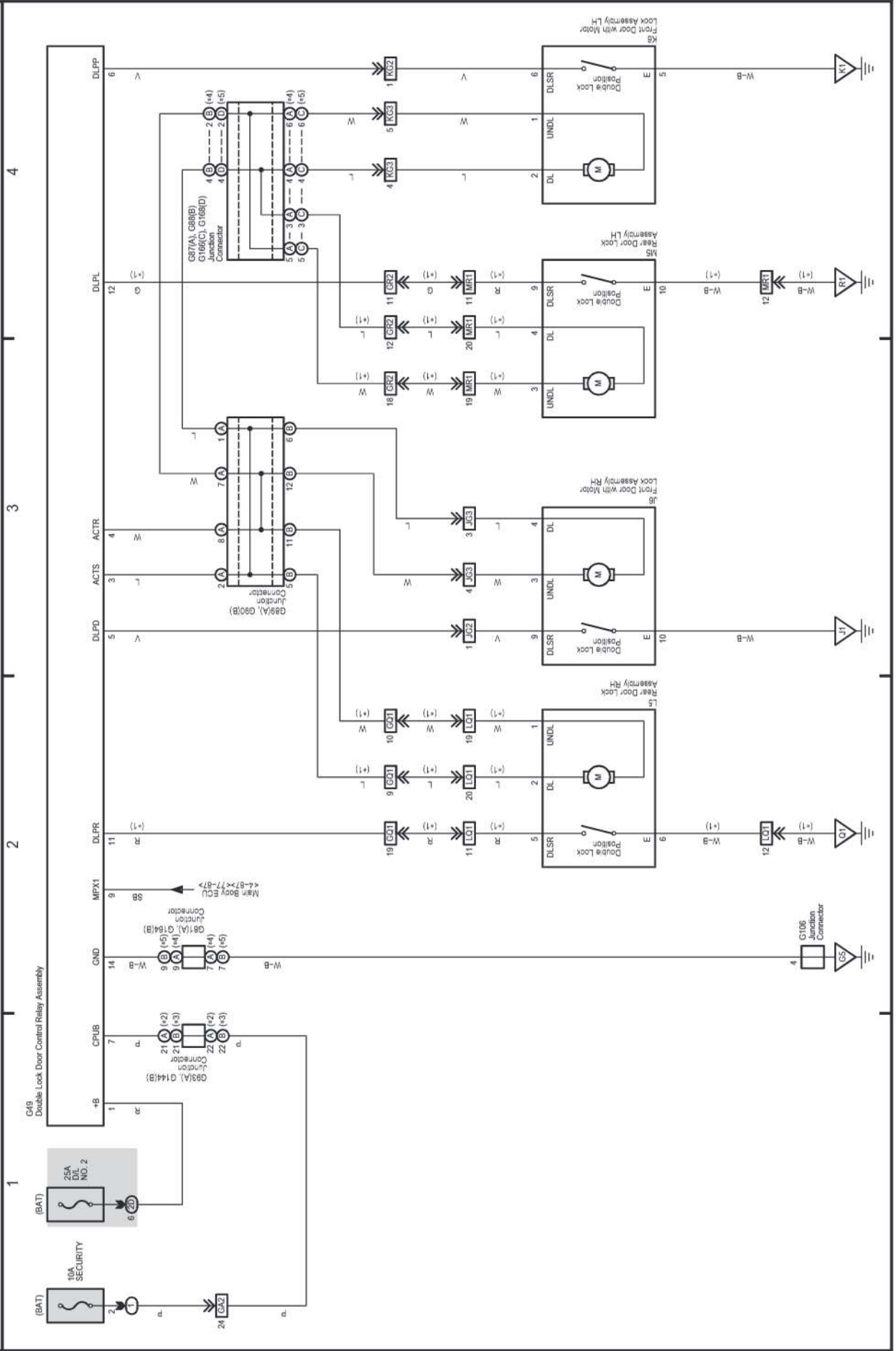


LAND CRUISER / LAND CRUISER PRADO (EM24N0E)

44 LAND CRUISER / LAND CRUISER PRADO

\* 1 : 5-Door  
\* 2 : Before Oct. 2010 Production  
\* 3 : From Oct. 2010 Production  
\* 4 : Before Aug. 2013 Production  
\* 5 : From Aug. 2013 Production

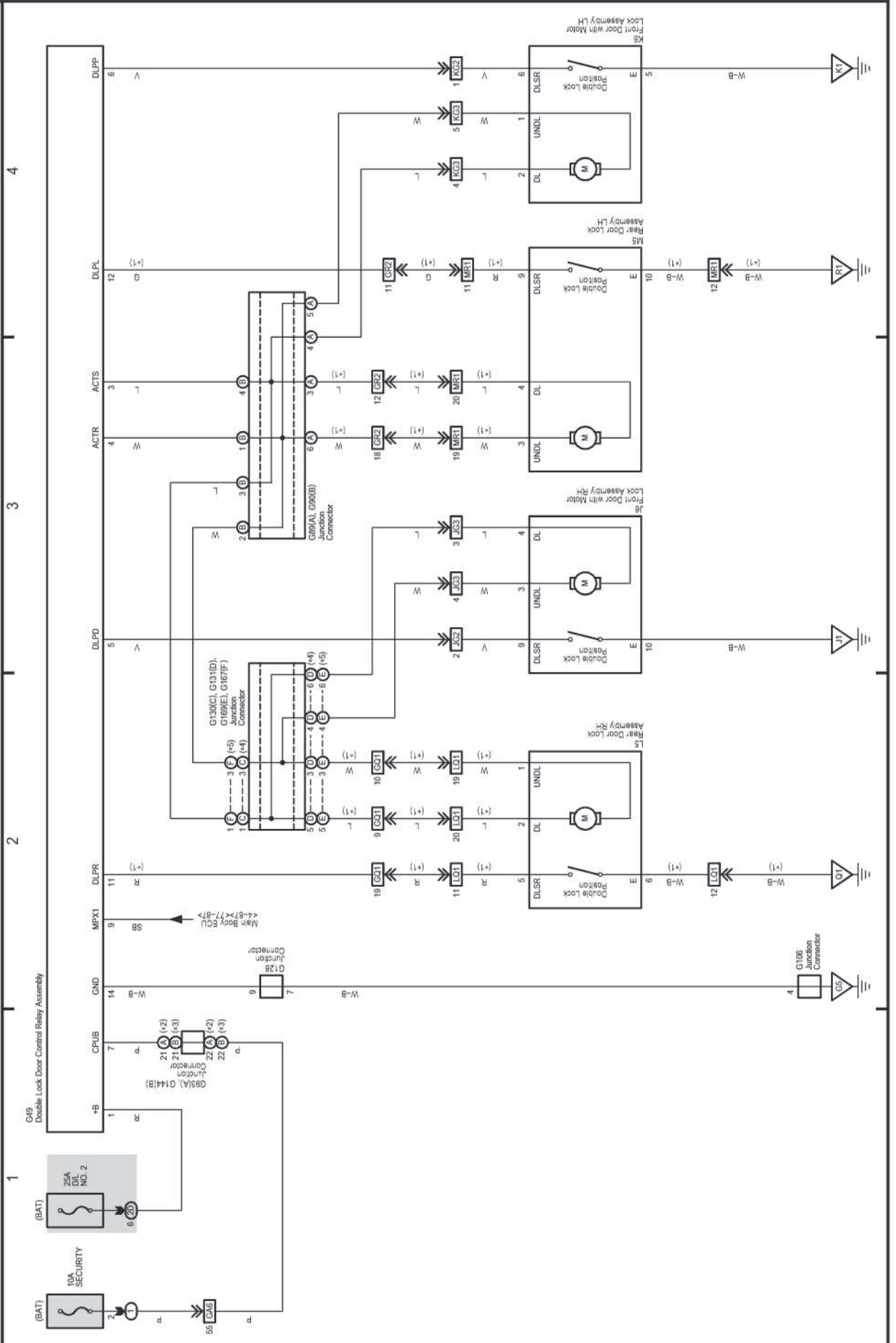
Double Locking (LHD)



45 LAND CRUISER / LAND CRUISER PRADO

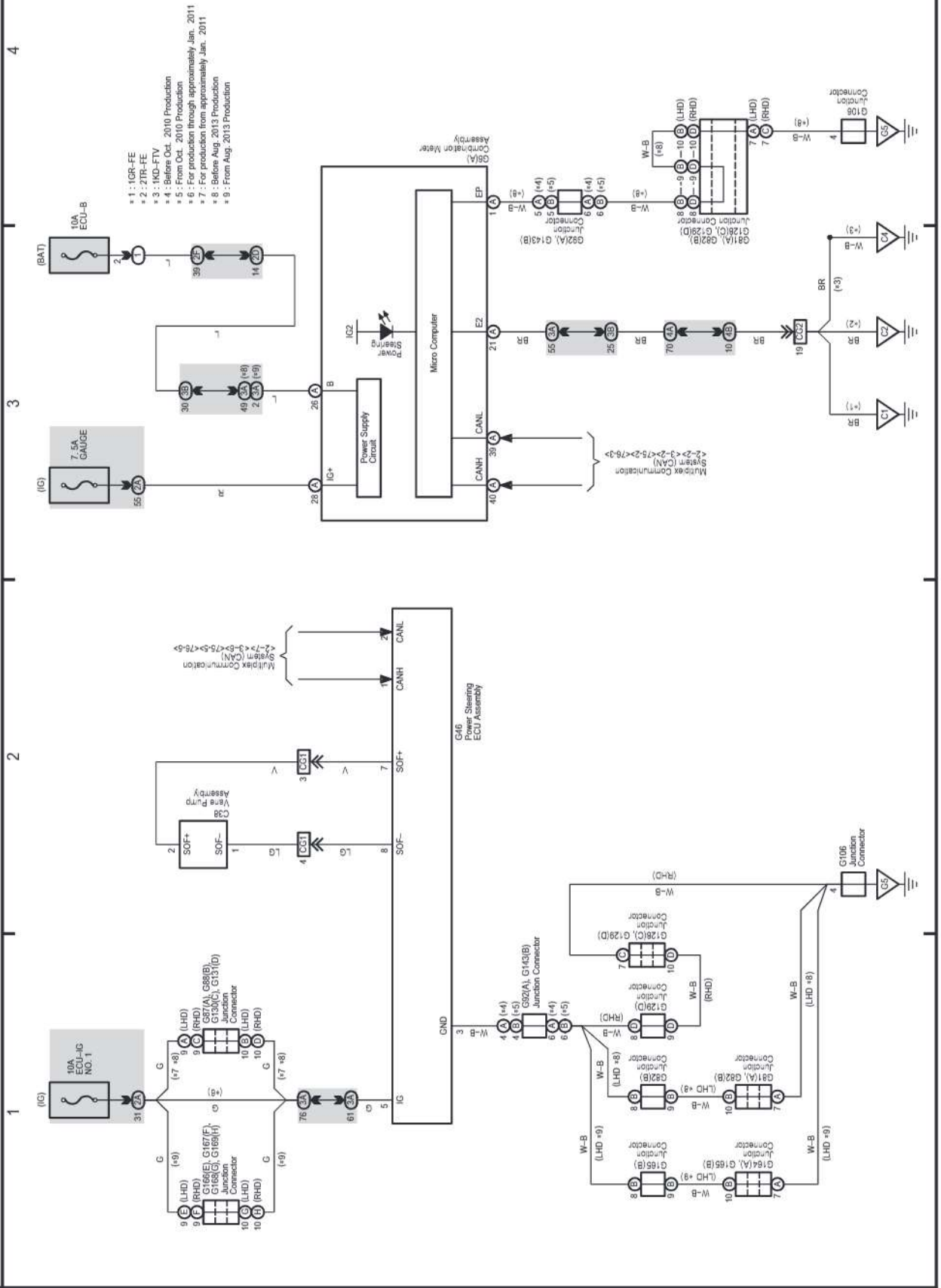
\* 1 : 5-Door  
\* 2 : Before Oct. 2010 Production  
\* 3 : From Oct. 2010 Production  
\* 4 : Before Aug. 2013 Production  
\* 5 : From Aug. 2013 Production

Double Locking (RHD)



46 LAND CRUISER / LAND CRUISER PRADO

Power Steering





47 LAND CRUISER / LAND CRUISER PRADO

Power Tilt and Power Telescopic

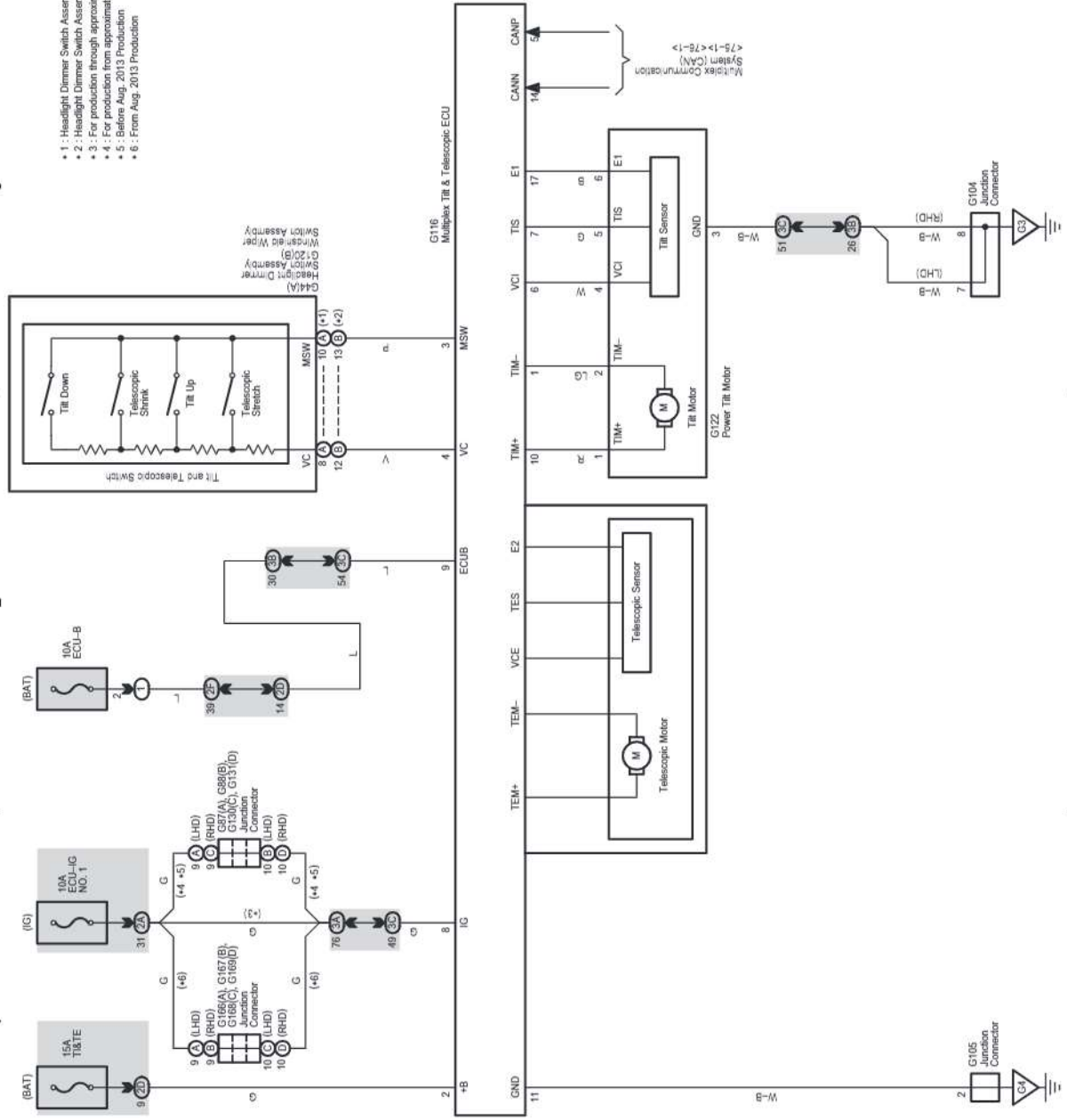
4

3

2

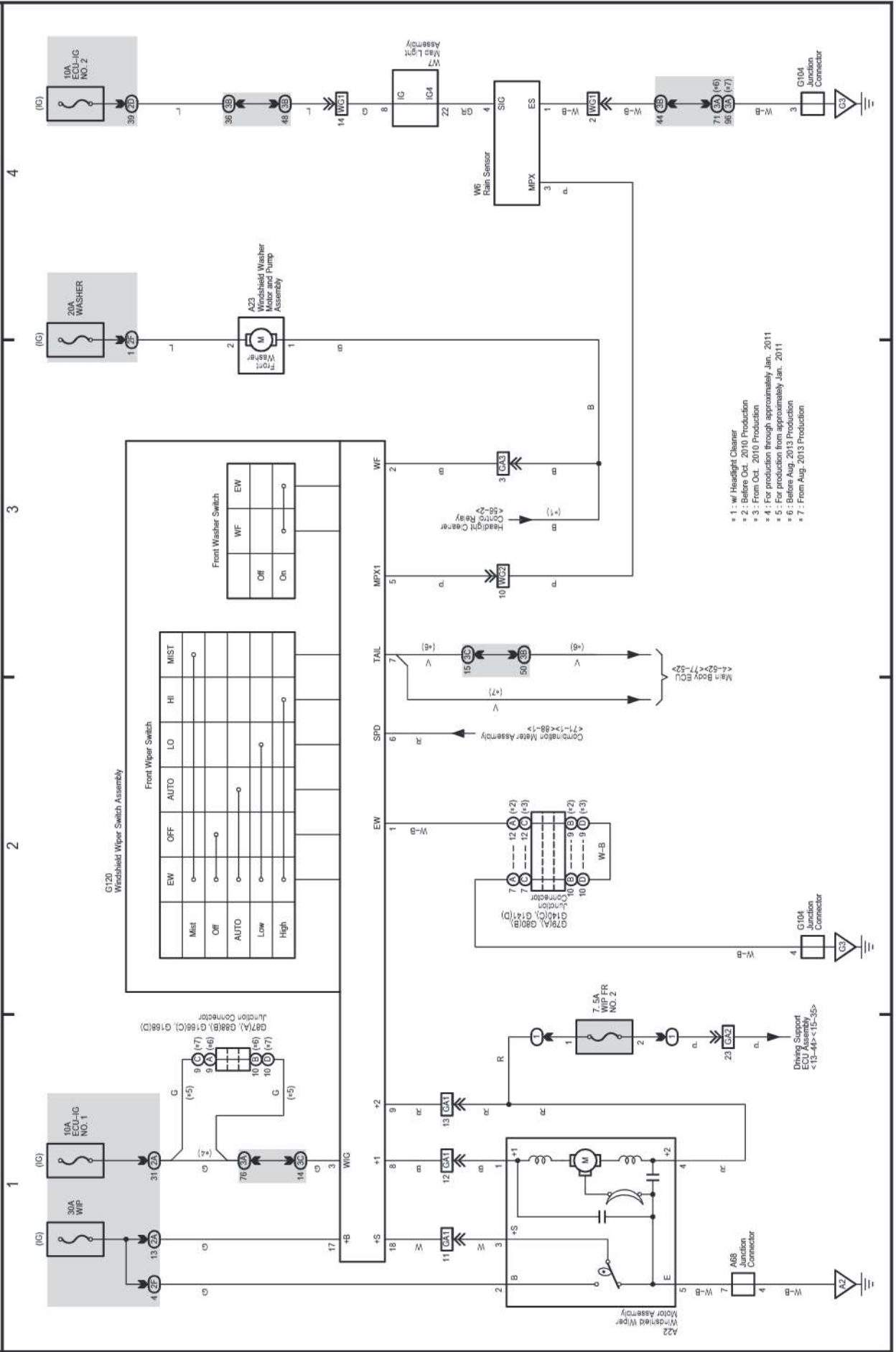
1

- \* 1 : Headlight Dimmer Switch Assembly LH Side Type
- \* 2 : Headlight Dimmer Switch Assembly RH Side Type
- \* 3 : For production through approximately Jan. 2011
- \* 4 : For production from approximately Jan. 2011
- \* 5 : Before Aug. 2013 Production
- \* 6 : From Aug. 2013 Production



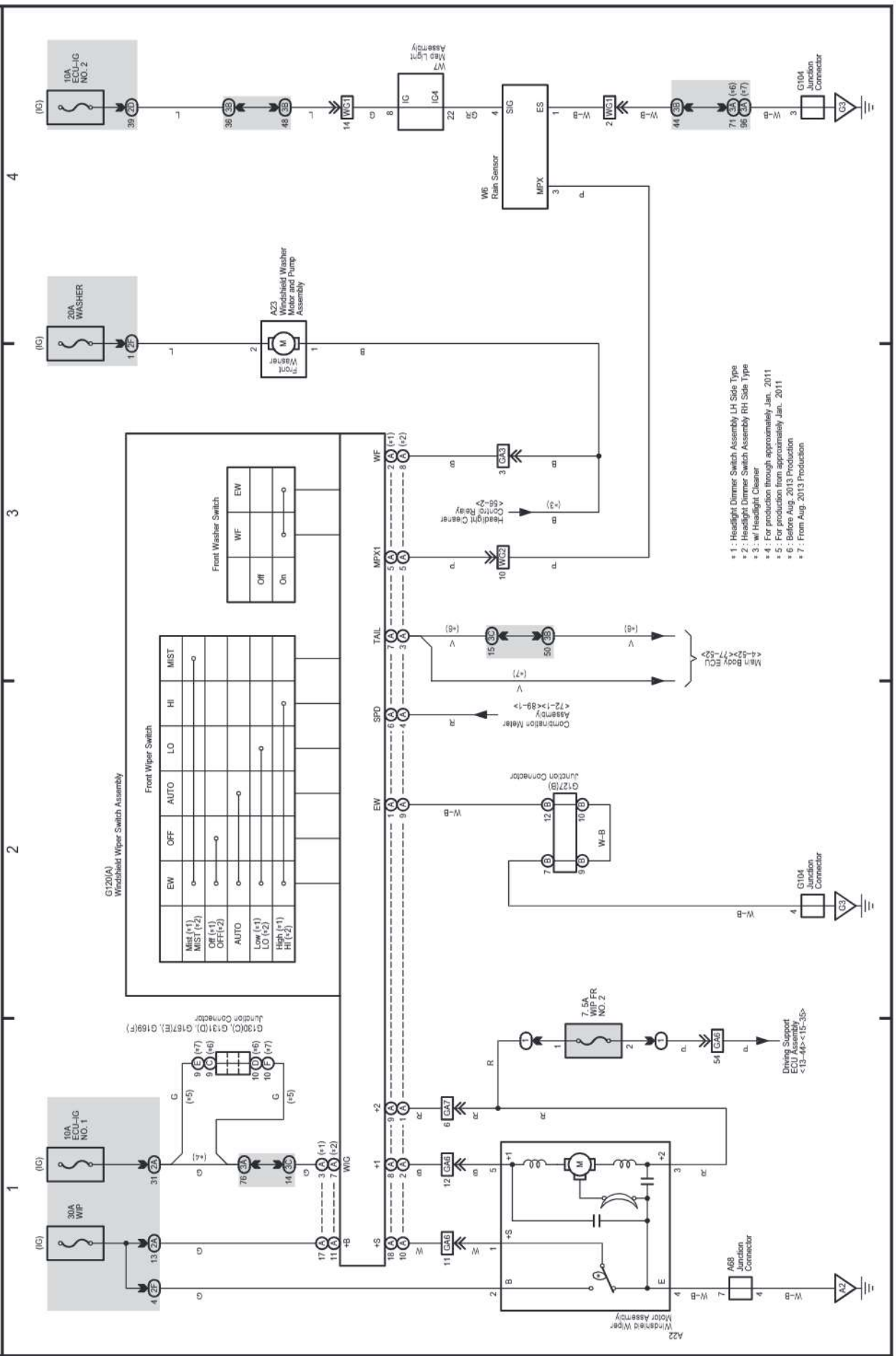
48 LAND CRUISER / LAND CRUISER PRADO

Front Wiper and Washer (LHD w/ Auto Wiper System)



49 LAND CRUISER / LAND CRUISER PRADO

Front Wiper and Washer (RHD w/ Auto Wiper System)

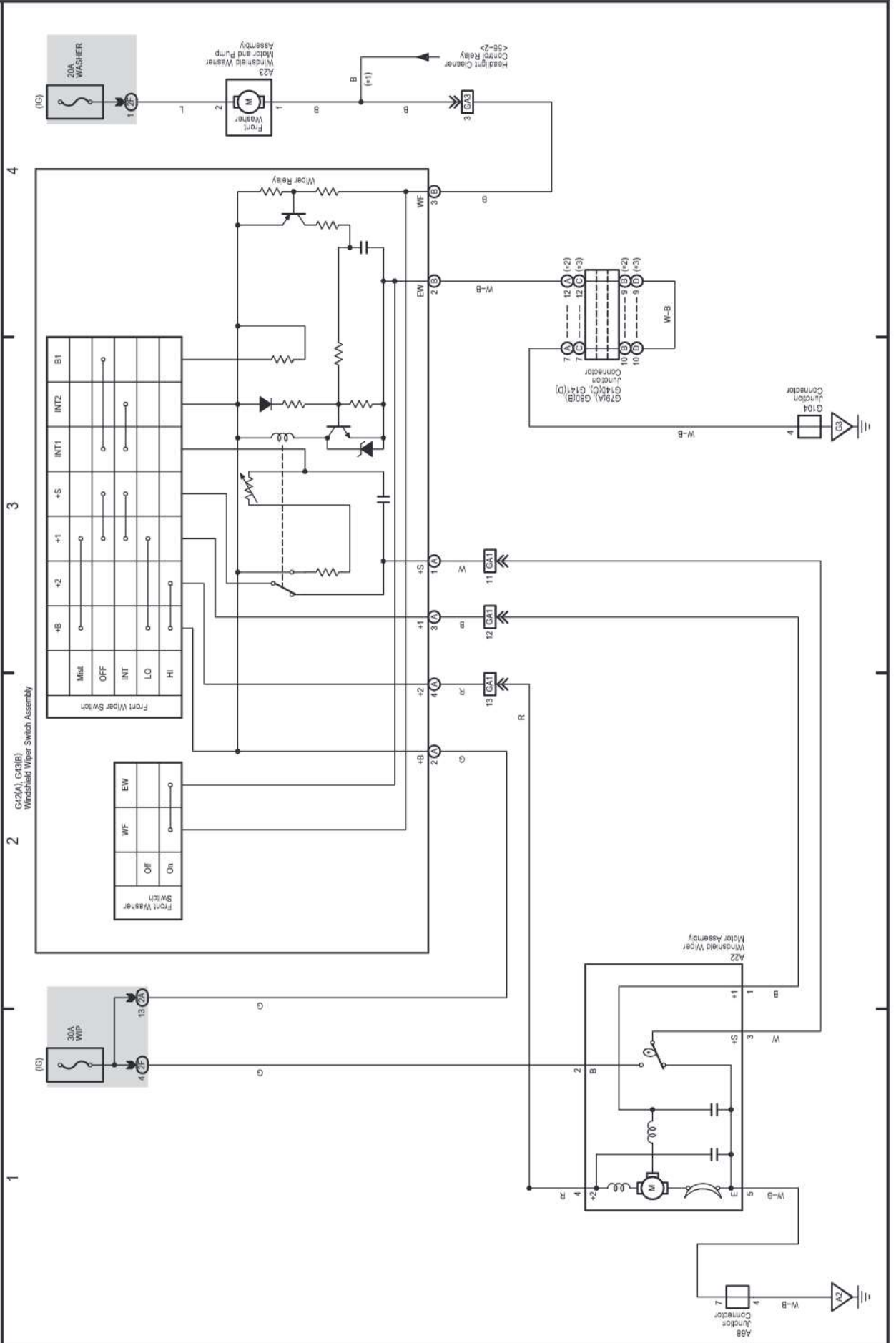


LAND CRUISER / LAND CRUISER PRADO (EM24N0E)

50 LAND CRUISER / LAND CRUISER PRADO

Front Wiper and Washer (LHD w/o Auto Wiper System)

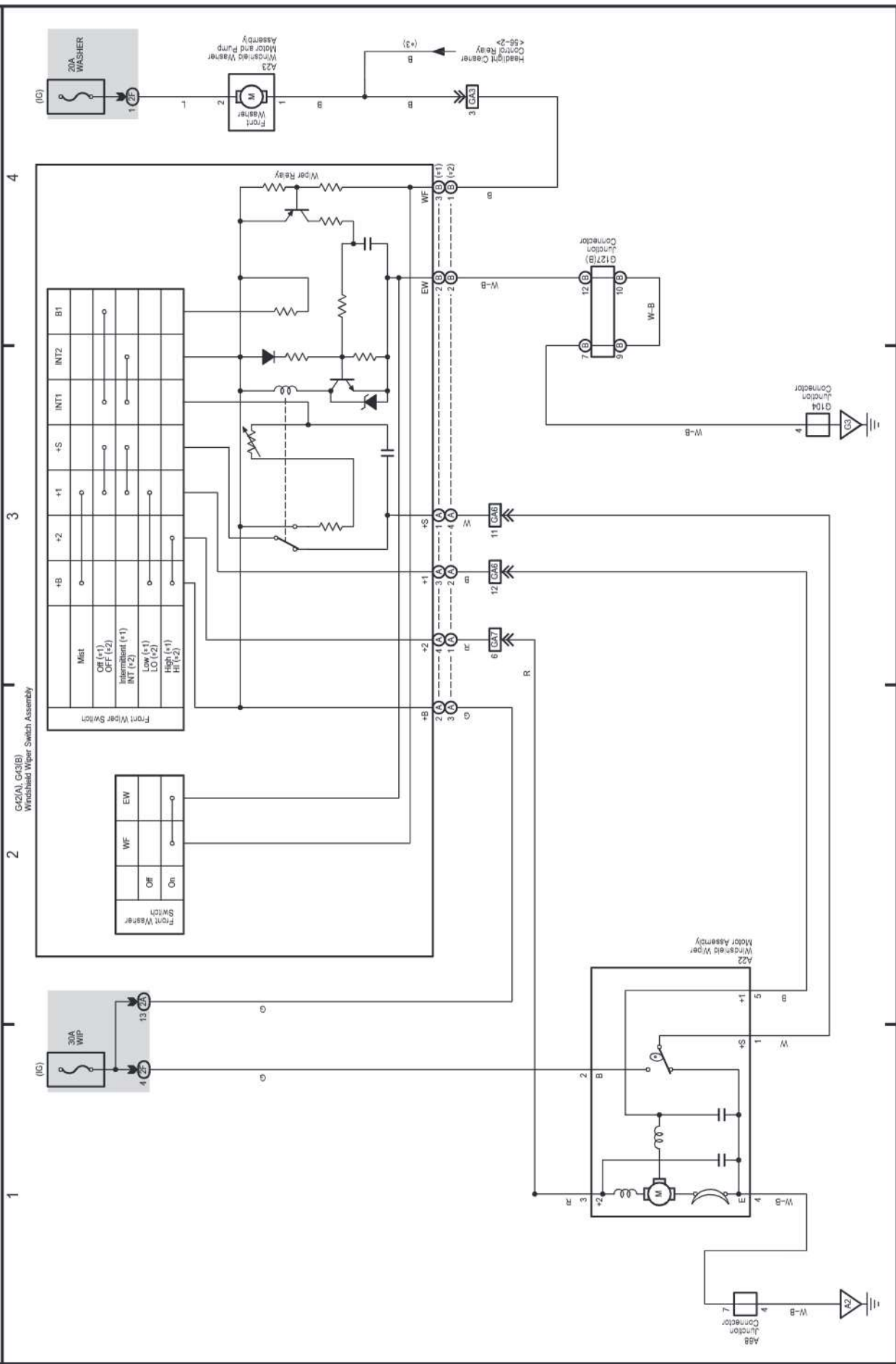
- \* 1 : w/ Headlight Cleaner
- \* 2 : Before Oct. 2010 Production
- \* 3 : From Oct. 2010 Production



51 LAND CRUISER / LAND CRUISER PRADO

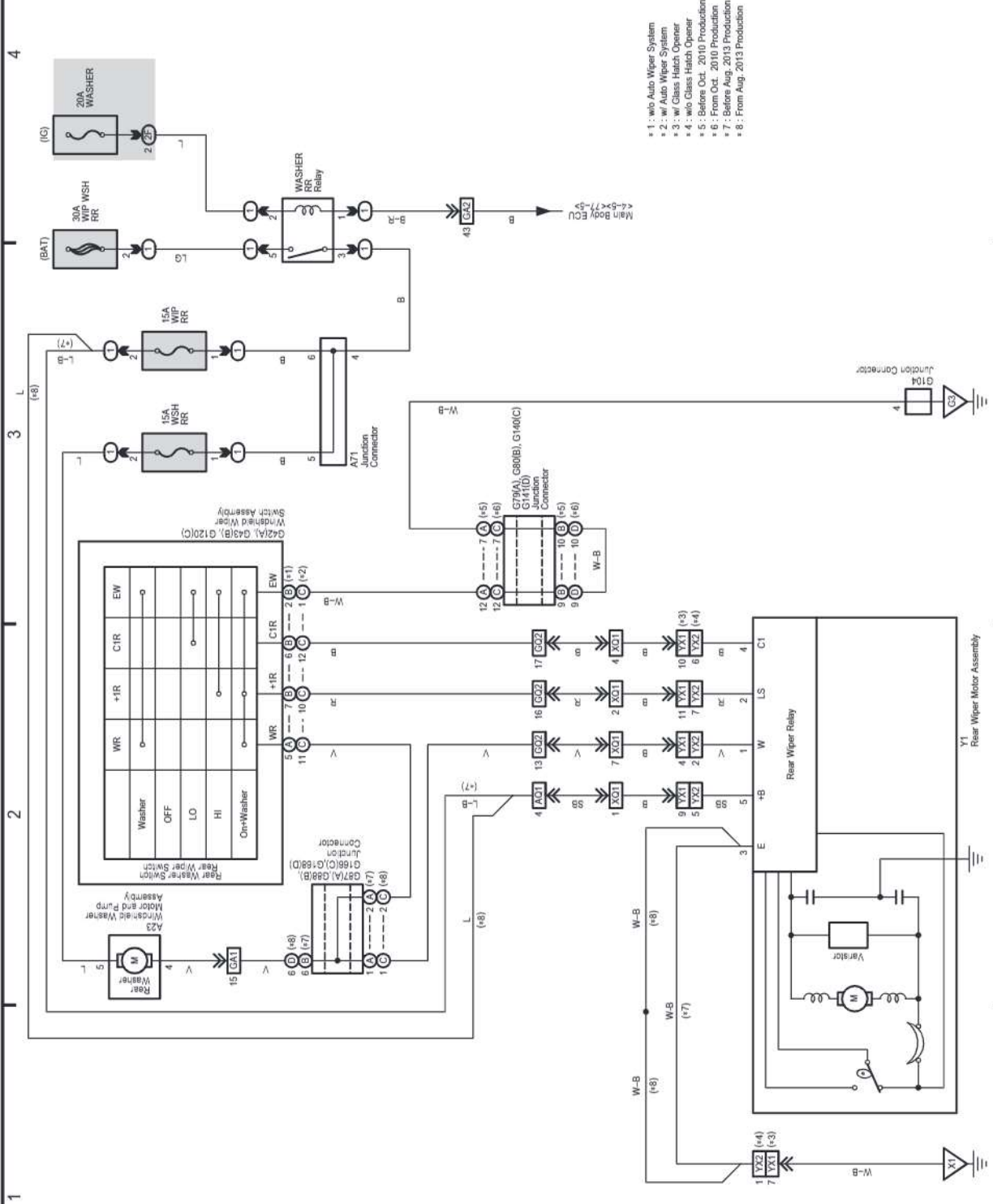
Front Wiper and Washer (RHD w/o Auto Wiper System)

- \* 1: Headlight Dimmer Switch Assembly LH Side Type
- \* 2: Headlight Dimmer Switch Assembly RH Side Type
- \* 3: w/ Headlight Cleaner



52 LAND CRUISER / LAND CRUISER PRADO

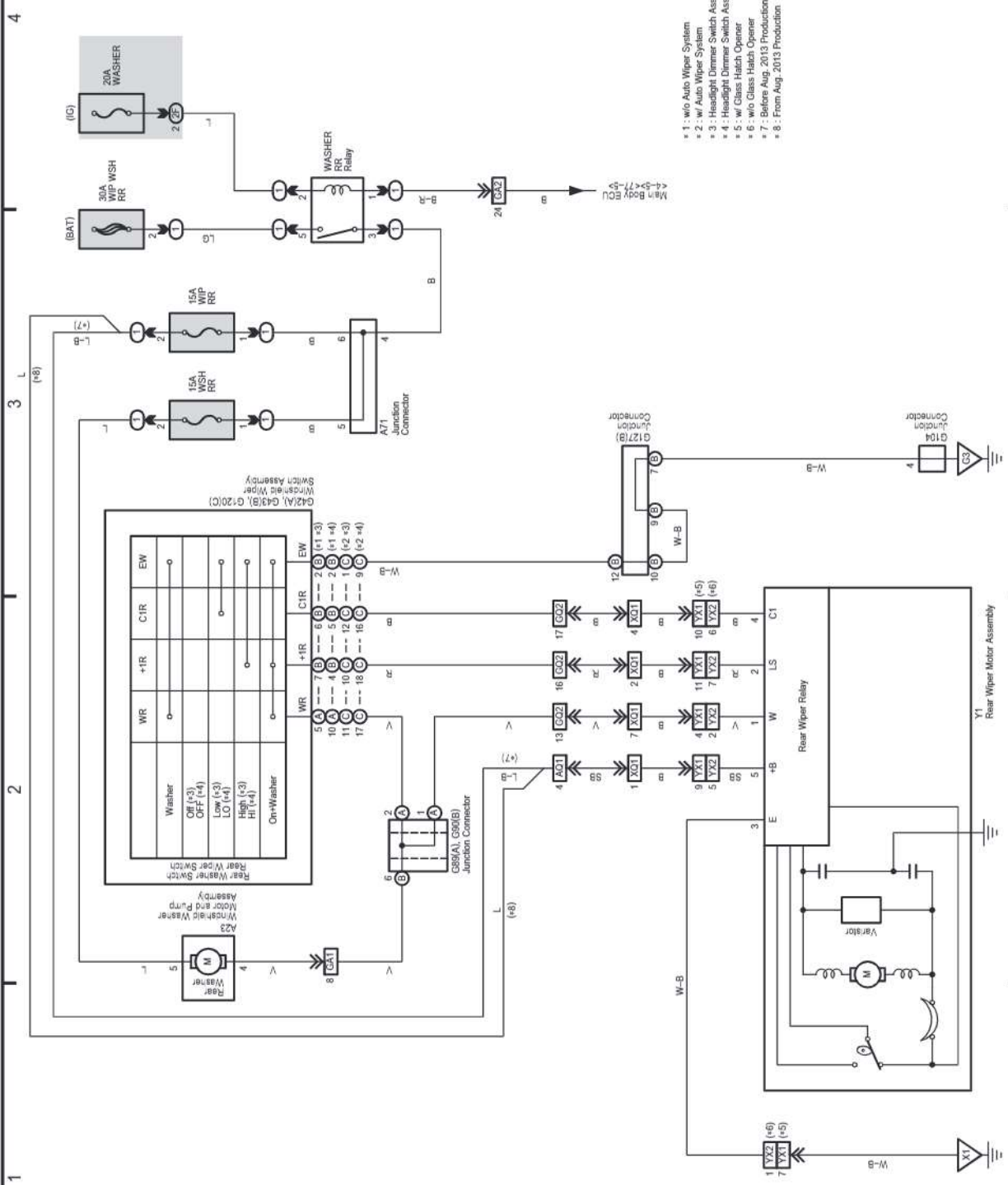
Rear Wiper and Washer (LHD)



- \* 1 : w/o Auto Wiper System
- \* 2 : w/ Auto Wiper System
- \* 3 : w/ Glass Hatch Opener
- \* 4 : w/o Glass Hatch Opener
- \* 5 : Before Oct. 2010 Production
- \* 6 : From Oct. 2010 Production
- \* 7 : Before Aug. 2013 Production
- \* 8 : From Aug. 2013 Production

53 LAND CRUISER / LAND CRUISER PRADO

Rear Wiper and Washer (RHD)

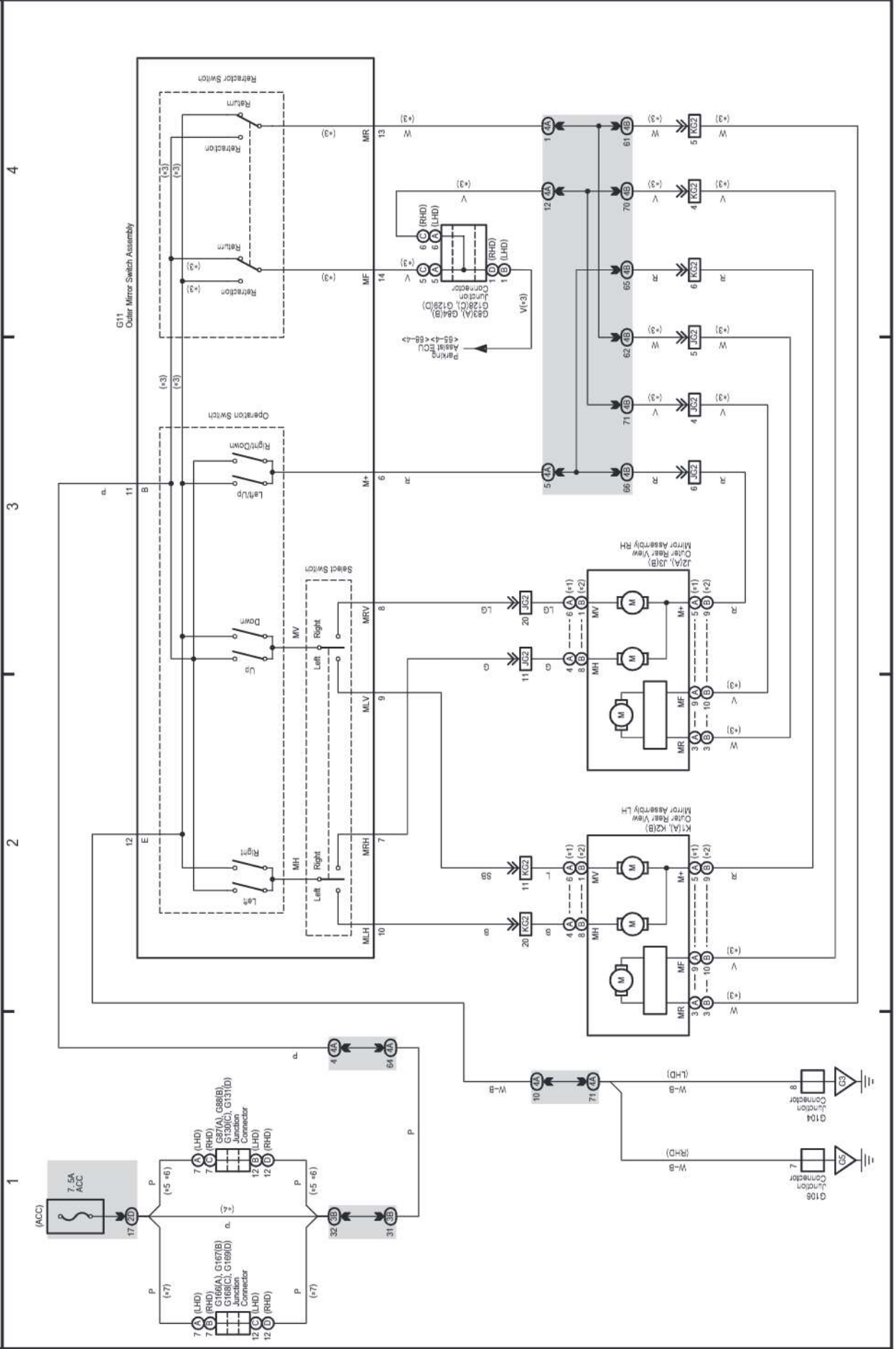


54 LAND CRUISER / LAND CRUISER PRADO

Remote Control Mirror

\* 1 : w/o Side Monitor  
\* 2 : w/ Side Monitor  
\* 3 : w/ Retractor  
\* 4 : For production through approximately Jan. 2011  
\* 5 : For production from approximately Jan. 2011

\* 1 : w/o Side Monitor  
\* 2 : w/ Side Monitor  
\* 3 : w/ Retractor  
\* 4 : For production through approximately Jan. 2011  
\* 5 : For production from approximately Jan. 2011

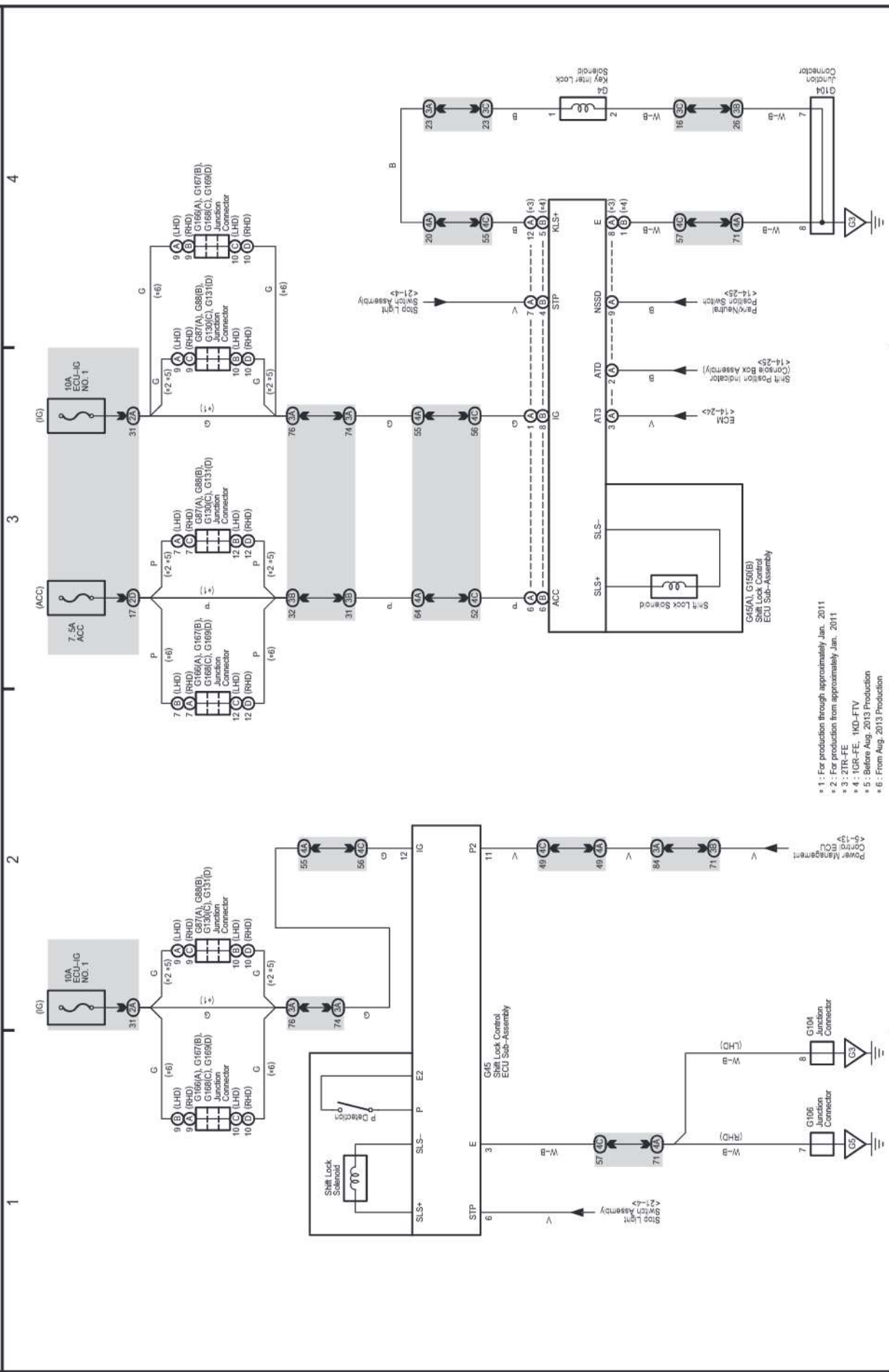




55 LAND CRUISER / LAND CRUISER PRADO

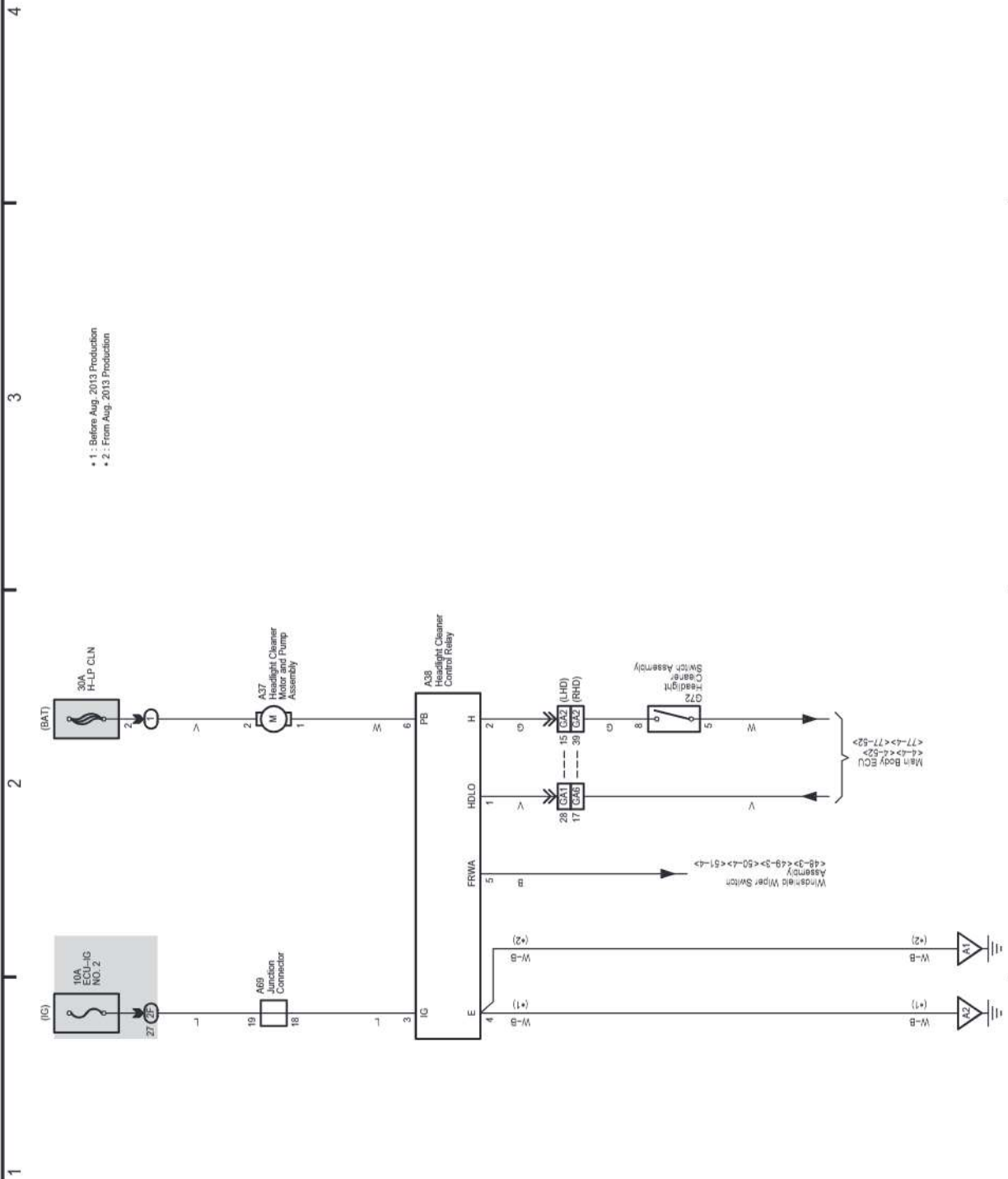
Shift Lock (w/ Entry & Start System)

Shift Lock (w/o Entry & Start System)



56 LAND CRUISER / LAND CRUISER PRADO

Headlight Cleaner

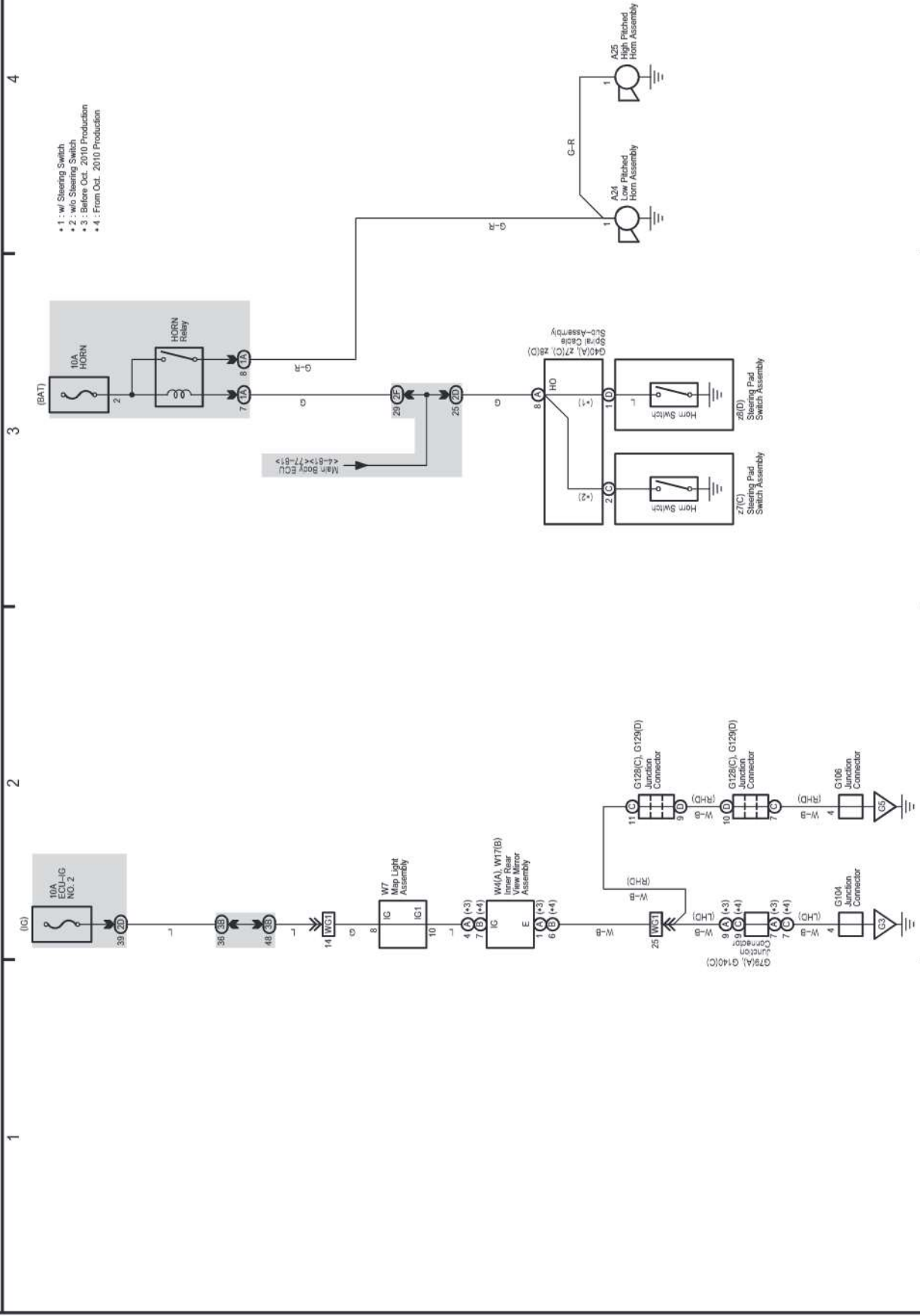


\* 1 : Before Aug. 2013 Production  
 \* 2 : From Aug. 2013 Production

57 LAND CRUISER / LAND CRUISER PRADO

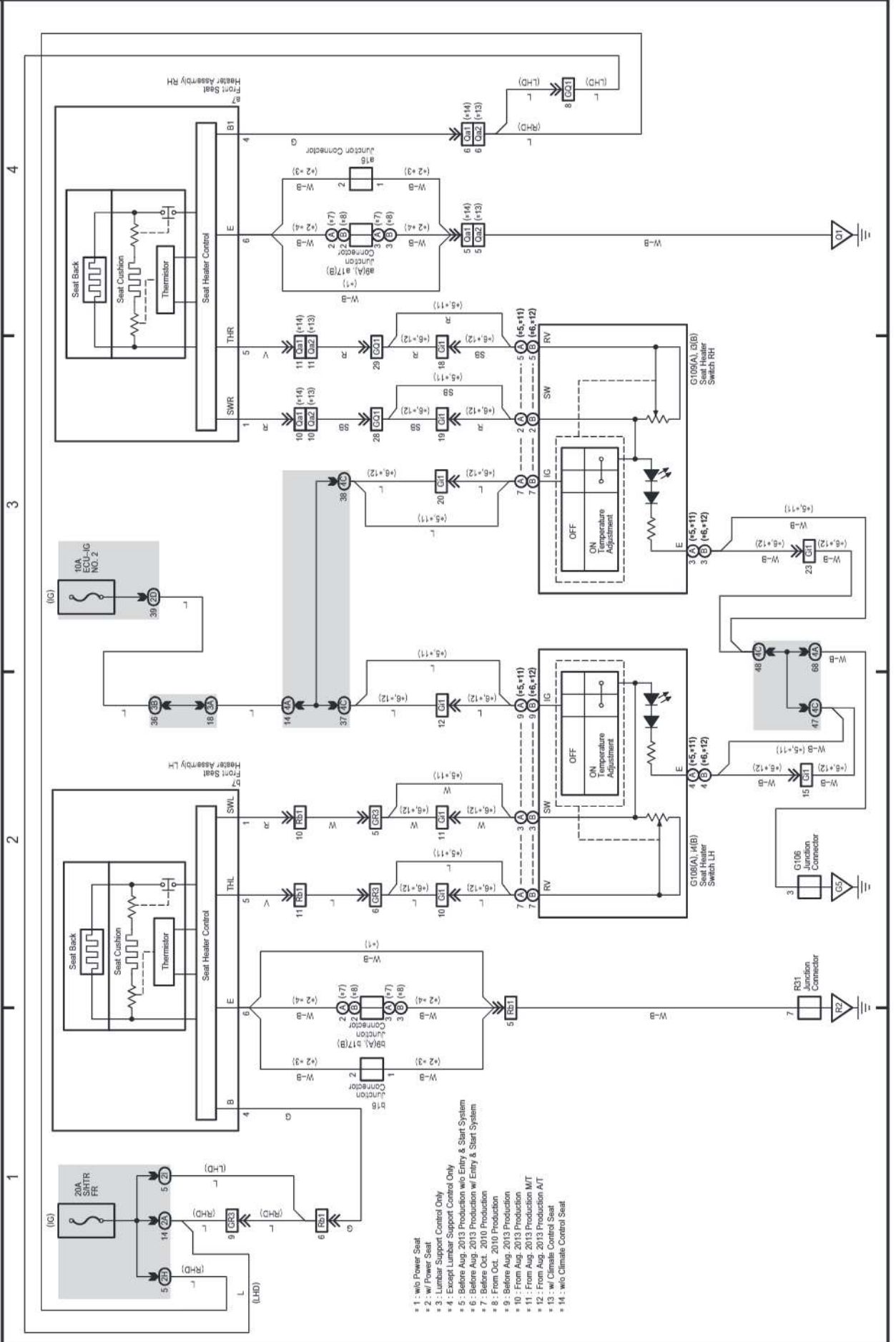
Automatic Glare-Resistant EC Mirror with Compass

Horn



58 LAND CRUISER / LAND CRUISER PRADO

Seat Heater (Front)

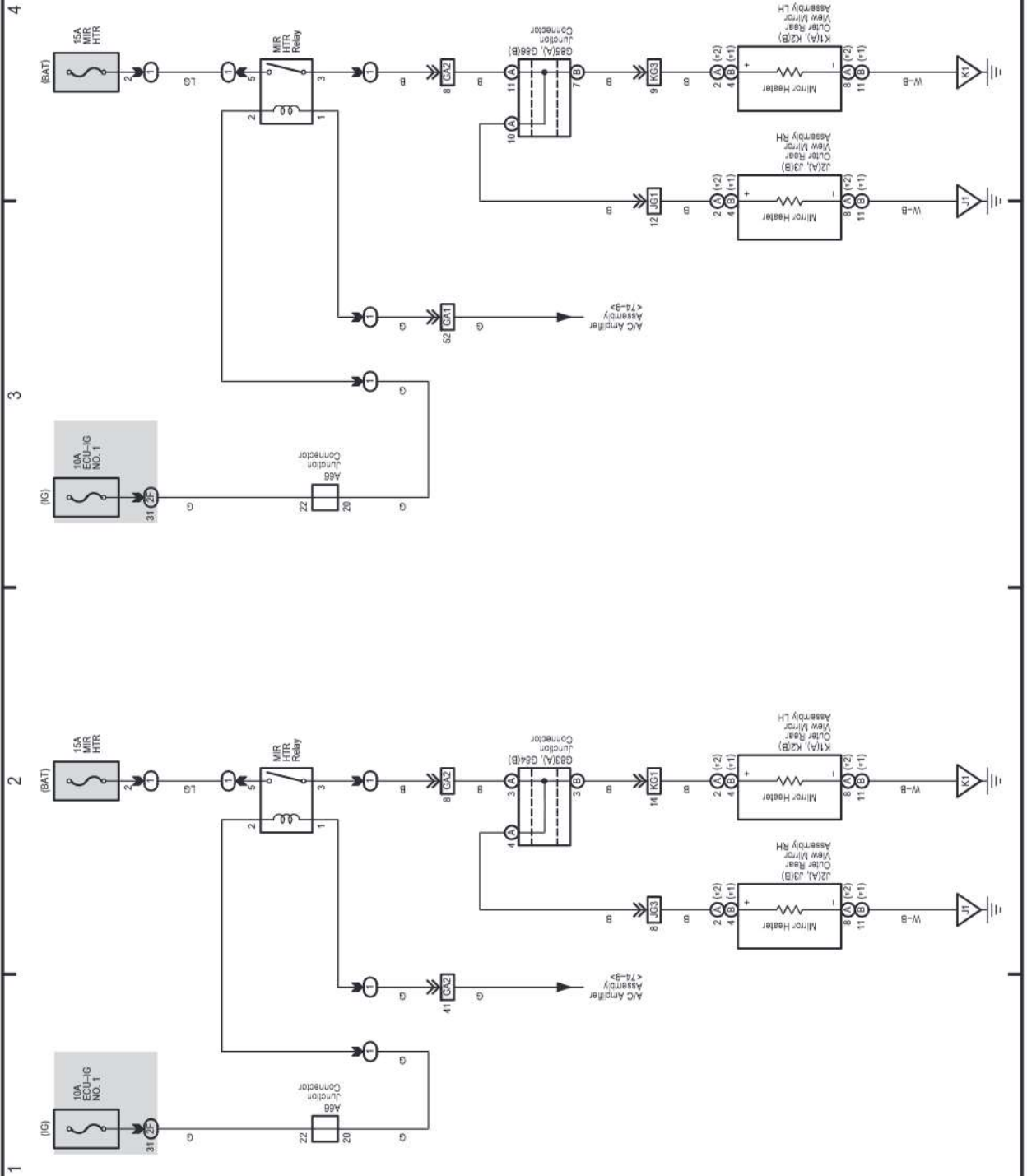


- 1: w/o Power Seat
- 2: w/ Power Seat
- 3: Lunar Support Control Only
- 4: Except Lunar Support Control Only
- 5: Before Aug. 2013 Production w/o Entry & Start System
- 6: Before Aug. 2013 Production w/ Entry & Start System
- 7: Before Oct. 2010 Production
- 8: From Oct. 2010 Production
- 9: Before Aug. 2013 Production
- 10: From Aug. 2013 Production
- 11: From Aug. 2013 Production MT
- 12: From Aug. 2013 Production AT
- 13: w/ Climate Control Seat
- 14: w/o Climate Control Seat

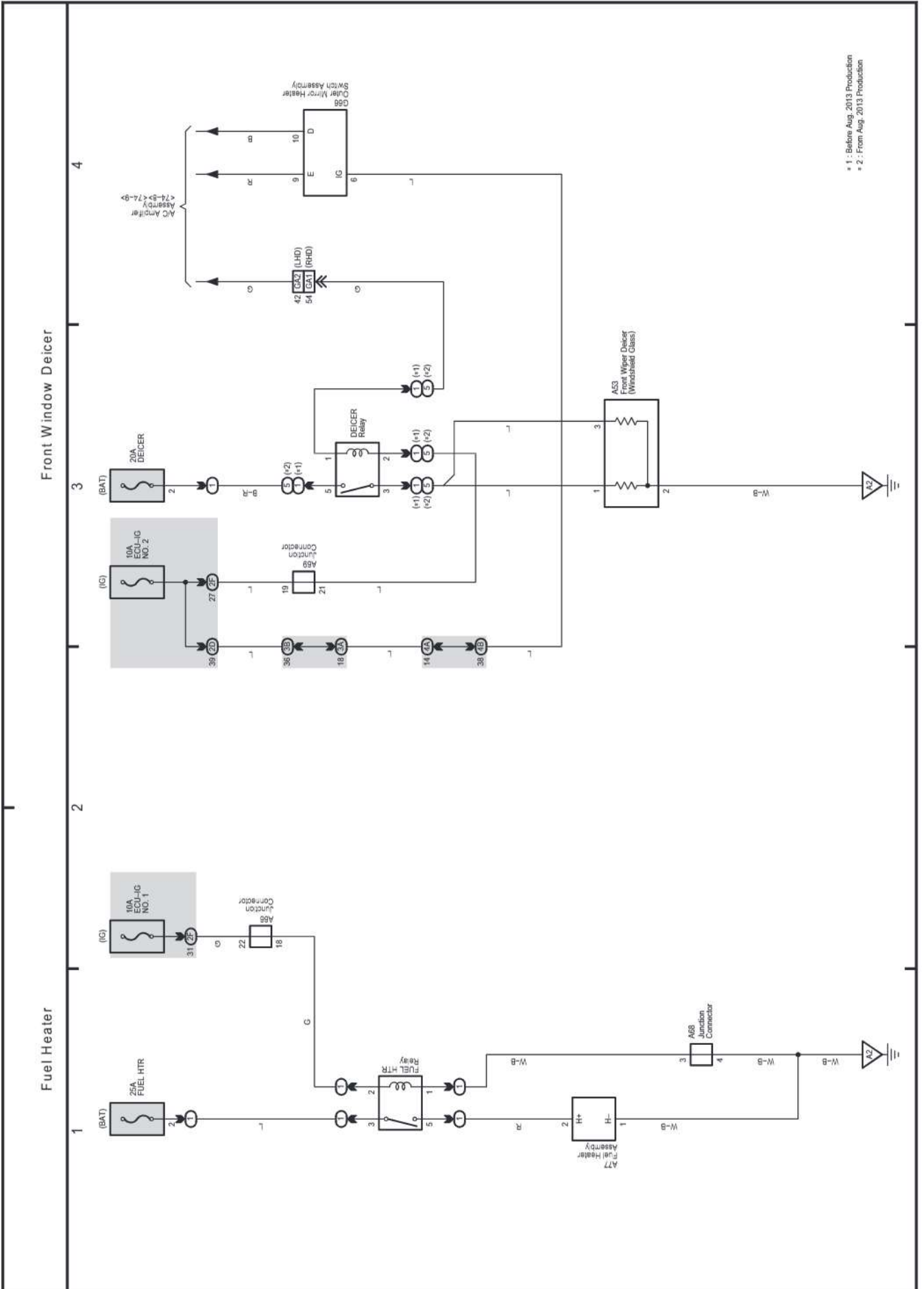
59 LAND CRUISER / LAND CRUISER PRADO

Mirror Heater (LHD)

Mirror Heater (RHD)



60 LAND CRUISER / LAND CRUISER PRADO



LAND CRUISER / LAND CRUISER PRADO (EM24N0E)

61 LAND CRUISER / LAND CRUISER PRADO

Rear Window Defogger

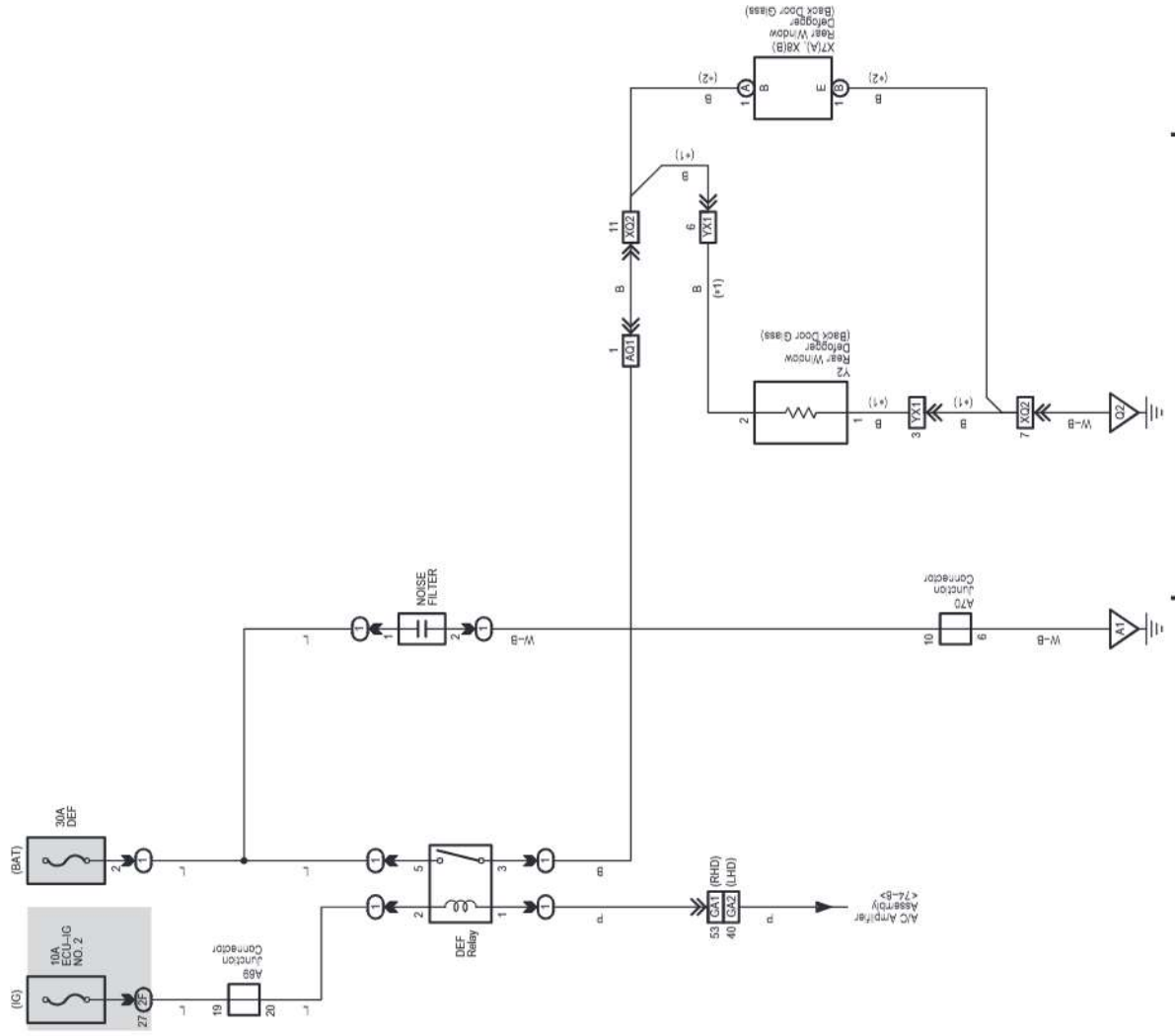
\* 1 : w/ Glass Hatch Opener  
\* 2 : w/o Glass Hatch Opener

4

3

2

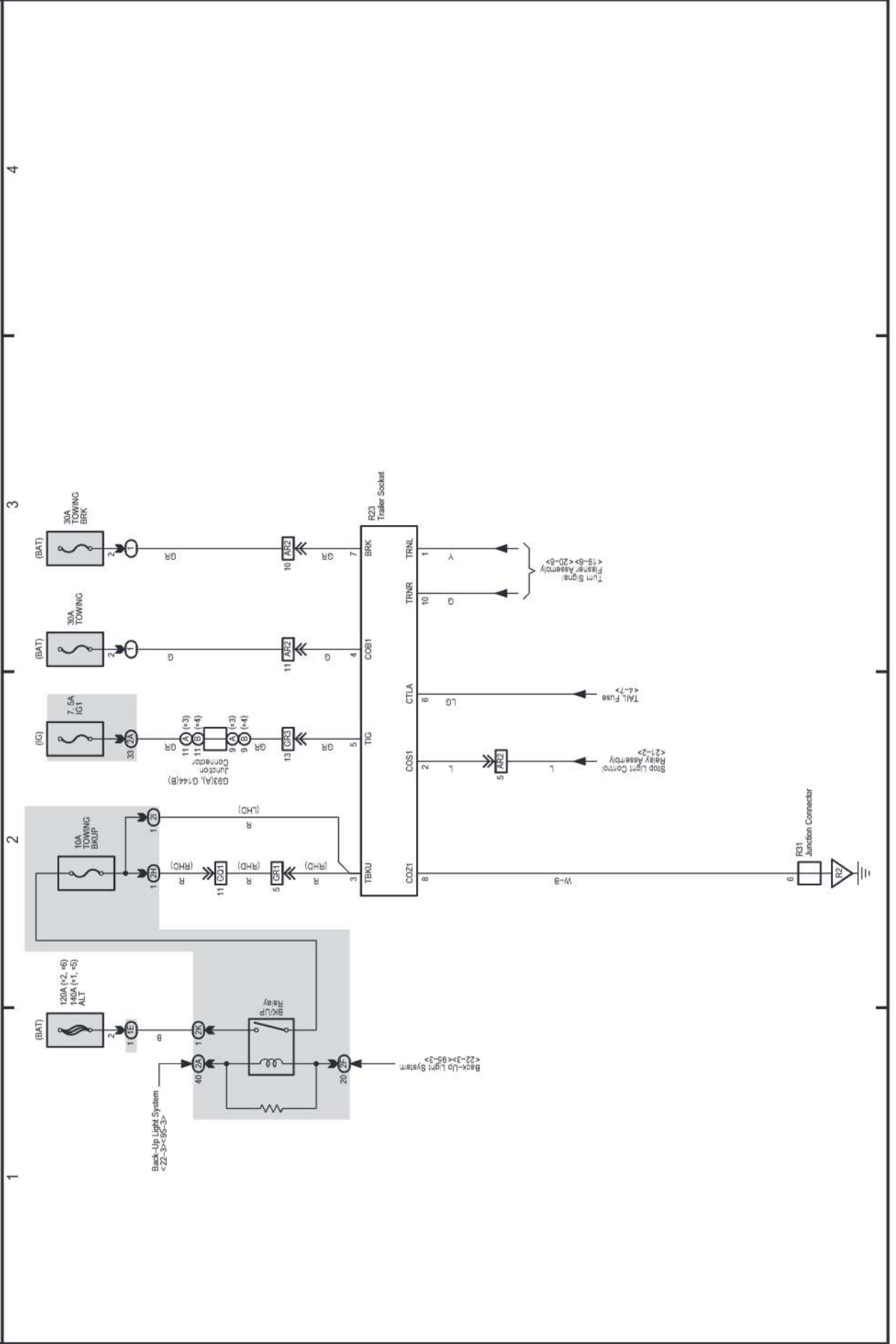
1



62 LAND CRUISER / LAND CRUISER PRADO

- \* 1 : Before Aug. 2013 Production LHD 1KD-FTV
- \* 2 : Before Aug. 2013 Production Except LHD 1KD-FTV
- \* 3 : Before Oct. 2010 Production
- \* 4 : From Oct. 2010 Production

Trailer Towing

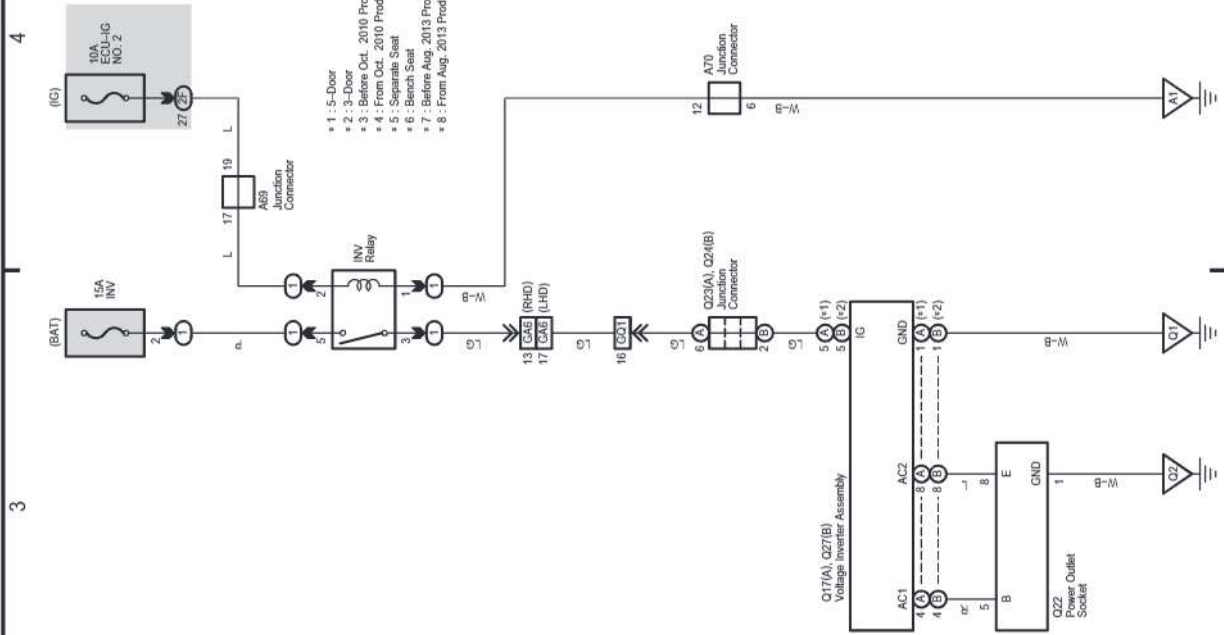




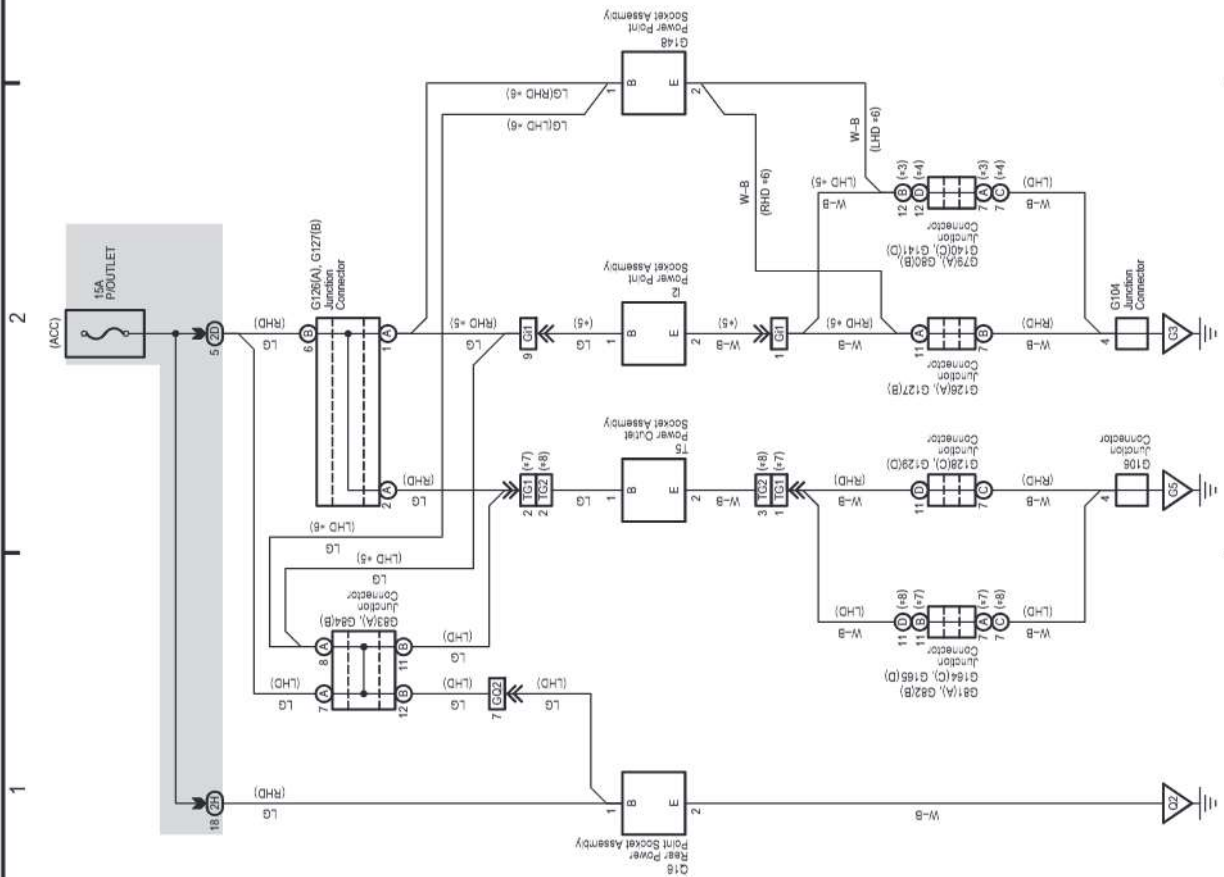
63 LAND CRUISER / LAND CRUISER PRADO

- \* 1 : 5-Door
- \* 2 : 3-Door
- \* 3 : Before Oct. 2010 Production
- \* 4 : From Oct. 2010 Production
- \* 5 : Separate Seat
- \* 6 : Bench Seat
- \* 7 : Before Aug. 2013 Production
- \* 8 : From Aug. 2013 Production

Power Outlet (220V)



Power Outlet (12V)

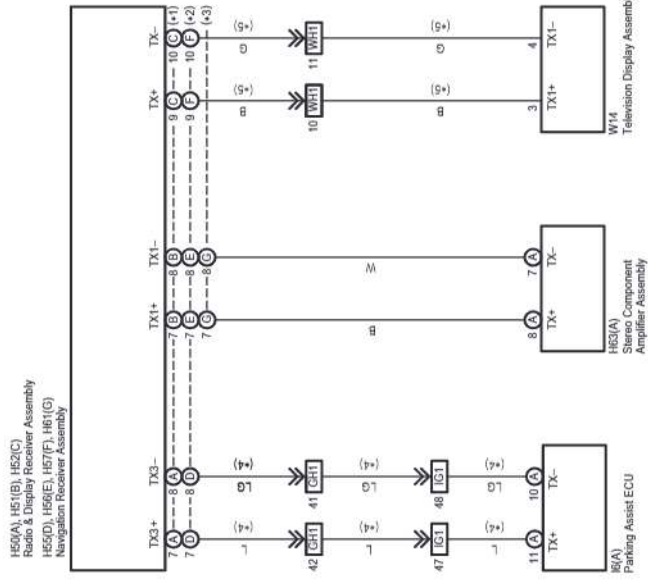
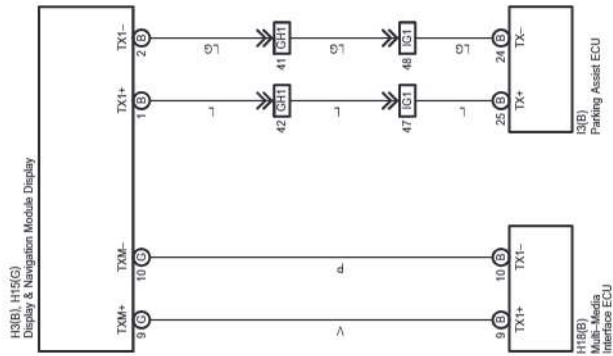


LAND CRUISER / LAND CRUISER PRADO (EM24N0E)

64 LAND CRUISER / LAND CRUISER PRADO

Multiplex Communication System (AVC-LAN) (Before Aug. 2013 Production) Multiplex Communication System (AVC-LAN) (From Aug. 2013 Production)

1 2 3 4

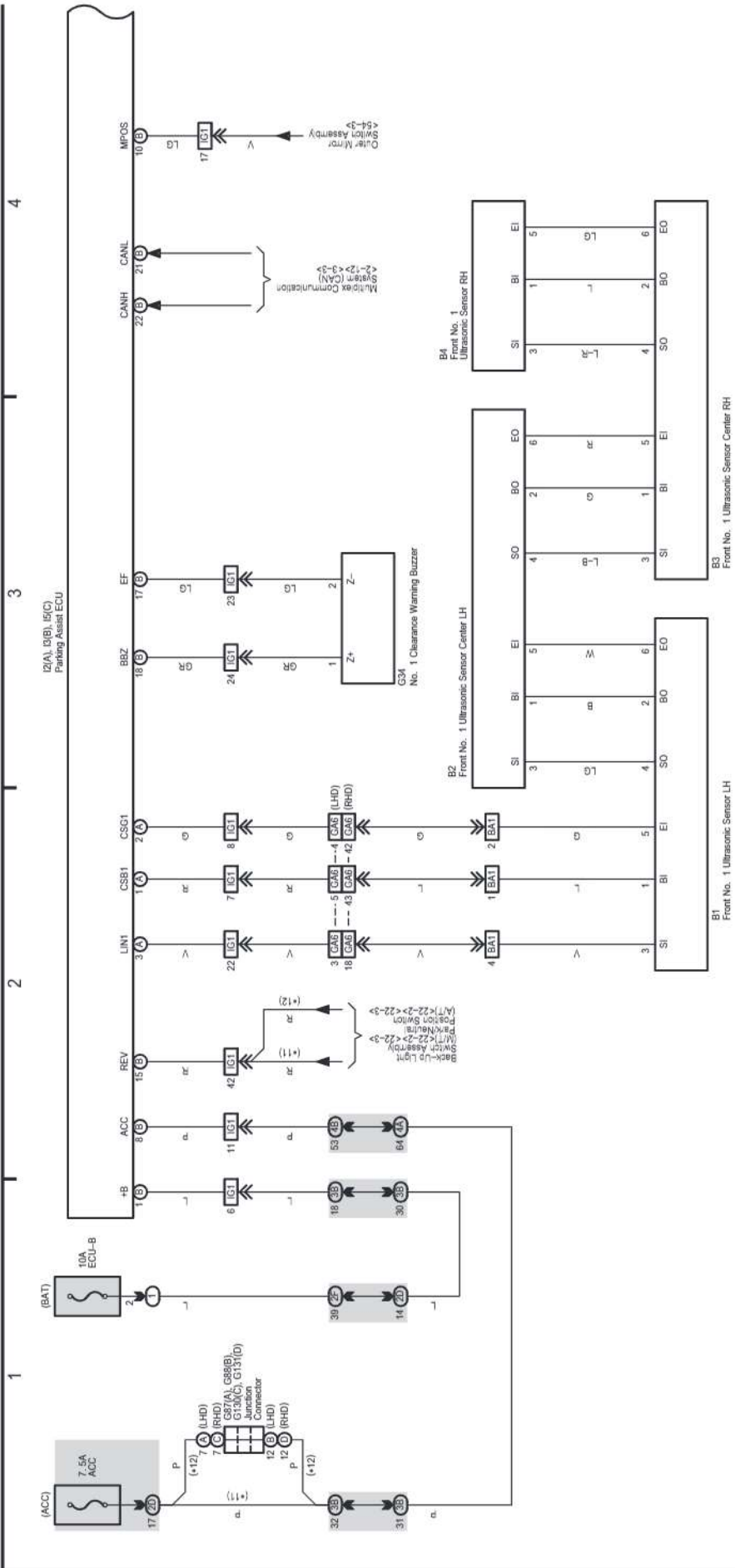


- \* 1 : Radio & Display Receiver Assembly Type
- \* 2 : Navigation Receiver Assembly Type Except China
- \* 3 : Navigation Receiver Assembly Type China
- \* 4 : w/ Multi-Terrain Monitor
- \* 5 : w/ Rear Seat Entertainment

(Cont. next page)

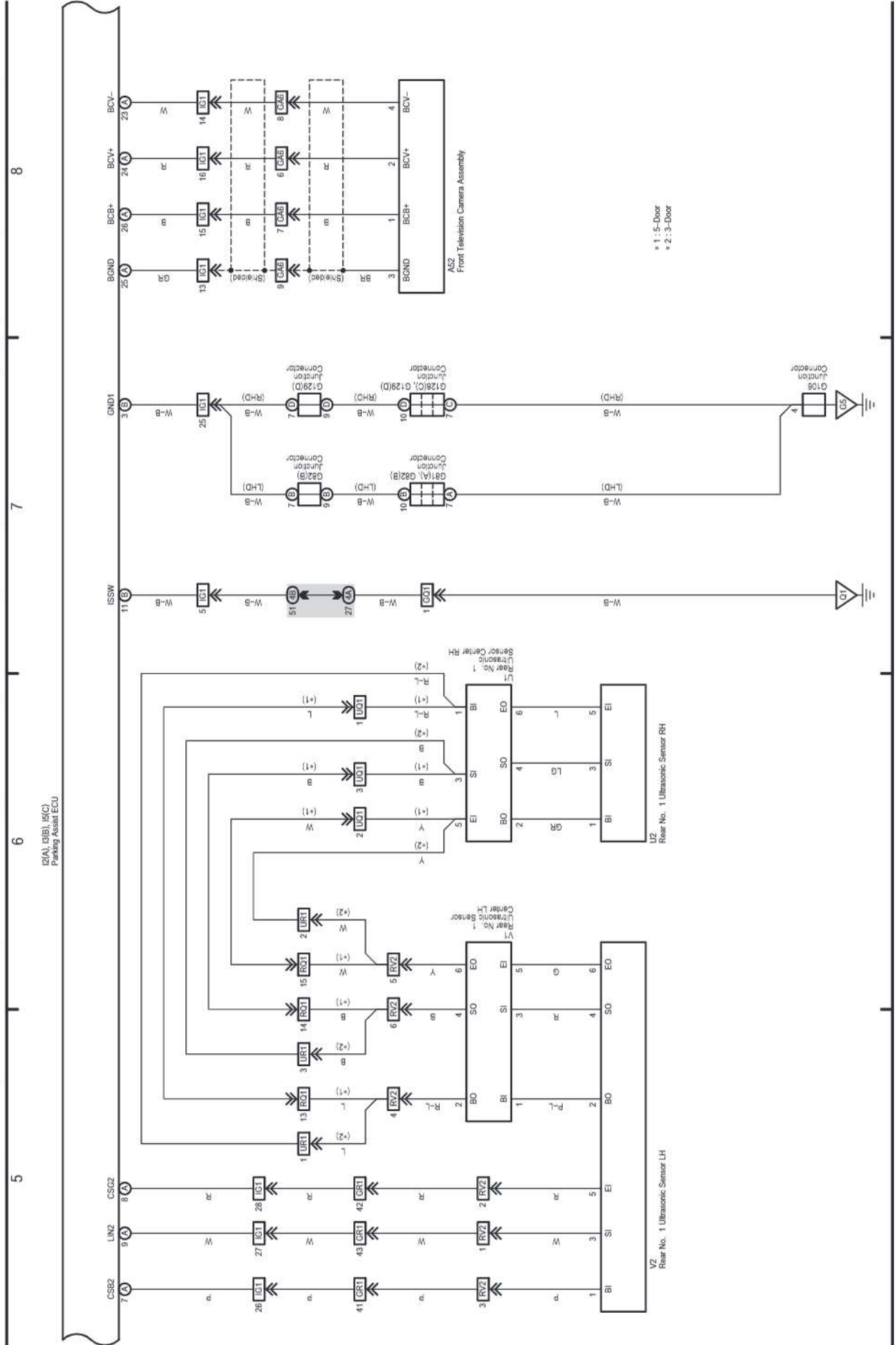
65 LAND CRUISER / LAND CRUISER PRADO

Multi-Display, Multi-Terrain Monitor (w/o Navigation System) (Before Aug. 2013 Production), Parking Assist (Rear View Monitor and Wide-View Front & Side Monitor) (w/o Navigation System) (Before Aug. 2013 Production) and Parking Assist (TOYOTA Parking Assist-Sensor) (8 Sensor Type w/o Navigation System w/ Multi-Display) (Before Aug. 2013 Production)



\*11: For production through approximately Jan. 2011  
\*12: For production from approximately Jan. 2011

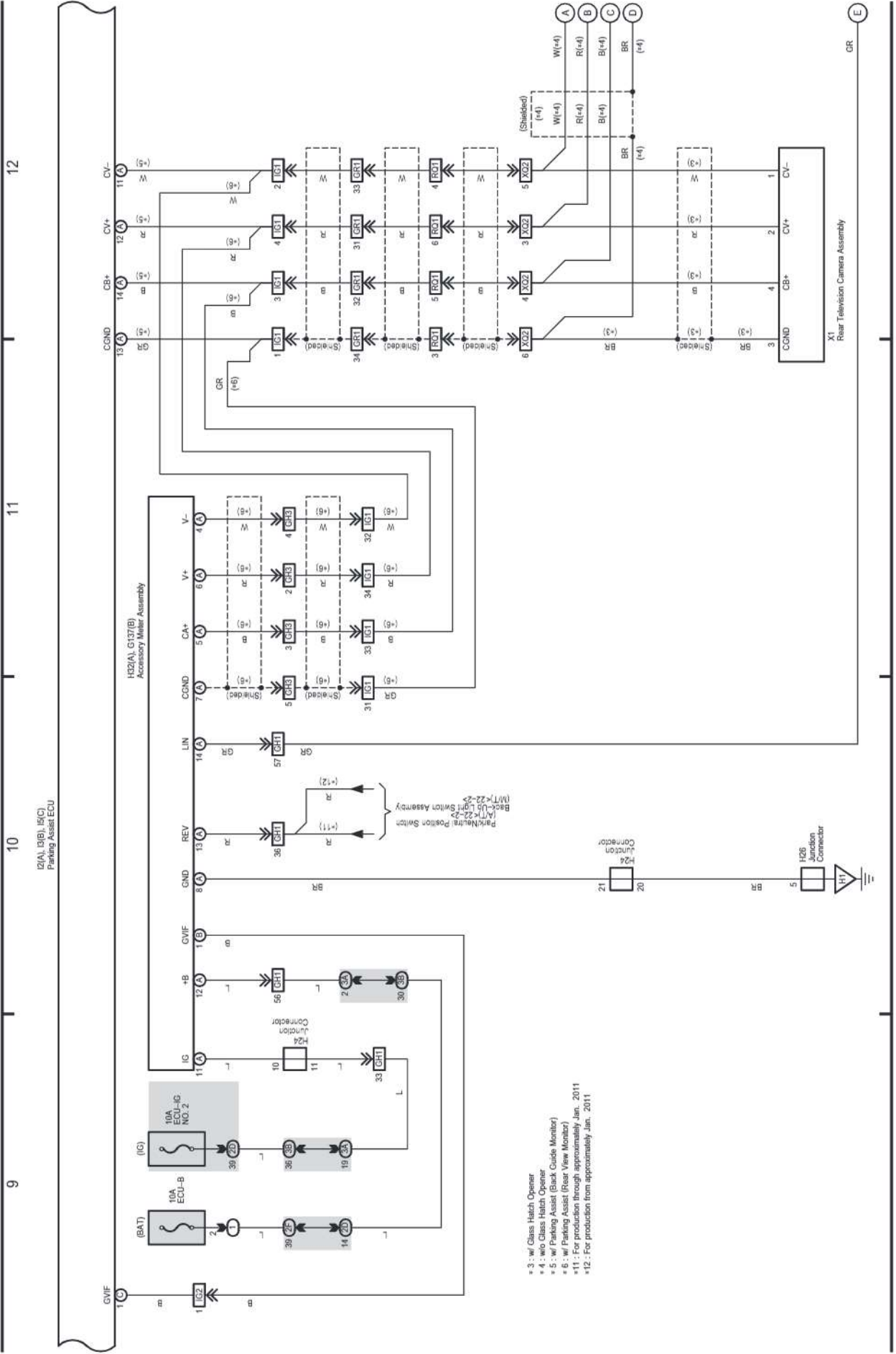
Multi-Display, Multi-Terrain Monitor (w/o Navigation System) (Before Aug. 2013 Production),  
Parking Assist (Rear View Monitor and Wide-View Front & Side Monitor) (w/o Navigation System) (Before Aug. 2013 Production) and  
Parking Assist (TOYOTA Parking Assist-Sensor) (8 Sensor Type w/o Navigation System w/ Multi-Display) (Before Aug. 2013 Production)



(Cont. next page)

65 LAND CRUISER / LAND CRUISER PRADO (Cont'd)

Multi-Display, Multi-Terrain Monitor (w/o Navigation System) (Before Aug. 2013 Production), Parking Assist (Rear View Monitor and Wide-View Front & Side Monitor) (w/o Navigation System) (Before Aug. 2013 Production) and Parking Assist (TOYOTA Parking Assist-Sensor) (8 Sensor Type w/o Navigation System w/ Multi-Display) (Before Aug. 2013 Production)



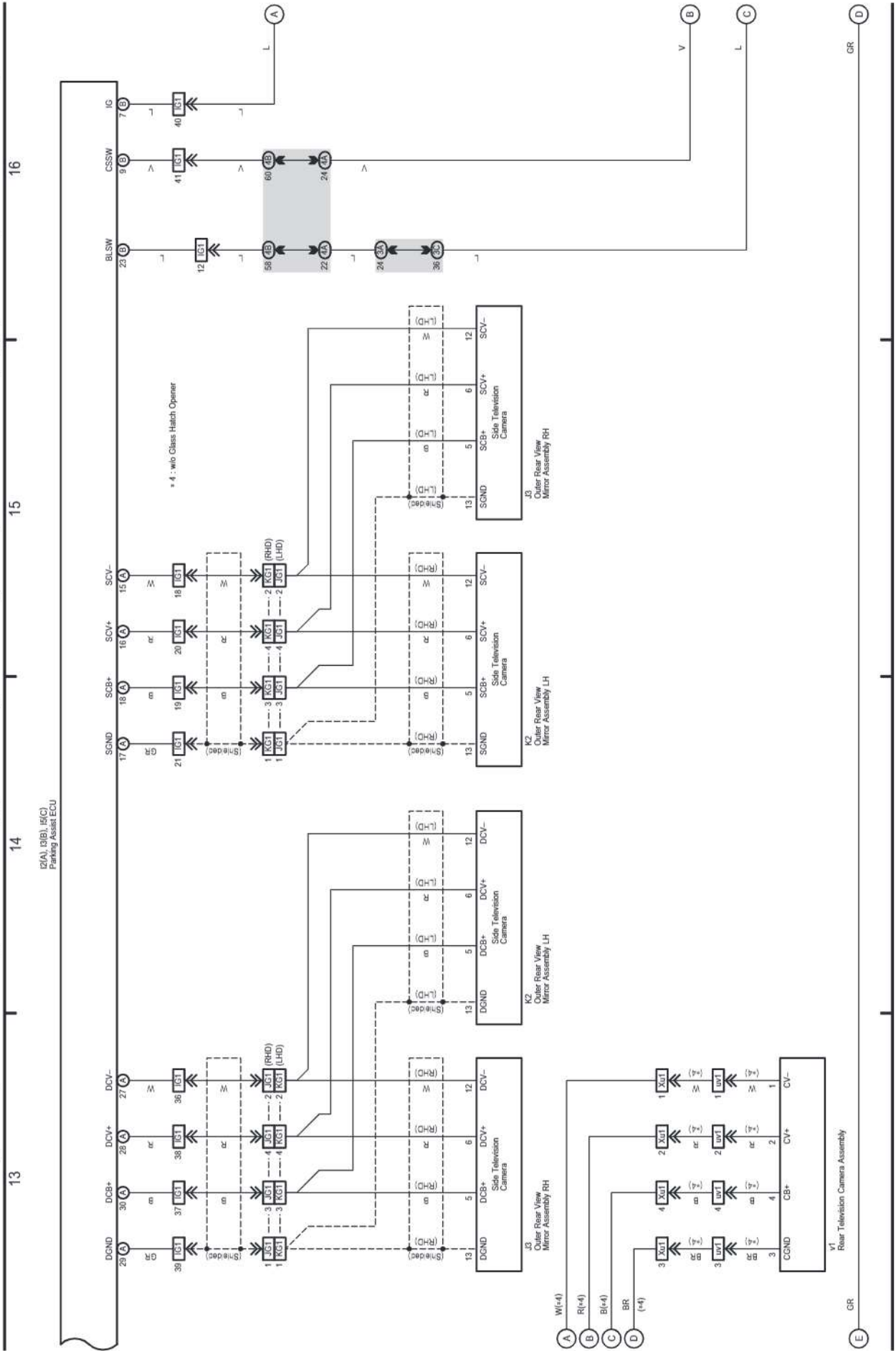
- \* 3: w/ Glass Hatch Opener
- \* 4: w/o Glass Hatch Opener
- \* 5: w/ Parking Assist (Back Guide Monitor)
- \* 6: w/ Parking Assist (Rear View Monitor)
- \* 11: For production through approximately Jan. 2011
- \* 12: For production from approximately Jan. 2011

# M OVERALL ELECTRICAL WIRING DIAGRAM

65 LAND CRUISER / LAND CRUISER PRADO (Cont'd)

(Cont. next page)

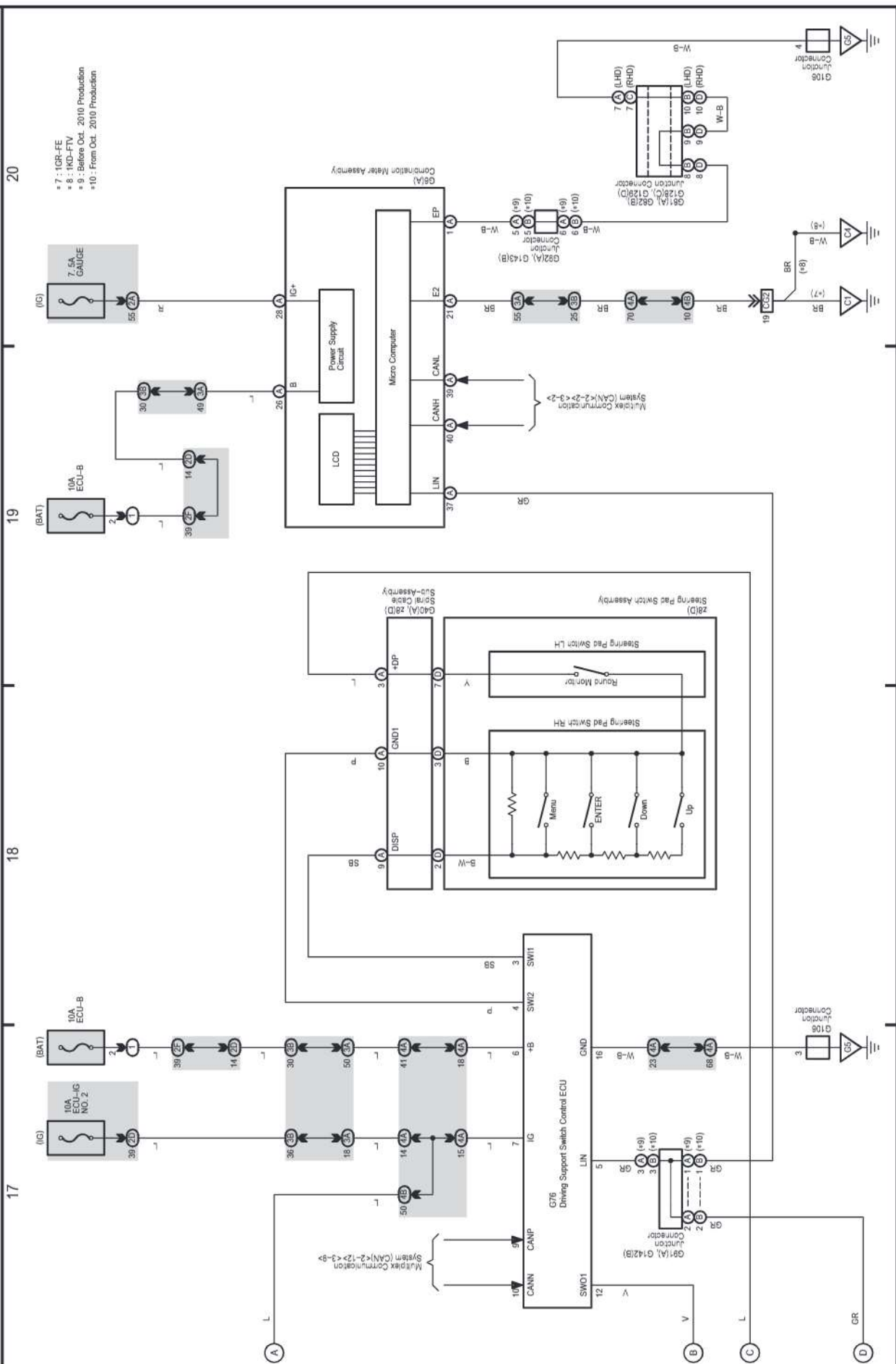
Multi-Display, Multi-Terrain Monitor (w/o Navigation System) (Before Aug. 2013 Production), Parking Assist (Rear View Monitor and Wide-View Front & Side Monitor) (w/o Navigation System) (Before Aug. 2013 Production) and Parking Assist (TOYOTA Parking Assist-Sensor) (8 Sensor Type w/o Navigation System w/ Multi-Display) (Before Aug. 2013 Production)



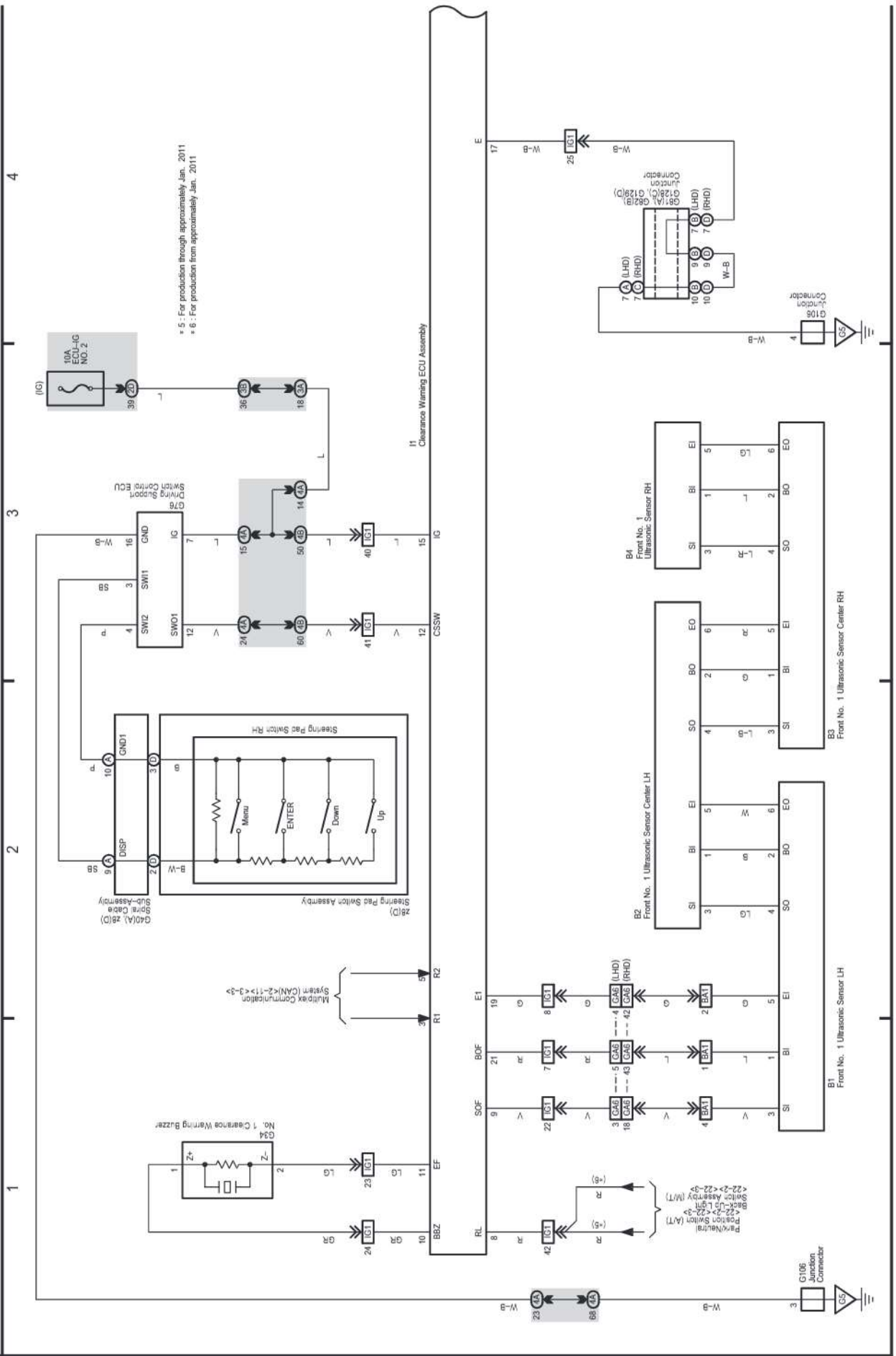
65 LAND CRUISER / LAND CRUISER PRADO (Cont'd)

Multi-Display, Multi-Terrain Monitor (w/o Navigation System) (Before Aug. 2013 Production),  
Parking Assist (Rear View Monitor and Wide-View Front & Side Monitor) (w/o Navigation System) (Before Aug. 2013 Production) and  
Parking Assist (TOYOTA Parking Assist-Sensor) (8 Sensor Type w/o Navigation System w/ Multi-Display) (Before Aug. 2013 Production)

- \* 7 : 1GR-FE
- \* 8 : 1KD-FTV
- \* 9 : Before Oct. 2010 Production
- \* 10 : From Oct. 2010 Production



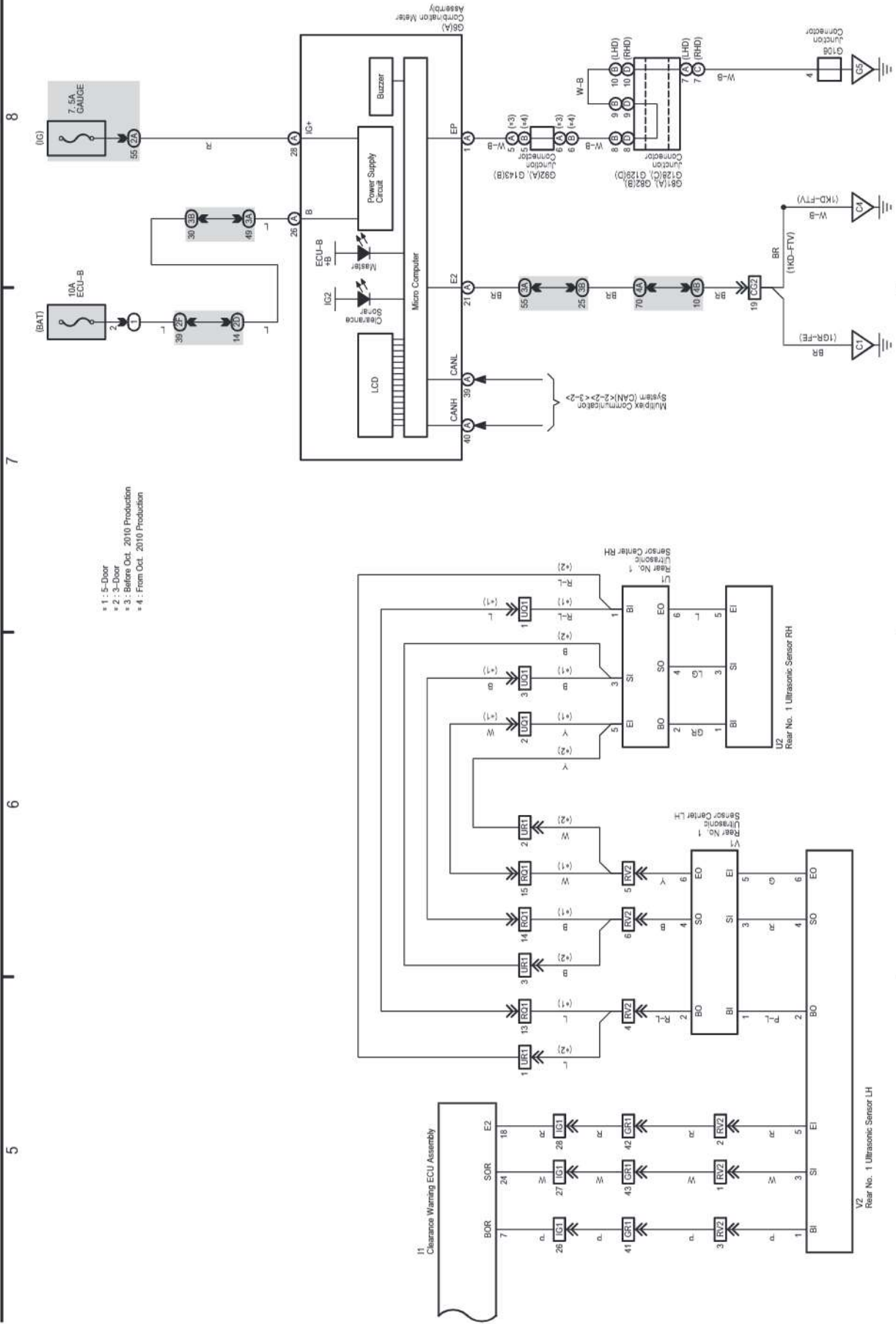
Parking Assist (TOYOTA Parking Assist-Sensor)(8 Sensor Type w/o Navigation System w/o Multi-Display) (Before Aug. 2013 Production)





M OVERALL ELECTRICAL WIRING DIAGRAM

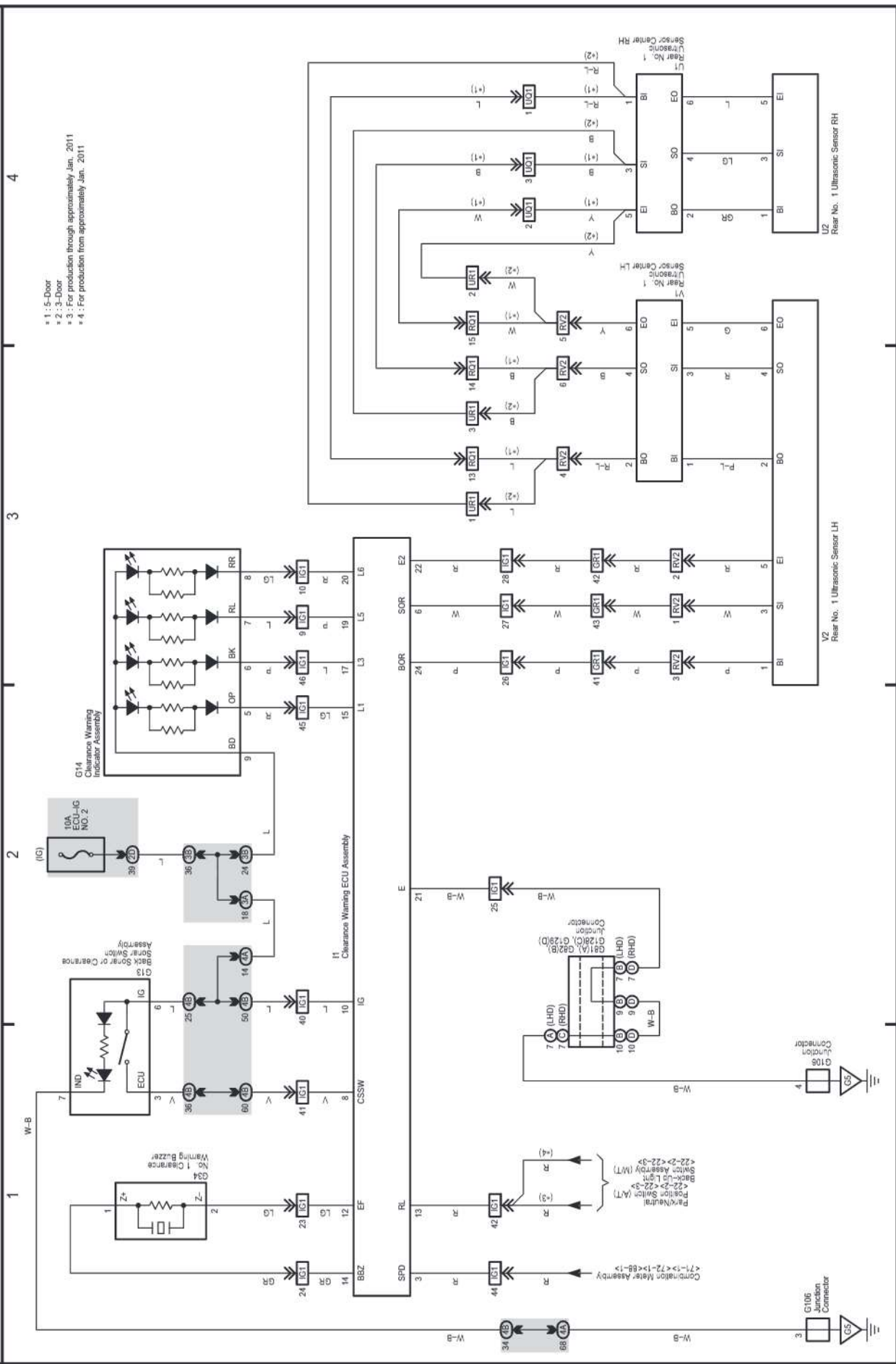
Parking Assist (TOYOTA Parking Assist-Sensor)(8 Sensor Type w/o Navigation System w/o Multi-Display) (Before Aug. 2013 Production)



- \* 1.: E-Door
- \* 2.: 3-Door
- \* 3.: Before Oct. 2010 Production
- \* 4.: From Oct. 2010 Production

67 LAND CRUISER / LAND CRUISER PRADO

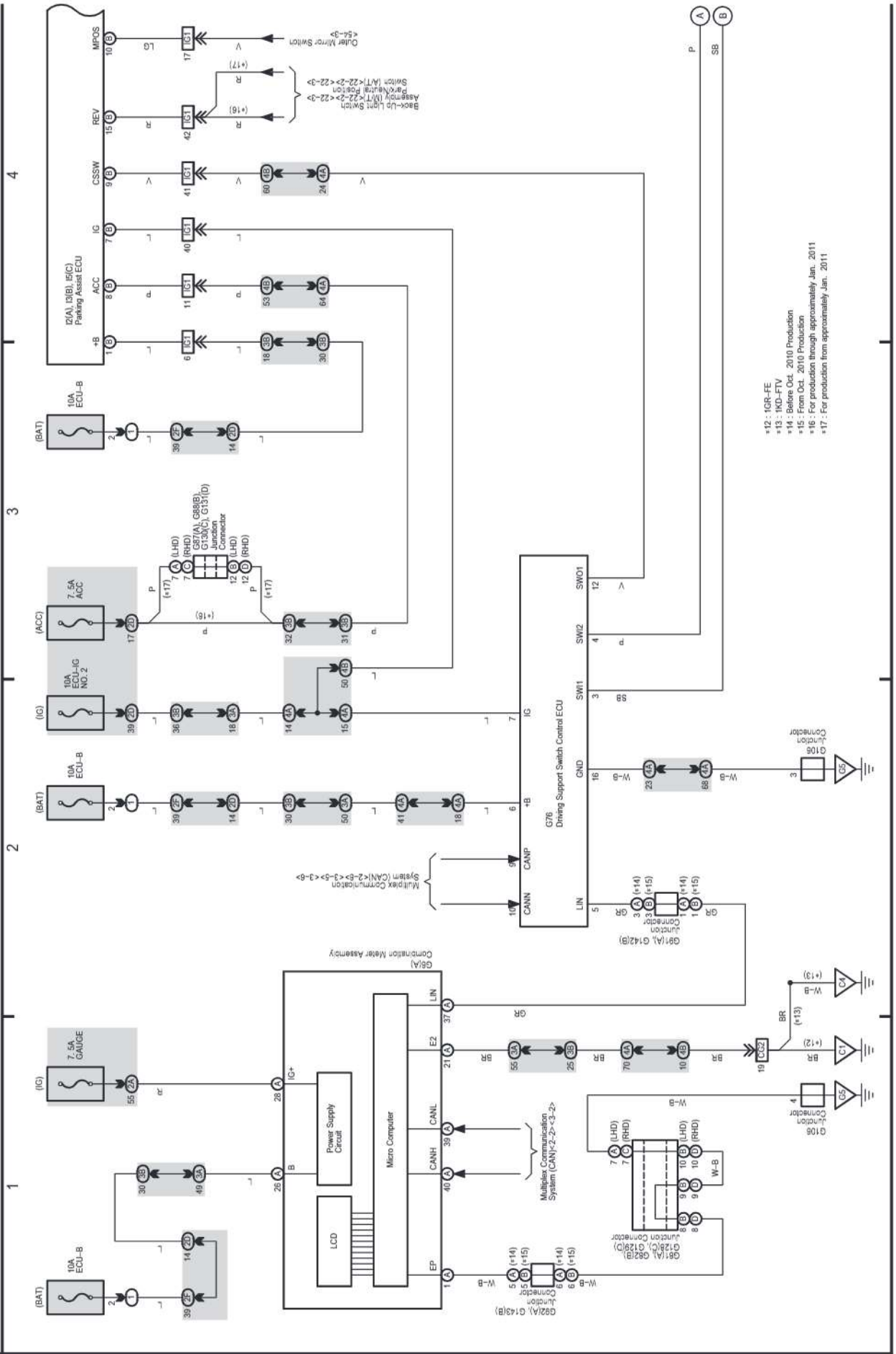
Parking Assist (TOYOTA Parking Assist-Sensor) (4 Sensor Type) (Before Aug. 2013 Production)



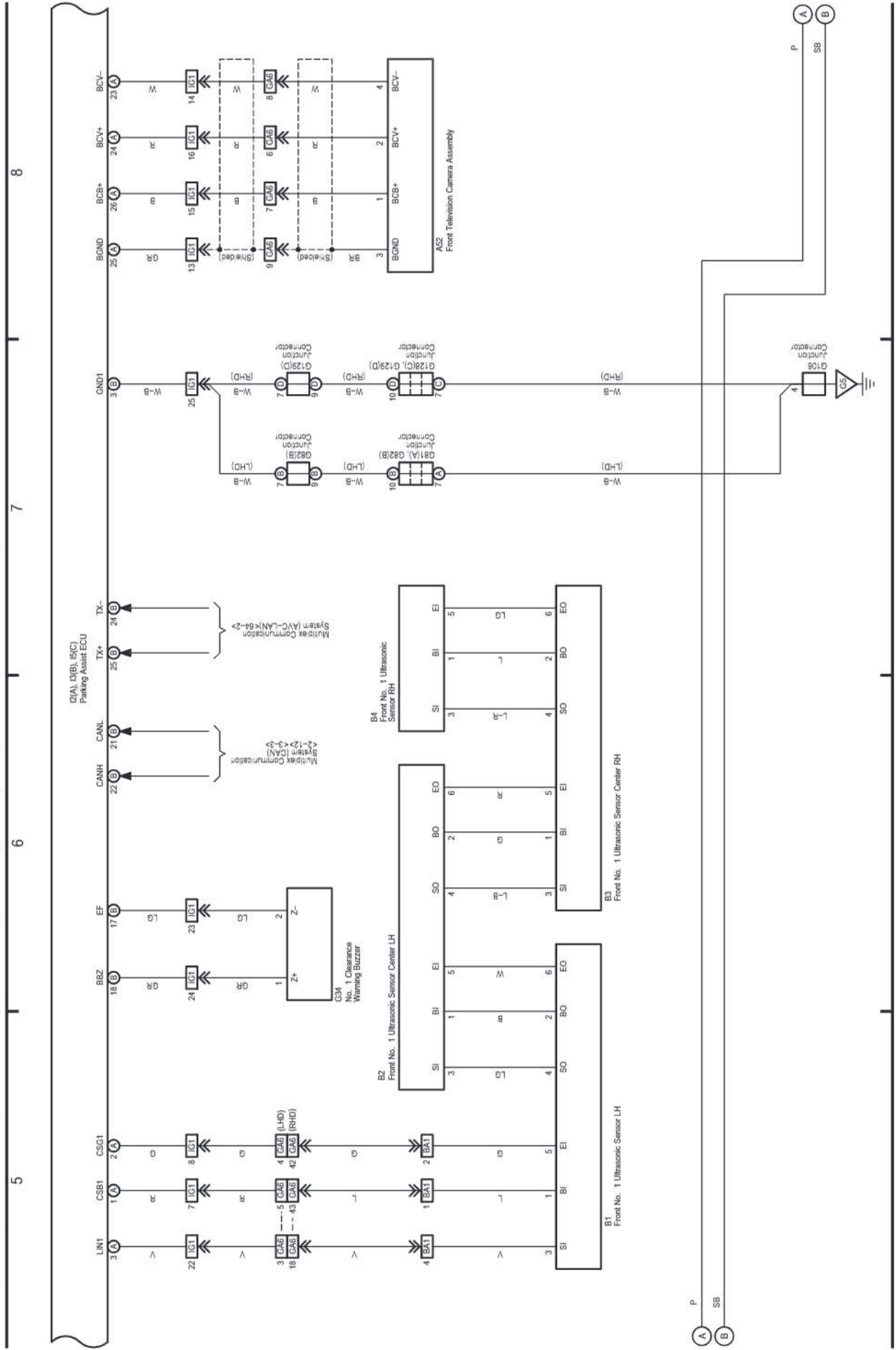
(Cont. next page)

68 LAND CRUISER / LAND CRUISER PRADO

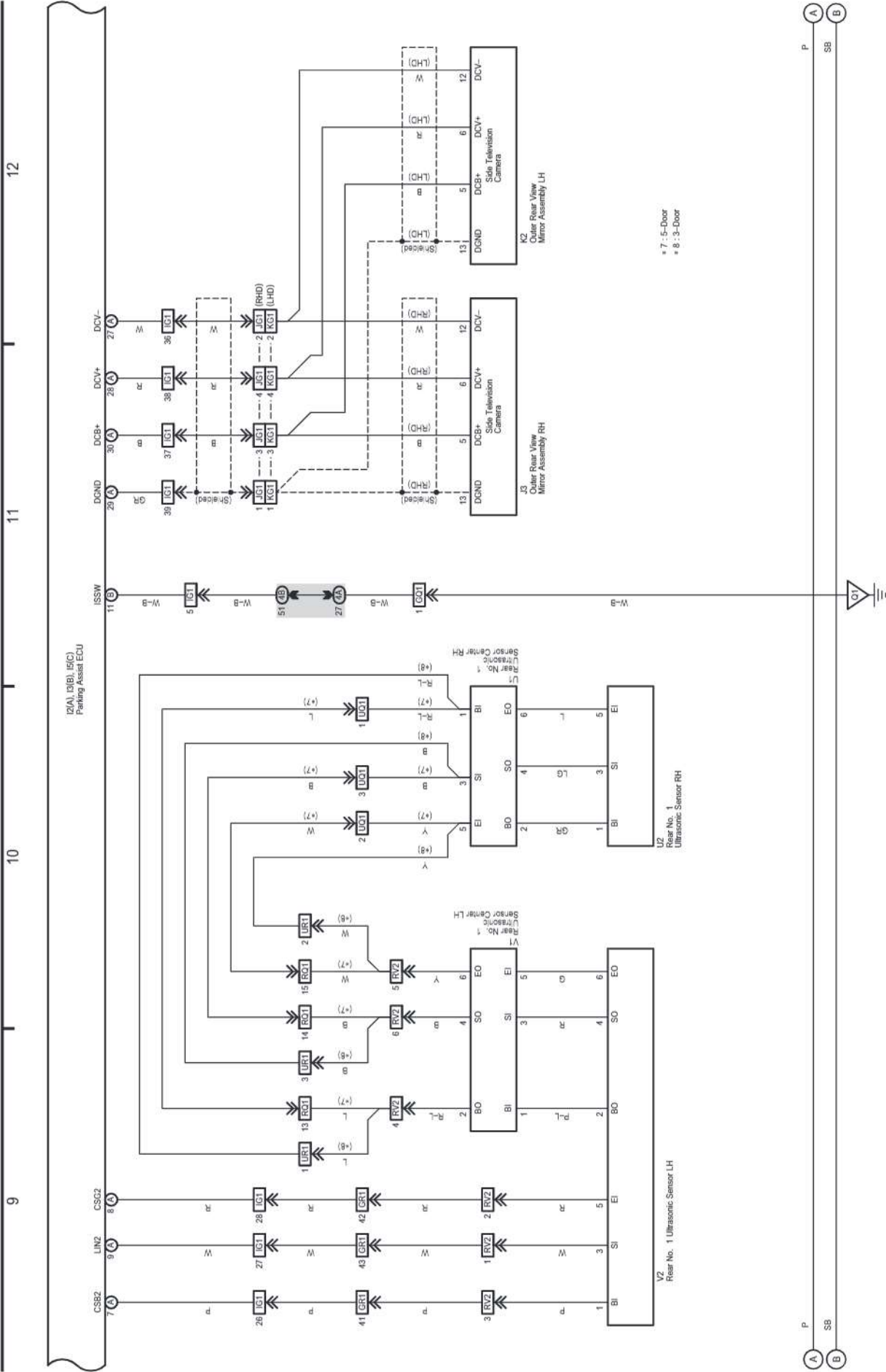
Audio System (w/ Navigation System) (Before Aug. 2013 Production), Navigation System (Before Aug. 2013 Production), Multi-Terrain Monitor (w/ Navigation System) (Before Aug. 2013 Production), Parking Assist (Back Guide Monitor / Rear View Monitor and Wide-View Front & Side Monitor) (w/ Navigation System) (Before Aug. 2013 Production) and Parking Assist (TOYOTA Parking Assist-Sensor) (8 Sensor Type w/ Navigation System) (Before Aug. 2013 Production)



Audio System (w/ Navigation System) (Before Aug. 2013 Production), Navigation System (Before Aug. 2013 Production), Multi-Terrain Monitor (w/ Navigation System) (Before Aug. 2013 Production), Parking Assist (Back Guide Monitor / Rear View Monitor and Wide-View Front & Side Monitor) (w/ Navigation System) (Before Aug. 2013 Production) and Parking Assist (TOYOTA Parking Assist-Sensor) (8 Sensor Type w/ Navigation System) (Before Aug. 2013 Production)



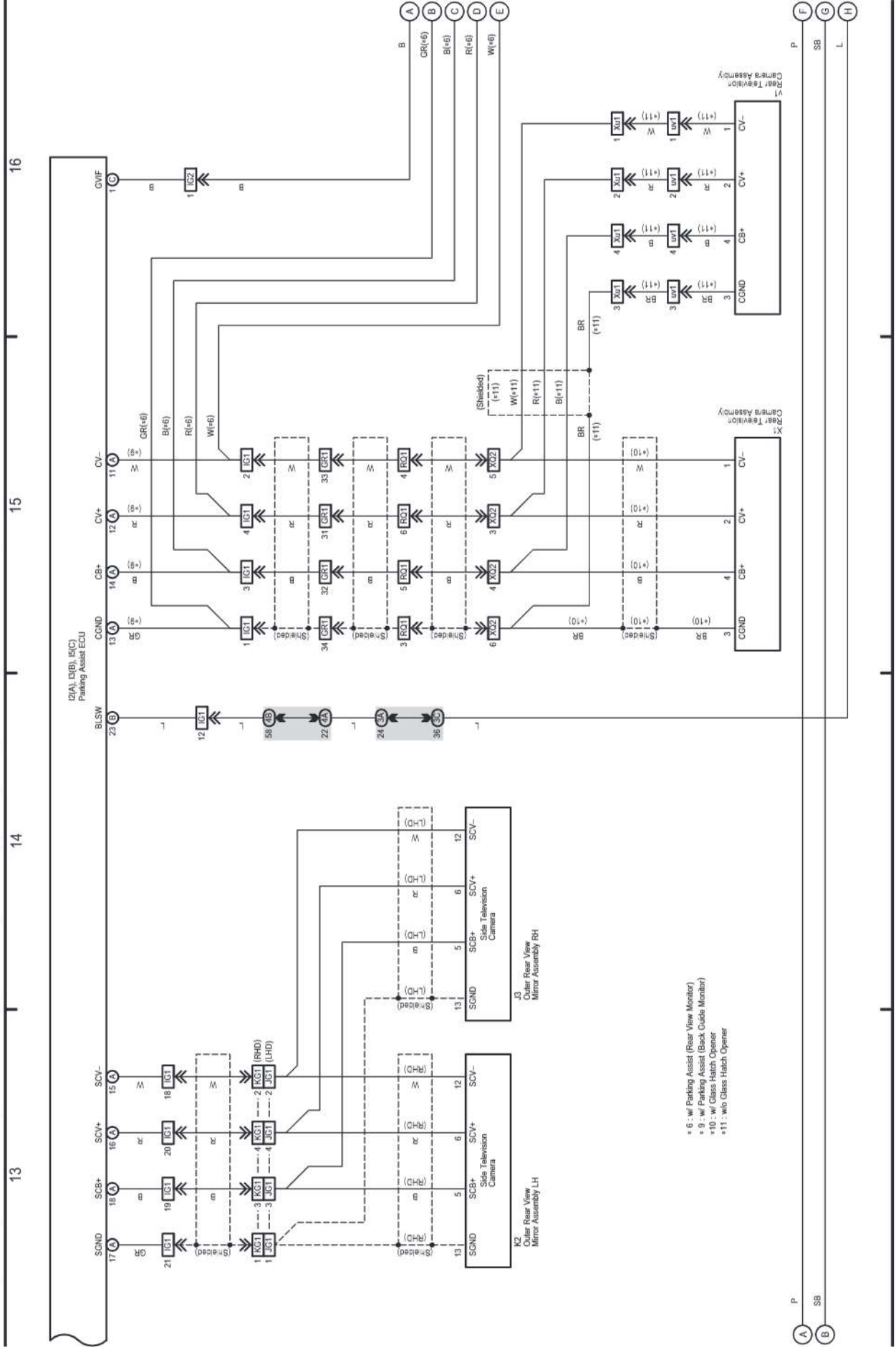
Audio System (w/ Navigation System) (Before Aug. 2013 Production), Navigation System (Before Aug. 2013 Production), Multi-Terrain Monitor (w/ Navigation System) (Before Aug. 2013 Production), Parking Assist (Back Guide Monitor / Rear View Monitor and Wide-View Front & Side Monitor) (w/ Navigation System) (Before Aug. 2013 Production) and Parking Assist (TOYOTA Parking Assist-Sensor) (8 Sensor Type w/ Navigation System) (Before Aug. 2013 Production)



68 LAND CRUISER / LAND CRUISER PRADO (Cont'd)

(Cont. next page)

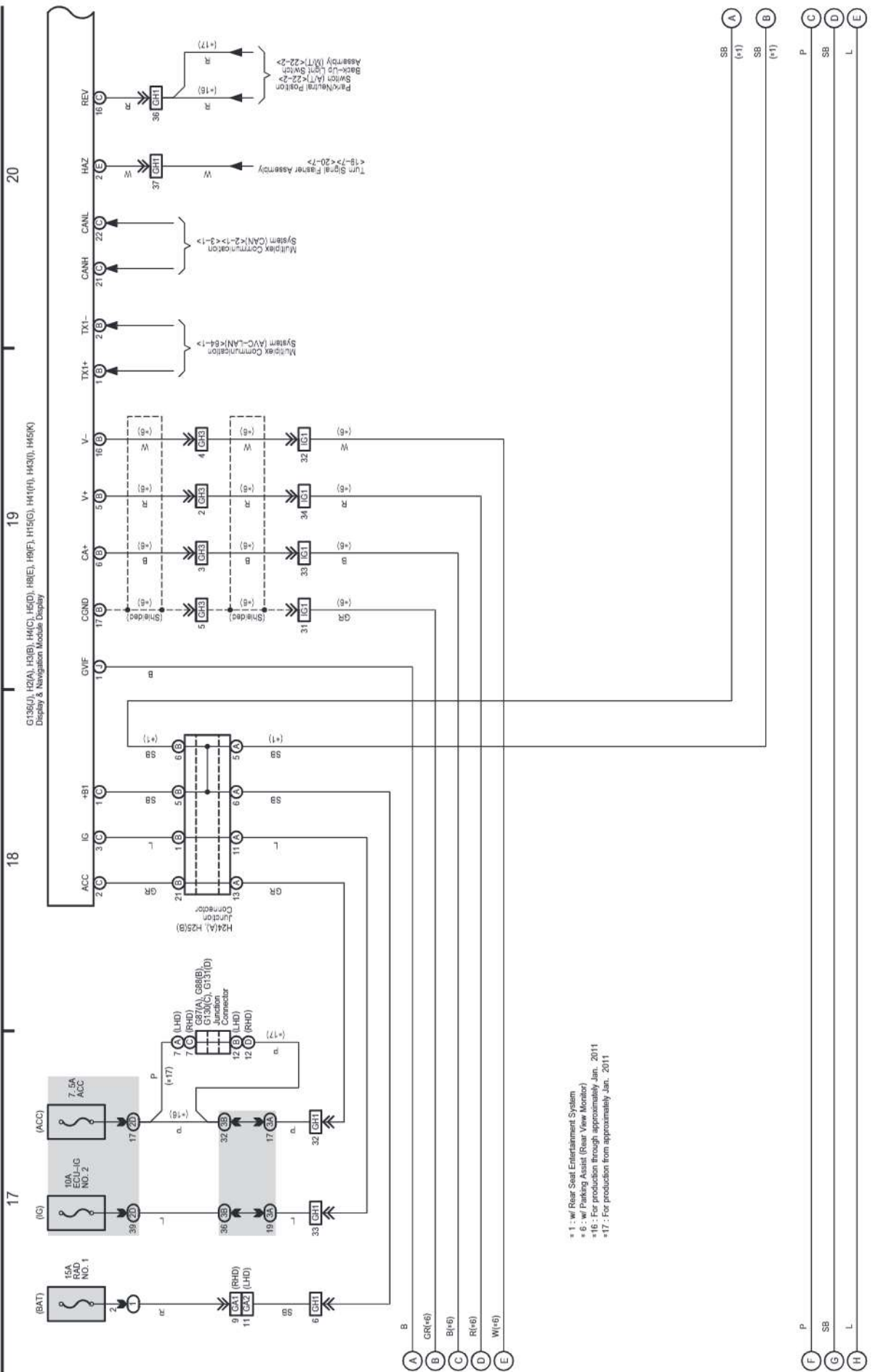
Audio System (w/ Navigation System) (Before Aug. 2013 Production), Navigation System (Before Aug. 2013 Production), Multi-Terrain Monitor (w/ Navigation System) (Before Aug. 2013 Production), Parking Assist (Back Guide Monitor / Rear View Monitor and Wide-View Front & Side Monitor) (w/ Navigation System) (Before Aug. 2013 Production) and Parking Assist (TOYOTA Parking Assist-Sensor) (8 Sensor Type w/ Navigation System) (Before Aug. 2013 Production)



(Cont. next page)

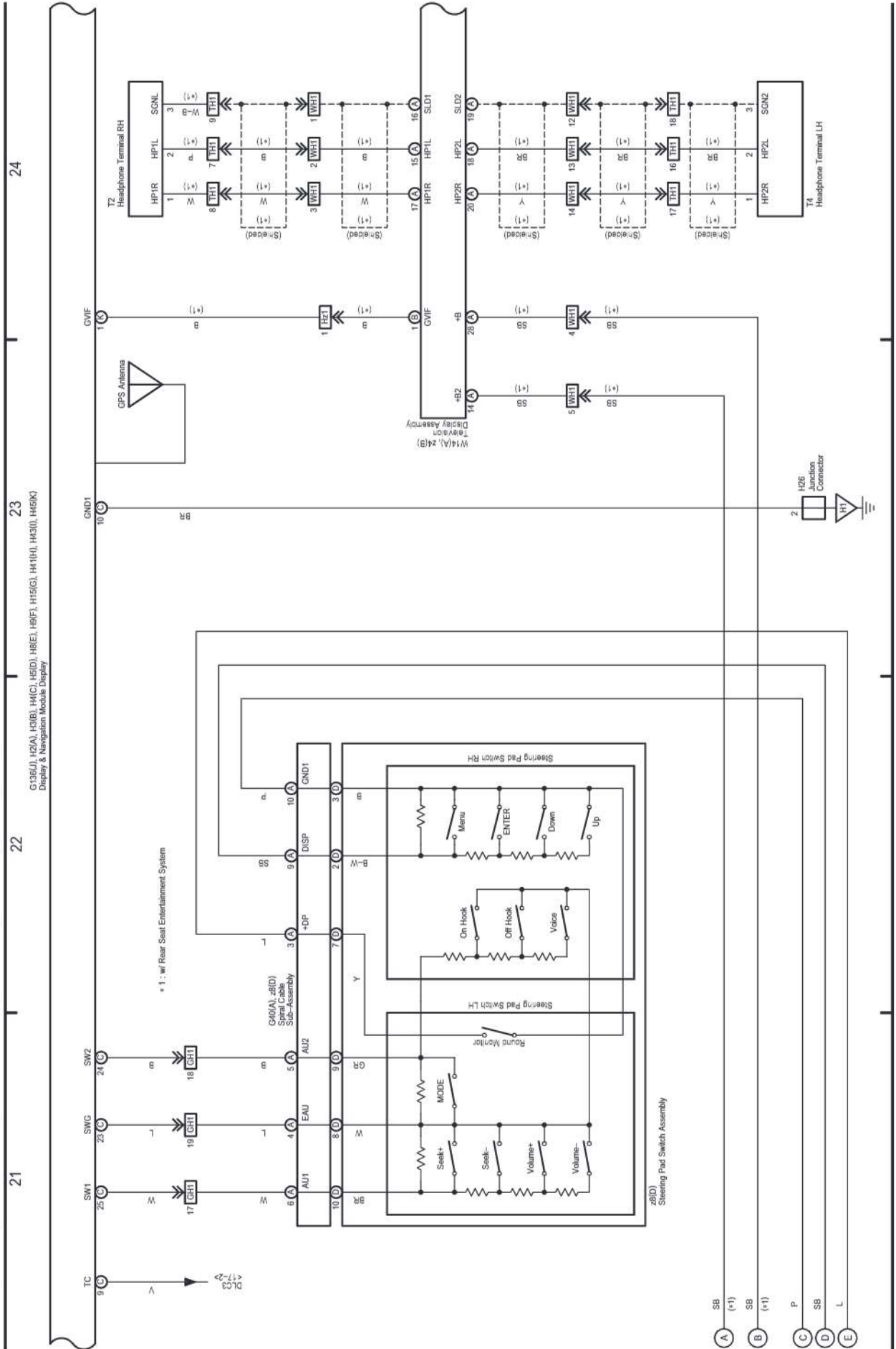
68 LAND CRUISER / LAND CRUISER PRADO (Cont'd)

Audio System (w/ Navigation System) (Before Aug. 2013 Production), Navigation System (Before Aug. 2013 Production), Multi-Terrain Monitor (w/ Navigation System) (Before Aug. 2013 Production), Parking Assist (Back Guide Monitor / Rear View Monitor and Wide-View Front & Side Monitor) (w/ Navigation System) (Before Aug. 2013 Production) and Parking Assist (TOYOTA Parking Assist-Sensor) (8 Sensor Type w/ Navigation System) (Before Aug. 2013 Production)



- \* 1 : w/ Rear Seat Entertainment System
- \* 6 : w/ Parking Assist (Rear View Monitor)
- \* 16 : For production through approximately Jan. 2011
- \* 17 : For production from approximately Jan. 2011

Audio System (w/ Navigation System) (Before Aug. 2013 Production), Navigation System (Before Aug. 2013 Production), Multi-Terrain Monitor (w/ Navigation System) (Before Aug. 2013 Production), Parking Assist (Back View Monitor / Rear View Monitor and Wide-View Front & Side Monitor) (w/ Navigation System) (Before Aug. 2013 Production) and Parking Assist (TOYOTA Parking Assist-Sensor) (8 Sensor Type w/ Navigation System) (Before Aug. 2013 Production)

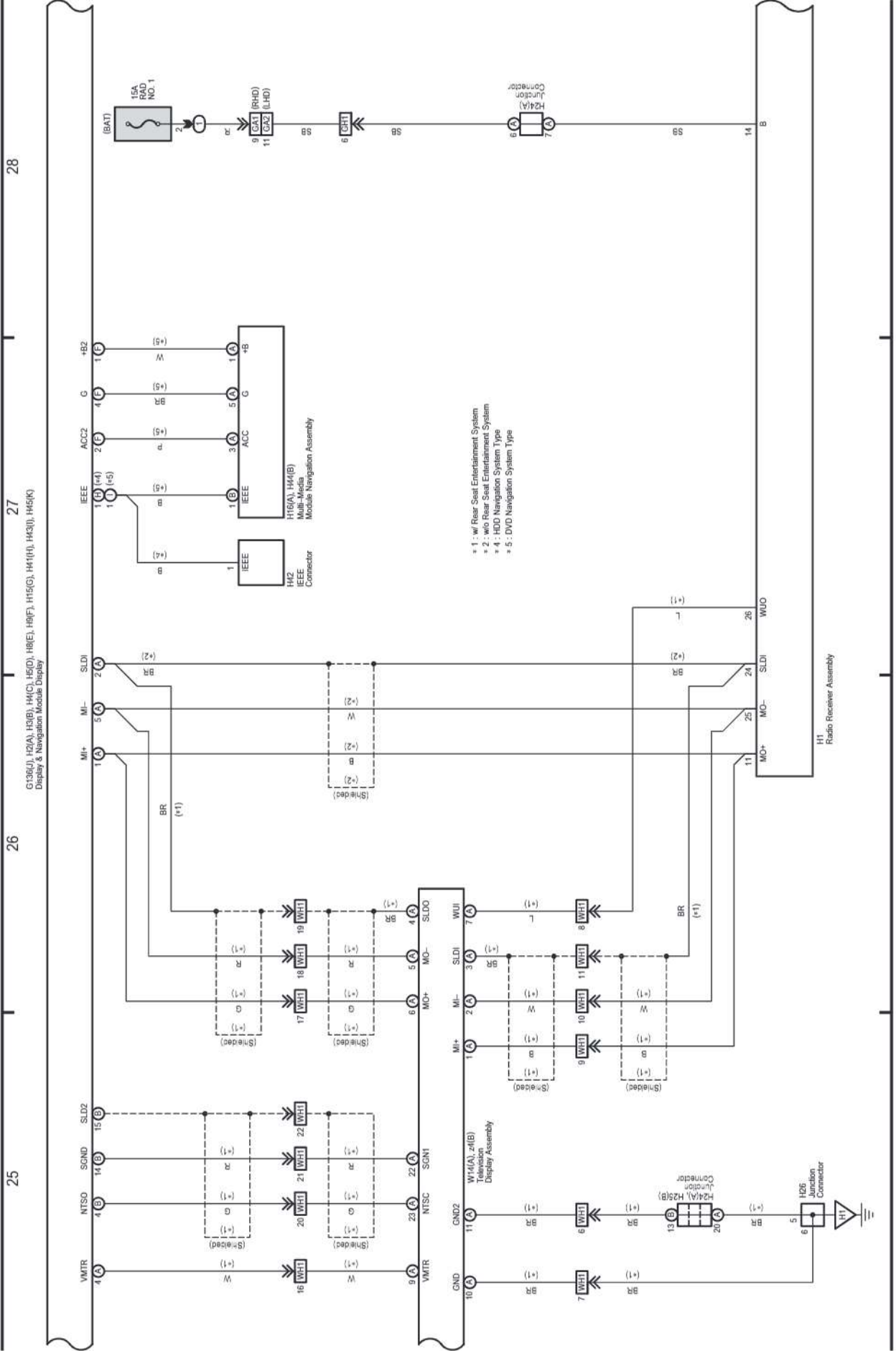




68 LAND CRUISER / LAND CRUISER PRADO (Cont'd)

(Cont. next page)

Audio System (w/ Navigation System) (Before Aug. 2013 Production), Navigation System (Before Aug. 2013 Production), Multi-Terrain Monitor (w/ Navigation System) (Before Aug. 2013 Production), Parking Assist (Back Guide Monitor / Rear View Monitor and Wide-View Front & Side Monitor) (w/ Navigation System) (Before Aug. 2013 Production) and Parking Assist (TOYOTA Parking Assist-Sensor) (8 Sensor Type w/ Navigation System) (Before Aug. 2013 Production)

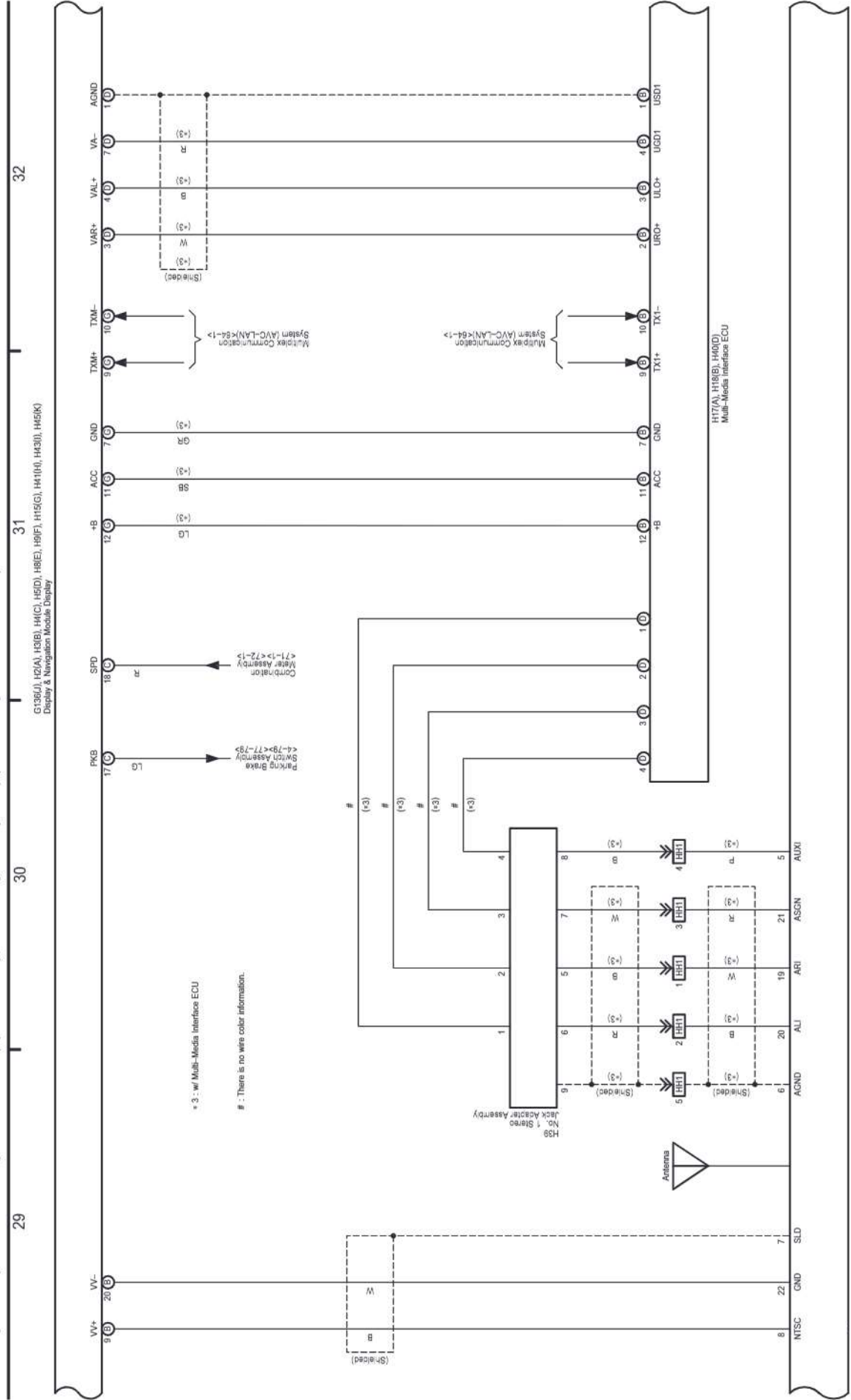


# M OVERALL ELECTRICAL WIRING DIAGRAM

(Cont. next page)

68 LAND CRUISER / LAND CRUISER PRADO (Cont'd)

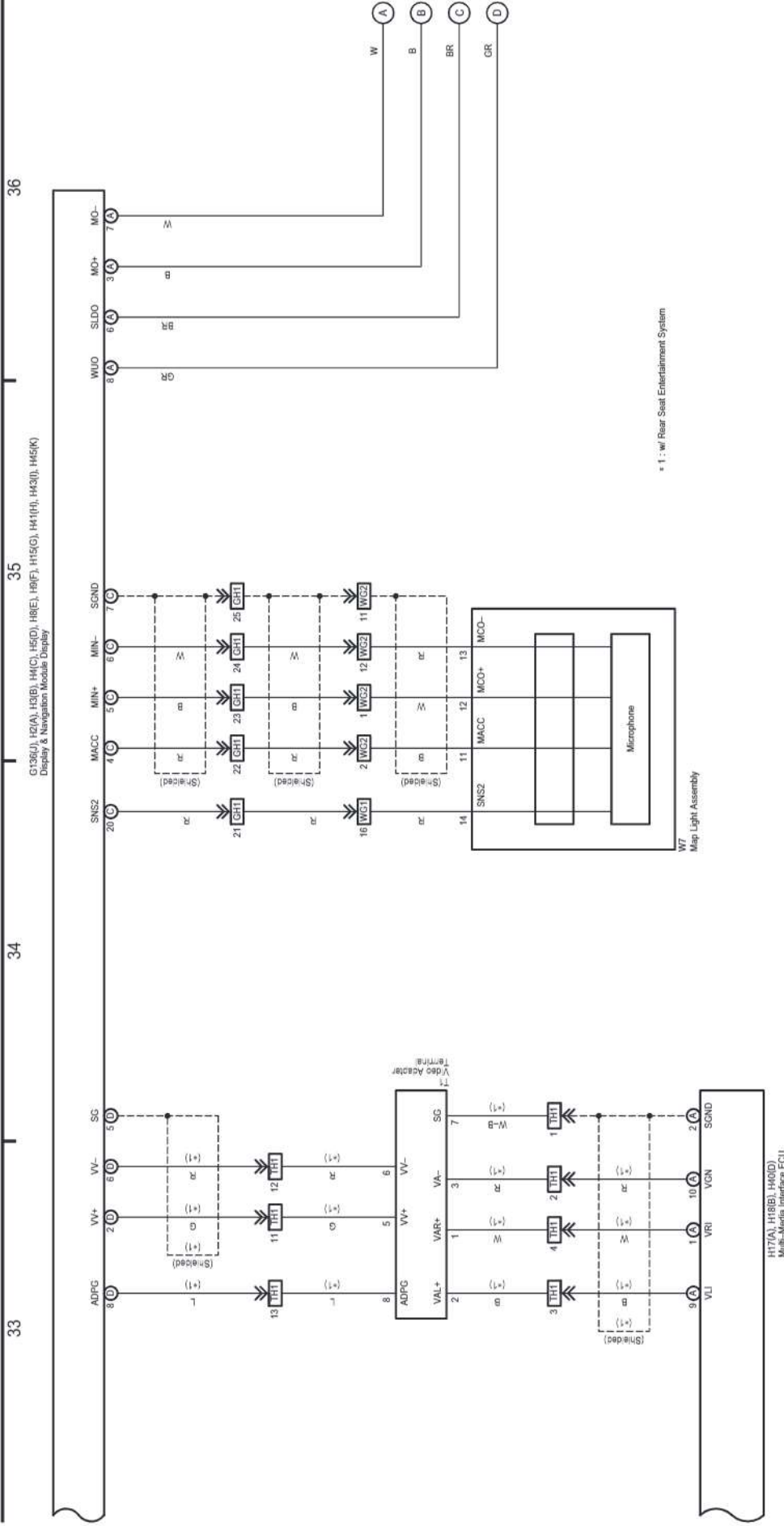
Audio System (w/ Navigation System) (Before Aug. 2013 Production), Navigation System (Before Aug. 2013 Production), Multi-Terrain Monitor (w/ Navigation System) (Before Aug. 2013 Production),  
 Parking Assist (Back Guide Monitor / Rear View Monitor and Wide-View Front & Side Monitor) (w/ Navigation System) (Before Aug. 2013 Production) and  
 Parking Assist (TOYOTA Parking Assist-Sensor) (8 Sensor Type w/ Navigation System) (Before Aug. 2013 Production)



68 LAND CRUISER / LAND CRUISER PRADO (Cont'd)

(Cont. next page)

Audio System (w/ Navigation System) (Before Aug. 2013 Production), Navigation System (Before Aug. 2013 Production), Multi-Terrain Monitor (w/ Navigation System) (Before Aug. 2013 Production), Parking Assist (Back Guide Monitor / Rear View Monitor and Wide-View Front & Side Monitor) (w/ Navigation System) (Before Aug. 2013 Production) and Parking Assist (TOYOTA Parking Assist-Sensor) (8 Sensor Type w/ Navigation System) (Before Aug. 2013 Production)

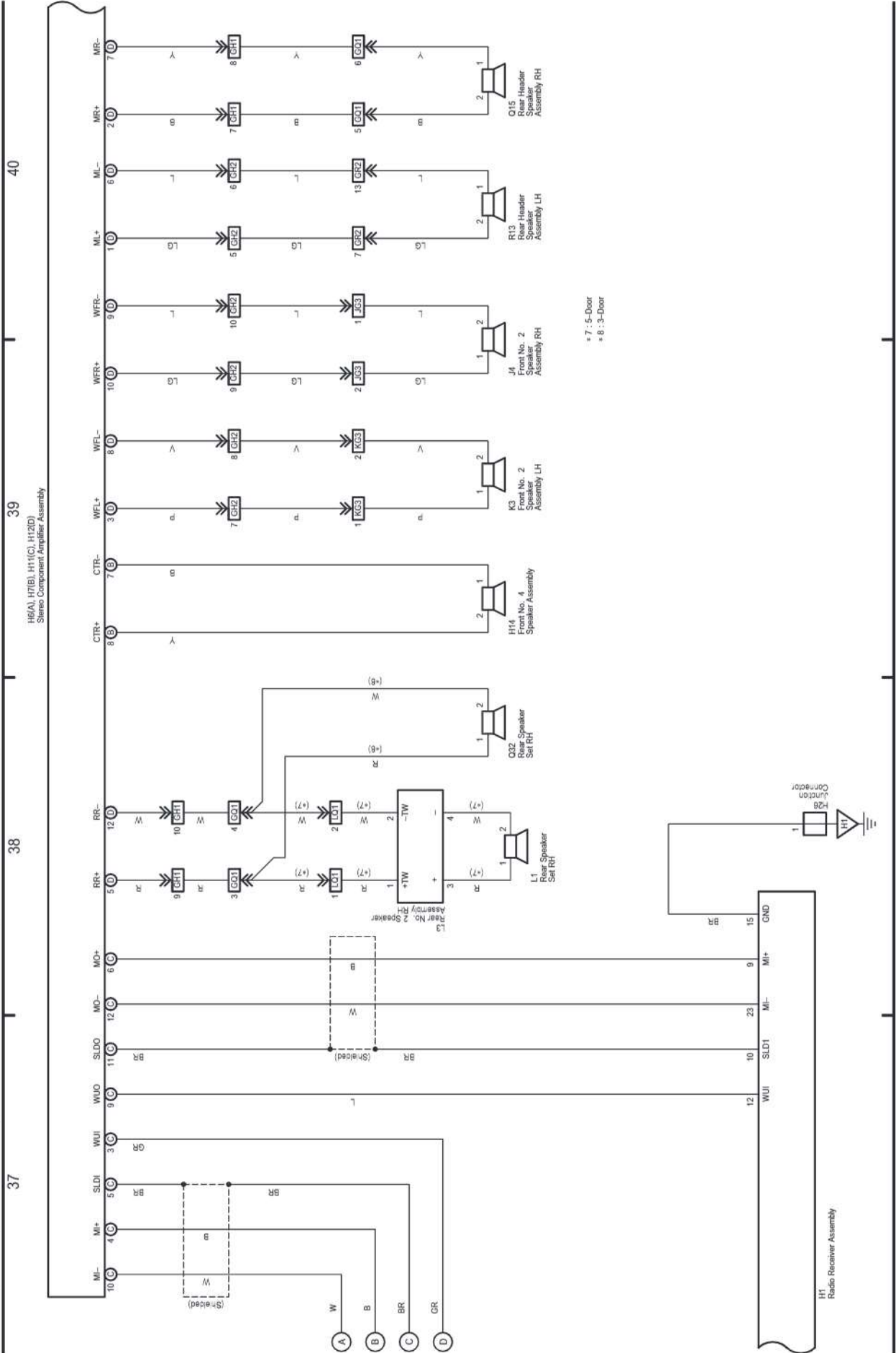


H1 Radio Receiver Assembly

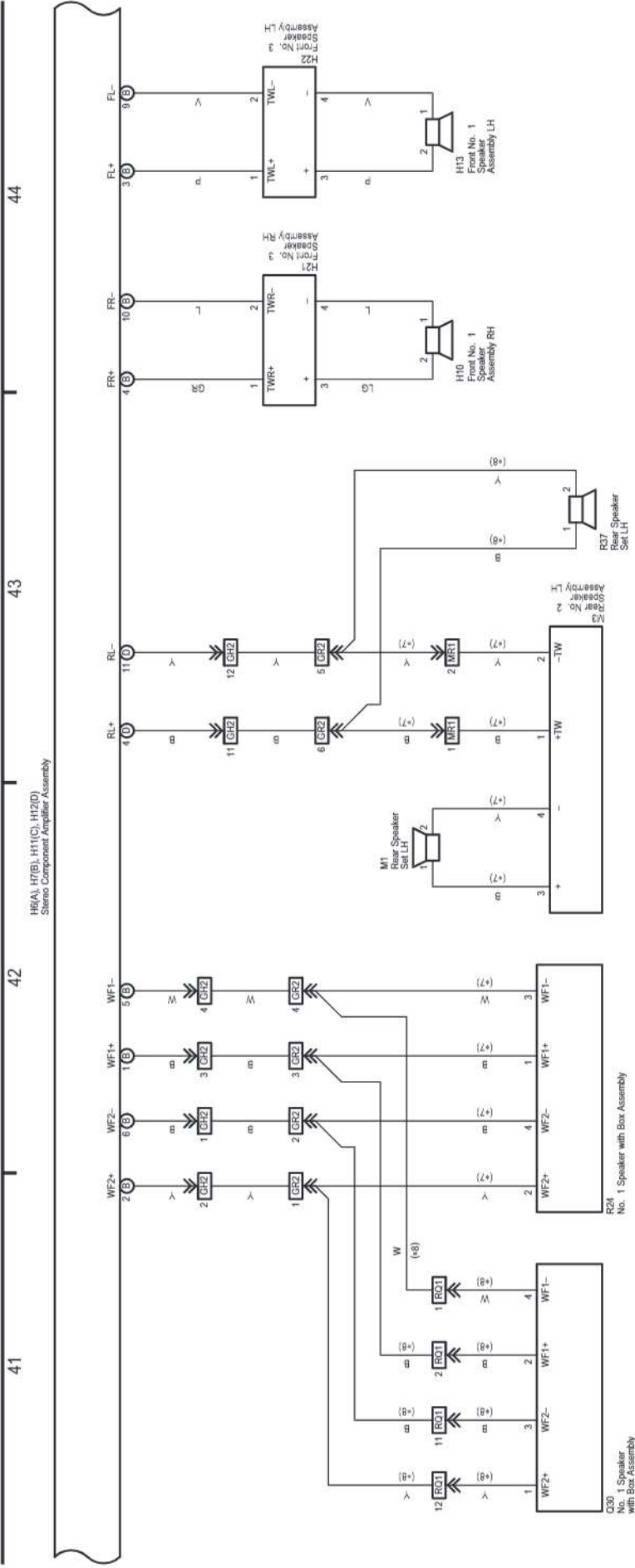
W1 Map Light Assembly

1: w/ Rear Seat Entertainment System

Audio System (w/ Navigation System) (Before Aug. 2013 Production), Navigation System (Before Aug. 2013 Production), Multi-Terrain Monitor (w/ Navigation System) (Before Aug. 2013 Production), Parking Assist (Back Guide Monitor / Rear View Monitor and Wide-View Front & Side Monitor) (w/ Navigation System) (Before Aug. 2013 Production) and Parking Assist (TOYOTA Parking Assist-Sensor) (8 Sensor Type w/ Navigation System) (Before Aug. 2013 Production)



Audio System (w/ Navigation System) (Before Aug. 2013 Production), Navigation System (Before Aug. 2013 Production), Multi-Terrain Monitor (w/ Navigation System) (Before Aug. 2013 Production), Parking Assist (Back Guide Monitor / Rear View Monitor and Wide-View Front & Side Monitor) (w/ Navigation System) (Before Aug. 2013 Production) and Parking Assist (TOYOTA Parking Assist-Sensor) (8 Sensor Type w/ Navigation System) (Before Aug. 2013 Production)

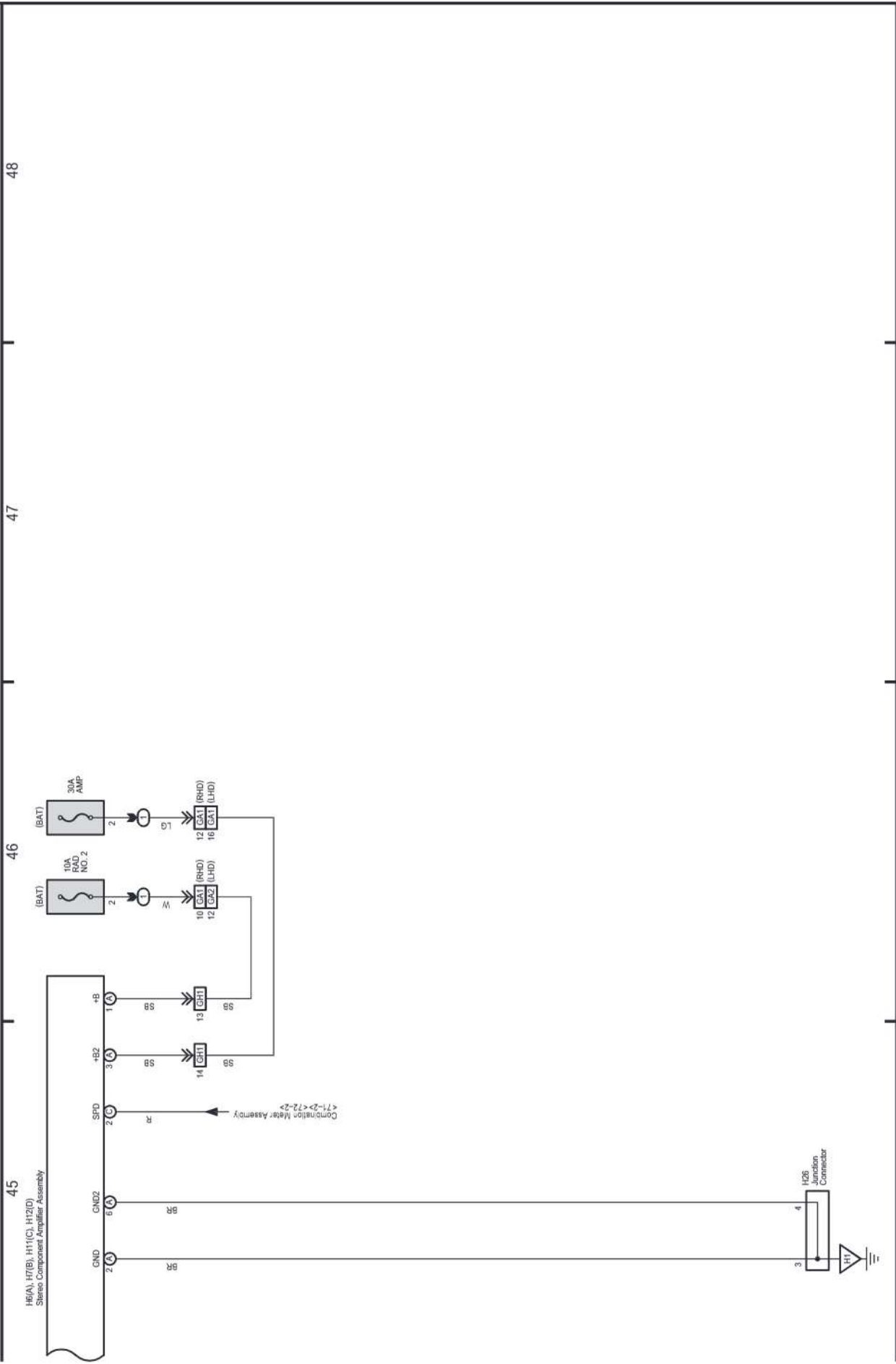


\* 7 : 5-Door  
\* 8 : 3-Door

# M OVERALL ELECTRICAL WIRING DIAGRAM

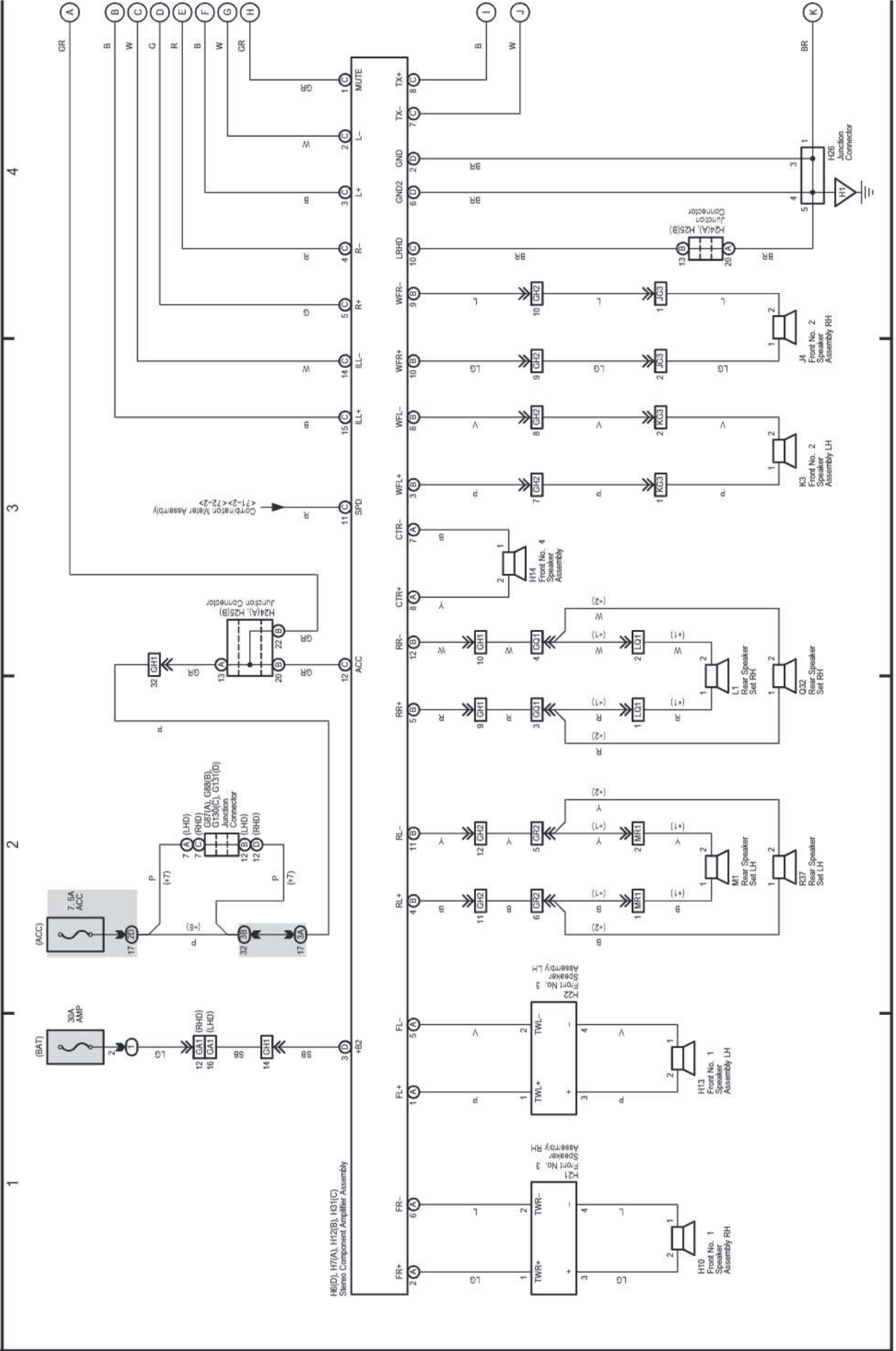
## 68 LAND CRUISER / LAND CRUISER PRADO (Cont'd)

Audio System (w/ Navigation System) (Before Aug. 2013 Production), Navigation System (Before Aug. 2013 Production), Multi-Terrain Monitor (w/ Navigation System) (Before Aug. 2013 Production), Parking Assist (Back Guide Monitor / Rear View Monitor and Wide-View Front & Side Monitor) (w/ Navigation System) (Before Aug. 2013 Production) and Parking Assist (TOYOTA Parking Assist-Sensor) (8 Sensor Type w/ Navigation System) (Before Aug. 2013 Production)



\* 1 : 5-Door  
 \* 2 : 3-Door  
 \* 6 : For production through approximately Jan. 2011  
 \* 7 : For production from approximately Jan. 2011

Audio System (9 Speaker w/o Navigation System) (Before Aug. 2013 Production)

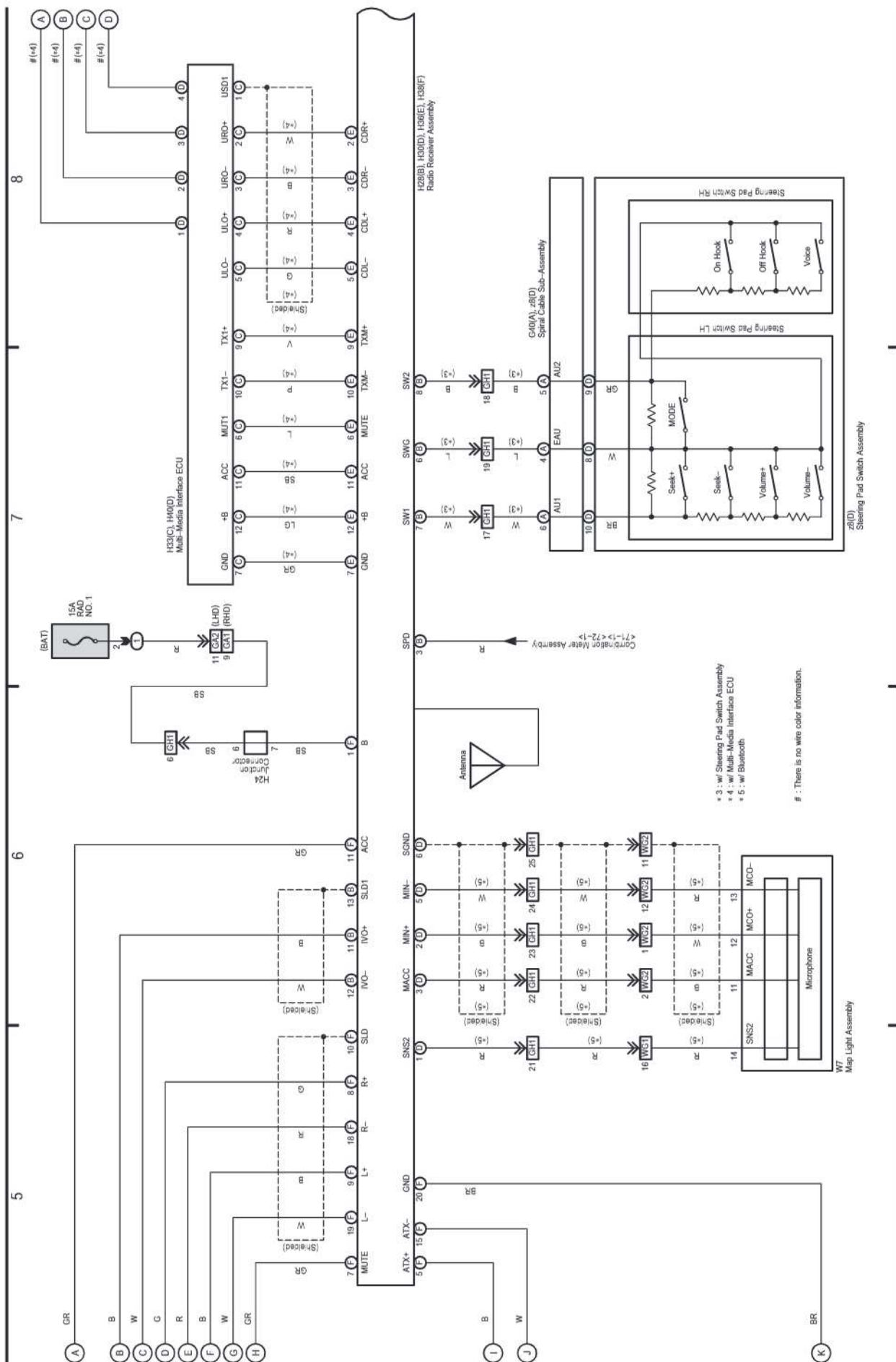


# M OVERALL ELECTRICAL WIRING DIAGRAM

69 LAND CRUISER / LAND CRUISER PRADO (Cont'd)

(Cont. next page)

Audio System (9 Speaker w/o Navigation System) (Before Aug. 2013 Production)





69 LAND CRUISER / LAND CRUISER PRADO (Cont'd)

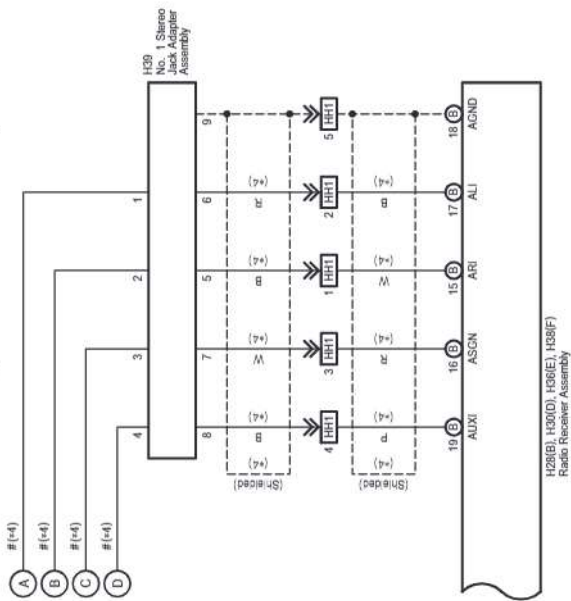
Audio System (9 Speaker w/o Navigation System) (Before Aug. 2013 Production)

12

11

10

9



\* 4 : w/ Multi-Media Interface ECU

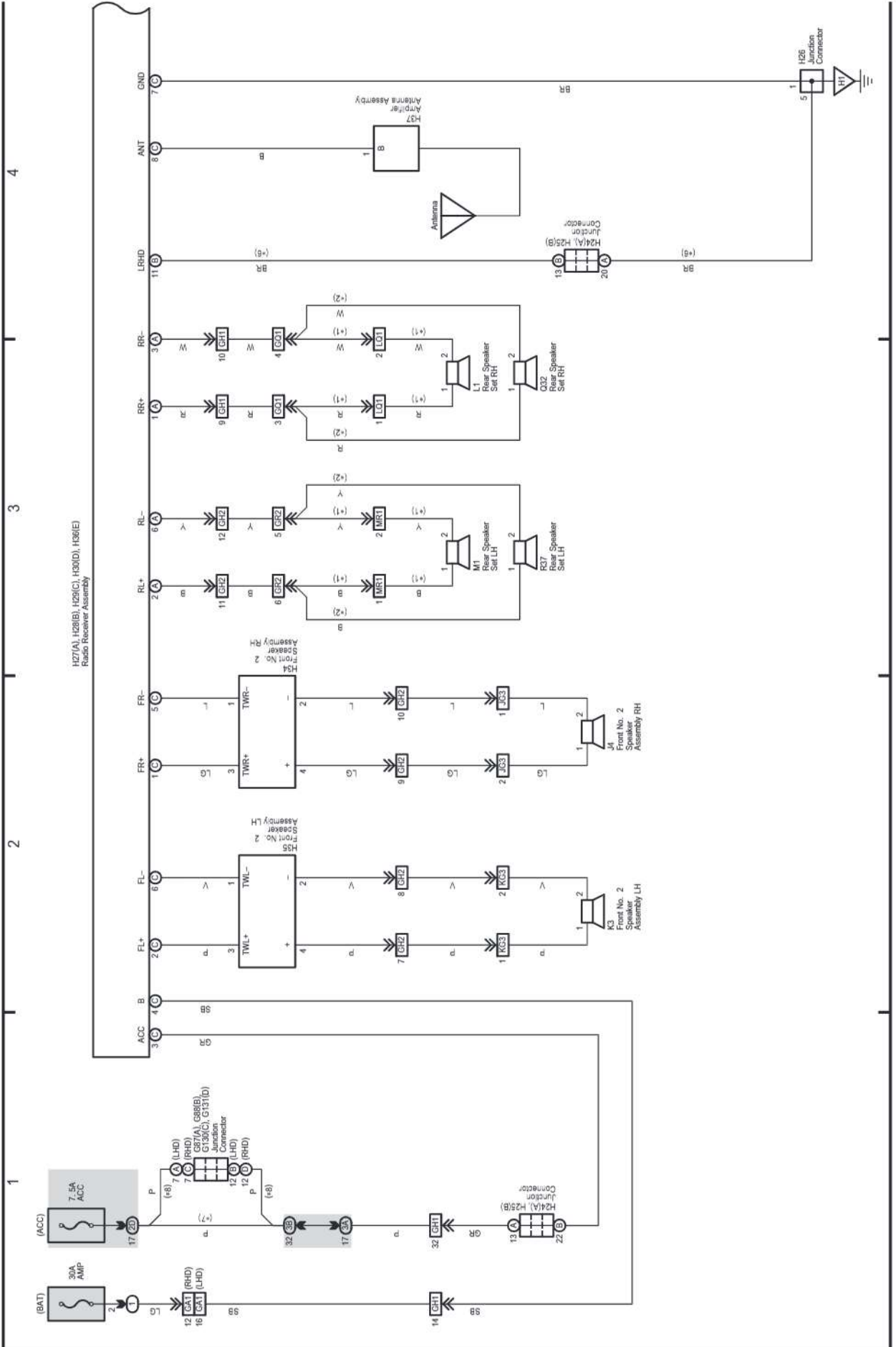
# : There is no wire color information.

(Cont. next page)

70 LAND CRUISER / LAND CRUISER PRADO

Audio System (6 Speaker w/o Navigation System) (Before Aug. 2013 Production)

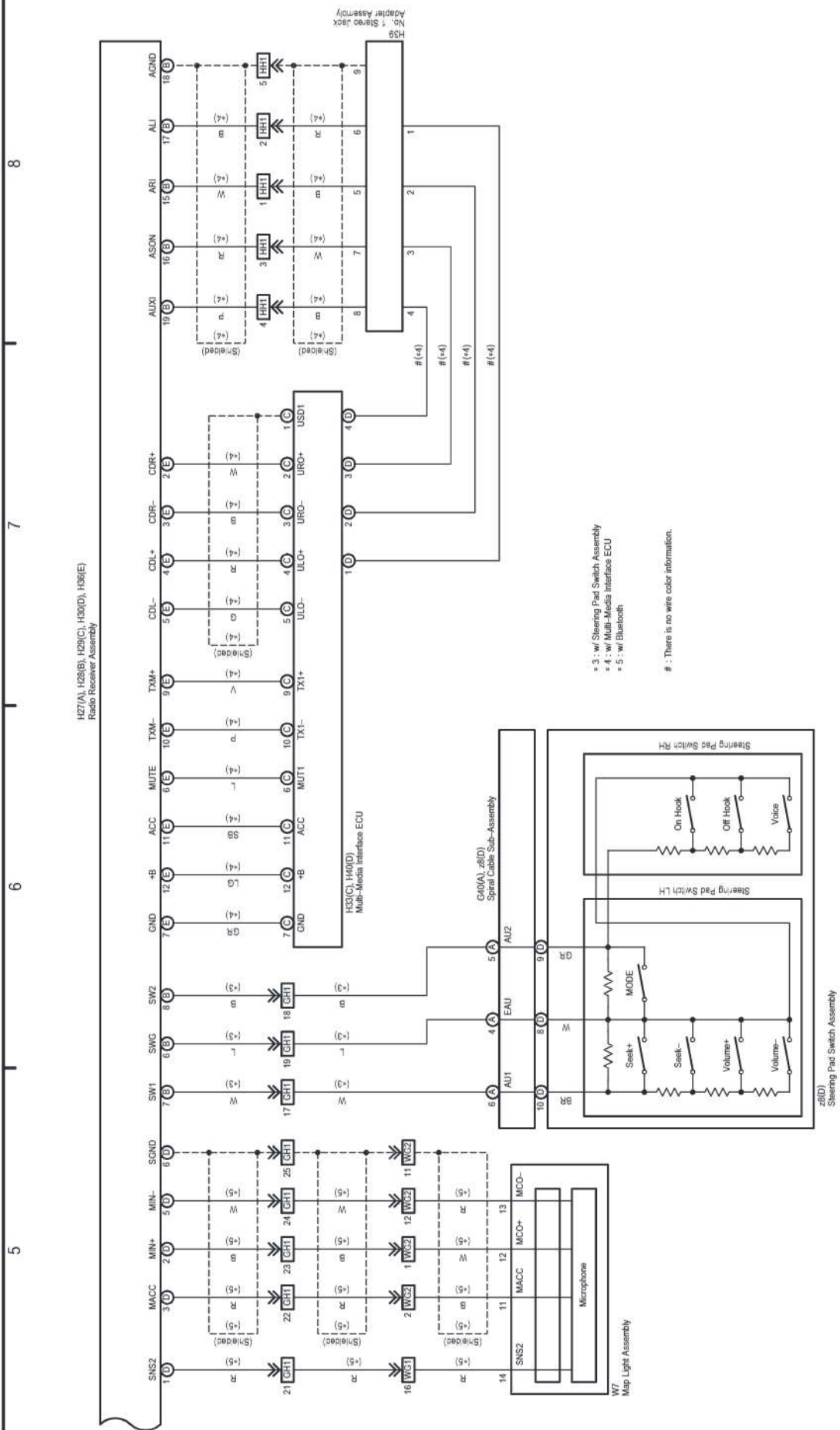
- \* 1 : 5-Door
- \* 2 : 3-Door
- \* 6 : RHD w/o Multi-Media Interface ECU
- \* 7 : For production through approximately Jan. 2011
- \* 8 : For production from approximately Jan. 2011



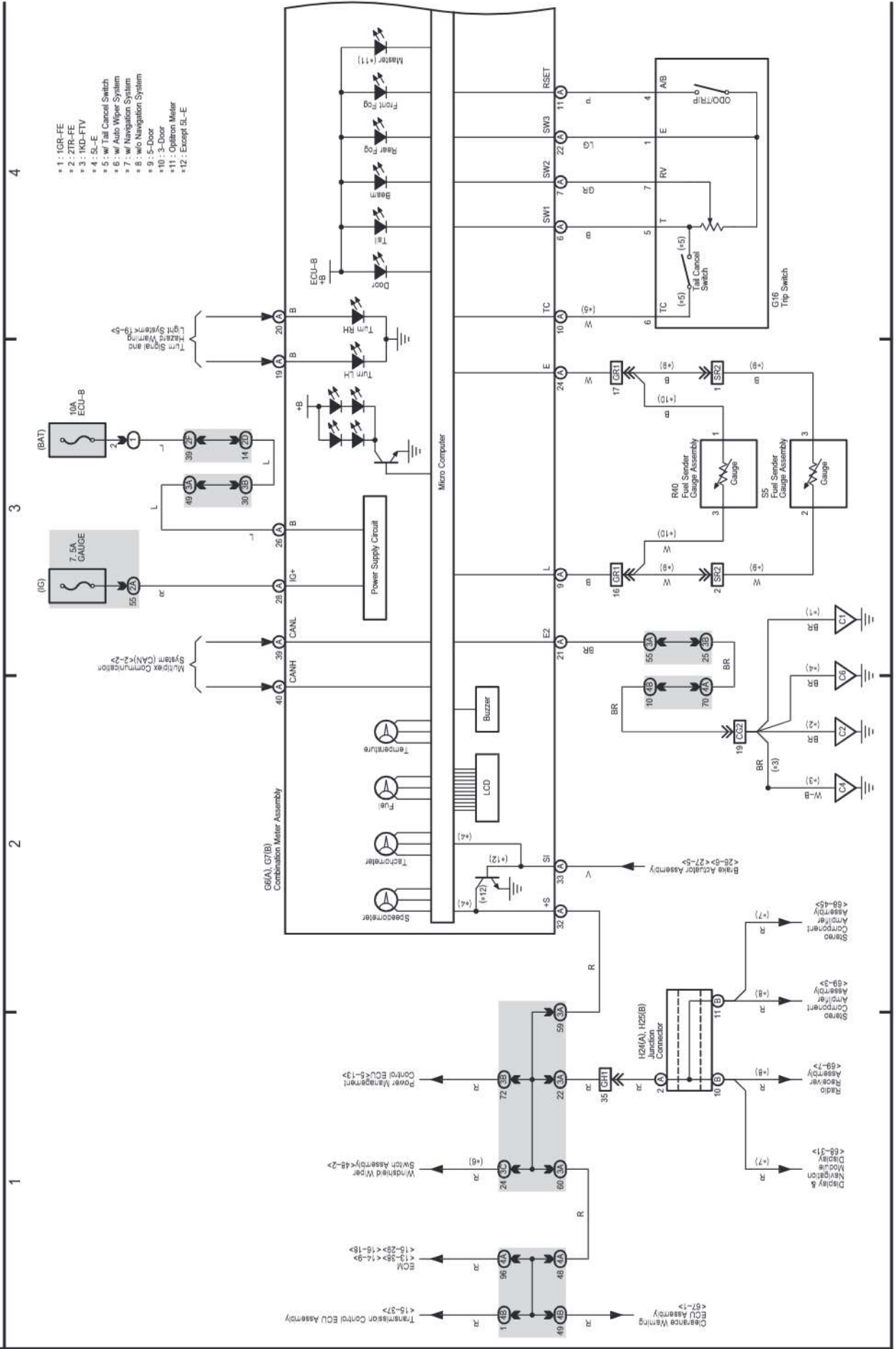
# M OVERALL ELECTRICAL WIRING DIAGRAM

## 70 LAND CRUISER / LAND CRUISER PRADO (Cont'd)

Audio System (6 Speaker w/o Navigation System) (Before Aug. 2013 Production)



Combination Meter (LHD) (Before Aug. 2013 Production)

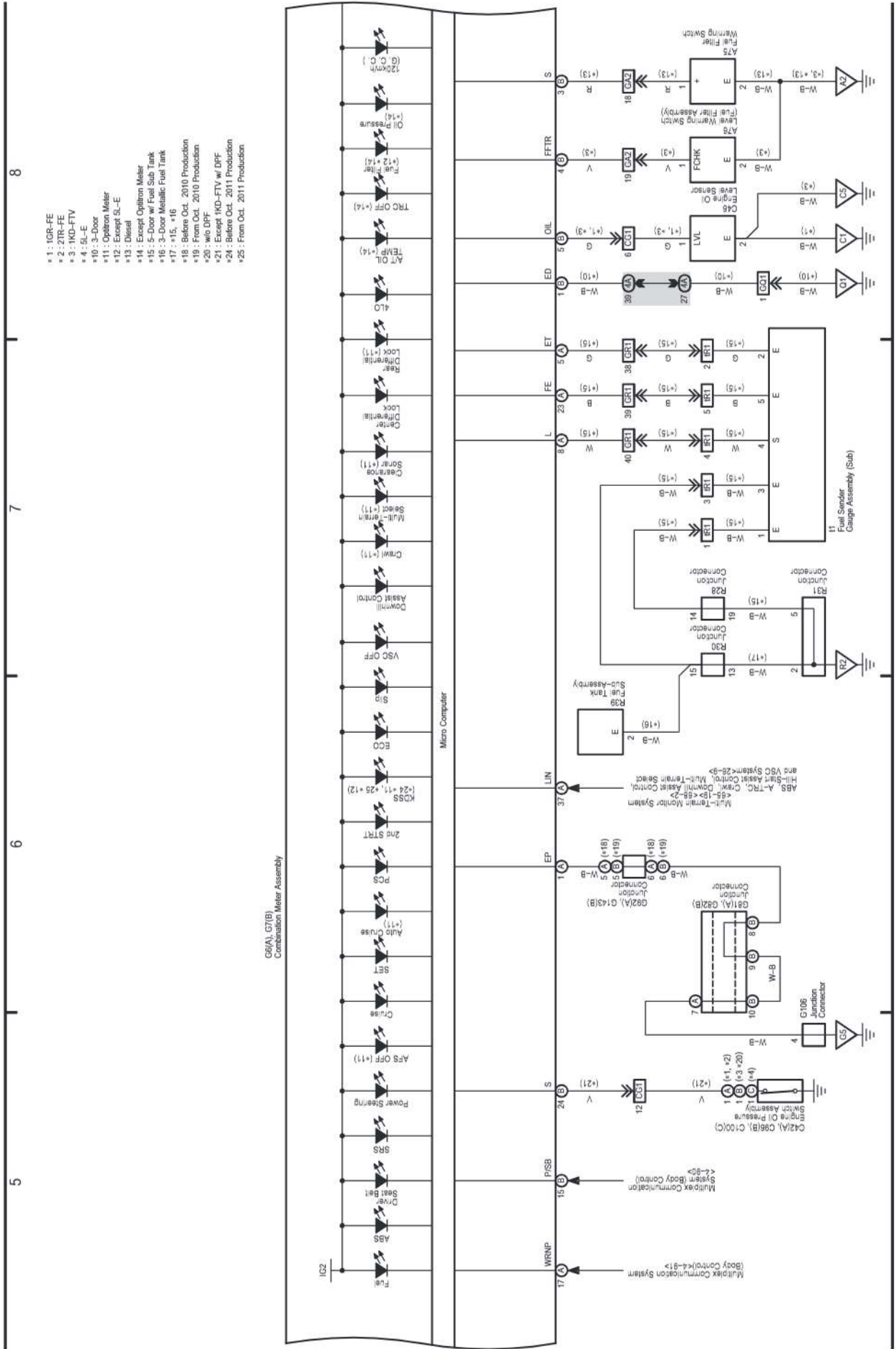


# M OVERALL ELECTRICAL WIRING DIAGRAM

71 LAND CRUISER / LAND CRUISER PRADO (Cont'd)

(Cont. next page)

Combination Meter (LHD) (Before Aug. 2013 Production)

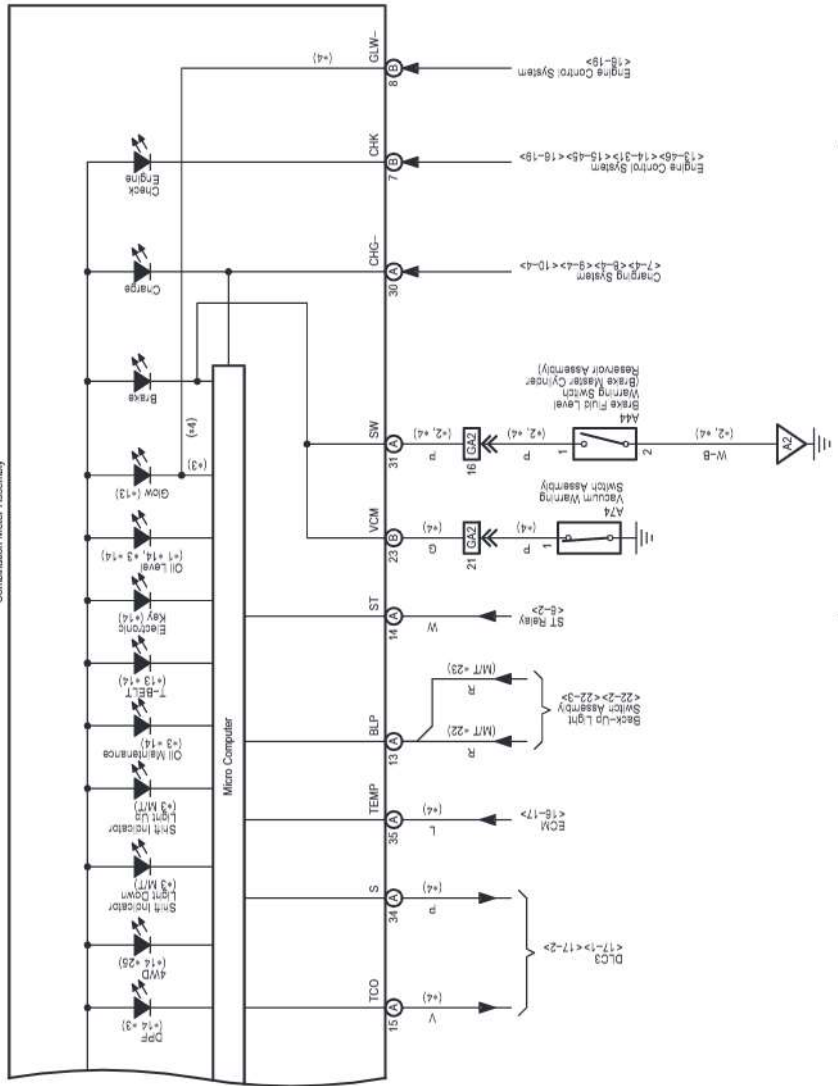


Combination Meter (LHD) (Before Aug. 2013 Production)

9 10 11 12

- \*1: 1GR-FE
- \*2: 2TR-FE
- \*3: 1KD-FTV
- \*4: 5L-E
- \*13: Diesel
- \*14: Except Optitron Meter
- \*22: For production through approximately Jan. 2011
- \*23: For production from approximately Jan. 2011
- \*25: From Oct. 2011 Production

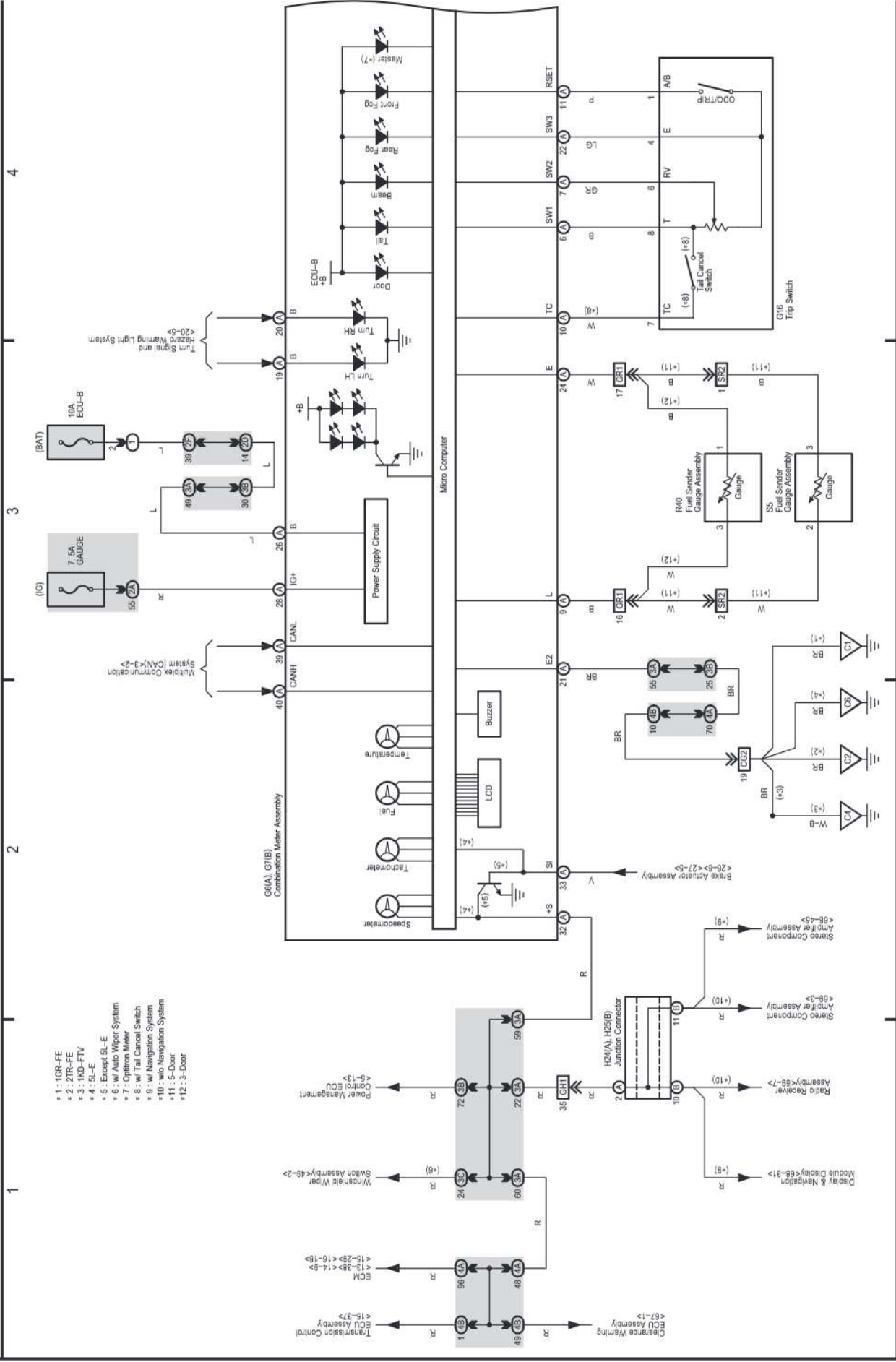
G6(A), G7(B)  
Combination Meter Assembly



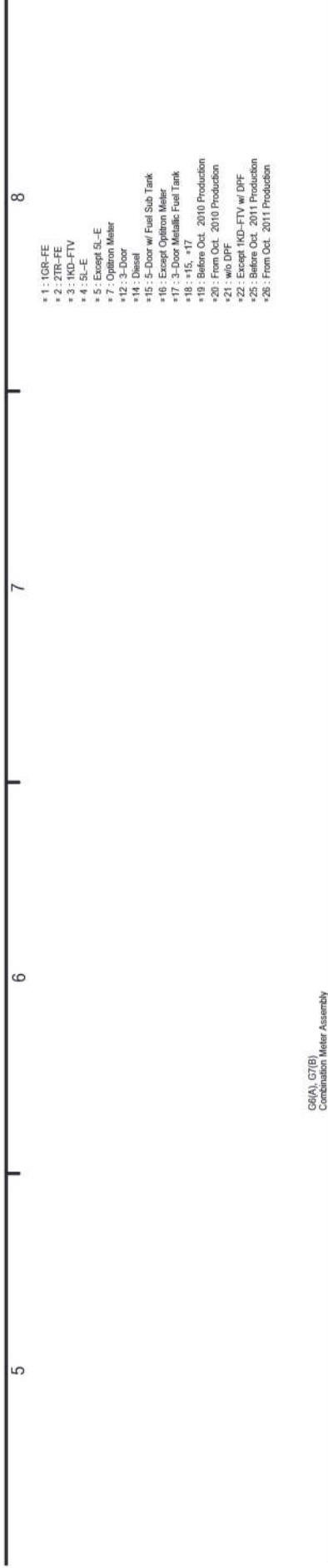
(Cont. next page)

72 LAND CRUISER / LAND CRUISER PRADO

Combination Meter (RHD) (Before Aug. 2013 Production)

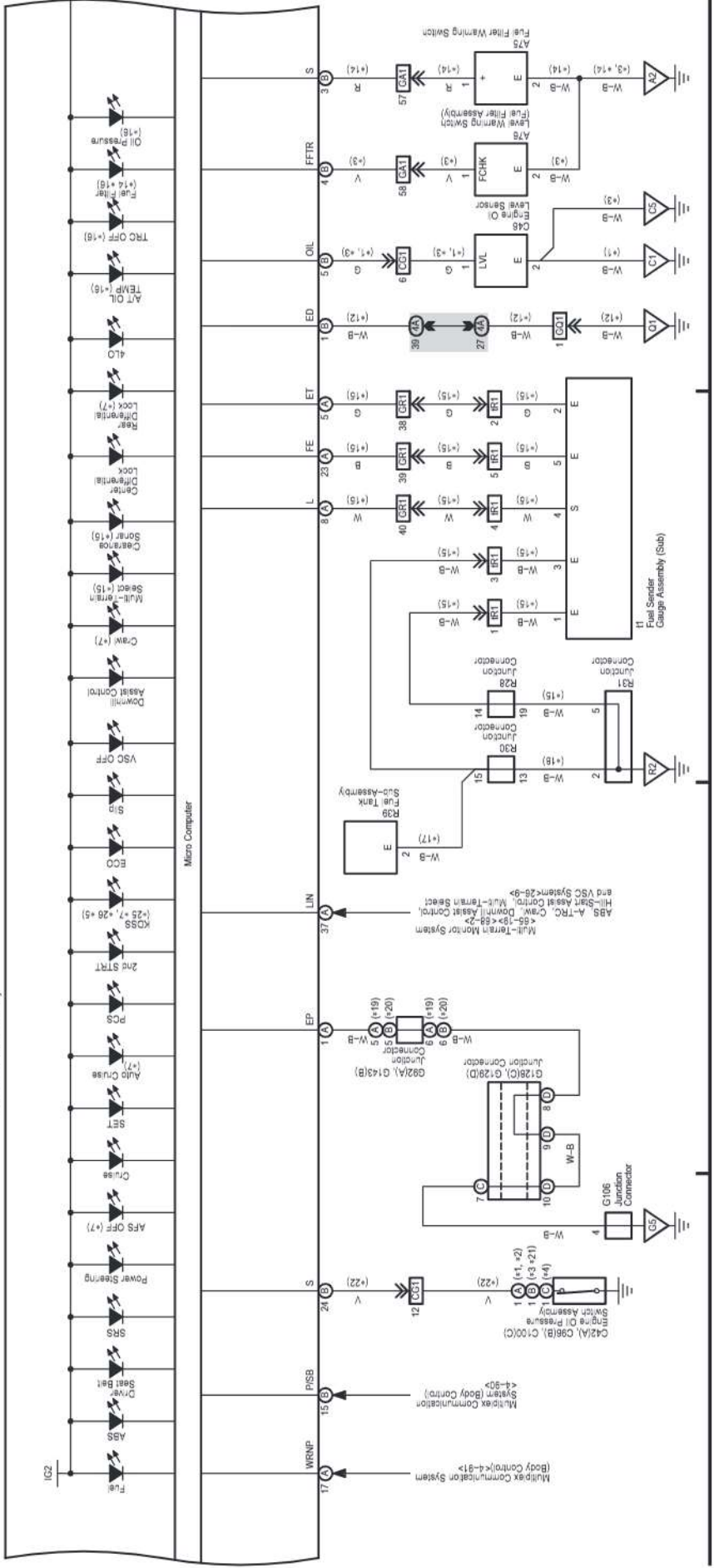


Combination Meter (RHD) (Before Aug. 2013 Production)



- \*1: 1GR-FE
- \*2: 2TR-FE
- \*3: 1ND-FTV
- \*4: 3L-E
- \*5: Except 3L-E
- \*6: Option Meter
- \*7: Option Meter
- \*8: 3-Door
- \*9: 5-Door
- \*10: 5-Door w/ Fuel Sub Tank
- \*11: Except Option Meter
- \*12: 3-Door w/ Fuel Sub Tank
- \*13: 5-Door w/ Fuel Sub Tank
- \*14: 5-Door w/ Fuel Sub Tank
- \*15: 5-Door w/ Fuel Sub Tank
- \*16: 5-Door w/ Fuel Sub Tank
- \*17: 5-Door w/ Fuel Sub Tank
- \*18: 5-Door w/ Fuel Sub Tank
- \*19: Before Oct. 2010 Production
- \*20: From Oct. 2010 Production
- \*21: w/o DPF
- \*22: Except 1KD-FTV w/ DPF
- \*23: Before Oct. 2011 Production
- \*24: Before Oct. 2011 Production
- \*25: Before Oct. 2011 Production
- \*26: From Oct. 2011 Production

6E(A), G7(B)  
Combination Meter Assembly





Combination Meter (RHD) (Before Aug. 2013 Production)

12

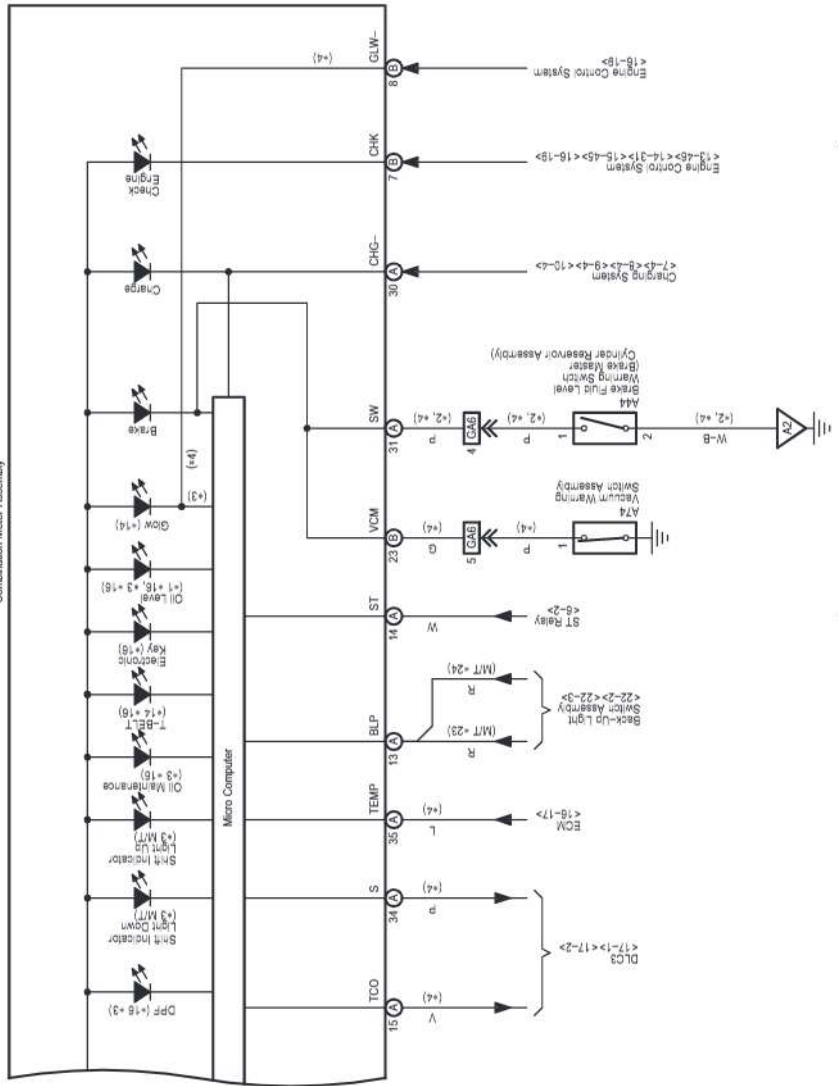
11

10

9

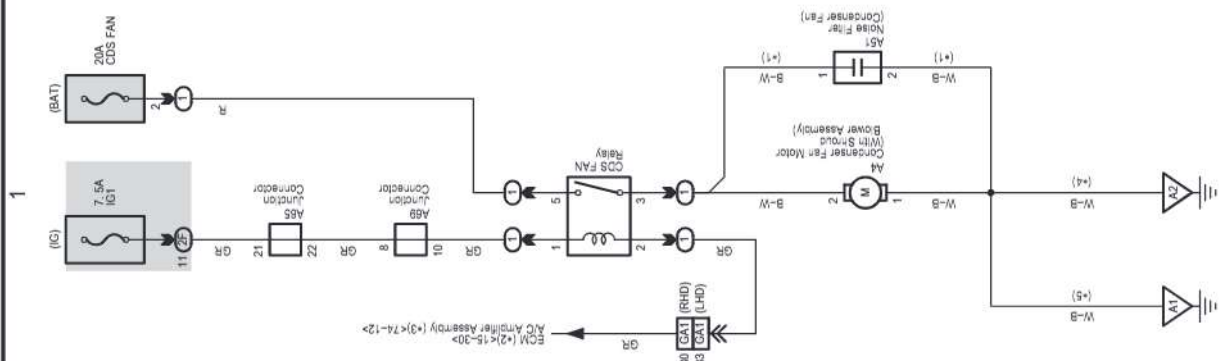
- \*1: 1GR-FE
- \*2: 2TR-FE
- \*3: 1KD-FTV
- \*4: 5L-E
- \*14: Diesel
- \*16: Except Optitron Meter
- \*23: For production through approximately Jan. 2011
- \*24: For production from approximately Jan. 2011

G6(A), G7(B)  
Combination Meter Assembly

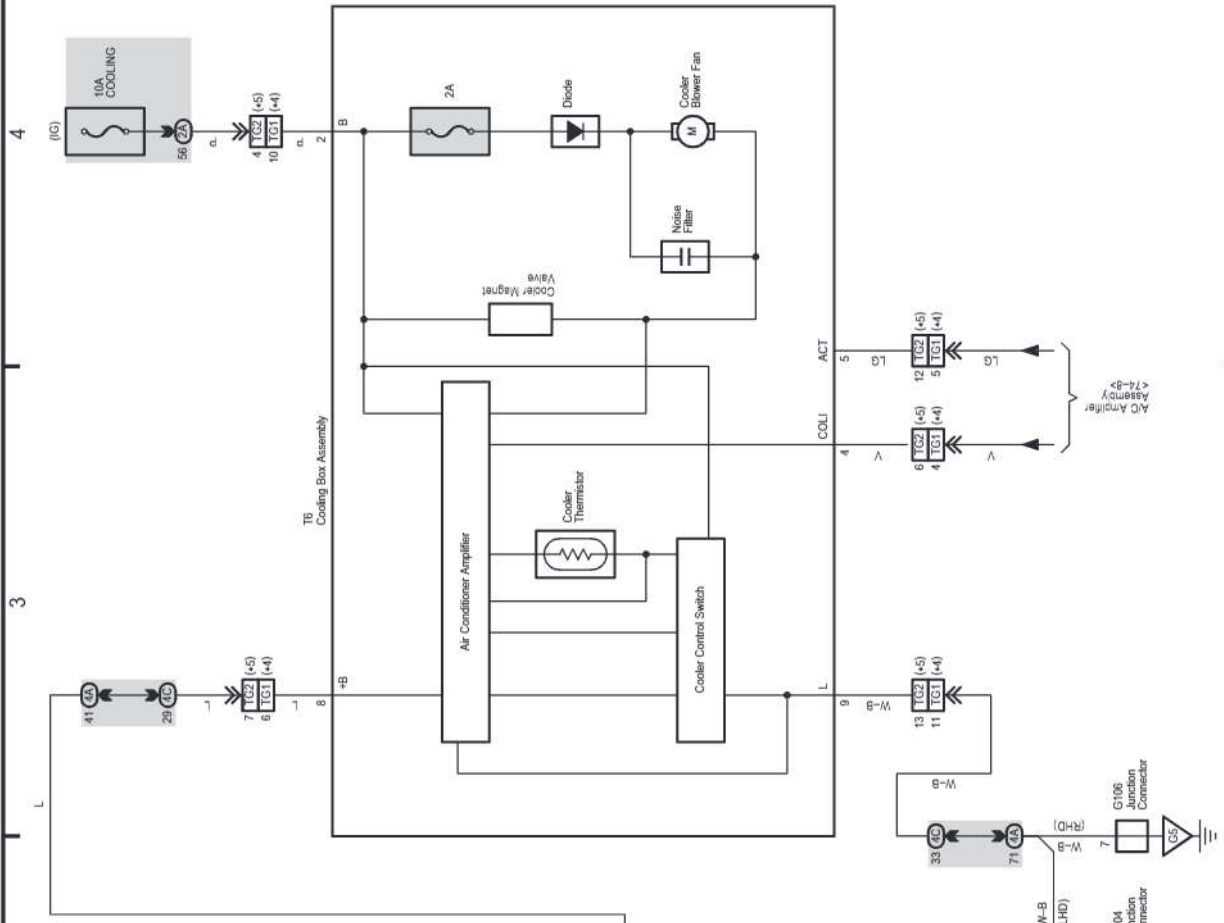


73 LAND CRUISER / LAND CRUISER PRADO

Condenser Fan



Cool Box



- 1 : W/ Noise Filter
- 2 : 1KD-FTV
- 3 : Except 1KD-FTV
- 4 : Before Aug. 2013 Production
- 5 : From Aug. 2013 Production

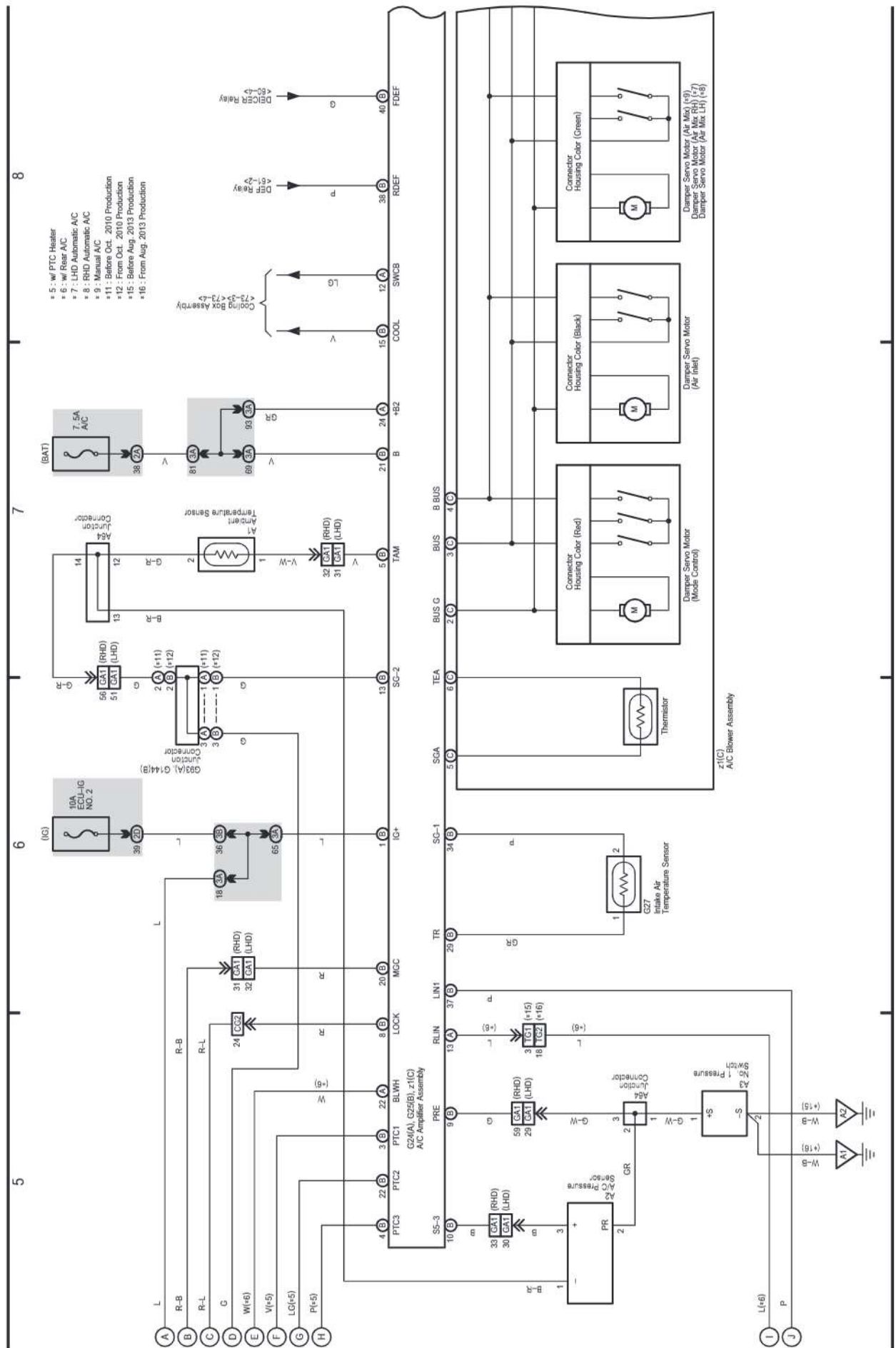


# M OVERALL ELECTRICAL WIRING DIAGRAM

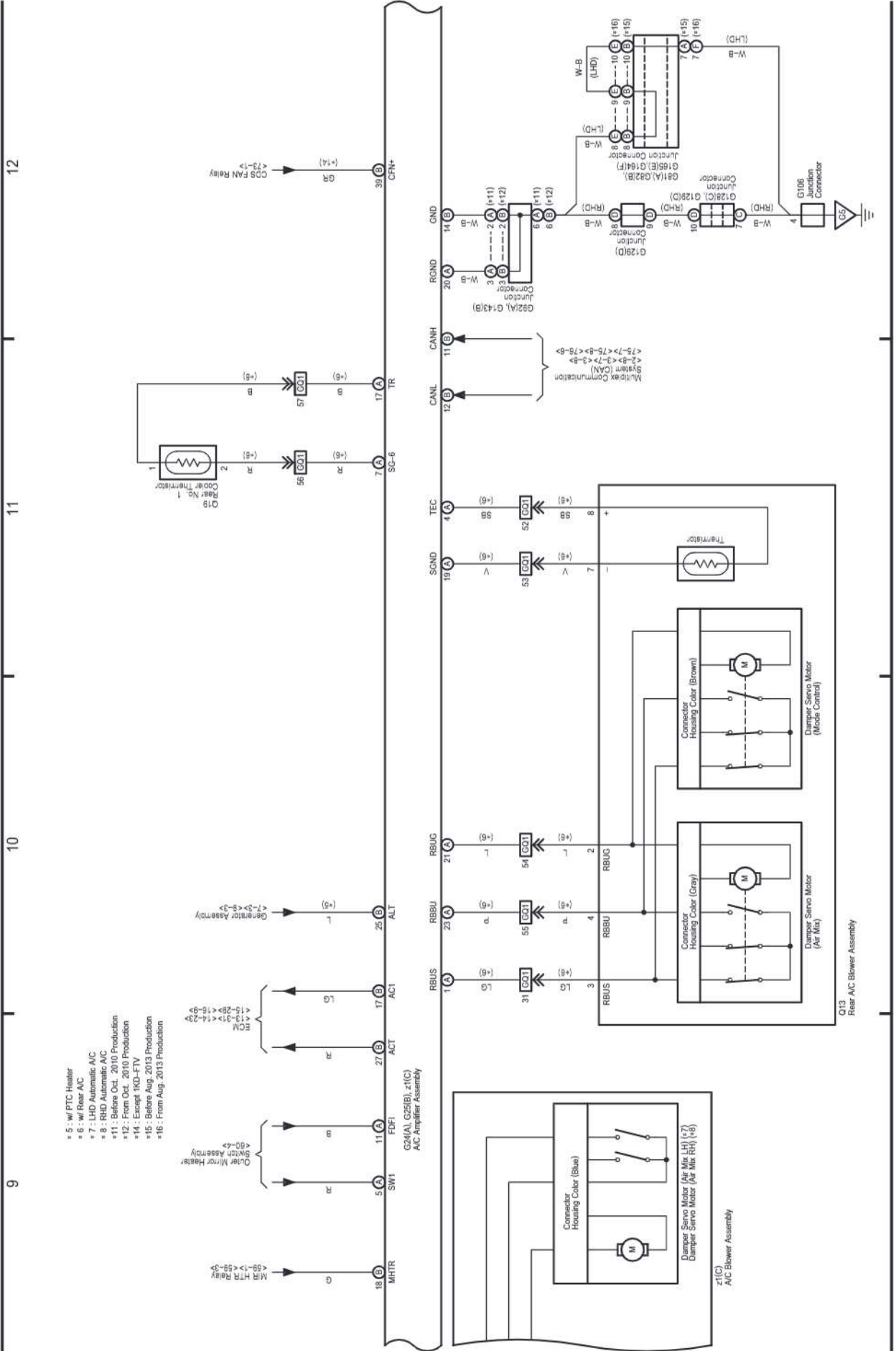
(Cont. next page)

74 LAND CRUISER / LAND CRUISER PRADO (Cont'd)

## Air Conditioner



Air Conditioner





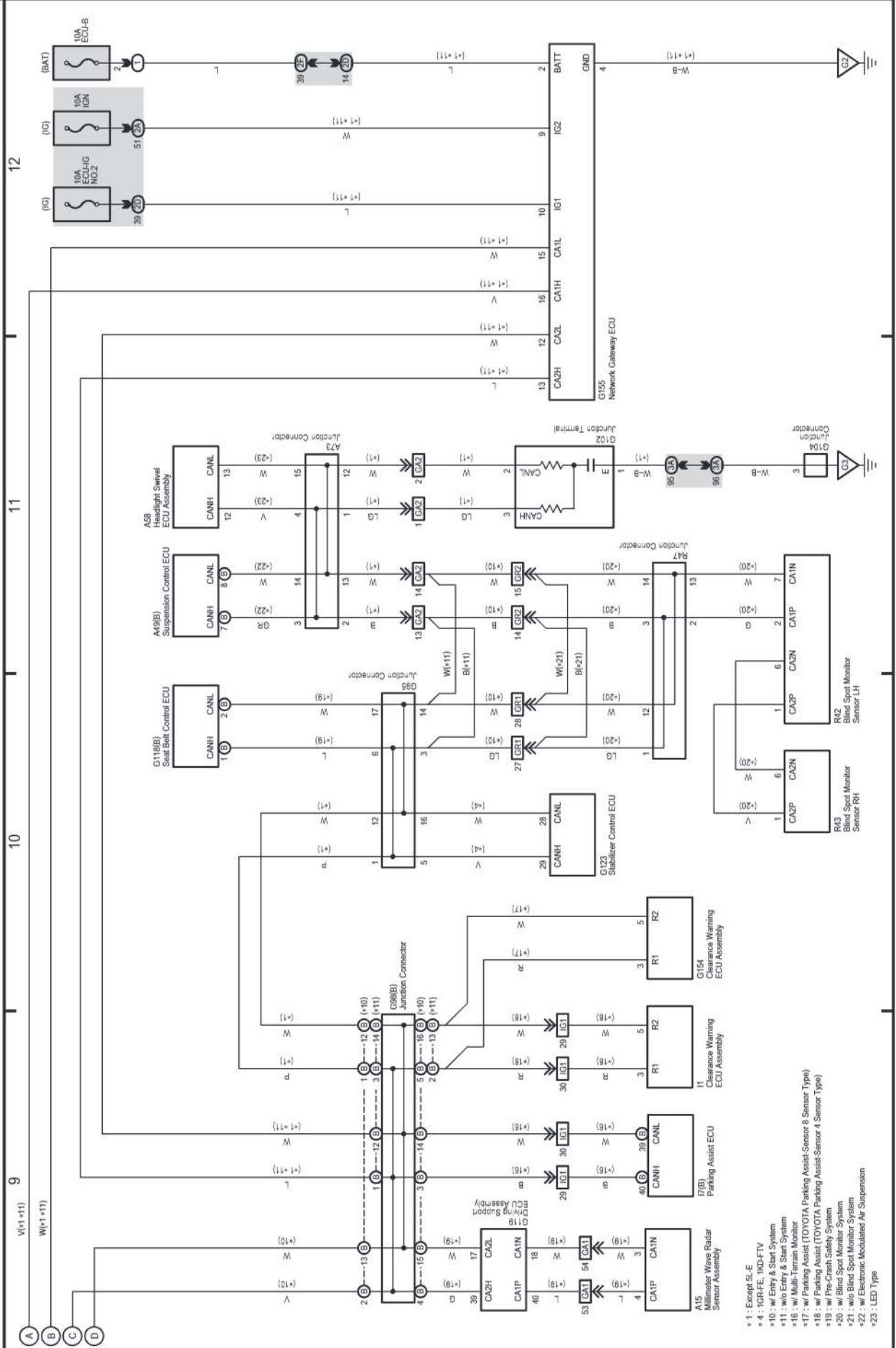






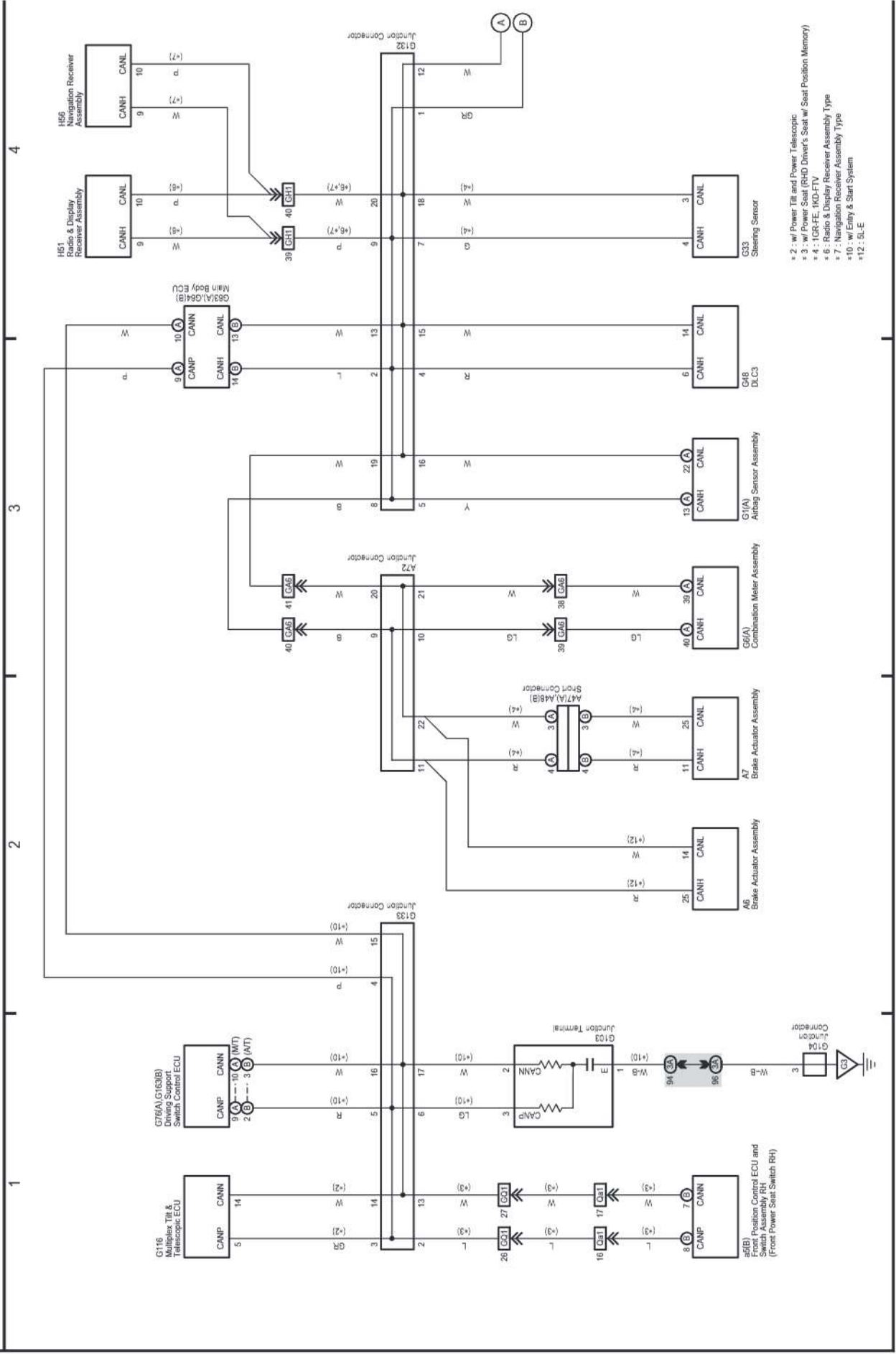
75 LAND CRUISER / LAND CRUISER PRADO (Cont'd)

Multiplex Communication System (CAN LHD) (From Aug. 2013 Production)



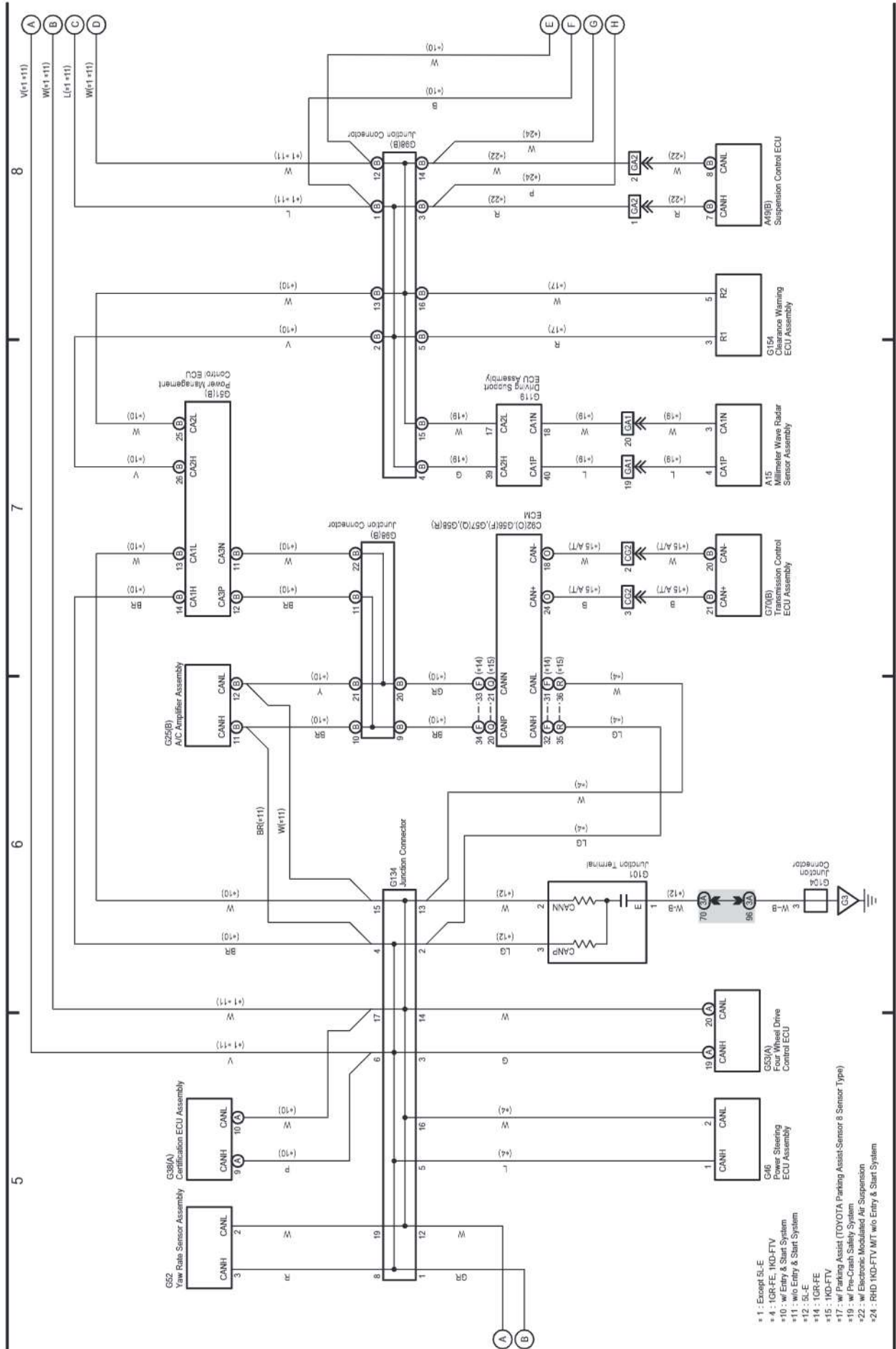
- \* 1: Except 5L-E
- \* 4: IGR-FE, 1K0-FTV
- \* 10: w/ Entry & Start System
- \* 11: w/o Entry & Start System
- \* 16: w/ Multi-Terrain Monitor
- \* 17: w/ Parking Assist (TOYOTA Parking Assist-Sensor 8 Sensor Type)
- \* 18: w/ Parking Assist (TOYOTA Parking Assist-Sensor 4 Sensor Type)
- \* 19: w/ Pre-Crash Safety System
- \* 20: w/ Blind Spot Monitor System
- \* 21: w/o Blind Spot Monitor System
- \* 22: w/ Electronic Modulated Air Suspension
- \* 23: LED Type

Multiplex Communication System (CAN RHD) (From Aug. 2013 Production)



- \* 2 : w/ Power Tilt and Power Telescopic
- \* 3 : w/ Power Seat (RHD Driver's Seat w/ Seat Position Memory)
- \* 4 : 1GR-FE (4D-FE)
- \* 5 : 1GR-FE (4D-FE)
- \* 6 : Radio & Display Receiver Assembly Type
- \* 7 : Navigation Receiver Assembly Type
- \* 10 : w/ Entry & Start System
- \* 12 : SL-E

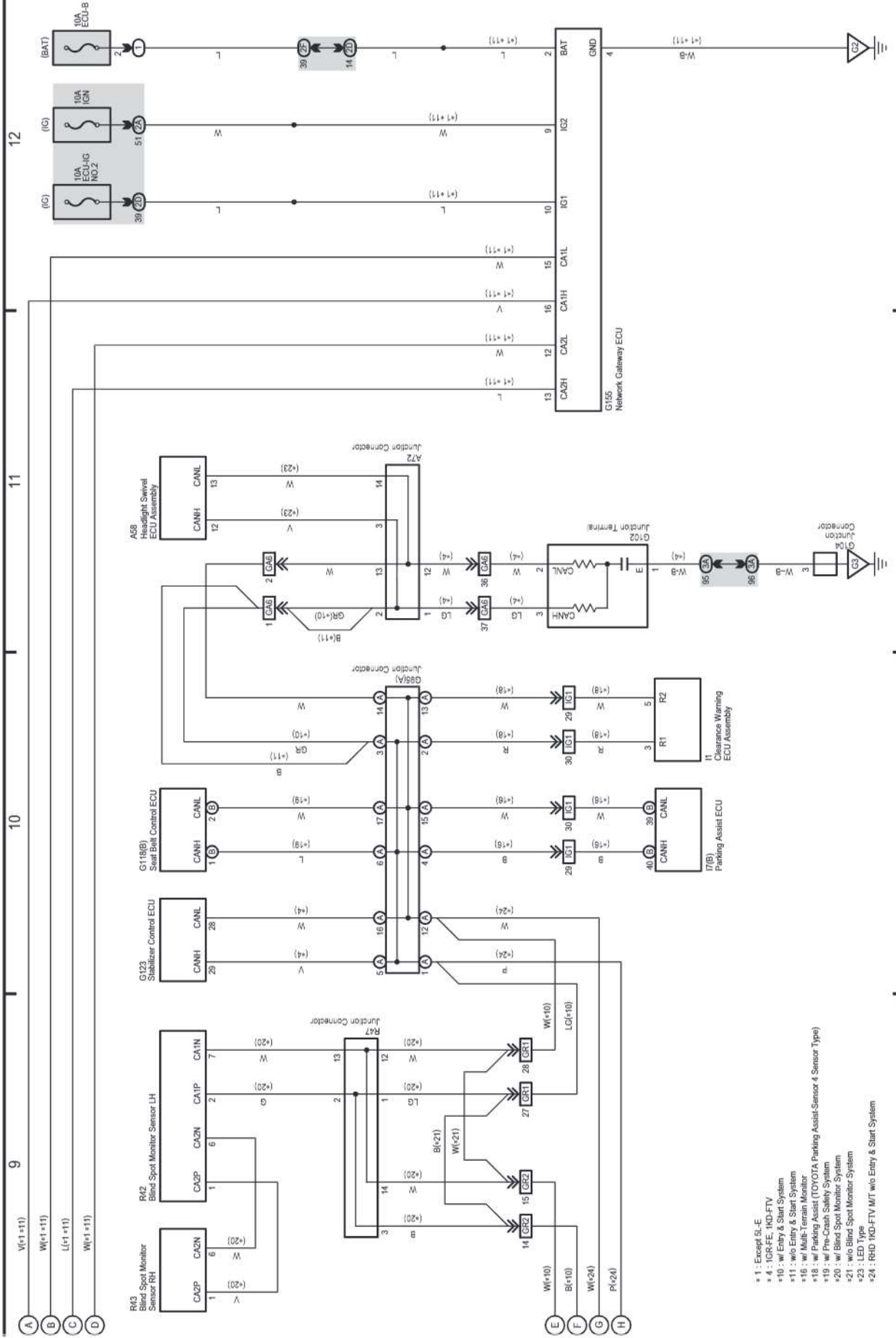
Multiplex Communication System (CAN RHD) (From Aug. 2013 Production)



- \* 1 : Except 5L-E
- \* 4 : 1GR-FE, 1KD-FTV
- \* 10 : w/ Entry & Start System
- \* 11 : w/ Entry & Start System
- \* 12 : 5L-E
- \* 14 : 1GR-FE
- \* 15 : 1KD-FTV
- \* 17 : w/ Parking Assist (TOYOTA Parking Assist-Sensor 8 Sensor Type)
- \* 19 : w/ Pre-Crash Safety System
- \* 22 : w/ Electronic Modulated Air Suspension
- \* 24 : RHD 1KD-FTV MT w/o Entry & Start System

76 LAND CRUISER / LAND CRUISER PRADO (Cont'd)

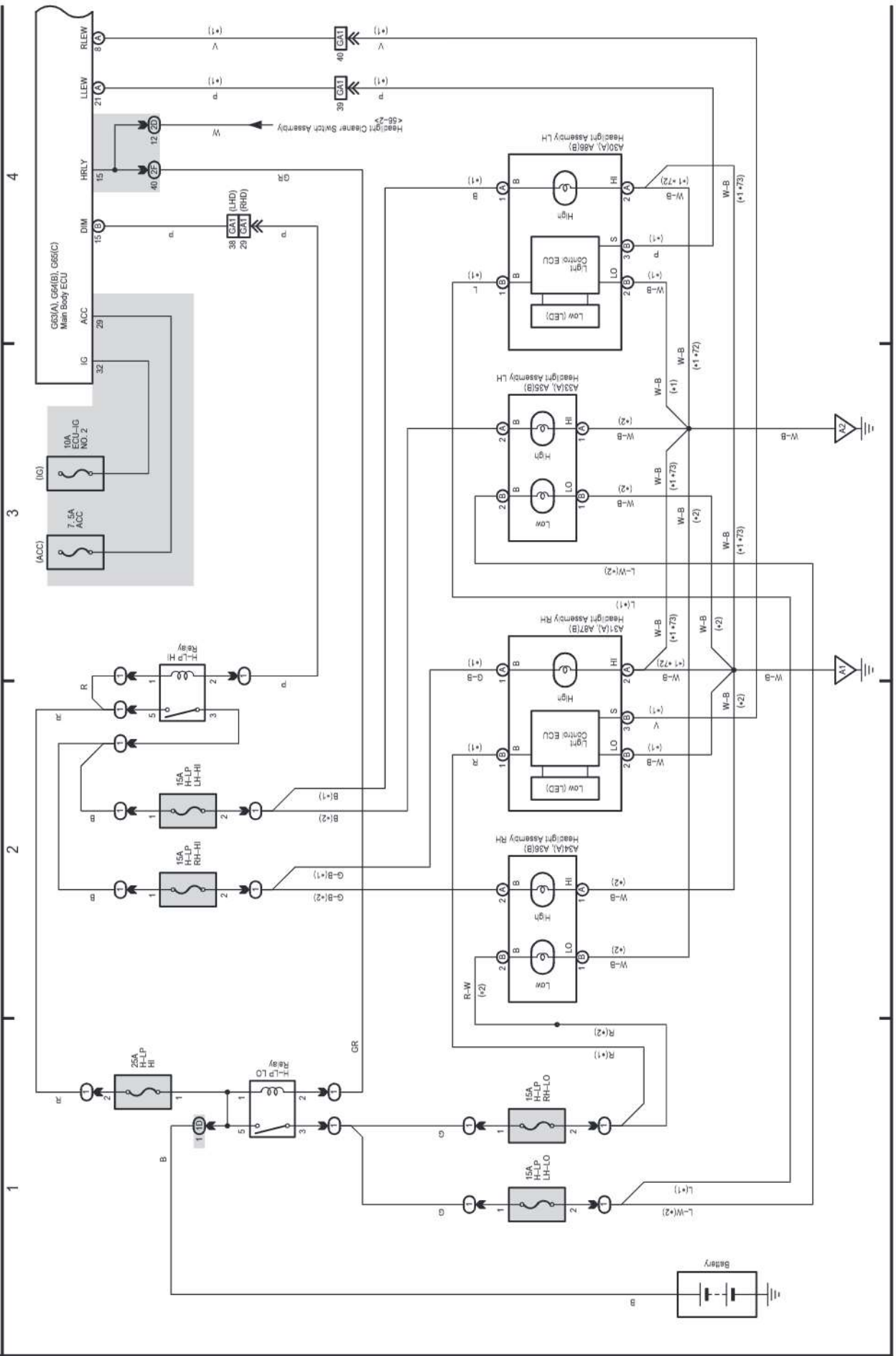
Multiplex Communication System (CAN RHD) (From Aug. 2013 Production)



- \* 1 : Escape E-L-E
- \* 4 : IG/FE, I/O, FTV
- \* 10 : w/ Entry & Start System
- \* 11 : w/o Entry & Start System
- \* 12 : w/ Multi-Terrain Monitor
- \* 18 : w/ Parking Assist (TOYOTA Parking Assist Sensor 4, Sensor Type)
- \* 19 : w/ Pre-Crash Safety System
- \* 20 : w/ Blind Spot Monitor System
- \* 21 : w/o Blind Spot Monitor System
- \* 23 : LED Type
- \* 24 : RHD I/O, FTV, w/ Entry & Start System

Multiplex Communication System (Body Control) (From Aug. 2013 Production)

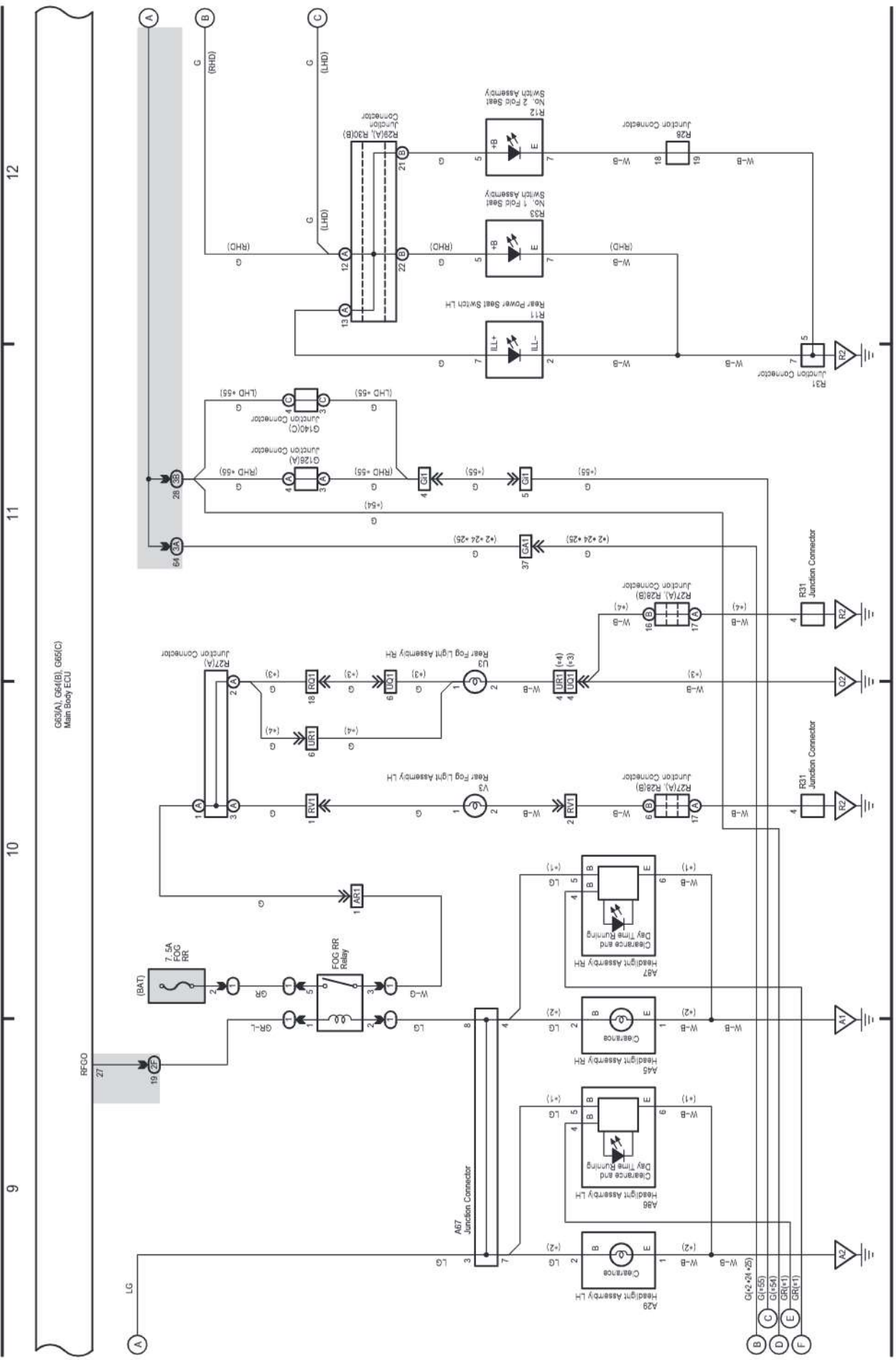
- \* 1 : LED Type
- \* 2 : Except LED Type
- \* 72 : Except 1GR-FE, Australia
- \* 73 : 1GR-FE, Australia





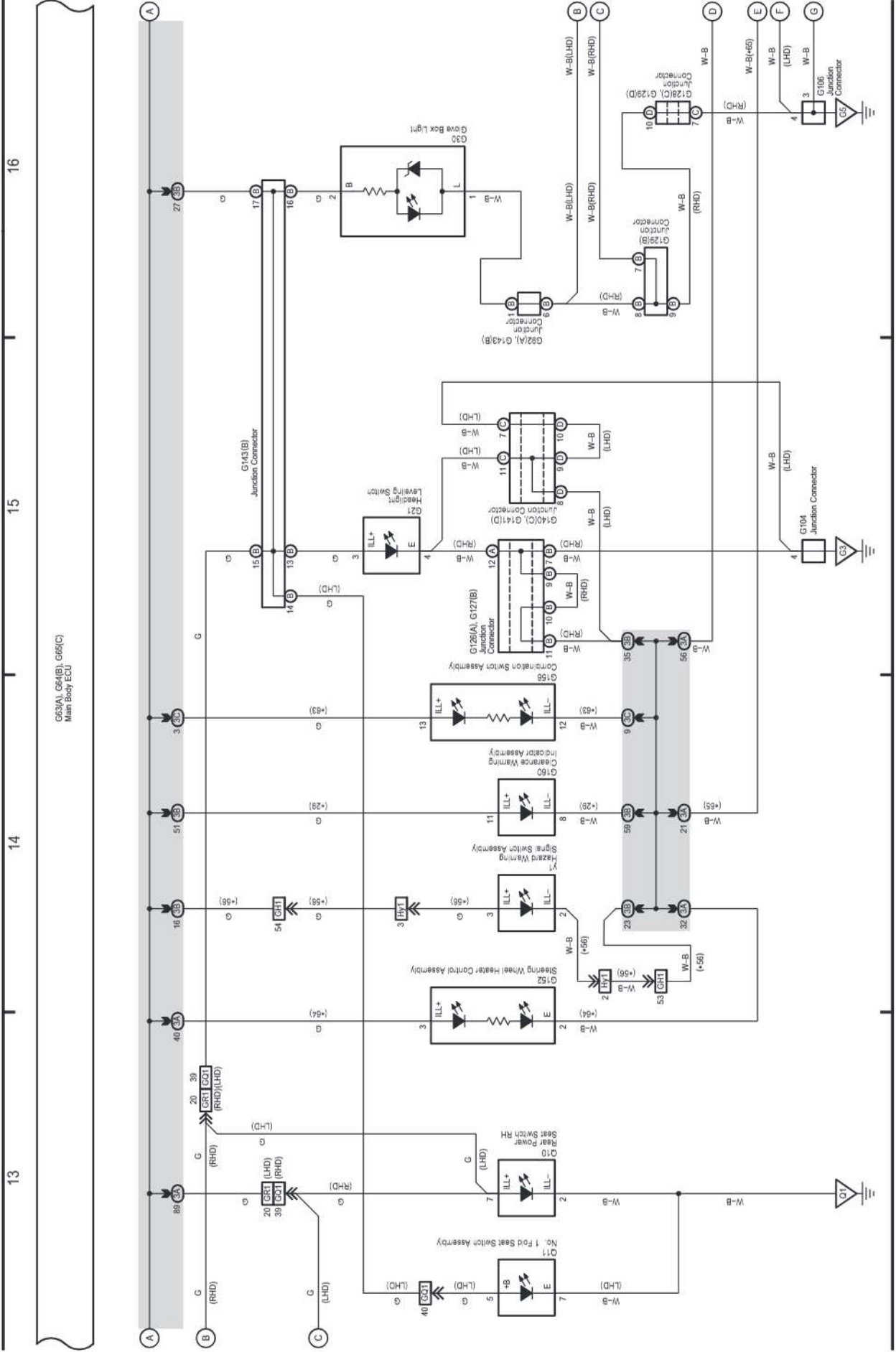
- \* 1 : LED Type
- \* 2 : Except LED Type
- \* 3 : 5-Door
- \* 4 : 3-Door
- \* 24 : w/ Entry & Start System
- \* 25 : 1GR-FE, 1KD-FTV
- \* 54 : Bench Seat
- \* 55 : Separate Seat

Multiplex Communication System (Body Control) (From Aug. 2013 Production)



- \*29 : w/ Clearance Warning Indicator Assembly
- \*30 : w/ Driving Support Switch Control ECU
- \*59 : w/ Navigation system, w/ Display Audio
- \*63 : w/ Crawl
- \*64 : w/ Heated Steering Wheel System
- \*65 : Audiless Type

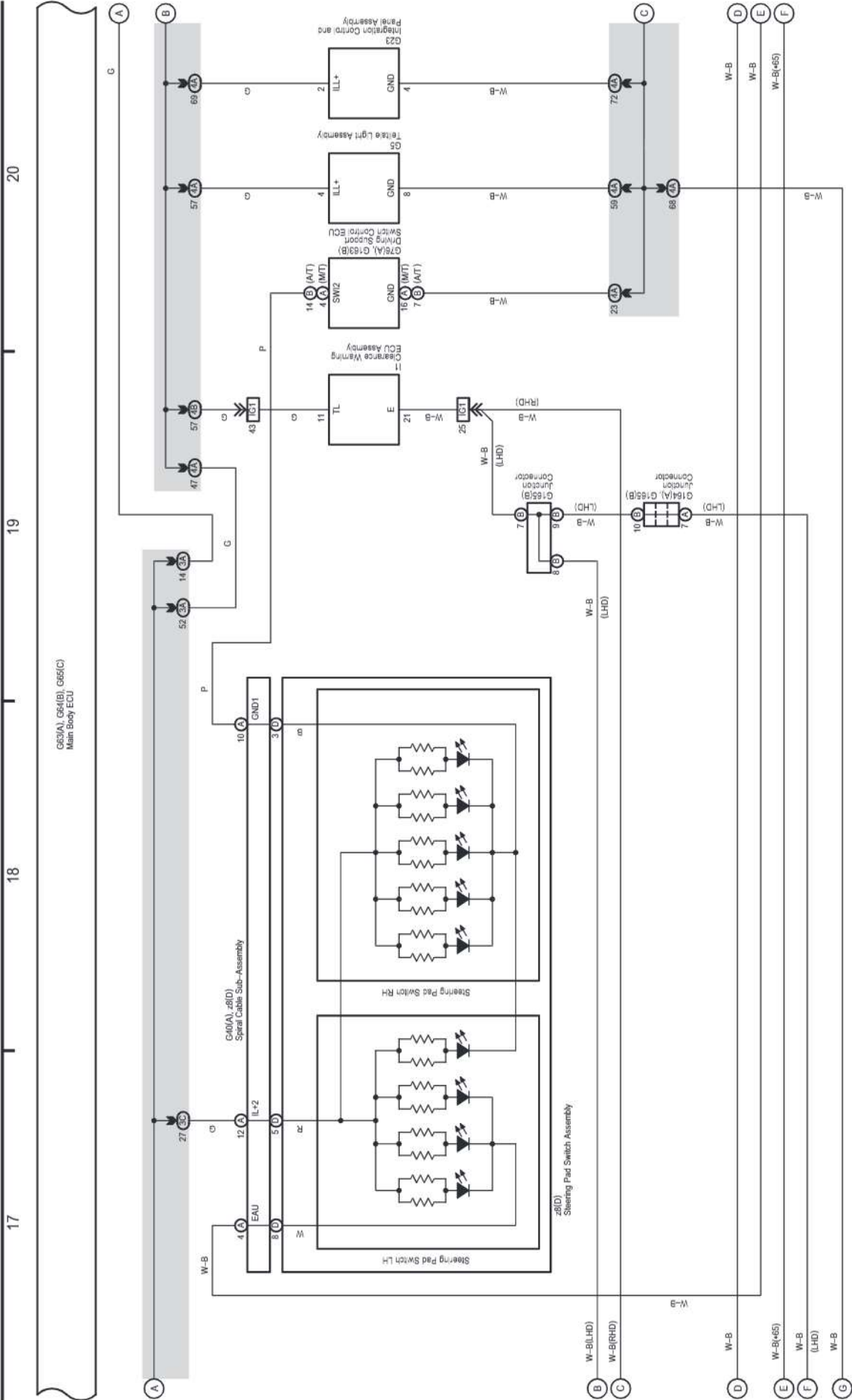
Multiplex Communication System (Body Control) (From Aug. 2013 Production)





Multiplex Communication System (Body Control) (From Aug. 2013 Production)

\*65: Audibleless Type

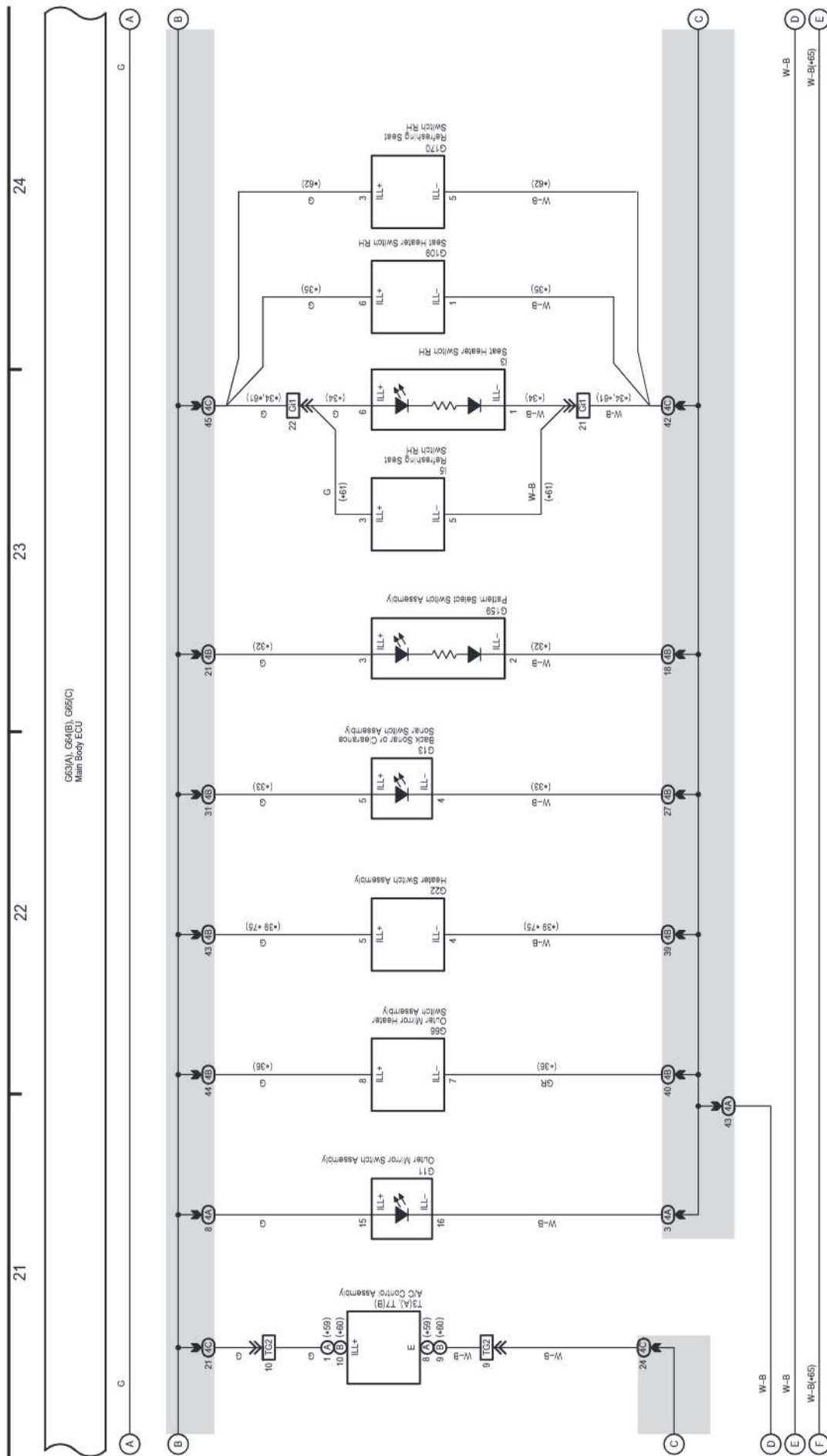


# M OVERALL ELECTRICAL WIRING DIAGRAM

77 LAND CRUISER / LAND CRUISER PRADO (Cont'd)

(Cont. next page)

Multiplex Communication System (Body Control) (From Aug. 2013 Production)



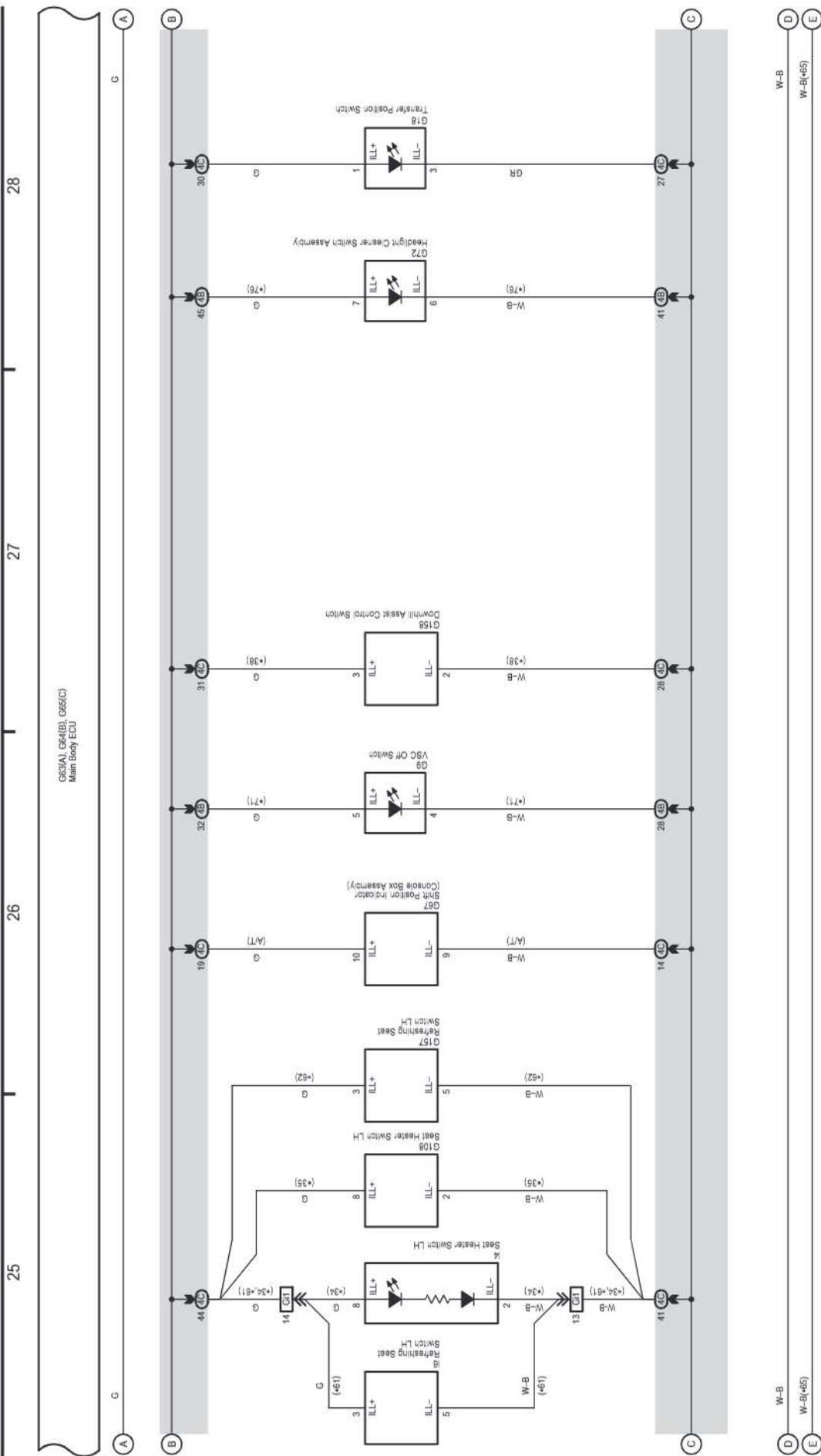
- \*59 : w/o Seat Heater (Rear)
  - \*60 : w/ Seat Heater (Rear)
  - \*61 : w/ Entry & Start System w/ Climate Control Seat
  - \*62 : w/o Entry & Start System w/ Climate Control Seat
  - \*65 : Audiless Type
  - \*75 : Cold Area Spec.
- \*32 : w/ Pattern Select Switch Assembly
  - \*33 : w/ Electronic Modulated Air Suspension
  - \*34 : w/ Entry & Start System w/ Seat Heater
  - \*35 : w/o Entry & Start System w/ Seat Heater
  - \*36 : w/ Front Window Deicer
  - \*37 : w/ Rear Differential Lock
  - \*39 : 1KD-FTV

77 LAND CRUISER / LAND CRUISER PRADO (Cont.d)

(Cont. next page)

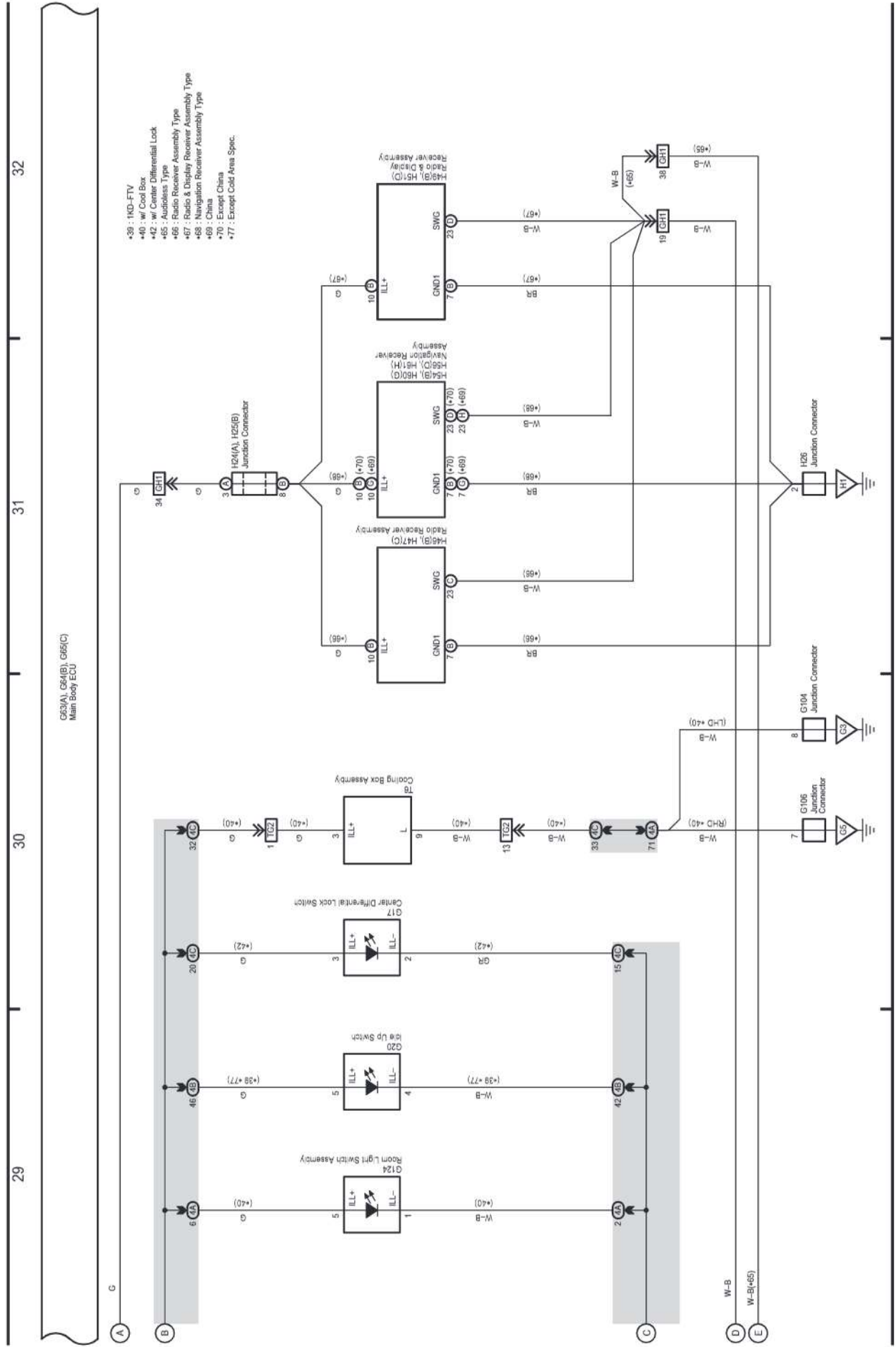
- \*33 : w/ Electronic Modulated Air Suspension
- \*34 : w/ Entry & Start System w/ Seat Heater
- \*35 : w/o Entry & Start System w/ Seat Heater
- \*38 : w/o Crawl
- \*61 : w/ Entry & Start System w/ Climate Control Seat
- \*62 : w/o Entry & Start System w/ Climate Control Seat
- \*65 : Audiless Type
- \*71 : Except 5L-E
- \*76 : w/ Headlight Cleaner

Multiplex Communication System (Body Control) (From Aug. 2013 Production)



M OVERALL ELECTRICAL WIRING DIAGRAM

Multiplex Communication System (Body Control) (From Aug. 2013 Production)



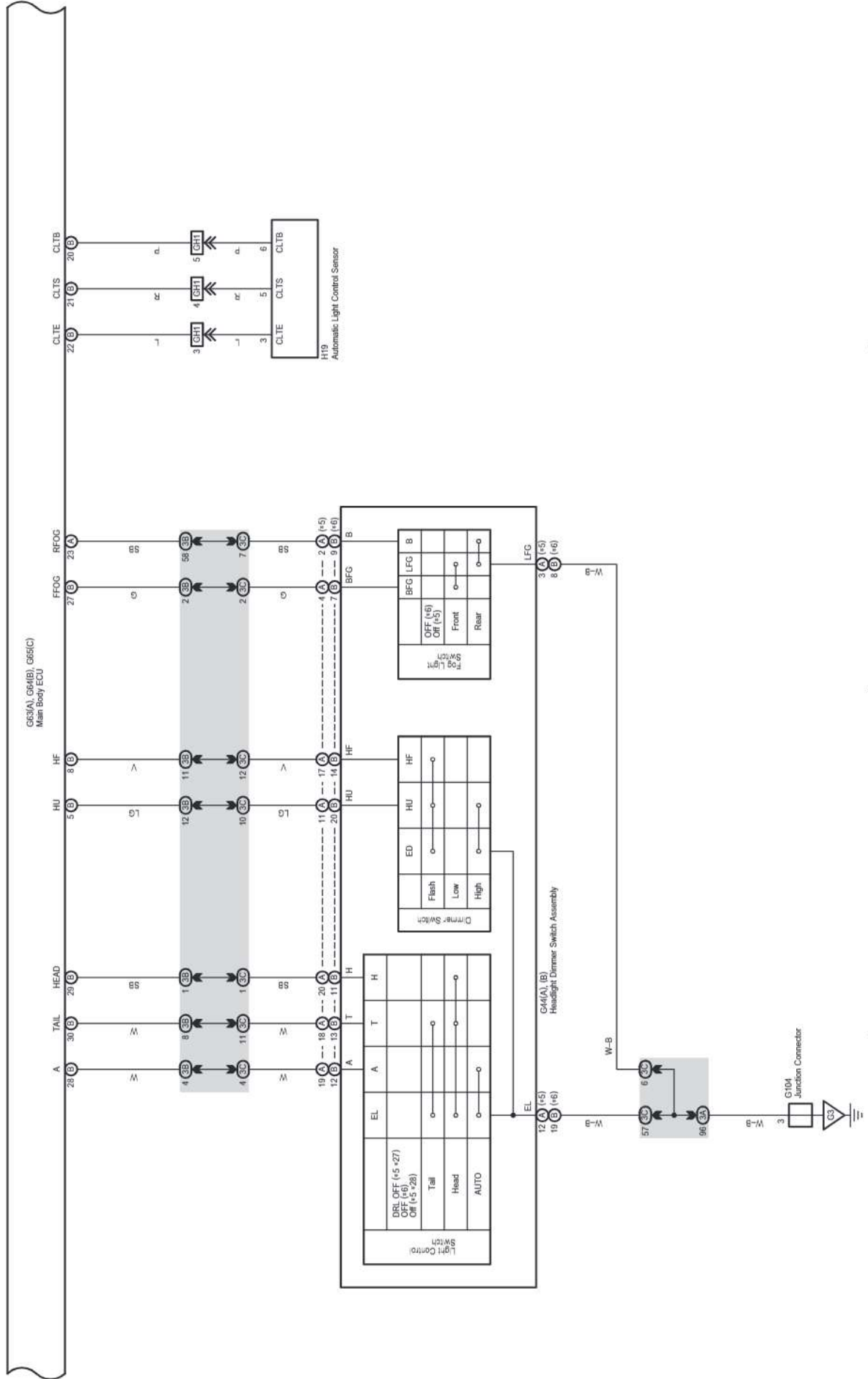
Multiplex Communication System (Body Control) (From Aug. 2013 Production)

33

34

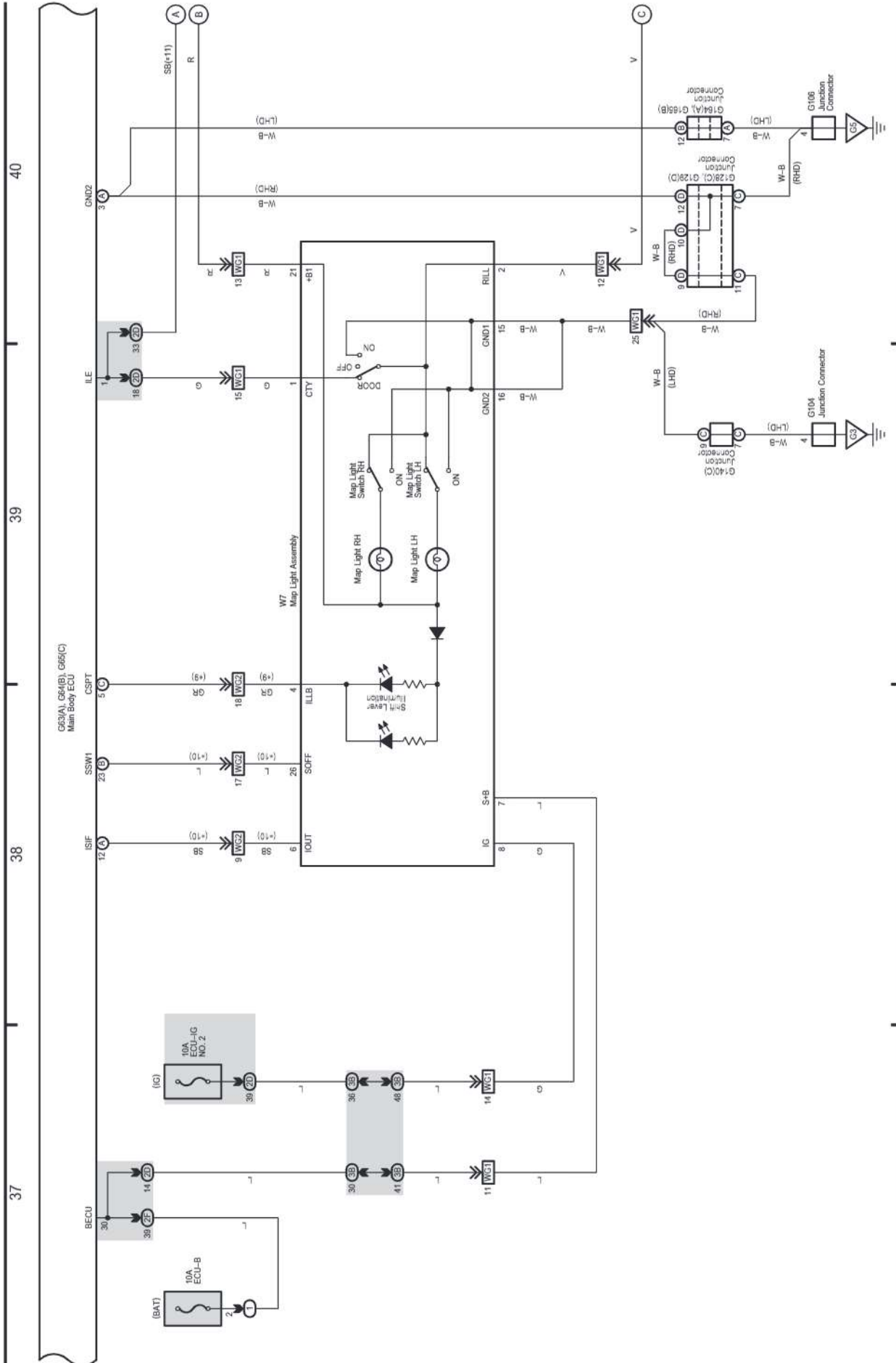
35

36



\*9: w/ Automatic Clutch-Resistant EC Mirror  
 \*10: w/ Theft Warning Siren Assembly  
 \*11: w/o Entry & Start System

Multiplex Communication System (Body Control) (From Aug. 2013 Production)



Multiplex Communication System (Body Control) (From Aug. 2013 Production)

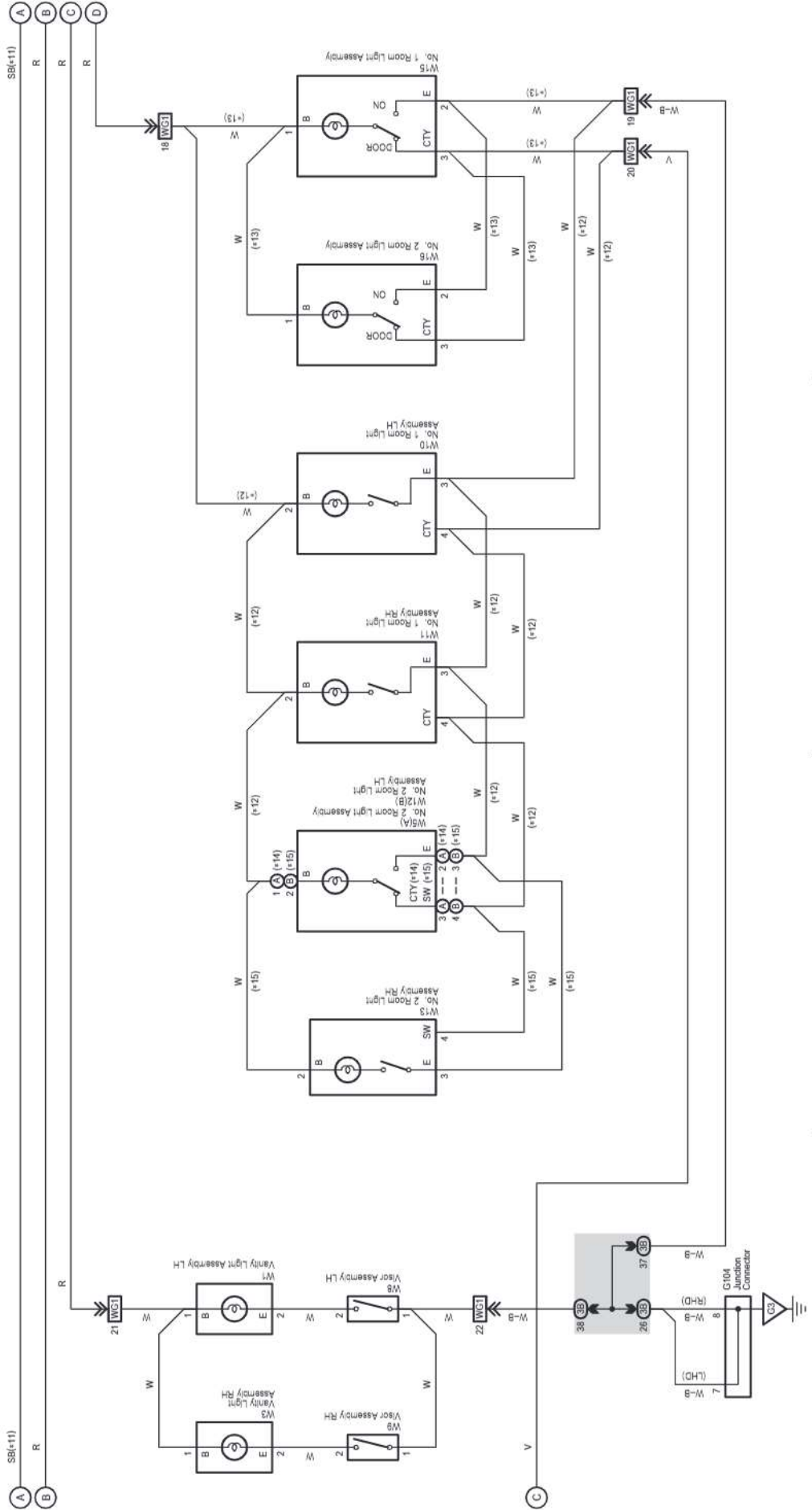
41

42

43

44

G63(A), G64(B), G65(C)  
Main Body ECU



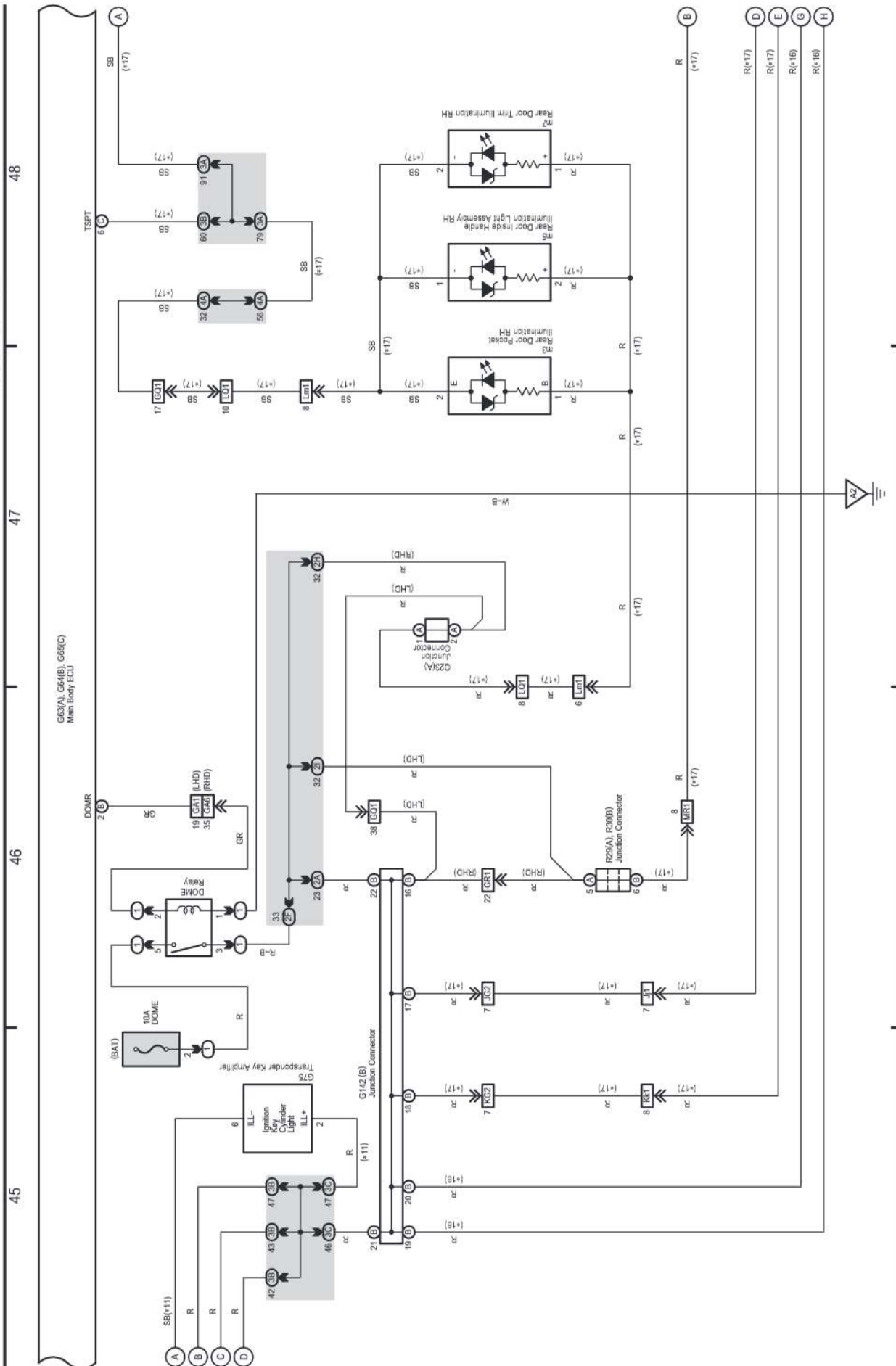
# M OVERALL ELECTRICAL WIRING DIAGRAM

77 LAND CRUISER / LAND CRUISER PRADO (Cont'd)

(Cont. next page)

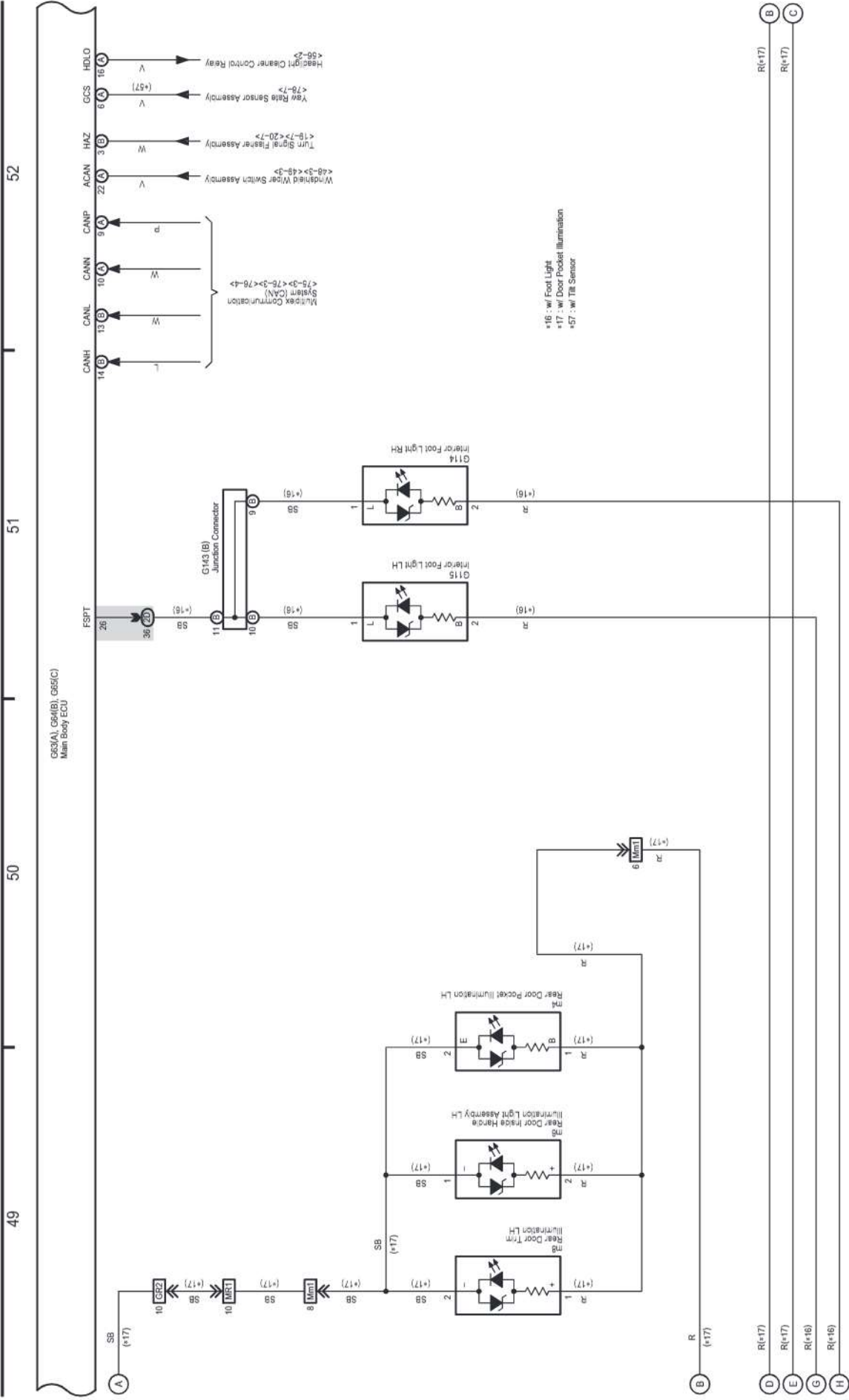
-11 : w/o Entry & Start System  
-16 : w/ Foot Light  
-17 : w/ Door Pocket Illumination

Multiplex Communication System (Body Control) (From Aug. 2013 Production)





Multiplex Communication System (Body Control) (From Aug. 2013 Production)



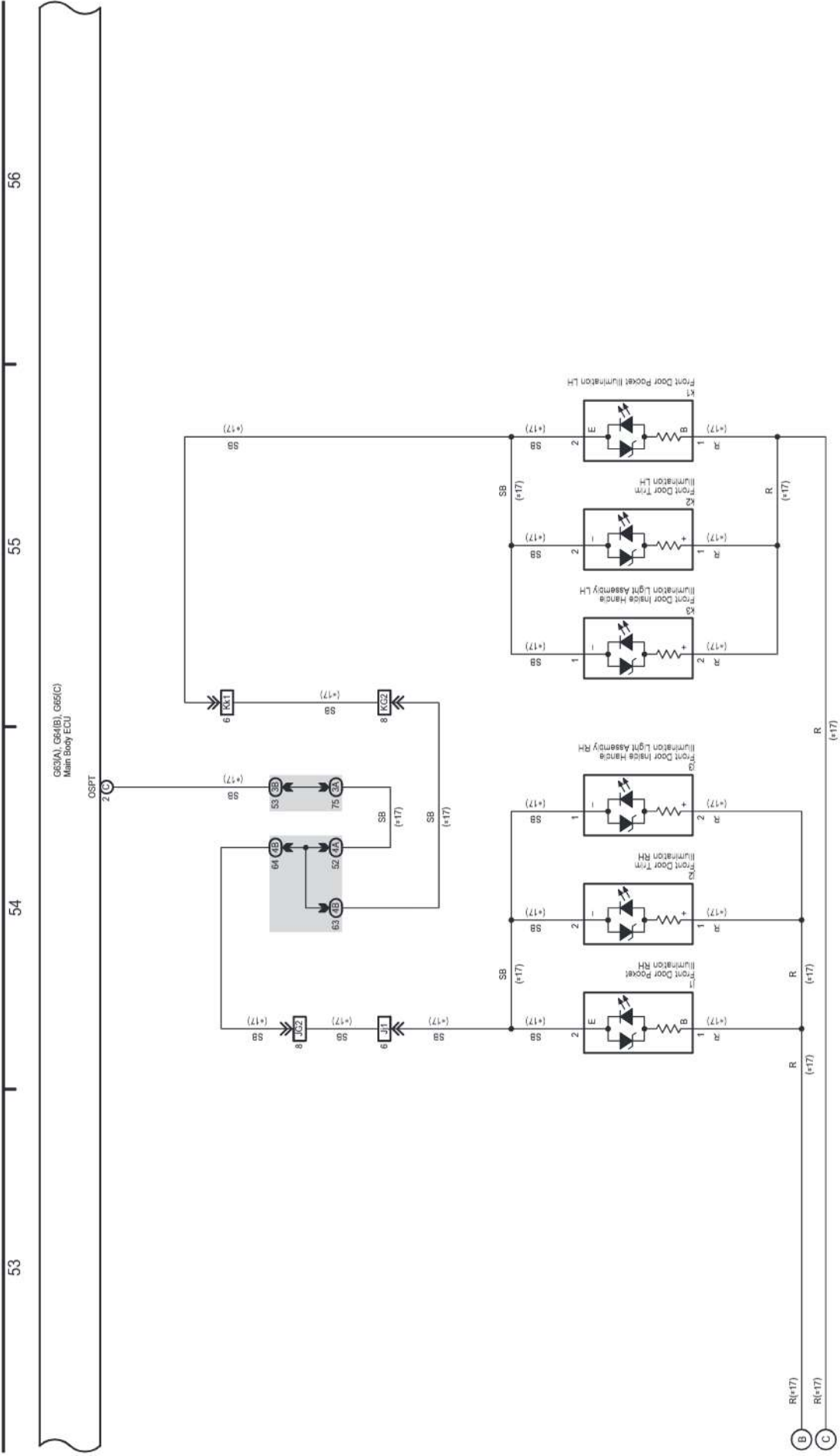
# M OVERALL ELECTRICAL WIRING DIAGRAM

(Cont. next page)

77 LAND CRUISER / LAND CRUISER PRADO (Cont'd)

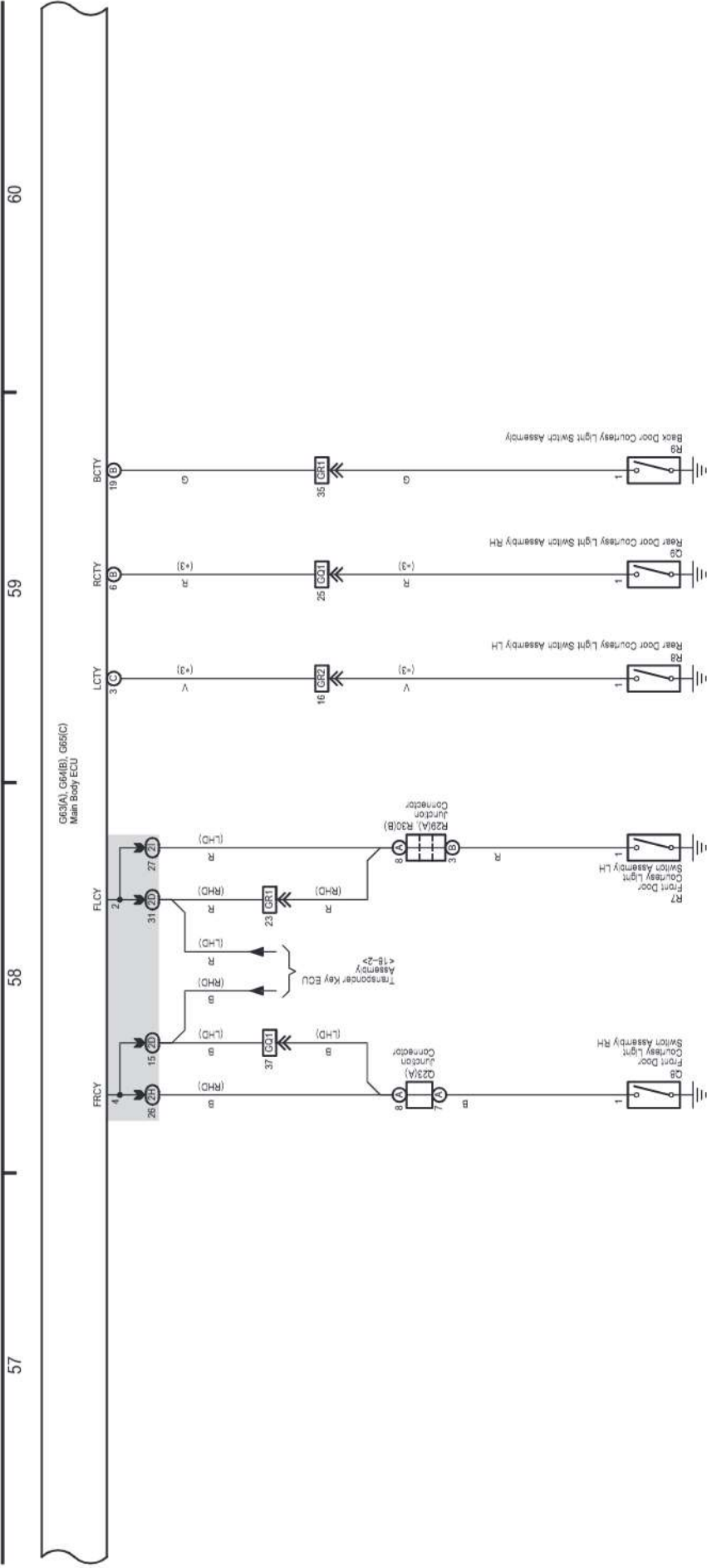
Multiplex Communication System (Body Control) (From Aug. 2013 Production)

\*17 : w/ Door Pocket Illumination



\* 3 : 5-Door

Multiplex Communication System (Body Control) (From Aug. 2013 Production)



57

58

59

60

\* 3 : 5-Door  
\* 19 : w/ Double Locking  
\* 20 : w/o Double Locking

Multiplex Communication System (Body Control) (From Aug. 2013 Production)

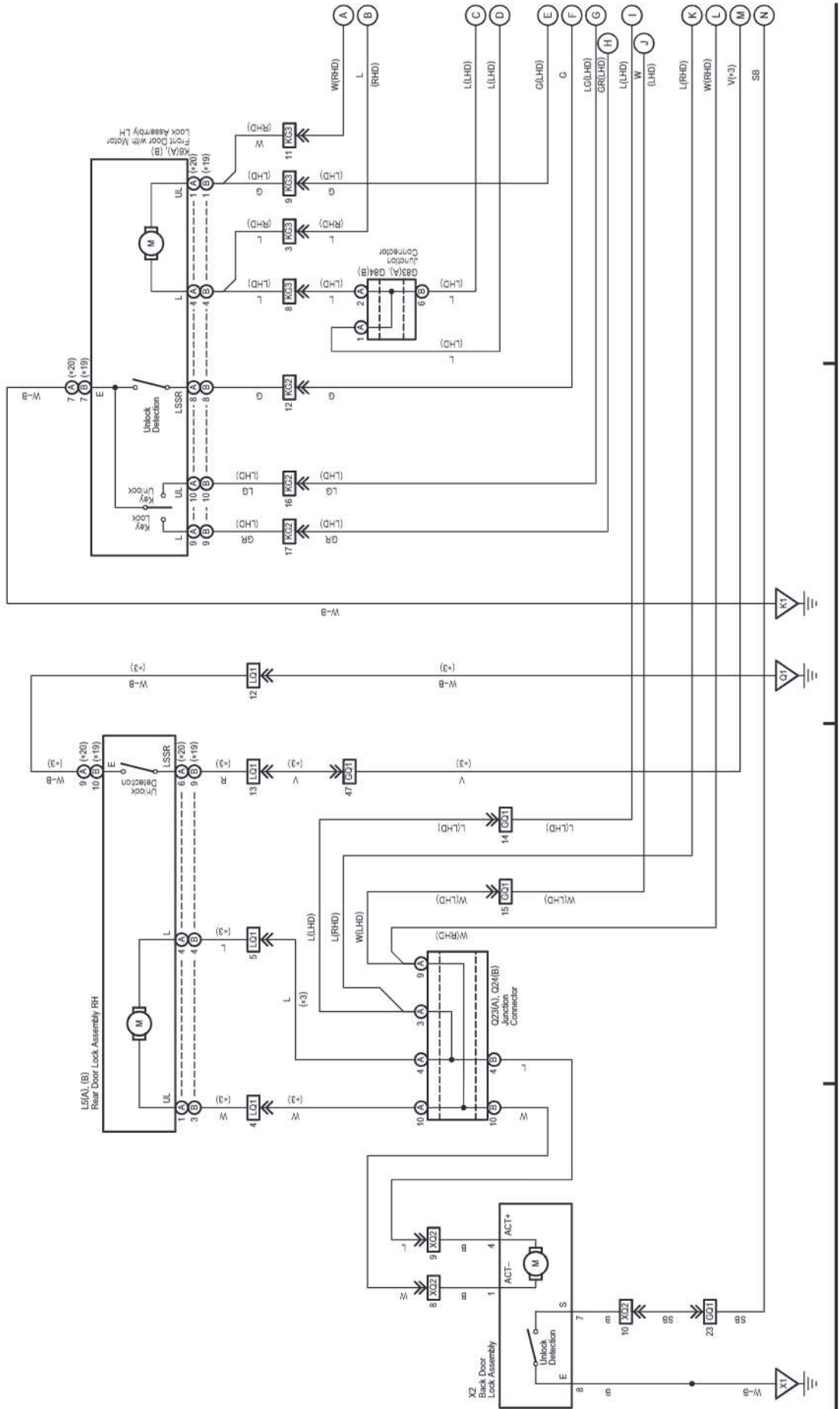
61

62

63

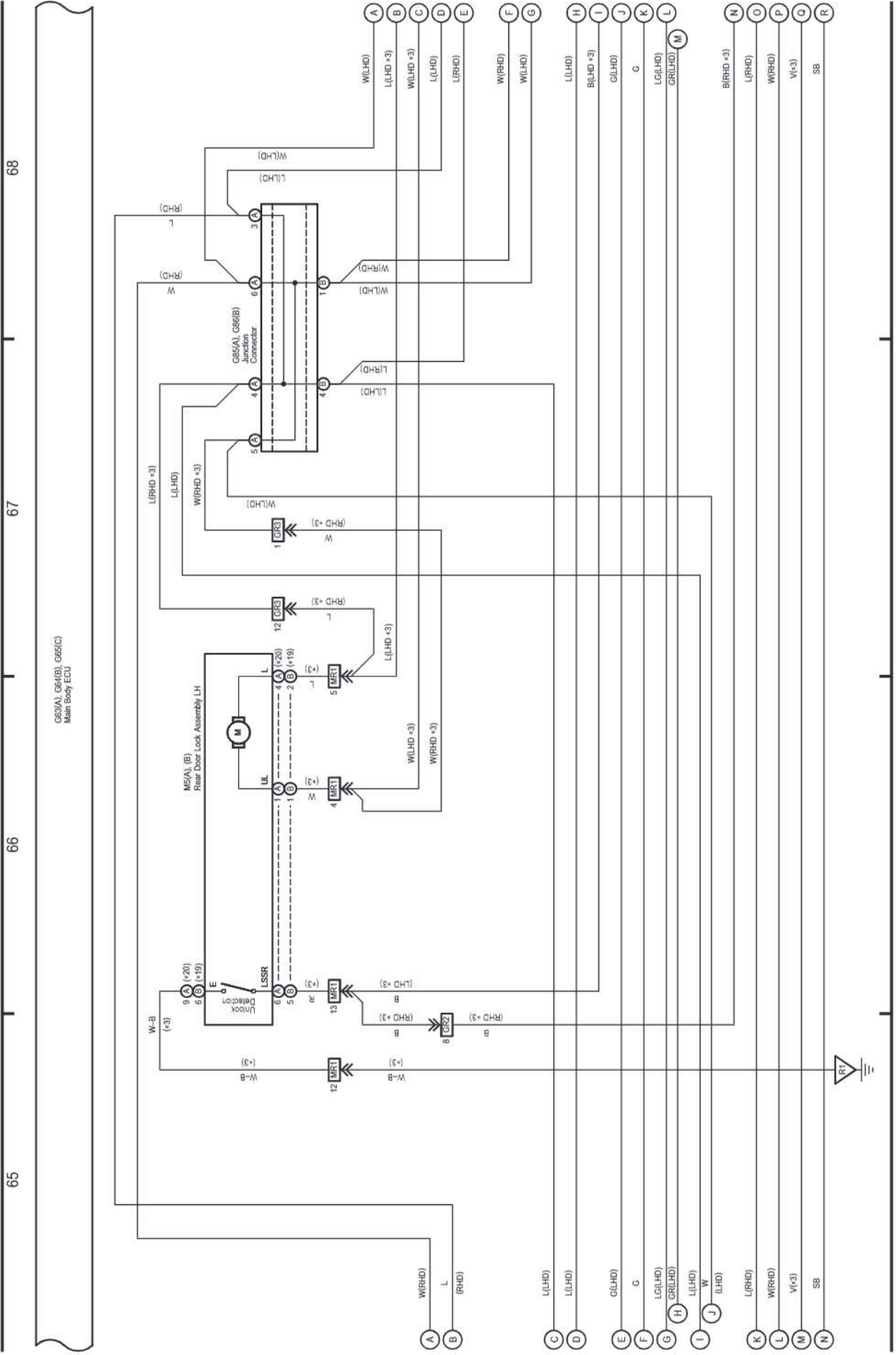
64

G53(A), G54(B), G55(C)  
Main Body ECU



Multiplex Communication System (Body Control) (From Aug. 2013 Production)

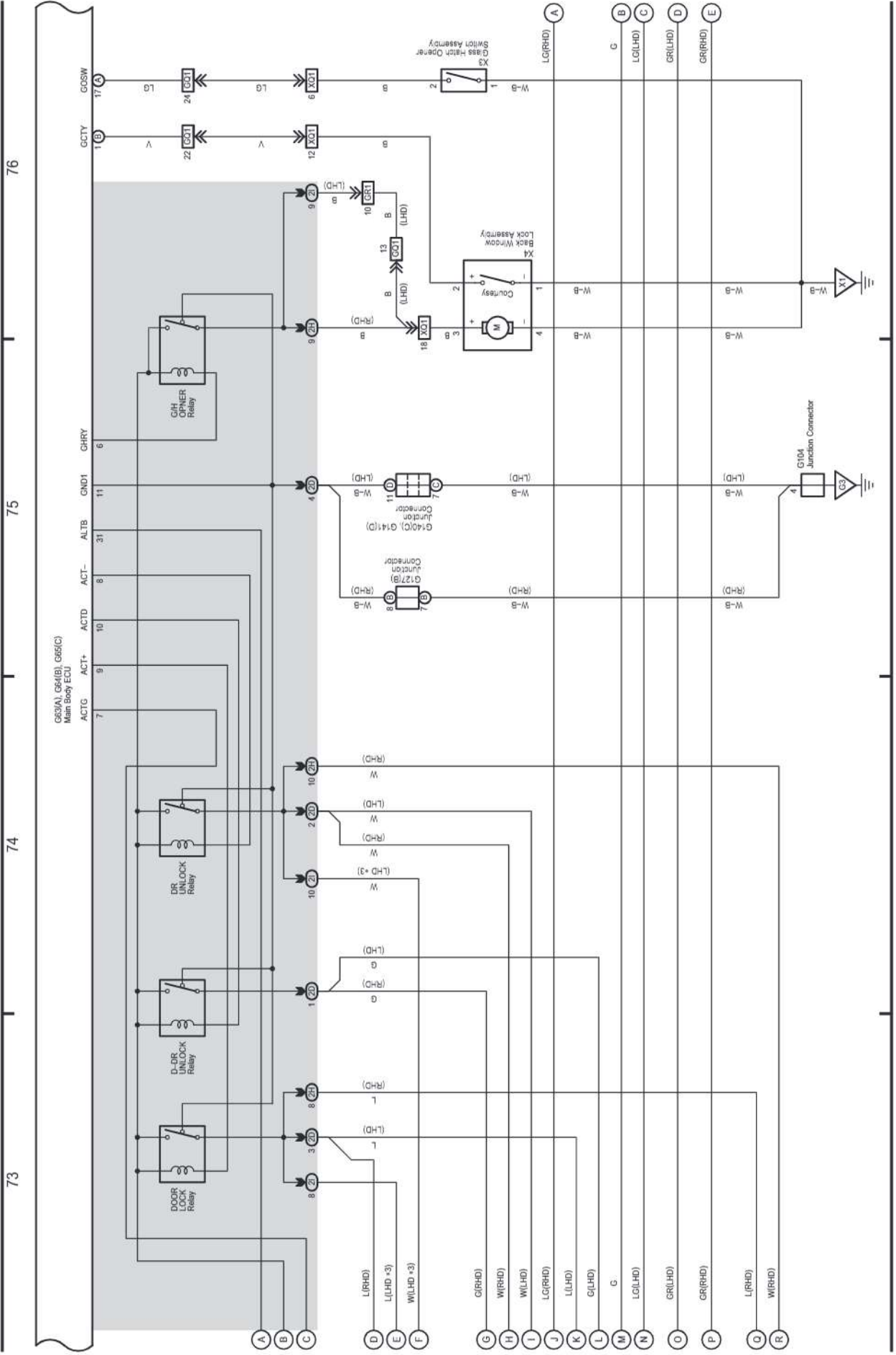
\* 3 : 5-Door  
 \* 19 : w/ Double Locking  
 \* 20 : w/o Double Locking





\* 3 : 5-Door

Multiplex Communication System (Body Control) (From Aug. 2013 Production)



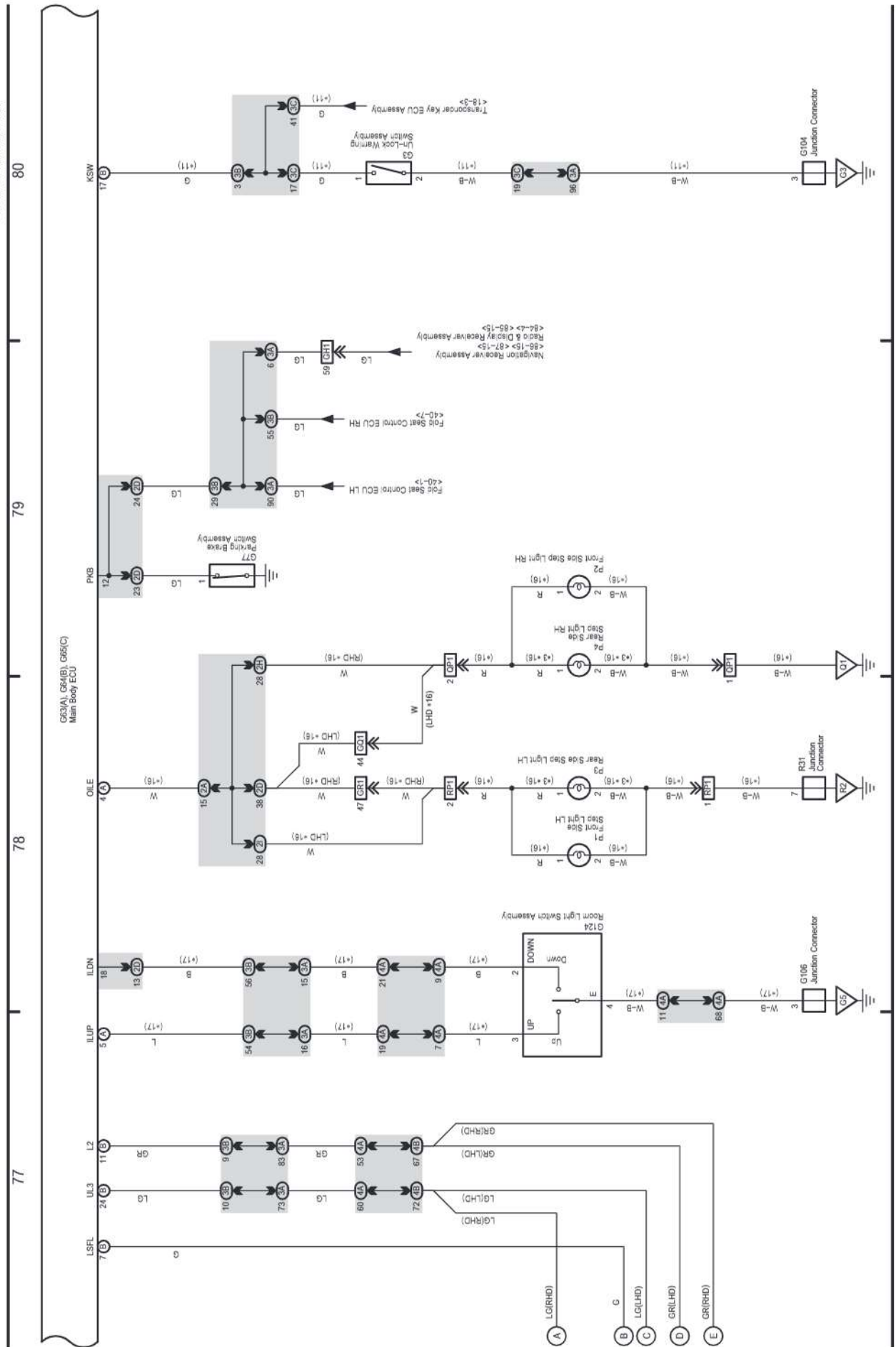
# M OVERALL ELECTRICAL WIRING DIAGRAM

77 LAND CRUISER / LAND CRUISER PRADO (Cont'd)

(Cont. next page)

- 3 : 5-Door
- 11 : w/o Entry & Start System
- 16 : w/ Foot Light
- 17 : w/ Door Pocket Illumination

Multiplex Communication System (Body Control) (From Aug. 2013 Production)





- \* 3 : 5-Door
- \* 4 : 3-Door
- \* 10 : w/ Theft Warning Siren Assembly
- \* 21 : w/o Theft Warning Siren Assembly
- \* 22 : w/ Glass Hatch Opener
- \* 23 : w/o Glass Hatch Opener

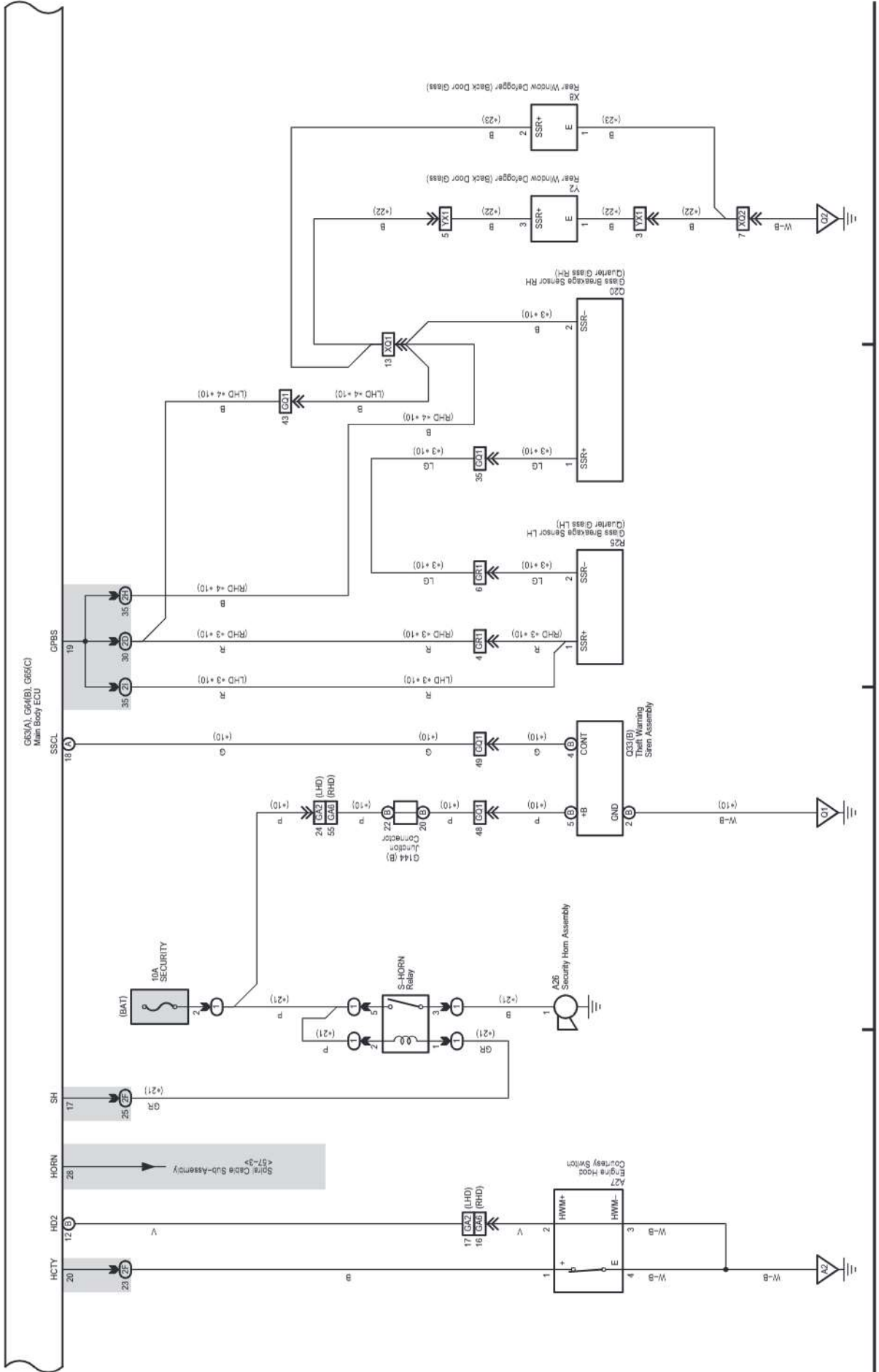
Multiplex Communication System (Body Control) (From Aug. 2013 Production)

84

83

82

81

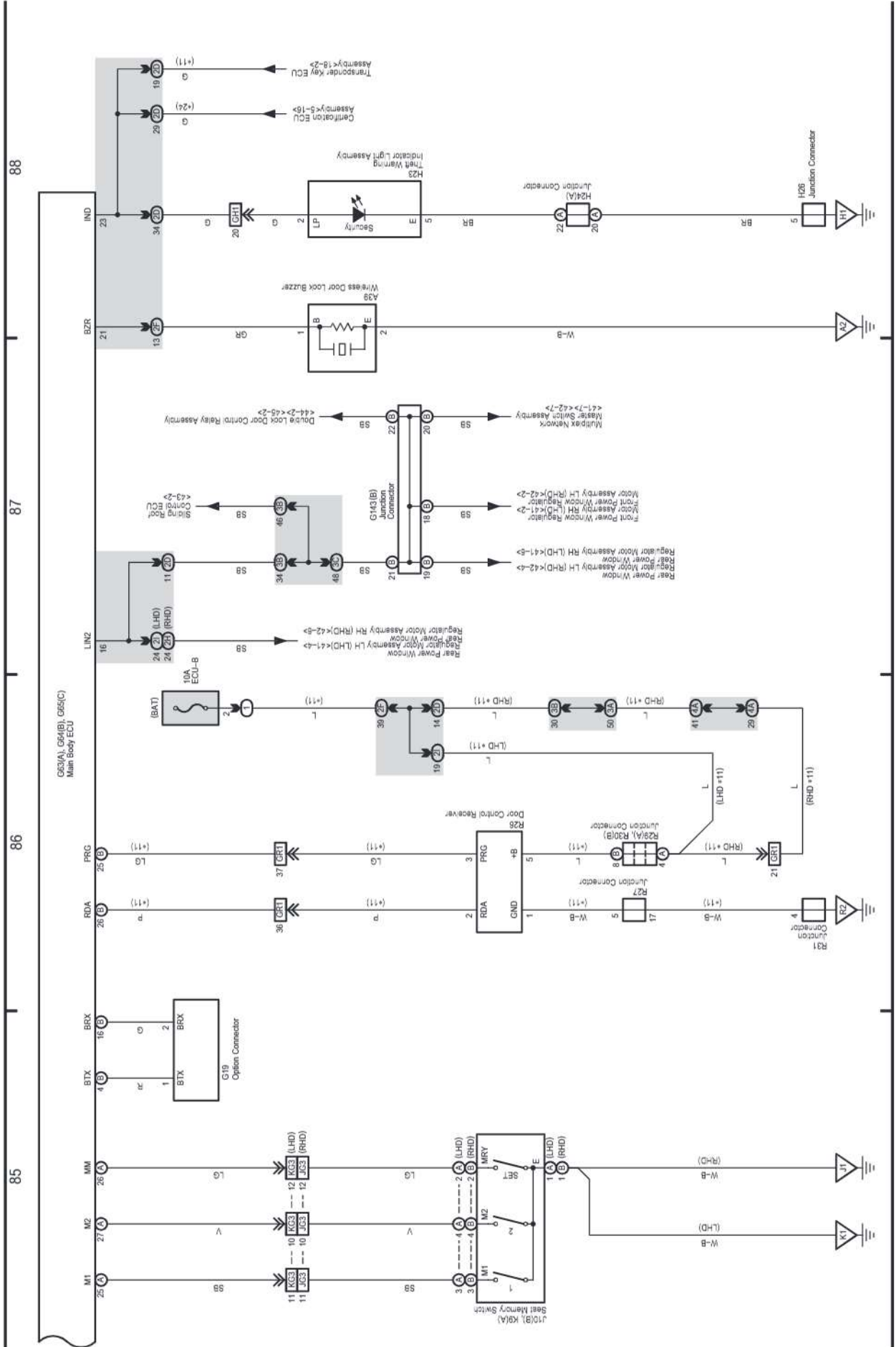


# M OVERALL ELECTRICAL WIRING DIAGRAM

(Cont. next page)

\*11: w/o Entry & Start System  
\*24: w/ Entry & Start System

### Multiplex Communication System (Body Control) (From Aug. 2013 Production)



77 LAND CRUISER / LAND CRUISER PRADO (Cont'd)

77 LAND CRUISER / LAND CRUISER PRADO (Cont'd)

Multiplex Communication System (Body Control) (From Aug. 2013 Production)

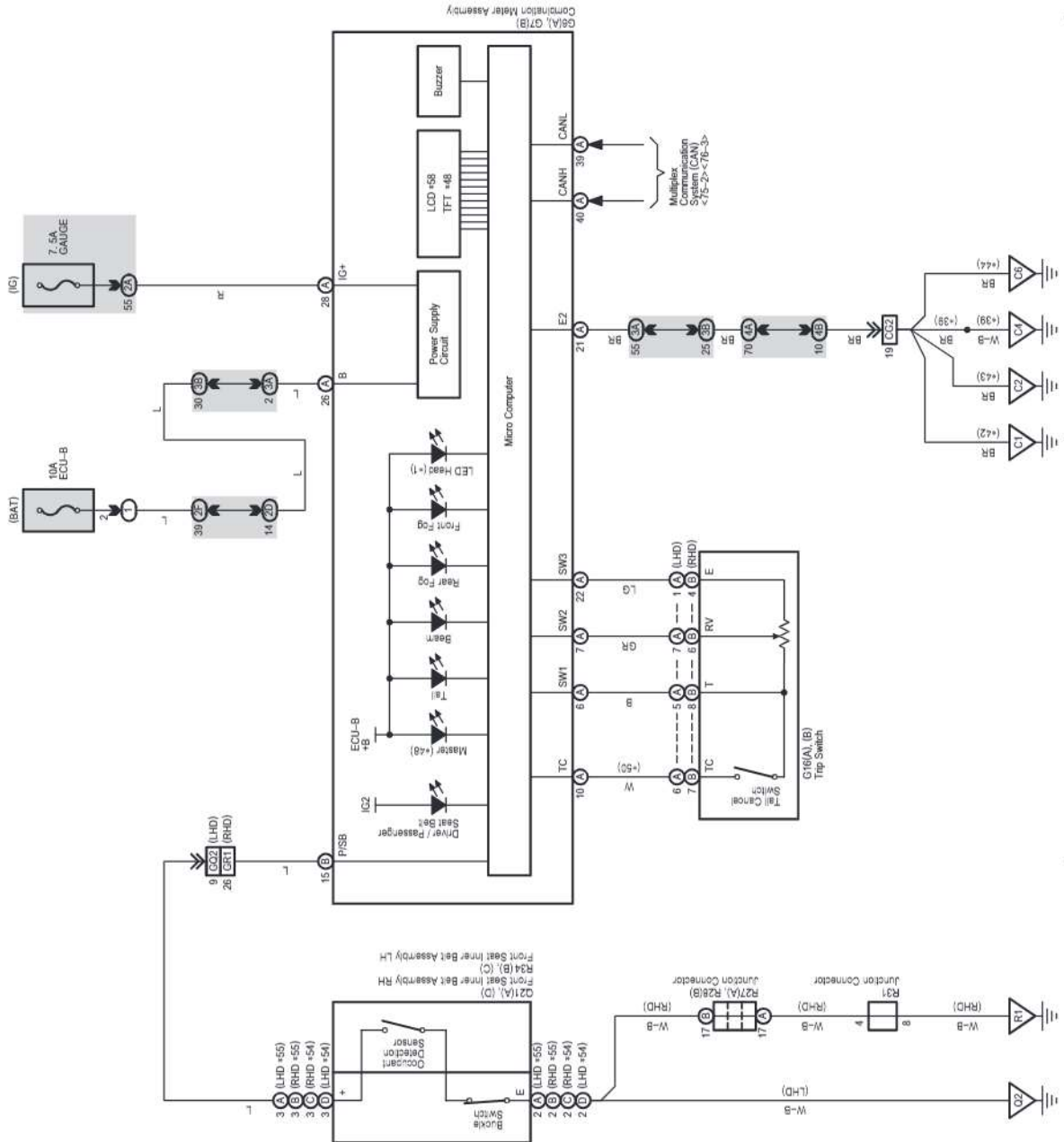
92

91

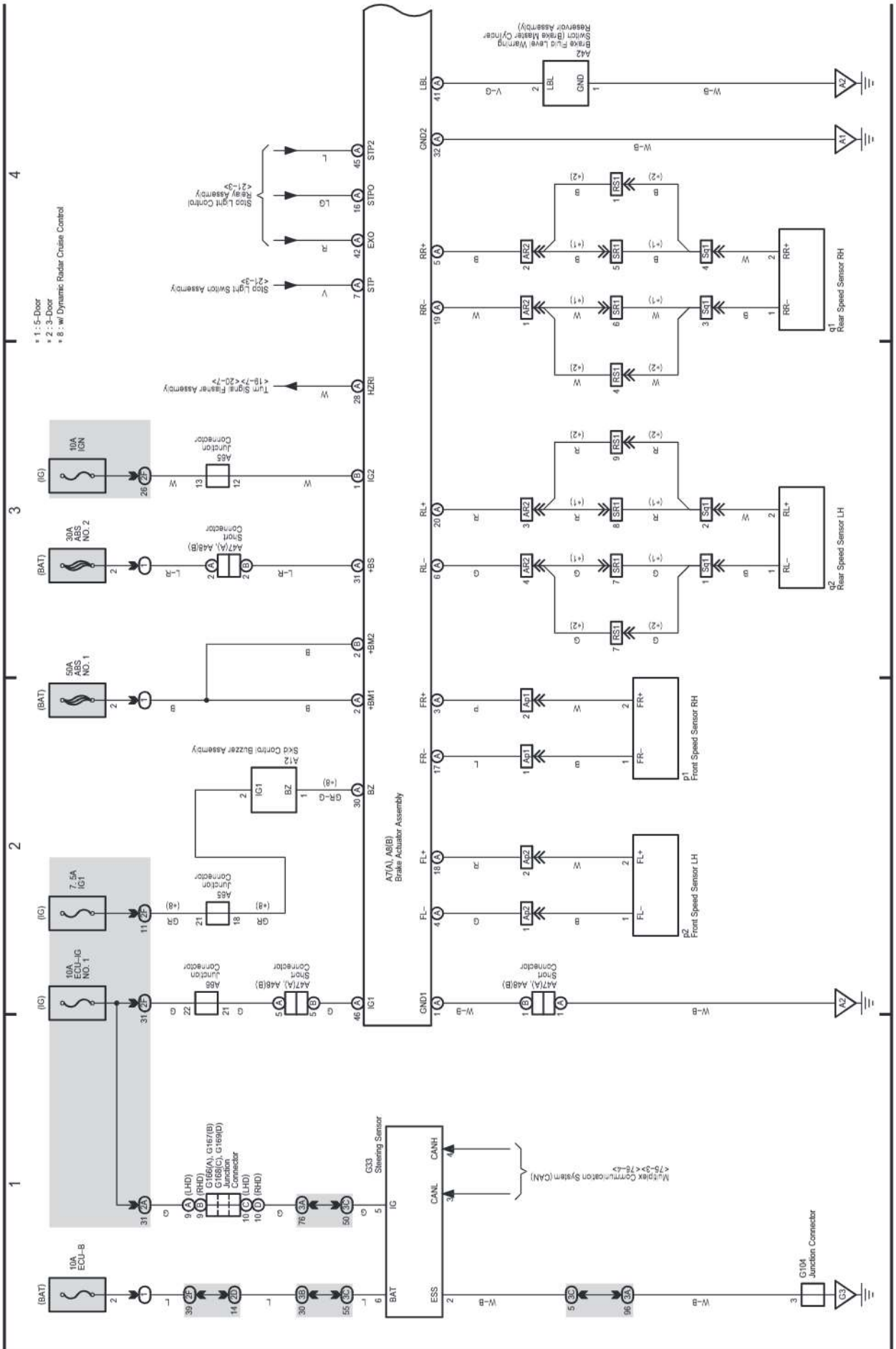
90

89

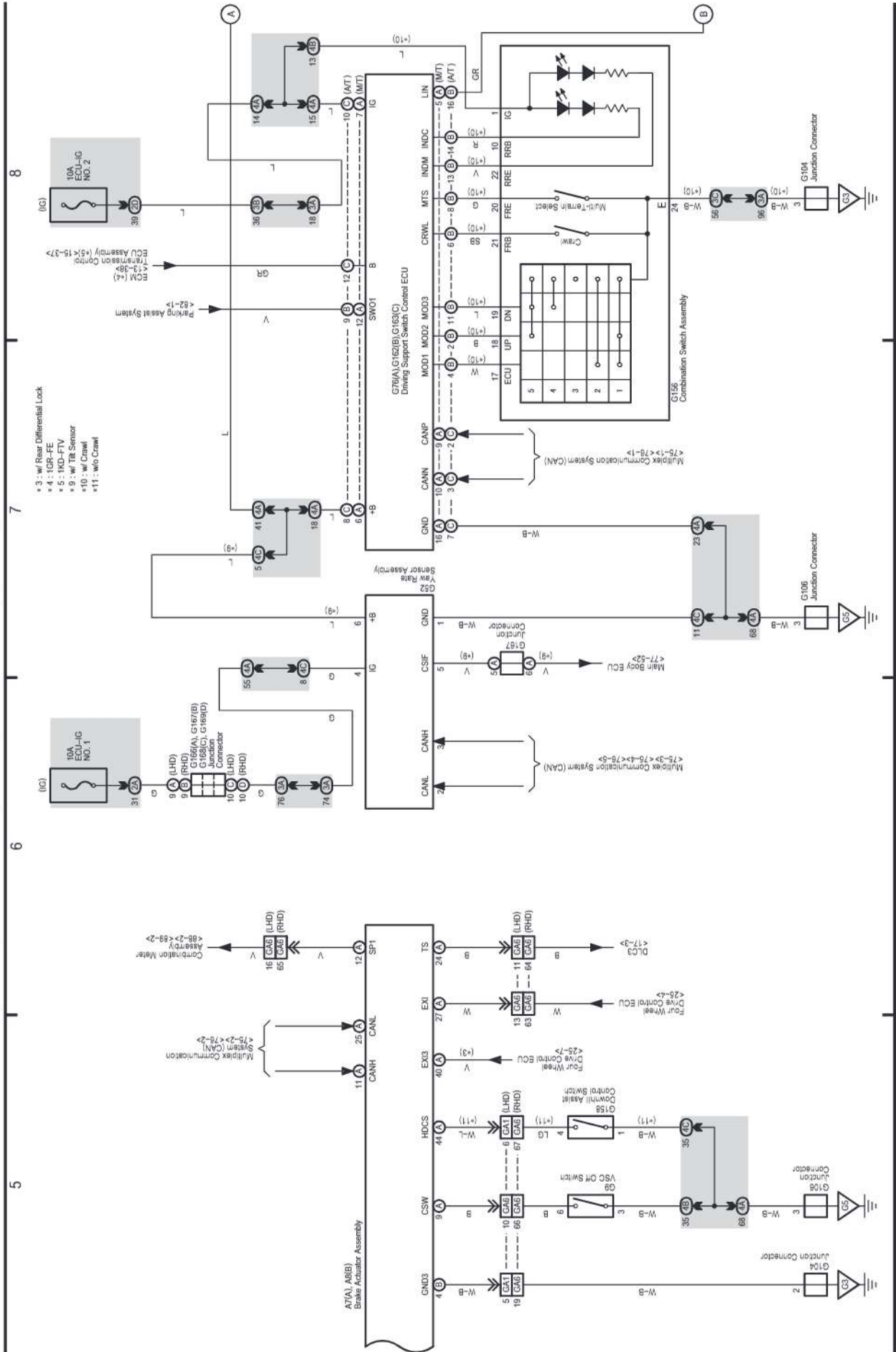
- \*1 : LED Type
- \*39 : 1R0-FTV
- \*42 : 1GR-FE
- \*43 : 2TR-FE
- \*44 : 5L-E
- \*48 : Option Meter
- \*50 : w/ Tail Cancel Switch
- \*54 : Bench Seat
- \*55 : Separate Seat
- \*58 : Except Option Meter
- \*71 : Except 5L-E



A-TRC (From Aug. 2013 Production), ABS (1GR-FE, 1KD-FTV) (From Aug. 2013 Production), Crawl (From Aug. 2013 Production), Hill-Start Assist Control (From Aug. 2013 Production), Multi-Terrain Select (From Aug. 2013 Production) and VSC (1GR-FE, 1KD-FTV) (From Aug. 2013 Production)



A-TRC (From Aug. 2013 Production), ABS (1GR-FE, 1KD-FTV) (From Aug. 2013 Production), Crawl (From Aug. 2013 Production), Downhill Assist Control (From Aug. 2013 Production), Hill-Start Assist Control (From Aug. 2013 Production), Multi-Terrain Select (From Aug. 2013 Production) and VSC (1GR-FE, 1KD-FTV) (From Aug. 2013 Production)



78 LAND CRUISER / LAND CRUISER PRADO (Cont'd)

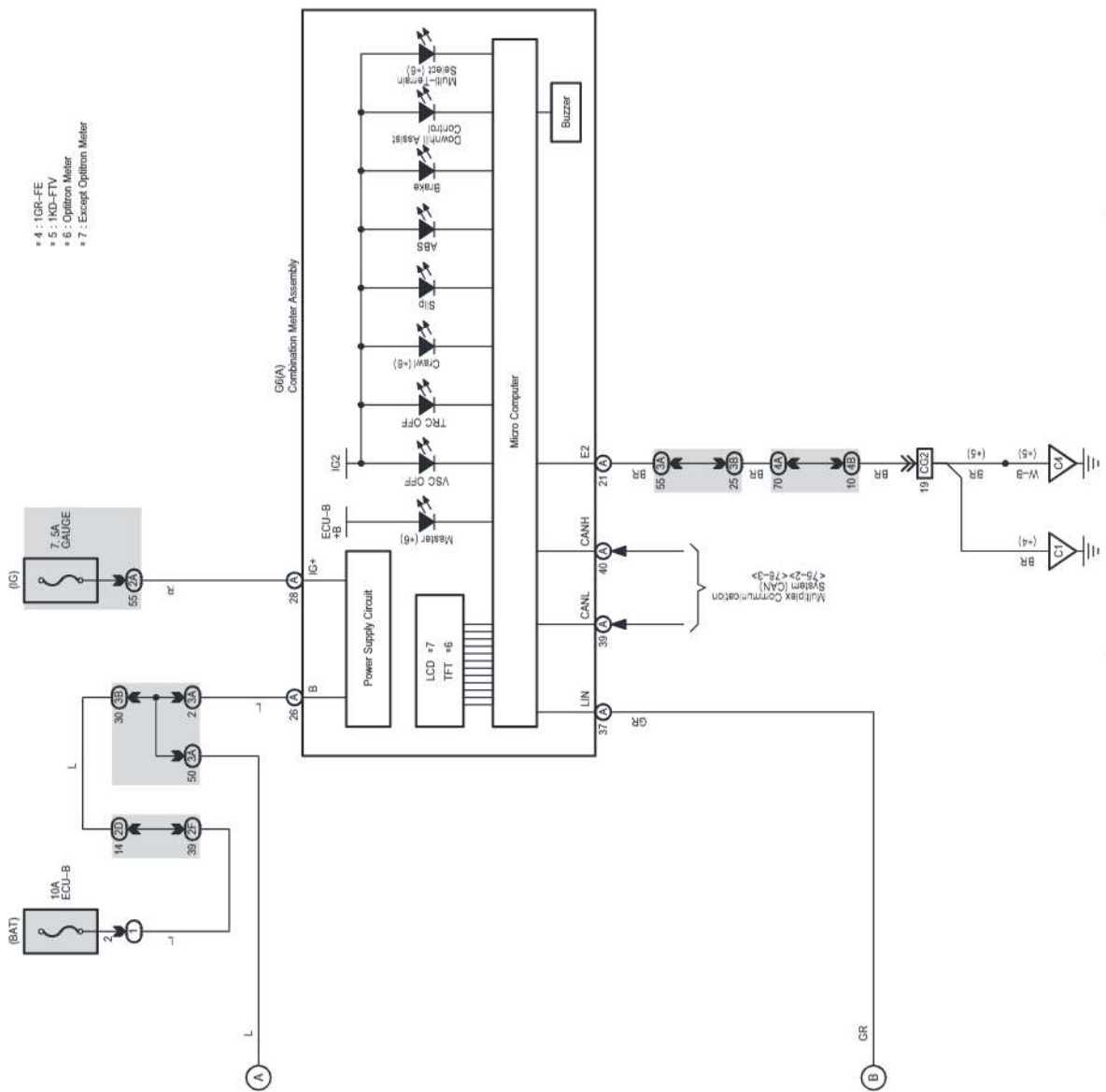
A-TRC (From Aug. 2013 Production), ABS (1GR-FE, 1KD-FTV) (From Aug. 2013 Production), Crawl (From Aug. 2013 Production), Downhill Assist Control (From Aug. 2013 Production), Hill-Start Assist Control (From Aug. 2013 Production), Multi-Terrain Select (From Aug. 2013 Production) and VSC (1GR-FE, 1KD-FTV) (From Aug. 2013 Production)

12

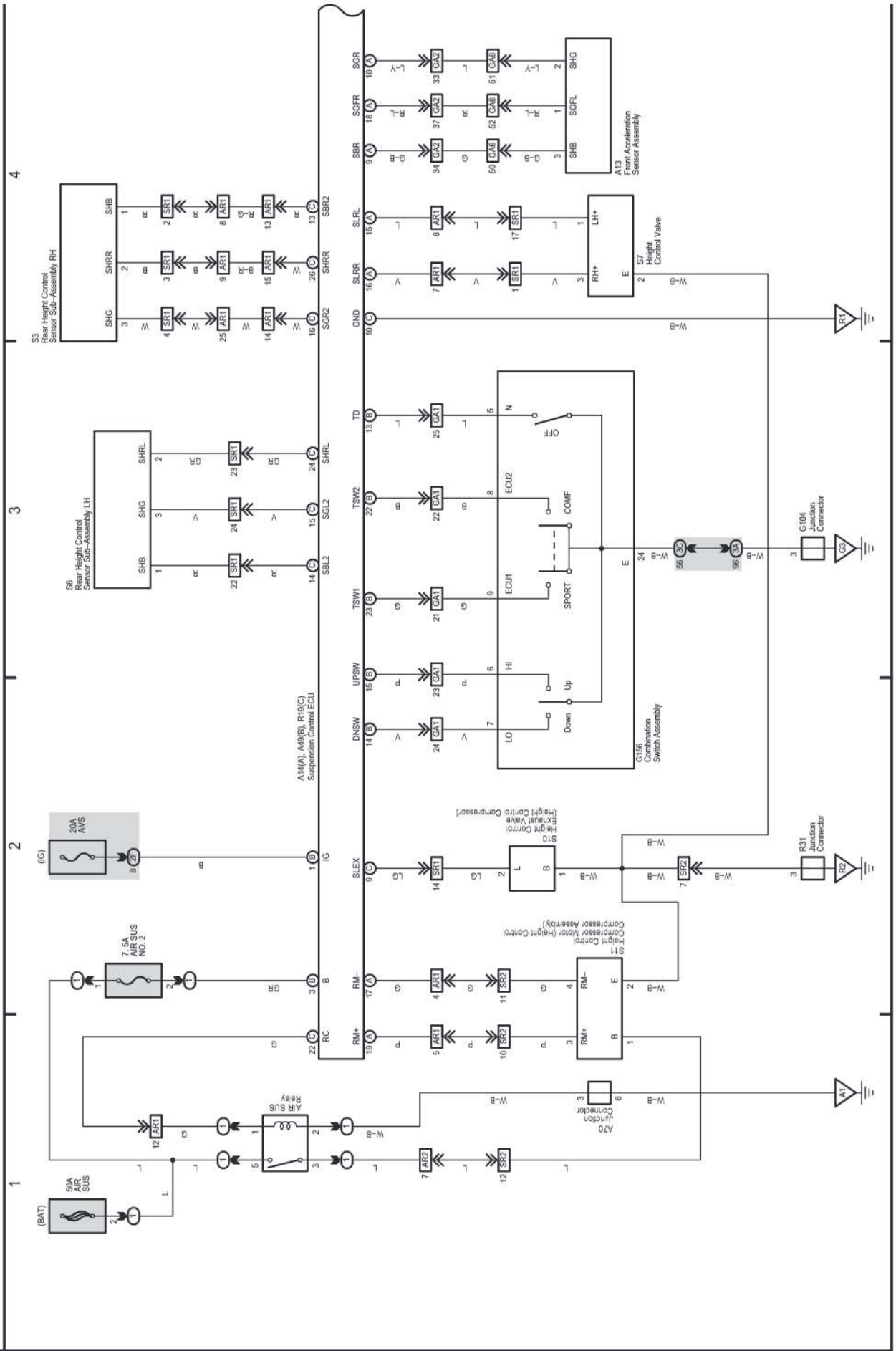
11

10

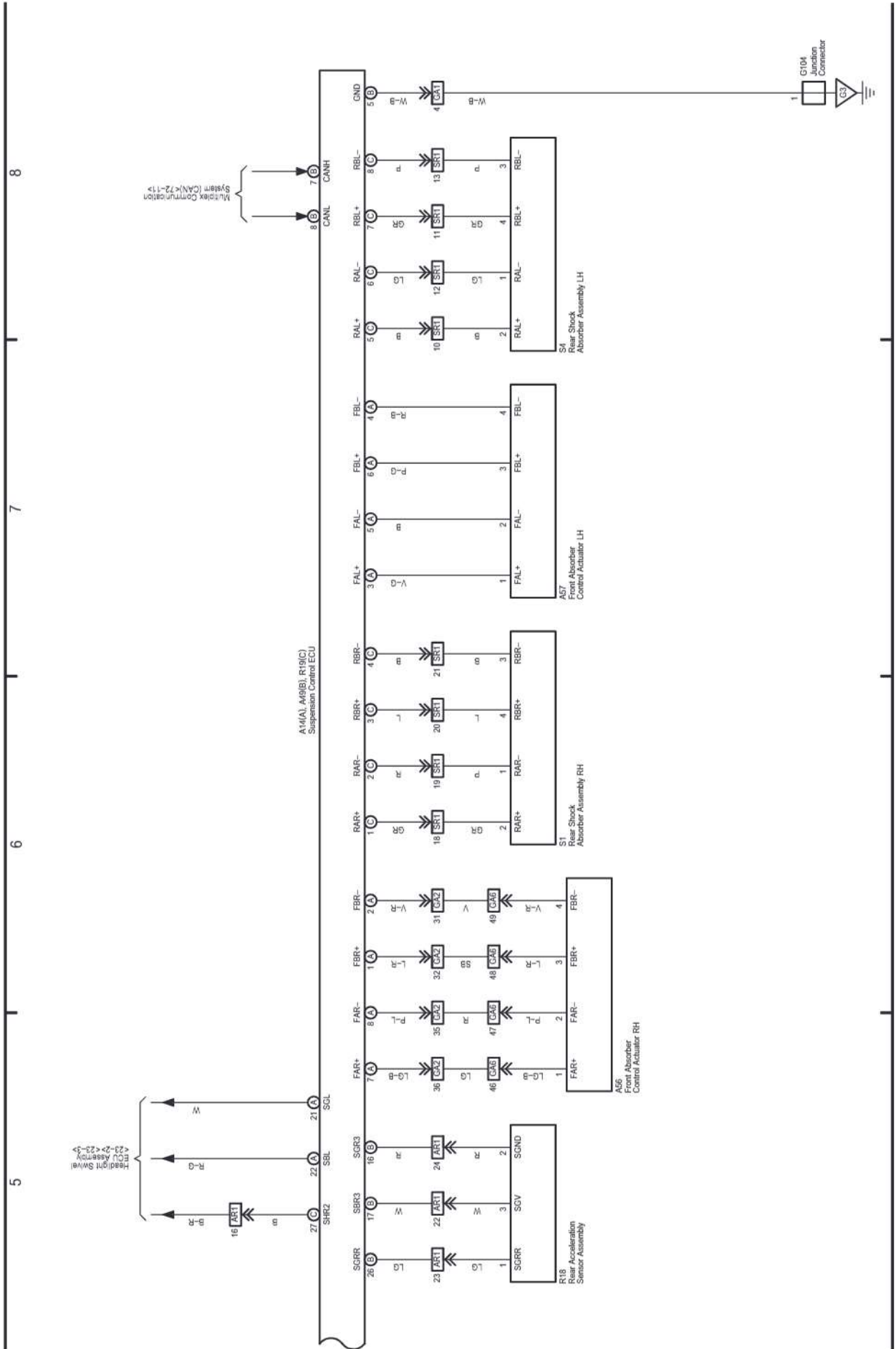
9



Electronic Modulated Air Suspension (LHD) (From Aug. 2013 Production)



Electronic Modulated Air Suspension (LHD) (From Aug. 2013 Production)

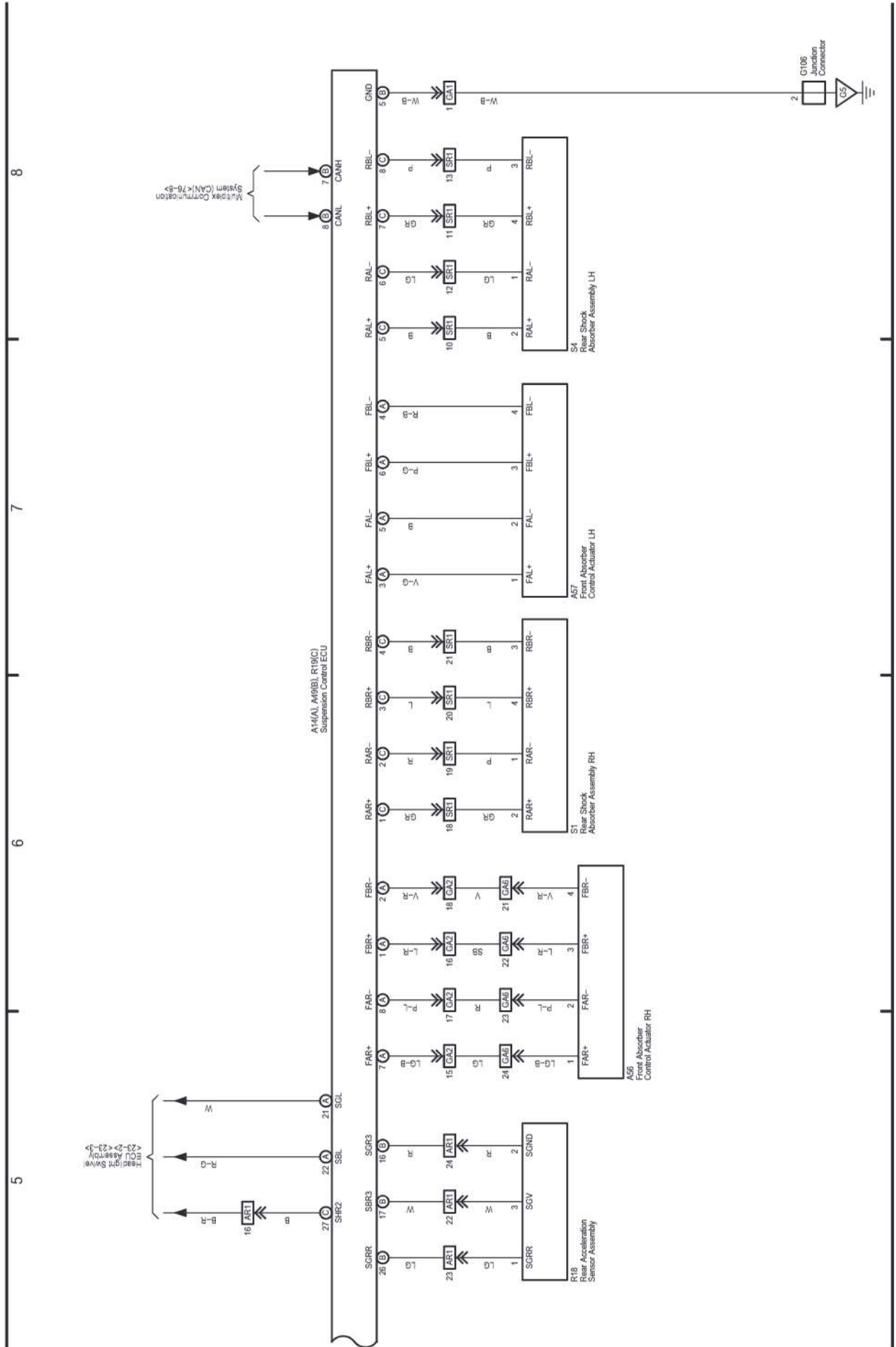








Electronic Modulated Air Suspension (RHD) (From Aug. 2013 Production)



Electronic Modulated Air Suspension (RHD) (From Aug. 2013 Production)

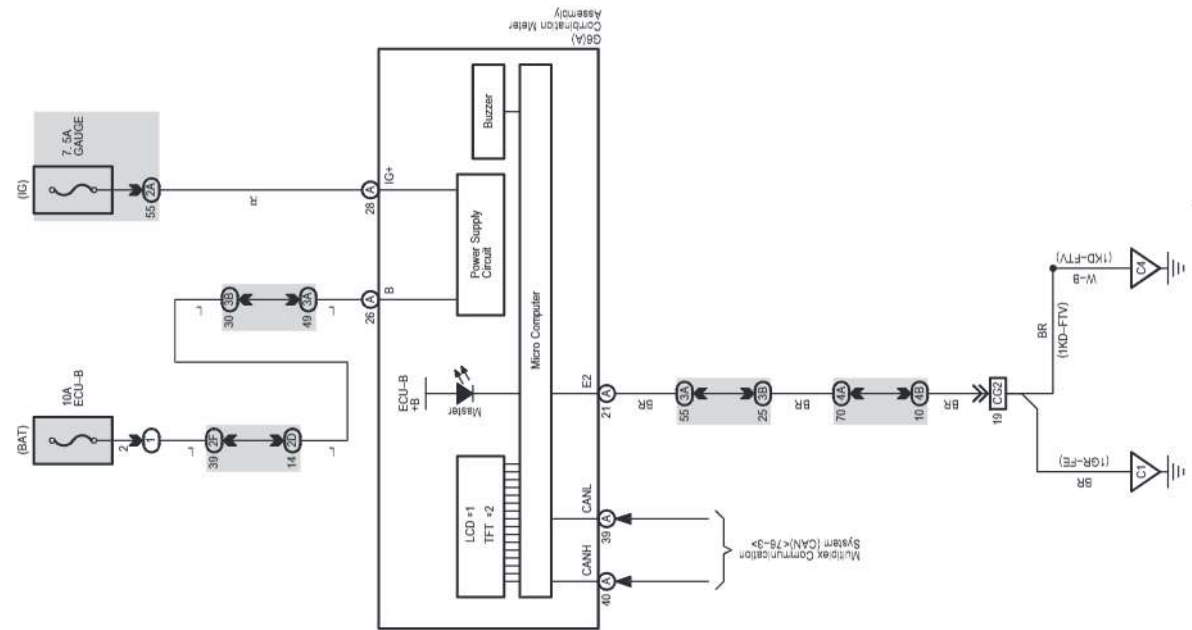
12

11

10

9

- \* 1 : Except Option Meter
- \* 2 : Option Meter





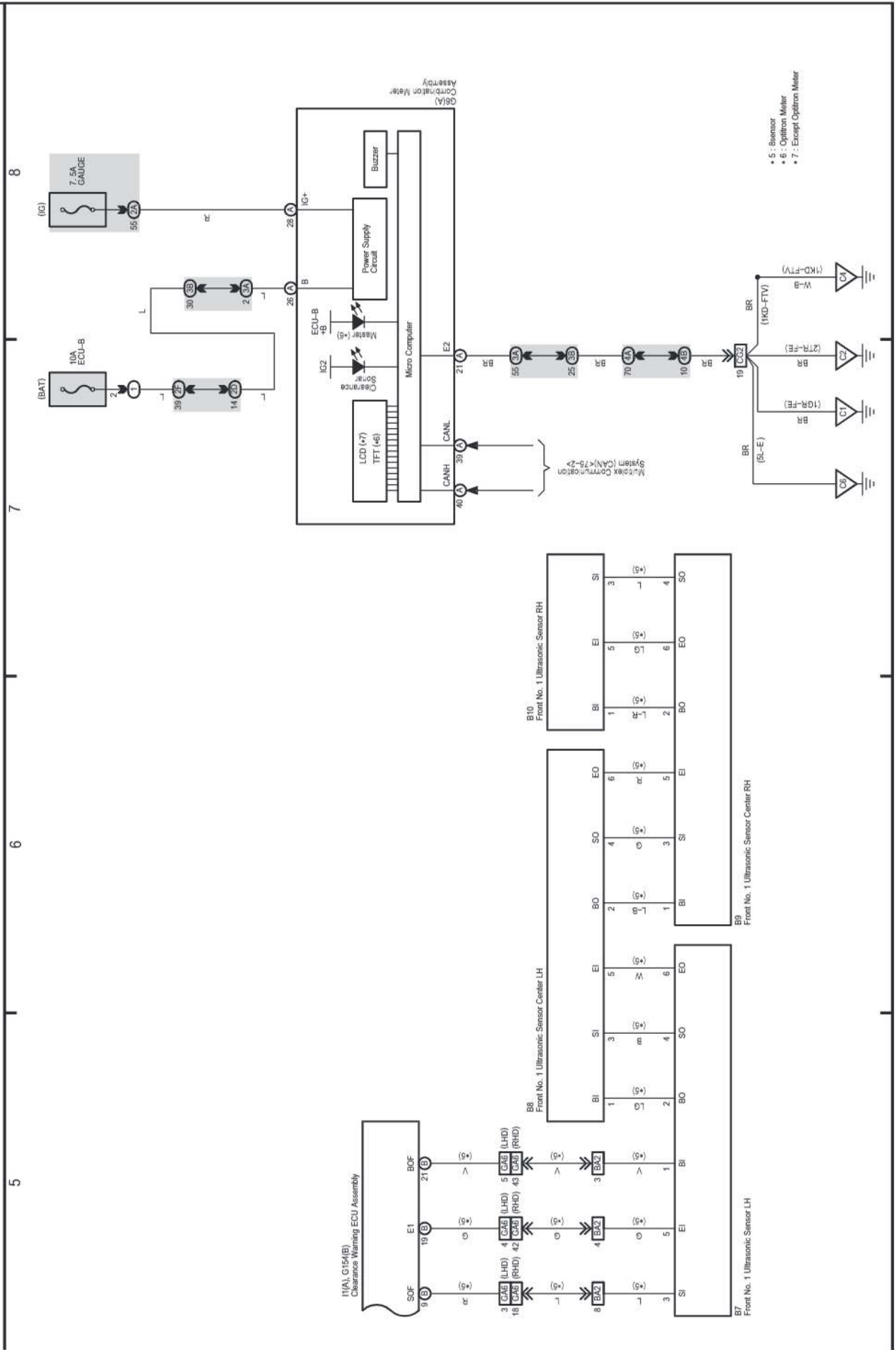




# M OVERALL ELECTRICAL WIRING DIAGRAM

82 LAND CRUISER / LAND CRUISER PRADO (Cont'd)

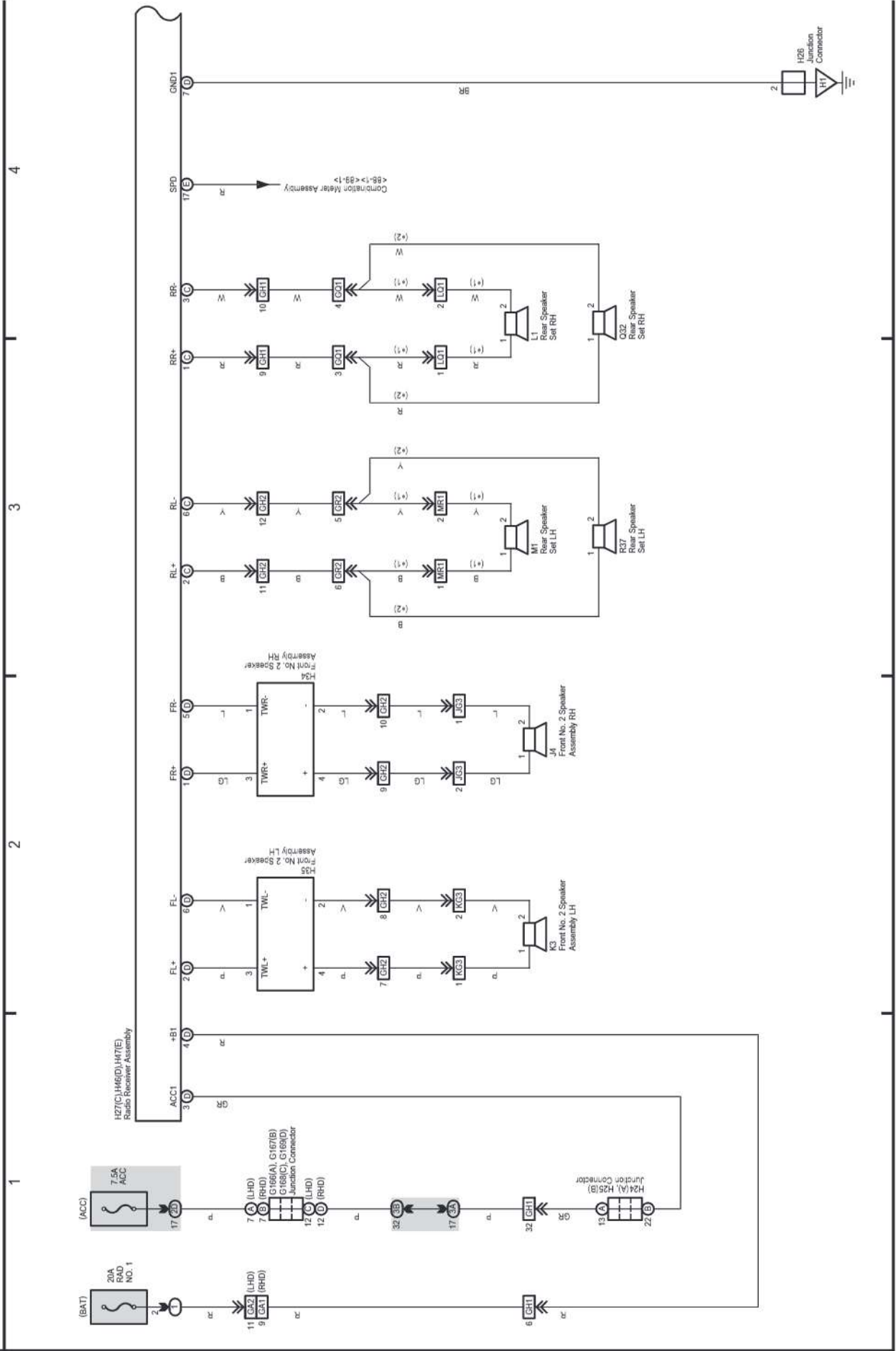
Parking Assist (TOYOTA Parking Assist-Sensor) (From Aug. 2013 Production)





Audio System (Radio Receiver Assembly Type) (From Aug. 2013 Production)

\* 1 : 5-door  
\* 2 : 3-door



# M OVERALL ELECTRICAL WIRING DIAGRAM

## 83 LAND CRUISER / LAND CRUISER PRADO (Cont'd)

Audio System (Radio Receiver Assembly Type) (From Aug. 2013 Production)

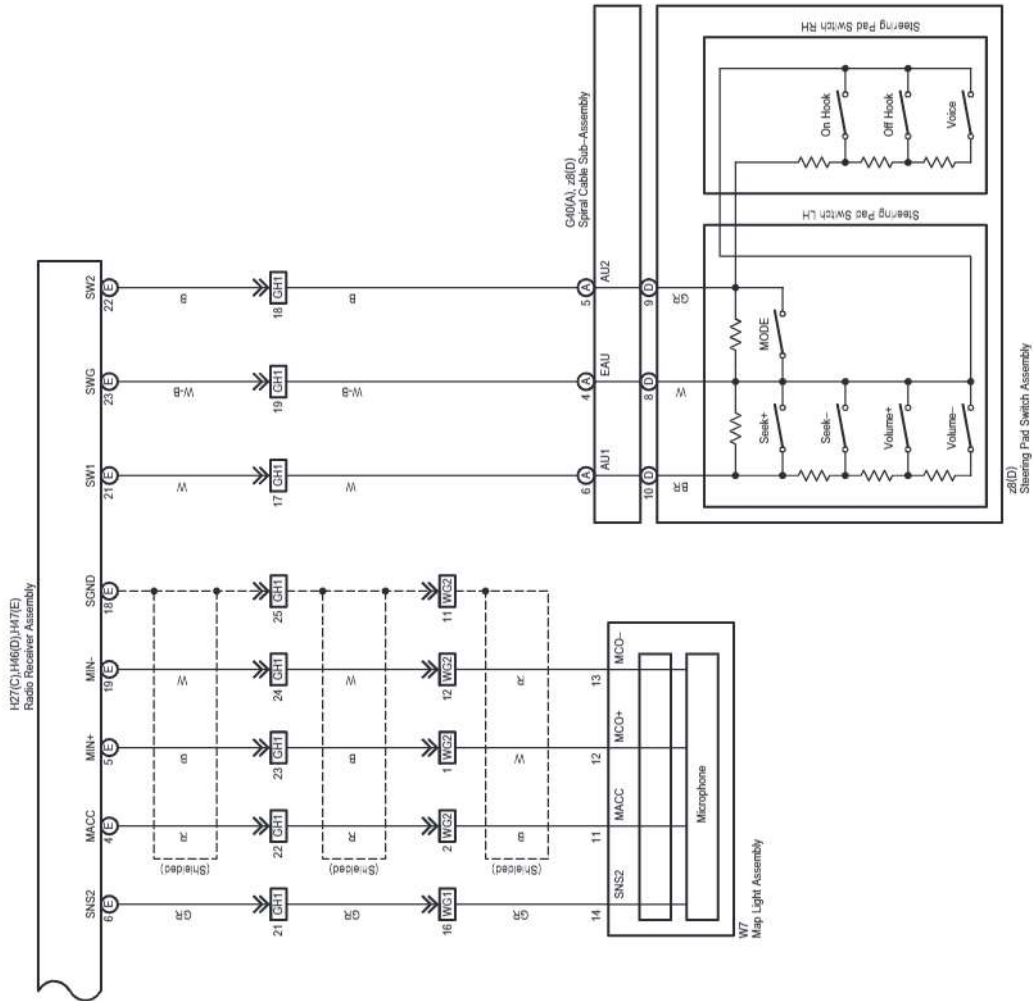
8

7

6

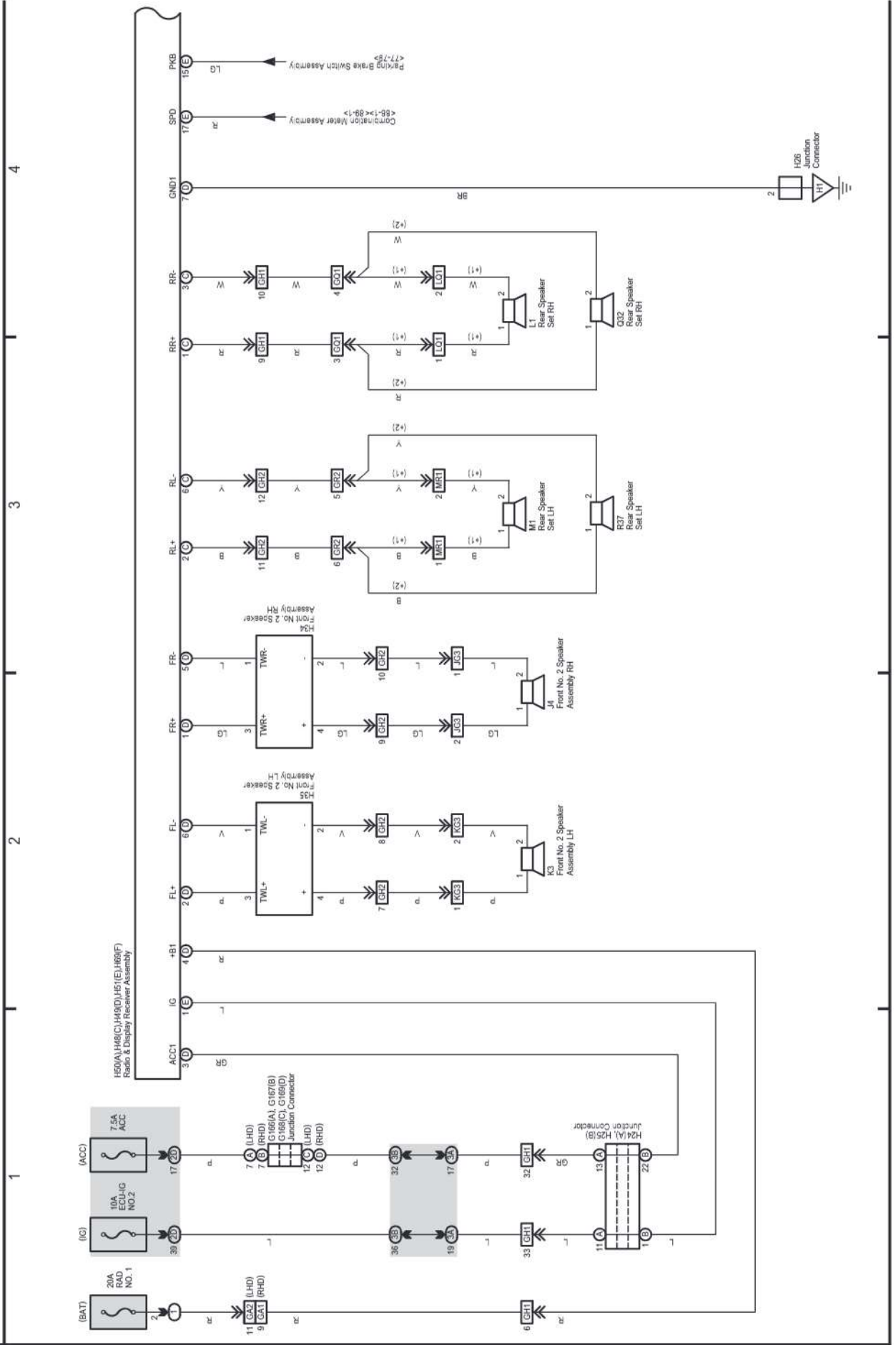
5

# : There is no wire color information.



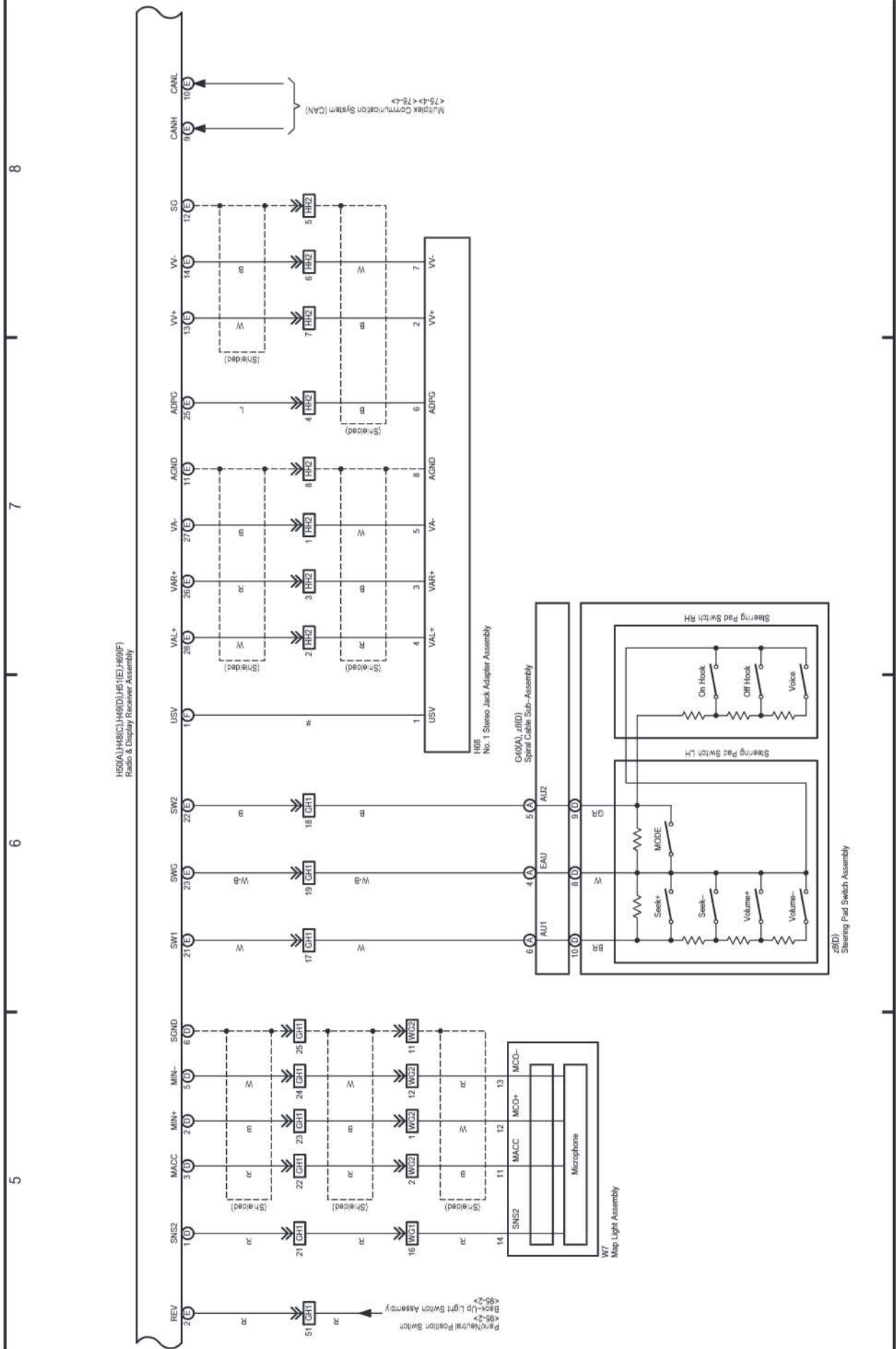
Audio System (Radio & Display Receiver Assembly Type w/o Stereo Component Amplifier Assembly) (From Aug. 2013 Production) and Parking Assist (Rear View Monitor) (Radio & Display Receiver Assembly Type w/o Stereo Component Amplifier Assembly) (From Aug. 2013 Production)

- \* 1 : 5-Door
- \* 2 : 3-Door



Audio System (Radio & Display Receiver Assembly Type w/o Stereo Component Amplifier Assembly) (From Aug. 2013 Production) and Parking Assist (Rear View Monitor) (Radio & Display Receiver Assembly Type w/o Stereo Component Amplifier Assembly) (From Aug. 2013 Production)

# : There is no wire color information.

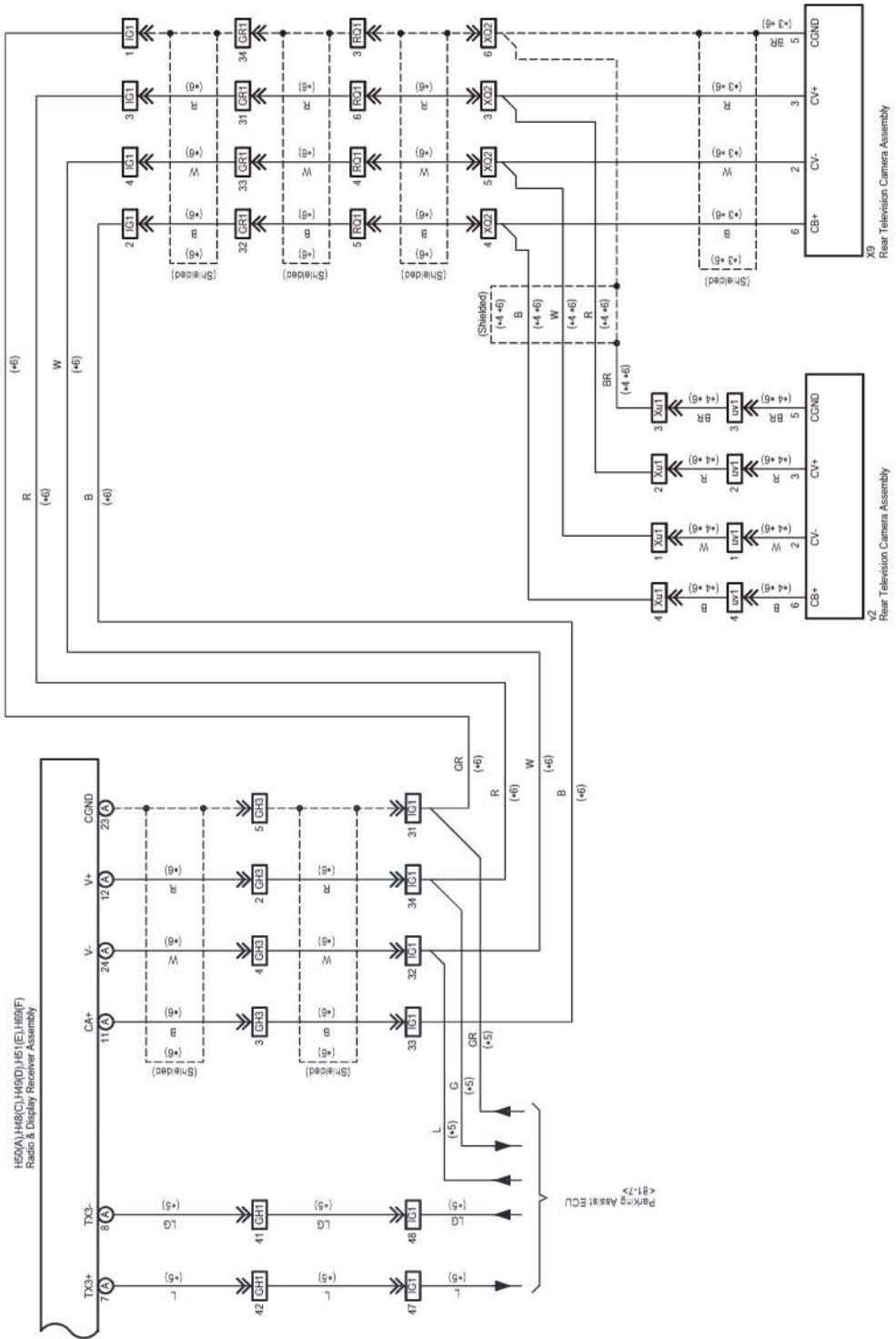


84 LAND CRUISER / LAND CRUISER PRADO (Cont'd)

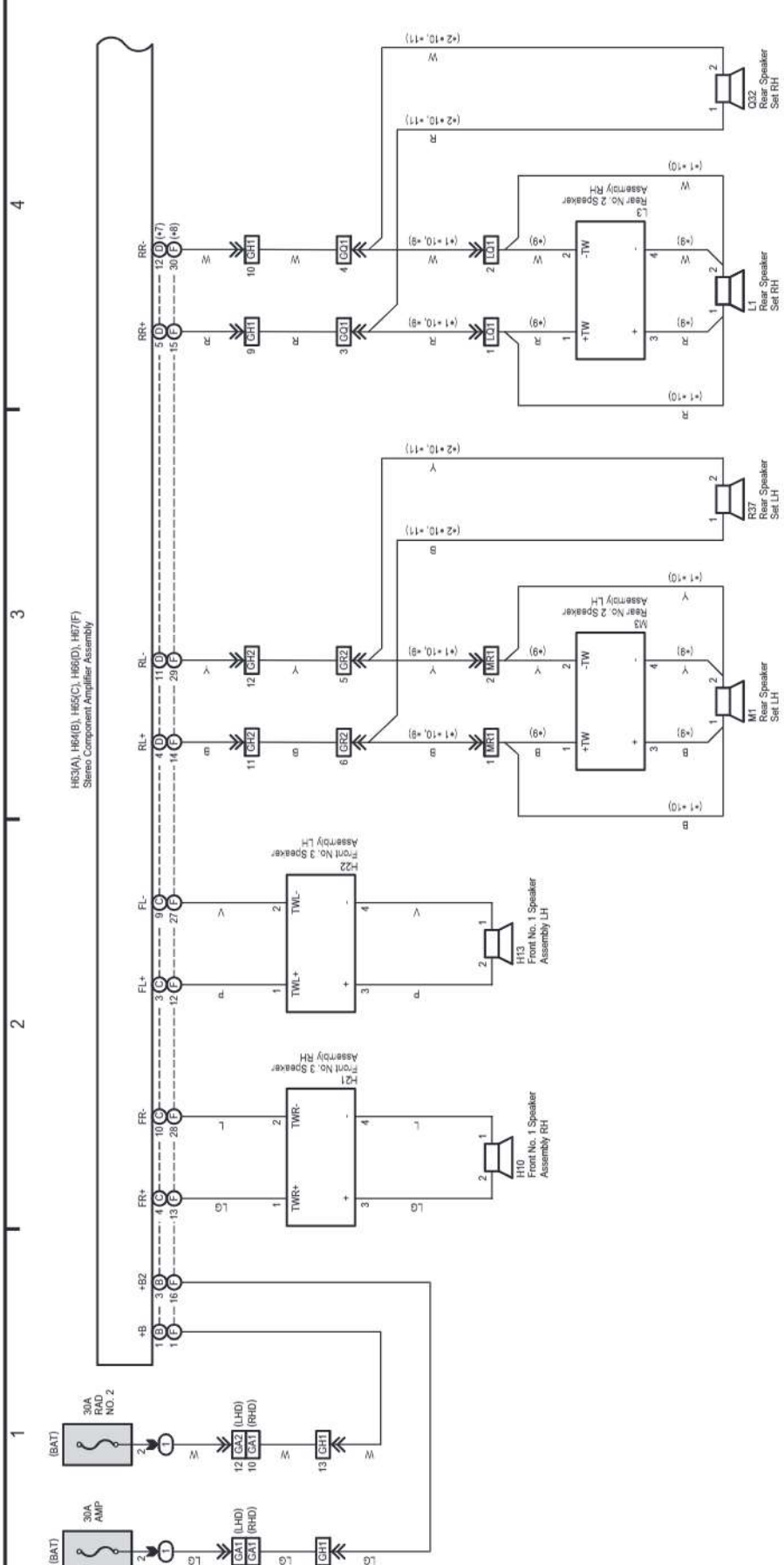
Audio System (Radio & Display Receiver Assembly Type w/o Stereo Component Amplifier Assembly) (From Aug. 2013 Production) and Parking Assist (Rear View Monitor) (Radio & Display Receiver Assembly Type w/o Stereo Component Amplifier Assembly) (From Aug. 2013 Production)

9 10 11 12

- 3.: w/ Glass Hatch Opener
- 4.: w/o Glass Hatch Opener
- 5.: w/ Multi-Terrain Monitor
- 6.: w/ Parking Assist (Rear View Monitor)

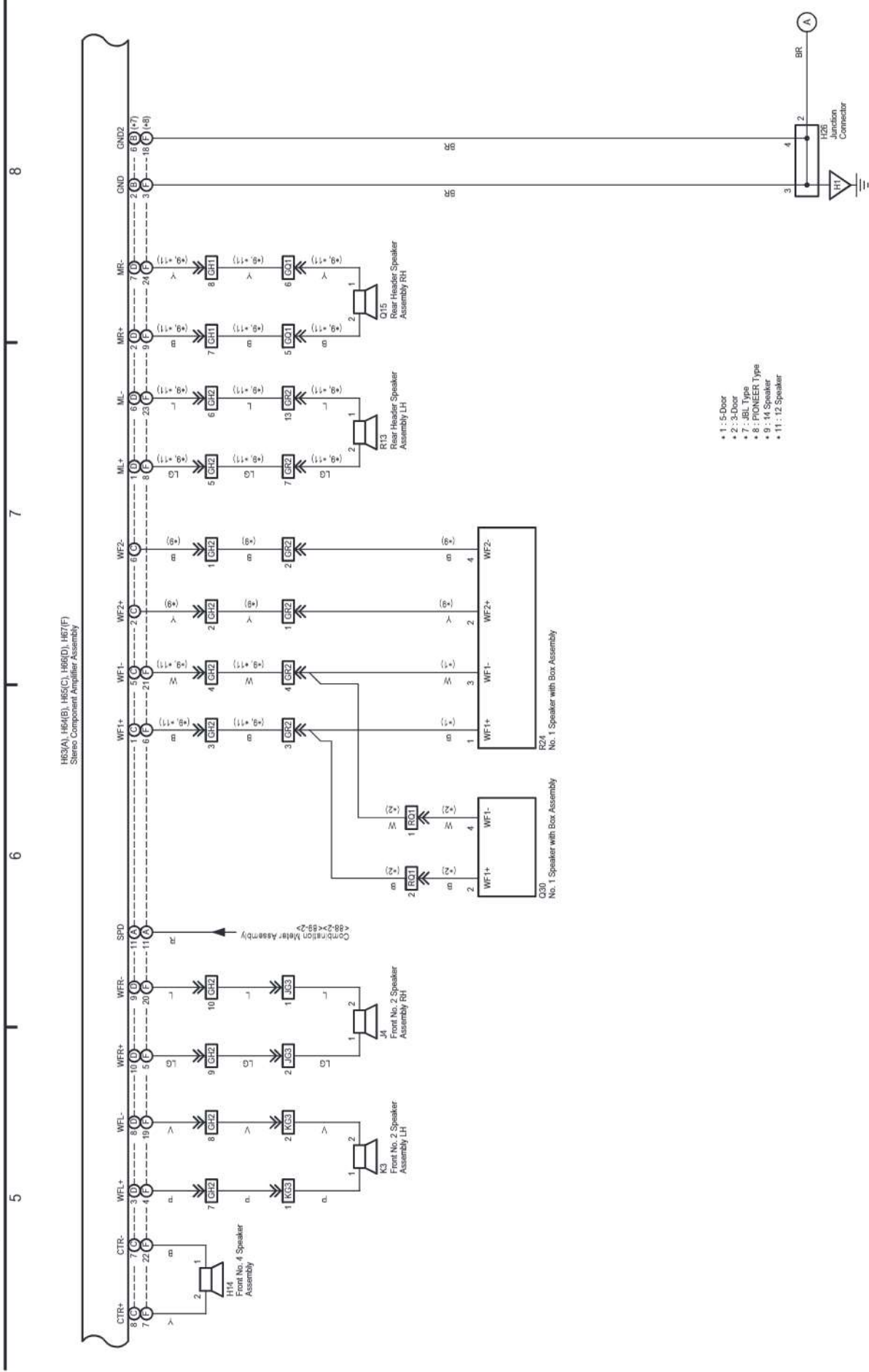


Audio System (Radio & Display Receiver Assembly Type w/ Stereo Component Amplifier Assembly) (From Aug. 2013 Production),  
 Navigation System (Radio & Display Receiver Assembly Type) (From Aug. 2013 Production) and  
 Parking Assist (Rear View Monitor) (Radio & Display Receiver Assembly Type w/ Stereo Component Amplifier Assembly) (From Aug. 2013 Production)

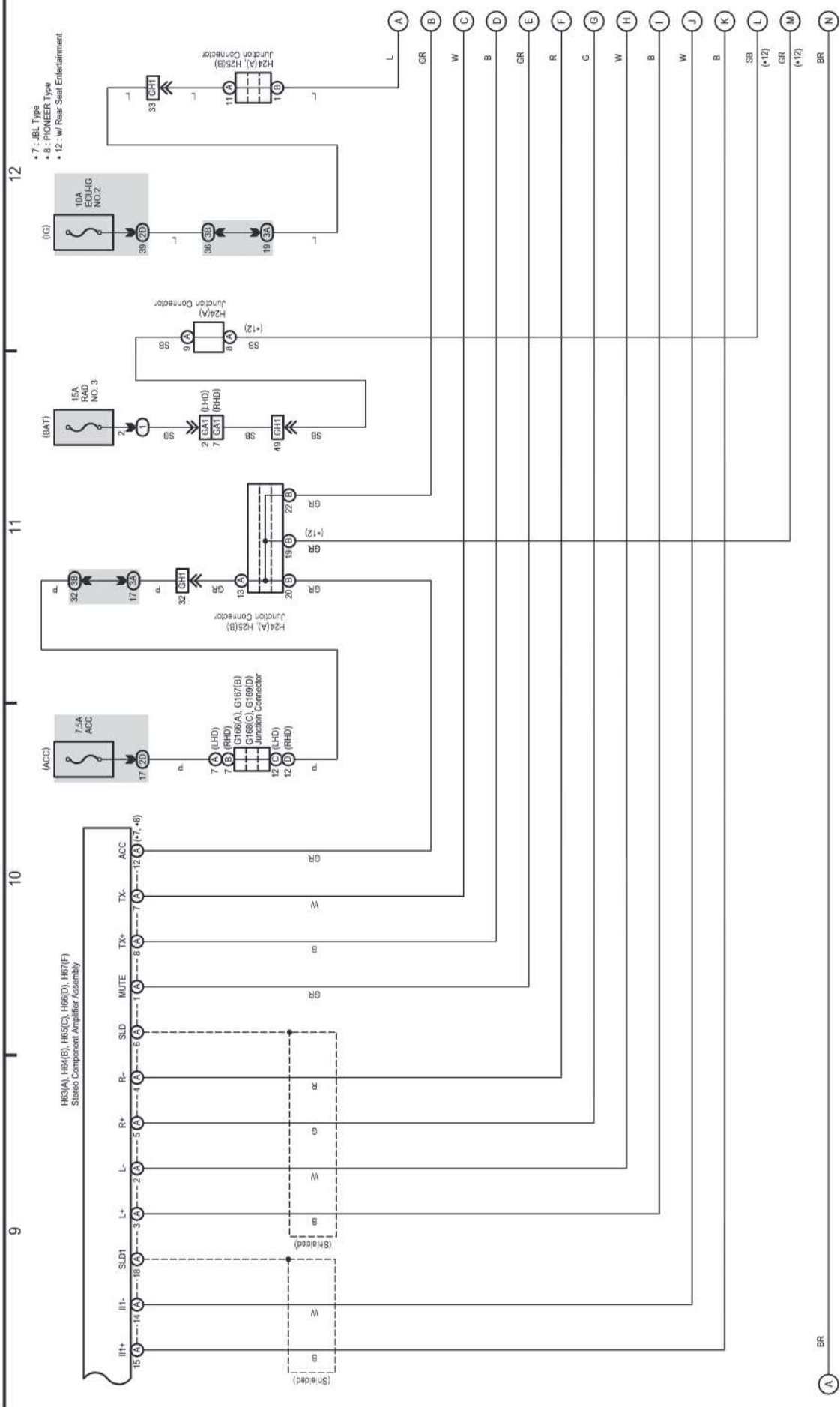


- 1 : 5-Door
- 2 : 3-Door
- 3 : 7-Seater
- 4 : 7-Seater
- 5 : PIONEER Type
- 6 : 14 Speaker
- 7 : 9 Speaker
- 8 : 12 Speaker

Audio System (Radio & Display Receiver Assembly Type w/ Stereo Component Amplifier Assembly) (From Aug. 2013 Production),  
 Navigation System (Radio & Display Receiver Assembly Type) (From Aug. 2013 Production) and  
 Parking Assist (Rear View Monitor) (Radio & Display Receiver Assembly Type w/ Stereo Component Amplifier Assembly) (From Aug. 2013 Production)



Audio System (Radio & Display Receiver Assembly Type w/ Stereo Component Amplifier Assembly) (From Aug. 2013 Production),  
Navigation System (Radio & Display Receiver Assembly Type) (From Aug. 2013 Production) and  
Parking Assist (Rear View Monitor) (Radio & Display Receiver Assembly Type w/ Stereo Component Amplifier Assembly) (From Aug. 2013 Production)



BR

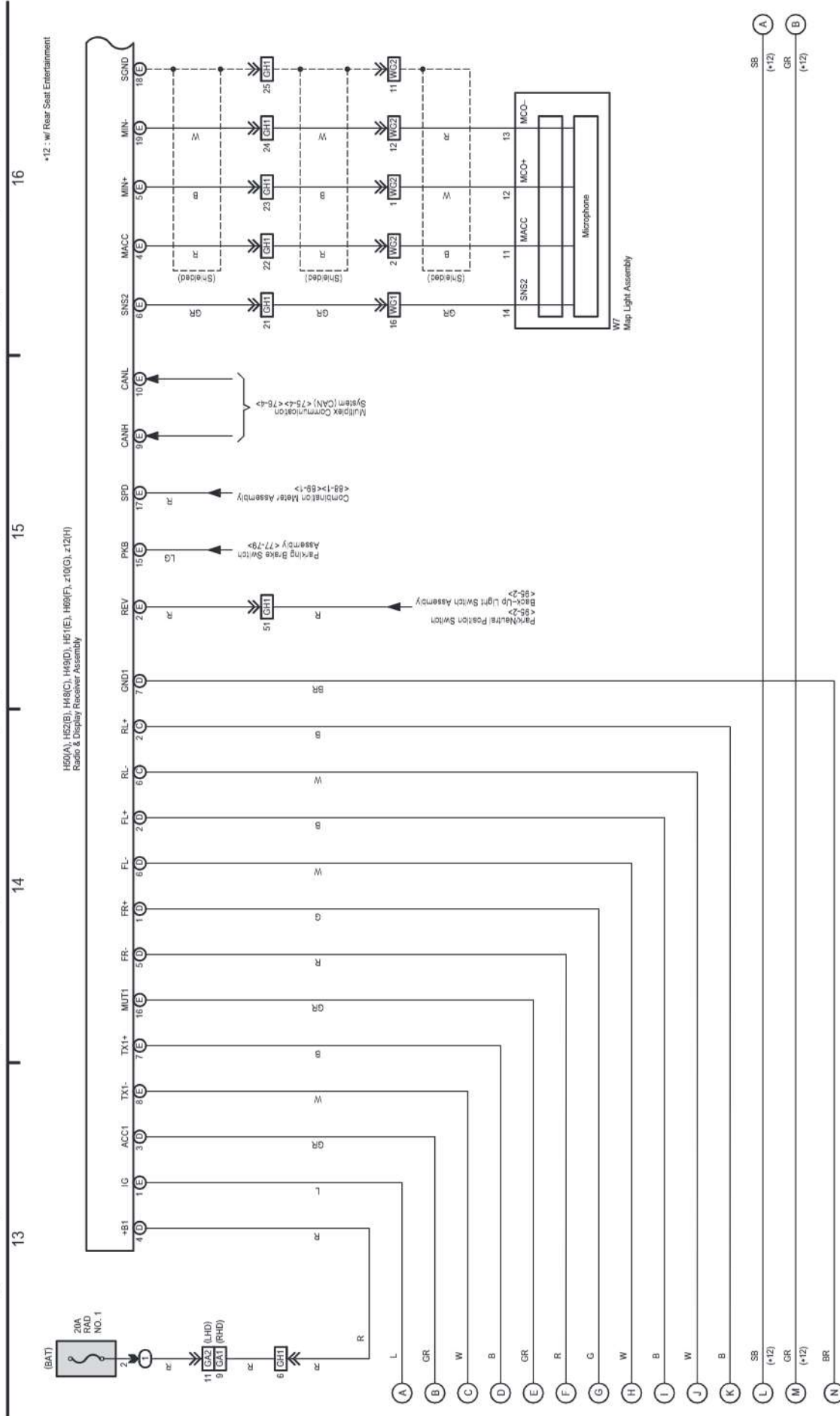


# M OVERALL ELECTRICAL WIRING DIAGRAM

(Cont. next page)

85 LAND CRUISER / LAND CRUISER PRADO (Cont'd)

Audio System (Radio & Display Receiver Assembly Type w/ Stereo Component Amplifier Assembly) (From Aug. 2013 Production),  
Navigation System (Radio & Display Receiver Assembly Type) (From Aug. 2013 Production) and  
Parking Assist (Rear View Monitor) (Radio & Display Receiver Assembly Type w/ Stereo Component Amplifier Assembly) (From Aug. 2013 Production)



\*12 : w/ Rear Seat Entertainment

H00(A), H02(B), H48(C), H49(D), H61(E), H68(F), z10(G), z12(H)  
Radio & Display Receiver Assembly

Multiplex Communication System (CAN) <75-4> <76-4>

Combination Meter Assembly <89-1> <89-1>

Parking Brake Switch Assembly <77-9>

Parking/Neutral Position Switch <85-2> <85-2>

Back-Up Light Switch Assembly <85-2> <85-2>

W7  
Map Light Assembly

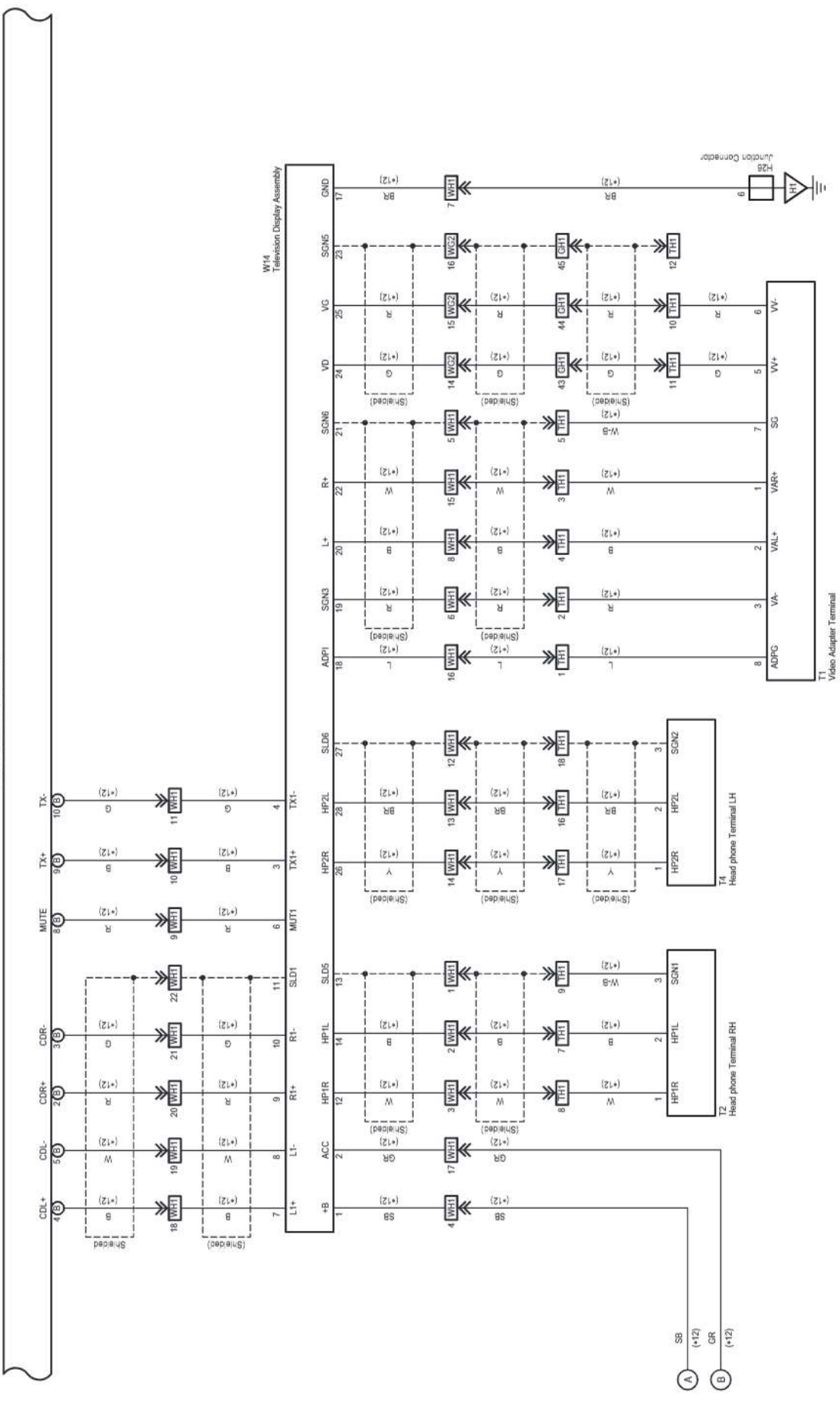
SB (+12)  
GR (+12)  
B (+12)

Audio System (Radio & Display Receiver Assembly Type w/ Stereo Component Amplifier Assembly) (From Aug. 2013 Production),  
 Navigation System (Radio & Display Receiver Assembly Type) (From Aug. 2013 Production) and  
 Parking Assist (Rear View Monitor) (Radio & Display Receiver Assembly Type w/ Stereo Component Amplifier Assembly) (From Aug. 2013 Production)

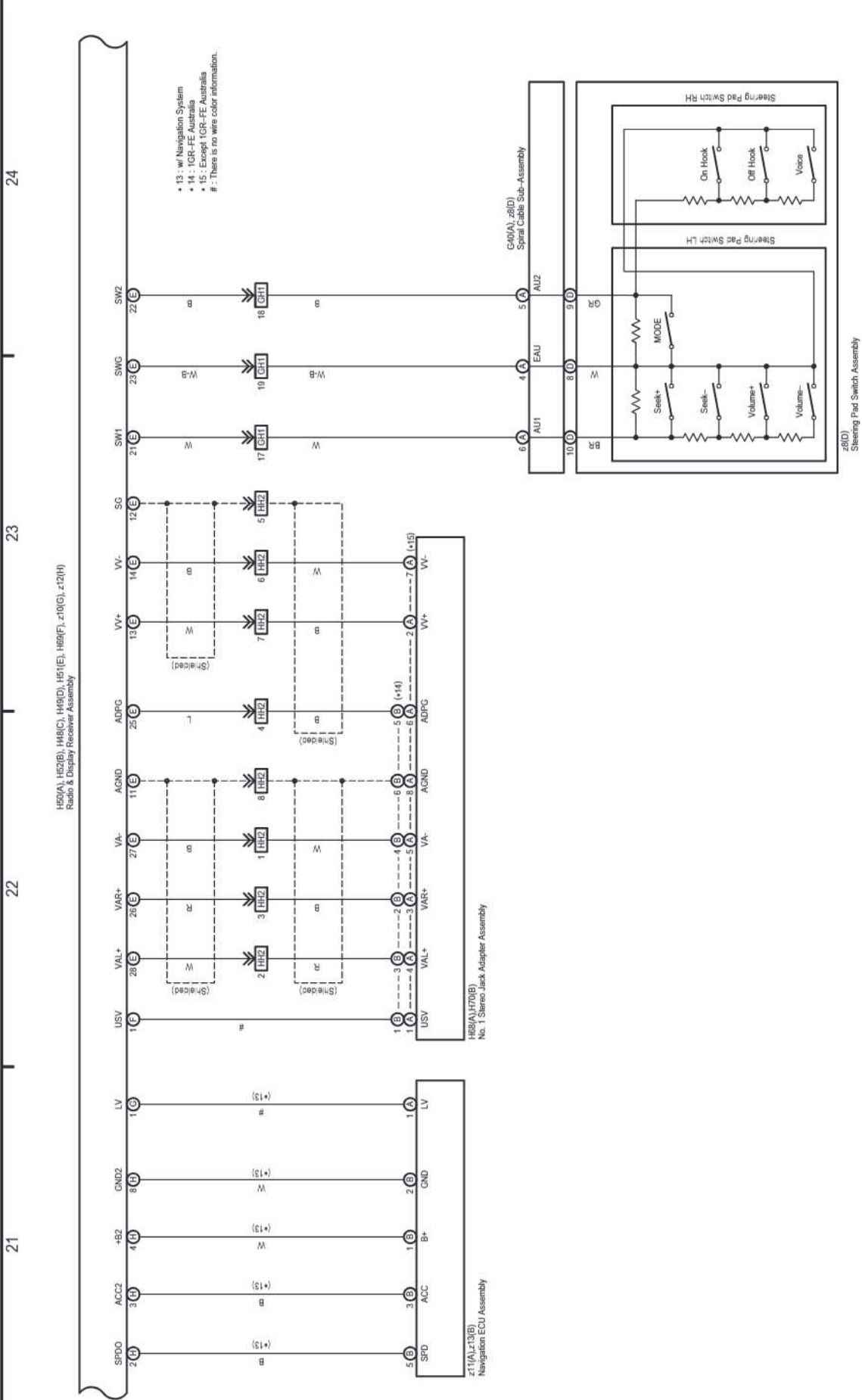
17 18 19 20

H50(A), H52(B), H48(C), H49(D), H51(E), H69(F), z10(G), z12(H)  
 Radio & Display Receiver Assembly

12 : w/ Rear Seat Entertainment



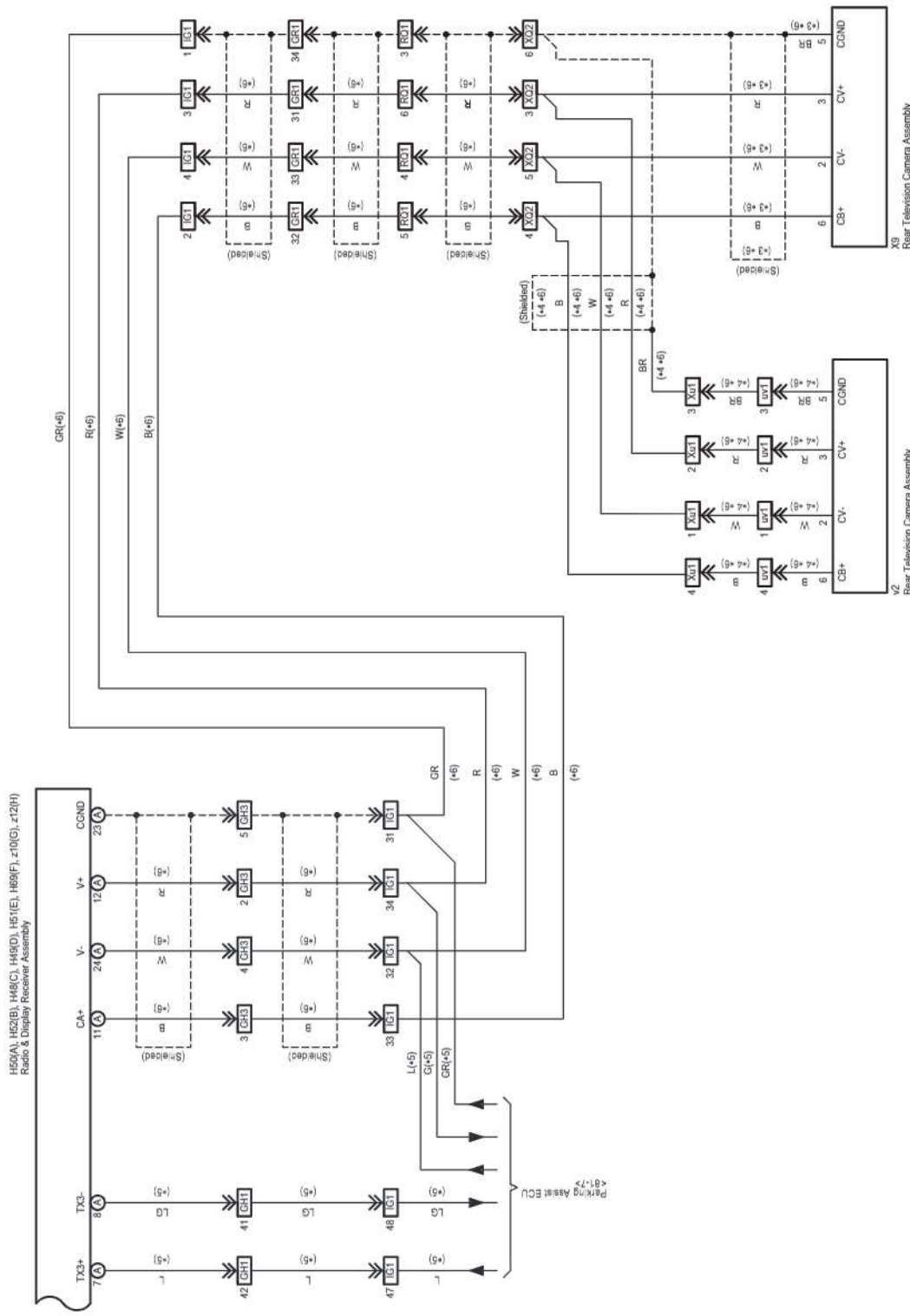
Audio System (Radio & Display Receiver Assembly Type w/ Stereo Component Amplifier Assembly) (From Aug. 2013 Production),  
 Navigation System (Radio & Display Receiver Assembly Type) (From Aug. 2013 Production) and  
 Parking Assist (Rear View Monitor) (Radio & Display Receiver Assembly Type w/ Stereo Component Amplifier Assembly) (From Aug. 2013 Production)



85 LAND CRUISER / LAND CRUISER PRADO (Cont'd)

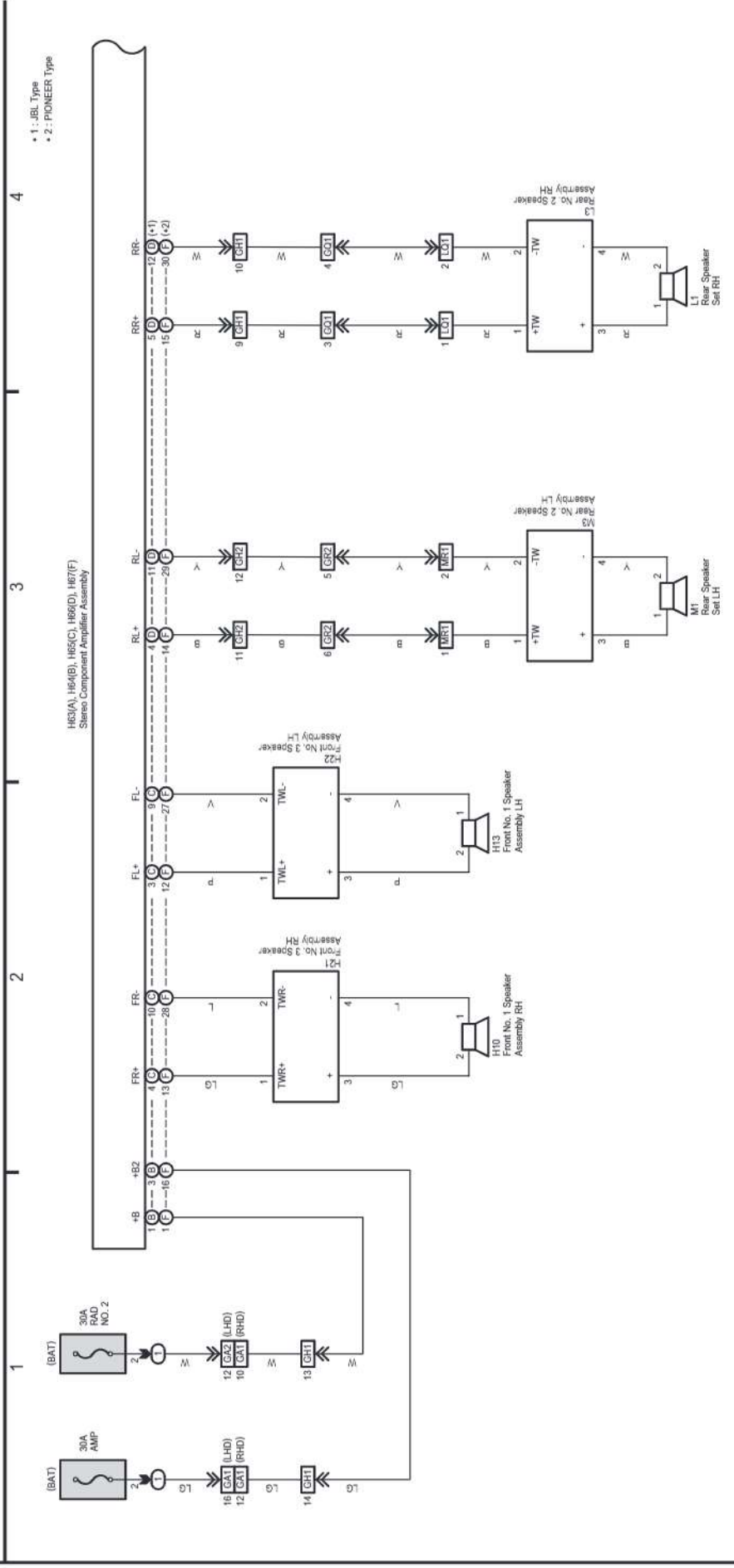
Audio System (Radio & Display Receiver Assembly Type w/ Stereo Component Amplifier Assembly) (From Aug. 2013 Production),  
 Navigation System (Radio & Display Receiver Assembly Type) (From Aug. 2013 Production) and  
 Parking Assist (Rear View Monitor) (Radio & Display Receiver Assembly Type w/ Stereo Component Amplifier Assembly) (From Aug. 2013 Production)

25 26 27 28



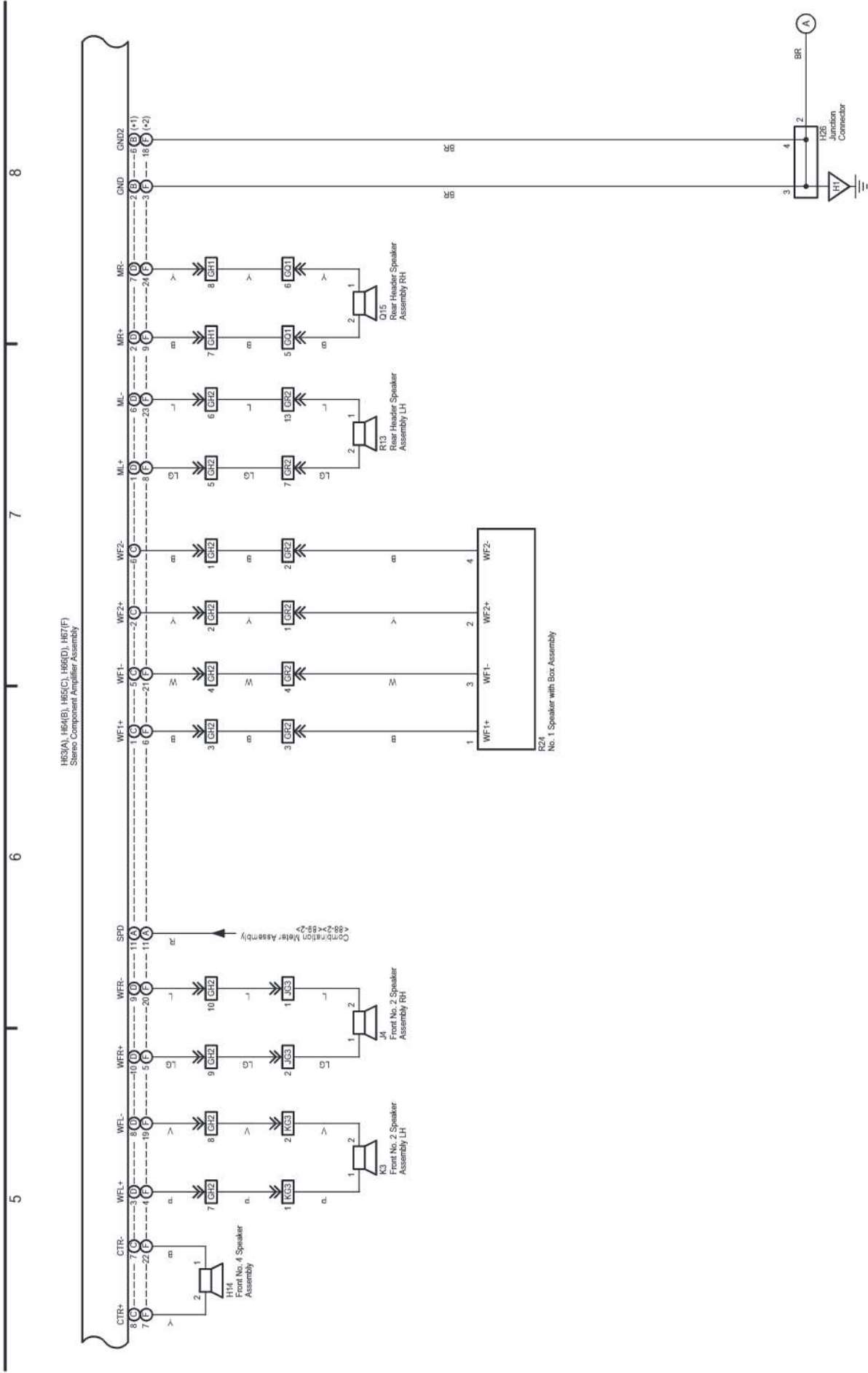
- \* 3 : w/ Glass Hatch Opener
- \* 4 : w/o Glass Hatch Opener
- \* 5 : w/ Multi-Terrain Monitor
- \* 6 : w/o Multi-Terrain Monitor

Audio System (Navigation Receiver Assembly Type Except China) (From Aug. 2013 Production),  
 Navigation System (Navigation Receiver Assembly Type Except China) (From Aug. 2013 Production) and  
 Parking Assist (Rear View Monitor) (Navigation Receiver Assembly Type) (From Aug. 2013 Production)



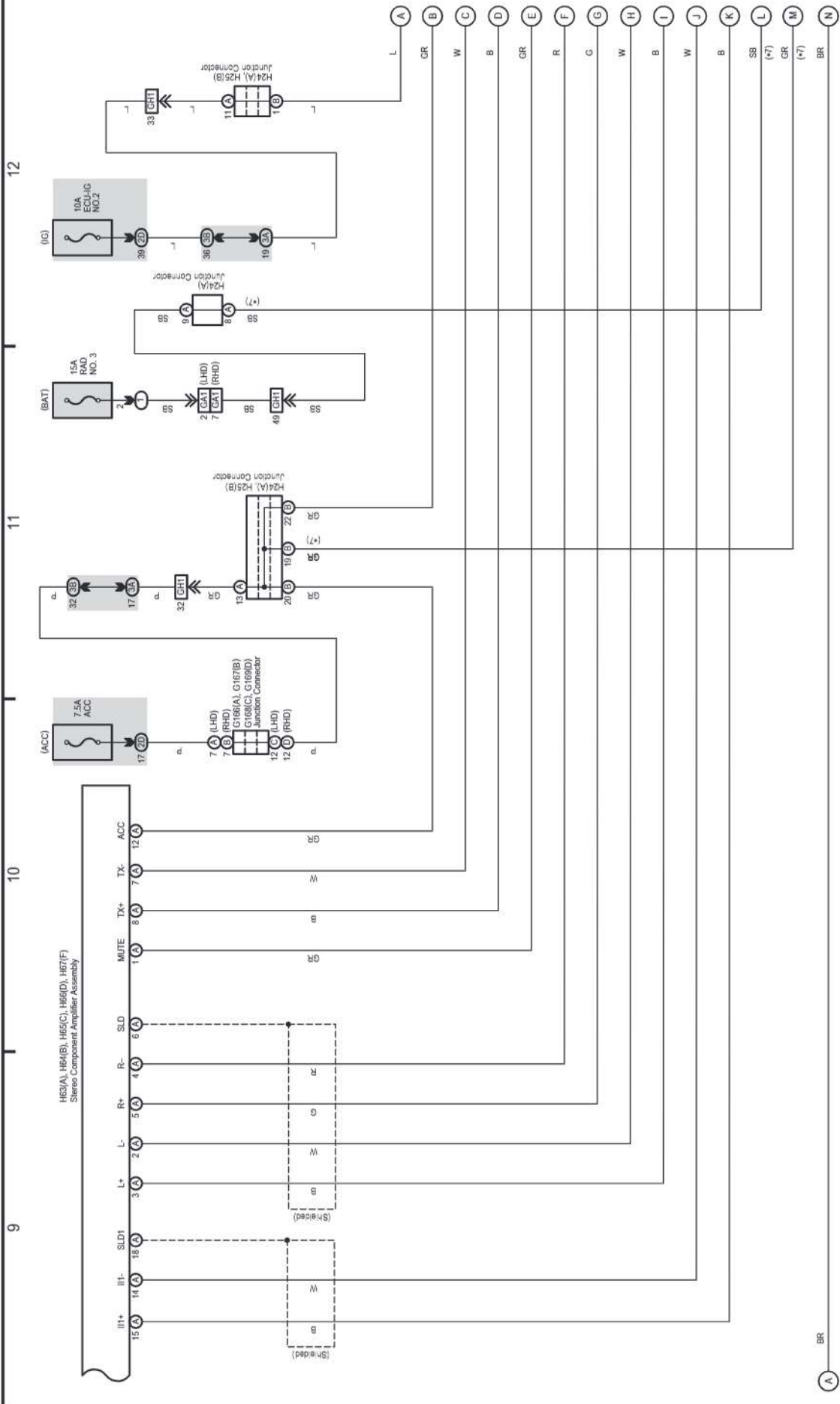
Audio System (Navigation Receiver Assembly Type Except China) (From Aug. 2013 Production),  
Navigation System (Navigation Receiver Assembly Type Except China) (From Aug. 2013 Production) and  
Parking Assist (Rear View Monitor) (Navigation Receiver Assembly Type) (From Aug. 2013 Production)

- 1 : JBL Type
- 2 : PIONEER Type



Audio System (Navigation Receiver Assembly Type Except China) (From Aug. 2013 Production),  
Navigation System (Navigation Receiver Assembly Type Except China) (From Aug. 2013 Production) and  
Parking Assist (Rear View Monitor) (Navigation Receiver Assembly Type) (From Aug. 2013 Production)

47 : w/ Rear Seat Entertainment



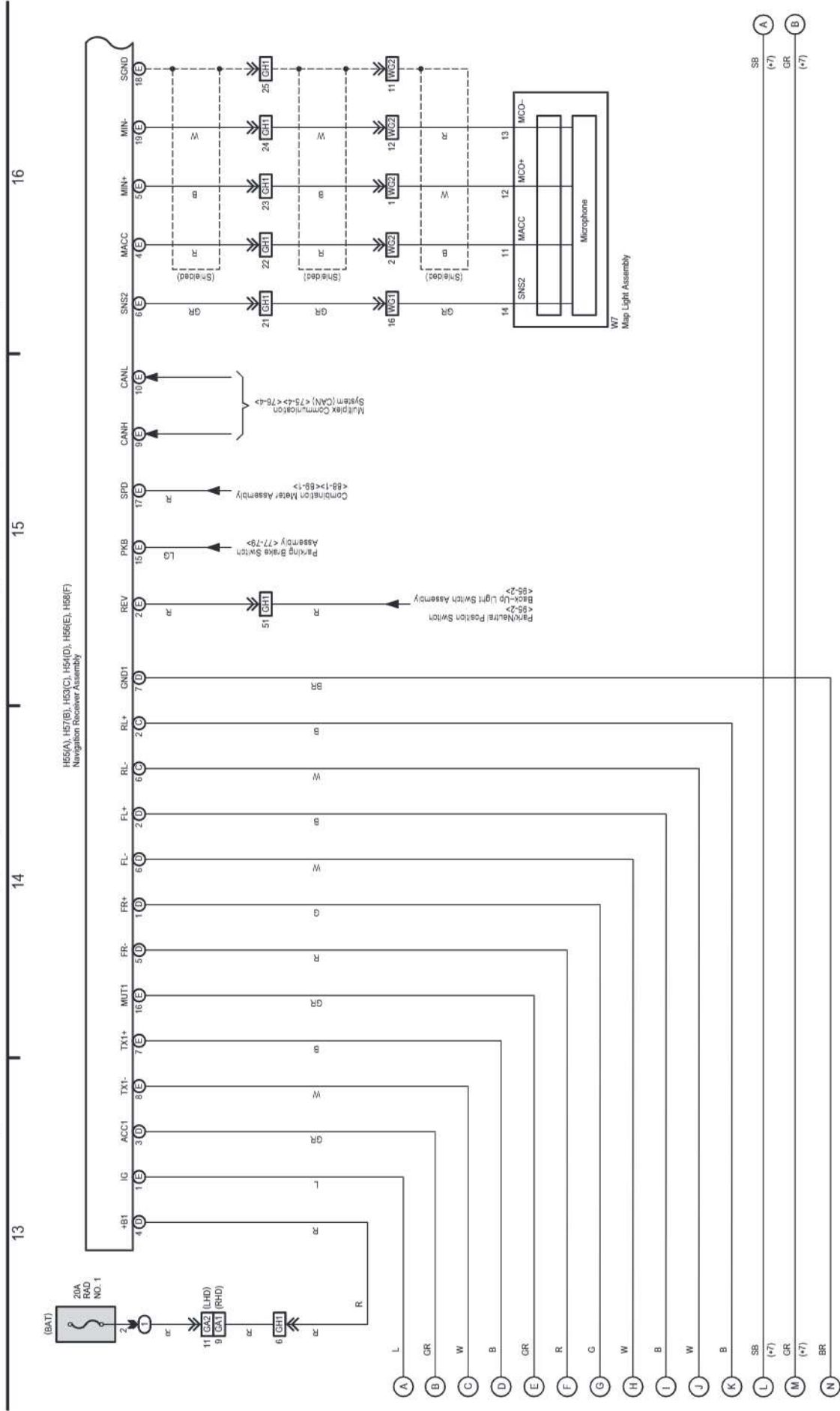
# M OVERALL ELECTRICAL WIRING DIAGRAM

(Cont. next page)

86 LAND CRUISER / LAND CRUISER PRADO (Cont'd)

Audio System (Navigation Receiver Assembly Type Except China) (From Aug. 2013 Production),  
 Navigation System (Navigation Receiver Assembly Type Except China) (From Aug. 2013 Production) and  
 Parking Assist (Rear View Monitor) (Navigation Receiver Assembly Type) (From Aug. 2013 Production)

\*7 : W Rear Seat Entertainment





Audio System (Navigation Receiver Assembly Type Except China) (From Aug. 2013 Production),  
 Navigation System (Navigation Receiver Assembly Type Except China) (From Aug. 2013 Production) and  
 Parking Assist (Rear View Monitor) (Navigation Receiver Assembly Type) (From Aug. 2013 Production)

\*7 : w/ Rear Seat Entertainment

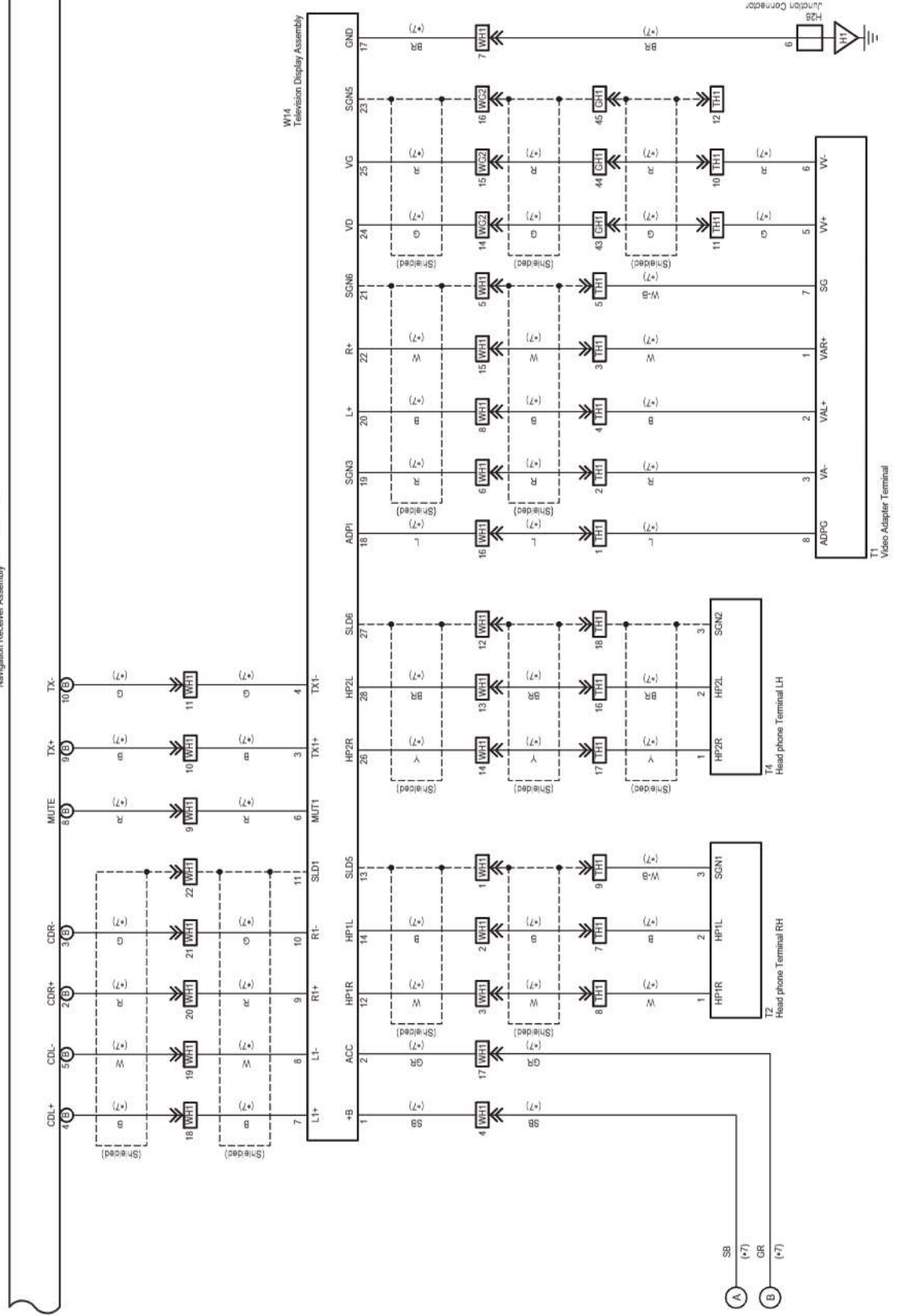
17

18

19

20

H55(A), H57(B), H53(C), H54(D), H56(E), H58(F)  
 Navigation Receiver Assembly

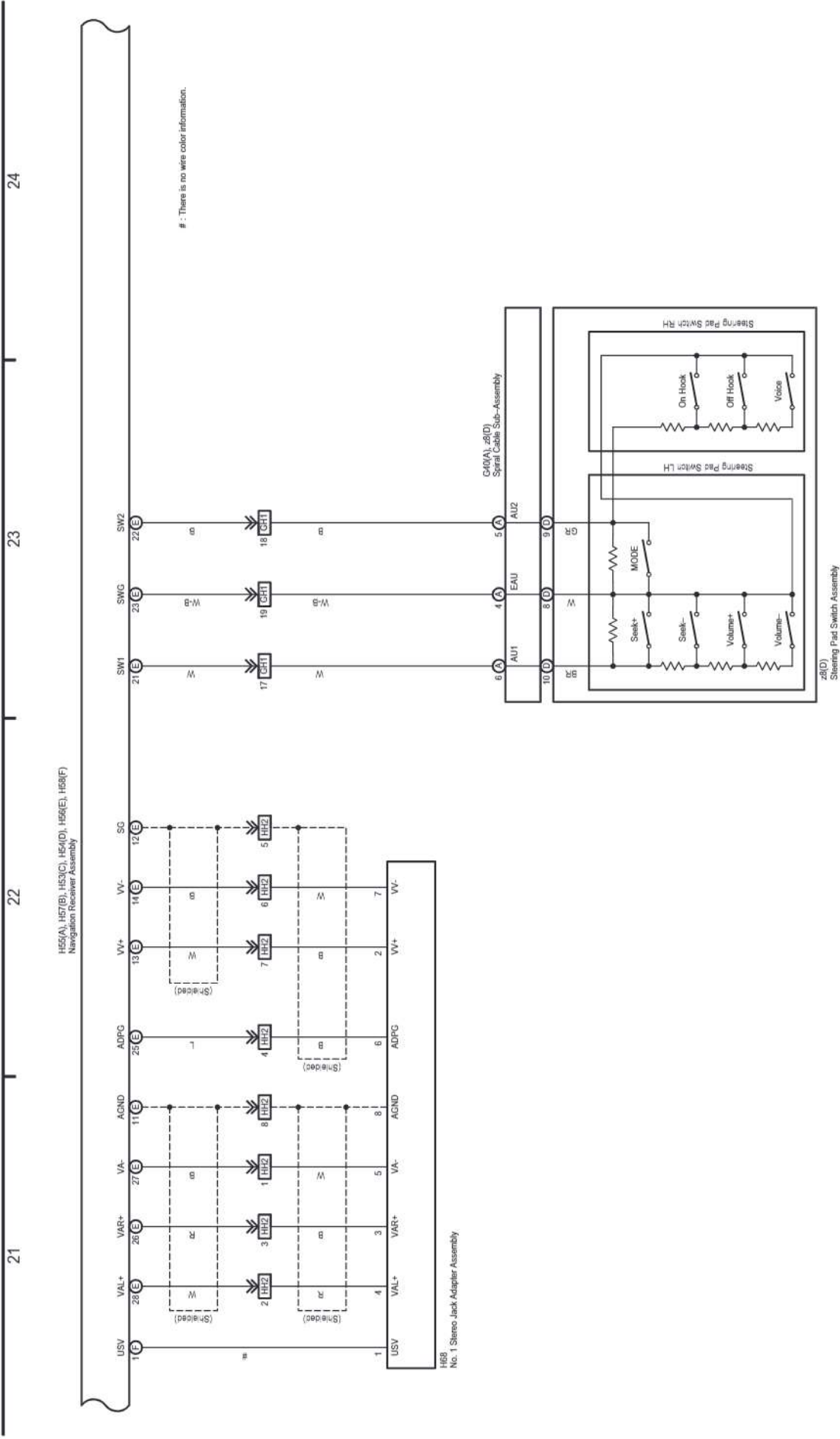


# M OVERALL ELECTRICAL WIRING DIAGRAM

(Cont. next page)

86 LAND CRUISER / LAND CRUISER PRADO (Cont'd)

Audio System (Navigation Receiver Assembly Type Except China) (From Aug. 2013 Production),  
Navigation System (Navigation Receiver Assembly Type Except China) (From Aug. 2013 Production) and  
Parking Assist (Rear View Monitor) (Navigation Receiver Assembly Type) (From Aug. 2013 Production)



# : There is no wire color information.

21

22

23

24

86 LAND CRUISER / LAND CRUISER PRADO (Cont'd)

Audio System (Navigation Receiver Assembly Type Except China) (From Aug. 2013 Production),  
Navigation System (Navigation Receiver Assembly Type Except China) (From Aug. 2013 Production) and  
Parking Assist (Rear View Monitor) (Navigation Receiver Assembly Type) (From Aug. 2013 Production)

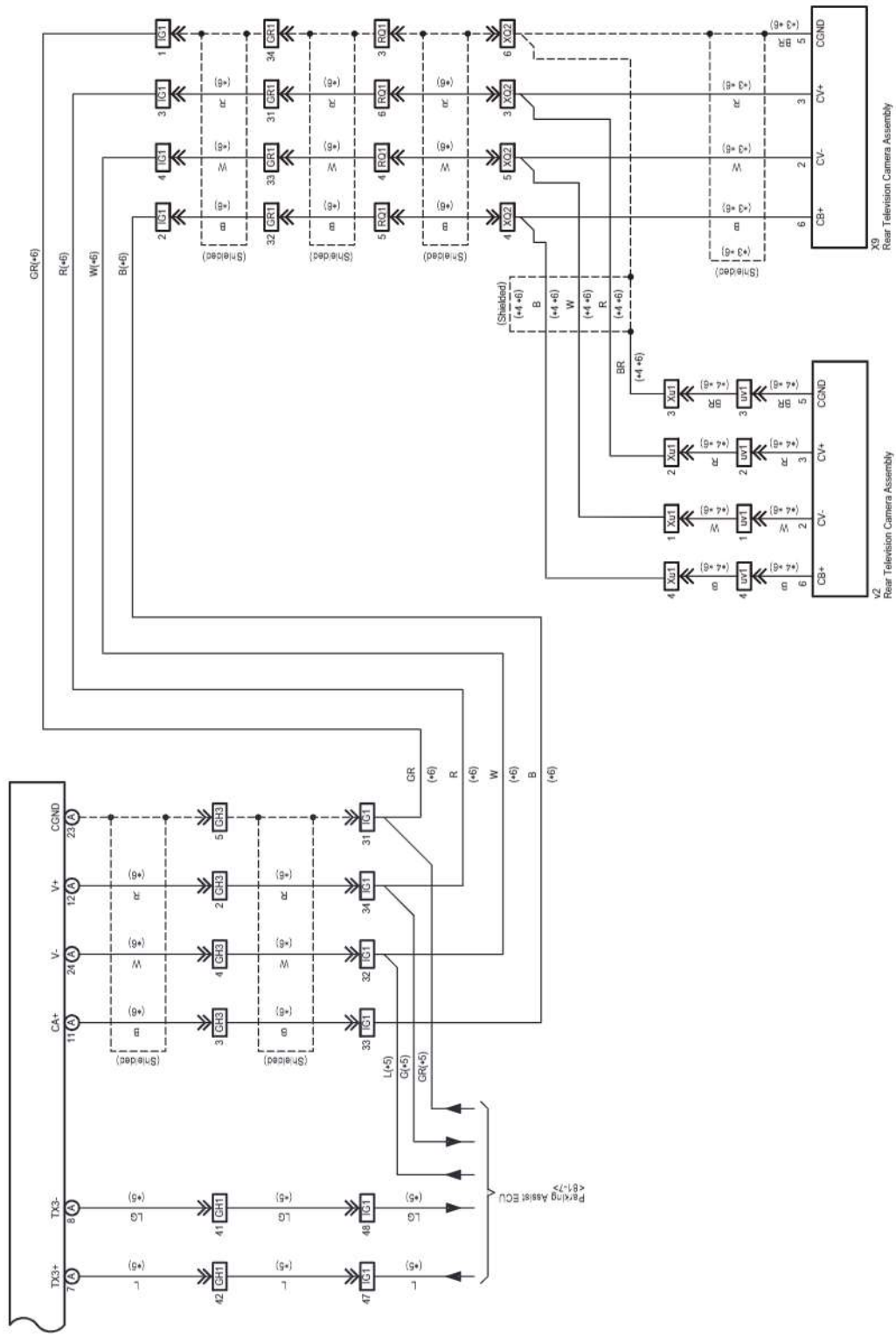
- 3 : w/ Glass Hatch Opener
- 4 : w/o Glass Hatch Opener
- 5 : w/ Multi-Terrain Monitor
- 6 : w/ Parking Assist (Rear View Monitor)

28

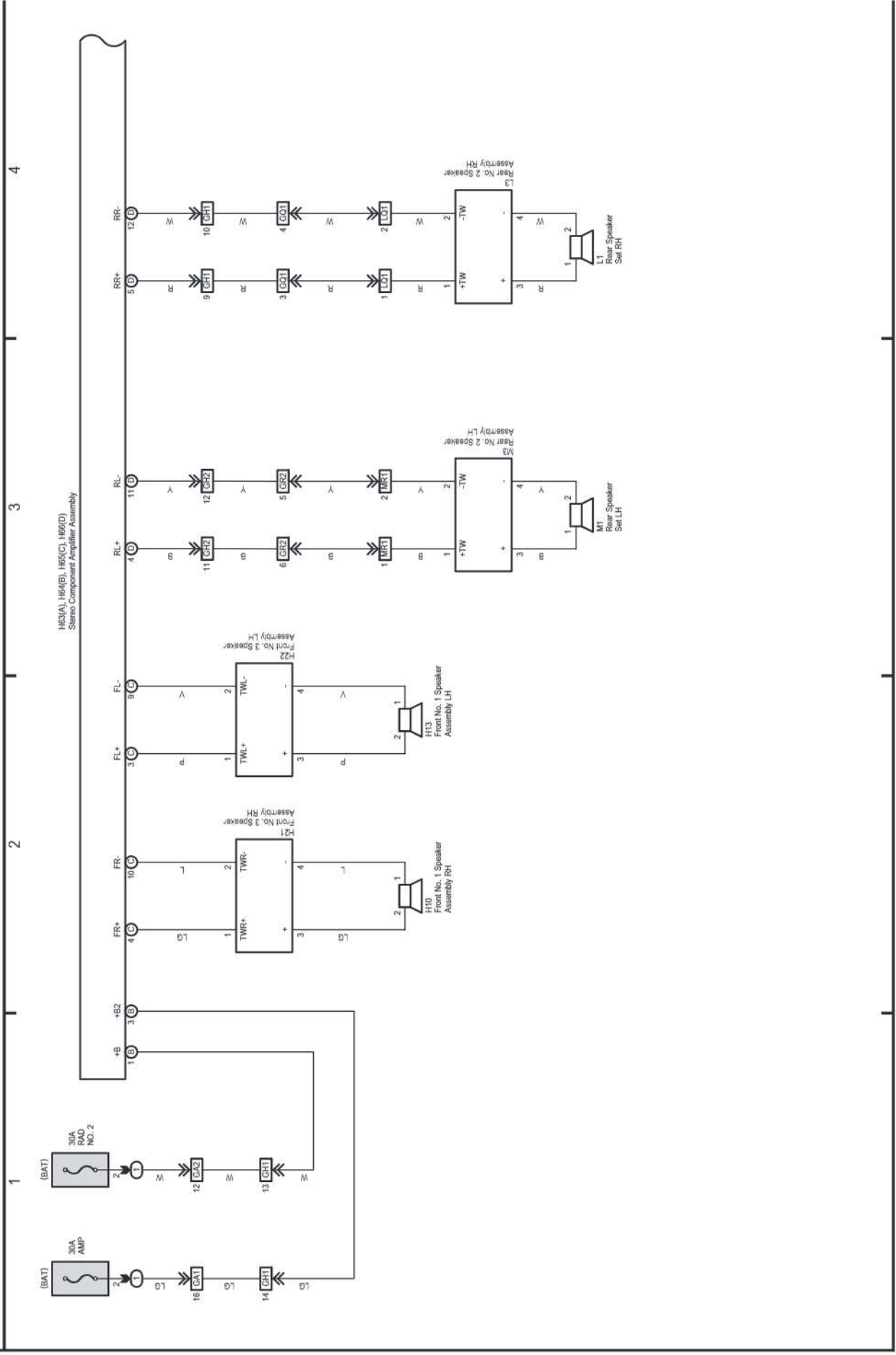
27

26

25



Audio System (Navigation Receiver Assembly Type China) (From Aug. 2013 Production),  
Navigation System (Navigation Receiver Assembly Type China) (From Aug. 2013 Production) and  
Parking Assist (Back Guide Monitor) (China) (From Aug. 2013 Production)

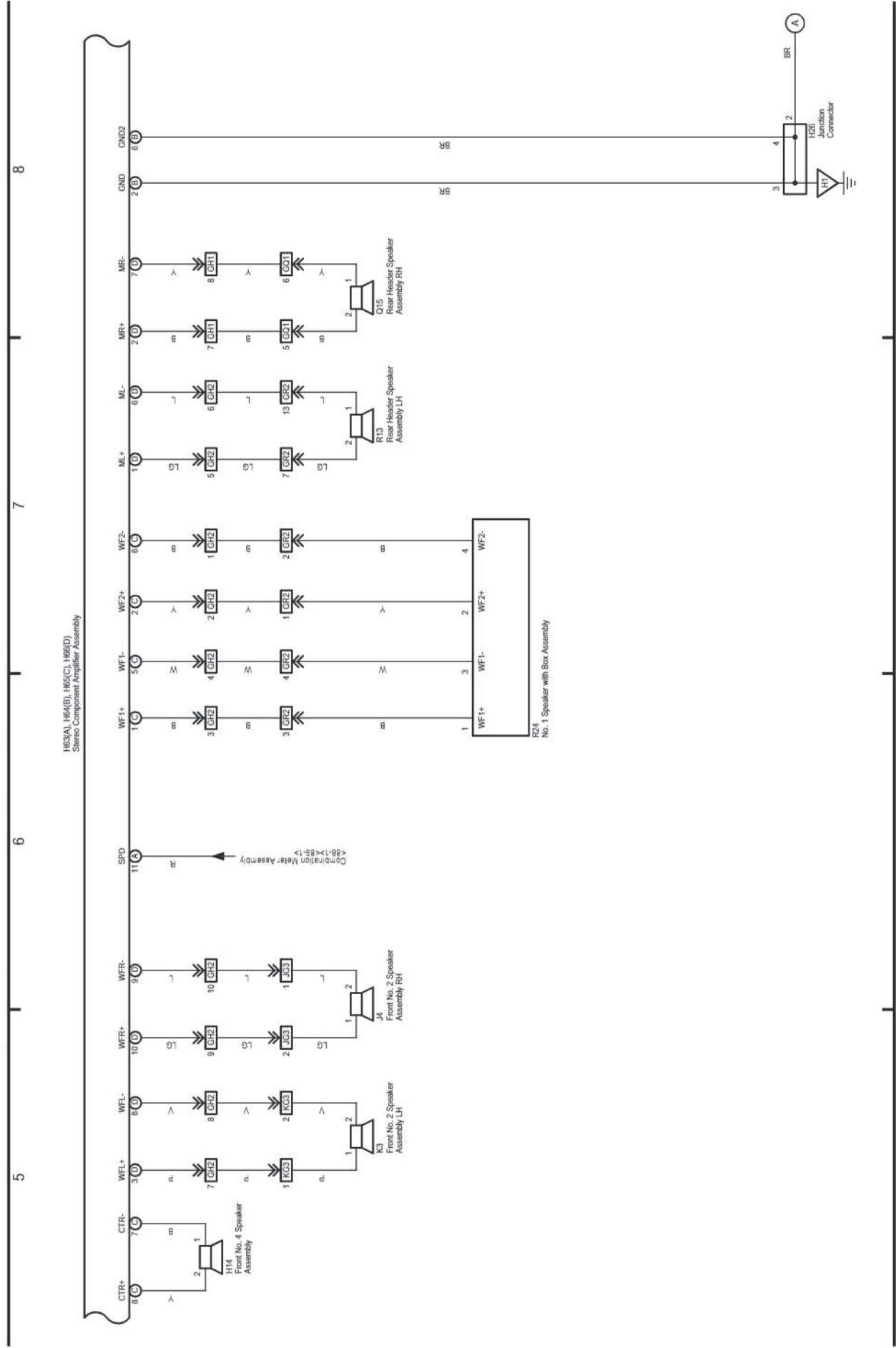


# M OVERALL ELECTRICAL WIRING DIAGRAM

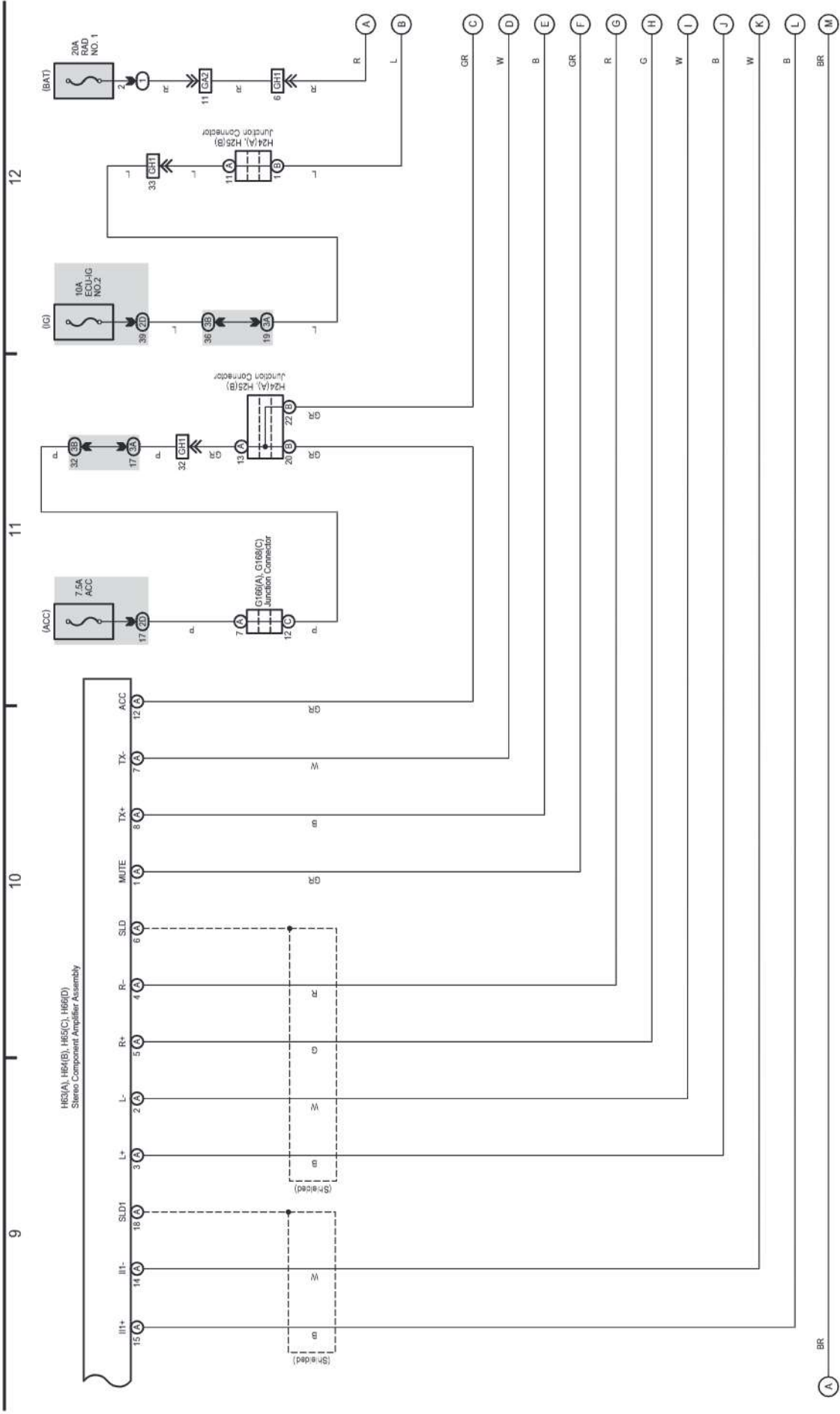
(Cont. next page)

87 LAND CRUISER / LAND CRUISER PRADO (Cont'd)

Audio System (Navigation Receiver Assembly Type China) (From Aug. 2013 Production),  
 Navigation System (Navigation Receiver Assembly Type China) (From Aug. 2013 Production) and  
 Parking Assist (Back Guide Monitor) (China) (From Aug. 2013 Production)



Audio System (Navigation Receiver Assembly Type China) (From Aug. 2013 Production),  
 Navigation System (Navigation Receiver Assembly Type China) (From Aug. 2013 Production) and  
 Parking Assist (Back Guide Monitor) (China) (From Aug. 2013 Production)

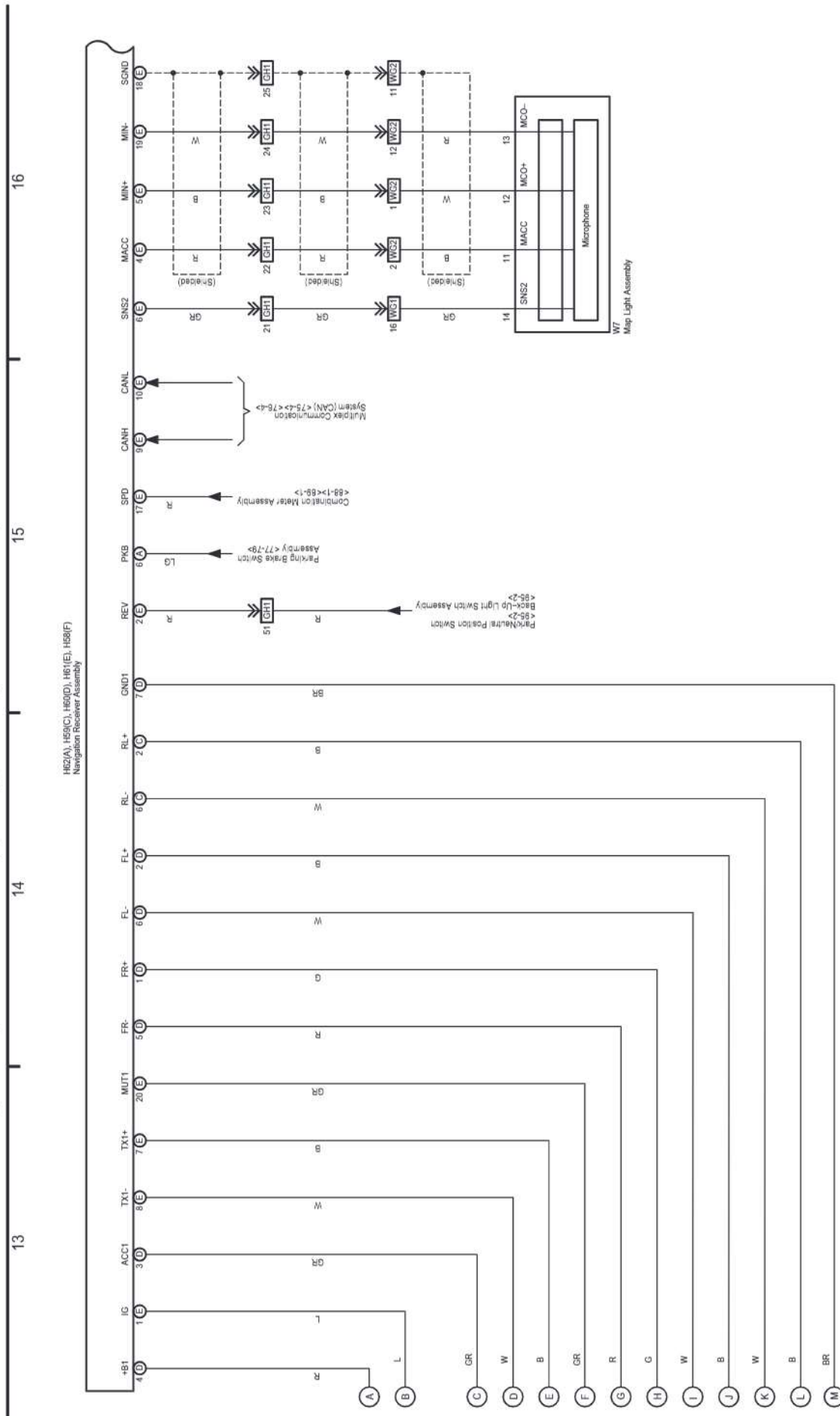


# M OVERALL ELECTRICAL WIRING DIAGRAM

(Cont. next page)

87 LAND CRUISER / LAND CRUISER PRADO (Cont'd)

Audio System (Navigation Receiver Assembly Type China) (From Aug. 2013 Production),  
Navigation System (Navigation Receiver Assembly Type China) (From Aug. 2013 Production) and  
Parking Assist (Back Guide Monitor) (China) (From Aug. 2013 Production)



Audio System (Navigation Receiver Assembly Type China) (From Aug. 2013 Production),  
Navigation System (Navigation Receiver Assembly Type China) (From Aug. 2013 Production) and  
Parking Assist (Back Guide Monitor) (China) (From Aug. 2013 Production)

# : There is no wire color information.

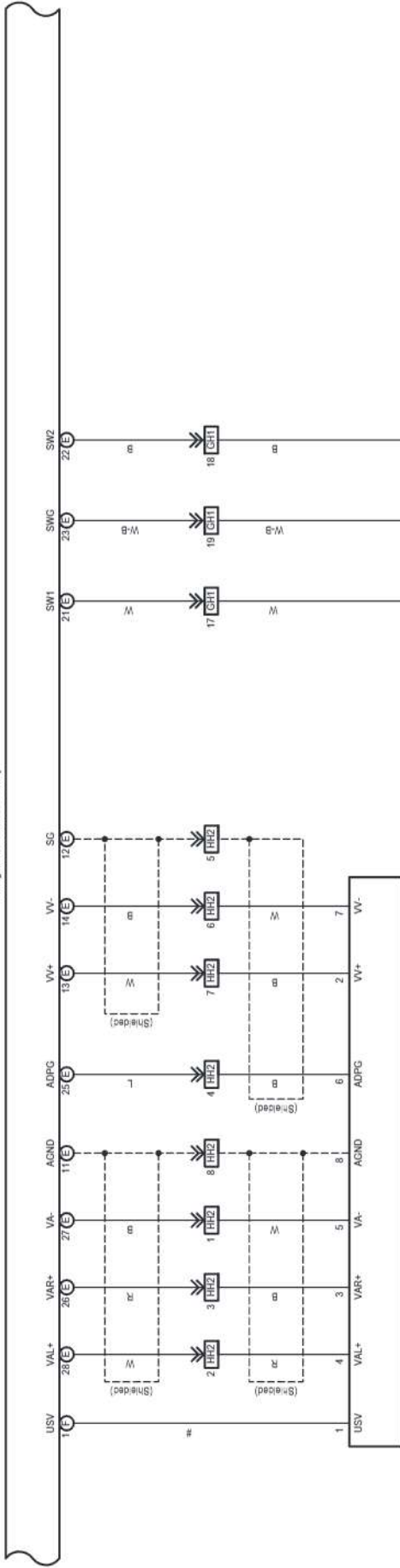
17

18

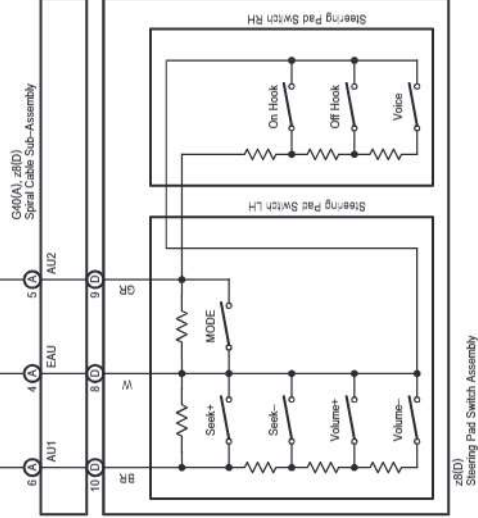
19

20

H6Z(A), H59(C), H60(D), H61(E), H58(F)  
Navigation Receiver Assembly



H6B  
No. 1 Stereo Jack Adapter Assembly



z8(D)  
Steering Pad Switch Assembly



# M OVERALL ELECTRICAL WIRING DIAGRAM

## 87 LAND CRUISER / LAND CRUISER PRADO (Cont'd)

Audio System (Navigation Receiver Assembly Type China) (From Aug. 2013 Production),  
 Navigation System (Navigation Receiver Assembly Type China) (From Aug. 2013 Production) and  
 Parking Assist (Back Guide Monitor) (China) (From Aug. 2013 Production)

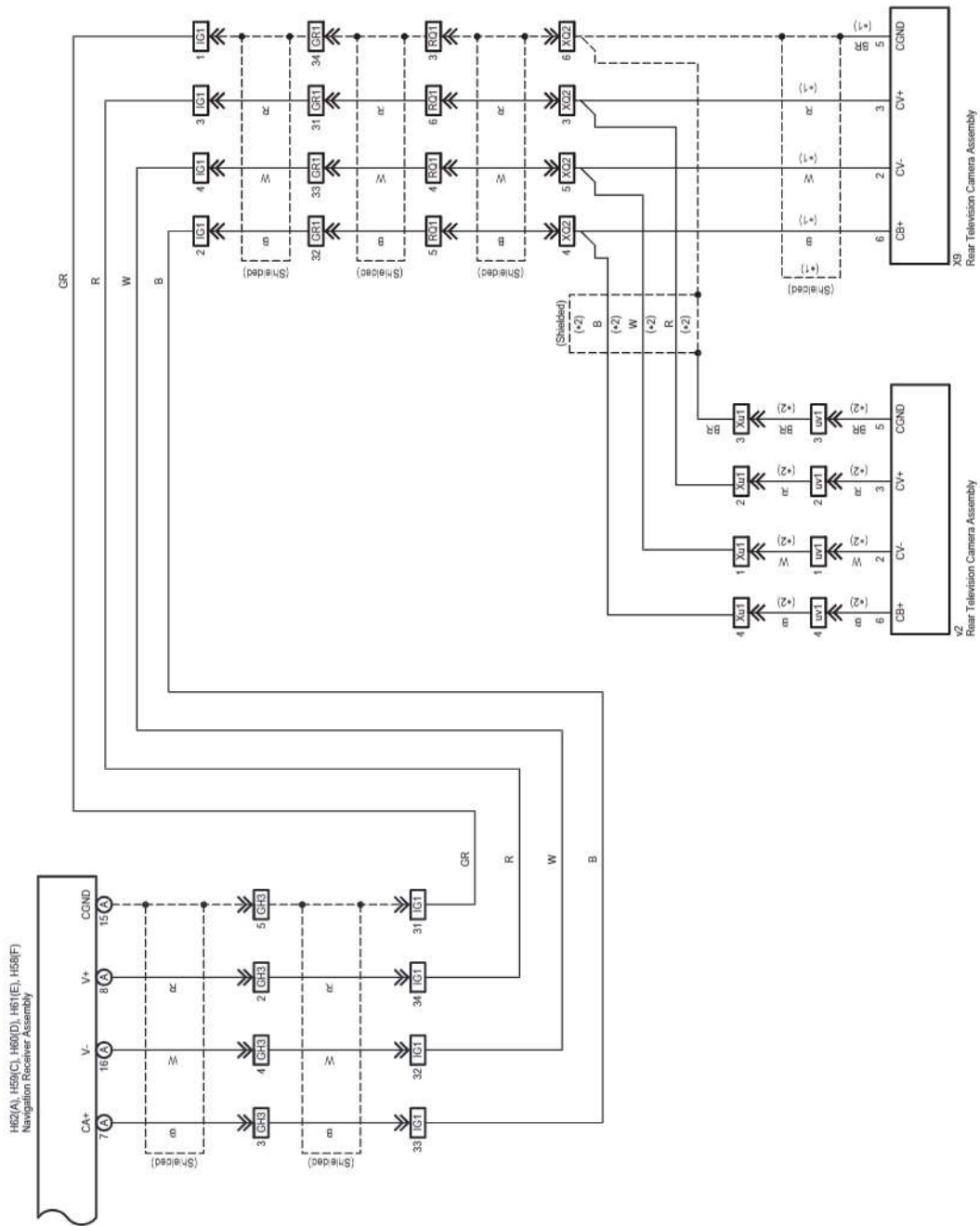
- 1 : w/ Glass Hatch Opener
- 2 : w/o Glass Hatch Opener

24

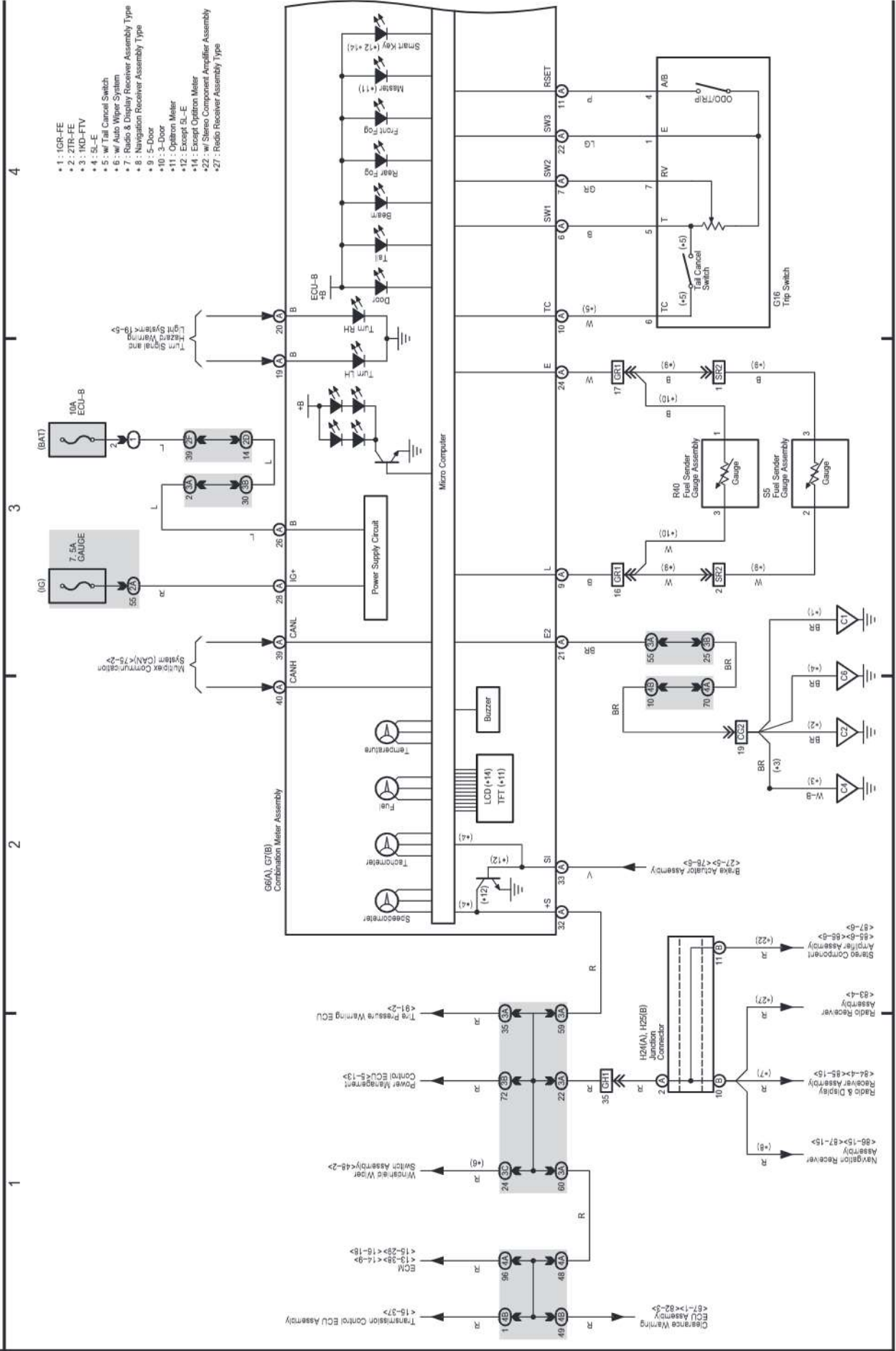
23

22

21



Combination Meter (LHD) (From Aug. 2013 Production)





88 LAND CRUISER / LAND CRUISER PRADO (Cont'd)

Combination Meter (LHD) (From Aug. 2013 Production)

12

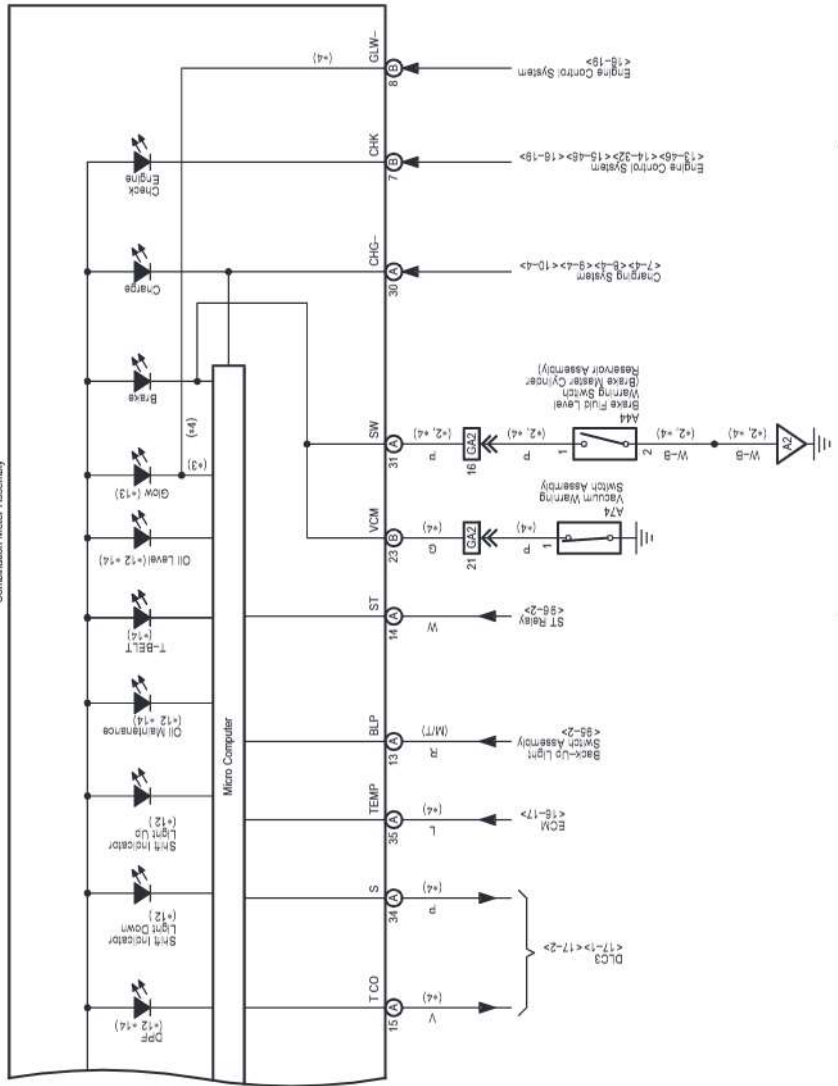
11

10

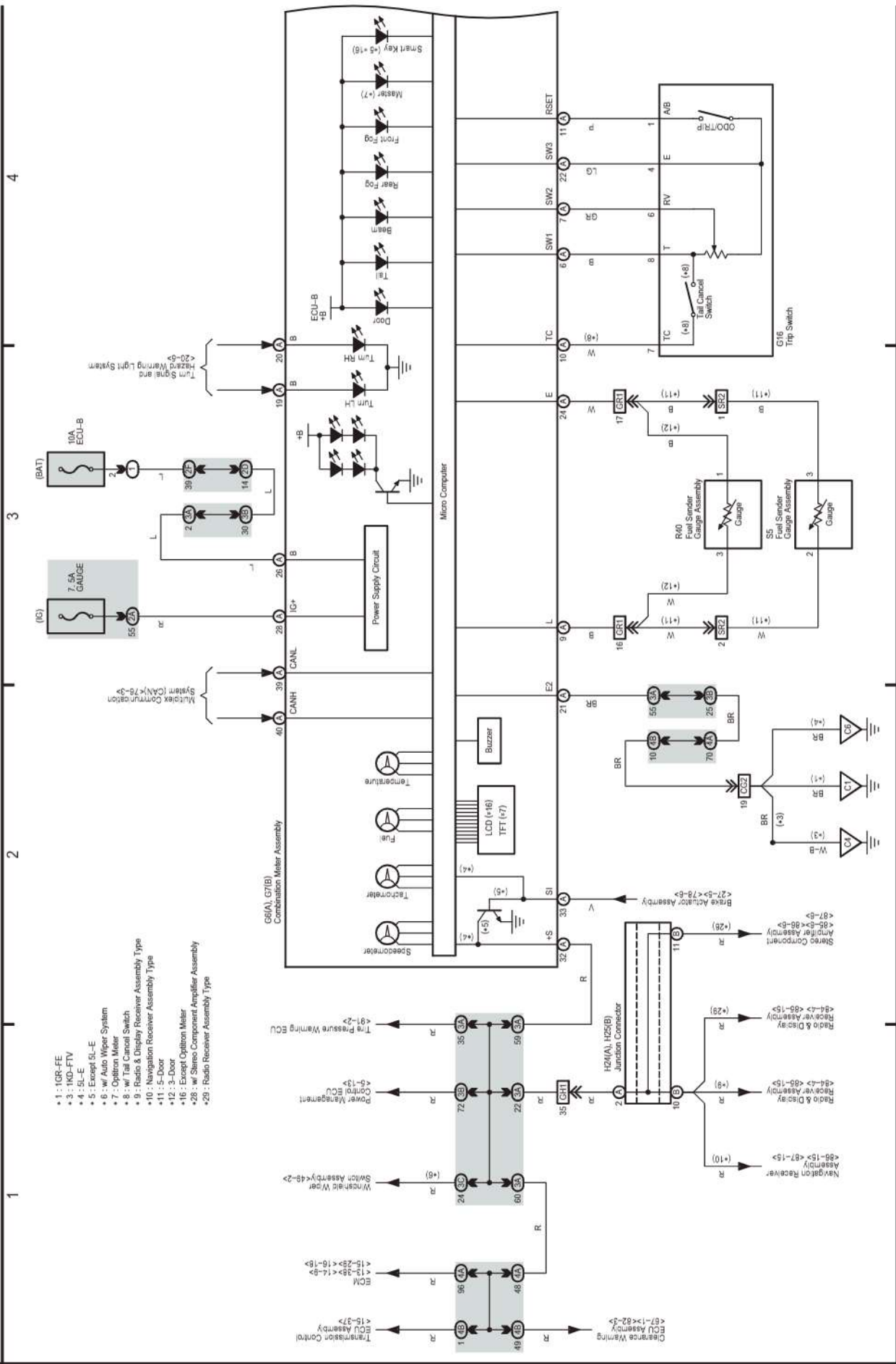
9

- \*2: 2TR-FE
- \*3: 1KD-FTV
- \*4: 5L-E
- +12: Except 5L-E
- +13: Diesel
- +14: Except Option Meter

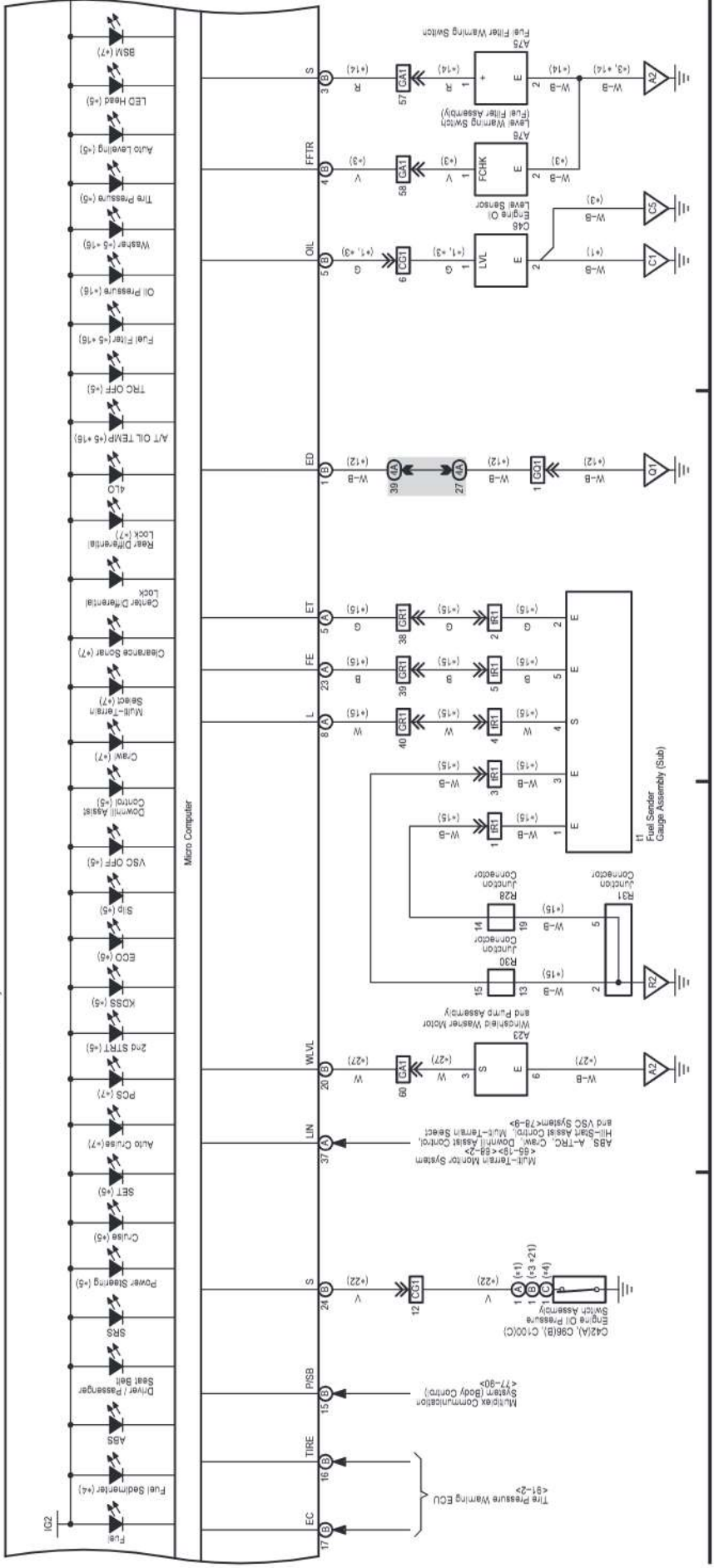
G6(A), G7(B)  
Combination Meter Assembly



Combination Meter (RHD) (From Aug. 2013 Production)



Combination Meter (RHD) (From Aug. 2013 Production)

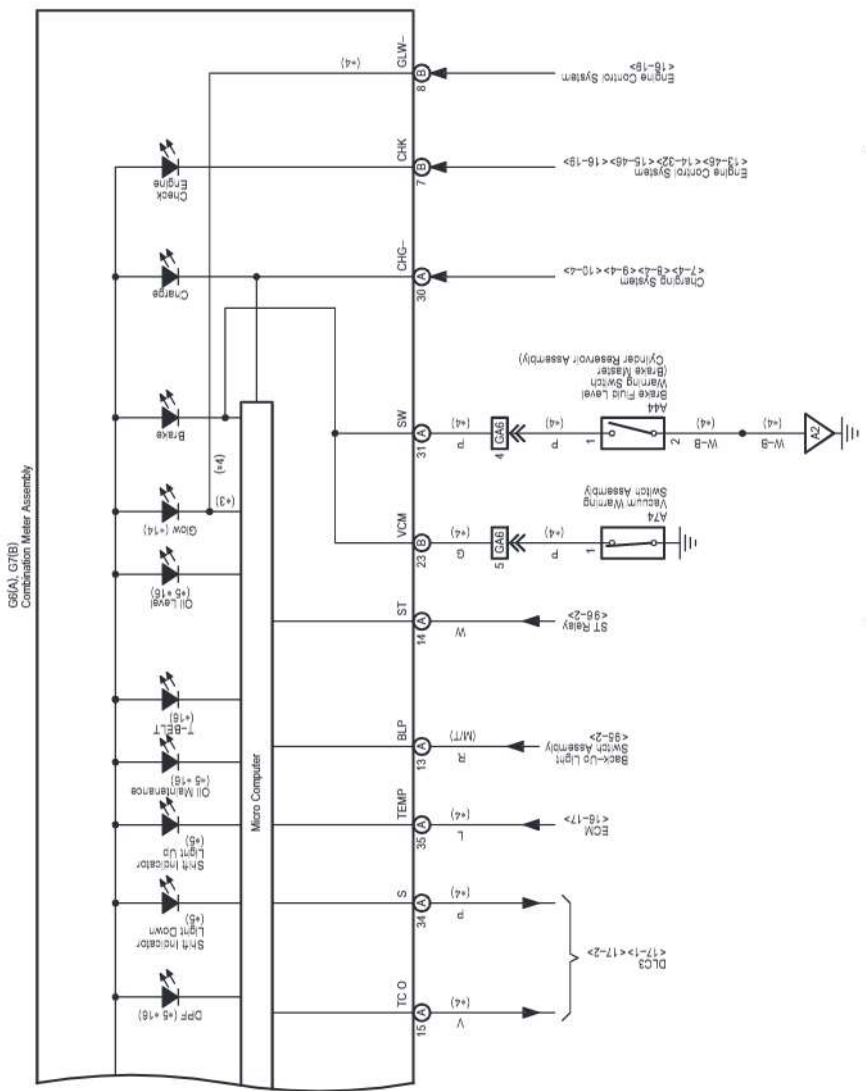


89 LAND CRUISER / LAND CRUISER PRADO (Cont'd)

Combination Meter (RHD) (From Aug. 2013 Production)

9 10 11 12

- \*3: 1KD-FTV
- \*4: 5L-E
- \*5: Except 5L-E
- \*14: Diesel
- \*16: Except Optitron Meter

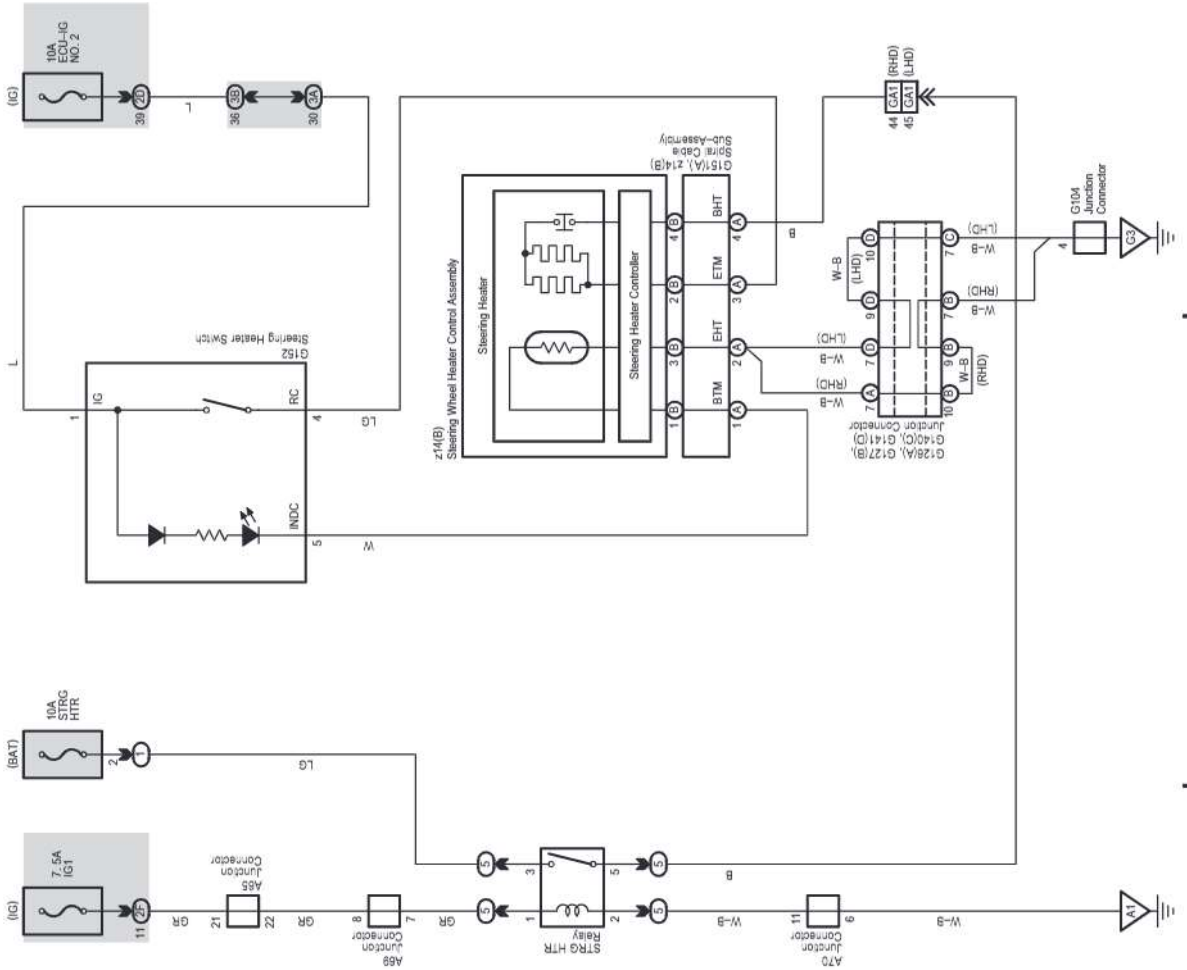


Heated Steering Wheel System

4

2

1





91 LAND CRUISER / LAND CRUISER PRADO

Tire Pressure Warning System

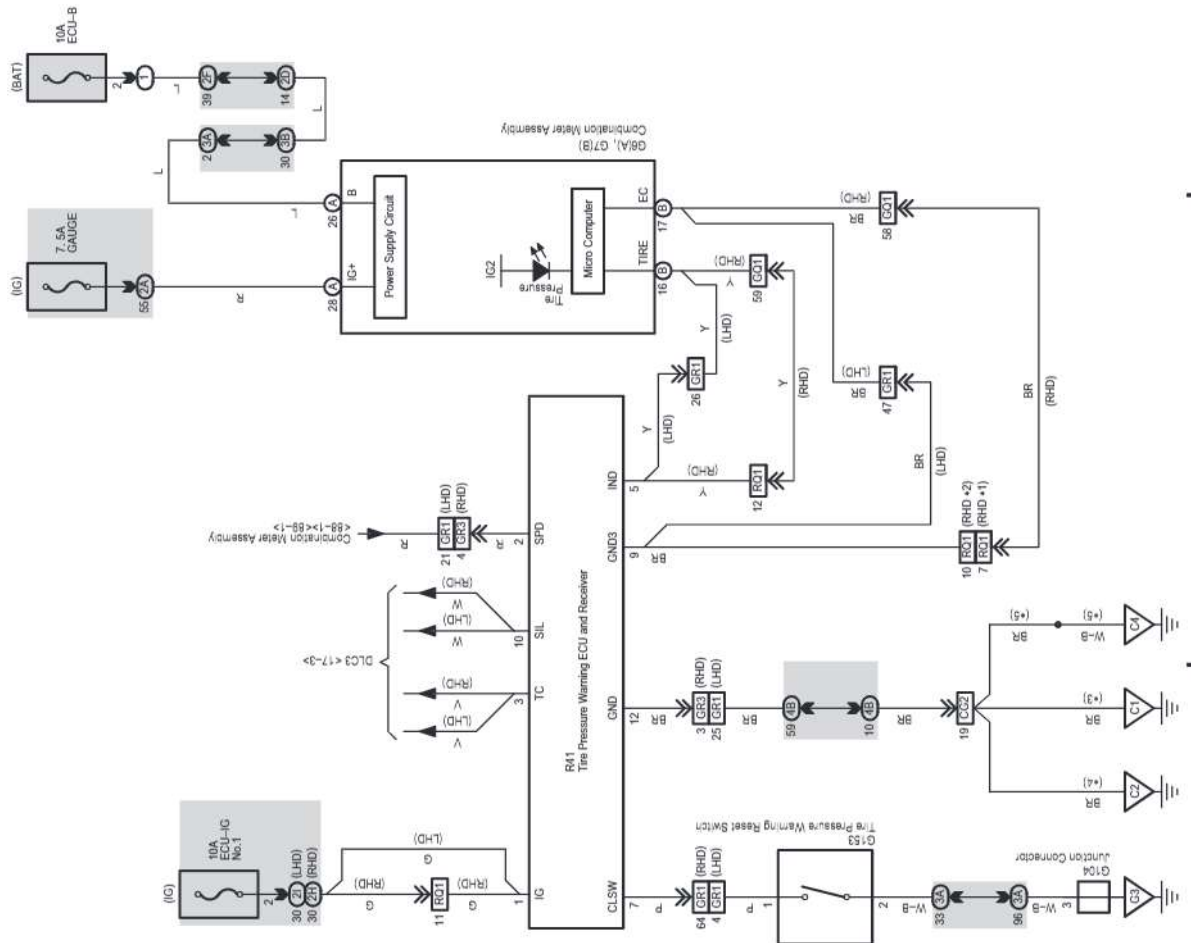
4

3

2

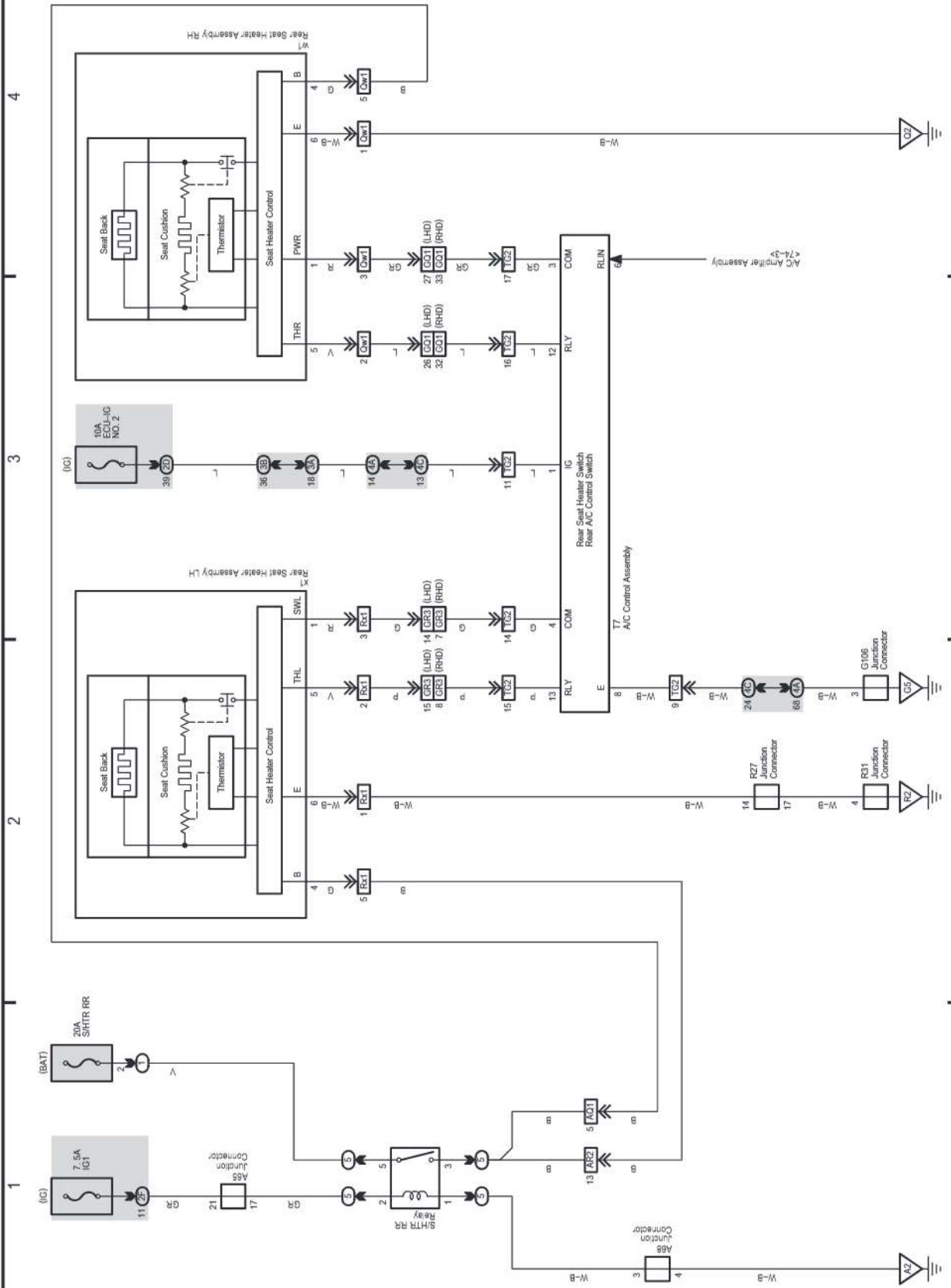
1

- 1 : 3-Door
- 2 : 5-Door
- 3 : 1GR-FE
- 4 : 2TR-FE
- 5 : 1KD-FTV



92 LAND CRUISER / LAND CRUISER PRADO

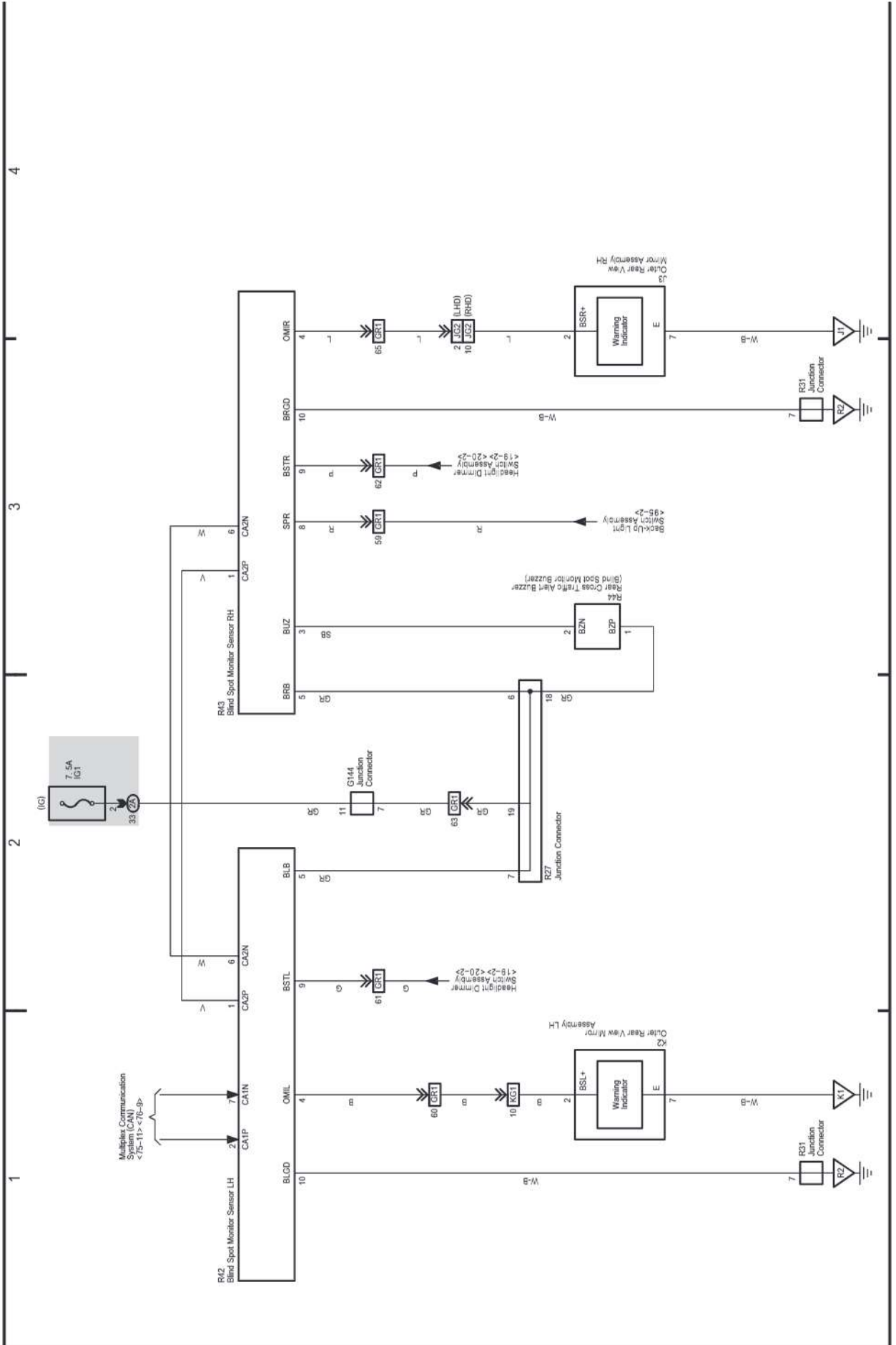
Seat Heater (Rear)



(Cont. next page)

93 LAND CRUISER / LAND CRUISER PRADO

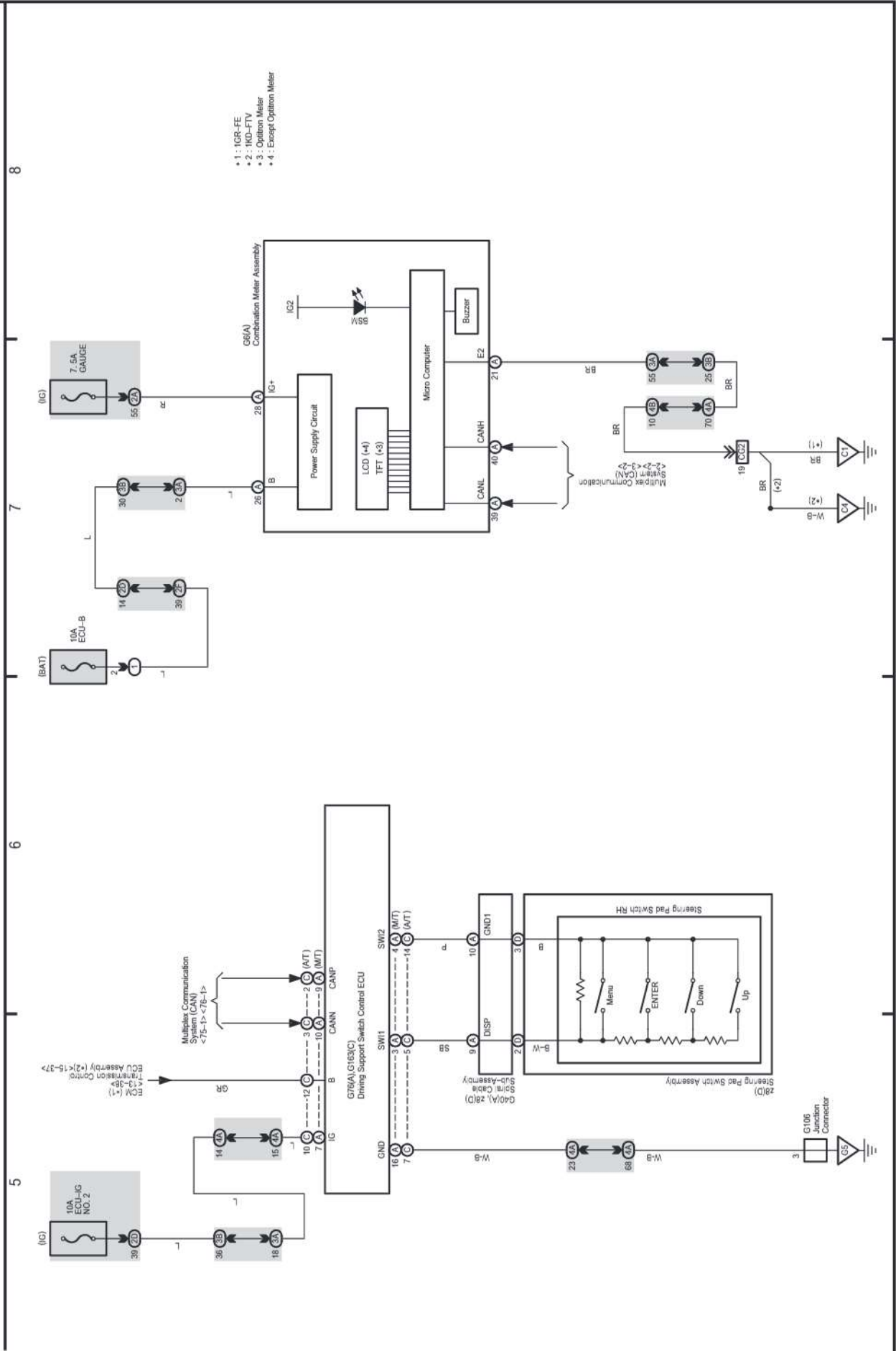
Blind Spot Monitor System



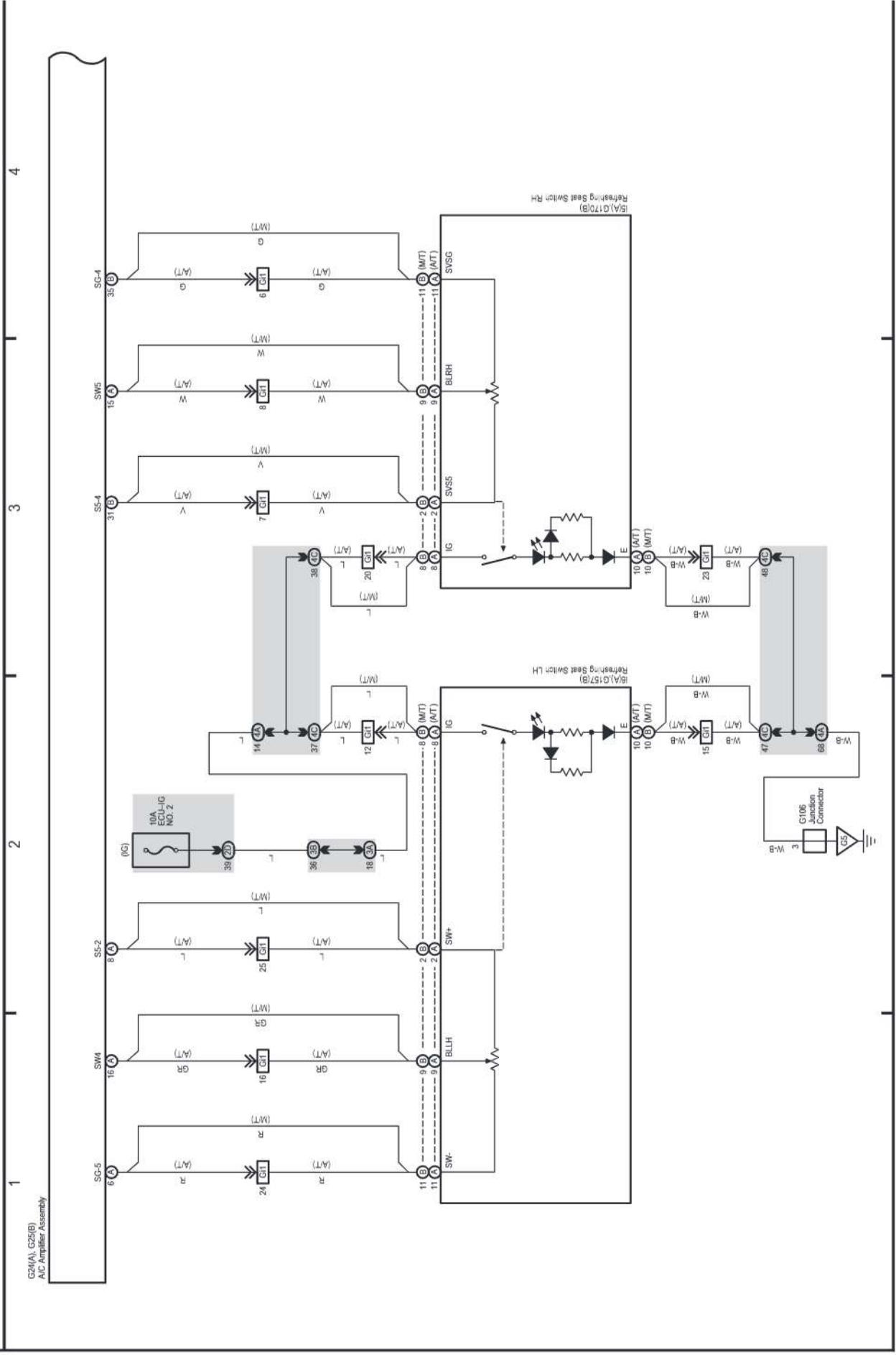
# M OVERALL ELECTRICAL WIRING DIAGRAM

93 LAND CRUISER / LAND CRUISER PRADO (Cont'd)

## Blind Spot Monitor System



Climate Control Seat



# M OVERALL ELECTRICAL WIRING DIAGRAM

94 LAND CRUISER / LAND CRUISER PRADO (Cont'd)

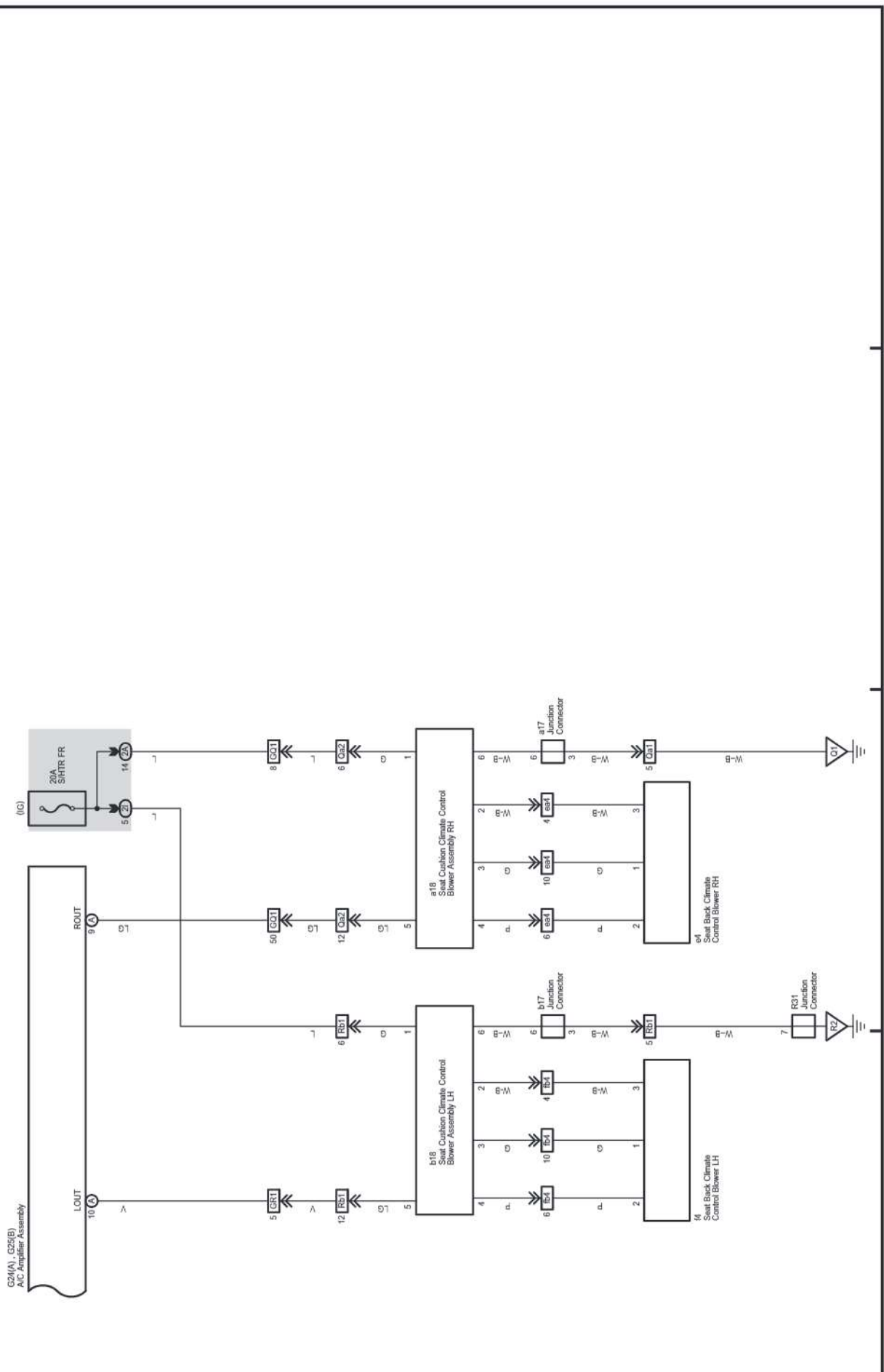
Climate Control Seat

8

7

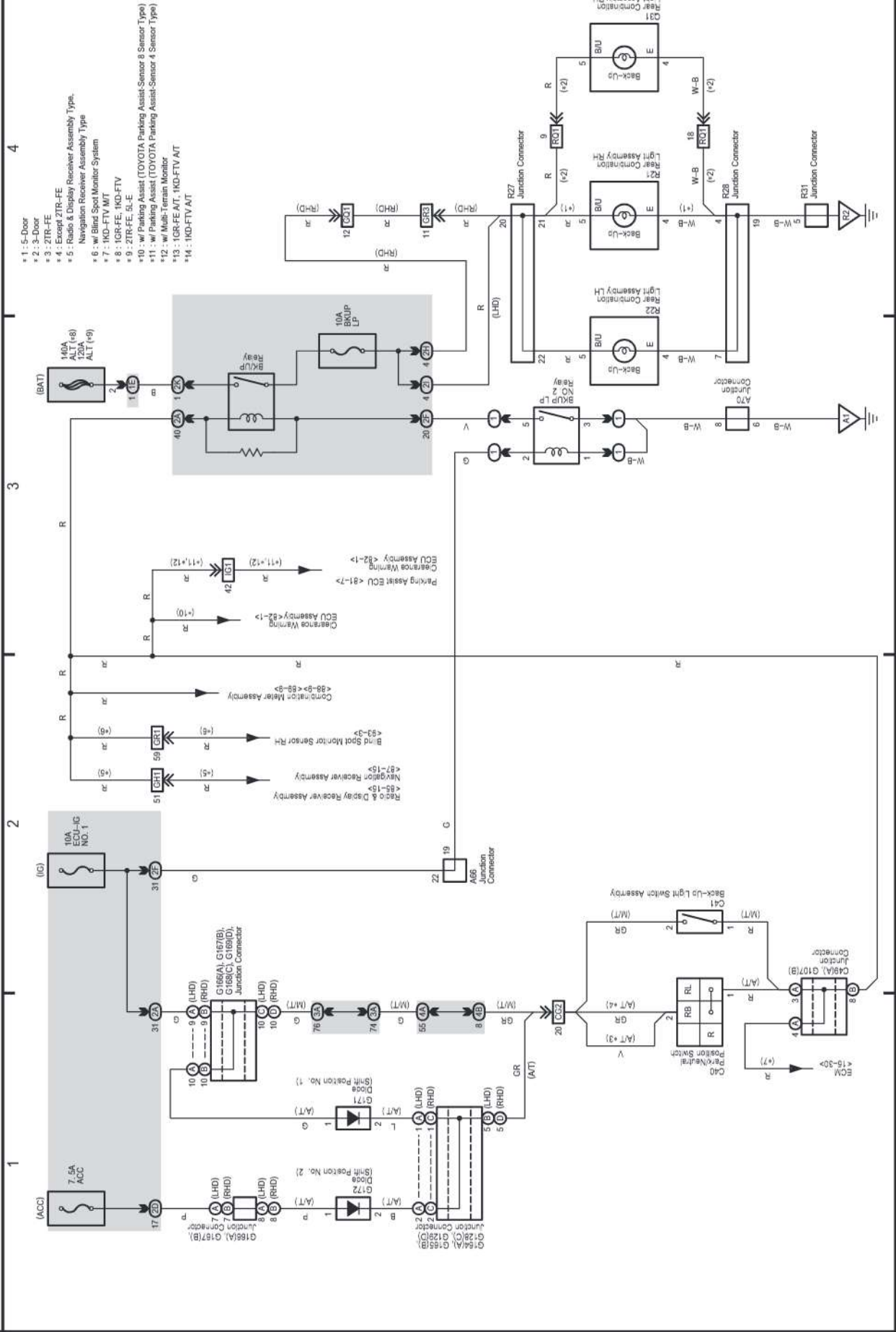
6

5



95 LAND CRUISER / LAND CRUISER PRADO

Back-Up Light (From Aug. 2013 Production)



LAND CRUISER / LAND CRUISER PRADO (EM24N0E)

96 LAND CRUISER / LAND CRUISER PRADO

Starting (w/o Entry & Start System) (From Aug. 2013 Production)

4

3

2

1

- 1: 5L-E
- 2: 2TR-FE
- 3: Cold Area Spec.
- 4: Except Cold Area Spec.
- 5: 1GR-FE
- 6: 1KD-FTV
- 7: w/DPF
- 8: w/o DPF

