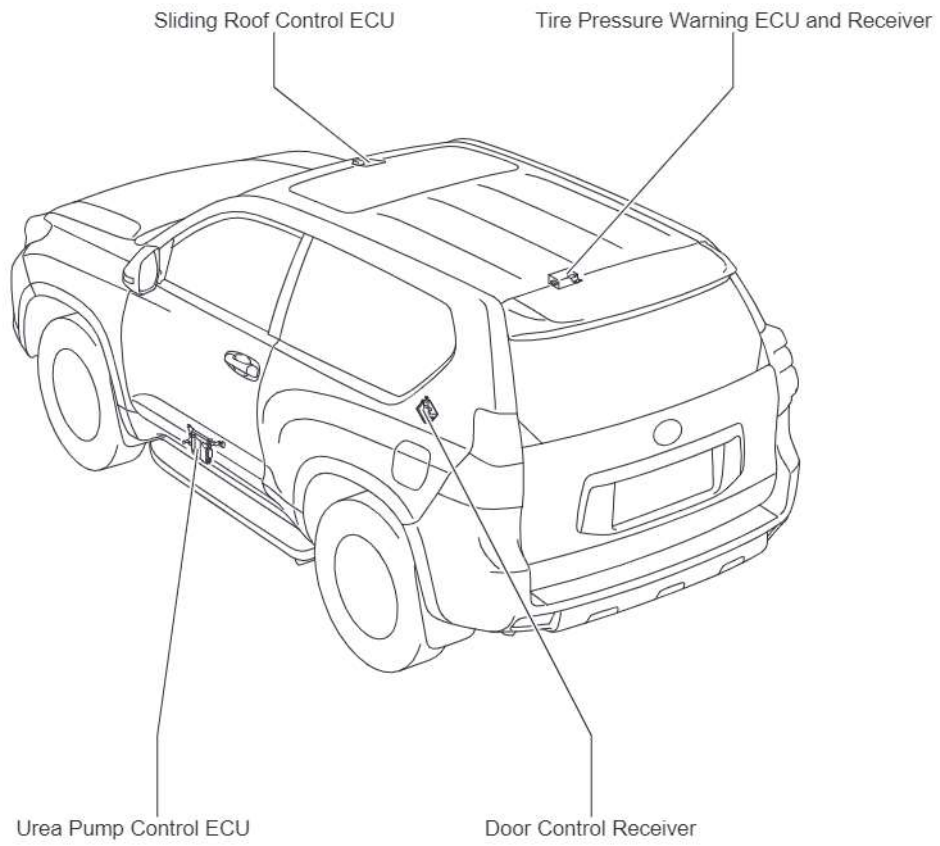
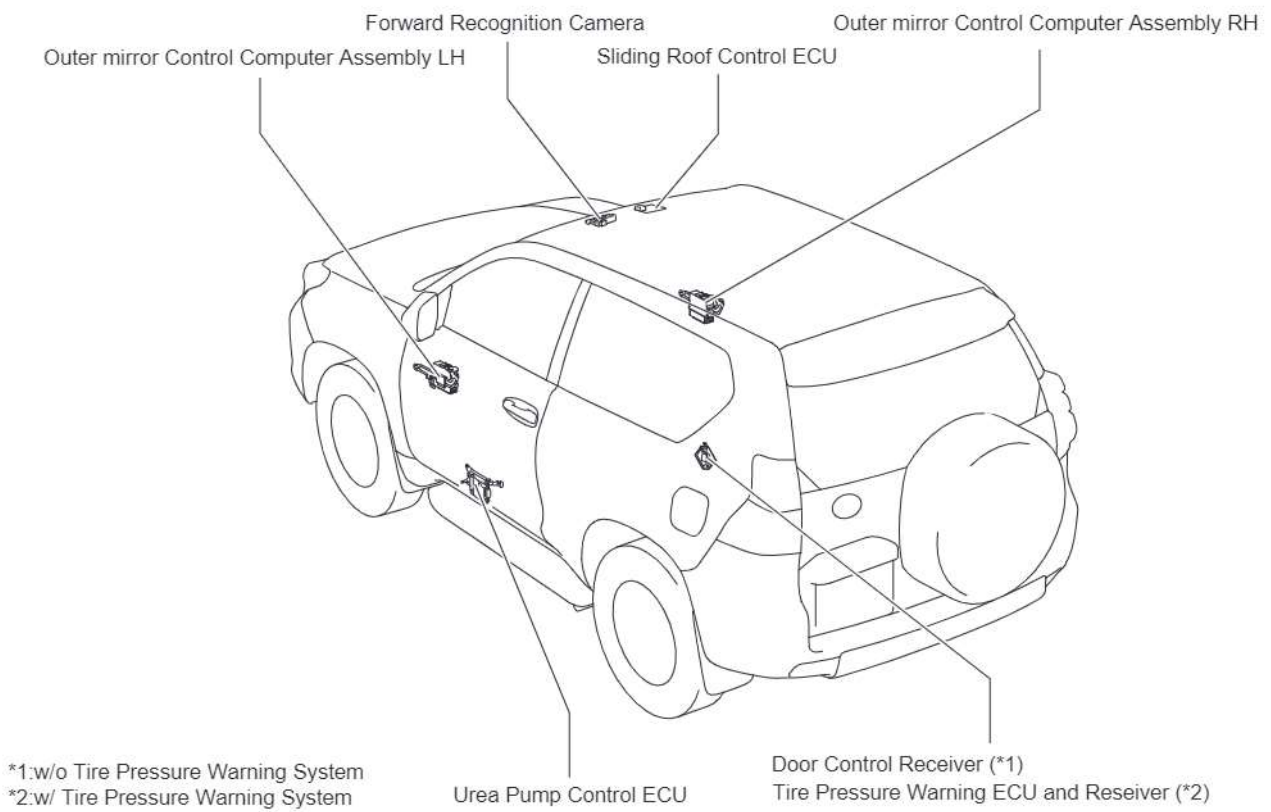


(3-Door)



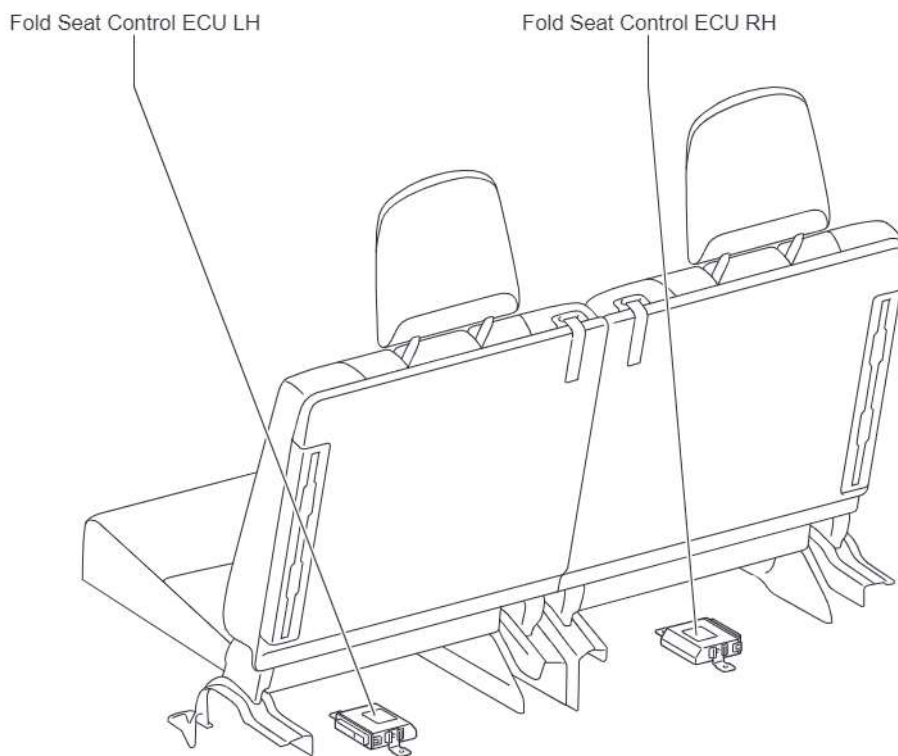
cardiagn.com

(3-Door)



cardiagn.com

(Rear No. 2 Seat)

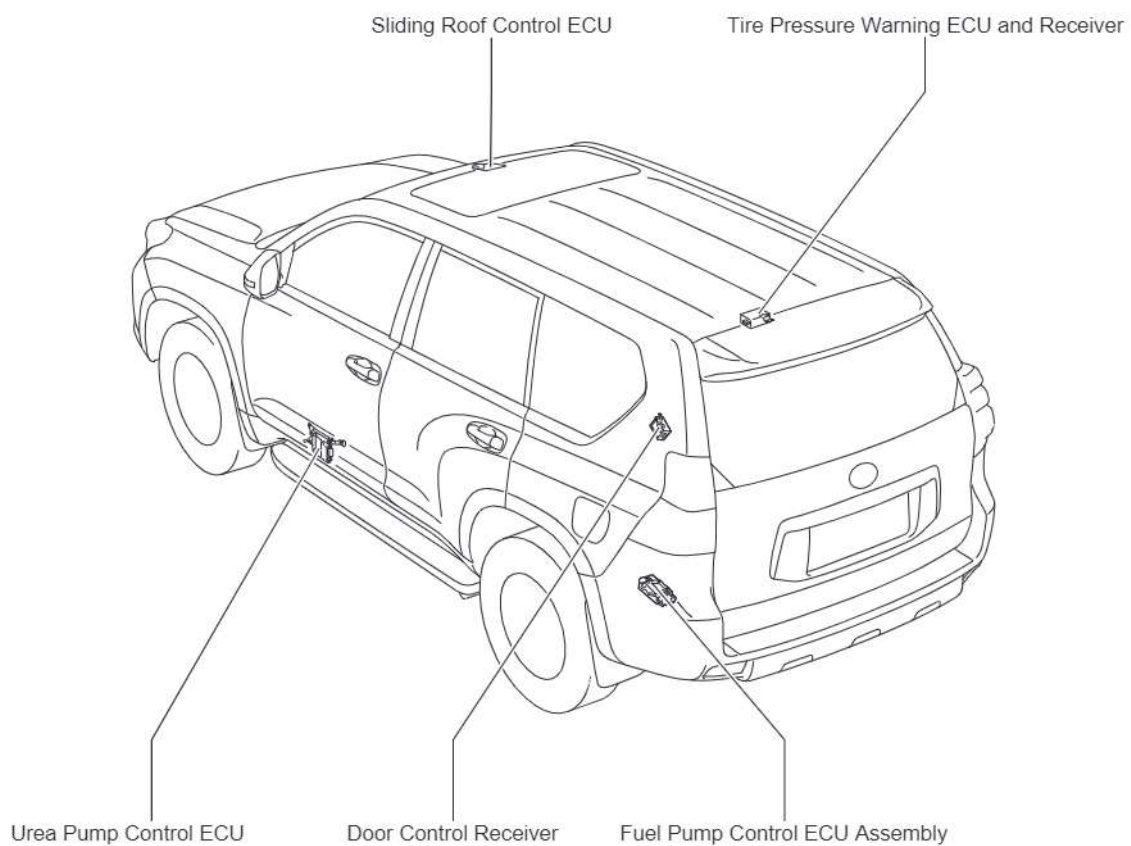


cardiagn.com

F RELAY LOCATIONS

[Body (Before Aug. 2017 Production)]

(5-Door)

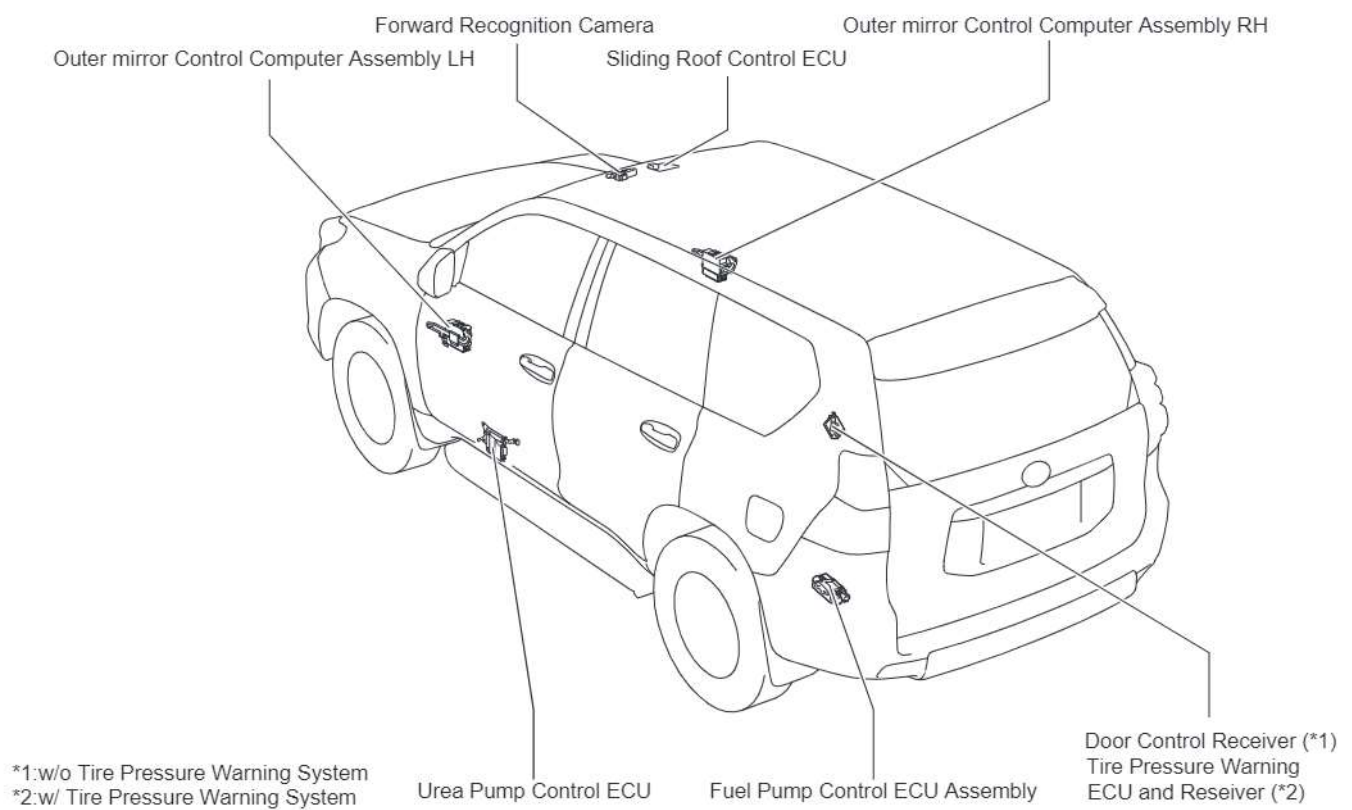


cardiagn.com

F RELAY LOCATIONS

[Body (From Aug. 2017 Production)]

(5-Door)

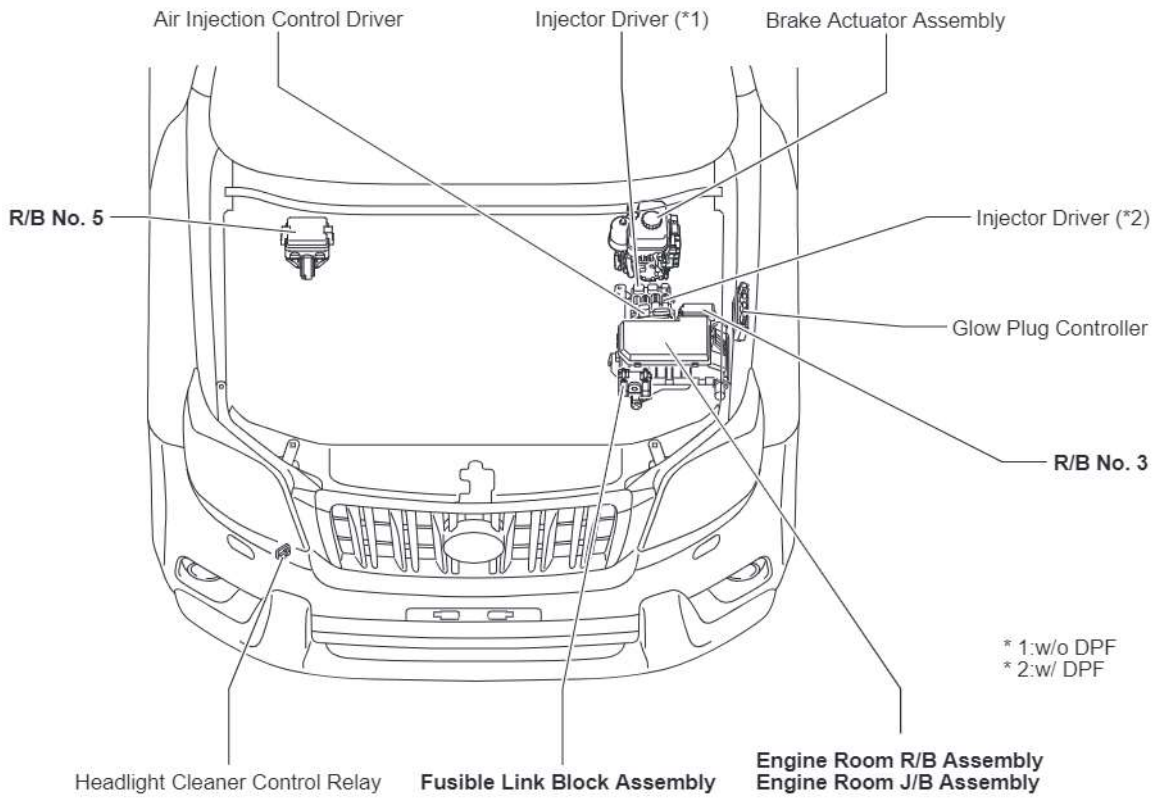


cardiagn.com

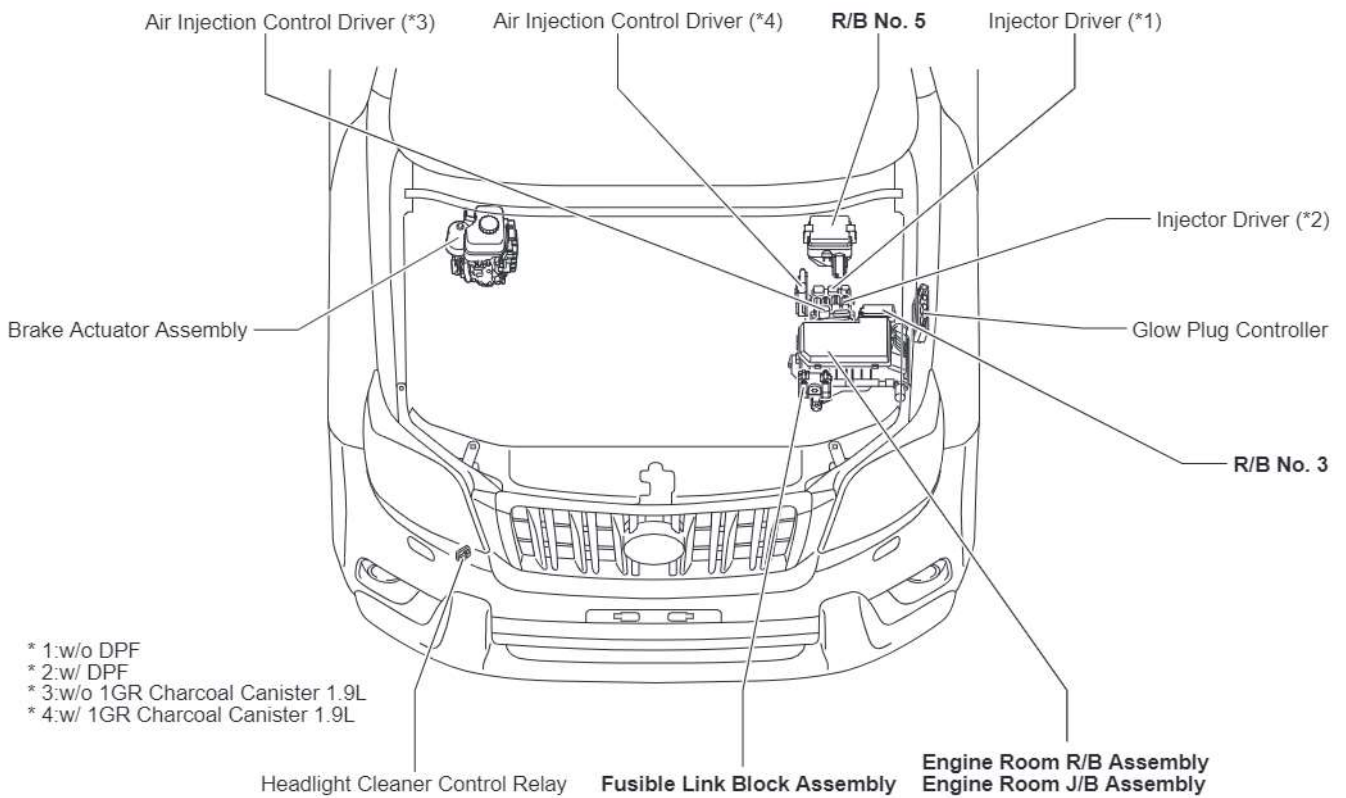
F RELAY LOCATIONS

[Engine Compartment (Before Aug. 2017 Production)]

(LHD)

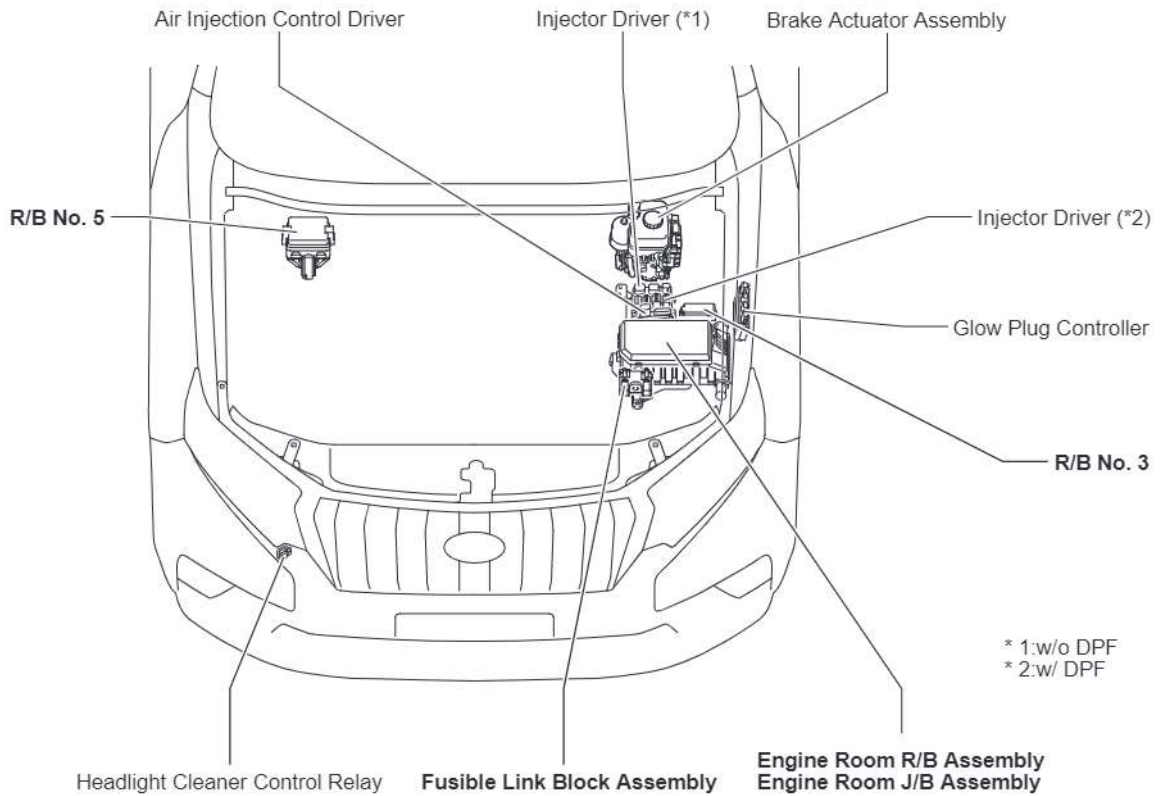


(RHD)

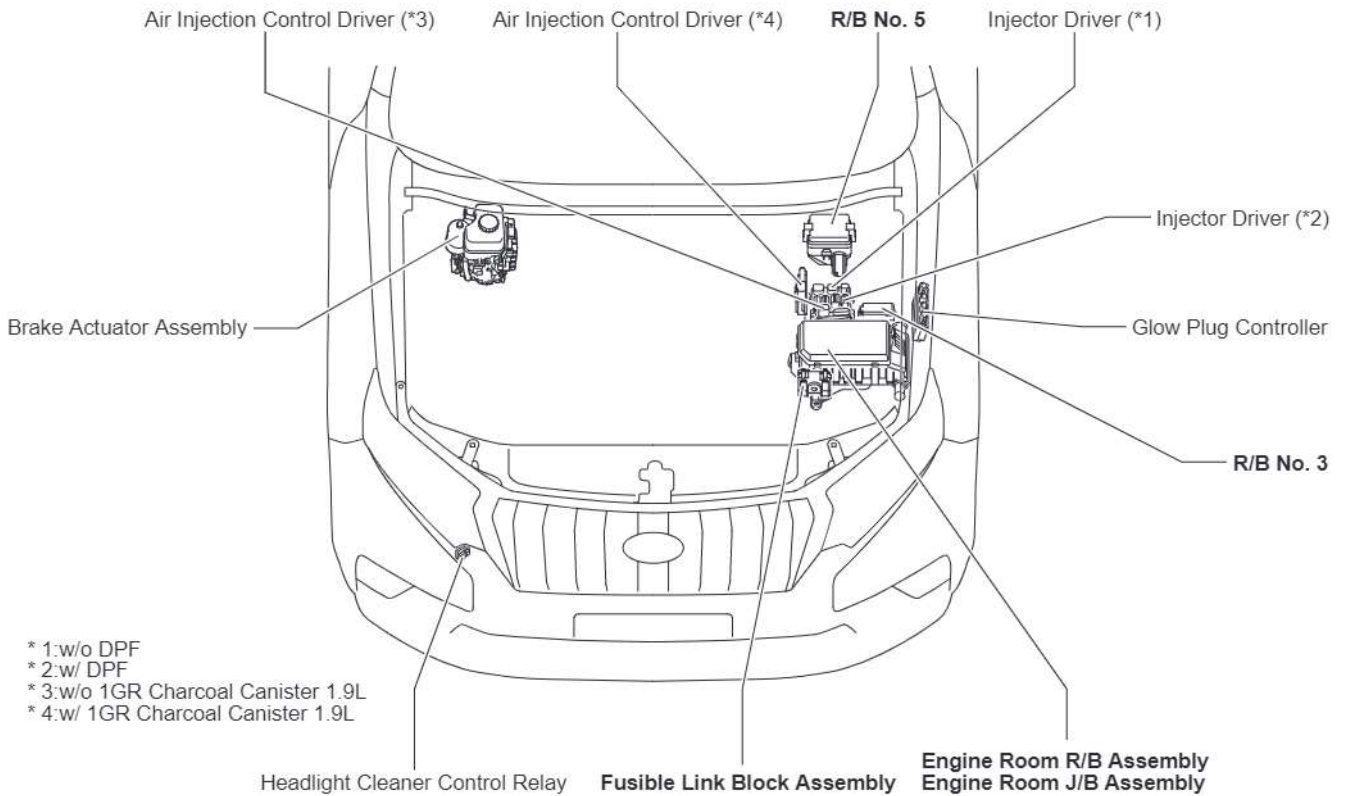


[Engine Compartment (From Aug. 2017 Production)]

(LHD)



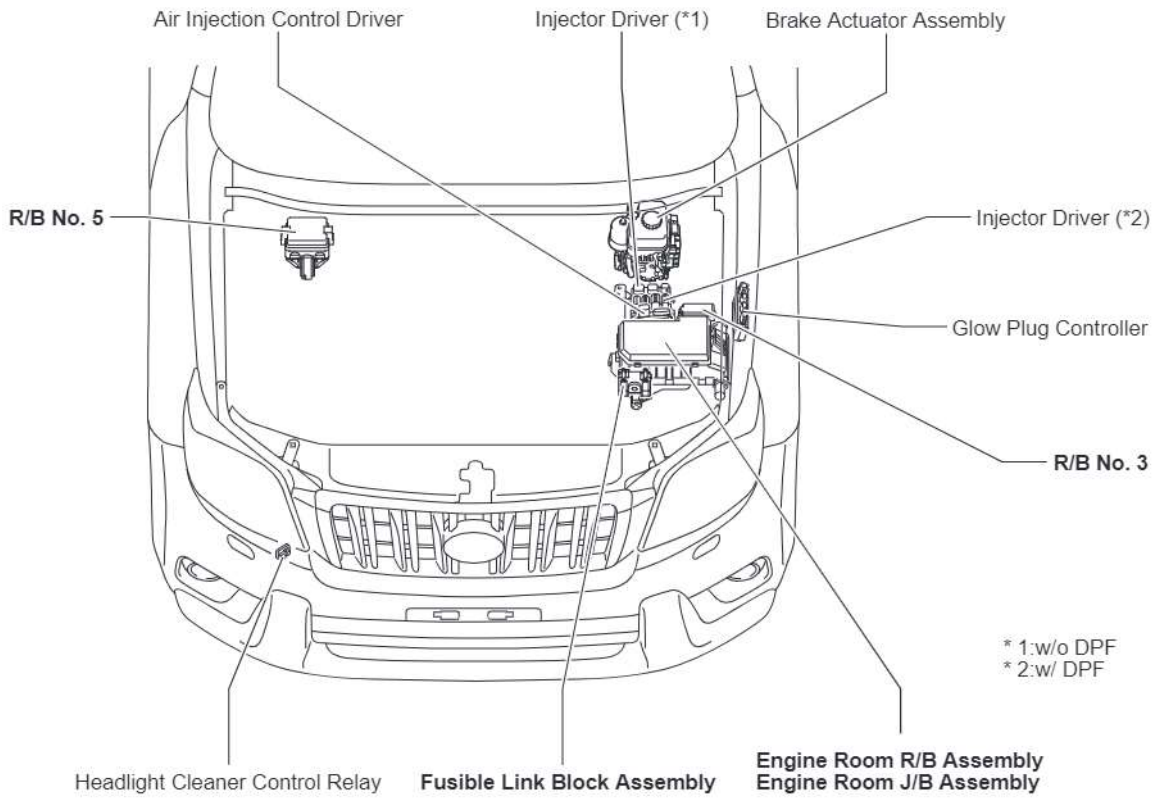
(RHD)



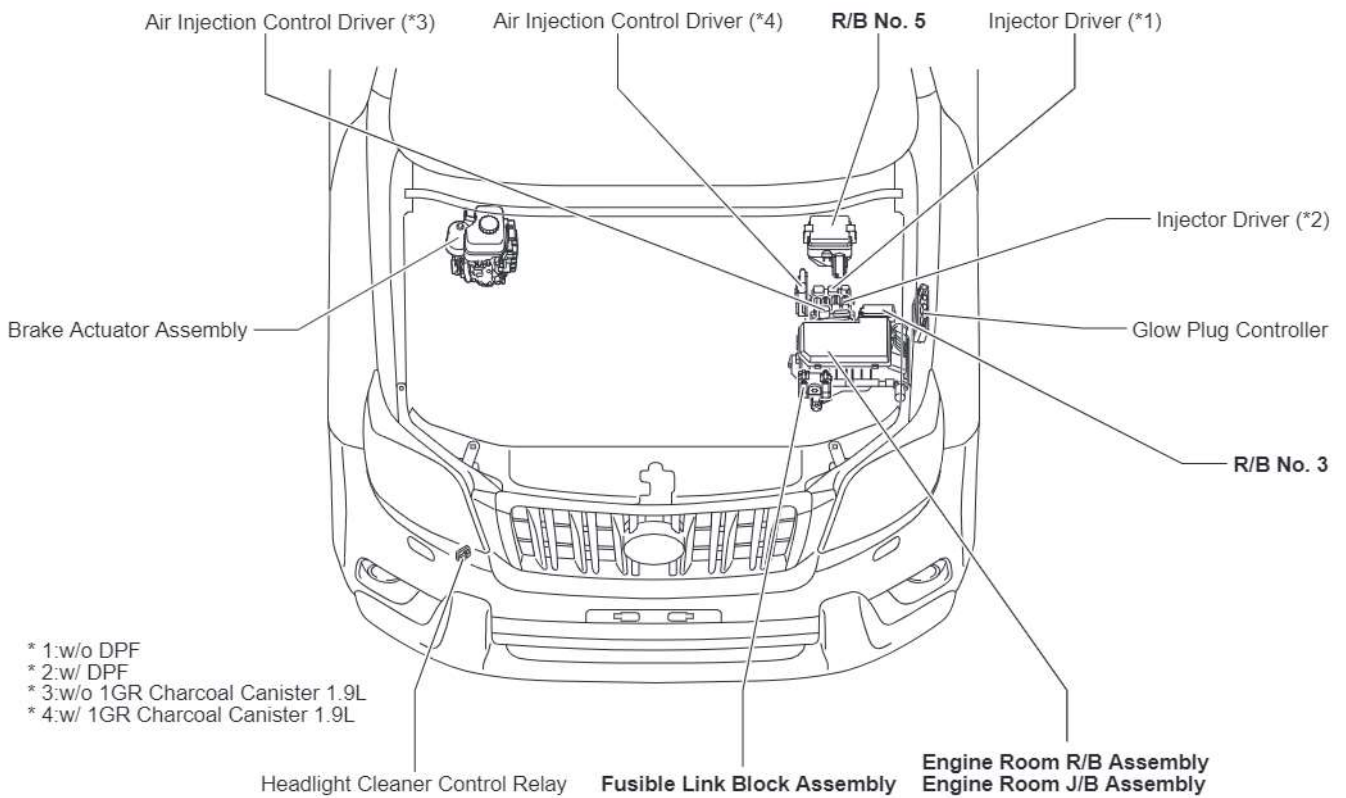
F RELAY LOCATIONS

[Engine Compartment (Before Aug. 2017 Production)]

(LHD)

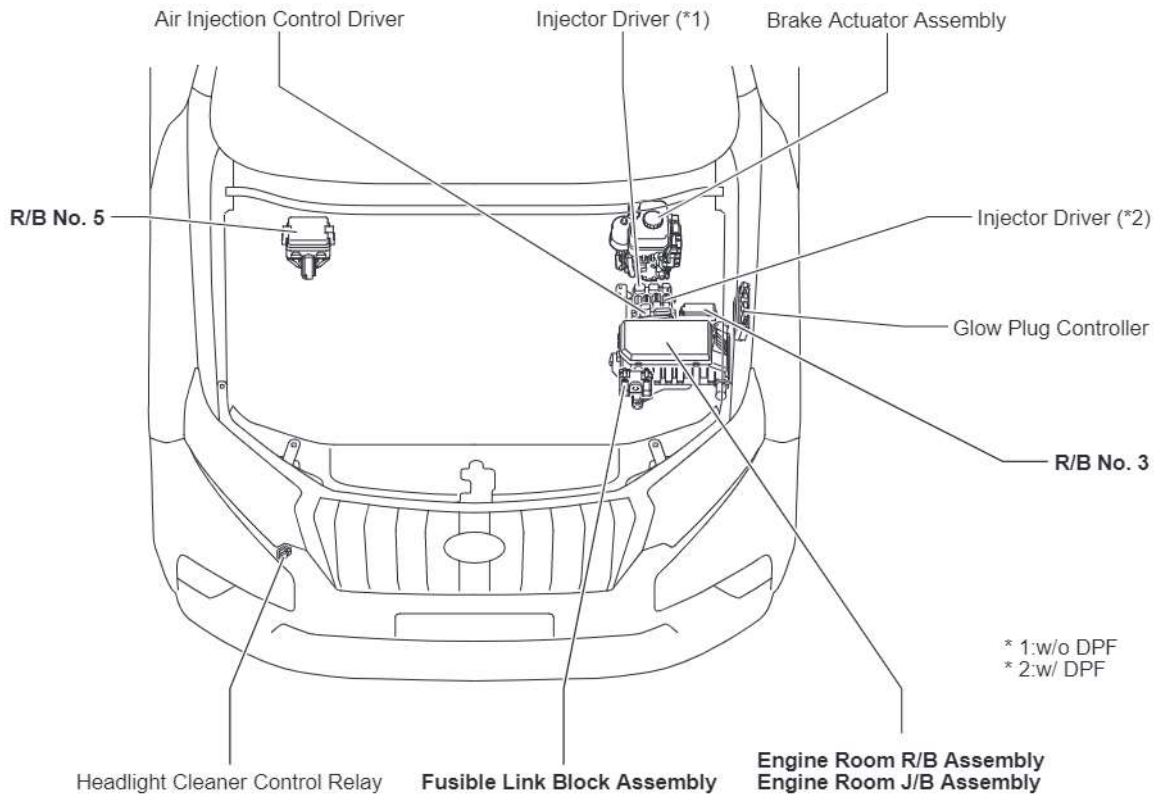


(RHD)

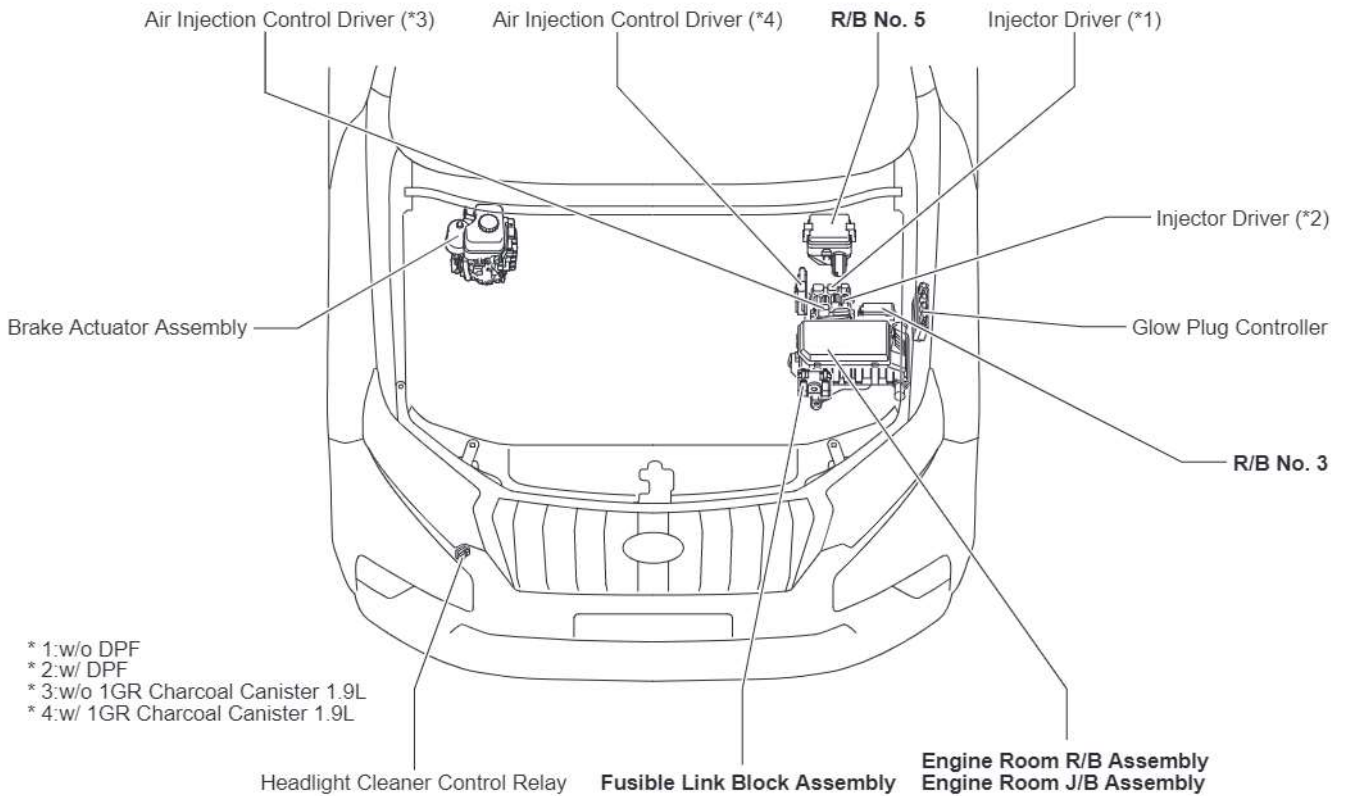


[Engine Compartment (From Aug. 2017 Production)]

(LHD)



(RHD)



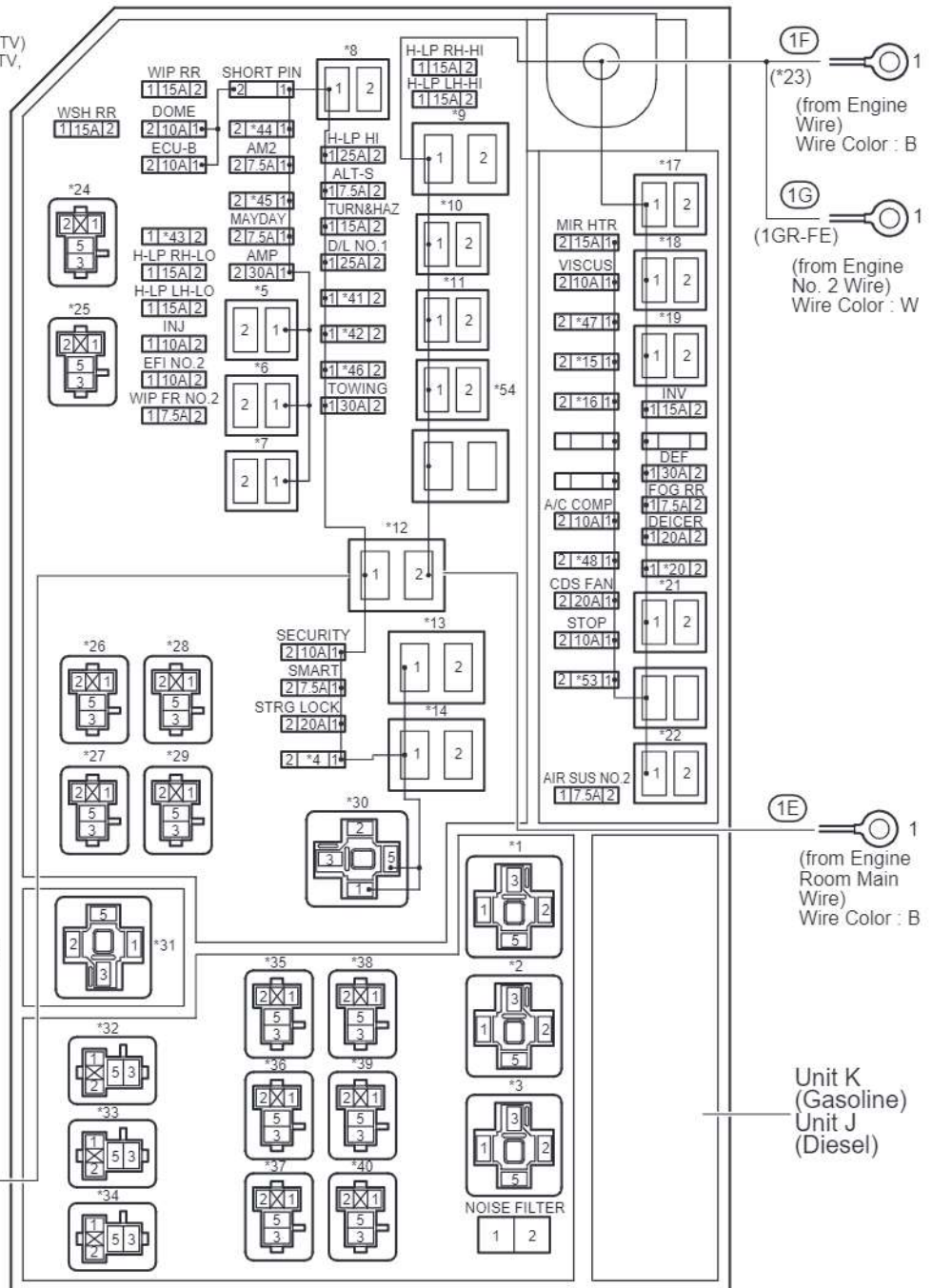
cardiagn.com

F RELAY LOCATIONS

<p>① Engine Room R/B Assembly (Before Aug. 2017 Production)</p> <p>○ Engine Room J/B Assembly (Before Aug. 2017 Production)</p>	<h2>Front Fender Apron LH</h2>
---	--------------------------------

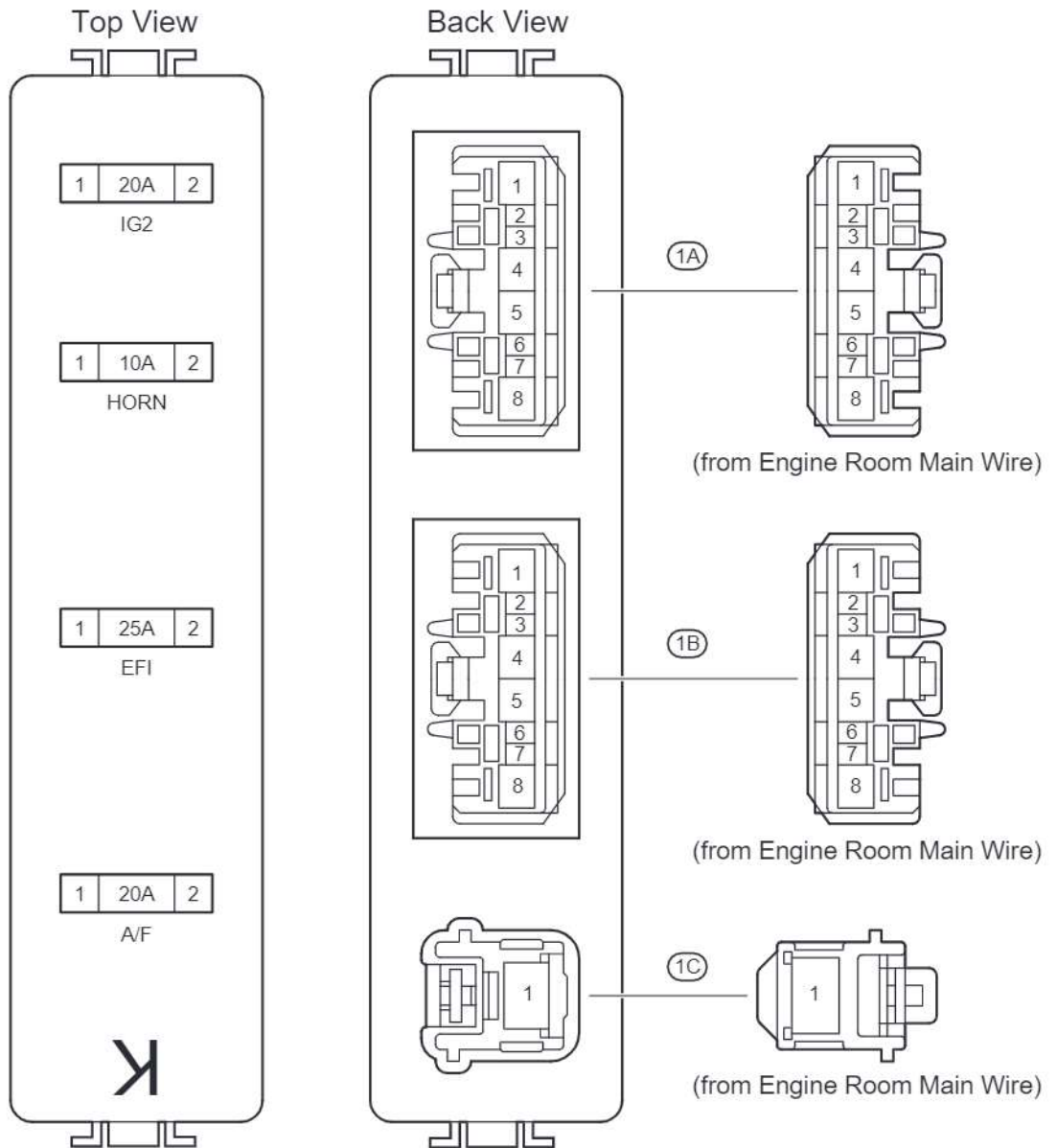
(Except 1GD-FTV w/ Urea SCR)

- * 1:ST Relay (Diesel)
- * 2:AIR SUS Relay
- * 3:GLOW Relay
- * 4:30A TOWING BRK
- * 5:50A ABS NO.1 (for High Current)
- * 6:30A ABS NO.2 (for High Current)
- * 7:50A AIR PMP (for High Current)
- * 8:30A ST (Gasoline)
- * 9:50A HTR (for High Current)
- * 10:30A WIP WSH RR (for High Current)
- * 11:30A H-LP CLN (for High Current)
- * 12:140A ALT (*49 LHD 1KD-FTV, *50 1GR-FE, *50 1KD-FTV, 1GD-FTV, 120A ALT (*49 Except LHD 1KD-FTV, *50 2TR-FE, *50 5L-E) (for High Current)
- * 13:80A P/I-B (for High Current)
- * 14:80A GLOW (for High Current)
- * 15:30A FOLD SEAT LH
- * 16:30A FOLD SEAT RH
- * 17:40A A/C RR (for High Current)
- * 18:30A PTC HTR NO.3 (*51) (for High Current)
- * 19:50A AIR SUS (for High Current)
- * 20:10A AIR PMP HTR (Gasoline) 25A FUEL HTR (Diesel)
- * 21:30A PTC HTR NO.2 (*51) 50A PTC HTR NO.2 (*52) (for High Current)
- * 22:50A PTC HTR NO.1 (for High Current)
- * 23:2TR-FE, Diesel
- * 24:WASHER RR Relay
- * 25:S-HORN Relay
- * 26:A/C COMP Relay
- * 27:AI-VSV Relay (1GR-FE) EDU Relay (1KD-FTV w/ DPF, 1GD-FTV) INJ NO.2 Relay (China 2TR-FE)
- * 28:ST Relay (Gasoline) VISCUS Relay (Diesel)
- * 29:BKUP LP NO.2 Relay
- * 30:H-LP LO Relay
- * 31:H-LP HI Relay
- * 32:MIR HTR Relay
- * 33:DEF Relay
- * 34:CDS FAN Relay
- * 35:FOG RR Relay
- * 36:INV Relay
- * 37:DEICER Relay (*49) DOME Relay (*50)
- * 38:AIR PMP HTR Relay (Gasoline) OIL PRESS Relay (Diesel w/ DPF) FUEL PMP Relay (Diesel w/o DPF)
- * 39:PANEL Relay
- * 40:C/OPN Relay (Gasoline) FUEL HTR Realy (1KD-FTV, 5L-E)
- * 41:10A ETCS (1GR-FE, 2TR-FE) 20A EDU (1KD-FTV w/ DPF, 1GD-FTV)
- * 42:15A FUEL PMP (1KD-FTV w/o DPF, 1GD-FTV) 10A INJ NO.2 (China 2TR-FE)
- * 43:15A RAD NO.3 (*50)
- * 44:15A RAD NO.1 (*49) 20A RAD NO.1 (*50)
- * 45:10A RAD NO.2 (*49) 30A RAD NO.2 (*50)
- * 46:10A DRL (*50)
- * 47:20A S/HTR RR (*50)
- * 48:10A STRG HTR (*50)
- * 49:Before Aug. 2013 Production
- * 50:From Aug. 2013 Production
- * 51:Before Jun. 2015 Production
- * 52:From Jun. 2015 Production
- * 53:25A STV HTR (1GD-FTV)
- * 54:50A PTC HTR NO.3 (*52) (for High Current)



(Gasoline)

Unit K



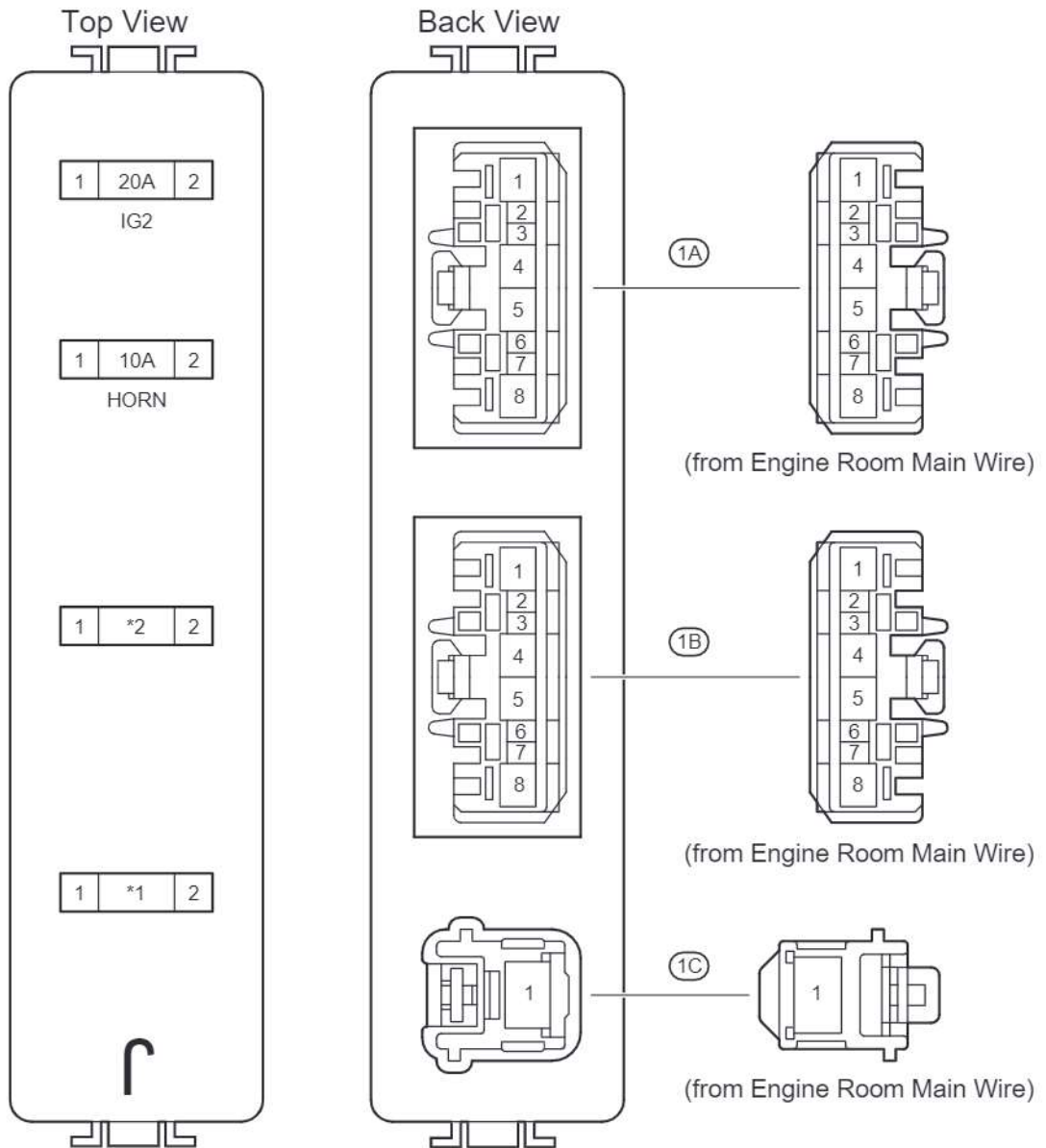
cardiagn.com

F RELAY LOCATIONS

(Diesel)

Unit J

- * 1:20A EFI MAIN (1KD-FTV w/ DPF)
20A EFI-MAIN NO.2 (1GD-FTV)
- * 2:25A EFI (1KD-FTV, 5L-E)
25A EFI-MAIN NO.1 (1GD-FTV)

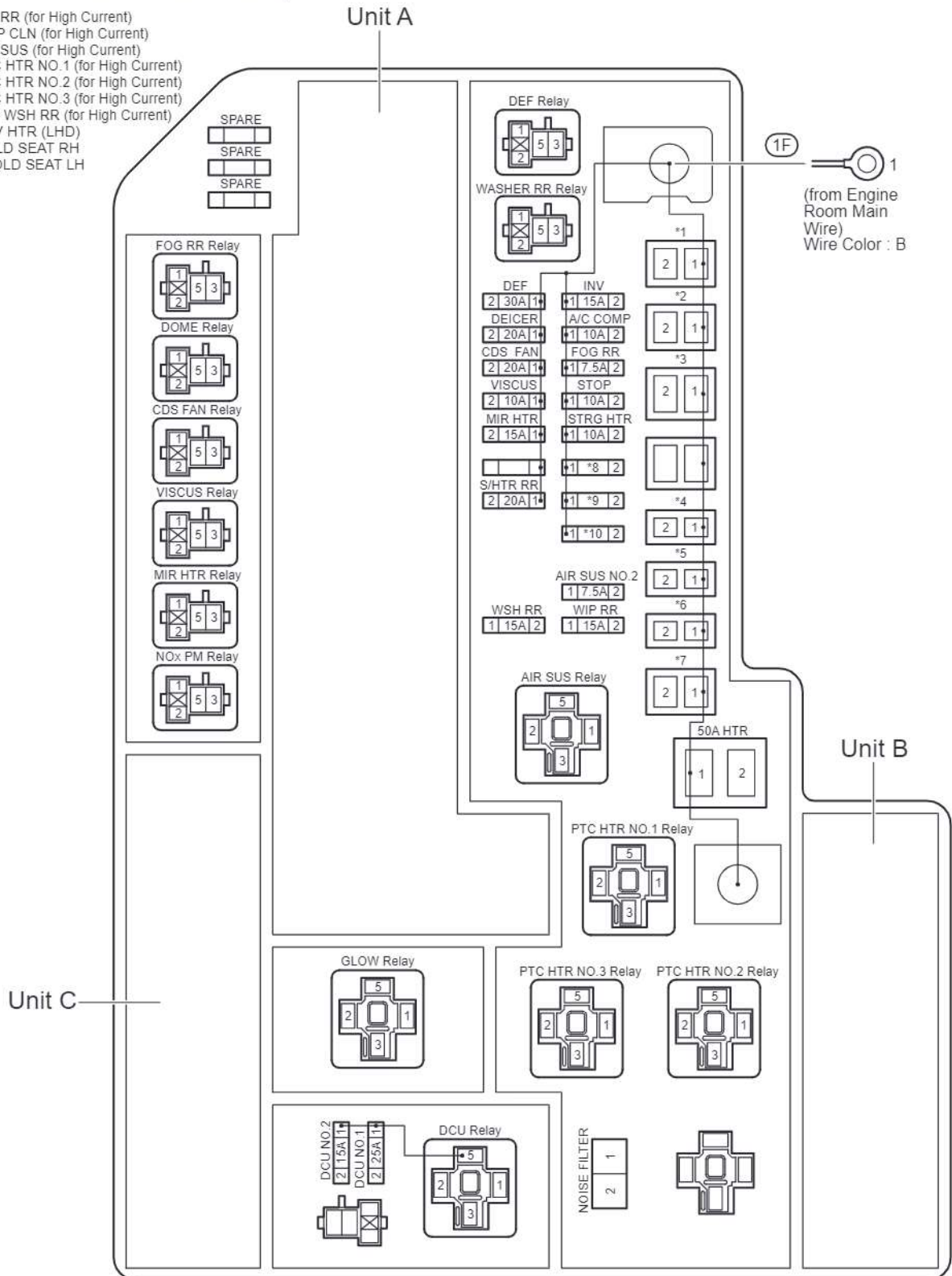


cardiagn.com

<p>① Engine Room R/B Assembly (Before Aug. 2017 Production)</p>	<p>Front Fender Apron LH</p>
<p>○ Engine Room J/B Assembly (Before Aug. 2017 Production)</p>	

(1GD-FTV w/ Urea SCR)

- *1:40A A/C RR (for High Current)
- *2:30A H-LP CLN (for High Current)
- *3:50A AIR SUS (for High Current)
- *4:50A PTC HTR NO.1 (for High Current)
- *5:50A PTC HTR NO.2 (for High Current)
- *6:50A PTC HTR NO.3 (for High Current)
- *7:30A WIP WSH RR (for High Current)
- *8:25A STV HTR (LHD)
- *9:30A FOLD SEAT RH
- *10:30A FOLD SEAT LH

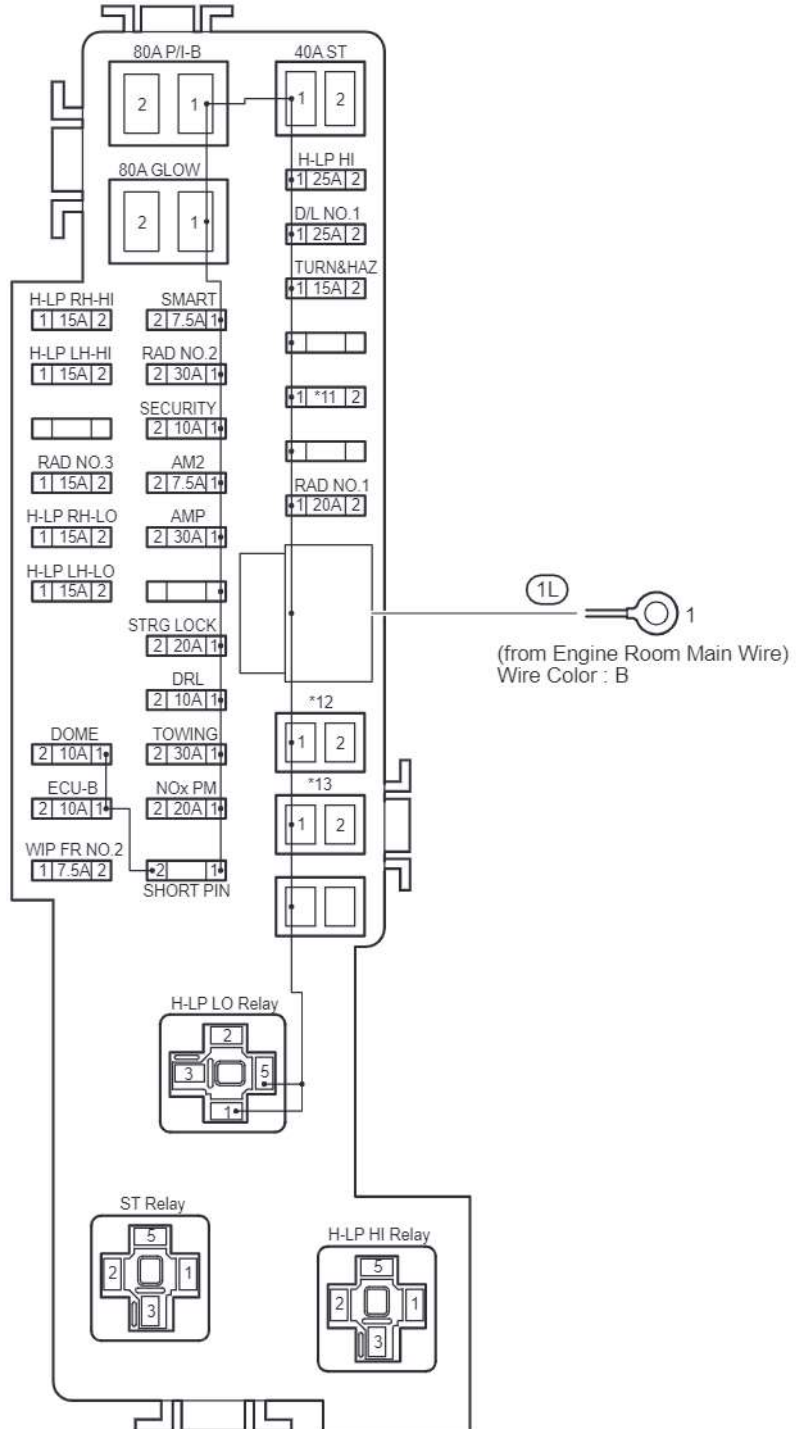


cardiagn.com

F RELAY LOCATIONS

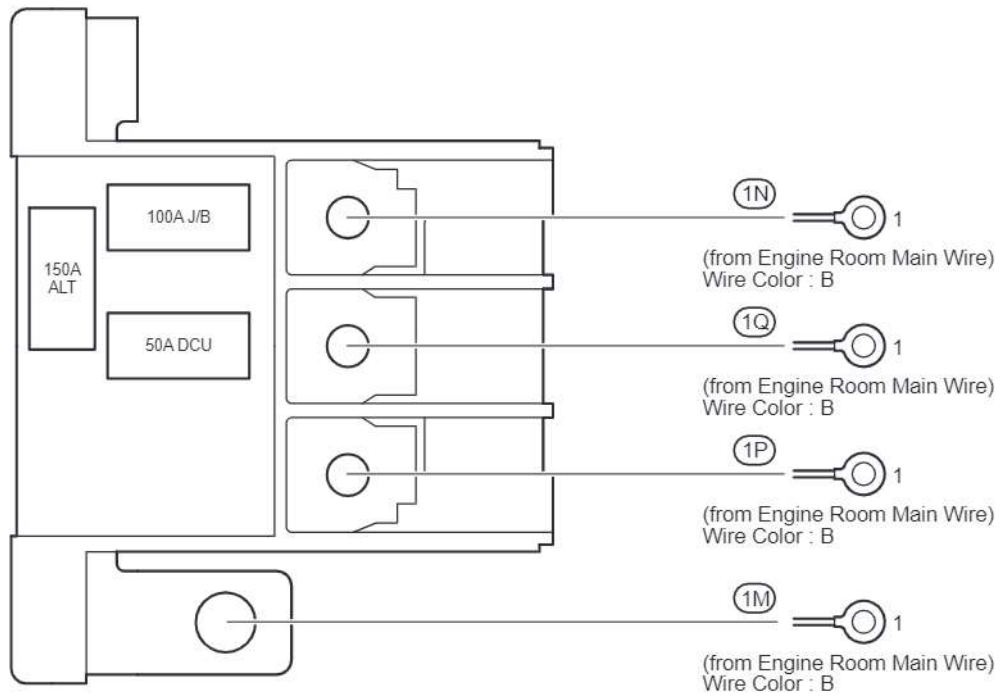
Unit A

- *11:30A TOWING BRK
- *12:50A ABS NO.1 (for High Current)
- *13:30A ABS NO.2 (for High Current)



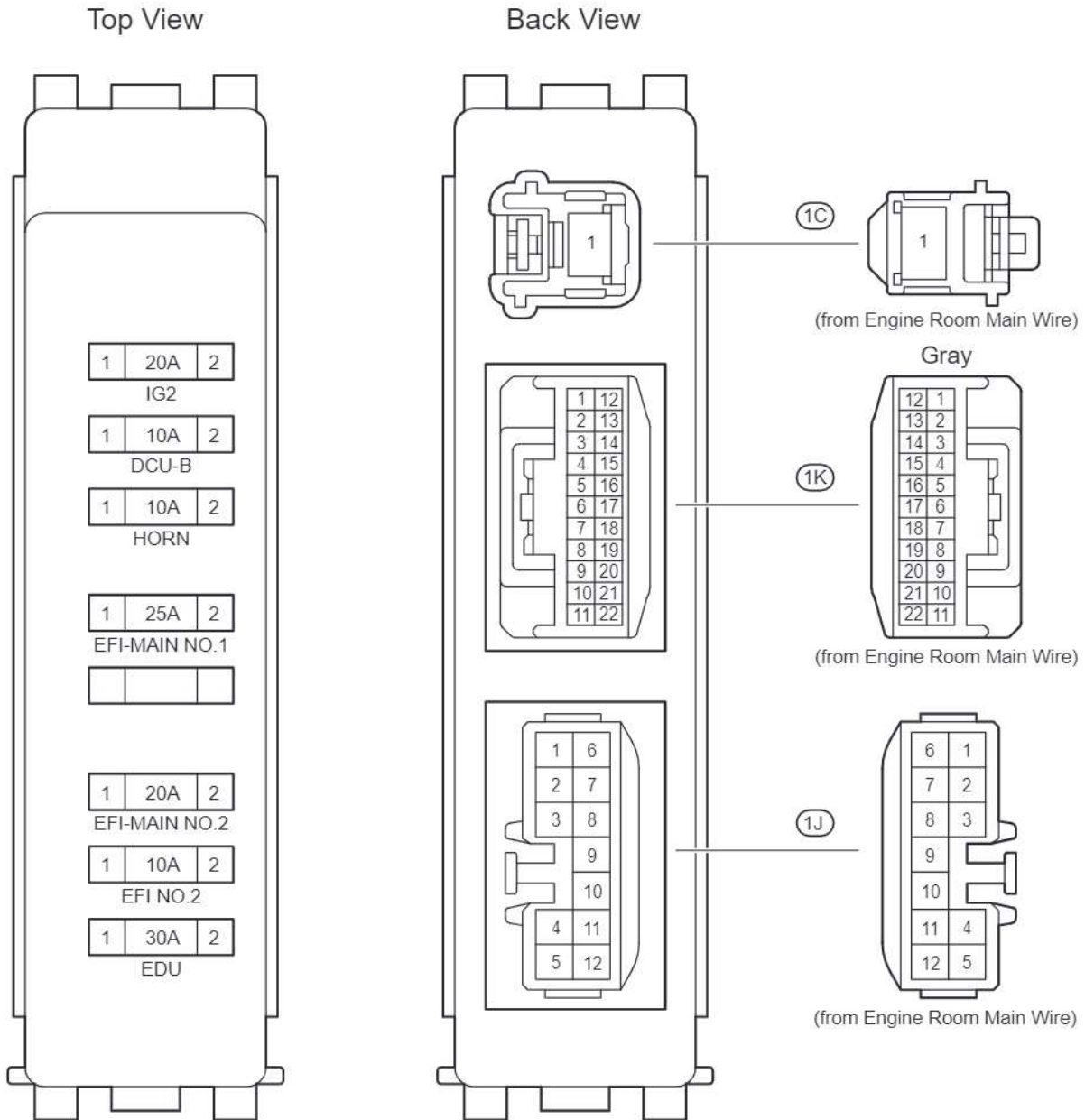
cardiagn.com

Unit B



F RELAY LOCATIONS

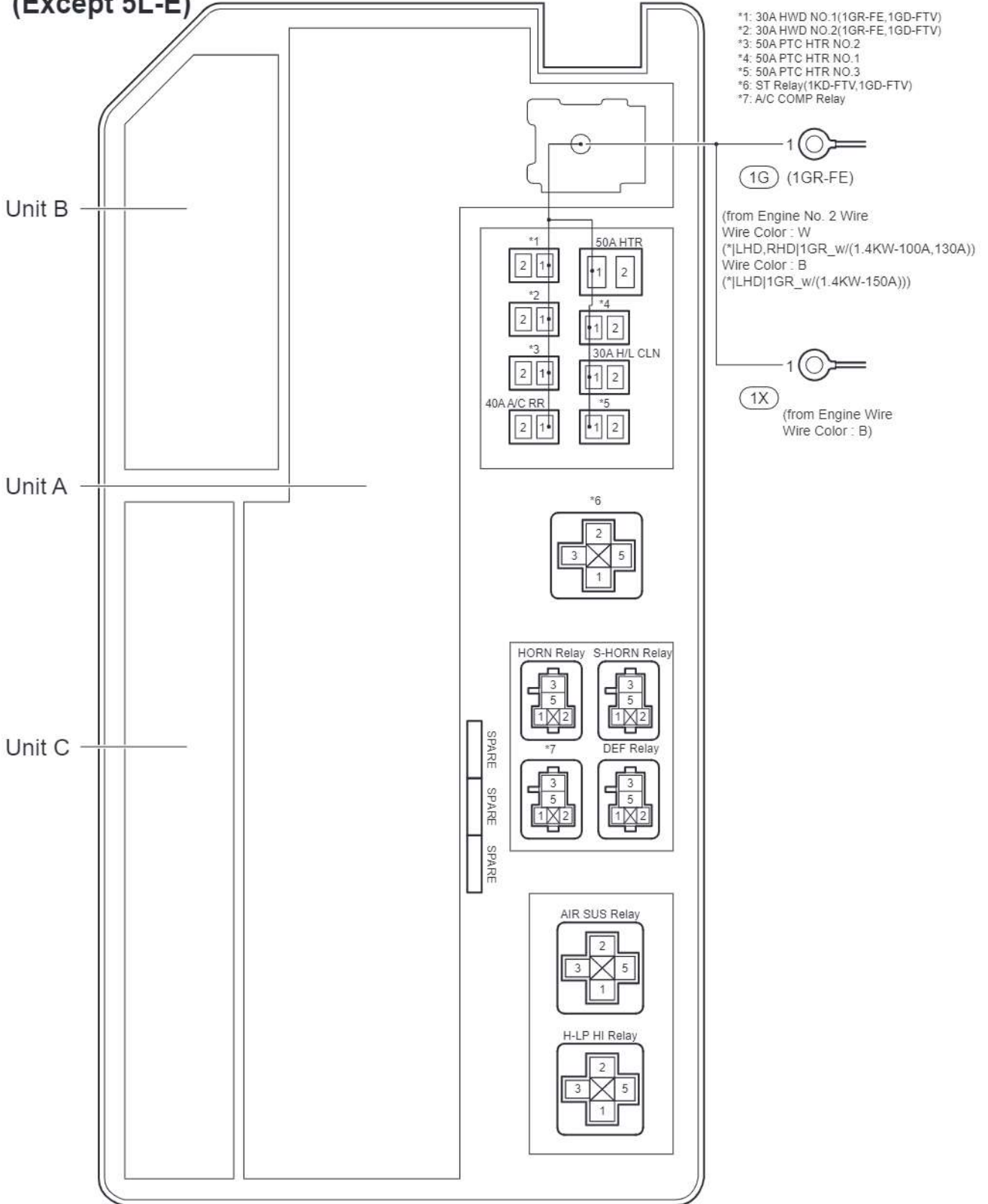
Unit C



cardiagn.com

<p>① Engine Room R/B Assembly (From Aug. 2017 Production)</p>	<h2>Front Fender Apron LH</h2>
<p>○ Engine Room J/B Assembly (From Aug. 2017 Production)</p>	

(Except 5L-E)

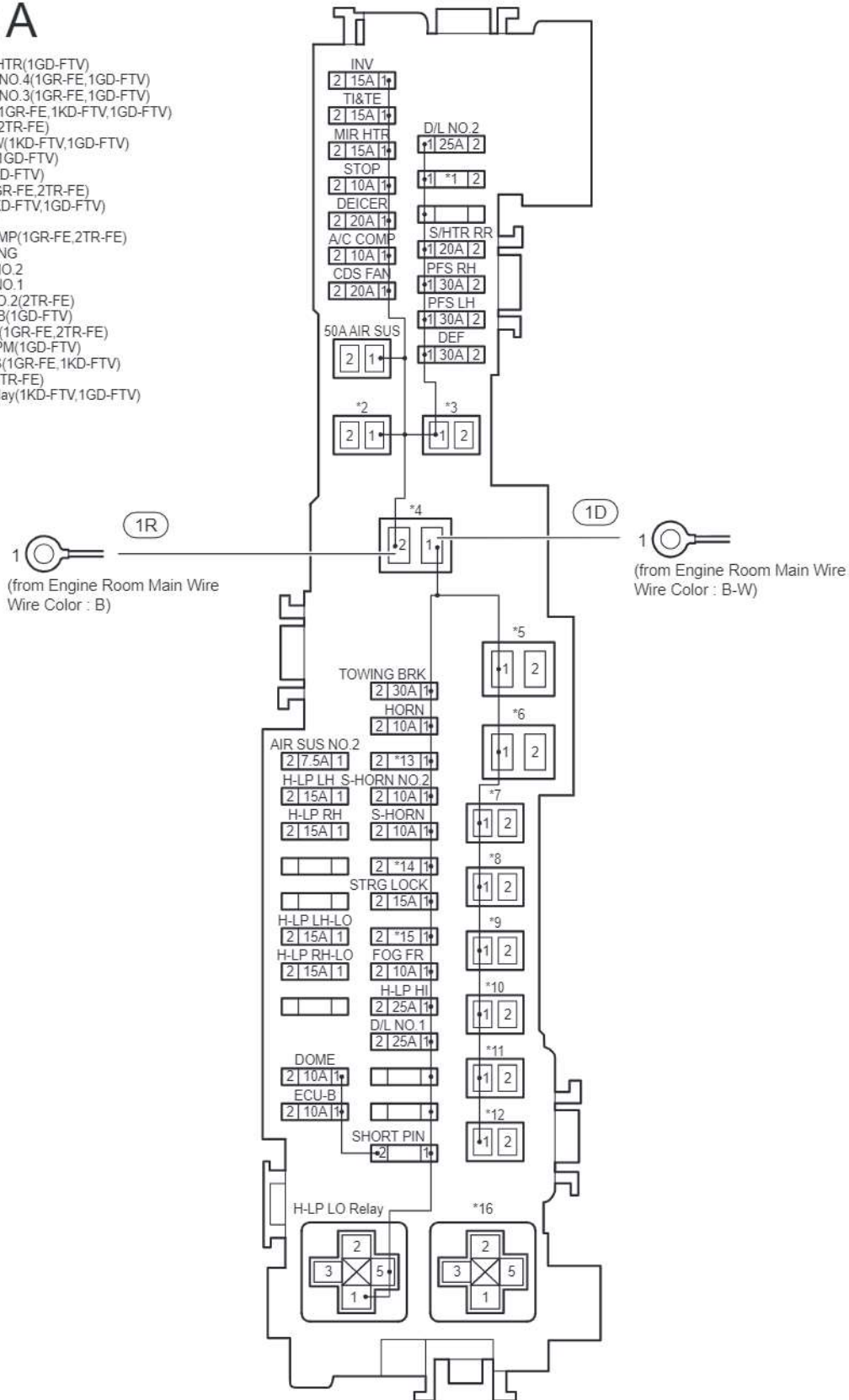


cardiagn.com

F RELAY LOCATIONS

Unit A

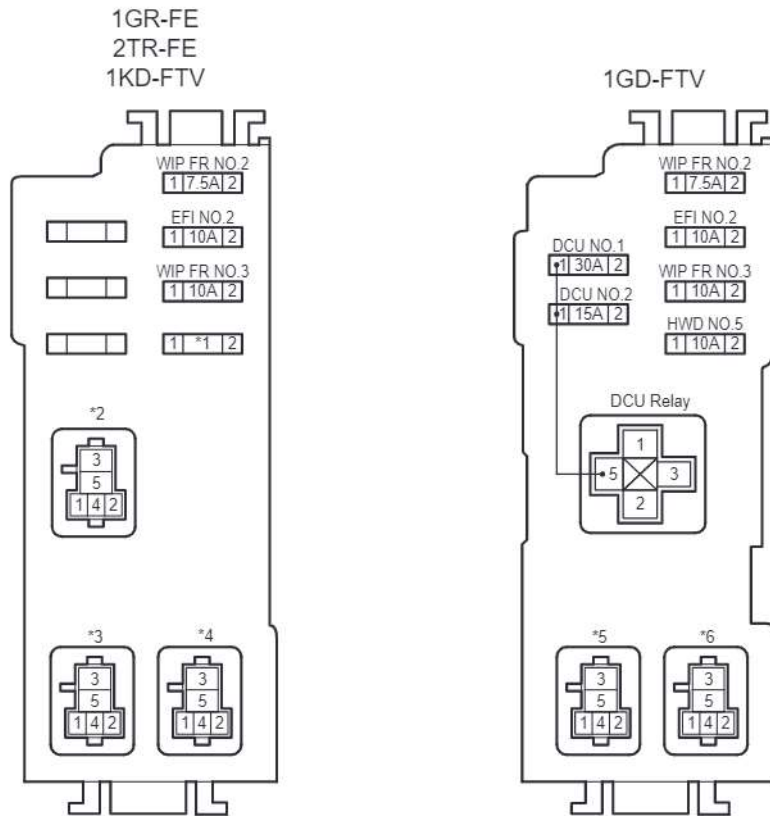
- * 1: 25A GAS HTR(1GD-FTV)
- * 2: 30A HWD NO.4(1GR-FE,1GD-FTV)
- * 3: 30A HWD NO.3(1GR-FE,1GD-FTV)
- * 4: 140A ALT(1GR-FE,1KD-FTV,1GD-FTV)
120A ALT(2TR-FE)
- * 5: 80A GLOW(1KD-FTV,1GD-FTV)
- * 6: 50A DCU(1GD-FTV)
80A P//I(1KD-FTV)
- * 7: 30A ST(1GR-FE,2TR-FE)
40A ST(1KD-FTV,1GD-FTV)
- * 8: 50A J/B-B
- * 9: 50A AIR PMP(1GR-FE,2TR-FE)
- *10: 30A TOWING
- *11: 30A ABS NO.2
- *12: 50A ABS NO.1
- *13: 10A INJ NO.2(2TR-FE)
10A DCU-B(1GD-FTV)
- *14: 10A ETCS(1GR-FE,2TR-FE)
15A NOx PM(1GD-FTV)
- *15: 7.5A ALT-S(1GR-FE,1KD-FTV)
7.5A ICS(2TR-FE)
- *16: GLOW Relay(1KD-FTV,1GD-FTV)



cardiagn.com

Unit B

- *1: 10A IG2 NO.2(2TR-FE 1KD-FTV)
- *2: ST Relay(1GR-FE 2TR-FE)
- *3: HWD NO.4 Relay(1GR-FE)
- *4: HWD NO.3 Relay(1GR-FE)
- INJ NO.2 Relay(2TR-FE)
- *5: HWD NO.4 Relay
- *6: HWD NO.3 Relay

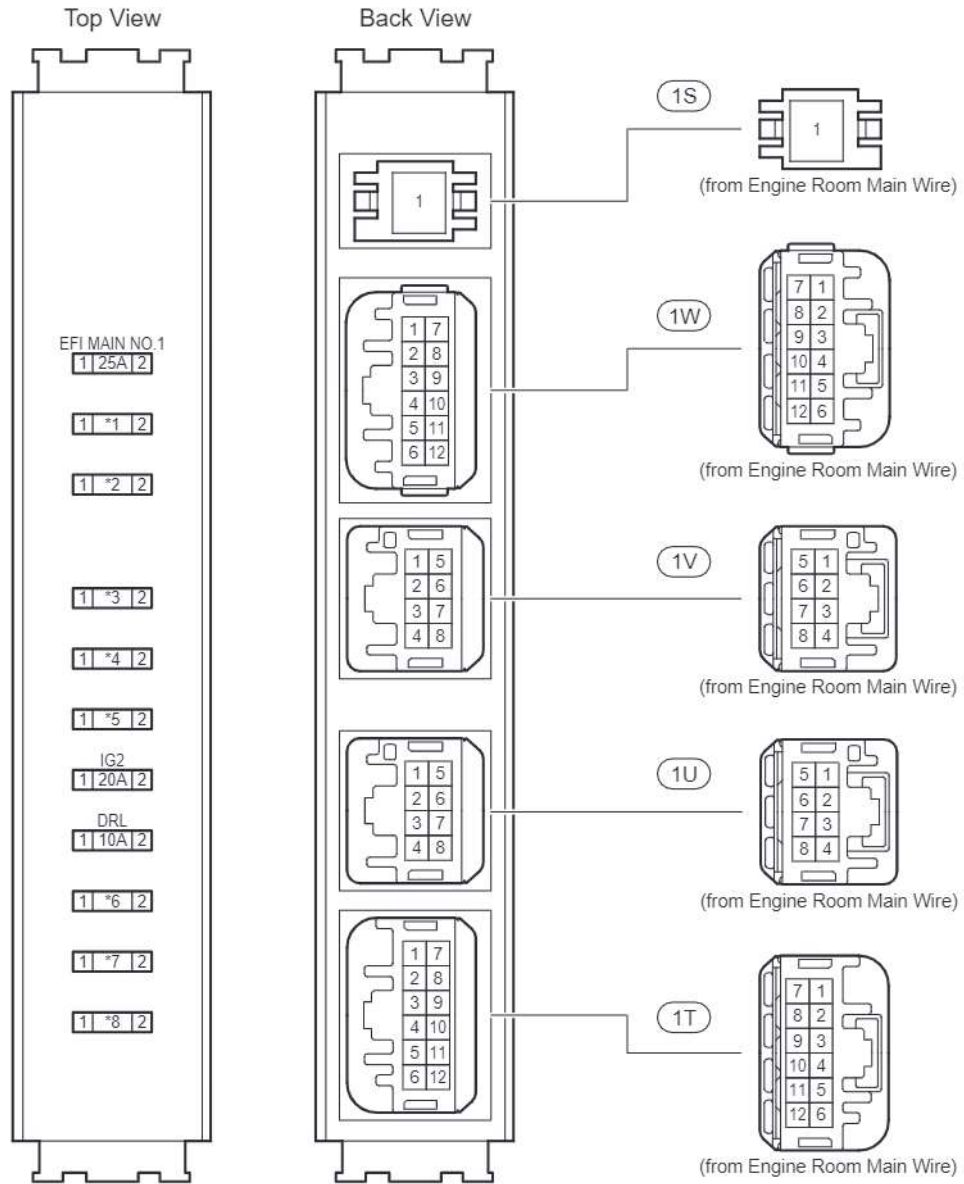


cardiagn.com

F RELAY LOCATIONS

Unit C

- *1: 10A EFI MAIN NO.3(1GD-FTV)
- *2: 20A AIR(1GR-FE,2TR-FE)
25A FUEL HTR(1KD-FTV)
20A EFI MAIN NO.2(1GD-FTV)
- *3: 15A FUEL PMP(1KD-FTV,1GD-FTV)
- *4: 10A INJ(1GR-FE,2TR-FE,1KD-FTV)
- *5: 10A INJ NO.3(1GR-FE,2TR-FE)
- *6: 10A WSH NZL HTR(1GR-FE,2TR-FE,1GD-FTV)
- *7: 10A AI VSV(1GR-FE,2TR-FE)
30A EDU(1GD-FTV)
- *8: 10A AIR PMP HTR(1GR-FE,2TR-FE)
10A VISC HTR(1KD-FTV,1GD-FTV)

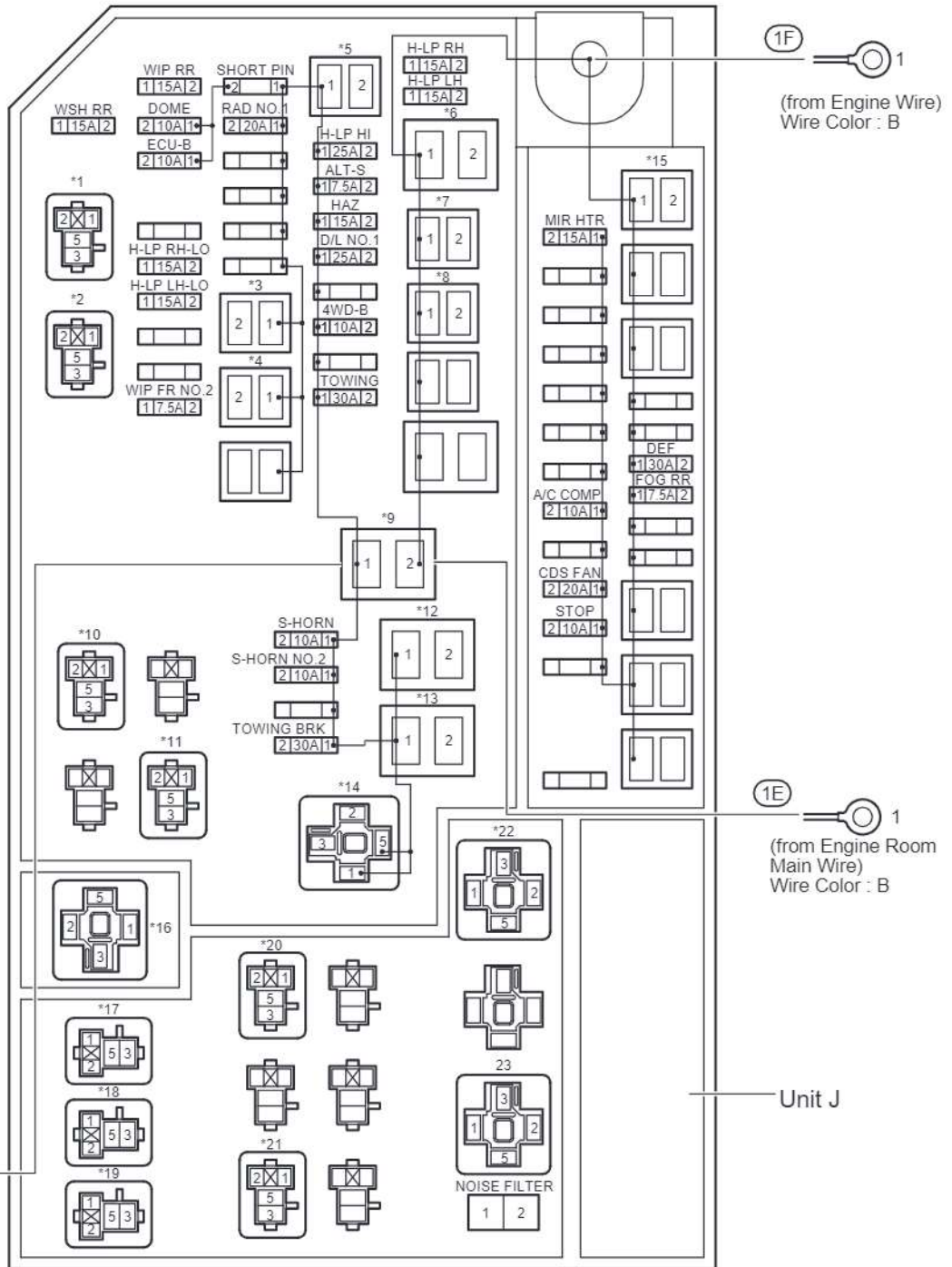


cardiagn.com

<p>① Engine Room R/B Assembly (From Aug. 2017 Production)</p>	<p>Front Fender Apron LH</p>
<p>○ Engine Room J/B Assembly (From Aug. 2017 Production)</p>	

(5L-E)

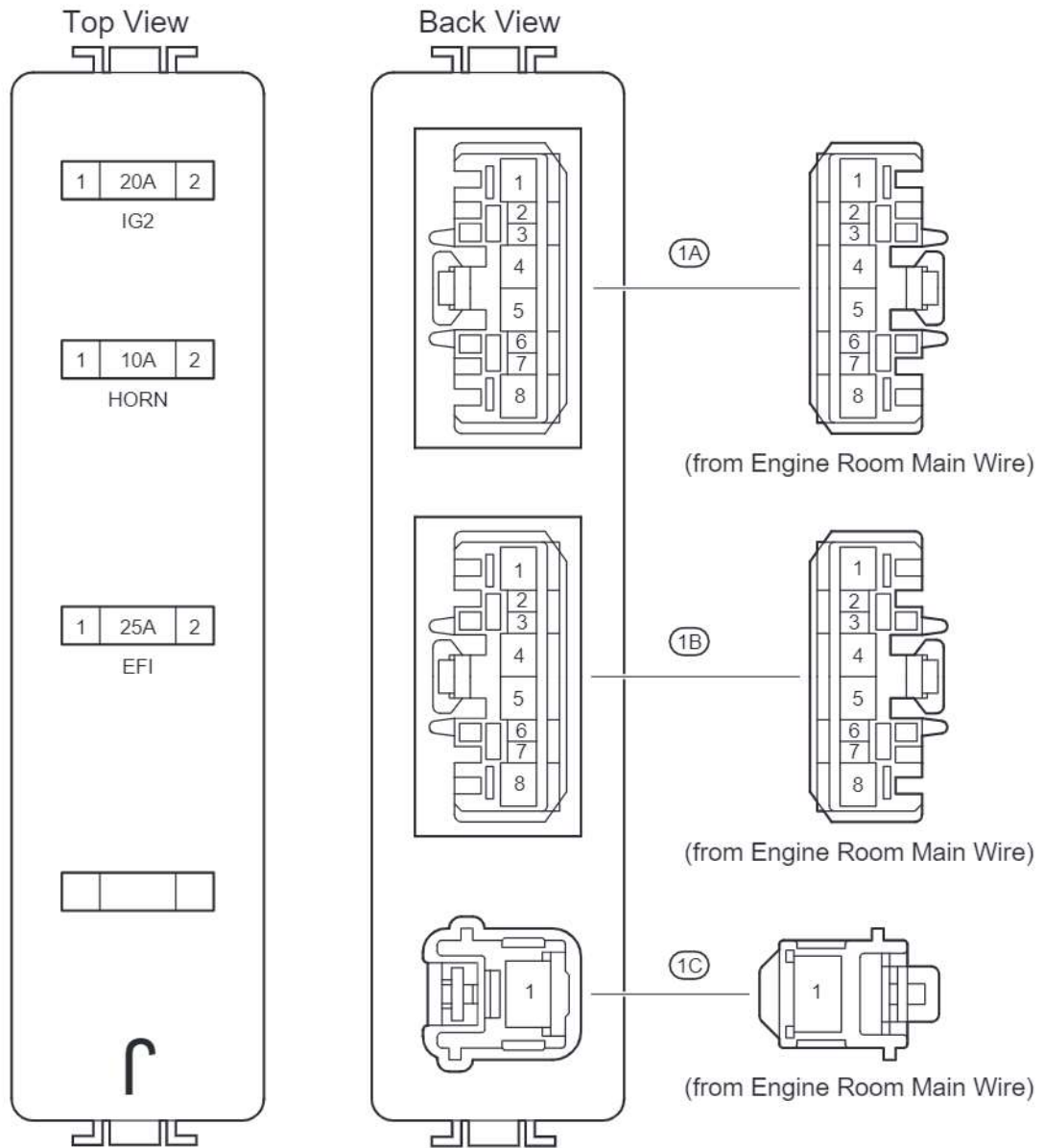
- *1: WASHER RR Relay
- *2: S-HORN Relay
- *3: 50A ABS NO.1
(for High Current)
- *4: 30A ABS NO.2
(for High Current)
- *5: 40A ST
- *6: 50A HTR
(for High Current)
- *7: 30A WIP WSH RR
(for High Current)
- *8: 30A H-LP CLN
(for High Current)
- *9: 120A ALT
(for High Current)
- *10: A/C COMP Relay
- *11: BKUP LP NO.2 Relay
- *12: 80A P/I-B
(for High Current)
- *13: 80A GLOW
(for High Current)
- *14: H-LP LO Relay
- *15: 40A A/C RR
- *16: H-LP HI Relay
- *17: MIR HTR Relay
- *18: DEF Relay
- *19: CDS FAN Relay
- *20: FOG RR Relay
- *21: DOME Relay
- *22: ST Relay
- *23: GLOW Relay



F RELAY LOCATIONS

(Diesel)

Unit J

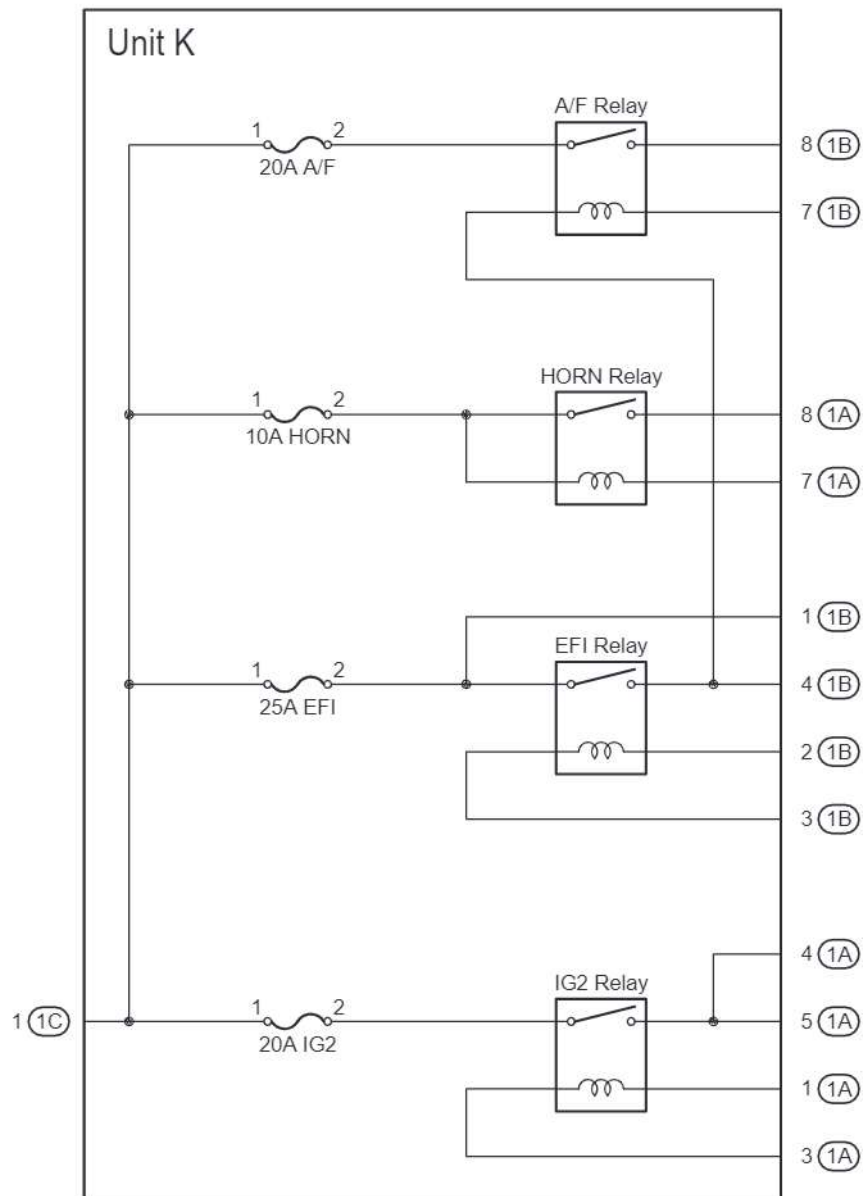


cardiagn.com

[Engine Room R/B Assembly and Engine Room J/B Assembly Inner Circuit]
(Before Aug. 2017 Production)

(Except 1GD-FTV w/ Urea SCR)

(Gasoline)



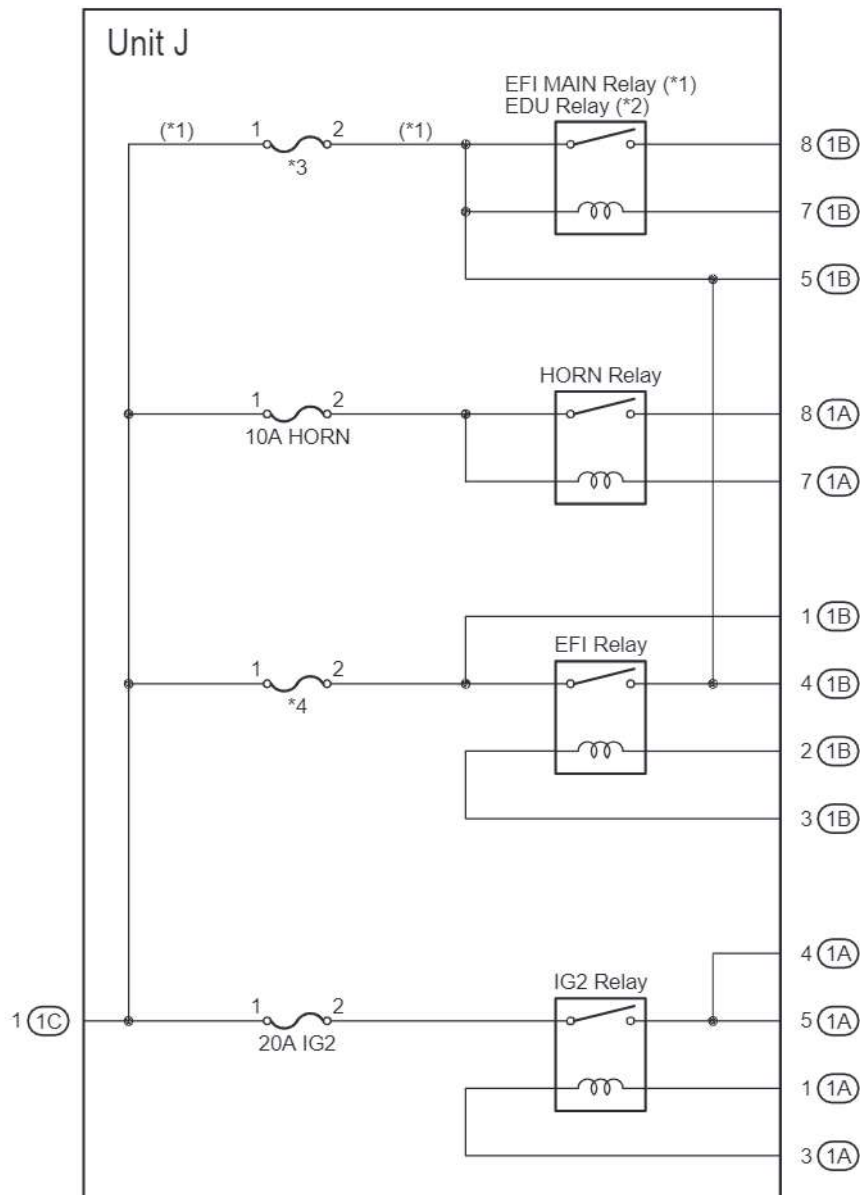
cardiagn.com

F RELAY LOCATIONS

[Engine Room R/B Assembly and Engine Room J/B Assembly Inner Circuit]
(Before Aug. 2017 Production)

(Diesel)

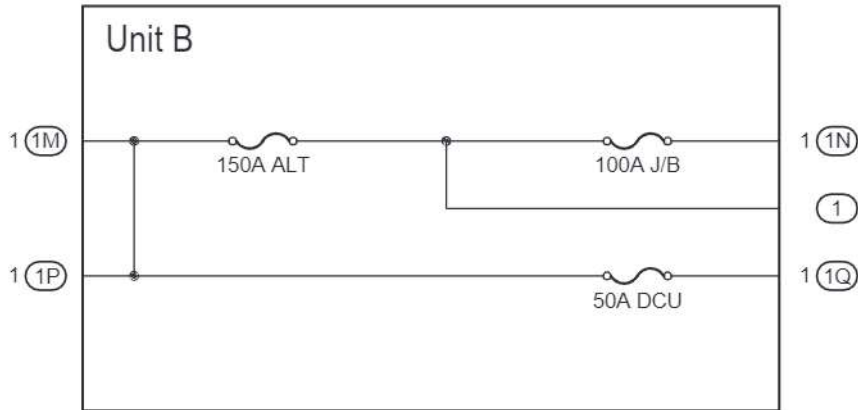
- * 1: 1KD-FTV w/ DPF, 1GD-FTV
- * 2: 1KD-FTV w/o DPF, 5L-E
- * 3: 20A EFI MAIN (1KD-FTV w/ DPF)
20A EFI-MAIN NO.2 (1GD-FTV)
- * 4: 25A EFI (1KD-FTV, 5L-E)
25A EFI-MAIN NO.1 (1GD-FTV)



cardiagn.com

[Engine Room R/B Assembly and Engine Room J/B Assembly Inner Circuit]
(Before Aug. 2017 Production)

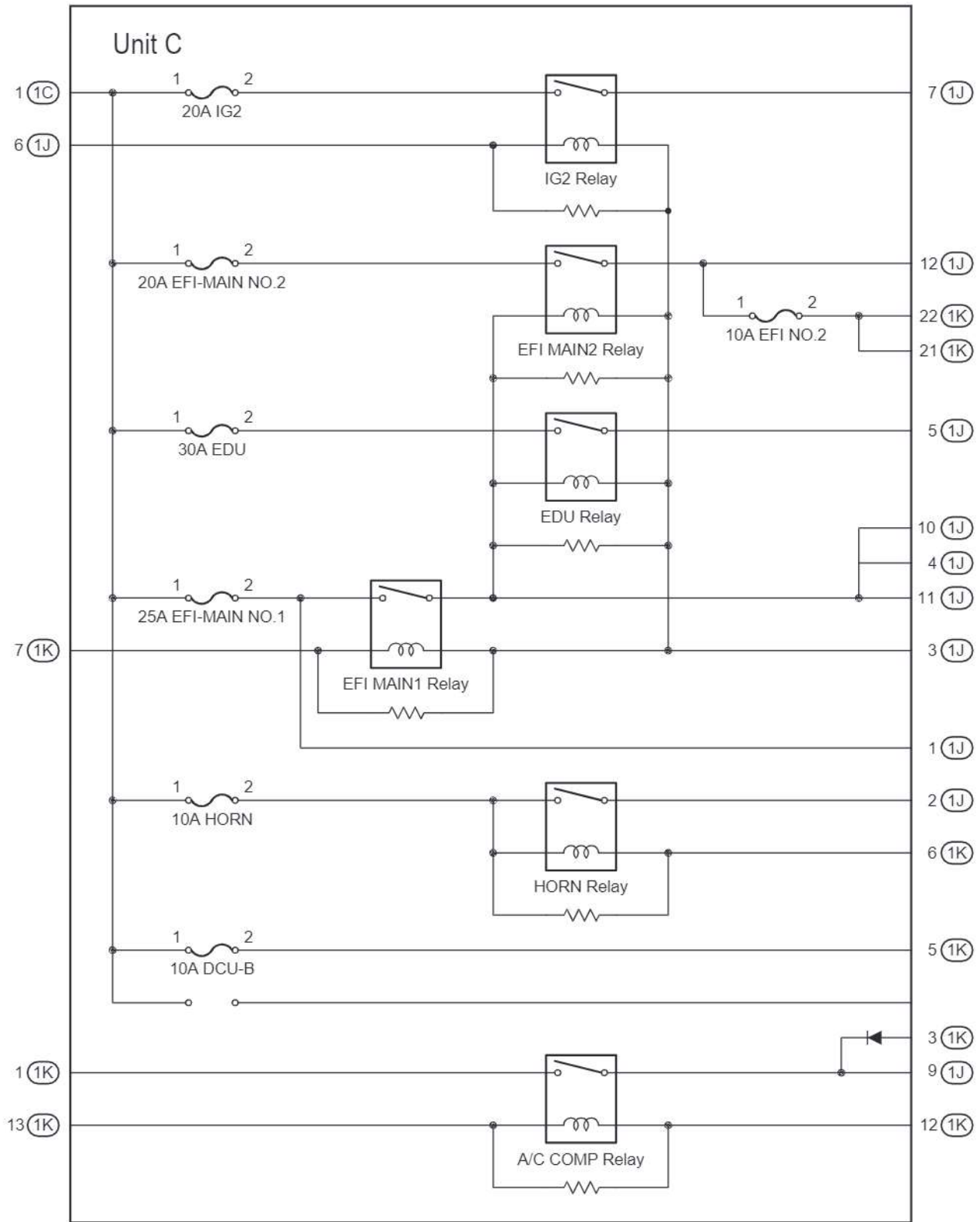
(1GD-FTV w/ Urea SCR)



cardiagn.com

F RELAY LOCATIONS

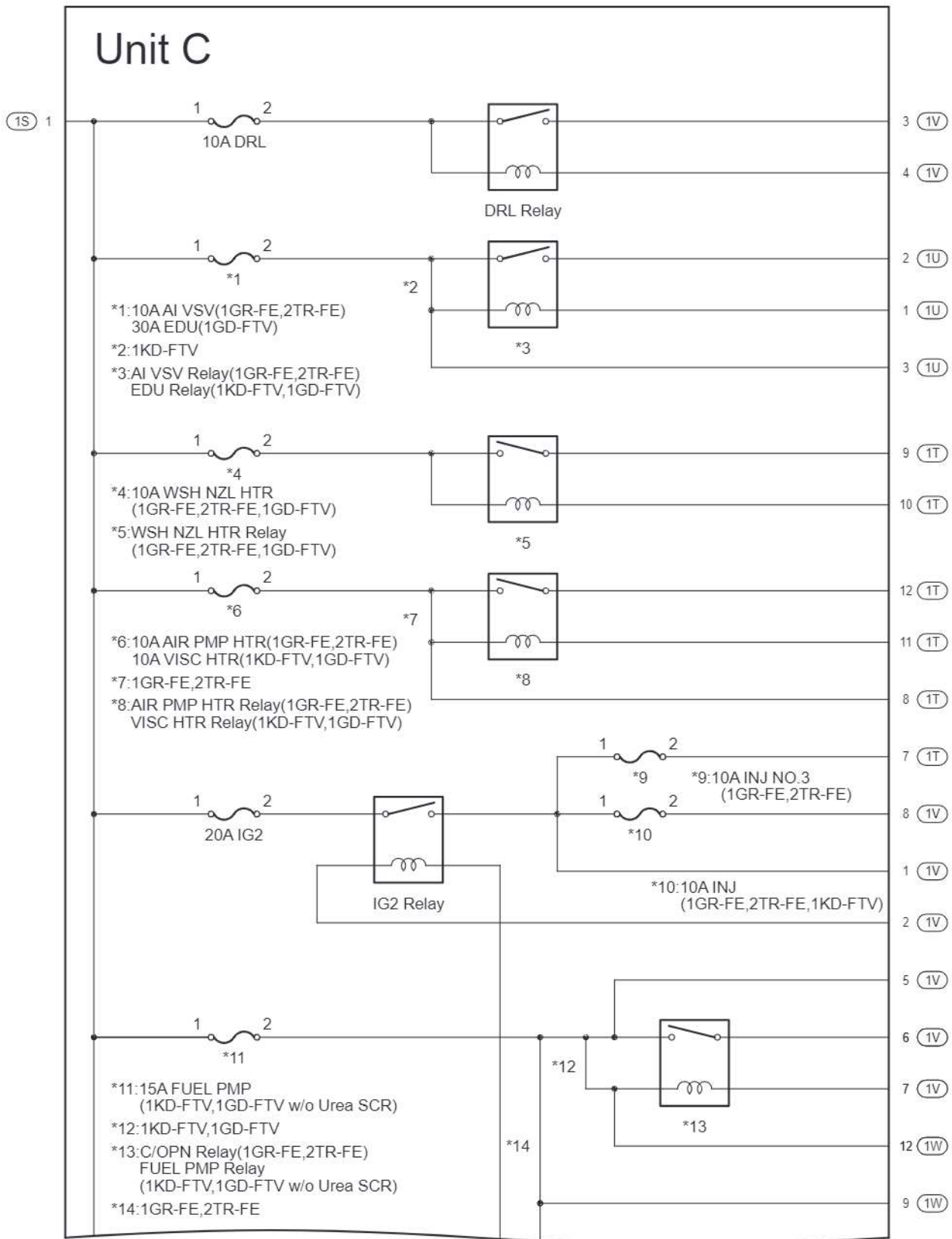
[Engine Room R/B Assembly and Engine Room J/B Assembly Inner Circuit]
 (Before Aug. 2017 Production)



cardiagn.com

[Engine Room R/B Assembly and Engine Room J/B Assembly Inner Circuit]
(From Aug. 2017 Production)

(Except 5L-E)



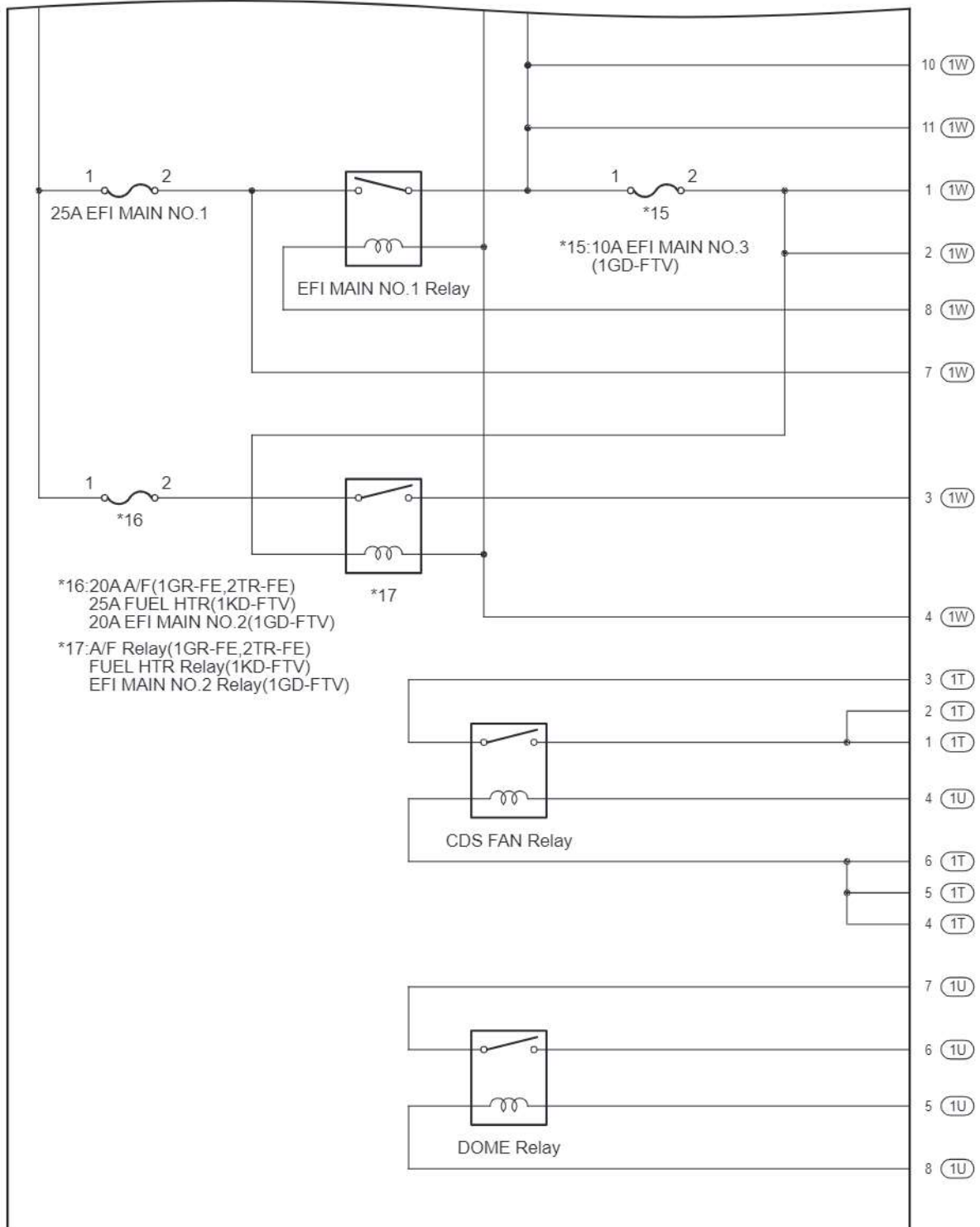
(Cont. Next Page)

cardiagn.com

F RELAY LOCATIONS

[Engine Room R/B Assembly and Engine Room J/B Assembly Inner Circuit]
 (From Aug. 2017 Production)

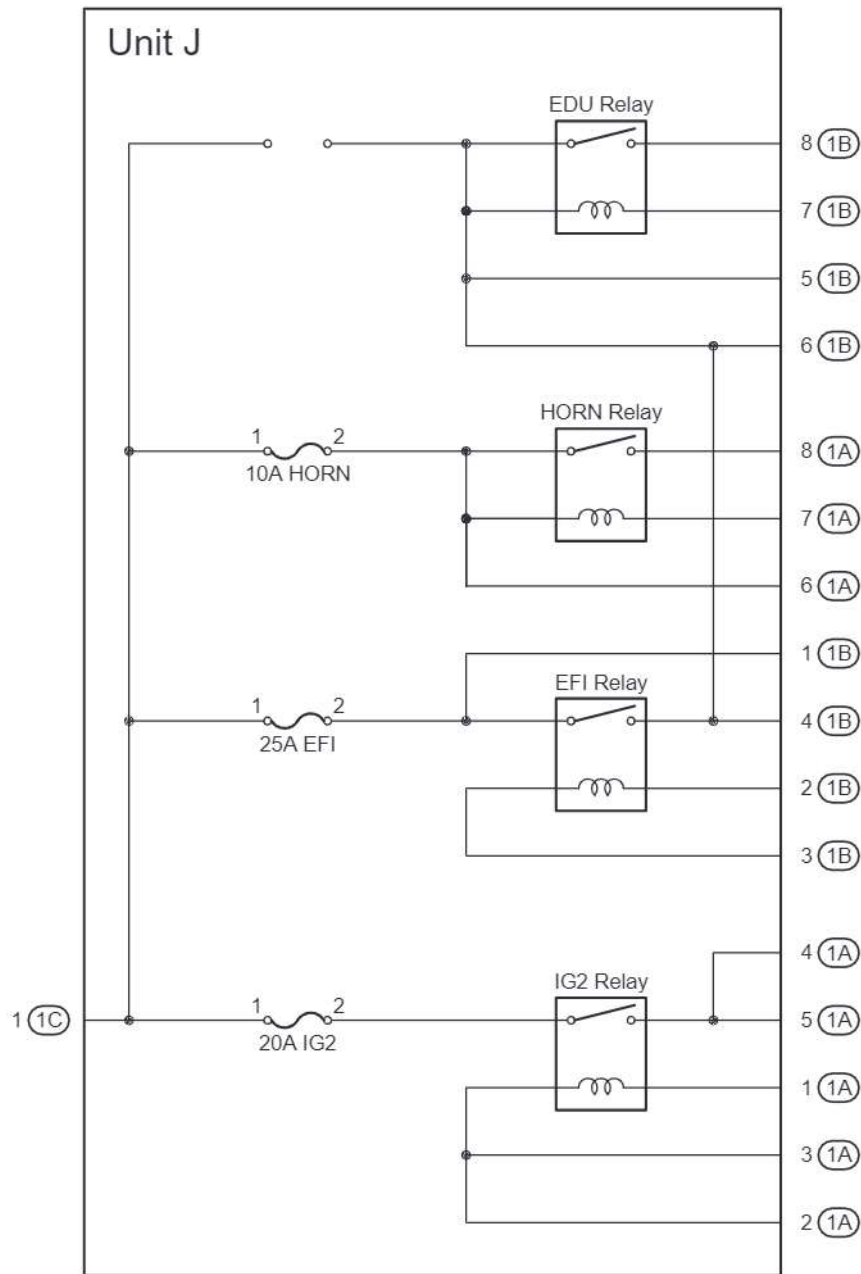
(Cont'd)



cardiagn.com

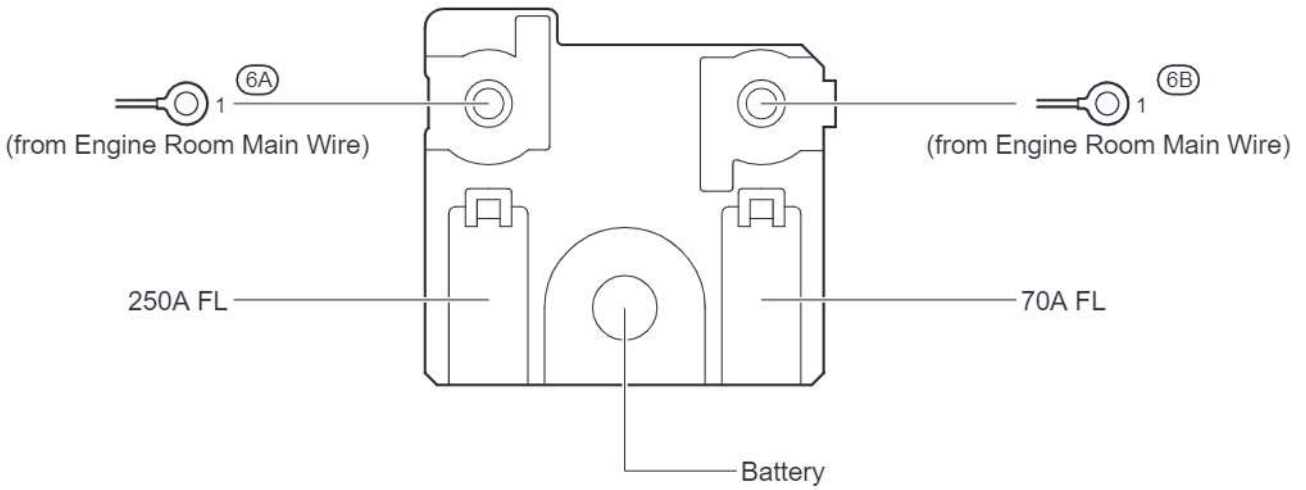
[Engine Room R/B Assembly and Engine Room J/B Assembly Inner Circuit]
(From Aug. 2017 Production)

(5L-E)
(Diesel)



cardiagn.com

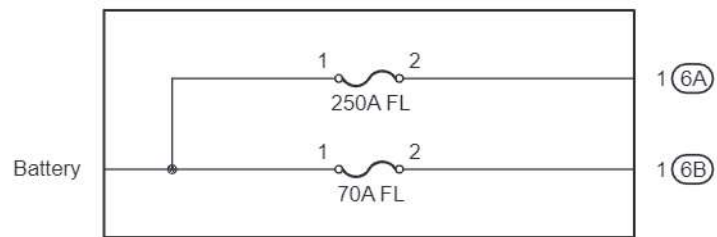
6 Fusible Link Block Assembly Battery



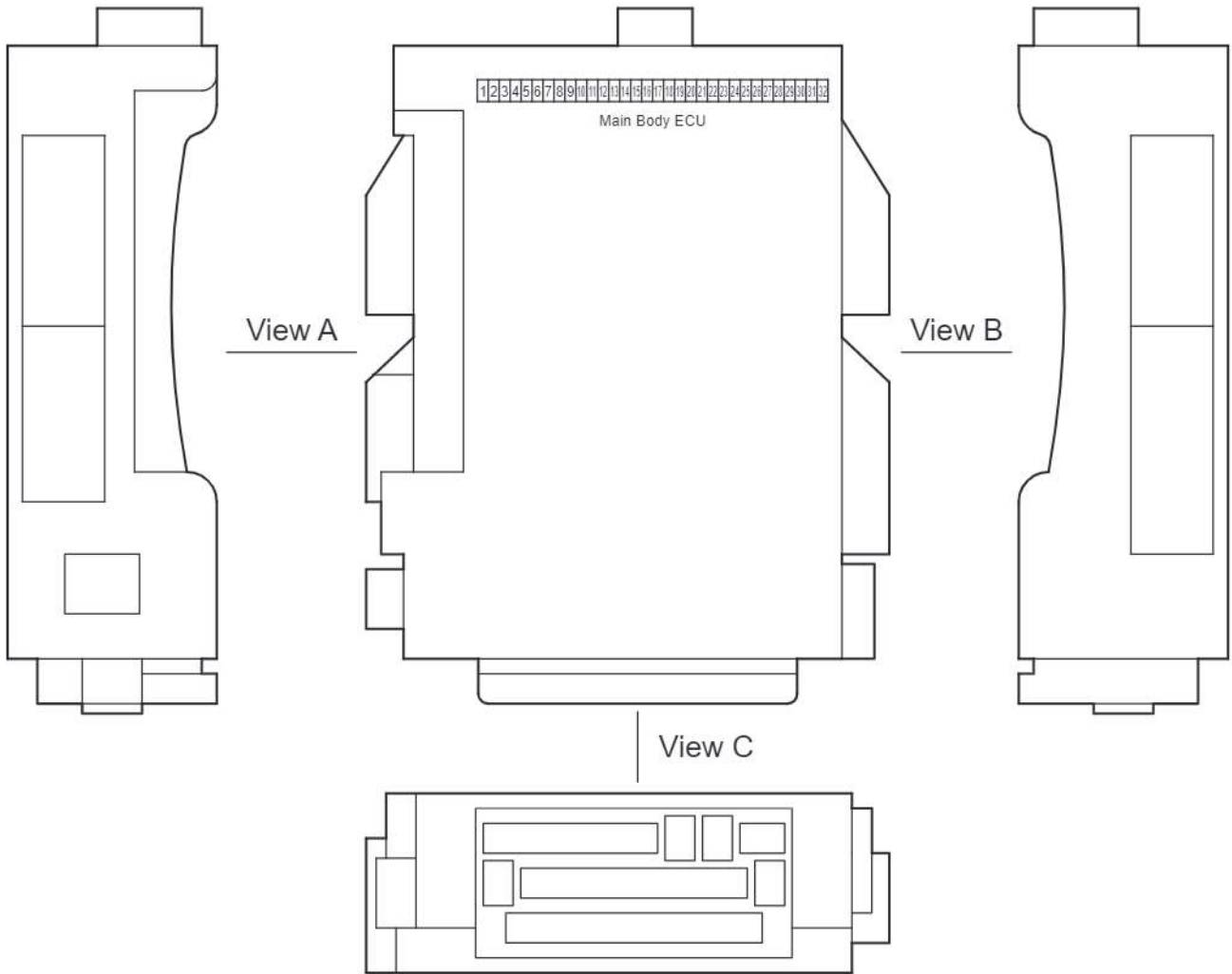
cardiagn.com

F RELAY LOCATIONS

[Fusible Link Block Assembly Inner Circuit]



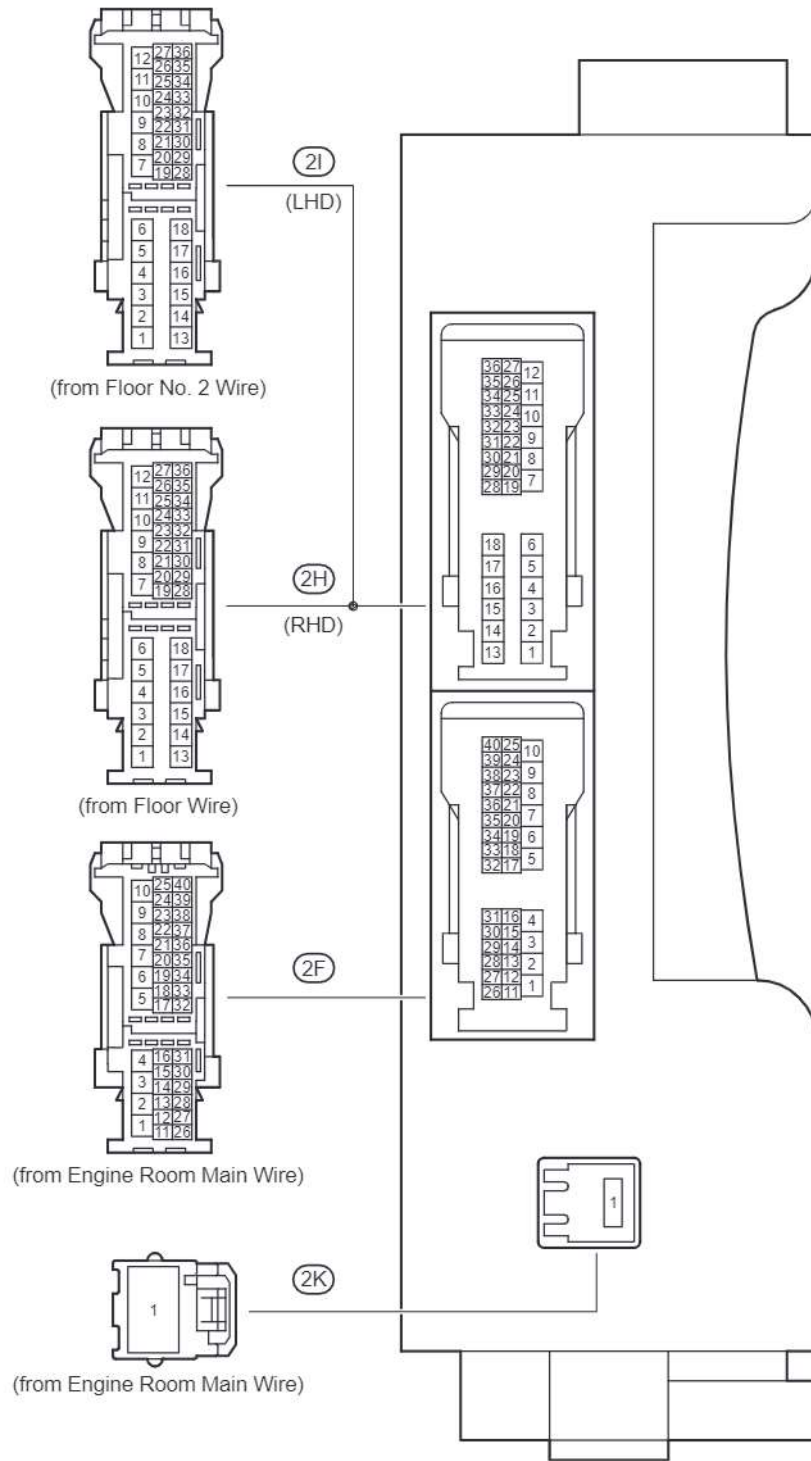
○ Instrument Panel J/B Assembly (Before Aug. 2017 Production)	LHD : Cowl Side Panel LH
	RHD : Cowl Side Panel RH



cardiagn.com

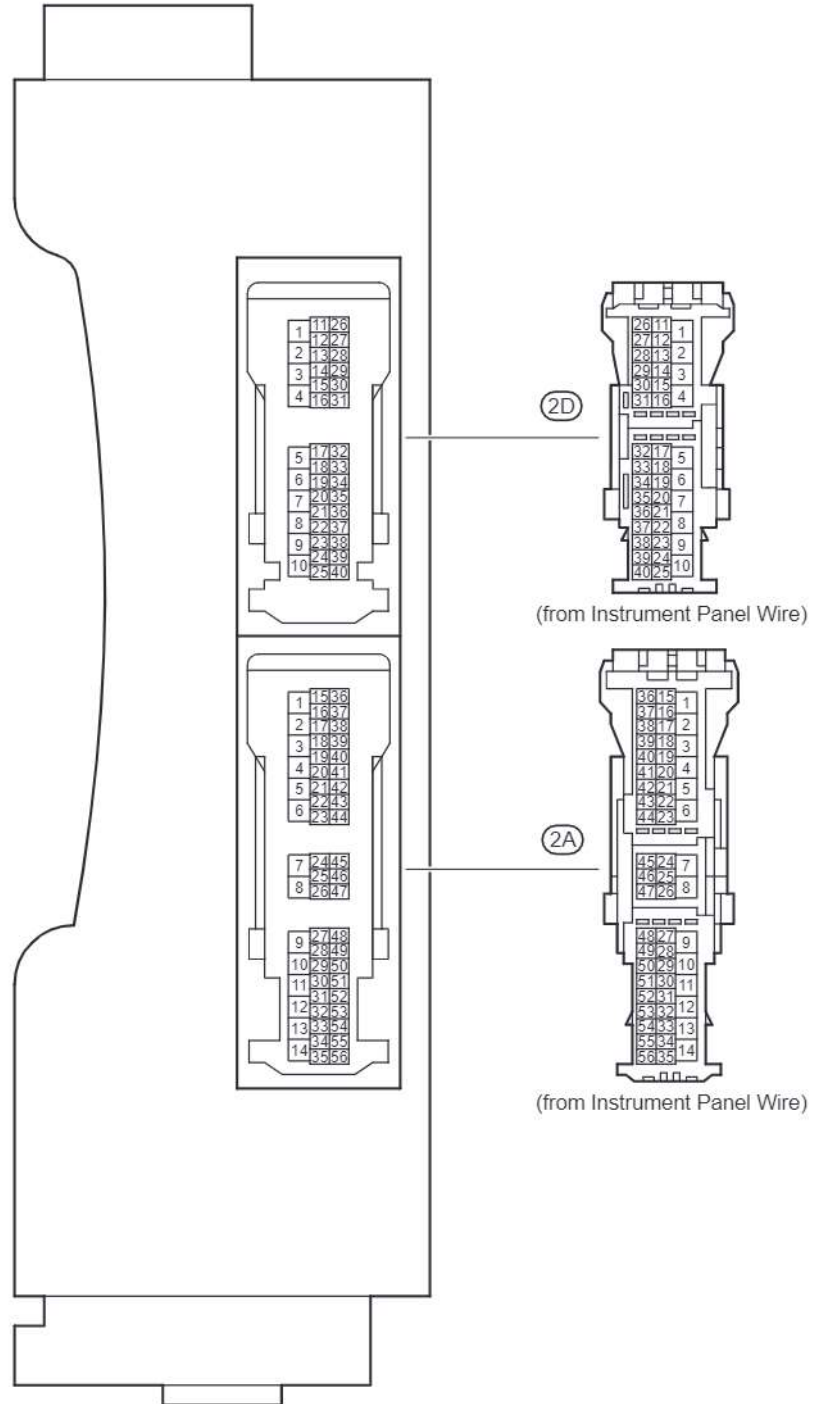
F RELAY LOCATIONS

View A



cardiagn.com

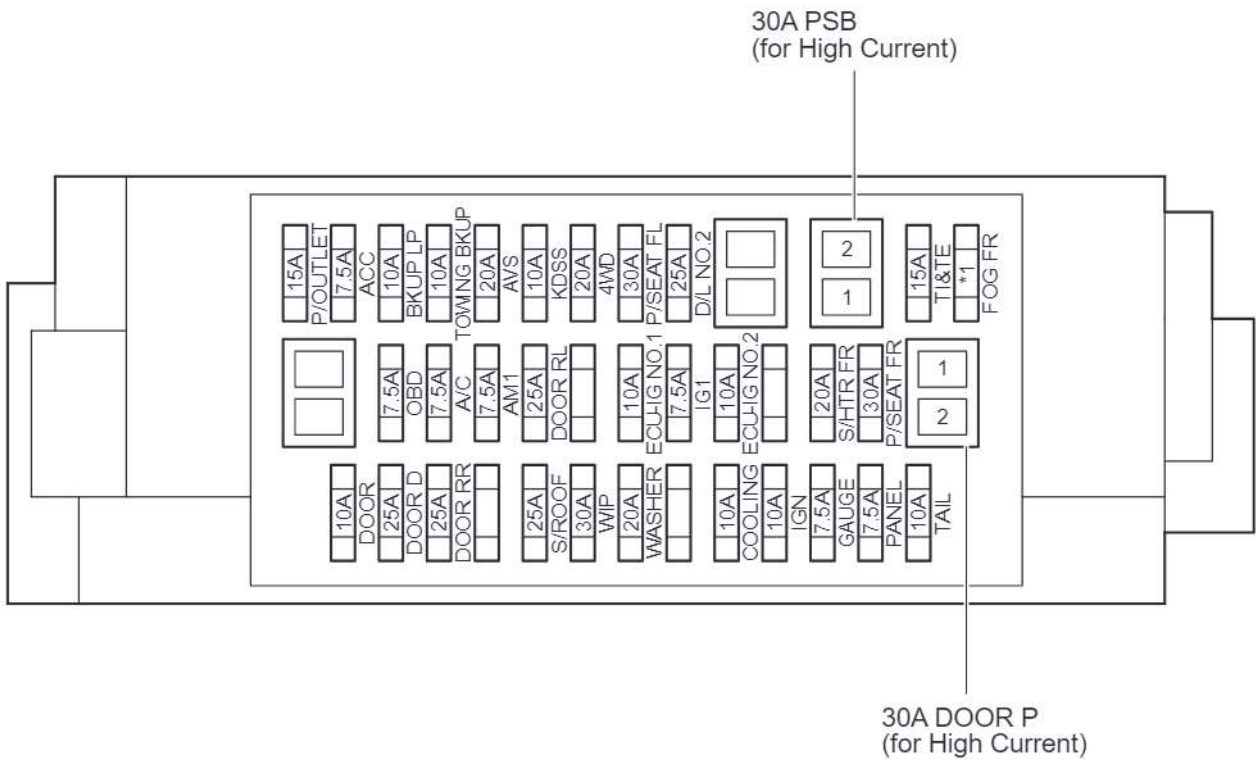
View B



F RELAY LOCATIONS

View C

* 1:15A (Before Aug. 2013 Production)
10A (From Aug. 2013 Production)

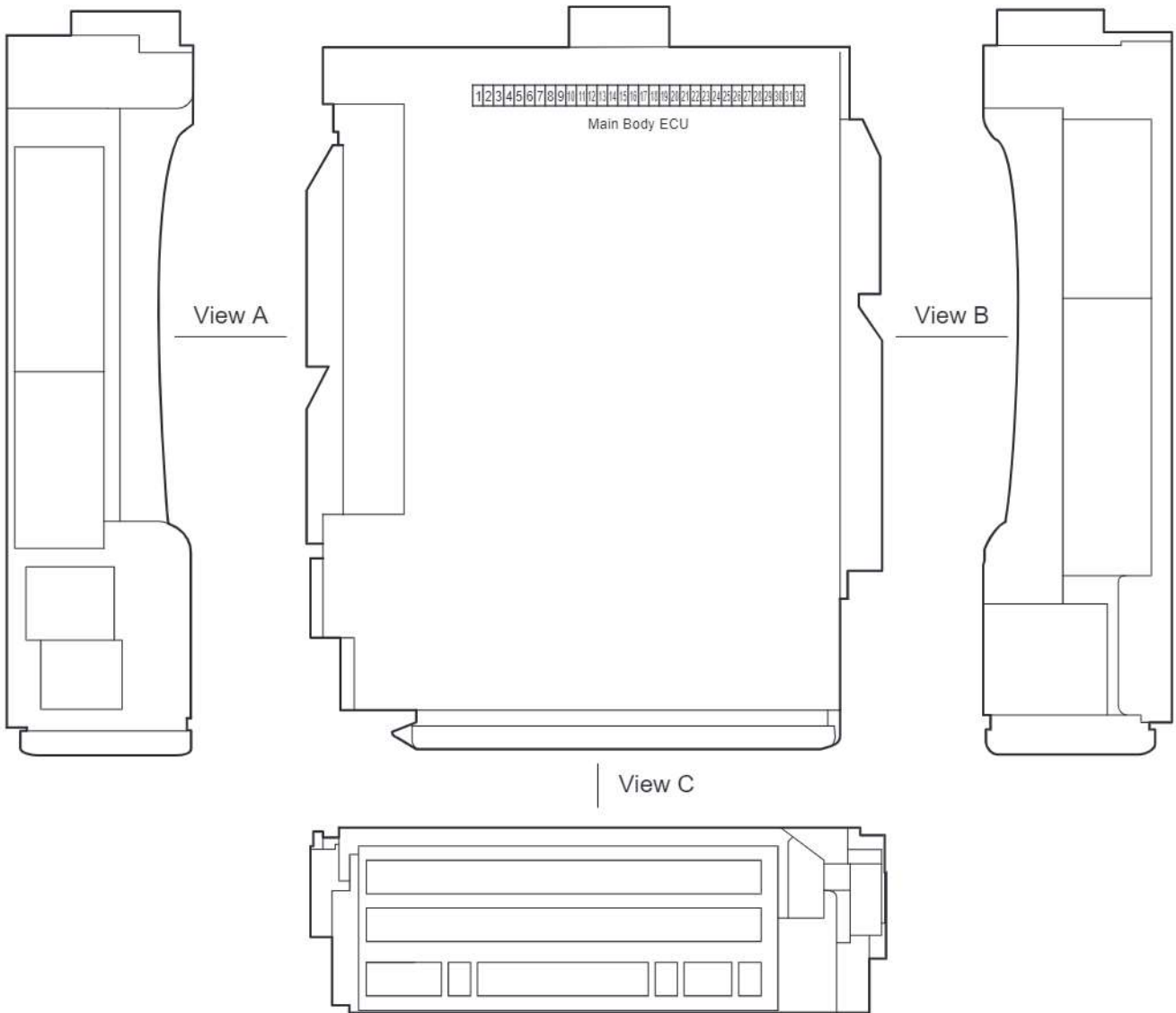


cardiagn.com

F RELAY LOCATIONS

○ Instrument Panel J/B Assembly (From Aug. 2017 Production)	LHD : Cowl Side Panel LH
	RHD : Cowl Side Panel RH

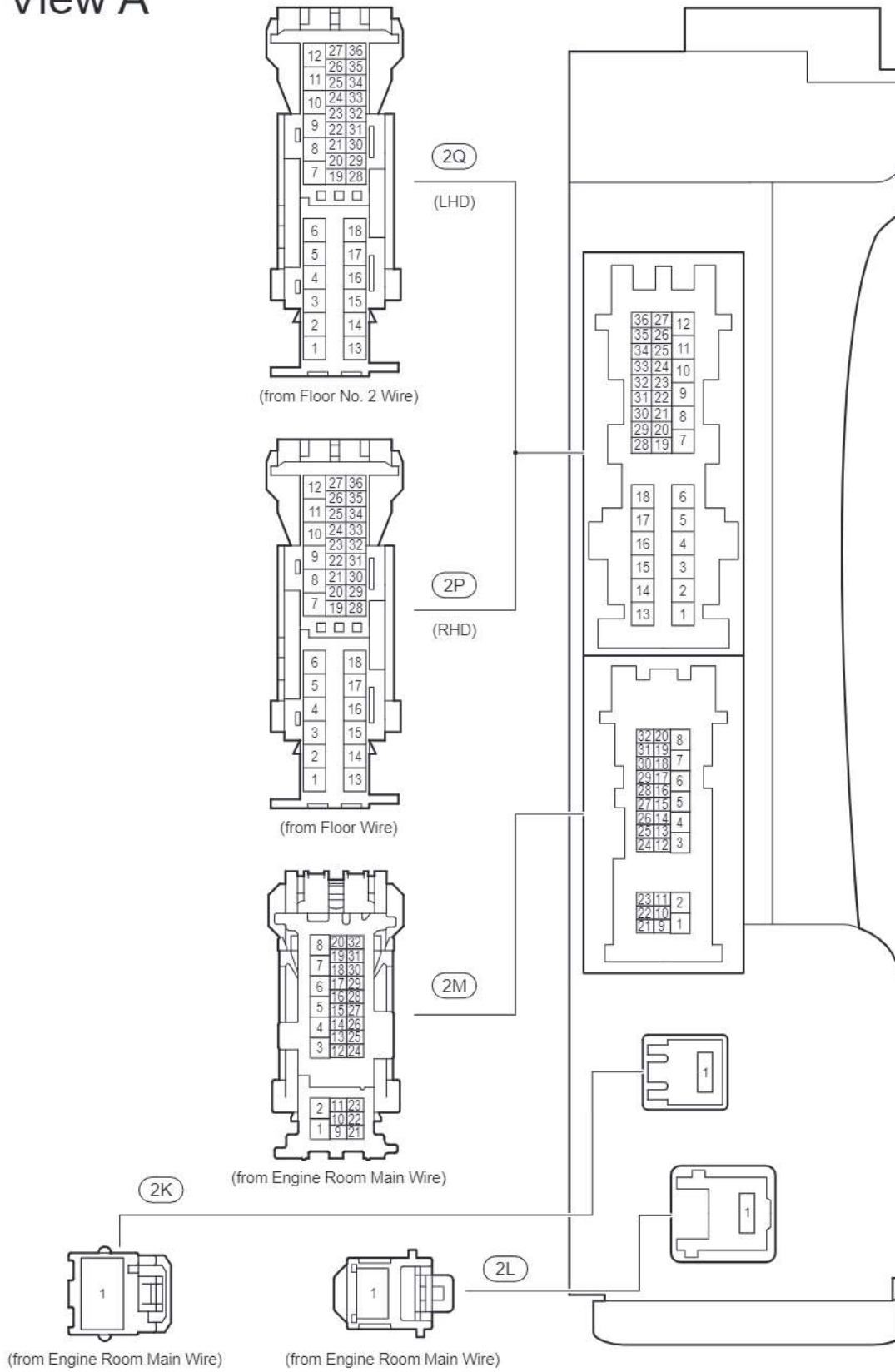
(Except 5L-E)



cardiagn.com

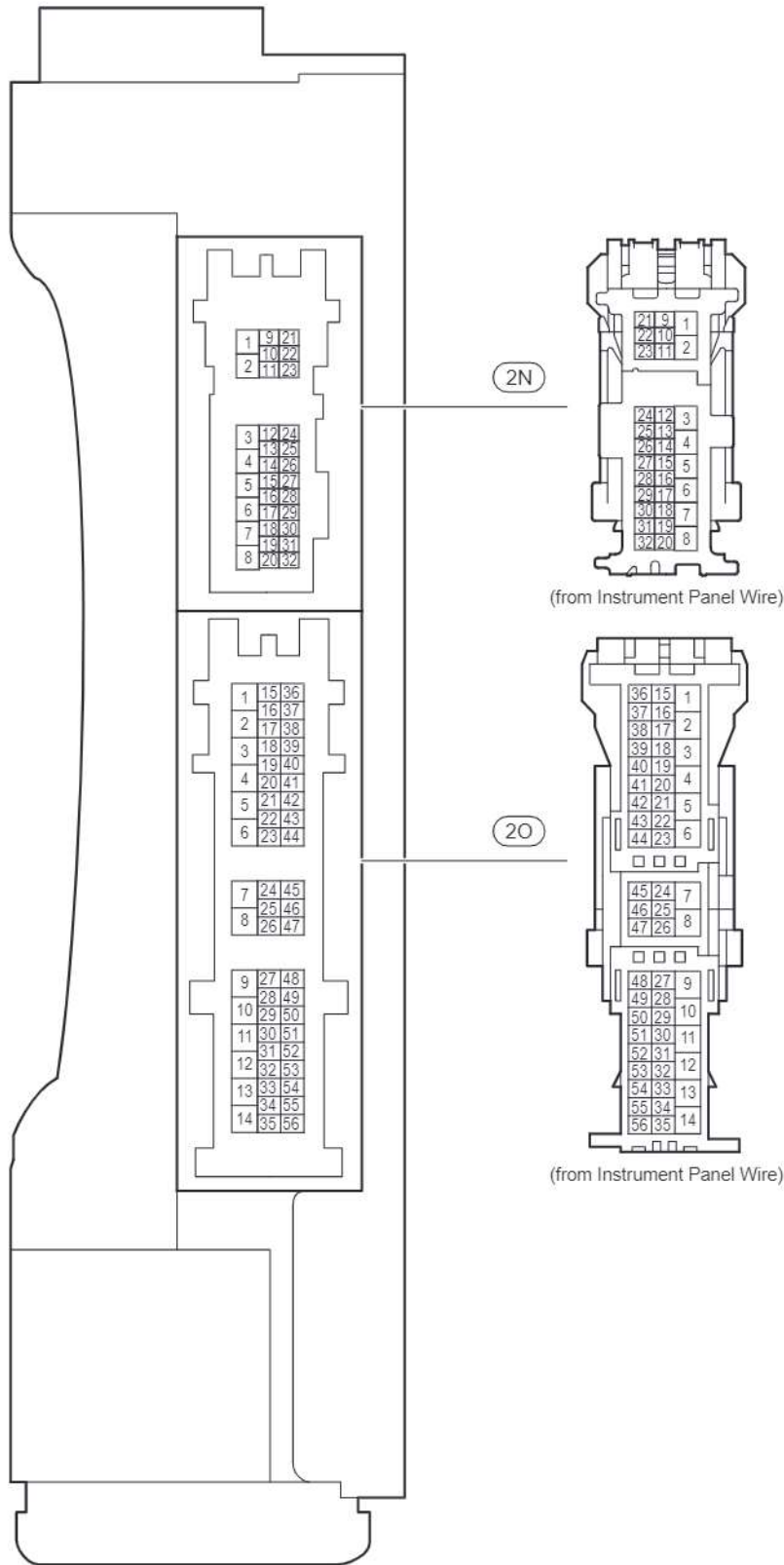
F RELAY LOCATIONS

View A



cardiagn.com

View B

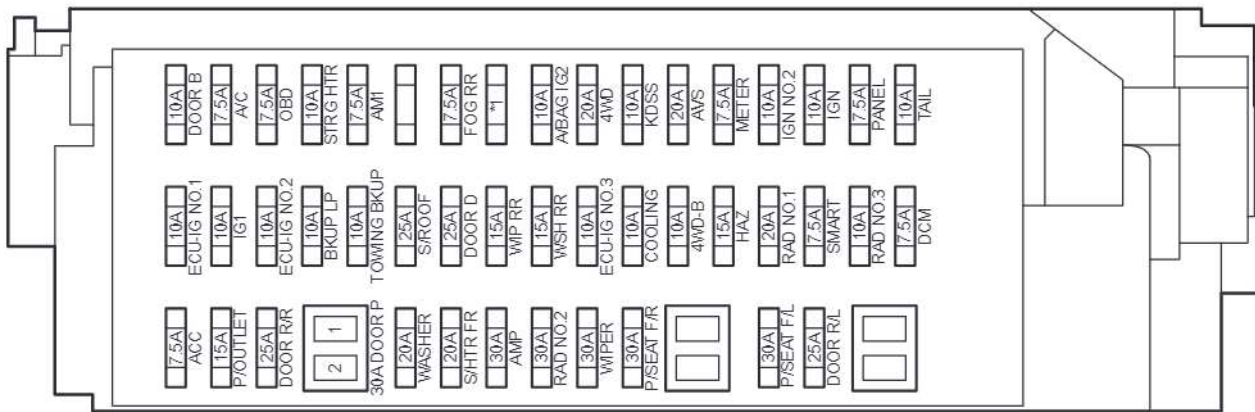


cardiagn.com

F RELAY LOCATIONS

View C

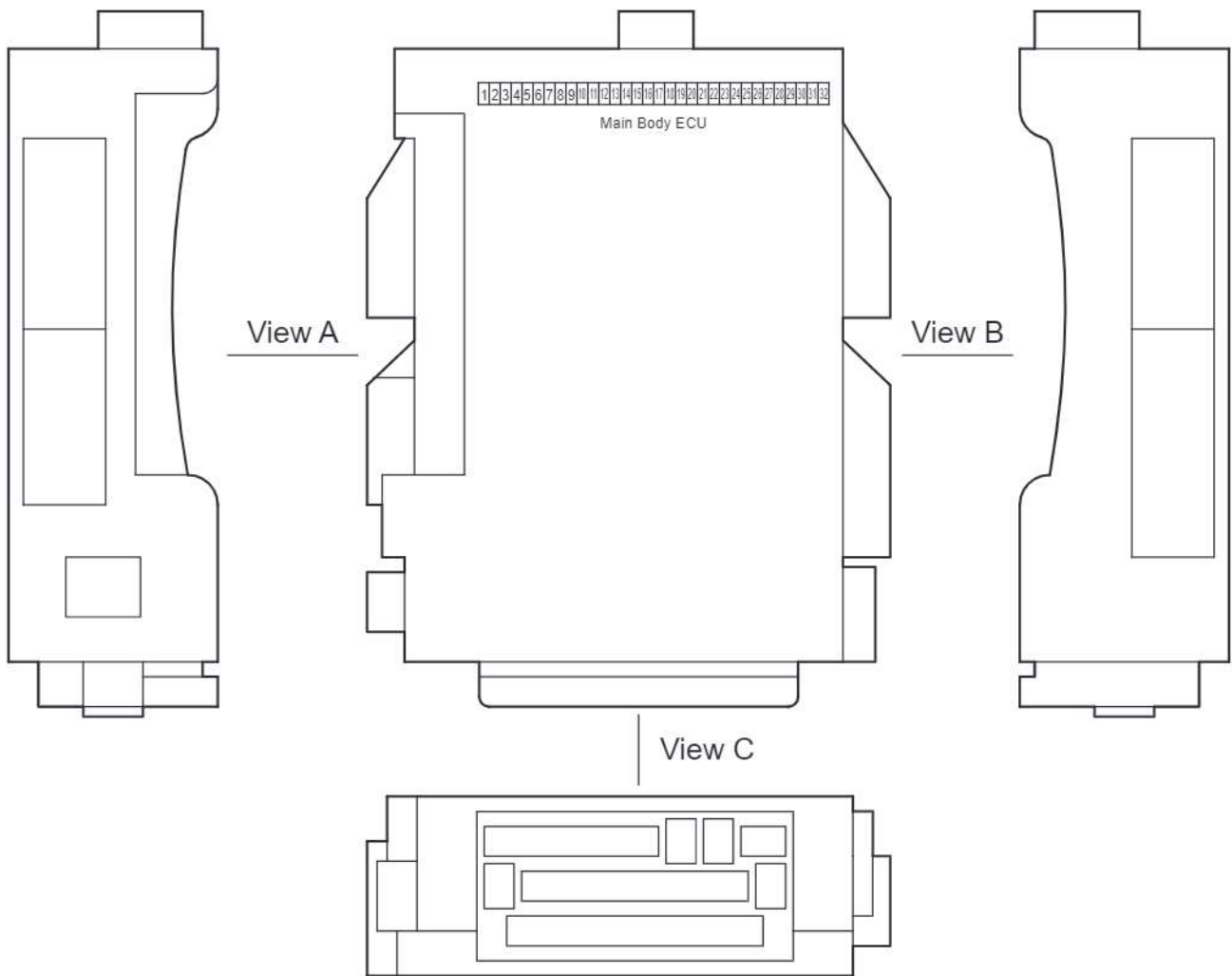
*1: 10A S&S IG2(w/ Door Control Battery)



cardiagn.com

○ Instrument Panel J/B Assembly (From Aug. 2017 Production)	LHD : Cowl Side Panel LH
	RHD : Cowl Side Panel RH

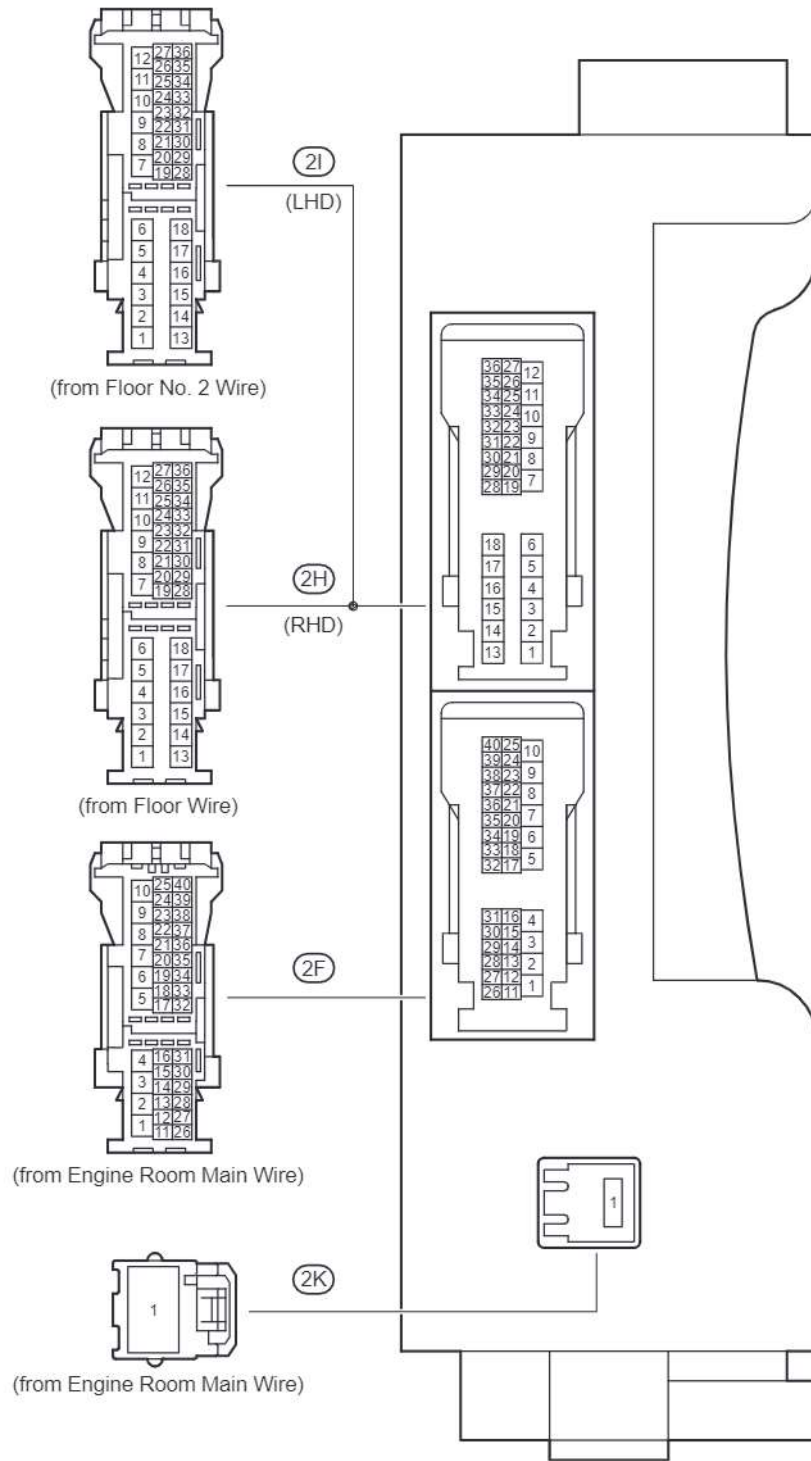
(5L-E)



cardiagn.com

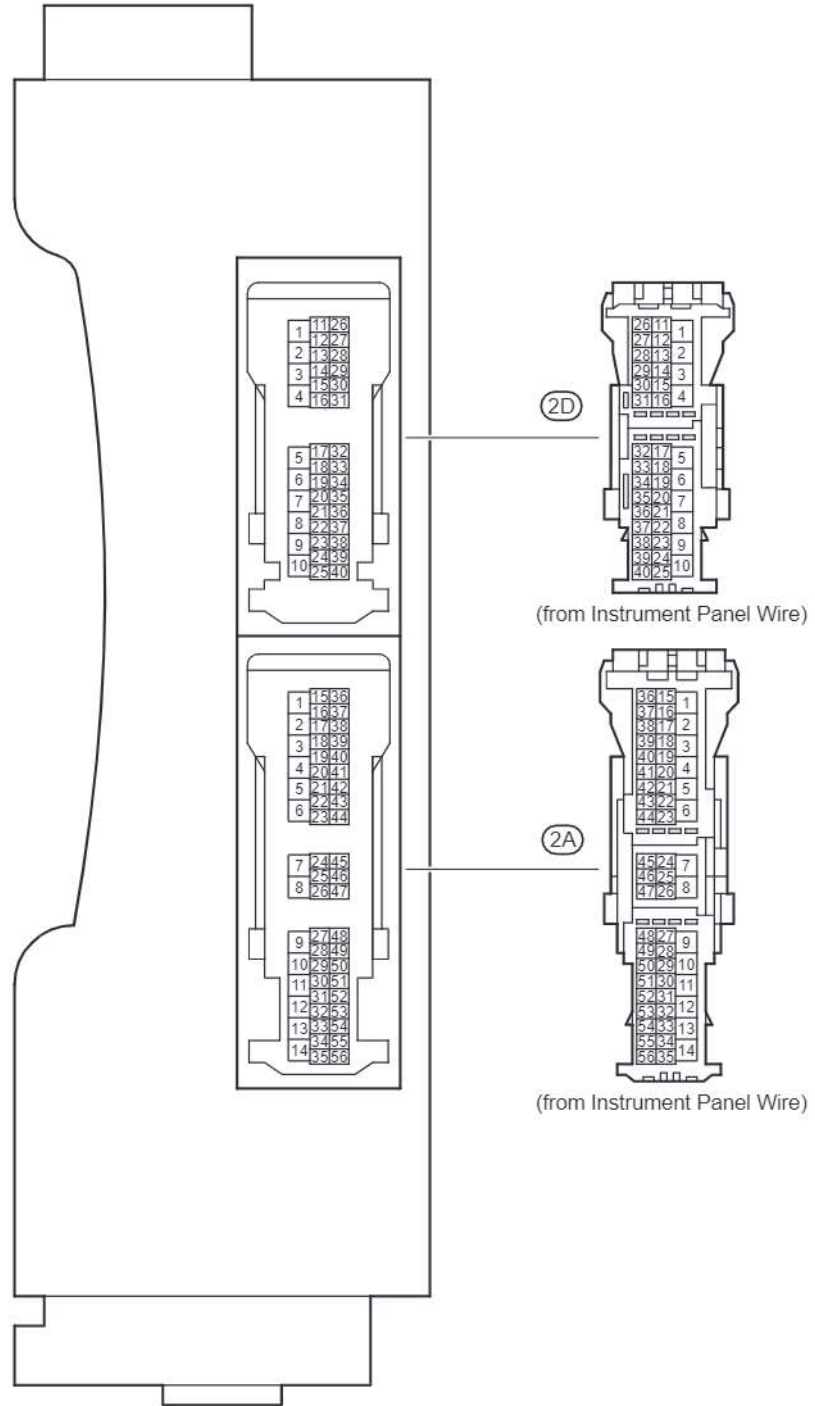
F RELAY LOCATIONS

View A



cardiagn.com

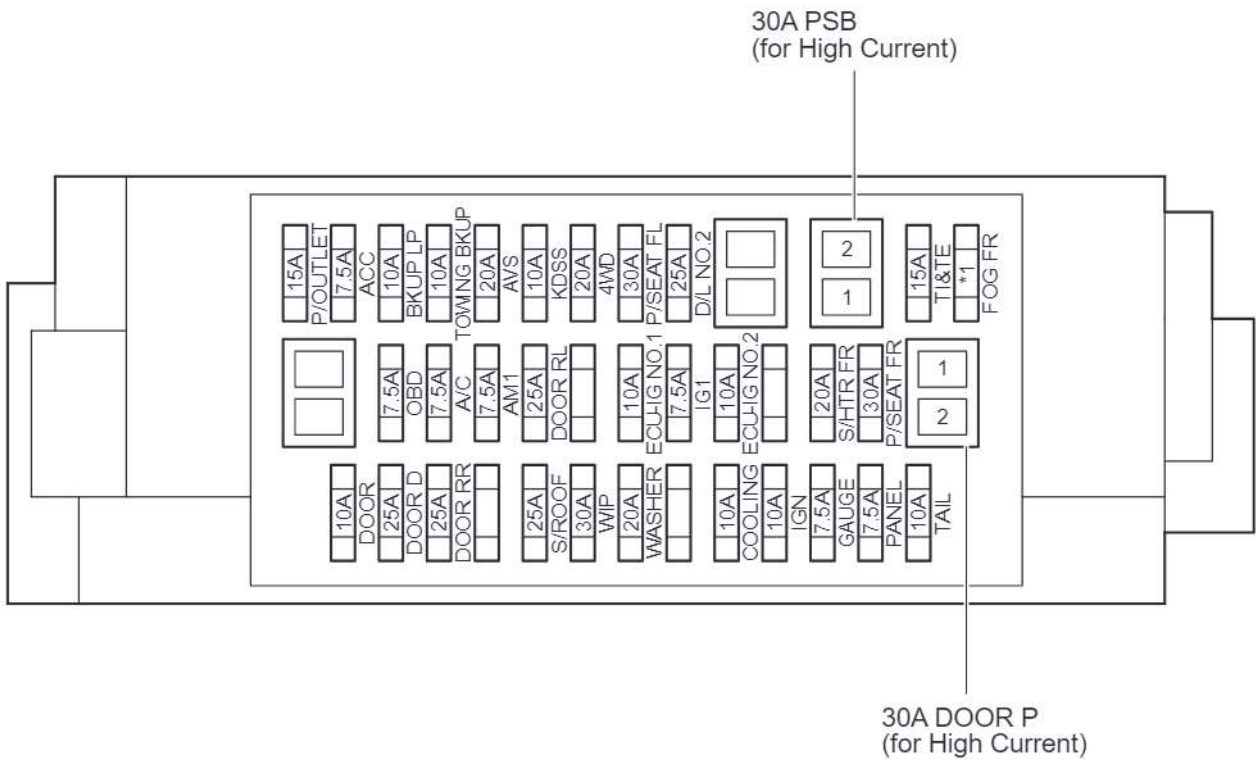
View B



F RELAY LOCATIONS

View C

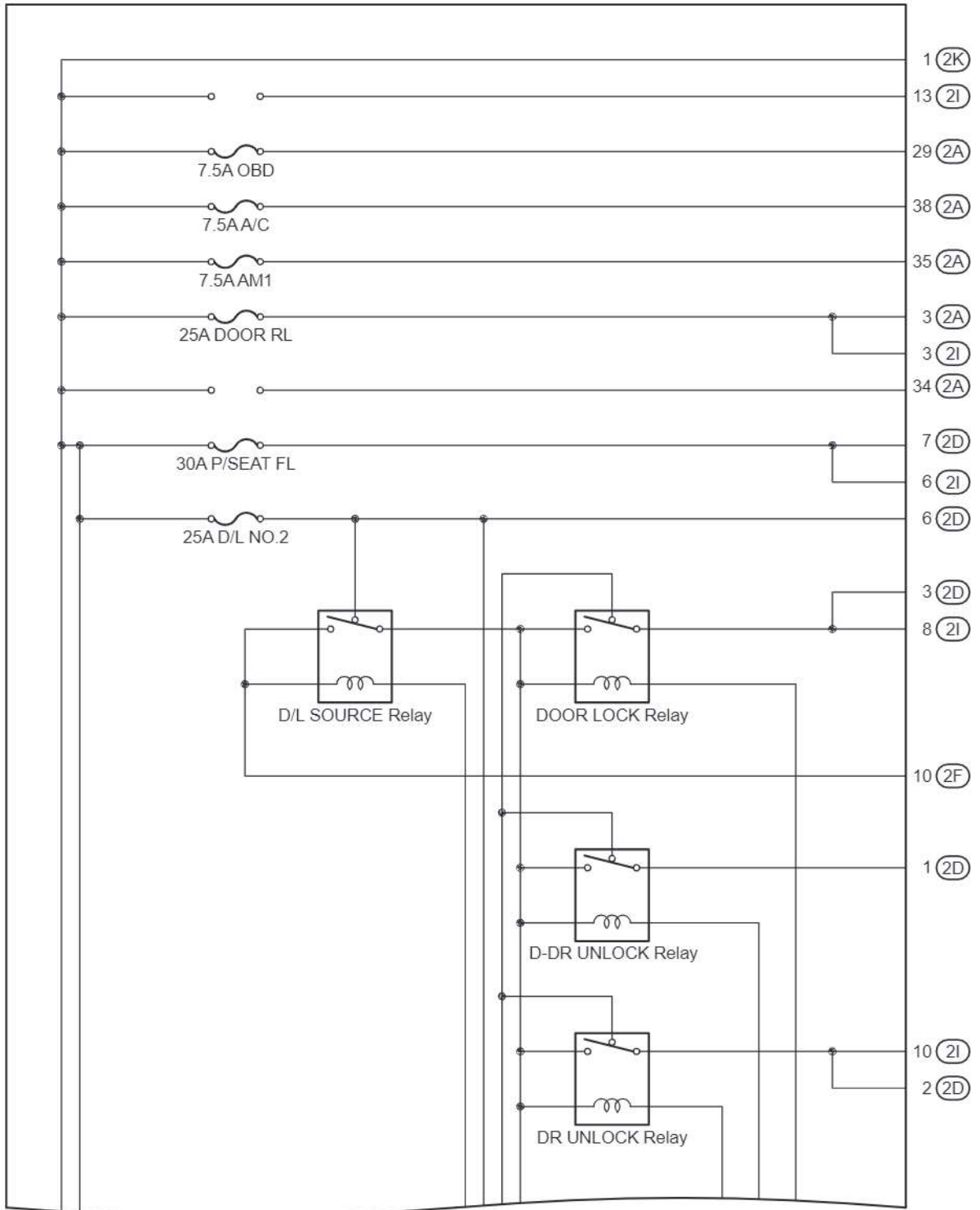
* 1:15A (Before Aug. 2013 Production)
10A (From Aug. 2013 Production)



cardiagn.com

[Instrument Panel J/B Assembly Inner Circuit] (Before Aug. 2017 Production)

(LHD)



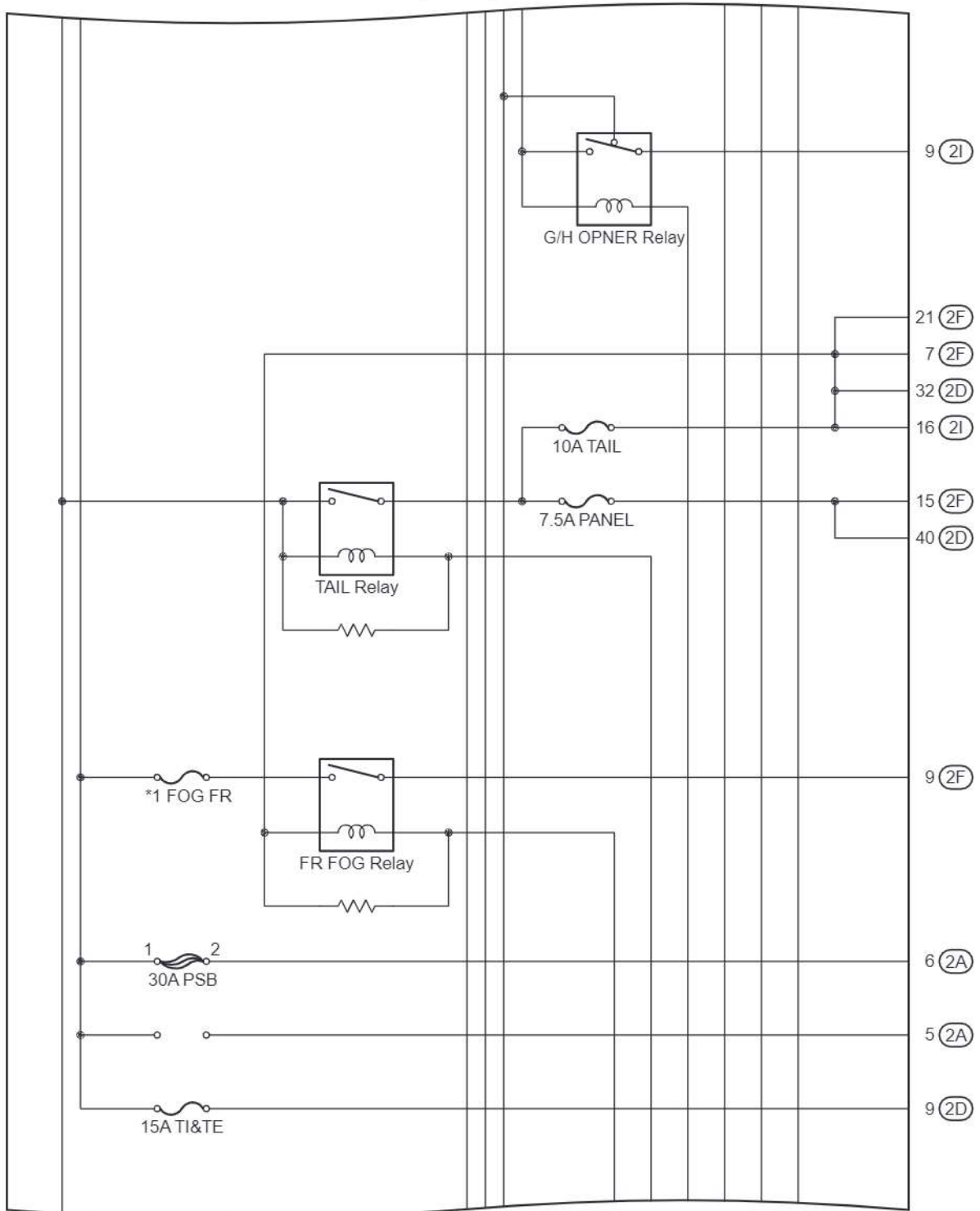
(Cont. Next Page)

F RELAY LOCATIONS

[Instrument Panel J/B Assembly Inner Circuit] (Before Aug. 2017 Production)

* 1:15A (Before Aug. 2013 Production)
10A (From Aug. 2013 Production)

(Cont'd)

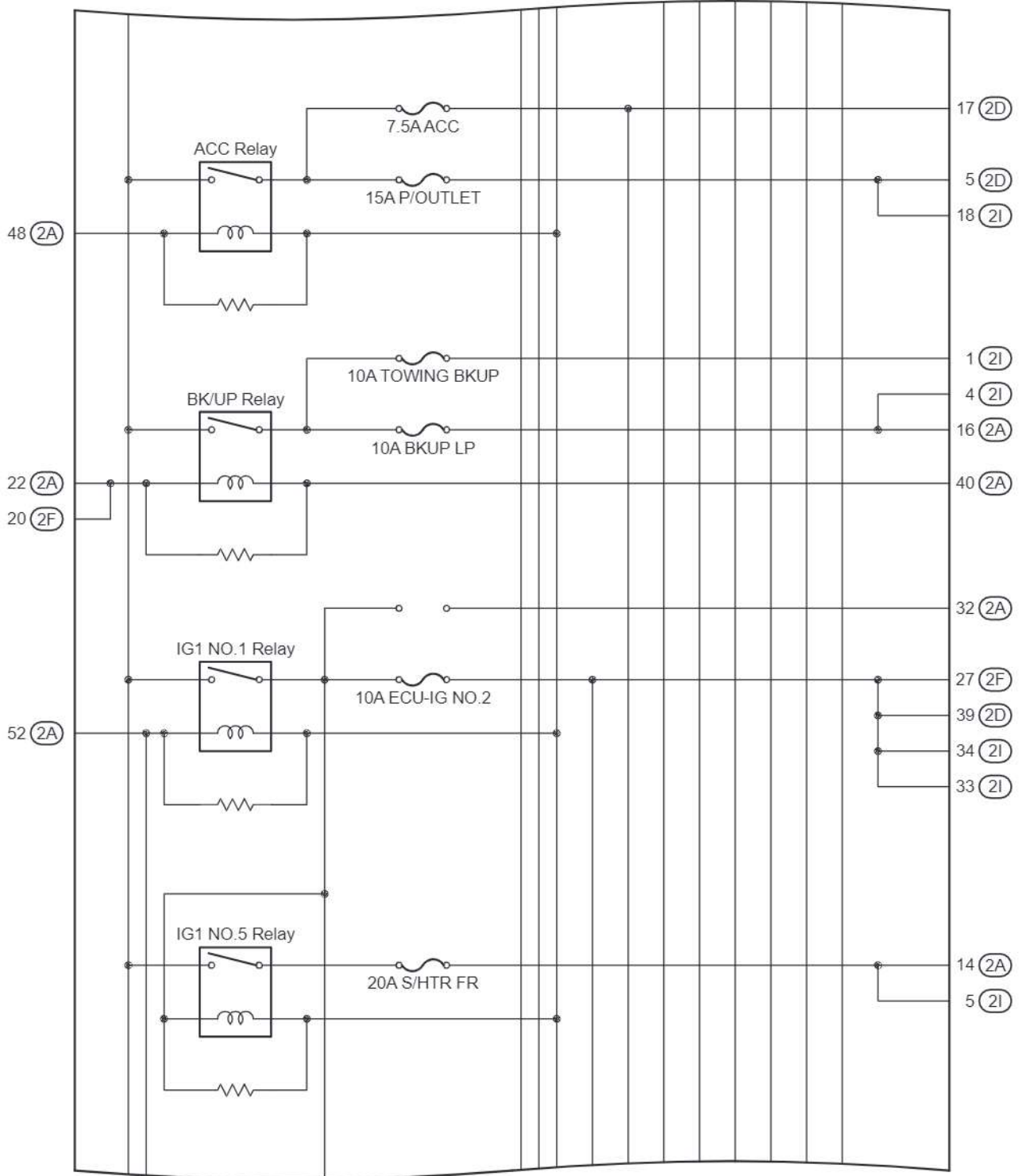


(Cont. Next Page)

cardiagn.com

[Instrument Panel J/B Assembly Inner Circuit] (Before Aug. 2017 Production)

(Cont'd)



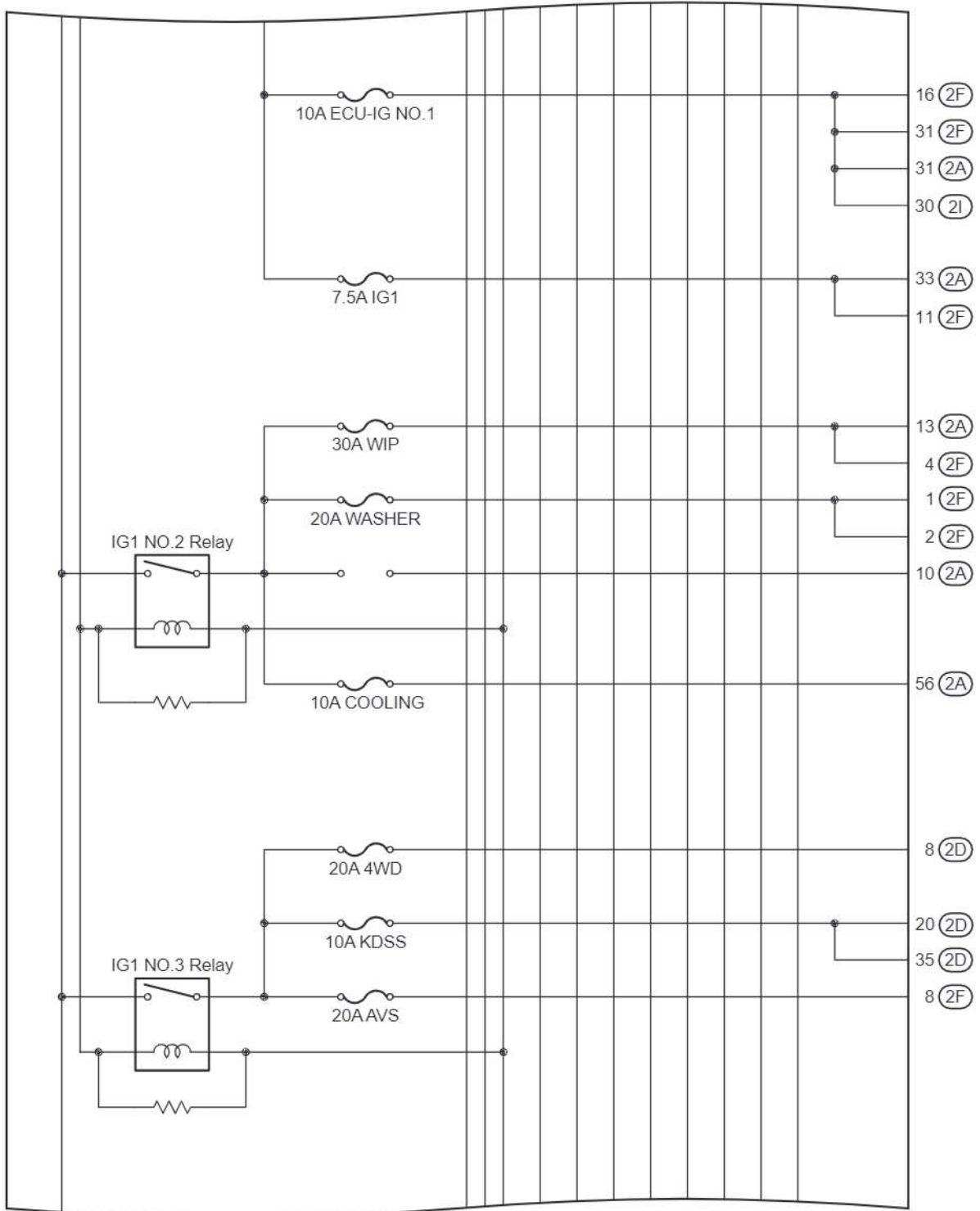
(Cont. Next Page)

cardiagn.com

F RELAY LOCATIONS

[Instrument Panel J/B Assembly Inner Circuit] (Before Aug. 2017 Production)

(Cont'd)

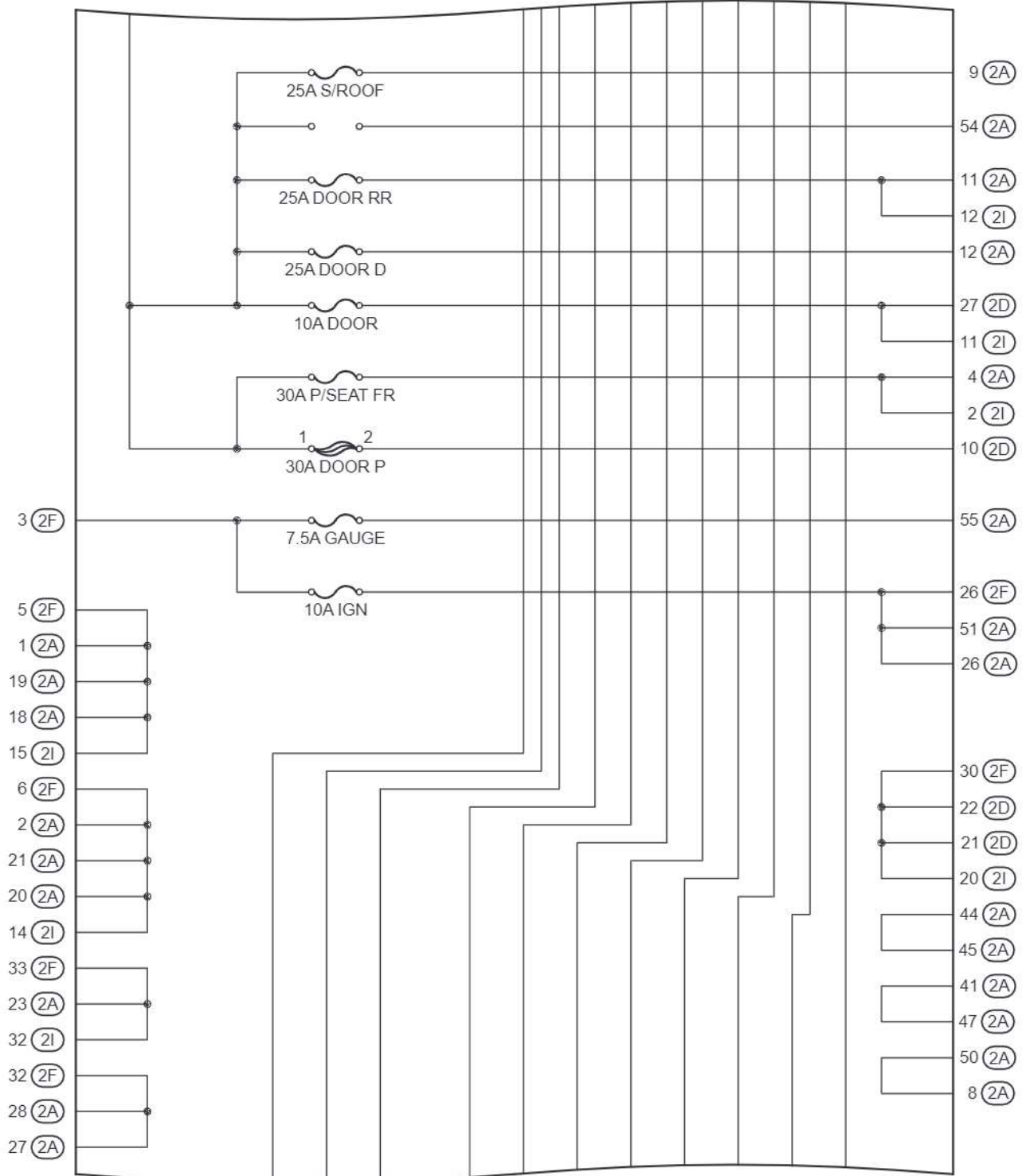


(Cont. Next Page)

cardiagn.com

[Instrument Panel J/B Assembly Inner Circuit] (Before Aug. 2017 Production)

(Cont'd)



(Cont. Next Page)

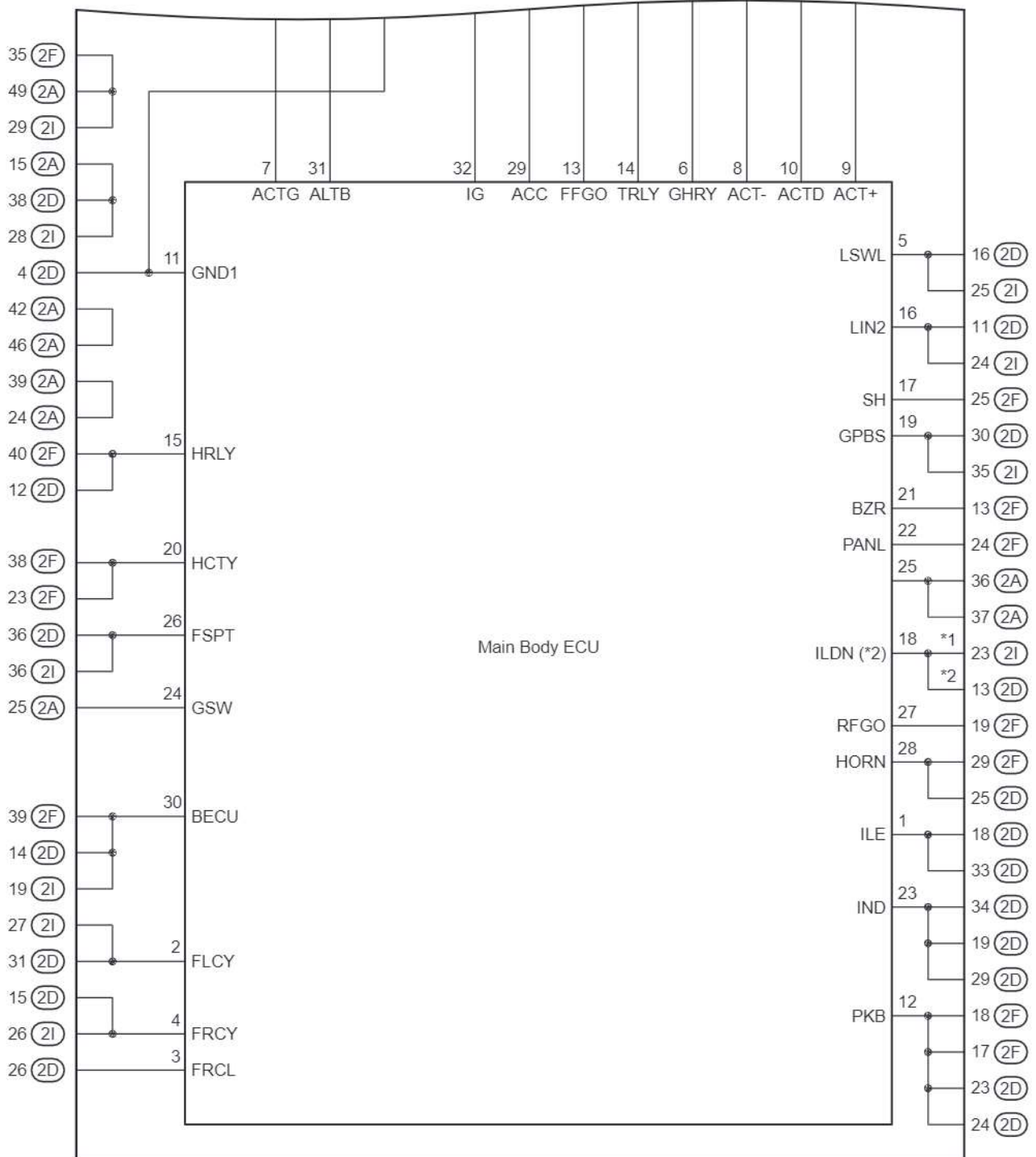
cardiagn.com

F RELAY LOCATIONS

[Instrument Panel J/B Assembly Inner Circuit] (Before Aug. 2017 Production)

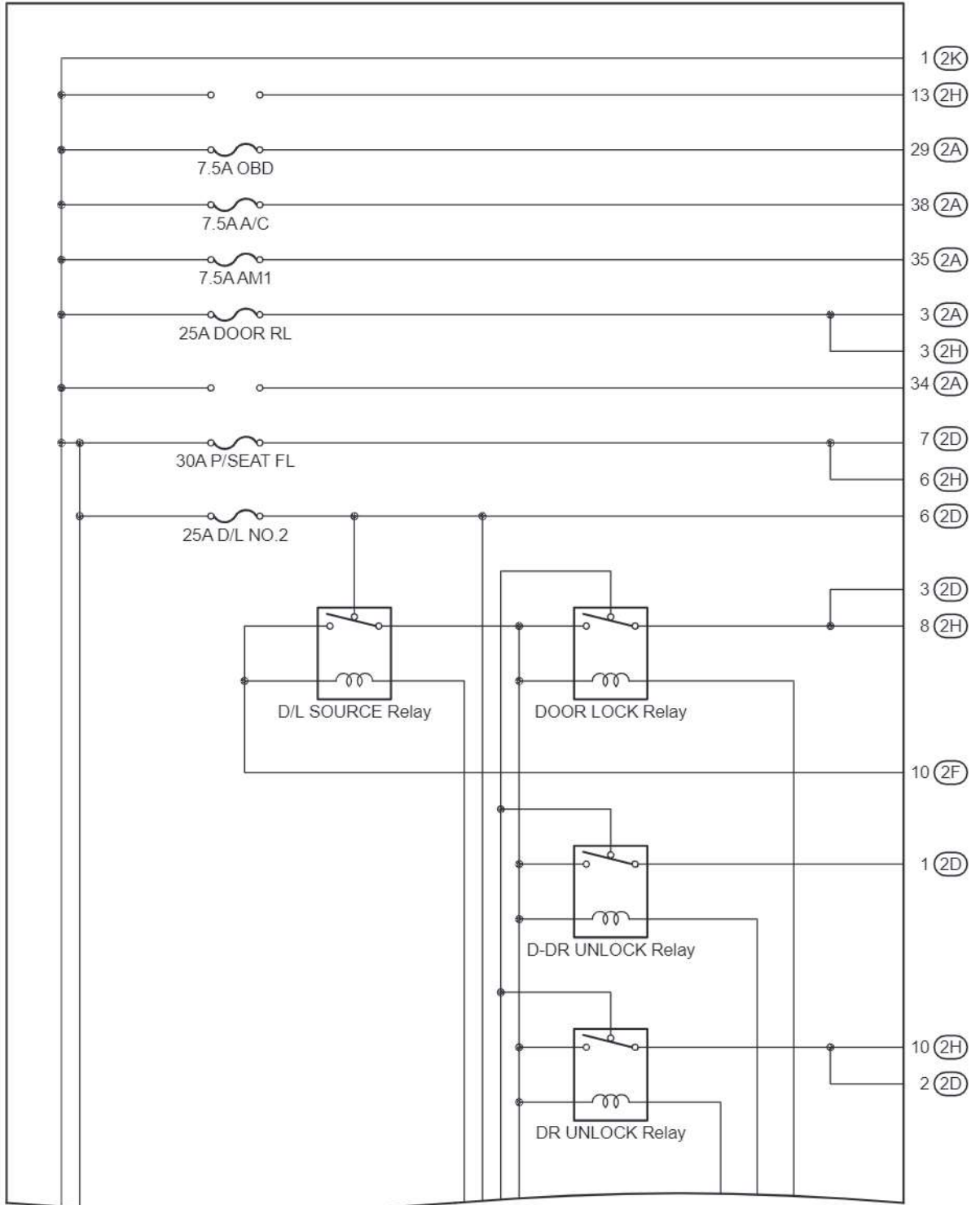
* 1: Before Aug. 2013 Production
 * 2: From Aug. 2013 Production

(Cont'd)



[Instrument Panel J/B Assembly Inner Circuit] (Before Aug. 2017 Production)

(RHD)



(Cont. Next Page)

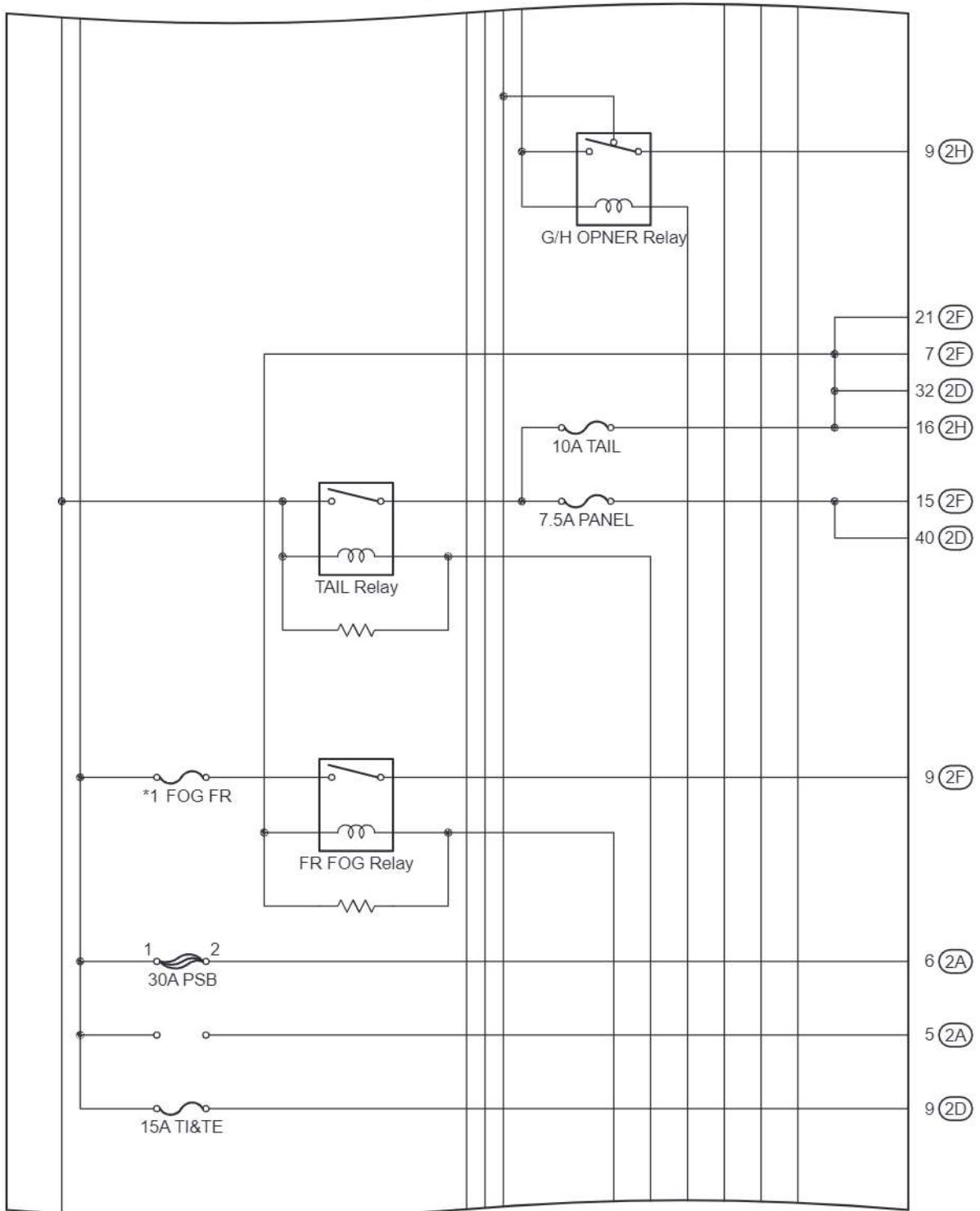
cardiagn.com

F RELAY LOCATIONS

[Instrument Panel J/B Assembly Inner Circuit] (Before Aug. 2017 Production)

* 1:15A (Before Aug. 2013 Production)
10A (From Aug. 2013 Production)

(Cont'd)

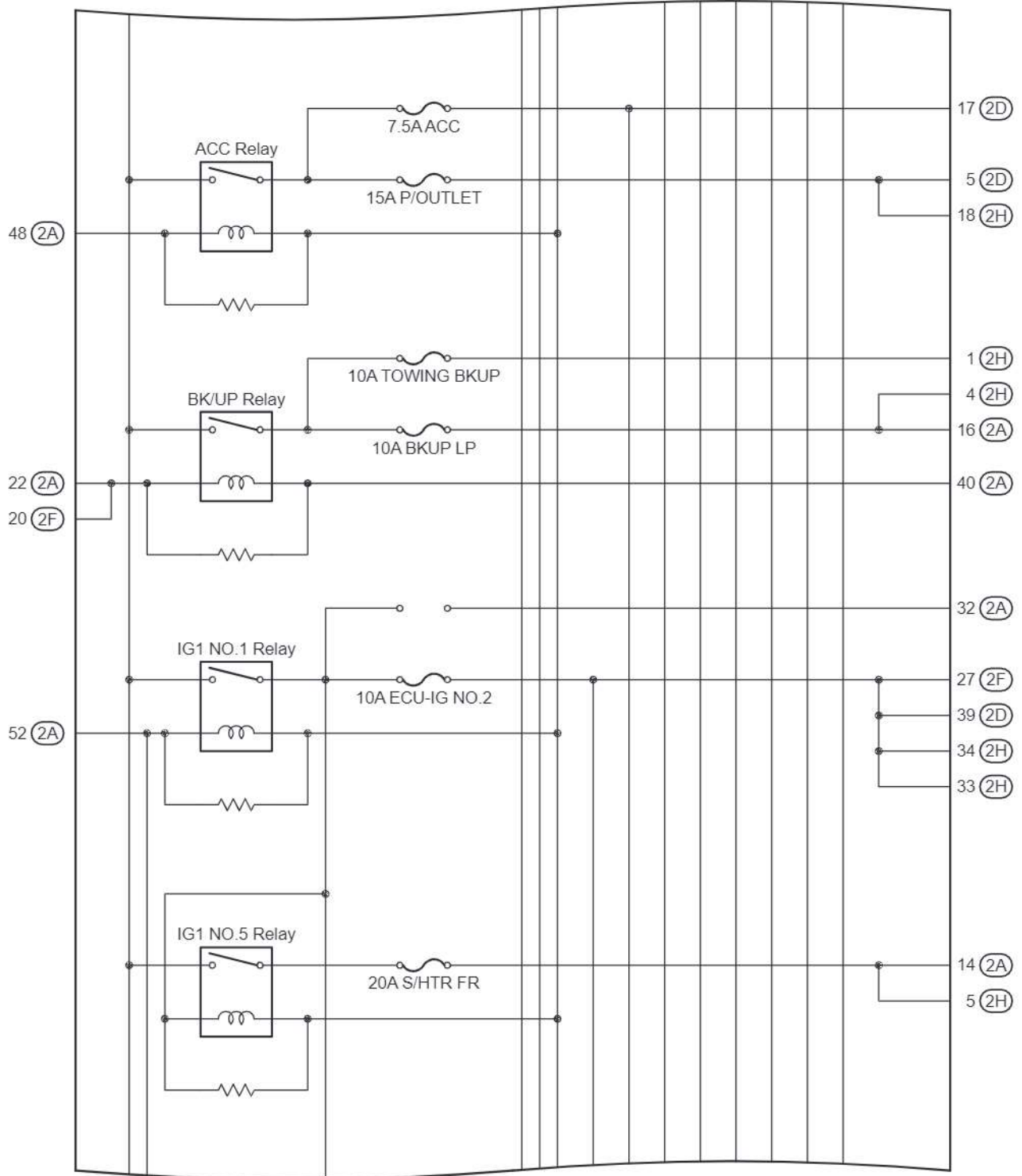


(Cont. Next Page)

cardiagn.com

[Instrument Panel J/B Assembly Inner Circuit] (Before Aug. 2017 Production)

(Cont'd)



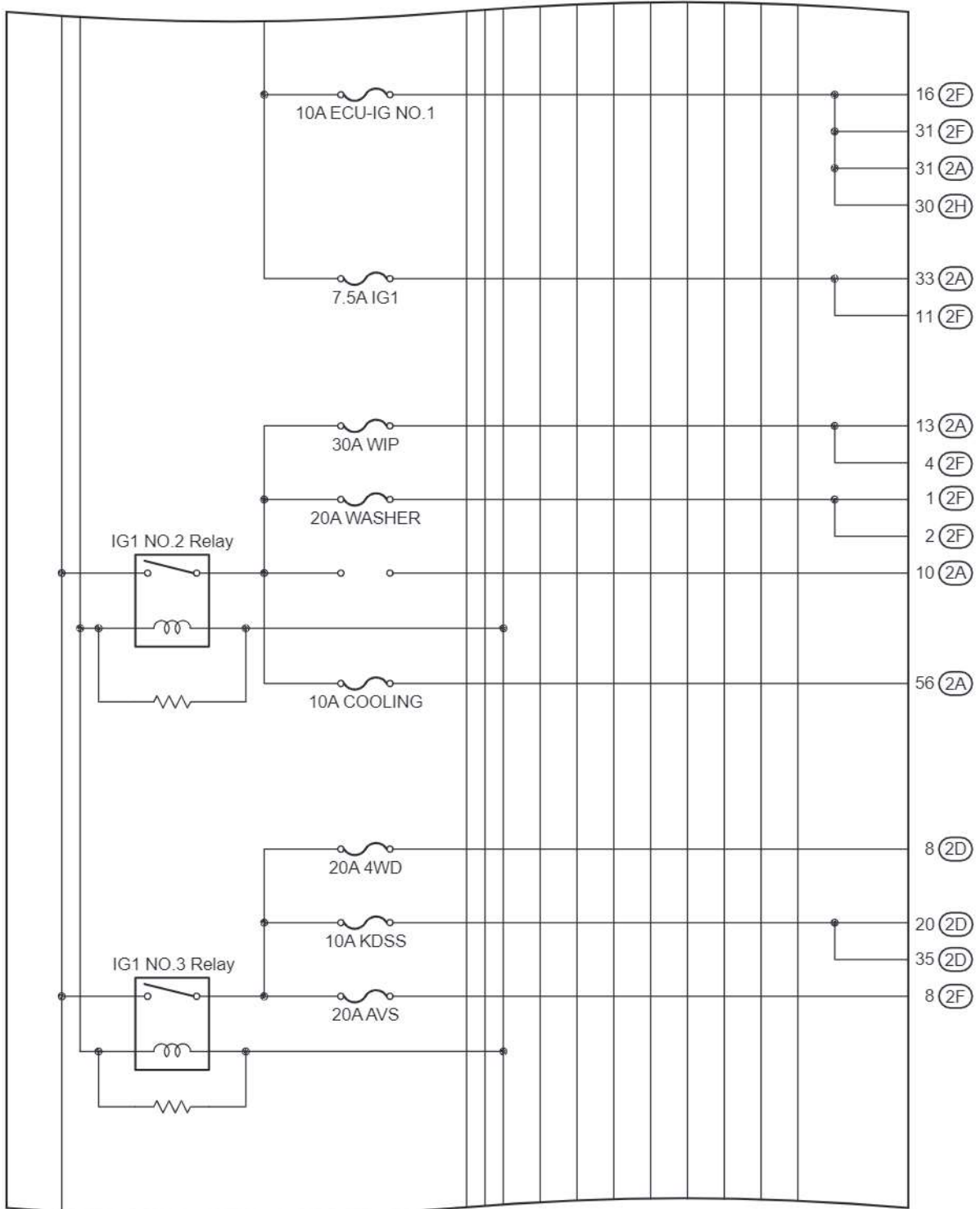
(Cont. Next Page)

cardiagn.com

F RELAY LOCATIONS

[Instrument Panel J/B Assembly Inner Circuit] (Before Aug. 2017 Production)

(Cont'd)

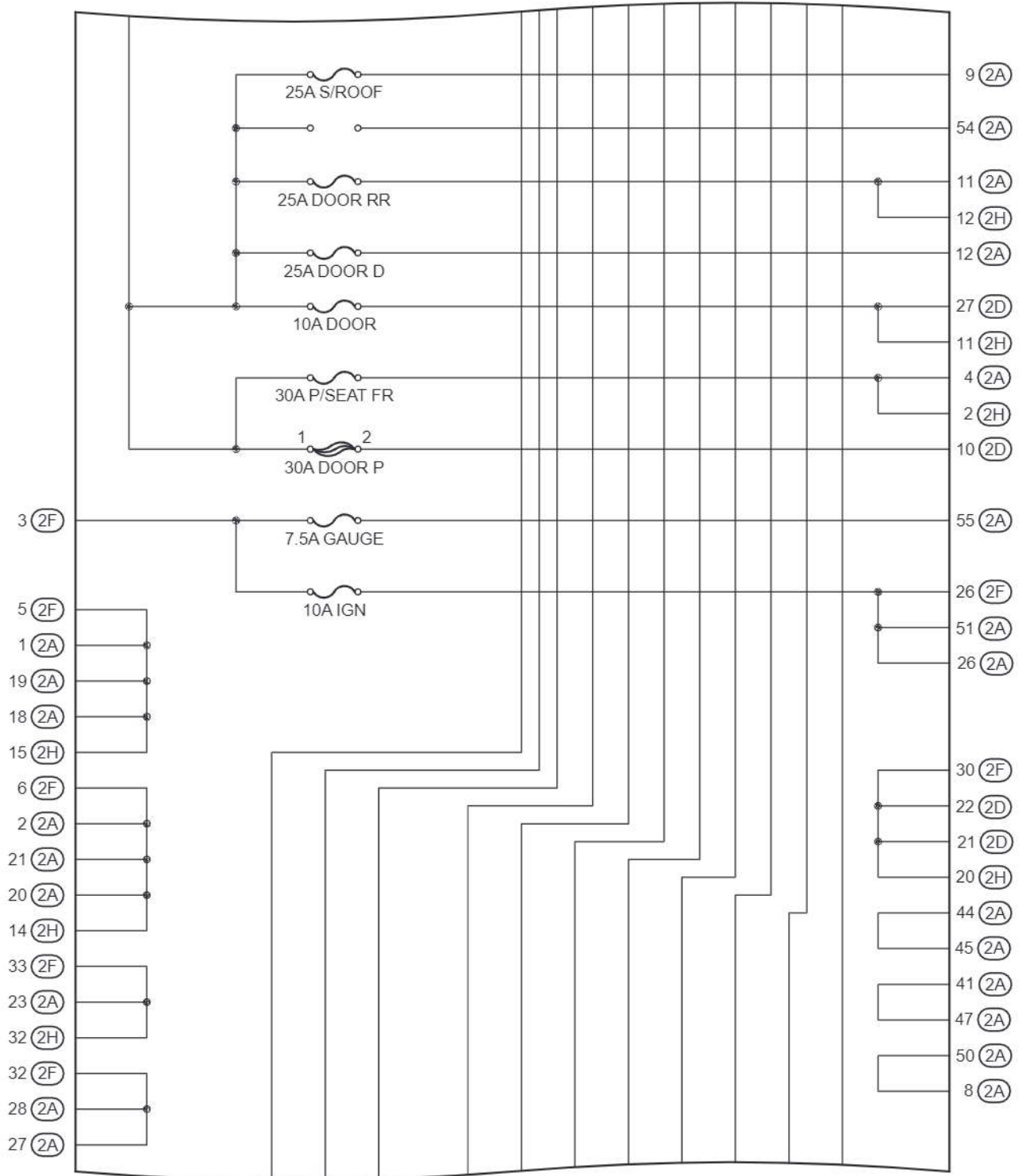


(Cont. Next Page)

cardiagn.com

[Instrument Panel J/B Assembly Inner Circuit] (Before Aug. 2017 Production)

(Cont'd)



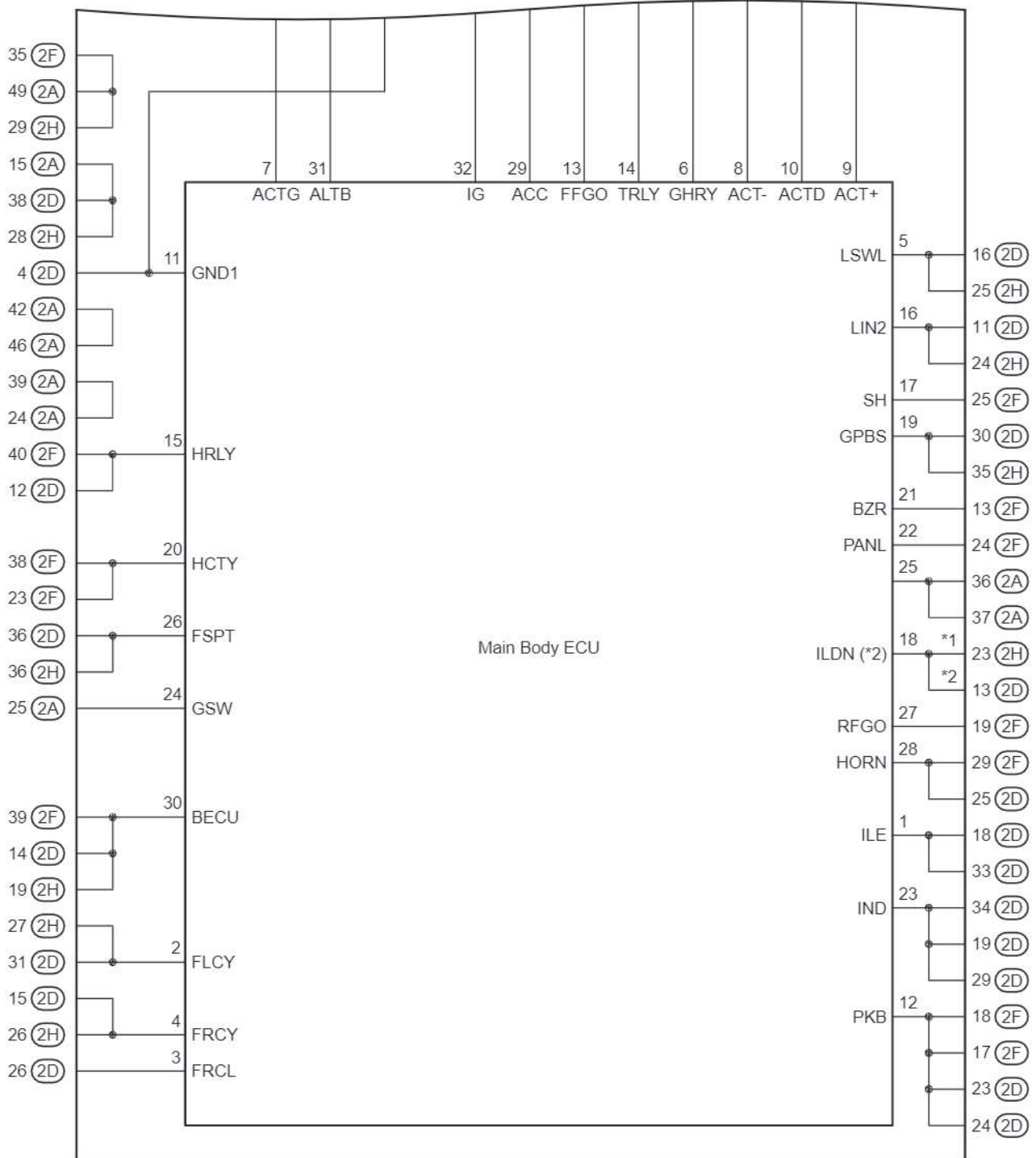
(Cont. Next Page)

F RELAY LOCATIONS

[Instrument Panel J/B Assembly Inner Circuit] (Before Aug. 2017 Production)

* 1: Before Aug. 2013 Production
 * 2: From Aug. 2013 Production

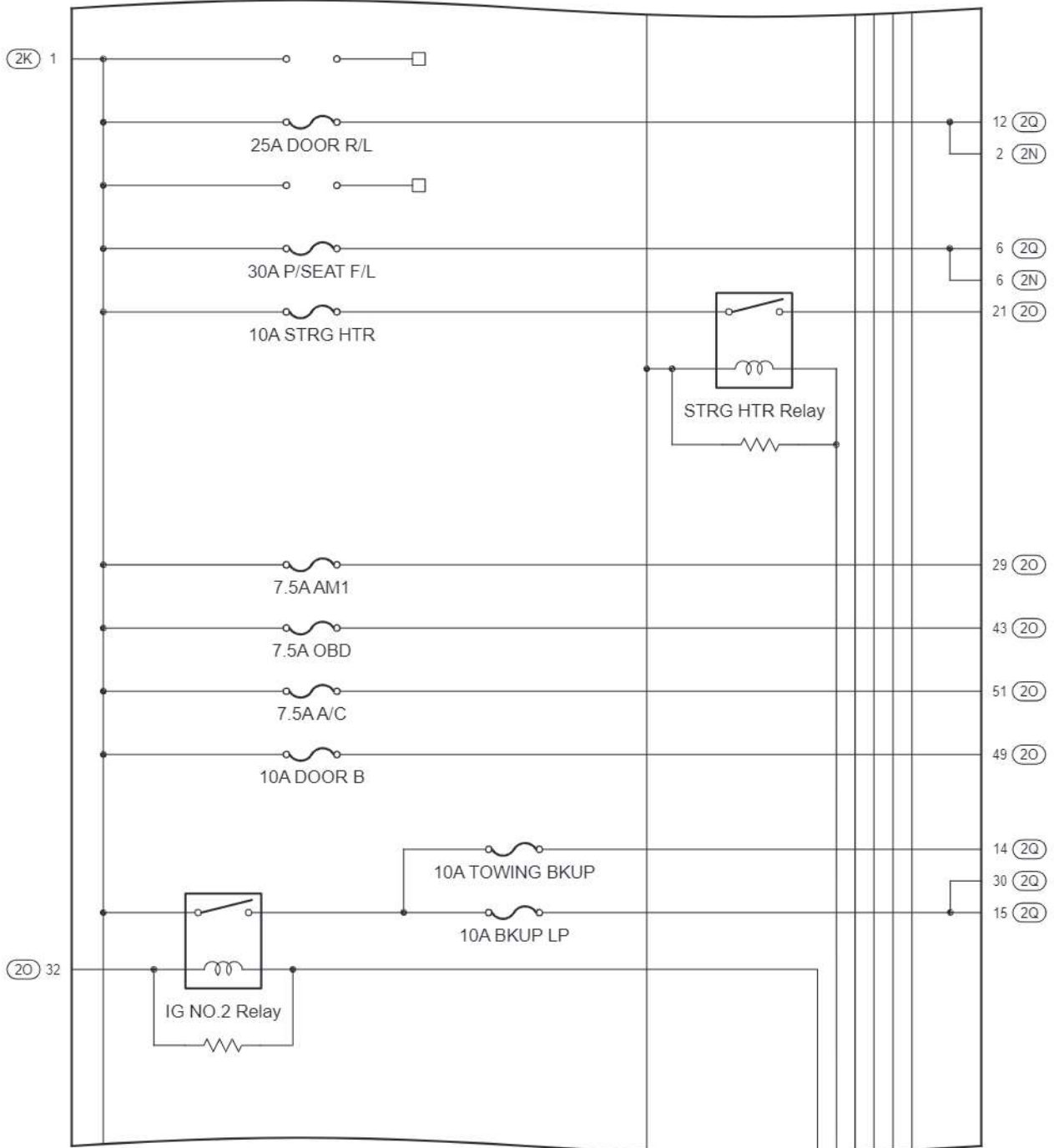
(Cont'd)



F RELAY LOCATIONS

[Instrument Panel J/B Assembly Inner Circuit] (From Aug. 2017 Production)

(Cont'd)

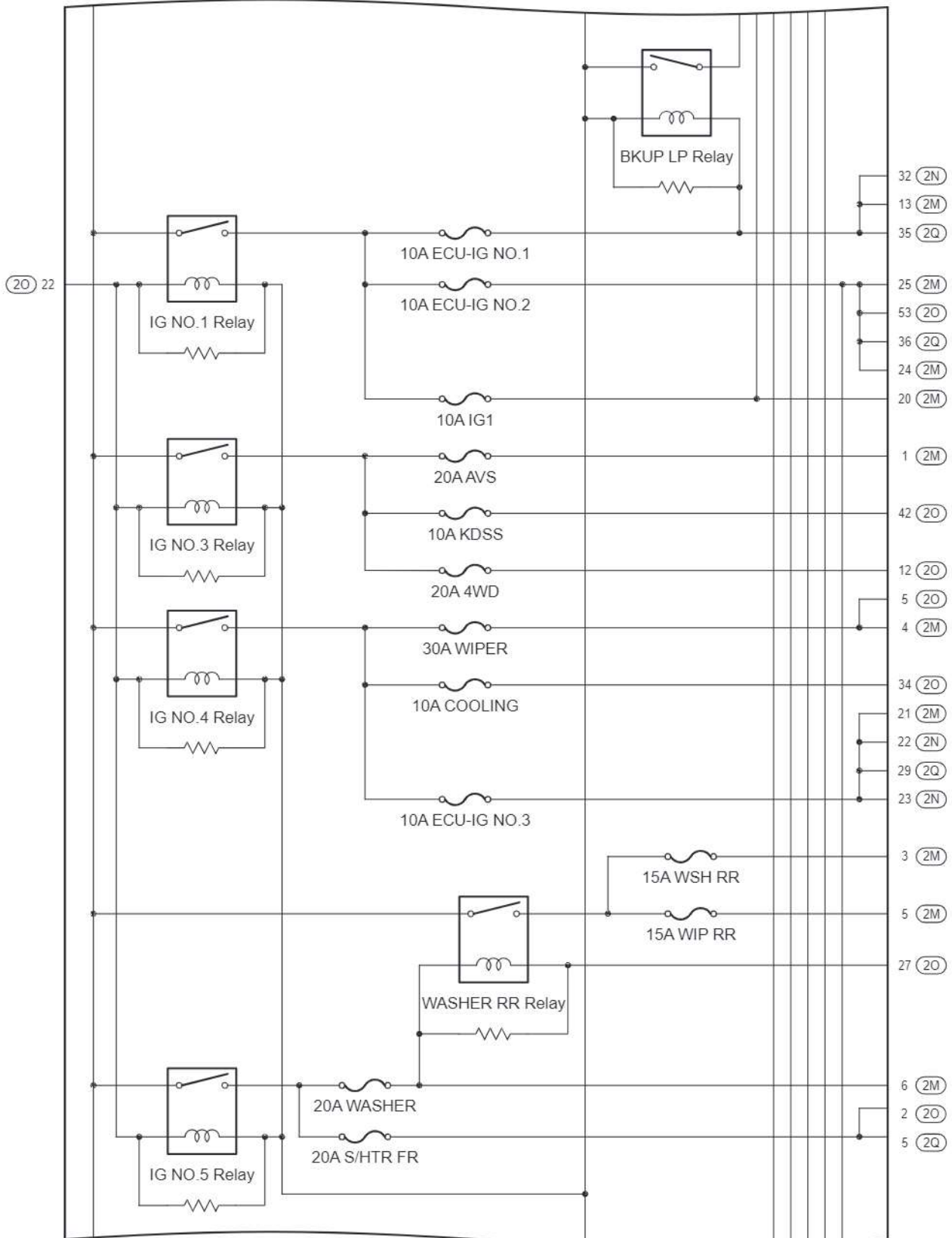


(Cont. Next Page)

cardiagn.com

[Instrument Panel J/B Assembly Inner Circuit] (From Aug. 2017 Production)

(Cont'd)

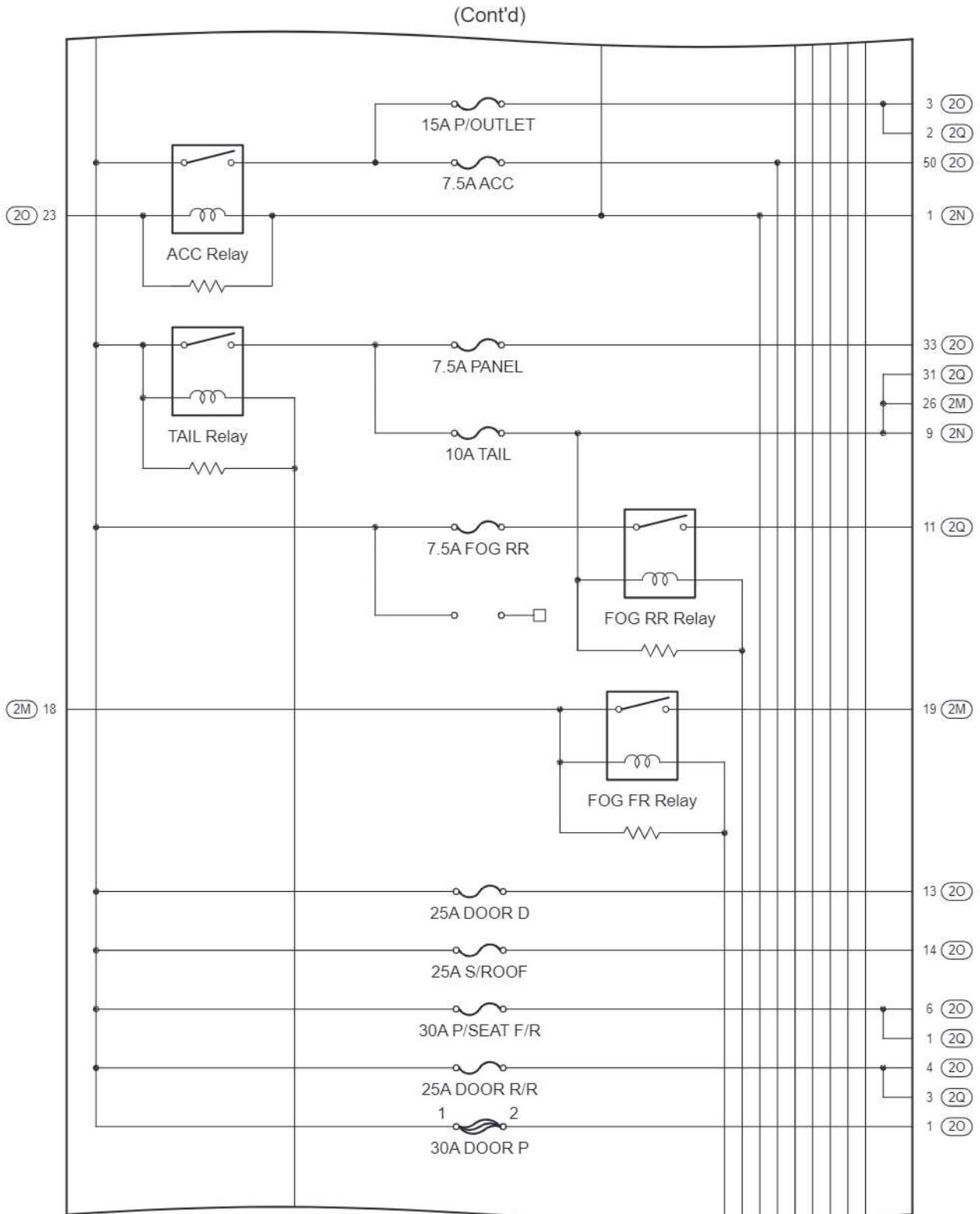


(Cont. Next Page)

cardiagn.com

F RELAY LOCATIONS

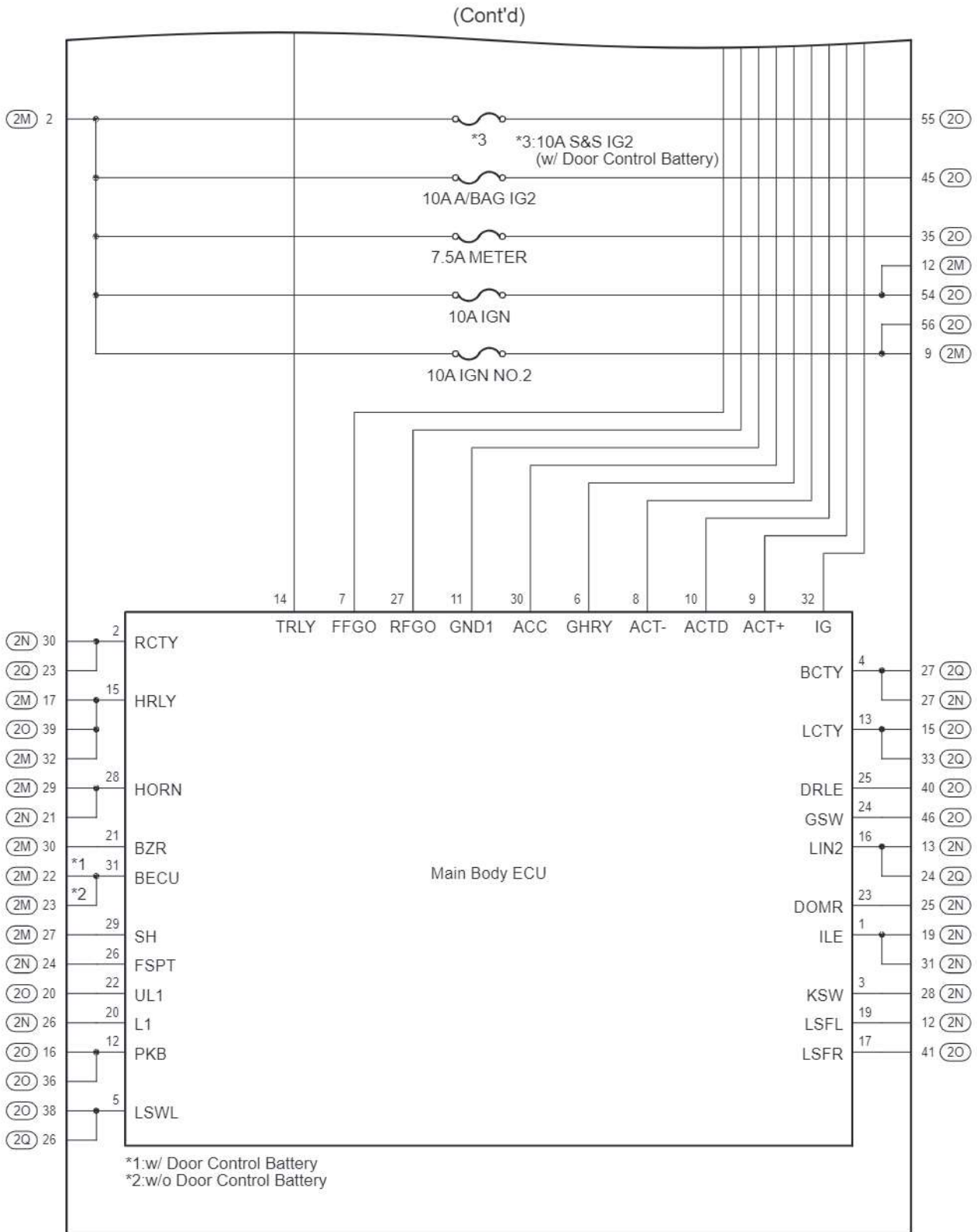
[Instrument Panel J/B Assembly Inner Circuit] (From Aug. 2017 Production)



(Cont. Next Page)

cardiagn.com

[Instrument Panel J/B Assembly Inner Circuit] (From Aug. 2017 Production)

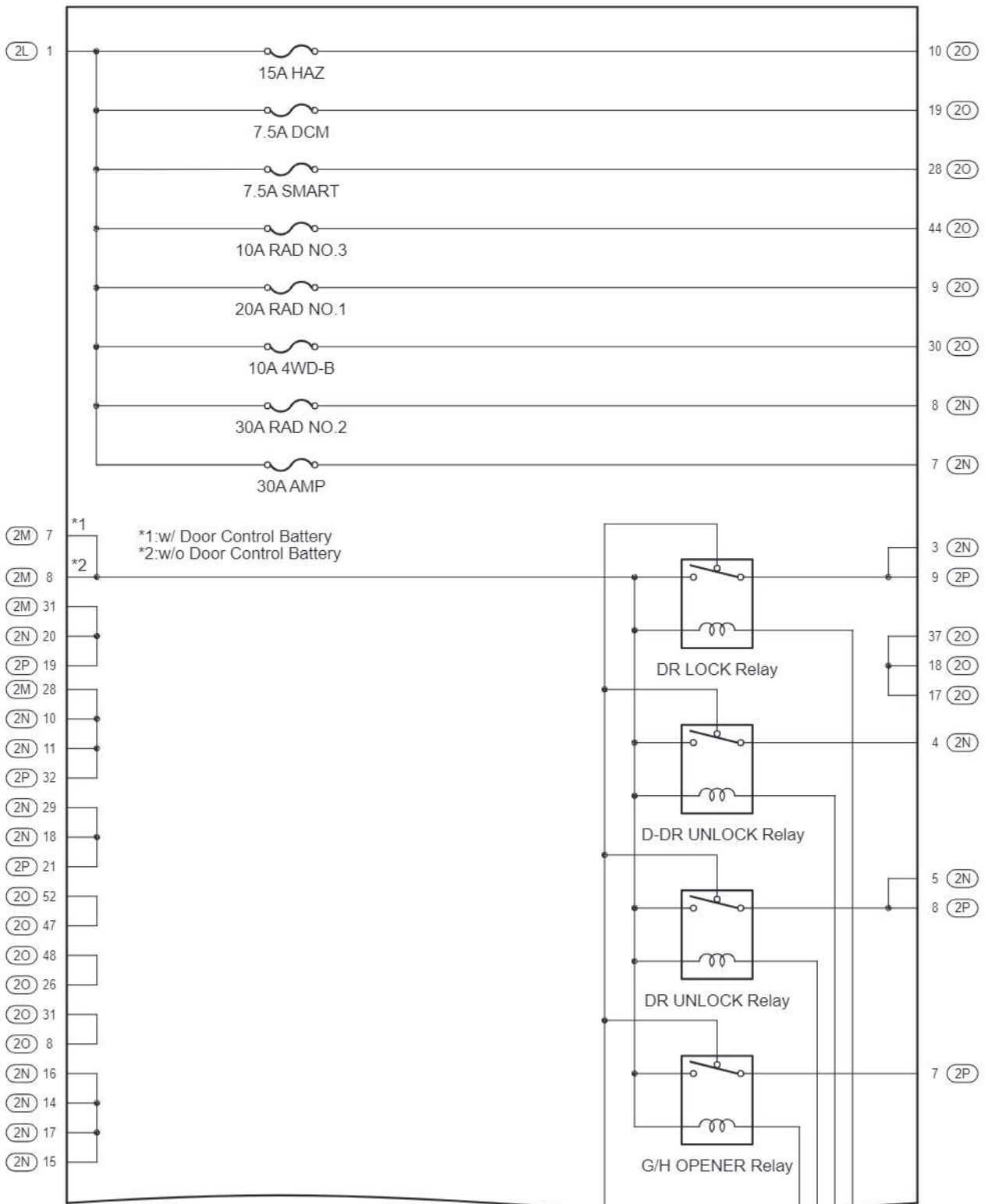


cardiagn.com

F RELAY LOCATIONS

[Instrument Panel J/B Assembly Inner Circuit] (From Aug. 2017 Production)

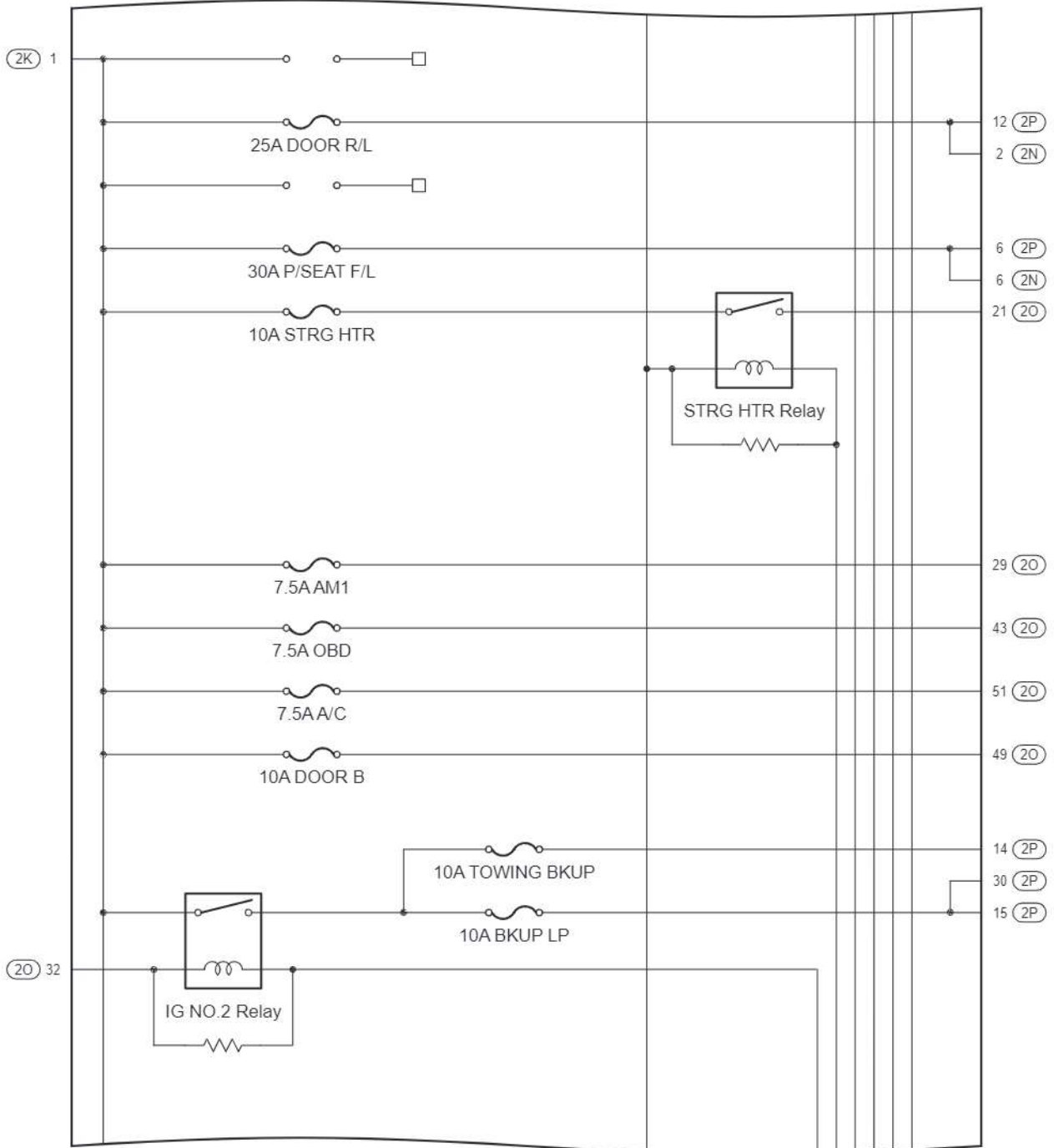
(RHD)



(Cont. Next Page)

[Instrument Panel J/B Assembly Inner Circuit] (From Aug. 2017 Production)

(Cont'd)



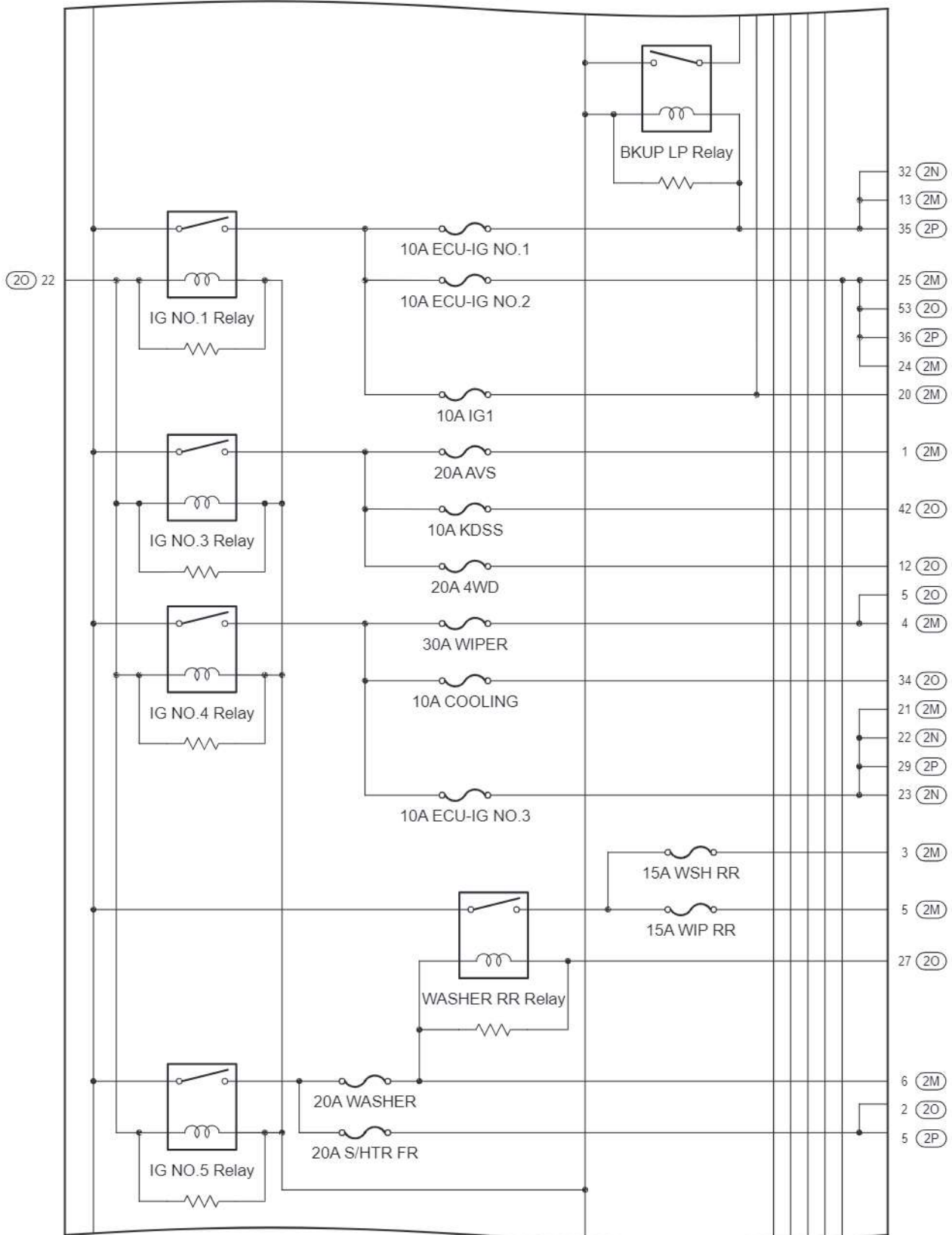
(Cont. Next Page)

cardiagn.com

F RELAY LOCATIONS

[Instrument Panel J/B Assembly Inner Circuit] (From Aug. 2017 Production)

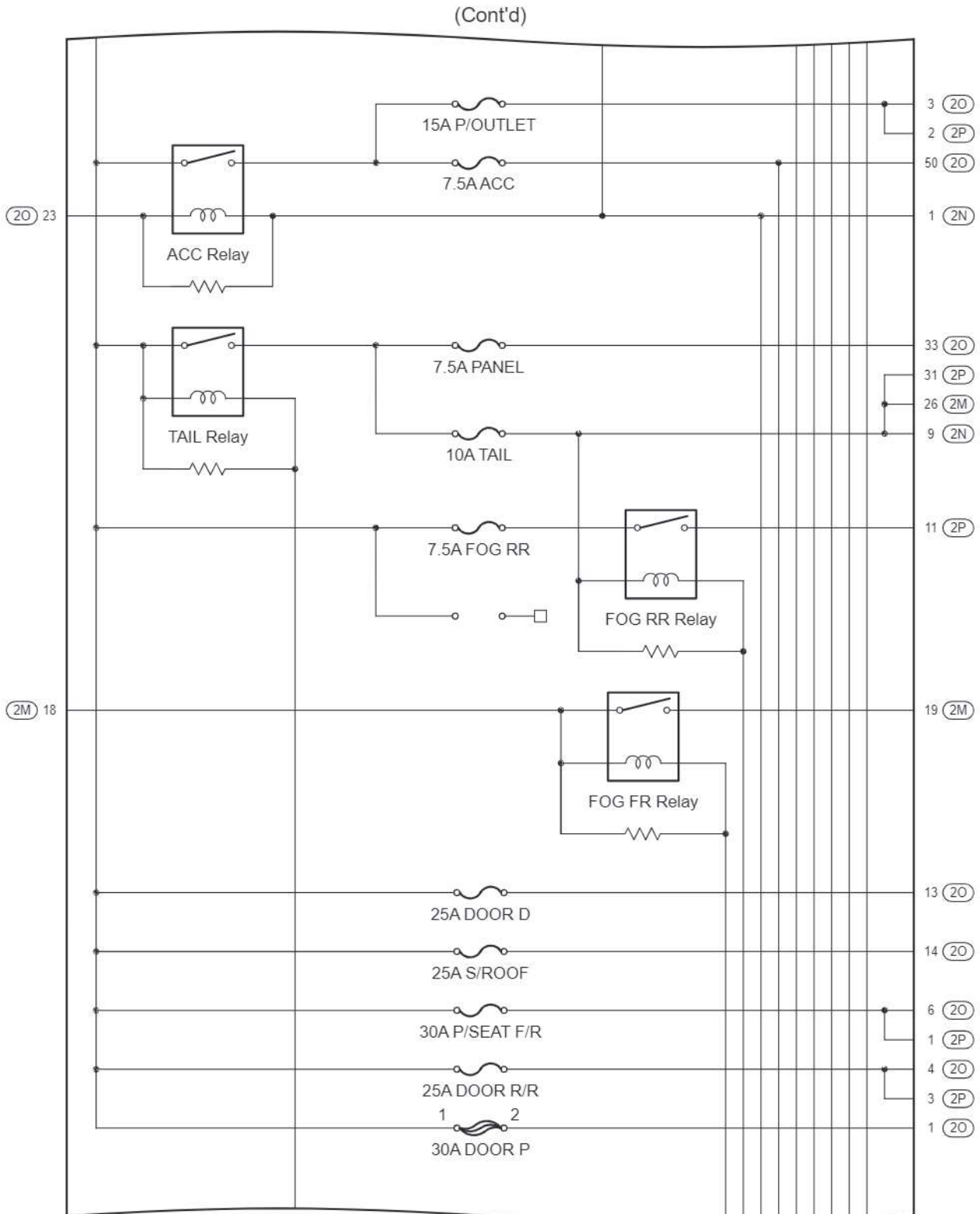
(Cont'd)



(Cont. Next Page)

cardiagn.com

[Instrument Panel J/B Assembly Inner Circuit] (From Aug. 2017 Production)

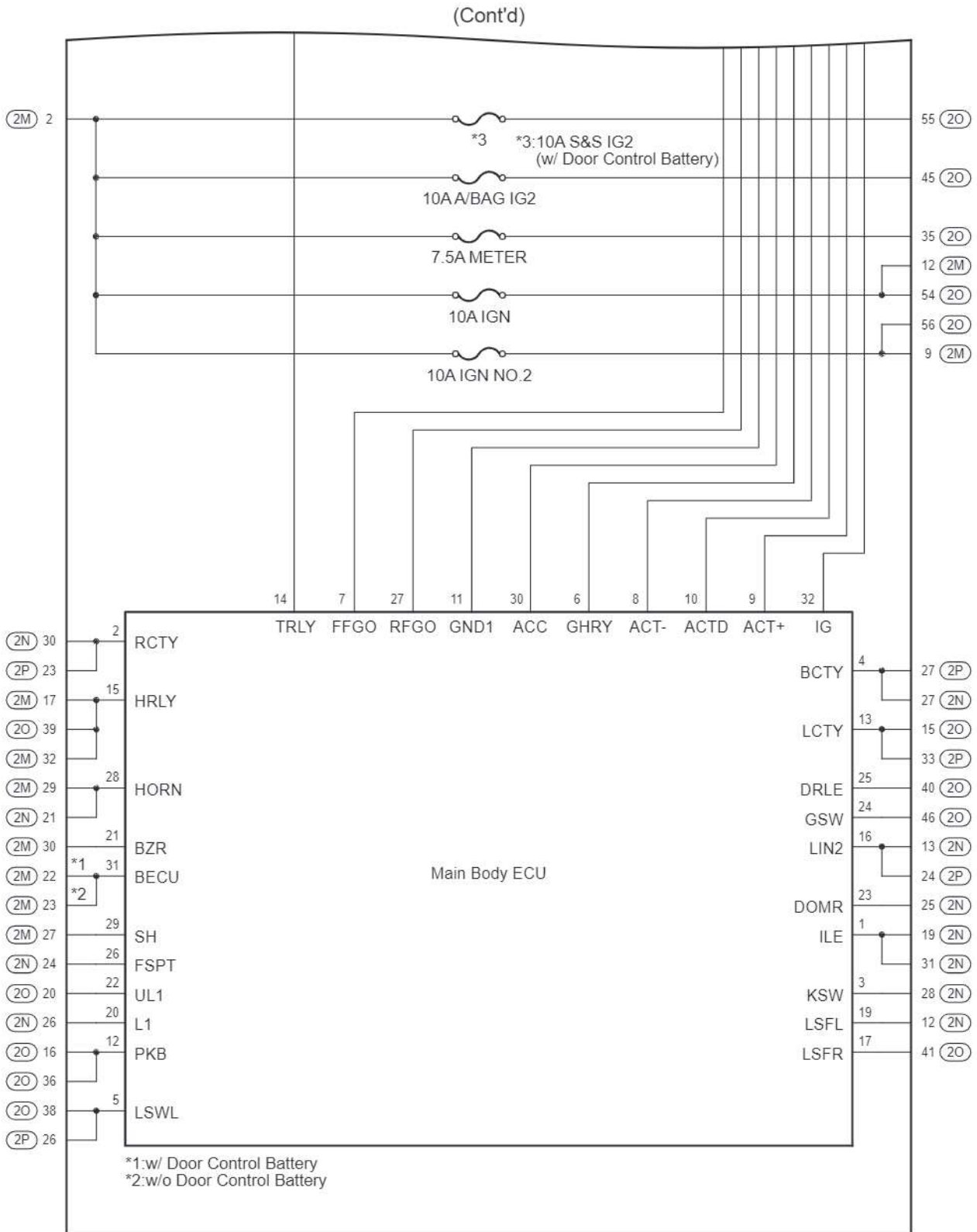


(Cont. Next Page)

cardiagn.com

F RELAY LOCATIONS

[Instrument Panel J/B Assembly Inner Circuit] (From Aug. 2017 Production)

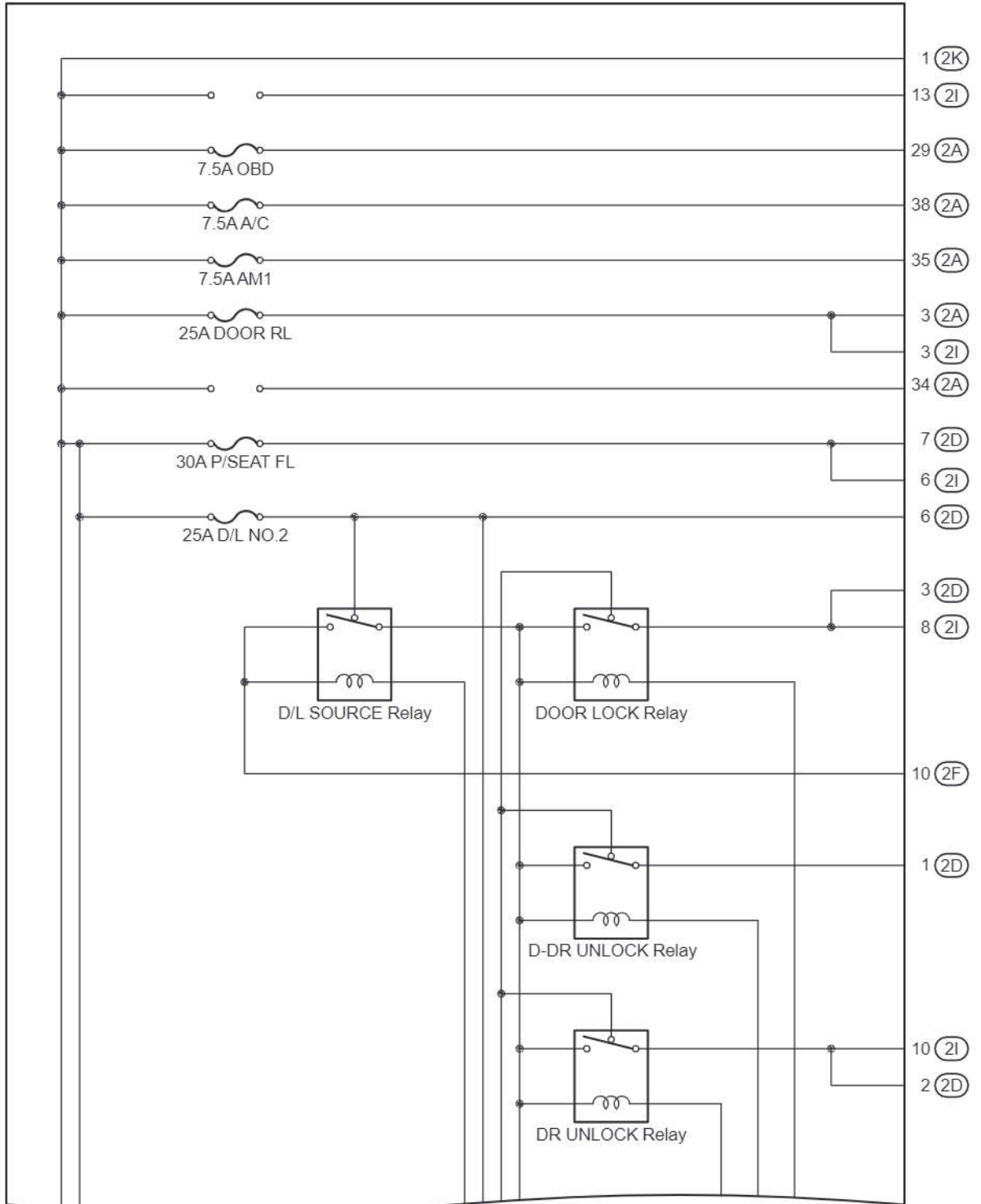


cardiagn.com

[Instrument Panel J/B Assembly Inner Circuit] (From Aug. 2017 Production)

(5L-E)

(LHD)



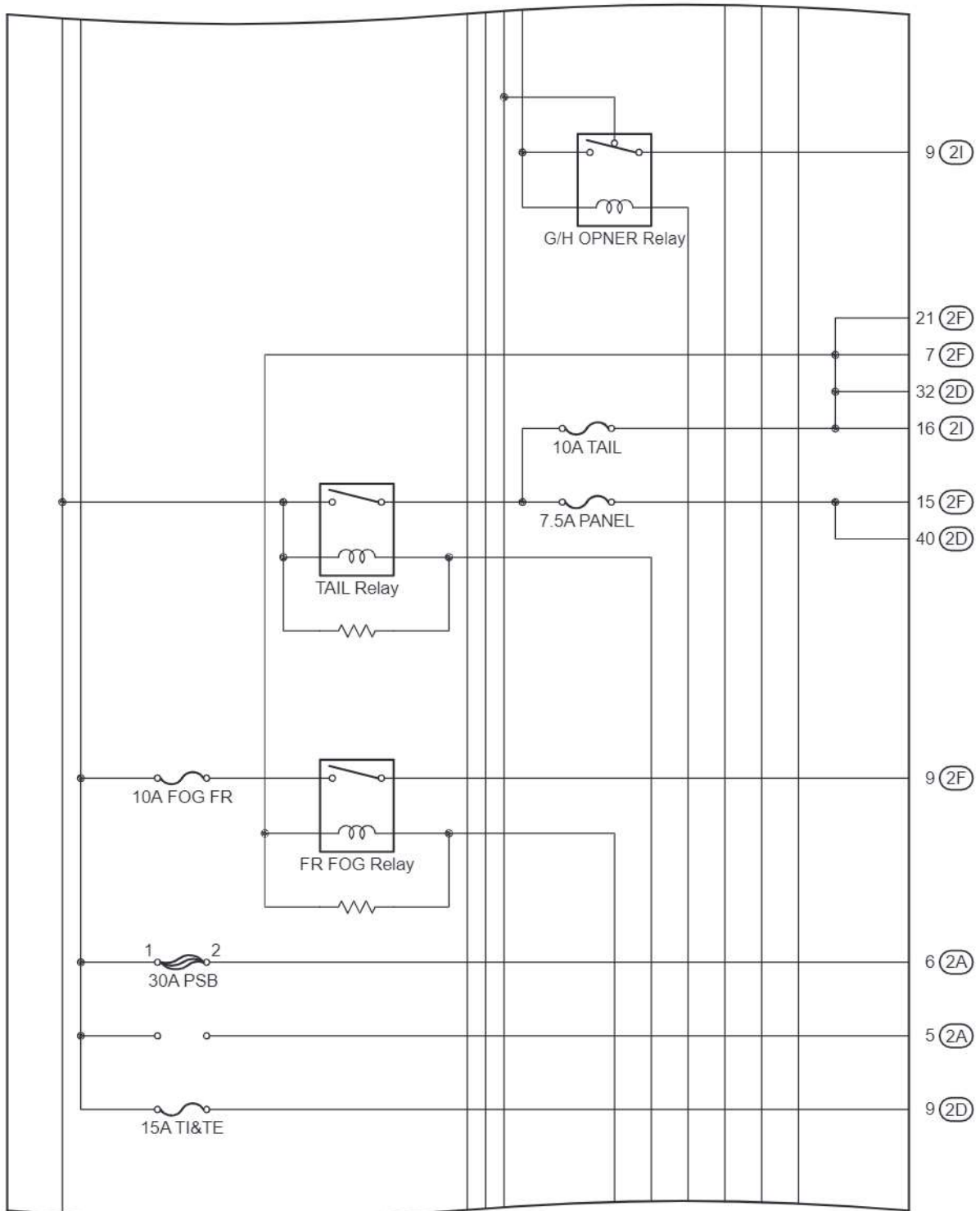
(Cont. Next Page)

cardiagn.com

F RELAY LOCATIONS

[Instrument Panel J/B Assembly Inner Circuit] (From Aug. 2017 Production)

(Cont'd)

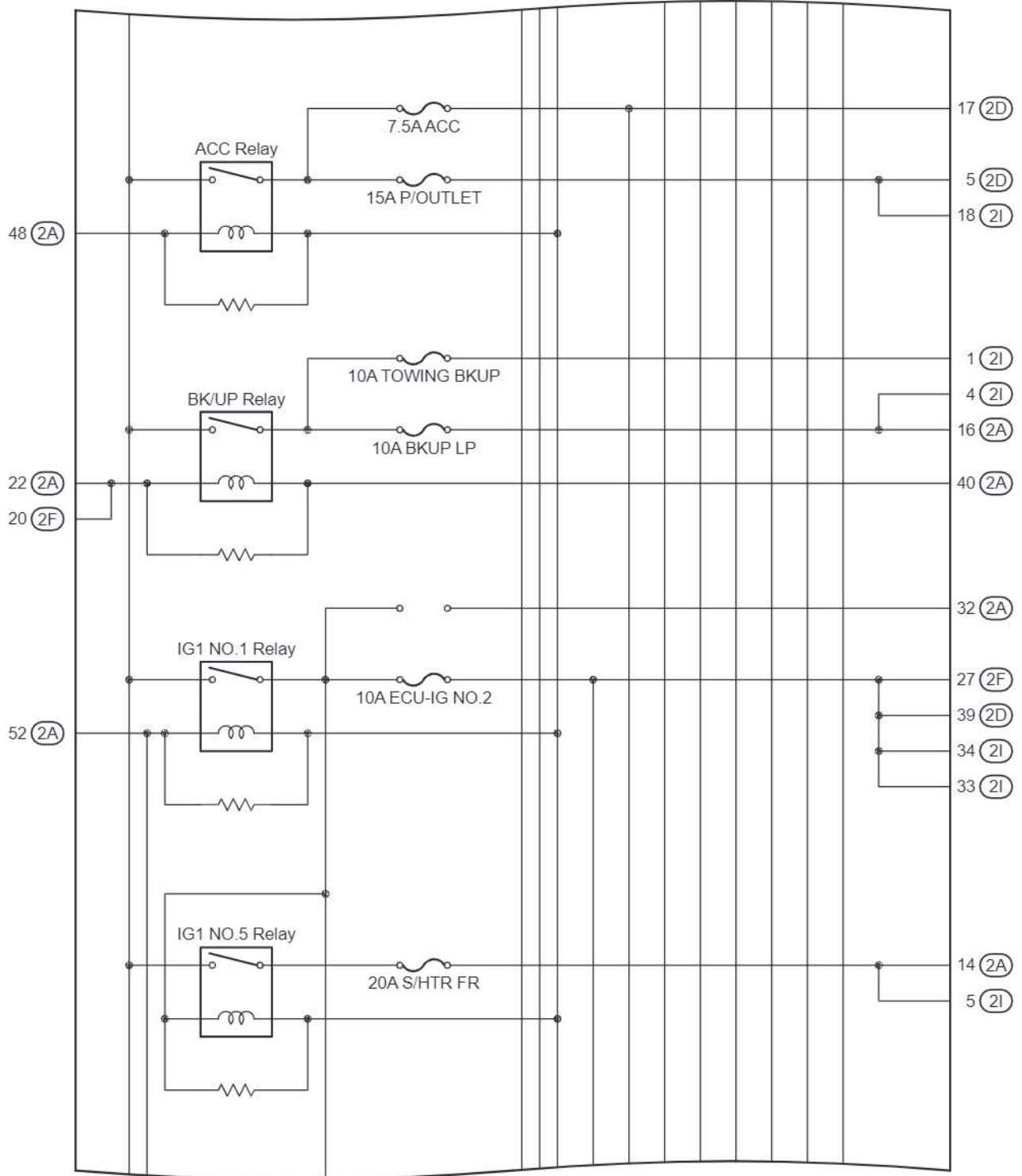


(Cont. Next Page)

cardiagn.com

[Instrument Panel J/B Assembly Inner Circuit] (From Aug. 2017 Production)

(Cont'd)



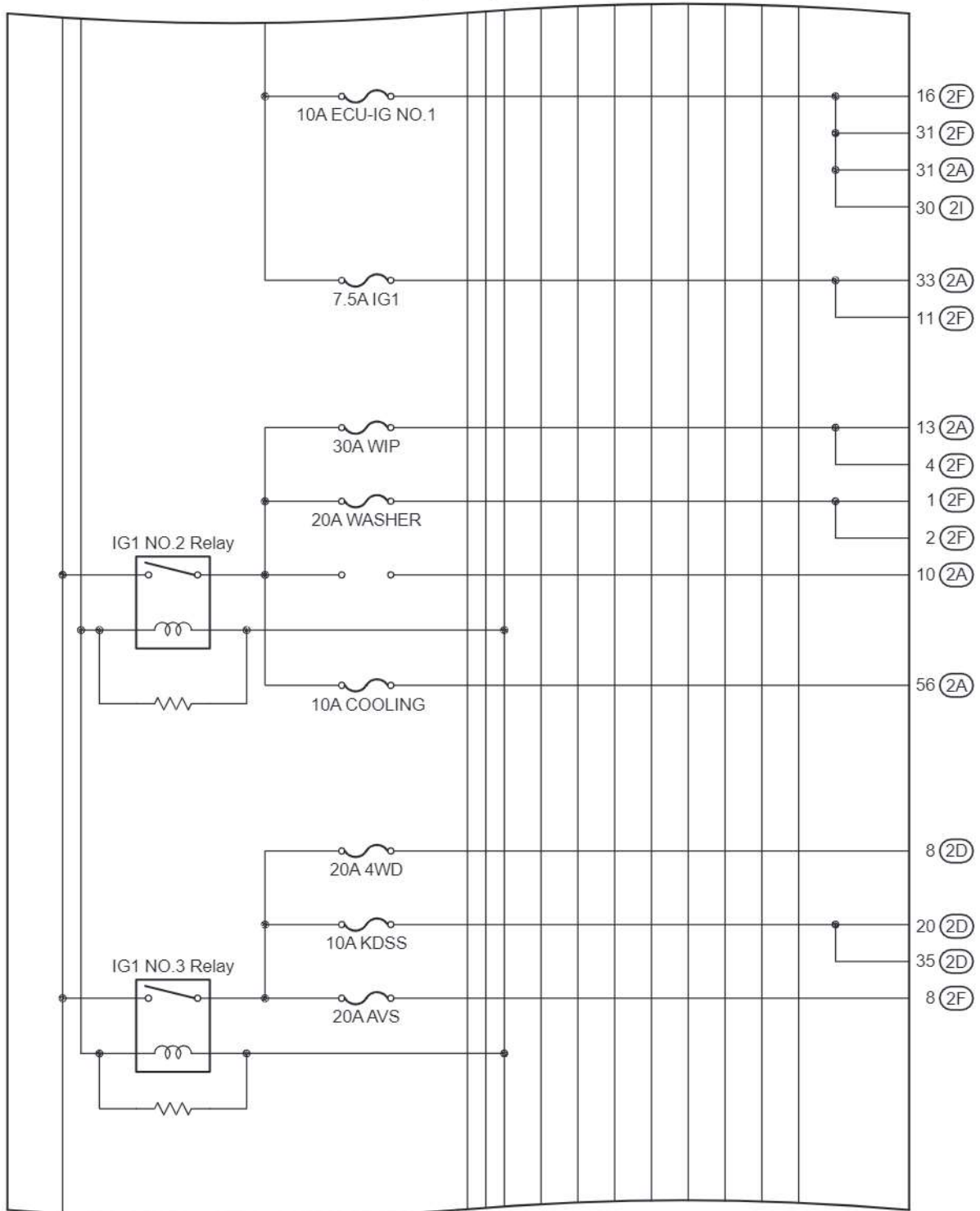
(Cont. Next Page)

cardiagn.com

F RELAY LOCATIONS

[Instrument Panel J/B Assembly Inner Circuit] (From Aug. 2017 Production)

(Cont'd)

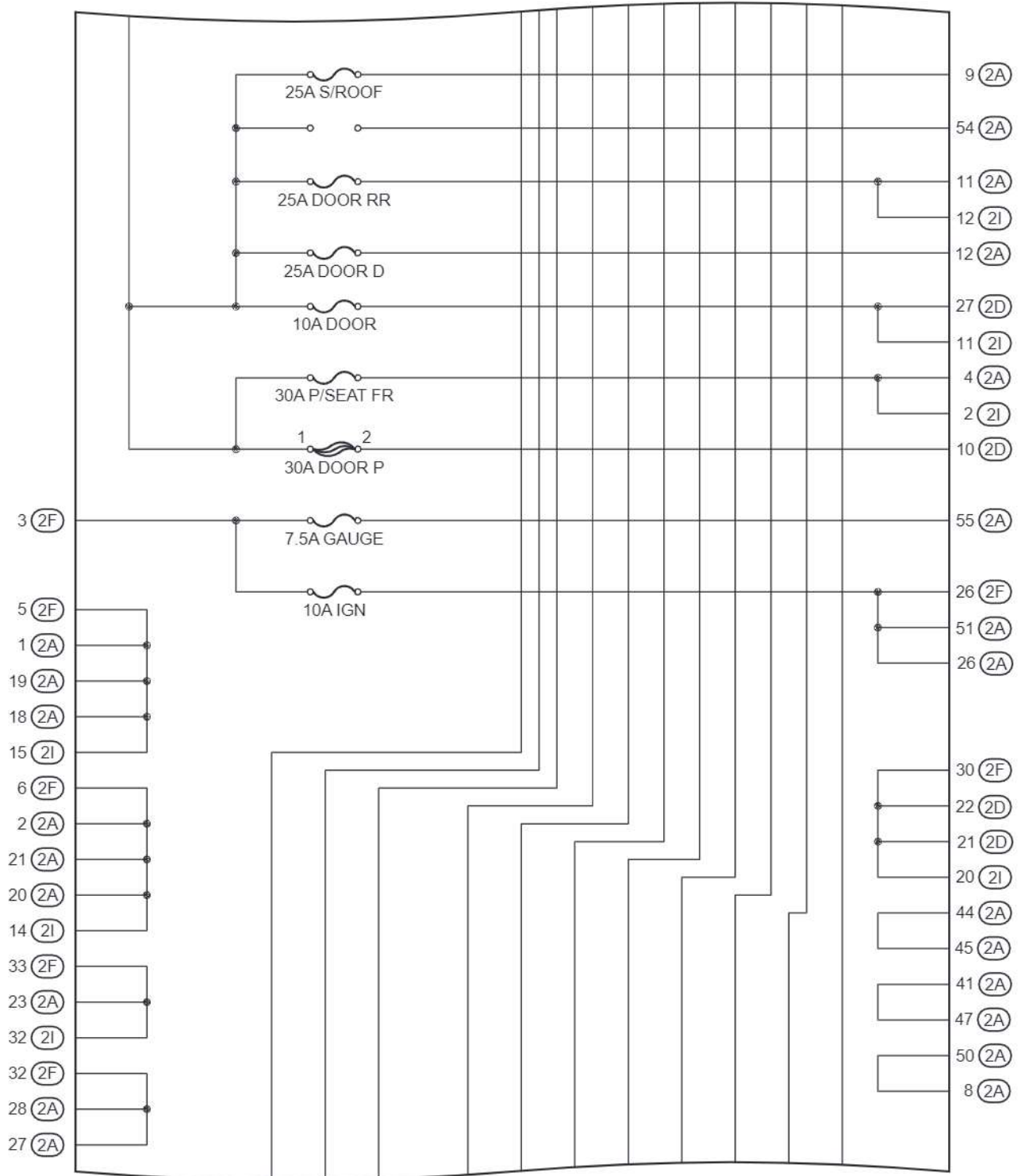


(Cont. Next Page)

cardiagn.com

[Instrument Panel J/B Assembly Inner Circuit] (From Aug. 2017 Production)

(Cont'd)

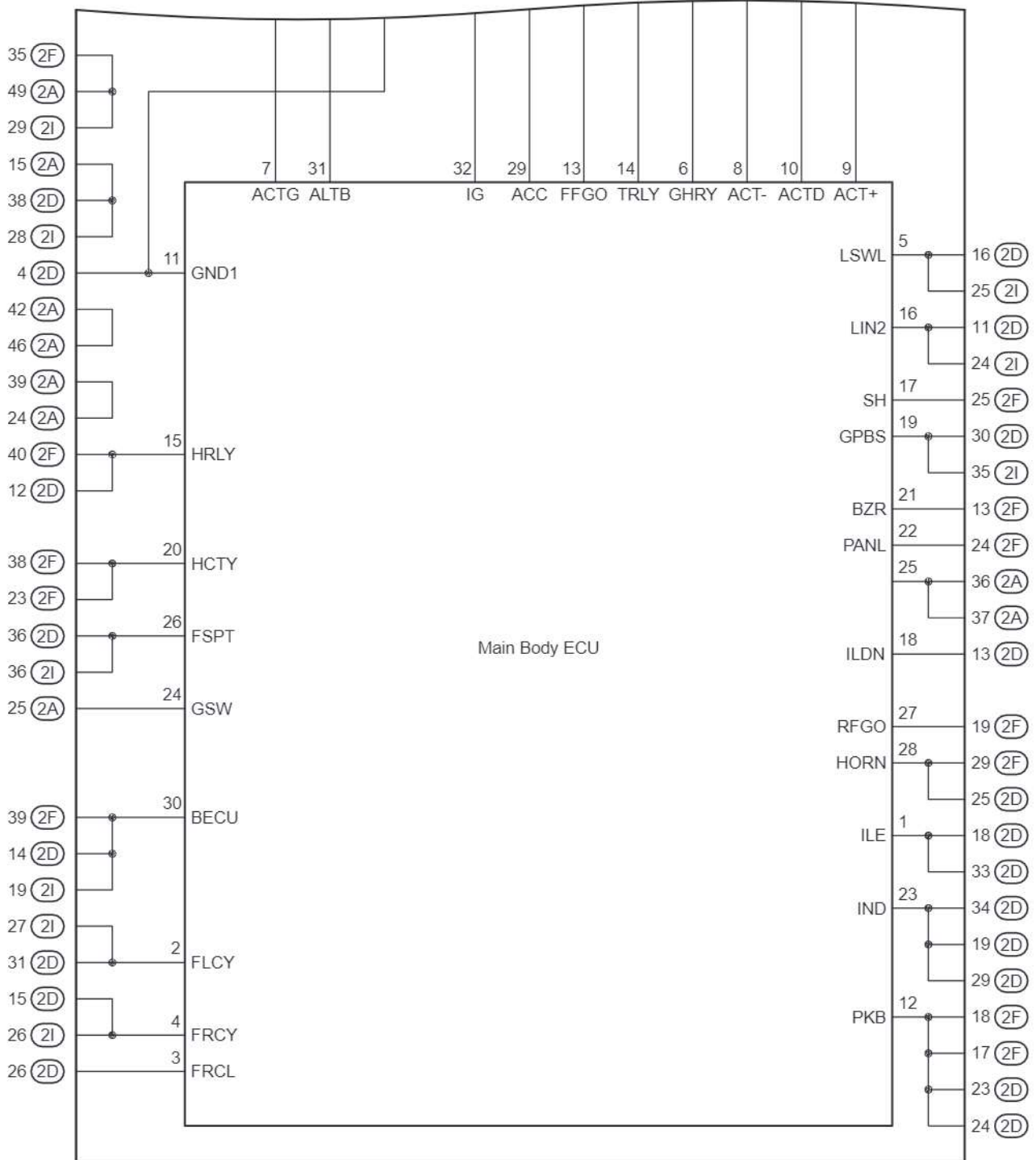


(Cont. Next Page)

F RELAY LOCATIONS

[Instrument Panel J/B Assembly Inner Circuit] (From Aug. 2017 Production)

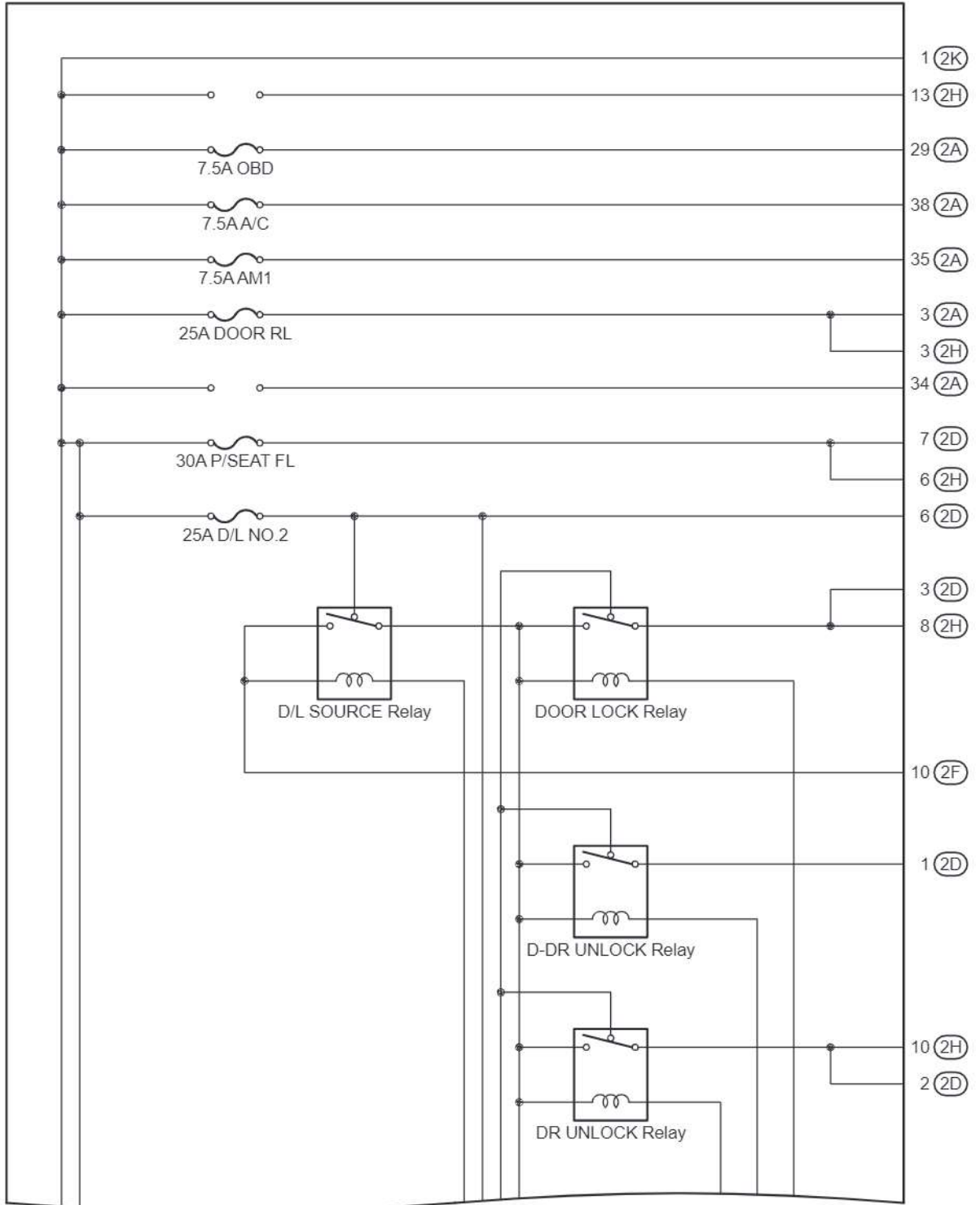
(Cont'd)



cardiagn.com

[Instrument Panel J/B Assembly Inner Circuit] (From Aug. 2017 Production)

(RHD)



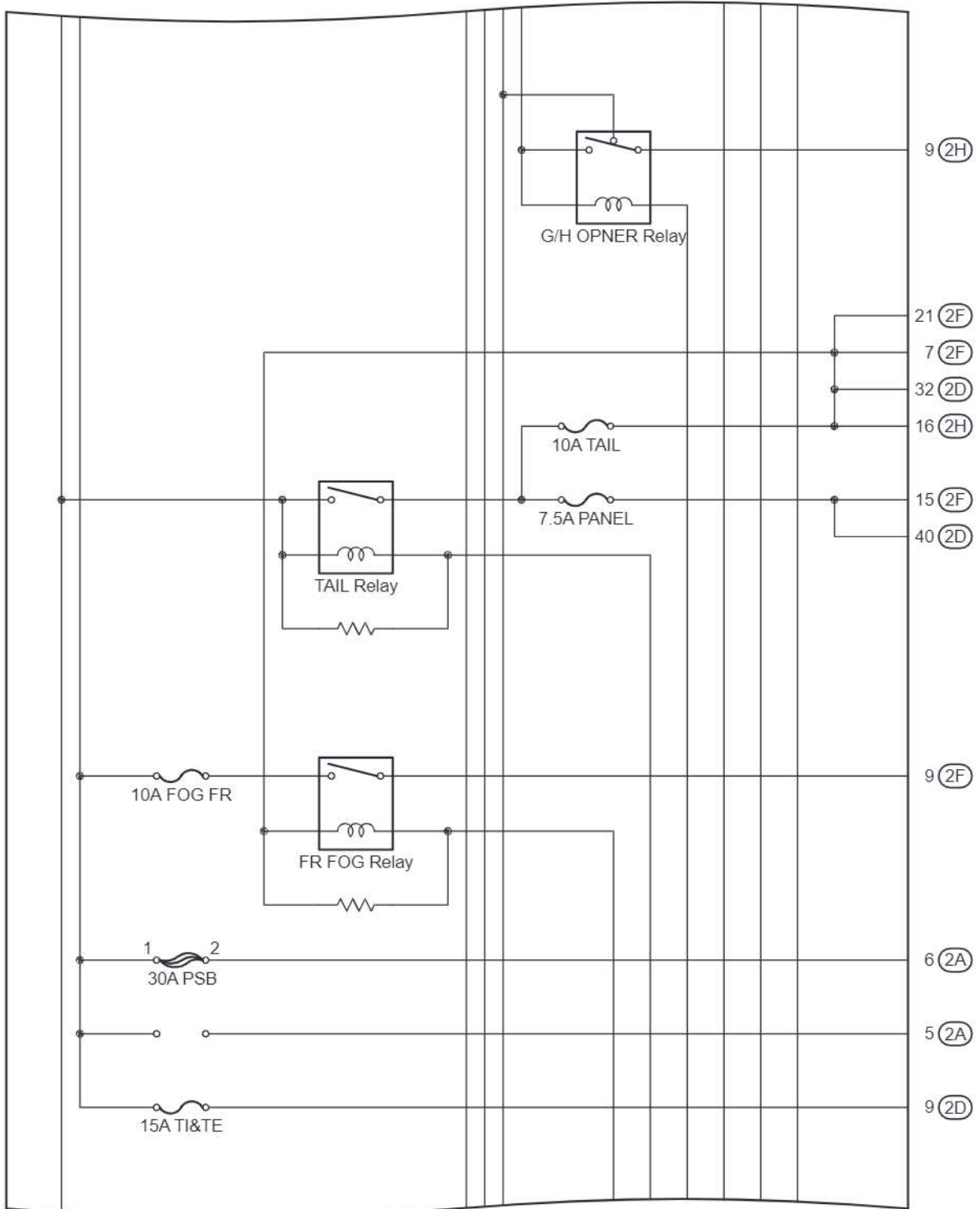
(Cont. Next Page)

cardiagn.com

F RELAY LOCATIONS

[Instrument Panel J/B Assembly Inner Circuit] (From Aug. 2017 Production)

(Cont'd)

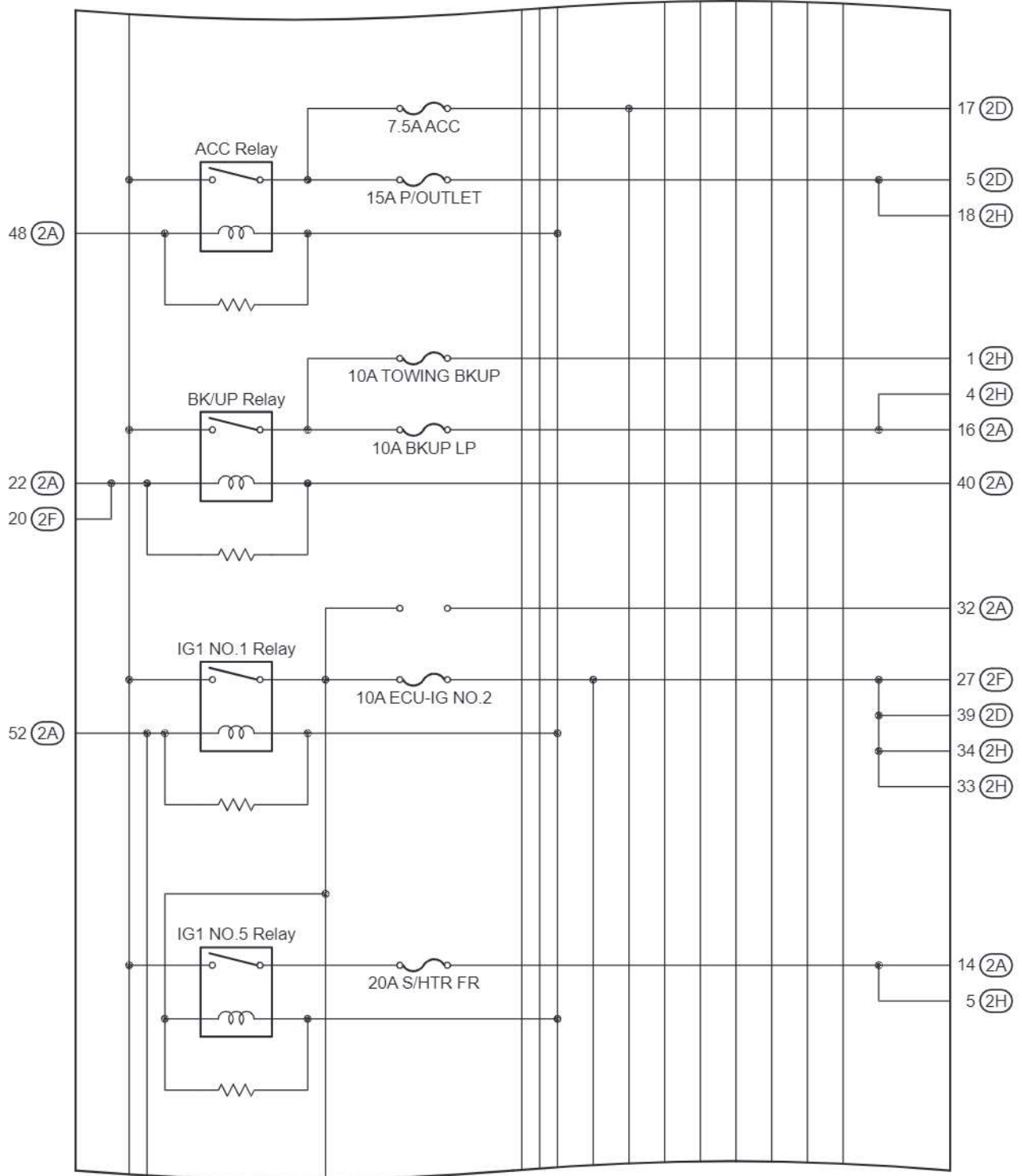


(Cont. Next Page)

cardiagn.com

[Instrument Panel J/B Assembly Inner Circuit] (From Aug. 2017 Production)

(Cont'd)



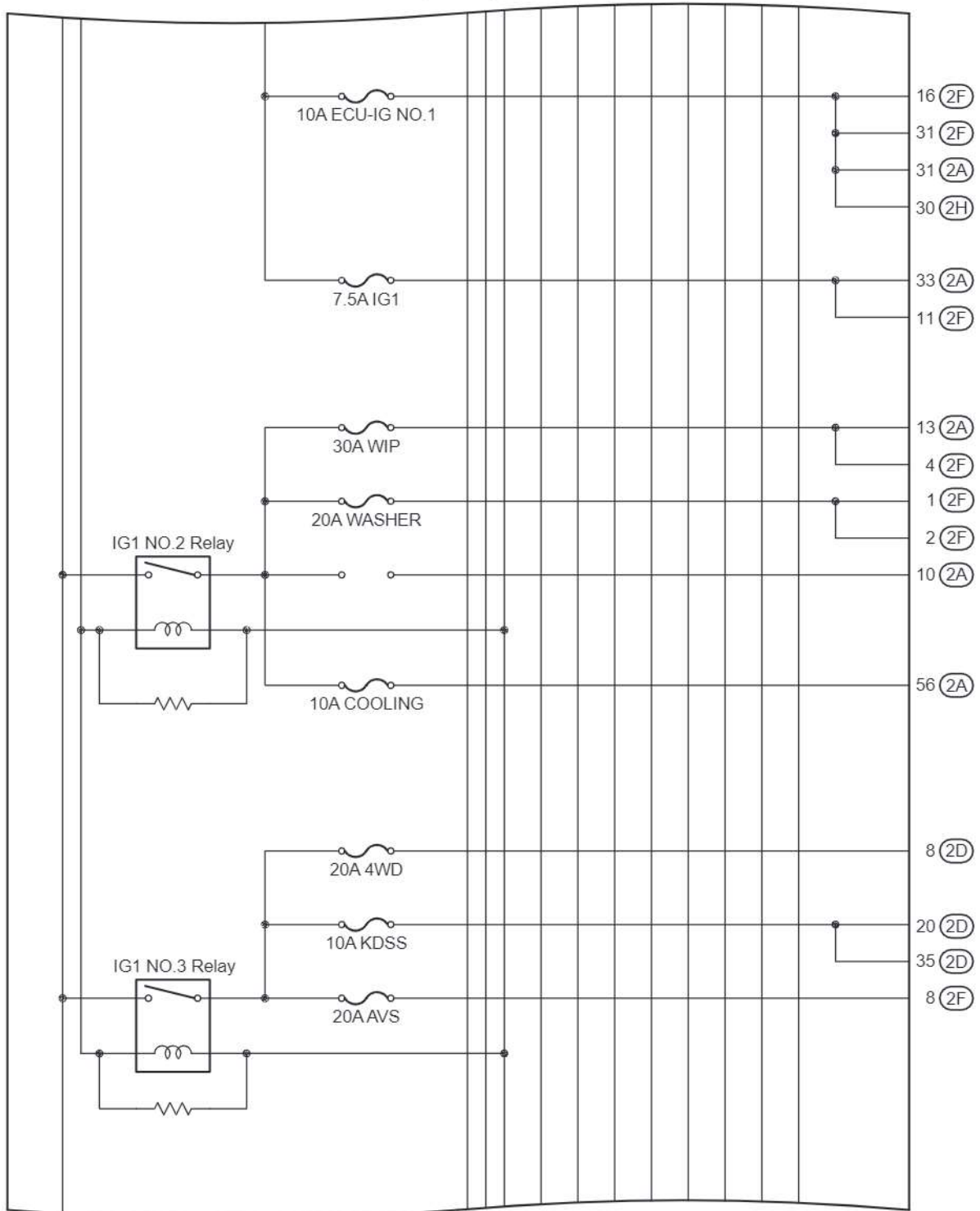
(Cont. Next Page)

cardiagn.com

F RELAY LOCATIONS

[Instrument Panel J/B Assembly Inner Circuit] (From Aug. 2017 Production)

(Cont'd)

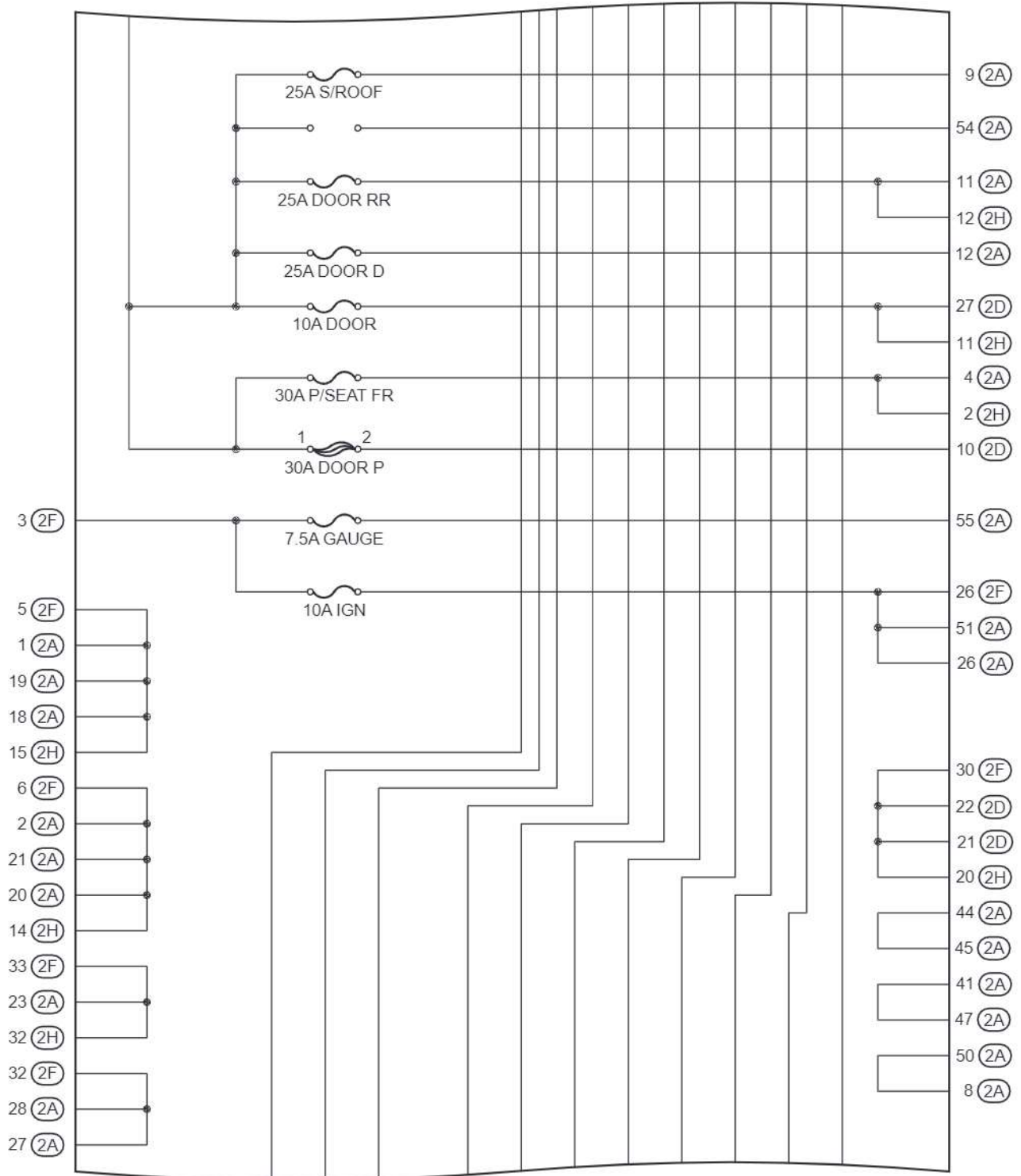


(Cont. Next Page)

cardiagn.com

[Instrument Panel J/B Assembly Inner Circuit] (From Aug. 2017 Production)

(Cont'd)



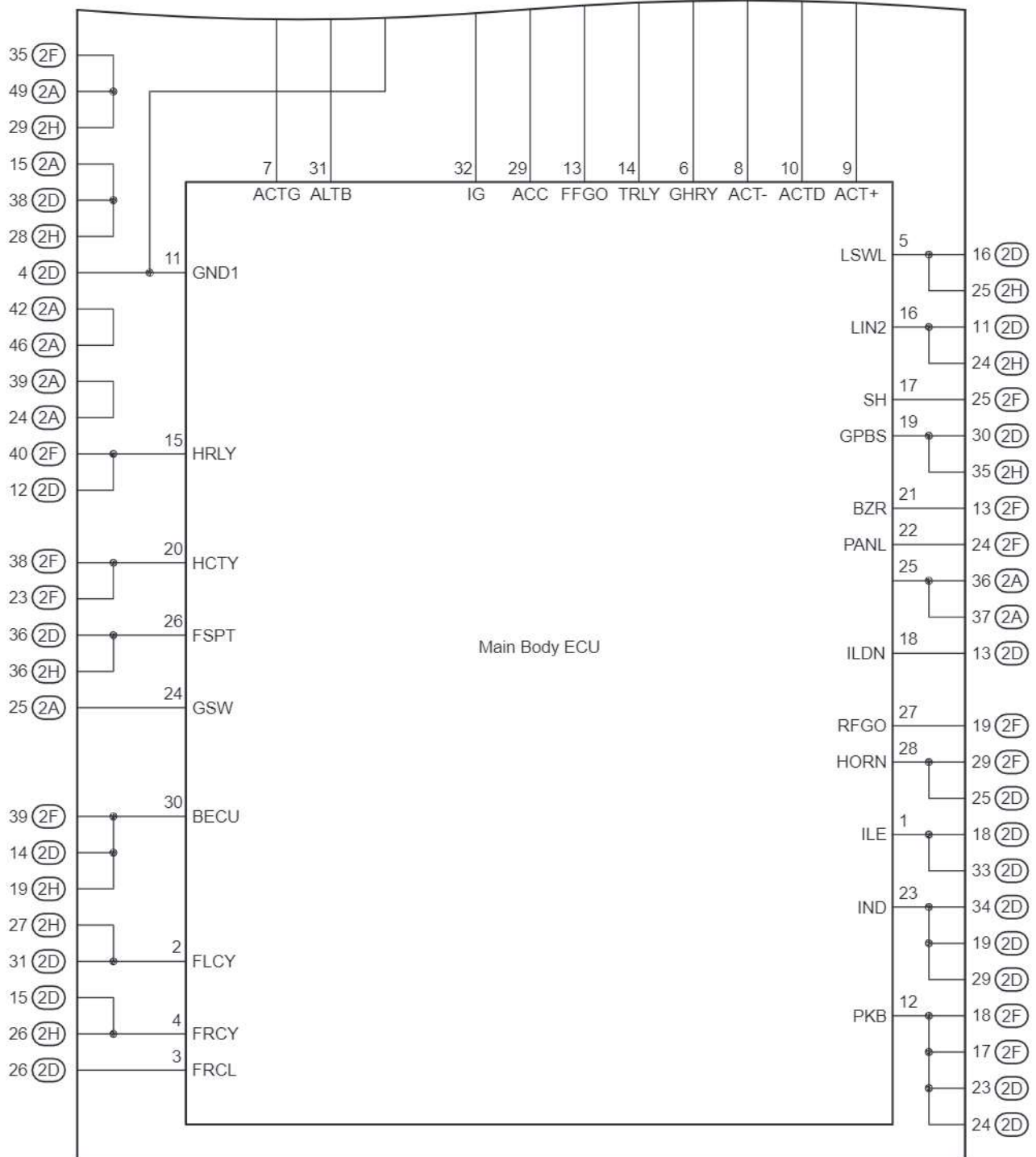
cardiagn.com

(Cont. Next Page)

F RELAY LOCATIONS

[Instrument Panel J/B Assembly Inner Circuit] (From Aug. 2017 Production)

(Cont'd)

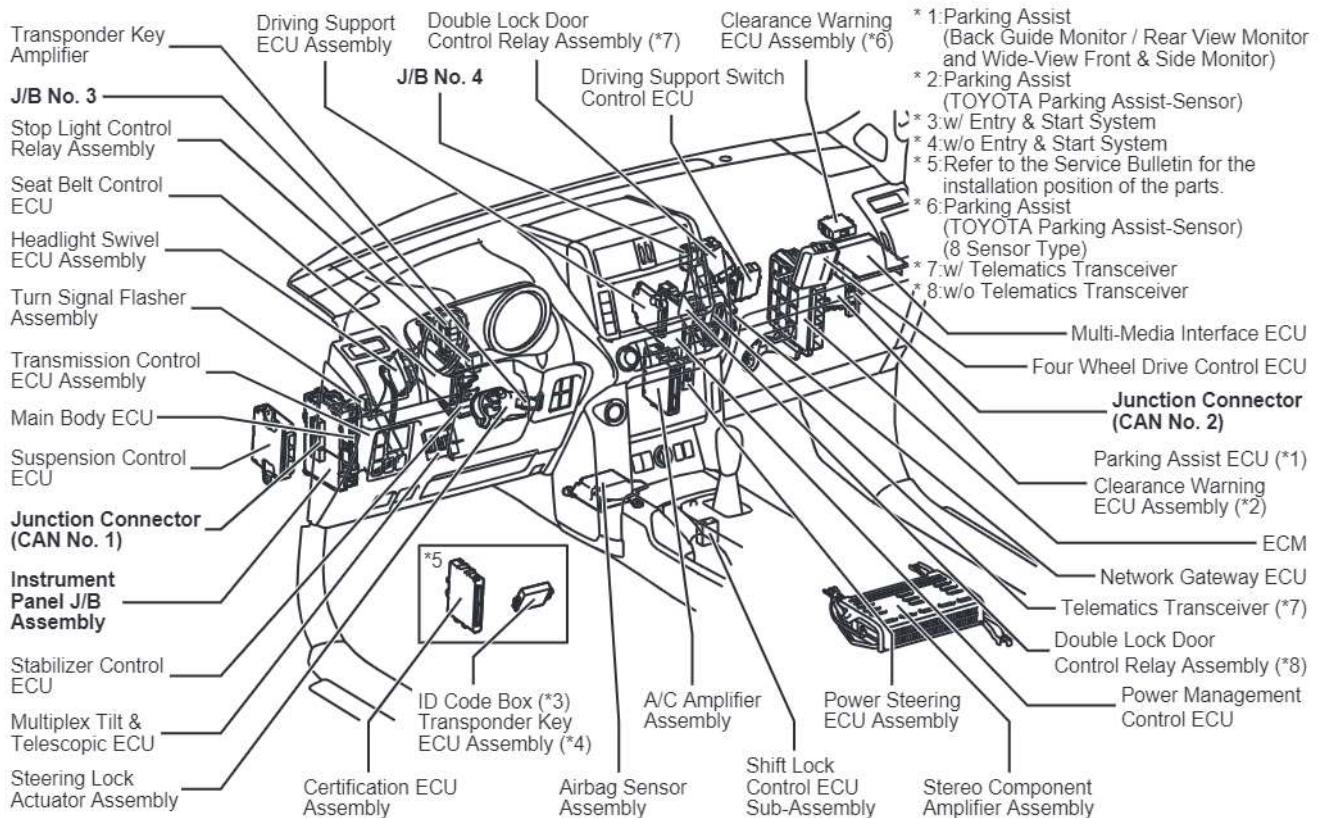


cardiagn.com

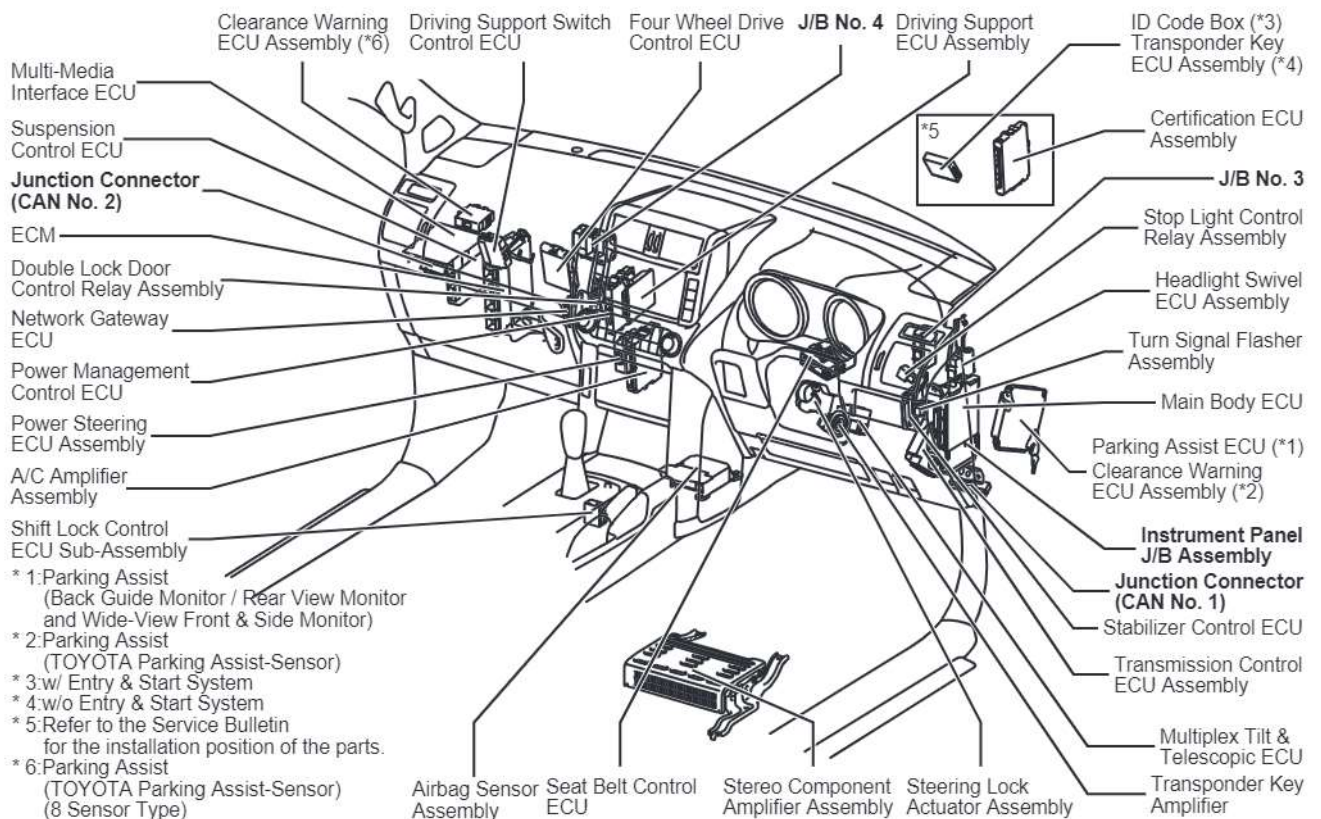
F RELAY LOCATIONS

[Instrument Panel (Before Aug. 2017 Production)]

(LHD)

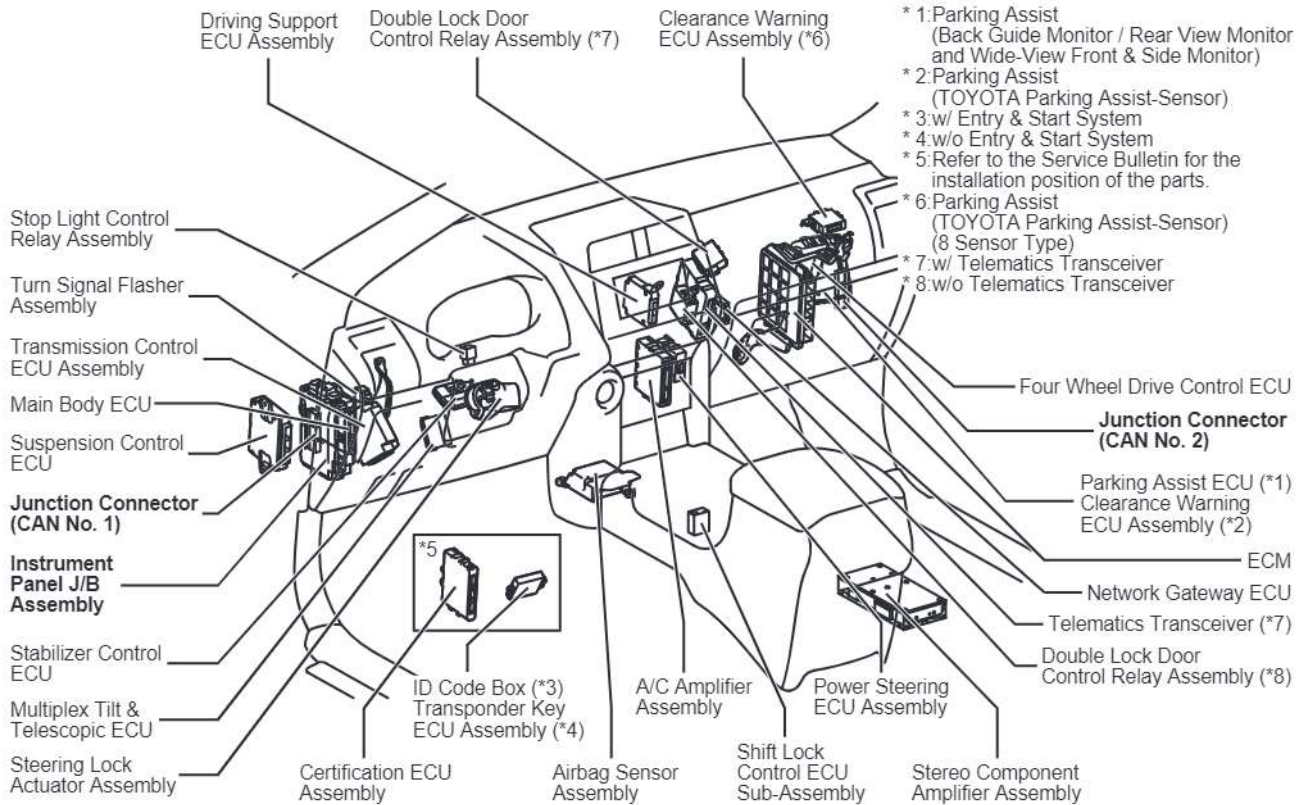


(RHD)

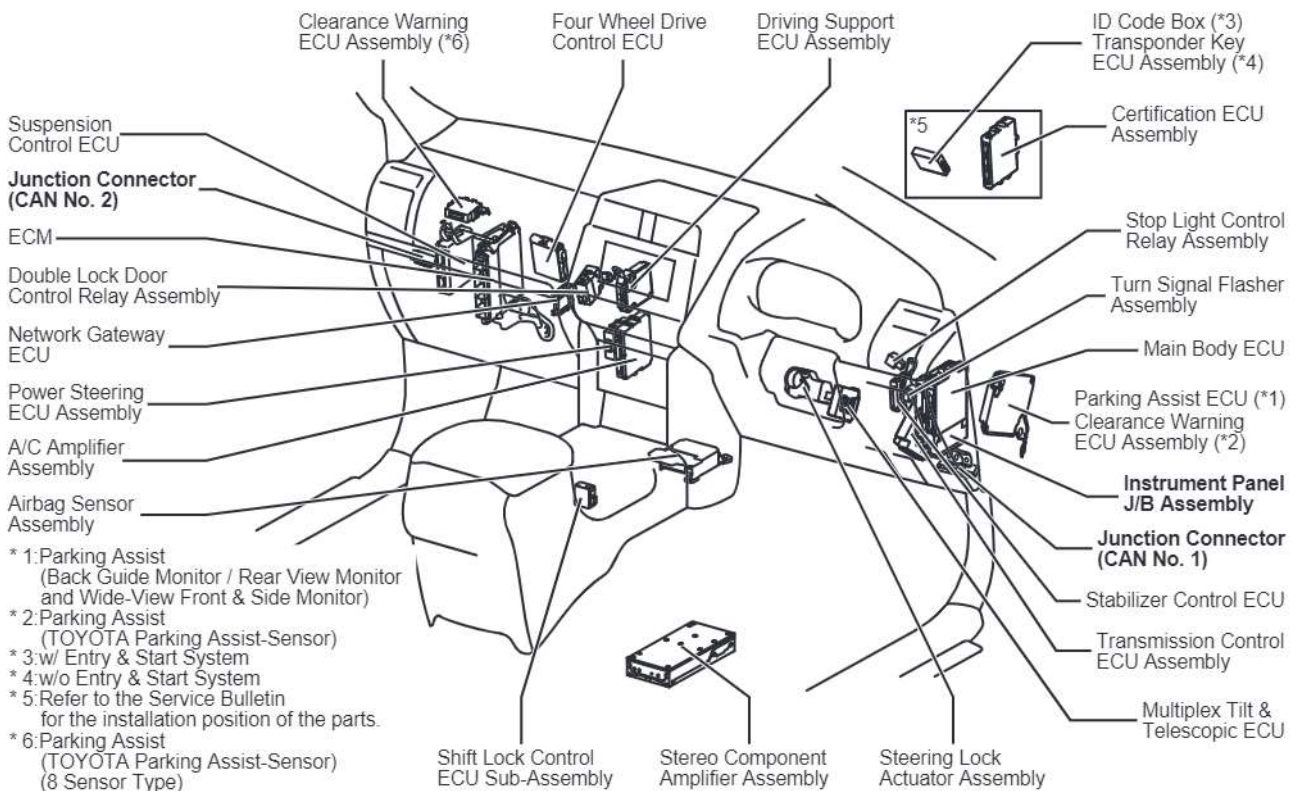


[Instrument Panel (From Aug. 2017 Production)]

(LHD)



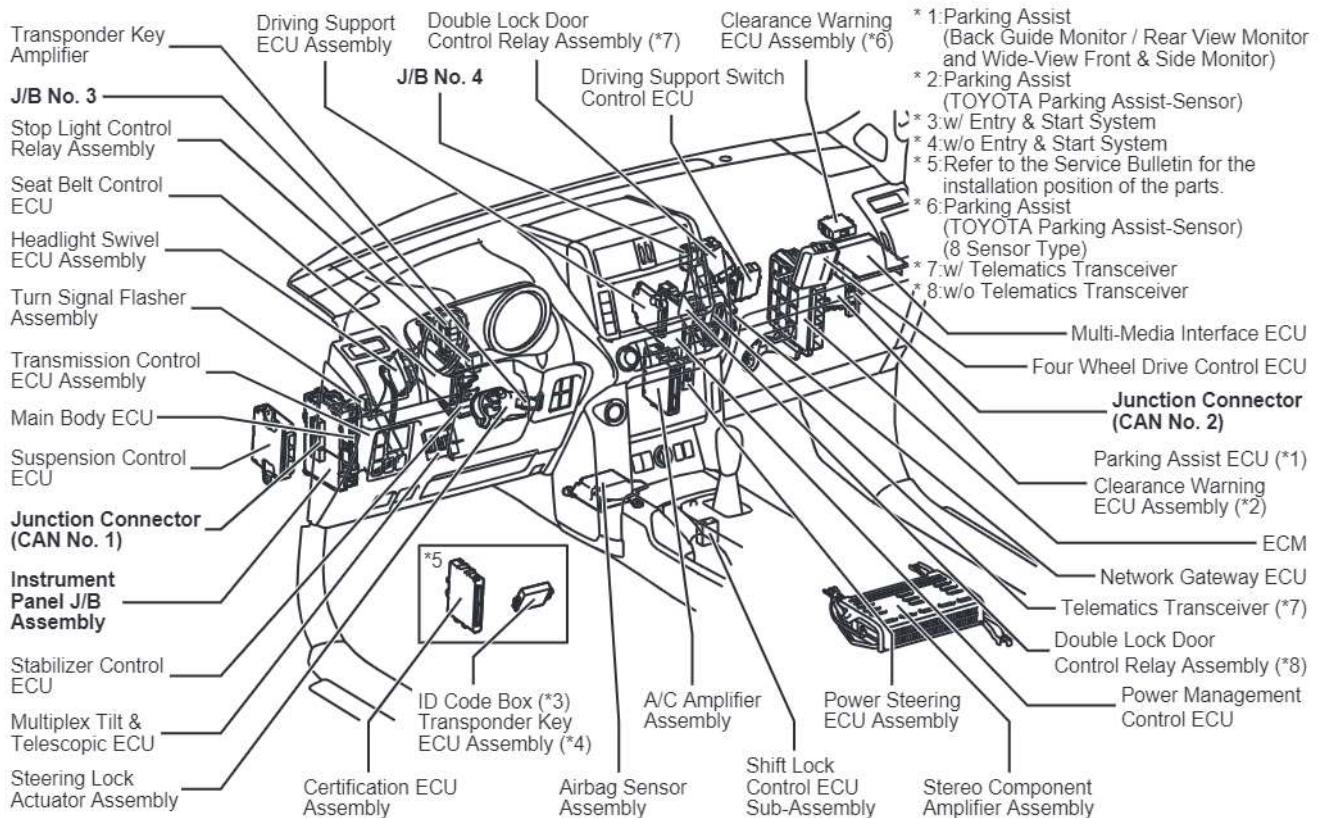
(RHD)



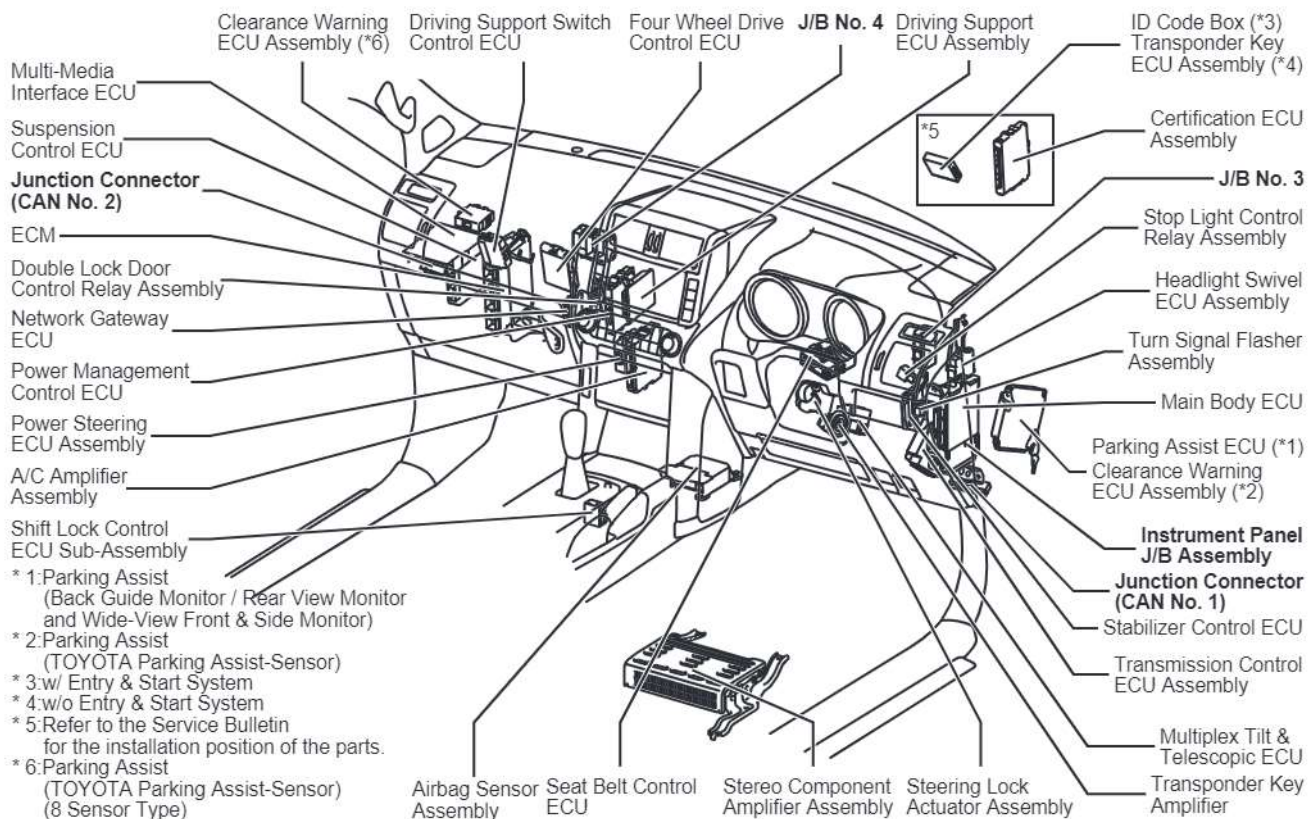
F RELAY LOCATIONS

[Instrument Panel (Before Aug. 2017 Production)]

(LHD)

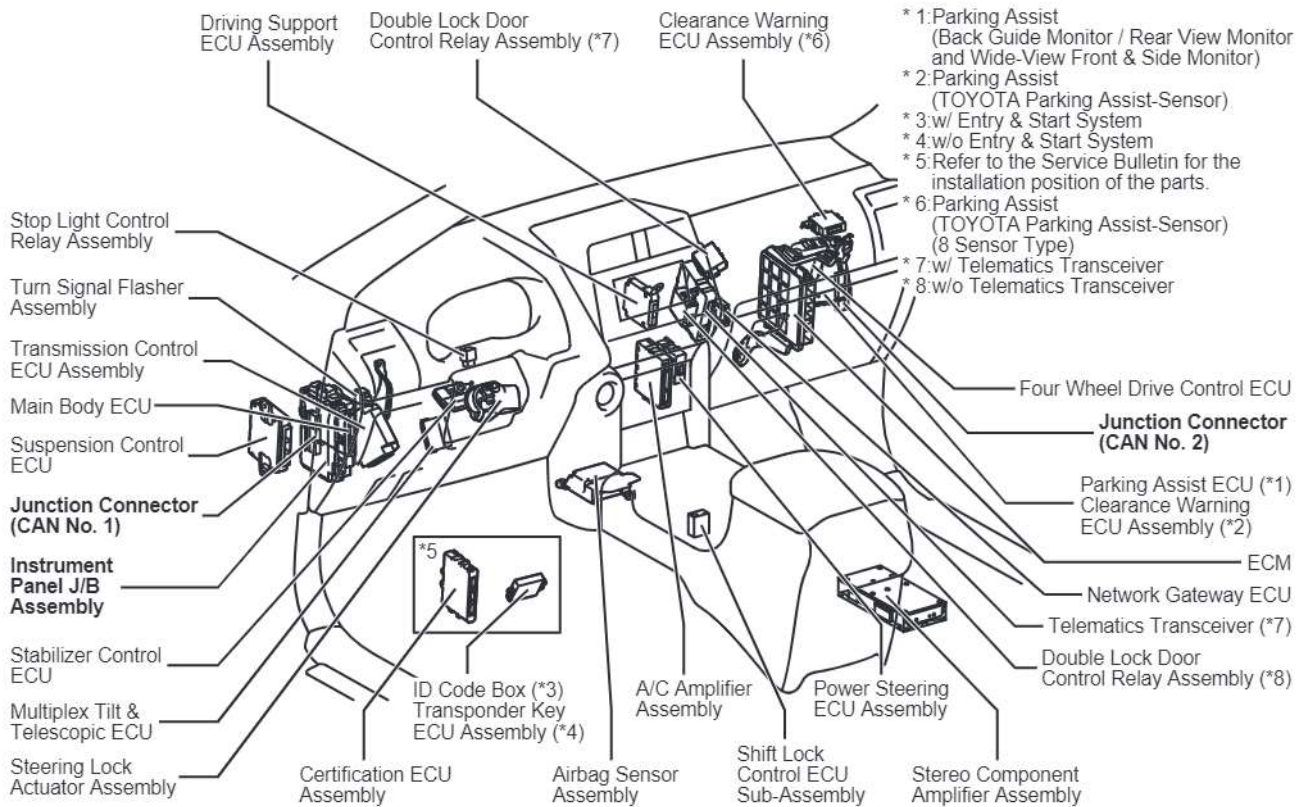


(RHD)

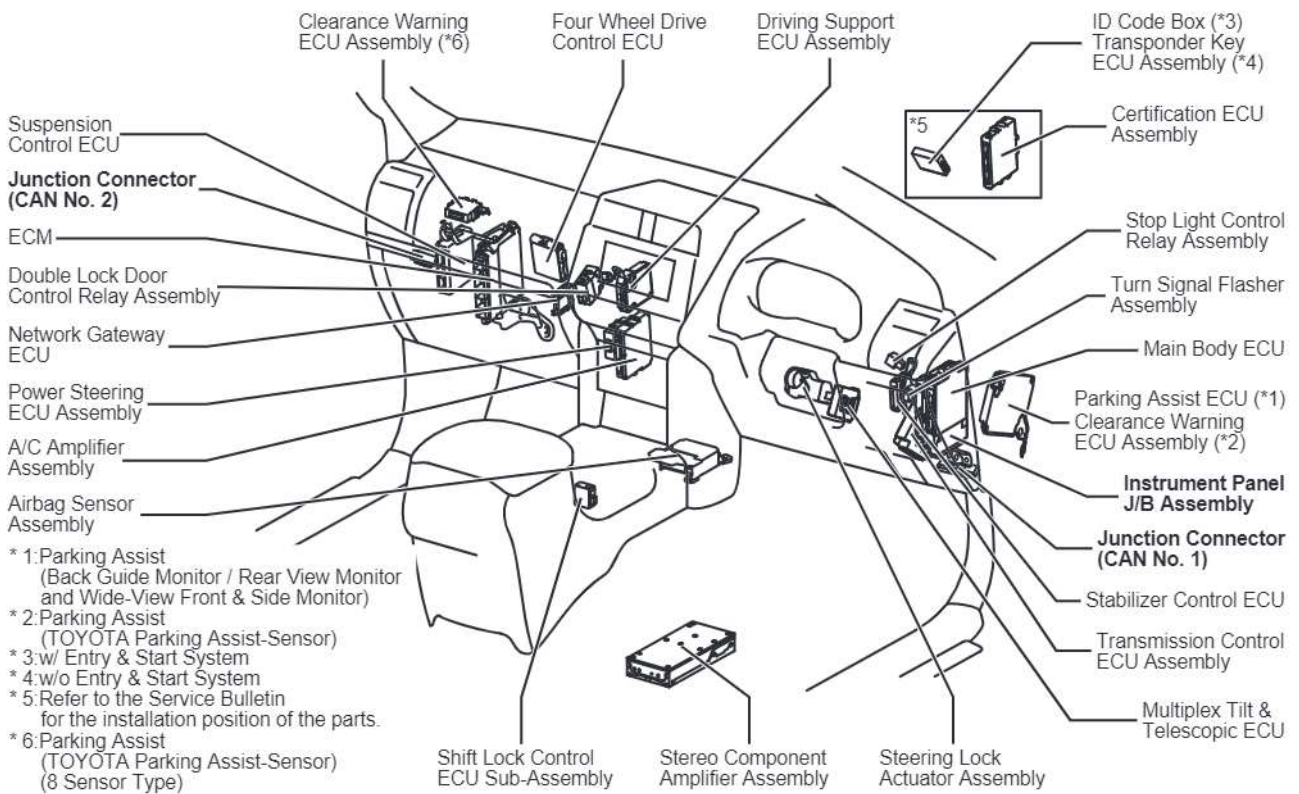


[Instrument Panel (From Aug. 2017 Production)]

(LHD)

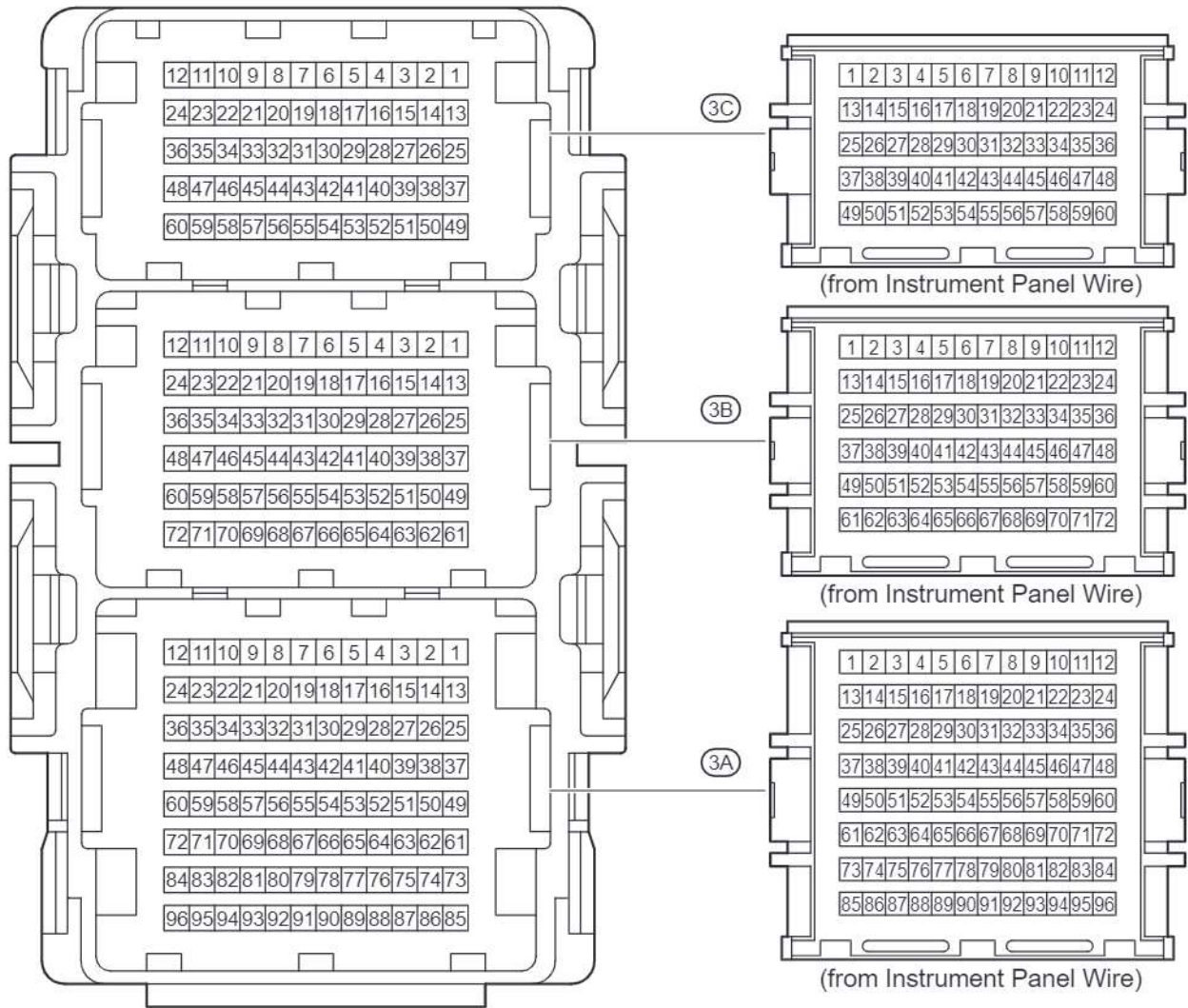


(RHD)



○ J/B NO.3

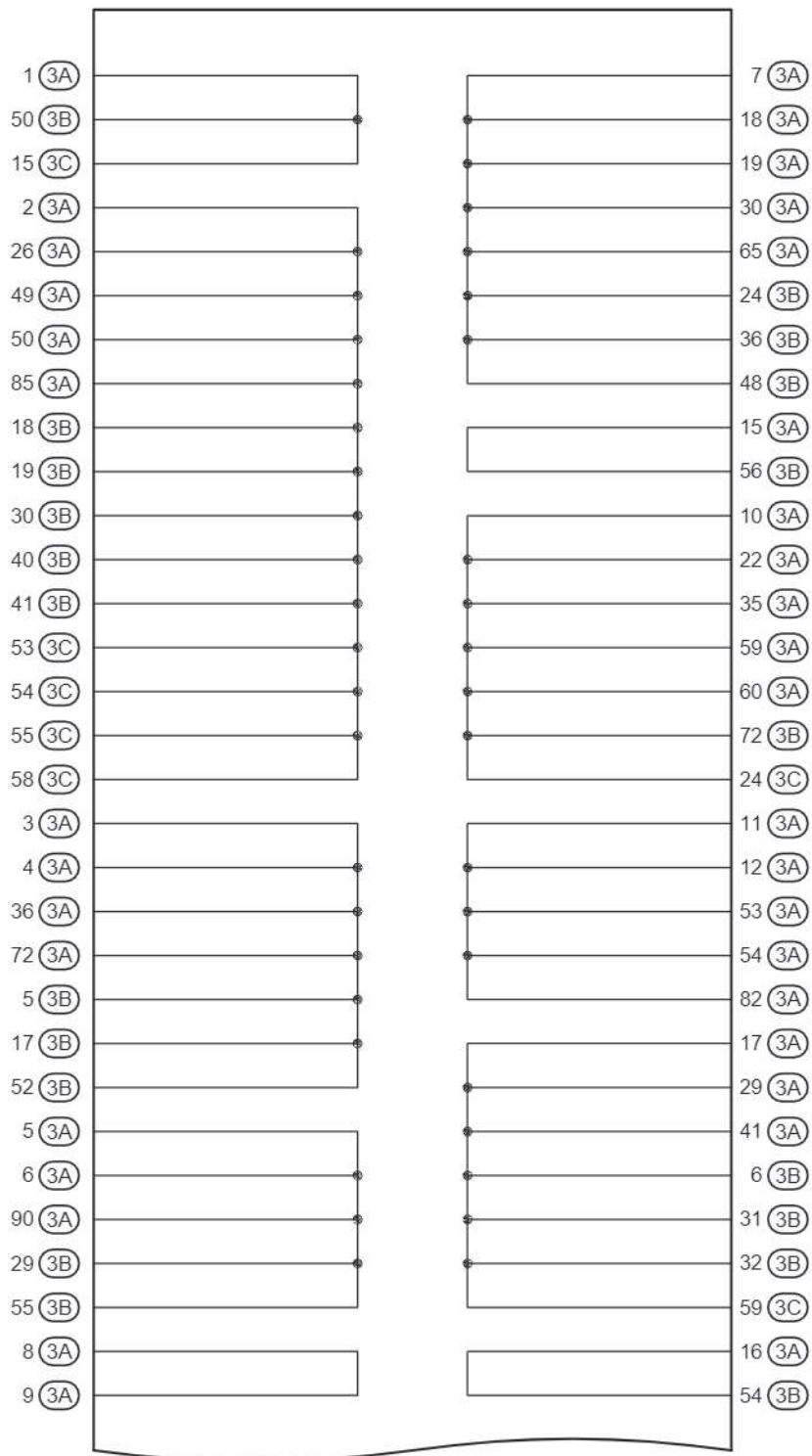
Instrument Panel Reinforcement



cardiagn.com

F RELAY LOCATIONS

[J/B NO.3 Inner Circuit]

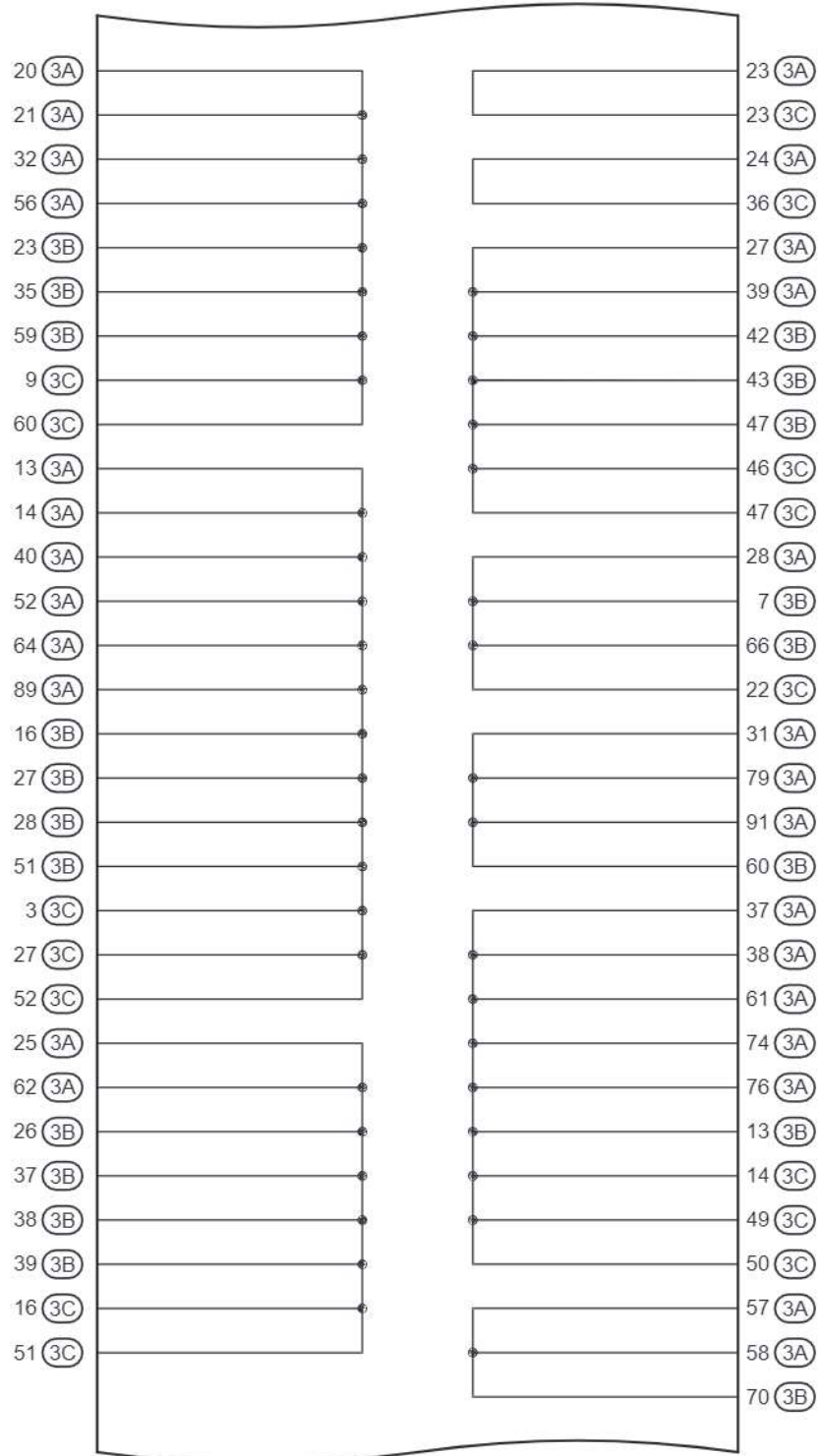


(Cont. Next Page)

cardiagn.com

[J/B NO.3 Inner Circuit]

(Cont'd)



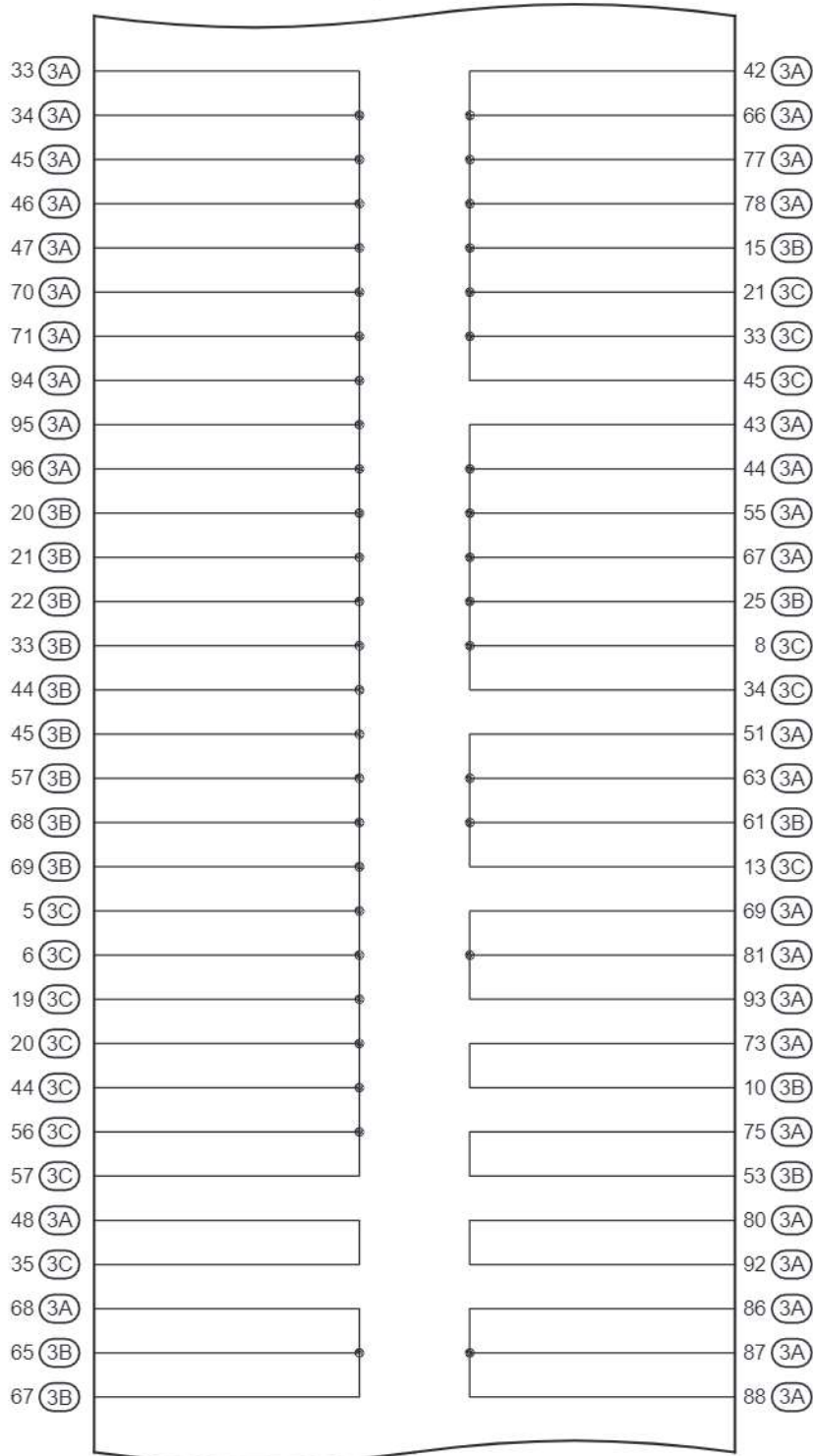
(Cont. Next Page)

cardiagn.com

F RELAY LOCATIONS

[J/B NO.3 Inner Circuit]

(Cont'd)

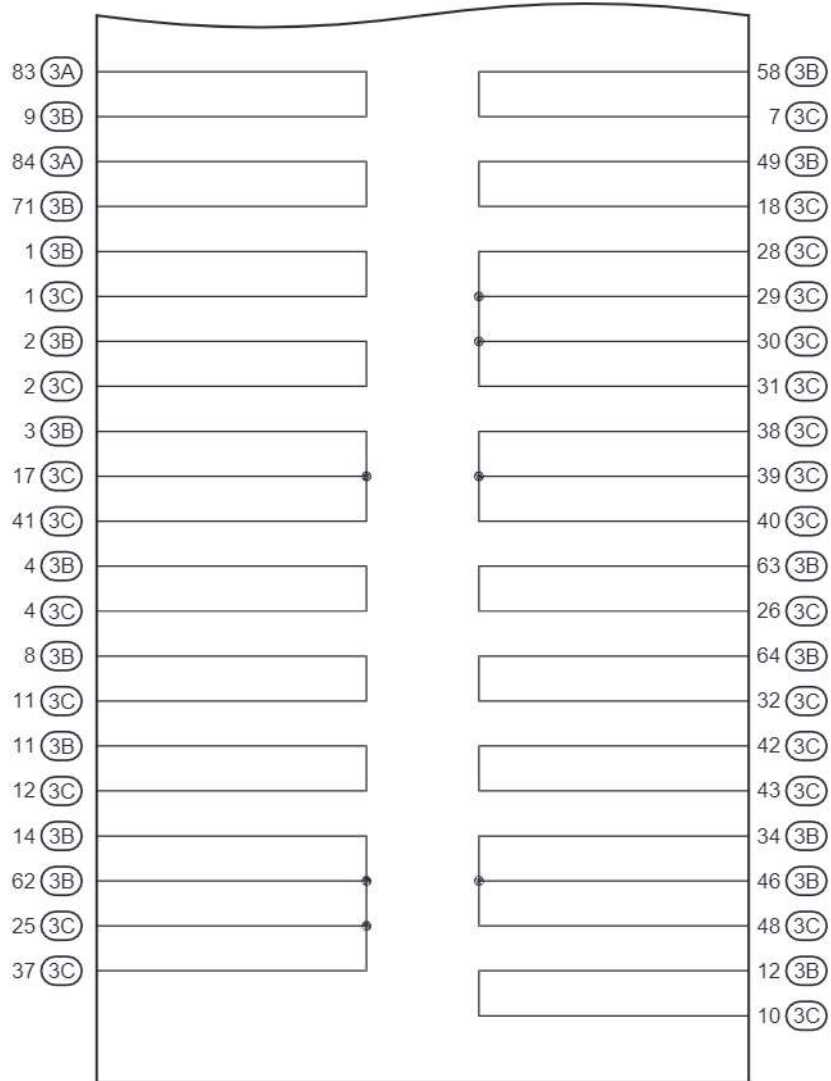


(Cont. Next Page)

cardiagn.com

[J/B NO.3 Inner Circuit]

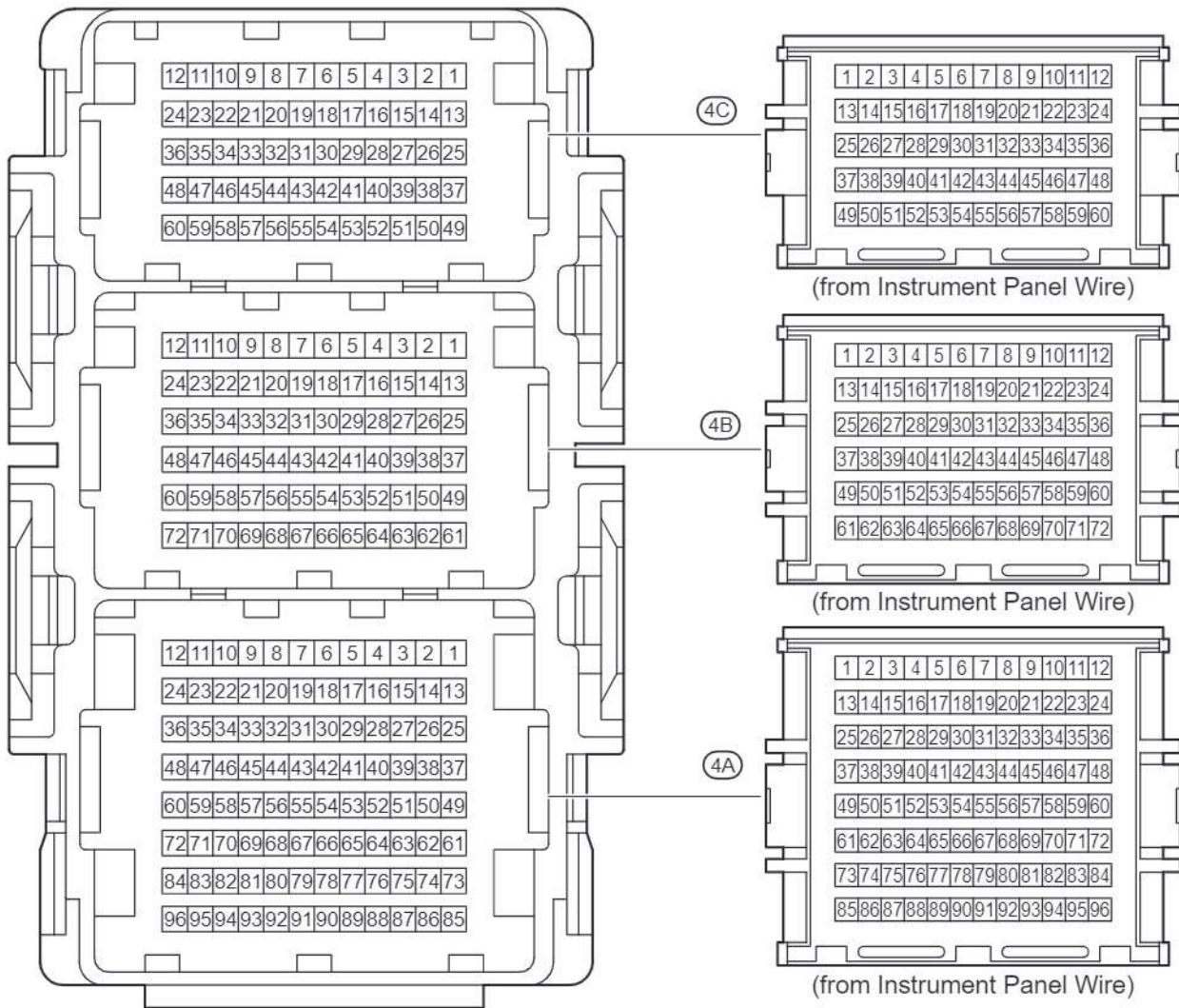
(Cont'd)



cardiagn.com

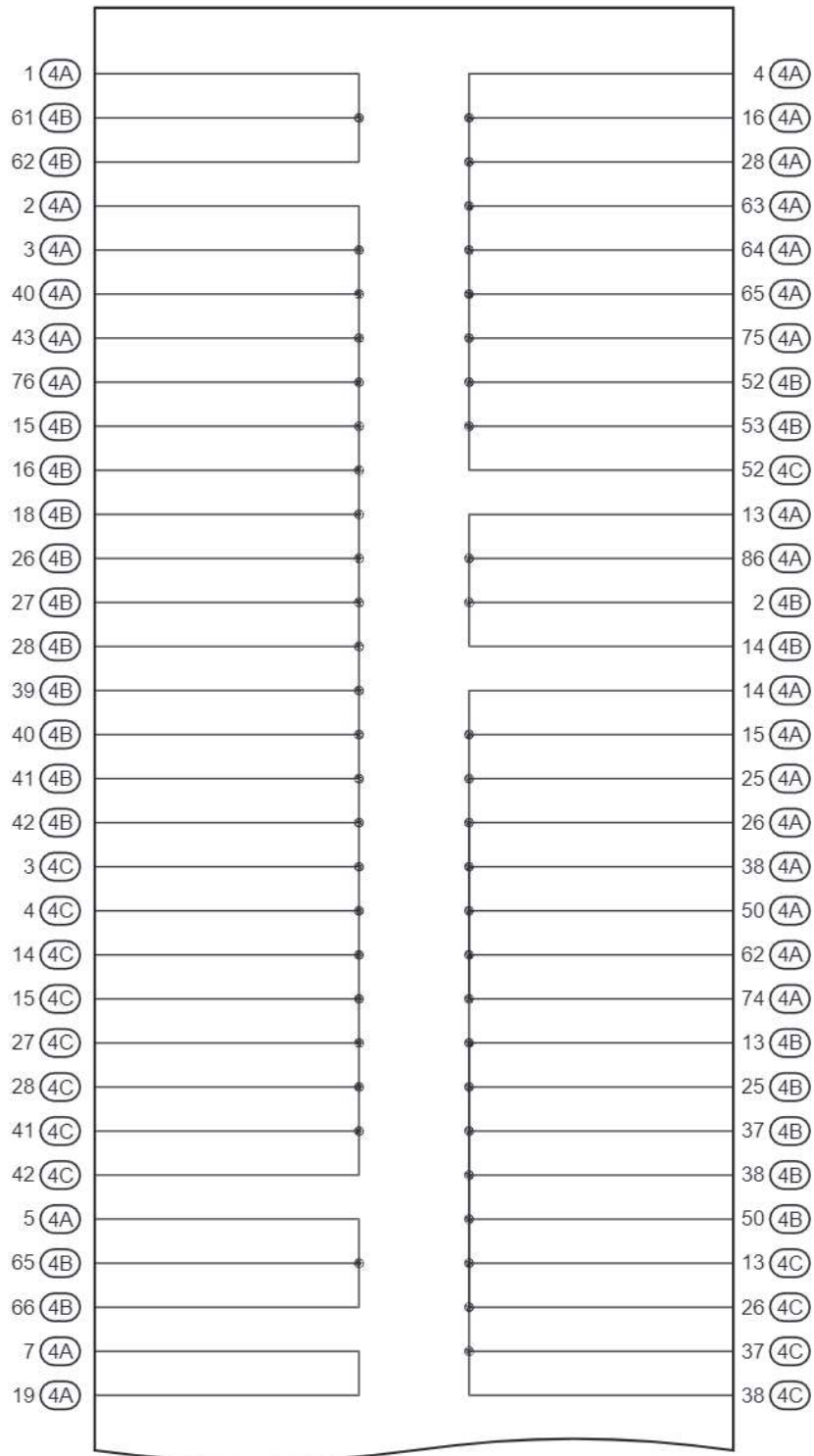
F RELAY LOCATIONS

○ J/B NO.4	Instrument Panel Reinforcement
------------	---------------------------------------



cardiagn.com

[J/B NO.4 Inner Circuit]

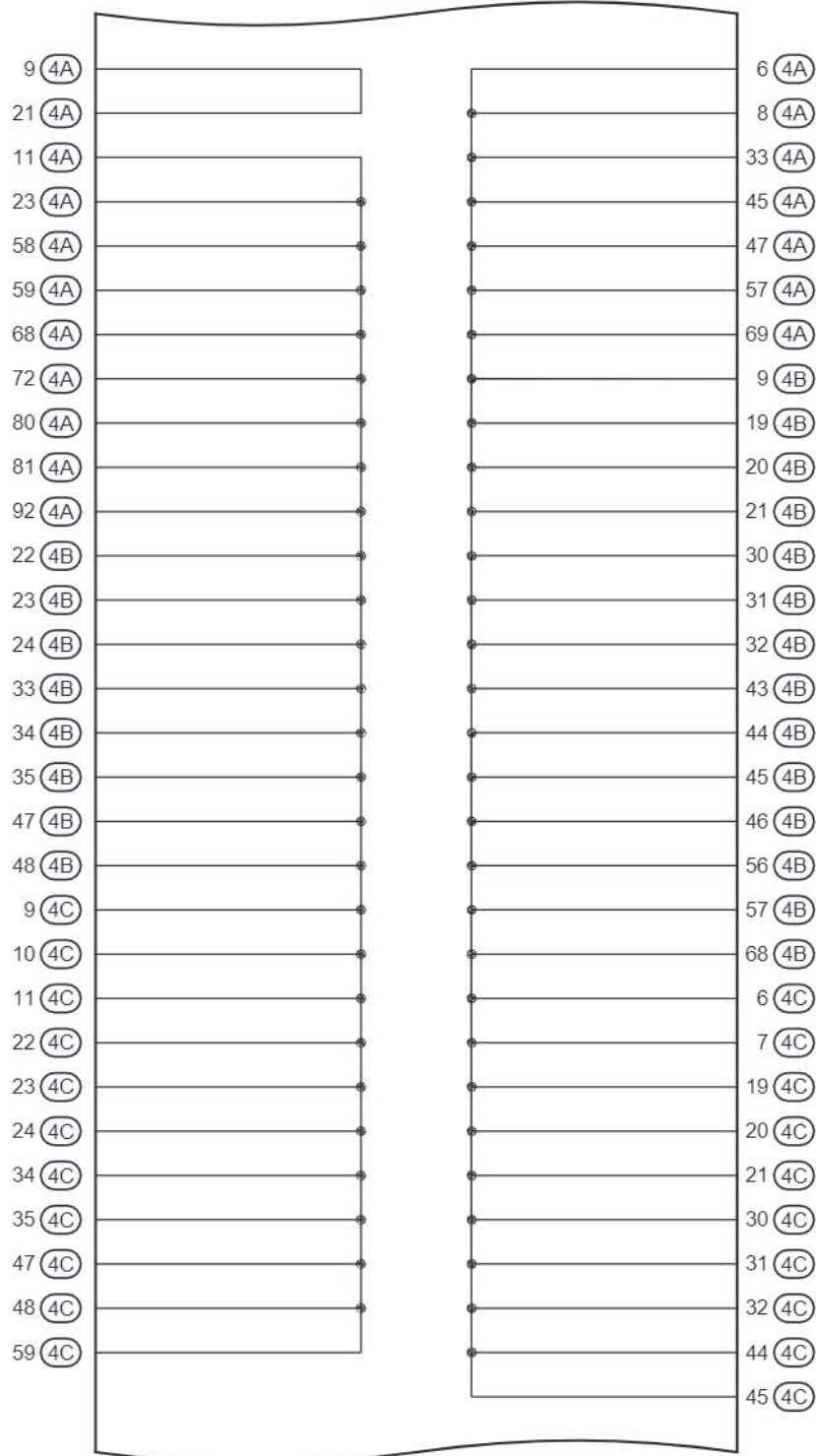


(Cont. Next Page)

F RELAY LOCATIONS

[J/B NO.4 Inner Circuit]

(Cont'd)

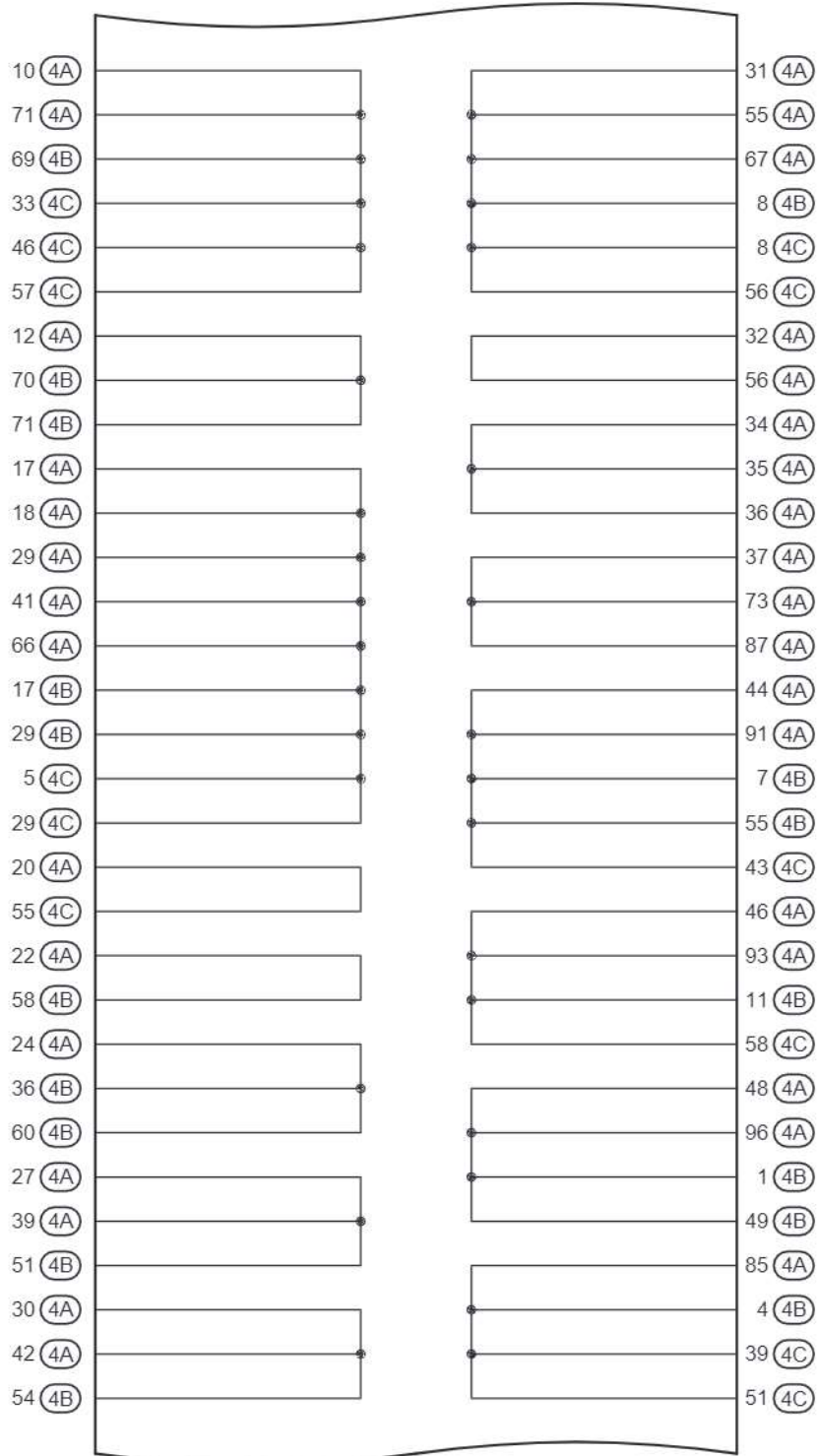


(Cont. Next Page)

cardiagn.com

[J/B NO.4 Inner Circuit]

(Cont'd)



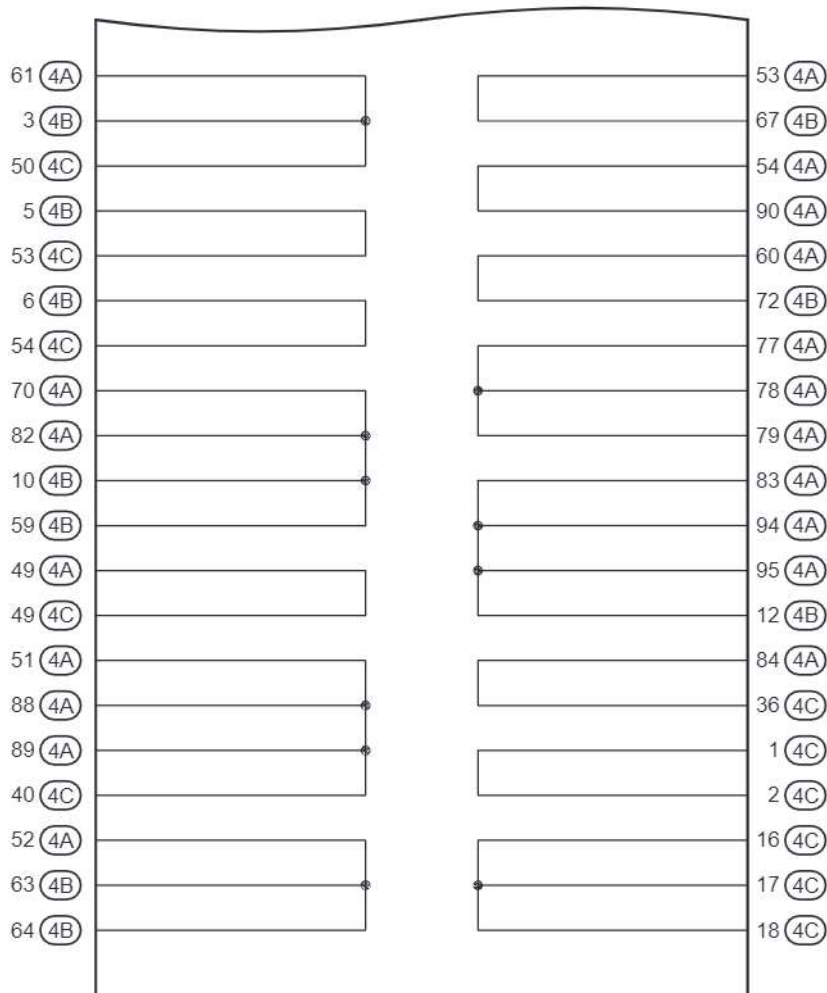
(Cont. Next Page)

cardiagn.com

F RELAY LOCATIONS

[J/B NO.4 Inner Circuit]

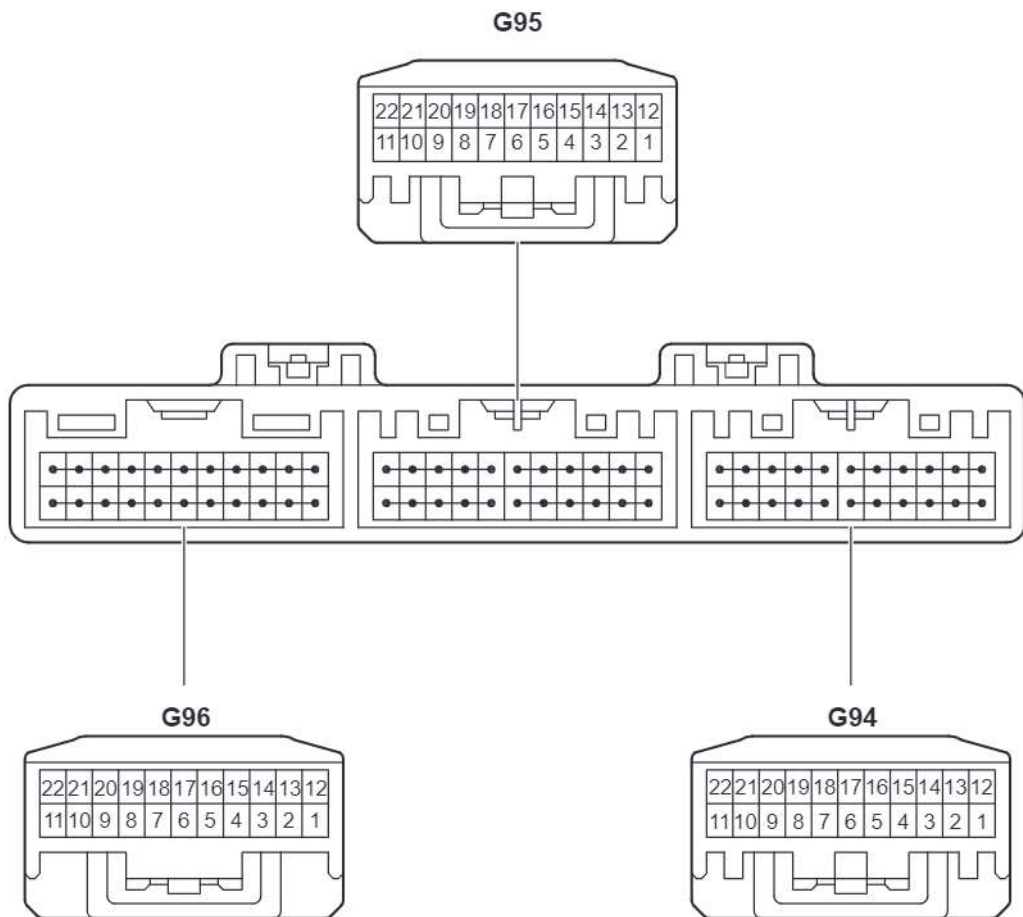
(Cont'd)



**Junction Connector (CAN No.1)
(Before Aug. 2017 Production)**

Cowl Side Panel LH

(LHD)



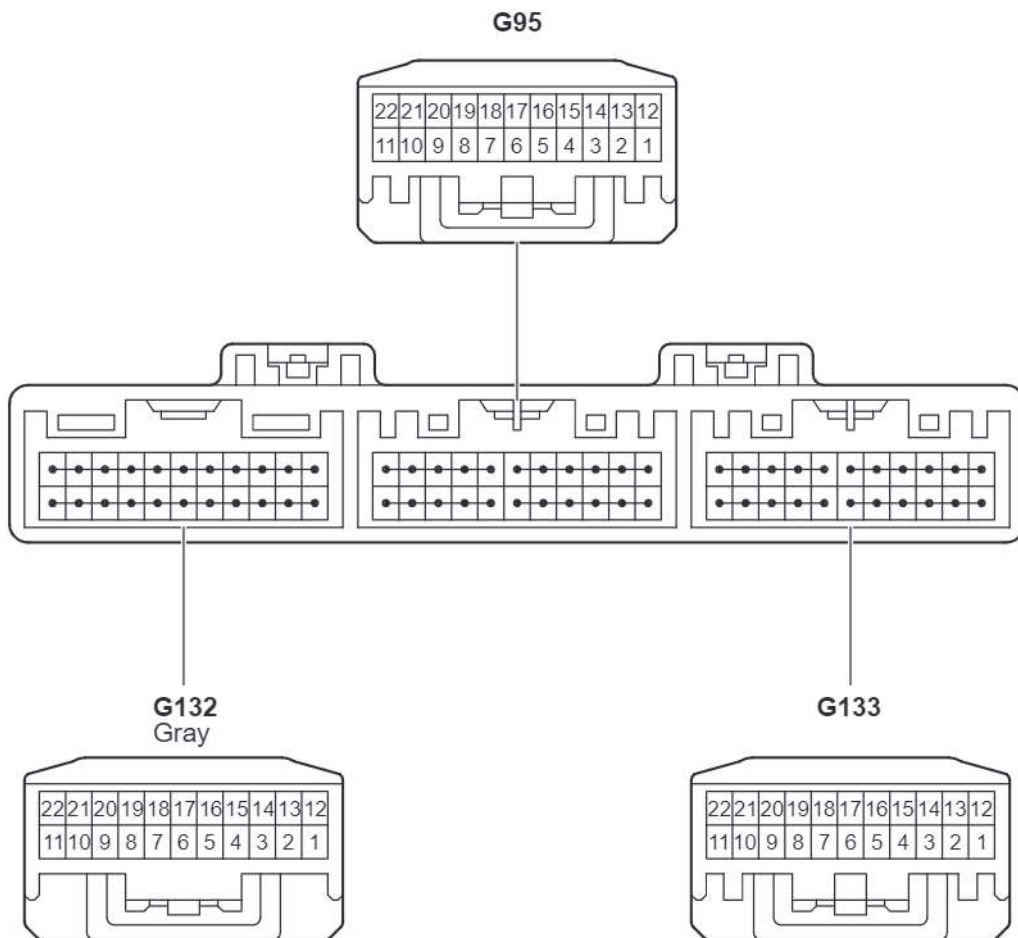
cardiagn.com

F RELAY LOCATIONS

Junction Connector (CAN No.1)
(Before Aug. 2017 Production)

Cowl Side Panel RH

(RHD)

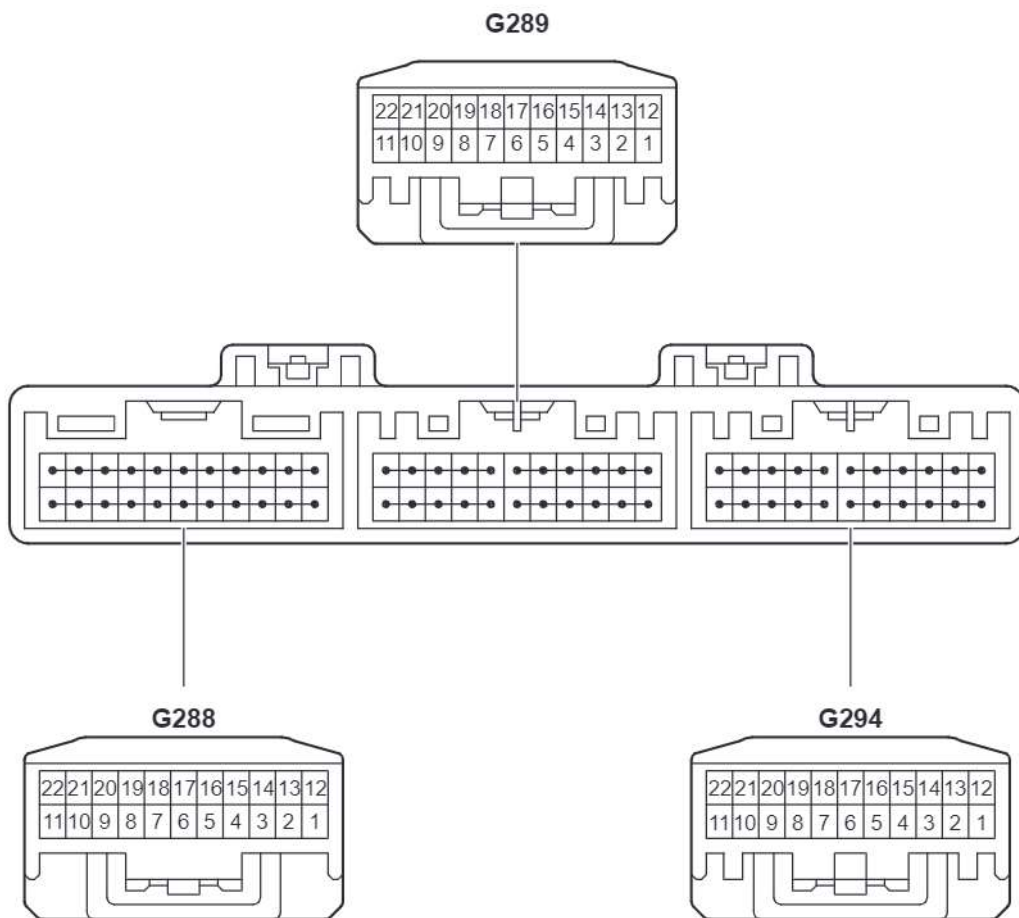


cardiagn.com

Junction Connector (CAN No.1)
(From Aug. 2017 Production)

Cowl Side Panel LH

(LHD)



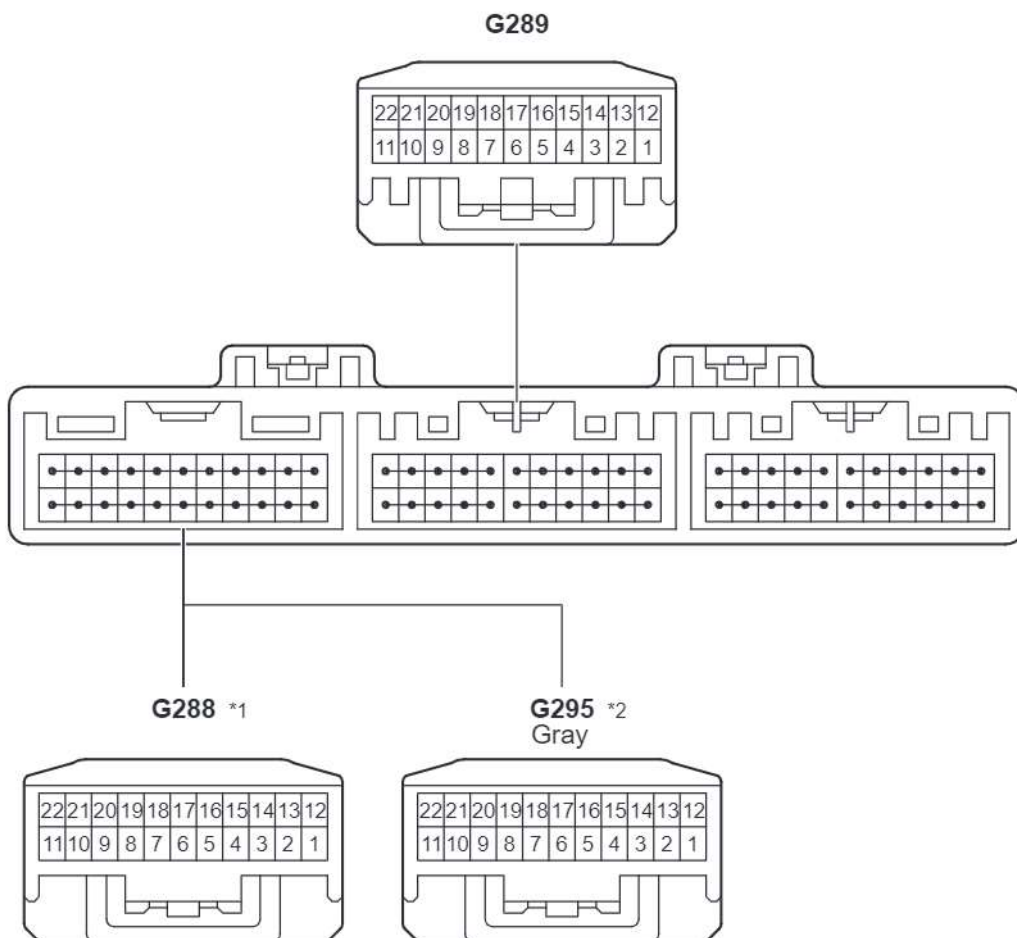
cardiagn.com

F RELAY LOCATIONS

Junction Connector (CAN No.1)
(From Aug. 2017 Production)

Cowl Side Panel RH

(RHD)



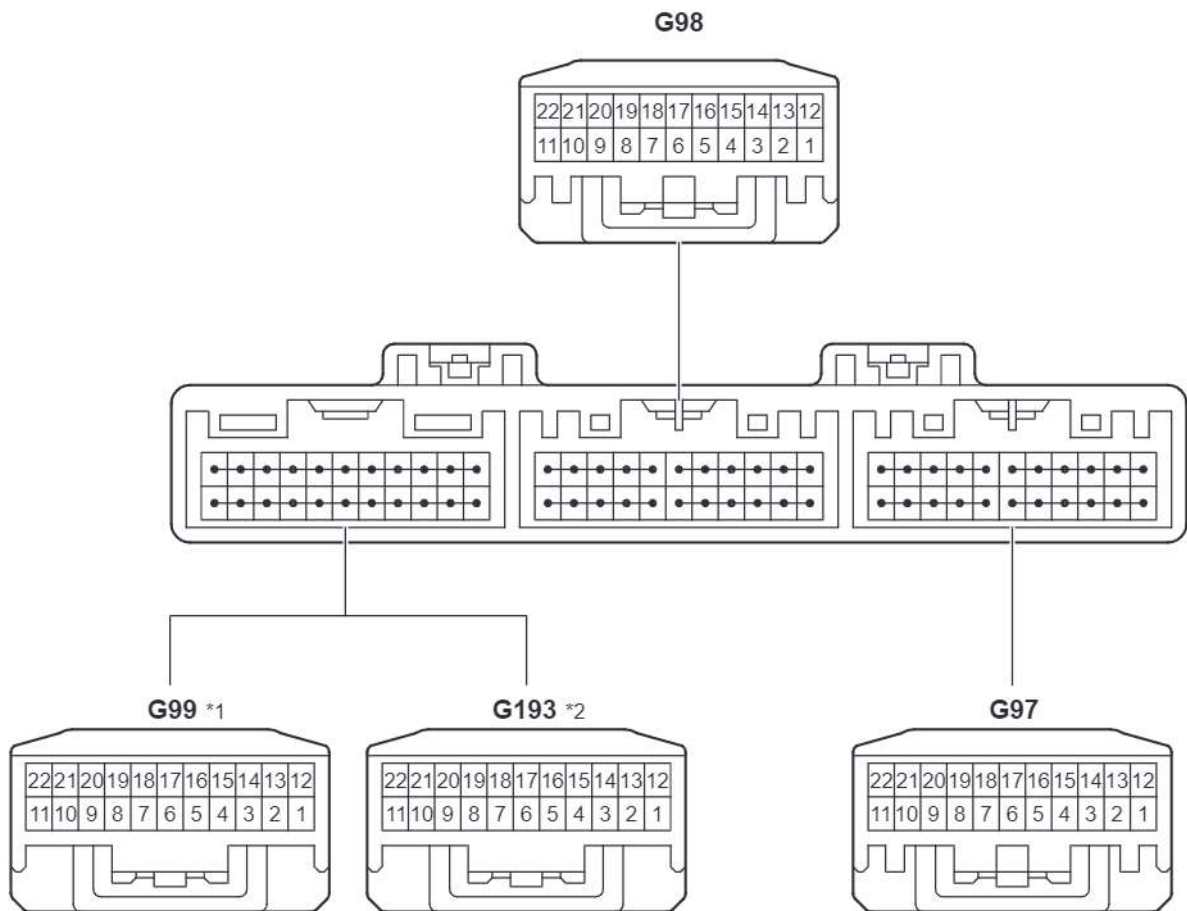
* 1: Except 5L-E

* 2: 5L-E

**Junction Connector (CAN No.2)
(Before Aug. 2017 Production)**

Cowl Side Panel RH

(LHD)



cardiagn.com

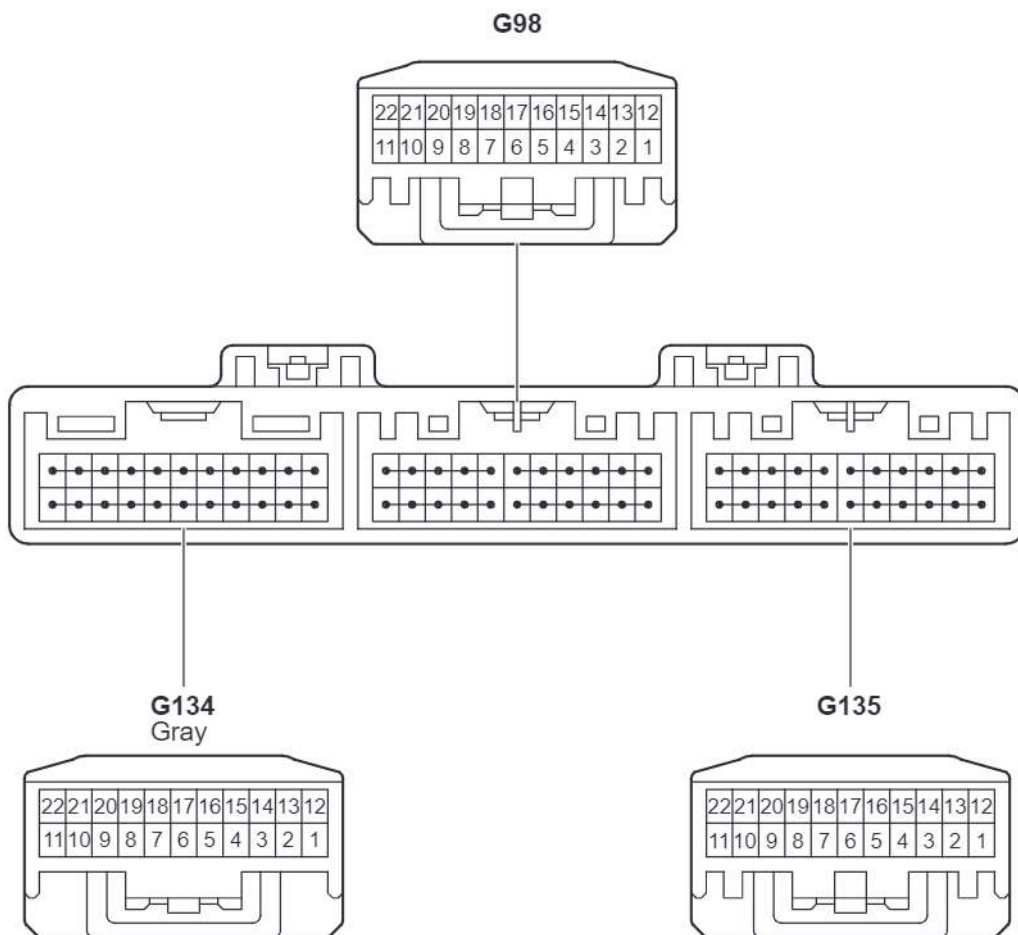
* 1: For Production Through Approximately Jan. 2011
* 2: From Aug. 2016 Production

F RELAY LOCATIONS

Junction Connector (CAN No.2)
(Before Aug. 2017 Production)

Cowl Side Panel LH

(RHD)

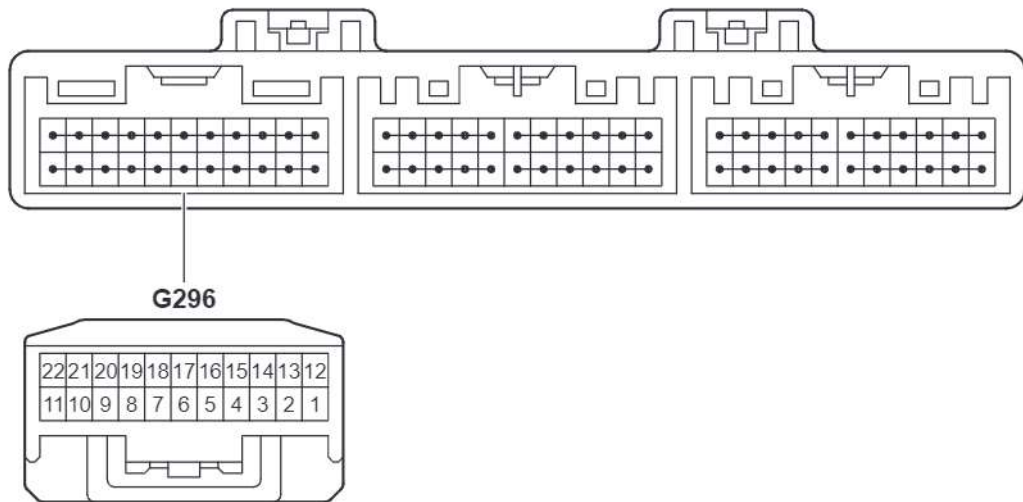


cardiagn.com

Junction Connector (CAN No.2)
(From Aug. 2017 Production)

Cowl Side Panel RH

(LHD)

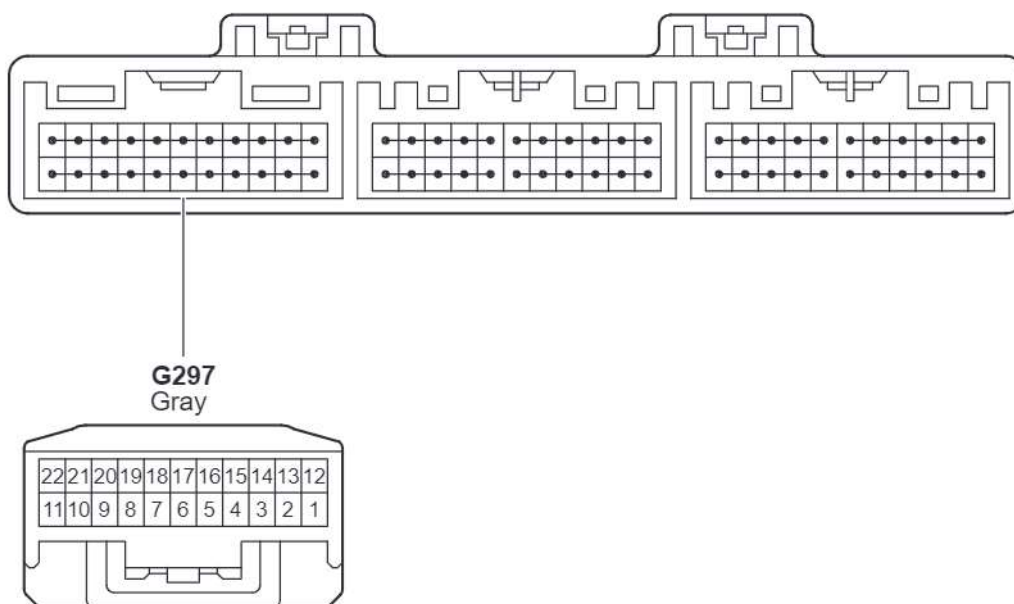


F RELAY LOCATIONS

Junction Connector (CAN No.2)
(From Aug. 2017 Production)

Cowl Side Panel LH

(RHD)

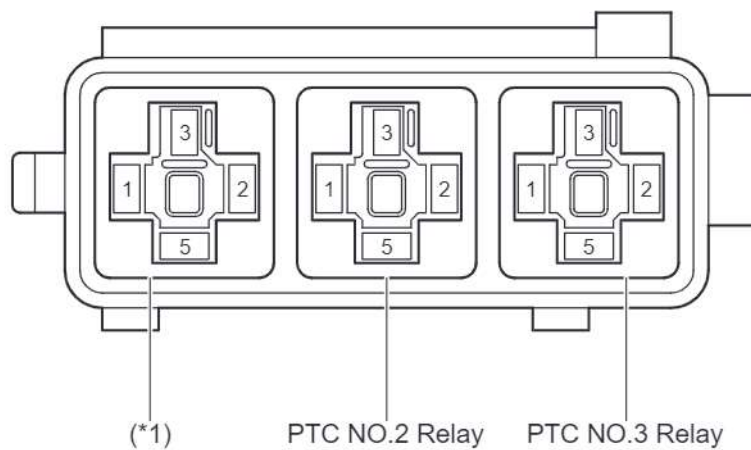


F RELAY LOCATIONS

③ R/B No.3

Front Fender Apron LH

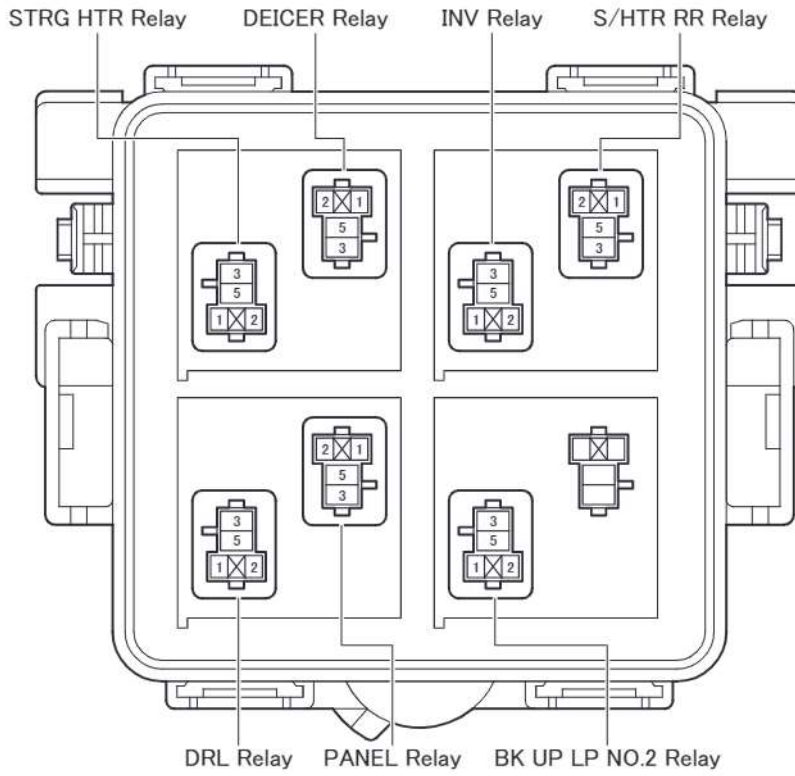
*1: PTC NO.1 Relay (Before Aug. 2017 Production)
PTC NO.1 or 400W INV Relay (From Aug. 2017 Production)



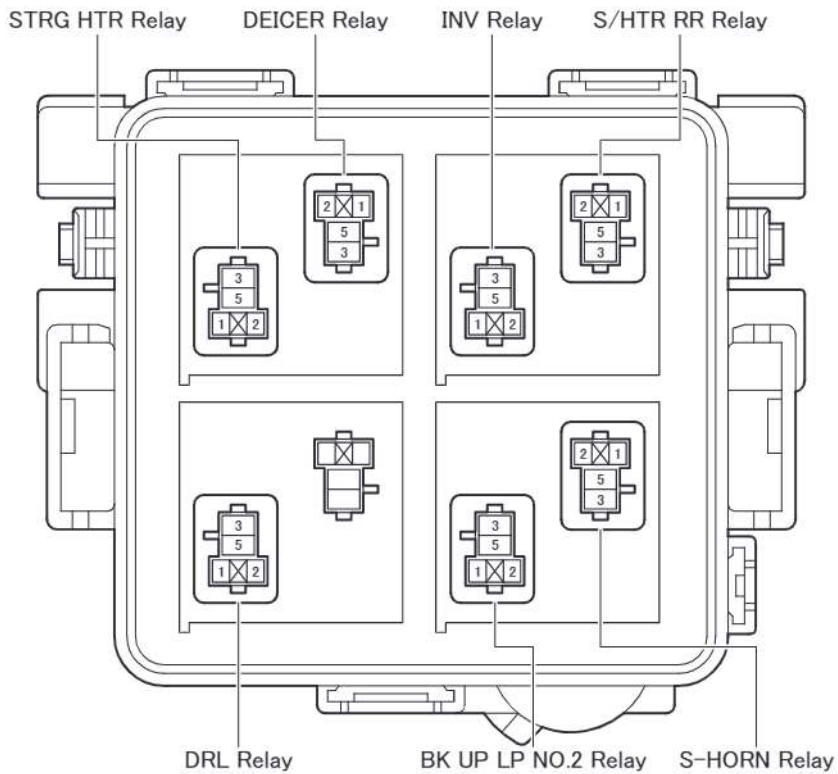
cardiagn.com

5 R/B No.5 (Before Aug. 2017 Production)	LHD : Cowl Outer RH
	RHD : Cowl Outer LH

(LHD)



(RHD)



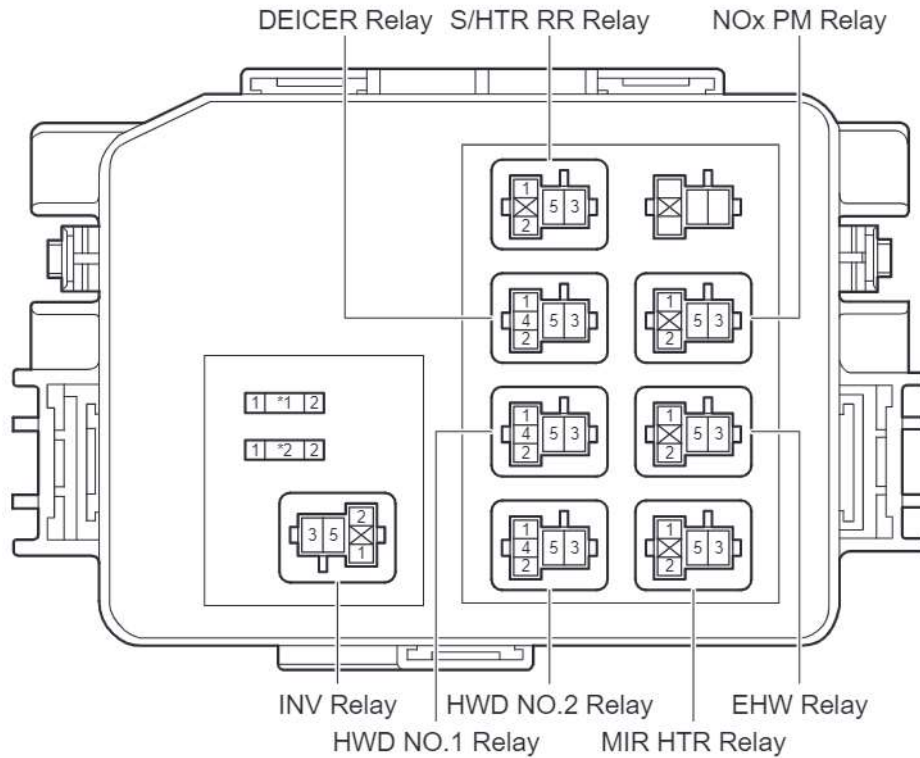
cardiagn.com

F RELAY LOCATIONS

5 R/B No.5 (From Aug. 2017 Production)	LHD : Cowl Outer RH
	RHD : Cowl Outer LH

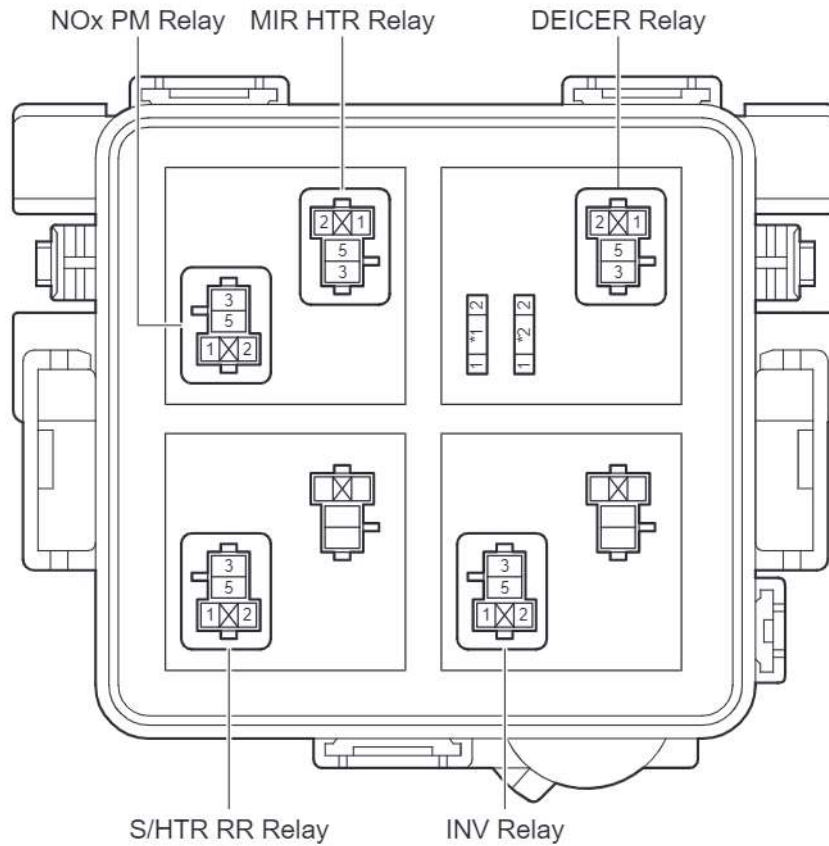
(LHD)

*1:10A NOx FR(1GD-FTV w/ Water cooled Intercooler)
 *2:10A NOx RR PM(1GD-FTV w/ Water cooled Intercooler)



(RHD)

*1:10A NOx FR(1GD-F1V w/ Water cooled intercooler)
 *2:10A NOx RR PM(1GD-FTV w/ Water cooled Intercooler)

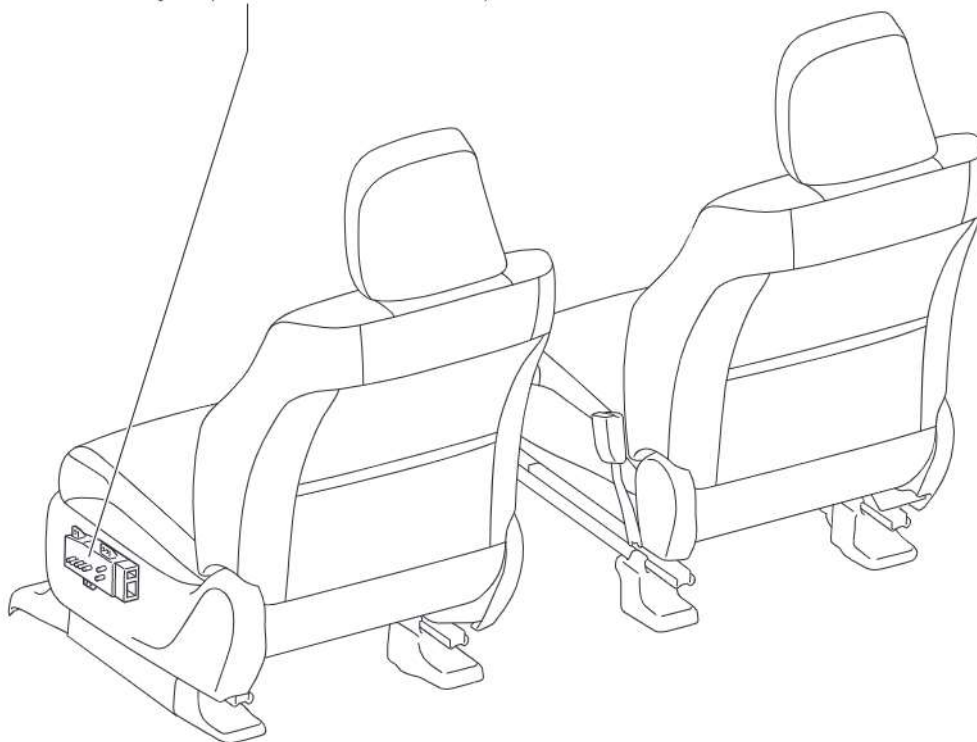


F RELAY LOCATIONS

[Seat]

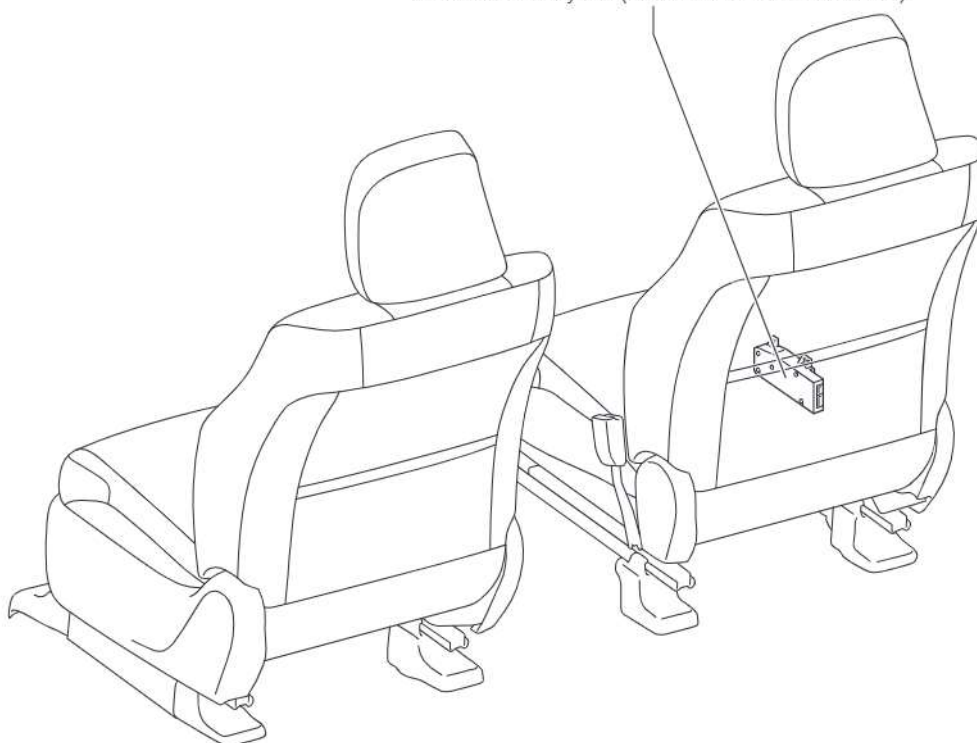
(LHD : Front Separate Seat)

Front Position Control ECU and
Switch Assembly LH (Front Power Seat Switch LH)



(RHD : Front Separate Seat)

Front Position Control ECU and
Switch Assembly RH (Front Power Seat Switch RH)

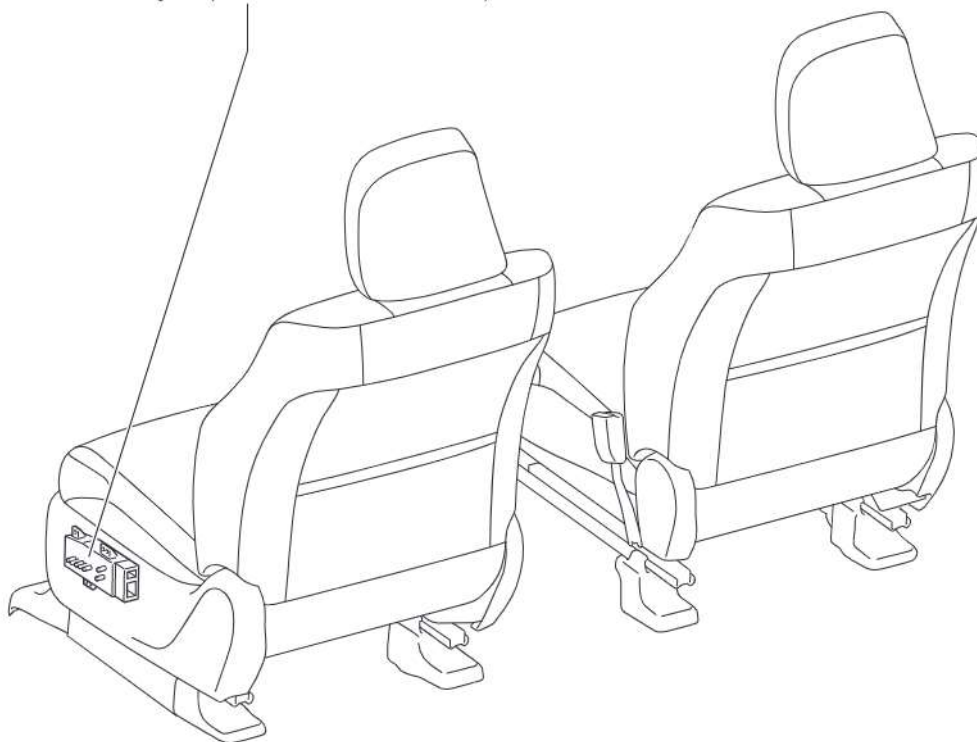


F RELAY LOCATIONS

[Seat]

(LHD : Front Separate Seat)

Front Position Control ECU and
Switch Assembly LH (Front Power Seat Switch LH)



(RHD : Front Separate Seat)

Front Position Control ECU and
Switch Assembly RH (Front Power Seat Switch RH)

