

FOREWORD

This supplement provides information covering changes in the electrical system specifications of the LAND CRUISER Station Wagon which were made in Aug., 2004.

Applicable models: UZJ100 Series
FZJ100, 105 Series
HDJ100 Series
HZJ105 Series

For information which is not mentioned in this manual, please refer to the following manuals:

Manual Name	Pub. No.
● LAND CRUISER Station Wagon Electrical Wiring Diagram	EWD342F
● LAND CRUISER Station Wagon Electrical Wiring Diagram Supplement	EWD512E
● LAND CRUISER Station Wagon Electrical Wiring Diagram Supplement	EWD575E
● TOYOTA New Car Features	NCF276E

All information in this manual is based on the latest product information at the time of publication. However, specifications and procedures are subject to change without notice.

TOYOTA MOTOR CORPORATION

NOTICE

When handling supplemental restraint system components (removal, installation or inspection, etc.), always follow the direction given in the repair manuals listed above to prevent accidents and supplemental restraint system malfunction.

©2004 TOYOTA MOTOR CORPORATION

All rights reserved. This book may not be reproduced or copied, in whole or in part, without the written permission of Toyota Motor Corporation.

First Printing : Aug. 06, 2004 01-040806-00

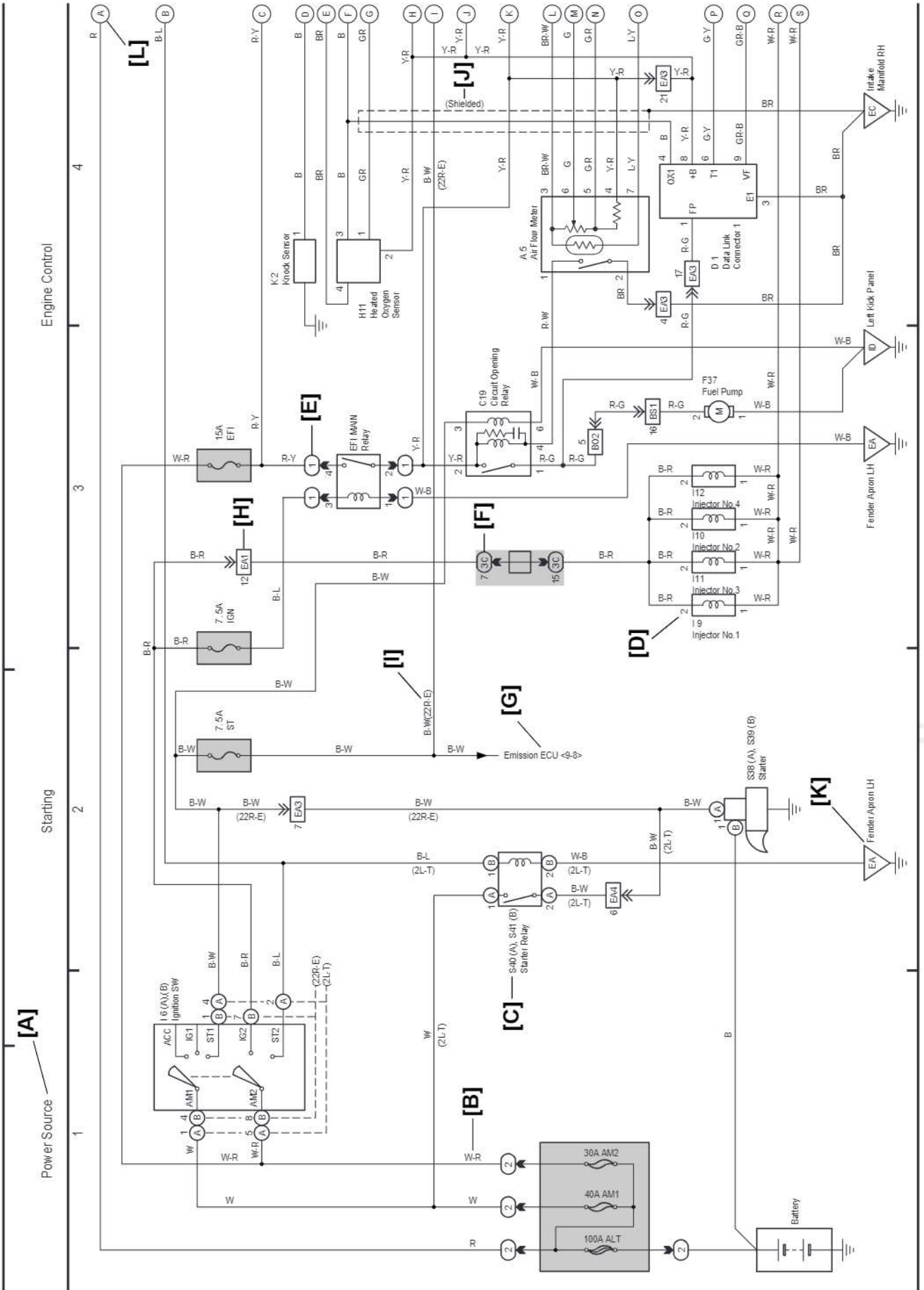
This manual consists of the following 8 sections:

No.	Section	Description
A	INDEX	Index of the contents of this manual.
	INTRODUCTION	Brief explanation of each section.
B	HOW TO USE THIS MANUAL	Instructions on how to use this manual.
C	ABBREVIATIONS	Defines the abbreviations used in this manual.
D	RELAY LOCATIONS	Shows position of the Electronic Control Unit, Relays, Relay Block, etc. This section is closely related to the wiring diagram.
E	ELECTRICAL WIRING ROUTING	Describes position of the Parts Connectors, Ground points, etc. This section is closely related to the wiring diagram.
F	CONNECTOR LIST	Describes the form of the connectors for the parts appeared in this book. This section is closely related to the wiring diagram.
G	PART NUMBER OF CONNECTORS	Indicates the part number of the connectors used in this manual.
H	OVERALL ELECTRICAL WIRING DIAGRAM	Provides circuit diagrams showing the circuit connections.

B HOW TO USE THIS MANUAL

* The system shown here is an EXAMPLE ONLY. It is different to the actual circuit shown in the wiring diagram section.

HOW TO READ THIS SECTION



[A] : System Title

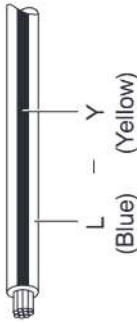
[B] : Indicates the wiring color.

Wire colors are indicated by an alphabetical code.

B = Black W = White BR = Brown
L = Blue V = Violet SB = Sky Blue
R = Red G = Green LG = Light Green
P = Pink Y = Yellow GR = Gray
O = Orange

The first letter indicates the basic wire color and the second letter indicates the color of the stripe.

Example: L - Y



[C] : The position of the parts is the same as shown in the wiring diagram and wire routing.

[D] : Indicates the pin number of the connector.

The numbering system is different for female and male connectors.

Example: Numbered in order from upper left to lower right



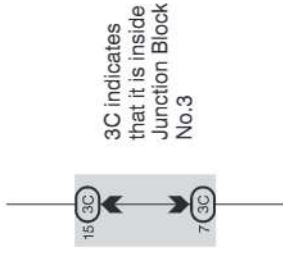
The numbering system for the overall wiring diagram is the same as above.

[E] : Indicates a Relay Block. No shading is used and only the Relay Block No. is shown to distinguish it from the J/B.

Example: ① Indicates Relay Block No.1

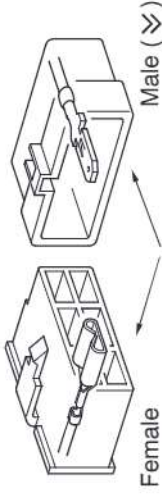
[F] : Junction Block (The number in the circle is the J/B No. and the connector code is shown beside it). Junction Blocks are shaded to clearly separate them from other parts.

Example



[G] : Indicates related system.

[H] : Indicates the wiring harness and wiring harness connector. The wiring harness with male terminal is shown with arrows (↗). Outside numerals are pin numbers.



[I] : () is used to indicate different wiring and connector, etc. when the vehicle model, engine type, or specification is different.

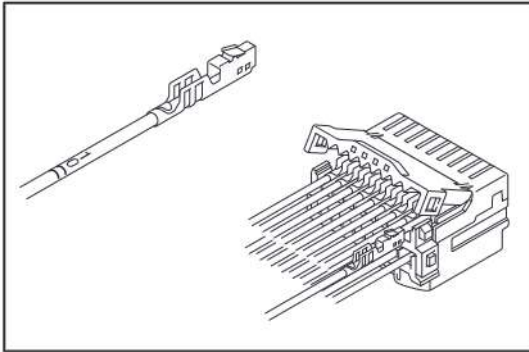
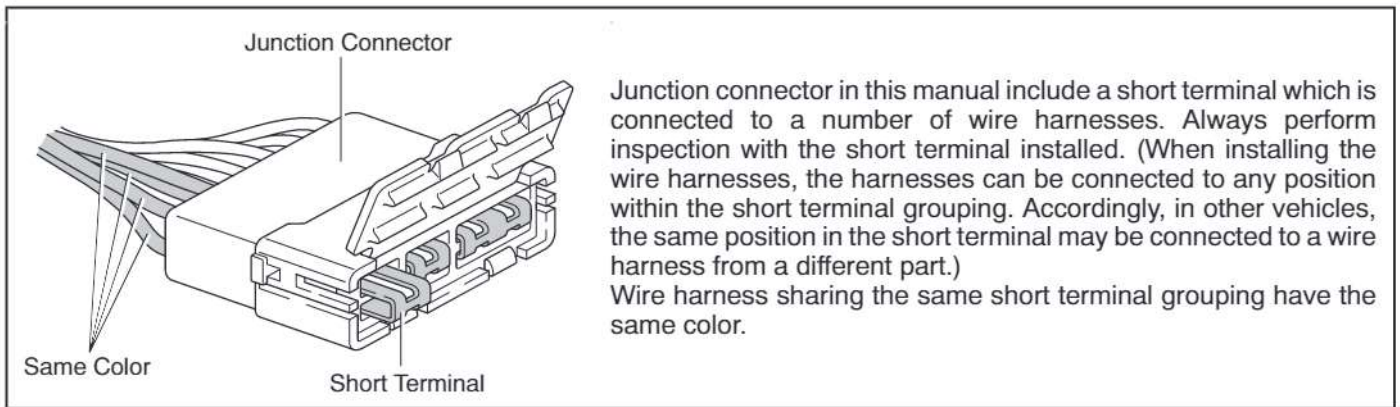
[J] : Indicates a shielded cable.



[K] : Indicates and located on ground point.

[L] : The same code occurring on the next page indicates that the wire harness is continuous.

B HOW TO USE THIS MANUAL



WIRE COLOR AND TERMINAL NUMBER

In some parts of the instrumental panel wiring harness, the same wire color (i.e. SB: Sky Blue) is used for all the wiring to a specific connector.

In order to identify the wiring, the terminal number is printed on the wiring.

Install the wiring to the connector position with the same terminal number.

Some early production Vehicles may not have these terminal numbers printed.

ABBREVIATIONS

The following abbreviations are used in this manual.

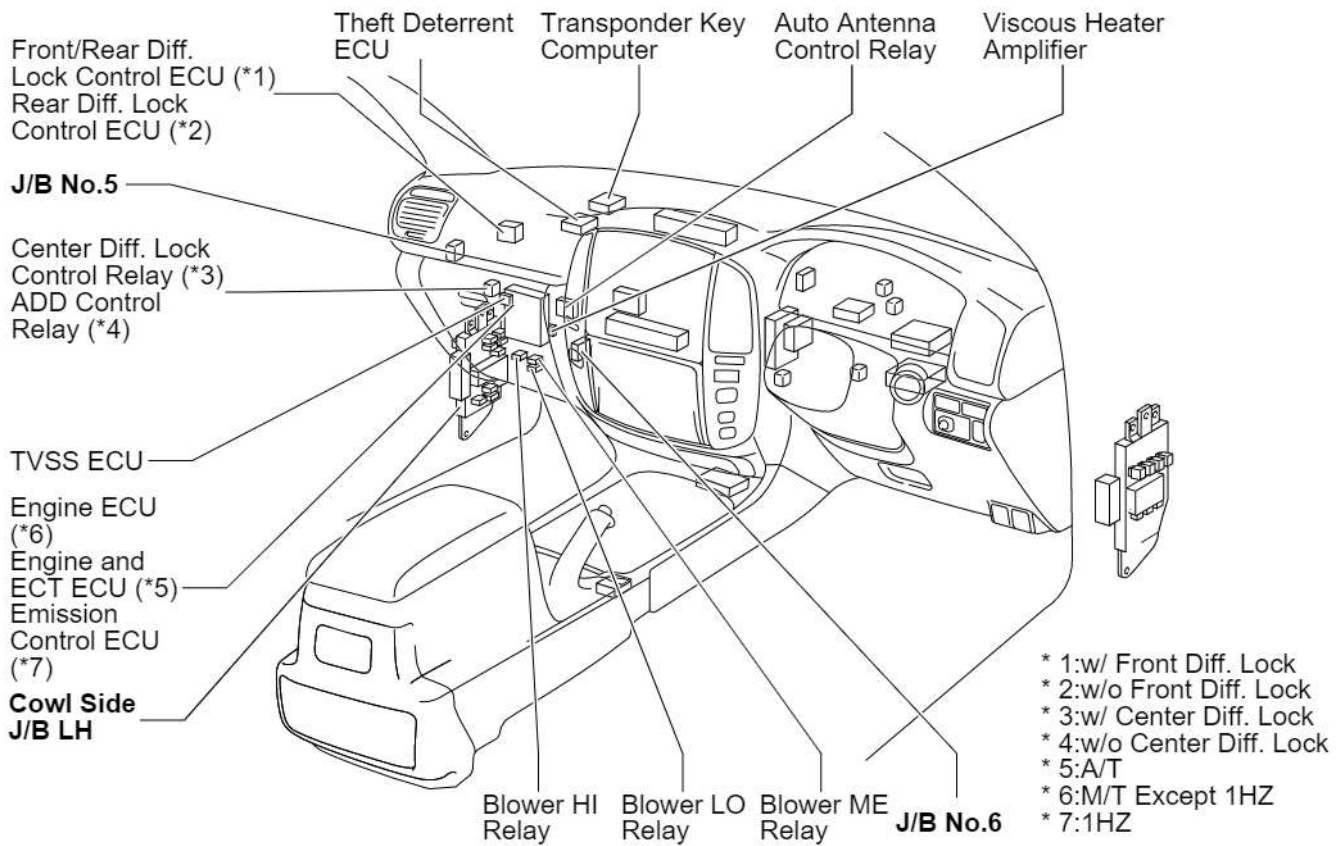
4WD	=	Four Wheel Drive Vehicles
A/C	=	Air Conditioner
A/T	=	Automatic Transmission
ABS	=	Anti-Lock Brake System
ADD	=	Automatic Disconnecting Differential
AHC	=	Active Height Control
BA	=	Brake Assist
BACS	=	Boost Altitude Compensational Stopper
CD	=	Compact Disc
DIFF.	=	Differential
DLC3	=	Data Link Connector 3
EC	=	Electrochromic
ECT	=	Electronic Control Transmission
ECU	=	Electronic Control Unit
EDU	=	Electronic Driving Unit
EFI	=	Electronic Fuel Injection
EGR	=	Exhaust Gas Recirculation
EVAP	=	Evaporative Emission
HID	=	High Intensity Discharge
INT	=	Intermittent
ISC	=	Idle Speed Control
J/B	=	Junction Block
LH	=	Left-Hand
LHD	=	Left-Hand Drive
M/T	=	Manual Transmission
O/D	=	Overdrive
R/B	=	Relay Block
RH	=	Right-Hand
RHD	=	Right-Hand Drive
SRS	=	Supplemental Restraint System
SW	=	Switch
TEMP.	=	Temperature
TRC	=	Traction Control
TVSS	=	TOYOTA Vehicle Security System
VGRS	=	Variable Gear Ratio Steering
VRV	=	Vacuum Regulating Valve
VSC	=	Vehicle Stability Control
VSV	=	Vacuum Switching Valve
w/	=	With
w/o	=	Without

* The titles given inside the components are the names of the terminals (terminal codes) and are not treated as being abbreviations.

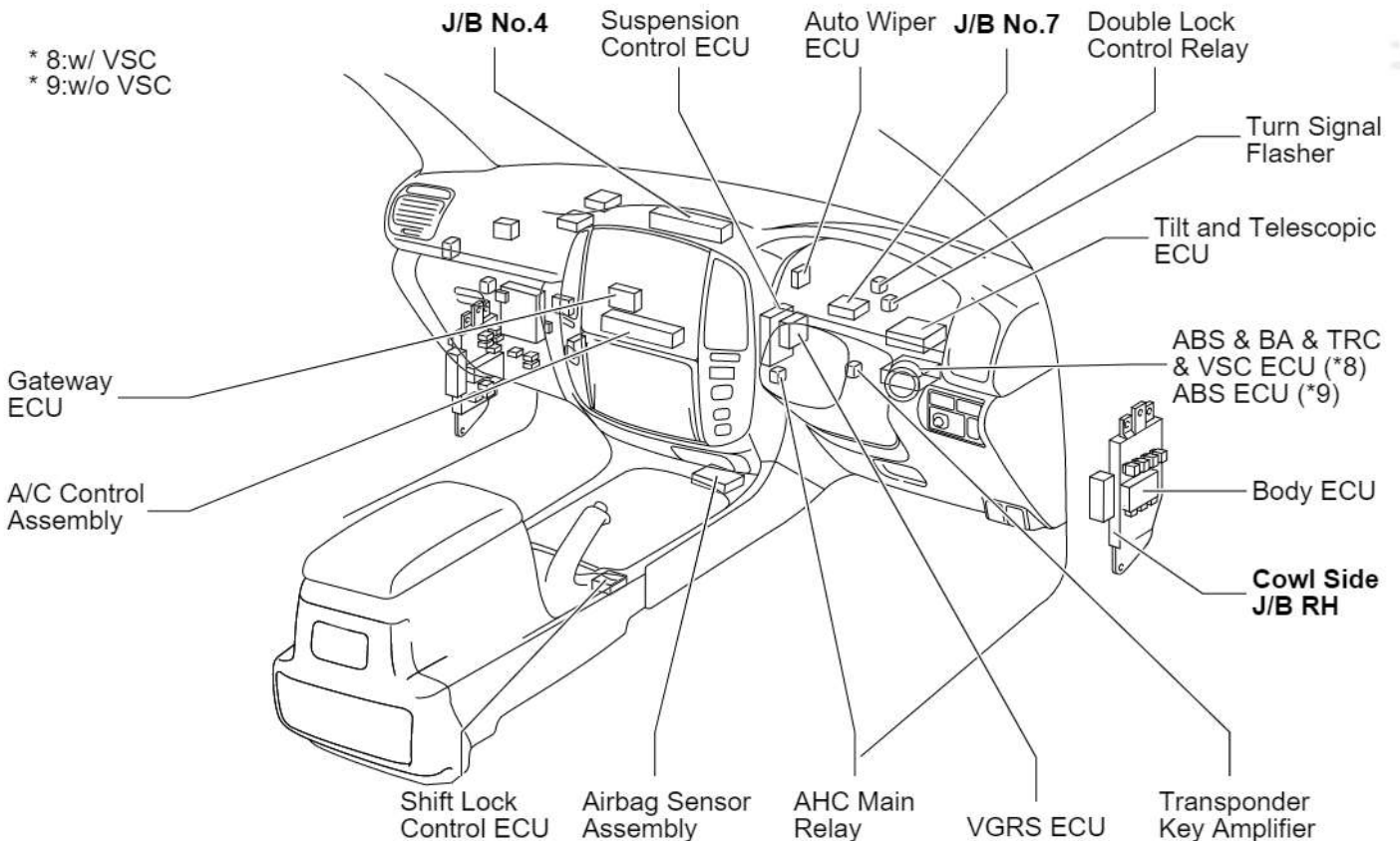
cardiagn.com

D RELAY LOCATIONS

[Instrument Panel] (RHD1)



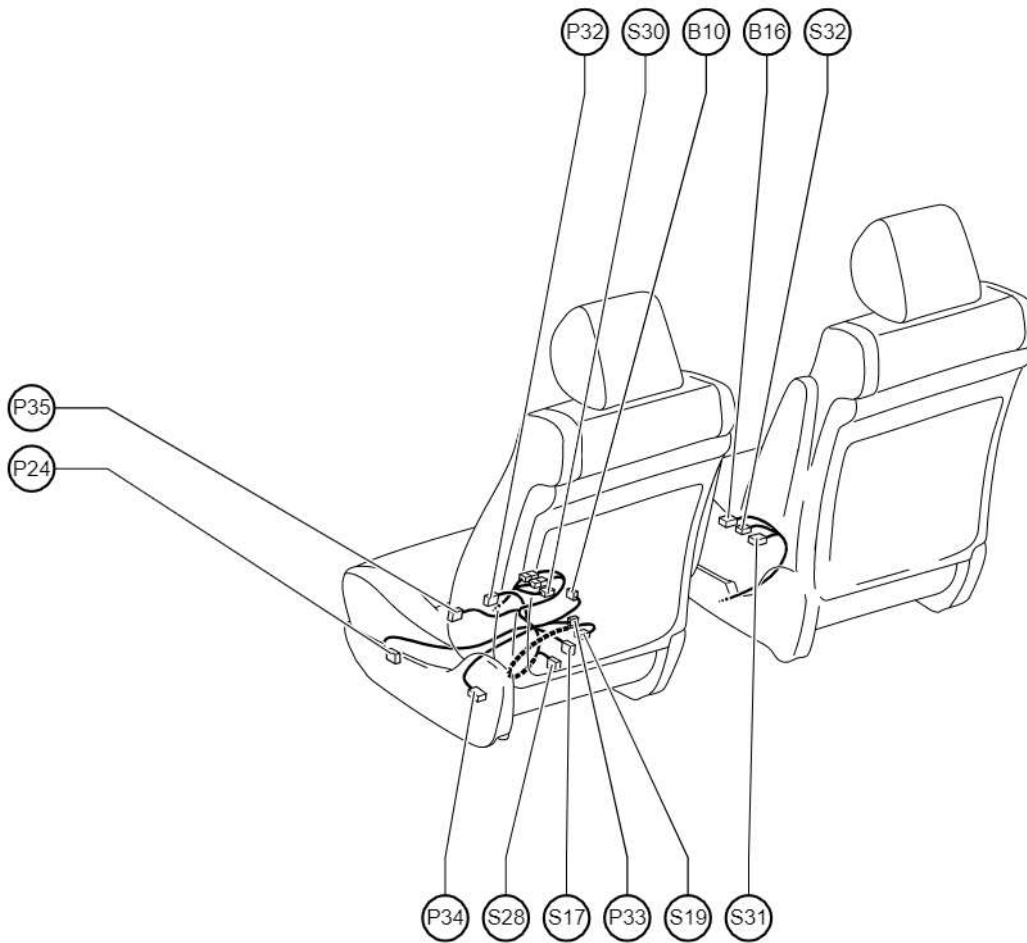
(RHD2)



E ELECTRICAL WIRING ROUTING

Position of Parts in Seat

[RHD : w/ Driving Position Memory]



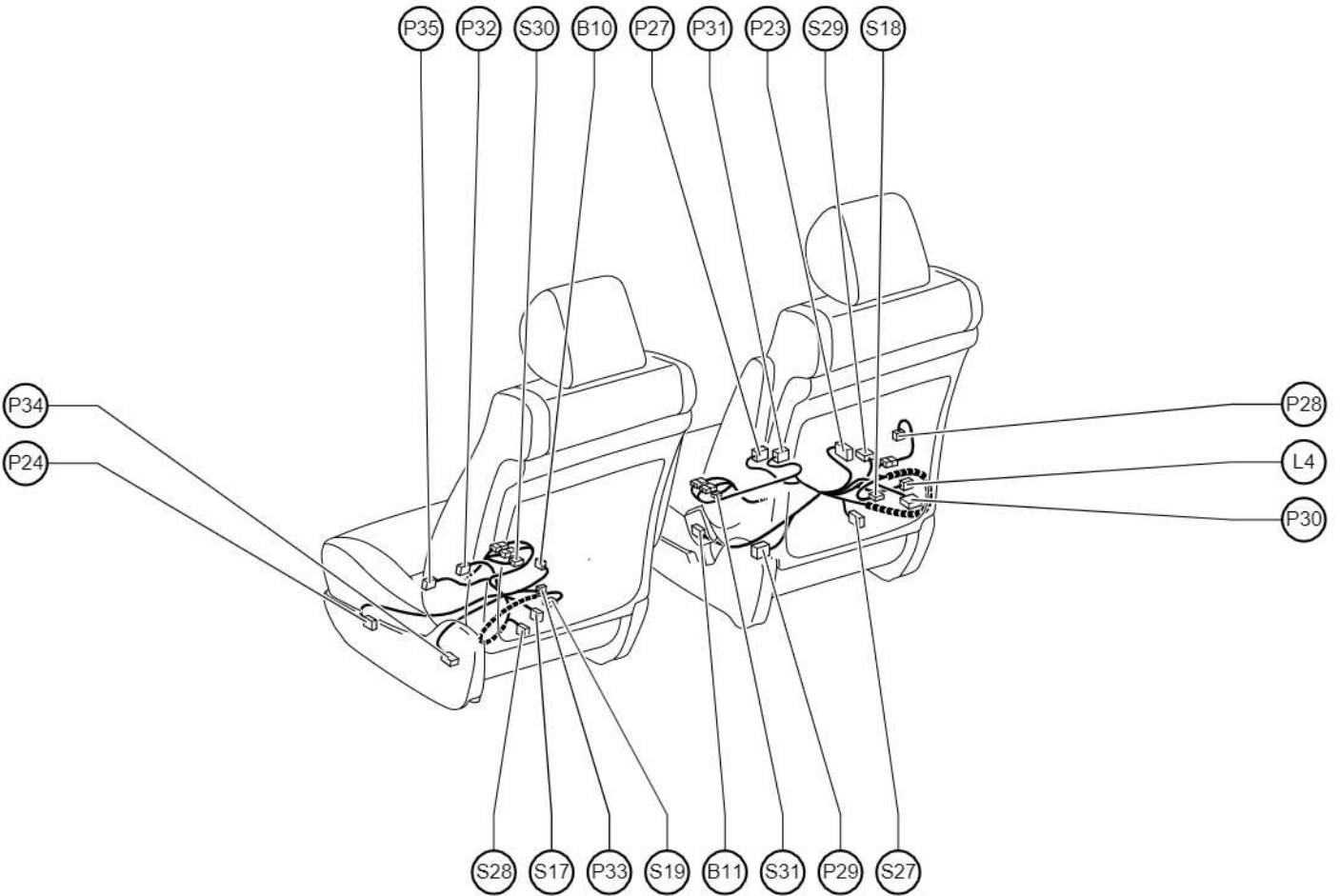
B10 Buckle SW LH
 B16 Buckle SW RH
 Seat Position Sensor

P24 Power Seat Control SW (Front Passenger's Seat)
 P32 Power Seat Motor
 (Front Passenger's Seat Front Vertical Control)
 P33 Power Seat Motor
 (Front Passenger's Seat Rear Vertical Control)
 P34 Power Seat Motor
 (Front Passenger's Seat Reclining Control)
 P35 Power Seat Motor
 (Front Passenger's Seat Slide Control)

S17 Seat Belt Warning Occupant Detection Sensor
 S19 Seat Heater (Front Passenger's Seat)
 S28 Seat Heater (Front Passenger's Seat Cushion)
 S30 Side Airbag Squib LH
 S31 Side Airbag Squib RH
 S32 Seat ECU

Position of Parts in Seat

[RHD : w/o Driving Position Memory]



B10 Buckle SW LH

B11 Buckle SW RH

L 4 Lumbar Support Control SW (Driver's Seat)

P23 Power Seat Control SW (Driver's Seat)

P24 Power Seat Control SW (Front Passenger's Seat)

P27 Power Seat Motor (Driver's Seat Front Vertical Control)

P28 Power Seat Motor
(Driver's Seat Lumbar Support Control)

P29 Power Seat Motor (Driver's Seat Rear Vertical Control)

P30 Power Seat Motor (Driver's Seat Reclining Control)

P31 Power Seat Motor (Driver's Seat Slide Control)

P32 Power Seat Motor
(Front Passenger's Seat Front Vertical Control)

P33 Power Seat Motor
(Front Passenger's Seat Rear Vertical Control)

P34 Power Seat Motor
(Front Passenger's Seat Reclining Control)

P35 Power Seat Motor
(Front Passenger's Seat Slide Control)

S17 Seat Belt Warning Occupant Detection Sensor

S18 Seat Heater (Driver's Seat)

S19 Seat Heater (Front Passenger's Seat)

S27 Seat Heater (Driver's Seat Cushion)

S28 Seat Heater (Front Passenger's Seat Cushion)

S29 Seat Position Sensor

S30 Side Airbag Squib LH

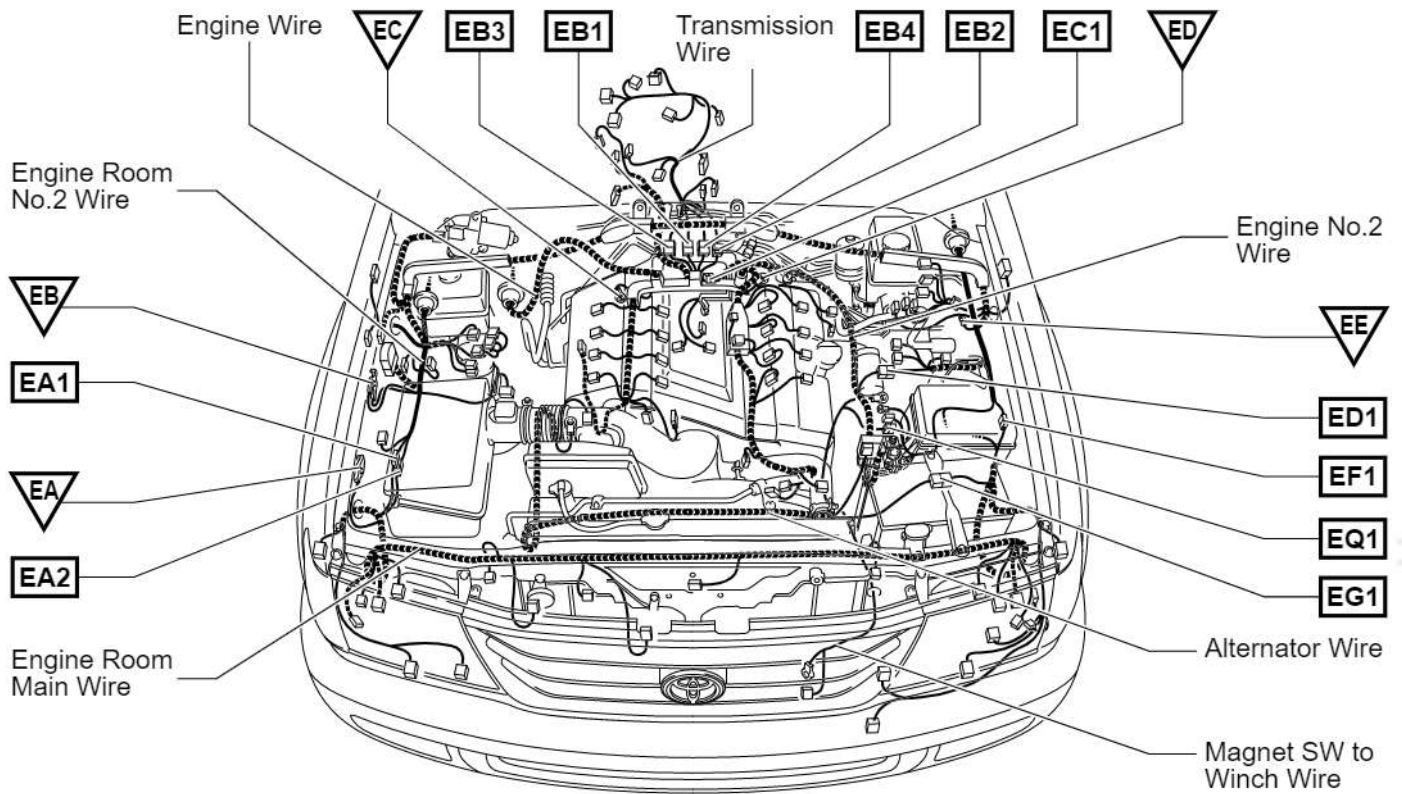
S31 Side Airbag Squib RH

E ELECTRICAL WIRING ROUTING

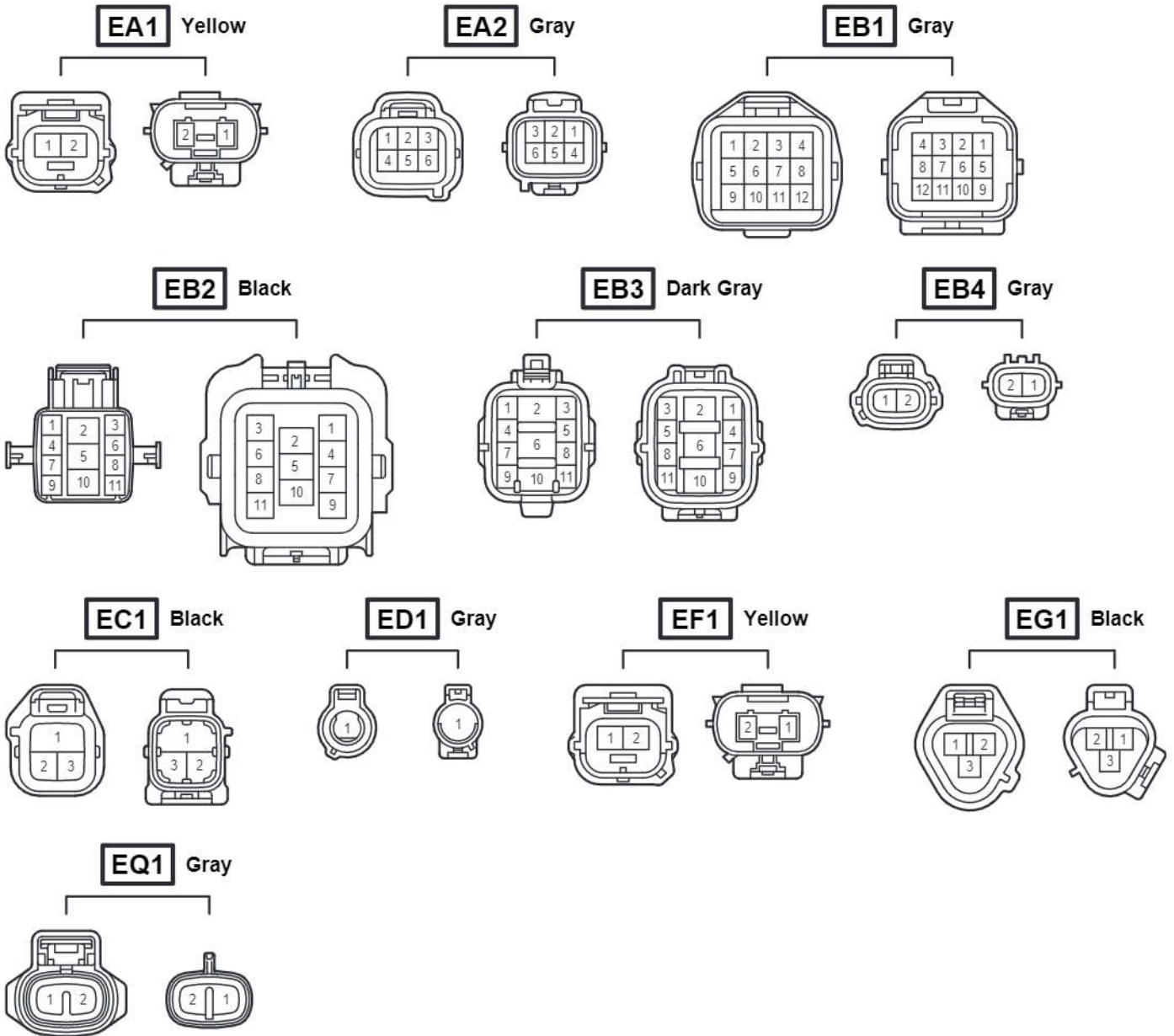
□ : Location of Connector Joining Wire Harness and Wire Harness

▽ : Location of Ground Points

[LHD : 2UZ-FE]



Connector Joining Wire Harness and Wire Harness



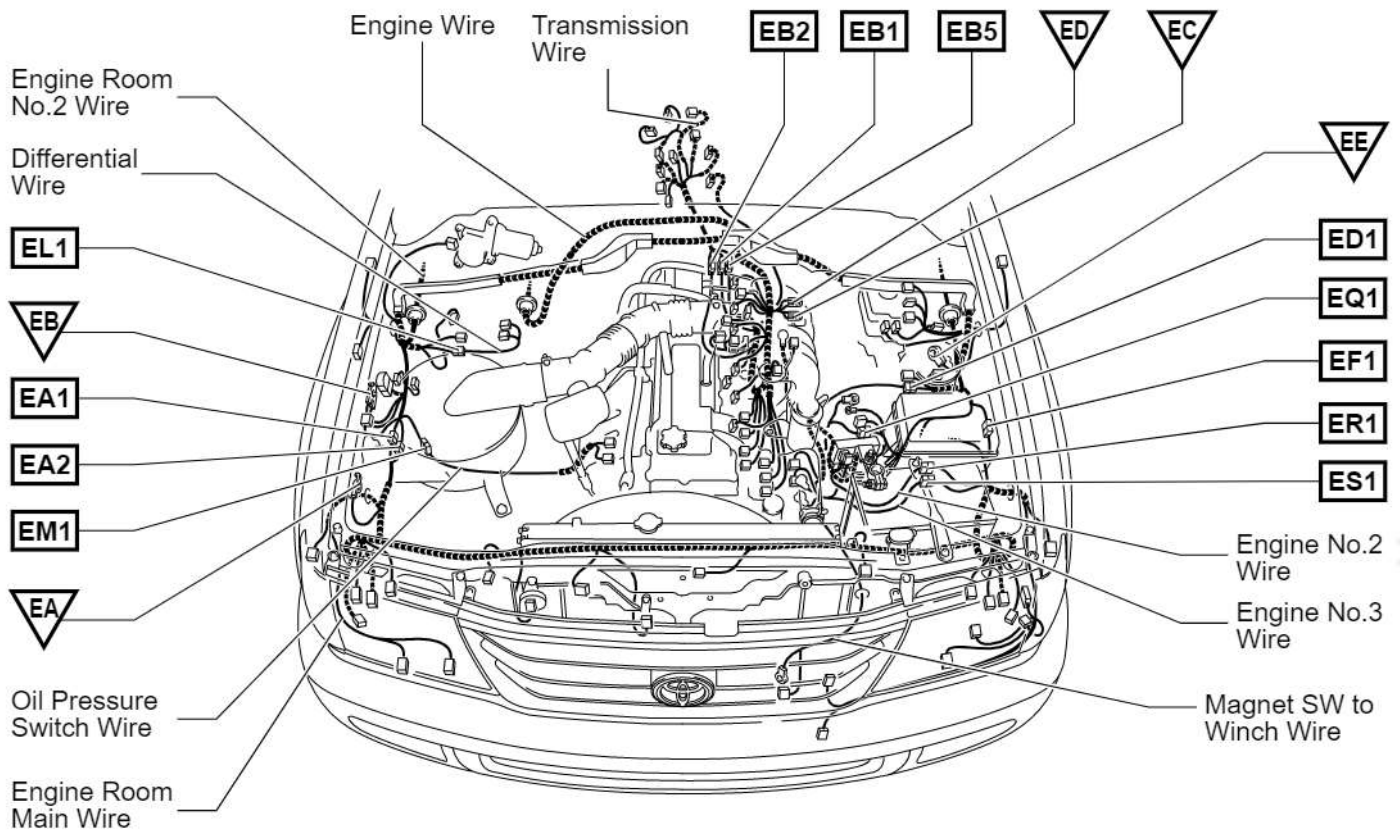
Code	Joining Wire Harness and Wire Harness (Connector Location)
EA1	Engine Room Main Wire and Engine Room No.2 Wire (Engine Compartment Right)
EA2	
EB1	Engine Wire and Transmission Wire (On the Transmission)
EB2	
EB3	
EB4	
EC1	Engine No.2 Wire and Engine Wire (Rear Side of Intake Manifold)
ED1	Engine No.2 Wire and Engine Room No.2 Wire (Near the Engine Room J/B)
EF1	Engine Room No.2 Wire and Engine Room Main Wire (Under the Engine Room J/B)
EG1	Engine Room Main Wire and Alternator Wire (Near the Battery)
EQ1	Engine Room No.2 Wire and Magnet SW to Winch Wire (Near the Engine Room J/B)

E ELECTRICAL WIRING ROUTING

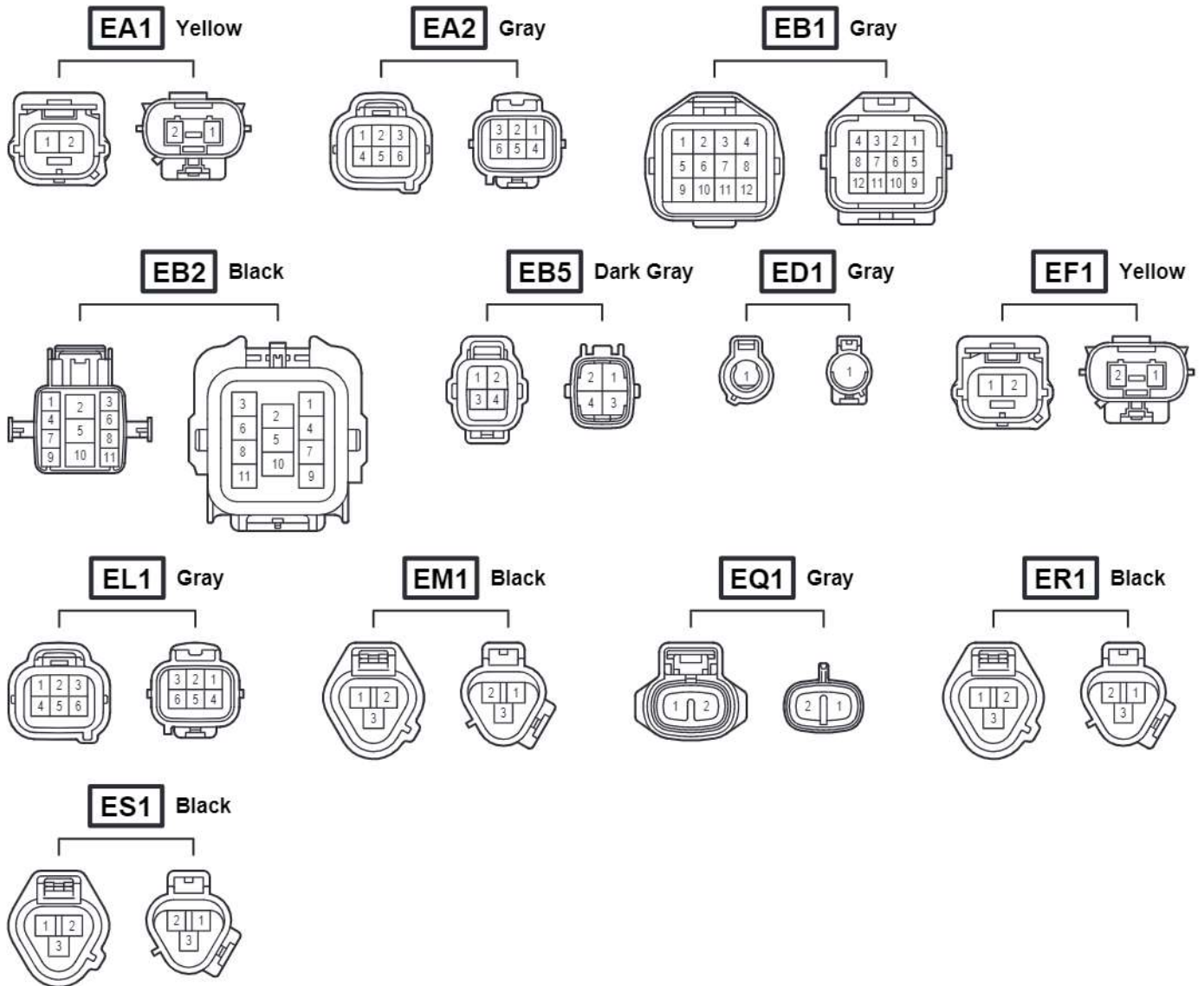
□ : Location of Connector Joining Wire Harness and Wire Harness

▽ : Location of Ground Points

[LHD : 1FZ-FE]



Connector Joining Wire Harness and Wire Harness



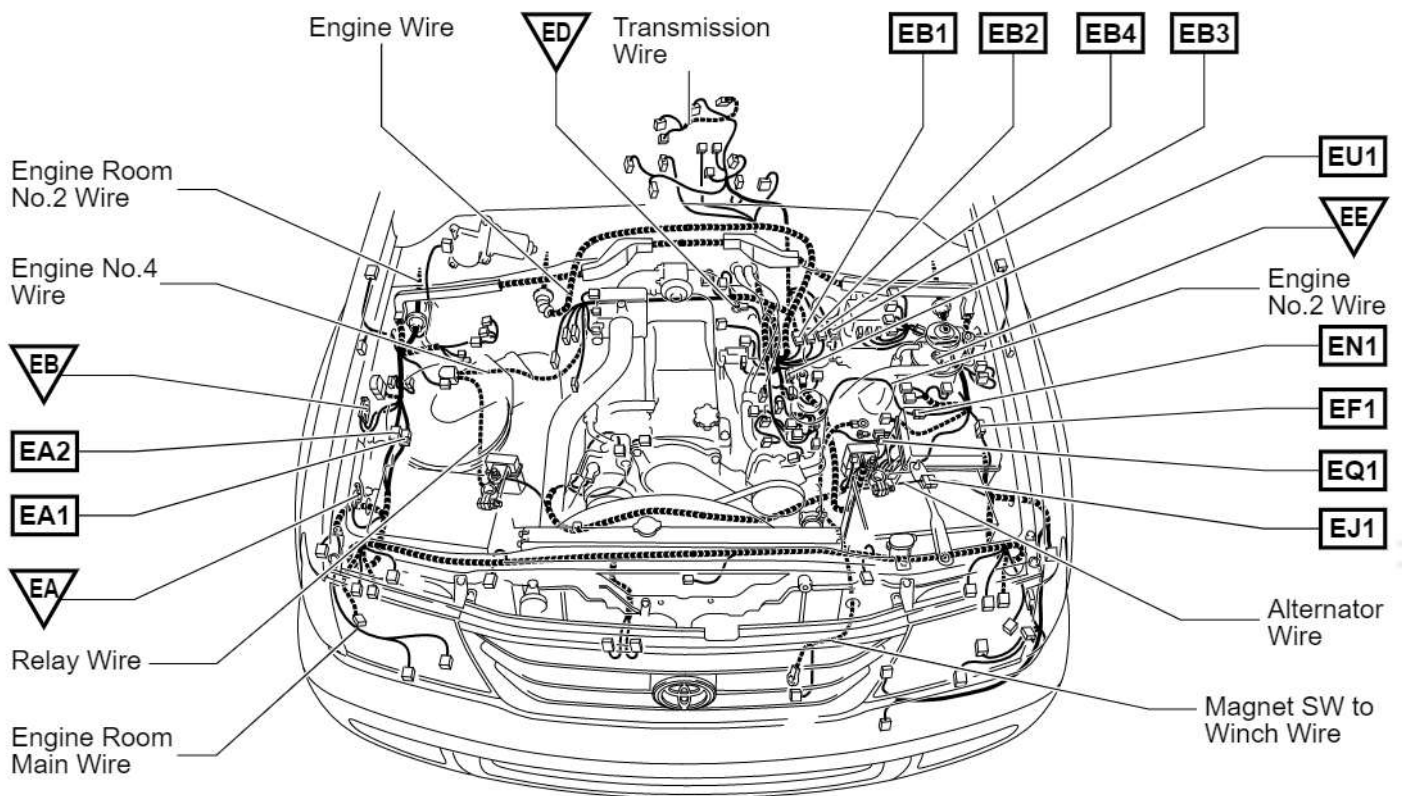
Code	Joining Wire Harness and Wire Harness (Connector Location)
EA1	Engine Room Main Wire and Engine Room No.2 Wire (Engine Compartment Right)
EA2	Engine Room Main Wire and Engine Room No.2 Wire (Engine Compartment Right)
EB1	
EB2	Engine Wire and Transmission Wire (On the Transmission)
EB5	
ED1	Engine No.2 Wire and Engine Room No.2 Wire (Near the Engine Room J/B)
EF1	Engine Room No.2 Wire and Engine Room Main Wire (Under the Engine Room J/B)
EL1	Engine Room No.2 Wire and Differential Wire (Engine Compartment Right)
EM1	Oil Pressure Switch Wire and Engine Room No.2 Wire (Engine Compartment Right)
EQ1	Engine Room No.2 Wire and Magnet SW to Winch Wire (Near the Engine Room J/B)
ER1	Engine Room Main Wire and Engine No.2 Wire (Near the Battery)
ES1	Engine Room Main Wire and Engine No.3 Wire (Near the Battery)

E ELECTRICAL WIRING ROUTING

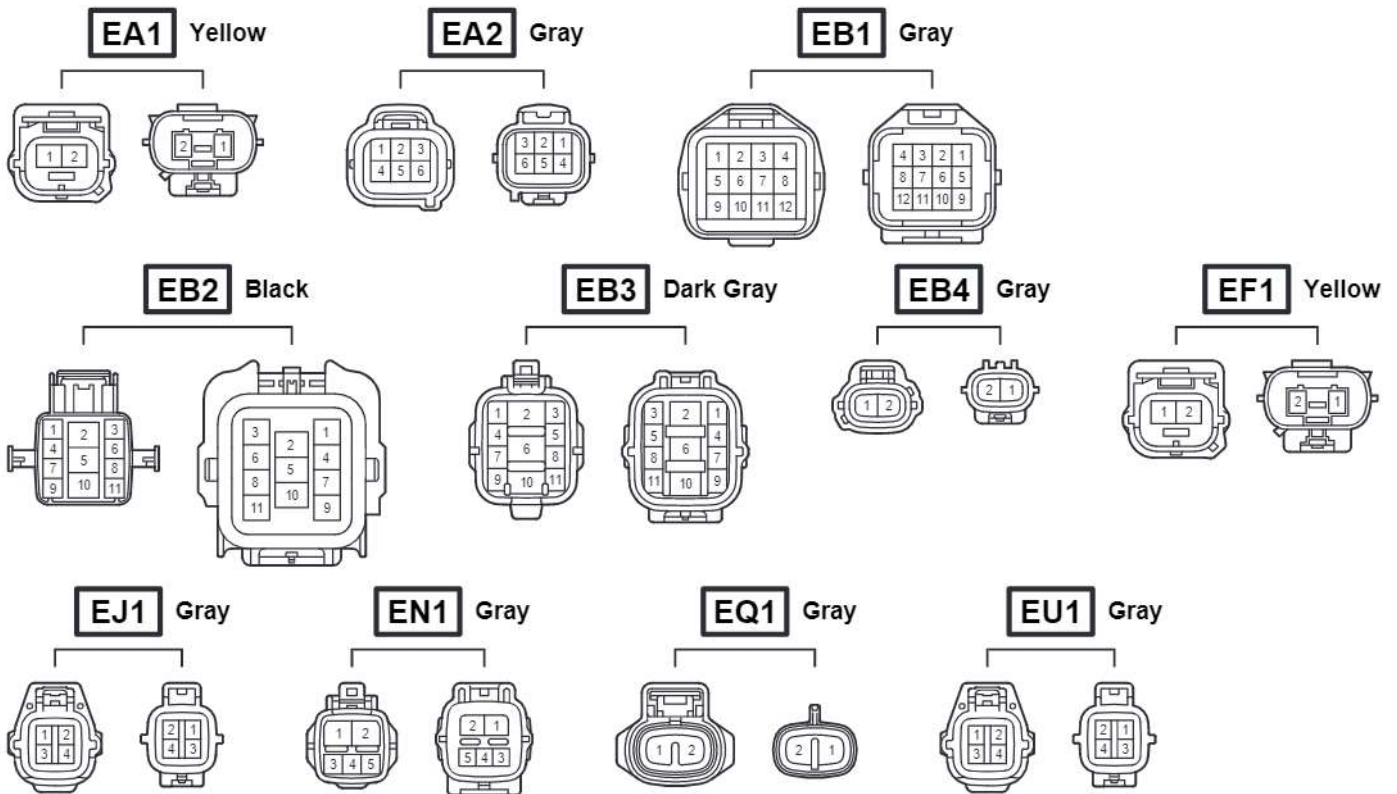
□ : Location of Connector Joining Wire Harness and Wire Harness

▽ : Location of Ground Points

[LHD : 1HD-FTE]



Connector Joining Wire Harness and Wire Harness



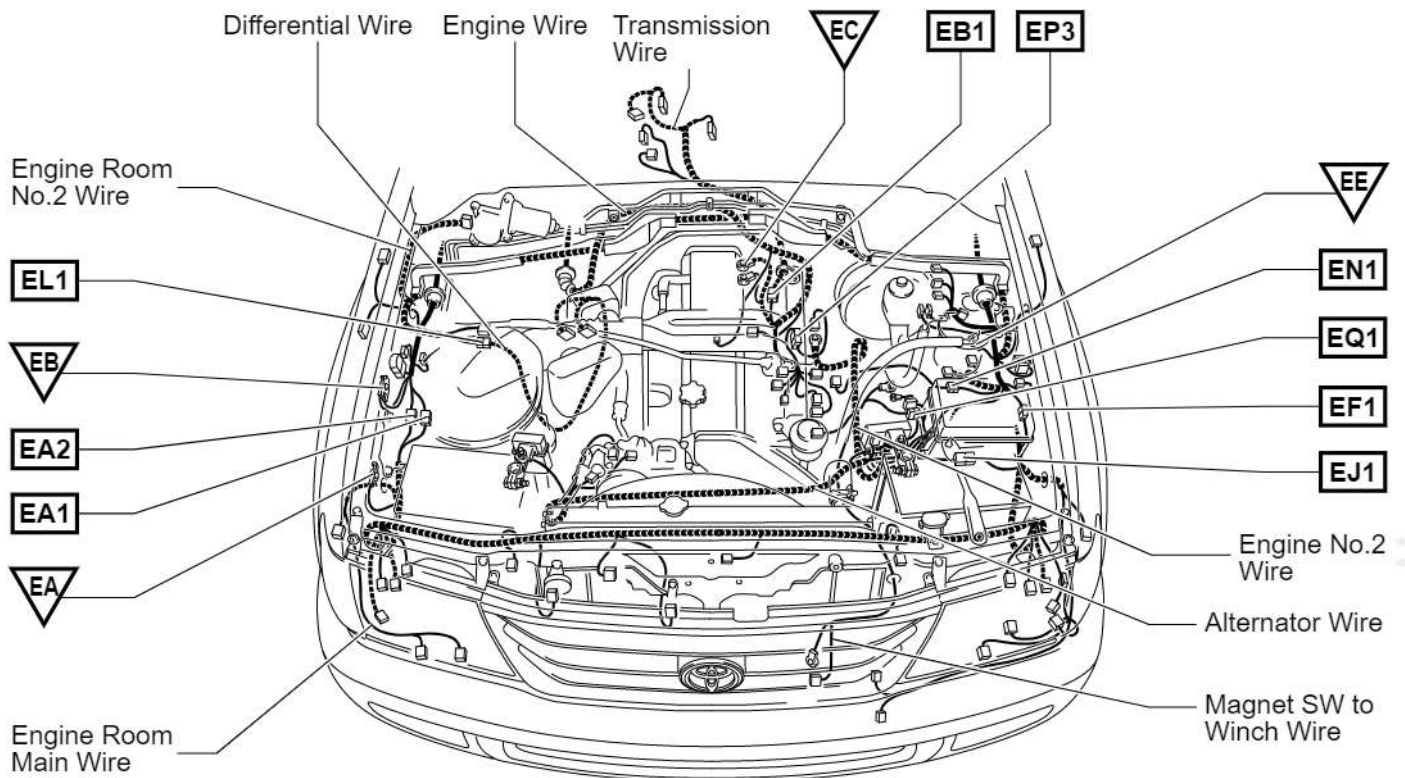
Code	Joining Wire Harness and Wire Harness (Connector Location)
EA1	Engine Room Main Wire and Engine Room No.2 Wire (Engine Compartment Right)
EA2	
EB1	
EB2	Engine Wire and Transmission Wire (On the Transmission)
EB3	
EB4	
EF1	Engine Room No.2 Wire and Engine Room Main Wire (Under the Engine Room J/B)
EJ1	Engine Room Main Wire and Alternator Wire (Near the Battery)
EN1	Engine Room No.2 Wire and Engine No.2 Wire (Near the Engine Room J/B)
EQ1	Engine Room No.2 Wire and Magnet SW to Winch Wire (Near the Engine Room J/B)
EU1	Engine No.2 Wire and Engine Wire (On the Transmission)

E ELECTRICAL WIRING ROUTING

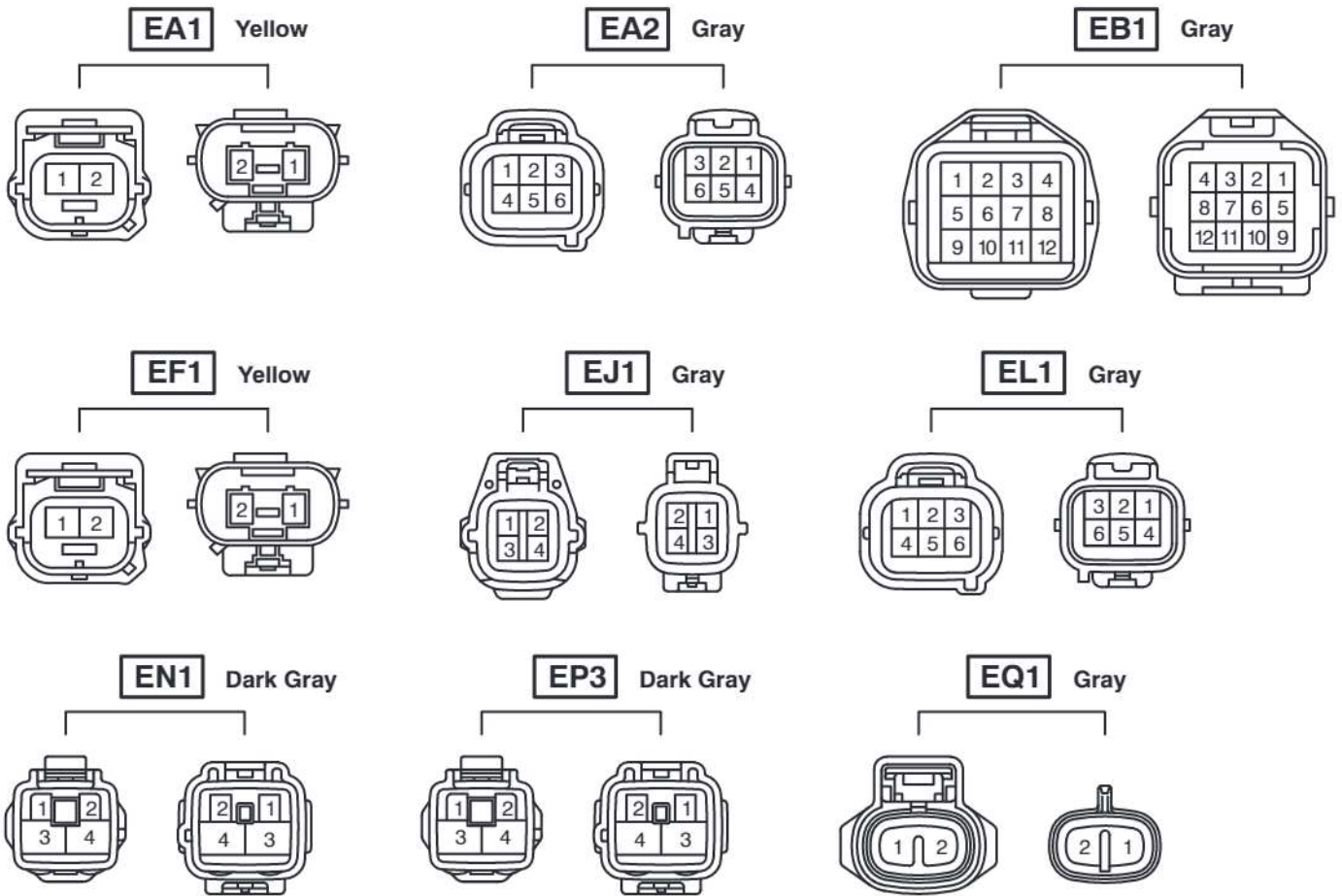
□ : Location of Connector Joining Wire Harness and Wire Harness

▽ : Location of Ground Points

[LHD : 1HZ]

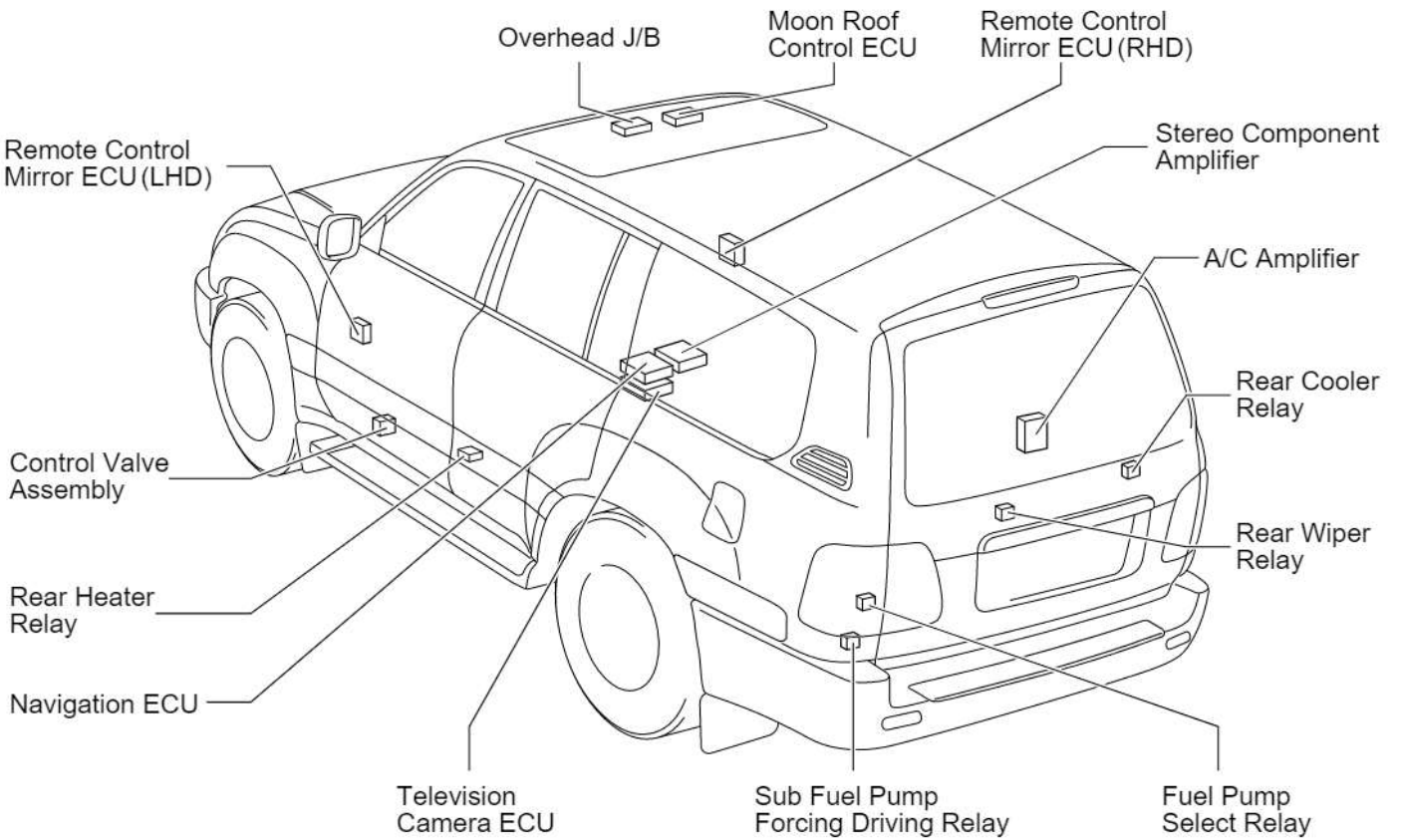


Connector Joining Wire Harness and Wire Harness

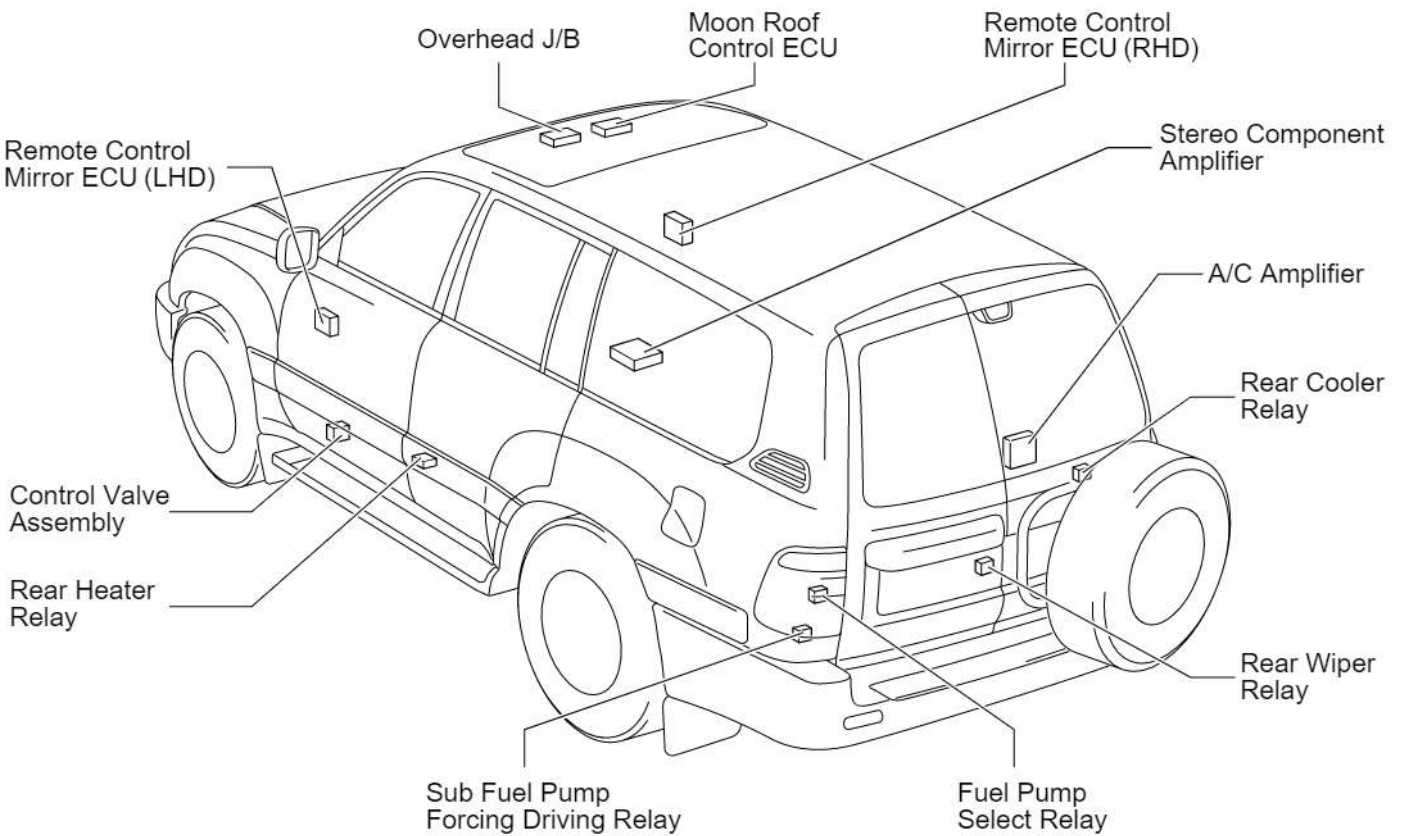


Code	Joining Wire Harness and Wire Harness (Connector Location)
EA1	Engine Room Main Wire and Engine Room No.2 Wire (Engine Compartment Right)
EA2	Engine Room Main Wire and Engine Room No.2 Wire (Engine Compartment Right)
EB1	Engine Wire and Transmission Wire (On the Transmission)
EF1	Engine Room No.2 Wire and Engine Room Main Wire (Under the Engine Room J/B)
EJ1	Engine Room Main Wire and Alternator Wire (Near the Battery)
EL1	Engine Room No.2 Wire and Differential Wire (Engine Compartment Right)
EN1	Engine Room No.2 Wire and Engine No.2 Wire (Near the Engine Room J/B)
EP3	Engine Wire and Engine No.2 Wire (On the Transmission)
EQ1	Engine Room No.2 Wire and Magnet SW to Winch Wire (Near the Engine Room J/B)

**[Body]
(Liftgate Type)**



(Swing Type)

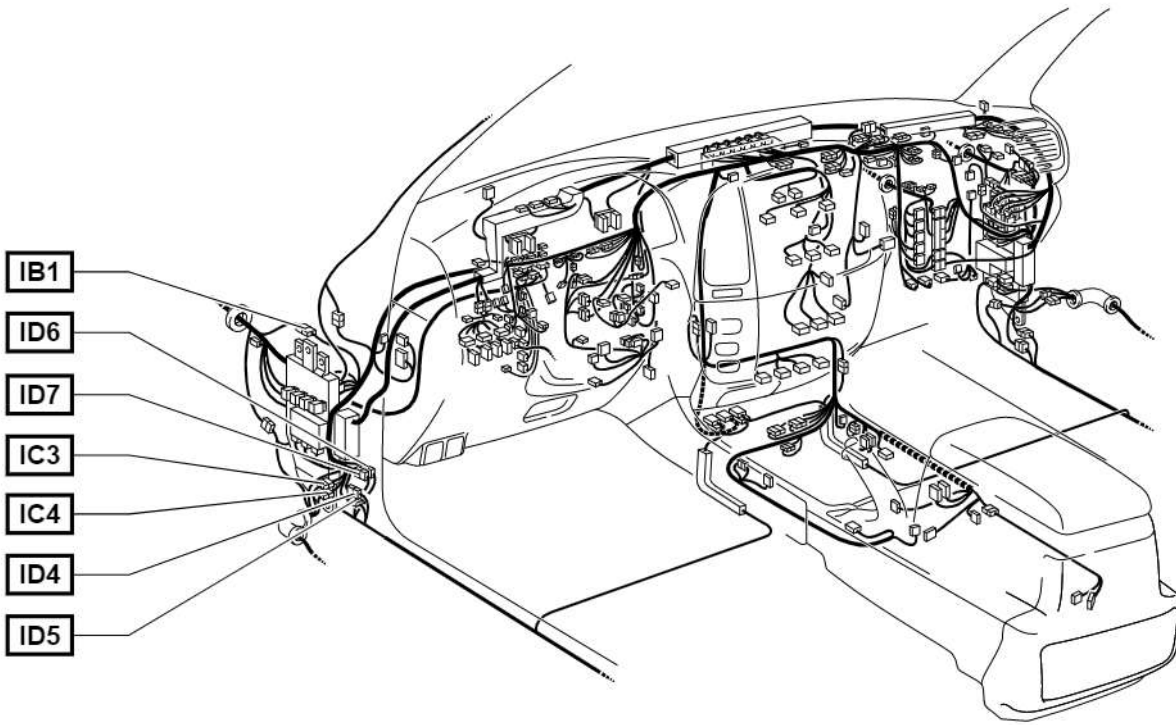


cardiagn.com

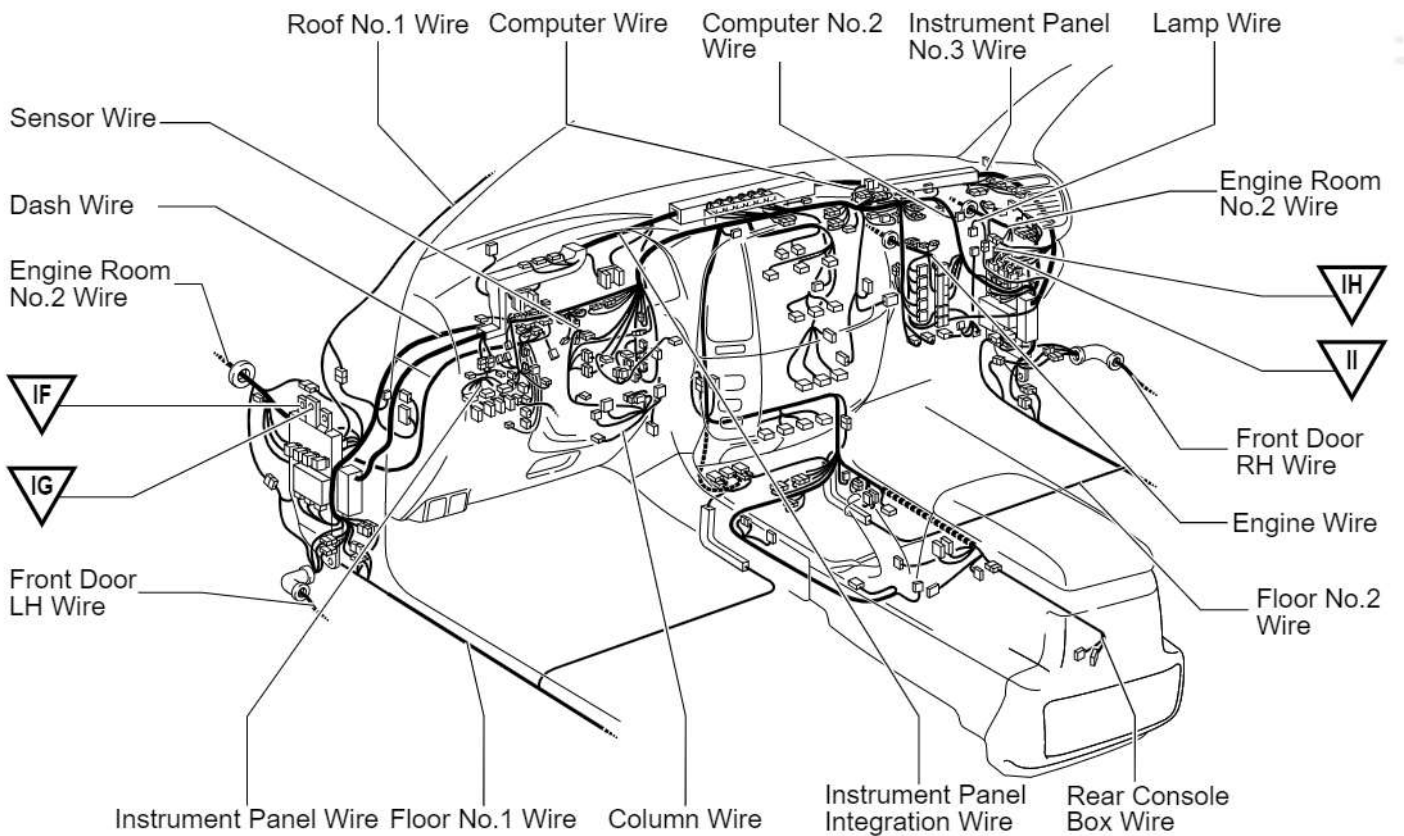
E ELECTRICAL WIRING ROUTING

□ : Location of Connector Joining Wire Harness and Wire Harness

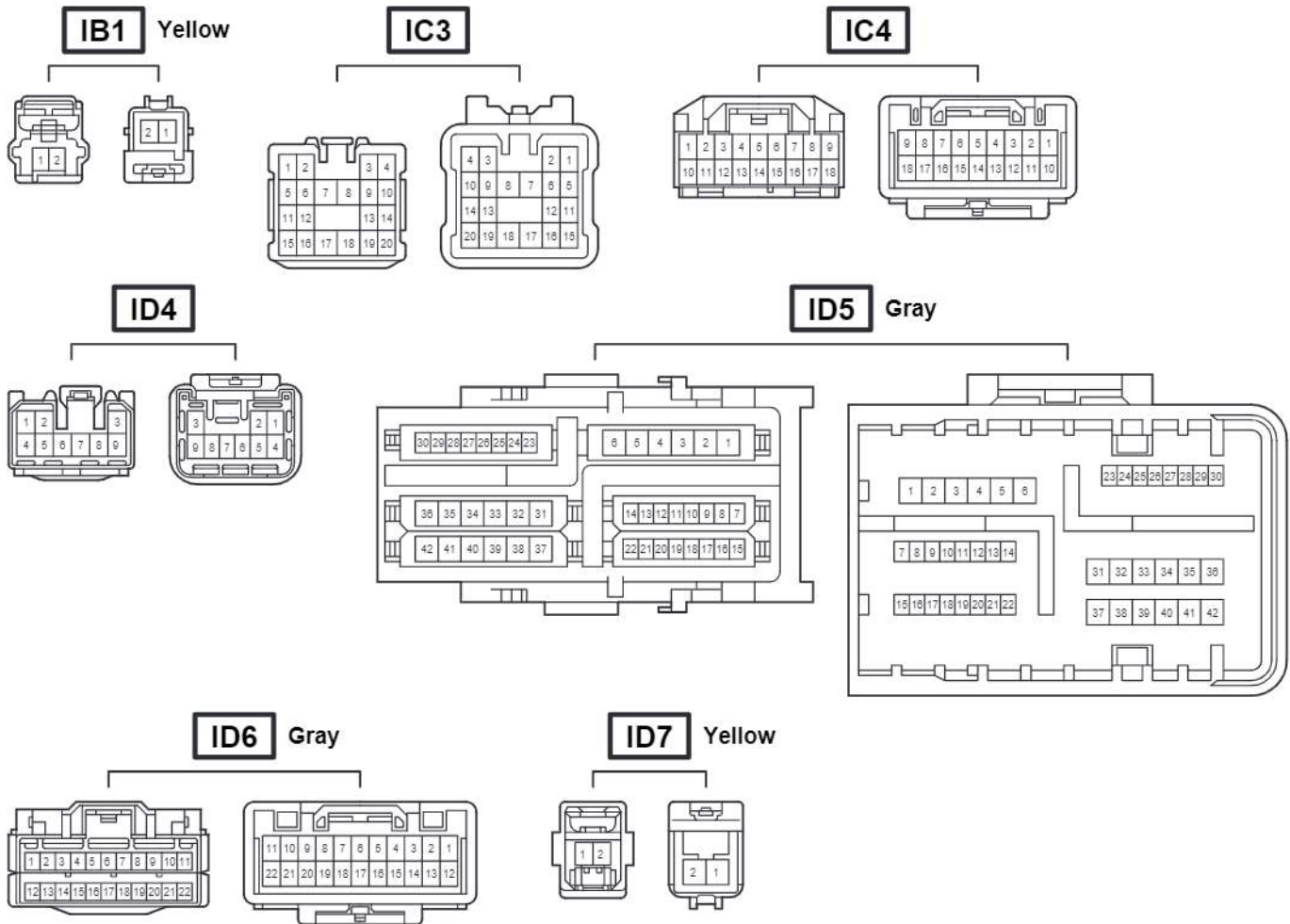
[LHD]



▽ : Location of Ground Points



Connector Joining Wire Harness and Wire Harness

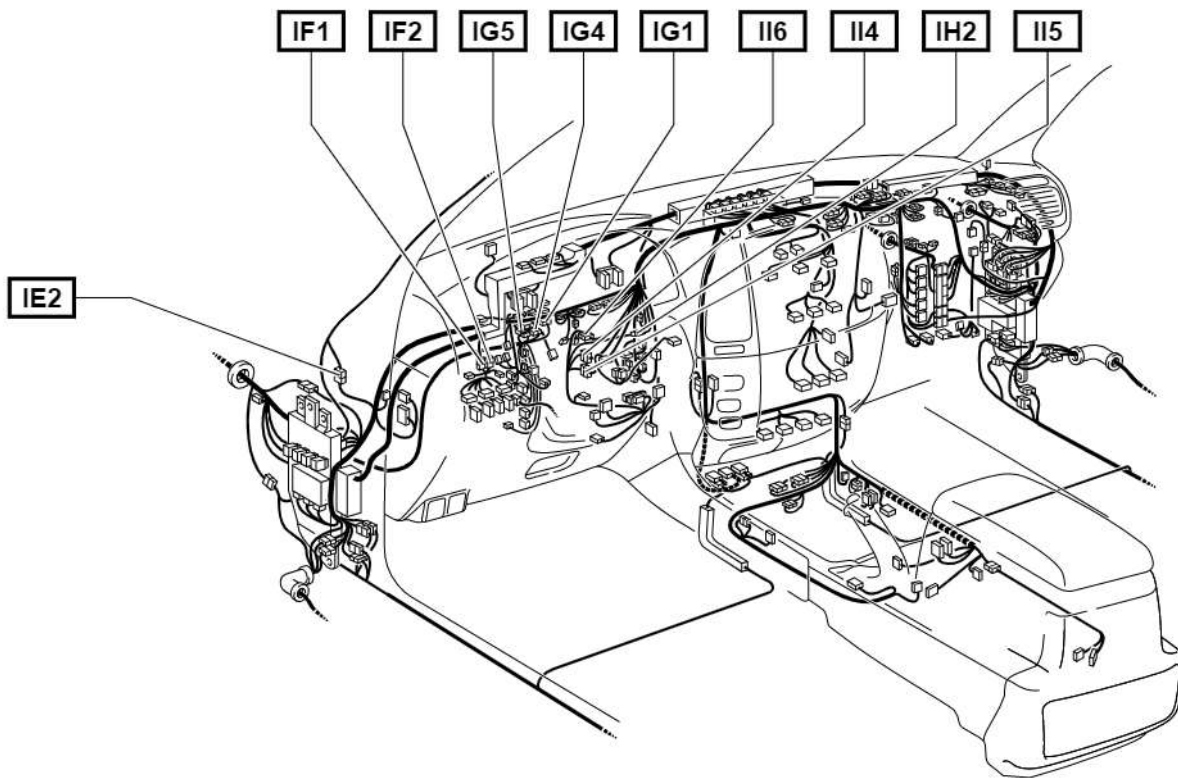


Code	Joining Wire Harness and Wire Harness (Connector Location)
IB1	Engine Room No.2 Wire and Dash Wire (Left Kick Panel)
IC3	Front Door LH Wire and Dash Wire (Left Kick Panel)
IC4	
ID4	Dash Wire and Floor No.1 Wire (Left Kick Panel)
ID5	
ID6	
ID7	

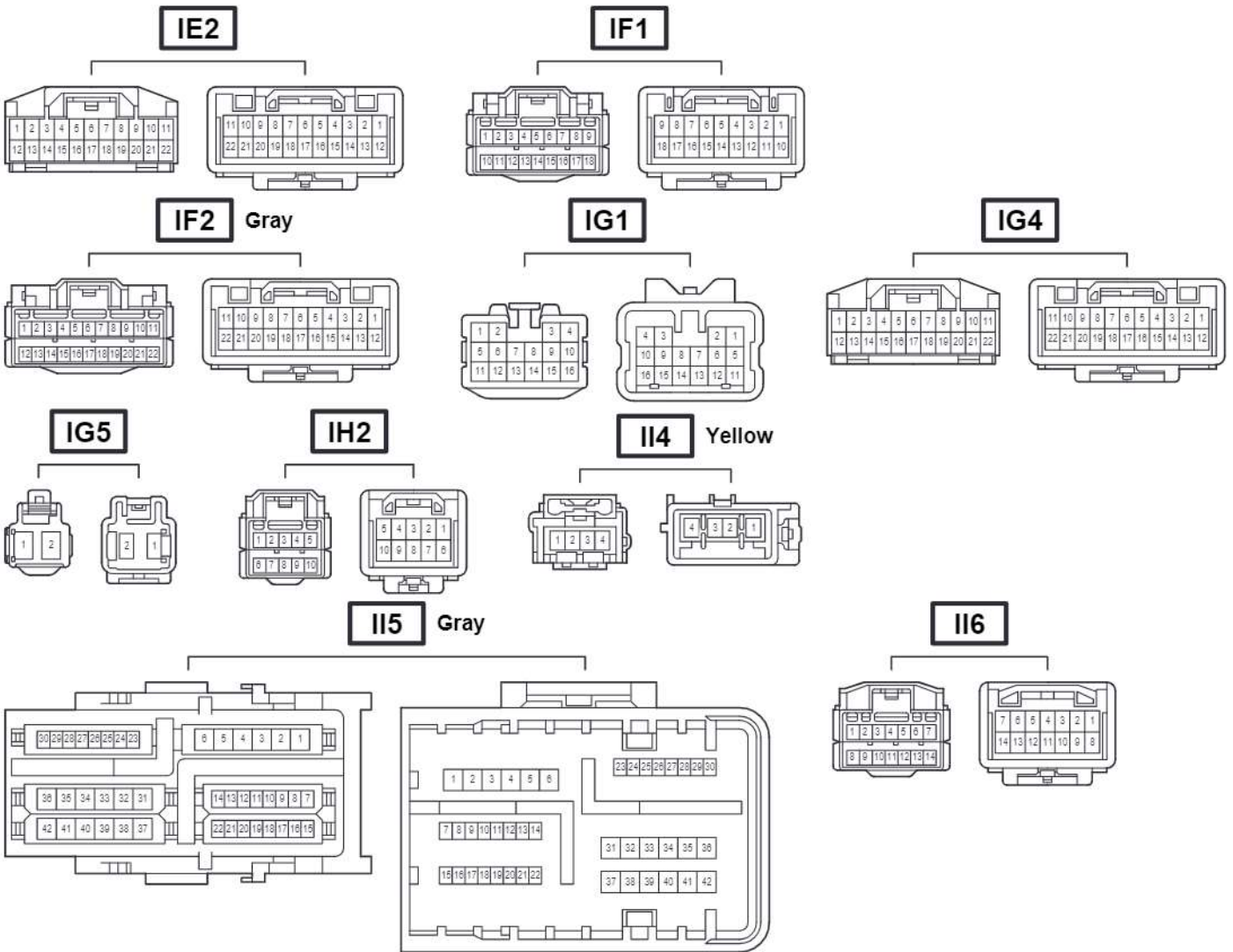
E ELECTRICAL WIRING ROUTING

□ : Location of Connector Joining Wire Harness and Wire Harness

[LHD]



Connector Joining Wire Harness and Wire Harness

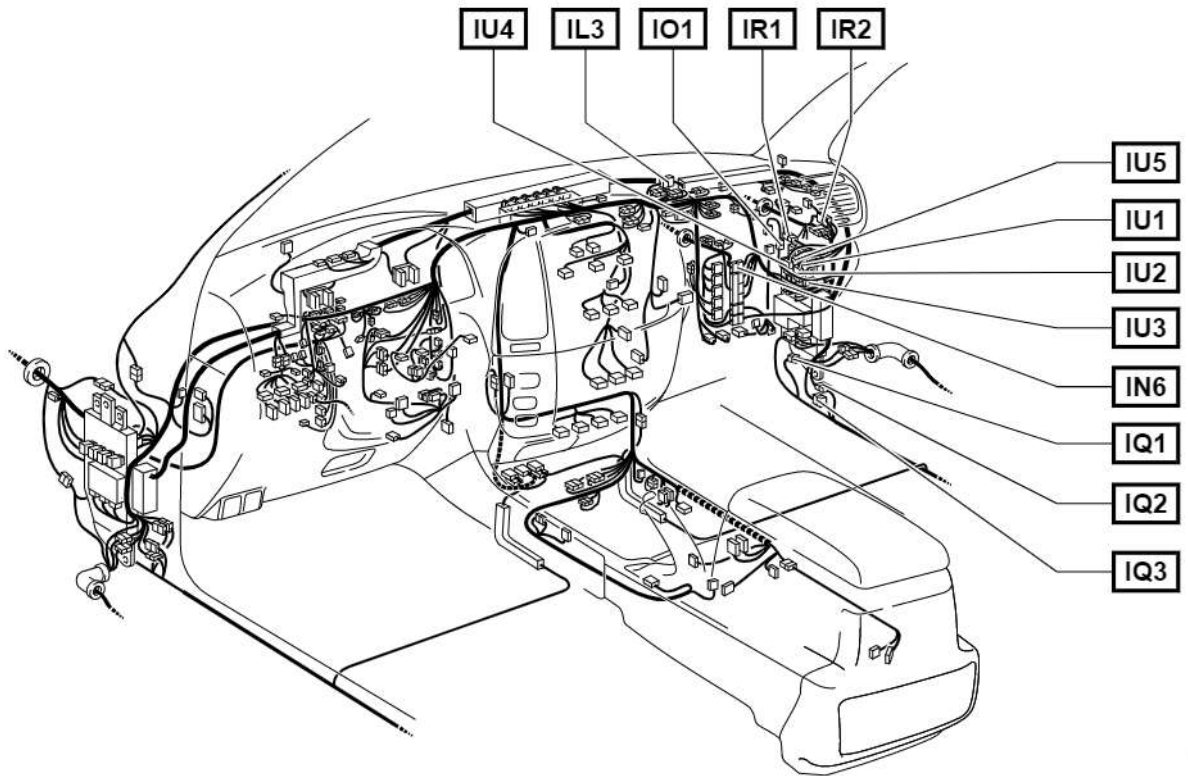


Code	Joining Wire Harness and Wire Harness (Connector Location)
IE2	Dash Wire and Roof No.1 Wire (Left Kick Panel)
IF1	Instrument Panel Integration Wire and Instrument Panel Wire (Left Side of Instrument Panel)
IF2	
IG1	
IG4	Engine Room No.2 Wire and Dash Wire (Behind the Combination Meter)
IG5	
IH2	Instrument Panel Integration Wire and Column Wire (Near the Steering Column)
II4	
II5	Dash Wire and Column Wire (Near the Steering Column)
II6	

E ELECTRICAL WIRING ROUTING

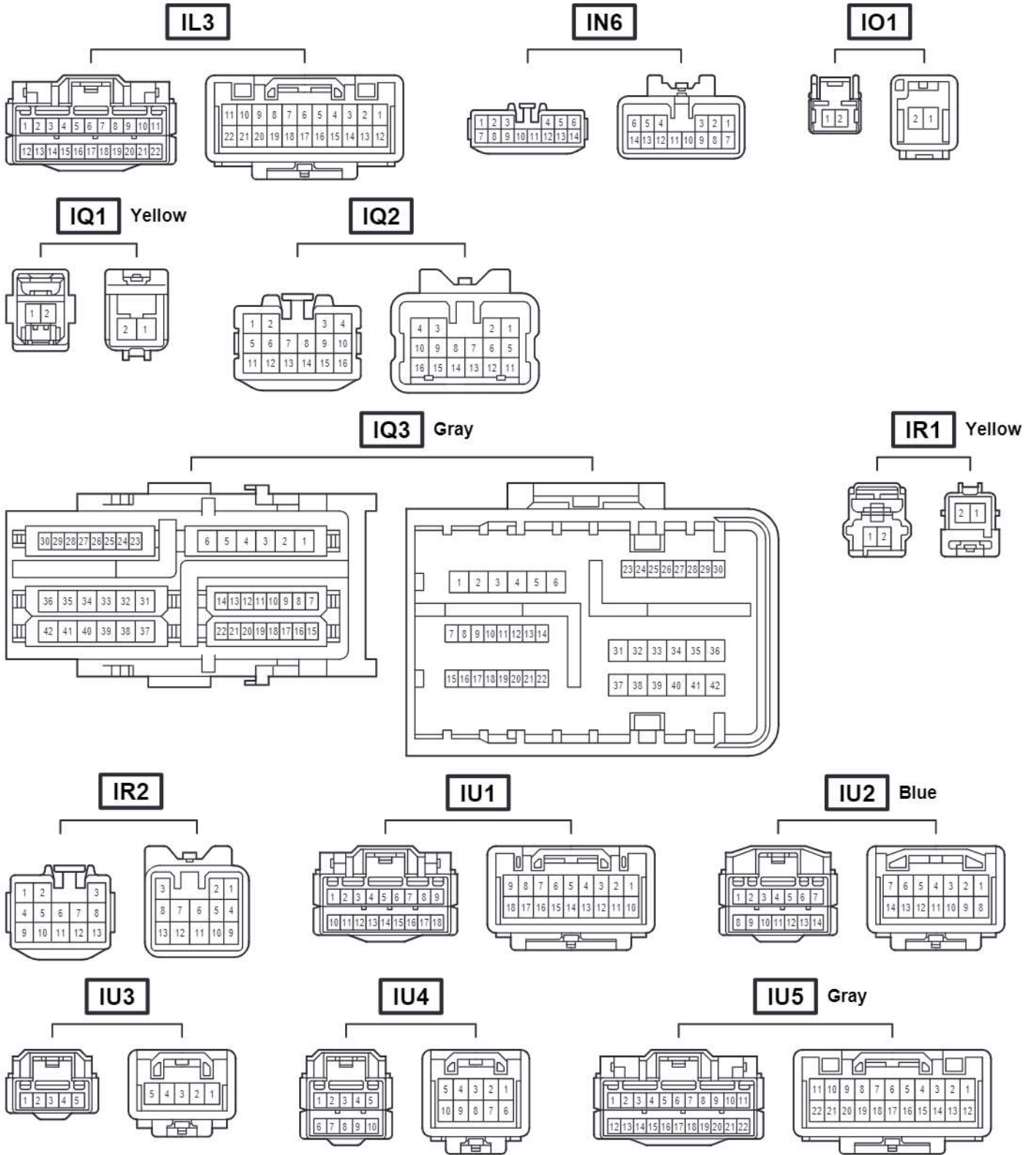
□ : Location of Connector Joining Wire Harness and Wire Harness

[LHD]



Code	Joining Wire Harness and Wire Harness (Connector Location)
IL3	Instrument Panel Integration Wire and Computer Wire (Instrument Panel Center)
IN6	Engine Wire and Dash Wire (Behind the Glove Box)
IO1	Instrument Panel Integration Wire and Lamp Wire (Behind the Glove Box)
IQ1	
IQ2	Dash Wire and Floor No.2 Wire (Right Kick Panel)
IQ3	
IR1	Engine Room No.2 Wire and Dash Wire (Right Kick Panel)
IR2	
IU1	
IU2	
IU3	Instrument Panel Integration Wire and Dash Wire (Behind the Glove Box)
IU4	
IU5	

Connector Joining Wire Harness and Wire Harness

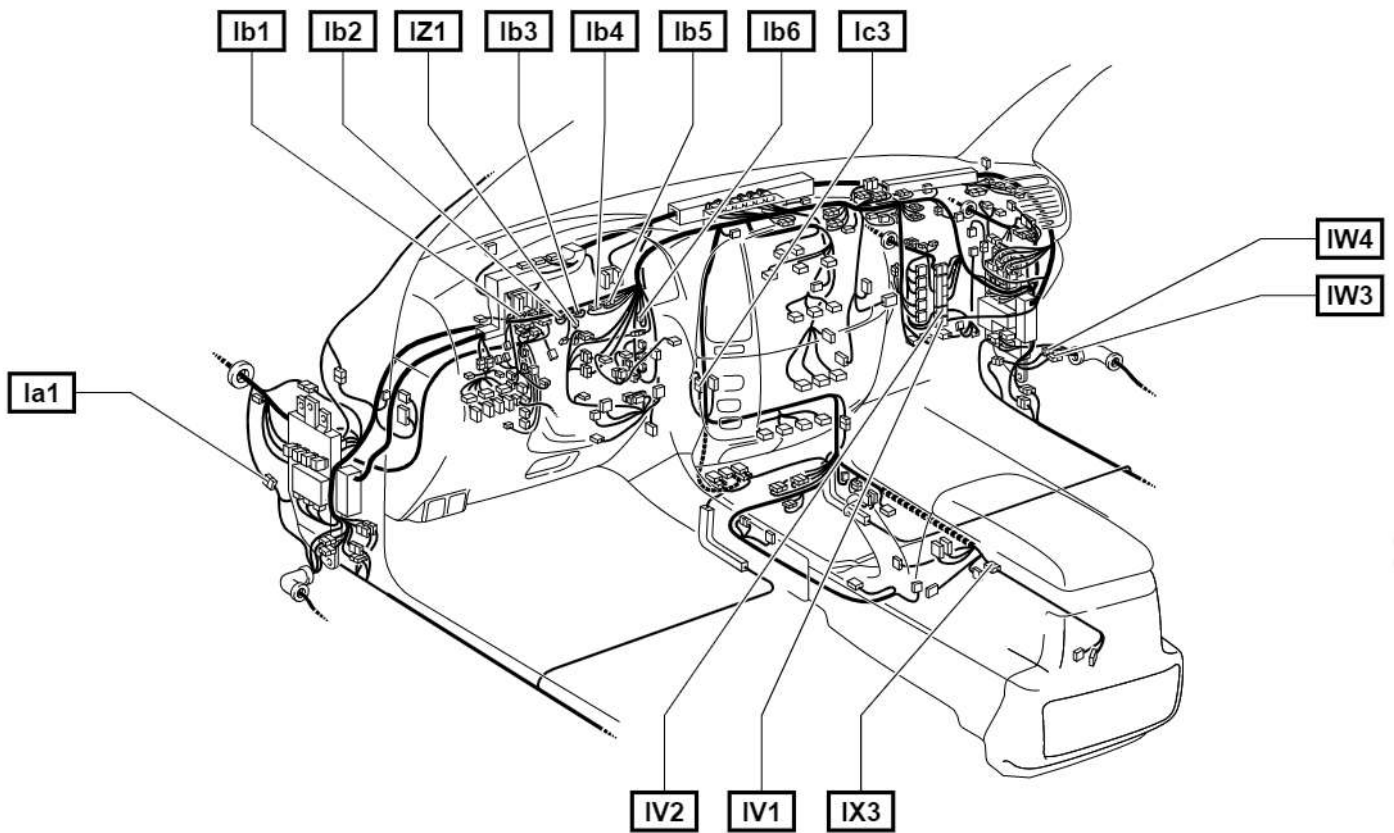


cardiagn.com

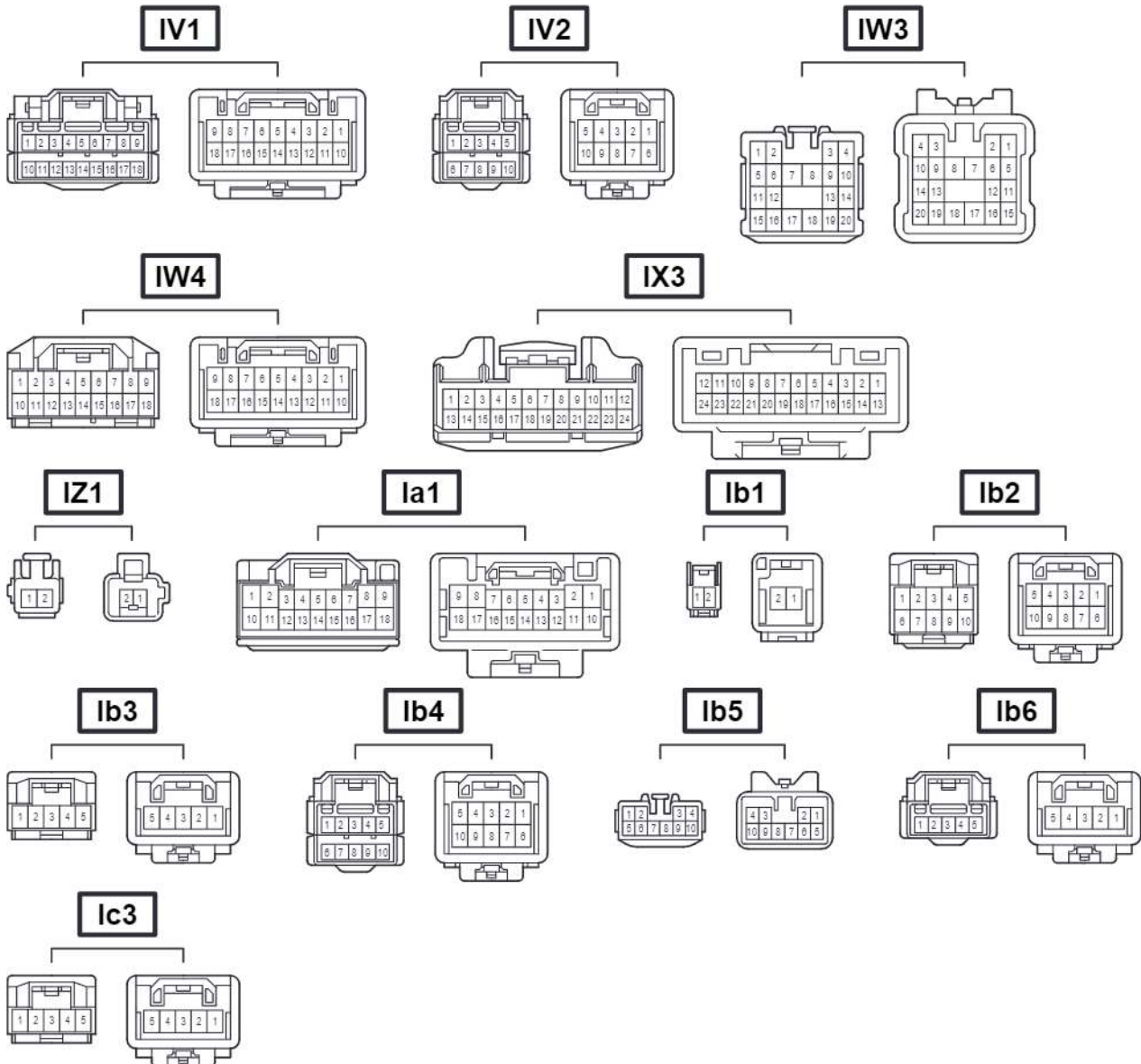
E ELECTRICAL WIRING ROUTING

□ : Location of Connector Joining Wire Harness and Wire Harness

[LHD]



Connector Joining Wire Harness and Wire Harness



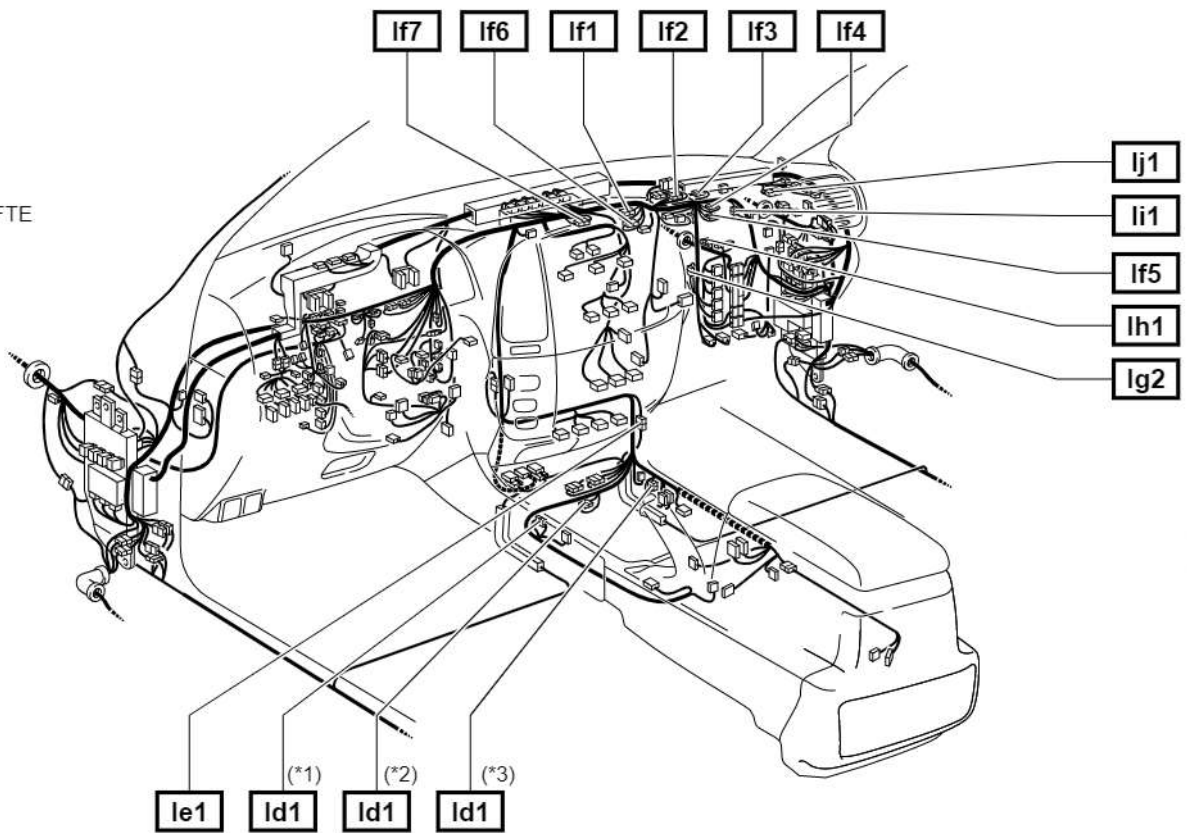
Code	Joining Wire Harness and Wire Harness (Connector Location)
IV1	Instrument Panel Integration Wire and Engine Wire (Behind the Glove Box)
IV2	Instrument Panel Integration Wire and Engine Wire (Behind the Glove Box)
IW3	Front Door RH Wire and Dash Wire (Right Kick Panel)
IW4	Front Door RH Wire and Dash Wire (Right Kick Panel)
IX3	Rear Console Box Wire and Dash Wire (Right Side of Rear Console)
IZ1	Dash Wire and Sensor Wire (Behind the Combination Meter)
Ia1	Engine Room No.2 Wire and Floor No.1 Wire (Left Kick Panel)
Ib1	Dash Wire and Dash Wire (Behind the Combination Meter)
Ib2	
Ib3	
Ib4	
Ib5	
Ib6	
Ic3	Dash Wire and Dash Wire (Behind the Center Panel)

E ELECTRICAL WIRING ROUTING

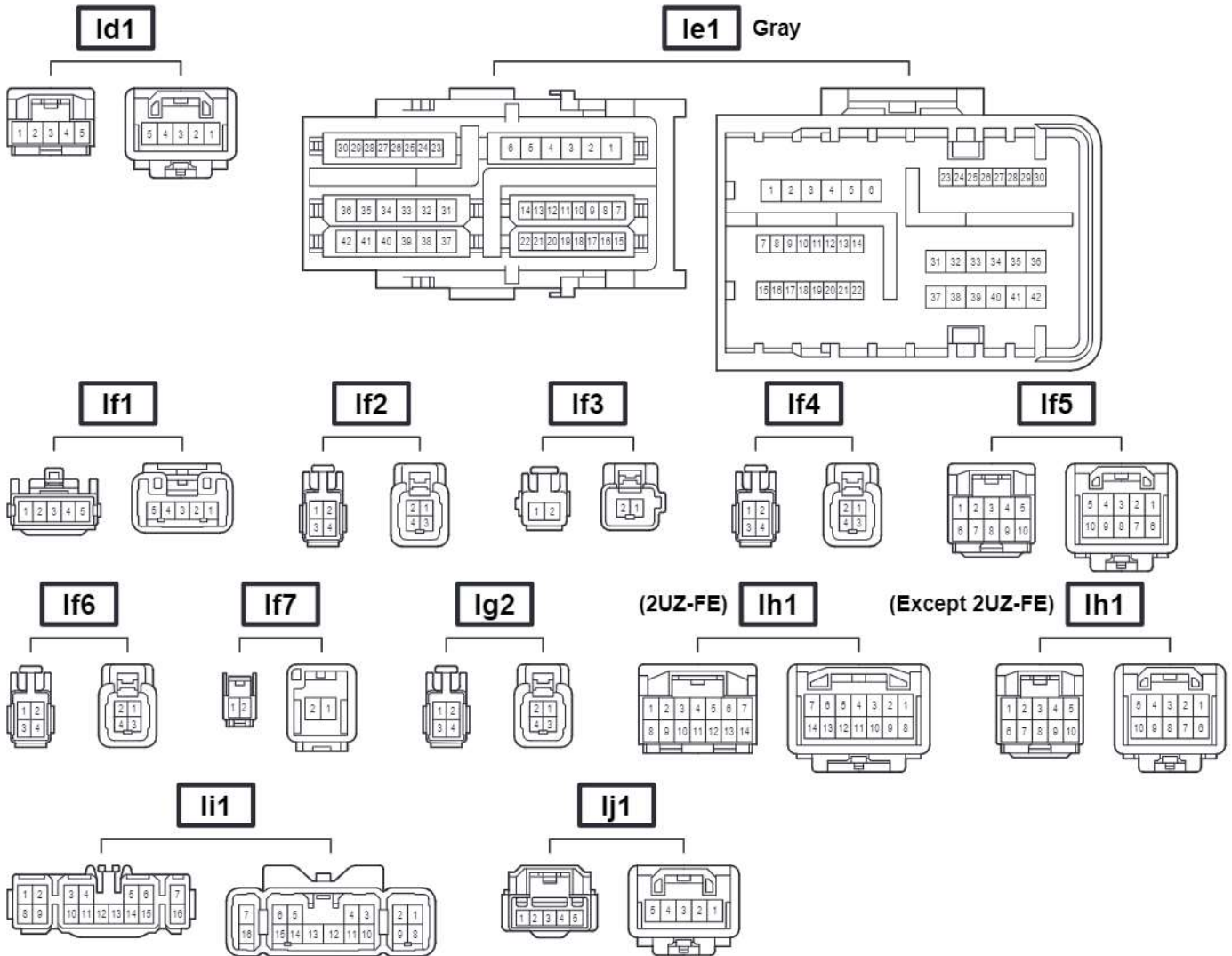
□ : Location of Connector Joining Wire Harness and Wire Harness

[LHD]

- * 1:1FZ-FE
- * 2:2UZ-FE, 1HD-FTE
- * 3:1HZ



Connector Joining Wire Harness and Wire Harness



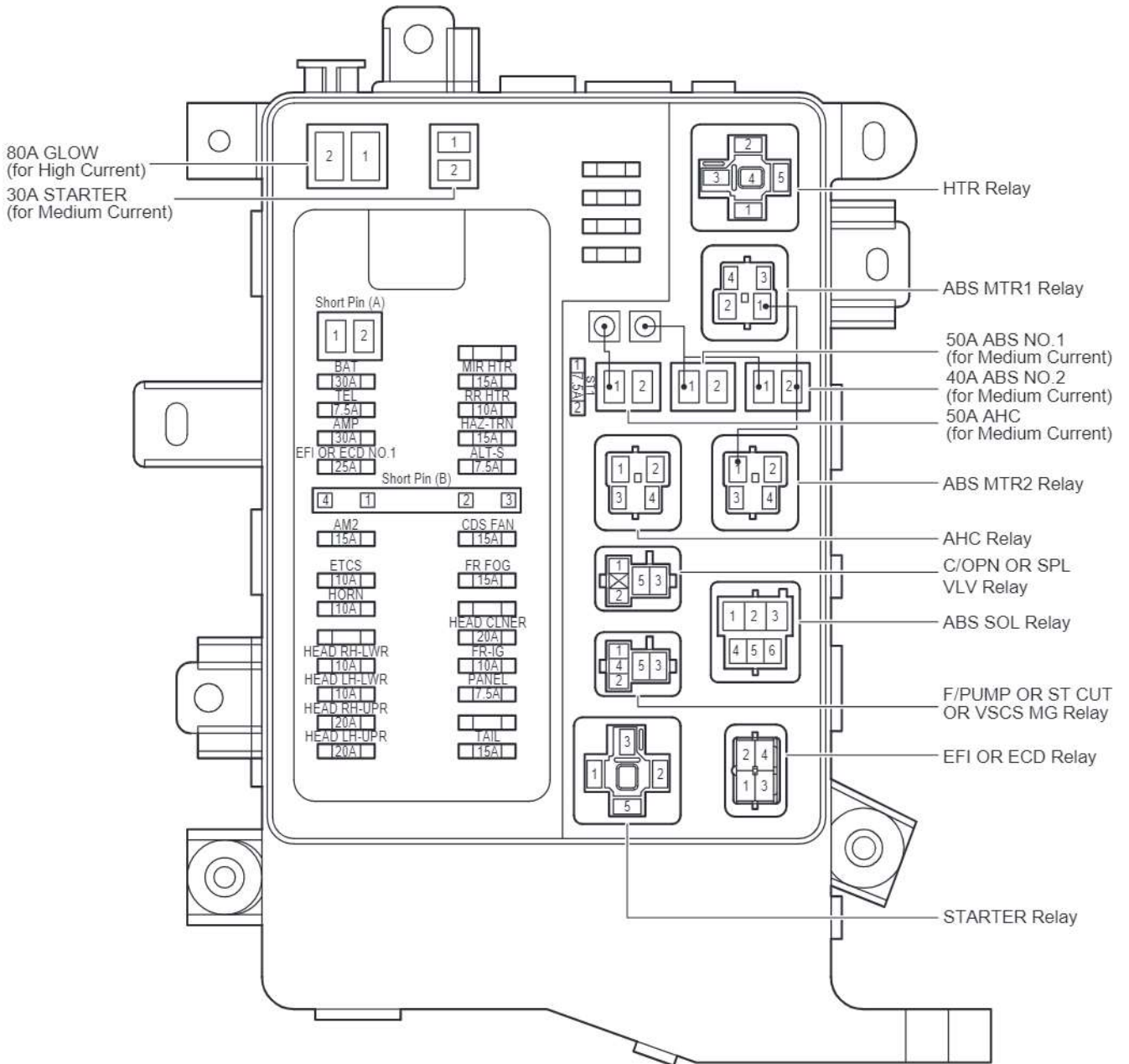
Code	Joining Wire Harness and Wire Harness (Connector Location)
Id1	Dash Wire and Dash Wire (Behind the Front Console)
Ie1	Dash Wire and Floor No.2 Wire (Right Side of Front Console)
If1	Dash Wire and Dash Wire (Instrument Panel Center)
If2	
If3	
If4	
If5	
If6	
If7	
Ig2	Dash Wire and Dash Wire (Behind the Glove Box)
Ih1	Engine Wire and Engine Wire (Behind the Glove Box)
Ii1	Dash Wire and Computer No.2 Wire (Behind the Glove Box)
Ij1	Instrument Panel Integration Wire and Instrument Panel No.3 Wire (Right Side of Instrument Panel)

cardiagn.com

D RELAY LOCATIONS

○ : Engine Room J/B	Engine Compartment Left (See Page 8)
① : Engine Room R/B	

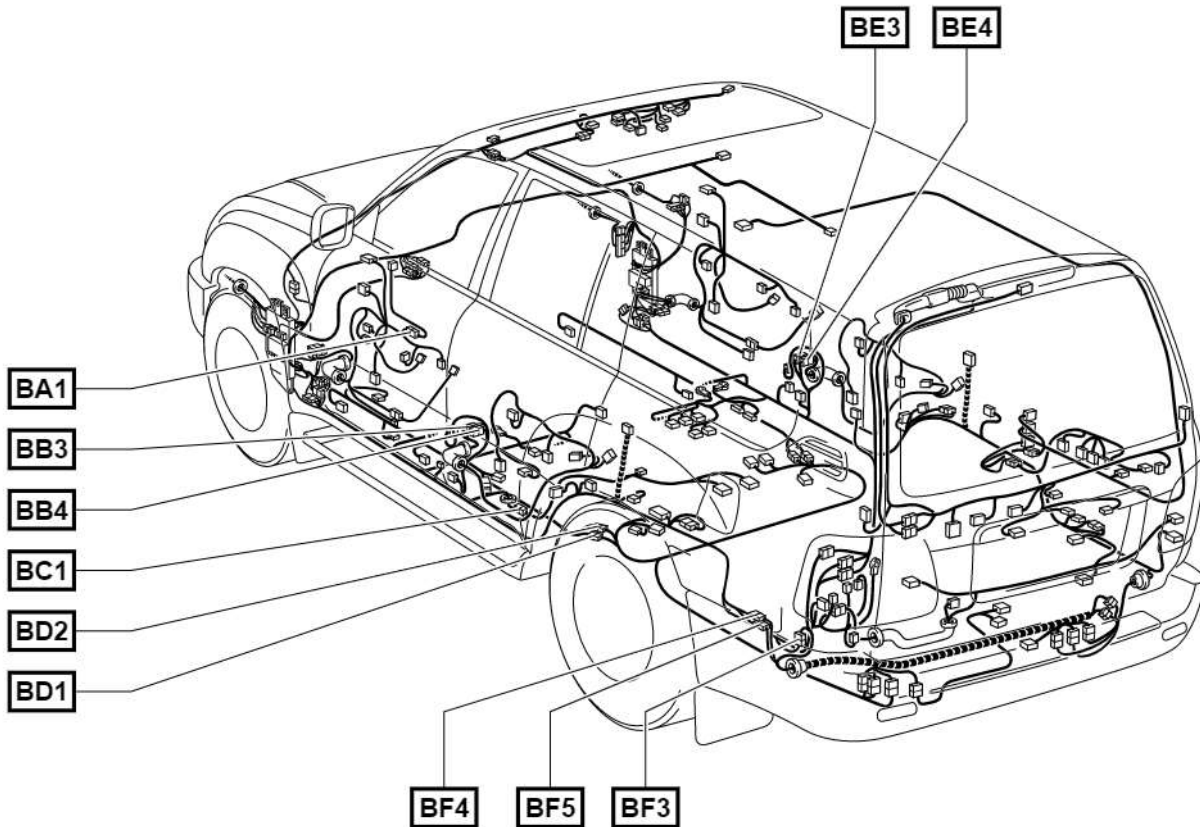
(Inner Circuit : See Page 16)



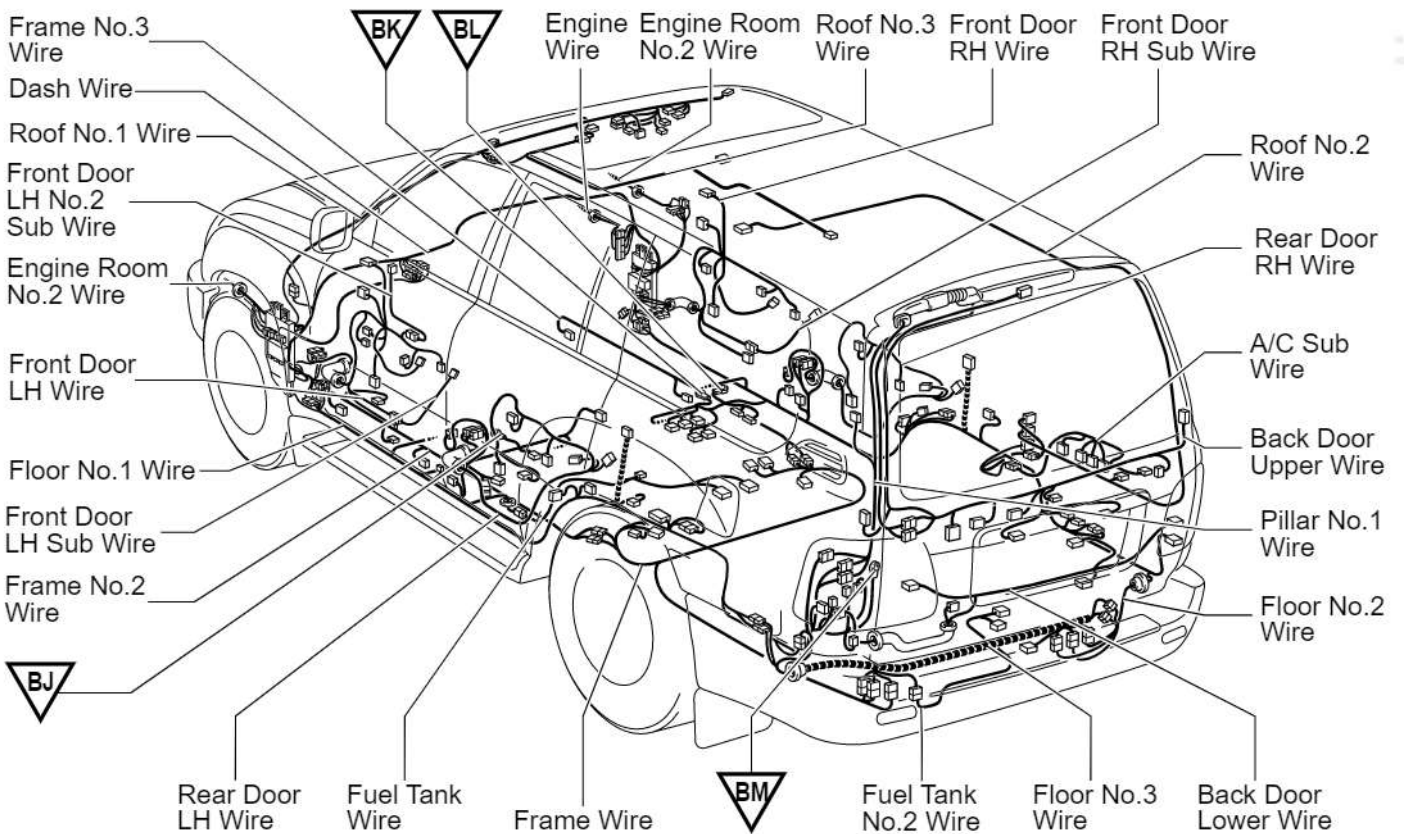
E ELECTRICAL WIRING ROUTING

□ : Location of Connector Joining Wire Harness and Wire Harness

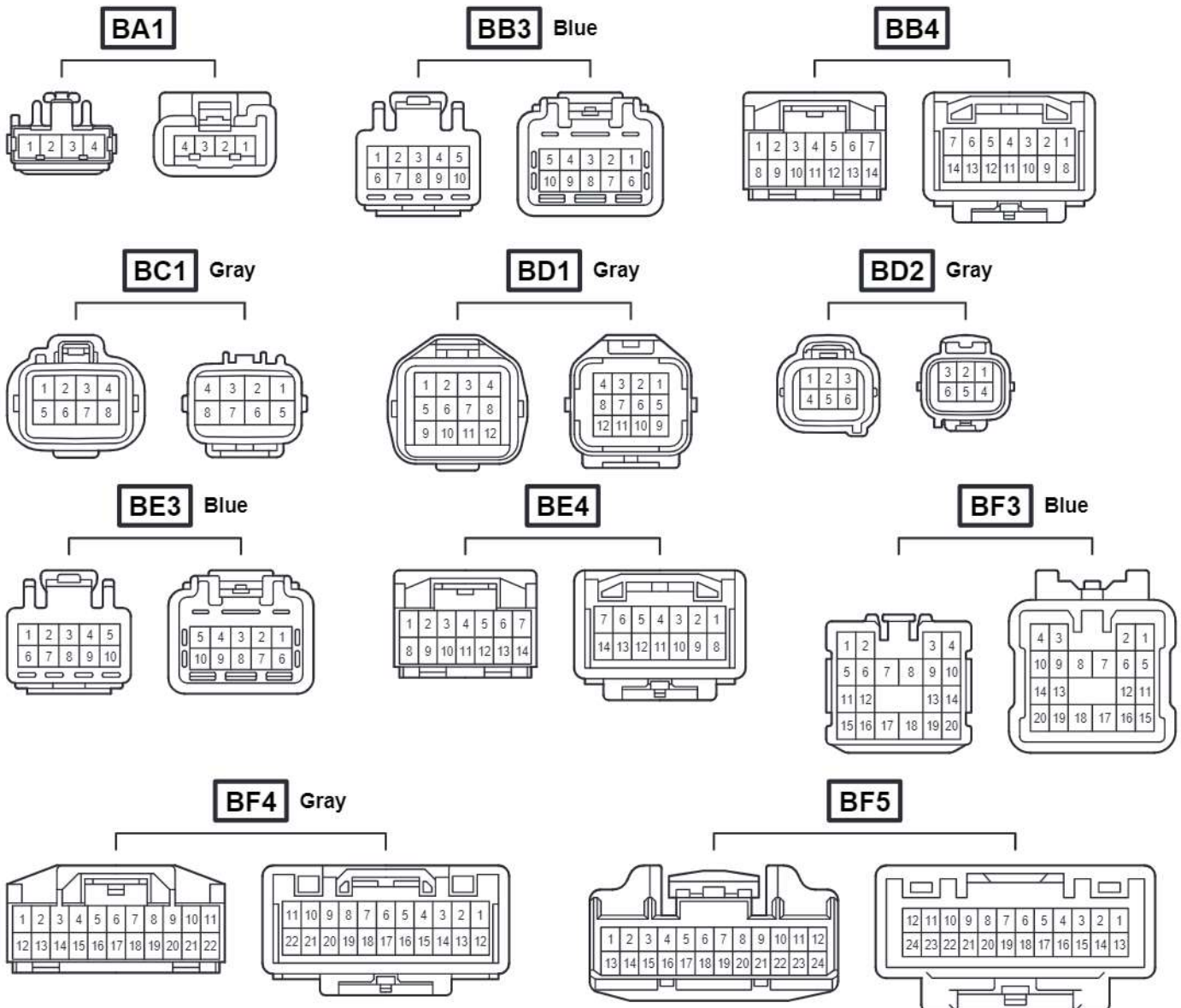
[LHD : Liftgate Type]



▽ : Location of Ground Points



Connector Joining Wire Harness and Wire Harness

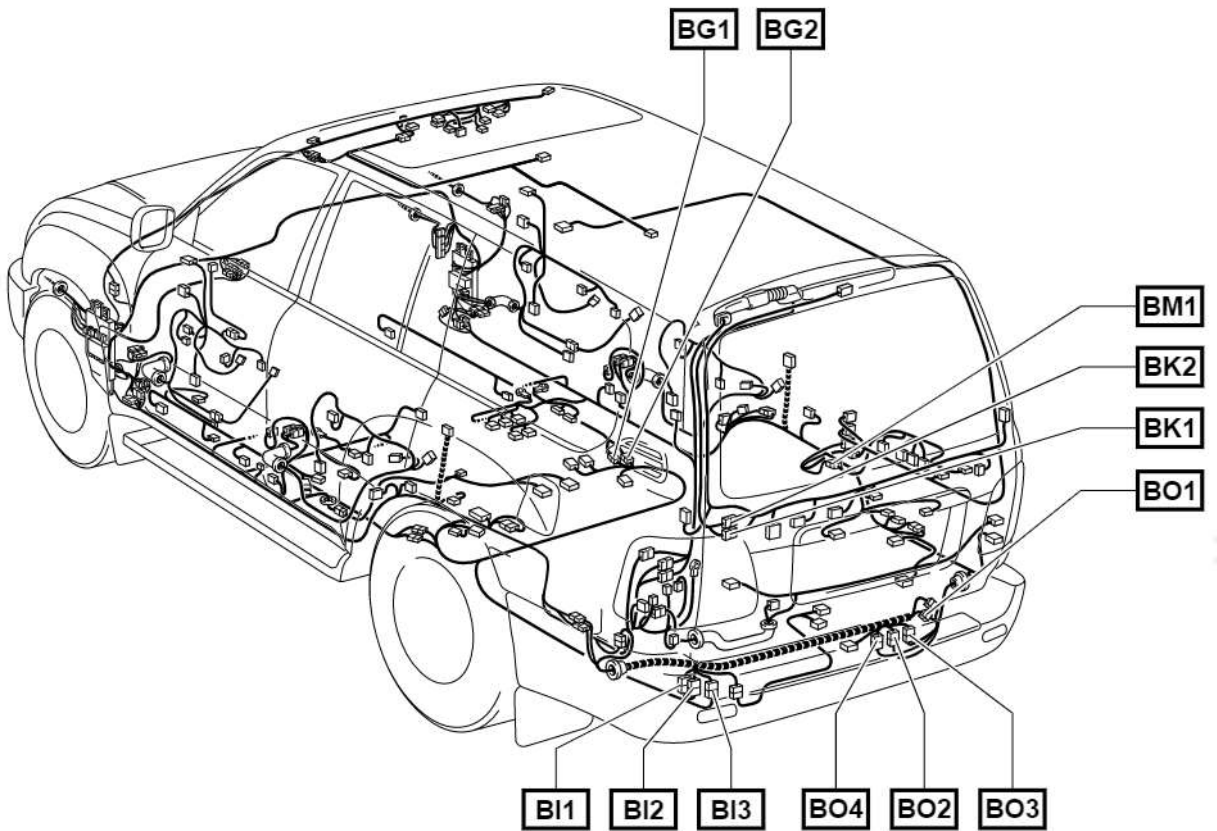


Code	Joining Wire Harness and Wire Harness (Connector Location)
BA1	Front Door LH Wire and Front Door LH No.2 Sub Wire (Front Door LH)
BB3	Rear Door LH Wire and Floor No.1 Wire (Left Side of Center Pillar)
BB4	
BC1	Floor No.1 Wire and Fuel Tank Wire (Near the Fuel Tank)
BD1	Frame No.2 Wire and Frame Wire (Near the Left Rear Suspension Support)
BD2	
BE3	Rear Door RH Wire and Floor No.2 Wire (Right Side of Center Pillar)
BE4	
BF3	
BF4	Floor No.3 Wire and Floor No.1 Wire (Left Rear Side Quarter Panel)
BF5	

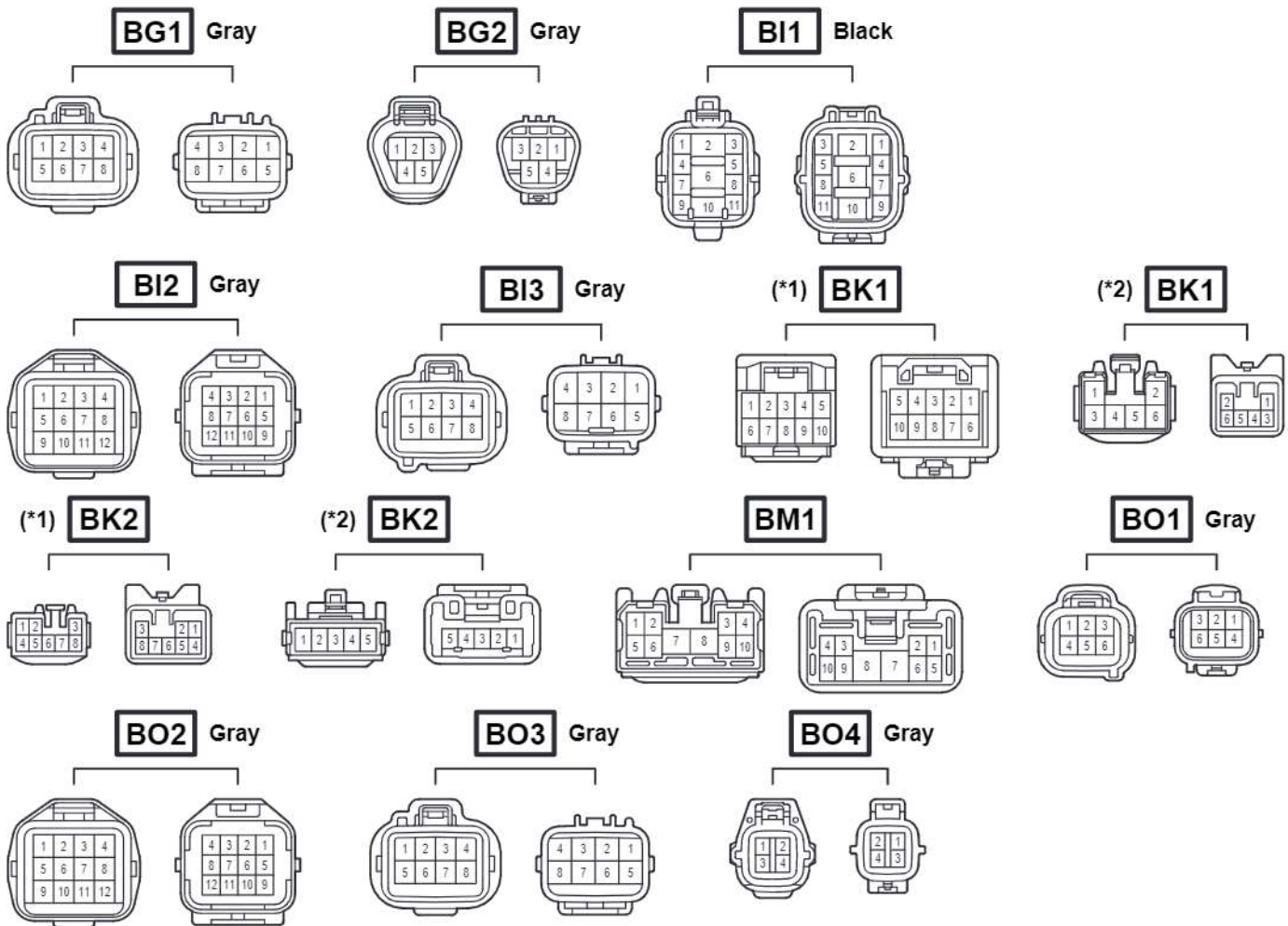
E ELECTRICAL WIRING ROUTING

□ : Location of Connector Joining Wire Harness and Wire Harness

[LHD : Liftgate Type]



Connector Joining Wire Harness and Wire Harness



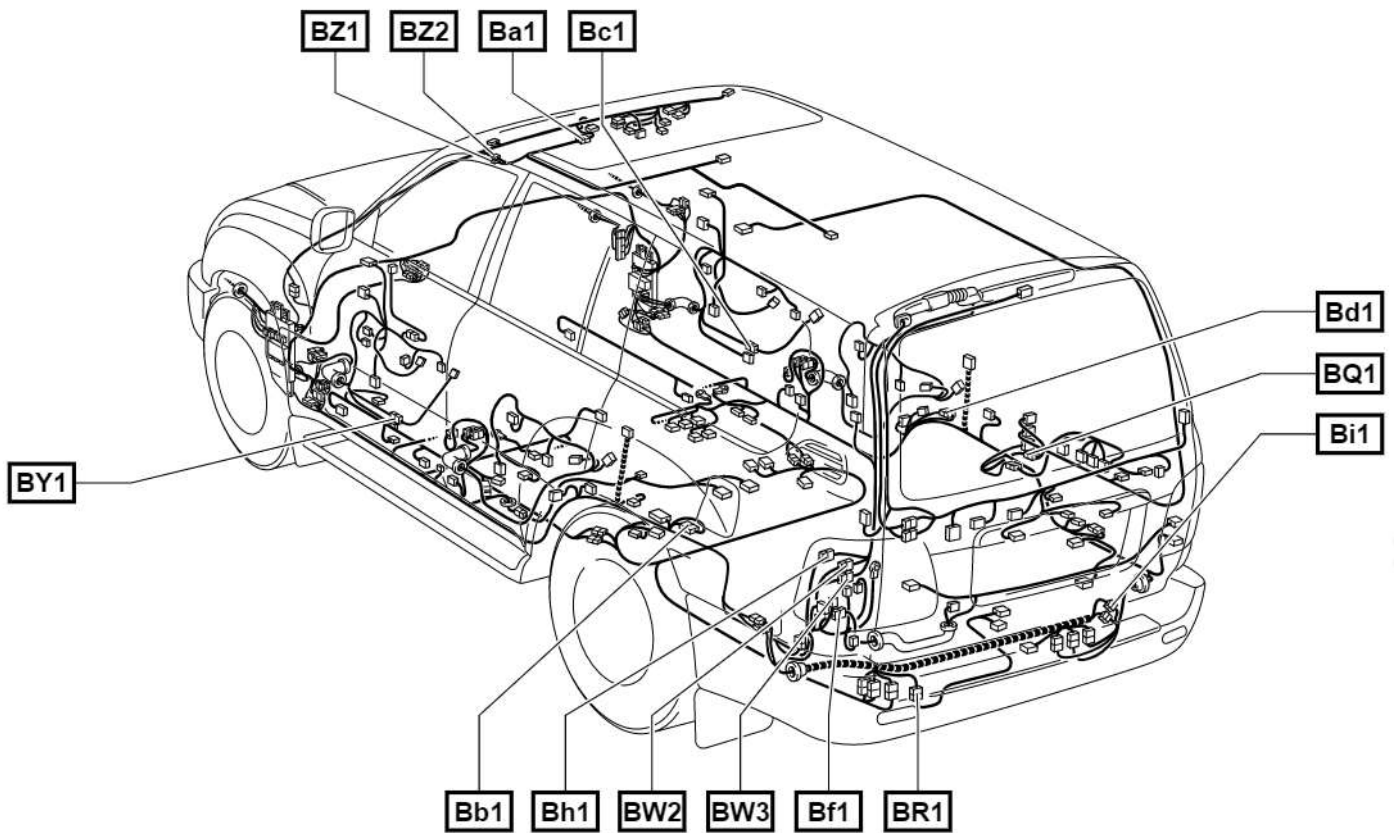
* 1:w/ Navigation System
* 2:w/o Navigation System

Code	Joining Wire Harness and Wire Harness (Connector Location)
BG1	Frame No.3 Wire and Frame Wire (Near the Right Rear Suspension Support)
BG2	
BI1	
BI2	Frame Wire and Floor No.3 Wire (Left Side of Rear Floor Crossmember)
BI3	
BK1	Pillar No.1 Wire and Back Door Upper Wire (Left Side of Back Door)
BK2	
BM1	Floor No.2 Wire and A/C Sub Wire (Right Rear Side Quarter Panel)
BO1	
BO2	Floor No.2 Wire and Floor No.3 Wire (Right Side of Rear Floor Crossmember)
BO3	
BO4	

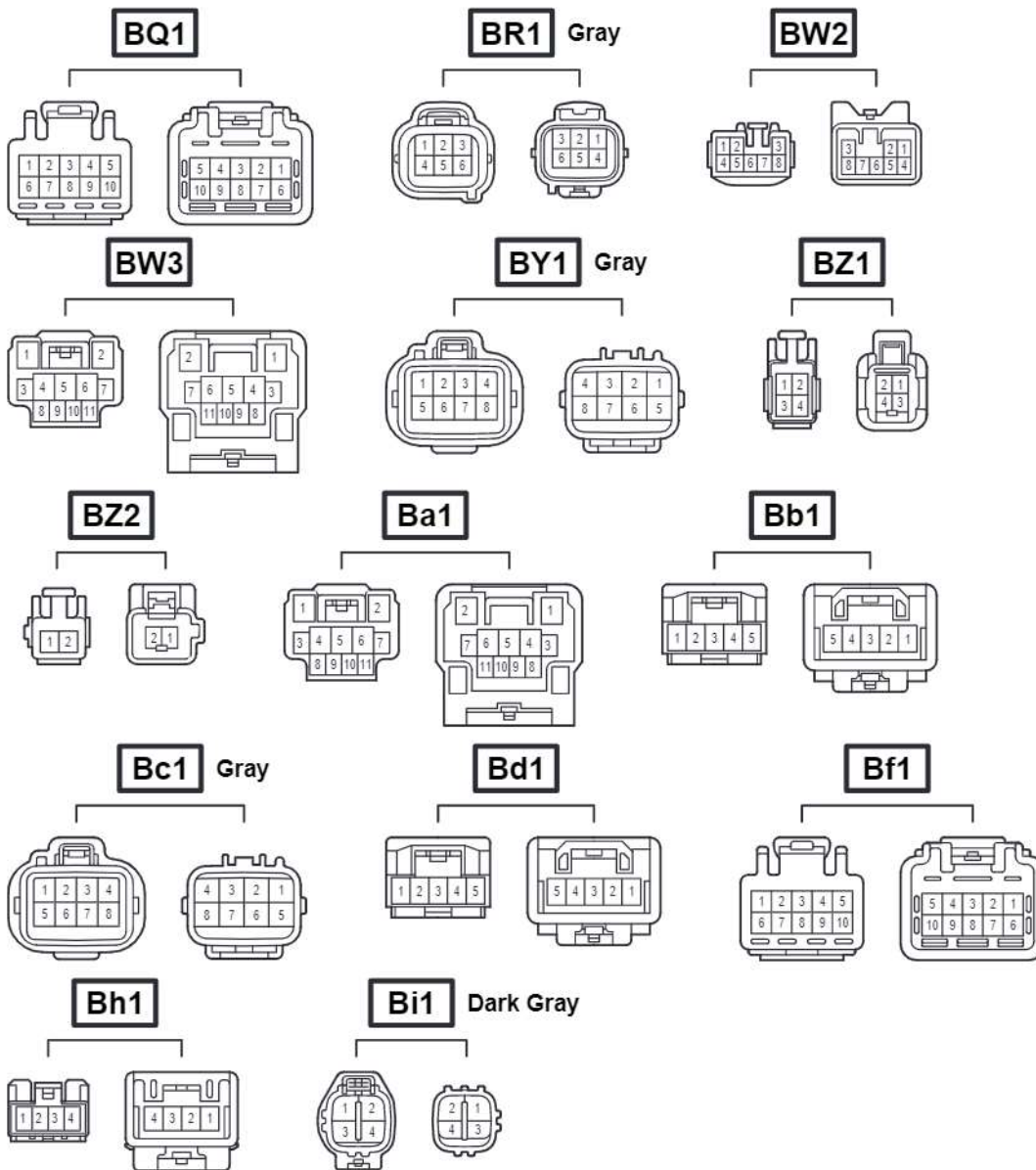
E ELECTRICAL WIRING ROUTING

□ : Location of Connector Joining Wire Harness and Wire Harness

[LHD : Liftgate Type]



Connector Joining Wire Harness and Wire Harness

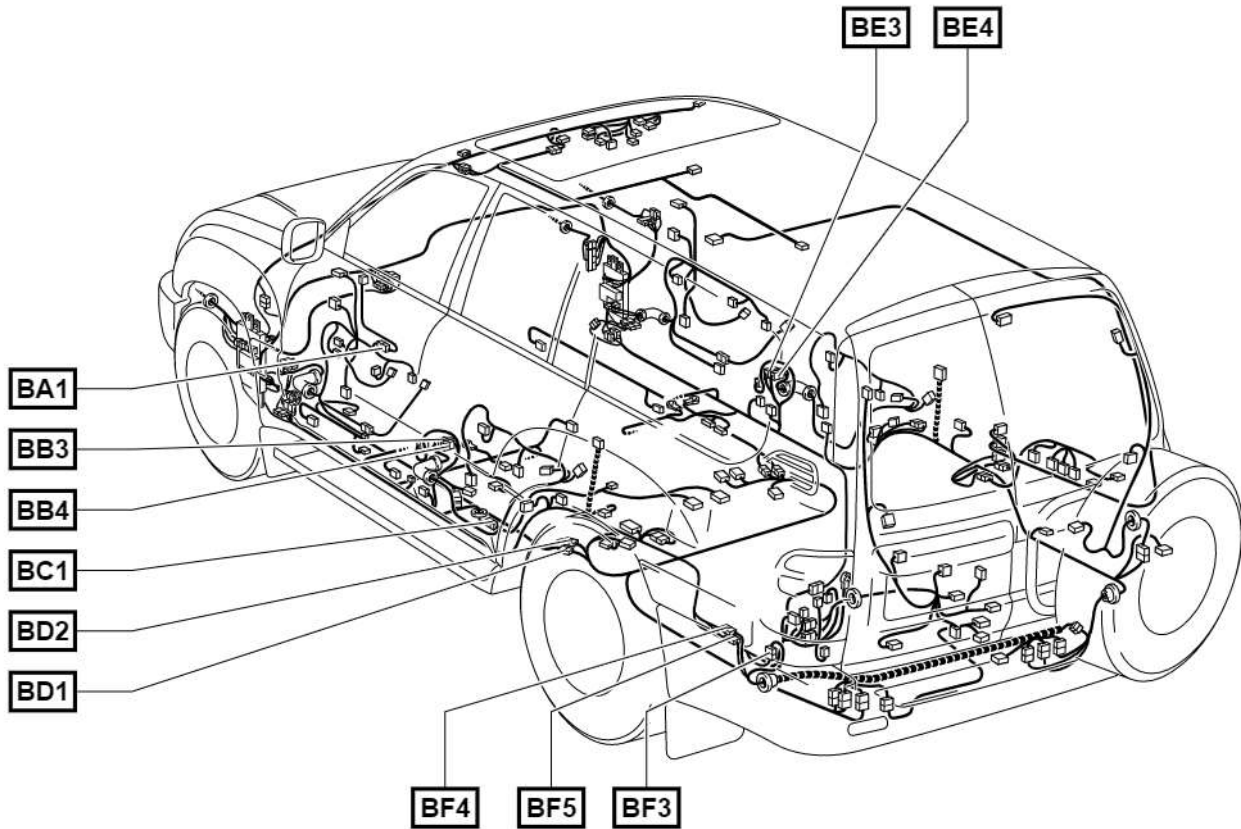


Code	Joining Wire Harness and Wire Harness (Connector Location)
BQ1	Floor No.2 Wire and Roof No.2 Wire (Right Rear Side Quarter Panel)
BR1	Fuel Tank No.2 Wire and Floor No.3 Wire (Left Side of Rear Floor Crossmember)
BW2	Pillar No.1 Wire and Floor No.1 Wire (Left Rear Side Quarter Panel)
BW3	
BY1	Front Door LH Sub Wire and Front Door LH Wire (Front Door LH)
BZ1	
BZ2	Roof No.3 Wire and Roof No.1 Wire (Front Side of Roof)
Ba1	
Bb1	Floor No.1 Wire and Floor No.1 Wire (Near the Left Rear Suspension Support)
Bc1	Front Door RH Sub Wire and Front Door RH Wire (Front Door RH)
Bd1	Floor No.2 Wire and Floor No.2 Wire (Near the Right Rear Suspension Support)
Bf1	Back Door Lower Wire and Floor No.1 Wire (Left Rear Side Quarter Panel)
Bh1	Pillar No.1 Wire and Floor No.3 Wire (Left Rear Side Quarter Panel)
Bi1	Floor No.3 Wire and Floor No.2 Wire (Right Side of Rear Floor Crossmember)

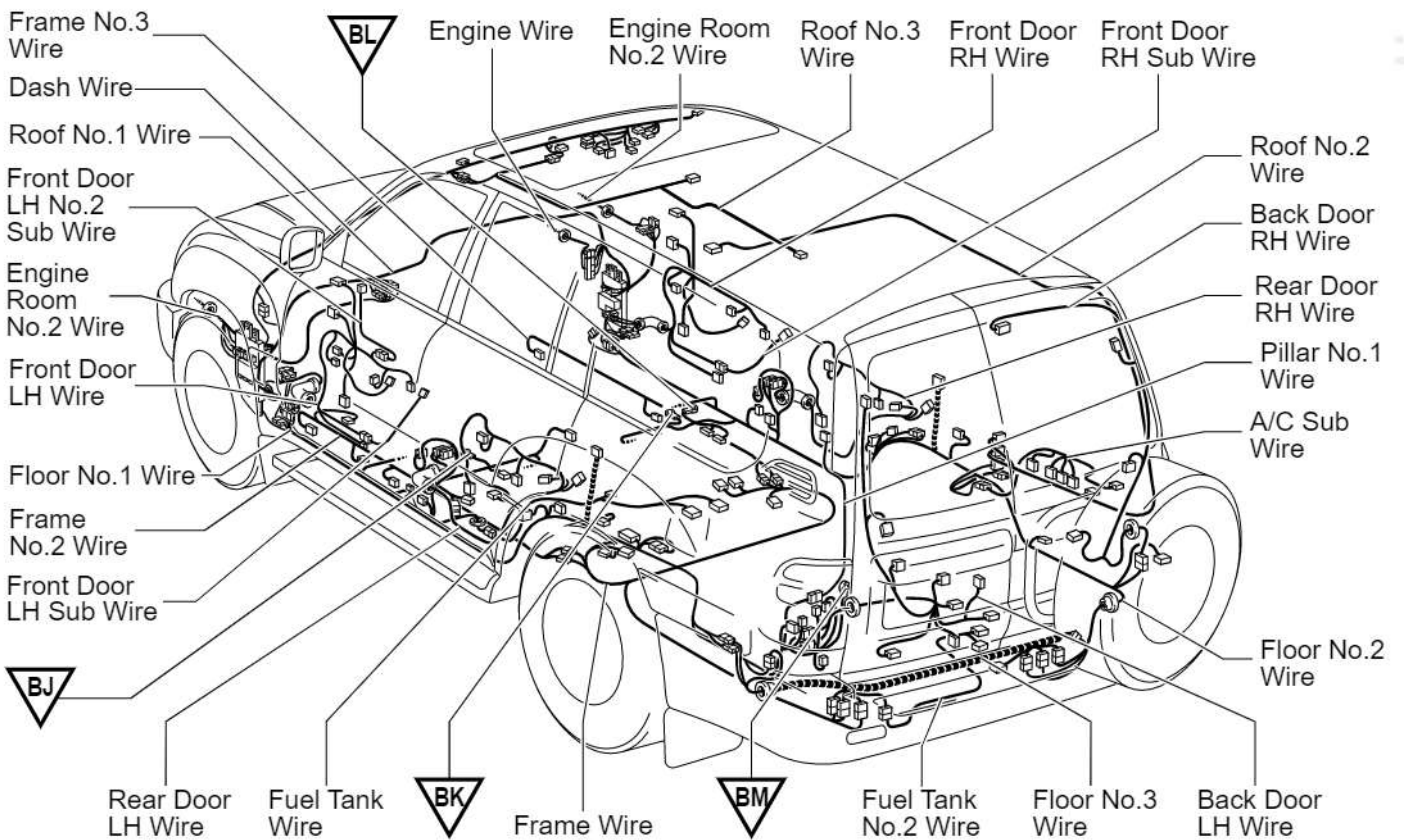
E ELECTRICAL WIRING ROUTING

□ : Location of Connector Joining Wire Harness and Wire Harness

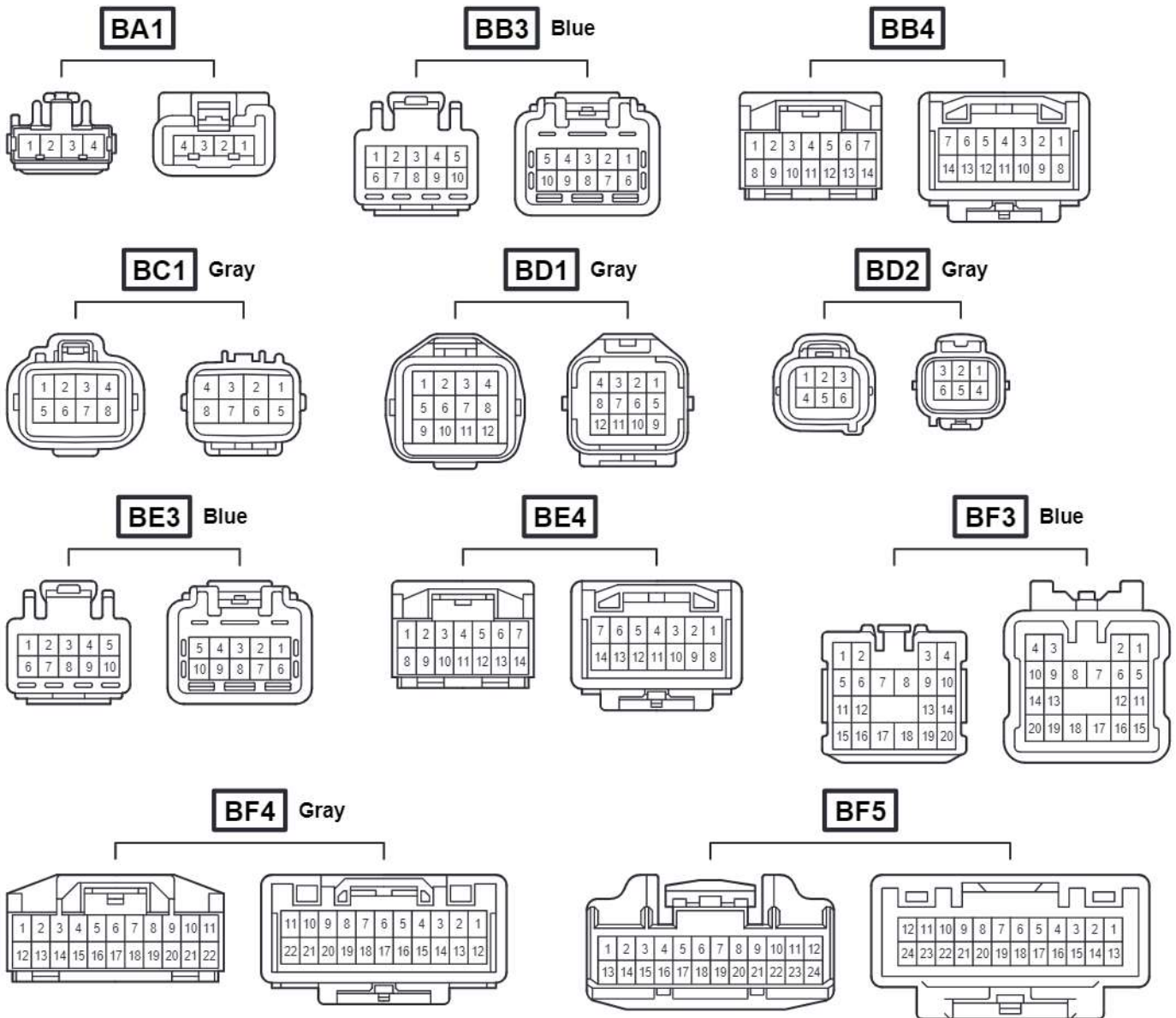
[LHD : Swing Type]



▽ : Location of Ground Points



Connector Joining Wire Harness and Wire Harness

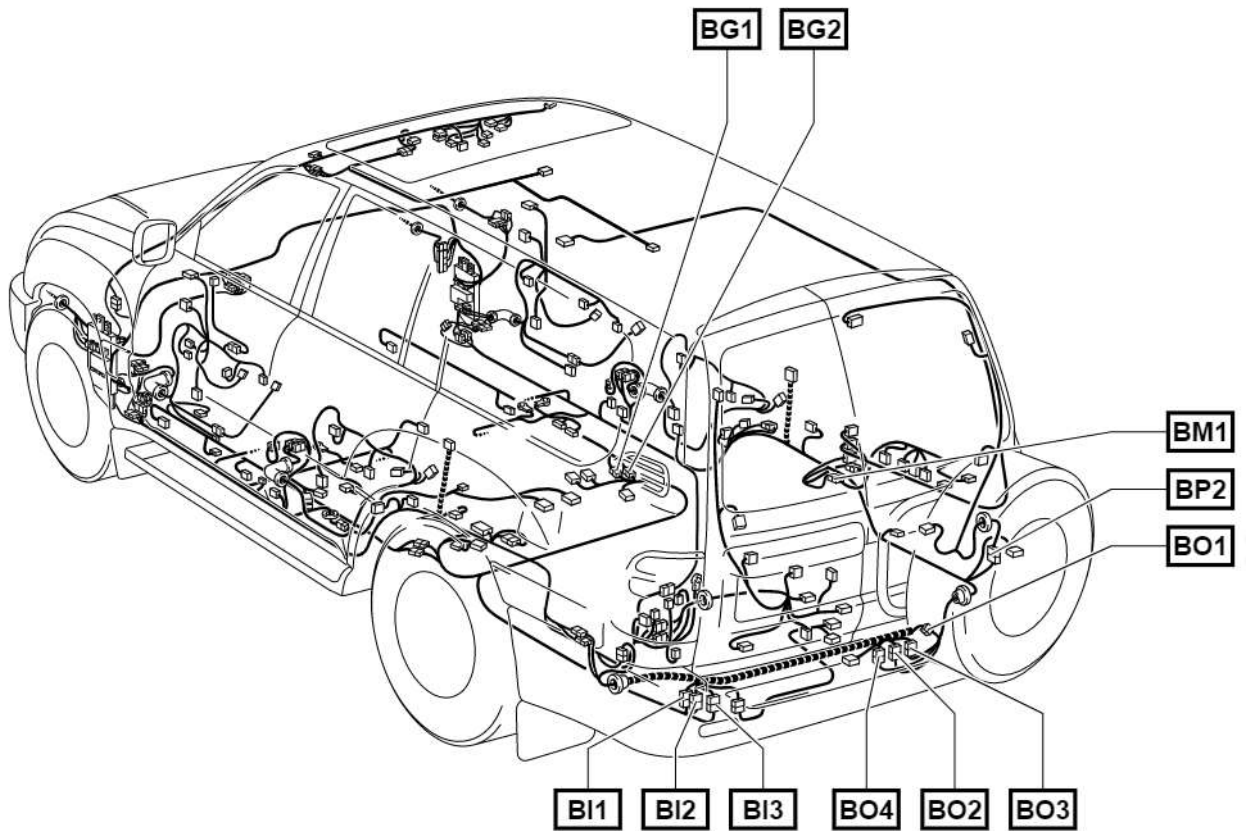


Code	Joining Wire Harness and Wire Harness (Connector Location)
BA1	Front Door LH Wire and Front Door LH No.2 Sub Wire (Front Door LH)
BB3	Rear Door LH Wire and Floor No.1 Wire (Left Side of Center Pillar)
BB4	
BC1	Floor No.1 Wire and Fuel Tank Wire (Near the Fuel Tank)
BD1	Frame No.2 Wire and Frame Wire (Near the Left Rear Suspension Support)
BD2	
BE3	Rear Door RH Wire and Floor No.2 Wire (Right Side of Center Pillar)
BE4	
BF3	
BF4	Floor No.3 Wire and Floor No.1 Wire (Left Rear Side Quarter Panel)
BF5	

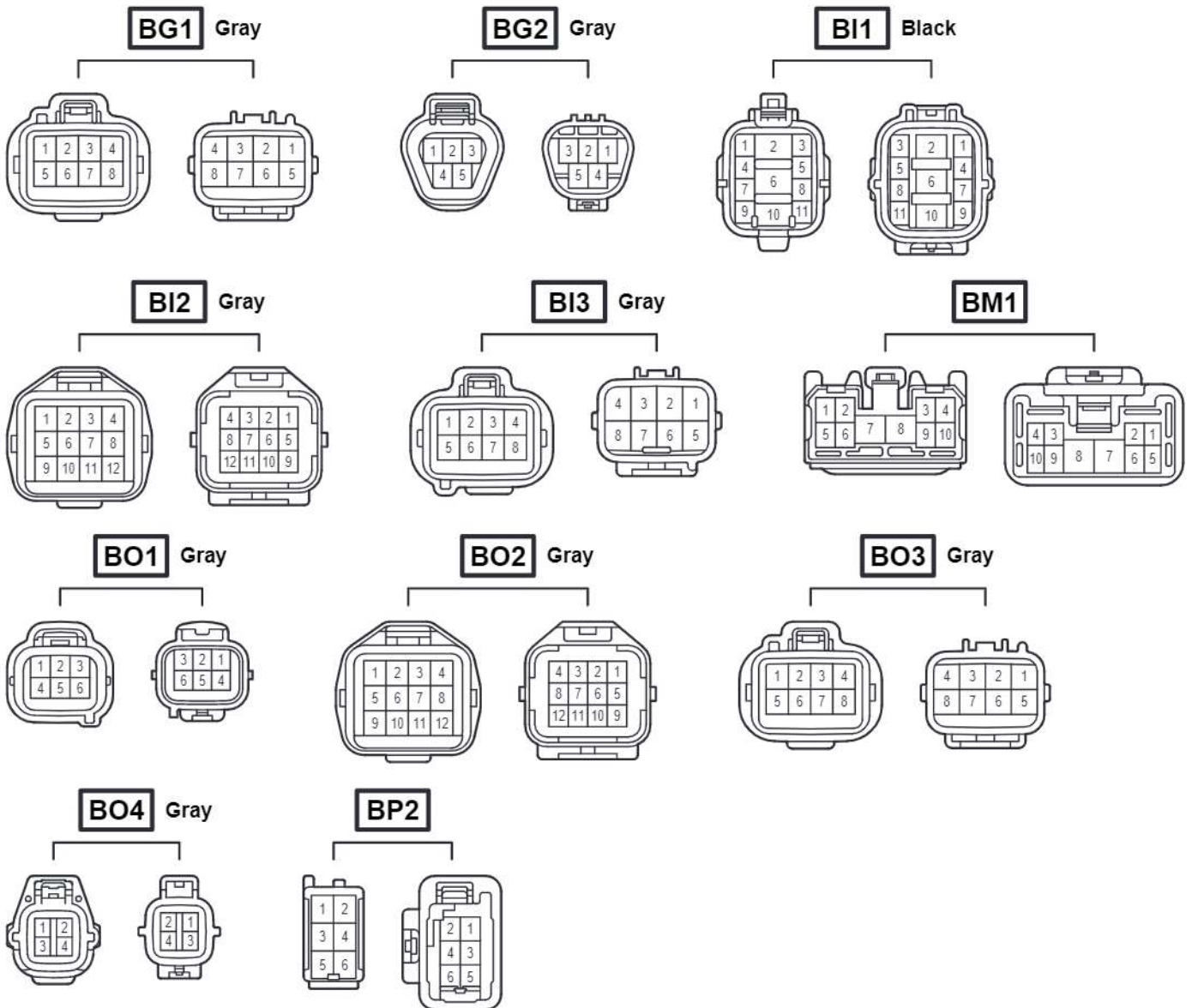
E ELECTRICAL WIRING ROUTING

□ : Location of Connector Joining Wire Harness and Wire Harness

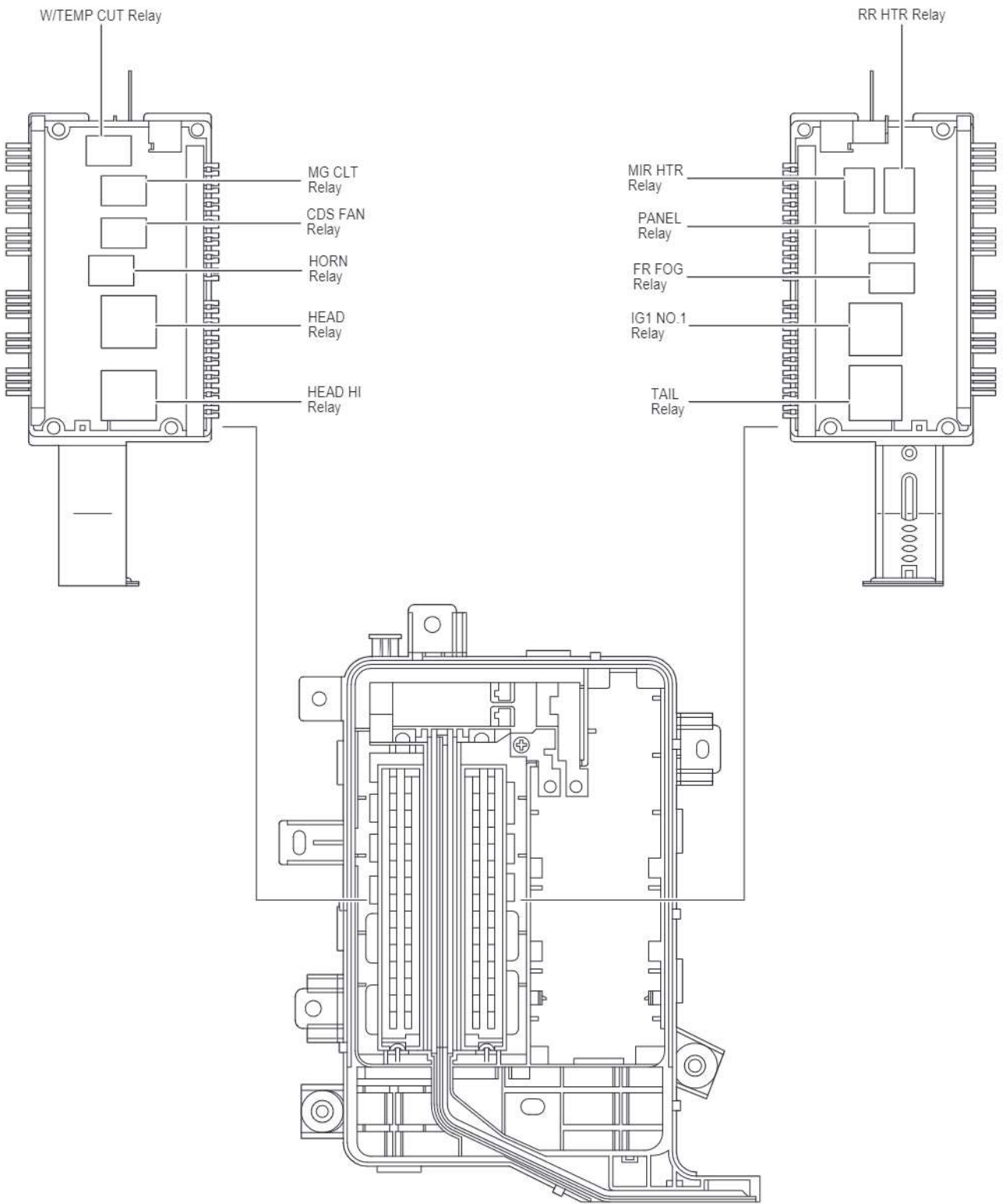
[LHD : Swing Type]



Connector Joining Wire Harness and Wire Harness



Code	Joining Wire Harness and Wire Harness (Connector Location)
BG1	Frame No.3 Wire and Frame Wire (Near the Right Rear Suspension Support)
BG2	
BI1	Frame Wire and Floor No.3 Wire (Left Side of Rear Floor Crossmember)
BI2	
BI3	Floor No.2 Wire and A/C Sub Wire (Right Rear Side Quarter Panel)
BM1	
BO1	Floor No.2 Wire and Floor No.3 Wire (Right Side of Rear Floor Crossmember)
BO2	
BO3	
BO4	
BP2	Back Door RH Wire and Floor No.2 Wire (Back Door RH)

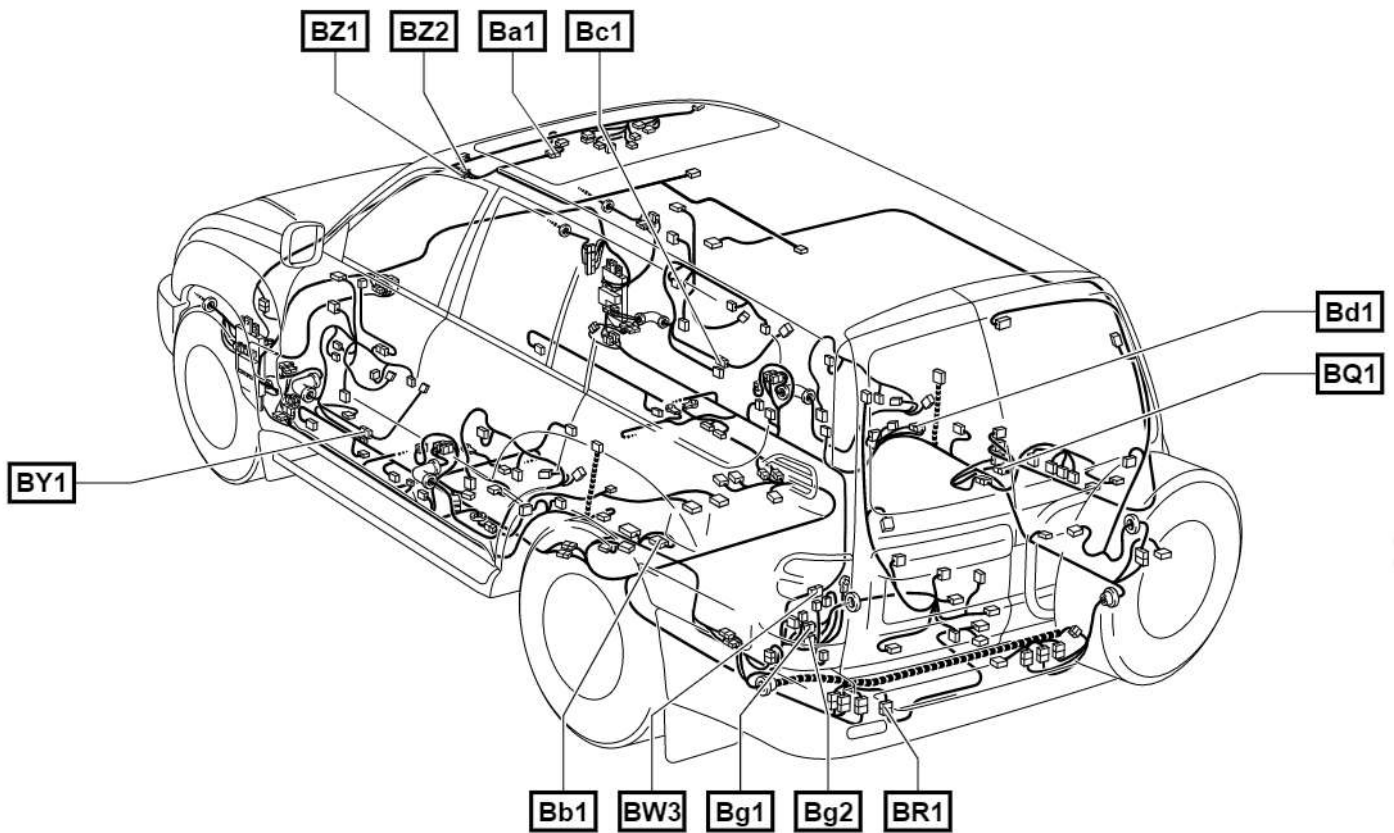


cardiagn.com

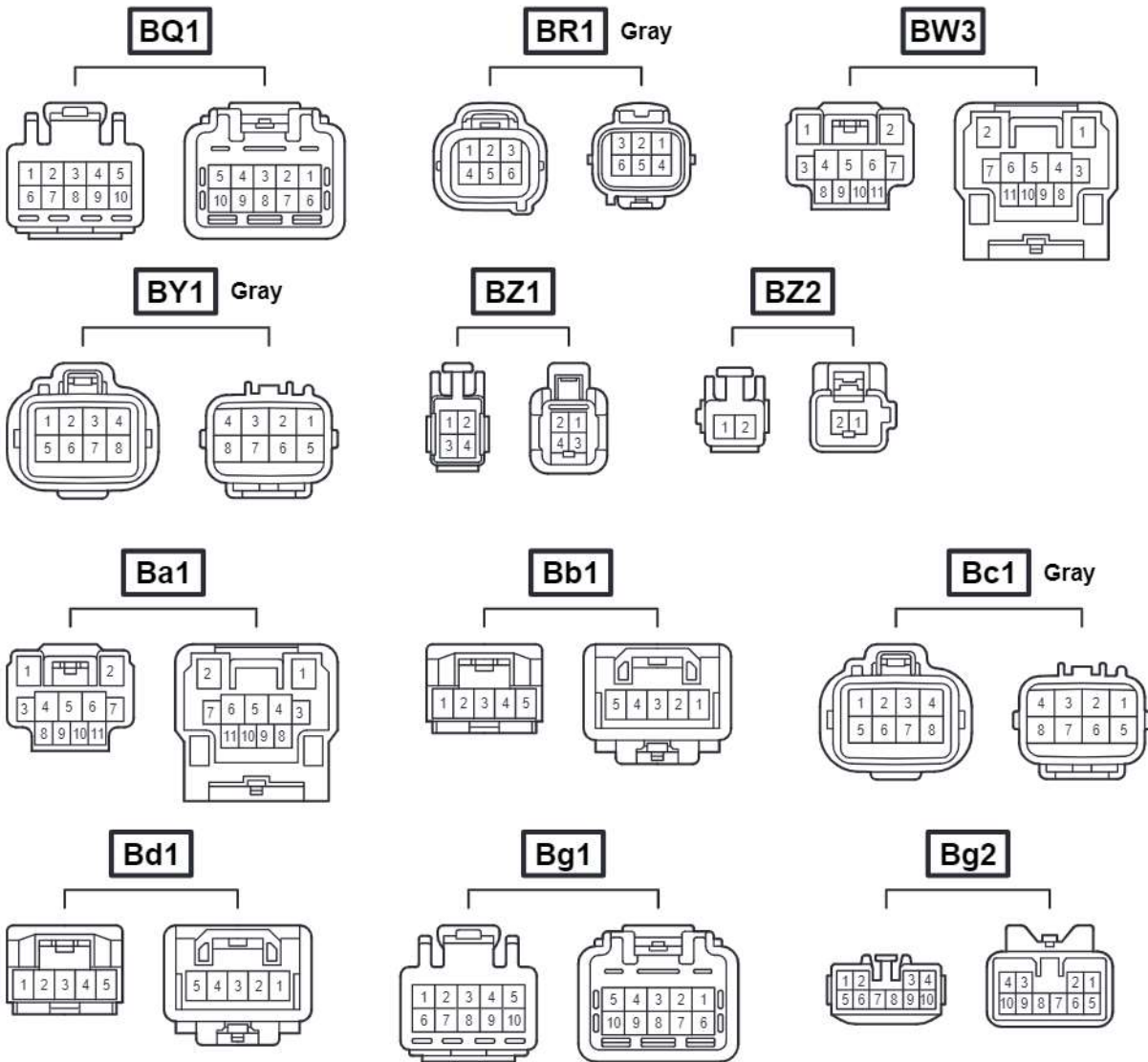
E ELECTRICAL WIRING ROUTING

□ : Location of Connector Joining Wire Harness and Wire Harness

[LHD : Swing Type]



Connector Joining Wire Harness and Wire Harness

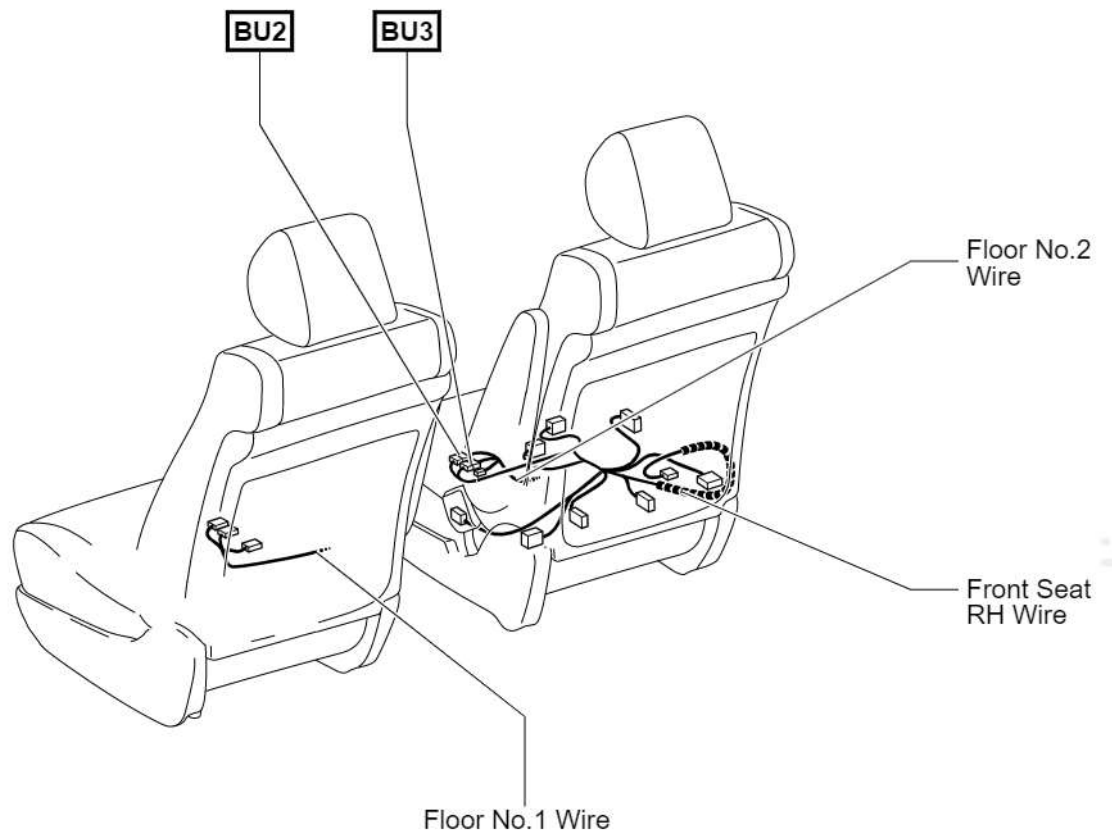


Code	Joining Wire Harness and Wire Harness (Connector Location)
BQ1	Floor No.2 Wire and Roof No.2 Wire (Right Rear Side Quarter Panel)
BR1	Fuel Tank No.2 Wire and Floor No.3 Wire (Left Side of Rear Floor Crossmember)
BW3	Pillar No.1 Wire and Floor No.1 Wire (Left Rear Side Quarter Panel)
BY1	Front Door LH Sub Wire and Front Door LH Wire (Front Door LH)
BZ1	
BZ2	Roof No.3 Wire and Roof No.1 Wire (Front Side of Roof)
Ba1	
Bb1	Floor No.1 Wire and Floor No.1 Wire (Near the Left Rear Suspension Support)
Bc1	Front Door RH Sub Wire and Front Door RH Wire (Front Door RH)
Bd1	Floor No.2 Wire and Floor No.2 Wire (Near the Right Rear Suspension Support)
Bg1	Back Door LH Wire and Floor No.1 Wire (Left Rear Side Quarter Panel)
Bg2	

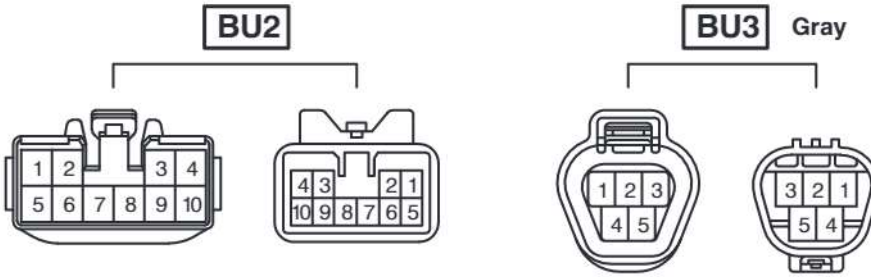
E ELECTRICAL WIRING ROUTING

□ : Location of Connector Joining Wire Harness and Wire Harness

[LHD : w/ Driving Position Memory]



Connector Joining Wire Harness and Wire Harness

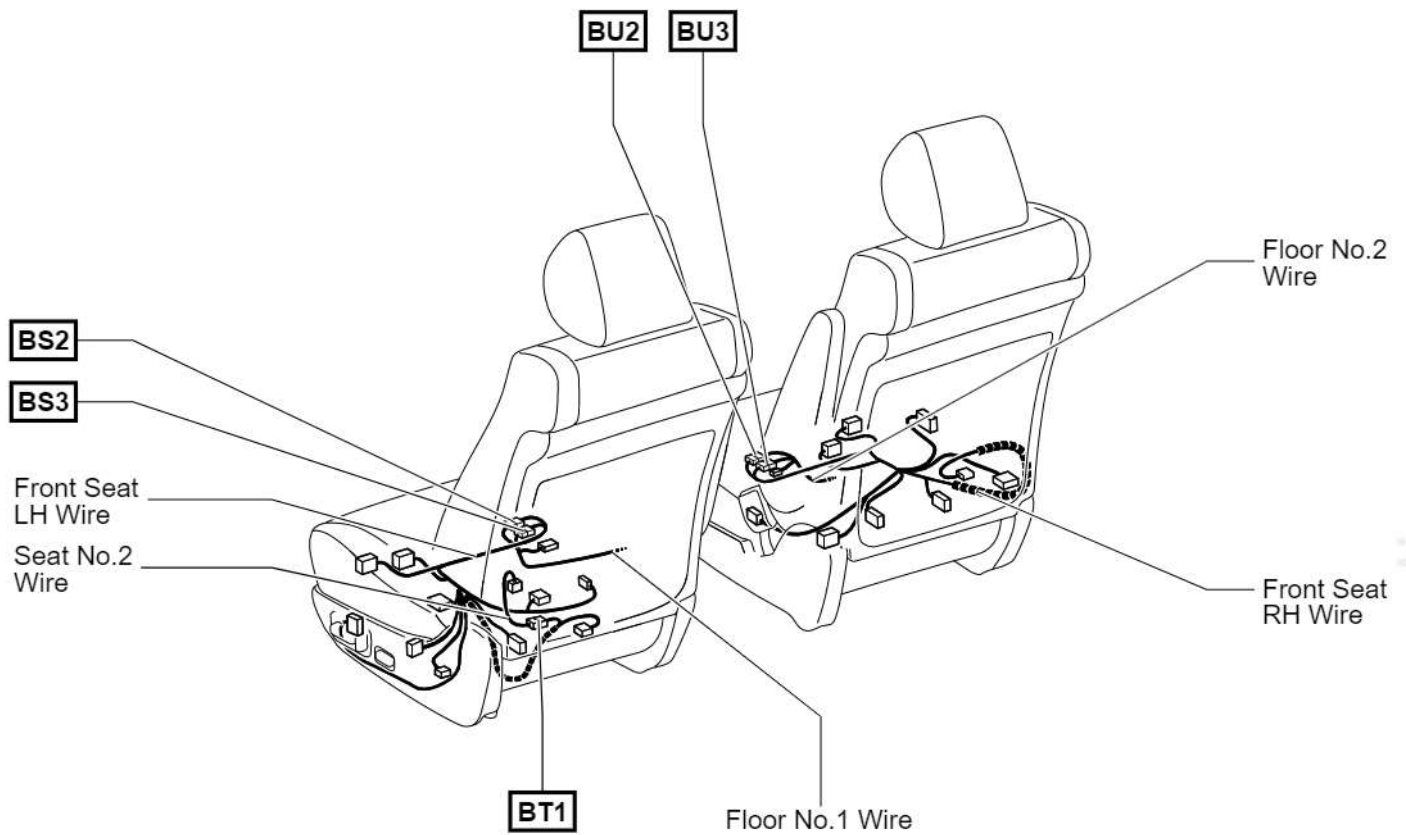


Code	Joining Wire Harness and Wire Harness (Connector Location)
BU2	Floor No.2 Wire and Front Seat RH Wire (Front Side Under the Front Passenger's Seat)
BU3	

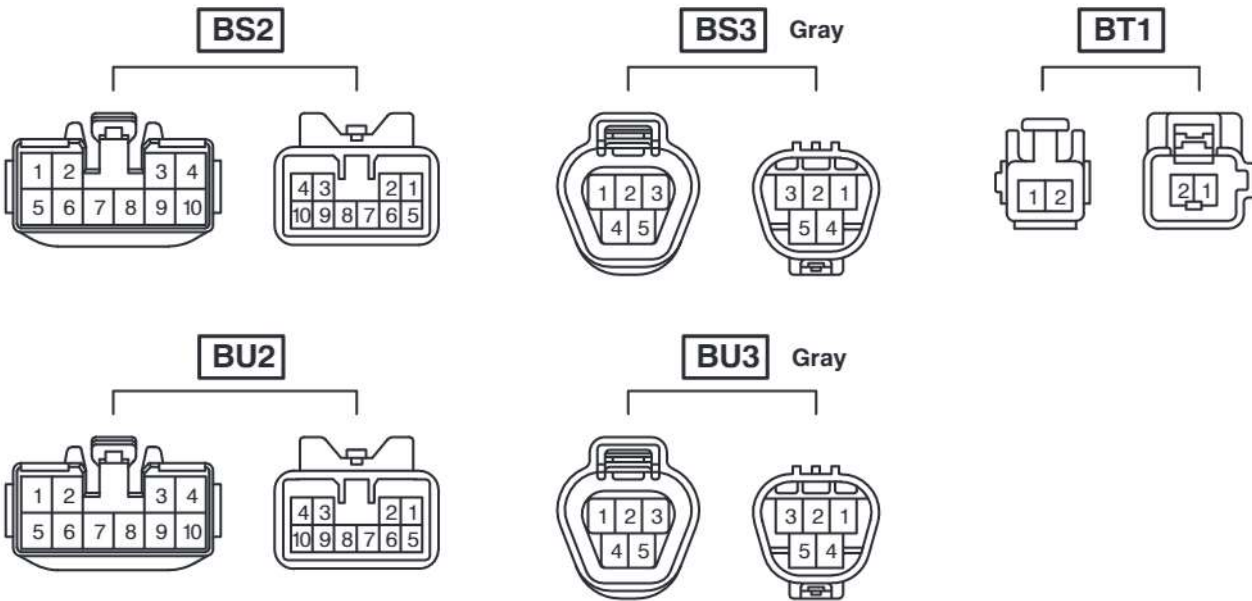
E ELECTRICAL WIRING ROUTING

□ : Location of Connector Joining Wire Harness and Wire Harness

[LHD : w/o Driving Position Memory]



Connector Joining Wire Harness and Wire Harness



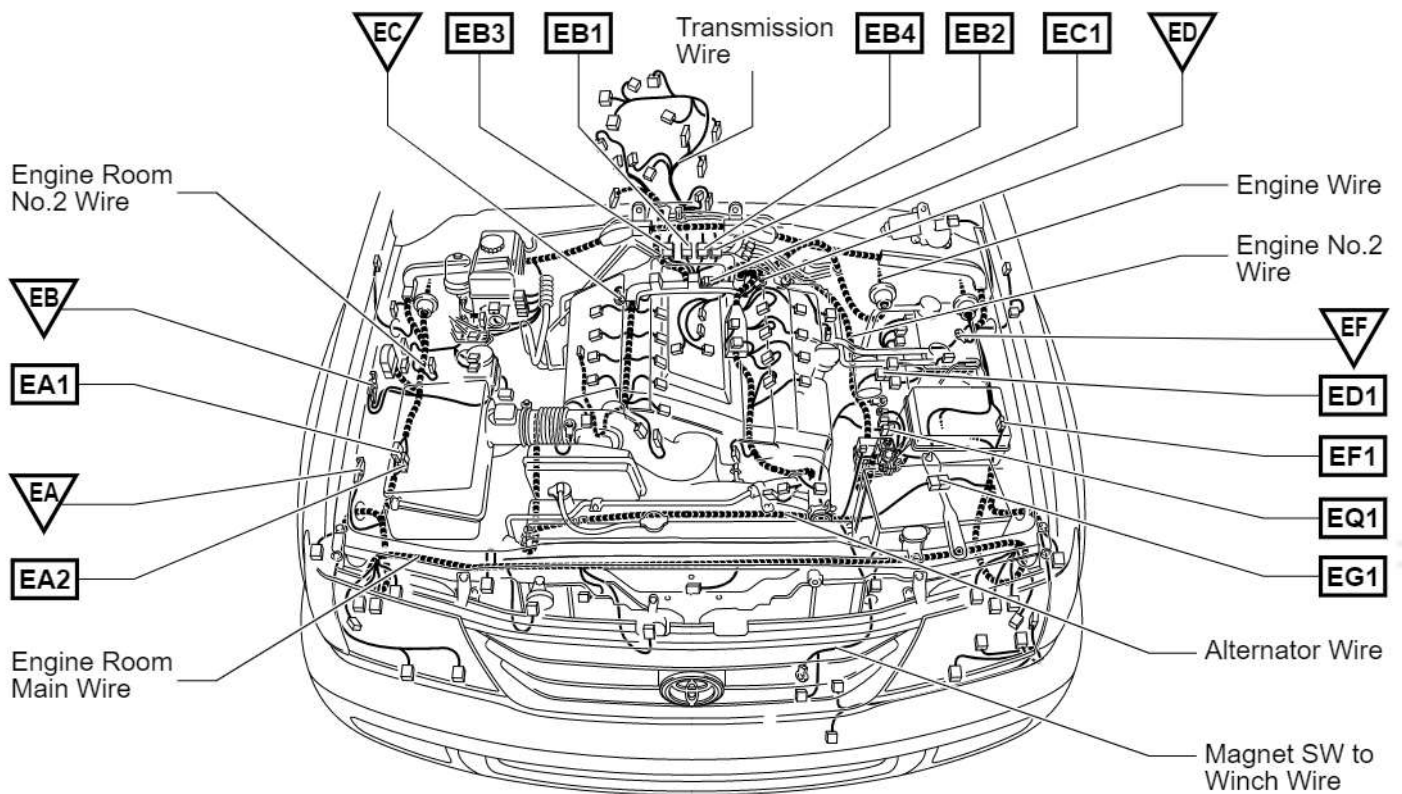
Code	Joining Wire Harness and Wire Harness (Connector Location)
BS2	Floor No.1 Wire and Front Seat LH Wire (Front Side Under the Driver's Seat)
BS3	Floor No.1 Wire and Front Seat LH Wire (Front Side Under the Driver's Seat)
BT1	Seat No.2 Wire and Front Seat LH Wire (Rear Side Under the Driver's Seat)
BU2	Floor No.2 Wire and Front Seat RH Wire (Front Side Under the Front Passenger's Seat)
BU3	Floor No.2 Wire and Front Seat RH Wire (Front Side Under the Front Passenger's Seat)

E ELECTRICAL WIRING ROUTING

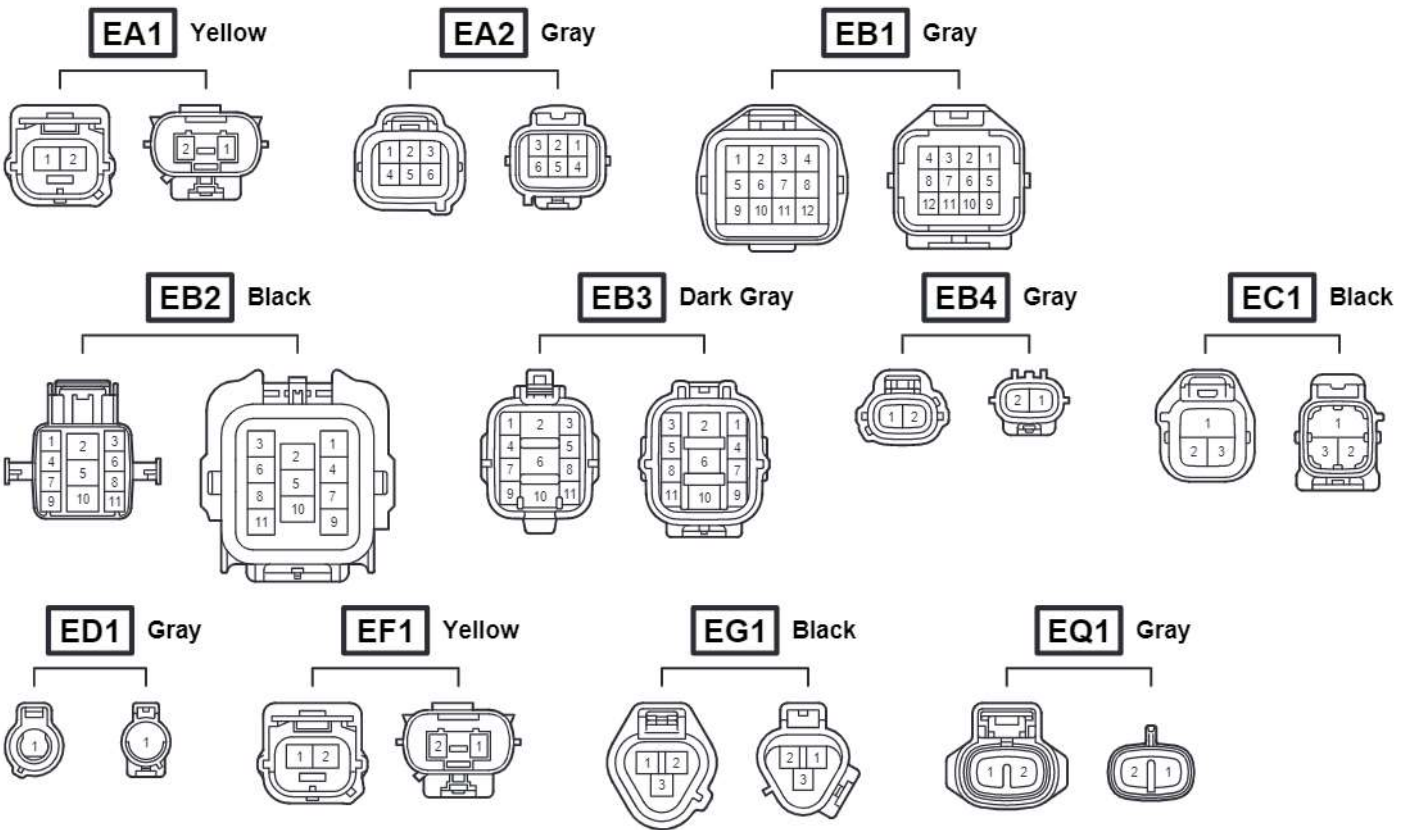
□ : Location of Connector Joining Wire Harness and Wire Harness

▽ : Location of Ground Points

[RHD : 2UZ-FE]



Connector Joining Wire Harness and Wire Harness



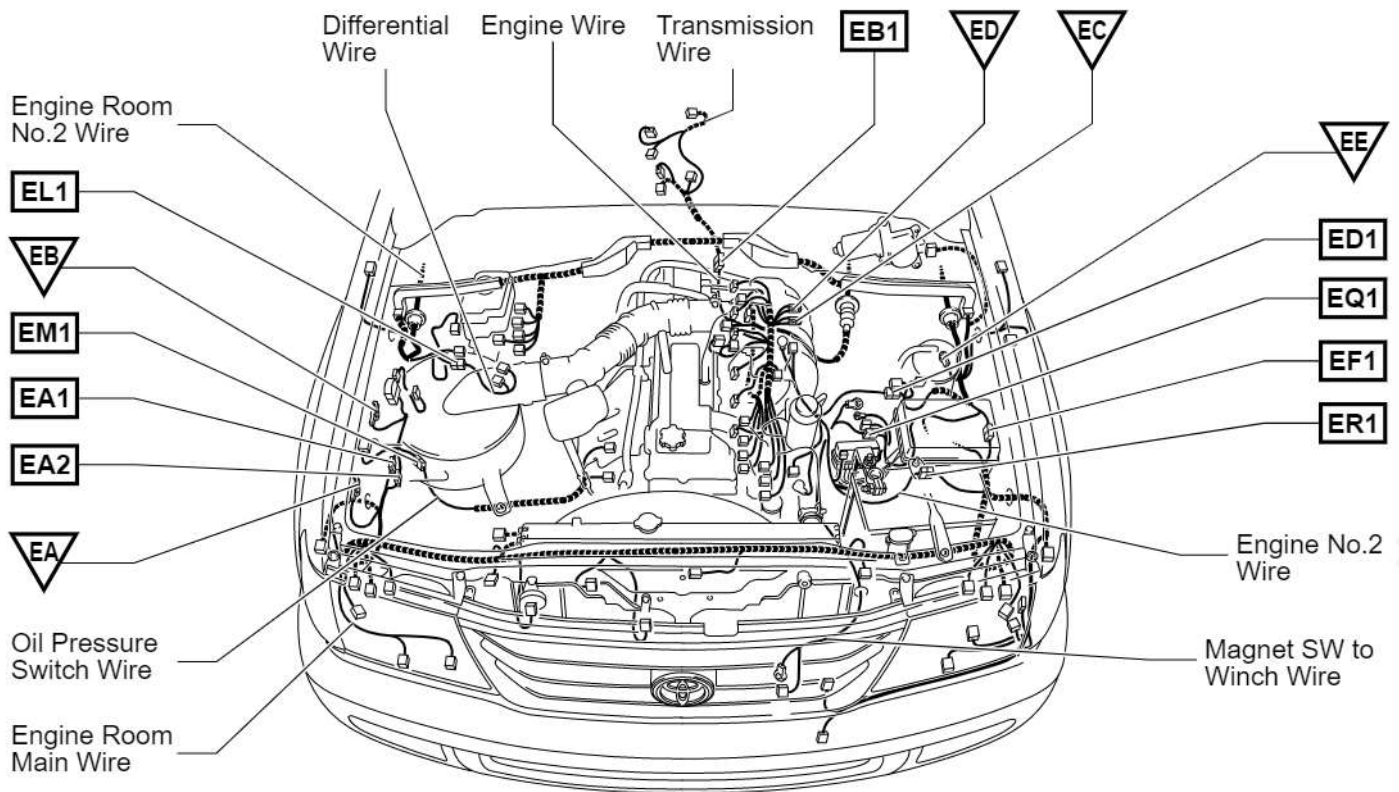
Code	Joining Wire Harness and Wire Harness (Connector Location)
EA1	Engine Room Main Wire and Engine Room No.2 Wire (Engine Compartment Right)
EA2	
EB1	
EB2	Engine Wire and Transmission Wire (On the Transmission)
EB3	
EB4	
EC1	Engine No.2 Wire and Engine Wire (Rear Side of Intake Manifold)
ED1	Engine No.2 Wire and Engine Room No.2 Wire (Near the Engine Room J/B)
EF1	Engine Room No.2 Wire and Engine Room Main Wire (Under the Engine Room J/B)
EG1	Engine Room Main Wire and Alternator Wire (Near the Battery)
EQ1	Engine Room No.2 Wire and Magnet SW to Winch Wire (Near the Engine Room J/B)

E ELECTRICAL WIRING ROUTING

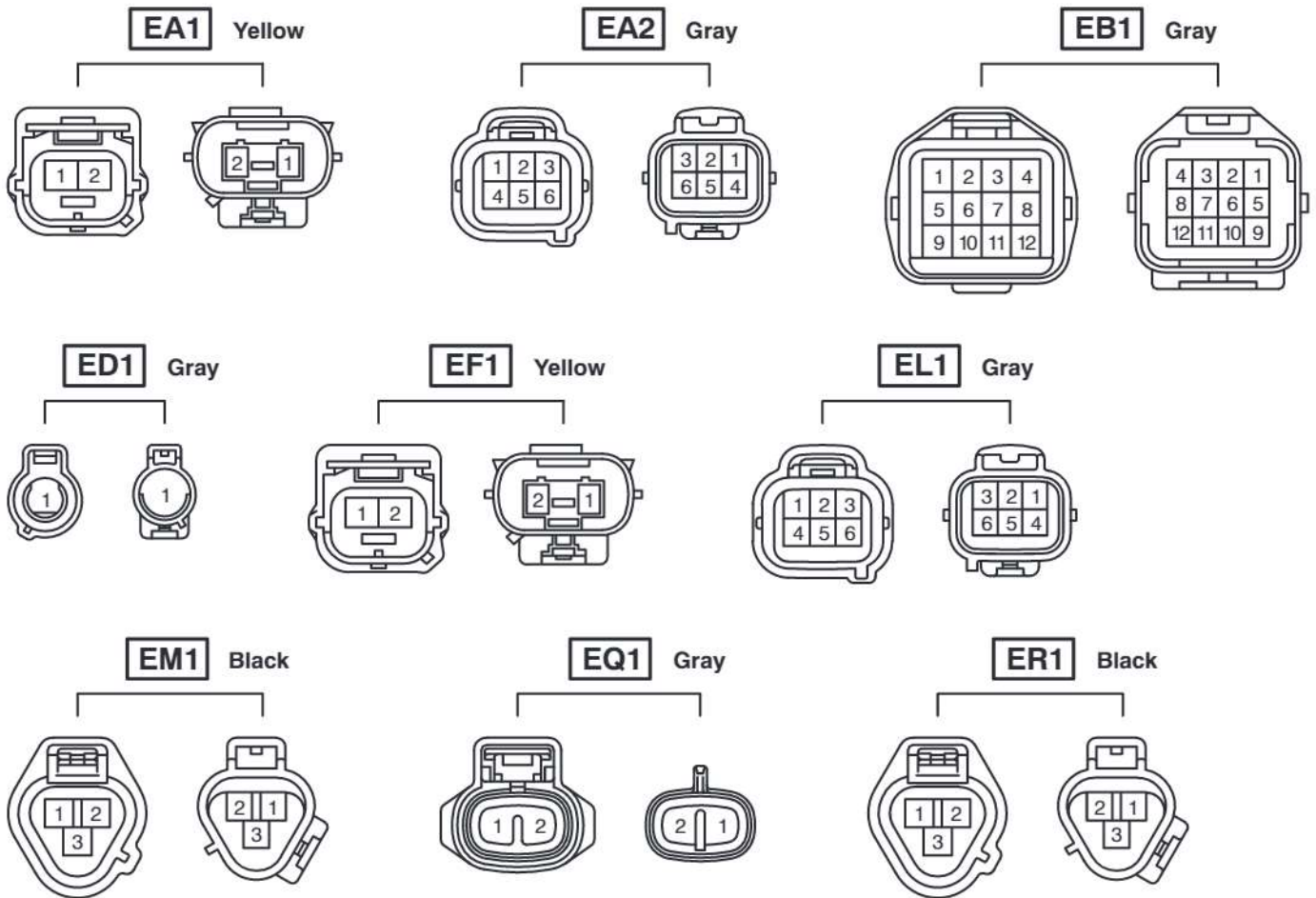
□ : Location of Connector Joining Wire Harness and Wire Harness

▽ : Location of Ground Points

[RHD : 1FZ-FE]



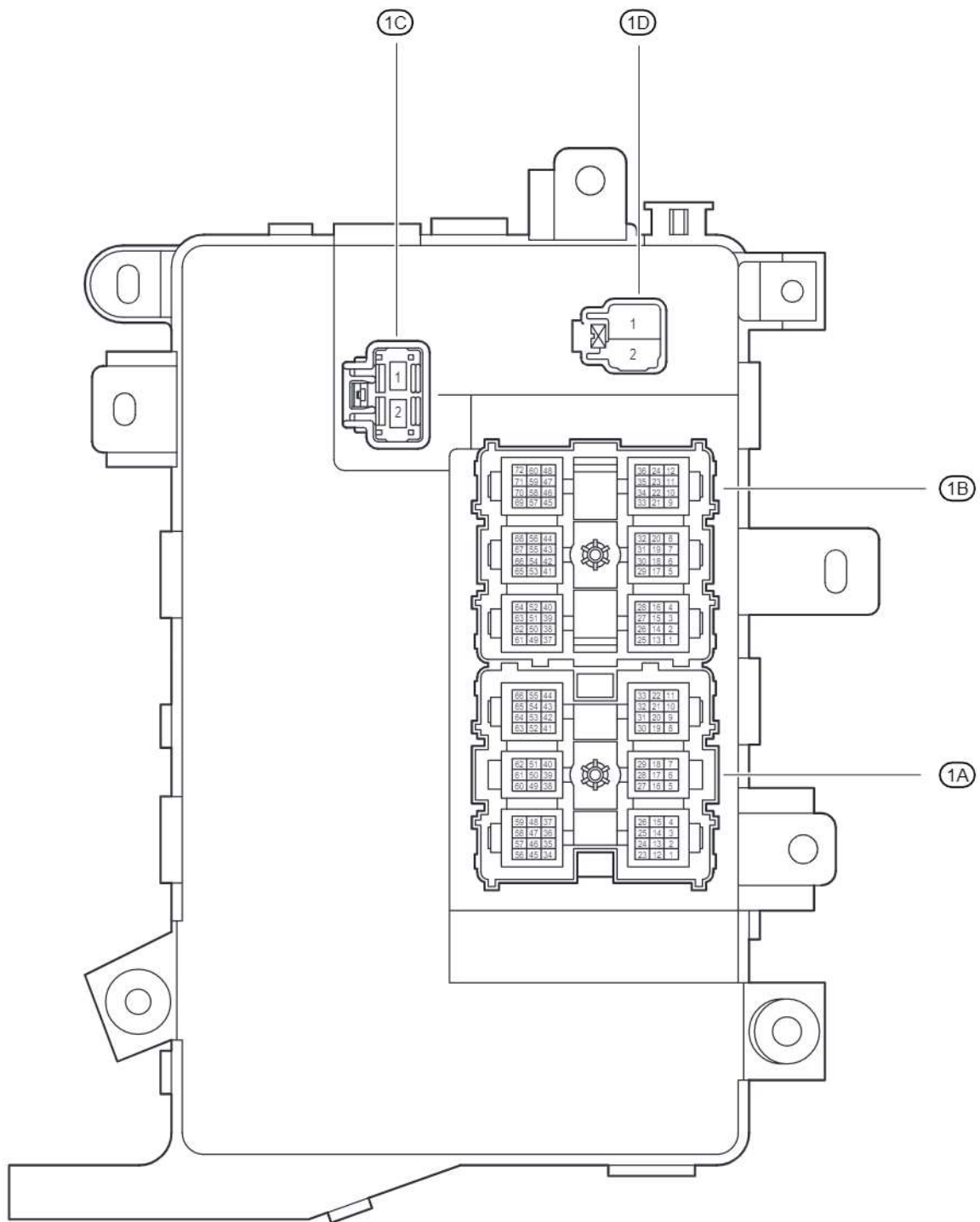
Connector Joining Wire Harness and Wire Harness



Code	Joining Wire Harness and Wire Harness (Connector Location)
EA1	Engine Room Main Wire and Engine Room No.2 Wire (Engine Compartment Right)
EA2	Engine Room No.2 Wire and Engine Room Main Wire (Under the Engine Room J/B)
EB1	Engine Wire and Transmission Wire (On the Transmission)
ED1	Engine No.2 Wire and Engine Room No.2 Wire (Near the Engine Room J/B)
EF1	Engine Room No.2 Wire and Engine Room Main Wire (Under the Engine Room J/B)
EL1	Engine Room No.2 Wire and Differential Wire (Engine Compartment Right)
EM1	Oil Pressure Switch Wire and Engine Room No.2 Wire (Engine Compartment Right)
EQ1	Engine Room No.2 Wire and Magnet SW to Winch Wire (Near the Engine Room J/B)
ER1	Engine Room Main Wire and Engine No.2 Wire (Near the Battery)

D RELAY LOCATIONS

○ : Engine Room J/B Engine Compartment Left (See Page 8)
 (Inner Circuit : See Page 16)



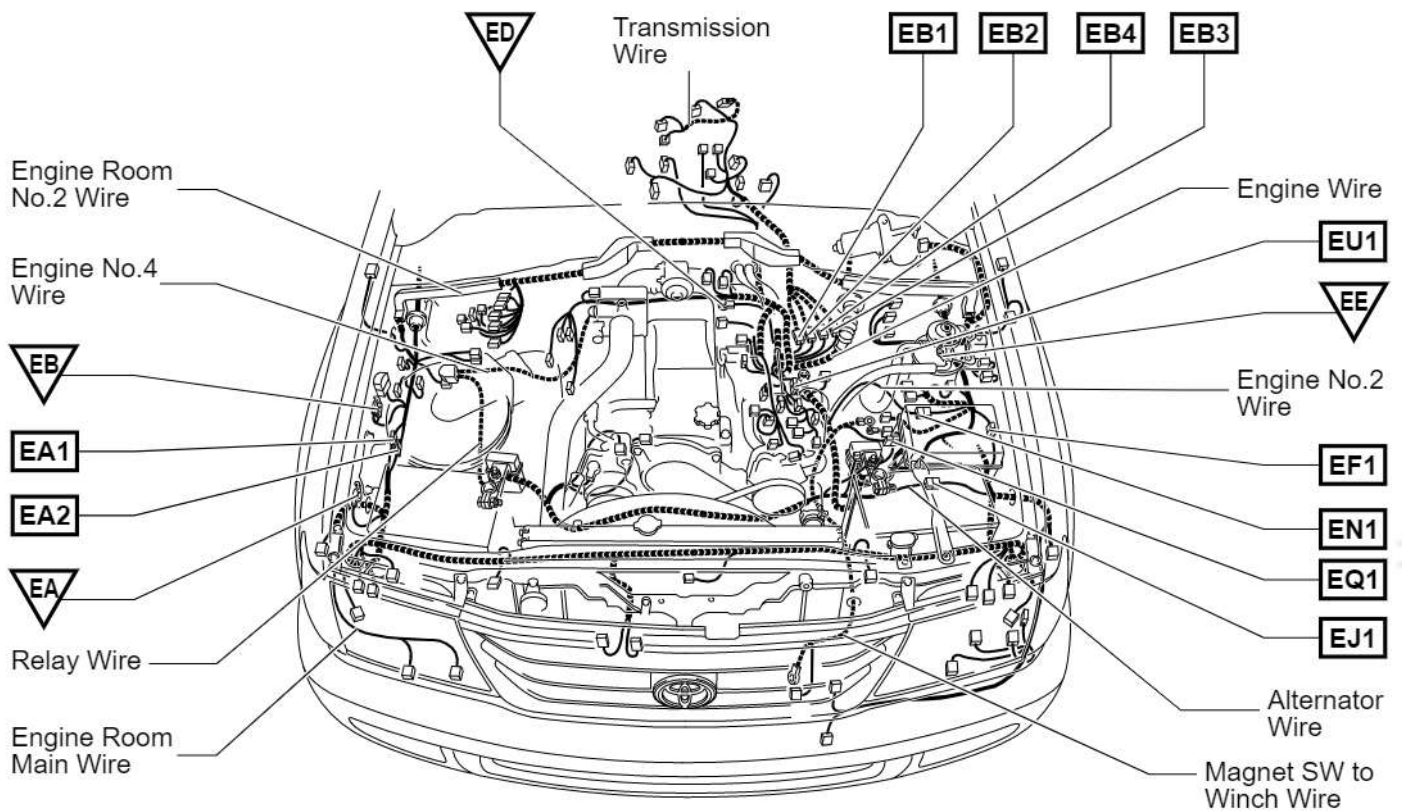
cardiagn.com

E ELECTRICAL WIRING ROUTING

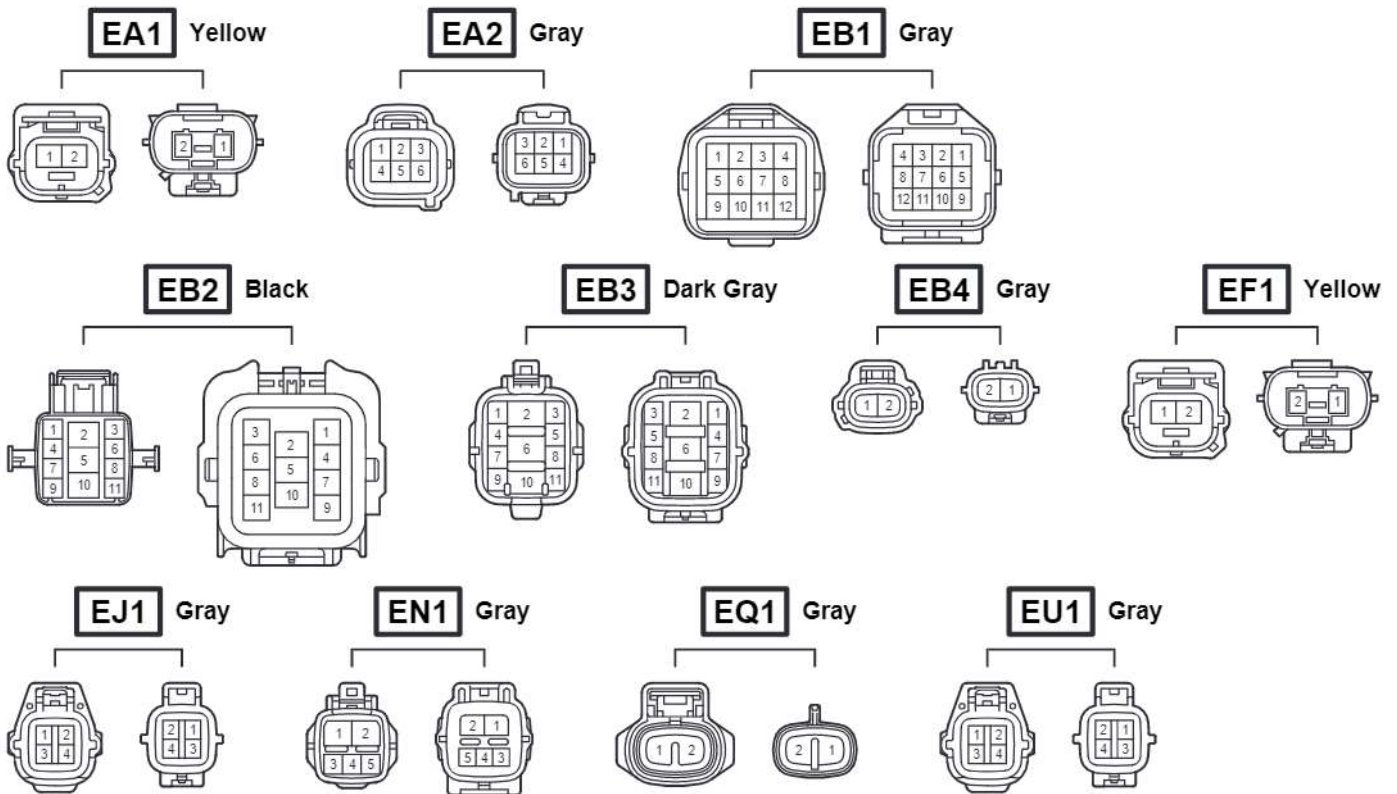
□ : Location of Connector Joining Wire Harness and Wire Harness

▽ : Location of Ground Points

[RHD : 1HD-FTE]



Connector Joining Wire Harness and Wire Harness



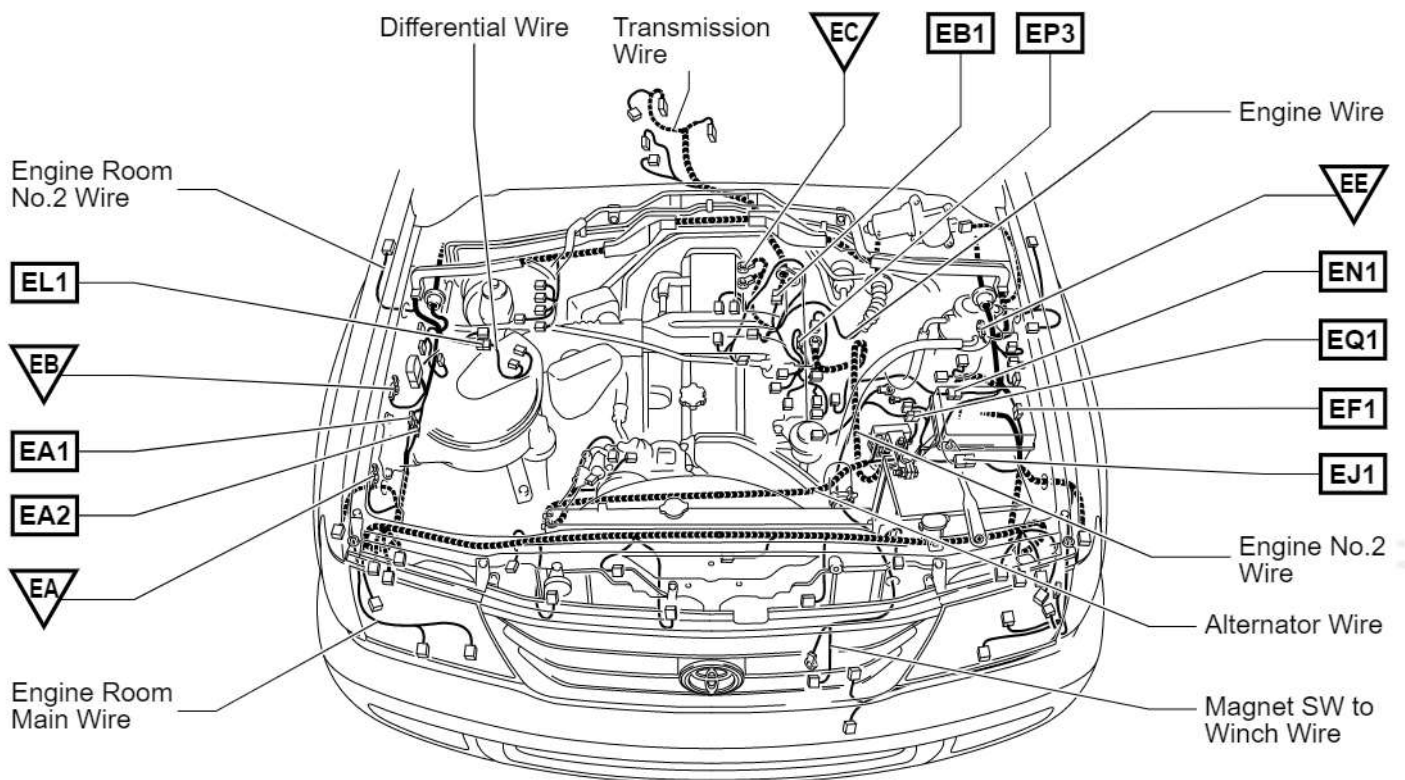
Code	Joining Wire Harness and Wire Harness (Connector Location)
EA1	Engine Room Main Wire and Engine Room No.2 Wire (Engine Compartment Right)
EA2	
EB1	
EB2	
EB3	Engine Wire and Transmission Wire (On the Transmission)
EB4	
EF1	
EJ1	Engine Room Main Wire and Alternator Wire (Near the Battery)
EN1	Engine Room No.2 Wire and Engine No.2 Wire (Near the Engine Room J/B)
EQ1	Engine Room No.2 Wire and Magnet SW to Winch Wire (Near the Engine Room J/B)
EU1	Engine No.2 Wire and Engine Wire (On the Transmission)

E ELECTRICAL WIRING ROUTING

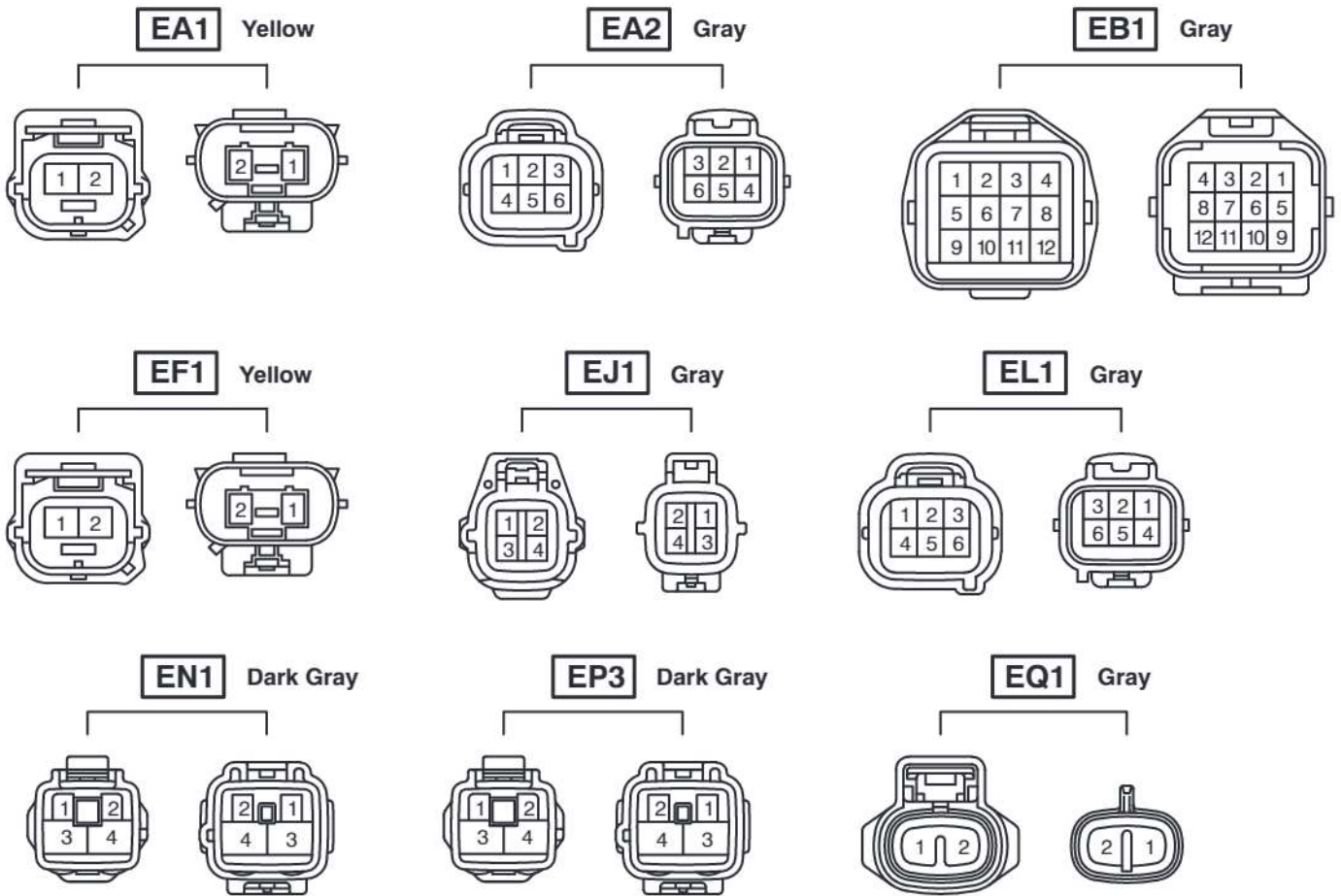
□ : Location of Connector Joining Wire Harness and Wire Harness

▽ : Location of Ground Points

[RHD : 1HZ]



Connector Joining Wire Harness and Wire Harness

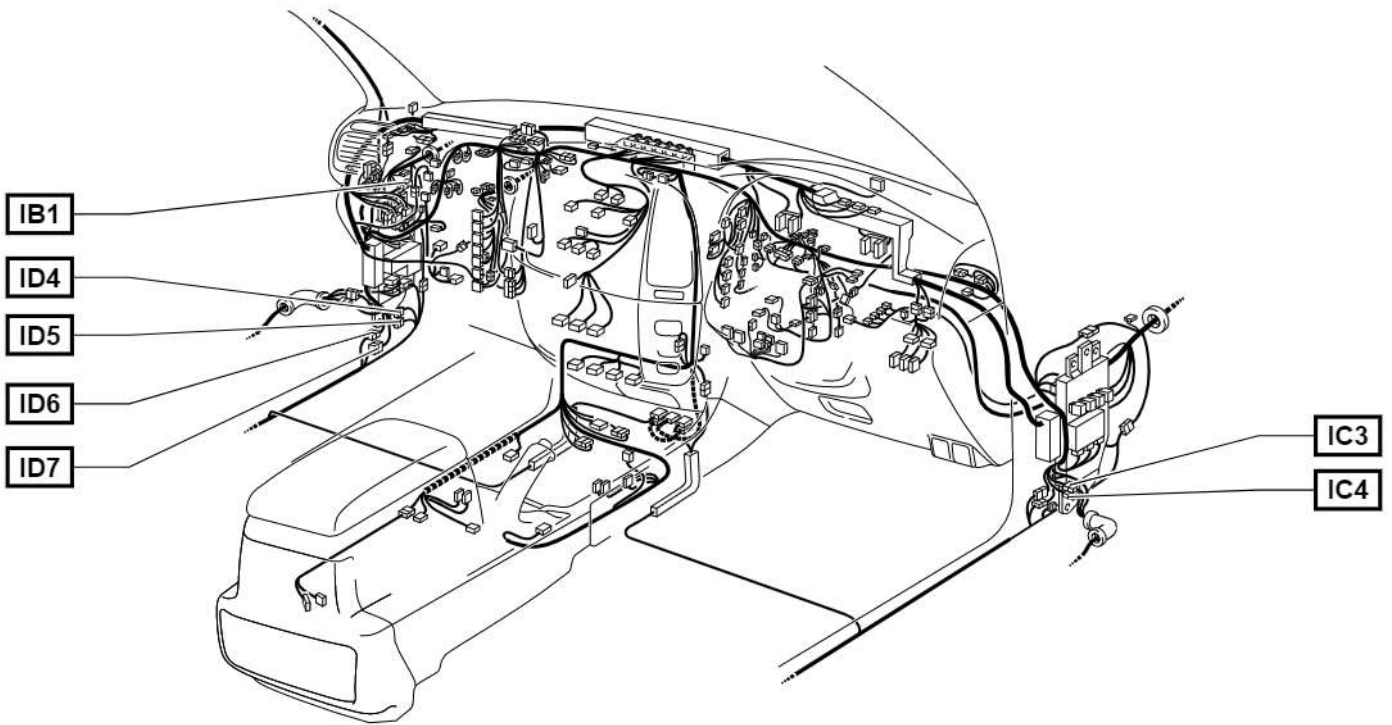


Code	Joining Wire Harness and Wire Harness (Connector Location)
EA1	Engine Room Main Wire and Engine Room No.2 Wire (Engine Compartment Right)
EA2	Engine Room Main Wire and Engine Room No.2 Wire (Engine Compartment Right)
EB1	Engine Wire and Transmission Wire (On the Transmission)
EF1	Engine Room No.2 Wire and Engine Room Main Wire (Under the Engine Room J/B)
EJ1	Engine Room Main Wire and Alternator Wire (Near the Battery)
EL1	Engine Room No.2 Wire and Differential Wire (Engine Compartment Right)
EN1	Engine Room No.2 Wire and Engine No.2 Wire (Near the Engine Room J/B)
EP3	Engine Wire and Engine No.2 Wire (On the Transmission)
EQ1	Engine Room No.2 Wire and Magnet SW to Winch Wire (Near the Engine Room J/B)

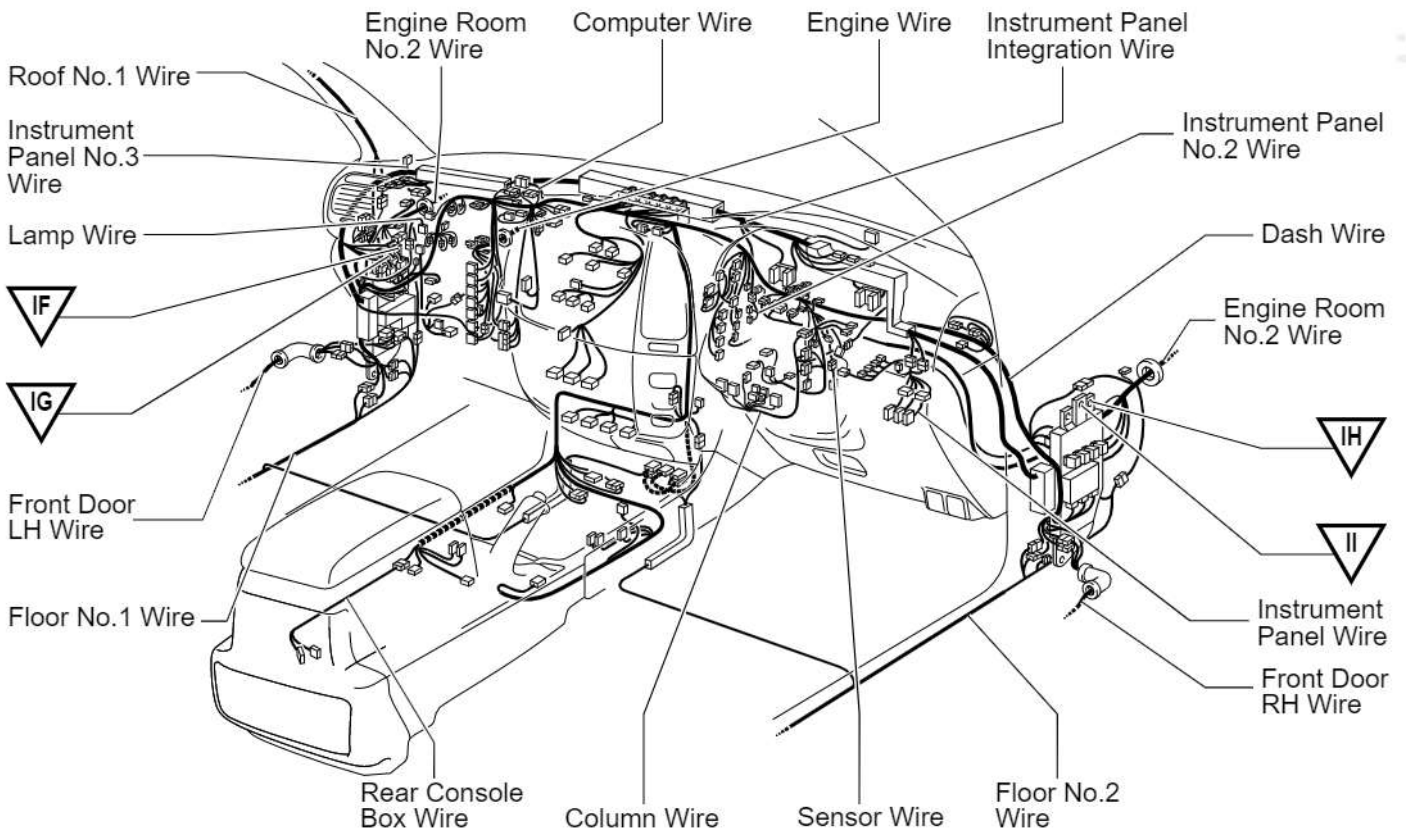
E ELECTRICAL WIRING ROUTING

□ : Location of Connector Joining Wire Harness and Wire Harness

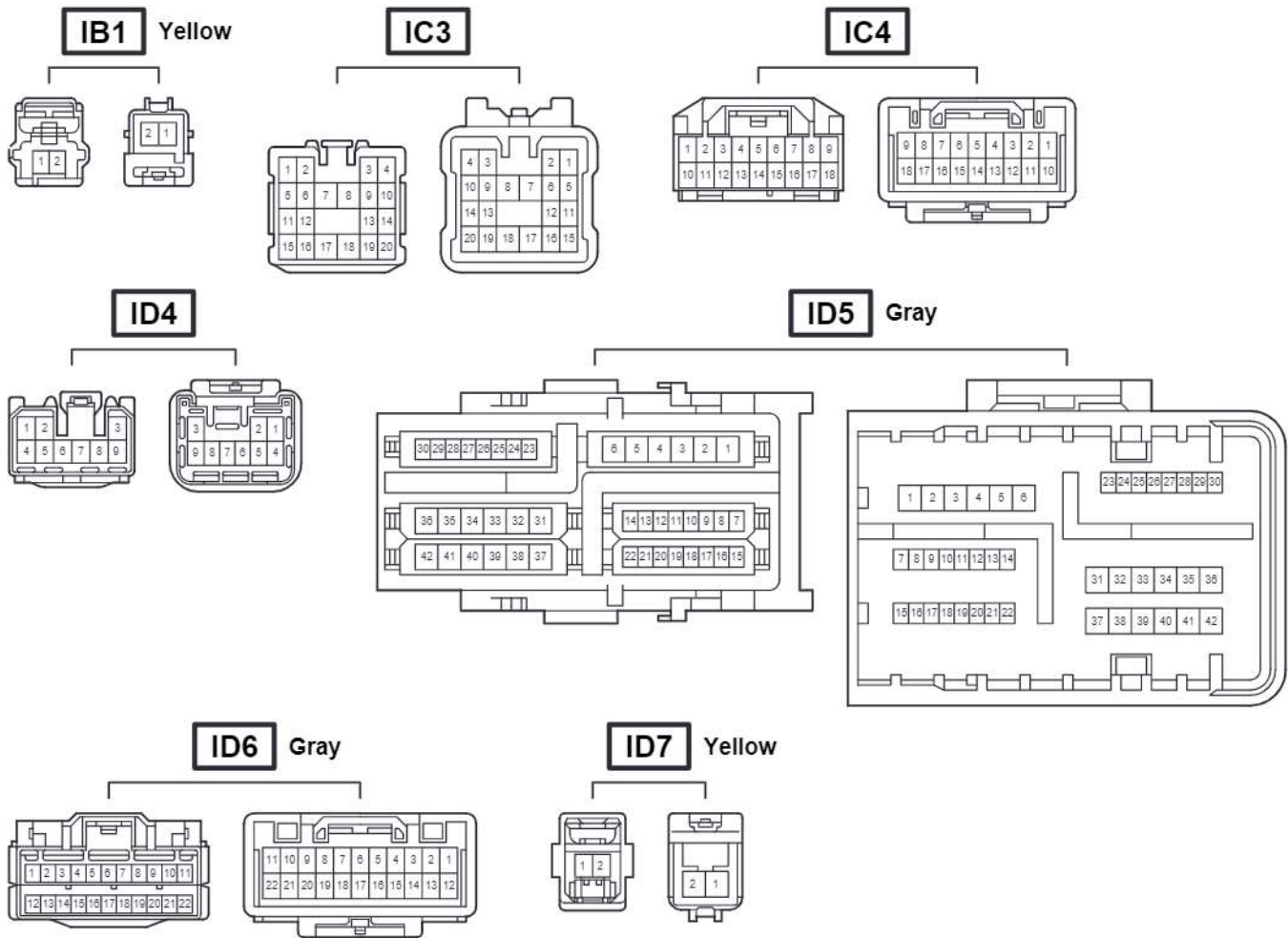
[RHD]



▽ : Location of Ground Points



Connector Joining Wire Harness and Wire Harness

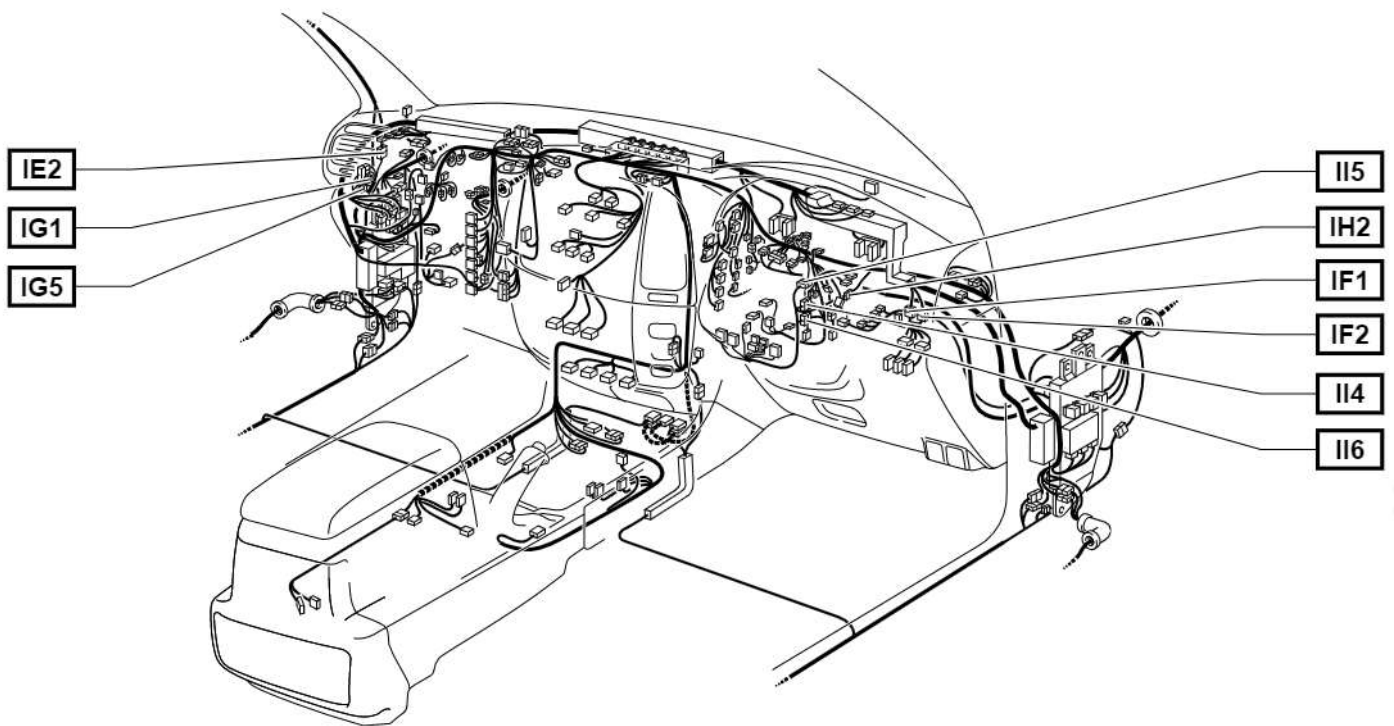


Code	Joining Wire Harness and Wire Harness (Connector Location)
IB1	Engine Room No.2 Wire and Dash Wire (Left Kick Panel)
IC3	Front Door RH Wire and Dash Wire (Right Kick Panel)
IC4	
ID4	Dash Wire and Floor No.1 Wire (Left Kick Panel)
ID5	
ID6	
ID7	

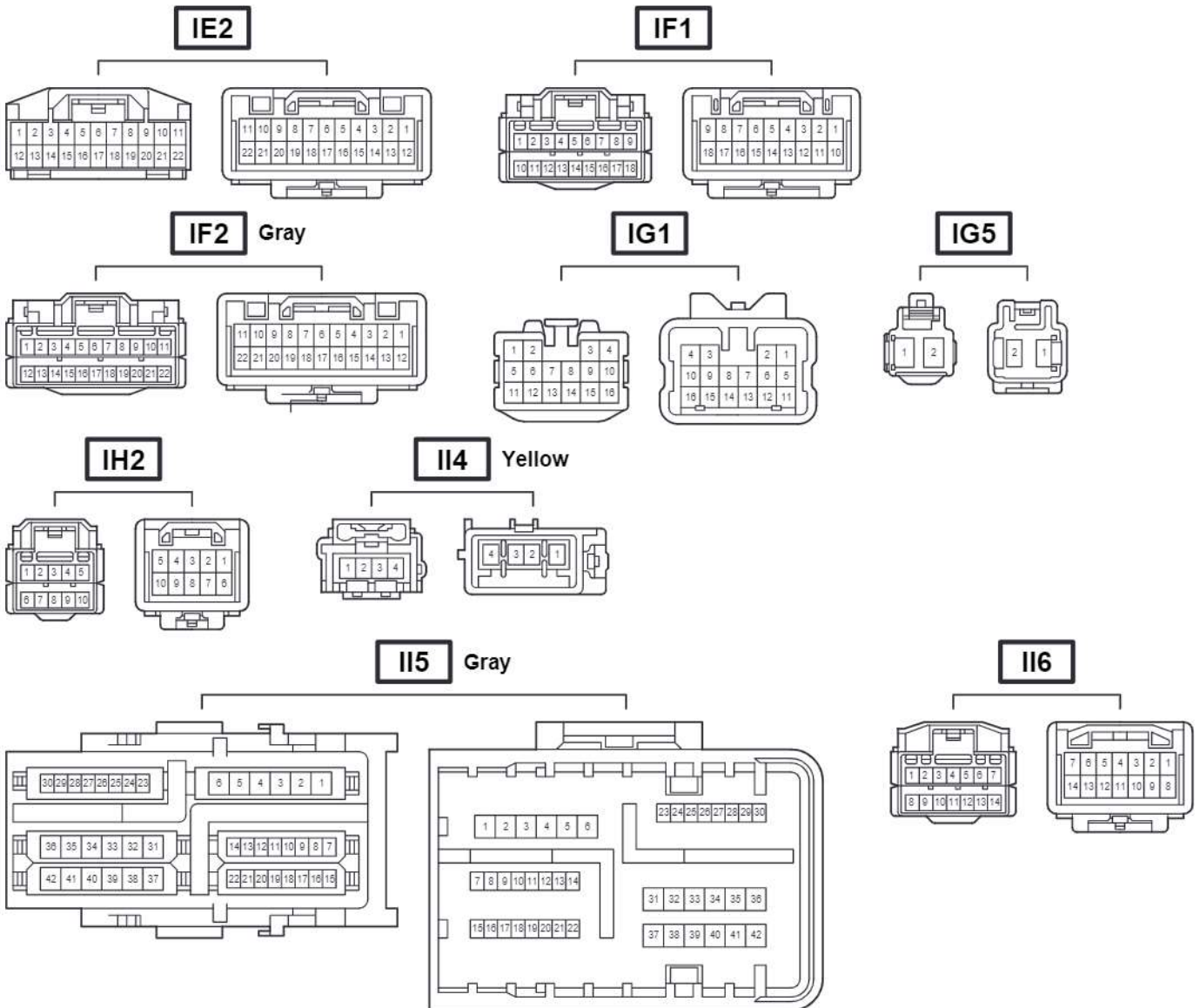
E ELECTRICAL WIRING ROUTING

□ : Location of Connector Joining Wire Harness and Wire Harness

[RHD]



Connector Joining Wire Harness and Wire Harness

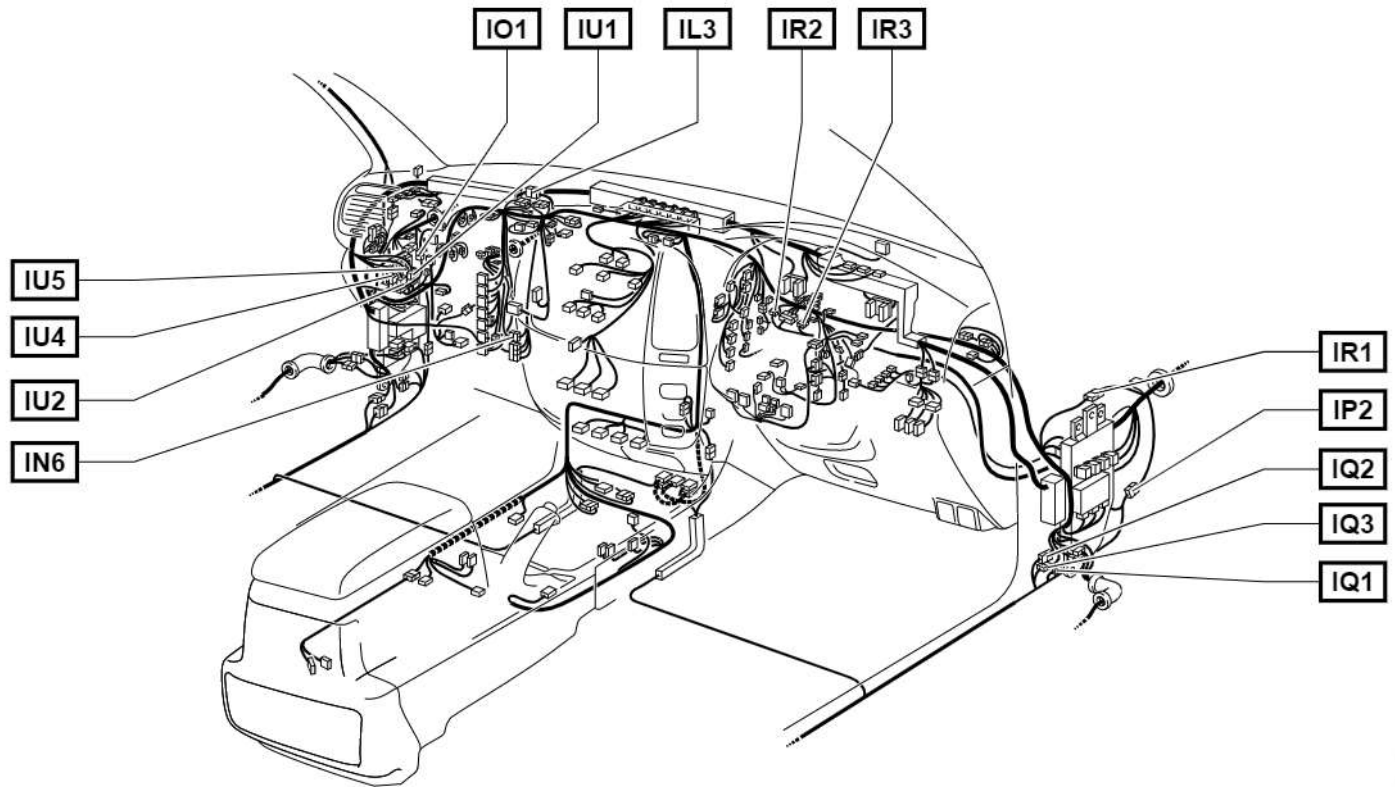


Code	Joining Wire Harness and Wire Harness (Connector Location)
IE2	Dash Wire and Roof No.1 Wire (Left Kick Panel)
IF1	Instrument Panel Integration Wire and Instrument Panel Wire (Right Side of Instrument Panel)
IF2	Instrument Panel Integration Wire and Instrument Panel Wire (Right Side of Instrument Panel)
IG1	Engine Room No.2 Wire and Dash Wire (Behind the Glove Box)
IG5	Engine Room No.2 Wire and Dash Wire (Behind the Glove Box)
IH2	Instrument Panel Integration Wire and Column Wire (Near the Steering Column)
II4	Instrument Panel Integration Wire and Column Wire (Near the Steering Column)
II5	Dash Wire and Column Wire (Near the Steering Column)
II6	Dash Wire and Column Wire (Near the Steering Column)

E ELECTRICAL WIRING ROUTING

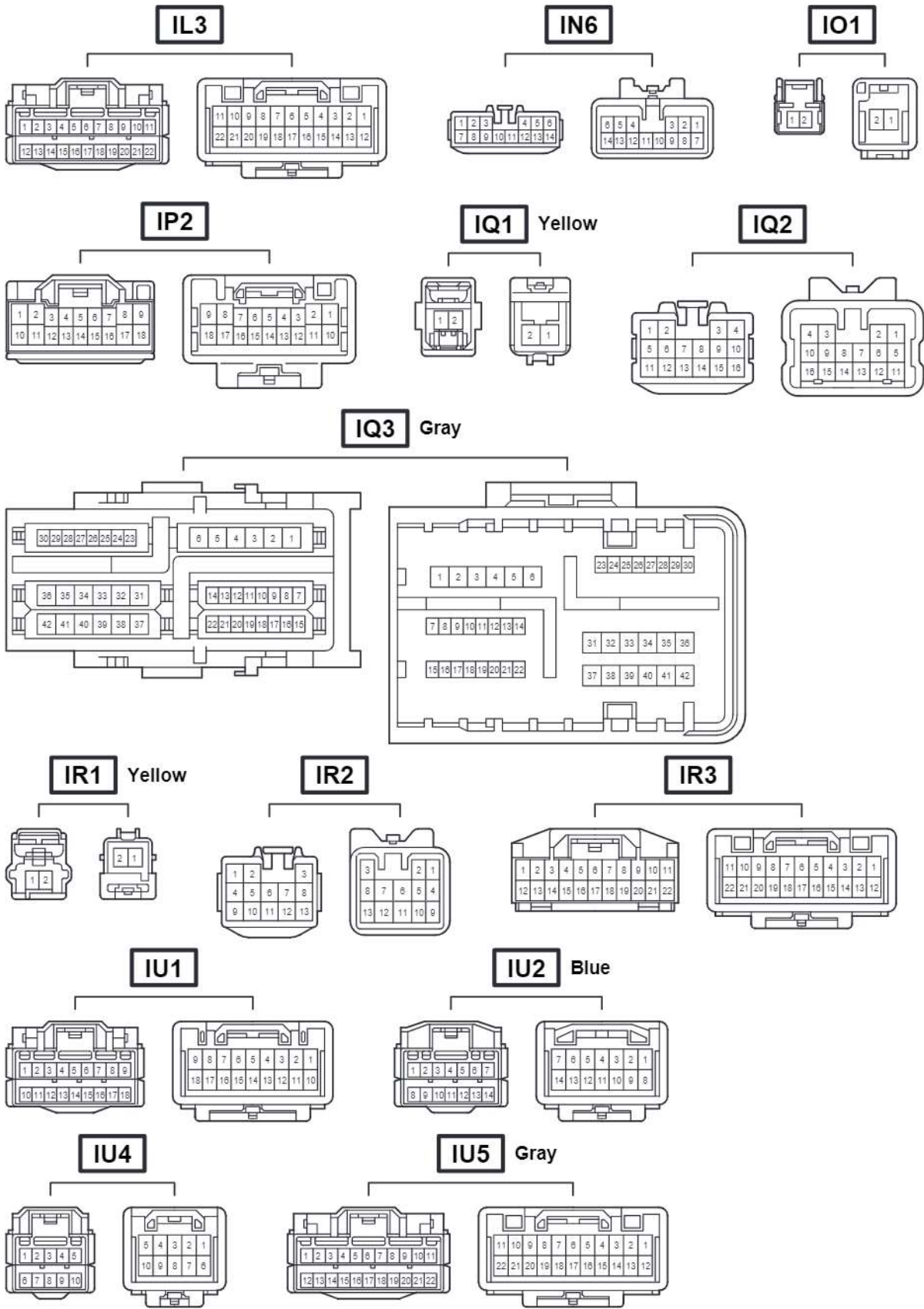
□ : Location of Connector Joining Wire Harness and Wire Harness

[RHD]

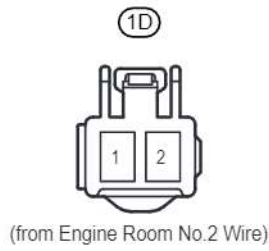
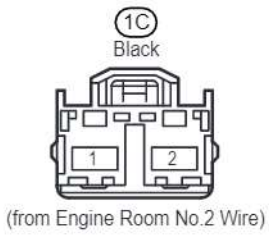
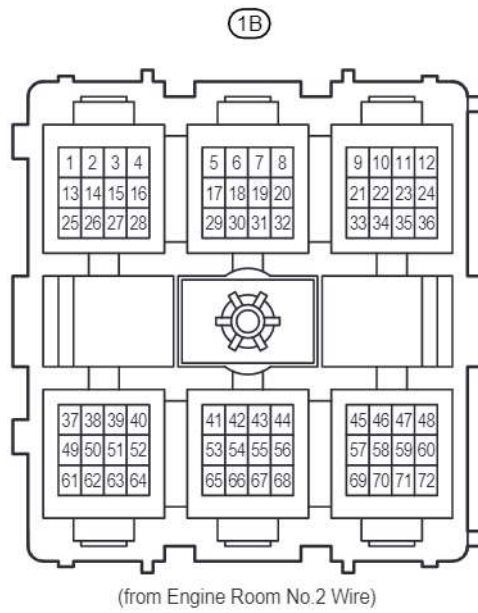
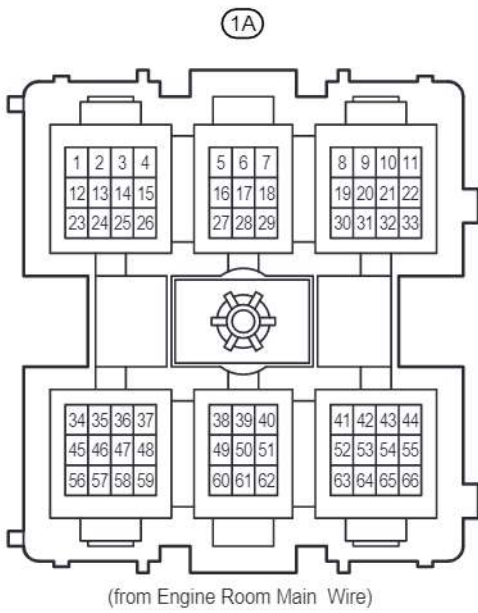


Code	Joining Wire Harness and Wire Harness (Connector Location)
IL3	Instrument Panel Integration Wire and Computer Wire (Instrument Panel Center)
IN6	Engine Wire and Dash Wire (Behind the Glove Box)
IO1	Instrument Panel Integration Wire and Lamp Wire (Behind the Glove Box)
IP2	Engine Room No.2 Wire and Floor No.2 Wire (Right Kick Panel)
IQ1	Dash Wire and Floor No.2 Wire (Right Kick Panel)
IQ2	
IQ3	
IR1	Engine Room No.2 Wire and Dash Wire (Right Kick Panel)
IR2	
IR3	
IU1	Instrument Panel Integration Wire and Dash Wire (Behind the Glove Box)
IU2	
IU4	
IU5	

Connector Joining Wire Harness and Wire Harness



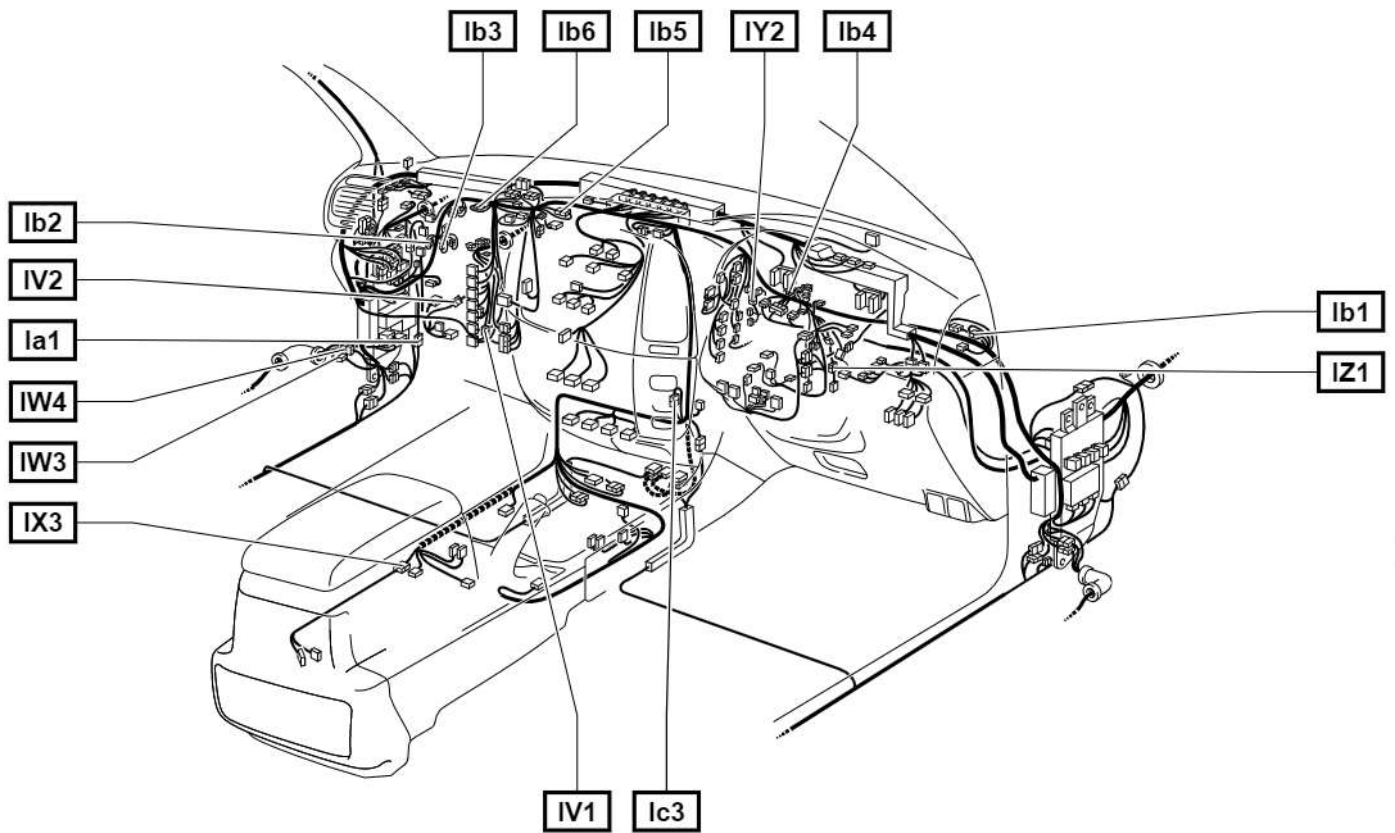
cardiagn.com



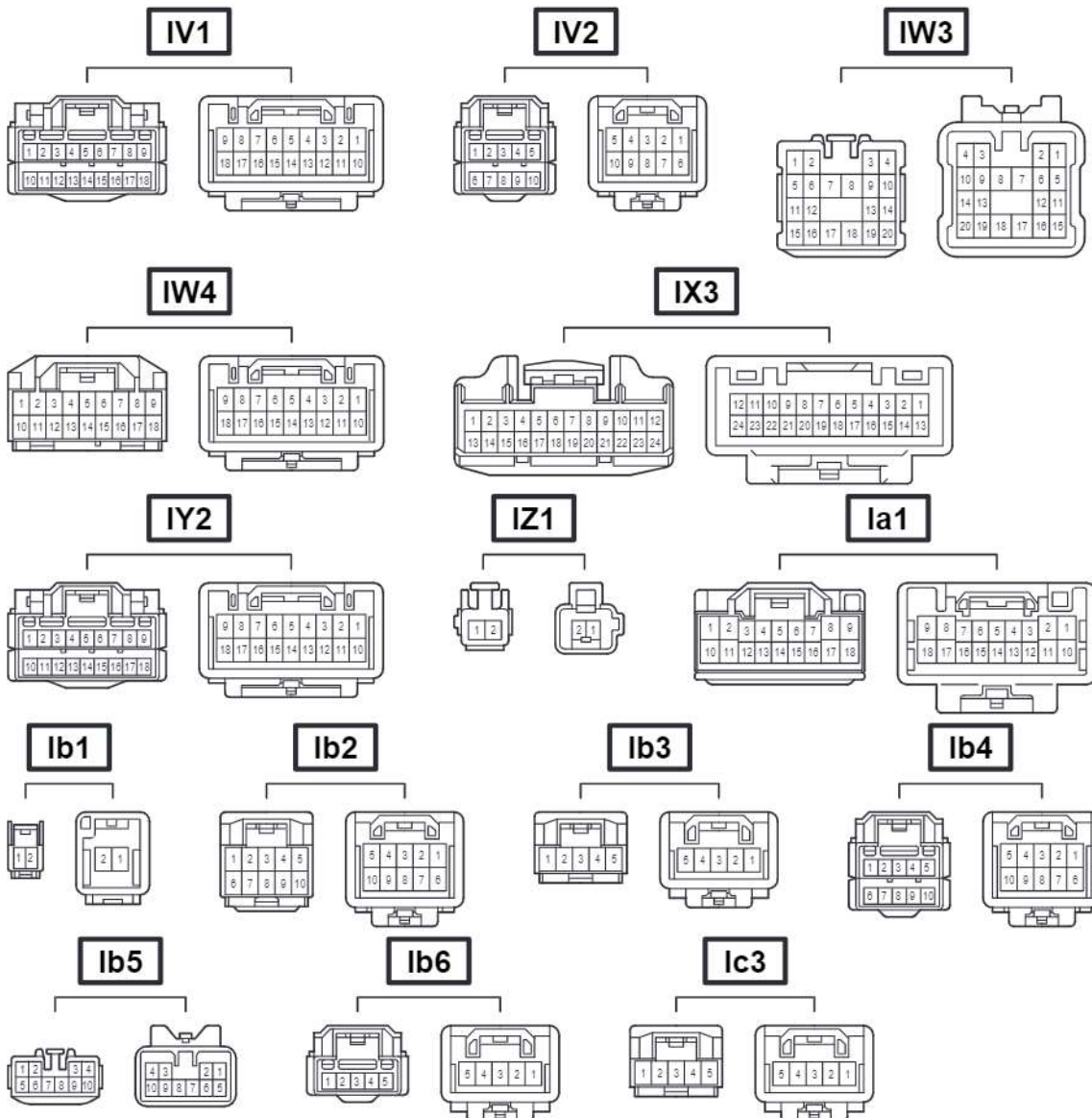
E ELECTRICAL WIRING ROUTING

□ : Location of Connector Joining Wire Harness and Wire Harness

[RHD]



Connector Joining Wire Harness and Wire Harness

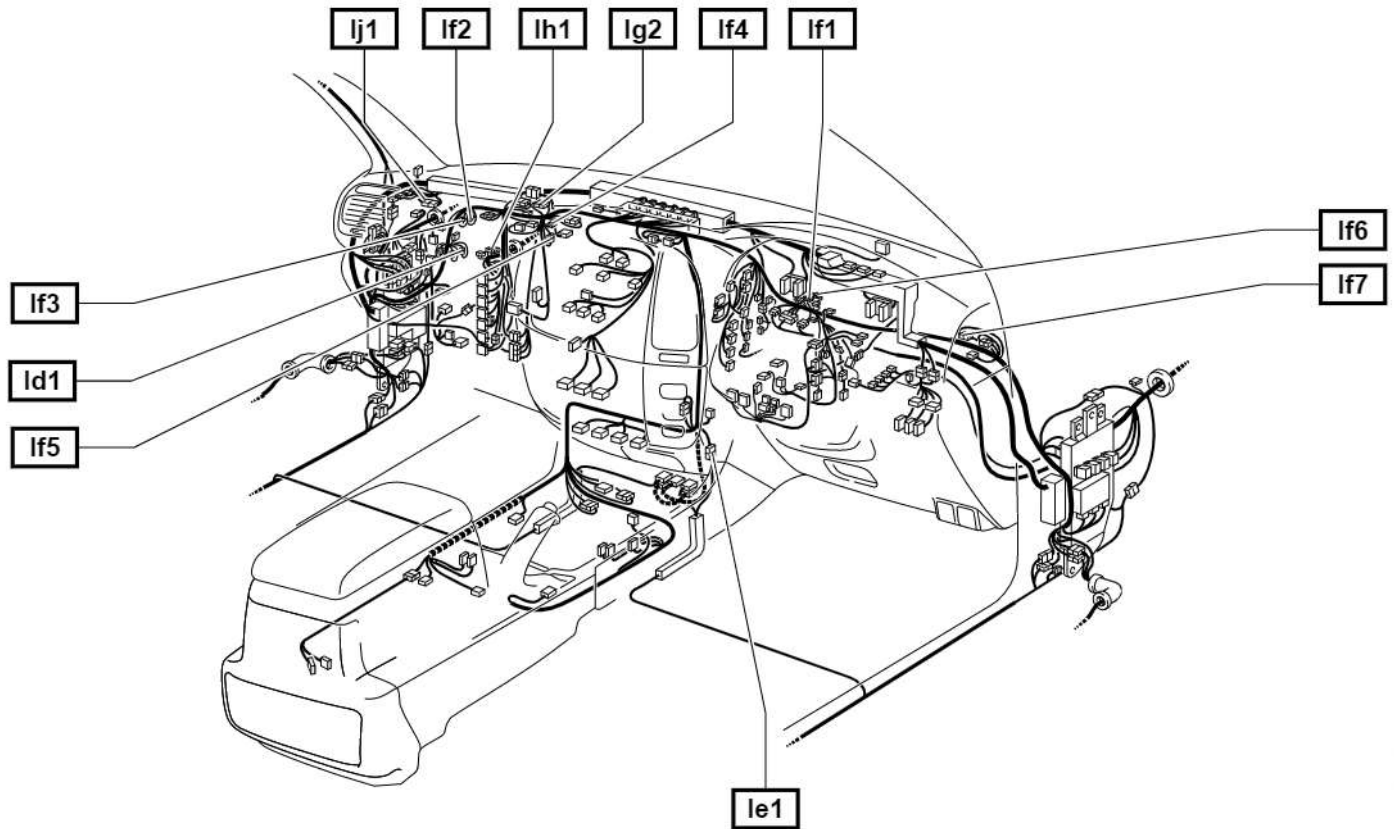


Code	Joining Wire Harness and Wire Harness (Connector Location)
IV1	Instrument Panel Integration Wire and Engine Wire (Behind the Glove Box)
IV2	Instrument Panel Integration Wire and Engine Wire (Behind the Glove Box)
IW3	Front Door LH Wire and Dash Wire (Left Kick Panel)
IW4	Front Door LH Wire and Dash Wire (Left Kick Panel)
IX3	Rear Console Box Wire and Dash Wire (Left Side of Rear Console)
IY2	Instrument Panel Integration Wire and Instrument Panel No.2 Wire (Instrument Panel Center)
IZ1	Dash Wire and Sensor Wire (Near the Steering Column)
Ia1	Engine Room No.2 Wire and Floor No.1 Wire (Left Kick Panel)
Ib1	Dash Wire and Dash Wire (Right Side of Instrument Panel)
Ib2	Dash Wire and Dash Wire (Behind the Glove Box)
Ib3	Dash Wire and Dash Wire (Behind the Glove Box)
Ib4	Dash Wire and Dash Wire (Behind the Combination Meter)
Ib5	Dash Wire and Dash Wire (Instrument Panel Center)
Ib6	Dash Wire and Dash Wire (Behind the Glove Box)
Ic3	Dash Wire and Dash Wire (Behind the Center Panel)

E ELECTRICAL WIRING ROUTING

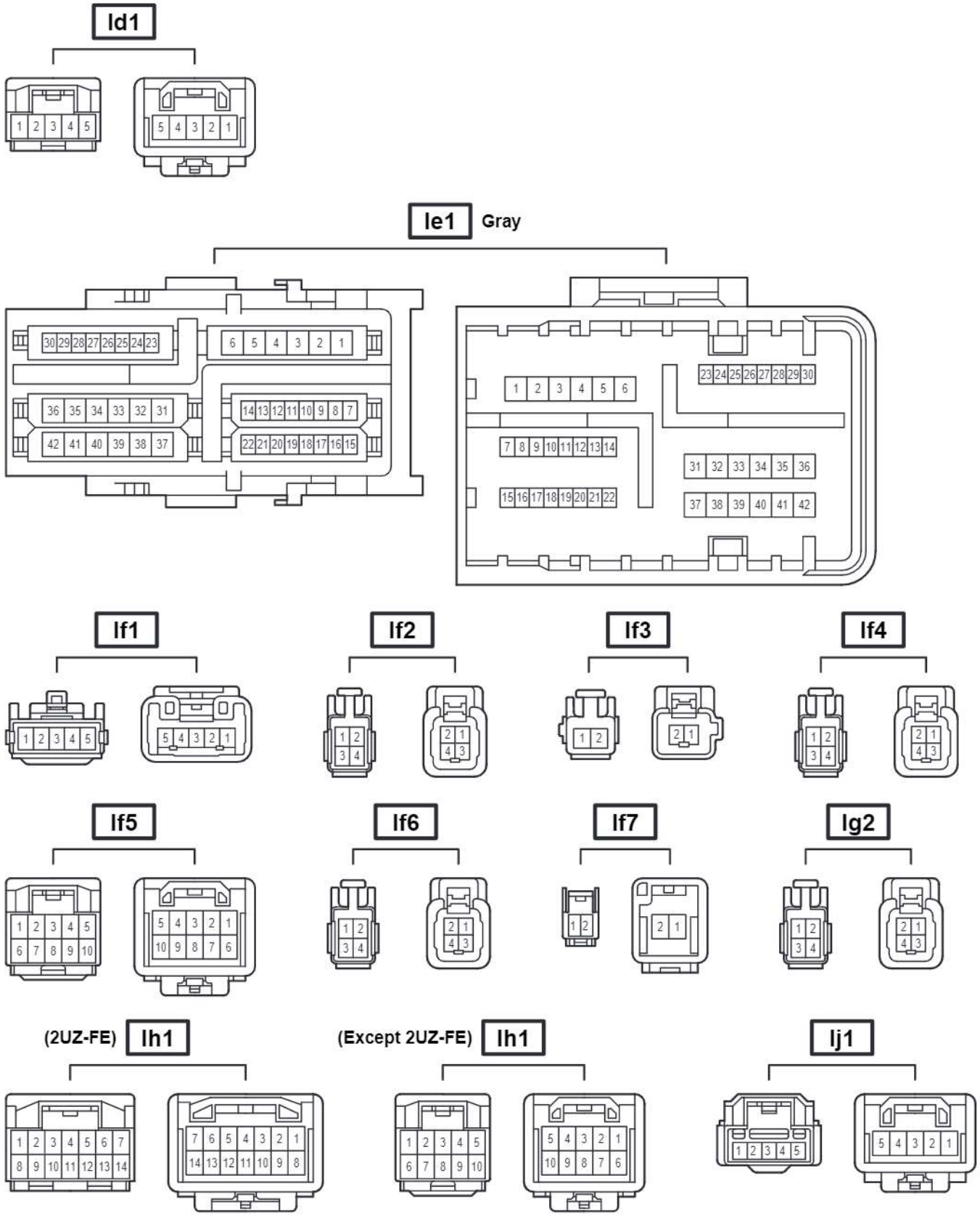
□ : Location of Connector Joining Wire Harness and Wire Harness

[RHD]



Code	Joining Wire Harness and Wire Harness (Connector Location)
ld1	Dash Wire and Dash Wire (Behind the Glove Box)
le1	Dash Wire and Floor No.2 Wire (Right Side of Front Console)
lf1	Dash Wire and Dash Wire (Behind the Combination Meter)
lf2	Dash Wire and Dash Wire (Behind the Glove Box)
lf3	Dash Wire and Dash Wire (Behind the Glove Box)
lf4	Dash Wire and Dash Wire (Instrument Panel Center)
lf5	Dash Wire and Dash Wire (Instrument Panel Center)
lf6	Dash Wire and Dash Wire (Behind the Combination Meter)
lf7	Dash Wire and Dash Wire (Right Side of Instrument Panel)
lg2	Dash Wire and Dash Wire (Instrument Panel Center)
lh1	Engine Wire and Engine Wire (Behind the Glove Box)
lj1	Instrument Panel Integration Wire and Instrument Panel No.3 Wire (Left Side of Instrument Panel)

Connector Joining Wire Harness and Wire Harness

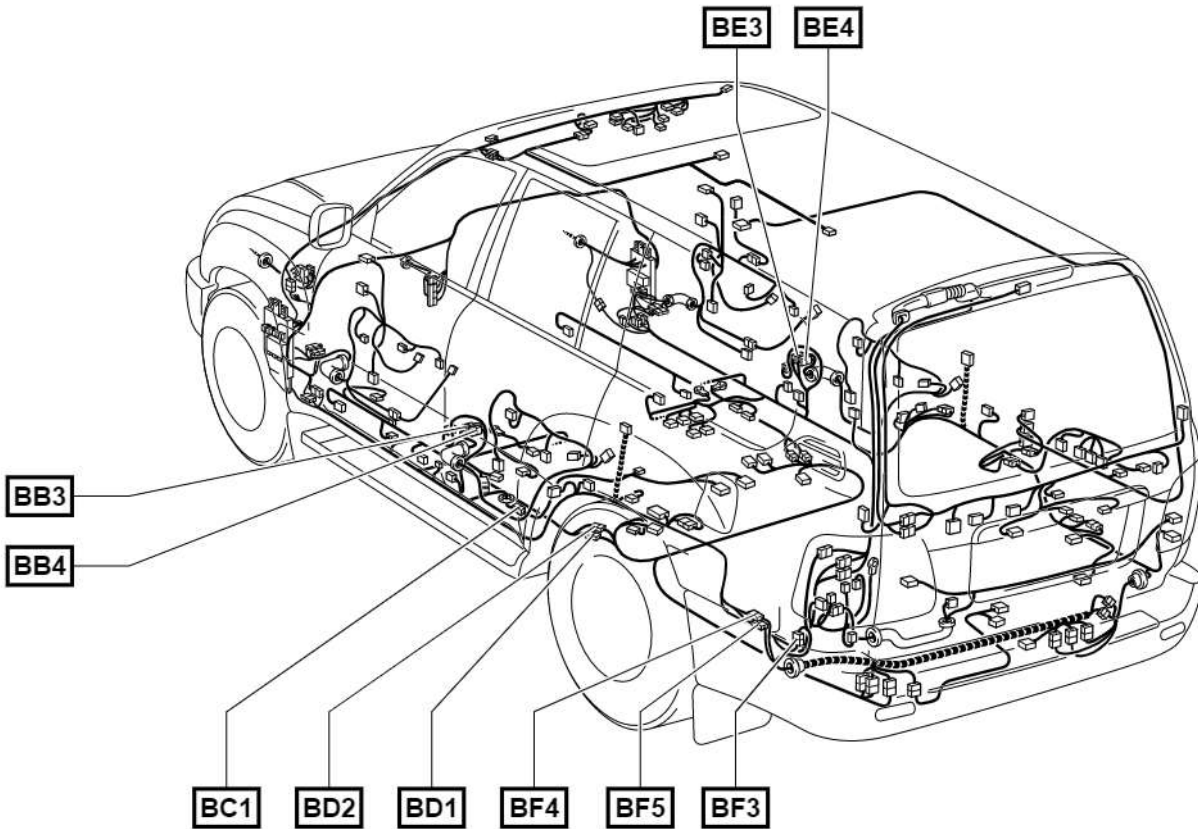


cardiagn.com

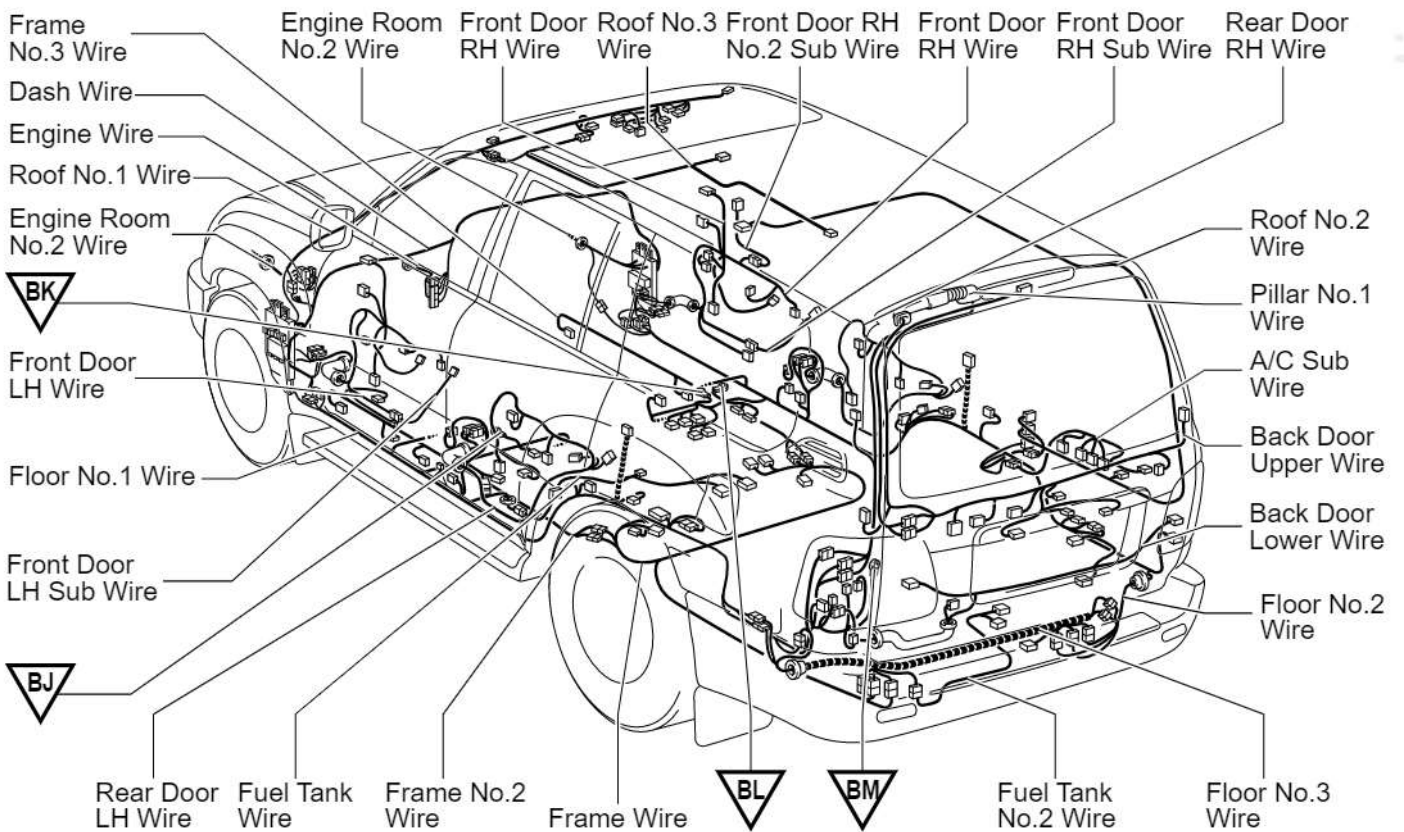
E ELECTRICAL WIRING ROUTING

□ : Location of Connector Joining Wire Harness and Wire Harness

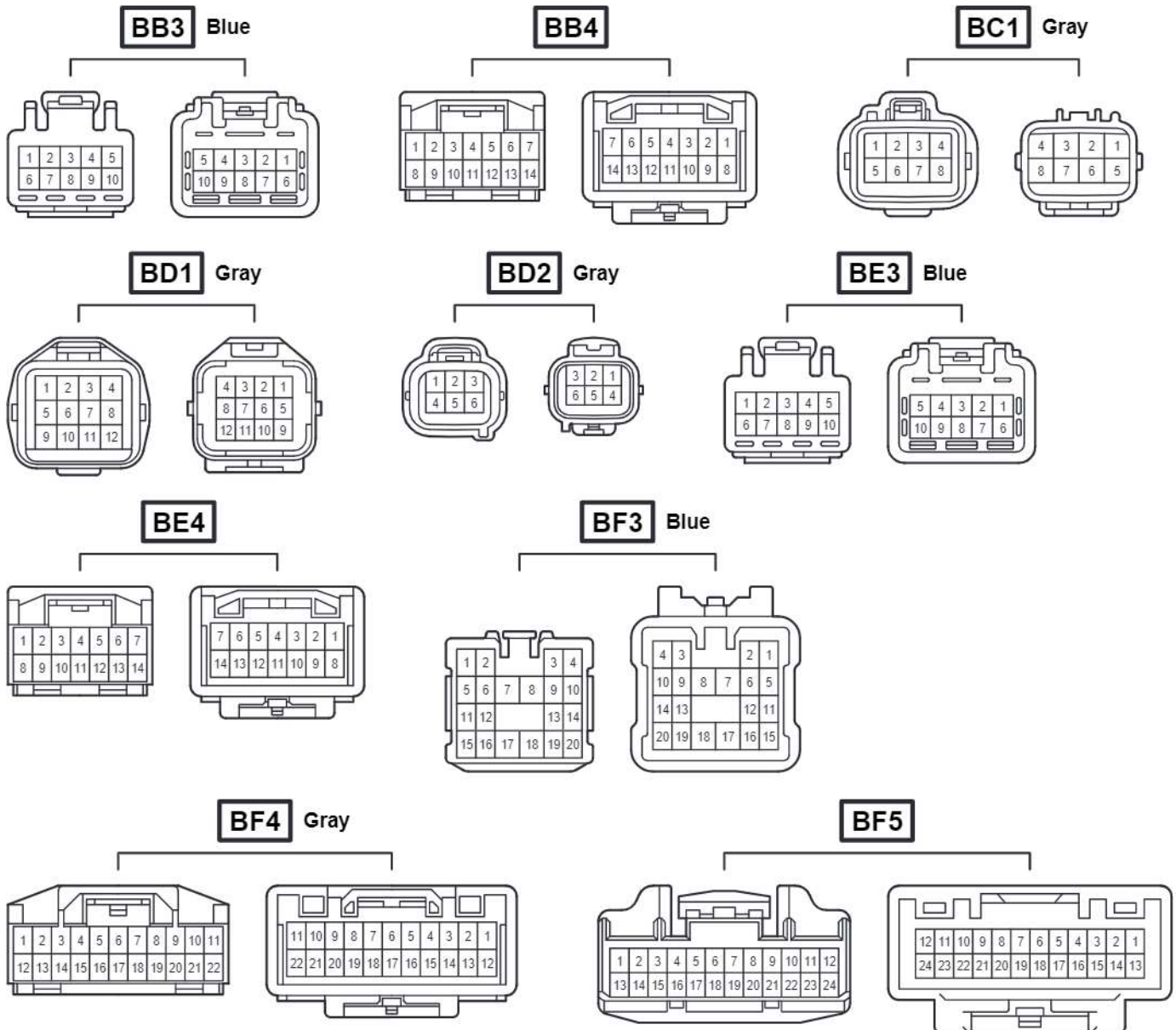
[RHD : Liftgate Type]



▽ : Location of Ground Points



Connector Joining Wire Harness and Wire Harness

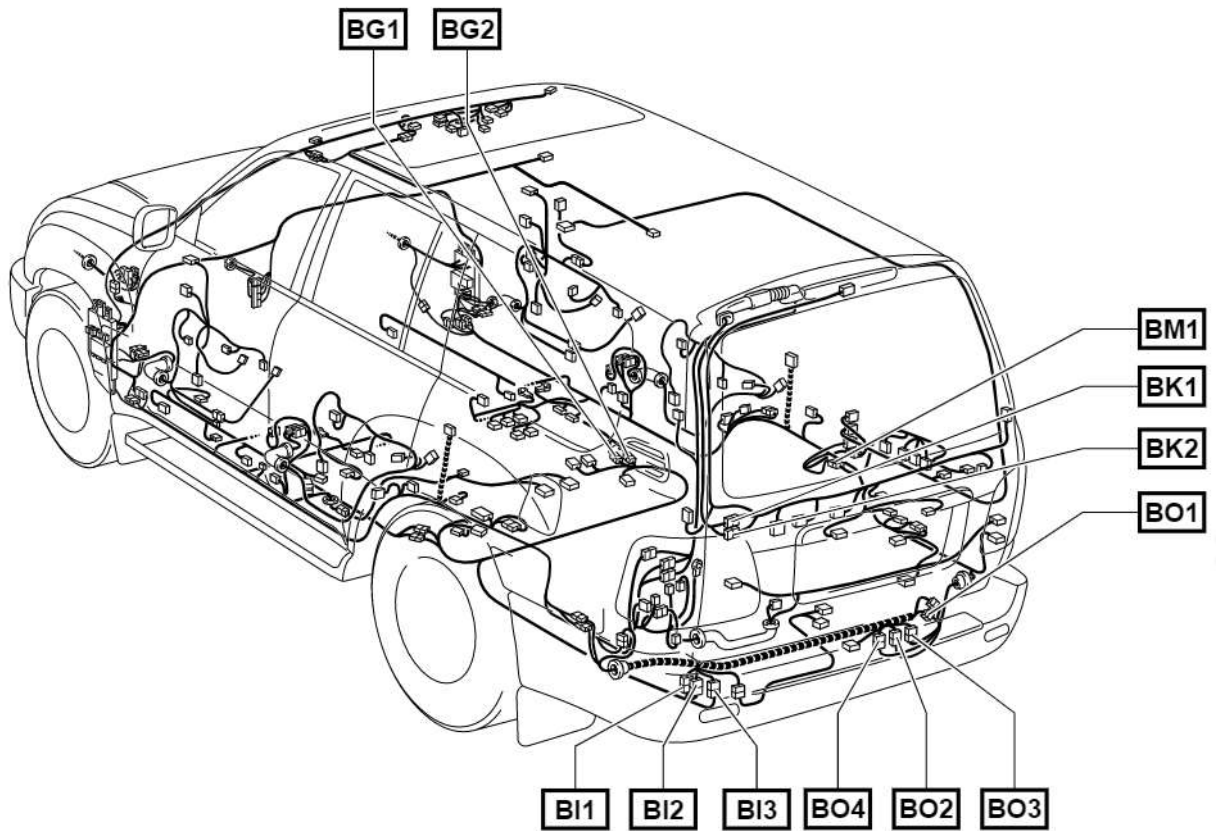


Code	Joining Wire Harness and Wire Harness (Connector Location)
BB3	Rear Door LH Wire and Floor No.1 Wire (Left Side of Center Pillar)
BB4	
BC1	Floor No.1 Wire and Fuel Tank Wire (Near the Fuel Tank)
BD1	Frame No.2 Wire and Frame Wire (Near the Left Rear Suspension Support)
BD2	
BE3	Rear Door RH Wire and Floor No.2 Wire (Right Side of Center Pillar)
BE4	
BF3	
BF4	Floor No.3 Wire and Floor No.1 Wire (Left Rear Side Quarter Panel)
BF5	

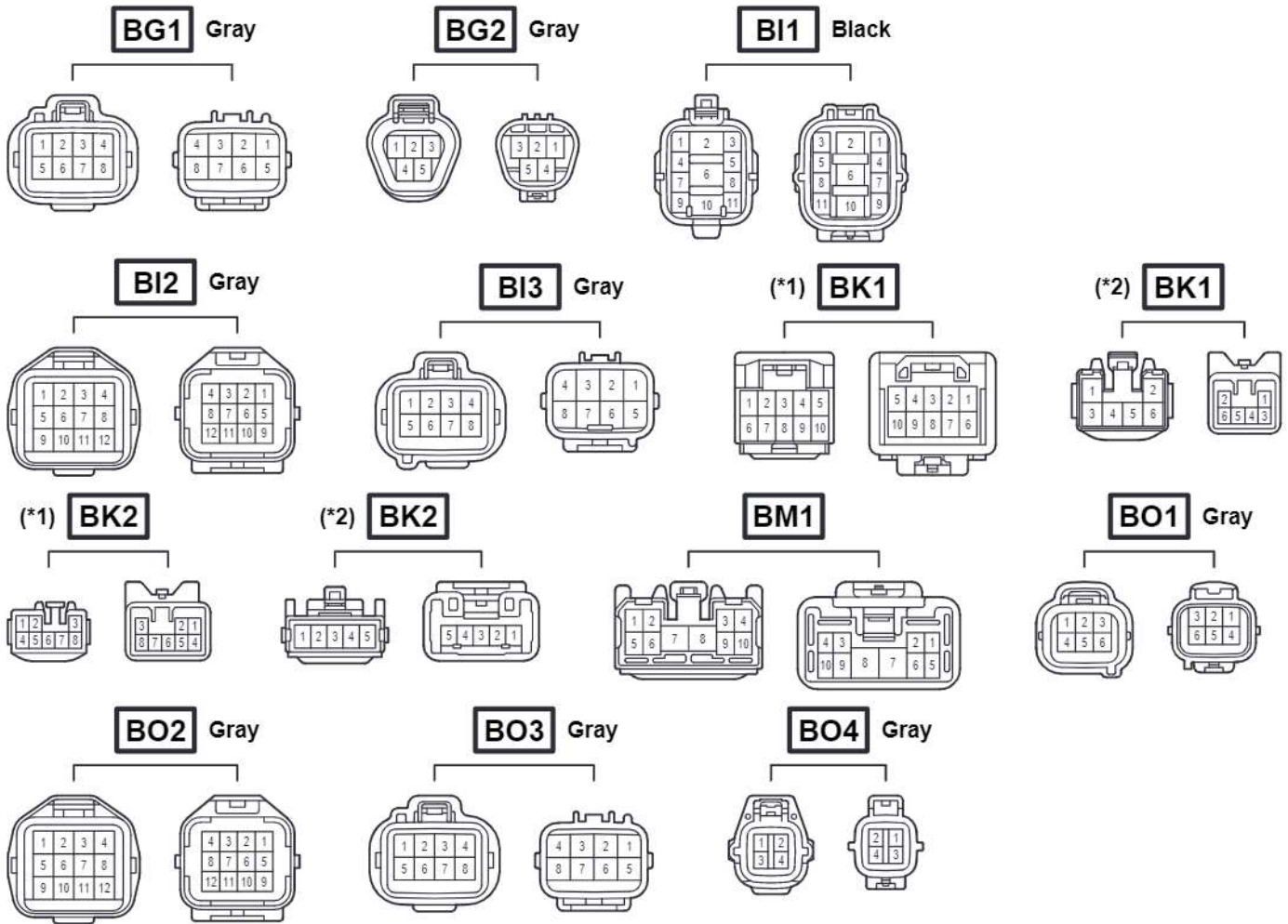
E ELECTRICAL WIRING ROUTING

□ : Location of Connector Joining Wire Harness and Wire Harness

[RHD : Liftgate Type]



Connector Joining Wire Harness and Wire Harness



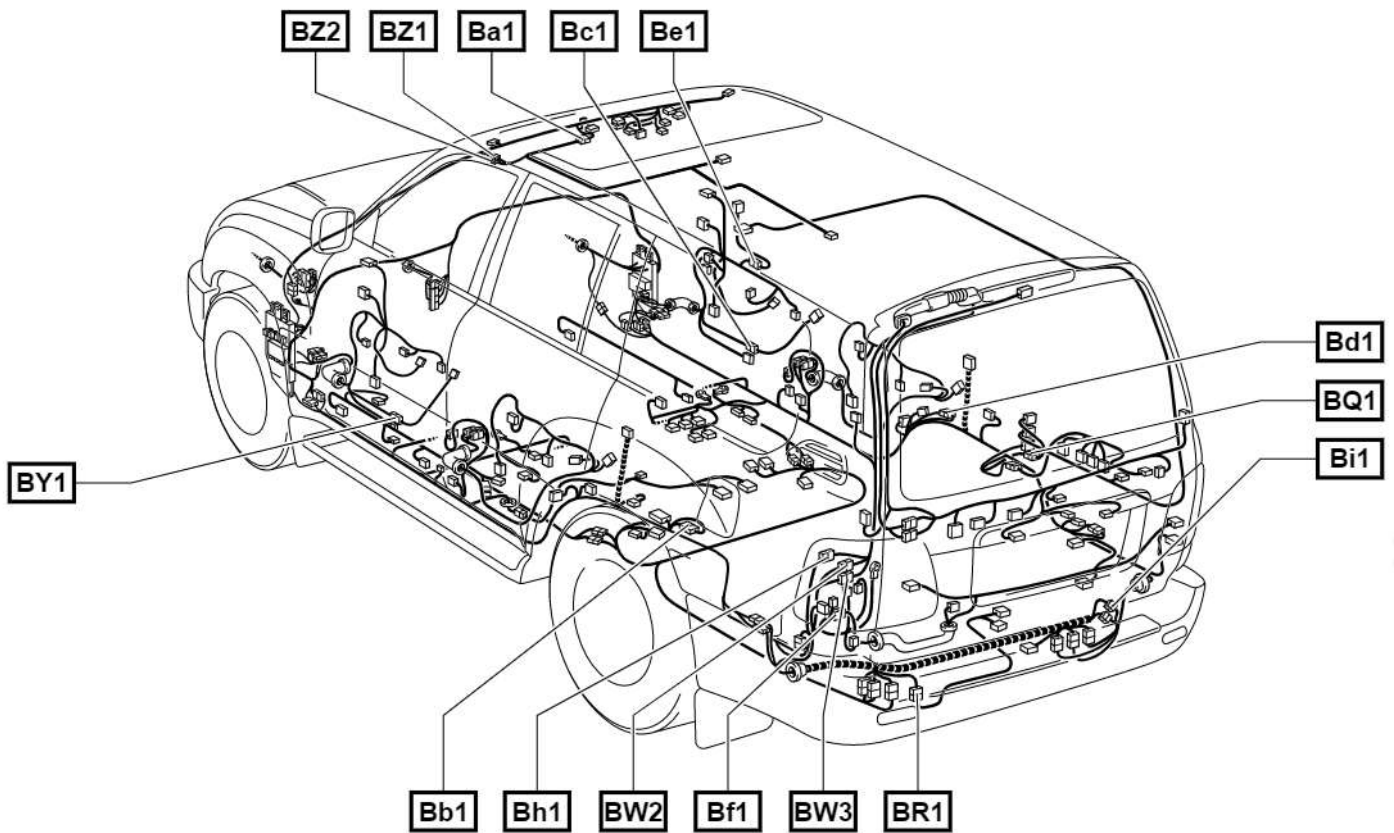
* 1:w/ Navigation System
* 2:w/o Navigation System

Code	Joining Wire Harness and Wire Harness (Connector Location)
BG1	Frame No.3 Wire and Frame Wire (Near the Right Rear Suspension Support)
BG2	
BI1	
BI2	Frame Wire and Floor No.3 Wire (Left Side of Rear Floor Crossmember)
BI3	
BK1	Pillar No.1 Wire and Back Door Upper Wire (Left Side of Back Door)
BK2	
BM1	Floor No.2 Wire and A/C Sub Wire (Right Rear Side Quarter Panel)
BO1	
BO2	Floor No.2 Wire and Floor No.3 Wire (Right Side of Rear Floor Crossmember)
BO3	
BO4	

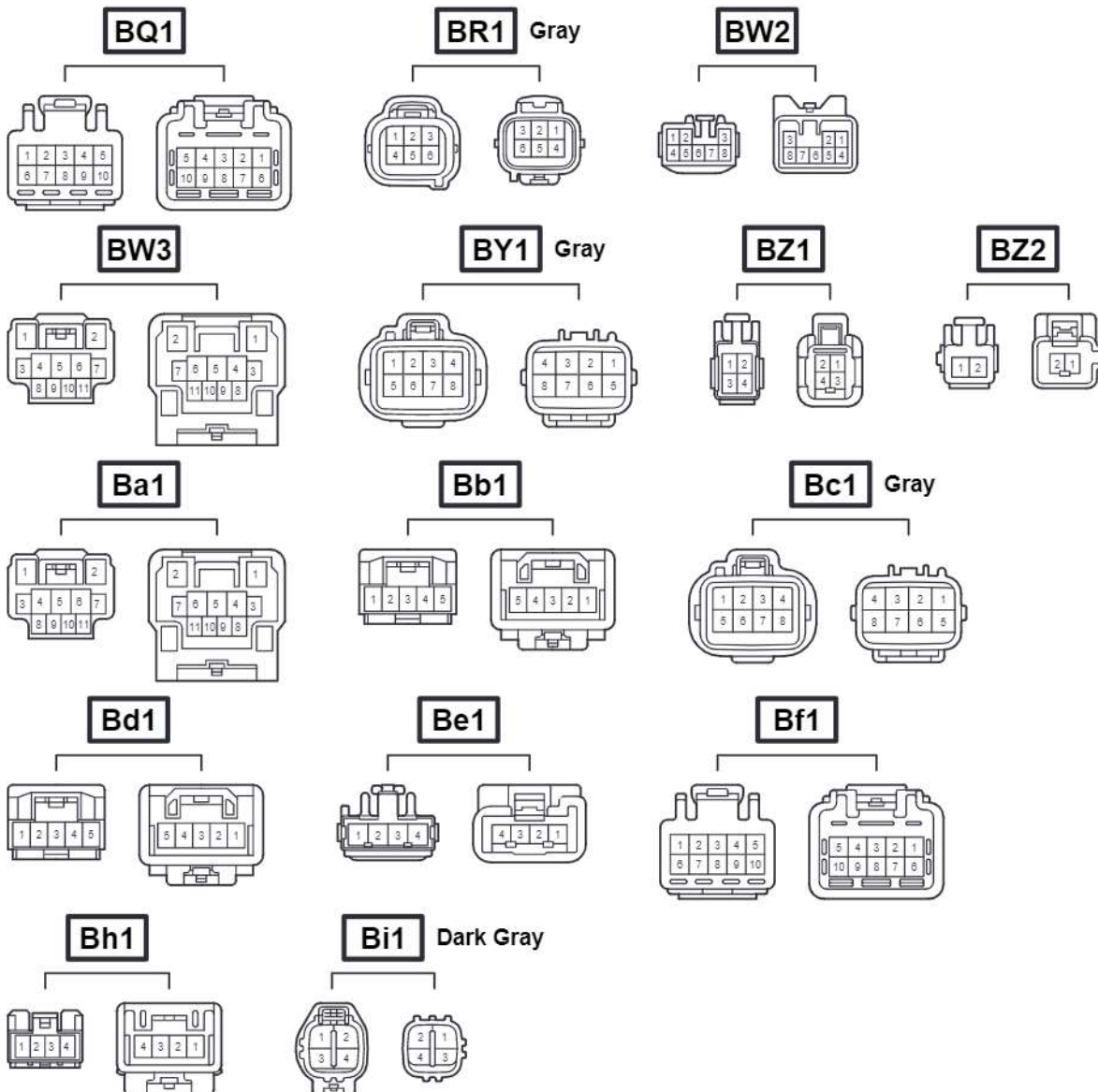
E ELECTRICAL WIRING ROUTING

□ : Location of Connector Joining Wire Harness and Wire Harness

[RHD : Liftgate Type]



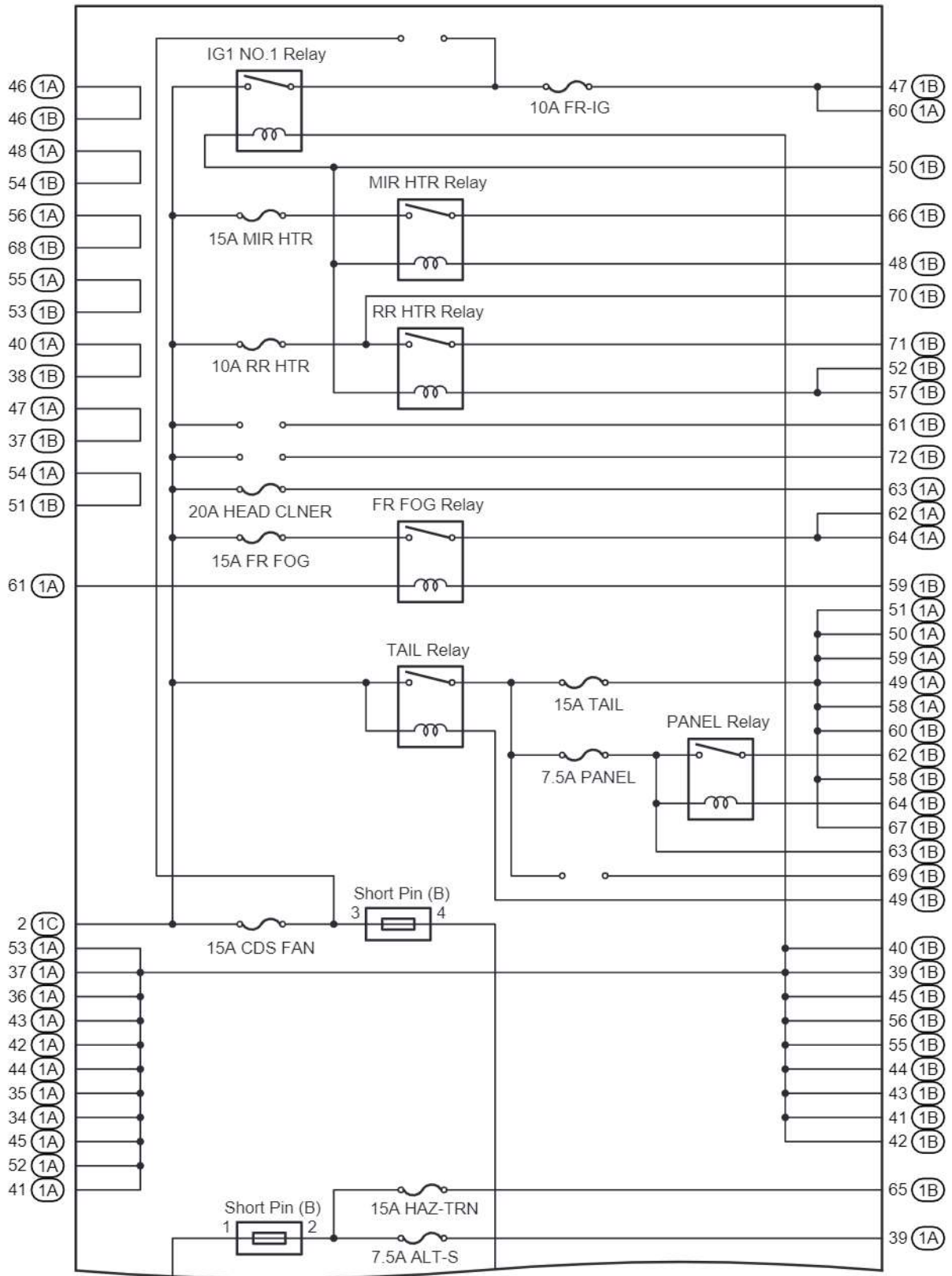
Connector Joining Wire Harness and Wire Harness



Code	Joining Wire Harness and Wire Harness (Connector Location)
BQ1	Floor No.2 Wire and Roof No.2 Wire (Right Rear Side Quarter Panel)
BR1	Fuel Tank No.2 Wire and Floor No.3 Wire (Left Side of Rear Floor Crossmember)
BW2	Pillar No.1 Wire and Floor No.1 Wire (Left Rear Side Quarter Panel)
BW3	
BY1	Front Door LH Sub Wire and Front Door LH Wire (Front Door LH)
BZ1	
BZ2	Roof No.3 Wire and Roof No.1 Wire (Front Side of Roof)
Ba1	
Bb1	Floor No.1 Wire and Floor No.1 Wire (Near the Left Rear Suspension Support)
Bc1	Front Door RH Sub Wire and Front Door RH Wire (Front Door RH)
Bd1	Floor No.2 Wire and Floor No.2 Wire (Near the Right Rear Suspension Support)
Be1	Front Door RH Wire and Front Door RH No.2 Sub Wire (Front Door RH)
Bf1	Back Door Lower Wire and Floor No.1 Wire (Left Rear Side Quarter Panel)
Bh1	Pillar No.1 Wire and Floor No.3 Wire (Left Rear Side Quarter Panel)
Bi1	Floor No.3 Wire and Floor No.2 Wire (Right Side of Rear Floor Crossmember)

D RELAY LOCATIONS

[Engine Room J/B Inner Circuit]

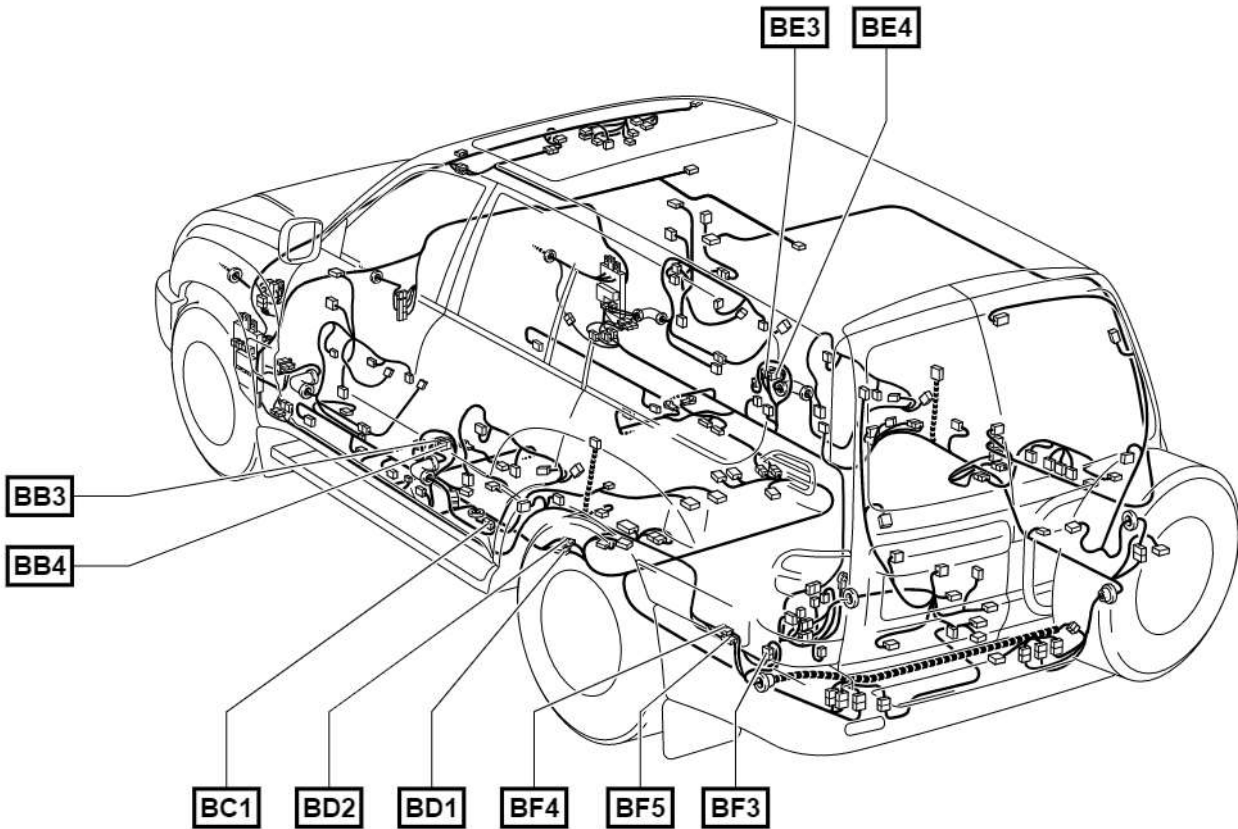


(Cont. next page)

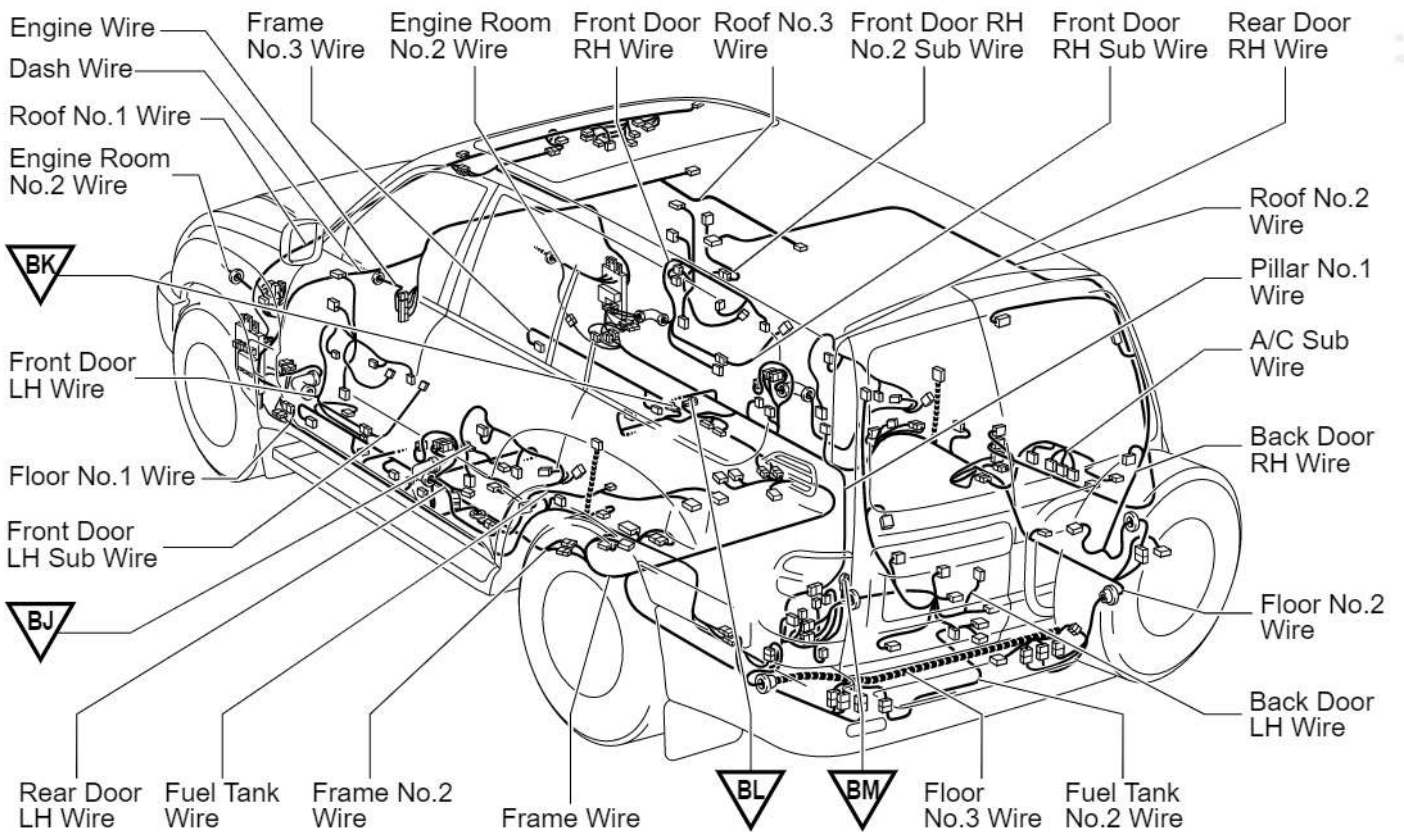
E ELECTRICAL WIRING ROUTING

□ : Location of Connector Joining Wire Harness and Wire Harness

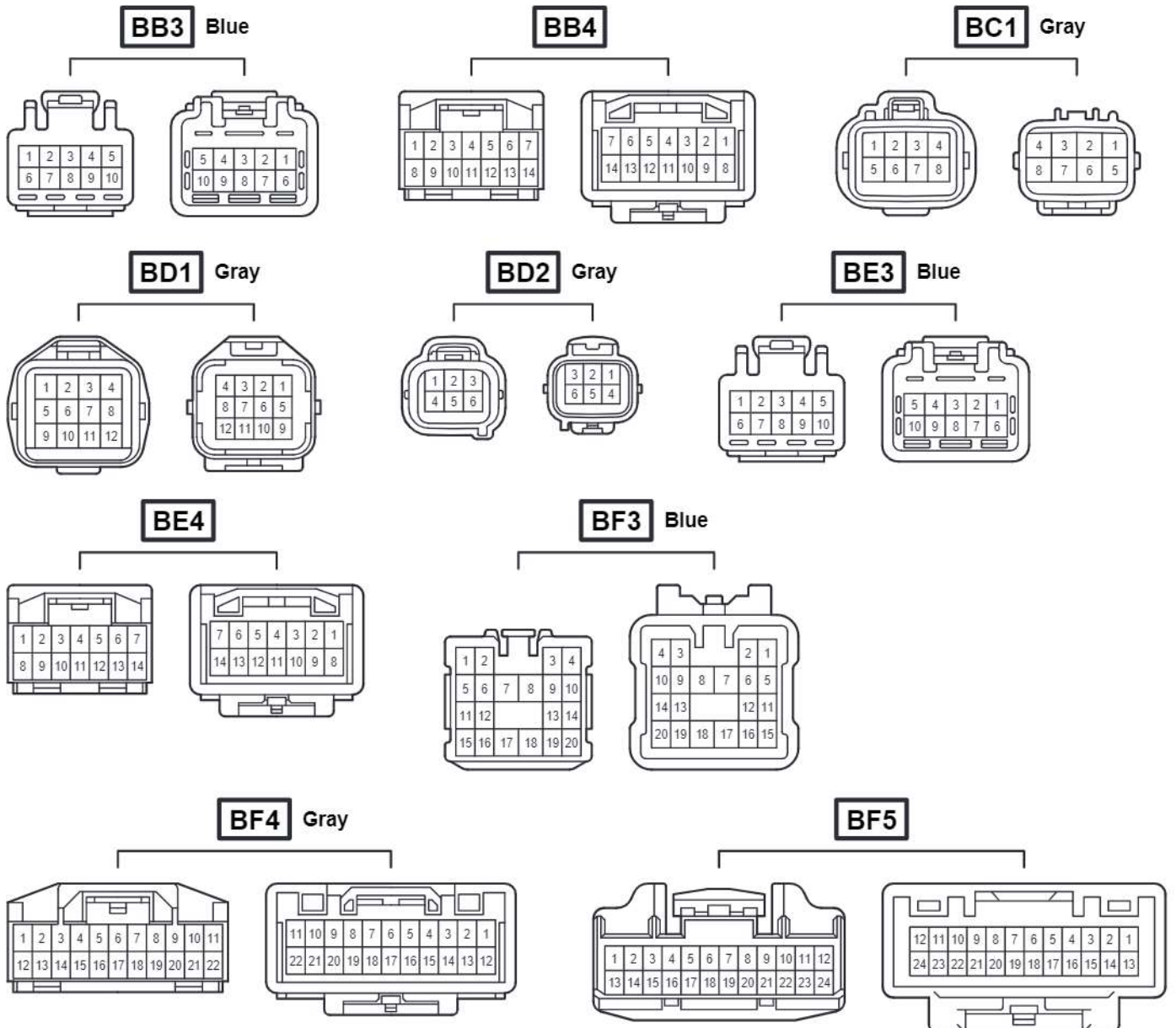
[RHD : Swing Type]



▽ : Location of Ground Points



Connector Joining Wire Harness and Wire Harness

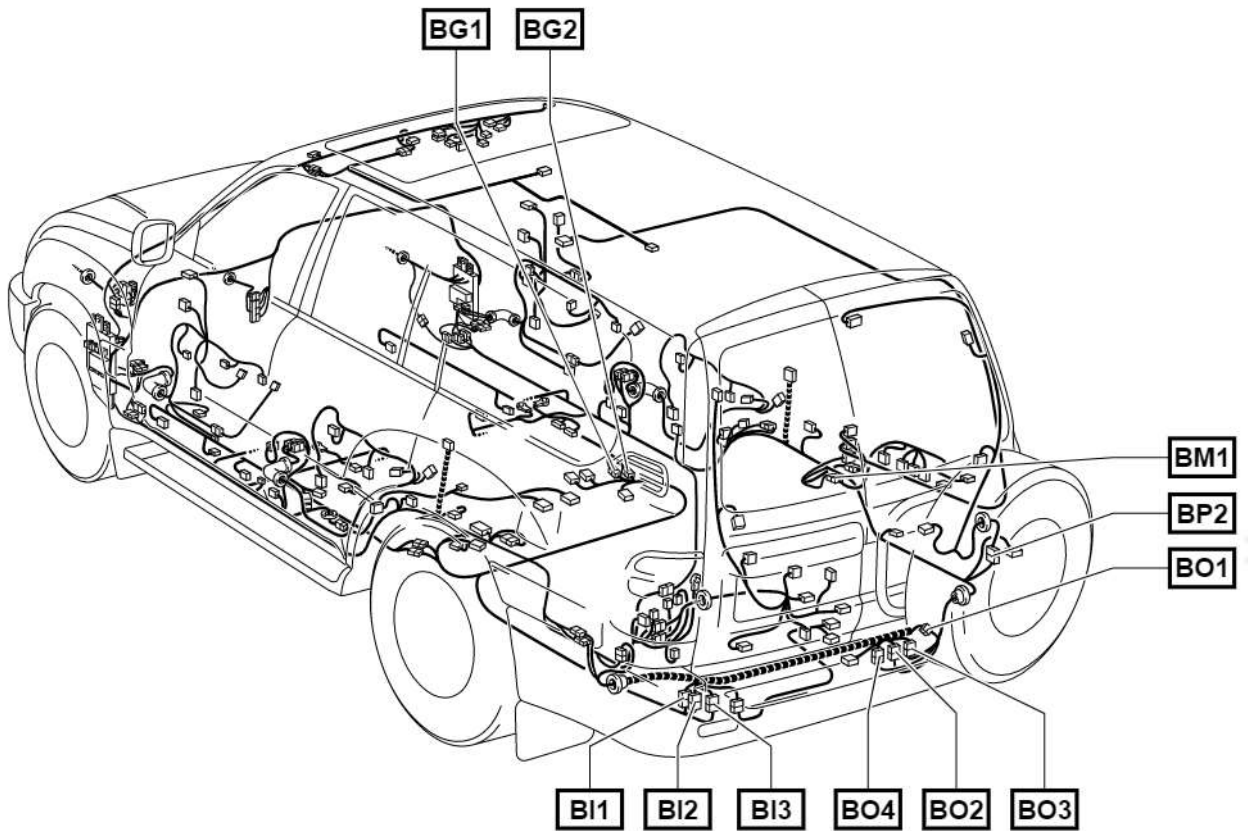


Code	Joining Wire Harness and Wire Harness (Connector Location)
BB3	Rear Door LH Wire and Floor No.1 Wire (Left Side of Center Pillar)
BB4	Rear Door LH Wire and Floor No.1 Wire (Left Side of Center Pillar)
BC1	Floor No.1 Wire and Fuel Tank Wire (Near the Fuel Tank)
BD1	Frame No.2 Wire and Frame Wire (Near the Left Rear Suspension Support)
BD2	Frame No.2 Wire and Frame Wire (Near the Left Rear Suspension Support)
BE3	Rear Door RH Wire and Floor No.2 Wire (Right Side of Center Pillar)
BE4	Rear Door RH Wire and Floor No.2 Wire (Right Side of Center Pillar)
BF3	
BF4	Floor No.3 Wire and Floor No.1 Wire (Left Rear Side Quarter Panel)
BF5	

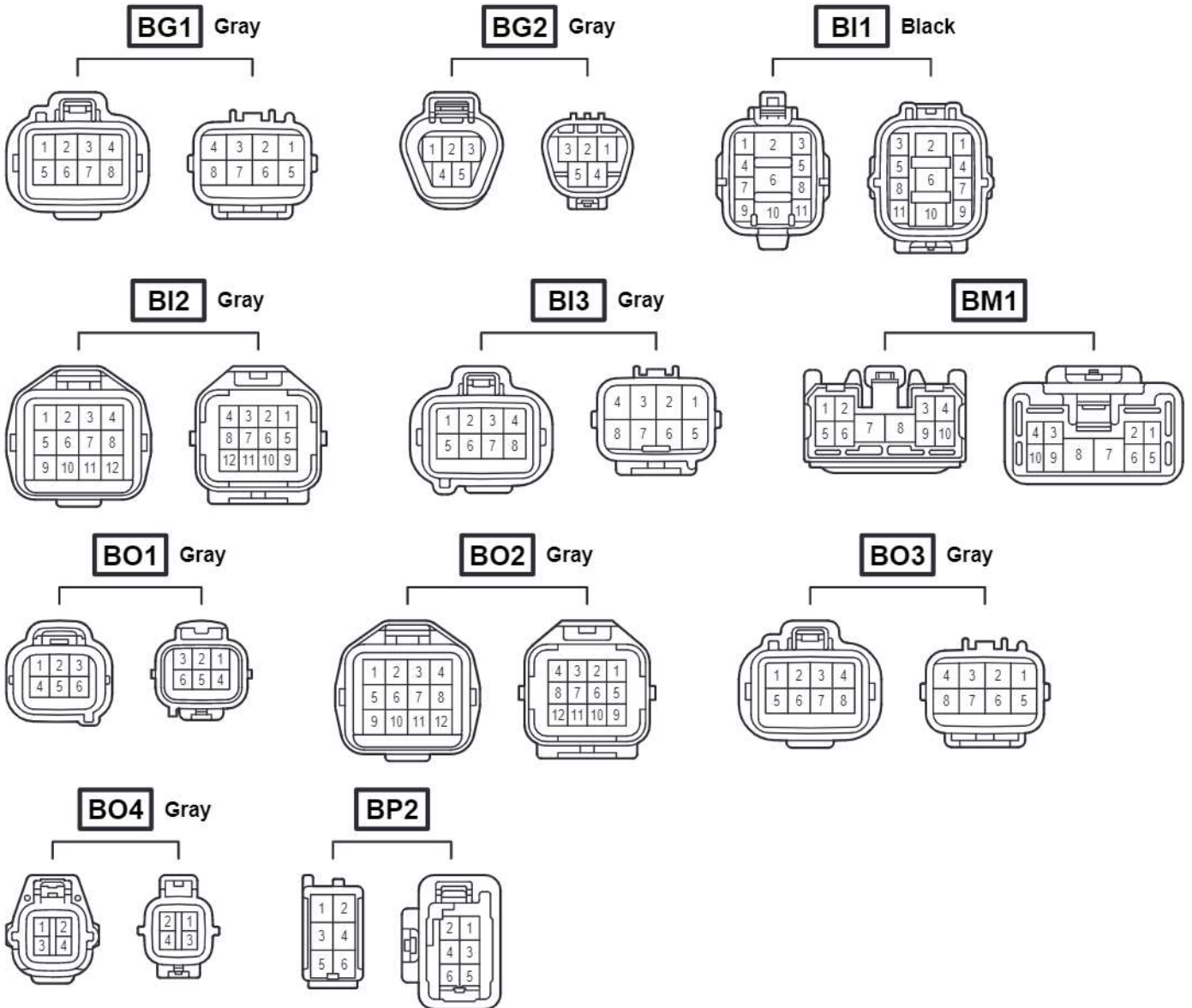
E ELECTRICAL WIRING ROUTING

□ : Location of Connector Joining Wire Harness and Wire Harness

[RHD : Swing Type]



Connector Joining Wire Harness and Wire Harness

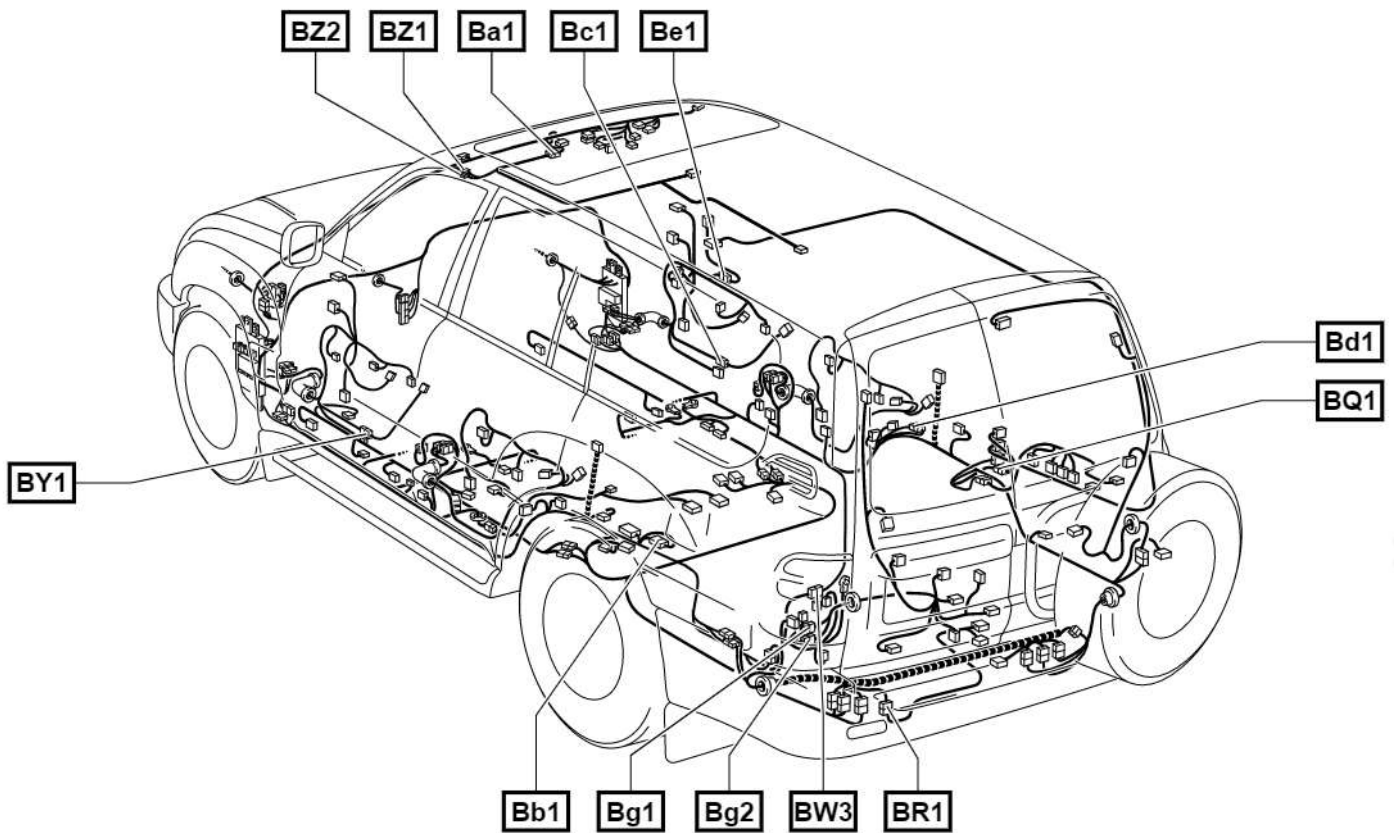


Code	Joining Wire Harness and Wire Harness (Connector Location)
BG1	Frame No.3 Wire and Frame Wire (Near the Right Rear Suspension Support)
BG2	
BI1	Frame Wire and Floor No.3 Wire (Left Side of Rear Floor Crossmember)
BI2	
BI3	Floor No.2 Wire and A/C Sub Wire (Right Rear Side Quarter Panel)
BM1	
BO1	Floor No.2 Wire and Floor No.3 Wire (Right Side of Rear Floor Crossmember)
BO2	
BO3	
BO4	
BP2	Back Door RH Wire and Floor No.2 Wire (Back Door RH)

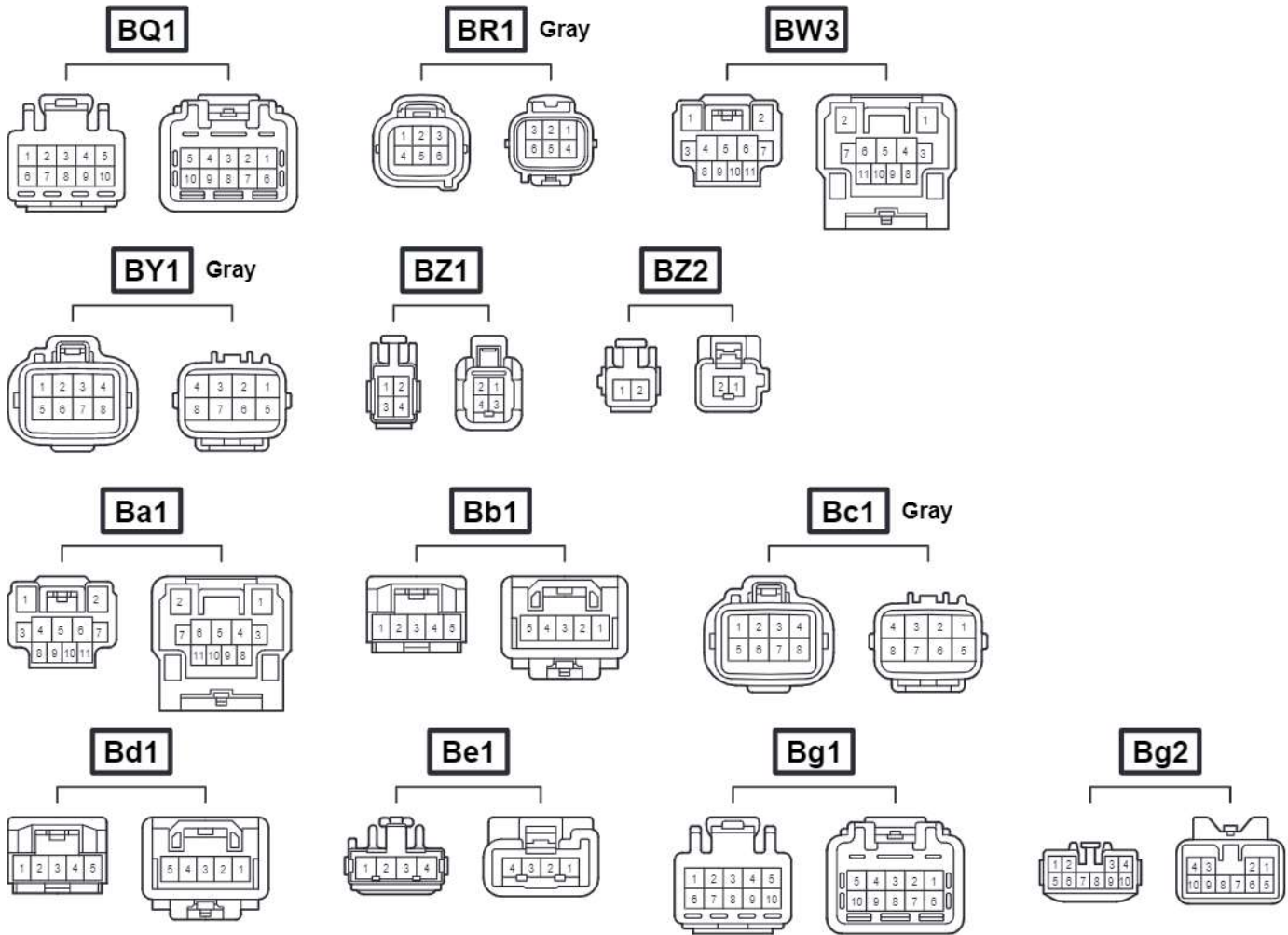
E ELECTRICAL WIRING ROUTING

□ : Location of Connector Joining Wire Harness and Wire Harness

[RHD : Swing Type]



Connector Joining Wire Harness and Wire Harness

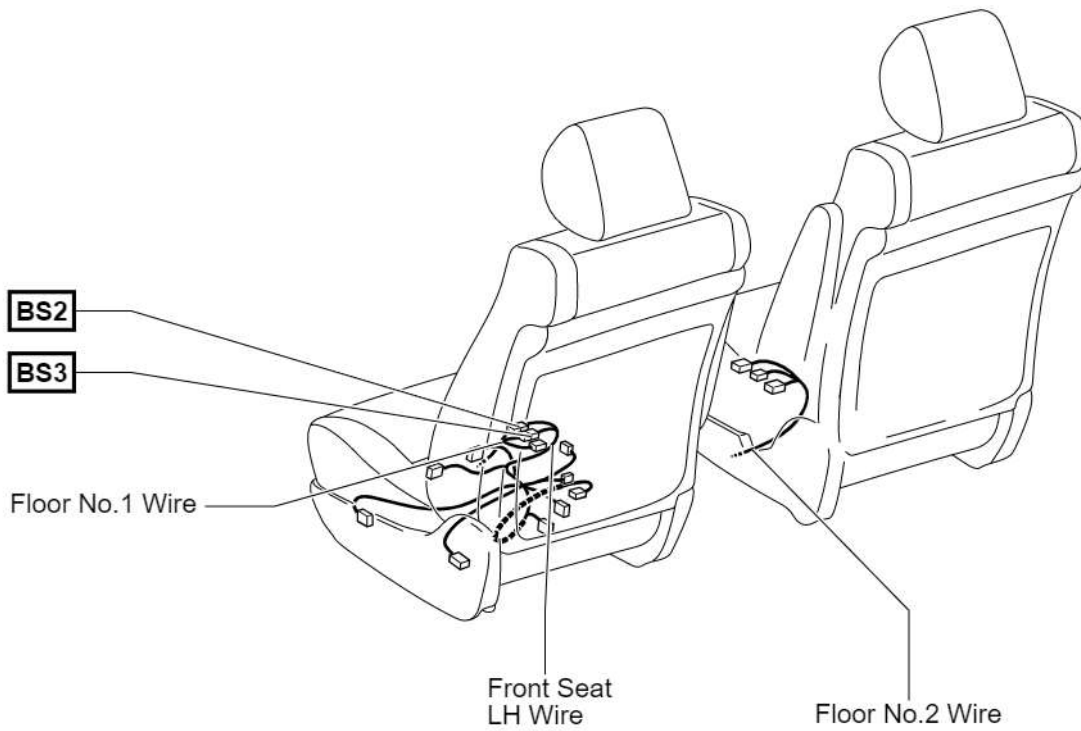


Code	Joining Wire Harness and Wire Harness (Connector Location)
BQ1	Floor No.2 Wire and Roof No.2 Wire (Right Rear Side Quarter Panel)
BR1	Fuel Tank No.2 Wire and Floor No.3 Wire (Left Side of Rear Floor Crossmember)
BW3	Pillar No.1 Wire and Floor No.1 Wire (Left Rear Side Quarter Panel)
BY1	Front Door LH Sub Wire and Front Door LH Wire (Front Door LH)
BZ1	
BZ2	Roof No.3 Wire and Roof No.1 Wire (Front Side of Roof)
Ba1	
Bb1	Floor No.1 Wire and Floor No.1 Wire (Near the Left Rear Suspension Support)
Bc1	Front Door RH Sub Wire and Front Door RH Wire (Front Door RH)
Bd1	Floor No.2 Wire and Floor No.2 Wire (Near the Right Rear Suspension Support)
Be1	Front Door RH Wire and Front Door RH No.2 Sub Wire (Front Door RH)
Bg1	Back Door LH Wire and Floor No.1 Wire (Left Rear Side Quarter Panel)
Bg2	

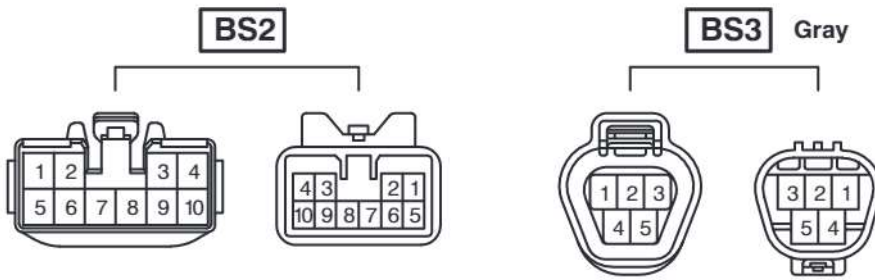
E ELECTRICAL WIRING ROUTING

□ : Location of Connector Joining Wire Harness and Wire Harness

[RHD : w/ Driving Position Memory]



Connector Joining Wire Harness and Wire Harness

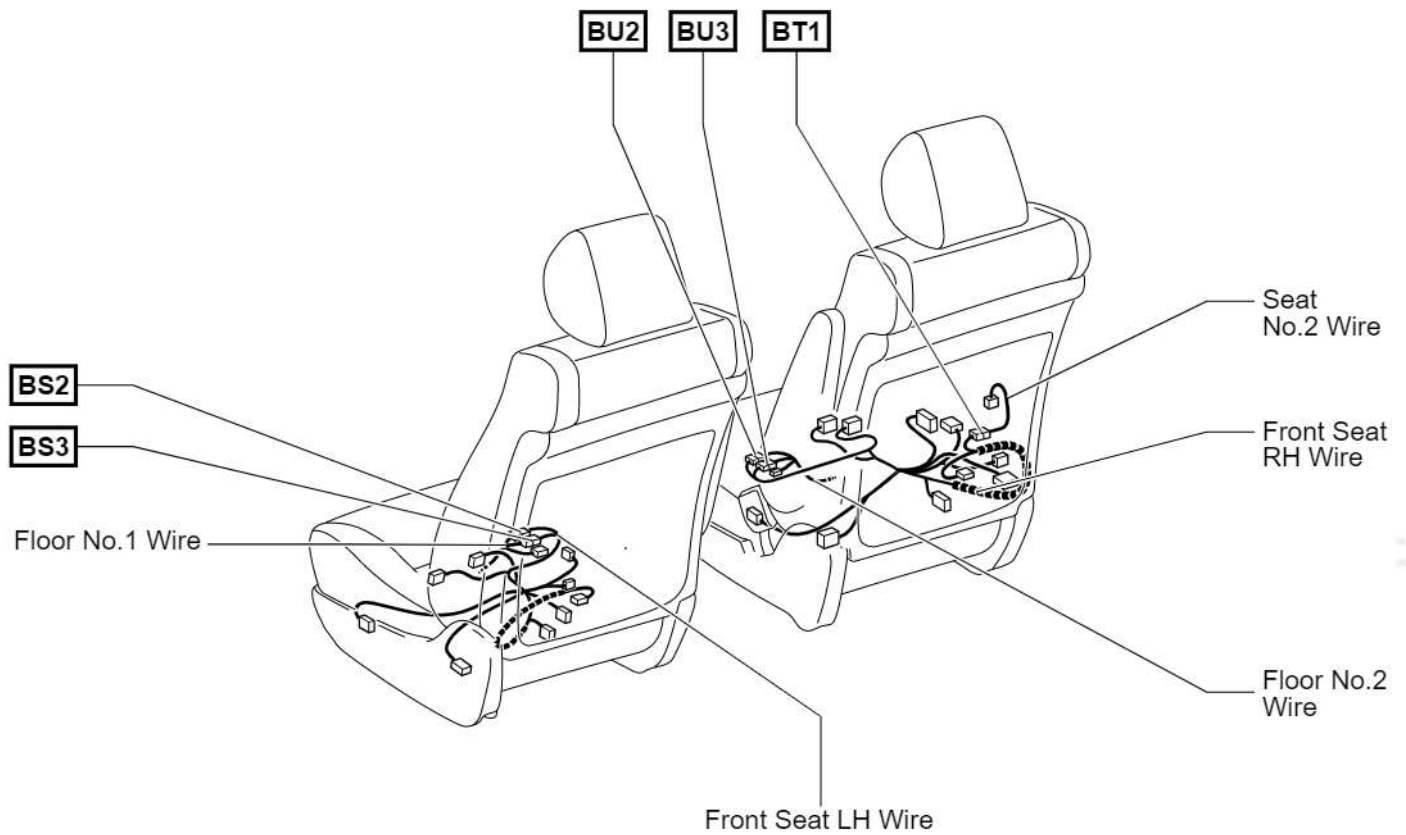


Code	Joining Wire Harness and Wire Harness (Connector Location)
BS2	Floor No.1 Wire and Front Seat LH Wire (Front Side Under the Front Passenger's Seat)
BS3	

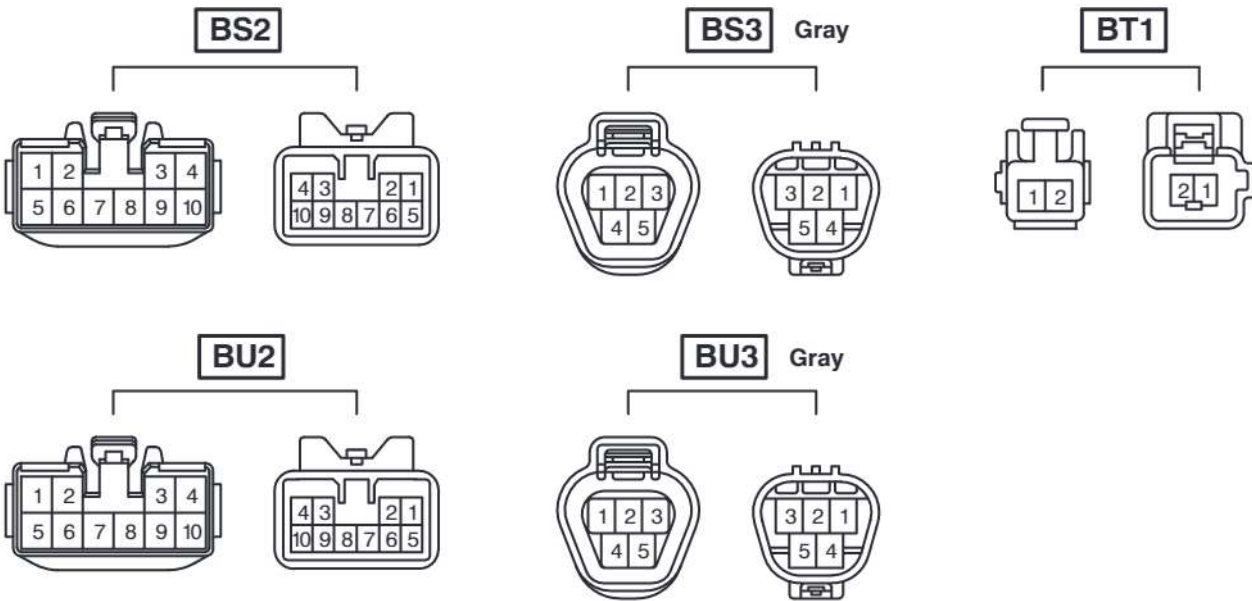
E ELECTRICAL WIRING ROUTING

 : Location of Connector Joining Wire Harness and Wire Harness

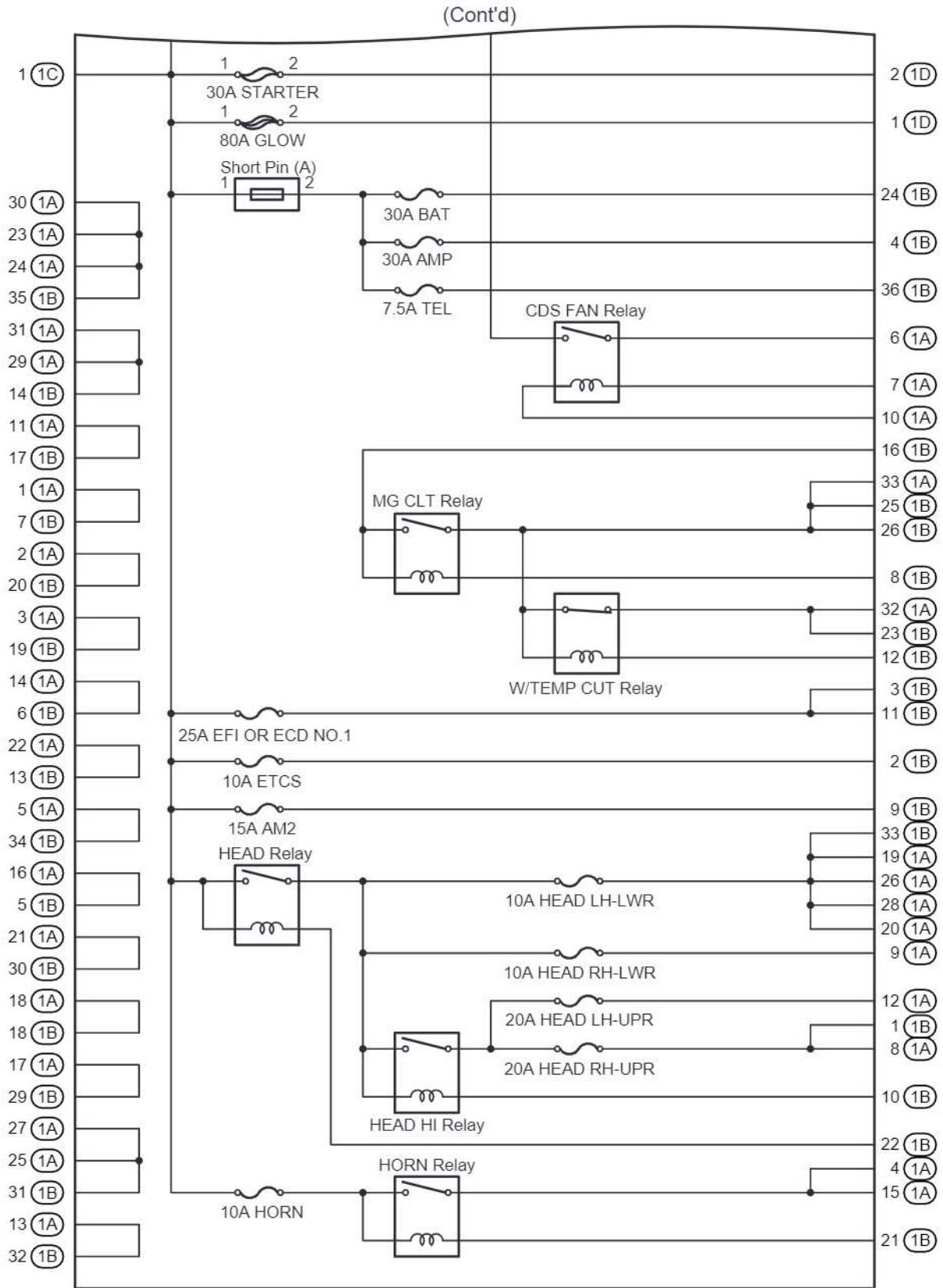
[RHD : w/o Driving Position Memory]



Connector Joining Wire Harness and Wire Harness



Code	Joining Wire Harness and Wire Harness (Connector Location)
BS2	Floor No.1 Wire and Front Seat LH Wire (Front Side Under the Front Passenger's Seat)
BS3	
BT1	Seat No.2 Wire and Front Seat RH Wire (Rear Side Under the Driver's Seat)
BU2	
BU3	Floor No.2 Wire and Front Seat RH Wire (Front Side Under the Driver's Seat)

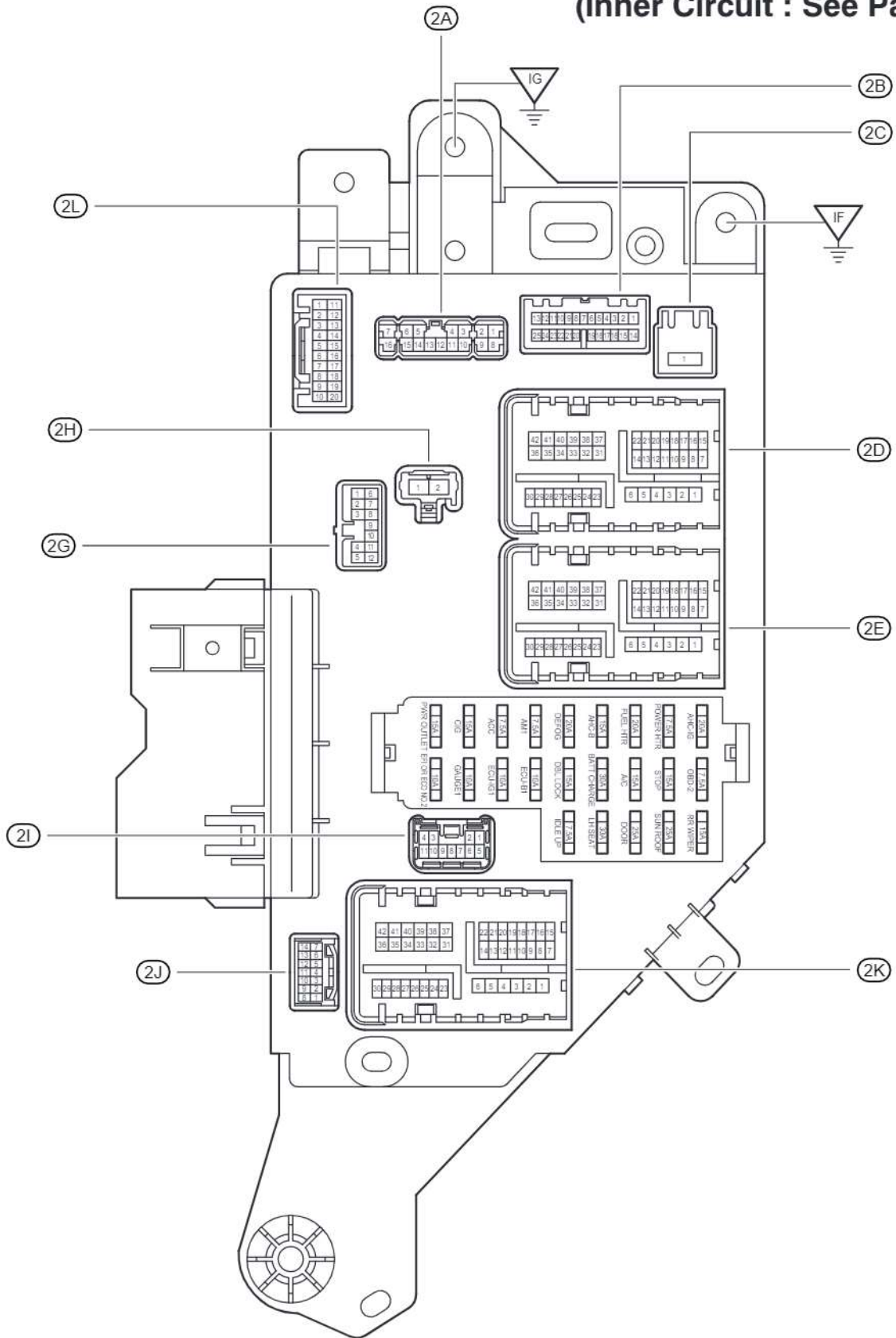


cardiagn.com

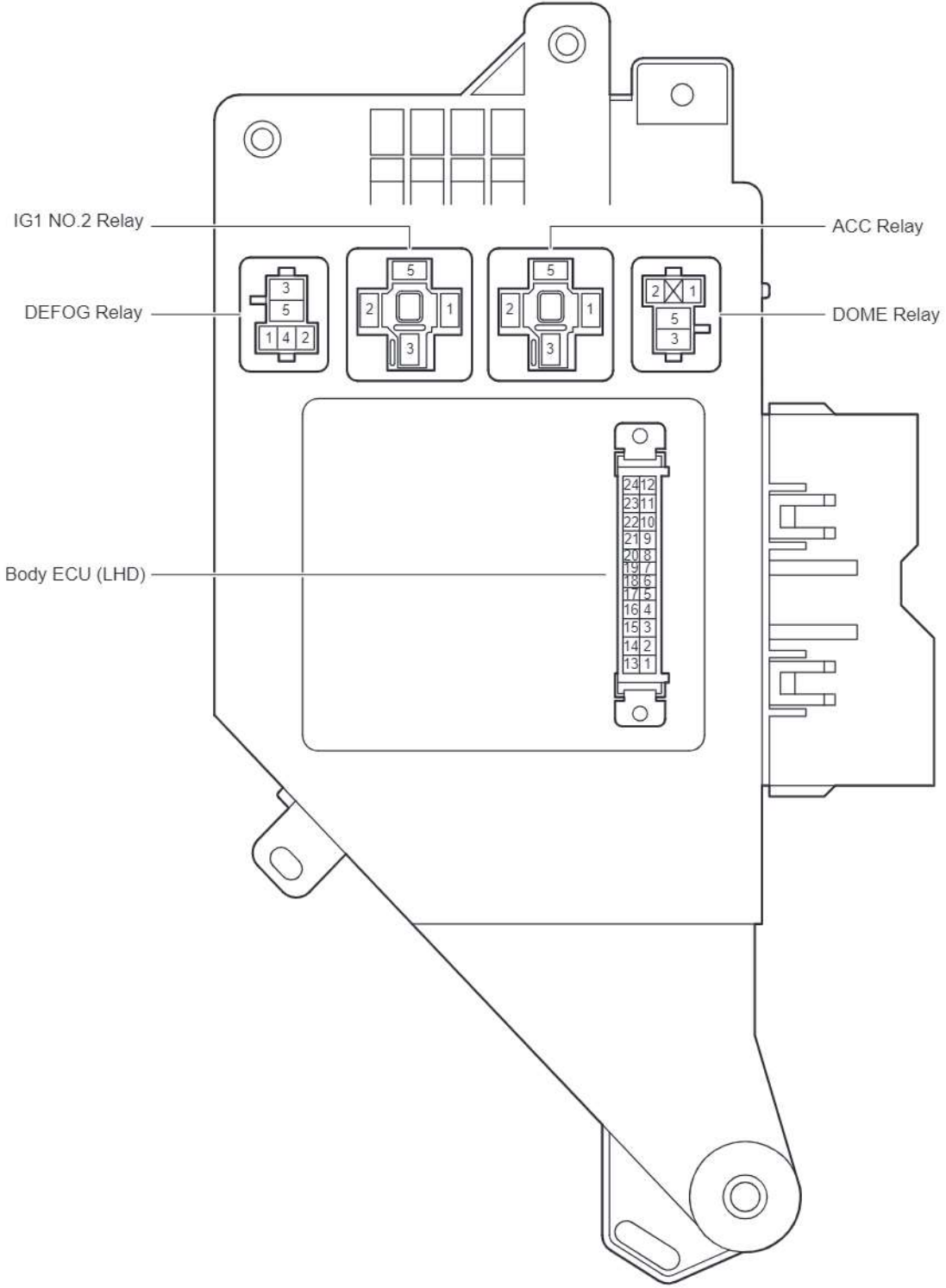
D RELAY LOCATIONS

○ : Cowl Side J/B LH	LHD : Left Kick Panel (See Page 9)
	RHD : Left Kick Panel (See Page 10)

(Inner Circuit : See Page 24)



cardiagn.com

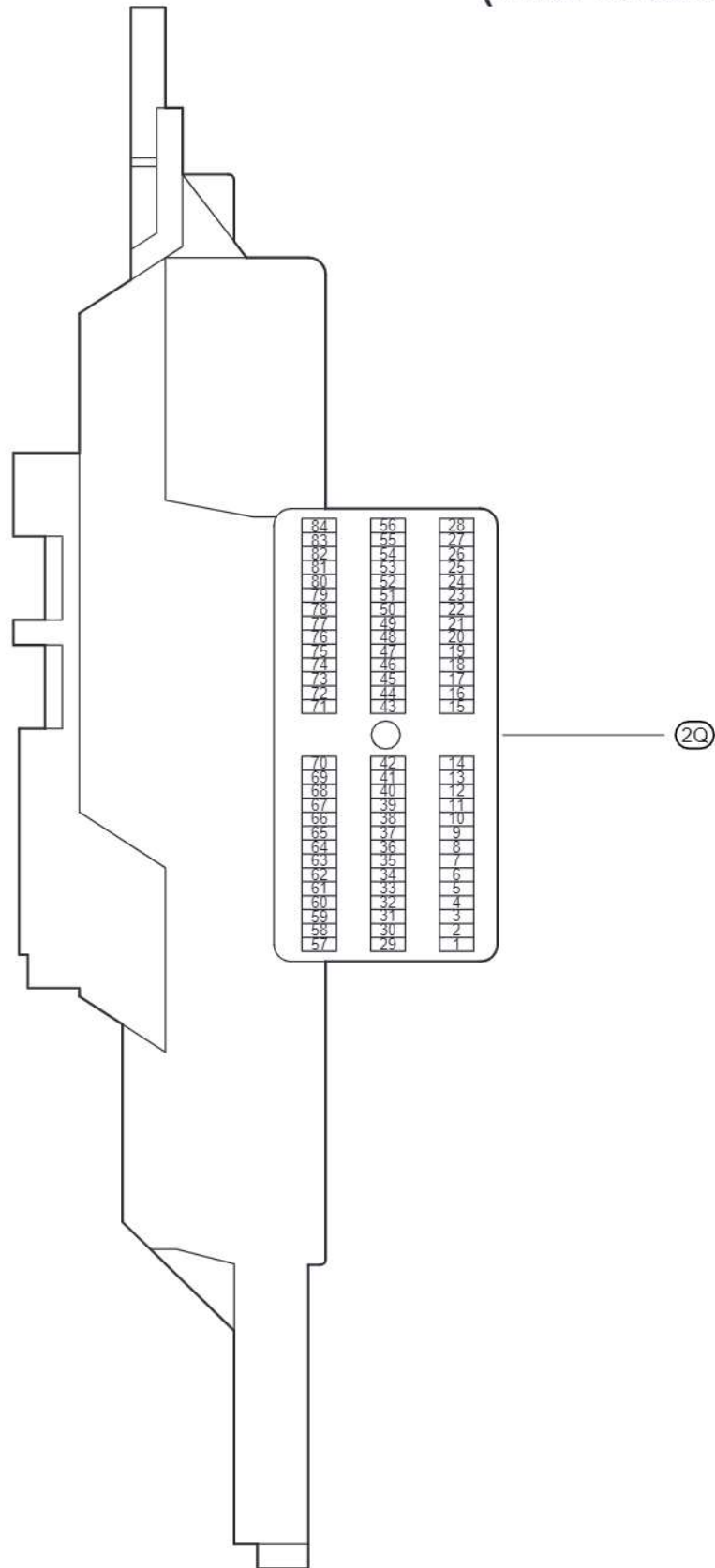


cardiagn.com

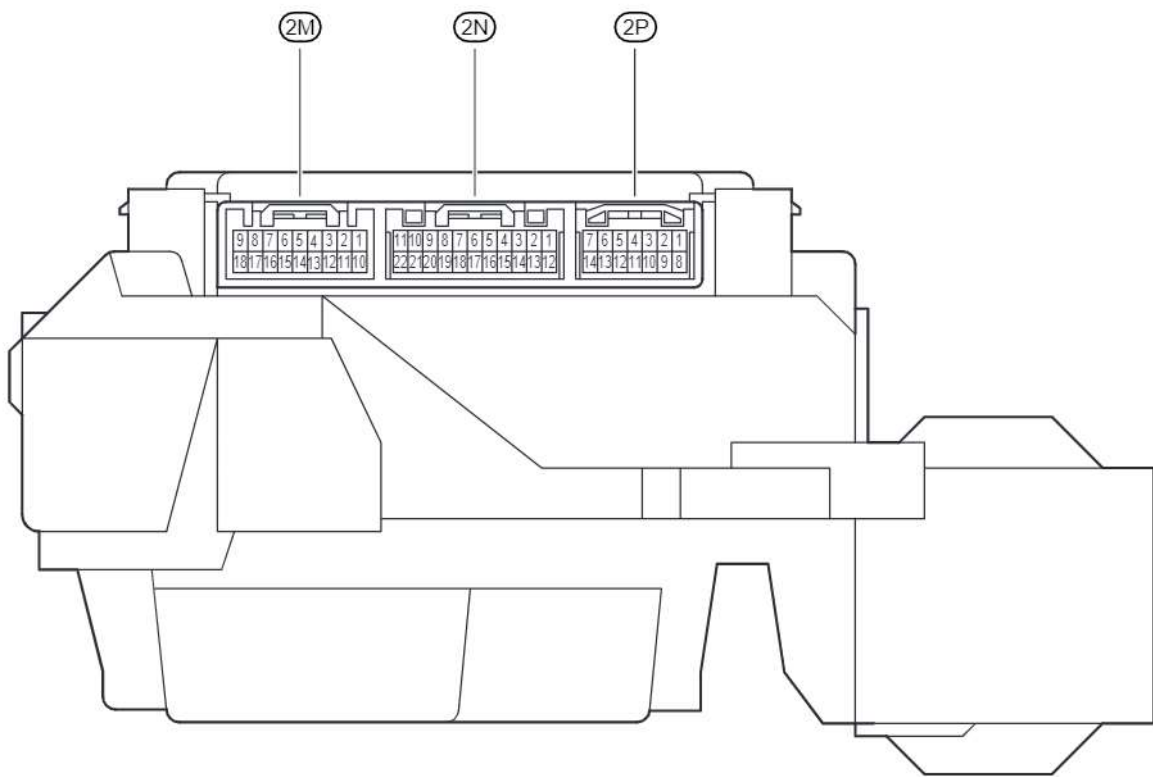
D RELAY LOCATIONS

○ : Cowl Side J/B LH	LHD : Left Kick Panel (See Page 9)
	RHD : Left Kick Panel (See Page 10)

(Inner Circuit : See Page 24)



cardiagn.com

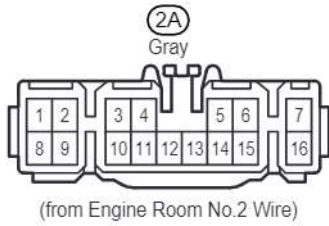


cardiagn.com

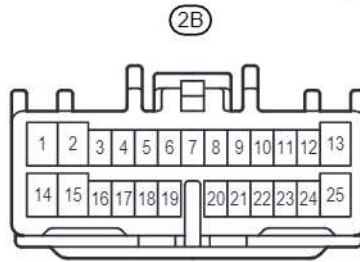
D RELAY LOCATIONS

○ : Cowl Side J/B LH	LHD : Left Kick Panel (See Page 9)
	RHD : Left Kick Panel (See Page 10)

(Inner Circuit : See Page 24)



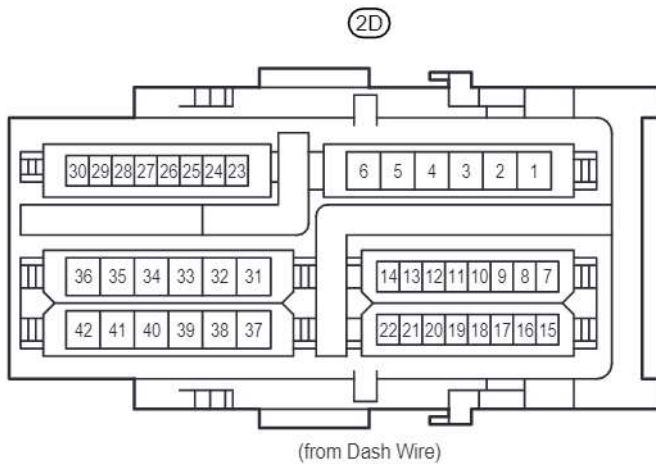
(from Engine Room No.2 Wire)



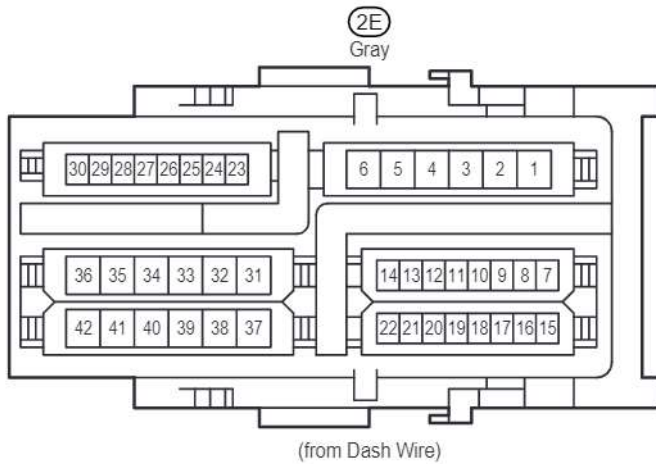
(from Engine Room No.2 Wire)



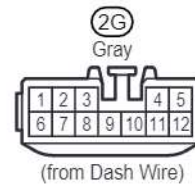
(from Engine Room No.2 Wire)



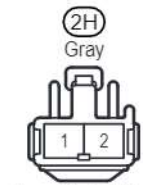
(from Dash Wire)



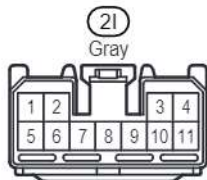
(from Dash Wire)



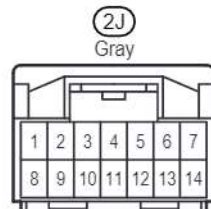
(from Dash Wire)



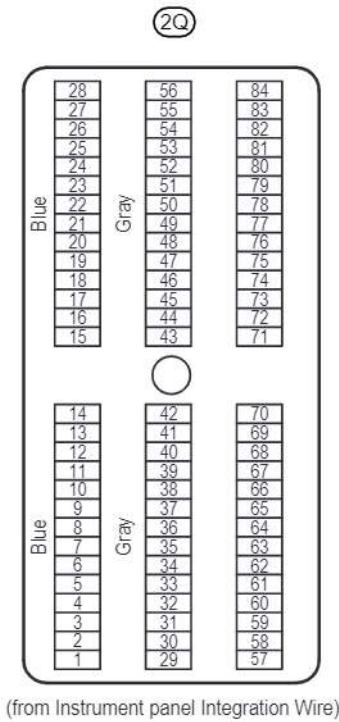
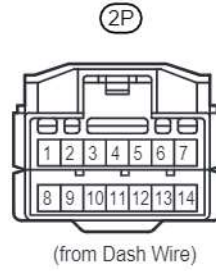
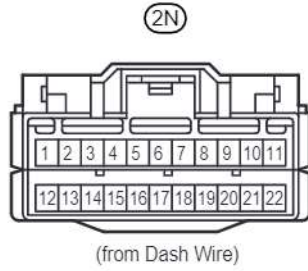
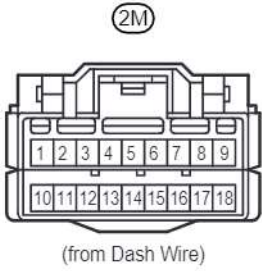
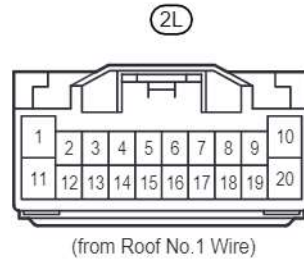
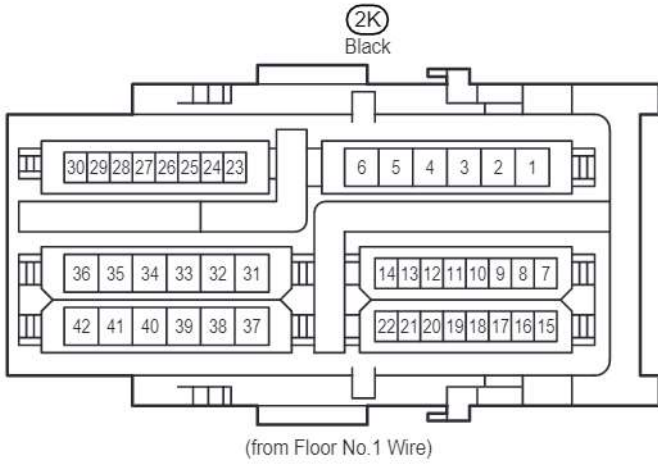
(from Dash Wire)



(from Front Door LH Wire)



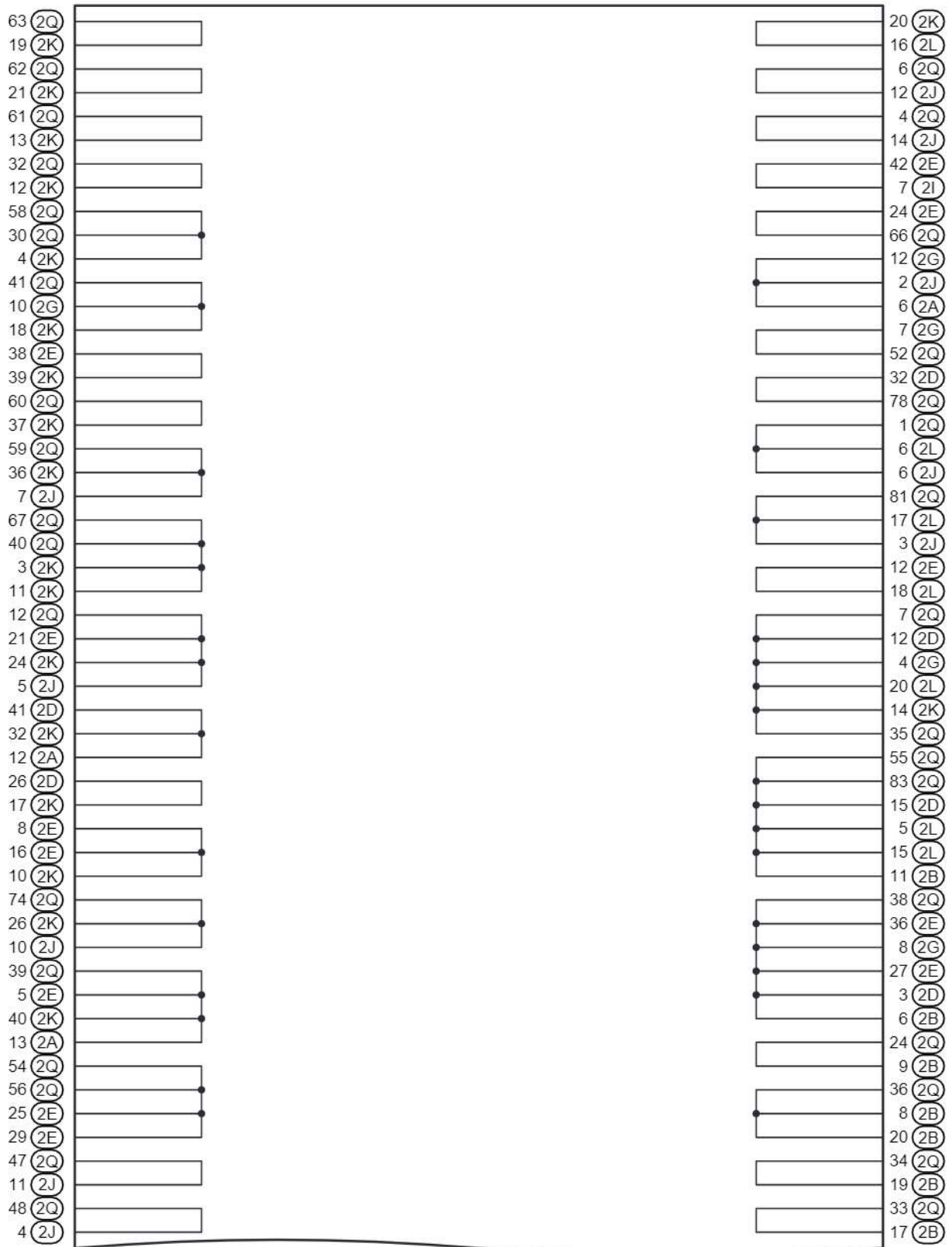
(from Front Door LH Wire)



cardiagn.com

D RELAY LOCATIONS

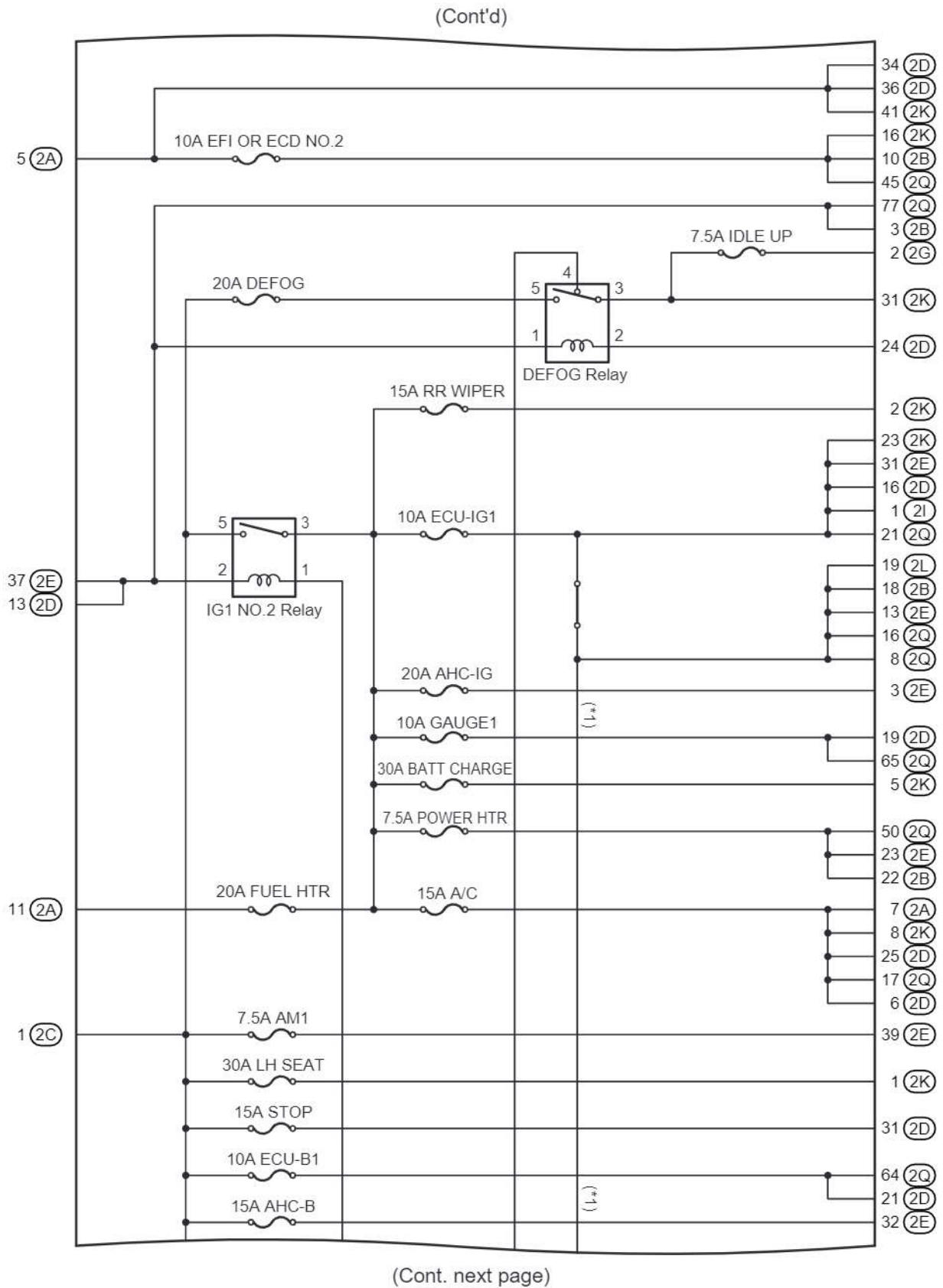
[Cowl Side J/B LH Inner Circuit]

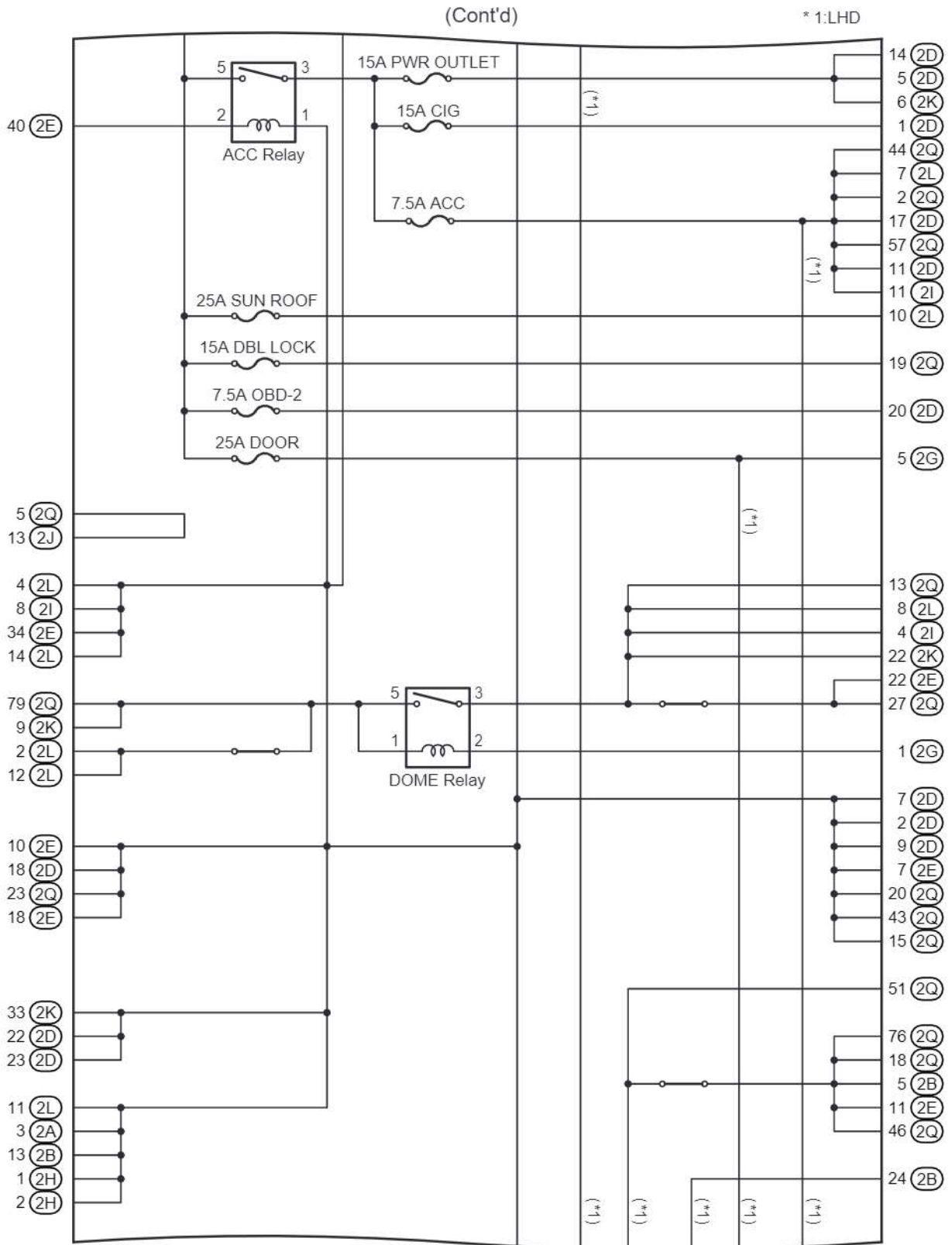


(Cont. next page)

D RELAY LOCATIONS

[Cowl Side J/B LH Inner Circuit]

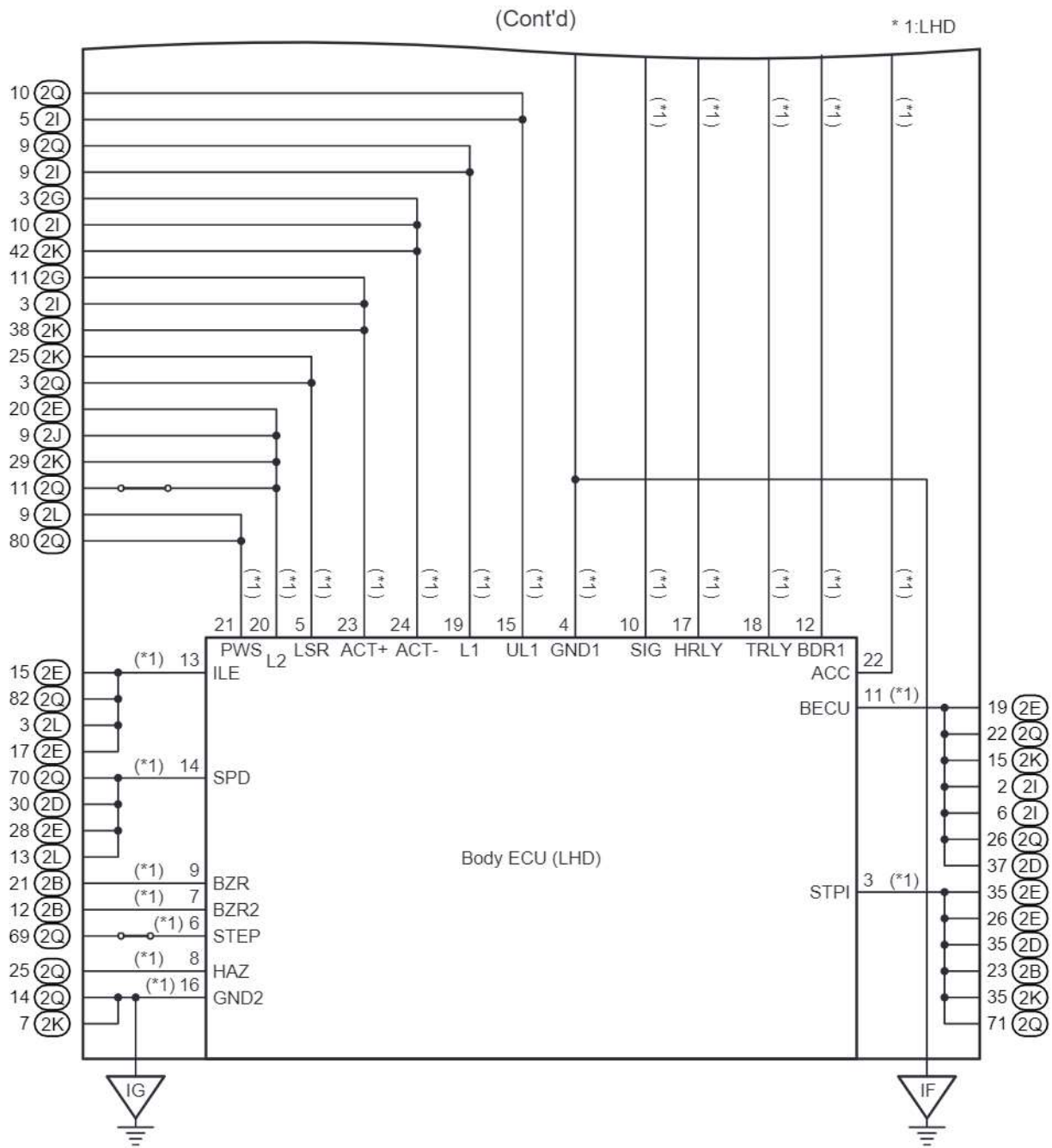




(Cont. next page)

D RELAY LOCATIONS

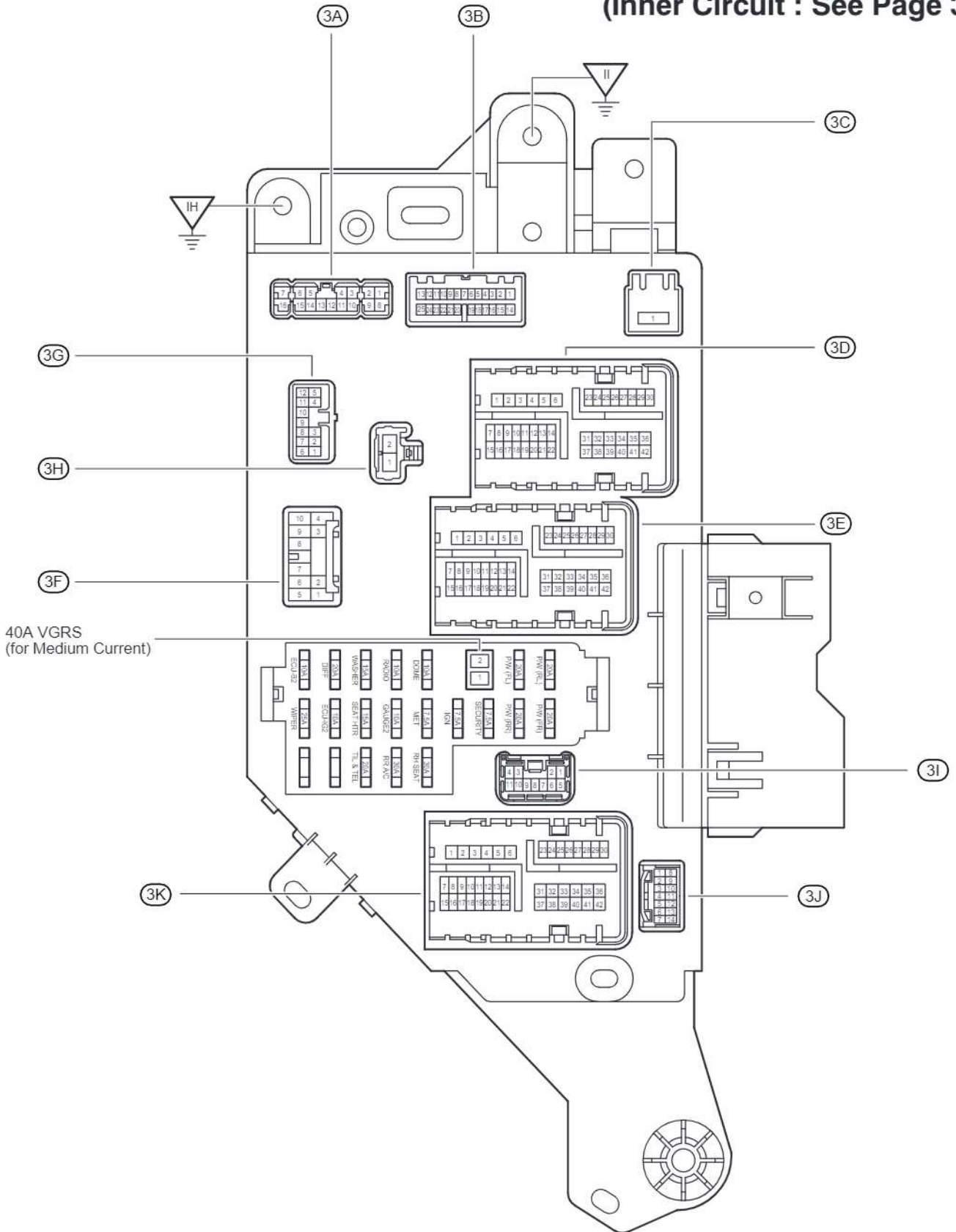
[Cowl Side J/B LH Inner Circuit]

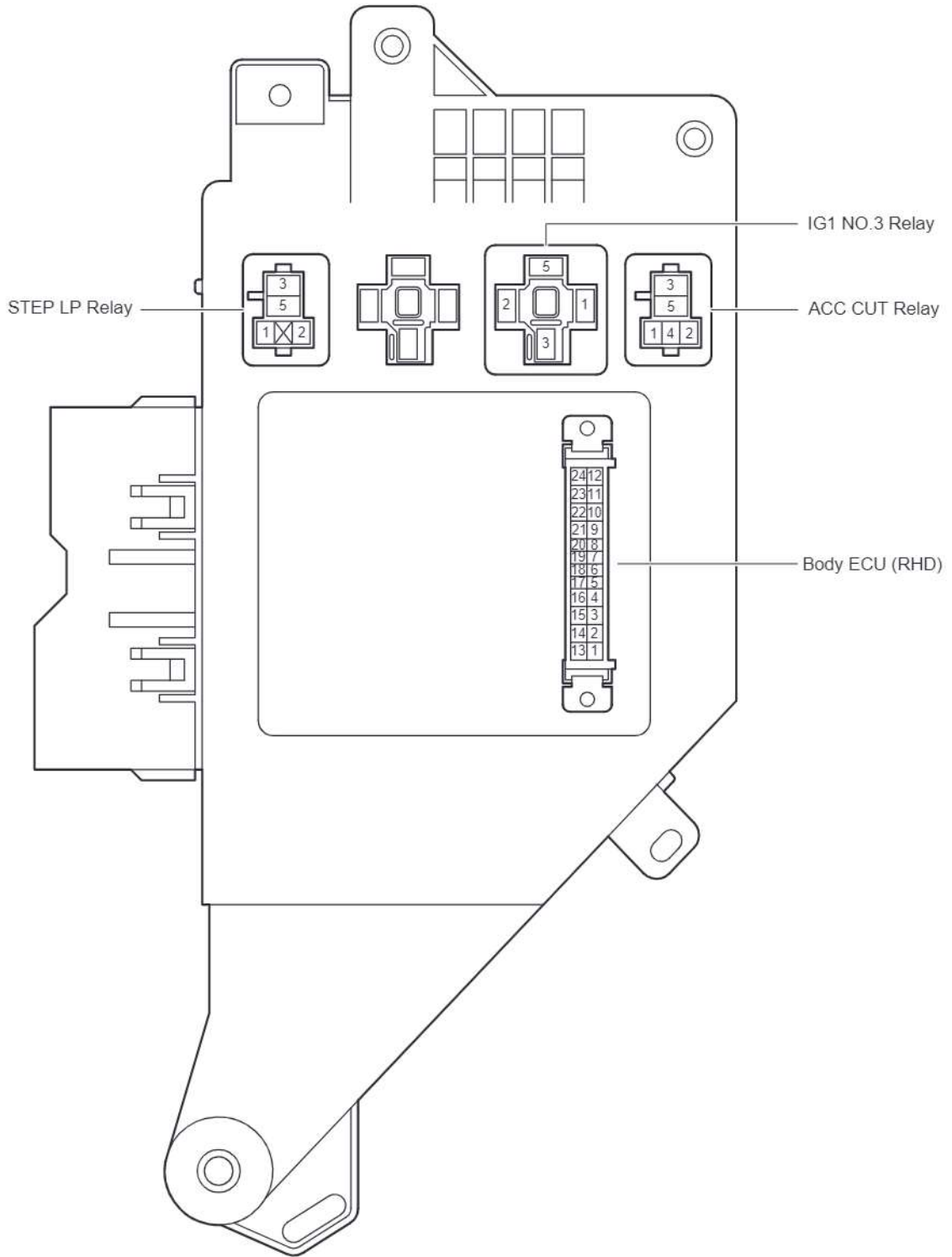


D RELAY LOCATIONS

○ : Cowl Side J/B RH	LHD : Right Kick Panel (See Page 9)
	RHD : Right Kick Panel (See Page 10)

(Inner Circuit : See Page 36)



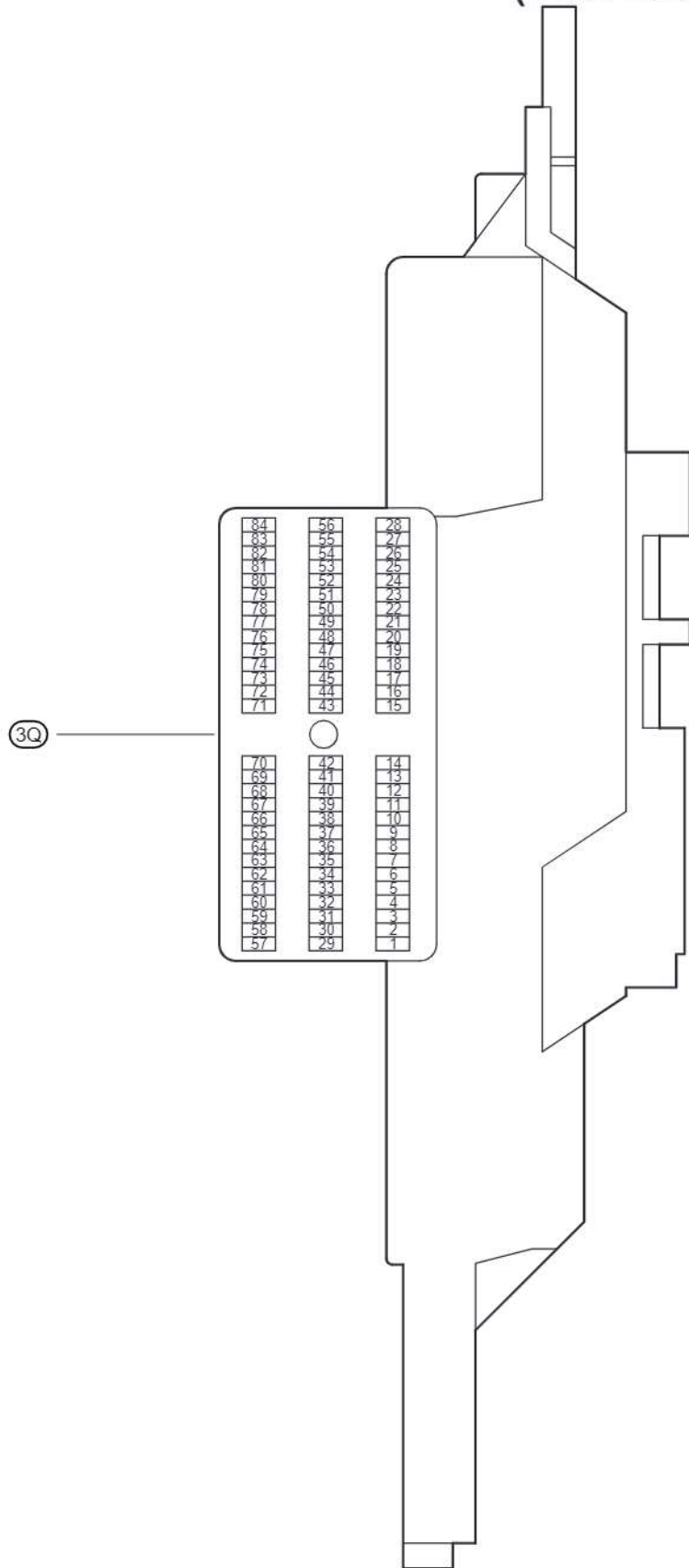


cardiagn.com

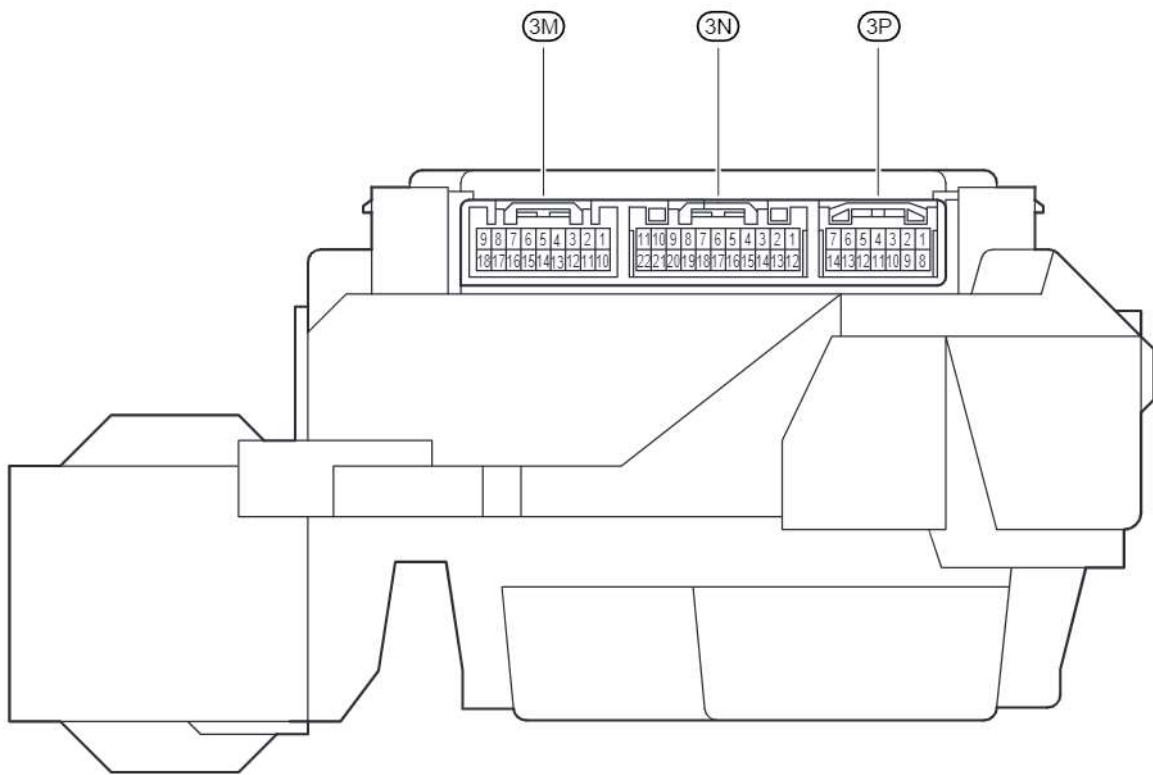
D RELAY LOCATIONS

○ : Cowl Side J/B RH	LHD : Right Kick Panel (See Page 9)
	RHD : Right Kick Panel (See Page 10)

(Inner Circuit : See Page 36)



cardiagn.com

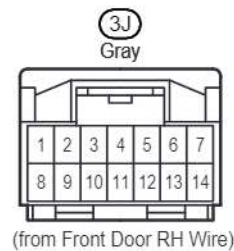
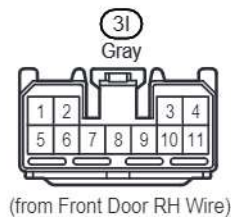
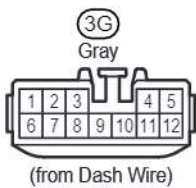
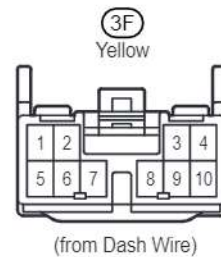
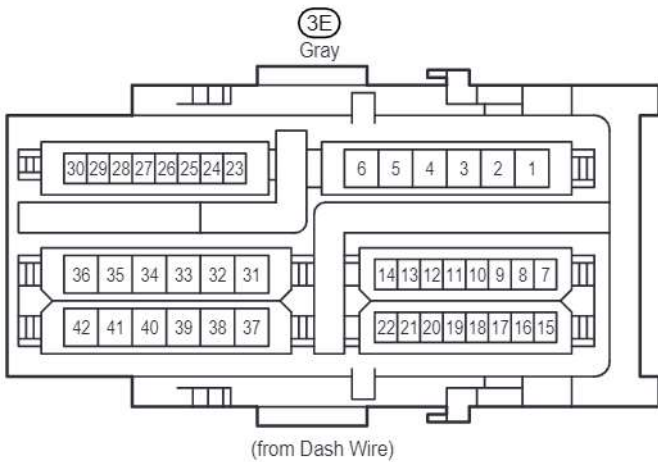
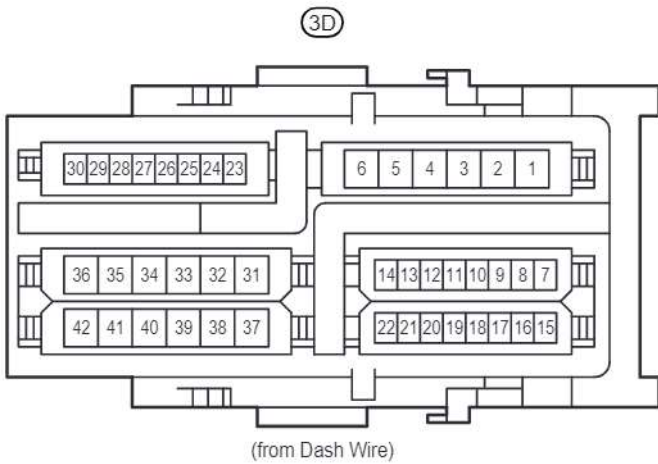
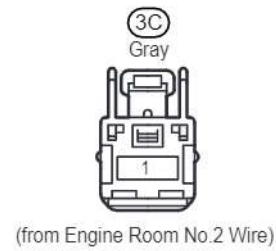
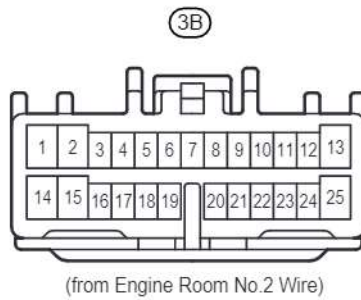
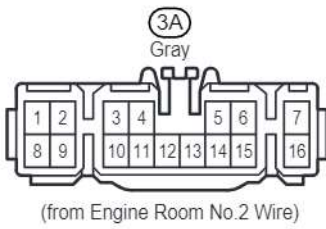


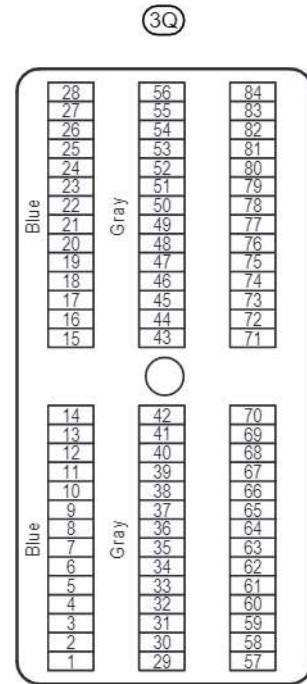
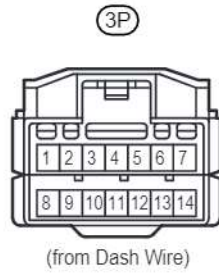
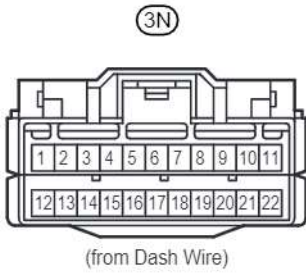
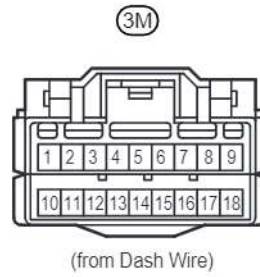
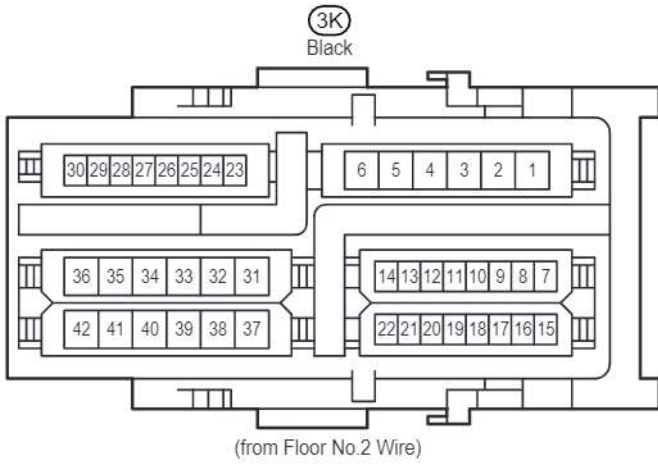
cardiagn.com

D RELAY LOCATIONS

○ : Cowl Side J/B RH	LHD : Right Kick Panel (See Page 9)
	RHD : Right Kick Panel (See Page 10)

(Inner Circuit : See Page 36)

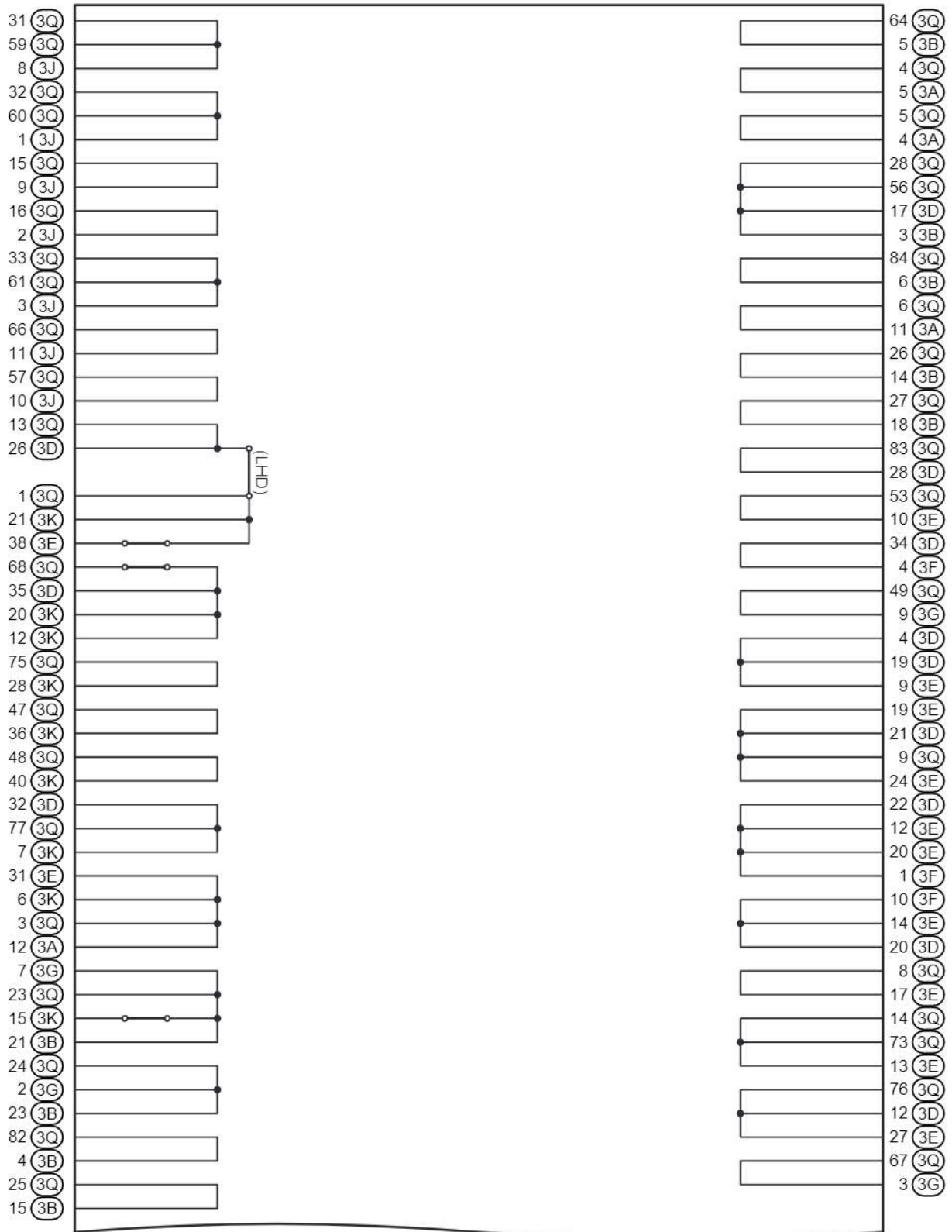




cardiagn.com

D RELAY LOCATIONS

[Cowl Side J/B RH Inner Circuit]

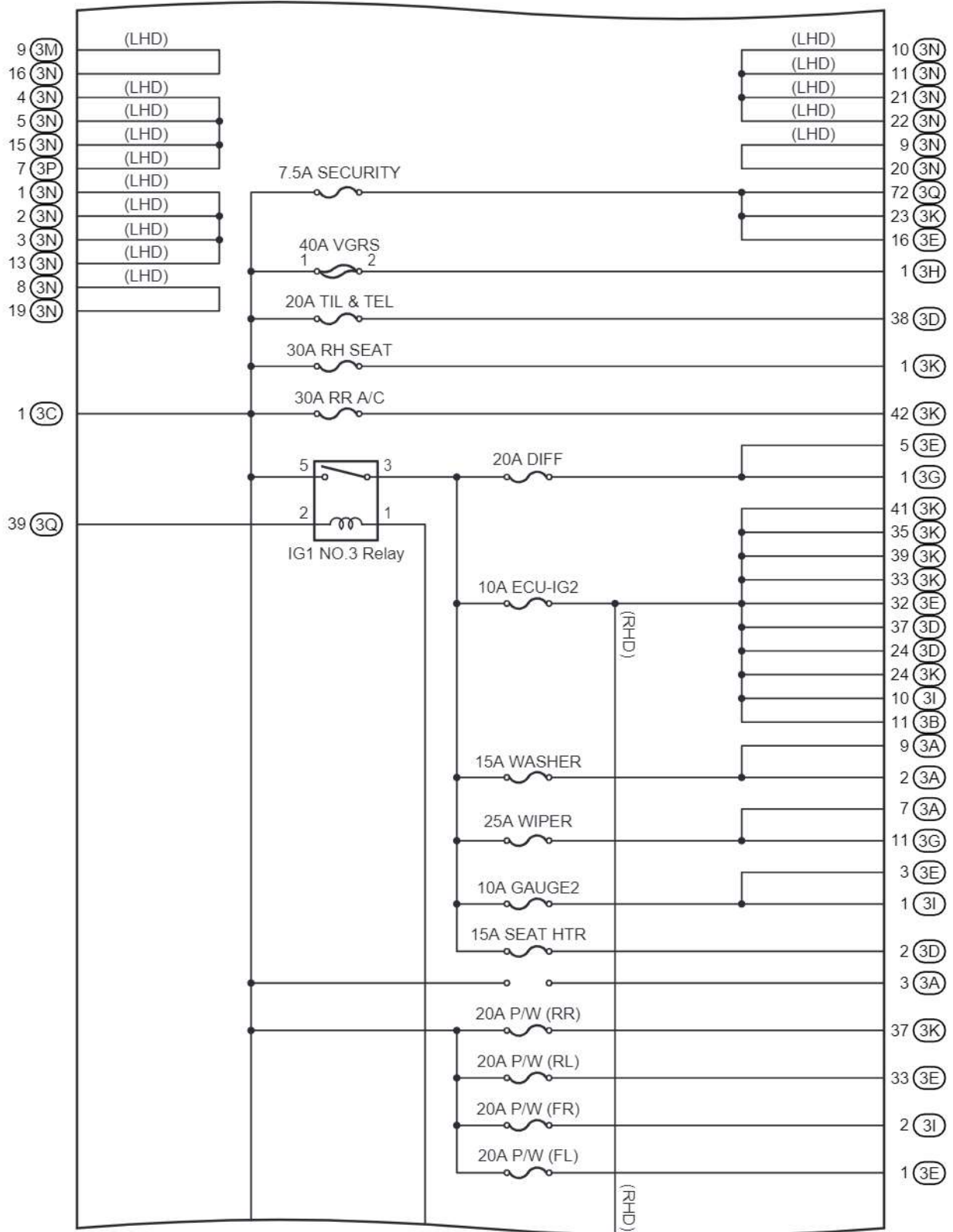


(Cont. next page)

D RELAY LOCATIONS

[Cowl Side J/B RH Inner Circuit]

(Cont'd)

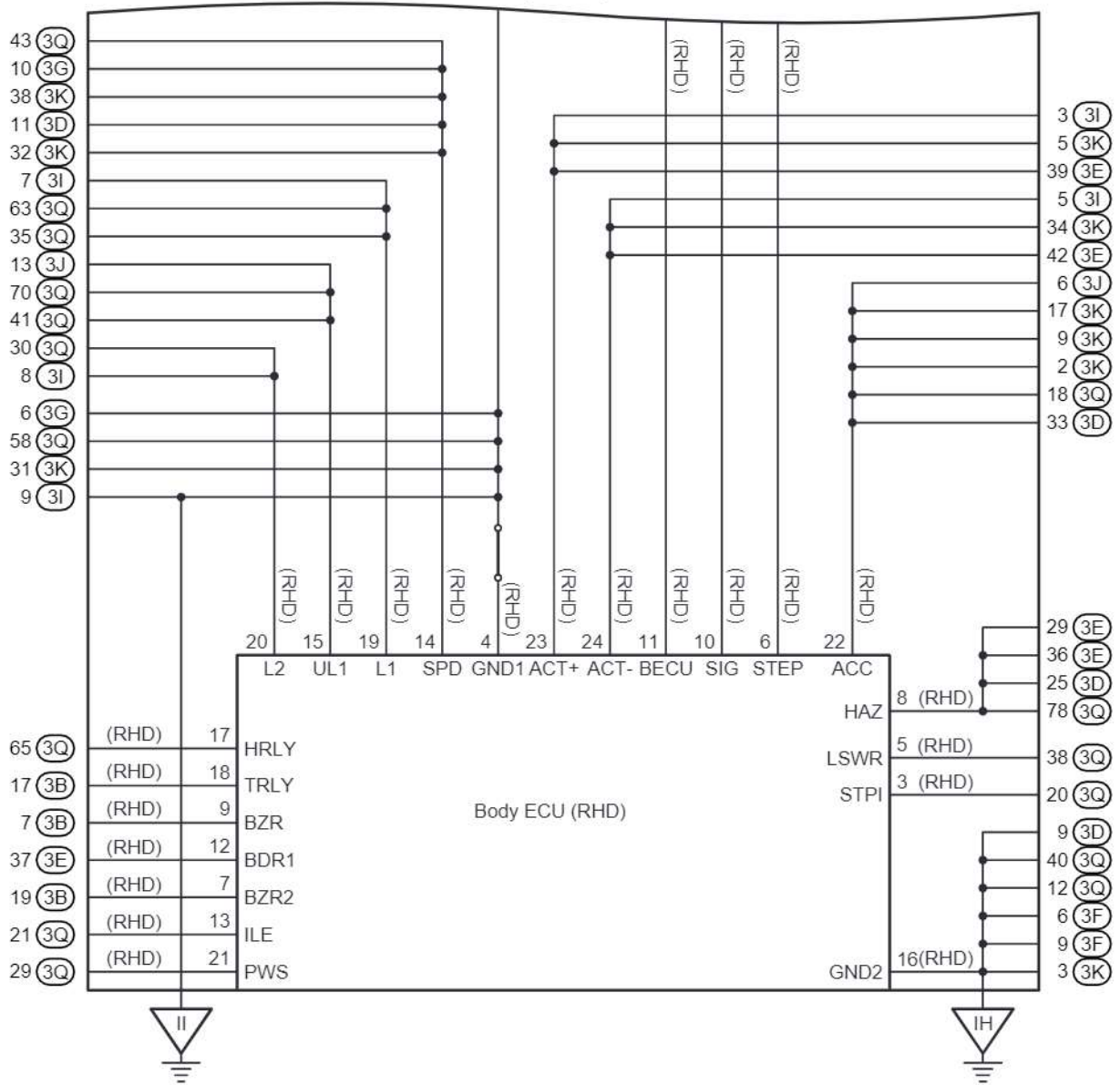


(Cont. next page)

D RELAY LOCATIONS

[Cowl Side J/B RH Inner Circuit]

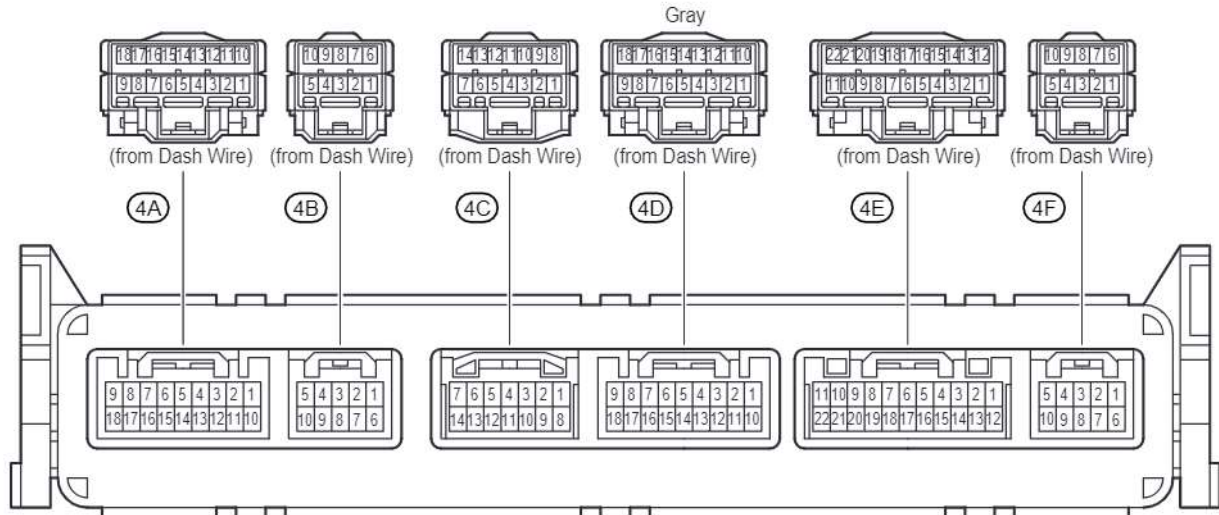
(Cont'd)



cardiagn.com

D RELAY LOCATIONS

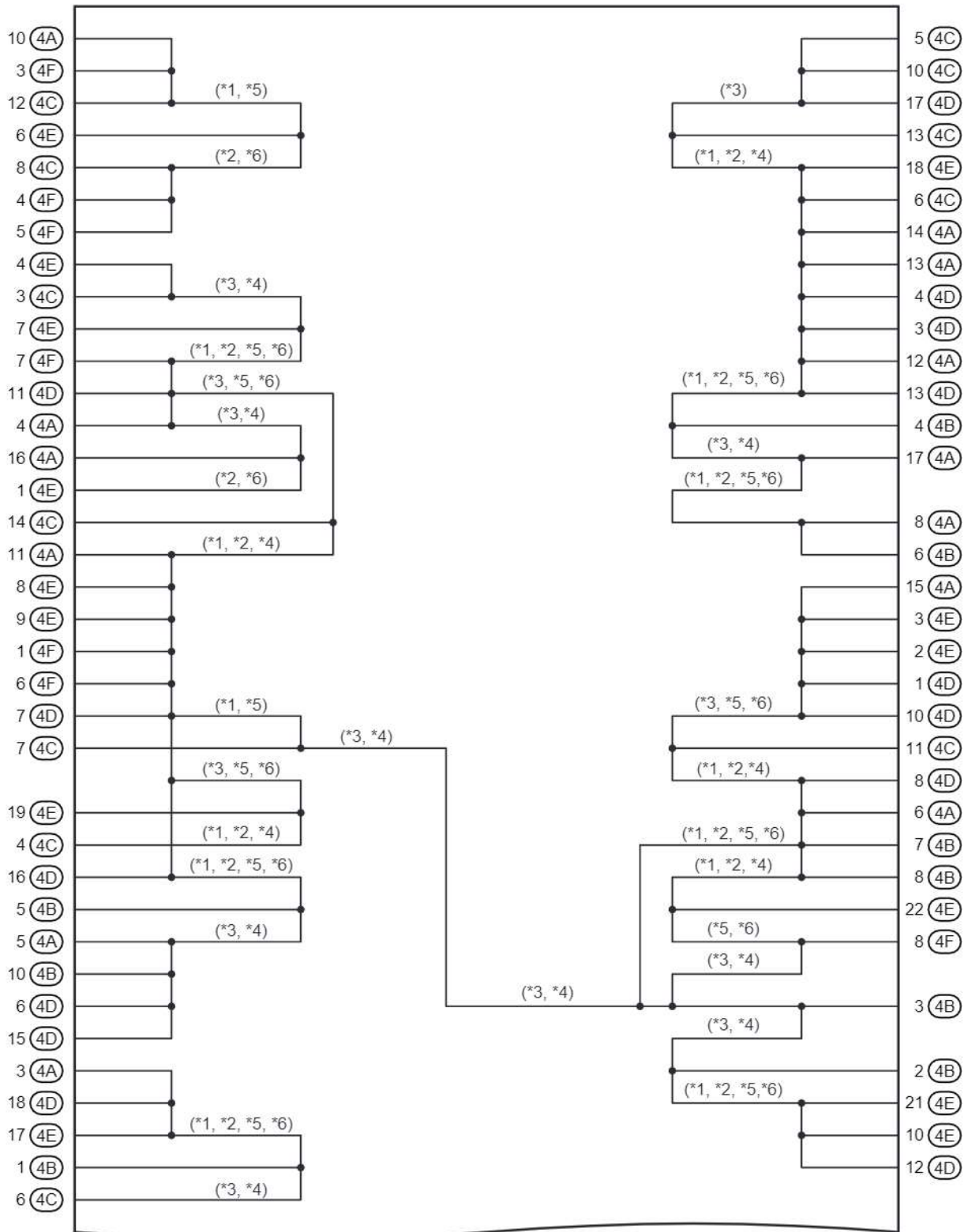
○ : J/B No.4	LHD : Instrument Panel Center (See Page 9)
	RHD : Instrument Panel Center (See Page 10)



cardiagn.com

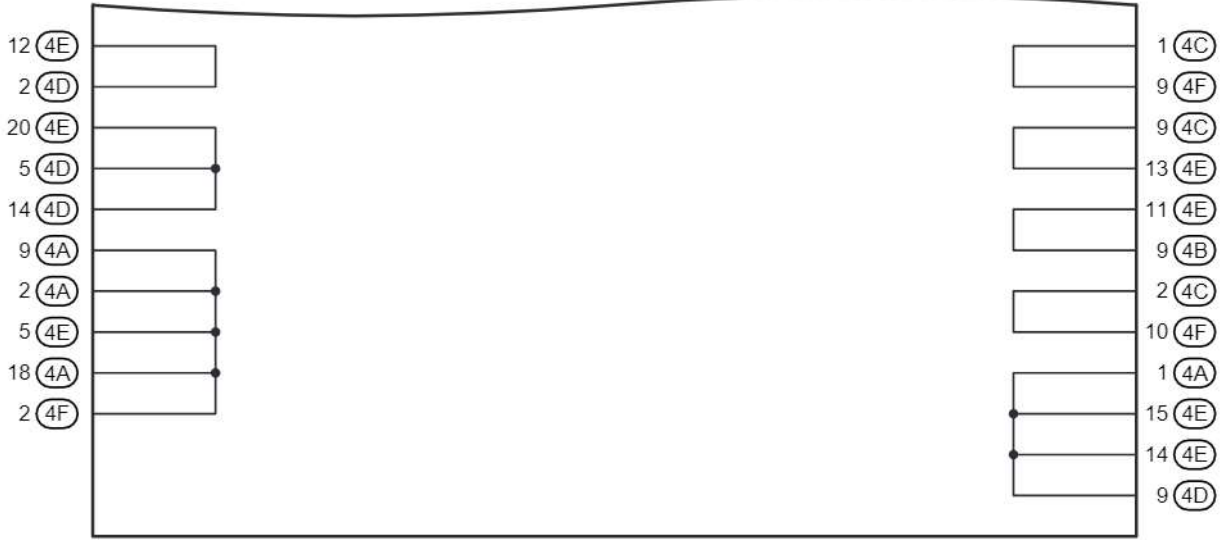
D RELAY LOCATIONS

[J/B No.4 Inner Circuit]



(Cont. next page)

(Cont'd)

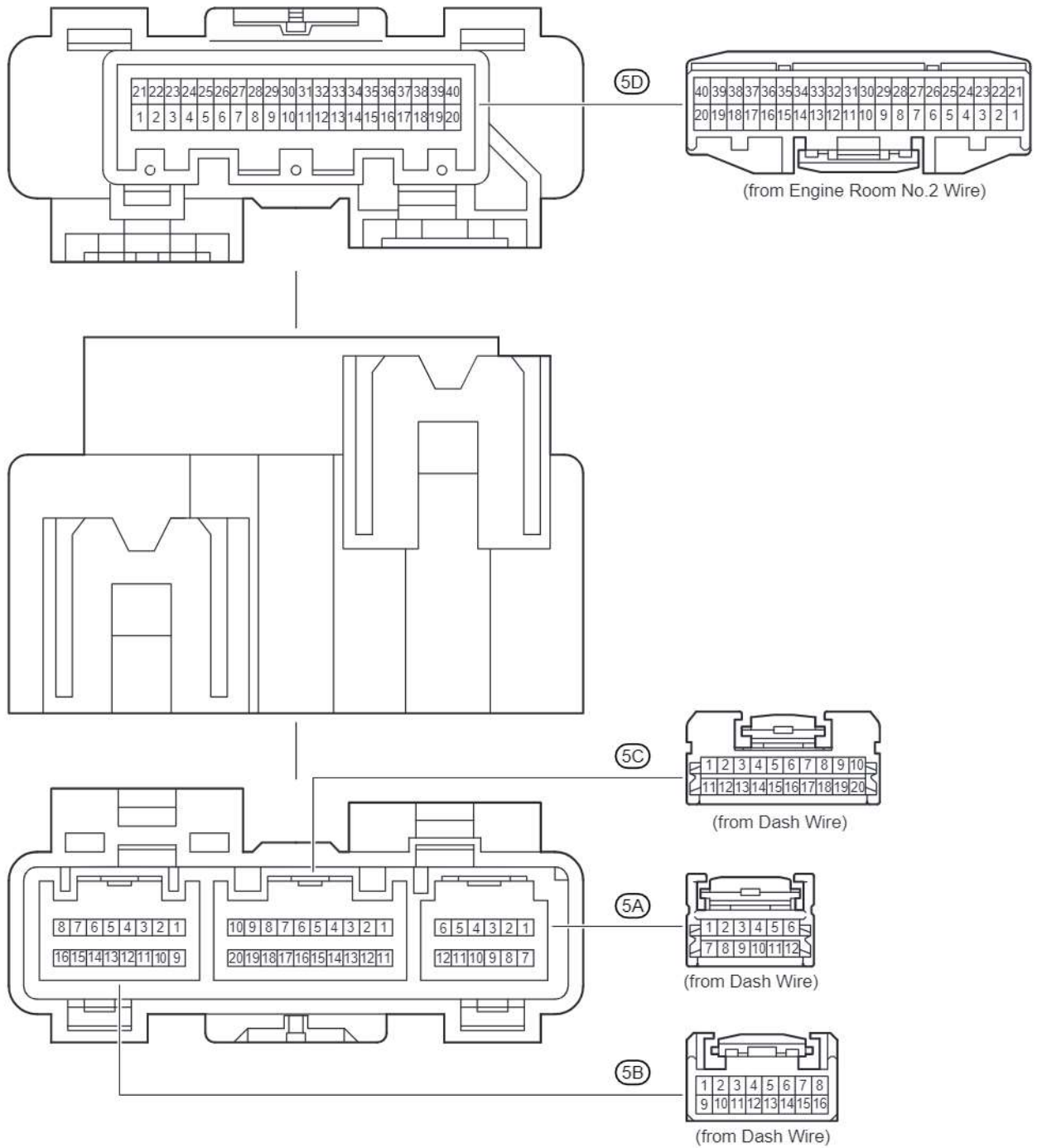


- * 1:2UZ-FE w/ Navigation System
- * 2:2UZ-FE Automatic Air Conditioner and w/ o Navigation System
- * 3:1HD-FTE Except Automatic Air Conditioner, 1FZ-FE, 1HZ
- * 4:2UZ-FE Except Automatic Air Conditioner
- * 5:1HD-FTE w/ Navigation System
- * 6:1HD-FTE Automatic Air Conditioner and w/ o Navigation System

cardiagn.com

D RELAY LOCATIONS

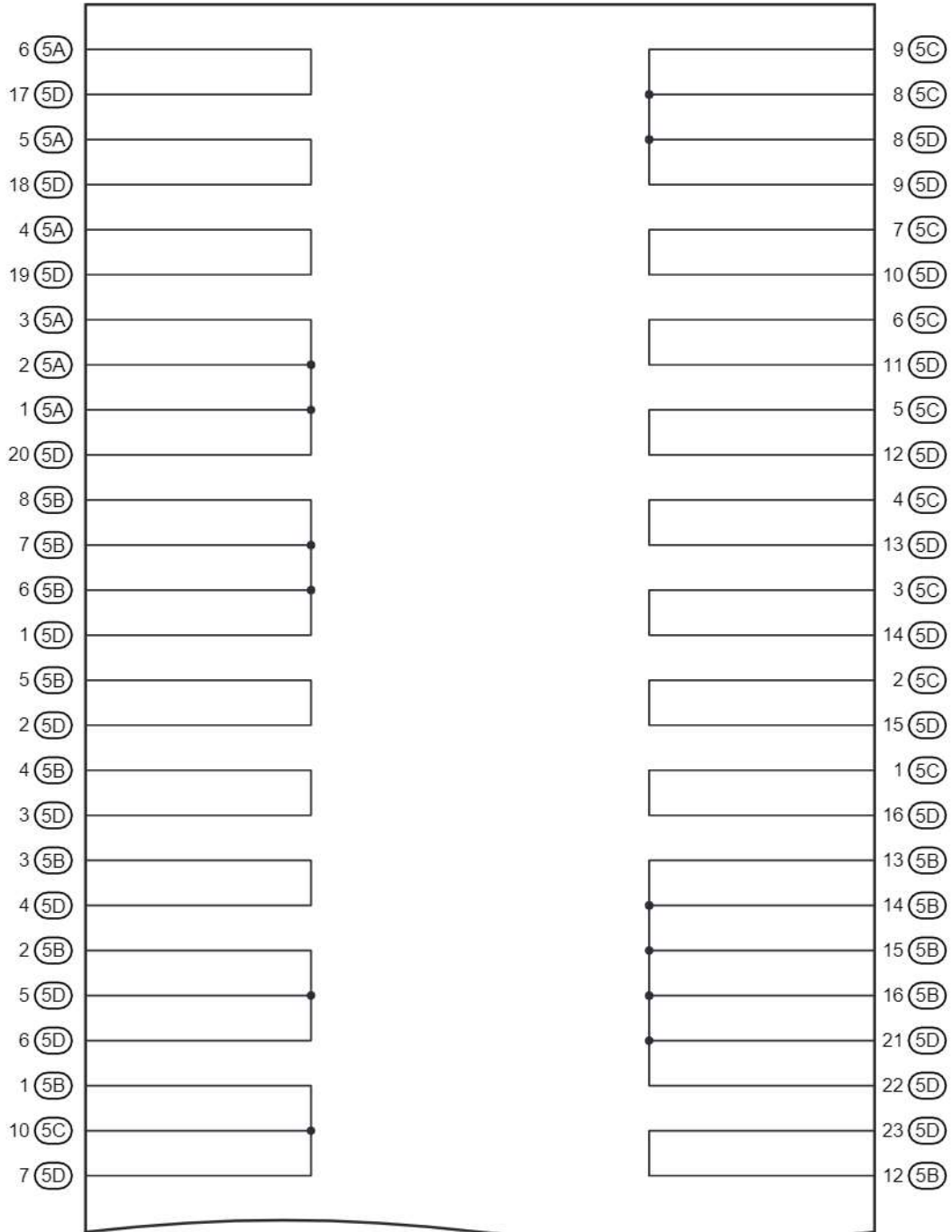
○ : J/B No.5	LHD : Behind the Combination Meter (See Page 9)
	RHD : Behind the Glove Box (See Page 10)



cardiagn.com

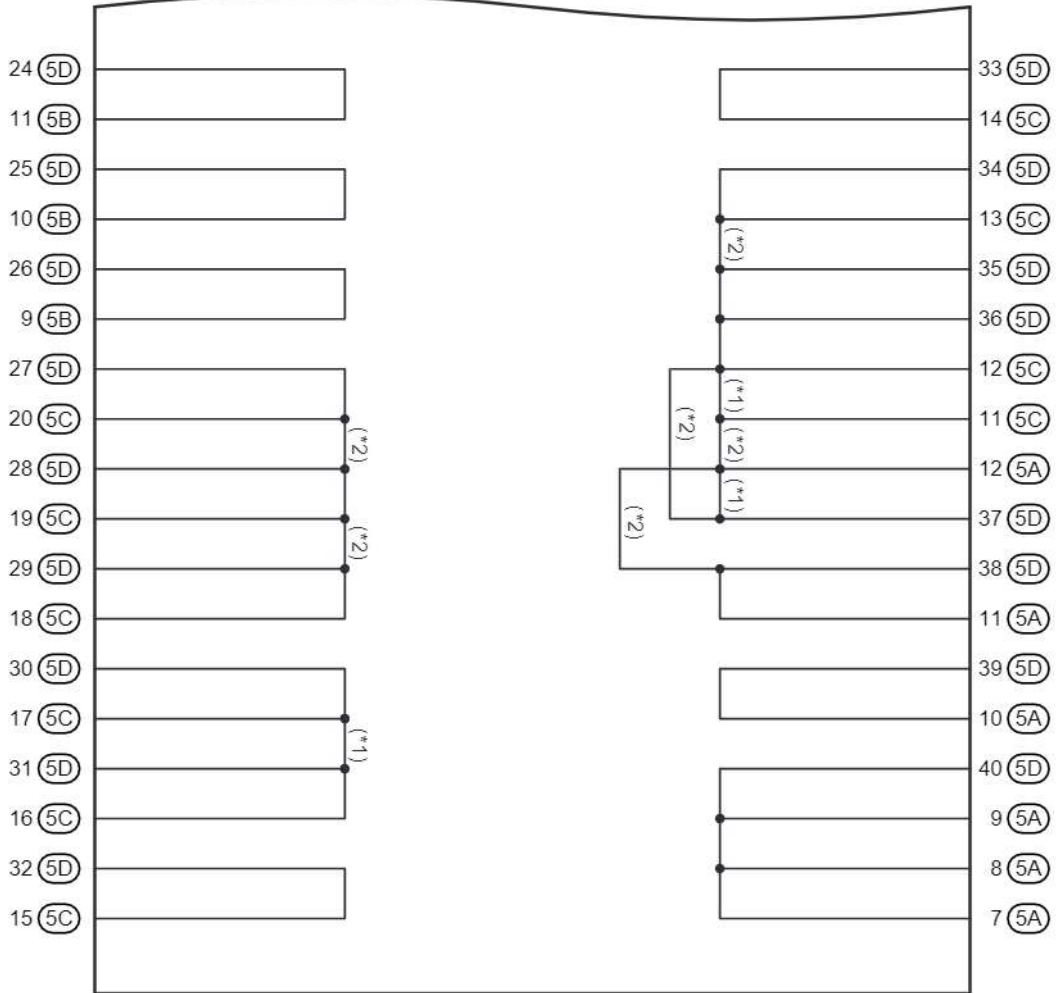
D RELAY LOCATIONS

[J/B No.5 Inner Circuit]



(Cont. next page)

(Cont'd)

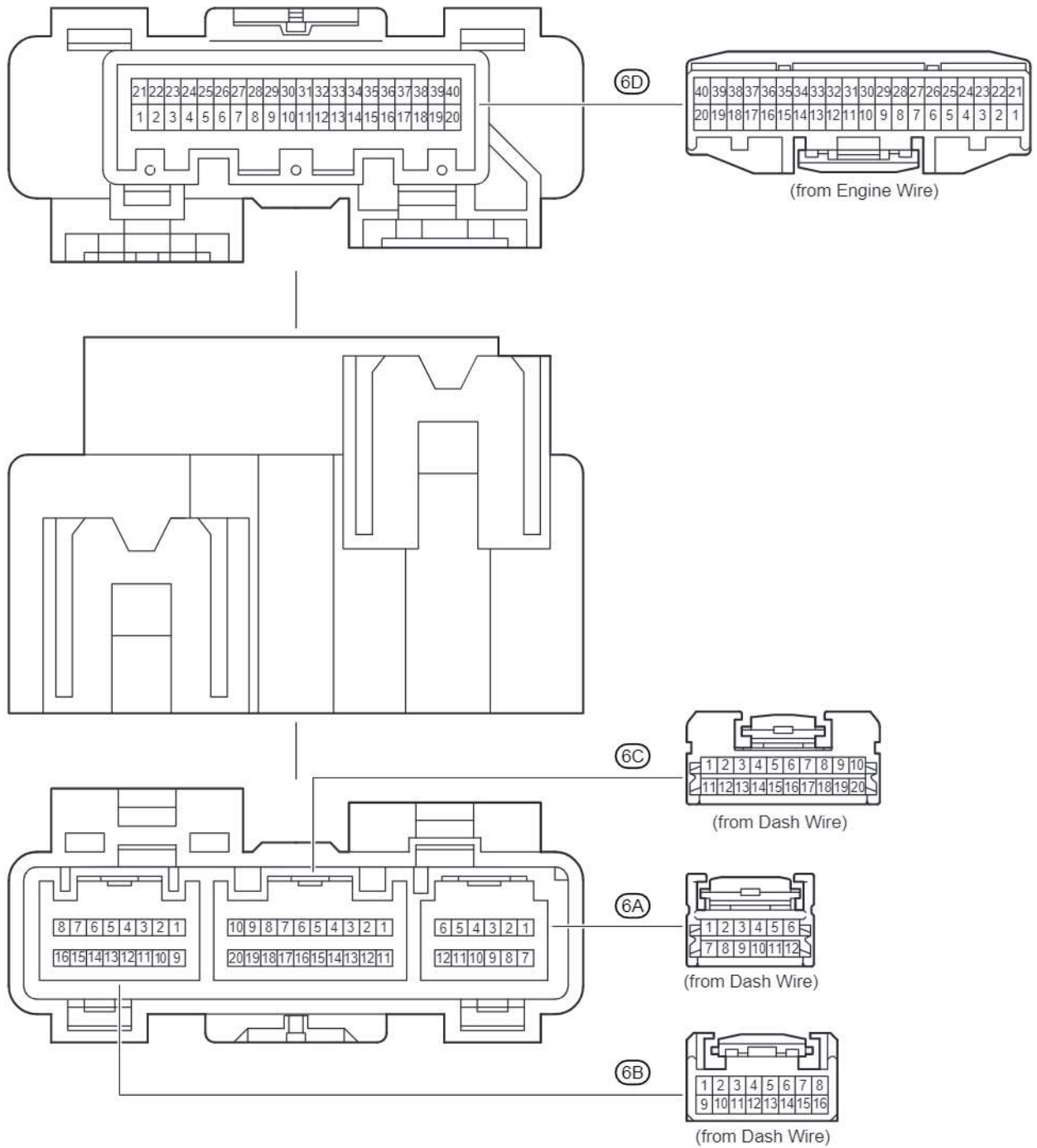


* 1:LHD
* 2:RHD

cardiagn.com

D RELAY LOCATIONS

○ : J/B No.6	LHD : Behind the Glove Box (See Page 9)
	RHD : Behind the Center Panel (See Page 10)

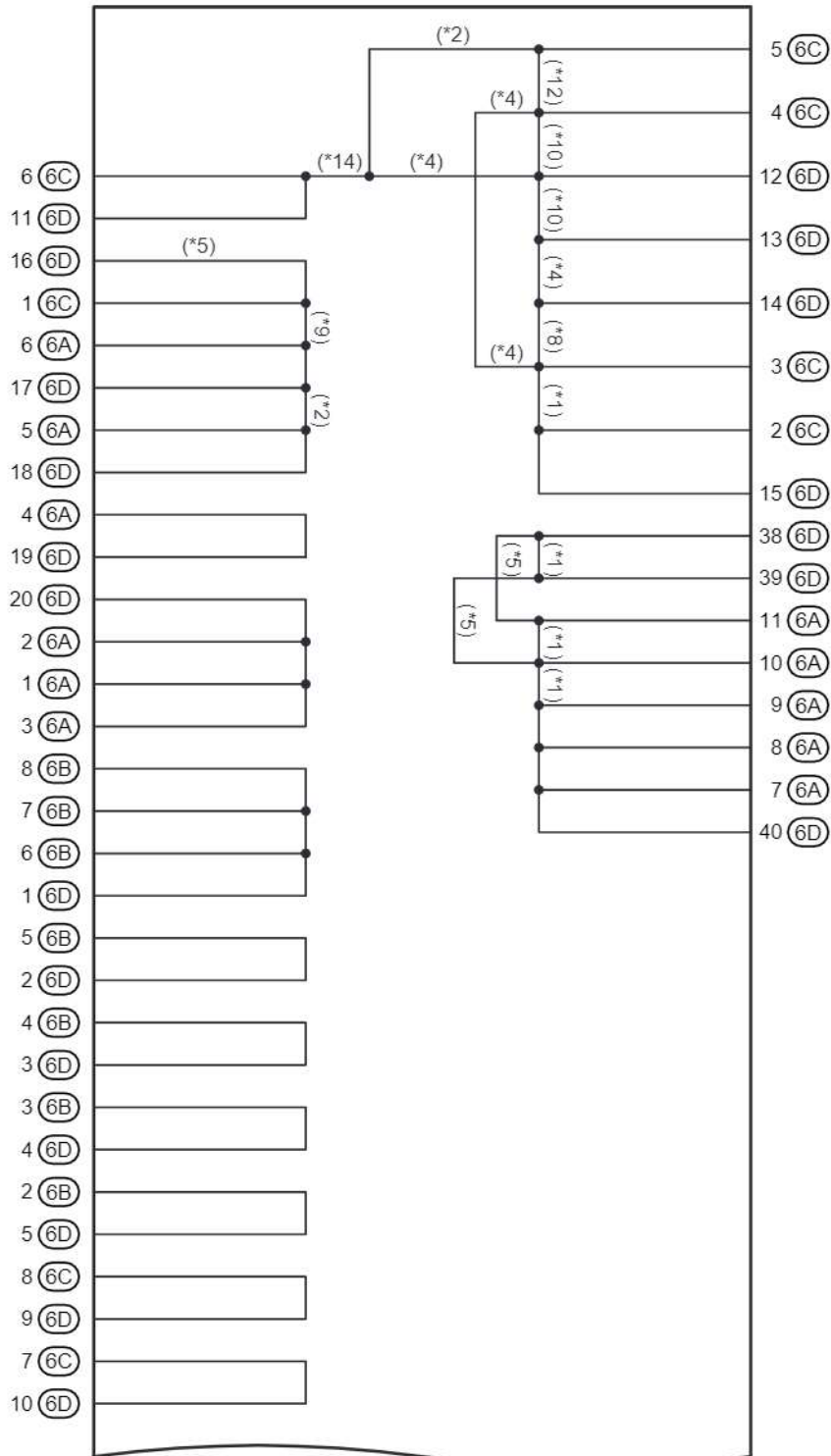


cardiagn.com

D RELAY LOCATIONS

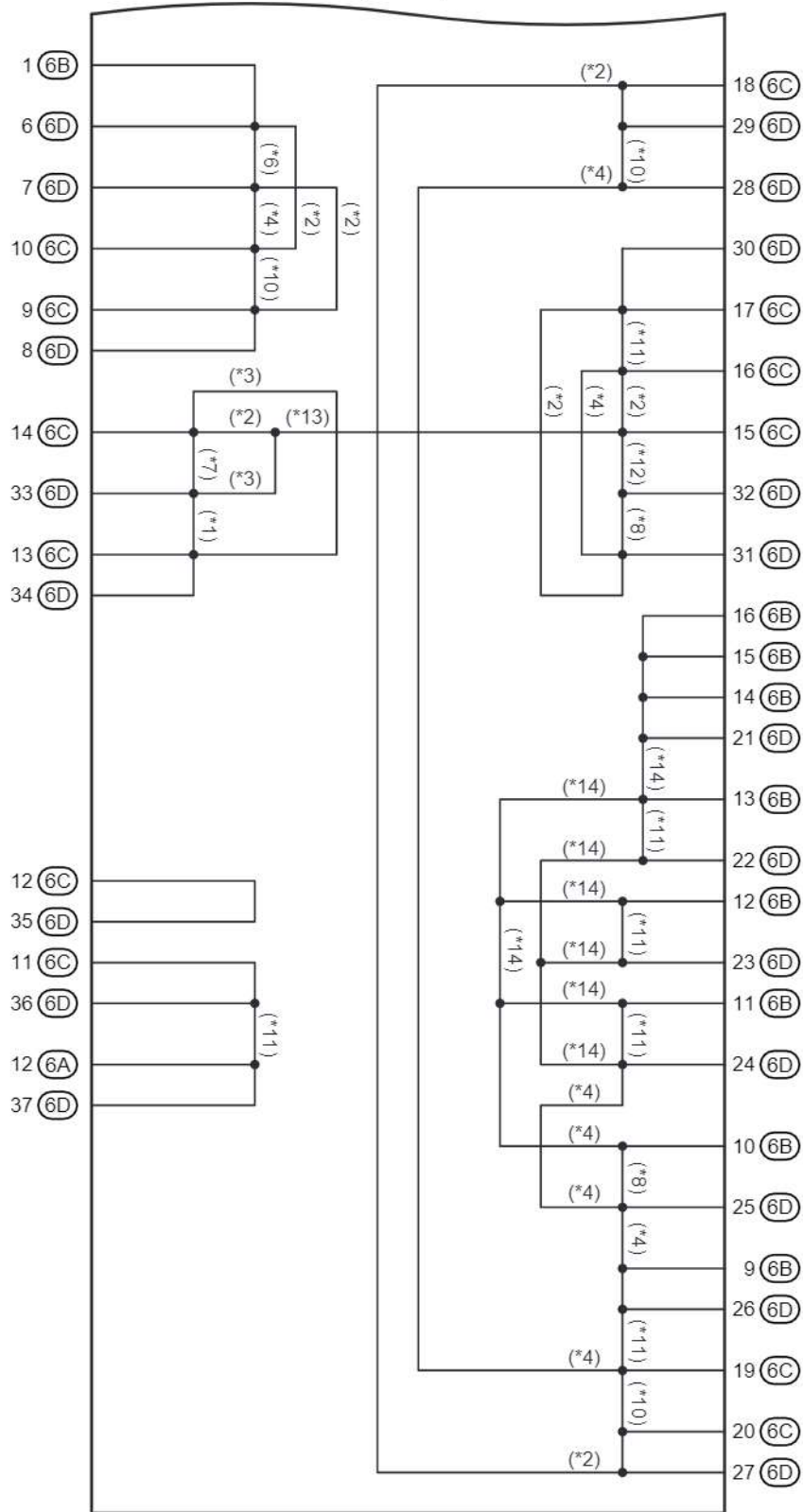
[J/B No.6 Inner Circuit]

- * 1:2UZ-FE
- * 2:1FZ-FE
- * 3:1HD-FTE
- * 4:1HZ
- * 5:Except *1
- * 6:Except *2
- * 7:Except *3
- * 8:Except *4
- * 9:*1, *2
- * 10:*1, *2, *3
- * 11:*1, *3
- * 12:*1, *3, *4
- * 13:*2, *3
- * 14:*2, *4



(Cont. next page)

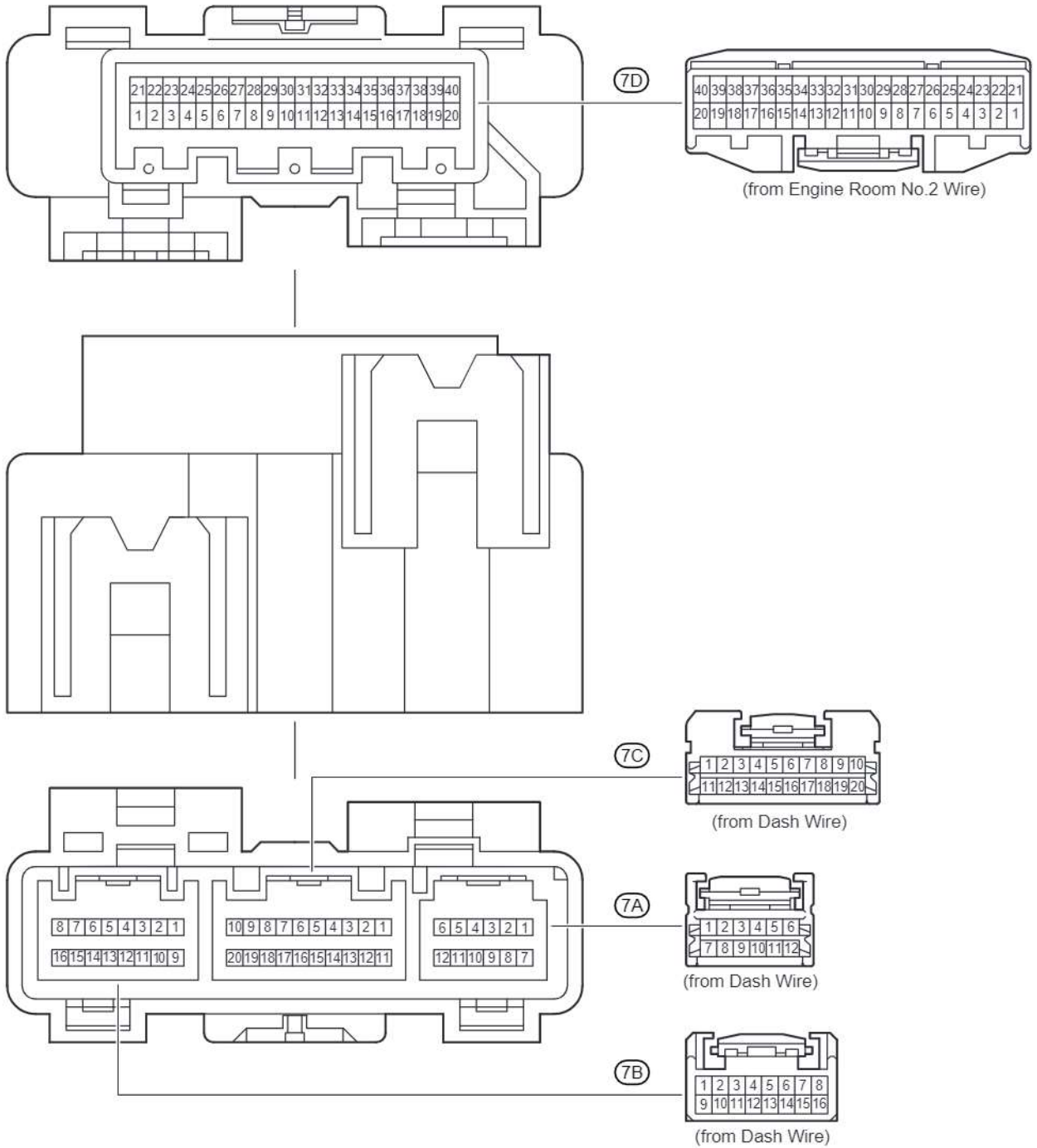
(Cont'd)



cardiagn.com

D RELAY LOCATIONS

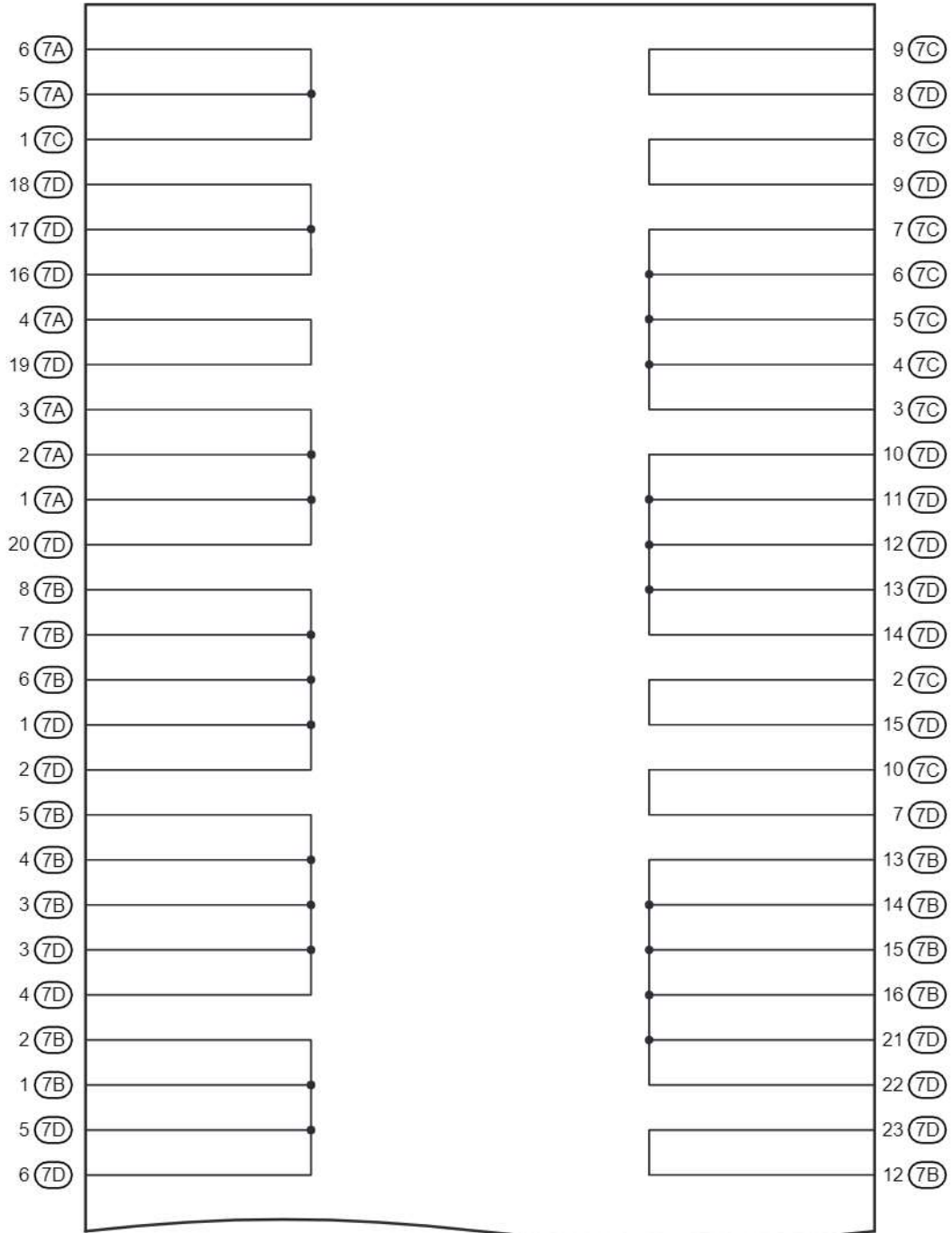
○ : J/B No.7	LHD : Behind the Glove Box (See Page 9)
	RHD : Behind the Combination Meter (See Page 10)



cardiagn.com

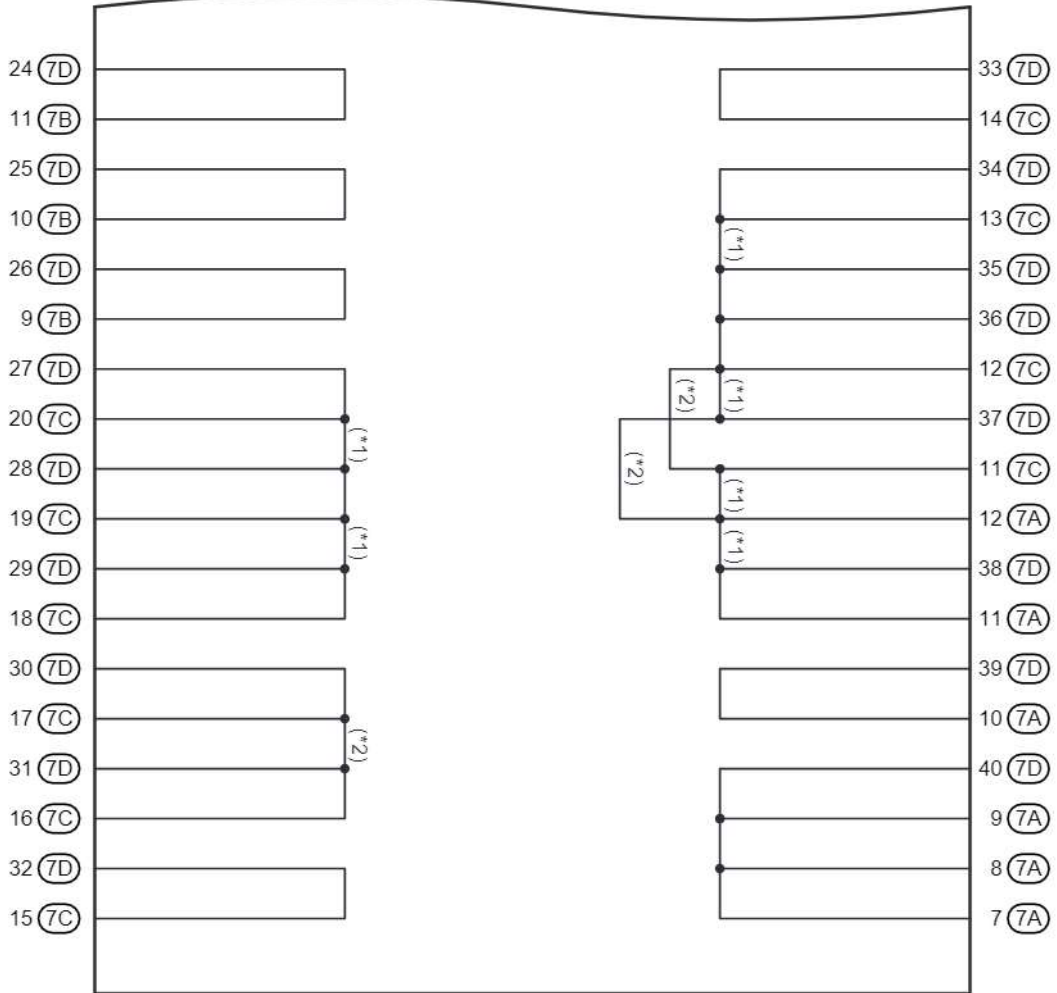
D RELAY LOCATIONS

[J/B No.7 Inner Circuit]



(Cont. next page)

(Cont'd)



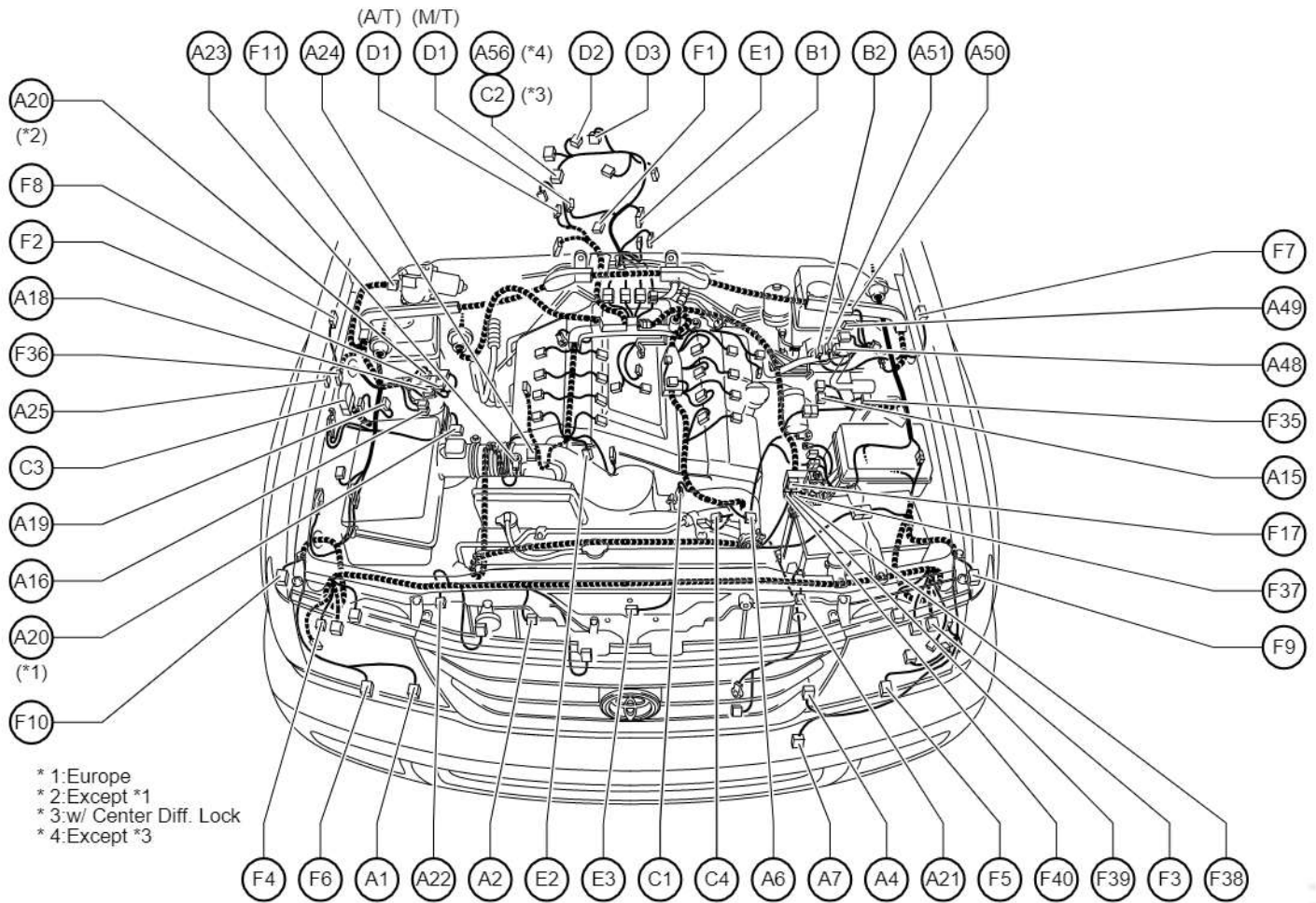
* 1:LHD
* 2:RHD

cardiagn.com

E ELECTRICAL WIRING ROUTING

Position of Parts in Engine Compartment

[LHD : 2UZ-FE]



- A 1 A/C Ambient Temp. Sensor
- A 2 A/C Condenser Fan Motor
- A 4 Pressure SW
- A 6 A/C Magnetic Clutch and Lock Sensor
- A 7 A/C Magnetic Valve
- A 15 ABS Speed Sensor Front LH
- A 16 ABS Speed Sensor Front RH
- A 18 AHC Pump Motor
- A 19 Air Cleaner Warning Sensor
- A 20 Air Flow Meter
- A 21 Airbag Sensor Front LH
- A 22 Airbag Sensor Front RH
- A 23 Alternator
- A 24 Alternator
- A 25 Auto Antenna Motor
- A 48 ABS & BA & TRC & VSC Actuator
- A 49 ABS & BA & TRC & VSC Actuator
- A 50 ABS & BA & TRC & VSC Actuator
- A 51 ABS & BA & TRC & VSC Actuator
- A 56 ADD Control Motor

- B 1 Back-Up Light SW
- B 2 Brake Fluid Level Warning SW

- C 1 Camshaft Position Sensor
- C 2 Center Diff. Lock Control Motor
- C 3 Check Connector
- C 4 Crankshaft Position Sensor

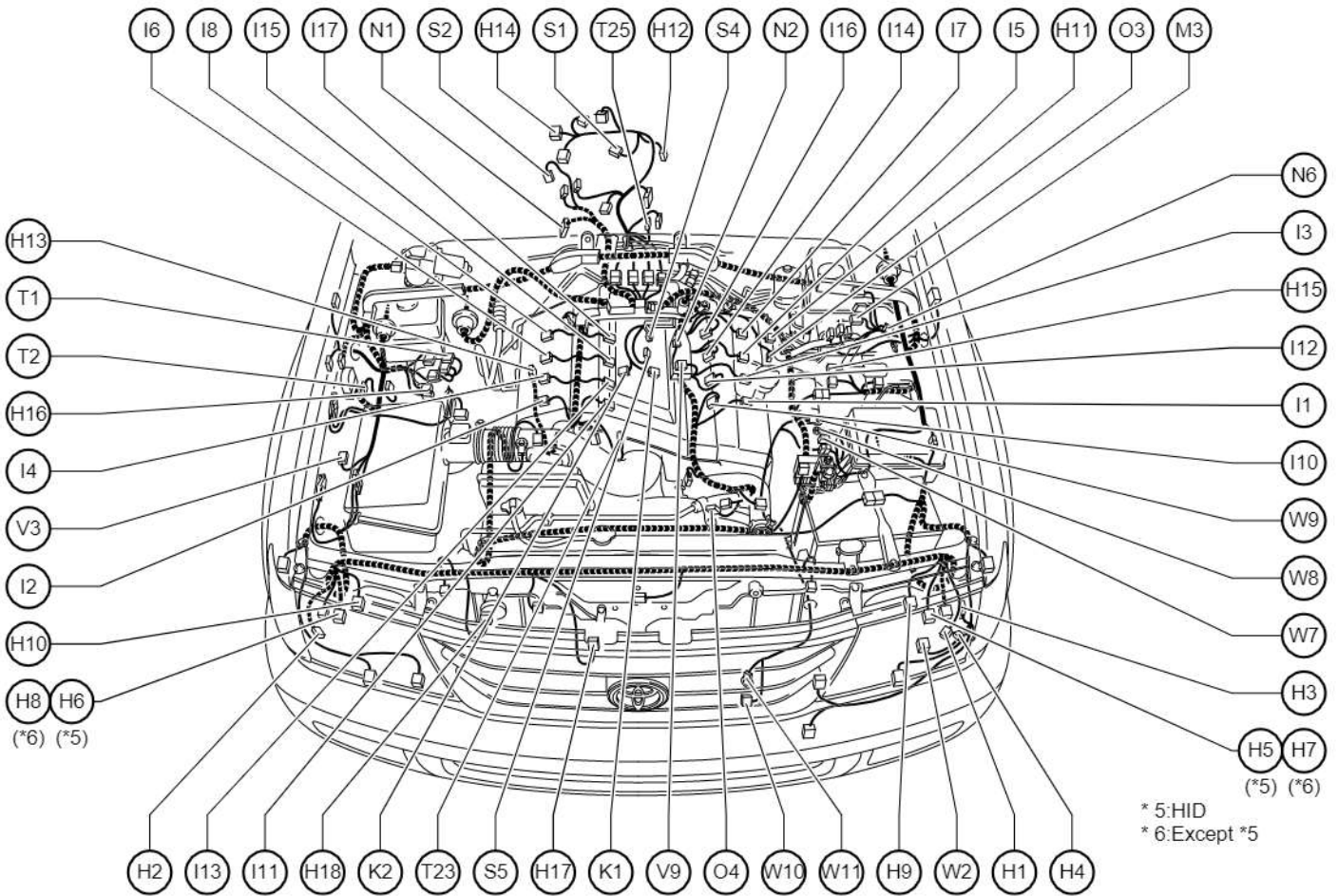
- D 1 Detection SW (Center Diff. Lock)
- D 2 Detection SW (Transfer L Position)
- D 3 Detection SW (Transfer Neutral Position)

- E 1 ECT Solenoid
- E 2 EFI Water Temp. Sensor
- E 3 Engine Hood Courtesy SW

- F 1 First Position SW
- F 2 Fluid Pressure Sensor
- F 3 Front Clearance Light LH
- F 4 Front Clearance Light RH
- F 5 Front Fog Light LH
- F 6 Front Fog Light RH
- F 7 Front Side Turn Signal Light LH
- F 8 Front Side Turn Signal Light RH
- F 9 Front Turn Signal Light LH
- F 10 Front Turn Signal Light RH
- F 11 Front Wiper Motor
- F 17 Fusible Link Block
- F 35 Fuel Pump Resistor LH
- F 36 Fuel Pump Resistor RH
- F 37 Fusible Link Block
- F 38 Fusible Link Block
- F 39 Fusible Link Block
- F 40 Fusible Link Block

Position of Parts in Engine Compartment

[LHD : 2UZ-FE]



H 1 Headlight Beam Level Control Actuator LH
 H 2 Headlight Beam Level Control Actuator RH
 H 3 Headlight Cleaner Control Relay
 H 4 Headlight Cleaner Motor
 H 5 Headlight Control ECU LH
 H 6 Headlight Control ECU RH
 H 7 Headlight LH (High)
 H 8 Headlight RH (High)
 H 9 Headlight LH (Low)
 H 10 Headlight RH (Low)
 H 11 Heated Oxygen Sensor (Bank 1 Sensor 1)
 H 12 Heated Oxygen Sensor (Bank 1 Sensor 2)
 H 13 Heated Oxygen Sensor (Bank 2 Sensor 1)
 H 14 Heated Oxygen Sensor (Bank 2 Sensor 2)
 H 15 Height Control Sensor Front LH
 H 16 Height Control Sensor Front RH
 H 17 Horn LH
 H 18 Horn RH

I 1 Ignition Coil and Igniter No.1
 I 2 Ignition Coil and Igniter No.2
 I 3 Ignition Coil and Igniter No.3
 I 4 Ignition Coil and Igniter No.4
 I 5 Ignition Coil and Igniter No.5
 I 6 Ignition Coil and Igniter No.6
 I 7 Ignition Coil and Igniter No.7
 I 8 Ignition Coil and Igniter No.8
 I 10 Injector No.1
 I 11 Injector No.2
 I 12 Injector No.3
 I 13 Injector No.4
 I 14 Injector No.5
 I 15 Injector No.6
 I 16 Injector No.7
 I 17 Injector No.8

K 1 Knock Sensor (Bank 1)
 K 2 Knock Sensor (Bank 2)
 M 3 Master Cylinder Pressure Sensor
 N 1 A/T Indicator Light SW
 Neutral Start SW
 N 2 Noise Filter (Ignition)
 N 6 Noise Filter (ABS)
 O 3 Oil Level Sensor
 O 4 Oil Pressure Sender
 S 1 Speed Sensor (Combination Meter)
 S 2 Speed Sensor (ECT)
 S 4 Starter
 S 5 Starter
 T 1 Temp. Sensor (AHC)
 T 2 Theft Deterrent Horn
 T 23 Throttle Control Motor and Sensor
 T 25 Turbine Speed Sensor
 V 3 Variable Resistor
 V 9 VSV (EVAP)
 W 2 Washer Motor
 W 7 Winch Main Relay
 W 8 Winch Main Relay
 W 9 Winch Main Relay
 W10 Winch Motor and Magnetic SW
 W11 Winch Motor and Magnetic SW

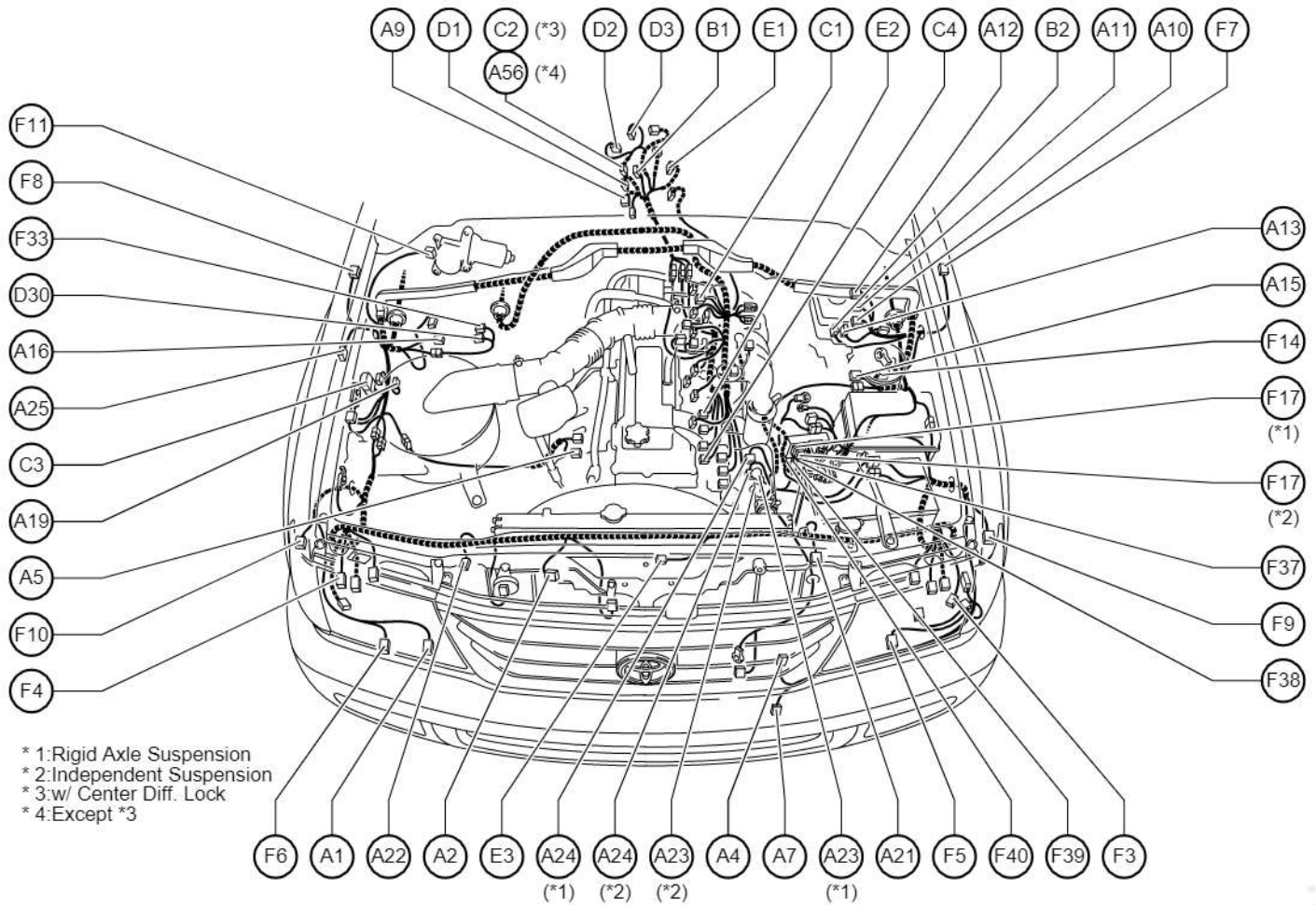
* 5:HID
 * 6:Except *5

cardiagn.com

E ELECTRICAL WIRING ROUTING

Position of Parts in Engine Compartment

[LHD : 1FZ-FE]

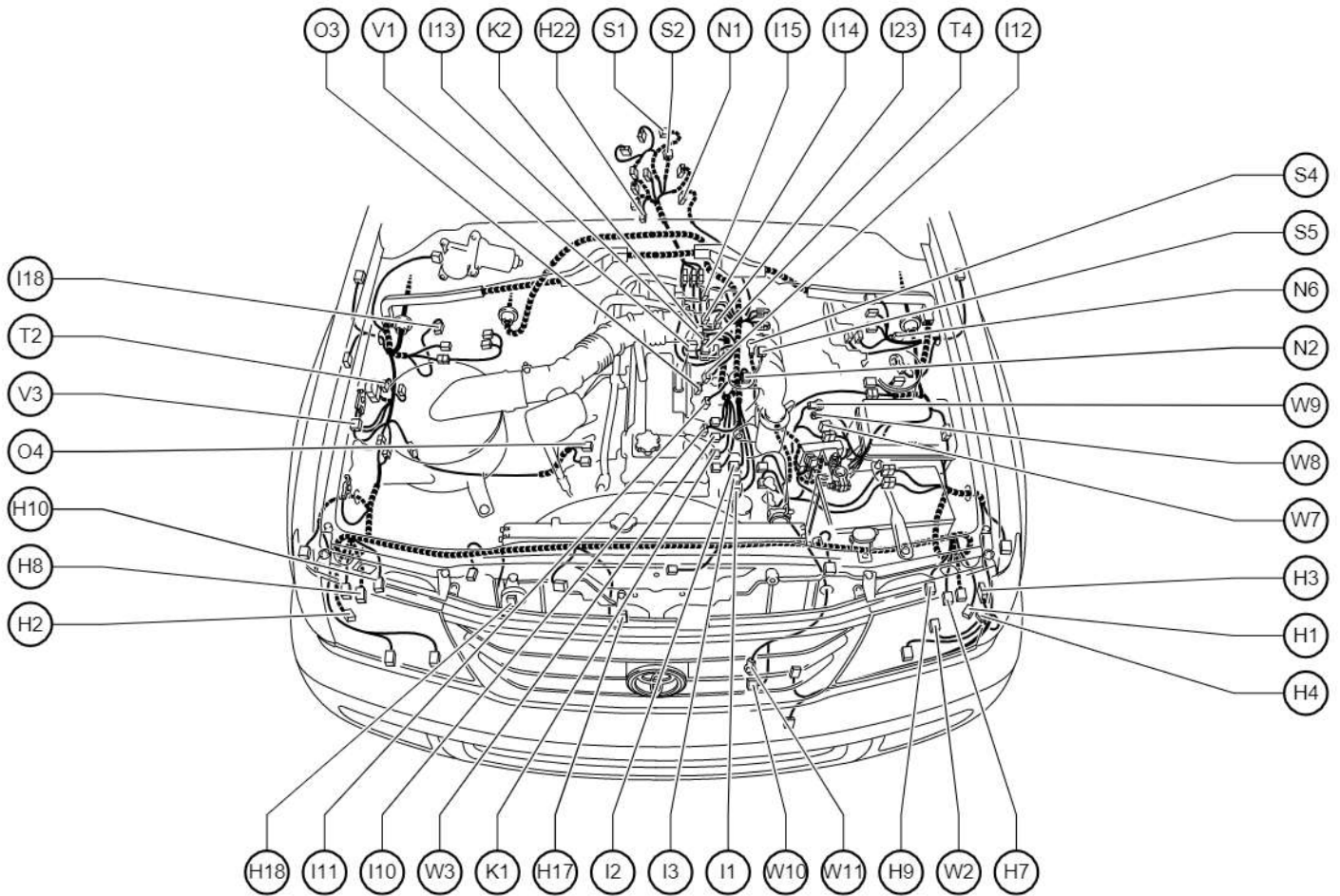


* 1:Rigid Axle Suspension
 * 2:Independent Suspension
 * 3:w/ Center Diff. Lock
 * 4:Except *3

- | | |
|-------------------------------------|--|
| A 1 A/C Ambient Temp. Sensor | D 1 Detection SW (Center Diff. Lock) |
| A 2 A/C Condenser Fan Motor | D 2 Detection SW (Transfer L Position) |
| A 4 Pressure SW | D 3 Detection SW (Transfer Neutral Position) |
| A 5 A/C Magnetic Clutch | D30 Detection SW (Front Diff. Lock) |
| A 7 A/C Magnetic Valve | E 1 ECT Solenoid |
| A 9 A/T Oil Temp. Sensor | E 2 EFI Water Temp. Sensor |
| A10 ABS Actuator | E 3 Engine Hood Courtesy SW |
| A11 ABS Actuator | F 3 Front Clearance Light LH |
| A12 ABS Actuator | F 4 Front Clearance Light RH |
| A13 ABS Actuator | F 5 Front Fog Light LH |
| A15 ABS Speed Sensor Front LH | F 6 Front Fog Light RH |
| A16 ABS Speed Sensor Front RH | F 7 Front Side Turn Signal Light LH |
| A19 Air Cleaner Warning Sensor | F 8 Front Side Turn Signal Light RH |
| A21 Airbag Sensor Front LH | F 9 Front Turn Signal Light LH |
| A22 Airbag Sensor Front RH | F10 Front Turn Signal Light RH |
| A23 Alternator | F11 Front Wiper Motor |
| A24 Alternator | F14 Fuel Pump Resistor |
| A25 Auto Antenna Motor | F17 Fusible Link Block |
| A56 ADD Control Motor | F33 Front Diff. Lock Motor |
| B 1 Back-Up Light SW | F37 Fusible Link Block |
| B 2 Brake Fluid Level Warning SW | F38 Fusible Link Block |
| C 1 Camshaft Position Sensor | F39 Fusible Link Block |
| C 2 Center Diff. Lock Control Motor | F40 Fusible Link Block |
| C 3 Check Connector | |
| C 4 Crankshaft Position Sensor | |

Position of Parts in Engine Compartment

[LHD : 1FZ-FE]



H 1 Headlight Beam Level Control Actuator LH
 H 2 Headlight Beam Level Control Actuator RH
 H 3 Headlight Cleaner Control Relay
 H 4 Headlight Cleaner Motor
 H 7 Headlight LH (High)
 H 8 Headlight RH (High)
 H 9 Headlight LH (Low)
 H10 Headlight RH (Low)
 H17 Horn LH
 H18 Horn RH
 H22 Heated Oxygen Sensor

I 1 Ignition Coil and Igniter No.1
 I 2 Ignition Coil and Igniter No.2
 I 3 Ignition Coil and Igniter No.3
 I 10 Injector No.1
 I 11 Injector No.2
 I 12 Injector No.3
 I 13 Injector No.4
 I 14 Injector No.5
 I 15 Injector No.6
 I 18 Intake Air Temp. Sensor
 I 23 ISC Valve

K 1 Knock Sensor (Bank 1)
 K 2 Knock Sensor (Bank 2)

N 1 A/T Indicator Light SW
 Neutral Start SW
 N 2 Noise Filter (Ignition)
 N 6 Noise Filter (ABS)
 O 3 Oil Pressure Sensor
 O 4 Oil Pressure Sender
 S 1 Speed Sensor (Combination Meter)
 S 2 Speed Sensor (ECT)
 S 4 Starter
 S 5 Starter

T 2 Theft Deterrent Horn
 T 4 Throttle Position Sensor

V 1 Vacuum Sensor
 V 3 Variable Resistor

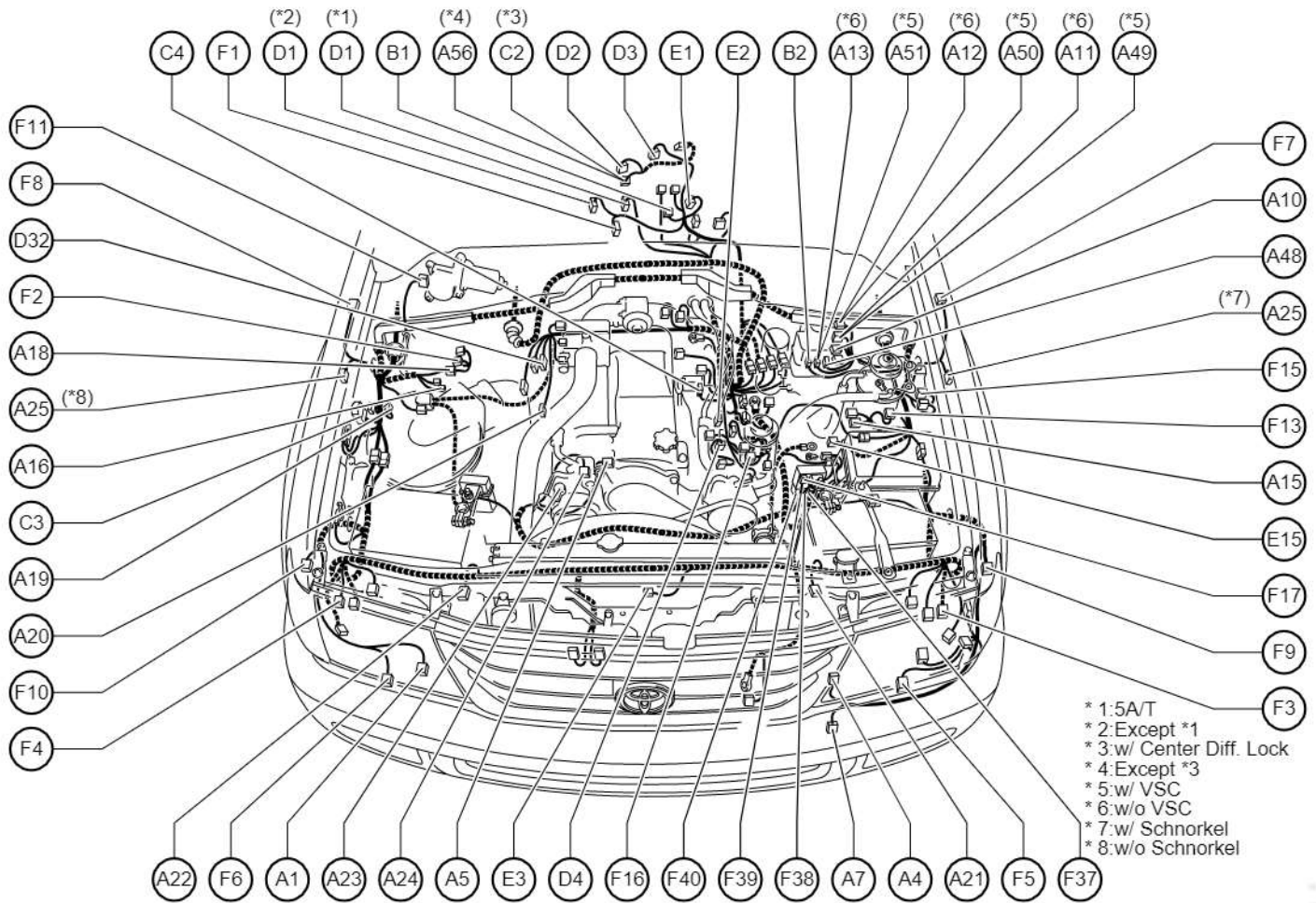
W 2 Washer Motor
 W 3 Water Temp. Sender
 W 7 Winch Main Relay
 W 8 Winch Main Relay
 W 9 Winch Main Relay
 W10 Winch Motor and Magnetic SW
 W11 Winch Motor and Magnetic SW

cardiagn.com

E ELECTRICAL WIRING ROUTING

Position of Parts in Engine Compartment

[LHD : 1HD-FTE]

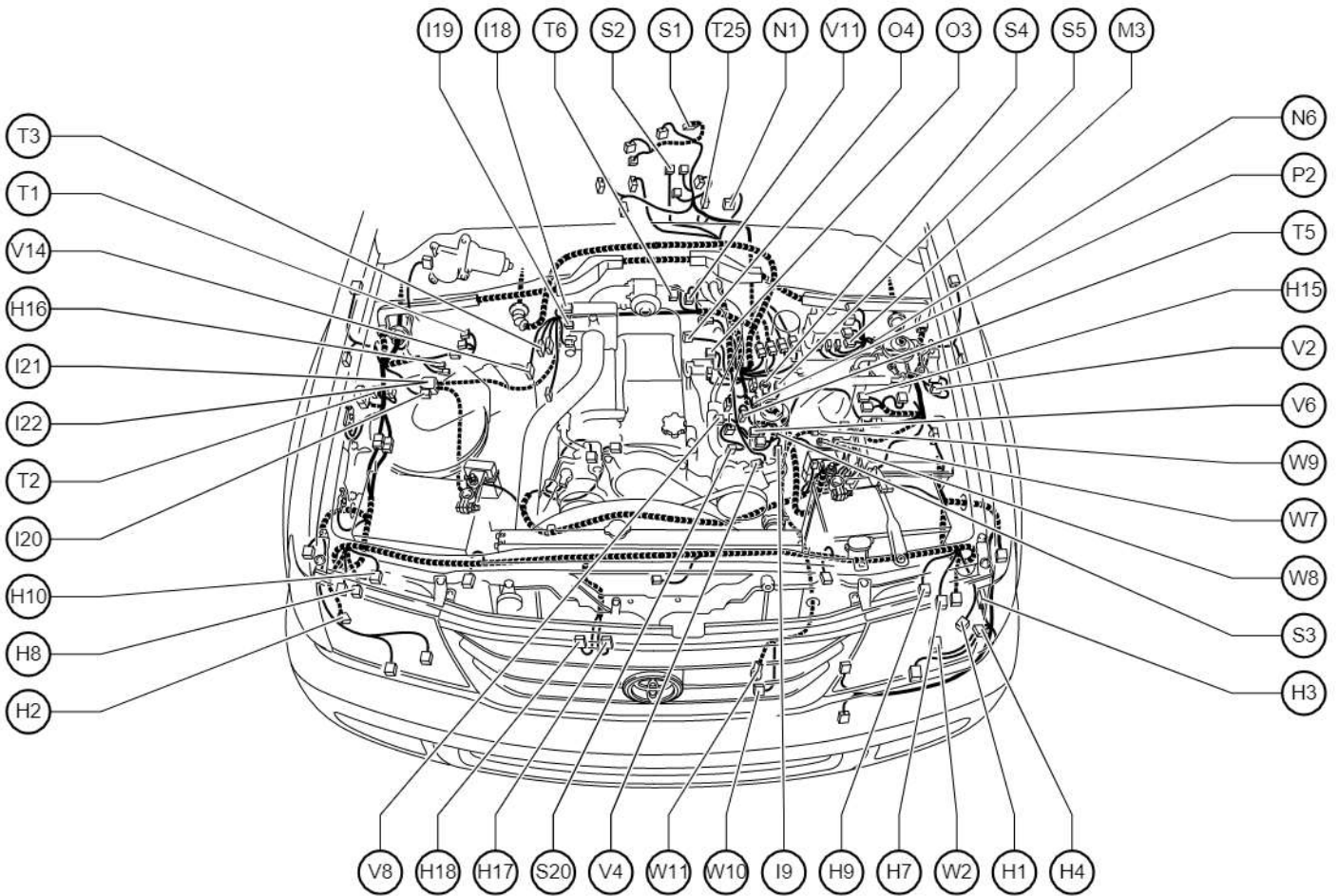


- * 1:5A/T
- * 2:Except *1
- * 3:w/ Center Diff. Lock
- * 4:Except *3
- * 5:w/ VSC
- * 6:w/o VSC
- * 7:w/ Schnorkel
- * 8:w/o Schnorkel

- | | |
|-------------------------------------|--|
| A 1 A/C Ambient Temp. Sensor | D 1 Detection SW (Center Diff. Lock) |
| A 4 Pressure SW | D 2 Detection SW (Transfer L Position) |
| A 5 A/C Magnetic Clutch | D 3 Detection SW (Transfer Neutral Position) |
| A 7 A/C Magnetic Valve | D 4 Diesel Engine Revolution Sensor |
| A 10 ABS Actuator | D32 Diesel Throttle Position SW |
| A 11 ABS Actuator | |
| A 12 ABS Actuator | E 1 ECT Solenoid |
| A 13 ABS Actuator | E 2 EFI Water Temp. Sensor |
| A 15 ABS Speed Sensor Front LH | E 3 Engine Hood Courtesy SW |
| A 16 ABS Speed Sensor Front RH | E 15 EDU |
| A 18 AHC Pump Motor | |
| A 19 Air Cleaner Warning Sensor | F 1 First Position SW |
| A 20 Air Flow Meter | F 2 Fluid Pressure Sensor |
| A 21 Airbag Sensor Front LH | F 3 Front Clearance Light LH |
| A 22 Airbag Sensor Front RH | F 4 Front Clearance Light RH |
| A 23 Alternator | F 5 Front Fog Light LH |
| A 24 Alternator | F 6 Front Fog Light RH |
| A 25 Auto Antenna Motor | F 7 Front Side Turn Signal Light LH |
| A 48 ABS & BA & TRC & VSC Actuator | F 8 Front Side Turn Signal Light RH |
| A 49 ABS & BA & TRC & VSC Actuator | F 9 Front Turn Signal Light LH |
| A 50 ABS & BA & TRC & VSC Actuator | F 10 Front Turn Signal Light RH |
| A 51 ABS & BA & TRC & VSC Actuator | F 11 Front Wiper Motor |
| A 56 ADD Control Motor | F 13 Fuel Heater SW |
| | F 15 Fuel Sediment SW |
| B 1 Back-Up Light SW | F 16 Fuel Temp. Sensor |
| B 2 Brake Fluid Level Warning SW | F 17 Fusible Link Block |
| | F 37 Fusible Link Block |
| C 2 Center Diff. Lock Control Motor | F 38 Fusible Link Block |
| C 3 Check Connector | F 39 Fusible Link Block |
| C 4 Crankshaft Position Sensor | F 40 Fusible Link Block |

Position of Parts in Engine Compartment

[LHD : 1HD-FTE]



H 1 Headlight Beam Level Control Actuator LH
 H 2 Headlight Beam Level Control Actuator RH
 H 3 Headlight Cleaner Control Relay
 H 4 Headlight Cleaner Motor
 H 7 Headlight LH (High)
 H 8 Headlight RH (High)
 H 9 Headlight LH (Low)
 H10 Headlight RH (Low)
 H15 Height Control Sensor Front LH
 H16 Height Control Sensor Front RH
 H17 Horn LH
 H18 Horn RH

I 9 Injection Pump
 I 18 Intake Air Temp. Sensor
 I 19 Intake Heater
 I 20 Intake Heater Relay
 I 21 Intake Heater Relay
 I 22 Intake Heater Relay

M 3 Master Cylinder Pressure Sensor

N 1 A/T Indicator Light SW
 Neutral Start SW
 N 6 Noise Filter (ABS)

O 3 Oil Level Sensor
 O 4 Oil Pressure Sender

P 2 Power Steering Oil Pressure SW

S 1 Speed Sensor (Combination Meter)
 S 2 Speed Sensor (ECT)
 S 3 Spill Valve
 S 4 Starter
 S 5 Starter
 S20 Swirl Control Valve

T 1 Temp. Sensor (AHC)
 T 2 Theft Deterrent Horn
 T 3 Throttle Control Motor
 T 5 Timing Control Valve
 T 6 Turbo Pressure Sensor
 T25 Turbine Speed Sensor

V 2 Vacuum SW
 V 4 Viscous Heater Magnetic Clutch
 V 6 VRV (EGR)
 V 8 VSV (EGR Cut)
 V11 VSV (Turbo Pressure Sensor)
 V14 VRV (EGR No.2)

W 2 Washer Motor
 W 7 Winch Main Relay
 W 8 Winch Main Relay
 W 9 Winch Main Relay
 W10 Winch Motor and Magnetic SW
 W11 Winch Motor and Magnetic SW

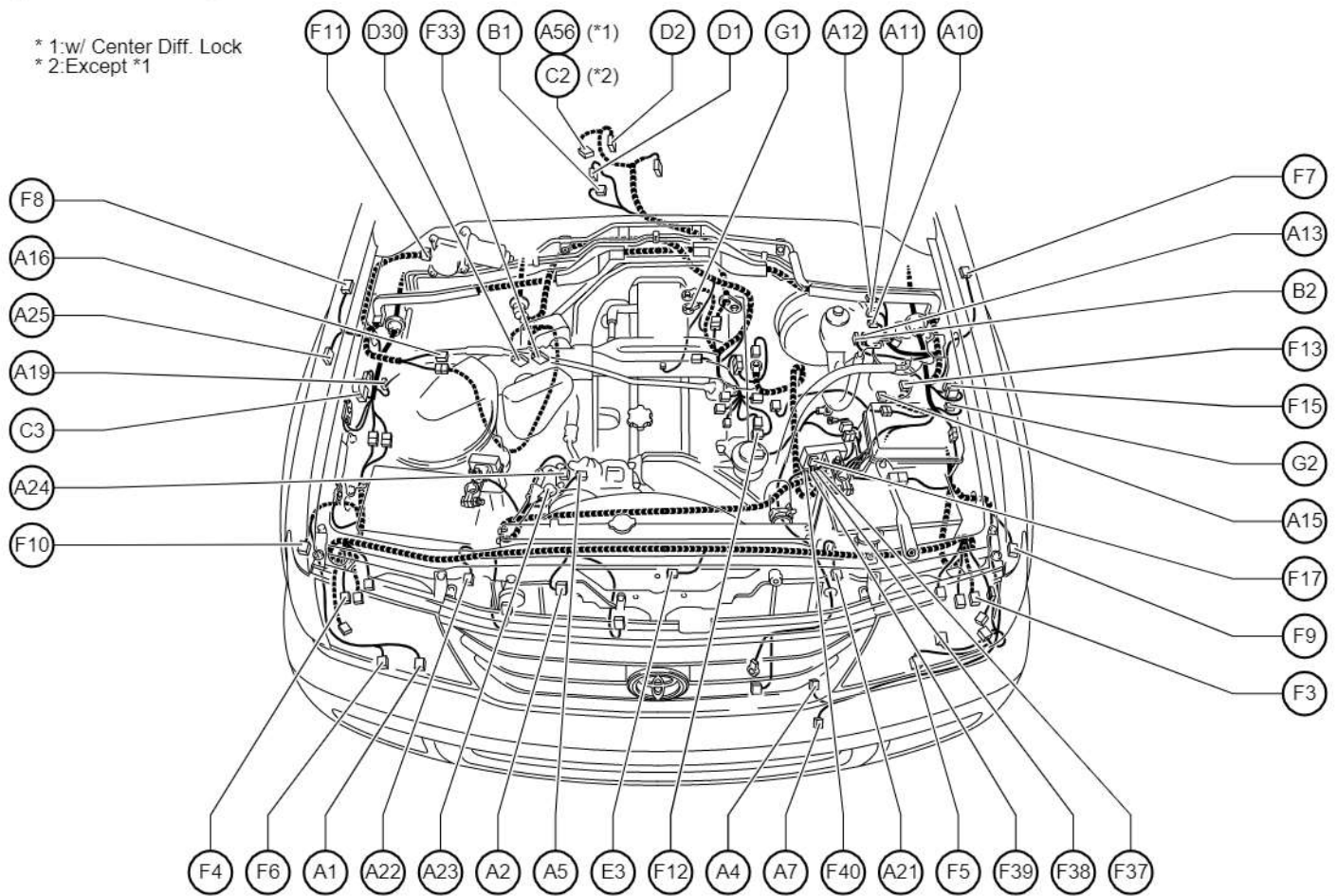
cardiagn.com

E ELECTRICAL WIRING ROUTING

Position of Parts in Engine Compartment

[LHD : 1HZ]

* 1:w/ Center Diff. Lock
* 2:Except *1



- A 1 A/C Ambient Temp. Sensor
- A 2 A/C Condenser Fan Motor
- A 4 Pressure SW
- A 5 A/C Magnetic Clutch
- A 7 A/C Magnetic Valve
- A10 ABS Actuator
- A11 ABS Actuator
- A12 ABS Actuator
- A13 ABS Actuator
- A15 ABS Speed Sensor Front LH
- A16 ABS Speed Sensor Front RH
- A19 Air Cleaner Warning Sensor
- A21 Airbag Sensor Front LH
- A22 Airbag Sensor Front RH
- A23 Alternator
- A24 Alternator
- A25 Auto Antenna Motor
- A56 ADD Control Motor

- B 1 Back-Up Light SW
- B 2 Brake Fluid Level Warning SW

- C 2 Center Diff. Lock Control Motor
- C 3 Check Connector

- D 1 Detection SW (Center Diff. Lock)
- D 2 Detection SW (Transfer L Position)
- D30 Detection SW (Front Diff. Lock)

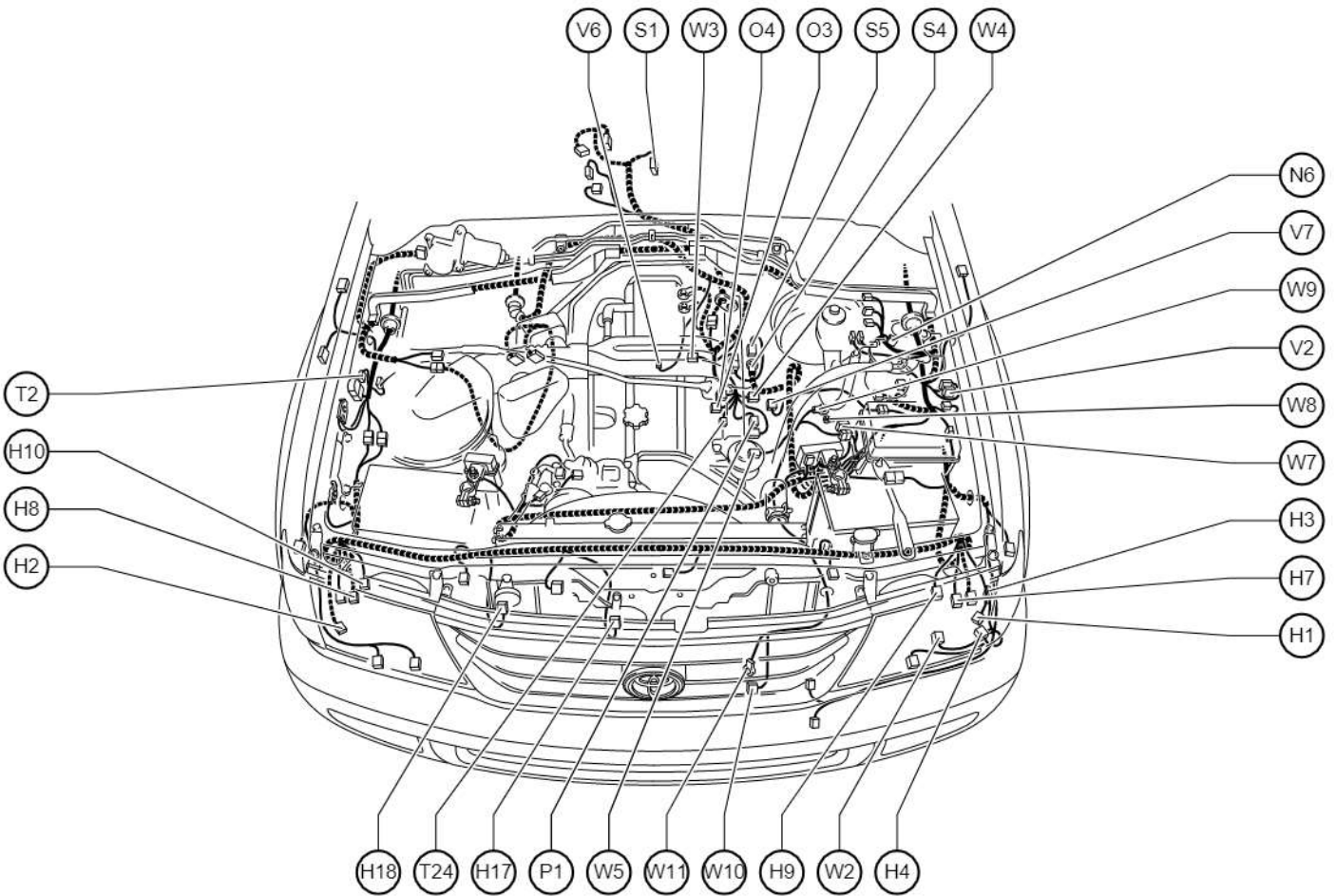
- E 3 Engine Hood Courtesy SW

- F 3 Front Clearance Light LH
- F 4 Front Clearance Light RH
- F 5 Front Fog Light LH
- F 6 Front Fog Light RH
- F 7 Front Side Turn Signal Light LH
- F 8 Front Side Turn Signal Light RH
- F 9 Front Turn Signal Light LH
- F10 Front Turn Signal Light RH
- F11 Front Wiper Motor
- F12 Fuel Cut Valve Controller
- F13 Fuel Heater SW
- F15 Fuel Sediment SW
- F17 Fusible Link Block
- F33 Front Diff. Lock Motor
- F37 Fusible Link Block
- F38 Fusible Link Block
- F39 Fusible Link Block
- F40 Fusible Link Block

- G 1 Glow Plug
- G 2 Glow Plug Relay

Position of Parts in Engine Compartment

[LHD : 1HZ]



H 1 Headlight Beam Level Control Actuator LH
 H 2 Headlight Beam Level Control Actuator RH
 H 3 Headlight Cleaner Control Relay
 H 4 Headlight Cleaner Motor
 H 7 Headlight LH (High)
 H 8 Headlight RH (High)
 H 9 Headlight LH (Low)
 H10 Headlight RH (Low)
 H17 Horn LH
 H18 Horn RH

N 6 Noise Filter (ABS)

O 3 Oil Level Sensor
 O 4 Oil Pressure Sender

P 1 Pick-Up Sensor

S 1 Speed Sensor (Combination Meter)
 S 4 Starter
 S 5 Starter

T 2 Theft Deterrent Horn
 T 24 Throttle Position Sensor and Timing Control Valve

V 2 Vacuum SW
 V 6 VRV (EGR)
 V 7 VSV (A/C Idle-Up)

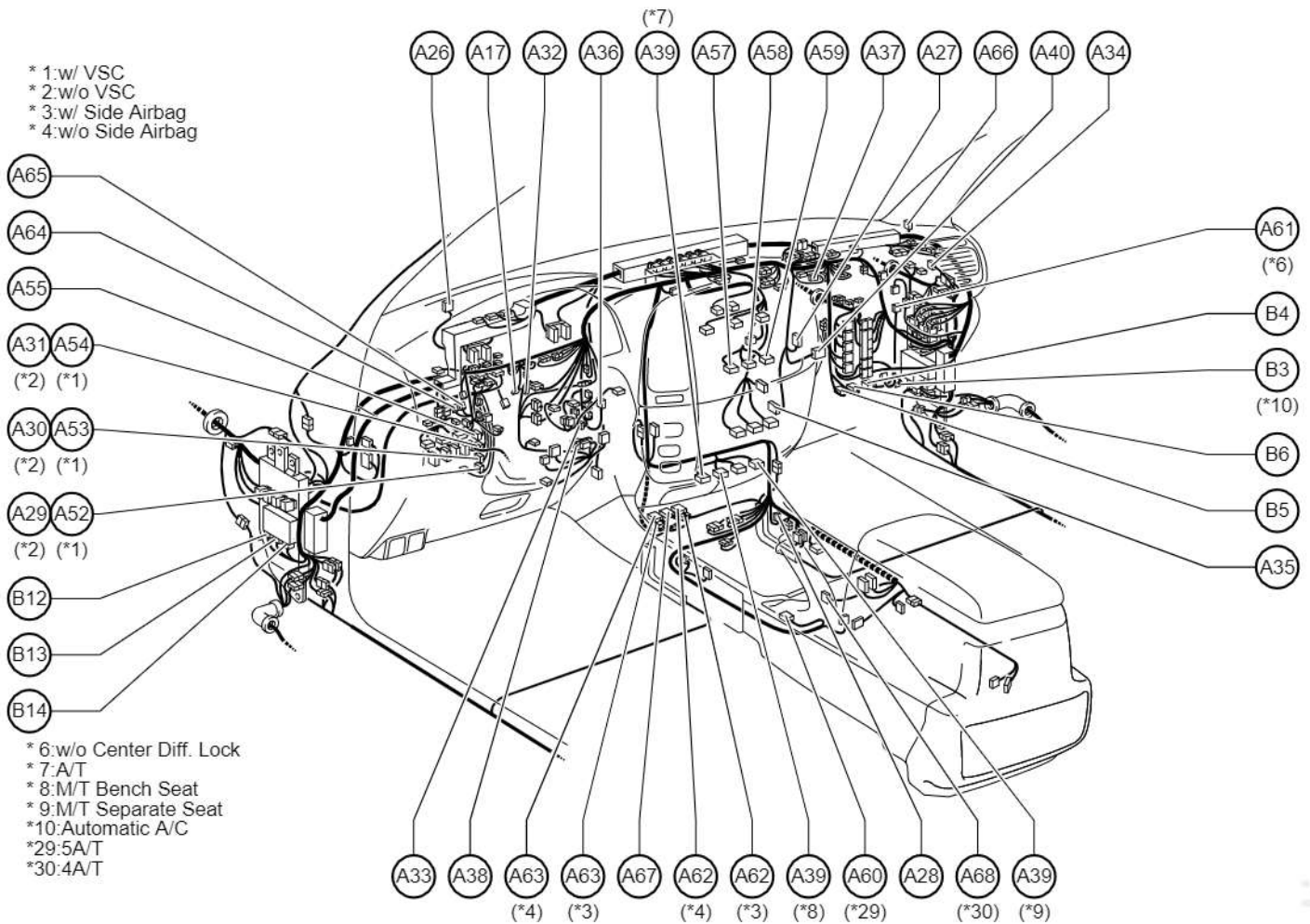
W 2 Washer Motor
 W 3 Water Temp. Sender
 W 4 Water Temp. Sensor (Glow Plug)
 W 5 Water Temp. SW (A/C)
 W 7 Winch Main Relay
 W 8 Winch Main Relay
 W 9 Winch Main Relay
 W10 Winch Motor and Magnetic SW
 W11 Winch Motor and Magnetic SW

cardiagn.com

E ELECTRICAL WIRING ROUTING

Position of Parts in Instrument Panel

[LHD]



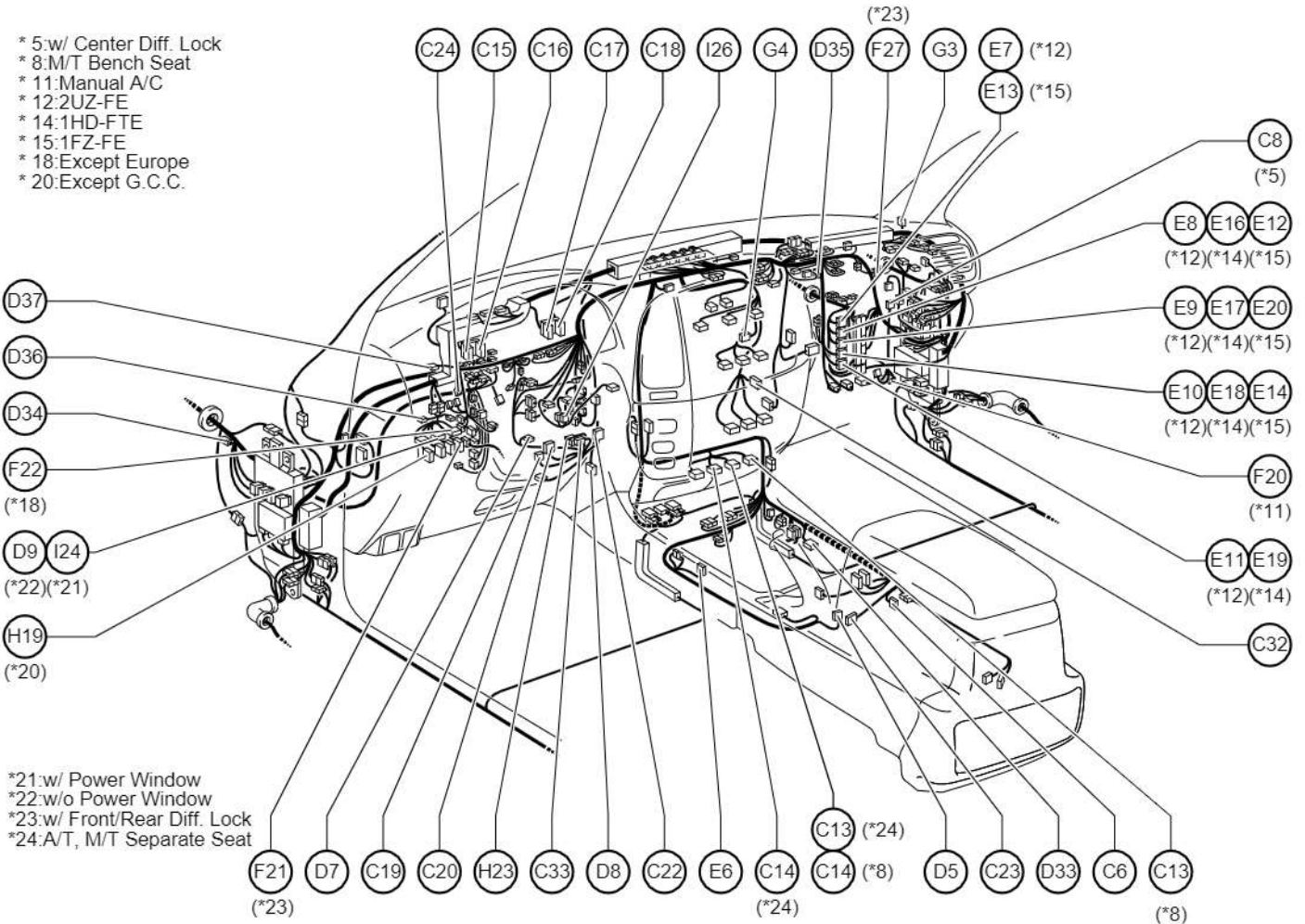
- A 17 Accel Position Sensor
- A 26 A/C Solar Sensor
- A 27 A/C Thermistor
- A 28 ABS Deceleration Sensor
- A 29 ABS ECU
- A 30 ABS ECU
- A 31 ABS ECU
- A 32 Accelerator Pedal SW
- A 33 AHC Main Relay
- A 34 Air Inlet Control Servo Motor
- A 35 Air Mix Control Servo Motor
- A 36 Air Vent Mode Control Servo Motor
- A 37 Airbag Squib (Front Passenger Airbag Assembly)
- A 38 Airbag Squib (Steering Wheel Pad)
- A 39 Ashtray Illumination
- A 40 Auto Antenna Control Relay
- A 52 ABS & BA & TRC & VSC ECU
- A 53 ABS & BA & TRC & VSC ECU
- A 54 ABS & BA & TRC & VSC ECU
- A 55 ABS & BA & TRC & VSC ECU
- A 57 A/C Control Assembly
- A 58 A/C Control Assembly

- A 59 A/C Control Assembly
- A 60 A/T Shift Lever Illumination
Shift Lock Control ECU
- A 61 ADD Control Relay
- A 62 Airbag Sensor Assembly
- A 63 Airbag Sensor Assembly
- A 64 Auto Wiper ECU
Short Connector
- A 65 Auto Wiper ECU
- A 66 Automatic Light Control Sensor
- A 67 Airbag Sensor Assembly
- A 68 A/T Shift Lever Illumination
O/D Main SW
Shift Lock Control ECU
- B 3 Blower Motor Controller
- B 4 Blower HI Relay
- B 5 Blower LO Relay
- B 6 Blower ME Relay
- B 12 Body ECU
- B 13 Body ECU
- B 14 Body ECU

Position of Parts in Instrument Panel

[LHD]

- * 5:w/ Center Diff. Lock
- * 8:M/T Bench Seat
- * 11:Manual A/C
- * 12:2UZ-FE
- * 14:1HD-FTE
- * 15:1FZ-FE
- * 18:Except Europe
- * 20:Except G.C.C.



- *21:w/ Power Window
- *22:w/o Power Window
- *23:w/ Front/Rear Diff. Lock
- *24:A/T, M/T Separate Seat

- C 6 CD Automatic Changer
- C 8 Center Diff. Lock Control Relay
- C 13 Cigarette Lighter
- C 14 Cigarette Lighter Illumination
- C 15 Combination Meter
- C 16 Combination Meter
- C 17 Combination Meter
- C 18 Combination Meter
- C 19 Combination SW
- C 20 Combination SW
- C 22 Combination SW
- C 23 Cooler Box
- C 24 Cruise Control Clutch SW
- C 32 Center Cluster Integration Panel
- C 33 Combination SW
- D 5 Damping Mode Select SW and Height Control SW
- D 7 Diode (Front Fog No.1)
- D 8 DLC3
- D 9 Door Lock Control SW
- D 33 Deceleration Sensor
- D 34 Diode (Front Fog No.2)
- D 35 Diode (Viscous Heater1)
- D 36 Diode (Viscous Heater2)
- D 37 Double Lock Control Relay

- E 6 ECT Pattern Select SW
- E 7 Engine and ECT ECU
Engine ECU
- E 8 Engine and ECT ECU
Engine ECU
- E 9 Engine and ECT ECU
Engine ECU
- E 10 Engine and ECT ECU
Engine ECU

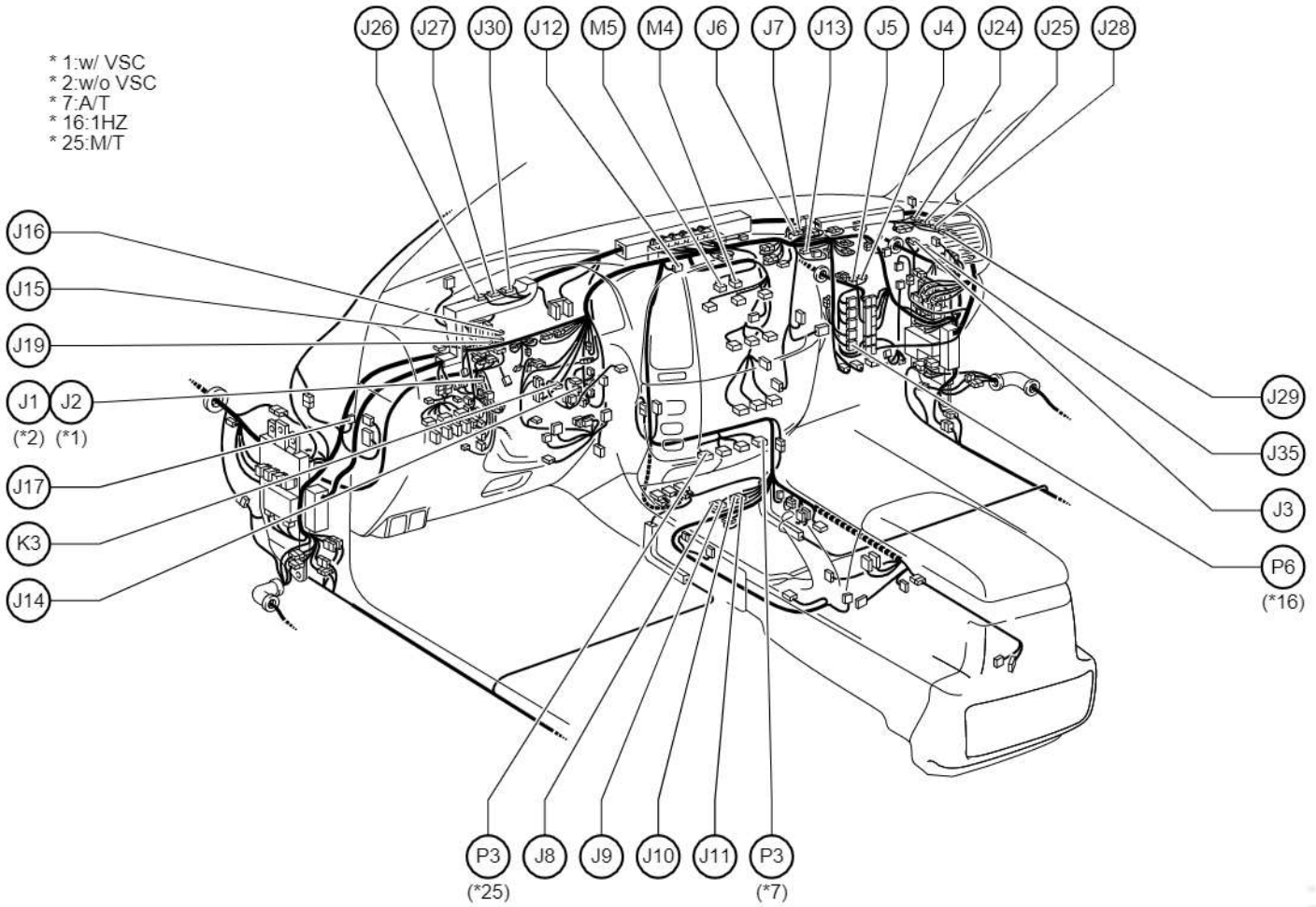
- E 11 Engine and ECT ECU
Engine ECU
- E 12 Engine and ECT ECU
Engine ECU
- E 13 Engine and ECT ECU
Engine ECU
- E 14 Engine and ECT ECU
Engine ECU
- E 16 Engine and ECT ECU
Engine ECU
- E 17 Engine and ECT ECU
Engine ECU
- E 18 Engine and ECT ECU
Engine ECU
- E 19 Engine and ECT ECU
Engine ECU
- E 20 Engine and ECT ECU
Engine ECU
- F 20 Front Blower Resistor
- F 21 Front/Rear Diff. Lock Control SW
- F 22 Fuel Tank Changeover SW
- F 27 Front/Rear Diff. Lock Control ECU
- G 3 Glove Box Light
- G 4 Gateway ECU
- H 19 Headlight Beam Level Control SW
- H 23 Headlight Cleaner SW
- I 24 Idle-Up SW
- I 26 Ignition SW

cardiagn.com

E ELECTRICAL WIRING ROUTING

Position of Parts in Instrument Panel

[LHD]

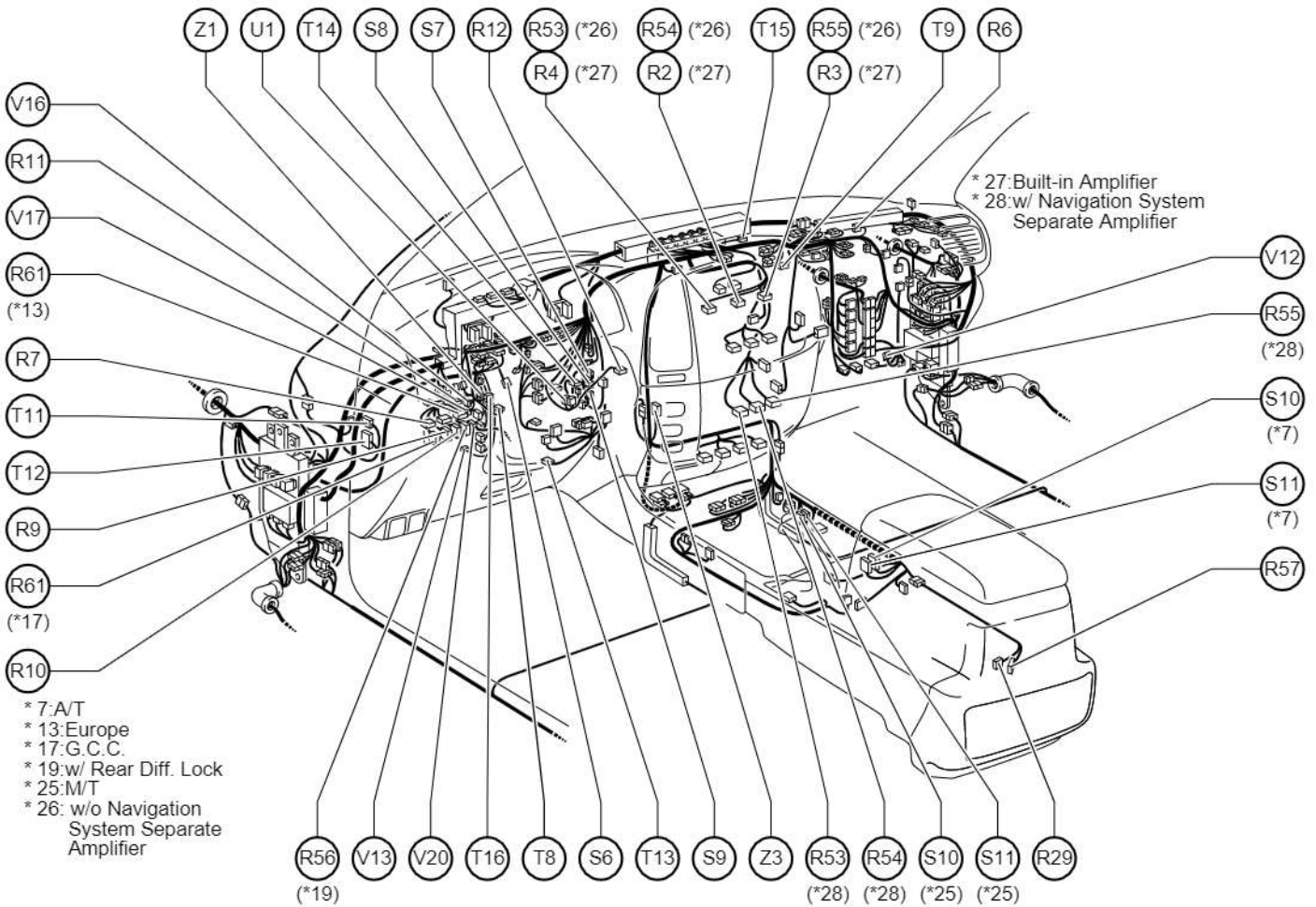


- J 1 Junction Connector
- J 2 Junction Connector
- J 3 Junction Connector
- J 4 Junction Connector
- J 5 Junction Connector
- J 6 Junction Connector
- J 7 Junction Connector
- J 8 Junction Connector
- J 9 Junction Connector
- J 10 Junction Connector
- J 11 Junction Connector
- J 12 Junction Connector
- J 13 Junction Connector
- J 14 Junction Connector
- J 15 Junction Connector
- J 16 Junction Connector
- J 17 Junction Connector

- J 19 Junction Connector
- J 24 Junction Connector
- J 25 Junction Connector
- J 26 Junction Connector
- J 27 Junction Connector
- J 28 Junction Connector
- J 29 Junction Connector
- J 30 Junction Connector
- J 35 Junction Connector
- K 3 Key Interlock Solenoid
- M 4 Multi-Display
- M 5 Multi-Display
- P 3 Power Outlet (Front)
- P 6 Pre-Heating Timer

Position of Parts in Instrument Panel

[LHD]



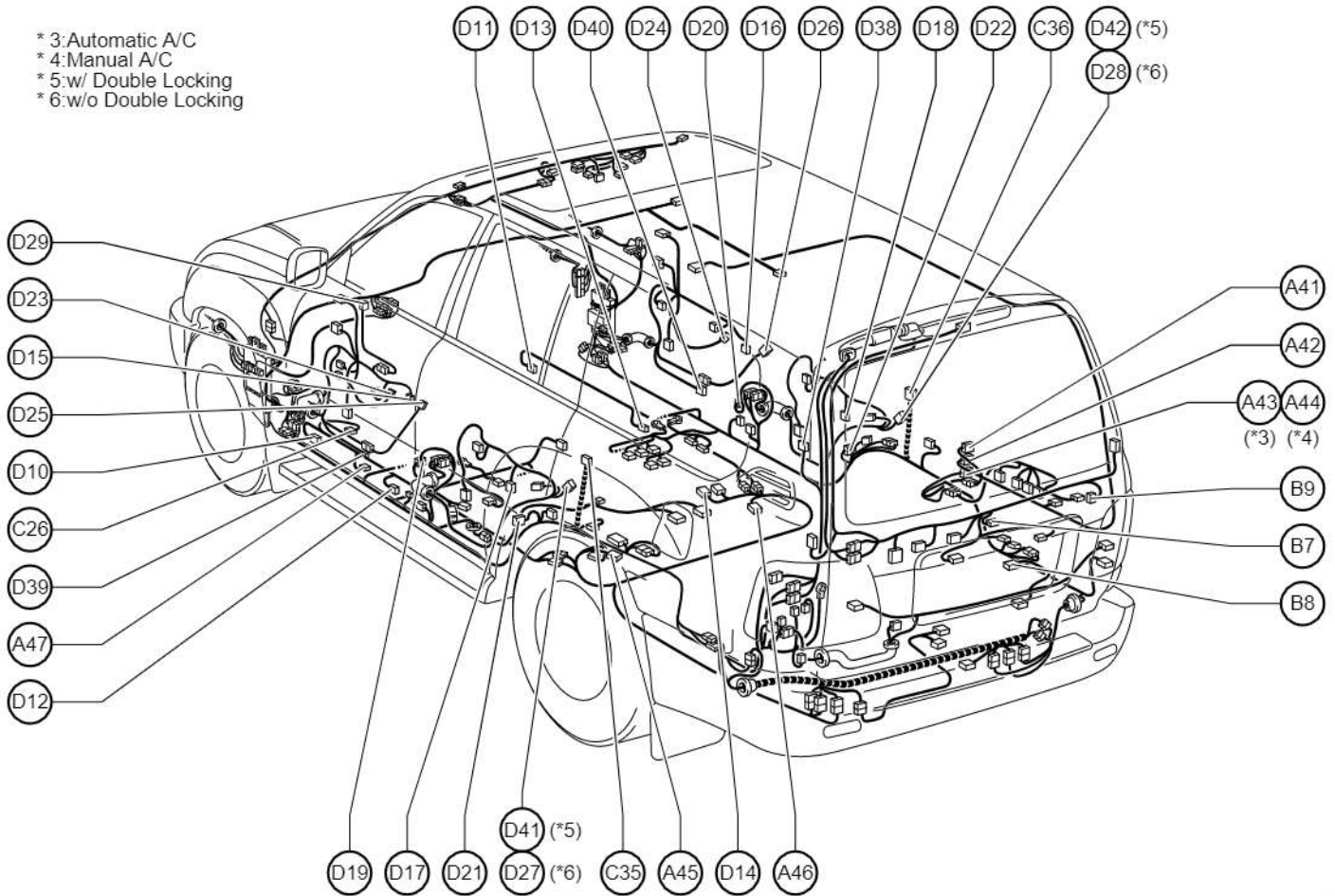
R 2	Radio and Player	T 8	Telescopic Motor
R 3	Radio and Player	T 9	Theft Deterrent ECU
R 4	Radio and Player	T 11	Tilt and Telescopic ECU
R 6	Rear Diff. Lock Control ECU	T 12	Tilt and Telescopic ECU
R 7	Rear Fog Light SW	T 13	Tilt Motor
R 9	Remote Control Mirror SW	T 14	Ignition Key Cylinder Light Transponder Key Amplifier
R 10	Remote Control Mirror SW	T 15	Transponder Key Computer
R 11	Rheostat	T 16	Turn Signal Flasher
R 12	Room Temp. Sensor (Front)	U 1	Unlock Warning SW
R 29	Rear Heater Control SW	V 12	Viscous Heater Amplifier
R 53	Radio and Player	V 13	VSC Warning Buzzer
R 54	Radio and Player	V 16	VGRS ECU
R 55	Radio and Player	V 17	VGRS ECU
R 56	Rear Diff. Lock Control SW	V 20	VGRS Actuator
R 57	Rear Seat Audio Controller	Z 1	Option Connector (Glass Breakage Sensor)
R 61	Roll Sensing of Curtain Shield Airbags Cut Off SW	Z 3	Option Connector (Radar Sensor)
S 6	Stop Light SW		
S 7	Suspension Control ECU		
S 8	Suspension Control ECU		
S 9	Suspension Control ECU		
S 10	Seat Heater SW (Driver's Seat)		
S 11	Seat Heater SW (Front Passenger's Seat)		

E ELECTRICAL WIRING ROUTING

Position of Parts in Body

[LHD : Liftgate Type]

- * 3: Automatic A/C
- * 4: Manual A/C
- * 5:w/ Double Locking
- * 6:w/o Double Locking

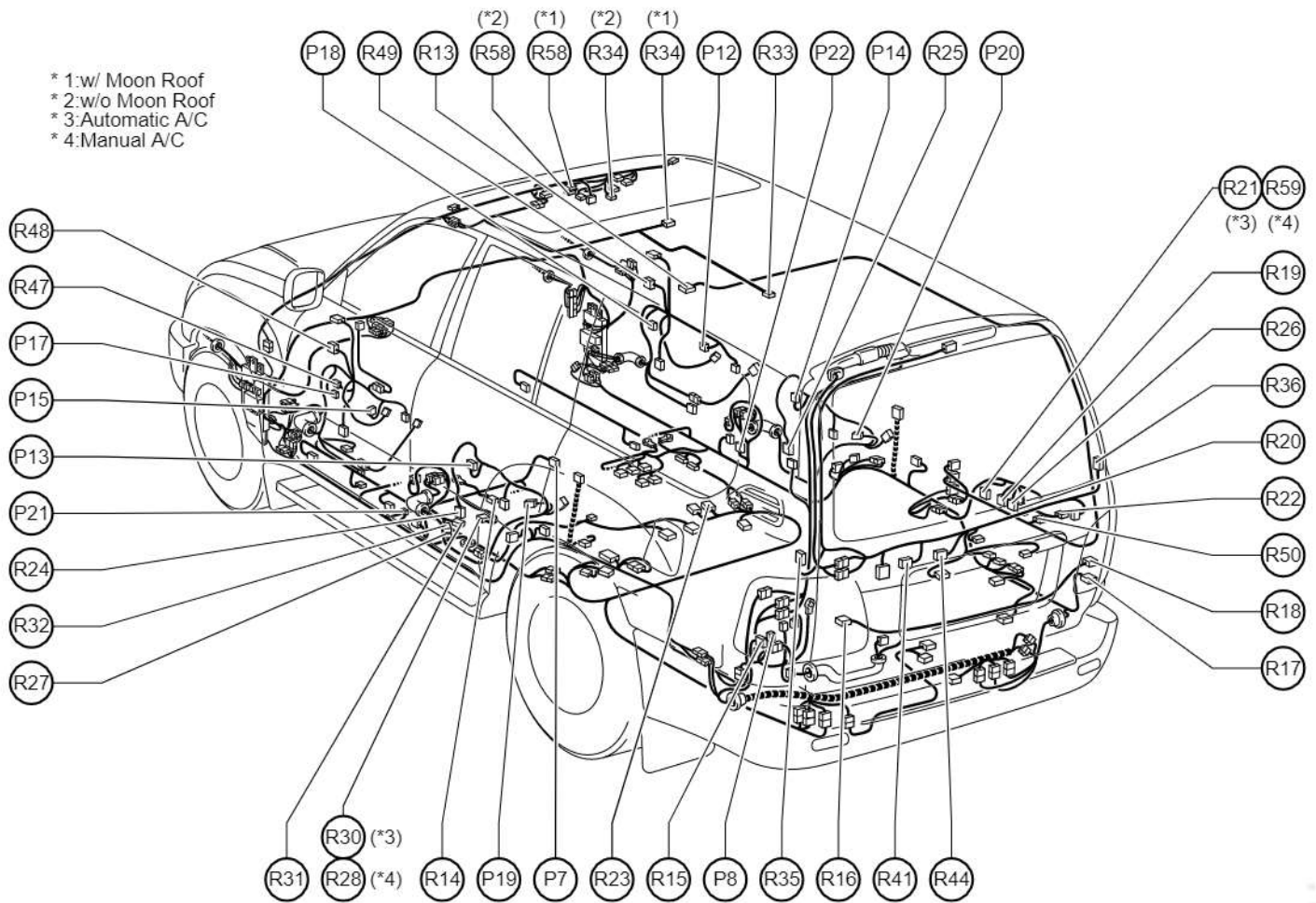


- | | |
|---|------------------------------------|
| A41 A/C Amplifier | D22 Door Courtesy SW Rear RH |
| A42 A/C Amplifier | D23 Door Key Lock and Unlock SW LH |
| A43 A/C Amplifier | D24 Door Key Lock and Unlock SW RH |
| A44 A/C Amplifier | D25 Door Lock Motor Front LH |
| A45 ABS Speed Sensor Rear LH | Door Unlock Detection SW Front LH |
| A46 ABS Speed Sensor Rear RH | D26 Door Lock Motor Front RH |
| A47 Accumulator Solenoid | Door Unlock Detection SW Front RH |
| B 7 Back Door Courtesy SW | D27 Door Lock Motor Rear LH |
| B 8 Back Door Key Lock and Unlock SW | Door Unlock Detection SW Rear LH |
| B 9 Back Door Lock Motor and | D28 Door Lock Motor Rear RH |
| Back Door Unlock Detection SW | Door Unlock Detection SW Rear RH |
| C26 Control Valve Assembly | D29 Driving Position Memory SW |
| C35 Curtain Shield Airbag Squib LH | D38 Door Control Receiver |
| C36 Curtain Shield Airbag Squib RH | D39 Door Lock Motor Front LH |
| D10 Damping Force Control Actuator Front LH | Door Unlock Detection SW Front LH |
| D11 Damping Force Control Actuator Front RH | Double Lock Motor Front LH |
| D12 Damping Force Control Actuator Rear LH | Double Lock Position SW Front LH |
| D13 Damping Force Control Actuator Rear RH | D40 Door Lock Motor Front RH |
| D14 Detection SW (Rear Diff. Lock) | Door Unlock Detection SW Front RH |
| D15 Door Courtesy Light Front LH | Double Lock Motor Front RH |
| D16 Door Courtesy Light Front RH | Double Lock Position SW Front RH |
| D17 Door Courtesy Light Rear LH | D41 Door Lock Motor Rear LH |
| D18 Door Courtesy Light Rear RH | Door Unlock Detection SW Rear LH |
| D19 Door Courtesy SW Front LH | Double Lock Motor Rear LH |
| D20 Door Courtesy SW Front RH | Double Lock Position SW Rear LH |
| D21 Door Courtesy SW Rear LH | D42 Door Lock Motor Rear RH |
| | Door Unlock Detection SW Rear RH |
| | Double Lock Motor Rear RH |
| | Double Lock Position SW Rear RH |

E ELECTRICAL WIRING ROUTING

Position of Parts in Body

[LHD : Liftgate Type]



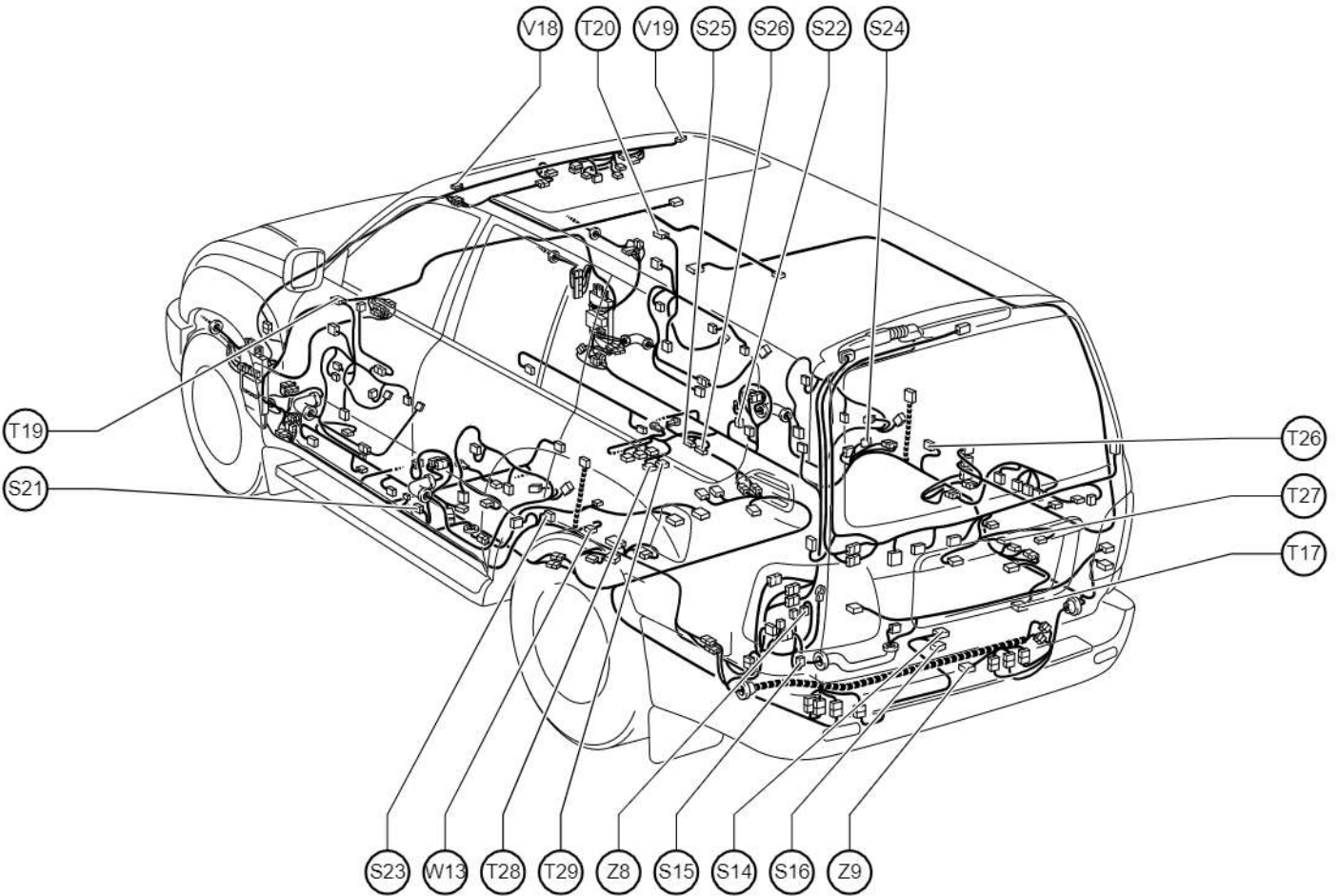
- P 7 Parking Brake SW
- P 8 Power Outlet (Luggage Compartment)
- P12 Power Window Control SW Front RH
- P13 Power Window Control SW Rear LH
- P14 Power Window Control SW Rear RH
- P15 Power Window Master SW
- P17 Power Window Motor Front LH
- P18 Power Window Motor Front RH
- P19 Power Window Motor Rear LH
- P20 Power Window Motor Rear RH
- P21 Pretensioner LH
- P22 Pretensioner RH

- R13 Rear A/C Control SW
- R14 Rear Air Mix Control Servo Motor
- R15 Rear Combination Light LH
- R16 Rear Combination Light LH
- R17 Rear Combination Light RH
- R18 Rear Combination Light RH
- R19 Rear Cooler Blower Motor
- R20 Rear Cooler Magnetic Valve
- R21 Rear Cooler Power Transistor

- R22 Rear Cooler Relay
- R23 Rear Diff. Lock Motor
- R24 Rear Door Speaker LH
- R25 Rear Door Speaker RH
- R26 Rear Evaporator Temp. Sensor
- R27 Rear Heater Blower Motor
- R28 Rear Heater Blower Resistor
- R30 Rear Heater Power Transistor
- R31 Rear Heater Relay
- R32 Rear Inlet Air Temp. Sensor
- R33 Rear Interior Light
- R34 Rear Personal Light
- R35 Rear Window Defogger
- R36 Rear Window Defogger
- R41 Rear Wiper Motor
- R44 Rear Wiper Relay
- R47 Remote Control Mirror ECU
- R48 Remote Control Mirror LH
- R49 Remote Control Mirror RH
- R50 Room Temp. Sensor (Rear)
- R58 Rain Sensor
- R59 Rear Cooler Blower Resistor

Position of Parts in Body

[LHD : Liftgate Type]



S14 Sub Fuel Pump
 S15 Sub Fuel Pump Forcing Driving Relay
 S16 Sub Fuel Sender
 S21 Side Airbag Sensor Front LH
 S22 Side Airbag Sensor Front RH
 S23 Side Airbag Sensor Rear LH
 S24 Side Airbag Sensor Rear RH
 S25 Stereo Component Amplifier
 S26 Stereo Component Amplifier

V18 Vanity Light LH
 V19 Vanity Light RH

W13 Woofer (Speaker)

Z 8 Option Connector (Microphone)
 Z 9 Option Connector (Trailer Towing)

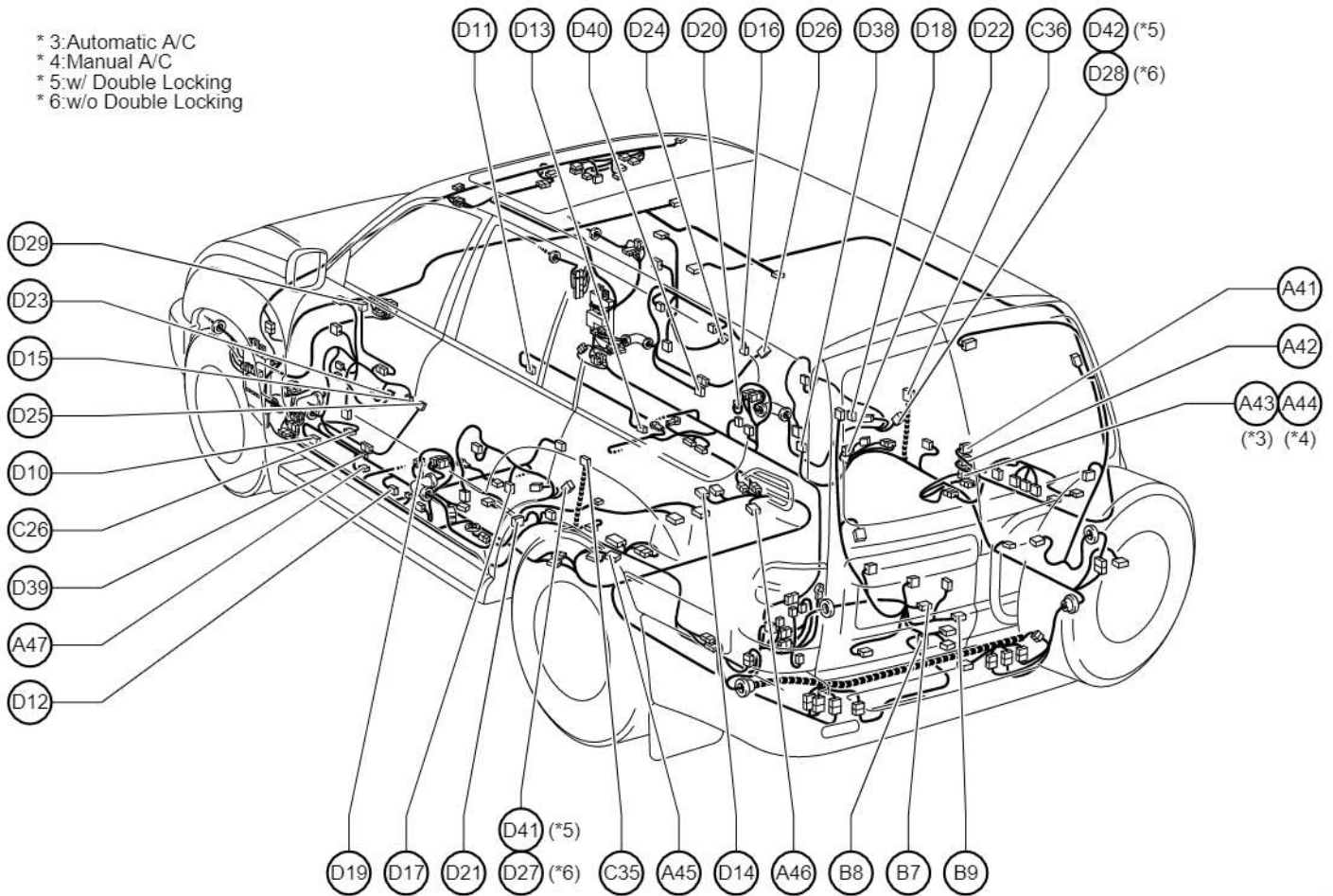
T17 Tire Carrier Courtesy SW
 T19 Tweeter LH
 T20 Tweeter RH
 T26 Theft Deterrent Siren
 T27 Television Camera
 T28 Television Camera ECU
 T29 Television Camera ECU

E ELECTRICAL WIRING ROUTING

Position of Parts in Body

[LHD : Swing Type]

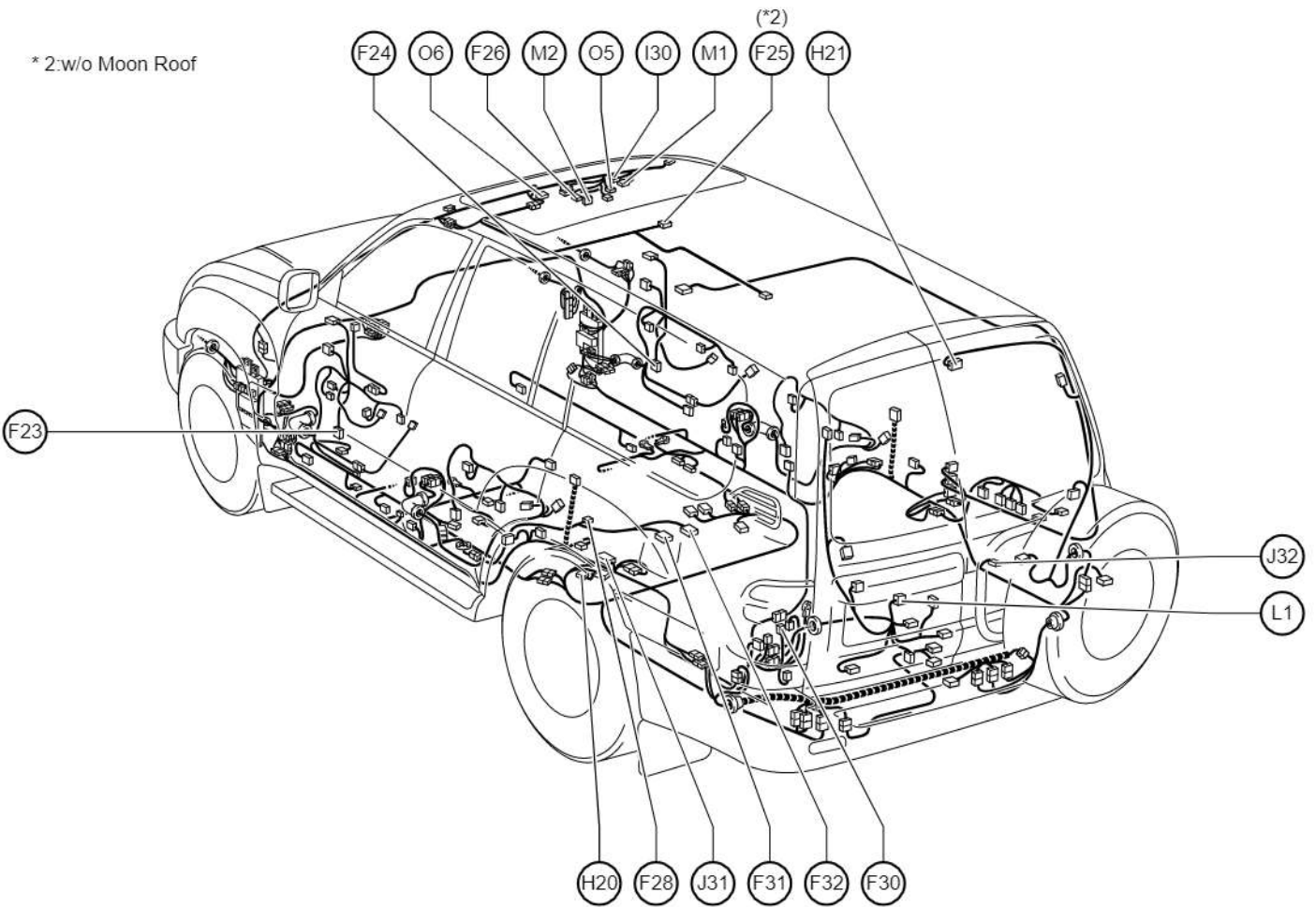
- * 3: Automatic A/C
- * 4: Manual A/C
- * 5:w/ Double Locking
- * 6:w/o Double Locking



- | | |
|--|------------------------------------|
| A41 A/C Amplifier | D22 Door Courtesy SW Rear RH |
| A42 A/C Amplifier | D23 Door Key Lock and Unlock SW LH |
| A43 A/C Amplifier | D24 Door Key Lock and Unlock SW RH |
| A44 A/C Amplifier | D25 Door Lock Motor Front LH |
| A45 ABS Speed Sensor Rear LH | Door Unlock Detection SW Front LH |
| A46 ABS Speed Sensor Rear RH | D26 Door Lock Motor Front RH |
| A47 Accumulator Solenoid | Door Unlock Detection SW Front RH |
| B 7 Back Door Courtesy SW | D27 Door Lock Motor Rear LH |
| B 8 Back Door Key Lock and Unlock SW | Door Unlock Detection SW Rear LH |
| B 9 Back Door Lock Motor and Back Door Unlock Detection SW | D28 Door Lock Motor Rear RH |
| C26 Control Valve Assembly | Door Unlock Detection SW Rear RH |
| C35 Curtain Shield Airbag Squib LH | D29 Driving Position Memory SW |
| C36 Curtain Shield Airbag Squib RH | D38 Door Control Receiver |
| D10 Damping Force Control Actuator Front LH | D39 Door Lock Motor Front LH |
| D11 Damping Force Control Actuator Front RH | Door Unlock Detection SW Front LH |
| D12 Damping Force Control Actuator Rear LH | Double Lock Motor Front LH |
| D13 Damping Force Control Actuator Rear RH | Double Lock Position SW Front LH |
| D14 Detection SW (Rear Diff. Lock) | D40 Door Lock Motor Front RH |
| D15 Door Courtesy Light Front LH | Door Unlock Detection SW Front RH |
| D16 Door Courtesy Light Front RH | Double Lock Motor Front RH |
| D17 Door Courtesy Light Rear LH | Double Lock Position SW Front RH |
| D18 Door Courtesy Light Rear RH | D41 Door Lock Motor Rear LH |
| D19 Door Courtesy SW Front LH | Door Unlock Detection SW Rear LH |
| D20 Door Courtesy SW Front RH | Double Lock Motor Rear LH |
| D21 Door Courtesy SW Rear LH | Double Lock Position SW Rear LH |
| | D42 Door Lock Motor Rear RH |
| | Door Unlock Detection SW Rear RH |
| | Double Lock Motor Rear RH |
| | Double Lock Position SW Rear RH |

Position of Parts in Body

[LHD : Swing Type]



F 23 Front Door Speaker LH
 F 24 Front Door Speaker RH
 F 25 Front Interior Light
 F 26 Front Personal Light
 F 28 Fuel Pump
 Fuel Sender
 F 30 Fuel Pump Select Relay
 F 31 Fuel Solenoid Valve 1
 F 32 Fuel Solenoid Valve 2

H 20 Height Control Sensor Rear
 H 21 High Mounted Stop Light

I 30 Inner Mirror

J 31 Junction Connector
 J 32 Junction Connector

L 1 License Plate Light

M 1 Moon Roof Control ECU
 M 2 Moon Roof Control SW

O 5 Overhead J/B

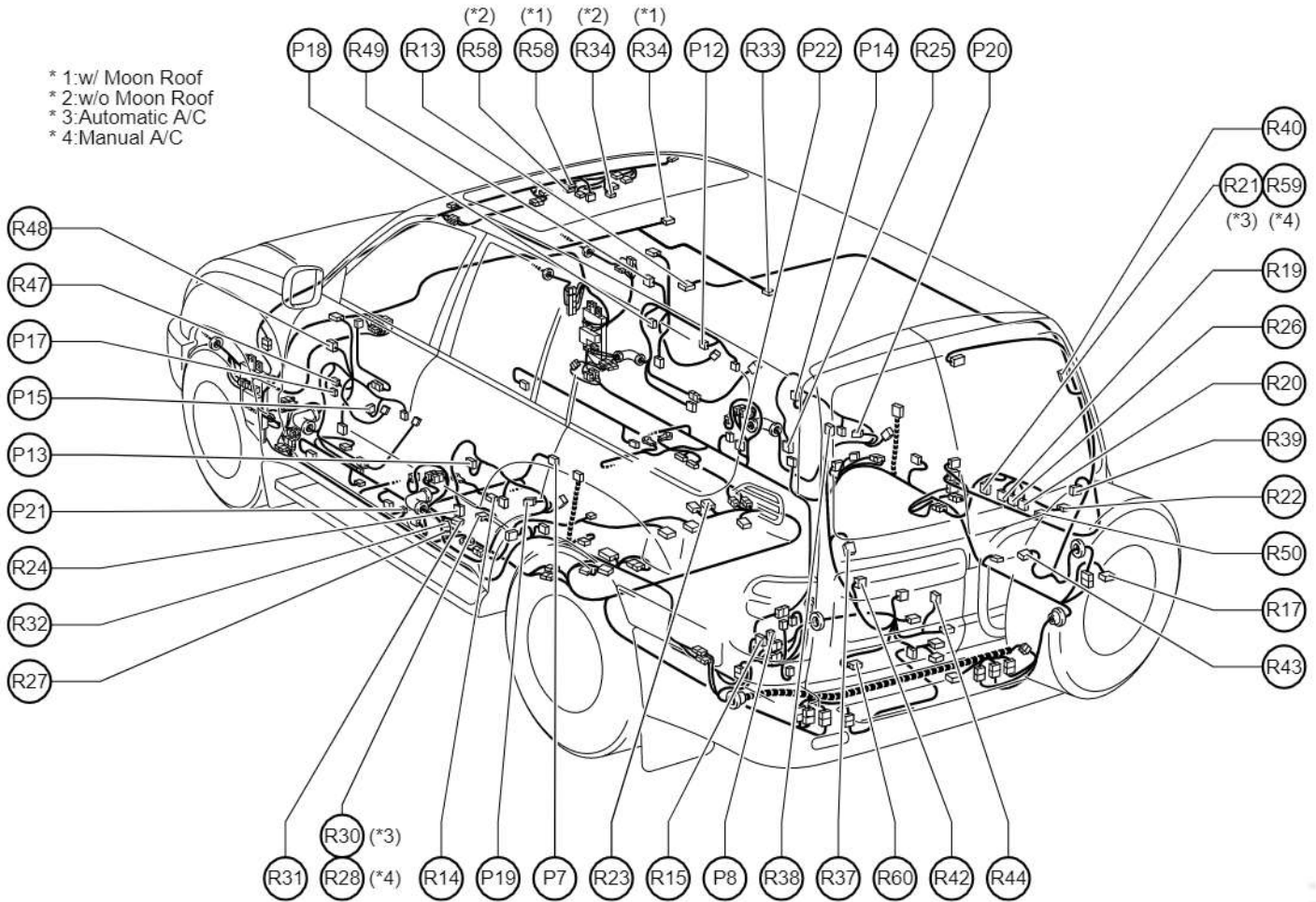
O 6 Overhead J/B

cardiagn.com

E ELECTRICAL WIRING ROUTING

Position of Parts in Body

[LHD : Swing Type]



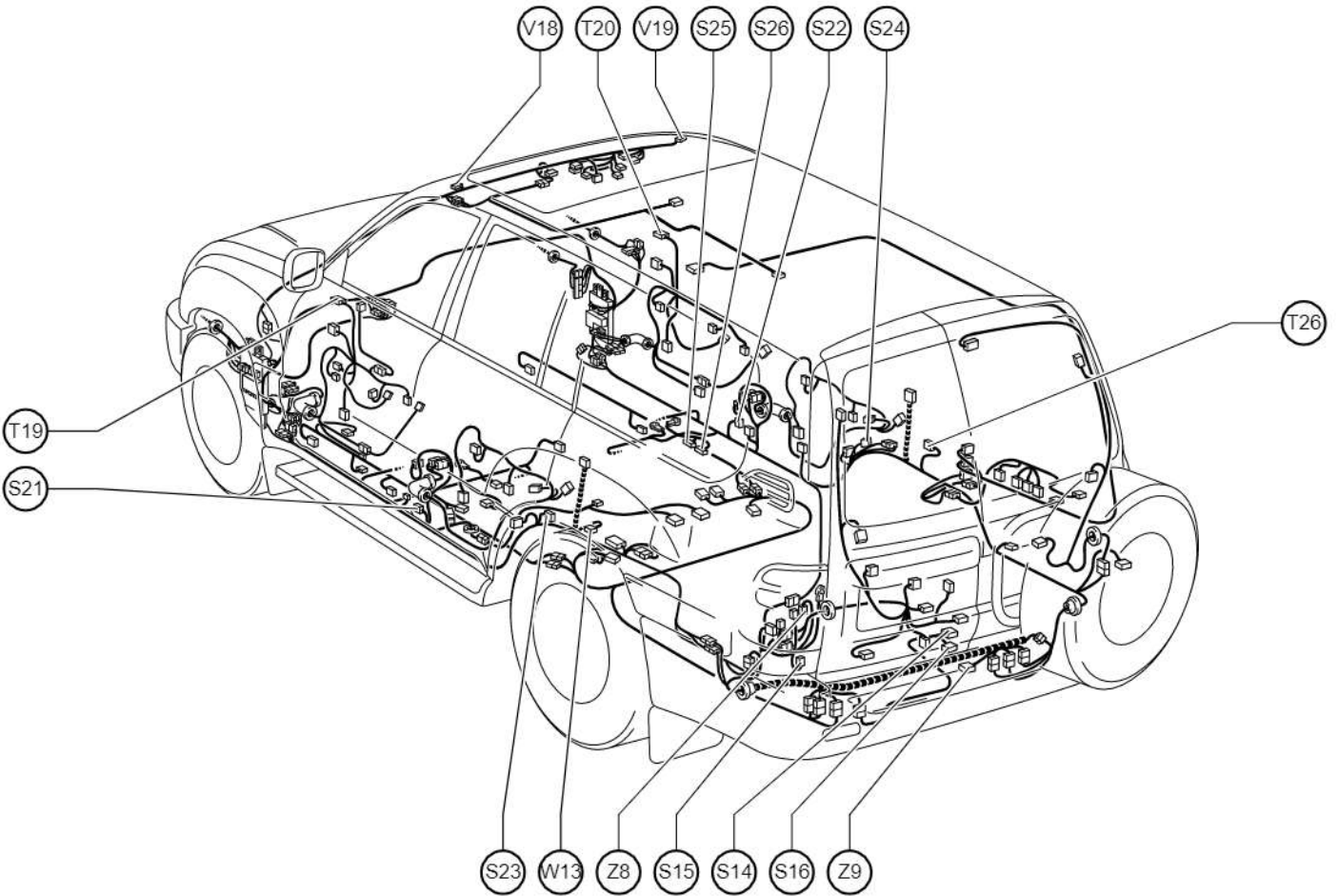
- P 7 Parking Brake SW
- P 8 Power Outlet (Luggage Compartment)
- P 12 Power Window Control SW Front RH
- P 13 Power Window Control SW Rear LH
- P 14 Power Window Control SW Rear RH
- P 15 Power Window Master SW
- P 17 Power Window Motor Front LH
- P 18 Power Window Motor Front RH
- P 19 Power Window Motor Rear LH
- P 20 Power Window Motor Rear RH
- P 21 Pretensioner LH
- P 22 Pretensioner RH

- R 13 Rear A/C Control SW
- R 14 Rear Air Mix Control Servo Motor
- R 15 Rear Combination Light LH
- R 17 Rear Combination Light RH
- R 19 Rear Cooler Blower Motor
- R 20 Rear Cooler Magnetic Valve
- R 21 Rear Cooler Power Transistor
- R 22 Rear Cooler Relay
- R 23 Rear Diff. Lock Motor
- R 24 Rear Door Speaker LH

- R 25 Rear Door Speaker RH
- R 26 Rear Evaporator Temp. Sensor
- R 27 Rear Heater Blower Motor
- R 28 Rear Heater Blower Resistor
- R 30 Rear Heater Power Transistor
- R 31 Rear Heater Relay
- R 32 Rear Inlet Air Temp. Sensor
- R 33 Rear Interior Light
- R 34 Rear Personal Light
- R 37 Rear Window Defogger LH
- R 38 Rear Window Defogger LH
- R 39 Rear Window Defogger RH
- R 40 Rear Window Defogger RH
- R 42 Rear Wiper Motor LH
- R 43 Rear Wiper Motor RH
- R 44 Rear Wiper Relay
- R 47 Remote Control Mirror ECU
- R 48 Remote Control Mirror LH
- R 49 Remote Control Mirror RH
- R 50 Room Temp. Sensor (Rear)
- R 58 Rain Sensor
- R 59 Rear Cooler Blower Resistor
- R 60 Rear Fog Light

Position of Parts in Body

[LHD : Swing Type]



S14 Sub Fuel Pump
 S15 Sub Fuel Pump Forcing Driving Relay
 S16 Sub Fuel Sender
 S21 Side Airbag Sensor Front LH
 S22 Side Airbag Sensor Front RH
 S23 Side Airbag Sensor Rear LH
 S24 Side Airbag Sensor Rear RH
 S25 Stereo Component Amplifier
 S26 Stereo Component Amplifier

T19 Tweeter LH
 T20 Tweeter RH
 T26 Theft Deterrent Siren

V18 Vanity Light LH
 V19 Vanity Light RH

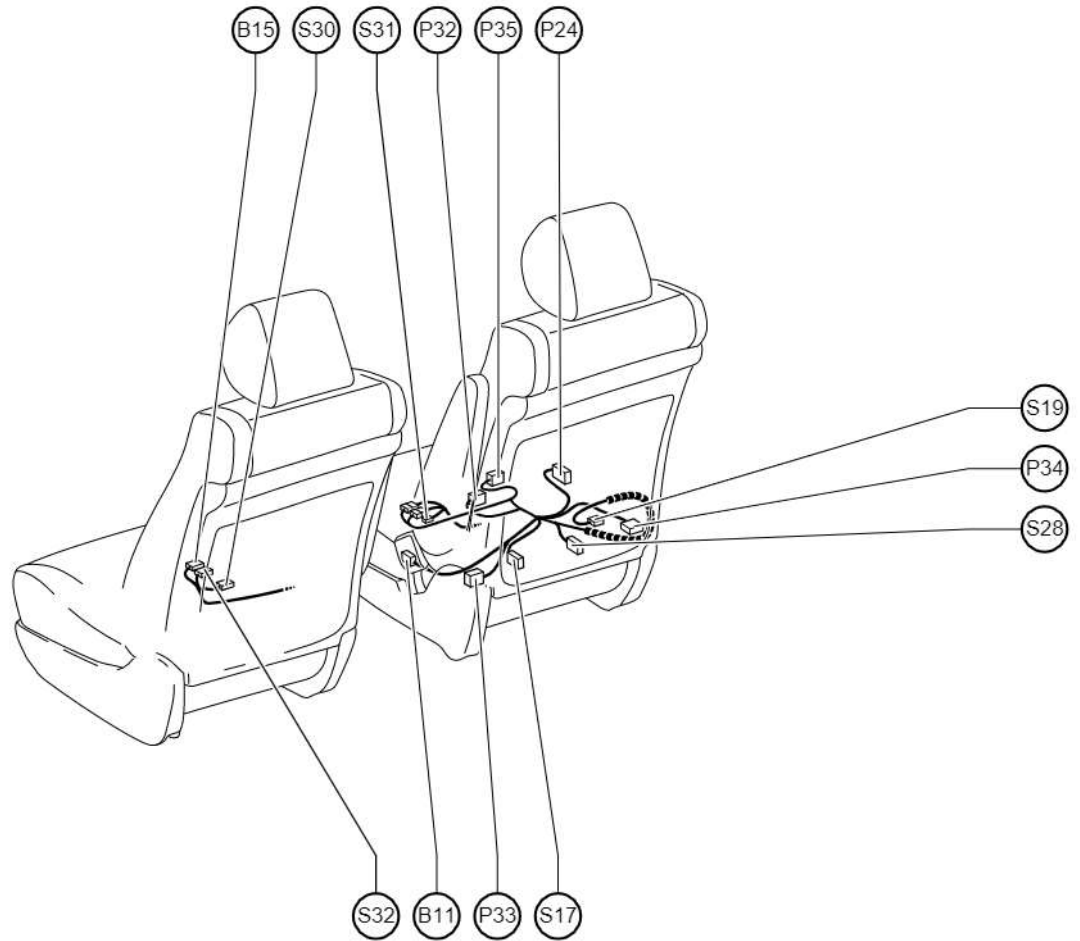
W13 Woofer (Speaker)

Z 8 Option Connector (Microphone)
 Z 9 Option Connector (Trailer Towing)

E ELECTRICAL WIRING ROUTING

Position of Parts in Seat

[LHD : w/ Driving Position Memory]



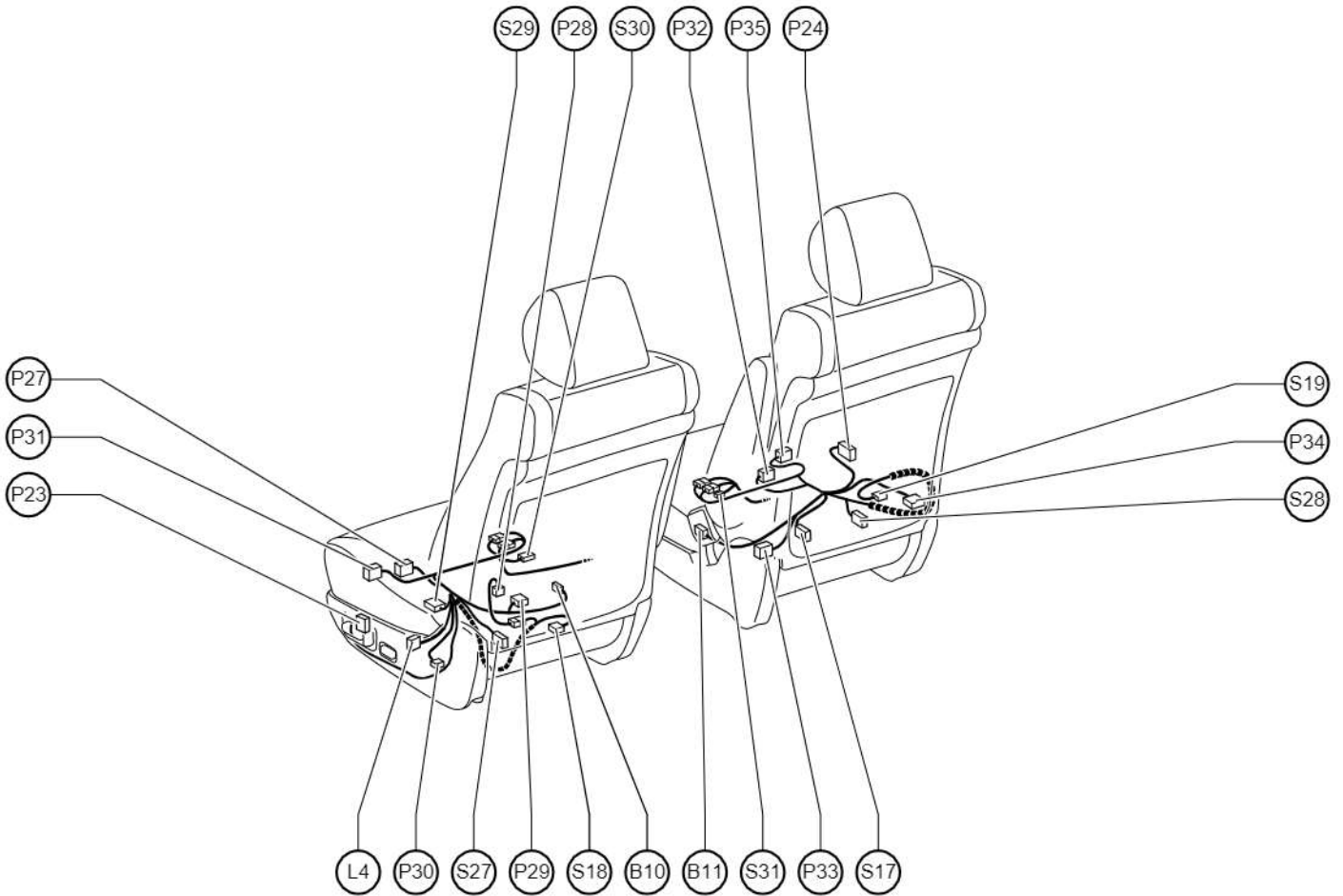
B 11 Buckle SW RH
 B 15 Buckle SW LH
 Seat Position Sensor

P 24 Power Seat Control SW (Front Passenger's Seat)
 P 32 Power Seat Motor
 (Front Passenger's Seat Front Vertical Control)
 P 33 Power Seat Motor
 (Front Passenger's Seat Rear Vertical Control)
 P 34 Power Seat Motor
 (Front Passenger's Seat Reclining Control)
 P 35 Power Seat Motor
 (Front Passenger's Seat Slide Control)

S 17 Seat Belt Warning Occupant Detection Sensor
 S 19 Seat Heater (Front Passenger's Seat)
 S 28 Seat Heater (Front Passenger's Seat Cushion)
 S 30 Side Airbag Squib LH
 S 31 Side Airbag Squib RH
 S 32 Seat ECU

Position of Parts in Seat

[LHD : w/o Driving Position Memory]



B10 Buckle SW LH

B11 Buckle SW RH

L 4 Lumbar Support Control SW (Driver's Seat)

P23 Power Seat Control SW (Driver's Seat)

P24 Power Seat Control SW (Front Passenger's Seat)

P27 Power Seat Motor (Driver's Seat Front Vertical Control)

P28 Power Seat Motor
(Driver's Seat Lumbar Support Control)

P29 Power Seat Motor (Driver's Seat Rear Vertical Control)

P30 Power Seat Motor (Driver's Seat Reclining Control)

P31 Power Seat Motor (Driver's Seat Slide Control)

P32 Power Seat Motor
(Front Passenger's Seat Front Vertical Control)

P33 Power Seat Motor
(Front Passenger's Seat Rear Vertical Control)

P34 Power Seat Motor
(Front Passenger's Seat Reclining Control)

P35 Power Seat Motor
(Front Passenger's Seat Slide Control)

S17 Seat Belt Warning Occupant Detection Sensor

S18 Seat Heater (Driver's Seat)

S19 Seat Heater (Front Passenger's Seat)

S27 Seat Heater (Driver's Seat Cushion)

S28 Seat Heater (Front Passenger's Seat Cushion)

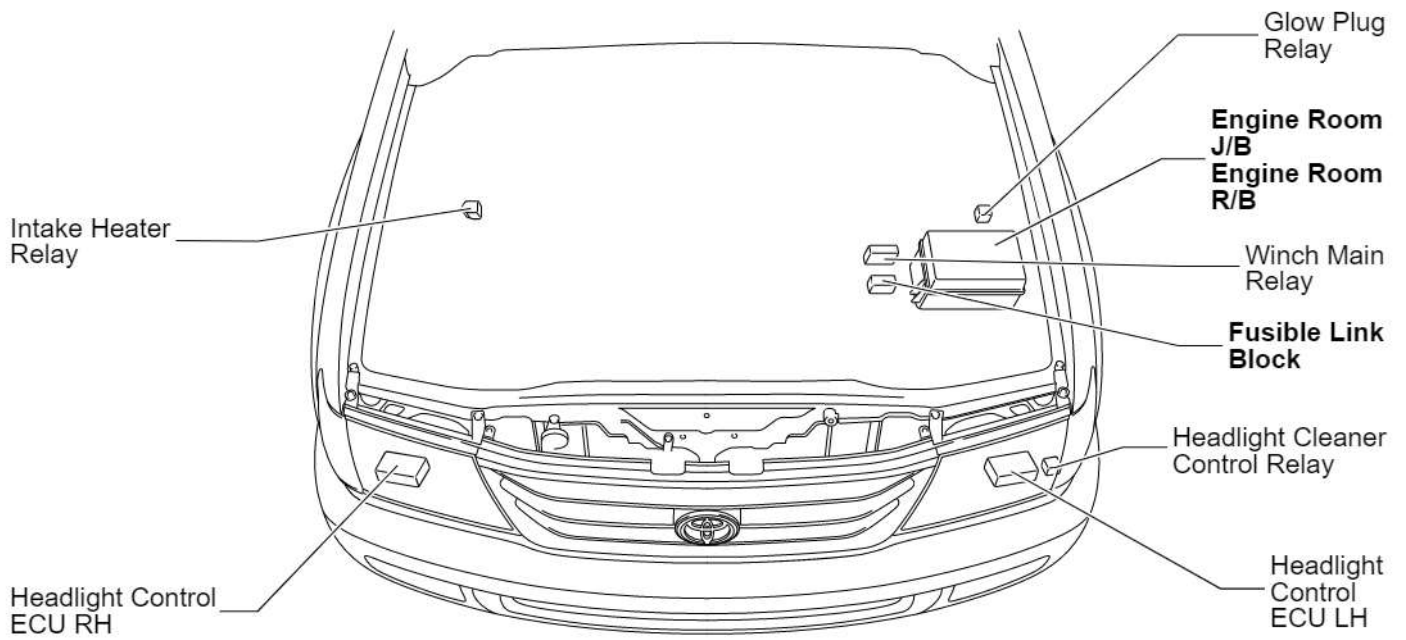
S29 Seat Position Sensor

S30 Side Airbag Squib LH

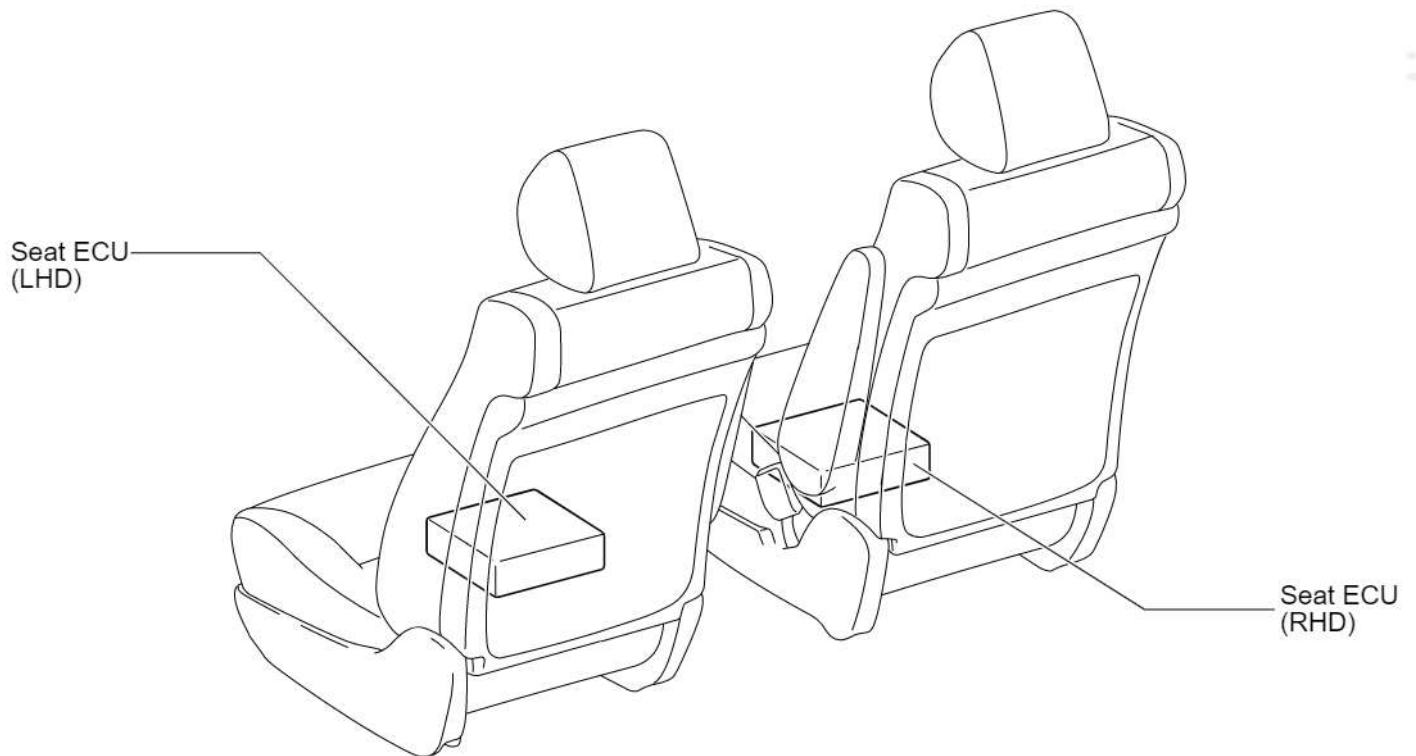
S31 Side Airbag Squib RH

D RELAY LOCATIONS

[Engine Compartment]



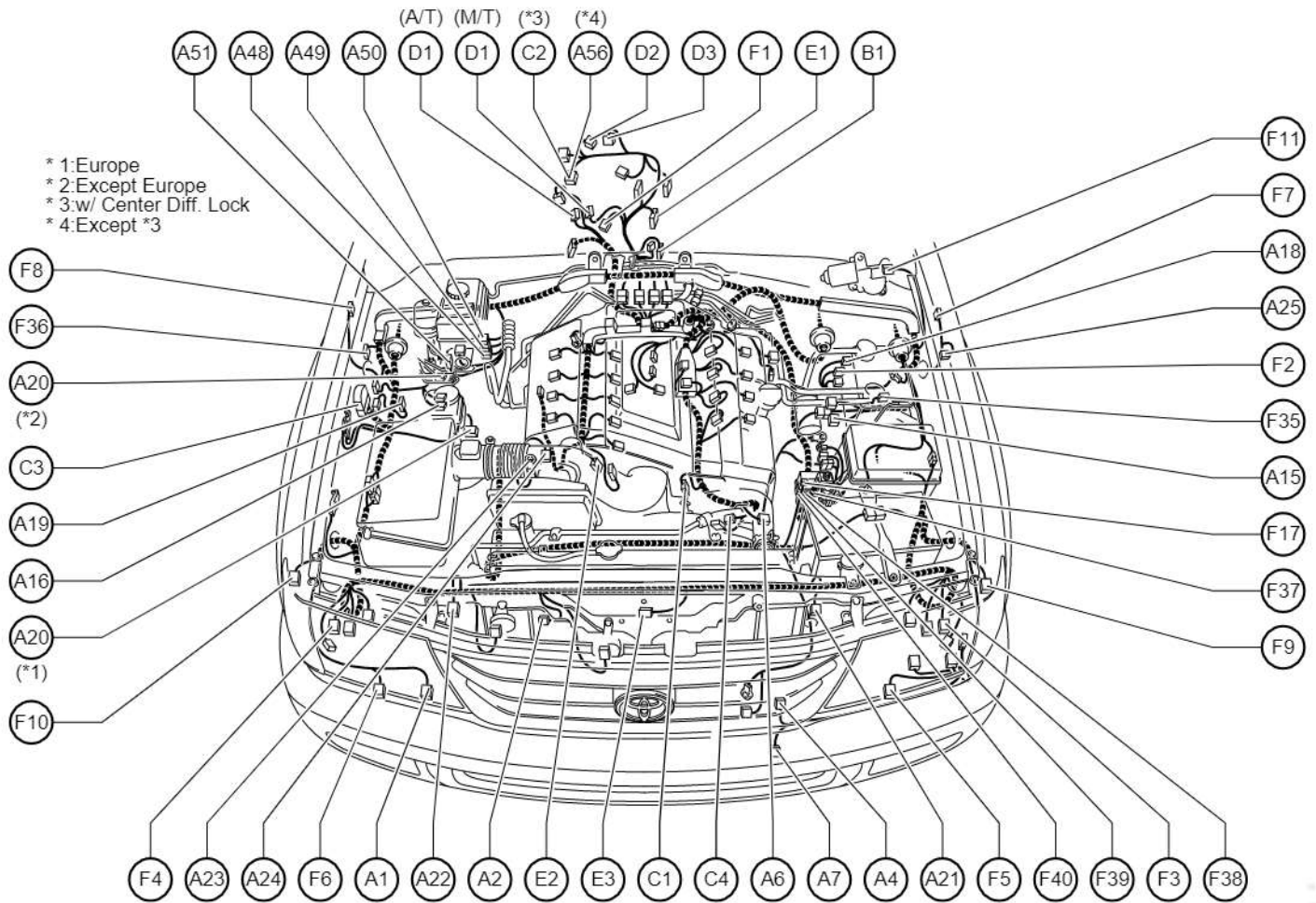
[Seat]



E ELECTRICAL WIRING ROUTING

Position of Parts in Engine Compartment

[RHD : 2UZ-FE]

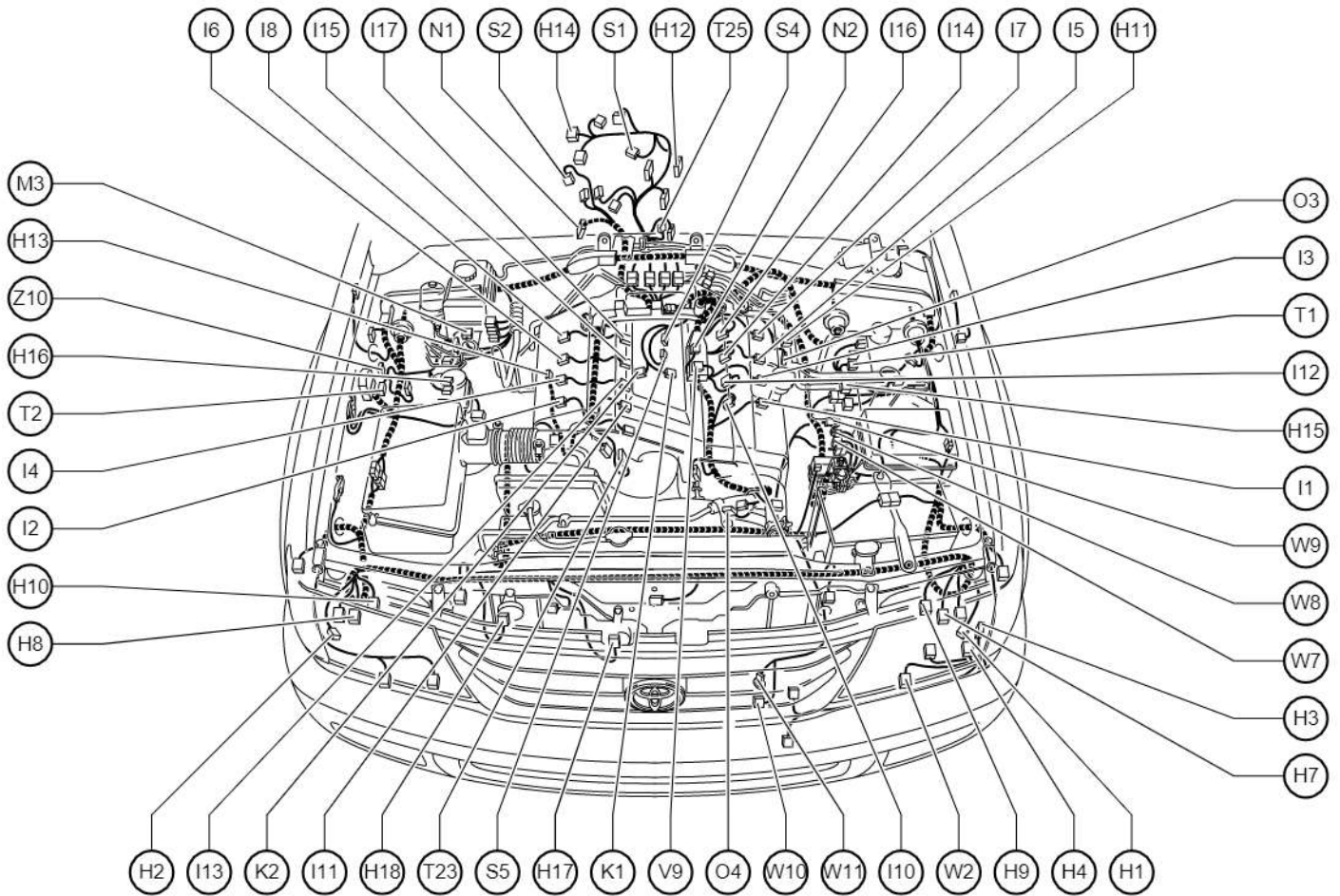


- * 1: Europe
- * 2: Except Europe
- * 3: w/ Center Diff. Lock
- * 4: Except *3

- | | |
|---|--|
| A 1 A/C Ambient Temp. Sensor | D 1 Detection SW (Center Diff. Lock) |
| A 2 A/C Condenser Fan Motor | D 2 Detection SW (Transfer L Position) |
| A 4 Pressure SW | D 3 Detection SW (Transfer Neutral Position) |
| A 6 A/C Magnetic Clutch and Lock Sensor | E 1 ECT Solenoid |
| A 7 A/C Magnetic Valve | E 2 EFI Water Temp. Sensor |
| A 15 ABS Speed Sensor Front LH | E 3 Engine Hood Courtesy SW |
| A 16 ABS Speed Sensor Front RH | F 1 First Position SW |
| A 18 AHC Pump Motor | F 2 Fluid Pressure Sensor |
| A 19 Air Cleaner Warning Sensor | F 3 Front Clearance Light LH |
| A 20 Air Flow Meter | F 4 Front Clearance Light RH |
| A 21 Airbag Sensor Front LH | F 5 Front Fog Light LH |
| A 22 Airbag Sensor Front RH | F 6 Front Fog Light RH |
| A 23 Alternator | F 7 Front Side Turn Signal Light LH |
| A 24 Alternator | F 8 Front Side Turn Signal Light RH |
| A 25 Auto Antenna Motor | F 9 Front Turn Signal Light LH |
| A 48 ABS & BA & TRC & VSC Actuator | F 10 Front Turn Signal Light RH |
| A 49 ABS & BA & TRC & VSC Actuator | F 11 Front Wiper Motor |
| A 50 ABS & BA & TRC & VSC Actuator | F 17 Fusible Link Block |
| A 51 ABS & BA & TRC & VSC Actuator | F 35 Fuel Pump Resistor LH |
| A 56 ADD Control Motor | F 36 Fuel Pump Resistor RH |
| B 1 Back-Up Light SW | F 37 Fusible Link Block |
| C 1 Camshaft Position Sensor | F 38 Fusible Link Block |
| C 2 Center Diff. Lock Control Motor | F 39 Fusible Link Block |
| C 3 Check Connector | F 40 Fusible Link Block |
| C 4 Crankshaft Position Sensor | |

Position of Parts in Engine Compartment

[RHD : 2UZ-FE]



H 1 Headlight Beam Level Control Actuator LH
 H 2 Headlight Beam Level Control Actuator RH
 H 3 Headlight Cleaner Control Relay
 H 4 Headlight Cleaner Motor
 H 7 Headlight LH (High)
 H 8 Headlight RH (High)
 H 9 Headlight LH (Low)
 H 10 Headlight RH (Low)
 H 11 Heated Oxygen Sensor (Bank 1 Sensor 1)
 H 12 Heated Oxygen Sensor (Bank 1 Sensor 2)
 H 13 Heated Oxygen Sensor (Bank 2 Sensor 1)
 H 14 Heated Oxygen Sensor (Bank 2 Sensor 2)
 H 15 Height Control Sensor Front LH
 H 16 Height Control Sensor Front RH
 H 17 Horn LH
 H 18 Horn RH

I 1 Ignition Coil and Igniter No.1
 I 2 Ignition Coil and Igniter No.2
 I 3 Ignition Coil and Igniter No.3
 I 4 Ignition Coil and Igniter No.4
 I 5 Ignition Coil and Igniter No.5
 I 6 Ignition Coil and Igniter No.6
 I 7 Ignition Coil and Igniter No.7
 I 8 Ignition Coil and Igniter No.8
 I 10 Injector No.1
 I 11 Injector No.2
 I 12 Injector No.3
 I 13 Injector No.4
 I 14 Injector No.5
 I 15 Injector No.6
 I 16 Injector No.7
 I 17 Injector No.8

K 1 Knock Sensor (Bank 1)
 K 2 Knock Sensor (Bank 2)

M 3 Master Cylinder Pressure Sensor

N 1 A/T Indicator Light SW
 Neutral Start SW
 N 2 Noise Filter (Ignition)

O 3 Oil Level Sensor
 O 4 Oil Pressure Sender

S 1 Speed Sensor (Combination Meter)
 S 2 Speed Sensor (ECT)
 S 4 Starter
 S 5 Starter

T 1 Temp. Sensor (AHC)
 T 2 Theft Deterrent Horn
 T 23 Throttle Control Motor and Sensor
 T 25 Turbine Speed Sensor

V 9 VSV (EVAP)

W 2 Washer Motor
 W 7 Winch Main Relay
 W 8 Winch Main Relay
 W 9 Winch Main Relay
 W 10 Winch Motor and Magnetic SW
 W 11 Winch Motor and Magnetic SW

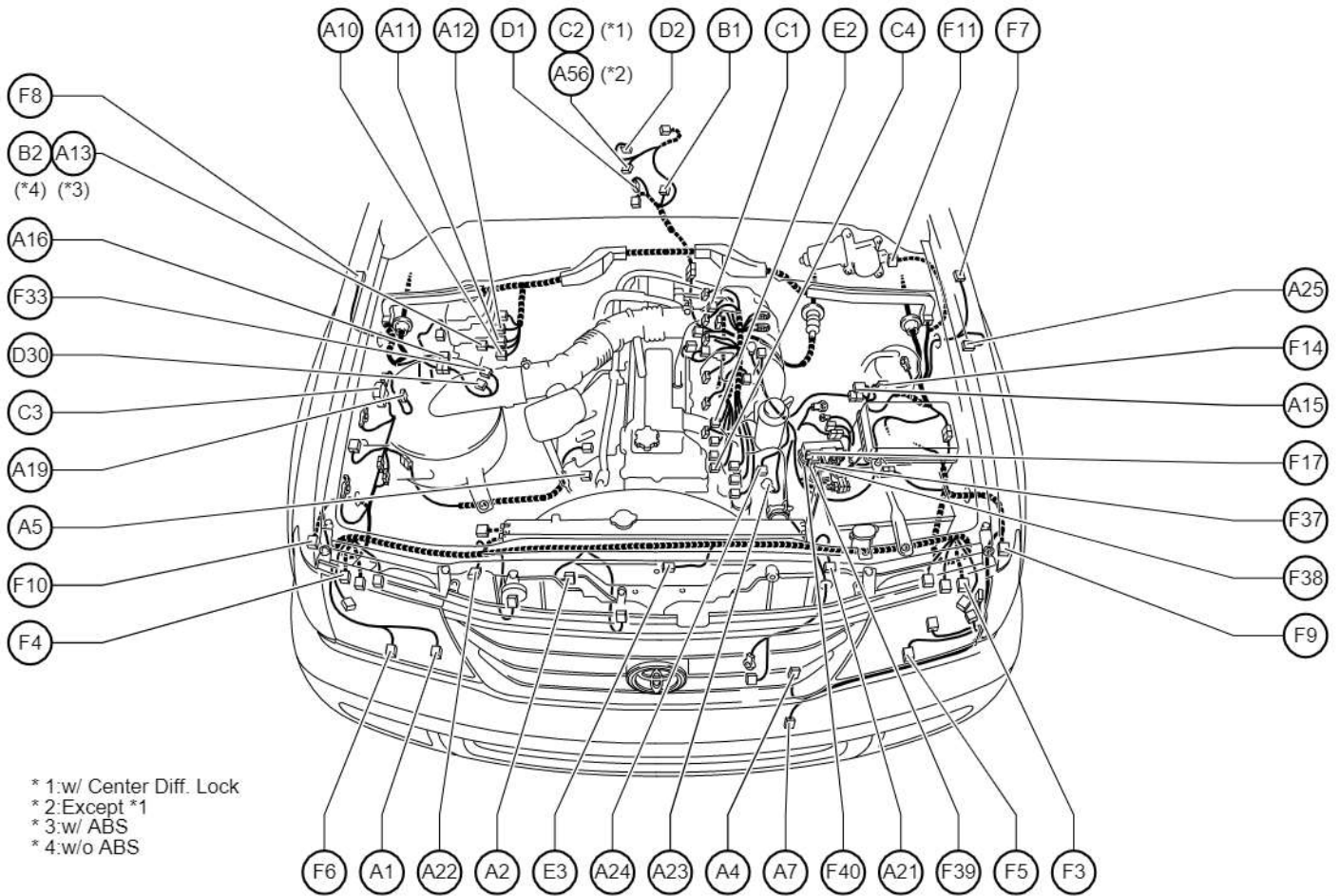
Z 10 Option Connector (Wireless Door Lock Buzzer)

cardiagn.com

E ELECTRICAL WIRING ROUTING

Position of Parts in Engine Compartment

[RHD : 1FZ-FE]



- A 1 A/C Ambient Temp. Sensor
- A 2 A/C Condenser Fan Motor
- A 4 Pressure SW
- A 5 A/C Magnetic Clutch
- A 7 A/C Magnetic Valve
- A10 ABS Actuator
- A11 ABS Actuator
- A12 ABS Actuator
- A13 ABS Actuator
- A15 ABS Speed Sensor Front LH
- A16 ABS Speed Sensor Front RH
- A19 Air Cleaner Warning Sensor
- A21 Airbag Sensor Front LH
- A22 Airbag Sensor Front RH
- A23 Alternator
- A24 Alternator
- A25 Auto Antenna Motor
- A56 ADD Control Motor

- B 1 Back-Up Light SW
- B 2 Brake Fluid Level Warning SW

- C 1 Camshaft Position Sensor
- C 2 Center Diff. Lock Control Motor
- C 3 Check Connector
- C 4 Crankshaft Position Sensor

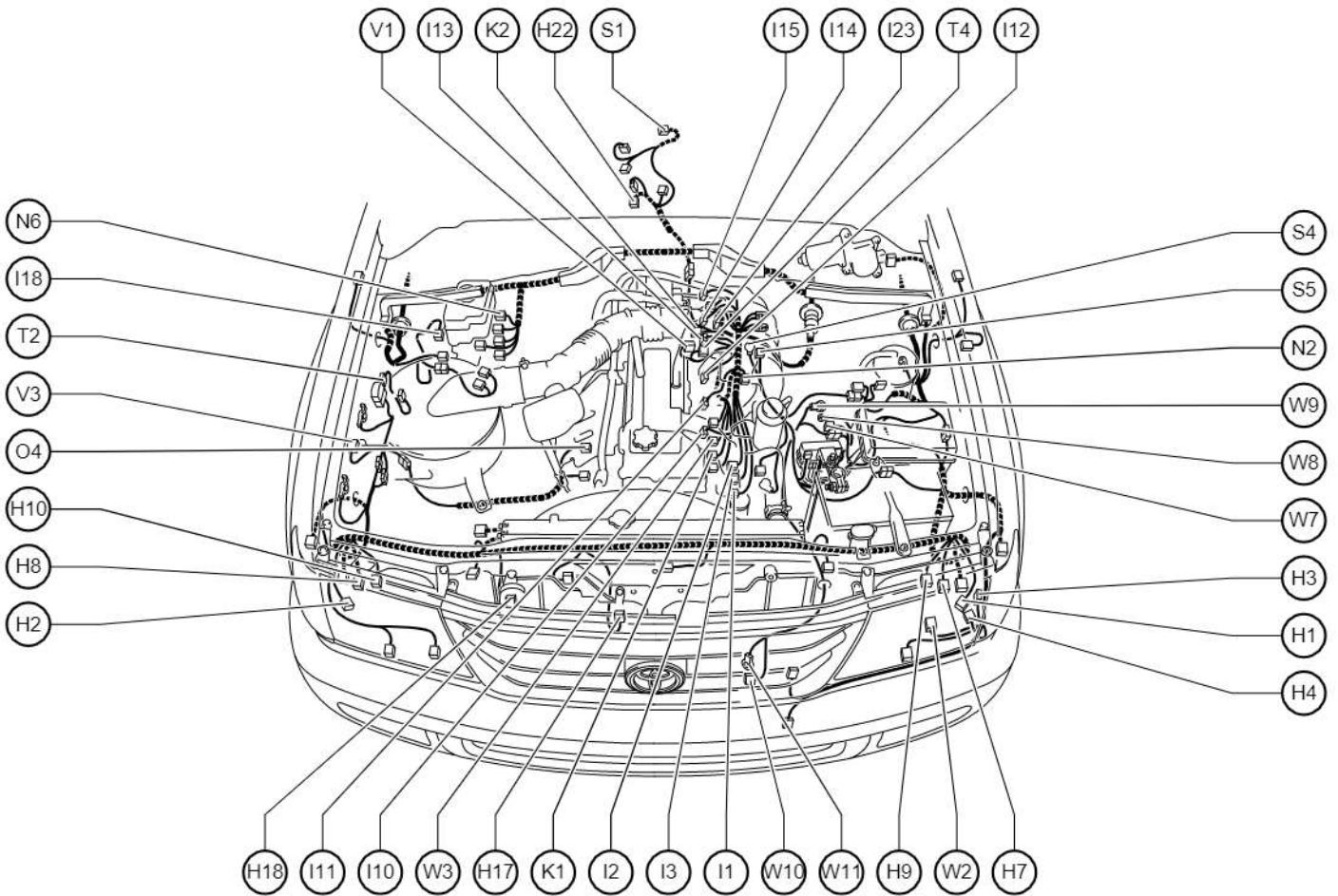
- D 1 Detection SW (Center Diff. Lock)
- D 2 Detection SW (Transfer L Position)
- D30 Detection SW (Front Diff. Lock)

- E 2 EFI Water Temp. Sensor
- E 3 Engine Hood Courtesy SW

- F 3 Front Clearance Light LH
- F 4 Front Clearance Light RH
- F 5 Front Fog Light LH
- F 6 Front Fog Light RH
- F 7 Front Side Turn Signal Light LH
- F 8 Front Side Turn Signal Light RH
- F 9 Front Turn Signal Light LH
- F10 Front Turn Signal Light RH
- F11 Front Wiper Motor
- F14 Fuel Pump Resistor
- F17 Fusible Link Block
- F33 Front Diff. Lock Motor
- F37 Fusible Link Block
- F38 Fusible Link Block
- F39 Fusible Link Block
- F40 Fusible Link Block

Position of Parts in Engine Compartment

[RHD : 1FZ-FE]



H 1 Headlight Beam Level Control Actuator LH
 H 2 Headlight Beam Level Control Actuator RH
 H 3 Headlight Cleaner Control Relay
 H 4 Headlight Cleaner Motor
 H 7 Headlight LH (High)
 H 8 Headlight RH (High)
 H 9 Headlight LH (Low)
 H10 Headlight RH (Low)
 H17 Horn LH
 H18 Horn RH
 H22 Heated Oxygen Sensor

I 1 Ignition Coil and Igniter No.1
 I 2 Ignition Coil and Igniter No.2
 I 3 Ignition Coil and Igniter No.3
 I 10 Injector No.1
 I 11 Injector No.2
 I 12 Injector No.3
 I 13 Injector No.4
 I 14 Injector No.5
 I 15 Injector No.6
 I 18 Intake Air Temp. Sensor
 I 23 ISC Valve

K 1 Knock Sensor (Bank 1)
 K 2 Knock Sensor (Bank 2)
 N 2 Noise Filter (Ignition)
 N 6 Noise Filter (ABS)
 O 4 Oil Pressure Sender
 S 1 Speed Sensor (Combination Meter)
 S 4 Starter
 S 5 Starter

T 2 Theft Deterrent Horn
 T 4 Throttle Position Sensor

V 1 Vacuum Sensor
 V 3 Variable Resistor

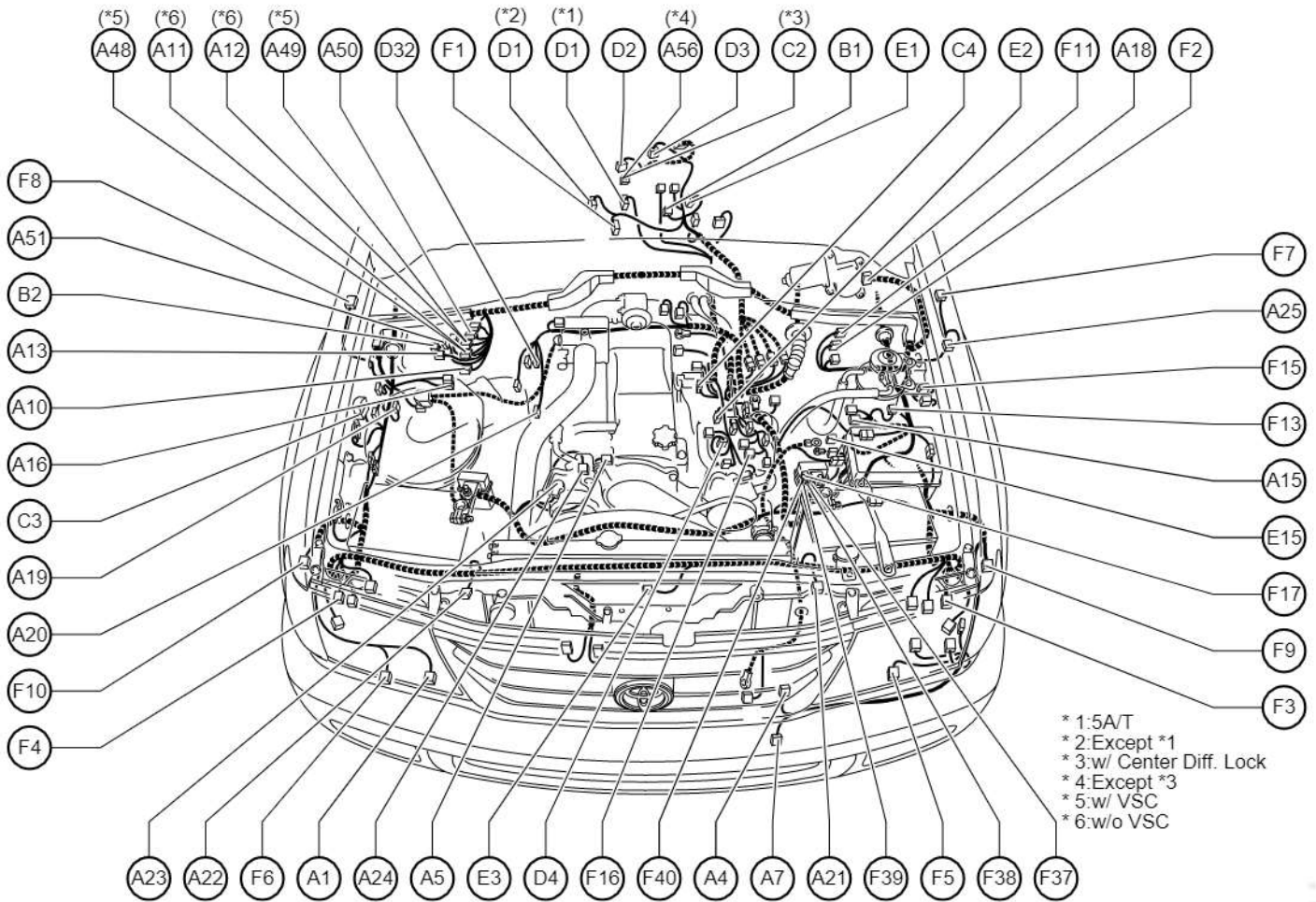
W 2 Washer Motor
 W 3 Water Temp. Sender
 W 7 Winch Main Relay
 W 8 Winch Main Relay
 W 9 Winch Main Relay
 W10 Winch Motor and Magnetic SW
 W11 Winch Motor and Magnetic SW

cardiagn.com

E ELECTRICAL WIRING ROUTING

Position of Parts in Engine Compartment

[RHD : 1HD-FTE]



- A 1 A/C Ambient Temp. Sensor
- A 4 Pressure SW
- A 5 A/C Magnetic Clutch
- A 7 A/C Magnetic Valve
- A10 ABS Actuator
- A11 ABS Actuator
- A12 ABS Actuator
- A13 ABS Actuator
- A15 ABS Speed Sensor Front LH
- A16 ABS Speed Sensor Front RH
- A18 AHC Pump Motor
- A19 Air Cleaner Warning Sensor
- A20 Air Flow Meter
- A21 Airbag Sensor Front LH
- A22 Airbag Sensor Front RH
- A23 Alternator
- A24 Alternator
- A25 Auto Antenna Motor
- A48 ABS & BA & TRC & VSC Actuator
- A49 ABS & BA & TRC & VSC Actuator
- A50 ABS & BA & TRC & VSC Actuator
- A51 ABS & BA & TRC & VSC Actuator
- A56 ADD Control Motor

- B 1 Back-Up Light SW
- B 2 Brake Fluid Level Warning SW

- C 2 Center Diff. Lock Control Motor
- C 3 Check Connector
- C 4 Crankshaft Position Sensor

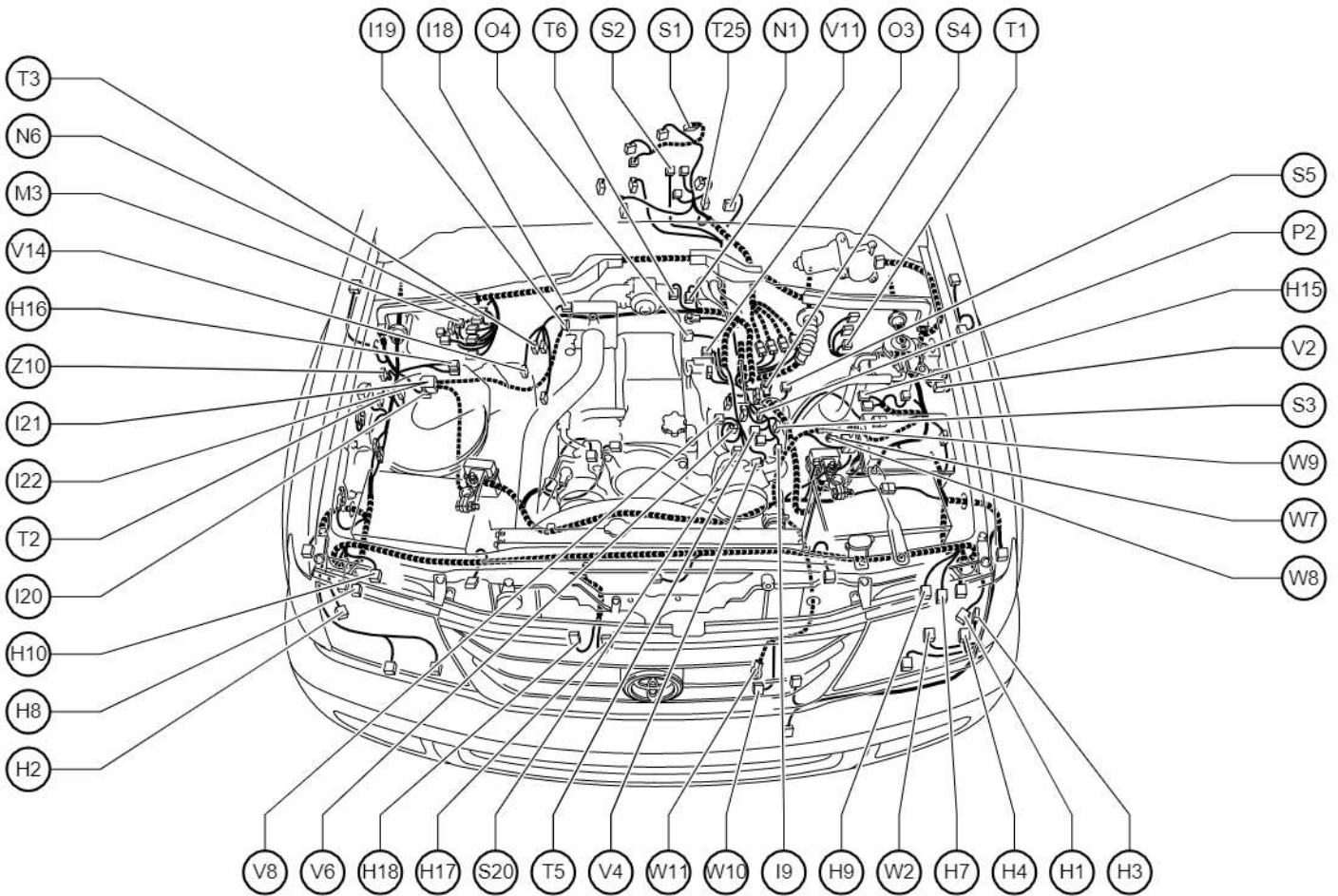
- D 1 Detection SW (Center Diff. Lock)
- D 2 Detection SW (Transfer L Position)
- D 3 Detection SW (Transfer Neutral Position)
- D 4 Diesel Engine Revolution Sensor
- D32 Diesel Throttle Position SW

- E 1 ECT Solenoid
- E 2 EFI Water Temp. Sensor
- E 3 Engine Hood Courtesy SW
- E15 EDU

- F 1 First Position SW
- F 2 Fluid Pressure Sensor
- F 3 Front Clearance Light LH
- F 4 Front Clearance Light RH
- F 5 Front Fog Light LH
- F 6 Front Fog Light RH
- F 7 Front Side Turn Signal Light LH
- F 8 Front Side Turn Signal Light RH
- F 9 Front Turn Signal Light LH
- F10 Front Turn Signal Light RH
- F11 Front Wiper Motor
- F13 Fuel Heater SW
- F15 Fuel Sediment SW
- F16 Fuel Temp. Sensor
- F17 Fusible Link Block
- F37 Fusible Link Block
- F38 Fusible Link Block
- F39 Fusible Link Block
- F40 Fusible Link Block

Position of Parts in Engine Compartment

[RHD : 1HD-FTE]



H 1 Headlight Beam Level Control Actuator LH
 H 2 Headlight Beam Level Control Actuator RH
 H 3 Headlight Cleaner Control Relay
 H 4 Headlight Cleaner Motor
 H 7 Headlight LH (High)
 H 8 Headlight RH (High)
 H 9 Headlight LH (Low)
 H10 Headlight RH (Low)
 H15 Height Control Sensor Front LH
 H16 Height Control Sensor Front RH
 H17 Horn LH
 H18 Horn RH

I 9 Injection Pump
 I 18 Intake Air Temp. Sensor
 I 19 Intake Heater
 I 20 Intake Heater Relay
 I 21 Intake Heater Relay
 I 22 Intake Heater Relay

M 3 Master Cylinder Pressure Sensor

N 1 A/T Indicator Light SW
 Neutral Start SW
 N 6 Noise Filter (ABS)

O 3 Oil Level Sensor
 O 4 Oil Pressure Sender

P 2 Power Steering Oil Pressure SW

S 1 Speed Sensor (Combination Meter)
 S 2 Speed Sensor (ECT)
 S 3 Spill Valve
 S 4 Starter
 S 5 Starter
 S20 Swirl Control Valve

T 1 Temp. Sensor (AHC)
 T 2 Theft Deterrent Horn
 T 3 Throttle Control Motor
 T 5 Timing Control Valve
 T 6 Turbo Pressure Sensor
 T25 Turbine Speed Sensor

V 2 Vacuum SW
 V 4 Viscous Heater Magnetic Clutch
 V 6 VRV (EGR)
 V 8 VSV (EGR Cut)
 V11 VSV (Turbo Pressure Sensor)
 V14 VRV (EGR No.2)

W 2 Washer Motor
 W 7 Winch Main Relay
 W 8 Winch Main Relay
 W 9 Winch Main Relay
 W10 Winch Motor and Magnetic SW
 W11 Winch Motor and Magnetic SW

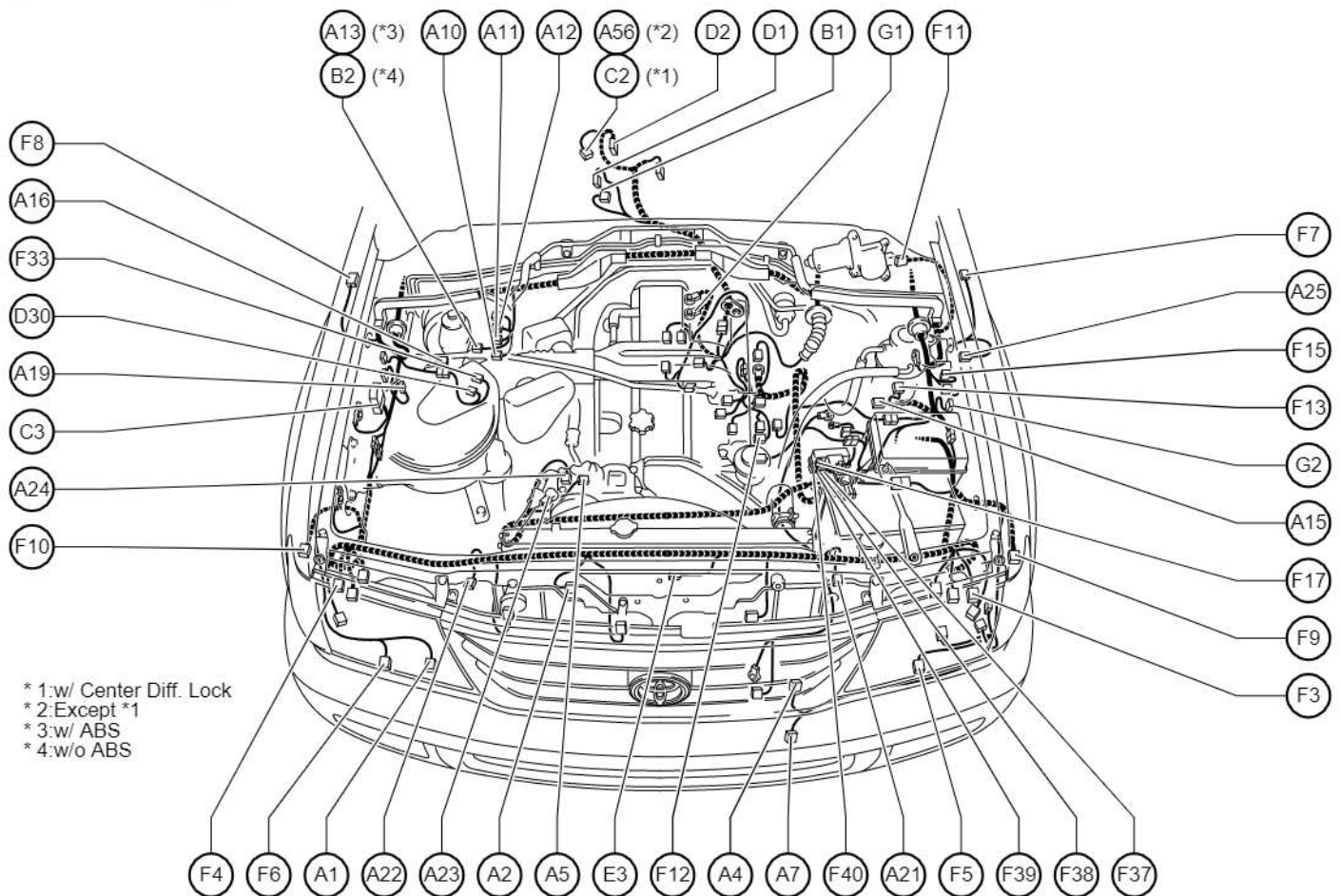
Z10 Option Connector (Wireless Door Lock Buzzer)

cardiagn.com

E ELECTRICAL WIRING ROUTING

Position of Parts in Engine Compartment

[RHD : 1HZ]

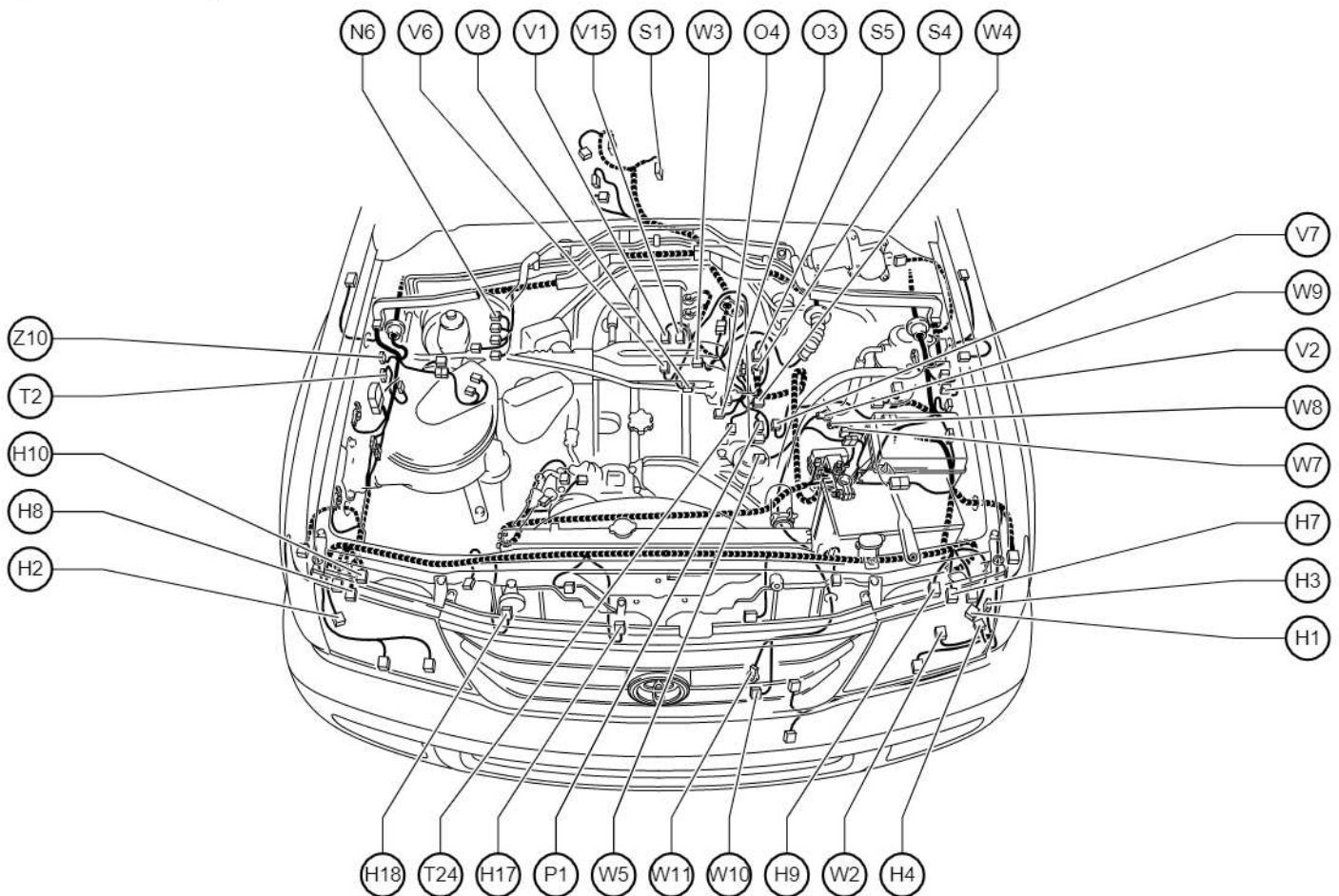


* 1:w/ Center Diff. Lock
 * 2:Except *1
 * 3:w/ ABS
 * 4:w/o ABS

- | | |
|-------------------------------------|--|
| A 1 A/C Ambient Temp. Sensor | D 1 Detection SW (Center Diff. Lock) |
| A 2 A/C Condenser Fan Motor | D 2 Detection SW (Transfer L Position) |
| A 4 Pressure SW | D30 Detection SW (Front Diff. Lock) |
| A 5 A/C Magnetic Clutch | E 3 Engine Hood Courtesy SW |
| A 7 A/C Magnetic Valve | F 3 Front Clearance Light LH |
| A10 ABS Actuator | F 4 Front Clearance Light RH |
| A11 ABS Actuator | F 5 Front Fog Light LH |
| A12 ABS Actuator | F 6 Front Fog Light RH |
| A13 ABS Actuator | F 7 Front Side Turn Signal Light LH |
| A15 ABS Speed Sensor Front LH | F 8 Front Side Turn Signal Light RH |
| A16 ABS Speed Sensor Front RH | F 9 Front Turn Signal Light LH |
| A19 Air Cleaner Warning Sensor | F10 Front Turn Signal Light RH |
| A21 Airbag Sensor Front LH | F11 Front Wiper Motor |
| A22 Airbag Sensor Front RH | F12 Fuel Cut Valve Controller |
| A23 Alternator | F13 Fuel Heater SW |
| A24 Alternator | F15 Fuel Sediment SW |
| A25 Auto Antenna Motor | F17 Fusible Link Block |
| A56 ADD Control Motor | F33 Front Diff. Lock Motor |
| B 1 Back-Up Light SW | F37 Fusible Link Block |
| B 2 Brake Fluid Level Warning SW | F38 Fusible Link Block |
| C 2 Center Diff. Lock Control Motor | F39 Fusible Link Block |
| C 3 Check Connector | F40 Fusible Link Block |
| | G 1 Glow Plug |
| | G 2 Glow Plug Relay |

Position of Parts in Engine Compartment

[RHD : 1HZ]



H 1 Headlight Beam Level Control Actuator LH
 H 2 Headlight Beam Level Control Actuator RH
 H 3 Headlight Cleaner Control Relay
 H 4 Headlight Cleaner Motor
 H 7 Headlight LH (High)
 H 8 Headlight RH (High)
 H 9 Headlight LH (Low)
 H10 Headlight RH (Low)
 H17 Horn LH
 H18 Horn RH

N 6 Noise Filter (ABS)

O 3 Oil Level Sensor
 O 4 Oil Pressure Sender

P 1 Pick-Up Sensor

S 1 Speed Sensor (Combination Meter)
 S 4 Starter
 S 5 Starter

T 2 Theft Deterrent Horn
 T 24 Throttle Position Sensor and Timing Control Valve

V 1 Vacuum Sensor
 V 2 Vacuum SW
 V 6 VRV (EGR)
 V 7 VSV (A/C Idle-UP)
 V 8 VSV (EGR Cut)
 V15 VSV (BACS)

W 2 Washer Motor
 W 3 Water Temp. Sender
 W 4 Water Temp. Sensor (Glow Plug)
 W 5 Water Temp. SW (A/C)
 W 7 Winch Main Relay
 W 8 Winch Main Relay
 W 9 Winch Main Relay
 W10 Winch Motor and Magnetic SW
 W11 Winch Motor and Magnetic SW

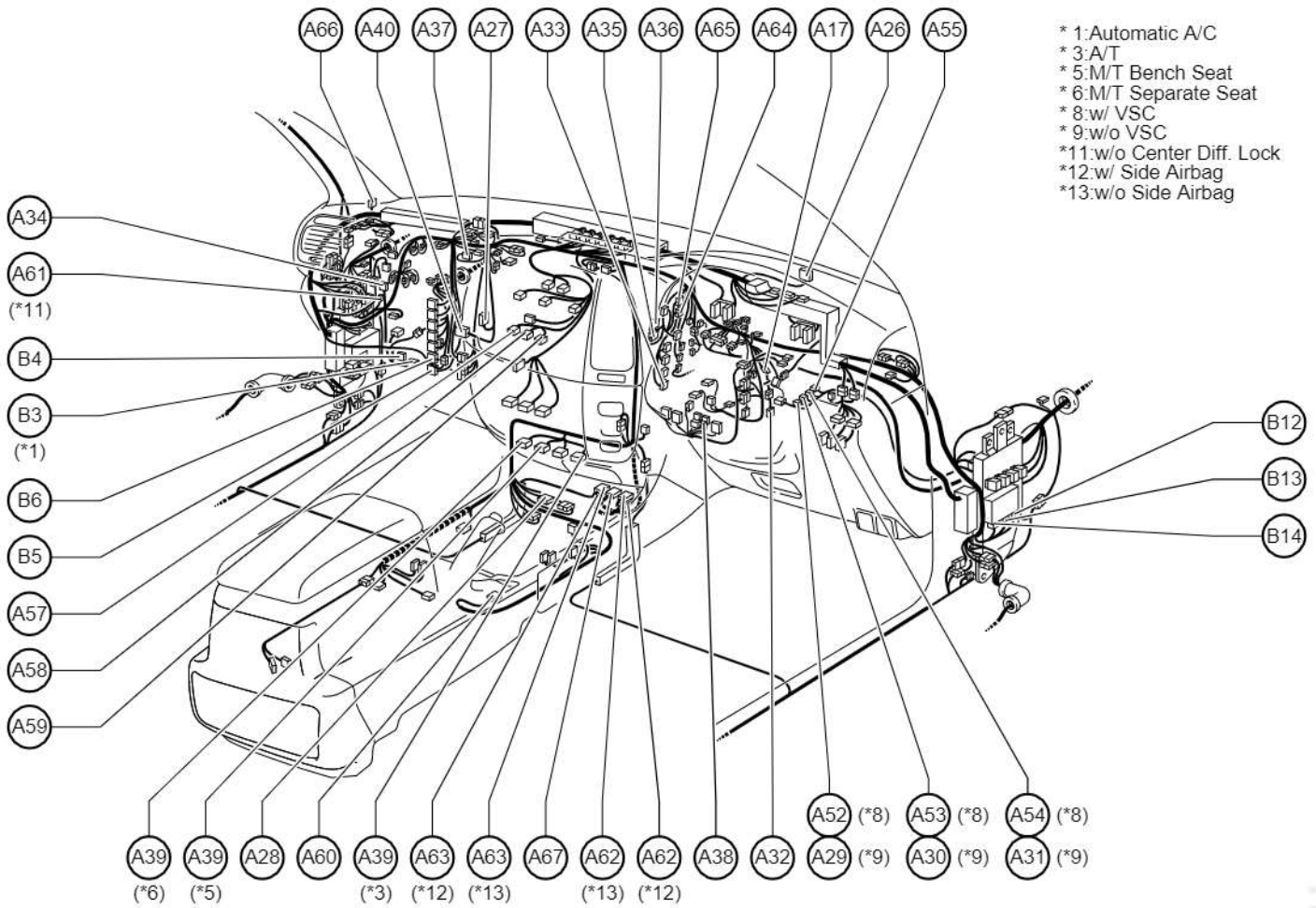
Z10 Option Connector (Wireless Door Lock Buzzer)

cardiagn.com

E ELECTRICAL WIRING ROUTING

Position of Parts in Instrument Panel

[RHD]



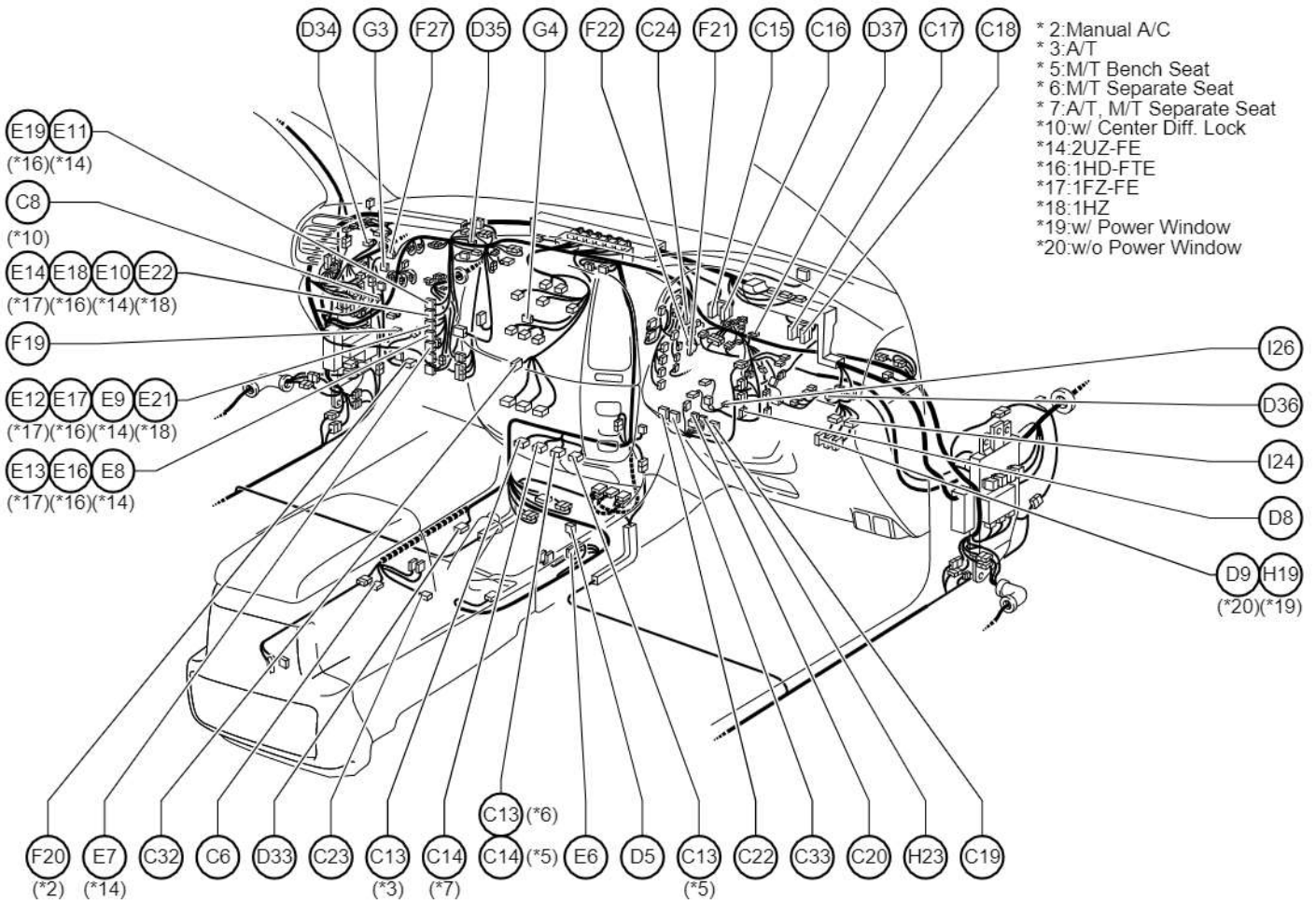
- * 1:Automatic A/C
- * 3:A/T
- * 5:M/T Bench Seat
- * 6:M/T Separate Seat
- * 8:w/ VSC
- * 9:w/o VSC
- *11:w/o Center Diff. Lock
- *12:w/ Side Airbag
- *13:w/o Side Airbag

- A 17 Accel Position Sensor
- A 26 A/C Solar Sensor
- A 27 A/C Thermistor
- A 28 ABS Deceleration Sensor
- A 29 ABS ECU
- A 30 ABS ECU
- A 31 ABS ECU
- A 32 Accelerator Pedal SW
- A 33 AHC Main Relay
- A 34 Air Inlet Control Servo Motor
- A 35 Air Mix Control Servo Motor
- A 36 Air Vent Mode Control Servo Motor
- A 37 Airbag Squib (Front Passenger Airbag Assembly)
- A 38 Airbag Squib (Steering Wheel Pad)
- A 39 Ashtray Illumination
- A 40 Auto Antenna Control Relay
- A 52 ABS & BA & TRC & VSC ECU
- A 53 ABS & BA & TRC & VSC ECU
- A 54 ABS & BA & TRC & VSC ECU
- A 55 ABS & BA & TRC & VSC ECU
- A 57 A/C Control Assembly

- A 58 A/C Control Assembly
- A 59 A/C Control Assembly
- A 60 A/T Shift Lever Illumination
Shift Lock Control ECU
- A 61 ADD Control Relay
- A 62 Airbag Sensor Assembly
- A 63 Airbag Sensor Assembly
- A 64 Auto Wiper ECU
Short Connector
- A 65 Auto Wiper ECU
- A 66 Automatic Light Control Sensor
- A 67 Airbag Sensor Assembly
- B 3 Blower Motor Controller
- B 4 Blower HI Relay
- B 5 Blower LO Relay
- B 6 Blower ME Relay
- B 12 Body ECU
- B 13 Body ECU
- B 14 Body ECU

Position of Parts in Instrument Panel

[RHD]



C 6 CD Automatic Changer
 C 8 Center Diff. Lock Control Relay
 C 13 Cigarette Lighter
 C 14 Cigarette Lighter Illumination
 C 15 Combination Meter
 C 16 Combination Meter
 C 17 Combination Meter
 C 18 Combination Meter
 C 19 Combination SW
 C 20 Combination SW
 C 22 Combination SW
 C 23 Cooler Box
 C 24 Cruise Control Clutch SW
 C 32 Center Cluster Integration Panel
 C 33 Combination SW

D 5 Damping Mode Select SW and Height Control SW
 D 8 DLC3
 D 9 Door Lock Control SW
 D 33 Deceleration Sensor
 D 34 Diode (Front Fog No.2)
 D 35 Diode (Viscous Heater1)
 D 36 Diode (Viscous Heater2)
 D 37 Double Lock Control Relay

E 6 ECT Pattern Select SW
 E 7 Engine and ECT ECU
 Engine ECU
 E 8 Engine and ECT ECU
 Engine ECU
 E 9 Engine and ECT ECU
 Engine ECU
 E 10 Engine and ECT ECU
 Engine ECU

E 11 Engine and ECT ECU
 Engine ECU
 E 12 Engine and ECT ECU
 Engine ECU
 E 13 Engine and ECT ECU
 Engine ECU
 E 14 Engine and ECT ECU
 Engine ECU
 E 16 Engine and ECT ECU
 Engine ECU
 E 17 Engine and ECT ECU
 Engine ECU
 E 18 Engine and ECT ECU
 Engine ECU
 E 19 Engine and ECT ECU
 Engine ECU
 E 21 Emission Control ECU
 E 22 Emission Control ECU

F 19 Front Blower Motor
 F 20 Front Blower Resistor
 F 21 Front/Rear Diff. Lock Control SW
 F 22 Fuel Tank Changeover SW
 F 27 Front/Rear Diff. Lock Control ECU

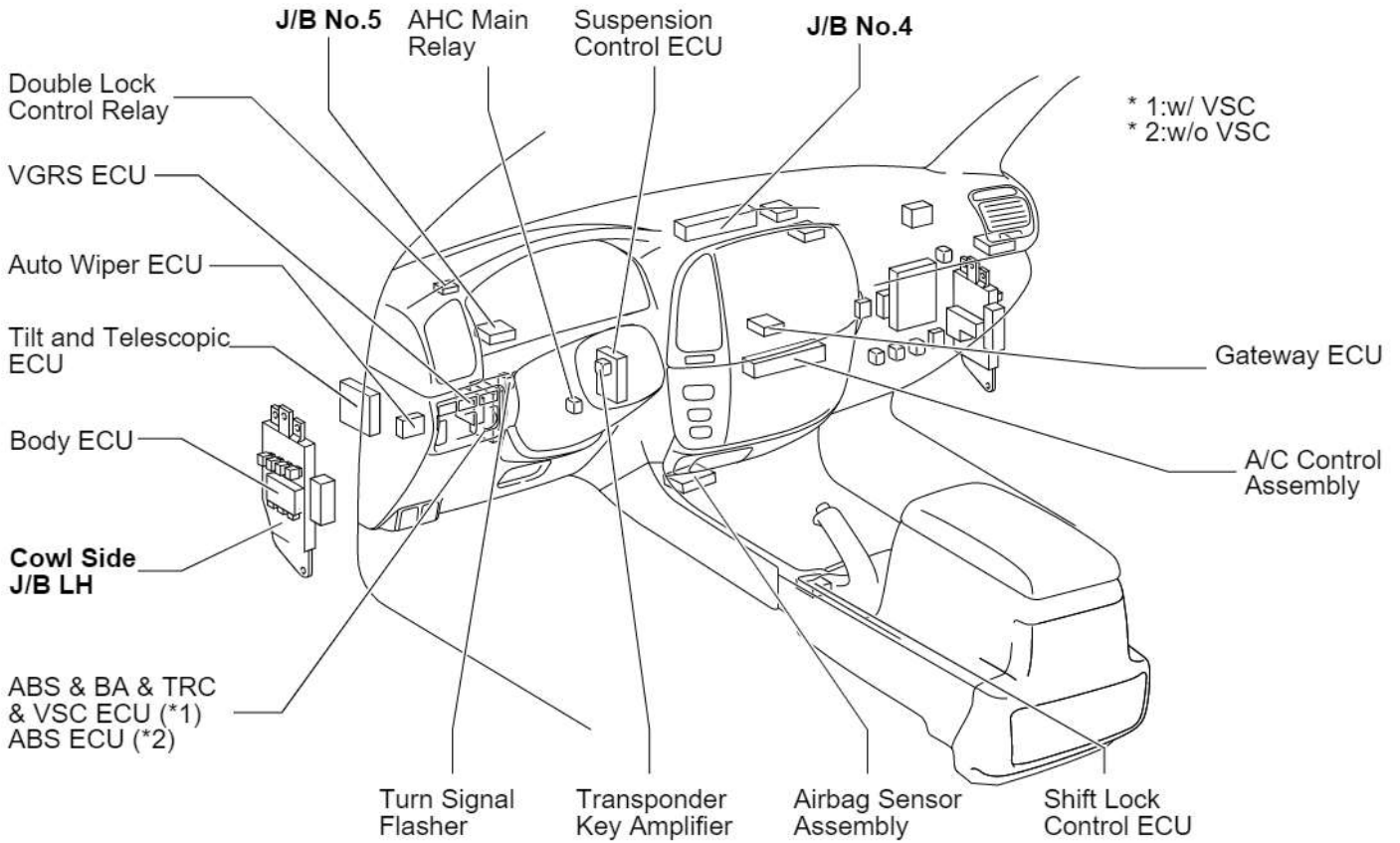
G 3 Glove Box Light
 G 4 Gateway ECU

H 19 Headlight Beam Level Control SW
 H 23 Headlight Cleaner SW

I 24 Idle-Up SW
 I 26 Ignition SW

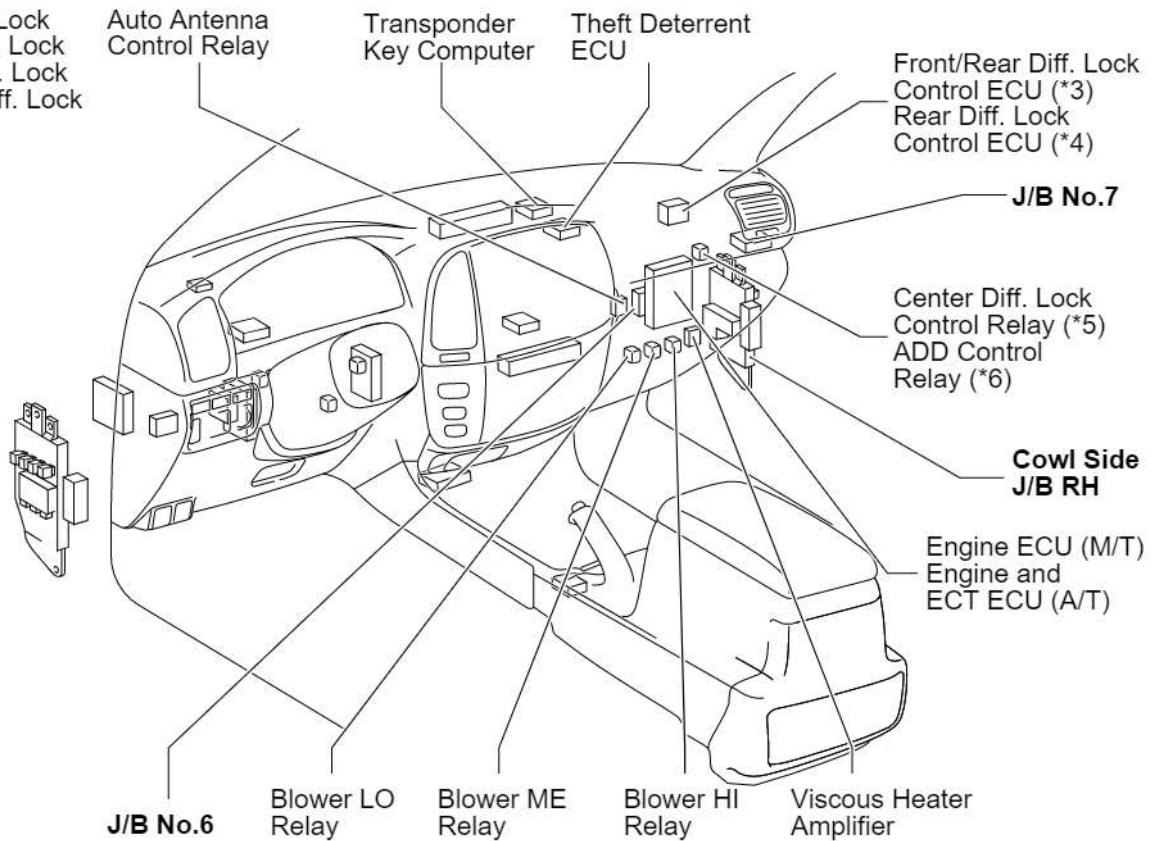
cardiagn.com

**[Instrument Panel]
(LHD1)**



(LHD2)

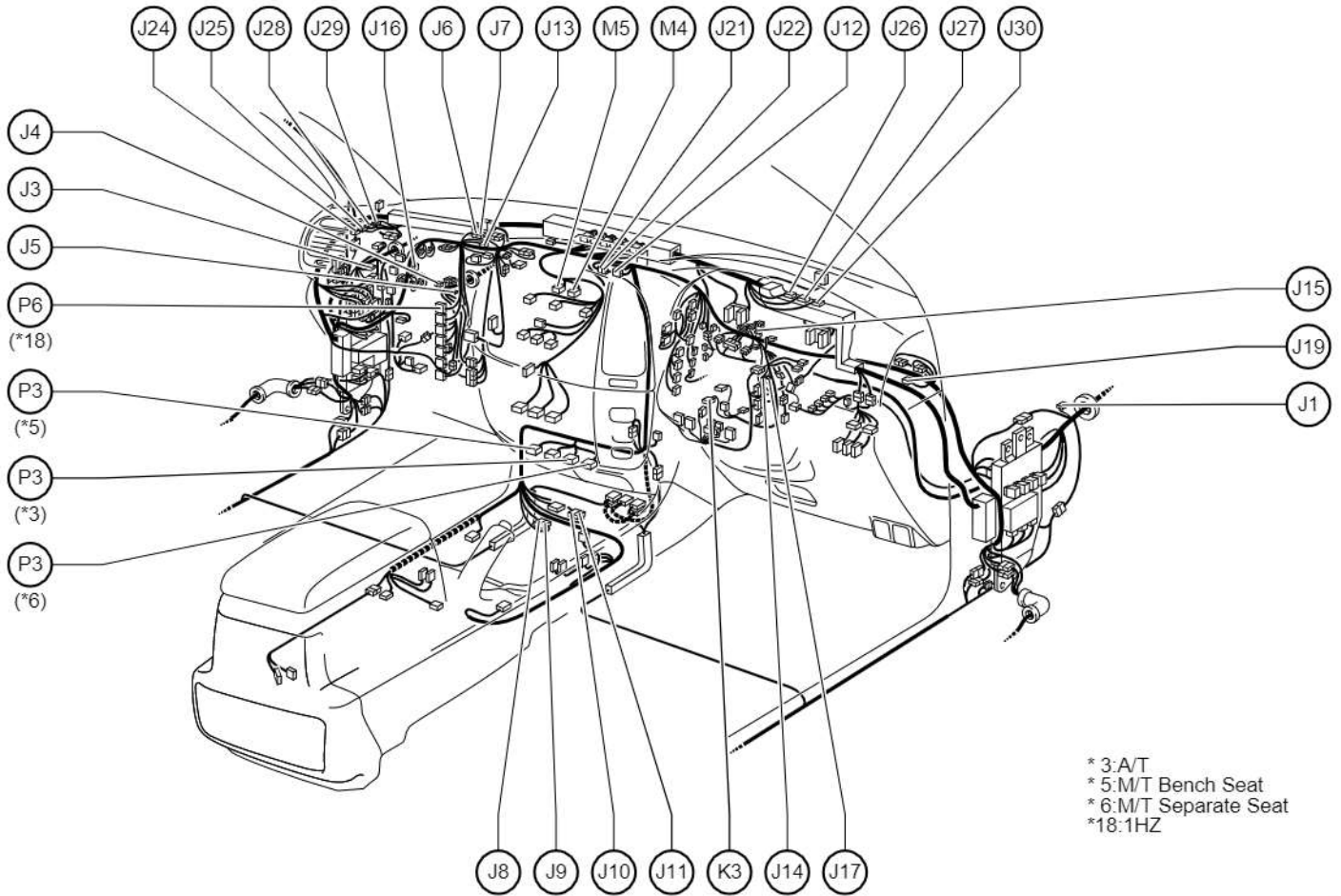
- * 3:w/ Front Diff. Lock
- * 4:w/o Front Diff. Lock
- * 5:w/ Center Diff. Lock
- * 6:w/o Center Diff. Lock



E ELECTRICAL WIRING ROUTING

Position of Parts in Instrument Panel

[RHD]



- J 1 Junction Connector
- J 3 Junction Connector
- J 4 Junction Connector
- J 5 Junction Connector
- J 6 Junction Connector
- J 7 Junction Connector
- J 8 Junction Connector
- J 9 Junction Connector
- J 10 Junction Connector
- J 11 Junction Connector
- J 12 Junction Connector
- J 13 Junction Connector
- J 14 Junction Connector
- J 15 Junction Connector
- J 16 Junction Connector
- J 17 Junction Connector
- J 19 Junction Connector

- J 21 Junction Connector
- J 22 Junction Connector
- J 24 Junction Connector
- J 25 Junction Connector
- J 26 Junction Connector
- J 27 Junction Connector
- J 28 Junction Connector
- J 29 Junction Connector
- J 30 Junction Connector

- K 3 Key Interlock Solenoid

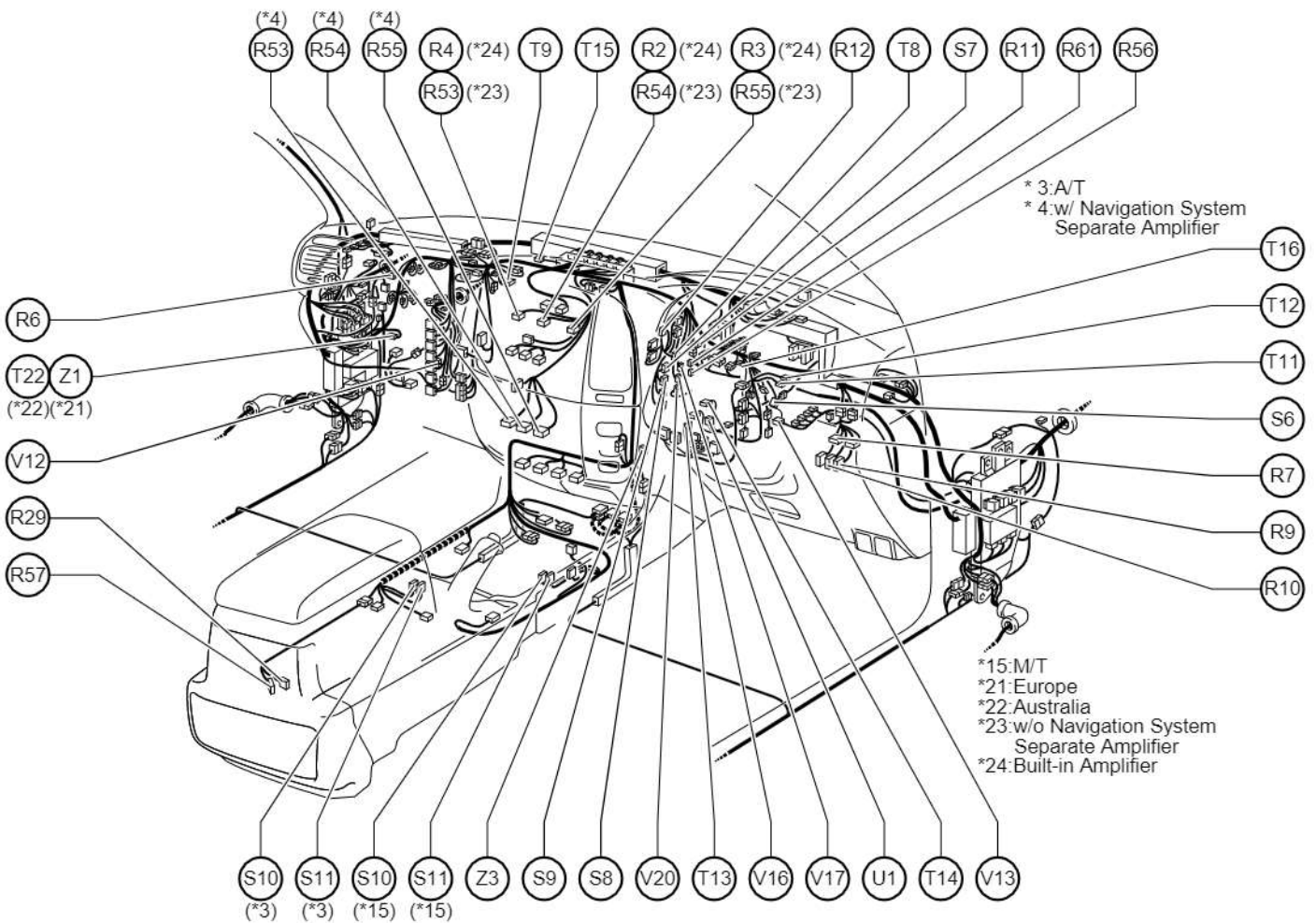
- M 4 Multi-Display
- M 5 Multi-Display

- P 3 Power Outlet (Front)
- P 6 Pre-Heating Timer

* 3:A/T
 * 5:M/T Bench Seat
 * 6:M/T Separate Seat
 *18:1HZ

Position of Parts in Instrument Panel

[RHD]



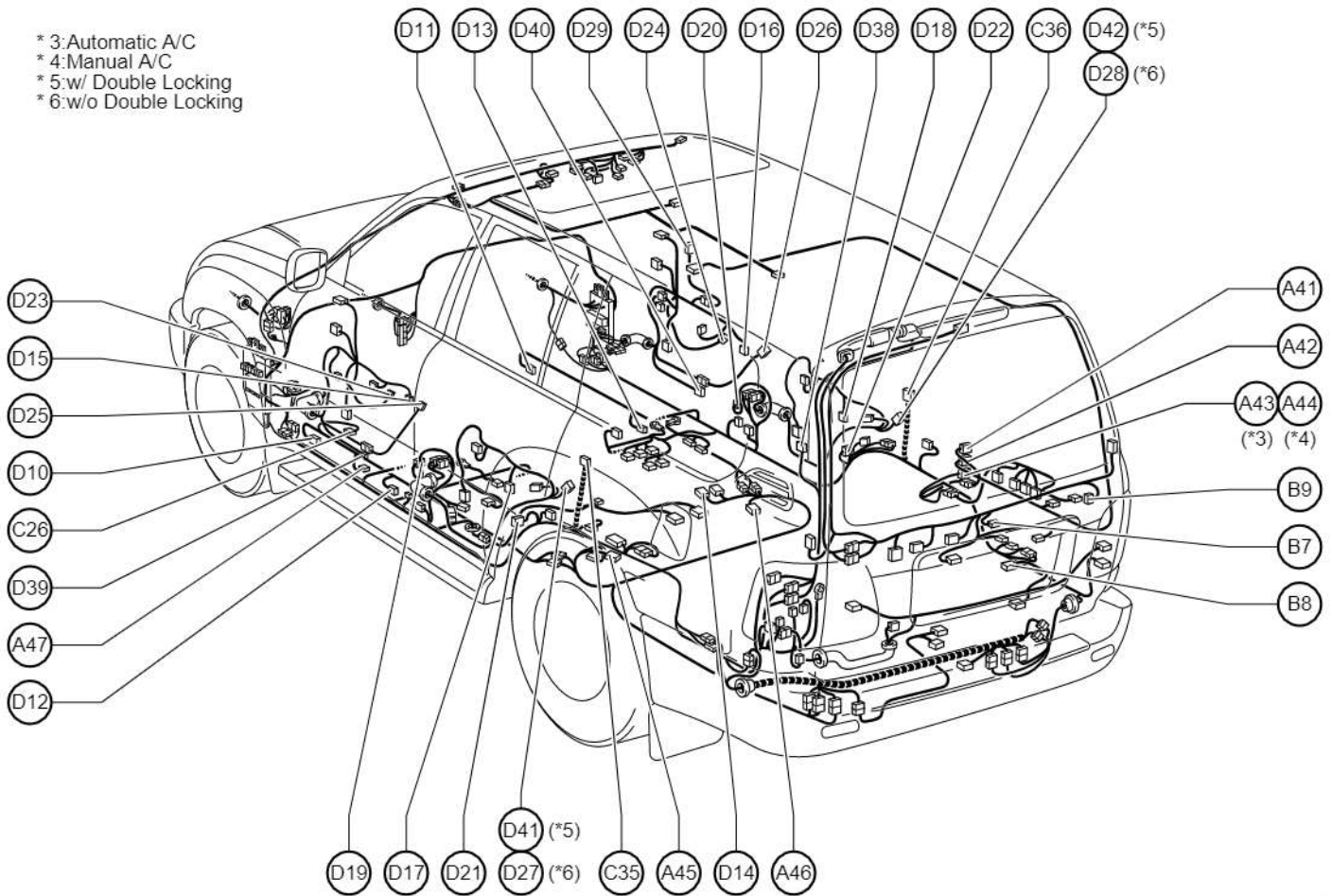
R 2 Radio and Player	T 8 Telescopic Motor
R 3 Radio and Player	T 9 Theft Deterrent ECU
R 4 Radio and Player	T 11 Tilt and Telescopic ECU
R 6 Rear Diff. Lock Control ECU	T 12 Tilt and Telescopic ECU
R 7 Rear Fog Light SW	T 13 Tilt Motor
R 9 Remote Control Mirror SW	T 14 Ignition Key Cylinder Light Transponder Key Amplifier
R 10 Remote Control Mirror SW	T 15 Transponder Key Computer
R 11 Rheostat	T 16 Turn Signal Flasher
R 12 Room Temp. Sensor (Front)	T 22 TVSS ECU
R 29 Rear Heater Control SW	U 1 Unlock Warning SW
R 53 Radio and Player	V 12 Viscous Heater Amplifier
R 54 Radio and Player	V 13 VSC Warning Buzzer
R 55 Radio and Player	V 16 VGRS ECU
R 56 Rear Diff. Lock Control SW	V 17 VGRS ECU
R 57 Rear Seat Audio Controller	V 20 VGRS Actuator
R 61 Roll Sensing of Curtain Shield Airbags Cut Off SW	Z 1 Option Connector (Glass Breakage Sensor)
S 6 Stop Light SW	Z 3 Option Connector (Radar Sensor)
S 7 Suspension Control ECU	
S 8 Suspension Control ECU	
S 9 Suspension Control ECU	
S 10 Seat Heater SW (Driver's Seat)	
S 11 Seat Heater SW (Front Passenger's Seat)	

E ELECTRICAL WIRING ROUTING

Position of Parts in Body

[RHD : Liftgate Type]

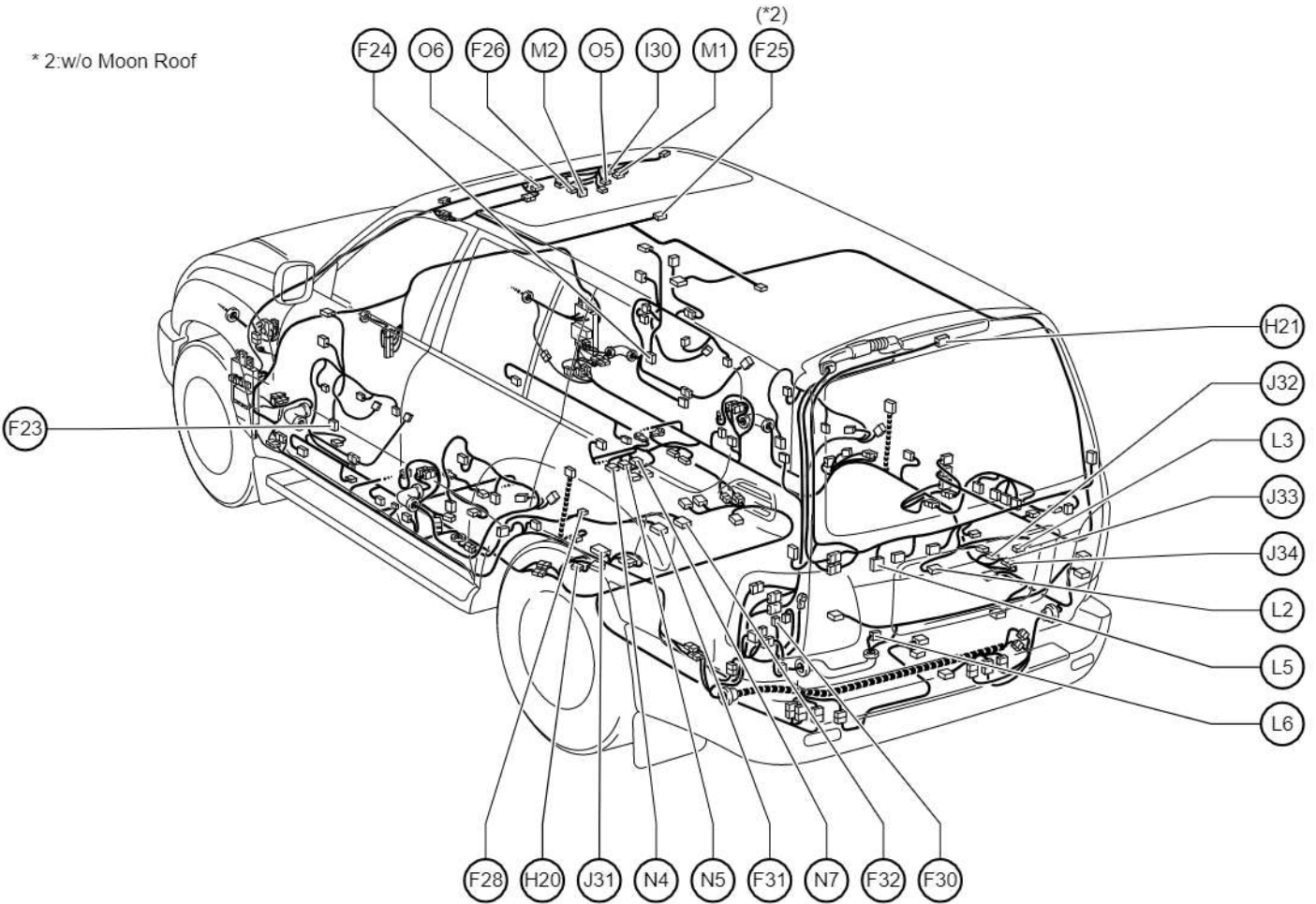
- * 3: Automatic A/C
- * 4: Manual A/C
- * 5:w/ Double Locking
- * 6:w/o Double Locking



- | | |
|---|------------------------------------|
| A41 A/C Amplifier | D22 Door Courtesy SW Rear RH |
| A42 A/C Amplifier | D23 Door Key Lock and Unlock SW LH |
| A43 A/C Amplifier | D24 Door Key Lock and Unlock SW RH |
| A44 A/C Amplifier | D25 Door Lock Motor Front LH |
| A45 ABS Speed Sensor Rear LH | Door Unlock Detection SW Front LH |
| A46 ABS Speed Sensor Rear RH | D26 Door Lock Motor Front RH |
| A47 Accumulator Solenoid | Door Unlock Detection SW Front RH |
| B 7 Back Door Courtesy SW | D27 Door Lock Motor Rear LH |
| B 8 Back Door Key Lock and Unlock SW | Door Unlock Detection SW Rear LH |
| B 9 Back Door Lock Motor and | D28 Door Lock Motor Rear RH |
| Back Door Unlock Detection SW | Door Unlock Detection SW Rear RH |
| C26 Control Valve Assembly | D29 Driving Position Memory SW |
| C35 Curtain Shield Airbag Squib LH | D38 Door Control Receiver |
| C36 Curtain Shield Airbag Squib RH | D39 Door Lock Motor Front LH |
| D10 Damping Force Control Actuator Front LH | Door Unlock Detection SW Front LH |
| D11 Damping Force Control Actuator Front RH | Double Lock Motor Front LH |
| D12 Damping Force Control Actuator Rear LH | Double Lock Position SW Front LH |
| D13 Damping Force Control Actuator Rear RH | D40 Door Lock Motor Front RH |
| D14 Detection SW (Rear Diff. Lock) | Door Unlock Detection SW Front RH |
| D15 Door Courtesy Light Front LH | Double Lock Motor Front RH |
| D16 Door Courtesy Light Front RH | Double Lock Position SW Front RH |
| D17 Door Courtesy Light Rear LH | D41 Door Lock Motor Rear LH |
| D18 Door Courtesy Light Rear RH | Door Unlock Detection SW Rear LH |
| D19 Door Courtesy SW Front LH | Double Lock Motor Rear LH |
| D20 Door Courtesy SW Front RH | Double Lock Position SW Rear LH |
| D21 Door Courtesy SW Rear LH | D42 Door Lock Motor Rear RH |
| | Door Unlock Detection SW Rear RH |
| | Double Lock Motor Rear RH |
| | Double Lock Position SW Rear RH |

Position of Parts in Body

[RHD : Liftgate Type]



F 23 Front Door Speaker LH
 F 24 Front Door Speaker RH
 F 25 Front Interior Light
 F 26 Front Personal Light
 F 28 Fuel Pump
 Fuel Sender
 F 30 Fuel Pump Select Relay
 F 31 Fuel Solenoid Valve 1
 F 32 Fuel Solenoid Valve 2

H 20 Height Control Sensor Rear
 H 21 High Mounted Stop Light

I 30 Inner Mirror

J 31 Junction Connector
 J 32 Junction Connector
 J 33 Junction Connector
 J 34 Junction Connector

L 2 License Plate Light LH
 L 3 License Plate Light RH
 L 5 License Plate Light No.1
 L 6 License Plate Light No.2

M 1 Moon Roof Control ECU
 M 2 Moon Roof Control SW

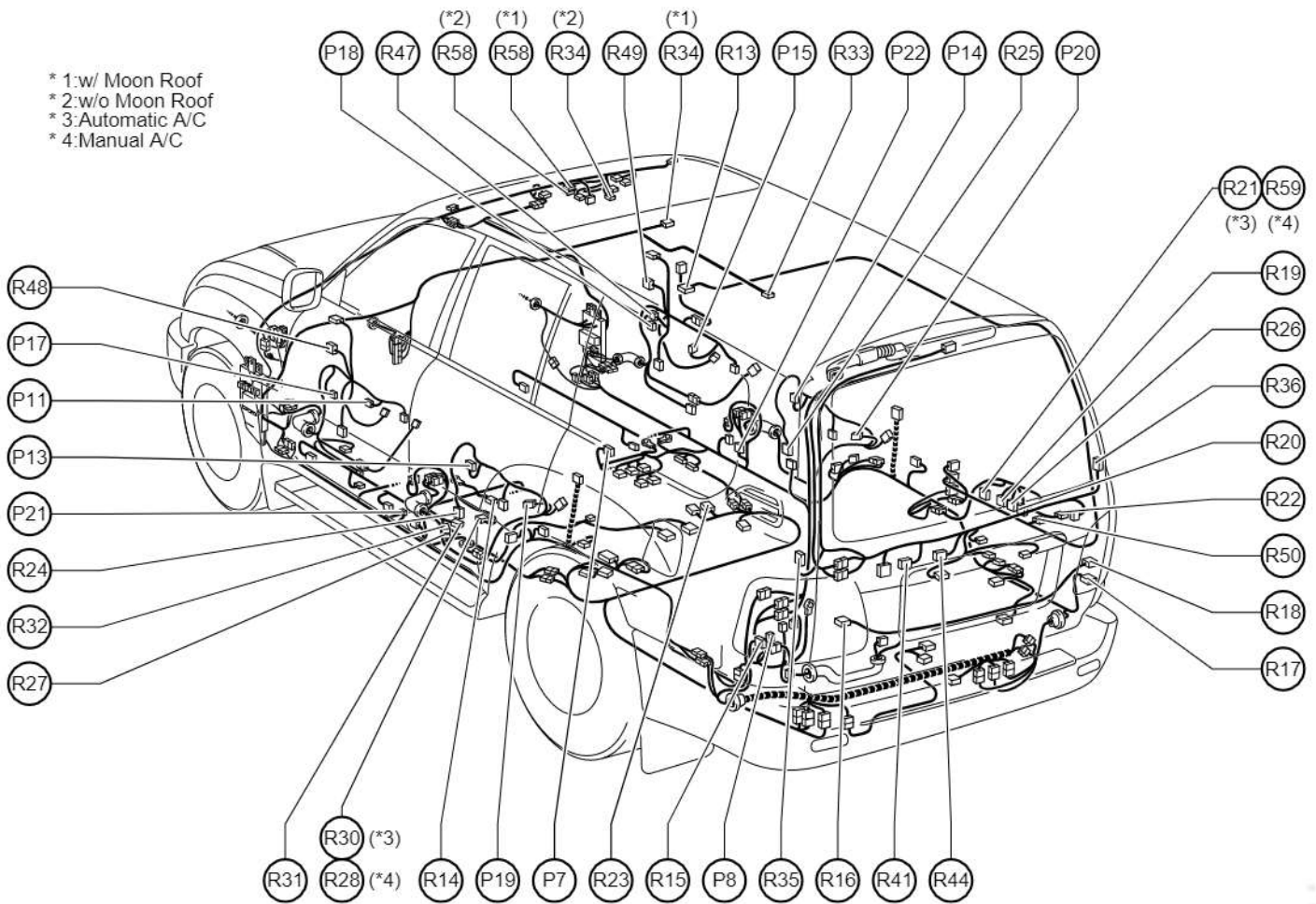
N 4 Navigation ECU
 N 5 Navigation ECU
 N 7 Navigation ECU

O 5 Overhead J/B
 O 6 Overhead J/B

E ELECTRICAL WIRING ROUTING

Position of Parts in Body

[RHD : Liftgate Type]



- * 1:w/ Moon Roof
- * 2:w/o Moon Roof
- * 3:Automatic A/C
- * 4:Manual A/C

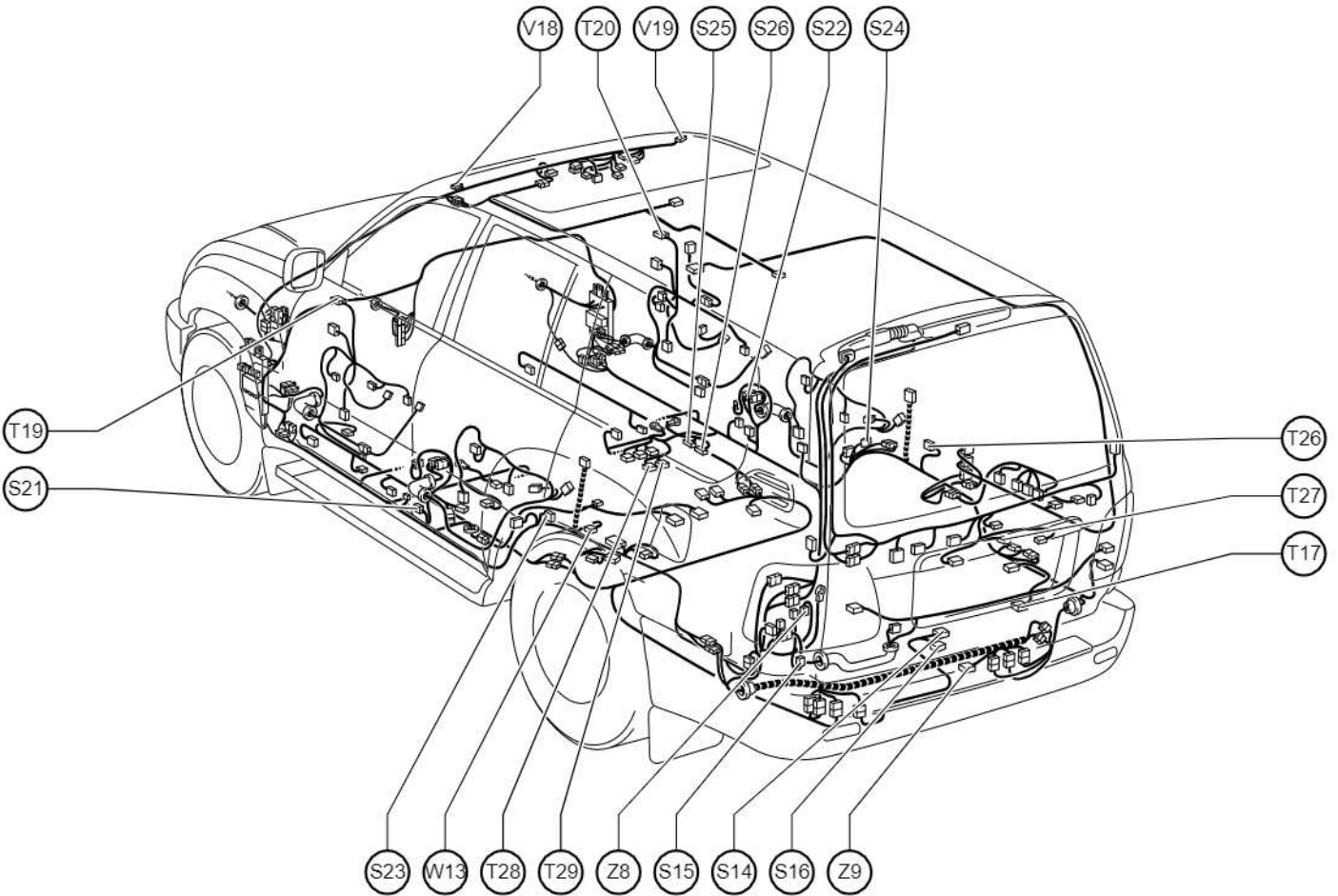
- P 7 Parking Brake SW
- P 8 Power Outlet (Luggage Compartment)
- P 11 Power Window Control SW Front LH
- P 13 Power Window Control SW Rear LH
- P 14 Power Window Control SW Rear RH
- P 15 Power Window Master SW
- P 17 Power Window Motor Front LH
- P 18 Power Window Motor Front RH
- P 19 Power Window Motor Rear LH
- P 20 Power Window Motor Rear RH
- P 21 Pretensioner LH
- P 22 Pretensioner RH

- R 13 Rear A/C Control SW
- R 14 Rear Air Mix Control Servo Motor
- R 15 Rear Combination Light LH
- R 16 Rear Combination Light LH
- R 17 Rear Combination Light RH
- R 18 Rear Combination Light RH
- R 19 Rear Cooler Blower Motor
- R 20 Rear Cooler Magnetic Valve
- R 21 Rear Cooler Power Transistor

- R 22 Rear Cooler Relay
- R 23 Rear Diff. Lock Motor
- R 24 Rear Door Speaker LH
- R 25 Rear Door Speaker RH
- R 26 Rear Evaporator Temp. Sensor
- R 27 Rear Heater Blower Motor
- R 28 Rear Heater Blower Resistor
- R 30 Rear Heater Power Transistor
- R 31 Rear Heater Relay
- R 32 Rear Inlet Air Temp. Sensor
- R 33 Rear Interior Light
- R 34 Rear Personal Light
- R 35 Rear Window Defogger
- R 36 Rear Window Defogger
- R 41 Rear Wiper Motor
- R 44 Rear Wiper Relay
- R 47 Remote Control Mirror ECU
- R 48 Remote Control Mirror LH
- R 49 Remote Control Mirror RH
- R 50 Room Temp. Sensor (Rear)
- R 58 Rain Sensor
- R 59 Rear Cooler Blower Resistor

Position of Parts in Body

[RHD : Liftgate Type]



S14 Sub Fuel Pump
 S15 Sub Fuel Pump Forcing Driving Relay
 S16 Sub Fuel Sender
 S21 Side Airbag Sensor Front LH
 S22 Side Airbag Sensor Front RH
 S23 Side Airbag Sensor Rear LH
 S24 Side Airbag Sensor Rear RH
 S25 Stereo Component Amplifier
 S26 Stereo Component Amplifier

V18 Vanity Light LH
 V19 Vanity Light RH
 W13 Woofer (Speaker)

Z 8 Option Connector (Microphone)
 Z 9 Option Connector (Trailer Towing)

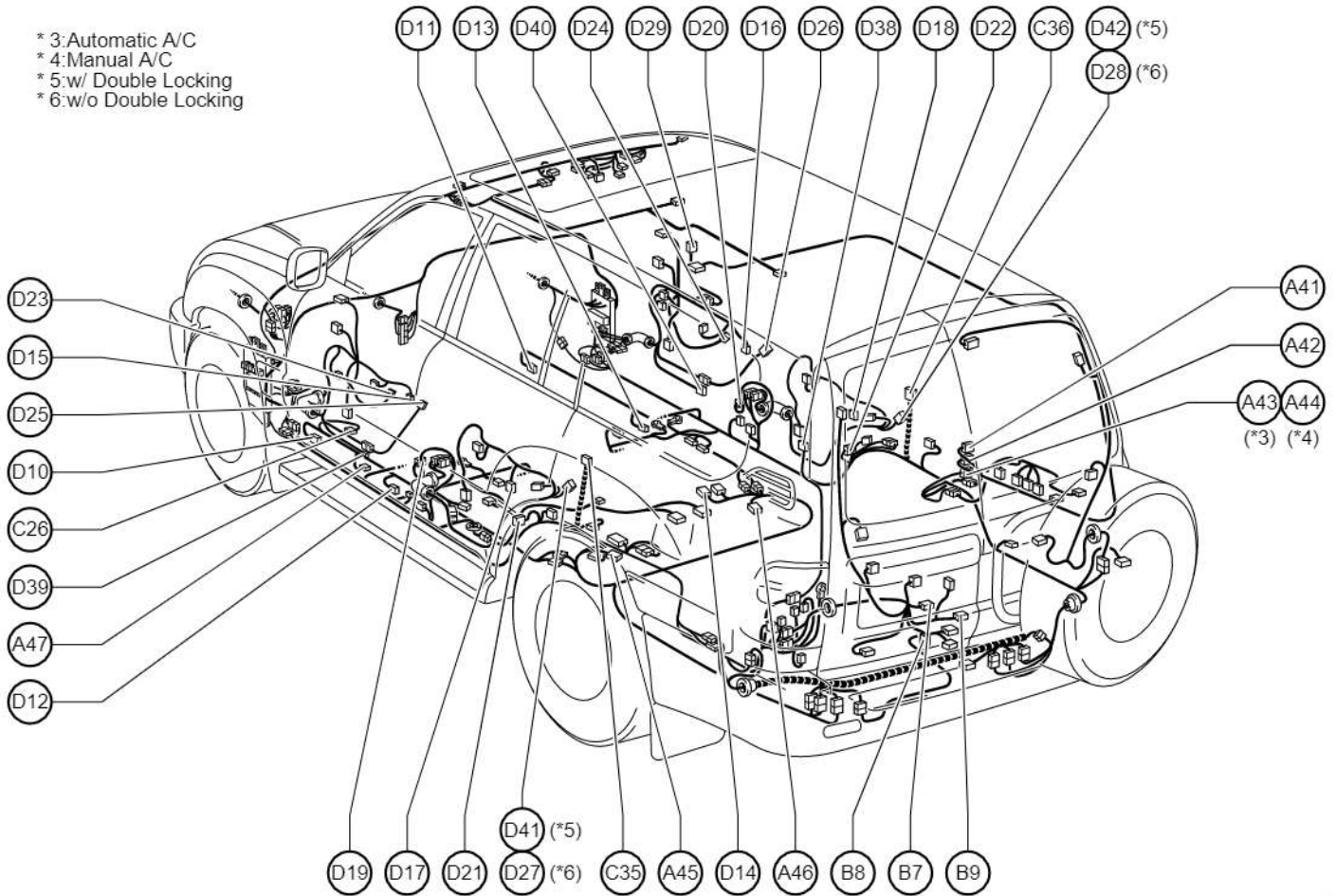
T17 Tire Carrier Courtesy SW
 T19 Tweeter LH
 T20 Tweeter RH
 T26 Theft Deterrent Siren
 T27 Television Camera
 T28 Television Camera ECU
 T29 Television Camera ECU

E ELECTRICAL WIRING ROUTING

Position of Parts in Body

[RHD : Swing Type]

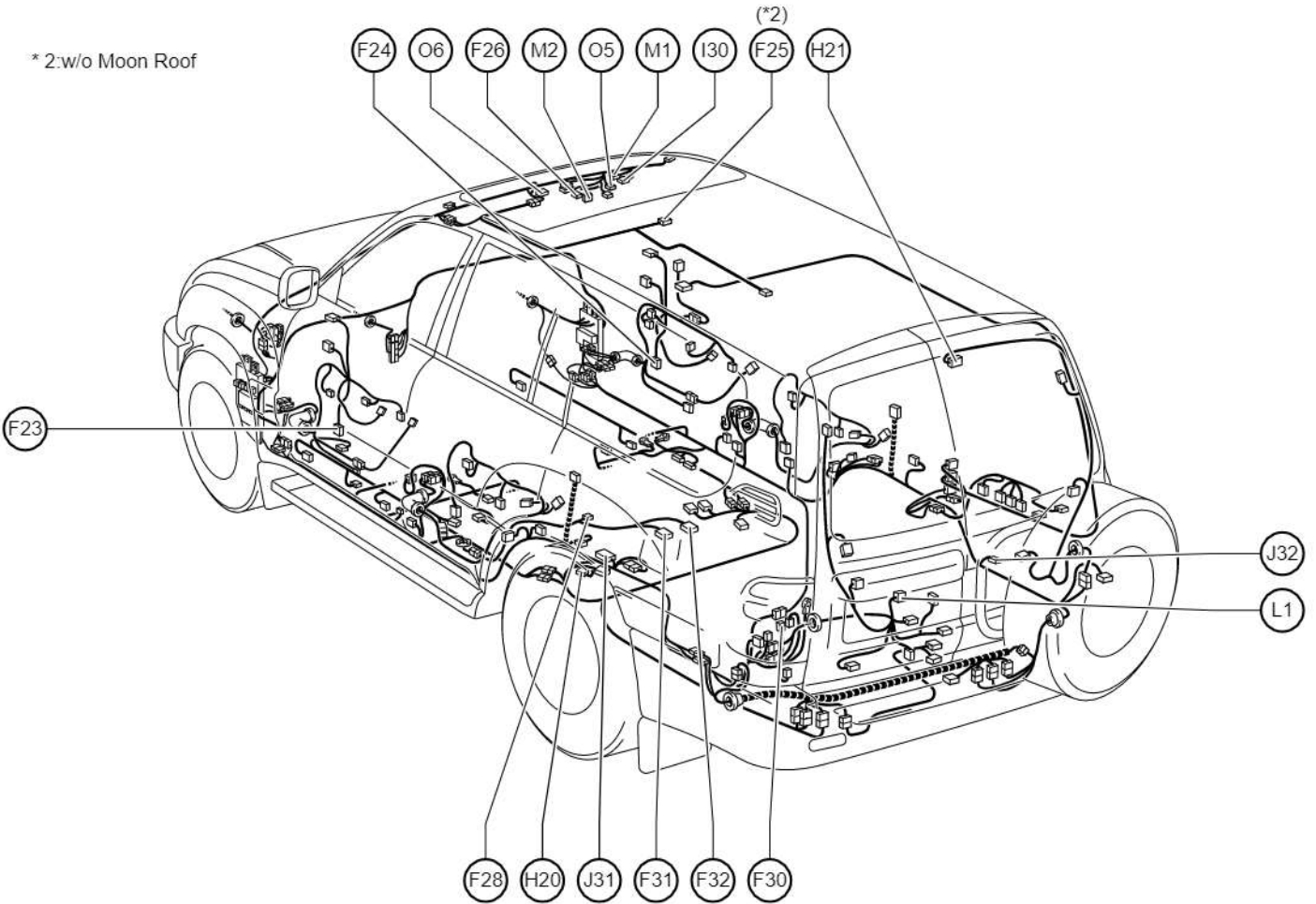
- * 3: Automatic A/C
- * 4: Manual A/C
- * 5:w/ Double Locking
- * 6:w/o Double Locking



- | | |
|---|------------------------------------|
| A41 A/C Amplifier | D22 Door Courtesy SW Rear RH |
| A42 A/C Amplifier | D23 Door Key Lock and Unlock SW LH |
| A43 A/C Amplifier | D24 Door Key Lock and Unlock SW RH |
| A44 A/C Amplifier | D25 Door Lock Motor Front LH |
| A45 ABS Speed Sensor Rear LH | Door Unlock Detection SW Front LH |
| A46 ABS Speed Sensor Rear RH | D26 Door Lock Motor Front RH |
| A47 Accumulator Solenoid | Door Unlock Detection SW Front RH |
| B 7 Back Door Courtesy SW | D27 Door Lock Motor Rear LH |
| B 8 Back Door Key Lock and Unlock SW | Door Unlock Detection SW Rear LH |
| B 9 Back Door Lock Motor and | D28 Door Lock Motor Rear RH |
| Back Door Unlock Detection SW | Door Unlock Detection SW Rear RH |
| C26 Control Valve Assembly | D29 Driving Position Memory SW |
| C35 Curtain Shield Airbag Squib LH | D38 Door Control Receiver |
| C36 Curtain Shield Airbag Squib RH | D39 Door Lock Motor Front LH |
| D10 Damping Force Control Actuator Front LH | Door Unlock Detection SW Front LH |
| D11 Damping Force Control Actuator Front RH | Double Lock Motor Front LH |
| D12 Damping Force Control Actuator Rear LH | Double Lock Position SW Front LH |
| D13 Damping Force Control Actuator Rear RH | D40 Door Lock Motor Front RH |
| D14 Detection SW (Rear Diff. Lock) | Door Unlock Detection SW Front RH |
| D15 Door Courtesy Light Front LH | Double Lock Motor Front RH |
| D16 Door Courtesy Light Front RH | Double Lock Position SW Front RH |
| D17 Door Courtesy Light Rear LH | D41 Door Lock Motor Rear LH |
| D18 Door Courtesy Light Rear RH | Door Unlock Detection SW Rear LH |
| D19 Door Courtesy SW Front LH | Double Lock Motor Rear LH |
| D20 Door Courtesy SW Front RH | Double Lock Position SW Rear LH |
| D21 Door Courtesy SW Rear LH | D42 Door Lock Motor Rear RH |
| | Door Unlock Detection SW Rear RH |
| | Double Lock Motor Rear RH |
| | Double Lock Position SW Rear RH |

Position of Parts in Body

[RHD : Swing Type]



F 23 Front Door Speaker LH

F 24 Front Door Speaker RH

F 25 Front Interior Light

F 26 Front Personal Light

F 28 Fuel Pump

Fuel Sender

F 30 Fuel Pump Select Relay

F 31 Fuel Solenoid Valve 1

F 32 Fuel Solenoid Valve 2

H 20 Height Control Sensor Rear

H 21 High Mounted Stop Light

I 30 Inner Mirror

J 31 Junction Connector

J 32 Junction Connector

L 1 License Plate Light

M 1 Moon Roof Control ECU

M 2 Moon Roof Control SW

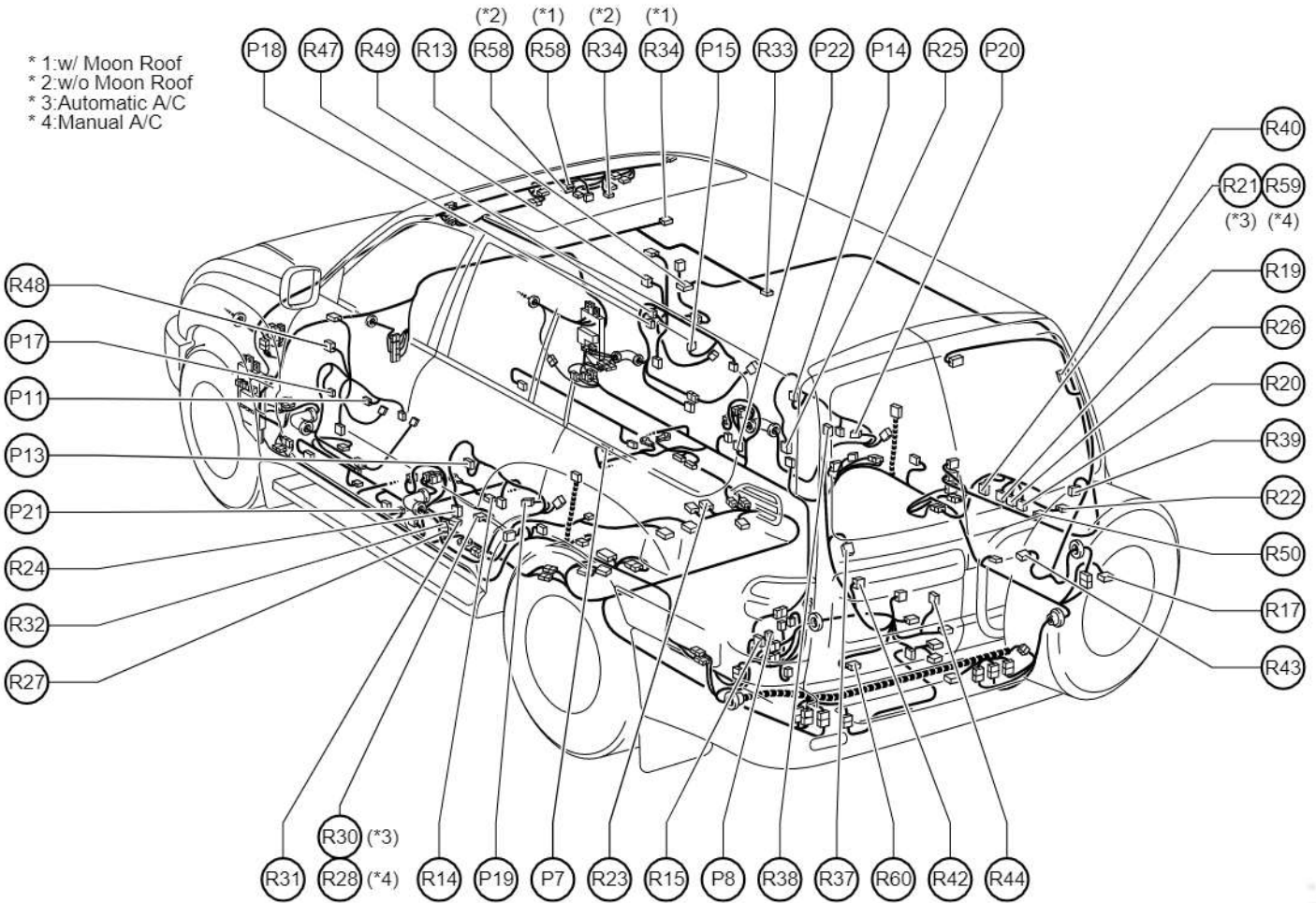
O 5 Overhead J/B

O 6 Overhead J/B

E ELECTRICAL WIRING ROUTING

Position of Parts in Body

[RHD : Swing Type]



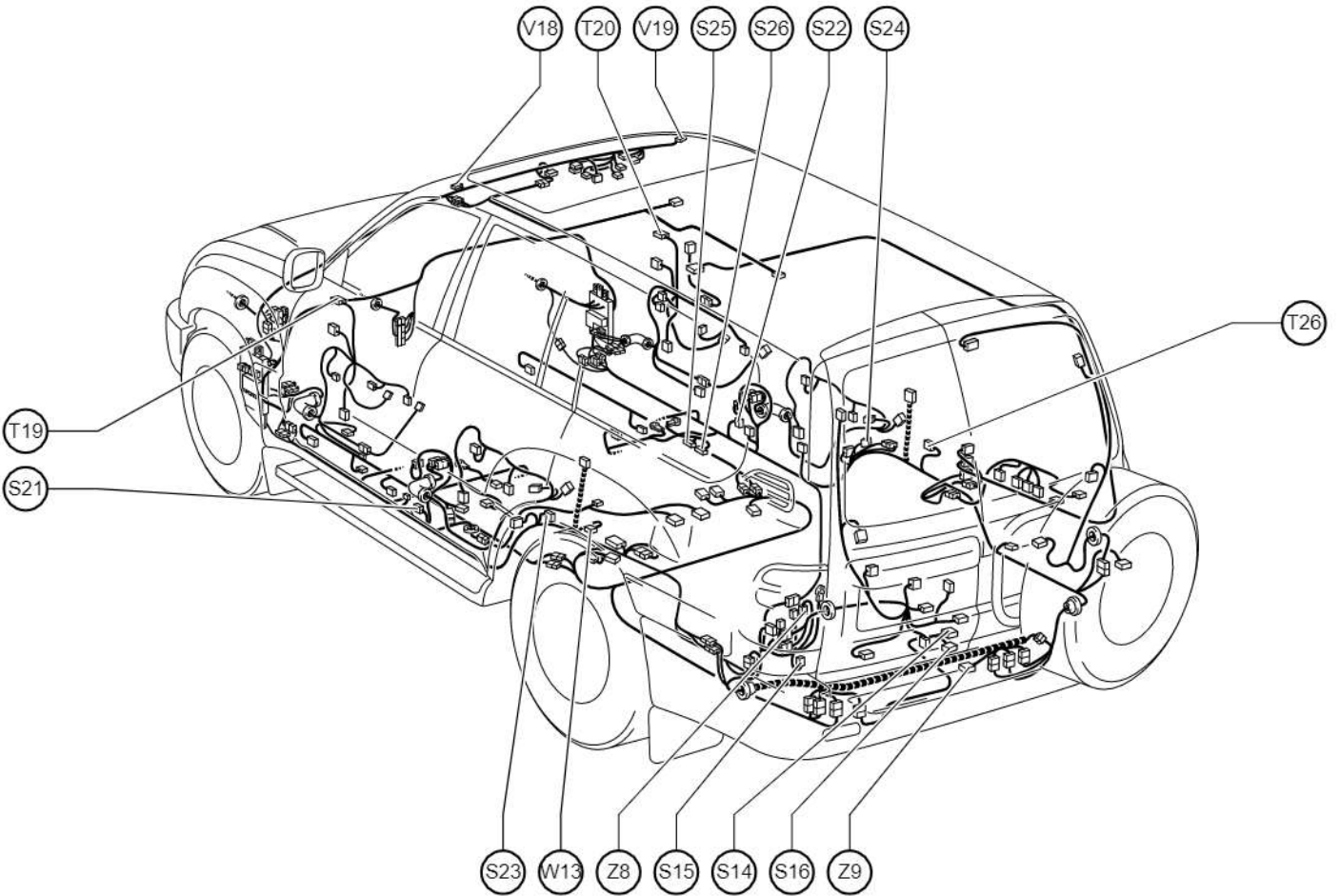
- P 7 Parking Brake SW
- P 8 Power Outlet (Luggage Compartment)
- P 11 Power Window Control SW Front LH
- P 13 Power Window Control SW Rear LH
- P 14 Power Window Control SW Rear RH
- P 15 Power Window Master SW
- P 17 Power Window Motor Front LH
- P 18 Power Window Motor Front RH
- P 19 Power Window Motor Rear LH
- P 20 Power Window Motor Rear RH
- P 21 Pretensioner LH
- P 22 Pretensioner RH

- R 13 Rear A/C Control SW
- R 14 Rear Air Mix Control Servo Motor
- R 15 Rear Combination Light LH
- R 17 Rear Combination Light RH
- R 19 Rear Cooler Blower Motor
- R 20 Rear Cooler Magnetic Valve
- R 21 Rear Cooler Power Transistor
- R 22 Rear Cooler Relay
- R 23 Rear Diff. Lock Motor
- R 24 Rear Door Speaker LH

- R 25 Rear Door Speaker RH
- R 26 Rear Evaporator Temp. Sensor
- R 27 Rear Heater Blower Motor
- R 28 Rear Heater Blower Resistor
- R 30 Rear Heater Power Transistor
- R 31 Rear Heater Relay
- R 32 Rear Inlet Air Temp. Sensor
- R 33 Rear Interior Light
- R 34 Rear Personal Light
- R 37 Rear Window Defogger LH
- R 38 Rear Window Defogger LH
- R 39 Rear Window Defogger RH
- R 40 Rear Window Defogger RH
- R 42 Rear Wiper Motor LH
- R 43 Rear Wiper Motor RH
- R 44 Rear Wiper Relay
- R 47 Remote Control Mirror ECU
- R 48 Remote Control Mirror LH
- R 49 Remote Control Mirror RH
- R 50 Room Temp. Sensor (Rear)
- R 58 Rain Sensor
- R 59 Rear Cooler Blower Resistor
- R 60 Rear Fog Light

Position of Parts in Body

[RHD : Swing Type]



S14 Sub Fuel Pump
 S15 Sub Fuel Pump Forcing Driving Relay
 S16 Sub Fuel Sender
 S21 Side Airbag Sensor Front LH
 S22 Side Airbag Sensor Front RH
 S23 Side Airbag Sensor Rear LH
 S24 Side Airbag Sensor Rear RH
 S25 Stereo Component Amplifier
 S26 Stereo Component Amplifier

T19 Tweeter LH
 T20 Tweeter RH
 T26 Theft Deterrent Siren

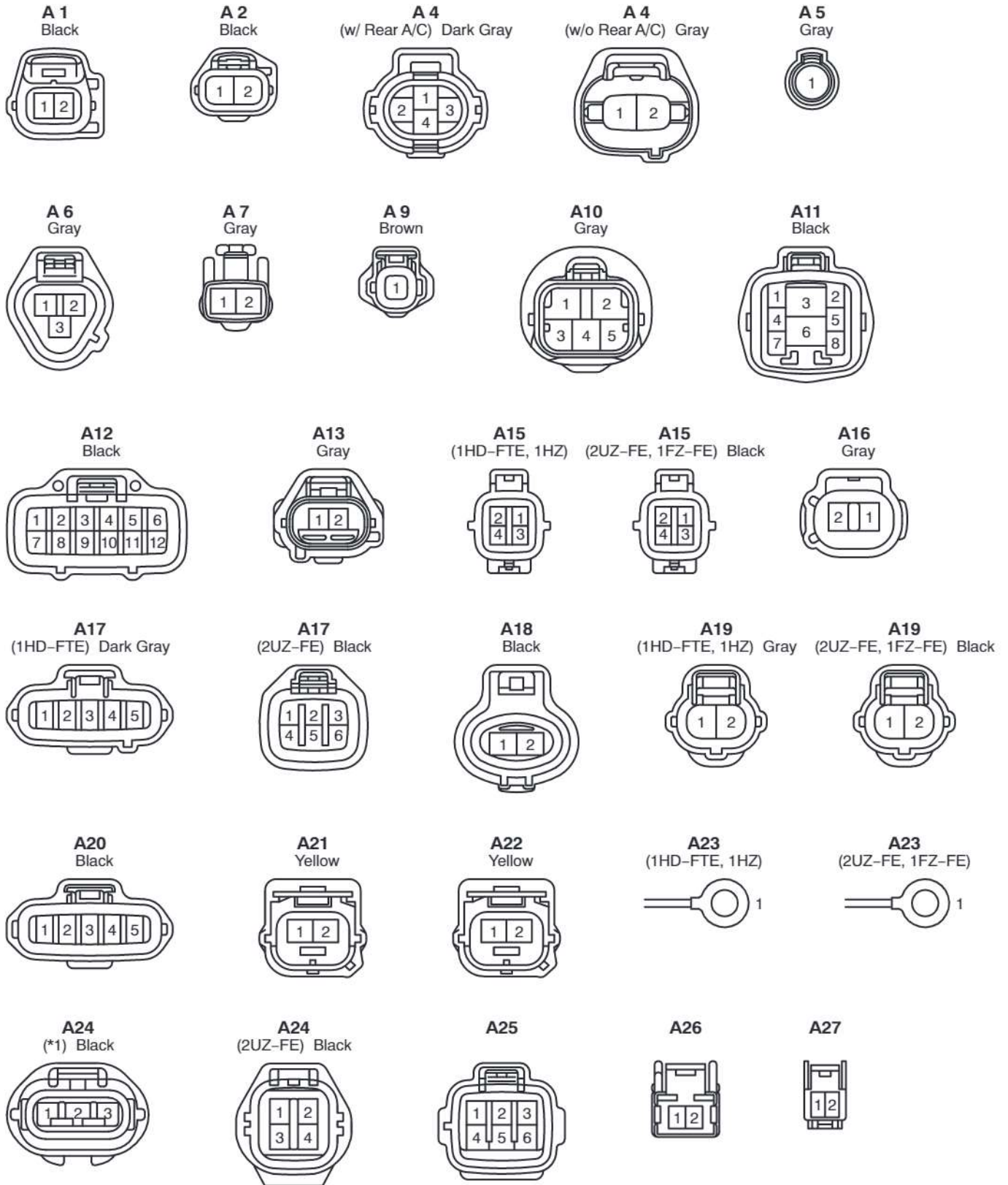
V18 Vanity Light LH
 V19 Vanity Light RH

W13 Woofer (Speaker)

Z 8 Option Connector (Microphone)
 Z 9 Option Connector (Trailer Towing)

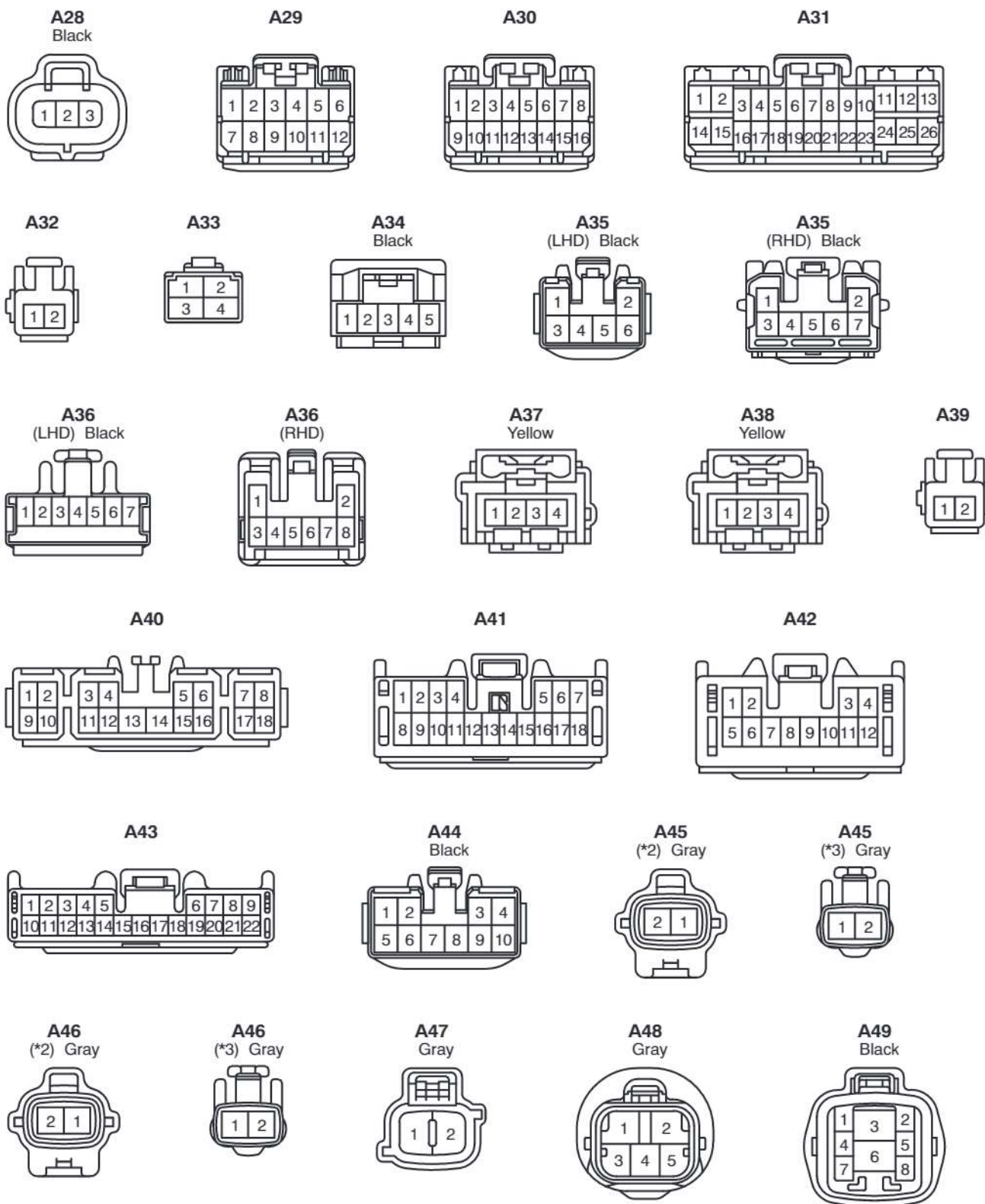
F CONNECTOR LIST

*1 : 1FZ-FE, 1HD-FTE, 1HZ



*2 : Independent Suspension

*3 : Rigid Axle Suspension

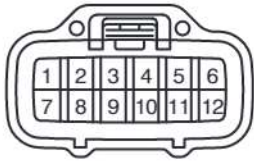


cardiagn.com

F CONNECTOR LIST

*4 : w/o Side Airbag

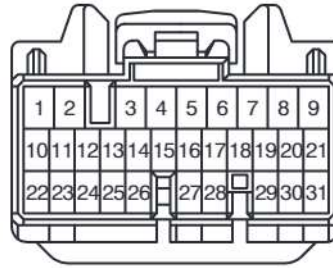
A50
Black



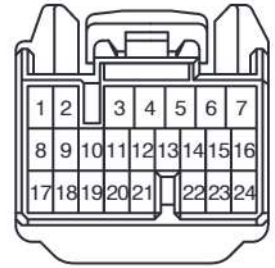
A51
Gray



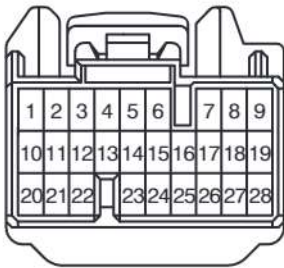
A52



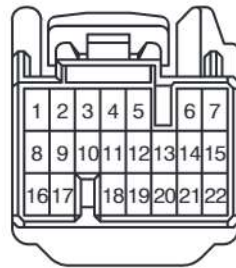
A53



A54



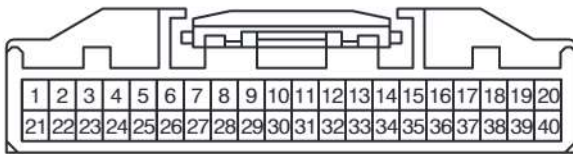
A55



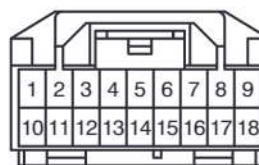
A56
Black



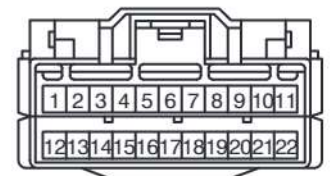
A57



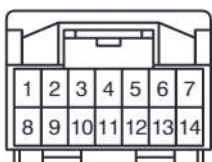
A58



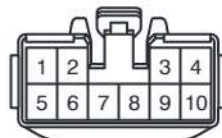
A59



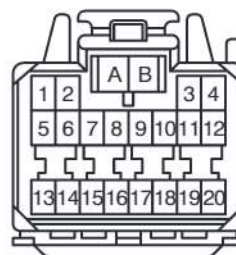
A60



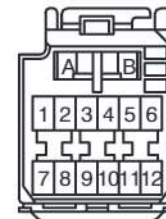
A61



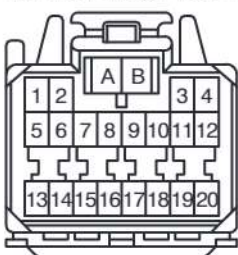
A62
(w/ Side Airbag) Yellow



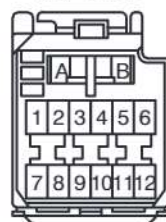
A62
(*4) Yellow



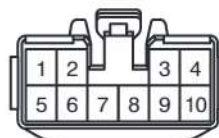
A63
(w/ Side Airbag) Yellow



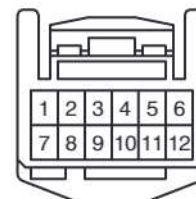
A63
(*4) Yellow



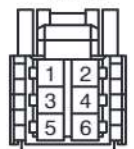
A64
Blue



A65



A66
Black



*5 : LHD, RHD Europe

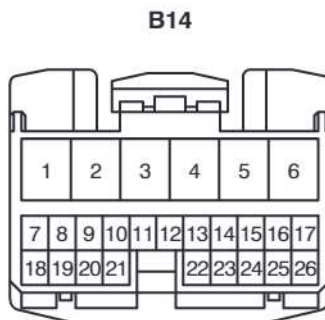
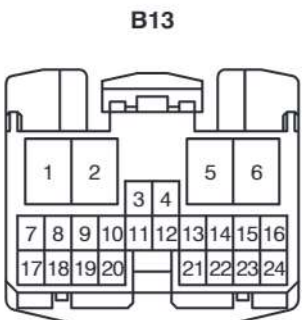
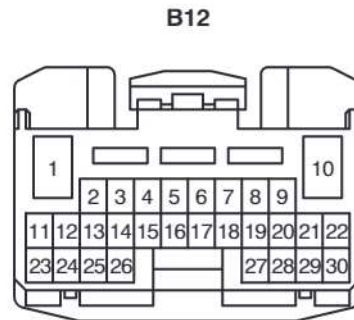
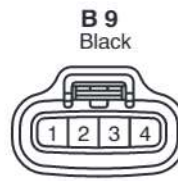
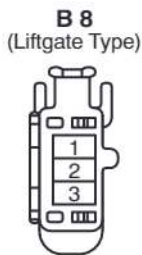
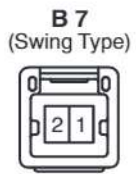
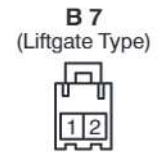
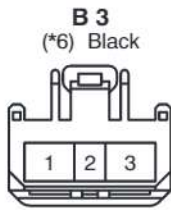
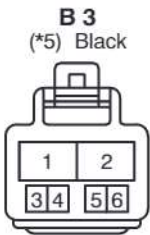
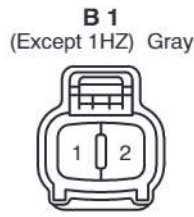
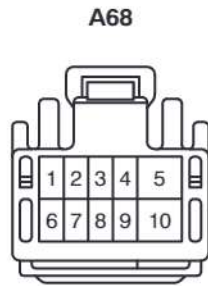
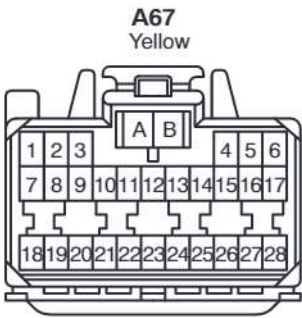
*8 : RHD w/ Seat Heater

*6 : RHD Except Europe

*9 : LHD w/ Seat Heater

*7 : LHD w/o Driving Position Memory, RHD w/o Seat Heater

*10 : LHD w/o Seat Heater, RHD w/o Driving Position Memory



cardiagn.com

F CONNECTOR LIST

*5 : LHD, RHD Europe
 *6 : RHD Except Europe

C 1
(1FZ-FE) Gray



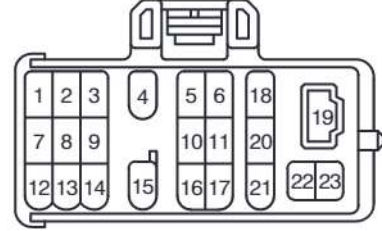
C 1
(2UZ-FE) Dark Gray



C 2
Black



C 3
Black



C 4
(1FZ-FE) Gray



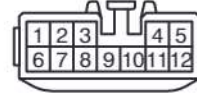
C 4
(1HD-FTE) Black



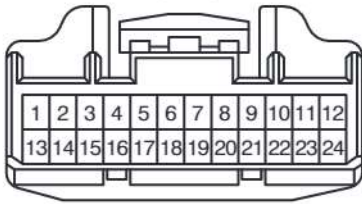
C 4
(2UZ-FE) Dark Gray



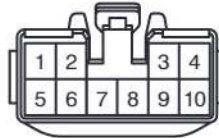
C 6
(LHD)



C 6
(RHD)



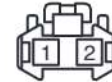
C 8



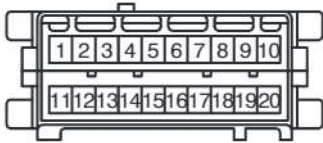
C13
Gray



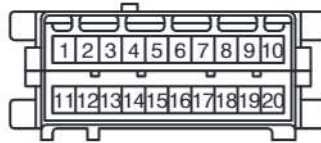
C14
Gray



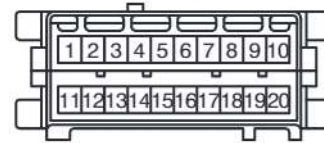
C15
Gray



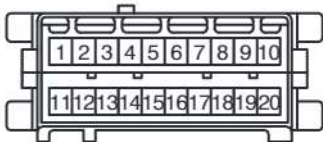
C16



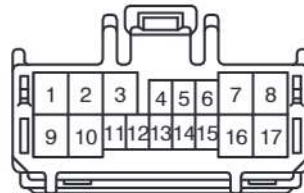
C17
Gray



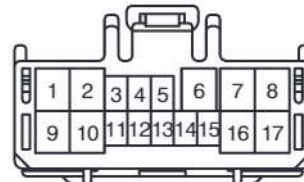
C18



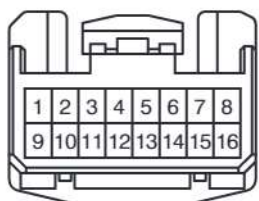
C19
(*5)



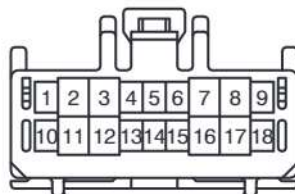
C19
(*6)



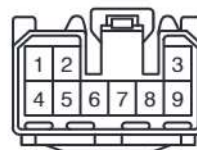
C20



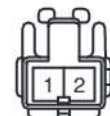
C22
Black



C23

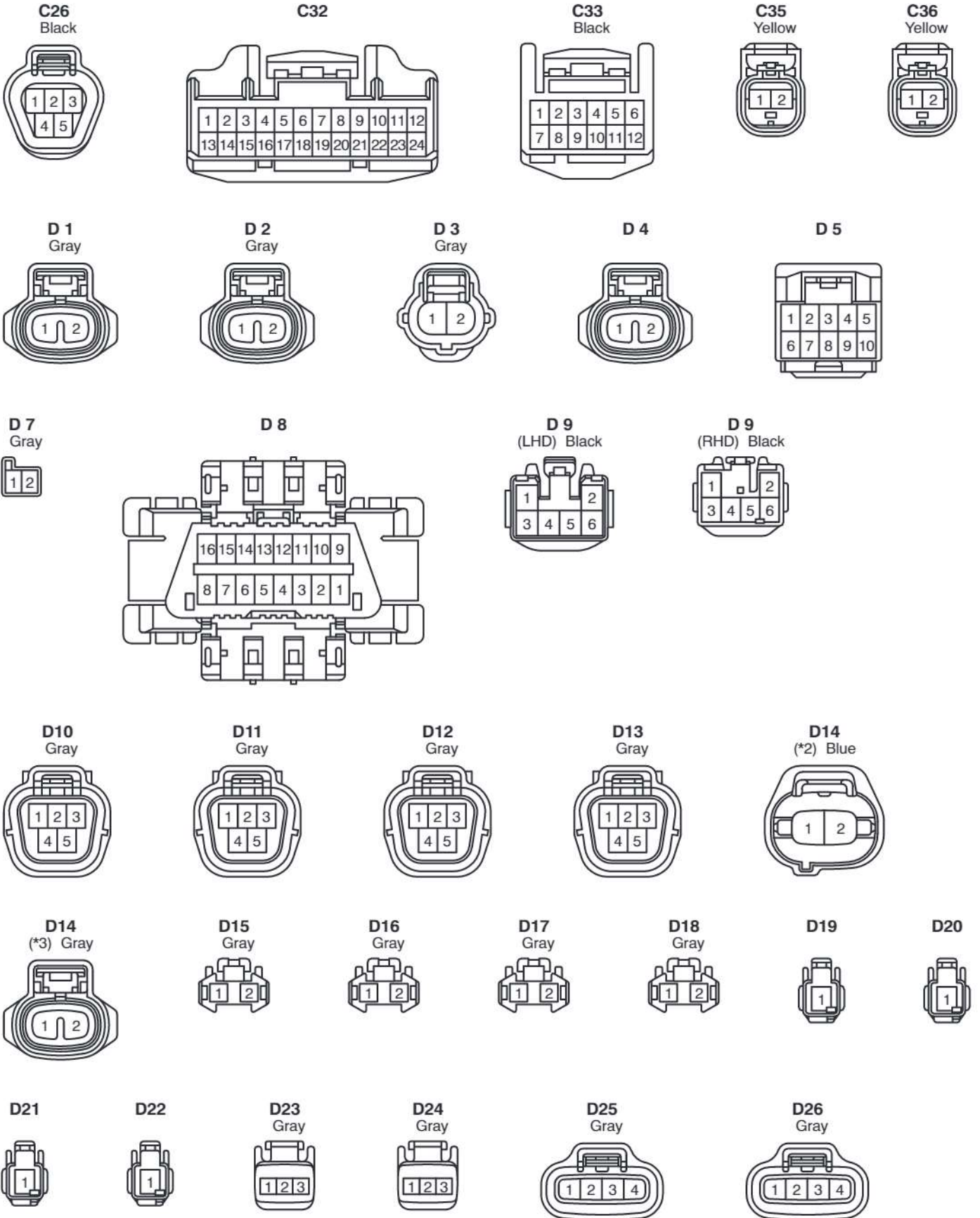


C24



*2 : Independent Suspension

*3 : Rigid Axle Suspension

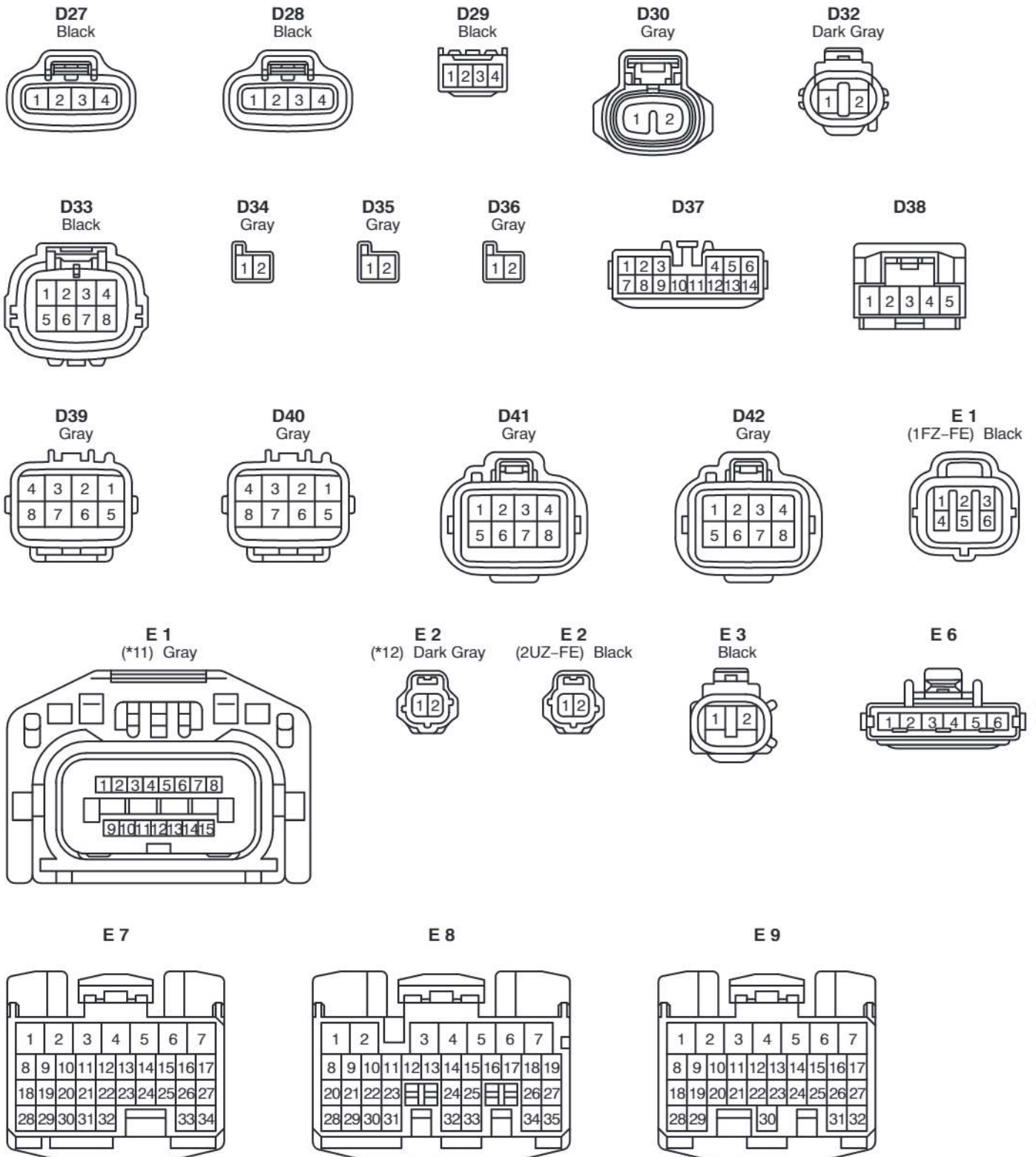


cardiagn.com

F CONNECTOR LIST

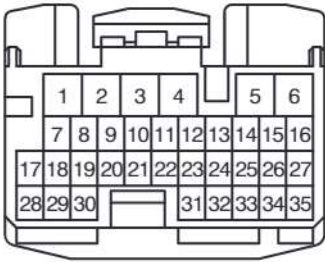
*11 : 2UZ-FE, 1HD-FTE

*12 : 1FZ-FE, 1HD-FTE

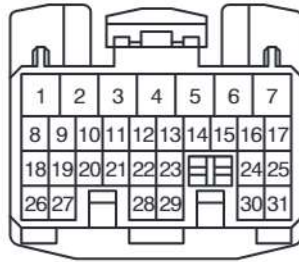


cardiagn.com

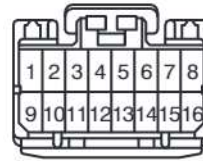
E10



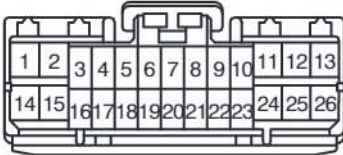
E11



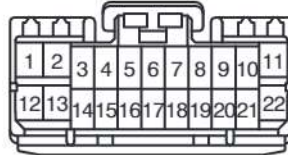
E12
Dark Gray



E13
Dark Gray



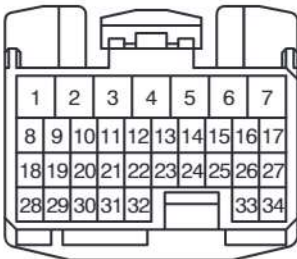
E14
Dark Gray



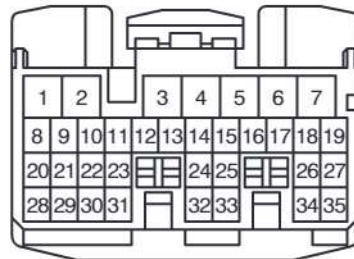
E15
Black



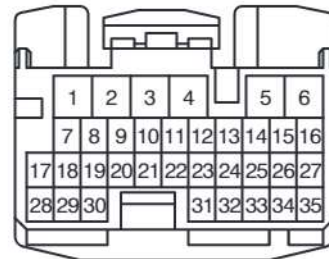
E16



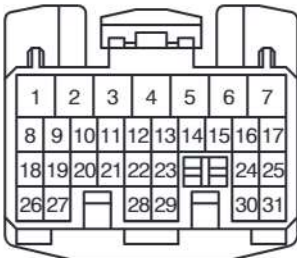
E17



E18



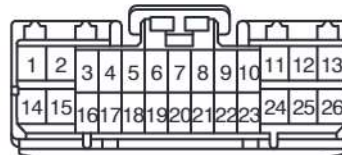
E19



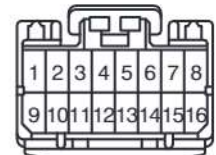
E20
Gray



E21



E22
Dark Gray



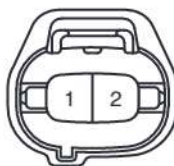
F1
Gray



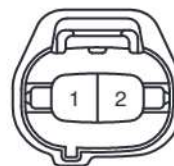
F2
Gray



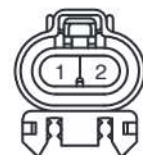
F3
Gray



F4
Gray

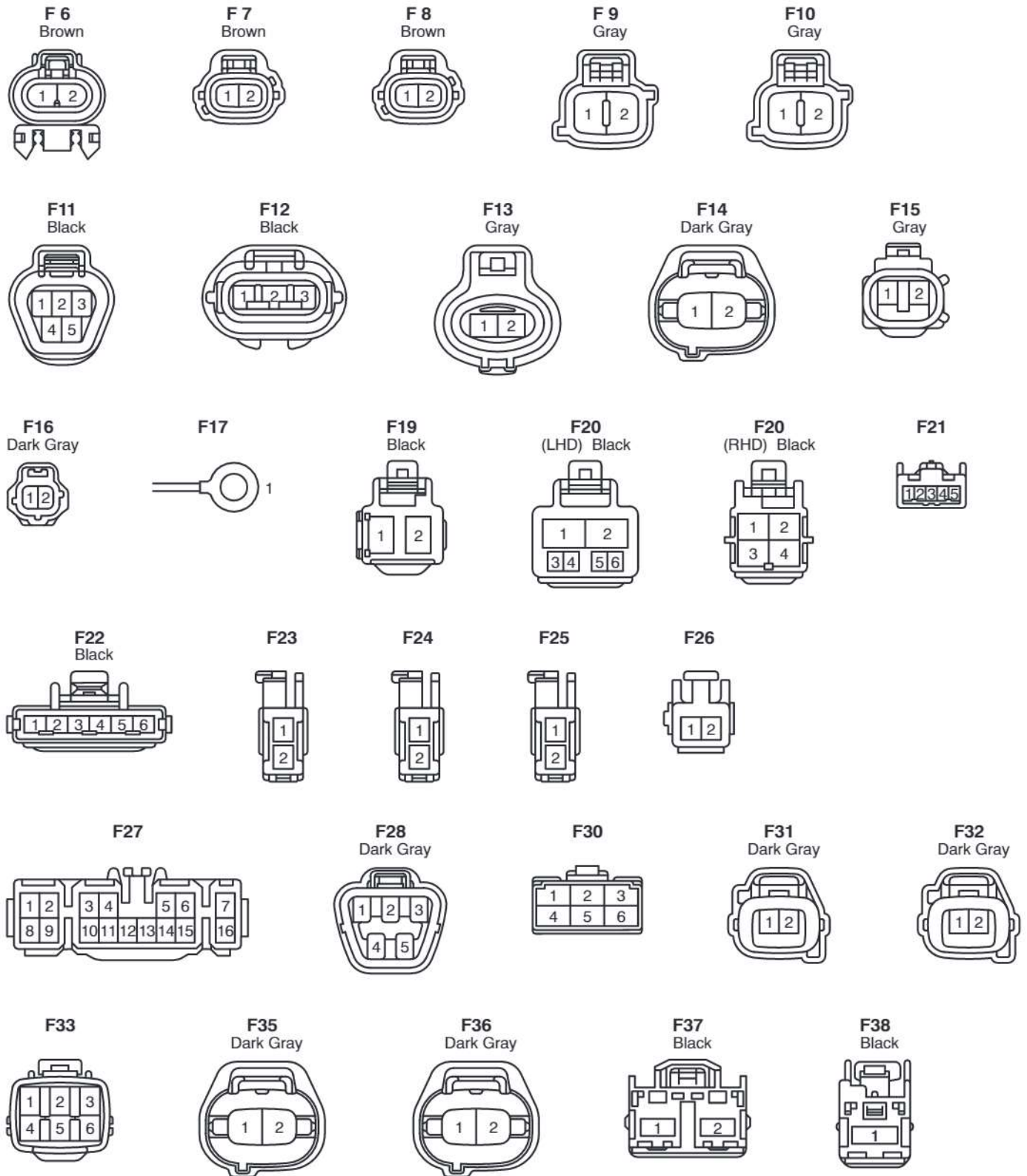


F5
Brown

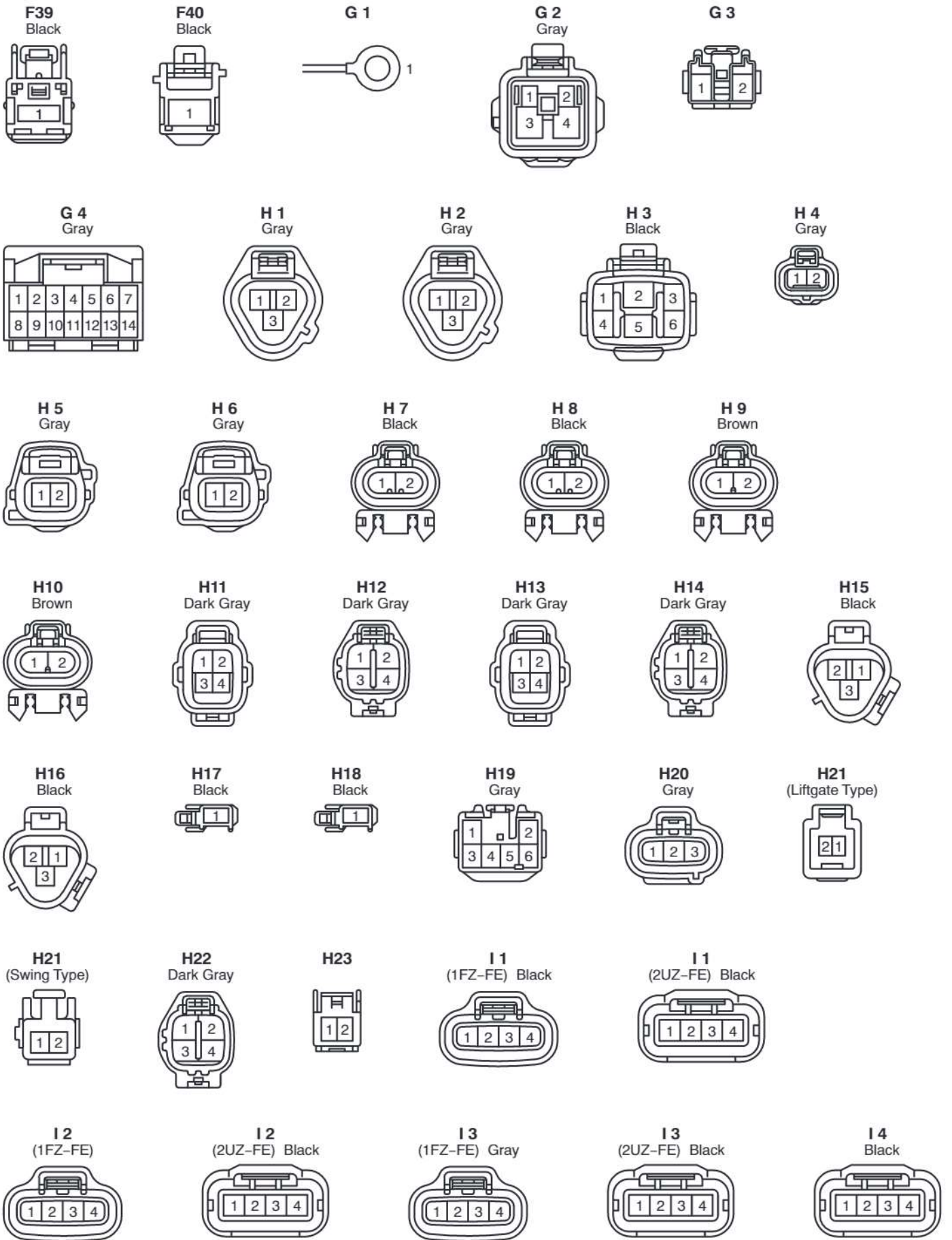


cardiagn.com

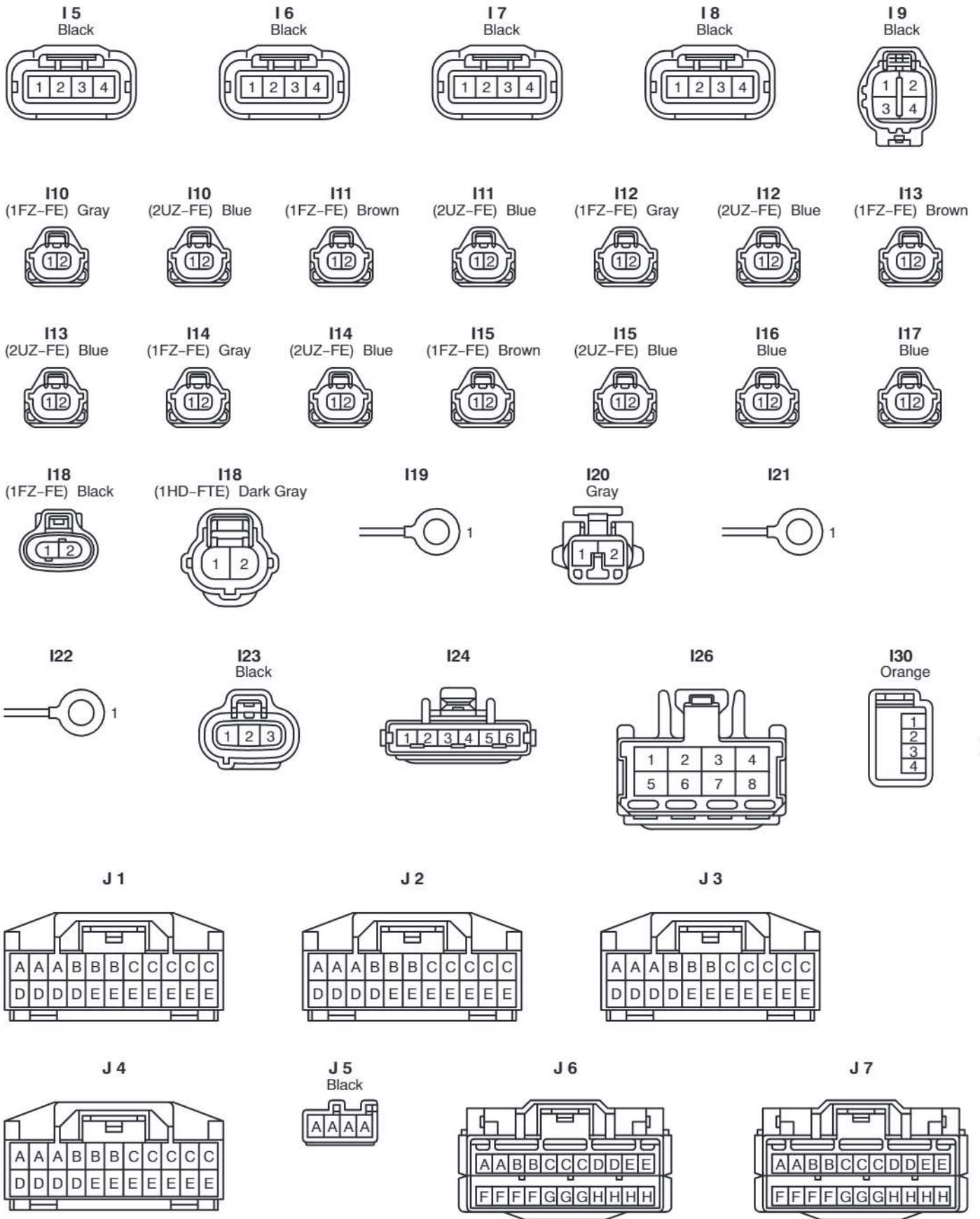
F CONNECTOR LIST



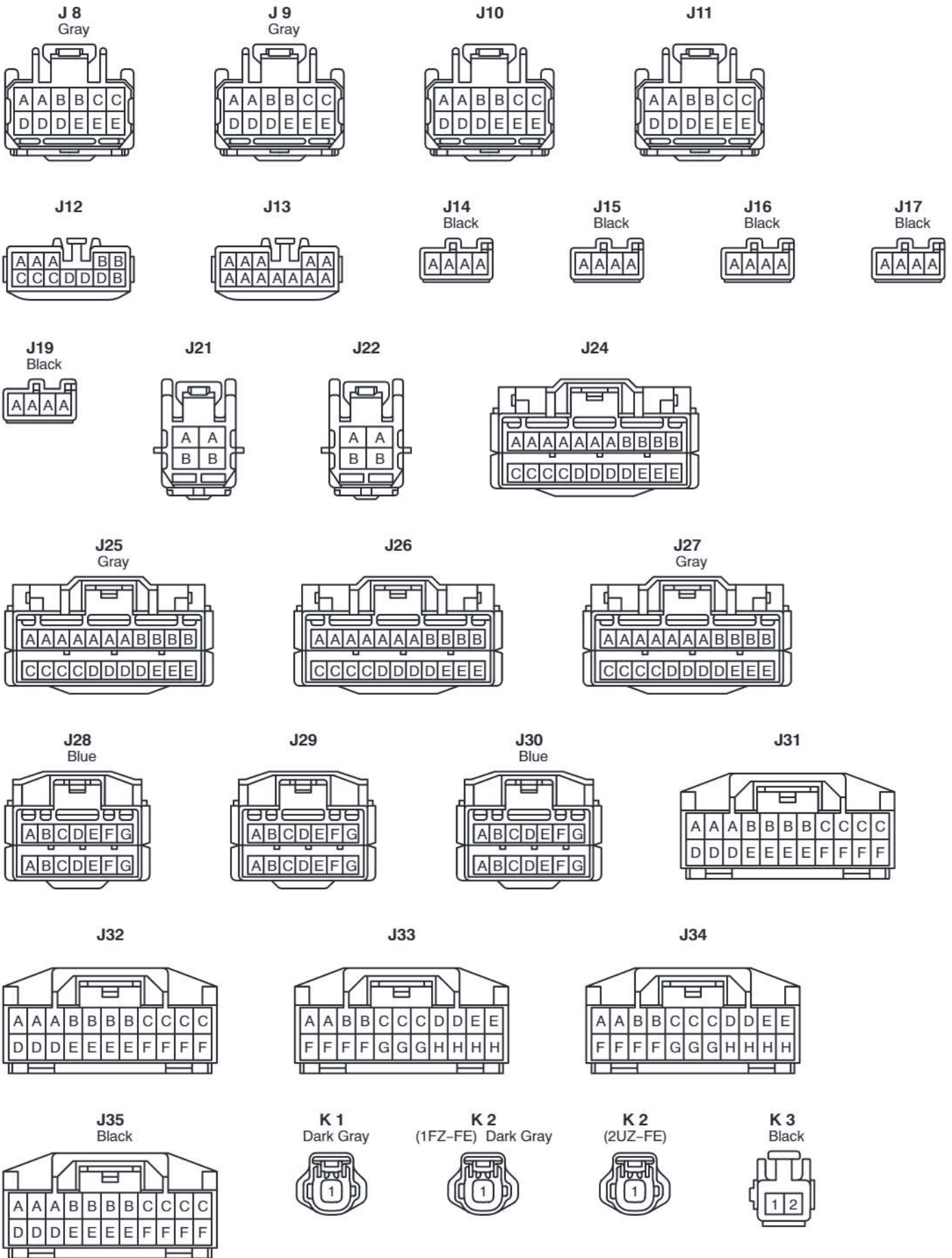
cardiagn.com



F CONNECTOR LIST



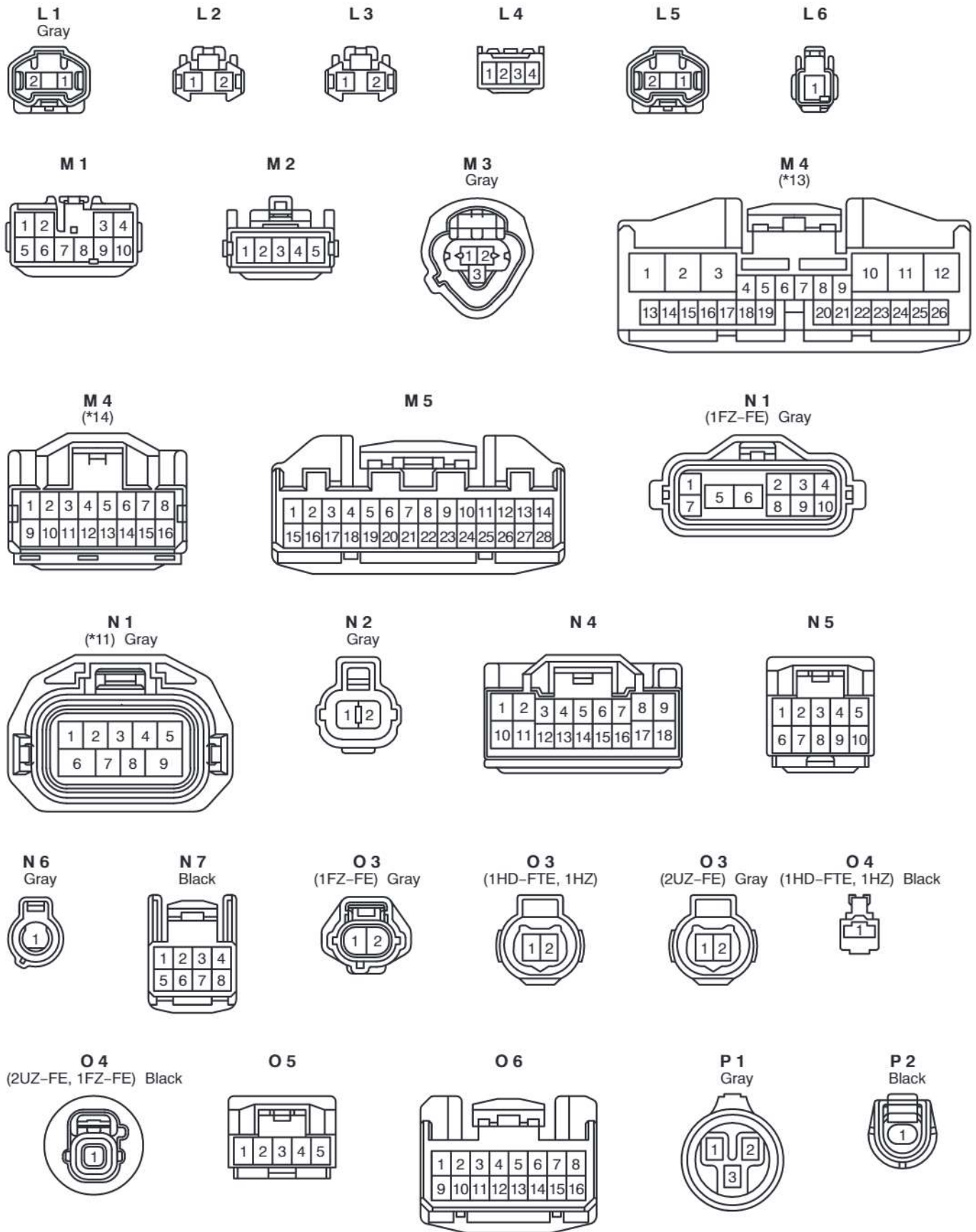
cardiagn.com



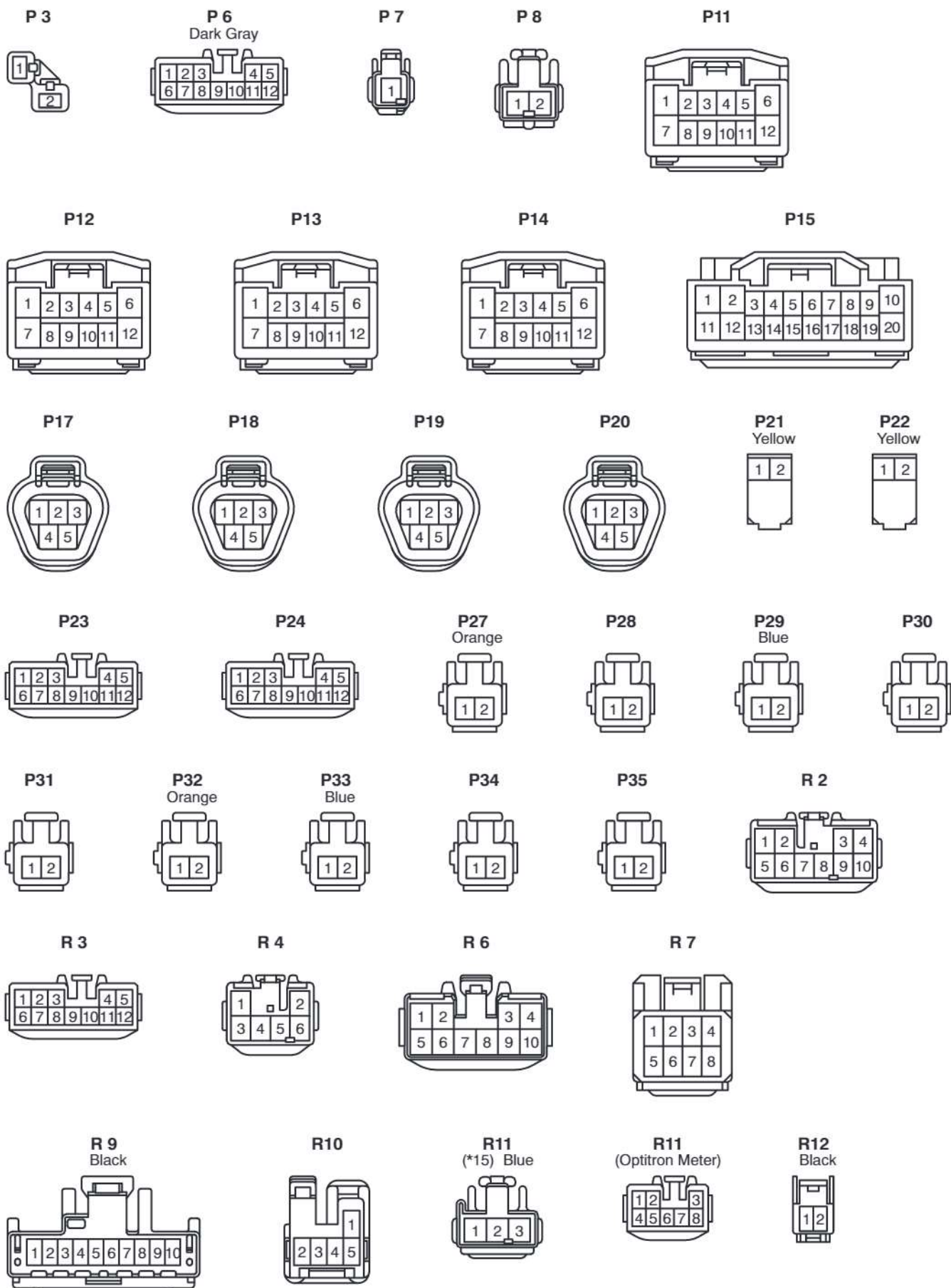
cardiagn.com

F CONNECTOR LIST

*11 : 2UZ-FE, 1HD-FTE
 *13 : w/ Navigation System
 *14 : w/o Navigation System



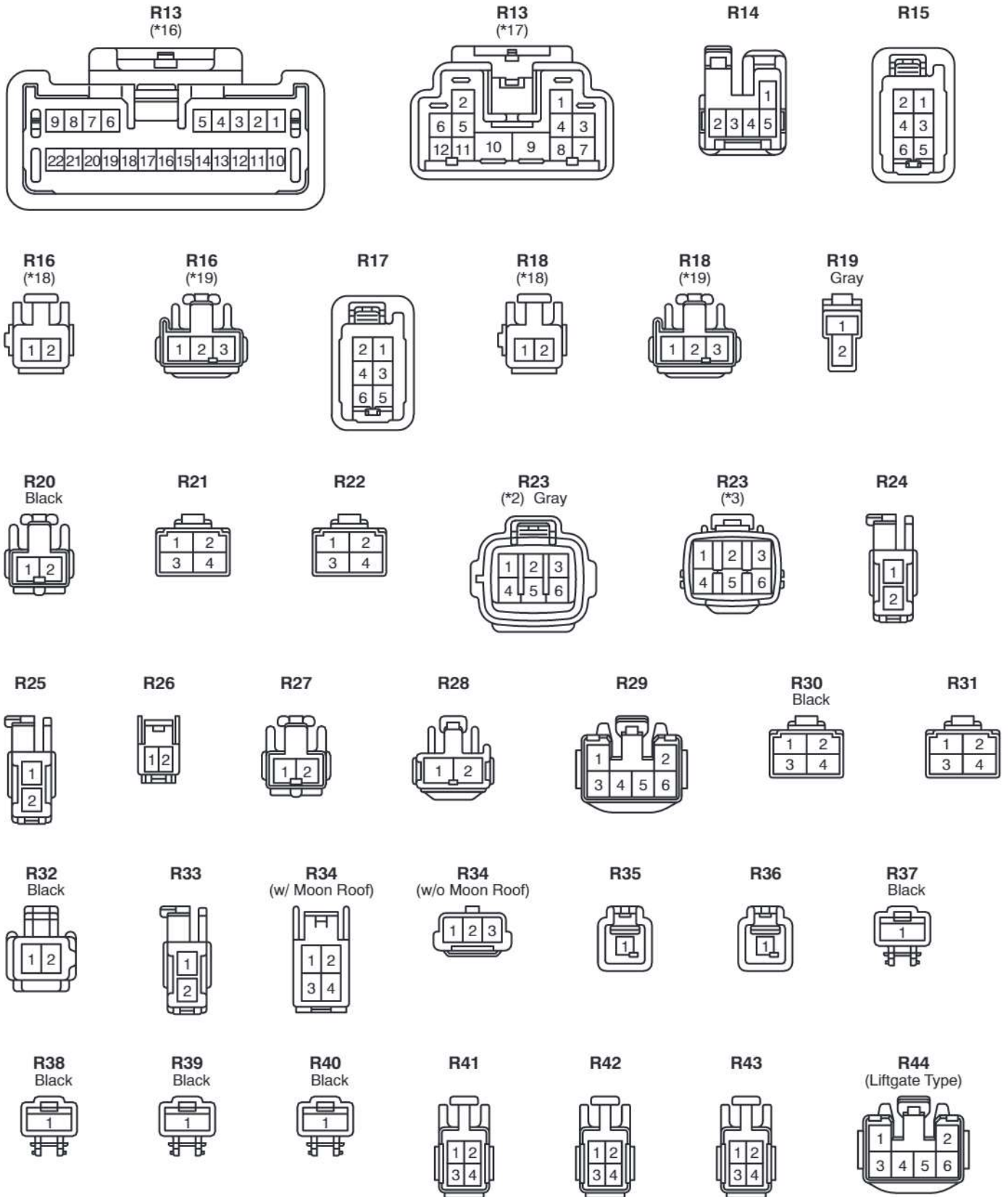
*15 : Except Optitron Meter



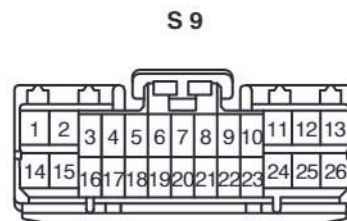
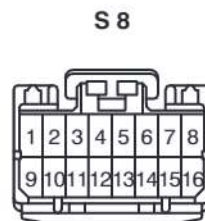
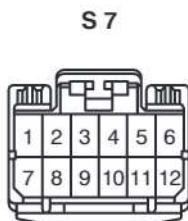
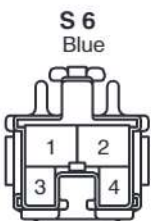
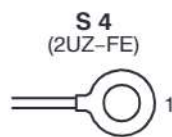
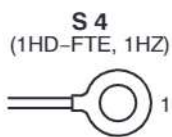
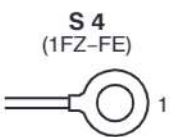
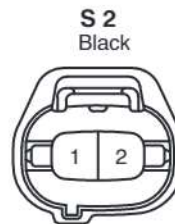
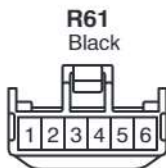
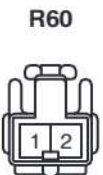
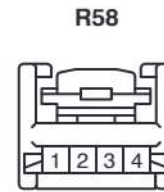
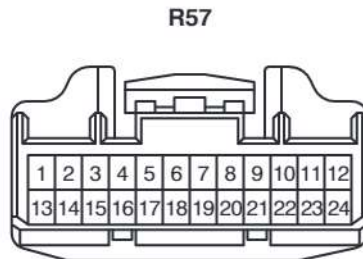
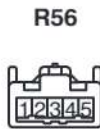
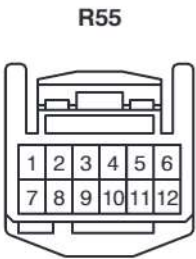
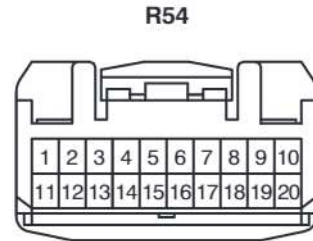
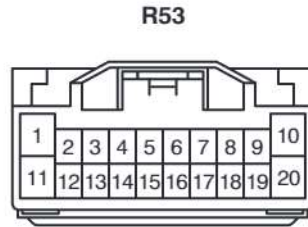
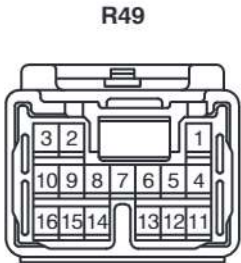
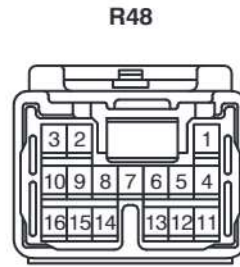
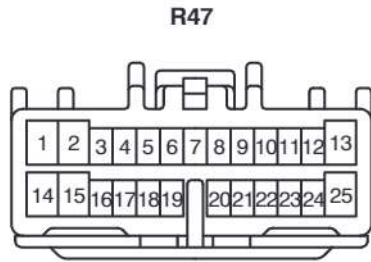
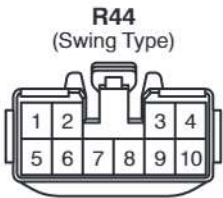
cardiagn.com

F CONNECTOR LIST

- *2 : Independent Suspension
- *3 : Rigid Axle Suspension
- *16 : Rear Automatic A/C
- *17 : Rear Manual A/C
- *18 : w/ Rear Fog Light
- *19 : w/o Rear Fog Light

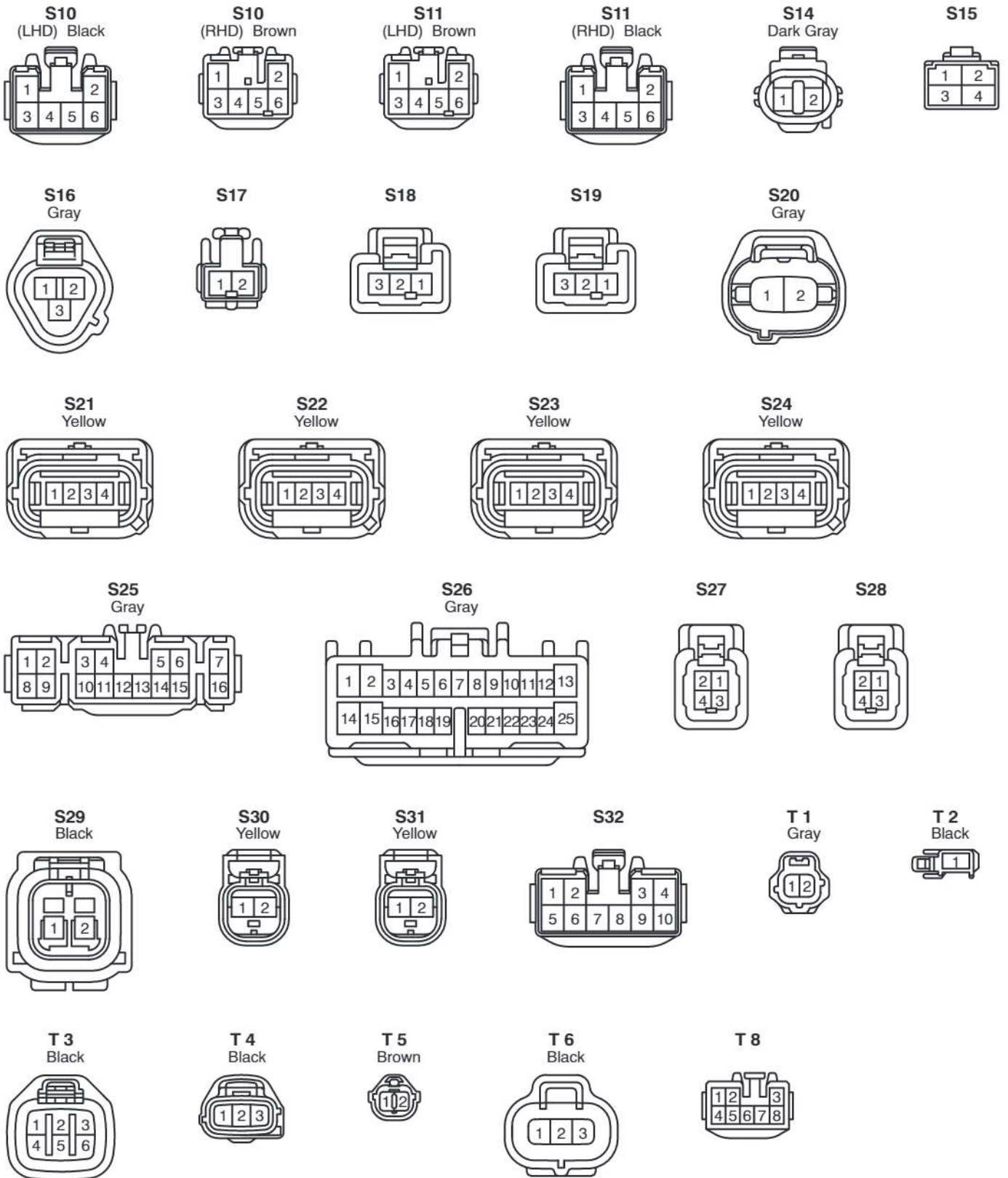


cardiagn.com



cardiagn.com

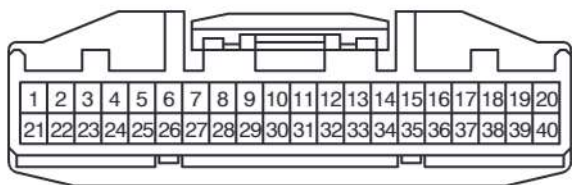
F CONNECTOR LIST



cardiagn.com

*20 : 2UZ-FE, 1FZ-FE, 1HD-FTE

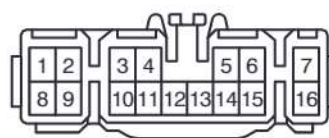
T 9



T11



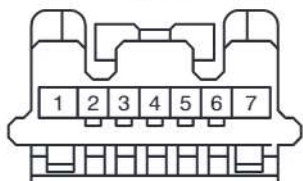
T12



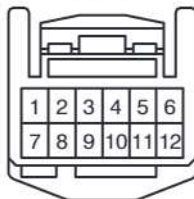
T13
Black



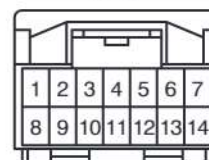
T14
Black



T15
(1HZ)



T15
(*20)



T16
Black



T17



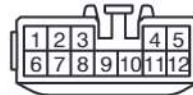
T19



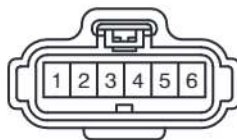
T20



T22



T23
Black



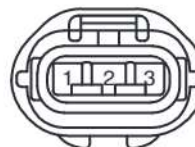
T24
Gray



T25
Black



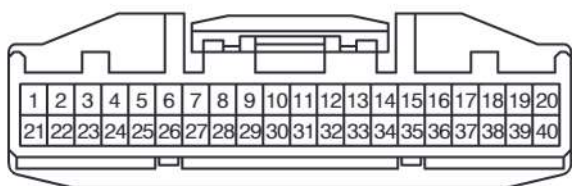
T26
Black



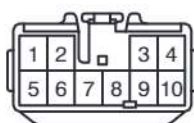
T27



T28



T29



U 1



V 1
Black



V 2
Gray



V 3
Black



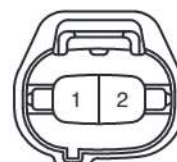
V 4
Gray



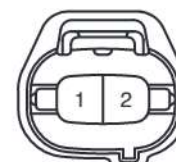
V 6
Black



V 7
Blue

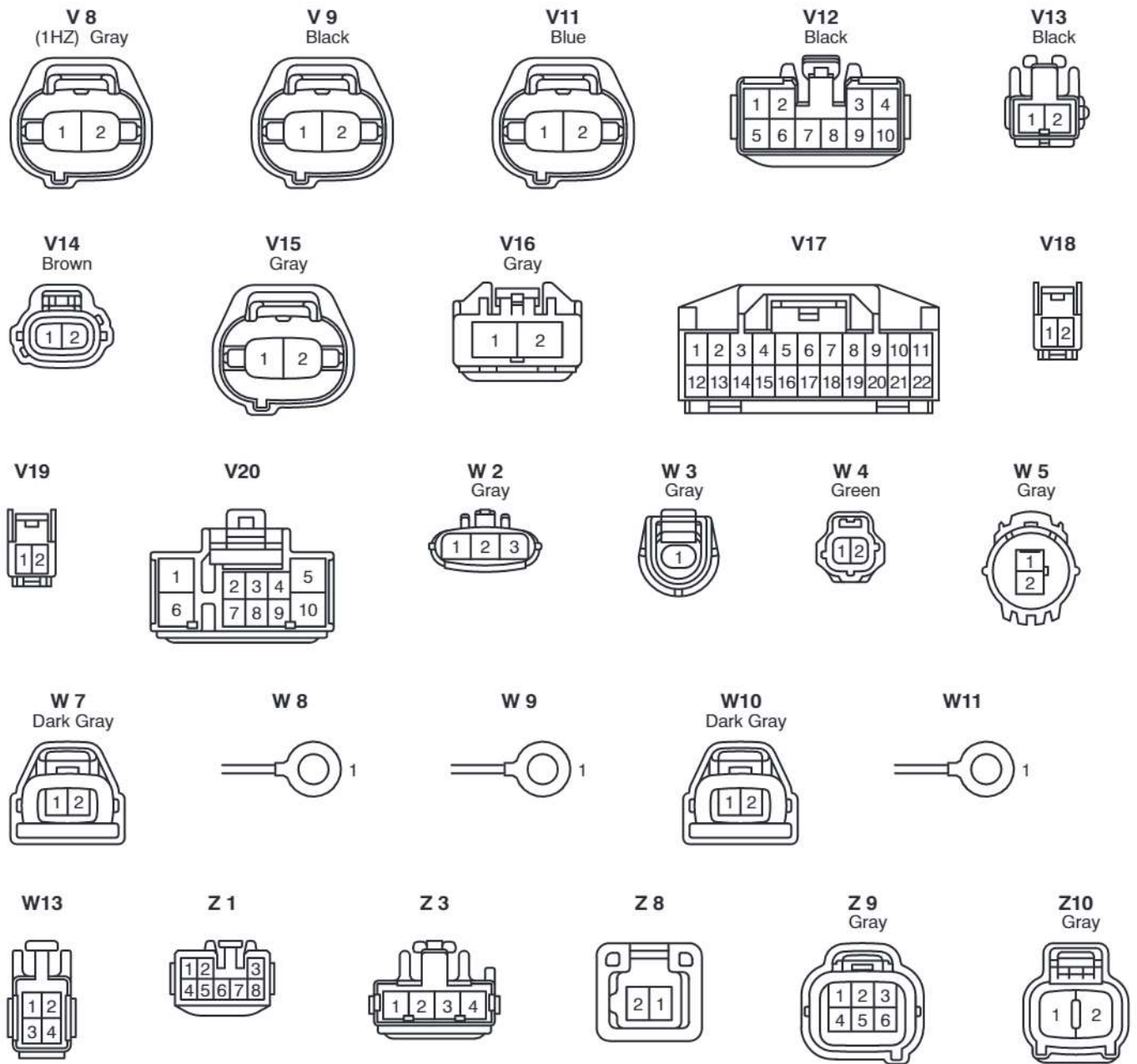


V 8
(1HD-FTE) Brown



cardiagn.com

F CONNECTOR LIST



cardiagn.com

G PART NUMBER OF CONNECTORS

Code	Part Name	Part Number	Code	Part Name	Part Number
A 1	A/C Ambient Temp. Sensor	90980-11070	A43	A/C Amplifier	90980-11502
A 2	A/C Condenser Fan Motor	90980-11237	A44	A/C Amplifier	90980-10801
A 4	Pressure SW (w/ Rear A/C)	90980-10943	A45	ABS Speed Sensor Rear LH (Independent Suspension)	90980-11073
	Pressure SW (w/o Rear A/C)	90980-11149		ABS Speed Sensor Rear LH (Rigid Axle Suspension)	90980-11075
A 5	A/C Magnetic Clutch	90980-11271	A46	ABS Speed Sensor Rear RH (Independent Suspension)	90980-11073
A 6	A/C Magnetic Clutch and Lock Sensor	90980-11016		ABS Speed Sensor Rear RH (Rigid Axle Suspension)	90980-11075
A 7	A/C Magnetic Valve	90980-11075	A47	Accumulator Solenoid	90980-11019
A 9	A/T Oil Temp. Sensor	90980-11243	A48	ABS & BA & TRC & VSC Actuator	90980-11413
A10	ABS Actuator	90980-11413	A49	ABS & BA & TRC & VSC Actuator	90980-10895
A11	ABS Actuator	90980-10895	A50	ABS & BA & TRC & VSC Actuator	90980-11151
A12	ABS Actuator	90980-11151	A51	ABS & BA & TRC & VSC Actuator	90980-11009
A13	ABS Actuator	90980-11009	A52	ABS & BA & TRC & VSC ECU	90980-11935
A15	ABS Speed Sensor Front LH	90980-10941	A53	ABS & BA & TRC & VSC ECU	90980-11476
A16	ABS Speed Sensor Front RH	90980-11002	A54	ABS & BA & TRC & VSC ECU	90980-11637
A17	Accel Position Sensor (1HD-FTE)	90980-11232	A55	ABS & BA & TRC & VSC ECU	90980-11638
	Accel Position Sensor (2UZ-FE)	90980-11144	A56	ADD Control Motor	90980-11024
A18	AHC Pump Motor	90980-10928	A57	A/C Control Assembly	90980-12170
A19	Air Cleaner Warning Sensor	90980-11025	A58	A/C Control Assembly	90980-11913
A20	Air Flow Meter	90980-11317	A59	A/C Control Assembly	90980-11927
A21	Airbag Sensor Front LH	90980-11856	A60	A/T Shift Lever Illumination	90980-11911
	Airbag Sensor Front RH		Shift Lock Control ECU		
A23	Alternator (1HD-FTE, 1HZ)	90980-09372	A61	ADD Control Relay	90980-10801
	Alternator (2UZ-FE, 1FZ-FE)	90980-09212	A62	Airbag Sensor Assembly (w/ Side Airbag)	82824-50150
A24	Alternator (1FZ-FE, 1HD-FTE, 1HZ)	90980-11349		Airbag Sensor Assembly (w/o Side Airbag)	90980-11871
	Alternator (2UZ-FE)	90980-11964	A63	Airbag Sensor Assembly (w/ Side Airbag)	82824-50160
A25	Auto Antenna Motor	90980-11194		Airbag Sensor Assembly (w/o Side Airbag)	90980-11873
A26	A/C Solar Sensor	90980-11919	A64	Auto Wiper ECU	90980-10801
A27	A/C Thermistor	90980-11918		Short Connector	
A28	ABS Deceleration Sensor	90980-10845	A65	Auto Wiper ECU	90980-12183
A29	ABS ECU	90980-11424	A66	Automatic Light Control Sensor	90980-12056
A30	ABS ECU	90980-11391	A67	Airbag Sensor Assembly	90980-11872
A31	ABS ECU	90980-11390	A68	A/T Shift Lever Illumination	90980-11614
A32	Accelerator Pedal SW	90980-10825		O/D Main SW	
A33	AHC Main Relay	90980-10171		Shift Lock Control ECU	
A34	Air Inlet Control Servo Motor	90980-11909	B 1	Back-Up Light SW (Except 1HZ)	90980-11051
A35	Air Mix Control Servo Motor (LHD)	90980-10797		Back-Up Light SW (1HZ)	90980-11250
	Air Mix Control Servo Motor (RHD)	90980-11529	B 2	Brake Fluid Level Warning SW	90980-11207
A36	Air Vent Mode Control Servo Motor (LHD)	90980-11165	B 3	Blower Motor Controller (LHD, RHD Europe)	90980-10910
	Air Vent Mode Control Servo Motor (RHD)	90980-11321		Blower Motor Controller (RHD Except Europe)	90980-11667
A37	Airbag Squib (Front Passenger Airbag Assembly)	90980-12160	B 4	Blower HI Relay	90980-10713
A38	Airbag Squib (Steering Wheel Pad)				
A39	Ashtray Illumination	90980-10825			
A40	Auto Antenna Control Relay	90980-10819			
A41	A/C Amplifier	90980-11497			
A42	A/C Amplifier	90980-11475			

Note: Not all of the above part numbers of the connector are established for the supply.

Code	Part Name	Part Number	Code	Part Name	Part Number
B 5	Blower LO Relay	90980-10171	D 3	Detection SW (Transfer Neutral Position)	90980-11025
B 6	Blower ME Relay		D 4	Diesel Engine Revolution Sensor	90980-11250
B 7	Back Door Courtesy SW (Liftgate Type)	90980-10039	D 5	Damping Mode Select SW and Height Control SW	90980-11923
	Back Door Courtesy SW (Swing Type)	90980-11367	D 7	Diode (Front Fog No.1)	90980-10637
B 8	Back Door Key Lock and Unlock SW (Liftgate Type)	90980-11490	D 8	DLC3	90980-11665
	Back Door Key Lock and Unlock SW (Swing Type)	90980-11169	D 9	Door Lock Control SW (LHD)	90980-10797
B 9	Back Door Lock Motor and Back Door Unlock Detection SW	90980-11150		Door Lock Control SW (RHD)	90980-10996
B10	Buckle SW LH	90980-11169	D10	Damping Force Control Actuator Front LH	90980-11960
B11	Buckle SW RH		D11	Damping Force Control Actuator Front RH	
B12	Body ECU		90980-12151	D12	
B13	Body ECU	90980-12149	D13	Damping Force Control Actuator Rear RH	
B14	Body ECU	90980-12150	D14	Detection SW (Rear Diff. Lock) (Independent Suspension)	90980-11156
B15	Buckle SW LH	90980-11599		Detection SW (Rear Diff. Lock) (Rigid Axle Suspension)	90980-11250
	Seat Position Sensor		D15	Door Courtesy Light Front LH	90980-11148
B16	Buckle SW RH		D16	Door Courtesy Light Front RH	
	Seat Position Sensor		D17	Door Courtesy Light Rear LH	
C 1	Camshaft Position Sensor		90980-10947	D18	
C 2	Center Diff. Lock Control Motor	90980-11024	D19	Door Courtesy SW Front LH	
C 3	Check Connector	90980-11195	D20	Door Courtesy SW Front RH	
C 4	Crankshaft Position Sensor (1FZ-FE)	90980-11016	D21	Door Courtesy SW Rear LH	
	Crankshaft Position Sensor (1HD-FTE)	90980-11162	D22	Door Courtesy SW Rear RH	
	Crankshaft Position Sensor (2UZ-FE)		D23	Door Key Lock and Unlock SW LH	90980-11170
C 6	CD Automatic Changer (LHD)	90980-10803	D24	Door Key Lock and Unlock SW RH	90980-11150
	CD Automatic Changer (RHD)	90980-12200	D25	Door Lock Motor Front LH	
C 8	Center Diff. Lock Control Relay	90980-10801		Door Unlock Detection SW Front LH	
C13	Cigarette Lighter	90980-10760	D26	Door Lock Motor Front RH	
C14	Cigarette Lighter Illumination	90980-11148		Door Unlock Detection SW Front RH	
C15	Combination Meter	82824-60060	D27	Door Lock Motor Rear LH	
C16	Combination Meter	82824-60050		Door Unlock Detection SW Rear LH	
C17	Combination Meter	82824-60060	D28	Door Lock Motor Rear RH	
C18	Combination Meter	82824-60050		Door Unlock Detection SW Rear RH	
C19	Combination SW (LHD, RHD Europe)	90980-11672	D29	Driving Position Memory SW	90980-10601
	Combination SW (RHD Except Europe)	90980-11671	D30	Detection SW (Front Diff. Lock)	90980-11250
C20	Combination SW	90980-12155	D32	Diesel Throttle Position SW	90980-11038
C22	Combination SW	90980-11594	D33	Deceleration Sensor	90980-12080
C23	Cooler Box	90980-11535	D34	Diode (Front Fog No.2)	90980-10637
C24	Cruise Control Clutch SW	90980-10906		Diode (Viscous Heater1)	
C26	Control Valve Assembly	90980-11599	D36	Diode (Viscous Heater2)	
C32	Center Cluster Integration Panel	90980-12200	D37	Double Lock Control Relay	90980-10807
C33	Combination SW	90980-12183	D38	Door Control Receiver	90980-11909
C35	Curtain Shield Airbag Squib LH	90980-11864			
C36	Curtain Shield Airbag Squib RH				
D 1	Detection SW (Center Diff. Lock)	90980-11250			
D 2	Detection SW (Transfer L Position)				

G PART NUMBER OF CONNECTORS

Code	Part Name	Part Number	Code	Part Name	Part Number	
D39	Door Lock Motor Front LH	90980-10890	E19	Engine and ECT ECU	90980-12142	
	Door Unlock Detection SW Front LH			Engine ECU		
	Double Lock Motor Front LH		E20	Engine and ECT ECU	90980-11129	
	Double Lock Position SW Front LH			Engine ECU		
D40	Door Lock Motor Front RH		E21	Emission Control ECU	90980-11390	
	Door Unlock Detection SW Front RH		E22	Emission Control ECU	90980-11391	
	Double Lock Motor Front RH		F 1	First Position SW	90980-10923	
	Double Lock Position SW Front RH		F 2	Fluid Pressure Sensor	90980-11451	
D41	Door Lock Motor Rear LH		90980-10891	F 3	Front Clearance Light LH	90980-11156
	Door Unlock Detection SW Rear LH			F 4	Front Clearance Light RH	
	Double Lock Motor Rear LH			F 5	Front Fog Light LH	90980-11660
	Double Lock Position SW Rear LH			F 6	Front Fog Light RH	
D42	Door Lock Motor Rear RH			F 7	Front Side Turn Signal Light LH	90980-11162
	Door Unlock Detection SW Rear RH			F 8	Front Side Turn Signal Light RH	
	Double Lock Motor Rear RH			F 9	Front Turn Signal Light LH	90980-11019
	Double Lock Position SW Rear RH			F10	Front Turn Signal Light RH	
E 1	ECT Solenoid (1FZ-FE)	90980-10854		F11	Front Wiper Motor	90980-11599
	ECT Solenoid (2UZ-FE, 1HD-FTE)	90980-12293		F12	Fuel Cut Valve Controller	90980-11349
E 2	EFI Water Temp. Sensor (1FZ-FE, 1HD-FTE)	90980-10737		F13	Fuel Heater SW	90980-10928
	EFI Water Temp. Sensor (2UZ-FE)	90980-10736		F14	Fuel Pump Resistor	90980-11156
E 3	Engine Hood Courtesy SW	90980-11003		F15	Fuel Sediment SW	90980-11003
E 6	ECT Pattern Select SW	90980-10933		F16	Fuel Temp. Sensor	90980-10737
E 7	Engine and ECT ECU	90980-12144		F17	Fusible Link Block	82675-60050
	Engine ECU			F19	Front Blower Motor	90980-10903
E 8	Engine and ECT ECU	90980-12145	F20	Front Blower Resistor (LHD)	90980-10910	
	Engine ECU			Front Blower Resistor (RHD)	90980-11136	
E 9	Engine and ECT ECU	90980-12143	F21	Front/Rear Diff. Lock Control SW	90980-10631	
	Engine ECU		F22	Fuel Tank Changeover SW	90980-10933	
E10	Engine and ECT ECU	90980-12146	F23	Front Door Speaker LH	90980-10935	
	Engine ECU		F24	Front Door Speaker RH		
E11	Engine and ECT ECU	90980-12142	F25	Front Interior Light		
	Engine ECU		F26	Front Personal Light	90980-10825	
E12	Engine and ECT ECU	90980-11391	F27	Front/Rear Diff. Lock Control ECU	90980-10848	
	Engine ECU		F28	Fuel Pump	90980-11077	
E13	Engine and ECT ECU	90980-11390		Fuel Sender		
	Engine ECU		F30	Fuel Pump Select Relay	90980-10173	
E14	Engine and ECT ECU	90980-11392	F31	Fuel Solenoid Valve 1	90980-10901	
	Engine ECU		F32	Fuel Solenoid Valve 2		
E15	EDU	90980-11024	F33	Front Diff. Lock Motor	90980-11290	
E16	Engine and ECT ECU	90980-12144	F35	Fuel Pump Resistor LH	90980-11156	
	Engine ECU		F36	Fuel Pump Resistor RH		
E17	Engine and ECT ECU	90980-12145	F37	Fusible Link Block	90980-11996	
	Engine ECU		F38	Fusible Link Block	90980-11881	
E18	Engine and ECT ECU	90980-12146	F39	Fusible Link Block	90980-11775	
	Engine ECU		F40	Fusible Link Block	90980-10995	

Note: Not all of the above part numbers of the connector are established for the supply.

Code	Part Name	Part Number	Code	Part Name	Part Number	
G 1	Glow Plug	99141-13004	I16	Injector No.7	90980-11153	
G 2	Glow Plug Relay	90980-11569	I17	Injector No.8		
G 3	Glove Box Light	90980-11098	I18	Intake Air Temp. Sensor (1FZ-FE)	90980-11163	
G 4	Gateway ECU	90980-11911		Intake Air Temp. Sensor (1HD-FTE)	90980-11025	
H 1	Headlight Beam Level Control Actuator LH	90980-11016	I19	Intake Heater	99141-14006	
H 2	Headlight Beam Level Control Actuator RH					
H 3	Headlight Cleaner Control Relay	90980-10939	I20	Intake Heater Relay	90980-11248	
H 4	Headlight Cleaner Motor	90980-11410	I21	Intake Heater Relay	99141-14006	
H 5	Headlight Control ECU LH	90980-11255	I22	Intake Heater Relay		
H 6	Headlight Control ECU RH					
H 7	Headlight LH (High)	90980-11659	I23	ISC Valve	90980-11145	
H 8	Headlight RH (High)					
H 9	Headlight LH (Low)	90980-11660	I24	Idle-Up SW	90980-10933	
H10	Headlight RH (Low)					
H11	Heated Oxygen Sensor (Bank 1 Sensor 1)	90980-10869	I26	Ignition SW	90980-11615	
H12	Heated Oxygen Sensor (Bank 1 Sensor 2)	90980-11028	I30	Inner Mirror	90980-11186	
H13	Heated Oxygen Sensor (Bank 2 Sensor 1)	90980-10869	J 1	Junction Connector	90980-11915	
H14	Heated Oxygen Sensor (Bank 2 Sensor 2)	90980-11028	J 2	Junction Connector		
H15	Height Control Sensor Front LH	90980-11015	J 3	Junction Connector		
H16	Height Control Sensor Front RH					
H17	Horn LH	90980-10619	J 4	Junction Connector	90980-11398	
H18	Horn RH					
H19	Headlight Beam Level Control SW	90980-10996	J 5	Junction Connector	90980-11927	
H20	Height Control Sensor Rear	90980-11143	J 6	Junction Connector		
H21	High Mounted Stop Light (Liftgate Type)	90980-11211	J 7	Junction Connector	90980-11661	
	High Mounted Stop Light (Swing Type)	90980-10825	J 8	Junction Connector		
H22	Heated Oxygen Sensor	90980-11028	J 9	Junction Connector	90980-11661	
H23	Headlight Cleaner SW	90980-12063	J10	Junction Connector		
I 1	Ignition Coil and Igniter No.1 (1FZ-FE)	90980-11150	J11	Junction Connector	90980-10803	
	Ignition Coil and Igniter No.1 (2UZ-FE)	90980-11885	J12	Junction Connector		
I 2	Ignition Coil and Igniter No.2 (1FZ-FE)	90980-11150	J13	Junction Connector	90980-11398	
	Ignition Coil and Igniter No.2 (2UZ-FE)	90980-11885	J14	Junction Connector		
I 3	Ignition Coil and Igniter No.3 (1FZ-FE)	90980-11150	J15	Junction Connector	90980-11398	
	Ignition Coil and Igniter No.3 (2UZ-FE)	90980-11885	J16	Junction Connector		
I 4	Ignition Coil and Igniter No.4	90980-11885	J17	Junction Connector	90980-11742	
I 5	Ignition Coil and Igniter No.5					
I 6	Ignition Coil and Igniter No.6					
I 7	Ignition Coil and Igniter No.7					
I 8	Ignition Coil and Igniter No.8					
I 9	Injection Pump		90980-11028	J19	Junction Connector	
I10	Injector No.1		90980-11153	J21	Junction Connector	90980-11927
I11	Injector No.2					
I12	Injector No.3					
I13	Injector No.4					
I14	Injector No.5					
I15	Injector No.6					
				J22	Junction Connector	90980-11925
			J24	Junction Connector		
			J25	Junction Connector	90980-11927	
			J26	Junction Connector		
			J27	Junction Connector	90980-11925	
			J28	Junction Connector		
			J29	Junction Connector	90980-11915	
			J30	Junction Connector		
			J31	Junction Connector	90980-11166	
			J32	Junction Connector		
			J33	Junction Connector	90980-11166	
			J34	Junction Connector		
			J35	Junction Connector	90980-11166	
			K 1	Knock Sensor (Bank 1)		
			K 2	Knock Sensor (Bank 2)		

G PART NUMBER OF CONNECTORS

Code	Part Name	Part Number	Code	Part Name	Part Number
K 3	Key Interlock Solenoid	90980-10825	P23	Power Seat Control SW (Driver's Seat)	90980-10803
L 1	License Plate Light	90980-11159	P24	Power Seat Control SW (Front Passenger's Seat)	
L 2	License Plate Light LH	90980-11148	P27	Power Seat Motor (Driver's Seat Front Vertical Control)	90980-10825
L 3	License Plate Light RH				
L 4	Lumbar Support Control SW (Driver's Seat)	90980-10601	P28	Power Seat Motor (Driver's Seat Lumbar Support Control)	
L 5	License Plate Light No.1	90980-11159	P29	Power Seat Motor (Driver's Seat Rear Vertical Control)	
L 6	License Plate Light No.2	90980-10871	P30	Power Seat Motor (Driver's Seat Reclining Control)	
M 1	Moon Roof Control ECU	90980-10997	P31	Power Seat Motor (Driver's Seat Slide Control)	
M 2	Moon Roof Control SW	90980-10789	P32	Power Seat Motor (Front Passenger's Seat Front Vertical Control)	
M 3	Master Cylinder Pressure Sensor	90980-11451	P33	Power Seat Motor (Front Passenger's Seat Rear Vertical Control)	
M 4	Multi-Display (w/ Navigation System)	90980-12203	P34	Power Seat Motor (Front Passenger's Seat Reclining Control)	
	Multi-Display (w/o Navigation System)	90980-12094	P35	Power Seat Motor (Front Passenger's Seat Slide Control)	
M 5	Multi-Display	90980-12410	R 2	Radio and Player	90980-10997
N 1	A/T Indicator Light SW (1FZ-FE)	90980-11332	R 3	Radio and Player	90980-10803
	A/T Indicator Light SW (2UZ-FE, 1HD-FTE)	90980-11784	R 4	Radio and Player	90980-10996
	Neutral Start SW (1FZ-FE)	90980-11332	R 6	Rear Diff. Lock Control ECU	90980-10801
	Neutral Start SW (2UZ-FE, 1HD-FTE)	90980-11784	R 7	Rear Fog Light SW	90980-12113
N 2	Noise Filter (Ignition)	90980-10843	R 9	Remote Control Mirror SW	90980-11657
N 4	Navigation ECU	90980-11973	R10	Remote Control Mirror SW	90980-11319
N 5	Navigation ECU	90980-11923	R11	Rheostat (Except Optitron Meter)	90980-10908
N 6	Noise Filter (ABS)	90980-10983		Rheostat (Optitron Meter)	90980-10799
N 7	Navigation ECU	90980-12221	R12	Room Temp. Sensor (Front)	90980-11918
O 3	Oil Level Sensor (1FZ-FE)	90980-11235	R13	Rear A/C Control SW (Rear Automatic A/C)	90980-11503
	Oil Level Sensor (1HD-FTE, 1HZ)	90980-10532		Rear A/C Control SW (Rear Manual A/C)	90980-10878
	Oil Level Sensor (2UZ-FE)		R14	Rear Air Mix Control Servo Motor	90980-11319
O 4	Oil Pressure Sender (1HD-FTE, 1HZ)	90980-10703	R15	Rear Combination Light LH	90980-11587
	Oil Pressure Sender (2UZ-FE, 1FZ-FE)	90980-11363	R16	Rear Combination Light LH (w/ Rear Fog Light)	90980-10825
O 5	Overhead J/B	90980-11909		Rear Combination Light LH (w/o Rear Fog Light)	90980-10908
O 6	Overhead J/B	90980-12155	R17	Rear Combination Light RH	90980-11587
P 1	Pick-Up Sensor	90980-11157	R18	Rear Combination Light RH (w/ Rear Fog Light)	90980-10825
P 2	Power Steering Oil Pressure SW	90980-11428		Rear Combination Light RH (w/o Rear Fog Light)	90980-10908
P 3	Power Outlet (Front)	90980-10760	R19	Rear Cooler Blower Motor	90980-10214
P 6	Pre-Heating Timer	90980-10803	R20	Rear Cooler Magnetic Valve	90980-10860
P 7	Parking Brake SW	90980-10871	R21	Rear Cooler Power Transistor	90980-10171
P 8	Power Outlet (Luggage Compartment)	90980-10860		R22	
P11	Power Window Control SW Front LH	90980-11947	R23	Rear Diff. Lock Motor (Independent Suspension)	90980-11194
P12	Power Window Control SW Front RH			Rear Diff. Lock Motor (Rigid Axle Suspension)	90980-11290
P13	Power Window Control SW Rear LH				
P14	Power Window Control SW Rear RH				
P15	Power Window Master SW	90980-12166			
P17	Power Window Motor Front LH	90980-11599			
P18	Power Window Motor Front RH				
P19	Power Window Motor Rear LH				
P20	Power Window Motor Rear RH				
P21	Pretensioner LH	90980-11862			
P22	Pretensioner RH				

Note: Not all of the above part numbers of the connector are established for the supply.

Code	Part Name	Part Number	Code	Part Name	Part Number
R24	Rear Door Speaker LH	90980-10935	S 7	Suspension Control ECU	90980-11424
R25	Rear Door Speaker RH		S 8	Suspension Control ECU	90980-11391
R26	Rear Evaporator Temp. Sensor	90980-11918	S 9	Suspension Control ECU	90980-11390
R27	Rear Heater Blower Motor	90980-10860	S10	Seat Heater SW (Driver's Seat) (LHD)	90980-10797
R28	Rear Heater Blower Resistor	90980-10916		Seat Heater SW (Driver's Seat) (RHD)	90980-10996
R29	Rear Heater Control SW	90980-10797	S11	Seat Heater SW (Front Passenger's Seat) (LHD)	90980-10996
R30	Rear Heater Power Transistor	90980-10171		Seat Heater SW (Front Passenger's Seat) (RHD)	90980-10797
R31	Rear Heater Relay		S14	Sub Fuel Pump	90980-11038
R32	Rear Inlet Air Temp. Sensor	90980-11369	S15	Sub Fuel Pump Forcing Driving Relay	90980-10171
R33	Rear Interior Light	90980-10935	S16	Sub Fuel Sender	90980-11016
R34	Rear Personal Light (w/ Moon Roof)	90980-12211	S17	Seat Belt Warning Occupant Detection Sensor	90980-10860
	Rear Personal Light (w/o Moon Roof)	90980-10365			
R35	Rear Window Defogger	90980-11097	S18	Seat Heater (Driver's Seat)	90980-10907
R36	Rear Window Defogger				
R37	Rear Window Defogger LH	90980-10792	S19	Seat Heater (Front Passenger's Seat)	90980-12225
R38	Rear Window Defogger LH				
R39	Rear Window Defogger RH				
R40	Rear Window Defogger RH				
R41	Rear Wiper Motor	90980-10795	S21	Side Airbag Sensor Front LH	90980-10848
R42	Rear Wiper Motor LH				
R43	Rear Wiper Motor RH				
R44	Rear Wiper Relay (Liftgate Type)	90980-10797	S22	Side Airbag Sensor Front RH	90980-11877
	Rear Wiper Relay (Swing Type)	90980-10801	S23	Side Airbag Sensor Rear LH	
R47	Remote Control Mirror ECU	90980-11877	S24	Side Airbag Sensor Rear RH	
R48	Remote Control Mirror LH	90980-11573	S25	Stereo Component Amplifier	90980-10848
R49	Remote Control Mirror RH				
R50	Room Temp. Sensor (Rear)	90980-11918	S26	Stereo Component Amplifier	90980-11877
R53	Radio and Player	90980-12038	S27	Seat Heater (Driver's Seat Cushion)	90980-10794
R54	Radio and Player	90980-12259	S28	Seat Heater (Front Passenger's Seat Cushion)	
R55	Radio and Player	90980-12183	S29	Seat Position Sensor	90980-12195
R56	Rear Diff. Lock Control SW	90980-10631	S30	Side Airbag Squib LH	90980-11864
R57	Rear Seat Audio Controller	90980-12200	S31	Side Airbag Squib RH	
R58	Rain Sensor	90980-12263	S32	Seat ECU	90980-10801
R59	Rear Cooler Blower Resistor	90980-10171	T 1	Temp. Sensor (AHC)	90980-10737
R60	Rear Fog Light	90980-10860	T 2	Theft Deterrent Horn	90980-10619
R61	Roll Sensing of Curtain Shield Airbags Cut Off SW	90980-10957	T 3	Throttle Control Motor	90980-11144
S 1	Speed Sensor (Combination Meter)	90980-11143	T 4	Throttle Position Sensor	90980-11261
S 2	Speed Sensor (ECT)	90980-11156	T 5	Timing Control Valve	90980-10720
S 3	Spill Valve	90980-11155	T 6	Turbo Pressure Sensor	90980-10845
S 4	Starter (1FZ-FE)	90980-09506	T 8	Telescopic Motor	90980-10799
	Starter (1HD-FTE, 1HZ)	90980-09508	T 9	Theft Deterrent ECU	90980-12169
	Starter (2UZ-FE)	90980-09585	T11	Tilt and Telescopic ECU	90980-10799
S 5	Starter (1HD-FTE, 1HZ)	90980-11184	T12	Tilt and Telescopic ECU	90980-10848
	Starter (2UZ-FE, 1FZ-FE)	90980-11400	T13	Tilt Motor	90980-10799
S 6	Stop Light SW	90980-11118	T14	Ignition Key Cylinder Light	90980-12092
				Transponder Key Amplifier	
			T15	Transponder Key Computer (1HZ)	90980-12183
				Transponder Key Computer (2UZ-FE, 1FZ-FE, 1HD-FTE)	90980-11911
			T16	Turn Signal Flasher	90980-10799

G PART NUMBER OF CONNECTORS

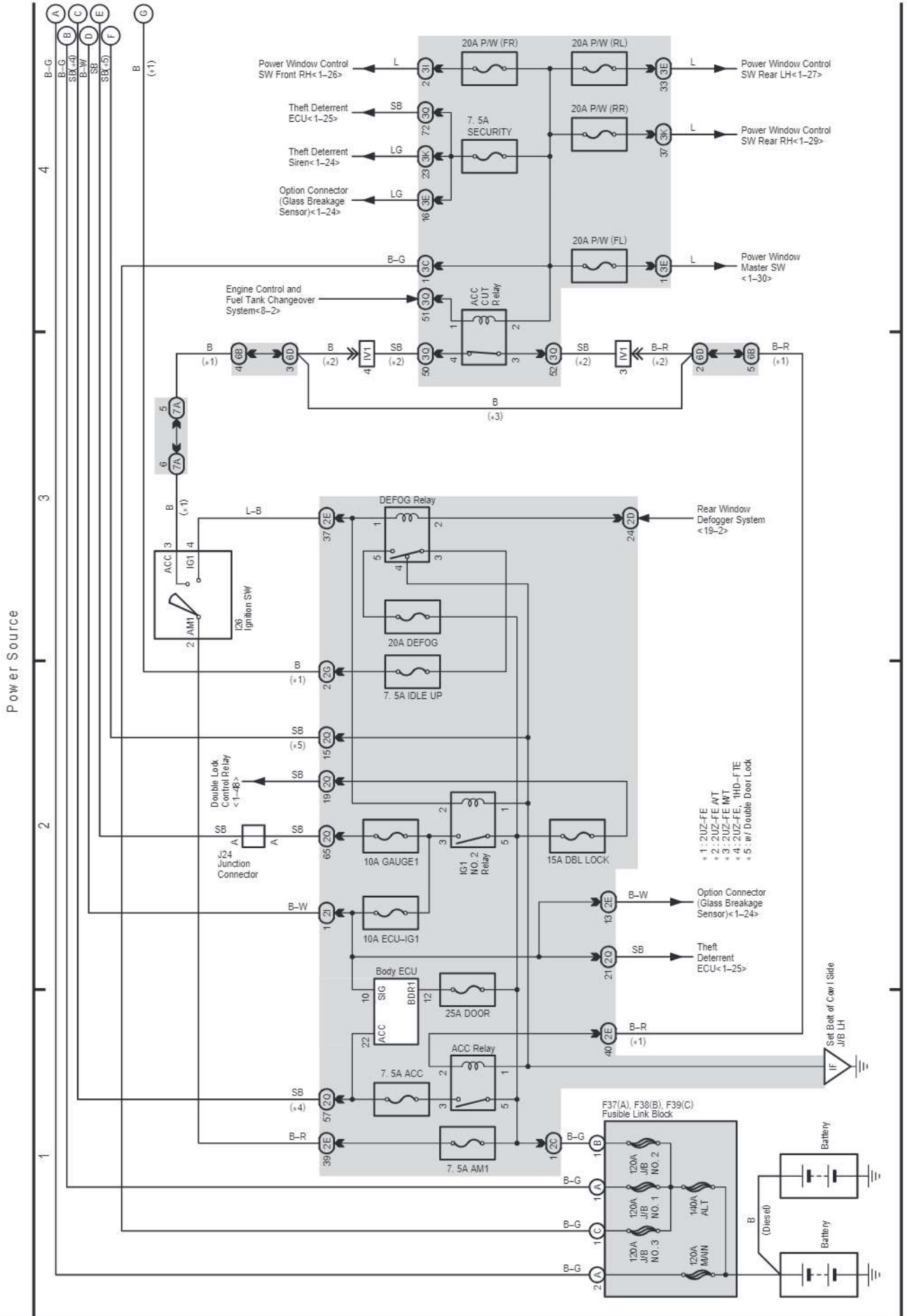
Code	Part Name	Part Number	Code	Part Name	Part Number
T17	Tire Carrier Courtesy SW	90980-10870	Z10	Option Connector (Wireless Door Lock Buzzer)	90980-11051
T19	Tweeter LH	90980-11300			
T20	Tweeter RH				
T22	TVSS ECU	90980-10803			
T23	Throttle Control Motor and Sensor	90980-11858			
T24	Throttle Position Sensor and Timing Control Valve	90980-11599			
T25	Turbine Speed Sensor	90980-11156			
T26	Theft Deterrent Siren	90980-11349			
T27	Television Camera	90980-12381			
T28	Television Camera ECU	90980-12169			
T29	Television Camera ECU	90980-10997			
U 1	Unlock Warning SW	90980-10860			
V 1	Vacuum Sensor	90980-10845			
V 2	Vacuum SW	90980-11252			
V 3	Variable Resistor	90980-10902			
V 4	Viscous Heater Magnetic Clutch	90980-11271			
V 6	VRV (EGR)	90980-11162			
V 7	VSV (A/C Idle-Up)	90980-11156			
V 8	VSV (EGR Cut) (1HD-FTE)	90980-11149			
	VSV (EGR Cut) (1HZ)	90980-11156			
V 9	VSV (EVAP)	90980-11156			
V11	VSV (Turbo Pressure Sensor)				
V12	Viscous Heater Amplifier	90980-10801			
V13	VSC Warning Buzzer	90980-10906			
V14	VRV (EGR No.2)	90980-11162			
V15	VSV (BACS)	90980-11156			
V16	VGRS ECU	90980-12120			
V17	VGRS ECU	90980-11915			
V18	Vanity Light LH	90980-11918			
V19	Vanity Light RH				
V20	VGRS Actuator	90980-10993			
W 2	Washer Motor	90980-11294			
W 3	Water Temp. Sender	90980-11428			
W 4	Water Temp. Sensor (Glow Plug)	90980-10737			
W 5	Water Temp. SW (A/C)	90980-10184			
W 7	Winch Main Relay	90980-10887			
W 8	Winch Main Relay	-			
W 9	Winch Main Relay				
W10	Winch Motor and Magnetic SW	90980-10887			
W11	Winch Motor and Magnetic SW	90980-09552			
W13	Woofers (Speaker)	90980-10795			
Z 1	Option Connector (Glass Breakage Sensor)	90980-10799			
Z 3	Option Connector (Radar Sensor)	90980-11013			
Z 8	Option Connector (Microphone)	90980-11368			
Z 9	Option Connector (Trailer Towing)	90980-10988			

Note: Not all of the above part numbers of the connector are established for the supply.

H OVERALL ELECTRICAL WIRING DIAGRAM

1 LAND CRUISER (LHD)

(Cont. next page)

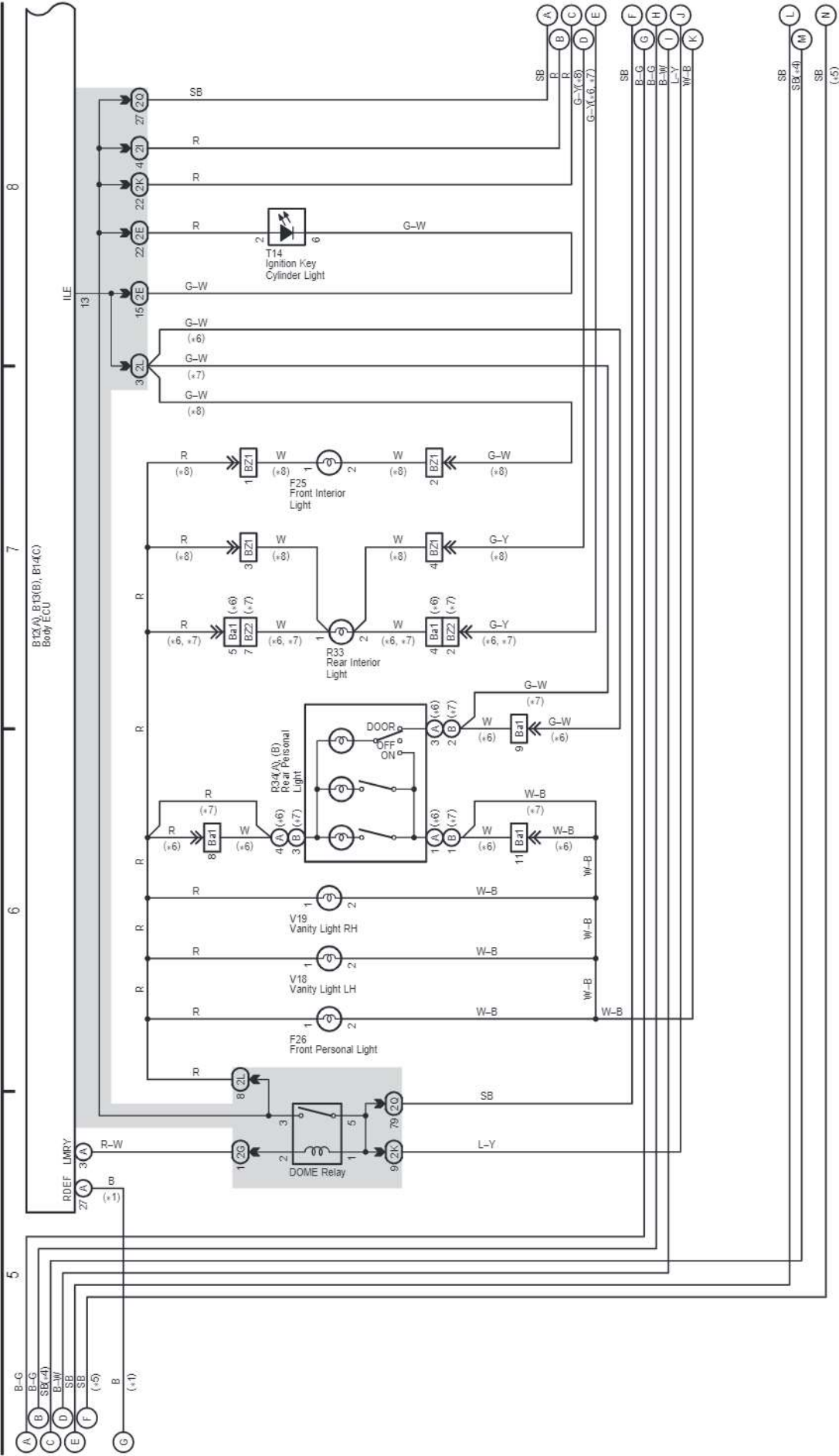


cardiagn.com

Multiplex Communication System

- * 6 - w/ Moon Roof
- * 7 - w/o Moon Roof w/ Overhead Console
- * 8 - w/o Moon Roof w/ Overhead Console

- * 1 - 2UZ-FE
- * 4 - 2UZ-FE 1HD-FTE
- * 5 - w/ Double Door Lock



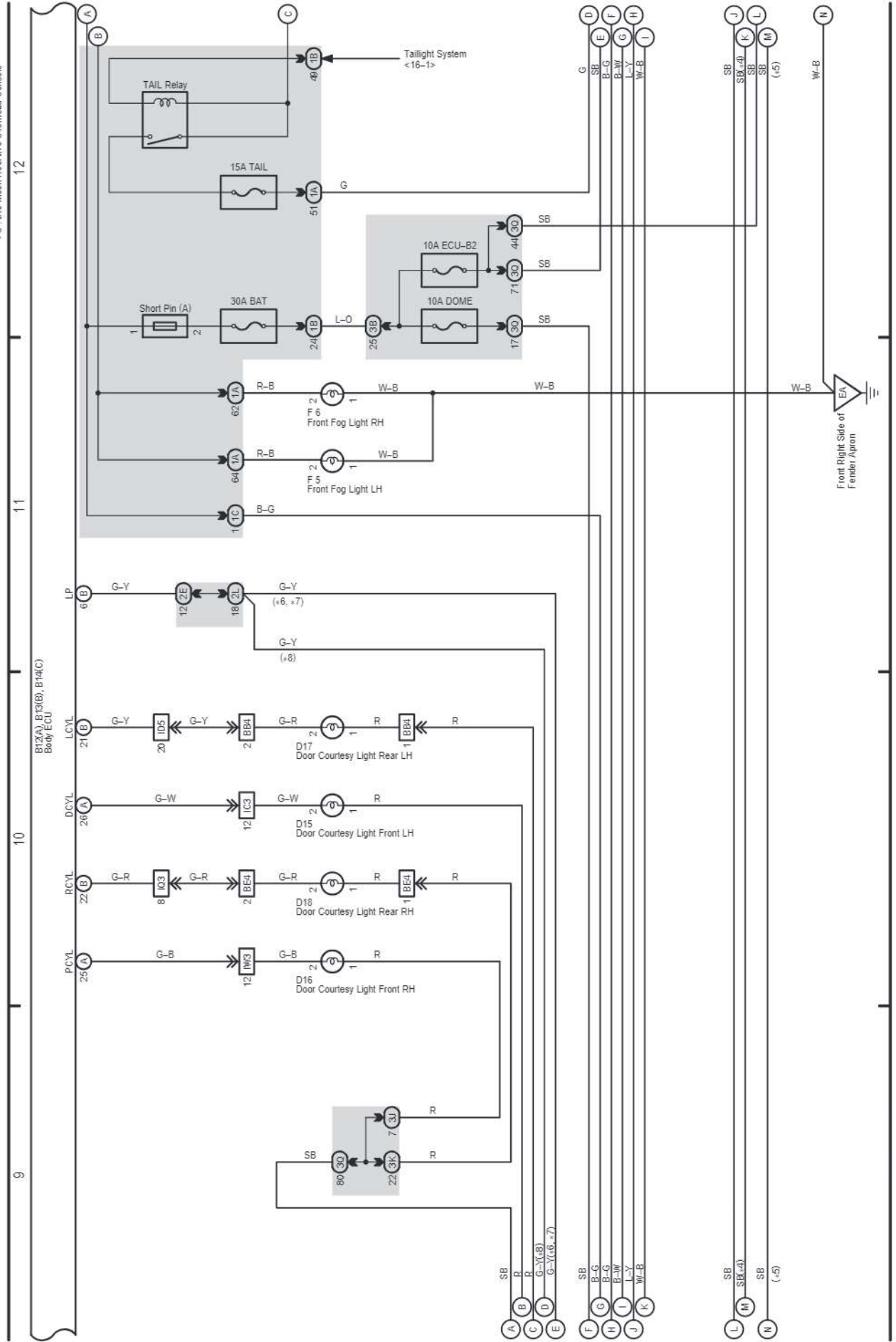
H OVERALL ELECTRICAL WIRING DIAGRAM

1 LAND CRUISER (LHD) (Cont' d)

(Cont. next page)

- * 4 : 2UZ-FE, 1HD-FTE
- * 5 : w/ Double Door Lock
- * 6 : w/ Moon Roof
- * 7 : w/o Moon Roof w/ Overhead Console
- * 8 : w/o Moon Roof w/o Overhead Console

Multiplex Communication System

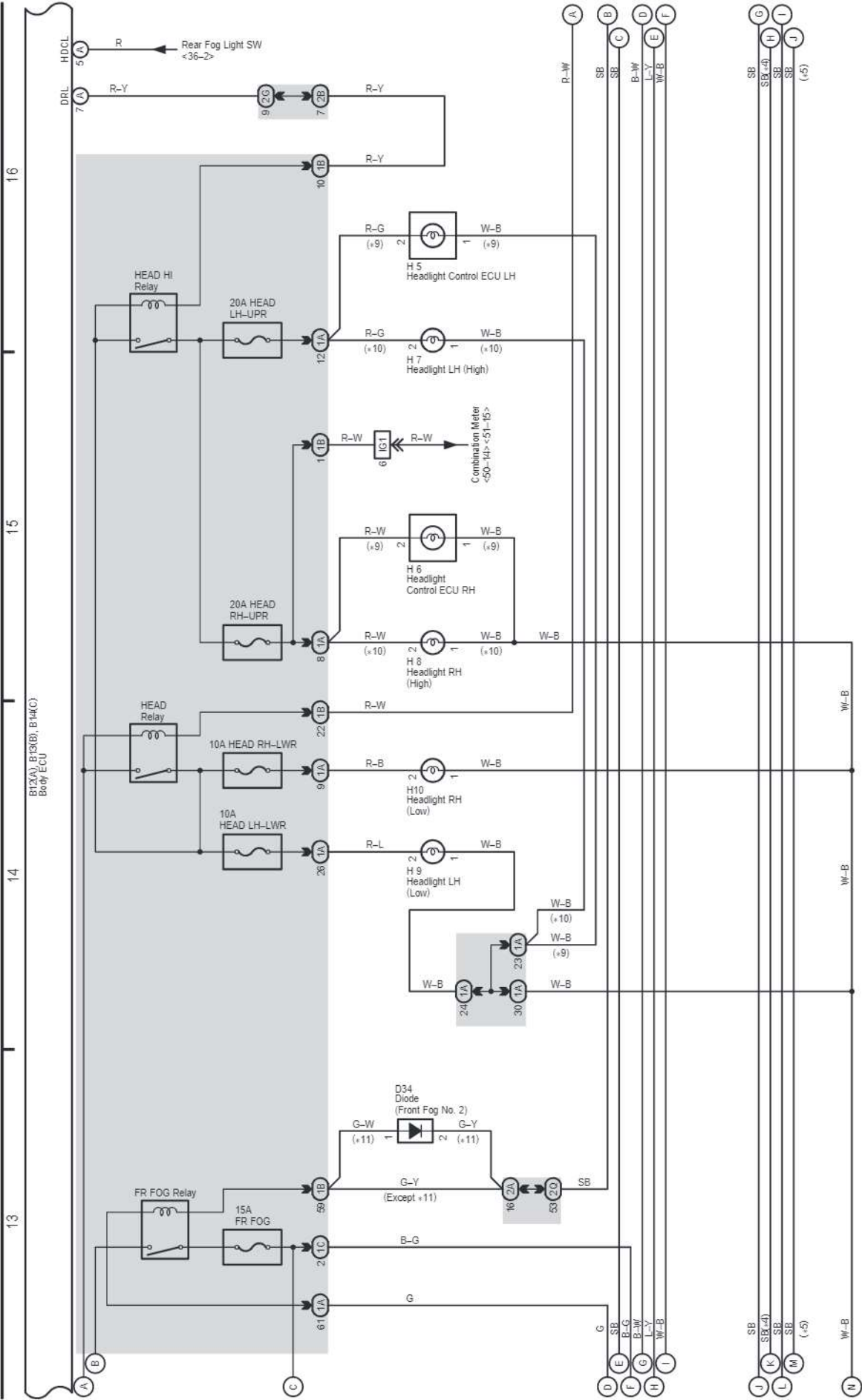


1 LAND CRUISER (LHD) (Cont' d)

(Cont. next page)

- *4: 2UZ-FE, 1HD-FTE
- *5: w/ Double Door Lock
- *9: w/ HID
- *10: w/o HID
- *11: Europe

Multiplex Communication System



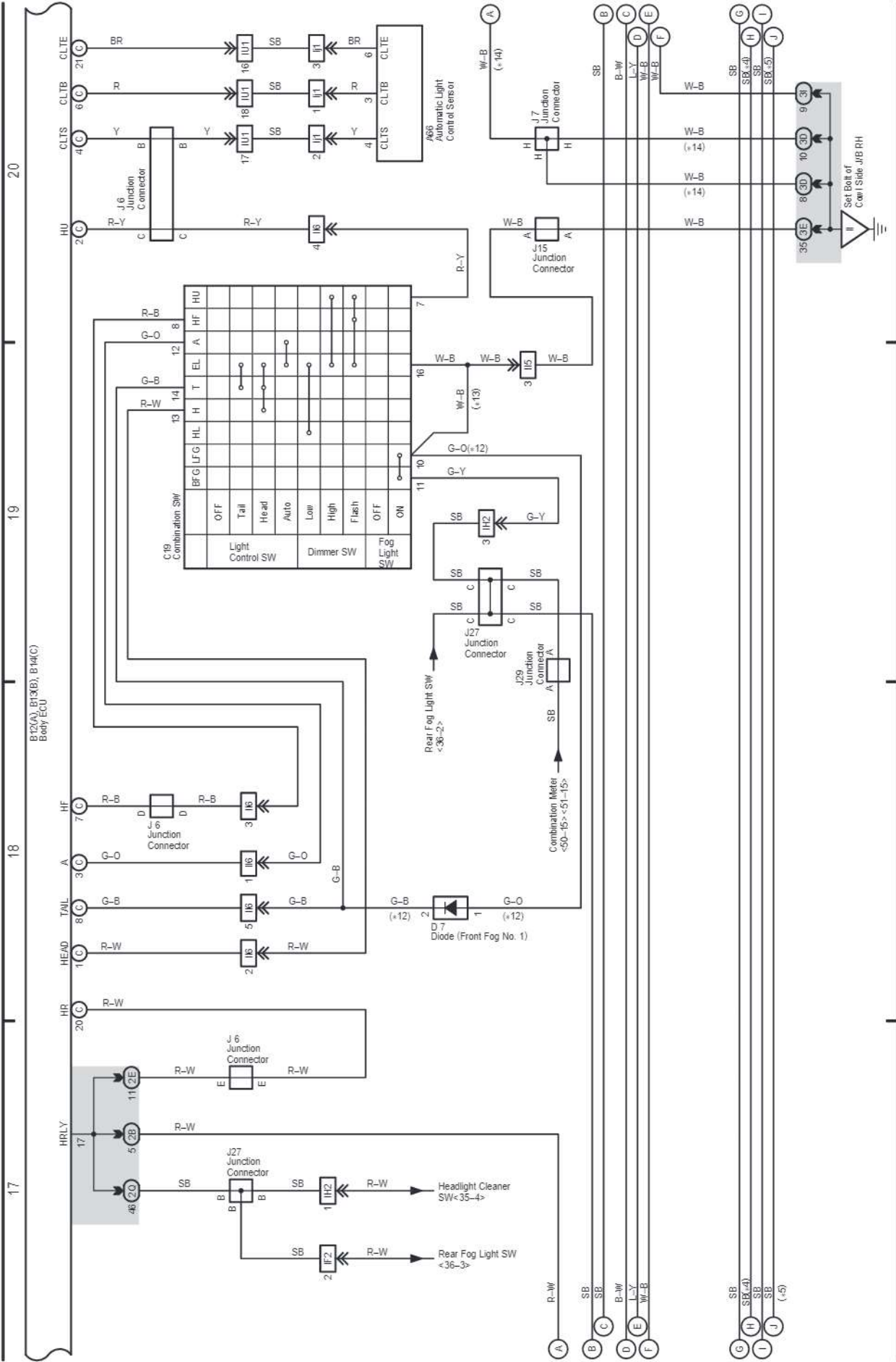
H OVERALL ELECTRICAL WIRING DIAGRAM

1 LAND CRUISER (LHD) (Cont' d)

(Cont. next page)

- * 4 : 2UZ-FE, 1HD-FTE
- * 5 : w/ Double Door Lock
- * 12 : w/ Daytime Running Light
- * 13 : w/o Daytime Running Light
- * 14 : Automatic A/C

Multiplex Communication System



*16 : w/ Navigation System
 *17 : w/o Navigation System
 *18 : w/o Power Window

*4 : 2UZ-FE, 1HD-FTE
 *5 : w/ Double Door Lock
 *14 : Automatic AC
 *15 : Except *14

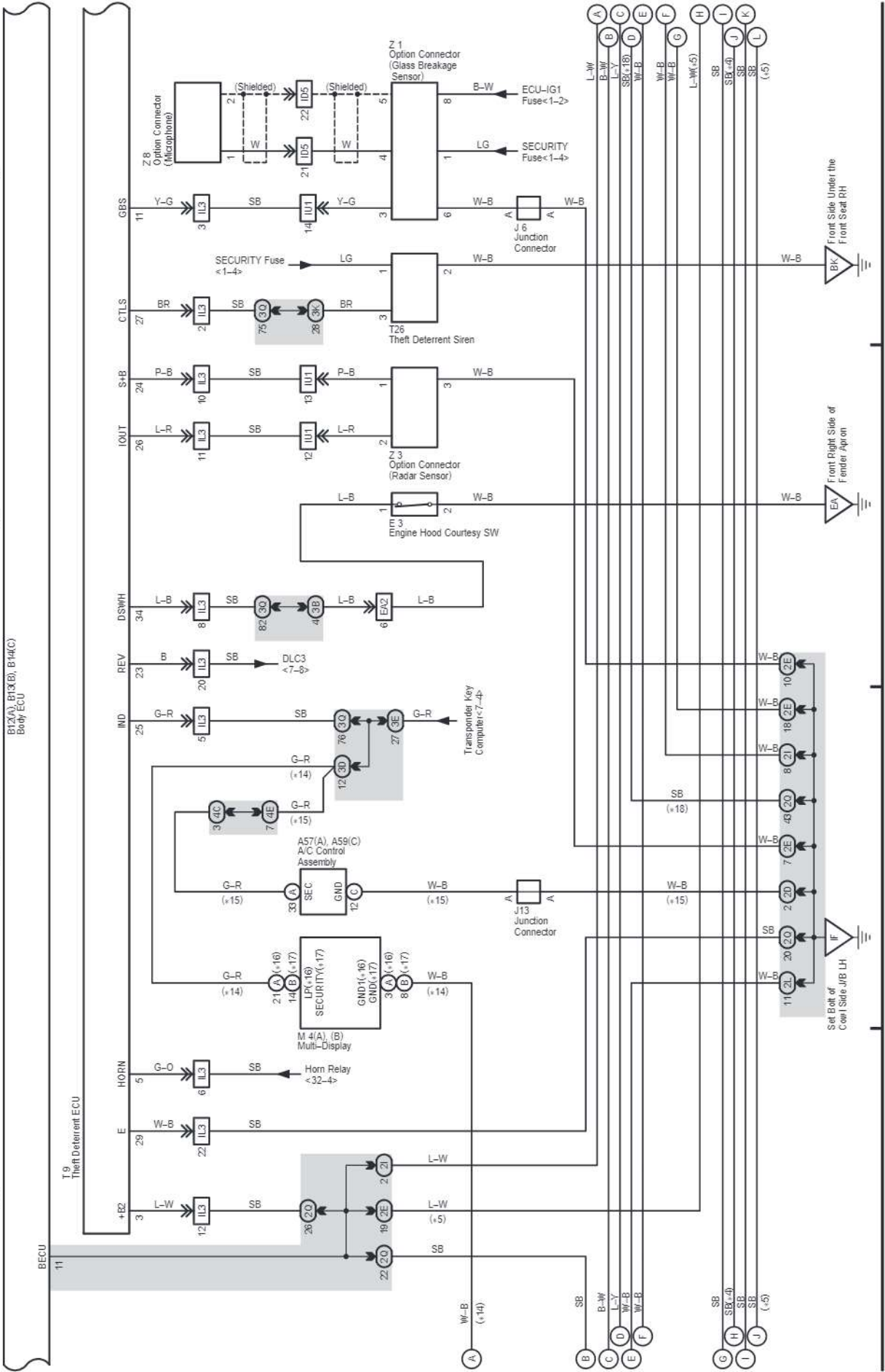
Multiplex Communication System

24

23

22

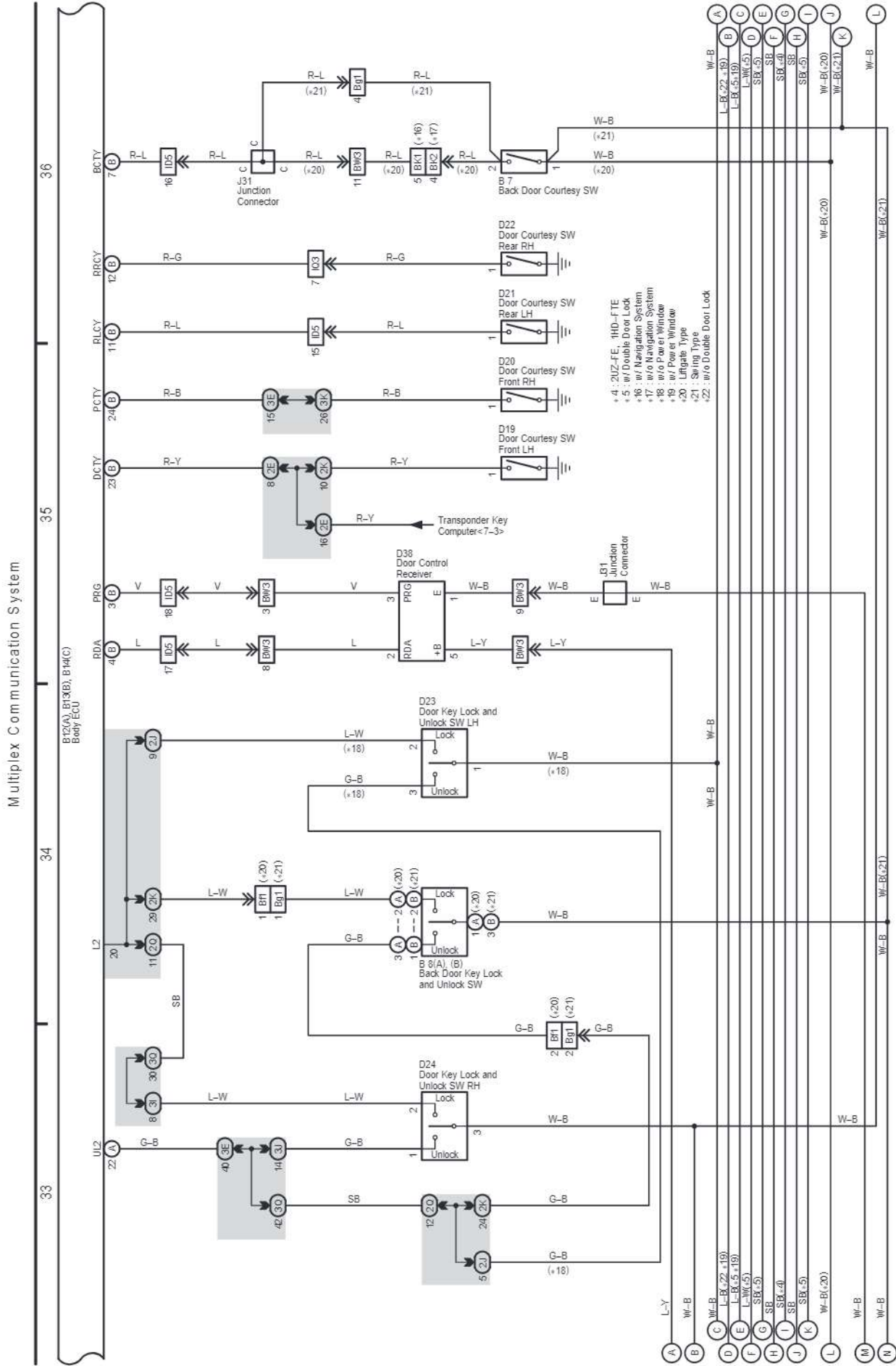
21



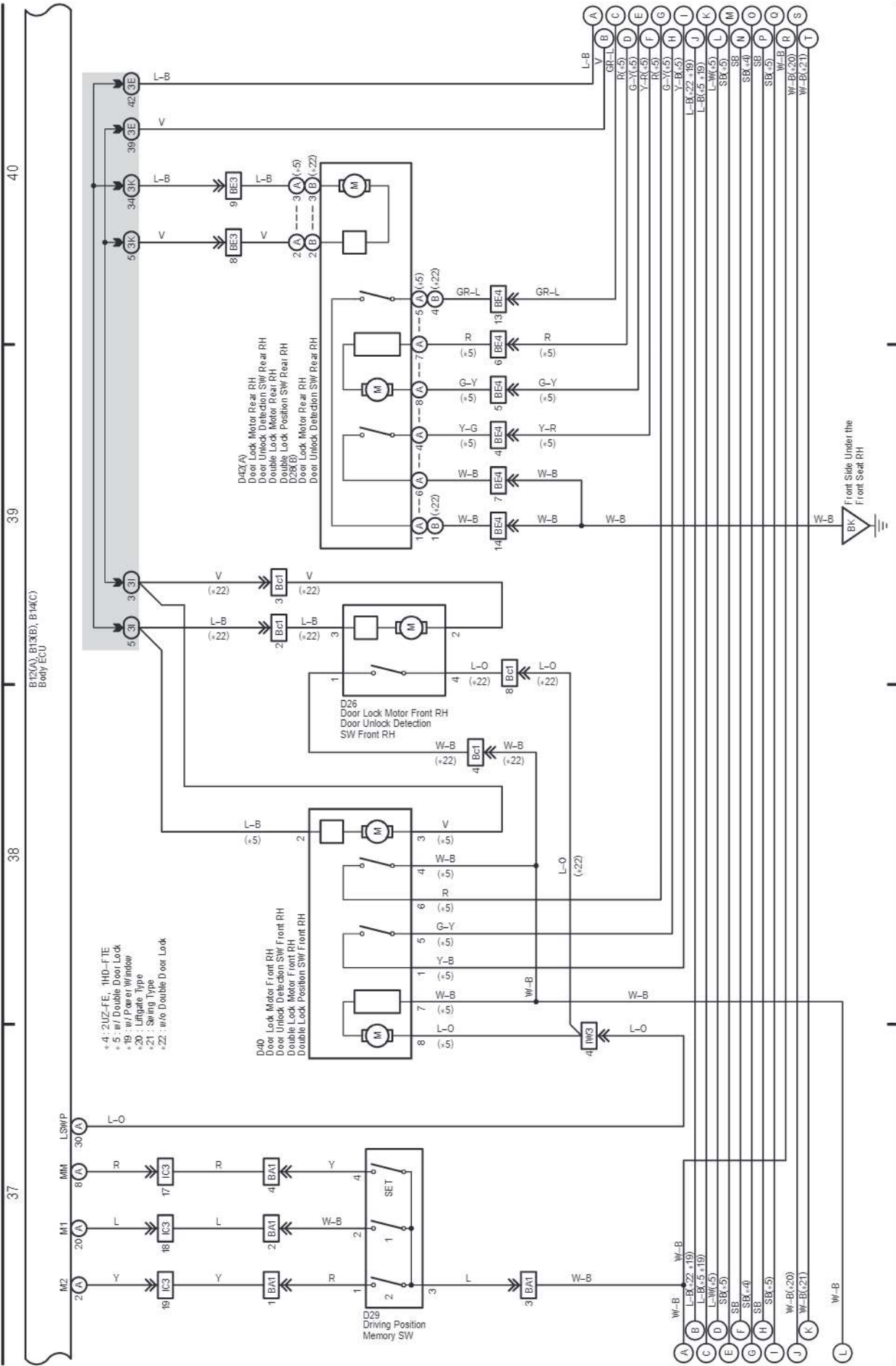
H OVERALL ELECTRICAL WIRING DIAGRAM

1 LAND CRUISER (LHD) (Cont' d)

(Cont. next page)



Multiplex Communication System



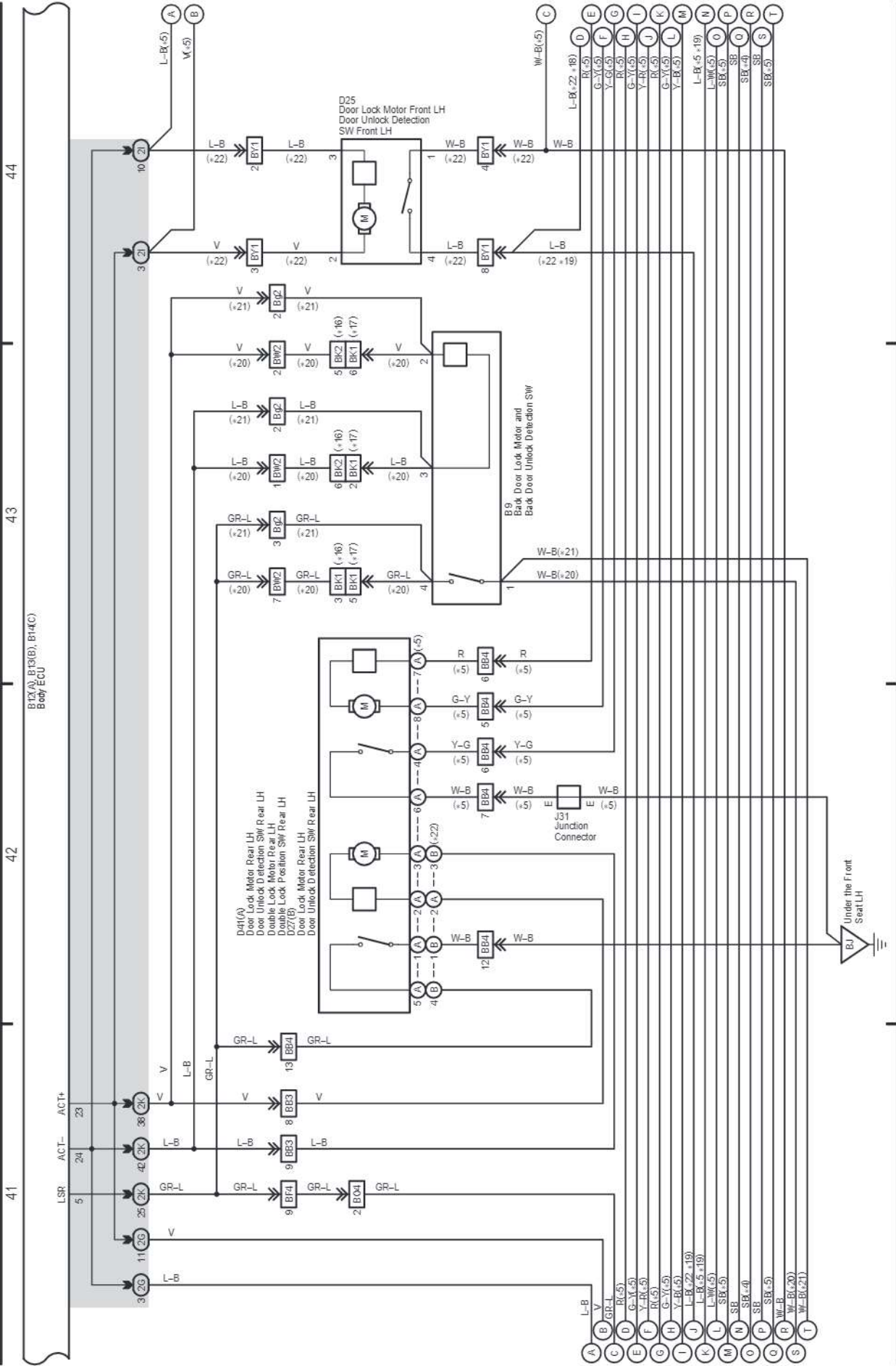
H OVERALL ELECTRICAL WIRING DIAGRAM

1 LAND CRUISER (LHD) (Cont' d)

(Cont. next page)

- *4 : 20Z-FE, 1HD-FE
- *5 : w/ Double Door Lock
- *16 : w/ Navigation System
- *17 : w/o Navigation System
- *18 : w/o Power Window
- *19 : w/ Power Window
- *20 : Liftgate Type
- *21 : Swing Type
- *22 : w/o Double Door Lock

Multiplex Communication System



cardiagn.com

- * 4 : 2U2-TE, 1HD-FTE
- * 5 : w/o Double Door Lock
- * 18 : w/o Power Window
- * 19 : w/o Power Window
- * 22 : w/o Double Door Lock

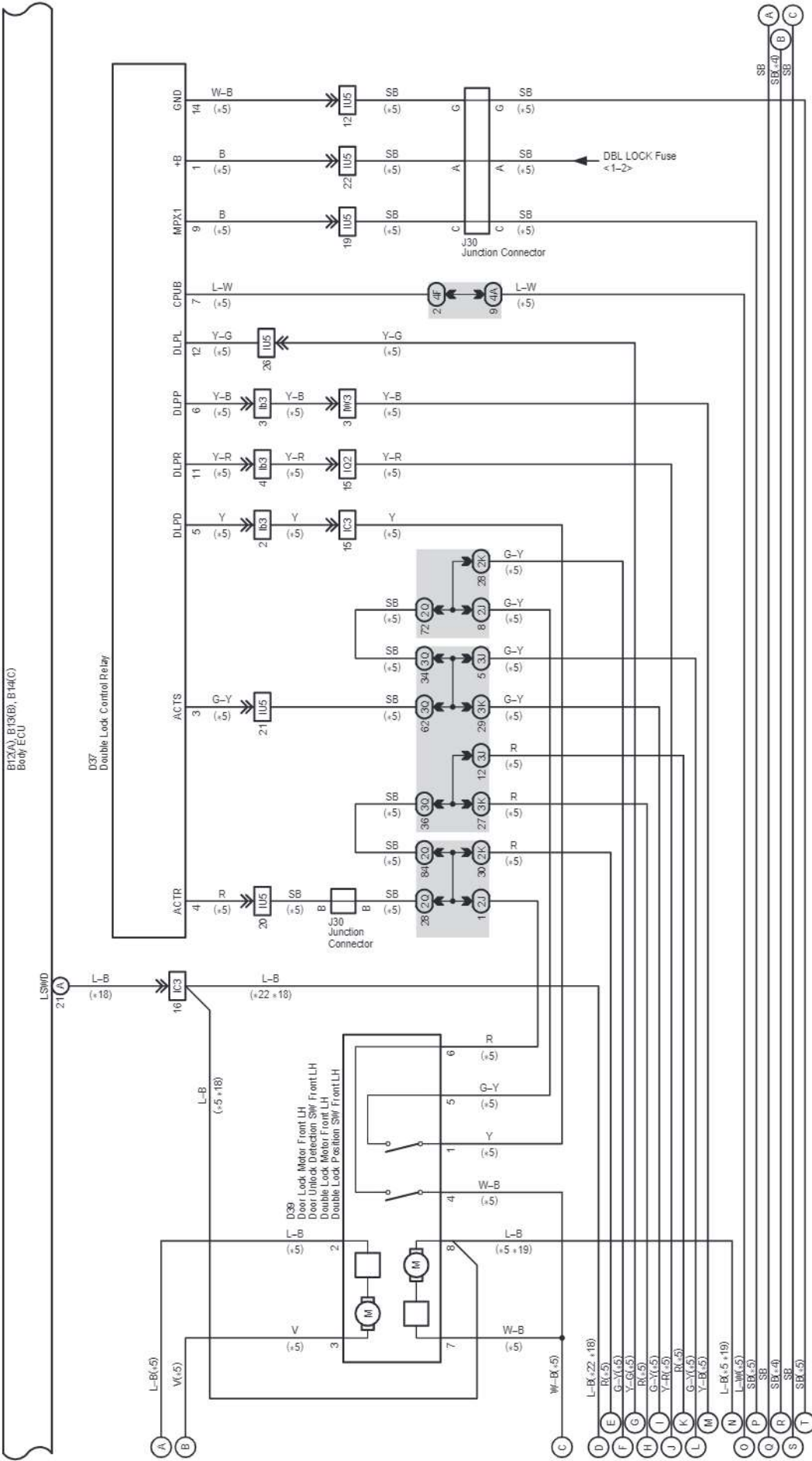
Multiplex Communication System

45

46

47

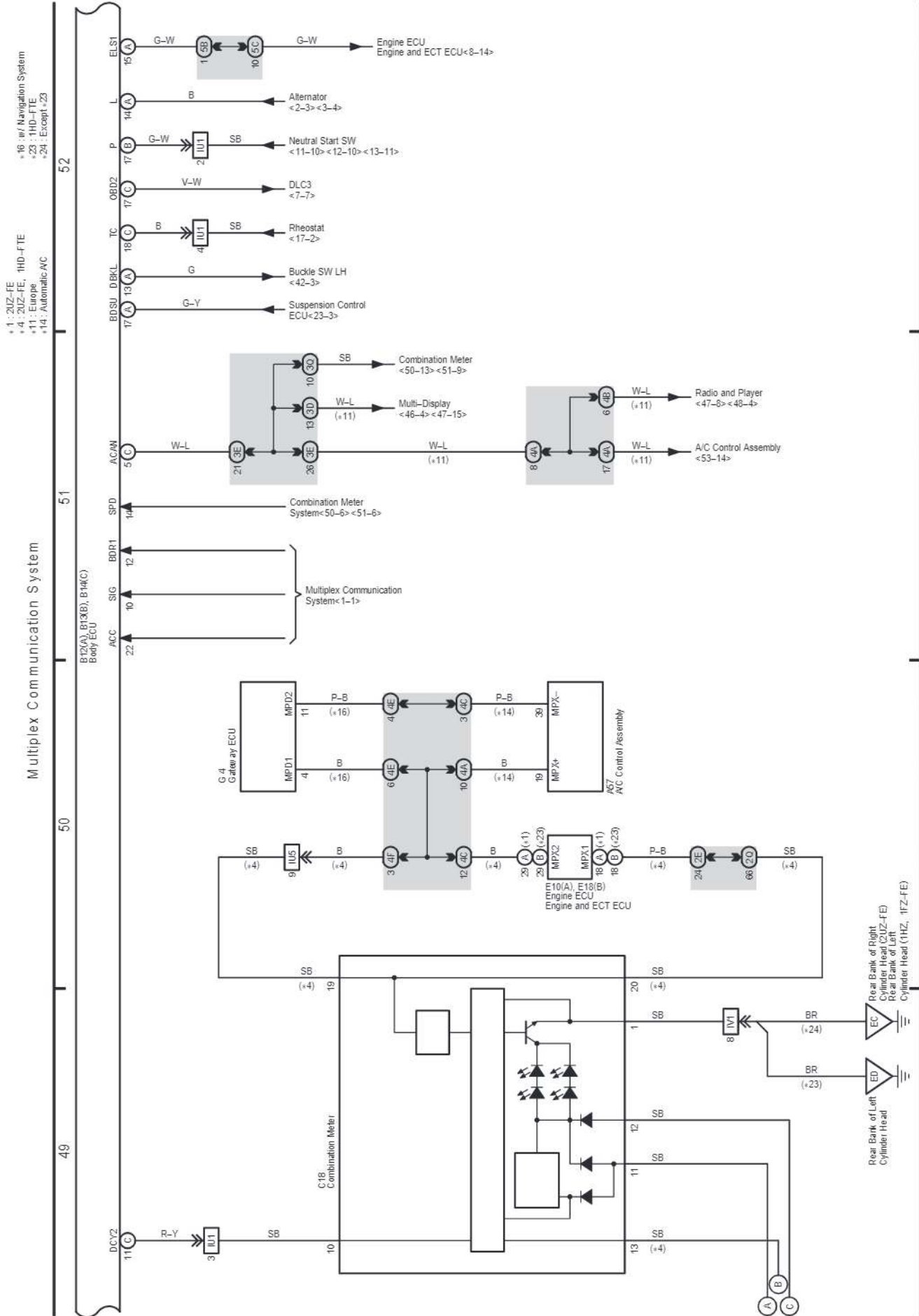
48



H OVERALL ELECTRICAL WIRING DIAGRAM

1 LAND CRUISER (LHD) (Cont' d)

(Cont. next page)

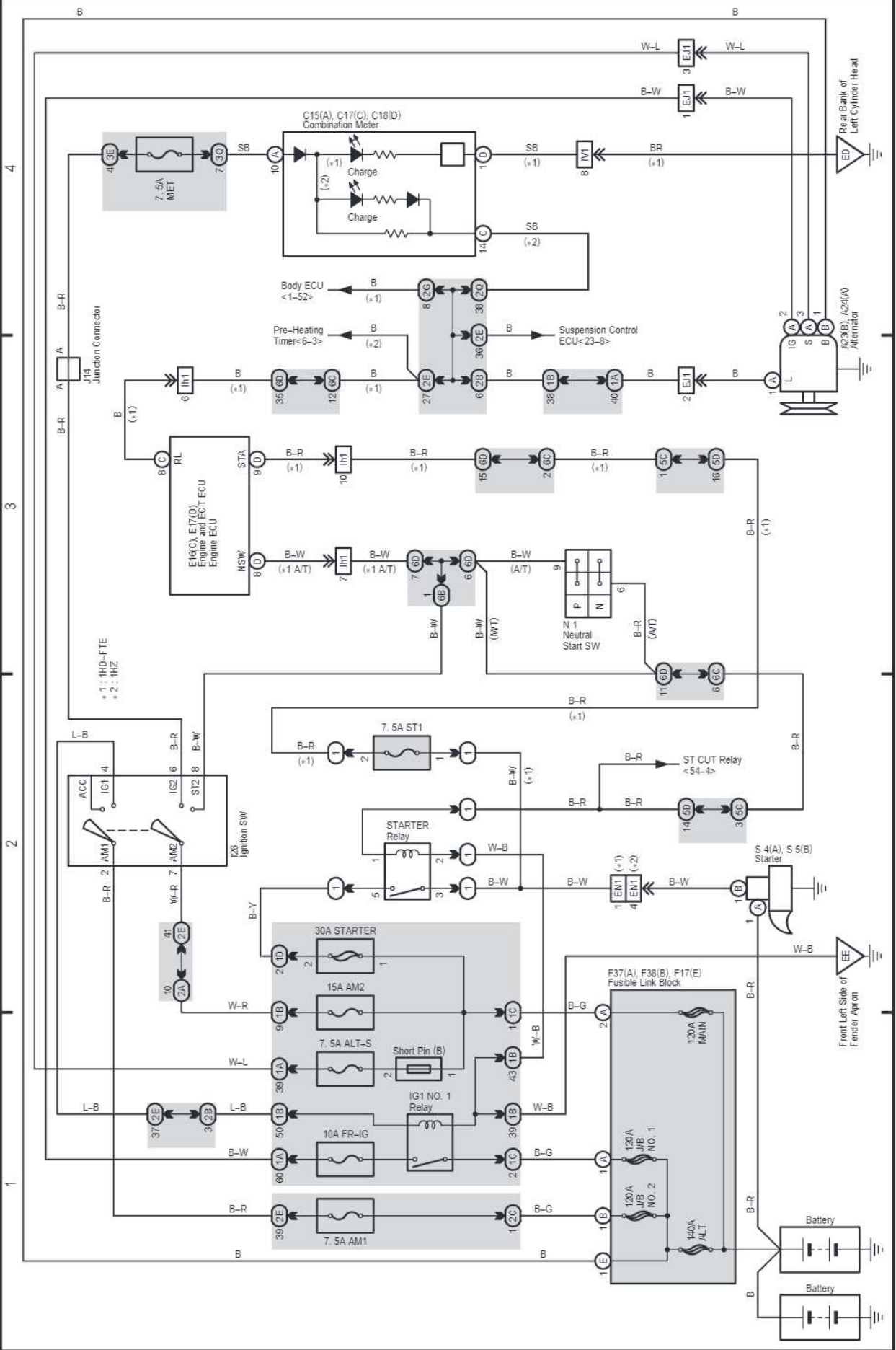


3 LAND CRUISER (LHD)

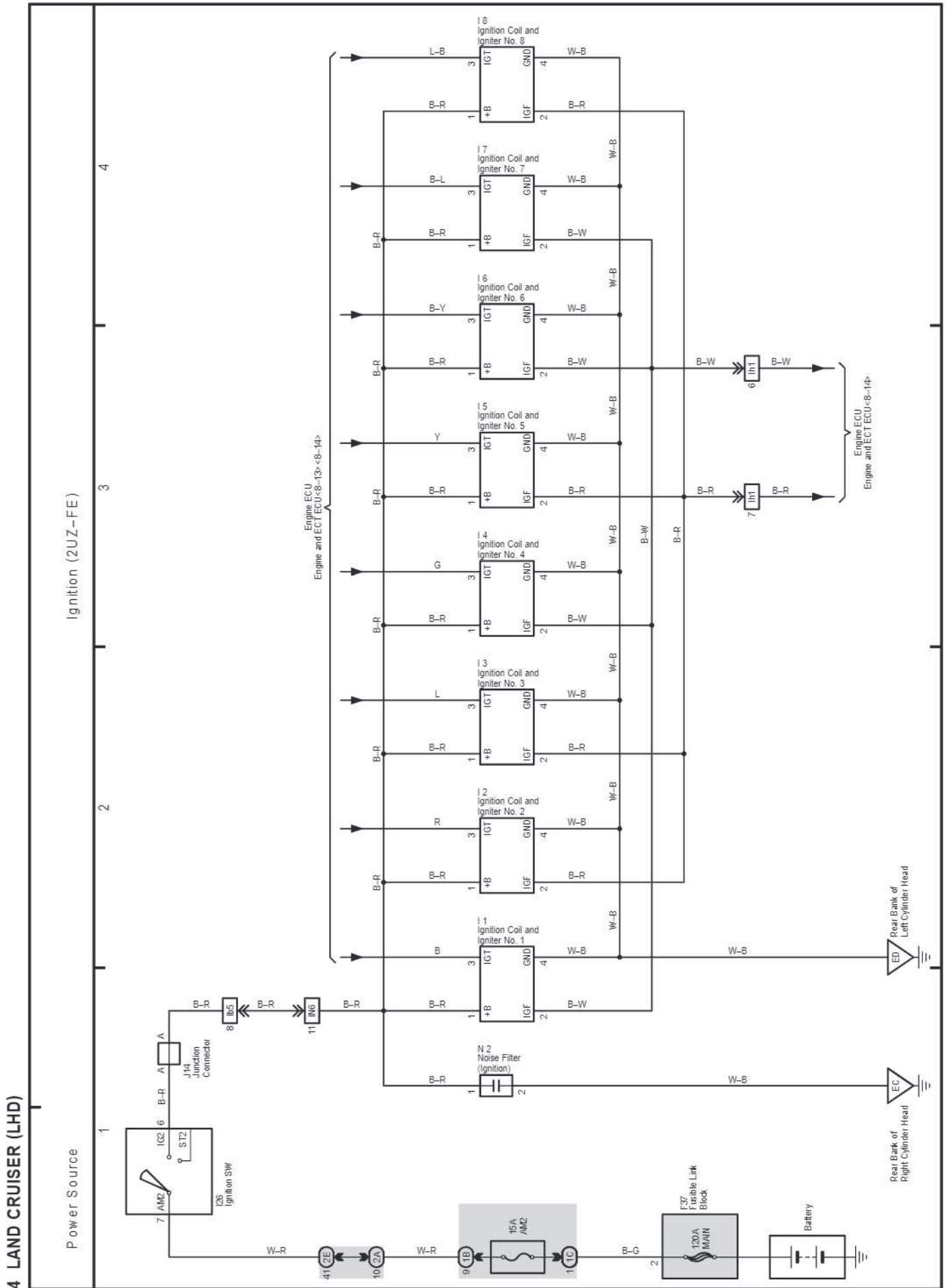
Power Source

Starting (Diesel)

Charging (Diesel)



H OVERALL ELECTRICAL WIRING DIAGRAM



cardiagn.com

5 LAND CRUISER (LHD)

Ignition (1FZ-FE)

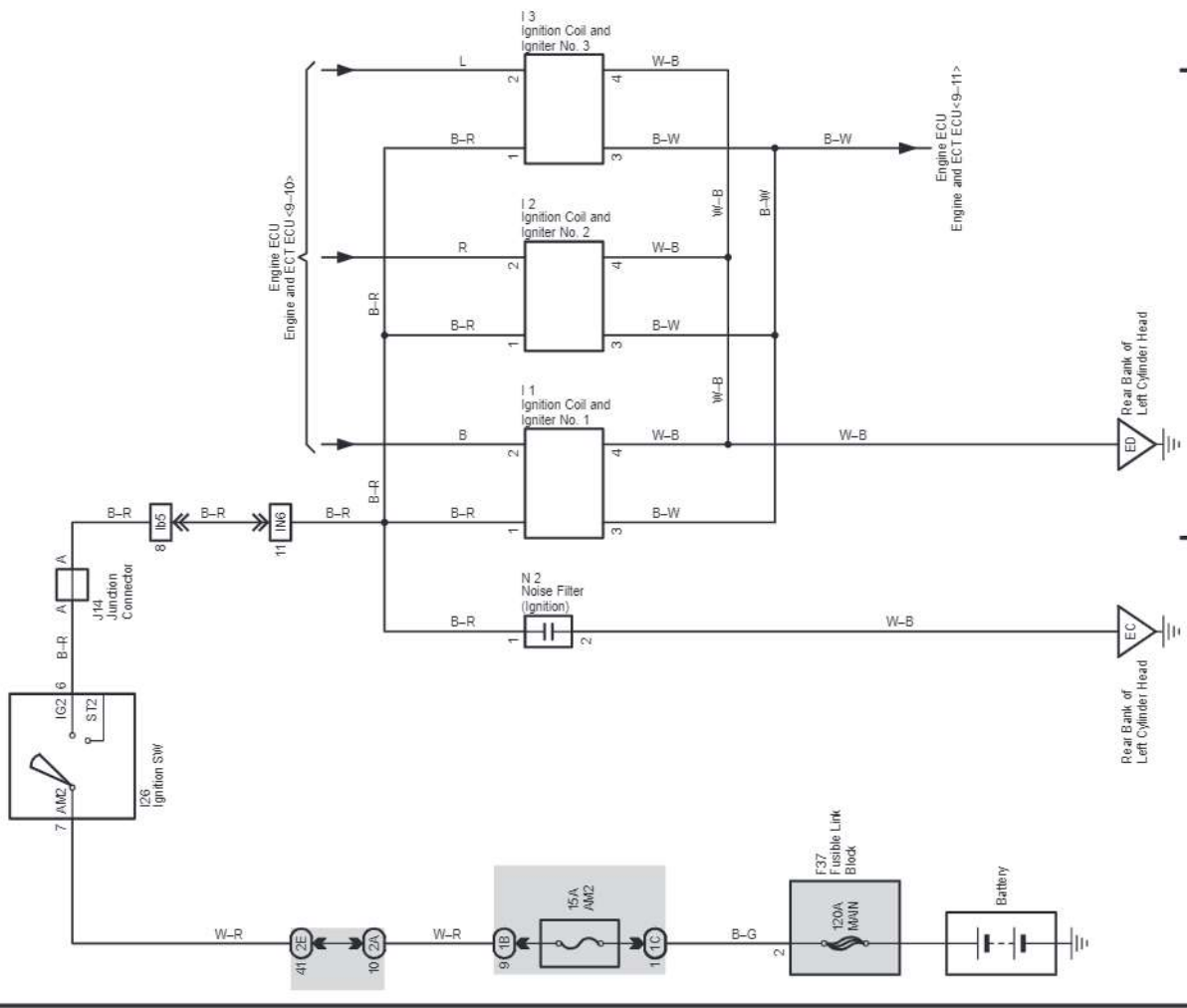
Power Source

4

3

2

1

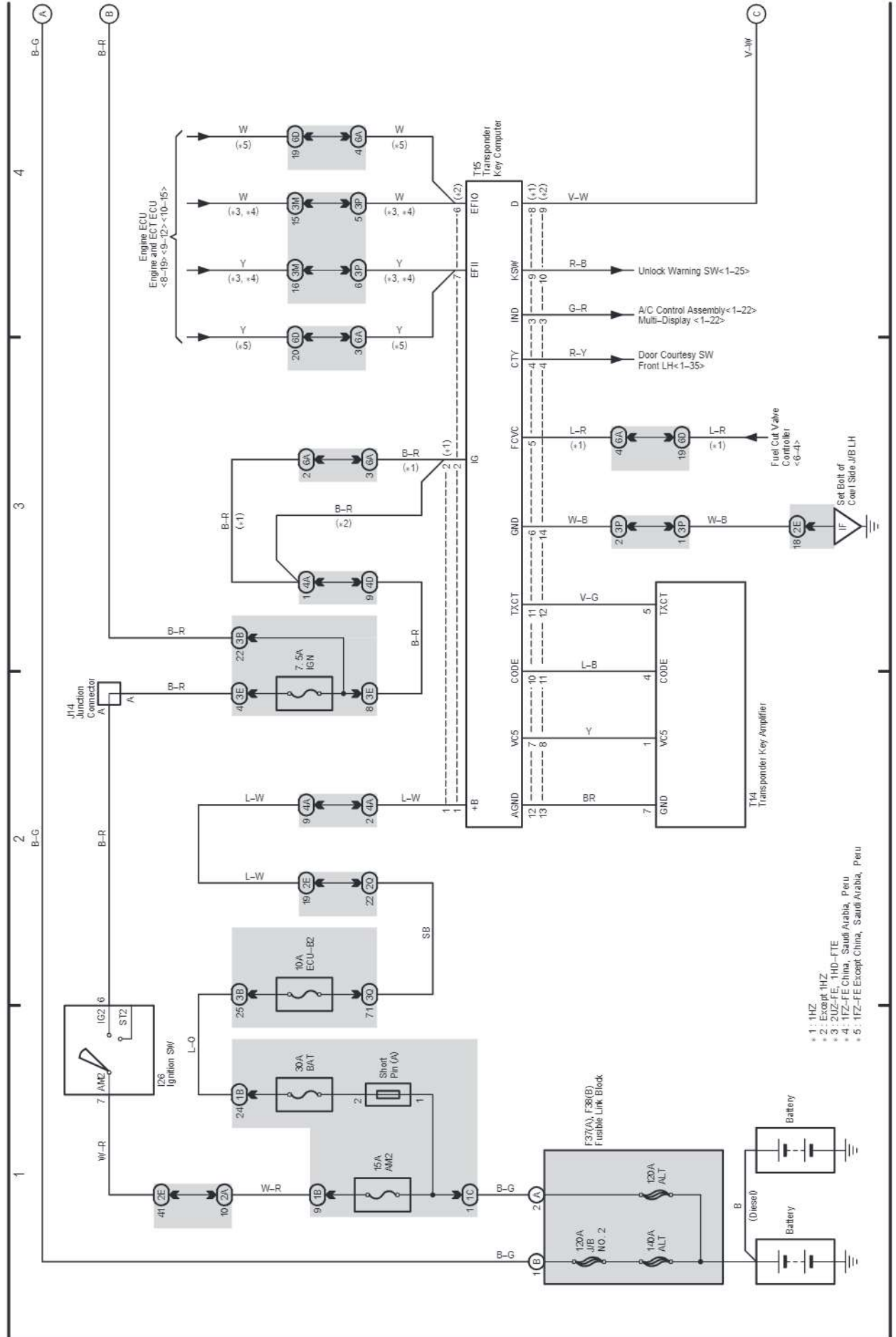


H OVERALL ELECTRICAL WIRING DIAGRAM

(Cont. next page)

7 LAND CRUISER (LHD)

Engine Immobilizer System

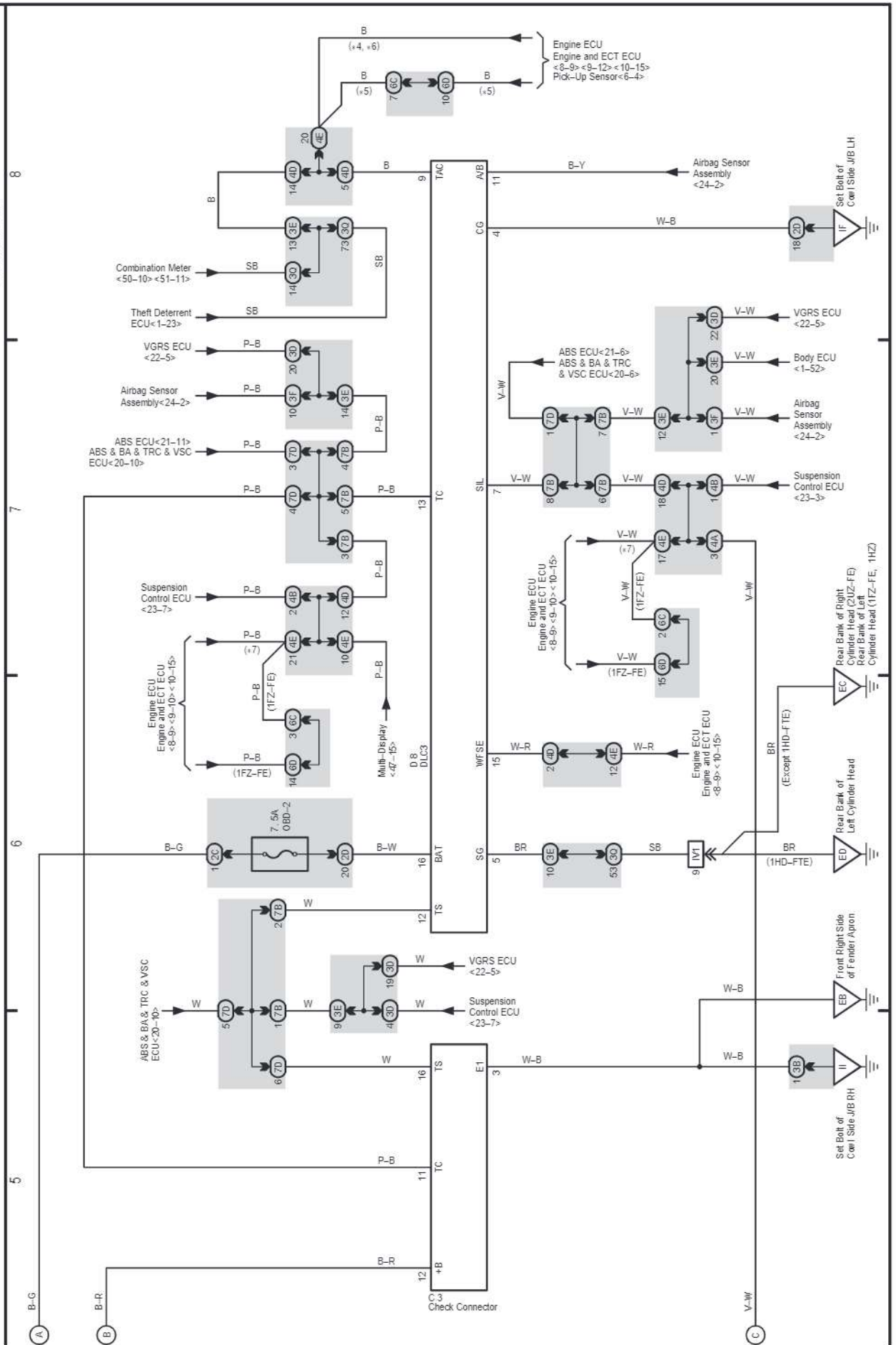


cardiagn.com

7 LAND CRUISER (LHD) (Cont'd)

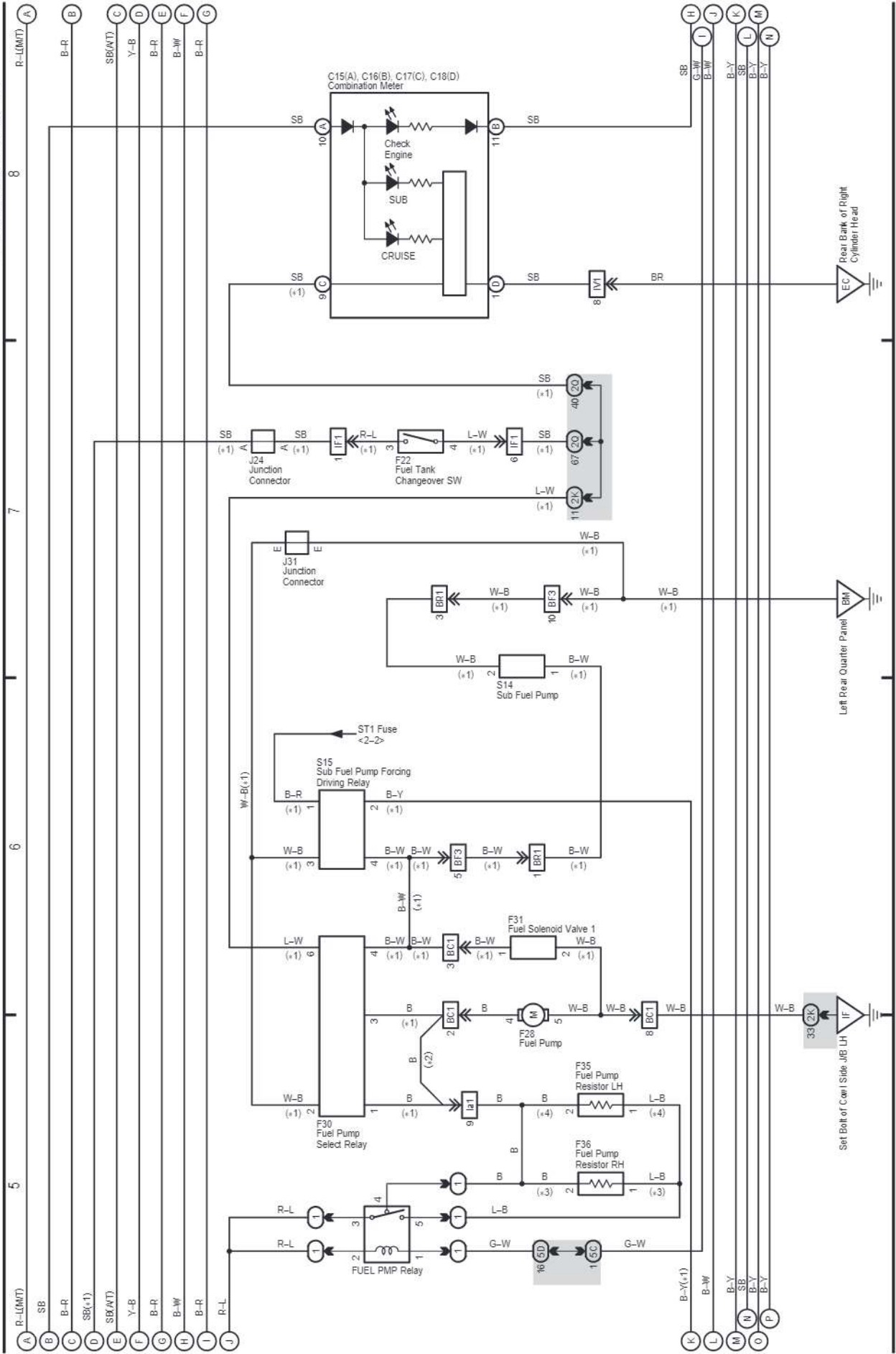
Engine Immobilizer System

- *4 : 1FZ-FE China, Saudi Arabia, Peru
- *5 : 1FZ-FE Except China, Saudi Arabia, Peru
- *6 : 2UZ-FE, 1HD-FTE, 1HZ
- *7 : Except 1FZ-FE



- * 1: w/o Sub Tank
- * 2: w/o Sub Tank
- * 3: Europe, Saudi Arabia, Peru
- * 4: Middle East Except Saudi Arabia, Peru

Engine Control and Fuel Tank Changeover (2UZ-FE)



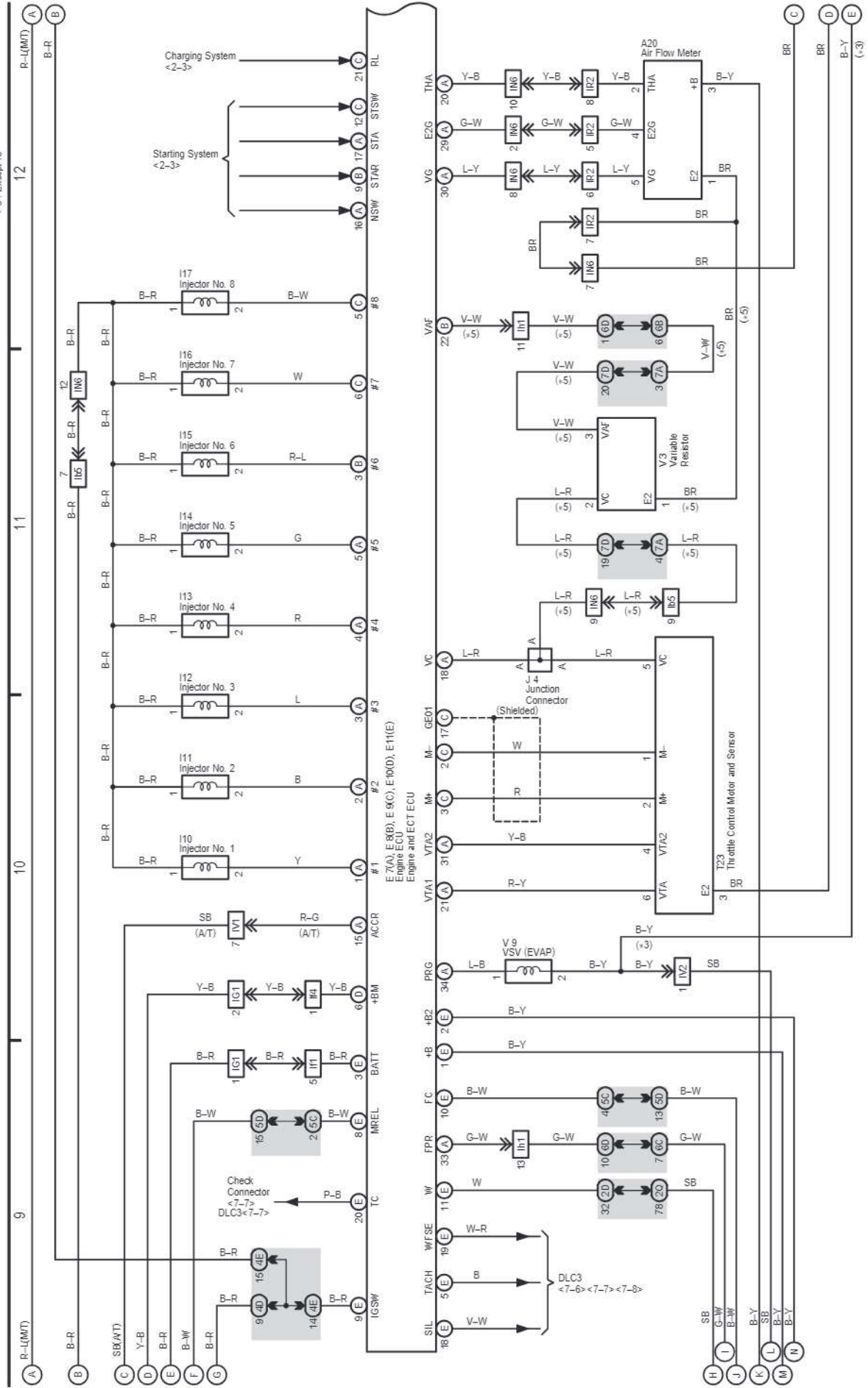
H OVERALL ELECTRICAL WIRING DIAGRAM

8 LAND CRUISER (LHD) (Cont' d)

(Cont. next page)

Engine Control and Fuel Tank Changeover (2UZ-FE)

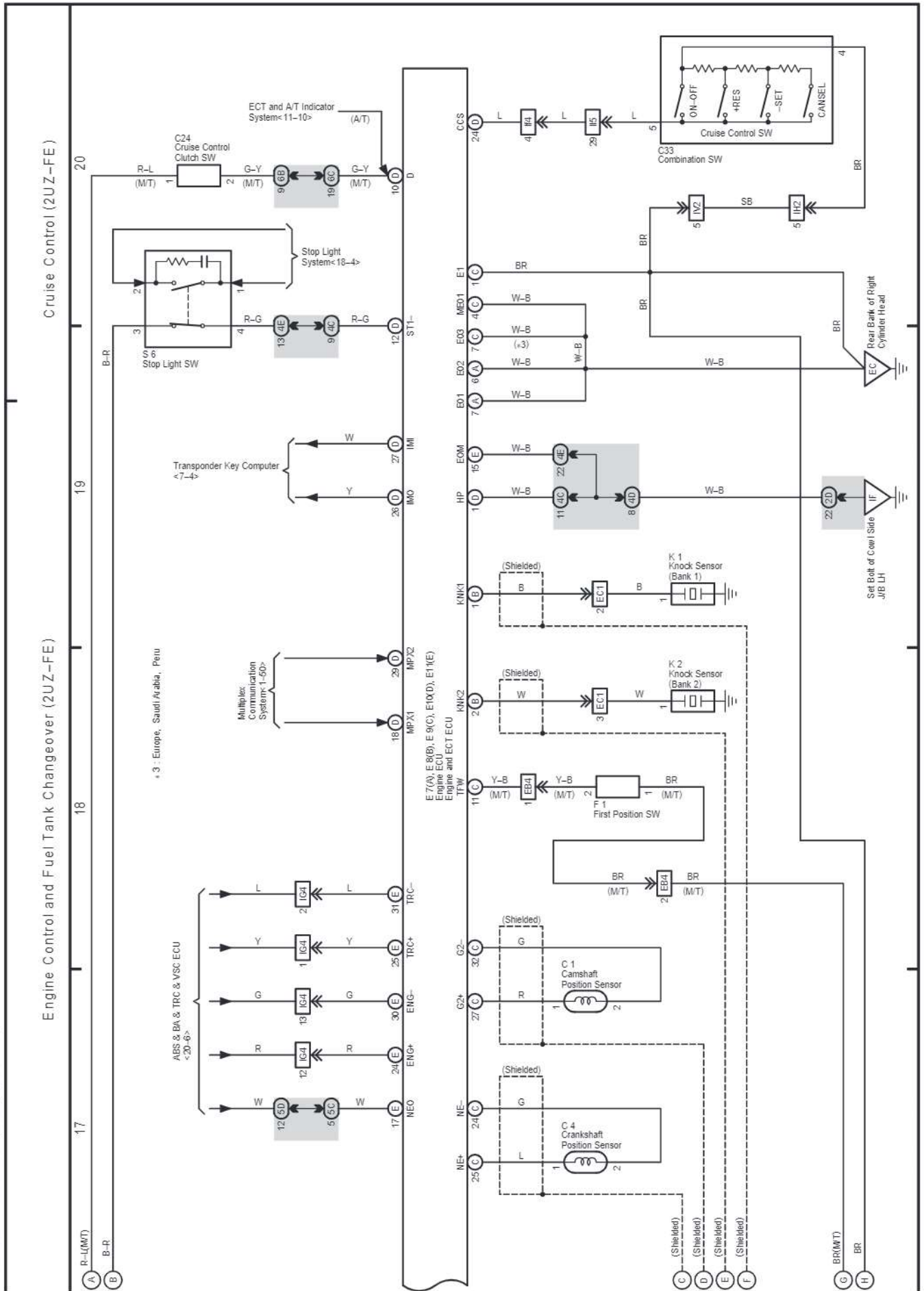
* 3 : Europe, Saudi Arabia, Peru
* 5 : Except *3



cardiagn.com

H OVERALL ELECTRICAL WIRING DIAGRAM

8 LAND CRUISER (LHD) (Cont' d)



cardiagn.com

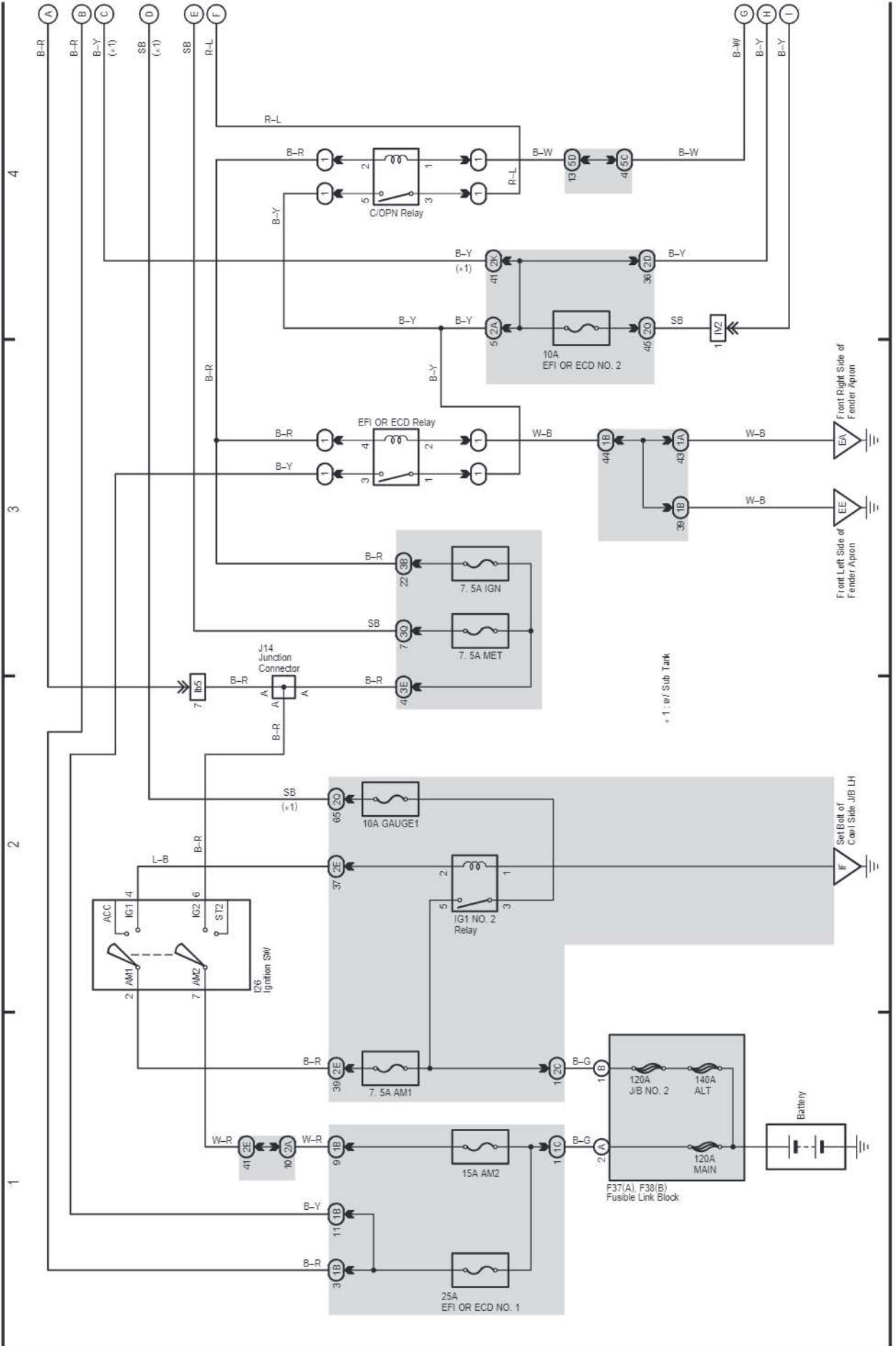
H OVERALL ELECTRICAL WIRING DIAGRAM

9 LAND CRUISER (LHD)

(Cont. next page)

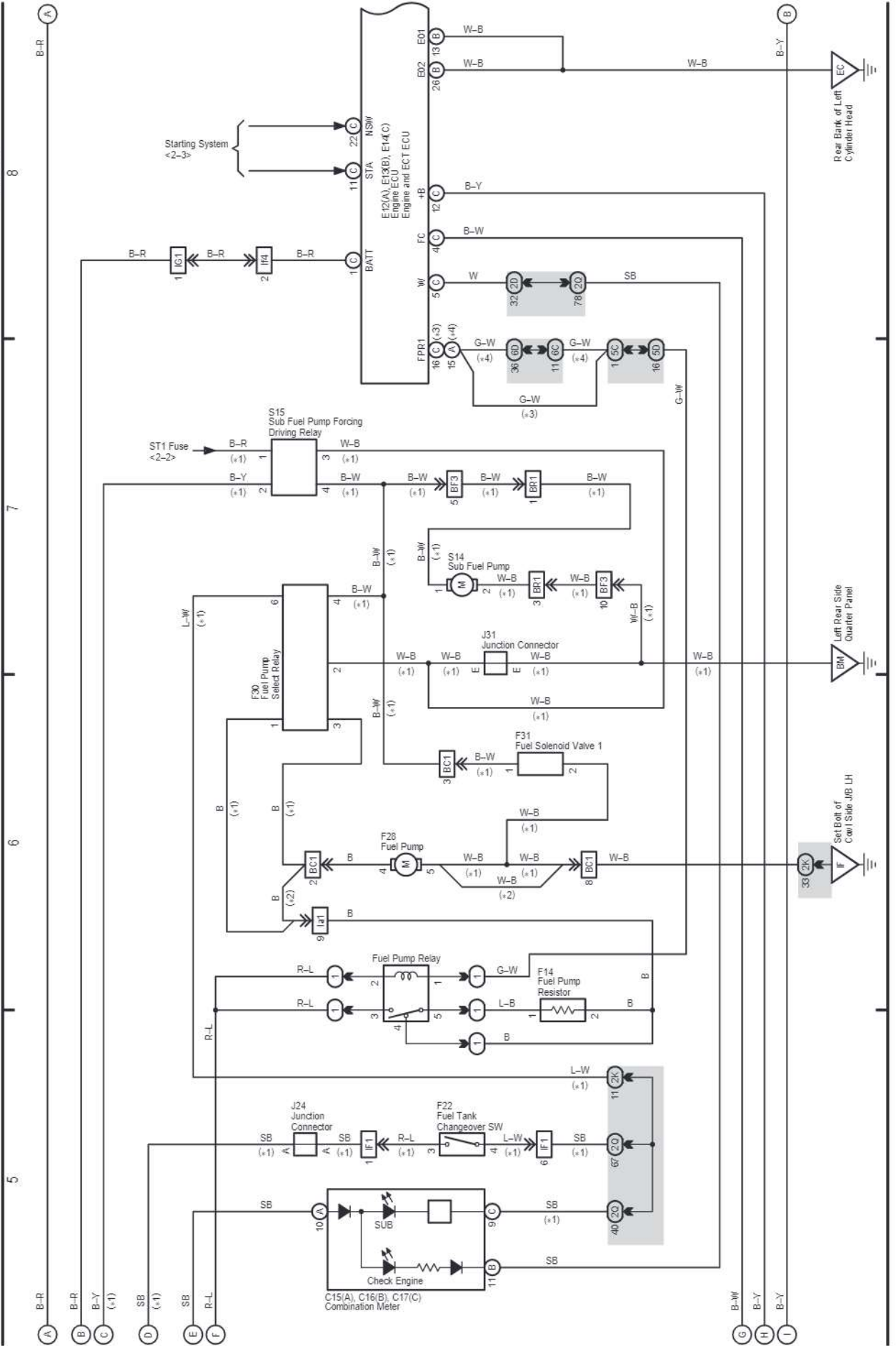
Engine Control and Fuel Tank
Changeover (1FZ-EE)

Power Source



- * 1: w/ Sub Tank
- * 2: w/o Sub Tank
- * 3: China, Saudi Arabia, Peru
- * 4: Except '03

Engine Control and Fuel Tank Changeover (1FZ-FE)

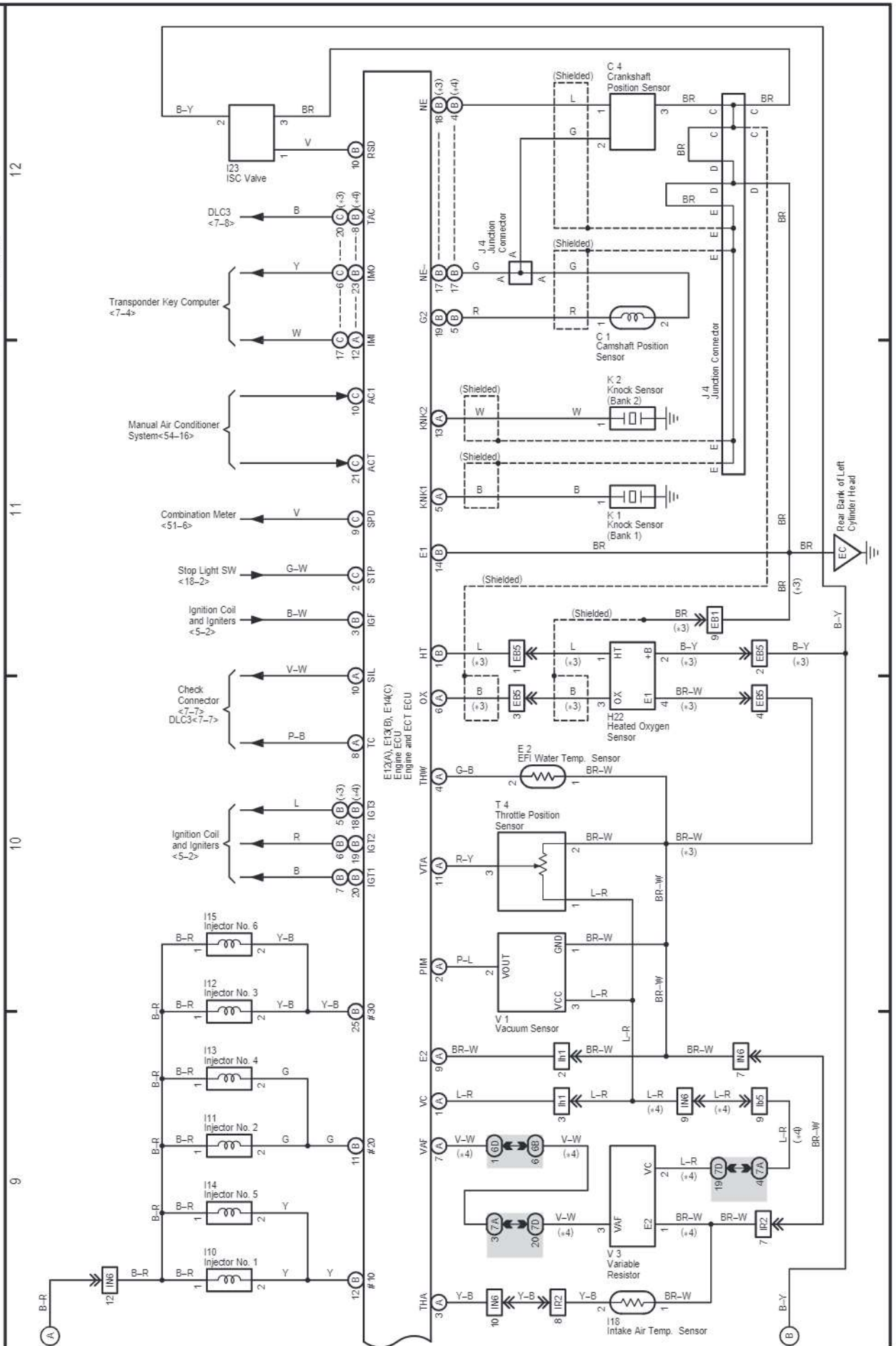


H OVERALL ELECTRICAL WIRING DIAGRAM

9 LAND CRUISER (LHD) (Cont' d)

Engine Control and Fuel Tank Changeover (1FZ-EE)

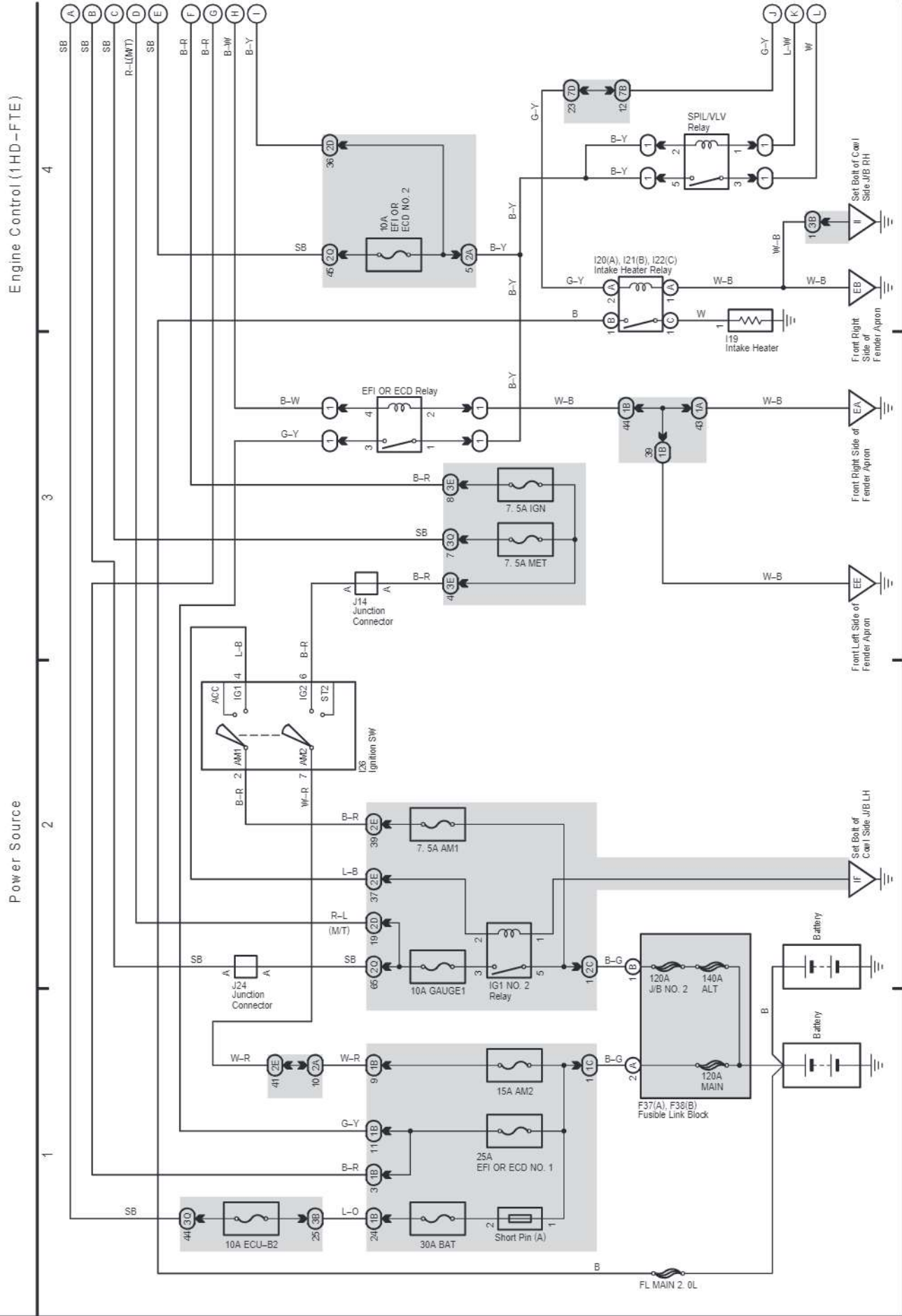
*3 : China, Saudi Arabia, Peru
*4 : Except *3



H OVERALL ELECTRICAL WIRING DIAGRAM

10 LAND CRUISER (LHD)

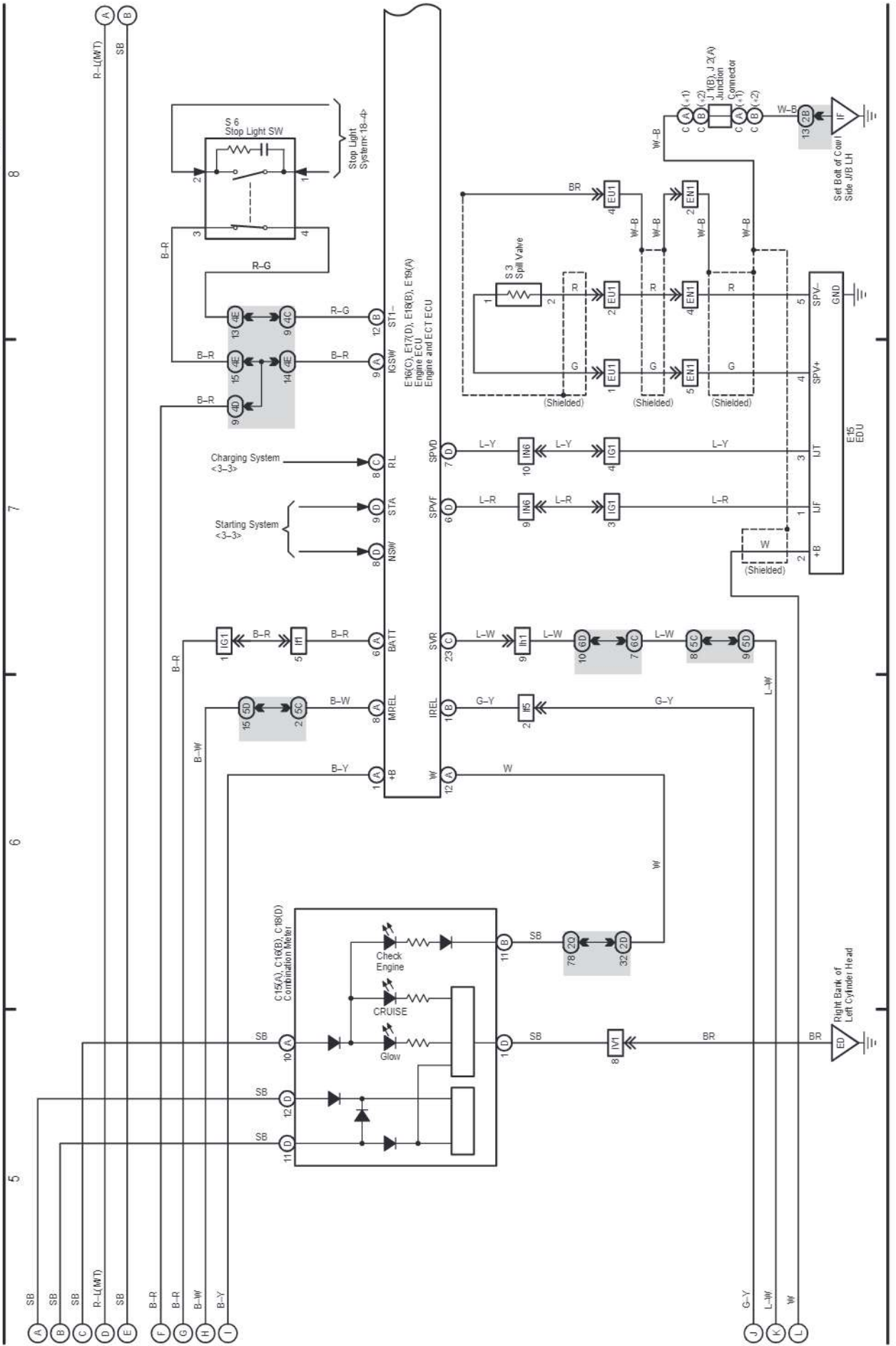
(Cont. next page)



cardiagn.com

Engine Control (1HD-FTE)

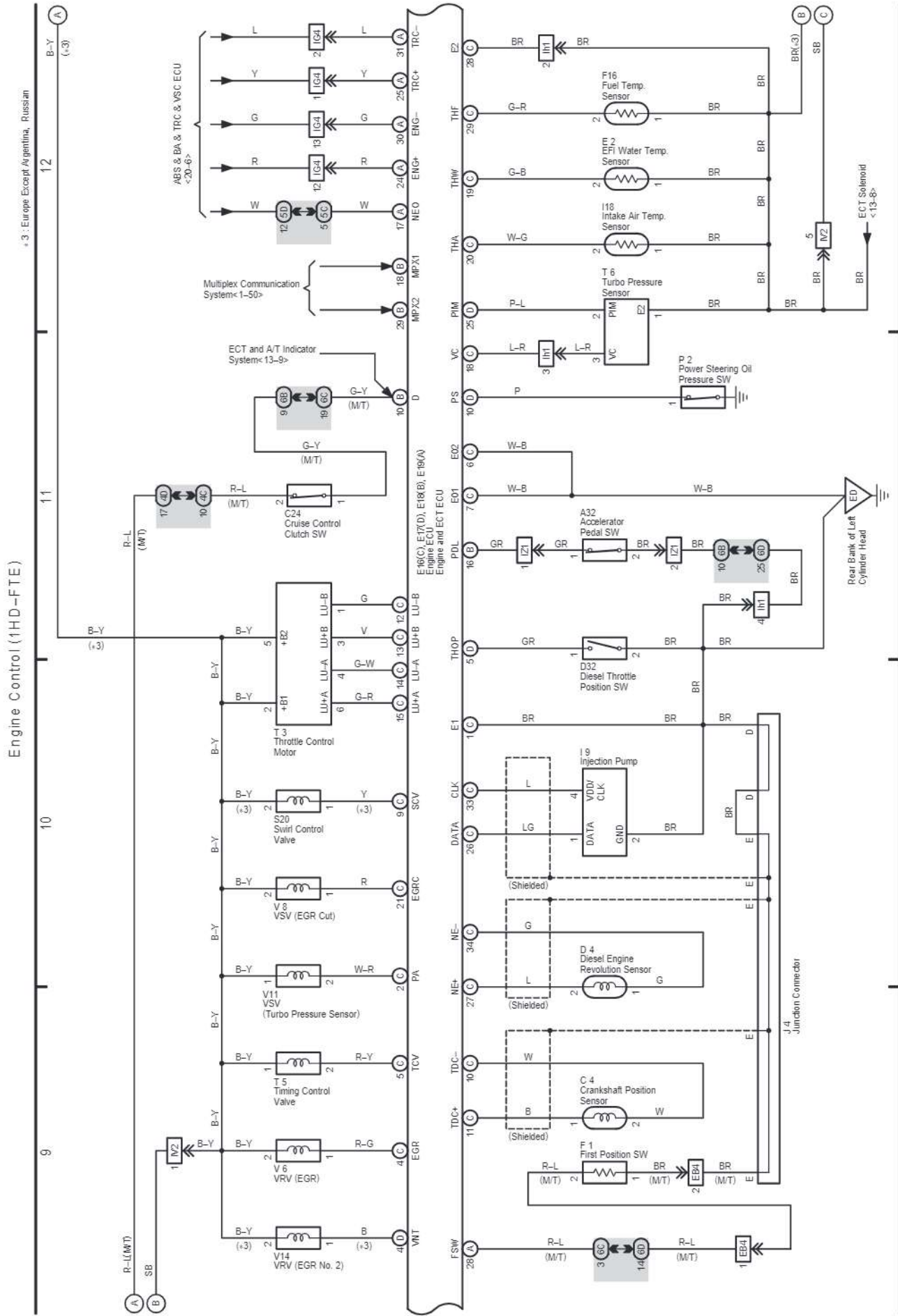
- *1 - w/VSC
- *2 - w/o VSC



H OVERALL ELECTRICAL WIRING DIAGRAM

(Cont. next page)

10 LAND CRUISER (LHD) (Cont' d)

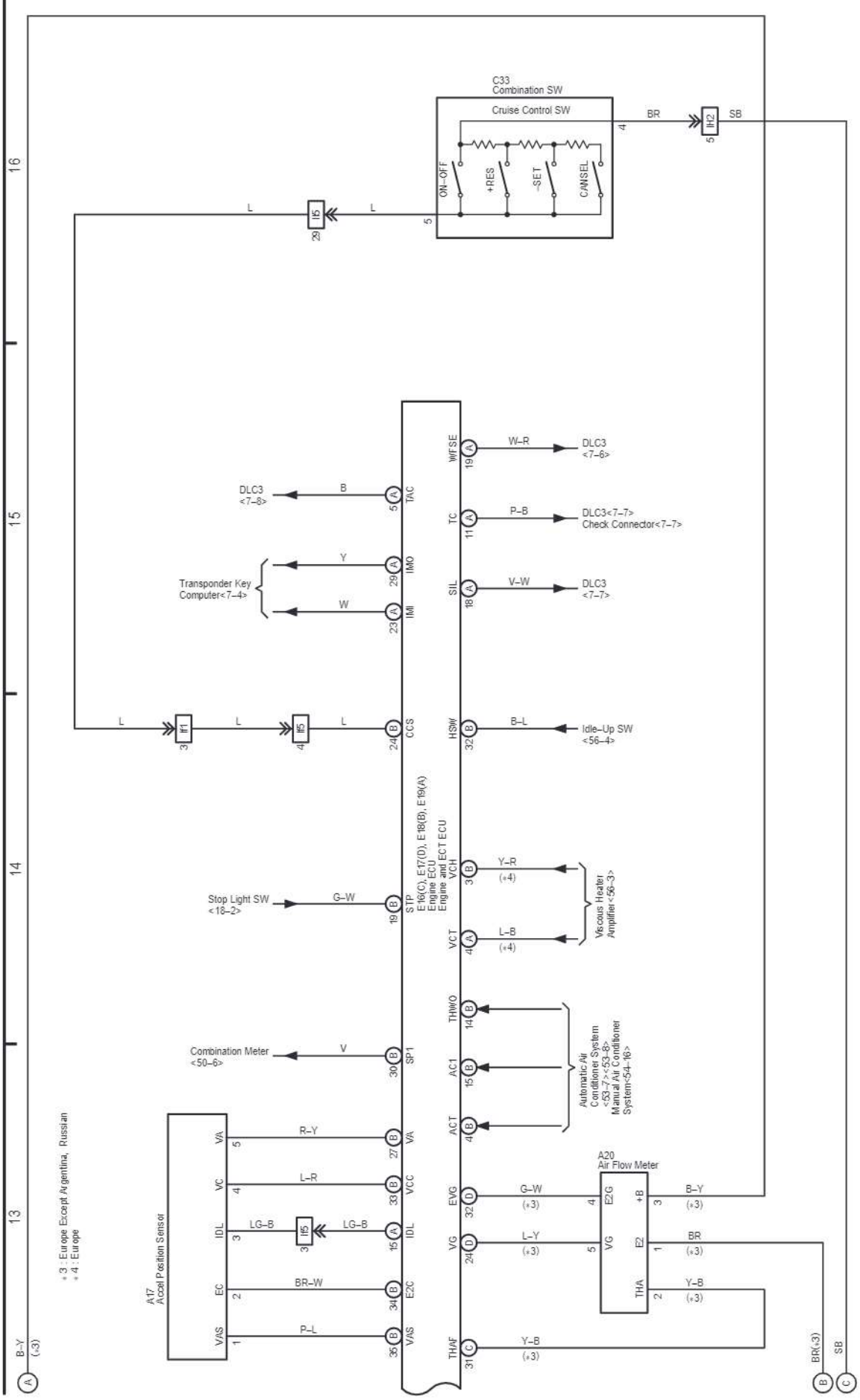


cardiagn.com

10 LAND CRUISER (LHD) (Cont'd)

Cruise Control (1HD-FTE)

Engine Control (1HD-FTE)

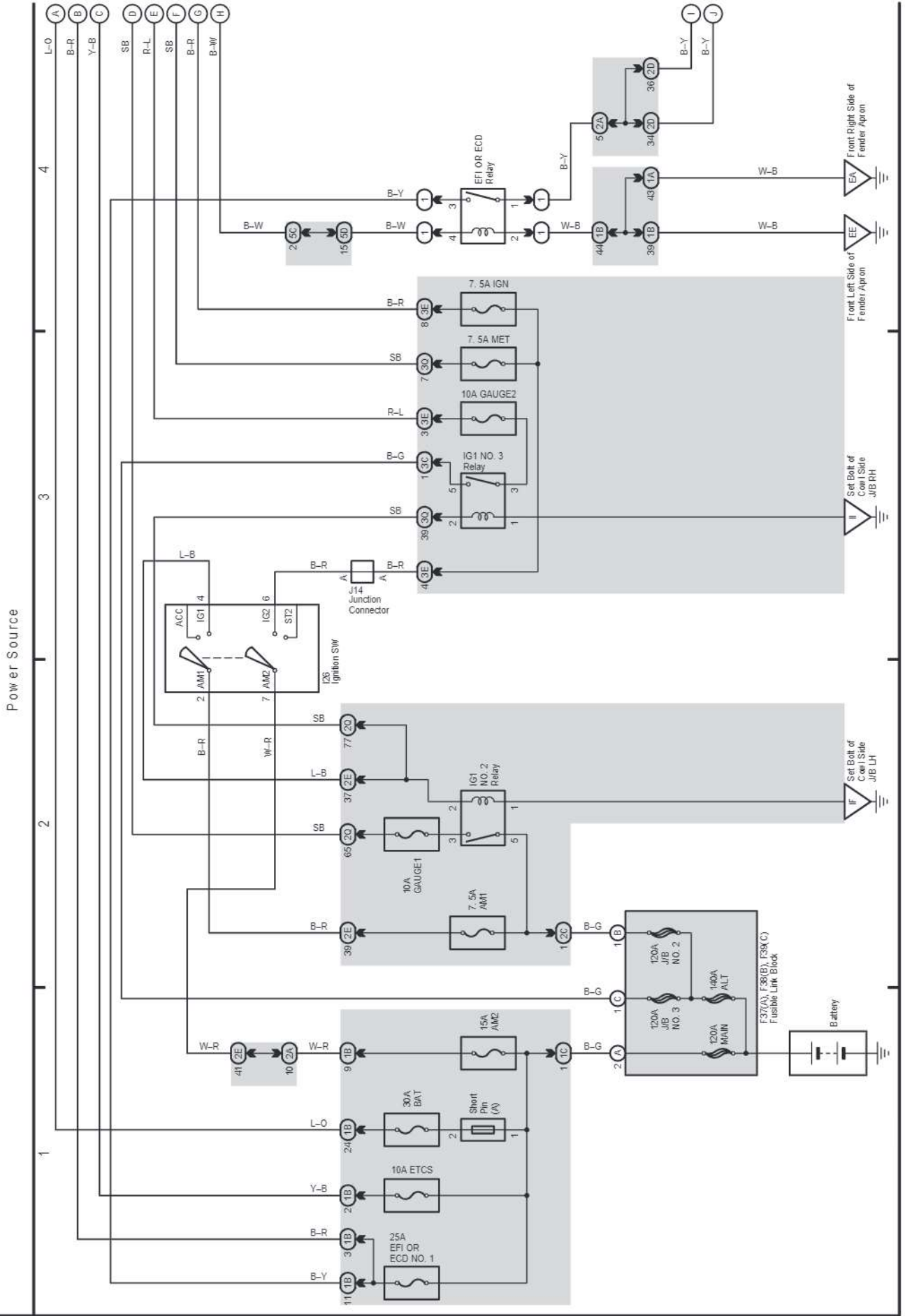


* 3 - Europe Except Argentina, Russian
 * 4 - Europe

H OVERALL ELECTRICAL WIRING DIAGRAM

11 LAND CRUISER (LHD)

(Cont. next page)

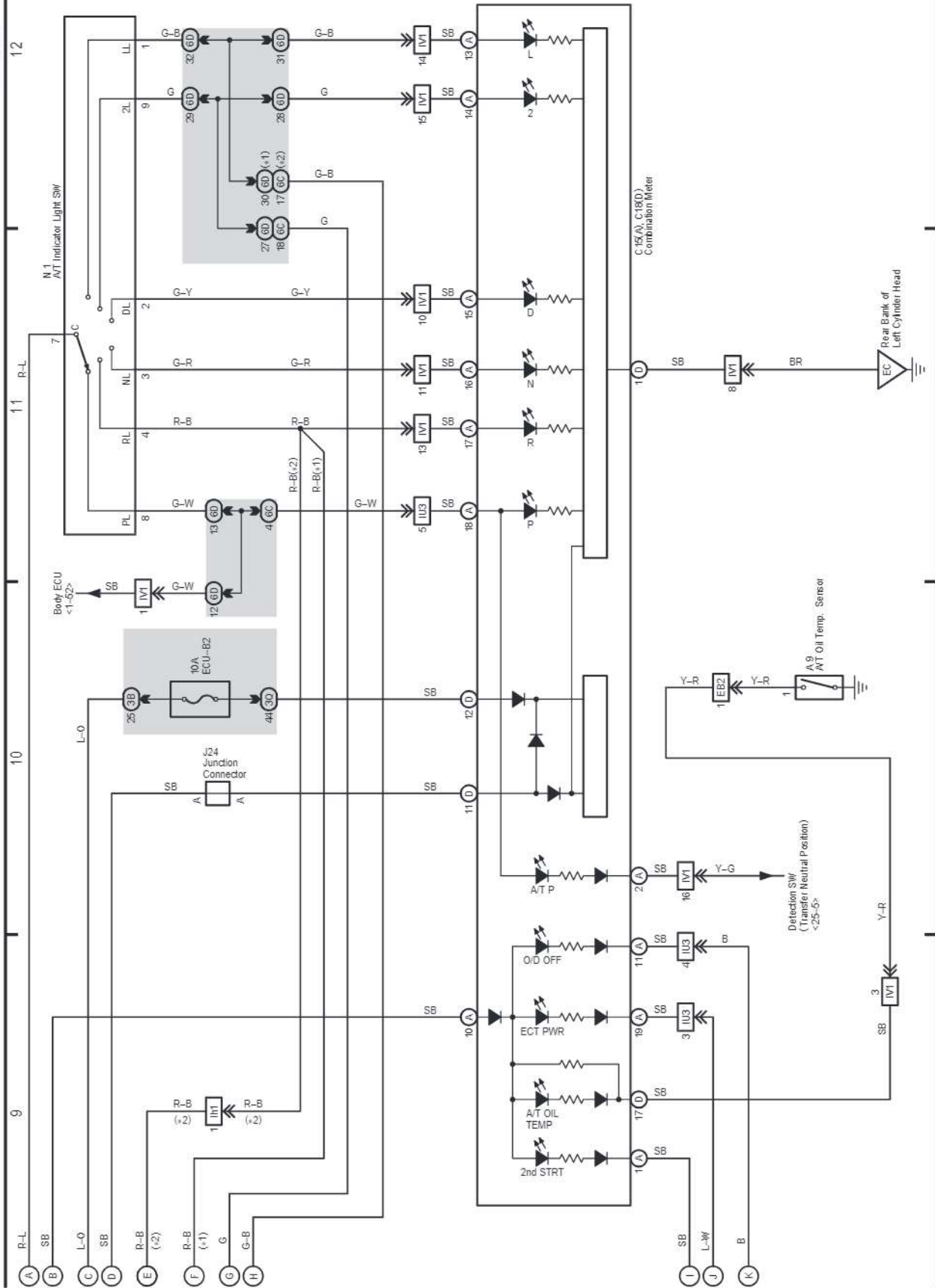


H OVERALL ELECTRICAL WIRING DIAGRAM

12 LAND CRUISER (LHD) (Cont' d)

* 1 : China, Saudi Arabia, Peru
* 2 : Except *

ECT and A/T Indicator (1FZ-FE)



cardiagn.com

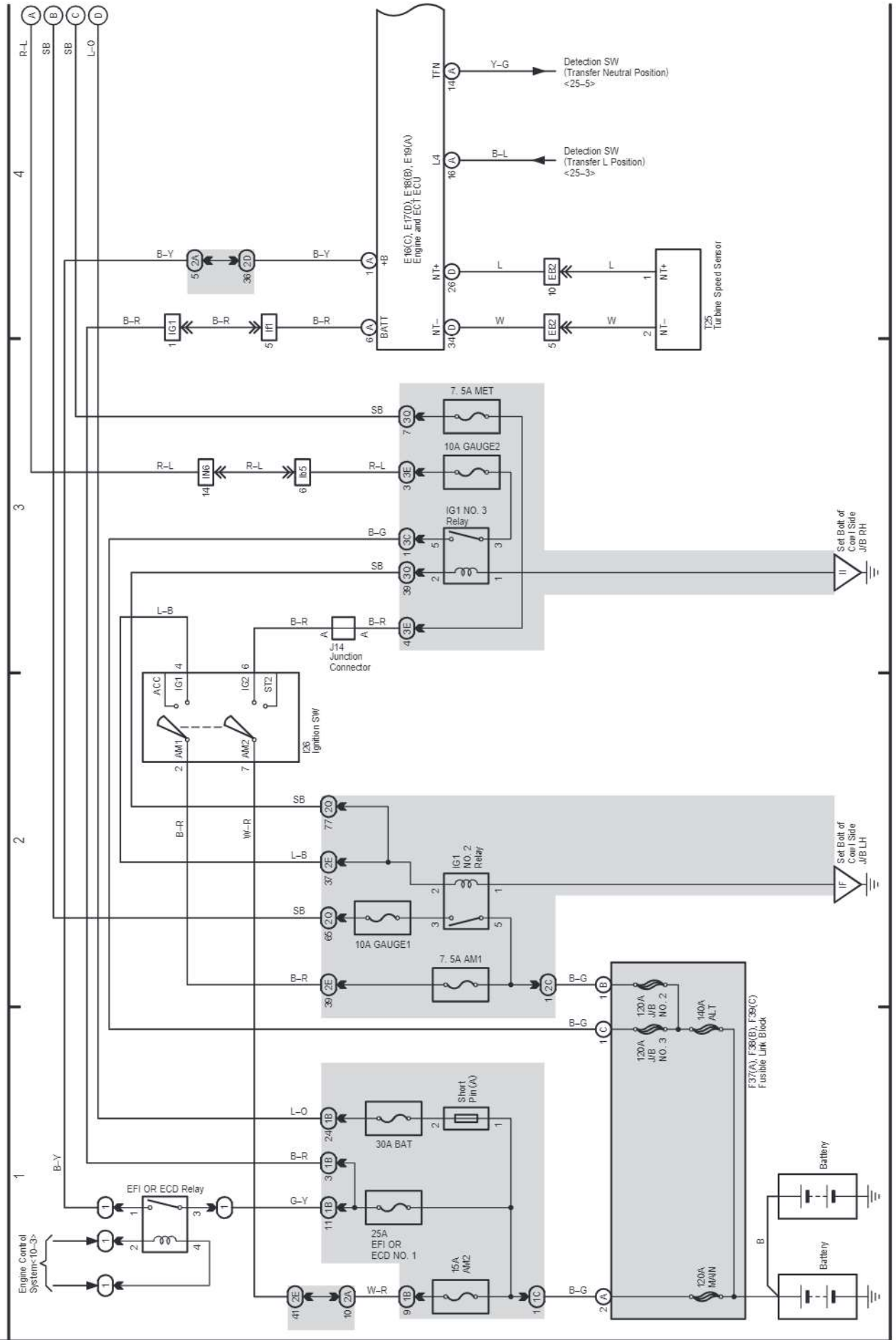
H OVERALL ELECTRICAL WIRING DIAGRAM

13 LAND CRUISER (LHD)

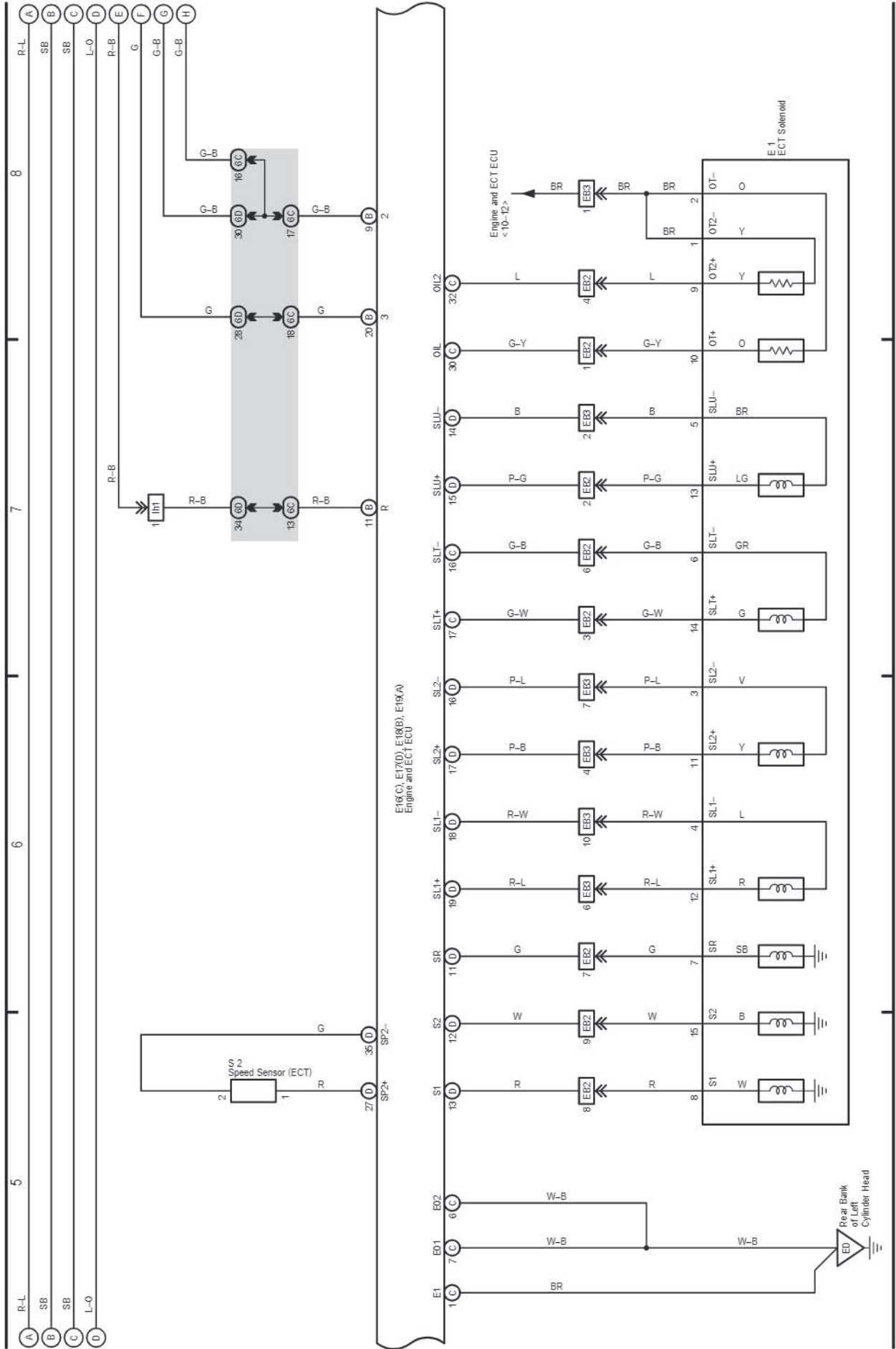
(Cont. next page)

ECT and A/T Indicator (1HD-FTE)

Power Source



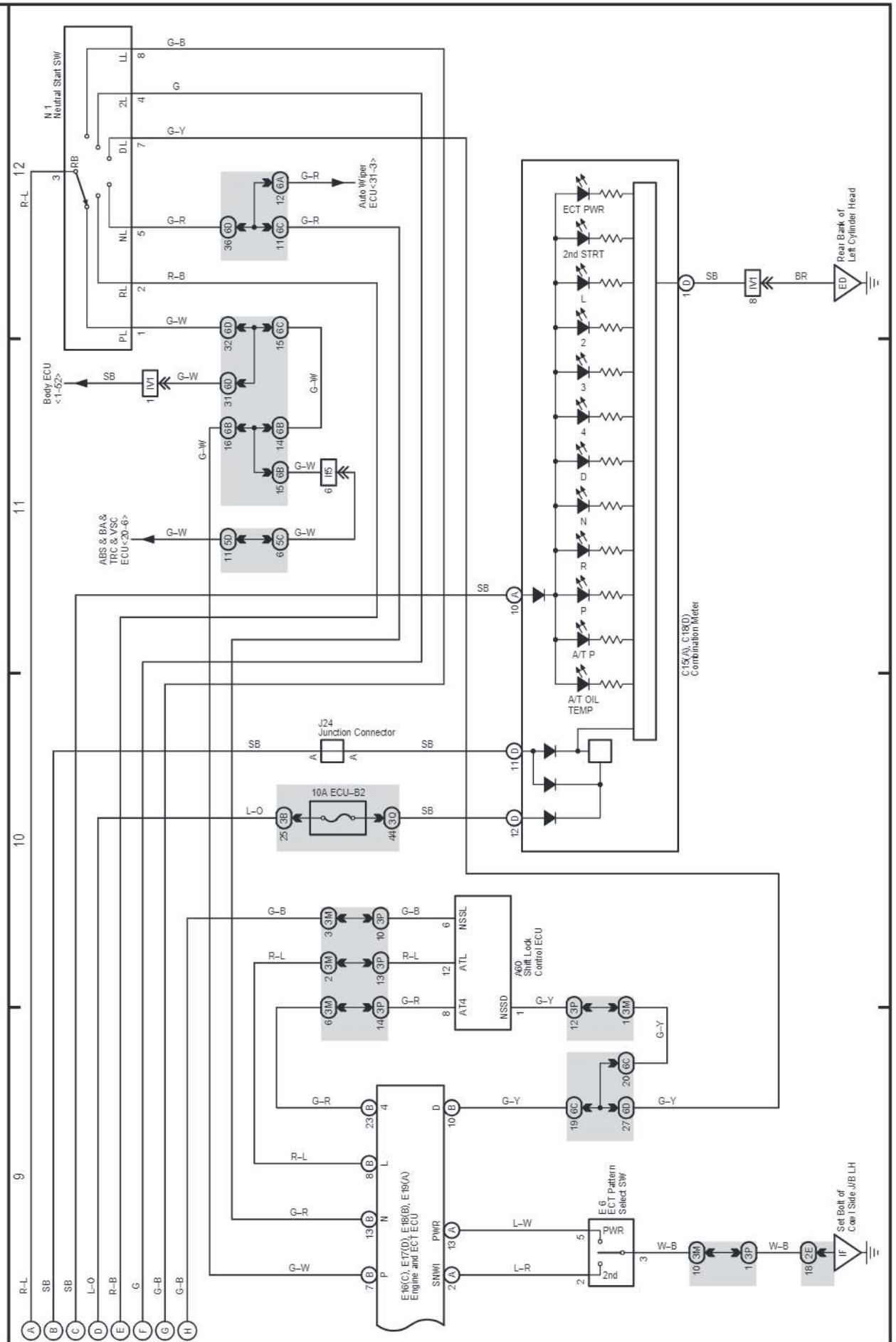
ECT and A/T Indicator (1HD-FTE)



H OVERALL ELECTRICAL WIRING DIAGRAM

13 LAND CRUISER (LHD) (Cont' d)

ECT and A/T Indicator (1HD-FTE)

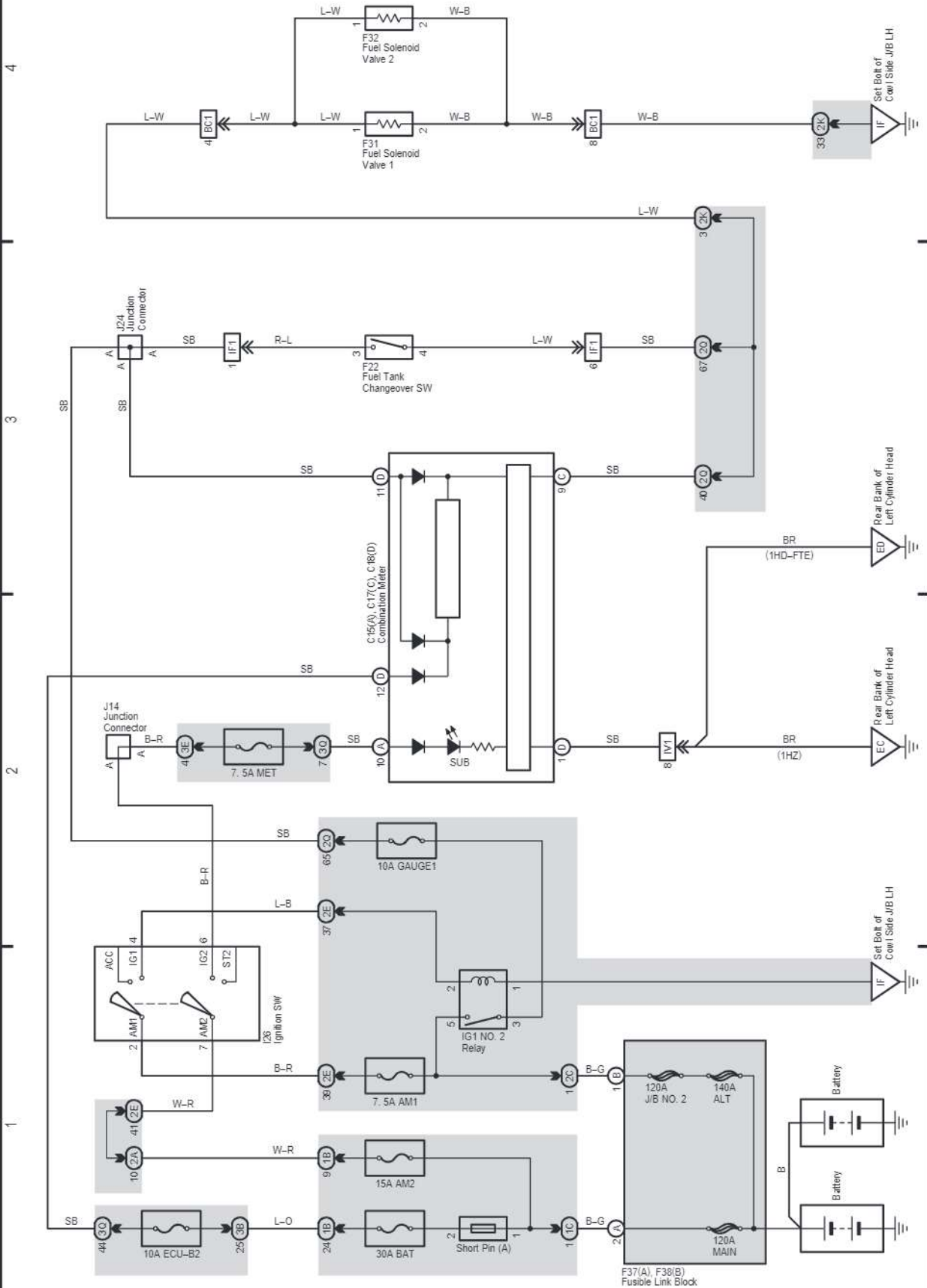


cardiagn.com

14 LAND CRUISER (LHD)

Fuel Tank Changeover (Diesel)

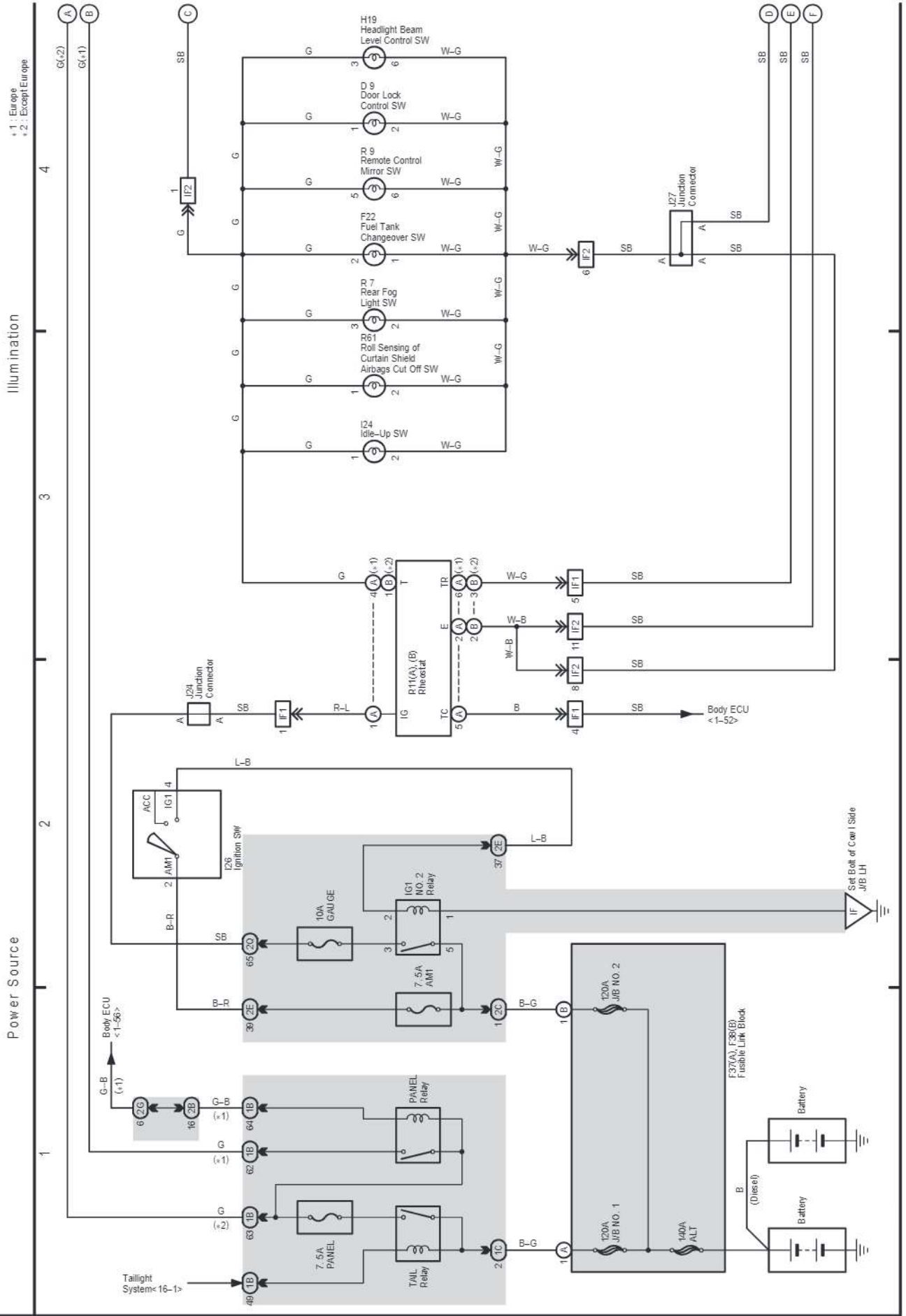
Power Source



H OVERALL ELECTRICAL WIRING DIAGRAM

17 LAND CRUISER (LHD)

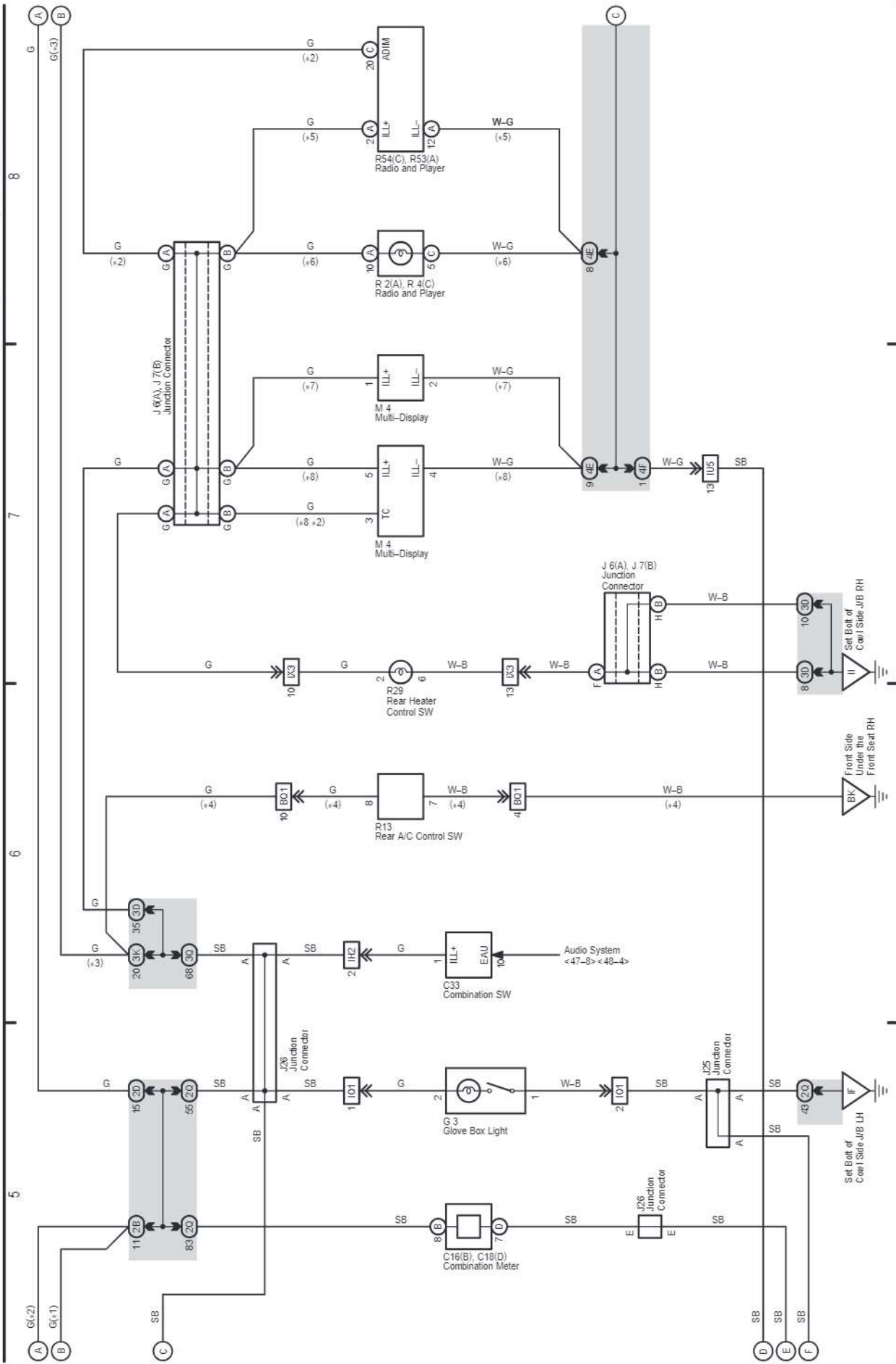
(Cont. next page)



cardiagn.com

- * 1: Europe
- * 2: Except Europe
- * 3: Automatic A/C
- * 4: Manual A/C
- * 5: Separate Amplifier
- * 6: Built-in Amplifier
- * 7: w/ Navigation System
- * 8: w/o Navigation System

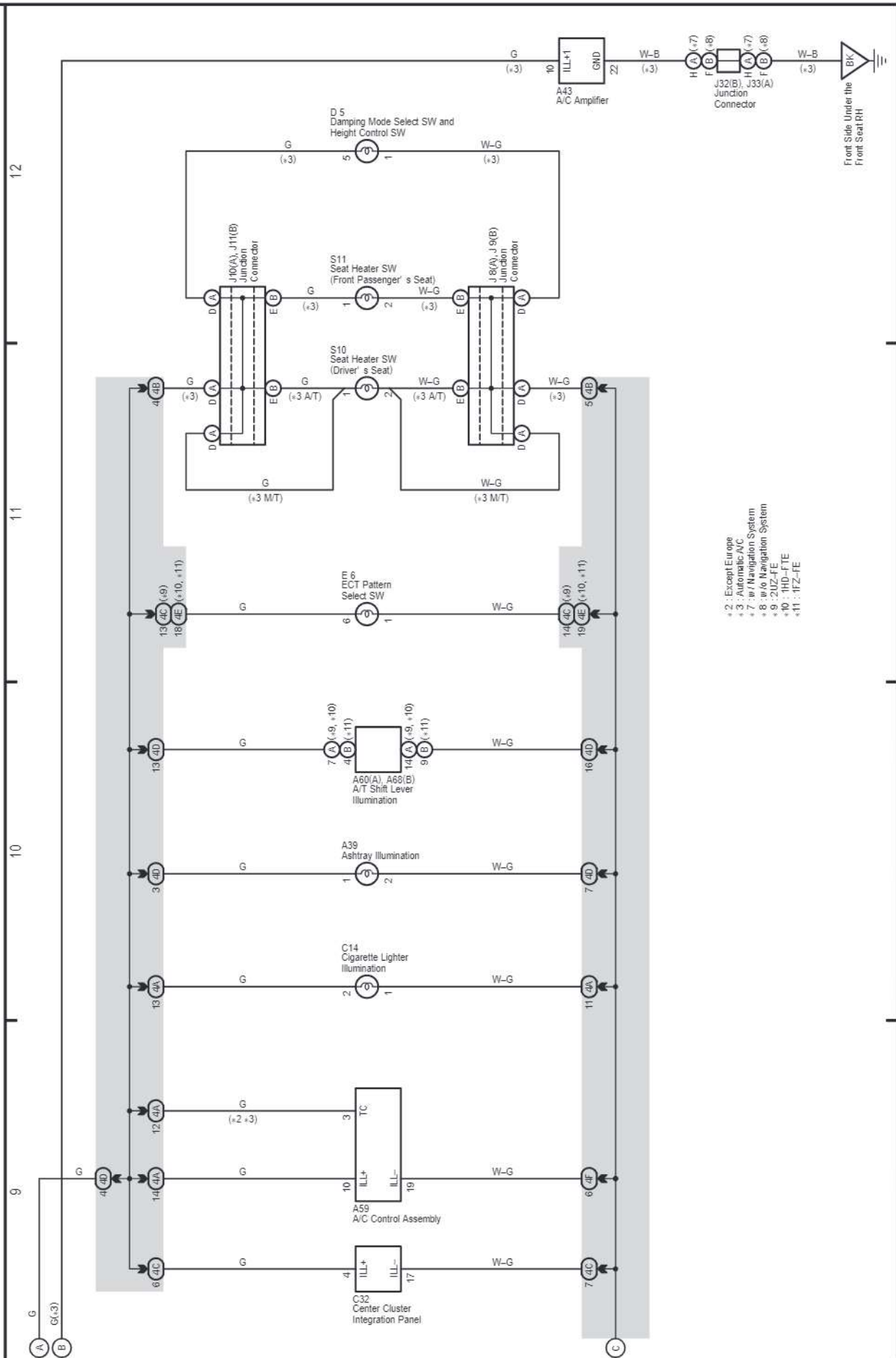
Illumination



H OVERALL ELECTRICAL WIRING DIAGRAM

17 LAND CRUISER (LHD) (Cont' d)

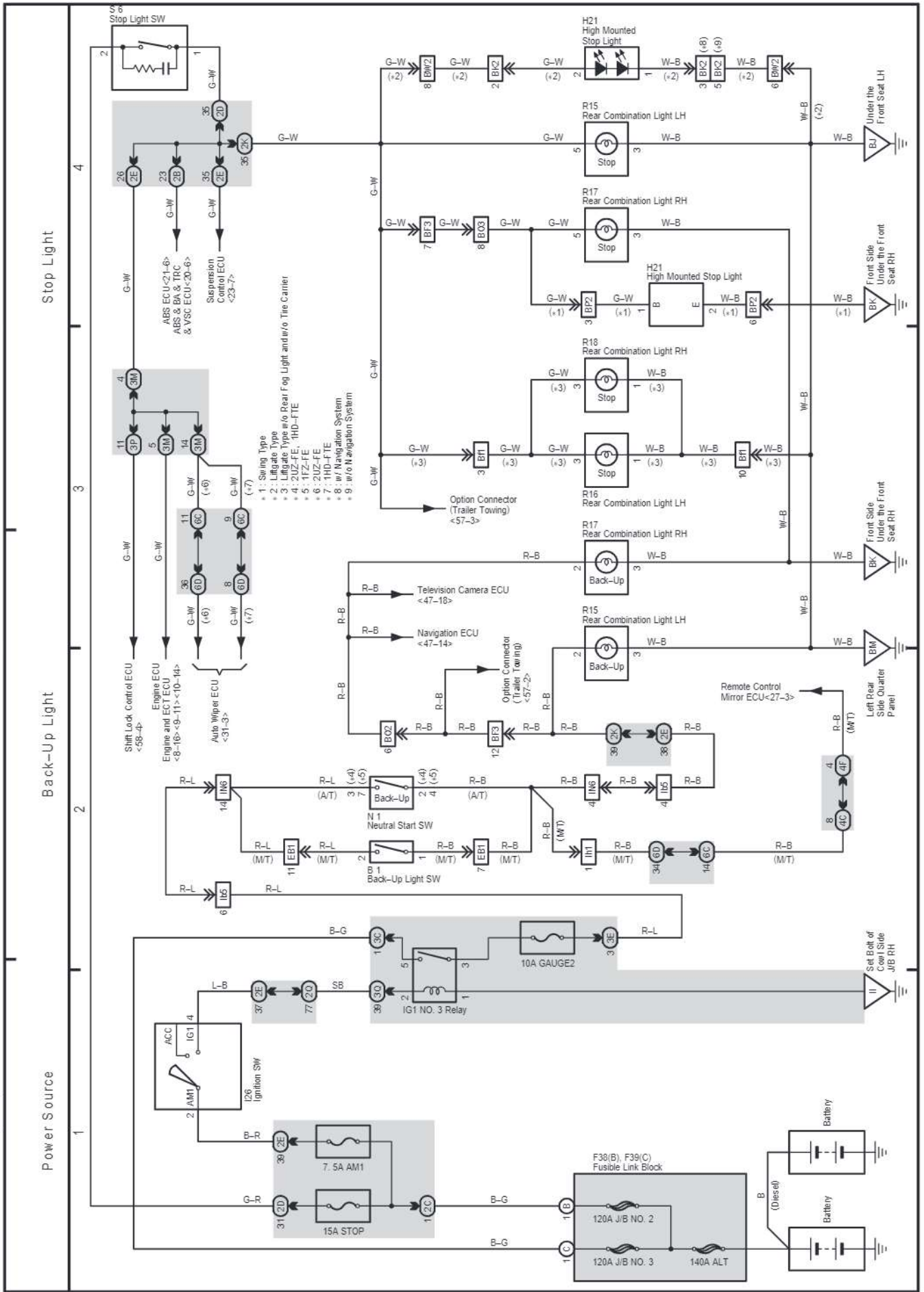
Illumination



- * 2 : Except Europe
- * 3 : Automatic A/C
- * 7 : w/ Navigation System
- * 8 : w/o Navigation System
- * 9 : 2U2-TE
- * 10 : 1HD-FTE
- * 11 : 1FZ-TE

cardiagn.com

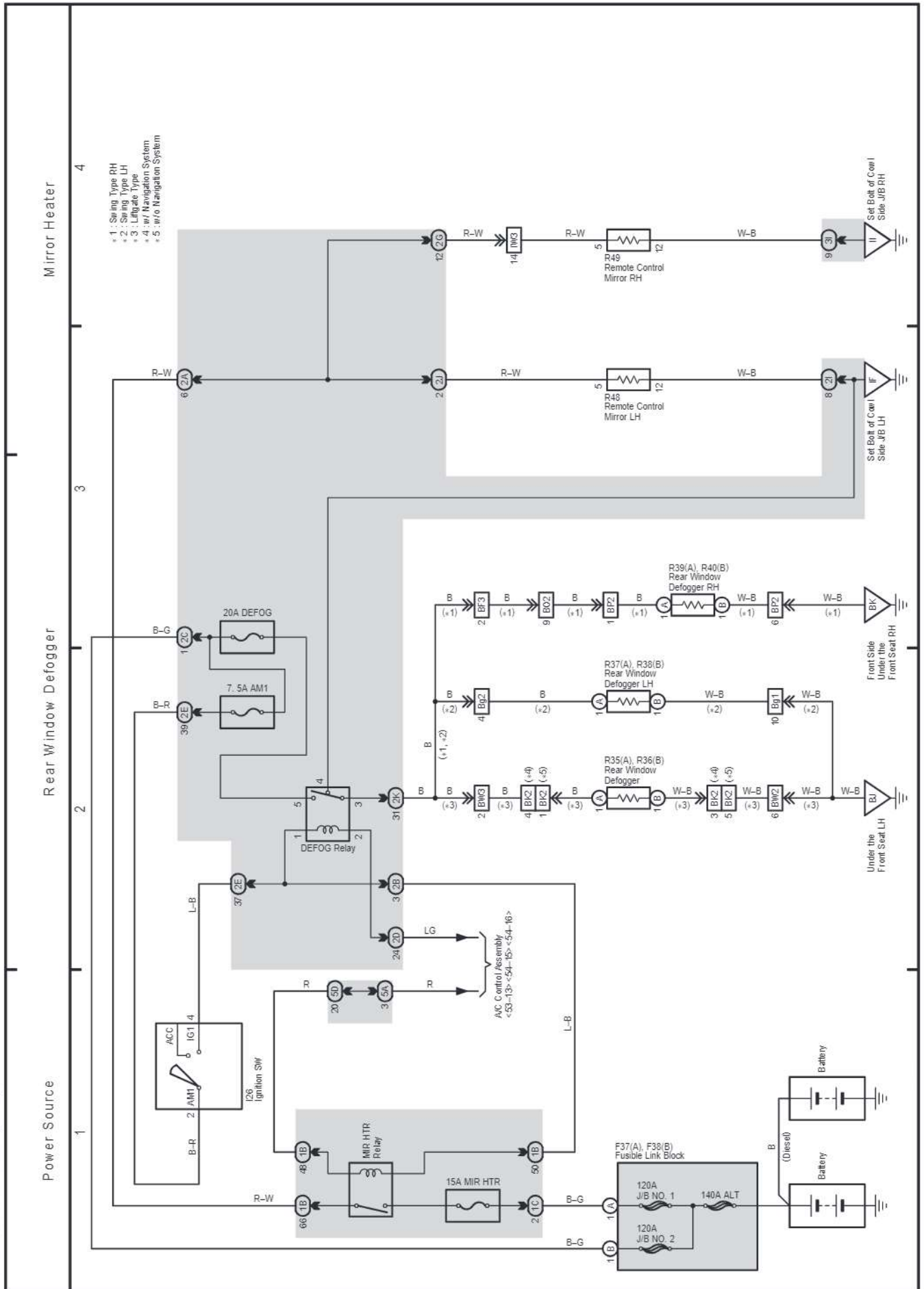
18 LAND CRUISER (LHD)



LAND CRUISER Station Wagon (EWD602E)

H OVERALL ELECTRICAL WIRING DIAGRAM

19 LAND CRUISER (LHD)



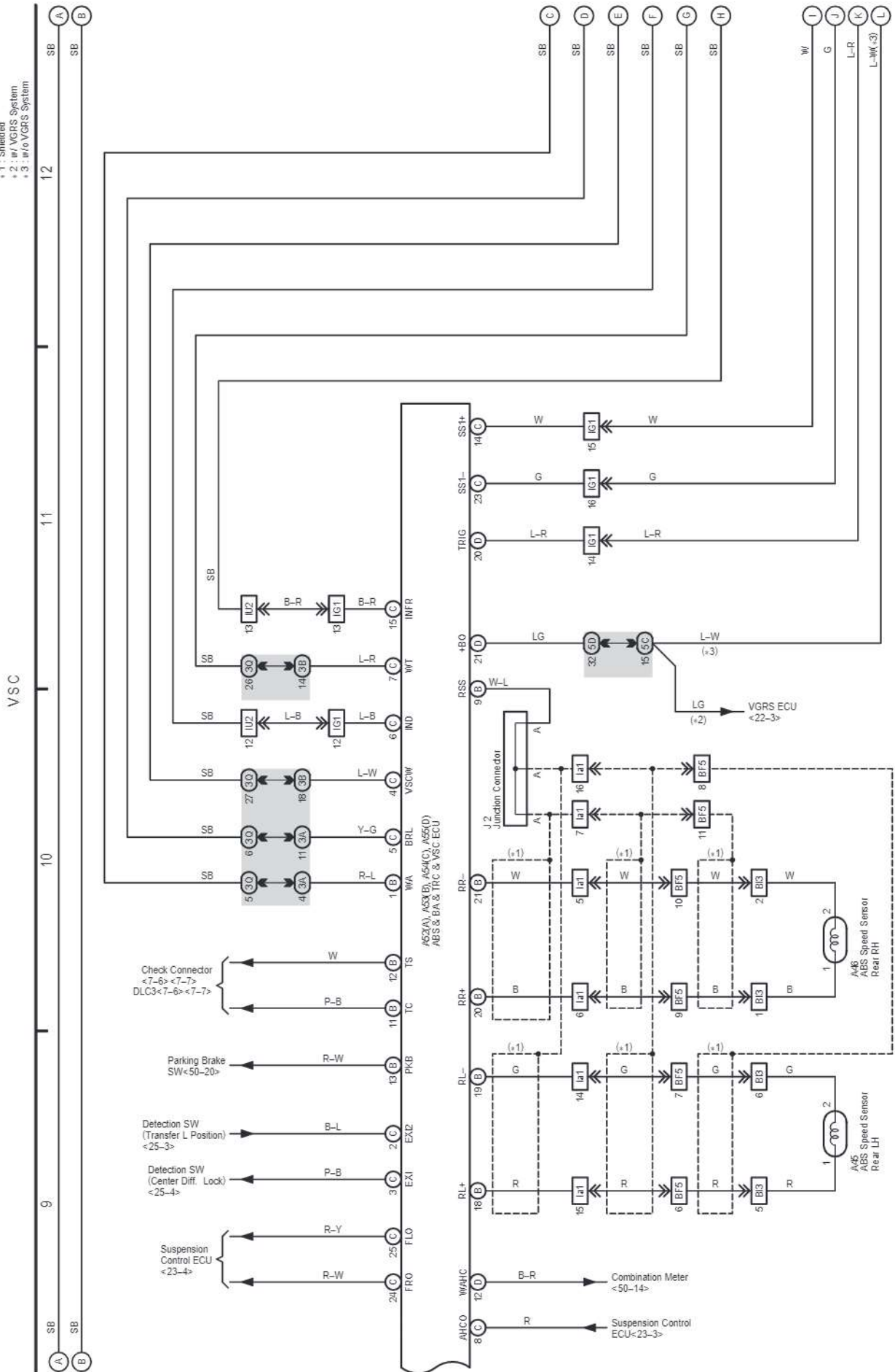
cardiagn.com

H OVERALL ELECTRICAL WIRING DIAGRAM

(Cont. next page)

20 LAND CRUISER (LHD) (Cont' d)

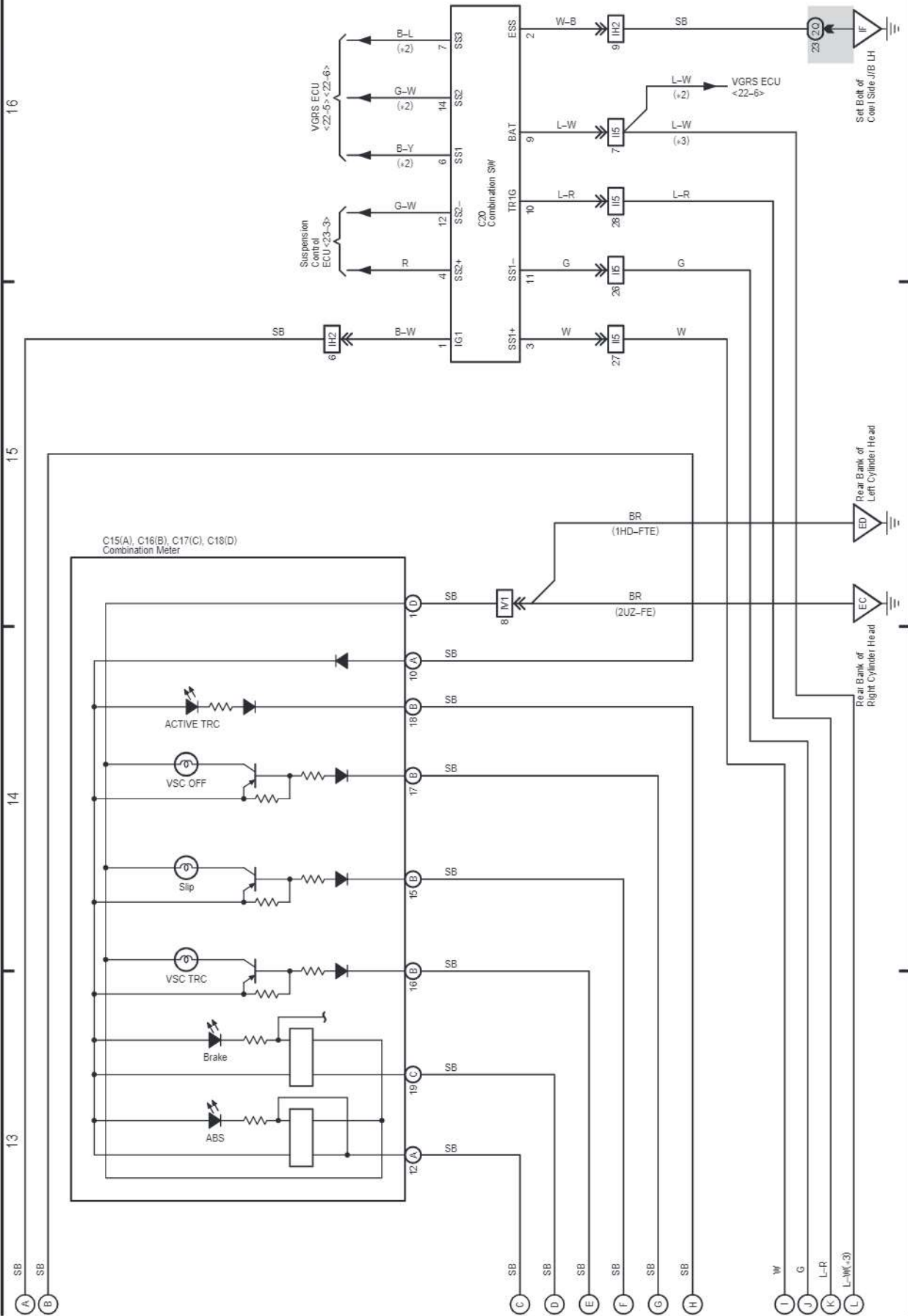
- * 1 : Shielded
- * 2 : w/ VGRS System
- * 3 : w/o VGRS System



cardiagn.com

* 2 - w/ VGRS System
 * 3 - w/o VGRS System

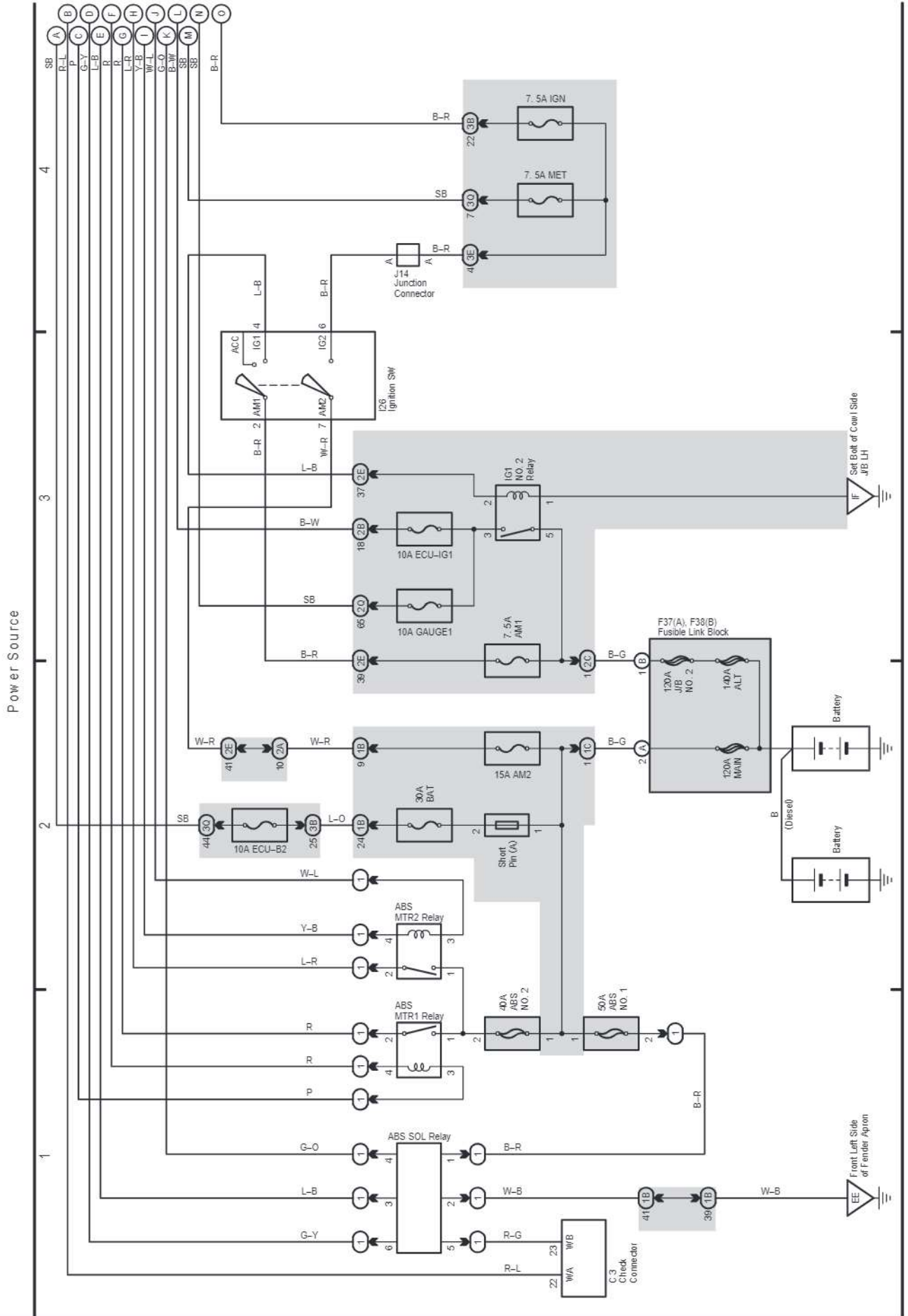
VSC



H OVERALL ELECTRICAL WIRING DIAGRAM

21 LAND CRUISER (LHD)

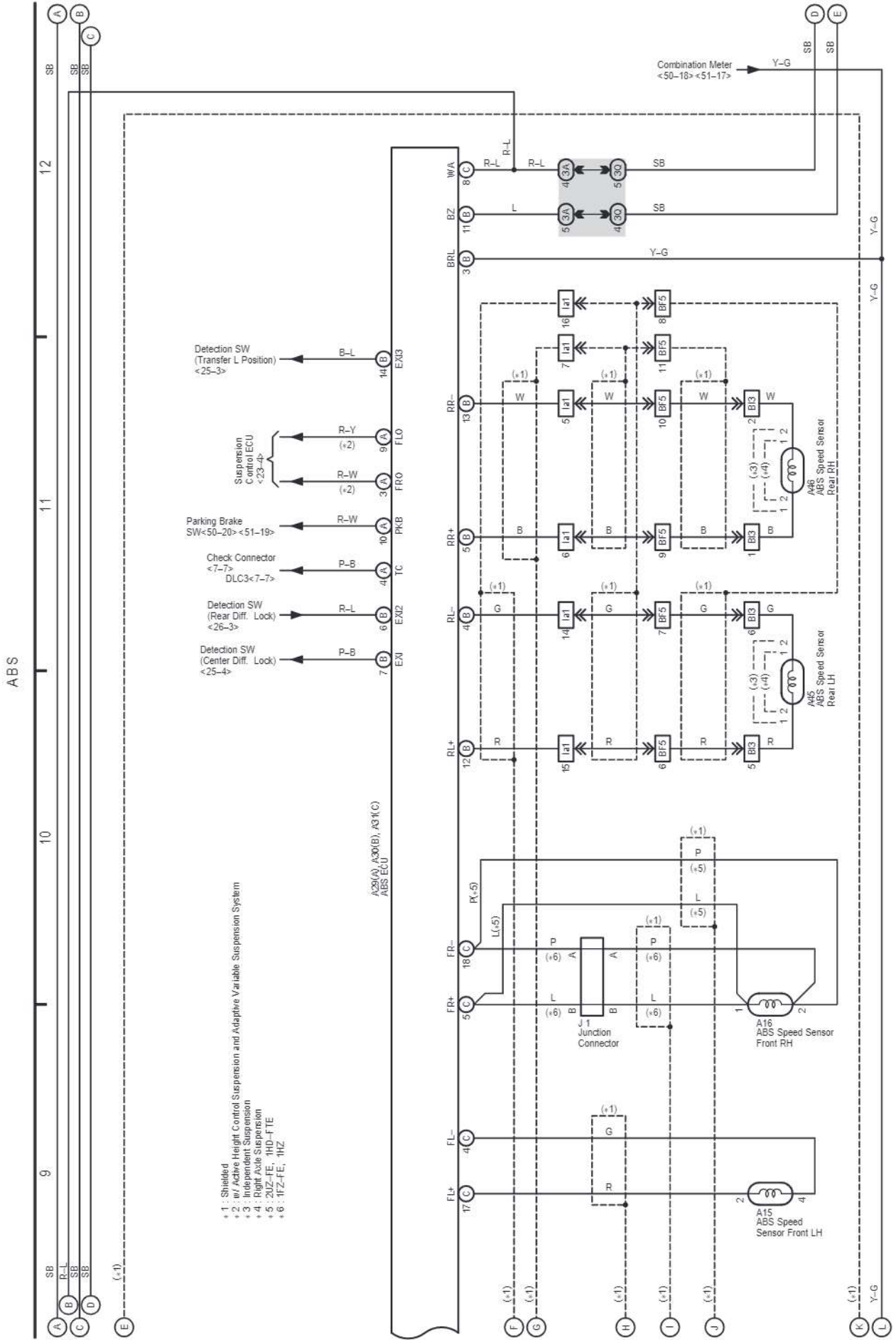
(Cont. next page)



H OVERALL ELECTRICAL WIRING DIAGRAM

21 LAND CRUISER (LHD) (Cont' d)

(Cont. next page)



cardiagn.com

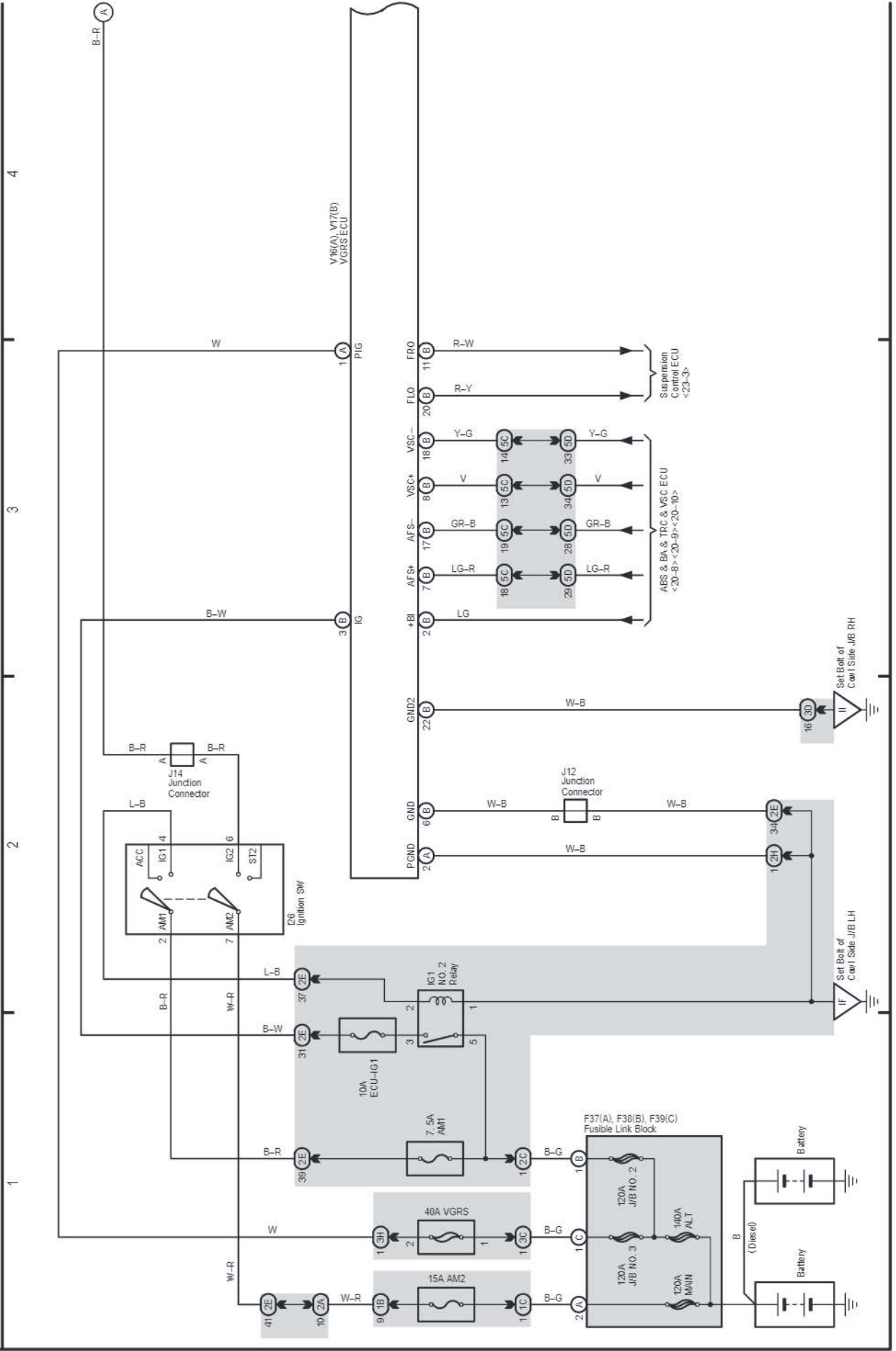
H OVERALL ELECTRICAL WIRING DIAGRAM

22 LAND CRUISER (LHD)

(Cont. next page)

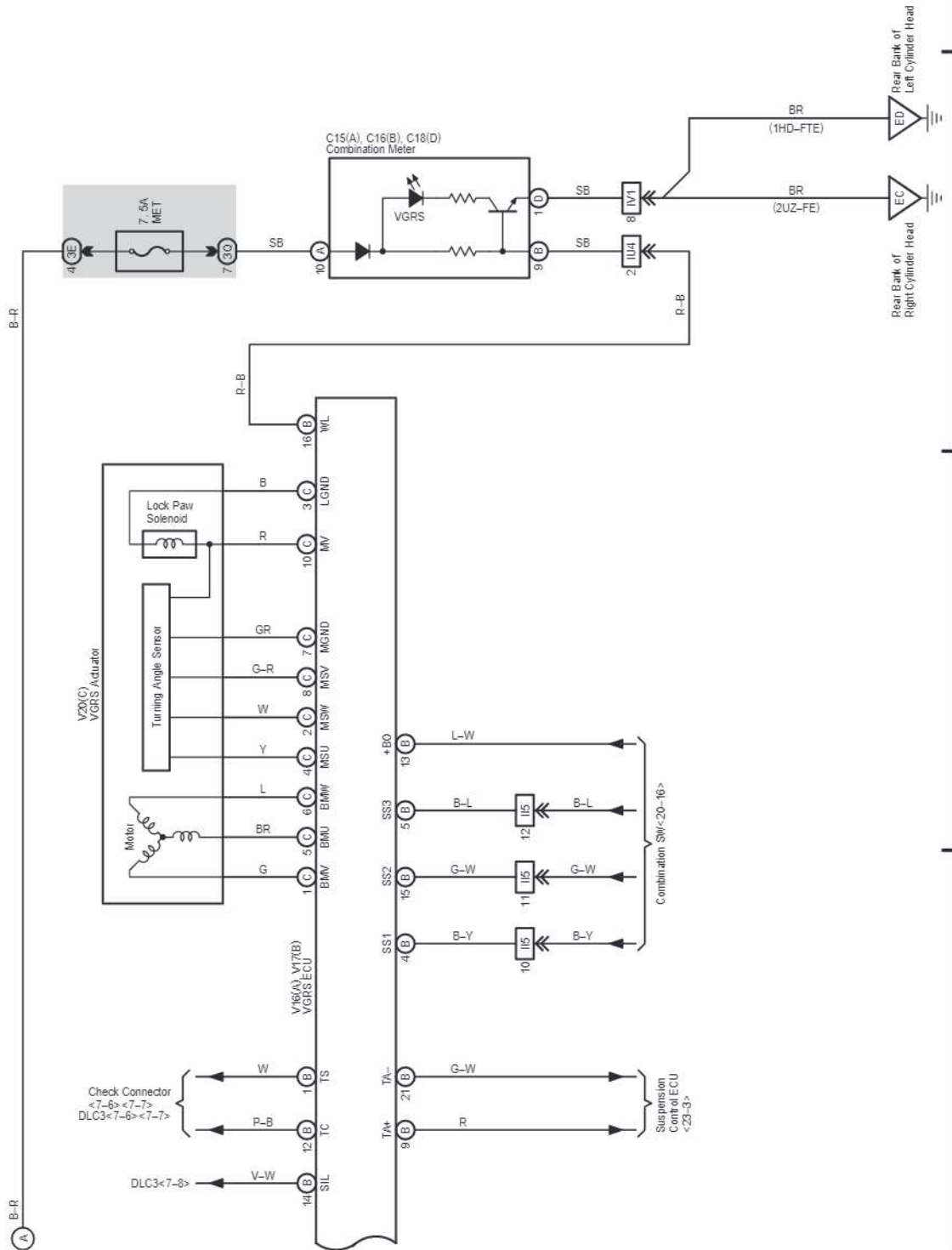
Power Source

VGRS System



cardiagn.com

VGRS System

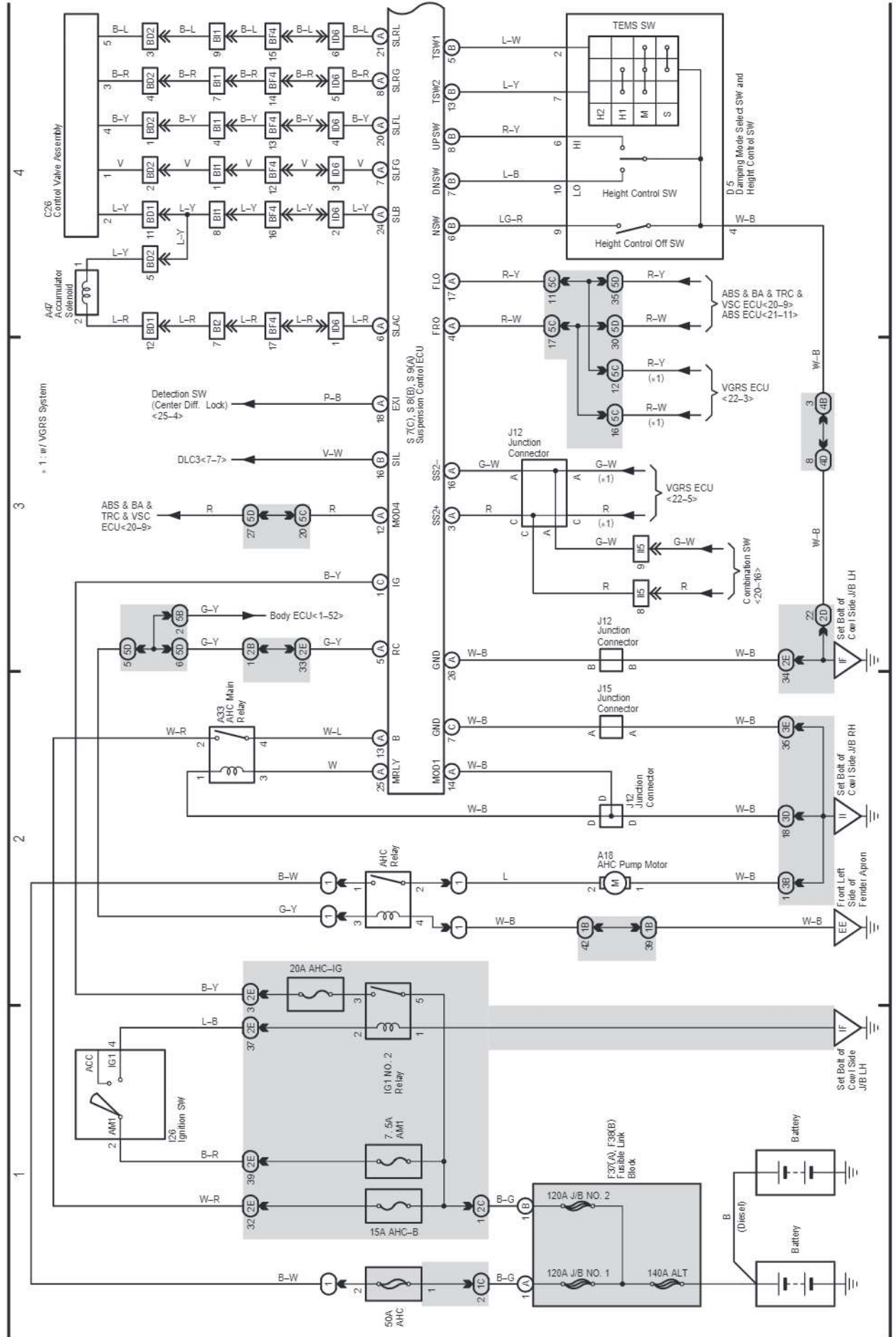


H OVERALL ELECTRICAL WIRING DIAGRAM

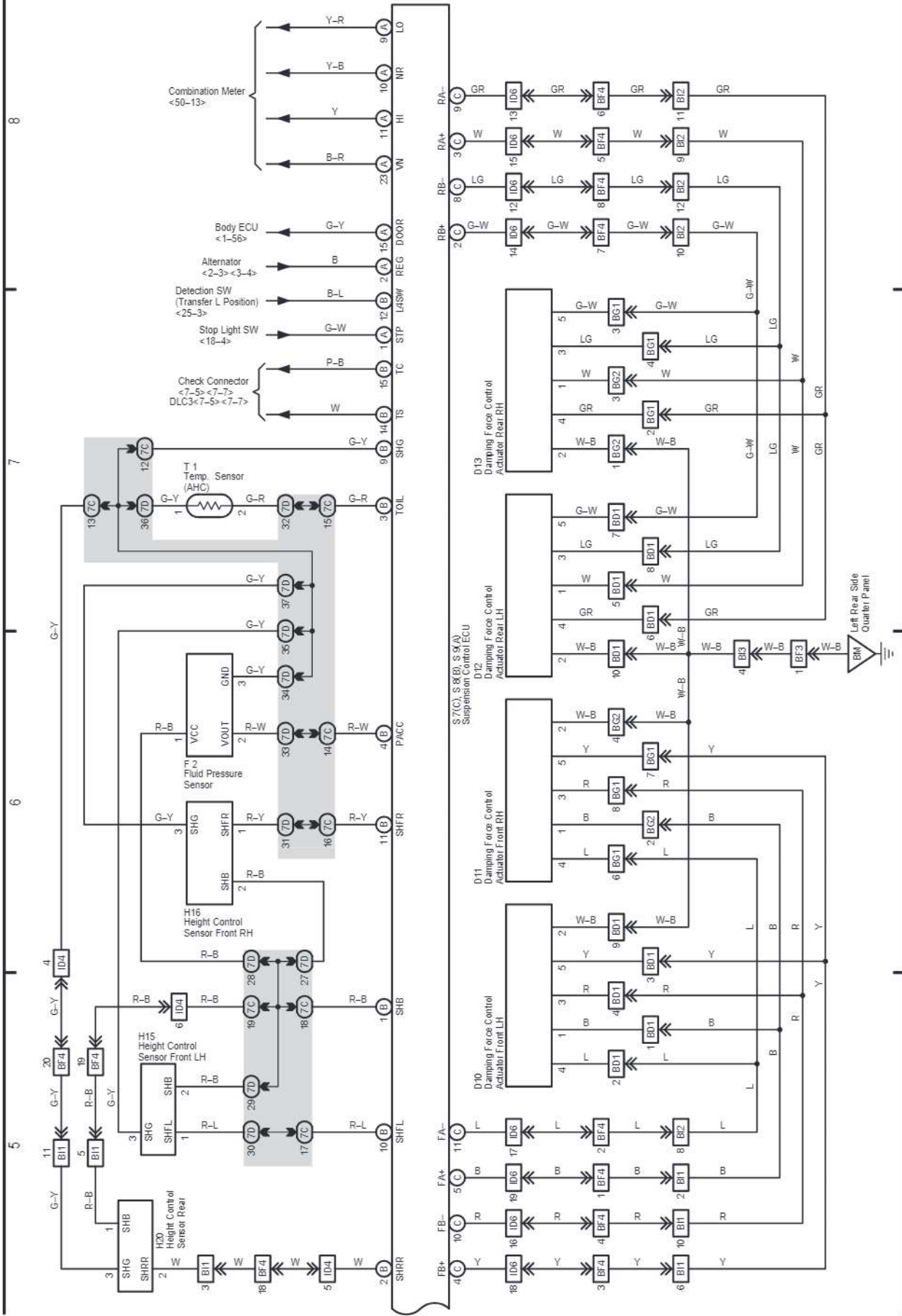
23 LAND CRUISER (LHD)

(Cont. next page)

Active Height Control Suspension and Adaptive Variable Suspension



Active Height Control Suspension and Adaptive Variable Suspension



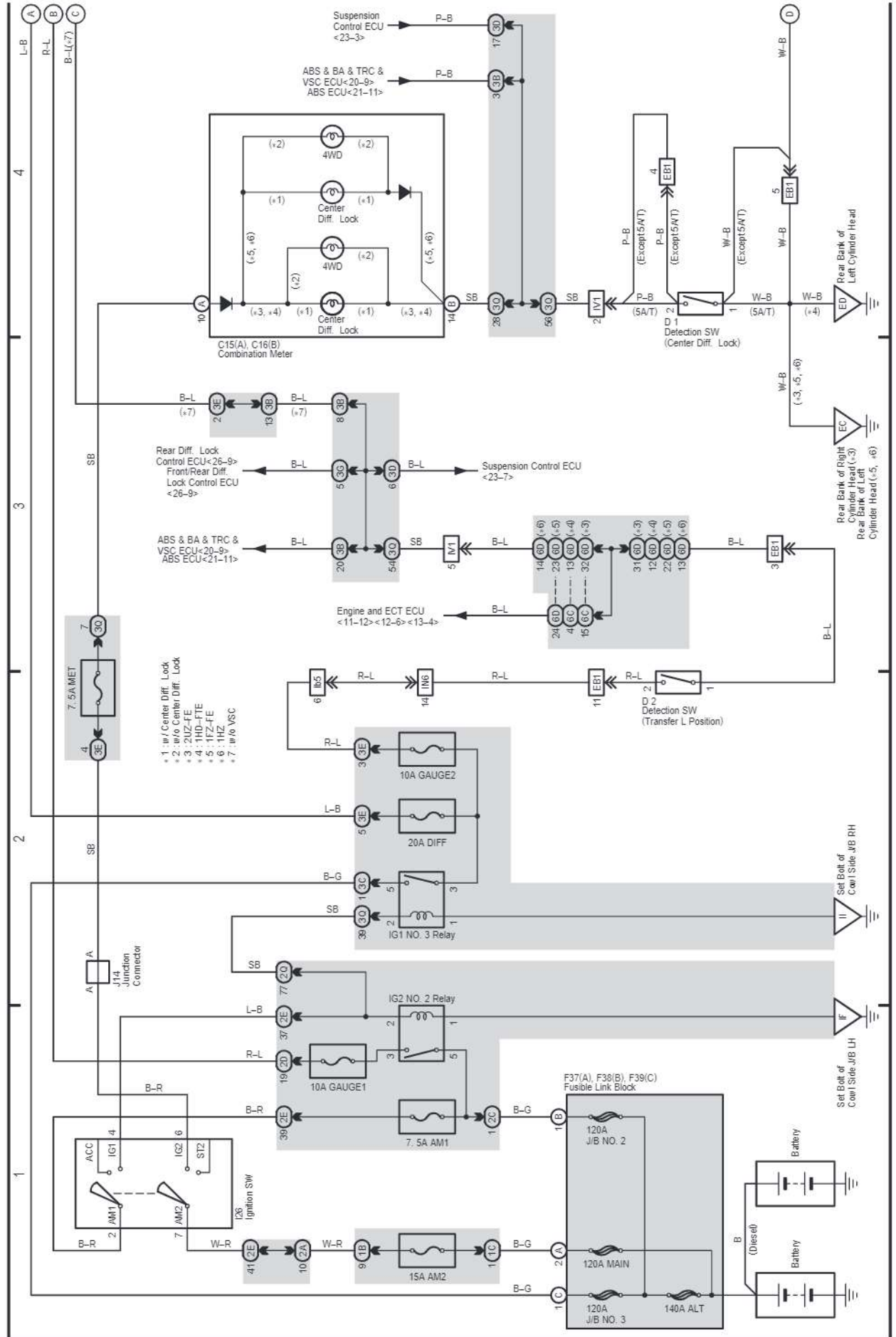
H OVERALL ELECTRICAL WIRING DIAGRAM

25 LAND CRUISER (LHD)

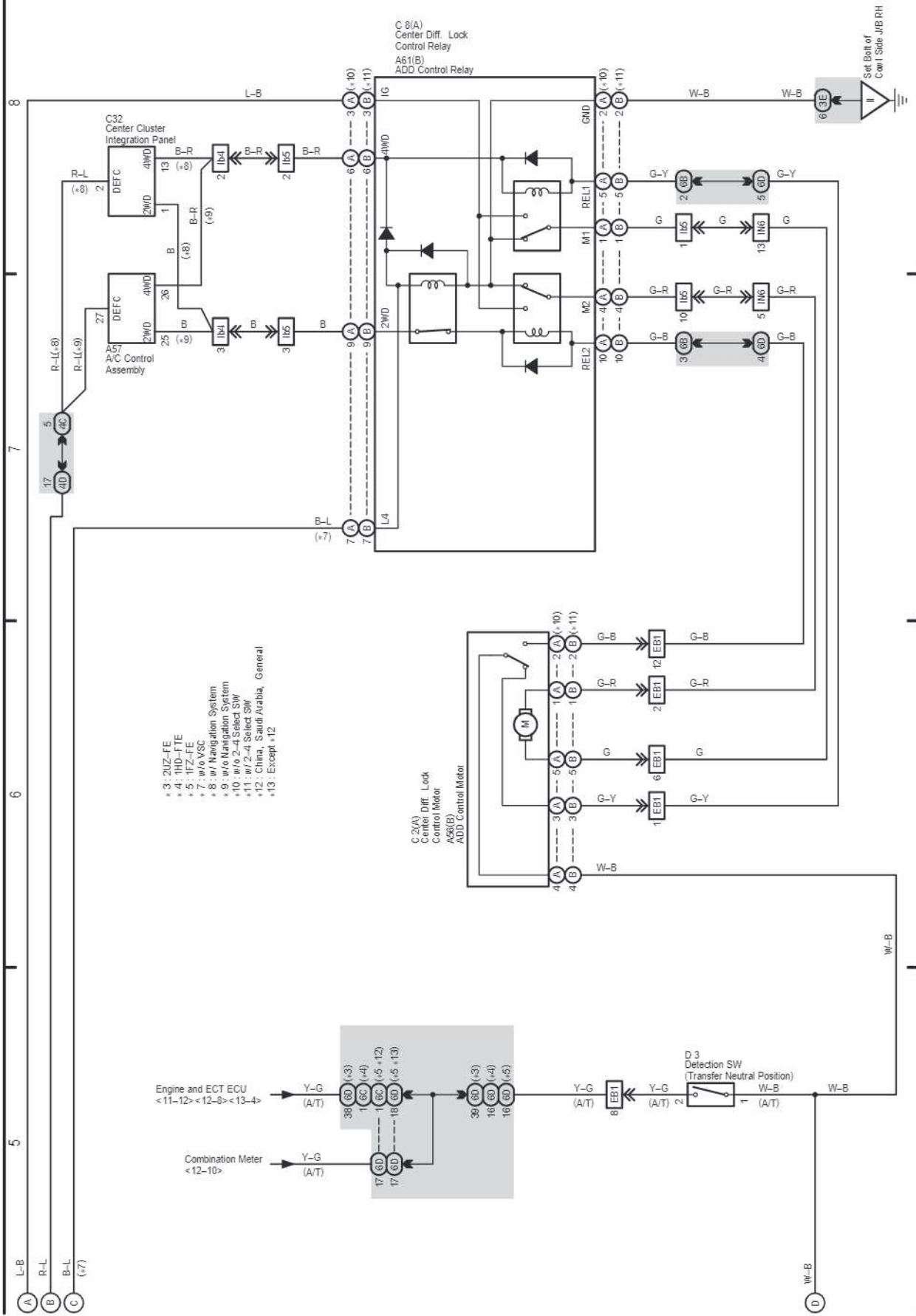
(Cont. next page)

Center Differential Lock or 4WD (w/ 2-4 Select SW)

Power Source



Center Differential Lock or 4WD (w/ 2-4 Select SW)

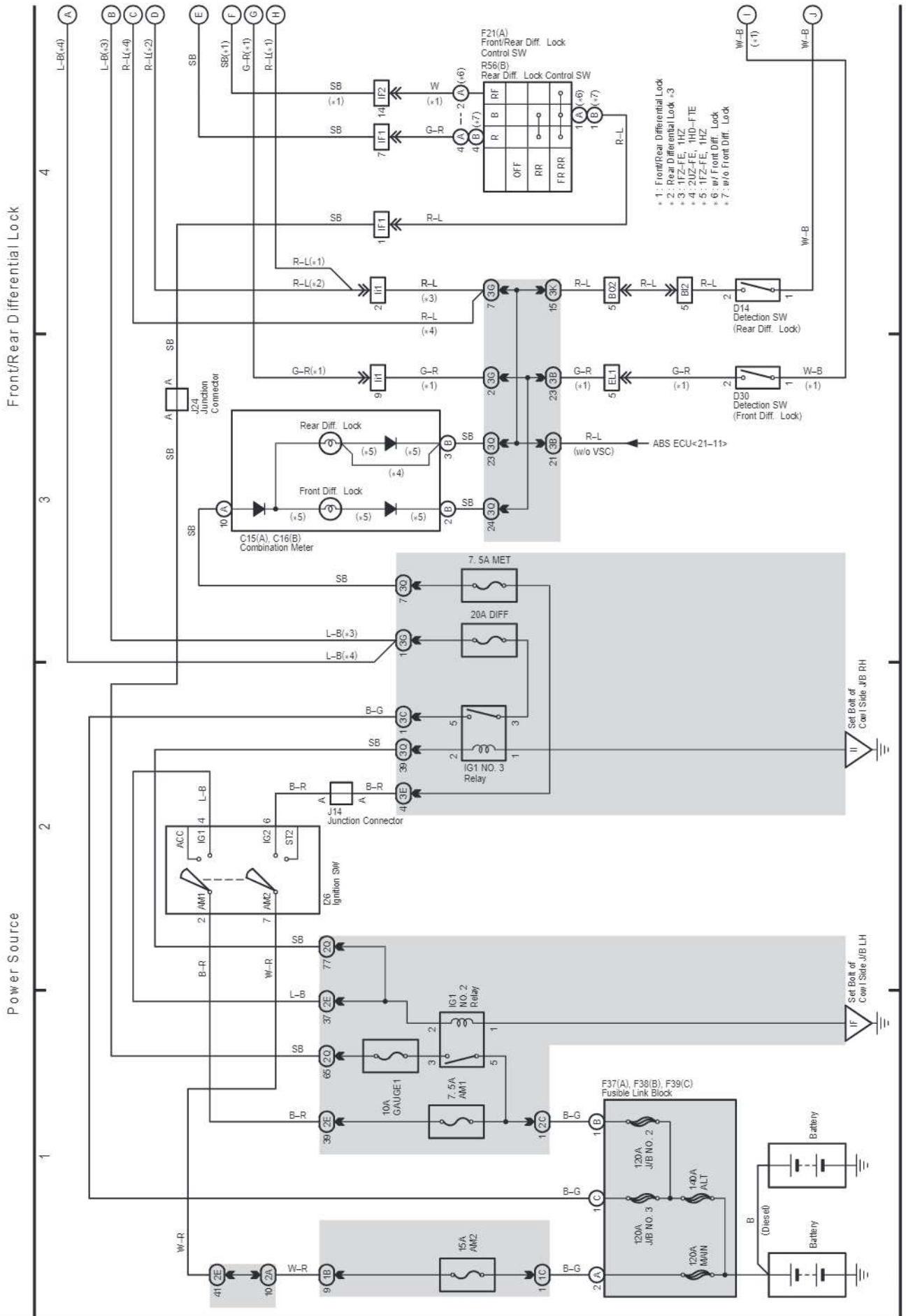


- *3: 2UZ-FE
- *4: 1HD-FTE
- *5: 1FZ-FE
- *7: w/o VSC
- *8: w/ Navigation System
- *9: w/o Navigation System
- *10: w/o 2-4 Select SW
- *11: w/ 2-4 Select SW
- *12: China, Saudi Arabia, General
- *13: Except *12

H OVERALL ELECTRICAL WIRING DIAGRAM

26 LAND CRUISER (LHD)

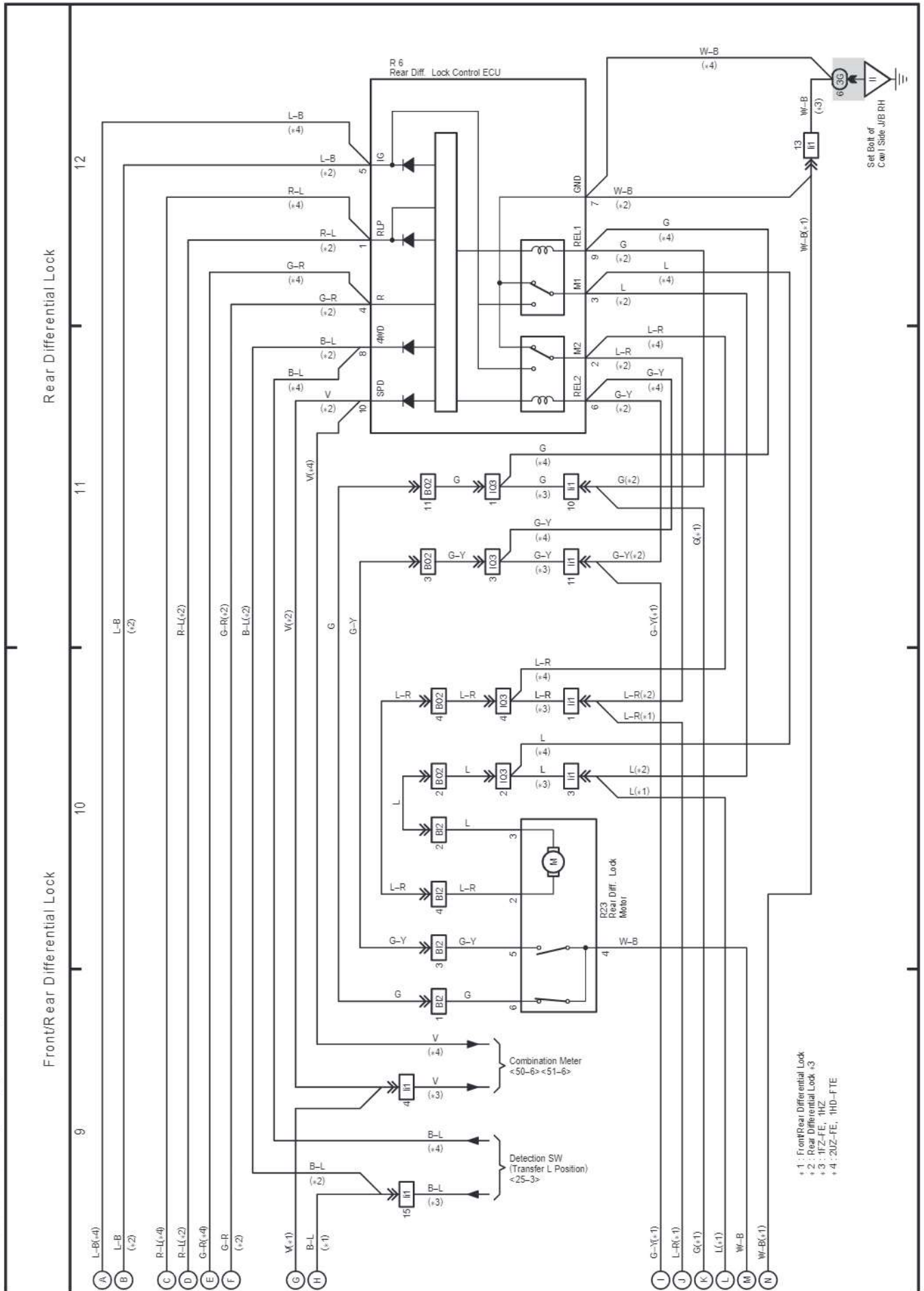
(Cont. next page)



cardiagn.com

H OVERALL ELECTRICAL WIRING DIAGRAM

26 LAND CRUISER (LHD) (Cont' d)



cardiagn.com

H OVERALL ELECTRICAL WIRING DIAGRAM

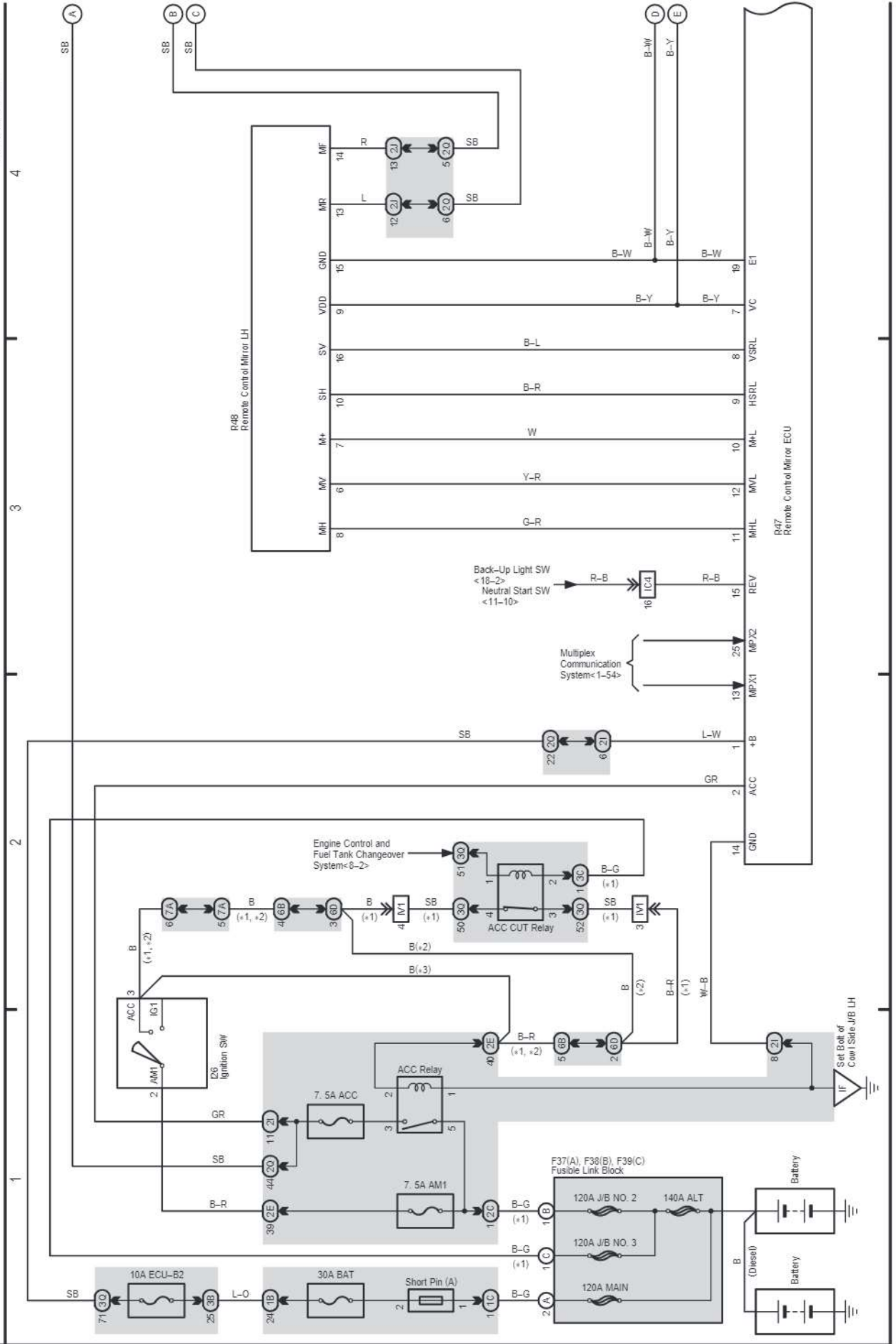
27 LAND CRUISER (LHD)

(Cont. next page)

- * 1: 20Z-TE/AT
- * 2: 20Z-TE/MT
- * 3: Exemp.20Z-FE

Remote Control Mirror (w/ Driving Position Memory)

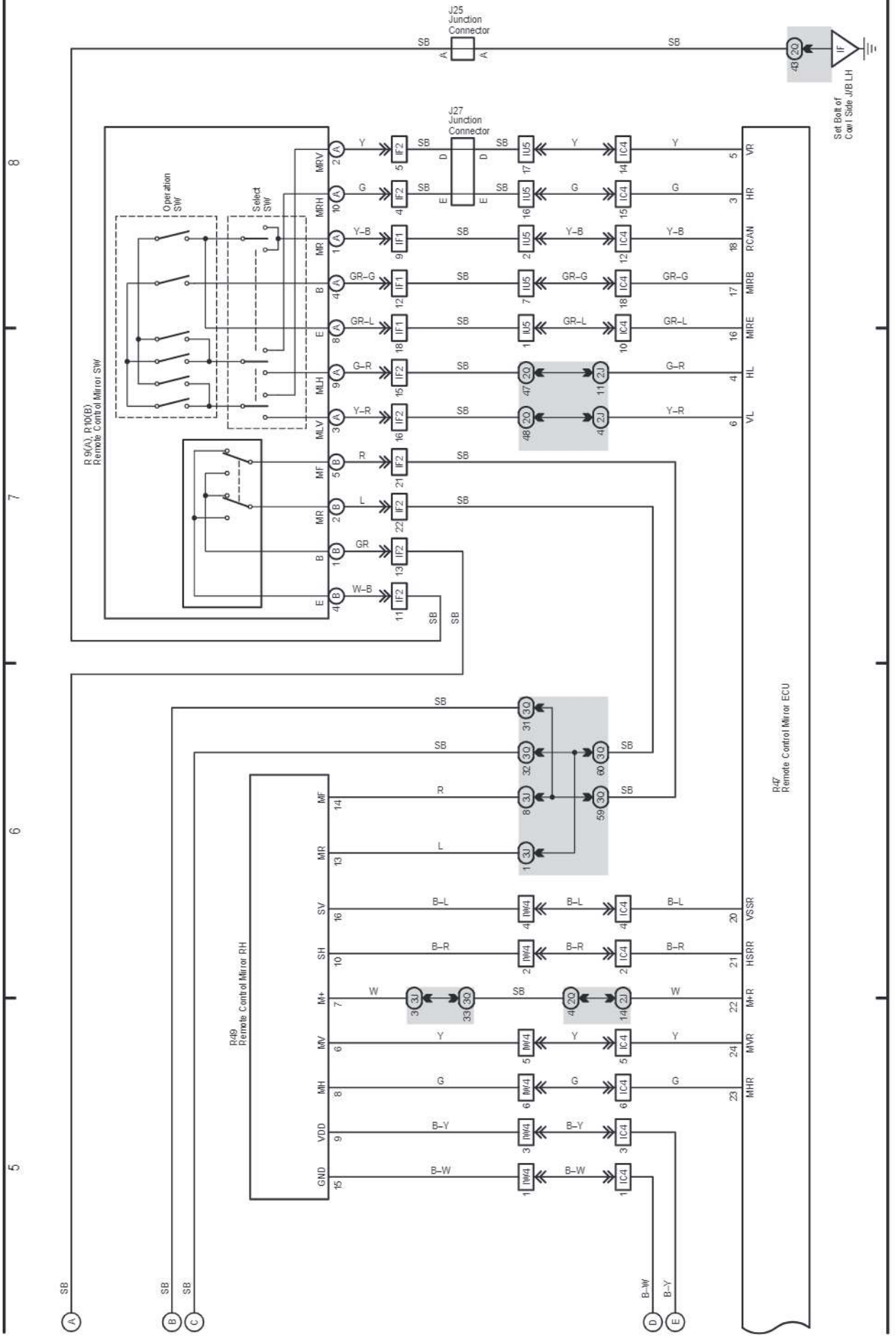
Power Source



cardiagn.com

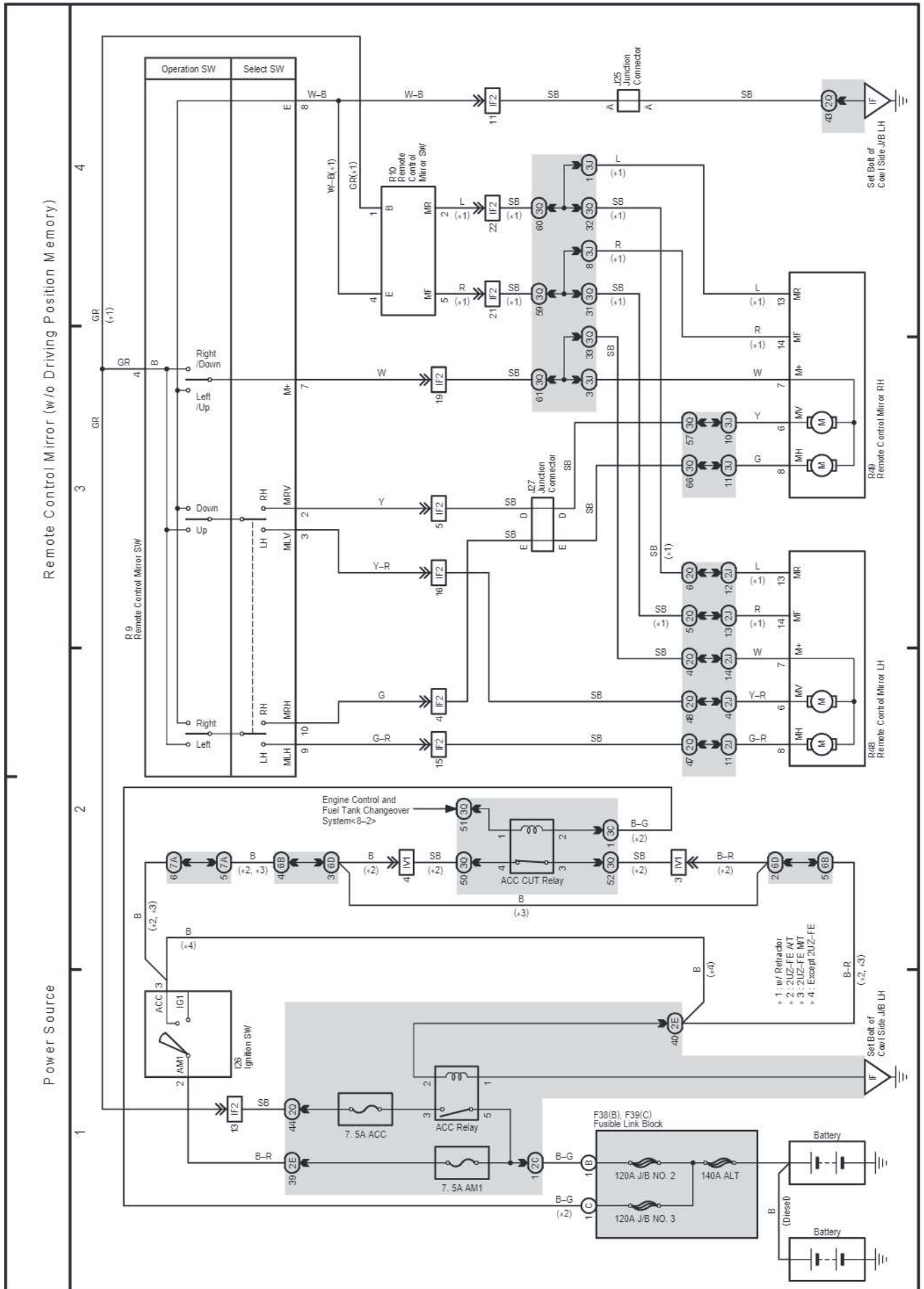
27 LAND CRUISER (LHD) (Cont' d)

Remote Control Mirror (w/ Driving Position Memory)

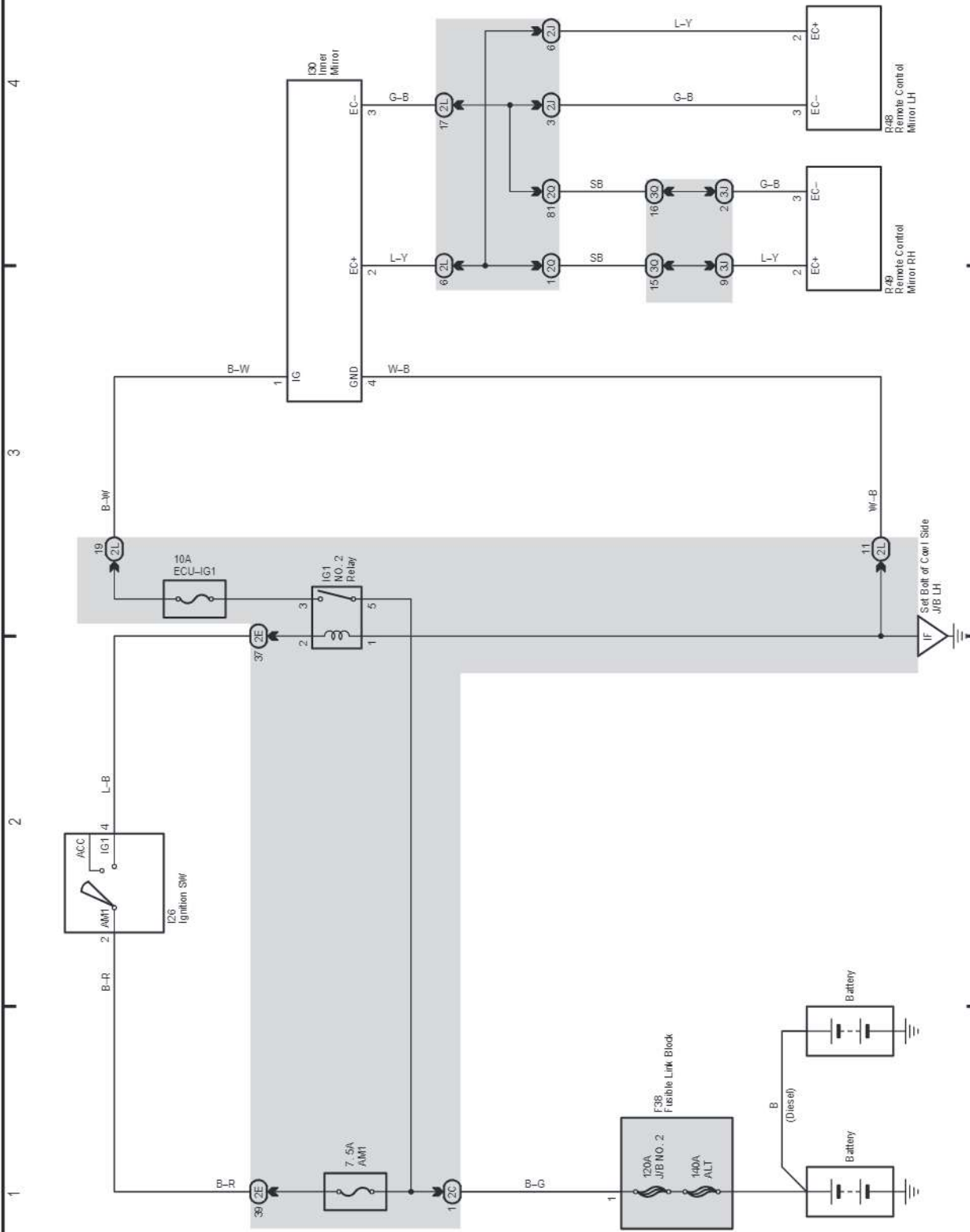


H OVERALL ELECTRICAL WIRING DIAGRAM

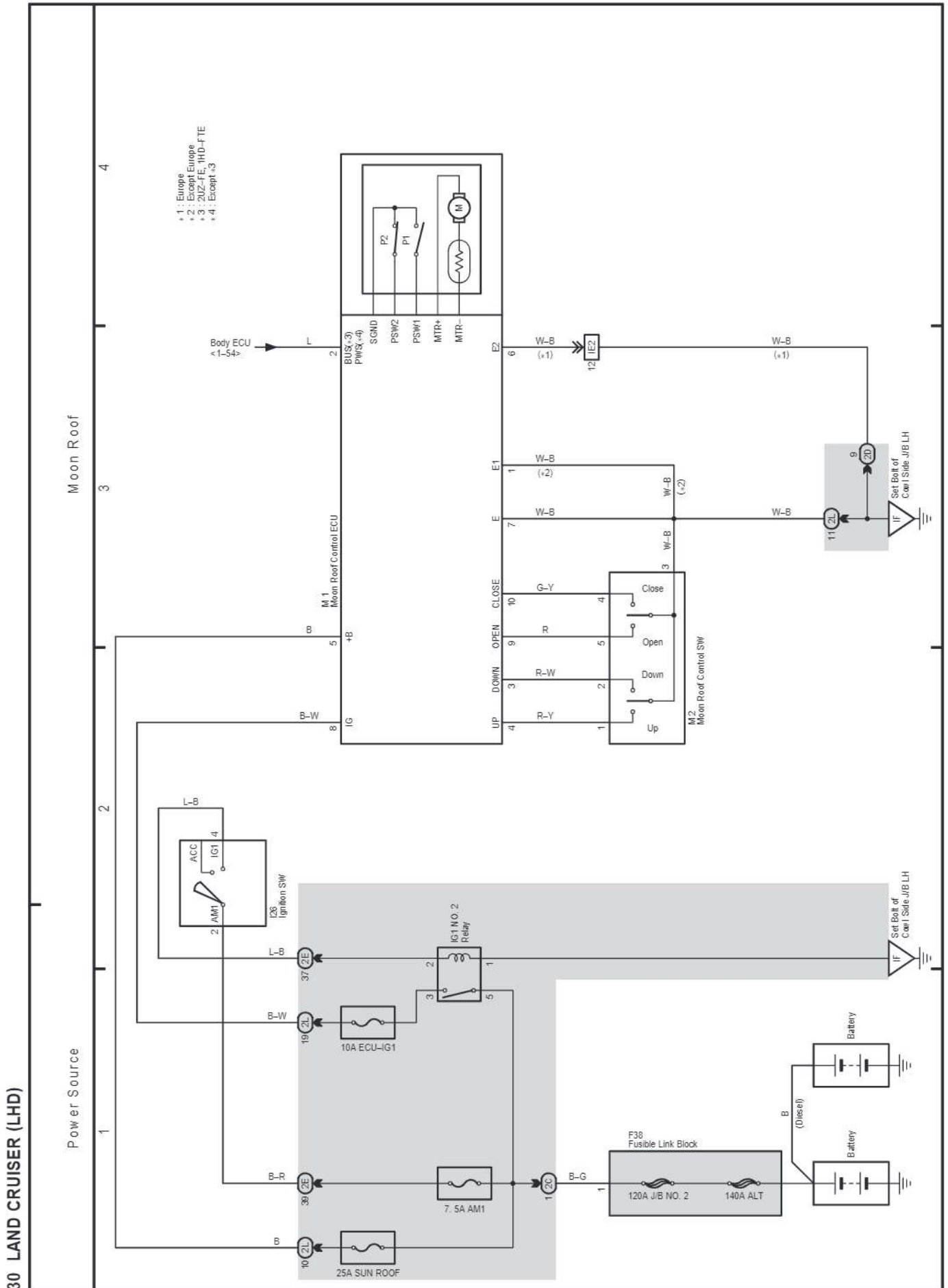
28 LAND CRUISER (LHD)



Automatic Glare-Resistant EC Mirror with Compass



H OVERALL ELECTRICAL WIRING DIAGRAM



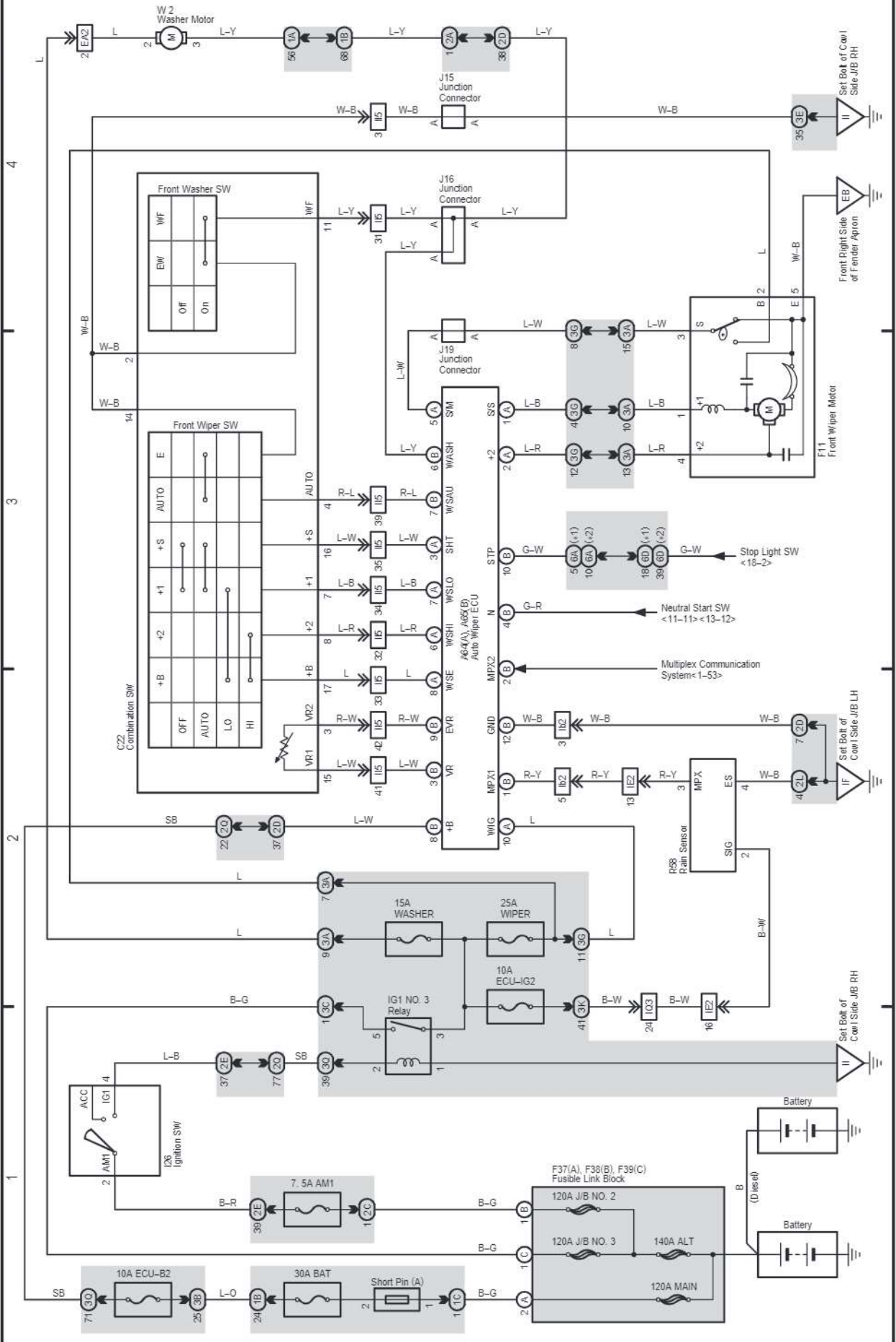
cardiagn.com

31 LAND CRUISER (LHD)

Power Source

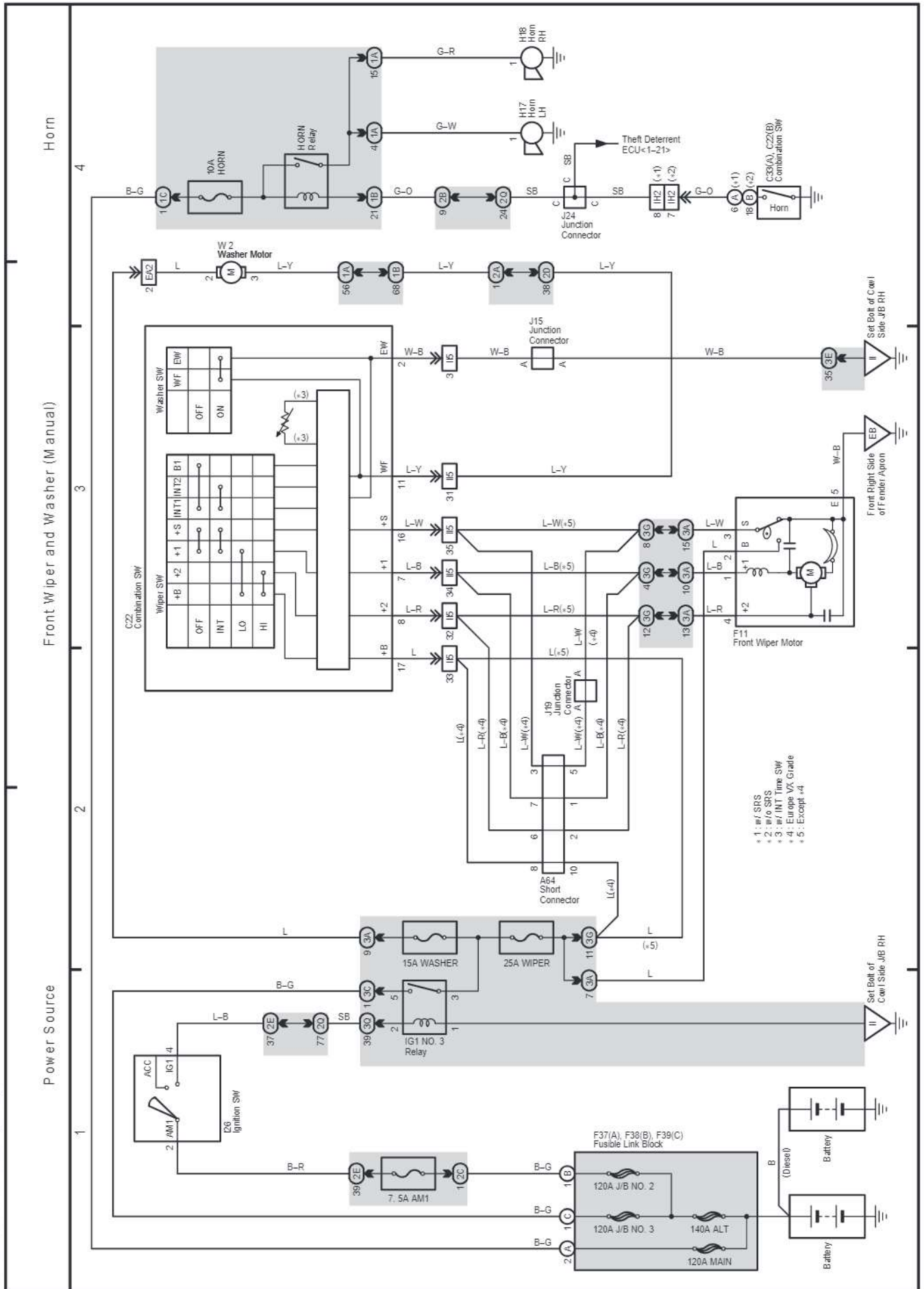
Front Wiper and Washer (Automatic)

*1: 2UZ-FE
*2: 1HD-FTE



H OVERALL ELECTRICAL WIRING DIAGRAM

32 LAND CRUISER (LHD)

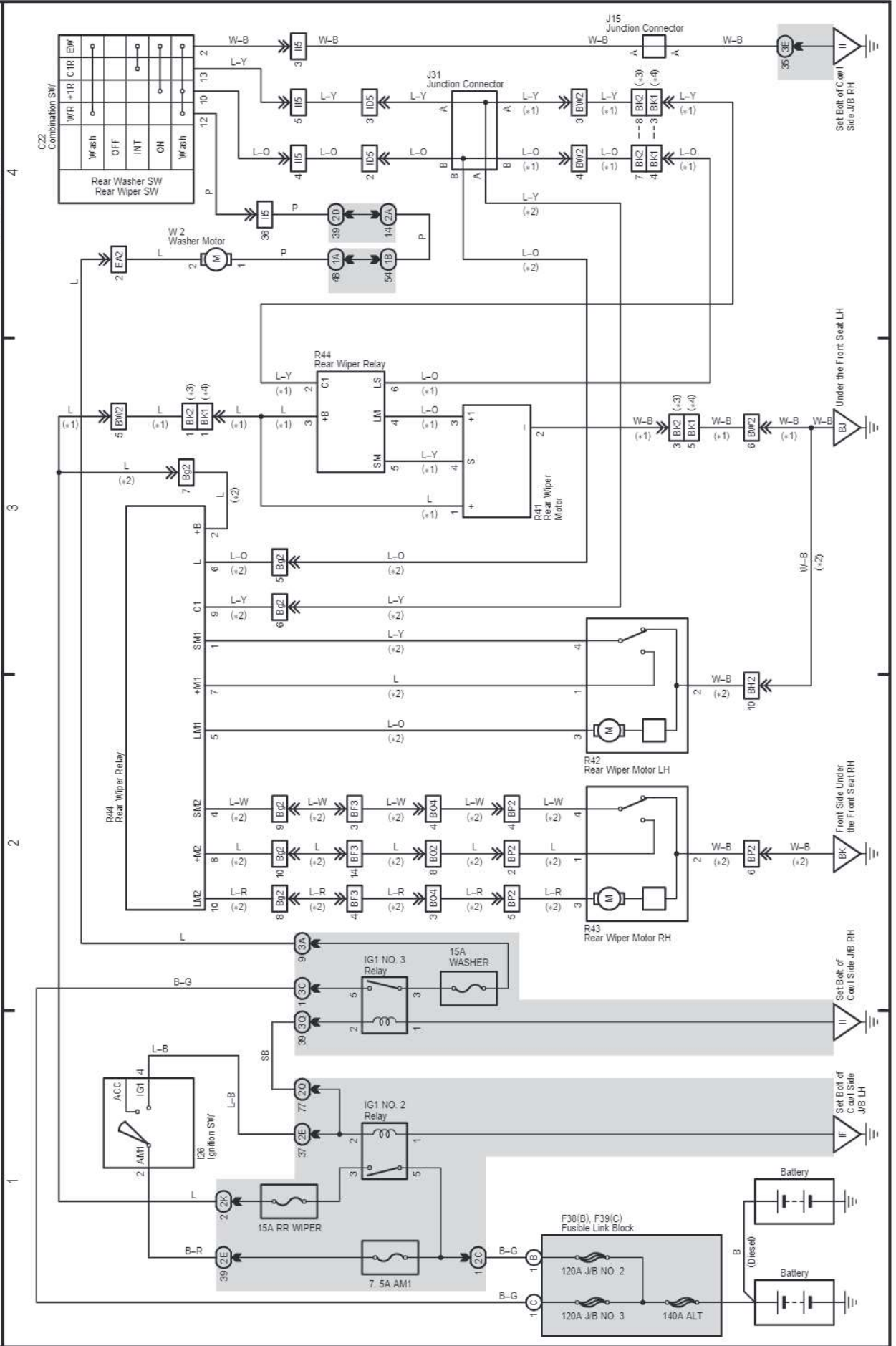


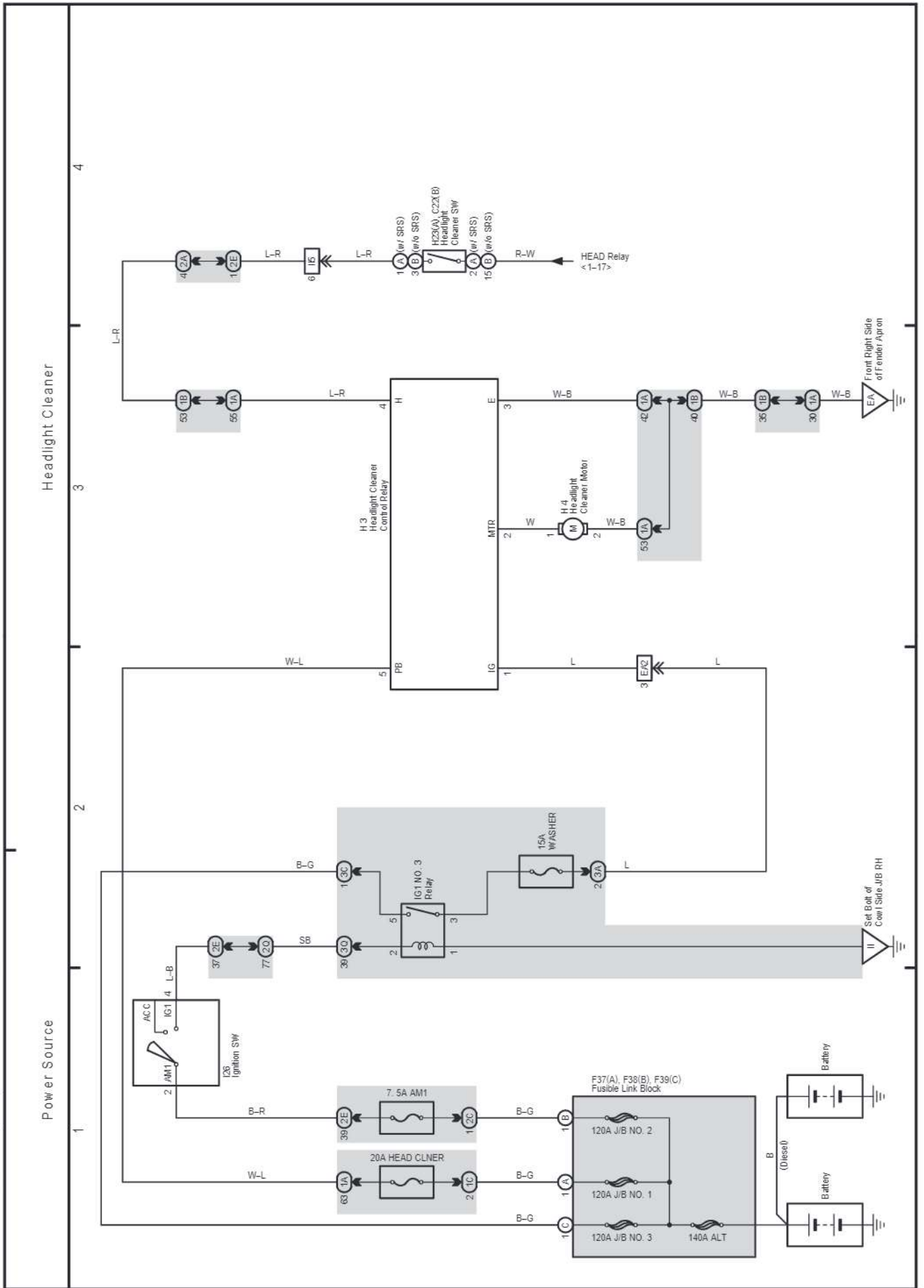
33 LAND CRUISER (LHD)

Power Source

Rear Wiper and Washer

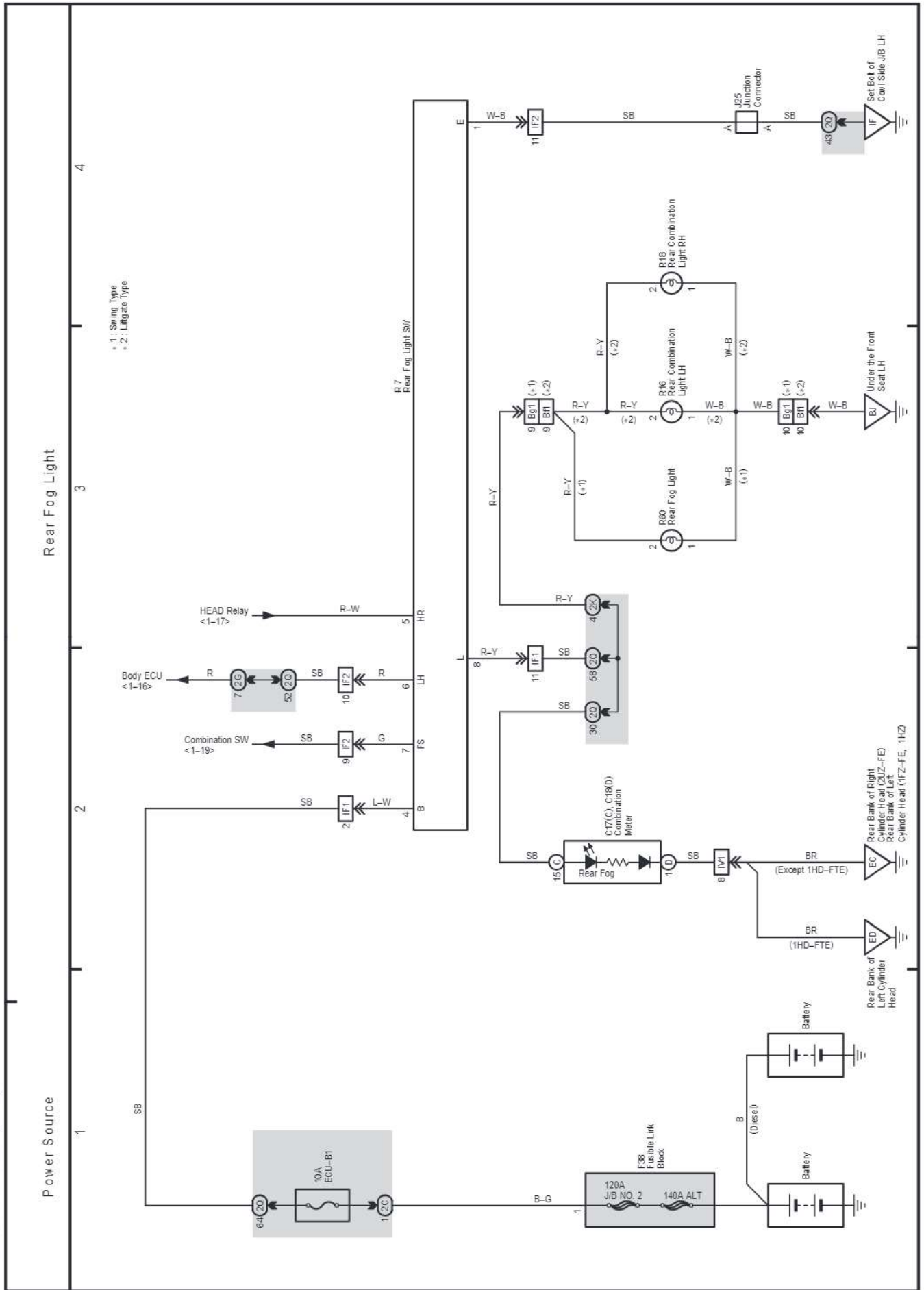
- * 1: Ligate Type
- * 2: Saring Type
- * 3: w/ Navigation System
- * 4: w/o Navigation System





H OVERALL ELECTRICAL WIRING DIAGRAM

36 LAND CRUISER (LHD)



cardiagn.com

37 LAND CRUISER (LHD)

*1: 2UZ-FE AT
*2: 2UZ-FE MT
*3: Except 2UZ-FE

Cigarette Lighter

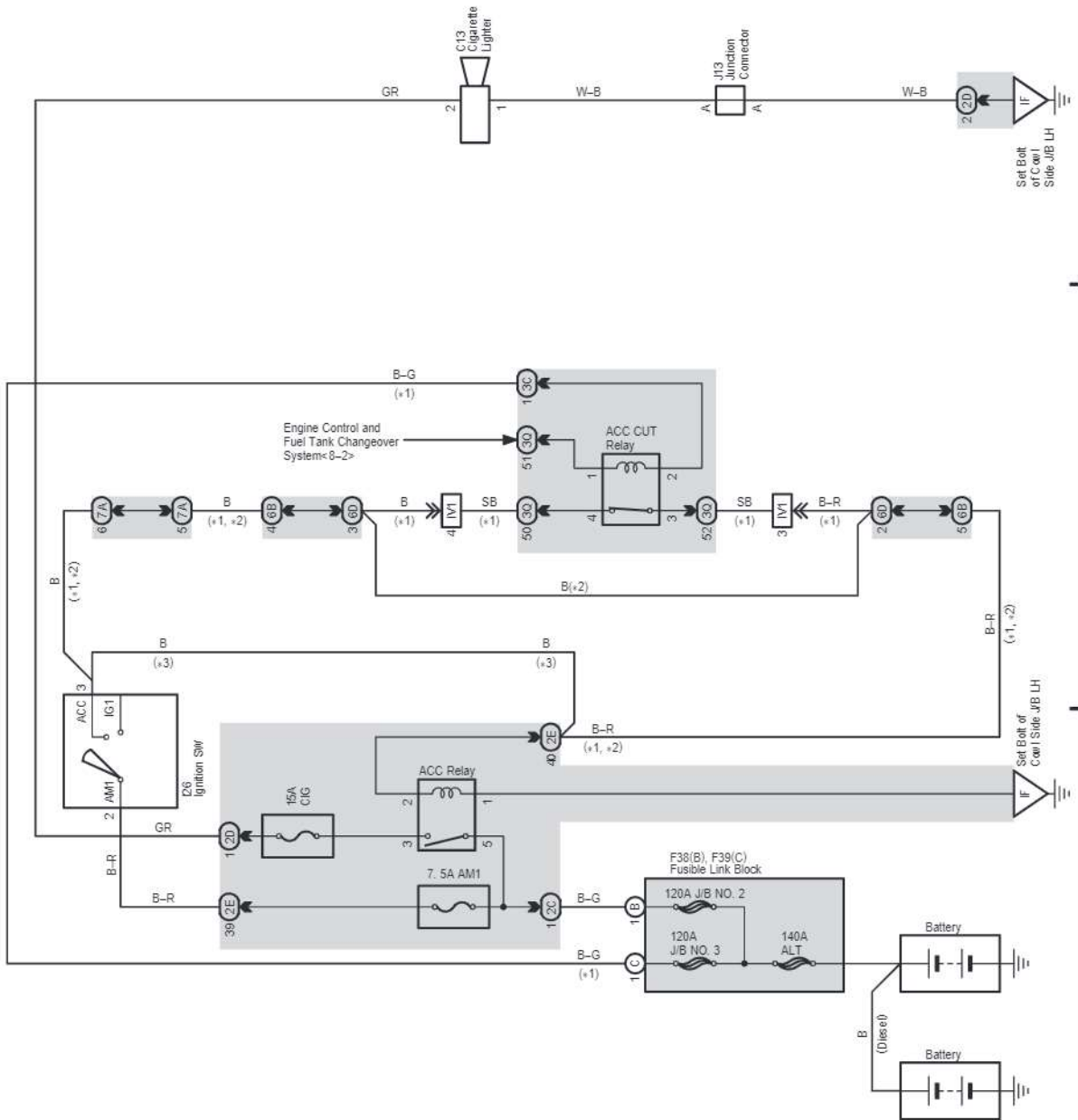
Power Source

4

3

2

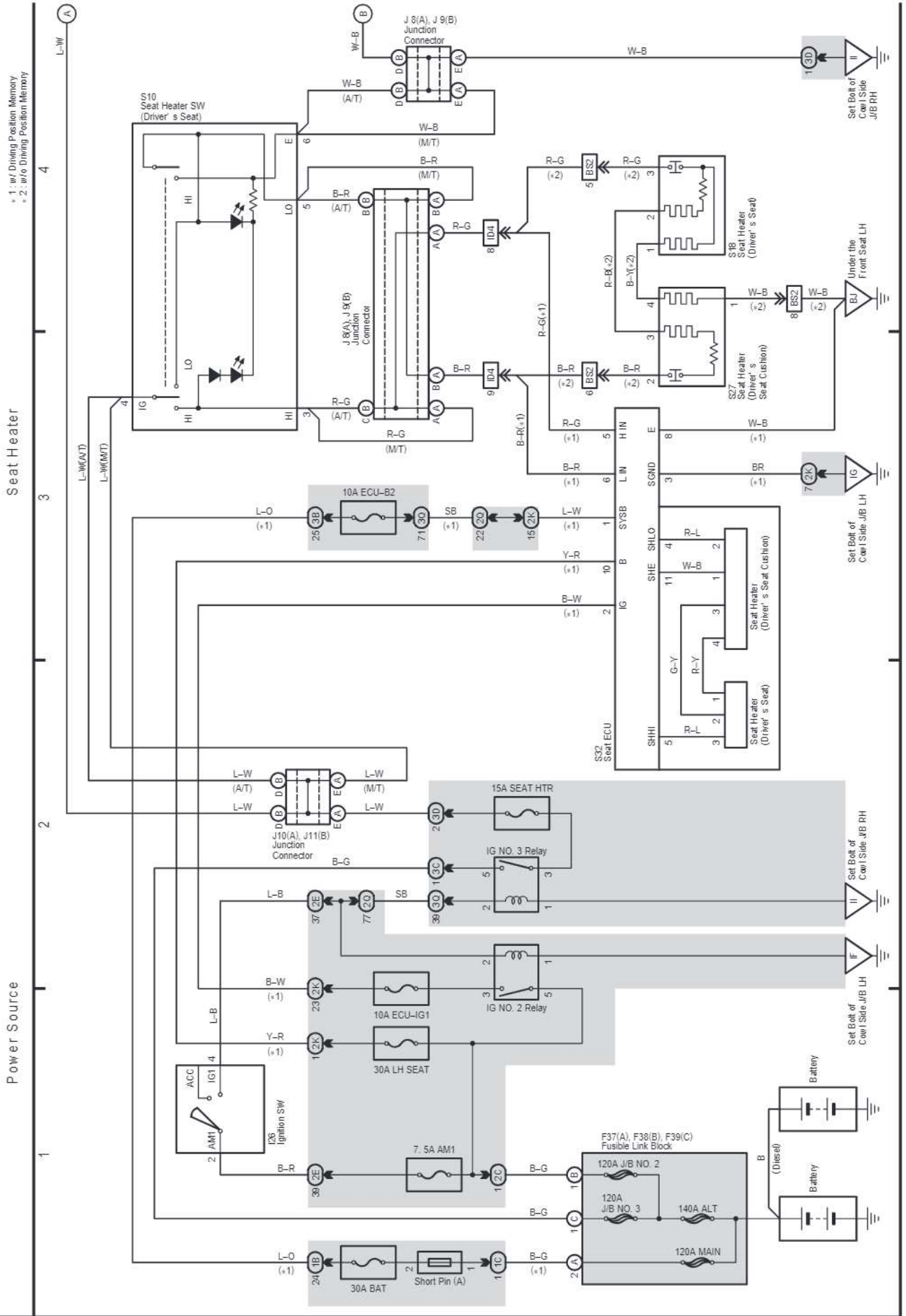
1



H OVERALL ELECTRICAL WIRING DIAGRAM

38 LAND CRUISER (LHD)

(Cont. next page)



cardiagn.com

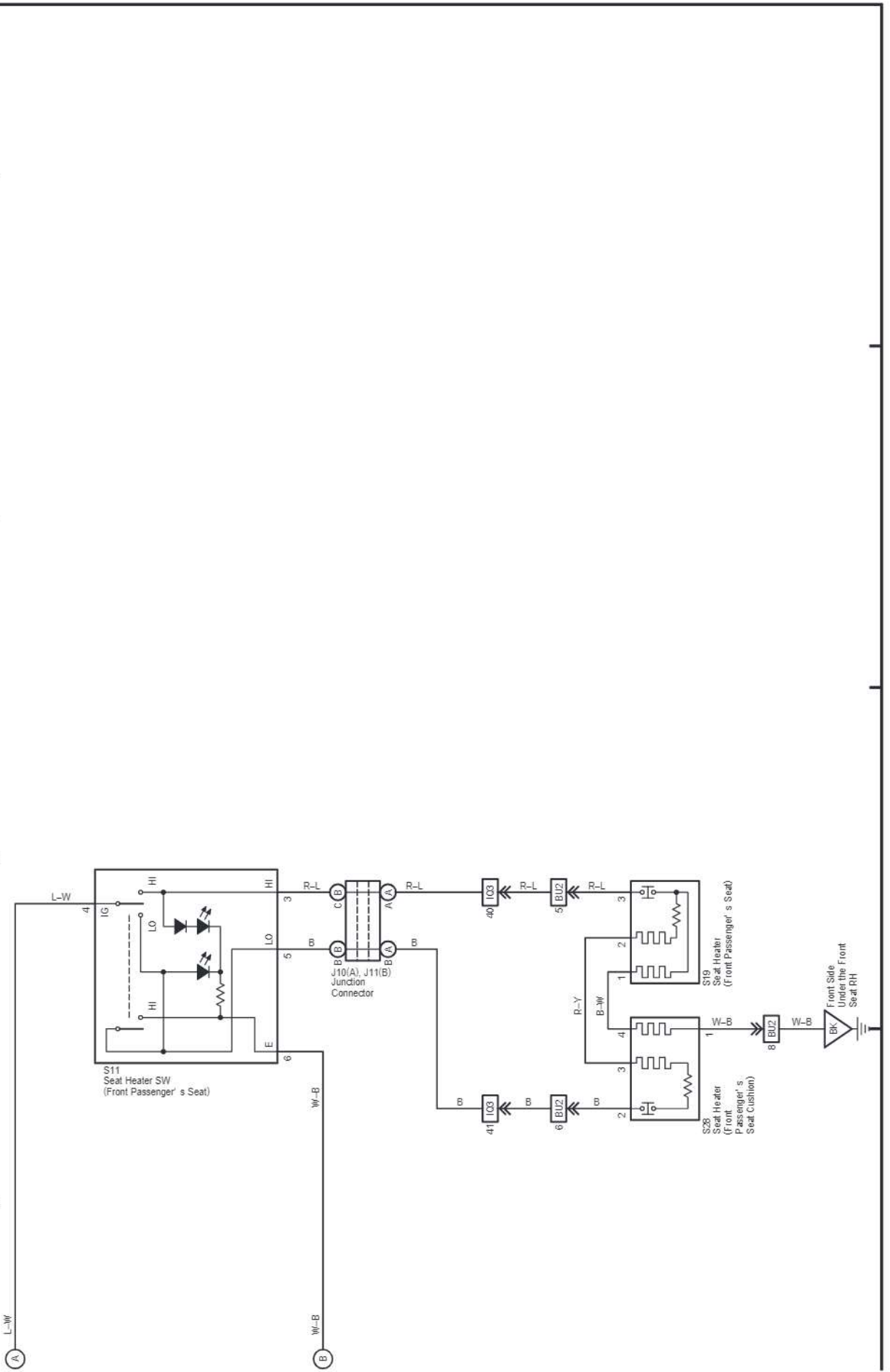
Seat Heater

8

7

6

5



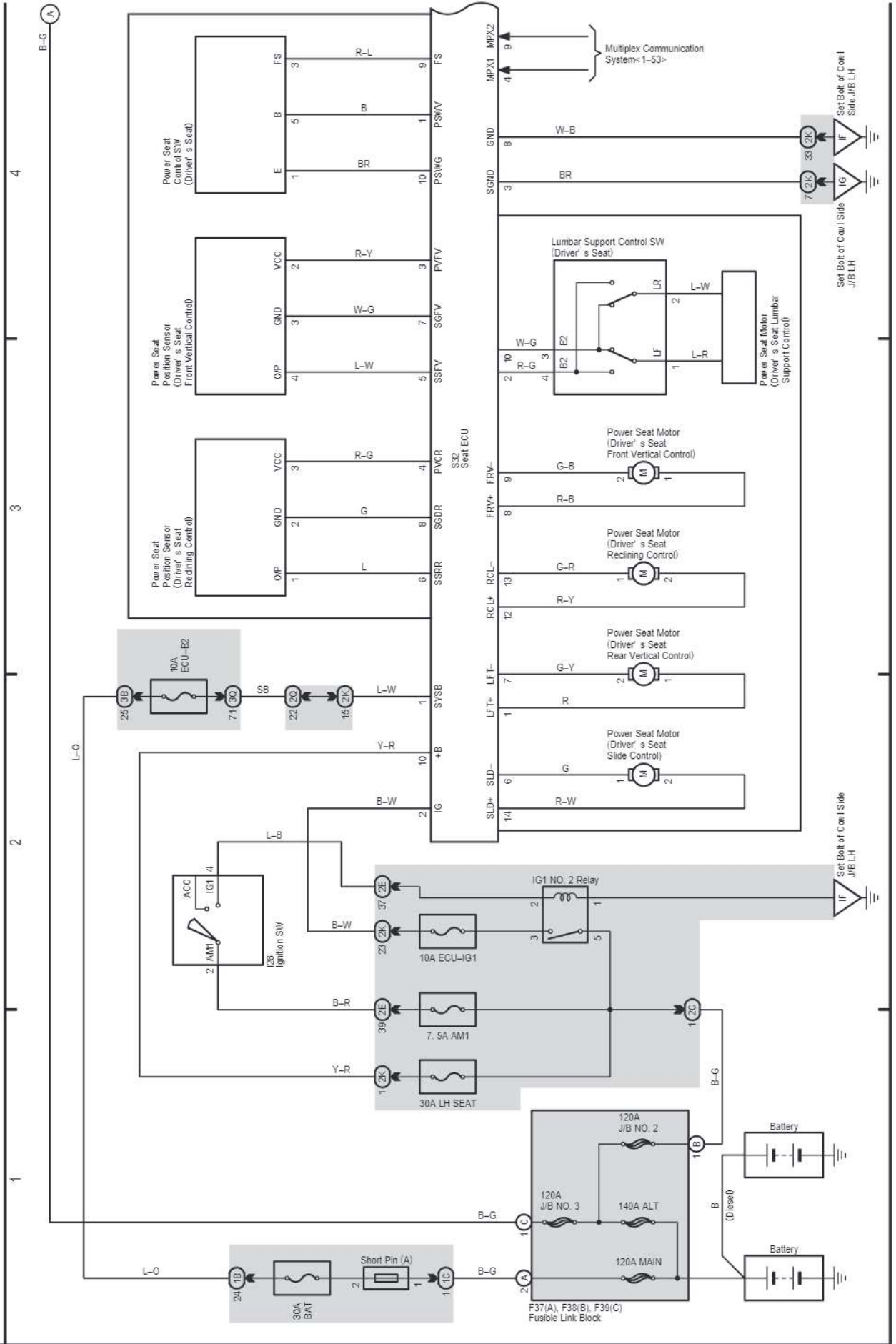
H OVERALL ELECTRICAL WIRING DIAGRAM

39 LAND CRUISER (LHD)

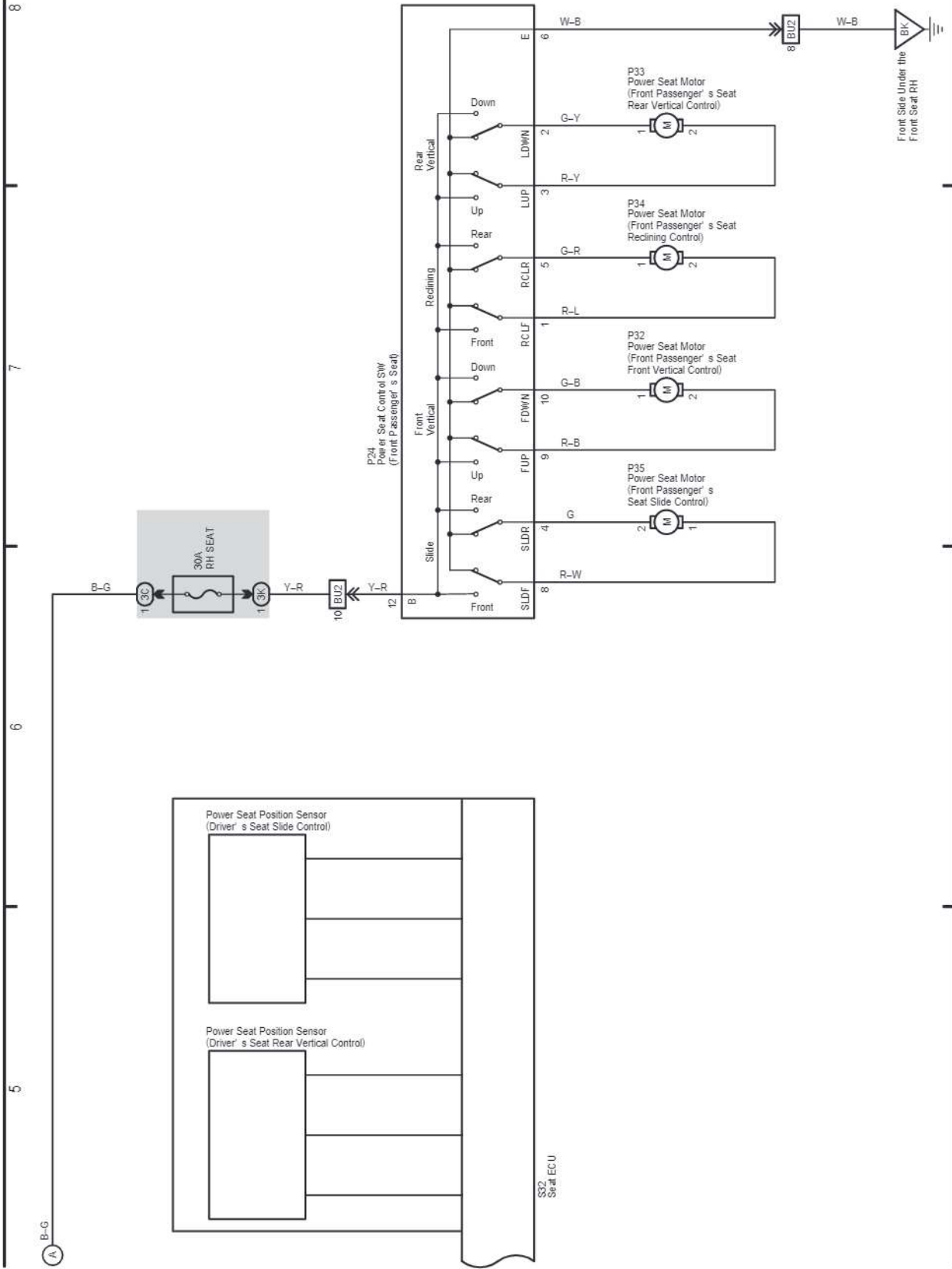
(Cont. next page)

Power Source

Power Seat (w/ Driving Position Memory)

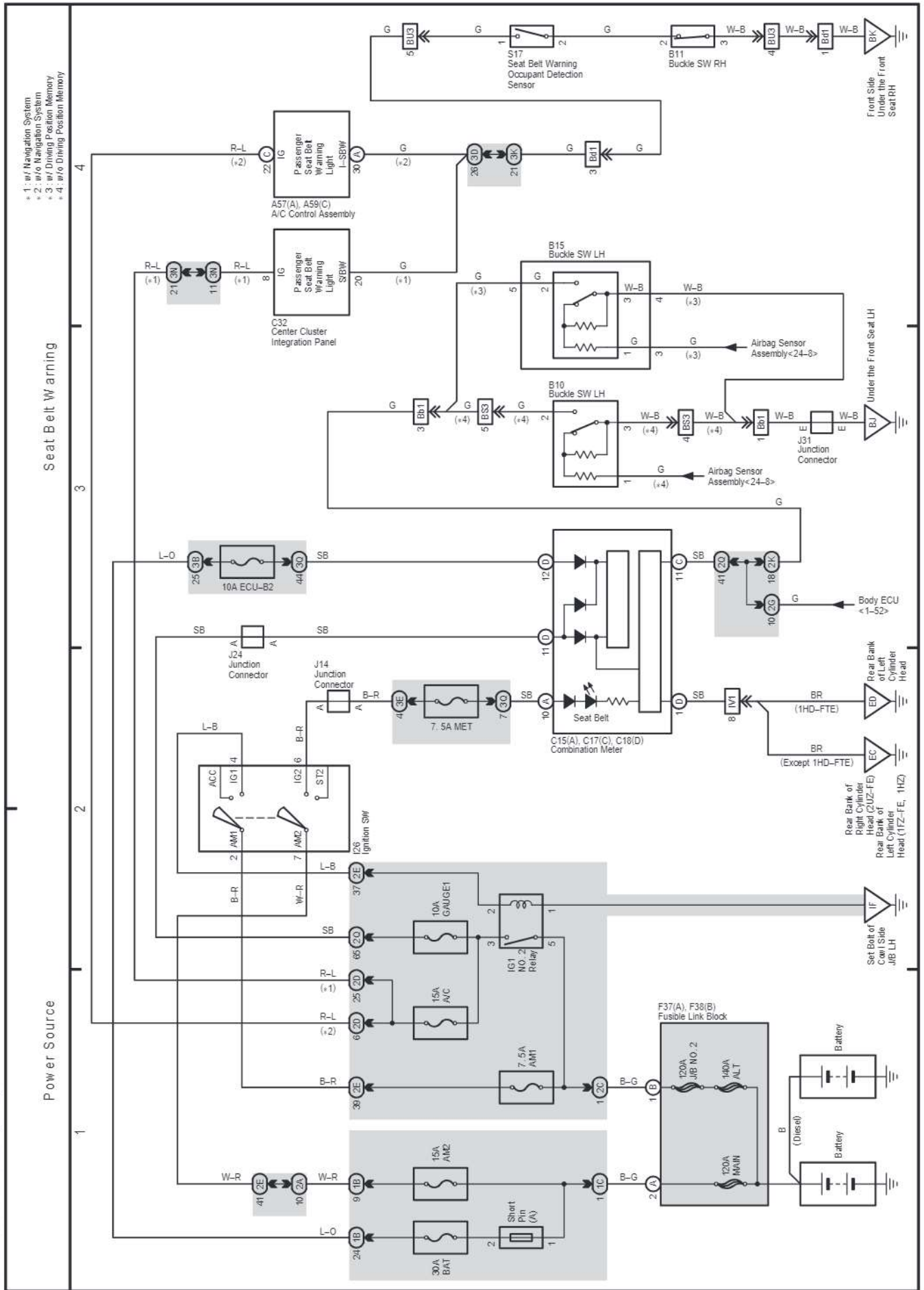


Power Seat (w/ Driving Position Memory)



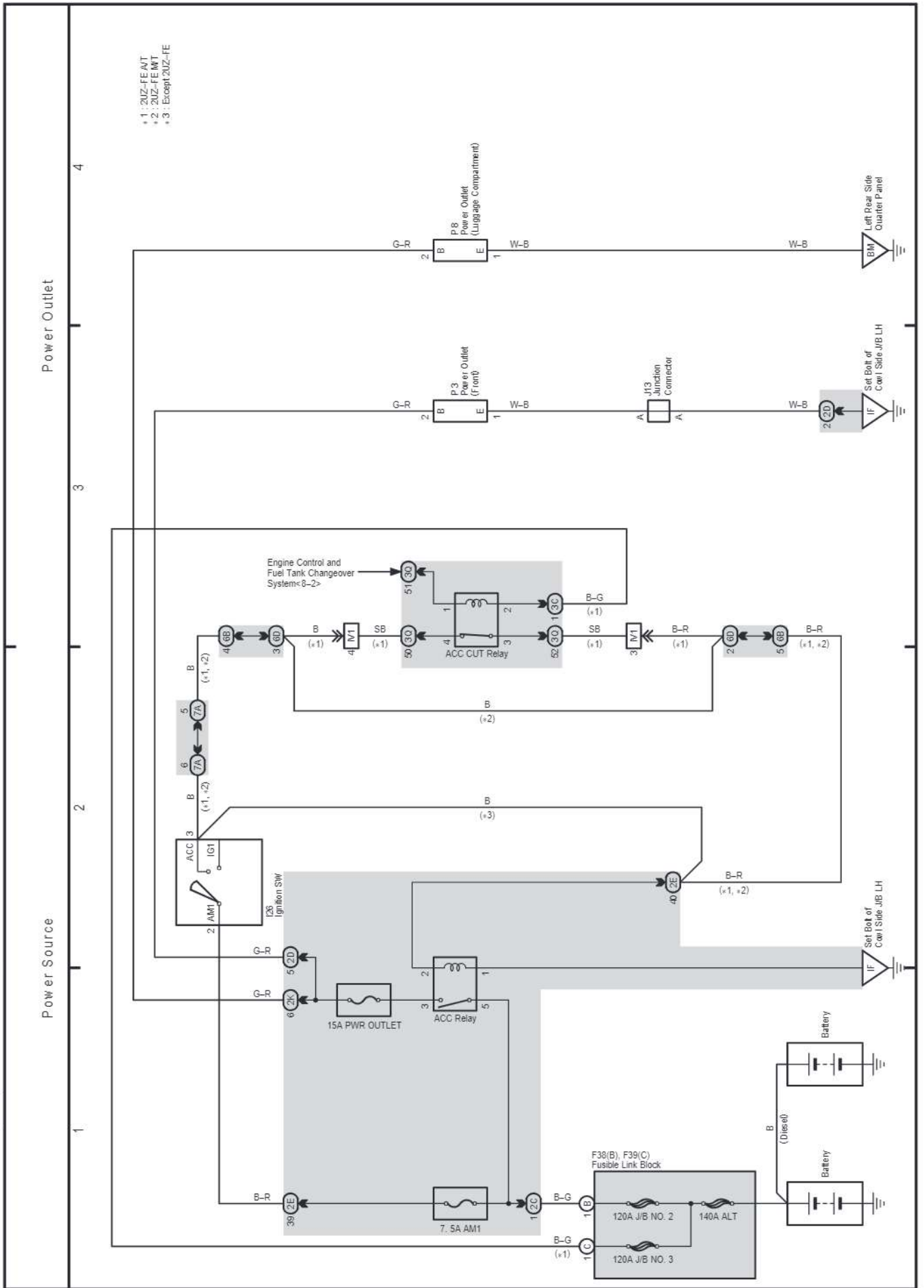
H OVERALL ELECTRICAL WIRING DIAGRAM

42 LAND CRUISER (LHD)



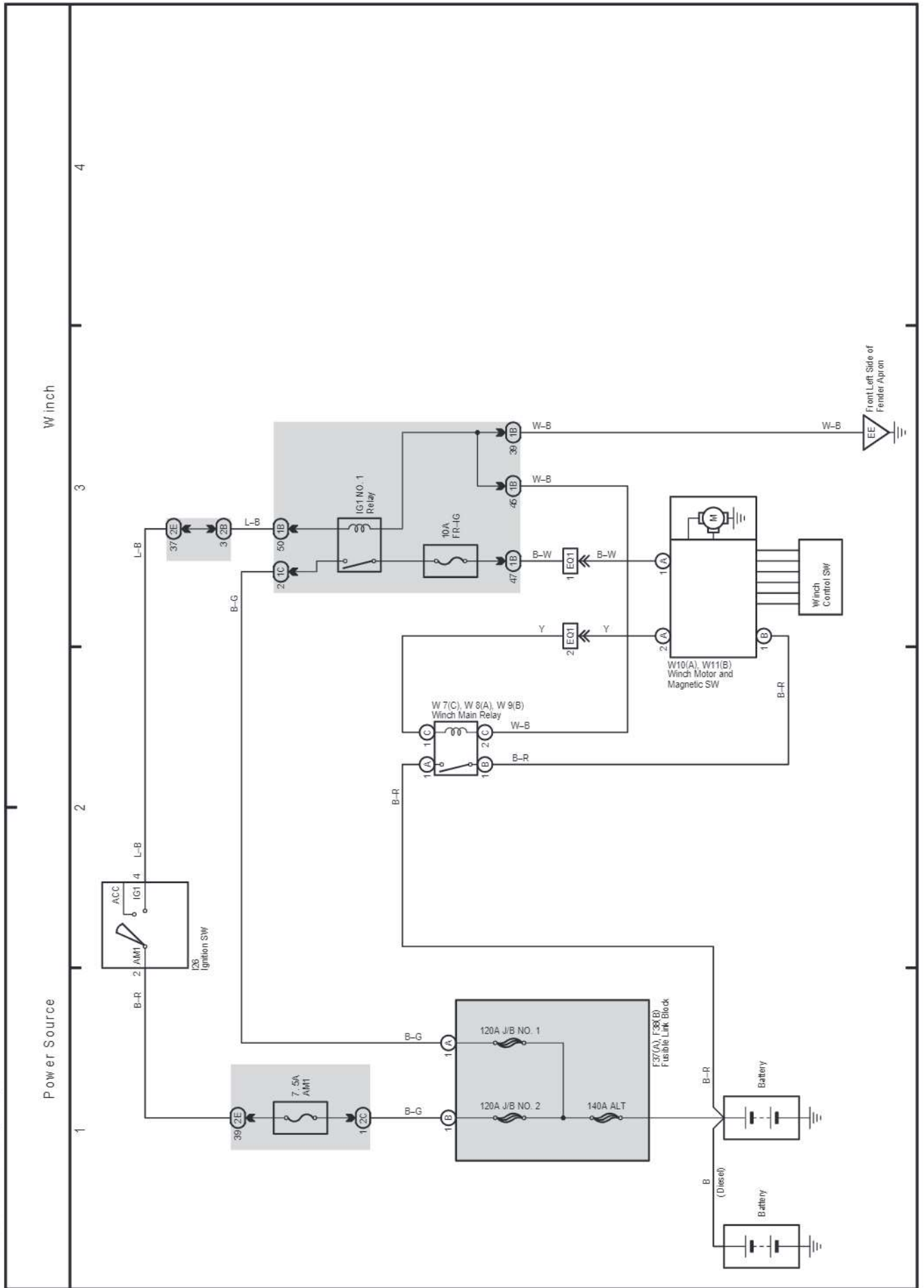
cardiagn.com

43 LAND CRUISER (LHD)



H OVERALL ELECTRICAL WIRING DIAGRAM

44 LAND CRUISER (LHD)

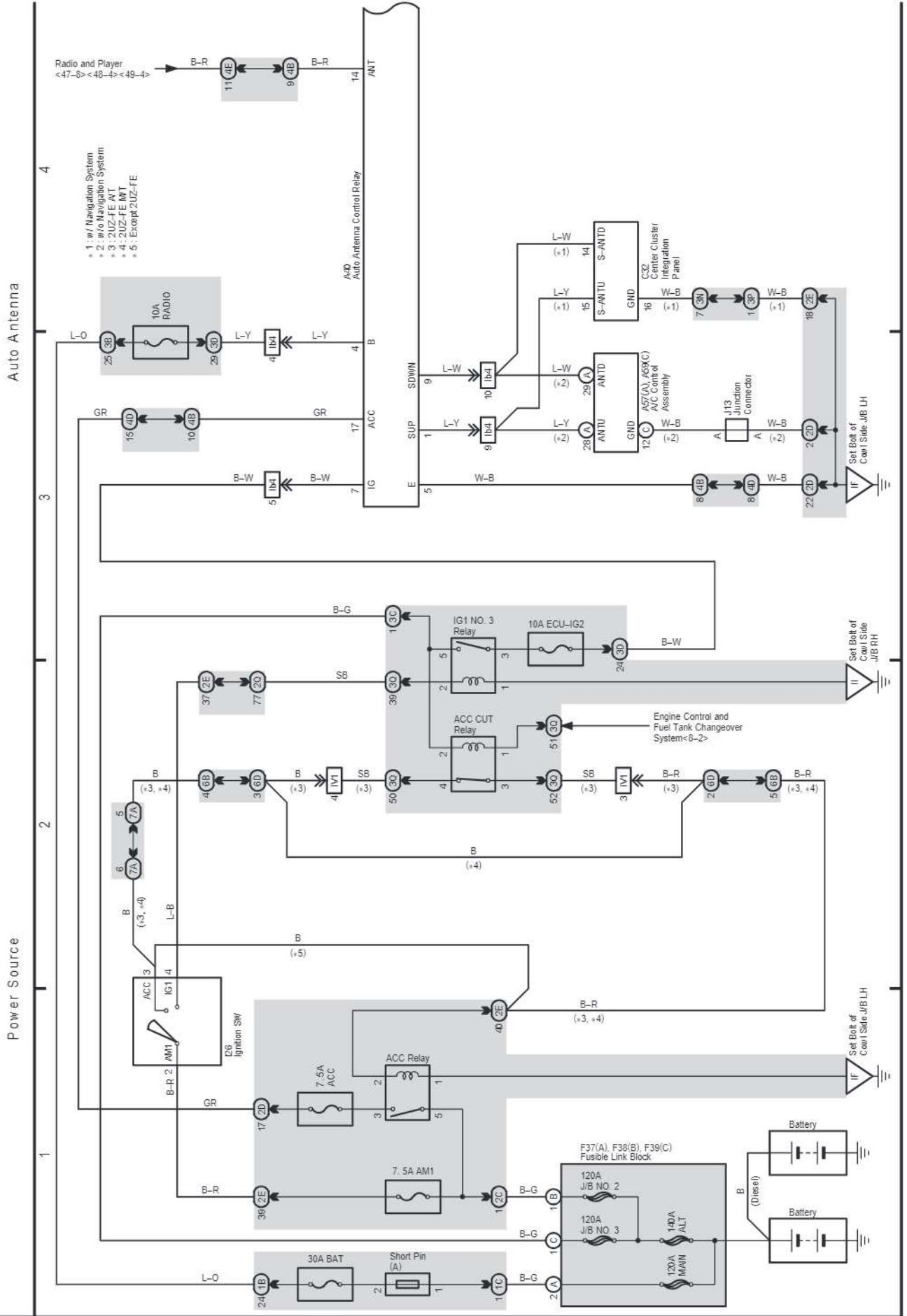


cardiagn.com

H OVERALL ELECTRICAL WIRING DIAGRAM

45 LAND CRUISER (LHD)

(Cont. next page)



45 LAND CRUISER (LHD) (Cont' d)

Auto Antenna

*6 : Except 1HD-FTE General
 *7 : 1HD-FTE General

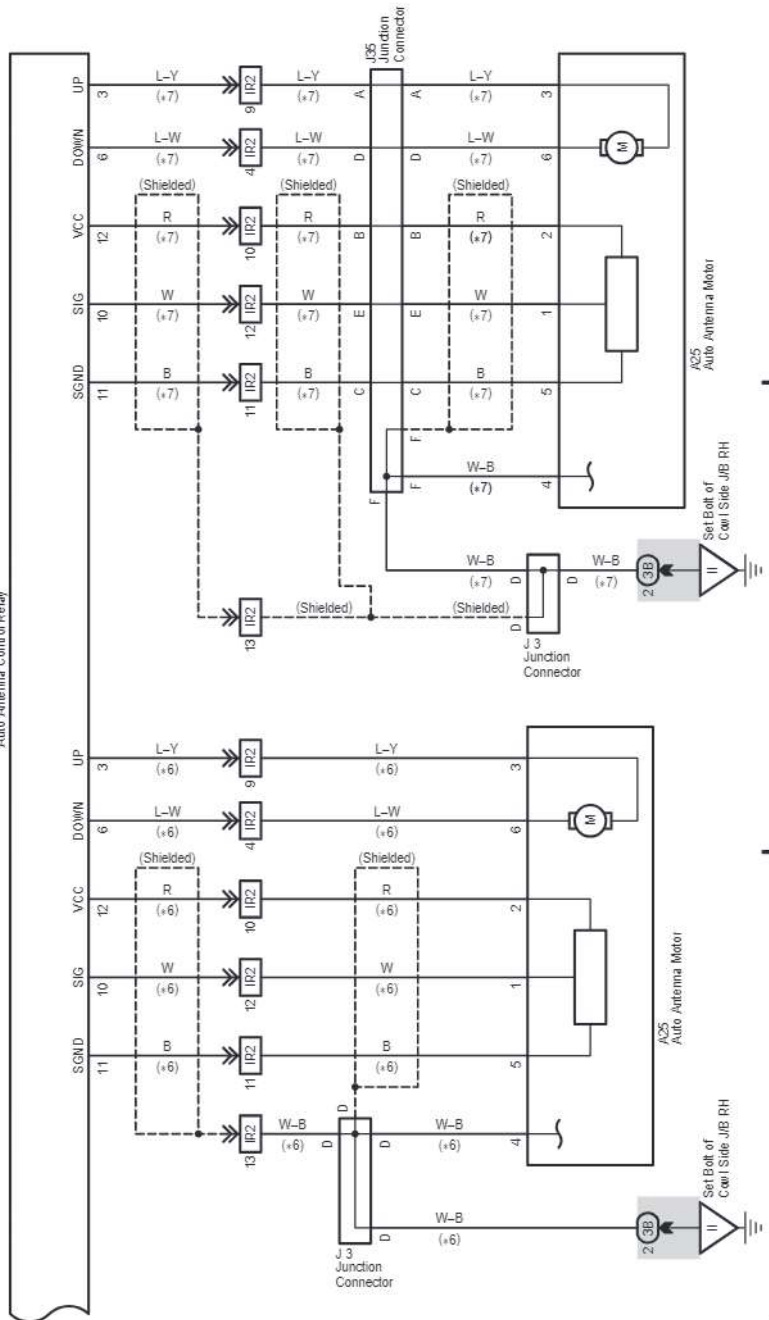
8

7

6

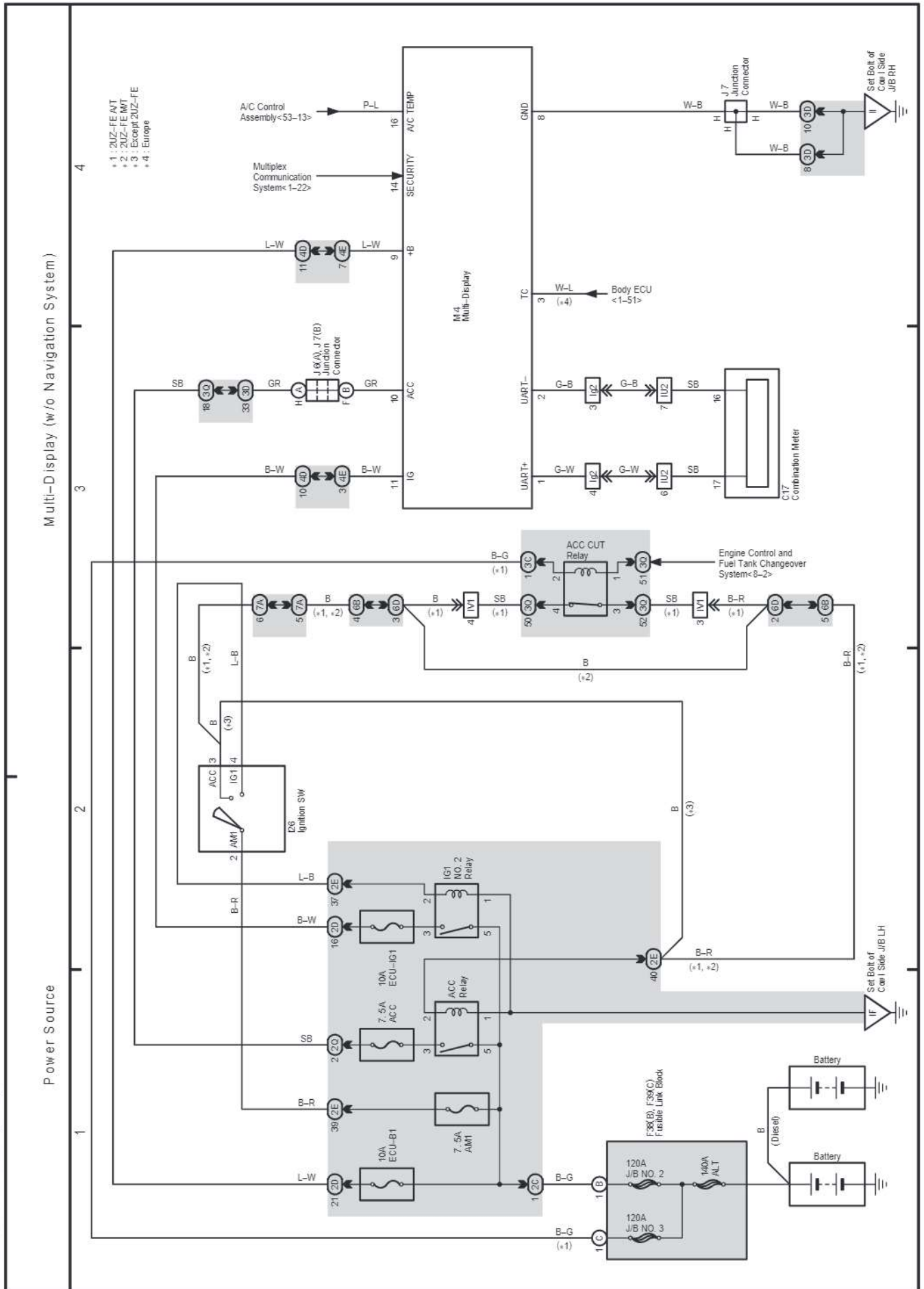
5

A4P
 Auto Antenna Control Relay



H OVERALL ELECTRICAL WIRING DIAGRAM

46 LAND CRUISER (LHD)

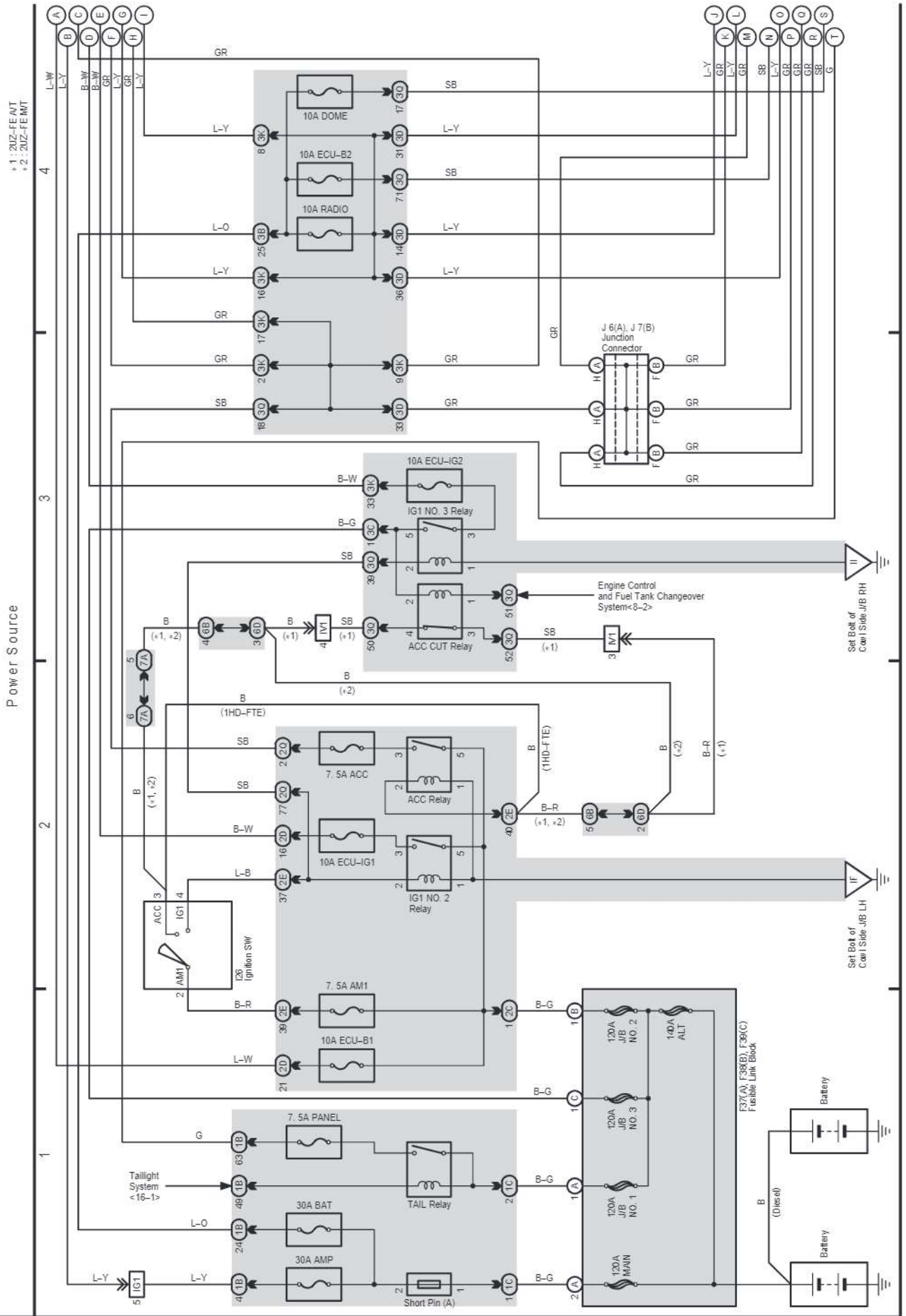


cardiagn.com

H OVERALL ELECTRICAL WIRING DIAGRAM

47 LAND CRUISER (LHD)

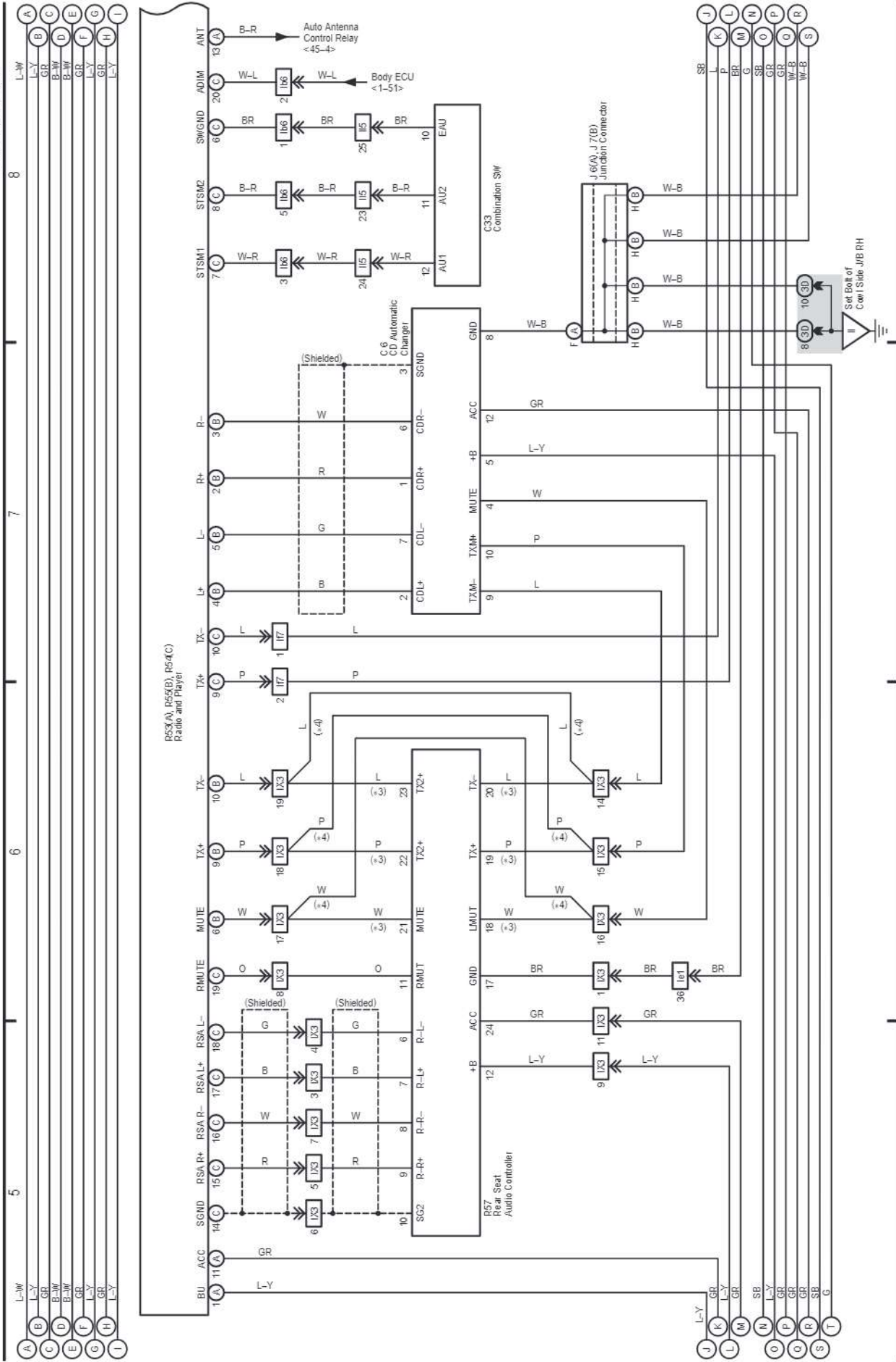
(Cont. next page)



cardiagn.com

Audio System (w/ Navigation System Separate Amplifier)

+ 3 - w/ Rear Seat Audio
+ 4 - w/ 6 Rear Seat Audio



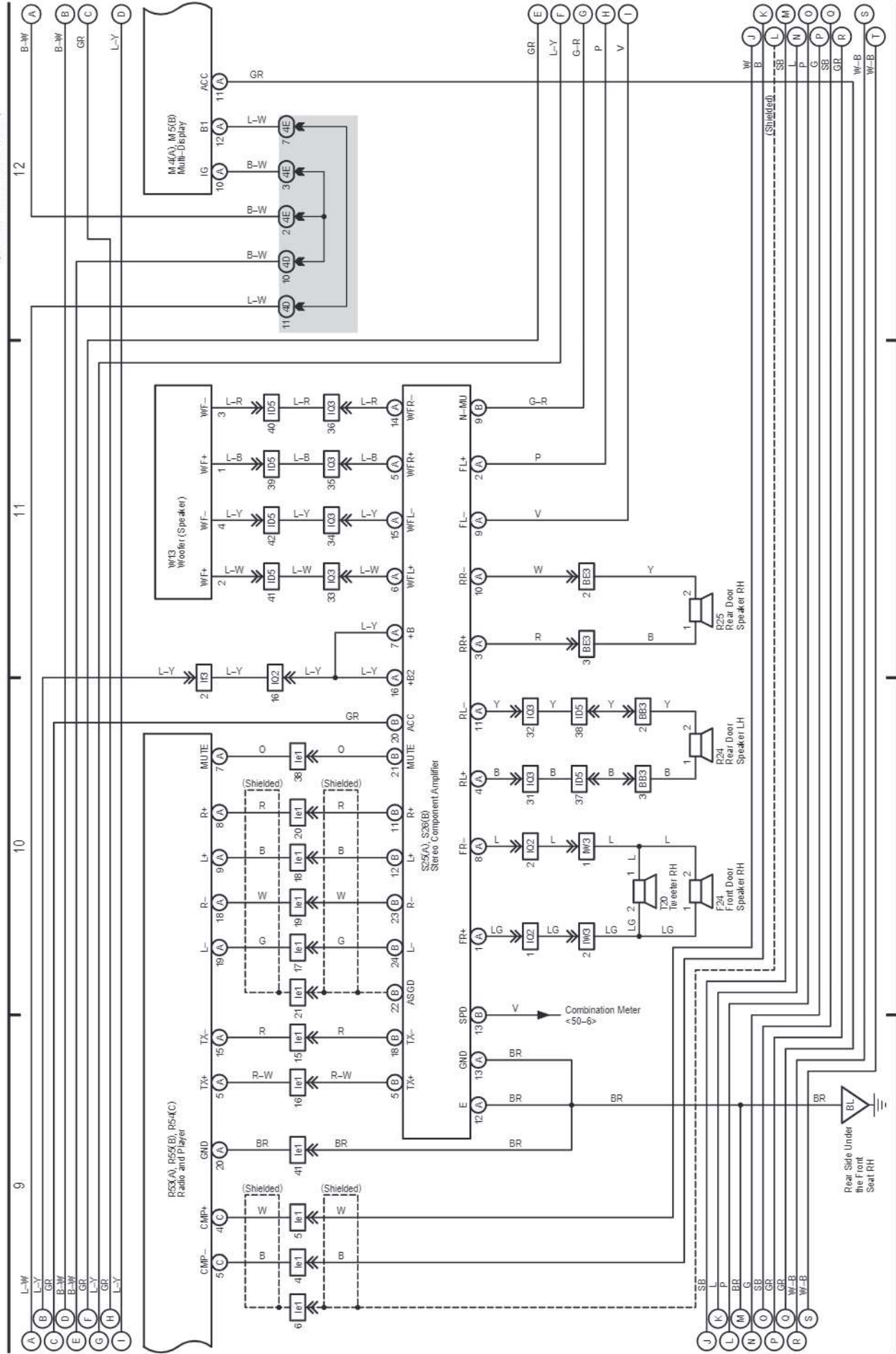
H OVERALL ELECTRICAL WIRING DIAGRAM

47 LAND CRUISER (LHD) (Cont' d)

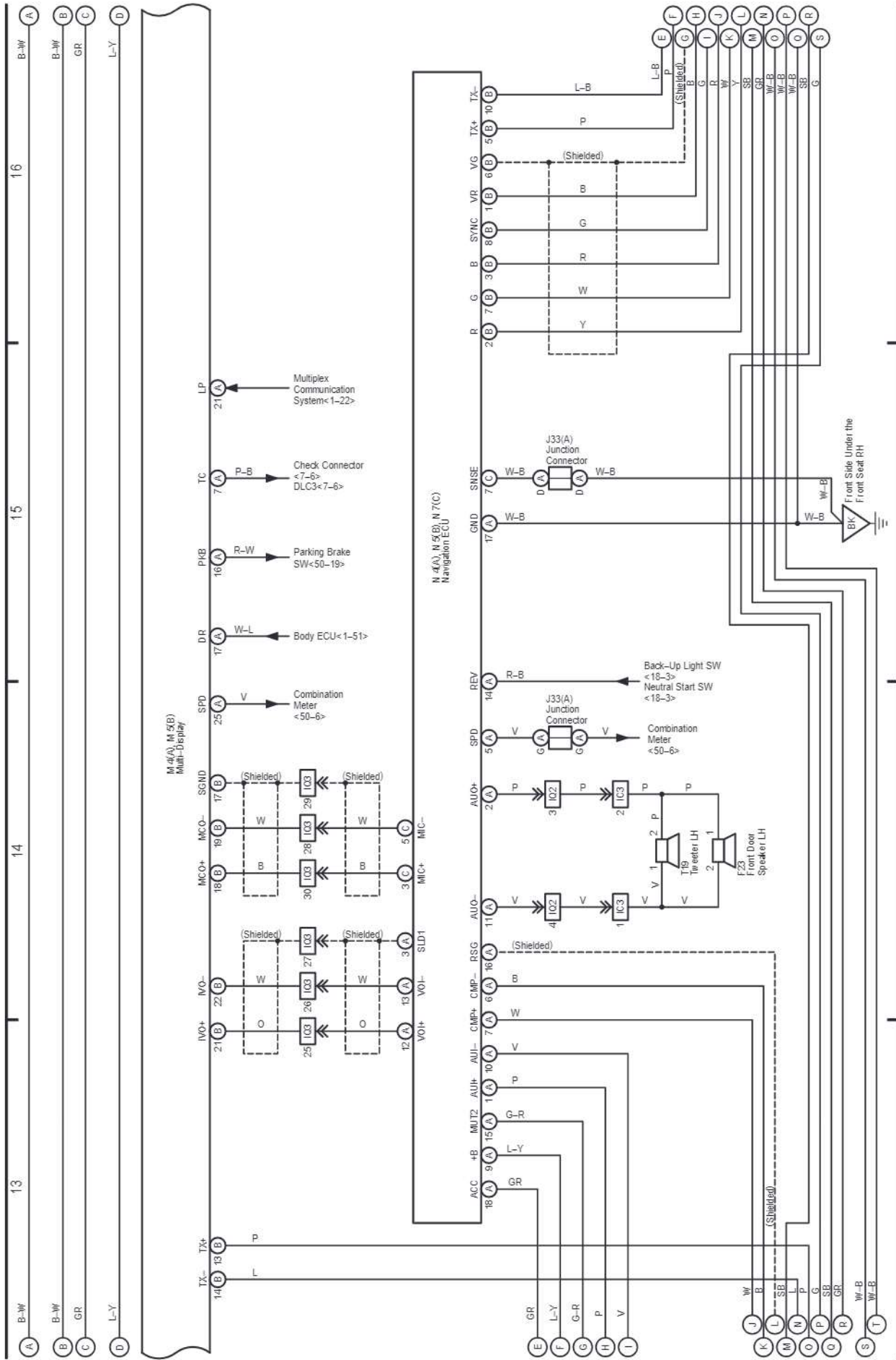
(Cont. next page)

Navigation System,
TOYOTA Parking Assist
(Rear View Monitor)

Audio System (w/ Navigation System Separate Amplifier)



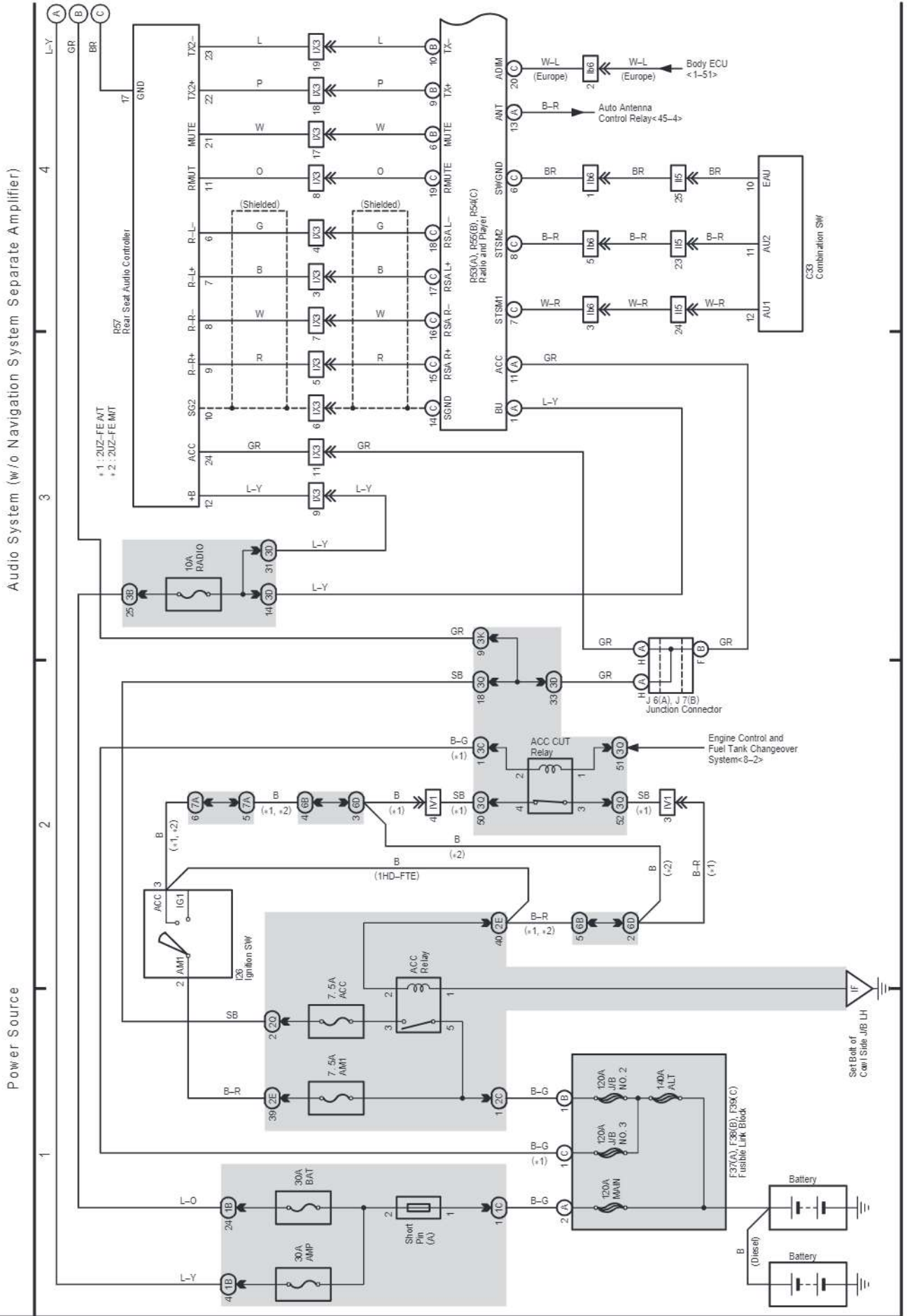
Navigation System, TOYOTA Parking Assist (Rear View Monitor)



H OVERALL ELECTRICAL WIRING DIAGRAM

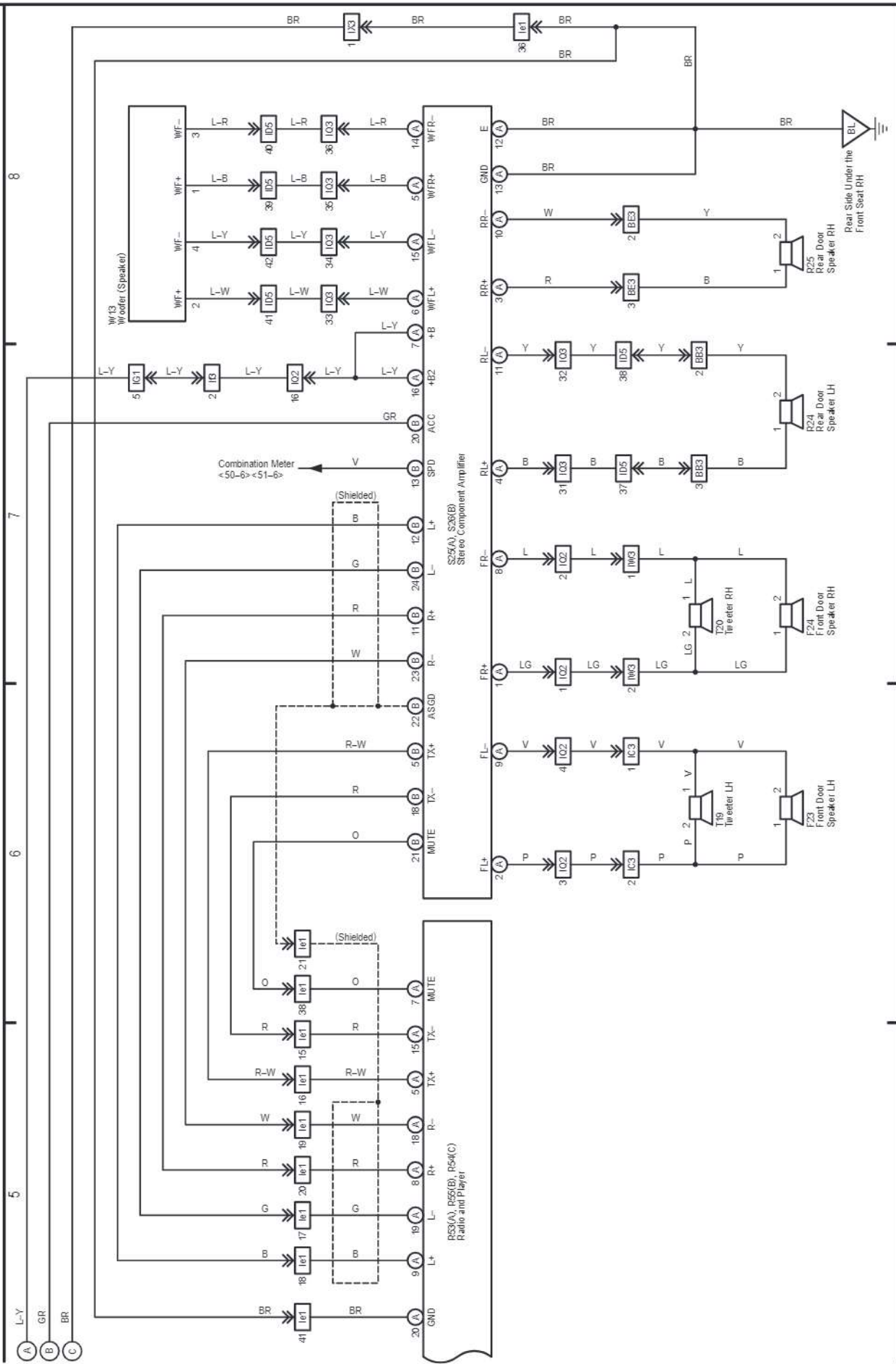
48 LAND CRUISER (LHD)

(Cont. next page)

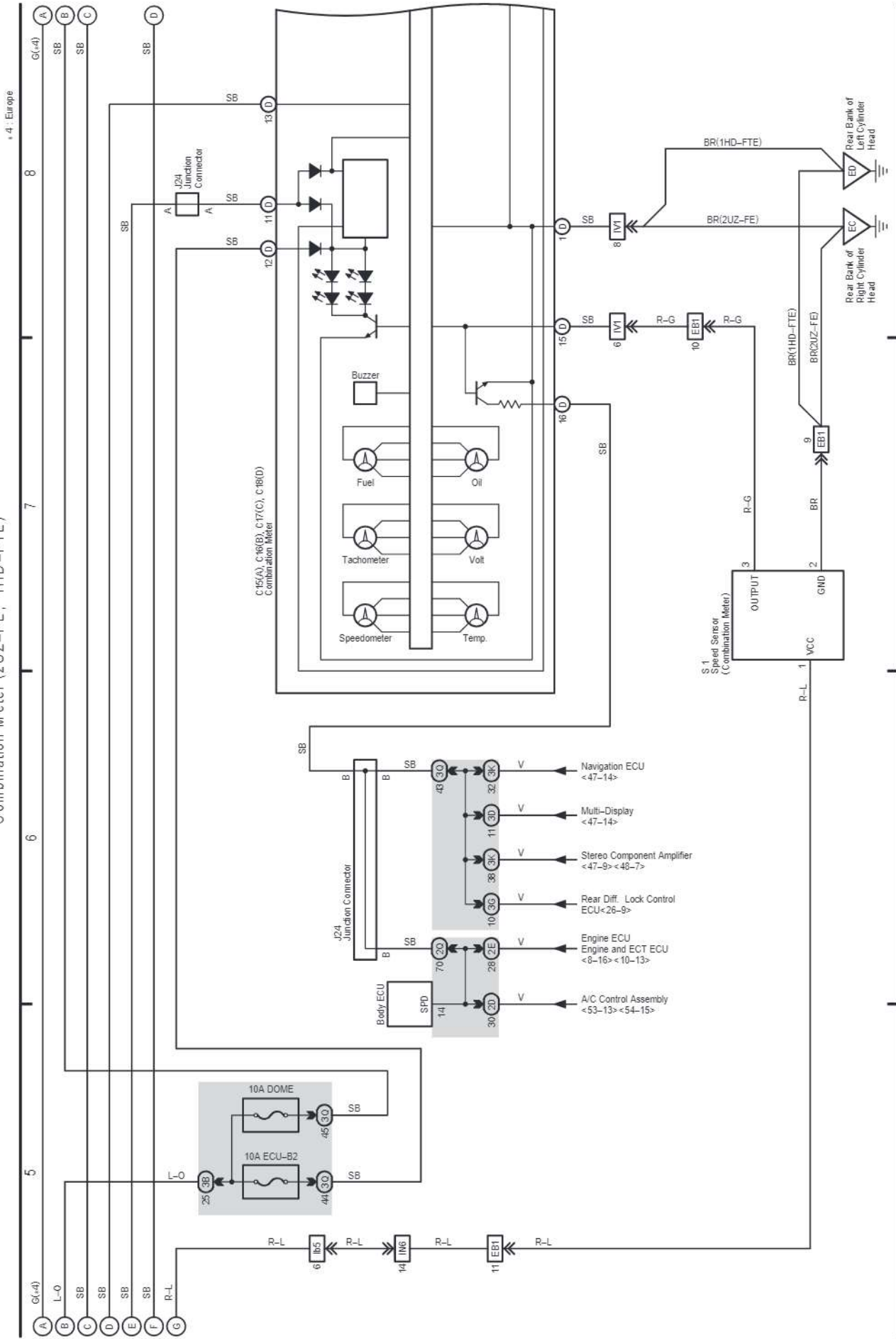


cardiagn.com

Audio System (w/o Navigation System Separate Amplifier)

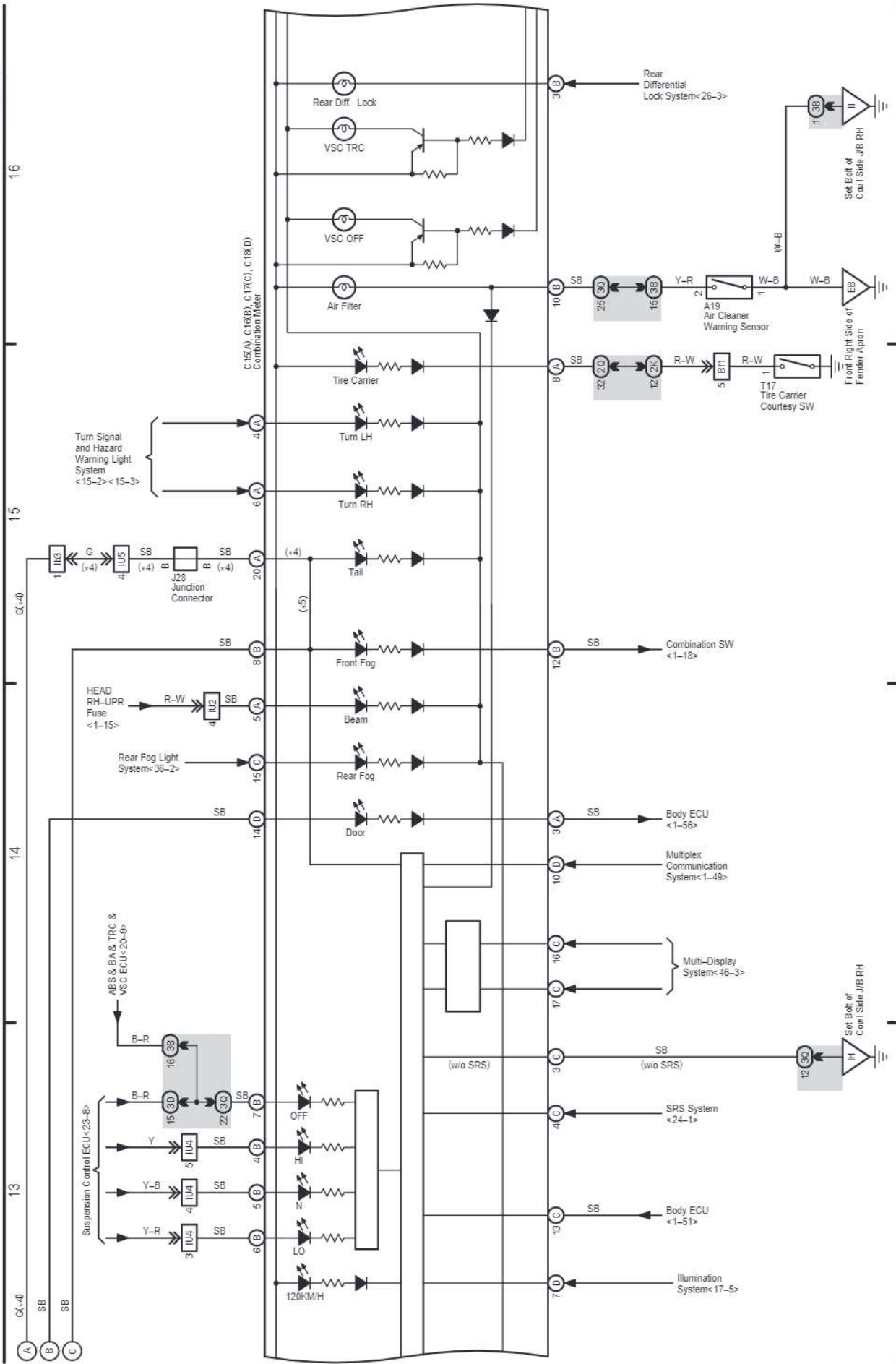


Combination Meter (2UZ-FE, 1HD-FTE)



*4: Europe
+5: Except Europe

Combination Meter (2UZ-FE, 1HD-FTE)



H OVERALL ELECTRICAL WIRING DIAGRAM

50 LAND CRUISER (LHD) (Cont' d)

- * 6 : Automatic AC
- * 7 : Except *8
- * 8 : w/ VSC
- * 9 : w/o VSC
- * 10 : w/ ABS
- * 11 : w/o ABS
- * 12 : Diesel

Combination Meter (2UZ-FE, 1HD-FTE)

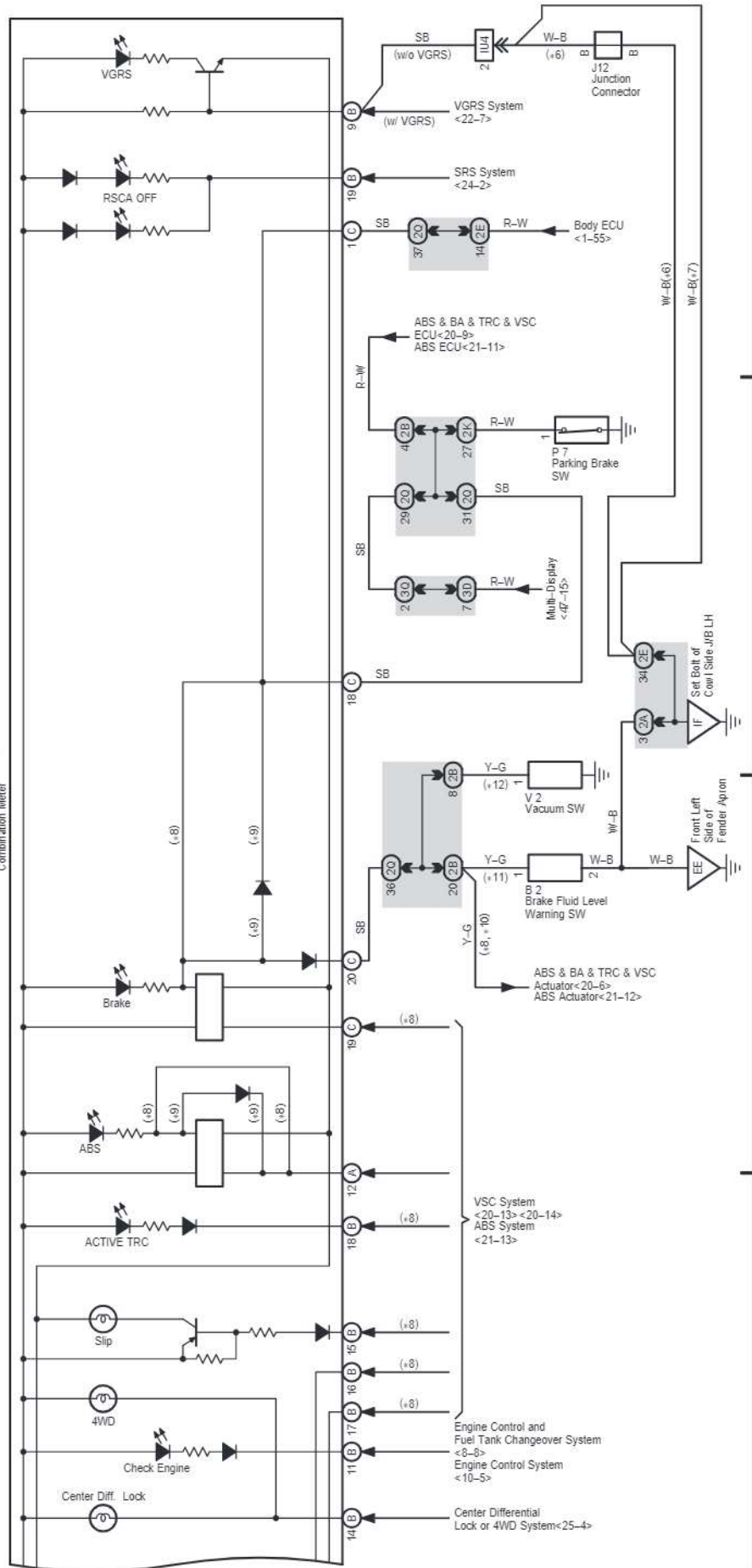
17

18

19

20

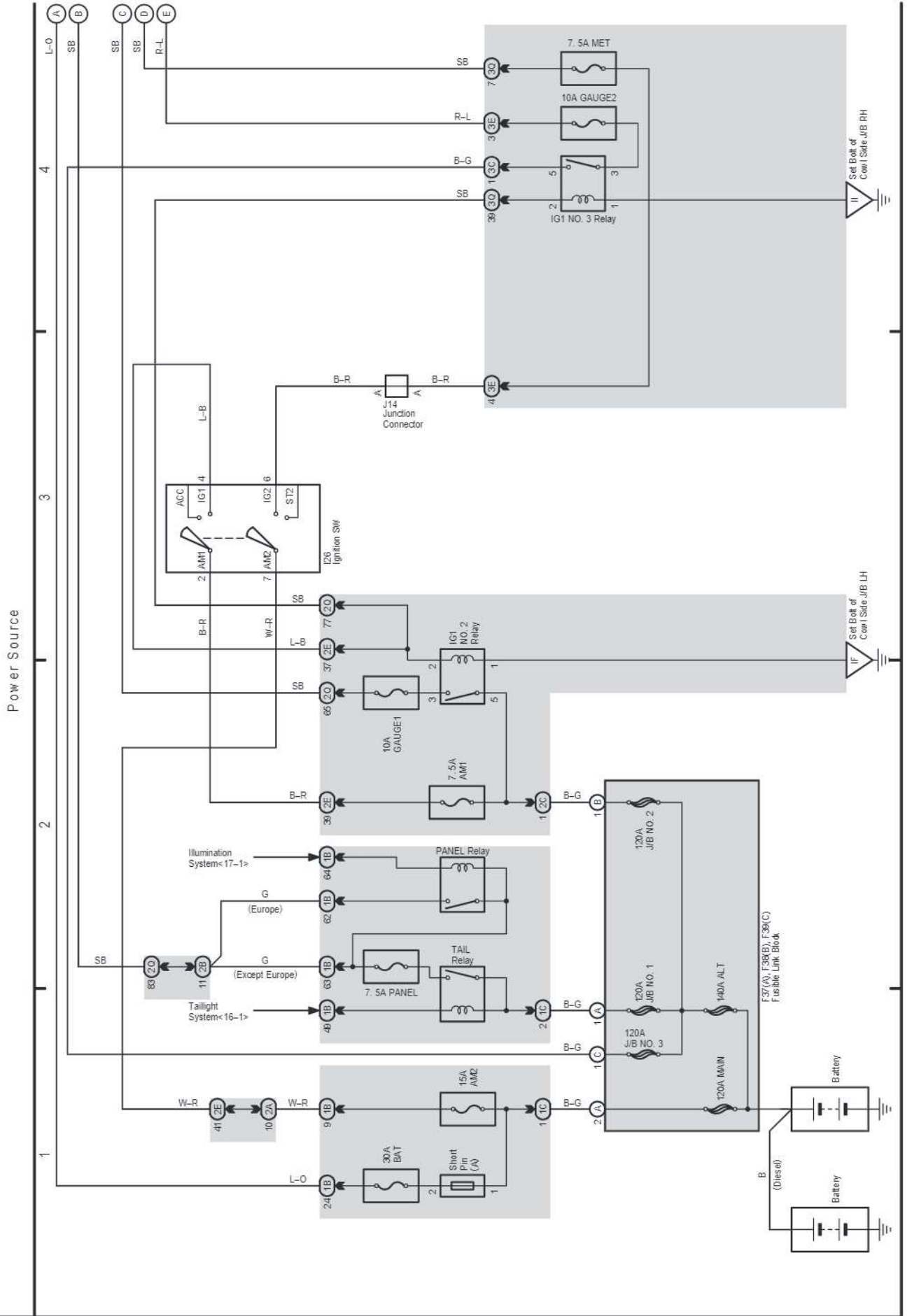
C15(A), C16(B), C17(C), C18(D)
Combination Meter



H OVERALL ELECTRICAL WIRING DIAGRAM

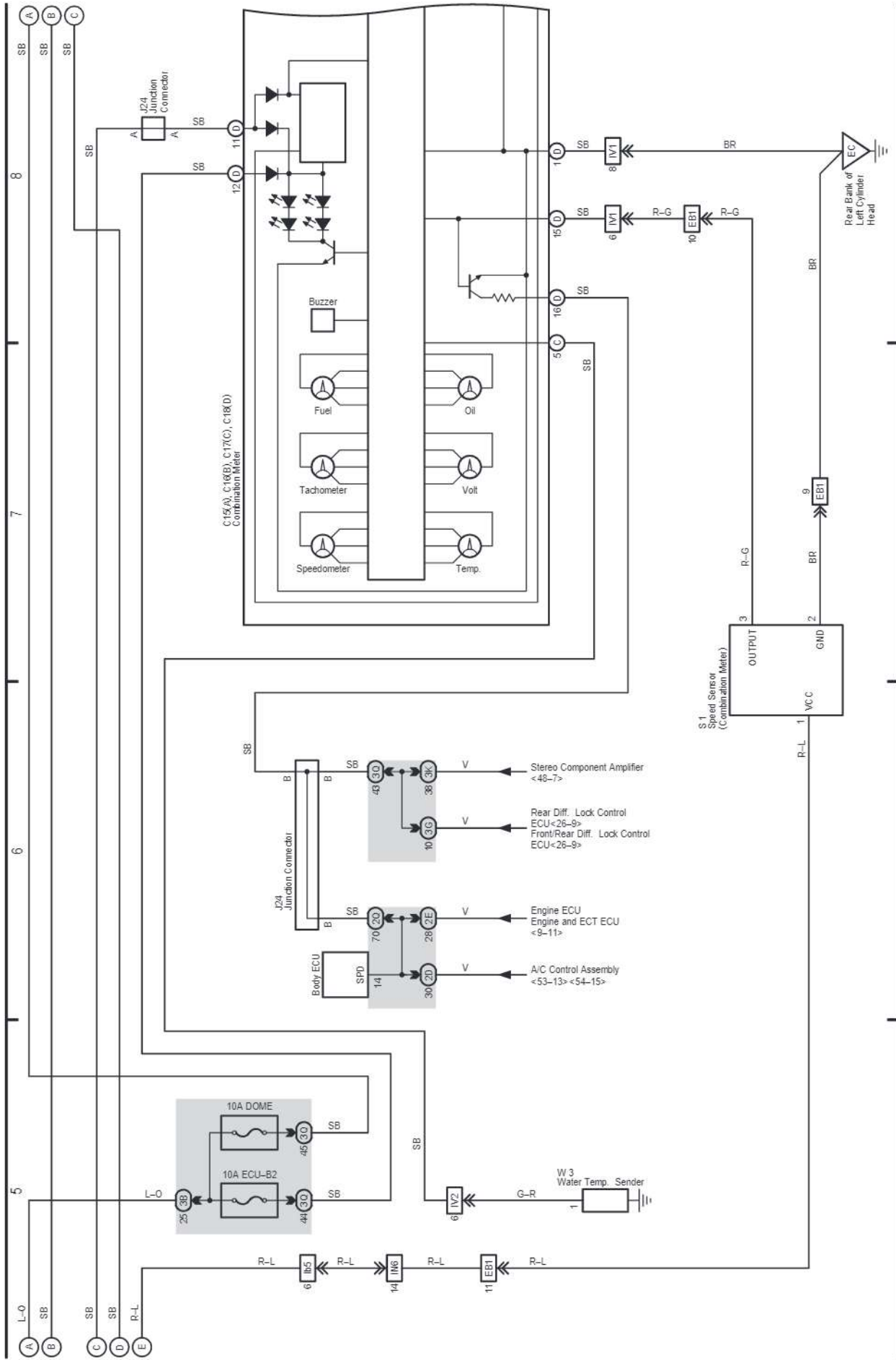
51 LAND CRUISER (LHD)

(Cont. next page)



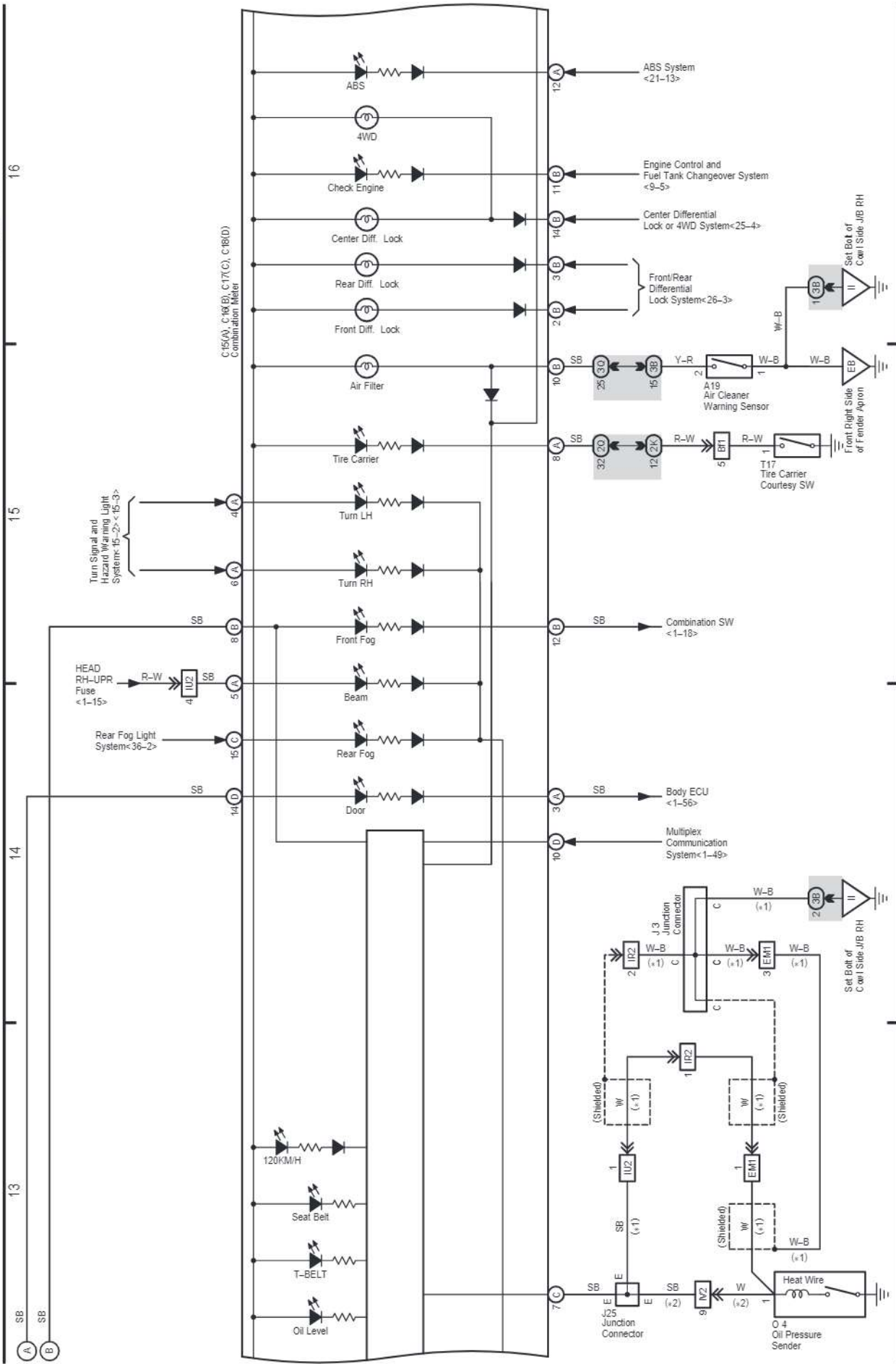
cardiagn.com

Combination Meter (1FZ-FE, 1HZ)



*1: 1FZ-FE
*2: 1HZ

Combination Meter (1FZ-FE, 1HZ)



H OVERALL ELECTRICAL WIRING DIAGRAM

51 LAND CRUISER (LHD) (Cont' d)

- * 3 - Diesel
- * 4 - w/ ABS
- * 5 - w/o ABS

Combination Meter (1FZ-EE, 1HZ)

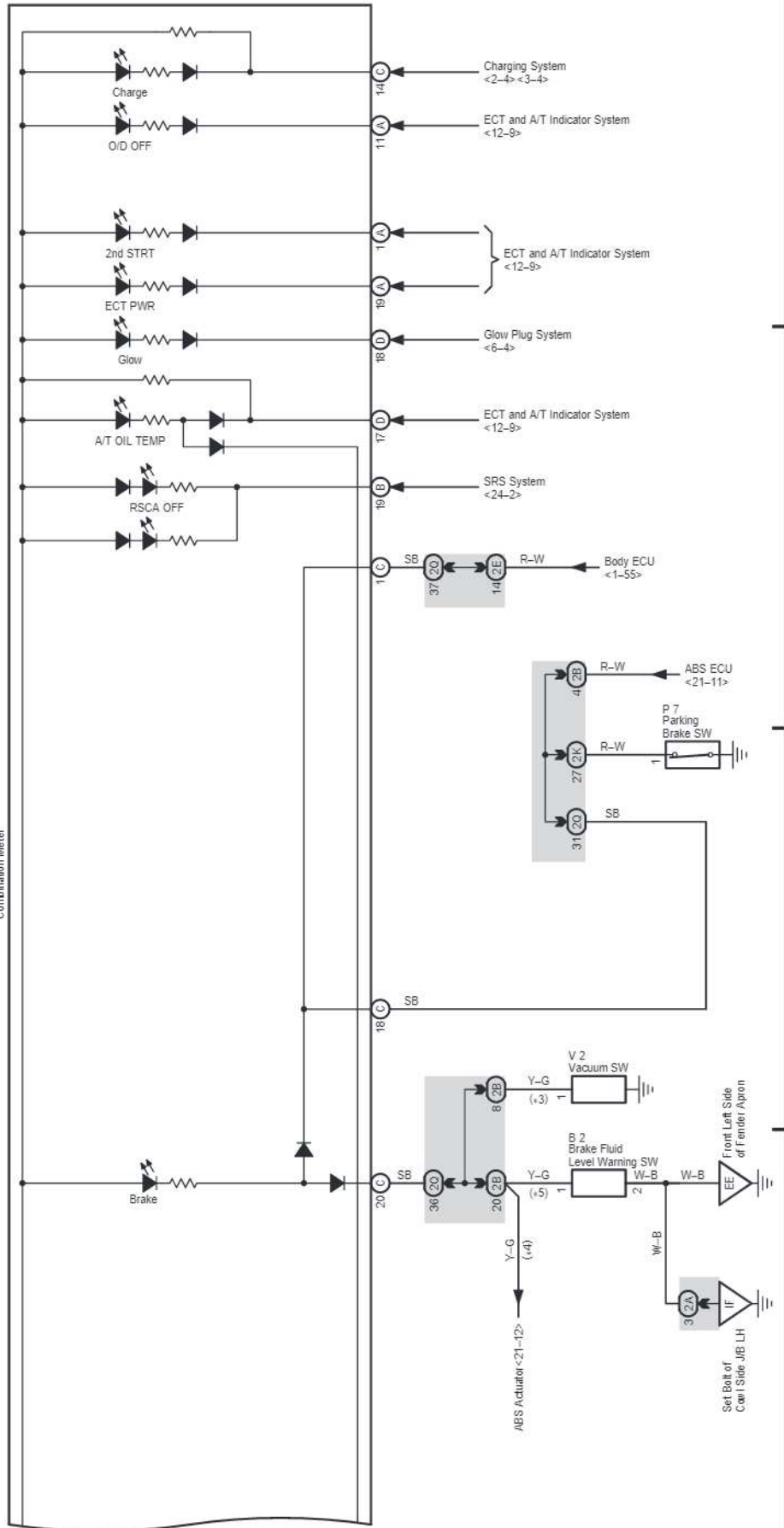
17

18

19

20

C15(A), C16(B), C17(C), C18(D)
Combination Meter



cardiagn.com

Condenser Fan (1FZ-FE, 1HZ)

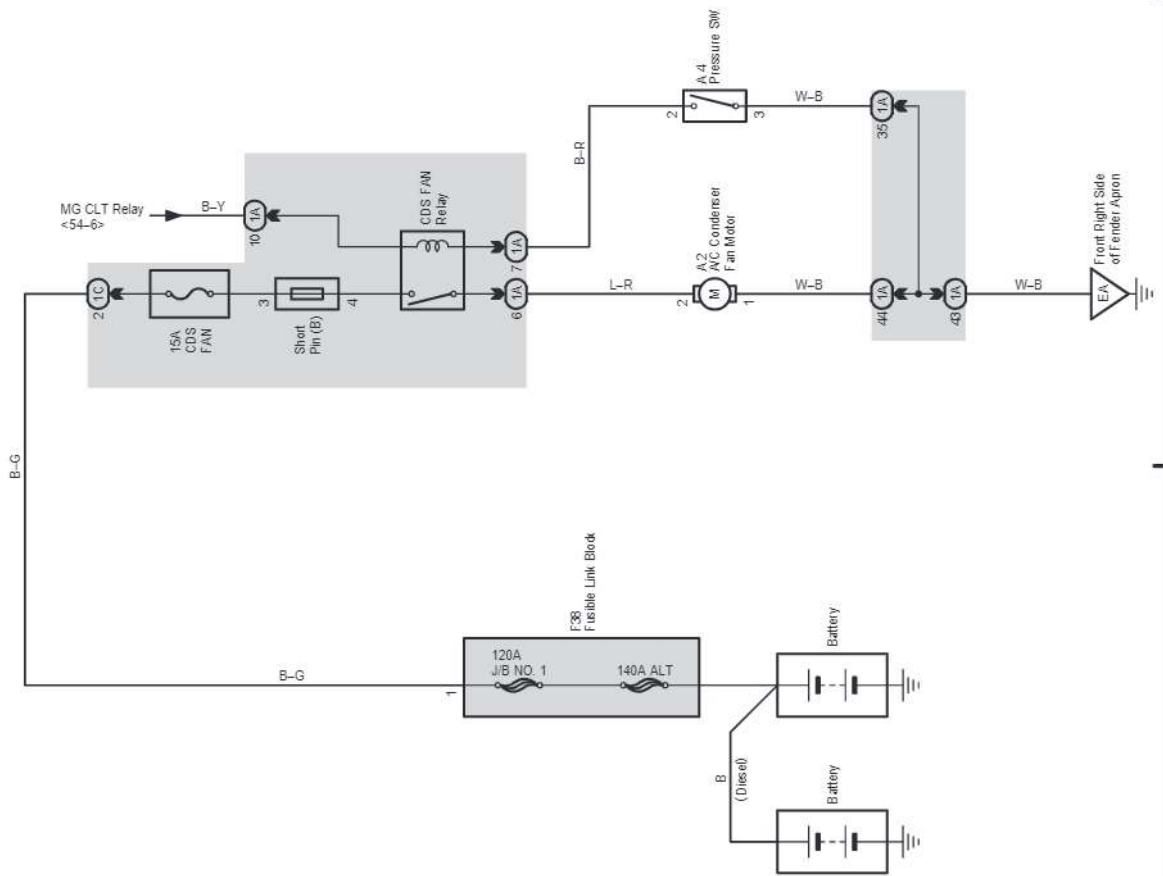
4

3

2

1

Power Source



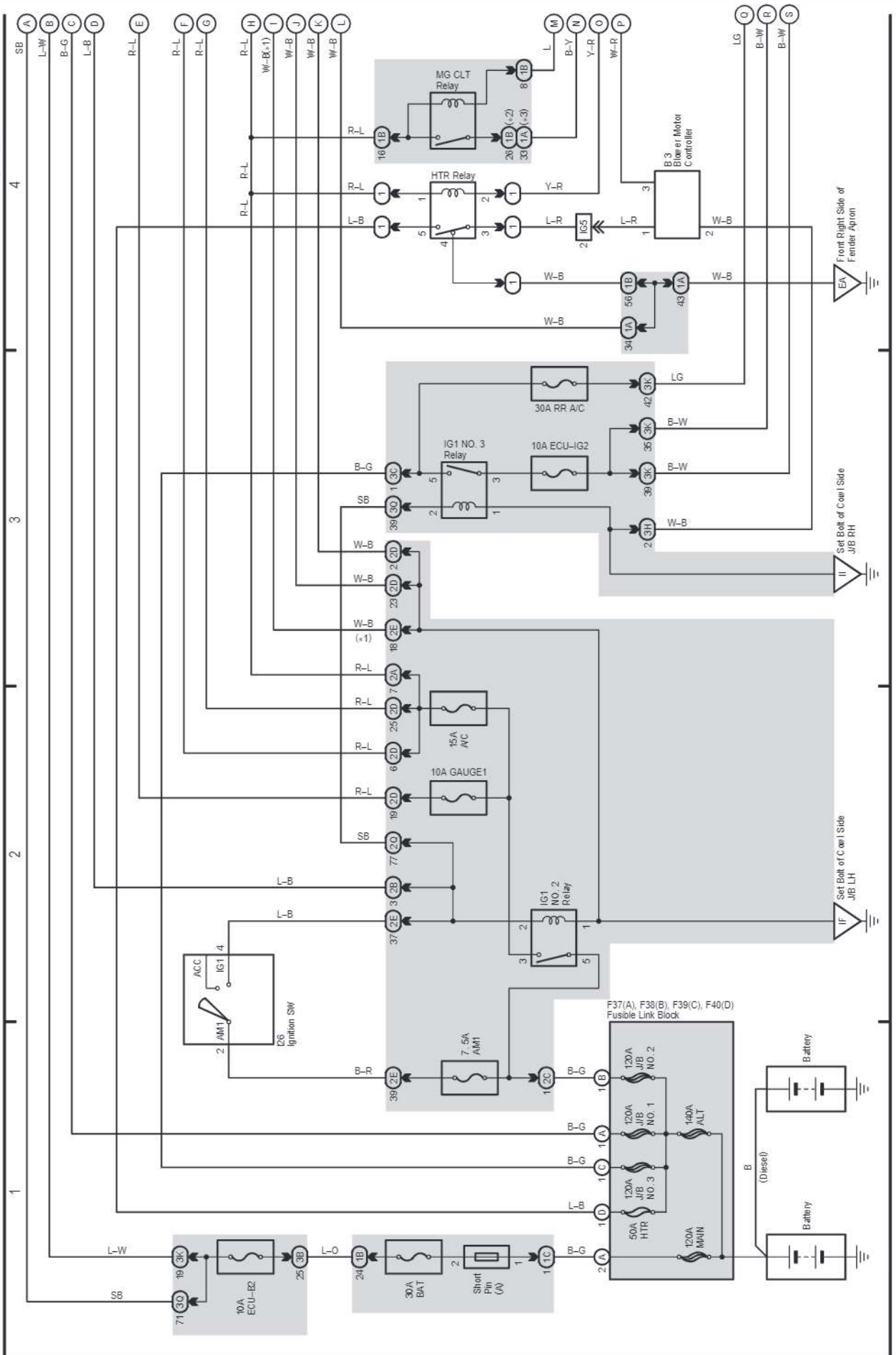
H OVERALL ELECTRICAL WIRING DIAGRAM

53 LAND CRUISER (LHD)

(Cont. next page)

- * 1 - w/ Navigation System
- * 2 - 2002-PE
- * 3 - 1HD-TE

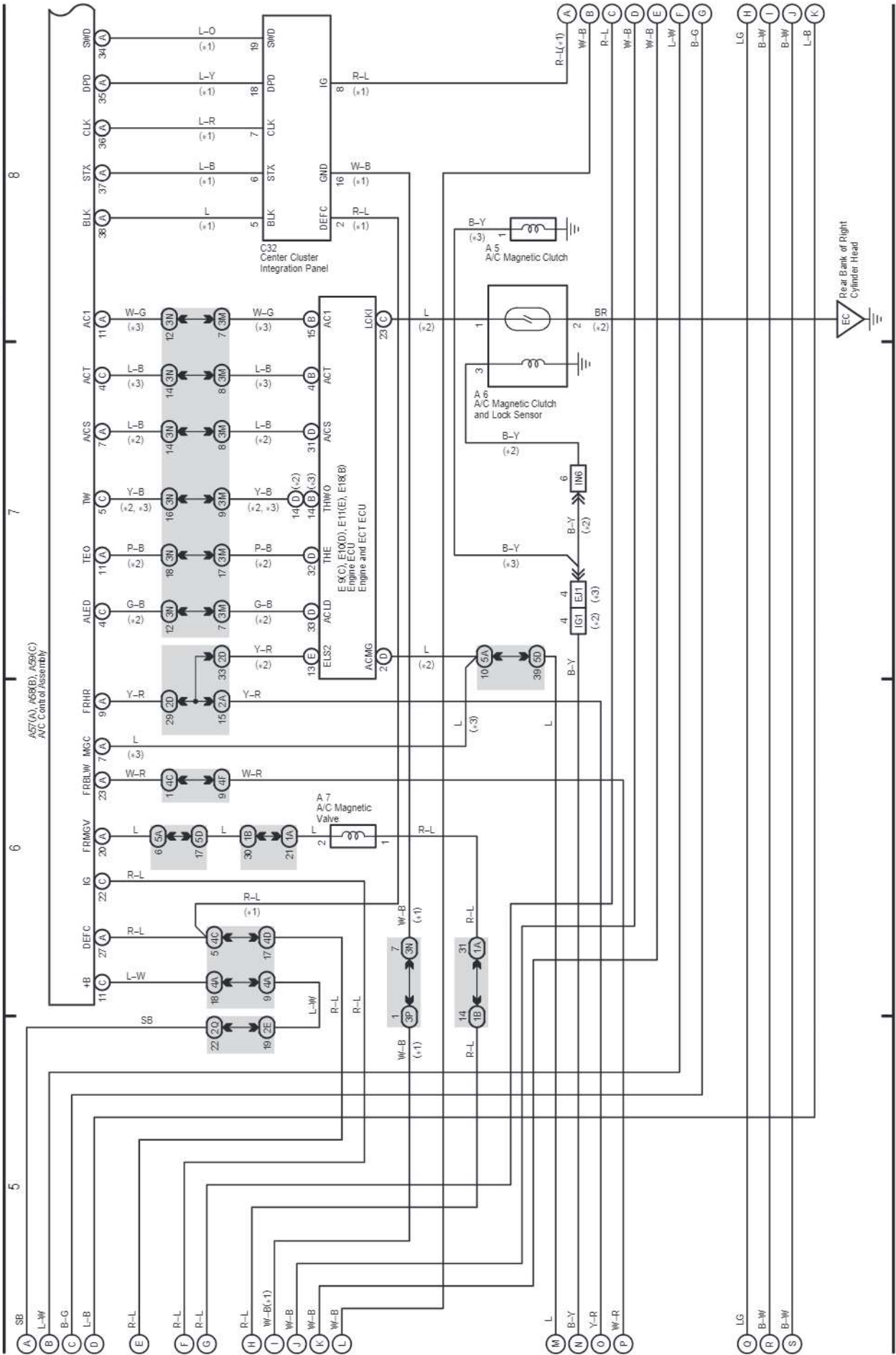
Power Source



cardiagn.com

Automatic Air Conditioner (Front)

*1: w/ Navigation System
*2: 2UZ-FE
*3: 1HD-FTE



H OVERALL ELECTRICAL WIRING DIAGRAM

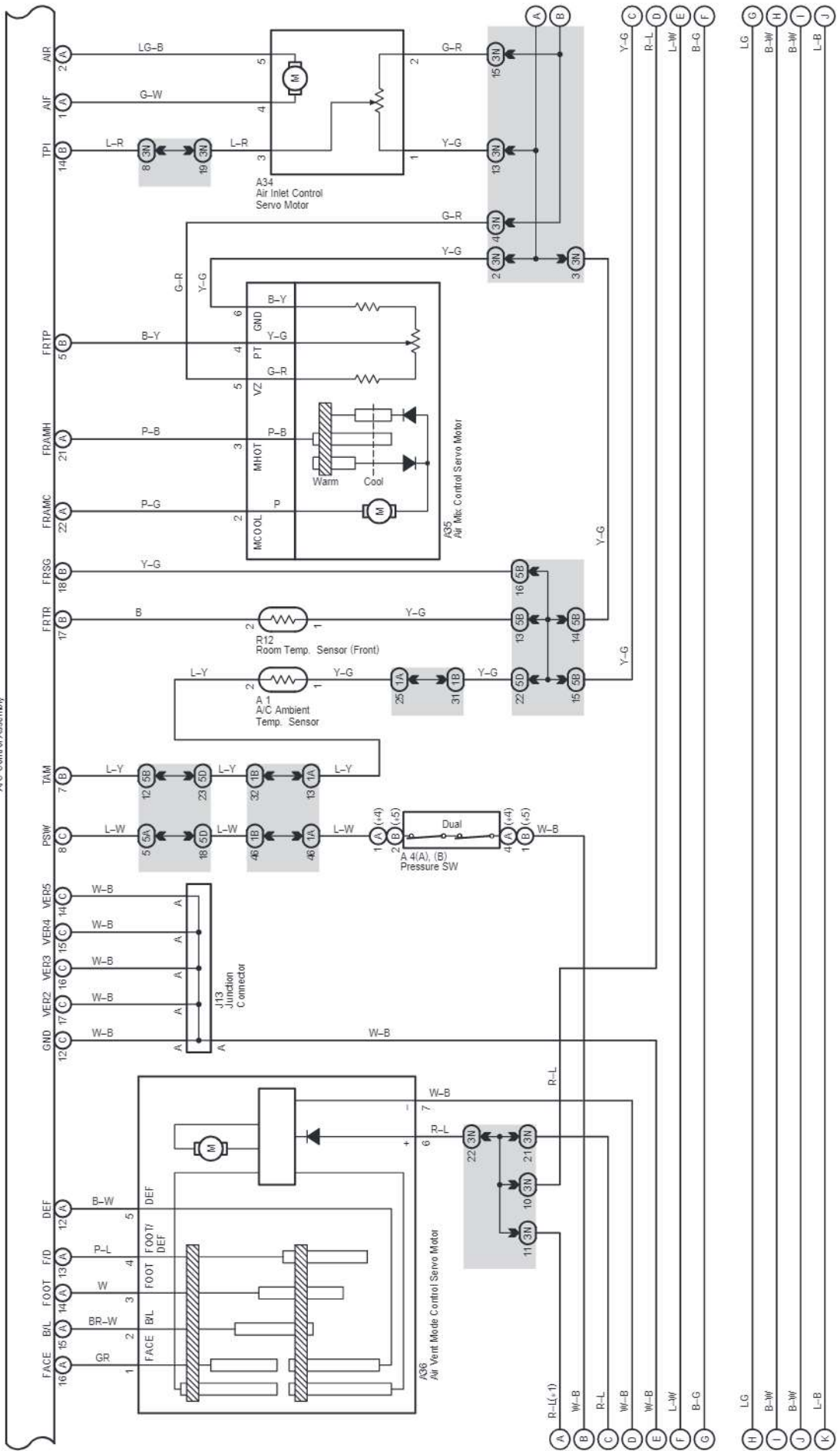
53 LAND CRUISER (LHD) (Cont' d)

(Cont. next page)

- + 1 : w/ Navigation System
- + 4 : w/ Rear A/C
- + 5 : w/o Rear A/C

Automatic Air Conditioner (Front)

A57(A), A58(B), A59(C)
A/C Control Assembly



H OVERALL ELECTRICAL WIRING DIAGRAM

53 LAND CRUISER (LHD) (Cont' d)

(Cont. next page)

* 1 :w/ Navigation System
* 6 :w/o Navigation System

Automatic Air Conditioner (Rear)

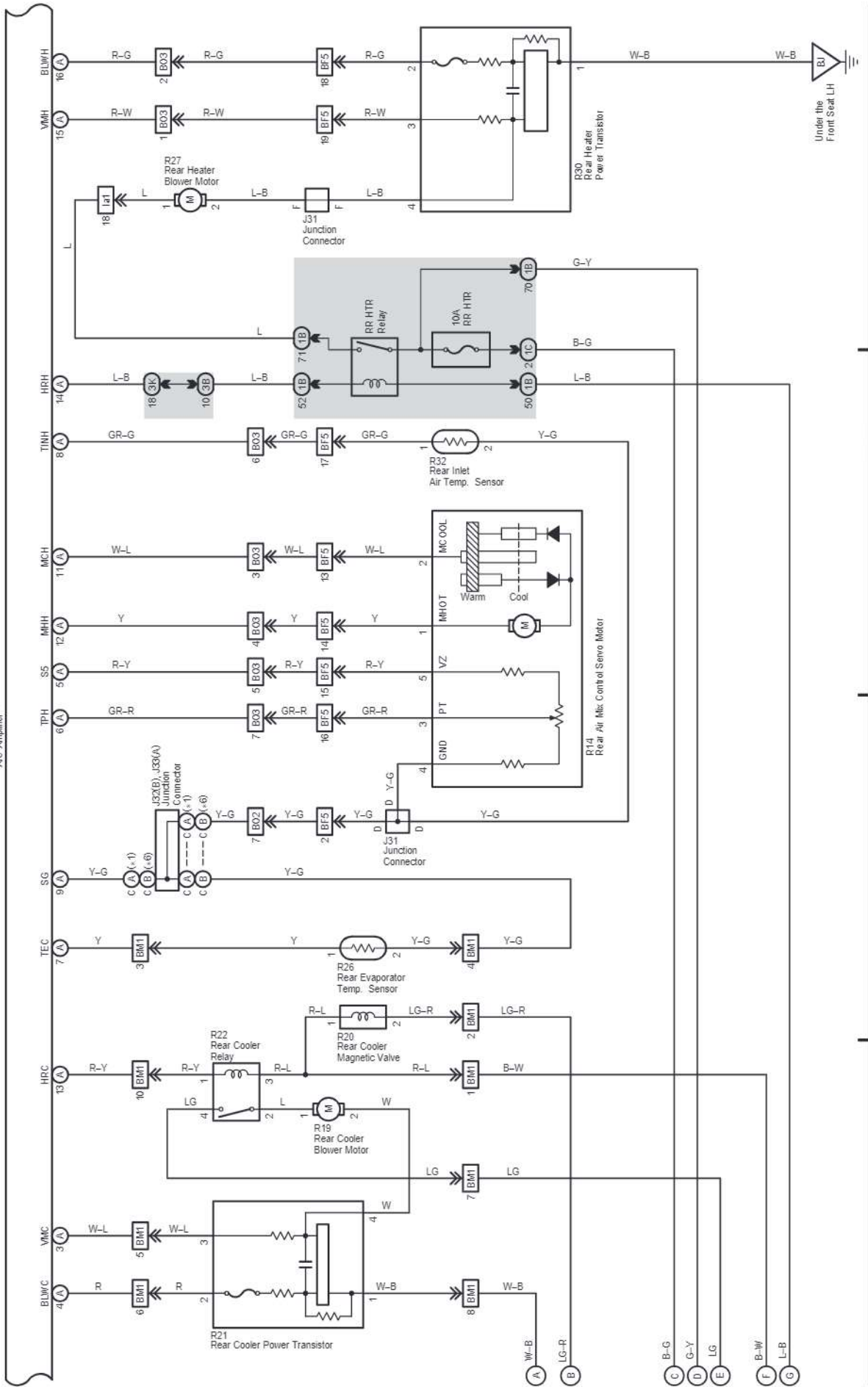
A48(A), A42(B), A41(C)
A/C Amplifier

20

19

18

17



cardiagn.com

53 LAND CRUISER (LHD) (Cont' d)

Automatic Air Conditioner (Rear)

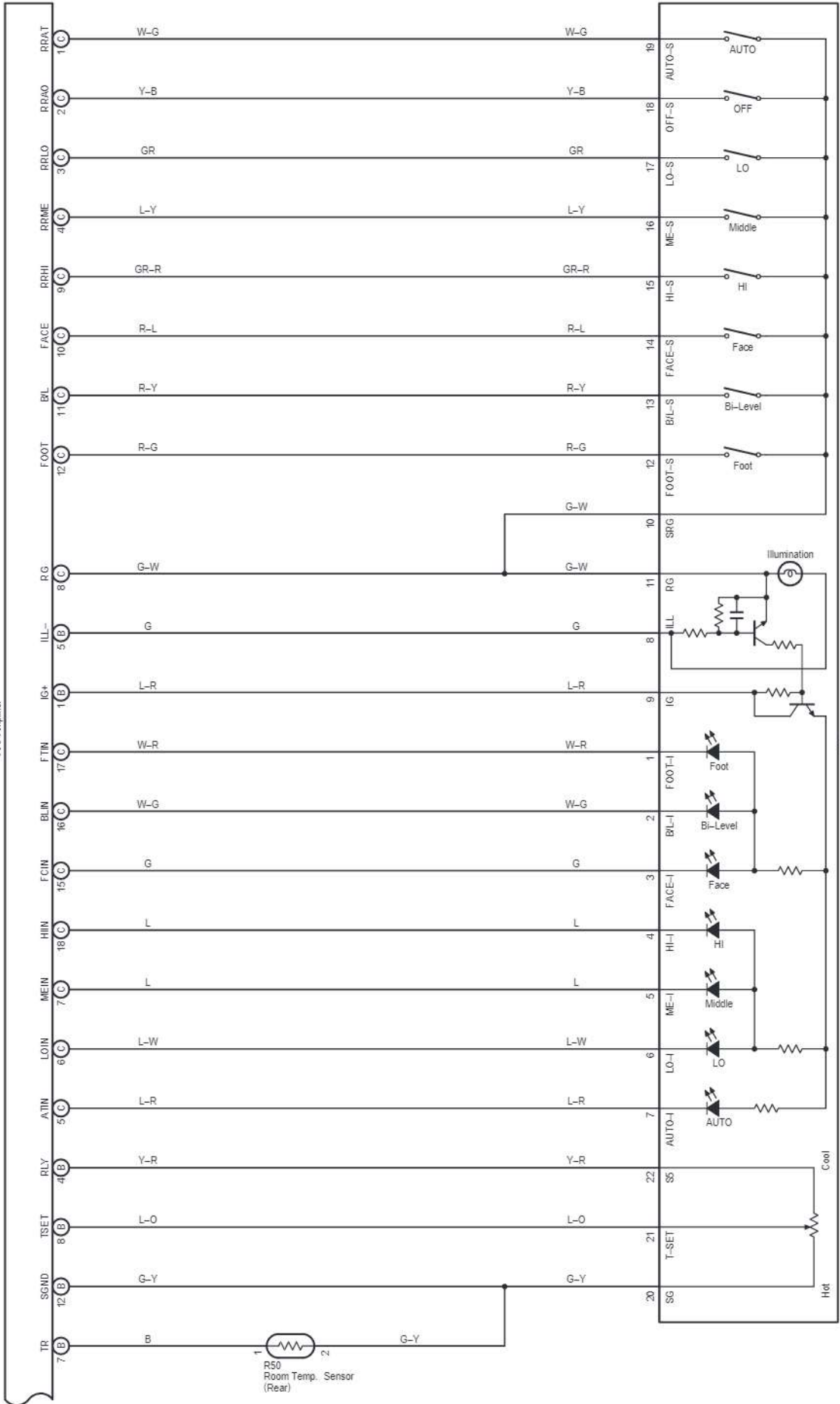
24

23

22

21

A42(A), A42(B), A41(C)
AC Compressor

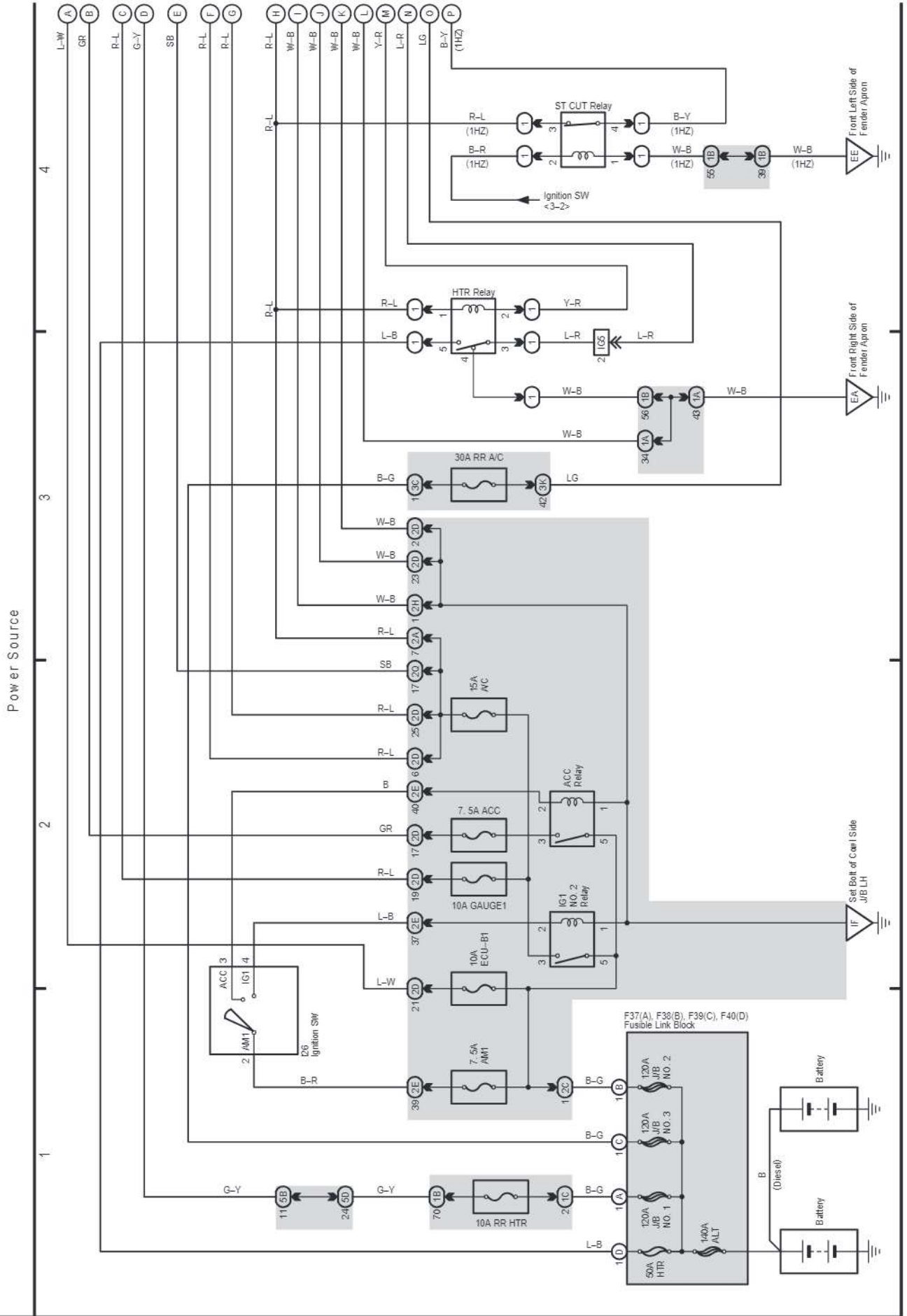


R13
Rear AC Control SW

H OVERALL ELECTRICAL WIRING DIAGRAM

54 LAND CRUISER (LHD)

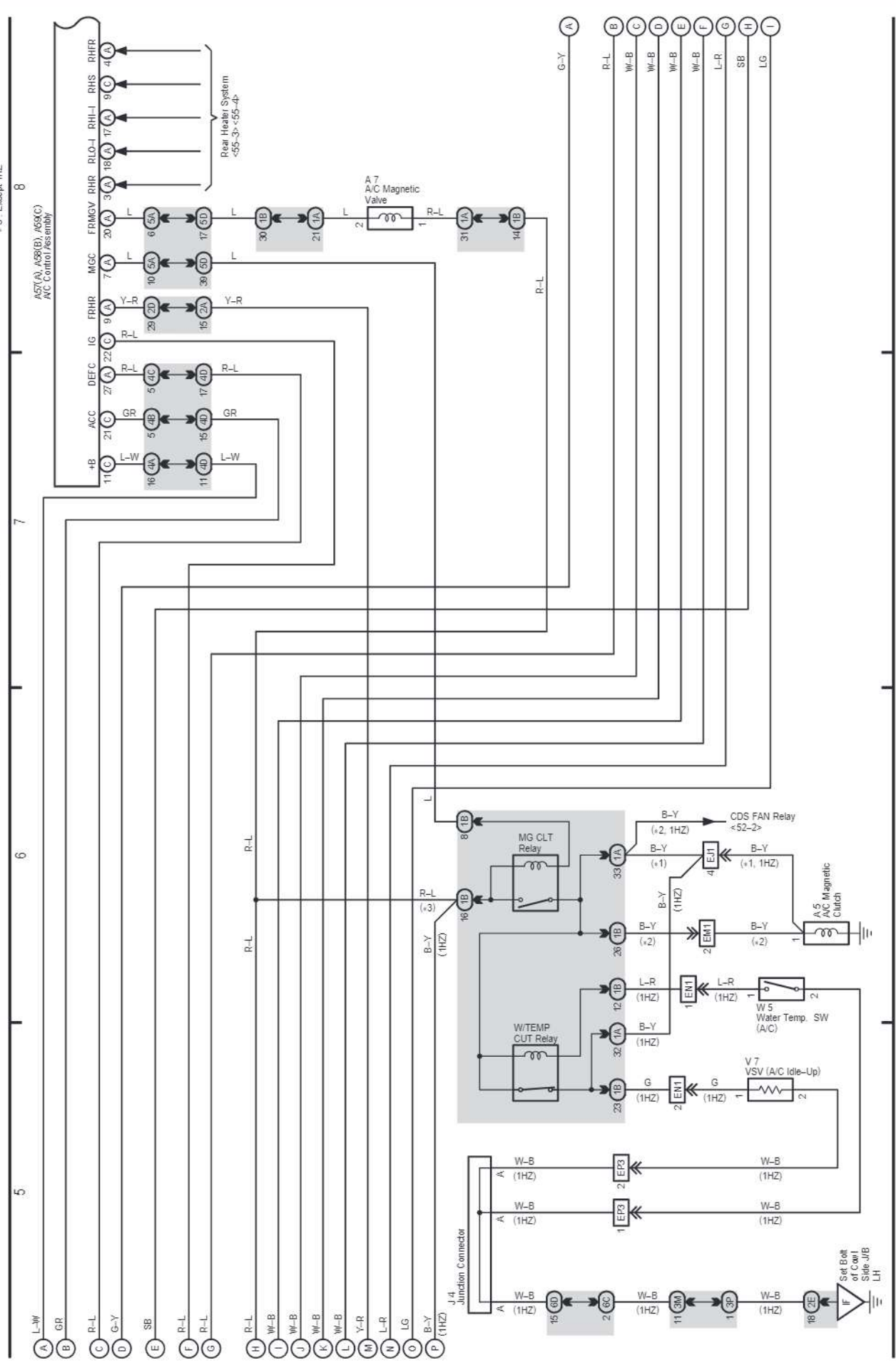
(Cont. next page)



cardiagn.com

* 1 - 1HD-FTE
 * 2 - 1FZ-FE
 * 3 - Except 1HZ

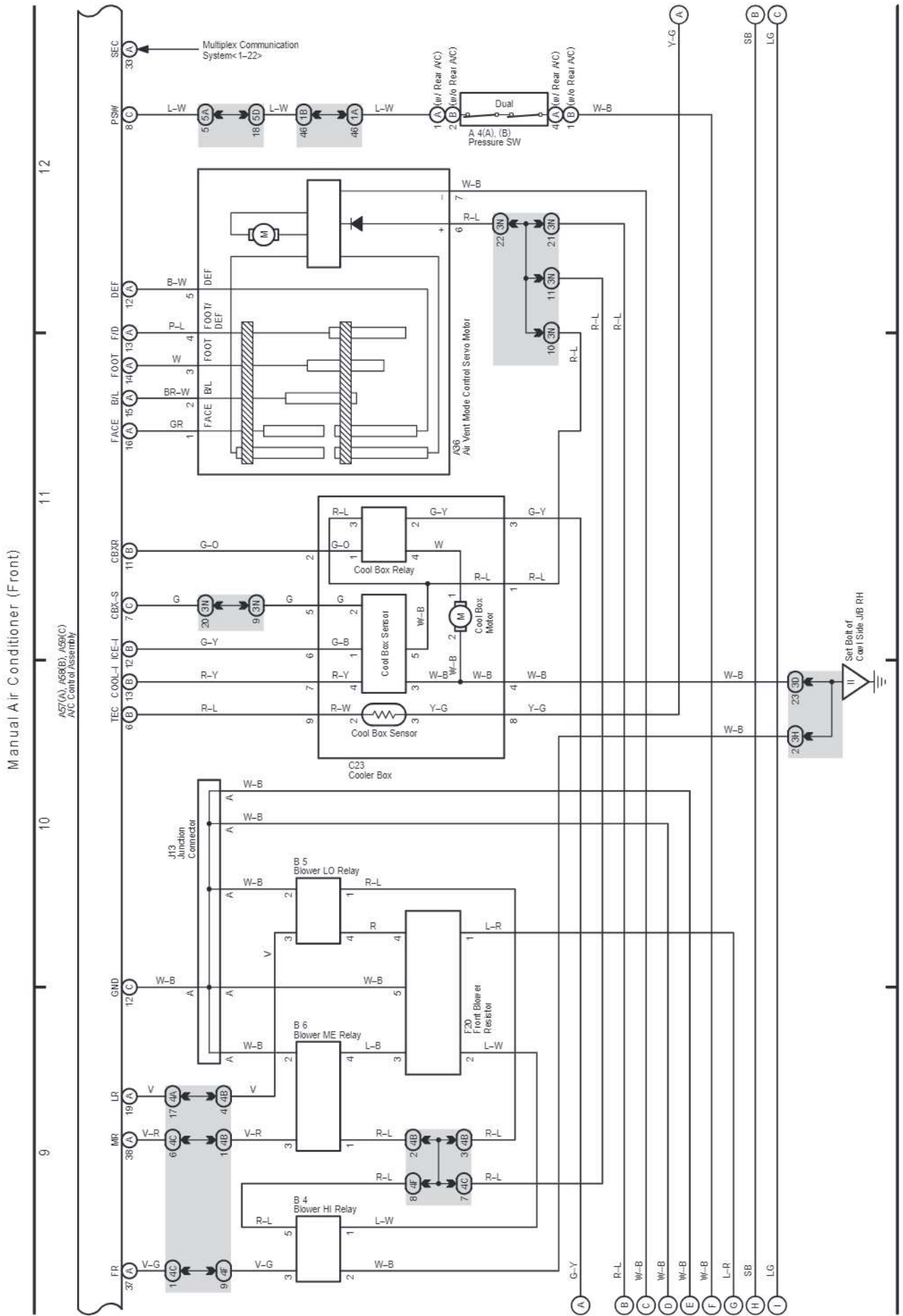
Manual Air Conditioner (Front)



H OVERALL ELECTRICAL WIRING DIAGRAM

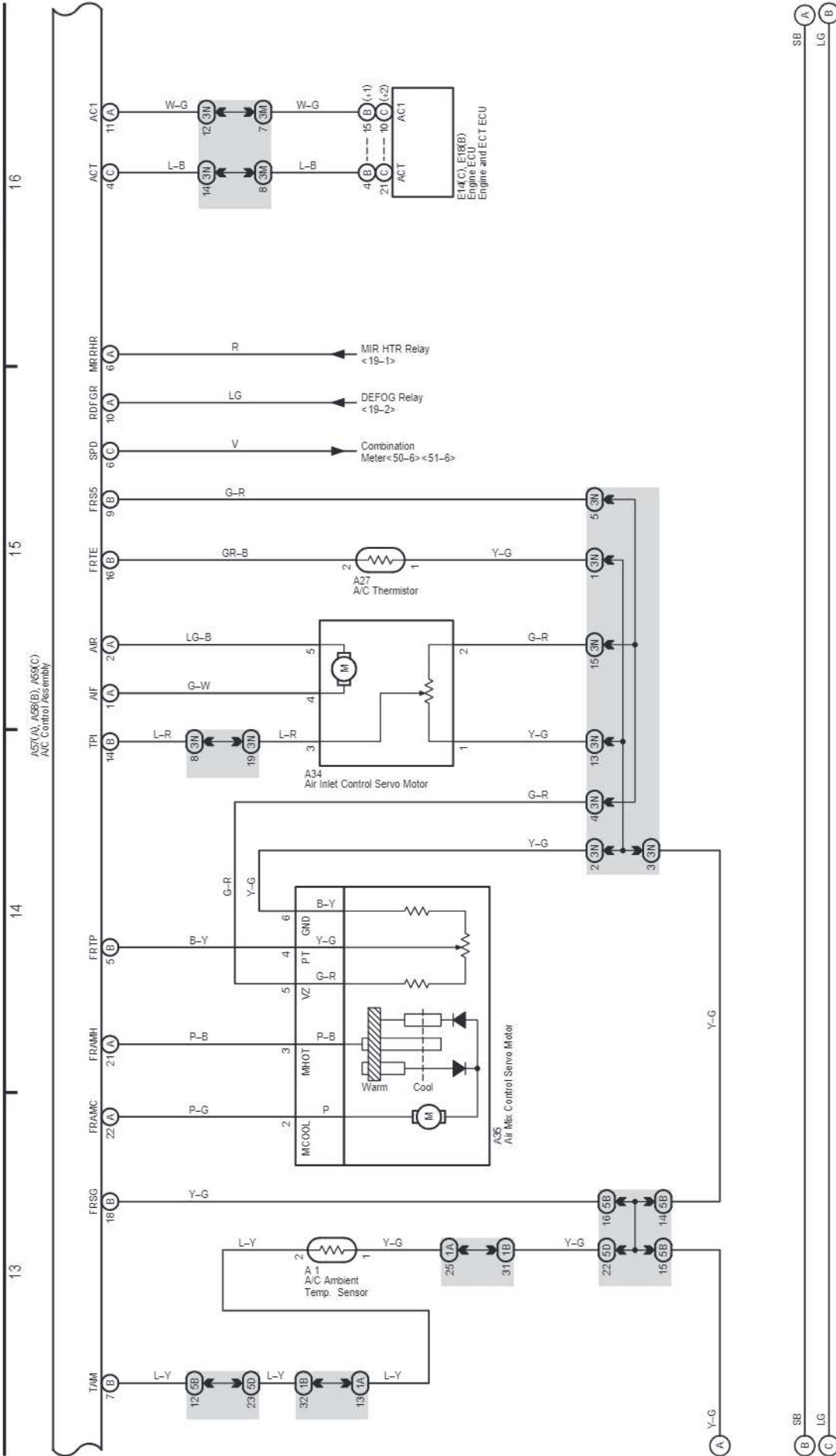
54 LAND CRUISER (LHD) (Cont' d)

(Cont. next page)



Manual Air Conditioner (Front)

*1.: 1HD-FTE
*2.: 1FZ-FE

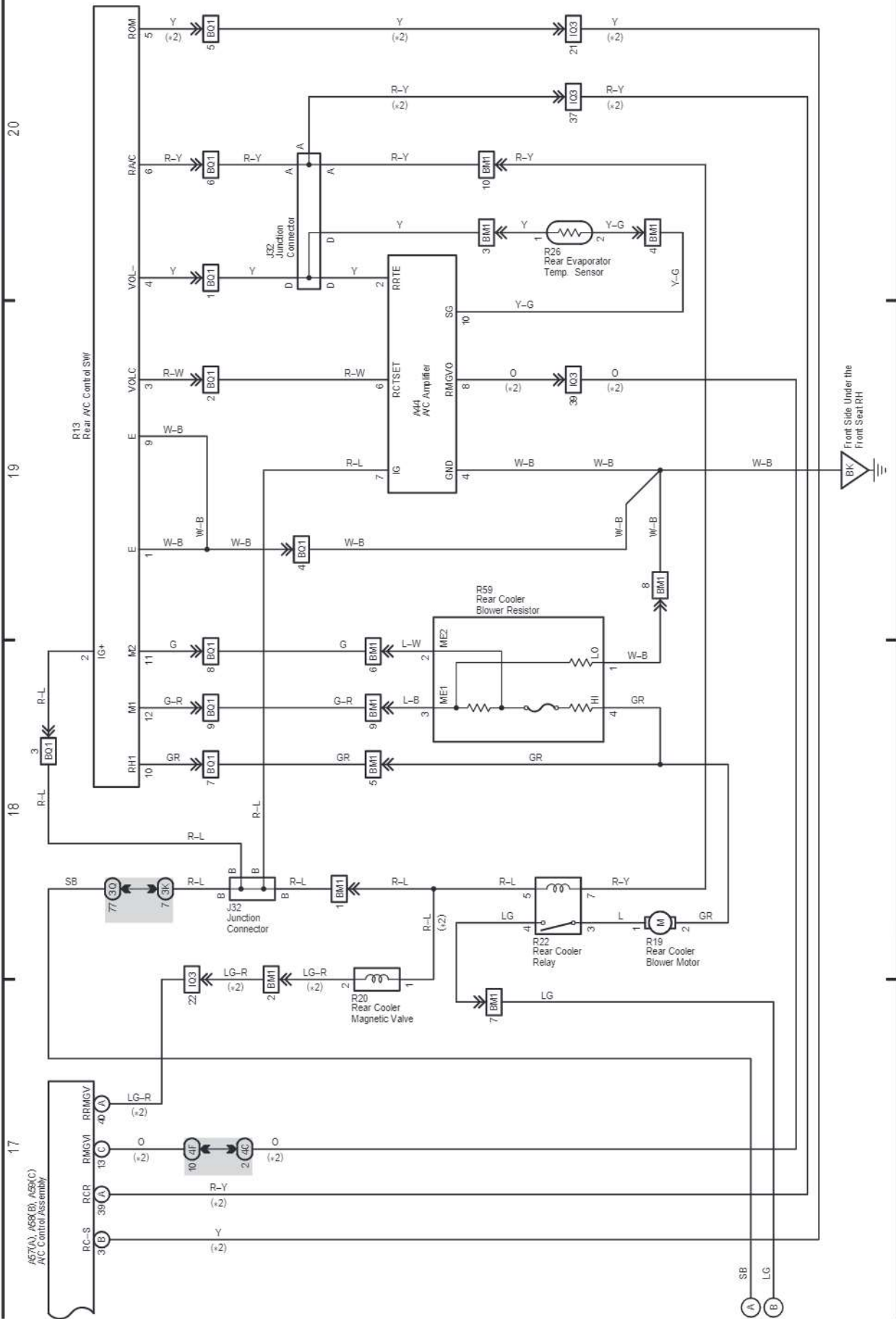


H OVERALL ELECTRICAL WIRING DIAGRAM

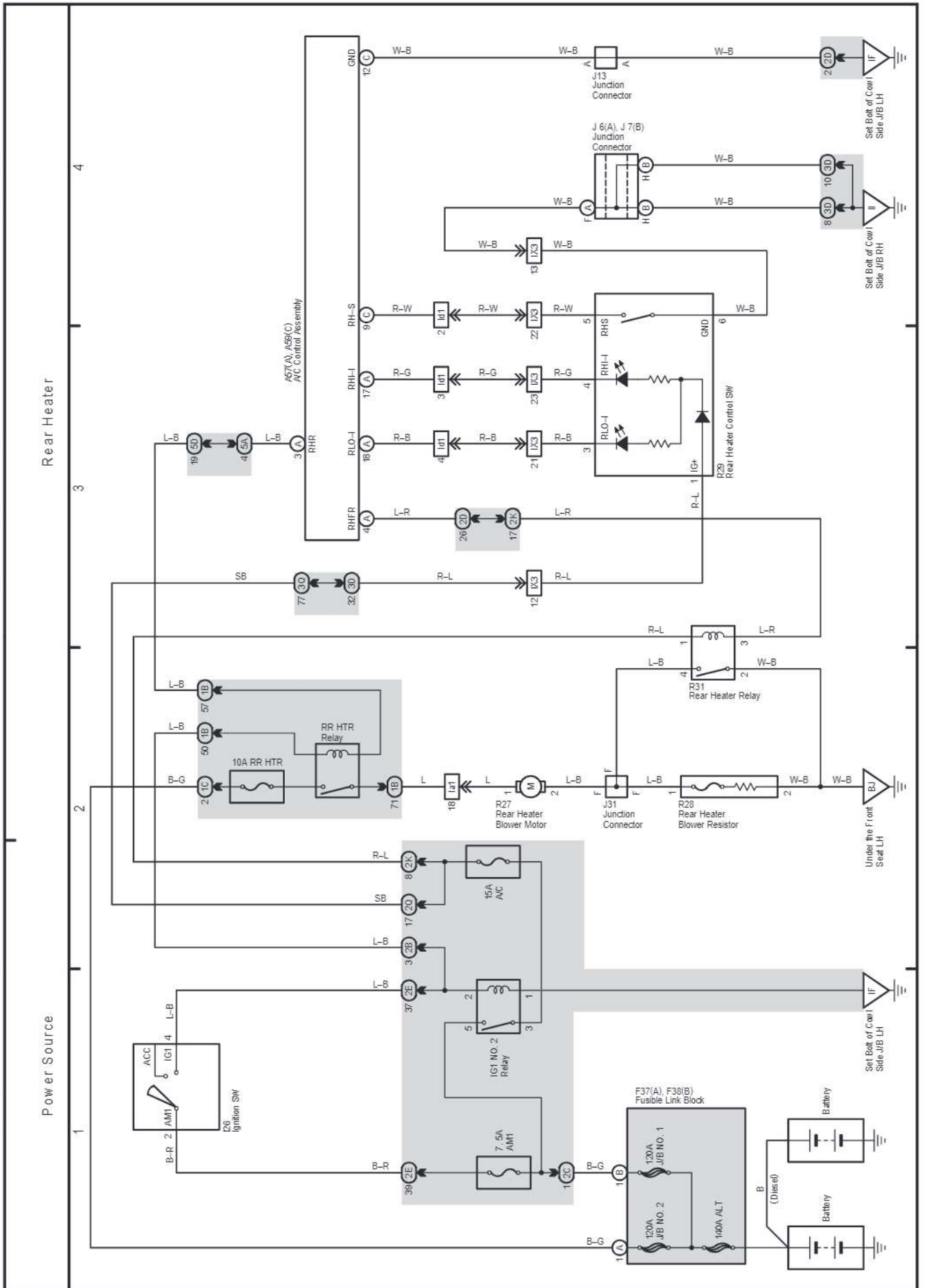
54 LAND CRUISER (LHD) (Cont' d)

* 2.17Z-1E

Manual Air Conditioner (Rear)

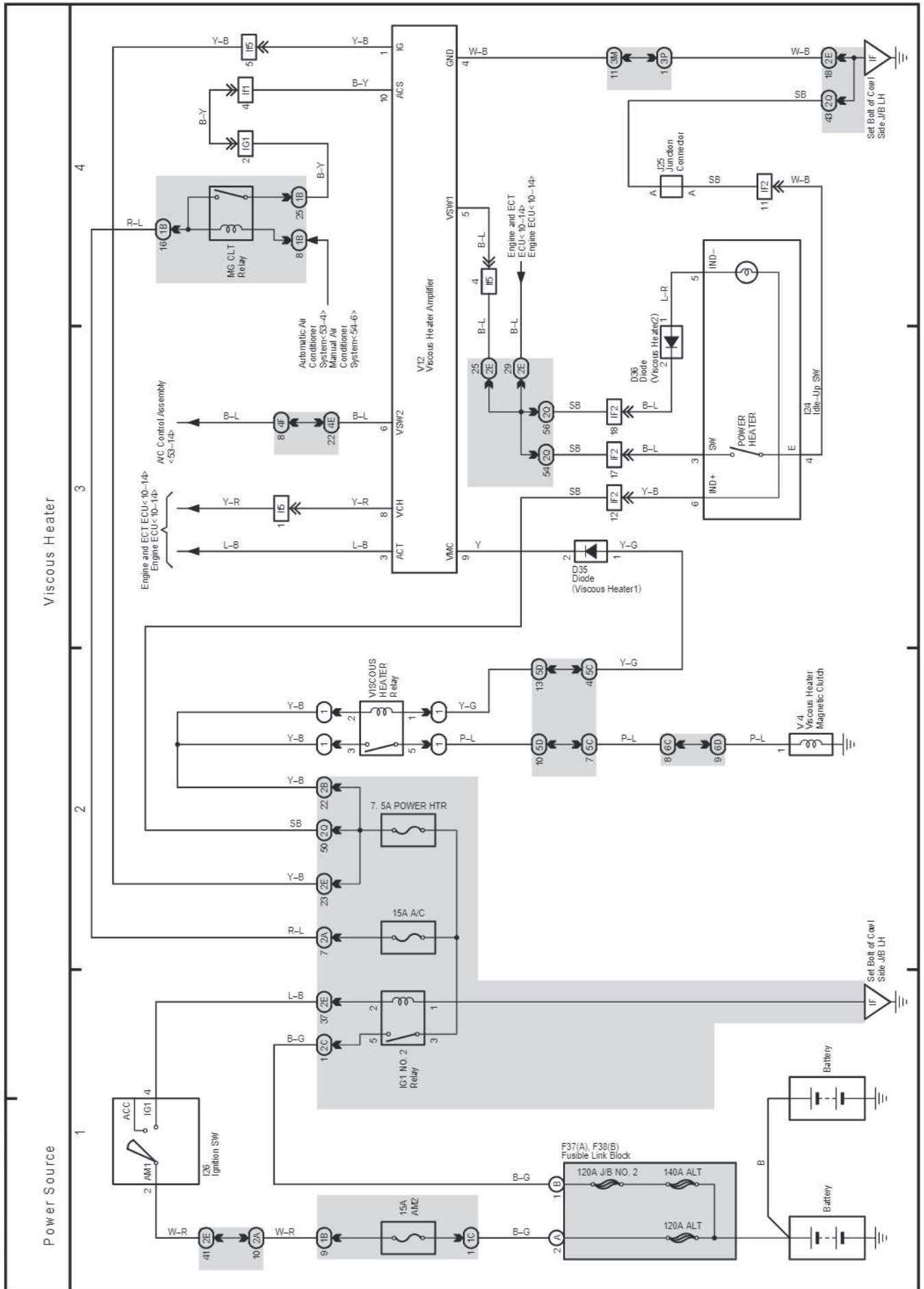


55 LAND CRUISER (LHD)



H OVERALL ELECTRICAL WIRING DIAGRAM

56 LAND CRUISER (LHD)



cardiagn.com

57 LAND CRUISER (LHD)

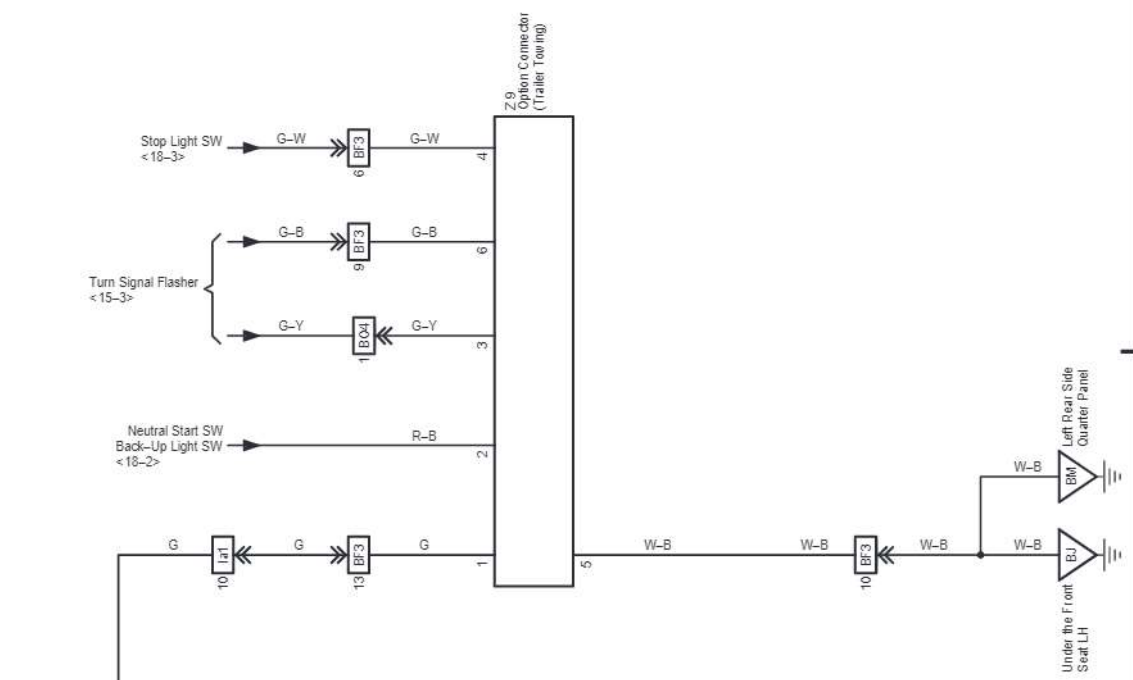
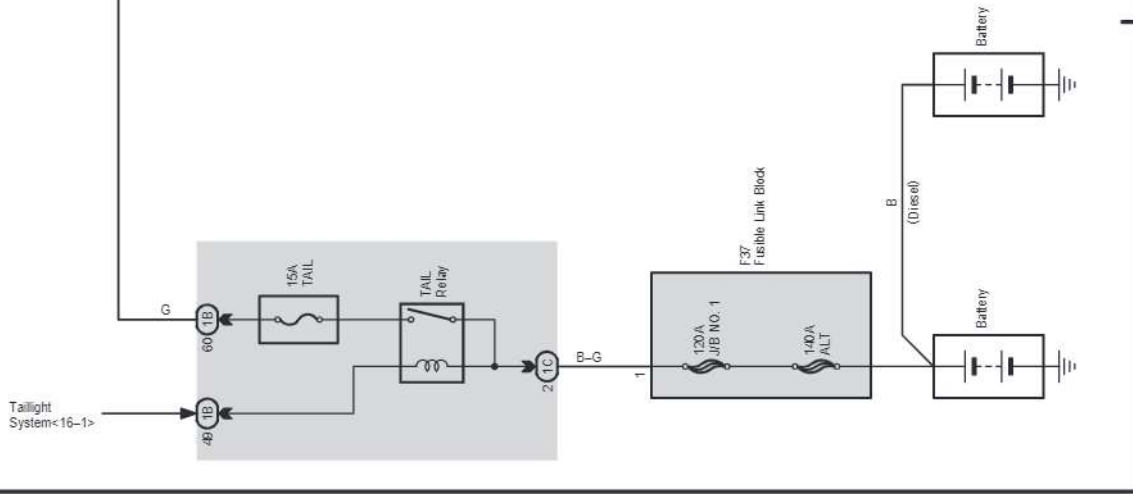
Option Connector (Trailer Towing)

4

3

2

1



Turn Signal Flasher <15-3>

Stop Light SW <18-3>

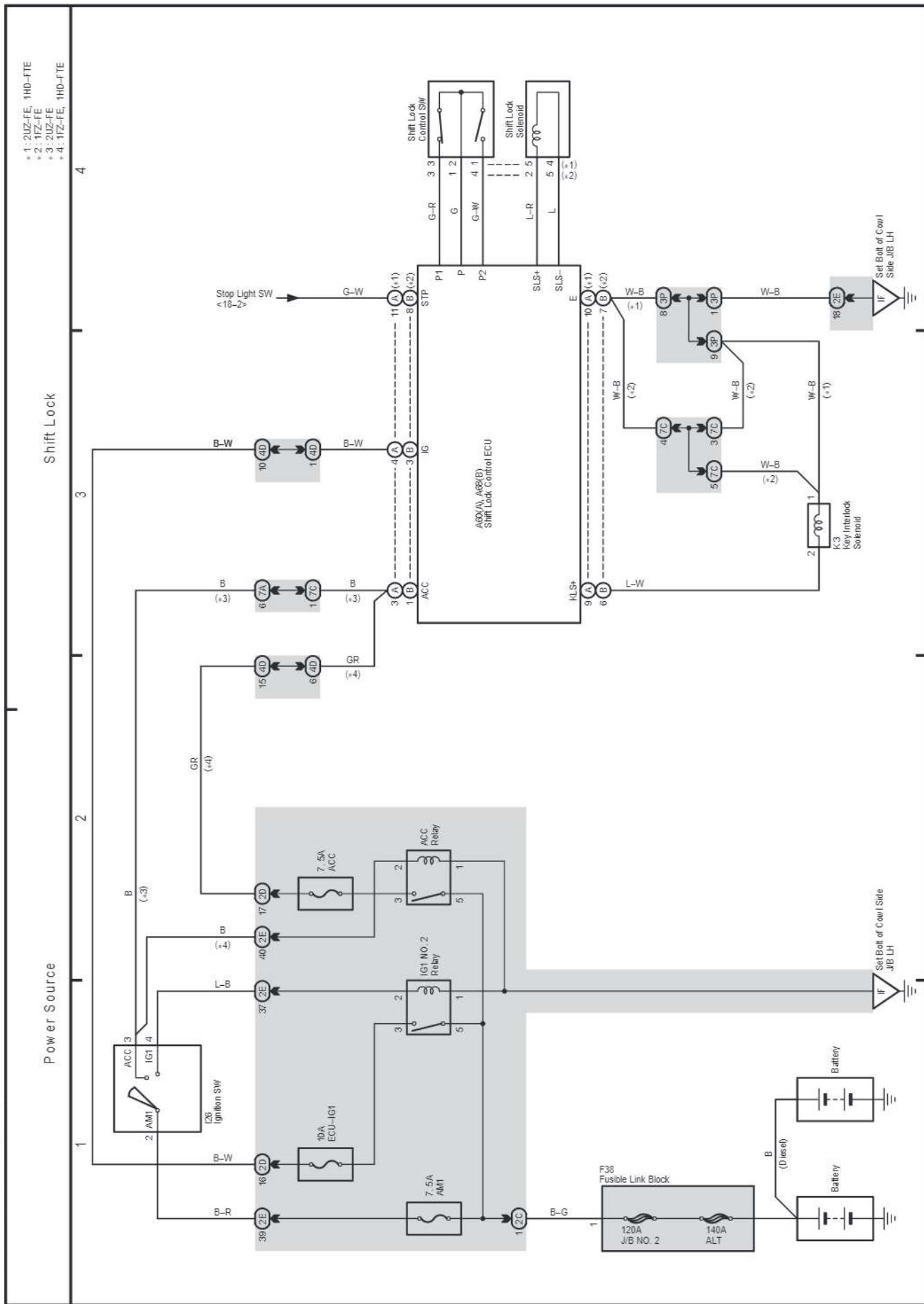
Neutral Start SW Back-Up Light SW <18-2>

Z-9 Option Connector (Trailer Towing)

Under the Front Seat LH BU Left Rear Side Quarter Panel BM

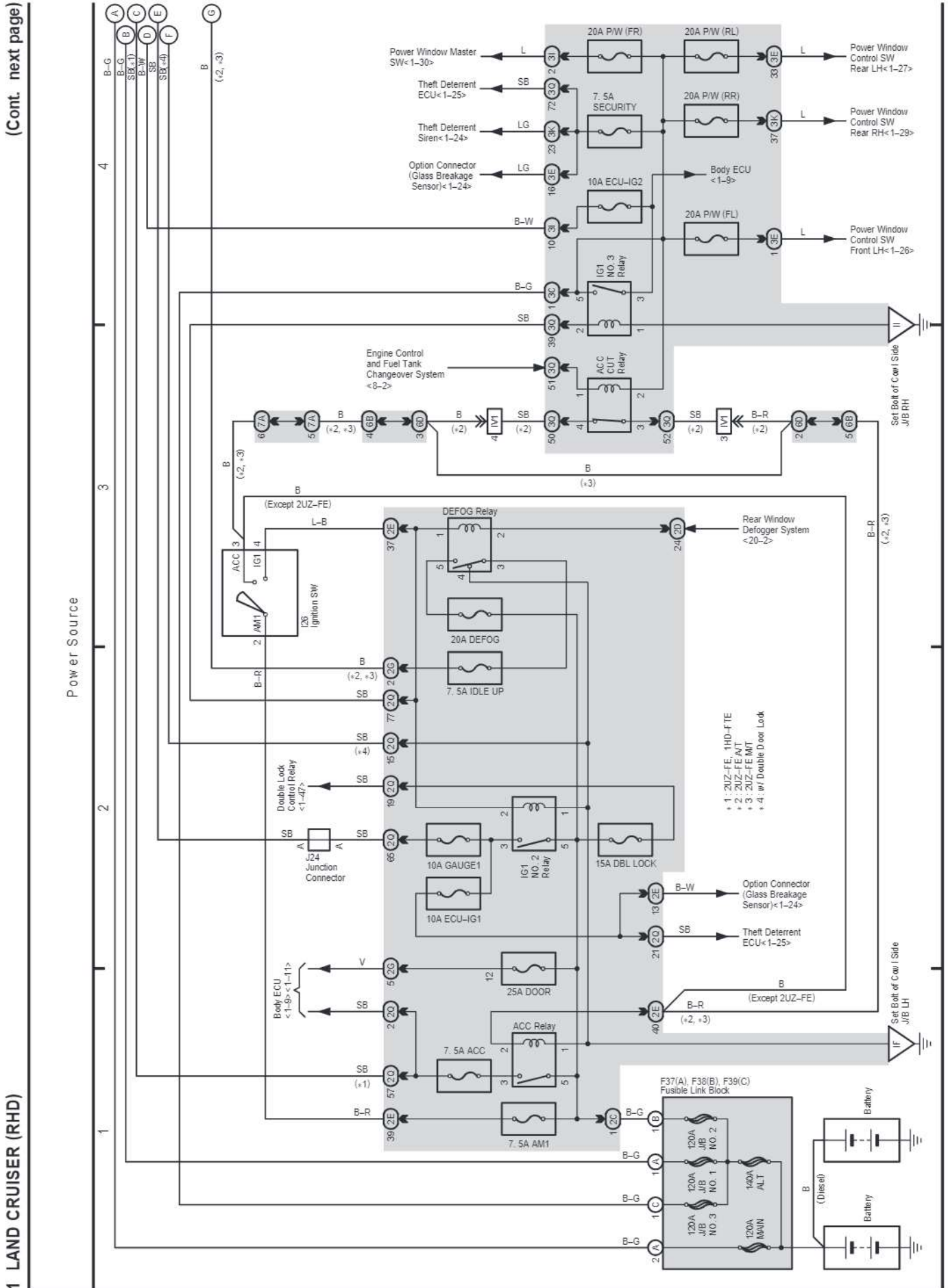
H OVERALL ELECTRICAL WIRING DIAGRAM

58 LAND CRUISER (LHD)



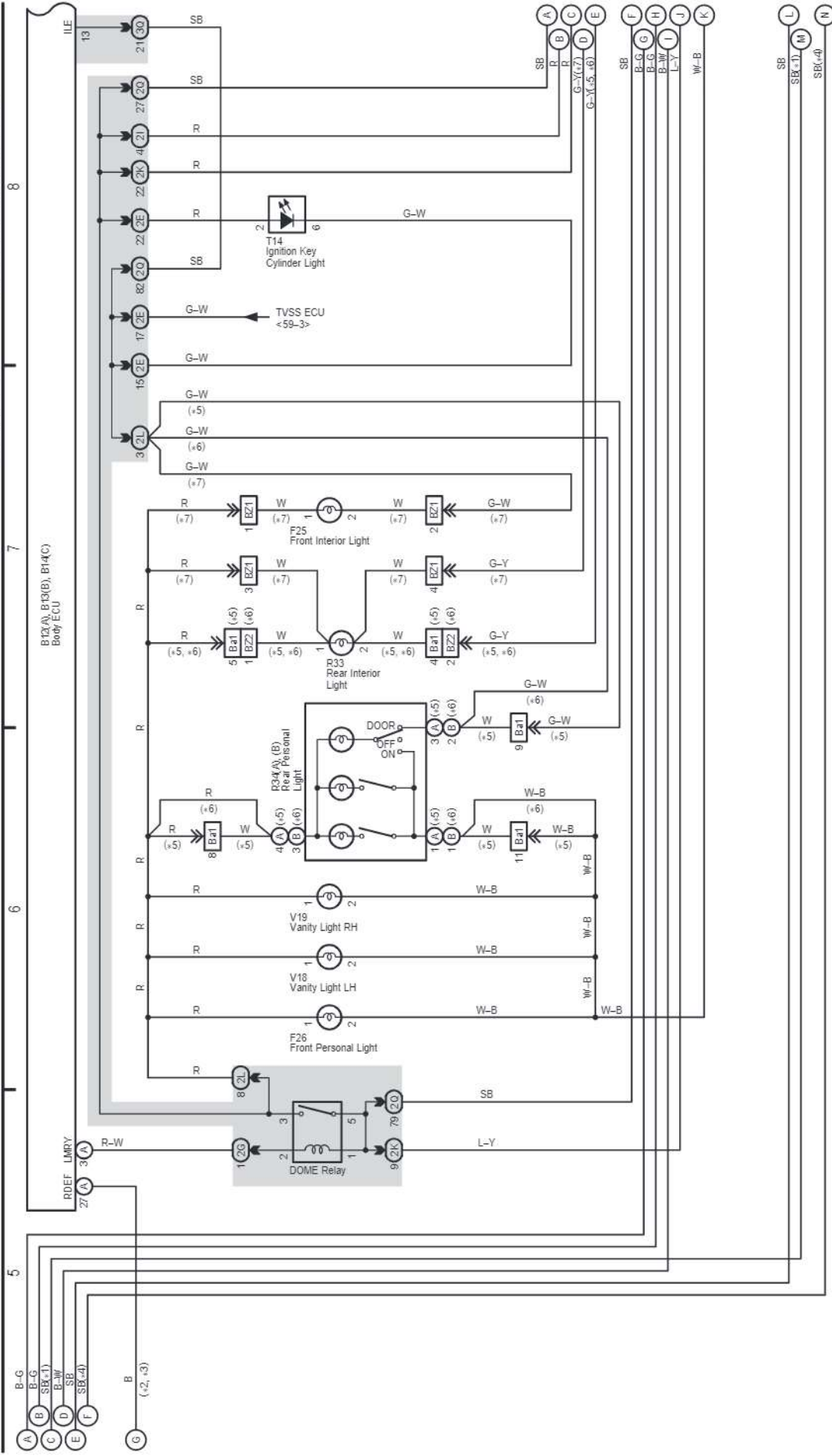
cardiagn.com

H OVERALL ELECTRICAL WIRING DIAGRAM



- * 1 : 2UZ-FE, 1HD-FTE
- * 2 : 2UZ-FE MT
- * 3 : 2UZ-FE MT
- * 4 : w/ Double Door Lock
- * 5 : w/ Moon Roof
- * 6 : w/o Moon Roof and/or Overhead Console
- * 7 : w/o Moon Roof and/or Overhead Console

Multiplex Communication System



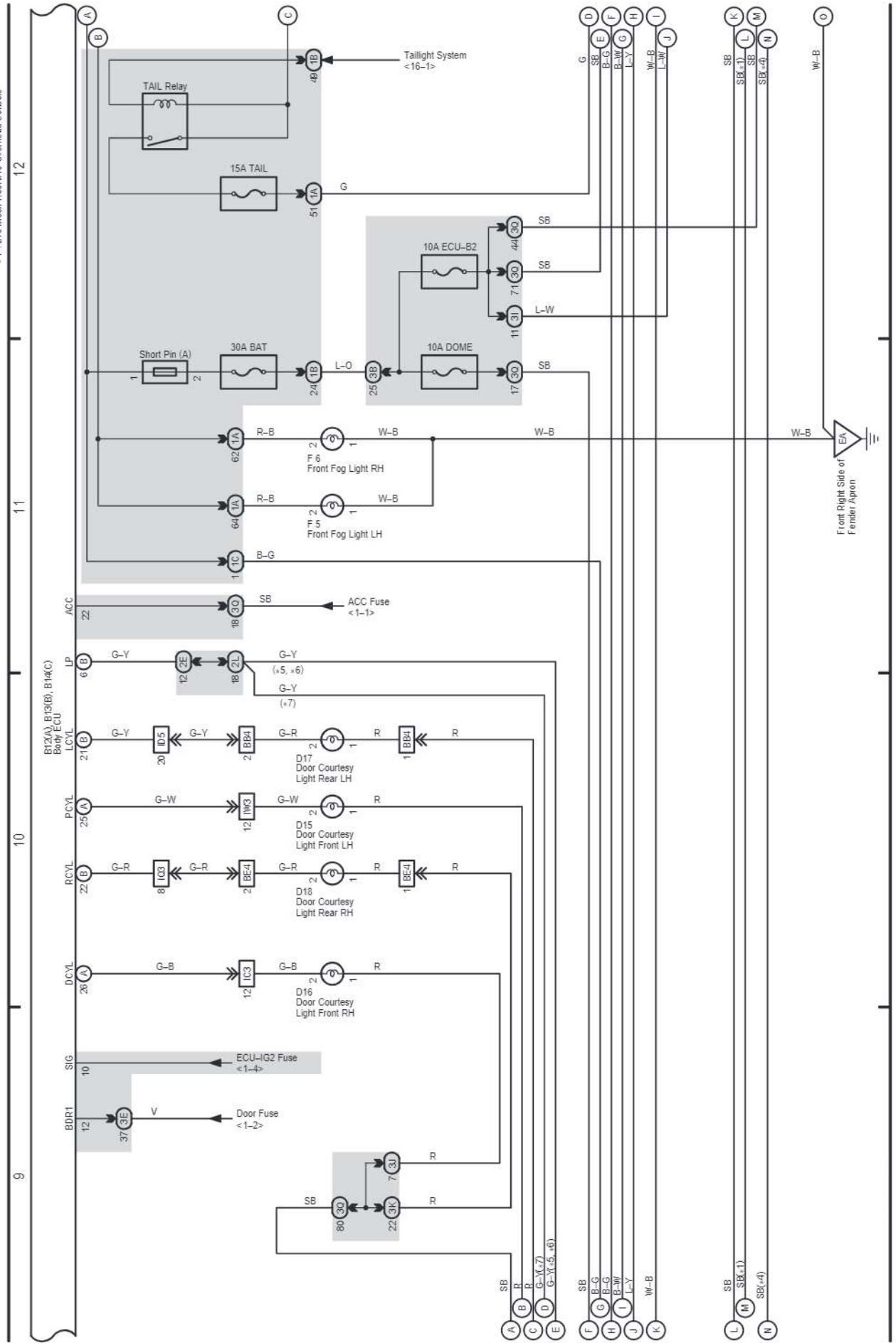
H OVERALL ELECTRICAL WIRING DIAGRAM

(Cont. next page)

1 LAND CRUISER (RHD) (Cont' d)

- * 1 : 2UZ-FE, 1HD-FTE
- * 4 : w/ Double Door Lock
- * 5 : w/ Moon Roof
- * 6 : w/o Moon Roof w/ Overhead Console
- * 7 : w/o Moon Roof w/o Overhead Console

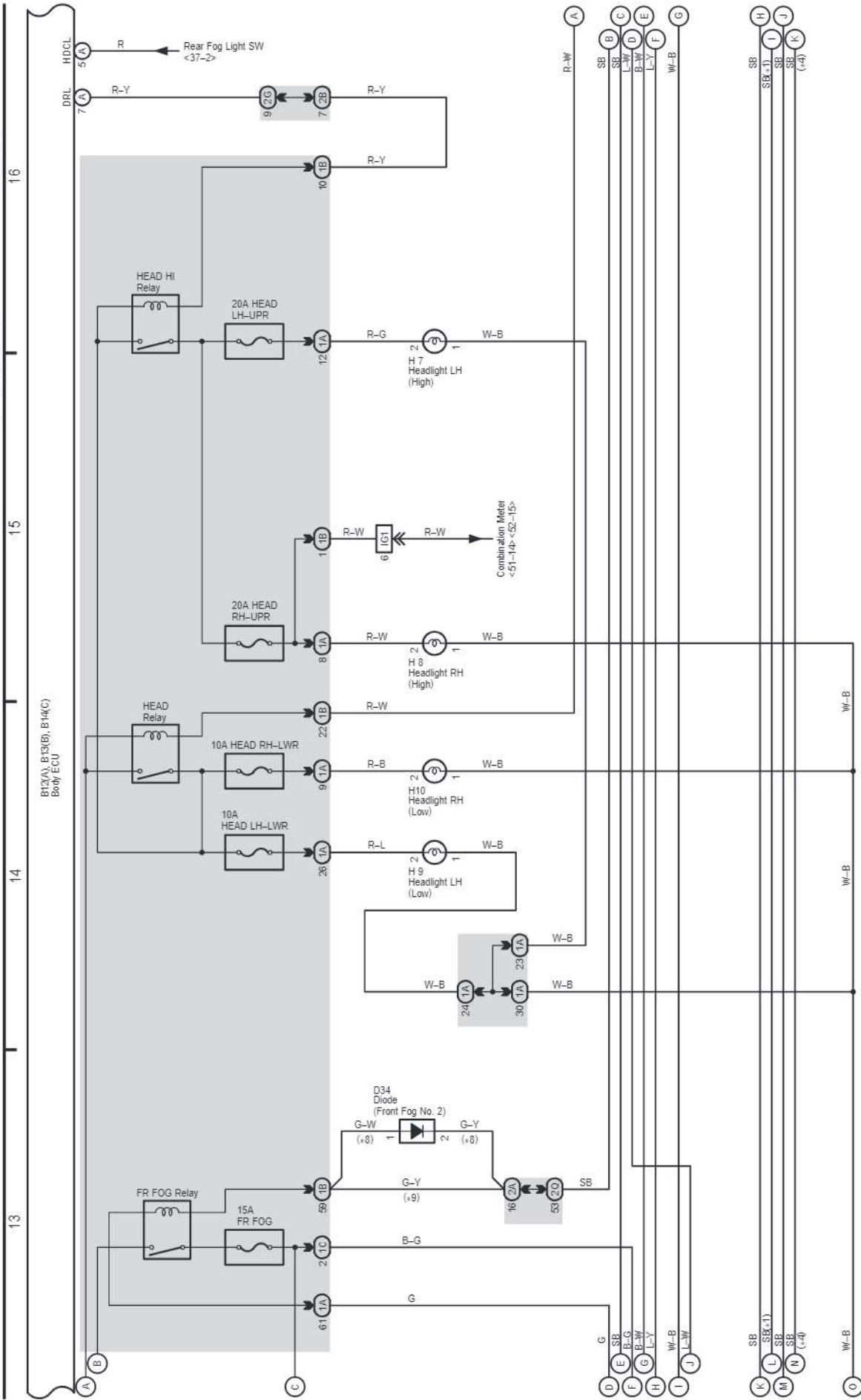
Multiplex Communication System



Multiplex Communication System

* 1: 2UZ-FE, 1HD-FTE
* 4: w/ Double Door Lock

* 8: 2UZ-FE, 1HD-FTE w/ ABS
* 9: Except '08



- *14: w/o Navigation System
- *15: w/o Navigation System
- *16: w/o Power Window

- *1: 2UZ-FE, 1HD-FTE
- *4: w/ Double Door Lock
- *12: Automatic A/C
- *13: Manual A/C

Multiplex Communication System

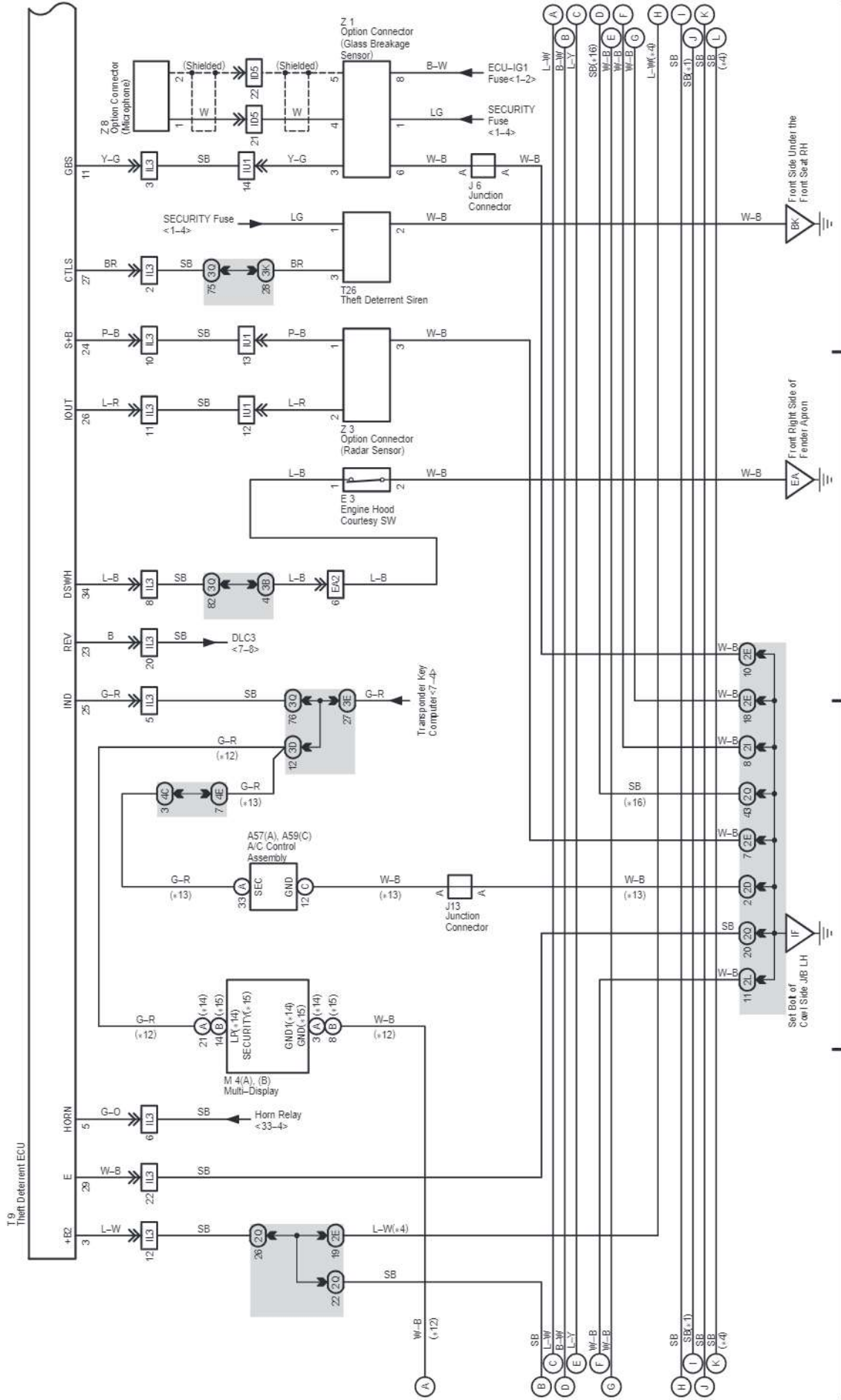
24

23

22

21

B12(A), B13(B), B14(C)
Body ECU



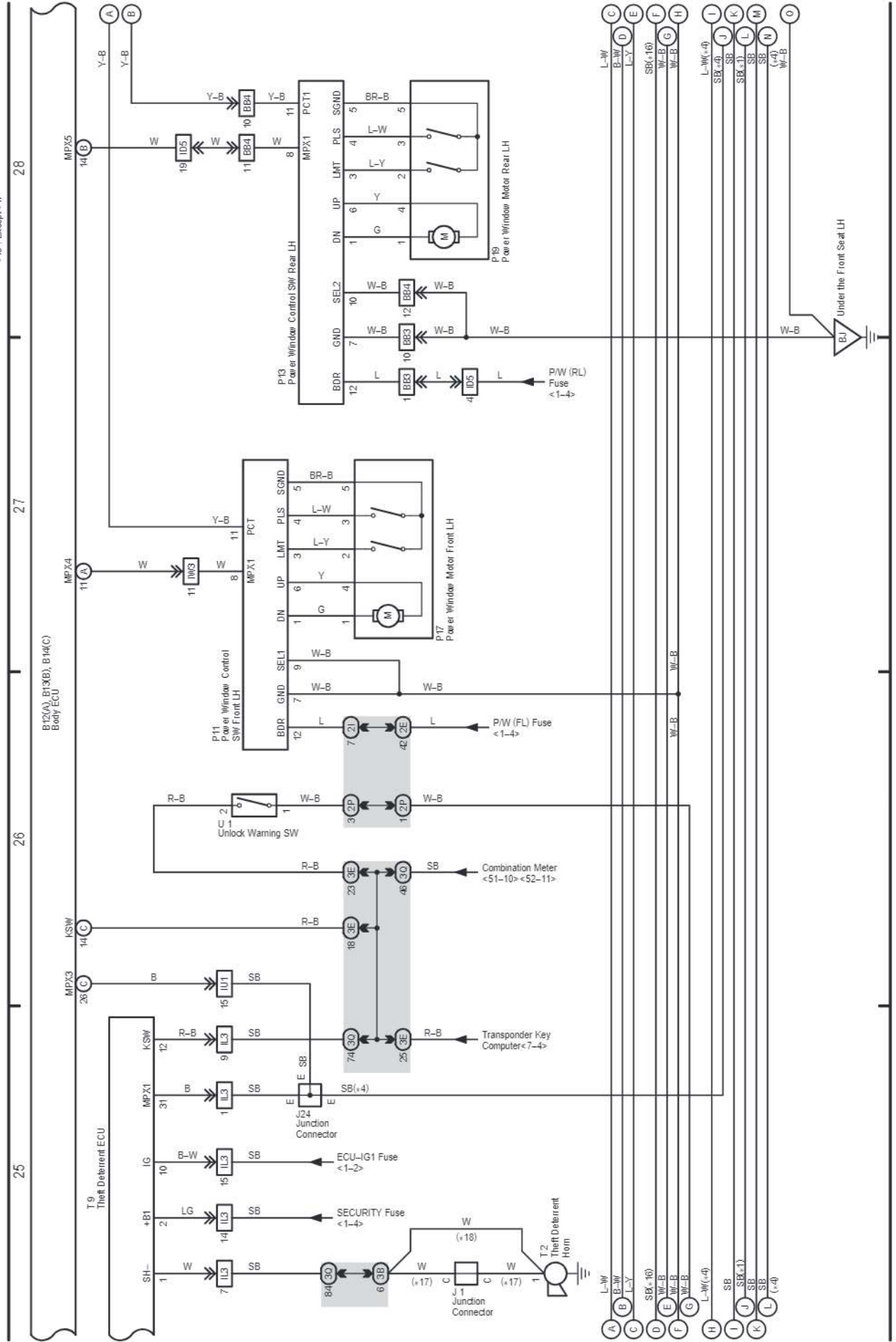
H OVERALL ELECTRICAL WIRING DIAGRAM

1 LAND CRUISER (RHD) (Cont' d)

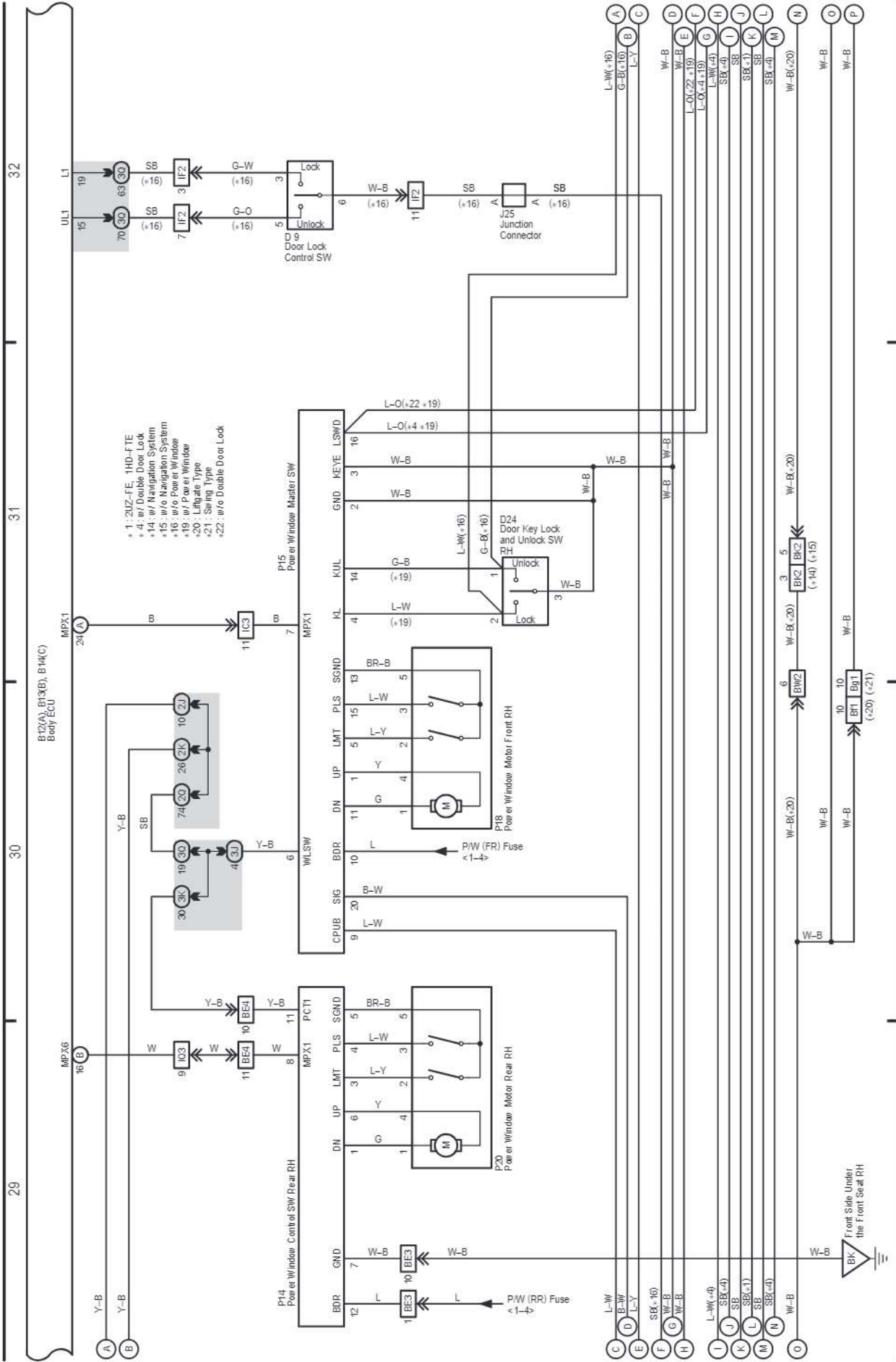
(Cont. next page)

- * 1: 2UZ-FE, 1HD-FTE
- * 4: w/ Double Door Lock
- * 16: w/o Power Window
- * 17: 2UZ-FE w/ Sub Tank, 1HD-FTE w/o ABS
- * 18: Except 17

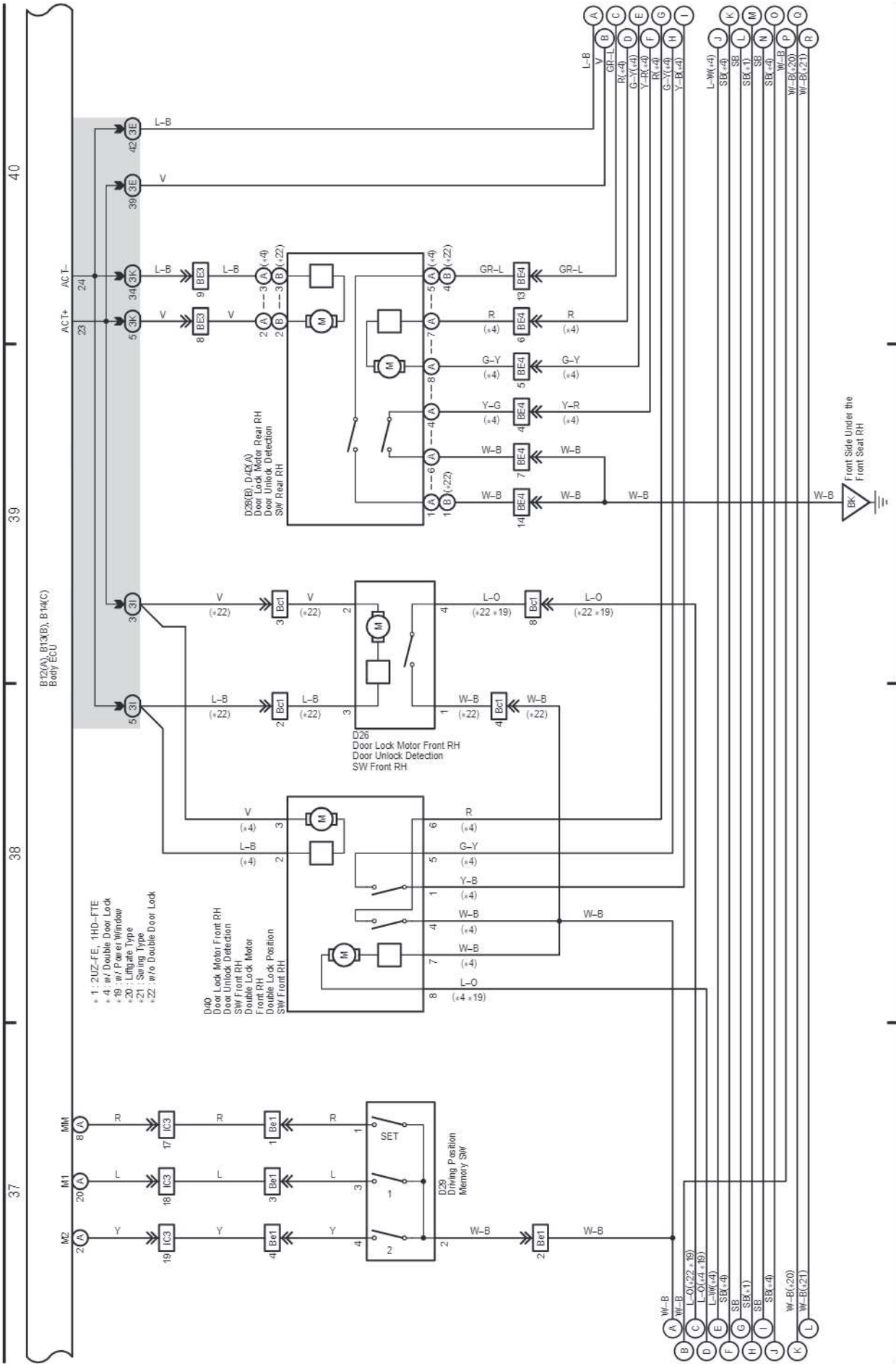
Multiplex Communication System



Multiplex Communication System



Multiplex Communication System

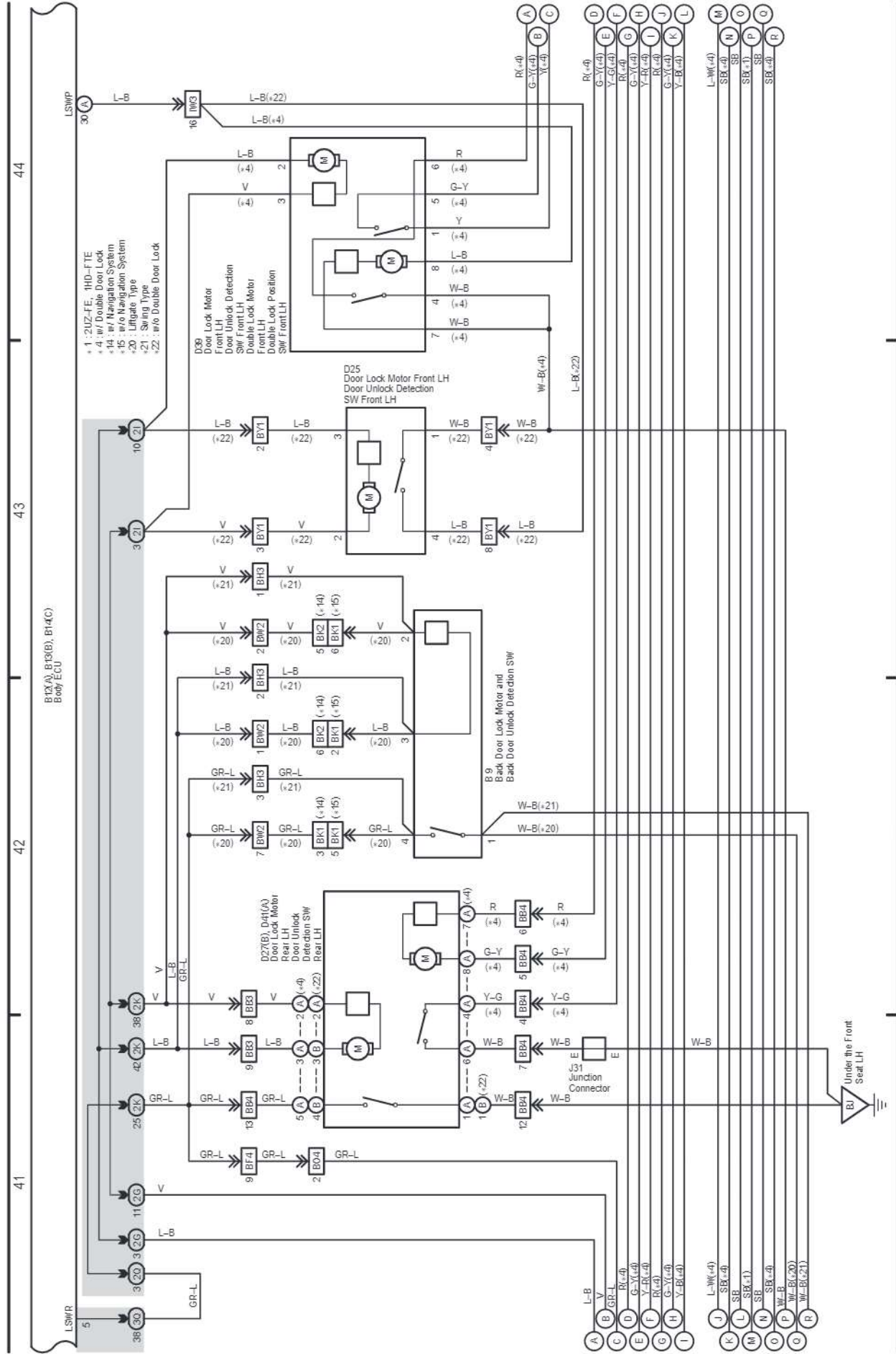


H OVERALL ELECTRICAL WIRING DIAGRAM

1 LAND CRUISER (RHD) (Cont' d)

(Cont. next page)

Multiplex Communication System



cardiagn.com

Multiplex Communication System

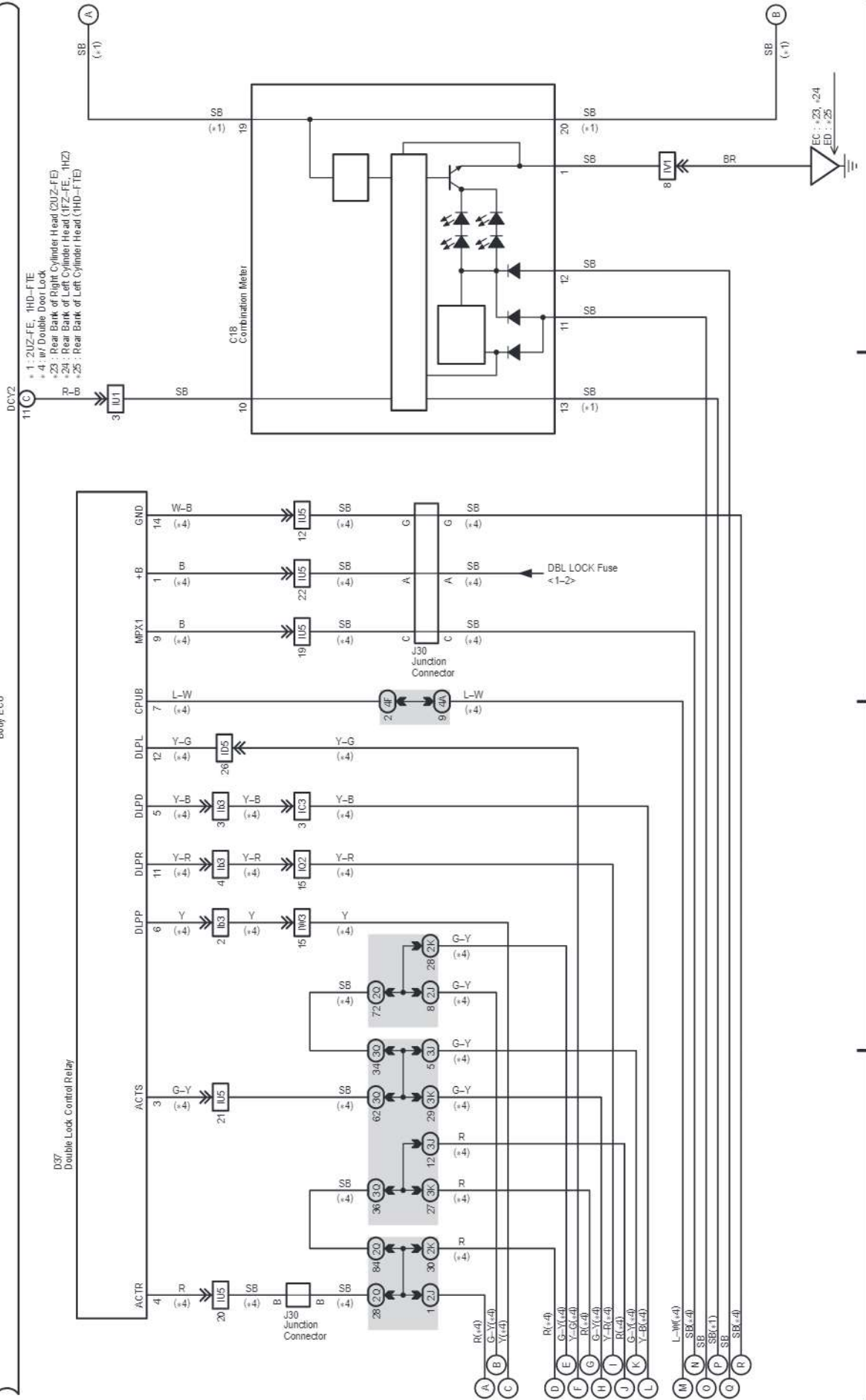
45

46

B12(A), B13(B), B14(C)
Body ECU

47

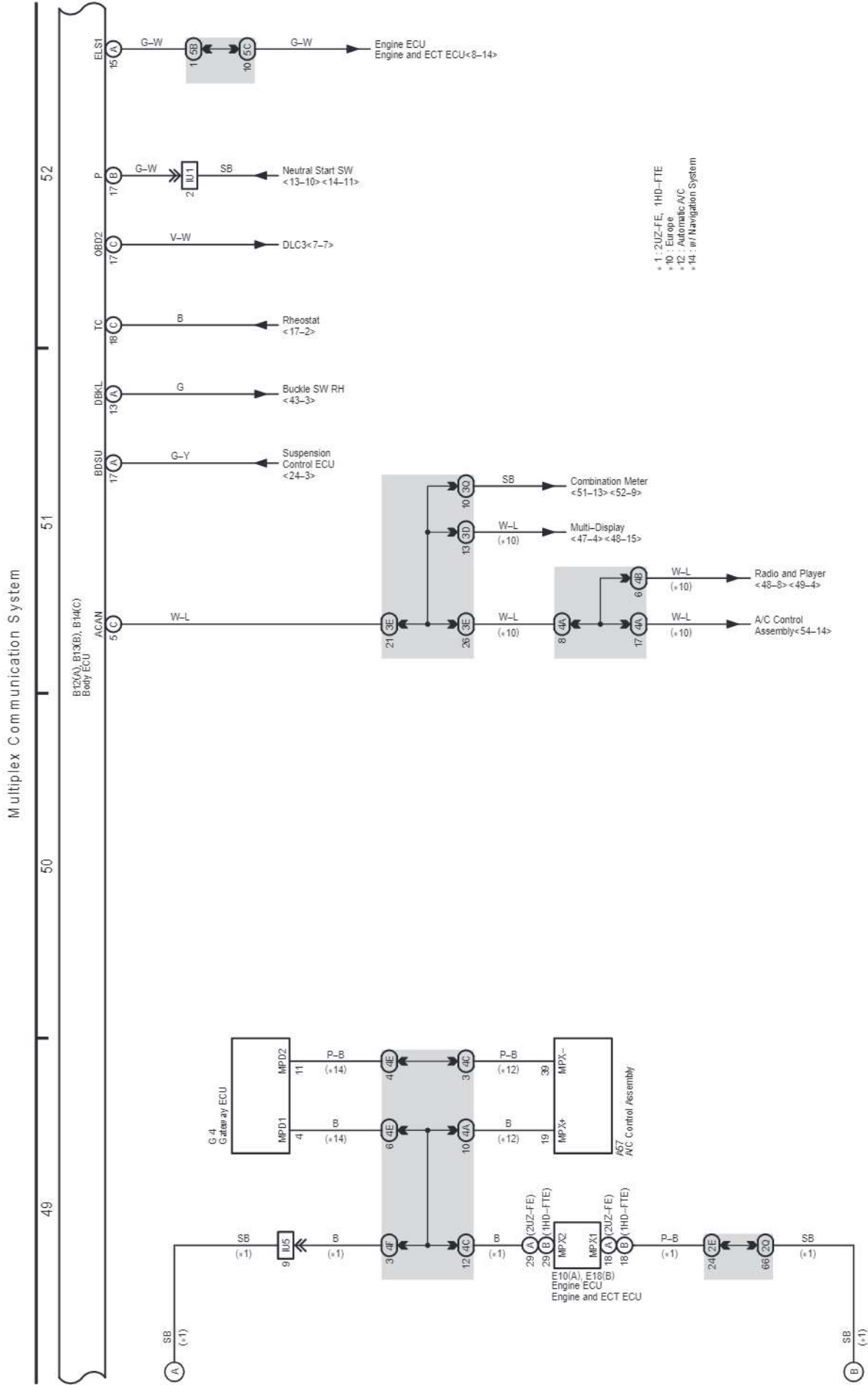
48



H OVERALL ELECTRICAL WIRING DIAGRAM

1 LAND CRUISER (RHD) (Cont' d)

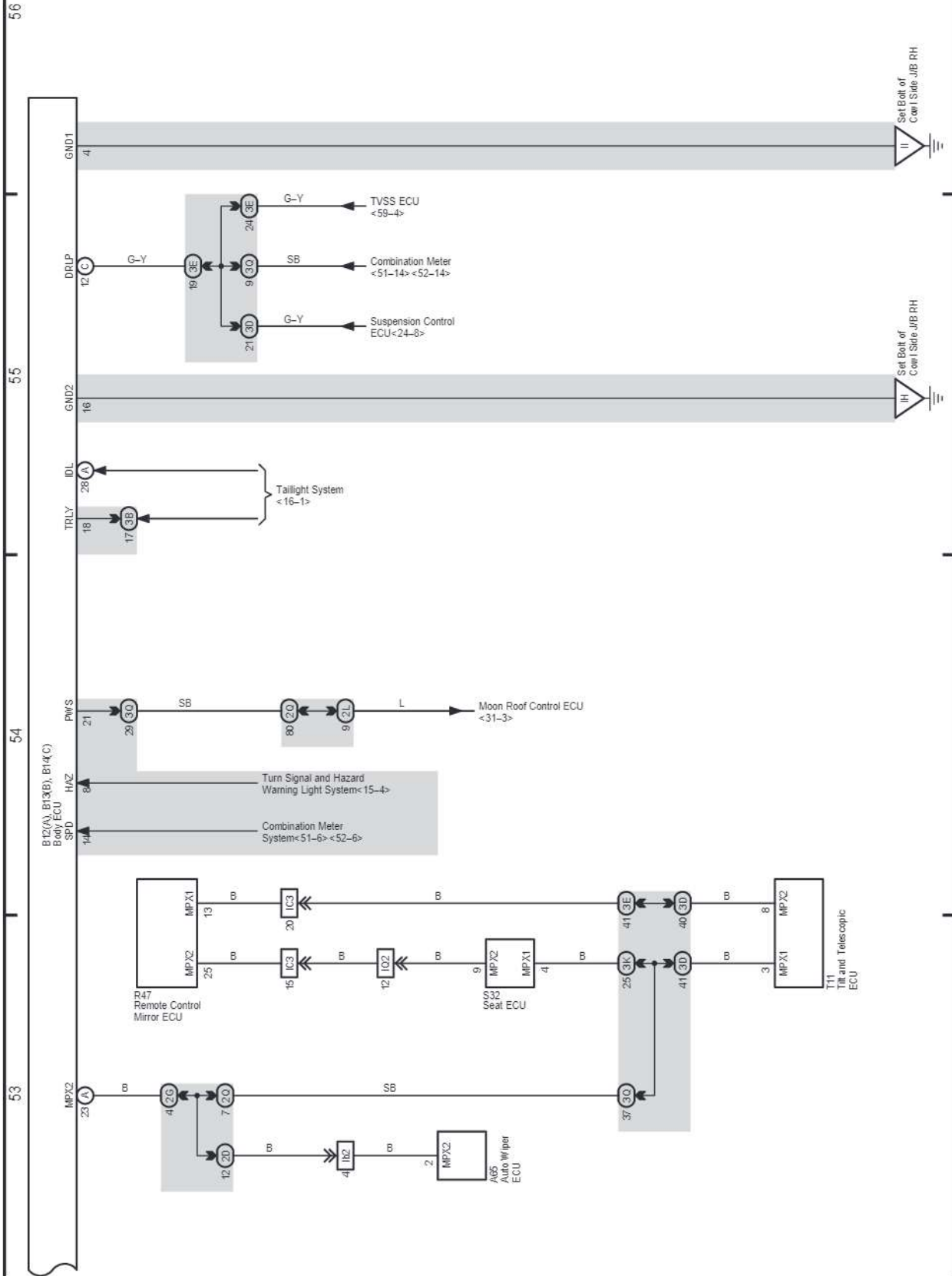
(Cont. next page)



- * 1 : 2UZ-FE, 1HD-FTE
- * 10 : Europe
- * 12 : Automatic A/C
- * 14 : w/ Navigation System

cardiagn.com

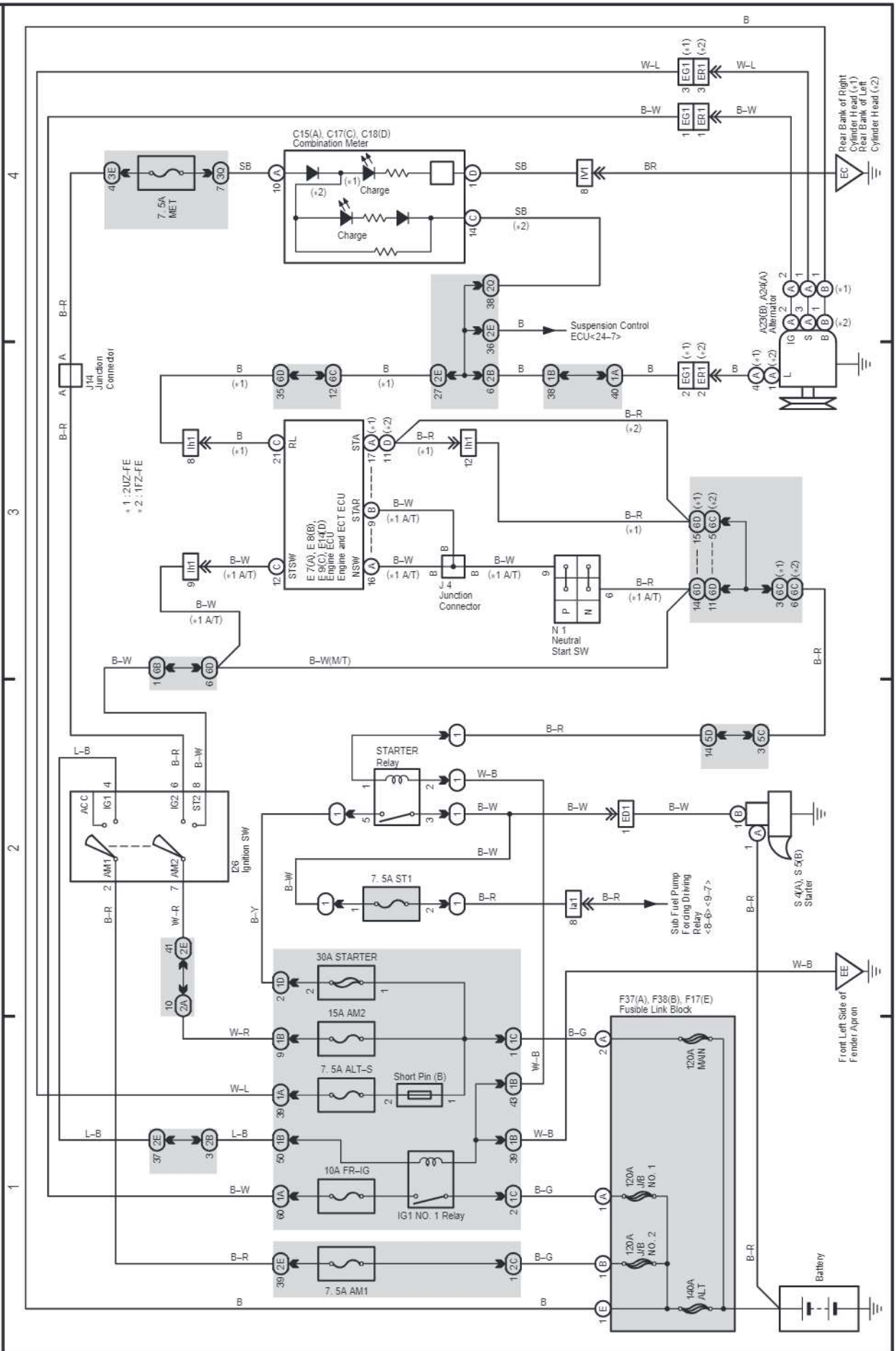
Multiplex Communication System



H OVERALL ELECTRICAL WIRING DIAGRAM

2 LAND CRUISER (RHD)

Power Source 1 Starting (Gasoline) 2 3 4 Charging (Gasoline)



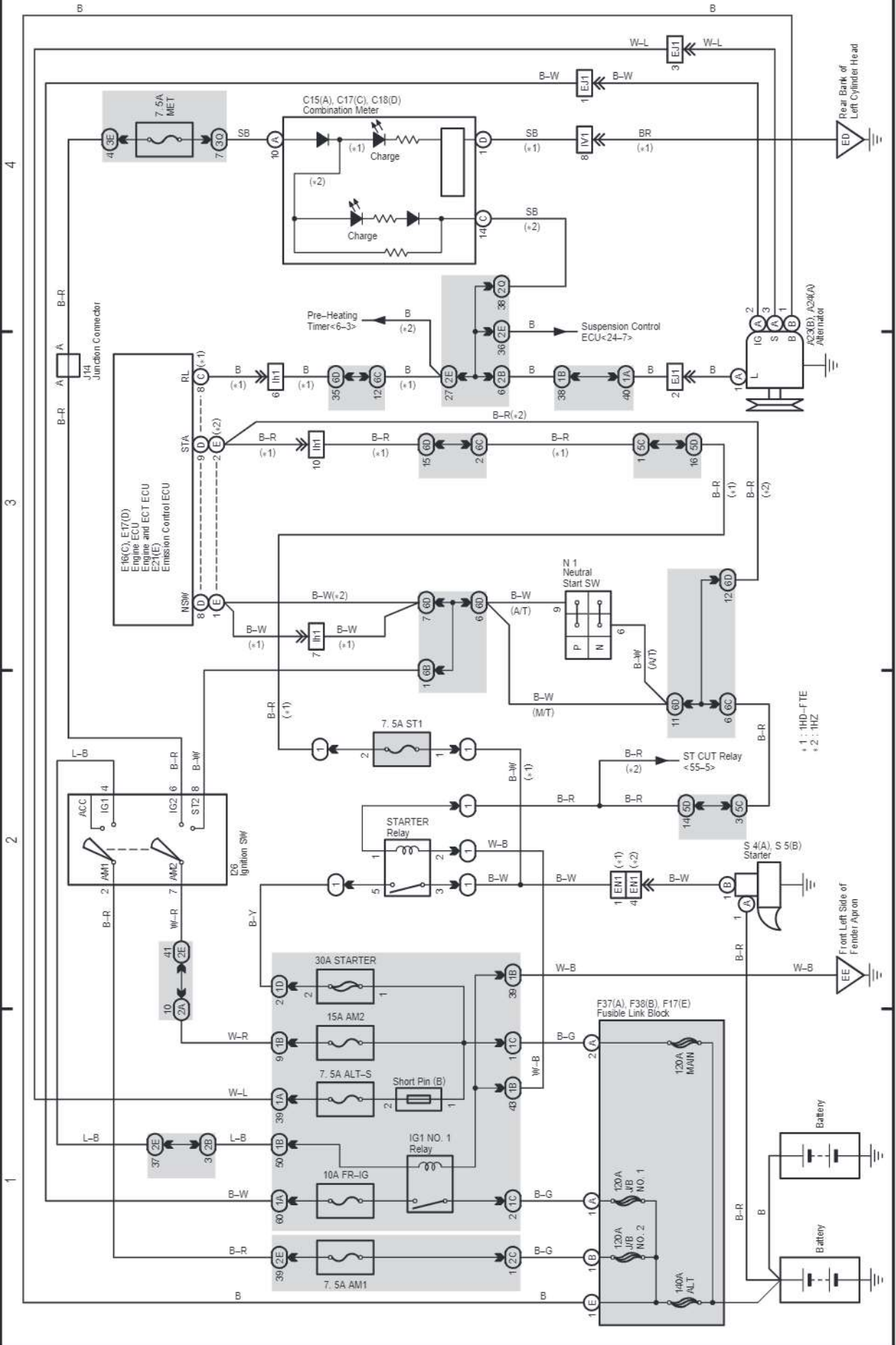
cardiagn.com

3 LAND CRUISER (RHD)

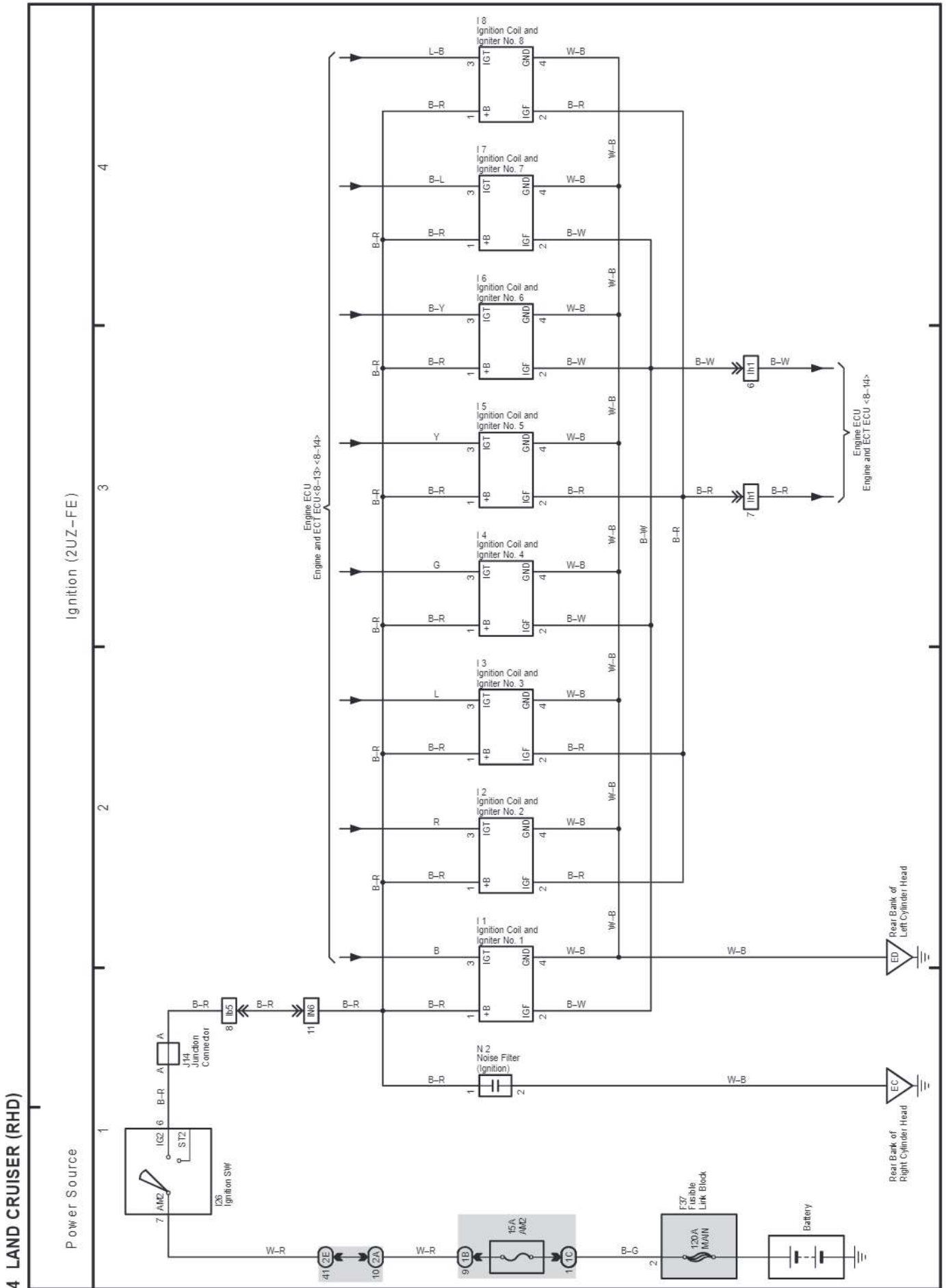
Power Source

Starting (Diesel)

Charging (Diesel)



H OVERALL ELECTRICAL WIRING DIAGRAM



cardiagn.com

5 LAND CRUISER (RHD)

Ignition (1FZ-FE)

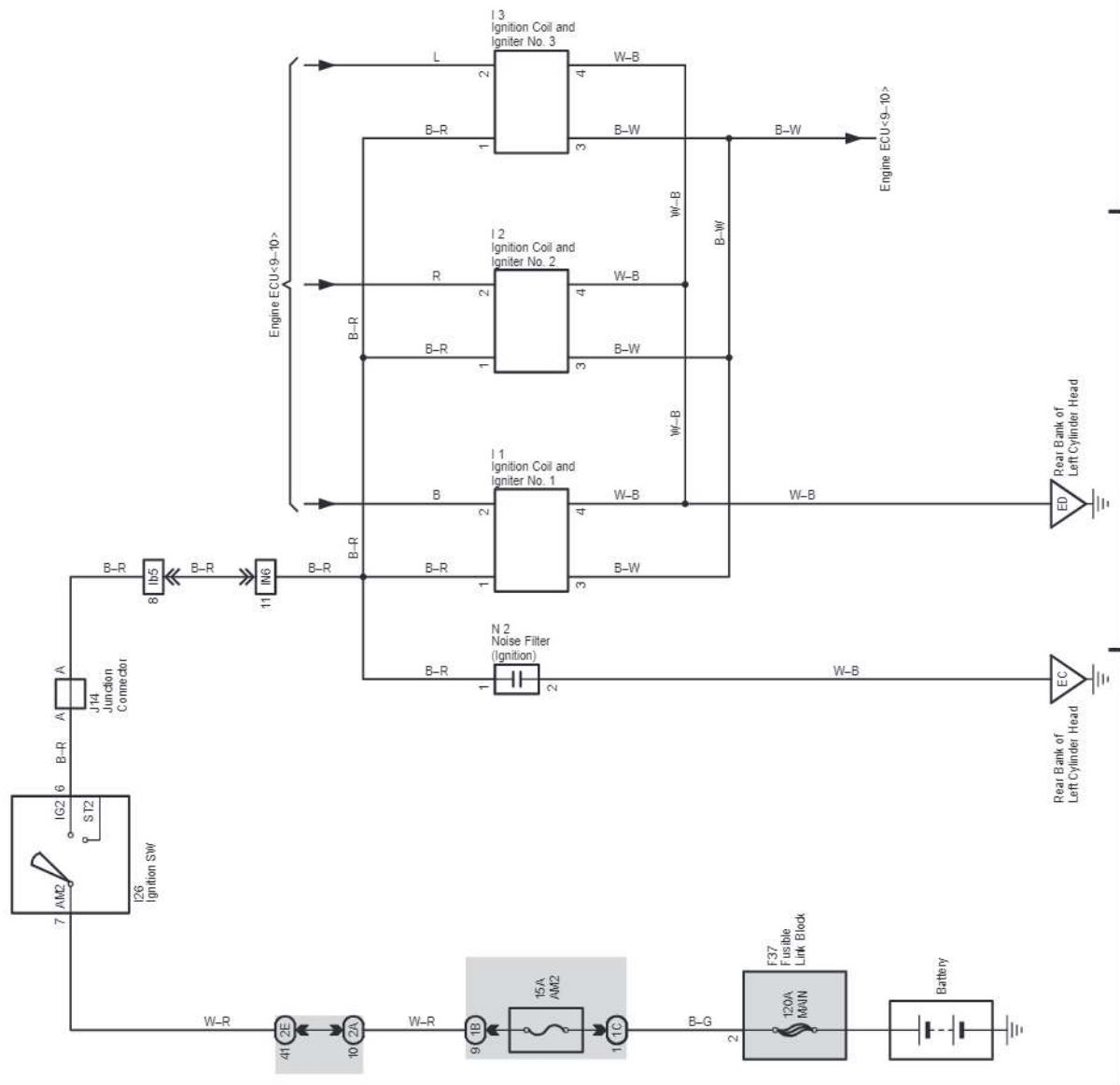
Power Source

4

3

2

1



H OVERALL ELECTRICAL WIRING DIAGRAM

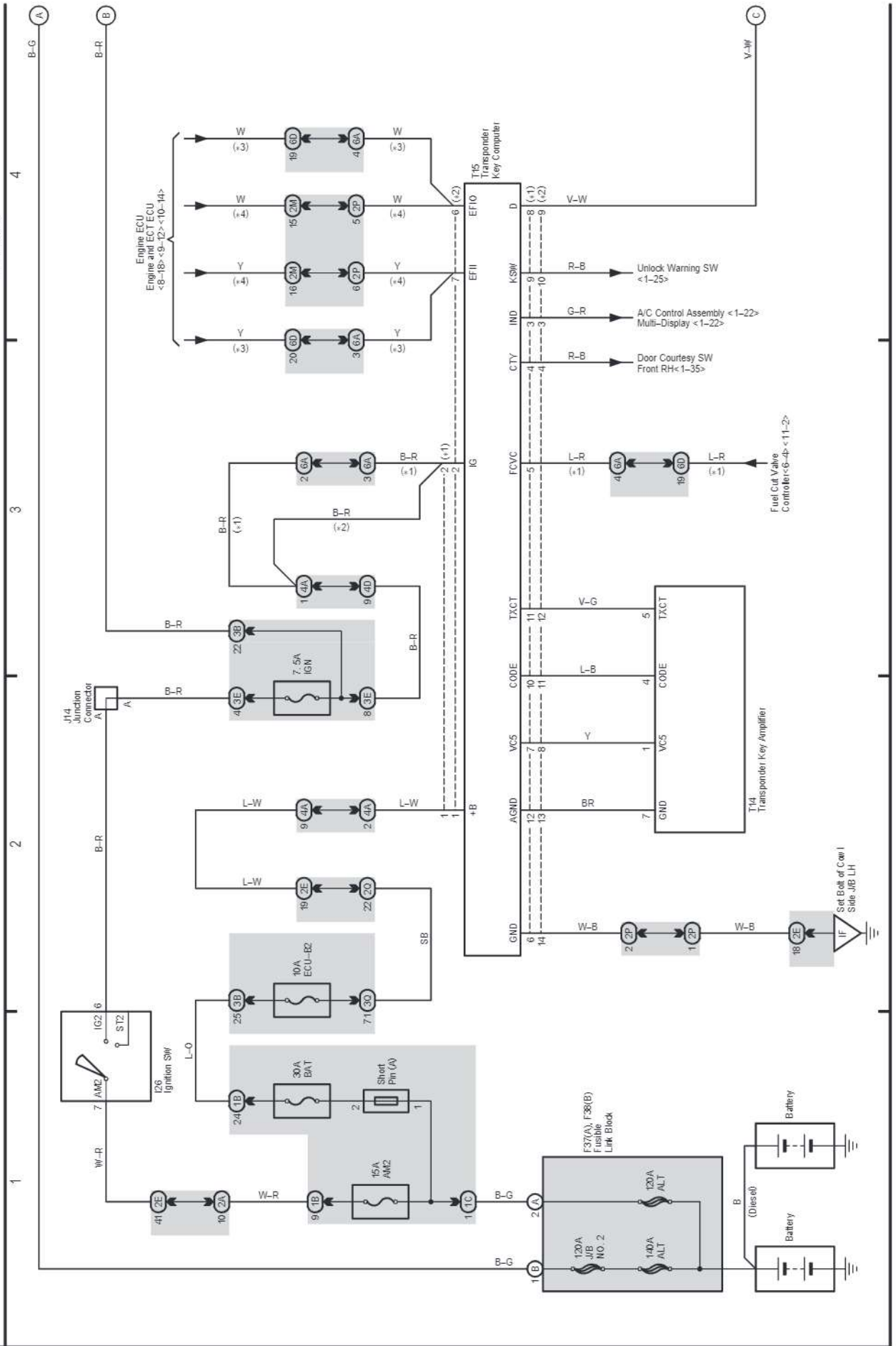
7 LAND CRUISER (RHD)

(Cont. next page)

- * 1.: 1HZ
- * 2.: Except 1HZ
- * 3.: 1FZ-FE
- * 4.: Except *3

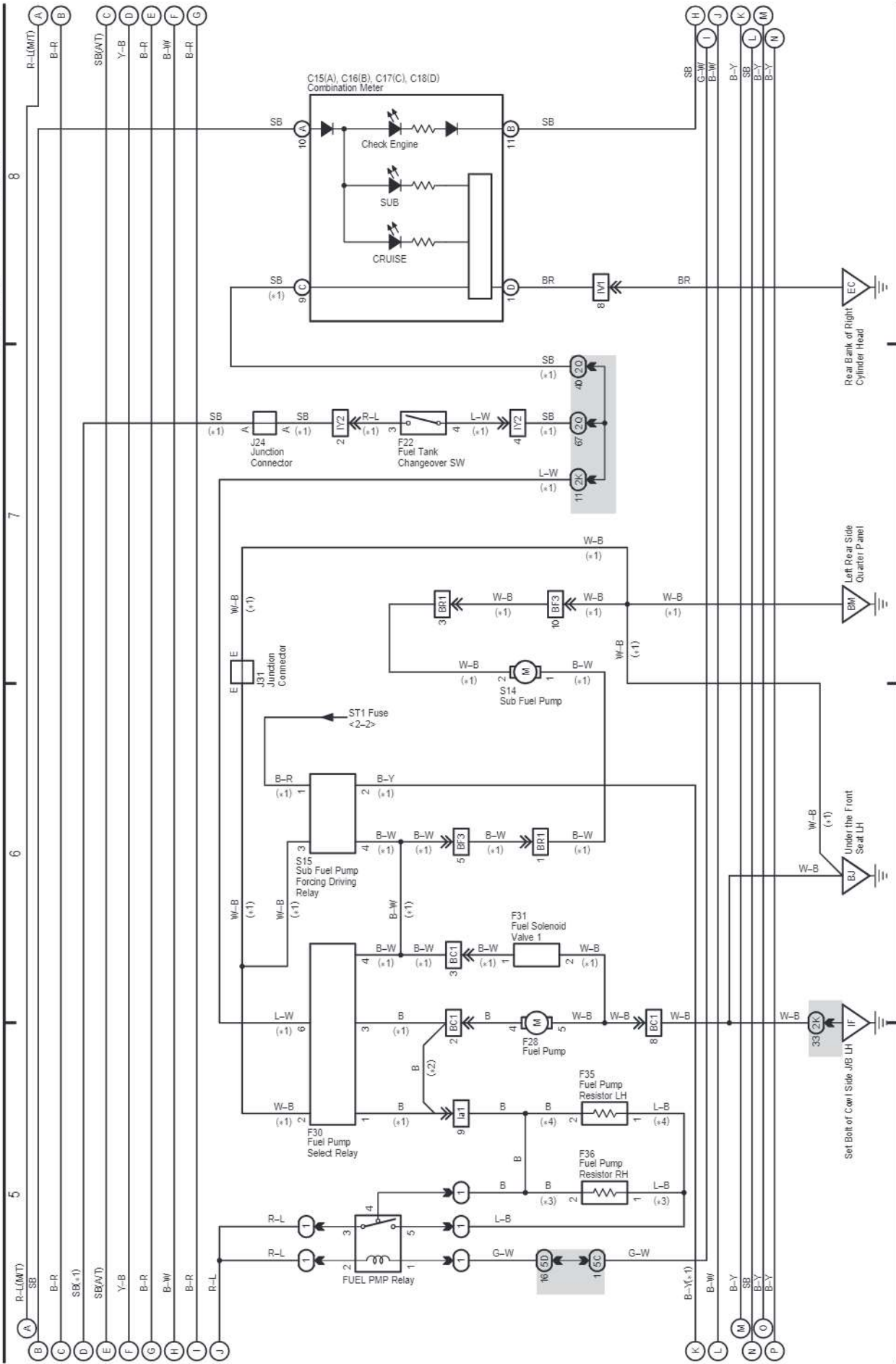
Engine Immobilizer System

Power Source



cardiagn.com

Engine Control and Fuel Tank Changeover (2UZ-FE)



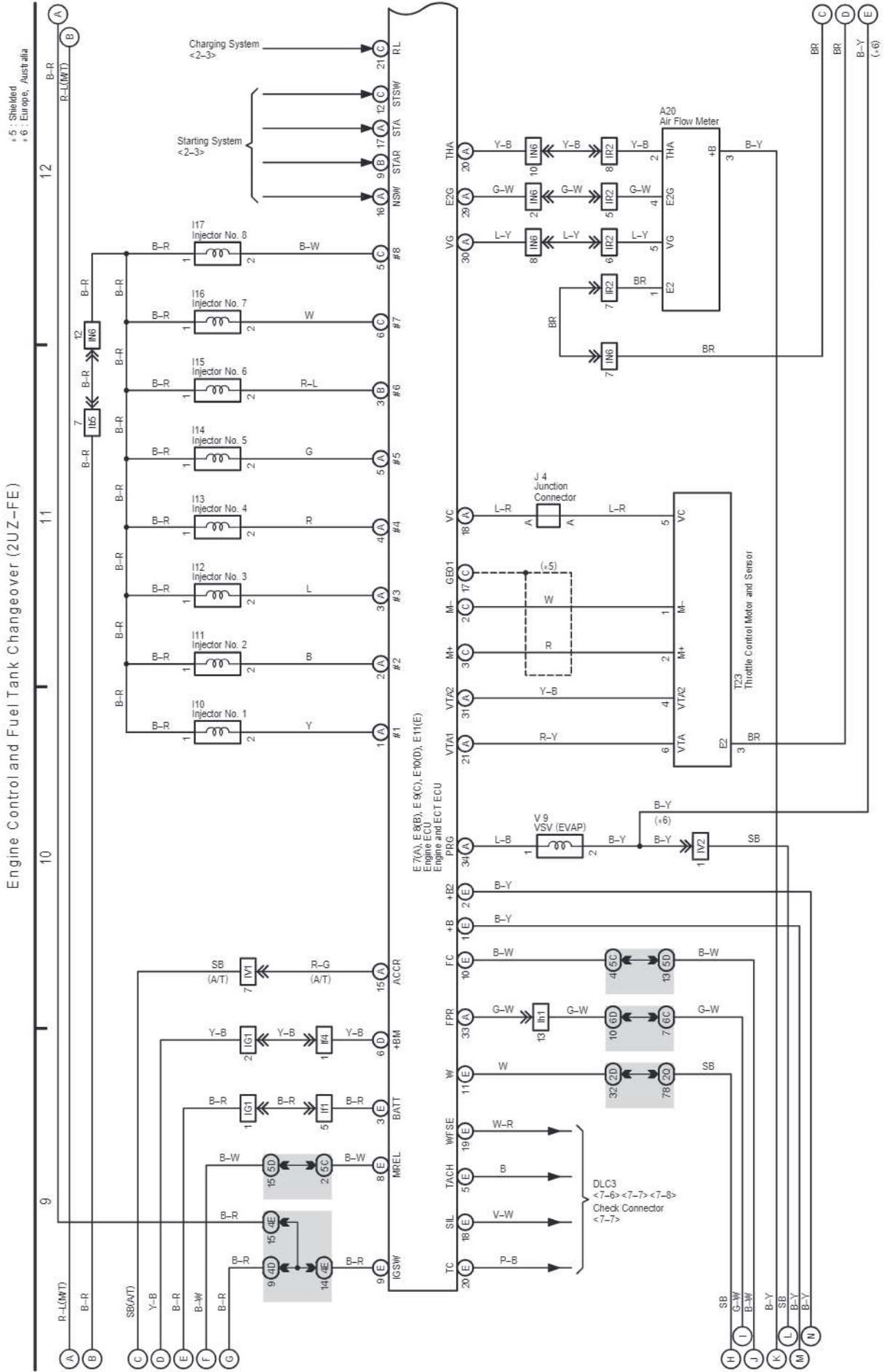
* 3: Europe Vx Grade, Australia
* 4: Except *3

* 1: w/ Sub Tank
* 2: w/o Sub Tank

H OVERALL ELECTRICAL WIRING DIAGRAM

8 LAND CRUISER (RHD) (Cont' d)

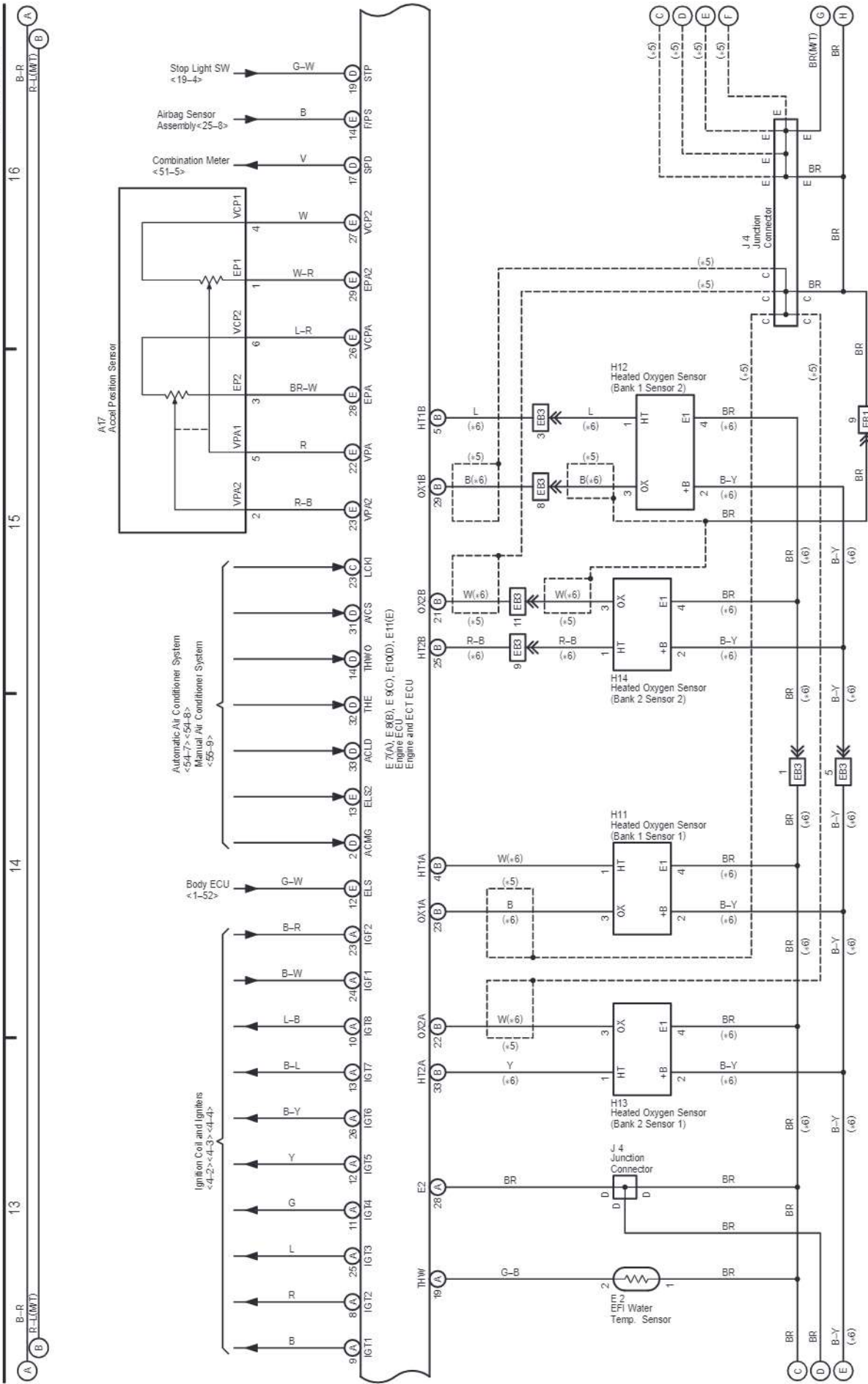
(Cont. next page)



cardiagn.com

Engine Control and Fuel Tank Changeover (2UZ-FE)

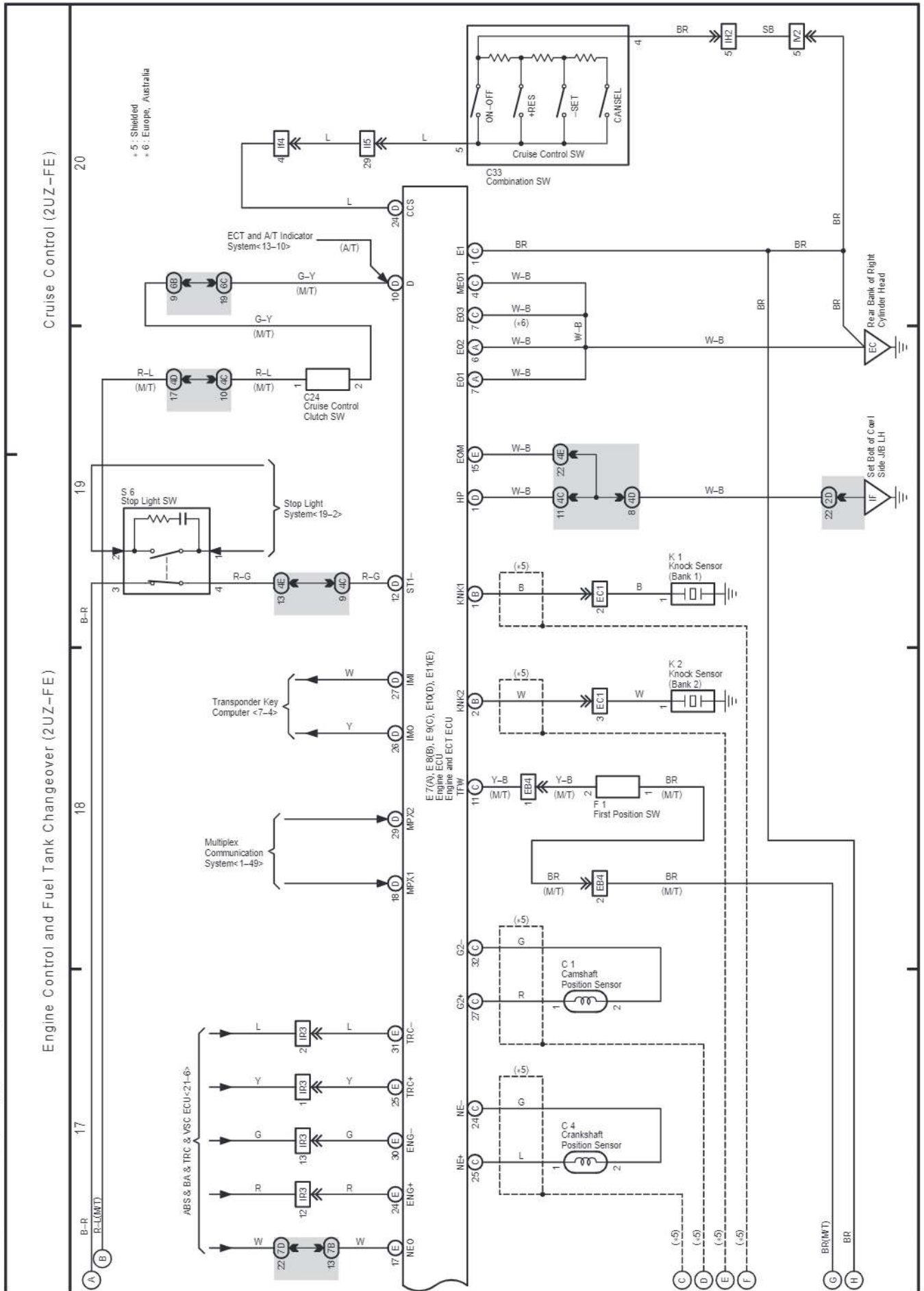
*5: Shielded
*6: Europe, Australia



cardiagn.com

H OVERALL ELECTRICAL WIRING DIAGRAM

8 LAND CRUISER (RHD) (Cont' d)



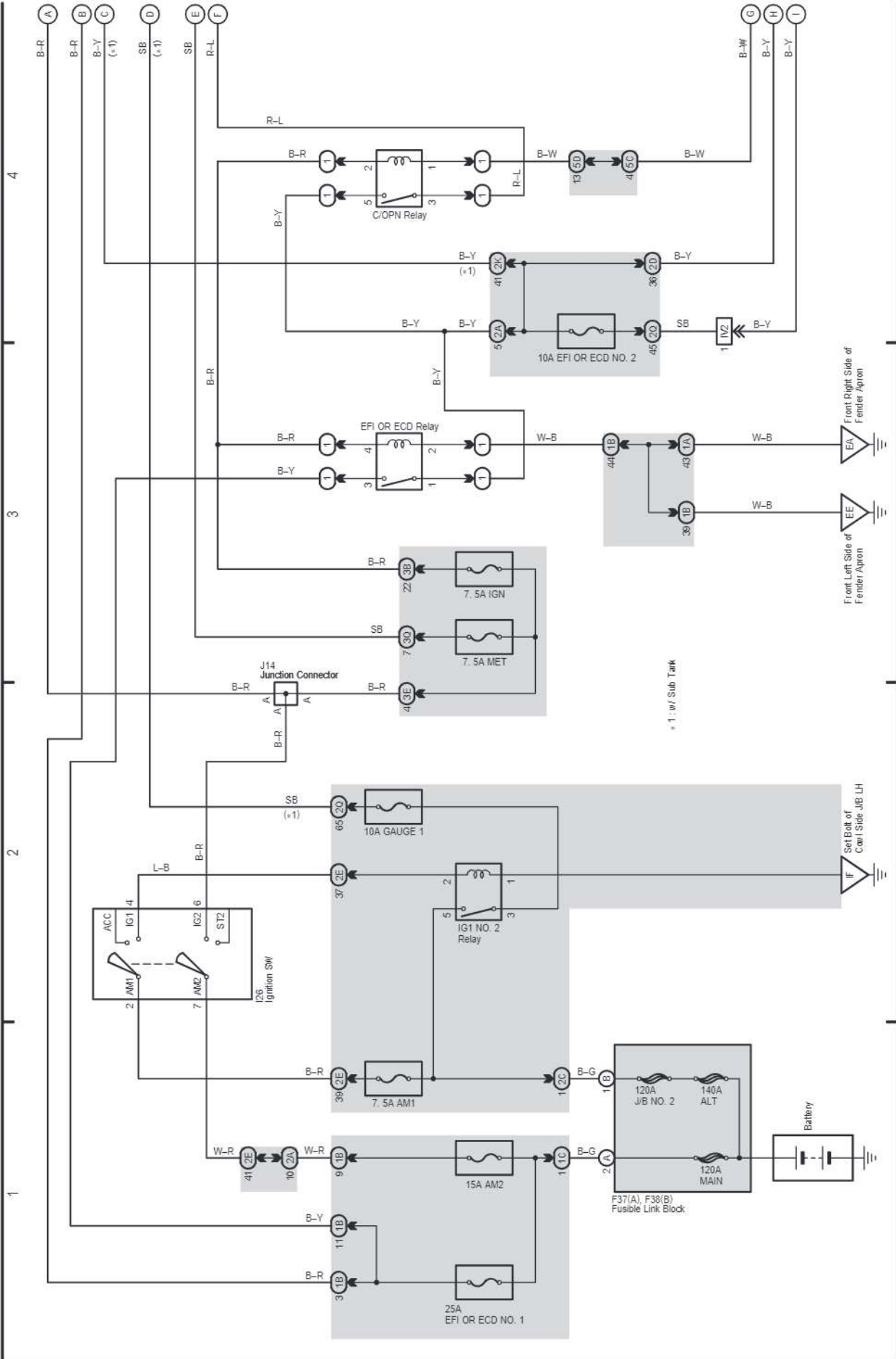
H OVERALL ELECTRICAL WIRING DIAGRAM

9 LAND CRUISER (RHD)

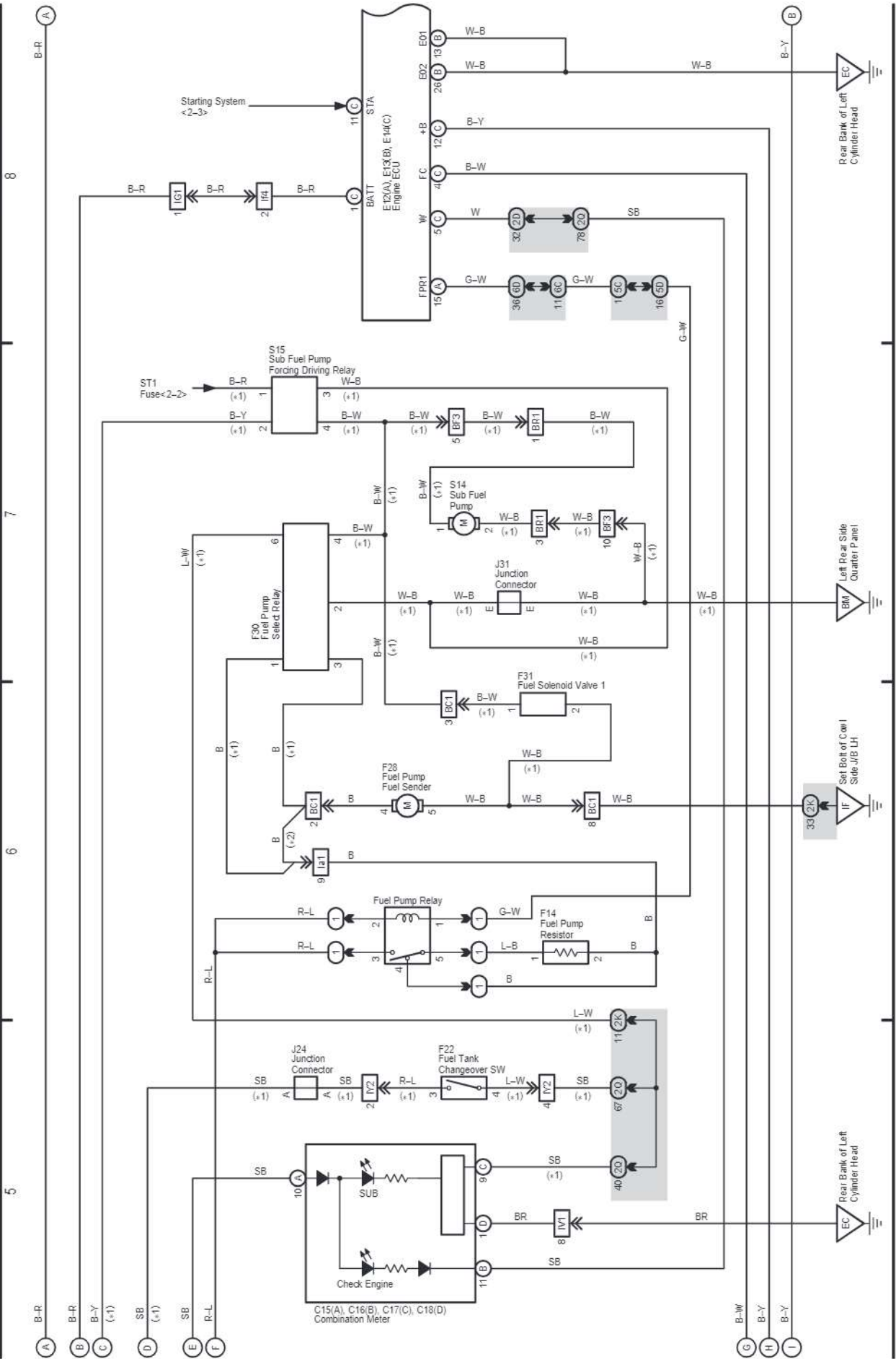
(Cont. next page)

Engine Control and Fuel Tank
Changeover (1FZ-EE)

Power Source



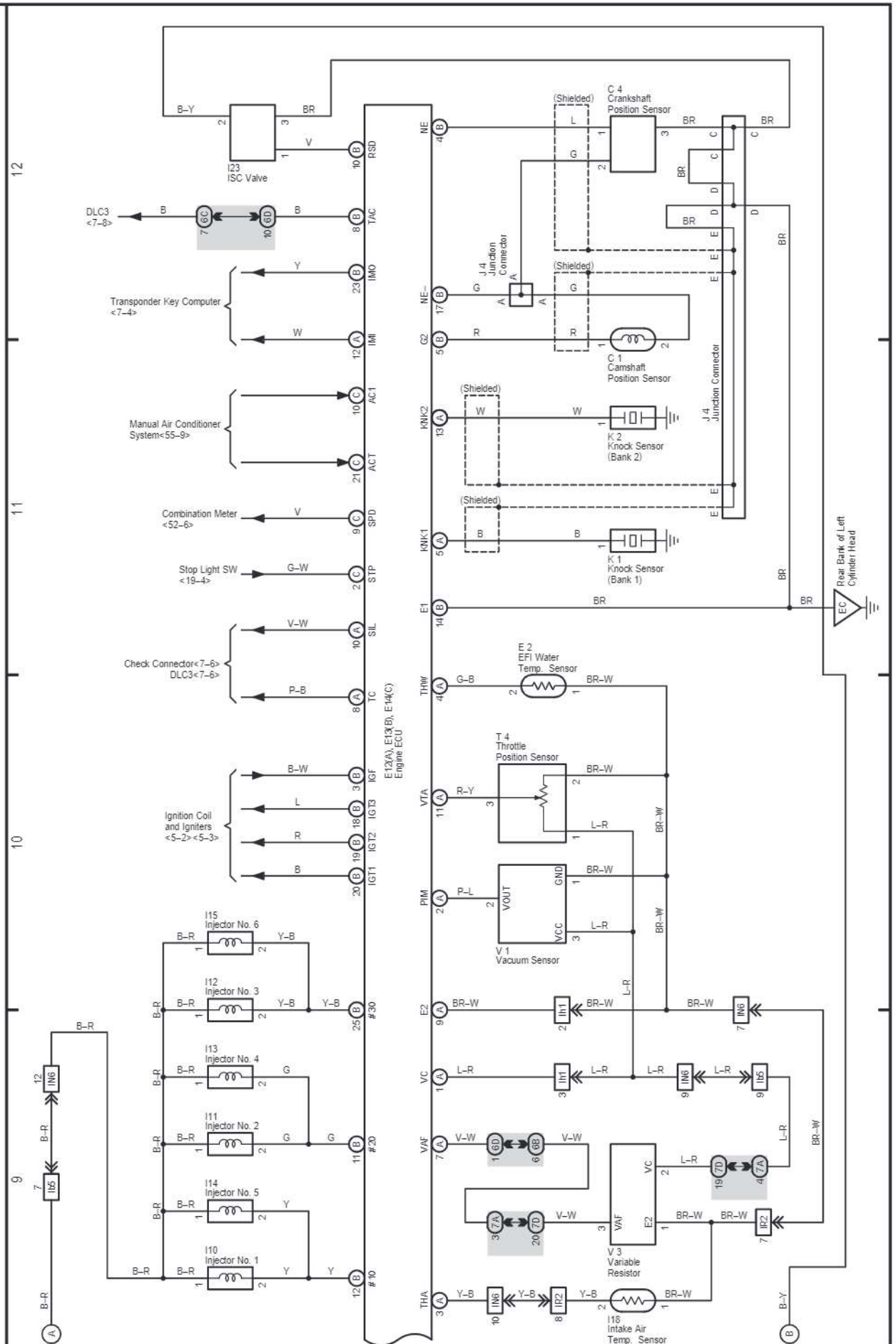
Engine Control and Fuel Tank Changeover (1FZ-FE)



H OVERALL ELECTRICAL WIRING DIAGRAM

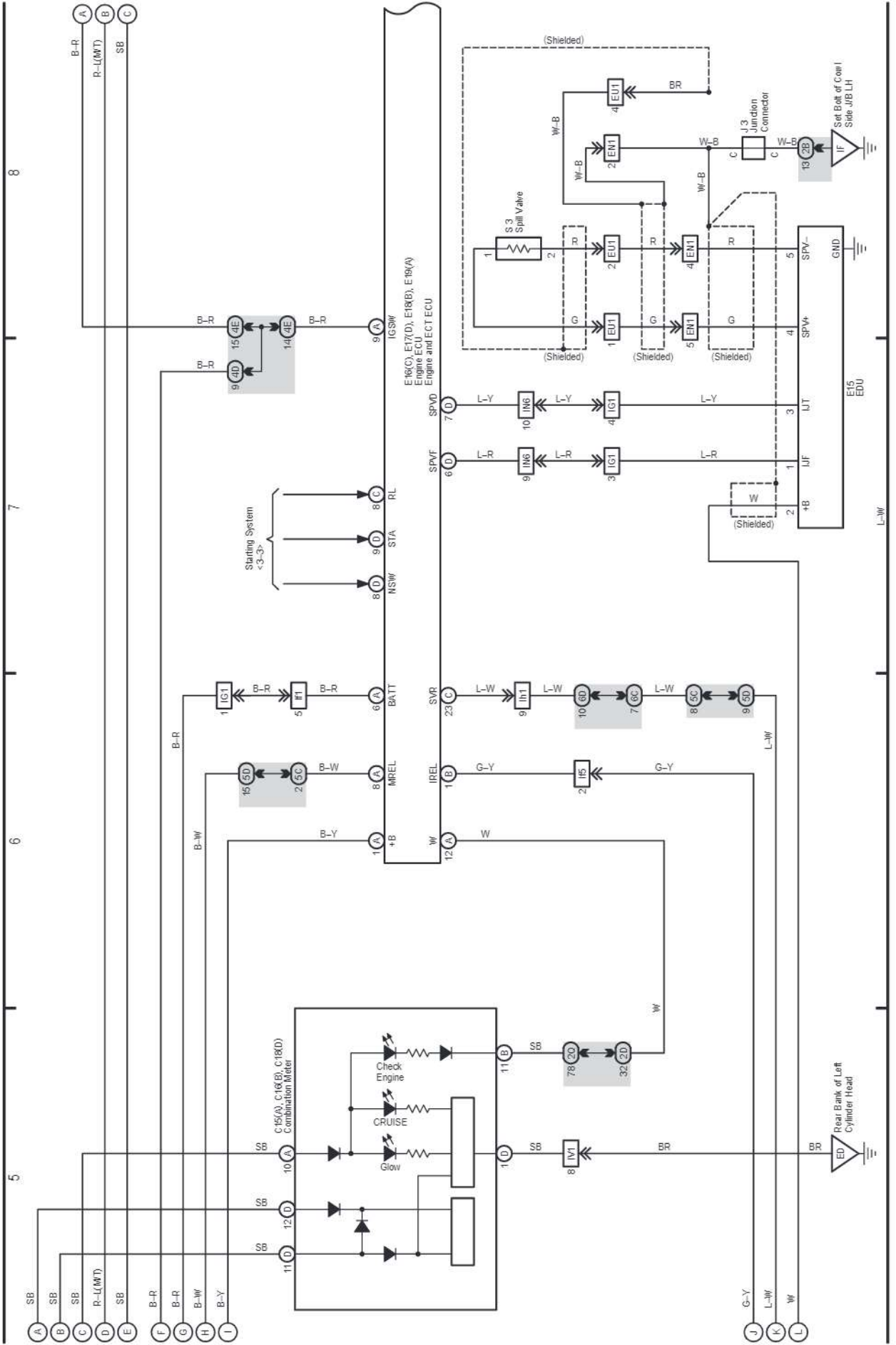
9 LAND CRUISER (RHD) (Cont' d)

Engine Control and Fuel Tank Changeover (1FZ-FE)



cardiagn.com

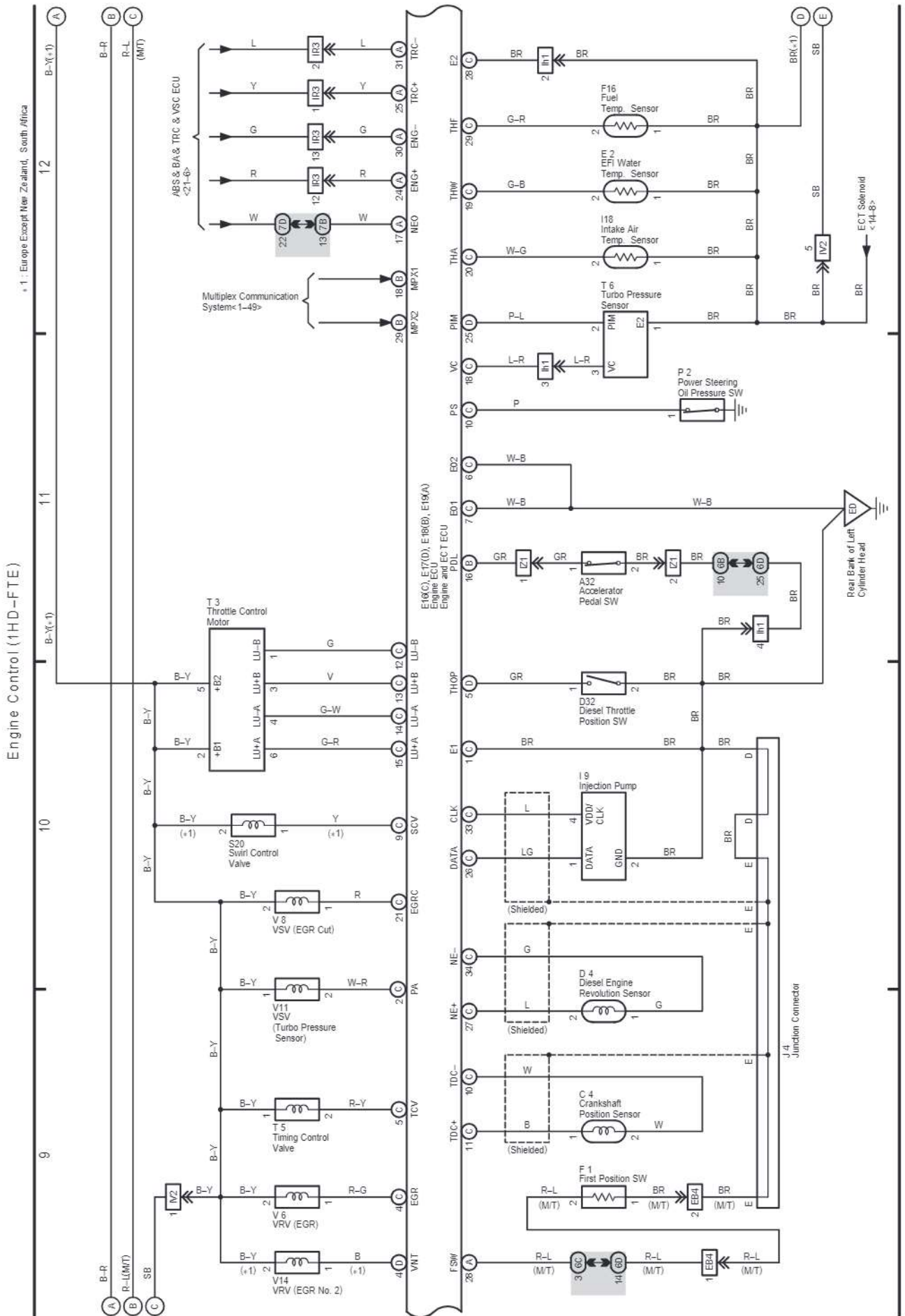
Engine Control (1HD-FTE)



H OVERALL ELECTRICAL WIRING DIAGRAM

10 LAND CRUISER (RHD) (Cont' d)

(Cont. next page)

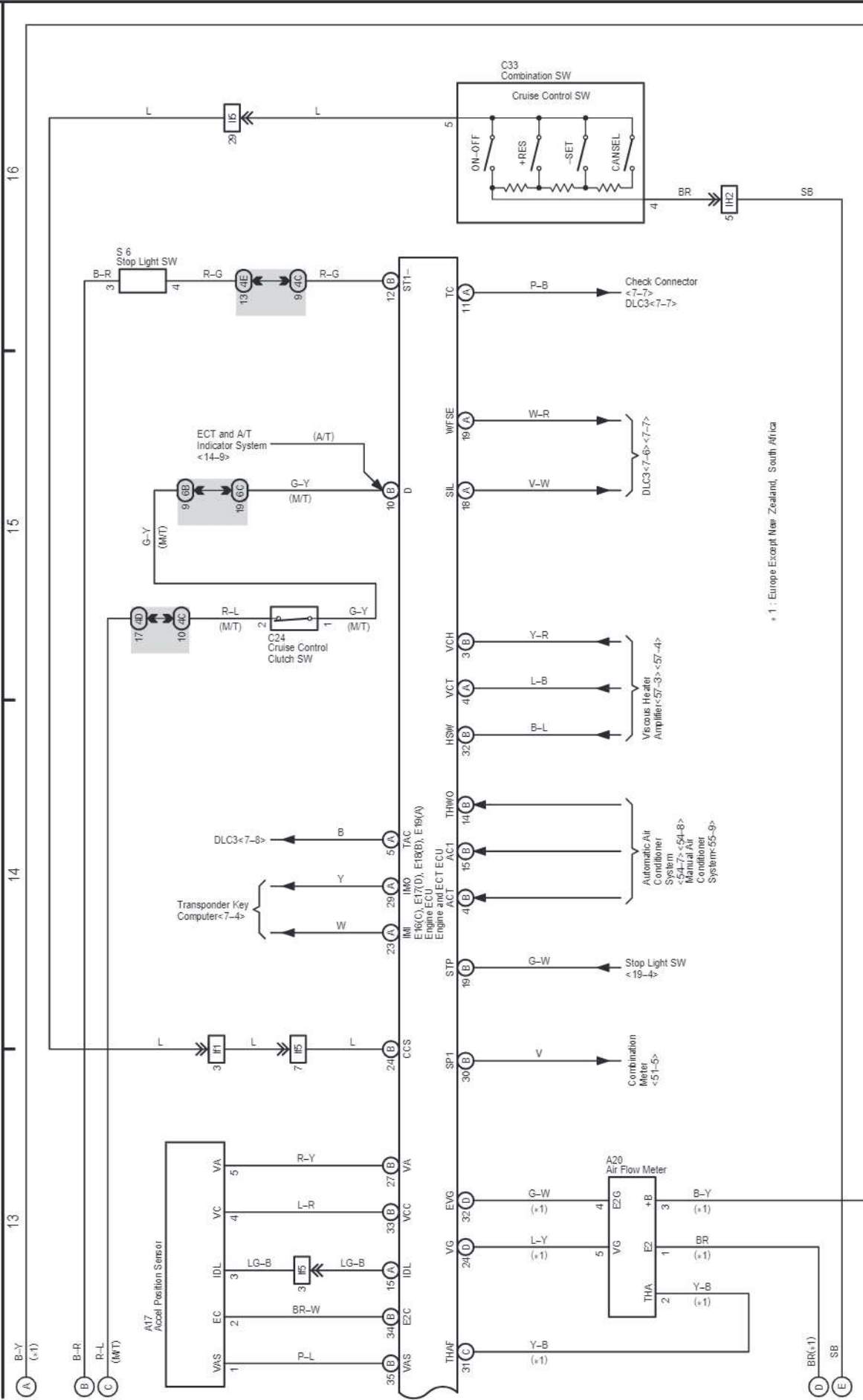


cardiagn.com

10 LAND CRUISER (RHD) (Cont' d)

Cruise Control (1HD-FTE)

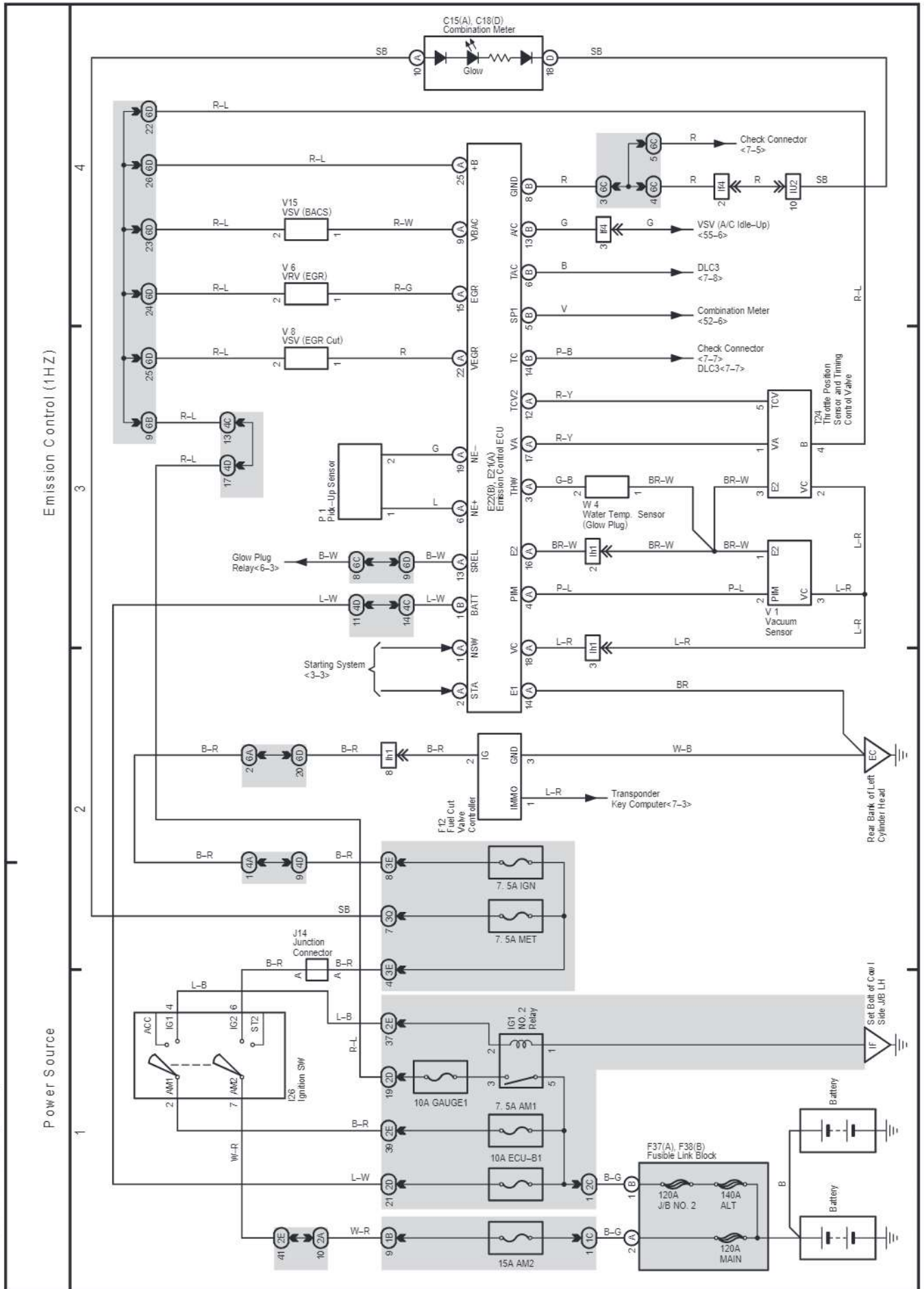
Engine Control (1HD-FTE)



+ 1 : Europe Except New Zealand, South Africa

H OVERALL ELECTRICAL WIRING DIAGRAM

11 LAND CRUISER (RHD)

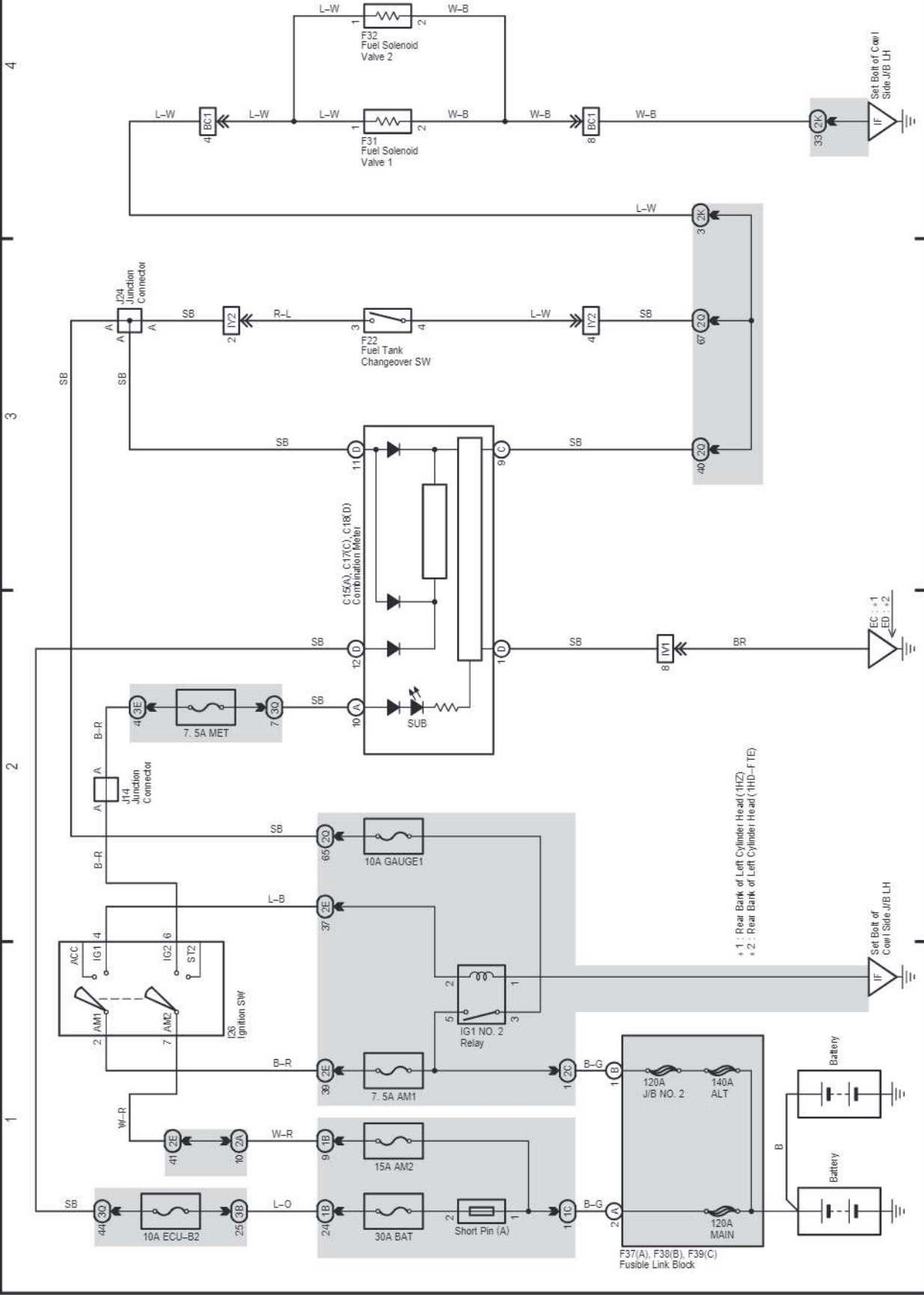


cardiagn.com

12 LAND CRUISER (RHD)

Fuel Tank Changeover (Diesel)

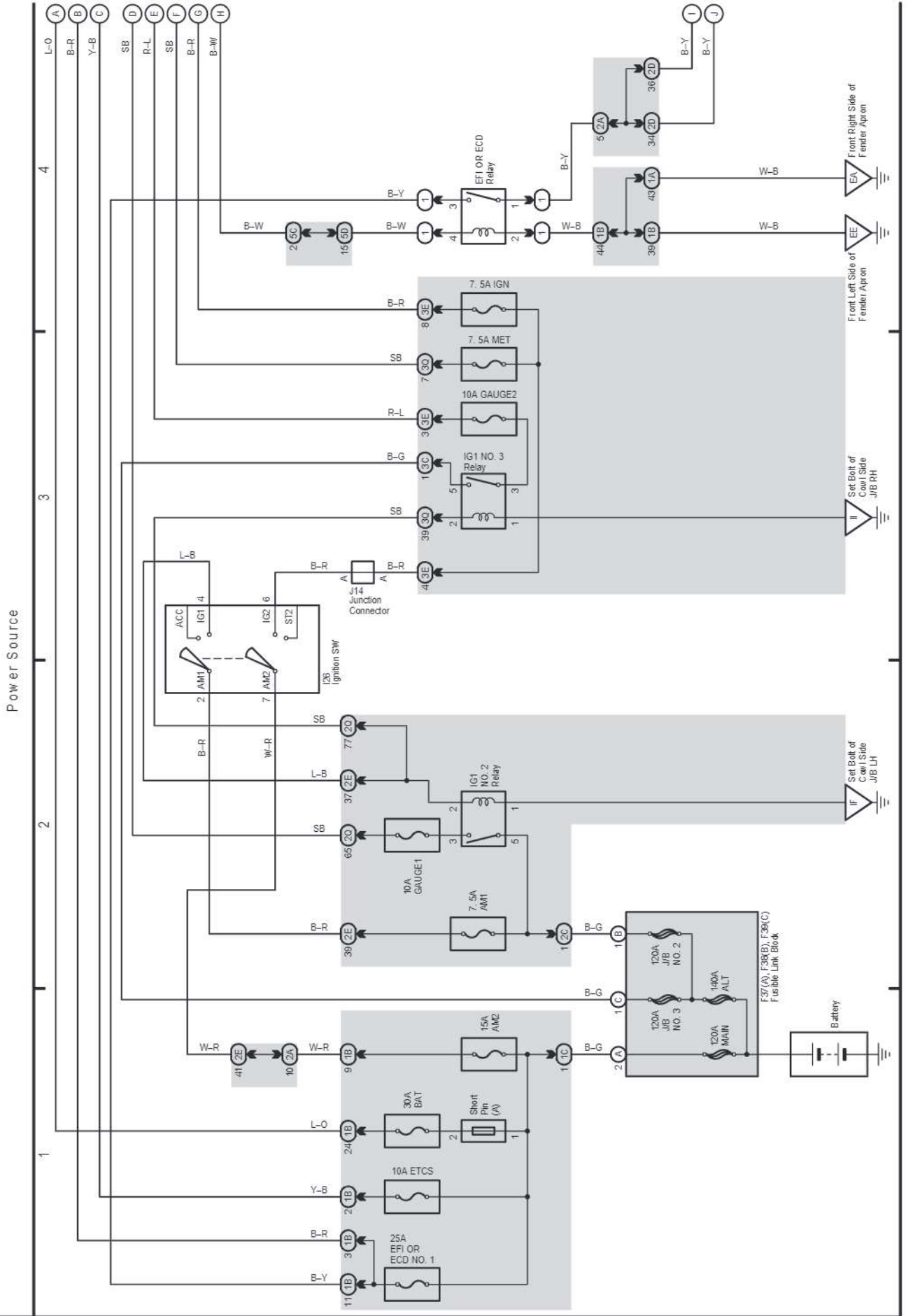
Power Source



H OVERALL ELECTRICAL WIRING DIAGRAM

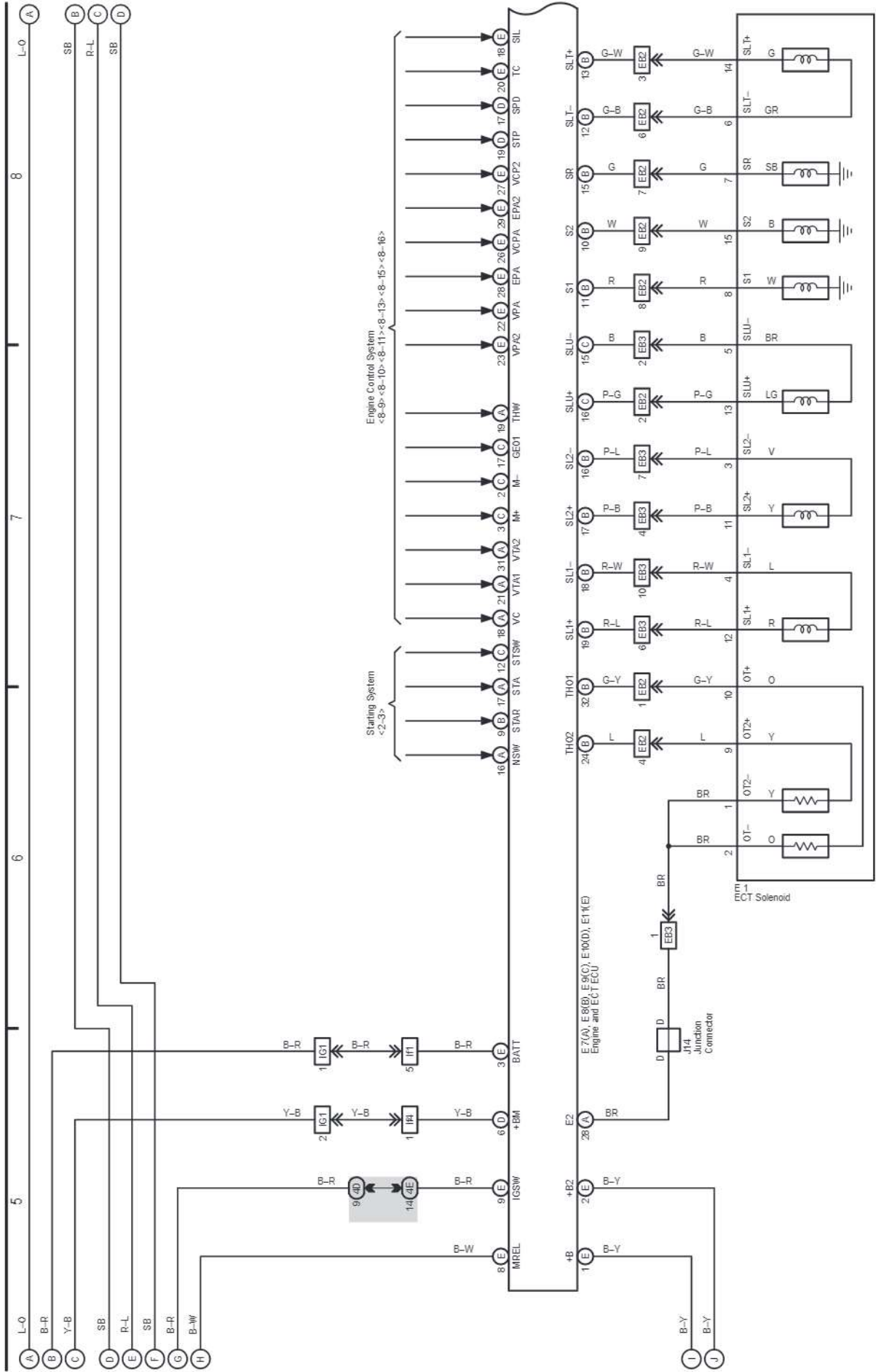
13 LAND CRUISER (RHD)

(Cont. next page)



cardiagn.com

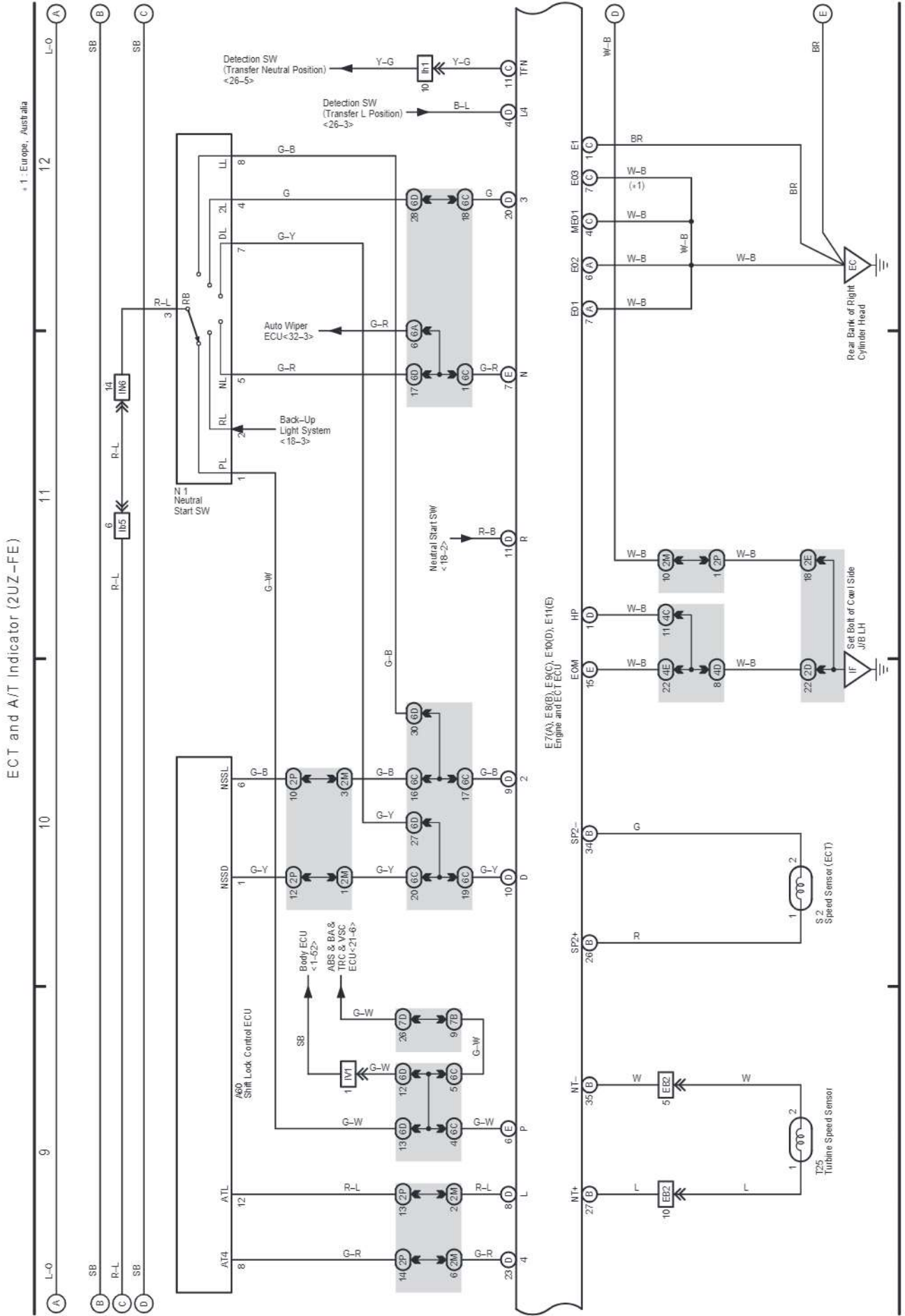
ECT and A/T Indicator (2UZ-FE)



H OVERALL ELECTRICAL WIRING DIAGRAM

13 LAND CRUISER (RHD) (Cont' d)

(Cont. next page)



cardiagn.com

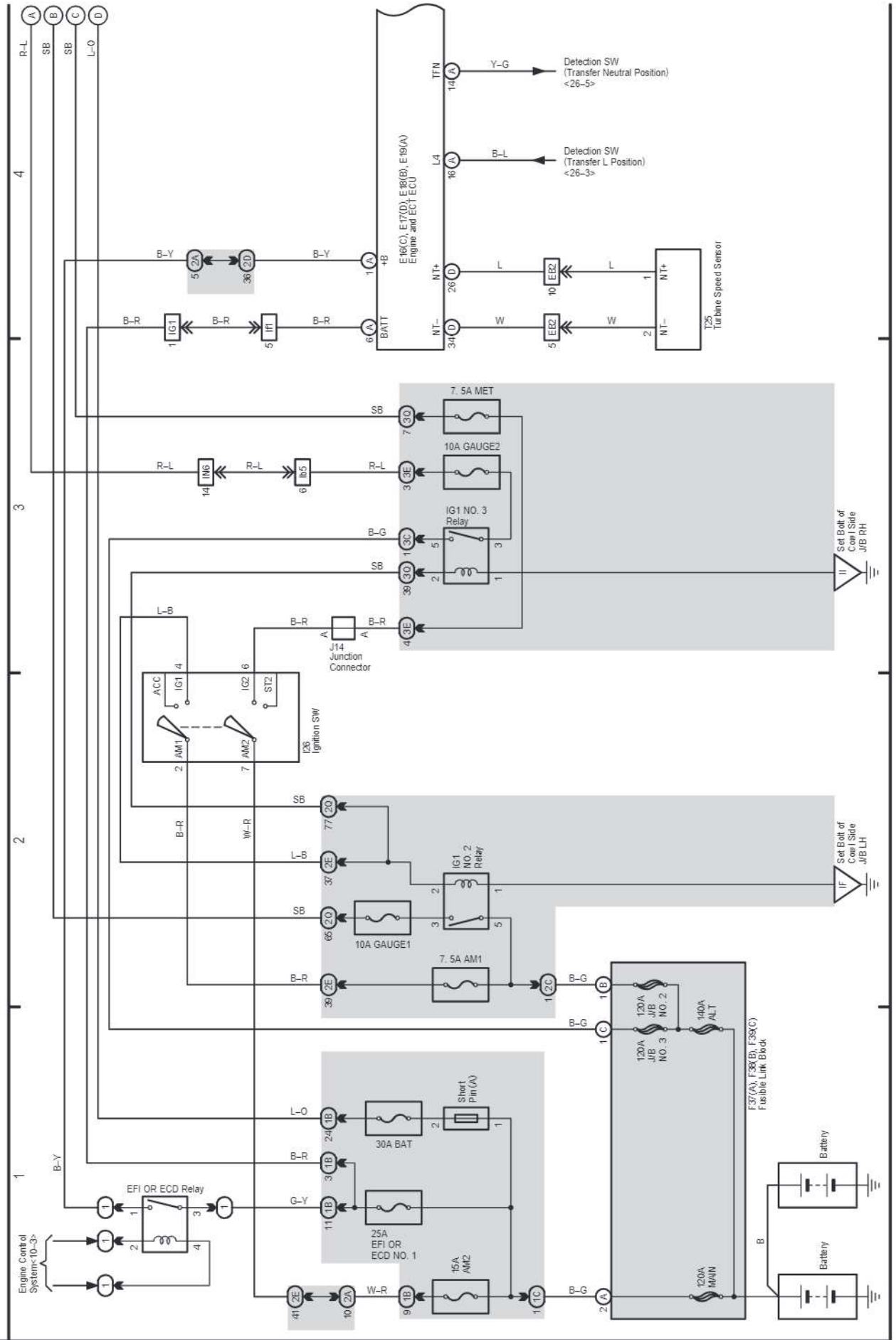
H OVERALL ELECTRICAL WIRING DIAGRAM

14 LAND CRUISER (RHD)

(Cont. next page)

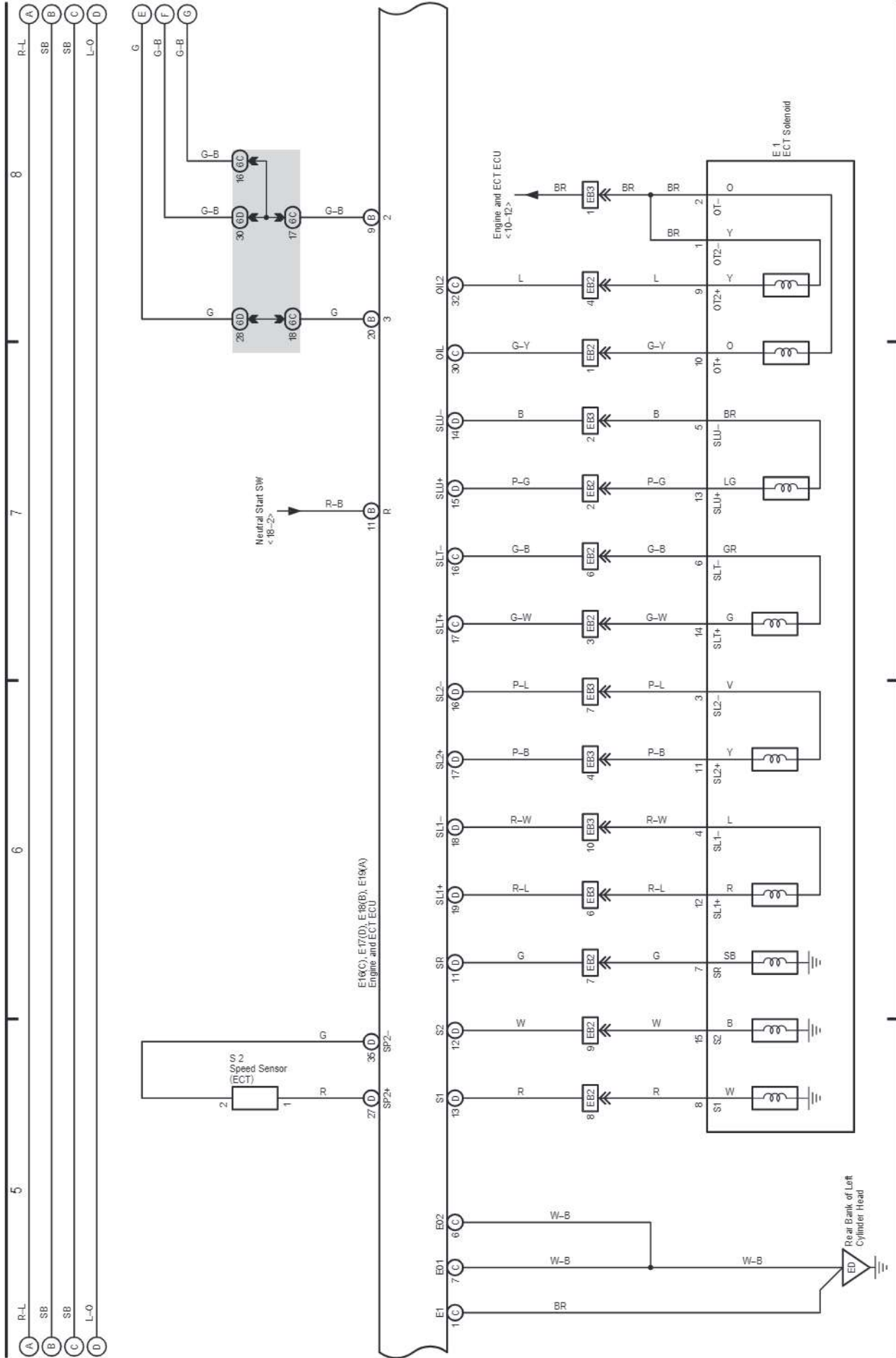
ECT and A/T Indicator (1HD-FTE)

Power Source



cardiagn.com

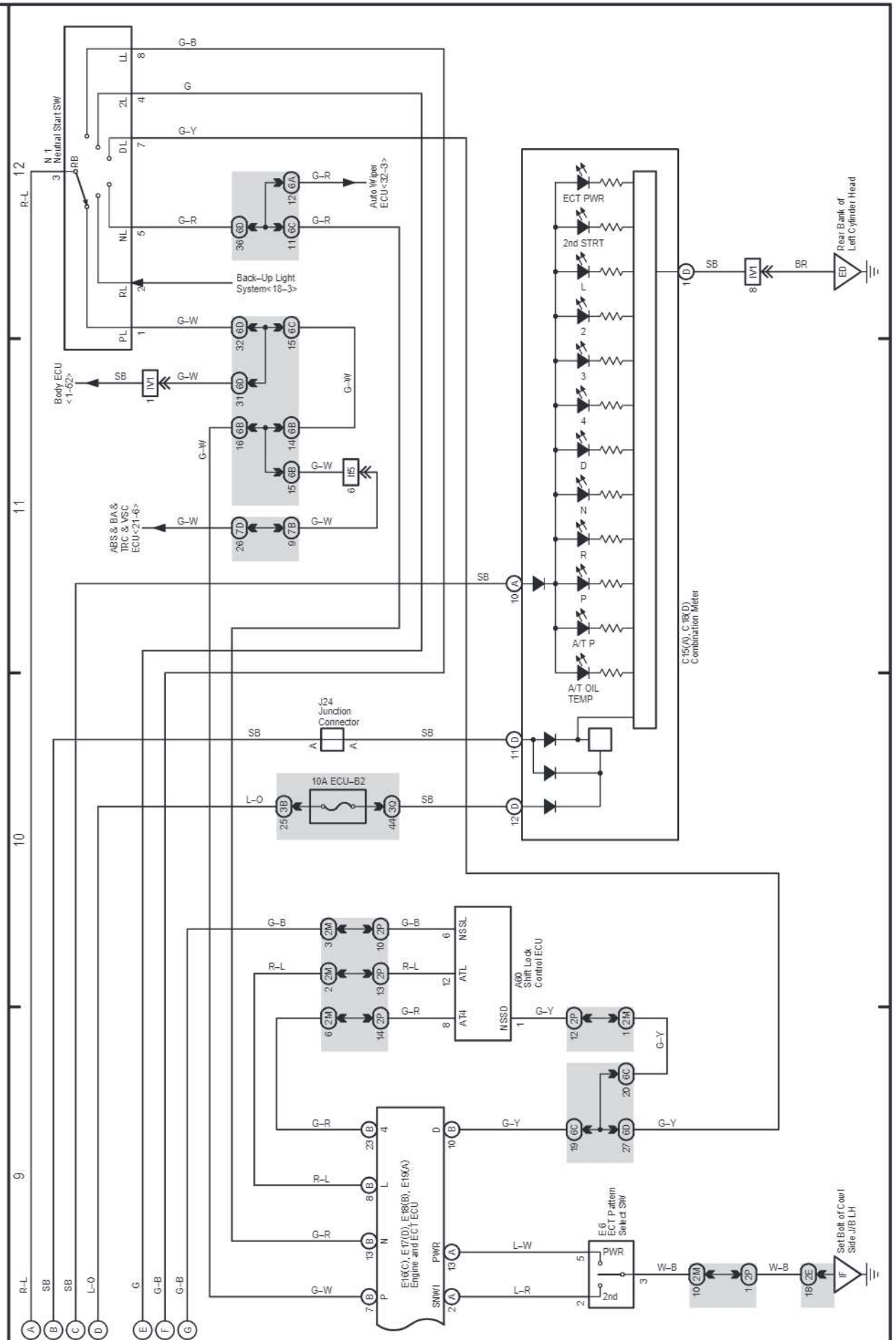
ECT and A/T Indicator (1HD-FTE)



H OVERALL ELECTRICAL WIRING DIAGRAM

14 LAND CRUISER (RHD) (Cont' d)

ECT and A/T Indicator (1HD-FTE)

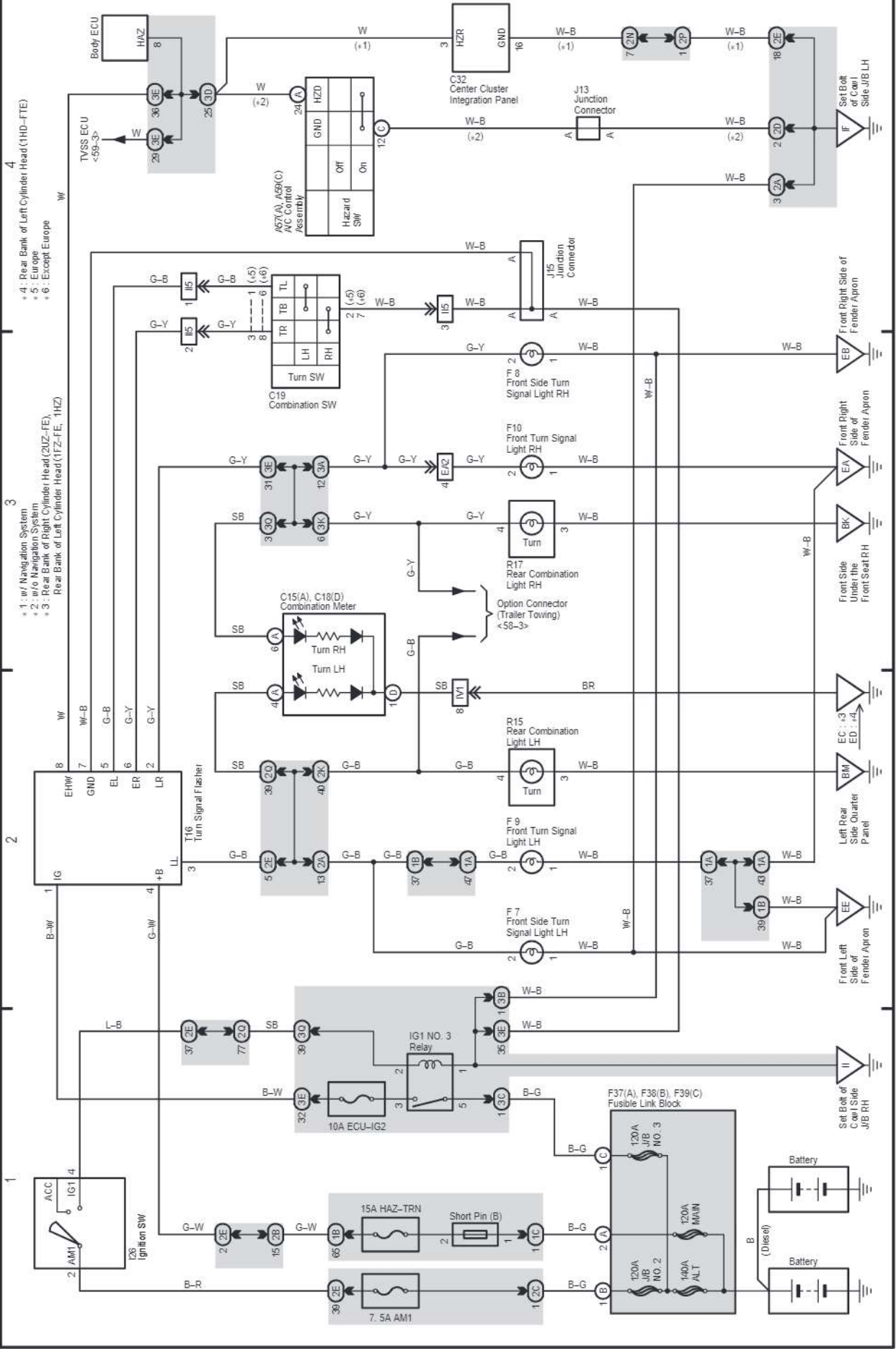


cardiagn.com

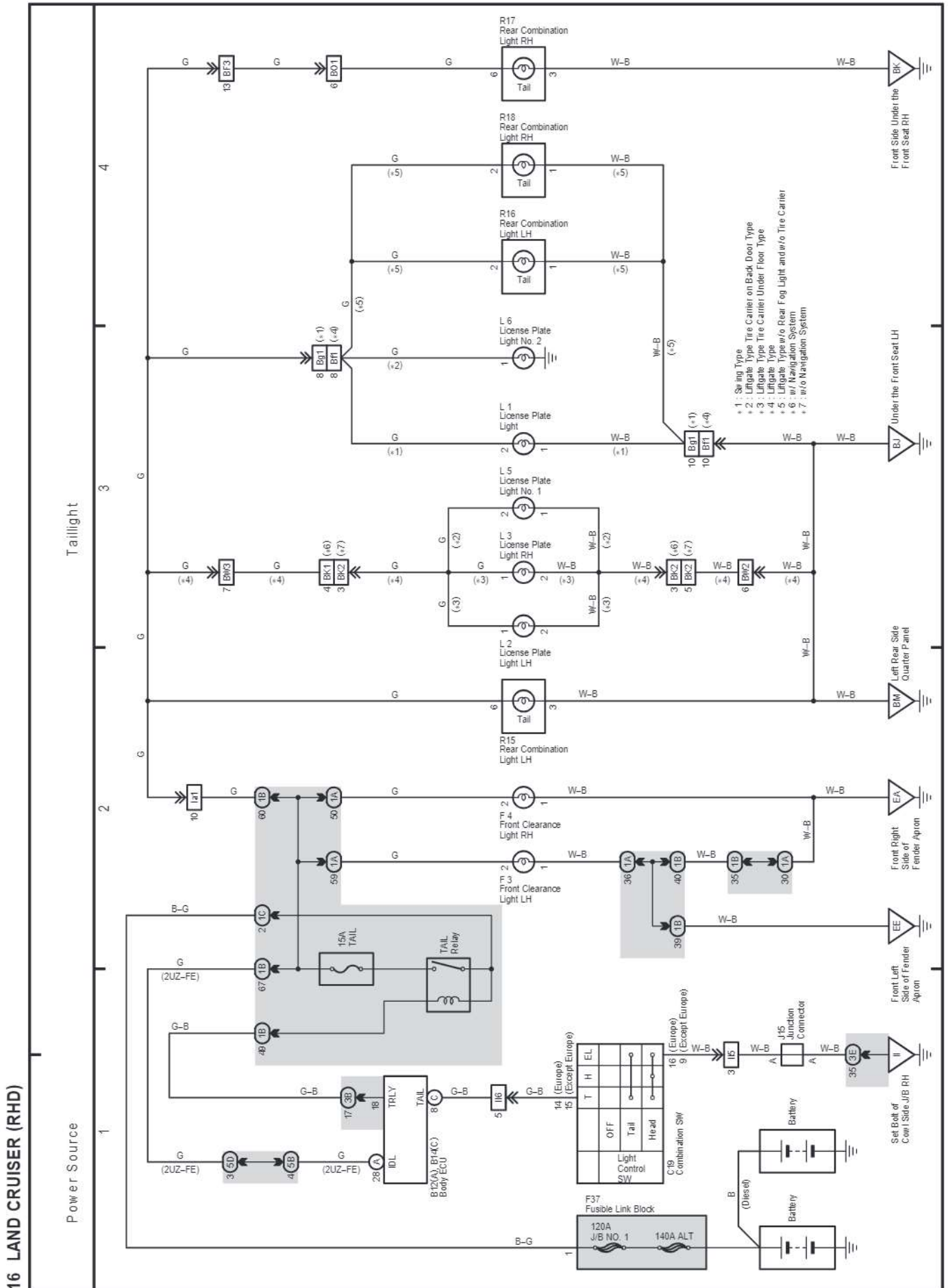
15 LAND CRUISER (RHD)

Turn Signal and Hazard Warning Light

Power Source



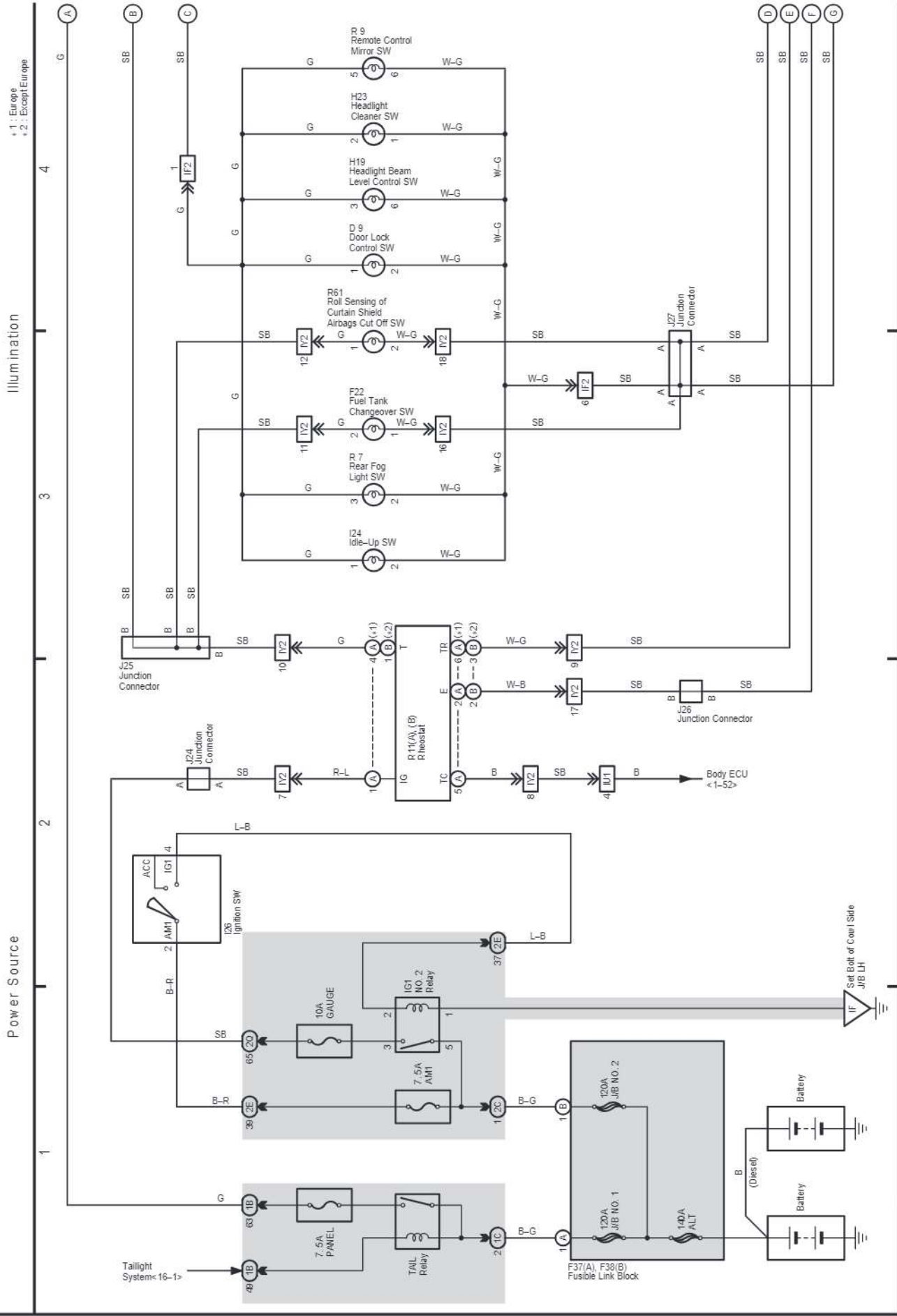
H OVERALL ELECTRICAL WIRING DIAGRAM



H OVERALL ELECTRICAL WIRING DIAGRAM

17 LAND CRUISER (RHD)

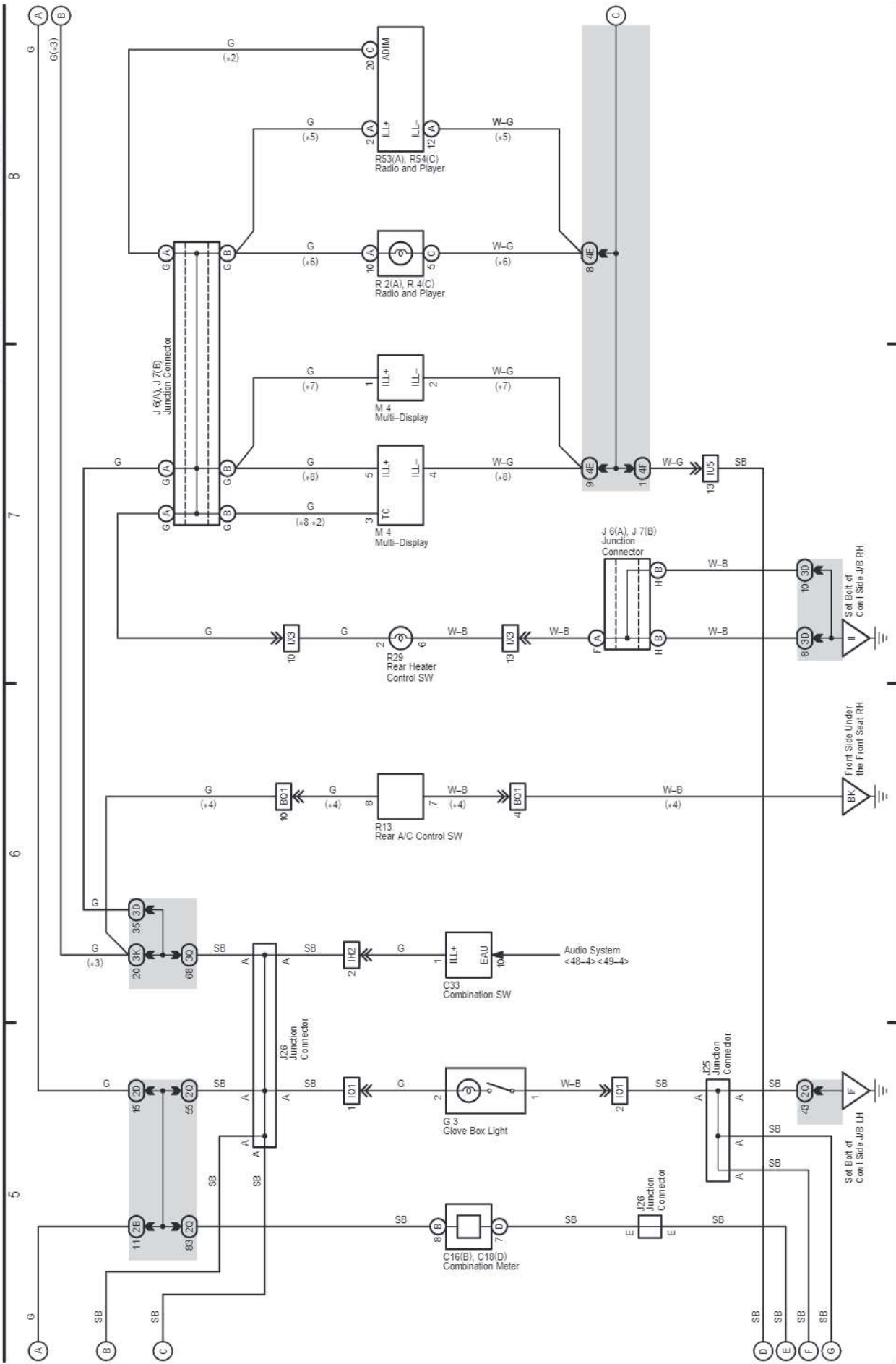
(Cont. next page)



cardiagn.com

- * 2 - Except Europe
- * 3 - Automatic A/C
- * 4 - Manual A/C
- * 5 - Separate Amplifier
- * 6 - Built-in Amplifier
- * 7 - w/ Navigation System
- * 8 - w/o Navigation System

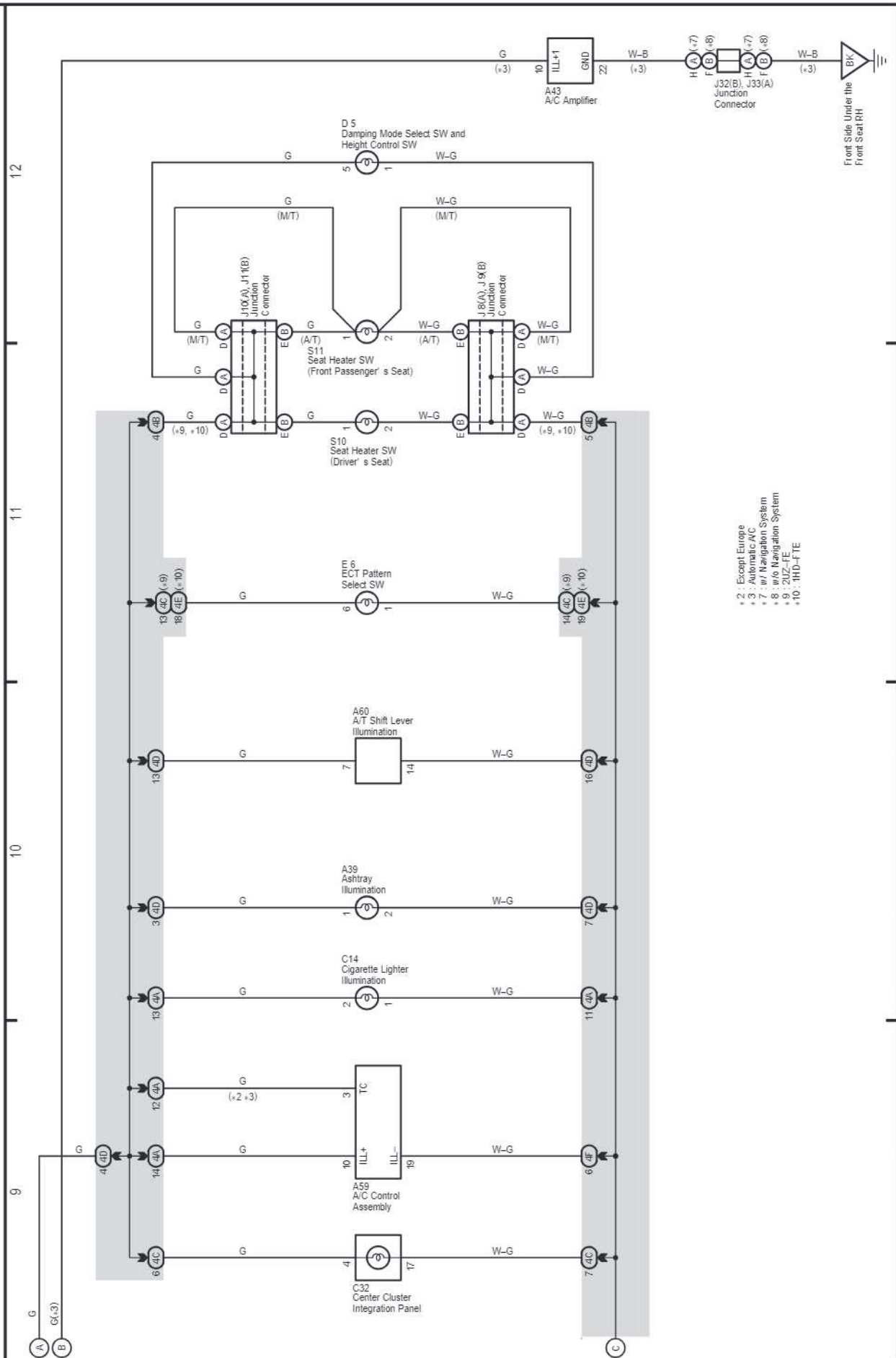
Illumination



H OVERALL ELECTRICAL WIRING DIAGRAM

17 LAND CRUISER (RHD) (Cont' d)

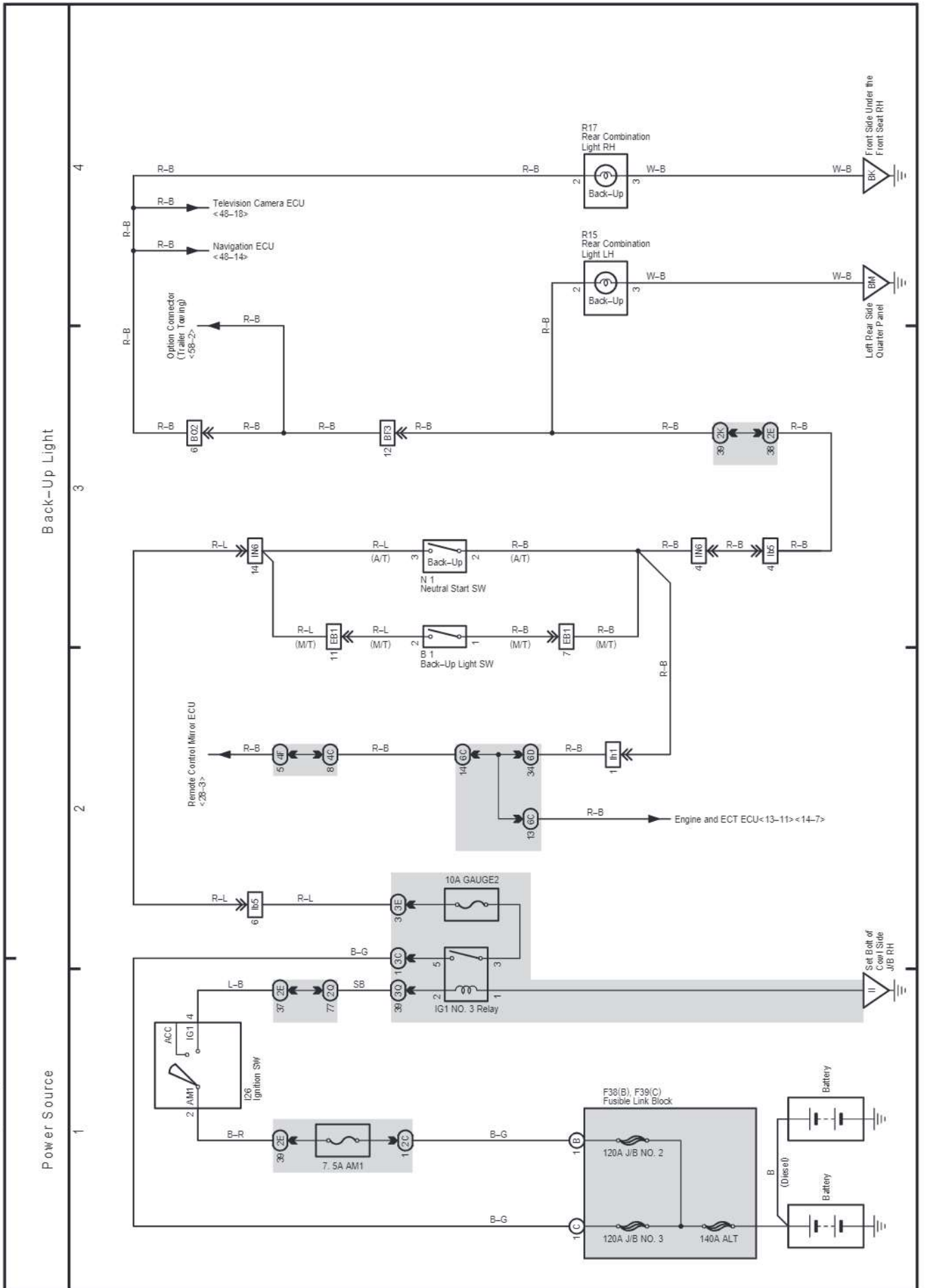
Illumination



- * 2 : Except Europe
- * 3 : Automatic A/C
- * 7 : w/ Navigation System
- * 8 : w/o Navigation System
- * 9 : 2UJ-TE
- * 10 : 1HD-FTE

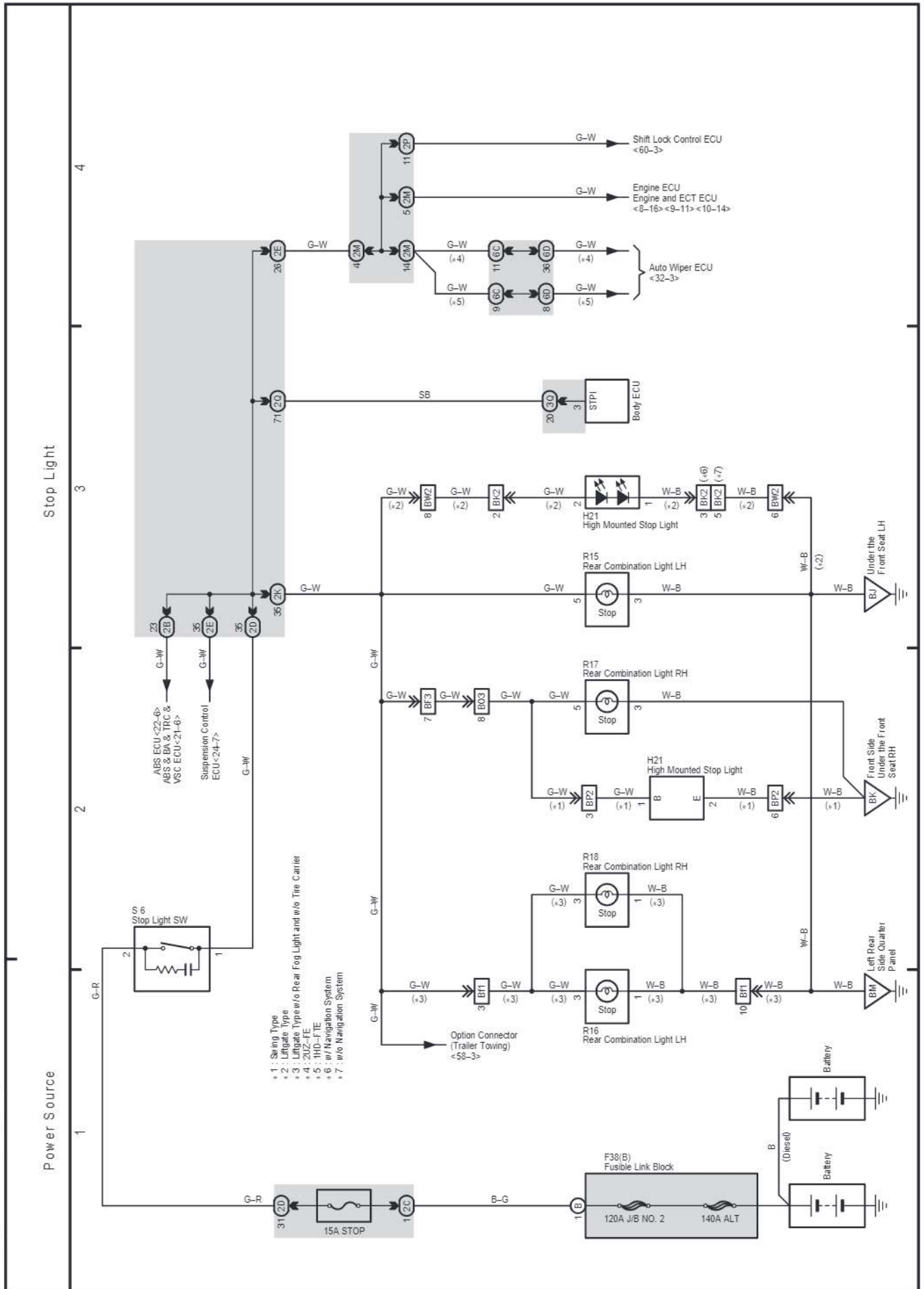
cardiagn.com

18 LAND CRUISER (RHD)



H OVERALL ELECTRICAL WIRING DIAGRAM

19 LAND CRUISER (RHD)



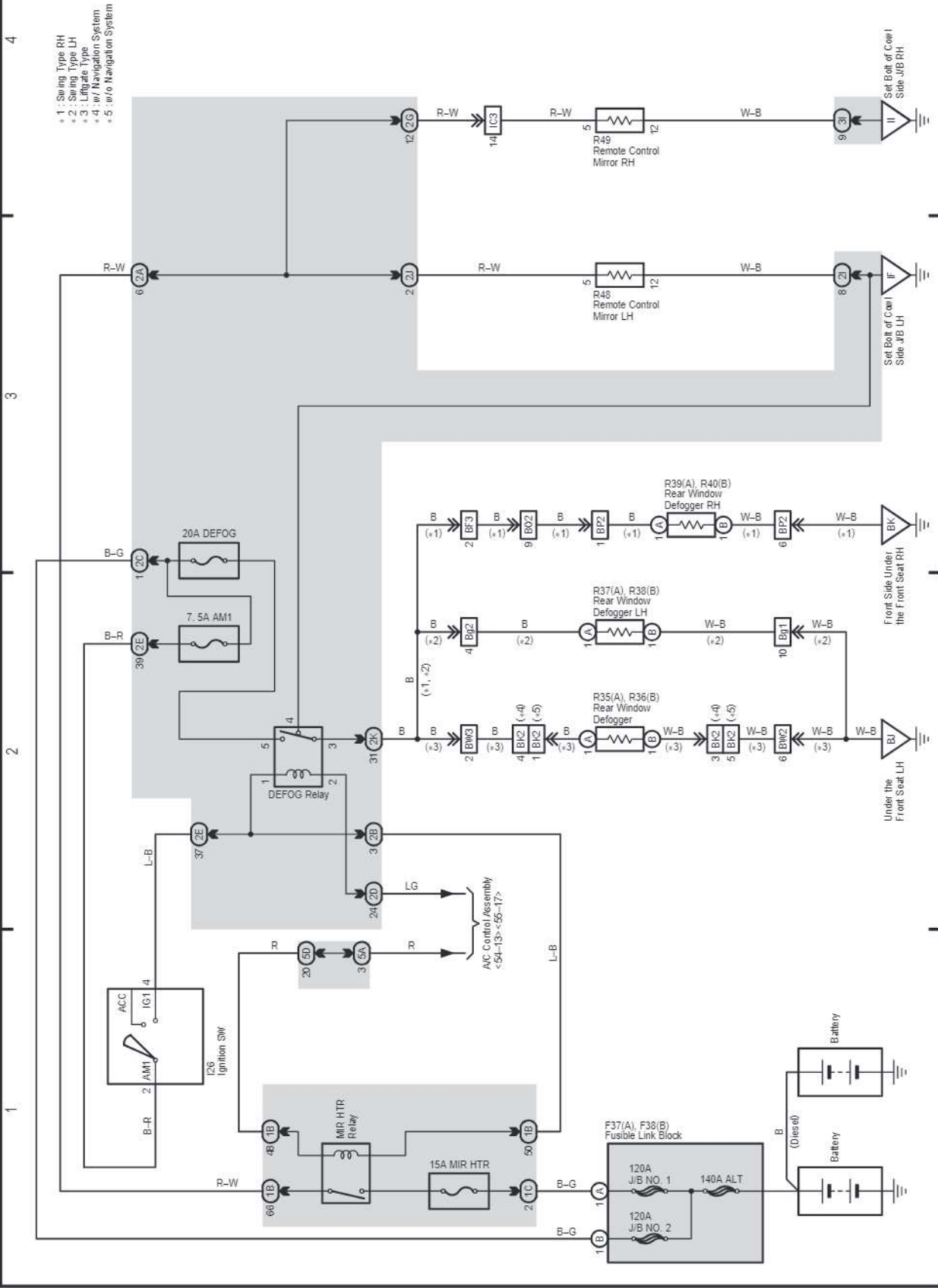
cardiagn.com

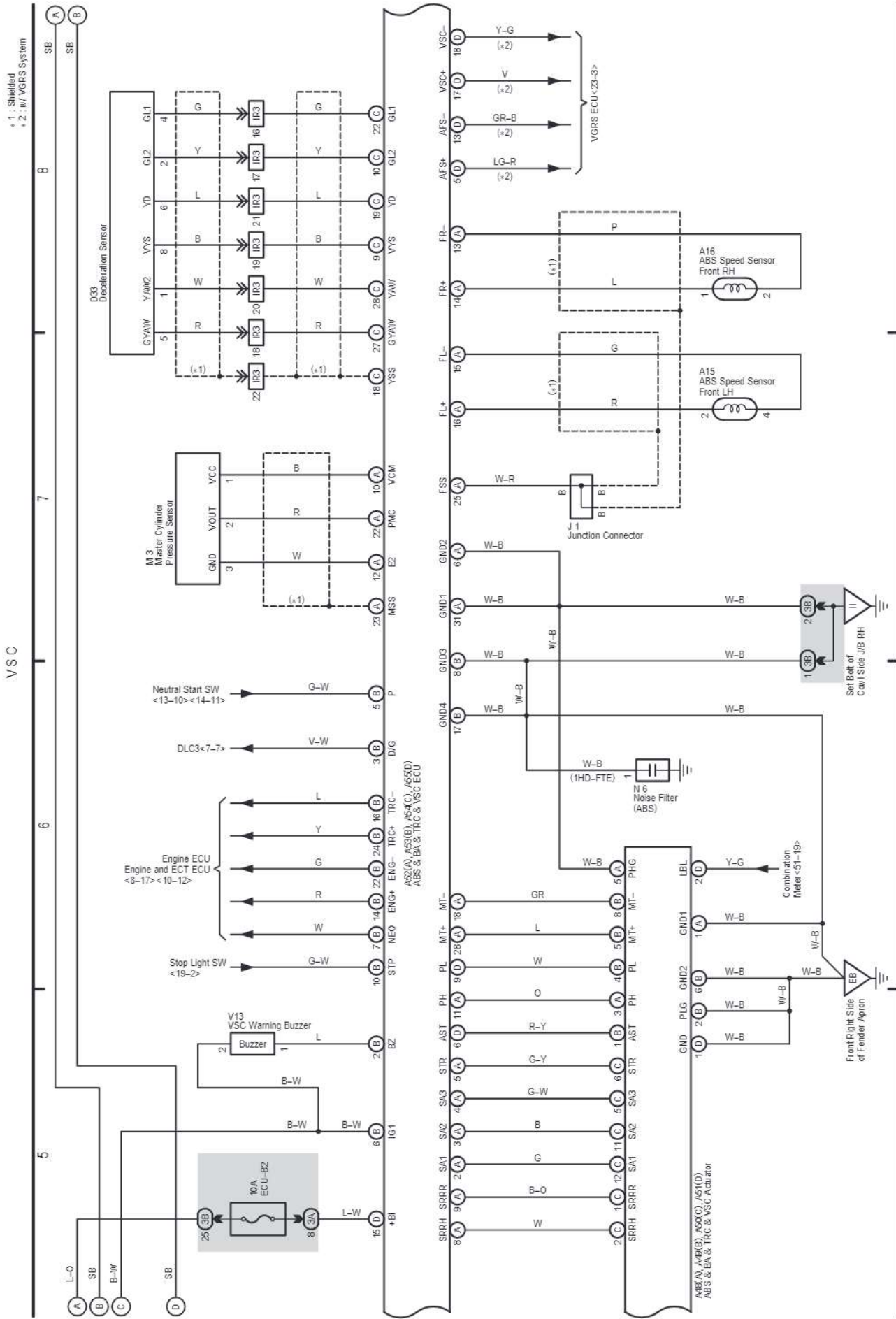
20 LAND CRUISER (RHD)

Mirror Heater

Rear Window Defogger

Power Source



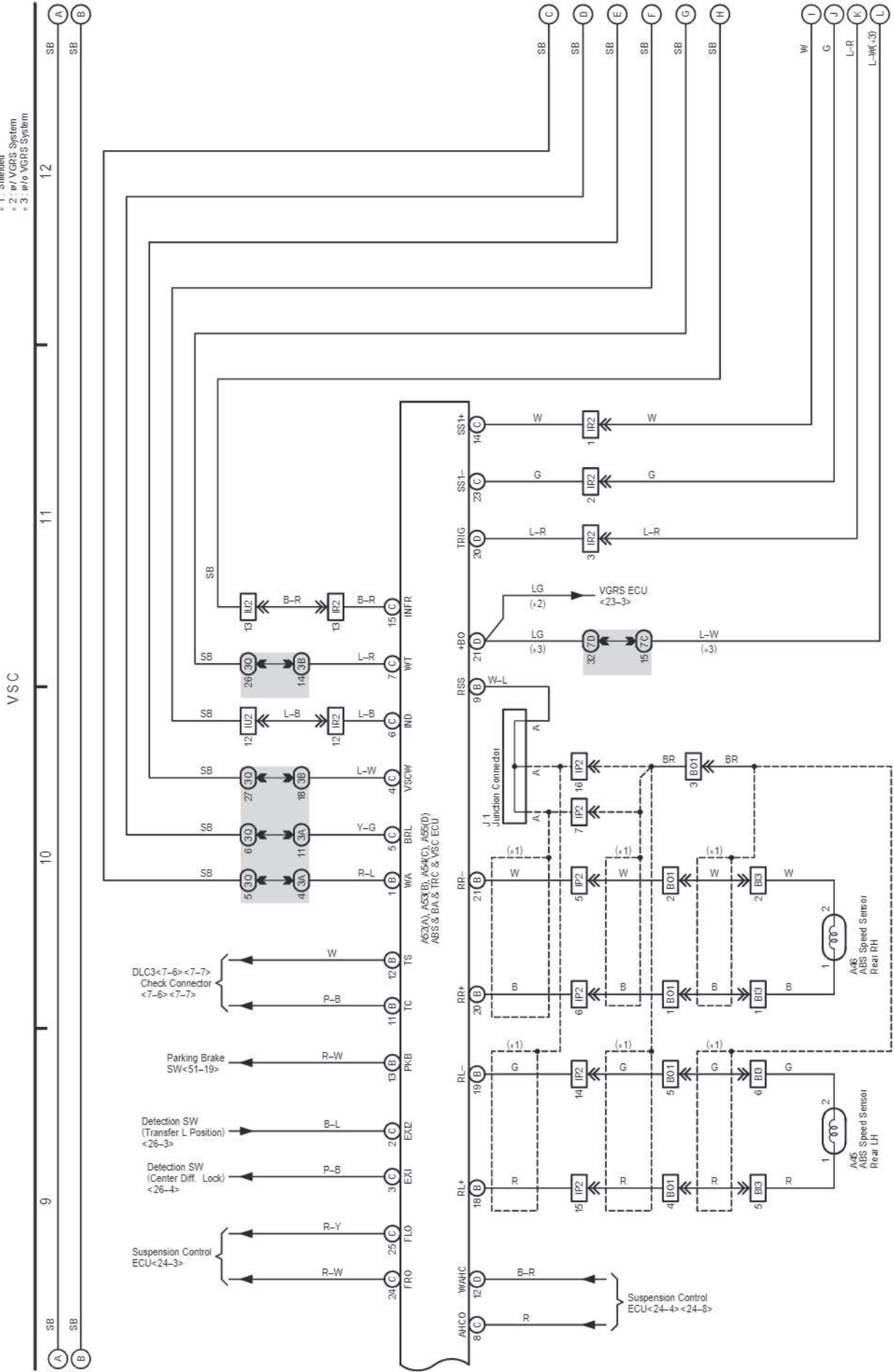


H OVERALL ELECTRICAL WIRING DIAGRAM

21 LAND CRUISER (RHD) (Cont' d)

(Cont. next page)

- * 1 : Shielded
- * 2 : w/VGRS System
- * 3 : w/o VGRS System

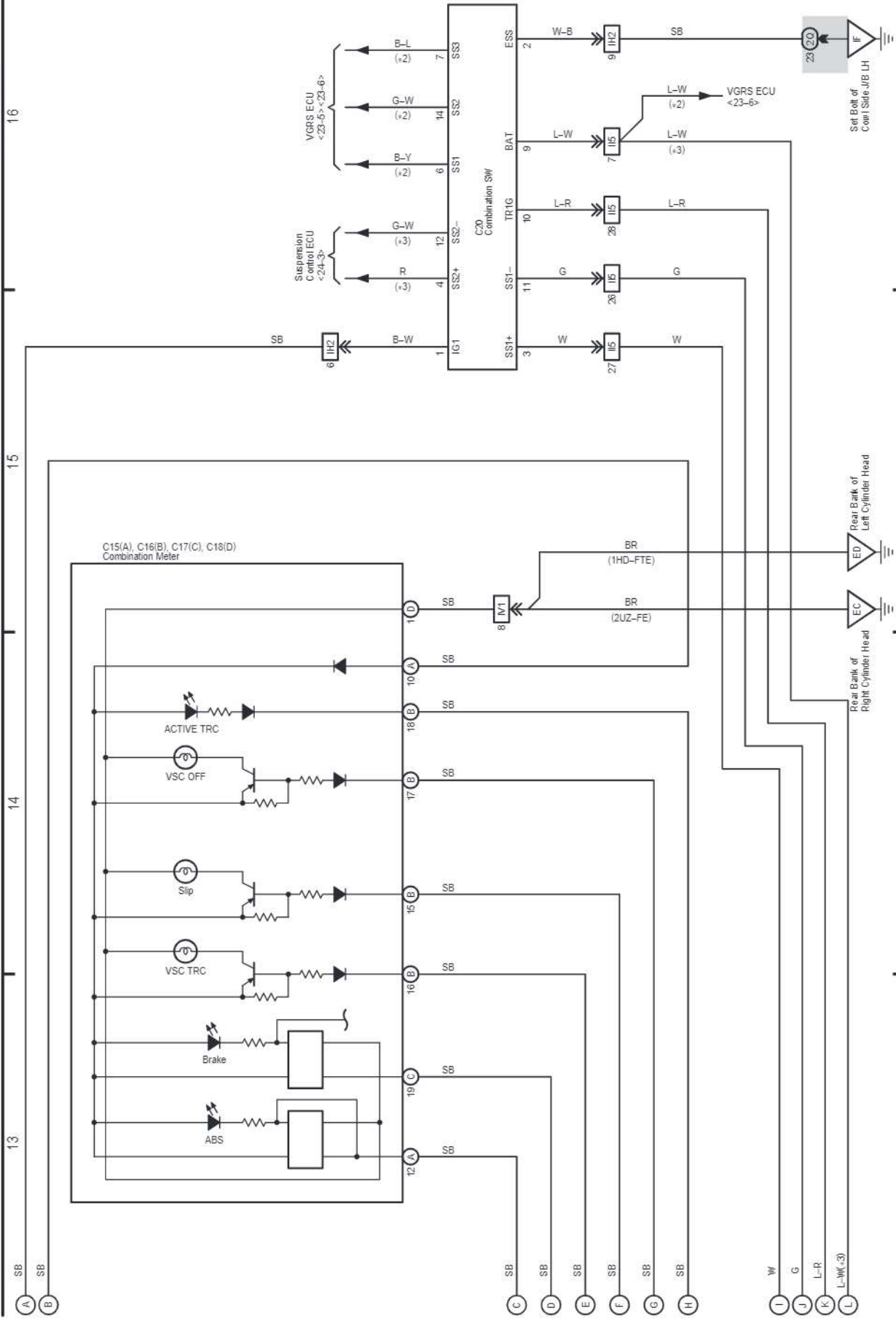


cardiagn.com

21 LAND CRUISER (RHD) (Cont' d)

* 2 - w/ VGRS System
 * 3 - w/o VGRS System

VSC



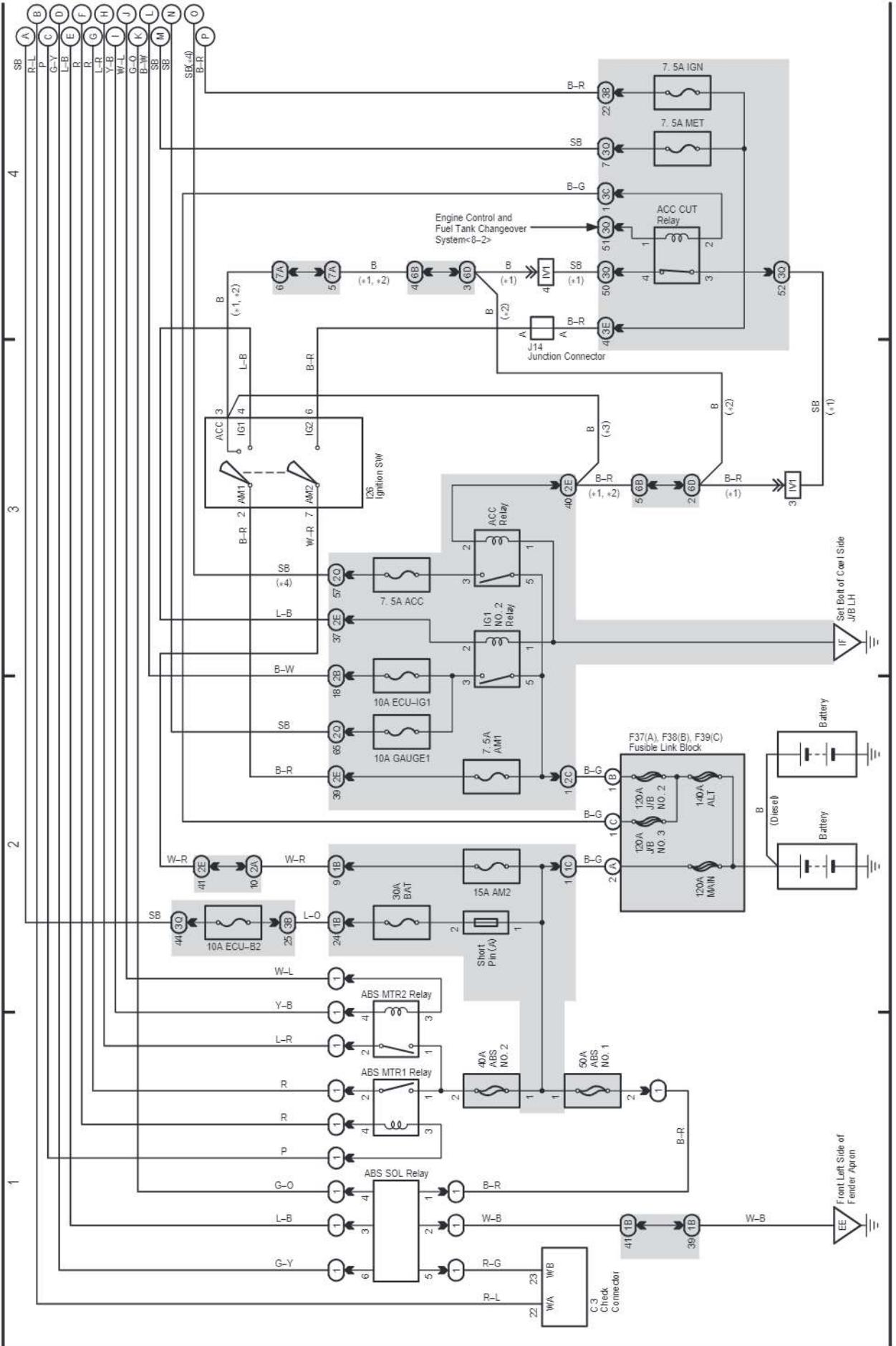
H OVERALL ELECTRICAL WIRING DIAGRAM

22 LAND CRUISER (RHD)

(Cont. next page)

- *1: 2UZ-FE AT
- *2: 2UZ-FE MT
- *3: Exempt 2UZ-FE
- *4: 2UZ-FE, 1HD-FTE

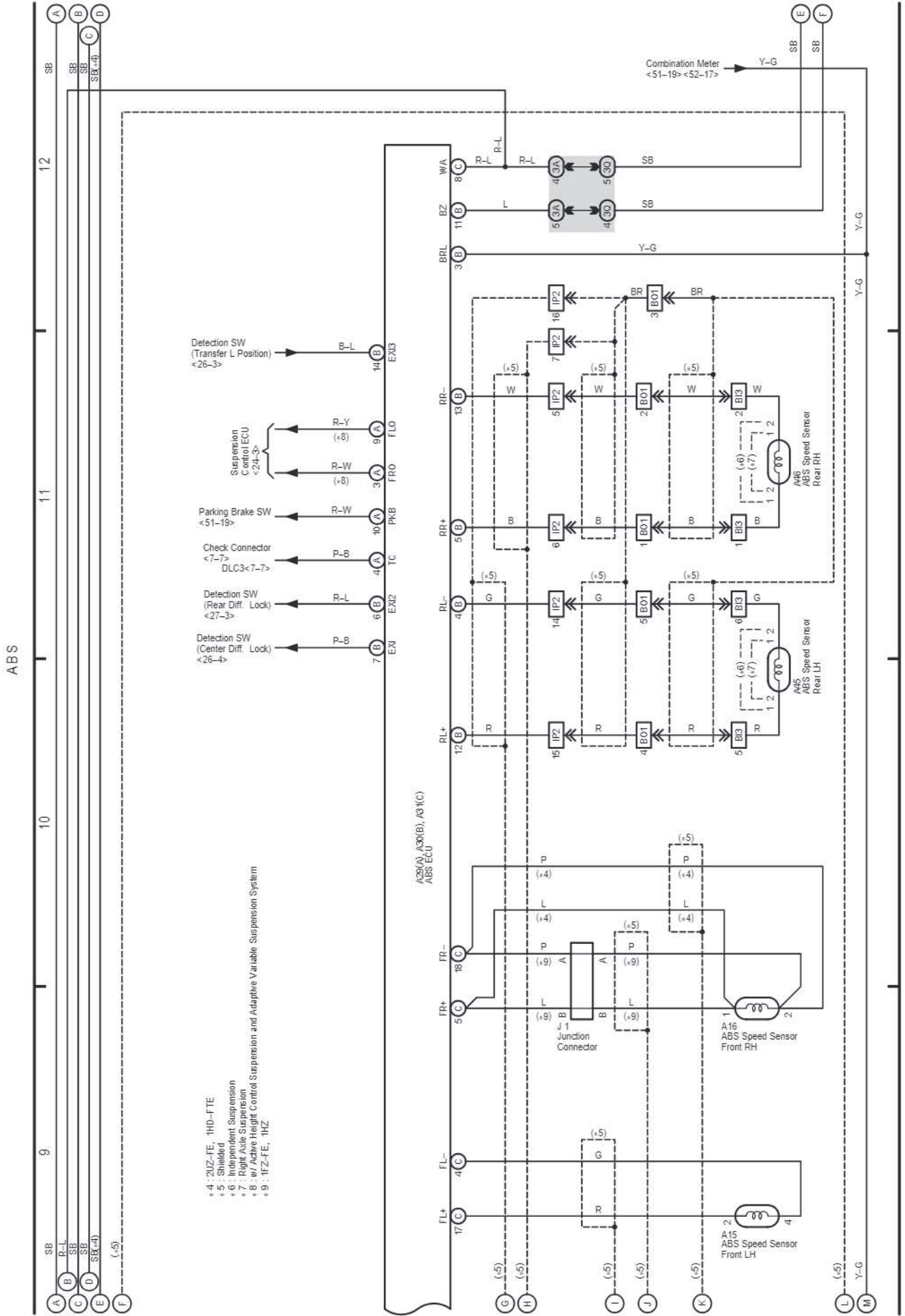
Power Source



H OVERALL ELECTRICAL WIRING DIAGRAM

22 LAND CRUISER (RHD) (Cont' d)

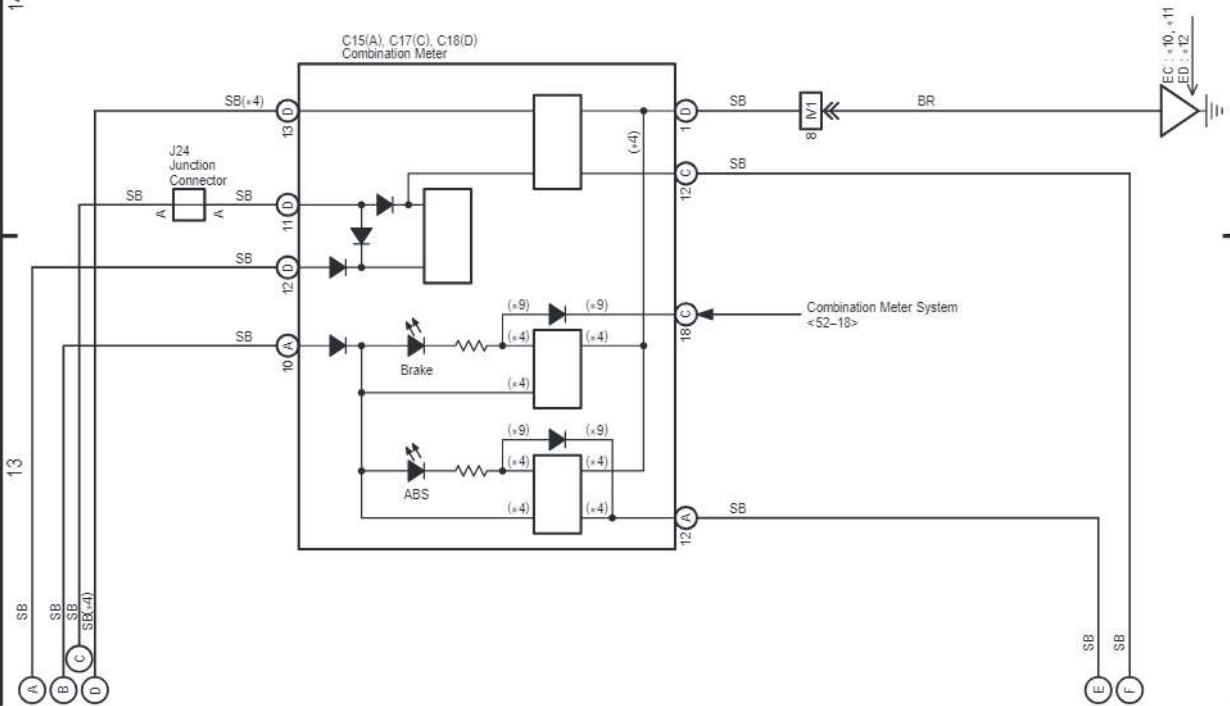
(Cont. next page)



cardiagn.com

22 LAND CRUISER (RHD) (Cont' d)

13 14 15 16
ABS



- *4: 2UZ-FE, 1HD-FTE
- *9: 1FZ-FE, 1HZ
- *10: Rear Bank of Right Cylinder Head (2UZ-FE)
- *11: Rear Bank of Left Cylinder Head (1FZ-FE, 1HZ)
- *12: Rear Bank of Left Cylinder Head (1HD-FTE)

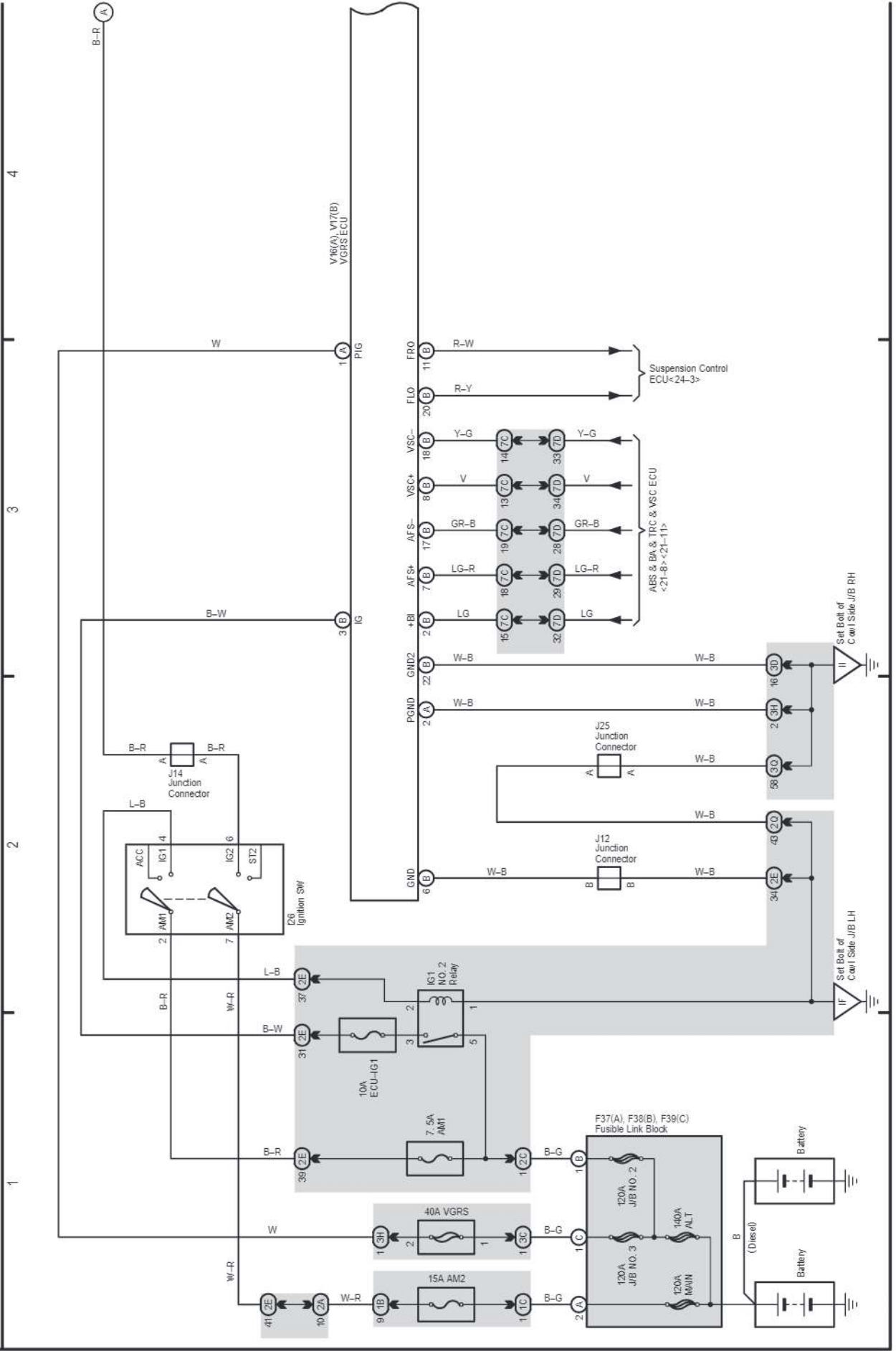
H OVERALL ELECTRICAL WIRING DIAGRAM

23 LAND CRUISER (RHD)

(Cont. next page)

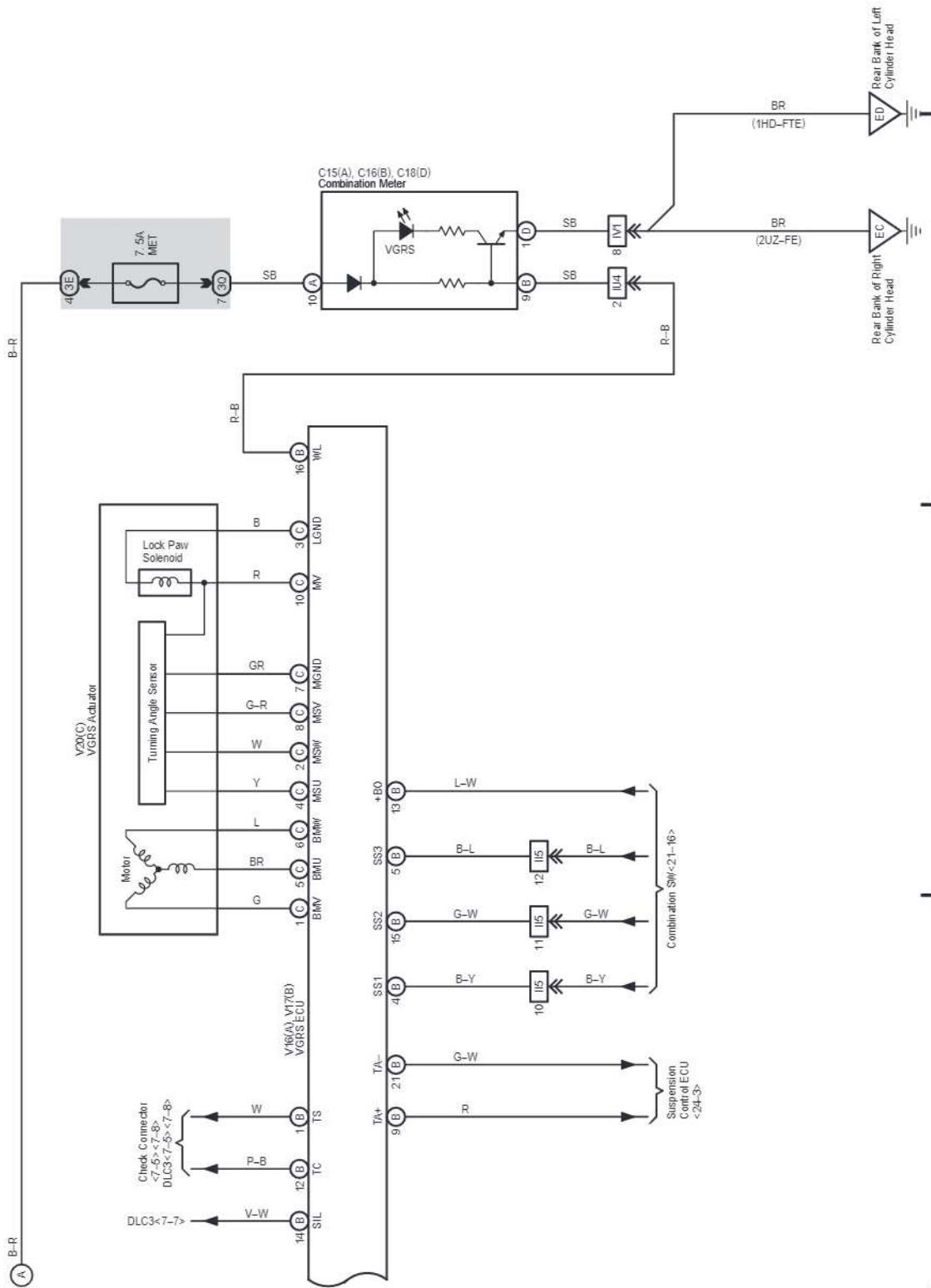
Power Source

VGRS System



cardiagn.com

VGRS System

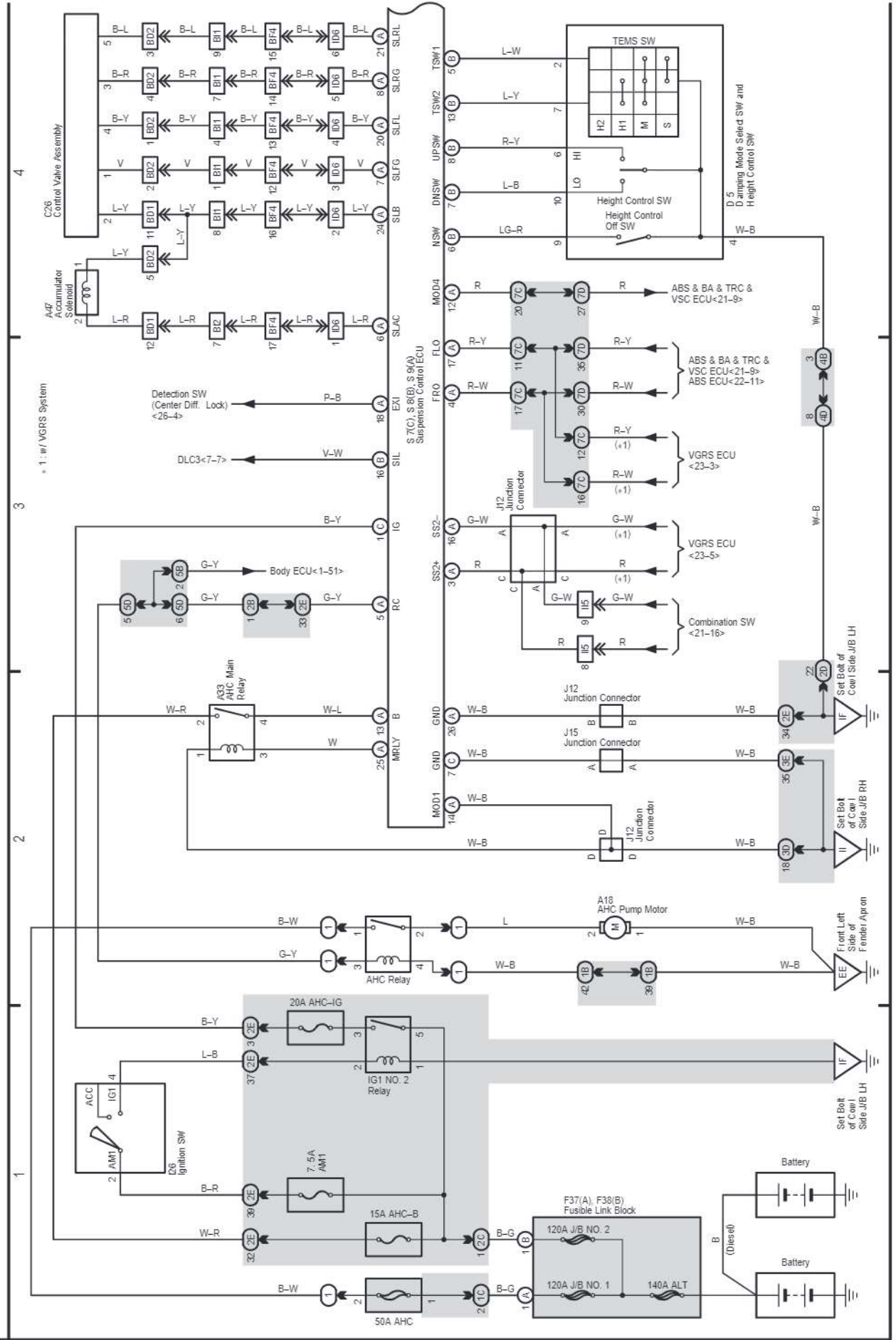


H OVERALL ELECTRICAL WIRING DIAGRAM

24 LAND CRUISER (RHD)

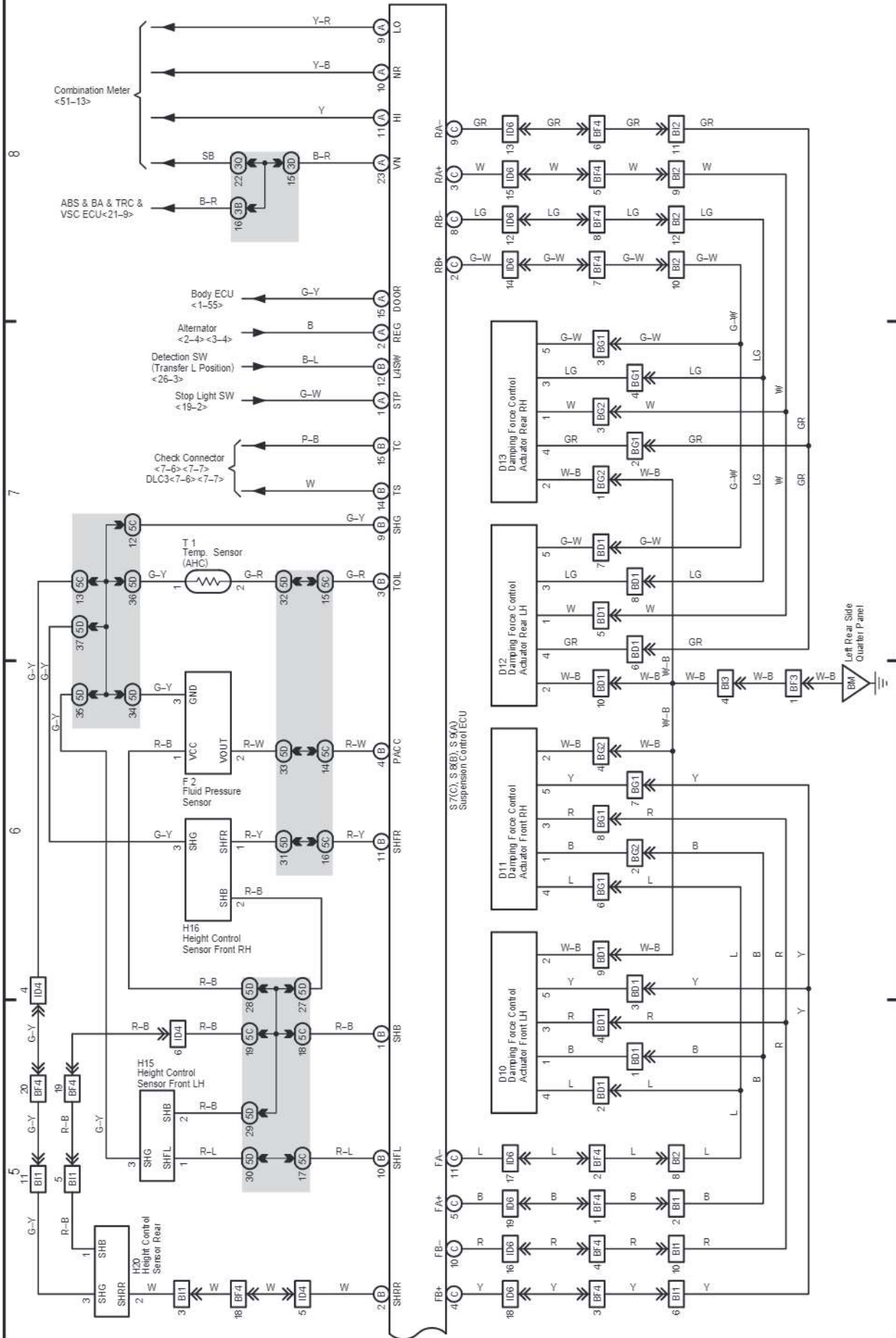
(Cont. next page)

Active Height Control Suspension and Adaptive Variable Suspension



cardiagn.com

Active Height Control Suspension and Adaptive Variable Suspension



H OVERALL ELECTRICAL WIRING DIAGRAM

25 LAND CRUISER (RHD)

(Cont. next page)

- * 1: w/ Side Airbag
- * 2: w/o Side Airbag
- * 3: Separate Seat
- * 4: Bench Seat

Power Source

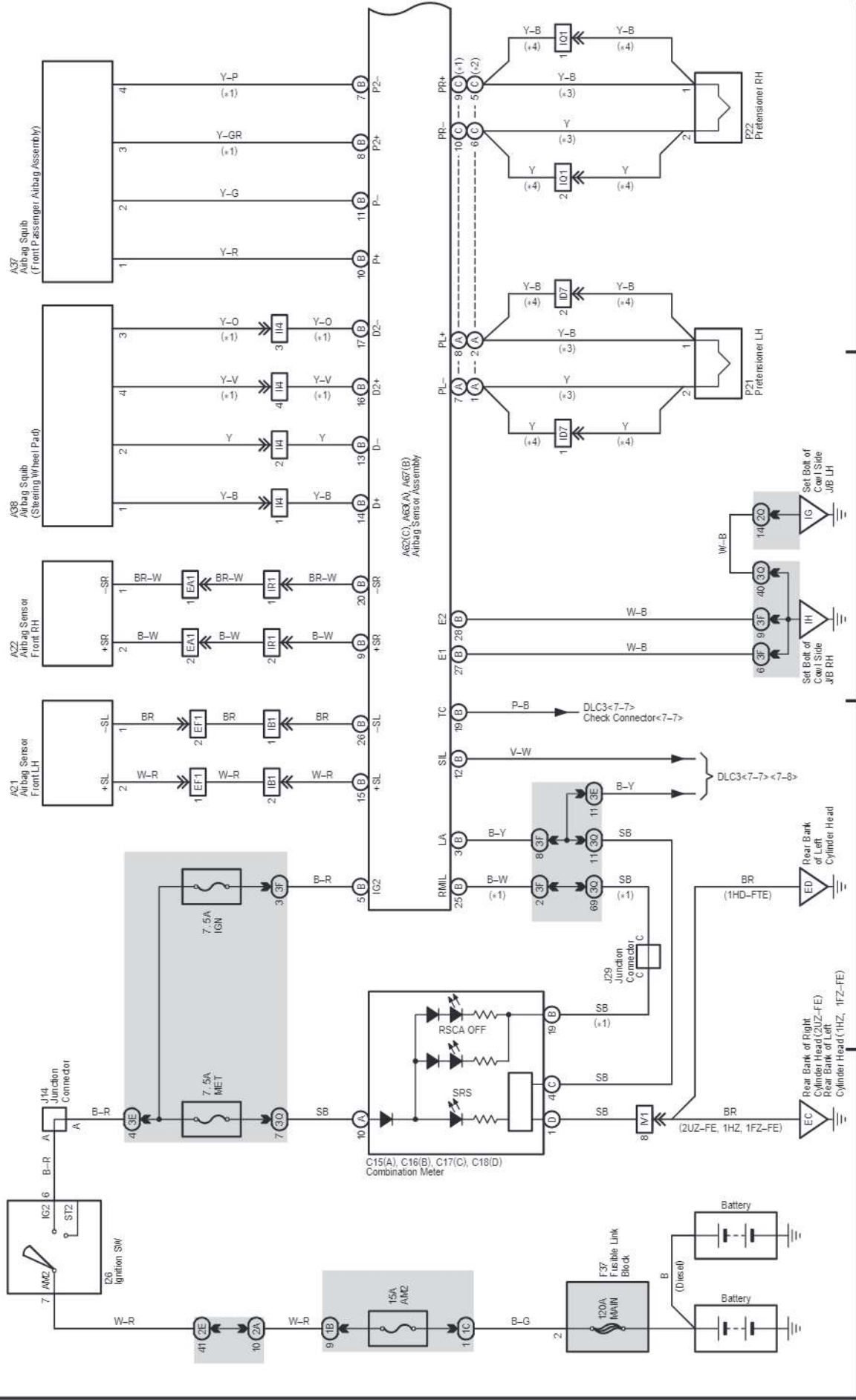
SRS

4

3

2

1



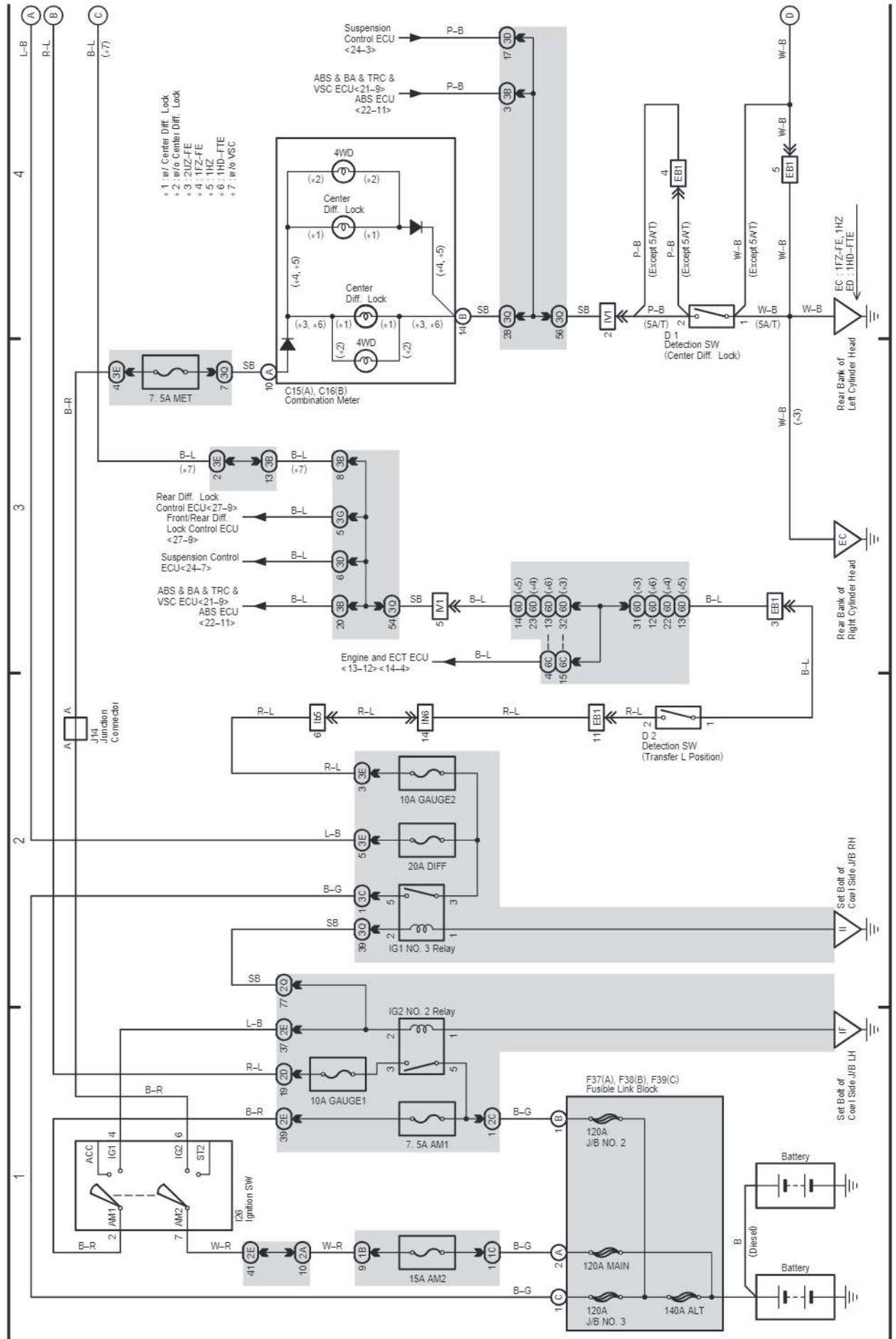
H OVERALL ELECTRICAL WIRING DIAGRAM

26 LAND CRUISER (RHD)

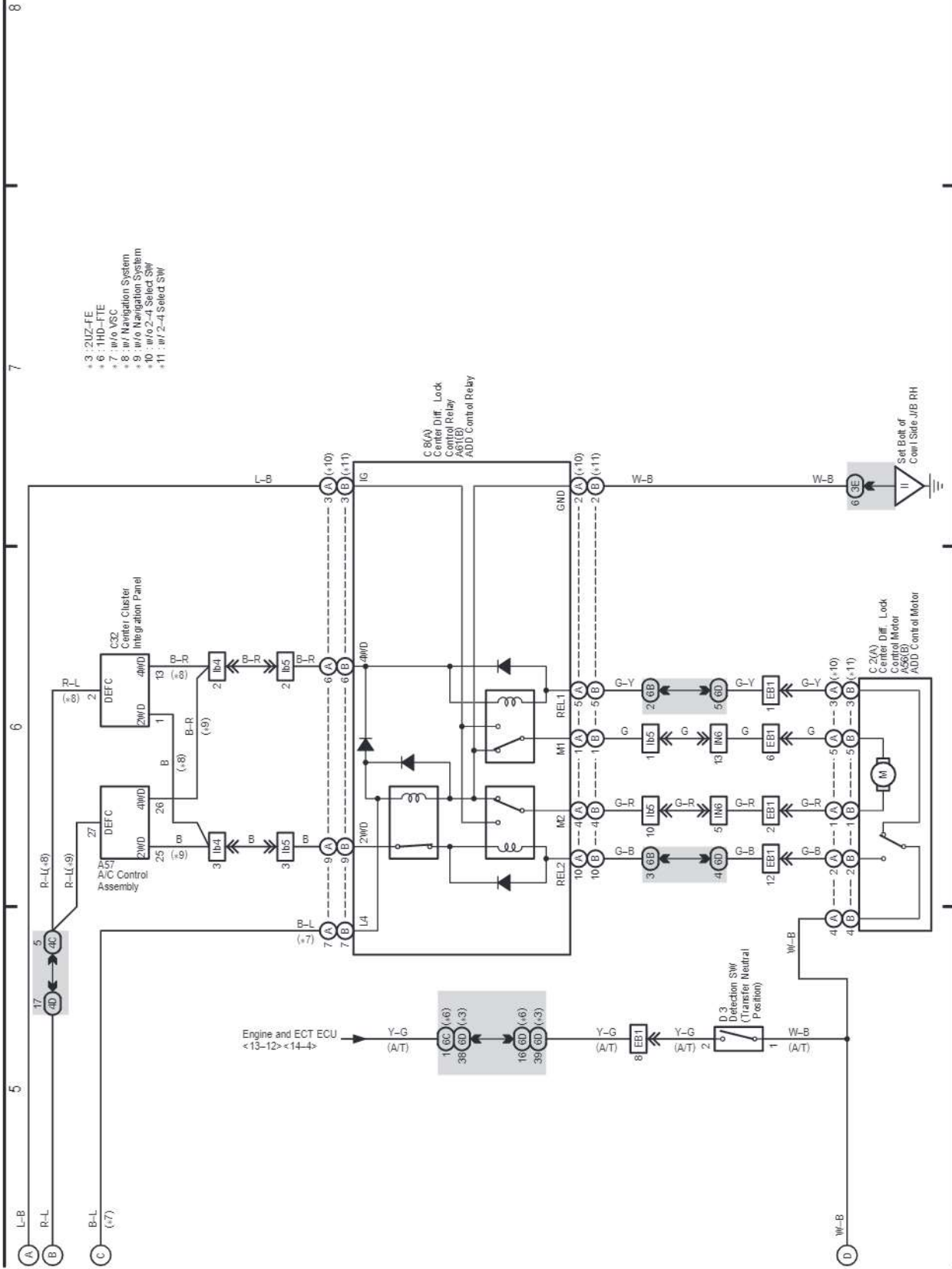
(Cont. next page)

Center Differential Lock or 4WD (w/ 2-4 Select SW)

Power Source



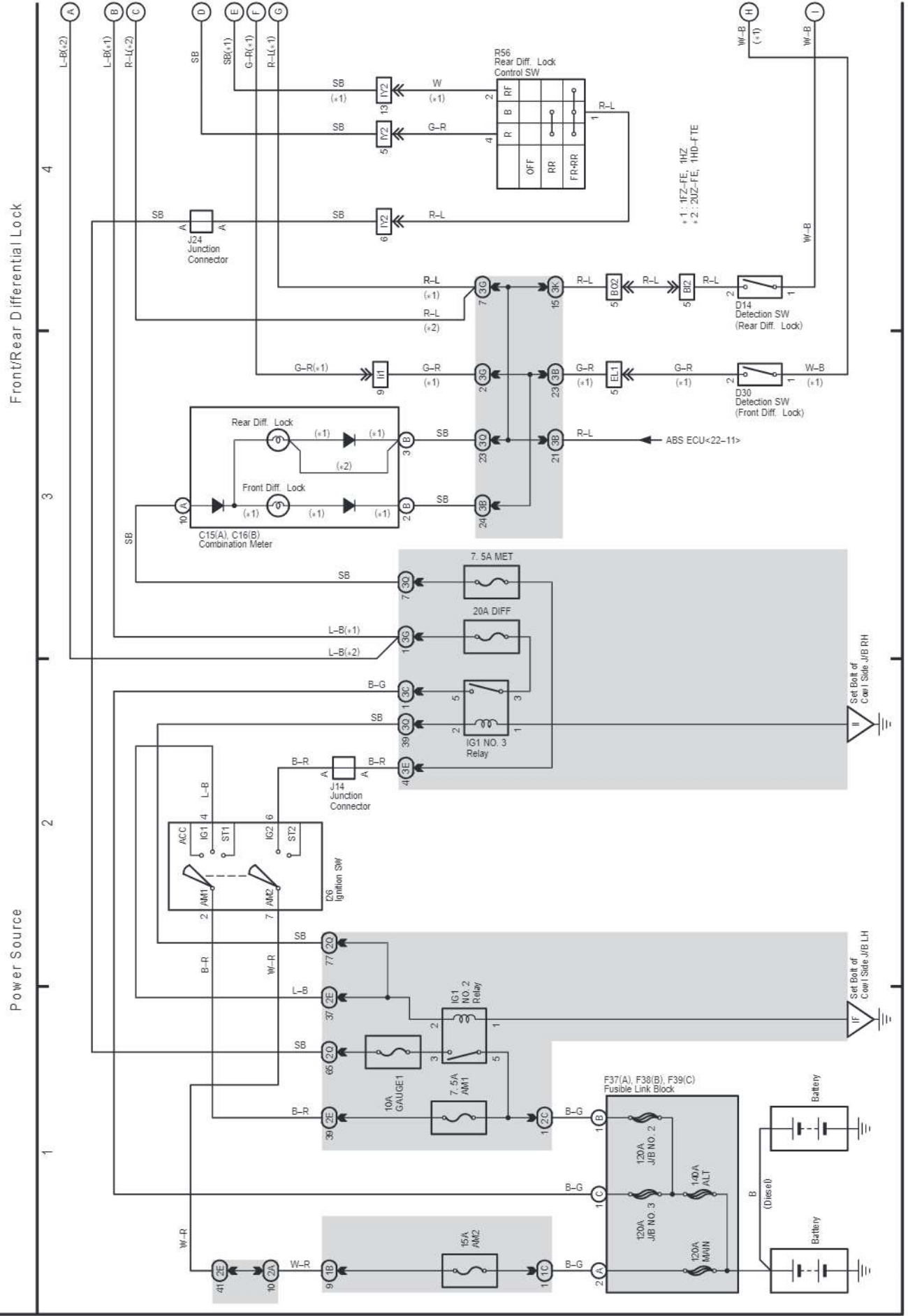
Center Differential Lock or 4WD (w/ 2-4 Select SW)



H OVERALL ELECTRICAL WIRING DIAGRAM

27 LAND CRUISER (RHD)

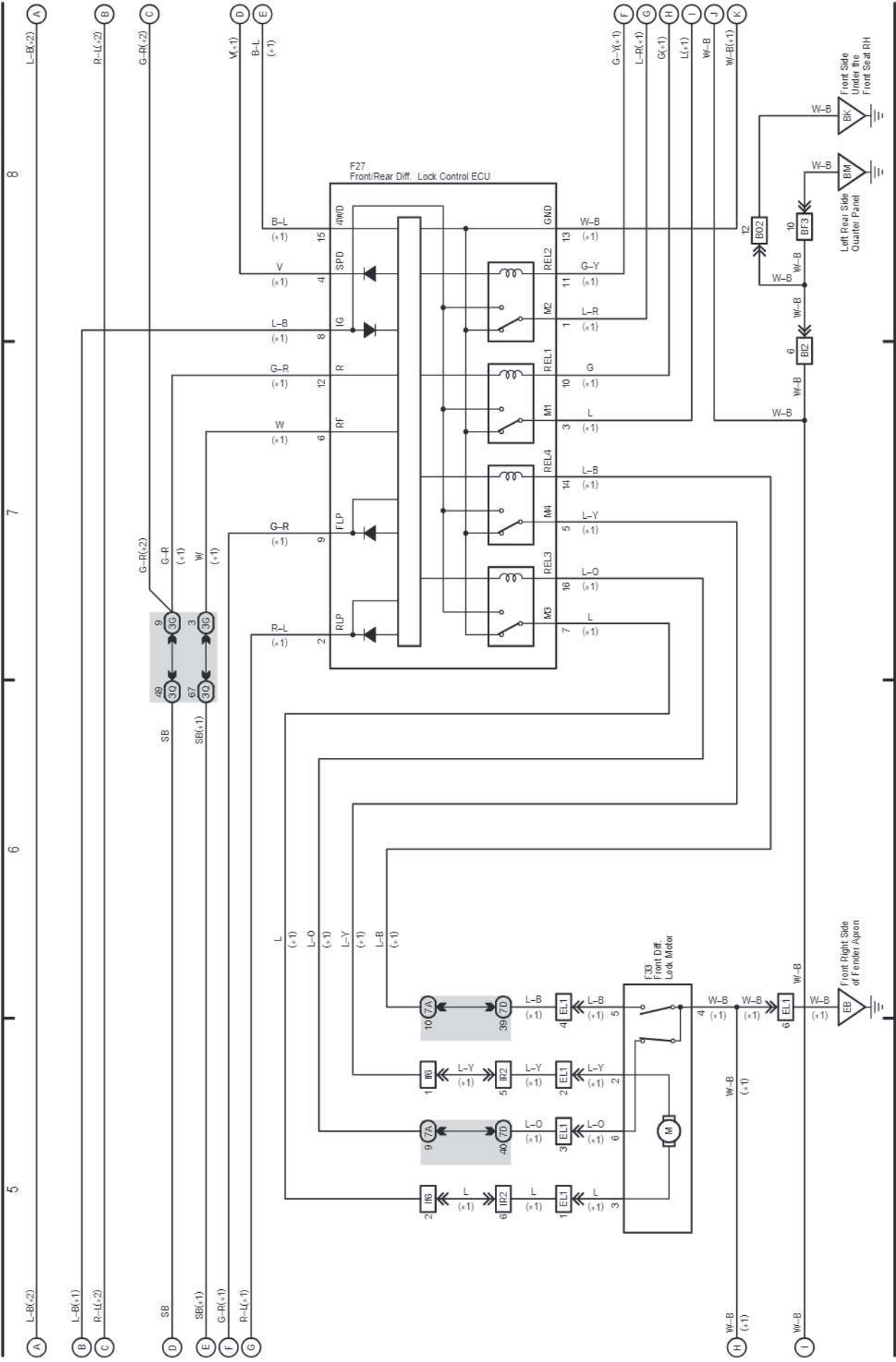
(Cont. next page)



cardiagn.com

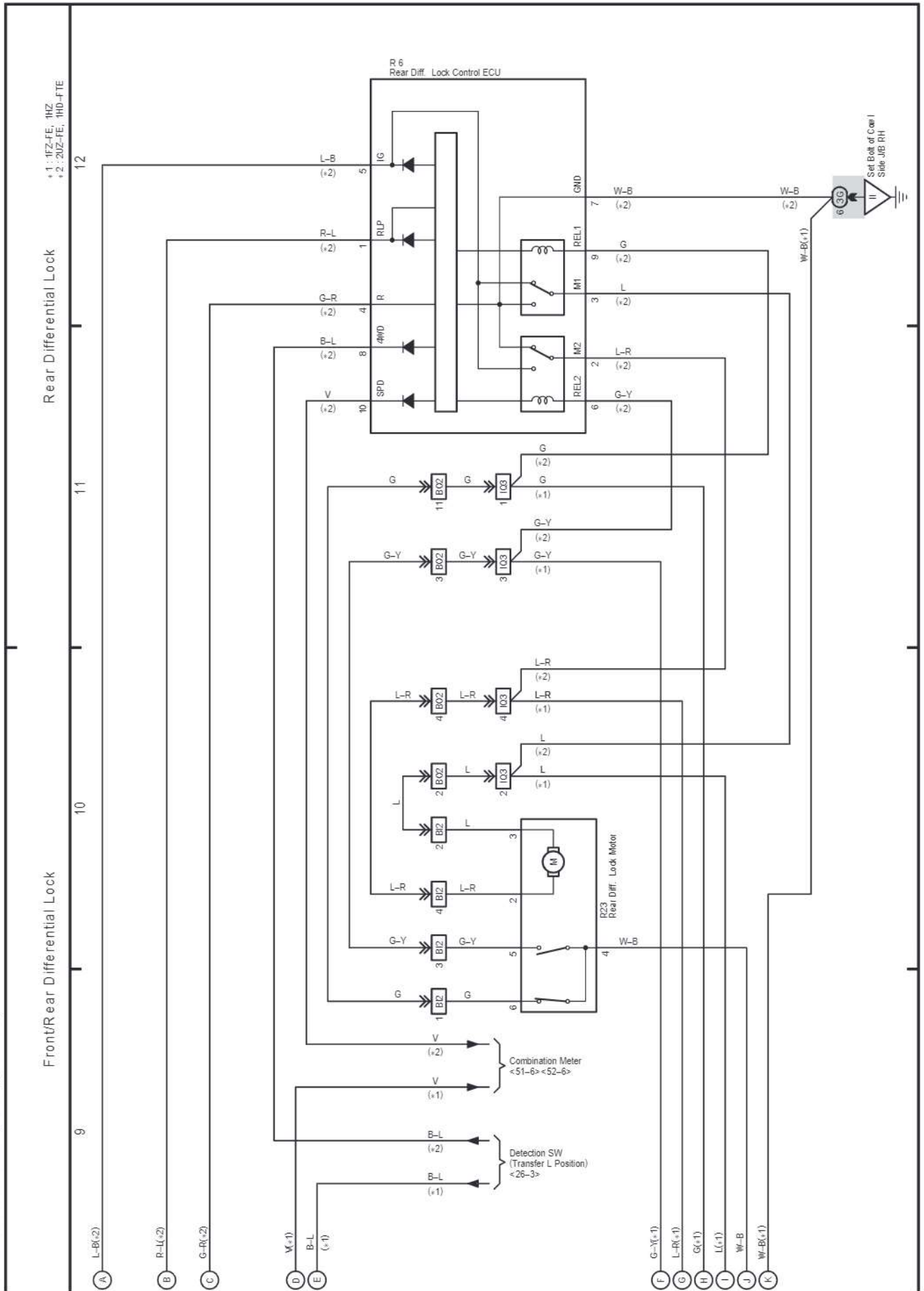
Front/Rear Differential Lock

*1 : 1FZ-FE, 1HZ
*2 : 2UZ-FE, 1HD-FTE



H OVERALL ELECTRICAL WIRING DIAGRAM

27 LAND CRUISER (RHD) (Cont' d)



cardiagn.com

H OVERALL ELECTRICAL WIRING DIAGRAM

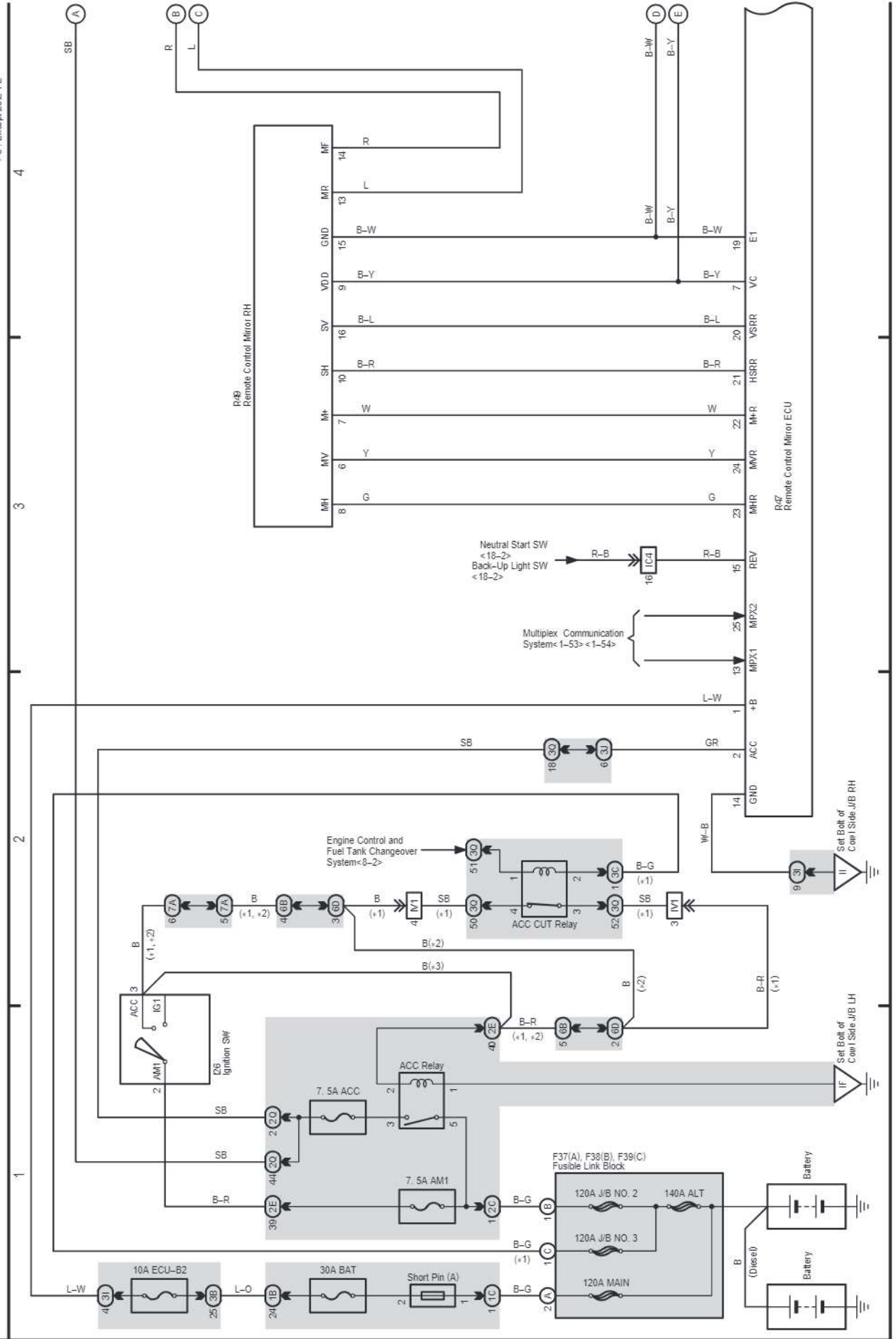
28 LAND CRUISER (RHD)

(Cont. next page)

- * 1: 20Z-TE/AT
- * 2: 20Z-TE/MT
- * 3: Exemp.20Z-FE

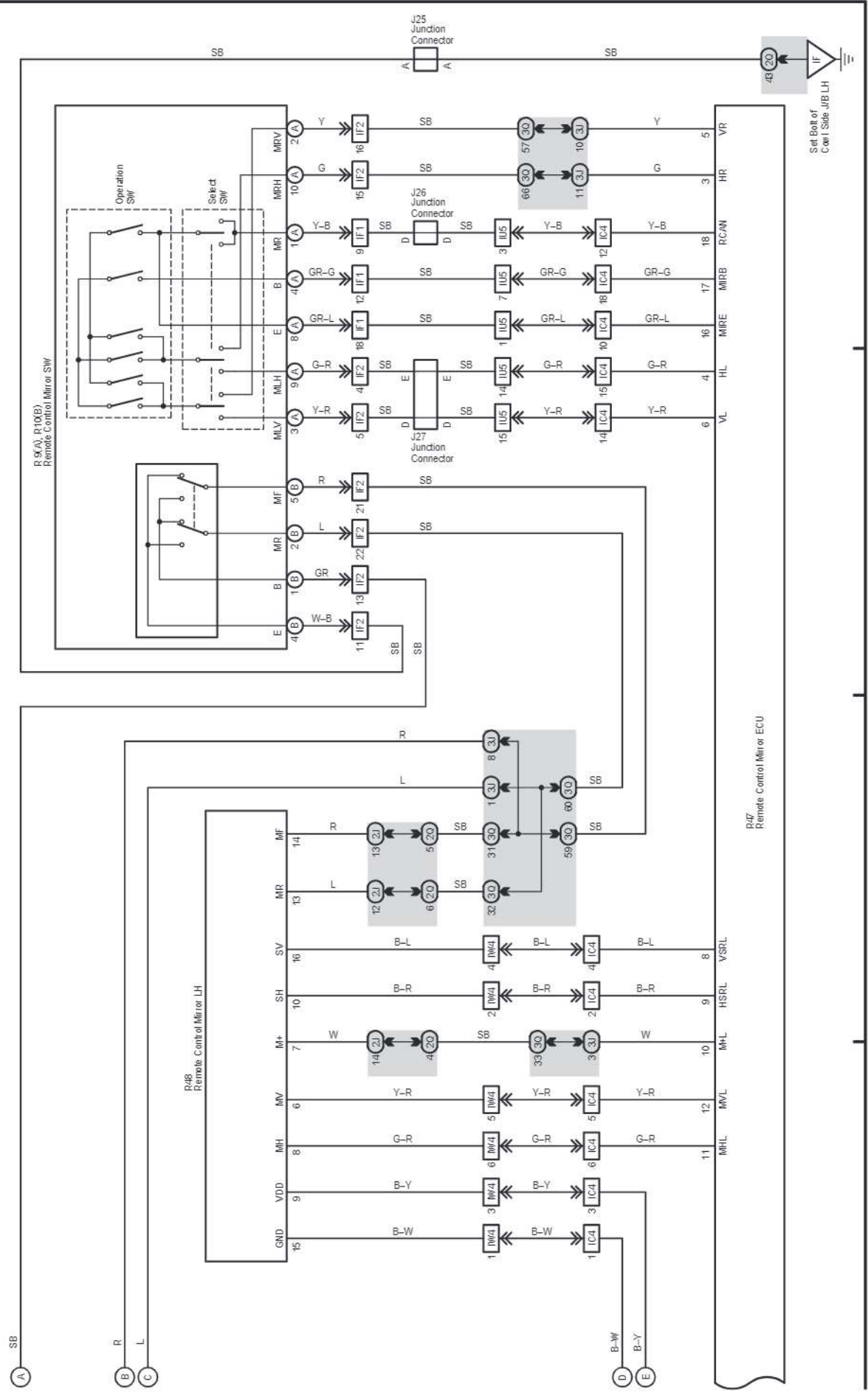
Remote Control Mirror (w/ Driving Position Memory)

Power Source



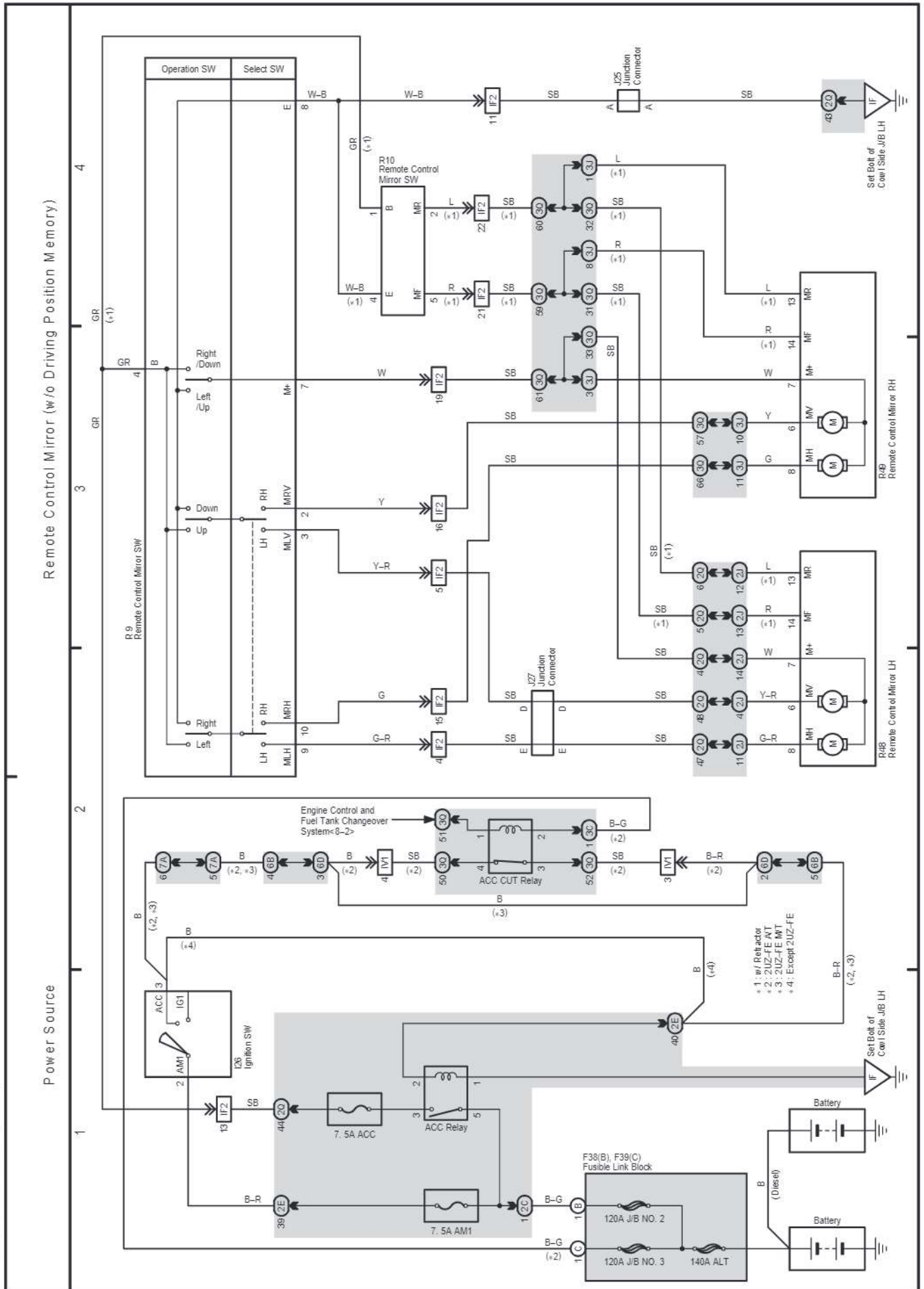
Remote Control Mirror (w/ Driving Position Memory)

5 6 7 8



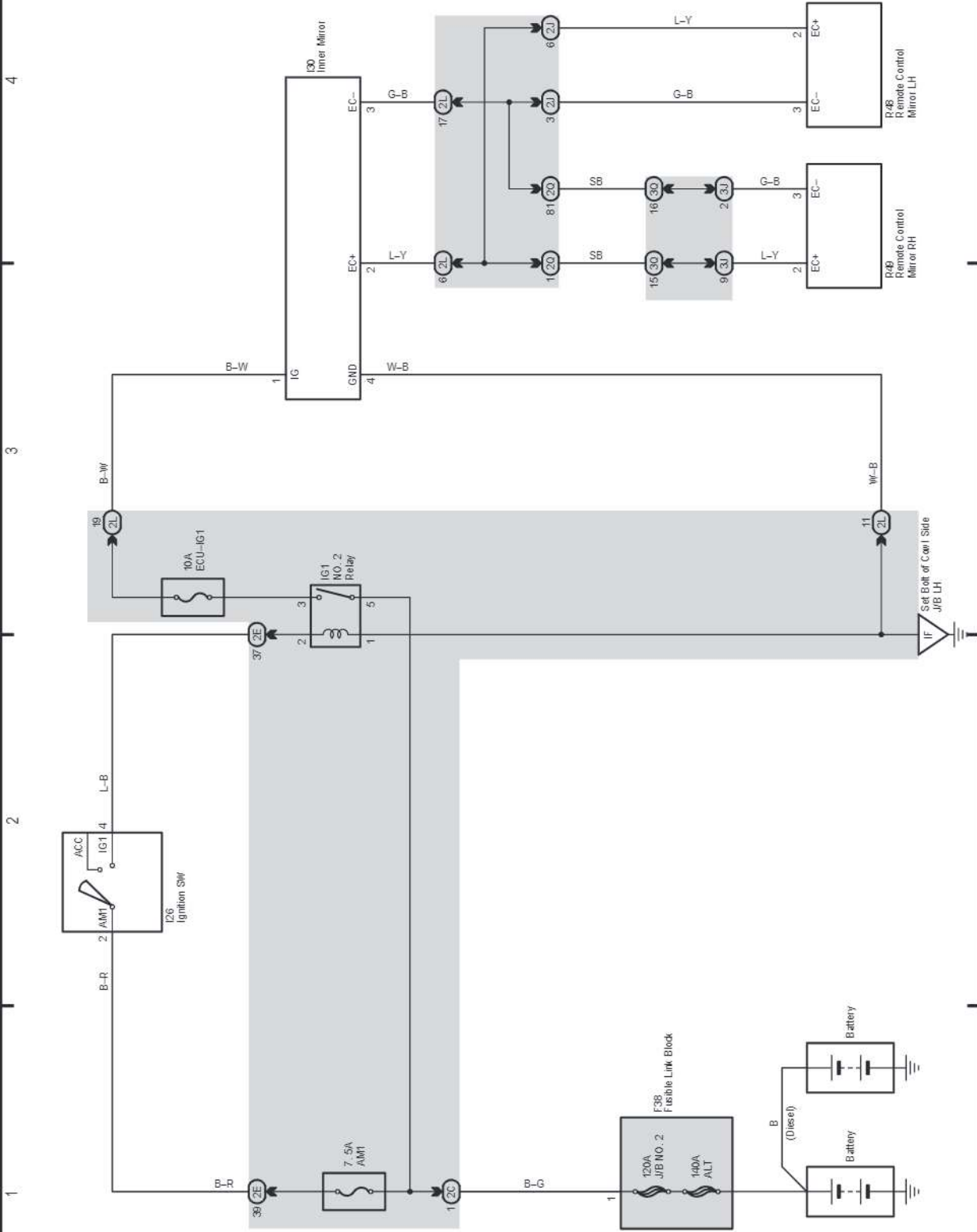
H OVERALL ELECTRICAL WIRING DIAGRAM

29 LAND CRUISER (RHD)

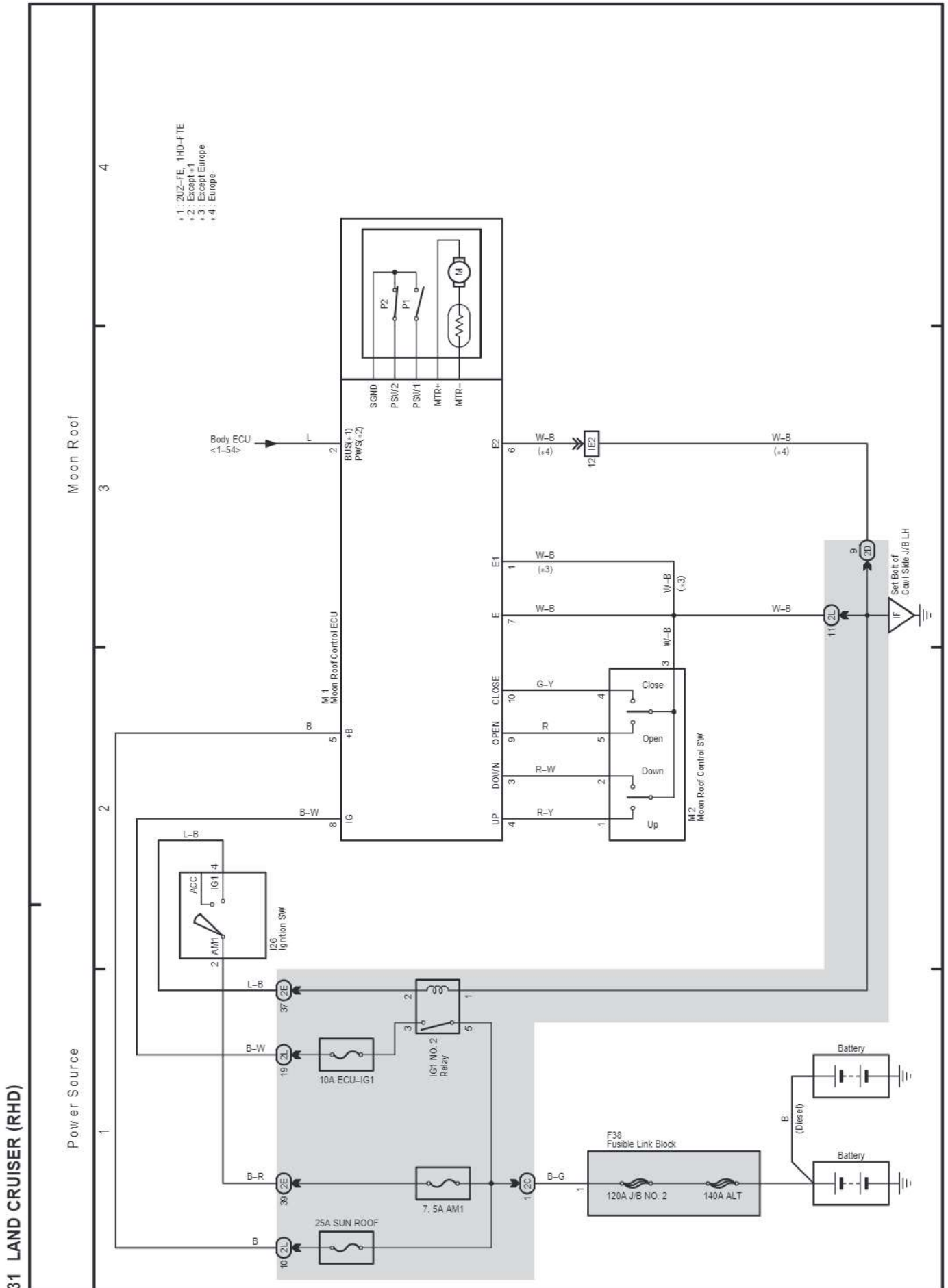


cardiagn.com

Automatic Glare-Resistant EC Mirror with Compass



H OVERALL ELECTRICAL WIRING DIAGRAM



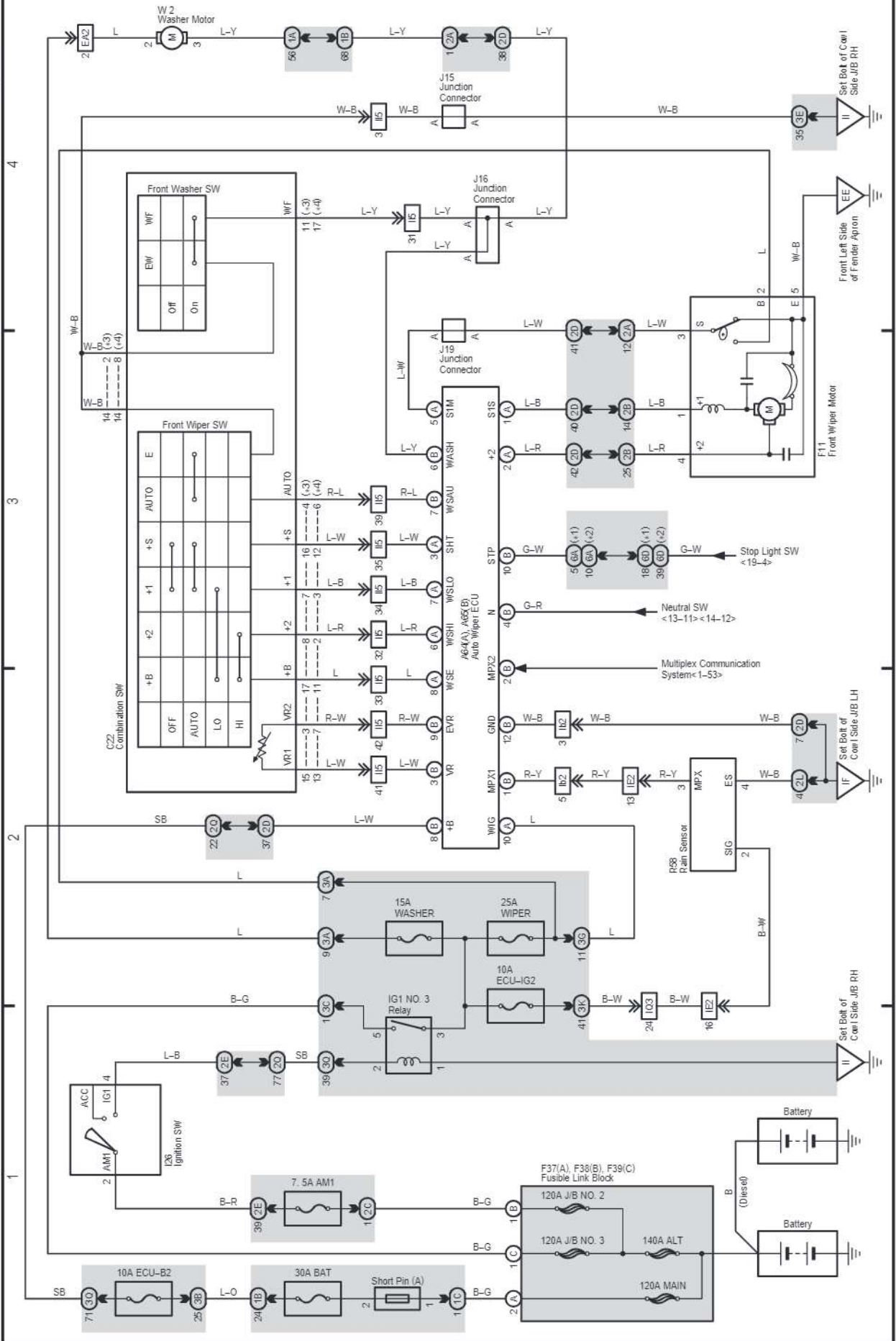
cardiagn.com

32 LAND CRUISER (RHD)

Front Wiper and Washer (Automatic)

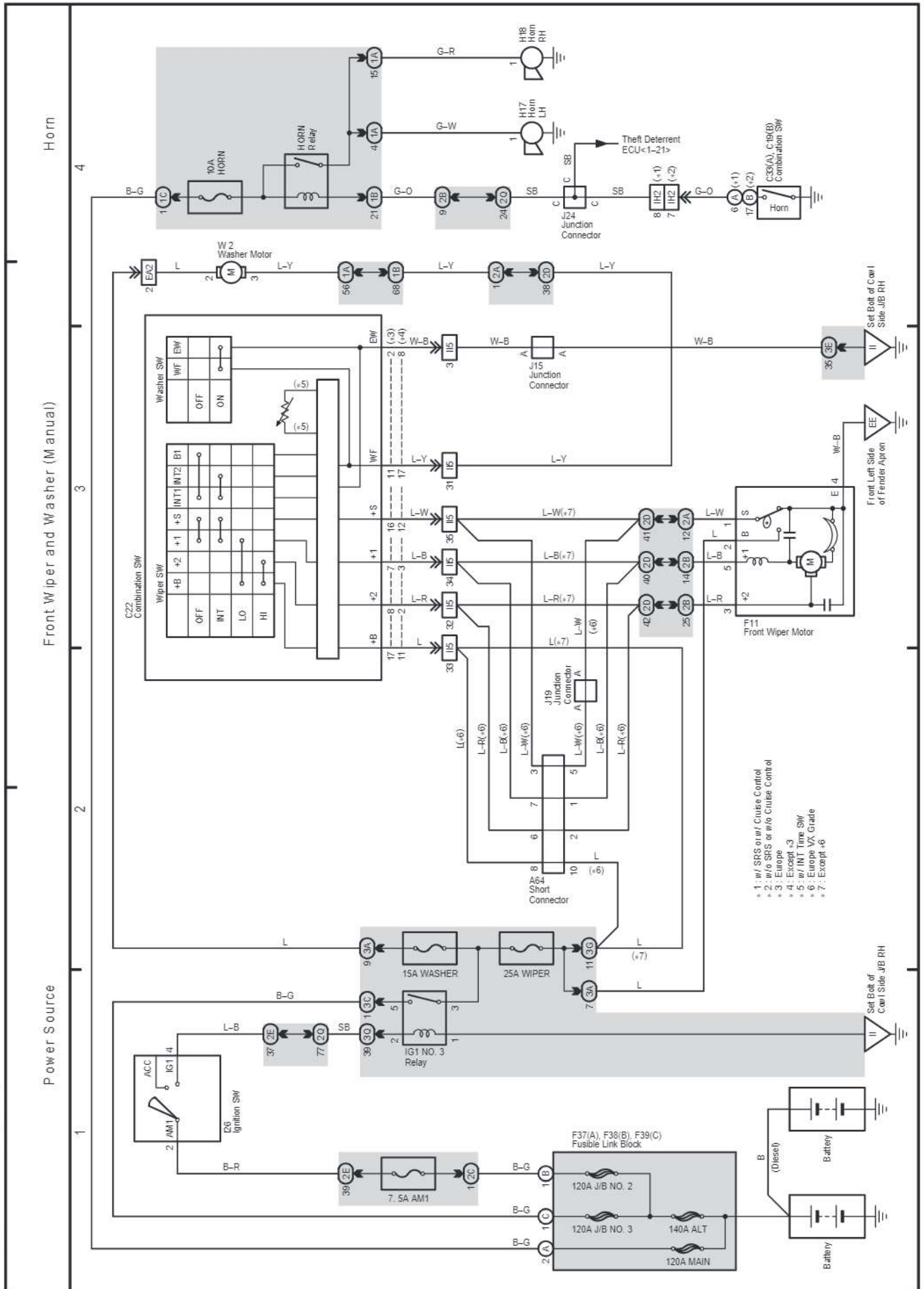
Power Source

- 1: 2UZ-FE
- 2: 1HD-FTE
- 3: Europe
- 4: Except 3



H OVERALL ELECTRICAL WIRING DIAGRAM

33 LAND CRUISER (RHD)



LAND CRUISER Station Wagon (EWD602E)

34 LAND CRUISER (RHD)

1. Power Source

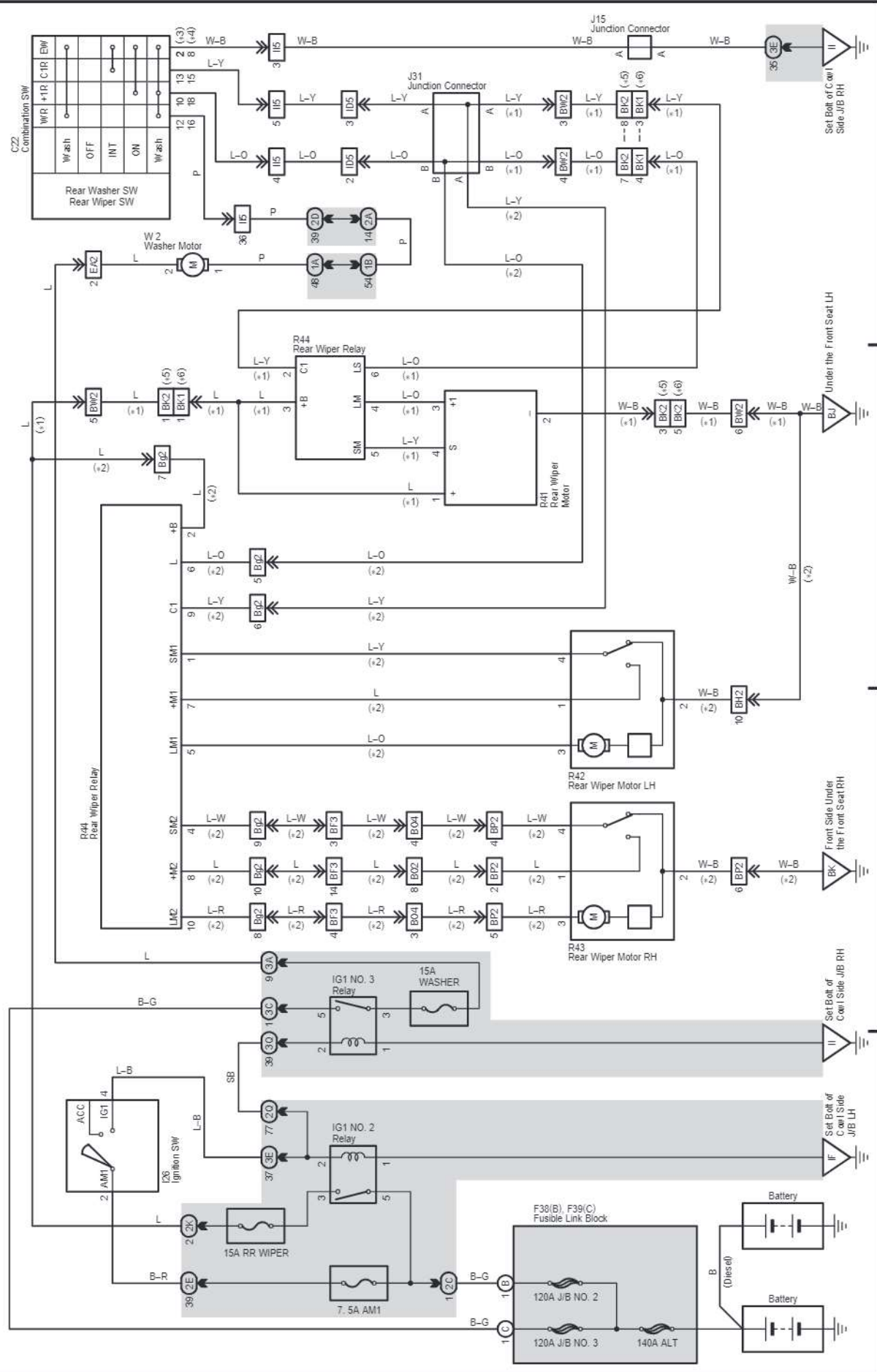
2. Rear Wiper and Washer

3. Rear Wiper and Washer

4. Rear Wiper and Washer

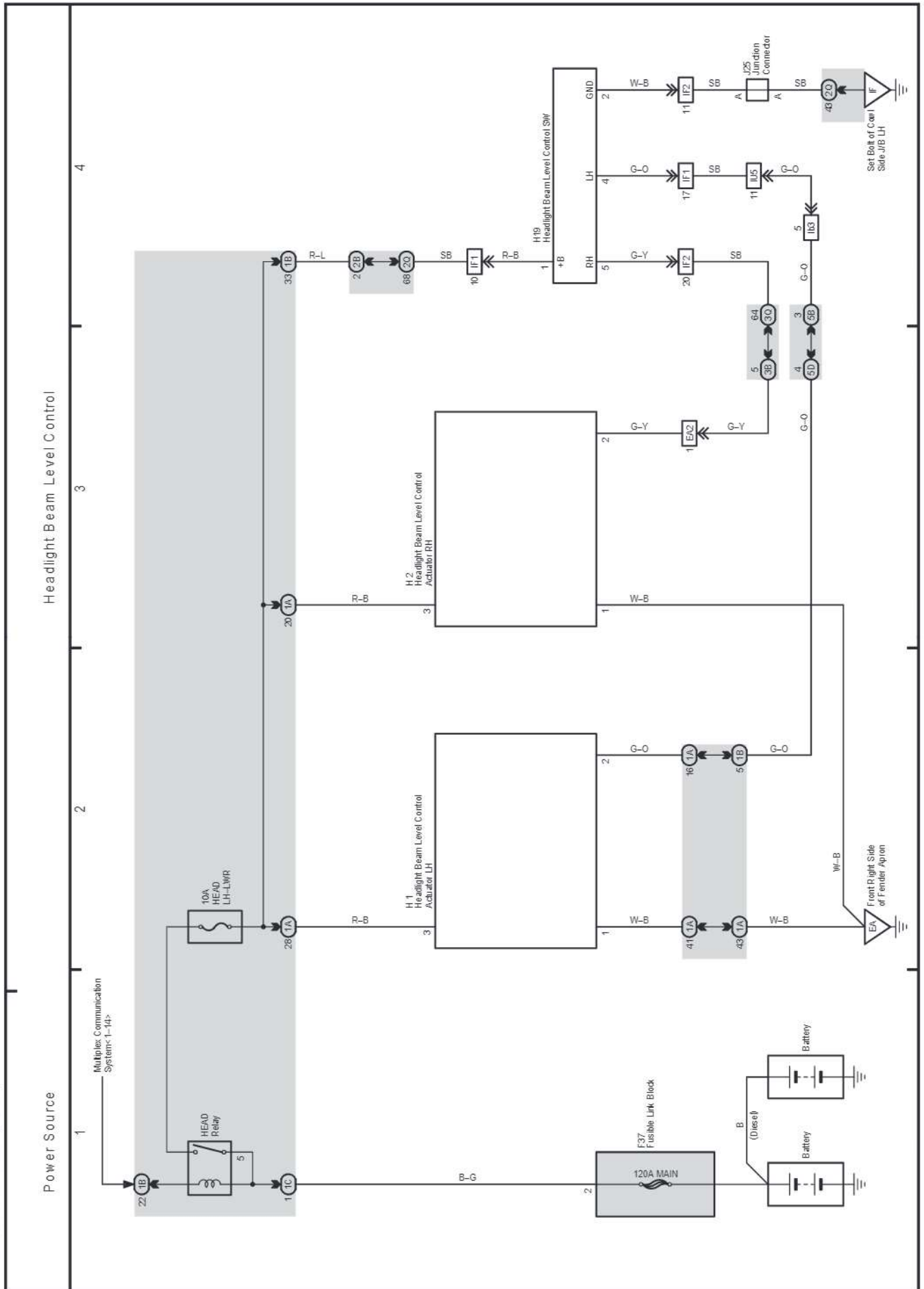
*1. Liftgate Type
 *2. Spring Type
 *3. Europe

*4. Except Europe
 *5. w/ Navigation System
 *6. w/o Navigation System

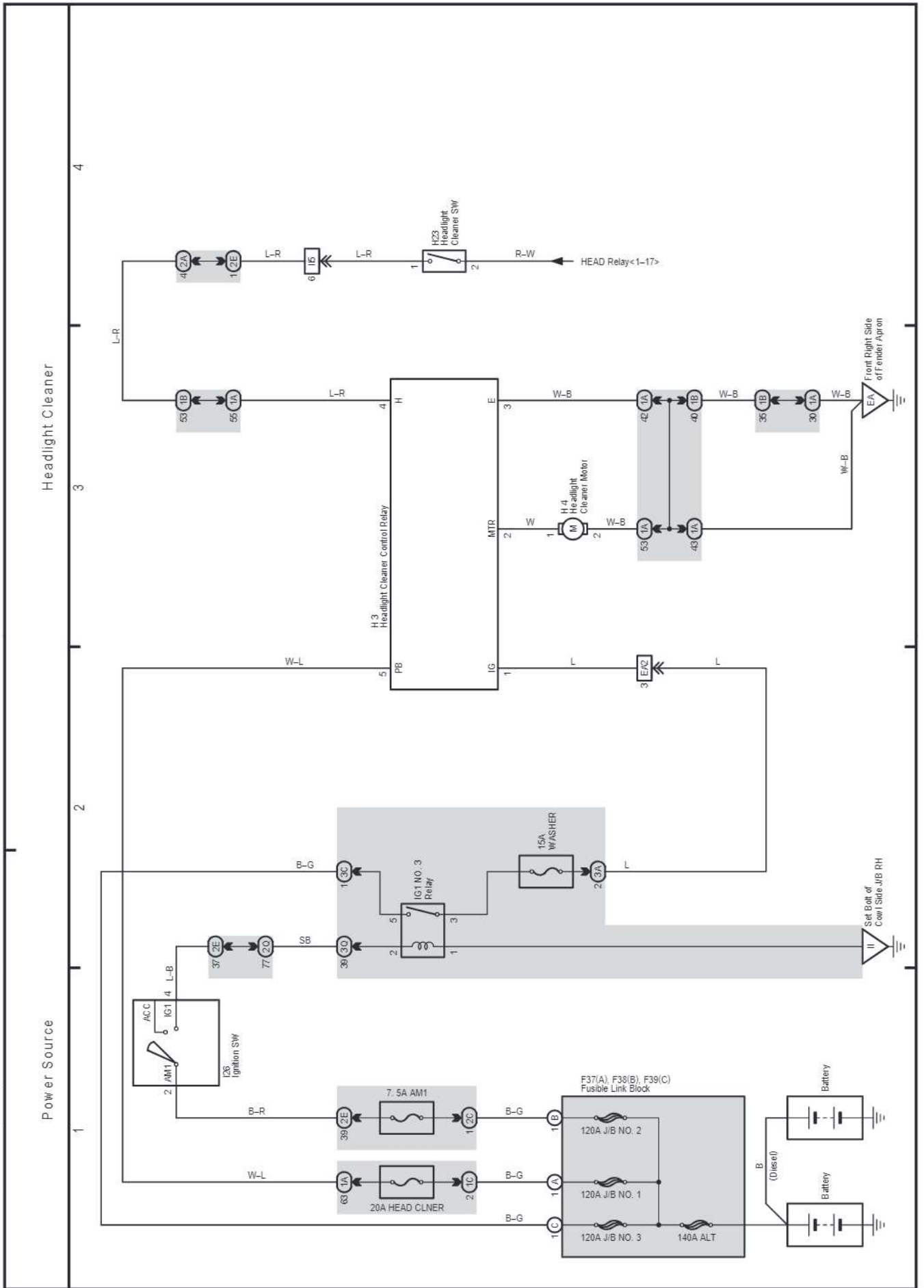


H OVERALL ELECTRICAL WIRING DIAGRAM

35 LAND CRUISER (RHD)

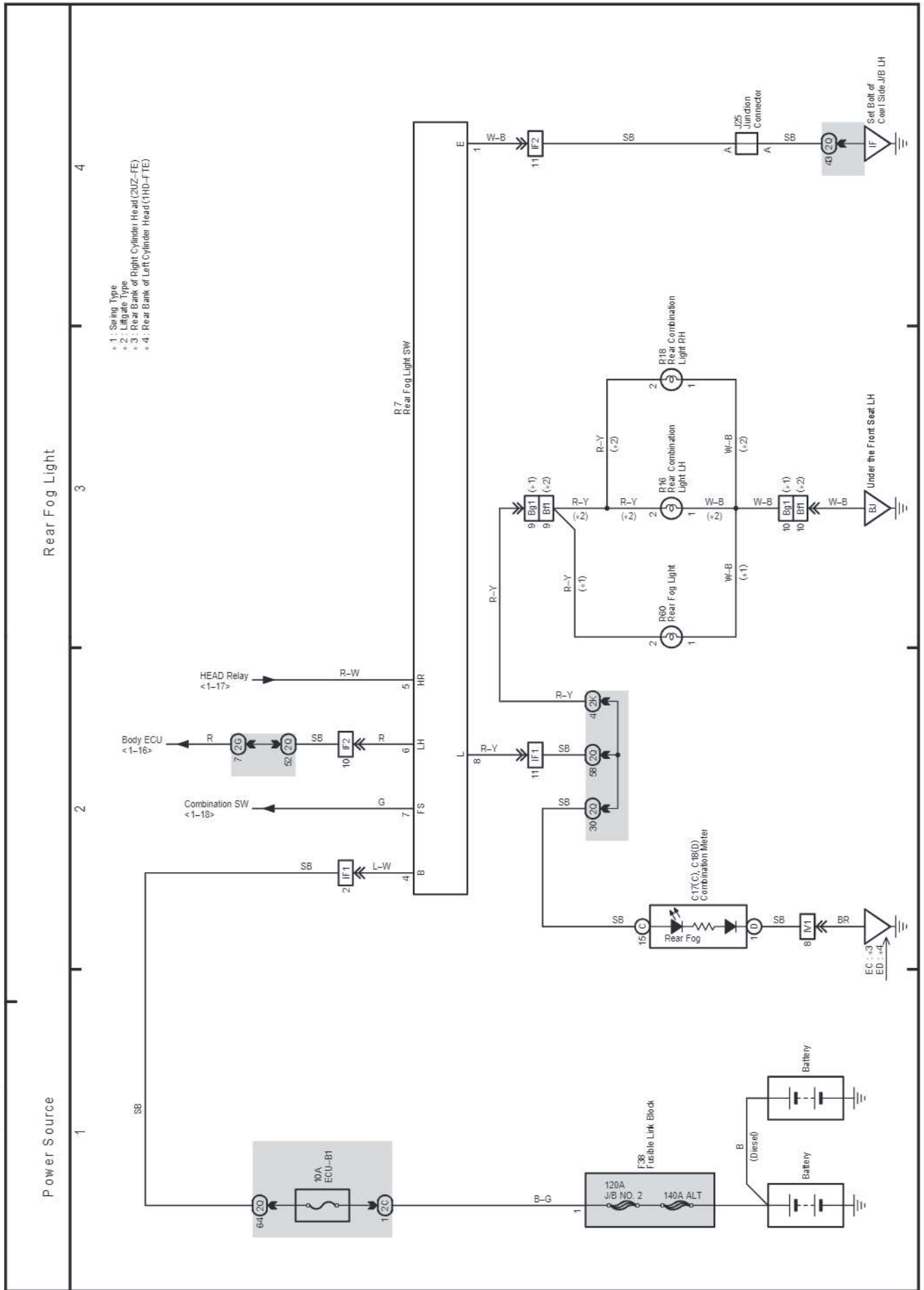


cardiagn.com



H OVERALL ELECTRICAL WIRING DIAGRAM

37 LAND CRUISER (RHD)



cardiagn.com

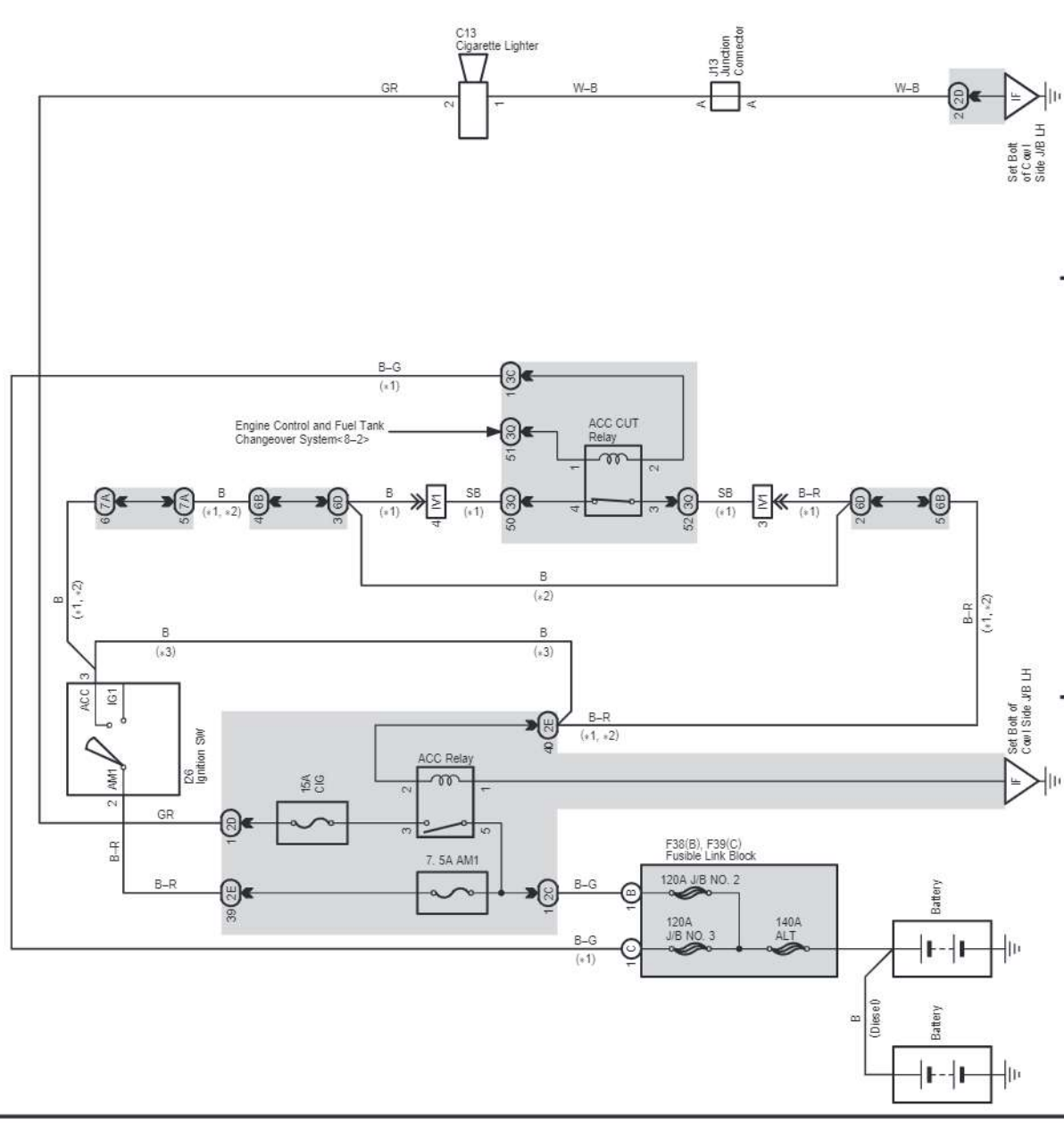
38 LAND CRUISER (RHD)

+1 : 2UZ-FE AT
+2 : 2UZ-FE MT
+3 : Except 2UZ-FE

Cigarette Lighter

Power Source

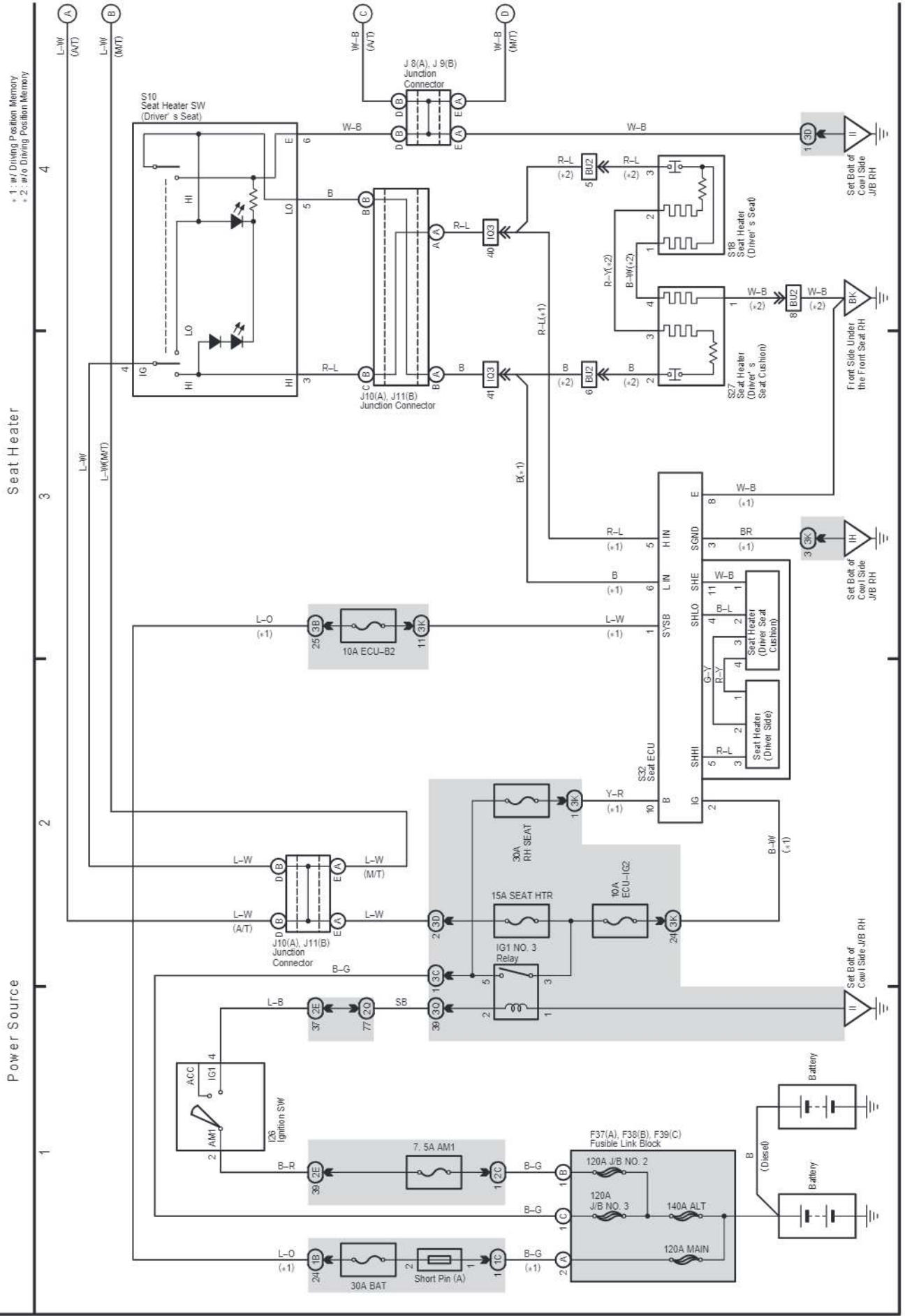
4
3
2
1



H OVERALL ELECTRICAL WIRING DIAGRAM

39 LAND CRUISER (RHD)

(Cont. next page)



cardiagn.com

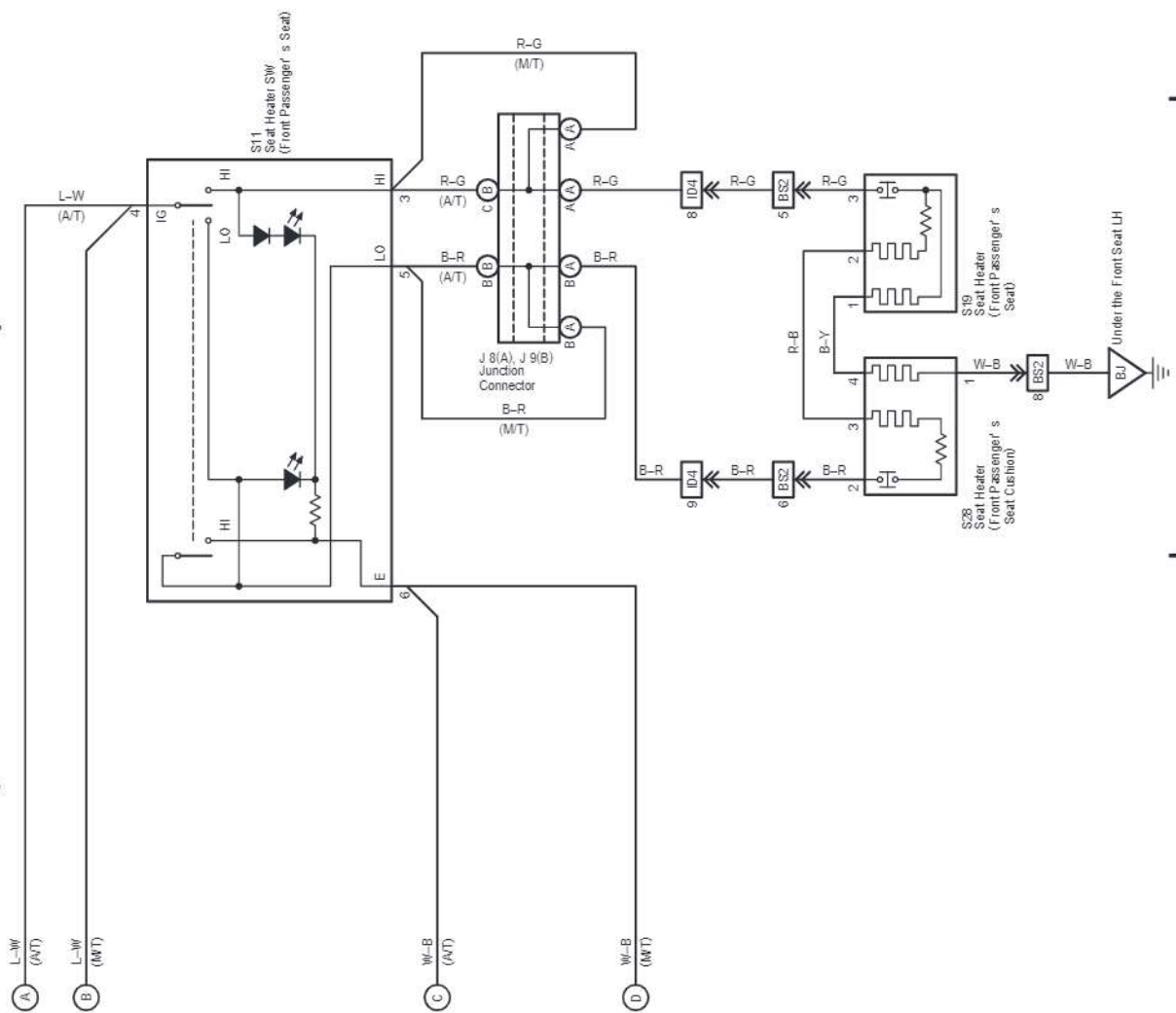
Seat Heater

8

7

6

5



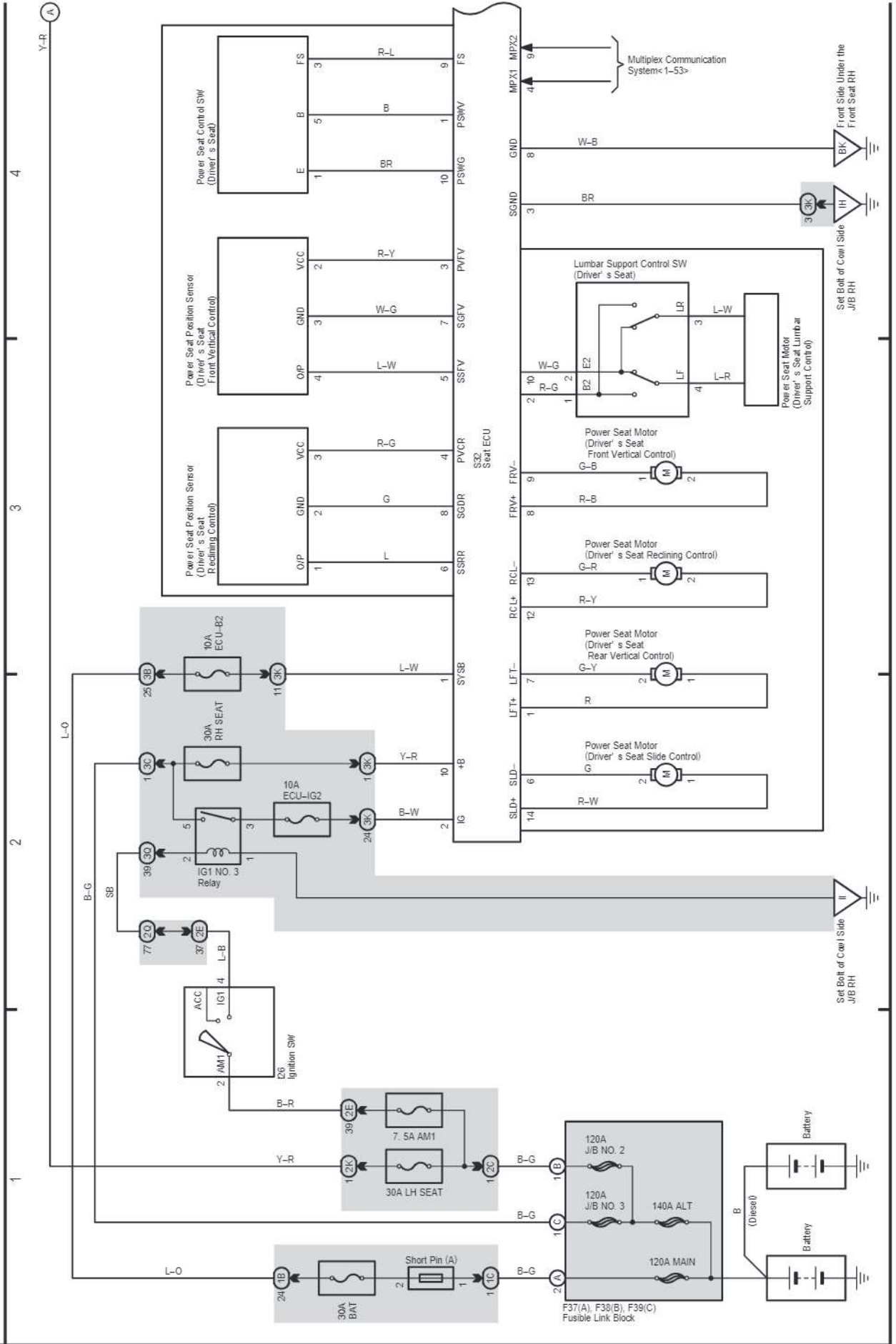
H OVERALL ELECTRICAL WIRING DIAGRAM

40 LAND CRUISER (RHD)

(Cont. next page)

Power Seat (w/ Driving Position Memory)

Power Source



cardiagn.com

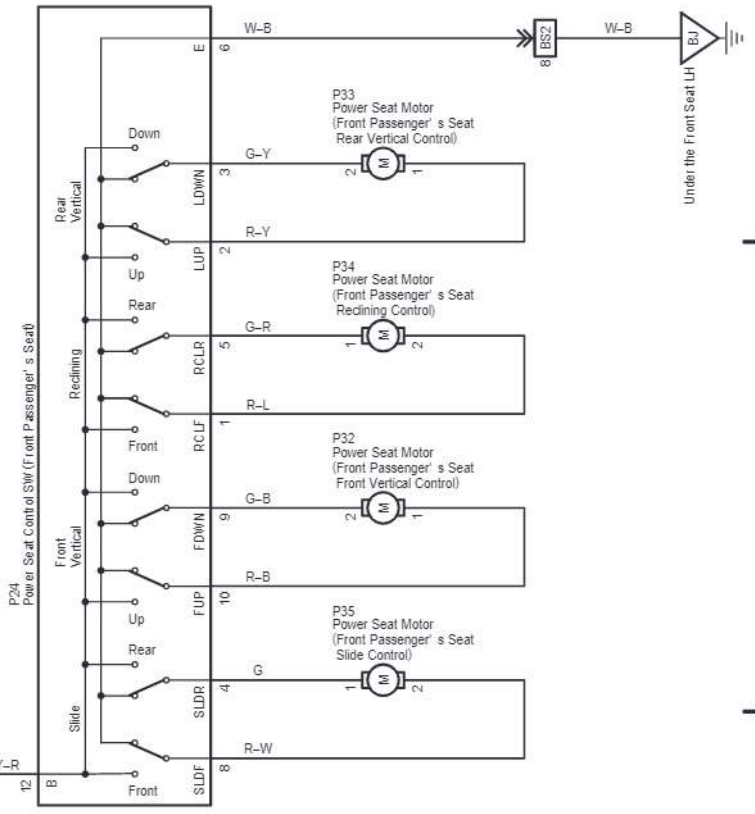
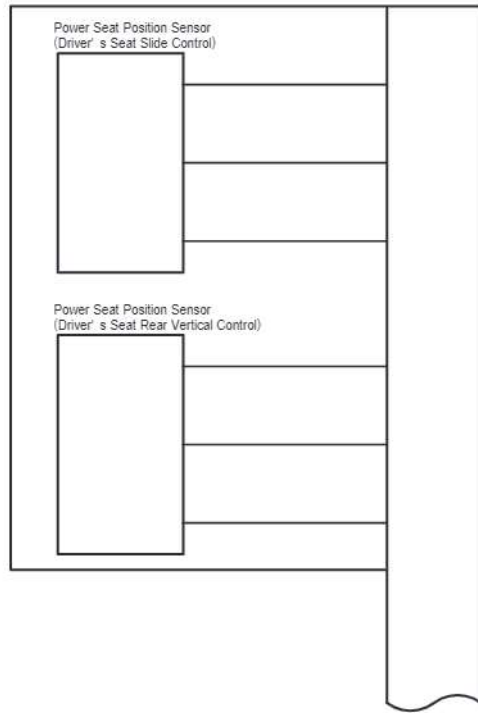
Power Seat (w/ Driving Position Memory)

8

7

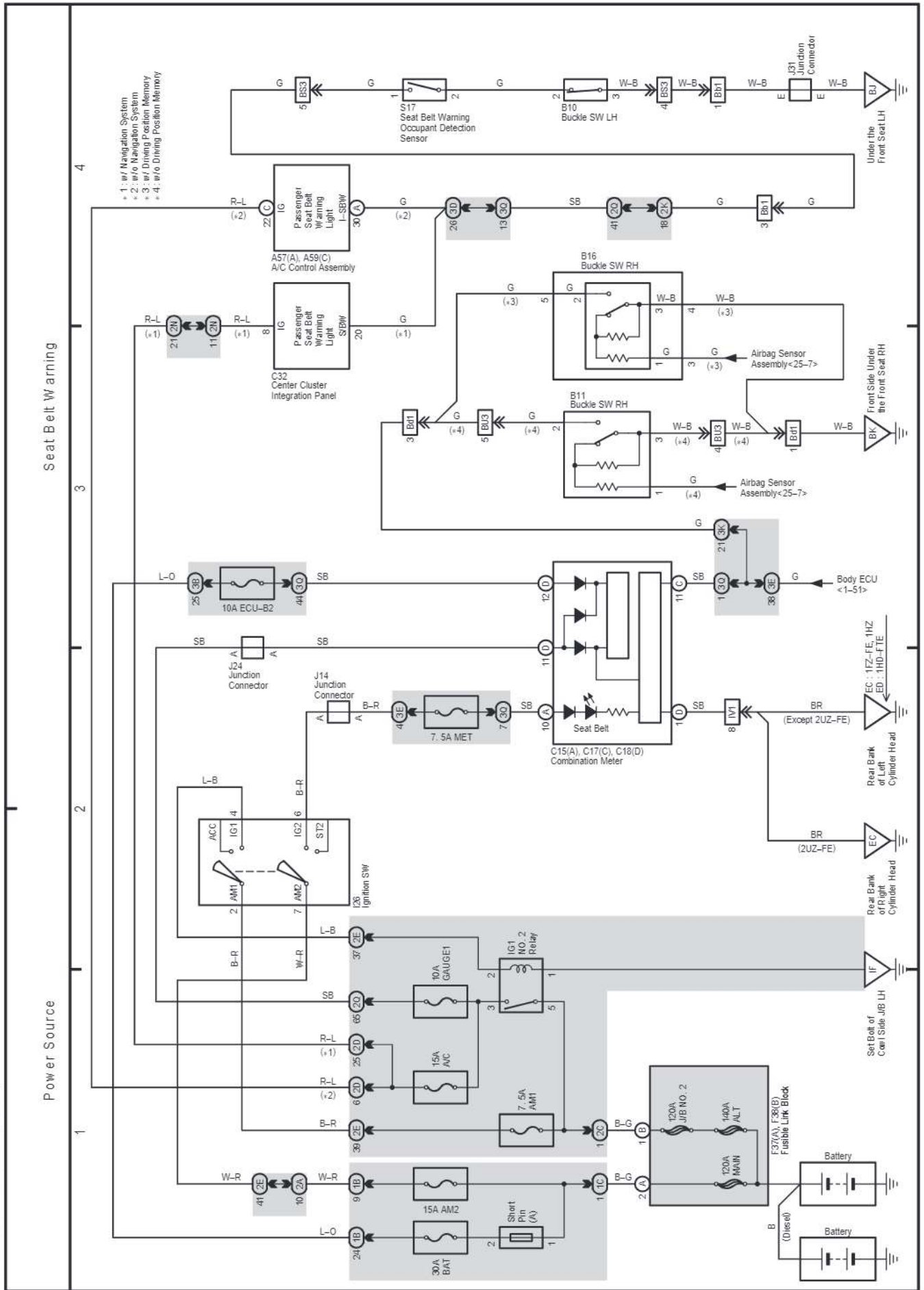
6

5



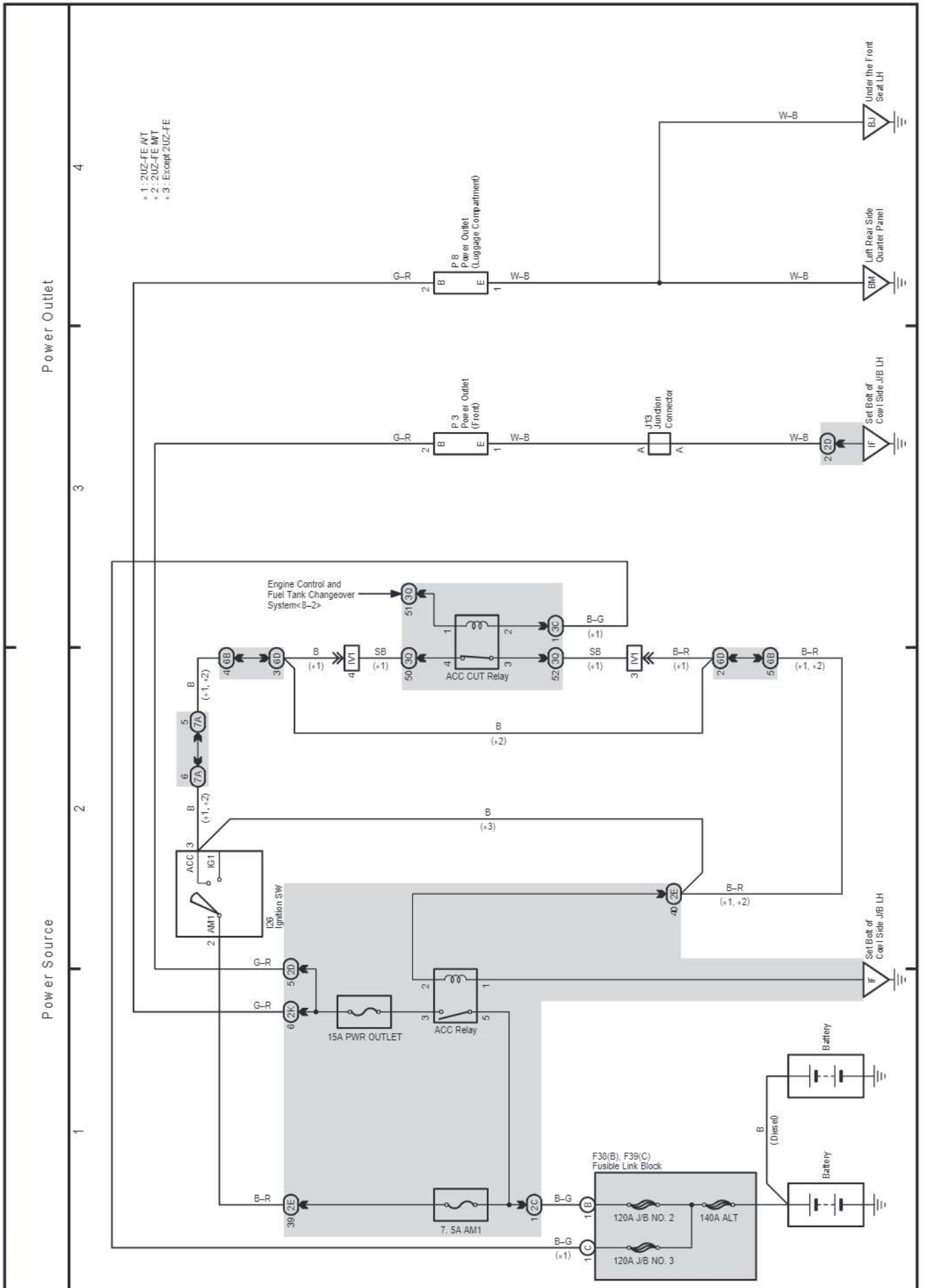
H OVERALL ELECTRICAL WIRING DIAGRAM

43 LAND CRUISER (RHD)



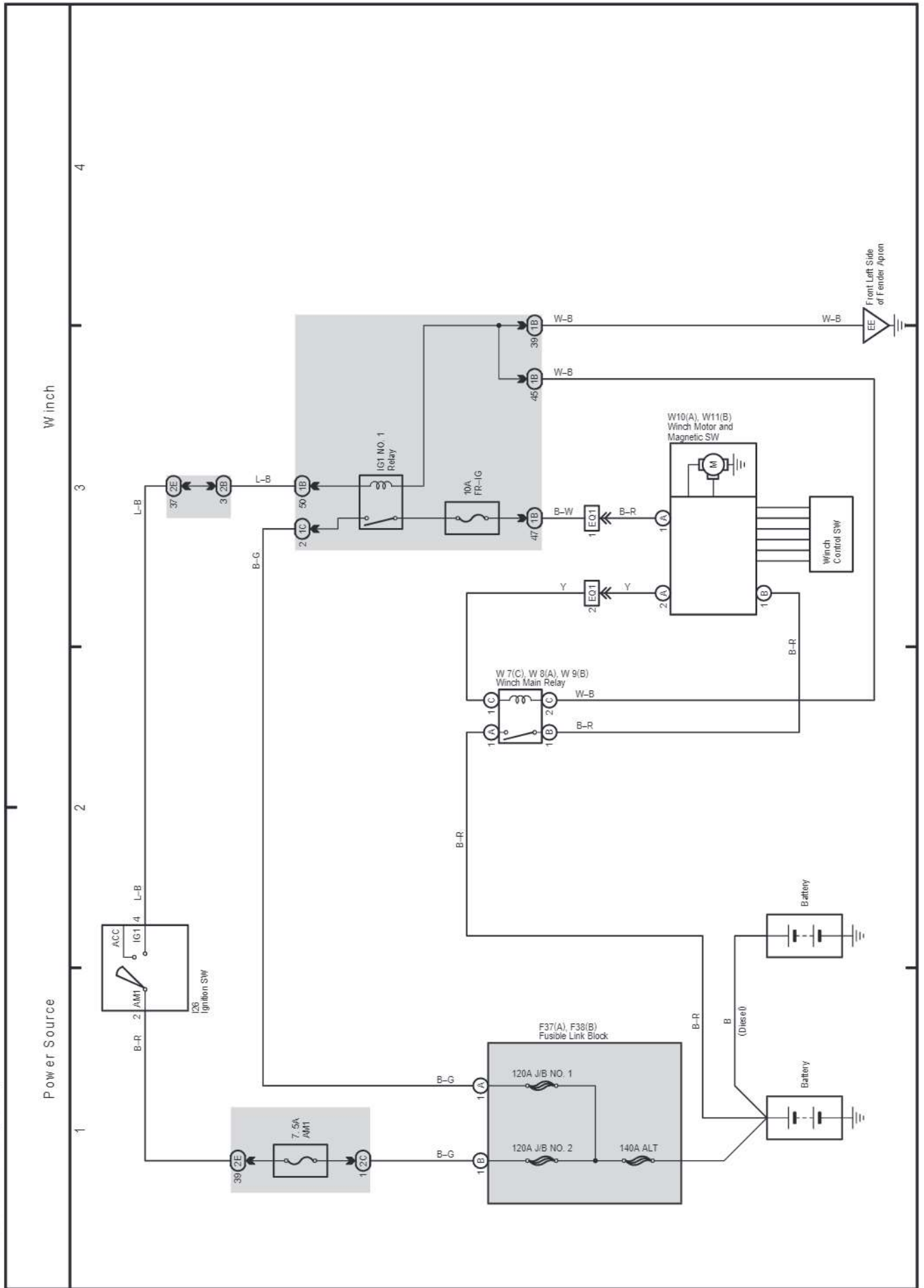
LAND CRUISER Station Wagon (EWD602E)

44 LAND CRUISER (RHD)



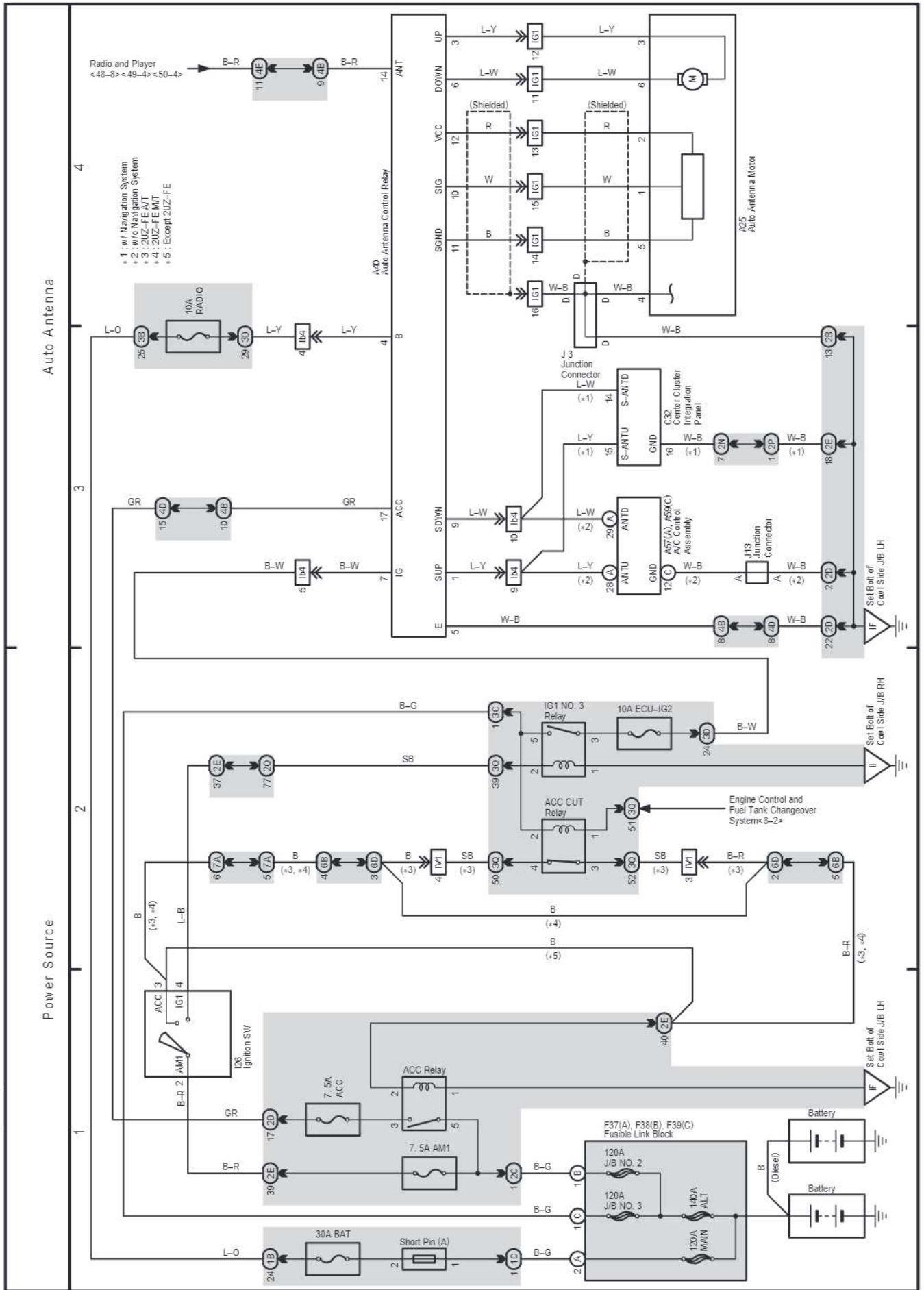
H OVERALL ELECTRICAL WIRING DIAGRAM

45 LAND CRUISER (RHD)



cardiagn.com

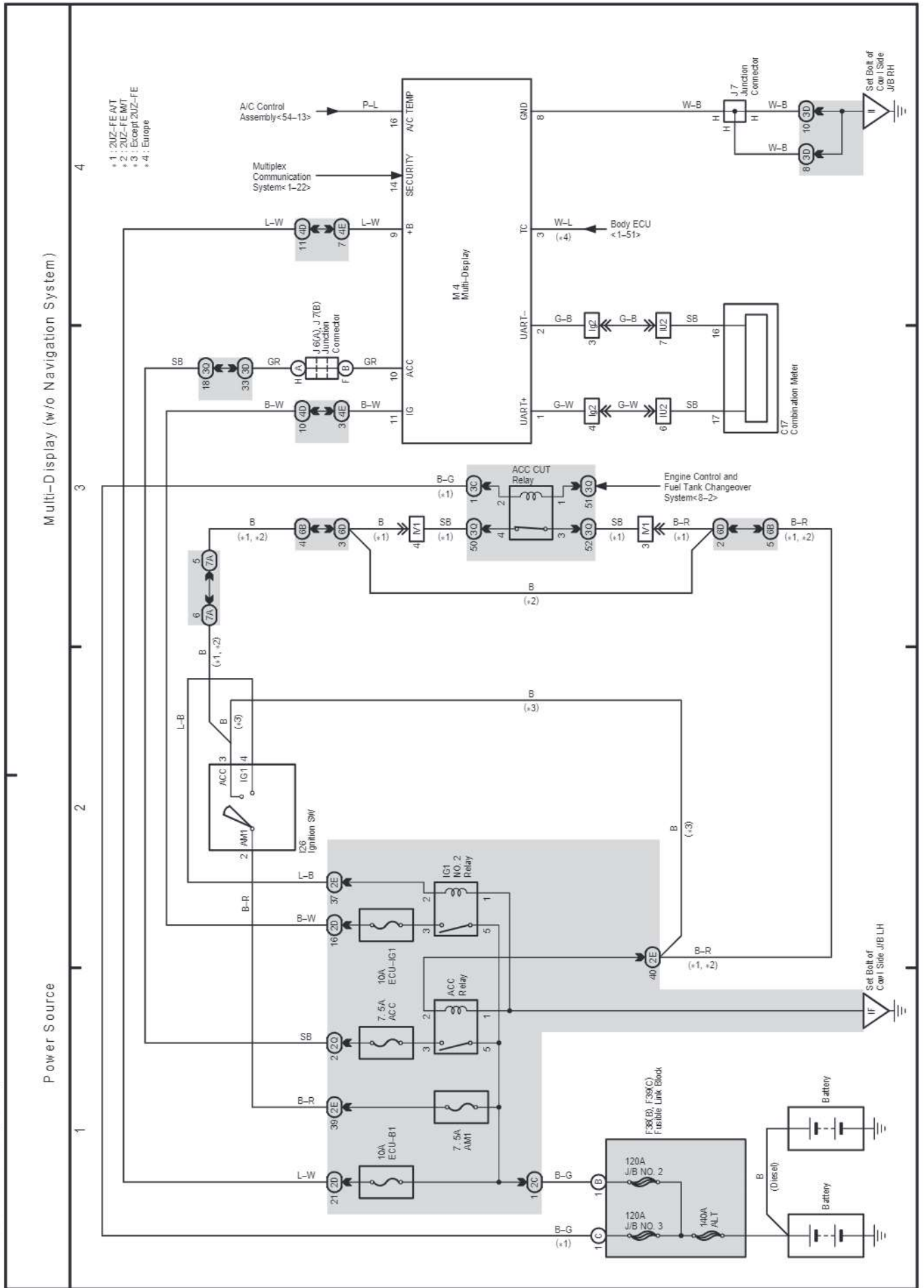
46 LAND CRUISER (RHD)



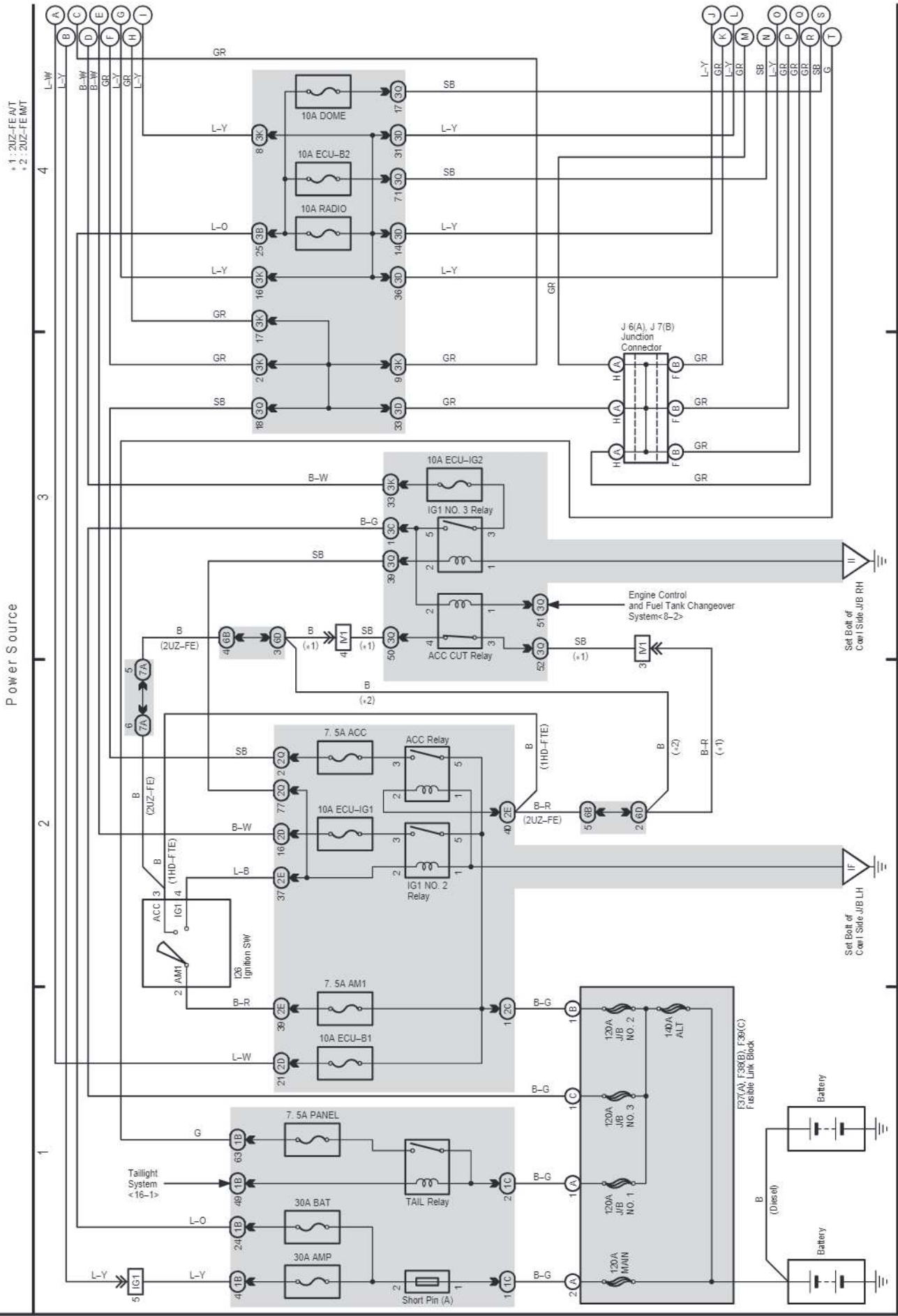
LAND CRUISER Station Wagon (EWD602E)

H OVERALL ELECTRICAL WIRING DIAGRAM

47 LAND CRUISER (RHD)



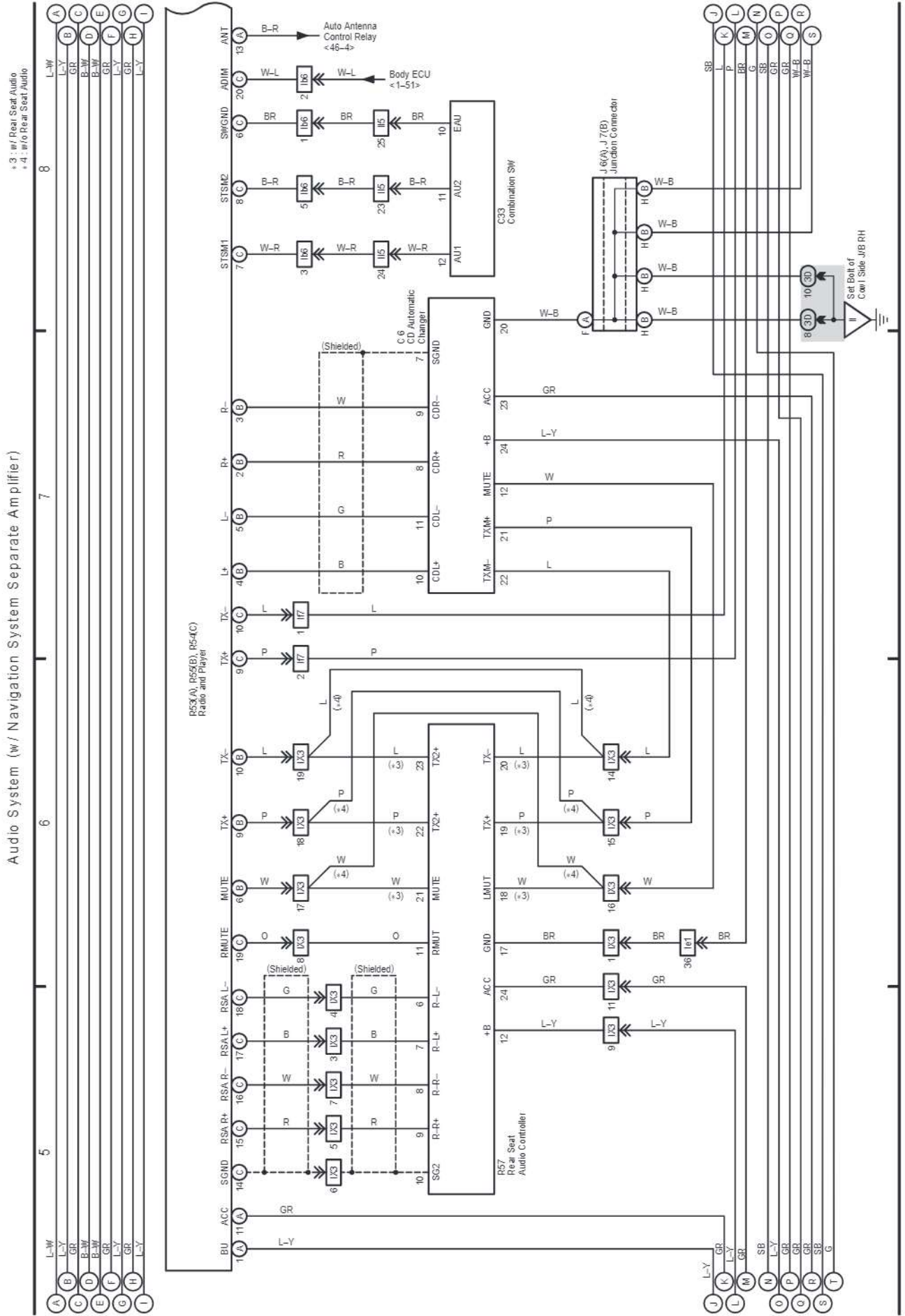
cardiagn.com



H OVERALL ELECTRICAL WIRING DIAGRAM

48 LAND CRUISER (RHD) (Cont' d)

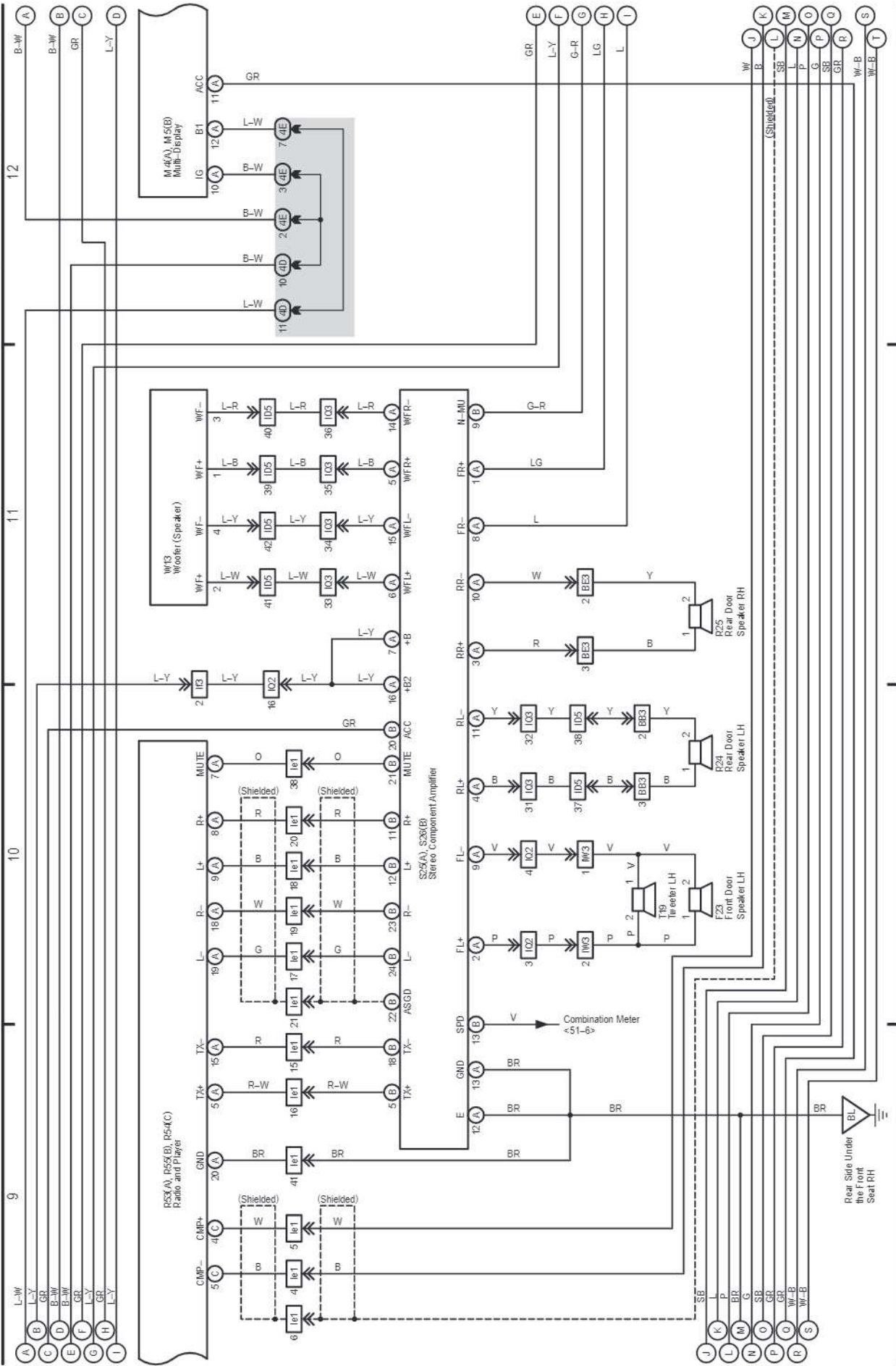
(Cont. next page)



cardiagn.com

Navigation System,
TOYOTA Parking Assist
(Rear View Monitor)

Audio System (w/ Navigation System Separate Amplifier)

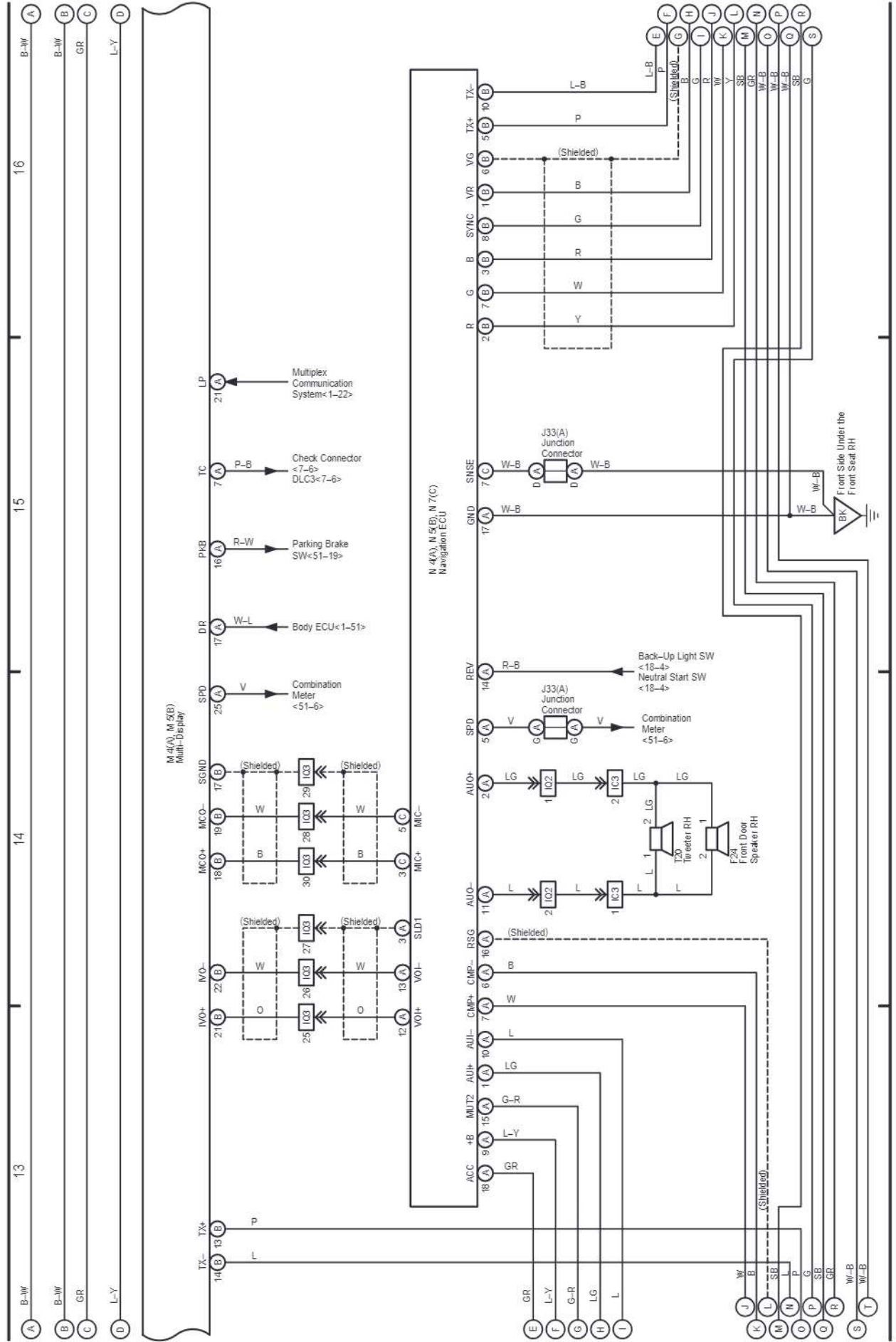


H OVERALL ELECTRICAL WIRING DIAGRAM

48 LAND CRUISER (RHD) (Cont' d)

(Cont. next page)

Navigation System, TOYOTA Parking Assist (Rear View Monitor)

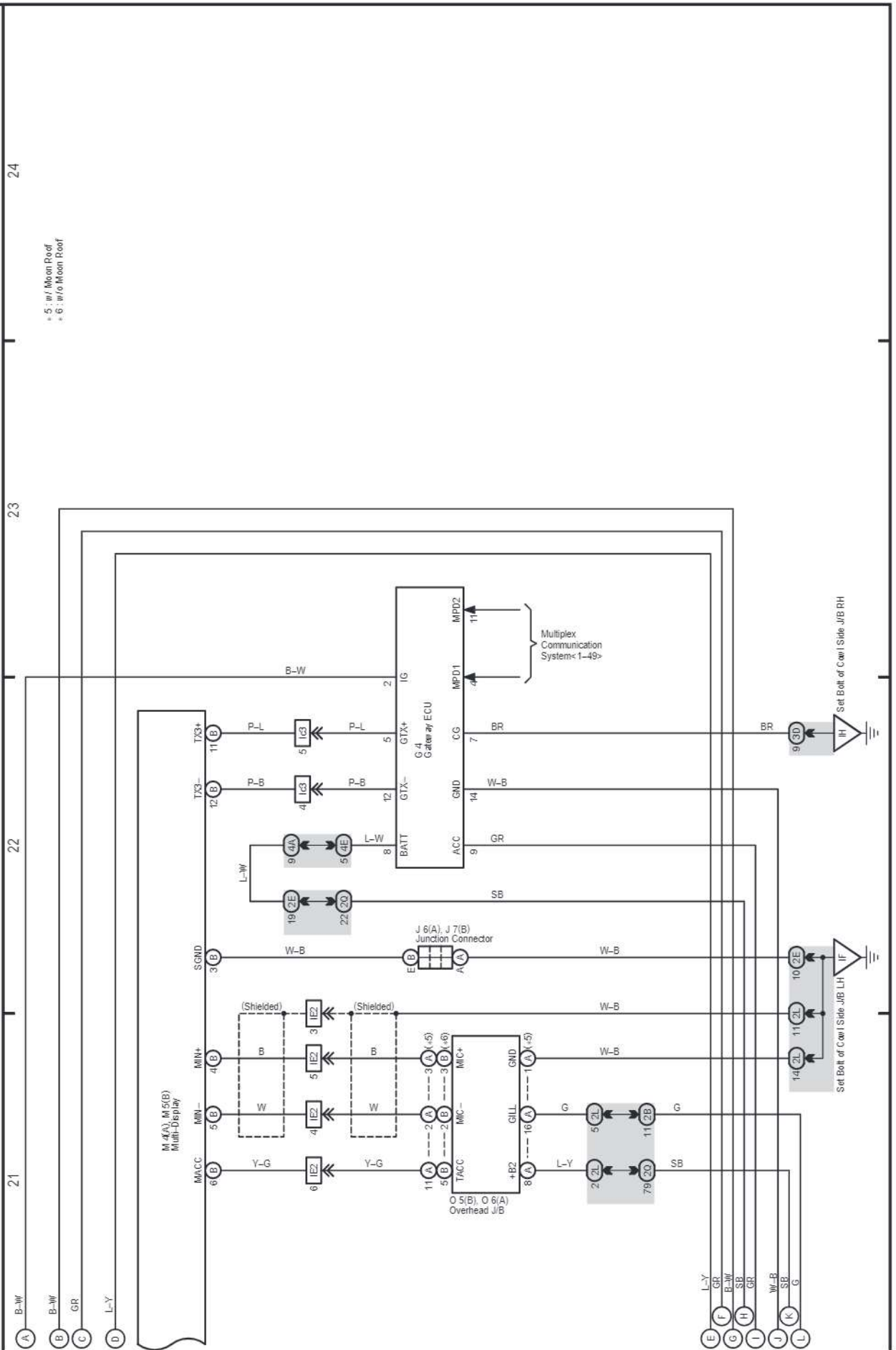


cardiagn.com

H OVERALL ELECTRICAL WIRING DIAGRAM

48 LAND CRUISER (RHD) (Cont' d)

Navigation System, TOYOTA Parking Assist (Rear View Monitor)

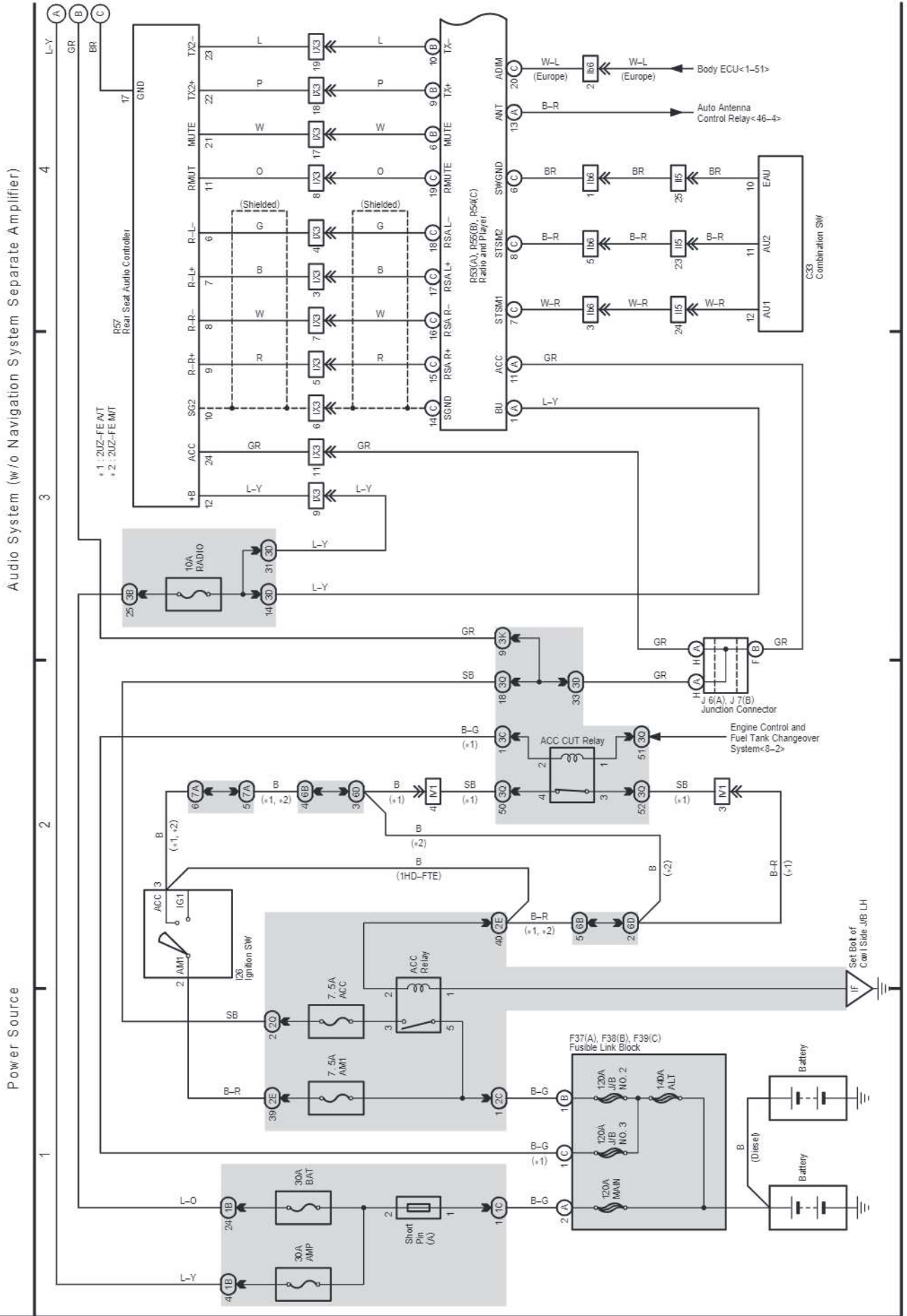


cardiagn.com

H OVERALL ELECTRICAL WIRING DIAGRAM

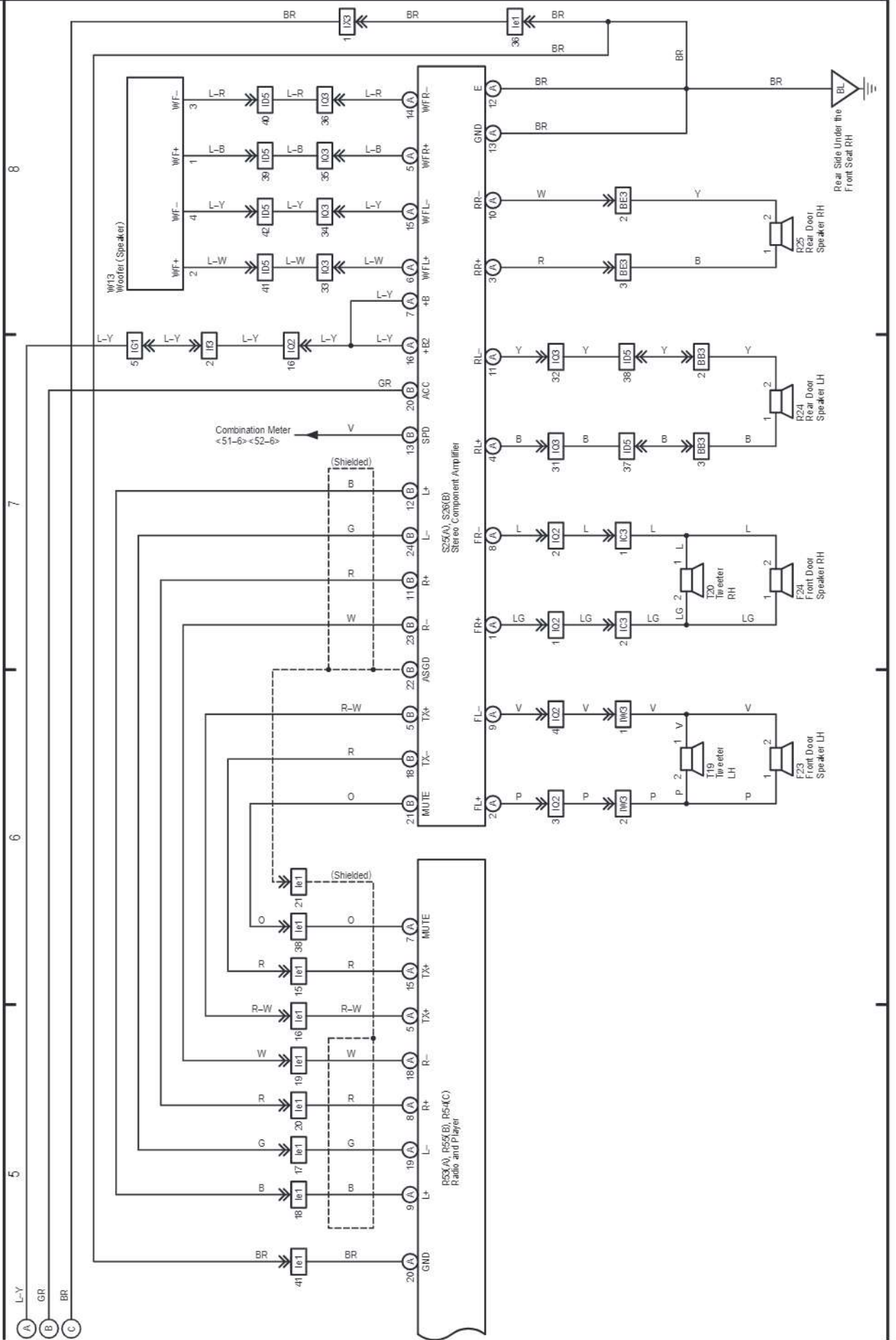
49 LAND CRUISER (RHD)

(Cont. next page)



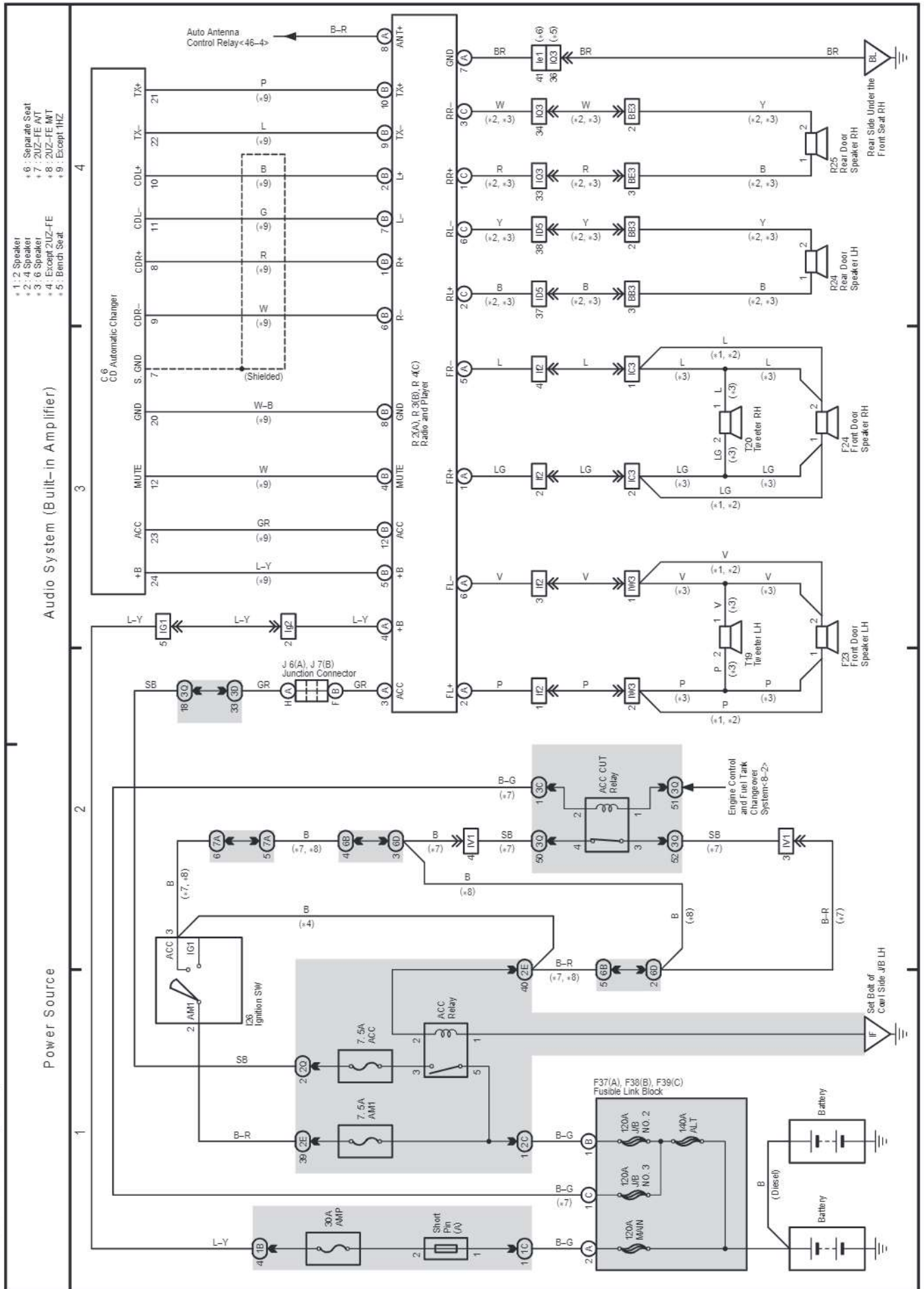
49 LAND CRUISER (RHD) (Cont' d)

Audio System (w/o Navigation System Separate Amplifier)



H OVERALL ELECTRICAL WIRING DIAGRAM

50 LAND CRUISER (RHD)



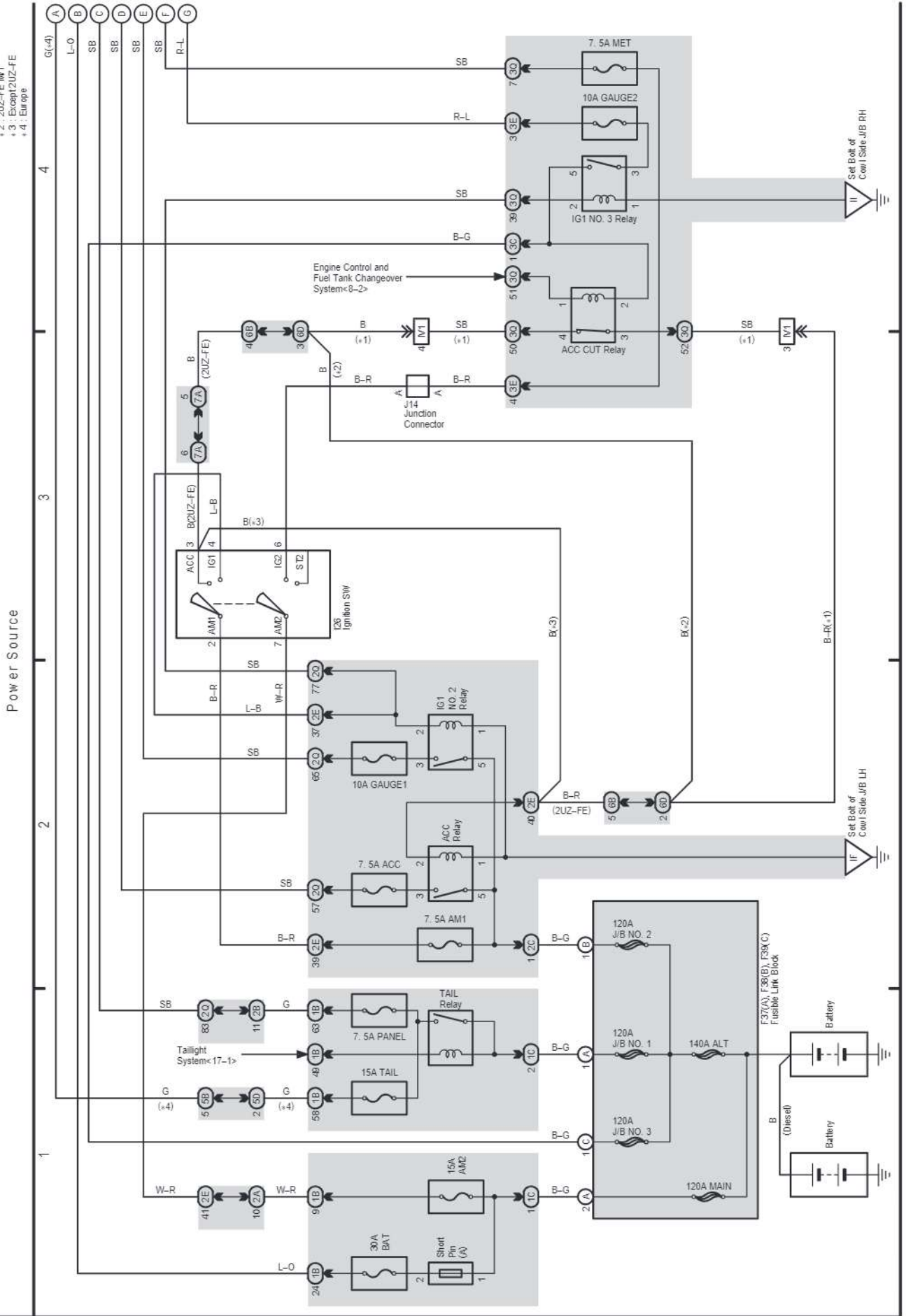
cardiagn.com

H OVERALL ELECTRICAL WIRING DIAGRAM

51 LAND CRUISER (RHD)

(Cont. next page)

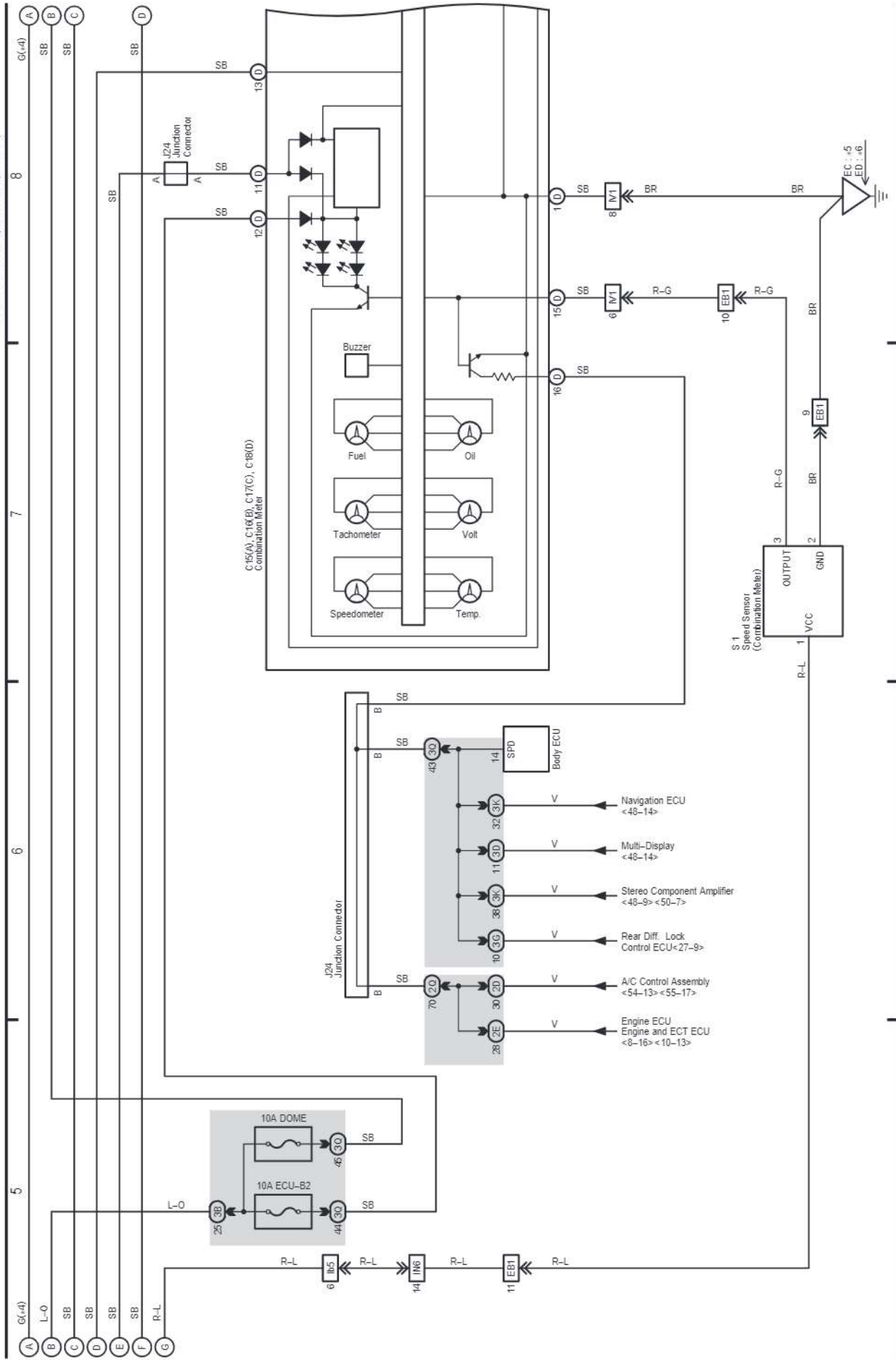
- *1: 2UZ-FE/AT
- *2: 2UZ-FE/MT
- *3: Except 2UZ-FE
- *4: Europe



cardiagn.com

Combination Meter (2UZ-FE, 1HD-FTE)

- * 4 - Europe
- * 5 - Rear Bank of Right Cylinder Head (2UZ-FE)
- * 6 - Rear Bank of Left Cylinder Head (1HD-FTE)



H OVERALL ELECTRICAL WIRING DIAGRAM

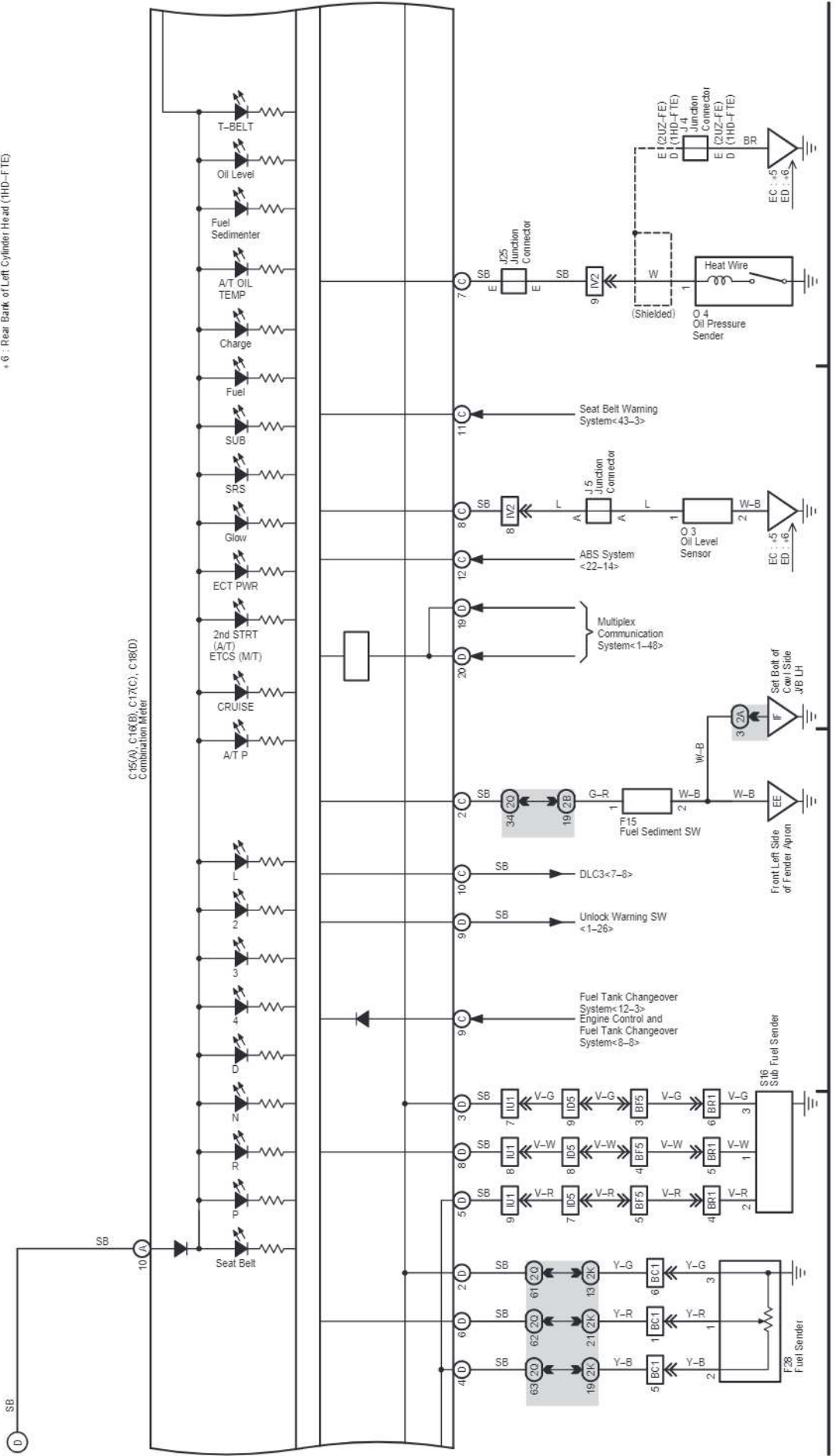
51 LAND CRUISER (RHD) (Cont' d)

(Cont. next page)

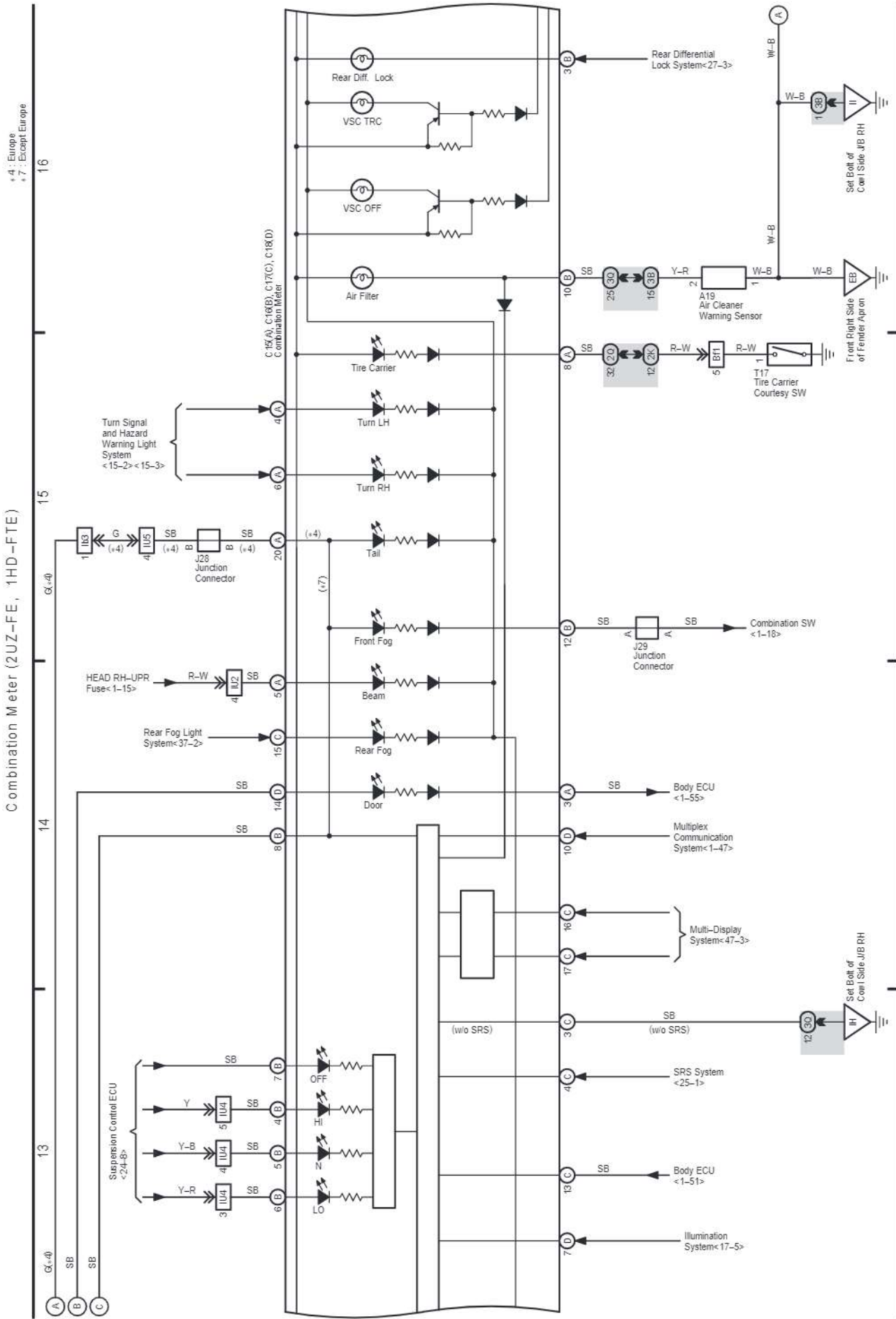
Combination Meter (2UZ-FE, 1HD-FTE)



*4: Europe
 *5: Rear Bank of Right Cylinder Head (2UZ-FE)
 *6: Rear Bank of Left Cylinder Head (1HD-FTE)



cardiagn.com



H OVERALL ELECTRICAL WIRING DIAGRAM

51 LAND CRUISER (RHD) (Cont' d)

- * 8 w/ VSC
- * 9 w/o VSC
- * 10 w/ ABS
- * 11 Diesel

Combination Meter (2UZ-FE, 1HD-FTE)

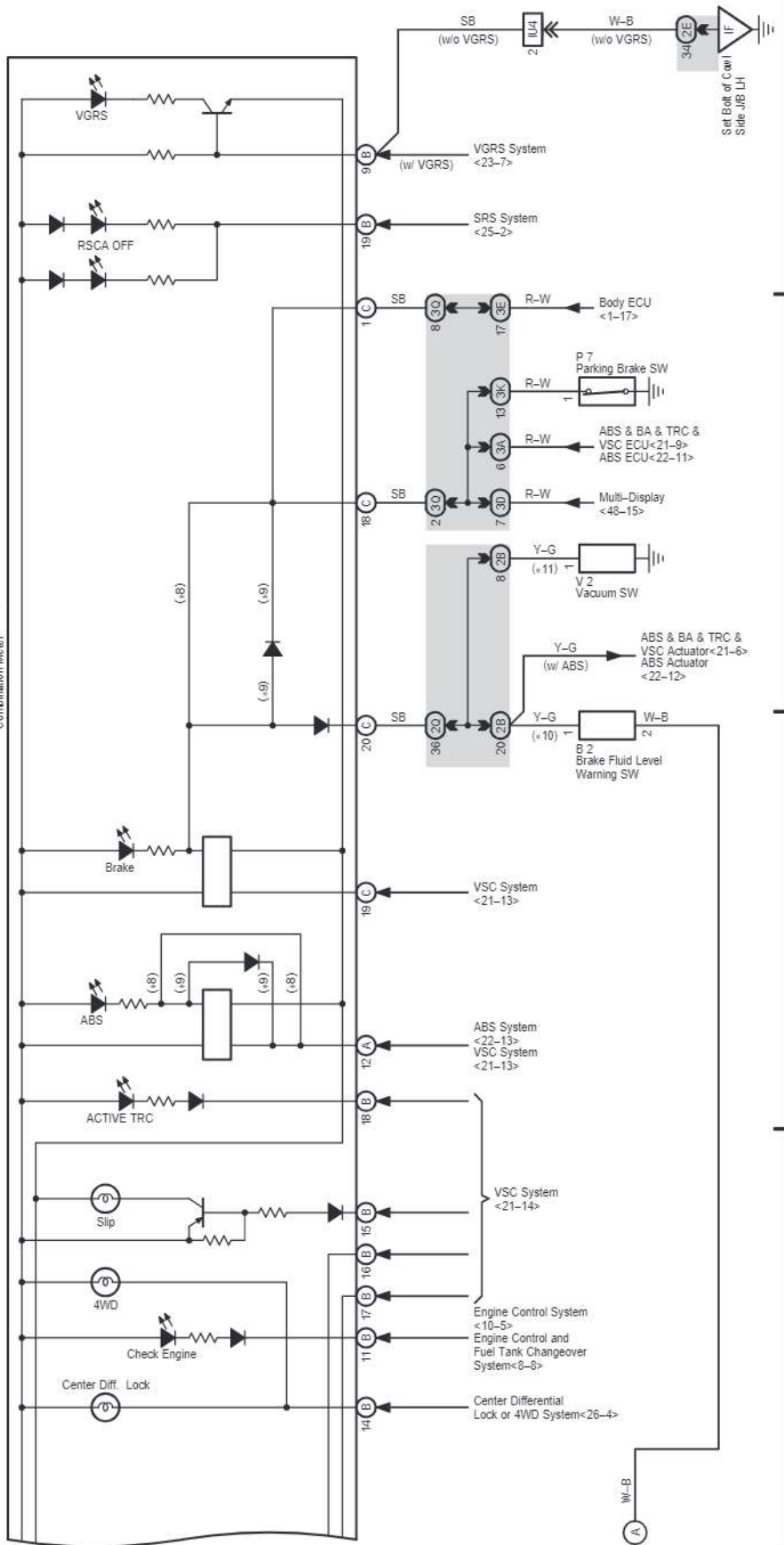
20

19

18

17

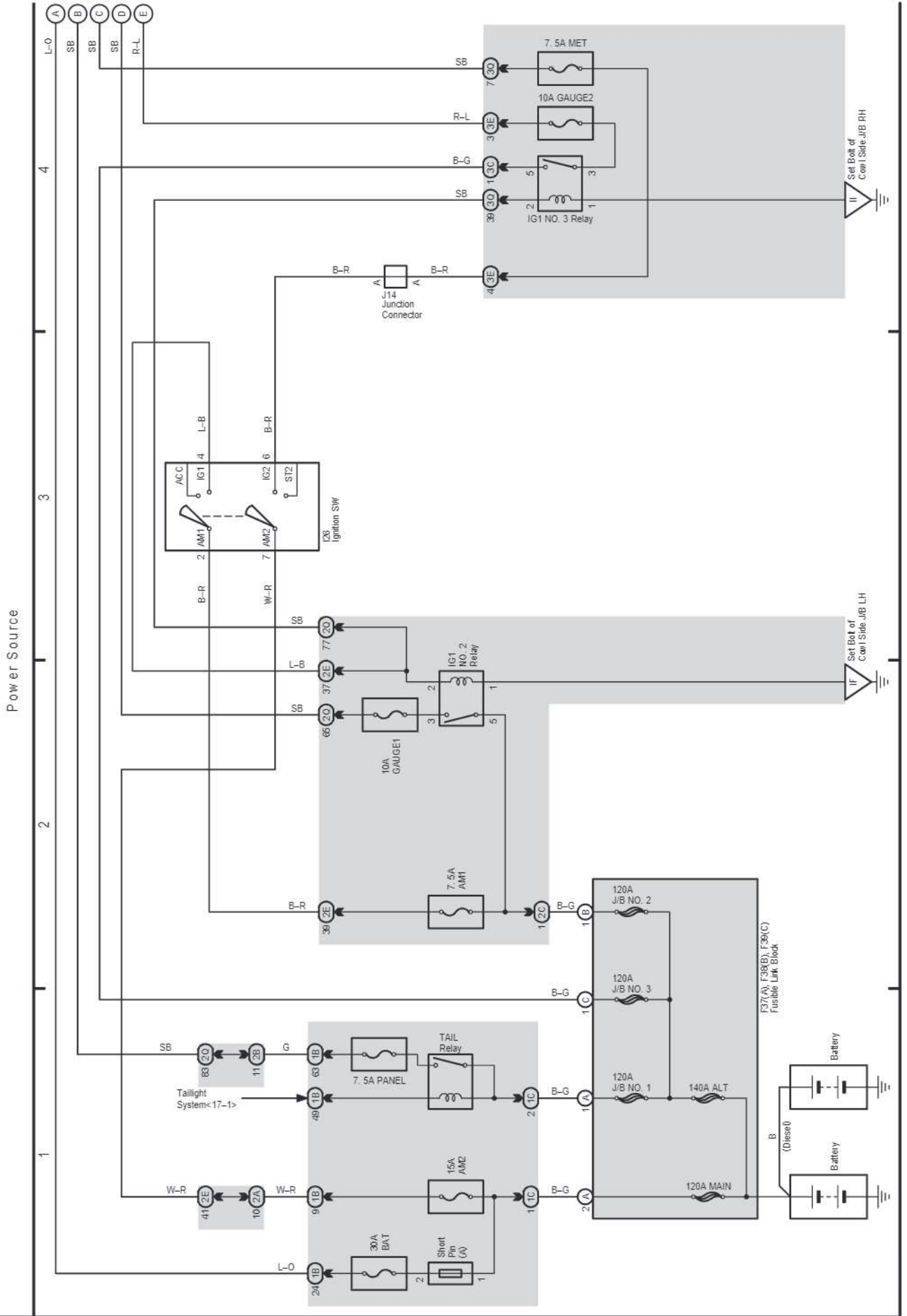
C15(A), C16(B), C17(C), C18(D)
Combination Meter



H OVERALL ELECTRICAL WIRING DIAGRAM

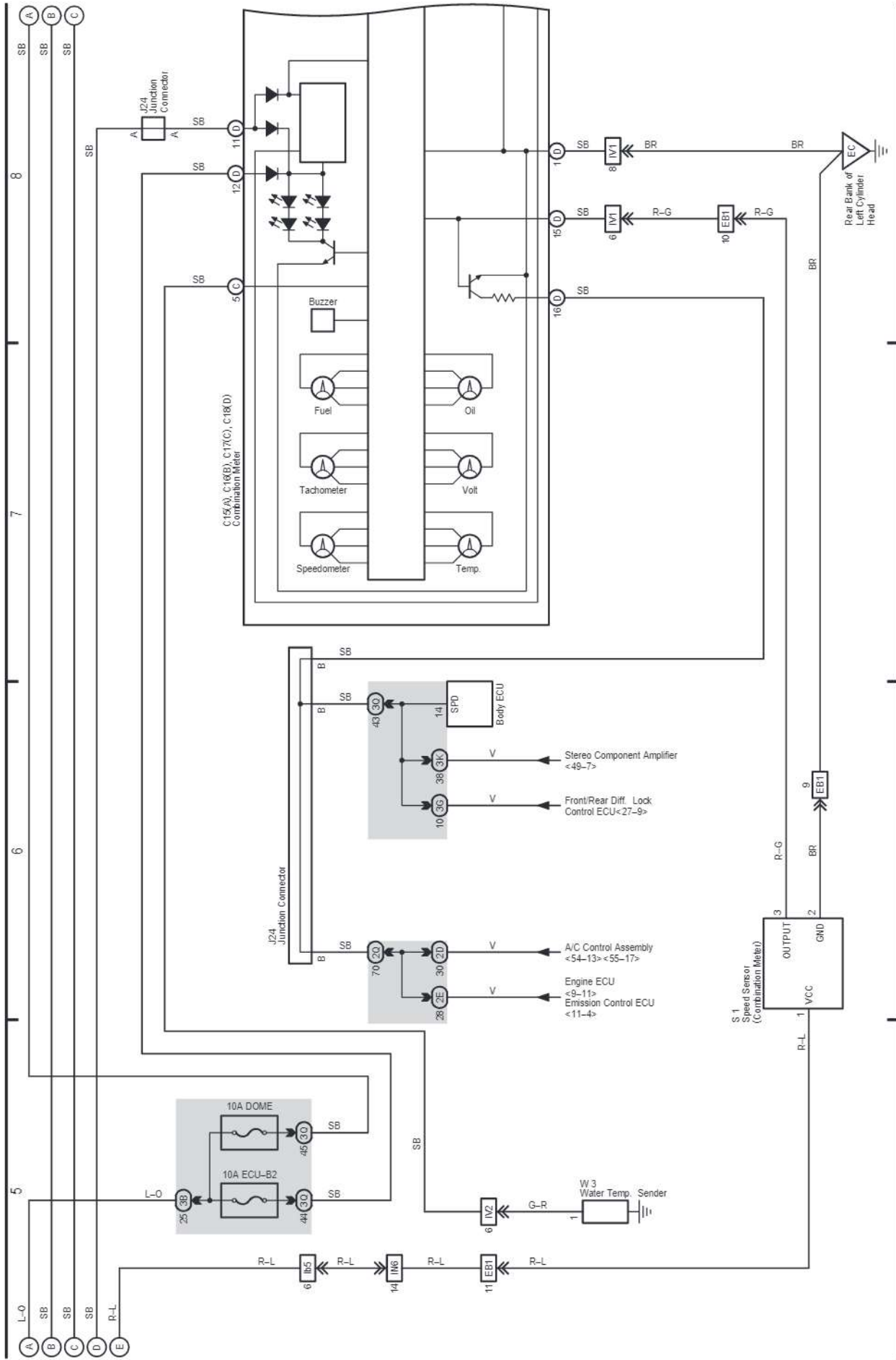
52 LAND CRUISER (RHD)

(Cont. next page)



cardiagn.com

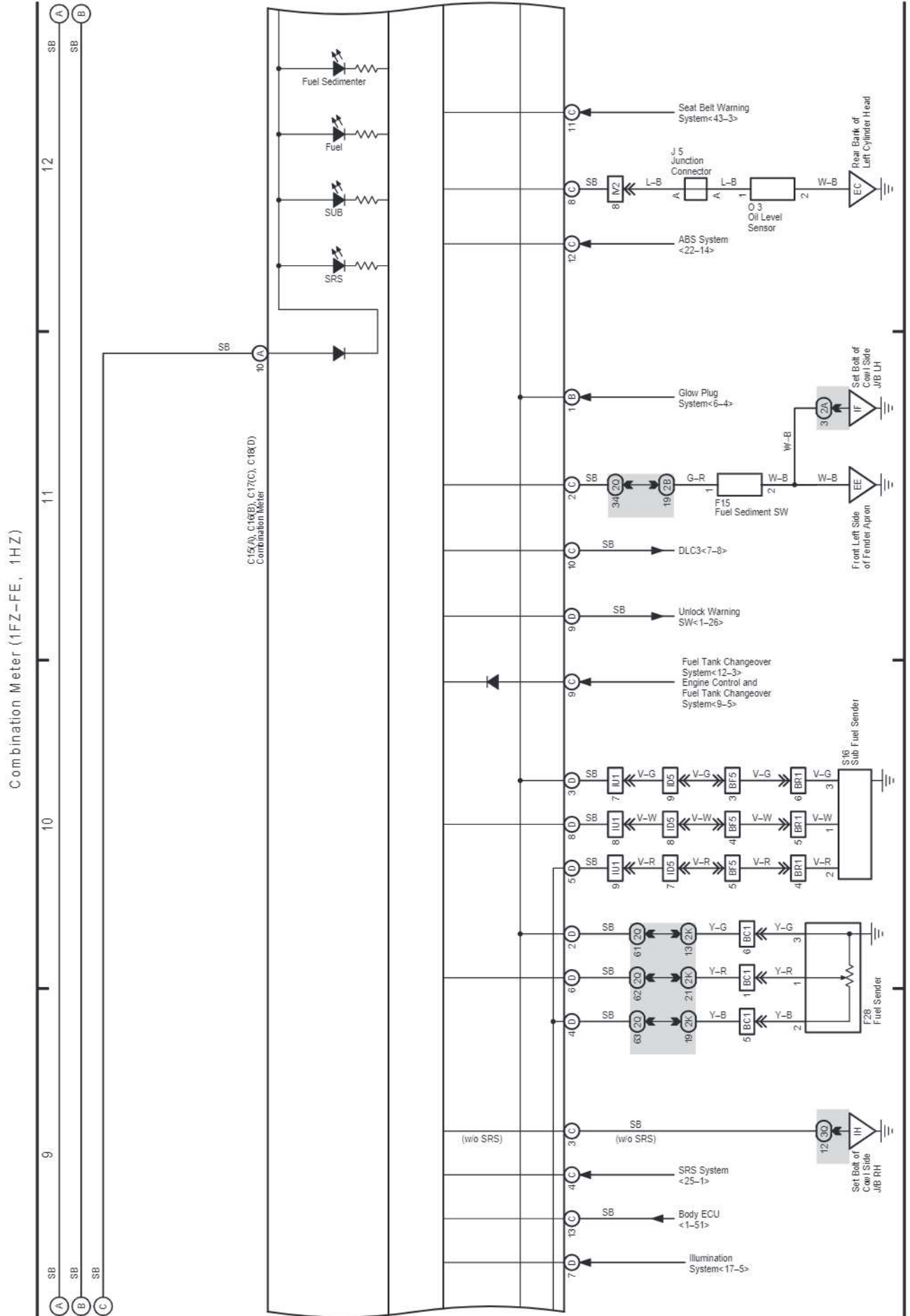
Combination Meter (1FZ-FE, 1HZ)

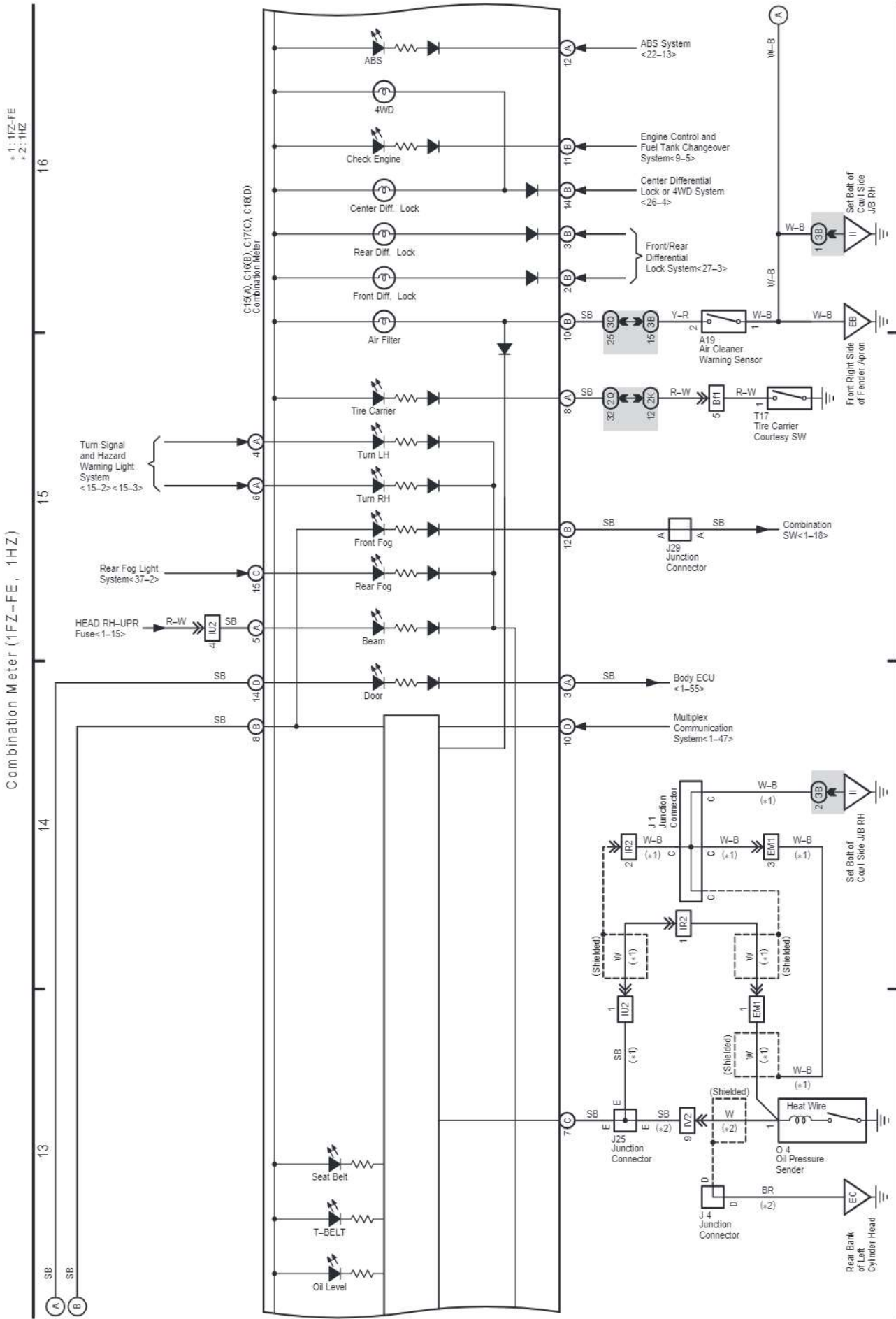


H OVERALL ELECTRICAL WIRING DIAGRAM

52 LAND CRUISER (RHD) (Cont' d)

(Cont. next page)





H OVERALL ELECTRICAL WIRING DIAGRAM

52 LAND CRUISER (RHD) (Cont' d)

Combination Meter (1FZ-EE, 1HZ)

* 3 - w/o ABS
* 4 - Diesel

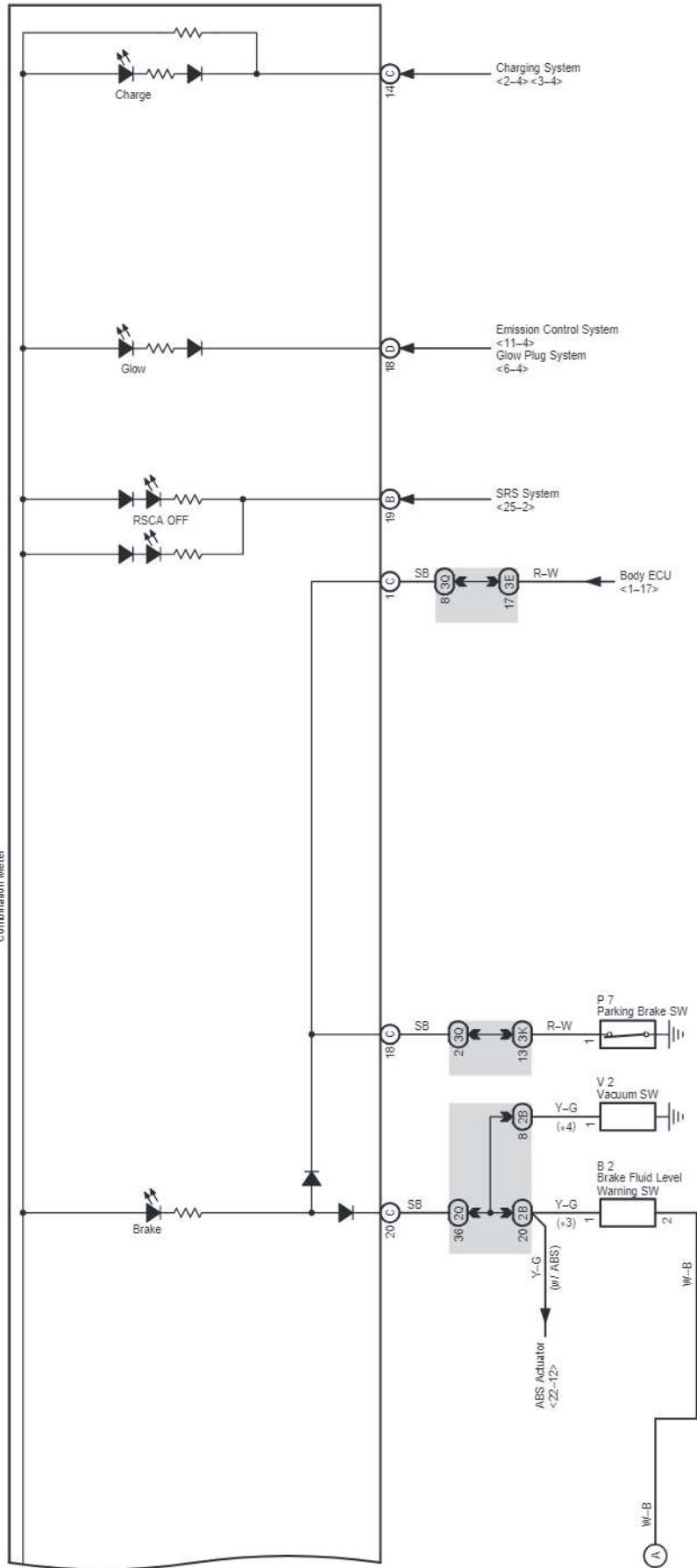
17

18

19

20

C15(A), C16(B), C17(C), C18(D)
Combination Meter



cardiagn.com

Condenser Fan (1FZ-FE, 1HZ)

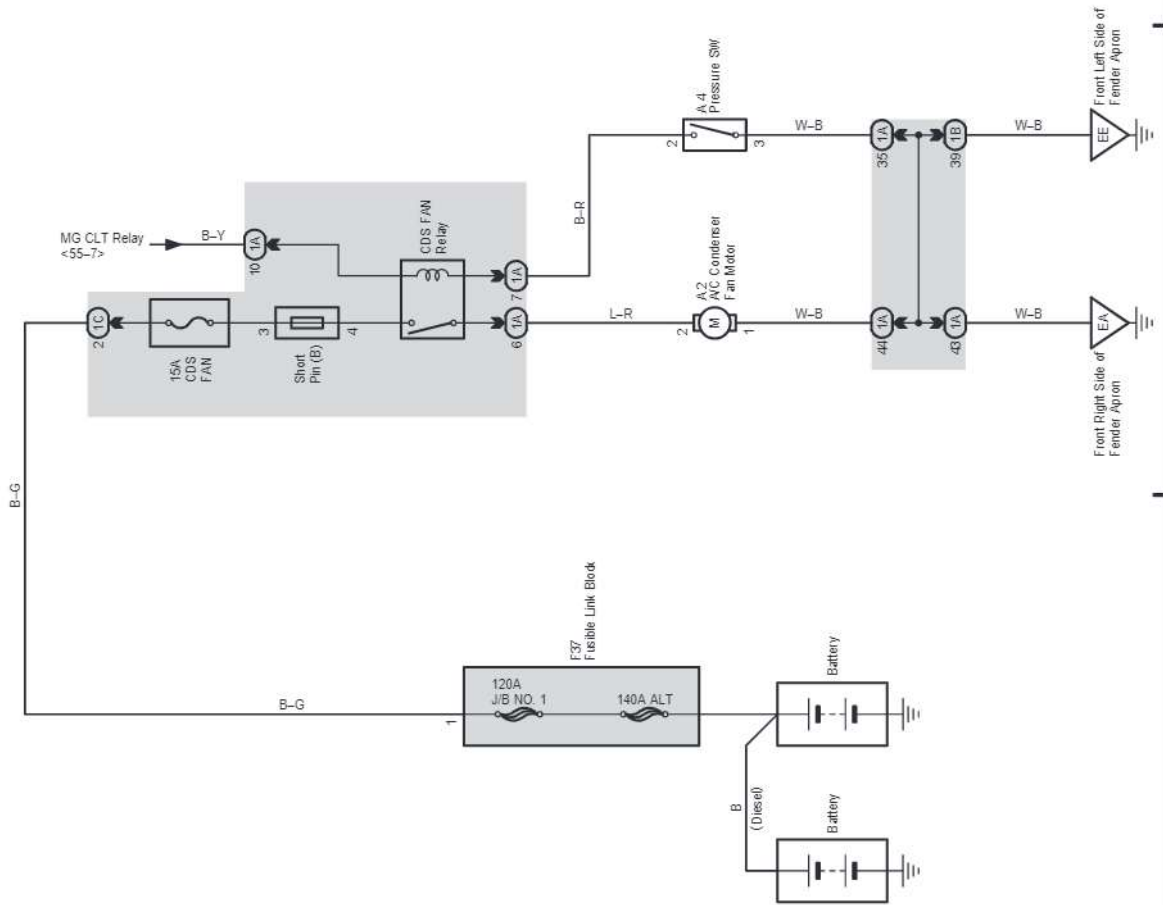
4

3

2

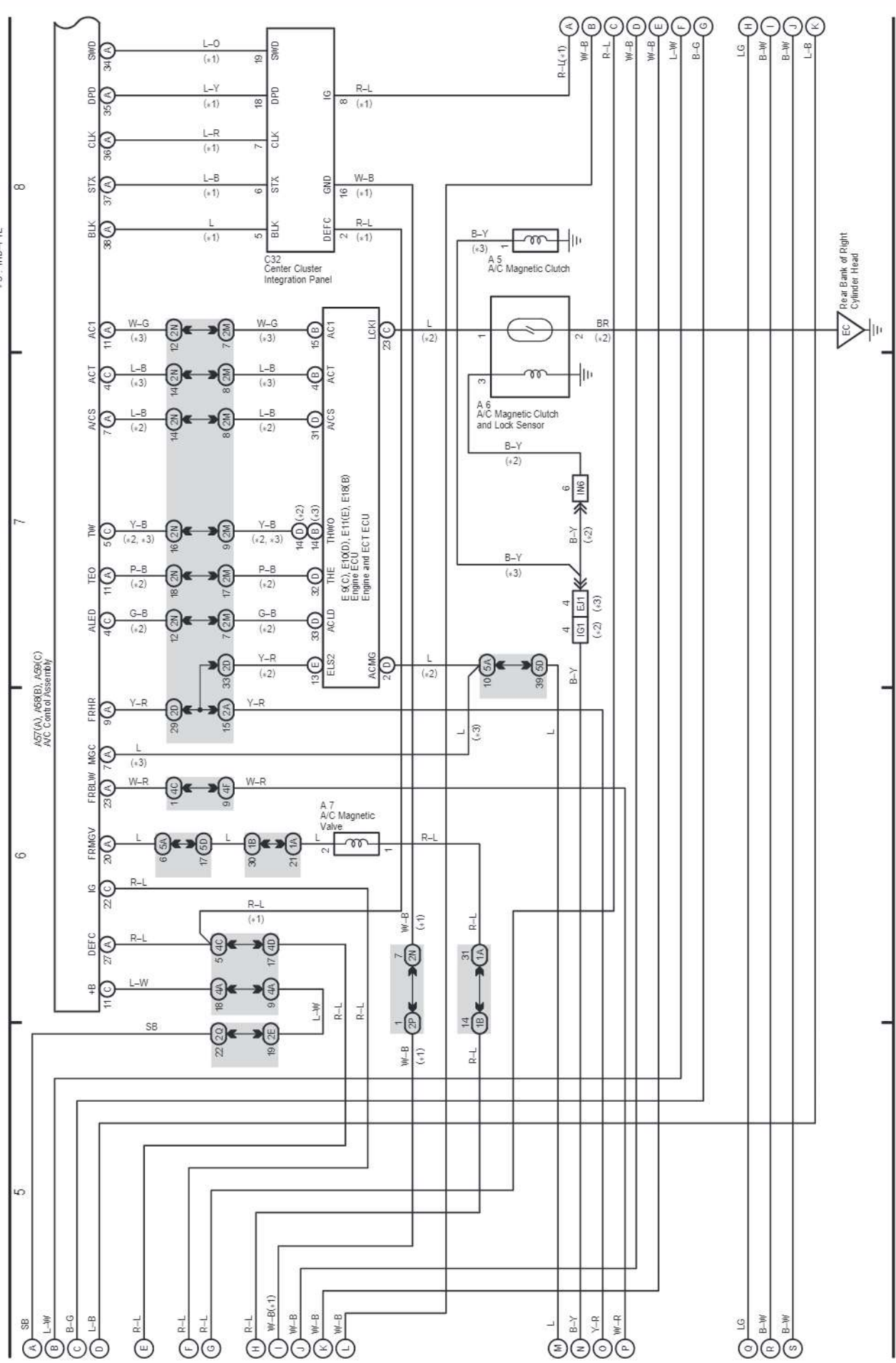
1

Power Source



*1: w/ Navigation System
*2: 2UZ-FE
*3: 1HD-FTE

Automatic Air Conditioner (Front)



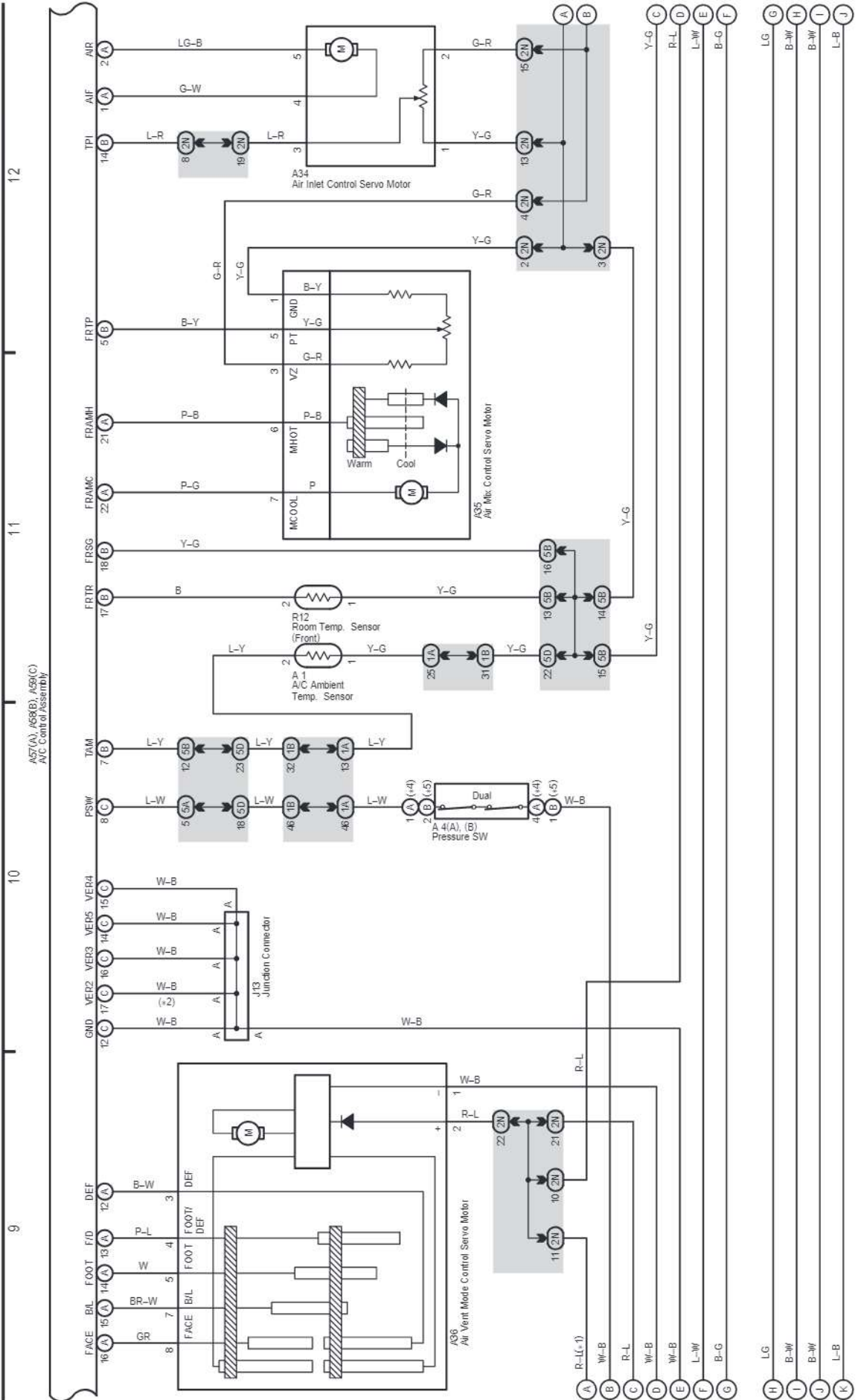
H OVERALL ELECTRICAL WIRING DIAGRAM

54 LAND CRUISER (RHD) (Cont' d)

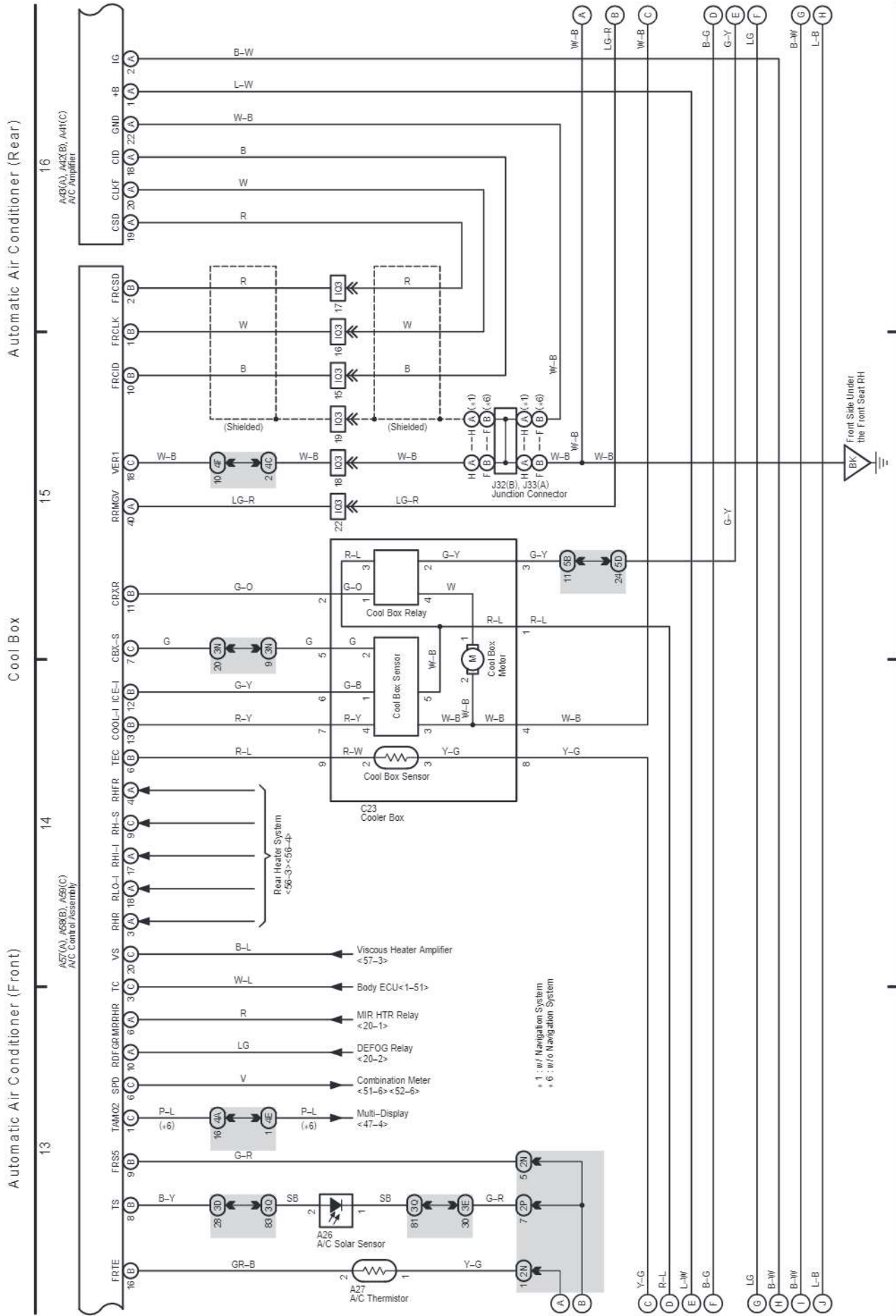
(Cont. next page)

- * 1 : w/ Navigation System
- * 2 : 20Z-1E
- * 4 : w/ Rear A/C
- * 5 : w/o Rear A/C

Automatic Air Conditioner (Front)



cardiagn.com



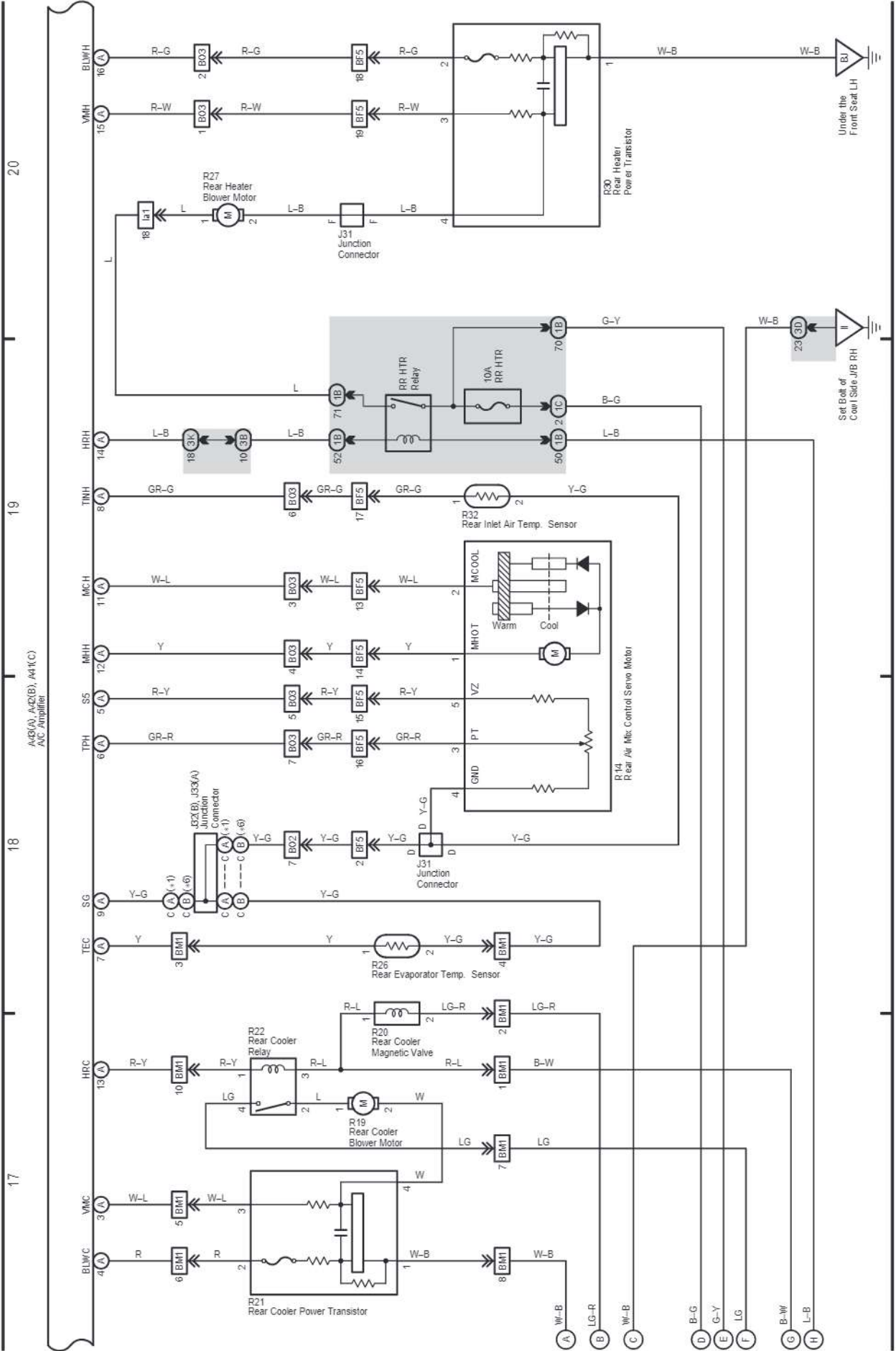
H OVERALL ELECTRICAL WIRING DIAGRAM

54 LAND CRUISER (RHD) (Cont' d)

(Cont. next page)

* 1. w/ Navigation System
* 6. w/o Navigation System

Automatic Air Conditioner (Rear)



cardiagn.com

54 LAND CRUISER (RHD) (Cont' d)

Automatic Air Conditioner (Rear)

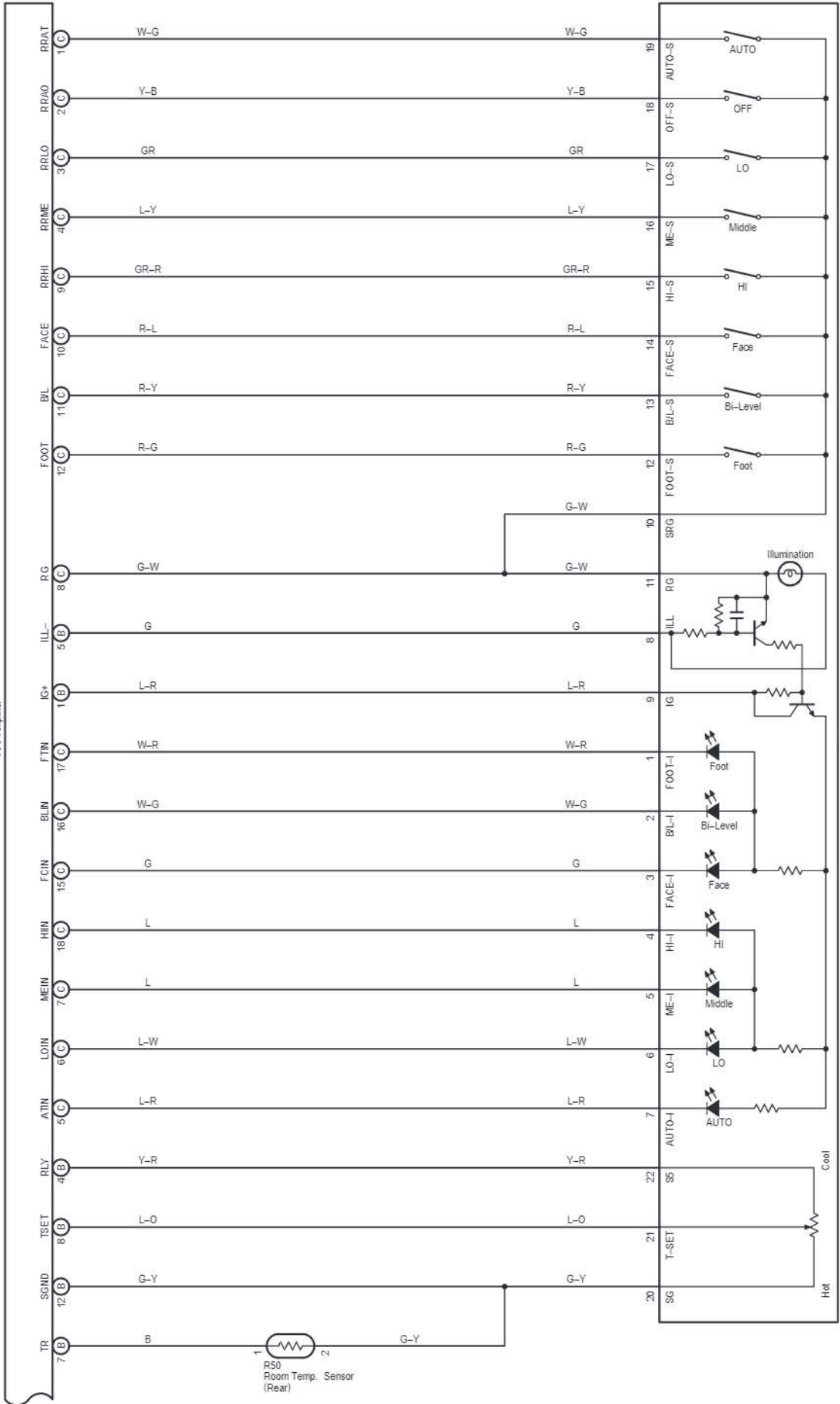
24

23

22

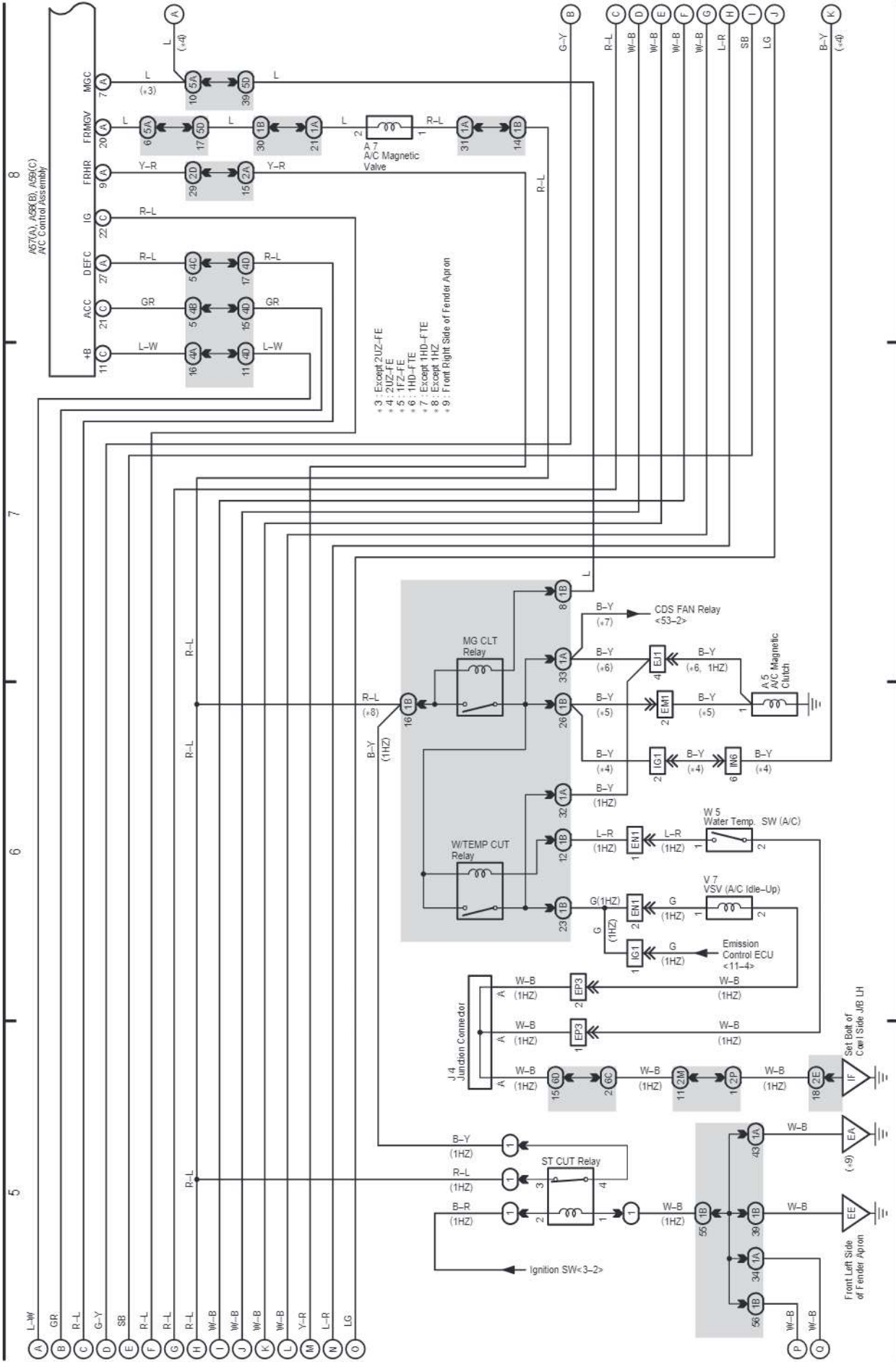
21

A42(A), A42(B), A41(C)
AC Compressor



cardiagn.com

Manual Air Conditioner (Front)



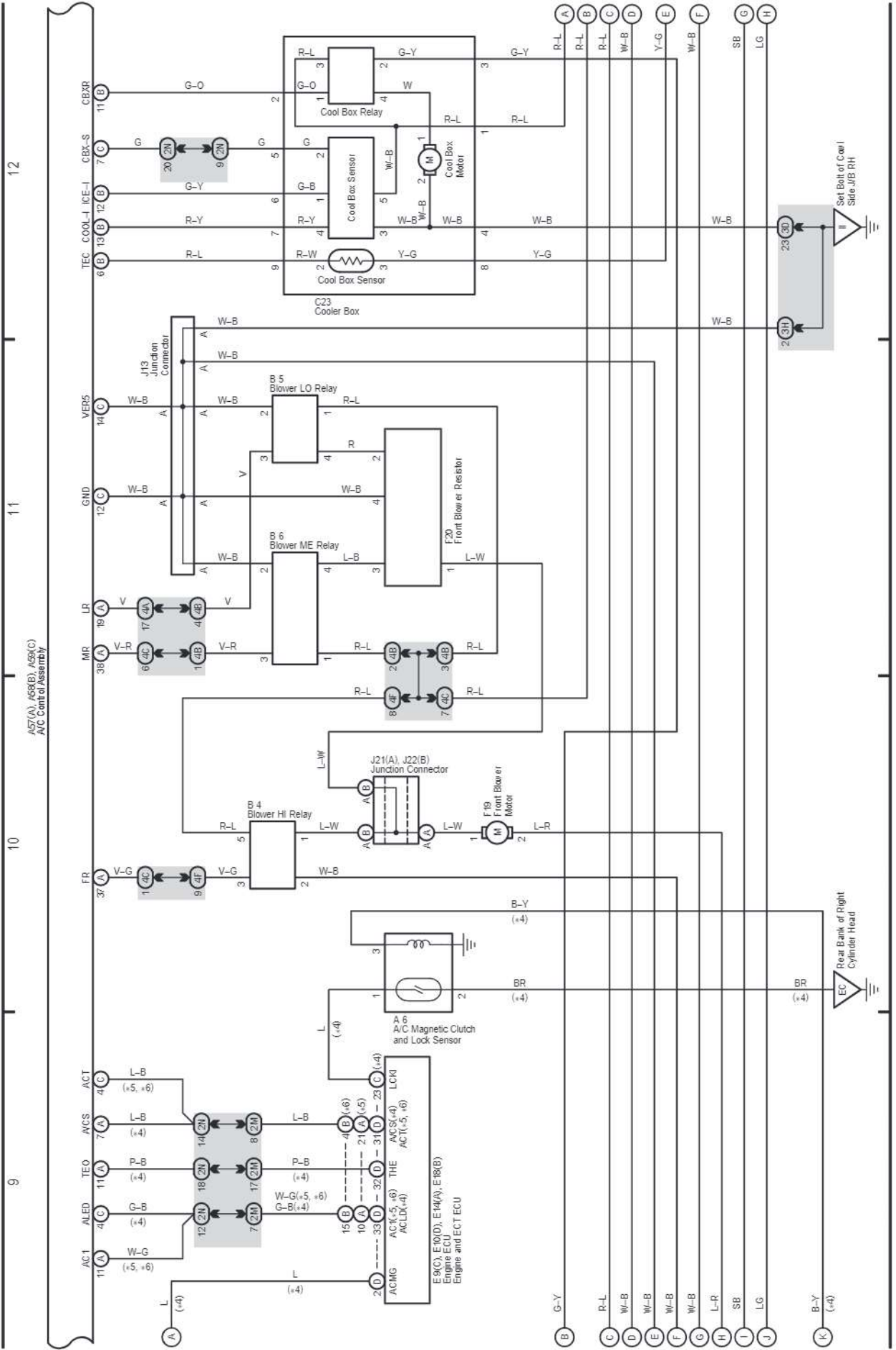
H OVERALL ELECTRICAL WIRING DIAGRAM

55 LAND CRUISER (RHD) (Cont' d)

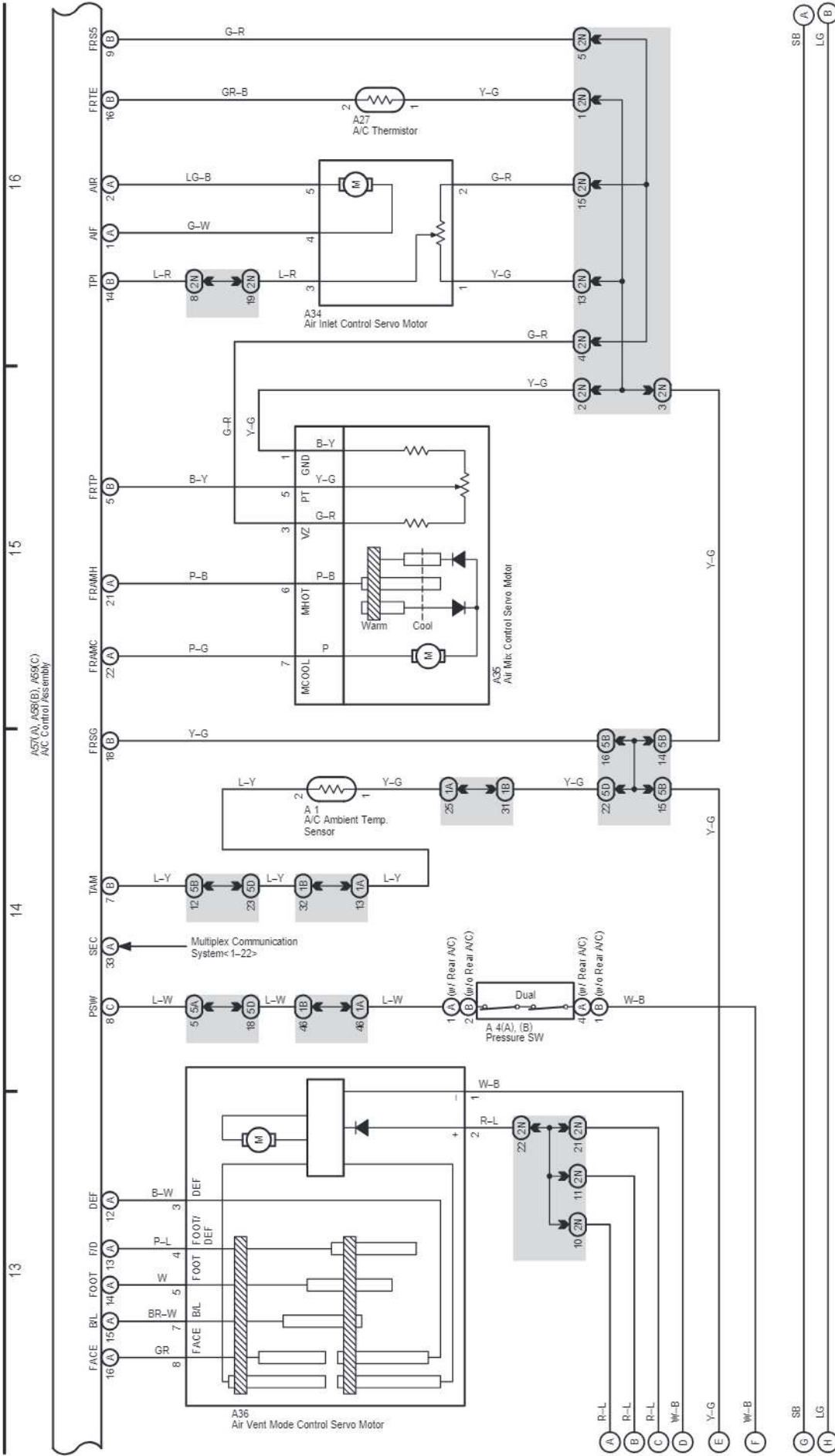
(Cont. next page)

- * 4 - 2UZ-FE
- * 5 - 1TZ-FE
- * 6 - 1HD-FTE

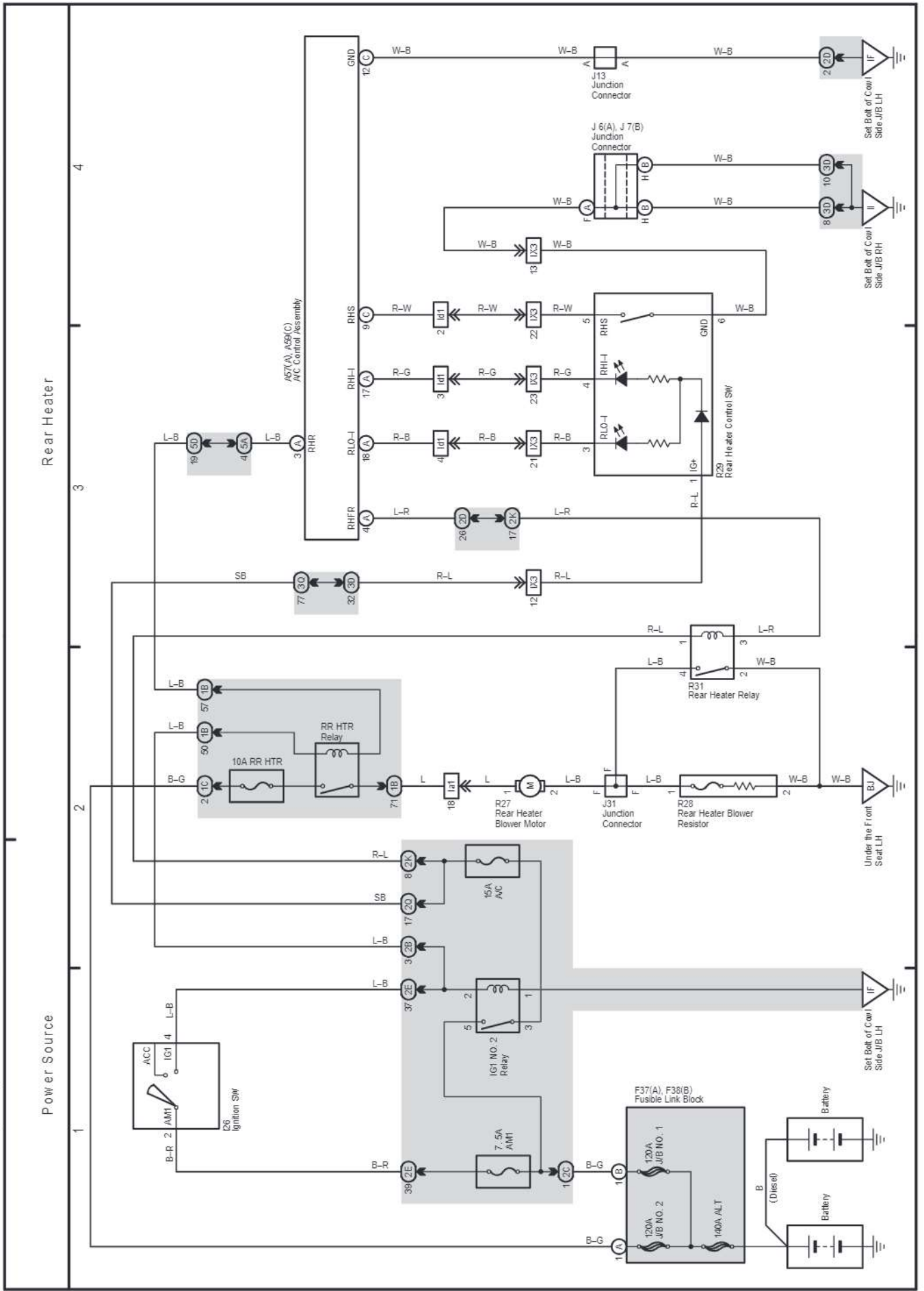
Manual Air Conditioner (Front)



Manual Air Conditioner (Front)

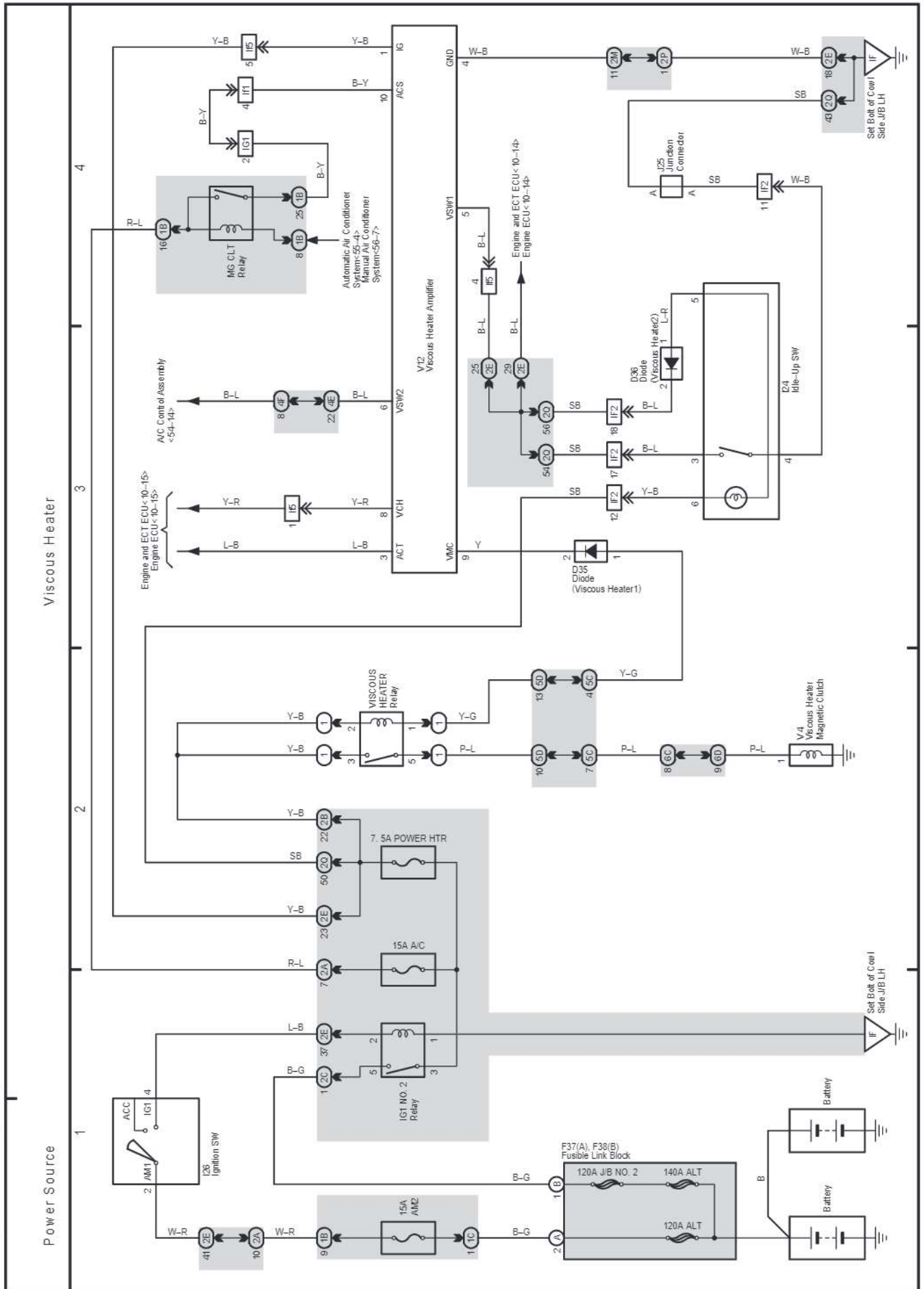


56 LAND CRUISER (RHD)

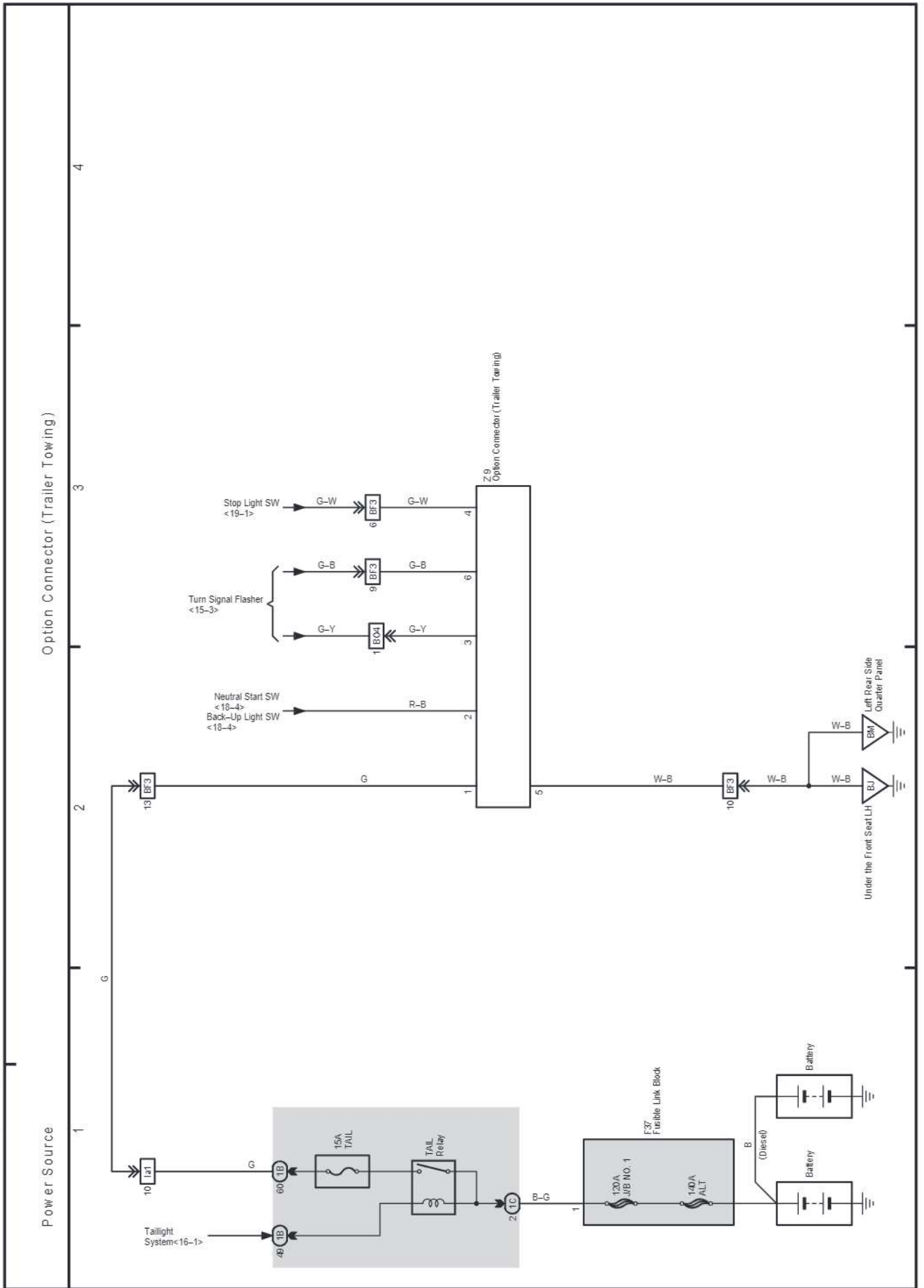


H OVERALL ELECTRICAL WIRING DIAGRAM

57 LAND CRUISER (RHD)

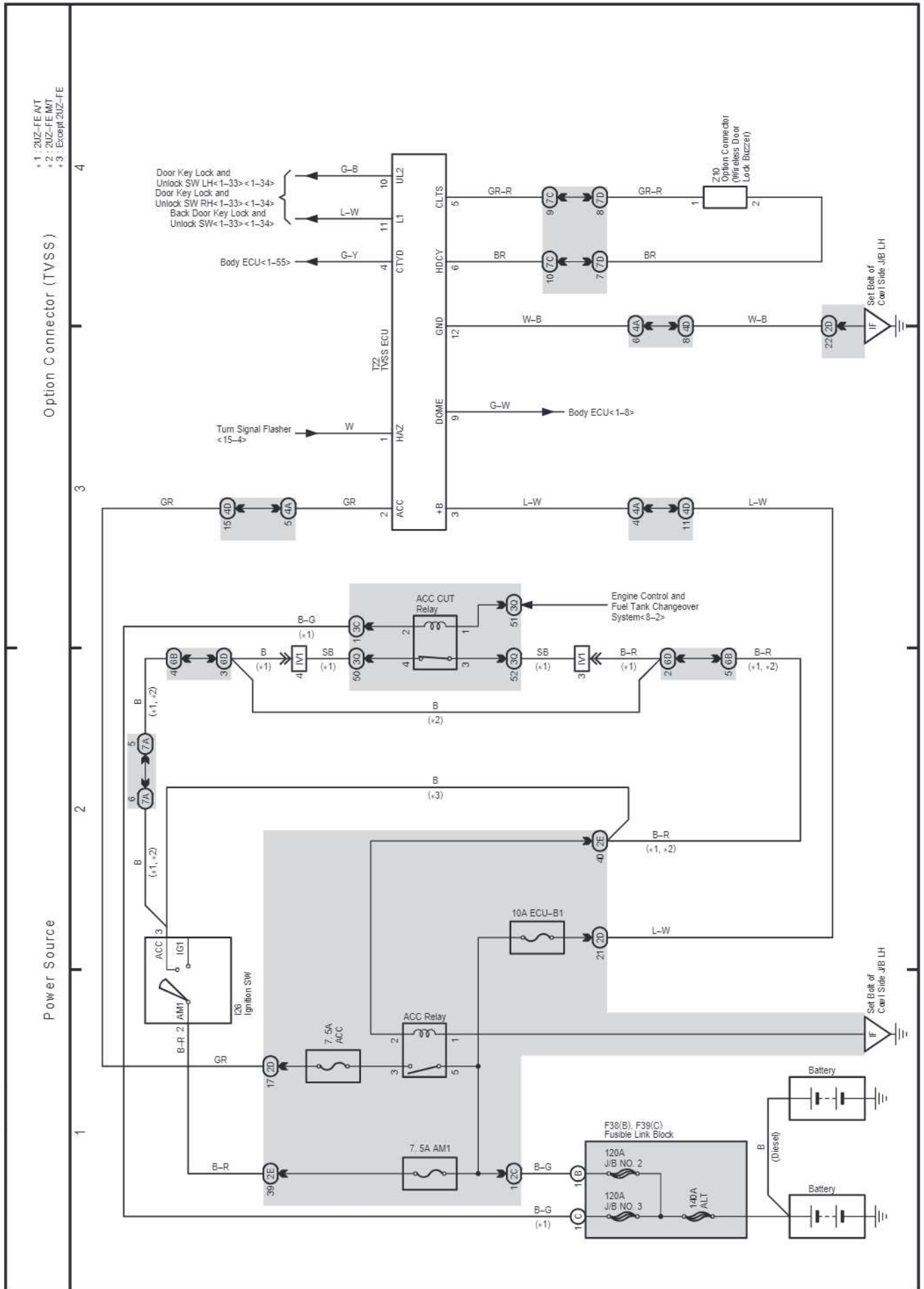


cardiagn.com



H OVERALL ELECTRICAL WIRING DIAGRAM

59 LAND CRUISER (RHD)



cardiagn.com

Power Source

Shift Lock

+1: 2UZ-FE
+2: 1HD-FTE

