

1999 JEEP GRAND CHEROKEE (WJ)



Jeep

CHRYSLER • PLYMOUTH • DODGE • JEEP

THE MOPAR DIFFERENCE

VIN PLATE DECODING INFORMATION

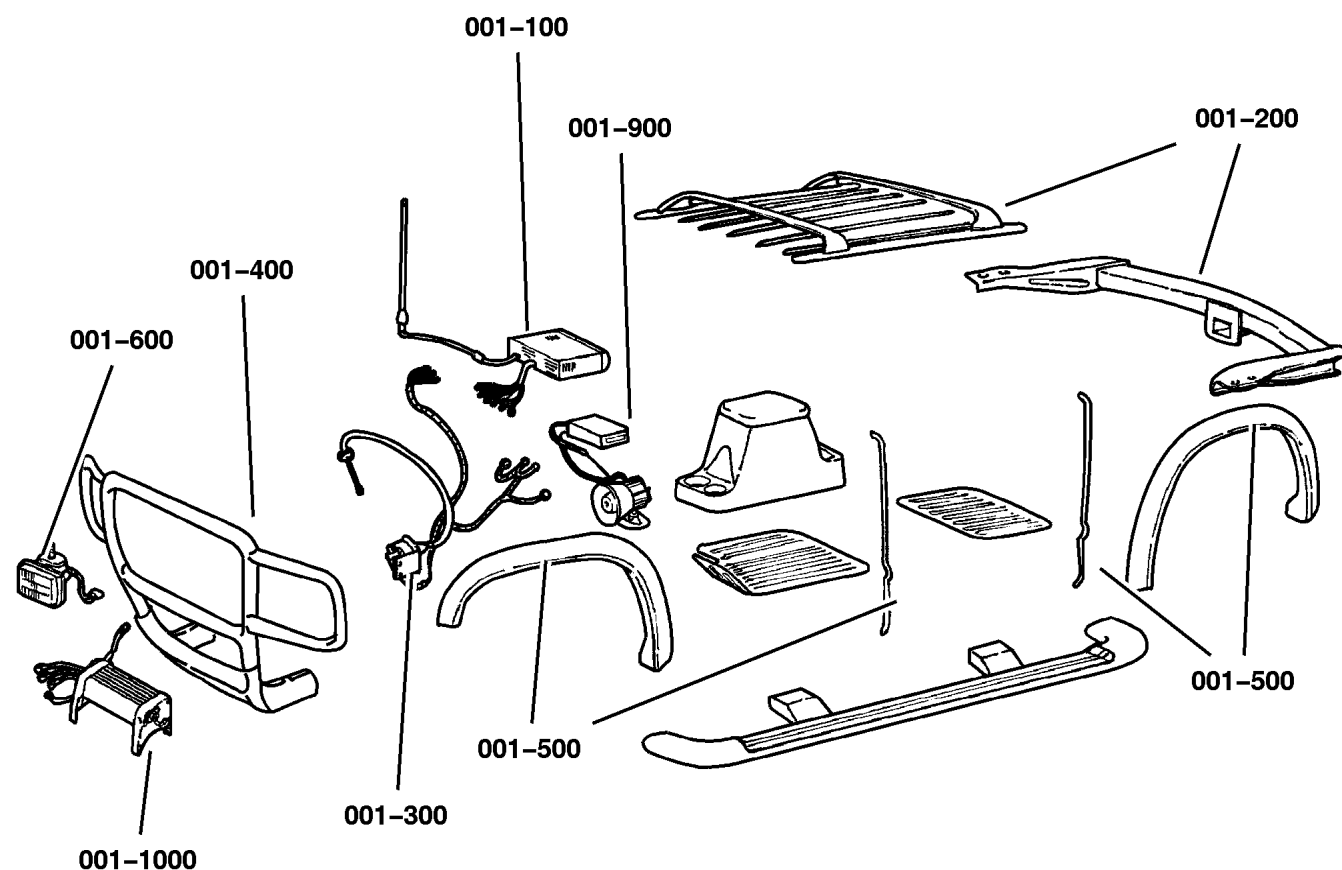
1	2	3	4	5	6	7	8	9	10	11	12 thru 17
Country	Make	Vehicle Type	Other	Line	Series	Body Style	Engine	Check Digit	Model Year	Assy. Plant	Sequence No.

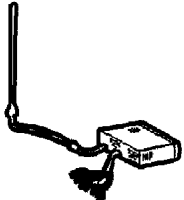
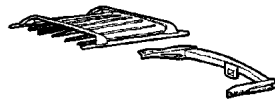

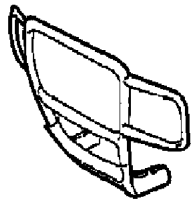
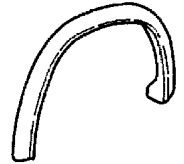



The following table interprets the VIN Plate positions shown above.

Position	Interpretation	Codes = Description
1	Country of Origin	1 = Built in U.S by DaimlerChrysler Corporation
2	Make	J = Jeep
3	Vehicle type	4 = Multipurpose Passenger Vehicle
4	GVWR & Pass. Safety	D=0-1360 kg (1-3000 lbs) E=1361-1814 kg (3001-4000 lbs) F=1815-2267 kg (4001-5000 lbs) G=2268-2721 kg (5001-6000 lbs) H=2722-3175 kg (6001-7000 lbs) J=3176-3628 kg (7001-8000 lbs) K=3629-4082 kg (8001-9000 lbs) L=4083-4535 kg (9001-10000 lbs) M=4536-6350 kg (10001-14000 lbs)
5	Vehicle Line	2 = Grand Cherokee 4x2 (LHD) 7 = Grand Cherokee 4x2 (RHD) W = Grand Cherokee 4x4 (LHD) 8 = Grand Cherokee 4x4 (RHD)
6	Series	5 = Laredo (With ARN Pkg) 6 = Limited (With ARP Pkg)
7	Body Style	8 = 4 Dr. Sport Utility
8	Engine	4 = 3.1L 5 Cyl. Turbo Diesel (EXA) N = 4.7L 8 Cyl. Gas (EVA) S = 4.0L 6 Cyl. Gas (ERH) V = 4.0L 6 Cyl. Gas Leaded (ERH)
9	Check Digit	
10	Model Year	X = 1999
11	Assembly Plant	Y = STEYR Assembly C = Jefferson Assembly
12 thru 17	Vehicle Build Sequence	Model Year Assembly Sequence

Group – 001

Component Parts for Mopar Accessories



<p>001-100 Audio & Electronics</p> 	<p>001-200 Carriers & Cargo Hauling</p> 	<p>001-300 Driving Convenience</p> 	<p>001-400 Exterior Appearance</p> 
<p>001-500 Exterior Protection</p> 	<p>001-600 Fog Lights & Electrical</p> 	<p>001-900 Security</p> 	<p>001-1000 4 - Wheeling & Off Road</p> 

GROUP 1 - Component Parts for Mopar Accessories

Illustration Title

Group-Fig. No.

Audio & Electronics

Player Kit - FM Modulated	Fig. 001-110
Player Kit	Fig. 001-115

Carriers & Cargo Hauling

Carrier Kit - Basket Type	Fig. 001-210
Carrier Kit - Multipurpose	Fig. 001-215
Carrier Kit - Canoe	Fig. 001-220
Carrier Kit - Water Sports	Fig. 001-222
Bike Carrier - Roof Mount Fork Mount Style	Fig. 001-230
Bike Carrier - Roof Mount Upright Style	Fig. 001-235
Carrier Kit - Bike (Fold down mount)	Fig. 001-240
Carrier Kit - Bike (Lockable)	Fig. 001-245
Carrier Kit - Ski (4 Pair)	Fig. 001-250
Wiring Package (Trailer Tow)	Fig. 001-255
Box Kit - Storage (Interior)	Fig. 001-260
Cooler Package - Power Steering	Fig. 001-265

Driving Convenience

Mounting Kit - Cellular Phone	Fig. 001-310
Filter Kit - Cabin Air	Fig. 001-315

Exterior Appearance

Running Boards	Fig. 001-410
Side Step Kit	Fig. 001-420

Exterior Protection

Shield Kit, Air Front	Fig. 001-510
Plate Package - Skid	Fig. 001-515

Fog Lights & Electrical

Heater Kit	Fig. 001-610
Light Package - Fog	Fig. 001-615

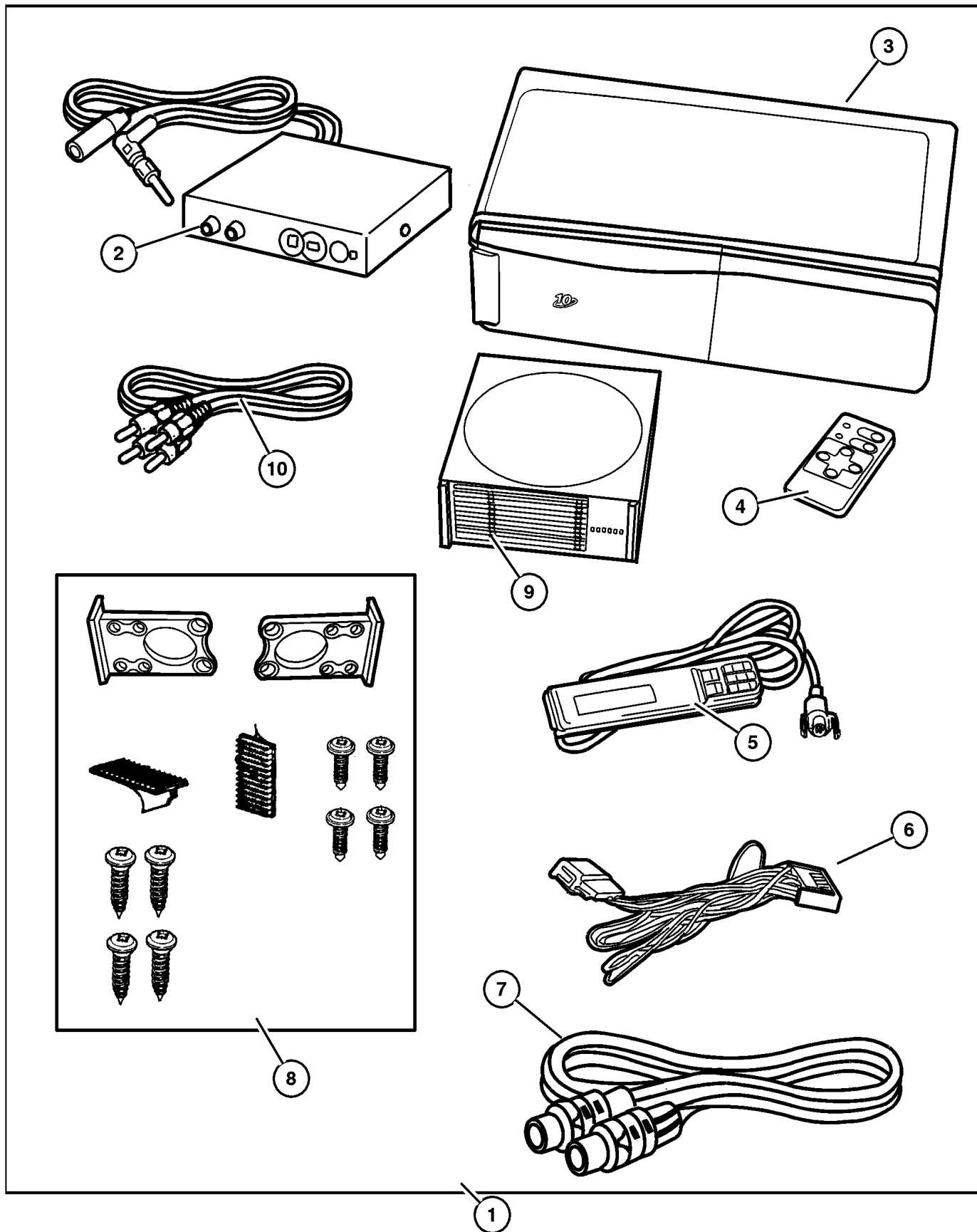
Security

Module - Security Alarm	Fig. 001-910
-------------------------------	--------------

4 - Wheeling & Off Road

Guards, Rock Rail	Fig. 001-1010
Brush/Grille	Fig. 001-1015

Player Kit - FM Modulated
Figure 001-110



ITEM	PART NUMBER	QTY	LINE	SERIES	BODY	ENGINE	TRANS	TRIM	DESCRIPTION
NOTE: CD Changer sold only in Player Kit # 82204094									
1	8220 4094	1			74				PLAYER KIT, CD Changer - 10 Disc, Consists of: RF Modulator, Power Cord w/Suppression, NIN Cord, RCA Cords, Hand Held Remote, Brackets with Mounting Hardware and Operating Manual, 10 Disc Magazine, FM Modulated.
2	4883 248	1			74				MODULATOR, FM Changer
3									CHANGER, CD, (NOT SERVICED) (Not Serviced)
4	4883 250	1			74				CONTROLLER, CD Wireless
5	4883 249	1			74				CONTROLLER, CD Wired
6	4465 117AB	1			74				ADAPTOR, A/C
7	4883 251	1			74				CABLE, Din, 5-Meter Length
8	4883 253	1			74				HARDWARE KIT, Mounting, Consists of: 2-Multi-Position Mounting Brackets, 4-Machine Screws, 4-Self-Tapping Screws, 1-Adhesive Backed Velcro Pad (Hook Side), 1-Adhesive Backed Velcro Pad (Loop Side), 1-Double-Sided Foam Tape
9	4882 371AB	1			74				MAGAZINE, CD Changer, 10-Disc
10	4883 252	1			74				CABLE, CD Changer, RCA -5 Meter Length

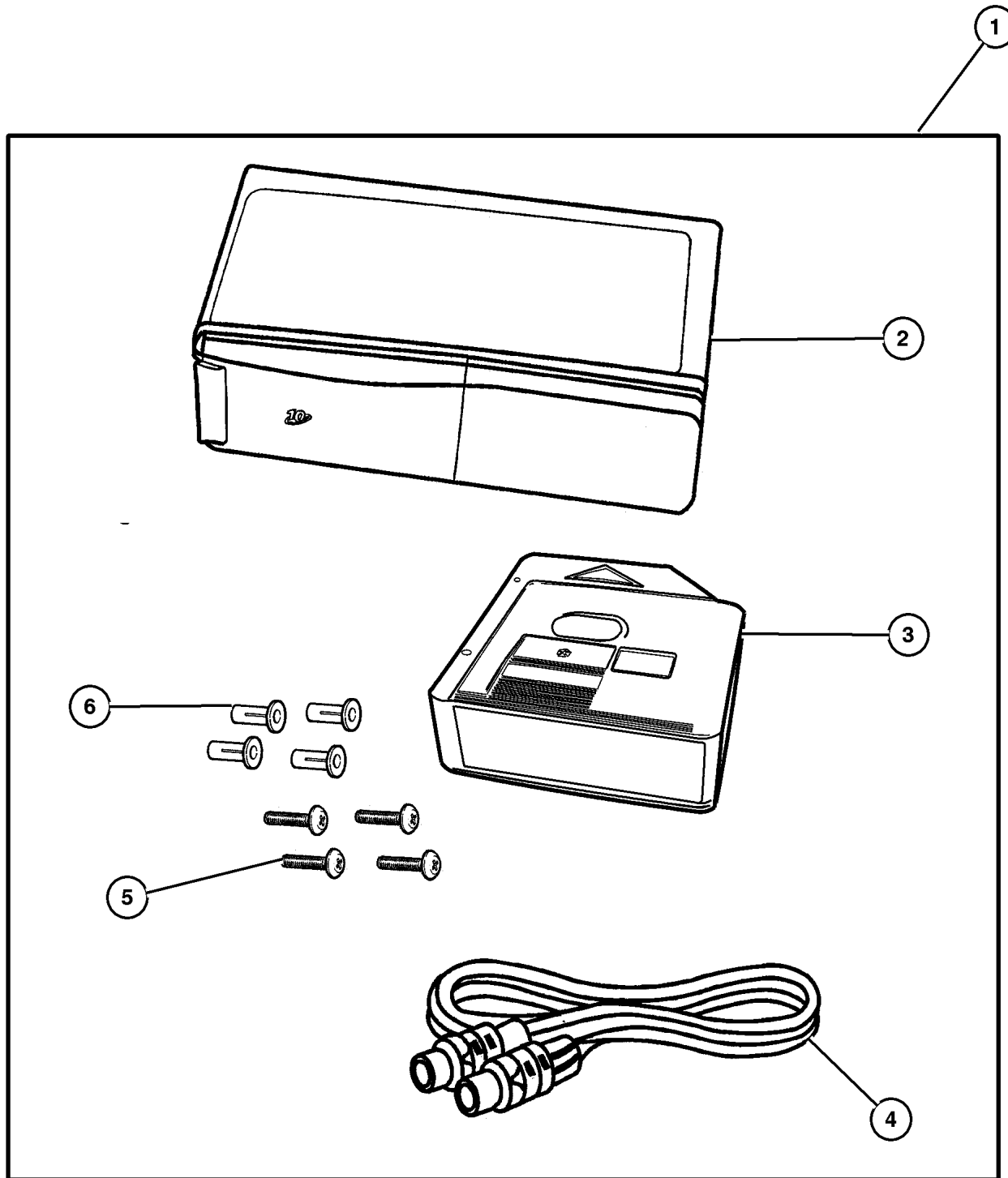
JEEP GRAND CHEROKEE (WJ)				
SERIES	LINE	BODY	ENGINE	TRANSMISSION
L = Grand Cherokee	J = 4WD T = 2WD U = 4WD (RHD)	74 = 4 Door (105.9 WB)	ERH,ERO = 4.0L, Power Tech EVA,EVO = 4.7L, Power Tech EXA,EXO = 3.1L 5 cyl Turbo Diesel	DGK = 4 Speed Autm, 42RE DG4 = Multi Speed Auto 45RFE DGW = 4 Speed Autom 44RE DGO = All Automatic

AR = Use as required - = Non illustrated part # = New this model year

September 15, 2005

Player Kit
Figure 001-115

ITEM	PART NUMBER	QTY	LINE	SERIES	BODY	ENGINE	TRANS	TRIM	DESCRIPTION
1	8220 4627	1							PLAYER KIT, CD Changer - 10 Disc, Consists of: 10-Disc Magazine, CD Changer, Din Cord, 4-Studs, 4-Nut & Washer Assy.
2	56042 129AC	1			74				CHANGER, CD
3	4858 564	1			74				MAGAZINE, CD Changer, 10-Disc
4	5013 661AA	1			74				CABLE, Din, Replacement Mounting Hardware
5	6100 047	4							NUT AND WASHER, Hex Nut-Coned Washer, M6 x 1.00, M6 x 1.00
6	6505 002AA	4							STUD, M6 x 1.00 x 35.00

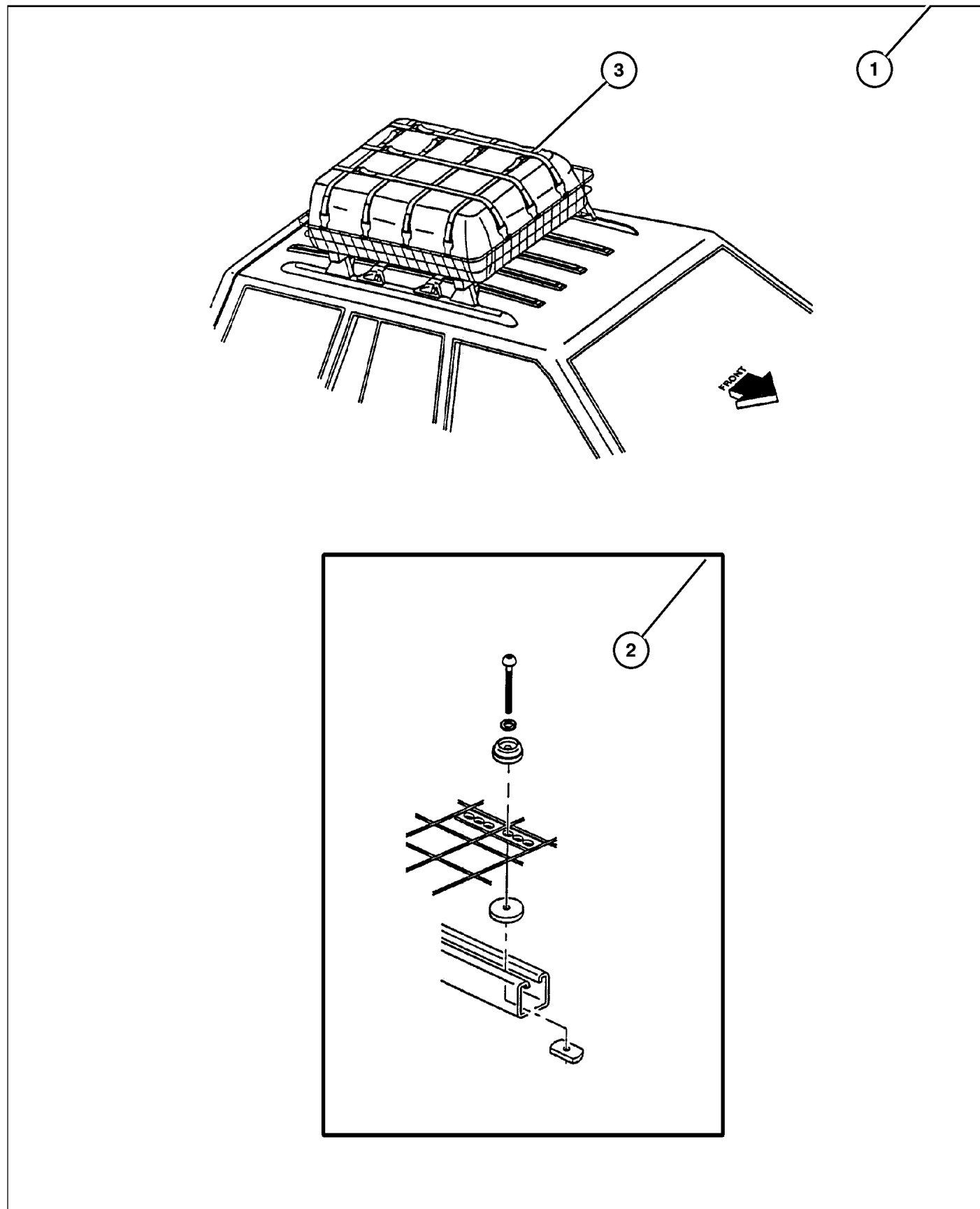


JEEP GRAND CHEROKEE (WJ)				
SERIES	LINE	BODY	ENGINE	TRANSMISSION
L = Grand Cherokee	J = 4WD T = 2WD U = 4WD (RHD)	74 = 4 Door (105.9 WB)	ERH,ERO = 4.0L, Power Tech EVA,EVO = 4.7L, Power Tech EXA,EXO = 3.1L 5 cyl Turbo Diesel	DGK = 4 Speed Autm, 42RE DG4 = Multi Speed Auto 45RFE DGW = 4 Speed Autom 44RE DGO = All Automatic

AR = Use as required - = Non illustrated part # = New this model year

September 15, 2005

Carrier Kit - Basket Type
Figure 001-210



ITEM	PART NUMBER	QTY	LINE	SERIES	BODY	ENGINE	TRANS	TRIM	DESCRIPTION
------	-------------	-----	------	--------	------	--------	-------	------	-------------

NOTE: Use only with Sport Utility Bar

NOTE; Hardware Kit also contained in Carrier Kit.

1	8220 4697	1							CARRIER KIT, Basket
2	5016 389AA	1	J, T		74				HARDWARE KIT, Accessory, Consists of: 4-25MM Button Head Screws, 4-30MM Button Head Screws, 4-Lock Washers, 4-Dome Washers, 4-Rubber Washers & 4- T-Nuts
3	8220 4857	1							NET KIT, Cargo

JEEP GRAND CHEROKEE (WJ)				
SERIES	LINE	BODY	ENGINE	TRANSMISSION
L = Grand Cherokee	J = 4WD T = 2WD U = 4WD (RHD)	74 = 4 Door (105.9 WB)	ERH,ERO = 4.0L, Power Tech EVA,EVO = 4.7L, Power Tech EXA,EXO = 3.1L 5 cyl Turbo Diesel	DGK = 4 Speed Autm, 42RE DG4 = Multi Speed Auto 45RFE DGW = 4 Speed Autom 44RE DGO = All Automatic

AR = Use as required - = Non illustrated part # = New this model year

September 15, 2005

**Carrier Kit - Multipurpose
Figure 001-215**

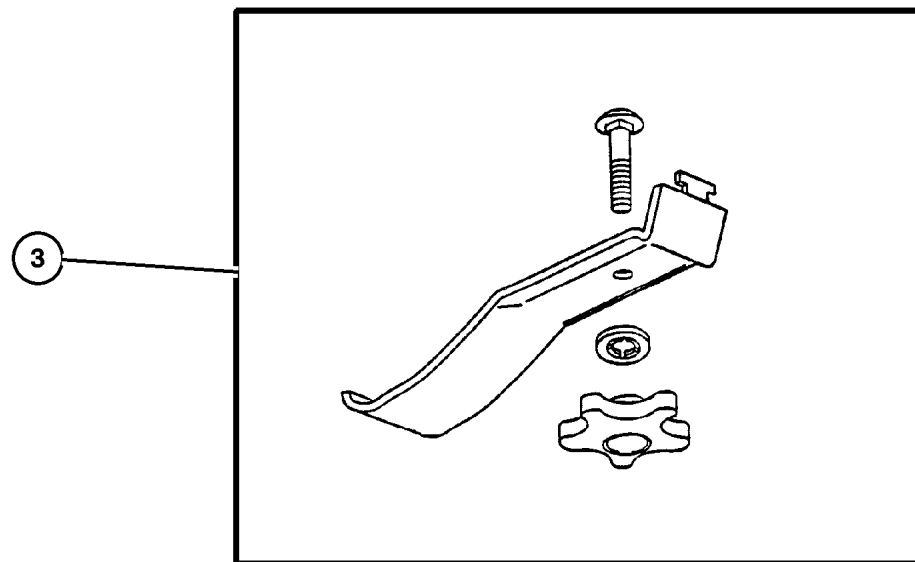
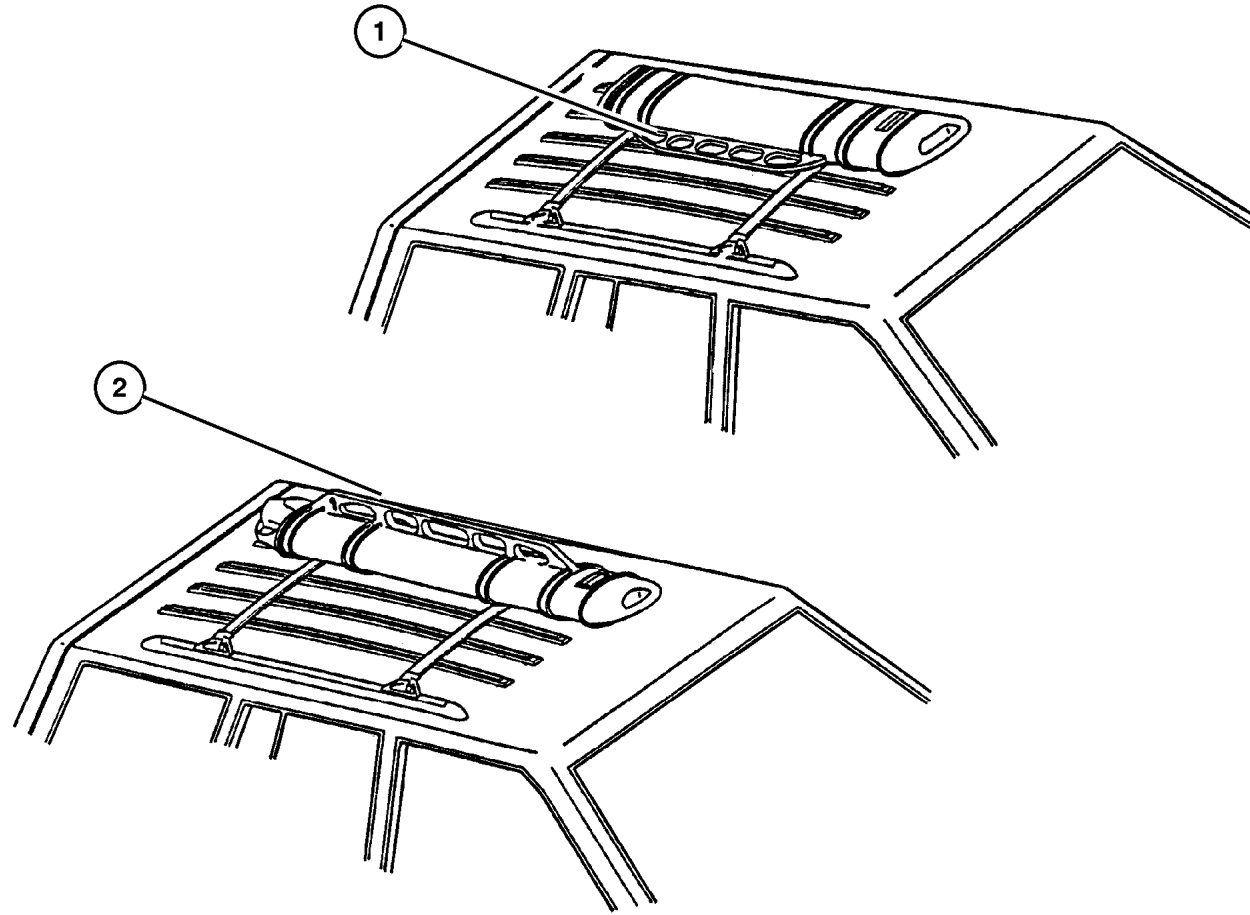
ITEM	PART NUMBER	QTY	LINE	SERIES	BODY	ENGINE	TRANS	TRIM	DESCRIPTION
------	-------------	-----	------	--------	------	--------	-------	------	-------------

NOTE: Use only with Sport Utility Bar

NOTE: Carrier Kits - Multipurpose: Skis or Fishing Pole
Snow Board or Surfboard

NOTE: Hardware Kit also contained in Carrier Kit

1	8220 4699	1							CARRIER KIT, Wind/Surf Boards, For Snowboard or Surfboard
2	8220 4698	1							CARRIER KIT, Ski, For Skis, Fishing Poles
3	5016 509AA	1	J, T		74				HARDWARE KIT, Accessory, Consists of: 1-Carriage Bolt, 1- Retaining Knob, 1-Retaining Washer, 1-Attachment Bracket
-4	5016 617AA-	1	J, T		74				LOCK KIT, Carrier, Consists of: 2- locks keyed the same



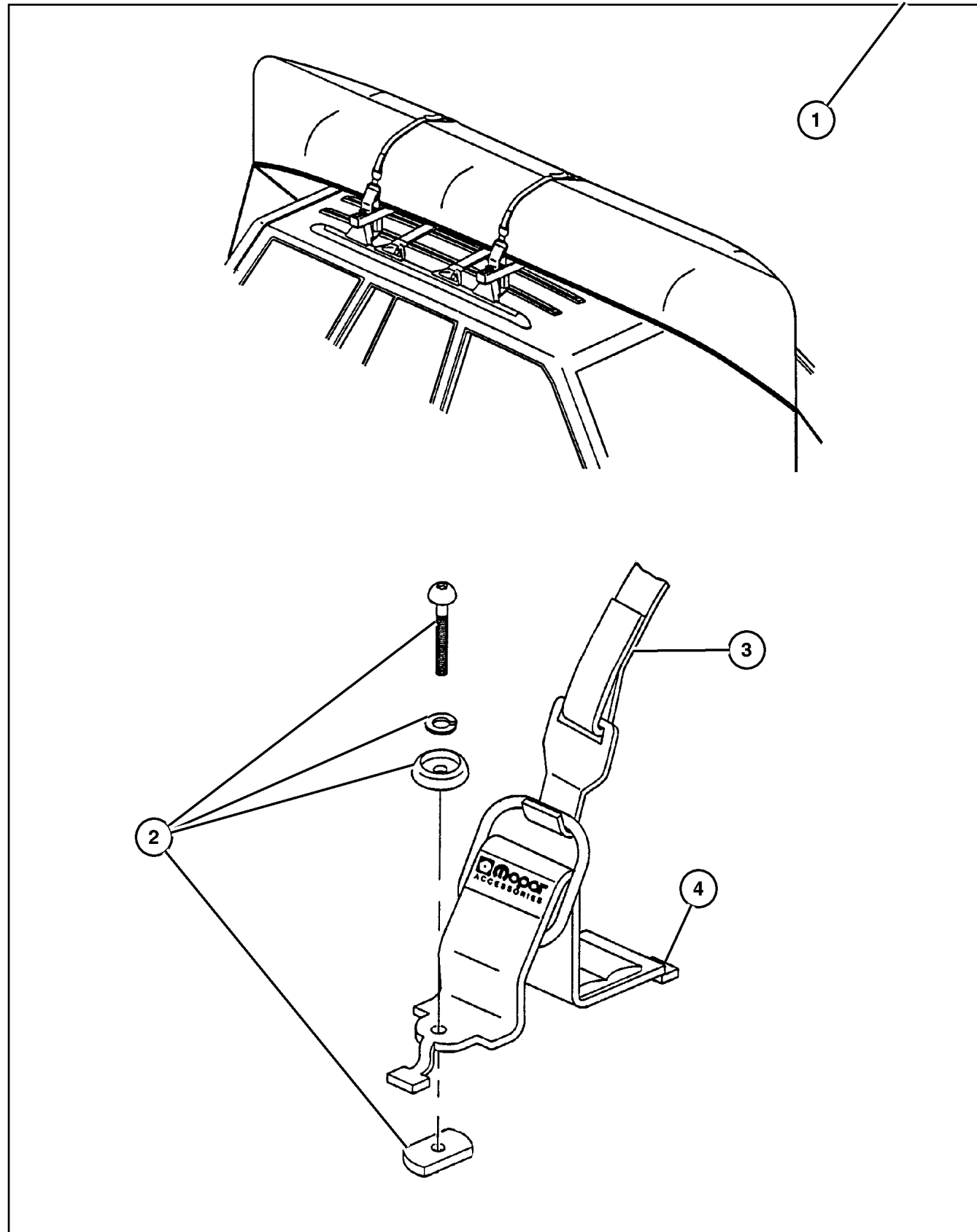
JEEP GRAND CHEROKEE (WJ)

SERIES	LINE	BODY	ENGINE	TRANSMISSION
L = Grand Cherokee	J = 4WD T = 2WD U = 4WD (RHD)	74 = 4 Door (105.9 WB)	ERH,ERO = 4.0L, Power Tech EVA,EVO = 4.7L, Power Tech EXA,EXO = 3.1L 5 cyl Turbo Diesel	DGK = 4 Speed Autm, 42RE DG4 = Multi Speed Auto 45RFE DGW = 4 Speed Autom 44RE DGO = All Automatic

AR = Use as required - = Non illustrated part # = New this model year

September 15, 2005

Carrier Kit - Canoe
Figure 001-220



ITEM	PART NUMBER	QTY	LINE	SERIES	BODY	ENGINE	TRANS	TRIM	DESCRIPTION
NOTE: Use only with Sport Utility Bar									
NOTE: Hardware Kit also contained in Carrier Kit									
1	8220 4700	1							CARRIER KIT, Water Sports
2	5016 389AA	1	J, T		74				HARDWARE KIT, Accessory, Consists of: 4-M6x1.0MMx25MM Button Head Screws, 4-Dome Washers,4-M6 Lock Washers, 4- Rubber Washers, 4-M6x1.0MM T- Nuts
3	5016 511AA	1	J, T		74				STRAP, Cargo Tie Down, Adjustable with Buckle & Guard
4	5016 510AA	1	J, T		74				BRACKET, Cargo Tie Down

JEEP GRAND CHEROKEE (WJ)

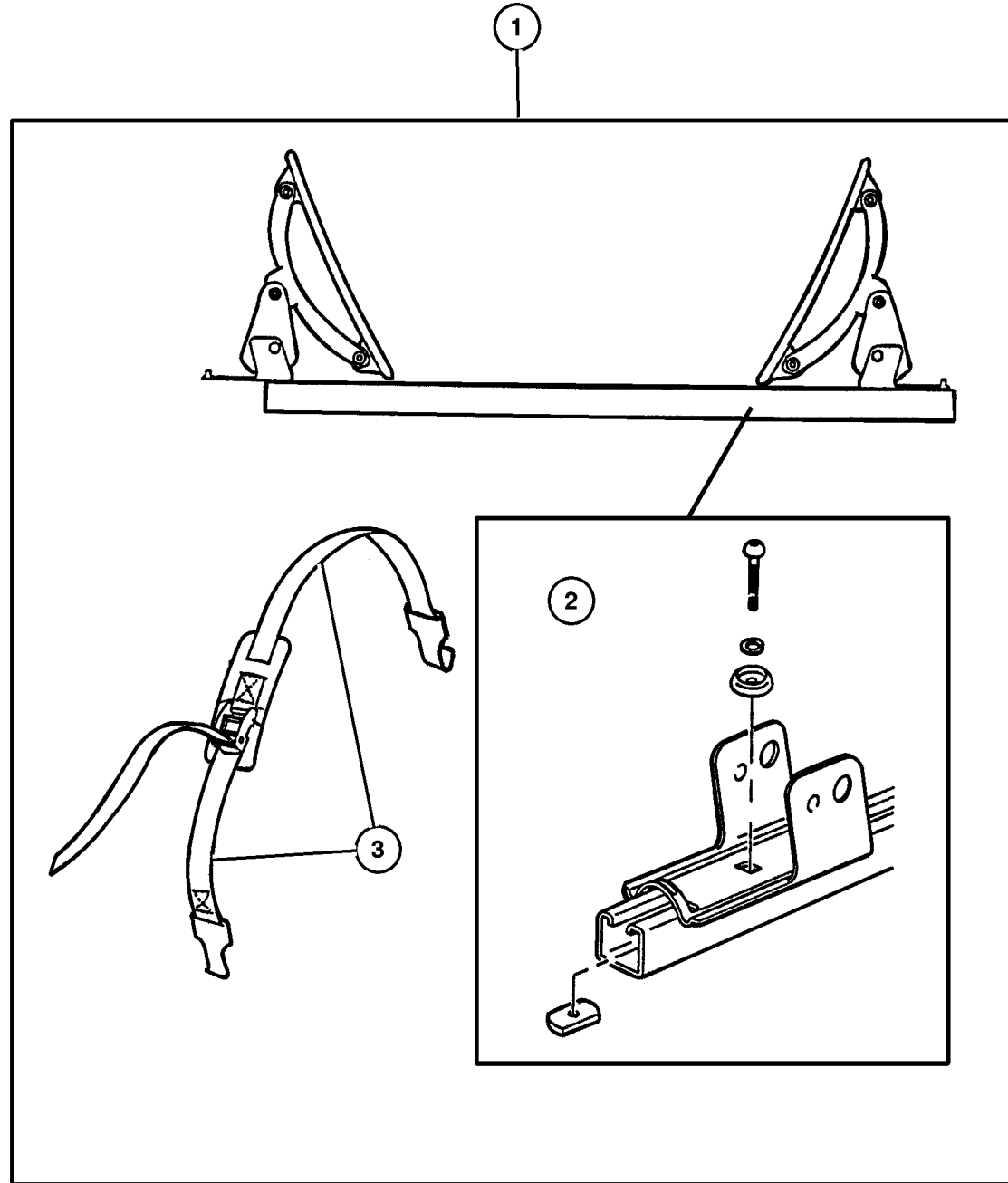
SERIES	LINE	BODY	ENGINE	TRANSMISSION
L = Grand Cherokee	J = 4WD T = 2WD U = 4WD (RHD)	74 = 4 Door (105.9 WB)	ERH,ERO = 4.0L, Power Tech EVA,EVO = 4.7L, Power Tech EXA,EXO = 3.1L 5 cyl Turbo Diesel	DGK = 4 Speed Autm, 42RE DG4 = Multi Speed Auto 45RFE DGW = 4 Speed Autom 44RE DGO = All Automatic

AR = Use as required - = Non illustrated part # = New this model year

September 15, 2005

Carrier Kit - Water Sports
Figure 001-222

ITEM	PART NUMBER	QTY	LINE	SERIES	BODY	ENGINE	TRANS	TRIM	DESCRIPTION
1	8220 4701	1							CARRIER KIT, Water Sports
2	5016 389AA	1	J, T		74				HARDWARE KIT, Accessory, Consists of : 4-25MM Button Head Screws, 4- 30MM Button Head Screws, 4-Lock Washers, 4- Dome Washers and 4- T-Nuts
3	5016 511AA	1	J, T		74				STRAP, Cargo Tie Down

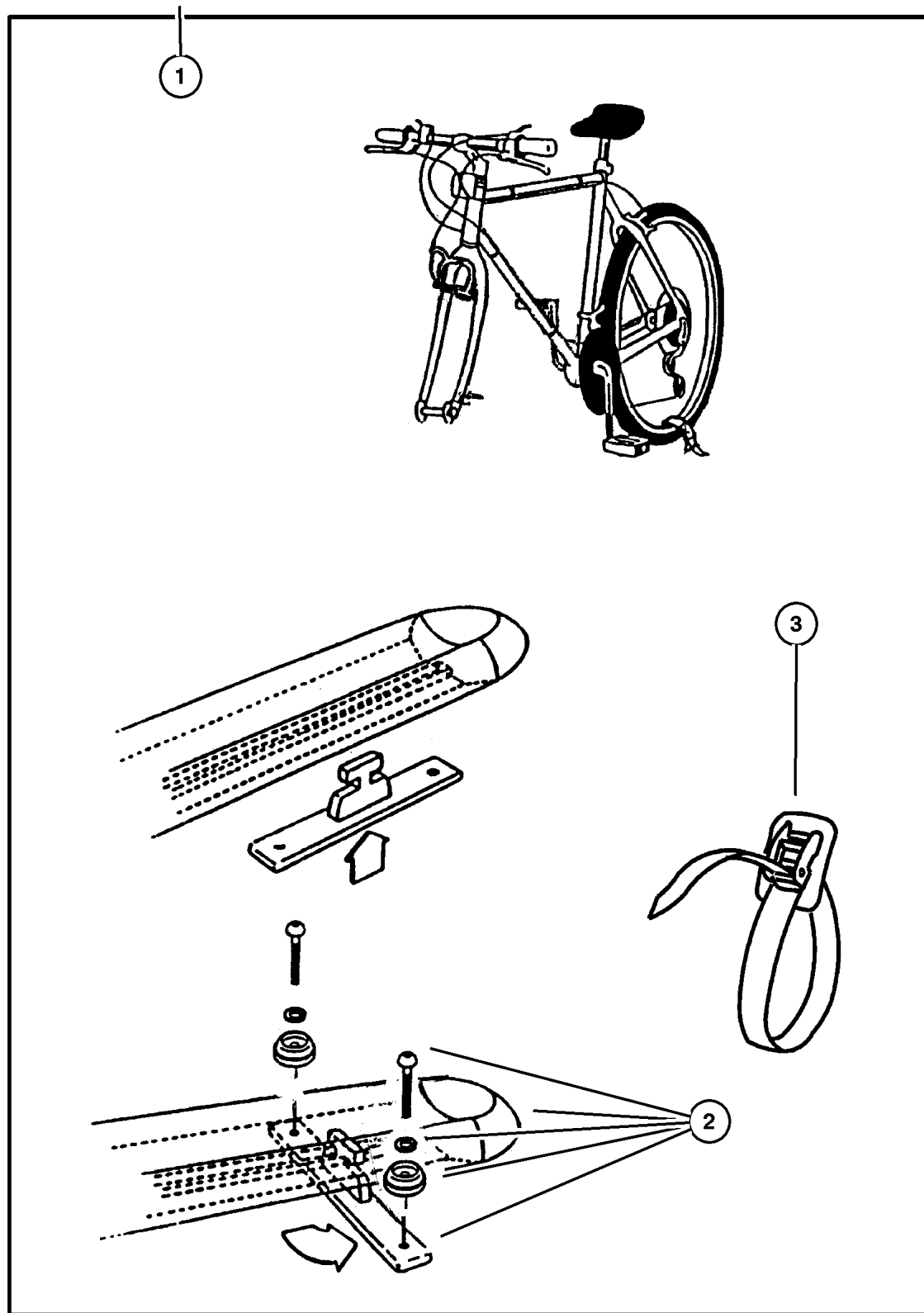


JEEP GRAND CHEROKEE (WJ)
 SERIES L = Grand Cherokee
 LINE J = 4WD
 T = 2WD
 U = 4WD (RHD)
 BODY 74 = 4 Door (105.9 WB)
 ENGINE ERH,ERO = 4.0L, Power Tech
 EVA,EVO = 4.7L, Power Tech
 EXA,EXO = 3.1L 5 cyl Turbo Diesel
 TRANSMISSION DGK = 4 Speed Autm, 42RE
 DG4 = Multi Speed Auto 45RFE
 DGW = 4 Speed Autom 44RE
 DGO = All Automatic

AR = Use as required - = Non illustrated part # = New this model year

September 15, 2005

**Bike Carrier - Roof Mount Fork Mount Style
Figure 001-230**



ITEM	PART NUMBER	QTY	LINE	SERIES	BODY	ENGINE	TRANS	TRIM	DESCRIPTION
------	-------------	-----	------	--------	------	--------	-------	------	-------------

NOTE: Hardware Kit also contained in Carrier Kit.

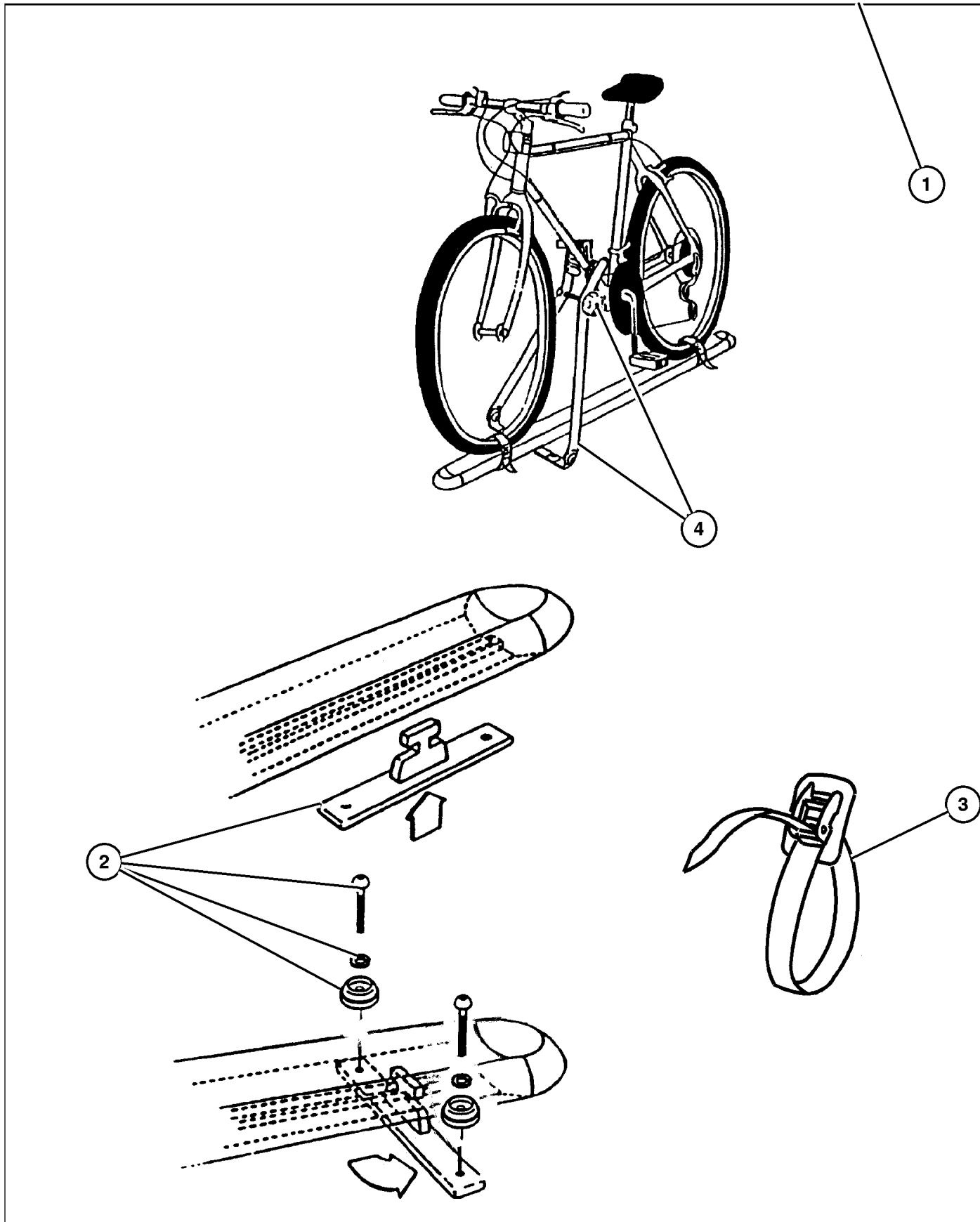
1	8230 0585	1							CARRIER KIT, Bike, Fork - Mount
2	5016 512AA	1	J, T		74				HARDWARE KIT, Accessory, Contains: 2 T-Slots, 4 Dome Washers, 4 M6x1x16mm Screws and 2 M6 Lockwashers
3	5016 513AA	1	J, T		74				STRAP, Cargo Tie Down, Contains: 2 Straps

JEEP GRAND CHEROKEE (WJ)				
SERIES	LINE	BODY	ENGINE	TRANSMISSION
L = Grand Cherokee	J = 4WD T = 2WD U = 4WD (RHD)	74 = 4 Door (105.9 WB)	ERH,ERO = 4.0L, Power Tech EVA,EVO = 4.7L, Power Tech EXA,EXO = 3.1L 5 cyl Turbo Diesel	DGK = 4 Speed Autm, 42RE DG4 = Multi Speed Auto 45RFE DGW = 4 Speed Autom 44RE DGO = All Automatic

AR = Use as required - = Non illustrated part # = New this model year

September 15, 2005

**Bike Carrier - Roof Mount Upright Style
Figure 001-235**



ITEM	PART NUMBER	QTY	LINE	SERIES	BODY	ENGINE	TRANS	TRIM	DESCRIPTION
------	-------------	-----	------	--------	------	--------	-------	------	-------------

NOTE: Hardware Kit also contained in Carrier Kit.

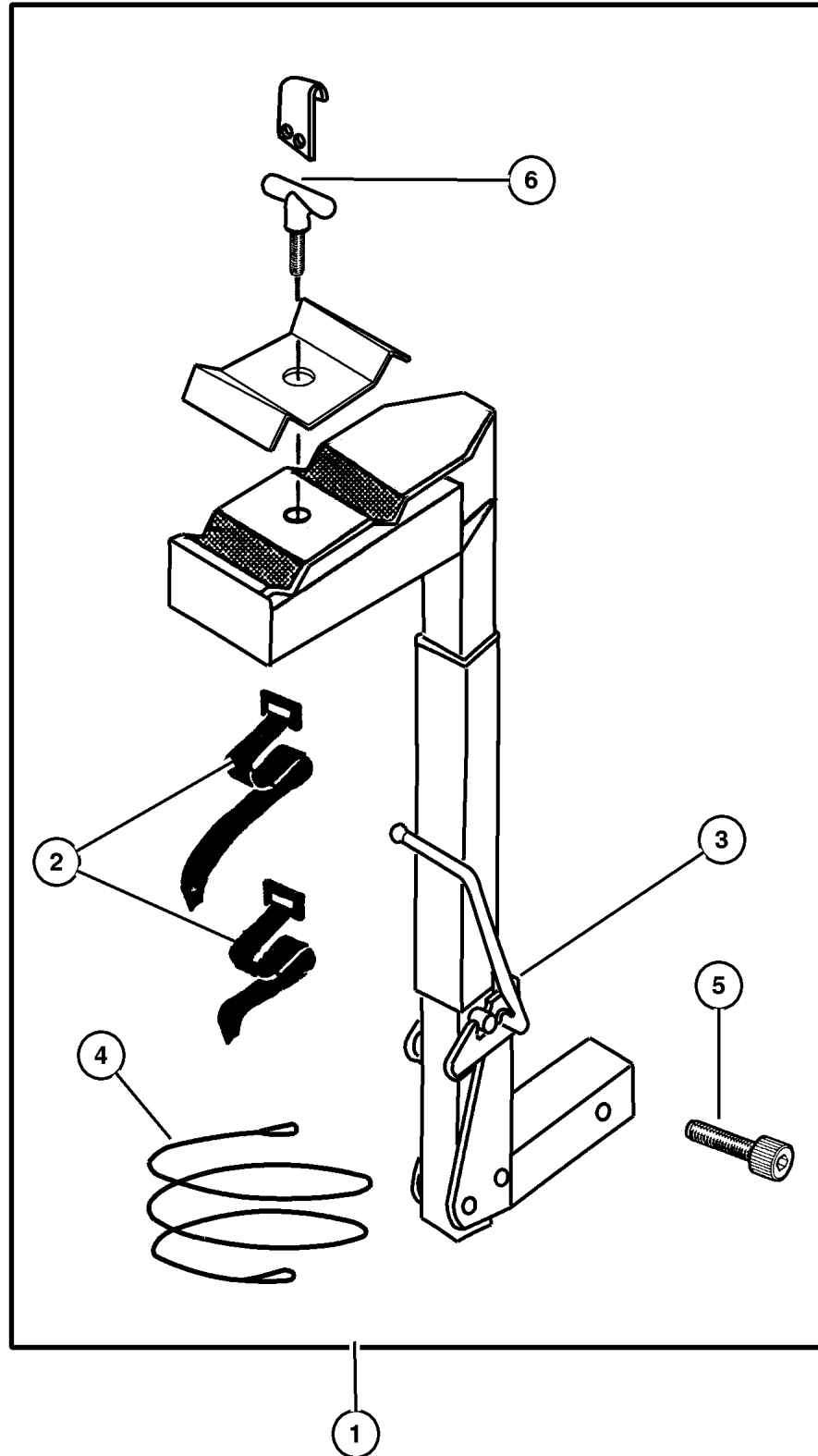
1	8220 3471	1							CARRIER KIT, Bike
2	5016 512AA	1	J, T		74				HARDWARE KIT, Accessory, Consists of: 2-T-Slot Bars, 4- Round Dome Washers, 4-M6 x 1. 0MM x 16MM Machine Screws, 2-M6 Lock Washers
3	5016 513AA	1	J, T		74				STRAP, Cargo Tie Down, Consists of: 2-Adjustable Wheel Straps
4									HARDWARE KIT, Mounting, #05018194AA Contains: Tubes, Pads and Attaching Bolts, (NOT SERVICED) (Not Serviced)

JEEP GRAND CHEROKEE (WJ)				
SERIES	LINE	BODY	ENGINE	TRANSMISSION
L = Grand Cherokee	J = 4WD T = 2WD U = 4WD (RHD)	74 = 4 Door (105.9 WB)	ERH,ERO = 4.0L, Power Tech EVA,EVO = 4.7L, Power Tech EXA,EXO = 3.1L 5 cyl Turbo Diesel	DGK = 4 Speed Autm, 42RE DG4 = Multi Speed Auto 45RFE DGW = 4 Speed Autom 44RE DGO = All Automatic

AR = Use as required - = Non illustrated part # = New this model year

September 15, 2005

**Carrier Kit - Bike (Fold down mount)
Figure 001-240**



ITEM	PART NUMBER	QTY	LINE	SERIES	BODY	ENGINE	TRANS	TRIM	DESCRIPTION
NOTE: Folds down for access to rear hatch, has anti theft bolts.									
1	8220 4453	1							CARRIER KIT, Bike, Consists of: 2- Velcro Straps, 1-Rubber Latch Strap, 1-Lock Strap, 1-Bolt. For 2.0' Receiver
2	4762 880	1							STRAP KIT, Velcro, Consists of: 1- Long Strap & 1- Short
3	4762 881	1							STRAP KIT, Bike Carrier Latch, Consists of: 1-Rubber Strap
4	4762 882	1							LOCK KIT, Bike Carrier Handle
5	4762 883	1							BOLT
6	5016 610AA	1	J, T		74				HARDWARE KIT, Accessory, T-Handle

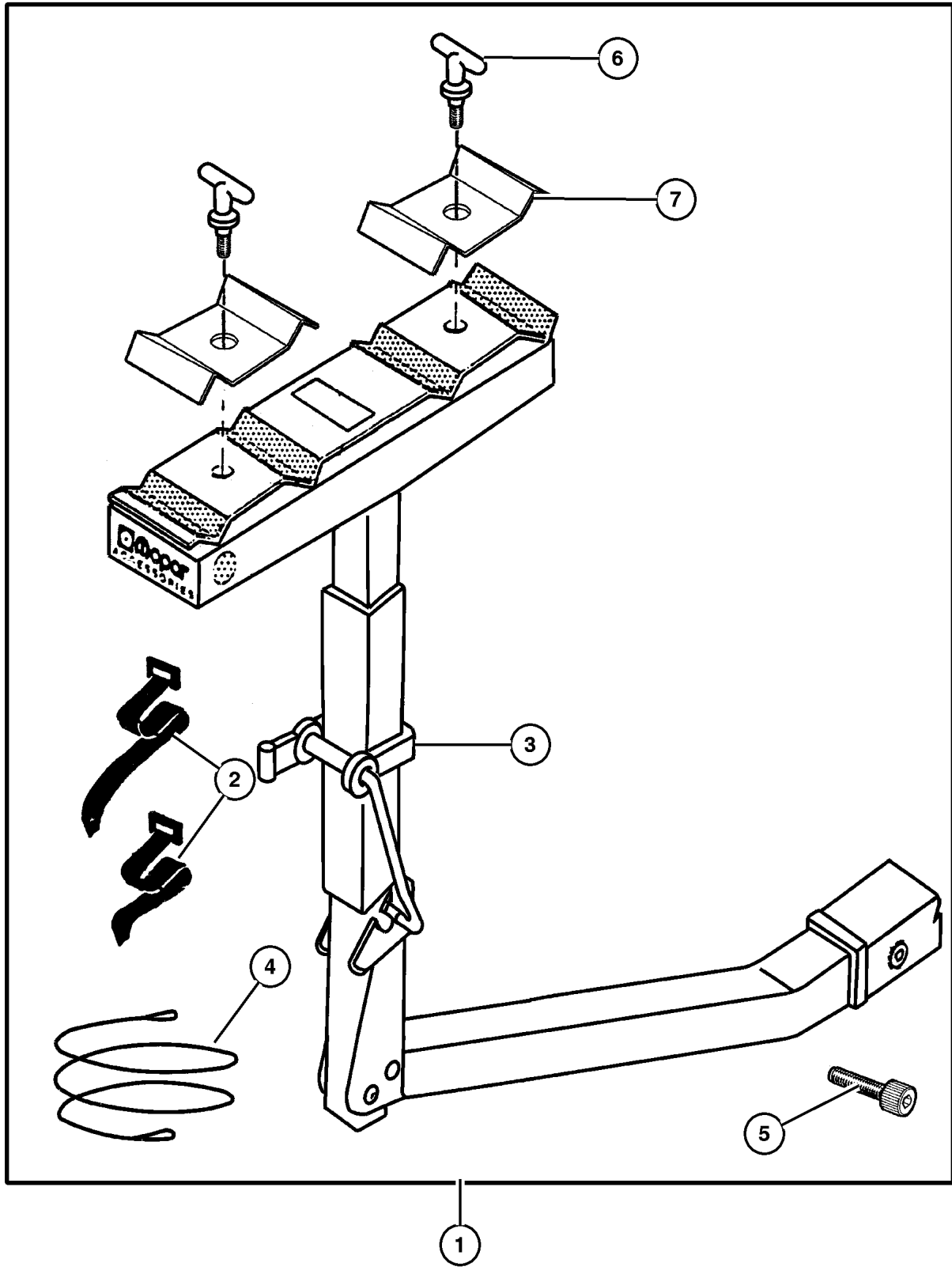
JEEP GRAND CHEROKEE (WJ)				
SERIES	LINE	BODY	ENGINE	TRANSMISSION
L = Grand Cherokee	J = 4WD T = 2WD U = 4WD (RHD)	74 = 4 Door (105.9 WB)	ERH,ERO = 4.0L, Power Tech EVA,EVO = 4.7L, Power Tech EXA,EXO = 3.1L 5 cyl Turbo Diesel	DGK = 4 Speed Autm, 42RE DG4 = Multi Speed Auto 45RFE DGW = 4 Speed Autom 44RE DGO = All Automatic

AR = Use as required - = Non illustrated part # = New this model year

September 15, 2005

Carrier Kit - Bike (Lockable)
Figure 001-245

ITEM	PART NUMBER	QTY	LINE	SERIES	BODY	ENGINE	TRANS	TRIM	DESCRIPTION
1	8220 4328	1							CARRIER KIT, Bike, Consists of: Item 2 thru 7
2	4762 880	1	J, T		74				STRAP KIT, Velcro, Consists of: 1- Long and 1-Short Velcro Strap
3	4762 881	1							STRAP KIT, Bike Carrier Latch, Consists of: 1- Rubber Strap
4	4762 882	1							LOCK KIT, Bike Carrier Handle
5	4762 883	1							BOLT
6	5016 610AA	1	J, T		74				HARDWARE KIT, Accessory, T- Handle
7	5016 657AA	1	J, T		74				HARDWARE KIT, Accessory, 2 Clamps are Needed

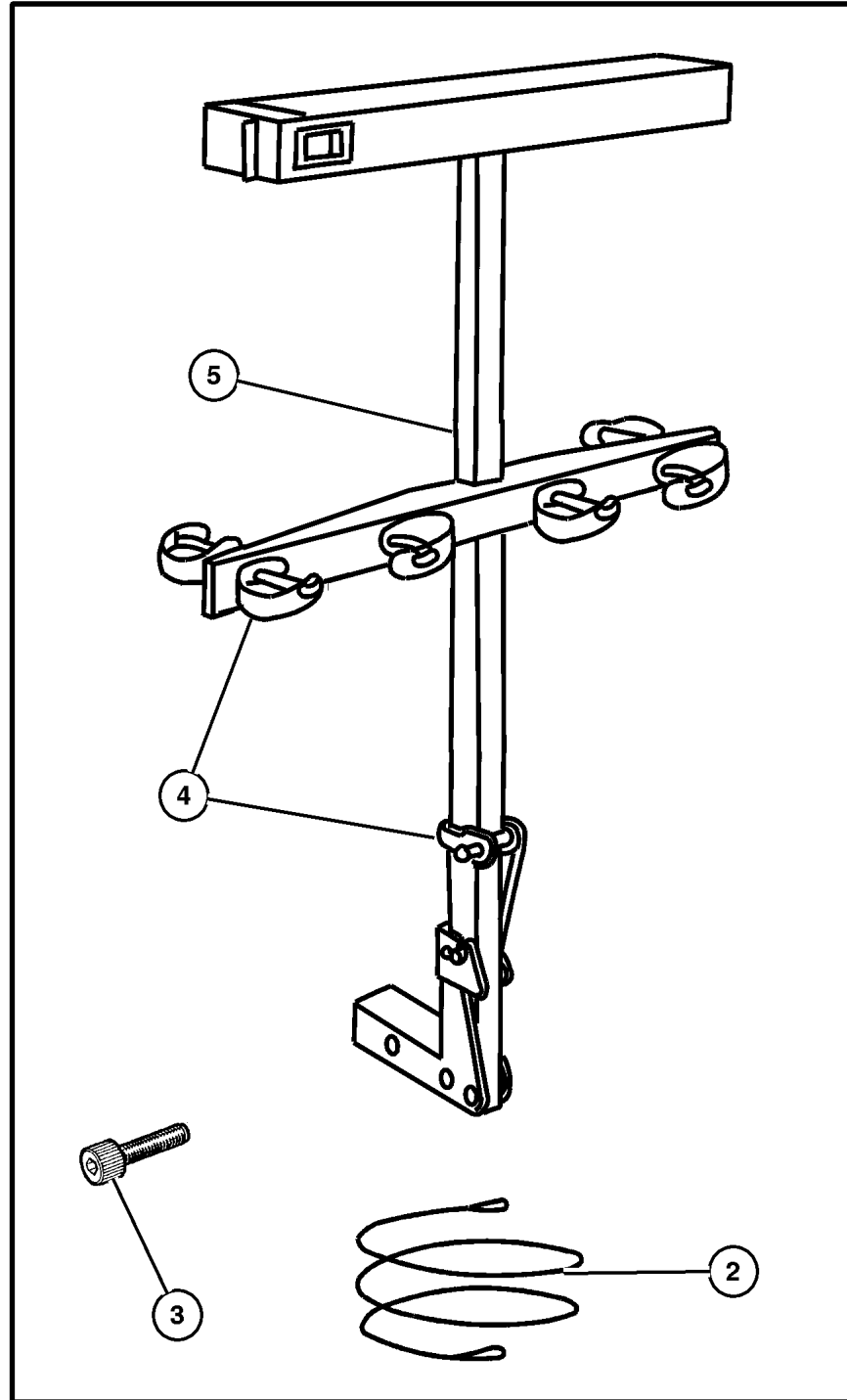


JEEP GRAND CHEROKEE (WJ)				
SERIES	LINE	BODY	ENGINE	TRANSMISSION
L = Grand Cherokee	J = 4WD T = 2WD U = 4WD (RHD)	74 = 4 Door (105.9 WB)	ERH,ERO = 4.0L, Power Tech EVA,EVO = 4.7L, Power Tech EXA,EXO = 3.1L 5 cyl Turbo Diesel	DGK = 4 Speed Autm, 42RE DG4 = Multi Speed Auto 45RFE DGW = 4 Speed Autom 44RE DGO = All Automatic

AR = Use as required - = Non illustrated part # = New this model year

September 15, 2005

Carrier Kit - Ski (4 Pair)
Figure 001-250



ITEM	PART NUMBER	QTY	LINE	SERIES	BODY	ENGINE	TRANS	TRIM	DESCRIPTION
1									CARRIER KIT, Ski - 4 Pair
	8220 4454	1	J, T		74				Use with 1.25' Hitch
	8220 4455	1							Use with 2.00' Hitch
2	4762 882	1							LOCK KIT, Bike Carrier Handle
3	4762 883	1							BOLT
4	4762 881	1							STRAP KIT, Bike Carrier Latch, Consists of: 1- Rubber Strap
5	5016 610AA	1	J, T		74				HARDWARE KIT, Accessory, T- Handle

JEEP GRAND CHEROKEE (WJ)				
SERIES	LINE	BODY	ENGINE	TRANSMISSION
L = Grand Cherokee	J = 4WD T = 2WD U = 4WD (RHD)	74 = 4 Door (105.9 WB)	ERH,ERO = 4.0L, Power Tech EVA,EVO = 4.7L, Power Tech EXA,EXO = 3.1L 5 cyl Turbo Diesel	DGK = 4 Speed Autm, 42RE DG4 = Multi Speed Auto 45RFE DGW = 4 Speed Autom 44RE DGO = All Automatic

AR = Use as required - = Non illustrated part # = New this model year

September 15, 2005

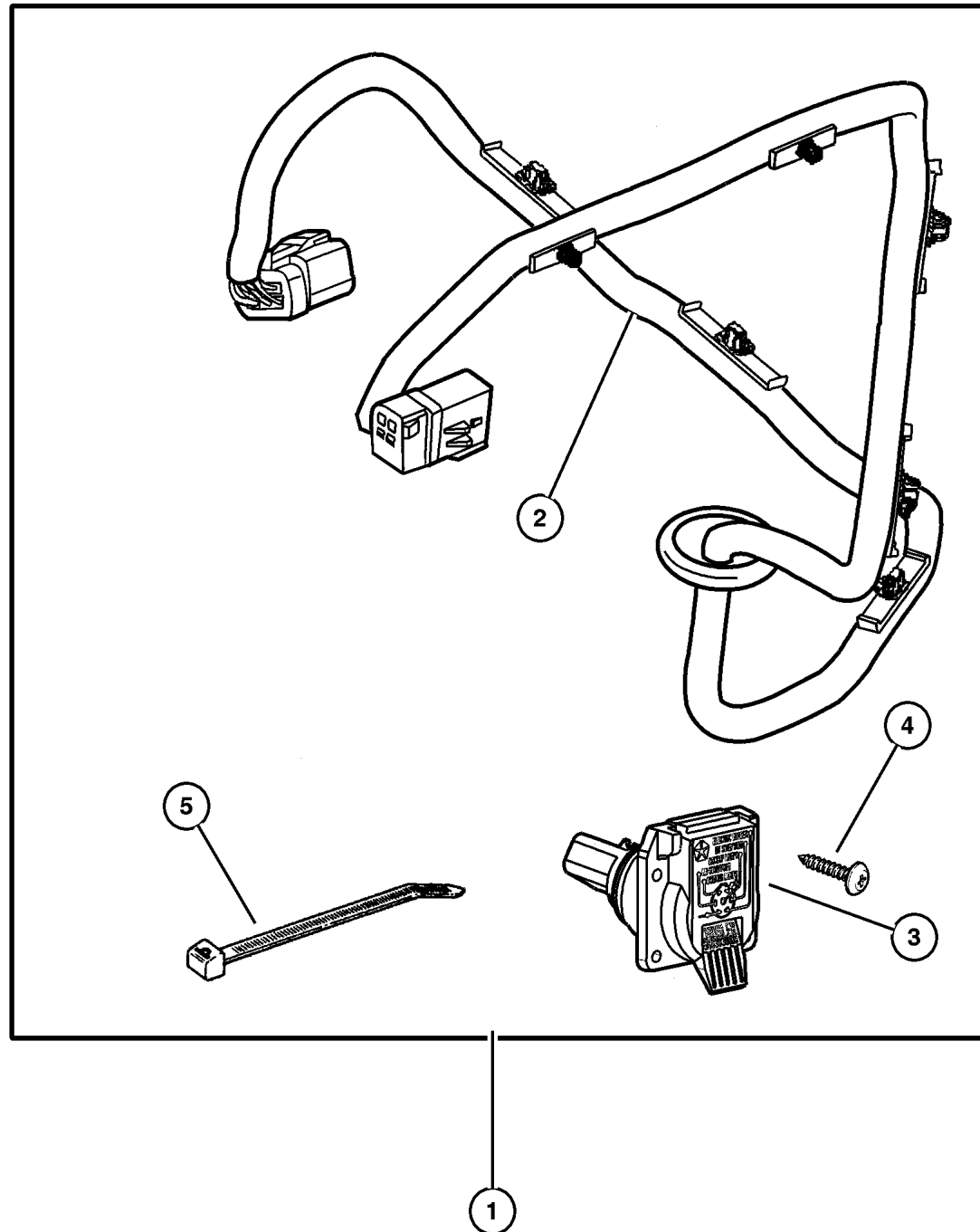
**Wiring Package (Trailer Tow)
Figure 001-255**

ITEM	PART NUMBER	QTY	LINE	SERIES	BODY	ENGINE	TRANS	TRIM	DESCRIPTION
------	-------------	-----	------	--------	------	--------	-------	------	-------------

NOTE: Trailer Tow Wire Harness Kit: 7-way round trailer connector, plugs into 10-way connector. Safety standards FSS-108 Lamps, Reflective devices.

NOTE: Trailer Tow Wiring Package 82204725 consists of Items 1 thru 4.

1	8220 4725	1							WIRING PACKAGE, Trailer Tow, Consists of: Items 2 thru 5 plus Instruction Sheets
2	56042 239AE	1				74			WIRING, Trailer Tow
3	56038 366AB	1				74			CONNECTOR, 7 Way
4	K015 4633	1							SCREW, .164-18x.625
5	6016 155	6				74			STRAP, Tie



JEEP GRAND CHEROKEE (WJ)				
SERIES	LINE	BODY	ENGINE	TRANSMISSION
L = Grand Cherokee	J = 4WD T = 2WD U = 4WD (RHD)	74 = 4 Door (105.9 WB)	ERH,ERO = 4.0L, Power Tech EVA,EVO = 4.7L, Power Tech EXA,EXO = 3.1L 5 cyl Turbo Diesel	DGK = 4 Speed Autm, 42RE DG4 = Multi Speed Auto 45RFE DGW = 4 Speed Autom 44RE DGO = All Automatic

AR = Use as required - = Non illustrated part # = New this model year

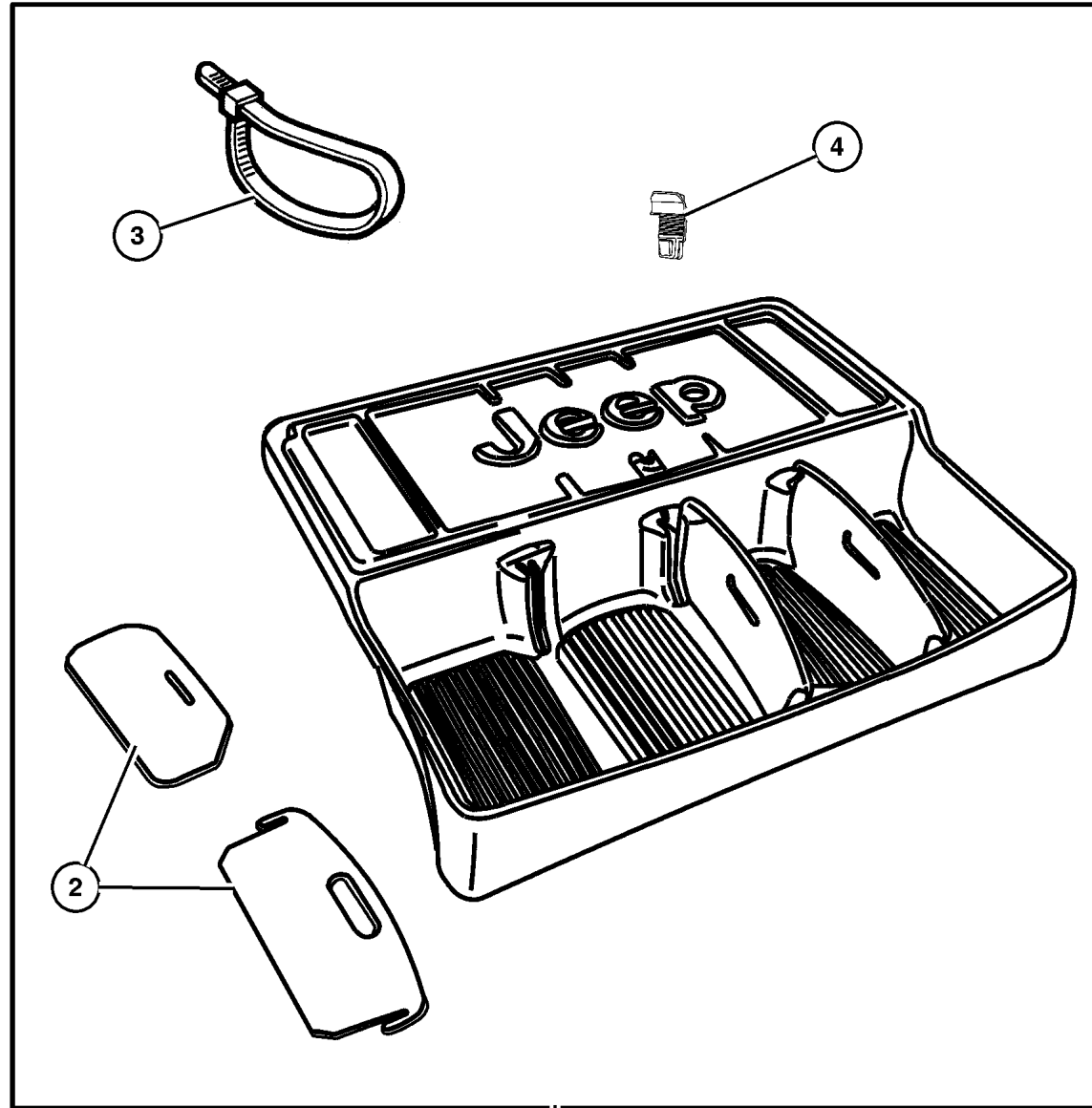
September 15, 2005

**Box Kit - Storage (Interior)
Figure 001-260**

ITEM	PART NUMBER	QTY	LINE	SERIES	BODY	ENGINE	TRANS	TRIM	DESCRIPTION
------	-------------	-----	------	--------	------	--------	-------	------	-------------

NOTE: Mounts Behind Rear Seat. Box is approximately 45" W/18"D/8"H. The tray is located between the box & liftgate - Molded unit has lockable area.

1	8220 5010	1							BOX KIT, Storage-Interior, Consists of: Item 2 thru 4
2	5016 544AA	1	J, T		74				DIVIDER KIT, Cargo, Drop in Dividers- 4 Total: 2-Front, 2-Rear
3	5016 545AA	1	J, T		74				STRAP, Cargo Tie Down, Used to attach Box to Load Floor
4	5016 546AA	1	J, T		74				LOCK KIT, Storage, Consists of: Keys & Cylinder



1

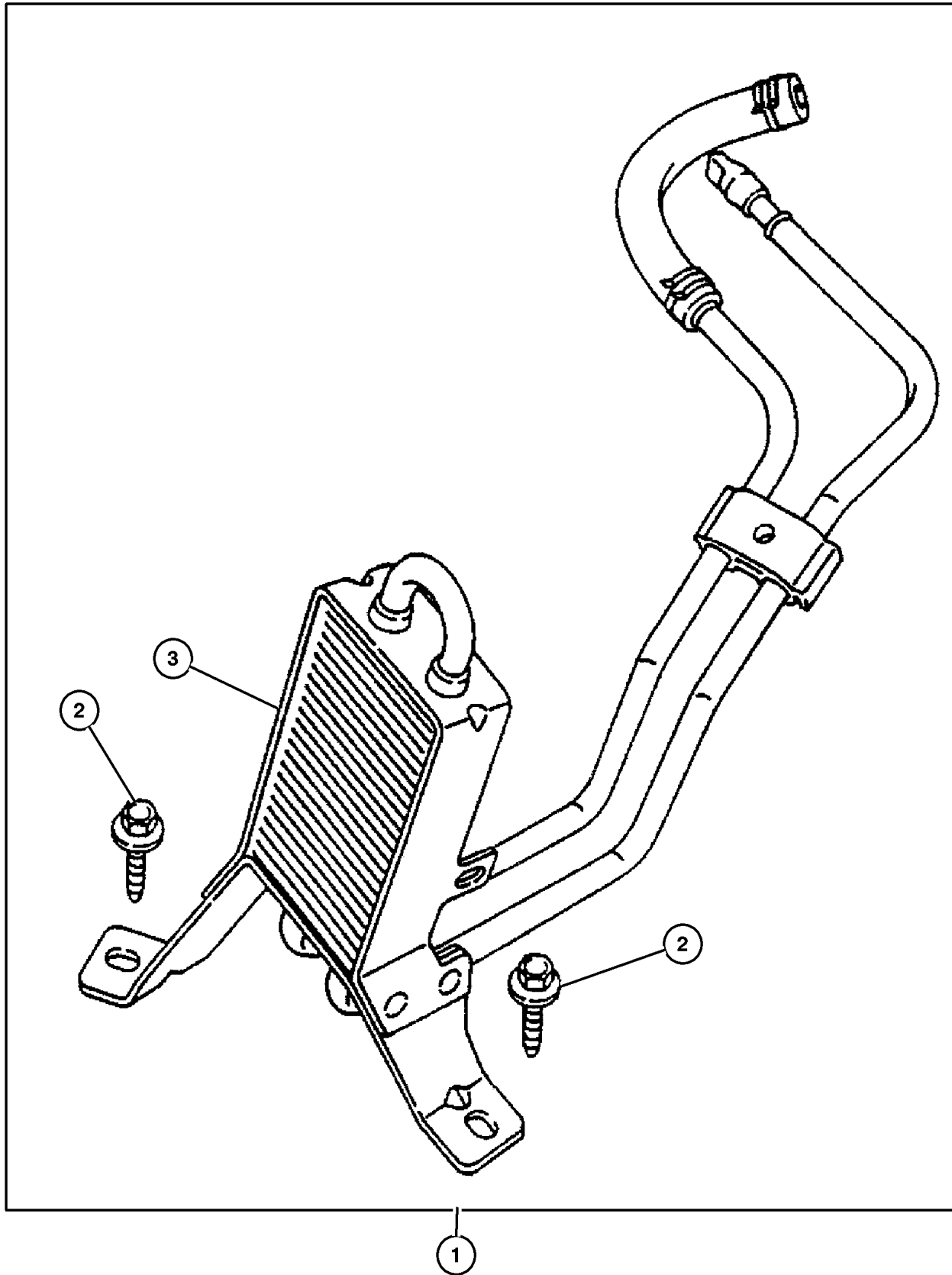
JEEP GRAND CHEROKEE (WJ)				
SERIES	LINE	BODY	ENGINE	TRANSMISSION
L = Grand Cherokee	J = 4WD T = 2WD U = 4WD (RHD)	74 = 4 Door (105.9 WB)	ERH,ERO = 4.0L, Power Tech EVA,EVO = 4.7L, Power Tech EXA,EXO = 3.1L 5 cyl Turbo Diesel	DGK = 4 Speed Autm, 42RE DG4 = Multi Speed Auto 45RFE DGW = 4 Speed Autom 44RE DGO = All Automatic

AR = Use as required - = Non illustrated part # = New this model year

September 15, 2005

**Cooler Package - Power Steering
Figure 001-265**

ITEM	PART NUMBER	QTY	LINE	SERIES	BODY	ENGINE	TRANS	TRIM	DESCRIPTION
1	8220 4498	1							COOLER PACKAGE, Power Steering, Required for Trailer Towing
2	6101 777	2			74				SCREW, Hex Flange Head Tapping, M6x1.00x20.00
3	52088 618AB	1			74				COOLER, Power Steering



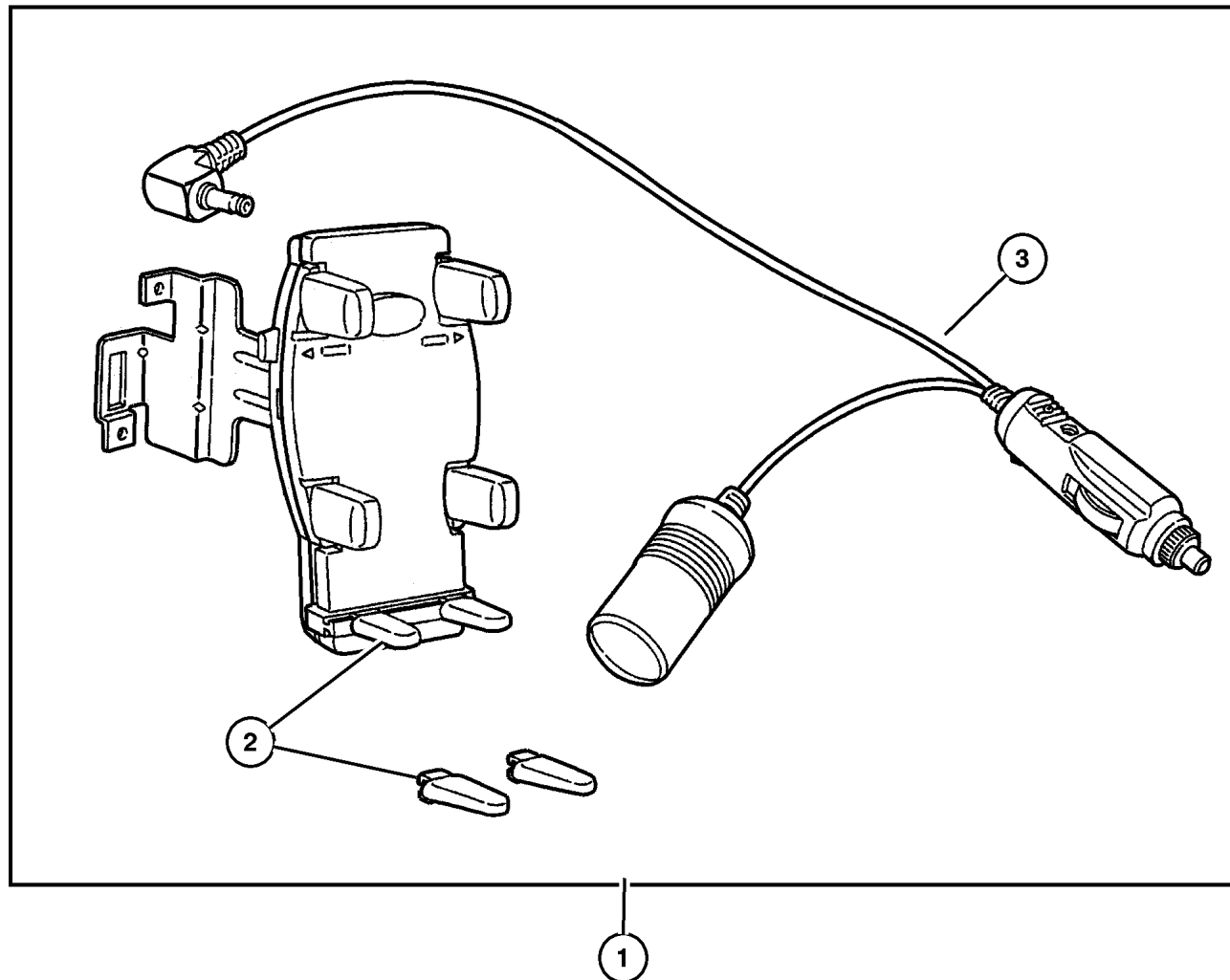
JEEP GRAND CHEROKEE (WJ)				
SERIES	LINE	BODY	ENGINE	TRANSMISSION
L = Grand Cherokee	J = 4WD T = 2WD U = 4WD (RHD)	74 = 4 Door (105.9 WB)	ERH,ERO = 4.0L, Power Tech EVA,EVO = 4.7L, Power Tech EXA,EXO = 3.1L 5 cyl Turbo Diesel	DGK = 4 Speed Autm, 42RE DG4 = Multi Speed Auto 45RFE DGW = 4 Speed Autom 44RE DGO = All Automatic

AR = Use as required - = Non illustrated part # = New this model year

September 15, 2005

Mounting Kit - Cellular Phone Figure 001-310

ITEM	PART NUMBER	QTY	LINE	SERIES	BODY	ENGINE	TRANS	TRIM	DESCRIPTION
NOTE; Smart Holder and Bracket Assy. with Jeep Logo, Bracket to be black powder coated low gloss. Instruction Sheet in English, French & Spanish.									
NOTE: Holds any wireless handset. Installs to instrument panel.									
1	8220 4332	1							MOUNTING KIT, Cellular Phone, Consists of: Smart Holder, Bracket Assy, Power Cord, Extra set of Long Support Feet.
2	5016 520AA	1	J, T		74				HARDWARE KIT, Accessory, Consists of: Long & Short Support Feet.
3	5016 536AA	1							CORD, Cellular Phone, 18'long, 'Y'accessory feed to plug in another 12V accessory.



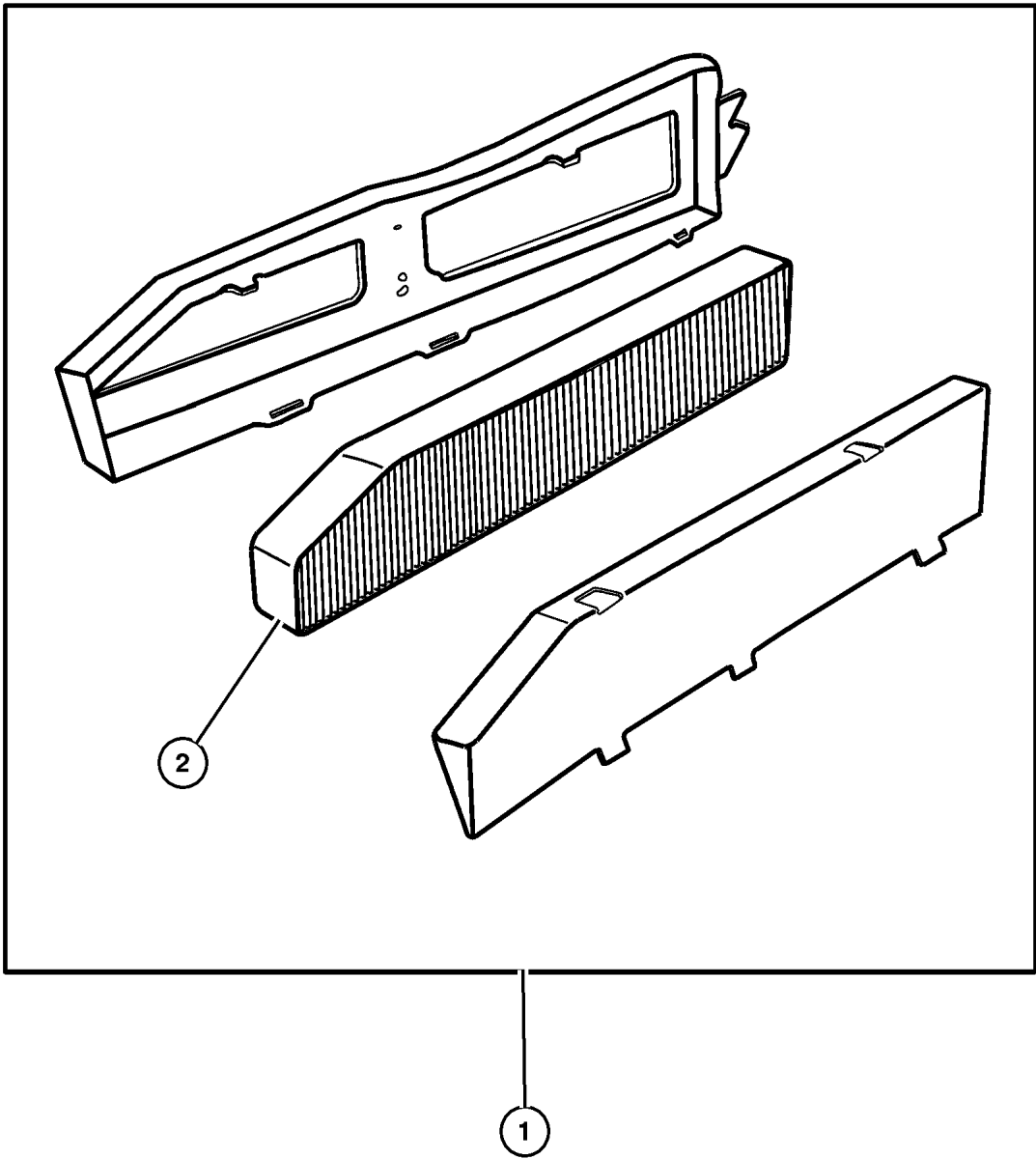
JEEP GRAND CHEROKEE (WJ)				
SERIES	LINE	BODY	ENGINE	TRANSMISSION
L = Grand Cherokee	J = 4WD T = 2WD U = 4WD (RHD)	74 = 4 Door (105.9 WB)	ERH,ERO = 4.0L, Power Tech EVA,EVO = 4.7L, Power Tech EXA,EXO = 3.1L 5 cyl Turbo Diesel	DGK = 4 Speed Autm, 42RE DG4 = Multi Speed Auto 45RFE DGW = 4 Speed Autom 44RE DGO = All Automatic

AR = Use as required - = Non illustrated part # = New this model year

September 15, 2005

**Filter Kit - Cabin Air
Figure 001-315**

ITEM	PART NUMBER	QTY	LINE	SERIES	BODY	ENGINE	TRANS	TRIM	DESCRIPTION
NOTE: Triple layer filters install in the fresh air intake within the plenum area. Reduces pollen, mold & other allergens.									
NOTE: Heating, ventilating & air conditioning continue to function as designed. Recommended service 2yrs/24,000 miles.									
1	8220 4691	1							FILTER KIT, Cabin Air, Consists of: Housing, Filter, Label, Instruction Sheet
2	5013 595AA	1			74				FILTER, Air

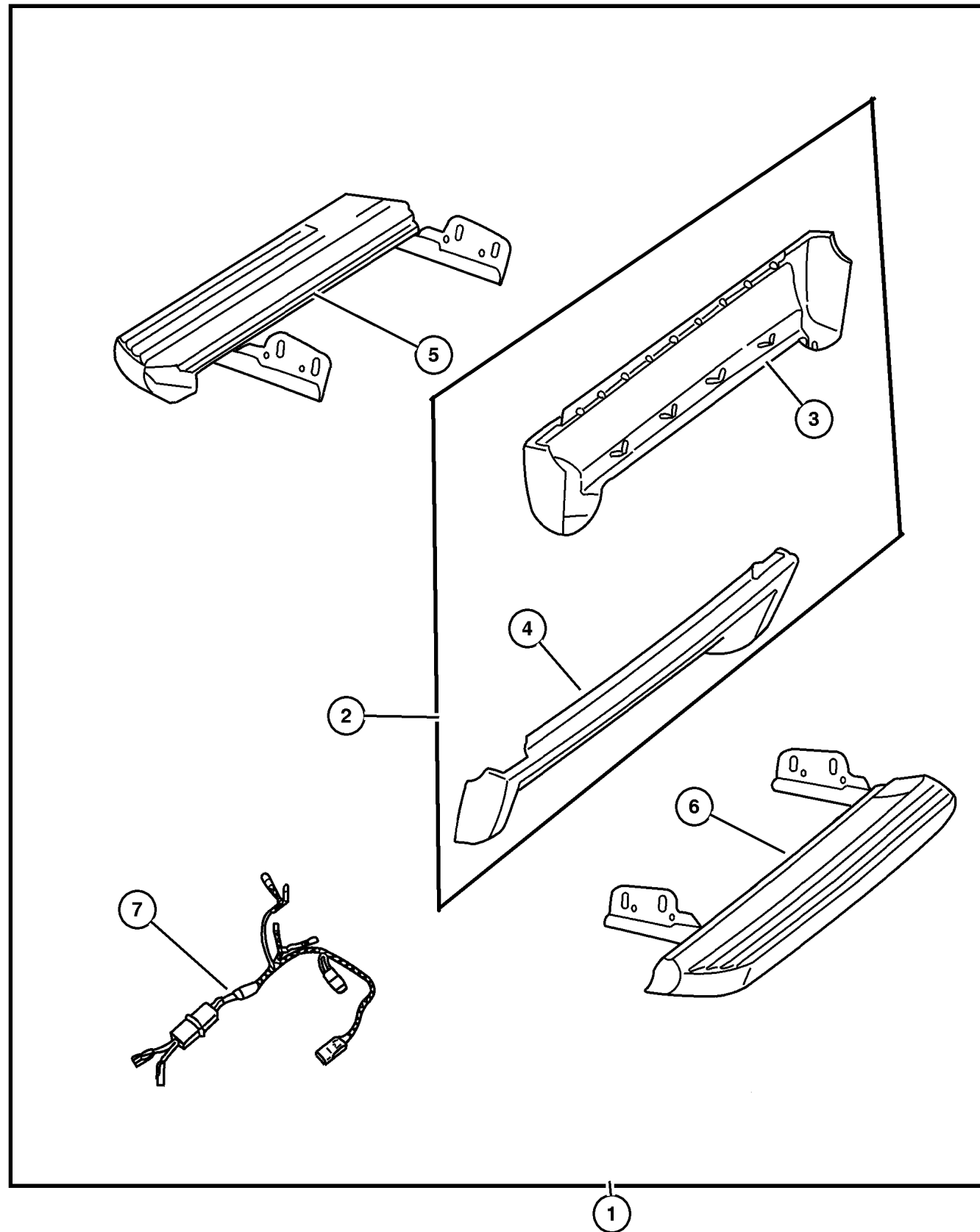


JEEP GRAND CHEROKEE (WJ)				
SERIES	LINE	BODY	ENGINE	TRANSMISSION
L = Grand Cherokee	J = 4WD T = 2WD U = 4WD (RHD)	74 = 4 Door (105.9 WB)	ERH,ERO = 4.0L, Power Tech EVA,EVO = 4.7L, Power Tech EXA,EXO = 3.1L 5 cyl Turbo Diesel	DGK = 4 Speed Autm, 42RE DG4 = Multi Speed Auto 45RFE DGW = 4 Speed Autom 44RE DGO = All Automatic

AR = Use as required - = Non illustrated part # = New this model year

September 15, 2005

Running Boards Figure 001-410



ITEM	PART NUMBER	QTY	LINE	SERIES	BODY	ENGINE	TRANS	TRIM	DESCRIPTION
------	-------------	-----	------	--------	------	--------	-------	------	-------------

NOTE: Cladding Kits without Lighting Consists of: Claddings and Running Boards Rights and Lefts.
Cladding Kits with Lighting Consists of: Claddings and Running Boards Rights and Lefts and Light Tube and Module. P.A.R.= Paint As Required.

1	8220 4577	1							RUNNING BOARD KIT, Full
2									CLADDING KIT, Running Board
	8220 4473	1							Sienna (WUL) without Lighting
	8220 4842	1							Sienna (WUL) with Lighting
	8220 4474	1							Red (PR4) without Lighting
	8220 4843	1							Red (PR4) with Lighting
	8220 4475	1							Taupe (TTK) without Lighting
	8220 4844	1							Taupe (TTK) with Lighting
	8220 4476	1							Champagne (WTH) without Lighting
	8220 4845	1							Champagne (WTH) with Lighting
	8220 4477	1							Everglade (WPT) without Lighting
	8220 4846	1							Everglade (WPT) with Lighting
	8220 4478	1							Patriot Blue (WB7) without Lighting
	8220 4847	1							Patriot Blue (WB7) with Lighting
	8220 4479	1							Platinum (MS4) without Lighting
	8220 4848	1							Platinum (MS4) with Lighting
	8220 4480	1							Slate (VAW) without Lighting
	8220 4849	1							Slate (VAW) with Lighting
	8220 4481	1							Black (DX8) without Lighting
	8220 4850	1							Black (DX8) with Lighting
	8220 4482	1							Stone White (SW1) without Lighting
	8220 4851	1							Stone White (SW1) with Lighting
	8220 4484	1							Driftwood (VF7) without Lighting
	8220 4853	1							Driftwood (VF7)with Lighting
	8220 4485	1							Medium Gray (HS5) without Lighting
	8220 4852	1							Medium Gray (HS5)with Lighting
3									CLADDING, Running Board, Right Side
	5016 348AA	1	J, T		74				P.A.R. without Lighting
	5016 350AA	1	J, T		74				P.A.R. with Lighting
	5016 582AA	1	J, T		74				Driftwood without Lighting
	5016 588AA	1	J, T		74				Driftwood with Lighting
	5016 584AA	1	J, T		74				Medium Gray without Lighting
	5016 590AA	1	J, T		74				Medium Gray with Lighting
4									CLADDING, Running Board, Left Side
	5016 349AA	1	J, T		74				P.A.R. without Lighting

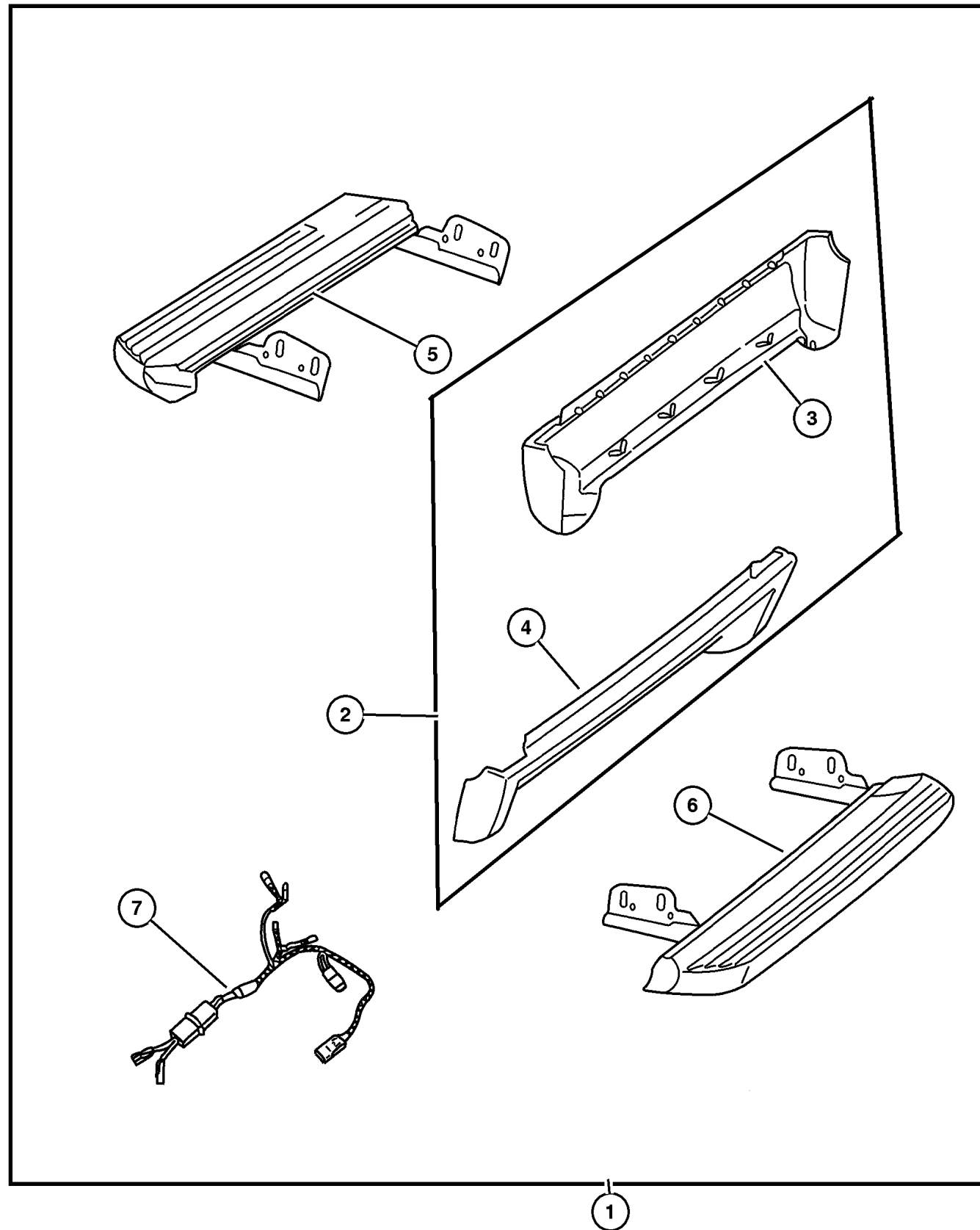
JEEP GRAND CHEROKEE (WJ)

SERIES	LINE	BODY	ENGINE	TRANSMISSION
L = Grand Cherokee	J = 4WD T = 2WD U = 4WD (RHD)	74 = 4 Door (105.9 WB)	ERH,ERO = 4.0L, Power Tech EVA,EVO = 4.7L, Power Tech EXA,EXO = 3.1L 5 cyl Turbo Diesel	DGK = 4 Speed Autm, 42RE DG4 = Multi Speed Auto 45RFE DGW = 4 Speed Autom 44RE DGO = All Automatic

AR = Use as required - = Non illustrated part # = New this model year

September 15, 2005

Running Boards
Figure 001-410



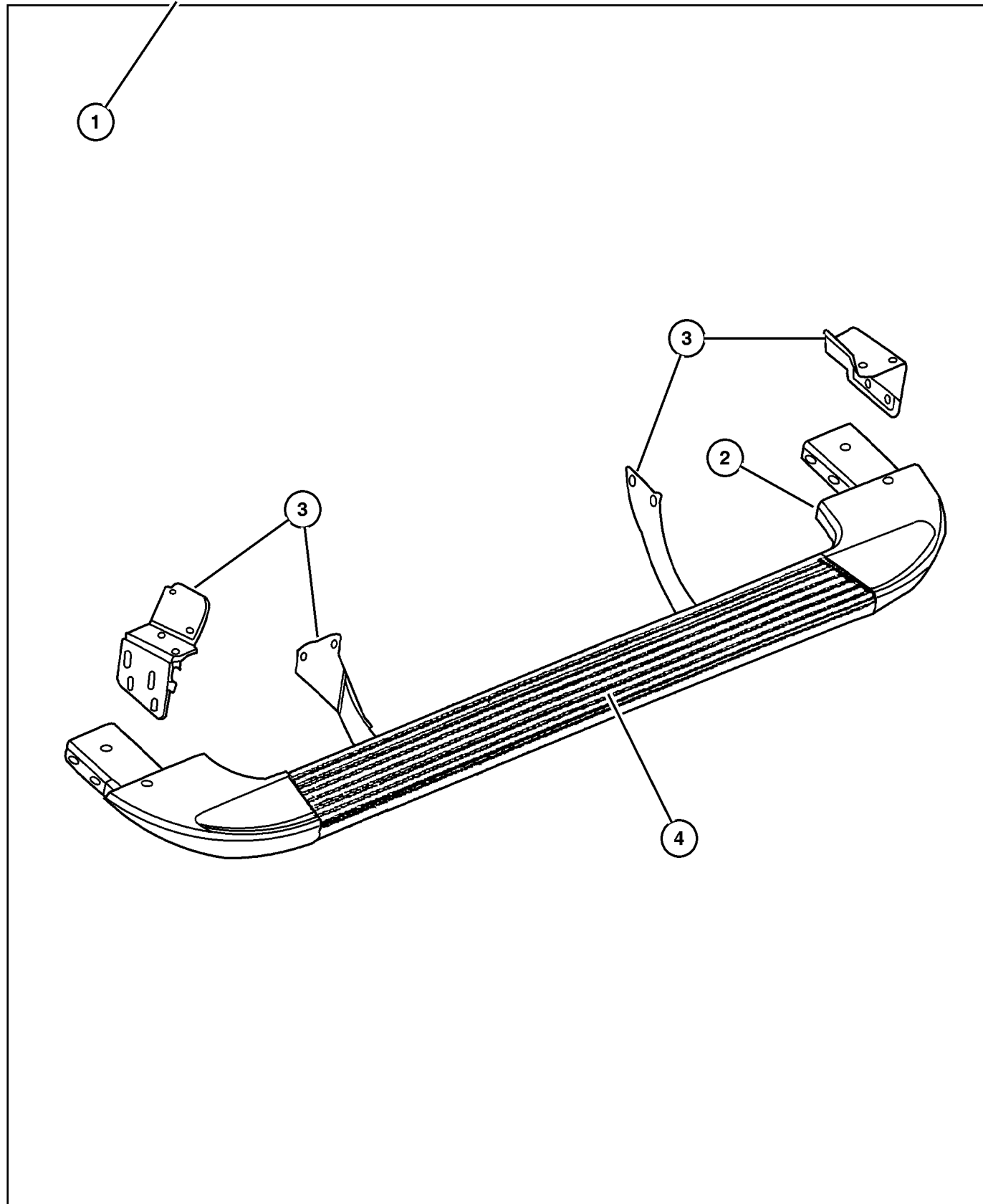
ITEM	PART NUMBER	QTY	LINE	SERIES	BODY	ENGINE	TRANS	TRIM	DESCRIPTION
	5016 351AA	1	J, T		74				P.A.R. with Lighting
	5016 583AA	1	J, T		74				Driftwood without Lighting
	5016 589AA	1	J, T		74				Driftwood with Lighting
	5016 585AA	1	J, T		74				Medium Gray without Lighting
	5016 591AA	1	J, T		74				Medium Gray with Lighting
5	5016 364AA	1			74				RUNNING BOARD, Right Side
6	5016 365AA	1			74				RUNNING BOARD, Left Side
7	5016 347AA	1							MODULE, Running Board Light
-8									LIGHT TUBE, Running Board, (NOT SERVICED) (Not Serviced)

JEEP GRAND CHEROKEE (WJ)
 SERIES L = Grand Cherokee LINE J = 4WD T = 2WD U = 4WD (RHD) BODY 74 = 4 Door (105.9 WB) ENGINE ERH,ERO = 4.0L, Power Tech EVA,EVO = 4.7L, Power Tech EXA,EXO = 3.1L 5 cyl Turbo Diesel TRANSMISSION DGK = 4 Speed Autm, 42RE DG4 = Multi Speed Auto 45RFE DGW = 4 Speed Autom 44RE DGO = All Automatic

AR = Use as required - = Non illustrated part # = New this model year

September 15, 2005

**Side Step Kit
Figure 001-420**



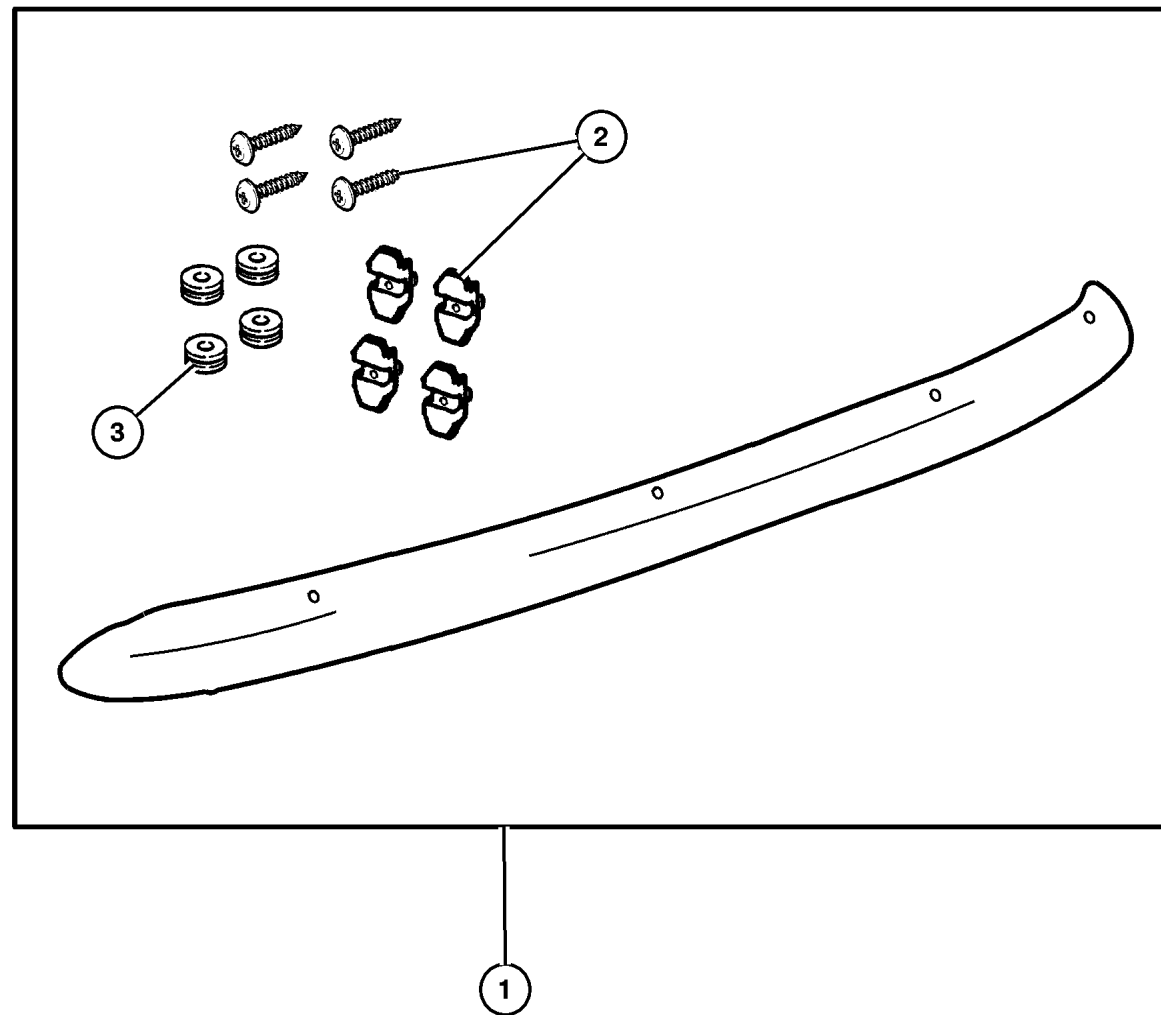
ITEM	PART NUMBER	QTY	LINE	SERIES	BODY	ENGINE	TRANS	TRIM	DESCRIPTION
NOTE: Step Kit will service either Right or Left Side. Support Brackets vary from side to side and by Trim Level and must be ordered separately if needed.									
1	8220 4595	1							STEP KIT, Tubular Side Laredo only (Chrome)
	8220 4596	1							Laredo only (Driftwood)
	8220 4597	1							Laredo only (Medium Gray)
	8220 4598	1							Laredo only (Black)
	8220 4599	1							Laredo only (Aluminum)
	8220 4767	1							Limited only (Chrome)
	8220 4768	1							Limited only (Black)
	8220 4769	1							Limited only (Aluminum)
2									STEP KIT, Side, Must Order Support Brackets Separately
	5016 656AA	1	J, T		74				Use with 82204595, 82204767 (Chrome)
	5016 658AA	1	J, T		74				Use with 82204598, 82204768 (Black)
	5016 659AA	1	J, T		74				Use with 82204596 (Driftwood)
	5016 660AA	1	J, T		74				Use with 82204599, 82204769 (Aluminum)
	5016 661AA	1	J, T		74				Use with 82204597 (Medium Gray)
3									BRACKET KIT, Side Step
	5016 662AA	1	J, T		74				Use with 82204767, 82204768, 82204769, Limited only, Right Hand
	5016 663AA	1	J, T		74				Use with 82204767, 82204768, 82204769, Limited only, Left Hand
	5016 664AA	1	J, T		74				Use with 82204595, 596, 597, 598, 599, Laredo only, Right Hand
	5016 665AA	1							Use with 82204595, 596, 597, 598, 599, Larado only, Right Hand
4	5016 655AA	1			74				STEP PAD, Side Step, Fits Both Sides

JEEP GRAND CHEROKEE (WJ)

SERIES	LINE	BODY	ENGINE	TRANSMISSION
L = Grand Cherokee	J = 4WD T = 2WD U = 4WD (RHD)	74 = 4 Door (105.9 WB)	ERH,ERO = 4.0L, Power Tech EVA,EVO = 4.7L, Power Tech EXA,EXO = 3.1L 5 cyl Turbo Diesel	DGK = 4 Speed Autm, 42RE DG4 = Multi Speed Auto 45RFE DGW = 4 Speed Autom 44RE DGO = All Automatic

**Shield Kit, Air Front
Figure 001-510**

ITEM	PART NUMBER	QTY	LINE	SERIES	BODY	ENGINE	TRANS	TRIM	DESCRIPTION
NOTE: Shield Kit - Color Smoke, Material Lexan.									
1	8220 4314	1							SHIELD KIT, Air - Front RETAINER, Accessories, Consists of: 4-Plastic Retainers, 4-Screws to hold deflector to underside of sheet metal of hood
2	5016 373AA	1	J, T		74				
3	5014 754AA	1			74				SPACER, Air Deflector, Consists of: 4-Large Bumpers,



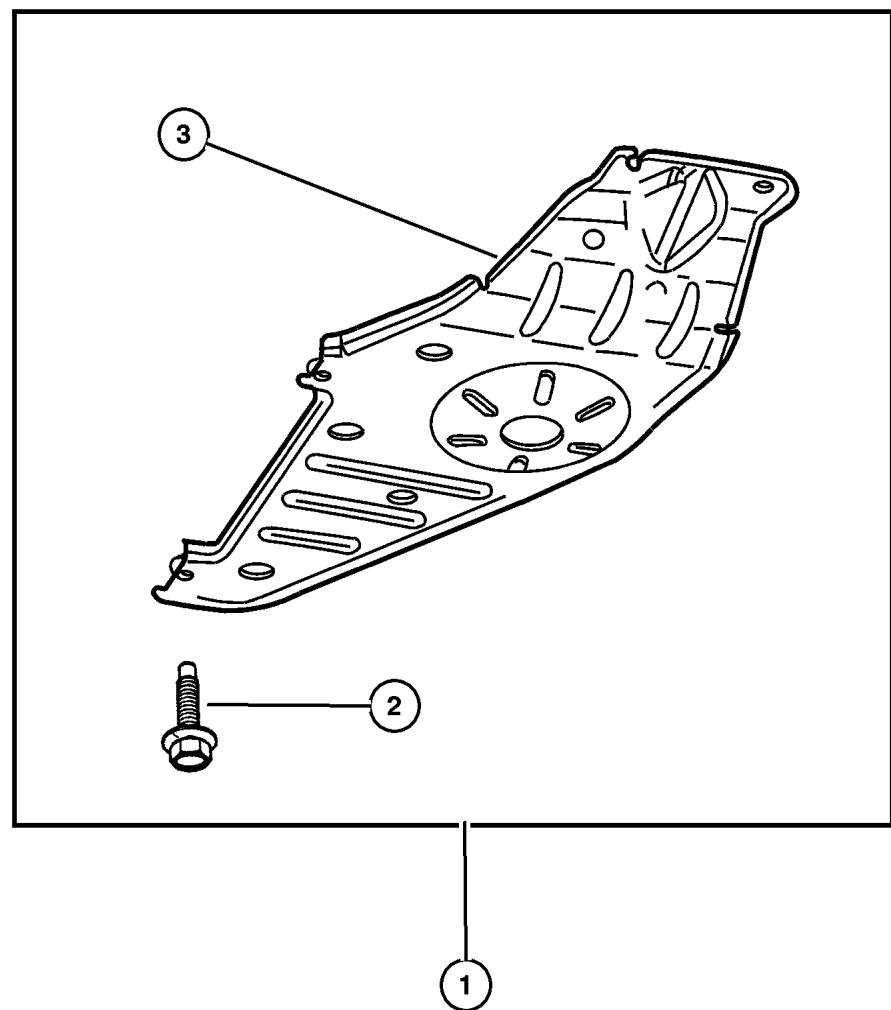
JEEP GRAND CHEROKEE (WJ)				
SERIES	LINE	BODY	ENGINE	TRANSMISSION
L = Grand Cherokee	J = 4WD T = 2WD U = 4WD (RHD)	74 = 4 Door (105.9 WB)	ERH,ERO = 4.0L, Power Tech EVA,EVO = 4.7L, Power Tech EXA,EXO = 3.1L 5 cyl Turbo Diesel	DGK = 4 Speed Autm, 42RE DG4 = Multi Speed Auto 45RFE DGW = 4 Speed Autom 44RE DGO = All Automatic

AR = Use as required - = Non illustrated part # = New this model year

September 15, 2005

Plate Package - Skid
Figure 001-515

ITEM	PART NUMBER	QTY	LINE	SERIES	BODY	ENGINE	TRANS	TRIM	DESCRIPTION
1	8220 4489	1							PLATE PACKAGE, Skid - Transfer Case
2	6503 571	1	J		74				SCREW AND WASHER, M10x1.50x35
3	5205 8922	1	J		74				SKID PLATE, Transfer Case



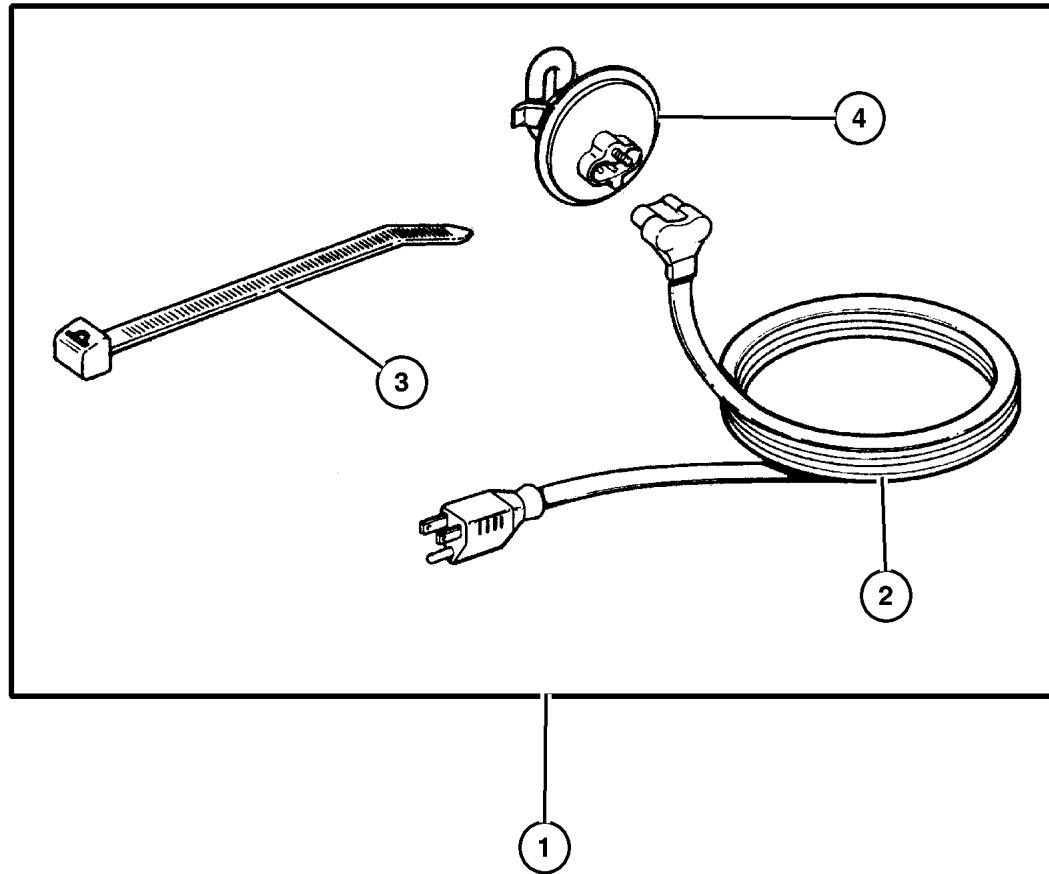
JEEP GRAND CHEROKEE (WJ)				
SERIES	LINE	BODY	ENGINE	TRANSMISSION
L = Grand Cherokee	J = 4WD T = 2WD U = 4WD (RHD)	74 = 4 Door (105.9 WB)	ERH,ERO = 4.0L, Power Tech EVA,EVO = 4.7L, Power Tech EXA,EXO = 3.1L 5 cyl Turbo Diesel	DGK = 4 Speed Autm, 42RE DG4 = Multi Speed Auto 45RFE DGW = 4 Speed Autom 44RE DGO = All Automatic

AR = Use as required - = Non illustrated part # = New this model year

September 15, 2005

**Heater Kit
Figure 001-610**

ITEM	PART NUMBER	QTY	LINE	SERIES	BODY	ENGINE	TRANS	TRIM	DESCRIPTION
1	8220 1506	1							HEATER PACKAGE, Engine Block Consists of: Block Heater & Cord Set. Fits all 4.0L V6 Engines
	8220 3640	1							Consists of: Block Heater & Cord Set. Fits all 4.7L V8 Engines
2	J575 2677	1			74				CORD, Engine Block Heater 4.0L V6 Engine
	5602 7117	1			74				4.7L V8 Engine
3	4641 780	1			74				STRAP, Tie 4.0L V6 Engine
	5600 8876	1			74				4.7L V8 Engine
4	5300 9803	1			74				HEATER, Engine Block 4.0L V6 Engine
	5604 1304	1			74				4.7L V8 Engine

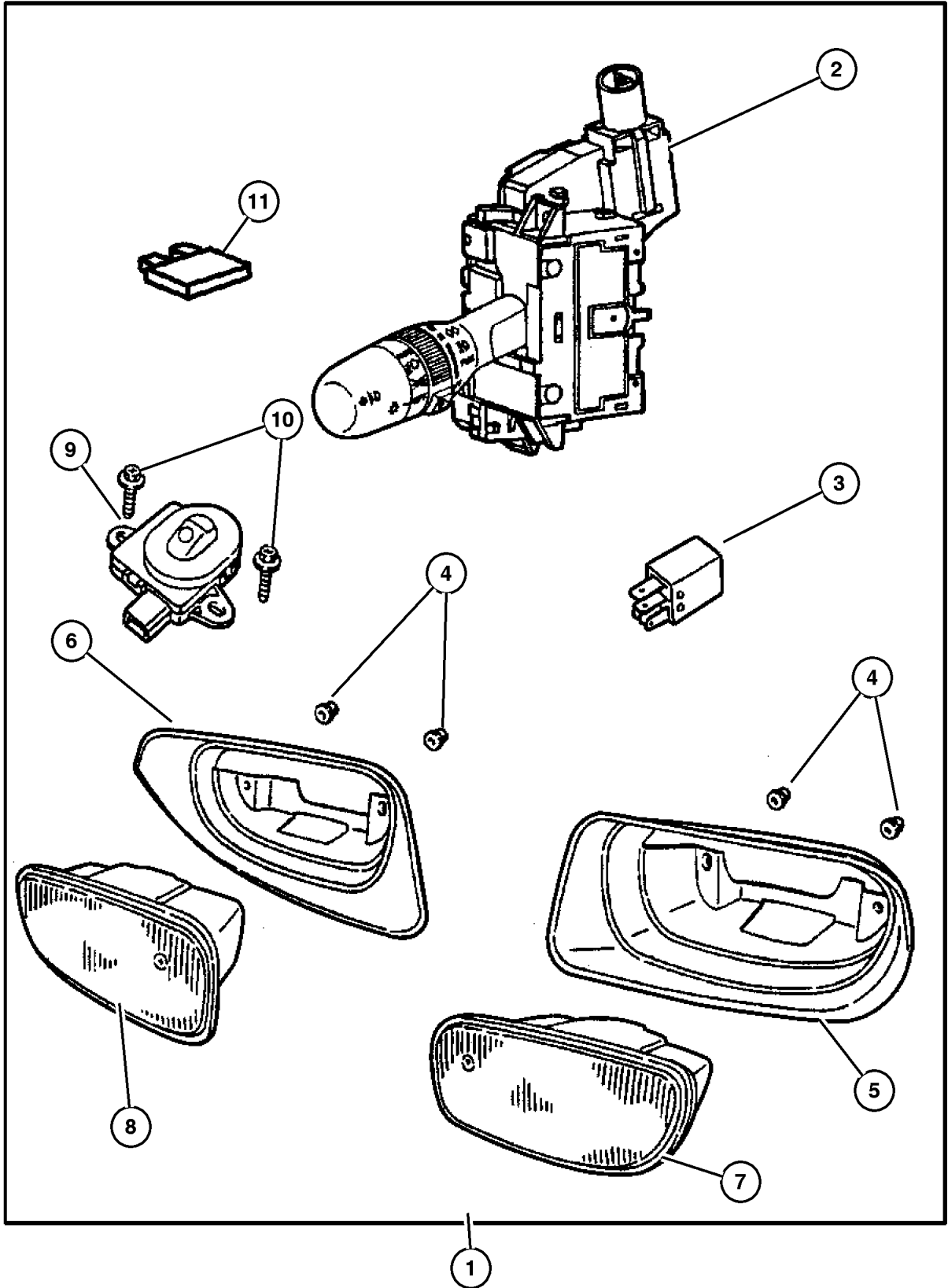


JEEP GRAND CHEROKEE (WJ)				
SERIES	LINE	BODY	ENGINE	TRANSMISSION
L = Grand Cherokee	J = 4WD T = 2WD U = 4WD (RHD)	74 = 4 Door (105.9 WB)	ERH,ERO = 4.0L, Power Tech EVA,EVO = 4.7L, Power Tech EXA,EXO = 3.1L 5 cyl Turbo Diesel	DGK = 4 Speed Autm, 42RE DG4 = Multi Speed Auto 45RFE DGW = 4 Speed Autom 44RE DGO = All Automatic

AR = Use as required - = Non illustrated part # = New this model year

September 15, 2005

Light Package - Fog
Figure 001-615



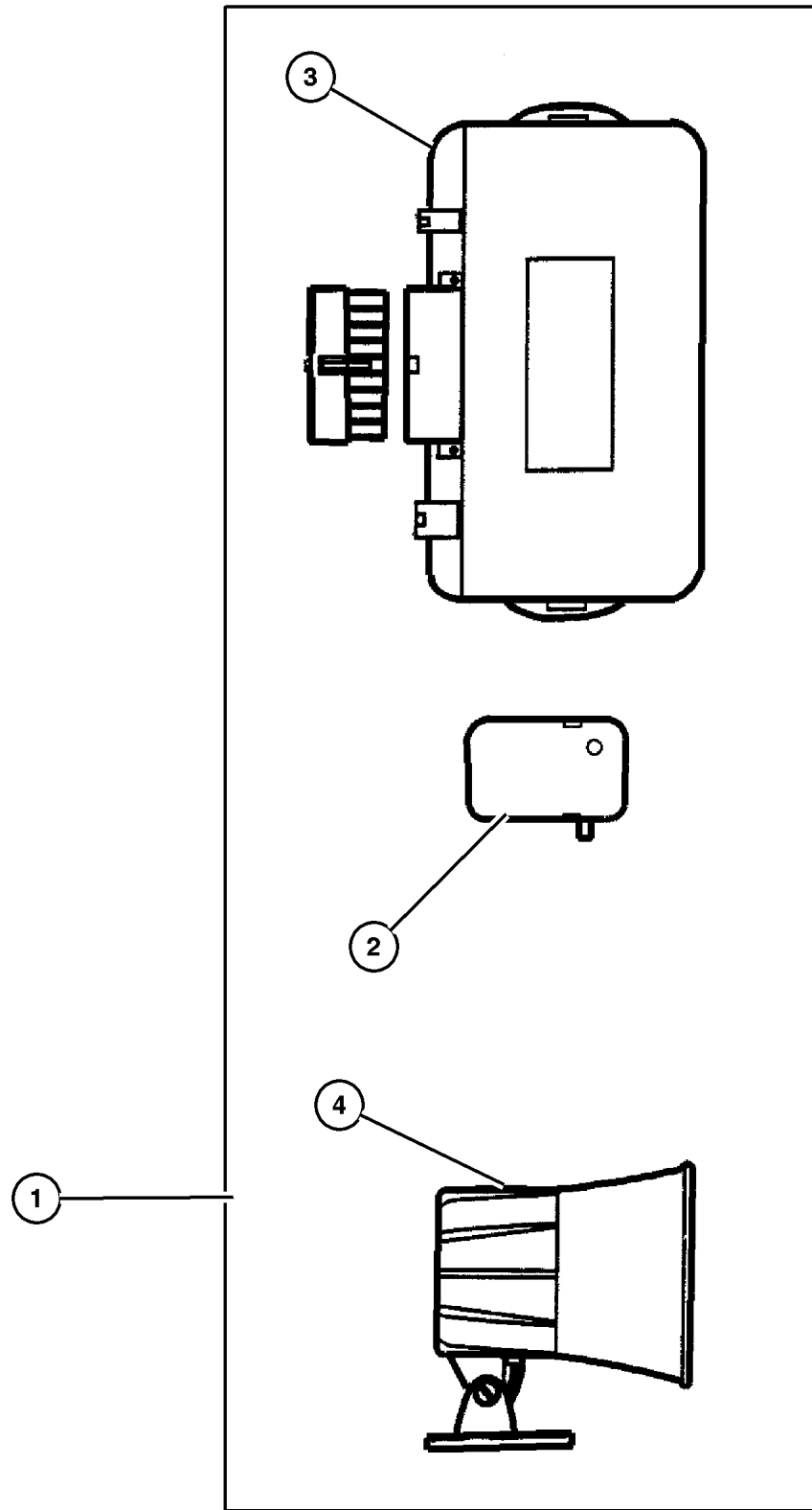
ITEM	PART NUMBER	QTY	LINE	SERIES	BODY	ENGINE	TRANS	TRIM	DESCRIPTION
1	8220 4837	1			74				LIGHT PACKAGE, Fog
2	56042 302AE	1			74				SWITCH, Multifunction
3	4671 168	1			74				RELAY, Mini
4	3420 1358	4			74				NUT AND WASHER, Hex Nut-Sealing Washer, M6 x 1.00
5	8220 5214	1	J, T		74				BEZEL, Fog Lamp, Right Hand
6	8220 5215	1	J, T		74				BEZEL, Fog Lamp, Left Hand
7	5515 5137	1			74				LAMP, Fog, Use replacement bulb 00154834
8	5515 5136	1			74				LAMP, Fog, Use replacement bulb 00154834
9	56042 584AA	1			74				SENSOR, Headlamp
10	6101 946	2			74				SCREW, Tapping
11	00AT M20	1			74				FUSE, Mini, 20 AMP, Yellow

JEEP GRAND CHEROKEE (WJ)				
SERIES	LINE	BODY	ENGINE	TRANSMISSION
L = Grand Cherokee	J = 4WD T = 2WD U = 4WD (RHD)	74 = 4 Door (105.9 WB)	ERH,ERO = 4.0L, Power Tech EVA,EVO = 4.7L, Power Tech EXA,EXO = 3.1L 5 cyl Turbo Diesel	DGK = 4 Speed Autm, 42RE DG4 = Multi Speed Auto 45RFE DGW = 4 Speed Autom 44RE DGO = All Automatic

AR = Use as required - = Non illustrated part # = New this model year

September 15, 2005

Module - Security Alarm
Figure 001-910



ITEM	PART NUMBER	QTY	LINE	SERIES	BODY	ENGINE	TRANS	TRIM	DESCRIPTION
NOTE; Order Wiring separately.									
1	8220 4268	1							MODULE, Security Alarm
2	4886 261AB	1	J, T		74				SENSOR, Shock, With Connector
3	5011 619AA	1			74				MODULE, Security Alarm
4	8220 3198	1			74				SIREN, Alarm

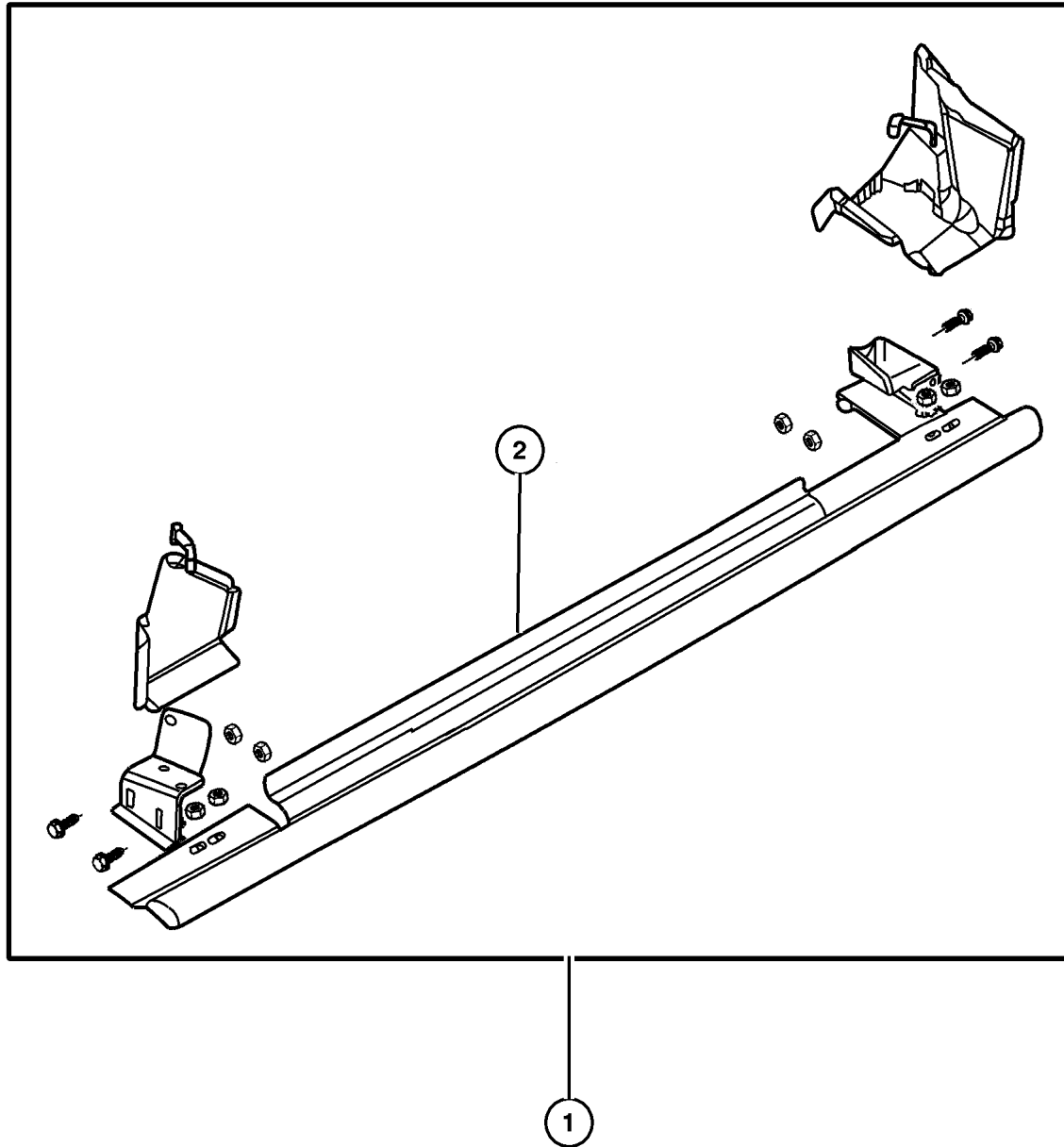
JEEP GRAND CHEROKEE (WJ)				
SERIES	LINE	BODY	ENGINE	TRANSMISSION
L = Grand Cherokee	J = 4WD T = 2WD U = 4WD (RHD)	74 = 4 Door (105.9 WB)	ERH,ERO = 4.0L, Power Tech EVA,EVO = 4.7L, Power Tech EXA,EXO = 3.1L 5 cyl Turbo Diesel	DGK = 4 Speed Autm, 42RE DG4 = Multi Speed Auto 45RFE DGW = 4 Speed Autom 44RE DGO = All Automatic

AR = Use as required - = Non illustrated part # = New this model year

September 15, 2005

Guards, Rock Rail
Figure 001-1010

ITEM	PART NUMBER	QTY	LINE	SERIES	BODY	ENGINE	TRANS	TRIM	DESCRIPTION
NOTE: Brackets and Mounting Hardware Included.									
1	8220 4660	1							GUARD KIT, Bodyside Laredo
	8220 4661	1							Limited
2									GUARD, Bodyside
	5016 850AA	1	J, T		74				Laredo, Right
	5016 851AA	1	J, T		74				Laredo, Left Hand
	5017 516AA	1	J, T		74				Limited, Right
	5017 517AA	1	J, T		74				Limited, Left Hand

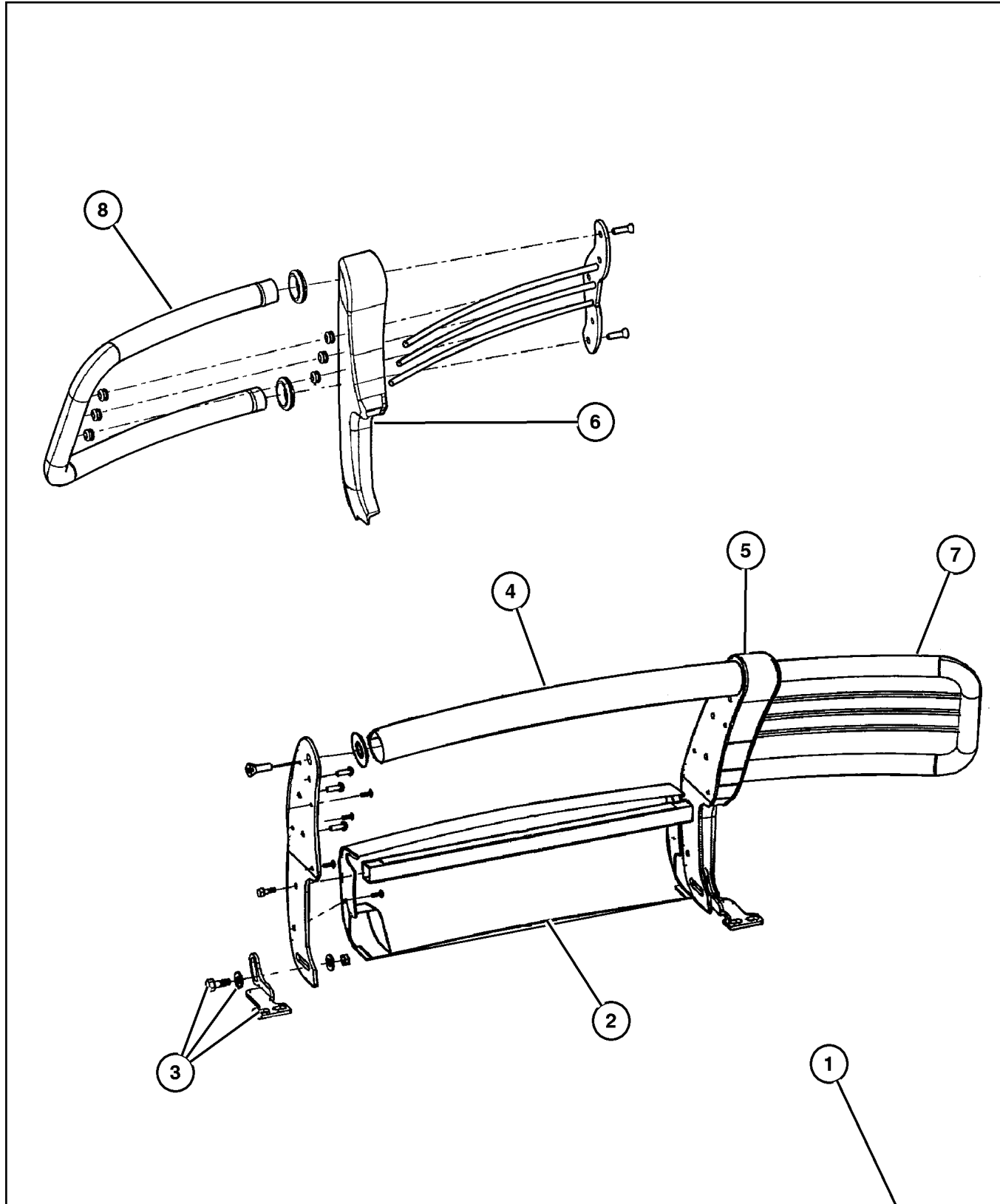


JEEP GRAND CHEROKEE (WJ)				
SERIES	LINE	BODY	ENGINE	TRANSMISSION
L = Grand Cherokee	J = 4WD T = 2WD U = 4WD (RHD)	74 = 4 Door (105.9 WB)	ERH,ERO = 4.0L, Power Tech EVA,EVO = 4.7L, Power Tech EXA,EXO = 3.1L 5 cyl Turbo Diesel	DGK = 4 Speed Autm, 42RE DG4 = Multi Speed Auto 45RFE DGW = 4 Speed Autom 44RE DGO = All Automatic

AR = Use as required - = Non illustrated part # = New this model year

September 15, 2005

**Brush/Grille
Figure 001-1015**



ITEM	PART NUMBER	QTY	LINE	SERIES	BODY	ENGINE	TRANS	TRIM	DESCRIPTION
1									GUARD KIT, Brush/Grille
	8220 4763	1							Natural Aluminum
	8220 4764	1							Chromed Steel
	8220 4765	1							
2									COVER, Grille Guard Lower
	5016 829AA	1	J, T		74				Use with 82204590
		1	J, T		74				Use with 82204591
		1	J, T		74				Use with 82204592
		1	J, T		74				Use with 82204763
		1	J, T		74				Use with 82204764
		1	J, T		74				Use with 82204765
3									BRACKET KIT, Brush/Grille Guard
	5016 849AA	1			74				Use with 82204590
		1			74				Use with 82204591
		1			74				Use with 82204592
		1			74				Use with 82204763
		1			74				Use with 82204764
		1			74				Use with 82204765
4	5016 833AA	1	J, T		74				CROSS BAR, Grille Guard
5									COVER, Grille Guard Side, Right
	5016 834AA	1	J, T		74				Use with 82204590
		1	J, T		74				Use with 82204591
		1	J, T		74				Use with 82204592
6									COVER, Grille Guard Side, Left
	5016 835AA	1	J, T		74				Use with 82204590
		1	J, T		74				Use with 82204591
		1	J, T		74				Use with 82204592
7									GUARD, Brush - Right Side
	5016 860AA	1			74				Use with 82204763
	5016 862AA	1	J, T		74				Use with 82204764
	5016 864AA	1	J, T		74				Use with 82204765
8									GUARD, Brush - Left Side
	5016 861AA	1	J, T		74				Use with 82204763
	5016 863AA	1	J, T		74				Use with 82204764
	5016 865AA	1	J, T		74				Use with 82204765

JEEP GRAND CHEROKEE (WJ)

SERIES	LINE	BODY	ENGINE	TRANSMISSION
L = Grand Cherokee	J = 4WD T = 2WD U = 4WD (RHD)	74 = 4 Door (105.9 WB)	ERH,ERO = 4.0L, Power Tech EVA,EVO = 4.7L, Power Tech EXA,EXO = 3.1L 5 cyl Turbo Diesel	DGK = 4 Speed Autm, 42RE DG4 = Multi Speed Auto 45RFE DGW = 4 Speed Autom 44RE DGO = All Automatic

AR = Use as required - = Non illustrated part # = New this model year

September 15, 2005

Group – 002

Front Suspension & Drive

GROUP 2 - Front Suspension & Drive

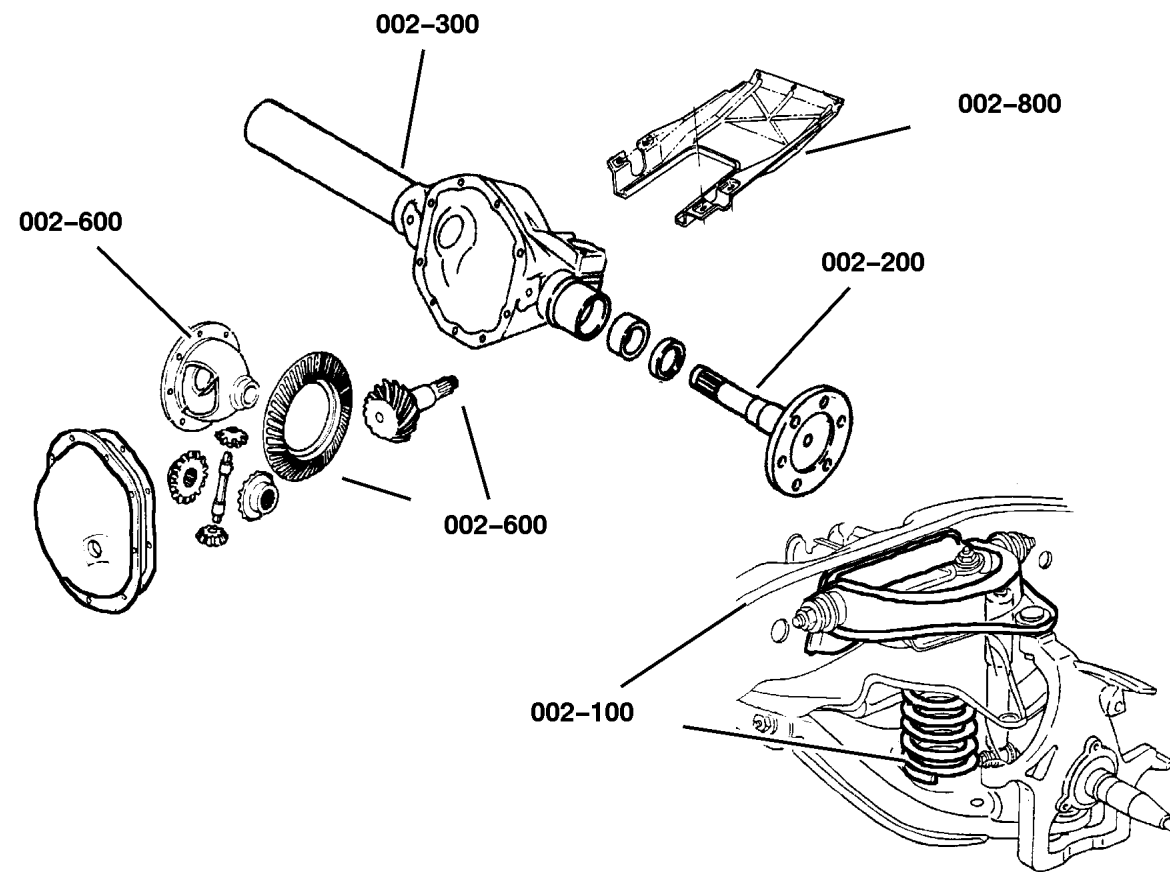


Illustration Title

Group-Fig. No.

Front Suspension

Suspension,Front Springs With Control Arms and Shocks Fig. 002-110

Front Bar Stabilizer and Track Bar Fig. 002-120

Front Axle Drive Shafts

Front Axle Shafts Fig. 002-210

Front Axle Housing

Housing,Front Axle,2 Wheel Drive Fig. 002-310

Housing,Front Axle,4 Wheel Drive Fig. 002-320

Front Axle Assembly

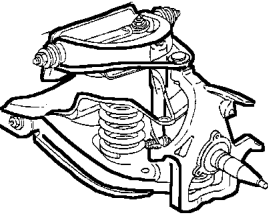
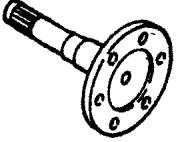
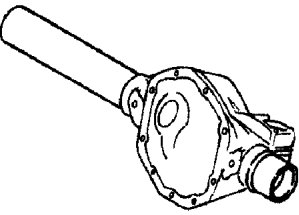
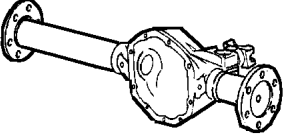
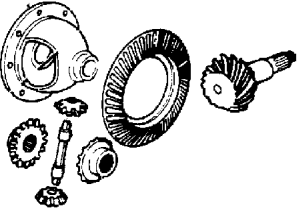
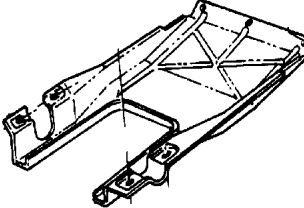
Front Axle Assembly Fig. 002-410

Front Axle Differential

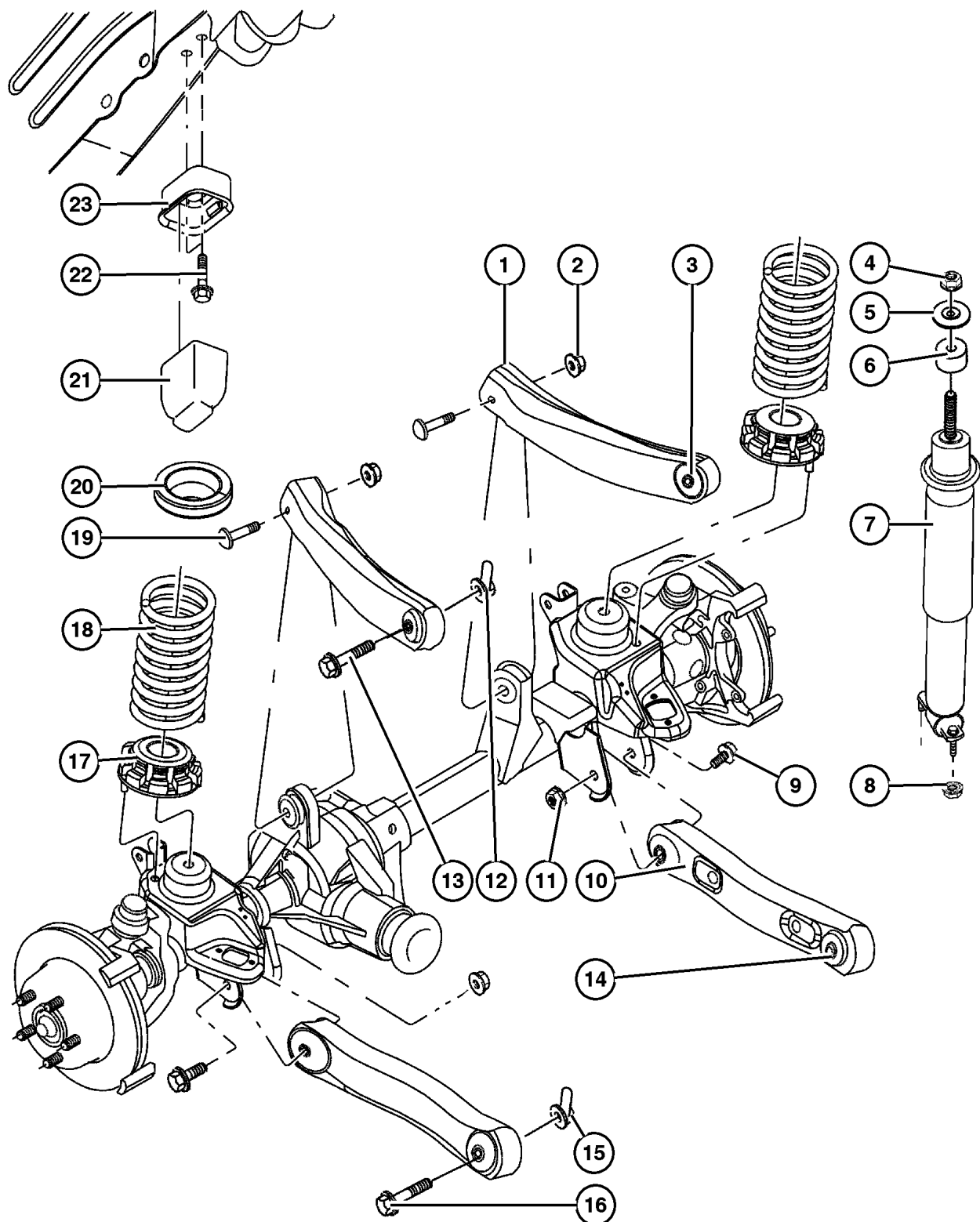
Differential,Front Axle Fig. 002-610

Front Axle Skid Plate

Skid Plate, Front Axle Fig. 002-810

<p>002-100 Front Suspension</p> 	<p>002-200 Front Axle Drive Shafts</p> 	<p>002-300 Front Axle Housing</p> 	<p>002-400 Front Axle Assembly</p> 
<p>002-600 Front Axle Differential</p> 	<p>002-800 Front Axle Skid Plate</p> 		

Suspension, Front Springs With Control Arms and Shocks Figure 002-110



ITEM	PART NUMBER	QTY	LINE	SERIES	BODY	ENGINE	TRANS	TRIM	DESCRIPTION
Note: Sales Codes;									
[ER0]=Engines - All 4.0L 6 Cylinder Gas									
[EV0]=Engines - All 4.7L Gas									
[EX0]=Engines - ALL 3.0/3.1L Turbo Diesel									
[SDA]=Suspension - Quadra Coil									
[SDU]=Heavy Duty Suspension									
[ZKE] to [ZZG]=Spring Sales Codes will be found on Vehicle Identification Number [VIN] Sales Code Listing.									
1	5208 8208	2							ARM, Control, with Bushing, Upper
2	6502 696	2							NUT, Hex Flange Lock, M10x1.5, UCA to Axle, Mounting
3	5208 8214	2							BUSHING, Control Arm, to Sill
4	6502 696	2							NUT, Hex Flange Lock, M10x1.5, Shock Mounting, Upper
5	5208 8517	2							RETAINER, Shock Absorber, Upper
6	5208 8289	2							GROMMET, Shock Absorber, Upper
7									SHOCK ABSORBER PACKAGE, Suspension, Front
	5014 730AA	2							[SDA,ER0,EV0]
	5014 731AA	2							[SDA,EX0]
	5014 732AA	2							[SDU]
8	6101 695	4							NUT, Hex Flange Lock, M8x1.25, Shock Mounting, Lower
9	6505 214AA	2							SCREW, Hex Flange Head, M14x2.00x114, LCA to Axle, Mounting
10	52088 217AB	2							ARM, Control, with Bushing, Lower
11	6502 698	4							NUT, Hex Flange Lock, LCA to Axle, Mounting
12	6505 438AA	2							NUT, Hex, M10-1.5, UCA to Sill, Mounting
13	6505 472AA	2							SCREW, Hex Flange Head, M10x1.50x81, UCA to Sill, Mounting
14	5208 8220	2							BUSHING, Control Arm, UCA to Sill
15	6505 439AA	1							NUT AND RETAINER, Hex Flange Locking, M14 x 2.00, LCA to Sill, Mounting
16	6502 963	2							BOLT, Hex Flange Head, M14x2.0x105, LCA to Sill, Mounting
17	5208 8401	2							ISOLATOR, Front Suspension Spring, Lower
18									SPRING, Front Coil
	5208 8262	1							[ZKE,ZYE]
	5208 8263	1							[ZKF,ZYF]
	5208 8264	1							[ZKG,ZYG]

JEEP GRAND CHEROKEE (WJ)

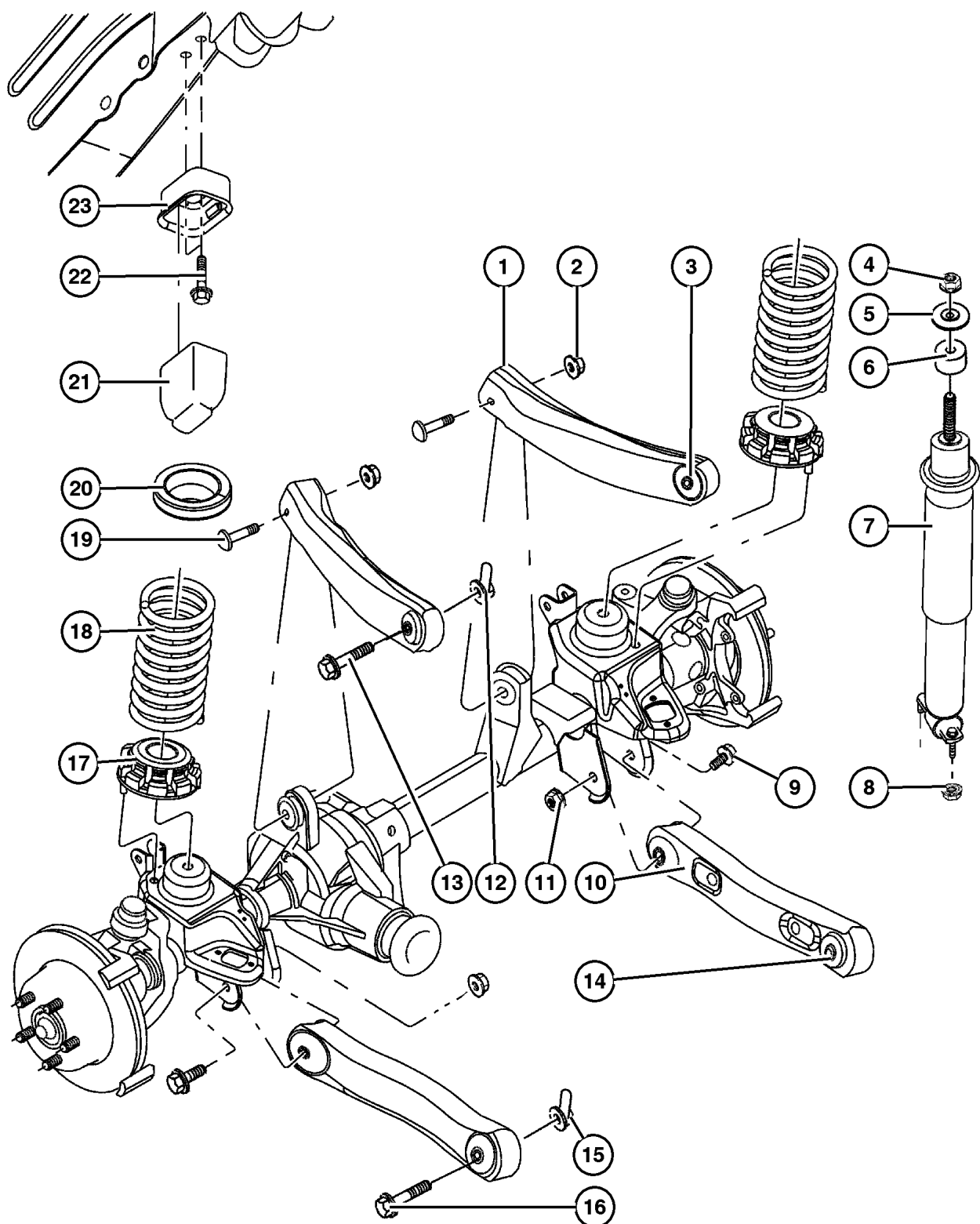
SERIES	LINE	BODY	ENGINE	TRANSMISSION
L = Grand Cherokee	J = 4WD T = 2WD U = 4WD (RHD)	74 = 4 Door (105.9 WB)	ERH,ERO = 4.0L, Power Tech EVA,EVO = 4.7L, Power Tech EXA,EXO = 3.1L 5 cyl Turbo Diesel	DGK = 4 Speed Autm, 42RE DG4 = Multi Speed Auto 45RFE DGW = 4 Speed Autom 44RE DGO = All Automatic

AR = Use as required - = Non illustrated part # = New this model year

September 15, 2005

Suspension, Front Springs With Control Arms and Shocks Figure 002-110

ITEM	PART NUMBER	QTY	LINE	SERIES	BODY	ENGINE	TRANS	TRIM	DESCRIPTION
	5208 8265	1							[ZKH,ZYH]
	5208 8267	1							[ZLE,ZZE]
	5208 8268	1							[ZLF,ZZF]
	5208 8269	1							[ZK1,ZY1]
	5208 9421	1							[ZLG,ZZG]
19	6505 306AA	2							SCREW, Truss Head, M10x1.5x70, UCA to Axle, Mounting
20	5208 8257	2							ISOLATOR, Front Suspension Spring, Upper
21	5208 8256	2							BUMPER, Jounce, Upper
22	6100 584	4				ER0, EVO			BOLT AND CONED WASHER, Hex Head, M8x30x20, Upper
23	5208 8254	2							CUP, Jounce Bumper, Upper
-24	5208 8259	2	J, U			EX0			SPACER, Jounce Bumper Upper
	5208 8350	2							[SDU], Upper

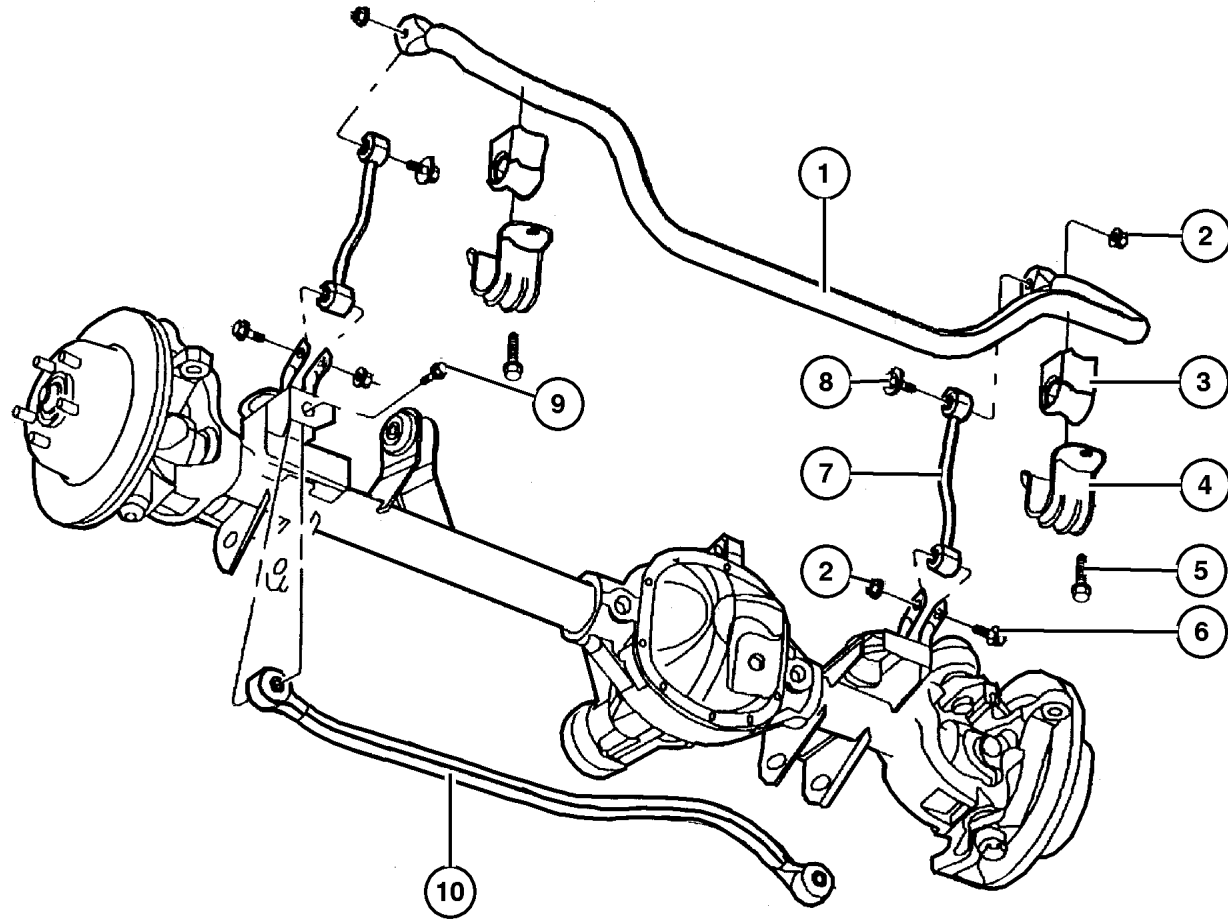


JEEP GRAND CHEROKEE (WJ)				
SERIES	LINE	BODY	ENGINE	TRANSMISSION
L = Grand Cherokee	J = 4WD T = 2WD U = 4WD (RHD)	74 = 4 Door (105.9 WB)	ERH,ERO = 4.0L, Power Tech EVA,EVO = 4.7L, Power Tech EXA,EXO = 3.1L 5 cyl Turbo Diesel	DGK = 4 Speed Autm, 42RE DG4 = Multi Speed Auto 45RFE DGW = 4 Speed Autom 44RE DGO = All Automatic

AR = Use as required - = Non illustrated part # = New this model year

September 15, 2005

**Front Bar Stabilizer and Track Bar
Figure 002-120**



ITEM	PART NUMBER	QTY	LINE	SERIES	BODY	ENGINE	TRANS	TRIM	DESCRIPTION
Note:Sales Codes;									
[ER0]=Engines - All 4.0L 6 Cylinder Gas									
[EV0]=Engines - All 4.7L Gas									
[EX0]=Engines - ALL 3.0/3.1L Turbo Diesel									
1									BAR, Front Sway
	5208 8281	1				ER0, EV0 EX0			
	5208 8587	1							
2	6502 697	4							NUT, Hex Flange Lock, M12x1.75
3	52088 284AB	2							BUSHING, Sway Bar
4	5208 8285	2							RETAINER, Sway Bar
5	6502 936	4							SCREW AND WASHER, Hex Head Pilot Point, M12x1.75x45
6	6502 473	2							BOLT, Hex Flange Head, M12x1. 75x65
7	5208 8283	2							LINK, Sway Eliminator
8	6505 353AA	2							SCREW AND WASHER, M12x1. 75x60
9									SCREW, Hex Flange Head, M12x1. 75x80
	6503 982	1	J, T						Track Bar to Axle, Mounting
		1	U						Track Bar to Axle, Mounting
10									TRACK BAR, Front
	52088 305AB	1	J, T						
	5208 8296	1	U						
-11	6505 324AA-	1							BOLT AND RETAINER, M12x1. 75x80, Track Bar to Body, Mounting
-12	6502 697	1							NUT, Hex Flange Lock, M12x1.75, Track Bar to Body, Mounting

JEEP GRAND CHEROKEE (WJ)

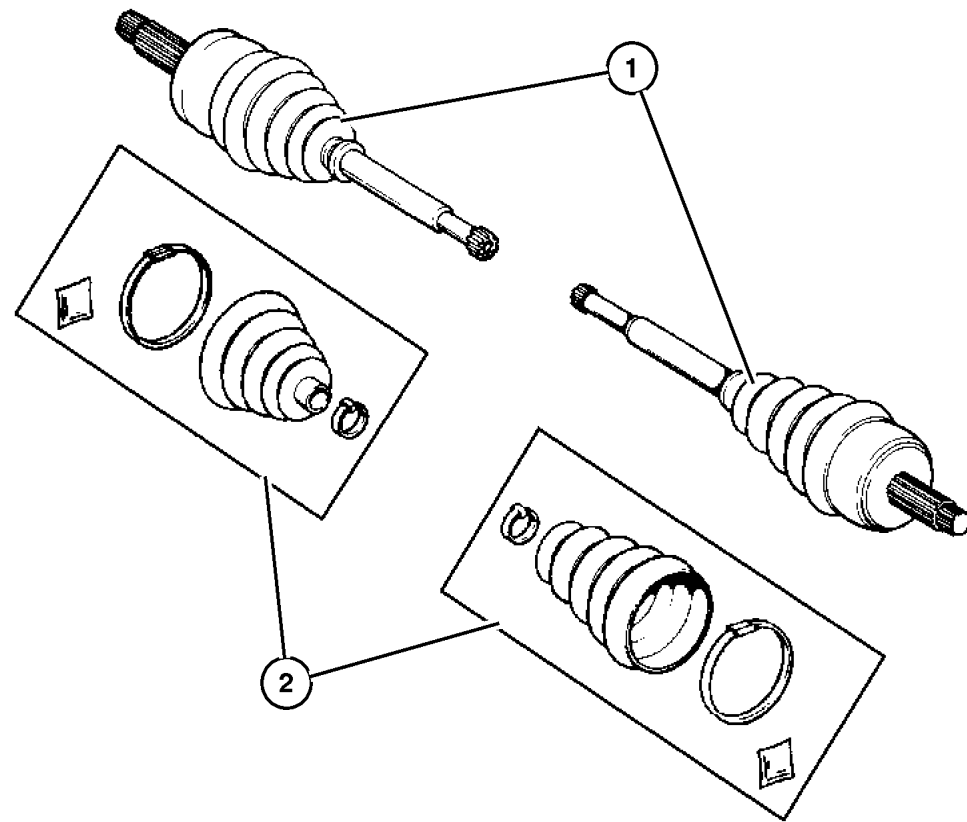
SERIES	LINE	BODY	ENGINE	TRANSMISSION
L = Grand Cherokee	J = 4WD T = 2WD U = 4WD (RHD)	74 = 4 Door (105.9 WB)	ERH,ERO = 4.0L, Power Tech EVA,EVO = 4.7L, Power Tech EXA,EXO = 3.1L 5 cyl Turbo Diesel	DGK = 4 Speed Autm, 42RE DG4 = Multi Speed Auto 45RFE DGW = 4 Speed Autom 44RE DGO = All Automatic

AR = Use as required - = Non illustrated part # = New this model year

September 15, 2005

Front Axle Shafts Figure 002-210

ITEM	PART NUMBER	QTY	LINE	SERIES	BODY	ENGINE	TRANS	TRIM	DESCRIPTION
Note: Sales Codes									
[DSB] = Axle - Vari=Lok Progressive, Front									
1									SHAFT, Axle
	5012 456AA	1	J						Without [DSB], Right
	5012 457AA	1	J						Without [DSB], Left
	5012 748AB	1	J						With [DSB], Right
	5012 749AA	1	J						With [DSB], Left
	5012 456AB	1	U						Without [DSB], Right
	5012 457AA	1	U						Without [DSB], Left
	5012 748AB	1	U						With [DSB], Right
	5012 749AA	1	U						With [DSB], Left
2									BOOT KIT, Half Shaft
	4796 233	2	U						Right or Left
		2	J						Right or Left

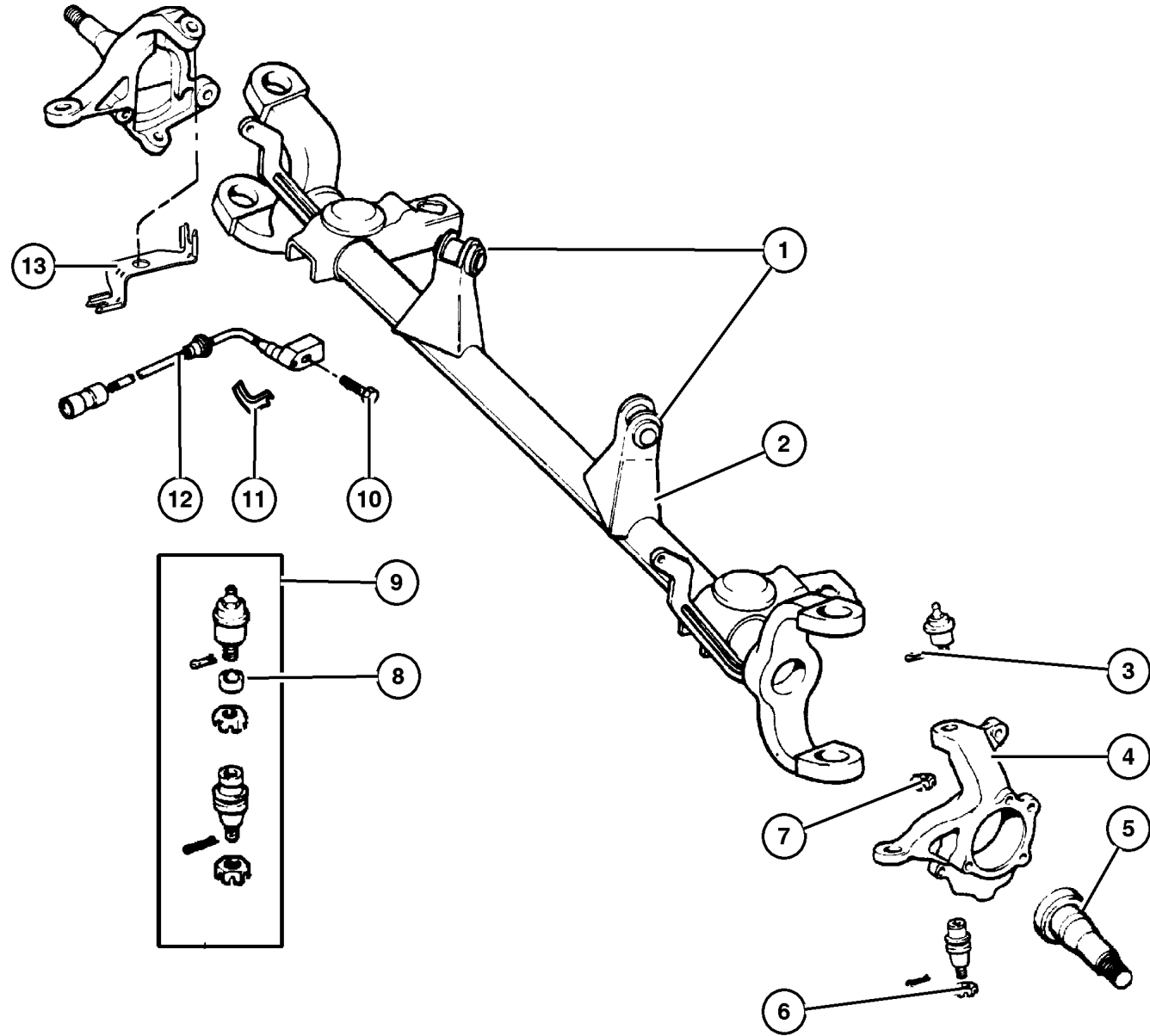


JEEP GRAND CHEROKEE (WJ)				
SERIES	LINE	BODY	ENGINE	TRANSMISSION
L = Grand Cherokee	J = 4WD T = 2WD U = 4WD (RHD)	74 = 4 Door (105.9 WB)	ERH,ERO = 4.0L, Power Tech EVA,EVO = 4.7L, Power Tech EXA,EXO = 3.1L 5 cyl Turbo Diesel	DGK = 4 Speed Autm, 42RE DG4 = Multi Speed Auto 45RFE DGW = 4 Speed Autom 44RE DGO = All Automatic

AR = Use as required - = Non illustrated part # = New this model year

September 15, 2005

Housing,Front Axle,2 Wheel Drive Figure 002-310



ITEM	PART NUMBER	QTY	LINE	SERIES	BODY	ENGINE	TRANS	TRIM	DESCRIPTION
1	5208 8214	2	T						BUSHING, Control Arm, Upper
2	5012 433AA	1	T						HOUSING, Axle, Includes Item 1
3	1101 0069	6	T						PIN, Cotter, M4x40.00, As Required
4									KNUCKLE, Front
	5011 976AA	1	T						Right
	5011 977AA	1	T						Left
5	5012 438AA	2	T						SHAFT, Dummy, Right or Left
6	J812 3318	2	T						NUT, Ball Joint Mounting, Lower
7	J012 5258	2	T						NUT, Steering Knuckle Socket, Ball
									Joint Mounting, Upper
8	8350 0203	2	T						RING, Ball Joint, Upper
9									BALL JOINT KIT, Knuckle
	5012 432AA	2	T						0.0 DEGREE
	5014 876AC	2	T						0.5 DEGREE
	5014 877AB	2	T						1.0 DEGREE
	5016 972AC	2	T						1.5 DEGREE
10	5012 434AA	2	T						BOLT
11									BRACKET, Brake Sensor Wire
	5014 324AA	1	T						Right
	5014 325AA	1	T						Left
12									SENSOR, Wheel Speed
	56041 316AA	1	T						Right
	56041 317AA	1	T						Left
13									BRACKET, Brake Sensor
	5602 6766	1	T						Right
	5602 6767	1	T						Left

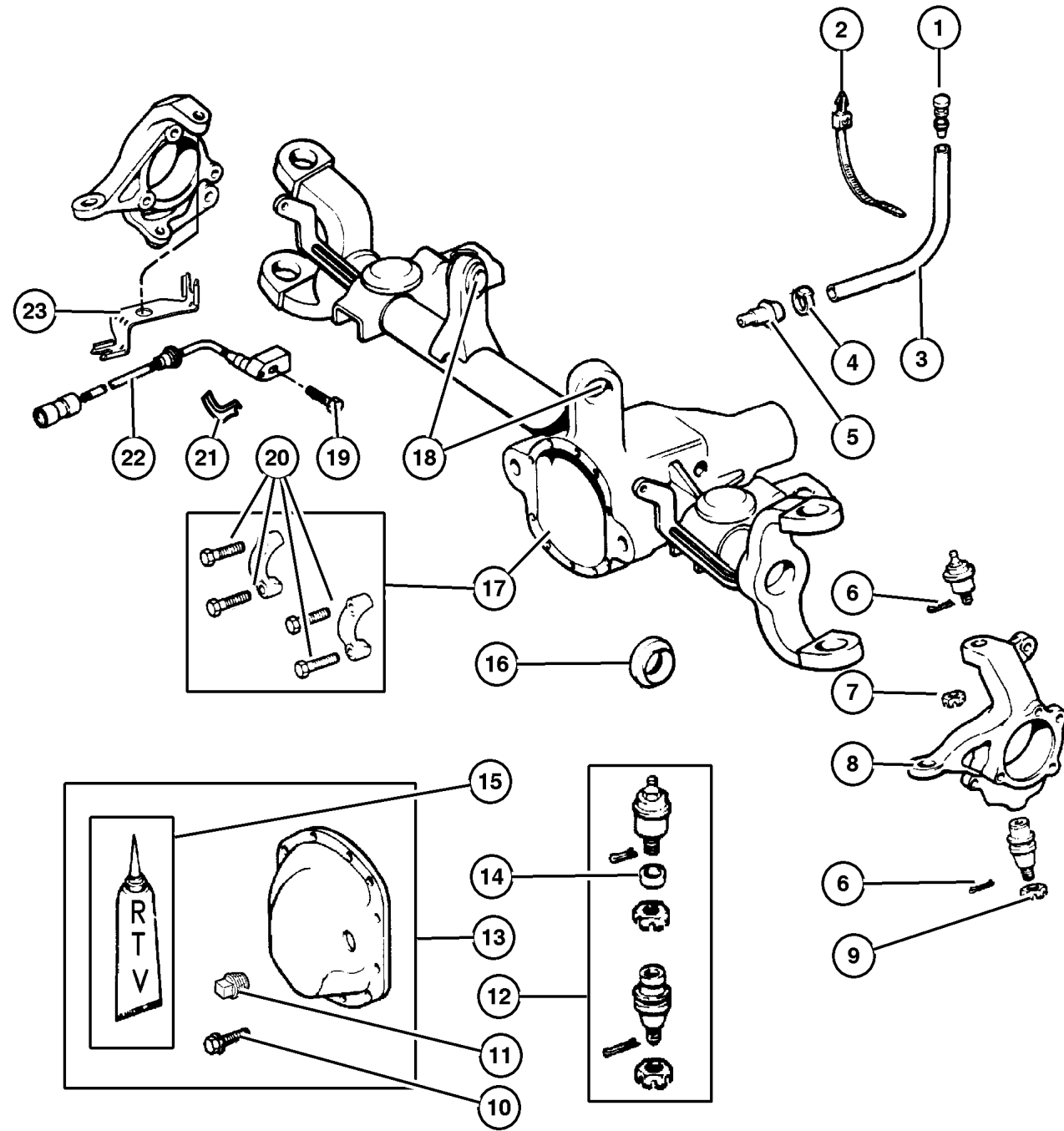
JEEP GRAND CHEROKEE (WJ)

SERIES	LINE	BODY	ENGINE	TRANSMISSION
L = Grand Cherokee	J = 4WD T = 2WD U = 4WD (RHD)	74 = 4 Door (105.9 WB)	ERH,ERO = 4.0L, Power Tech EVA,EVO = 4.7L, Power Tech EXA,EXO = 3.1L 5 cyl Turbo Diesel	DGK = 4 Speed Autm, 42RE DG4 = Multi Speed Auto 45RFE DGW = 4 Speed Autom 44RE DGO = All Automatic

AR = Use as required - = Non illustrated part # = New this model year

September 15, 2005

Housing,Front Axle,4 Wheel Drive Figure 002-320



ITEM	PART NUMBER	QTY	LINE	SERIES	BODY	ENGINE	TRANS	TRIM	DESCRIPTION
1	52099 257AA	1	J, U						VENT, Axle, (Cap), Upper
2	J417 5376	1	J, U						STRAP, Tie
3	HFV0 0516	1	J, U						HOSE, Fuel And Vapor, 25 Foot Roll 5/16"
4	6503 573	1							CLIP, Lower
5	5017 482AA	1	J						VENT, Axle Lower
		1	U						Lower
6									PIN, Cotter, M4x40.00
	1101 0069	6	J						As Required
		6	U						As Required
7	J012 5258	2	J						NUT, Steering Knuckle Socket Upper
		2	U						Upper
8	5011 976AA	1	J						KNUCKLE, Front Right
	5011 977AA	1	J						Left
	5012 516AA	1	U						Right
	5012 517AA	1	U						Left
9	J812 3318	2	J						NUT Lower
		2	U						Lower
10	2954 031	10	J						BOLT, Differential Cover
		10	U						
11	J400 4751	1	J						PLUG, Differential Cover
		1	U						
12									BALL JOINT KIT, Knuckle
	5012 432AA	2	U						0.0 DEGREE, Right or Left
	5014 876AC	2	U						0.5 DEGREE, Right or Left
	5014 877AC	2	U						1.0 DEGREE, Right or Left
	5016 972AC	2	U						1.5 DEGREE, Right or Left
	5012 432AA	2	J						0.0 DEGREE, Right or Left
	5014 876AC	2	J						0.5 DEGREE, Right or Left
	5014 877AC	2	J						1.0 DEGREE, Right or Left
	5016 972AC	2	J						1.5 DEGREE, Right or Left
13									COVER, Differential
	5012 451AA	1	J						
		1	U						
14									RING, Ball Joint
	8350 0203	1	J						

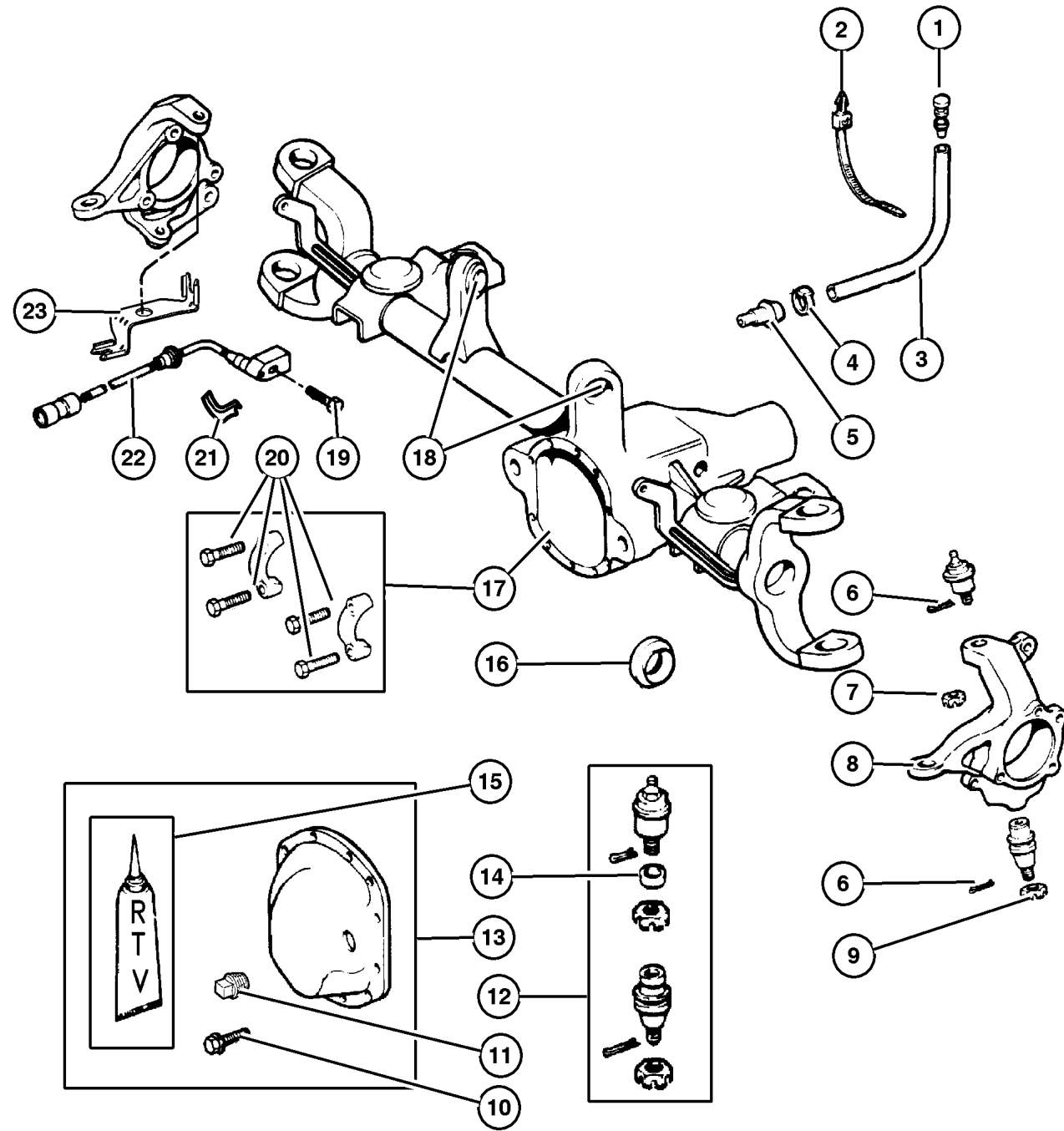
JEEP GRAND CHEROKEE (WJ)

SERIES	LINE	BODY	ENGINE	TRANSMISSION
L = Grand Cherokee	J = 4WD T = 2WD U = 4WD (RHD)	74 = 4 Door (105.9 WB)	ERH,ERO = 4.0L, Power Tech EVA,EVO = 4.7L, Power Tech EXA,EXO = 3.1L 5 cyl Turbo Diesel	DGK = 4 Speed Autm, 42RE DG4 = Multi Speed Auto 45RFE DGW = 4 Speed Autom 44RE DGO = All Automatic

AR = Use as required - = Non illustrated part # = New this model year

September 15, 2005

Housing,Front Axle,4 Wheel Drive
Figure 002-320



ITEM	PART NUMBER	QTY	LINE	SERIES	BODY	ENGINE	TRANS	TRIM	DESCRIPTION
		1	U						
15	5010 884AA	1	J						SEALANT, RTV
		1	U						
16	4874 477	2	J						SEAL, Axle Drive Shaft
		2	U						
17	5012 445AA	1	J						HOUSING, Axle Includes Item 18
	5012 512AA	1	U						Includes Item 18
18	5208 8214	2	J						BUSHING, Control Arm Upper
		2	U						Upper
19	5012 434AA	2	J						BOLT Sensor, Mounting
		2	U						
20	4897 482AB	4	J						BOLT, Differential
		4	U						
21	5014 324AA	1	J						BRACKET, Brake Sensor Wire Right
	5014 325AA	1	J						Left
	5014 324AA	1	U						Right
	5014 325AA	1	U						Left
22	56041 316AA	1	J						SENSOR, Wheel Speed Right
	56041 317AA	1	J						Left
	56041 316AA	1	U						Right
	56041 317AA	1	U						Left
23	5602 6766	1	J						BRACKET, Brake Sensor Right
	5602 6767	1	J						Left
	5602 6766	1	U						Right
	5602 6767	1	U						Left

JEEP GRAND CHEROKEE (WJ)

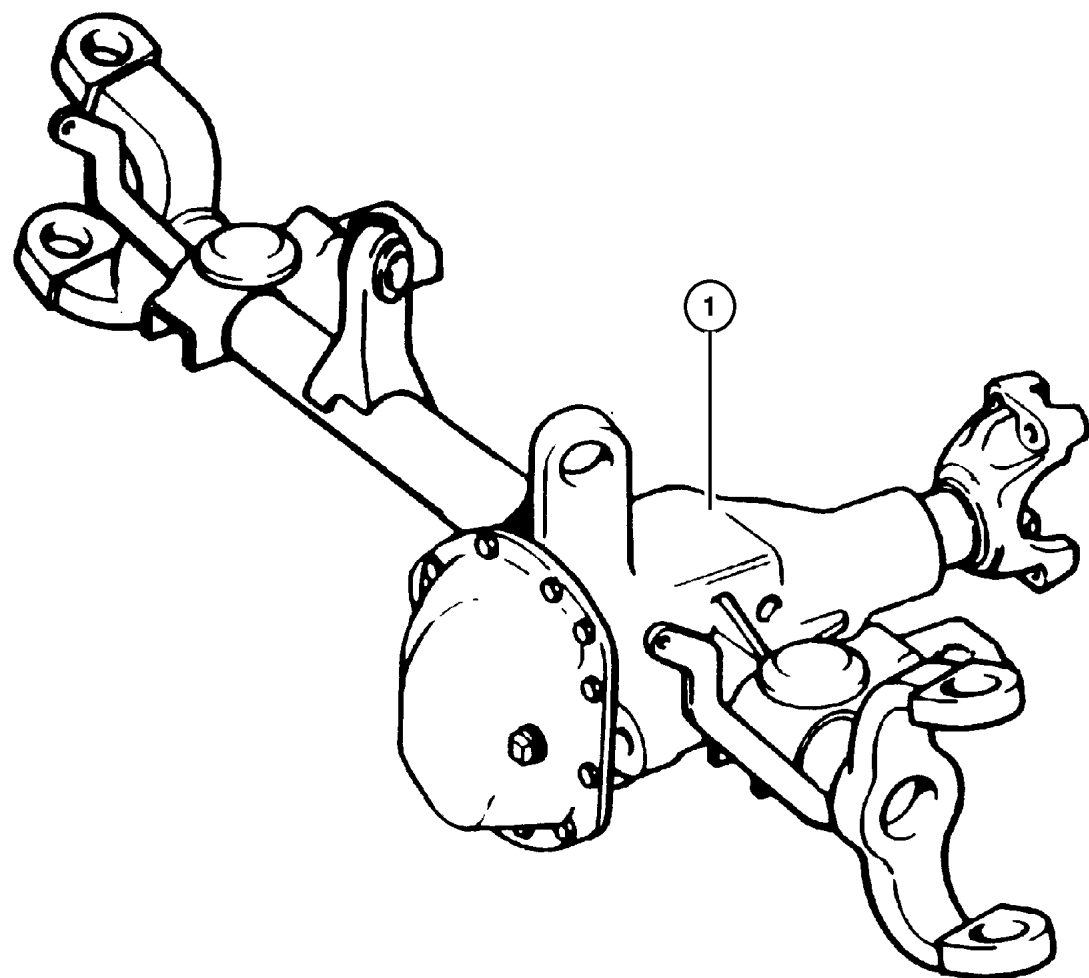
SERIES	LINE	BODY	ENGINE	TRANSMISSION
L = Grand Cherokee	J = 4WD T = 2WD U = 4WD (RHD)	74 = 4 Door (105.9 WB)	ERH,ERO = 4.0L, Power Tech EVA,EVO = 4.7L, Power Tech EXA,EXO = 3.1L 5 cyl Turbo Diesel	DGK = 4 Speed Autm, 42RE DG4 = Multi Speed Auto 45RFE DGW = 4 Speed Autom 44RE DGO = All Automatic

AR = Use as required - = Non illustrated part # = New this model year

September 15, 2005

Front Axle Assembly
Figure 002-410

ITEM	PART NUMBER	QTY	LINE	SERIES	BODY	ENGINE	TRANS	TRIM	DESCRIPTION
Note:Sales Codes;									
[DHF]=Quadra-Trac II On Demand 4 Wheel Drive System									
[DHP]=Select-Trac Full Time 4 Wheel Drive System									
[DMD]=Axle Ratio - 3.55									
[DME]=Axle Ratio - 3.73									
[DMT]=Axle Ratio - 3.91									
[DSB]=Axle - Vari-Lok Progressive,Front									
1	5012 480AA	1	J						AXLE, Service Front [DMD,DHF,DHP] Tag 52099187AC,52099210AC
	5012 446AA	1	J						[DME,DHF,DHP] Tag 52099186AC, 52099188AC
	5012 520AA	1	J						[DME,DHF,DSB] Tag 52098898AC
	5014 403AA	1	J						[DMT,DHF] Tag 52111059AC
	5014 404AA	1	J						[DMT,DHF,DSB] Tag 52111060AA
	5012 513AA	1	U						[DME,DHF] Tag 52098892AC
	5012 774AA	1	U						[DME,DHF,DSB] Tag 52098896AC

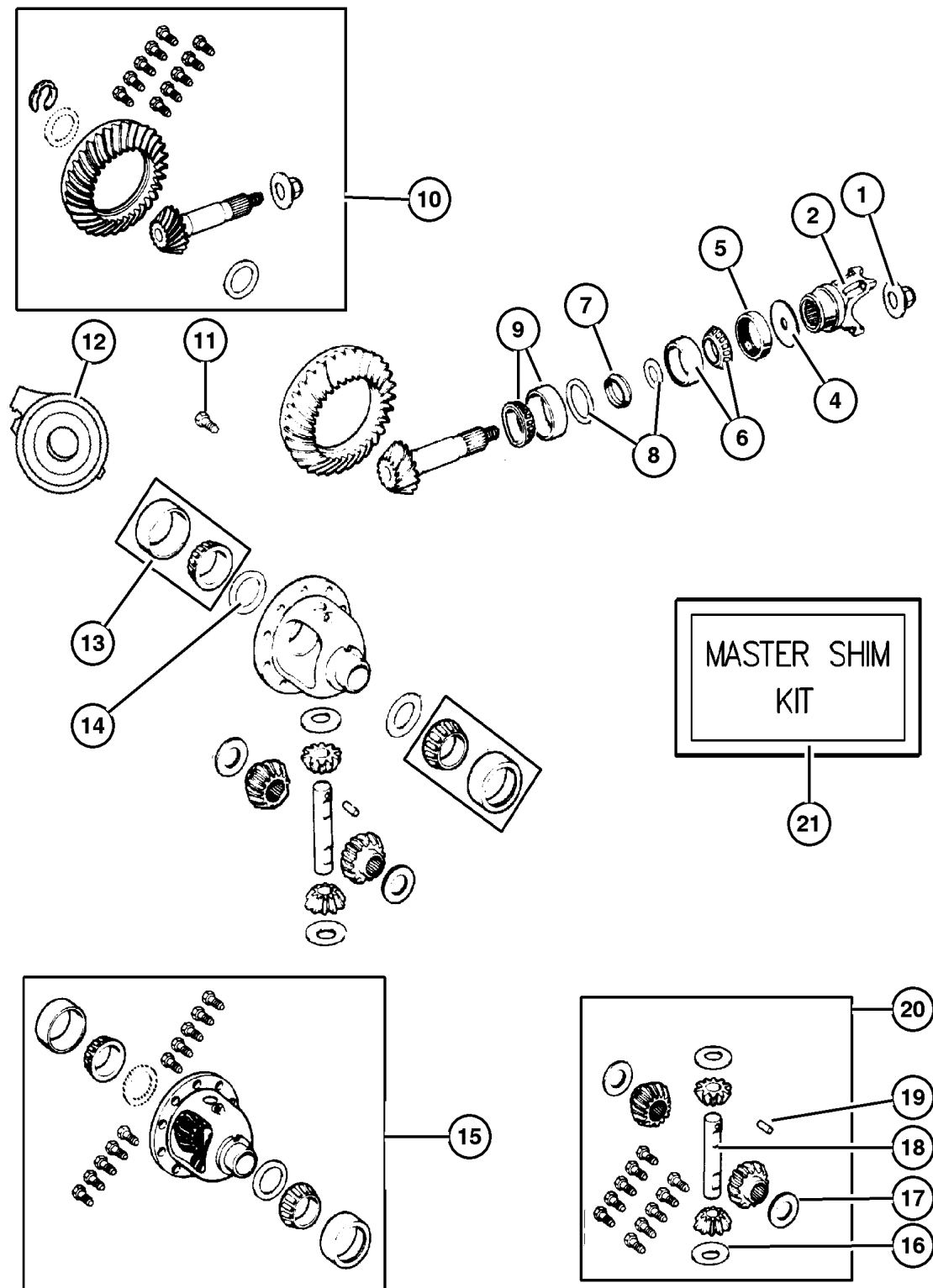


JEEP GRAND CHEROKEE (WJ)				
SERIES	LINE	BODY	ENGINE	TRANSMISSION
L = Grand Cherokee	J = 4WD T = 2WD U = 4WD (RHD)	74 = 4 Door (105.9 WB)	ERH,ERO = 4.0L, Power Tech EVA,EVO = 4.7L, Power Tech EXA,EXO = 3.1L 5 cyl Turbo Diesel	DGK = 4 Speed Autm, 42RE DG4 = Multi Speed Auto 45RFE DGW = 4 Speed Autom 44RE DGO = All Automatic

AR = Use as required - = Non illustrated part # = New this model year

September 15, 2005

Differential, Front Axle Figure 002-610



ITEM	PART NUMBER	QTY	LINE	SERIES	BODY	ENGINE	TRANS	TRIM	DESCRIPTION
Note: Sales Codes;									
[DMD]=Axle Ratio 3.55									
[DME]=Axle Ratio 3.73									
[DMT]=Axle Ratio 3.91									
[DSB]=Axle - Vari-Lok Progressive Front									
1	5017 755AA	1	J						NUT, Pinion Yoke with Washer
		1	U						with Washer
2	5012 444AA	1	J						YOKE, Axle
		1	U						
-3	5012 453AA-	1	J						O RING, Pinion Flange Fits Over Hub of Axle Yoke
		1	U						Fits Over Hub of Axle Yoke
4	4031 974	1	J						SLINGER, Drive Pinion
		1	U						
5	5012 454AA	1	J						SEAL, Drive Pinion
		1	U						
6	5252 508	1	J						BEARING, Drive Pinion
		1	U						Bearing and Cup, Front
7	4864 845	1	J						SPACER
		1	U						Crush
8									SHIM, Drive Pinion Bearing, Replacement Individual PINION Shims for Master Shim Kit
									5017134AA.
	5017 139AA	1	J						.052
		1	U						.052
	5017 140AA	1	J						.053
		1	U						.053
	5017 141AA	1	J						.054
		1	U						.054
	5017 142AA	1	J						.055
		1	U						.055
	5017 143AA	1	J						.056
		1	U						.056
	5017 144AA	1	J						.057
		1	U						.057

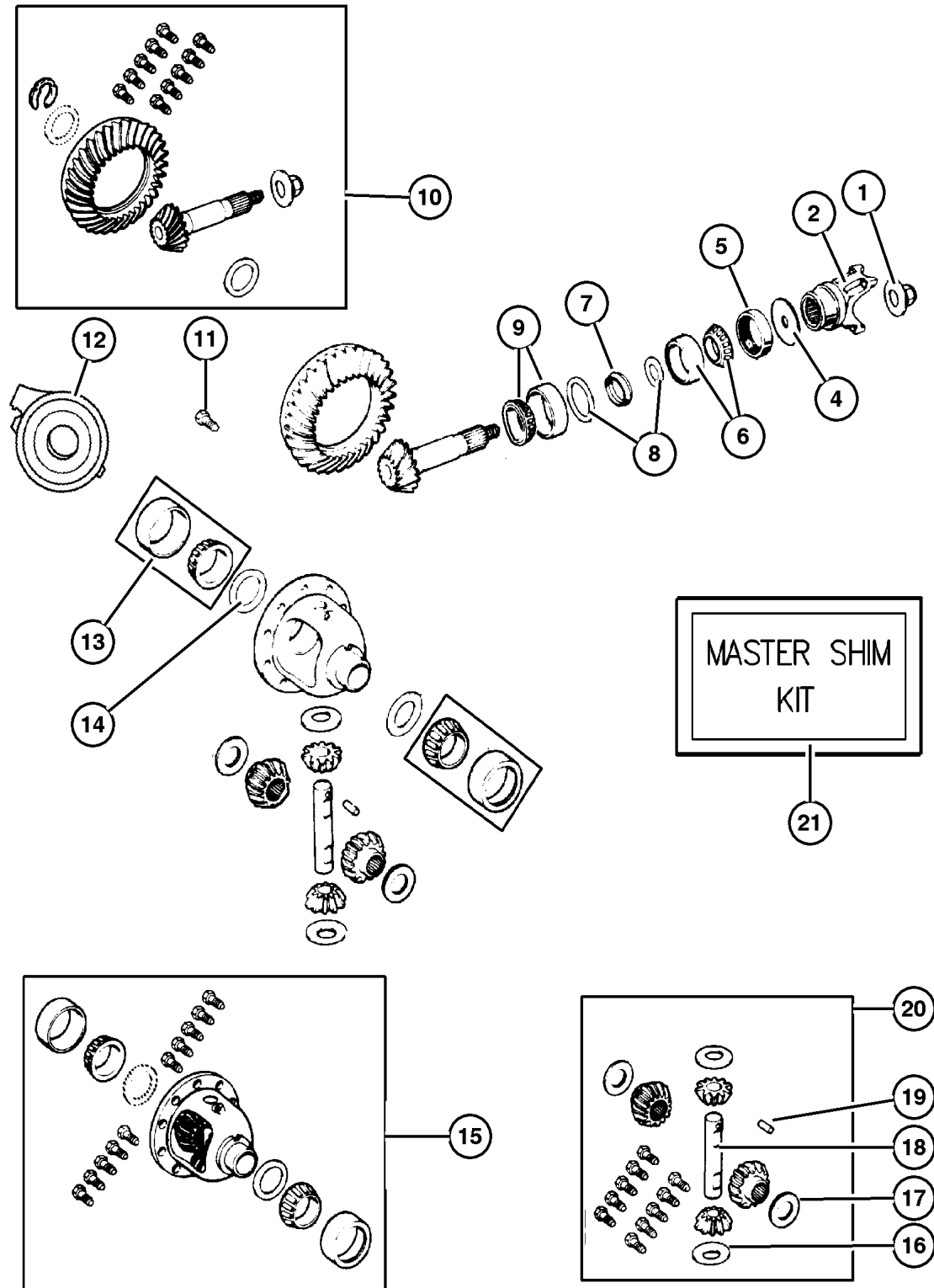
JEEP GRAND CHEROKEE (WJ)

SERIES	LINE	BODY	ENGINE	TRANSMISSION
L = Grand Cherokee	J = 4WD T = 2WD U = 4WD (RHD)	74 = 4 Door (105.9 WB)	ERH,ERO = 4.0L, Power Tech EVA,EVO = 4.7L, Power Tech EXA,EXO = 3.1L 5 cyl Turbo Diesel	DGK = 4 Speed Autm, 42RE DG4 = Multi Speed Auto 45RFE DGW = 4 Speed Autom 44RE DGO = All Automatic

AR = Use as required - = Non illustrated part # = New this model year

September 15, 2005

Differential, Front Axle
Figure 002-610



ITEM	PART NUMBER	QTY	LINE	SERIES	BODY	ENGINE	TRANS	TRIM	DESCRIPTION
	5017 145AA	1	J						.058
		1	U						.058
	5017 146AA	1	J						.059
		1	U						.059
	5017 149AA	1	J						.060
		1	U						.060
	5017 150AA	1	J						.061
		1	U						.061
	5017 151AA	1	J						.062
		1	U						.062
	5017 152AA	1	J						.063
		1	U						.063
	5017 153AA	1	J						.064
		1	U						.064
	5017 154AA	1	J						.065
		1	U						.065
	5017 155AA	1	J						.066
		1	U						.066
	5017 156AA	1	J						.067
		1	U						.067
9									BEARING, Drive Pinion
	J812 6499	1	J						Bearing and Cup, Rear
		1	U						Bearing and Cup, Rear
10									GEAR KIT, Ring And Pinion
	5012 476AA	1	J						[DMD]
	5012 447AA	1	J						[DME]
	5014 402AA	1	J						[DMT]
	5012 447AA	1	U						[DME]
11									SCREW, Drive Gear
	5252 503	10	J						
		10	U						
12									PLENUM, Differential
	5012 725AA	1	J						with [DSB]
		1	U						with [DSB]
13									BEARING, Differential
	J812 6500	1	J						Consists of 2 Bearings and 2 Cups
		1	U						Consists of 2 Bearings and 2 Cups
14									SHIM, Differential Bearing,
									Replacement Individual
									DIFFERENTIAL Shims for Master
									Kit 5017134AA
	5017 218AA	1	J						.109

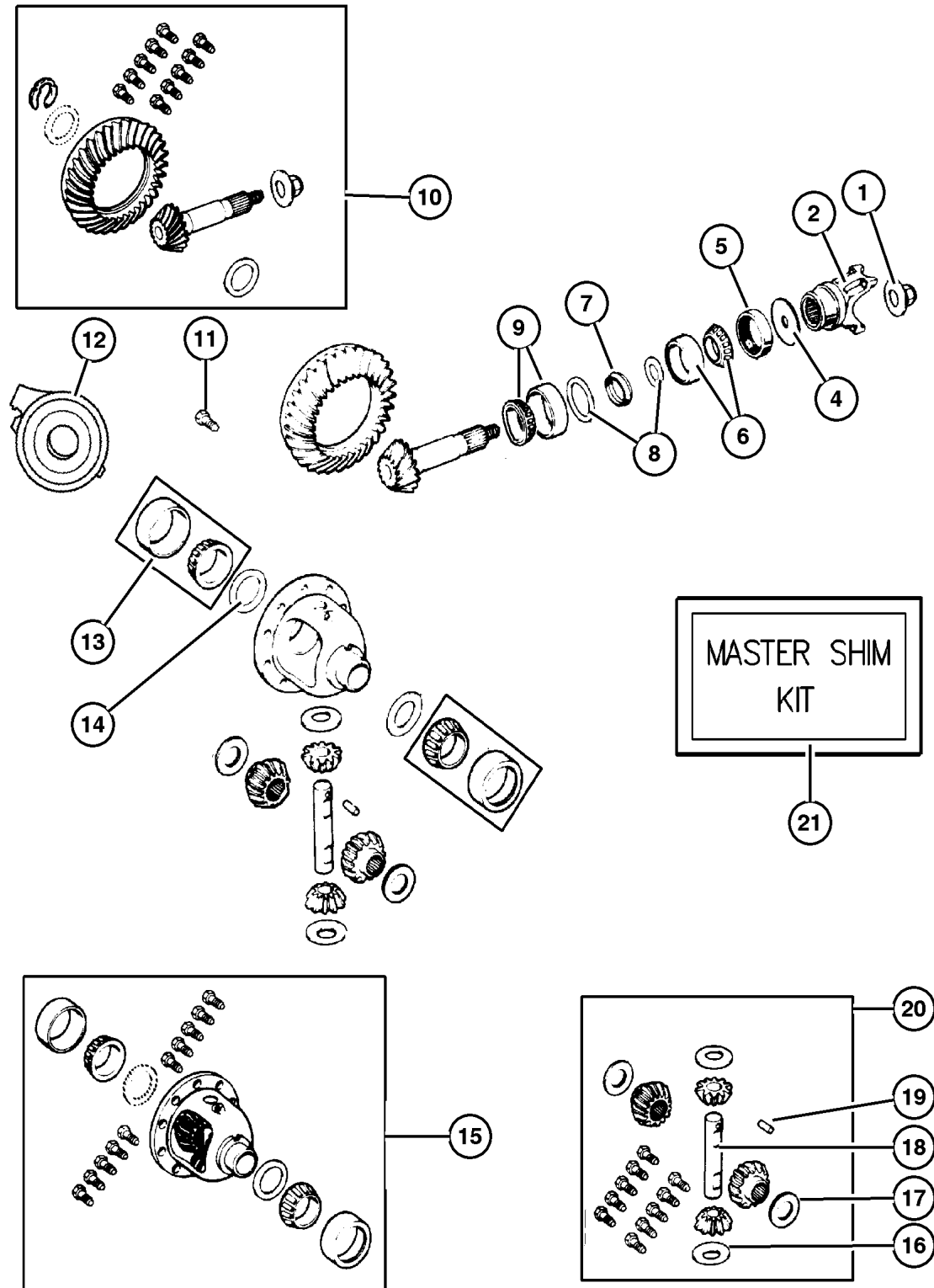
JEEP GRAND CHEROKEE (WJ)

SERIES	LINE	BODY	ENGINE	TRANSMISSION
L = Grand Cherokee	J = 4WD T = 2WD U = 4WD (RHD)	74 = 4 Door (105.9 WB)	ERH,ERO = 4.0L, Power Tech EVA,EVO = 4.7L, Power Tech EXA,EXO = 3.1L 5 cyl Turbo Diesel	DGK = 4 Speed Autm, 42RE DG4 = Multi Speed Auto 45RFE DGW = 4 Speed Autom 44RE DGO = All Automatic

AR = Use as required - = Non illustrated part # = New this model year

September 15, 2005

Differential,Front Axle
Figure 002-610



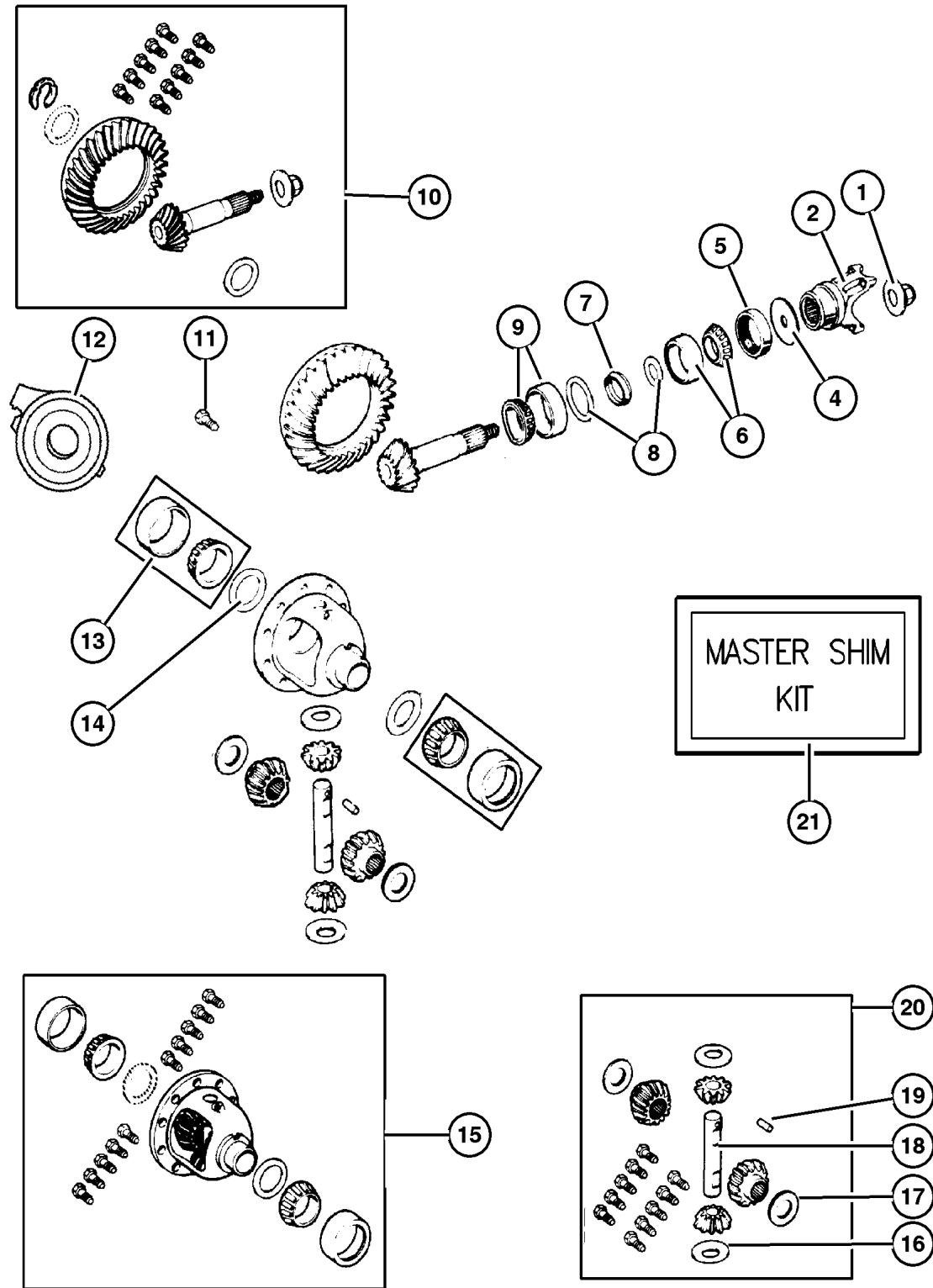
ITEM	PART NUMBER	QTY	LINE	SERIES	BODY	ENGINE	TRANS	TRIM	DESCRIPTION
		1	U						.109
	5017 219AA	1	J						.110
	5017 220AA	1	U						.110
	5017 221AA	1	J						.111
	5017 222AA	1	U						.111
	5017 223AA	1	J						.112
	5017 224AA	1	U						.112
	5017 225AA	1	J						.113
	5017 226AA	1	U						.113
	5017 227AA	1	J						.114
	5017 228AA	1	U						.114
	5017 229AA	1	J						.115
	5017 230AA	1	U						.115
	5017 231AA	1	J						.116
	5017 232AA	1	U						.116
	5017 233AA	1	J						.117
	5017 234AA	1	U						.117
	5017 235AA	1	J						.118
	5017 236AA	1	U						.118
	5017 237AA	1	J						.119
	5017 238AA	1	U						.119
	5017 239AA	1	J						.120
	5017 240AA	1	U						.120
	5017 241AA	1	J						.121
	5017 242AA	1	U						.121
	5017 243AA	1	J						.122
	5017 244AA	1	U						.122
	5017 245AA	1	J						.123
	5017 246AA	1	U						.123
	5017 247AA	1	J						.124
	5017 248AA	1	U						.124
	5017 249AA	1	J						.125
	5017 250AA	1	U						.125
	5017 251AA	1	J						.126
	5017 252AA	1	U						.126
	5017 253AA	1	J						.127
	5017 254AA	1	U						.127
	5017 255AA	1	J						.128
	5017 256AA	1	U						.128
	5017 257AA	1	J						.129
	5017 258AA	1	U						.129
	5017 259AA	1	J						.130

JEEP GRAND CHEROKEE (WJ)
 SERIES L = Grand Cherokee
 LINE J = 4WD, T = 2WD, U = 4WD (RHD)
 BODY 74 = 4 Door (105.9 WB)
 ENGINE ERH,ERO = 4.0L, Power Tech, EVA,EVO = 4.7L, Power Tech, EXA,EXO = 3.1L 5 cyl Turbo Diesel
 TRANSMISSION DGK = 4 Speed Autm, 42RE, DG4 = Multi Speed Auto 45RFE, DGW = 4 Speed Autom 44RE, DGO = All Automatic

AR = Use as required - = Non illustrated part # = New this model year

September 15, 2005

Differential,Front Axle
Figure 002-610



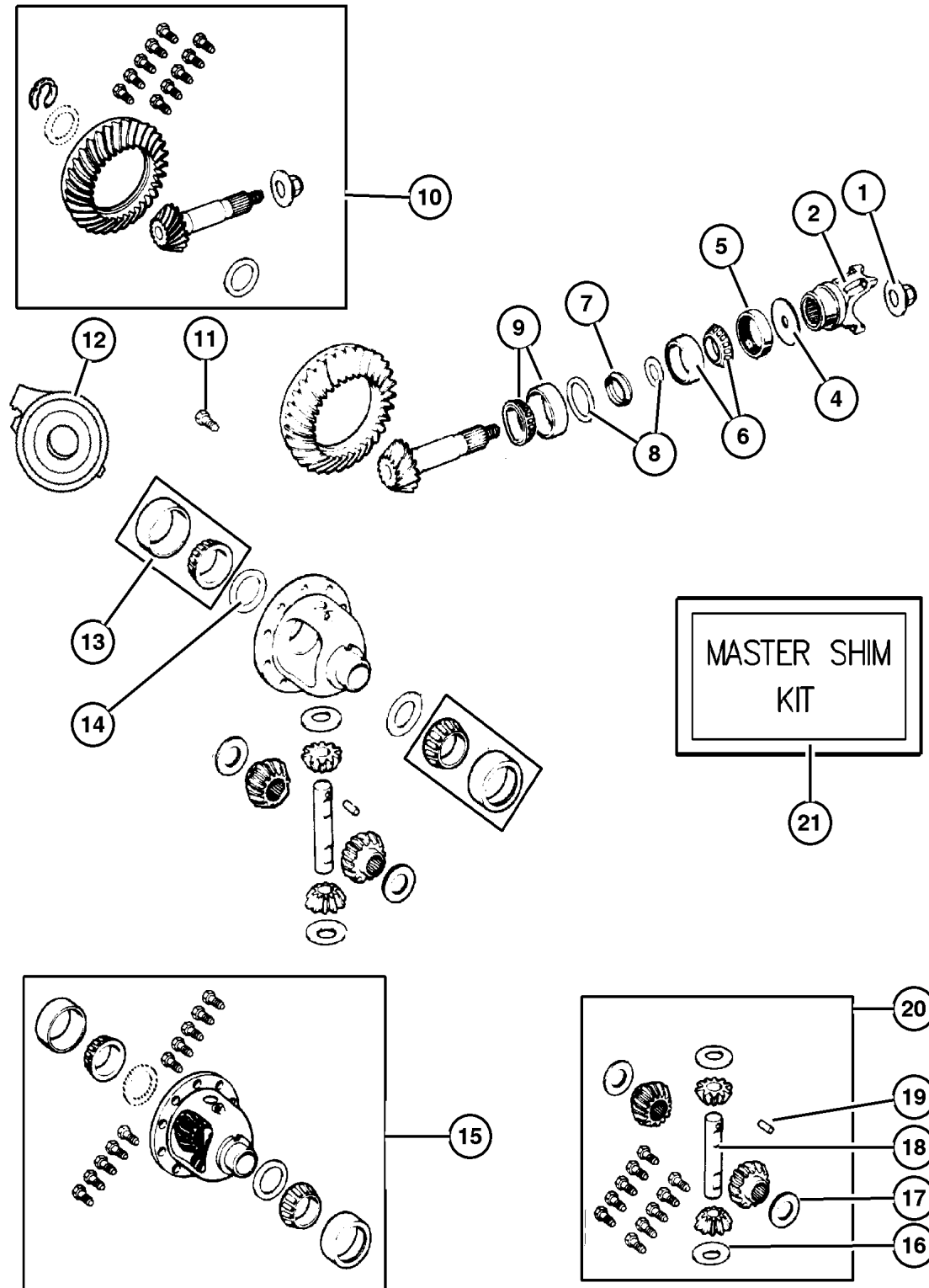
ITEM	PART NUMBER	QTY	LINE	SERIES	BODY	ENGINE	TRANS	TRIM	DESCRIPTION
		1	U						.130
	5017 240AA	1	J						.131
		1	U						.131
	5017 241AA	1	J						.132
		1	U						.132
	5017 242AA	1	J						.133
		1	U						.133
	5017 243AA	1	J						.134
		1	U						.134
	5017 244AA	1	J						.135
		1	U						.135
	5017 245AA	1	J						.136
		1	U						.136
	5017 246AA	1	J						.137
		1	U						.137
	5017 247AA	1	J						.138
		1	U						.138
	5017 248AA	1	J						.139
		1	U						.139
	5017 249AA	1	J						.140
		1	U						.140
	5017 250AA	1	J						.141
		1	U						.141
	5017 251AA	1	J						.142
		1	U						.142
	5017 252AA	1	J						.143
		1	U						.143
	5017 253AA	1	J						.144
		1	U						.144
	5017 254AA	1	J						.145
		1	U						.145
	5017 255AA	1	J						.146
		1	U						.146
	5017 256AA	1	J						.147
		1	U						.147
	5017 257AA	1	J						.148
		1	U						.148
15									CASE, Differential
	5012 477AA	1	J						[DMD,DHF,DHP] Includes Items 13,20
	5252 590	1	J						[DME,DMT,DHF,DHP] Includes Items 13,20

JEEP GRAND CHEROKEE (WJ)
 SERIES L = Grand Cherokee
 LINE J = 4WD, T = 2WD, U = 4WD (RHD)
 BODY 74 = 4 Door (105.9 WB)
 ENGINE ERH,ERO = 4.0L, Power Tech; EVA,EVO = 4.7L, Power Tech; EXA,EXO = 3.1L 5 cyl Turbo Diesel
 TRANSMISSION DGK = 4 Speed Autm, 42RE; DG4 = Multi Speed Auto 45RFE; DGW = 4 Speed Autom 44RE; DGO = All Automatic

AR = Use as required - = Non illustrated part # = New this model year

September 15, 2005

Differential,Front Axle
Figure 002-610



ITEM	PART NUMBER	QTY	LINE	SERIES	BODY	ENGINE	TRANS	TRIM	DESCRIPTION
	5012 519AA	1	J						[DME,DMT,DHF,DSB] With Internal Parts,Without Item 13
		1	U						[DME,DHF,DSB] With Internal Parts,Without Item 13
	5252 590	1	U						[DME,DHF] Includes Items 13,20
16	J812 0831	2	J						WASHER, Flat without [DSB] Pinion Gear Thrust
		2	U						without [DSB] Pinion Gear Thrust
17	J813 3724	2	J						WASHER, Flat without [DSB] Side Gear Thrust
		2	U						without [DSB] Side Gear Thrust
18	5003 840AA	1	J						SHAFT, Differential without [DSB]
		1	U						without [DSB]
19	1791 563	1	J						PIN, Differential Shaft without [DSB]
		1	U						without [DSB]
20	5252 591	1	J						GEAR KIT, Center Differential without [DSB]
		1	U						without [DSB]
21									SHIM KIT, Differential, Master Shim Kit for the Complete Differential including All PINION Shims and all DIFFERENTIAL Shims.
	5017 134AA	1	J						
		1	U						

JEEP GRAND CHEROKEE (WJ)
 SERIES LINE BODY ENGINE TRANSMISSION
 L = Grand Cherokee J = 4WD 74 = 4 Door (105.9 WB) ERH,ERO = 4.0L, Power Tech DGK = 4 Speed Autm, 42RE
 T = 2WD EVA,EVO = 4.7L, Power Tech DG4 = Multi Speed Auto 45RFE
 U = 4WD (RHD) EXA,EXO = 3.1L 5 cyl Turbo Diesel DGW = 4 Speed Autom 44RE
 DGO = All Automatic

AR = Use as required - = Non illustrated part # = New this model year

September 15, 2005

**Skid Plate, Front Axle
Figure 002-810**

ITEM	PART NUMBER	QTY	LINE	SERIES	BODY	ENGINE	TRANS	TRIM	DESCRIPTION
------	-------------	-----	------	--------	------	--------	-------	------	-------------

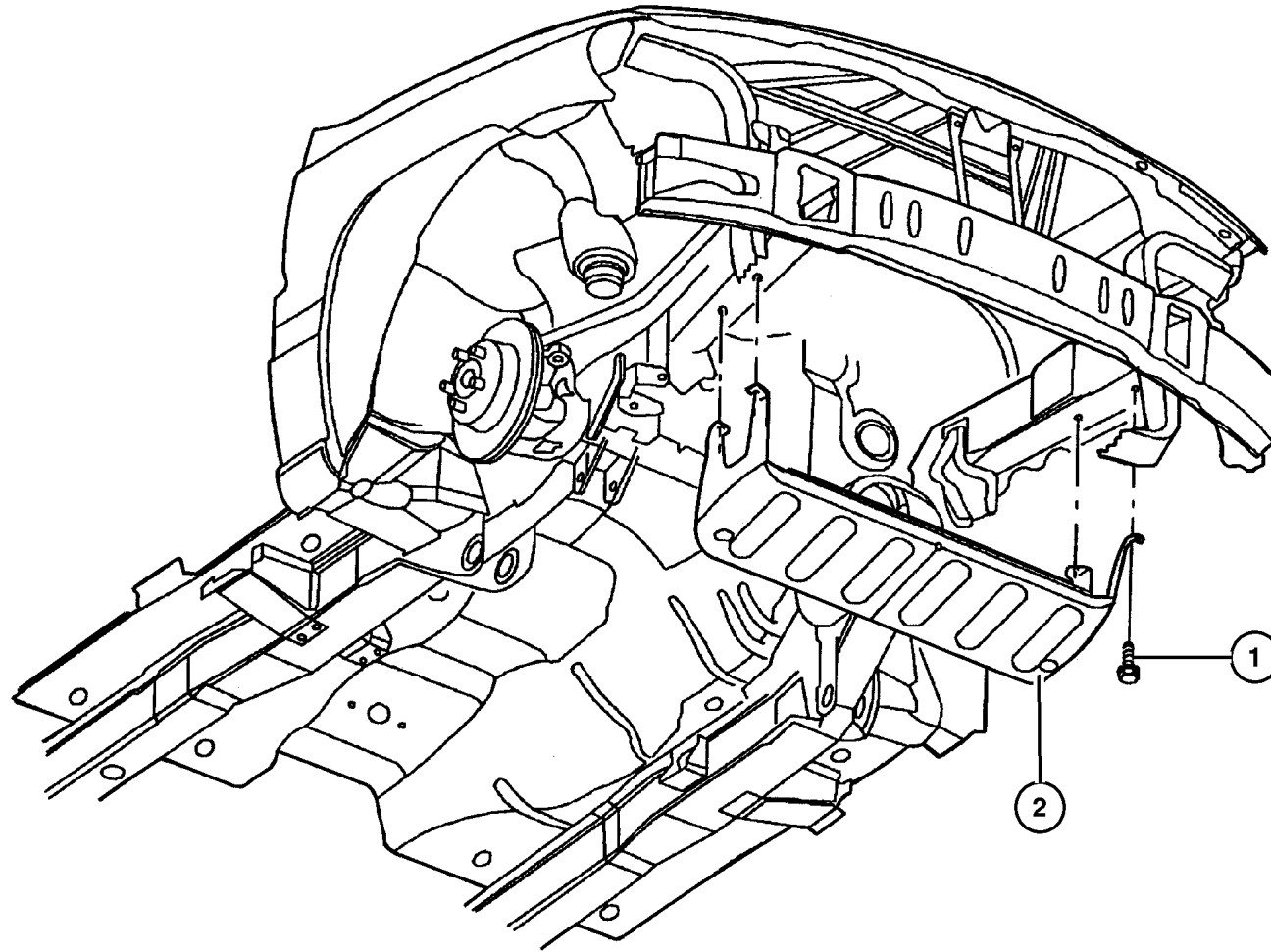
Note:Sales Codes;

[ER0]=Engines - All 4.0L 6 Cylinder Gas

[EV0]=Engines - All 4.7L Gas

[EX0]=Engines - ALL 3.0/3.1L Turbo Diesel

1	6503 571	4							SCREW AND WASHER, M10x1. 50x35, Skid Plate to Sill, Mounting
2	5205 8923	1	J, U			ER0, EVO			SKID PLATE, Front
	52059 165AA	1	J, U			EX0			



JEEP GRAND CHEROKEE (WJ)				
SERIES	LINE	BODY	ENGINE	TRANSMISSION
L = Grand Cherokee	J = 4WD T = 2WD U = 4WD (RHD)	74 = 4 Door (105.9 WB)	ERH,ERO = 4.0L, Power Tech EVA,EVO = 4.7L, Power Tech EXA,EXO = 3.1L 5 cyl Turbo Diesel	DGK = 4 Speed Autm, 42RE DG4 = Multi Speed Auto 45RFE DGW = 4 Speed Autom 44RE DGO = All Automatic

AR = Use as required - = Non illustrated part # = New this model year

September 15, 2005

Group – 003

Rear Axle

GROUP 3 - Rear Axle

Illustration Title

Group-Fig. No.

Rear Axle

Axle Assembly,Rear Fig. 003-110

Differential and Housing

Housing,Rear Axle,Dana 35C/194MM [DRM] Fig. 003-210

Housing,Rear Axle,Dana 44/226MM [DRK] Fig. 003-220

Differential,Without Trac-Lok [DSA],Dana 35C/194MM [DRM] Fig. 003-230

Differential,With Trac-Lok [DSA],Dana 35C/194MM [DRM] Fig. 003-240

Differential,Without Trac-Lok [DSA],Dana 44/226MM [DRK] Fig. 003-250

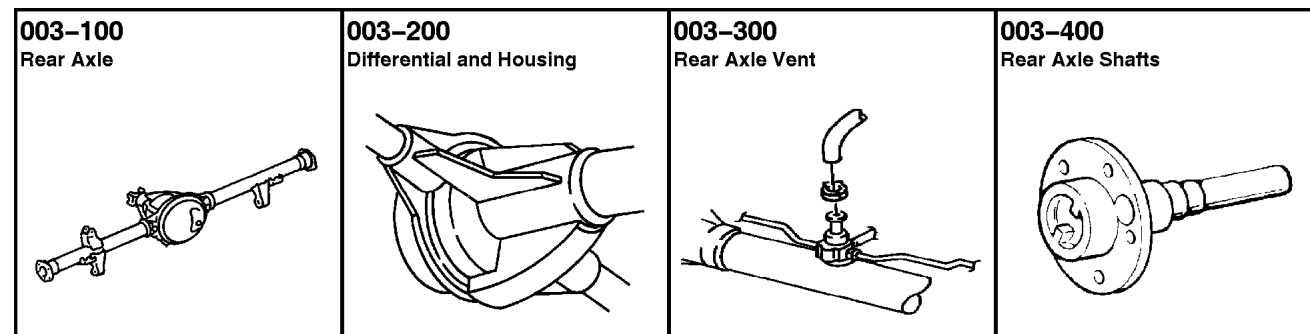
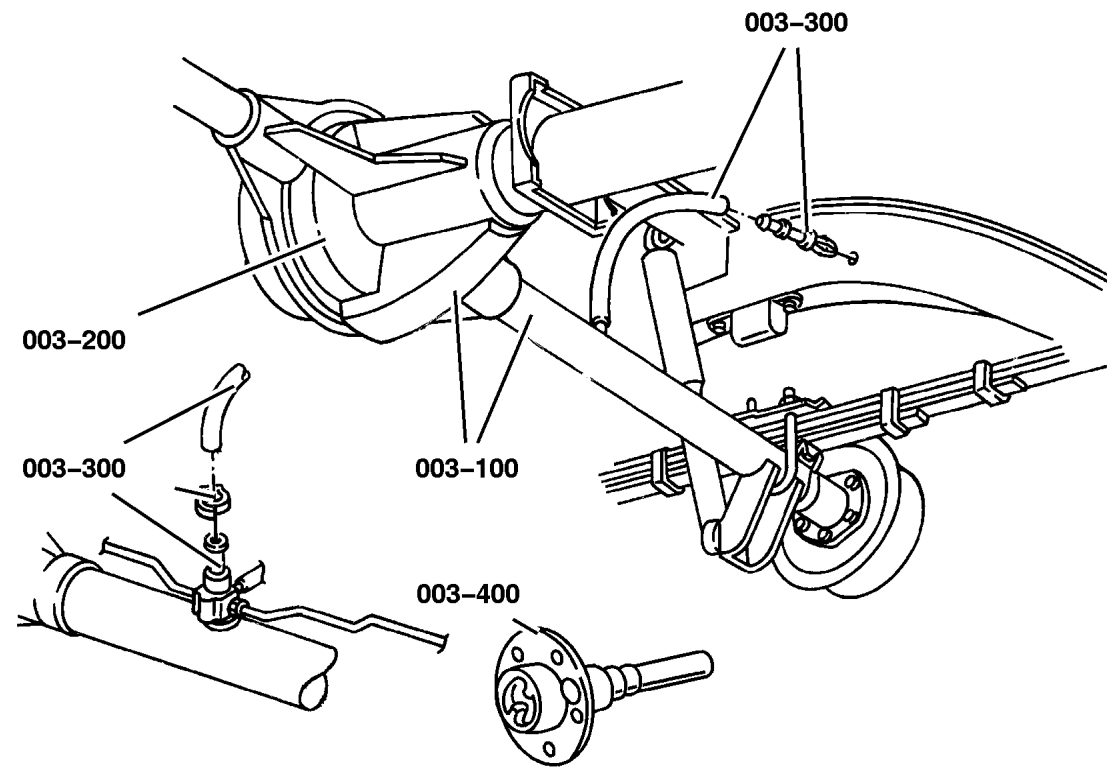
Differential,With Trac-Lok [DSA] or Vari-Lok Progressive [DSC],Dana 44/226MM [DRK] Fig. 003-260

Rear Axle Vent

Rear Axle Vent Fig. 003-310

Rear Axle Shafts

Shaft,Rear Axle Fig. 003-410

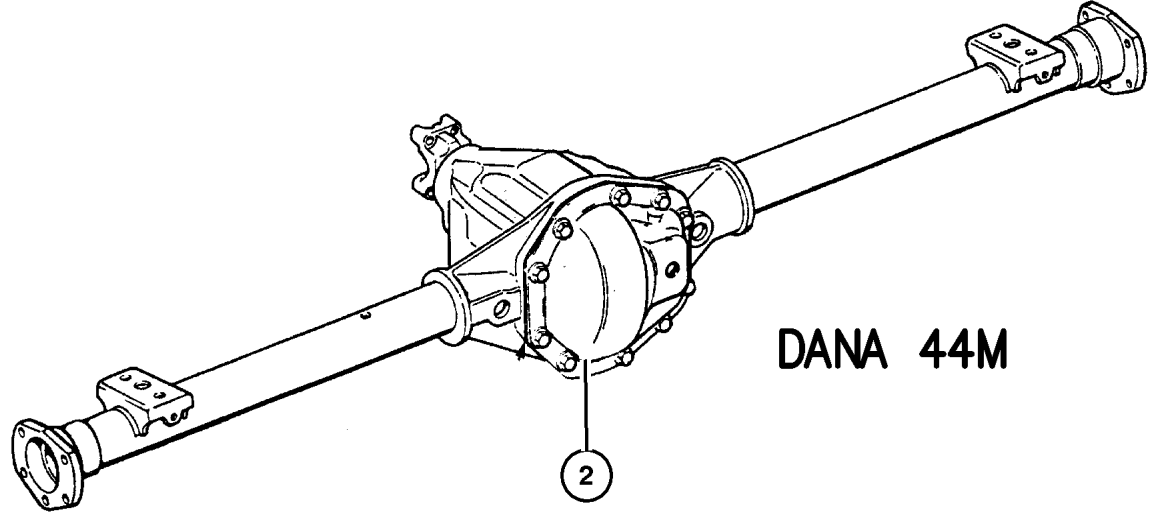
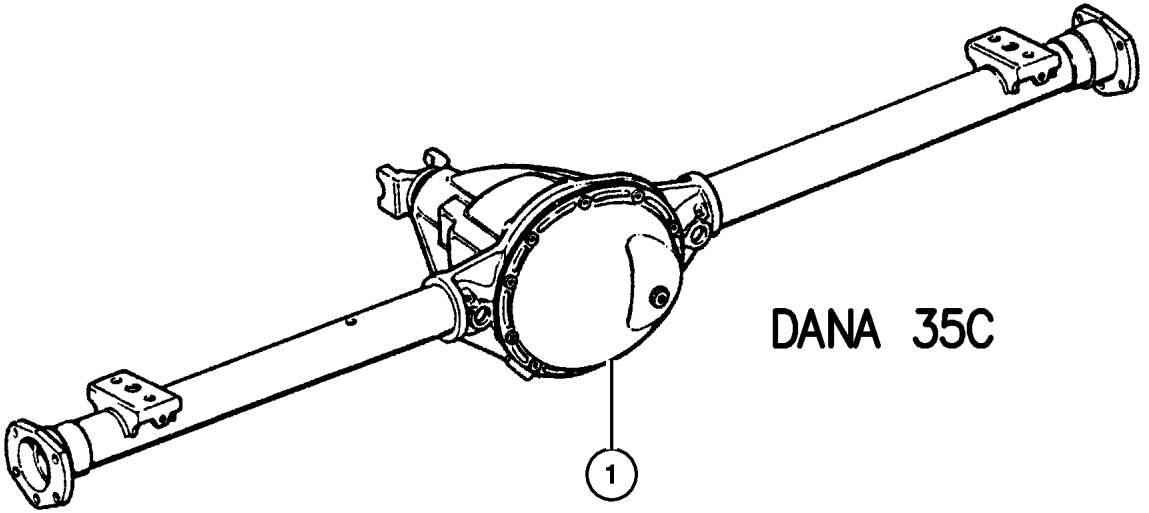


**Axle Assembly,Rear
Figure 003-110**

ITEM	PART NUMBER	QTY	LINE	SERIES	BODY	ENGINE	TRANS	TRIM	DESCRIPTION
------	-------------	-----	------	--------	------	--------	-------	------	-------------

Note:Sales Codes;
 [DMD]=Axle Ratio - 3.55
 [DME]=Axle Ratio - 3.73
 [DRK]=Axle - Rear,Dana 44/226MM
 [DRM]=Axle - Rear,Dana 35C/194MM
 [DSA]=Axle - Trac-Lok Differential
 [DSC]=Axles - Vari-Lok Progressive

1	5012 829AA	1							AXLE, Service Rear [DMD] Tag 52099433AC
	5012 812AA	1							[DME] Tag 52099430AC
	5012 832AA	1							[DME,DSA] Tag 52111996AC
2	5012 843AA	1							AXLE, Service Rear [DME] Tag 52099429AC
	5012 853AA	1							[DME,DSA] Tag 52111995AC
	5012 868AA	1							[DME,DSC] Tag 52099426AC
	5015 075AA	1							[DMT] Tag 52111203AA
	5014 364AA	1							[DMT,DSC] Tag 52111202AB



JEEP GRAND CHEROKEE (WJ)				
SERIES	LINE	BODY	ENGINE	TRANSMISSION
L = Grand Cherokee	J = 4WD T = 2WD U = 4WD (RHD)	74 = 4 Door (105.9 WB)	ERH,ERO = 4.0L, Power Tech EVA,EVO = 4.7L, Power Tech EXA,EXO = 3.1L 5 cyl Turbo Diesel	DGK = 4 Speed Autm, 42RE DG4 = Multi Speed Auto 45RFE DGW = 4 Speed Autom 44RE DGO = All Automatic

AR = Use as required - = Non illustrated part # = New this model year

September 15, 2005

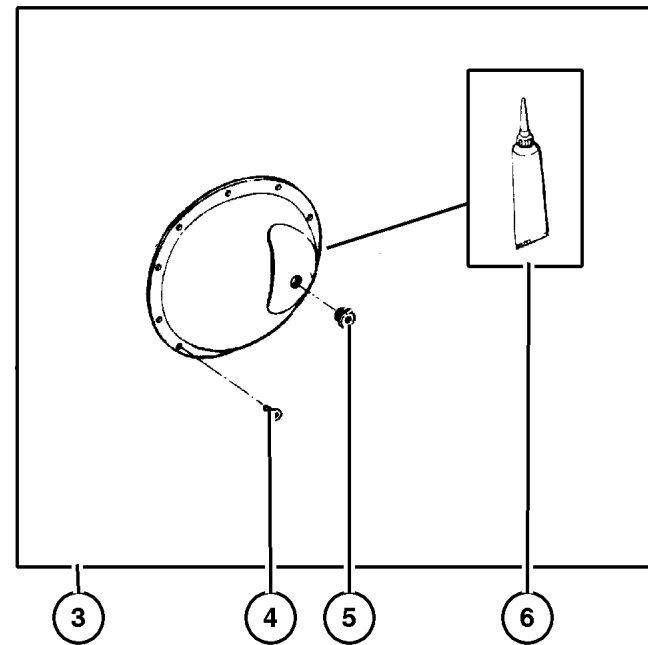
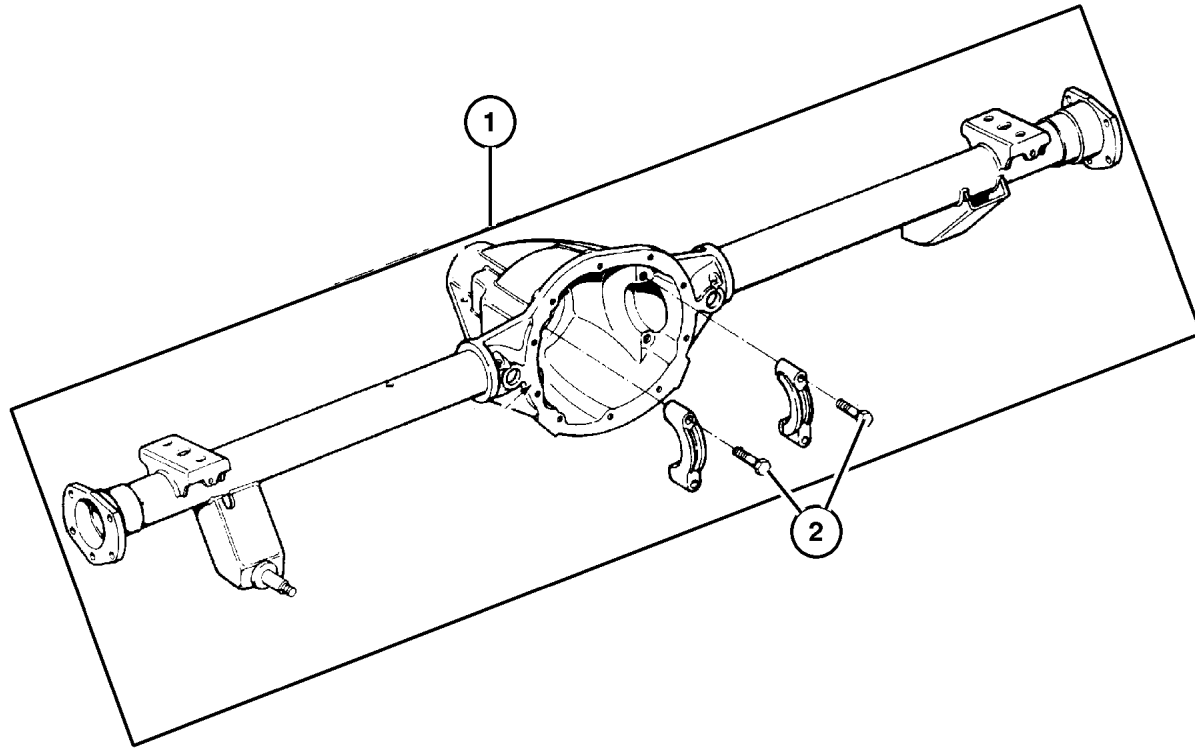
Housing,Rear Axle,Dana 35C/194MM [DRM]
Figure 003-210

ITEM	PART NUMBER	QTY	LINE	SERIES	BODY	ENGINE	TRANS	TRIM	DESCRIPTION
------	-------------	-----	------	--------	------	--------	-------	------	-------------

Note:Sales Codes;

[DRM]=Axle - Rear,Dana 35C/194MM

1	5012 805AA	1							HOUSING, Axle
2	4897 482AB	4							BOLT, Differential
3	5012 811AA	1							COVER, Differential
4	J400 6708	10							SCREW, Pan Head, .312-18x.56
5	5252 504	1							PLUG, Differential Cover
6	5010 884AA	1							SEALANT, RTV



JEEP GRAND CHEROKEE (WJ)

SERIES	LINE	BODY	ENGINE	TRANSMISSION
L = Grand Cherokee	J = 4WD T = 2WD U = 4WD (RHD)	74 = 4 Door (105.9 WB)	ERH,ERO = 4.0L, Power Tech EVA,EVO = 4.7L, Power Tech EXA,EXO = 3.1L 5 cyl Turbo Diesel	DGK = 4 Speed Autm, 42RE DG4 = Multi Speed Auto 45RFE DGW = 4 Speed Autom 44RE DGO = All Automatic

AR = Use as required - = Non illustrated part # = New this model year

September 15, 2005

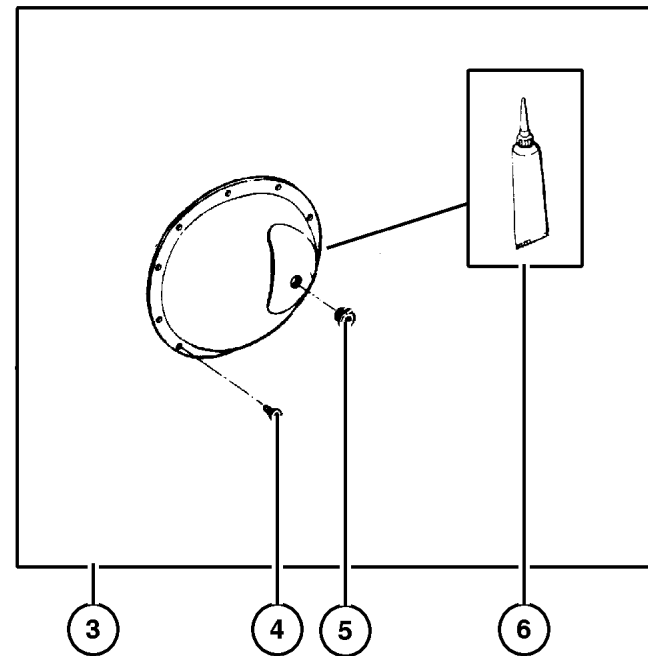
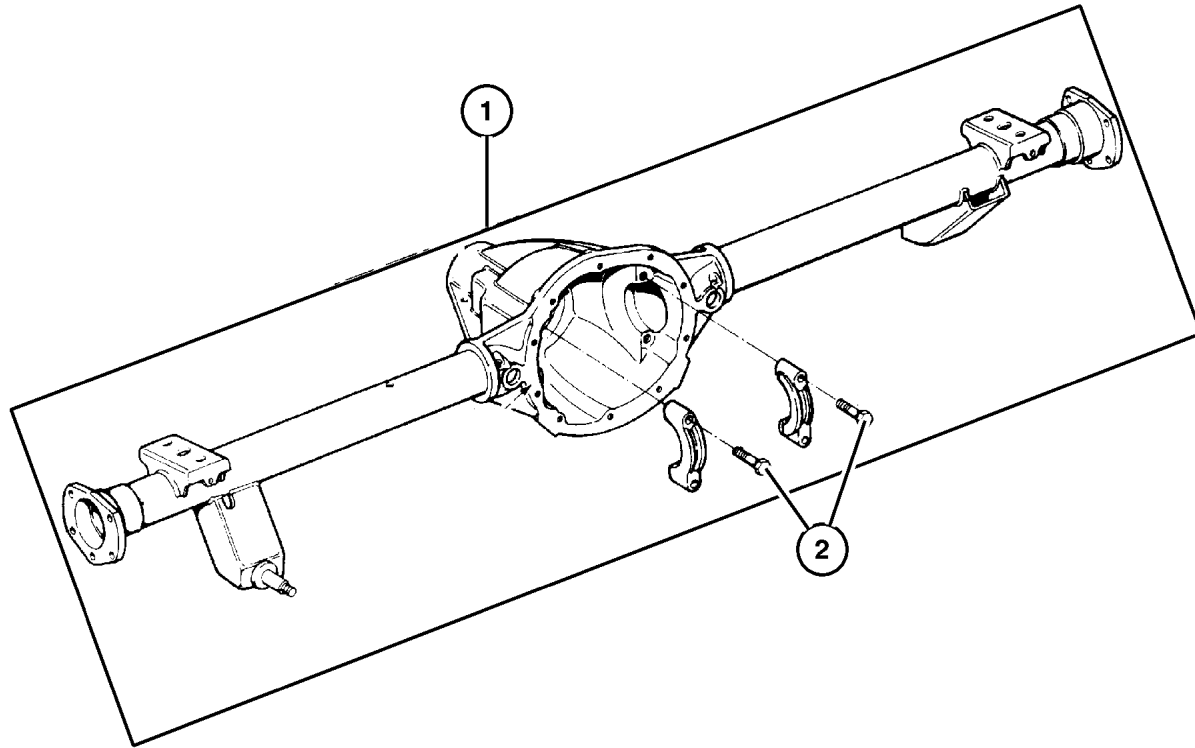
Housing,Rear Axle,Dana 44/226MM [DRK]
Figure 003-220

ITEM	PART NUMBER	QTY	LINE	SERIES	BODY	ENGINE	TRANS	TRIM	DESCRIPTION
------	-------------	-----	------	--------	------	--------	-------	------	-------------

Note:Sales Codes;

[DRK]=Axle - Rear,Dana 44/226MM

1	5012 837AA	1							HOUSING, Axle
2	5012 879AA	1							BOLT, Differential
3	5012 842AA	1							COVER, Differential
4	J400 6708	10							SCREW, Pan Head, .312-18x.56
5	5252 504	1							PLUG, Differential Cover
6	5010 884AA	1							SEALANT, RTV



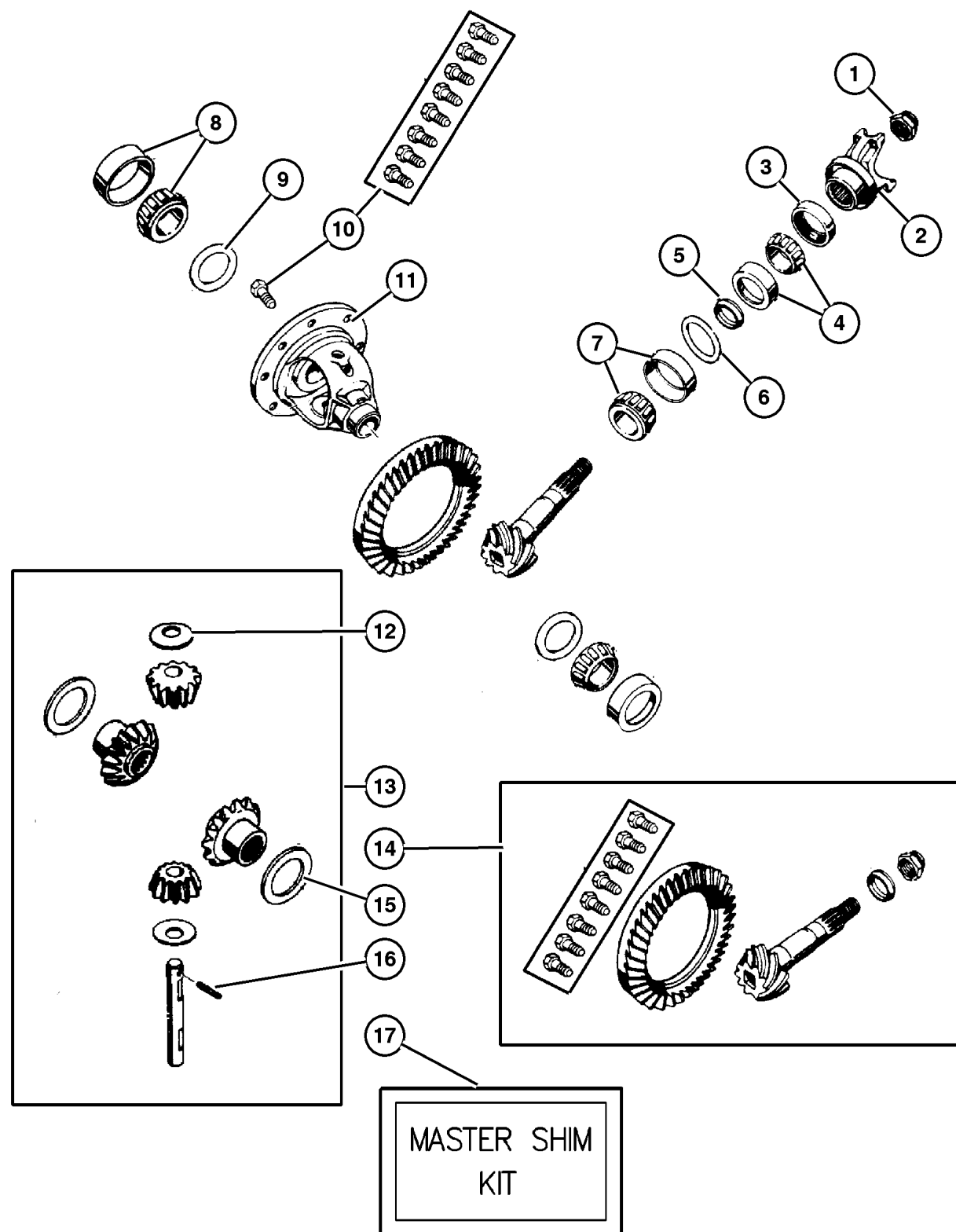
JEEP GRAND CHEROKEE (WJ)

SERIES	LINE	BODY	ENGINE	TRANSMISSION
L = Grand Cherokee	J = 4WD T = 2WD U = 4WD (RHD)	74 = 4 Door (105.9 WB)	ERH,ERO = 4.0L, Power Tech EVA,EVO = 4.7L, Power Tech EXA,EXO = 3.1L 5 cyl Turbo Diesel	DGK = 4 Speed Autm, 42RE DG4 = Multi Speed Auto 45RFE DGW = 4 Speed Autom 44RE DGO = All Automatic

AR = Use as required - = Non illustrated part # = New this model year

September 15, 2005

Differential, Without Trac-Lok [DSA], Dana 35C/194MM [DRM]
Figure 003-230



ITEM	PART NUMBER	QTY	LINE	SERIES	BODY	ENGINE	TRANS	TRIM	DESCRIPTION
Note: Sales Codes;									
[DMD]=Axle Ratio - 3.55									
[DME]=Axle Ratio - 3.73									
[DRM]=Axle - Rear, Dana 35C/194MM									
[DSA]=Axle - Trac-Lok Differential									
1	4720 895	1							NUT, Pinion Yoke
2	5012 806AA	1							YOKE, Axle
3	5012 813AA	1							SEAL, Drive Pinion Inner
4	4883 964AA	1							Outer
5	5252 508	1							BEARING, Drive Pinion, Bearing and Cup, Front
6	5012 809AA	1							SPACER, Drive Pinion Bearing, Crush
									SHIM, Drive Pinion Bearing, Replacement Individual PINION Shims for Master Shim Kit
									5017214AA
	5017 288AA	1							.021
	5017 269AA	1							.036
	5017 270AA	1							.037
	5017 271AA	1							.038
	5017 272AA	1							.039
	5017 273AA	1							.040
	5017 274AA	1							.041
	5017 275AA	1							.042
	5017 276AA	1							.043
	5017 277AA	1							.044
	5017 278AA	1							.045
	5017 279AA	1							.046
	5017 280AA	1							.047
	5017 281AA	1							.048
	5017 282AA	1							.049
	5017 283AA	1							.050
7	5252 507	1							BEARING, Drive Pinion, Bearing and Cup, Rear
8	J812 6500	1							BEARING, Differential, Contains 2 Bearings and 2 Cups
9									SHIM, Differential Bearing, Replacement Individual DIFFERENTIAL Shims for Master Shim Kit 5017214AA
	5017 299AA	1							.151

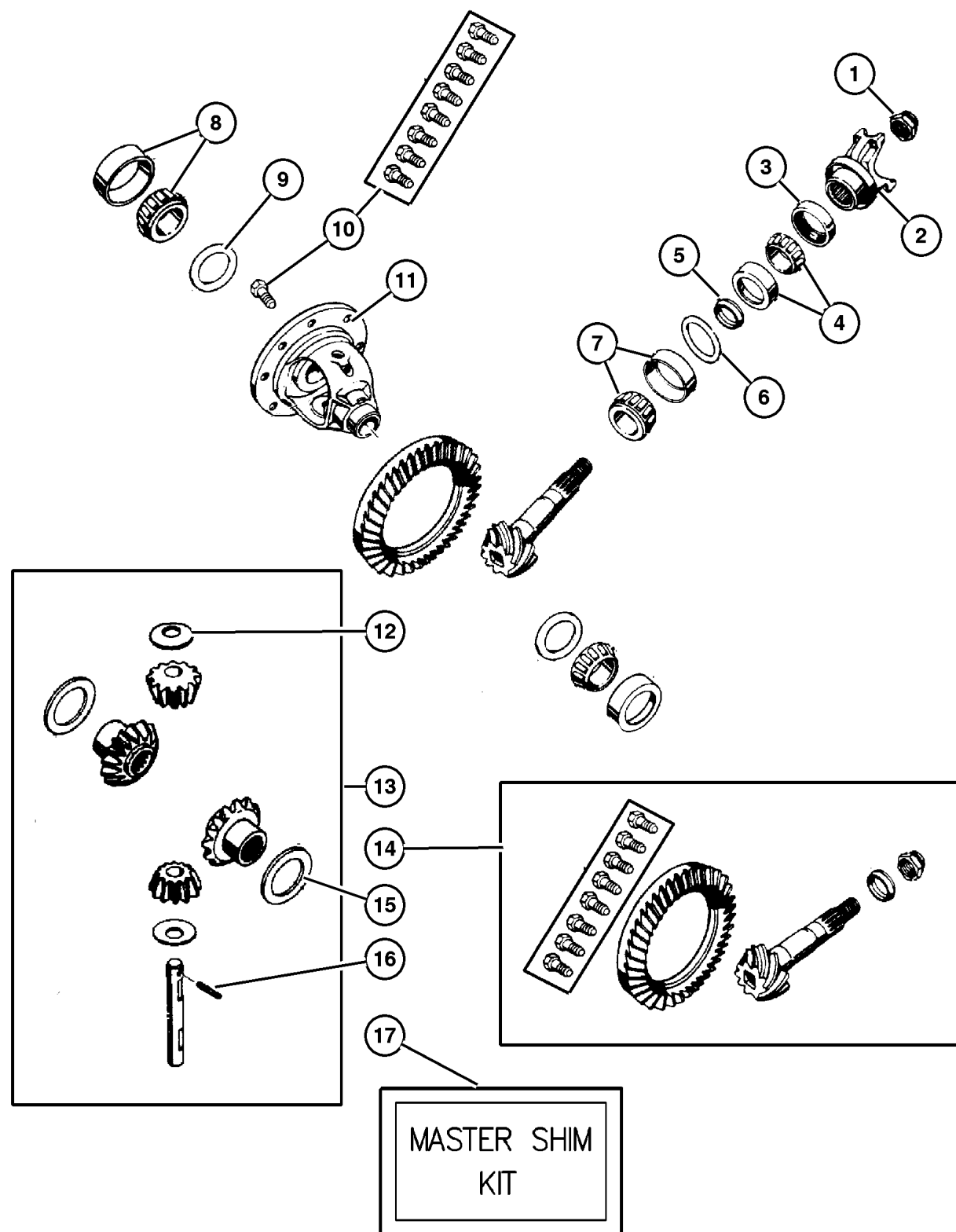
JEEP GRAND CHEROKEE (WJ)

SERIES	LINE	BODY	ENGINE	TRANSMISSION
L = Grand Cherokee	J = 4WD T = 2WD U = 4WD (RHD)	74 = 4 Door (105.9 WB)	ERH, ERO = 4.0L, Power Tech EVA, EVO = 4.7L, Power Tech EXA, EXO = 3.1L 5 cyl Turbo Diesel	DGK = 4 Speed Autm, 42RE DG4 = Multi Speed Auto 45RFE DGW = 4 Speed Autom 44RE DGO = All Automatic

AR = Use as required - = Non illustrated part # = New this model year

September 15, 2005

Differential, Without Trac-Lok [DSA], Dana 35C/194MM [DRM]
Figure 003-230



ITEM	PART NUMBER	QTY	LINE	SERIES	BODY	ENGINE	TRANS	TRIM	DESCRIPTION
	5017 300AA	1							.152
	5017 301AA	1							.153
	5017 302AA	1							.154
	5017 303AA	1							.155
	5017 304AA	1							.156
	5017 305AA	1							.157
	5017 306AA	1							.158
	5017 307AA	1							.159
	5017 308AA	1							.160
	5017 309AA	1							.161
	5017 310AA	1							.162
	5017 311AA	1							.163
	5017 312AA	1							.164
	5017 313AA	1							.165
	5017 314AA	1							.166
	5017 315AA	1							.167
	5017 316AA	1							.168
	5017 317AA	1							.169
	5017 318AA	1							.170
	5017 319AA	1							.171
	5017 320AA	1							.172
	5017 321AA	1							.173
	5017 322AA	1							.174
	5017 323AA	1							.175
	5017 324AA	1							.176
	5017 325AA	1							.177
	5017 326AA	1							.178
	5017 327AA	1							.179
	5017 328AA	1							.180
	5017 329AA	1							.181
	5017 330AA	1							.182
	5017 331AA	1							.183
10	5012 810AA	1							BOLT KIT
11	5012 808AA	1							CASE, Differential, with Internal Parts
12	J812 0831	1							WASHER, Flat, Pinion Thrust
13	4740 670	1							GEAR KIT, Center Differential
14									GEAR KIT, Ring And Pinion
	5012 807AA	1							[DME]
	5012 828AA	1							[DMD]
15	J812 0832	1							WASHER, Differential Side Gear, Thrust
16	5252 502	1							PIN, Differential Shaft

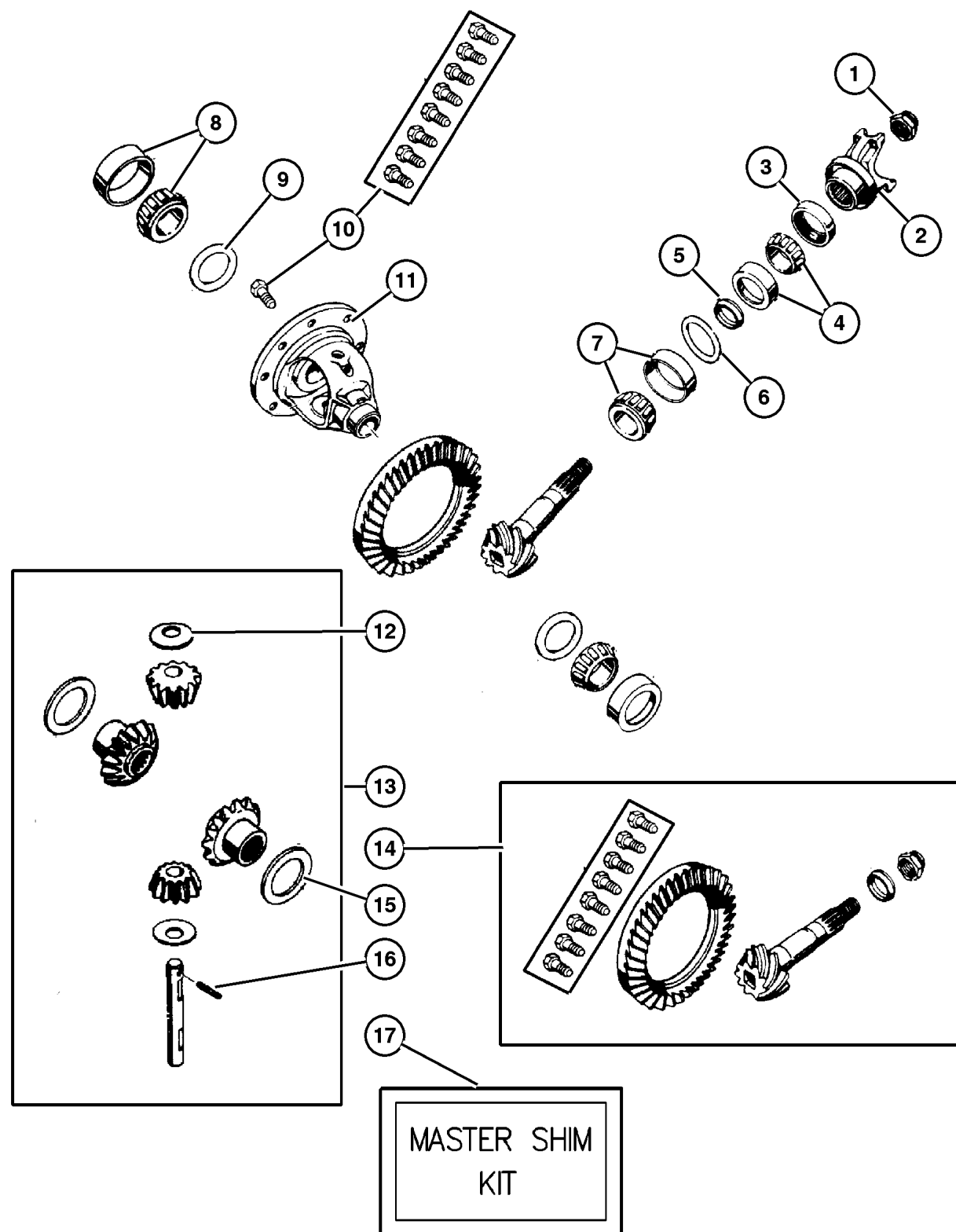
JEEP GRAND CHEROKEE (WJ)

SERIES	LINE	BODY	ENGINE	TRANSMISSION
L = Grand Cherokee	J = 4WD T = 2WD U = 4WD (RHD)	74 = 4 Door (105.9 WB)	ERH,ERO = 4.0L, Power Tech EVA,EVO = 4.7L, Power Tech EXA,EXO = 3.1L 5 cyl Turbo Diesel	DGK = 4 Speed Autm, 42RE DG4 = Multi Speed Auto 45RFE DGW = 4 Speed Autom 44RE DGO = All Automatic

AR = Use as required - = Non illustrated part # = New this model year

September 15, 2005

Differential, Without Trac-Lok [DSA], Dana 35C/194MM [DRM]
Figure 003-230



ITEM	PART NUMBER	QTY	LINE	SERIES	BODY	ENGINE	TRANS	TRIM	DESCRIPTION
17	5017 214AA	1							SHIM KIT, Differential, Master Shim Kit For the Complete Differential containing 16 PINION Shims and 33 DIFFERENTIAL Shims., Contains All Shims for Differential

JEEP GRAND CHEROKEE (WJ)				
SERIES	LINE	BODY	ENGINE	TRANSMISSION
L = Grand Cherokee	J = 4WD T = 2WD U = 4WD (RHD)	74 = 4 Door (105.9 WB)	ERH,ERO = 4.0L, Power Tech EVA,EVO = 4.7L, Power Tech EXA,EXO = 3.1L 5 cyl Turbo Diesel	DGK = 4 Speed Autm, 42RE DG4 = Multi Speed Auto 45RFE DGW = 4 Speed Autom 44RE DGO = All Automatic

AR = Use as required - = Non illustrated part # = New this model year

September 15, 2005

Differential,With Trac-Lok [DSA],Dana 35C/194MM [DRM]
Figure 003-240

ITEM	PART NUMBER	QTY	LINE	SERIES	BODY	ENGINE	TRANS	TRIM	DESCRIPTION
------	-------------	-----	------	--------	------	--------	-------	------	-------------

Note:Sales Codes;

[DME]=Axle Ratio - 3.73

[DRM]=Axle - Rear,Dana 35C/194MM

[DSA]=Axle - Trac-Lok Differential

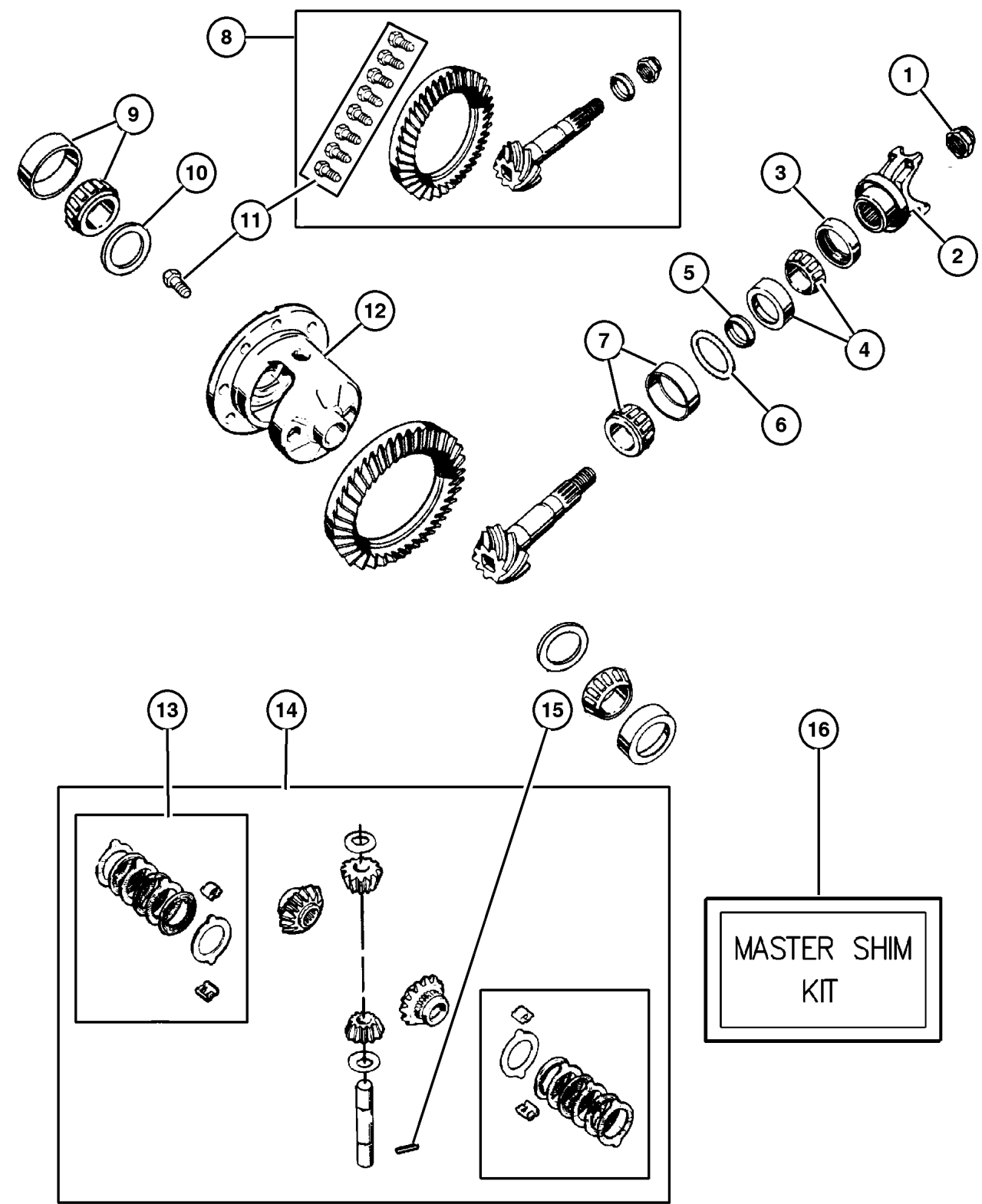
1	4720 895	1							NUT, Pinion Yoke
2	5012 806AA	1							YOKE, Axle
3	5012 813AA	1							SEAL, Drive Pinion Inner
	4883 964AA	1							Outer
4	5252 508	1							BEARING, Drive Pinion, Bearing and Cup, Front
5	5012 809AA	1							SPACER, Drive Pinion Bearing, Crush
6									SHIM, Drive Pinion Bearing, Replacement Individual PINION Shims for Master Shim Kit 5014214AA.
	5017 288AA	1							.021
	5017 269AA	1							.036
	5017 270AA	1							.037
	5017 271AA	1							.038
	5017 272AA	1							.039
	5017 273AA	1							.040
	5017 274AA	1							.041
	5017 275AA	1							.042
	5017 276AA	1							.043
	5017 277AA	1							.044
	5017 278AA	1							.045
	5017 279AA	1							.046
	5017 280AA	1							.047
	5017 281AA	1							.048
	5017 282AA	1							.049
	5017 283AA	1							.050
7	5252 507	1							BEARING, Drive Pinion, Bearing and Cup, Rear
8	5012 807AA	1							GEAR KIT, Ring And Pinion, [DME]
9	J812 6500	1							BEARING, Differential, Consists of 2 Bearing and 2 Cups
10									SHIM, Differential Bearing, Replacement Individual Differential Shims for Master Shim Kit 5014214AA
	5017 299AA	1							.151

JEEP GRAND CHEROKEE (WJ)

SERIES	LINE	BODY	ENGINE	TRANSMISSION
L = Grand Cherokee	J = 4WD T = 2WD U = 4WD (RHD)	74 = 4 Door (105.9 WB)	ERH,ERO = 4.0L, Power Tech EVA,EVO = 4.7L, Power Tech EXA,EXO = 3.1L 5 cyl Turbo Diesel	DGK = 4 Speed Autm, 42RE DG4 = Multi Speed Auto 45RFE DGW = 4 Speed Autom 44RE DGO = All Automatic

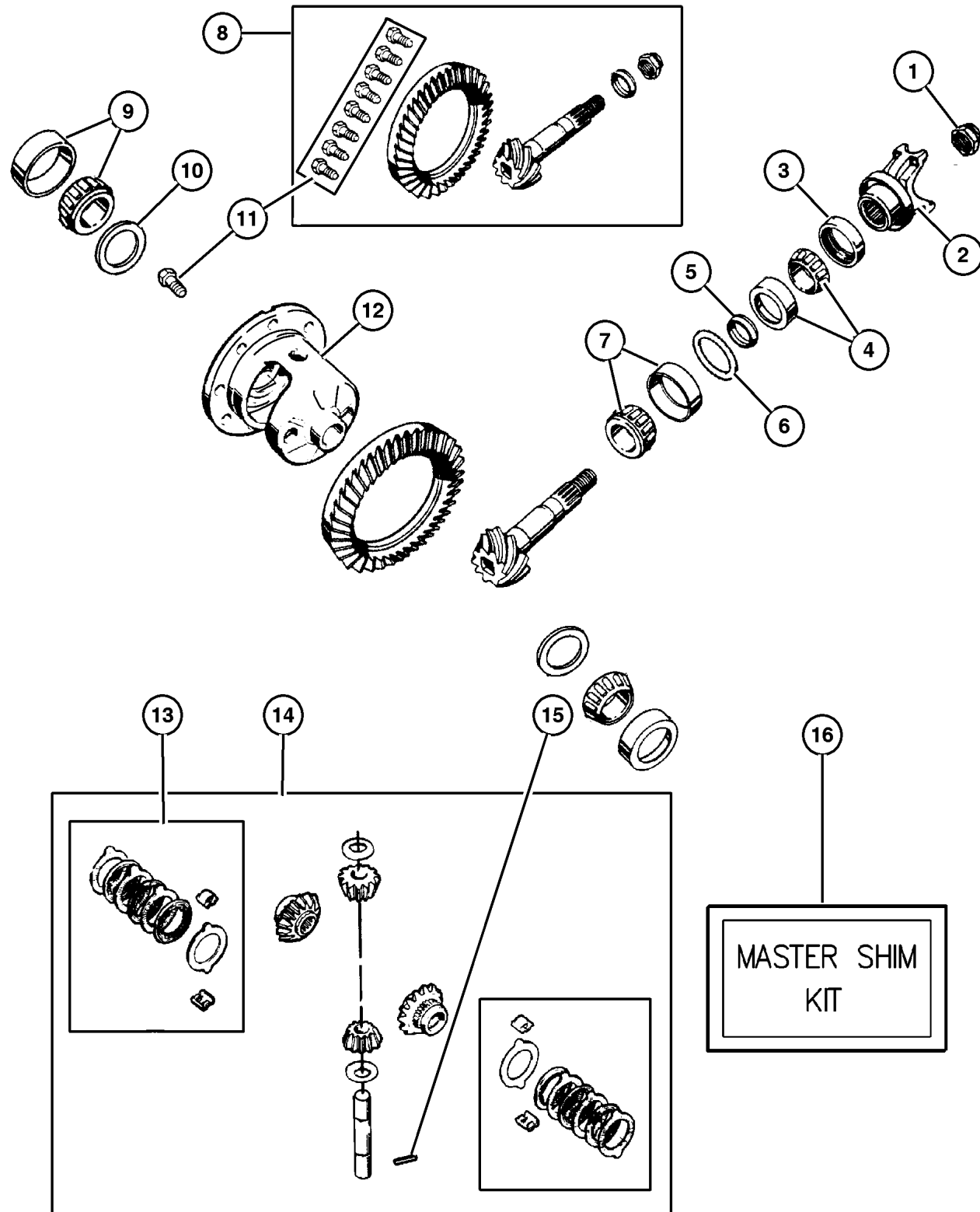
AR = Use as required - = Non illustrated part # = New this model year

September 15, 2005



Differential,With Trac-Lok [DSA],Dana 35C/194MM [DRM]
Figure 003-240

ITEM	PART NUMBER	QTY	LINE	SERIES	BODY	ENGINE	TRANS	TRIM	DESCRIPTION
	5017 300AA	1							.152
	5017 301AA	1							.153
	5017 302AA	1							.154
	5017 303AA	1							.155
	5017 304AA	1							.156
	5017 305AA	1							.157
	5017 306AA	1							.158
	5017 307AA	1							.159
	5017 308AA	1							.160
	5017 309AA	1							.161
	5017 310AA	1							.162
	5017 311AA	1							.163
	5017 312AA	1							.164
	5017 313AA	1							.165
	5017 314AA	1							.166
	5017 315AA	1							.167
	5017 316AA	1							.168
	5017 317AA	1							.169
	5017 318AA	1							.170
	5017 319AA	1							.171
	5017 320AA	1							.172
	5017 321AA	1							.173
	5017 322AA	1							.174
	5017 323AA	1							.175
	5017 324AA	1							.176
	5017 325AA	1							.177
	5017 326AA	1							.178
	5017 327AA	1							.179
	5017 328AA	1							.180
	5017 329AA	1							.181
	5017 330AA	1							.182
	5017 331AA	1							.183
11	5012 810AA	1							BOLT KIT
12	5012 831AA	1							CASE, Differential, with Internal Parts
13	5252 506	1							DISC AND PLATE KIT, Differential
14	4773 010	1							GEAR KIT, Center Differential
15	5252 502	1							PIN, Differential Shaft
16	5017 214AA	1							SHIM KIT, Differential, Master Shim Kit for the Complete Differential containing 16 PINION Shims and 33 DIFFERENTIAL Shims., Contains All Shims for Differential



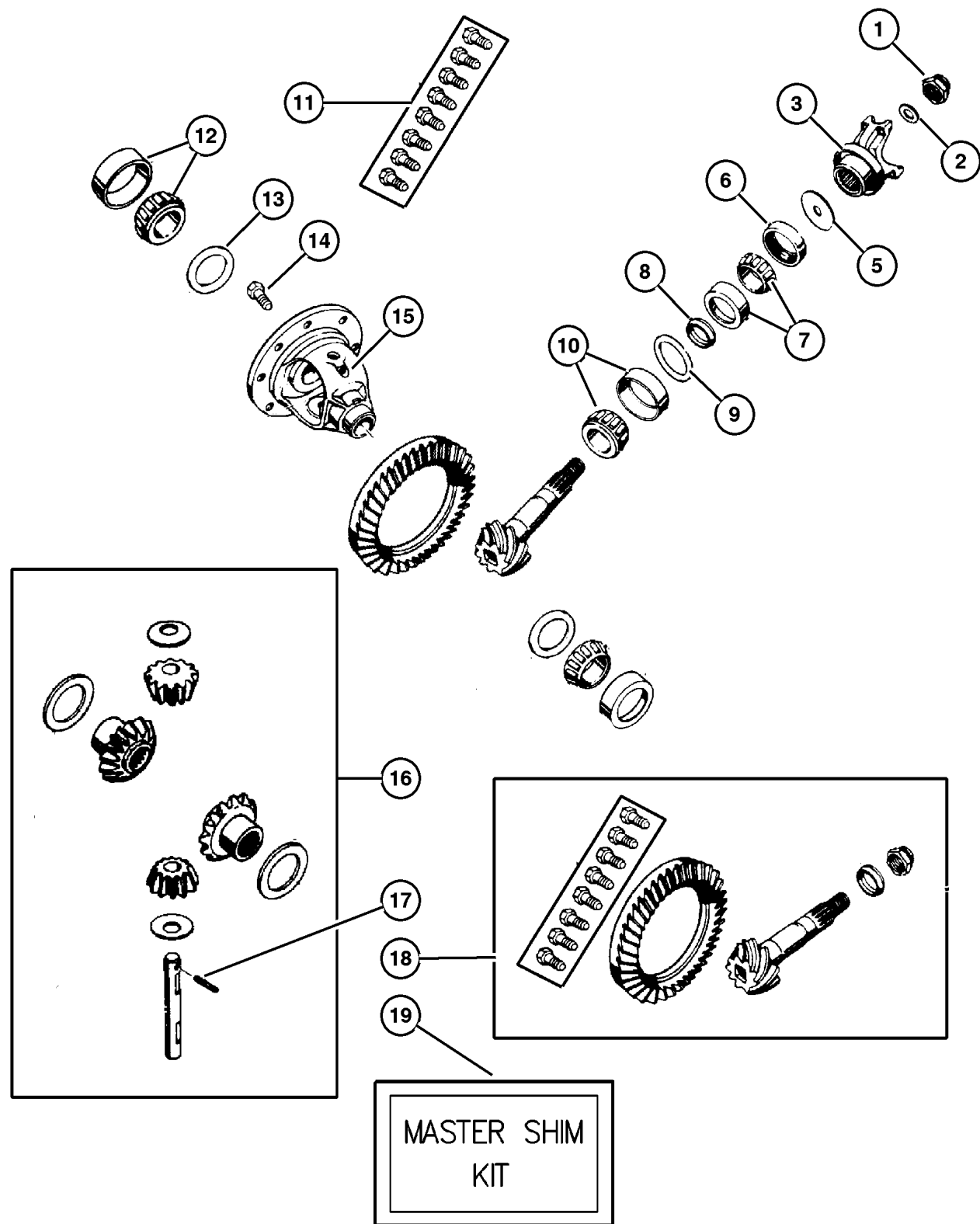
JEEP GRAND CHEROKEE (WJ)

SERIES	LINE	BODY	ENGINE	TRANSMISSION
L = Grand Cherokee	J = 4WD T = 2WD U = 4WD (RHD)	74 = 4 Door (105.9 WB)	ERH,ERO = 4.0L, Power Tech EVA,EVO = 4.7L, Power Tech EXA,EXO = 3.1L 5 cyl Turbo Diesel	DGK = 4 Speed Autm, 42RE DG4 = Multi Speed Auto 45RFE DGW = 4 Speed Autom 44RE DGO = All Automatic

AR = Use as required - = Non illustrated part # = New this model year

September 15, 2005

**Differential, Without Trac-Lok [DSA], Dana 44/226MM [DRK]
Figure 003-250**



ITEM	PART NUMBER	QTY	LINE	SERIES	BODY	ENGINE	TRANS	TRIM	DESCRIPTION
Note: Sales Codes;									
[DME]=Axle Ratio - 3.73									
[DMT]=Axle Ratio - 3.91									
[DRK]=Axle - Rear, Dana 44/226MM									
[DSA]=Axle - Trac-Lok Differential									
1	1795 173	1							NUT, Pinion Yoke
2	1795 175	1							WASHER, Pinion Yoke
3	5012 840AA	1							YOKE, Axle
-4	5012 847AA-	1							O RING, Pinion Flange, Fits Over
									Hub of Axle Yoke
5	4746 867	1							SLINGER, Drive Pinion
6	5012 846AA	1							SEAL, Drive Pinion
7	4864 210	1							BEARING, Drive Pinion, Bearing and
									Cup, Front
8	4864 214	1							SPACER, Crush
9									SHIM, Drive Pinion Bearing
	5017 332AA	1							.040
	5017 333AA	1							.041
	5017 334AA	1							.042
	5017 335AA	1							.043
	5017 336AA	1							.044
	5017 337AA	1							.045
	5017 338AA	1							.046
	5017 339AA	1							.047
	5017 340AA	1							.048
	5017 341AA	1							.049
	5017 342AA	1							.050
	5017 343AA	1							.051
	5017 344AA	1							.052
	5017 345AA	1							.053
	5017 346AA	1							.054
10	4746 979	1							BEARING, Drive Pinion, Bearing and
									Cup, Rear
11	4720 891	1							BOLT KIT
12	4864 213	1							BEARING, Differential Case,
									Contains 2 Bearing and 2 Cups
13									SHIM, Differential Bearing
	5017 347AA	1							.103
	5017 348AA	1							.104
	5017 349AA	1							.105
	5017 350AA	1							.106
	5017 351AA	1							.107
	5017 352AA	1							.108

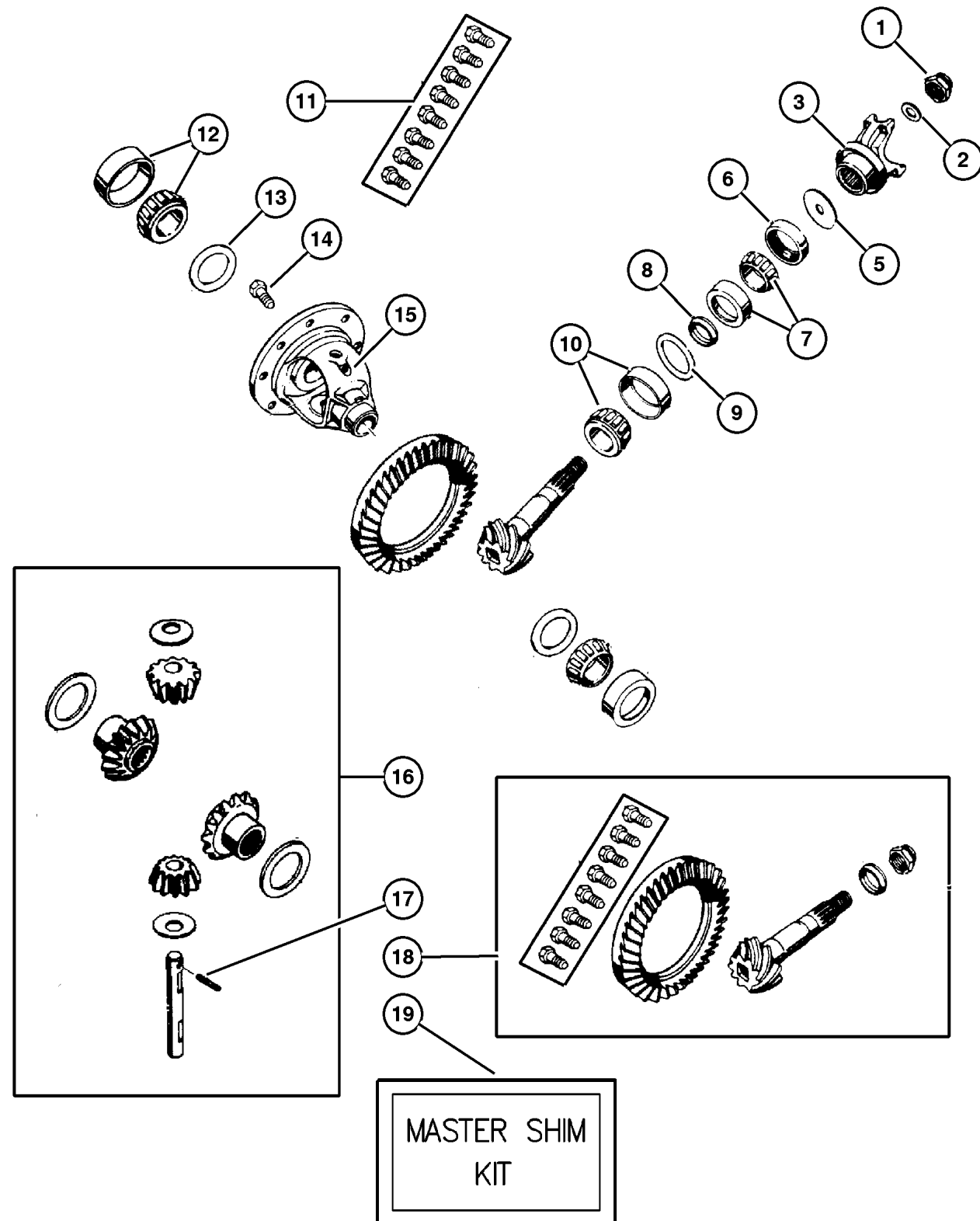
JEEP GRAND CHEROKEE (WJ)

SERIES	LINE	BODY	ENGINE	TRANSMISSION
L = Grand Cherokee	J = 4WD T = 2WD U = 4WD (RHD)	74 = 4 Door (105.9 WB)	ERH,ERO = 4.0L, Power Tech EVA,EVO = 4.7L, Power Tech EXA,EXO = 3.1L 5 cyl Turbo Diesel	DGK = 4 Speed Autm, 42RE DG4 = Multi Speed Auto 45RFE DGW = 4 Speed Autom 44RE DGO = All Automatic

AR = Use as required - = Non illustrated part # = New this model year

September 15, 2005

Differential, Without Trac-Lok [DSA], Dana 44/226MM [DRK]
Figure 003-250



ITEM	PART NUMBER	QTY	LINE	SERIES	BODY	ENGINE	TRANS	TRIM	DESCRIPTION
	5017 353AA	1							.109
	5017 354AA	1							.110
	5017 355AA	1							.111
	5017 356AA	1							.112
	5017 357AA	1							.113
	5017 358AA	1							.114
	5017 359AA	1							.115
	5017 360AA	1							.116
	5017 361AA	1							.117
	5017 362AA	1							.118
	5017 363AA	1							.119
	5017 364AA	1							.120
	5017 365AA	1							.121
	5017 366AA	1							.122
	5017 367AA	1							.123
	5017 368AA	1							.124
	5017 369AA	1							.125
	5017 370AA	1							.126
	5017 371AA	1							.127
	5017 372AA	1							.128
	5017 373AA	1							.129
	5017 374AA	1							.130
	5017 375AA	1							.131
	5017 376AA	1							.132
	5017 377AA	1							.133
	5017 378AA	1							.134
	5017 383AA	1							.135
	5017 384AA	1							.136
	5017 385AA	1							.137
	5017 386AA	1							.138
	5017 387AA	1							.139
	5017 388AA	1							.140
	5017 389AA	1							.141
	5017 390AA	1							.142
	5017 391AA	1							.143
	5017 392AA	1							.144
	5017 393AA	1							.145
	5017 394AA	1							.146
	5017 395AA	1							.147
	5017 396AA	1							.148
	5017 397AA	1							.149
	5017 398AA	1							.150
	5017 399AA	1							.151

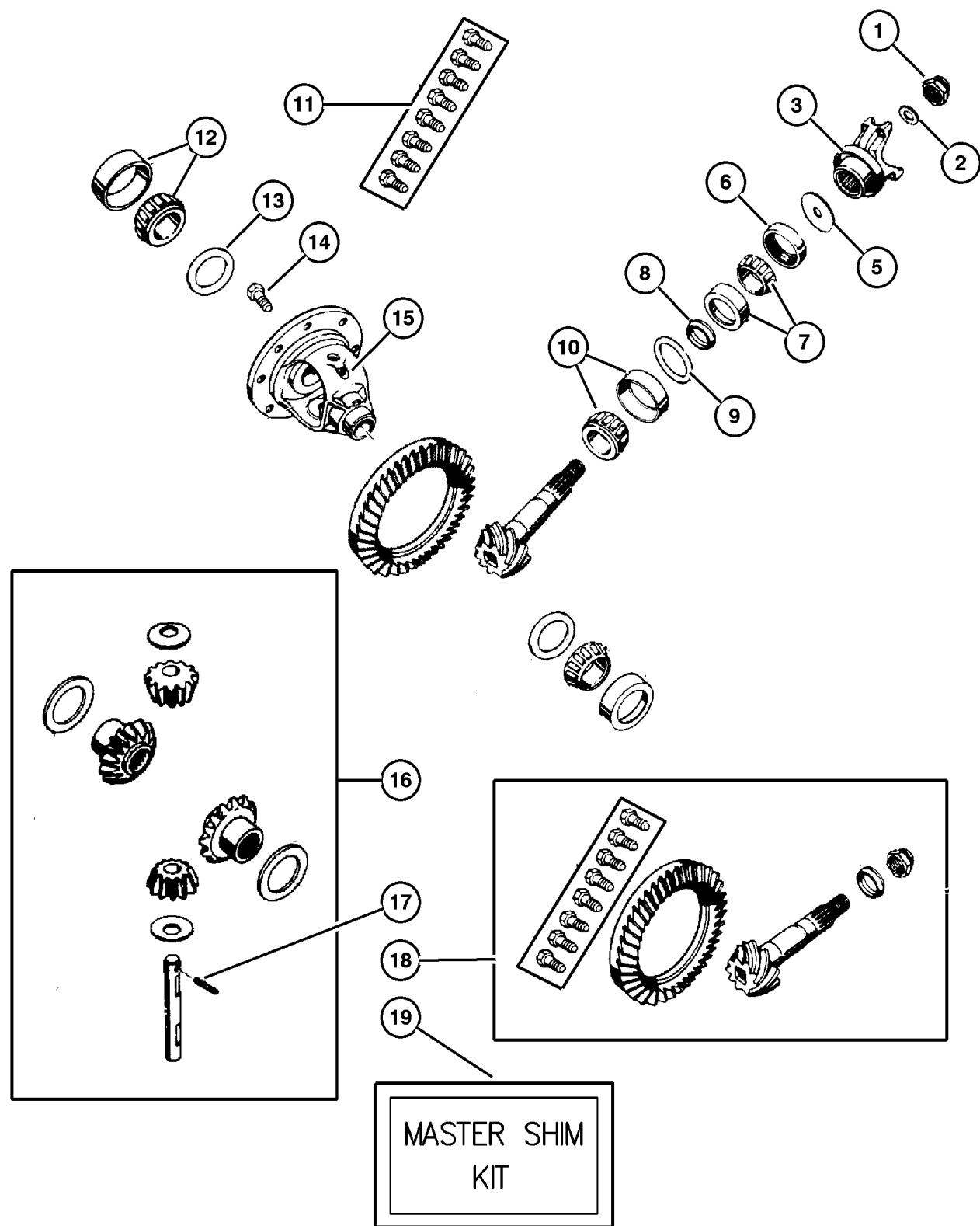
JEEP GRAND CHEROKEE (WJ)

SERIES	LINE	BODY	ENGINE	TRANSMISSION
L = Grand Cherokee	J = 4WD T = 2WD U = 4WD (RHD)	74 = 4 Door (105.9 WB)	ERH,ERO = 4.0L, Power Tech EVA,EVO = 4.7L, Power Tech EXA,EXO = 3.1L 5 cyl Turbo Diesel	DGK = 4 Speed Autm, 42RE DG4 = Multi Speed Auto 45RFE DGW = 4 Speed Autom 44RE DGO = All Automatic

AR = Use as required - = Non illustrated part # = New this model year

September 15, 2005

Differential, Without Trac-Lok [DSA], Dana 44/226MM [DRK]
Figure 003-250



ITEM	PART NUMBER	QTY	LINE	SERIES	BODY	ENGINE	TRANS	TRIM	DESCRIPTION
	5017 400AA	1							.152
	5017 401AA	1							.153
	5017 402AA	1							.154
	5017 403AA	1							.155
14	5252 503	10							SCREW, Drive Gear
15	4856 357	1							CASE, Differential, with Internal Parts
16	4856 366	1							GEAR KIT, Center Differential
17	5015 223AA	1							PIN, Differential Shaft
18									GEAR KIT, Ring And Pinion
	5012 841AA	1							[DME]
	5014 357AA	1							[DMT]
19	5017 215AA	1							SHIM KIT, Differential, Contains All Shims For Differential

JEEP GRAND CHEROKEE (WJ)				
SERIES	LINE	BODY	ENGINE	TRANSMISSION
L = Grand Cherokee	J = 4WD T = 2WD U = 4WD (RHD)	74 = 4 Door (105.9 WB)	ERH,ERO = 4.0L, Power Tech EVA,EVO = 4.7L, Power Tech EXA,EXO = 3.1L 5 cyl Turbo Diesel	DGK = 4 Speed Autm, 42RE DG4 = Multi Speed Auto 45RFE DGW = 4 Speed Autom 44RE DGO = All Automatic

AR = Use as required - = Non illustrated part # = New this model year

September 15, 2005

Differential,With Trac-Lok [DSA] or Vari-Lok Progressive [DSC],Dana 44/226MM [DRK]
Figure 003-260

ITEM	PART NUMBER	QTY	LINE	SERIES	BODY	ENGINE	TRANS	TRIM	DESCRIPTION
------	-------------	-----	------	--------	------	--------	-------	------	-------------

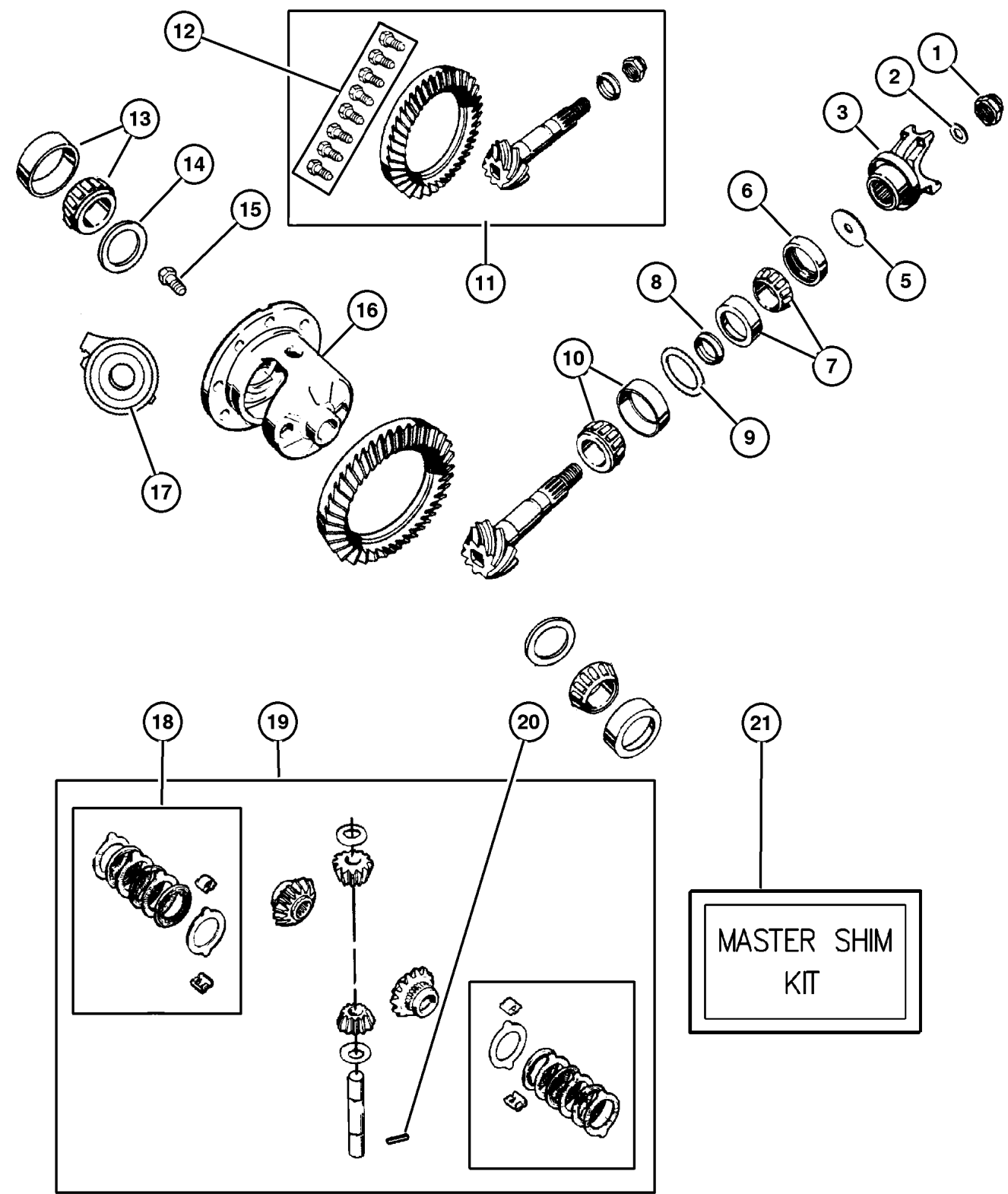
Note:Sales Codes;
 [DME]=Axle Ratio - 3.73
 [DMT]=Axle Ratio - 3.91
 [DRK]=Axle - Rear,Dana 44/226MM
 [DSA]=Axle - Trac-Lok Differential
 [DSC]=Axle - Vari-Lok Progressive,Rear

1	1795 173	1							NUT, Pinion Yoke
2	1795 175	1							WASHER, Pinion Yoke
3									YOKE, Axle
	5012 840AA	1							[DME]
	5015 003AA	1							[DMT]
-4	5012 847AA-	1							O RING, Pinion Flange, Fits Over Hub of Axle Yoke
5	4746 867	1							SLINGER, Drive Pinion
6	5012 846AA	1							SEAL, Drive Pinion
7	4864 210	1							BEARING, Drive Pinion, Bearing and Cup, Front
8	4864 214	1							SPACER, Crush
9									SHIM, Drive Pinion Bearing, Replacement Individual PINION Shims for Master Shim Kit
									5017215AA.
	5017 332AA	1							.040
	5017 333AA	1							.041
	5017 334AA	1							.042
	5017 335AA	1							.043
	5017 336AA	1							.044
	5017 337AA	1							.045
	5017 338AA	1							.046
	5017 339AA	1							.047
	5017 340AA	1							.048
	5017 341AA	1							.049
	5017 342AA	1							.050
	5017 343AA	1							.051
	5017 344AA	1							.052
	5017 345AA	1							.053
	5017 346AA	1							.054
10	4746 979	1							BEARING, Drive Pinion, Bearing and Cup, Rear
11									GEAR KIT, Ring And Pinion
	5012 841AA	1							[DME]
	5014 357AA	1							[DMT]
12	4720 891	1							BOLT KIT

JEEP GRAND CHEROKEE (WJ)
 SERIES L = Grand Cherokee
 LINE J = 4WD
 T = 2WD
 U = 4WD (RHD)
 BODY 74 = 4 Door (105.9 WB)
 ENGINE ERH,ERO = 4.0L, Power Tech
 EVA,EVO = 4.7L, Power Tech
 EXA,EXO = 3.1L 5 cyl Turbo Diesel
 TRANSMISSION DGK = 4 Speed Autm, 42RE
 DG4 = Multi Speed Auto 45RFE
 DGW = 4 Speed Autom 44RE
 DGO = All Automatic

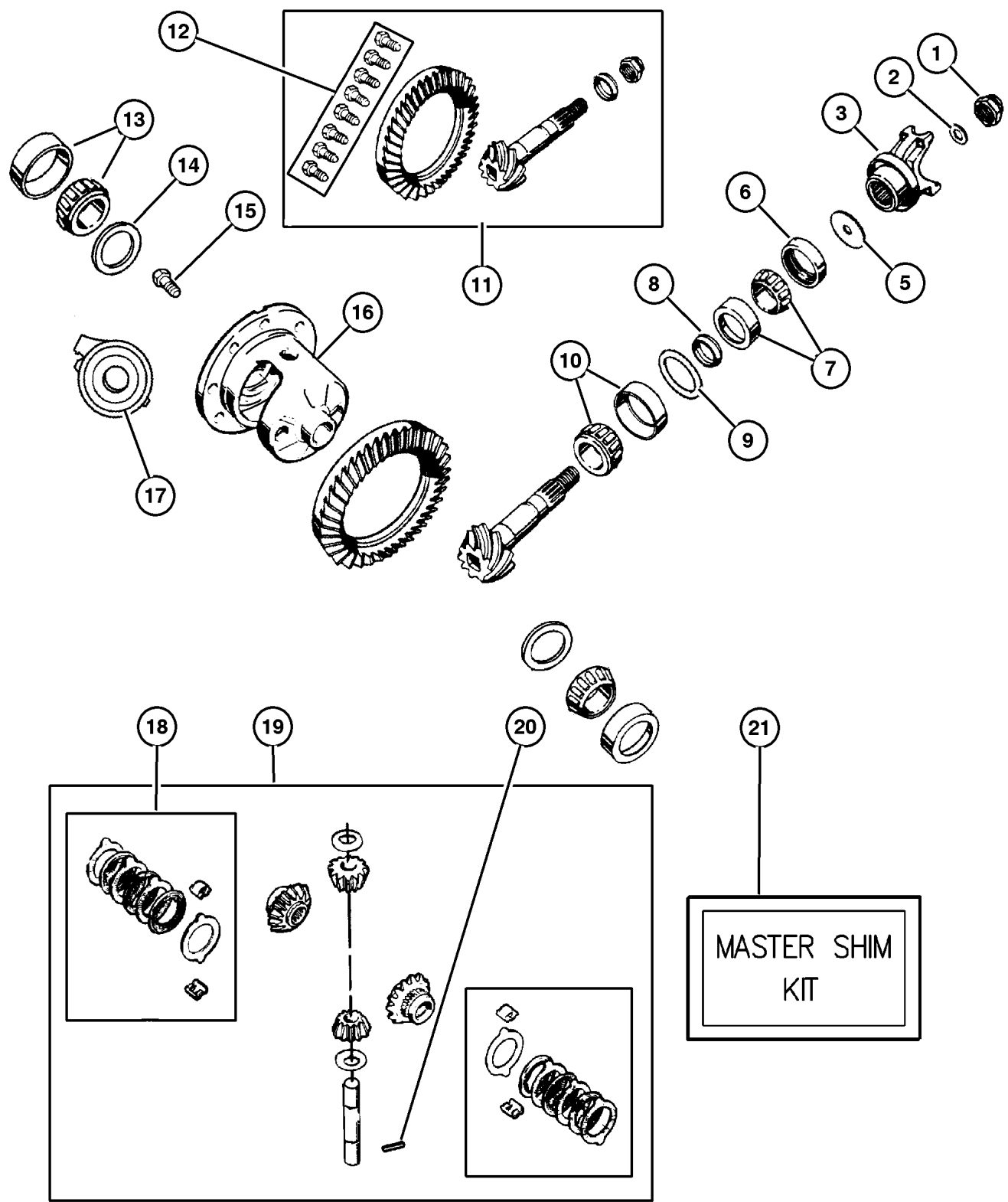
AR = Use as required - = Non illustrated part # = New this model year

September 15, 2005



Differential, With Trac-Lok [DSA] or Vari-Lok Progressive [DSC], Dana 44/226MM [DRK]
Figure 003-260

ITEM	PART NUMBER	QTY	LINE	SERIES	BODY	ENGINE	TRANS	TRIM	DESCRIPTION
13	4864 213	1							BEARING, Differential Case, Contains 2 Bearing and 2 Cups
14									SHIM, Differential Bearing, Replacement Individual DIFFERENTIAL Shims for Master Shim Kit 5017215AA
	5017 347AA	1							.103
	5017 348AA	1							.104
	5017 349AA	1							.105
	5017 350AA	1							.106
	5017 351AA	1							.107
	5017 352AA	1							.108
	5017 353AA	1							.109
	5017 354AA	1							.110
	5017 355AA	1							.111
	5017 356AA	1							.112
	5017 357AA	1							.113
	5017 358AA	1							.114
	5017 359AA	1							.115
	5017 360AA	1							.116
	5017 361AA	1							.117
	5017 362AA	1							.118
	5017 363AA	1							.119
	5017 364AA	1							.120
	5017 365AA	1							.121
	5017 366AA	1							.122
	5017 367AA	1							.123
	5017 368AA	1							.124
	5017 369AA	1							.125
	5017 370AA	1							.126
	5017 371AA	1							.127
	5017 372AA	1							.128
	5017 373AA	1							.129
	5017 374AA	1							.130
	5017 375AA	1							.131
	5017 376AA	1							.132
	5017 377AA	1							.133
	5017 378AA	1							.134
	5017 383AA	1							.135
	5017 384AA	1							.136
	5017 385AA	1							.137
	5017 386AA	1							.138
	5017 387AA	1							.139

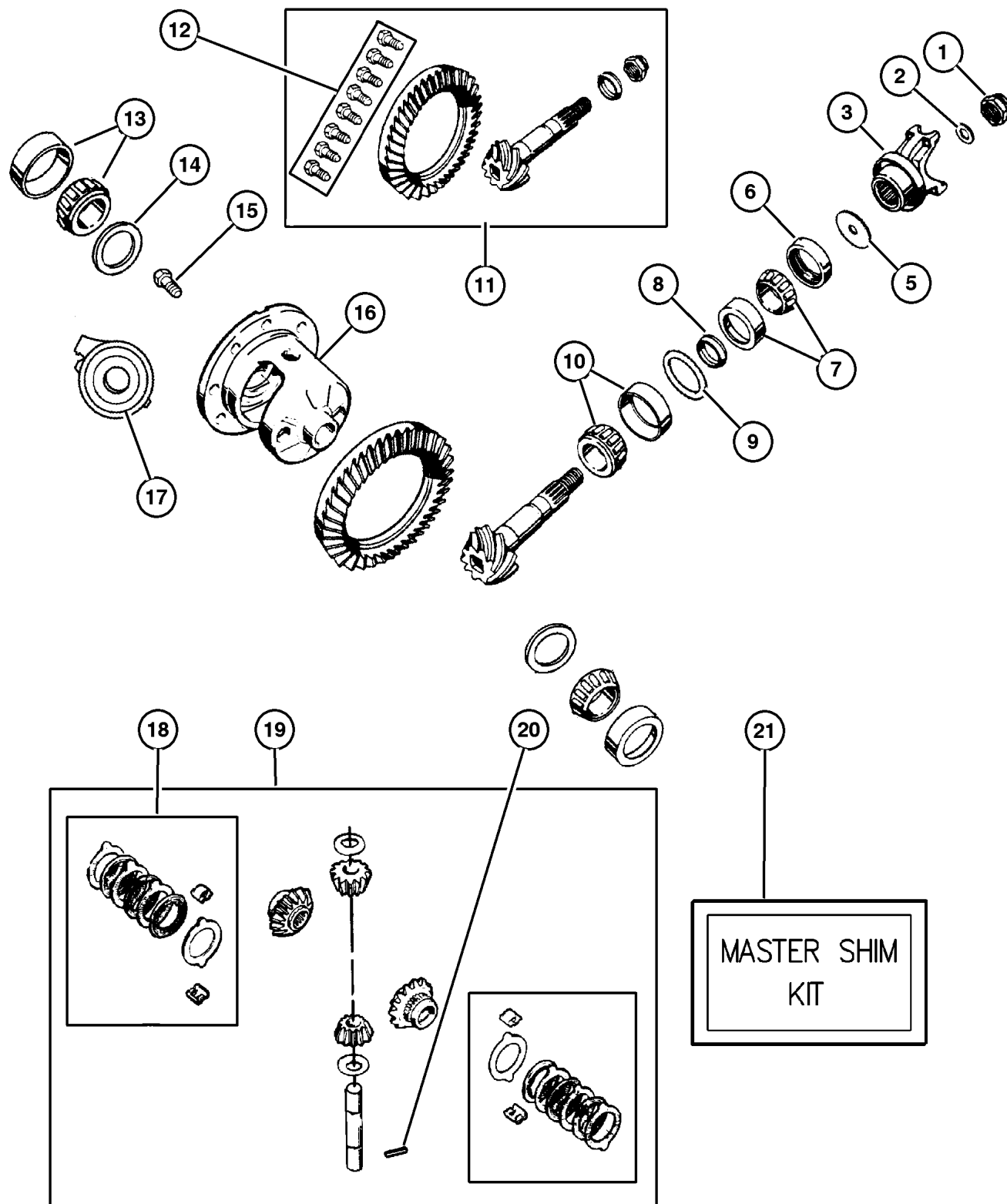


JEEP GRAND CHEROKEE (WJ)
 SERIES L = Grand Cherokee
 LINE J = 4WD, T = 2WD, U = 4WD (RHD)
 BODY 74 = 4 Door (105.9 WB)
 ENGINE ERH,ERO = 4.0L, Power Tech; EVA,EVO = 4.7L, Power Tech; EXA,EXO = 3.1L 5 cyl Turbo Diesel
 TRANSMISSION DGK = 4 Speed Autm, 42RE; DG4 = Multi Speed Auto 45RFE; DGW = 4 Speed Autom 44RE; DGO = All Automatic

AR = Use as required - = Non illustrated part # = New this model year

Differential, With Trac-Lok [DSA] or Vari-Lok Progressive [DSC], Dana 44/226MM [DRK]
Figure 003-260

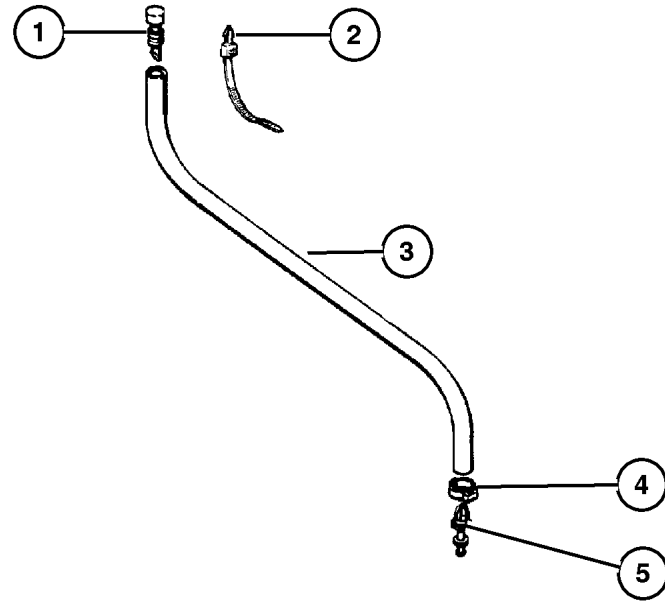
ITEM	PART NUMBER	QTY	LINE	SERIES	BODY	ENGINE	TRANS	TRIM	DESCRIPTION
	5017 388AA	1							.140
	5017 389AA	1							.141
	5017 390AA	1							.142
	5017 391AA	1							.143
	5017 392AA	1							.144
	5017 393AA	1							.145
	5017 394AA	1							.146
	5017 395AA	1							.147
	5017 396AA	1							.148
	5017 397AA	1							.149
	5017 398AA	1							.150
	5017 399AA	1							.151
	5017 400AA	1							.152
	5017 401AA	1							.153
	5017 402AA	1							.154
	5017 403AA	1							.155
15	5252 503	10							SCREW, Drive Gear
16									CASE, Differential
	4856 355	1							[DSA] with Internal Parts
	5012 869AA	1							[DSC] with Internal Parts
17	5012 870AA	1							PLENUM, Differential, [DSC]
18	4626 720	1							DISC AND PLATE KIT, Differential, [DSA]
19	4856 372	1							GEAR KIT, Center Differential, [DSA]
20									PIN, Differential Shaft
	5015 223AA	1							[DSA]
		1							[DSC]
21	5017 215AA	1							SHIM KIT, Differential, Master Shim Kit for the Complete Differential containing PINION Shims and DIFFERENTIAL Shims., Contains All Shims for Differential



JEEP GRAND CHEROKEE (WJ)
 SERIES L = Grand Cherokee
 LINE J = 4WD, T = 2WD, U = 4WD (RHD)
 BODY 74 = 4 Door (105.9 WB)
 ENGINE ERH,ERO = 4.0L, Power Tech; EVA,EVO = 4.7L, Power Tech; EXA,EXO = 3.1L 5 cyl Turbo Diesel
 TRANSMISSION DGK = 4 Speed Autm, 42RE; DG4 = Multi Speed Auto 45RFE; DGW = 4 Speed Autom 44RE; DGO = All Automatic

Rear Axle Vent Figure 003-310

ITEM	PART NUMBER	QTY	LINE	SERIES	BODY	ENGINE	TRANS	TRIM	DESCRIPTION
1	J535 2955	1							VENT, Axle, Upper
2	6016 076	2							TIE STRAP
3	5209 8655	1							HOSE, Axle Vent
4	6503 573	1							CLIP, Lower Clamp to Screw
5	4137 696	1							SCREW, Brake Tee, .437-20x2.07, Double Ended Stud



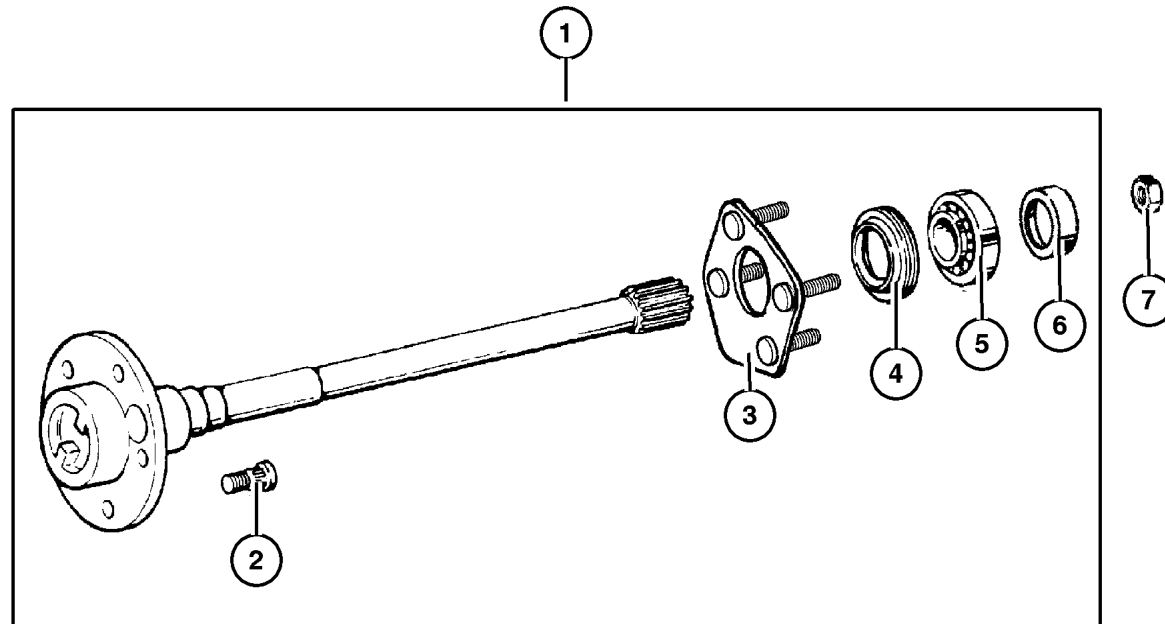
JEEP GRAND CHEROKEE (WJ)				
SERIES	LINE	BODY	ENGINE	TRANSMISSION
L = Grand Cherokee	J = 4WD T = 2WD U = 4WD (RHD)	74 = 4 Door (105.9 WB)	ERH,ERO = 4.0L, Power Tech EVA,EVO = 4.7L, Power Tech EXA,EXO = 3.1L 5 cyl Turbo Diesel	DGK = 4 Speed Autm, 42RE DG4 = Multi Speed Auto 45RFE DGW = 4 Speed Autom 44RE DGO = All Automatic

AR = Use as required - = Non illustrated part # = New this model year

September 15, 2005

Shaft,Rear Axle
Figure 003-410

ITEM	PART NUMBER	QTY	LINE	SERIES	BODY	ENGINE	TRANS	TRIM	DESCRIPTION
Note:Sales Codes;									
[DRK]=Axle - Rear,Dana 44/226MM									
[DRM]=Axle - Rear,Dana 35C/194MM									
[DSA]=Axle - Trac-Lok Differential									
[DSC]=Axles - Vari-Lok Progressive									
1									SHAFT, Axle
	5012 820AA	1							[DRM], Right
	5012 821AA	1							[DRM], Left
	5012 850AA	1							[DRK], Right
	5012 851AA	1							[DRK], Left
	5012 850AA	1							[DRK,DSA], Right
	5012 851AA	1							[DRK,DSA], Left
	5012 872AA	1							[DRK,DSC], Right
	5012 873AA	1							[DRK,DSC], Left
2	5209 8680	10							STUD, Wheel, Mounting
3	5012 827AA	2							RETAINER, Axle Shaft Seal
4	5012 824AA	1							SEAL, Axle Drive Shaft
5	5012 825AA	2							BEARING, Axle Shaft
6	8350 3054	1							RING, Axle Shaft
7	6034 988	8							NUT, Hex Lock, .375-24, Axle Shaft Seal Retainer



JEEP GRAND CHEROKEE (WJ)				
SERIES	LINE	BODY	ENGINE	TRANSMISSION
L = Grand Cherokee	J = 4WD T = 2WD U = 4WD (RHD)	74 = 4 Door (105.9 WB)	ERH,ERO = 4.0L, Power Tech EVA,EVO = 4.7L, Power Tech EXA,EXO = 3.1L 5 cyl Turbo Diesel	DGK = 4 Speed Autm, 42RE DG4 = Multi Speed Auto 45RFE DGW = 4 Speed Autom 44RE DGO = All Automatic

AR = Use as required - = Non illustrated part # = New this model year

September 15, 2005

Group – 004

Parking Brake

GROUP 4 - Parking Brake

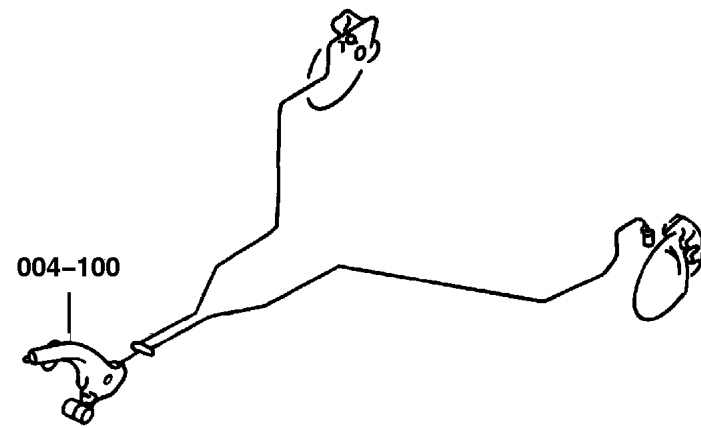
Illustration Title


Group-Fig. No.

Parking Brake Lever and Cables

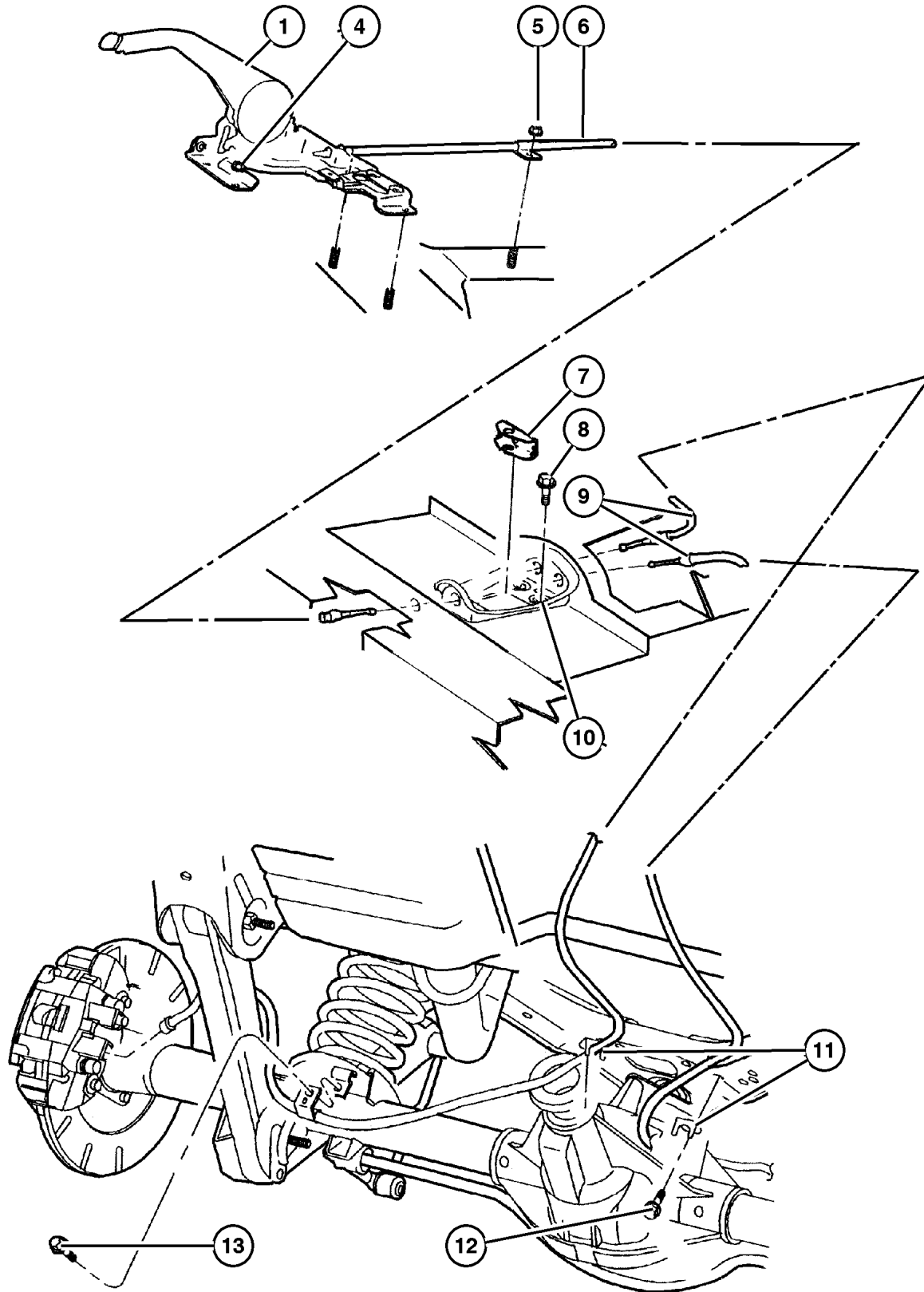
Lever And Cable - Parking Brake Fig. 004-110

Rear Disc Parking Brake Assembly Fig. 004-120



004-100 Parking Brake Lever and Cables			
			

Lever And Cable - Parking Brake
Figure 004-110



ITEM	PART NUMBER	QTY	LINE	SERIES	BODY	ENGINE	TRANS	TRIM	DESCRIPTION
1	52128 246AA	1							LEVER, Park Brake
-2	5212 7960	1							SWITCH, Parking Brake
-3	5016 265AA-	1							COVER, Parking Brake
4	6505 245AA	4							NUT, M8x1.25, Park Brake Lever Assembly, Mounting
5	6101 802	1							NUT, Park Brake Cable, Mounting
6	52128 243AA	1							CABLE, Parking Brake, Front
7	5212 8126	1							EQUALIZER, Parking Brake Cable
8	6502 734	3							SCREW, M6x1x20, Cable Bracket, Mounting
9									CABLE, Parking Brake
	52128 118AB	1							Right,Rear
	52128 119AB	1							Left,Rear
10	52128 236AB	1							BRACKET, Cable, Park Brake Reaction
11	52128 224AB	2							BRACKET, Cable, UCA, Mounting
12	6505 242AA	2							SCREW, Bracket to UCA, Mounting
13									SCREW, Hex Flange Head, M6x1.00x20.00, (NOT SERVICED) (Not Serviced)

JEEP GRAND CHEROKEE (WJ)

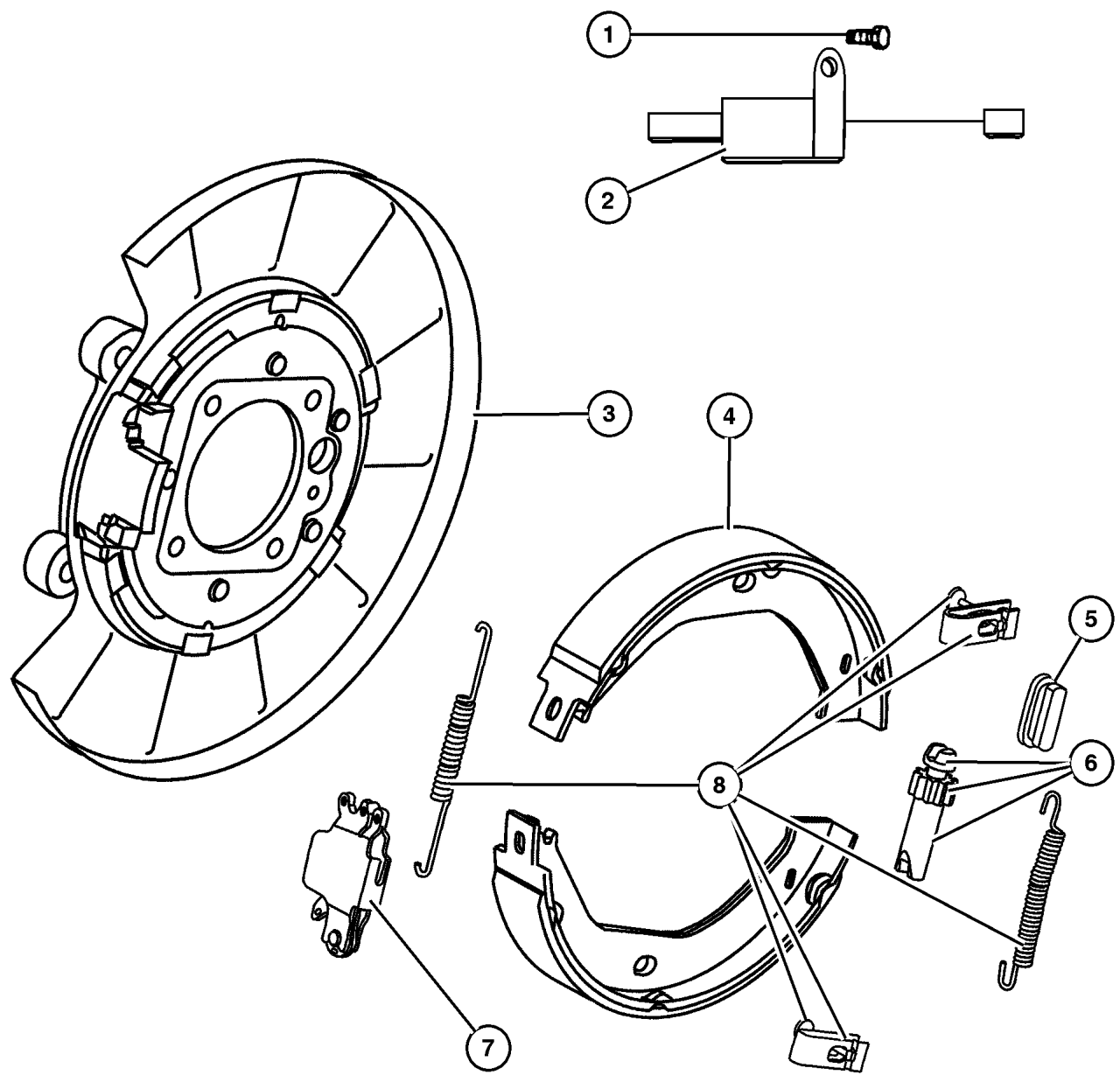
SERIES	LINE	BODY	ENGINE	TRANSMISSION
L = Grand Cherokee	J = 4WD T = 2WD U = 4WD (RHD)	74 = 4 Door (105.9 WB)	ERH,ERO = 4.0L, Power Tech EVA,EVO = 4.7L, Power Tech EXA,EXO = 3.1L 5 cyl Turbo Diesel	DGK = 4 Speed Autm, 42RE DG4 = Multi Speed Auto 45RFE DGW = 4 Speed Autom 44RE DGO = All Automatic

AR = Use as required - = Non illustrated part # = New this model year

September 15, 2005

Rear Disc Parking Brake Assembly Figure 004-120

ITEM	PART NUMBER	QTY	LINE	SERIES	BODY	ENGINE	TRANS	TRIM	DESCRIPTION
Note: 5014038AA Spring Kit , contains 2 Brake Shoe Hold Down Pins, 2 Parking Brake Hold Down Clips,1 Park Brake Shoe Return Spring Upper and 1 Park Brake Shoe Return Spring Lower.									
1	5012 814AA	2							BOLT, ABS Sensor, Right or Left
2	56041 308AA	1							SENSOR, Wheel Speed Right
	56041 509AA	1							Left
3	5011 982AA	1							PLATE, Brake Backing, Right or Left
4	5011 988AA	1							SHOE AND LINING KIT, Parking Brake, Right & Left
5	5012 354AA	2							PLUG, Brake Adjusting Hole, Right or Left
6	5011 993AA	1							ADJUSTER, Parking Brake, Right or Left
7	5011 994AA	1							LEVER, Park Brake, Right or Left
8	5014 038AA	1							SPRING KIT, Brake Shoe Hold Down, See Note At Top of Page, Right or Left



JEEP GRAND CHEROKEE (WJ)				
SERIES	LINE	BODY	ENGINE	TRANSMISSION
L = Grand Cherokee	J = 4WD T = 2WD U = 4WD (RHD)	74 = 4 Door (105.9 WB)	ERH,ERO = 4.0L, Power Tech EVA,EVO = 4.7L, Power Tech EXA,EXO = 3.1L 5 cyl Turbo Diesel	DGK = 4 Speed Autm, 42RE DG4 = Multi Speed Auto 45RFE DGW = 4 Speed Autom 44RE DGO = All Automatic

AR = Use as required - = Non illustrated part # = New this model year

September 15, 2005

Group – 005

Service Brakes

GROUP 5 - Service Brakes

Illustration Title

Group-Fig. No.

Front Brakes

Front Disc Brake Caliper 'Continental Teves'and Rotor Fig. 005-110

Front Disc Brake Caliper 'Akebono'and Rotor Fig. 005-120

Rear Brakes

Rear Disc Brake Caliper Fig. 005-210

Power Brake Booster

Power Brake Booster Fig. 005-310

Brake Master Cylinder

Master Cylinder,Brake Fig. 005-410

Hydraulic Control Unit Fig. 005-420

Brake Lines and Hoses

Brake Lines and Hoses,Right Front Fig. 005-510

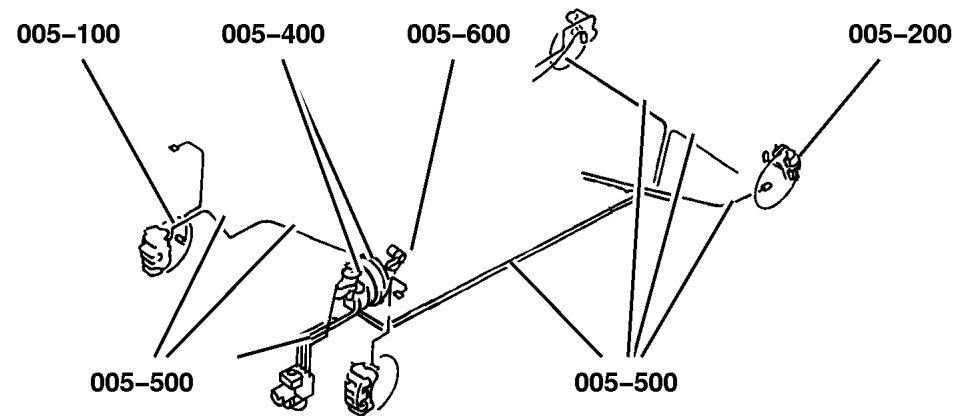
Brake Lines and Hoses,Left Front and Chassis Fig. 005-520

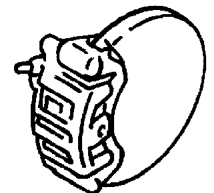

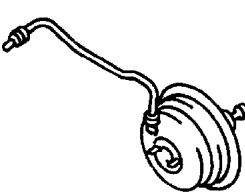
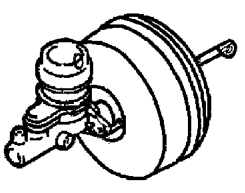
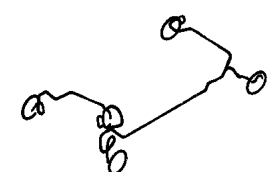
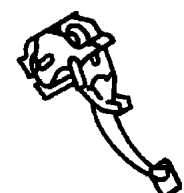
Front Brake Hose Fig. 005-530

Brake Lines and Hoses,Rear Fig. 005-540

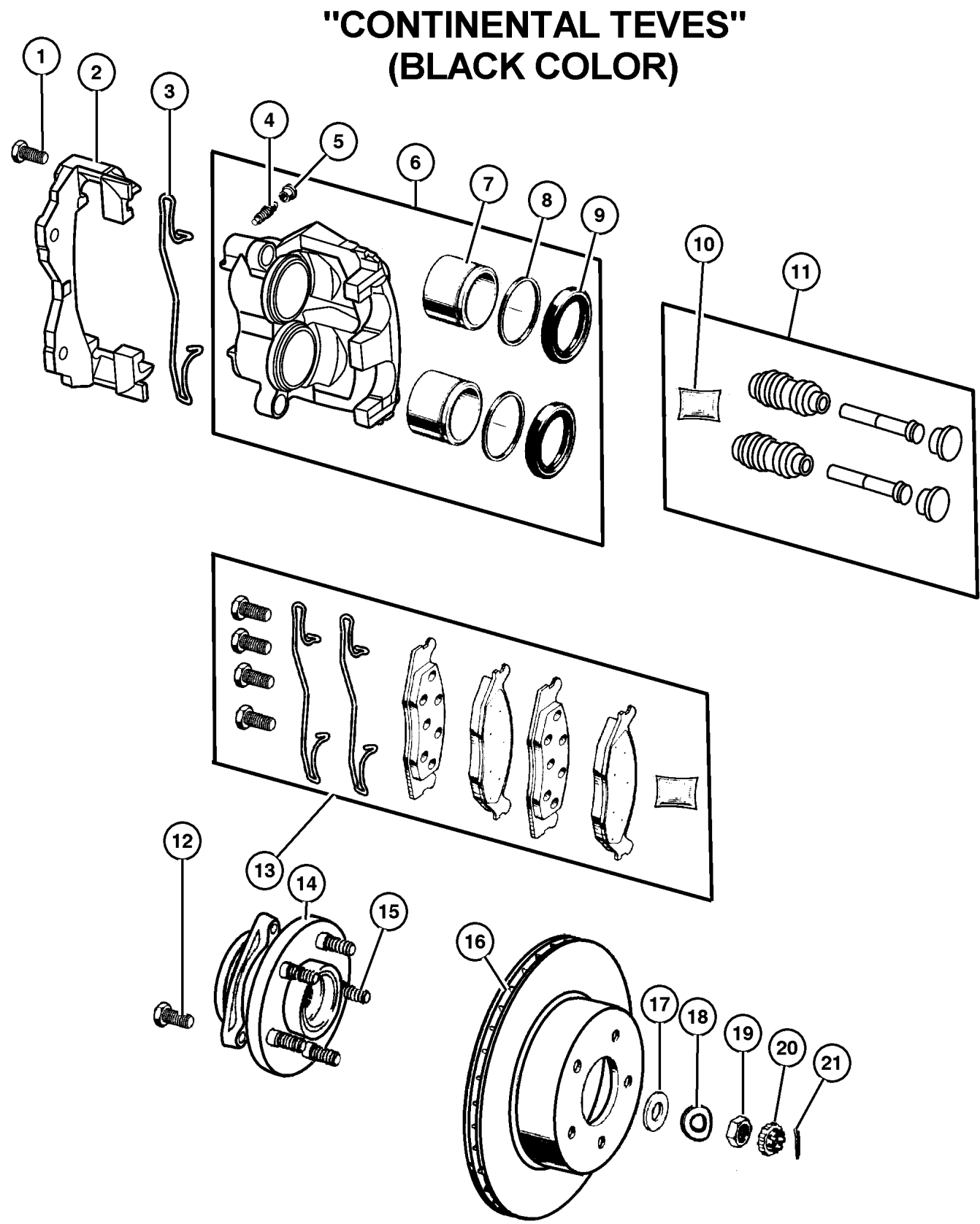
Brake Pedals

Brake Pedal & Bracket Fig. 005-610



<p>005-100 Front Brakes</p> 	<p>005-200 Rear Brakes</p> 	<p>005-300 Power Brake Booster</p> 	<p>005-400 Brake Master Cylinder</p> 
<p>005-500 Brake Lines and Hoses</p> 	<p>005-600 Brake Pedals</p> 		

**Front Disc Brake Caliper 'Continental Teves' and Rotor
Figure 005-110**



ITEM	PART NUMBER	QTY	LINE	SERIES	BODY	ENGINE	TRANS	TRIM	DESCRIPTION
1									BOLT
	5012 437AA	4	J						Caliper Bracket, Mounting
		4	T						Caliper Bracket, Mounting
		4	U						Caliper Bracket, Mounting
2	5011 979AA	1							BRACKET, Caliper, Mounting
3									SPRING, Brake Shoe Hold Down
	5011 971AA	1	J						
		1	T						
		1	U						
4									BLEEDER SCREW, Brake
	4126 879	1	J						
		1	T						
		1	U						
5									CAP, Bleeder
	4126 733	1	J						
		1	T						
		1	U						
6									CALIPER, Disc Brake
	5011 972AA	1	J						Right
	5011 973AA	1	J						Left
	5011 972AA	1	T						Right
	5011 973AA	1	T						Left
	5011 972AA	1	U						Right
	5011 973AA	1	U						Left
7									PISTON, Brake
	5011 983AA	1	J						
		2	T						
		2	U						
8									SEAL, Caliper Piston
	5011 984AA	2	J						
		2	T						
		2	U						
9									BOOT, Brake Piston
	5011 985AA	2	J						
		2	T						
		2	U						
10	5011 987AA	1							GREASE, Packet
11									PIN KIT, Disc Brake
	5011 981AA	1	T						
		1	J						
		1	U						
12									BOLT

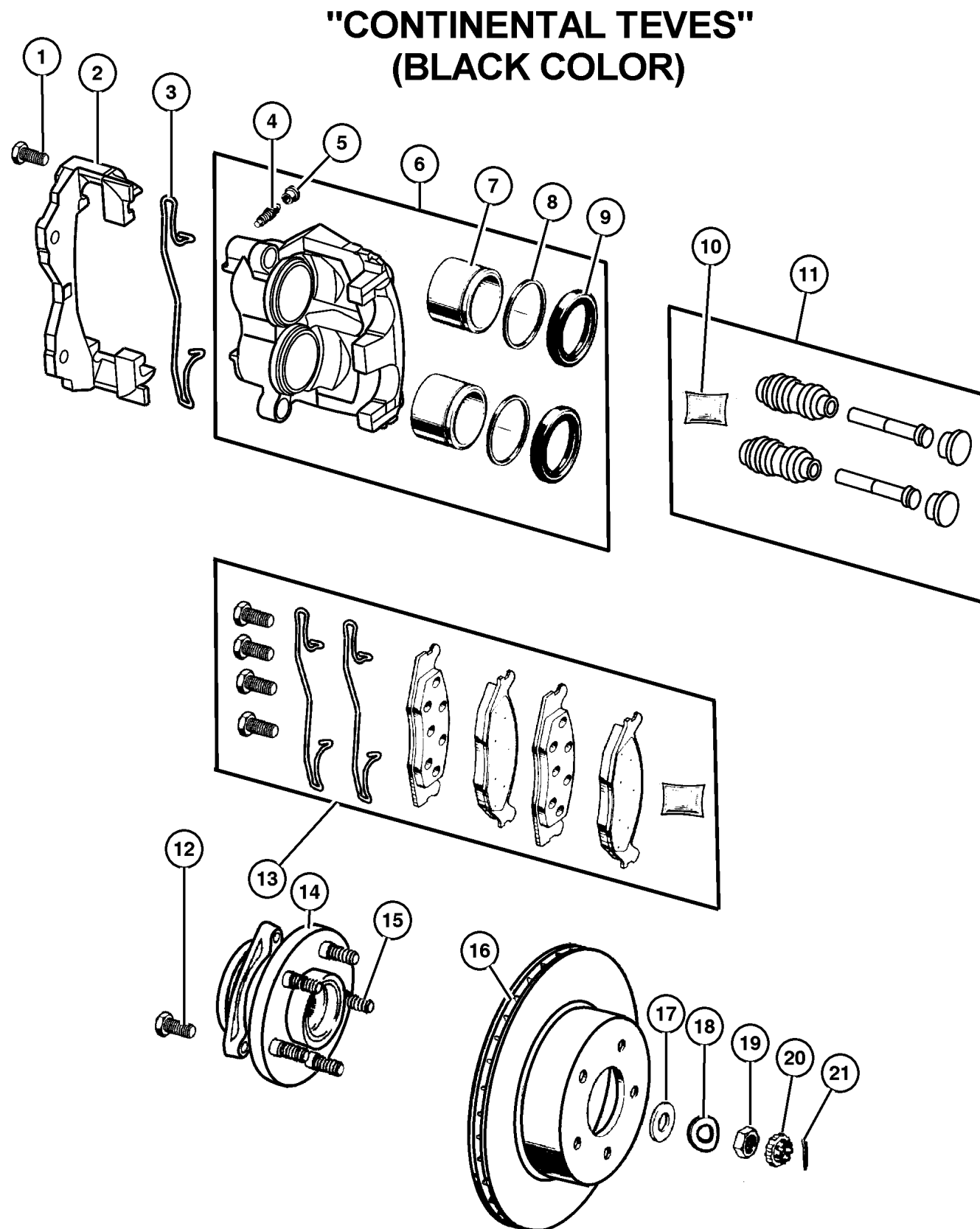
JEEP GRAND CHEROKEE (WJ)

SERIES	LINE	BODY	ENGINE	TRANSMISSION
L = Grand Cherokee	J = 4WD T = 2WD U = 4WD (RHD)	74 = 4 Door (105.9 WB)	ERH,ERO = 4.0L, Power Tech EVA,EVO = 4.7L, Power Tech EXA,EXO = 3.1L 5 cyl Turbo Diesel	DGK = 4 Speed Autm, 42RE DG4 = Multi Speed Auto 45RFE DGW = 4 Speed Autom 44RE DGO = All Automatic

AR = Use as required - = Non illustrated part # = New this model year

September 15, 2005

**Front Disc Brake Caliper 'Continental Teves' and Rotor
Figure 005-110**



**"CONTINENTAL TEVES"
(BLACK COLOR)**

ITEM	PART NUMBER	QTY	LINE	SERIES	BODY	ENGINE	TRANS	TRIM	DESCRIPTION
	5012 436AA	6	J						Hub and Bearing, Mounting
		6	T						Hub and Bearing, Mounting
		6	U						Hub and Bearing, Mounting
13	5018 592AA	1	J						PAD KIT, Front Disc Brake
		1	T						
		1	U						
14	52098 679AB	2	J						HUB AND BEARING, Brake
		2	T						
		2	U						
15	6036 388AA	10	J						BOLT, Hub and Rotor 15.3 mm Around Serations, Right or Left
		10	T						15.3 mm Around Serations, Right or Left
		10	U						15.3 mm Around Serations, Right or Left
	6036 424AA	10	J						16.3 mm Around Serations, Right or Left
		10	T						16.3 mm Around Serations, Right or Left
									16.3 mm Around Serations, Right or Left
16	5209 8672	2	J						ROTOR, Brake
		2	T						
		2	U						
17	J420 0096	2	J						WASHER, Flat
		2	T						
		2	U						
18	4740 749	2	J						WASHER, Wave
		2	T						
		2	U						
19	J420 0095	2	J						NUT, Hex
		2	T						
		2	U						
20	J420 0097	2	J						RETAINER, Hub Nut
		2	T						
		2	U						
21		2	U						PIN, Cotter, M4x40.00

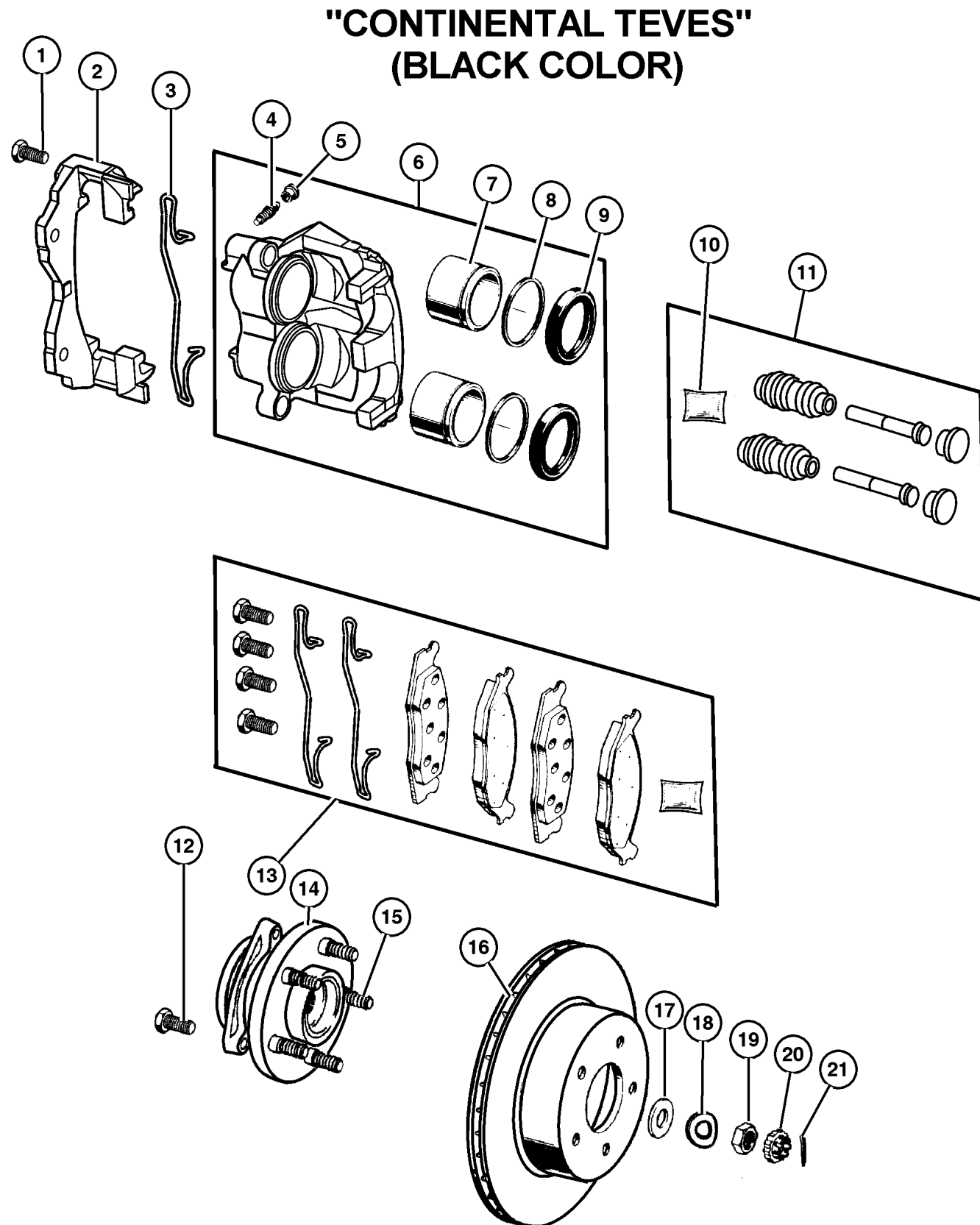
JEEP GRAND CHEROKEE (WJ)

SERIES	LINE	BODY	ENGINE	TRANSMISSION
L = Grand Cherokee	J = 4WD T = 2WD U = 4WD (RHD)	74 = 4 Door (105.9 WB)	ERH,ERO = 4.0L, Power Tech EVA,EVO = 4.7L, Power Tech EXA,EXO = 3.1L 5 cyl Turbo Diesel	DGK = 4 Speed Autm, 42RE DG4 = Multi Speed Auto 45RFE DGW = 4 Speed Autom 44RE DGO = All Automatic

AR = Use as required - = Non illustrated part # = New this model year

September 15, 2005

**Front Disc Brake Caliper 'Continental Teves' and Rotor
Figure 005-110**



ITEM	PART NUMBER	QTY	LINE	SERIES	BODY	ENGINE	TRANS	TRIM	DESCRIPTION
------	-------------	-----	------	--------	------	--------	-------	------	-------------

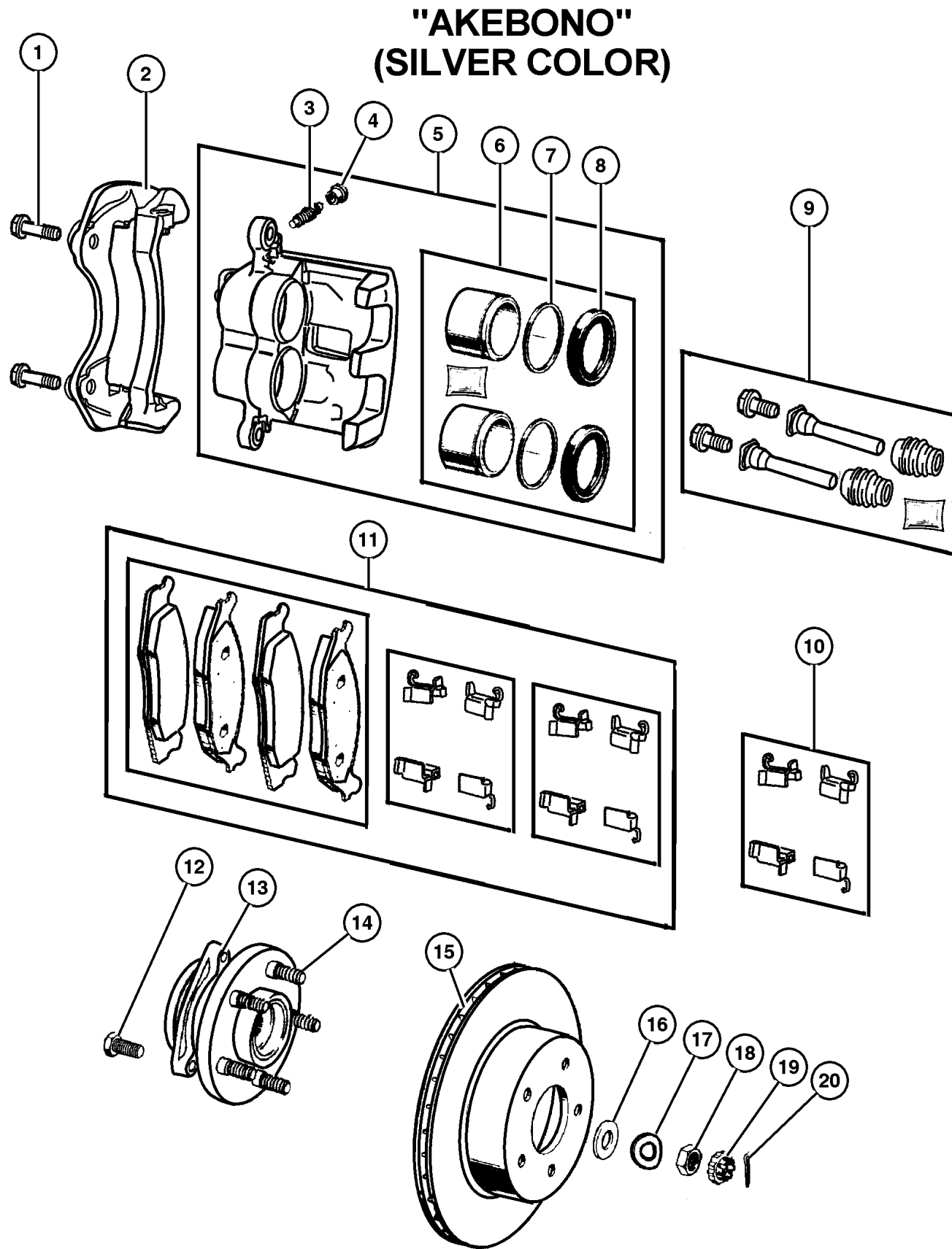
	1101 0069	2	J						
		2	T						
		2	U						

JEEP GRAND CHEROKEE (WJ)				
SERIES	LINE	BODY	ENGINE	TRANSMISSION
L = Grand Cherokee	J = 4WD T = 2WD U = 4WD (RHD)	74 = 4 Door (105.9 WB)	ERH,ERO = 4.0L, Power Tech EVA,EVO = 4.7L, Power Tech EXA,EXO = 3.1L 5 cyl Turbo Diesel	DGK = 4 Speed Autm, 42RE DG4 = Multi Speed Auto 45RFE DGW = 4 Speed Autom 44RE DGO = All Automatic

AR = Use as required - = Non illustrated part # = New this model year

September 15, 2005

**Front Disc Brake Caliper 'Akebono' and Rotor
Figure 005-120**



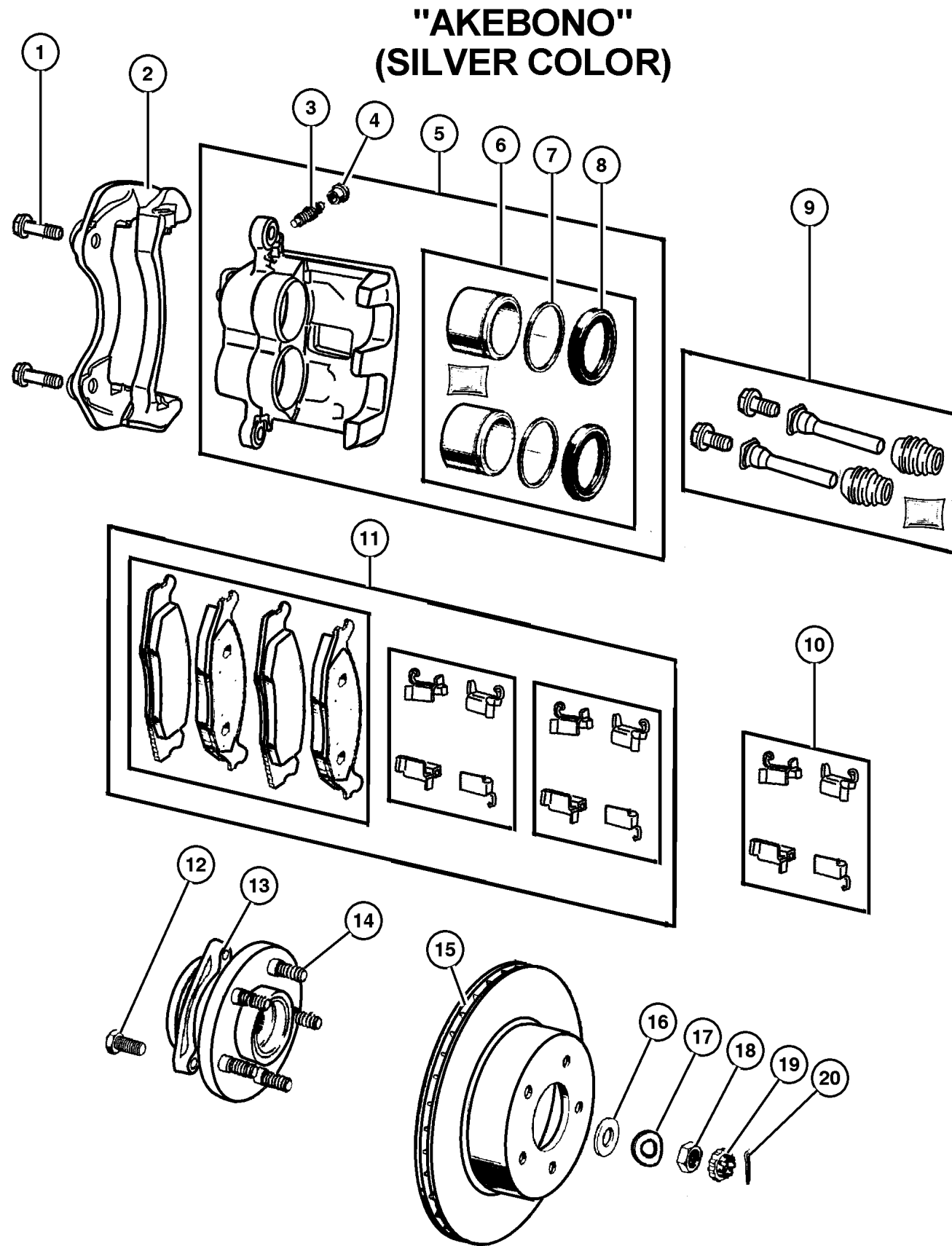
ITEM	PART NUMBER	QTY	LINE	SERIES	BODY	ENGINE	TRANS	TRIM	DESCRIPTION
1									BOLT
	5012 437AA	4	J						Caliper Bracket, Mounting
		4	T						Caliper Bracket, Mounting
		4	U						Caliper Bracket, Mounting
2									BRACKET
	5093 182AA	1	J						Caliper, Mounting
		1	T						Caliper, Mounting
		1	U						Caliper, Mounting
3									BLEEDER SCREW, Brake
	5093 189AA	1	J						
		1	T						
		1	U						
4									CAP, Bleeder
	5093 190AA	1	J						
		1	T						
		1	U						
5									CALIPER, Disc Brake
	5093 180AA	1	J						Right
	5093 181AA	1	J						Left
		1	T						Left
	5093 180AA	1	T						Right
		1	U						Right
	5093 181AA	1	U						Left
6									PISTON KIT, Front Brake
	5093 186AA	1	J						
		1	T						
		1	U						
7									SEAL, Caliper Piston
	5093 187AA	2	J						
		2	T						
		2	U						
8									BOOT, Brake Piston
	5093 188AA	2	J						
		2	T						
		2	U						
9									PIN KIT, Disc Brake
	5093 184AA	1	J						
		1	T						
		1	U						
10									SPRING KIT, Brake Shoe Hold Down
	5093 185AA	2	J						

JEEP GRAND CHEROKEE (WJ)
 SERIES L = Grand Cherokee
 LINE J = 4WD, T = 2WD, U = 4WD (RHD)
 BODY 74 = 4 Door (105.9 WB)
 ENGINE ERH,ERO = 4.0L, Power Tech; EVA,EVO = 4.7L, Power Tech; EXA,EXO = 3.1L 5 cyl Turbo Diesel
 TRANSMISSION DGK = 4 Speed Autm, 42RE; DG4 = Multi Speed Auto 45RFE; DGW = 4 Speed Autom 44RE; DGO = All Automatic

AR = Use as required - = Non illustrated part # = New this model year

September 15, 2005

**Front Disc Brake Caliper 'Akebono' and Rotor
Figure 005-120**



ITEM	PART NUMBER	QTY	LINE	SERIES	BODY	ENGINE	TRANS	TRIM	DESCRIPTION
		2	T						
		2	U						
11	5093 183AA	1	J						PAD KIT, Front Disc Brake
	5093 260AA	1	T						
		1	U						
12	5012 436AA	6	J						BOLT Hub and Bearing, Mounting
		6	T						Hub and Bearing, Mounting
		6	U						Hub and Bearing, Mounting
13	52098 679AB	2	J						HUB AND BEARING, Brake
		2	T						
		2	U						
14	6036 388AA	10	J						BOLT, Hub and Rotor 15.3mm Around Serations, Right or Left
	6036 424AA	10	J						16.3mm Around Serations, Right or Left
	6036 388AA	10	T						15.3mm Around Serations, Right or Left
	6036 424AA	10	T						16.3mm Around Serations, Right or Left
	6036 388AA	10	U						15.3mm Around Serations, Right or Left
15	5209 8672	2	J						ROTOR, Brake
		2	T						
		2	U						
16	J420 0096	2	J						WASHER, Flat
		2	T						
		2	U						
17	4740 749	2	J						WASHER, Wave
		2	U						
18	J420 0095	2	J						NUT, Hex
		2	T						
		2	U						
19	J420 0097	2	T						RETAINER, Hub Nut

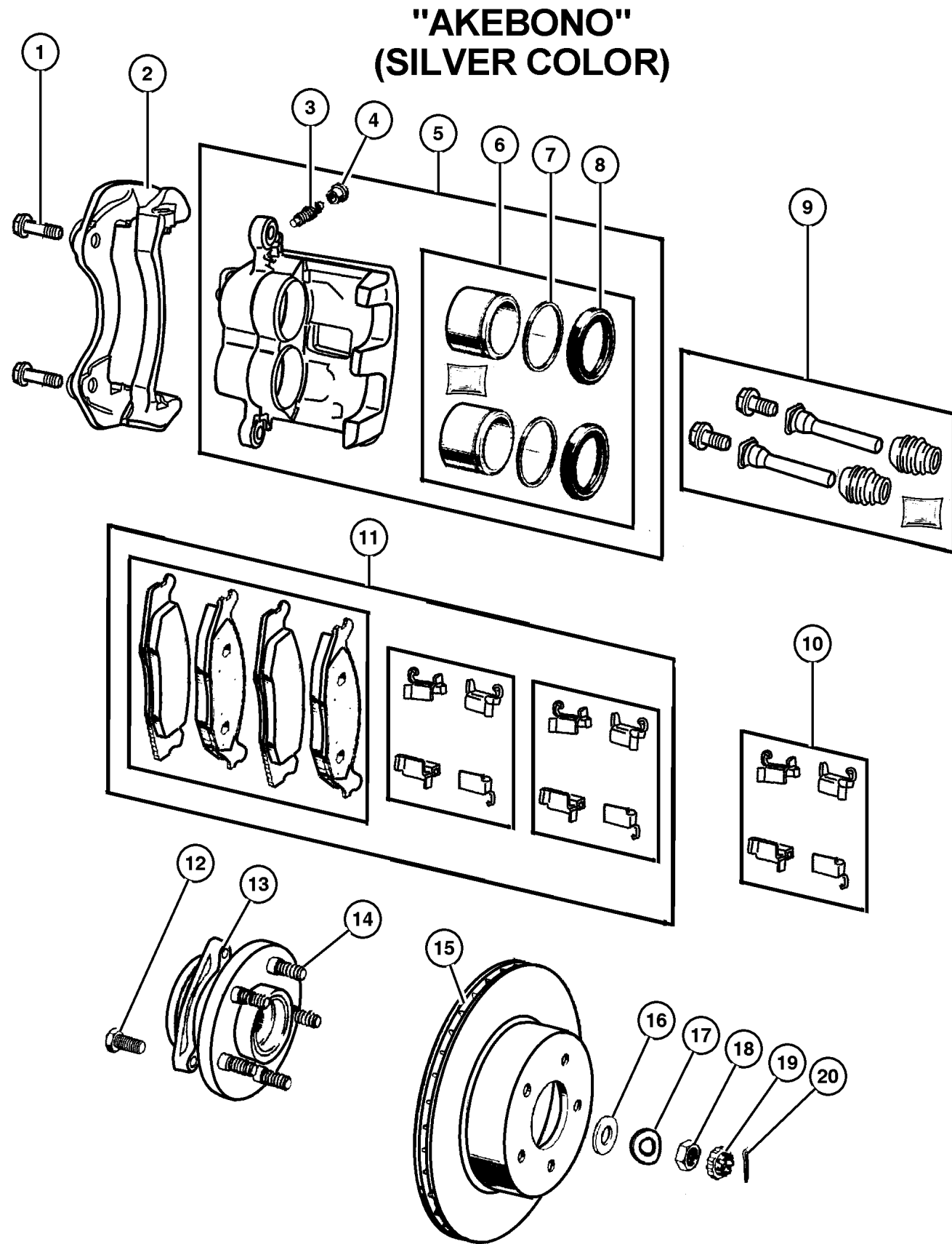
JEEP GRAND CHEROKEE (WJ)

SERIES	LINE	BODY	ENGINE	TRANSMISSION
L = Grand Cherokee	J = 4WD T = 2WD U = 4WD (RHD)	74 = 4 Door (105.9 WB)	ERH,ERO = 4.0L, Power Tech EVA,EVO = 4.7L, Power Tech EXA,EXO = 3.1L 5 cyl Turbo Diesel	DGK = 4 Speed Autm, 42RE DG4 = Multi Speed Auto 45RFE DGW = 4 Speed Autom 44RE DGO = All Automatic

AR = Use as required - = Non illustrated part # = New this model year

September 15, 2005

**Front Disc Brake Caliper 'Akebono' and Rotor
Figure 005-120**



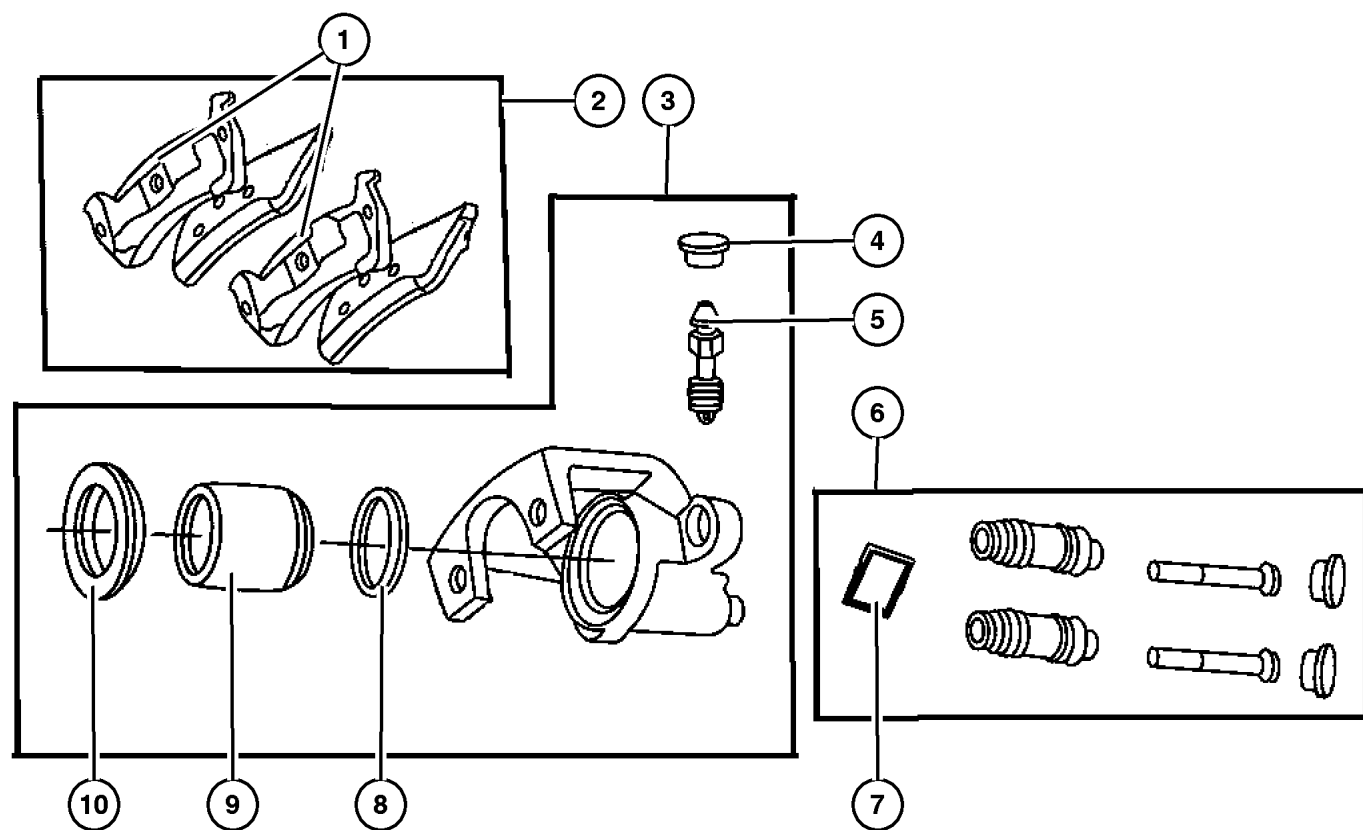
ITEM	PART NUMBER	QTY	LINE	SERIES	BODY	ENGINE	TRANS	TRIM	DESCRIPTION
		2	U						
20	1101 0069	2	J						PIN, Cotter, M4x40.00
		2	T						
		2	U						

JEEP GRAND CHEROKEE (WJ)				
SERIES	LINE	BODY	ENGINE	TRANSMISSION
L = Grand Cherokee	J = 4WD T = 2WD U = 4WD (RHD)	74 = 4 Door (105.9 WB)	ERH,ERO = 4.0L, Power Tech EVA,EVO = 4.7L, Power Tech EXA,EXO = 3.1L 5 cyl Turbo Diesel	DGK = 4 Speed Autm, 42RE DG4 = Multi Speed Auto 45RFE DGW = 4 Speed Autom 44RE DGO = All Automatic

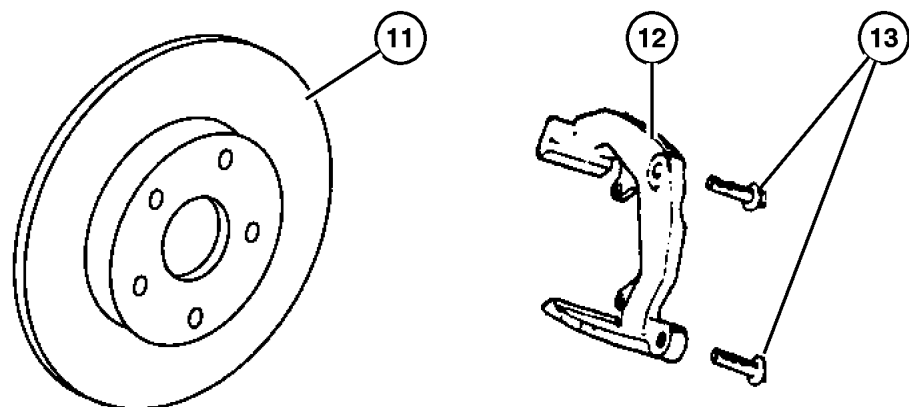
AR = Use as required - = Non illustrated part # = New this model year

September 15, 2005

Rear Disc Brake Caliper Figure 005-210



ITEM	PART NUMBER	QTY	LINE	SERIES	BODY	ENGINE	TRANS	TRIM	DESCRIPTION
1	5011 978AA	1							SPRING, Brake Shoe Hold Down
2	5011 970AA	1							PAD KIT, Rear Disc Brake
3									CALIPER, Disc Brake
	5011 974AA	1							Right
	5011 975AA	1							Left
4	4126 733	1							CAP, Bleeder
5	4126 879	1							SCREW, Bleeder
6	5011 981AA	1							PIN KIT, Disc Brake
7	5011 987AA	1							GREASE, Packet
8	5011 984AA	1							SEAL, Caliper Piston
9	5011 983AA	1							PISTON, Brake
10	5011 985AA	1							BOOT, Brake Piston
11	5209 8666	2							ROTOR, Brake
12	5011 980AA	1							BRACKET
13	5012 437AA	4							BOLT
-14									SENSOR, Wheel Speed
	56041 308AA-	1							Right
	56041 509AA-	1							Left

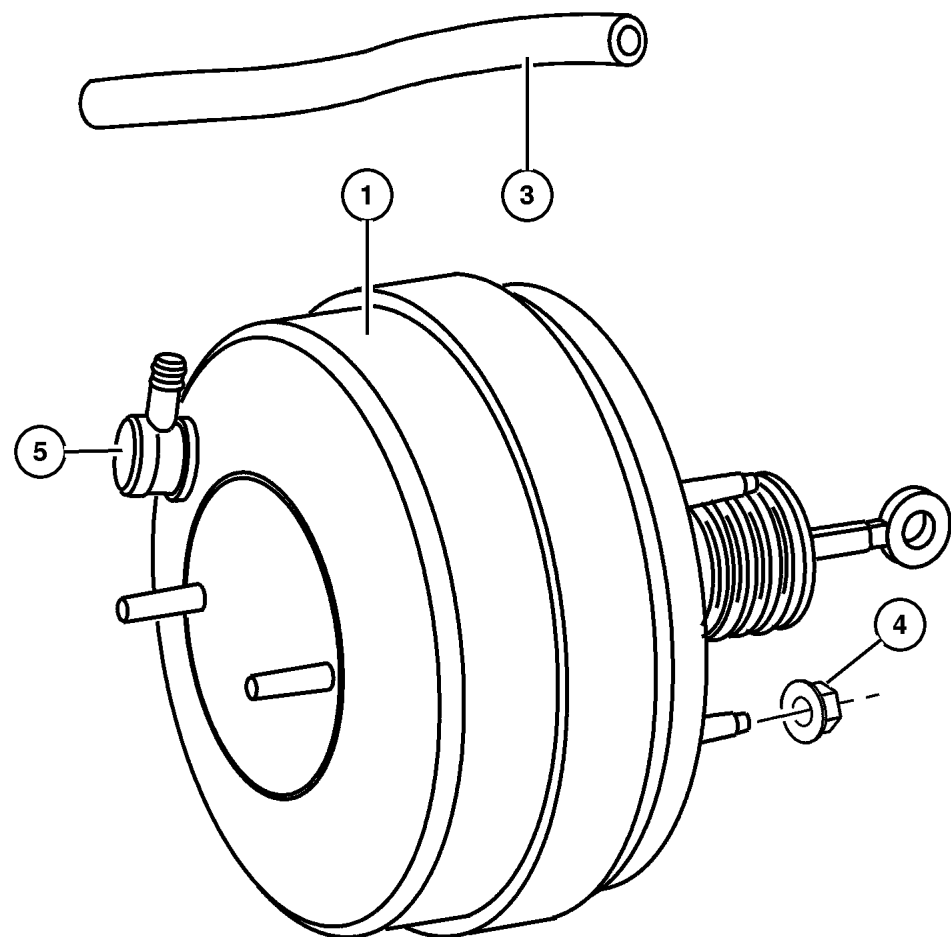


JEEP GRAND CHEROKEE (WJ)				
SERIES	LINE	BODY	ENGINE	TRANSMISSION
L = Grand Cherokee	J = 4WD T = 2WD U = 4WD (RHD)	74 = 4 Door (105.9 WB)	ERH,ERO = 4.0L, Power Tech EVA,EVO = 4.7L, Power Tech EXA,EXO = 3.1L 5 cyl Turbo Diesel	DGK = 4 Speed Autm, 42RE DG4 = Multi Speed Auto 45RFE DGW = 4 Speed Autom 44RE DGO = All Automatic

AR = Use as required - = Non illustrated part # = New this model year

September 15, 2005

**Power Brake Booster
Figure 005-310**



ITEM	PART NUMBER	QTY	LINE	SERIES	BODY	ENGINE	TRANS	TRIM	DESCRIPTION
Note:Sales Codes;									
[ER0]=Engines - All 4.0L 6 Cylinder Gas									
[EV0]=Engines - All 4.7L Gas									
1	5011 261AA	1							BOOSTER, Power Brake, Includes Item 5
-2	5012 506AA-	1							GASKET, Booster to Firewall, Mounting
3									HOSE, Brake Vacuum
	5212 8097	1	J, T						[ER0]
	5212 8098	1	J, T						[EV0]
	52128 181AB	1	J, T						[EX0]
	52009 350AB	1	U						[ER0]
	52128 299AB	1	U						[EV0]
4	6100 517	4							NUT, Hex Flange Lock, Booster to Firewall, Mounting
5	5011 263AA	1							VALVE, Check, Elbow, With Grommet

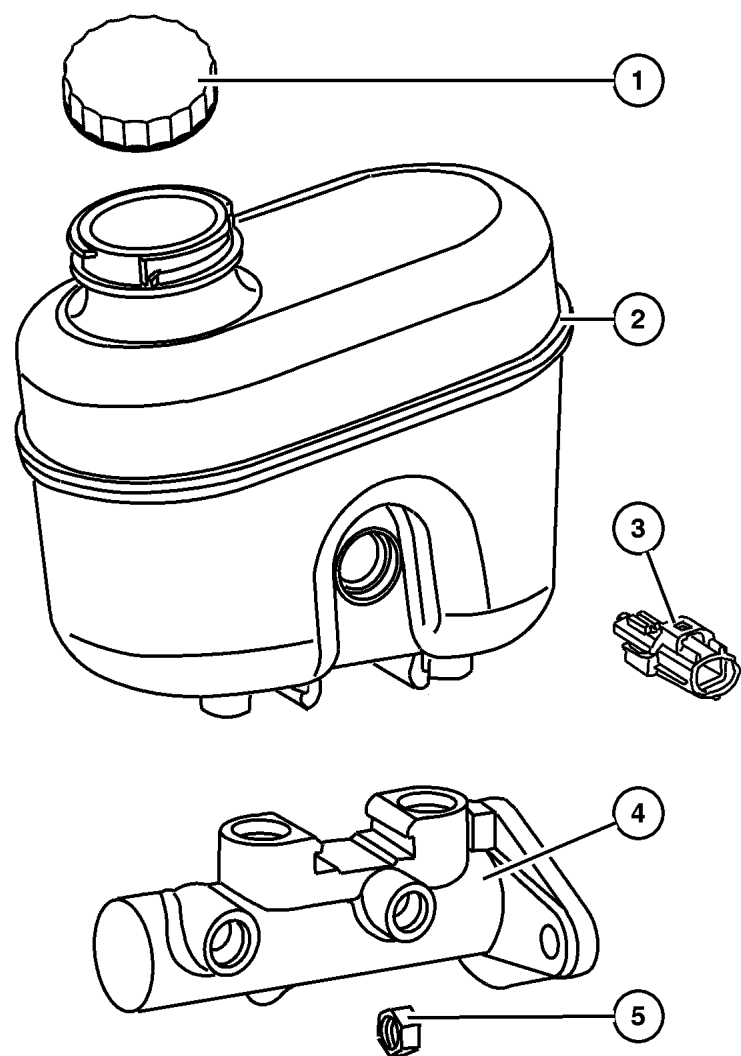
JEEP GRAND CHEROKEE (WJ)				
SERIES	LINE	BODY	ENGINE	TRANSMISSION
L = Grand Cherokee	J = 4WD T = 2WD U = 4WD (RHD)	74 = 4 Door (105.9 WB)	ERH,ERO = 4.0L, Power Tech EVA,EVO = 4.7L, Power Tech EXA,EXO = 3.1L 5 cyl Turbo Diesel	DGK = 4 Speed Autm, 42RE DG4 = Multi Speed Auto 45RFE DGW = 4 Speed Autom 44RE DGO = All Automatic

AR = Use as required - = Non illustrated part # = New this model year

September 15, 2005

**Master Cylinder, Brake
Figure 005-410**

ITEM	PART NUMBER	QTY	LINE	SERIES	BODY	ENGINE	TRANS	TRIM	DESCRIPTION
1	5014 518AA	1							CAP, Master Cylinder Reservoir
2	5011 262AA	1							RESERVOIR, Brake Master Cylinder, Includes Items 1,3
3	5013 903AA	1							SENSOR, Brake Fluid Level
4	5011 260AA	1							MASTER CYLINDER, Brake
5	6101 467	2							NUT, Hex Flange, M8x1.25, Master Cylinder to Booster, Mounting

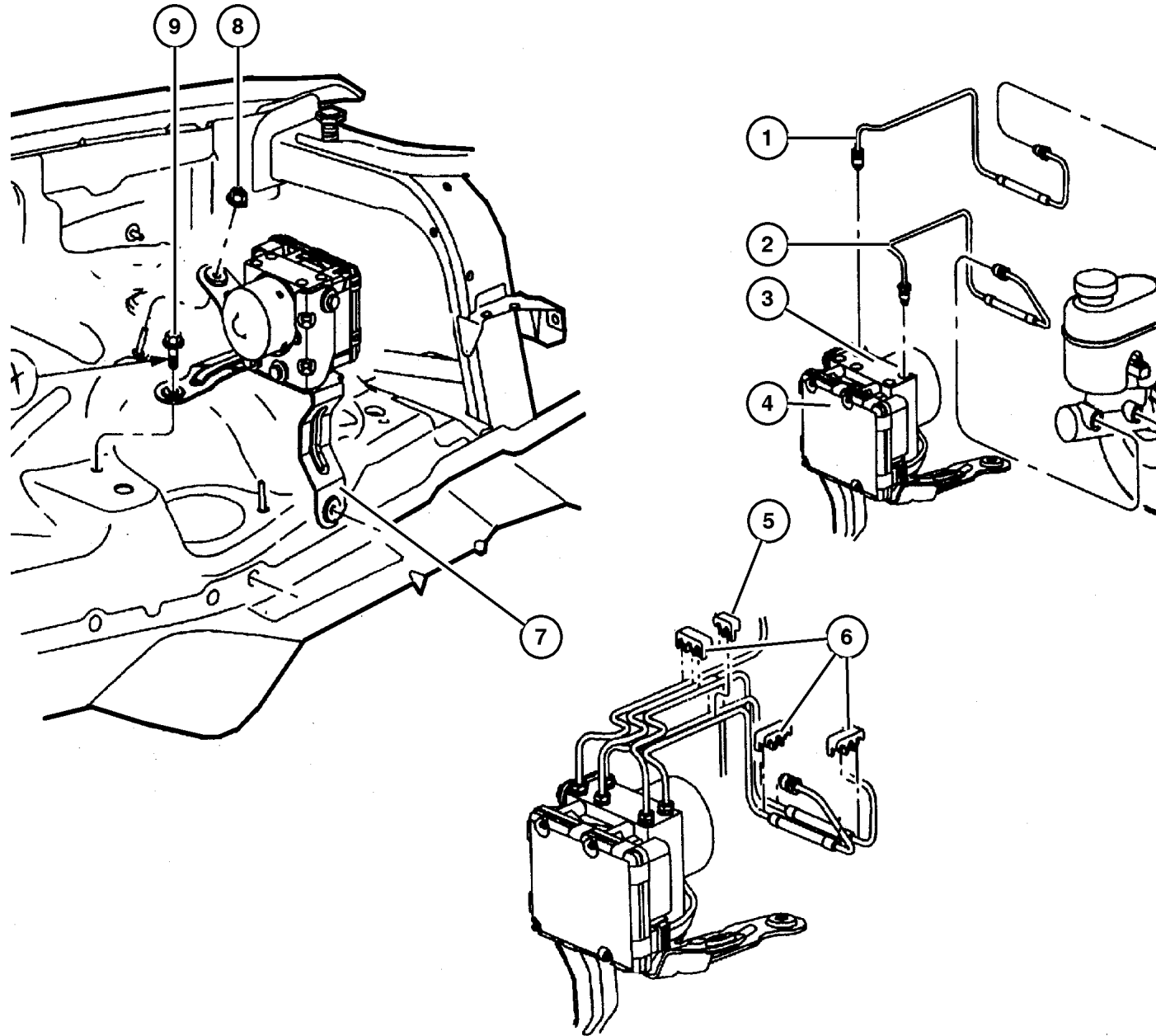


JEEP GRAND CHEROKEE (WJ)				
SERIES	LINE	BODY	ENGINE	TRANSMISSION
L = Grand Cherokee	J = 4WD T = 2WD U = 4WD (RHD)	74 = 4 Door (105.9 WB)	ERH,ERO = 4.0L, Power Tech EVA,EVO = 4.7L, Power Tech EXA,EXO = 3.1L 5 cyl Turbo Diesel	DGK = 4 Speed Autm, 42RE DG4 = Multi Speed Auto 45RFE DGW = 4 Speed Autom 44RE DGO = All Automatic

AR = Use as required - = Non illustrated part # = New this model year

September 15, 2005

Hydraulic Control Unit Figure 005-420



ITEM	PART NUMBER	QTY	LINE	SERIES	BODY	ENGINE	TRANS	TRIM	DESCRIPTION
1	5212 8086	1	J, T						HOSE, Brake, Primary [ER0,EV0]
	5212 8106	1	U						[ER0,EV0]
	5212 8208	1	J, T						[EX0]
	5200 9349	1	U						[EX0]
2	5212 8087	1	J, T						HOSE, Brake, Secondary [ER0,EV0]
	5212 8107	1	U						[ER0,EV0]
	5212 8209	1	J, T						[EX0]
	5200 9347	1	U						[EX0]
3	5011 259AA	1							CONTROL UNIT, Anti-Lock Brake, Hydraulic
4	56041 022AB	1							MODULE, Anti-lock Brakes
5	5200 8940	1							CLIP, Brake Line
6	5200 9163	4							CLIP, Brake Line
7	5011 257AA	1							BRACKET, Hydraulic Control Unit [ER0,EV0]
	5011 258AA	1							[EX0]
8	3420 1711	1							NUT, Hex Flange, M8x1.25
9	6505 923AA	2							BOLT

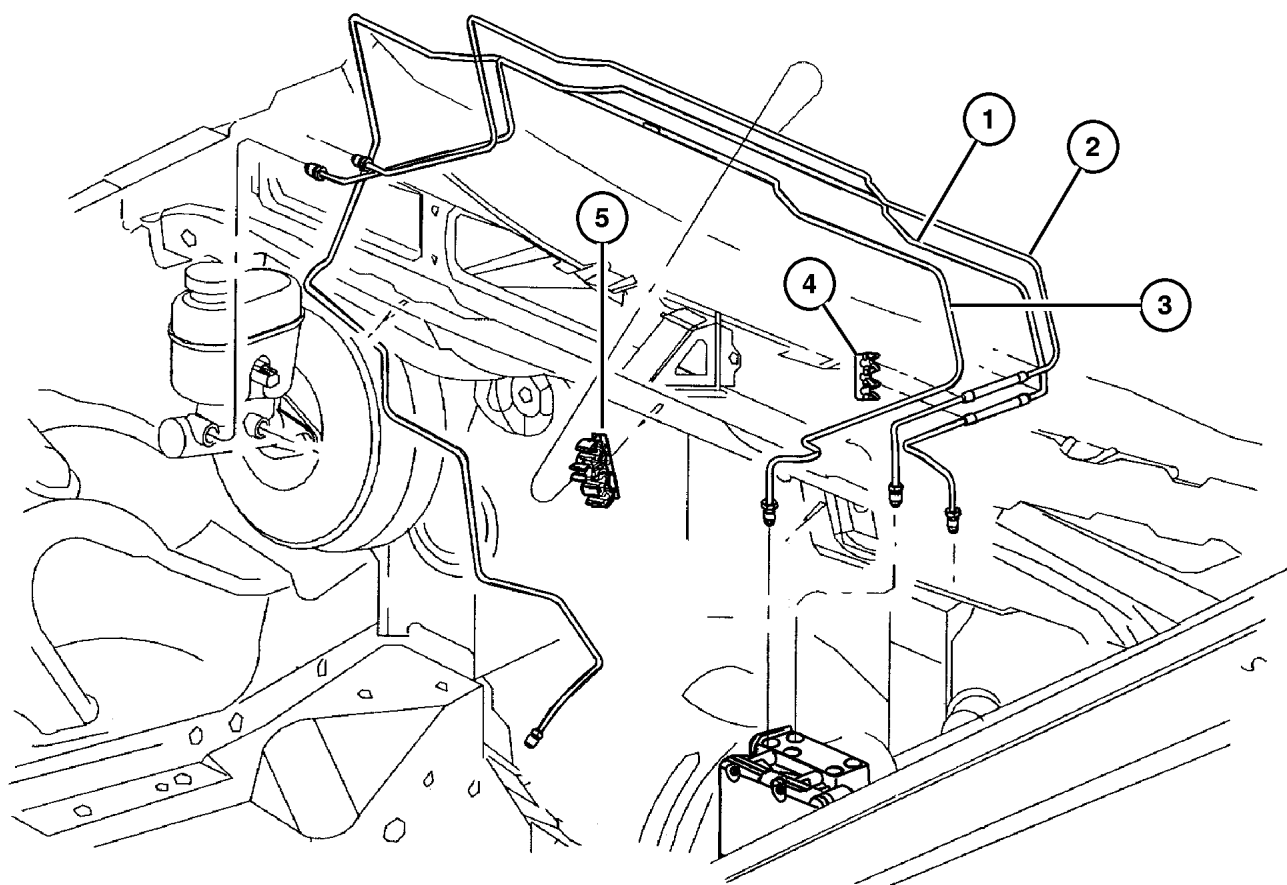
JEEP GRAND CHEROKEE (WJ)

SERIES	LINE	BODY	ENGINE	TRANSMISSION
L = Grand Cherokee	J = 4WD T = 2WD U = 4WD (RHD)	74 = 4 Door (105.9 WB)	ERH,ERO = 4.0L, Power Tech EVA,EVO = 4.7L, Power Tech EXA,EXO = 3.1L 5 cyl Turbo Diesel	DGK = 4 Speed Autm, 42RE DG4 = Multi Speed Auto 45RFE DGW = 4 Speed Autom 44RE DGO = All Automatic

AR = Use as required - = Non illustrated part # = New this model year

September 15, 2005

Brake Lines and Hoses, Right Front Figure 005-510



ITEM	PART NUMBER	QTY	LINE	SERIES	BODY	ENGINE	TRANS	TRIM	DESCRIPTION
Note: Sales Codes;									
[ER0]=All 4.0L 6 Cylinder Gas Engines									
[EV0]=All 4.7L Gas Engine									
[EX0]=All 3.0/3.01 Turbo Diesel Engines									
1									HOSE, Brake
	5212 8086	1	J, T						Master Cylinder to ICU [ER0,EV0], Primary
	5212 8208	1	J, T						Master Cylinder to ICU [EX0], Primary
	5212 8106	1	U						Master Cylinder to ICU [ER0,EV0], Primary
2									HOSE, Brake
	5212 8087	1	J, T						Master Cylinder to ICU [ER0,EV0], Secondary
	5212 8209	1	J, T						Master Cylinder to ICU [EX0], Secondary
	5212 8107	1	U						Master Cylinder to ICU [ER0,EV0], Secondary
3									TUBE, Brake
	52128 366AB	1	J, T						[ER0,EV0], Right
	52128 367AB	1	J, T						[EX0], Right
	52128 212AD	1	U						[ER0,EV0], Right
4									CLIP, Brake Line
	5200 8940	1							2 Way-Brake Tube Separation at ICU, Mounting
	5200 9163	4							3 Way-Brake Tube Separation at ICU, Mounting
5									CLIP, Brake Line
	5212 8214	3	J, T						Brake Tube to Front of Plenum, Mounting
	5212 8211	3	U						Brake Tube to Front of Plenum, Mounting

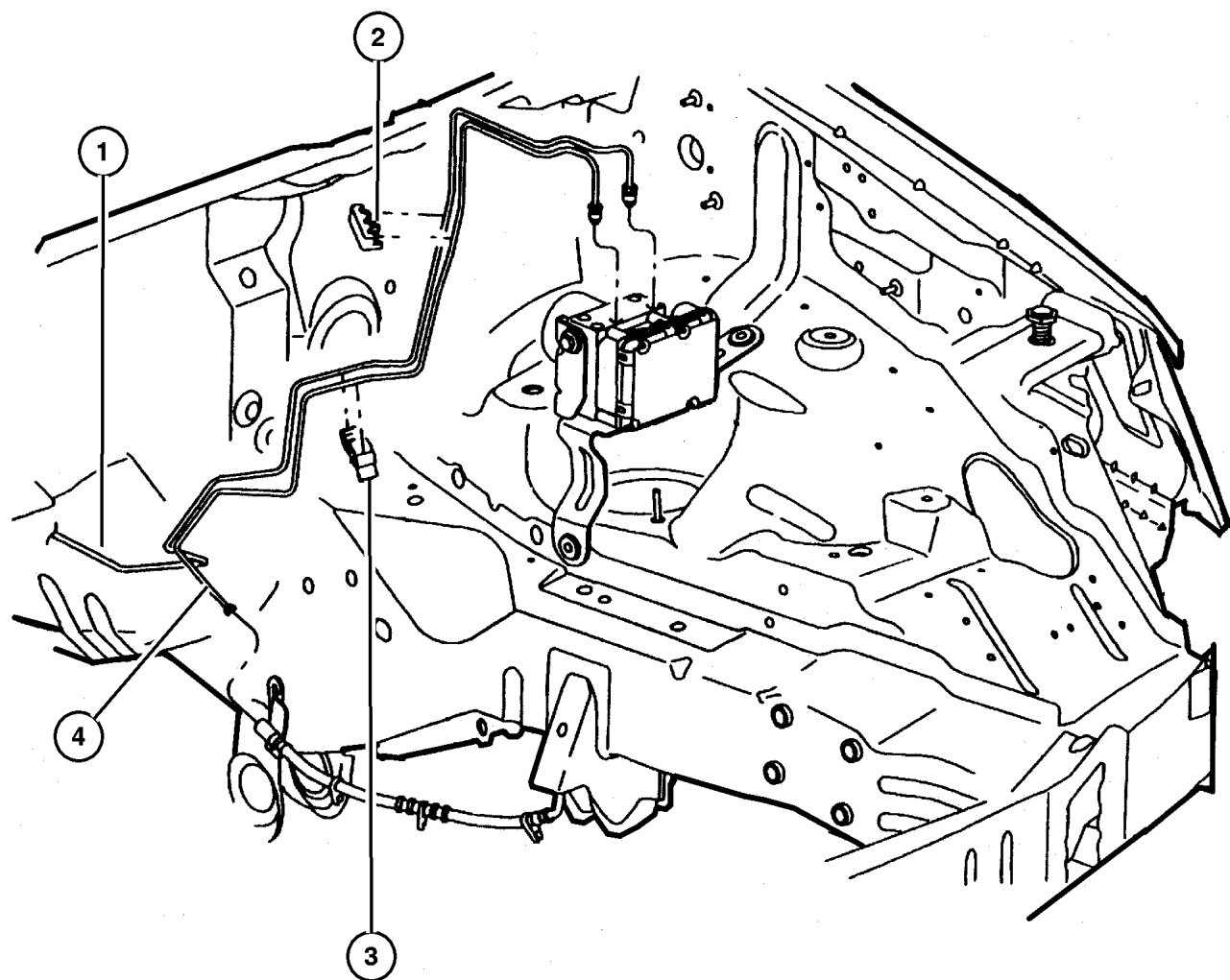
JEEP GRAND CHEROKEE (WJ)

SERIES	LINE	BODY	ENGINE	TRANSMISSION
L = Grand Cherokee	J = 4WD T = 2WD U = 4WD (RHD)	74 = 4 Door (105.9 WB)	ERH,ERO = 4.0L, Power Tech EVA,EVO = 4.7L, Power Tech EXA,EXO = 3.1L 5 cyl Turbo Diesel	DGK = 4 Speed Autm, 42RE DG4 = Multi Speed Auto 45RFE DGW = 4 Speed Autom 44RE DGO = All Automatic

AR = Use as required - = Non illustrated part # = New this model year

September 15, 2005

Brake Lines and Hoses, Left Front and Chassis
Figure 005-520



ITEM	PART NUMBER	QTY	LINE	SERIES	BODY	ENGINE	TRANS	TRIM	DESCRIPTION
1	5212 8074	1							TUBE, Brake [ER0,EV0] To Rear Brake Hose, Chassis
	5212 8202	1							[EX0] To Rear Brake Hose, Chassis
2	5200 9163	4							CLIP, Brake Line, Mounting
3	52128 244AA	1							CLIP, Brake Line, Mounting
4	52128 077AC	1							TUBE, Brake [ER0,EV0] To Front Brake Hose, Left
	52009 341AB	1							[EX0] To Front Brake Hose, Left

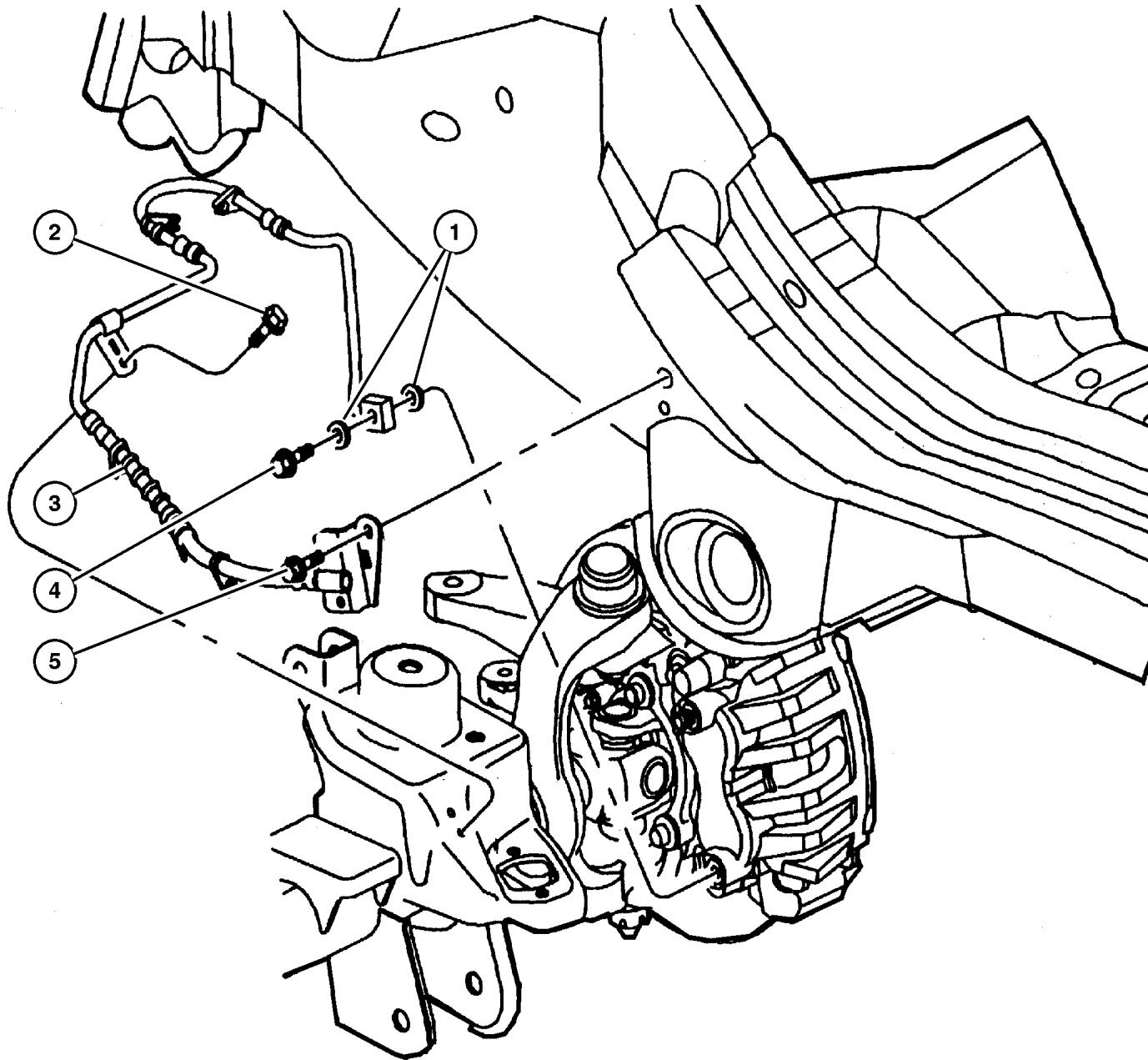
JEEP GRAND CHEROKEE (WJ)

SERIES	LINE	BODY	ENGINE	TRANSMISSION
L = Grand Cherokee	J = 4WD T = 2WD U = 4WD (RHD)	74 = 4 Door (105.9 WB)	ERH,ERO = 4.0L, Power Tech EVA,EVO = 4.7L, Power Tech EXA,EXO = 3.1L 5 cyl Turbo Diesel	DGK = 4 Speed Autm, 42RE DG4 = Multi Speed Auto 45RFE DGW = 4 Speed Autom 44RE DGO = All Automatic

AR = Use as required - = Non illustrated part # = New this model year

September 15, 2005

Front Brake Hose
Figure 005-530



ITEM	PART NUMBER	QTY	LINE	SERIES	BODY	ENGINE	TRANS	TRIM	DESCRIPTION
1	J323 7672	8							GASKET, Brake Hose To Caliper, Mounting
2	J420 0158	1							BOLT Brake Hose to Spring Seat, Right
		1							Brake Hose to Spring Seat, Left
3	5212 8092	1							HOSE, Brake Right
	5212 8093	1							Left
4	J400 6700	4							BOLT, Banjo, Brake Hose to Caliper, Mounting
5	J420 0158	1							BOLT Brake Hose to Sill, Right
		1							Brake Hose to Sill, Left

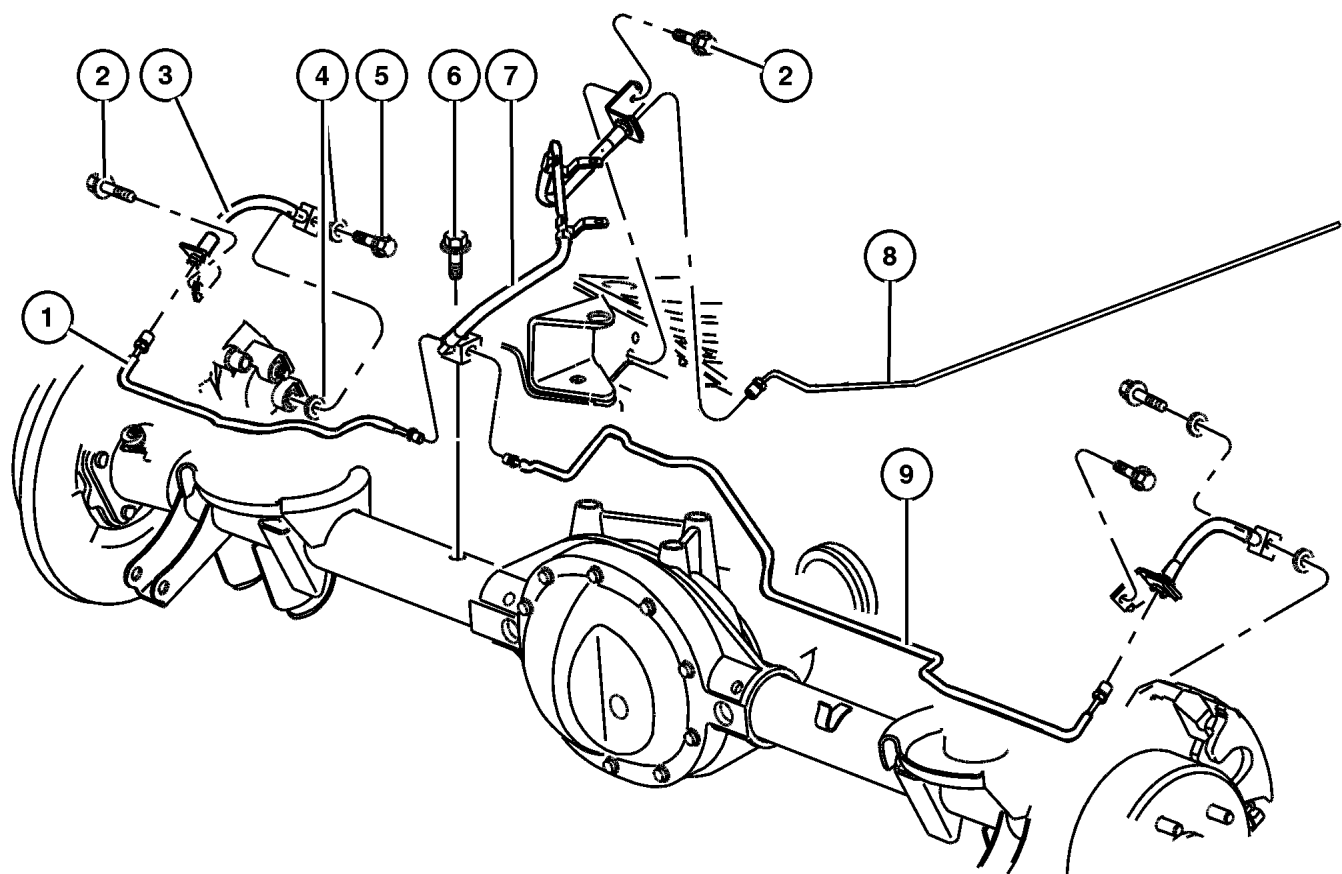
JEEP GRAND CHEROKEE (WJ)

SERIES	LINE	BODY	ENGINE	TRANSMISSION
L = Grand Cherokee	J = 4WD T = 2WD U = 4WD (RHD)	74 = 4 Door (105.9 WB)	ERH,ERO = 4.0L, Power Tech EVA,EVO = 4.7L, Power Tech EXA,EXO = 3.1L 5 cyl Turbo Diesel	DGK = 4 Speed Autm, 42RE DG4 = Multi Speed Auto 45RFE DGW = 4 Speed Autom 44RE DGO = All Automatic

AR = Use as required - = Non illustrated part # = New this model year

September 15, 2005

Brake Lines and Hoses,Rear Figure 005-540



ITEM	PART NUMBER	QTY	LINE	SERIES	BODY	ENGINE	TRANS	TRIM	DESCRIPTION
Note:Sales Codes;									
[DRK]=Dana 44/226MM Rear Axle									
[DRM]=Dans 35C/194MM Rear Axle									
[ER0]=All 4.0L 6 Cylinder Gas Engines									
[EVO]=All 4.7L Gas Engine									
[EX0]=All 3.0/3.01 Turbo Diesel Engines									
1	52009 353AB	1	J, U						TUBE, Brake B Market [DRK], Left C,U Market [DRM,DRK], Left
2	J420 0158	1							BOLT To Spring Seat, Right
		1							To Spring Seat, Left
		1							To Sill, Right or Left
3	5212 8094	1							HOSE, Brake To Caliper, Right
	5212 8095	1							To Caliper, Left
4	J323 7672	8							GASKET, Brake Hose To Caliper, Right or Left
5	J400 6700	4							BOLT, Banjo, Right or Left
6	4137 696	1							SCREW, Brake Tee, .437-20x2.07
7	5212 8096	1							HOSE, Brake, Rear
8	5212 8074	1							TUBE, Brake [ER0,EVO], Chassis
	52128 202AB	1							[EX0], Chassis
9	5200 9336	1							TUBE, Brake [DRK], Right
	5212 8078	1							[DRM], Right
-10	56041 308AA-	1							SENSOR, Wheel Speed Right
	56041 509AA-	1							Left

JEEP GRAND CHEROKEE (WJ)

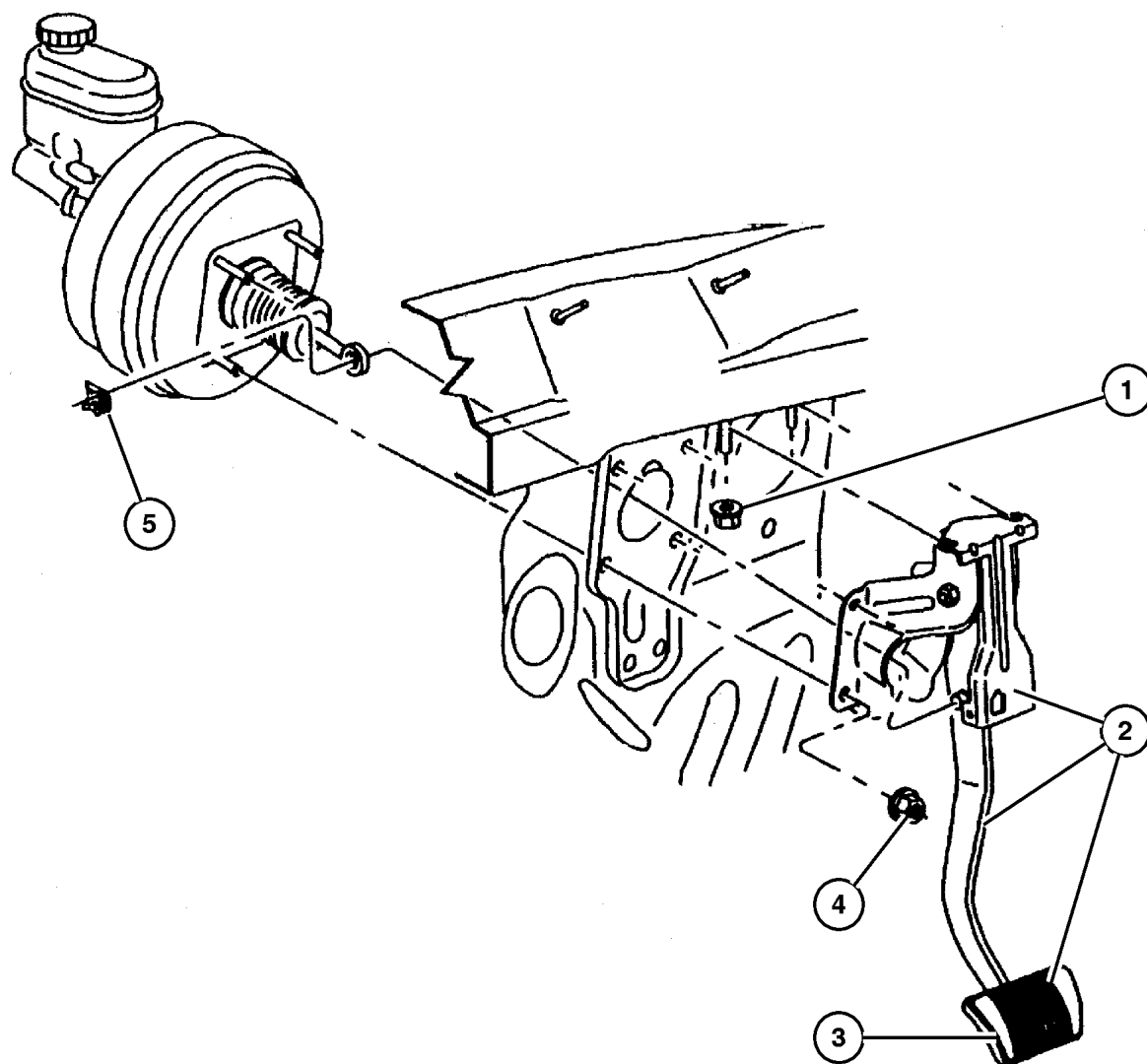
SERIES	LINE	BODY	ENGINE	TRANSMISSION
L = Grand Cherokee	J = 4WD T = 2WD U = 4WD (RHD)	74 = 4 Door (105.9 WB)	ERH,ERO = 4.0L, Power Tech EVA,EVO = 4.7L, Power Tech EXA,EXO = 3.1L 5 cyl Turbo Diesel	DGK = 4 Speed Autm, 42RE DG4 = Multi Speed Auto 45RFE DGW = 4 Speed Autom 44RE DGO = All Automatic

AR = Use as required - = Non illustrated part # = New this model year

September 15, 2005

Brake Pedal & Bracket
Figure 005-610

ITEM	PART NUMBER	QTY	LINE	SERIES	BODY	ENGINE	TRANS	TRIM	DESCRIPTION
1	6100 517	2							NUT, Hex Flange Lock, Pedal Bracket to Dash, Mounting
2	5212 8148	1	J, T						PEDAL, Brake Up To 7-17-98
	52128 148AB	1	J, T						From 7-18-98
	5212 8274	1	U						Up To 8-10-98
	52128 274AB	1	U						From 8-11-98
3	4779 027	1	J, T						PAD, Pedal
	5200 9562	1	U						
4	6100 517	4							NUT, Hex Flange Lock, Booster to Sled, Mounting
5	6035 334	1							CLIP, Brake Push Rod
-6	4671 336	1							SWITCH, Stop Lamp



JEEP GRAND CHEROKEE (WJ)				
SERIES	LINE	BODY	ENGINE	TRANSMISSION
L = Grand Cherokee	J = 4WD T = 2WD U = 4WD (RHD)	74 = 4 Door (105.9 WB)	ERH,ERO = 4.0L, Power Tech EVA,EVO = 4.7L, Power Tech EXA,EXO = 3.1L 5 cyl Turbo Diesel	DGK = 4 Speed Autm, 42RE DG4 = Multi Speed Auto 45RFE DGW = 4 Speed Autom 44RE DGO = All Automatic

AR = Use as required - = Non illustrated part # = New this model year

September 15, 2005

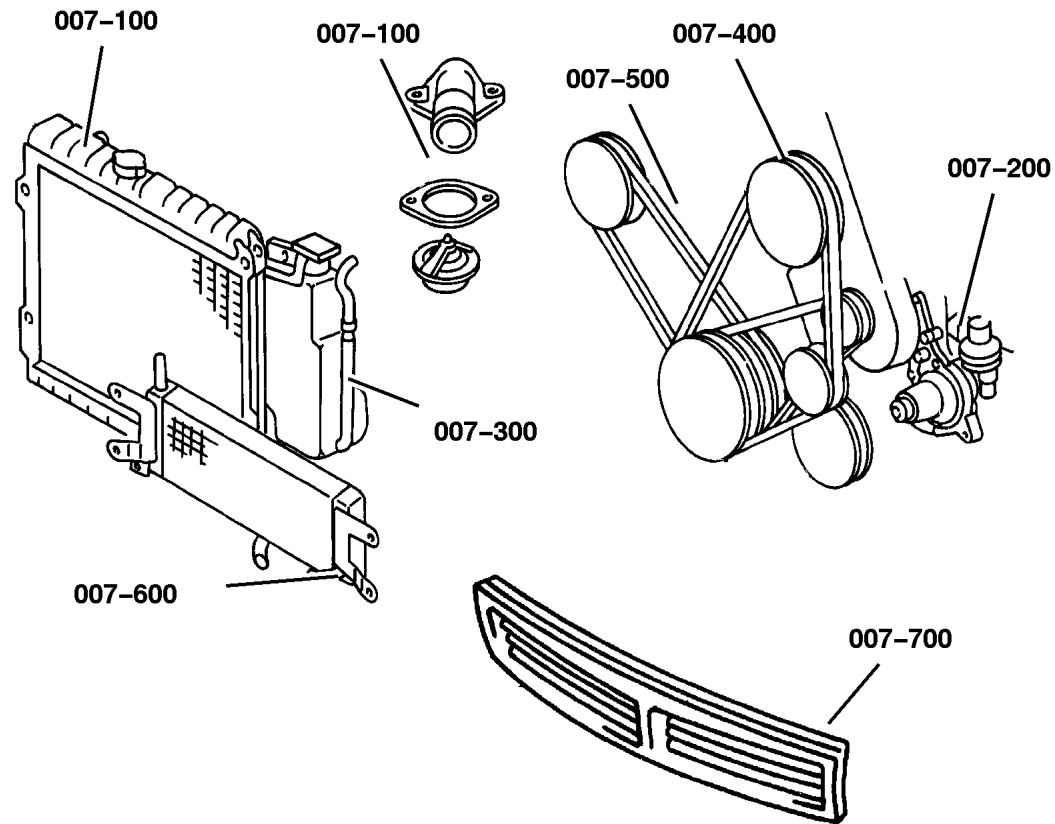
Group – 007

Cooling

GROUP 7 - Cooling

Illustration Title

Group-Fig. No.



Radiator and Related Parts

Radiator and Related Parts 4.0L Engine	Fig. 007-150
Radiator and Related Parts 4.7L Engine	Fig. 007-160
Radiator and Related Parts, 3.1L Diesel Engine	Fig. 007-165
Radiator Upper Support	Fig. 007-170

Water Pump and Related Parts

Water Pump and Related Parts 4.0L Engine	Fig. 007-210
Water Pump and Related Parts 4.7L Engine	Fig. 007-220
Water Pump and Related Parts, 3.1L Diesel Engine	Fig. 007-230

Tank, Coolant Engine

Coolant Tank, 4.0,4.7L Engine	Fig. 007-310
Coolant Tank, 3.1 Diesel Engine	Fig. 007-320

Pulleys and Related Parts

Drive Pulleys 4.0L Engine	Fig. 007-420
Drive Pulleys 4.7L Engine	Fig. 007-430
Drive Pulleys, 3.1L Diesel Engine	Fig. 007-440

Drive Belts

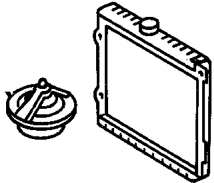
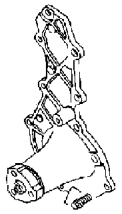
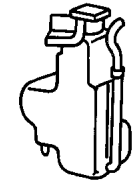
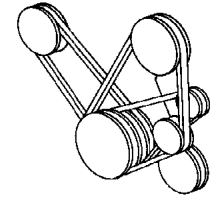
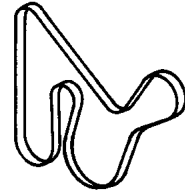
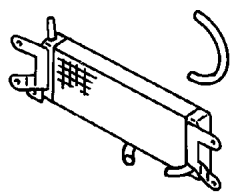
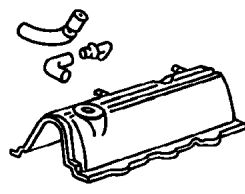
Drive Belts 4.0L and 4.7L Engines	Fig. 007-520
Drive Belts, 3.1L Diesel Engine	Fig. 007-530

Lines, Transmission Oil Cooler

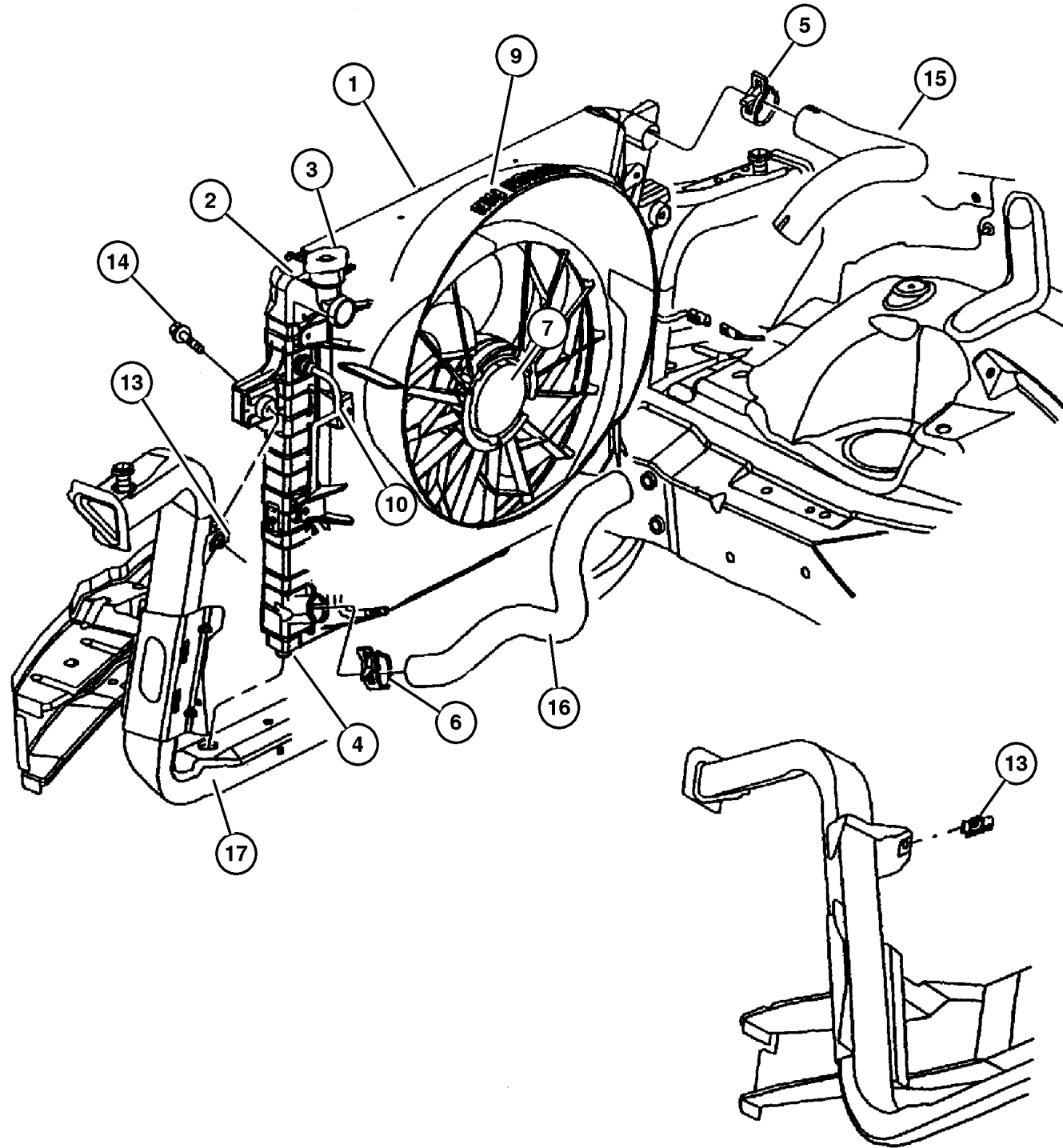
Oil Cooler and Lines 3.1, 4.0L Engines	Fig. 007-610
Oil Cooler and Lines 4.7L Engine	Fig. 007-620

Grilles

Grille and Related Parts	Fig. 007-720
--------------------------------	--------------

<p>007-100 Radiator and Related Parts</p> 	<p>007-200 Water Pump and Related Parts</p> 	<p>007-300 Tank, Coolant Engine</p> 	<p>007-400 Pulleys and Related Parts</p> 
<p>007-500 Drive Belts</p> 	<p>007-600 Lines, Transmission Oil Cooler</p> 	<p>007-700 Grilles</p> 	

Radiator and Related Parts 4.0L Engine Figure 007-150



ITEM	PART NUMBER	QTY	LINE	SERIES	BODY	ENGINE	TRANS	TRIM	DESCRIPTION
Note: Sales Code ER0 = 4.0L Engine									
Note: Sales Code DG0 = All Auto Trans									
1	55115 918AB	1	U			ER0	DG0		CONDENSER, Air Conditioning
		1	J, T			ER0	DG0		
2	52079 428AB	1	J, T			ER0	DG0		RADIATOR, Engine Cooling
		1	U			ER0	DG0		
3	52079 799AA	1	J, T			ER0	DG0		CAP, Radiator
		1	U			ER0	DG0		
4	5207 9418	2	U			ER0	DG0		ISOLATOR, Radiator
		2	J, T			ER0	DG0		Right
	5207 9419	2	U			EVO	DG0		Right
		2	J, T			ER0	DG0		Left
						ER0	DG0		Left
5	52079 632AA	1				ER0	DGK		CLAMP, Oil Cooler Tube
6	52079 632AA	1				ER0	DGK		CLAMP, Oil Cooler Tube
7	5207 9441	1				ER0			FAN, Cooling
	5207 9528	1	J, T			ER0	DG0		Engine Fan
		1	U			ER0	DG0		Electric Module
-8	5207 9443	1				ER0			Electric Module
9	5207 9489	1	J, T			ER0	DG0		VISCOUS CLUTCH, Fan Drive
		1	U			ER0	DG0		SHROUD, Fan
10	52079 432AB	1	J, T			ER0	DG0		TUBE, Oil Cooler
	52079 753AB	1	U			ER0	DG0		Pressure
	52079 432AB	1	U			ER0	DG0		Return
	52079 753AB	1	J, T			ER0	DG0		Pressure
		1	U			ER0	DG0		Return
-11	5207 9430	1	J, T			ER0	DG0		SEAL, Radiator Condenser
		1	U			ER0	DG0		
-12	5511 5922	1	U			ER0	DG0		SEAL, Radiator
		1	J, T			ER0	DG0		Right
13	6505 172AA	2							U-NUT, M6x1.00
14	6102 117AA	4	J, T			ER0	DG0		SCREW AND WASHER, Hex Head, M6x1x20
		4	U			ER0	DG0		

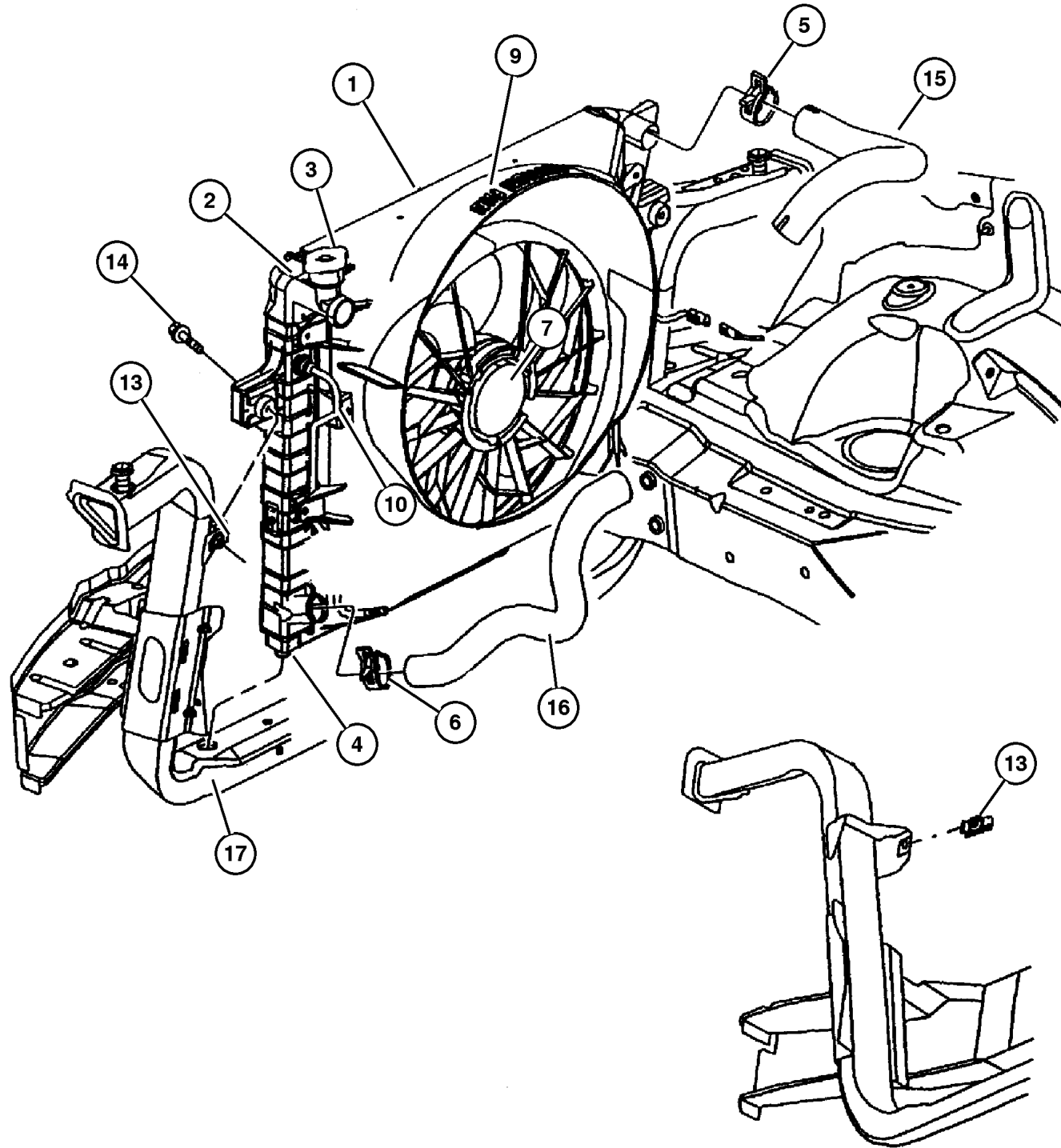
JEEP GRAND CHEROKEE (WJ)

SERIES	LINE	BODY	ENGINE	TRANSMISSION
L = Grand Cherokee	J = 4WD T = 2WD U = 4WD (RHD)	74 = 4 Door (105.9 WB)	ERH,ERO = 4.0L, Power Tech EVA,EVO = 4.7L, Power Tech EXA,EXO = 3.1L 5 cyl Turbo Diesel	DGK = 4 Speed Autm, 42RE DG4 = Multi Speed Auto 45RFE DGW = 4 Speed Autom 44RE DGO = All Automatic

AR = Use as required - = Non illustrated part # = New this model year

September 15, 2005

Radiator and Related Parts 4.0L Engine
Figure 007-150



ITEM	PART NUMBER	QTY	LINE	SERIES	BODY	ENGINE	TRANS	TRIM	DESCRIPTION
15	52079 406AC	1				ER0			HOSE, Radiator Inlet
16	5207 9401	1				ER0			HOSE, Radiator Outlet
17									CROSSMEMBER, Radiator
	5513 5871	1							Left Hand Drive
	5513 5870	1							Right Hand Drive
-18	53020 547AB-	1				ER0			GASKET, Thermostat
-19	5300 6192	1				ER0			HOUSING, Thermostat
-20	5202 8186	1				ER0			THERMOSTAT, 195 Degrees

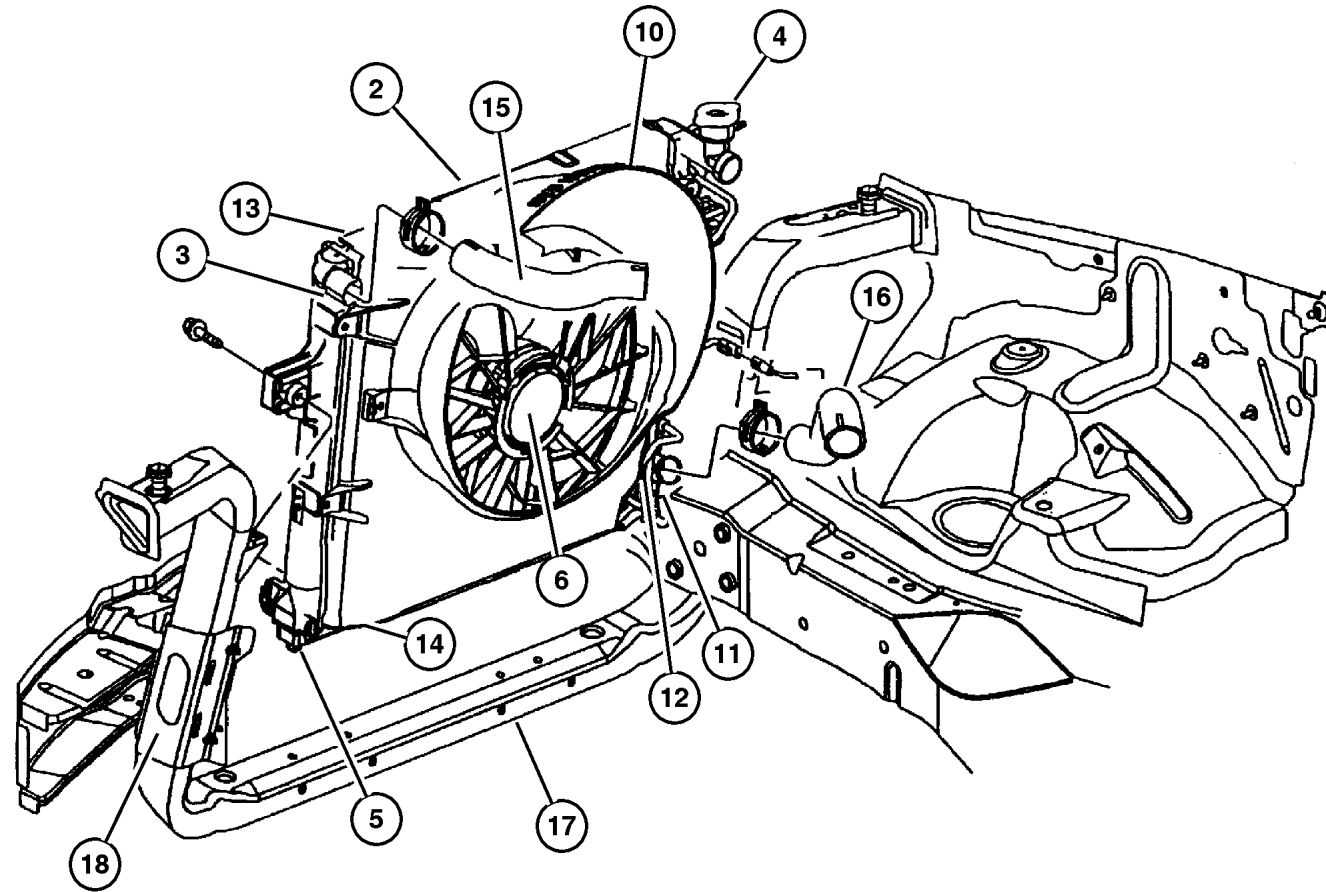
JEEP GRAND CHEROKEE (WJ)

SERIES	LINE	BODY	ENGINE	TRANSMISSION
L = Grand Cherokee	J = 4WD T = 2WD U = 4WD (RHD)	74 = 4 Door (105.9 WB)	ERH,ERO = 4.0L, Power Tech EVA,EVO = 4.7L, Power Tech EXA,EXO = 3.1L 5 cyl Turbo Diesel	DGK = 4 Speed Autm, 42RE DG4 = Multi Speed Auto 45RFE DGW = 4 Speed Autom 44RE DGO = All Automatic

AR = Use as required - = Non illustrated part # = New this model year

September 15, 2005

Radiator and Related Parts 4.7L Engine Figure 007-160



ITEM	PART NUMBER	QTY	LINE	SERIES	BODY	ENGINE	TRANS	TRIM	DESCRIPTION
Note: Sales Code EV0 = 4.7L Engine									
Note: Sales Code DG4 = Multi - Speed Auto Trans.									
-1	5207 9414	1	U			EV0	DG0		COOLER, Auxiliary Oil (Up To 1-6-98)
		1	J, T			EV0	DG0		(Up To 1-6-98)
	52079 414AB-	1	J, T			EV0	DG0		(After 1-6-98)
		1	U			EV0	DG0		(After 1-6-98)
2	55115 918AB	1	J, T			EV0	DG0		CONDENSER, Air Conditioning
		1	U			EV0	DG0		
3	52079 425AB	1	J, T			EV0	DG0		RADIATOR, Engine Cooling
		1	U			EV0	DG0		
4	52079 778AA	1	J, T			EV0	DG0		CAP, Radiator
		1	U			EV0	DG0		
5	5207 9418	2	J, T			EV0	DG0		ISOLATOR, Radiator Lower
		2	U			EV0	DG0		Lower
	5207 9419	2	J, T			EV0	DG0		Upper
		2	U			EV0	DG0		Upper
6	5207 9440	1				EV0			FAN, Cooling Engine Fan
	5207 9528	1	J, T			EV0	DG0		Electric Module
		1	U			EV0	DG0		Electric Module
-7	52079 438AB-	1				EV0			VISCOUS CLUTCH, Fan Drive
-8	52079 632AA-	1				EV0	DG4		CLAMP, Oil Cooler Tube
-9	52079 830AA-	1	U			EV0	DG0		CLAMP, Oil Cooler Tube
		1	J, T			EV0	DG0		
10	5207 9491	1	J, T			EV0	DG0		SHROUD, Fan
		1	U			EV0	DG0		
11	52079 436AB	1	U			EV0	DG0		TUBE, Oil Cooler In-tank cooler to auxillary cooler
		1	J, T			EV0	DG0		In-tank cooler to auxillary cooler
12	52079 433AB	1	U			EV0	DG0		Lower in-tank, Pressure
		1	J, T			EV0	DG0		Lower in-tank, Pressure
	52079 435AB	1	J, T			EV0	DG0		Auxillary cooler return, Return
		1	U			EV0	DG0		Auxillary cooler return, Return
13									SEAL, Radiator Condenser

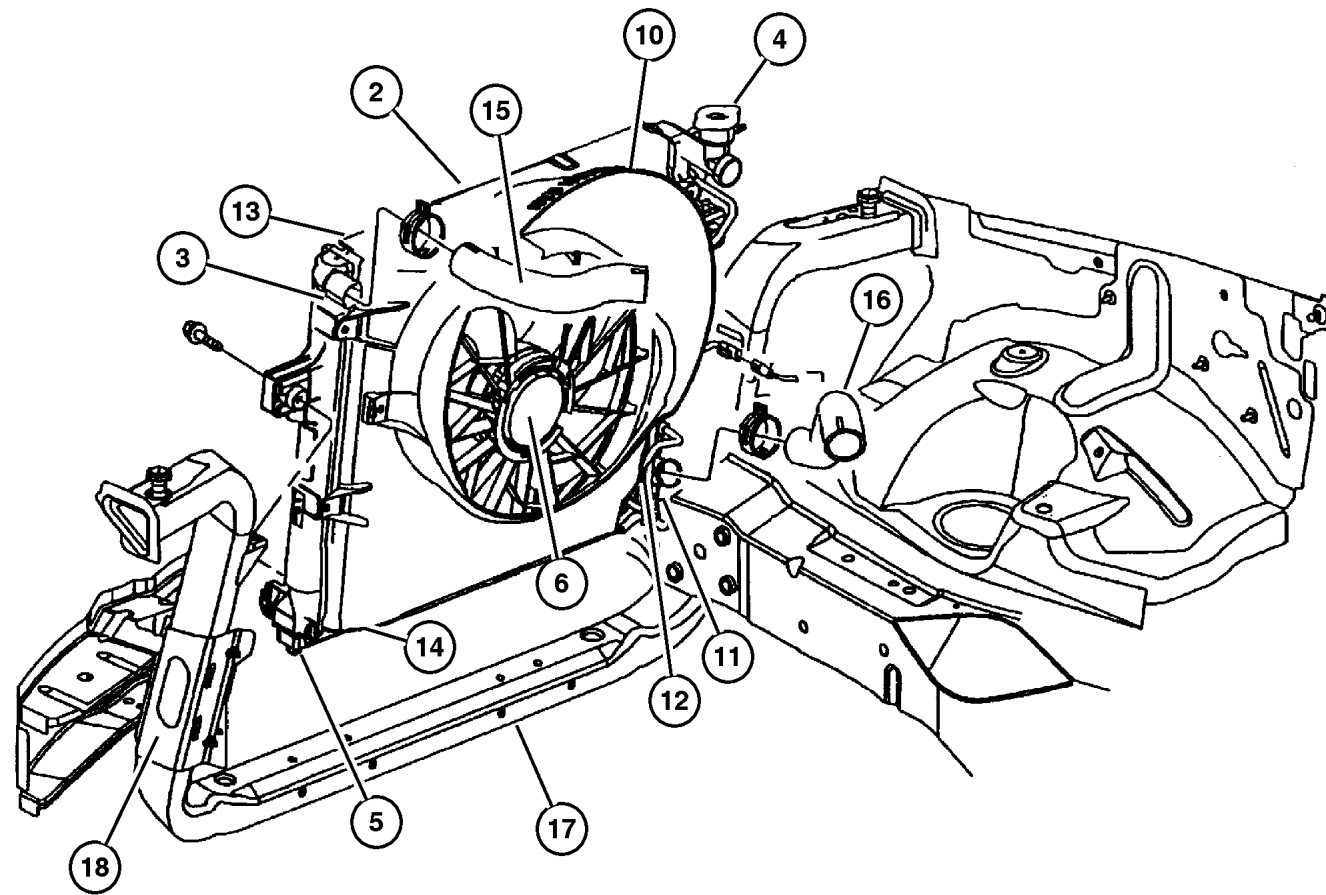
JEEP GRAND CHEROKEE (WJ)

SERIES	LINE	BODY	ENGINE	TRANSMISSION
L = Grand Cherokee	J = 4WD T = 2WD U = 4WD (RHD)	74 = 4 Door (105.9 WB)	ERH,ERO = 4.0L, Power Tech EVA,EVO = 4.7L, Power Tech EXA,EXO = 3.1L 5 cyl Turbo Diesel	DGK = 4 Speed Autm, 42RE DG4 = Multi Speed Auto 45RFE DGW = 4 Speed Autom 44RE DGO = All Automatic

AR = Use as required - = Non illustrated part # = New this model year

September 15, 2005

Radiator and Related Parts 4.7L Engine Figure 007-160



ITEM	PART NUMBER	QTY	LINE	SERIES	BODY	ENGINE	TRANS	TRIM	DESCRIPTION
	5207 9430	2	J, T			EVO	DG0		
		1	U			EVO	DG0		
14	52079 831AA	1	J, T			EVO	DG0		SEAL, Radiator Left
	55115 920AB	1	J, T			EVO	DG0		Right
		1	U			EVO	DG0		Right
15	5207 9407	1				EVO			HOSE, Radiator Inlet
16									HOSE, Radiator Outlet
	5207 9403	1	U			EVO			
	5207 9409	1	J, T			EVO			
17	5513 5870	1							CROSSMEMBER, Radiator
18									BRACKET, Radiator
	5513 6170	1							Right
	5513 6171	1							Left

JEEP GRAND CHEROKEE (WJ)

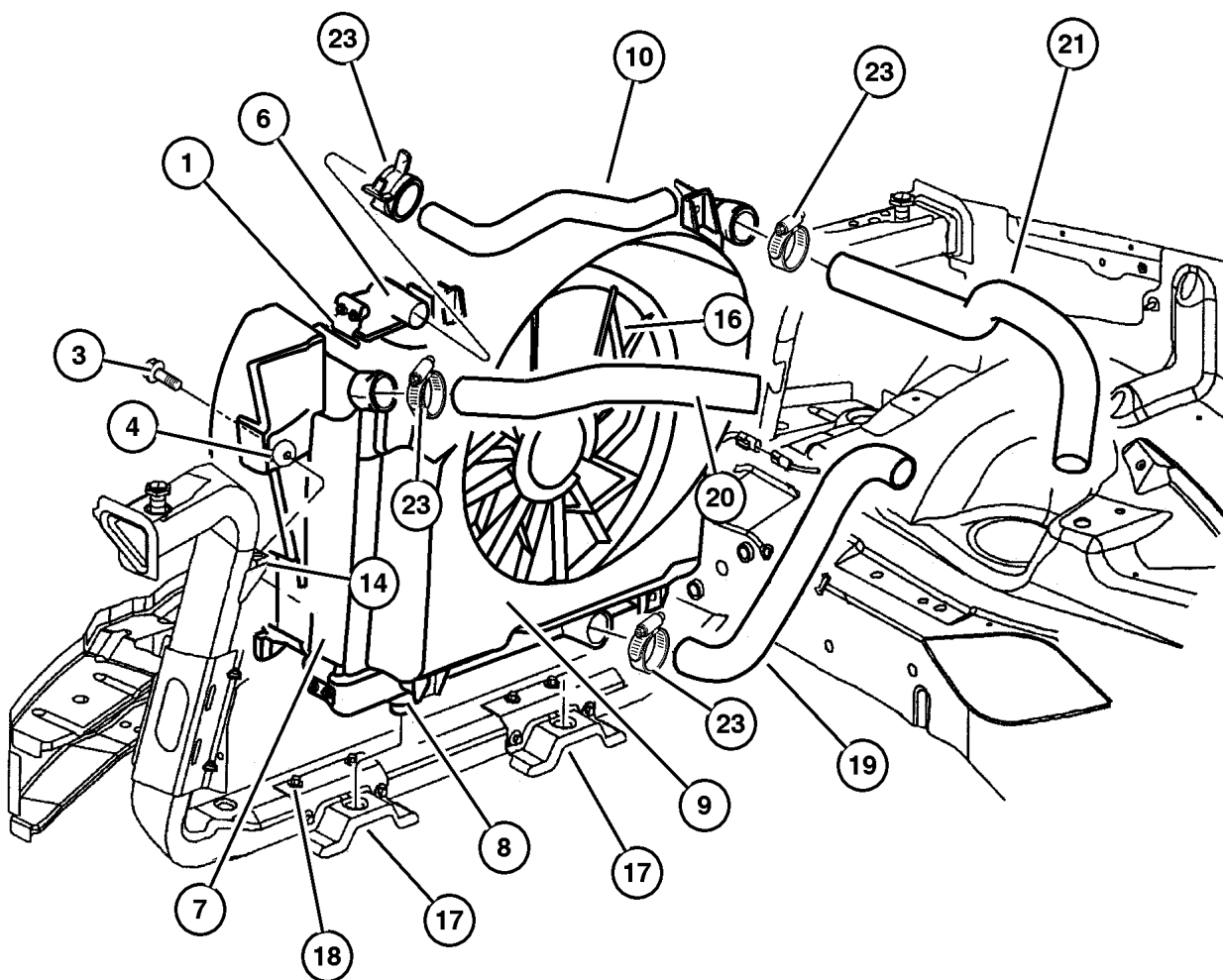
SERIES	LINE	BODY	ENGINE	TRANSMISSION
L = Grand Cherokee	J = 4WD T = 2WD U = 4WD (RHD)	74 = 4 Door (105.9 WB)	ERH,ERO = 4.0L, Power Tech EVA,EVO = 4.7L, Power Tech EXA,EXO = 3.1L 5 cyl Turbo Diesel	DGK = 4 Speed Autm, 42RE DG4 = Multi Speed Auto 45RFE DGW = 4 Speed Autom 44RE DGO = All Automatic

AR = Use as required - = Non illustrated part # = New this model year

September 15, 2005

Radiator and Related Parts, 3.1L Diesel Engine Figure 007-165

ITEM	PART NUMBER	QTY	LINE	SERIES	BODY	ENGINE	TRANS	TRIM	DESCRIPTION
Note: Sales Code EX0 = 3.1L Engine									
Note: Sales Code DG0 = All Auto Trans									
1	55115 918AB	1	J, T			EX0			CONDENSER, Air Conditioning
-2	53054 593AA-	2	J, T			EX0			ISOLATOR, A/C Condenser
3	6504 851AA	2	J, T			EX0			SCREW AND WASHER, Hex Head, M6x1x25
4	4546 552	2	J, T			EX0			U-NUT, Module
-5	52079 499AB-	1	J, T			EX0			COOLER, Charge Air
6	52079 498AB	1	J, T			EX0			RADIATOR, Engine Cooling
7									SEAL, Radiator
	52079 568AB	1	J, T			EX0			Right
	52079 569AB	1	J, T			EX0			Left
8									ISOLATOR, Radiator
	5207 9419	2	U			ER0	DG0		Upper
	5207 9536	2	J, T			EX0			Lower
9	5207 9508	1	J, T			EX0			SHROUD, Fan
10	5207 9502	1				EX0			HOSE, Radiator Inlet
-11	4683 645	1				EX0			SLEEVE, Braided
-12	52079 632AA-	1				EX0			CLAMP, Oil Cooler Tube
-13	6102 117AA-	4	J, T			EX0			SCREW AND WASHER, Hex Head, M6x1x20
14	6505 172AA	4	J, T			EX0			U-NUT, M6x1.00
-15	5207 9544	1	J, T			EX0			LABEL, Belt Routing
16	5207 9555	1	J, T			EX0			FAN, Cooling
17									BRACKET, Radiator
	5207 9564	1				EX0			Right
	52079 617AA	1				EX0			Left
18									SCREW, M6x1.00x55.00, (NOT SERVICED) (Not Serviced)
19	5207 9503	1				EX0			HOSE, Radiator Outlet
20	5207 9501	1				EX0			HOSE, Charge Air Cooler
21	5207 9500	1				EX0			HOSE, Charge Air Cooler
-22	6034 860	4				EVO,			BOLT AND WASHER, Implement Attaching
23	6033 135	1				EX0			CLAMP
-24	5207 9506	1				EX0			FAN, Cooling
-25	5207 9507	1				EX0			VISCOUS CLUTCH, Fan Drive



JEEP GRAND CHEROKEE (WJ)

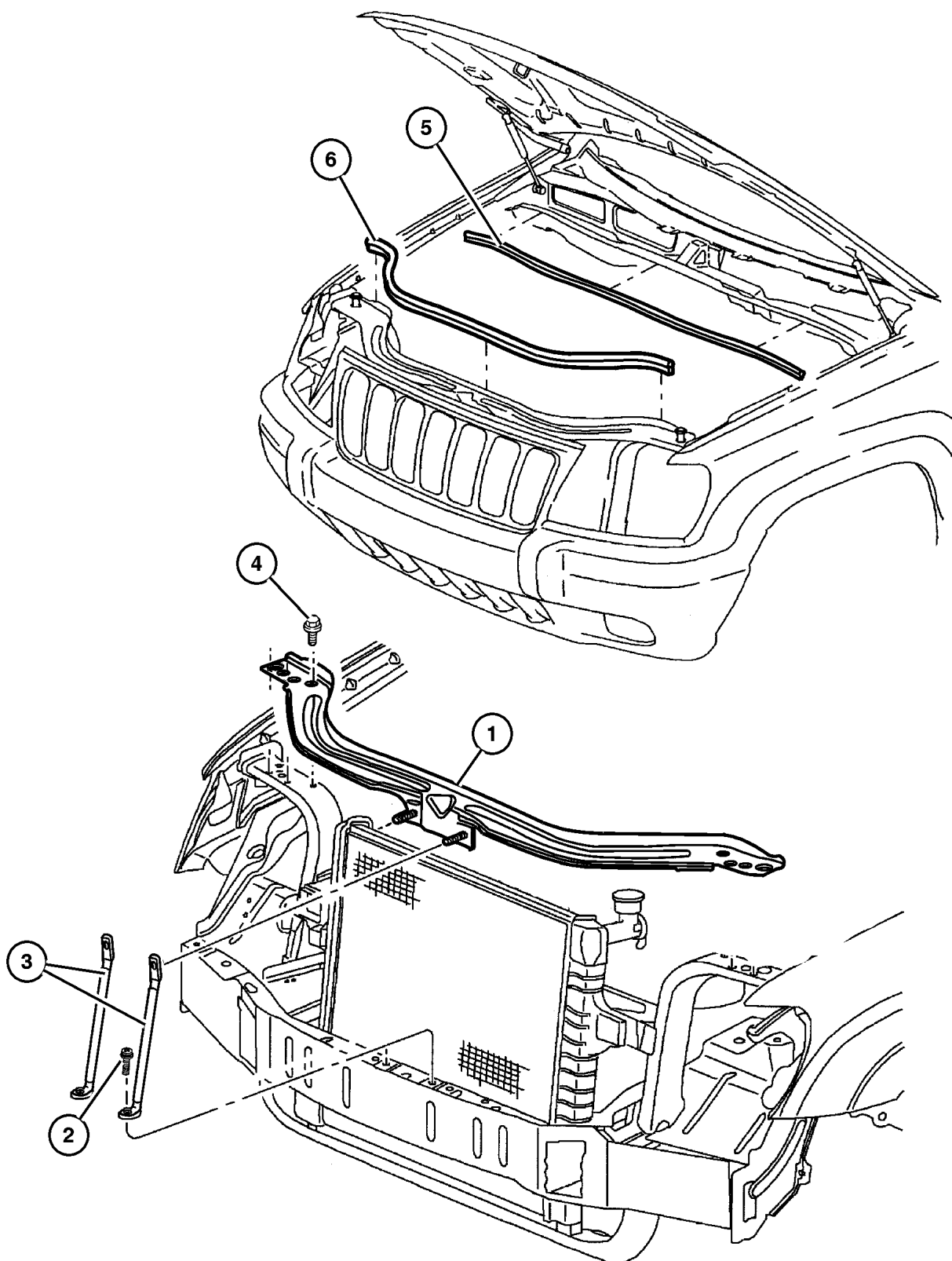
SERIES	LINE	BODY	ENGINE	TRANSMISSION
L = Grand Cherokee	J = 4WD T = 2WD U = 4WD (RHD)	74 = 4 Door (105.9 WB)	ERH,ERO = 4.0L, Power Tech EVA,EVO = 4.7L, Power Tech EXA,EXO = 3.1L 5 cyl Turbo Diesel	DGK = 4 Speed Autm, 42RE DG4 = Multi Speed Auto 45RFE DGW = 4 Speed Autom 44RE DGO = All Automatic

AR = Use as required - = Non illustrated part # = New this model year

September 15, 2005

Radiator Upper Support Figure 007-170

ITEM	PART NUMBER	QTY	LINE	SERIES	BODY	ENGINE	TRANS	TRIM	DESCRIPTION
1	5207 9416	1							CROSSMEMBER, Radiator
2	6503 267	2							SCREW, Round Head, M6x1x25
3	5513 6273	2							BRACE, Radiator Crossmember
4	6503 371	4							SCREW, M8x1.25x20
5	55135 392AB	1							SEAL, Hood To Plenum
6	55135 398AB	1							SEAL, Hood



JEEP GRAND CHEROKEE (WJ)

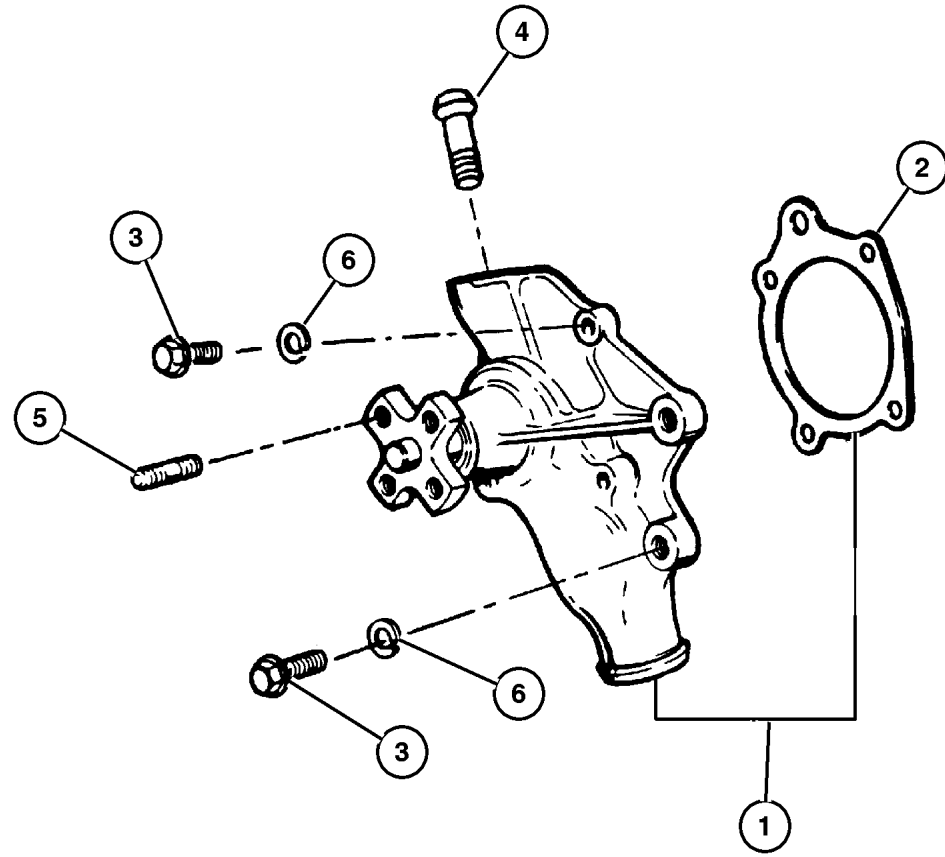
SERIES	LINE	BODY	ENGINE	TRANSMISSION
L = Grand Cherokee	J = 4WD T = 2WD U = 4WD (RHD)	74 = 4 Door (105.9 WB)	ERH,ERO = 4.0L, Power Tech EVA,EVO = 4.7L, Power Tech EXA,EXO = 3.1L 5 cyl Turbo Diesel	DGK = 4 Speed Autm, 42RE DG4 = Multi Speed Auto 45RFE DGW = 4 Speed Autom 44RE DGO = All Automatic

AR = Use as required - = Non illustrated part # = New this model year

September 15, 2005

Water Pump and Related Parts 4.0L Engine
Figure 007-210

ITEM	PART NUMBER	QTY	LINE	SERIES	BODY	ENGINE	TRANS	TRIM	DESCRIPTION
Note: Sales Code ER0 = 4.0L Engine									
1	5012 366AA	1				ER0			PUMP PACKAGE, Water
2	5301 0419	1				ER0			GASKET, Water Pump
3									SCREW AND WASHER, Hex Head, .312-18x1.75, (NOT SERVICED) (Not Serviced)
4	5300 7978	1				ER0			TUBE, Water Pump Heater Return
5									STUD, .312-18/.312-24x1.250, (NOT SERVICED) (Not Serviced)
6	4798 118	1	J, U			ER0			WASHER

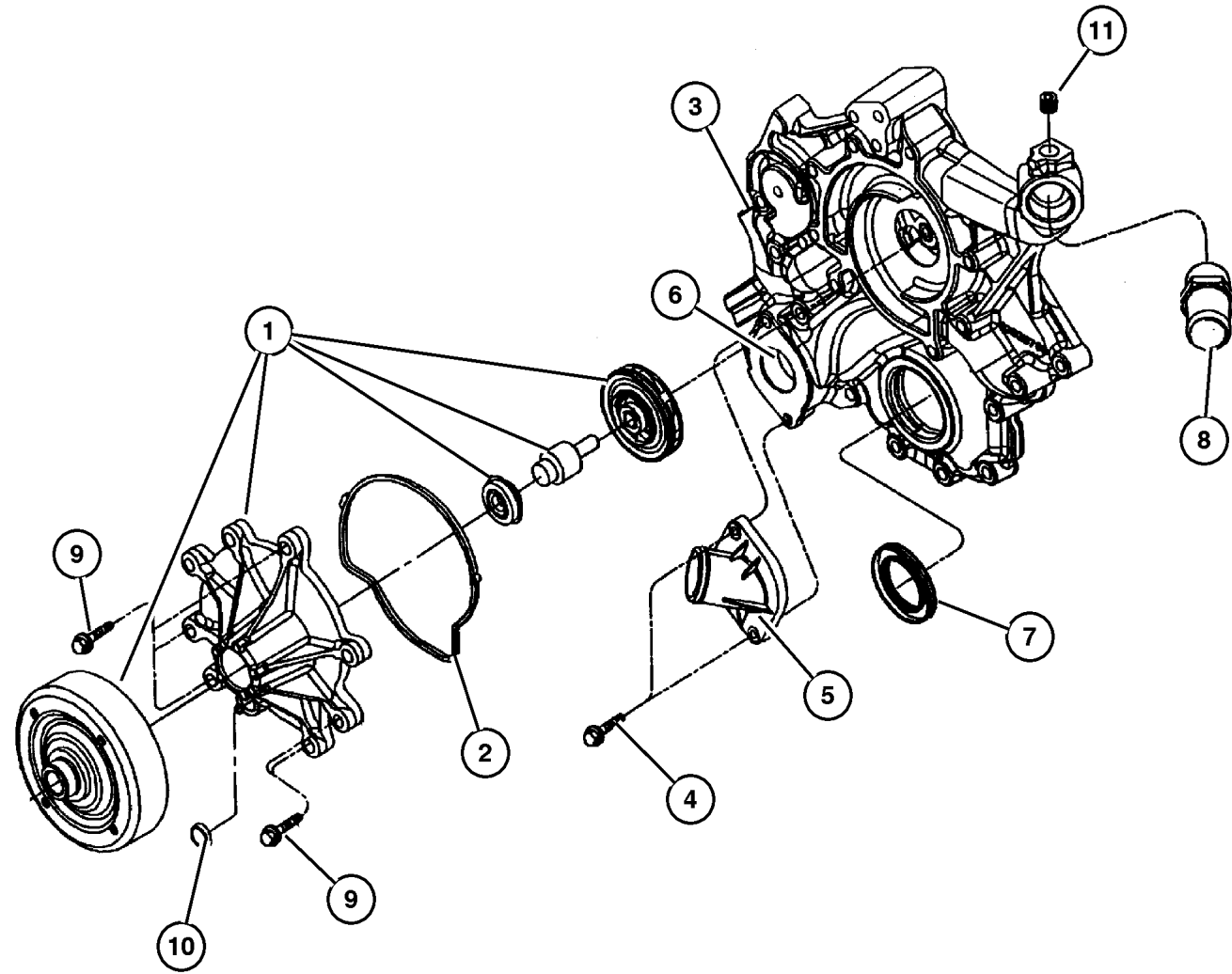


JEEP GRAND CHEROKEE (WJ)				
SERIES	LINE	BODY	ENGINE	TRANSMISSION
L = Grand Cherokee	J = 4WD T = 2WD U = 4WD (RHD)	74 = 4 Door (105.9 WB)	ERH,ER0 = 4.0L, Power Tech EVA,EVO = 4.7L, Power Tech EXA,EXO = 3.1L 5 cyl Turbo Diesel	DGK = 4 Speed Autm, 42RE DG4 = Multi Speed Auto 45RFE DGW = 4 Speed Autom 44RE DGO = All Automatic

AR = Use as required - = Non illustrated part # = New this model year

September 15, 2005

**Water Pump and Related Parts 4.7L Engine
Figure 007-220**



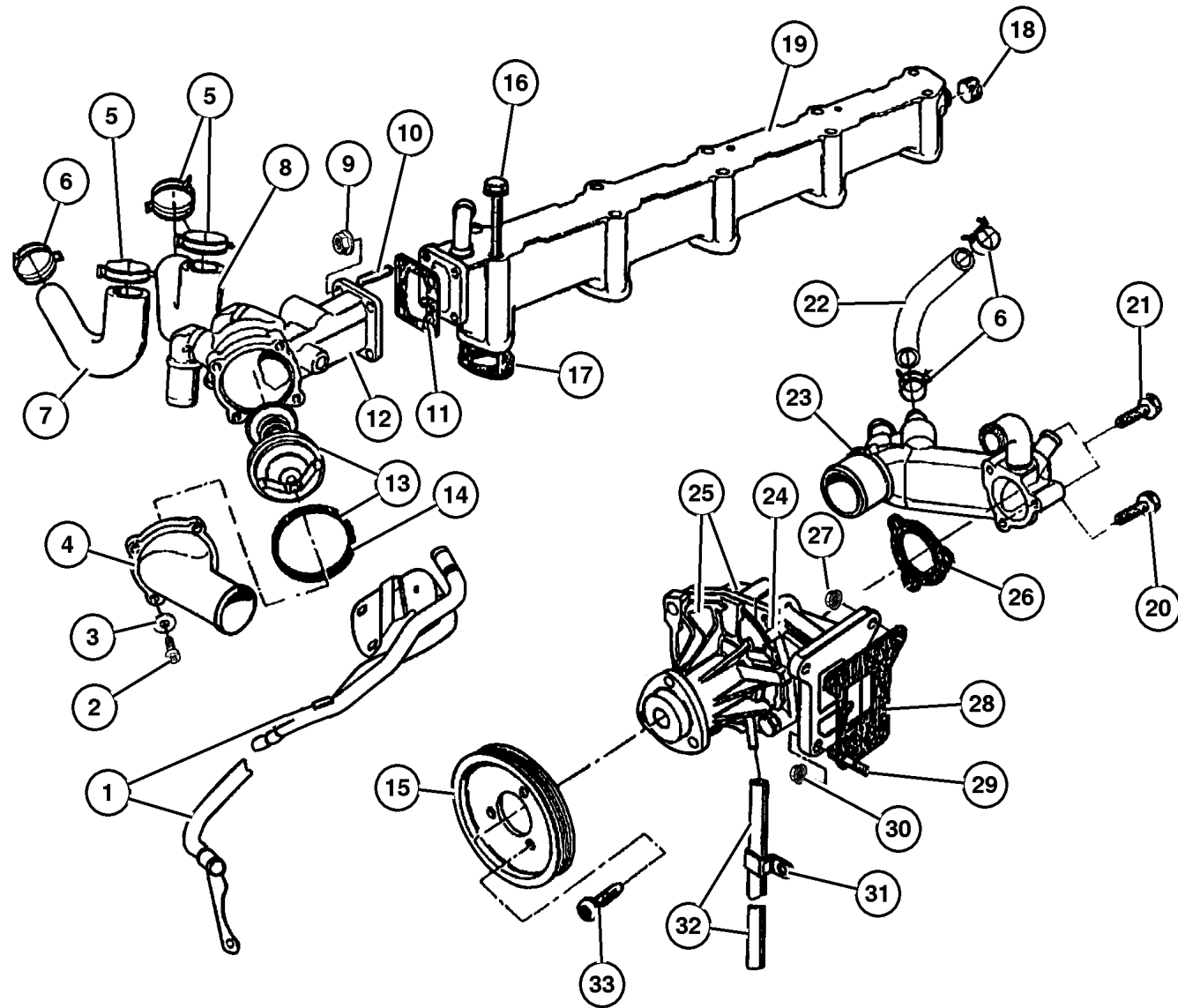
ITEM	PART NUMBER	QTY	LINE	SERIES	BODY	ENGINE	TRANS	TRIM	DESCRIPTION
Note: Sales Code EVO = 4.7L Engine									
1	53020 873AB	1				EVO			PUMP, Water
2	5302 0865	1				EVO			GASKET, Water Pump
3	6035 854	2				EVO			FITTING, Y-Style
4	6505 502AA	2				EVO			SCREW
5	53020 887AB	1				EVO			HOUSING, Thermostat
6	52079 476AB	1				EVO			THERMOSTAT, with Seal
7	5302 0790	1				EVO			SEAL, Crankshaft Oil, Front
8	6035 961AA	1				EVO			PIPE FITTING, Chain Case Cover, .375-18x2
9									SCREW, M6x1x25, (NOT SERVICED) (Not Serviced)
10									PLUG, (NOT SERVICED) (Not Serviced)
11									PLUG, (NOT SERVICED) (Not Serviced)

JEEP GRAND CHEROKEE (WJ)				
SERIES	LINE	BODY	ENGINE	TRANSMISSION
L = Grand Cherokee	J = 4WD T = 2WD U = 4WD (RHD)	74 = 4 Door (105.9 WB)	ERH,ERO = 4.0L, Power Tech EVA,EVO = 4.7L, Power Tech EXA,EXO = 3.1L 5 cyl Turbo Diesel	DGK = 4 Speed Autm, 42RE DG4 = Multi Speed Auto 45RFE DGW = 4 Speed Autom 44RE DGO = All Automatic

AR = Use as required - = Non illustrated part # = New this model year

September 15, 2005

Water Pump and Related Parts, 3.1L Diesel Engine Figure 007-230



ITEM	PART NUMBER	QTY	LINE	SERIES	BODY	ENGINE	TRANS	TRIM	DESCRIPTION
Note: Sales Code EX0 = 3.1L Engine									
Note: Sales Code DG0 = All Auto Trans									
1	5015 054AA	1				EX0	DG0		TUBE, Heater
2	4720 658	4				EX0	DG0		SCREW, Intake Manifold Elbow
3	4723 204	4				EX0	DG0		WASHER, Implement Attaching
4	4778 976	1				EX0	DG0		COVER, Thermostat Housing
5	4886 050AA	3				EX0	DG0		CLAMP, Heater Hose
6	4883 924AA	2				EX0	DG0		CLAMP, Heater Hose
7	4883 431AA	1				EX0	DG0		HOSE, Heater Feed
8	4778 977	1				EX0	DG0		HOSE, Water Pump Bypass
9	4778 936	4				EX0	DG0		NUT, Suction Pipe Attaching
10	4797 764	4				EX0	DG0		STUD, M6x14
11	4778 971	1				EX0	DG0		GASKET, Thermostat
12	4778 974AB	1				EX0	DG0		HOUSING, Thermostat
13	4778 975	1				EX0	DG0		THERMOSTAT
14	4797 803	1				EX0	DG0		GASKET, Thermostat
15	4864 567	1				EX0	DG0		PULLEY, Water Pump
16	5003 571AA	10				EX0	DG0		SCREW, Hex Head
17	4720 450	5				EX0	DG0		GASKET, Water Manifold
18	4864 753	1				EX0	DG0		PLUG
19	5015 033AA	1				EX0	DG0		MANIFOLD, Water
20	5003 556AA	1				EX0	DG0		BOLT
21	5003 555AA	2				EX0	DG0		BOLT
22	5015 055AA	1				EX0	DG0		HOSE, Heater
23	4864 576	1				EX0	DG0		ADAPTER, Water Pump
24	4723 198	1				EX0	DG0		O RING, Water Pump
25	4864 566AB	1				EX0	DG0		PUMP, Water
26	4864 575	1				EX0	DG0		GASKET, Water Pump
27	4720 699	1				EX0	DG0		NUT, Hex Lock, M8
28	4720 451	1				EX0	DG0		GASKET, Water Pump
29	4720 550	4				EX0	DG0		STUD, Water Pump To Block
30	4778 961	3				EX0	DG0		NUT
31	4720 446	1				EX0	DG0		CLIP, Drain Pipe
32	4720 438	1				EX0	DG0		PIPE, Water Pump Drain
33	4864 559	3				EX0	DG0		SCREW

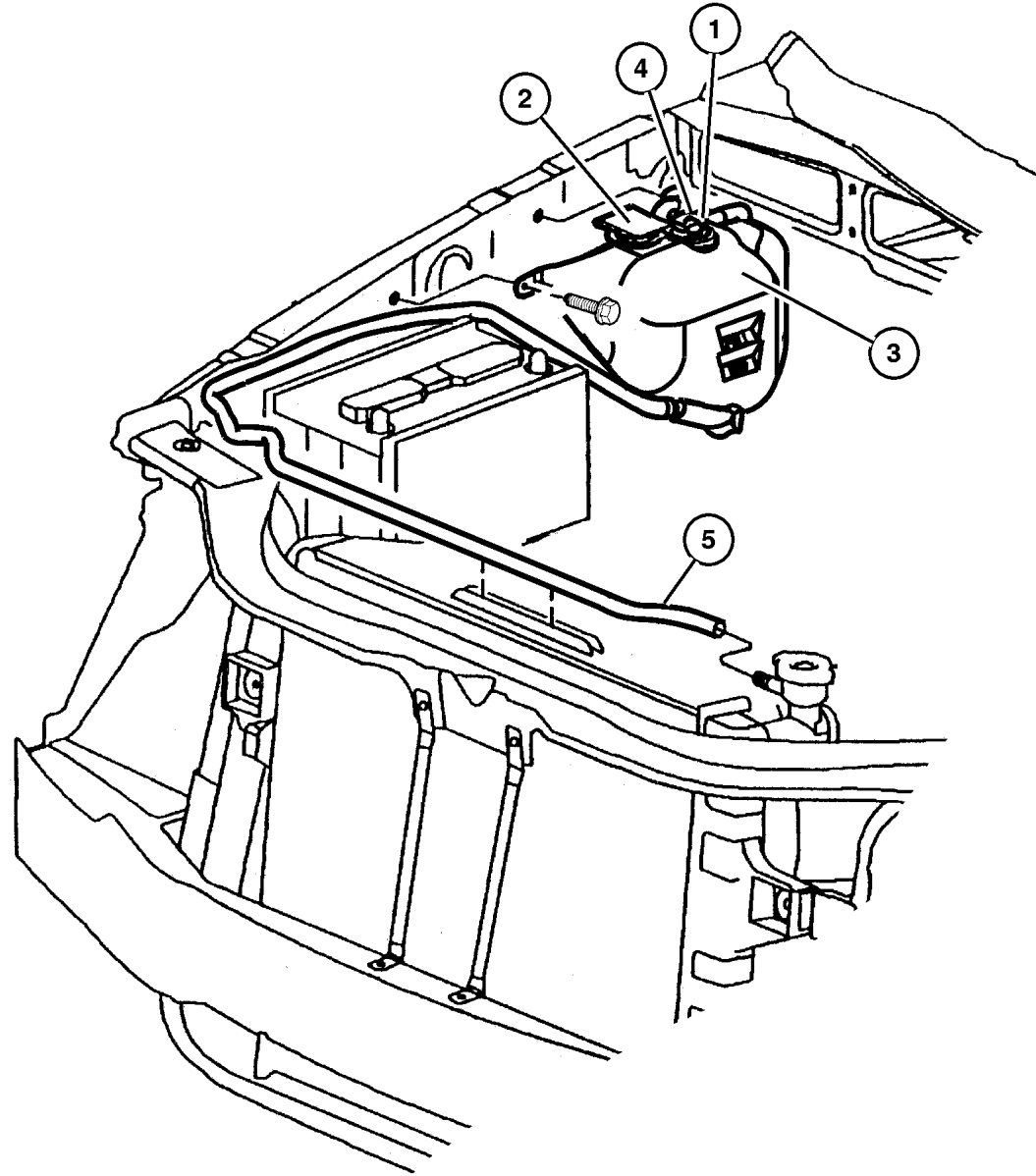
JEEP GRAND CHEROKEE (WJ)

SERIES	LINE	BODY	ENGINE	TRANSMISSION
L = Grand Cherokee	J = 4WD T = 2WD U = 4WD (RHD)	74 = 4 Door (105.9 WB)	ERH,ERO = 4.0L, Power Tech EVA,EVO = 4.7L, Power Tech EXA,EXO = 3.1L 5 cyl Turbo Diesel	DGK = 4 Speed Autm, 42RE DG4 = Multi Speed Auto 45RFE DGW = 4 Speed Autom 44RE DGO = All Automatic

AR = Use as required - = Non illustrated part # = New this model year

September 15, 2005

**Coolant Tank, 4.0,4.7L Engine
Figure 007-310**



ITEM	PART NUMBER	QTY	LINE	SERIES	BODY	ENGINE	TRANS	TRIM	DESCRIPTION
------	-------------	-----	------	--------	------	--------	-------	------	-------------

Note: Sales Code ER0 = 4.0L Engine

Note: Sales Code EV0 = 4.7L Engine

1	5202 8254	1				ER0 EV0			GROMMET Sensor Mtg
2	5207 9331	1				ER0 EV0			CAP, Coolant Reserve Tank
3	5207 9461	1				ER0 EV0			BOTTLE, Coolant Recovery
4	5207 9468	1				ER0 EV0			SENSOR, Coolant Level
5	4026 148	1				ER0			HOSE, Coolant Reserve Tank

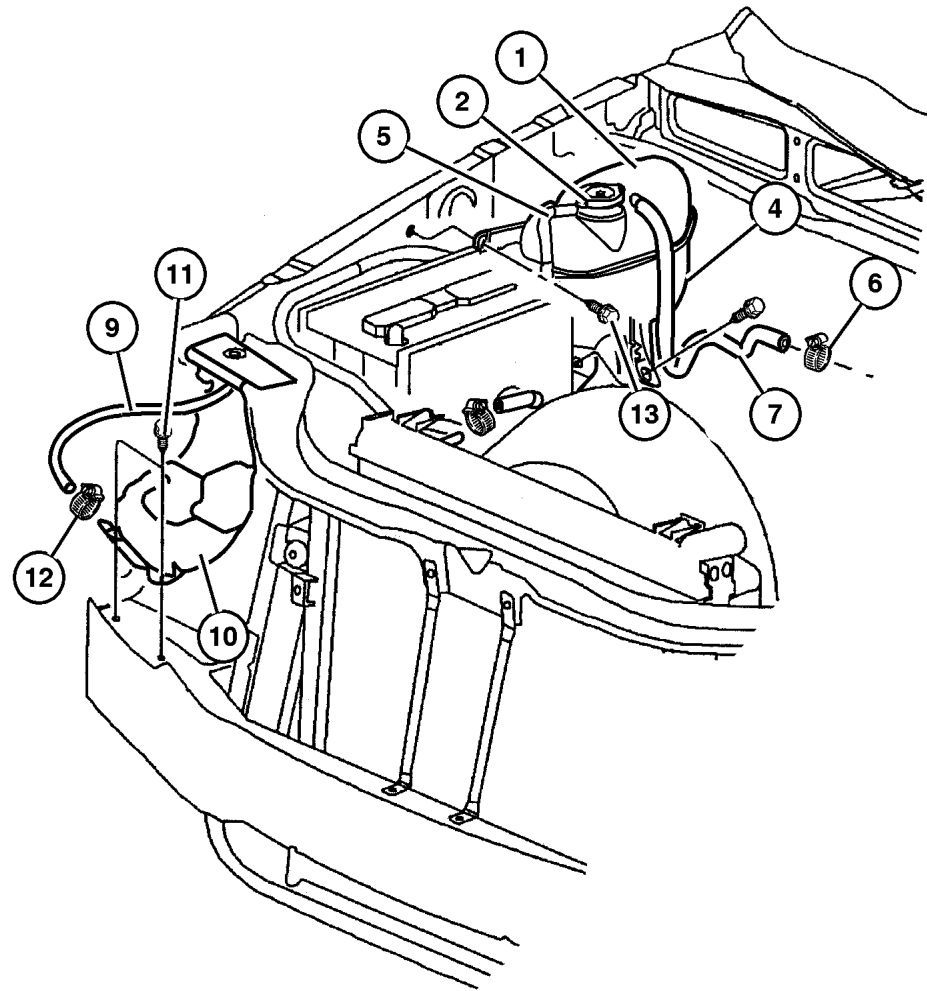
JEEP GRAND CHEROKEE (WJ)

SERIES	LINE	BODY	ENGINE	TRANSMISSION
L = Grand Cherokee	J = 4WD T = 2WD U = 4WD (RHD)	74 = 4 Door (105.9 WB)	ERH,ERO = 4.0L, Power Tech EVA,EVO = 4.7L, Power Tech EXA,EXO = 3.1L 5 cyl Turbo Diesel	DGK = 4 Speed Autm, 42RE DG4 = Multi Speed Auto 45RFE DGW = 4 Speed Autom 44RE DGO = All Automatic

AR = Use as required - = Non illustrated part # = New this model year

September 15, 2005

**Coolant Tank, 3.1 Diesel Engine
Figure 007-320**



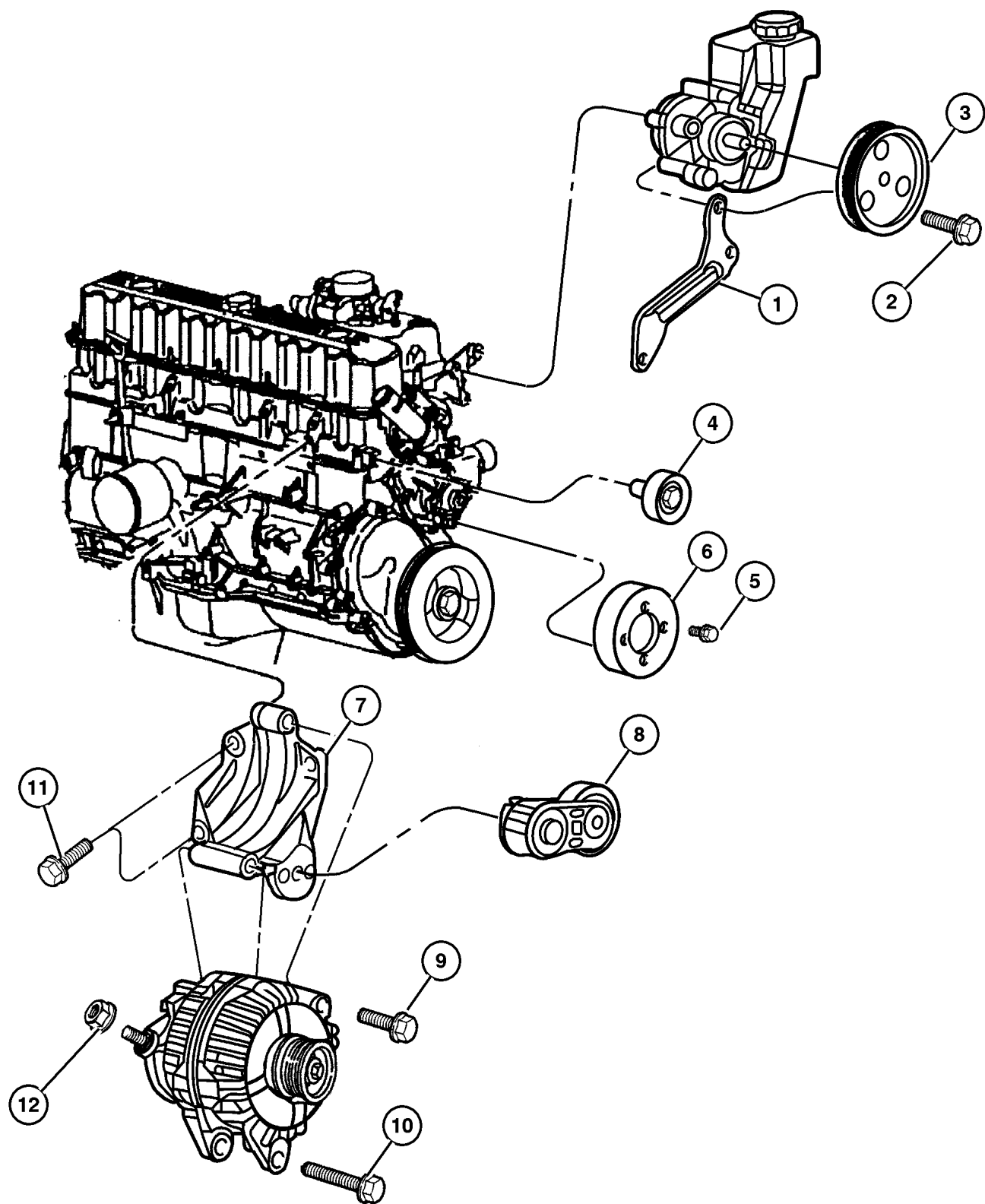
ITEM	PART NUMBER	QTY	LINE	SERIES	BODY	ENGINE	TRANS	TRIM	DESCRIPTION
Note: Sales Code EX0 = 3.1L Engine									
1	52079 505AB	1				EX0			BOTTLE, Degasser
2	4596 198	1				EX0			CAP, Pressurized Coolant
-3	5202 8399	1				EX0			LABEL, Coolant Warning
4	52079 881AA	1				EX0			SENSOR, Coolant Level
5	5207 9571	1				EX0			HOSE, Coolant Recovery Bottle
6	6502 018	2				EX0			CLAMP, Hose, M28.9 x 1.60
7	4443 176	1				EX0			HOSE, Fuel, .31 I.D. 50 Foot Roll
-8	52079 632AA-	1				EX0			CLAMP, Oil Cooler Tube
9	4266 423	1				EX0			HOSE, Overflow, Roll Stock
10	52079 798AB	1				EX0			BOTTLE, Coolant Recovery
11	6035 511	2				EX0			SCREW, Hex Head
12	6502 081	1				EX0			CLAMP, Oil Cooler Line
13									SCREW, Tapping, M8x1.25x16.00, (NOT SERVICED) (Not Serviced)

JEEP GRAND CHEROKEE (WJ)				
SERIES	LINE	BODY	ENGINE	TRANSMISSION
L = Grand Cherokee	J = 4WD T = 2WD U = 4WD (RHD)	74 = 4 Door (105.9 WB)	ERH,ERO = 4.0L, Power Tech EVA,EVO = 4.7L, Power Tech EXA,EXO = 3.1L 5 cyl Turbo Diesel	DGK = 4 Speed Autm, 42RE DG4 = Multi Speed Auto 45RFE DGW = 4 Speed Autom 44RE DGO = All Automatic

AR = Use as required - = Non illustrated part # = New this model year

September 15, 2005

Drive Pulleys 4.0L Engine
Figure 007-420



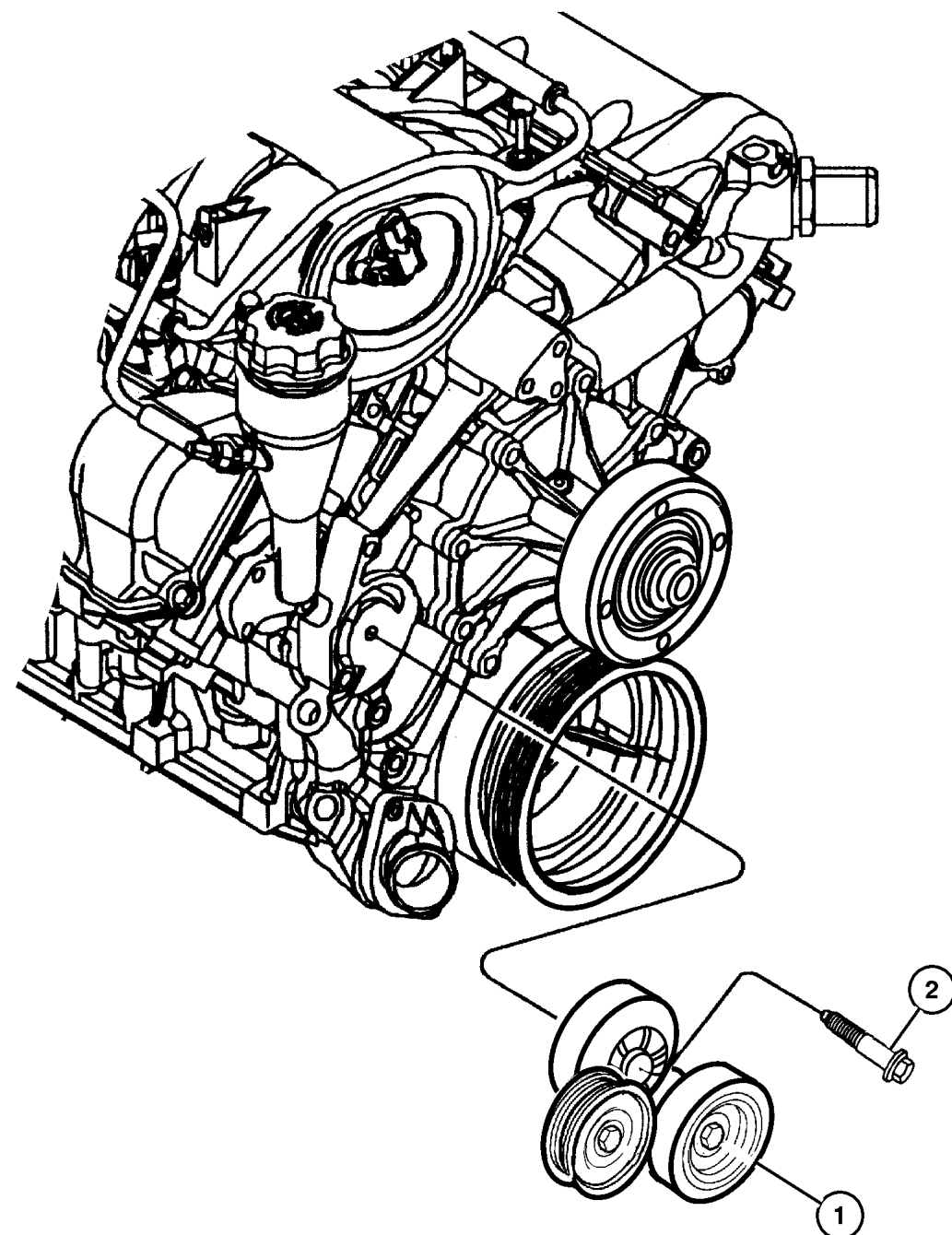
ITEM	PART NUMBER	QTY	LINE	SERIES	BODY	ENGINE	TRANS	TRIM	DESCRIPTION
Note: Sales Code ERO = 4.0L Engine									
1	4854 157	1				ERO			BRACE, Power Steering Pump
2	6502 425	3				ERO			SCREW AND WASHER, Hex Head, M8x1.25x95
3	53010 258AB	1				ERO, EVO			PULLEY, Power Steering Pump
4	4854 092	1				ERO			PULLEY, Idler
5	6034 860	4				ERO			BOLT AND WASHER, Implement Attaching
6	4854 032	1				ERO			PULLEY, Water Pump
7	4854 026	1				ERO			BRACKET, Alternator
8	4854 089	1				ERO			TENSIONER, Alternator Belt
9	6505 488AA	1				ERO			SCREW AND WASHER, Hex
10	6504 344	1				ERO			SCREW AND WASHER, Hex Head
11	0154 854AA	4				ERO			SCREW AND WASHER, Hex
12	6502 691	1				ERO, EVO			NUT, Hex Flange Lock, M6x1

JEEP GRAND CHEROKEE (WJ)				
SERIES	LINE	BODY	ENGINE	TRANSMISSION
L = Grand Cherokee	J = 4WD T = 2WD U = 4WD (RHD)	74 = 4 Door (105.9 WB)	ERH,ERO = 4.0L, Power Tech EVA,EVO = 4.7L, Power Tech EXA,EXO = 3.1L 5 cyl Turbo Diesel	DGK = 4 Speed Autm, 42RE DG4 = Multi Speed Auto 45RFE DGW = 4 Speed Autom 44RE DGO = All Automatic

AR = Use as required - = Non illustrated part # = New this model year

September 15, 2005

Drive Pulleys 4.7L Engine
Figure 007-430



ITEM	PART NUMBER	QTY	LINE	SERIES	BODY	ENGINE	TRANS	TRIM	DESCRIPTION
------	-------------	-----	------	--------	------	--------	-------	------	-------------

Note: Sales Code EVO = 4.7L Engine

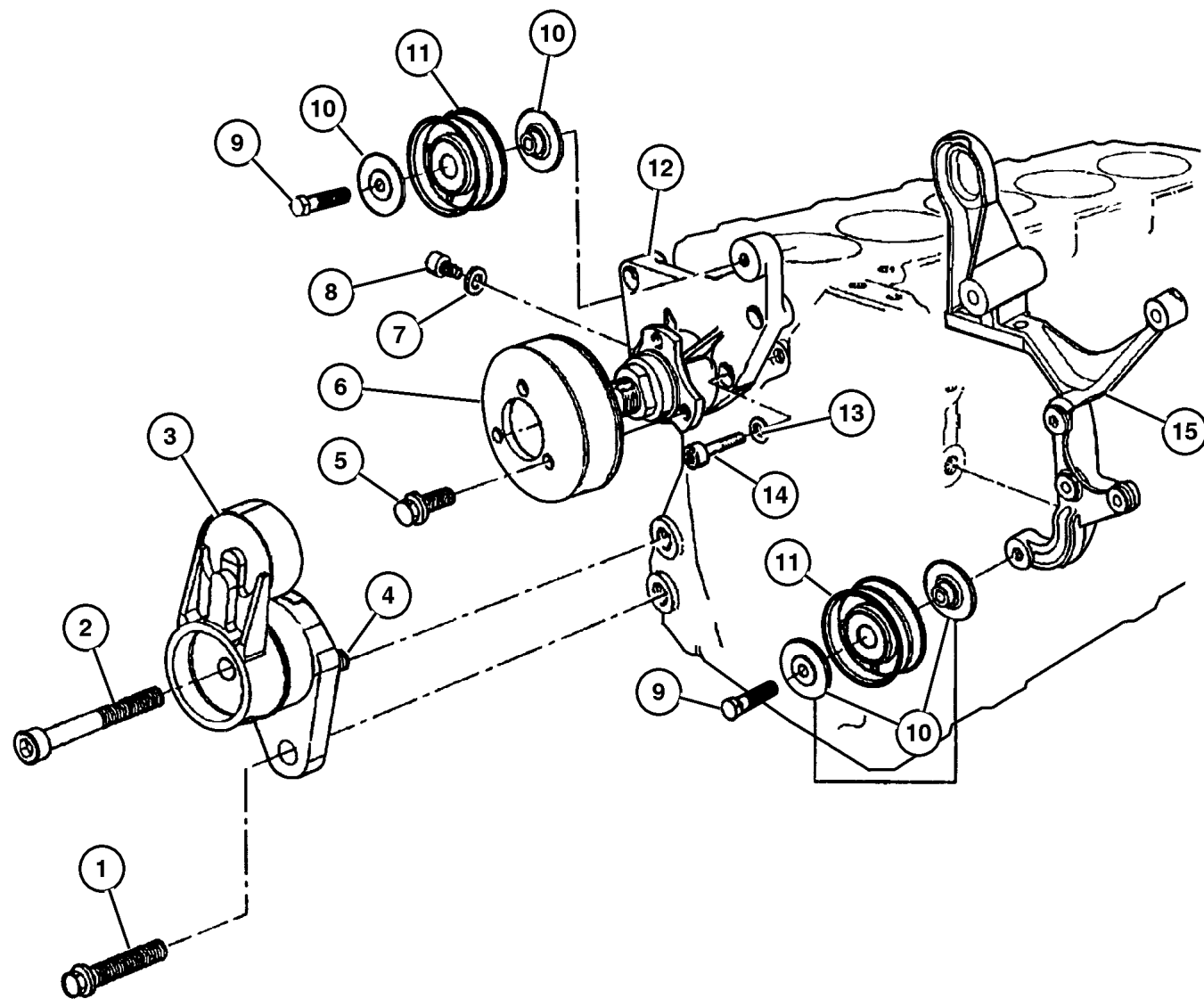
1	5303 0958	1				EVO			TENSIONER, Alternator Belt
2	6504 930AA	1				EVO			SCREW AND WASHER, Hex Head, M10x1.5x70

JEEP GRAND CHEROKEE (WJ)				
SERIES	LINE	BODY	ENGINE	TRANSMISSION
L = Grand Cherokee	J = 4WD T = 2WD U = 4WD (RHD)	74 = 4 Door (105.9 WB)	ERH,ERO = 4.0L, Power Tech EVA,EVO = 4.7L, Power Tech EXA,EXO = 3.1L 5 cyl Turbo Diesel	DGK = 4 Speed Autm, 42RE DG4 = Multi Speed Auto 45RFE DGW = 4 Speed Autom 44RE DGO = All Automatic

AR = Use as required - = Non illustrated part # = New this model year

September 15, 2005

Drive Pulleys, 3.1L Diesel Engine
Figure 007-440



ITEM	PART NUMBER	QTY	LINE	SERIES	BODY	ENGINE	TRANS	TRIM	DESCRIPTION
Note: Sales Code EX0 = 3.1L Engine									
1	5003 536AA	1				EX0	DG0		BOLT, Belt Tensioner
2	4886 053AA	1				EX0	DG0		BOLT, Belt Tensioner
3	4897 159AB	1				EX0	DG0		TENSIONER, Belt
4	4883 528AA	1				EX0	DG0		BOLT, Adaptor Plate
5	5003 554AA	3				EX0	DG0		SCREW
6	4883 491AA	1				EX0	DG0		PULLEY, Fan
7	4723 200	1				EX0	DG0		WASHER, Flat
8	4796 030	1				EX0	DG0		SCREW, Fan Bearing
9	4797 773	2				EX0	DG0		BOLT, Left Hand Thread, M10x50
10	5015 071AA	4				EX0	DG0		FLANGE, Accessory Drive
11	4796 016	2				EX0	DG0		PULLEY, Idler
12	5003 566AA	1				EX0	DG0		BRACKET, Fan
13	4720 688	4				EX0	DG0		WASHER, Flat
14	4797 768	4				EX0	DG0		BOLT, Vacuum Pump Bracket, M10x35
15	5015 072AA	1				EX0	DG0		BRACKET, Alternator

JEEP GRAND CHEROKEE (WJ)

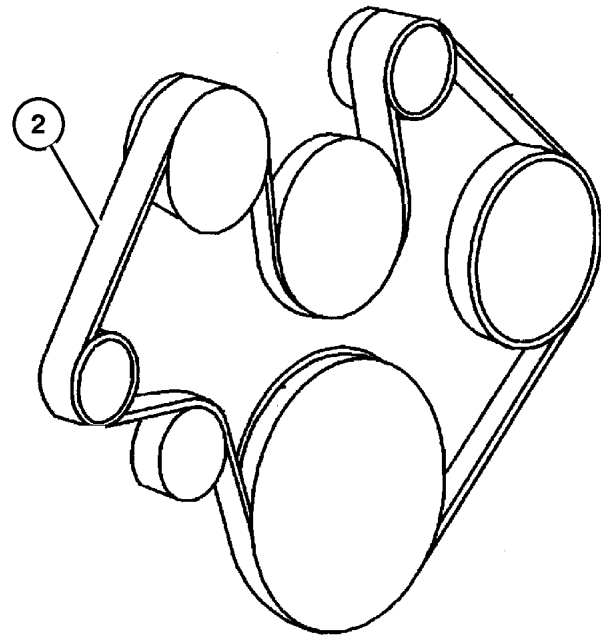
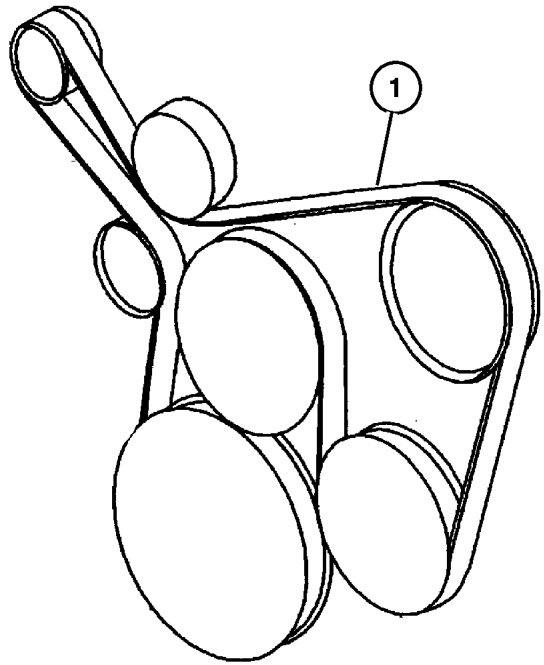
SERIES	LINE	BODY	ENGINE	TRANSMISSION
L = Grand Cherokee	J = 4WD T = 2WD U = 4WD (RHD)	74 = 4 Door (105.9 WB)	ERH,ERO = 4.0L, Power Tech EVA,EVO = 4.7L, Power Tech EXA,EXO = 3.1L 5 cyl Turbo Diesel	DGK = 4 Speed Autm, 42RE DG4 = Multi Speed Auto 45RFE DGW = 4 Speed Autom 44RE DGO = All Automatic

AR = Use as required - = Non illustrated part # = New this model year

September 15, 2005

**Drive Belts 4.0L and 4.7L Engines
Figure 007-520**

ITEM	PART NUMBER	QTY	LINE	SERIES	BODY	ENGINE	TRANS	TRIM	DESCRIPTION
Note: Sales Code ER0 = 4.0L Engine									
Note: Sales Code EV0 = 4.7L Engine									
1	4854 033	1				ER0			BELT, Accessory Drive
2	53032 037AC	1				EV0			BELT, Accessory Drive
-3									LABEL, Belt Routing
	5303 0960	1	U			EV0	DG0		
		1	J, T			EV0	DG0		
	53031 700AA-	1	J, T			ER0	DG0		
		1	U			ER0	DG0		



JEEP GRAND CHEROKEE (WJ)				
SERIES	LINE	BODY	ENGINE	TRANSMISSION
L = Grand Cherokee	J = 4WD T = 2WD U = 4WD (RHD)	74 = 4 Door (105.9 WB)	ERH,ER0 = 4.0L, Power Tech EVA,EVO = 4.7L, Power Tech EXA,EXO = 3.1L 5 cyl Turbo Diesel	DGK = 4 Speed Autm, 42RE DG4 = Multi Speed Auto 45RFE DGW = 4 Speed Autom 44RE DGO = All Automatic

AR = Use as required - = Non illustrated part # = New this model year

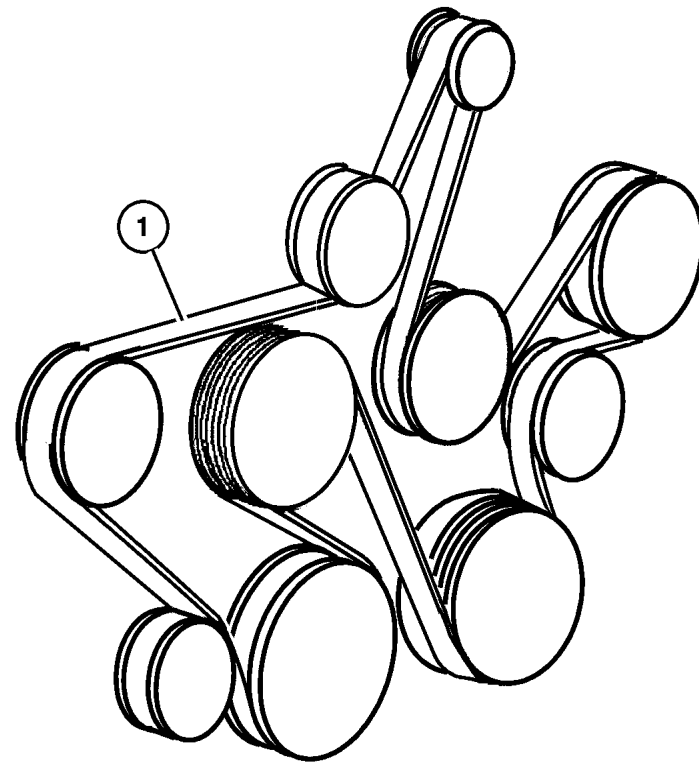
September 15, 2005

Drive Belts, 3.1L Diesel Engine
Figure 007-530

ITEM	PART NUMBER	QTY	LINE	SERIES	BODY	ENGINE	TRANS	TRIM	DESCRIPTION
------	-------------	-----	------	--------	------	--------	-------	------	-------------

Note: Sales Code EX0 = 3.1L Engine

1	5015 068AA	1				EX0	DG0		BELT, Alternator
---	------------	---	--	--	--	-----	-----	--	------------------

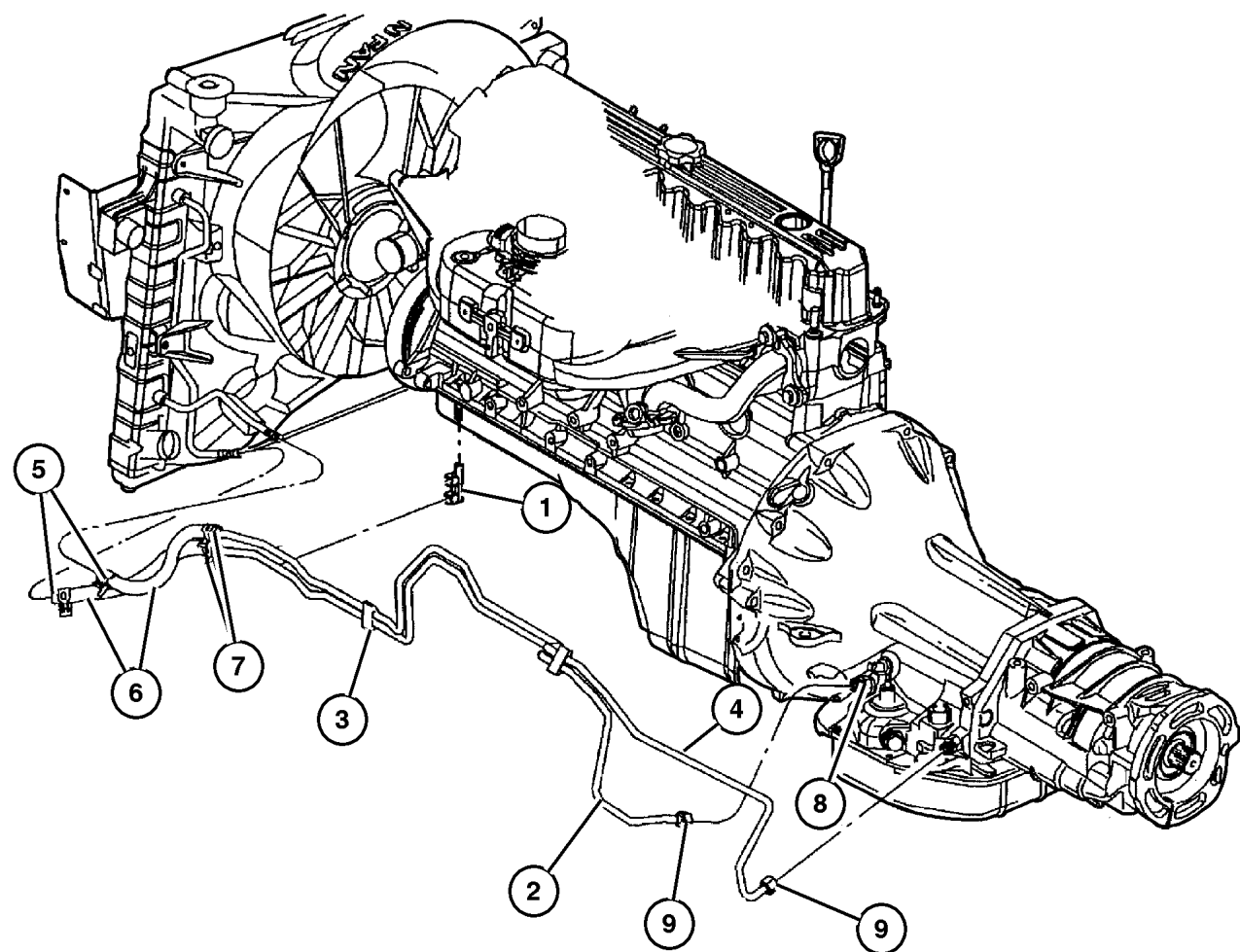


JEEP GRAND CHEROKEE (WJ)				
SERIES	LINE	BODY	ENGINE	TRANSMISSION
L = Grand Cherokee	J = 4WD T = 2WD U = 4WD (RHD)	74 = 4 Door (105.9 WB)	ERH,ERO = 4.0L, Power Tech EVA,EVO = 4.7L, Power Tech EXA,EXO = 3.1L 5 cyl Turbo Diesel	DGK = 4 Speed Autm, 42RE DG4 = Multi Speed Auto 45RFE DGW = 4 Speed Autom 44RE DGO = All Automatic

AR = Use as required - = Non illustrated part # = New this model year

September 15, 2005

Oil Cooler and Lines 3.1, 4.0L Engines Figure 007-610



ITEM	PART NUMBER	QTY	LINE	SERIES	BODY	ENGINE	TRANS	TRIM	DESCRIPTION
Note: Sales Code EX0 = 3.1 L Engine									
Note: Sales Code ER0 = 4.0L Engine									
Note: Sales Code DGW = 44RE, Auto Trans									
Note: Sales Code DGK = 42RE, Auto Trans									
1									BRACKET, Transmission Oil Cooler
	52079 894AA	1					DGW		
	5211 8067	3				ER0			
2									TUBE, Oil Cooler
	5207 9369	1				ER0	DGK		
	52079 623AB	1				EX0	DGW		
3									CLIP, Power Steering Hose
	4815 987AA	3				EX0	DGW		
		2				ER0	DGK		
4									TUBE, Oil Cooler
	52079 665AB	1				EX0	DGW		
	52079 782AB	1				ER0	DGK		
5									CLAMP, Oil Cooler Tube
	52079 631AA	1				ER0	DGK		
		2	J, T			EX0			
6									HOSE, Oil Cooler
	4026 139	1				ER0	DGK		
	53054 592AA	1	J, T			EX0			
7									CLAMP, Oil Cooler Tube
	52079 632AA	1				ER0	DGK		
	52079 631AA	2	J, T			EX0			
8									VALVE, Oil Cooler Pressure
	52028 463AB	1				ER0	DGK		
		1				EX0	DGW		
9									NUT, .625-18
	6035 503	3				ER0	DGK		
		5				EX0	DGW		

JEEP GRAND CHEROKEE (WJ)

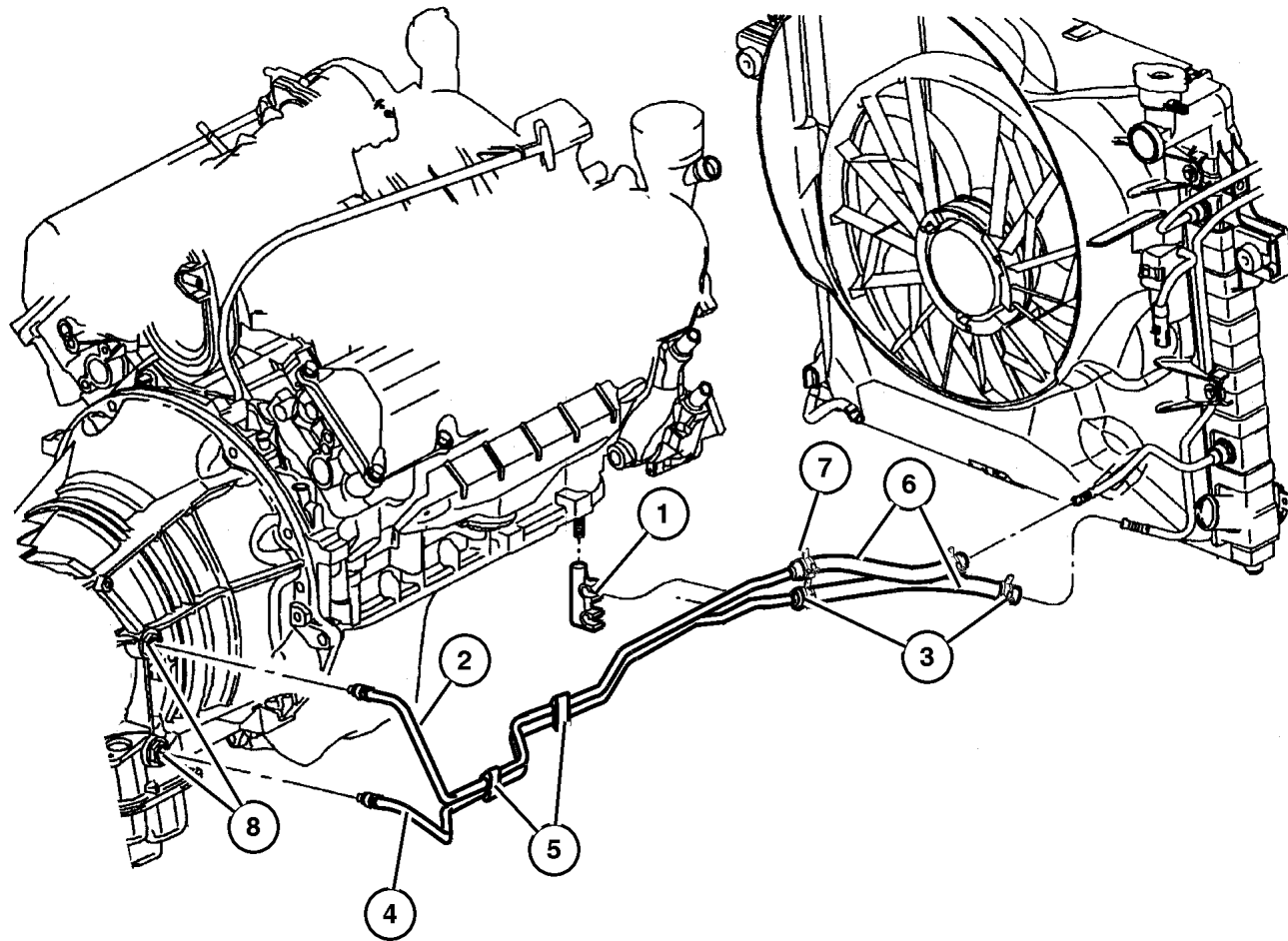
SERIES	LINE	BODY	ENGINE	TRANSMISSION
L = Grand Cherokee	J = 4WD T = 2WD U = 4WD (RHD)	74 = 4 Door (105.9 WB)	ERH,ER0 = 4.0L, Power Tech EVA,EVO = 4.7L, Power Tech EXA,EXO = 3.1L 5 cyl Turbo Diesel	DGK = 4 Speed Autm, 42RE DG4 = Multi Speed Auto 45RFE DGW = 4 Speed Autom 44RE DGO = All Automatic

AR = Use as required - = Non illustrated part # = New this model year

September 15, 2005

**Oil Cooler and Lines 4.7L Engine
Figure 007-620**

ITEM	PART NUMBER	QTY	LINE	SERIES	BODY	ENGINE	TRANS	TRIM	DESCRIPTION
Note: Sales Code EV0 = 4.7L Engine									
Note: Sales Code DG4 = Multi - Speed Auto Trans.									
1	5211 8067	1					DG0		BRACKET, Transmission Oil Cooler
2	5207 9375	1				EV0	DG4		TUBE, Oil Cooler without Aux. Cooler
	52079 433AB	1	J, T			EV0	DG0		with Aux. Cooler
		1	U			EV0	DG0		with Aux. Cooler
3	4815 987AA	2				EV0	DG4		CLIP, Power Steering Hose
4	52079 783AA	1				EV0	DG4		TUBE, Oil Cooler without Aux. Cooler
	52079 435AB	1	J, T			EV0	DG0		with Aux. Cooler
		1	U			EV0	DG0		with Aux. Cooler
5	52079 631AA	1				EV0	DG4		CLAMP, Oil Cooler Tube
6	4026 139	1				EV0	DG4		HOSE, Oil Cooler
7	52079 632AA	1				EV0	DG4		CLAMP, Oil Cooler Tube
8	4799 433AB	2	J, U			EV0	DG4		NUT, Transmission Case



JEEP GRAND CHEROKEE (WJ)

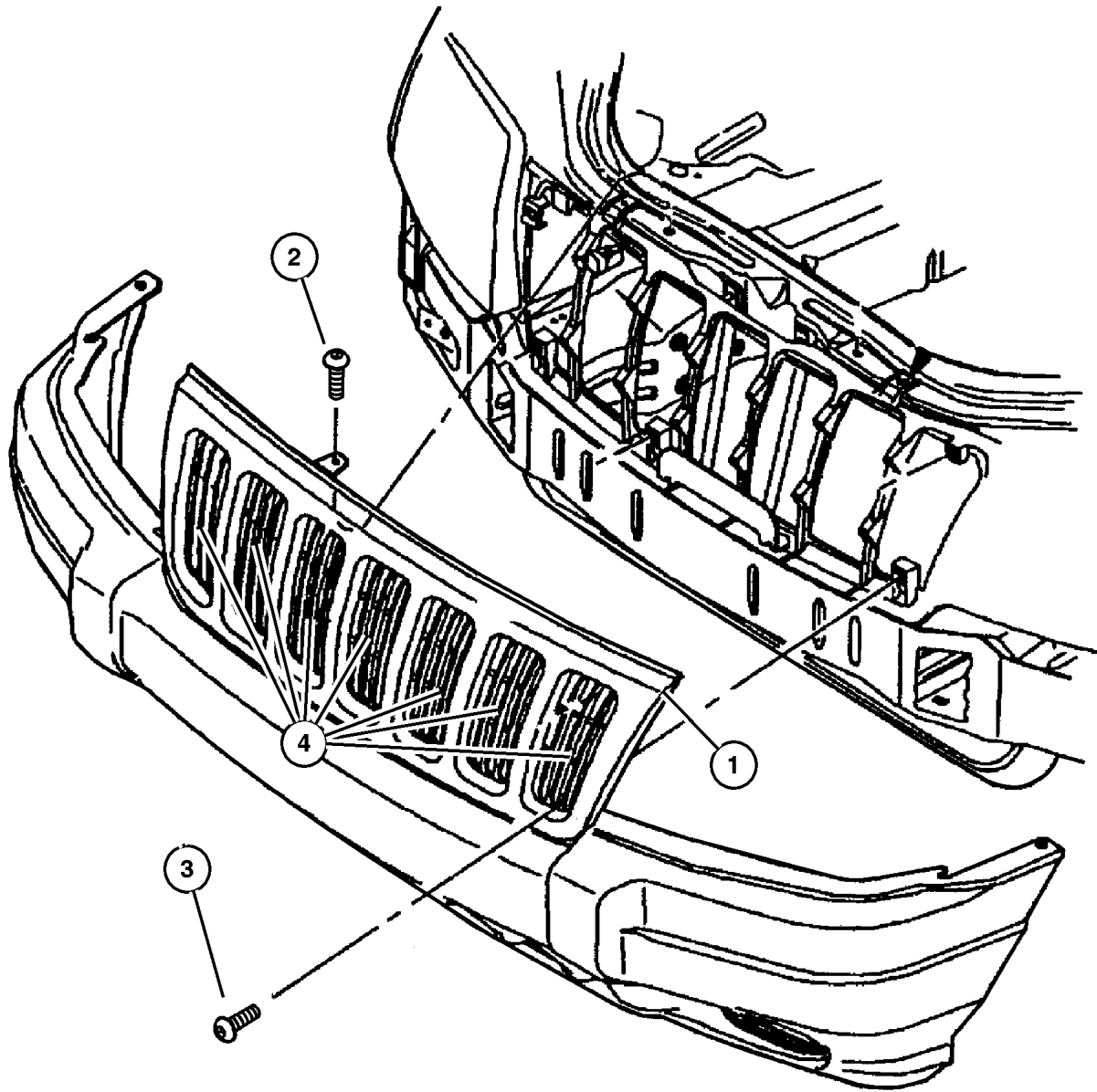
SERIES	LINE	BODY	ENGINE	TRANSMISSION
L = Grand Cherokee	J = 4WD T = 2WD U = 4WD (RHD)	74 = 4 Door (105.9 WB)	ERH,ERO = 4.0L, Power Tech EVA,EVO = 4.7L, Power Tech EXA,EXO = 3.1L 5 cyl Turbo Diesel	DGK = 4 Speed Autm, 42RE DG4 = Multi Speed Auto 45RFE DGW = 4 Speed Autom 44RE DGO = All Automatic

AR = Use as required - = Non illustrated part # = New this model year

September 15, 2005

Grille and Related Parts
Figure 007-720

ITEM	PART NUMBER	QTY	LINE	SERIES	BODY	ENGINE	TRANS	TRIM	DESCRIPTION
Note; Limited Grille Comes with Bumper Fascia Group 13									
1	55155 921AA	1							GRILLE, Fascia, Laredo, Chrome (Limited Serviced with Fascia)
2	6505 571AA	7							SCREW, Pan Head, M4x1.79x19
3									SCREW, (NOT SERVICED) (Not Serviced)
4	5FT3 5DX9	1							GRILLE, Texture
-5	55136 788AA-	1							PLATE, Headlamp Mounting



JEEP GRAND CHEROKEE (WJ)

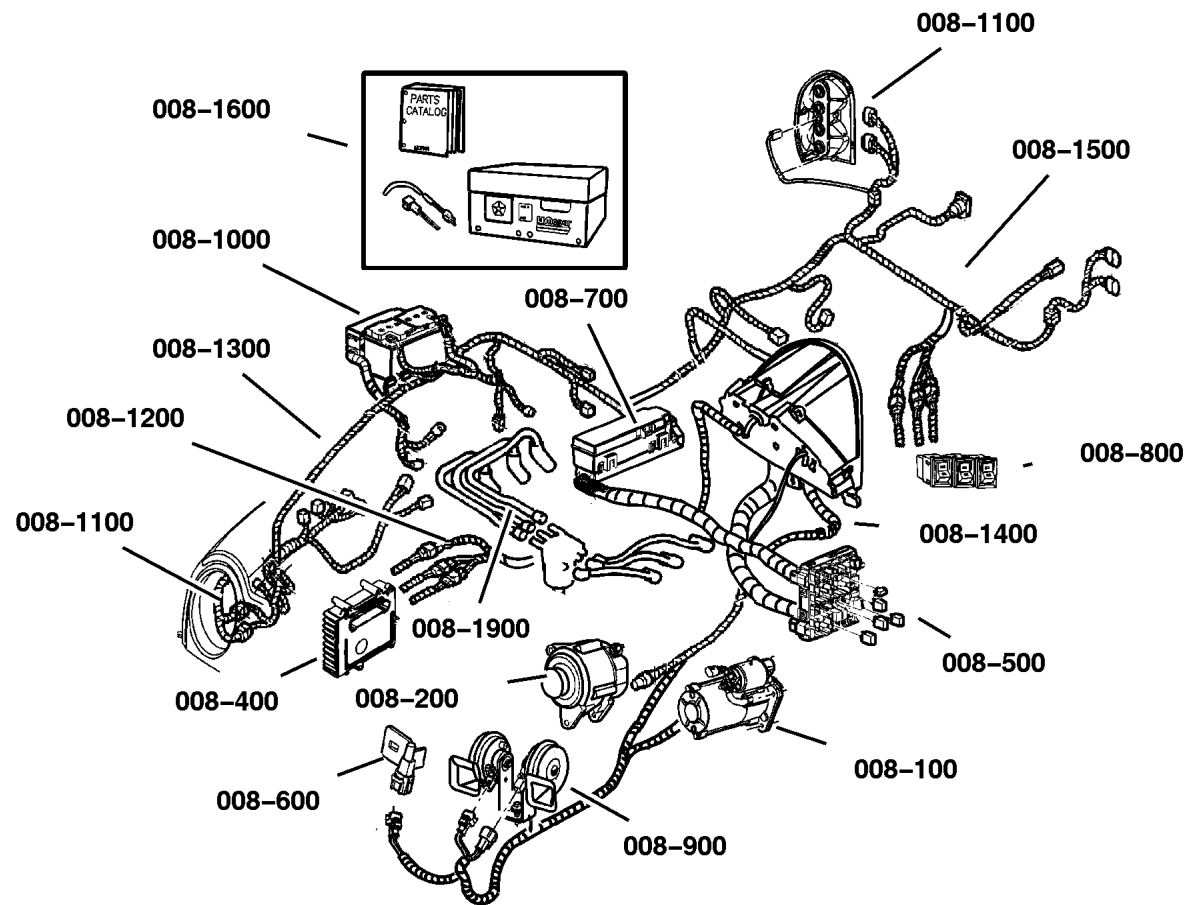
SERIES	LINE	BODY	ENGINE	TRANSMISSION
L = Grand Cherokee	J = 4WD T = 2WD U = 4WD (RHD)	74 = 4 Door (105.9 WB)	ERH,ERO = 4.0L, Power Tech EVA,EVO = 4.7L, Power Tech EXA,EXO = 3.1L 5 cyl Turbo Diesel	DGK = 4 Speed Autm, 42RE DG4 = Multi Speed Auto 45RFE DGW = 4 Speed Autom 44RE DGO = All Automatic

AR = Use as required - = Non illustrated part # = New this model year

September 15, 2005

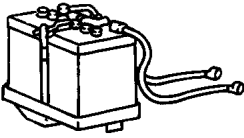
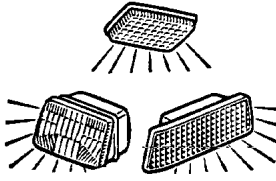
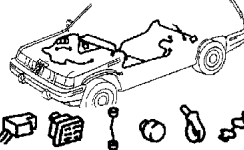


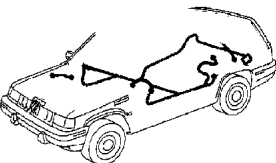
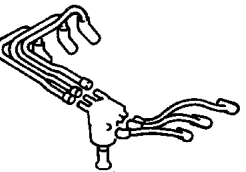
Group – 008

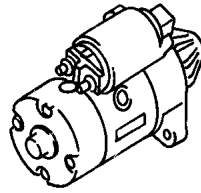
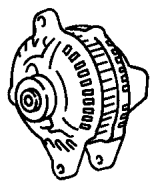
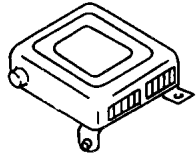
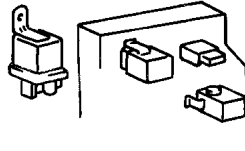
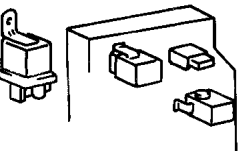
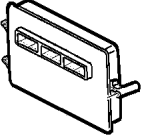
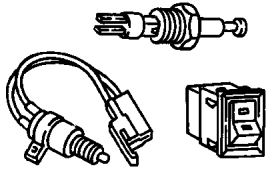
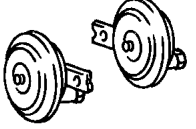
Electrical



Group – 008

Electrical

008-1000 Battery Tray and Cables 	008-1100 Lamps – Front, Rear and Courtesy 	008-1200 Wiring-Engine & Related Parts 	008-1300 Wiring-Headlamp to Dash 
008-1400 Wiring-Instrument Panel 	008-1500 Wiring-Body & Accessories 	008-1600 Wiring Repair <p style="text-align: center;">WIRING REPAIR PKG.</p>	008-1900 Spark Plugs-Cables-Coils 

008-100 Starters 	008-200 Alternators 	008-400 Modules 	008-500 Relays 
008-600 Sensors 	008-700 Single Board Engine Controllers 	008-800 Switches 	008-900 Horns 

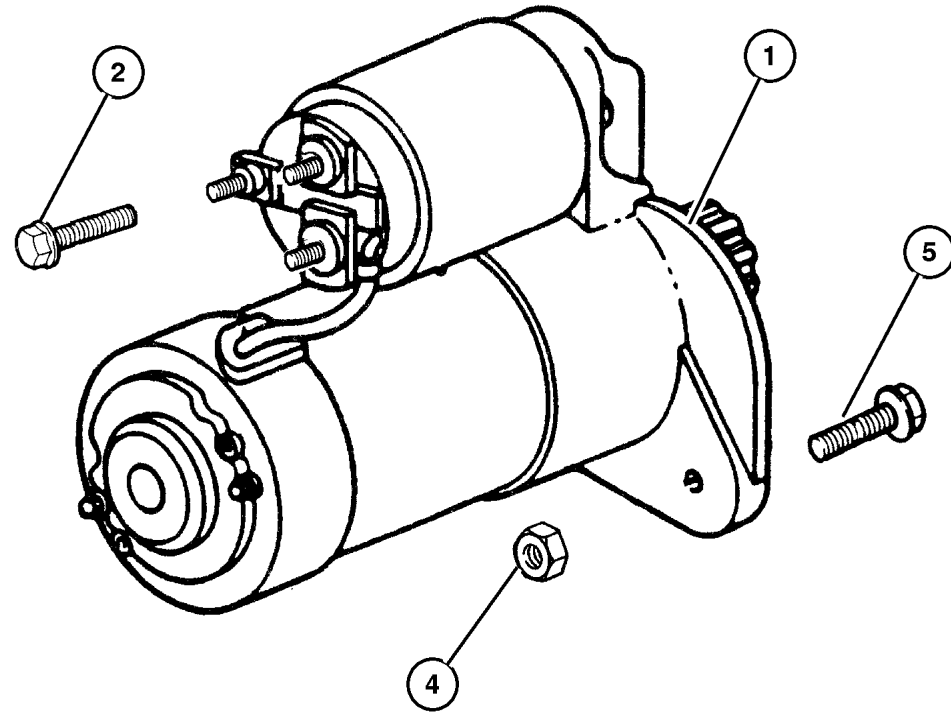


GROUP 8 - Electrical

Illustration Title	Group-Fig. No.
Starters	
Starters	Fig. 008-110
Alternators	
Alternator & Mounting 3.1L ,4.0L & 4.7L Engine	Fig. 008-210
Modules	
Modules	Fig. 008-410
Relays	
Relays	Fig. 008-510
Sensors	
Sensors	Fig. 008-610
Single Board Engine Controllers	
JTEC Modules & Solenoids	Fig. 008-710
Switches	
Switches	Fig. 008-810
Horns	
Horns	Fig. 008-910
Battery Tray and Cables	
Battery Tray & Cables	Fig. 008-1010
Lamps - Front, Rear and Courtesy	
Lamp - Front End	Fig. 008-1110
Lamp - Rear End	Fig. 008-1120
Lamp - Courtesy - Dome - Reading	Fig. 008-1130
Bulbs & Sockets	Fig. 008-1140
Wiring-Engine & Related Parts	
Wiring - Engine & Related Parts	Fig. 008-1210
Wiring-Headlamp to Dash	
Wiring - Headlamp / Dash	Fig. 008-1310
Wiring-Instrument Panel	
Wiring - Instrument Panel	Fig. 008-1410
Wiring-Body & Accessories	
Wiring - Body & Accessories	Fig. 008-1510
Wiring Repair	
Wiring Repair Packages	Fig. 008-1605
Power Distribution Center Repair	Fig. 008-1610
Spark Plugs-Cables-Coils	
Spark Plugs-Cables-Coils	Fig. 008-1910

**Starters
Figure 008-110**

ITEM	PART NUMBER	QTY	LINE	SERIES	BODY	ENGINE	TRANS	TRIM	DESCRIPTION
ER0=4.0L Engine									
EVO=4.7L Engine									
EX0=3.0L/3.1L Turbo Diesel Engine									
DG4=Automatic Transmission Multi-Speed									
1									STARTER
	56041 012AB	1				ER0			
	5604 1207	1				EVO			
	56041 563AA	1				EX0			
2	J400 6192	1				ER0			BOLT AND WASHER, Hex Head, .375-16x1.75
-3	6102 084AA-	2				EVO			SCREW
4									NUT, M8x1.25, (NOT SERVICED) (Not Serviced)
5	6503 699	1				ER0			SCREW AND WASHER, Hex Head, M10x1.5x28
-6	5210 4133	1				EVO	DG4		COVER, Transmission Dust, Starter to Transmission

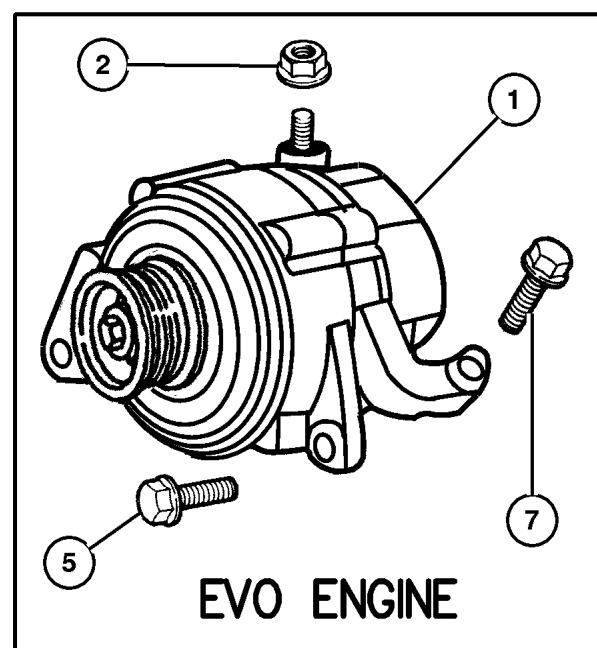
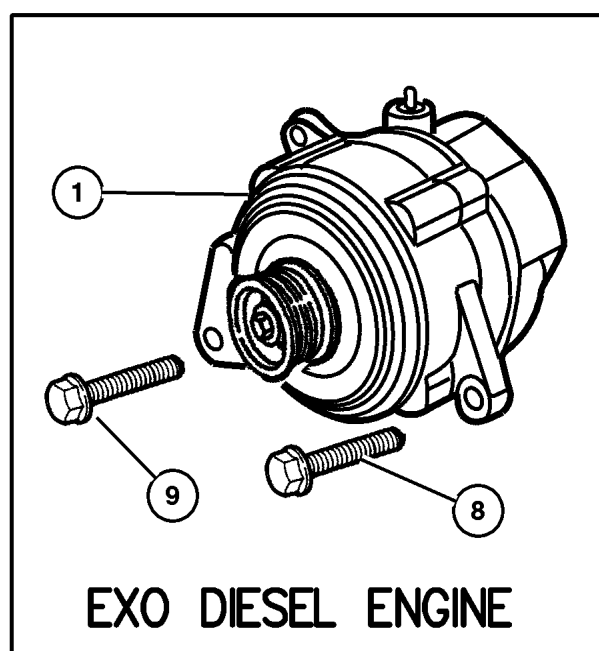
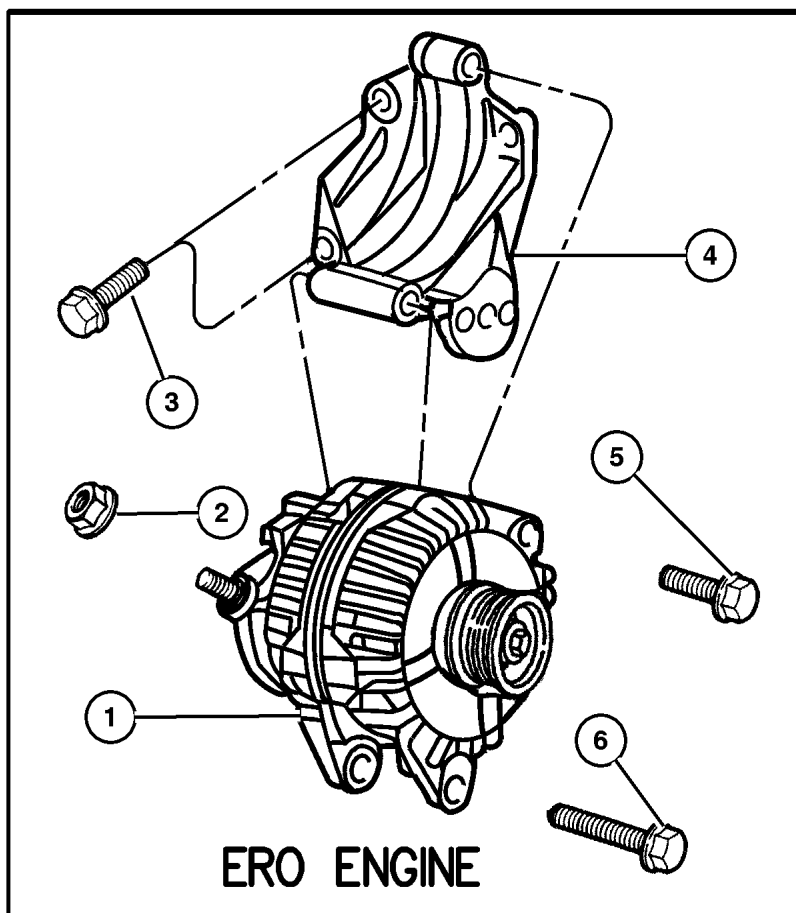


JEEP GRAND CHEROKEE (WJ)				
SERIES	LINE	BODY	ENGINE	TRANSMISSION
L = Grand Cherokee	J = 4WD T = 2WD U = 4WD (RHD)	74 = 4 Door (105.9 WB)	ERH,ERO = 4.0L, Power Tech EVA,EVO = 4.7L, Power Tech EXA,EXO = 3.1L 5 cyl Turbo Diesel	DGK = 4 Speed Autm, 42RE DG4 = Multi Speed Auto 45RFE DGW = 4 Speed Autom 44RE DGO = All Automatic

AR = Use as required - = Non illustrated part # = New this model year

September 15, 2005

**Alternator & Mounting 3.1L ,4.0L & 4.7L Engine
Figure 008-210**



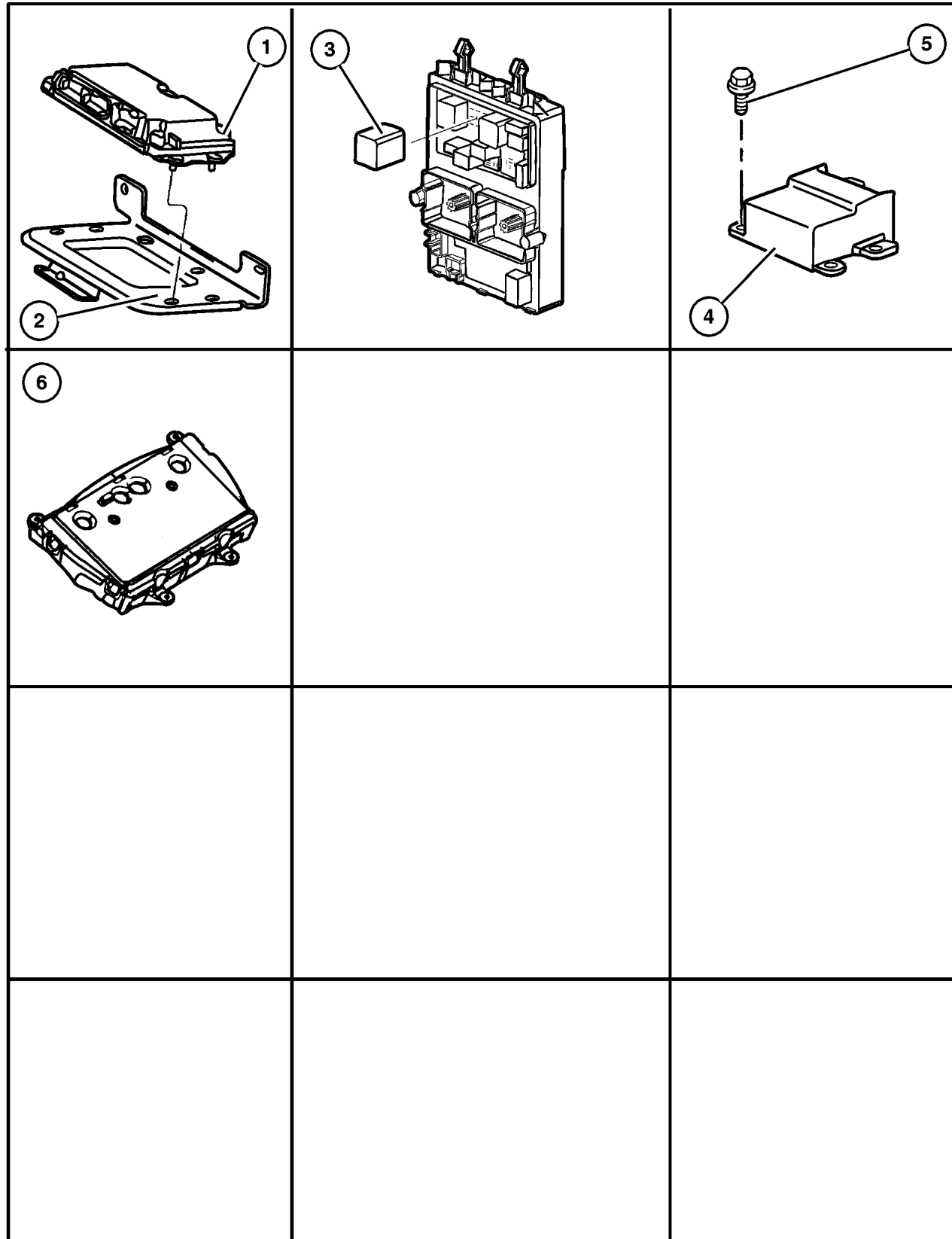
ITEM	PART NUMBER	QTY	LINE	SERIES	BODY	ENGINE	TRANS	TRIM	DESCRIPTION
ER0=4.0L Engine									
EVO=4.7L Engine									
EX0=3.1L Diesel Engine									
EX0=3.0L/3.1L Turbo Diesel Engine									
DG0=Automatic Transmission									
DGW=44RE 4 Speed Automatic Transmission									
HA0=Air Conditioning									
1									ALTERNATOR
	5015 066AA	1				EX0	DG0		
	5604 1120	1				EVO			136 Amp (NCB1)[Bosch]
	5604 1322	1				ER0			136 Amp
	5604 1324	1				EVO			136 Amp (L3C)[Denso]
2	6502 691	1				ER0,			NUT, Hex Flange Lock, M6x1
						EVO,			
						EX0			
3									SCREW AND WASHER, Hex
	0154 854AA	4				ER0			
	6505 488AA	1				EVO			
4									BRACKET, Alternator
	4854 026	1				ER0			
	5015 072AA	1				EX0	DG0		
5									SCREW AND WASHER, Hex
	6505 488AA	1				EVO			
		1				ER0			
6									SCREW AND WASHER, Hex Head
	0154 877AA	2				EX0	DGW		
	6504 344	1				ER0			
		1				EVO			
7	6505 482AA	1	J, T			EVO			SCREW AND WASHER, Hex Head, M8x1.25x50
8	4897 253AA	1				EX0	DG0		BOLT, Hex Flange Head, M10x35
9	5015 067AA	1				EX0	DG0		BOLT, Hex Flange Head

JEEP GRAND CHEROKEE (WJ)				
SERIES	LINE	BODY	ENGINE	TRANSMISSION
L = Grand Cherokee	J = 4WD T = 2WD U = 4WD (RHD)	74 = 4 Door (105.9 WB)	ERH,ER0 = 4.0L, Power Tech EVA,EVO = 4.7L, Power Tech EXA,EXO = 3.1L 5 cyl Turbo Diesel	DGK = 4 Speed Autm, 42RE DG4 = Multi Speed Auto 45RFE DGW = 4 Speed Autom 44RE DGO = All Automatic

AR = Use as required - = Non illustrated part # = New this model year

September 15, 2005

Modules
Figure 008-410



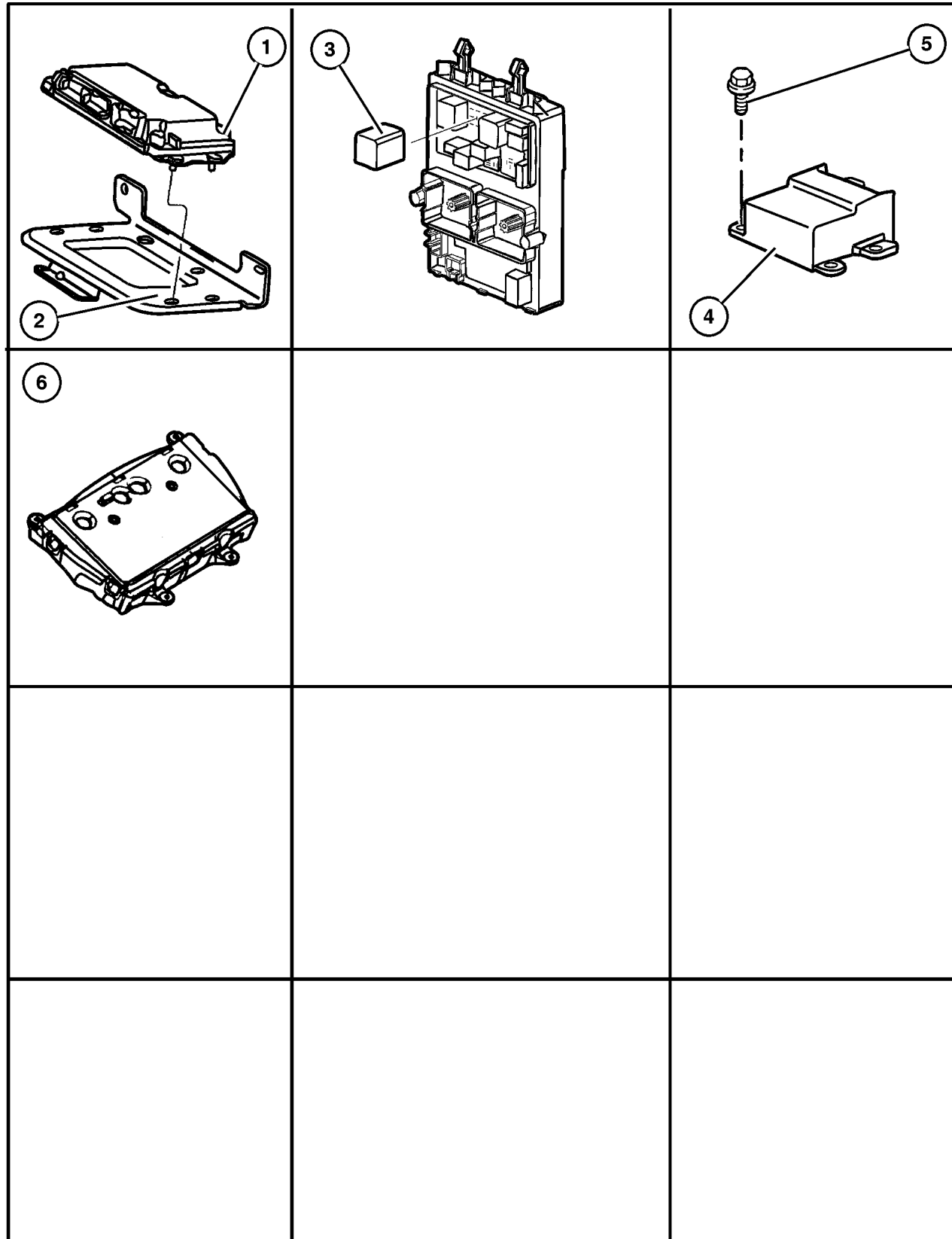
ITEM	PART NUMBER	QTY	LINE	SERIES	BODY	ENGINE	TRANS	TRIM	DESCRIPTION
ER0=4.0L Engine									
EVO=4.7L Engine									
EX0=3.0L/3.1L Turbo Diesel Engine									
DG0=Automatic Transmission									
DGW=44RE 4 Speed Automatic Transmission DG4									
HA0=Air Conditioning									
1	56029 114AC	1	J, T			EX0			MODULE, Engine Controller
2	56028 139AB	1				ER0,	DG0		BRACKET, Control Unit
	5604 1070	1	J, T			EVO			
3	4686 094	1				EX0	DG0		FLASHER
	4686 130	1							USA/CANADA
	4686 130	1							EUROPE
4	5604 2047	1							MODULE, Air Bag Control
5	6101 777	1	J, T						SCREW, Hex Flange Head Tapping, M6x1.00x20.00
6	56042 271AB	1	J, T						MODULE, Compass Temperature w/Universal Garage Door Opener (USA/CANADA)
	56042 273AB	1	J, T						w/o Universal Garage Door Opener (USA/CANADA)
		1	J, T						w/o Universal Garage Door Opener (EUROPE)
		1	U						w/o Universal Garage Door Opener (EUROPE)
-7	5FA39 LAZAB-	1							AIR BAG, Driver
	5FA39 VK9AB-	1							Agate
	5FA39 WL8AB-	1							Dark Suede
	5FA39 WL8AB-	1							Dark Brown
-8	5013 633AA-	1							COVER, Air Bag Module, Driver Side
-9	4595 746AA-	1							LABEL, Air Bag Warning, Right End Cap (English)
-10	55196 388AC-	1	J, T						SWITCH, Door Module w/Limited Package (USA/ CANADA), Right
		1	J, T						w/Laredo Package & 6 Speaker System (USA/CANADA), Right
		1	J, T						w/Laredo Package & Infinity Speaker System (USA/CANADA), Right
	55196 389AC-	1	J, T						w/Limited Package (USA/ CANADA), Left

JEEP GRAND CHEROKEE (WJ)

SERIES	LINE	BODY	ENGINE	TRANSMISSION
L = Grand Cherokee	J = 4WD T = 2WD U = 4WD (RHD)	74 = 4 Door (105.9 WB)	ERH,ERO = 4.0L, Power Tech EVA,EVO = 4.7L, Power Tech EXA,EXO = 3.1L 5 cyl Turbo Diesel	DGK = 4 Speed Autm, 42RE DG4 = Multi Speed Auto 45RFE DGW = 4 Speed Autom 44RE DGO = All Automatic

AR = Use as required - = Non illustrated part # = New this model year

Modules
Figure 008-410



ITEM	PART NUMBER	QTY	LINE	SERIES	BODY	ENGINE	TRANS	TRIM	DESCRIPTION
		1	J, T						w/Laredo Package & 6 Speaker System (USA/CANADA), Left
		1	J, T						w/Laredo Package & Infinity Speaker System (USA/CANADA), Left
	55196 391AB-	1	U						EUROPE, Drivers Side
	55196 398AB-	1	U						EUROPE, Passenger Side
	56042 290AB-	1	J, T						EUROPE, Right
	56042 496AB-	1	U						AUSTRALIA, Passenger Side
	56042 497AB-	1	J, T						EUROPE, Left
	56042 602AA-	1	U						JAPAN, Driver Side
	56042 603AA-	1	U						JAPAN, Passenger Side
-11	56042 612AA-	1	U						MODULE, Keyless Entry, Keyless Entry Module Serviced w/ Passenger Door Switch Module (Except JAPAN), JAPAN
-12									MODULE, Seat Memory
	56042 304AC-	1	J, T						W/o Heated Seat (USA/CANADA) [DL]
	56042 305AC-	1	J, T						W/Heated Seat (USA/CANADA) [DL]
		1	J, T						W/Heated Seat (EUROPE) [EL]
		1	U						W/Heated Seat (EUROPE) [EL]
	56042 304AC-	1	J, T						W/O Heated Seat (USA/CANADA) [DL]
	56042 304AE-	1	J, T						W/O Heated Seat (EUROPE) [EL]
-13	56042 493AC-	1	J, T						MODULE, Heated Seat Control, W/ Power Leather Seats [FL]
-14	4812 161AI-	1							MODULE, Body Controller
-15	56041 328AI-	1					DG4		MODULE, Transmission Control, Model # 45RFE Transmission
-16	56042 298AD-	1							MODULE, Immobilizer

JEEP GRAND CHEROKEE (WJ)

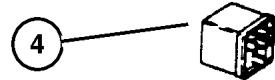
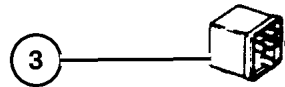
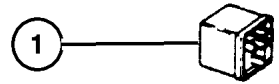
SERIES	LINE	BODY	ENGINE	TRANSMISSION
L = Grand Cherokee	J = 4WD T = 2WD U = 4WD (RHD)	74 = 4 Door (105.9 WB)	ERH,ERO = 4.0L, Power Tech EVA,EVO = 4.7L, Power Tech EXA,EXO = 3.1L 5 cyl Turbo Diesel	DGK = 4 Speed Autm, 42RE DG4 = Multi Speed Auto 45RFE DGW = 4 Speed Autom 44RE DGO = All Automatic

AR = Use as required - = Non illustrated part # = New this model year

September 15, 2005

Relays Figure 008-510

ITEM	PART NUMBER	QTY	LINE	SERIES	BODY	ENGINE	TRANS	TRIM	DESCRIPTION
1	4707 286AD	1							RELAY, Electrical, Radiator Fan
-2	0154 552	2							SCREW, Hex Head, .190-16x.625, Radiator fan relay mounting
3	56042 216AB	1	J, T						RELAY, Daytime Running Lights (Canada only)
4	4671 168	3							RELAY, Mini, Fog Lamp, Headlamp, Rear Fog Lamp, Sun Roof
-5	4638 094	2							RELAY PACKAGE, Electrical, Control Module
-6	5600 7290	1							BREAKER, Circuit

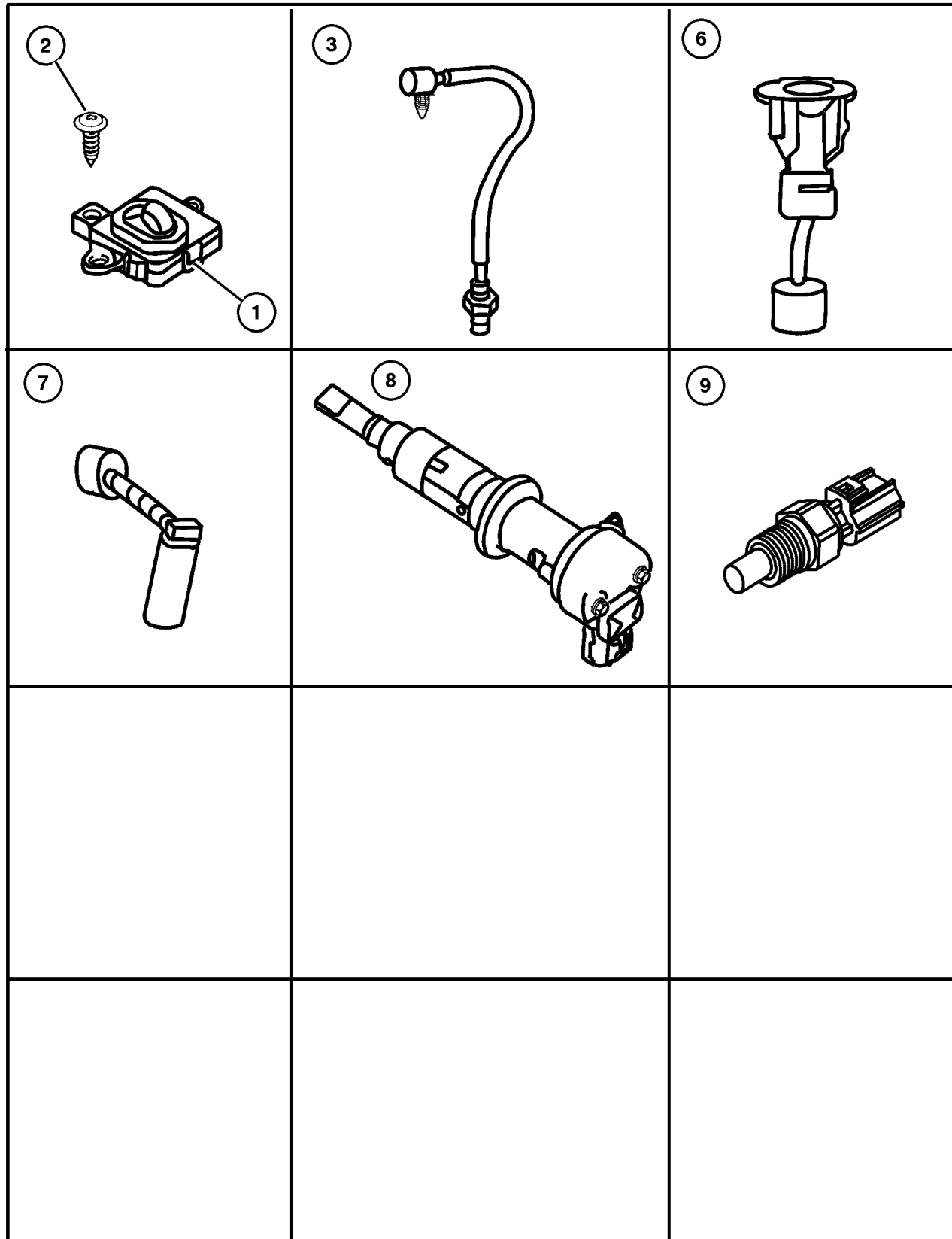


JEEP GRAND CHEROKEE (WJ)				
SERIES	LINE	BODY	ENGINE	TRANSMISSION
L = Grand Cherokee	J = 4WD T = 2WD U = 4WD (RHD)	74 = 4 Door (105.9 WB)	ERH,ERO = 4.0L, Power Tech EVA,EVO = 4.7L, Power Tech EXA,EXO = 3.1L 5 cyl Turbo Diesel	DGK = 4 Speed Autm, 42RE DG4 = Multi Speed Auto 45RFE DGW = 4 Speed Autom 44RE DGO = All Automatic

AR = Use as required - = Non illustrated part # = New this model year

September 15, 2005

Sensors Figure 008-610



ITEM	PART NUMBER	QTY	LINE	SERIES	BODY	ENGINE	TRANS	TRIM	DESCRIPTION
ER0=4.0L Engine EVO=4.7L Engine EX0=3.0L/3.1L Turbo Diesel Engine DG0=Automatic Transmission DGW= Automatic Transmission 4 Speed Automatic 44RE DGK=Automatic Transmission 4 Speed DG4=Automatic Transmission Multi-Speed									
1	56042 584AA	1							SENSOR, Headlamp, Contains Security Lamp, Auto Headlamp
2	6101 946	2							SCREW, Tapping
3	56028 232AA	1				EVO			SENSOR, Oxygen 18' Pigtail (Before Catalyst) California Emission
	56028 233AA	1				EVO			12' Pigtail (Before Catalyst) Federal, California & Europe Emission
	56028 235AA	1				EVO			12' Pigtail (After Catalyst) California Emission
	56041 212AE	1				ER0			18' Pigtail (After Catalyst) California Emission
	56041 212AF	2				ER0			18' Pigtail (After Catalyst) California Emission
	56041 344AC	1				EVO			14' Pigtail (After Catalyst) Federal, California & Europe Emission
	56041 344AD	1	J, U			ER0			14' Pigtail (After Catalyst) Federal & Europe Emission
	56041 345AC	1				EVO			14' Pigtail w/Stud Clip (After Catalyst) Federal, California & Europe Emission
	56041 676AA	1				ER0			10.5' Pigtail (Before Catalyst) Federal, California & Europe Emission
	56041 213AF	1				ER0			Before convertor [NAE]
	56041 344AC	1	J, T			ER0			14' Pigtail (After Catalyst) Federal, & Europe Emission
-4	56041 675AA-	1				ER0			SHIELD, Heat, Oxygen Sensor
-5	J420 0413	2				ER0, EVO			PLUG, Cylinder Block Oil Hole, Without Oxygen Upstream Sensor
6	5604 1053	1							SENSOR, Battery Temperature
7	56041 080AB	1	J, T			EX0			SENSOR, Engine Speed
8	5602 7873	1				ER0			SENSOR, Coolant Temperature

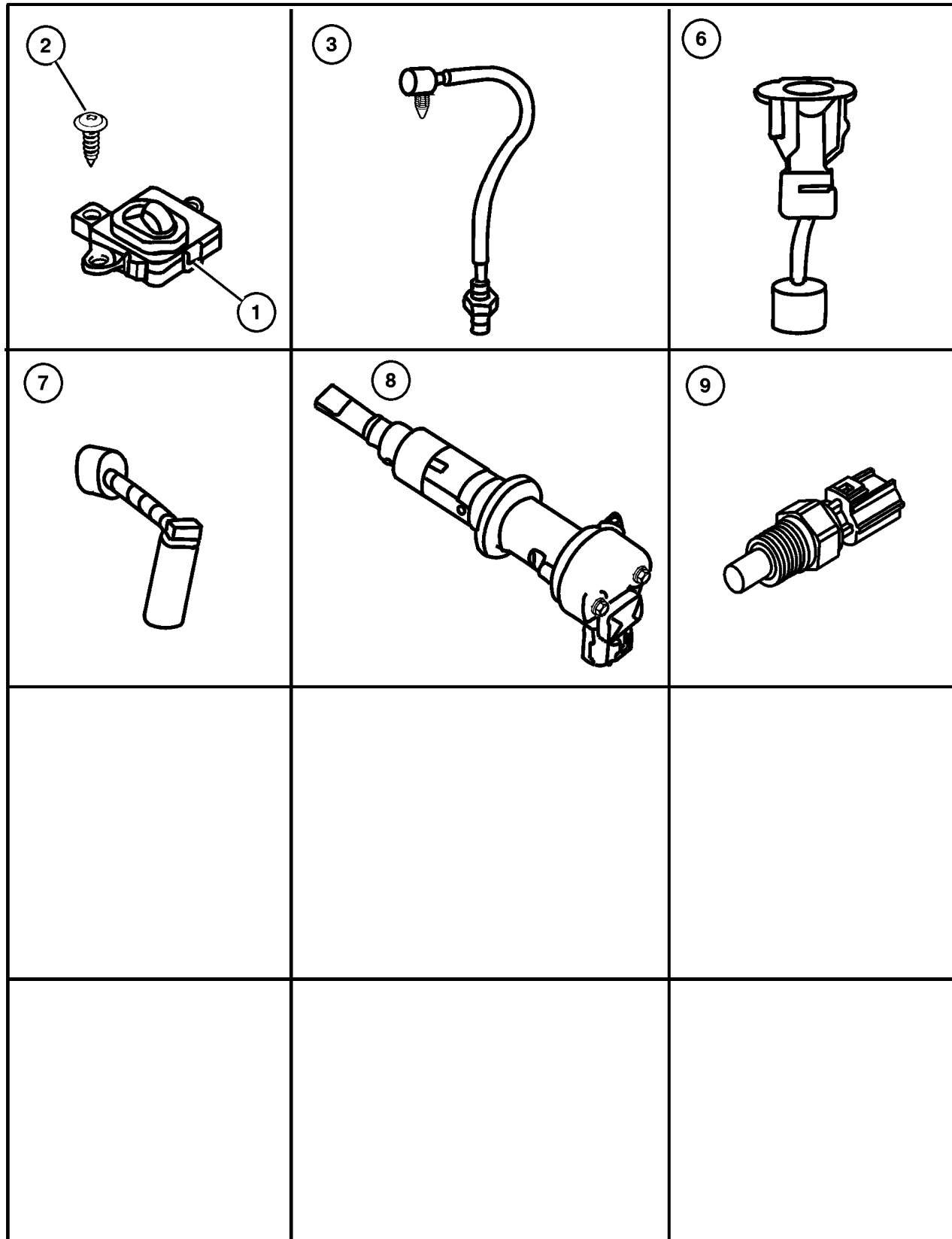
JEEP GRAND CHEROKEE (WJ)

SERIES	LINE	BODY	ENGINE	TRANSMISSION
L = Grand Cherokee	J = 4WD T = 2WD U = 4WD (RHD)	74 = 4 Door (105.9 WB)	ERH,ER0 = 4.0L, Power Tech EVA,EVO = 4.7L, Power Tech EXA,EXO = 3.1L 5 cyl Turbo Diesel	DGK = 4 Speed Autm, 42RE DG4 = Multi Speed Auto 45RFE DGW = 4 Speed Autom 44RE DGO = All Automatic

AR = Use as required - = Non illustrated part # = New this model year

September 15, 2005

Sensors
Figure 008-610



ITEM	PART NUMBER	QTY	LINE	SERIES	BODY	ENGINE	TRANS	TRIM	DESCRIPTION
		1				EVO			
9	5003 734AA	1				EX0	DG0		SENSOR, Air Temperature
	5602 7872	1				ER0			
		1				EVO			
-10	5602 8133	1				EVO			SENSOR, Camshaft
	4897 023AA-	1				ER0			
-11	J318 1288	1				ER0			GASKET, Distributor
-12	5083 881AA-	1				ER0			DRIVE, OIL PUMP
-13	3300 4242	1				ER0			CLAMP, Distributor
-14	5602 8136	1				EVO			SENSOR, Crankshaft Position
-15	4897 321AA-	1				ER0	DG0		SENSOR PACKAGE, Crankshaft Position
-16	4874 371AC-	1				ER0			SENSOR, Throttle Position
-17	5017 479AA-	1				EVO			SENSOR KIT, Throttle Position
-18	5604 2395	1							SENSOR, Ambient Temperature
-19									SENSOR, Map
	5602 9405	1				ER0			
	5604 1018	1				EVO			
-20									SENSOR, Transmission Output Speed
	4799 061	2	J, U			EVO	DG4		
	4800 879	1	T			ER0	DGK		
		1	J, U			ER0	DGK		
		1	J, U			EX0	DGW		
-21	4799 062	2	J, U			EVO	DG4		O RING, Speed Sensor
-22									TRANSDUCER, Pressure Sensor
	4799 758	1	J, U			EVO	DG4		
	56041 403AA-	1	T			ER0	DGK		
		1	J, U			ER0	DGK		
		1	J, U			EX0	DGW		
-23	5012 763AA-	1							SENSOR, Washer Fluid Level, Front and Rear
-24	8220 4688	1							SENSOR KIT, Shock
-25									SENDING UNIT, Oil Pressure
	56028 807AA-	1				ER0			
		1				EVO			
		1				EX0			USA/CANADA
		1				EX0			EUROPE
-26									BRACKET, Oxygen Sensor
	56041 397AA-	1				ER0			Lower Front Block

JEEP GRAND CHEROKEE (WJ)

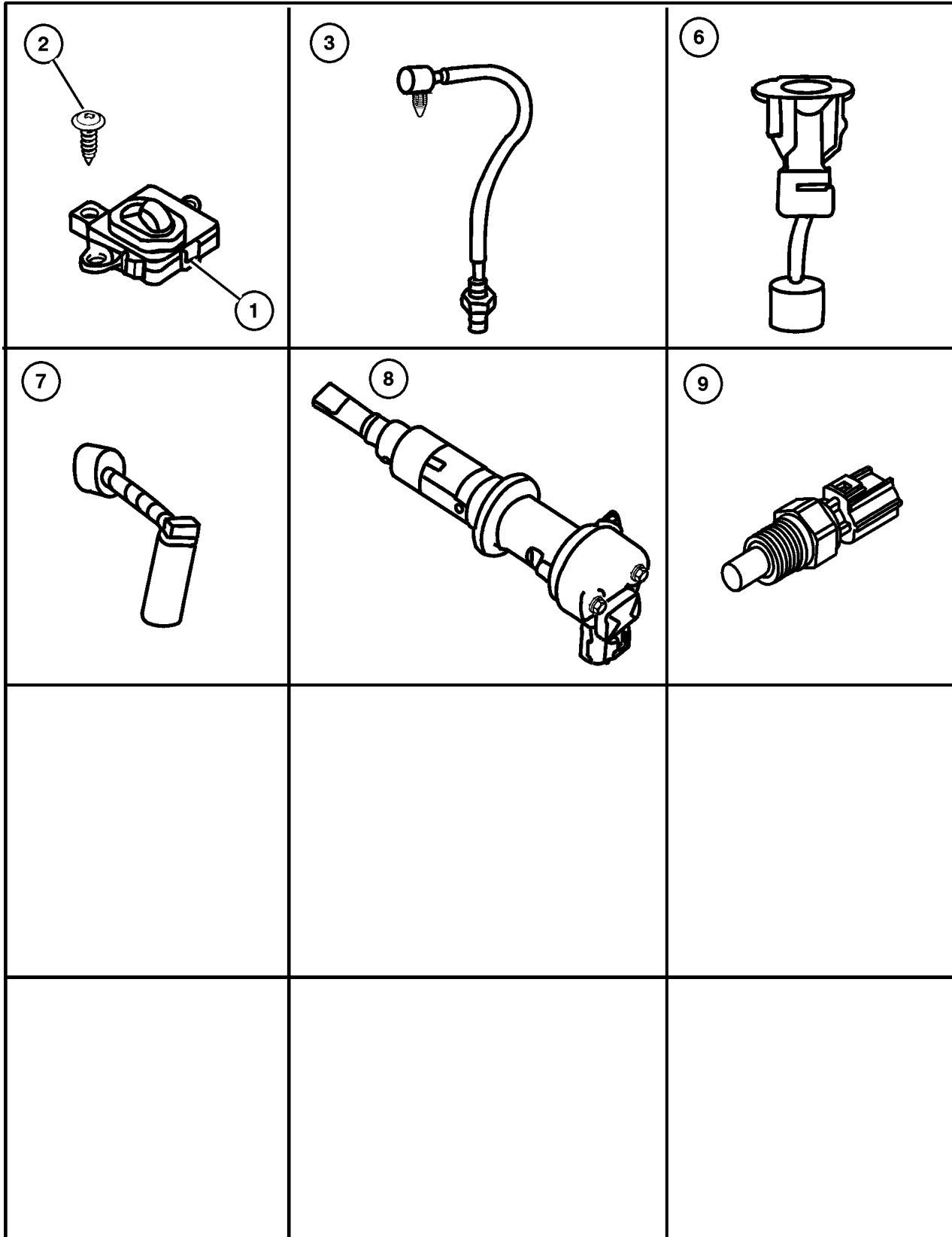
SERIES	LINE	BODY	ENGINE	TRANSMISSION
L = Grand Cherokee	J = 4WD T = 2WD U = 4WD (RHD)	74 = 4 Door (105.9 WB)	ERH,ERO = 4.0L, Power Tech EVA,EVO = 4.7L, Power Tech EXA,EXO = 3.1L 5 cyl Turbo Diesel	DGK = 4 Speed Autm, 42RE DG4 = Multi Speed Auto 45RFE DGW = 4 Speed Autom 44RE DGO = All Automatic

AR = Use as required - = Non illustrated part # = New this model year

September 15, 2005

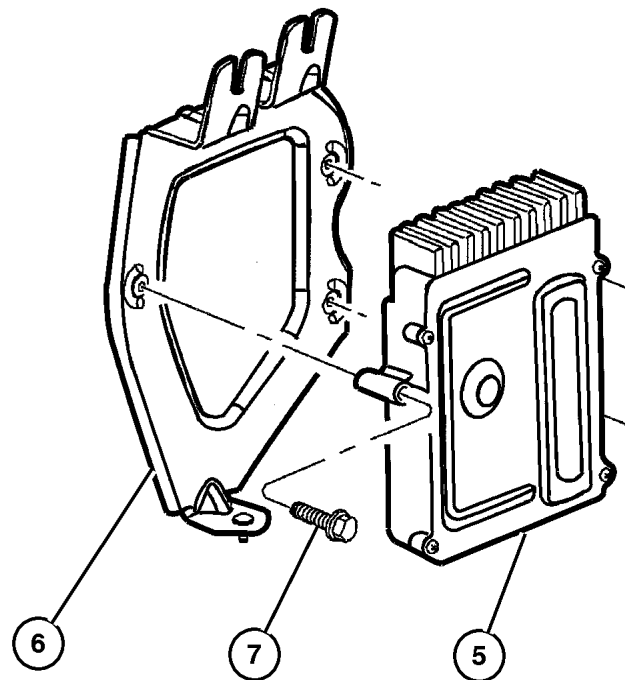
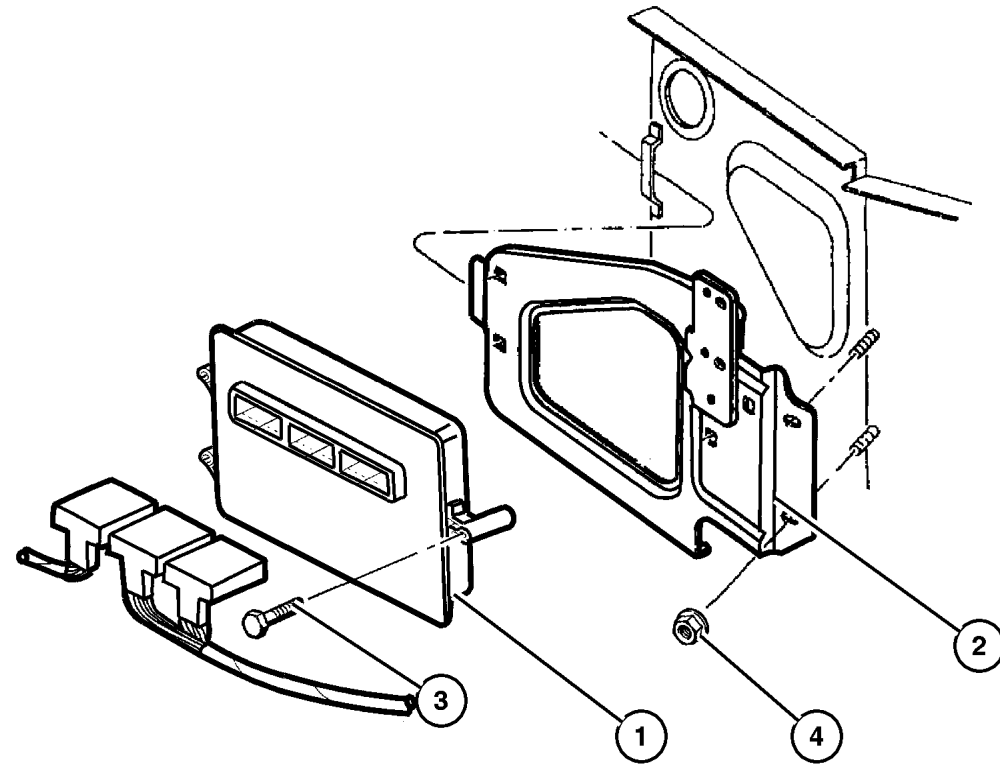
Sensors
Figure 008-610

ITEM	PART NUMBER	QTY	LINE	SERIES	BODY	ENGINE	TRANS	TRIM	DESCRIPTION
	56041 400AA-	2				ERO			Upper Fuel Rail
	56041 434AA-	1				EVO			Lower Front Block
-27	56041 316AB-	1	T						SENSOR, Wheel Speed
		1	J						Right Front
		1	U						Right Front
	56041 317AB-	1	T						Right Front
		1	J						Left Front
		1	U						Left Front



JEEP GRAND CHEROKEE (WJ)
 SERIES L = Grand Cherokee
 LINE J = 4WD, T = 2WD, U = 4WD (RHD)
 BODY 74 = 4 Door (105.9 WB)
 ENGINE ERH,ERO = 4.0L, Power Tech; EVA,EVO = 4.7L, Power Tech; EXA,EXO = 3.1L 5 cyl Turbo Diesel
 TRANSMISSION DGK = 4 Speed Autm, 42RE; DG4 = Multi Speed Auto 45RFE; DGW = 4 Speed Autom 44RE; DGO = All Automatic

JTEC Modules & Solenoids Figure 008-710



ITEM	PART NUMBER	QTY	LINE	SERIES	BODY	ENGINE	TRANS	TRIM	DESCRIPTION
ER0=4.0L Engine									
EVO=4.7L Engine									
EX0=3.0L/3.1L Turbo Diesel Engine									
DG0=Automatic Transmission									
DGW= Automatic Transmission 4 Speed Automatic 44RE									
DGK=Automatic Transmission 4 Speed									
DG4=Automatic Transmission Multi-Speed									
1									MODULE, Powertrain Control
	56041 353AC	1	J, T			EX0	DG0		
	56041 423AB	1				ER0	DG0		Federal Emission
	56041 424AB	1				ER0	DG0		California Emission
	56041 425AB	1				ER0	DG0		Export Emission
	56041 426AB	1				ER0	DG0		Leaded Fuel Emission
	56044 427AB	1				EVO	DG0		Federal Emission
	56044 428AB	1				EVO	DG0		California Emission
	56044 429AB	1				EVO	DG0		Export Emission
	56041 430AG	1				EVO	DG0		Leaded Emission
2									BRACKET, Control Unit
	5602 8139	1	J, T			ER0, EVO	DG0		JTEC Module
	5602 8140	1	U			ER0, EVO	DG0		JTEC Module
		1	J, T			EX0	DG0		JTEC Module
3	6035 884	3							SCREW
4	6503 102	2							NUT AND WASHER, Hex Nut-Coned Washer, M6 x 1.00
5	56041 328AJ	1					DG4		MODULE, Transmission Control
6	5604 1045	1	J, T				DG4		BRACKET, Control Unit, Transmission Control
7	6035 884	3				EVO	DG4		SCREW
-8	6503 825	3	J, T			EX0			NUT AND WASHER, Hex Nut-Coned Washer, M6 x 1.00
-9	6100 515	4	J, T			EX0			NUT, Hex Flange Lock, M5
-10	6503 846	2	J, T			EX0	DG0		STUD, Single Ended, Knurled, Pilot Point, M6x1.00x20.00
-11	56029 114AB-	1	J, T			EX0			MODULE, Engine Controller
-12	5604 1070	1	J, T			EX0	DG0		BRACKET, Control Unit, Engine Controller

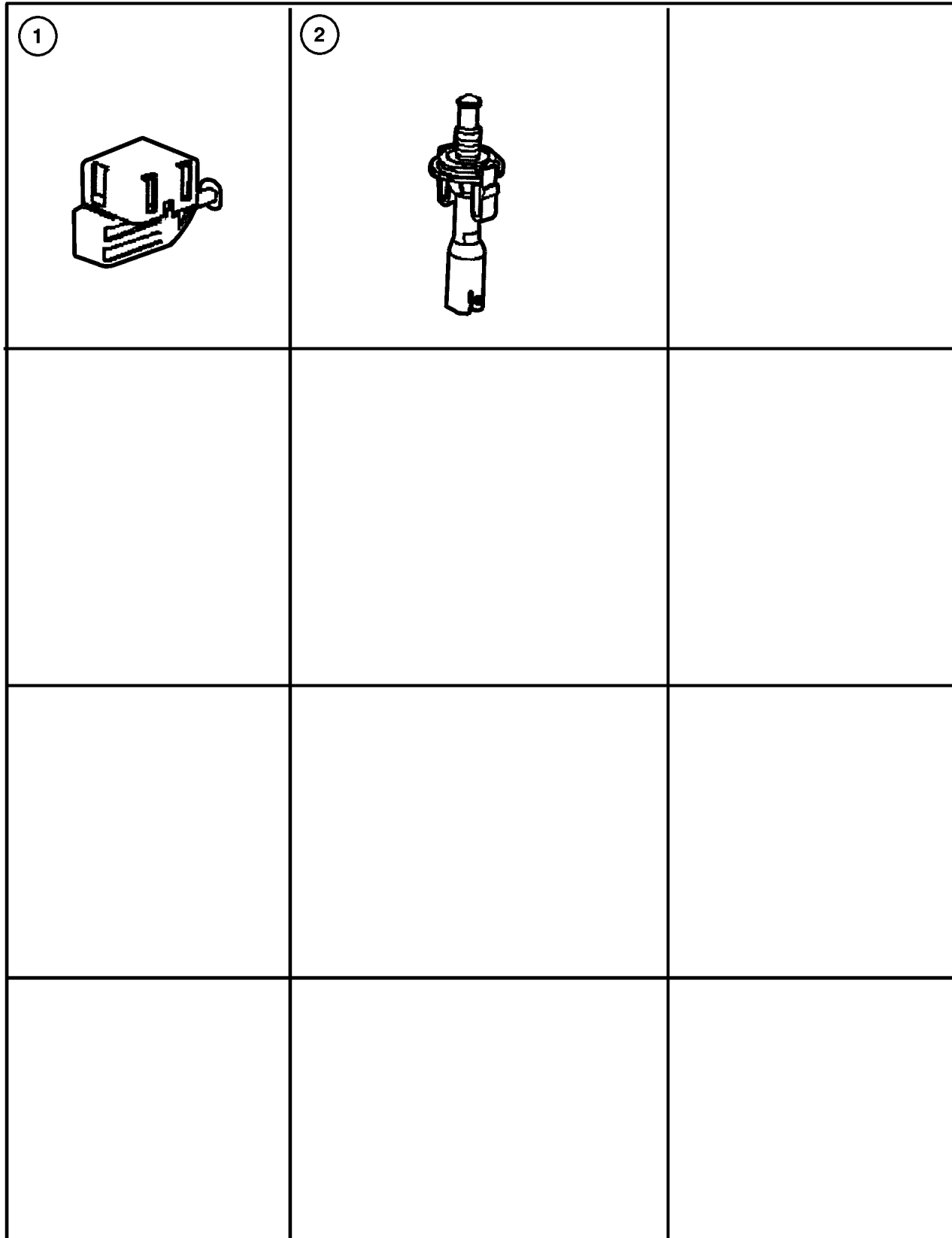
JEEP GRAND CHEROKEE (WJ)

SERIES	LINE	BODY	ENGINE	TRANSMISSION
L = Grand Cherokee	J = 4WD T = 2WD U = 4WD (RHD)	74 = 4 Door (105.9 WB)	ERH,ERO = 4.0L, Power Tech EVA,EVO = 4.7L, Power Tech EXA,EXO = 3.1L 5 cyl Turbo Diesel	DGK = 4 Speed Autm, 42RE DG4 = Multi Speed Auto 45RFE DGW = 4 Speed Autom 44RE DGO = All Automatic

AR = Use as required - = Non illustrated part # = New this model year

September 15, 2005

Switches
Figure 008-810



ITEM	PART NUMBER	QTY	LINE	SERIES	BODY	ENGINE	TRANS	TRIM	DESCRIPTION
ER0=4.0L Engine									
EVO=4.7L Engine									
EX0=3.0L/3.1L Turbo Diesel Engine									
DG0=Automatic Transmission									
DGW= Automatic Transmission 4 Speed Automatic 44RE									
DGK=Automatic Transmission 4 Speed									
DG4=Automatic Transmission Multi-Speed									
1	4671 336	1							SWITCH, Stop Lamp
2	4707 875AA	1							SWITCH, Underhood
-3	56042 582AA-	1							PLATE, Striker, Hood Switch (EUROPE)
-4	56042 310AB-	1							SWITCH, Speed Control Right
	56042 311AB-	1							Left
-5	56042 312AB-	1							SWITCH, Remote Radio Right
	56042 313AB-	1							Left
-6	5604 2057	1							SWITCH, Power Window Export, Rear Door
	5519 6424	1							Rear Door
-7	56042 450AB-	1							SWITCH, Flipper Window
-8	56042 291AB-	1	J, T						SWITCH, Memory Selector
	56042 292AB-	1	U						
-9	5604 2387	2	J, T						SWITCH
		1	U						Lumbar Control
-10	4373 666	2	J, T						Lumbar Control
		2	U						SWITCH, Seat
-11	4607 042	1	J, T						KNOB, Power Seat Switch Right
		1	U						Right
	4607 043	1	J, T						Left
		1	U						Left
	4607 044	1	J, T						Power Recliner
		1	U						Power Recliner
-12	5602 8181	1	T			ER0	DGK		SWITCH, Neutral, Safety, Back Up
		1	J, U			ER0	DGK		
		1	J, U			EX0	DGW		
-13									SWITCH, Security Alarm

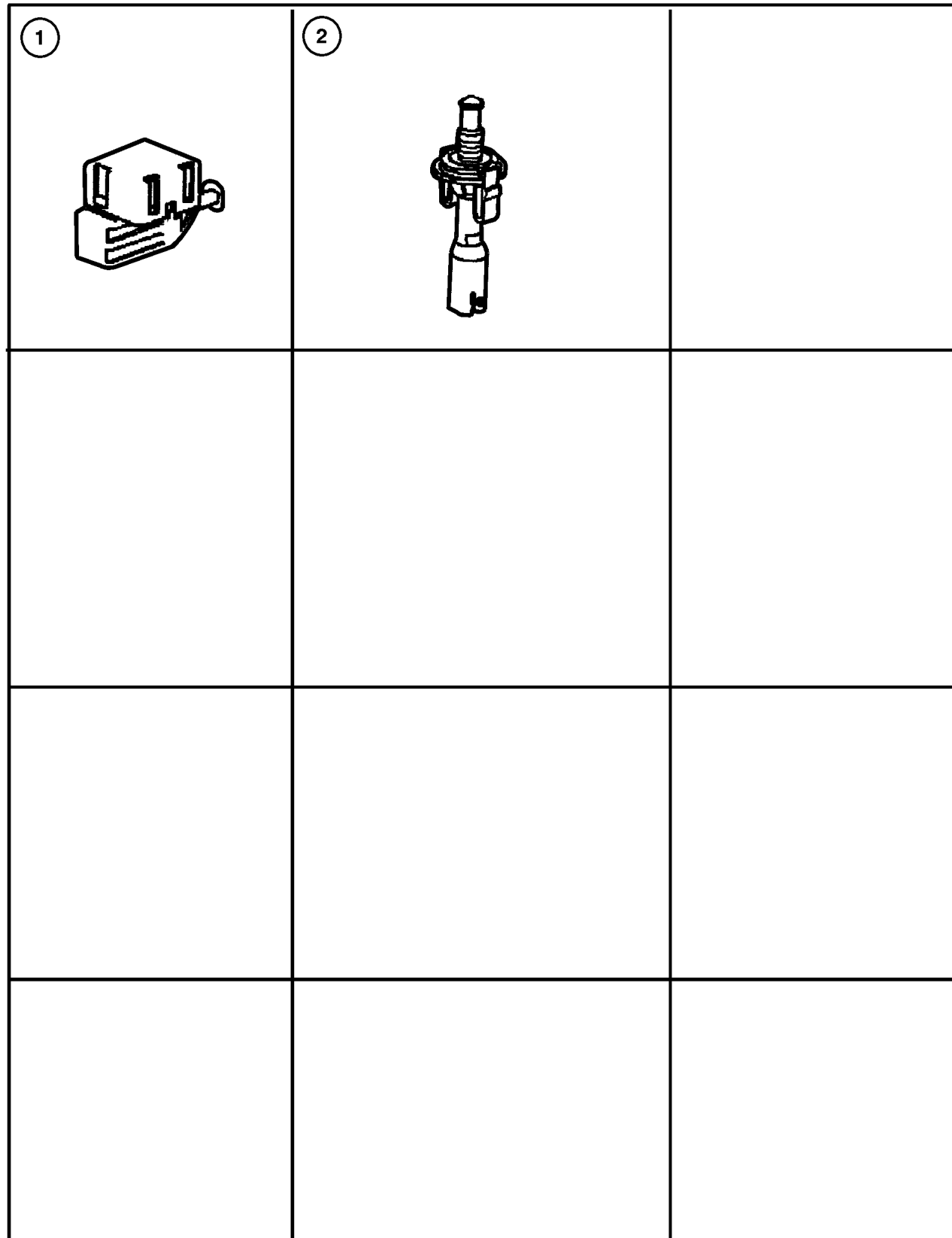
JEEP GRAND CHEROKEE (WJ)

SERIES	LINE	BODY	ENGINE	TRANSMISSION
L = Grand Cherokee	J = 4WD T = 2WD U = 4WD (RHD)	74 = 4 Door (105.9 WB)	ERH,ER0 = 4.0L, Power Tech EVA,EVO = 4.7L, Power Tech EXA,EXO = 3.1L 5 cyl Turbo Diesel	DGK = 4 Speed Autm, 42RE DG4 = Multi Speed Auto 45RFE DGW = 4 Speed Autom 44RE DGO = All Automatic

AR = Use as required - = Non illustrated part # = New this model year

September 15, 2005

Switches Figure 008-810



ITEM	PART NUMBER	QTY	LINE	SERIES	BODY	ENGINE	TRANS	TRIM	DESCRIPTION
	55136 557AA-	1	U						
		1	J, T						
-14	5012 510AA-	1	J, T						SWITCH, Cargo Lamp
		1	U						
-15	56042 299AC-	1							SWITCH, Multifunction Left Headlamp, w/o Automatic Headlamp & w/o Dual Road Foglamp (USA/CANADA)
	56042 300AC-	1							Left Headlamp, w/o Automatic Headlamp & w/Dual Road Foglamp (USA/CANADA)
	56042 301AC-	1							Left Headlamp, w/Automatic Headlamp & w/o Dual Road Foglamp (USA/CANADA)
	56042 302AC-	1							Left Headlamp, w/Automatic Headlamp & w/Dual Road Foglamp (USA/CANADA)
	56042 303AC-	1							Right Wiper, w/o Automatic Headlamp & w/o Dual Road Foglamp (USA/CANADA)
		1							Right Wiper, w/o Automatic Headlamp & w/Dual Road Foglamp (USA/CANADA)
		1							Right Wiper, w/Automatic Headlamp & w/o Dual Road Foglamp (USA/CANADA)
		1							Right Wiper, w/Automatic Headlamp & w/Dual Road Foglamp (USA/CANADA)
		1							Right Wiper, w/o Dual Road Foglamp (EUROPE)
		1							Right Wiper, w/Dual Road Foglamp (EUROPE)
	56042 433AC-	1							Left Headlamp, w/o Dual Road Foglamp (EUROPE)
	56042 434AC-	1							Left Headlamp, w/Dual Road Foglamp (EUROPE)
-16	56042 297AD-	1							HOUSING, Switch Multi-fuction Switch Housing Serviced w/Turn Signal Canceling Cam (U.S. & Canada)

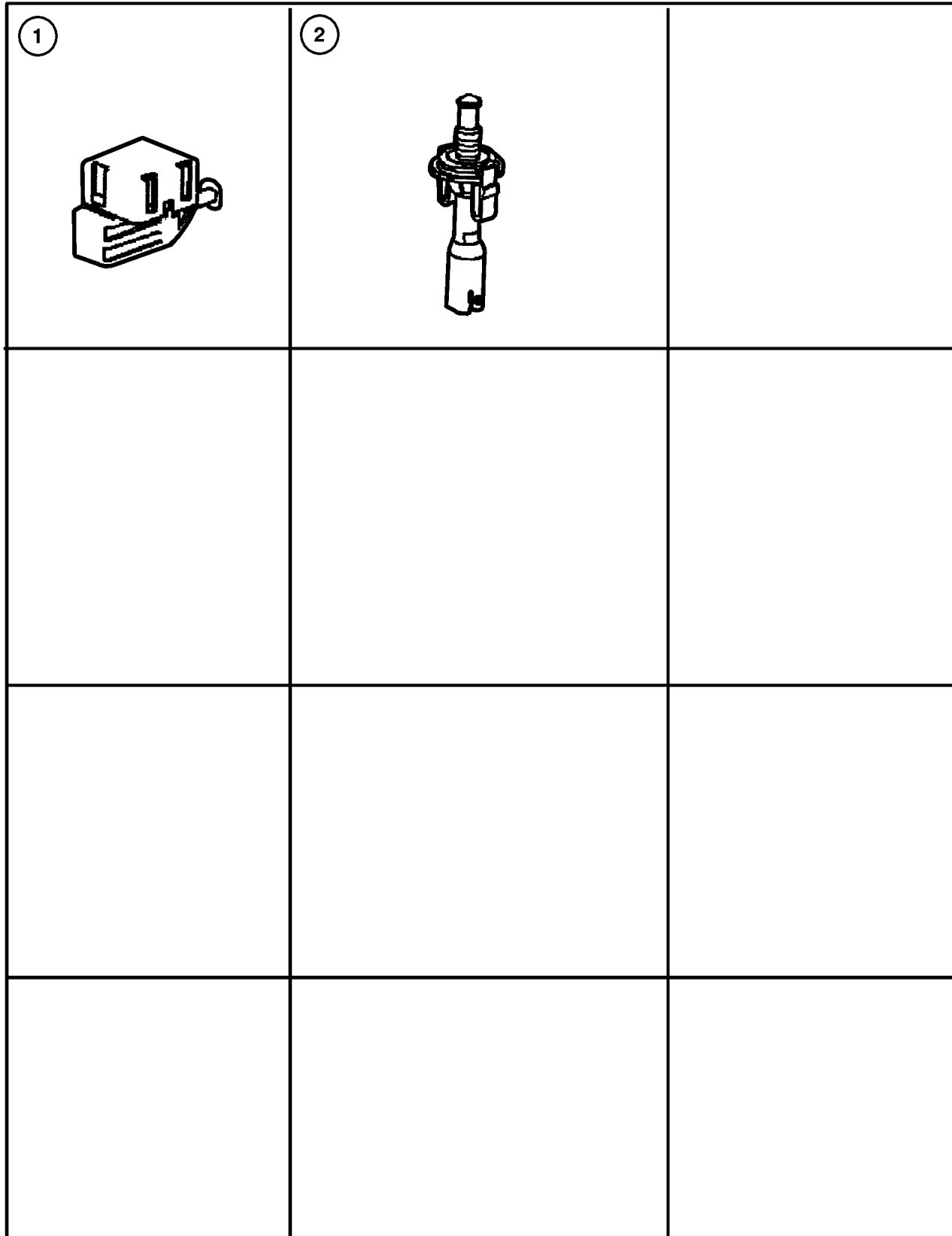
JEEP GRAND CHEROKEE (WJ)

SERIES L = Grand Cherokee	LINE J = 4WD T = 2WD U = 4WD (RHD)	BODY 74 = 4 Door (105.9 WB)	ENGINE ERH,ERO = 4.0L, Power Tech EVA,EVO = 4.7L, Power Tech EXA,EXO = 3.1L 5 cyl Turbo Diesel	TRANSMISSION DGK = 4 Speed Autm, 42RE DG4 = Multi Speed Auto 45RFE DGW = 4 Speed Autom 44RE DGO = All Automatic
------------------------------	---	--------------------------------	---	---

AR = Use as required - = Non illustrated part # = New this model year

September 15, 2005

Switches
Figure 008-810



ITEM	PART NUMBER	QTY	LINE	SERIES	BODY	ENGINE	TRANS	TRIM	DESCRIPTION
		1							Multi-fuction Switch Housing
									Serviced w/Turn Signal Canceling Cam (Europe)
-17	56033 017AB-	1							SWITCH, Heated Seat w/10 Way Power Seat, Right
	56033 019AB-	1							w/Power Seat (USA/CANADA), Left
-18	56033 015AB-	1							SWITCH, Headlamp Leveling, EUROPE
-19	56006 315AB-	1							SWITCH, Anti Lock Brake Accelarat
-20	6505 364AA-	2							BOLT, ABS Accel Switch Mounting
-21	56042 476AB-	1							SWITCH, Ignition
		1							USA/CANADA
		1							EUROPE
-22	56042 634AA-	1							BRACKET, Hood Ajar Disarm Switch, EUROPE
-23	5014 533AA-	1							SWITCH, Horn
-24									SWITCH, Door Module, Front Door
									Keyless Entry Module Serviced w/ Passenger Door Switch Module (Except JAPAN)
	55196 388AC-	1		J, T					w/Limited Package (USA/ CANADA), Right
		1		J, T					w/Laredo Package & 6 Speaker System (USA/CANADA), Right
		1		J, T					w/Laredo & Infinity Speaker System (USA/CANADA), Right
	55196 389AC-	1		J, T					w/Laredo Package & Infinity Speaker System (USA/ CANADA), Left
		1		J, T					w/Limited Package (USA/ CANADA), Left
		1		J, T					w/Laredo Package & 6 Speaker System (USA/CANADA), Left
	55196 391AB-	1		U					EUROPE, Driver Side
	55196 398AB-	1		U					EUROPE, Passenger Side
	56042 290AB-	1		J, T					EUROPE, Right
	56042 497AB-	1		J, T					EUROPE, Left
	56042 602AA-	1		U					JAPAN (Keyless Entry Module Serviced Separately), Driver Side
	56042 603AA-	1		U					JAPAN, Passenger Side

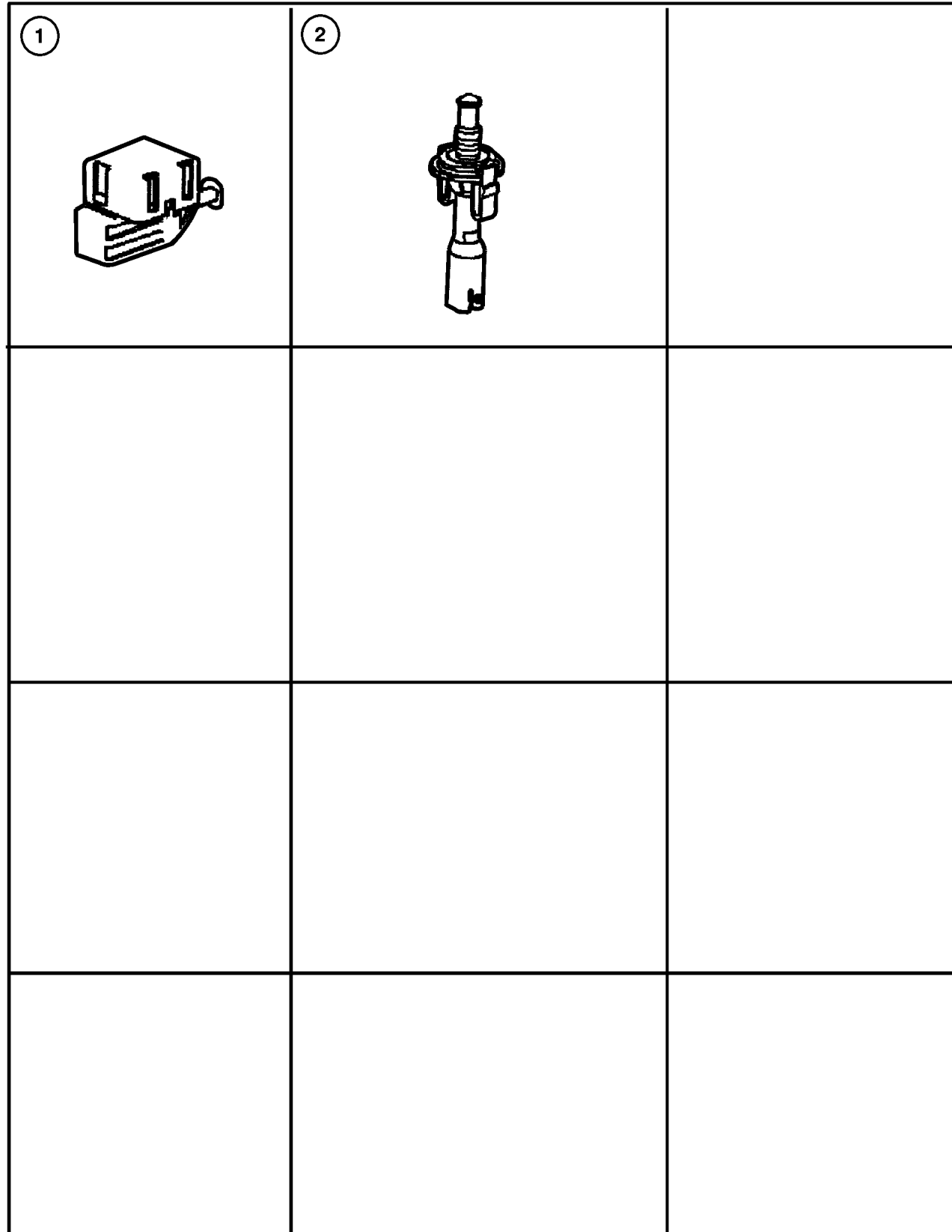
JEEP GRAND CHEROKEE (WJ)

SERIES L = Grand Cherokee	LINE J = 4WD T = 2WD U = 4WD (RHD)	BODY 74 = 4 Door (105.9 WB)	ENGINE ERH,ERO = 4.0L, Power Tech EVA,EVO = 4.7L, Power Tech EXA,EXO = 3.1L 5 cyl Turbo Diesel	TRANSMISSION DGK = 4 Speed Autm, 42RE DG4 = Multi Speed Auto 45RFE DGW = 4 Speed Autom 44RE DGO = All Automatic
------------------------------	---	--------------------------------	---	---

AR = Use as required - = Non illustrated part # = New this model year

September 15, 2005

Switches Figure 008-810



ITEM	PART NUMBER	QTY	LINE	SERIES	BODY	ENGINE	TRANS	TRIM	DESCRIPTION
-25									SWITCH, Courtesy Lamp, Serviced w/Door Latch, (NOT SERVICED) (Not Serviced)
-26	56042 450AB-	1							SWITCH, Flipper Window
-27	5604 2064	1	J, T						SWITCH, 1 Gang, Power Sunroof, Power Sunroof

JEEP GRAND CHEROKEE (WJ)

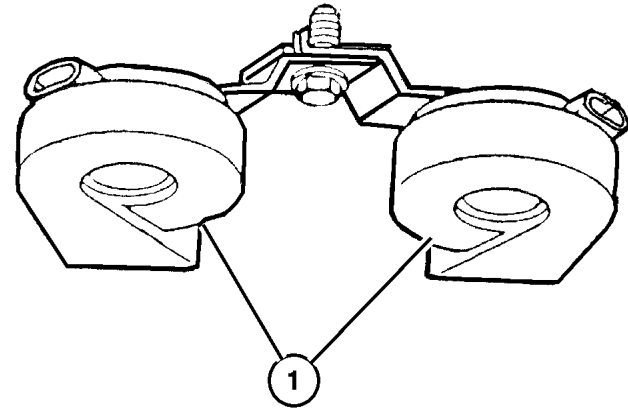
SERIES	LINE	BODY	ENGINE
L = Grand Cherokee	J = 4WD T = 2WD U = 4WD (RHD)	74 = 4 Door (105.9 WB)	ERH,ERO = 4.0L, Power Tech EVA,EVO = 4.7L, Power Tech EXA,EXO = 3.1L 5 cyl Turbo Diesel

TRANSMISSION
DGK = 4 Speed Autm, 42RE DG4 = Multi Speed Auto 45RFE DGW = 4 Speed Autom 44RE DGO = All Automatic

Horns Figure 008-910

ITEM	PART NUMBER	QTY	LINE	SERIES	BODY	ENGINE	TRANS	TRIM	DESCRIPTION
------	-------------	-----	------	--------	------	--------	-------	------	-------------

1	56042 315AD	1							HORN, Duel
---	-------------	---	--	--	--	--	--	--	------------

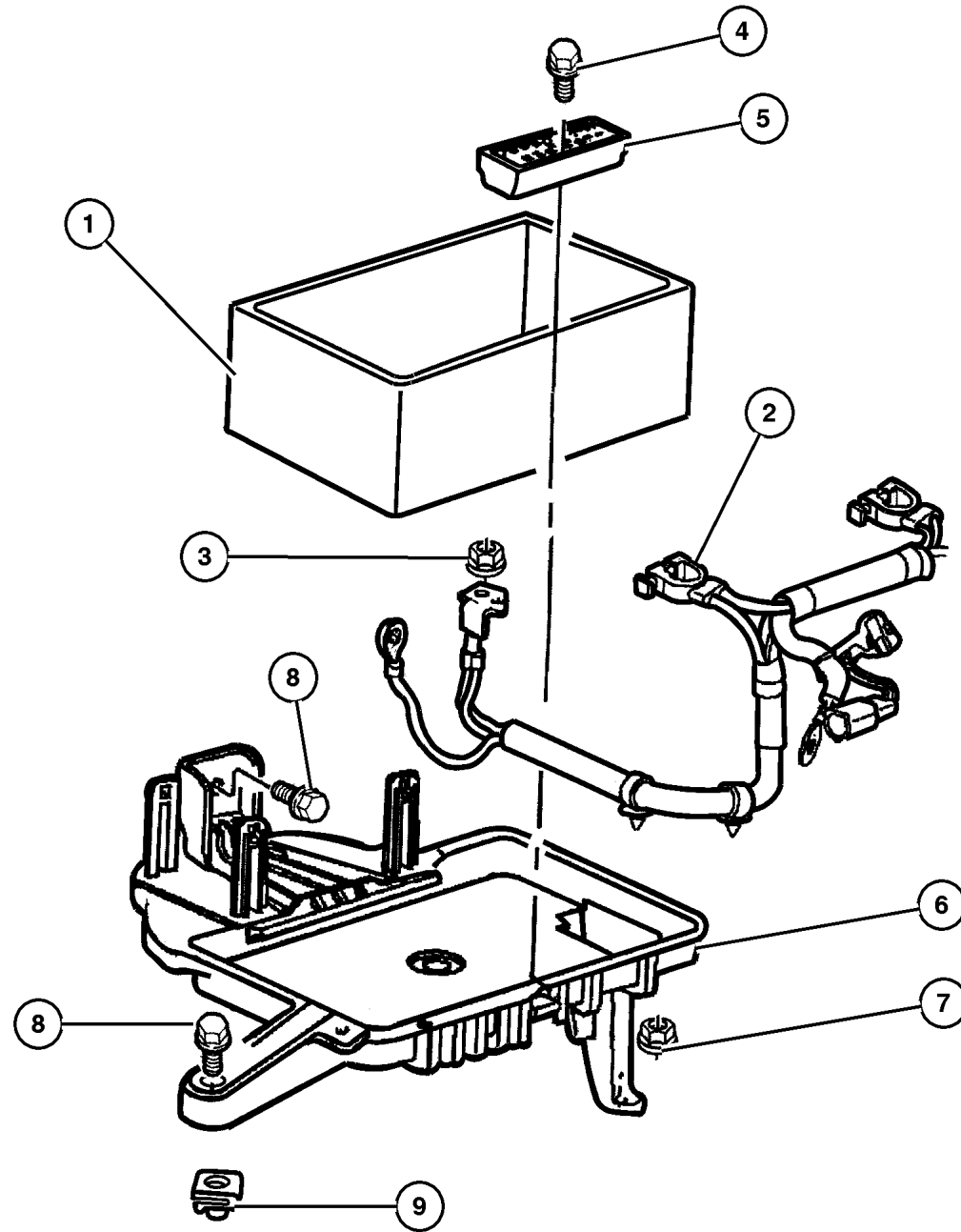


JEEP GRAND CHEROKEE (WJ)				
SERIES	LINE	BODY	ENGINE	TRANSMISSION
L = Grand Cherokee	J = 4WD T = 2WD U = 4WD (RHD)	74 = 4 Door (105.9 WB)	ERH,ERO = 4.0L, Power Tech EVA,EVO = 4.7L, Power Tech EXA,EXO = 3.1L 5 cyl Turbo Diesel	DGK = 4 Speed Autm, 42RE DG4 = Multi Speed Auto 45RFE DGW = 4 Speed Autom 44RE DGO = All Automatic

AR = Use as required - = Non illustrated part # = New this model year

September 15, 2005

Battery Tray & Cables Figure 008-1010



ITEM	PART NUMBER	QTY	LINE	SERIES	BODY	ENGINE	TRANS	TRIM	DESCRIPTION
ER0=4.0L Engine									
EVO=4.7L Engine									
EX0=3.0L/3.1L Turbo Diesel Engine									
1	56041 375AA	1				ER0, EVO			COVER, Battery EUROPE
2	5604 1035	1							USA/CANADA
	5603 8421	1	J, T			ER0			WIRING, Alternator and Battery USA/CANADA
	56038 422AB	1	J, U			EX0			EUROPE
	56041 525AB	1				EVO			EUROPE
	5603 8423	1	J, T			EVO			USA/CANADA
3	56041 524AB	1				ER0			EUROPE
	6101 808	2				ER0, EVO, EX0			NUT, Hex, M6x1
4	6101 766	1	J			EX0			SCREW AND WASHER
	55136 570AA	1				ER0, EVO			BRACKET, Battery Hold Down EUROPE
5	5513 5692	1				ER0, EVO			USA/CANADA
		1				EX0			EUROPE
	5513 5690	1				ER0, EVO			SUPPORT, Battery USA/CANDA
6	55136 598AA	1				ER0, EVO			EUROPE
	6100 516	1							NUT, Hex Flange Lock, M6 Phosphate
8	6100 568	4						BOLT AND WASHER, Implement Attaching	
9	6101 712	1				ER0, EVO			NUT, U, M6x1
		1	J, T			EX0			

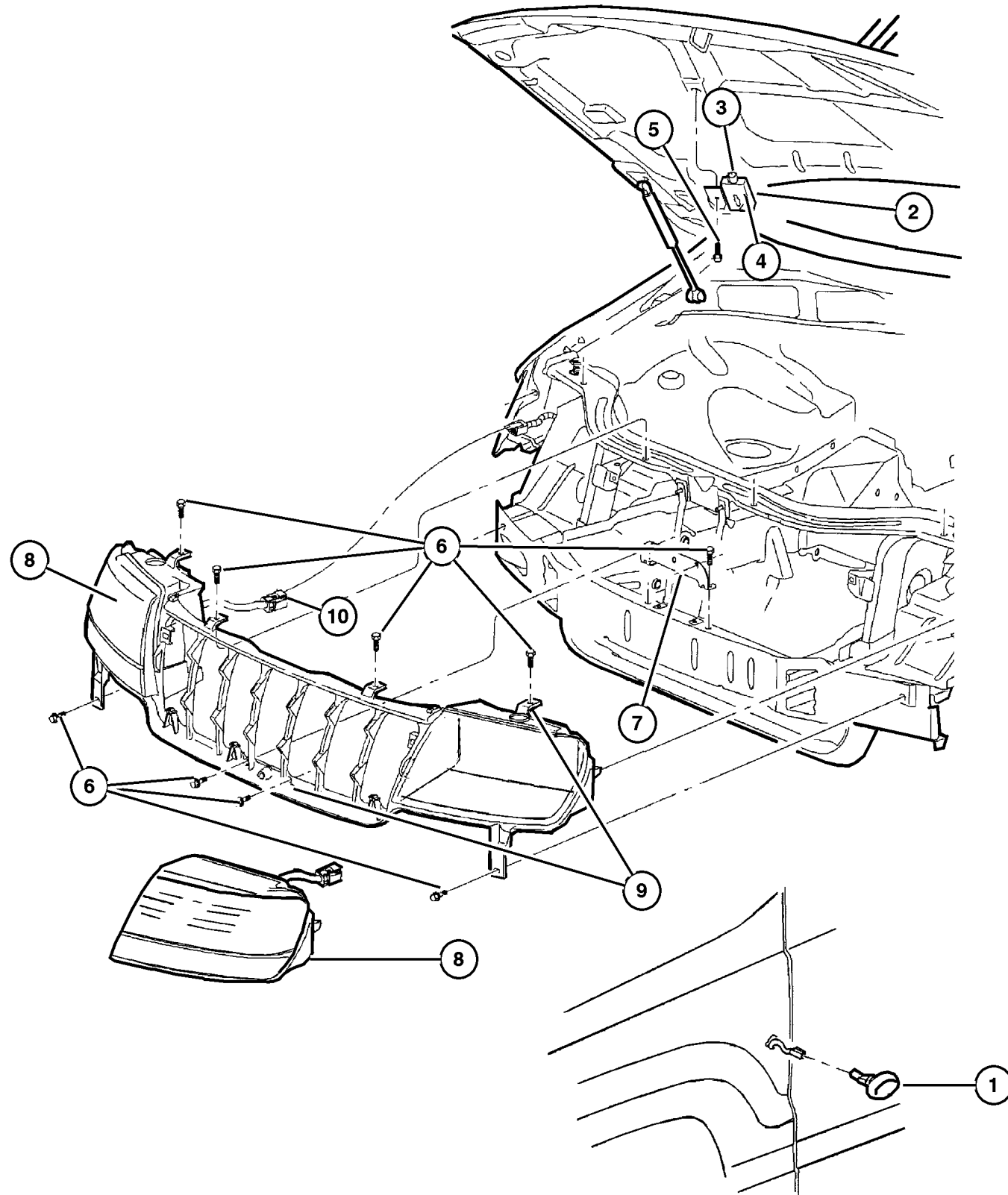
JEEP GRAND CHEROKEE (WJ)

SERIES	LINE	BODY	ENGINE	TRANSMISSION
L = Grand Cherokee	J = 4WD T = 2WD U = 4WD (RHD)	74 = 4 Door (105.9 WB)	ERH,ERO = 4.0L, Power Tech EVA,EVO = 4.7L, Power Tech EXA,EXO = 3.1L 5 cyl Turbo Diesel	DGK = 4 Speed Autm, 42RE DG4 = Multi Speed Auto 45RFE DGW = 4 Speed Autom 44RE DGO = All Automatic

AR = Use as required - = Non illustrated part # = New this model year

September 15, 2005

Lamp - Front End
Figure 008-1110



ITEM	PART NUMBER	QTY	LINE	SERIES	BODY	ENGINE	TRANS	TRIM	DESCRIPTION
1	4676 565	2							LAMP, Front Fender
2	5602 1441	1							LAMP, Underhood
3	L000 0561	1							BULB, 561
4	4897 446AA	1							LENS, Lamp Module
5	0154 554	1							SCREW, Self Piercing, .25-14x.625
6	6503 259	6							SCREW, Tapping, M6x1x20
7	55155 706AA	1							BRACKET, Headlamp Panel
8									LAMP, Headlamp Park And Turn
	5515 5128	1	J, T						Laredo w/o H/Lamp Leveling Device (USA/CANADA), Right
	5515 5129	1	J, T						Laredo w/o H/Lamp Leveling Device (USA/CANADA), Left
	5515 5144	1	J, T						Laredo w/ H/Lamp Leveling Device (EUROPE), Right
	5515 5145	1	J, T						Laredo w/ H/Lamp Leveling Device (EUROPE), Left
	5515 5146	1	U						Laredo w/ H/Lamp Leveling Device (EUROPE), Right
	5515 5147	1	U						Laredo w/ H/Lamp Leveling Device (EUROPE), Left
	5515 5552	1	J, T						Limited w/o H/Lamp Leveling Device (USA/CANADA), Right
	5515 5553	1	J, T						Limited w/o H/Lamp Leveling Device (USA/CANADA), Left
	5515 5556	1	U						Limited w/ H/Lamp Leveling Device (EUROPE), Right
	5515 5557	1	U						Limited w/ H/Lamp Leveling Device (EUROPE), Left
	5515 5574	1	J, T						Laredo w/o H/Lamp Leveling Device (EUROPE), Right
	5515 5575	1	J, T						Laredo w/o H/Lamp Leveling Device (EUROPE), Left
	5515 5576	1	J, T						Limited w/o H/Lamp Leveling Device (EUROPE), Right
	5515 5577	1	J, T						Limited w/o H/Lamp Leveling Device (EUROPE), Left
	5515 5578	1	U						Laredo w/o H/Lamp Leveling Device (EUROPE), Right
	5515 5579	1	U						Laredo w/o H/Lamp Leveling Device (EUROPE), Left
	5515 5582	1	U						Limited w/o H/Lamp Leveling Device (EUROPE), Right

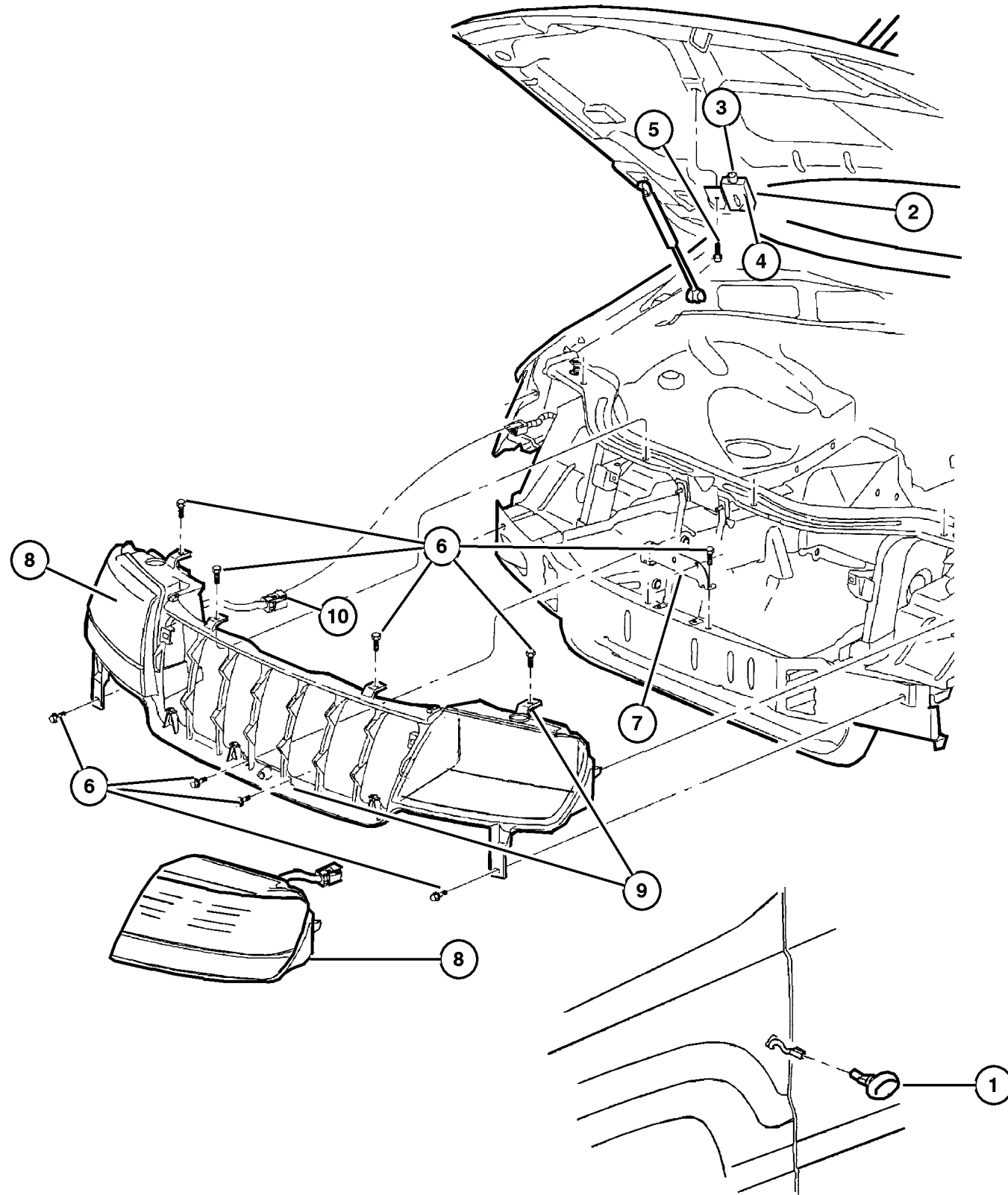
JEEP GRAND CHEROKEE (WJ)

SERIES	LINE	BODY	ENGINE	TRANSMISSION
L = Grand Cherokee	J = 4WD T = 2WD U = 4WD (RHD)	74 = 4 Door (105.9 WB)	ERH,ERO = 4.0L, Power Tech EVA,EVO = 4.7L, Power Tech EXA,EXO = 3.1L 5 cyl Turbo Diesel	DGK = 4 Speed Autm, 42RE DG4 = Multi Speed Auto 45RFE DGW = 4 Speed Autom 44RE DGO = All Automatic

AR = Use as required - = Non illustrated part # = New this model year

September 15, 2005

Lamp - Front End
Figure 008-1110



ITEM	PART NUMBER	QTY	LINE	SERIES	BODY	ENGINE	TRANS	TRIM	DESCRIPTION
	5515 5583	1	U						Limited w/o H/Lamp Leveling Device (EUROPE), Left
	55155 942AA	1	J, T						Limited w/ H/Lamp Leveling Device (EUROPE), Right
	55155 943AA	1	J, T						Limited w/ H/Lamp Leveling Device (EUROPE), Left
9	5515 5498	1	J, T						SUPPORT, Headlamp Panel
10									WIRING, Headlamp, w/Turn Signal & Park Lamp Socket
	5012 604AA	1	J, T						w/H/Lamp Leveling (Export)
	5013 841AA	2	J, T						w/H/Lamp Leveling (Export)
		2	U						w/o H/Lamp Leveling (Export)
	5013 842AA	1	J, T						w/oH/Lamp Leveling (Export)
		1	U						
-11	5604 2395	1							SENSOR, Ambient Temperature
-12									RETAINER, Headlamp Receptical
	5012 684AA-	2	J, T						USA/CANADA, Right
		2	U						EUROPE, Right
	5012 685AA-	4	J, T						USA/CANADA, Left
		4	U						EUROPE, Left
		4	J, T						EUROPE, Left
		4	J, T						EUROPE, Right
-13									SCREW, Large Round Washer Head
	6504 483	2	J, T						H/Lamp Mounting Module (Jack Screw)
		2	U						H/Lamp Mounting Module (Jack Screw)
-14	6033 014	1							NUT
-15	0154 870AA-	1	J, T						BULB, Headlamp, 9006XS
-16	0154 836	1	J, T						BULB, Headlamp
-17	L000 3157	1	J, T						BULB, 3157
-18	9421 330	2	J, T						BULB, PC194
-19	0L00 194NA-	4	J, T						BULB, 194NA
-20	0L03 157NA-	4	J, T						BULB, 3157A
-21									LAMP, Fog
	5515 5136	1							USA/CANADA, Right
	55155 136AB-	1							EUROPE, Right
	5515 5137	1							USA/CANADA, Left
	55155 137AB-	1							EUROPE, Left
-22	0154 834	AR							BULB, 9055, Fog Lamp
-23	4676 801	2							GASKET, Side Marker Lamp, EUROPE

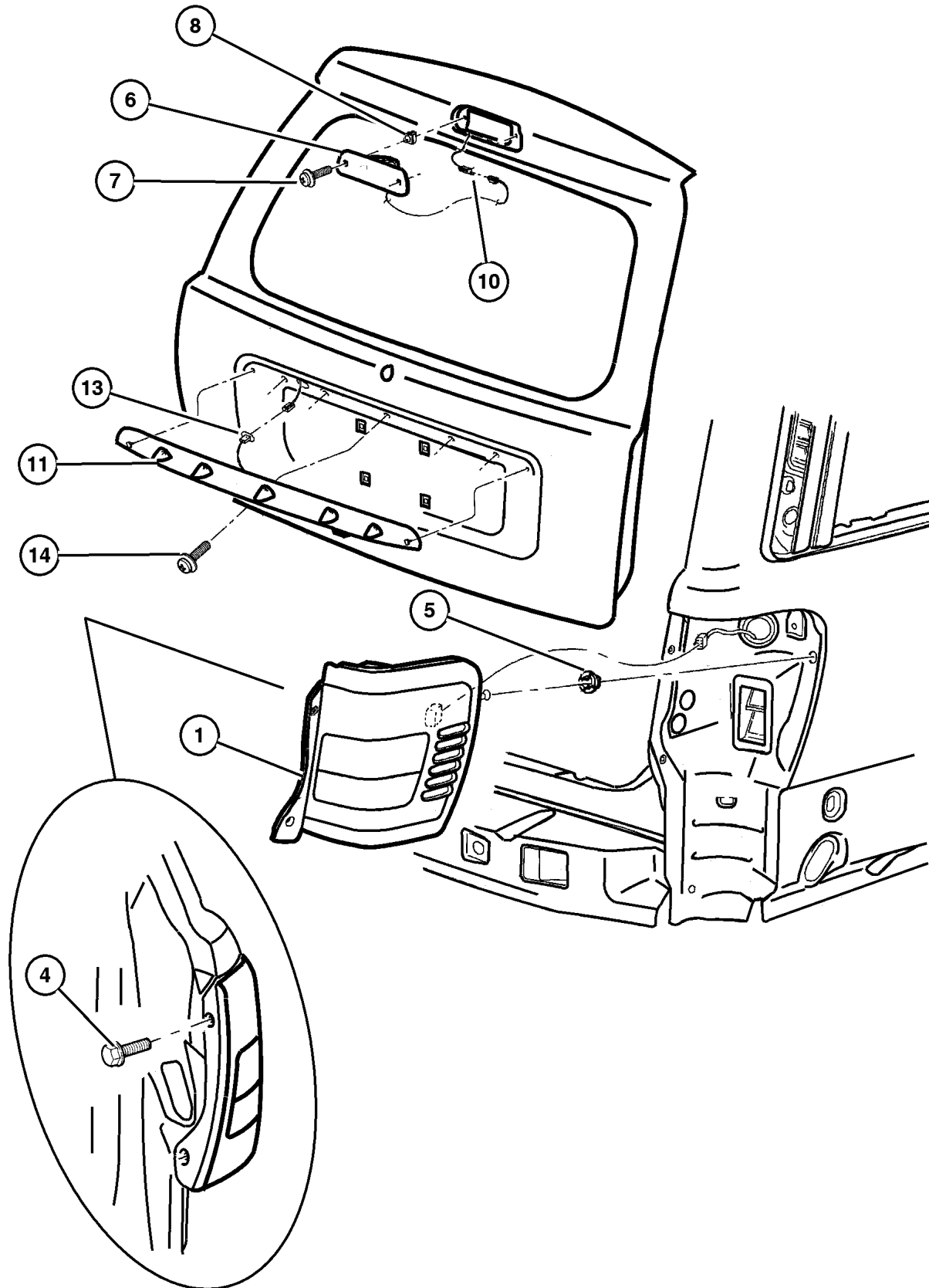
JEEP GRAND CHEROKEE (WJ)

SERIES	LINE	BODY	ENGINE	TRANSMISSION
L = Grand Cherokee	J = 4WD T = 2WD U = 4WD (RHD)	74 = 4 Door (105.9 WB)	ERH,ERO = 4.0L, Power Tech EVA,EVO = 4.7L, Power Tech EXA,EXO = 3.1L 5 cyl Turbo Diesel	DGK = 4 Speed Autm, 42RE DG4 = Multi Speed Auto 45RFE DGW = 4 Speed Autom 44RE DGO = All Automatic

AR = Use as required - = Non illustrated part # = New this model year

September 15, 2005

Lamp - Rear End
Figure 008-1120



ITEM	PART NUMBER	QTY	LINE	SERIES	BODY	ENGINE	TRANS	TRIM	DESCRIPTION
1									LAMP, Tail Stop Turn
	5515 5138	1							USA/CANADA (Right)
	5515 5143	1							EUROPE (Left)
	5515 5139	1							USA/CANADA (Left)
	5515 5142	1							EUROPE (Right)
-2	L000 3157	4							BULB, 3157
-3	4676 589	3							SOCKET, Board
4									SCREW, .190-16 X .750, (NOT SERVICED) (Not Serviced)
5	6505 386AA	2							NUT, Plastic
6	5515 5140	1							LAMP, High Mounted Stop
7	6036 163AA	2							SCREW, .19-16x1.00
8	6505 703AA	2							NUT, Plastic Snap-in
-9	0154 883AA-	1							BULB, 921
10	5604 2544	1							WIRING, High Mounted Stop Lamp
11									HOUSING, Lamp
	5012 554AA	1							Limited (P.A.R.) EUROPE
		1							Limited (P.A.R.) USA/CANADA
	5012 553AA	1							Laredo (P.A.R.) USA/CANADA
		1							Laredo (P.A.R.) EUROPE
-12									LAMP, License
	5012 548AA-	2							EUROPE
		2							USA/CANADA
13	56042 545AB	1							WIRING, License Lamp
14	0154 228	5							SCREW, Tapping, .19-16x.625
-15	56042 450AB-	1							SWITCH, Flipper Window
-16									BULB, 168
	L000 0168	2							USA/CANADA
		2							
-17	0153 625	2							BULB, W10/5, EUROPE

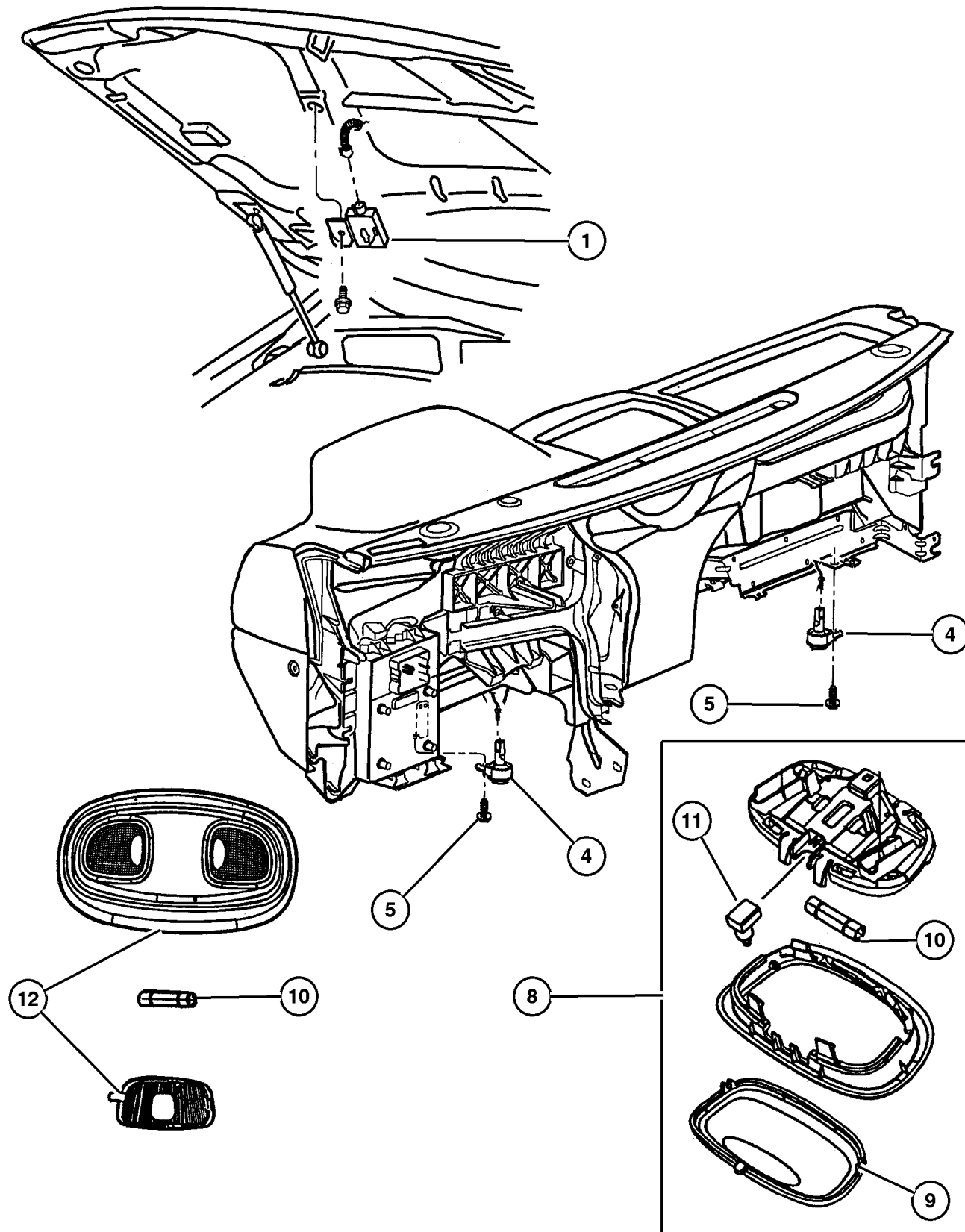
JEEP GRAND CHEROKEE (WJ)

SERIES	LINE	BODY	ENGINE	TRANSMISSION
L = Grand Cherokee	J = 4WD T = 2WD U = 4WD (RHD)	74 = 4 Door (105.9 WB)	ERH,ERO = 4.0L, Power Tech EVA,EVO = 4.7L, Power Tech EXA,EXO = 3.1L 5 cyl Turbo Diesel	DGK = 4 Speed Autm, 42RE DG4 = Multi Speed Auto 45RFE DGW = 4 Speed Autom 44RE DGO = All Automatic

AR = Use as required - = Non illustrated part # = New this model year

September 15, 2005

Lamp - Courtesy - Dome - Reading
Figure 008-1130



ITEM	PART NUMBER	QTY	LINE	SERIES	BODY	ENGINE	TRANS	TRIM	DESCRIPTION
1	5602 1441	1							LAMP, Underhood, w/Switch
-2	4897 446AA-	1							LENS, Lamp Module, Underhood
-3	L000 0561	1							BULB, 561
4	56042 559AA	2							LAMP, Courtesy, l/panel Lower
5	6101 946	1							SCREW, Tapping
-6	L000 0161	1							BULB, 161, Ash Receiver
-7	4778 794	1	J, T						LENS, Illuminated Visor Right & Left
		1	U						Right & Left
8	5FT1 0RK5	1	J, T						LAMP, Cargo Tan/Agate
		1	U						Tan/Agate
	5FT1 0TL2	1	J, T						Beige
		1	U						Beige
9	55196 755AA	1	J, T						LENS, Cargo Lamp
		1	U						
10	4547 577	1	U						BULB, 212-2 Cargo Lamp/Grabhandle
		1	J, T						Cargo Lamp/Grabhandle
11	55196 759AA	1	J, T						LENS, Lamp Module, Grab Handle Left Rear
		1	U						Left Rear
	55196 760AA	1	J, T						Right Rear
		1	U						Right Rear
12	5FZ47 RK5AA	1	J, T						LAMP, Reading Tan/Agate
		1	U						Tan/Agate
	5FZ47 TL2AA	1	J, T						Beige
		1	U						Beige
-13	4685 445	1	J, T						SWITCH, Reading Lamp USA/CANADA
		1	J, T						EUROPE, Rear Cargo
		1	U						EUROPE
-14	5600 5076	1	U						LAMP, Door Europe, Right
	5600 5077	1	J, T						Europe, Left
	5600 5076	1	J, T						U.S. & Canada, Right
		1	J, T						Europe, Right
	5600 5077	1	J, T						U.S. & Canada, Left
		1	U						Europe, Left

JEEP GRAND CHEROKEE (WJ)

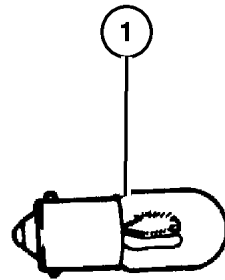
SERIES	LINE	BODY	ENGINE	TRANSMISSION
L = Grand Cherokee	J = 4WD T = 2WD U = 4WD (RHD)	74 = 4 Door (105.9 WB)	ERH,ERO = 4.0L, Power Tech EVA,EVO = 4.7L, Power Tech EXA,EXO = 3.1L 5 cyl Turbo Diesel	DGK = 4 Speed Autm, 42RE DG4 = Multi Speed Auto 45RFE DGW = 4 Speed Autom 44RE DGO = All Automatic

AR = Use as required - = Non illustrated part # = New this model year

September 15, 2005

Bulbs & Sockets
Figure 008-1140

ITEM	PART NUMBER	QTY	LINE	SERIES	BODY	ENGINE	TRANS	TRIM	DESCRIPTION
ER0=4.0L Engine									
EVO=4.7L Engine									
EX0=3.0L/3.1L Turbo Diesel Engine									
1	0153 620	2							BULB, 8/4
-2	L000 3157	3							BULB, 3157
-3	0154 883AA-	1							BULB, 921
-4	L000 0561	1							BULB, 561, Underhood
-5	9421 330	2	J, T						BULB, PC194
-6	0154 870AA-	1	J, T						BULB, Headlamp, 9006XS
-7	0154 836	1	J, T						BULB, Headlamp
-8	L000 0161	1							BULB, 161, Ash Receiver
-9	L000 0906	2							BULB, 906
-10	6501 966	1	J, T						BULB, 74, Illuminated Mirror
-11									BULB, 192
	L000 0192	2	J, T						Overhead Console
		2	U						Overhead Console
-12									BULB, Wedge Base, 74
	9433 184	1				ER0, EVO EX0			
-13	5012 591AA-	1							BULB AND SOCKET, Heated Seat Backlite Switch
-14									BULB, PY21W Amber
	0154 742	1	U						
		1	J, T						
-15									BULB, PC74
	L000 PC74	16	J, T			ER0, EVO EX0			
		20							
		17	U			ER0, EVO			
-16	L000 0194	2	J, T						BULB, 194



JEEP GRAND CHEROKEE (WJ)

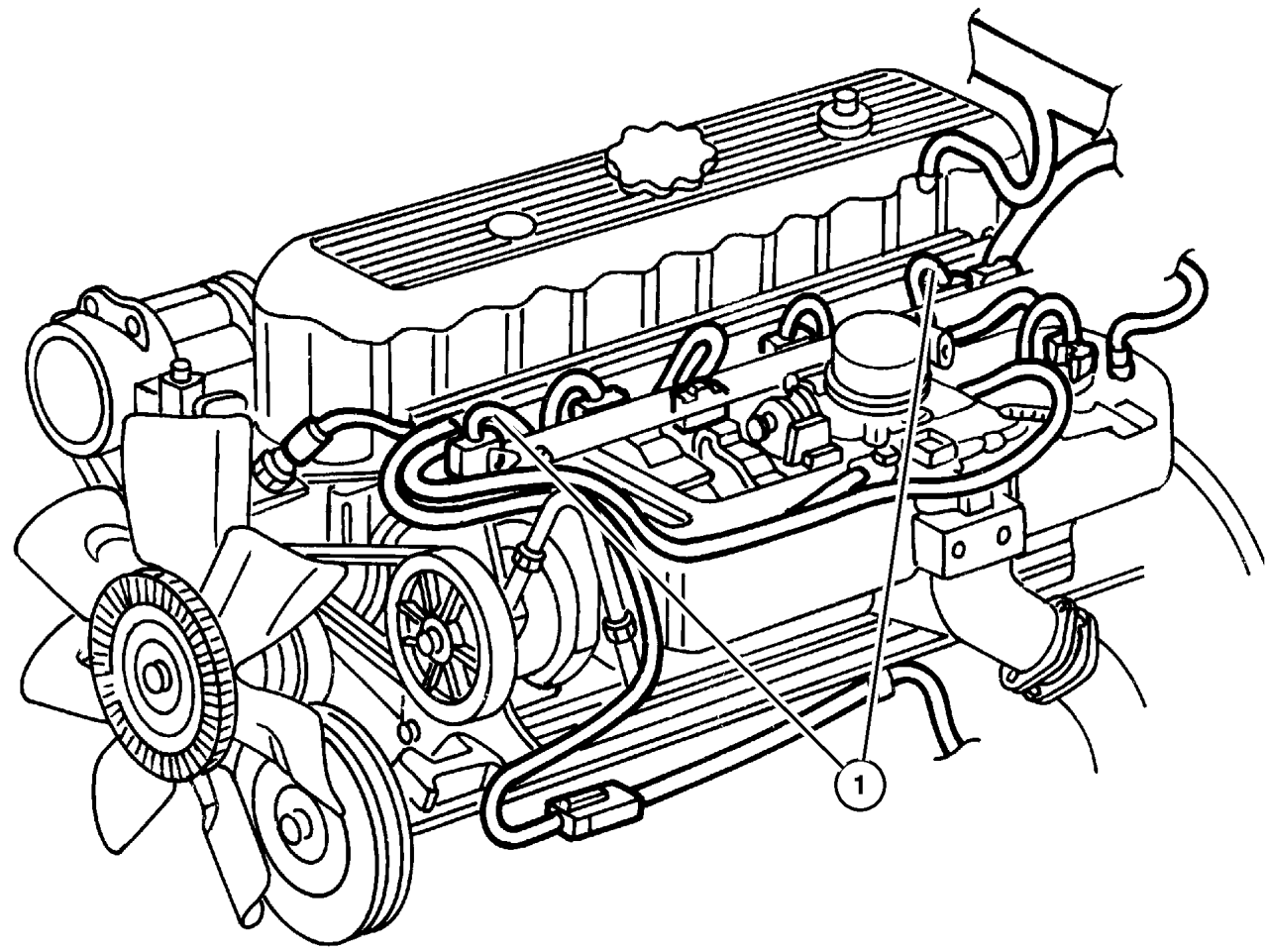
SERIES	LINE	BODY	ENGINE	TRANSMISSION
L = Grand Cherokee	J = 4WD T = 2WD U = 4WD (RHD)	74 = 4 Door (105.9 WB)	ERH,ERO = 4.0L, Power Tech EVA,EVO = 4.7L, Power Tech EXA,EXO = 3.1L 5 cyl Turbo Diesel	DGK = 4 Speed Autm, 42RE DG4 = Multi Speed Auto 45RFE DGW = 4 Speed Autom 44RE DGO = All Automatic

AR = Use as required - = Non illustrated part # = New this model year

September 15, 2005

**Wiring - Engine & Related Parts
Figure 008-1210**

ITEM	PART NUMBER	QTY	LINE	SERIES	BODY	ENGINE	TRANS	TRIM	DESCRIPTION
ER0=4.0L Engine									
EVO=4.7L Engine									
EX0=3.0L/3.1L Turbo Diesel Engine									
DG0=Automatic Transmission									
DGW= Automatic Transmission 4 Speed Automatic 44RE									
DGK=Automatic Transmission 4 Speed									
DG4=Automatic Transmission Multi-Speed									
1									WIRING, Injector
	56042 200AB	1	U			ER0	DG0		4.0L Engine (EUROPE)
	56042 201AB	1	J, T			ER0	DG0		4.0L Engine w/Leaded Fuel Emission (EUROPE)
		1	J, T			ER0	DG0		4.0L Engine w/Federal Emission (USA/CANADA) Except California
	56042 202AB	1	J, U			EX0	DG0		Diesel Emission (EUROPE)
	56042 203AB	1	J, T			ER0	DG0		4.0L Engine w/California Emission
	56042 406AB	1	J			EVO	DG0		4.7L Engine w/Leaded Fuel Emission (EUROPE)
		1	J			EVO	DG0		4.7L Engine w/Federal Emission (USA/CANADA) Except California
	56042 407AB	1	J			EVO	DG0		4.7L Engine w/California Emission
	56044 111AB	1	U			EVO	DG0		4.7L Engine (EUROPE)
-2	56041 381AA-	2				EX0			BRACKET, Wiring, EUROPE
-3	56041 438AA-	1	J			ER0	DG0		WIRING, Transfer Case Jumper, USA/CANADA



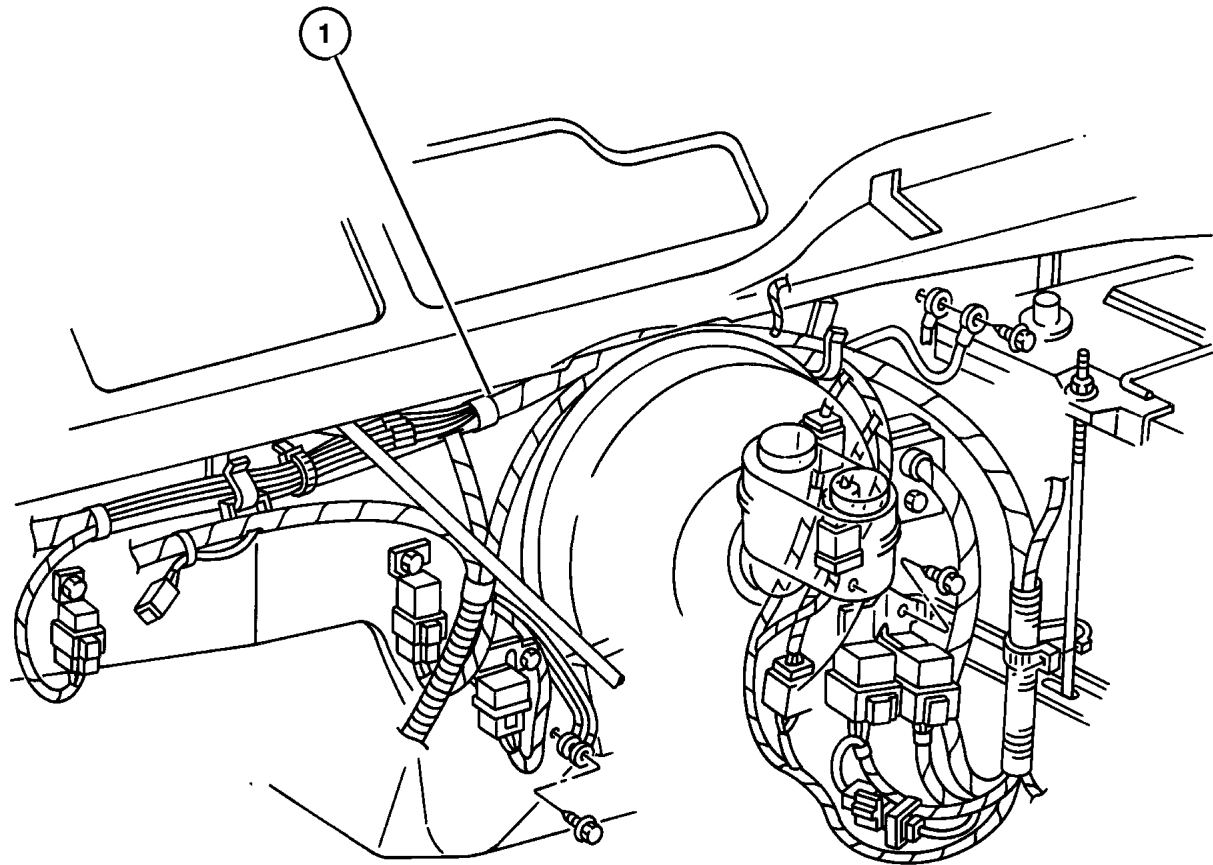
JEEP GRAND CHEROKEE (WJ)

SERIES	LINE	BODY	ENGINE	TRANSMISSION
L = Grand Cherokee	J = 4WD T = 2WD U = 4WD (RHD)	74 = 4 Door (105.9 WB)	ERH,ERO = 4.0L, Power Tech EVA,EVO = 4.7L, Power Tech EXA,EXO = 3.1L 5 cyl Turbo Diesel	DGK = 4 Speed Autm, 42RE DG4 = Multi Speed Auto 45RFE DGW = 4 Speed Autom 44RE DGO = All Automatic

AR = Use as required - = Non illustrated part # = New this model year

September 15, 2005

Wiring - Headlamp / Dash
Figure 008-1310



ITEM	PART NUMBER	QTY	LINE	SERIES	BODY	ENGINE	TRANS	TRIM	DESCRIPTION
ER0=4.0L Engine									
EVO=4.7L Engine									
EX0=3.0L/3.1L Turbo Diesel Engine									
1									WIRING, Headlamp to Dash
	56042 206AC	1	J, T			ER0,			USA/CANADA (Except California), Right
	56042 207AC	1	J, T			ER0,			USA/CALIFORNIA/CANADA, Left
	56042 208AC	1	J, T			EVO			
	56042 209AD	1	J, T			EX0			EUROPE, Right
	56042 210AB	1	U			EX0			EUROPE, Left
						ER0,			EUROPE, Right
						EVO			
	56042 211AC	1	U			ER0,			EUROPE, Left
						EVO			
	56042 500AC	1	J, T			ER0,			EUROPE, Right
						EVO			
	56042 501AC	1	J, T			ER0,			EUROPE, Left
						EVO			
	56042 502AC	1	J, T			ER0,			California, Right
						EVO			
-2	4604 235	2							BREAKER, Circuit
-3									COVER, Power Distribution Center (EUROPE)
	5014 892AA-	1	J, T			EX0			
	5014 893AA-	1	U			ER0,			
						EVO			
		1	J, T			ER0,			
						EVO			
-4	4671 168	3							RELAY, Mini, Sunroof, H/Lamp, Foglamp & Trailer Tow
-5									RELAY, Electrical
	4848 879AA-	AR	U			ER0,			
						EVO			
		AR	J, T			EX0			
-6									FUSE, Mini, 10 AMP, Red
	6101 486	2	J, T						
		2	U						
-7									FUSE, Mini, 15 AMP, Light Blue
	6101 487	1	J, T						
		1	U						
-8									FUSE, Mini, 20 AMP, Yellow
	6101 488	1	J, T						
		1	U						
-9									FUSE CARTRIDGE, 30 Amp

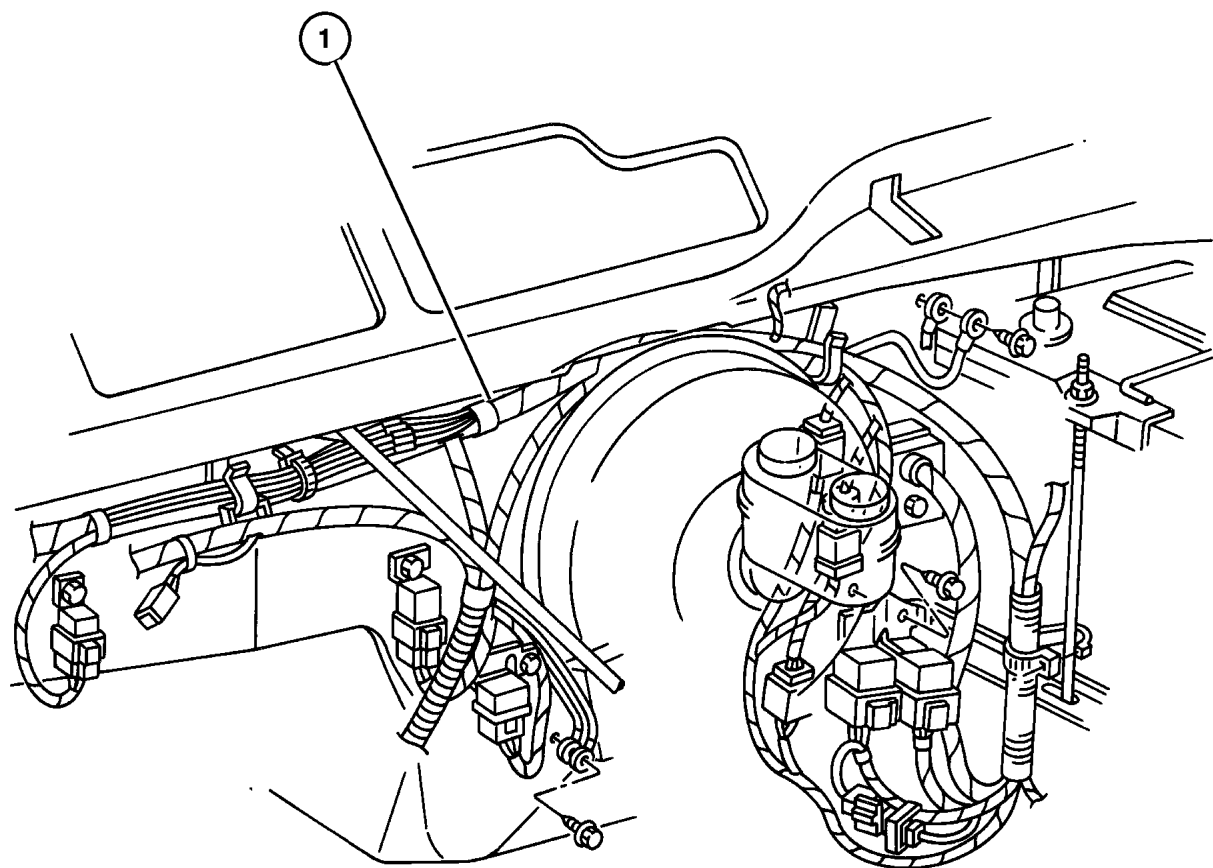
JEEP GRAND CHEROKEE (WJ)

SERIES	LINE	BODY	ENGINE	TRANSMISSION
L = Grand Cherokee	J = 4WD T = 2WD U = 4WD (RHD)	74 = 4 Door (105.9 WB)	ERH,ERO = 4.0L, Power Tech EVA,EVO = 4.7L, Power Tech EXA,EXO = 3.1L 5 cyl Turbo Diesel	DGK = 4 Speed Autm, 42RE DG4 = Multi Speed Auto 45RFE DGW = 4 Speed Autom 44RE DGO = All Automatic

AR = Use as required - = Non illustrated part # = New this model year

September 15, 2005

**Wiring - Headlamp / Dash
Figure 008-1310**



ITEM	PART NUMBER	QTY	LINE	SERIES	BODY	ENGINE	TRANS	TRIM	DESCRIPTION
	6102 076AA-	AR	J, T			ER0, EVO			
		AR	J, T			EX0			
		AR	U			ER0, EVO			
-10	6102 077AA-	AR	J, T			ER0, EVO			FUSE CARTRIDGE, 40 Amp
		AR	U			ER0, EVO			
		AR	J, T			EX0			
-11	6102 078AA-	AR	J, T			ER0, EVO			FUSE CARTRIDGE, 50 Amp
		AR	J, T			EX0			
		AR	U			ER0, EVO			
-12	55196 762AA-	1	J, T						PULLER, Fuse
		1	U						

JEEP GRAND CHEROKEE (WJ)

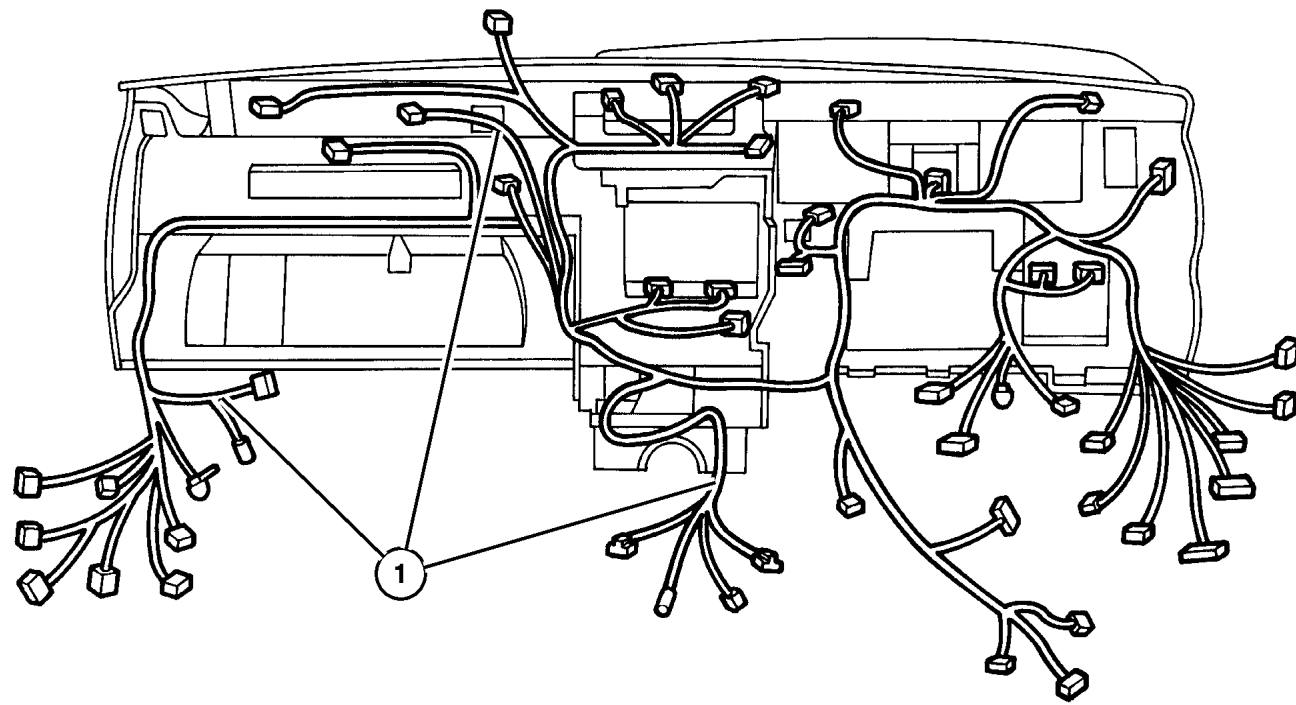
SERIES	LINE	BODY	ENGINE	TRANSMISSION
L = Grand Cherokee	J = 4WD T = 2WD U = 4WD (RHD)	74 = 4 Door (105.9 WB)	ERH,ERO = 4.0L, Power Tech EVA,EVO = 4.7L, Power Tech EXA,EXO = 3.1L 5 cyl Turbo Diesel	DGK = 4 Speed Autm, 42RE DG4 = Multi Speed Auto 45RFE DGW = 4 Speed Autom 44RE DGO = All Automatic

AR = Use as required - = Non illustrated part # = New this model year

September 15, 2005

Wiring - Instrument Panel
Figure 008-1410

ITEM	PART NUMBER	QTY	LINE	SERIES	BODY	ENGINE	TRANS	TRIM	DESCRIPTION
1									WIRING, Instrument Panel
	56010 606AD	1	U						A/C w/Leather Wrap Steering Wheel (EUROPE)
	56010 609AD	1	U						A/C w/ATC & Dual Zone & Leather Wrap Steering Wheel (EUROPE)
	56042 702AC	1	J, T						A/C w/Leather Wrap Steering Wheel (EUROPE)
	56042 704AC	1	J, T						A/C w/ATC & Dual Zone & Leather Wrap Steering Wheel (EUROPE)
	56042 805AB	1	J, T						A/C w/Leather Wrap Steering Wheel (USA/CANADA)
	56042 806AB	1	J, T						A/C w/Leather Wrap Steering Wheel & Remote 10 Disc CD Changer (USA/CANADA)
	56042 807AB	1	J, T						A/C w/ATC & Dual Zone, Automatic H/Lamp & Leather Wrap Steering Wheel (USA/CANADA)
	56042 808AB	1	J, T						A/c w/ATC & Dual Zone, Automatic H/Lamp, Remote 10 Disc CD Changer & Leather Wrap Steering Wheel (USA/CANADA)
-2	6101 802	2							NUT AND WASHER, M6x1.00
-3	4274 258	2							TAPE, Radio Connector, Foam
-4	56042 148AF-	1							JUNCTION BLOCK, Relay
-5	6101 486	2	J, T						FUSE, Mini, 10 AMP, Red
-6	6101 487	1	J, T						FUSE, Mini, 15 AMP, Light Blue
		1	U						
-7	6101 488	1	J, T						FUSE, Mini, 20 AMP, Yellow
		1	U						
-8	4687 835	1							FUSE, Mini, 25 Amp, Natural
-9	55196 762AA-	1	J, T						PULLER, Fuse
-10	5511 6229	1	J, T						COVER, Fuse Access
-11	4604 235	2							BREAKER, Circuit, 20 AMP
-12	5072 991AA-	1							PLUG, Wiring, 10 Way (Plug/Cap/Shorting Bar)



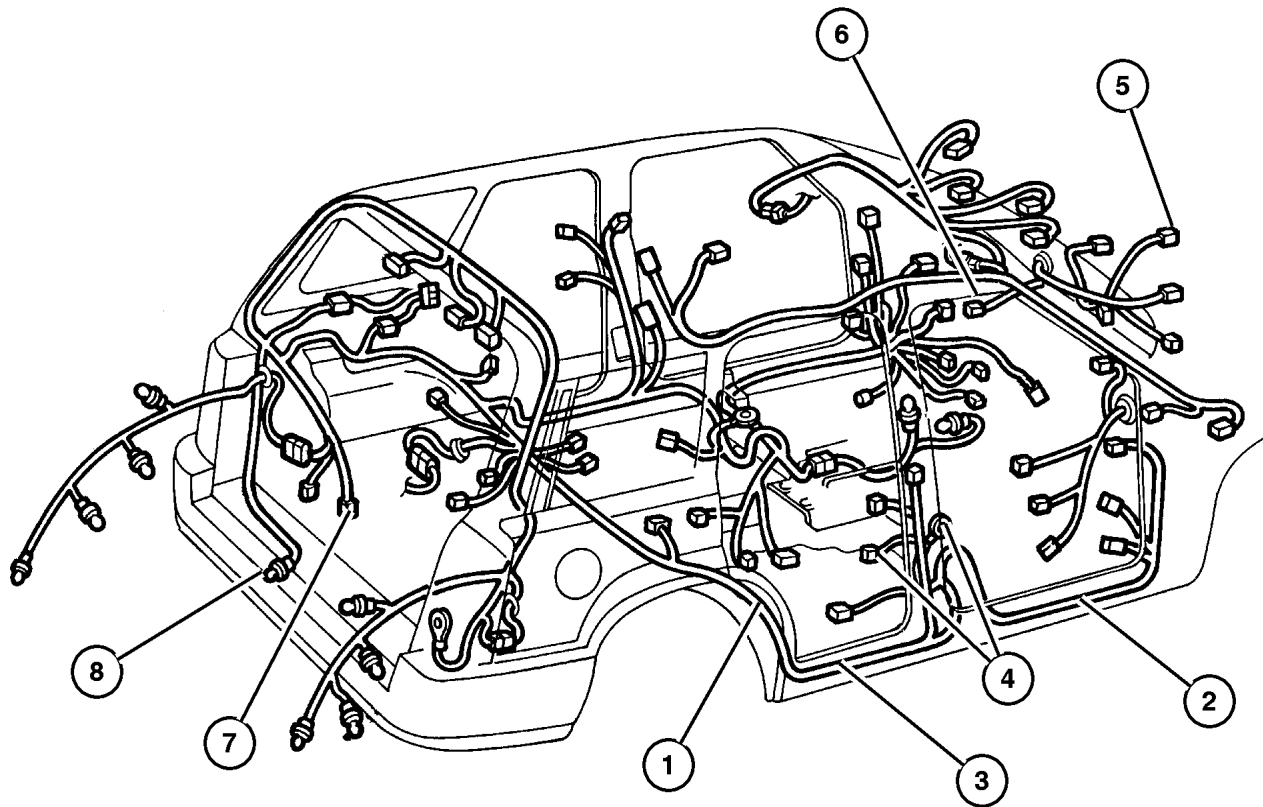
JEEP GRAND CHEROKEE (WJ)

SERIES	LINE	BODY	ENGINE	TRANSMISSION
L = Grand Cherokee	J = 4WD T = 2WD U = 4WD (RHD)	74 = 4 Door (105.9 WB)	ERH,ERO = 4.0L, Power Tech EVA,EVO = 4.7L, Power Tech EXA,EXO = 3.1L 5 cyl Turbo Diesel	DGK = 4 Speed Autm, 42RE DG4 = Multi Speed Auto 45RFE DGW = 4 Speed Autom 44RE DGO = All Automatic

AR = Use as required - = Non illustrated part # = New this model year

September 15, 2005

Wiring - Body & Accessories
Figure 008-1510



ITEM	PART NUMBER	QTY	LINE	SERIES	BODY	ENGINE	TRANS	TRIM	DESCRIPTION
ER0=4.0L Engine EVO=4.7L Engine EX0=3.0L/3.1L Turbo Diesel Engine									
1	56042 428AB	1	J, T			ER0, EVO			WIRING, Body w/o 10 Disc Remote CD Changer (EUROPE), Right
	56042 430AB	1	U						w/o 10 Disc Remote CD Changer (EUROPE), Right
	56042 458AB	1	J, T			EX0			w/o 10 Disc Remote CD Changer (EUROPE), Right
	56042 460AB	1	J, T			ER0, EVO			w/10 Disc Remote CD Changer (USA/CANADA), Right
	56042 479AC	1	J, T			ER0, EVO			w/6 or 10 Way Heated Seat & Memory(USA/CANADA), Left
	56042 482AD	1	J, T			ER0, EVO			w/o Power Seat, w/o Infinity Speaker System & w/o 10 Disc Remote CD Changer (USA/CANADA), Right
	56042 488AB	1	J, T			ER0, EVO			w/6 or 10 Way Power Heated Seat , w/Infinity Speaker System & w/o 10 Disc Remote CD Changer (USA/CANADA), Right
	56042 492AC	1	J, T			EX0			Base Model (EUROPE), Left
	56042 585AC	1	U			ER0, EVO			w/10 Disc Remote CD Changer (EUROPE), Left
	56042 588AB	1	U						w/10 Disc Remote CD Changer (EUROPE), Right
	56042 589AB	1	J, T			ER0, EVO			w/10 Disc Remote (EUROPE), Right
	56042 590AB	1	J, T			EX0			w/10 Disc Remote CD Changer (EUROPE), Right
	56042 654AB	1	J, T			ER0, EVO			w/o Power Seat (USA/CANADA), Left
	56042 733AC	1	J, T			ER0, EVO			Base Model (EUROPE), Left
	56042 736AC	1	U			ER0, EVO			w/o 10 Disc Remote CD Changer, Left
2	56042 219AC	1							WIRING, Front Door w/6 or 10 Way Power Heated Seat & Memory, w/Infinity Speaker System & w/o 10 Disc Remote CD Changer (USA/CANADA), Driver Side

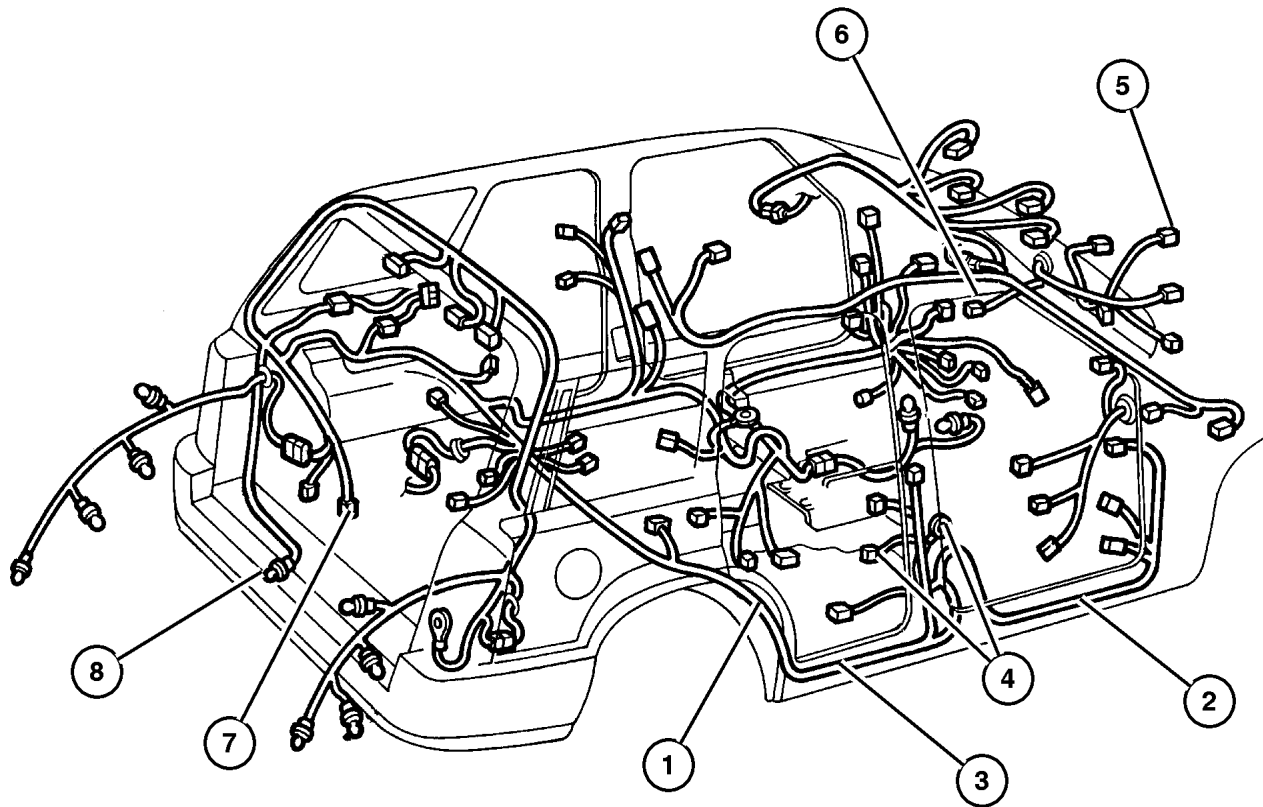
JEEP GRAND CHEROKEE (WJ)

SERIES	LINE	BODY	ENGINE	TRANSMISSION
L = Grand Cherokee	J = 4WD T = 2WD U = 4WD (RHD)	74 = 4 Door (105.9 WB)	ERH,ERO = 4.0L, Power Tech EVA,EVO = 4.7L, Power Tech EXA,EXO = 3.1L 5 cyl Turbo Diesel	DGK = 4 Speed Autm, 42RE DG4 = Multi Speed Auto 45RFE DGW = 4 Speed Autom 44RE DGO = All Automatic

AR = Use as required - = Non illustrated part # = New this model year

September 15, 2005

Wiring - Body & Accessories
Figure 008-1510



ITEM	PART NUMBER	QTY	LINE	SERIES	BODY	ENGINE	TRANS	TRIM	DESCRIPTION
	56042 220AB	1							USA/CANADA, Passenger Side
	56042 221AC	1							w/o Security Alarm (USA/ CANADA), Driver Side
	56042 824AA	1	U						EUROPE w/JAPAN Market Requirement, Drivers Side
3	56042 538AC	2							WIRING, Rear Door EUROPE USA/CANADA
4		2							WIRING, Door Jumper
	56042 525AC	1	J, T						w/Limited Package (USA/ CANADA), Left
	56042 527AB	1	J, T						w/Limited Package (USA/ CANADA), Right
	56042 527AC	1	J, T						w/Laredo Package & 6 Speaker System (USA/CANADA), Right
		1	J, T						w/Laredo Package & 6 Speaker System (USA/CANADA), Left
		1	J, T						w/Laredo Package & Infinity Speaker system (USA/CANADA), Right
		1	J, T						w/Laredo Package & Infinity Speaker System (USA/CANADA), Left
	56042 569AC	1	U						w/Limited Package & Infinity Speaker System (EUROPE), Right
		1	J, T						w/Limited Package (EUROPE), Left
		1	U						w/Limited Package & Infinity Speaker System (JAPAN), Right
	56042 570AC	1	J, T						w/Limited Package (EUROPE), Right
		1	U						w/Limited Package & Infinity Speaker System (EUROPE), Left
		1	U						w/Limited Package & Infinity Speaker System (JAPAN), Left
		1	U						w/Limited Package & Infinity Speaker System (AUSTRALIA), Left
	56042 571AC	1	U						w/Laredo Package & Infinity Speaker System (EUROPE), Right
		1	U						w/Laredo Package & Infinity Speaker System (EUROPE), Left

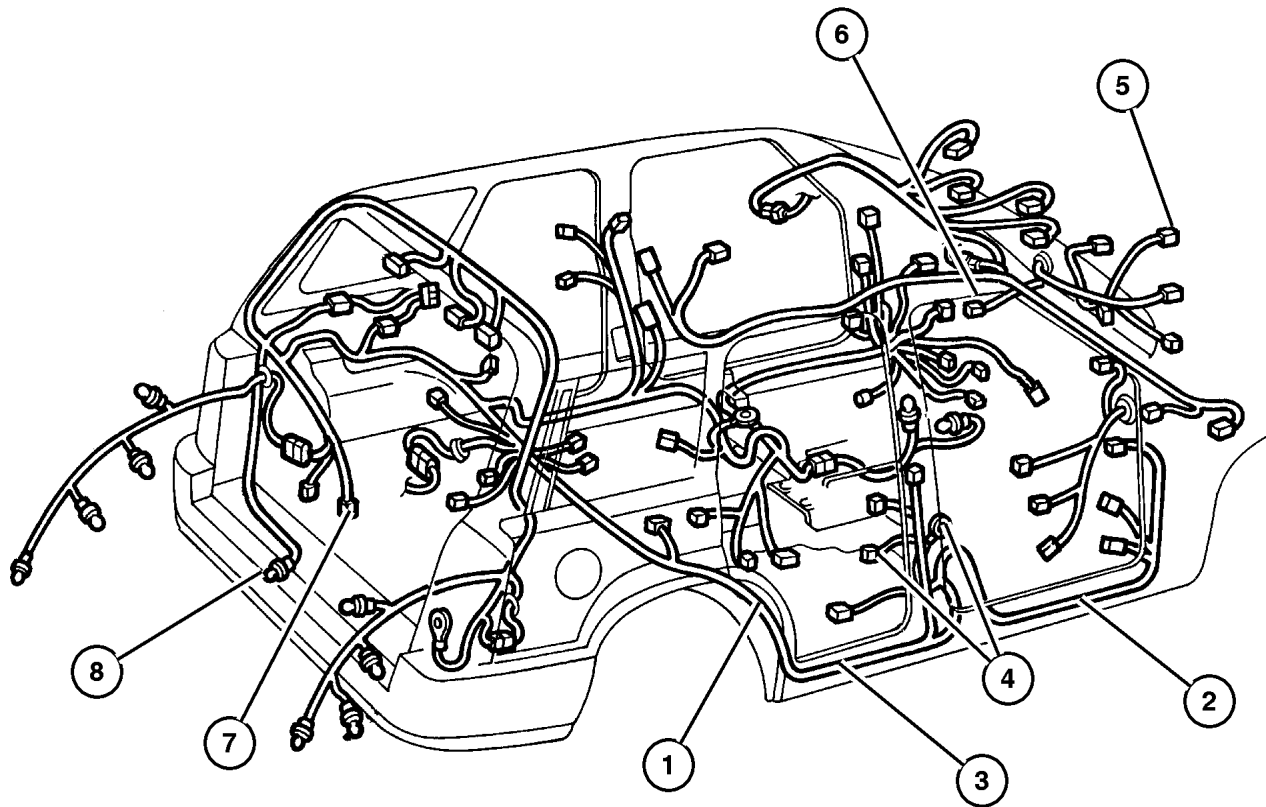
JEEP GRAND CHEROKEE (WJ)

SERIES	LINE	BODY	ENGINE	TRANSMISSION
L = Grand Cherokee	J = 4WD T = 2WD U = 4WD (RHD)	74 = 4 Door (105.9 WB)	ERH,ERO = 4.0L, Power Tech EVA,EVO = 4.7L, Power Tech EXA,EXO = 3.1L 5 cyl Turbo Diesel	DGK = 4 Speed Autm, 42RE DG4 = Multi Speed Auto 45RFE DGW = 4 Speed Autom 44RE DGO = All Automatic

AR = Use as required - = Non illustrated part # = New this model year

September 15, 2005

Wiring - Body & Accessories
Figure 008-1510



ITEM	PART NUMBER	QTY	LINE	SERIES	BODY	ENGINE	TRANS	TRIM	DESCRIPTION
		1	J, T						w/Laredo Package & Infinity Speaker System (EUROPE), Right
		1	J, T						w/Laredo Package & Infinity Speaker System (EUROPE), Left
		1	U						w/Laredo Package & Infinity Speaker System (JAPAN), Right
		1	U						w/Laredo Package & Infinity Speaker System (JAPAN), Left
		1	U						w/Laredo Package & Infinity Speaker System (AUSTRALIA), Left
5									WIRING, Underhood Lamp
	56042 574AB	1							EUROPE
		1							USA/CANADA
6	56042 592AA	1							WIRING, Steering Wheel
7									WIRING, Liftgate
	56042 237AB	1							USA/CANADA
		1							EUROPE
8									WIRING, Trailer Tow
	56042 239AC	1							USA/CANADA
	56042 240AB	1							EUROPE
-9	56038 366AB-	1							CONNECTOR, 7 Way
-10	5601 9823	1							ADAPTER, Trailer Tow
-11									WIRING, Headliner
	56042 233AB-	1	J, T						Laredo w/Base Equipment (EUROPE)
		1	J, T						Laredo w/Base Equipment (USA/CANADA)
		1	U						Laredo w/Base Equipment (EUROPE)
	56042 234AB-	1	J, T						Laredo w/Mini Overhead Console (USA/CANADA)
	56042 235AB-	1	J, T						Laredo w/Mini Overhead Console & Rear Reading Lamp (USA/CANADA)
		1	J, T						Limited w/Mini Overhead Console, Rear Reading Lamp (EUROPE)
		1	J, T						Limited w/Mini Overhead Console, Illuminated Visor, Rear Reading Lamp & Garage Door Opener (USA/CANADA)

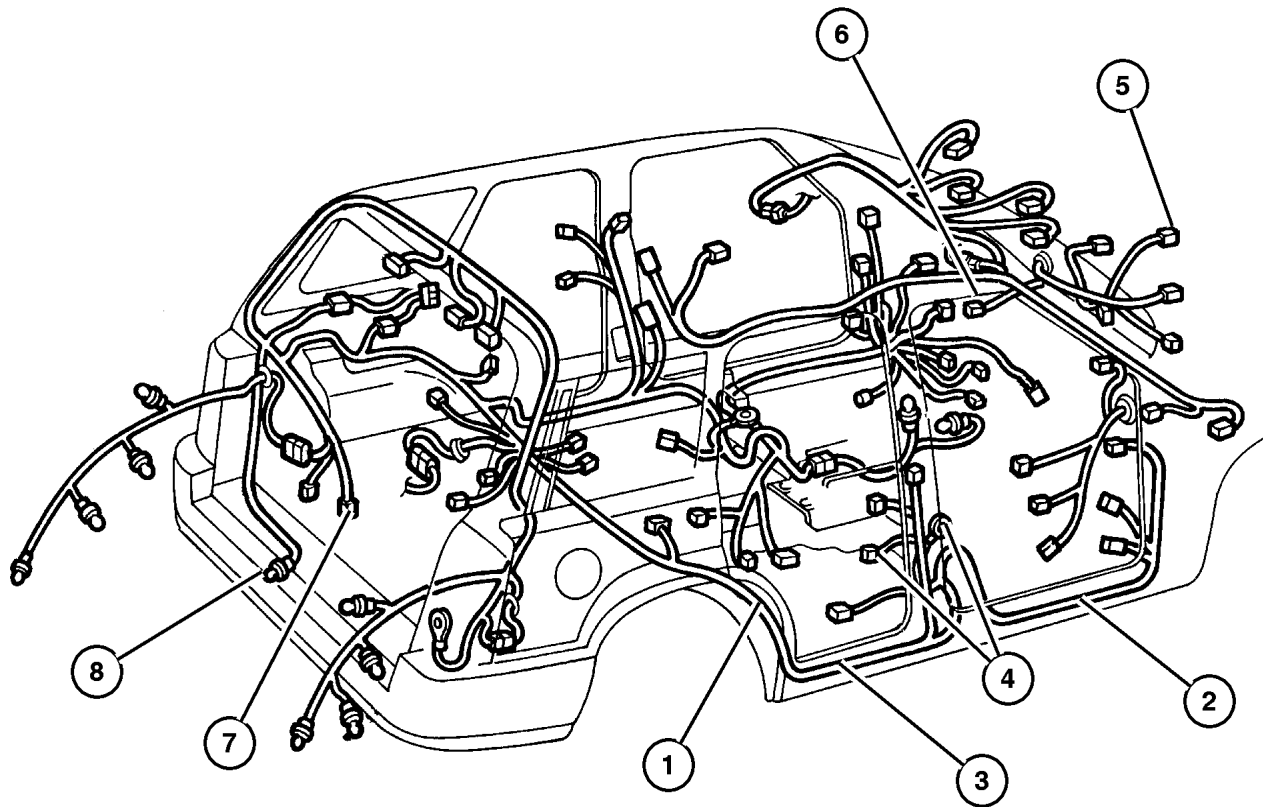
JEEP GRAND CHEROKEE (WJ)

SERIES	LINE	BODY	ENGINE	TRANSMISSION
L = Grand Cherokee	J = 4WD T = 2WD U = 4WD (RHD)	74 = 4 Door (105.9 WB)	ERH,ERO = 4.0L, Power Tech EVA,EVO = 4.7L, Power Tech EXA,EXO = 3.1L 5 cyl Turbo Diesel	DGK = 4 Speed Autm, 42RE DG4 = Multi Speed Auto 45RFE DGW = 4 Speed Autom 44RE DGO = All Automatic

AR = Use as required - = Non illustrated part # = New this model year

September 15, 2005

Wiring - Body & Accessories
Figure 008-1510



ITEM	PART NUMBER	QTY	LINE	SERIES	BODY	ENGINE	TRANS	TRIM	DESCRIPTION
		1	U						Limited w/Mini Overhead Console & Rear Reading Lamp (EUROPE)
	56042 236AB-	1	J, T						Laredo w/Mini Overhead Console, Rear Reading Lamp & Power sunroof (USA/CANADA)
		1	J, T						Limited w/Mini Overhead Console, Rear Reading Lamp & Sunroof (EUROPE)
		1	J, T						Limited w/Mini Overhead Console, Rear Reading Lamp, Sunroof & Garage Door Opener (USA/CANADA)
		1	U						Limited w/Mini Overhead Console, Rear Reading Lamp & Sunroof (EUROPE)
	56042 537AB-	1	J, T						Laredo w/Mini Overhead Console & Power Sunroof USA/CANADA)
-12	55196 753AA-	1	J, T						WIRING, Overhead Lighting Laredo w/Mini Overhead Console, Illuminated Visor & Rear Reading Lamp (USA/CANADA)
		1	J, T						Laredo w/Mini Overhead Console, Illuminated Visor, Rear Reading Lamp & Power Sunroof (USA/CANADA)
		1	J, T						Limited w/Mini Overhead Console, Rear Reading Lamp, Illuminated Visor & Power Sunroof (EUROPE)
		1	J, T						Limited w/Mini Overhead Console, Rear Reading Lamp & Illuminated Visor (EUROPE)
		1	J, T						Limited w/Mini Overhead Console, Rear Reading Lamp, Illuminated Visor & Garage Door Opener (USA/CANADA)
		1	J, T						Limited w/Mini Overhead Console, Illuminated Visor, Power Sunroof, Rear Reading Lamp & Garage Door Opener (USA/CANADA)

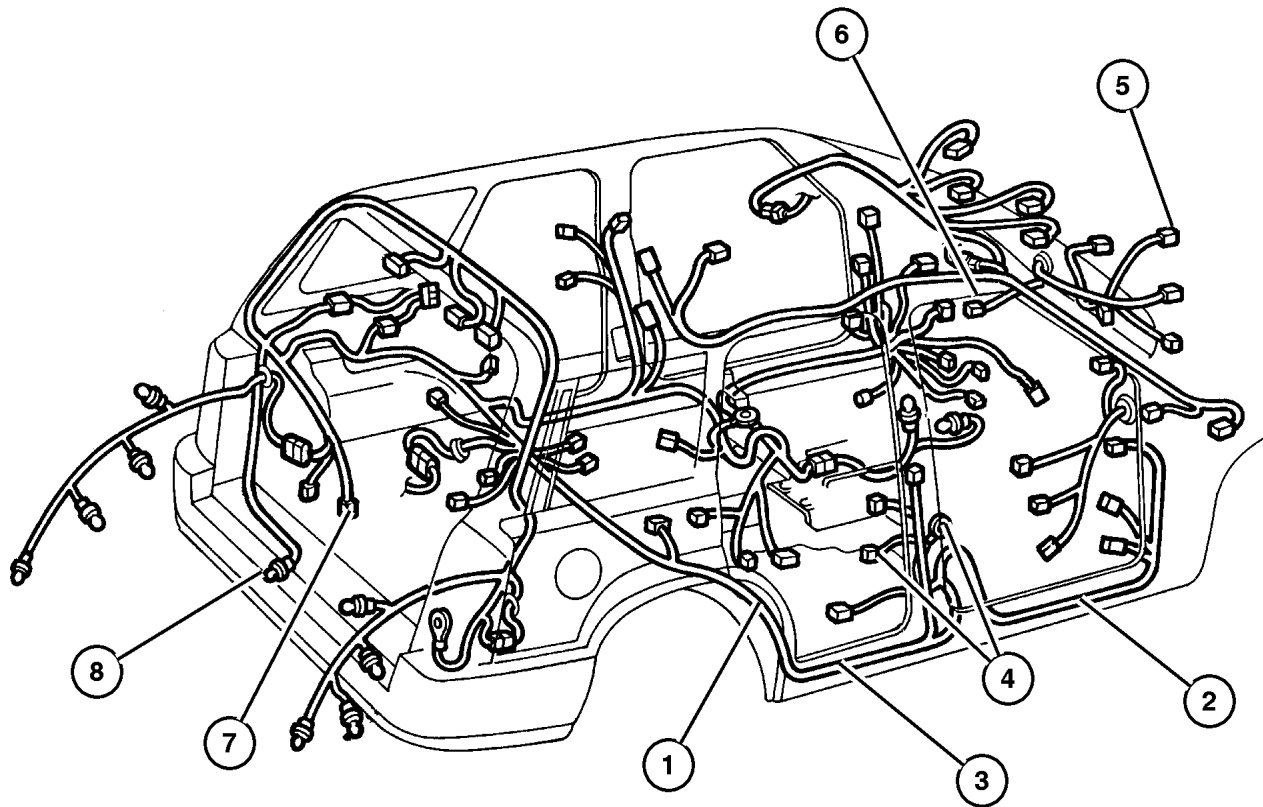
JEEP GRAND CHEROKEE (WJ)

SERIES	LINE	BODY	ENGINE	TRANSMISSION
L = Grand Cherokee	J = 4WD T = 2WD U = 4WD (RHD)	74 = 4 Door (105.9 WB)	ERH,ERO = 4.0L, Power Tech EVA,EVO = 4.7L, Power Tech EXA,EXO = 3.1L 5 cyl Turbo Diesel	DGK = 4 Speed Autm, 42RE DG4 = Multi Speed Auto 45RFE DGW = 4 Speed Autom 44RE DGO = All Automatic

AR = Use as required - = Non illustrated part # = New this model year

September 15, 2005

Wiring - Body & Accessories
Figure 008-1510



ITEM	PART NUMBER	QTY	LINE	SERIES	BODY	ENGINE	TRANS	TRIM	DESCRIPTION
		1	U						Limited w/Mini Overhead Console, Illuminated Visor, Power Sunroof & Rear Reading Lamp (EUROPE)
		1	U						Limited w/Mini Overhead Console, Illuminated Visor & Rear Reading Lamp (EUROPE)
	55196 754AA-	1	J, T						Laredo w/Mini Overhead Console, Illuminated Visor, Rear Reading Lamp & w/Lamp Switch (USA/CANADA)
		1	J, T						Laredo w/Mini Overhead Console, Illuminated Visor, Rear reading Lamp, Power Sunroof & w/Lamp Switch (USA/CANADA)
		1	J, T						Limited w/Mini Overhead Console, Illuminated Visor, Rear Reading Lamp, Power Sunroof & w/ Lamp Switch (EUROPE)
		1	J, T						Limited w/Mini Overhead Console, Illuminated Visor, Rear Reading Lamp & w/Lamp Switch (EUROPE)
		1	J, T						Laredo w/Base Equipment w/Lamp Switch (EUROPE)
		1	J, T						Laredo w/Base Equipment w/Lamp Switch (USA/CANADA)
		1	J, T						Laredo w/Mini Overhead Console & w/Lamp Switch (USA/CANADA)
		1	J, T						Laredo w/Mini Overhead Console, Power Sunroof & w/Lamp Switch (USA/CANADA)
		1	U						Laredo w/Base Equipment w/Lamp Switch (EUROPE)
		1	J, T						Limited w/Mini Overhead Console, Illuminated Visor, Rear Reading Lamp, Garage Door Opener & w/ Lamp Switch (USA/CANADA)
		1	J, T						Limited w/Mini Overhead Console, Illuminated Visor, Rear Reading Lamp, Power Sunroof, Garage Door Opener & w/Lamp Switch (USA/CANADA)

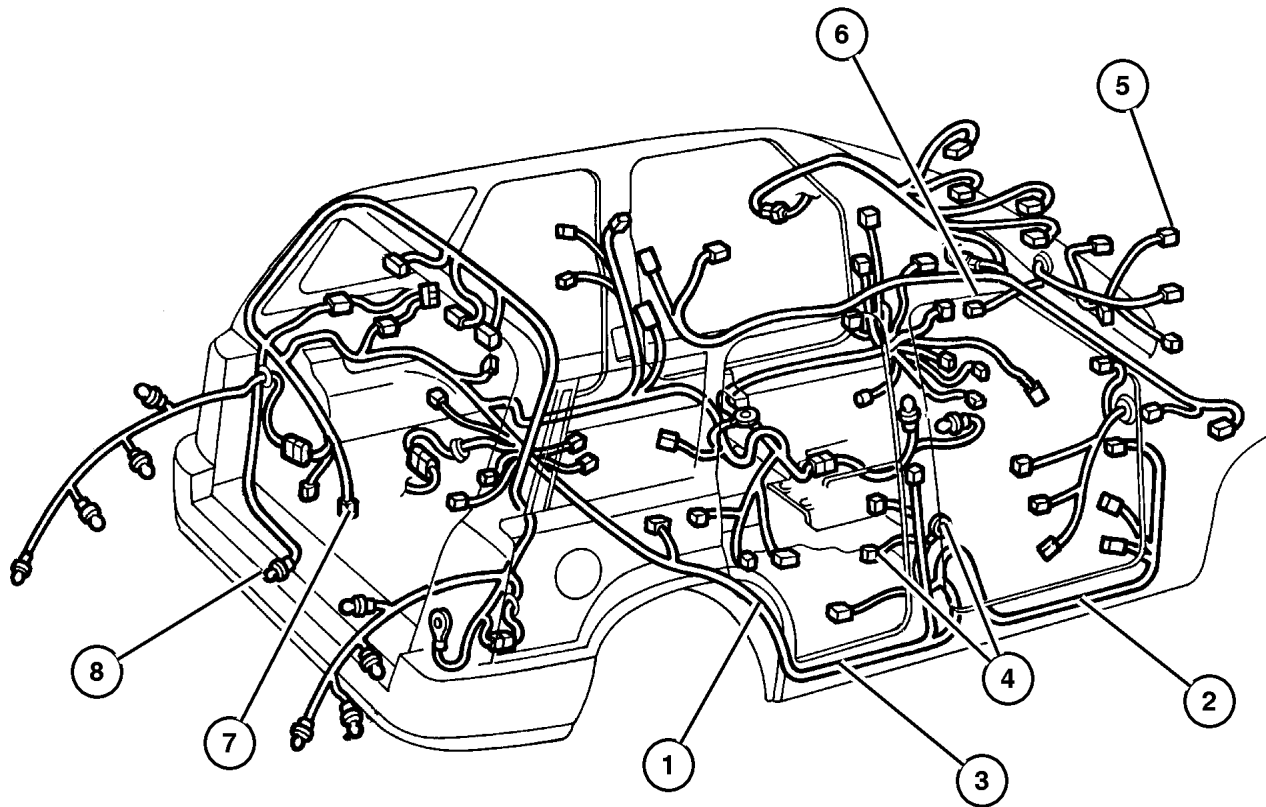
JEEP GRAND CHEROKEE (WJ)

SERIES	LINE	BODY	ENGINE	TRANSMISSION
L = Grand Cherokee	J = 4WD T = 2WD U = 4WD (RHD)	74 = 4 Door (105.9 WB)	ERH,ERO = 4.0L, Power Tech EVA,EVO = 4.7L, Power Tech EXA,EXO = 3.1L 5 cyl Turbo Diesel	DGK = 4 Speed Autm, 42RE DG4 = Multi Speed Auto 45RFE DGW = 4 Speed Autom 44RE DGO = All Automatic

AR = Use as required - = Non illustrated part # = New this model year

September 15, 2005

Wiring - Body & Accessories
Figure 008-1510



ITEM	PART NUMBER	QTY	LINE	SERIES	BODY	ENGINE	TRANS	TRIM	DESCRIPTION
		1	U						Limited w/Mini Overhead Console, Illuminated Visor, Rear Reading Lamp, Power Sunroof & w/Lamp Switch (EUROPE)
		1	U						Limited w/Mini Overhead Console, Illuminated Visor, Rear Reading Lamp & w/Lamp Switch (EUROPE)
-13	4481 618	2							WIRING, Side Repeater Lamp, EUROPE
-14	4793 554	1							POWER OUTLET, Cigar Lighter, Quarter Trim Panel
-15	4685 591	1							CAP, Cigar Lighter, Quarter Trim Panel
-16									WIRING, Seat
	5015 741AA-	1	J, T						10 Way w/Memory (JTC), Left Seat
	5015 742AA-	1	J, T						10 Way w/Memory & Heated Seat (JTF), Left Seat
	5015 743AA-	1	J, T						Power & Heated Seat (JPX), Left Seat
		1	U						10 Way w/Memory & Heated Seat (JTF), Left Seat
	5015 744AA-	1	J, T						Power Seat (JPT), Left Seat
	5015 745AA-	1	J, T						10 Way w/Map Pocket (JP2), Left Seat
	5015 746AA-	1	J, T						Power & Heated Seat (JPX), Right Seat
		1	J, T						10 Way w/Memory & Heated Seat (JTF), Right Seat
	5015 747AA-	1	J, T						10 Way w/Map Pocket (JP2), Right Seat
		1	J, T						10 Way w/Memory (JTC), Right Seat
		1	J, T						Power Seat (JPT) EUROPE, Right Seat
	5015 748AA-	1	J, T						Power Seat (JPT), Right Seat
	5016 145AA-	1	U						10 Way w/Memory & Heated Seat (JTF), Right Seat
	5016 149AA-	1	U						Power Seat (JPT) EUROPE, Left Seat
	5016 150AA-	1	U						10 Way w/Memory (JTC) EUROPE, Right Seat

JEEP GRAND CHEROKEE (WJ)

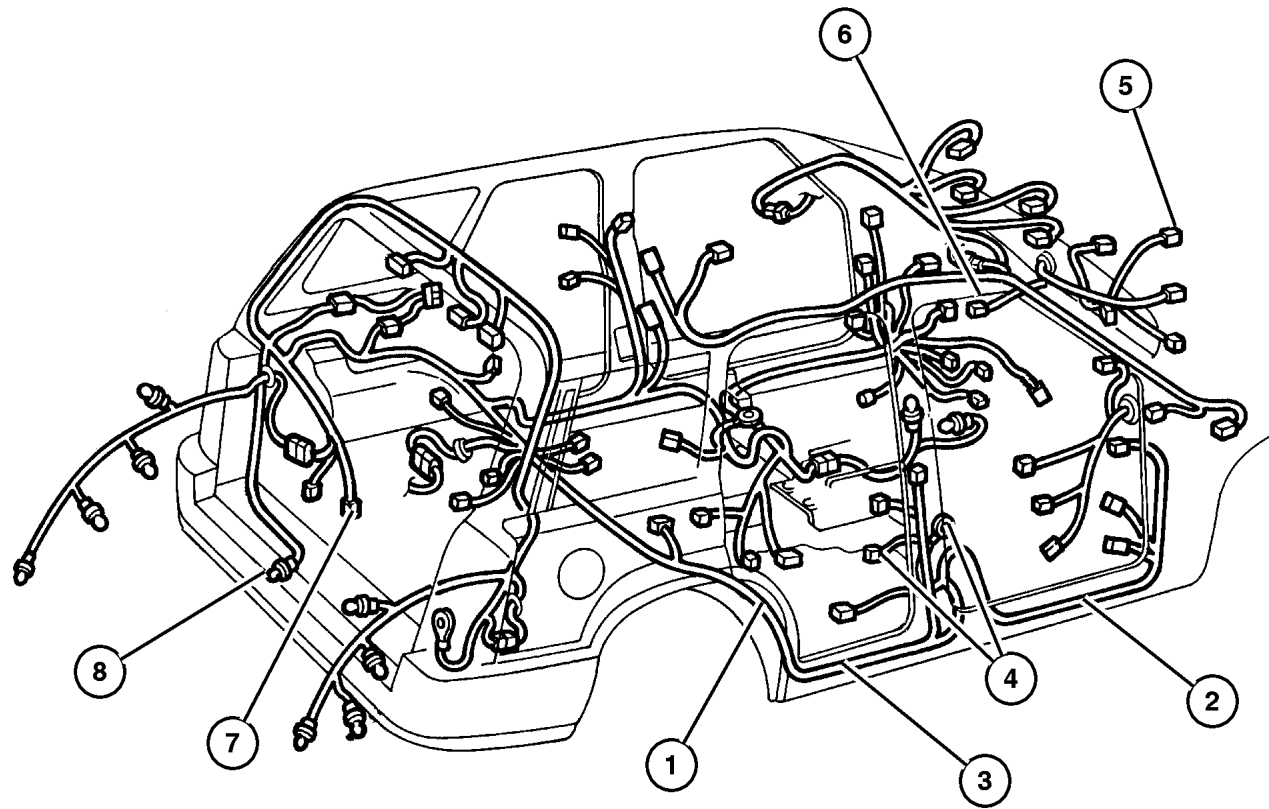
SERIES	LINE	BODY	ENGINE	TRANSMISSION
L = Grand Cherokee	J = 4WD T = 2WD U = 4WD (RHD)	74 = 4 Door (105.9 WB)	ERH,ERO = 4.0L, Power Tech EVA,EVO = 4.7L, Power Tech EXA,EXO = 3.1L 5 cyl Turbo Diesel	DGK = 4 Speed Autm, 42RE DG4 = Multi Speed Auto 45RFE DGW = 4 Speed Autom 44RE DGO = All Automatic

AR = Use as required - = Non illustrated part # = New this model year

September 15, 2005

Wiring - Body & Accessories
Figure 008-1510

ITEM	PART NUMBER	QTY	LINE	SERIES	BODY	ENGINE	TRANS	TRIM	DESCRIPTION
	5016 151AA-	1	U						10 Way w/Memory (JTC) EUROPE, Left Seat
	5016 152AA-	1	J, T						10 Way w/Memory (JTC) EUROPE, Left Seat
	5016 153AA-	1	J, T						10 Way w/Memory & Heated Seat (JTF) EUROPE, Left Seat
	5016 154AA-	1	J, T						Power Seat (JPT) EUROPE, Left Seat
-17	5016 560AA-	1							WIRING, Sunroof



JEEP GRAND CHEROKEE (WJ)

SERIES	LINE	BODY	ENGINE	TRANSMISSION
L = Grand Cherokee	J = 4WD T = 2WD U = 4WD (RHD)	74 = 4 Door (105.9 WB)	ERH,ERO = 4.0L, Power Tech EVA,EVO = 4.7L, Power Tech EXA,EXO = 3.1L 5 cyl Turbo Diesel	DGK = 4 Speed Autm, 42RE DG4 = Multi Speed Auto 45RFE DGW = 4 Speed Autom 44RE DGO = All Automatic

AR = Use as required - = Non illustrated part # = New this model year

September 15, 2005

**Wiring Repair Packages
Figure 008-1605**

ITEM	PART NUMBER	QTY	LINE	SERIES	BODY	ENGINE	TRANS	TRIM	DESCRIPTION
ER0=4.0L Engine									
EVO=4.7L Engine									
EX0=3.0L/3.1L Turbo Diesel Engine									
-1	5013 930AA-	1							WIRING PACKAGE, Underhood Connector Repair, For Electrical Connector Repair Information visit the World Wide Web at http://dto.vftis.com/mopar/disclaimer.asp
-2	4364 392	1				EX0			TUBE, Convoluted
-3	J417 5376	2				ER0, EVO			STRAP, Tie
-4	4687 767	4	J, T						TERMINAL, Female

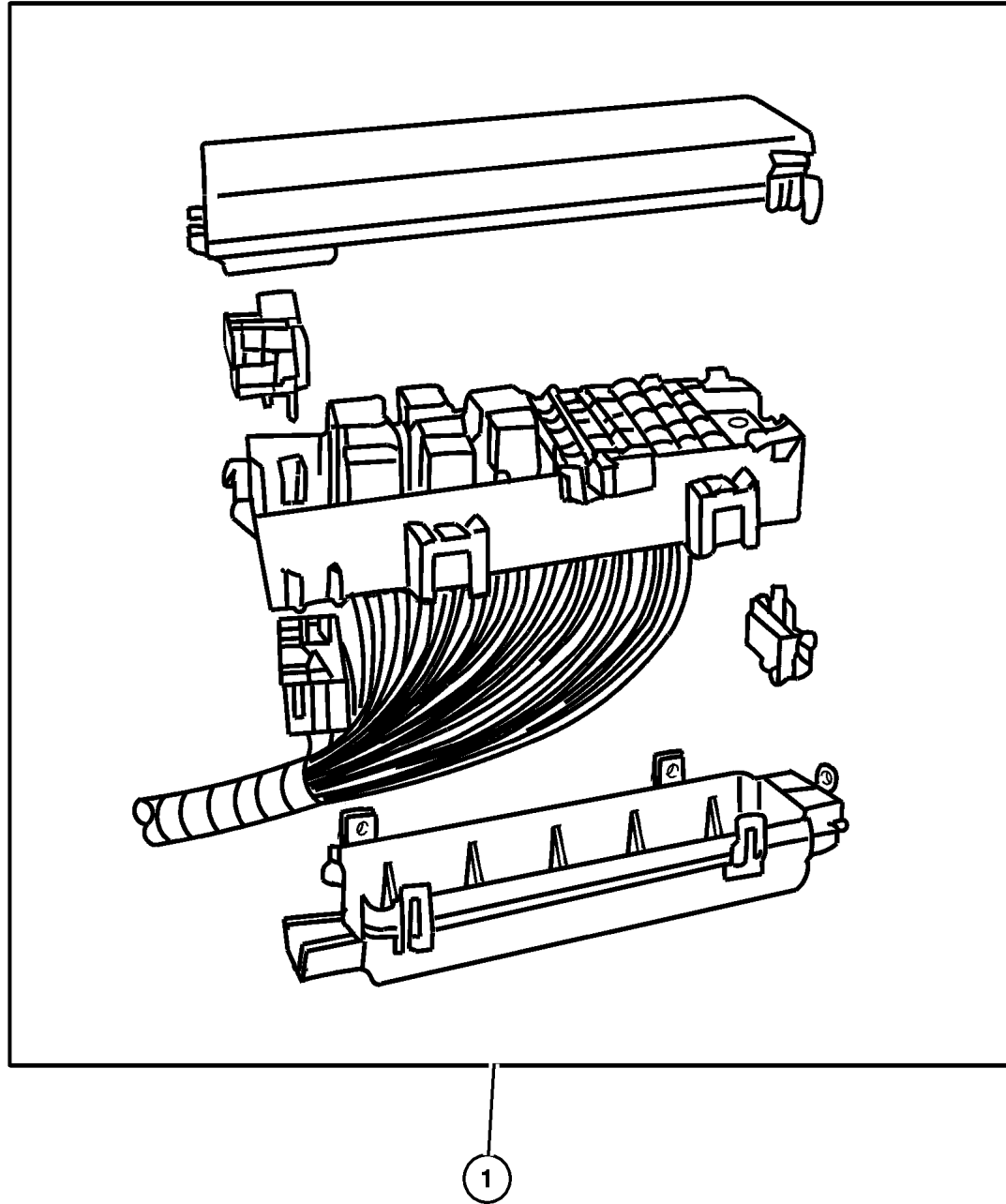
For Electrical Connector Repair Information visit the World Wide Web at

<http://dto.vftis.com/mopar/disclaimer.asp>

JEEP GRAND CHEROKEE (WJ)				
SERIES	LINE	BODY	ENGINE	TRANSMISSION
L = Grand Cherokee	J = 4WD T = 2WD U = 4WD (RHD)	74 = 4 Door (105.9 WB)	ERH,ERO = 4.0L, Power Tech EVA,EVO = 4.7L, Power Tech EXA,EXO = 3.1L 5 cyl Turbo Diesel	DGK = 4 Speed Autm, 42RE DG4 = Multi Speed Auto 45RFE DGW = 4 Speed Autom 44RE DGO = All Automatic

Power Distribution Center Repair
Figure 008-1610

ITEM	PART NUMBER	QTY	LINE	SERIES	BODY	ENGINE	TRANS	TRIM	DESCRIPTION
1	5014 460AA	1							REPAIR KIT, Power Distribution Center



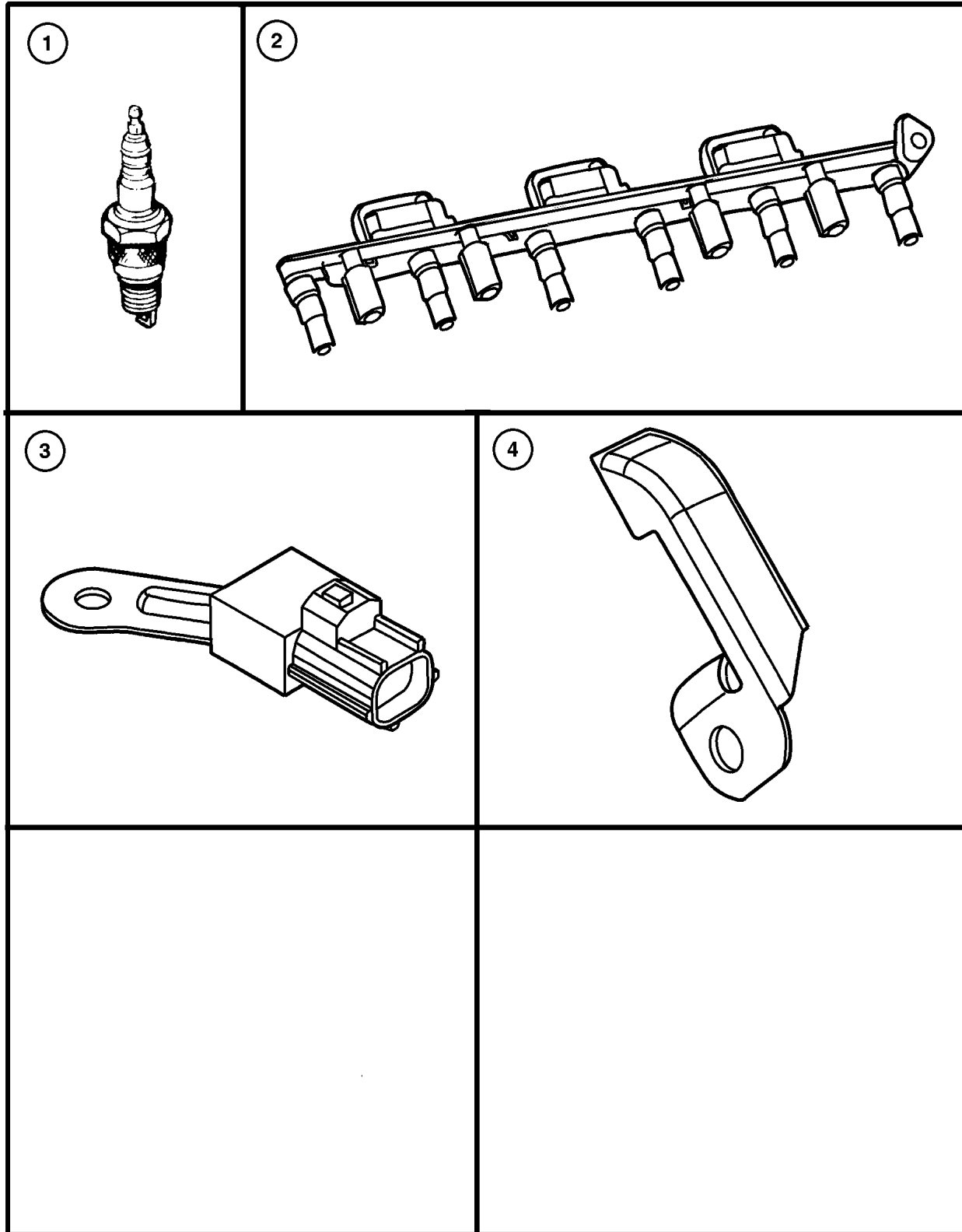
JEEP GRAND CHEROKEE (WJ)				
SERIES	LINE	BODY	ENGINE	TRANSMISSION
L = Grand Cherokee	J = 4WD T = 2WD U = 4WD (RHD)	74 = 4 Door (105.9 WB)	ERH,ERO = 4.0L, Power Tech EVA,EVO = 4.7L, Power Tech EXA,EXO = 3.1L 5 cyl Turbo Diesel	DGK = 4 Speed Autm, 42RE DG4 = Multi Speed Auto 45RFE DGW = 4 Speed Autom 44RE DGO = All Automatic

AR = Use as required - = Non illustrated part # = New this model year

September 15, 2005

Spark Plugs-Cables-Coils Figure 008-1910

ITEM	PART NUMBER	QTY	LINE	SERIES	BODY	ENGINE	TRANS	TRIM	DESCRIPTION
ER0=4.0L Engine									
EVO=4.7L Engine									
EX0=3.0L/3.1L Turbo Diesel Engine									
DG0=Automatic Transmission									
DGW= Automatic Transmission 4 Speed Automatic 44RE									
DGK=Automatic Transmission 4 Speed									
DG4=Automatic Transmission Multi-Speed									
1									SPARK PLUG RC12MCC4
	56028 236AA	8				EVO			
	SP00 0ZFR5N	6				ER0			
2									COIL, Ignition
	5602 8138	8				EVO			
	5604 1019	1				ER0			
3	56041 396AA	2				EVO			CAPACITOR, Ignition
4	56041 388AA	1				ER0	DG0		SHIELD, Wiring
-5	5015 297AA-	8				EVO			O RING, Coil Pack
-6	6102 146AA-	4				ER0			SCREW AND WASHER, Ignition Coil Mounting



JEEP GRAND CHEROKEE (WJ)

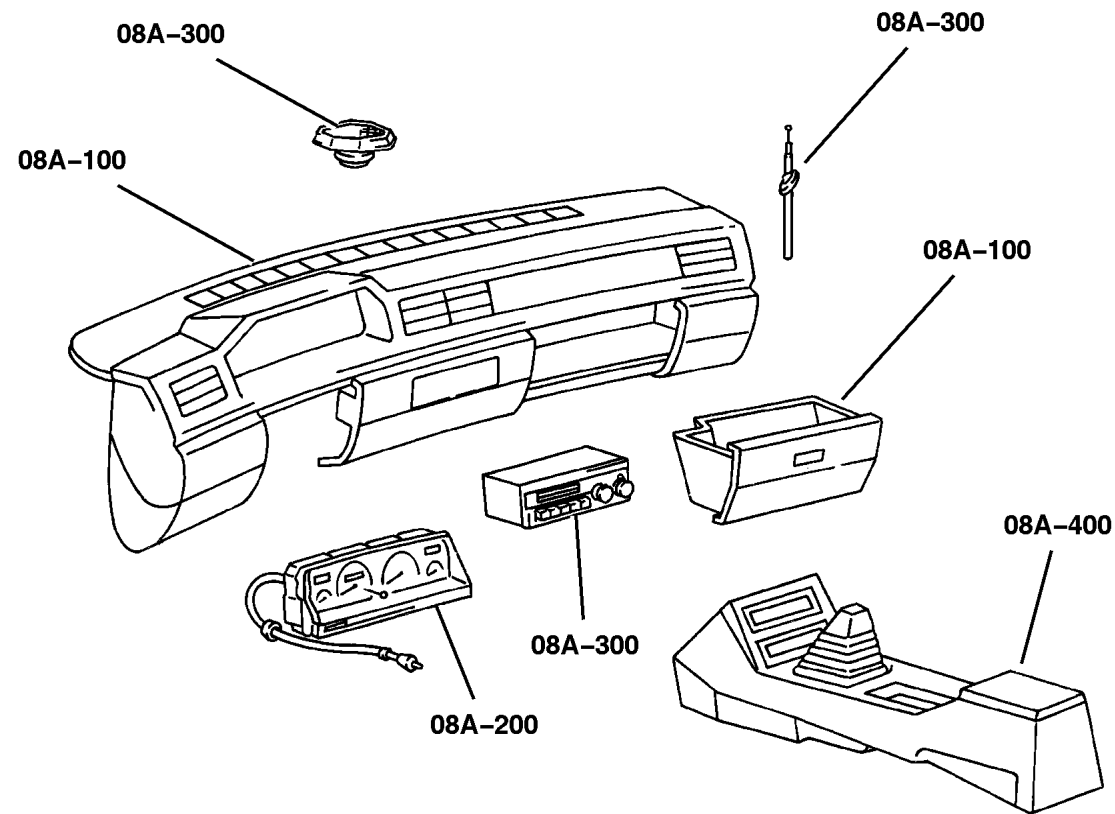
SERIES	LINE	BODY	ENGINE
L = Grand Cherokee	J = 4WD T = 2WD U = 4WD (RHD)	74 = 4 Door (105.9 WB)	ERH,ERO = 4.0L, Power Tech EVA,EVO = 4.7L, Power Tech EXA,EXO = 3.1L 5 cyl Turbo Diesel
			TRANSMISSION
			DGK = 4 Speed Autm, 42RE DG4 = Multi Speed Auto 45RFE DGW = 4 Speed Autom 44RE DGO = All Automatic

AR = Use as required - = Non illustrated part # = New this model year

September 15, 2005

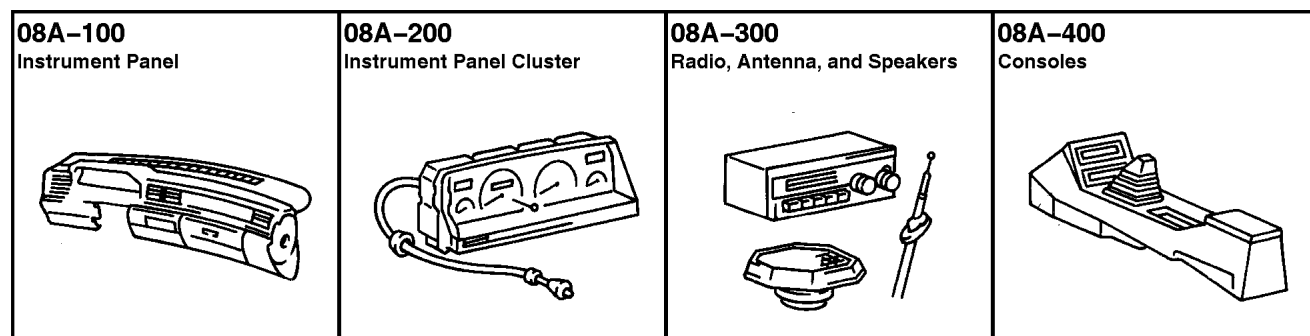
Group – 08A

Instrument Panel and Radios and Consoles

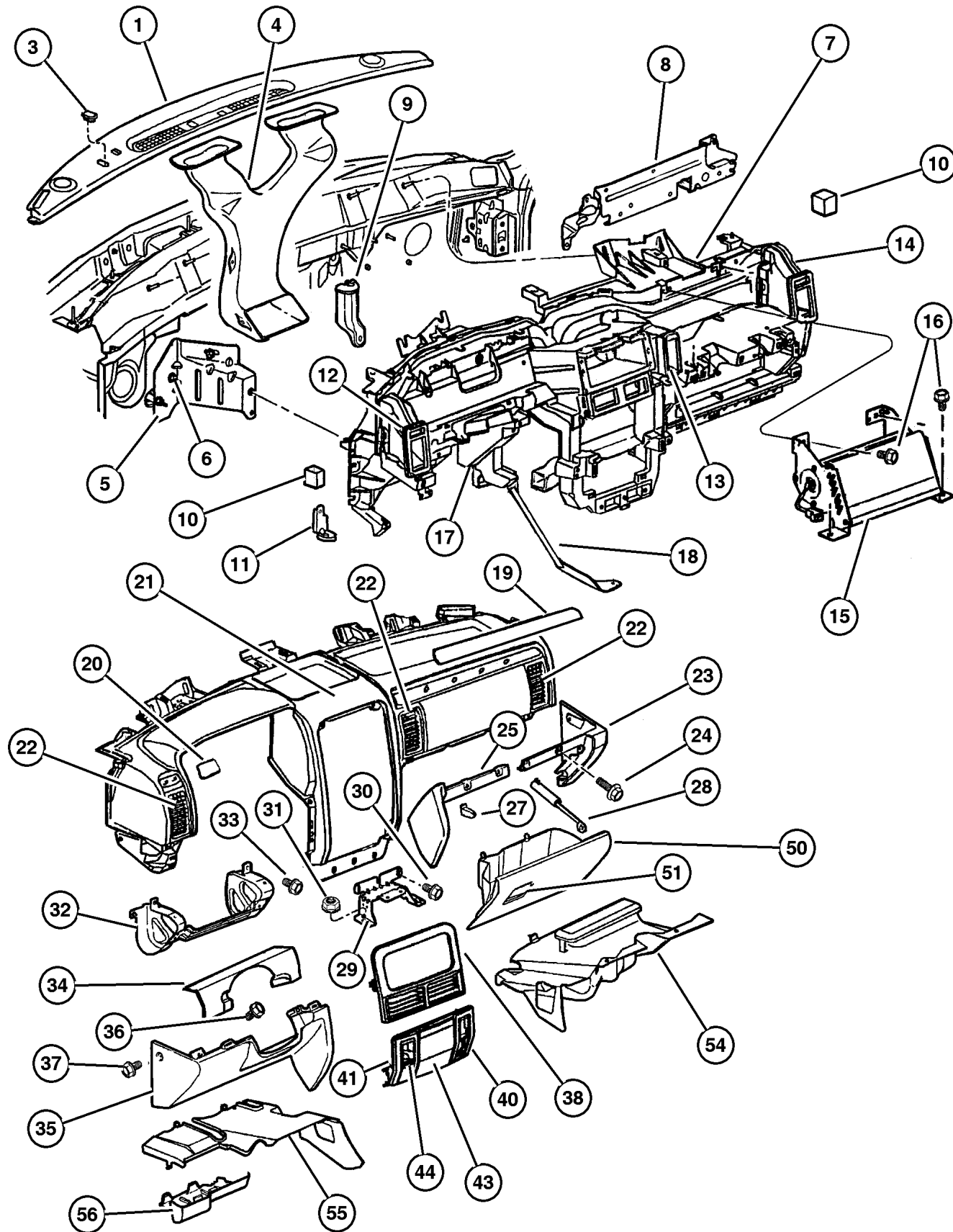


GROUP 8A - Instrument Panel and Radios and Consoles

Illustration Title	Group-Fig. No.
Instrument Panel	
Instrument Panel	Fig. 08A-110
Instrument Panel Cluster	
Instrument Cluster	Fig. 08A-210
Radio, Antenna, and Speakers	
Radios	Fig. 08A-310
Antenna	Fig. 08A-320
Speakers	Fig. 08A-325
Consoles	
Floor Console	Fig. 08A-410
Overhead Console	Fig. 08A-420



**Instrument Panel
Figure 08A-110**



ITEM	PART NUMBER	QTY	LINE	SERIES	BODY	ENGINE	TRANS	TRIM	DESCRIPTION
1									COVER, Instrument Panel
	QR20 LAZAA	1							Agate
	QR20 VK9AA	1							Dark Suede
	QR20 WL8AA	1							Dark Brown
-2	5265 926	4							CLIP, Instrument Panel, Cover to instrument panel attaching
3	5EL1 1SAZ	1							PLUG, Solar Sensor, Agate
4									DUCT, Defroster
	5511 6014	1	J, T						
	55116 394AA	1	U						
5									BRACKET, Instrument Panel
	55116 395AB	1	J, T						
	55116 396AA	1	U						
6									NUT, M6x1, (NOT SERVICED) (Not Serviced)
7									DUCT, Instrument Panel, Structural
	55116 295AB	1	U						
	55116 407AA	1	J, T						
8									BRACKET, Instrument Panel, C/Chanel Cover
	55116 376AA	1	U						
	55116 373AA	1	J, T						
9	55116 397AA	1							BRACKET, Instrument Panel
10									SPACER
	52850 582AA	1							Right
	52850 583AA	1							Left
11									BRACKET, Instrument Panel, Courtesy Lamp
	55116 390AA	1	J, T						
	55116 418AA	1	U						
12	55116 287AA	1							DUCT, Instrument Panel, Extension, Left
13									DUCT, Instrument Panel, Extension, In Board
	55116 285AA	1	J, T						
	55116 439AA	1	U						
14	55116 286AA	1							DUCT, Instrument Panel, Extension, Right
15									AIR BAG, Passenger
	55115 945AC	1							EUROPE
		1							USA/CANADA

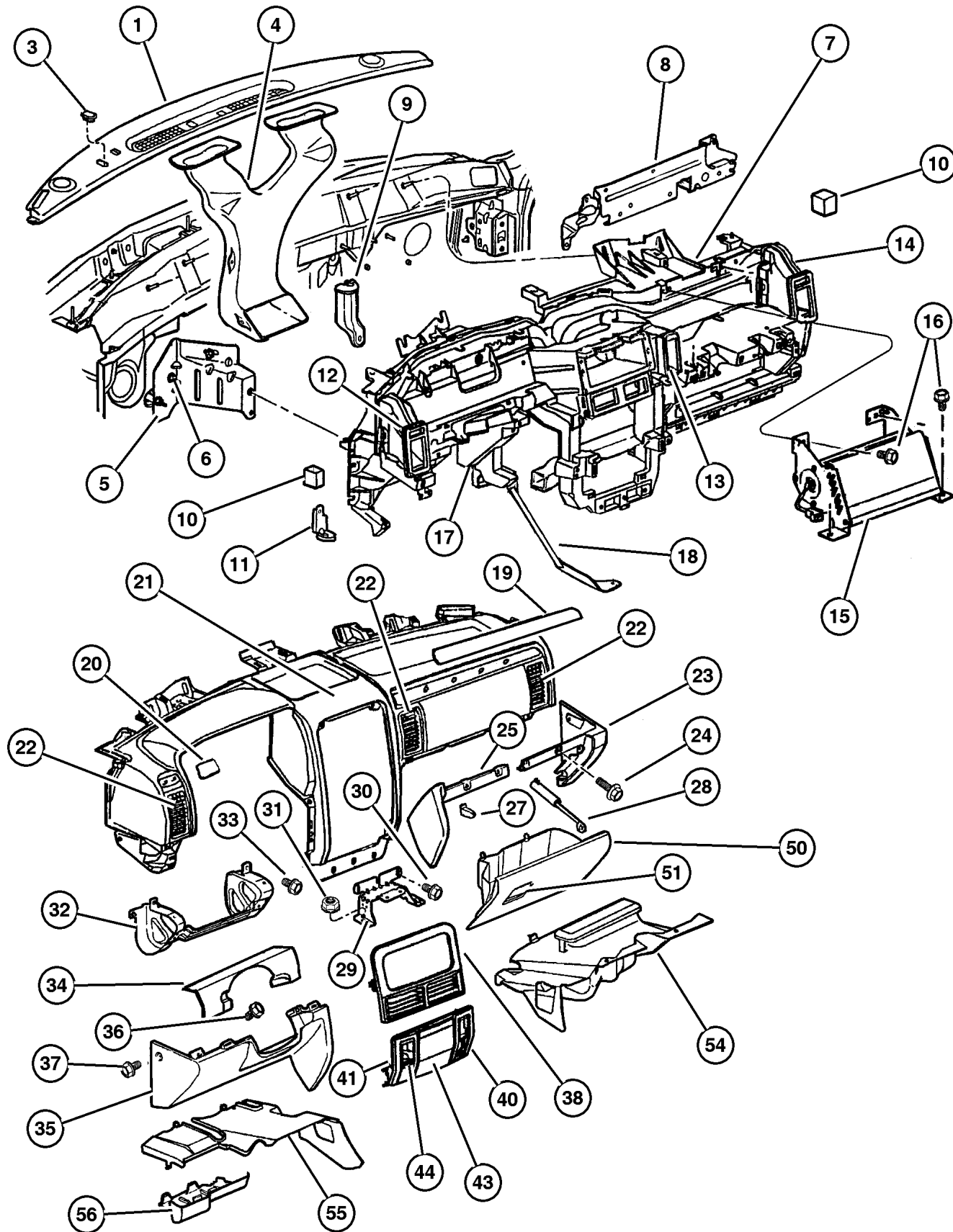
JEEP GRAND CHEROKEE (WJ)

SERIES	LINE	BODY	ENGINE	TRANSMISSION
L = Grand Cherokee	J = 4WD T = 2WD U = 4WD (RHD)	74 = 4 Door (105.9 WB)	ERH,ERO = 4.0L, Power Tech EVA,EVO = 4.7L, Power Tech EXA,EXO = 3.1L 5 cyl Turbo Diesel	DGK = 4 Speed Autm, 42RE DG4 = Multi Speed Auto 45RFE DGW = 4 Speed Autom 44RE DGO = All Automatic

AR = Use as required - = Non illustrated part # = New this model year

September 15, 2005

**Instrument Panel
Figure 08A-110**



ITEM	PART NUMBER	QTY	LINE	SERIES	BODY	ENGINE	TRANS	TRIM	DESCRIPTION
16									SCREW, Hex Flange Head, M6x1x25, (NOT SERVICED) (Not Serviced)
17									BRACKET, Instrument Panel, Steering Column Support
18	55116 032AB	1	J, T						STRAP, Serviced in Assembly, (NOT SERVICED) (Not Serviced)
	55116 299AC	1	U						
19	55116 408AB	1	J, T						BEZEL, Instrument Panel USA/CANADA (Desert Zabrano-Woodgrain), Passenger Side EUROPE (Desert Zabrano-Woodgrain), Passenger Side
	55116 410AB	1	U						
20	55116 405AA	1	J, T						BEZEL, Instrument Panel USA/CANADA (Desert Zabrano-Woodgrain), Drivers Side EUROPE (Desert Zabrano-Woodgrain), Driver Side
	55116 406AA	1	U						
21									PAD, Instrument Panel, Armature Assembly & A/C Outlet Bezel
									Included
	5FN0 31AZ	1	J, T						Laredo (Agate)
		1	J, T						Limited (Agate)
	5FN0 31K9	1	J, T						Limited (Suede)
	5FN0 31L8	1	J, T						Limited (Dark Suede)
	5FP97 1AZAB	1	U						Limited (Agate)
	1	U						Laredo (Agate)	
	5FP97 1K9AB	1	U					Limited (Suede)	
22									OUTLET, Air Conditioning & Heater
	5FW40 DX9AA	1	J, T						Black, In Board
	5FW49 DX9AA	1	J, T						Black, Left
		1	U						Black, Left
	5FW52 DX9AA	1	J, T						Black, Right
	1	U						Black, Right	
	5FX68 DX9AA	1	U						Black, In Board
23									CAP, Instrument Panel End
	5EY4 2LAZ	1	J, T						Agate
	5EY4 2RK5	1	J, T						Camel Tan/Agate
	5EY4 2WL5	1	J, T						Taupe
	5FX24 LAZAB	1	U						Agate
	5FX24 RK5AB	1	U					Camel Tan/Agate	

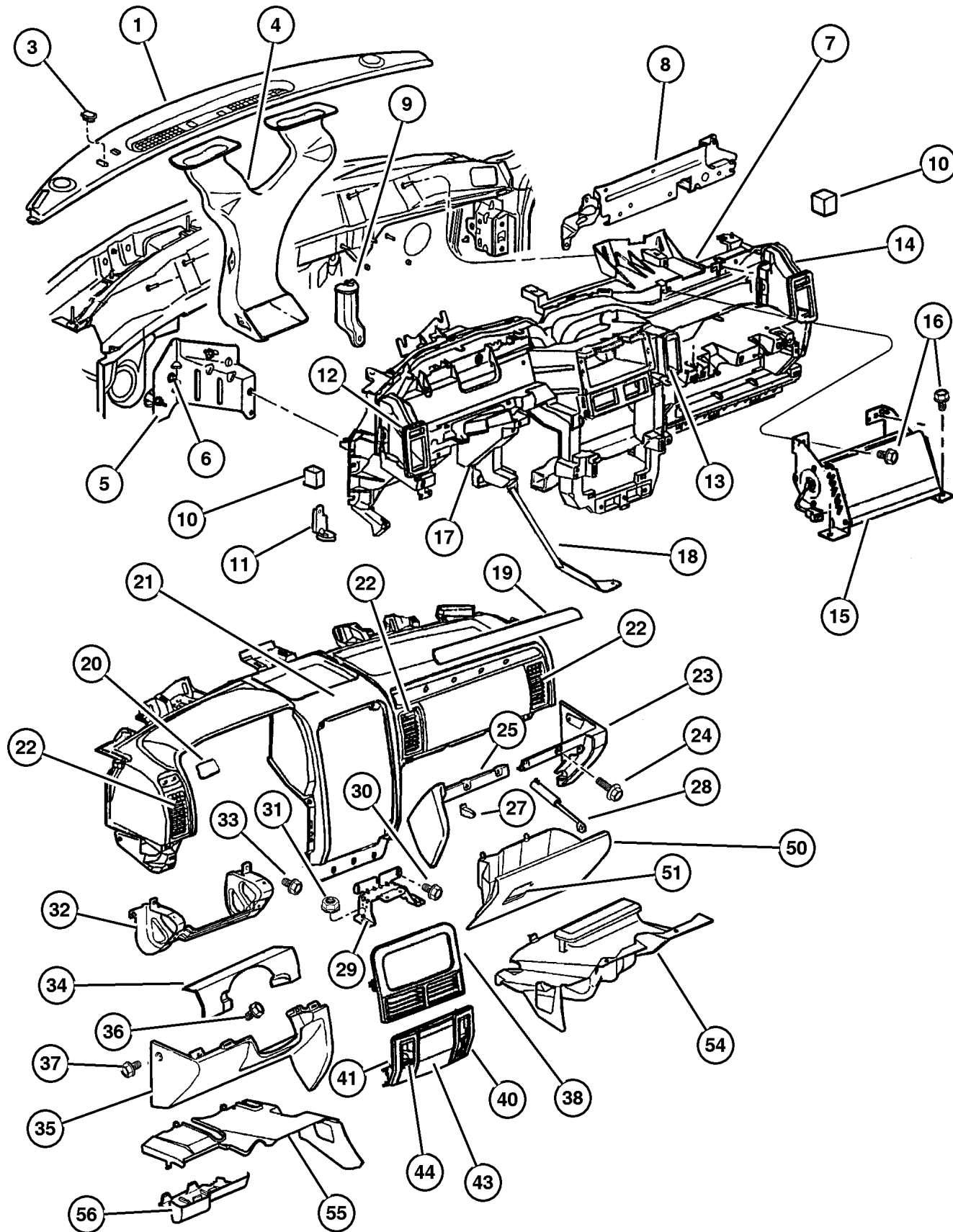
JEEP GRAND CHEROKEE (WJ)

SERIES	LINE	BODY	ENGINE	TRANSMISSION
L = Grand Cherokee	J = 4WD T = 2WD U = 4WD (RHD)	74 = 4 Door (105.9 WB)	ERH,ERO = 4.0L, Power Tech EVA,EVO = 4.7L, Power Tech EXA,EXO = 3.1L 5 cyl Turbo Diesel	DGK = 4 Speed Autm, 42RE DG4 = Multi Speed Auto 45RFE DGW = 4 Speed Autom 44RE DGO = All Automatic

AR = Use as required - = Non illustrated part # = New this model year

September 15, 2005

Instrument Panel Figure 08A-110



ITEM	PART NUMBER	QTY	LINE	SERIES	BODY	ENGINE	TRANS	TRIM	DESCRIPTION
24	6032 723	3							SCREW, Self Tapping, M4.2x1.69x19.05
25	5FU66 LAZAB	1	J, T						BEZEL, Instrument Panel Lower Right Center (Agate)
	5FU66 RK5AB	1	J, T						Lower Right Center (Tan/Agate)
	5FU66 WL5AB	1	J, T						Lower Right Center (Taupe)
	5FX20 LAZAB	1	U						Lower Left Center (Agate)
	5FX20 RK5AB	1	U						Lower Left Center (Tan/Agate)
-26	6101 946	3							SCREW, Tapping
27	55116 374AA	1							STRIKER, Glove Box Door Latch Right
	55116 375AA	1							Left
28	55116 424AA	1							DAMPENER, Glove Box Door
29	5511 6041	1							BRACKET, Instrument Panel
30									SCREW, M6x1x25, (NOT SERVICED) (Not Serviced)
31	6504 572	2							NUT AND WASHER, Hex Nut-Coned Washer, M8 x 1.25
32	55116 391AA	1							BRACKET, Instrument Panel
33	6101 786	4							SCREW, Self Tapping, M6x1x15
34									BEZEL, Instrument Cluster
	5FZ23 LAZAB	1	J, T						Agate (w/o Headlamp Leveling Switch)
	5FZ23 VK9AB	1	J, T						Dark Suede (w/o Headlamp Leveling Switch)
	5FZ23 WL8AB	1	J, T						Dark Brown (w/o Headlamp Leveling Switch)
	5FZ26 LAZAC	1	J, T						Agate (w/Headlamp Leveling Switch)
	5FZ26 VK9AC	1	J, T						Dark Suede (w/Headlamp Leveling Switch)
	5FZ28 LAZAB	1	U						Agate (w/o Headlamp Leveling Switch)
	5FZ28 VK9AB	1	U						Dark Suede (w/o Headlamp Leveling Switch)
	5FZ31 LAZAB	1	U						Agate (w/Headlamp Leveling Switch)
	5FZ31 VK9AB	1	U						Dark Suede (w/Headlamp Leveling Switch)
35									COVER, Instrument Panel, Steering Column Opening
	5EY40 LAZAB	1	J, T						Agate

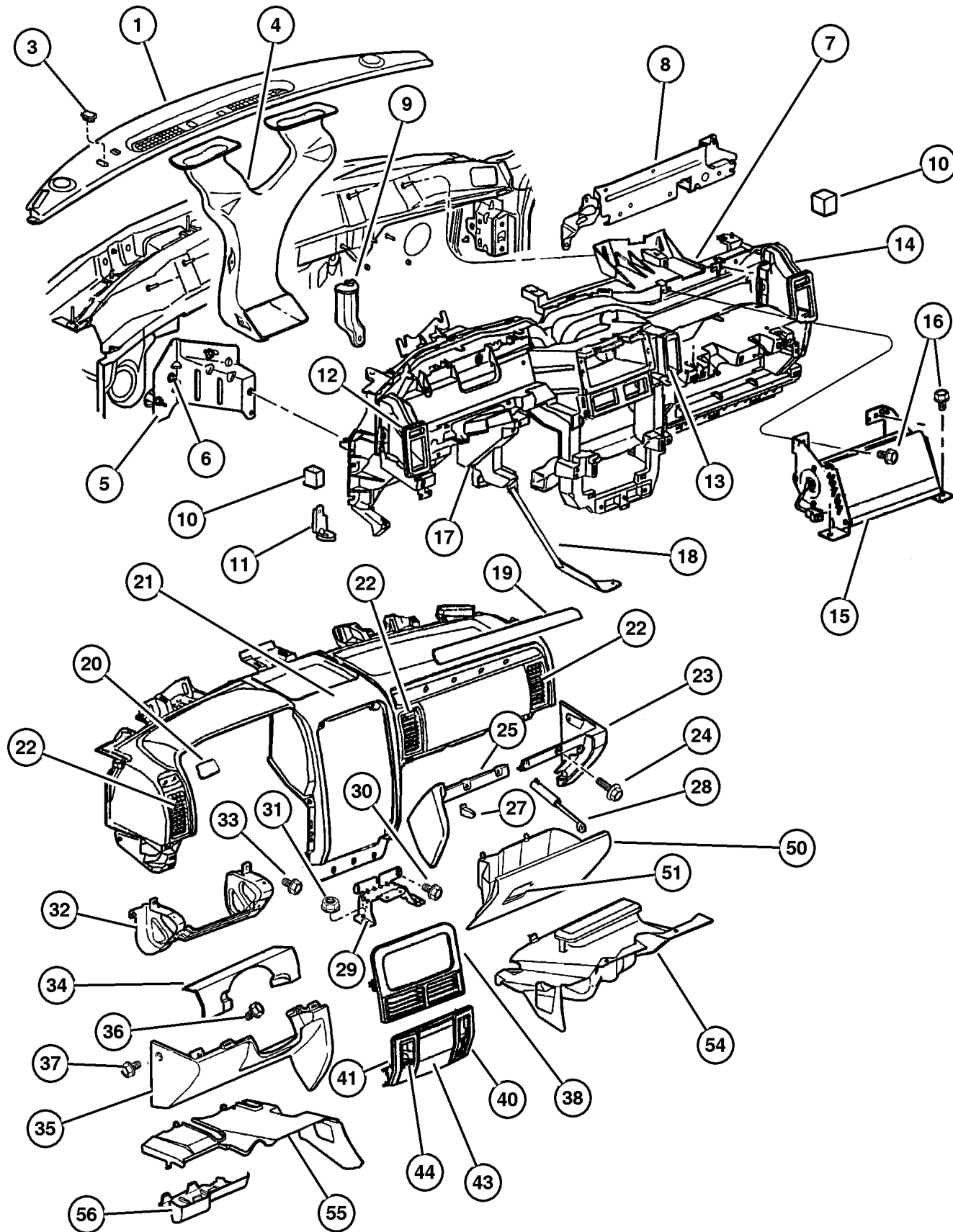
JEEP GRAND CHEROKEE (WJ)

SERIES	LINE	BODY	ENGINE	TRANSMISSION
L = Grand Cherokee	J = 4WD T = 2WD U = 4WD (RHD)	74 = 4 Door (105.9 WB)	ERH,ERO = 4.0L, Power Tech EVA,EVO = 4.7L, Power Tech EXA,EXO = 3.1L 5 cyl Turbo Diesel	DGK = 4 Speed Autm, 42RE DG4 = Multi Speed Auto 45RFE DGW = 4 Speed Autom 44RE DGO = All Automatic

AR = Use as required - = Non illustrated part # = New this model year

September 15, 2005

Instrument Panel Figure 08A-110



ITEM	PART NUMBER	QTY	LINE	SERIES	BODY	ENGINE	TRANS	TRIM	DESCRIPTION
	5EY40 RK5AB	1	J, T						Camel Tan/Agate
	5EY40 WL5AB	1	J, T						Taupe
	5FN60 LAZAB	1	U						Agate
	5FN60 RK5AB	1	U						Camel Tan/Agate
36	6101 946	2							SCREW, Tapping
37	6032 723	1							SCREW, Self Tapping, M4.2x1.69x19.05
38									BEZEL, Instrument Panel, Upper, Radio Bezel
	55116 256AB	1							Limited
	55116 277AB	1							Laredo
-39									ADAPTER, A/C And Heater Unit
	55116 366AB-	1	J, T						
	55116 368AA-	1	U						
40	5014 054AA	1							BEZEL, Instrument Panel, Lower Limited w/10 Way Power Heated Seats (Desert Zabrano woodgrain) (Ash Receiver Assembly, Cigar & Power Outlet Assembly Included)
	5014 055AA	1							Laredo w/10 Way Power Heated Seats (Black) (Ash Receiver Assembly, Cigar & Power Outlet Assembly Included)
	55116 263AA	1							Limited w/Power Seat & w/o Heated Seats (Woodgrain) (Ash Receiver Assembly, Cigar & Power Outlet Assembly Included)
	55116 280AA	1							Laredo w/Power Seat & w/o Heated Seats (Black) (Ash Receiver Assembly, Cigar & Power Outlet Assembly Included)
41	55116 372AA	1							PIN, Pivot, Ash Tray
-42	6504 664	4							CLIP, Instrument Panel
43	5511 6061	1							RECEPTACLE, Ash Receiver
44	55116 273AA	1							DOOR, Power Outlet
-45	5269 360	1							HOOD, Ash Receiver Lamp
-46	4793 554	1							POWER OUTLET, Cigar Lighter
-47	4793 551	1							BASE, Cigar Lighter
-48	4793 555	2							RING, Cigar Lighter Mounting
-49	5012 496AA-	1							SPRING, Return Assist
50									GLOVE BOX, Instrument Panel

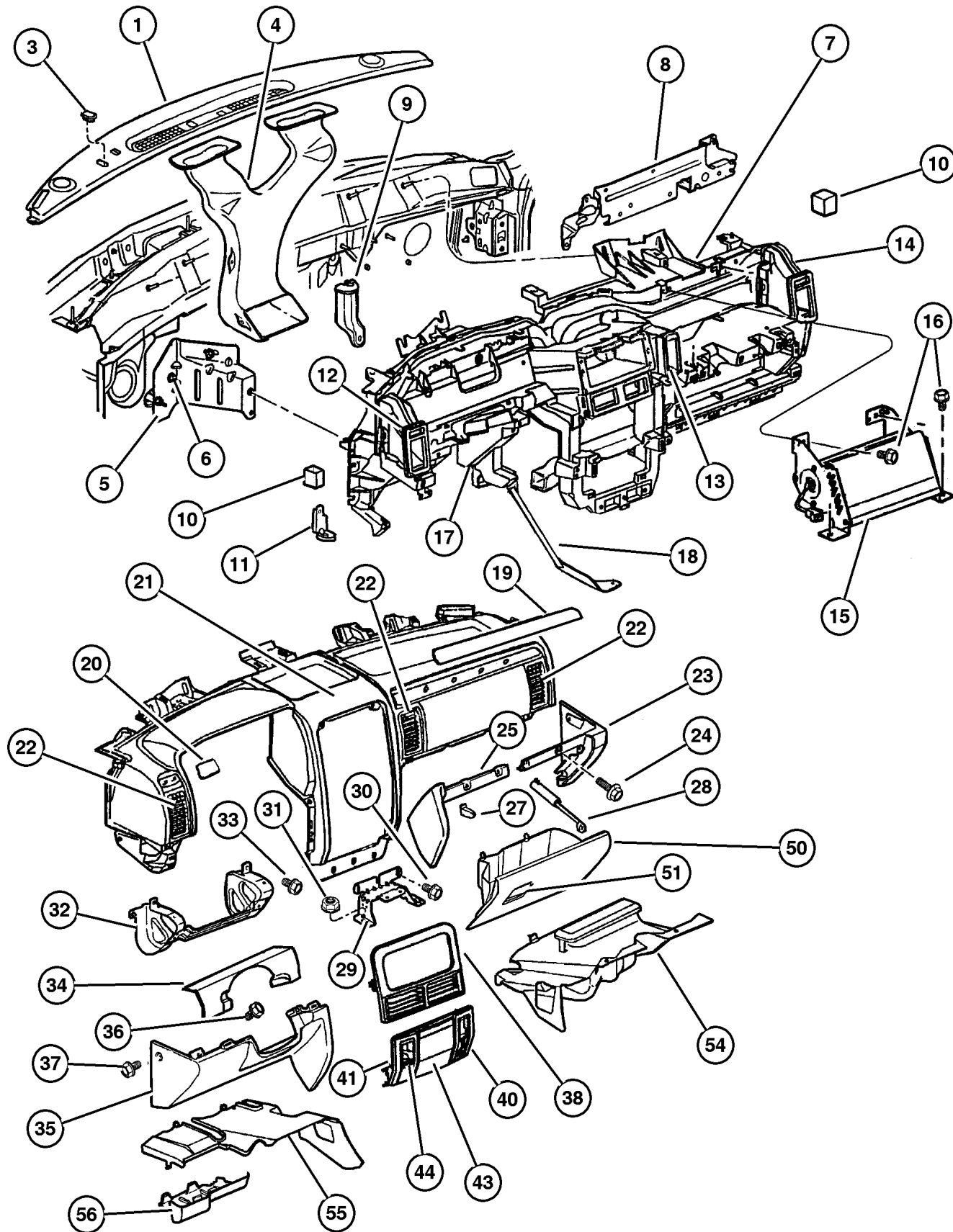
JEEP GRAND CHEROKEE (WJ)

SERIES	LINE	BODY	ENGINE	TRANSMISSION
L = Grand Cherokee	J = 4WD T = 2WD U = 4WD (RHD)	74 = 4 Door (105.9 WB)	ERH,ERO = 4.0L, Power Tech EVA,EVO = 4.7L, Power Tech EXA,EXO = 3.1L 5 cyl Turbo Diesel	DGK = 4 Speed Autm, 42RE DG4 = Multi Speed Auto 45RFE DGW = 4 Speed Autom 44RE DGO = All Automatic

AR = Use as required - = Non illustrated part # = New this model year

September 15, 2005

**Instrument Panel
Figure 08A-110**



ITEM	PART NUMBER	QTY	LINE	SERIES	BODY	ENGINE	TRANS	TRIM	DESCRIPTION
	5EY3 81AZ	1	J, T						Agate
	5EY3 81K5	1	J, T						Tan/Agate
	5EY3 81L5	1	J, T						Taupe
	5FN64 1AZAB	1	U						Agate
	5FN64 1K5AB	1	U						Tan/Agate
51									LATCH, Glovebox Door
	5FK9 4LAZ	1	J, T						Agate
	5FK9 4RK5	1	J, T						Tan/Agate
	5FK9 4WL5	1	J, T						Taupe
	5FN6 6LAZ	1	U						Agate
	5FN6 6RK5	1	U						Tan/Agate
-52									BUMPER, Glove Box Door
	4524 343	1	J, T						
	55116 440AA-	1	U						
-53	4565 022	1							SWITCH AND LAMP, Glove Box
54	55196 850AC	1	J, T						PANEL, Instrument Closure, Right
55	55196 851AC	1	J, T						PANEL, Instrument Closure, Left
56									COVER, Fuse Access
	5511 6229	1	J, T						
	55116 293AB	1	U						
-57									PULLER, Fuse
	55196 762AA-	1	J, T						
		1	U						
-58									LABEL, Air Bag Warning
	4595 748AA-	1	J, T						Removable Dash Warning (Glovebox Door)
	4595 749AA-	1	J, T						Bilingual Removable Dash Warning (Glovebox Door)
	4787 437AA-	2	J, T						Visor, English/French 5 Point
-59	4793 554	1							POWER OUTLET, Cigar Lighter, I/P Center Bezel
-60	4685 370	1							KNOB AND ELEMENT, Cigar Lighter
-61	4685 591	1							CAP, Cigar Lighter, Cap/Tether & Mount Ring
-62	5015 426AA-	1							COVER, Power Distribution Center

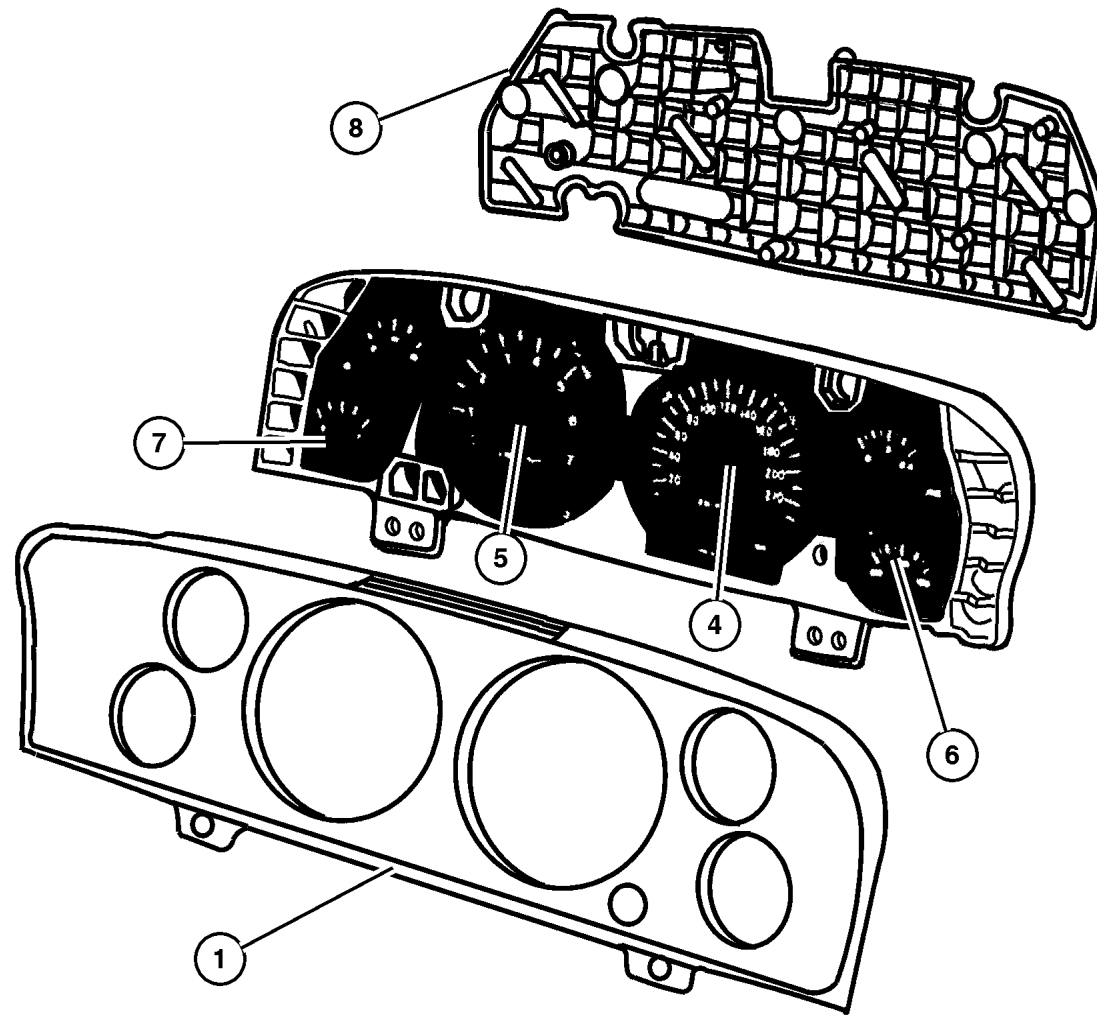
JEEP GRAND CHEROKEE (WJ)

SERIES	LINE	BODY	ENGINE	TRANSMISSION
L = Grand Cherokee	J = 4WD T = 2WD U = 4WD (RHD)	74 = 4 Door (105.9 WB)	ERH,ERO = 4.0L, Power Tech EVA,EVO = 4.7L, Power Tech EXA,EXO = 3.1L 5 cyl Turbo Diesel	DGK = 4 Speed Autm, 42RE DG4 = Multi Speed Auto 45RFE DGW = 4 Speed Autom 44RE DGO = All Automatic

AR = Use as required - = Non illustrated part # = New this model year

September 15, 2005

**Instrument Cluster
Figure 08A-210**



ITEM	PART NUMBER	QTY	LINE	SERIES	BODY	ENGINE	TRANS	TRIM	DESCRIPTION
1									LENS, Cluster
	5278 366AA	1	J, T						(Mask & Telltale Included)
	5278 367AA	1							(Mask & Telltale Included)
		1	U						(Mask & Telltale Included)
-2									LAMP, Bulb And Socket
	5269 391	16	J, T						
		20							
		17	U						
-3	5269 529	5							BULB, PC121
4									GAUGE, Speedometer
	5278 370AB	1							230 KPH [EX0]
	5278 371AA	1	U						120 MPH
	5278 372AA	1	U						200 KPH
	5278 369AB	1	J, T						120 MPH
	5278 370AB	1	J, T						230 KPH [ER0,EV0]
5									GAUGE, Tachometer
	5278 373AA	1							Gasoline Engine
	5278 374AB	1							Diesel Engine
6									GAUGE, Temperature And Oil
	5278 375AA	1	J, T						Gas Engine, MPH, Left Hand Drive
	5278 376AA	1							Gas Engine, KPH, Left Hand Drive
		1	U						Gas Engine, MPH or KPH, Right Hand Drive
	5278 377AA	1							Diesel Engine, MPH or KPH
7	5278 378AB	1							GAUGE, Fuel And Volt
8									BOARD, Circuit, Cluster Housing & Back Cover Included w/Circuit Board and odometer
	5278 379AA	1	J, T						Gas Engine, 120 MPH
	5278 380AA	1							Gas Engine, 230 KPH, BUX
	5278 383AA	1							Diesel Engine, 230 KPH
	5278 384AA	1	U						Gas Engine, 120 MPH
	5278 386AA	1	U						Gas Engine, 200 KPH
	5278 390AA	1	J, T						Gas Engine, 230 KPH, USA/ Canada up to 9/1/98
	5278 390AB	1	J, T						Gas Engine, 230 KPH, USA/ Canada after 9/1/98
-9	4638 220	1							KNOB, Odometer Reset
-10	6101 946	2							SCREW, Tapping
-11	6032 723	2							SCREW, Self Tapping, M4.2x1.69x19.05

JEEP GRAND CHEROKEE (WJ)

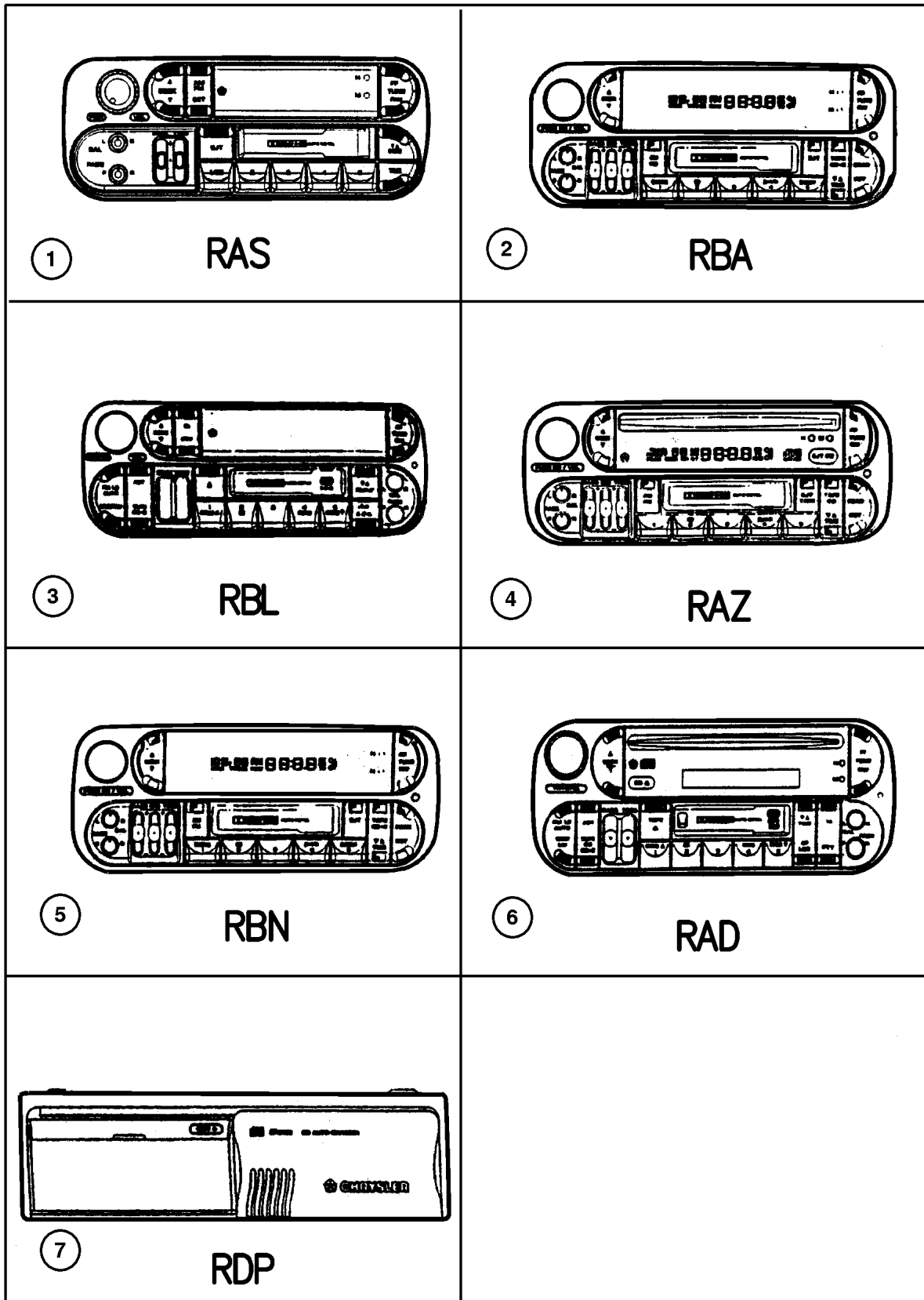
SERIES	LINE	BODY	ENGINE	TRANSMISSION
L = Grand Cherokee	J = 4WD T = 2WD U = 4WD (RHD)	74 = 4 Door (105.9 WB)	ERH,ERO = 4.0L, Power Tech EVA,EVO = 4.7L, Power Tech EXA,EXO = 3.1L 5 cyl Turbo Diesel	DGK = 4 Speed Autm, 42RE DG4 = Multi Speed Auto 45RFE DGW = 4 Speed Autom 44RE DGO = All Automatic

AR = Use as required - = Non illustrated part # = New this model year

September 15, 2005

Radios Figure 08A-310

ITEM	PART NUMBER	QTY	LINE	SERIES	BODY	ENGINE	TRANS	TRIM	DESCRIPTION
RAD=AM/FM Cassette w/CD (EUROPE)									
RAS=AM/FM Cassette									
RAZ=AM/FM w/CD & Cassette									
RBA=AM/FM w/CD									
RBL=AM/FM Cassette/CD Control (EUROPE)									
RBN=AM/FM Cassette w/Control									
RDP=Disc Changer									
1	4858 583AE	1							RADIO, AM/FM Cassette, (RAS)
2	4858 513AF	1							RADIO, AM/FM/Cassette With CD Control, (RBA)
3	4858 513AF	1							RADIO, AM/FM/Cassette With CD Control, (RBL)
4	4858 540AD	1							RADIO, AM/FM with CD and Cassette, (RAZ)
5	4858 584AF	1							RADIO, AM/FM Cassette with CD Control, (RBN)
6	4858 543	1							RADIO, AM/FM/Cassette With CD, (RAD)
7									CHANGER, CD
	56038 579AB	1							Europe
	56042 129AF	1							U.S.A. & Canada
-8	6100 047	4							NUT AND WASHER, Hex Nut-Coned Washer, M6 x 1.00
-9	0154 552	1							SCREW, Hex Head, .190-16x.625
-10	6035 081	1							NUT, .25-20
-11									STRAP, Radio Noise Suppression
	56038 402AB-	1							3.7L Engine
	56038 499AB-	1							4.0L Engine
-12	6035 081	1							NUT, .25-20

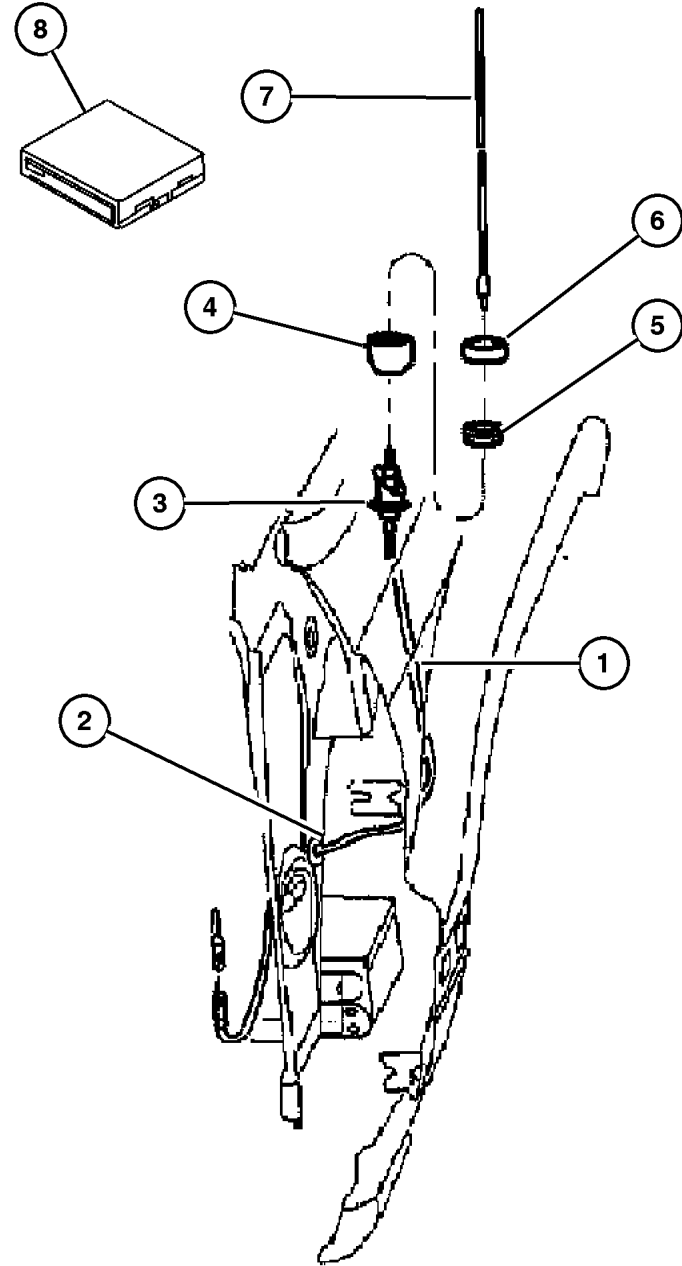


JEEP GRAND CHEROKEE (WJ)				
SERIES	LINE	BODY	ENGINE	TRANSMISSION
L = Grand Cherokee	J = 4WD T = 2WD U = 4WD (RHD)	74 = 4 Door (105.9 WB)	ERH,ERO = 4.0L, Power Tech EVA,EVO = 4.7L, Power Tech EXA,EXO = 3.1L 5 cyl Turbo Diesel	DGK = 4 Speed Autm, 42RE DG4 = Multi Speed Auto 45RFE DGW = 4 Speed Autom 44RE DGO = All Automatic

AR = Use as required - = Non illustrated part # = New this model year

September 15, 2005

Antenna Figure 08A-320



ITEM	PART NUMBER	QTY	LINE	SERIES	BODY	ENGINE	TRANS	TRIM	DESCRIPTION
1									CABLE, Antenna
	56038 516AB	1	J, T						BUX, Left Hand Drive
	56038 513AC	1	J, T						U.S.A., Canada
	56038 515AB	1	U						BUX, Right Hand Drive
2	4373 728	1							PLUG
3	56038 412AB	1							BASE, Antenna
4	56009 375AB	1							ESCUTCHEON, Antenna
5	4685 301	1							CAP NUT, Antenna, Black
6	4685 498	1							SHROUD, Antenna Cap Nut
7	4685 574	1							MAST, Antenna, Black
8	56038 407AC	1							AMPLIFIER, Radio

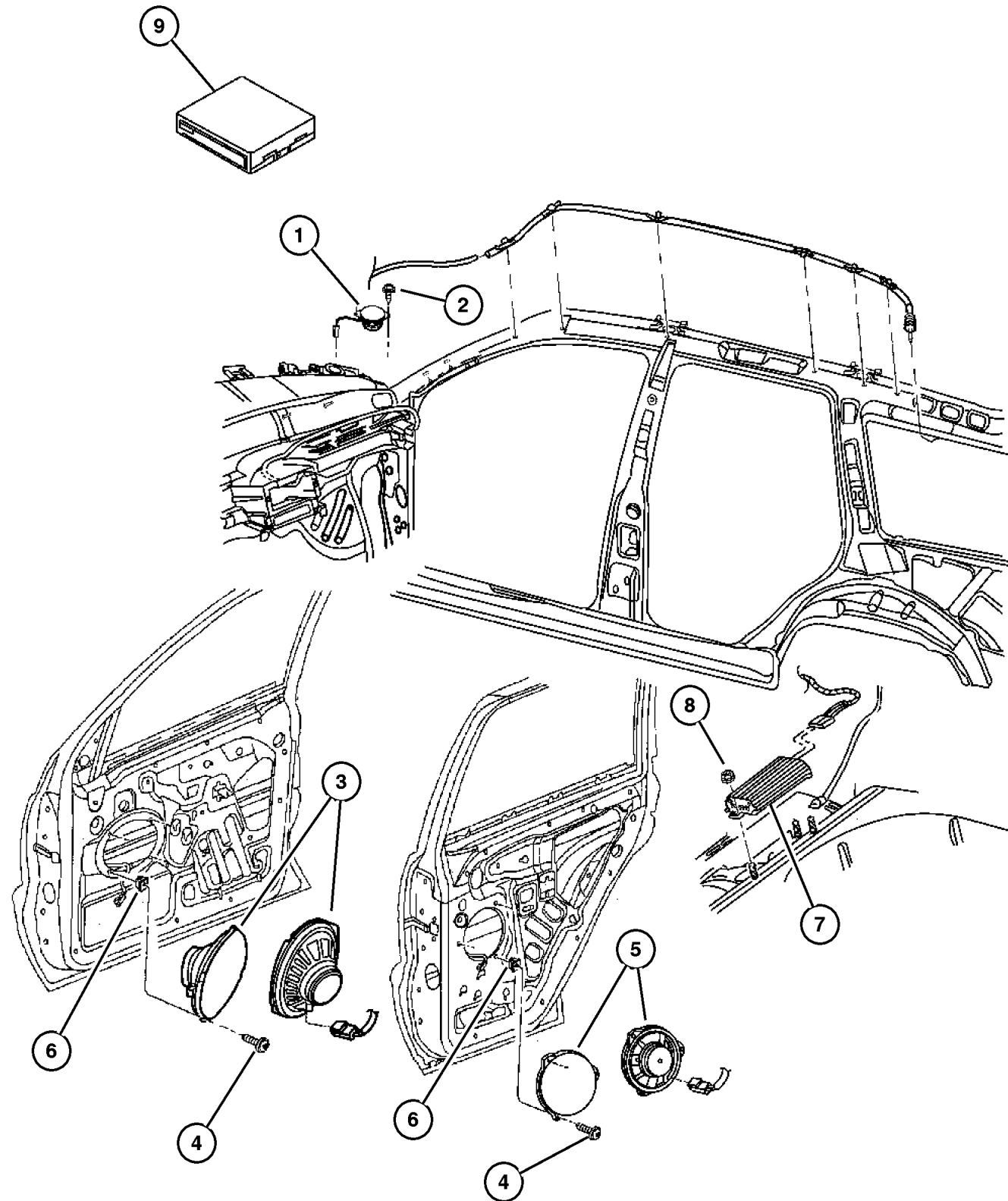
JEEP GRAND CHEROKEE (WJ)

SERIES	LINE	BODY	ENGINE	TRANSMISSION
L = Grand Cherokee	J = 4WD T = 2WD U = 4WD (RHD)	74 = 4 Door (105.9 WB)	ERH,ERO = 4.0L, Power Tech EVA,EVO = 4.7L, Power Tech EXA,EXO = 3.1L 5 cyl Turbo Diesel	DGK = 4 Speed Autm, 42RE DG4 = Multi Speed Auto 45RFE DGW = 4 Speed Autom 44RE DGO = All Automatic

AR = Use as required - = Non illustrated part # = New this model year

September 15, 2005

Speakers Figure 08A-325



ITEM	PART NUMBER	QTY	LINE	SERIES	BODY	ENGINE	TRANS	TRIM	DESCRIPTION
1	56038 411AB	2							SPEAKER, Instrument Panel
2	6101 946	4							SCREW, Tapping
3	56038 409AB	2							SPEAKER, 6"X9" Infinity
	56042 131AB	2							Standard
4									SCREW, (NOT SERVICED) (Not Serviced)
5	56038 408AB	2							SPEAKER, 6.5" Standard
	56038 410AB	2							Infinity
6	6036 098AA	8							NUT, Plastic Snap-in Front Door
		6							Rear Door
7	56038 407AC	1							AMPLIFIER, Radio U.S., Canada, Power Amplifier
	56038 407AD	1							BUX, Power Amplifier
8	6500 284	3							NUT, Hex, M6x1.00
9	5604 2134	1							AMPLIFIER, Radio, BUX w/integrated Antenna
-10	56038 612AA-	2							SPEAKER, Tweeter, Instrument Panel Speaker

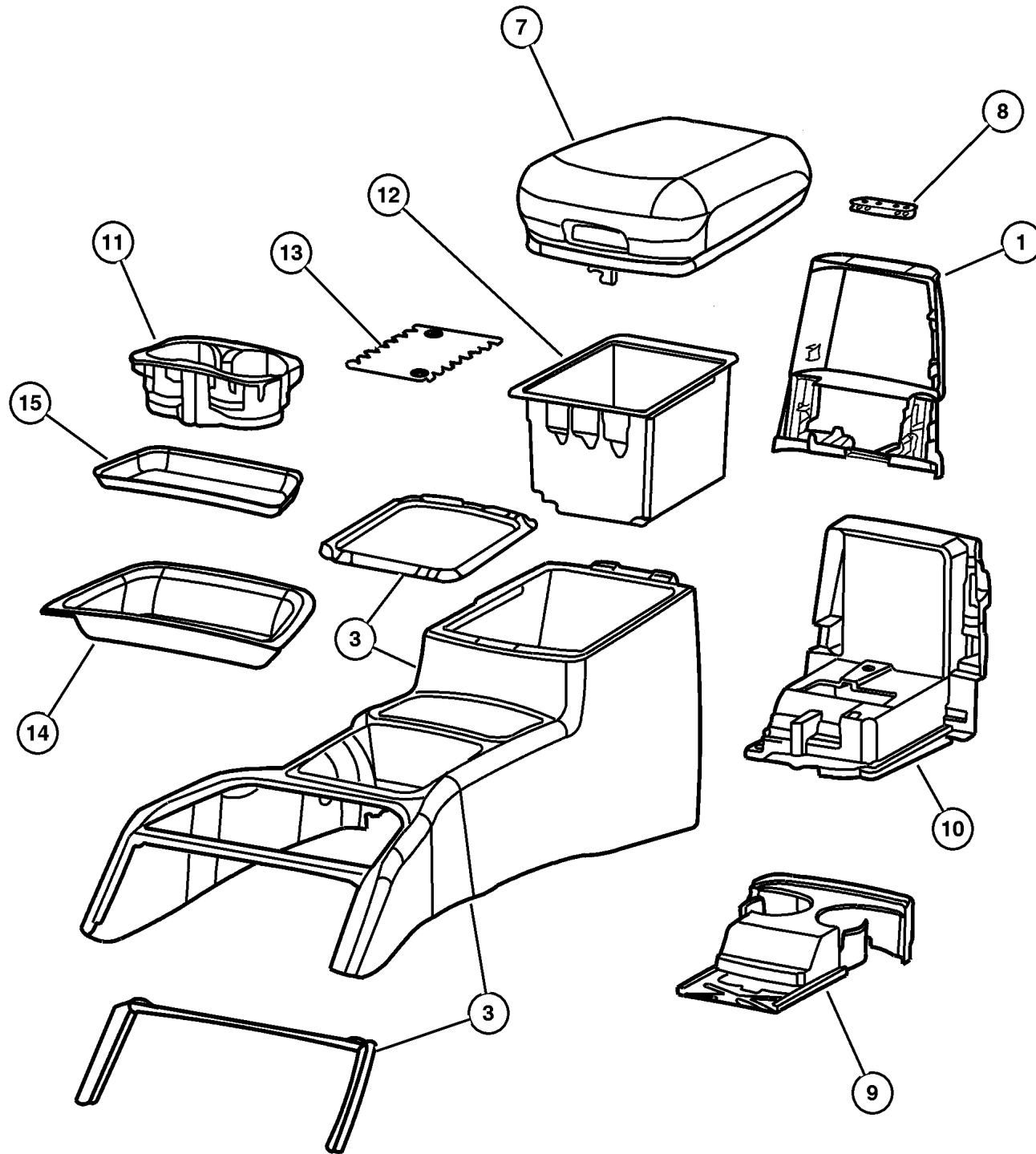
JEEP GRAND CHEROKEE (WJ)

SERIES	LINE	BODY	ENGINE	TRANSMISSION
L = Grand Cherokee	J = 4WD T = 2WD U = 4WD (RHD)	74 = 4 Door (105.9 WB)	ERH,ERO = 4.0L, Power Tech EVA,EVO = 4.7L, Power Tech EXA,EXO = 3.1L 5 cyl Turbo Diesel	DGK = 4 Speed Autm, 42RE DG4 = Multi Speed Auto 45RFE DGW = 4 Speed Autom 44RE DGO = All Automatic

AR = Use as required - = Non illustrated part # = New this model year

September 15, 2005

Floor Console
Figure 08A-410



ITEM	PART NUMBER	QTY	LINE	SERIES	BODY	ENGINE	TRANS	TRIM	DESCRIPTION
1	QP97 LAZAA	1	J, T						PANEL, Console
		1	U						[AZ], Left Hand Drive
	QP97 RK5AA	1	J, T						[AZ], Right Hand Drive
		1	U						[K5], Left Hand Drive
		1	U						[K5], Right Hand Drive
	QP97 WL5AA	1	J, T						[L5], Left Hand Drive
-2									LATCH, Console Lock
	5013 689AA-	1	J, T						Up Thru 11/22/98
	5014 295AA-	1	J, T						After 11/22/98
3									CONSOLE, Base
	SH13 1AZAA	1	J, T						Up Thru 11/22/98 [AZ]
	SH13 1AZAB	1	J, T						After 11/22/98 [AZ]
	SH13 1K5AA	1	J, T						Up Thru 11/22/98 [K5]
	SH13 1K5AB	1	J, T						After 11/22/98 [K5]
	SH13 1L5AA	1	J, T						Up Thru 11/22/98 [L5]
	SH13 1L5AB	1	J, T						After 11/22/98 [L5]
	SH29 1AZAA	1	U						[AZ]
	SH29 1K5AA	1	U						[K5]
-4									SCREW, Self Piercing, .164-15x.625
	6032 452	8	J, T						
		8	U						
-5									CLIP, .500x.417x.500
	6032 838	2	J, T						
		2	U						
-6	6034 319	5	J, T						CLIP, .453Wx.528LGx.017THK
7									LID, Floor Console Bin
	5FW58 1AZAA	1	J, T						Up Thru 11/22/98 [AZ]
		1	U						Up Thru 11/22/98 [AZ]
	5FW58 1AZAB	1	U						After 11/22/98 [AZ]
		1	J, T						After 11/22/98 [AZ]
	5FW58 1K5AA	1	J, T						Up Thru 11/22/98 [K5]
		1	U						Up Thru 11/22/98 [K5]
	5FW58 1K5AB	1	U						After 11/22/98 [K5]
		1	J, T						After 11/22/98 [K5]
	5FW58 1L5AA	1	J, T						Up Thru 11/22/98 [L5]
	5FW58 1L5AB	1	J, T						After 11/22/98 [L5]
8									HINGE, Floor Console Lid
	55196 773AA	1	J, T						Left Hand Drive
		1	U						Right Hand Drive
9									CUPHOLDER, Floor Console
	5GL54 1AZAA	1	J, T						[AZ], Left Hand Drive
	5GL54 1K5AA	1	J, T						[K5], Left Hand Drive

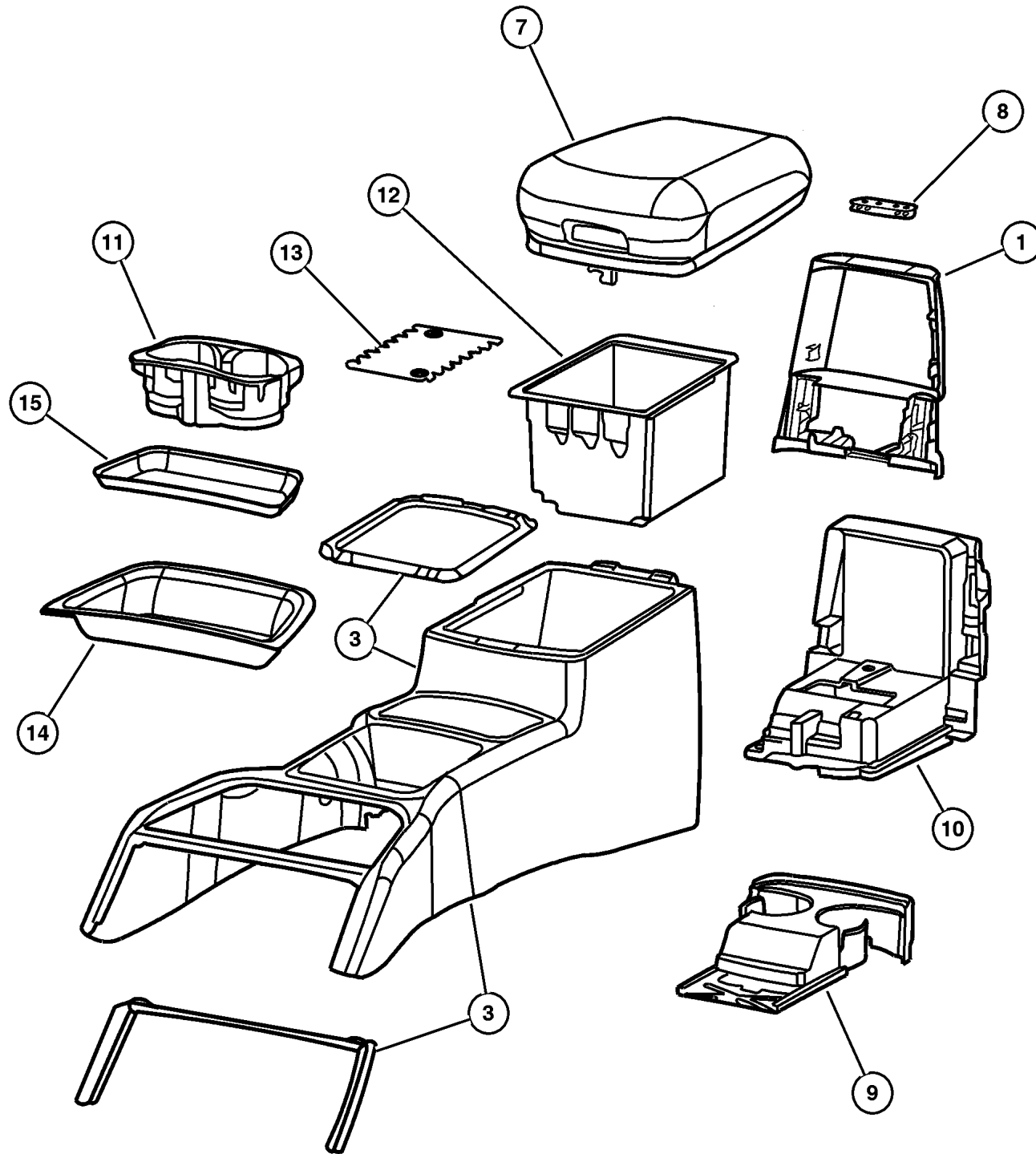
JEEP GRAND CHEROKEE (WJ)

SERIES	LINE	BODY	ENGINE	TRANSMISSION
L = Grand Cherokee	J = 4WD T = 2WD U = 4WD (RHD)	74 = 4 Door (105.9 WB)	ERH,ERO = 4.0L, Power Tech EVA,EVO = 4.7L, Power Tech EXA,EXO = 3.1L 5 cyl Turbo Diesel	DGK = 4 Speed Autm, 42RE DG4 = Multi Speed Auto 45RFE DGW = 4 Speed Autom 44RE DGO = All Automatic

AR = Use as required - = Non illustrated part # = New this model year

September 15, 2005

Floor Console
Figure 08A-410



ITEM	PART NUMBER	QTY	LINE	SERIES	BODY	ENGINE	TRANS	TRIM	DESCRIPTION
	5GL54 1L5AA	1	J, T						[L5], Left Hand Drive
		1	U						[L5], Right Hand Drive
10	55196 718AB	1	J, T						PLATE, Floor Console
		1	U						Left Hand Drive
									Right Hand Drive
11	55196 713AA	1	J, T						CUPHOLDER, Floor Console
		1	U						Front,Left Hand Drive
									Front,Right Hand Drive
12	5519 6664	1							BIN, Floor Console, with Mat
13	5519 6665	1							MAT, Storage Tray
14	5519 6664	1							BIN, Floor Console
									Up Thru 11/22/98, Rear Floor Console
	55196 664AB	1							After 11/22/98, Rear Floor Console
	5519 6667	1	J, T						Front Floor Console
	5519 6668	1	U						Front Floor Console
15									MAT, Storage Tray
	5519 6669	1	J, T						Left Hand Drive
	5519 6670	1	U						Right Hand Drive
-16									SCREW, .164-18x.50, (NOT SERVICED) (Not Serviced)
-17									BUMPER, Rubber
	5066 456AA-	2	J, T						
		2	U						

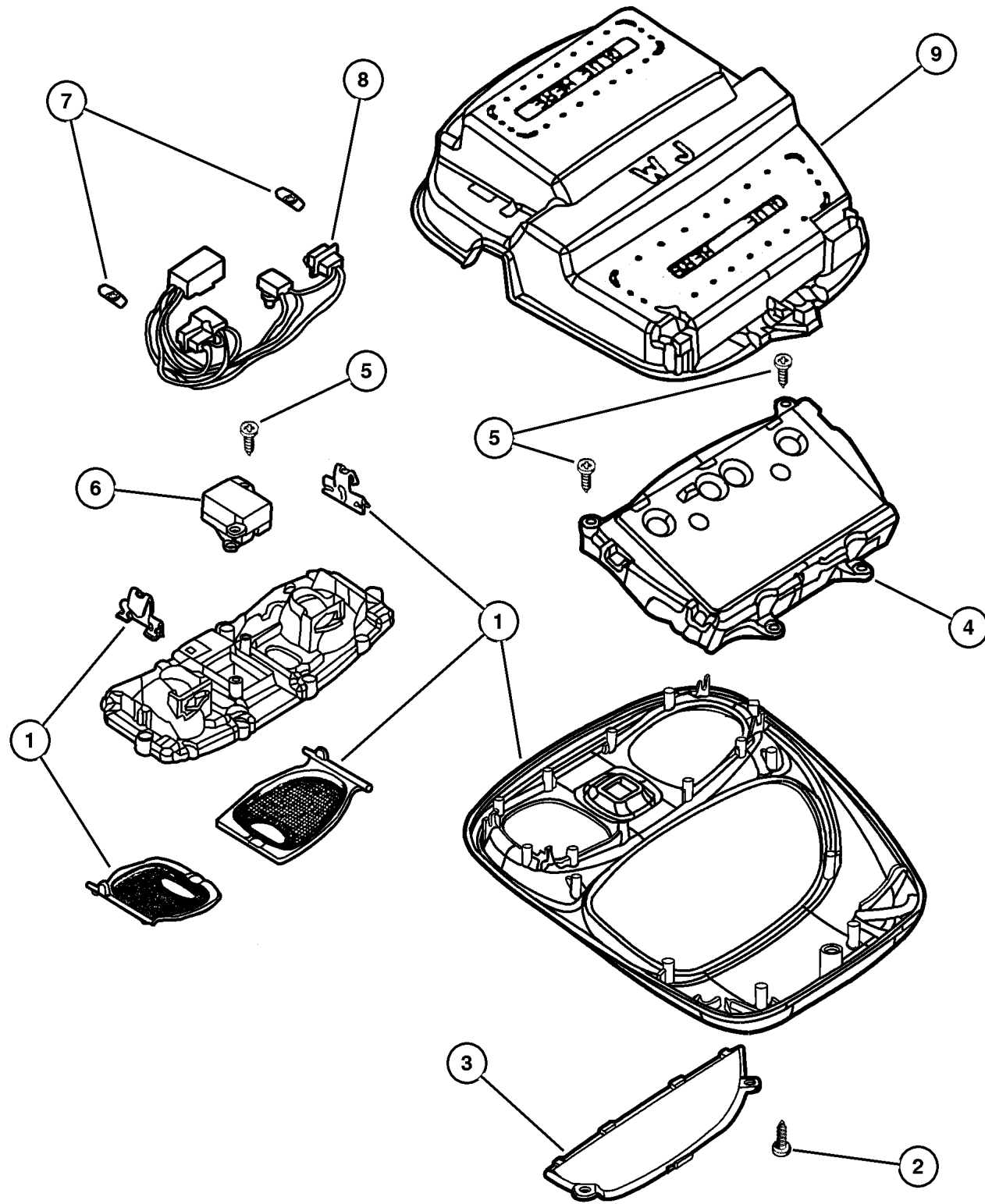
JEEP GRAND CHEROKEE (WJ)

SERIES	LINE	BODY	ENGINE	TRANSMISSION
L = Grand Cherokee	J = 4WD T = 2WD U = 4WD (RHD)	74 = 4 Door (105.9 WB)	ERH,ERO = 4.0L, Power Tech EVA,EVO = 4.7L, Power Tech EXA,EXO = 3.1L 5 cyl Turbo Diesel	DGK = 4 Speed Autm, 42RE DG4 = Multi Speed Auto 45RFE DGW = 4 Speed Autom 44RE DGO = All Automatic

AR = Use as required - = Non illustrated part # = New this model year

September 15, 2005

Overhead Console
Figure 08A-420



ITEM	PART NUMBER	QTY	LINE	SERIES	BODY	ENGINE	TRANS	TRIM	DESCRIPTION
1									CONSOLE, Overhead Mini, Less Electronics
	SF61 1K5AA	1	J, T						w/o Power Sunroof, Camel/Tan
		1	U						w/o Power Sunroof, Camel/Tan
	SF61 1L2AA	1	J, T						w/o Power Sunroof, Beige
		1	U						w/o Power Sunroof, Beige
	SF62 1K5AA	1	J, T						w/Power Sunroof, Camel/Tan
		1	U						w/Power Sunroof, Camel/Tan
	SF62 1L2AA	1	J, T						w/Power Sunroof, Beige
		1	U						w/Power Sunroof, Beigr
2									SCREW, .164-18x.500, (NOT SERVICED) (Not Serviced)
3									LENS, Message Center
	5012 882AA	1	J, T						
		1	U						
4									MODULE, Compass Temperature w/Garage Door Opener
	56042 271AB	1	J, T						w/o Garage Door Opener
	56042 273AB	1	J, T						w/o Garage Door Opener
		1	U						SCREW, (NOT SERVICED) (Not Serviced)
5									SCREW, (NOT SERVICED) (Not Serviced)
6									SWITCH, 1 Gang
	5604 2064	1	J, T						Sun Roof
		1	U						Sun Roof
7									BULB, 192
	L000 0192	2	J, T						
		2	U						
8									WIRING, Overhead Lighting
	55196 754AA	1	J, T						
		1	U						
9									RETAINER, Headliner
	55196 782AA	1	U						
		1	J, T						

JEEP GRAND CHEROKEE (WJ)

SERIES	LINE	BODY	ENGINE	TRANSMISSION
L = Grand Cherokee	J = 4WD T = 2WD U = 4WD (RHD)	74 = 4 Door (105.9 WB)	ERH,ERO = 4.0L, Power Tech EVA,EVO = 4.7L, Power Tech EXA,EXO = 3.1L 5 cyl Turbo Diesel	DGK = 4 Speed Autm, 42RE DG4 = Multi Speed Auto 45RFE DGW = 4 Speed Autom 44RE DGO = All Automatic

AR = Use as required - = Non illustrated part # = New this model year

September 15, 2005

Group – 009

Engine Mounting

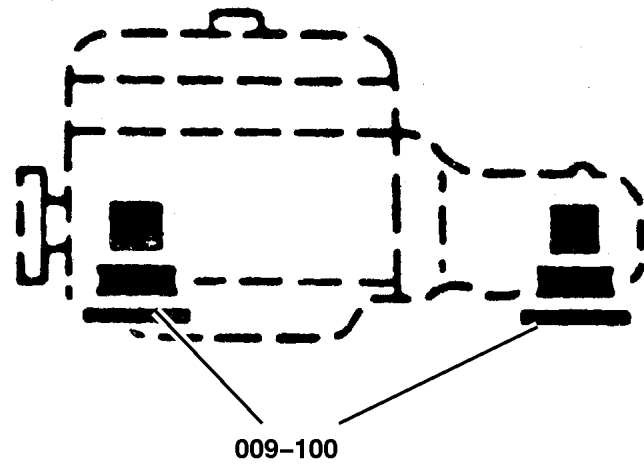
GROUP 9 - Engine Mounting

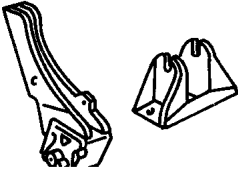
Illustration Title

Group-Fig. No.

Engine Mounting

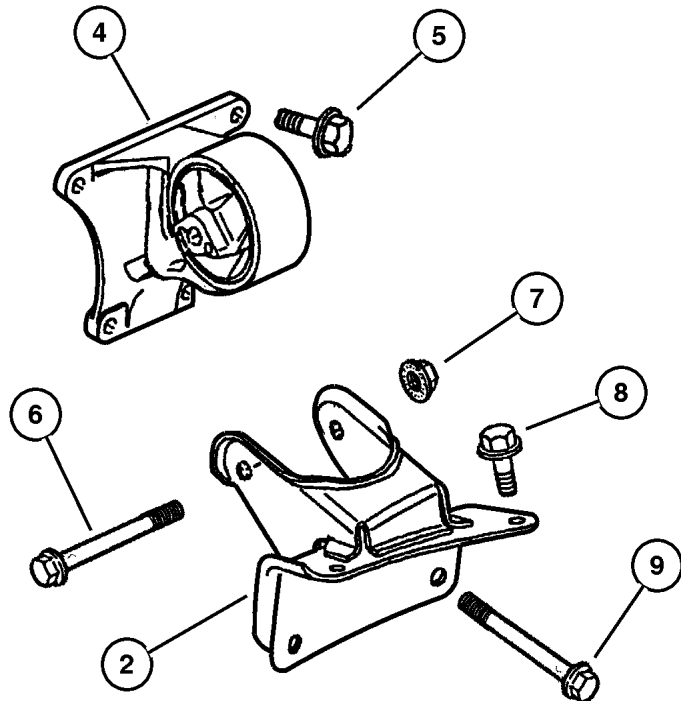
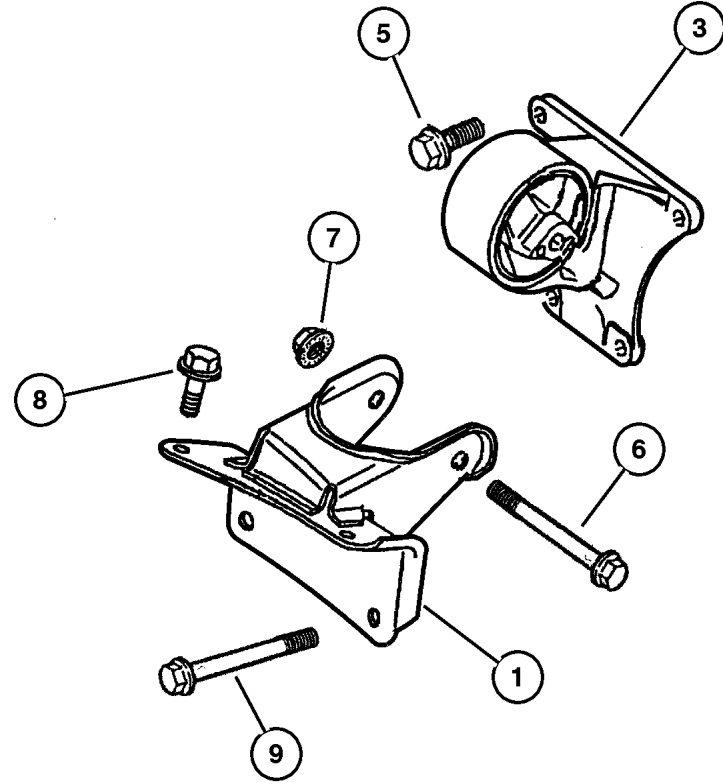
Engine Mounting, Front 3.1L (EXA) Diesel Engine	Fig. 009-110
Engine Mounting, Rear 3.1L (EXA) Diesel Engine	Fig. 009-120
Engine Mounting, Front 4.0L (ERH) Engine	Fig. 009-130
Engine Mounting, Rear 4.0L (ERH) Engine	Fig. 009-140
Engine Mounting, Front 4.7L (EVA) Engine	Fig. 009-150
Engine Mounting, Rear 4.7L (EVA) Engine	Fig. 009-160



<p>009-100 Engine Mounting</p> 			
---	--	--	--

Engine Mounting, Front 3.1L (EXA) Diesel Engine
Figure 009-110

ITEM	PART NUMBER	QTY	LINE	SERIES	BODY	ENGINE	TRANS	TRIM	DESCRIPTION
NOTE: EX0=All 3.1L Engines, EVO= All 4.7L Engines									
1	5205 9052	1				EX0			BRACKET, Sill, Right
2	5205 9053	1				EX0			BRACKET, Sill, Left
3	5205 9050	1				EX0			INSULATOR, Engine Mount, Right
4	5205 9051	1				EX0			INSULATOR, Engine Mount, Left
5	6503 699	8				EVO, EX0			SCREW AND WASHER, Hex Head, M10x1.5x28
6	3420 2606	2							BOLT, Hex Head
7	6502 697	2							NUT, Hex Flange Lock, M12x1.75
8	6503 119	4							SCREW AND WASHER, Hex Head, M10x1.5x40
9	6505 672AA	4							SCREW AND WASHER



JEEP GRAND CHEROKEE (WJ)				
SERIES	LINE	BODY	ENGINE	TRANSMISSION
L = Grand Cherokee	J = 4WD T = 2WD U = 4WD (RHD)	74 = 4 Door (105.9 WB)	ERH,ERO = 4.0L, Power Tech EVA,EVO = 4.7L, Power Tech EXA,EXO = 3.1L 5 cyl Turbo Diesel	DGK = 4 Speed Autm, 42RE DG4 = Multi Speed Auto 45RFE DGW = 4 Speed Autom 44RE DGO = All Automatic

AR = Use as required - = Non illustrated part # = New this model year

September 15, 2005

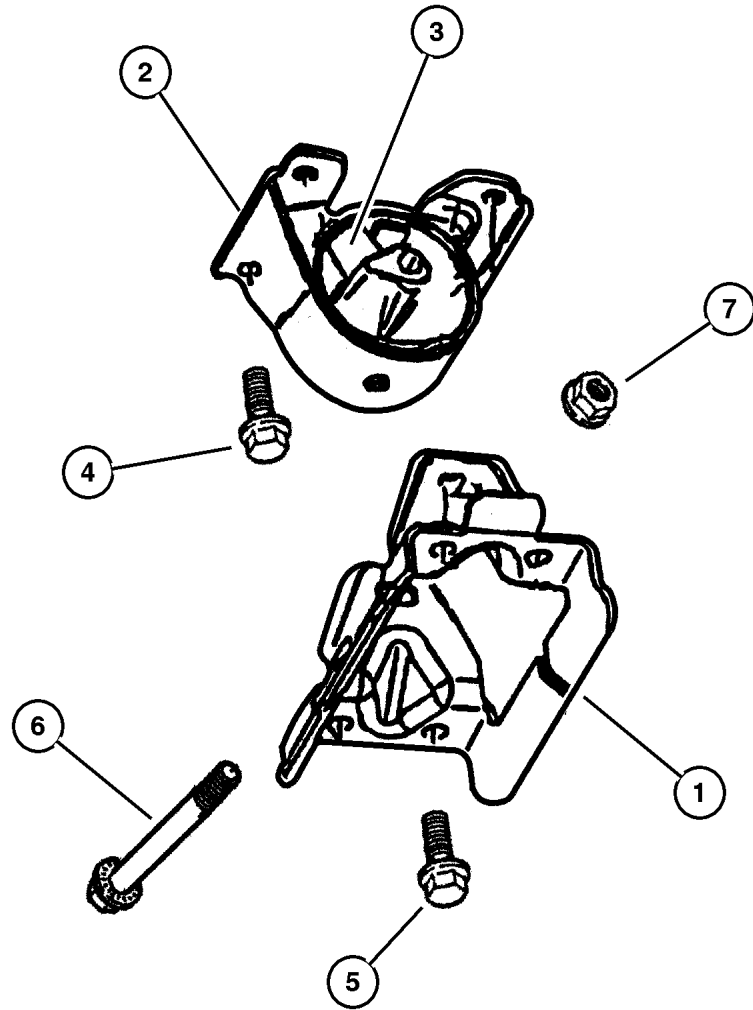
**Engine Mounting, Rear 3.1L (EXA) Diesel Engine
Figure 009-120**

ITEM	PART NUMBER	QTY	LINE	SERIES	BODY	ENGINE	TRANS	TRIM	DESCRIPTION
------	-------------	-----	------	--------	------	--------	-------	------	-------------

NOTE: EX0=All 3.1L Engines DGW=Automatic, 4 speed,

ERO= All 4.0L Engines, DGK= 4 Speed Automatic Transmission 42RE

1	5205 8993	1	J, U			EX0	DGW		BRACKET, Insulator
2	5205 9101	1	J, U			EX0	DGW		BRACKET, Insulator
3	5205 9103	1	J, U			EX0	DGW		INSULATOR
4	6033 358	4				ER0, EX0	DGK		SCREW AND WASHER, Hex Head Locking, .437-14x1.25
5	6102 093AA	4							SCREW AND WASHER
6	6504 681	1							BOLT
7	6502 697	1							NUT, Hex Flange Lock, M12x1.75



JEEP GRAND CHEROKEE (WJ)

SERIES	LINE	BODY	ENGINE	TRANSMISSION
L = Grand Cherokee	J = 4WD T = 2WD U = 4WD (RHD)	74 = 4 Door (105.9 WB)	ERH,ERO = 4.0L, Power Tech EVA,EVO = 4.7L, Power Tech EXA,EXO = 3.1L 5 cyl Turbo Diesel	DGK = 4 Speed Autm, 42RE DG4 = Multi Speed Auto 45RFE DGW = 4 Speed Autom 44RE DGO = All Automatic

AR = Use as required - = Non illustrated part # = New this model year

September 15, 2005

Engine Mounting, Front 4.0L (ERH) Engine Figure 009-130

ITEM	PART NUMBER	QTY	LINE	SERIES	BODY	ENGINE	TRANS	TRIM	DESCRIPTION
------	-------------	-----	------	--------	------	--------	-------	------	-------------

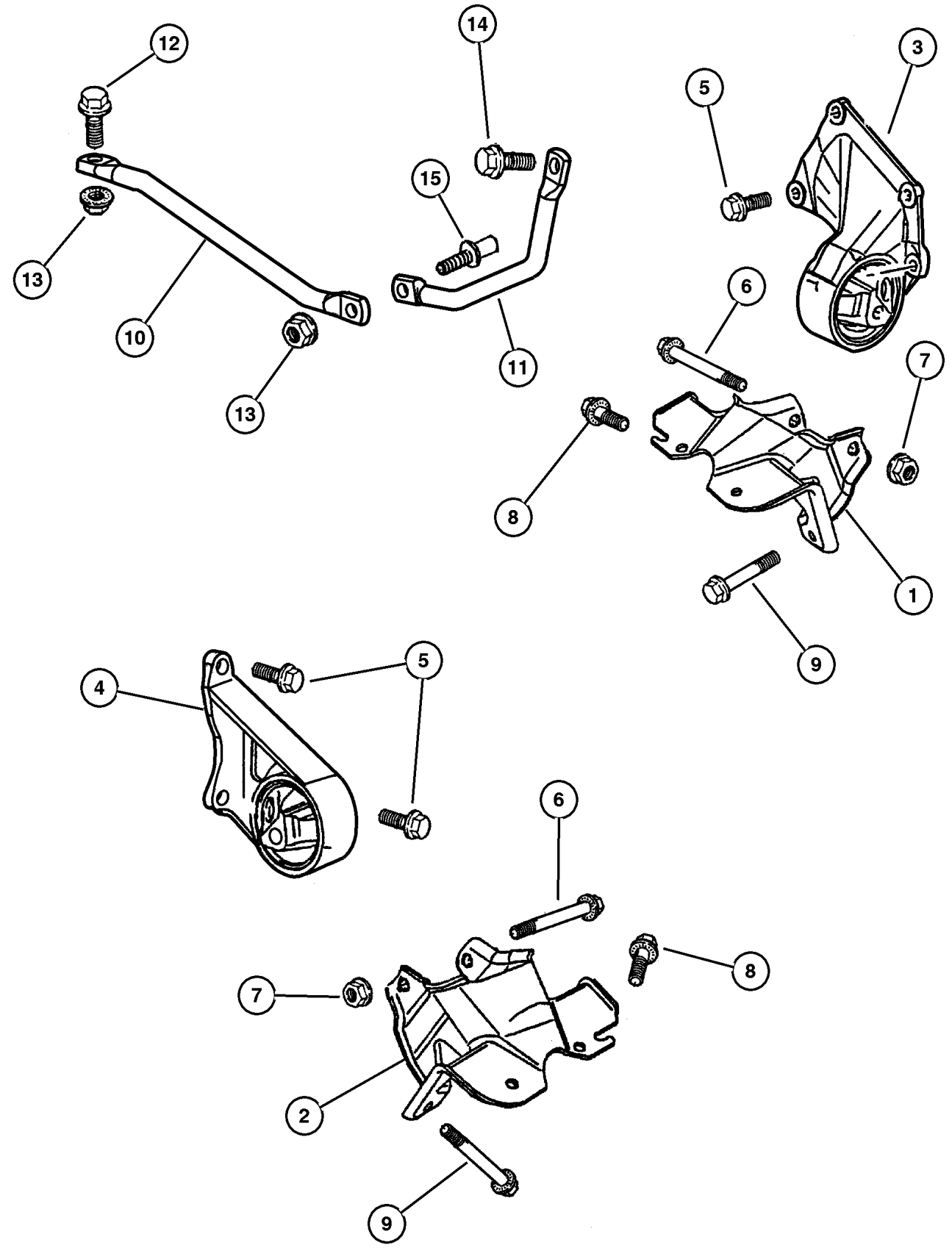
NOTE: ER0=All 4.0L Engines DG0=All Automatic Transmissions,
EVO= All 4.7L Engines

1	5205 8930	1				ER0, EVO			BRACKET, Engine Mount, Right
2	5205 8931	1				ER0, EVO			BRACKET, Engine Mount, Left
3	5205 8928	1				ER0			INSULATOR, Engine Mount
4	5205 8929	1				ER0			INSULATOR, Engine Mount
5	6503 699	7				ER0			SCREW AND WASHER, Hex Head, M10x1.5x28
6	3420 2606	2							BOLT, Hex Head
7	6502 697	2							NUT, Hex Flange Lock, M12x1.75
8	6503 119	4							SCREW AND WASHER, Hex Head, M10x1.5x40
9	6505 176AA	4							SCREW AND WASHER
10	5210 4202	1	J, U			ER0	DG0		BRACE, Bending Transmission, Bottom
11	5210 4204	1	J, U			ER0	DG0		BRACE, Bending Transmission
12	6022 266	1	J, U			ER0	DG0		SCREW, Hex Head, .375-16x1.5
13	6502 697	2							NUT, Hex Flange Lock, M12x1.75
14	6025 063	1	J, U			ER0	DG0		SCREW AND WASHER, .375-16x1. 125
15	52104 250AA	1	J, U			ER0	DG0		BRACE, Bell Housing

JEEP GRAND CHEROKEE (WJ)				
SERIES	LINE	BODY	ENGINE	TRANSMISSION
L = Grand Cherokee	J = 4WD T = 2WD U = 4WD (RHD)	74 = 4 Door (105.9 WB)	ERH,ERO = 4.0L, Power Tech EVA,EVO = 4.7L, Power Tech EXA,EXO = 3.1L 5 cyl Turbo Diesel	DGK = 4 Speed Autm, 42RE DG4 = Multi Speed Auto 45RFE DGW = 4 Speed Autom 44RE DGO = All Automatic

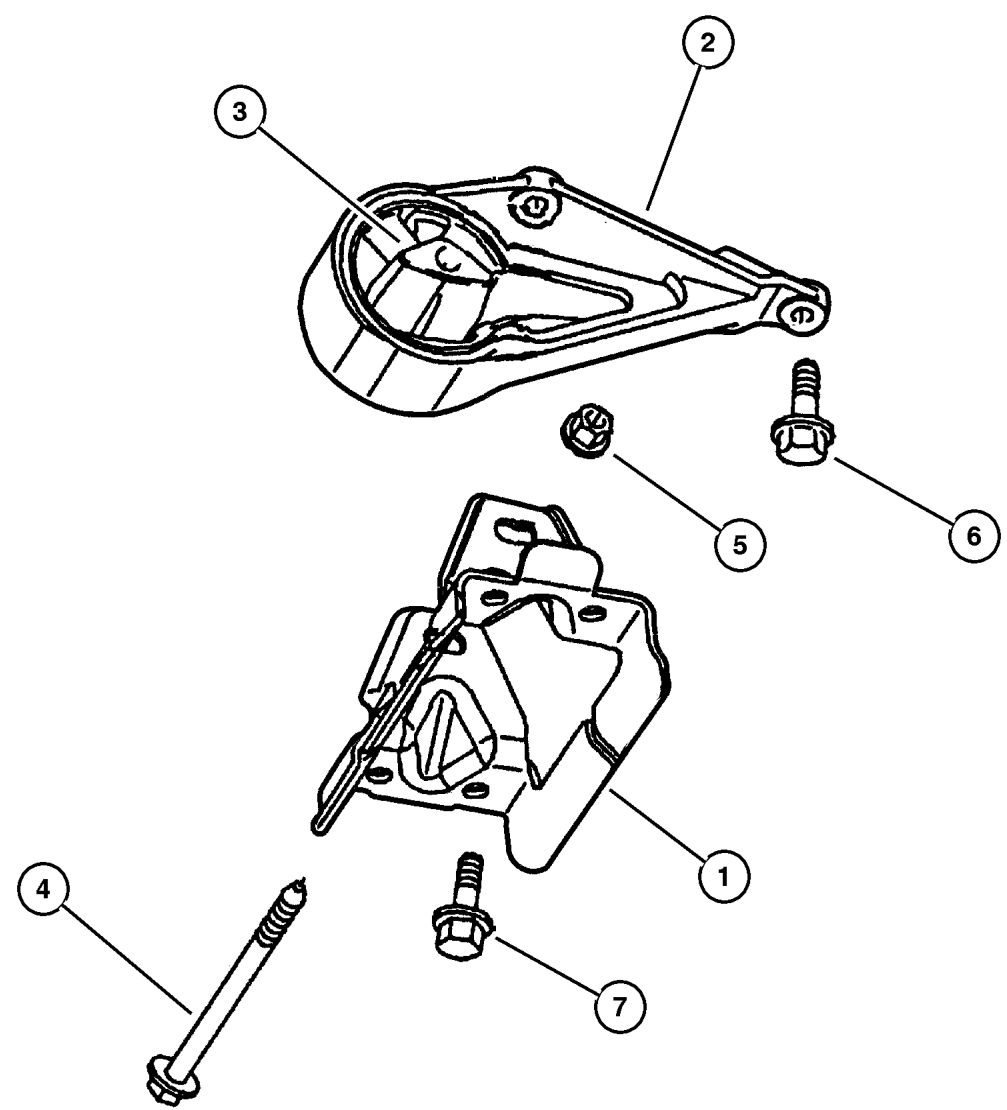
AR = Use as required - = Non illustrated part # = New this model year

September 15, 2005



**Engine Mounting, Rear 4.0L (ERH) Engine
Figure 009-140**

ITEM	PART NUMBER	QTY	LINE	SERIES	BODY	ENGINE	TRANS	TRIM	DESCRIPTION
NOTE: ER0=All 4.0L Engines DGK=Automatic, 4 Speed, EXO= All 3.1L Diesel Engines									
1	5205 8988	1				ER0	DGK		BRACKET, Insulator
2	5205 9083	1	J, U			ER0	DGK		BRACKET, Insulator
	5205 9085	1	T			ER0	DGK		
3	5205 9084	1	J, U			ER0	DGK		INSULATOR
	5205 9086	1	T			ER0	DGK		
4	6504 681	1							BOLT
5	6502 697	1							NUT, Hex Flange Lock, M12x1.75
6	6033 358	4				ER0, EX0	DGK		SCREW AND WASHER, Hex Head Locking, .437-14x1.25
7	6102 093AA	4							SCREW AND WASHER



JEEP GRAND CHEROKEE (WJ)				
SERIES	LINE	BODY	ENGINE	TRANSMISSION
L = Grand Cherokee	J = 4WD T = 2WD U = 4WD (RHD)	74 = 4 Door (105.9 WB)	ERH,ERO = 4.0L, Power Tech EVA,EVO = 4.7L, Power Tech EXA,EXO = 3.1L 5 cyl Turbo Diesel	DGK = 4 Speed Autm, 42RE DG4 = Multi Speed Auto 45RFE DGW = 4 Speed Autom 44RE DGO = All Automatic

AR = Use as required - = Non illustrated part # = New this model year

September 15, 2005

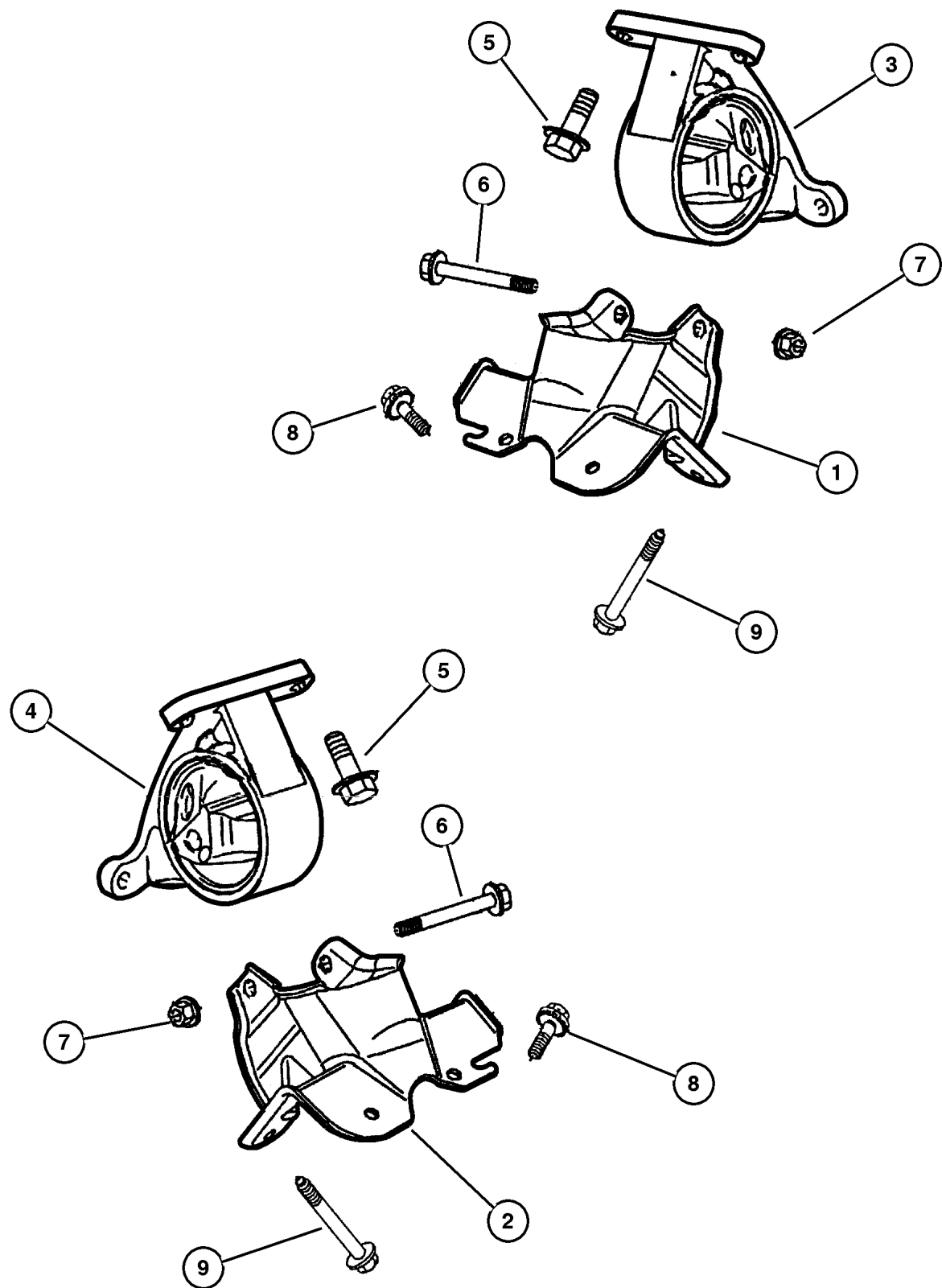
**Engine Mounting, Front 4.7L (EVA) Engine
Figure 009-150**

ITEM	PART NUMBER	QTY	LINE	SERIES	BODY	ENGINE	TRANS	TRIM	DESCRIPTION
------	-------------	-----	------	--------	------	--------	-------	------	-------------

NOTE: EV0=All 4.7L Engines DG4=Automatic, Multi-Speed,

ERO= All 4.0L Engines

1	5205 8930	1				ER0, EVO			BRACKET, Engine Mount, Right
2	5205 8931	1				ER0, EVO			BRACKET, Engine Mount, Left
3	5205 8936	1	J, T			EVO			INSULATOR, Engine Mount Right
	52060 018AA	1	U			EVO			INSULATOR, Engine Mount Right
4	5205 8937	1	J, T			EVO			INSULATOR, Engine Mount Left
	52060 019AA	1	U			EVO			INSULATOR, Engine Mount Left
5	6503 699	4	J, U			EVO	DG4		SCREW AND WASHER, Hex Head, M10x1.5x28
6	3420 2606	2							BOLT, Hex Head
7	6502 697	2							NUT, Hex Flange Lock, M12x1.75
8	6503 119	4							SCREW AND WASHER, Hex Head, M10x1.5x40
9	6505 176AA	4							SCREW AND WASHER



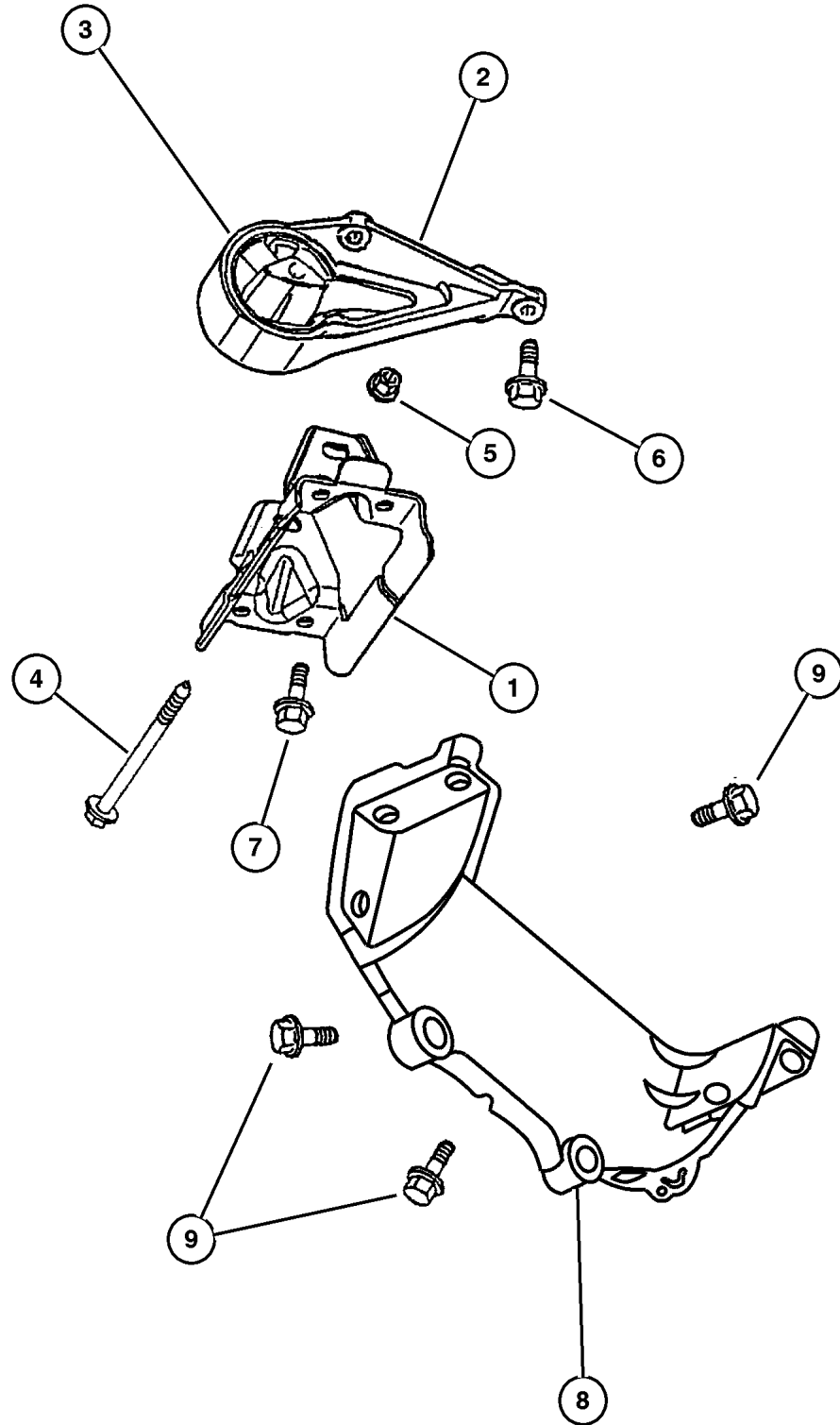
JEEP GRAND CHEROKEE (WJ)

SERIES	LINE	BODY	ENGINE	TRANSMISSION
L = Grand Cherokee	J = 4WD T = 2WD U = 4WD (RHD)	74 = 4 Door (105.9 WB)	ERH,ERO = 4.0L, Power Tech EVA,EVO = 4.7L, Power Tech EXA,EXO = 3.1L 5 cyl Turbo Diesel	DGK = 4 Speed Autm, 42RE DG4 = Multi Speed Auto 45RFE DGW = 4 Speed Autom 44RE DGO = All Automatic

AR = Use as required - = Non illustrated part # = New this model year

September 15, 2005

Engine Mounting, Rear 4.7L (EVA) Engine Figure 009-160



ITEM	PART NUMBER	QTY	LINE	SERIES	BODY	ENGINE	TRANS	TRIM	DESCRIPTION
NOTE: EV0=All 4.7L Engines DG0=All Automatic Transmissions DG4=Automatic, Multi-Speed									
1	5205 8988	1	J, U			EV0	DG4		BRACKET, Insulator
2	5205 9087	1	J, U			EV0	DG4		BRACKET, Insulator
3	5205 9088	1	J, U			EV0	DG4		INSULATOR
4	6504 681	1							BOLT
5	6502 697	1							NUT, Hex Flange Lock, M12x1.75
6	6503 699	4	J, U			EV0	DG4		SCREW AND WASHER, Hex Head, M10x1.5x28
7	6102 093AA	4							SCREW AND WASHER
8	5302 0885	1				EV0	DG0		COVER, Bedplate
9	6101 985	8				EV0			SCREW AND WASHER, M10x1.50x45.00

JEEP GRAND CHEROKEE (WJ)				
SERIES	LINE	BODY	ENGINE	TRANSMISSION
L = Grand Cherokee	J = 4WD T = 2WD U = 4WD (RHD)	74 = 4 Door (105.9 WB)	ERH,ERO = 4.0L, Power Tech EVA,EVO = 4.7L, Power Tech EXA,EXO = 3.1L 5 cyl Turbo Diesel	DGK = 4 Speed Autm, 42RE DG4 = Multi Speed Auto 45RFE DGW = 4 Speed Autom 44RE DGO = All Automatic

AR = Use as required - = Non illustrated part # = New this model year

September 15, 2005

Group – 4.0L

Engine 4.0L Six Cylinder

GROUP 4.0L - Engine 4.0L Six Cylinder

Illustration Title

Group-Fig. No.

Cylinder Head

Cylinder Head 4.0L (ERH) Engine Fig. 4.0L-210

Cylinder Block

Cylinder Block 4.0L (ERH) Engine Fig. 4.0L-310

Crankshaft, Piston and Torque Converter

Crankshaft, Piston and Torque Converter 4.0L (ERH) Engine Fig. 4.0L-410

Camshafts & Valves

Camshaft and Valves 4.0L (ERH) Engine Fig. 4.0L-510

Timing Belt and Cover

Timing Belt and Cover 4.0L (ERH) Engine Fig. 4.0L-610

Engine Oiling

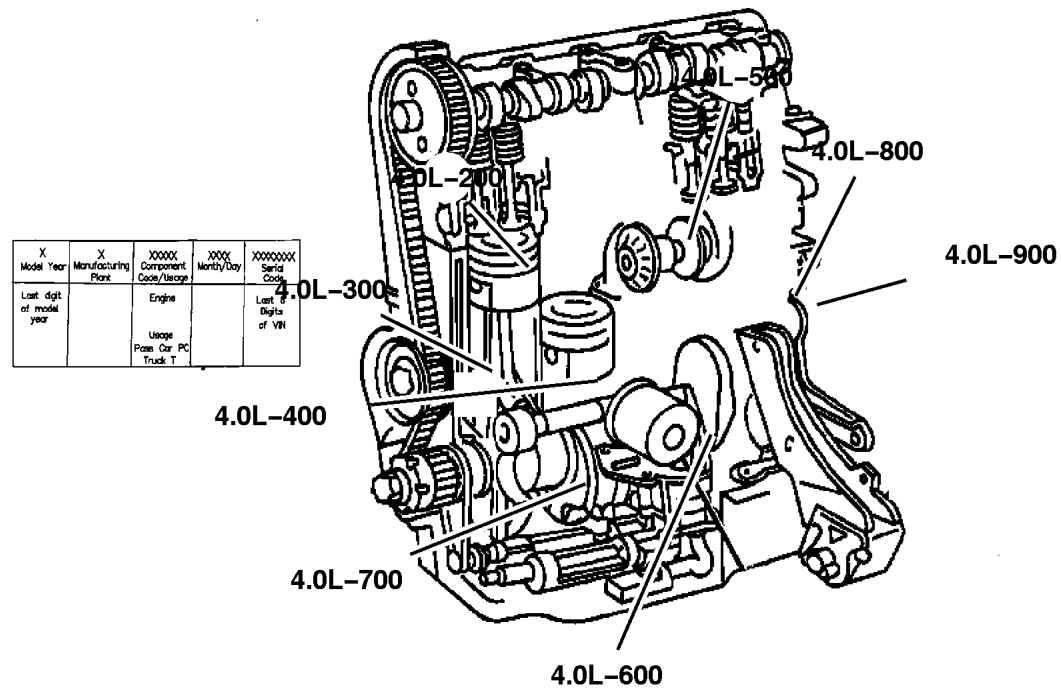
Engine Oiling 4.0L (ERH) Engine Fig. 4.0L-710

Manifolds

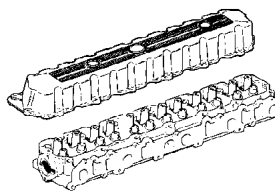
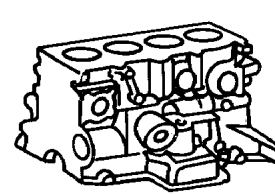
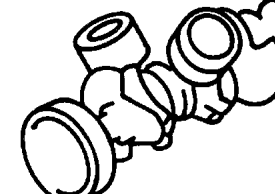
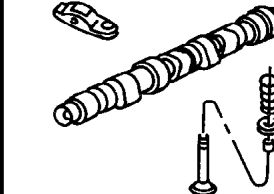
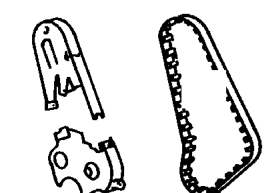
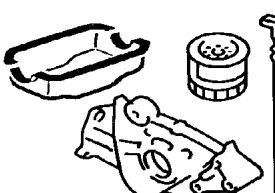
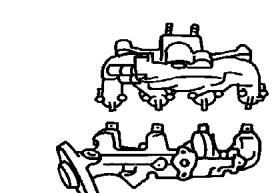
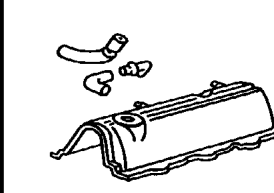
Manifold, Intake and Exhaust 4.0L (ERH) Engine Fig. 4.0L-810

Crankcase Ventilation

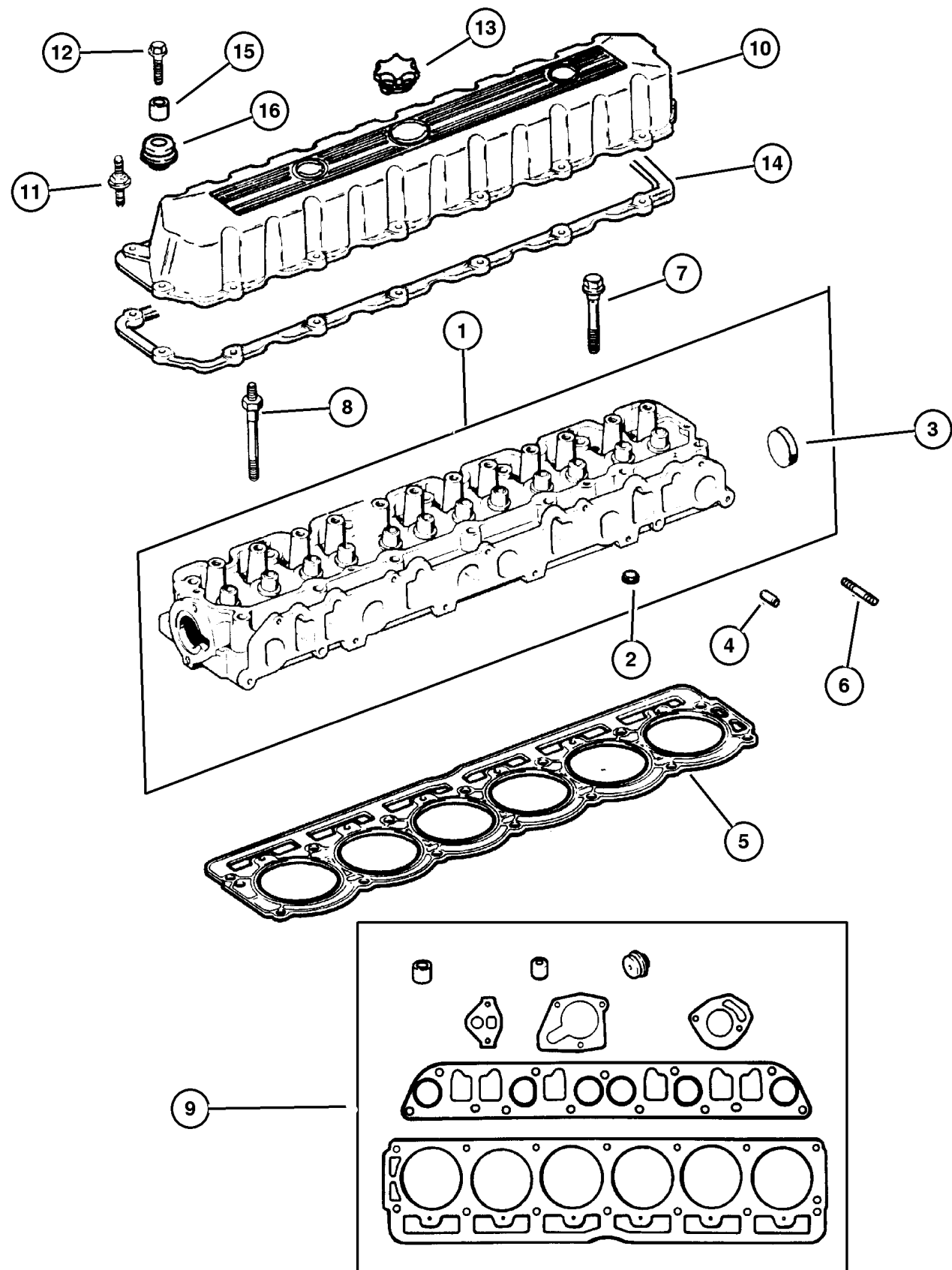
Crankcase Ventilation 4.0L (ERH) Engine Fig. 4.0L-910



X Model Year	X Manufacturing Plant	XXXXX Component Code/Version	XXXX Month/Day	XXXXXXXXXX Serial Code
Last digit of model year		Engine		Last 4 Digits of VIN
		Usage Pass Car PC Truck T		

4.0L-200 Cylinder Head 	4.0L-300 Cylinder Block 	4.0L-400 Crankshaft, Piston and Torque Converter 	4.0L-500 Camshafts & Valves 
4.0L-600 Timing Belt and Cover 	4.0L-700 Engine Oiling 	4.0L-800 Manifolds 	4.0L-900 Crankcase Ventilation 

**Cylinder Head 4.0L (ERH) Engine
Figure 4.0L-210**



ITEM	PART NUMBER	QTY	LINE	SERIES	BODY	ENGINE	TRANS	TRIM	DESCRIPTION
NOTE: ER0=All 4.0L Engines									
1	5301 0334	1				ER0			HEAD, Cylinder
2	J400 7434	4				ER0			PLUG, Cylinder Block Oil Hole
3	J310 5394	1				ER0			PLUG, Cylinder Block Oil Hole
4	J317 2318	2				ER0			DOWEL, Cylinder Head To Intake
5	53020 754AB	1				ER0			GASKET, Cylinder Head
6	6036 193AA	2				ER0			STUD, .375-16/.375-24x1.75
7	6035 514	5				ER0			BOLT, Cylinder Head
	6035 515	2				ER0			
8	6035 516	6				ER0			STUD, Double Ended, .50-13/.437-14x6.00
9	5012 365AA	1				ER0			GASKET PACKAGE, Engine Upper
10	5302 0323	1				ER0			COVER, Cylinder Head
11	6035 968AA	7				ER0			STUD, .250-20x2.00
12	6035 566	8				ER0			BOLT, Hex Flange Head, .250-20x1.00
13	4777 536	1				ER0			CAP, Oil Filler
14	53020 758AC	1				ER0			GASKET, Valve Cover
15	53020 598AB	15				ER0			SLEEVE, Torque Limiter
16	5301 0424	15				ER0			GROMMET, Insulator

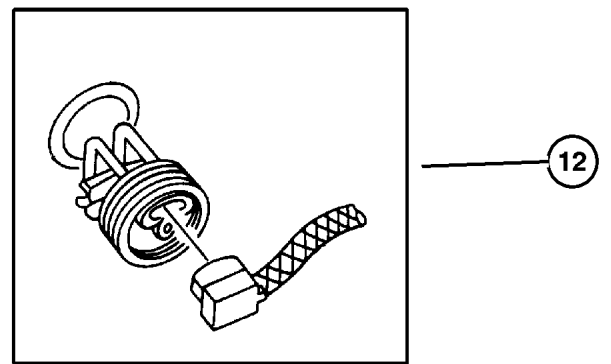
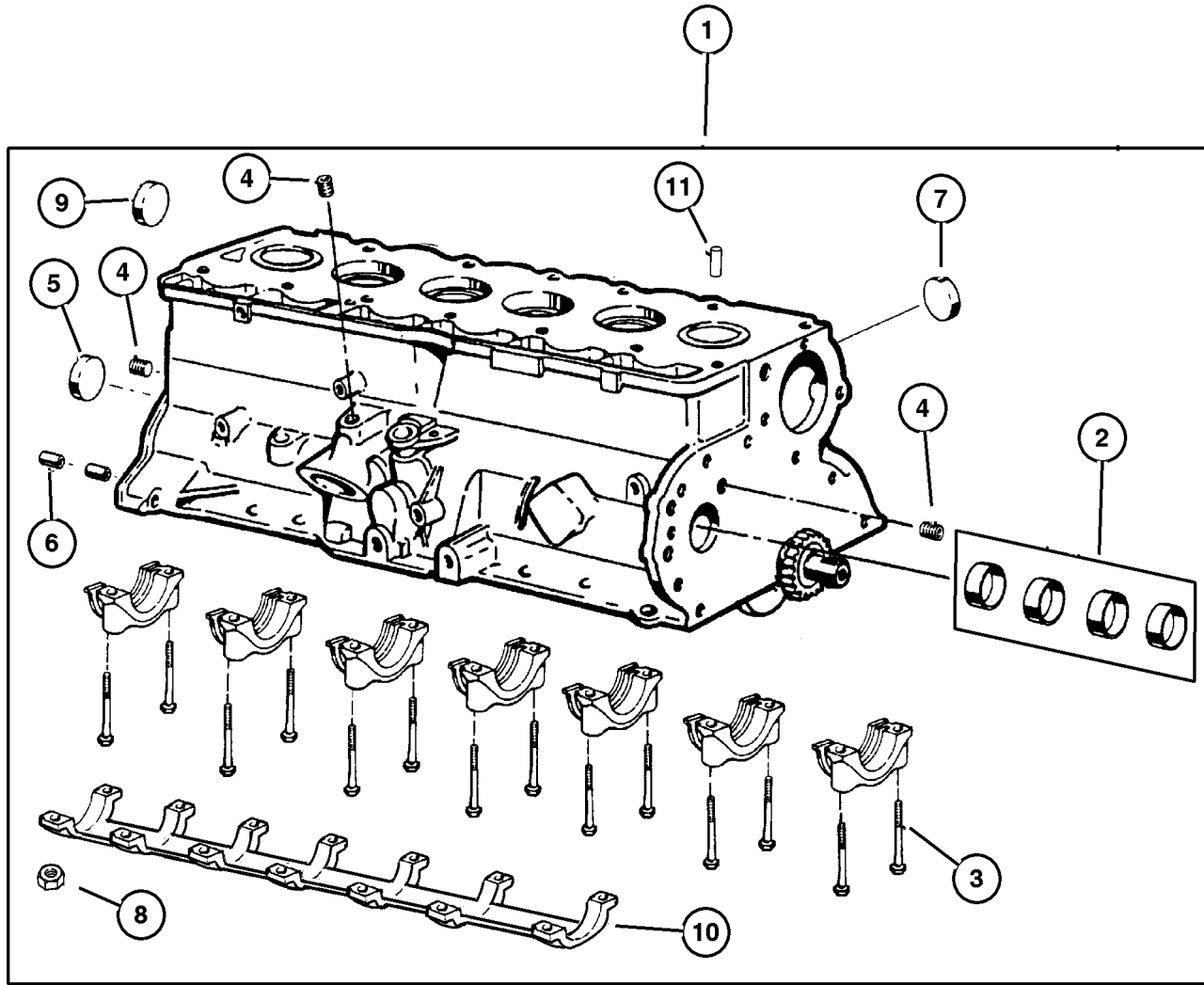
JEEP GRAND CHEROKEE (WJ)				
SERIES	LINE	BODY	ENGINE	TRANSMISSION
L = Grand Cherokee	J = 4WD T = 2WD U = 4WD (RHD)	74 = 4 Door (105.9 WB)	ERH,ERO = 4.0L, Power Tech EVA,EVO = 4.7L, Power Tech EXA,EXO = 3.1L 5 cyl Turbo Diesel	DGK = 4 Speed Autm, 42RE DG4 = Multi Speed Auto 45RFE DGW = 4 Speed Autom 44RE DGO = All Automatic

AR = Use as required - = Non illustrated part # = New this model year

September 15, 2005

**Cylinder Block 4.0L (ERH) Engine
Figure 4.0L-310**

ITEM	PART NUMBER	QTY	LINE	SERIES	BODY	ENGINE	TRANS	TRIM	DESCRIPTION
GASKET PACKAGE, Engine Lower - 04740008AC									
NOTE: ER0=All 4.0L Engines									
1	5013 161AA	1				ER0			BLOCK, Short, Contains: Crank, Rods, Pistons, Rings, Cam Bearings, Timing Chain, Sprockets
2	4636 985AB	1				ER0			BEARING PACKAGE, Camshaft, Standard Size
3	6035 207	14				ER0			STUD, .500-13/.375-16x3.97
4	6034 166	3				ER0			PLUG, Cylinder Block Oil Hole
5	J317 2313	1				ER0			PLUG, Camshaft
6	J400 5148	2				ER0			DOWEL, Transmission
7	J310 5394	6				ER0			PLUG, Cylinder Block Oil Hole
8	0152 474	14				ER0			NUT, Hex Flange Lock, .375-16
9	5302 0465	1				ER0			PLUG, Cylinder Block
10	5302 0566	1				ER0			BRACE, Main Bearing Cap
11	0141 215	2				ER0			DOWEL, .312 x .500
12	8220 1506	1				ER0			HEATER PACKAGE, Engine Block

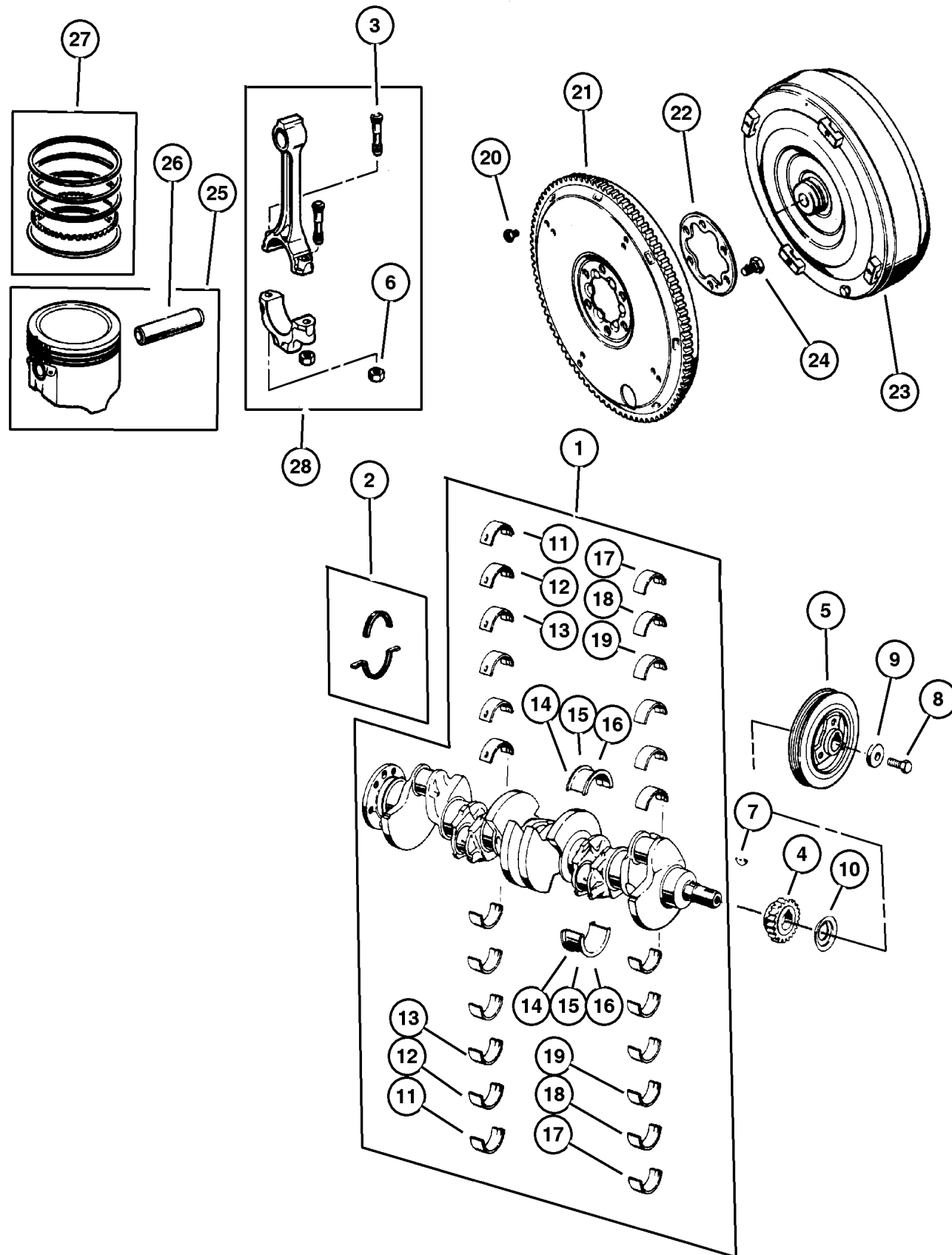


JEEP GRAND CHEROKEE (WJ)				
SERIES	LINE	BODY	ENGINE	TRANSMISSION
L = Grand Cherokee	J = 4WD T = 2WD U = 4WD (RHD)	74 = 4 Door (105.9 WB)	ERH,ERO = 4.0L, Power Tech EVA,EVO = 4.7L, Power Tech EXA,EXO = 3.1L 5 cyl Turbo Diesel	DGK = 4 Speed Autm, 42RE DG4 = Multi Speed Auto 45RFE DGW = 4 Speed Autom 44RE DGO = All Automatic

AR = Use as required - = Non illustrated part # = New this model year

September 15, 2005

**Crankshaft, Piston and Torque Converter 4.0L (ERH) Engine
Figure 4.0L-410**



ITEM	PART NUMBER	QTY	LINE	SERIES	BODY	ENGINE	TRANS	TRIM	DESCRIPTION
NOTE: ER0=All 4.0L Engines DG0=All Automatic Transmissions									
1	4864 726	1				ER0	DG0		CRANKSHAFT
2	4778 126	1				ER0			SEAL PACKAGE, Crankshaft
3	5302 0123	12				ER0			BOLT, Connecting Rod
4	5302 0443	1				ER0			GEAR, Crankshaft
5	3300 2920	1				ER0			DAMPER, Crankshaft
6	J400 6385	12				ER0			NUT, Hex Flange, .3437-24
7	6034 749	1				ER0			KEY, Crankshaft Sprocket
8	0182 776	1				ER0			BOLT
9	J323 0155	1				ER0			WASHER, Plain
10	J317 3076	1				ER0			SLINGER, Oil
11	8350 7079	6				ER0			BEARING PACKAGE, Crankshaft, Standard
12	8350 7080	AR				ER0			BEARING PACKAGE, Crankshaft, .001 Undersize
13	8350 7083	AR				ER0			BEARING PACKAGE, Crankshaft, .010 Undersize
14	8350 7084	1				ER0			BEARING PACKAGE, Crankshaft Thrust, Standard Size
15	8350 7086	AR				ER0			BEARING PACKAGE, Crankshaft Thrust, .001" Undersize
16	8350 7090	AR				ER0			BEARING PACKAGE, Crankshaft Thrust, .010" Undersize
17	8350 0300	12				ER0			BEARING KIT, Connecting Rod, Standard
18	8350 1397	AR				ER0			BEARING KIT, Connecting Rod, .001 Undersize
19	8350 0301	AR				ER0			BEARING KIT, Connecting Rod, .010 Undersize
20	1949 765	4					DG0		SCREW, Hex Head Header Point, .312-24x.44
21	5211 8257	1				ER0	DG0		PLATE, Drive Plate
22	J321 4094	1				ER0	DG0		PLATE, Drive Plate Backing
23	4736 596	1				ER0	DG0		TORQUE CONVERTER
24	J315 1407	6				ER0	DG0		BOLT, Hex Head, .50-20x.56
25									PISTON PIN AND ROD
	4798 331	6				ER0			D Size, 3.8750
	4798 332	6				ER0			E Size, 3.8754
	4798 329	6				ER0			B Size, 3.8742
	4798 330	6				ER0			C Size, 3.8746
	4798 333	6				ER0			F Size, 3.8758

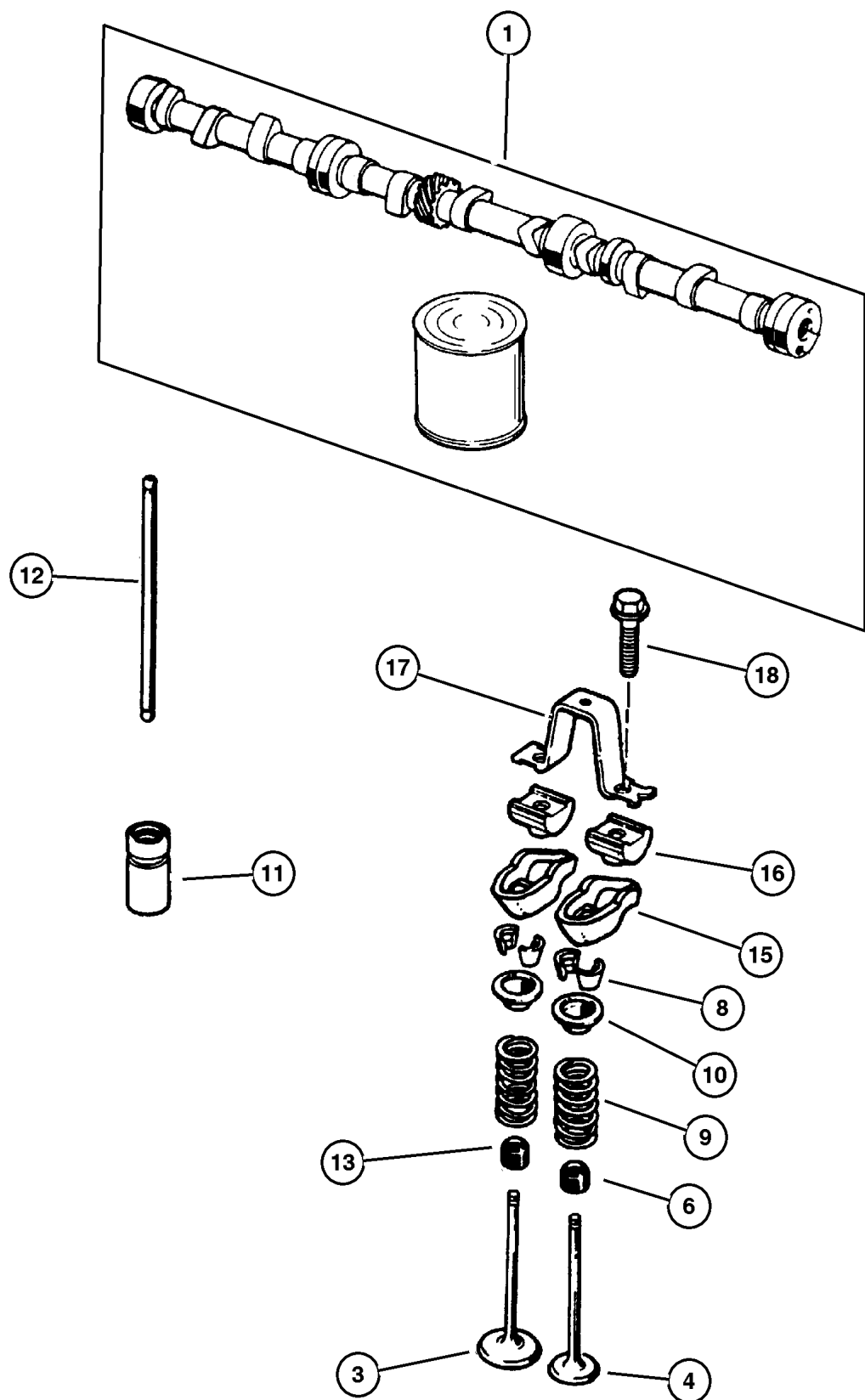
JEEP GRAND CHEROKEE (WJ)

SERIES	LINE	BODY	ENGINE	TRANSMISSION
L = Grand Cherokee	J = 4WD T = 2WD U = 4WD (RHD)	74 = 4 Door (105.9 WB)	ERH,ERO = 4.0L, Power Tech EVA,EVO = 4.7L, Power Tech EXA,EXO = 3.1L 5 cyl Turbo Diesel	DGK = 4 Speed Autm, 42RE DG4 = Multi Speed Auto 45RFE DGW = 4 Speed Autom 44RE DGO = All Automatic

AR = Use as required - = Non illustrated part # = New this model year

September 15, 2005

Camshaft and Valves 4.0L (ERH) Engine Figure 4.0L-510



ITEM	PART NUMBER	QTY	LINE	SERIES	BODY	ENGINE	TRANS	TRIM	DESCRIPTION
NOTE: ER0=All 4.0L Engines									
1	53010 448AA	1				ER0			CAMSHAFT
-2	5301 0401	1				ER0			PLATE, Camshaft Thrust
3	53010 512AA	6				ER0			VALVE, Intake, Standard
4	53010 513AA	6				ER0			VALVE, Exhaust, Standard
-5	4637 538	AR				ER0			VALVE, Exhaust, .015 Oversize
6	5300 9887	6				ER0			SEAL, Valve Guide
-7	3300 2733	AR				ER0			SEAL, Valve Guide, .015" Oversize
8	53010 515AA	24				ER0			LOCK, Valve Spring Retainer
9	5301 0388	12				ER0			SPRING, Valve
10	53010 514AA	12				ER0			RETAINER, Valve Spring
11	4740 269	12				ER0			TAPPET, Valve
12	3300 2986	12				ER0			PUSH ROD, Valve
13	5300 9886	6				ER0			SEAL, Valve Guide
-14	3300 3016	AR				ER0			SEAL, Valve Guide, .015" Oversize
15	J324 2393	12				ER0			ROCKER ARM, Valve
16	J323 5090	12				ER0			PIVOT, Rocker Arm
17	J323 6513	6				ER0			BRIDGE, Rocker Arm
18	J942 5708	12				ER0			BOLT, Hex Flange Head, .312-18x1.25

JEEP GRAND CHEROKEE (WJ)

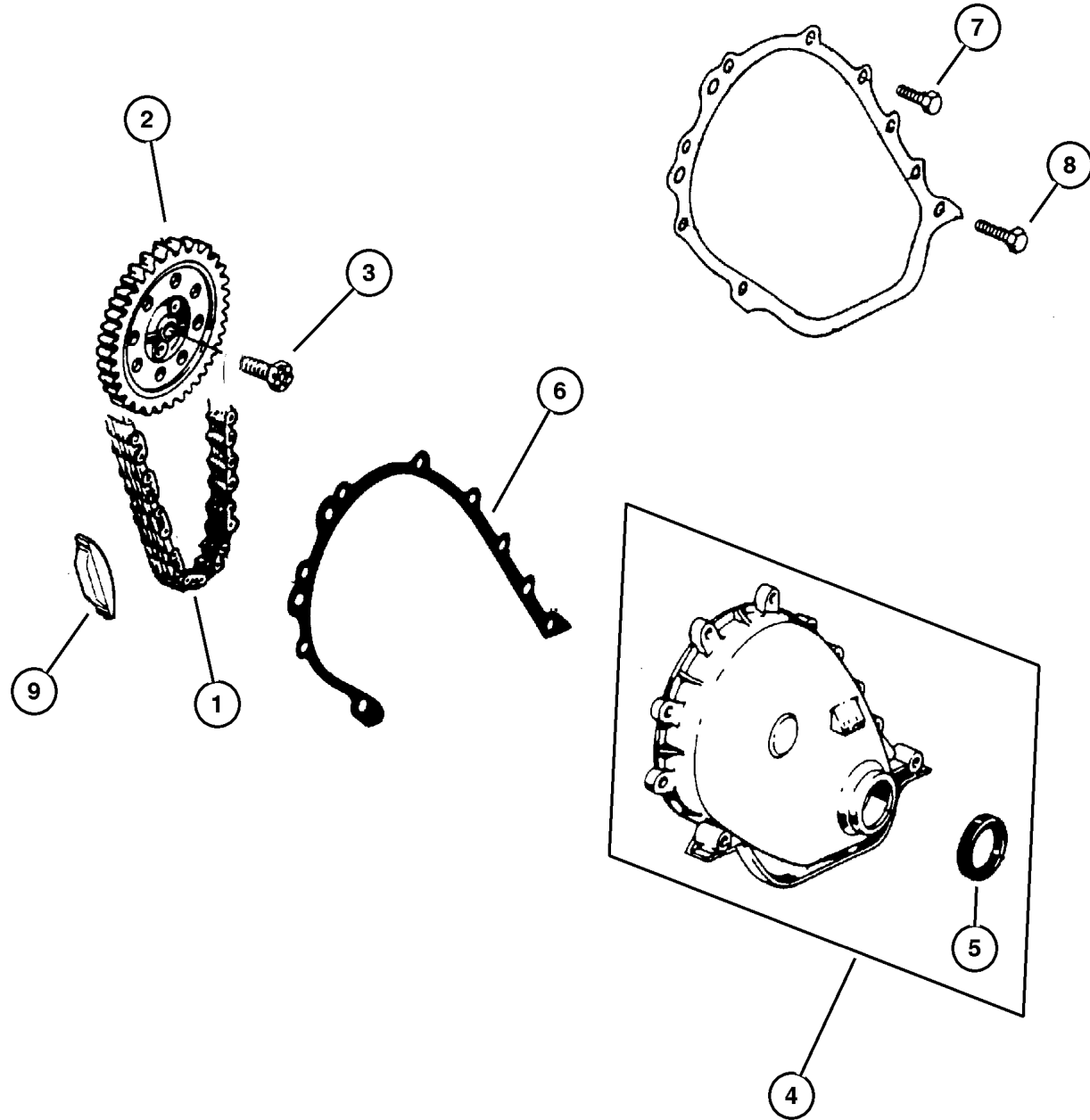
SERIES	LINE	BODY	ENGINE	TRANSMISSION
L = Grand Cherokee	J = 4WD T = 2WD U = 4WD (RHD)	74 = 4 Door (105.9 WB)	ERH,ERO = 4.0L, Power Tech EVA,EVO = 4.7L, Power Tech EXA,EXO = 3.1L 5 cyl Turbo Diesel	DGK = 4 Speed Autm, 42RE DG4 = Multi Speed Auto 45RFE DGW = 4 Speed Autom 44RE DGO = All Automatic

AR = Use as required - = Non illustrated part # = New this model year

September 15, 2005

**Timing Belt and Cover 4.0L (ERH) Engine
Figure 4.0L-610**

ITEM	PART NUMBER	QTY	LINE	SERIES	BODY	ENGINE	TRANS	TRIM	DESCRIPTION
NOTE: ER0=All 4.0L Engines									
1	5302 0444	1				ER0			CHAIN, Timing
2	5301 0400	1				ER0			SPROCKET, Camshaft
3	6024 030	1				ER0			SCREW AND WASHER, Hex
4	5301 0421	1				ER0			COVER, Timing Belt
5	3300 4681	1				ER0			SEAL, Front Main Crankshaft
6	5301 0441	1				ER0			GASKET, Front Cover
7	6035 893	5				ER0			BOLT, Hex
8									SCREW
	6035 894	2				ER0			.312-18x1.56
	6035 895	2				ER0			.250-20x1.240
9	3300 3446	1				ER0			SNUBBER, Timing Chain
-10	5301 0401	1				ER0			PLATE, Camshaft Thrust
-11	6035 975AA-	2				ER0			SCREW, Pan Head

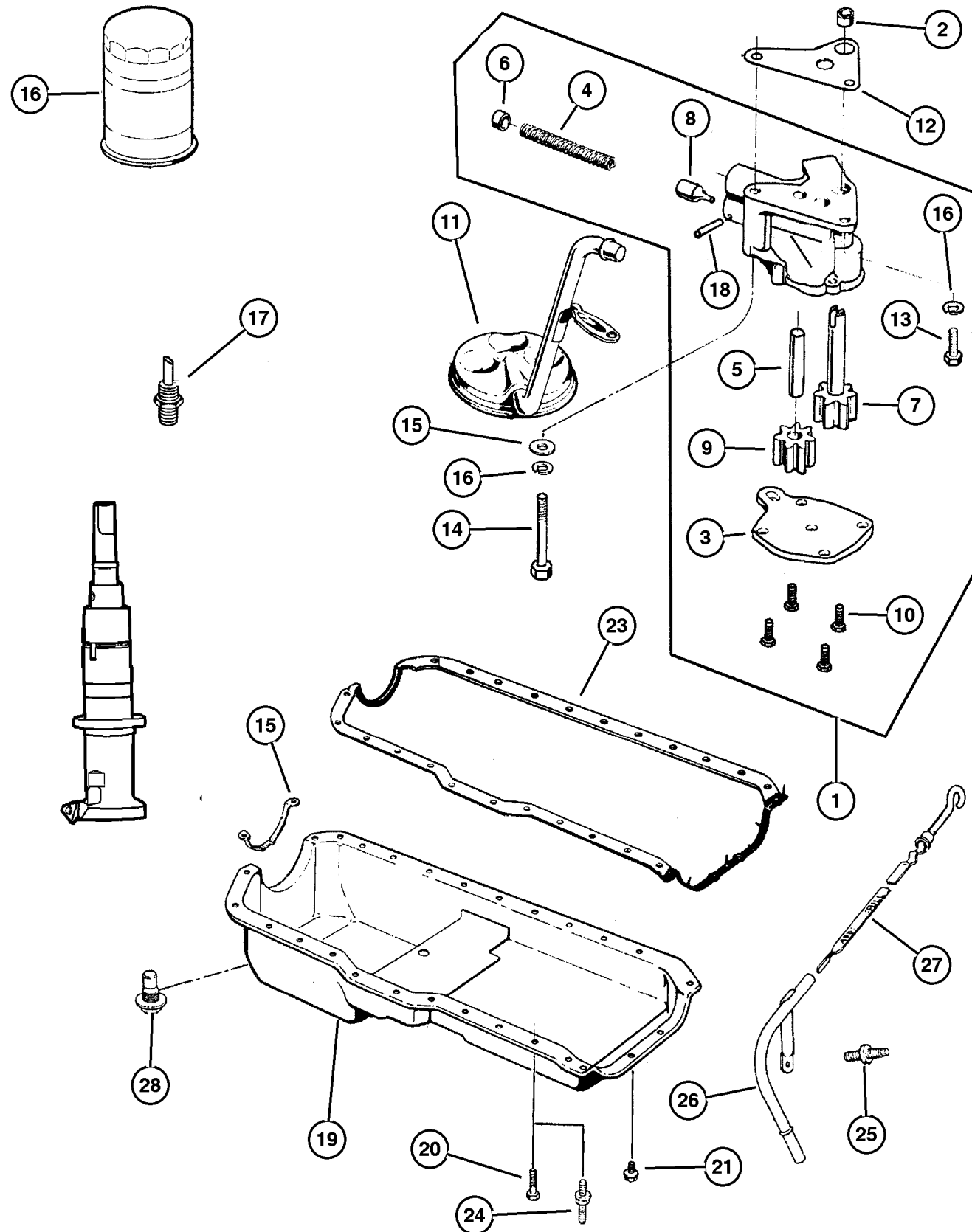


JEEP GRAND CHEROKEE (WJ)				
SERIES	LINE	BODY	ENGINE	TRANSMISSION
L = Grand Cherokee	J = 4WD T = 2WD U = 4WD (RHD)	74 = 4 Door (105.9 WB)	ERH,ERO = 4.0L, Power Tech EVA,EVO = 4.7L, Power Tech EXA,EXO = 3.1L 5 cyl Turbo Diesel	DGK = 4 Speed Autm, 42RE DG4 = Multi Speed Auto 45RFE DGW = 4 Speed Autom 44RE DGO = All Automatic

AR = Use as required - = Non illustrated part # = New this model year

September 15, 2005

**Engine Oiling 4.0L (ERH) Engine
Figure 4.0L-710**



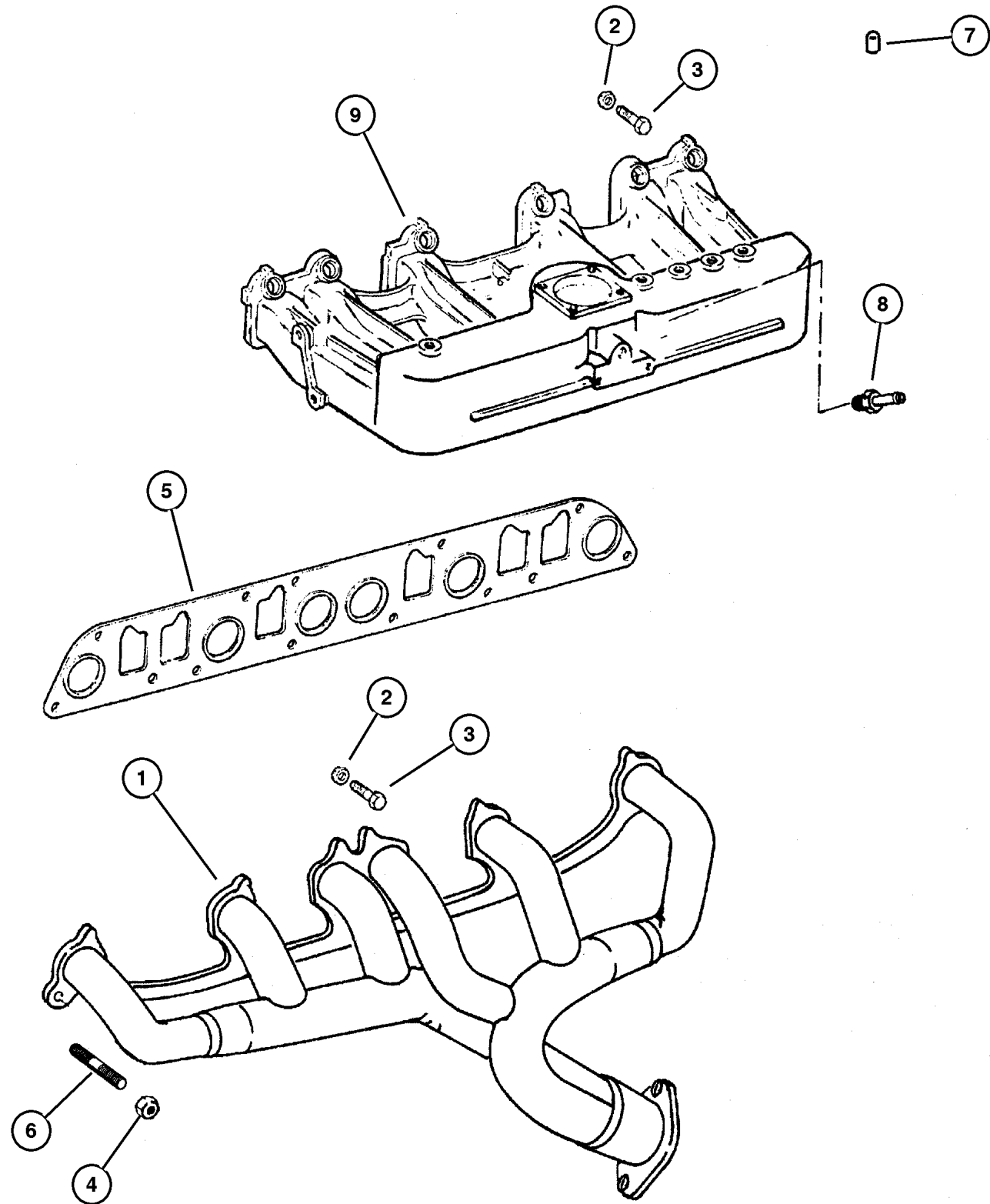
ITEM	PART NUMBER	QTY	LINE	SERIES	BODY	ENGINE	TRANS	TRIM	DESCRIPTION
NOTE: ER0=All 4.0L Engines									
1	J324 1399	1				ER0			PUMP, Engine Oil
2	J400 5149	1				ER0			DOWEL, Oil Pump
3	J324 1733	1				ER0			COVER, Engine Oil Pump
4	J323 9668	1				ER0			SPRING, Oil Pressure Relief Valve
5	J317 1956	1				ER0			SHAFT, Oil Pump
6	J317 1958	1				ER0			RETAINER, Oil Release Valve
7	J317 2334	1				ER0			GEAR, Oil Pump
8	J318 8661	1				ER0			PLUNGER, Oil Pressure Relief Valve
9	J319 6843	1				ER0			GEAR, Oil Pump Driven
10	J941 6852	4				ER0			SCREW, Hex Flange Head, .25-20x.50
11	3300 2696	1				ER0			TUBE, Oil Pump Inlet
12	J317 2332	1				ER0			GASKET, Oil Pump
13	6022 235	1				ER0			BOLT AND WASHER, Hex Head, .312-18x1.00
14	0154 593	1				ER0			SCREW, Hex Head Coned, .312-18x2.625
15	53010 511AA	1				ER0			SUPPORT, Engine Oil Pan
16	5281 090	1				ER0			FILTER, Engine Oil
17	5300 7563	1				ER0			CONNECTOR, Oil Filter
18	J027 1448	1				ER0			PIN, Roll, 5/32" x 1.00"
19	5301 0340	1				ER0			PAN, Engine Oil
20	6034 732	16				ER0			SCREW AND WASHER, Hex Head, .25-20x.545
21	6034 483	3				ER0			SCREW, Hex Head Coned, .312-18x.875
22	6034 733	1				ER0			STUD, .312-18/.250-20x1.680
23	5300 7568	1				ER0			GASKET, Oil Pan
24	6034 734	8				ER0			BOLT, Double Stud Hex, .250-20x1.437 & .250-20 x.700
25	6035 664	1				ER0			STUD, .312-18x1.560
26	5302 0782	1				ER0			TUBE, Oil Filler
27	5301 0445	1				ER0			INDICATOR, Engine Oil Level
28	6035 417	1				ER0			PLUG, Oil Drain
29	5083 881AA-	1				ER0			DRIVE, OIL PUMP

JEEP GRAND CHEROKEE (WJ)				
SERIES	LINE	BODY	ENGINE	TRANSMISSION
L = Grand Cherokee	J = 4WD T = 2WD U = 4WD (RHD)	74 = 4 Door (105.9 WB)	ERH,ERO = 4.0L, Power Tech EVA,EVO = 4.7L, Power Tech EXA,EXO = 3.1L 5 cyl Turbo Diesel	DGK = 4 Speed Autm, 42RE DG4 = Multi Speed Auto 45RFE DGW = 4 Speed Autom 44RE DGO = All Automatic

AR = Use as required - = Non illustrated part # = New this model year

September 15, 2005

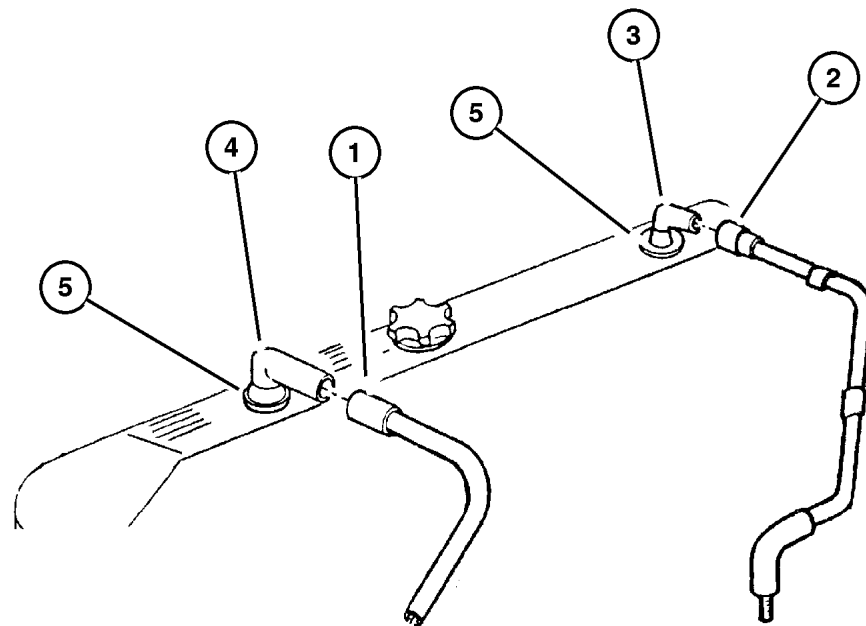
**Manifold, Intake and Exhaust 4.0L (ERH) Engine
Figure 4.0L-810**



ITEM	PART NUMBER	QTY	LINE	SERIES	BODY	ENGINE	TRANS	TRIM	DESCRIPTION
NOTE: ER0=All 4.0L Engines									
1	5301 0196	1				ER0			MANIFOLD, Exhaust Front
	5301 0199	1				ER0			MANIFOLD, Exhaust Rear
2	3300 4255	2				ER0			WASHER, Manifold Retaining
3	6036 045AA	1				ER0			BOLT AND RETAINER, Hex Head
4	6034 984	2				ER0			NUT, Hex Flange Lock, .375-24
5	4854 038	1				ER0			GASKET, Intake/Exhaust Manifold
6	5301 0165	2				ER0			STUD, .375-16/.375-24x1.75
7	3580 172	1				ER0			CAP, Vacuum
8	4854 194	1				ER0			FITTING, Vacuum
9	4854 197AA	1				ER0			MANIFOLD, Intake

JEEP GRAND CHEROKEE (WJ)				
SERIES	LINE	BODY	ENGINE	TRANSMISSION
L = Grand Cherokee	J = 4WD T = 2WD U = 4WD (RHD)	74 = 4 Door (105.9 WB)	ERH,ERO = 4.0L, Power Tech EVA,EVO = 4.7L, Power Tech EXA,EXO = 3.1L 5 cyl Turbo Diesel	DGK = 4 Speed Autm, 42RE DG4 = Multi Speed Auto 45RFE DGW = 4 Speed Autom 44RE DGO = All Automatic

**Crankcase Ventilation 4.0L (ERH) Engine
Figure 4.0L-910**



ITEM	PART NUMBER	QTY	LINE	SERIES	BODY	ENGINE	TRANS	TRIM	DESCRIPTION
NOTE: ER0=All 4.0L Engines									
1	4854 119	1				ER0			TUBE, Crankcase Vent To Air Cleaner
2	4854 265	1				ER0			TUBE, Crankcase Vent To Intake Manifold
3	5303 0495	1				ER0			TUBE, Crankcase Vent To Air Cleaner
4	5303 0497	1				ER0			FITTING, Crankcase Vent Tube
5	2946 079	2				ER0			GROMMET, Crankcase Vent

JEEP GRAND CHEROKEE (WJ)				
SERIES	LINE	BODY	ENGINE	TRANSMISSION
L = Grand Cherokee	J = 4WD T = 2WD U = 4WD (RHD)	74 = 4 Door (105.9 WB)	ERH,ERO = 4.0L, Power Tech EVA,EVO = 4.7L, Power Tech EXA,EXO = 3.1L 5 cyl Turbo Diesel	DGK = 4 Speed Autm, 42RE DG4 = Multi Speed Auto 45RFE DGW = 4 Speed Autom 44RE DGO = All Automatic

AR = Use as required - = Non illustrated part # = New this model year

September 15, 2005

Group – 4.7L

Engine 4.7L Eight Cylinder

GROUP 4.7L - Engine 4.7L Eight Cylinder

Illustration Title

Group-Fig. No.

Cylinder Head

Cylinder Head 4.7L (EVA) Engine Fig. 4.7L-210

Cylinder Block

Cylinder Block 4.7L (EVA) Engine Fig. 4.7L-310

Crankshaft, Pistons and Torque Converter

Crankshaft, Piston and Torque Converter 4.7L (EVA) Engine Fig. 4.7L-410

Camshafts and Valves

Camshaft and Valves 4.7L (EVA) Engine Fig. 4.7L-510

Timing Belt and Cover

Timing Cover 4.7L (EVA) Engine Fig. 4.7L-610

Timing Chain and Guides 4.7L (EVA) Engine Fig. 4.7L-620

Engine Oiling

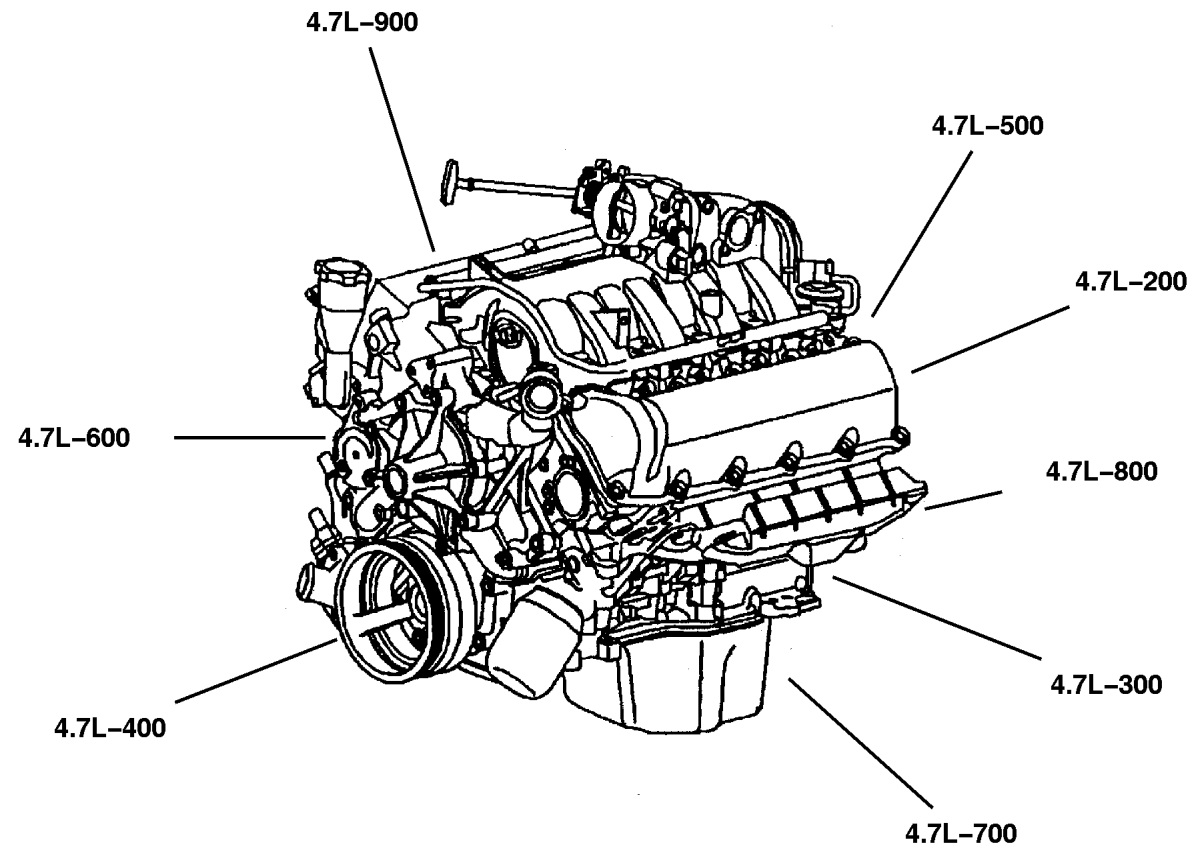
Engine Oiling 4.7L (EVA) Engine Fig. 4.7L-710

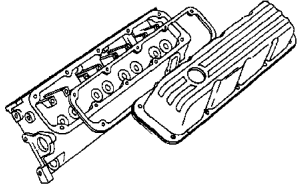
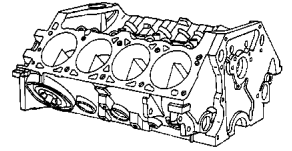
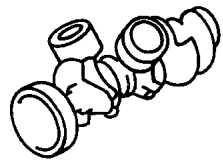
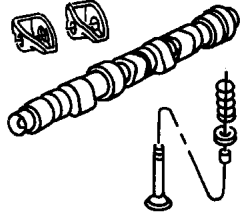
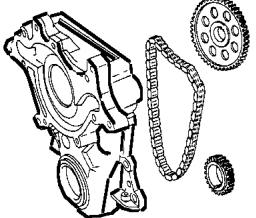
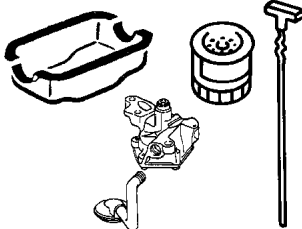
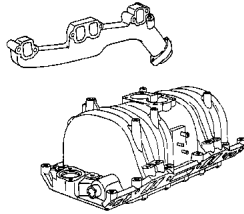
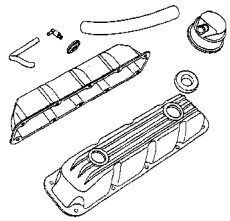
Manifolds

Manifold, Intake and Exhaust 4.7L (EVA) Engine Fig. 4.7L-810

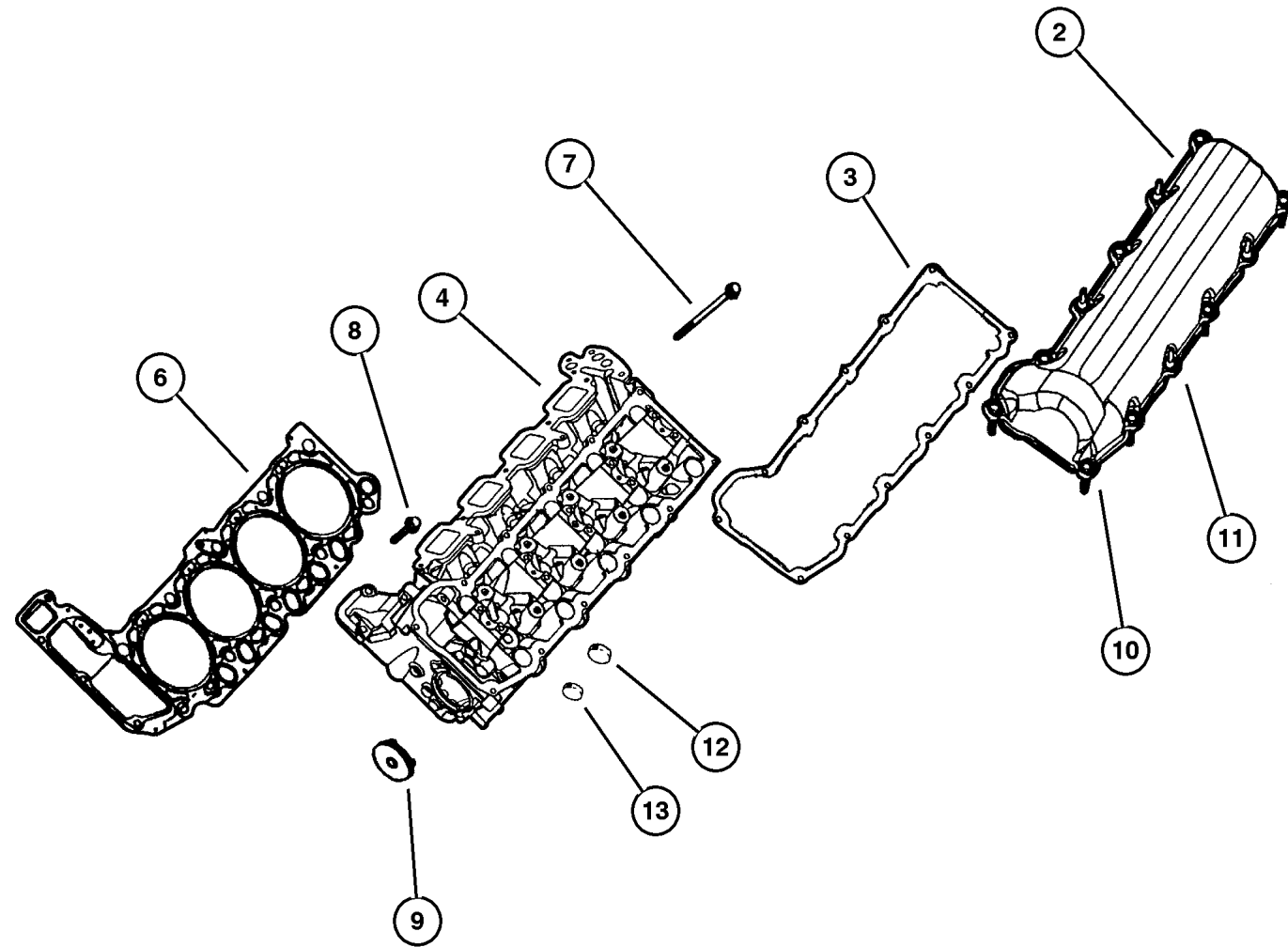
Crankcase Ventilation

Crankcase Ventilation 4.7L (EVA) Engine Fig. 4.7L-910



<p>4.7L-200 Cylinder Head</p> 	<p>4.7L-300 Cylinder Block</p> 	<p>4.7L-400 Crankshaft, Pistons and Torque Converter</p> 	<p>4.7L-500 Camshafts and Valves</p> 
<p>4.7L-600 Timing Belt and Cover</p> 	<p>4.7L-700 Engine Oiling</p> 	<p>4.7L-800 Manifolds</p> 	<p>4.7L-900 Crankcase Ventilation</p> 

Cylinder Head 4.7L (EVA) Engine Figure 4.7L-210



ITEM	PART NUMBER	QTY	LINE	SERIES	BODY	ENGINE	TRANS	TRIM	DESCRIPTION
------	-------------	-----	------	--------	------	--------	-------	------	-------------

NOTES: Upper Gasket Package Contains: Cylinder Head and Cylinder Head Cover Gaskets, Intake and Exhaust Manifold Gaskets, Throttle Body Gasket, Valve Guide Seals, Access Hole O-Ring, Oil Fill Housing Gasket and Crankcase Vent Valve O-Rings

Sales Codes:
[EVO] = All 4.7L Engines

-1	5135 794AA-	1				EVO	DG0		GASKET PACKAGE, Engine Upper, See Notes
2									COVER, Cylinder Head
	5302 0657	1				EVO			Left
	5302 0874	1				EVO			Right
3									GASKET, Valve Cover
	5302 0877	1				EVO			Left
	5302 0878	1				EVO			Right
4	5012 522AA	1				EVO			HEAD, Cylinder, Left
-5	5012 529AA-	1				EVO			HEAD, Cylinder, Right
6	5302 0673	2				EVO			GASKET, Cylinder Head
7	6504 939AA	20				EVO			SCREW AND WASHER, Hex Head
8	6504 985AA	8				EVO			SCREW AND WASHER, Hex Head
9	5302 1031	1				EVO			PLUG, Access Hole
10									SCREW, Serviced in Cylinder Head Cover, (NOT SERVICED) (Not Serviced)
11									STUD, Serviced in Cylinder Head Cover, (NOT SERVICED) (Not Serviced)
12	4556 020	2				EVO			PLUG, Core, 1.25 Diameter
13	4556 017	1				EVO			PLUG, Core

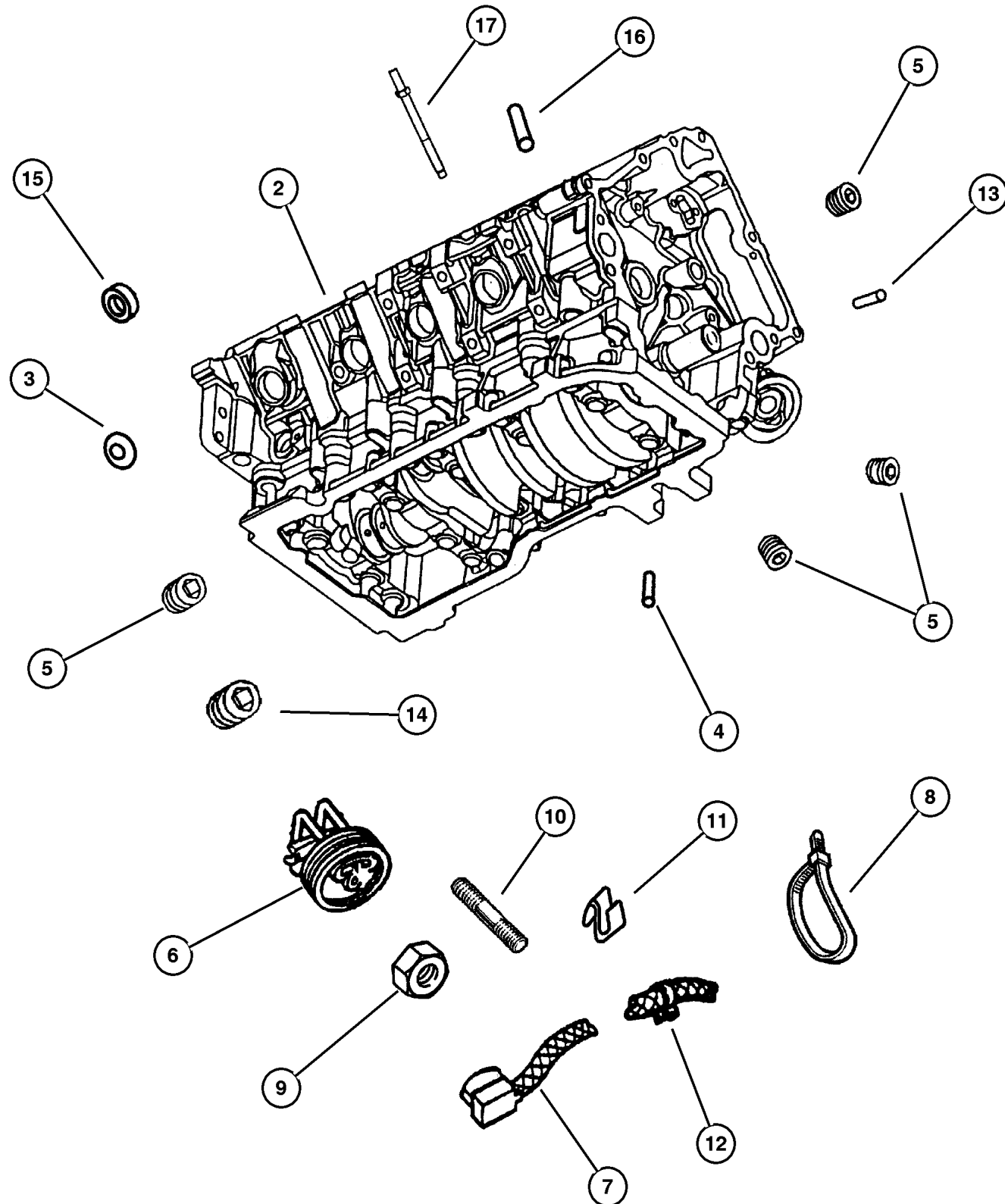
JEEP GRAND CHEROKEE (WJ)

SERIES	LINE	BODY	ENGINE	TRANSMISSION
L = Grand Cherokee	J = 4WD T = 2WD U = 4WD (RHD)	74 = 4 Door (105.9 WB)	ERH,ERO = 4.0L, Power Tech EVA,EVO = 4.7L, Power Tech EXA,EXO = 3.1L 5 cyl Turbo Diesel	DGK = 4 Speed Autm, 42RE DG4 = Multi Speed Auto 45RFE DGW = 4 Speed Autom 44RE DGO = All Automatic

AR = Use as required - = Non illustrated part # = New this model year

September 15, 2005

Cylinder Block 4.7L (EVA) Engine Figure 4.7L-310



ITEM	PART NUMBER	QTY	LINE	SERIES	BODY	ENGINE	TRANS	TRIM	DESCRIPTION
------	-------------	-----	------	--------	------	--------	-------	------	-------------

NOTES: Lower Gasket Package contains: Front and Rear Crankshaft Seals, Oil Pick Up Tube Seal; Oil Pan, Chain Case and Water Pump Gaskets; and Oil Tube O-Rings

Sales Codes

[EV0] = All 4.7L Engines

[DG0] = All Automatic Transmissions

-1	5135 796AA-	1				EV0	DG0		GASKET PACKAGE, Engine Lower, See Notes
2	5011 499AA	1				EV0	DG0		BLOCK, Short, Contains: Block, Bed Plate, Crank, Rods, Pistons, Rings, Oil Pump, Oil Pan
3	6034 804	10				EV0			PLUG, Core, 1.39 Diameter
4	6505 457AA	3				EV0			PIN
5	6036 114AA	4				EV0			PLUG, Pipe
6	8220 3640	1				EV0			HEATER PACKAGE, Engine Block
7	5602 7117	1				EV0			CORD, Engine Block Heater
8	5600 8876	1							STRAP, Tie
9	0152 474	1				EV0			NUT, Hex Flange Lock, .375-16
10		1				EV0			SCREW, [.375-16x.625], (NOT SERVICED) (Not Serviced)
11									CLIP, (NOT SERVICED) (Not Serviced)
12									CLIP, (NOT SERVICED) (Not Serviced)
13	5302 1049	2				EV0			DOWEL
14	6034 366	2				EV0			SCREW
15	4556 019	1				EV0			PLUG, Cylinder Block Oil Hole
16	6505 458AA	4				EV0			PIN
17	6505 274AA	2				EV0			STUD

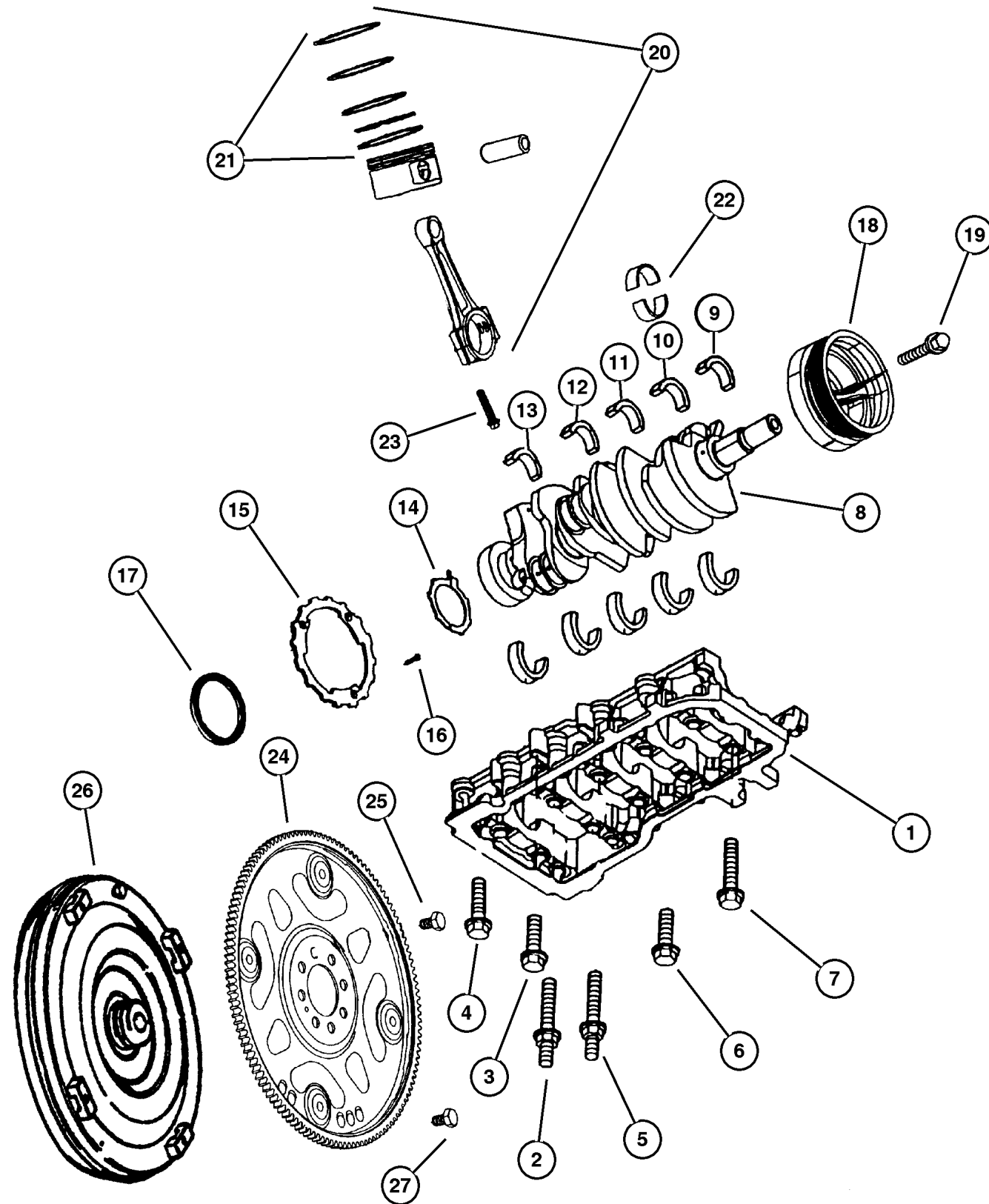
JEEP GRAND CHEROKEE (WJ)

SERIES	LINE	BODY	ENGINE	TRANSMISSION
L = Grand Cherokee	J = 4WD T = 2WD U = 4WD (RHD)	74 = 4 Door (105.9 WB)	ERH,ERO = 4.0L, Power Tech EVA,EVO = 4.7L, Power Tech EXA,EXO = 3.1L 5 cyl Turbo Diesel	DGK = 4 Speed Autm, 42RE DG4 = Multi Speed Auto 45RFE DGW = 4 Speed Autom 44RE DGO = All Automatic

AR = Use as required - = Non illustrated part # = New this model year

September 15, 2005

**Crankshaft, Piston and Torque Converter 4.7L (EVA) Engine
Figure 4.7L-410**



ITEM	PART NUMBER	QTY	LINE	SERIES	BODY	ENGINE	TRANS	TRIM	DESCRIPTION
NOTE: EV0=All 4.7L Engines DG0=All Automatic Transmissions DG4=Multi-Speed Transmission									
1									BEDPLATE, Serviced in Short Block Assembly, (NOT SERVICED) (Not Serviced)
2	6505 151AA	2				EV0			STUD
3	6102 047AA	6				EV0			SCREW, Hex Head, M8x1.25x50
4	6504 411	7				EV0			SCREW
5	6505 150AA	1				EV0			STUD
6	6504 410	5				EV0			SCREW, Hex Head
7	6505 394AA	7				EV0			SCREW AND WASHER
8	5302 0939	1				EV0	DG0		CRANKSHAFT
9	5013 586AA	1				EV0			BEARING PACKAGE, Crankshaft, B Grade
10	5013 587AA	AR				EV0	DG0		BEARING PACKAGE, Crankshaft, .025mm Undersize
11	5013 588AA	AR				EV0	DG0		BEARING PACKAGE, Crankshaft, .25mm Undersize
12	5014 183AA	5				EV0			BEARING PACKAGE, Crankshaft, A Grade
13	5014 186AA	5				EV0			BEARING PACKAGE, Crankshaft, C Grade
14	5012 356AB	1				EV0			WASHER PACKAGE, Washer
15									TONE RING, Sensor, Serviced in Crankshaft Assembly, (NOT SERVICED) (Not Serviced)
16	6504 480	3				EV0	DG0		SCREW, M6x1x25
17	5302 0788	1				EV0			SEAL, Crankshaft Bearing Oil
18	53020 689AB	1				EV0			DAMPER, Crankshaft
19	6504 415	1				EV0			SCREW AND WASHER
20	5012 362AA	8				EV0			PISTON PIN AND ROD, STD
21	5012 364AA	8				EV0			RING PACKAGE, Piston, Standard Size
22	5012 363AA	8				EV0			BEARING PACKAGE, Connecting Rod, Standard
23	6504 720	16				EV0			BOLT, Connecting Rod
24	5210 4048	1				EV0	DG0		PLATE, Torque Converter Drive
25	6503 465	8				EV0	DG0		BOLT, Drive Plate and Flywheel
26	4736 582	1	J, U			EV0	DG4		TORQUE CONVERTER
27	1949 765	4					DG0		SCREW, Hex Head Header Point, .312-24x.44

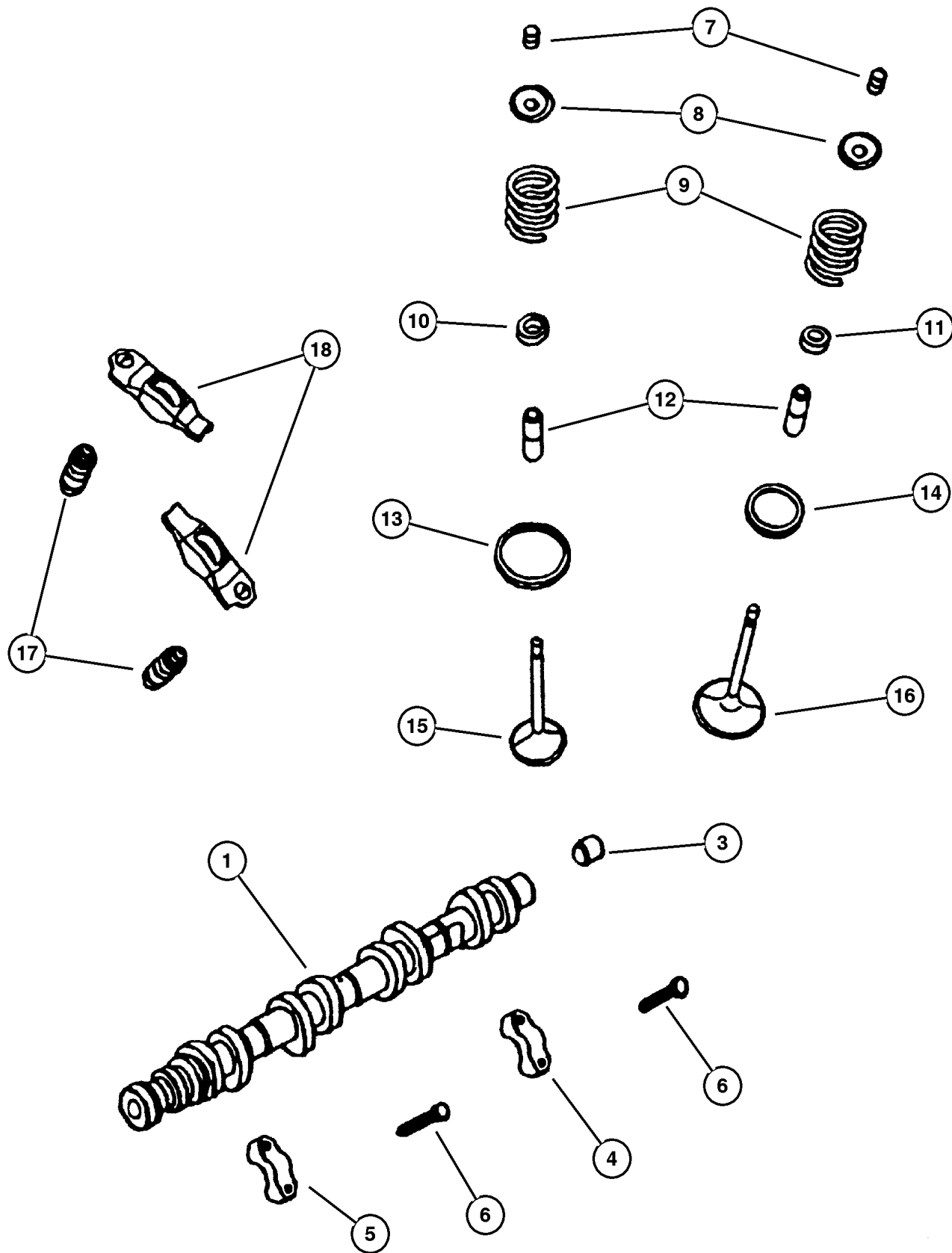
JEEP GRAND CHEROKEE (WJ)

SERIES	LINE	BODY	ENGINE	TRANSMISSION
L = Grand Cherokee	J = 4WD T = 2WD U = 4WD (RHD)	74 = 4 Door (105.9 WB)	ERH,ERO = 4.0L, Power Tech EVA,EVO = 4.7L, Power Tech EXA,EXO = 3.1L 5 cyl Turbo Diesel	DGK = 4 Speed Autm, 42RE DG4 = Multi Speed Auto 45RFE DGW = 4 Speed Autom 44RE DGO = All Automatic

AR = Use as required - = Non illustrated part # = New this model year

September 15, 2005

Camshaft and Valves 4.7L (EVA) Engine Figure 4.7L-510



ITEM	PART NUMBER	QTY	LINE	SERIES	BODY	ENGINE	TRANS	TRIM	DESCRIPTION
NOTE: EV0=All 4.7L Engines									
1	53021 159AA	1				EVO			CAMSHAFT, Engine, Left
-2	53021 160AA-	1				EVO			CAMSHAFT, Engine, Right
3	53021 161AA	1				EVO			PLUG, Camshaft
4									CAP, Serviced in Cylinder Head Assembly, (NOT SERVICED) (Not Serviced)
5									CAP, Serviced in Cylinder Head Assembly, (NOT SERVICED) (Not Serviced)
6	6505 034AA	10				EVO			SCREW, M6x1x40
7	4536 513	32				EVO			LOCK, Valve Spring Retainer
8	5302 0750	16				EVO			RETAINER, Valve Spring
9	5302 0749	16				EVO			SPRING, Valve
10	53020 752AB	8				EVO			SEAL, Valve Guide
11	53020 753AB	8				EVO			SEAL, Valve Guide
12									GUIDE, Intake/Exhaust Valve, Standard Size, Serviced in Cylinder Head Assembly, (NOT SERVICED) (Not Serviced)
13									INSERT, Intake Valve, Serviced in Cylinder Head Assembly, (NOT SERVICED) (Not Serviced)
14									INSERT, Exhaust Valve, Serviced in Cylinder Head Assembly, (NOT SERVICED) (Not Serviced)
15	5302 0747	8				EVO			VALVE, Intake, Standard
16	5302 0748	8				EVO			VALVE, Exhaust, Standard
17	5302 1077	16				EVO			ADJUSTER, Valve Lash
18	5302 0742	16				EVO			ROCKER ARM, Valve

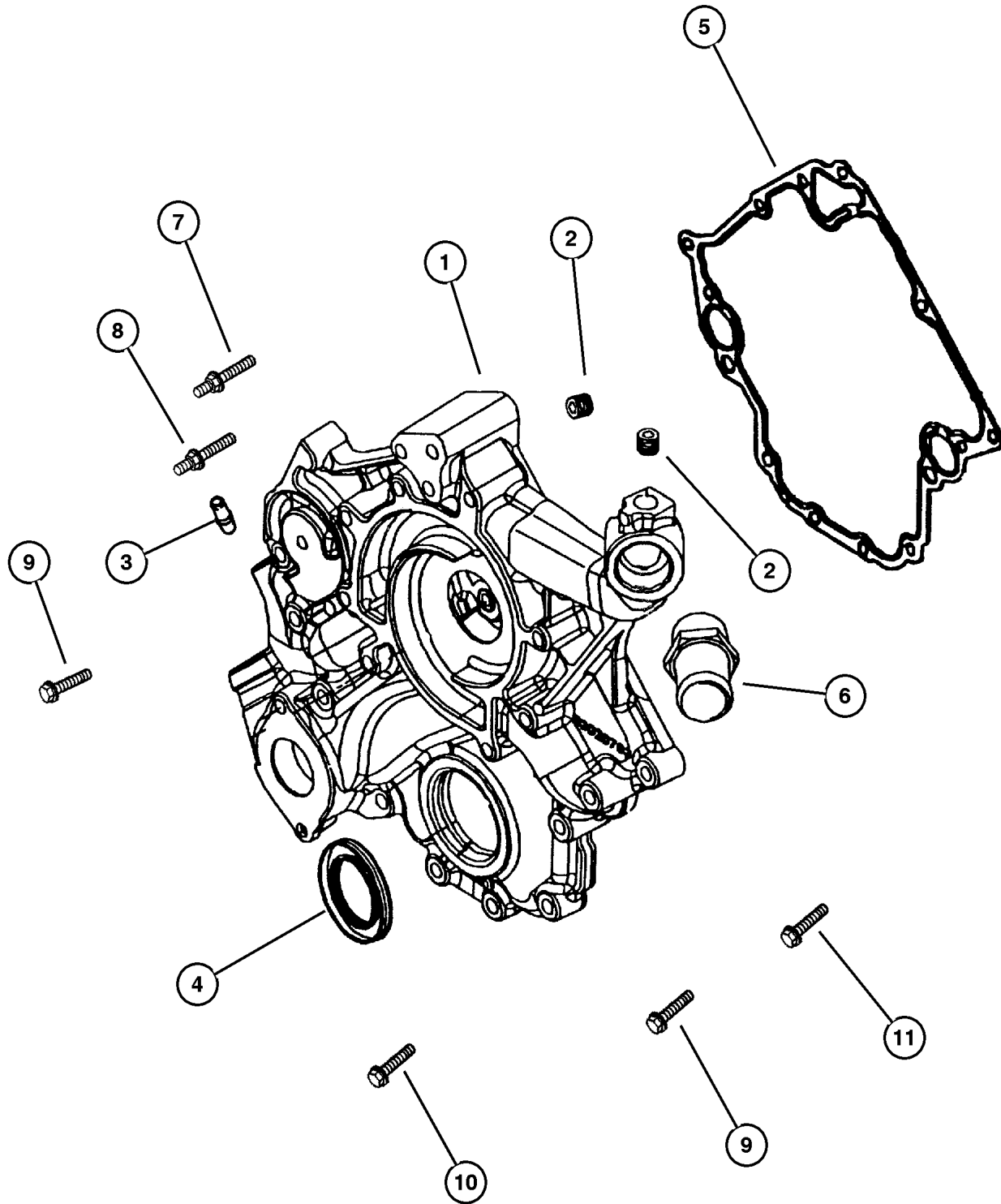
JEEP GRAND CHEROKEE (WJ)				
SERIES	LINE	BODY	ENGINE	TRANSMISSION
L = Grand Cherokee	J = 4WD T = 2WD U = 4WD (RHD)	74 = 4 Door (105.9 WB)	ERH,ERO = 4.0L, Power Tech EVA,EVO = 4.7L, Power Tech EXA,EXO = 3.1L 5 cyl Turbo Diesel	DGK = 4 Speed Autm, 42RE DG4 = Multi Speed Auto 45RFE DGW = 4 Speed Autom 44RE DGO = All Automatic

AR = Use as required - = Non illustrated part # = New this model year

September 15, 2005

**Timing Cover 4.7L (EVA) Engine
Figure 4.7L-610**

ITEM	PART NUMBER	QTY	LINE	SERIES	BODY	ENGINE	TRANS	TRIM	DESCRIPTION
NOTE: EV0=All 4.7L Engines									
1	5302 0791	1				EV0			COVER, Timing Case
2	6034 331	3				EV0			PLUG, Hex Socket, 3/8-18NPTx.475
3	6035 854	2				EV0			FITTING, Y-Style
4	5302 0790	1				EV0			SEAL, Crankshaft Oil, Front
5	5302 0862	1				EV0			GASKET, Chain Case Cover
6	6035 961AA	1				EV0			PIPE FITTING, Chain Case Cover, .375-18x2
7	6505 293AA	1				EV0			STUD
8	6505 019AA	1				EV0			STUD
9	6101 998	5				EV0			SCREW AND WASHER, Hex
10	6101 985	8				EV0			SCREW AND WASHER, M10x1. 50x45.00
11	6505 579AA	2				EV0			SCREW AND WASHER



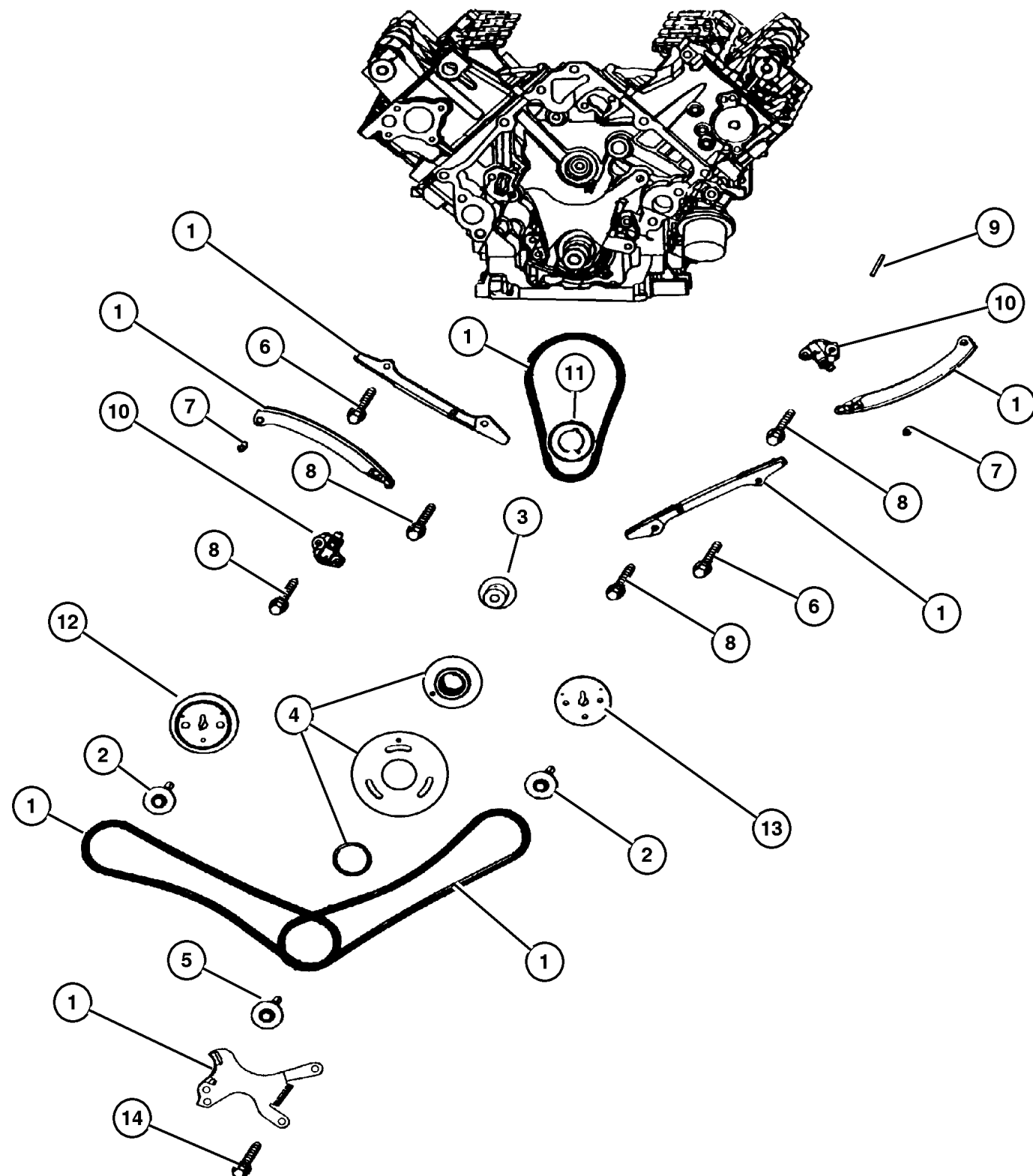
JEEP GRAND CHEROKEE (WJ)

SERIES	LINE	BODY	ENGINE	TRANSMISSION
L = Grand Cherokee	J = 4WD T = 2WD U = 4WD (RHD)	74 = 4 Door (105.9 WB)	ERH,ERO = 4.0L, Power Tech EVA,EVO = 4.7L, Power Tech EXA,EXO = 3.1L 5 cyl Turbo Diesel	DGK = 4 Speed Autm, 42RE DG4 = Multi Speed Auto 45RFE DGW = 4 Speed Autom 44RE DGO = All Automatic

AR = Use as required - = Non illustrated part # = New this model year

September 15, 2005

Timing Chain and Guides 4.7L (EVA) Engine Figure 4.7L-620



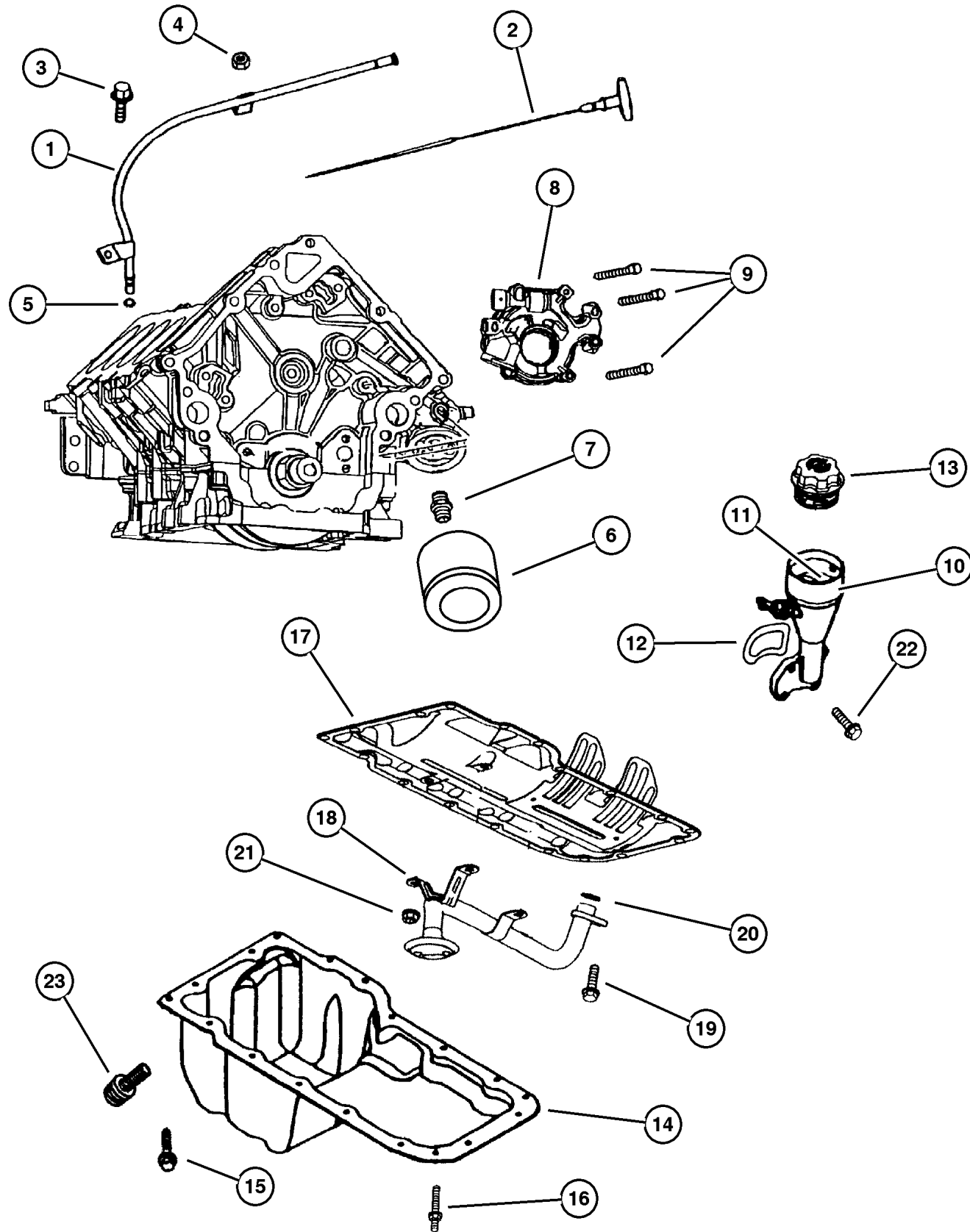
ITEM	PART NUMBER	QTY	LINE	SERIES	BODY	ENGINE	TRANS	TRIM	DESCRIPTION
NOTE: EV0=All 4.7L Engines									
1	5013 867AA	1				EVO			TIMING DRIVE KIT, Engine
2	6504 429	2				EVO			SCREW AND WASHER, Hex
3	5302 0835	1				EVO			SHAFT, Idler
4	5013 868AA	1				EVO			SPROCKET, Drive
5	6504 370	1				EVO			SCREW AND WASHER, Hex
6	6102 111AA	2				EVO			SCREW AND WASHER
7	6504 440	2				EVO			SCREW
8	6503 257	6				EVO			BOLT, Hex Head, M8x1.25x37.50
9	6504 471	1				EVO			KEY, Woodruff
10									TENSIONER, Chain
	5302 0779	1				EVO			Right
	53021 168AA	1				EVO			Left
11	5302 0679	1				EVO			SPROCKET, Crankshaft
12	53021 169AA	1				EVO			SPROCKET, Camshaft, Right
13	5302 0938	1				EVO			SPROCKET, Camshaft, Left
14	6100 932	2				EVO			BOLT, Hex
-15	5302 0781	2				EVO			GUIDE, Timing Chain
-16	5302 0681	1				EVO			TENSIONER, Chain, Primary

JEEP GRAND CHEROKEE (WJ)				
SERIES	LINE	BODY	ENGINE	TRANSMISSION
L = Grand Cherokee	J = 4WD T = 2WD U = 4WD (RHD)	74 = 4 Door (105.9 WB)	ERH,ERO = 4.0L, Power Tech EVA,EVO = 4.7L, Power Tech EXA,EXO = 3.1L 5 cyl Turbo Diesel	DGK = 4 Speed Autm, 42RE DG4 = Multi Speed Auto 45RFE DGW = 4 Speed Autom 44RE DGO = All Automatic

AR = Use as required - = Non illustrated part # = New this model year

September 15, 2005

Engine Oiling 4.7L (EVA) Engine Figure 4.7L-710



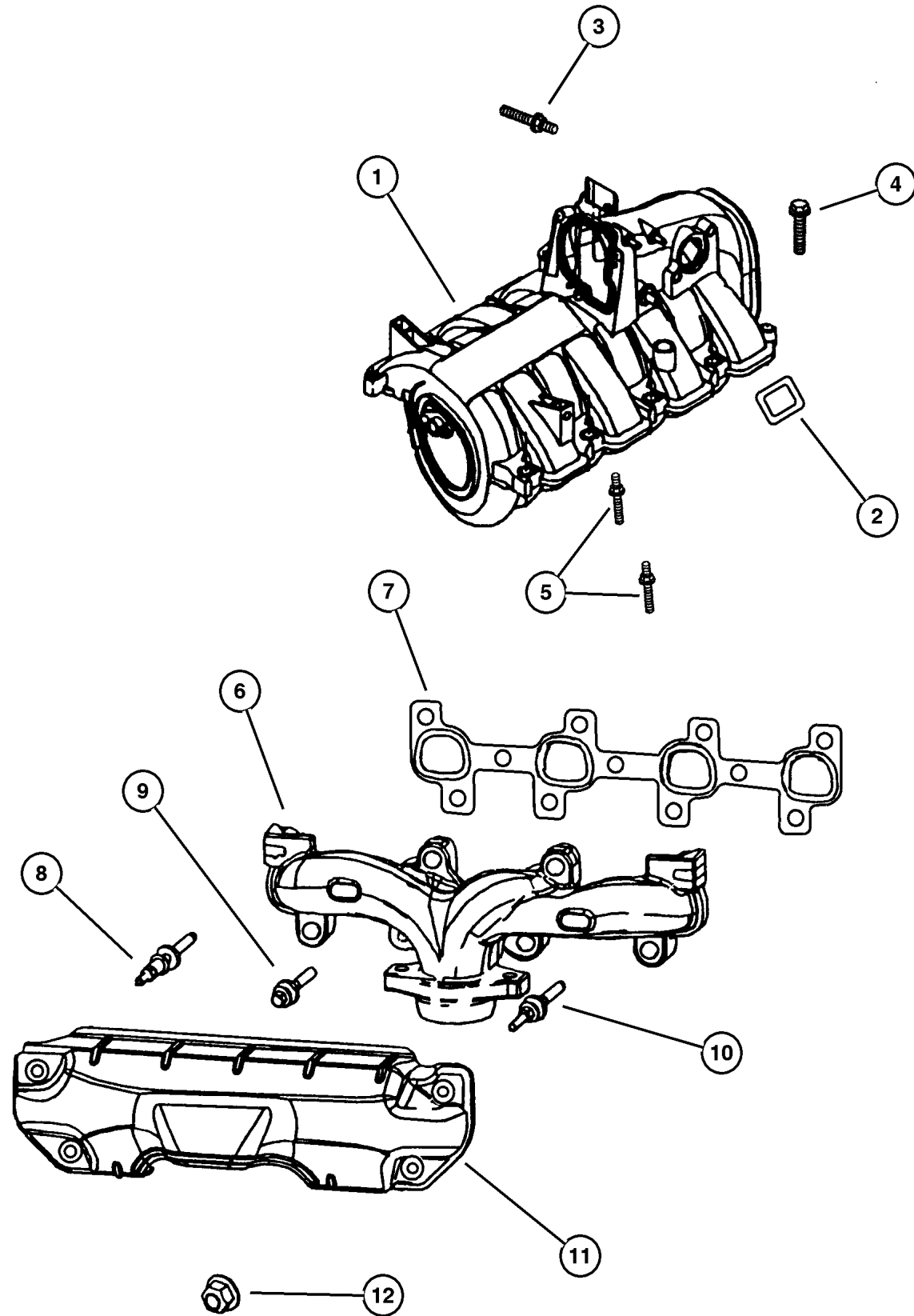
ITEM	PART NUMBER	QTY	LINE	SERIES	BODY	ENGINE	TRANS	TRIM	DESCRIPTION
NOTE: EV0=All 4.7L Engines									
1	53021 154AA	1				EV0			TUBE, Engine Oil Indicator
2	5302 0859	1				EV0			INDICATOR, Engine Oil Level
3	6504 810AA	1				EV0			SCREW AND WASHER, Hex
4									NUT, M6x1.00, (NOT SERVICED)
									(Not Serviced)
5	53021 144AA	1				EV0			O RING, Engine Oil Indicator
6	5281 090	1				EV0			FILTER, Engine Oil
7	5300 7563	1				EV0			CONNECTOR, Oil Filter
8	5302 0827	1				EV0			PUMP, Engine Oil
9	6100 932	2				EV0			BOLT, Hex
10	5302 0890	1				EV0			HOUSING, Oil Fill
11	53032 126AA	1				EV0	DG0		BAFFLE, Oil Fill, None
12	5302 0889	1				EV0			GASKET, Oil Fill Housing
13	5302 0880	1				EV0			CAP, Oil Filler
14	53020 678AB	1				EV0			PAN, Engine Oil
15	6504 810AA	17				EV0			SCREW AND WASHER, Hex
16	6502 647	1				EV0			STUD, M6x1.00x44
17	53020 675AB	1				EV0			GASKET, Oil Pan
18	5302 0828	1				EV0			TUBE, Oil Pickup
19	6102 046AA	1				EV0			SCREW AND WASHER
20	5302 0861	1				EV0			SEAL, Oil Pick Up Tube
21	6502 756	3				EV0			NUT, Hex Lock, M8x1.25
22	6505 504AA	4				EV0			SCREW
23	6504 894AA	1				EV0			PLUG, Oil Drain

JEEP GRAND CHEROKEE (WJ)				
SERIES	LINE	BODY	ENGINE	TRANSMISSION
L = Grand Cherokee	J = 4WD T = 2WD U = 4WD (RHD)	74 = 4 Door (105.9 WB)	ERH,ERO = 4.0L, Power Tech EVA,EVO = 4.7L, Power Tech EXA,EXO = 3.1L 5 cyl Turbo Diesel	DGK = 4 Speed Autm, 42RE DG4 = Multi Speed Auto 45RFE DGW = 4 Speed Autom 44RE DGO = All Automatic

AR = Use as required - = Non illustrated part # = New this model year

September 15, 2005

**Manifold, Intake and Exhaust 4.7L (EVA) Engine
Figure 4.7L-810**



ITEM	PART NUMBER	QTY	LINE	SERIES	BODY	ENGINE	TRANS	TRIM	DESCRIPTION
NOTE: EV0=All 4.7L Engines									
1	5303 0951	1				EVO			MANIFOLD, Intake
2	5301 0310	8				EVO			SEAL, Intake Manifold
3	6505 498AA	1				EVO			STUD
4	6505 499AA	2				EVO			SCREW
5	6505 500AA	8				EVO			STUD
6									MANIFOLD, Exhaust
	5303 0933	1				EVO			Left
	5303 0934	1				EVO			Right
7									GASKET, Exhaust Manifold
	5303 0812	1				EVO			Right
	5303 0813	1				EVO			Left
8	6505 257AA	4				EVO			STUD
9	6504 340	8				EVO			SCREW AND WASHER, Hex
10	6504 331	4				EVO			STUD
11									SHIELD, Exhaust Manifold
	5303 0815	1				EVO			Left
	5303 0940	1				EVO			Right
12	6505 316AA	8				EVO			NUT

JEEP GRAND CHEROKEE (WJ)

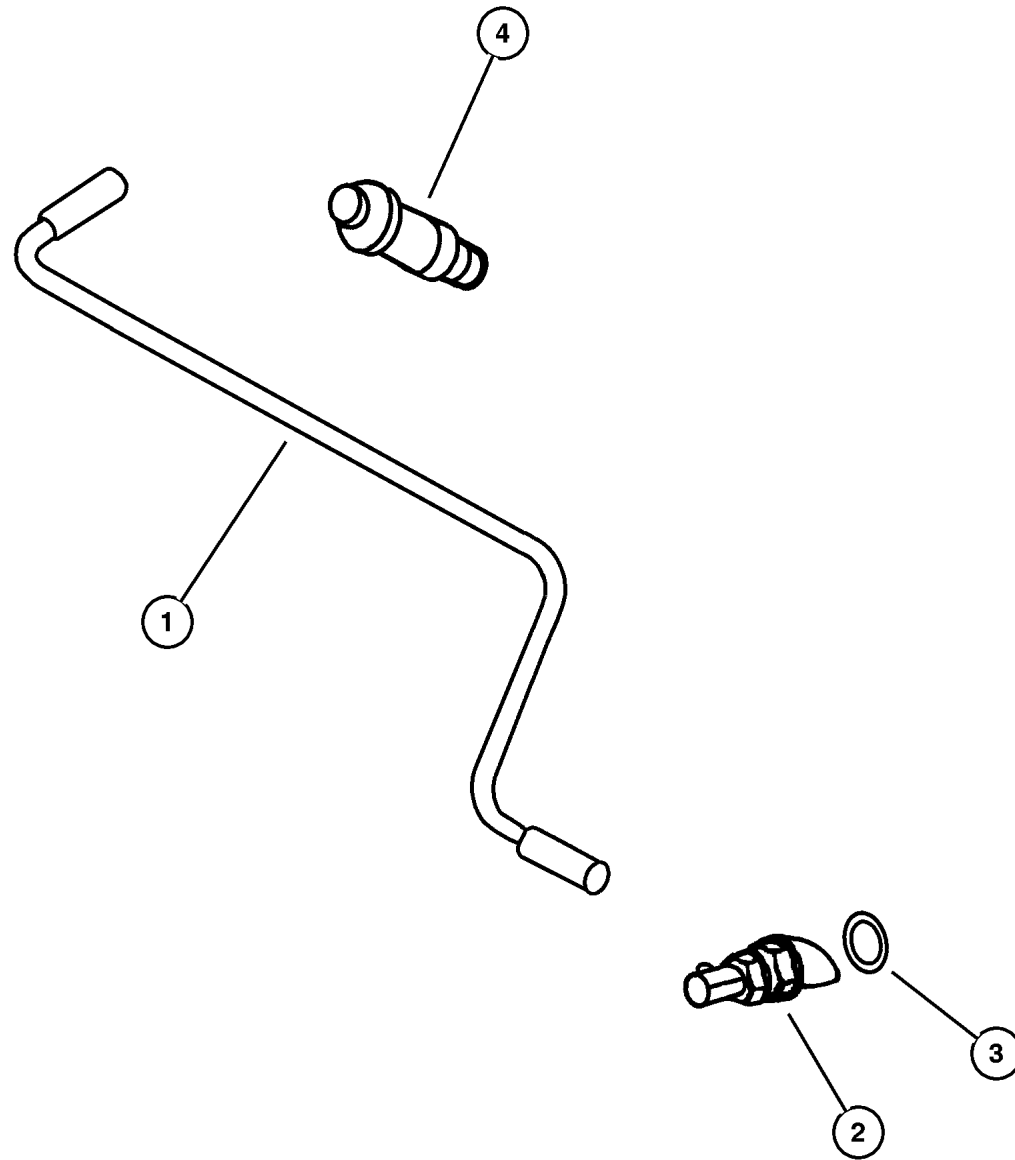
SERIES	LINE	BODY	ENGINE	TRANSMISSION
L = Grand Cherokee	J = 4WD T = 2WD U = 4WD (RHD)	74 = 4 Door (105.9 WB)	ERH,ERO = 4.0L, Power Tech EVA,EVO = 4.7L, Power Tech EXA,EXO = 3.1L 5 cyl Turbo Diesel	DGK = 4 Speed Autm, 42RE DG4 = Multi Speed Auto 45RFE DGW = 4 Speed Autom 44RE DGO = All Automatic

AR = Use as required - = Non illustrated part # = New this model year

September 15, 2005

**Crankcase Ventilation 4.7L (EVA) Engine
Figure 4.7L-910**

ITEM	PART NUMBER	QTY	LINE	SERIES	BODY	ENGINE	TRANS	TRIM	DESCRIPTION
NOTE: EV0=All 4.7L Engines									
1	5303 0851	1				EVO			TUBE, PCV Valve
2	53031 777AA	1				EVO			VALVE, Crankcase Vent
3	53031 711AA	1				EVO			O RING
4	5303 0850	2				EVO			BREATHER, Crankcase



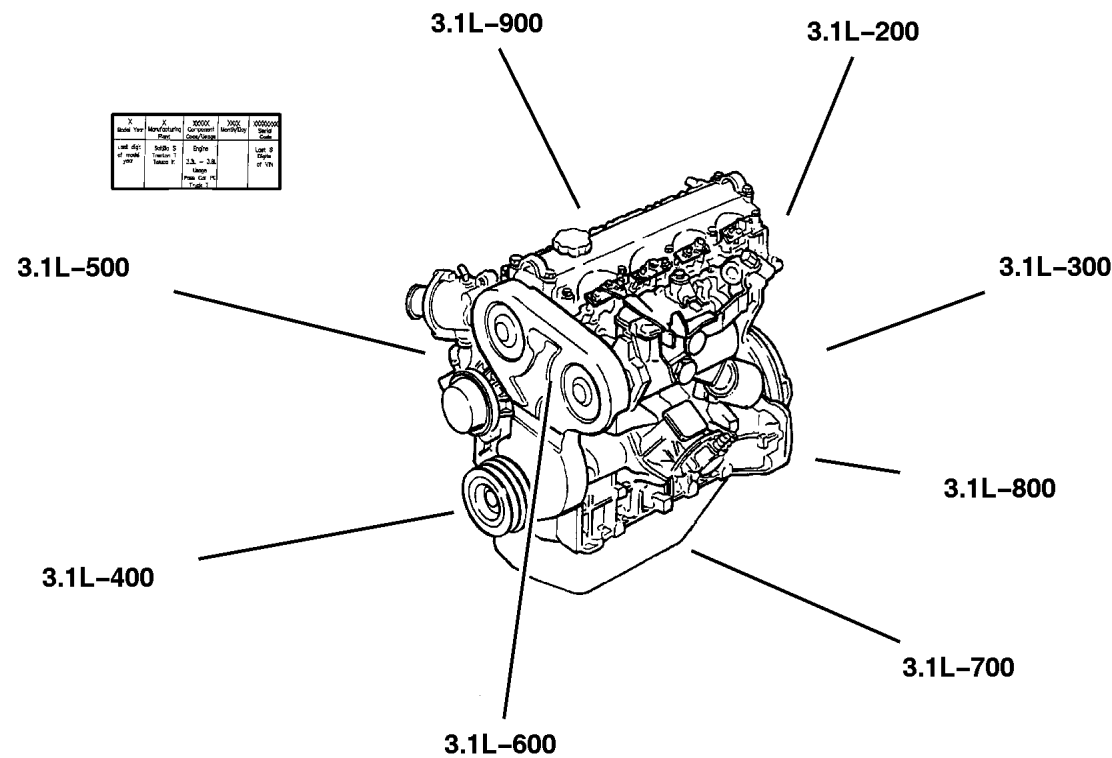
JEEP GRAND CHEROKEE (WJ)				
SERIES	LINE	BODY	ENGINE	TRANSMISSION
L = Grand Cherokee	J = 4WD T = 2WD U = 4WD (RHD)	74 = 4 Door (105.9 WB)	ERH,ERO = 4.0L, Power Tech EVA,EVO = 4.7L, Power Tech EXA,EXO = 3.1L 5 cyl Turbo Diesel	DGK = 4 Speed Autm, 42RE DG4 = Multi Speed Auto 45RFE DGW = 4 Speed Autom 44RE DGO = All Automatic

AR = Use as required - = Non illustrated part # = New this model year

September 15, 2005

Group – 3.1L

Engine 3.1L Five Cylinder(Turbo Diesel)



3	2	30000	30000	300000
Year	Model	Code	Code	Code
1998	3.1L	3.1L	3.1L	3.1L
1999	3.1L	3.1L	3.1L	3.1L
2000	3.1L	3.1L	3.1L	3.1L
2001	3.1L	3.1L	3.1L	3.1L
2002	3.1L	3.1L	3.1L	3.1L
2003	3.1L	3.1L	3.1L	3.1L
2004	3.1L	3.1L	3.1L	3.1L
2005	3.1L	3.1L	3.1L	3.1L

GROUP 3.1L - Engine 3.1L Five Cylinder(Turbo Diesel)

Illustration Title

Group-Fig. No.

Cylinder Head

Cylinder Head 3.1L (EXA) Diesel Engine Fig. 3.1L-210

Cylinder Block

Cylinder Block 3.1L (EXA) Diesel Engine Fig. 3.1L-310

Crankshaft, Piston and Torque Converter

Crankshaft, Piston and Torque Converter 3.1L (EXA) Diesel Engine Fig. 3.1L-410

Camshafts and Valves

Camshaft and Valves 3.1L (EXA) Diesel Engine Fig. 3.1L-510

Timing Belt and Cover

Timing Gear and Cover 3.1L (EXA) Diesel Engine Fig. 3.1L-610

Engine Oiling

Engine Oiling 3.1L (EXA) Diesel Engine Fig. 3.1L-710

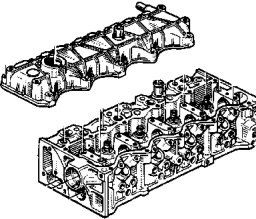
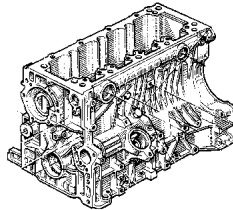
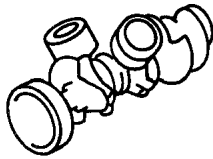
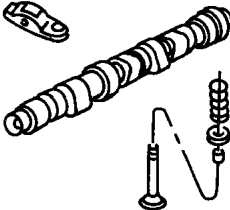
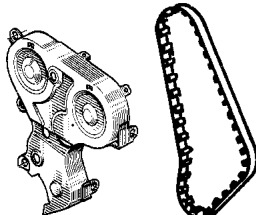
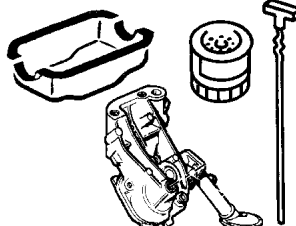
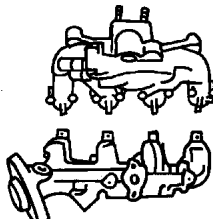
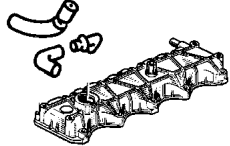
Oil Lines 3.1L (EXA) Diesel Engine Fig. 3.1L-720

Manifolds

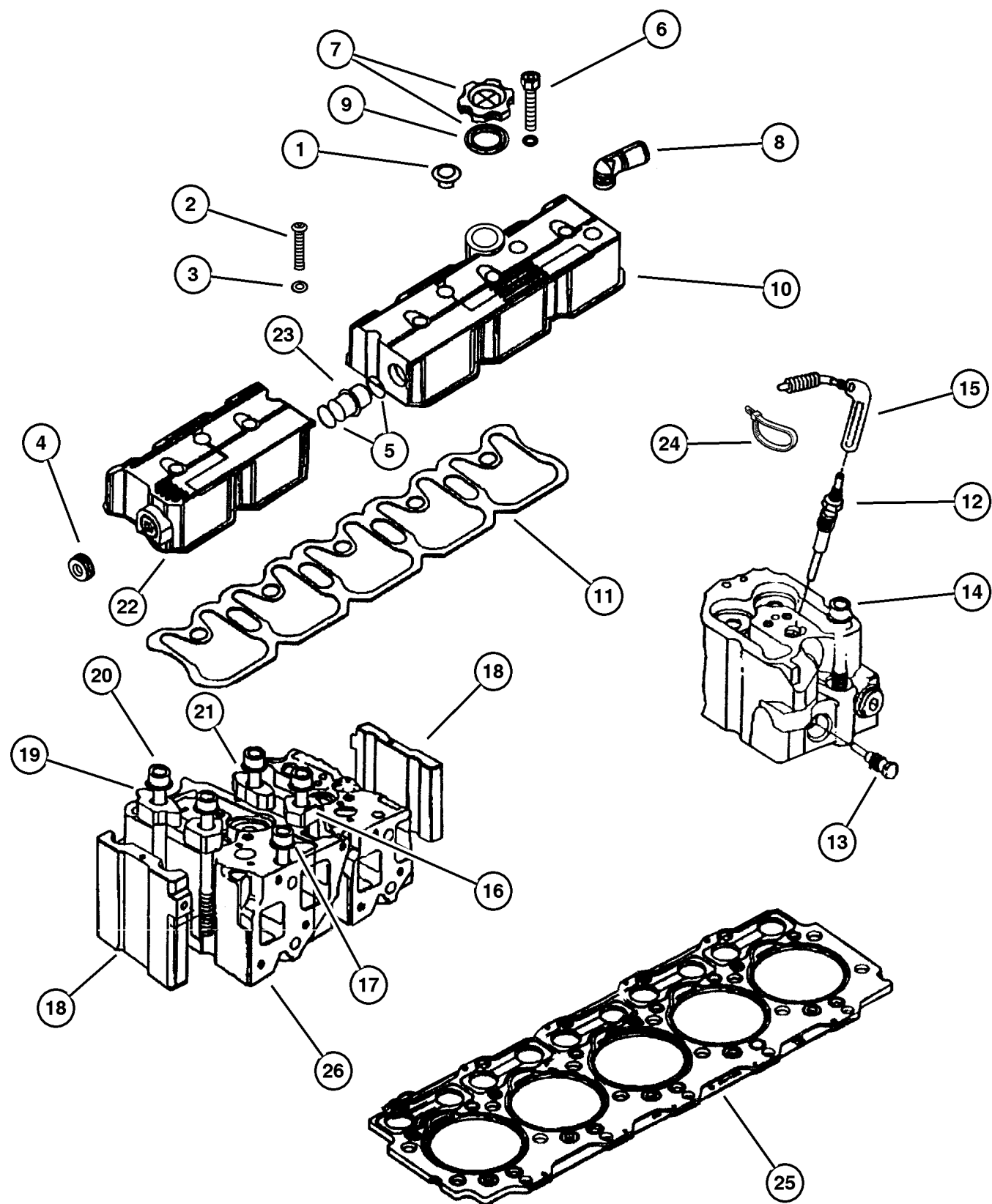
Manifold, Intake and Exhaust 3.1L (EXA) Diesel Engine Fig. 3.1L-810

Crankcase Ventilation

Crankcase Ventilation 3.1L (EXA) Diesel Engine Fig. 3.1L-910

<p>3.1L-200 Cylinder Head</p> 	<p>3.1L-300 Cylinder Block</p> 	<p>3.1L-400 Crankshaft, Piston and Torque Converter</p> 	<p>3.1L-500 Camshafts and Valves</p> 
<p>3.1L-600 Timing Belt and Cover</p> 	<p>3.1L-700 Engine Oiling</p> 	<p>3.1L-800 Manifolds</p> 	<p>3.1L-900 Crankcase Ventilation</p> 

**Cylinder Head 3.1L (EXA) Diesel Engine
Figure 3.1L-210**



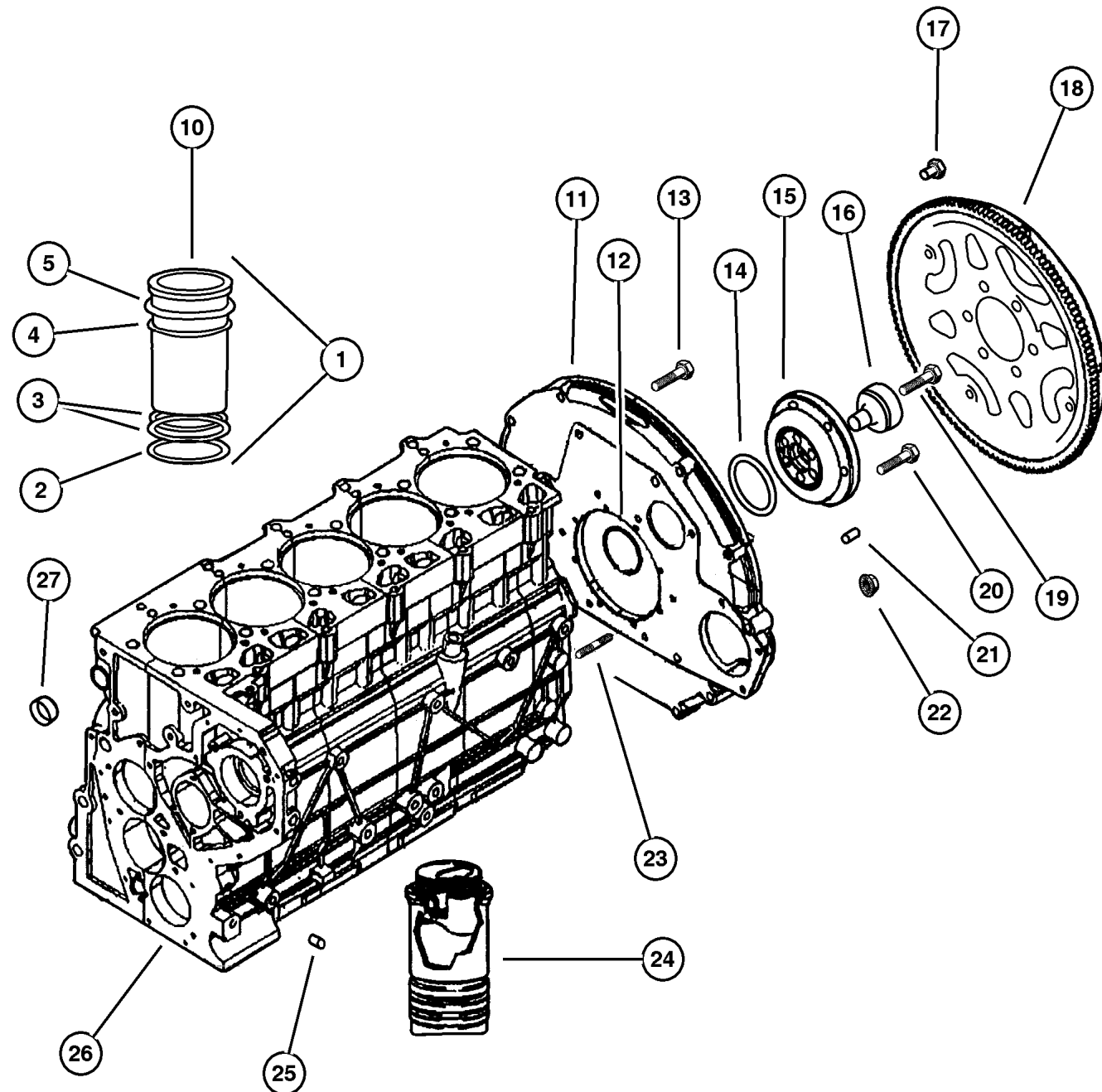
ITEM	PART NUMBER	QTY	LINE	SERIES	BODY	ENGINE	TRANS	TRIM	DESCRIPTION
GASKET PACKAGE, Engine Upper and Lower, w/o Head Gaskets - 05015077AA									
NOTE: EX0=All 3.1L Engines DG0=All Automatic Transmissions									
1	4864 555	4				EX0	DG0		PLUG, Cylinder Block
2	4863 749	3				EX0	DG0		SCREW
3	4864 554	5				EX0	DG0		SEAL, Valve Cover Bolt
4	4723 169	1				EX0	DG0		PLUG, Cylinder Block Oil Hole
5	5014 987AA	2				EX0	DG0		O RING
6	4863 752	2				EX0	DG0		SCREW
7	4863 741	1				EX0	DG0		CAP, Oil Filler
8	5015 080AA	1				EX0	DG0		ADAPTER, Crankcase Vent
9	4720 300	1				EX0	DG0		GASKET, Oil Filler Cap
10	5015 078AA	1				EX0	DG0		COVER, Cylinder Head
11	5014 986AA	1				EX0	DG0		GASKET, Valve Cover
12	4863 826	5				EX0	DG0		GLOW PLUG
13	4863 770	5				EX0	DG0		PLUG, Dummy
14	4720 671AB	5				EX0	DG0		BOLT, Cylinder Head
15	5015 065AA	1				EX0	DG0		WIRING, Glow Plug
16	4864 038	6				EX0	DG0		CLAMP, Cylinder Head
17	4720 233AB	5				EX0	DG0		BOLT, Cylinder Head
18	4882 407	2				EX0	DG0		CLAMP, Cylinder Head
19	4864 039	2				EX0	DG0		CLAMP, Cylinder Head
20	4720 235AC	12				EX0	DG0		BOLT, Cylinder Head
21	4864 040	4				EX0	DG0		CLAMP, Cylinder Head
22	5015 079AA	1				EX0	DG0		COVER, Cylinder Head
23	5014 985AA	1				EX0	DG0		SLEEVE, Insert
24	4728 184	3				EX0	DG0		CLIP, Spill Return Pipe
25									GASKET, Cylinder Head
	5014 984AA	1				EX0	DG0		1.61
	5014 982AA	1				EX0	DG0		1.41
	5014 983AA	1				EX0	DG0		1.51
26	4883 416AB	5				EX0	DG0		HEAD, Cylinder

JEEP GRAND CHEROKEE (WJ)				
SERIES	LINE	BODY	ENGINE	TRANSMISSION
L = Grand Cherokee	J = 4WD T = 2WD U = 4WD (RHD)	74 = 4 Door (105.9 WB)	ERH,ERO = 4.0L, Power Tech EVA,EVO = 4.7L, Power Tech EXA,EXO = 3.1L 5 cyl Turbo Diesel	DGK = 4 Speed Autm, 42RE DG4 = Multi Speed Auto 45RFE DGW = 4 Speed Autom 44RE DGO = All Automatic

AR = Use as required - = Non illustrated part # = New this model year

September 15, 2005

**Cylinder Block 3.1L (EXA) Diesel Engine
Figure 3.1L-310**



ITEM	PART NUMBER	QTY	LINE	SERIES	BODY	ENGINE	TRANS	TRIM	DESCRIPTION
GASKET PACKAGE, Engine Upper and Lower, Without Head Gaskets - 05015077AA									
NOTE: EX0=All 3.1L Engines, DGO= Automatic Transmissions									
1	4723 118	AR				EX0	DGO		SHIM KIT, Cylinder Liner
2	4720 625	5				EX0	DGO		O RING, Cylinder Liner
3	4720 627	10				EX0	DGO		O RING, Cylinder Liner
4	4720 626	5				EX0	DGO		O RING, Cylinder Liner
5	4720 622	AR				EX0	DGO		SHIM, Cylinder Liner, 0.25mm
-6	4720 623	AR				EX0	DGO		SHIM, Cylinder Liner, 0.23mm
-7	4720 621	AR				EX0	DGO		SHIM, Cylinder Liner, 0.20mm
-8	4720 624	AR				EX0	DGO		SHIM, Cylinder Liner, 0.17mm
-9	4720 620	AR				EX0	DGO		SHIM, Cylinder Liner, 0.15mm
10	5014 328AA	5				EX0	DGO		LINER, Cylinder
11	5015 044AA	1				EX0	DGO		PLATE
12	4863 833	1				EX0	DGO		O RING
13	5003 532AA	4				EX0	DGO		BOLT, Adaptor Plate
14	5014 970AA	1				EX0	DGO		O RING
15	5014 967AA	1				EX0	DGO		HUB, Torque Converter
16	5014 974AA	1				EX0	DGO		SHAFT, Torque
17	5014 969AA	6				EX0	DGO		BOLT, Flexplate
18	5211 8776	1				EX0	DGO		PLATE, Torque Converter Drive
19	4720 232AB	6				EX0	DGO		BOLT, Flywheel
20	4864 537	1				EX0	DGO		BOLT, 8Mx20
21	5015 045AA	2				EX0	DGO		DOWEL, Transmission Adapter
22	4778 961	6				EX0	DGO		NUT
23	4720 550	6				EX0	DGO		STUD, Water Pump To Block
24	5014 329AA	5				EX0	DGO		LINER AND PISTON, Cylinder
25	4883 425AA	1				EX0	DGO		PLUG
26	5014 965AA	1				EX0	DGO		BLOCK, Cylinder
27	4778 887	1				EX0	DGO		PLUG, Cylinder Block Oil Hole

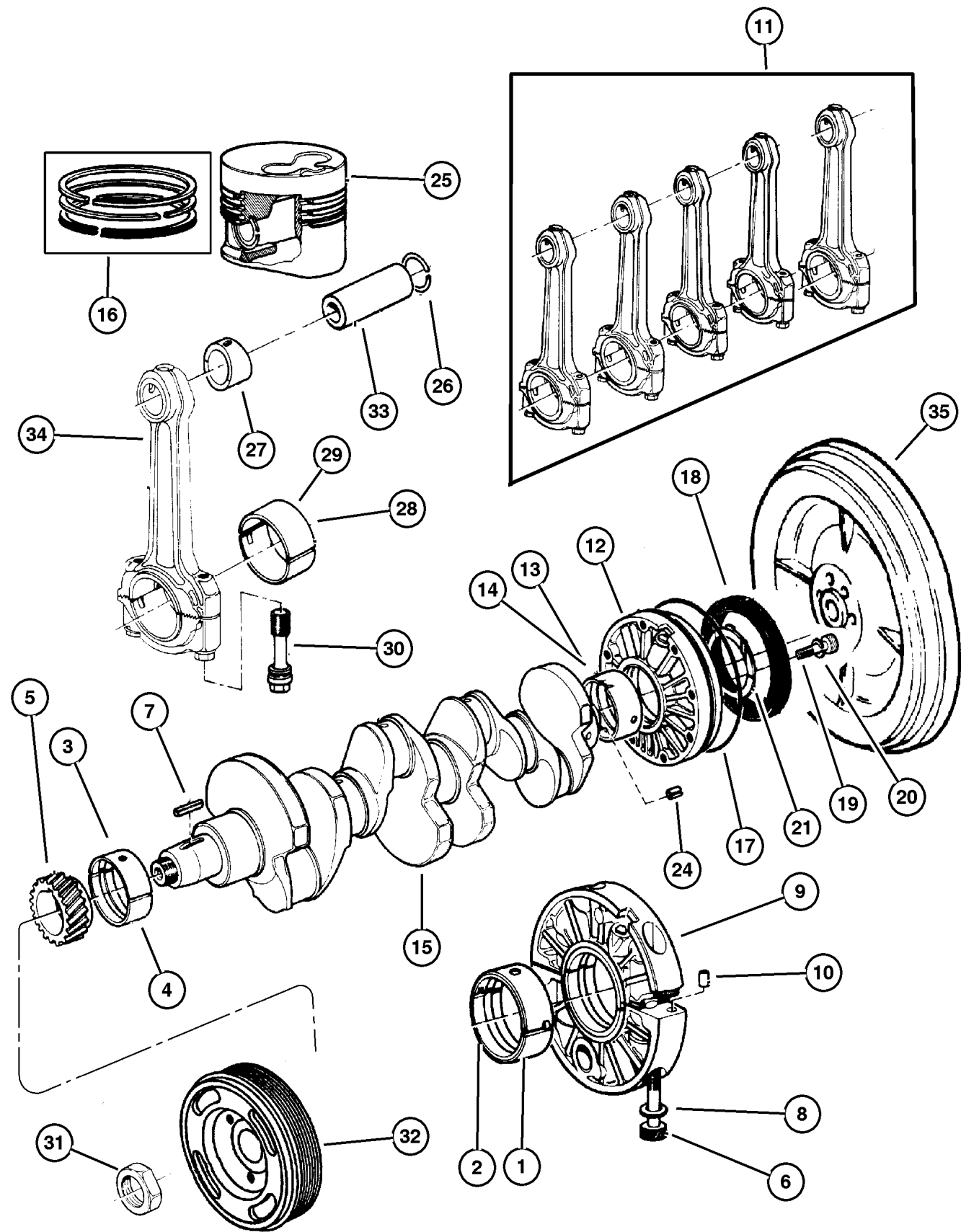
JEEP GRAND CHEROKEE (WJ)

SERIES	LINE	BODY	ENGINE	TRANSMISSION
L = Grand Cherokee	J = 4WD T = 2WD U = 4WD (RHD)	74 = 4 Door (105.9 WB)	ERH,ERO = 4.0L, Power Tech EVA,EVO = 4.7L, Power Tech EXA,EXO = 3.1L 5 cyl Turbo Diesel	DGK = 4 Speed Autm, 42RE DG4 = Multi Speed Auto 45RFE DGW = 4 Speed Autom 44RE DGO = All Automatic

AR = Use as required - = Non illustrated part # = New this model year

September 15, 2005

**Crankshaft, Piston and Torque Converter 3.1L (EXA) Diesel Engine
Figure 3.1L-410**



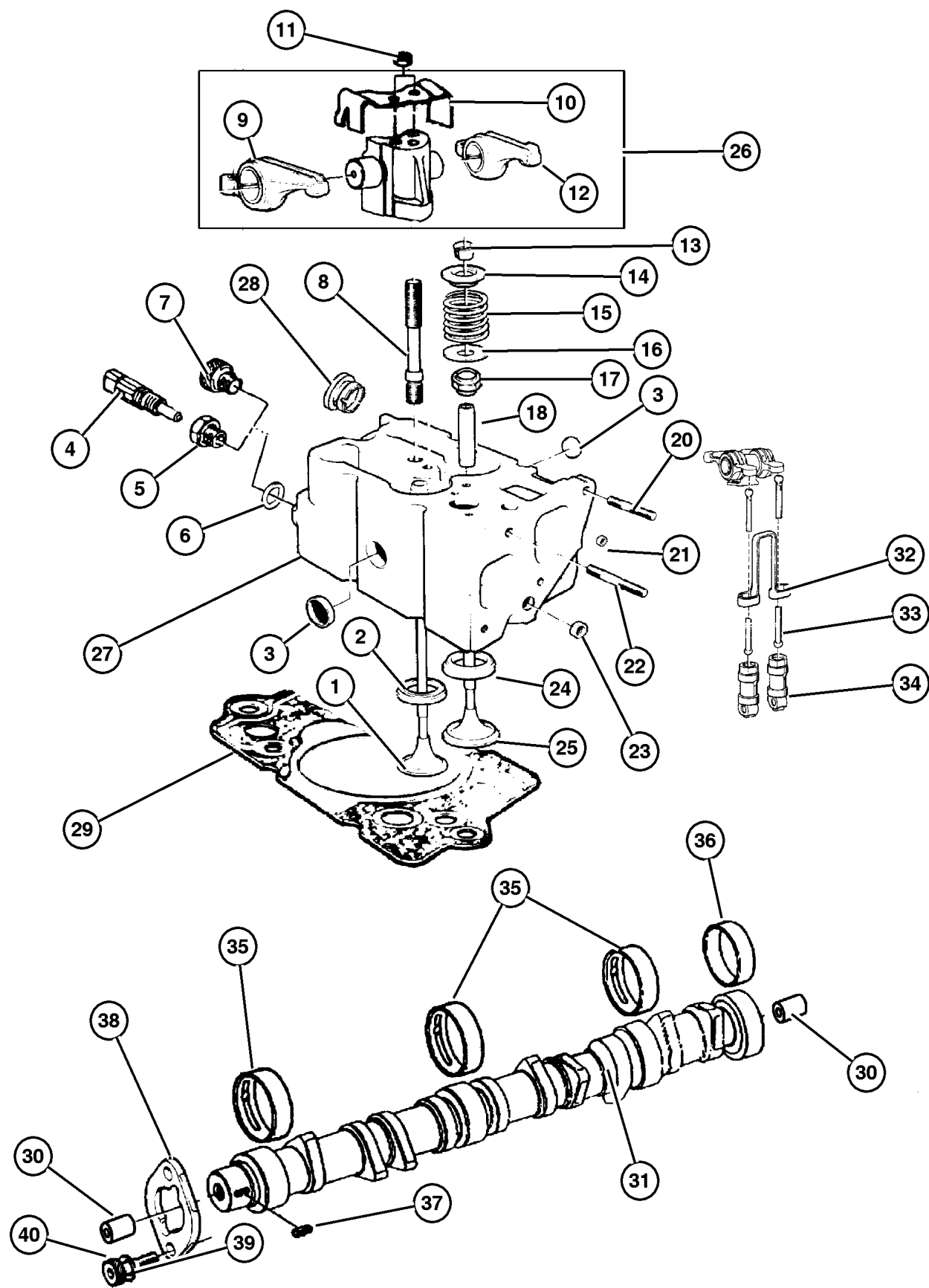
ITEM	PART NUMBER	QTY	LINE	SERIES	BODY	ENGINE	TRANS	TRIM	DESCRIPTION
NOTE: EX0=All 3.1L Engines DG0=All Automatic Transmission									
1	4720 892	AR				EX0	DG0		BEARING, Crankshaft
2	4720 889	4				EX0	DG0		BEARING, Crankshaft
3	4720 887	AR				EX0	DG0		BEARING, Crankshaft
4	4720 885	1				EX0	DG0		BEARING, Crankshaft
5	4882 402	1				EX0	DG0		GEAR, Crankshaft
6	4720 242	8				EX0	DG0		SCREW
7	5014 980AA	1				EX0	DG0		KEY, Woodruff
8	4720 243	8				EX0	DG0		WASHER, Lock, M10
9	4863 711	4				EX0	DG0		HOUSING, Crankshaft Bearing
10	4720 241	8				EX0	DG0		DOWEL, Center Bearing Housing
11	5015 002AA	1				EX0	DG0		ROD, Connecting
12	5014 975AA	1				EX0	DG0		HOUSING, Rear Bearing
13	4864 539	1				EX0	DG0		BEARING, Crankshaft
14	4864 541	AR				EX0	DG0		BEARING, Crankshaft
15	5014 971AA	1				EX0	DG0		CRANKSHAFT
16	5014 333AA	5				EX0	DG0		RING KIT, Piston, Standard
17	4720 277	1				EX0	DG0		O RING, Crankshaft Rear Support
18	5010 817AA	1				EX0	DG0		SEAL, Rear Main Crankshaft
19	4720 284	8				EX0	DG0		SCREW, Rear Crankshaft Support
20	4723 204	8				EX0	DG0		WASHER, Implement Attaching
21	4864 046	1				EX0	DG0		WASHER, Thrust
-22	4864 543	AR				EX0	DG0		WASHER, Thrust, 0.10 Oversize
-23	4864 544	AR				EX0	DG0		WASHER, Thrust, 0.20 Oversize
24	4723 158AB	1				EX0	DG0		PIN, Dowel
25	5014 332AA	5				EX0	DG0		PISTON
26	4720 099	10				EX0	DG0		RING, Piston Pin
27	5014 331AA	5				EX0	DG0		BUSHING, Connecting Rod
28	4720 877	5				EX0	DG0		BUSHING, Connecting Rod
29	4720 883	AR				EX0	DG0		BEARING, Connecting Rod, .25 mm U/S
30	4883 386AB	10				EX0	DG0		BOLT, Connecting Rod
31	4720 273	1				EX0	DG0		NUT, Damper Pulley
32	5014 979AA	1				EX0	DG0		DAMPER, Crankshaft
33									PIN, Piston, Serviced in Piston, (NOT SERVICED) (Not Serviced)
34									ROD, Connecting, Serviced in Piston, (NOT SERVICED) (Not Serviced)
35	5211 8861	1				EX0	DG0		CONVERTER, Torque

JEEP GRAND CHEROKEE (WJ)				
SERIES	LINE	BODY	ENGINE	TRANSMISSION
L = Grand Cherokee	J = 4WD T = 2WD U = 4WD (RHD)	74 = 4 Door (105.9 WB)	ERH,ERO = 4.0L, Power Tech EVA,EVO = 4.7L, Power Tech EXA,EXO = 3.1L 5 cyl Turbo Diesel	DGK = 4 Speed Autm, 42RE DG4 = Multi Speed Auto 45RFE DGW = 4 Speed Autom 44RE DGO = All Automatic

AR = Use as required - = Non illustrated part # = New this model year

September 15, 2005

Camshaft and Valves 3.1L (EXA) Diesel Engine Figure 3.1L-510



ITEM	PART NUMBER	QTY	LINE	SERIES	BODY	ENGINE	TRANS	TRIM	DESCRIPTION
NOTE: EX0=All 3.1L Engines DG0=All Automatic Transmissions									
1	4720 148	5				EX0	DG0		VALVE, Exhaust, Standard
2	4723 244	5				EX0	DG0		SEAT, Exhaust Valve, 0.30mm Oversize
3	4723 228	10				EX0	DG0		PLUG, Cylinder Block Oil Hole
4	5014 067AA	2				EX0	DG0		SENSOR, Temperature Sending Unit
5	5014 065AA	2				EX0	DG0		ADAPTER, Temperature Sensor
6	4723 246	5				EX0	DG0		WASHER, Plain
7	4720 159	2				EX0	DG0		PLUG, Cylinder Block Oil Hole
8	4897 831AA	10				EX0	DG0		STUD
9	4883 399AA	5				EX0	DG0		ROCKER ARM, Exhaust
10	4863 861	5				EX0	DG0		SPRING, Valve
11	4883 396AA	10				EX0	DG0		NUT
12	4883 398AA	5				EX0	DG0		ROCKER ARM, Intake
13	4720 155	20				EX0	DG0		LOCK, Valve Spring Retainer
14	4720 152	10				EX0	DG0		RETAINER, Valve Spring
15	4720 158	10				EX0	DG0		SPRING, Valve
16	4720 153	10				EX0	DG0		WASHER, Plain
17	4883 821AA	10				EX0	DG0		SEAL, Valve Guide
18	4883 417AA	10				EX0	DG0		GUIDE, Intake/Exhaust Valve, Standard Size
-19	4883 820AA-	AR				EX0	DG0		GUIDE, Intake/Exhaust Valve, 0. 10mm Oversize
20	4723 241	10				EX0	DG0		STUD
21	4723 196AB	5				EX0	DG0		PLUG, Camshaft
22	4882 405	10				EX0	DG0		STUD
23	4723 210	5				EX0	DG0		PLUG, Cylinder Block Oil Hole
24	4723 245	5				EX0	DG0		SEAT, Intake Valve, 0.30mm Oversize
25	4720 146	5				EX0	DG0		VALVE, Intake, Standard
26	4883 397AA	5				EX0	DG0		ROCKER ARM, Inlet and Exhaust Valve
27	4883 416AB	5				EX0	DG0		HEAD, Cylinder
28	4863 769	5				EX0	DG0		PLUG
29									GASKET, Cylinder Head
	5014 982AA	1				EX0	DG0		1.41
	5014 983AA	1				EX0	DG0		1.51
	5014 984AA	1				EX0	DG0		1.61
30	4723 196AB	2				EX0	DG0		PLUG, Camshaft
31	5014 981AA	1				EX0	DG0		CAMSHAFT, Engine
32	4773 701	5				EX0	DG0		BRACKET, Antirotation
33	4883 395AA	10				EX0	DG0		PUSH ROD, Valve

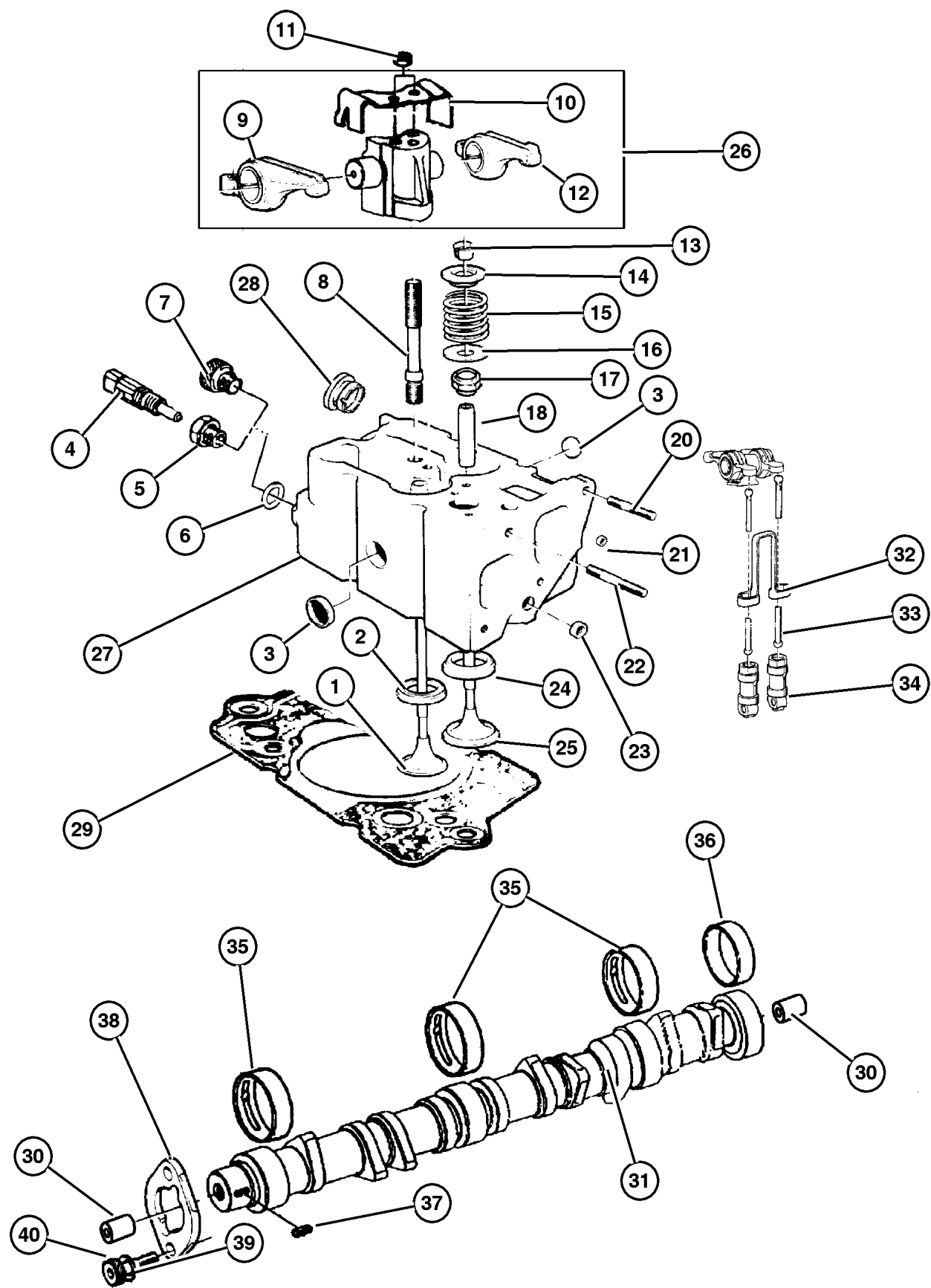
JEEP GRAND CHEROKEE (WJ)

SERIES	LINE	BODY	ENGINE	TRANSMISSION
L = Grand Cherokee	J = 4WD T = 2WD U = 4WD (RHD)	74 = 4 Door (105.9 WB)	ERH,ERO = 4.0L, Power Tech EVA,EVO = 4.7L, Power Tech EXA,EXO = 3.1L 5 cyl Turbo Diesel	DGK = 4 Speed Autm, 42RE DG4 = Multi Speed Auto 45RFE DGW = 4 Speed Autom 44RE DGO = All Automatic

AR = Use as required - = Non illustrated part # = New this model year

September 15, 2005

Camshaft and Valves 3.1L (EXA) Diesel Engine Figure 3.1L-510



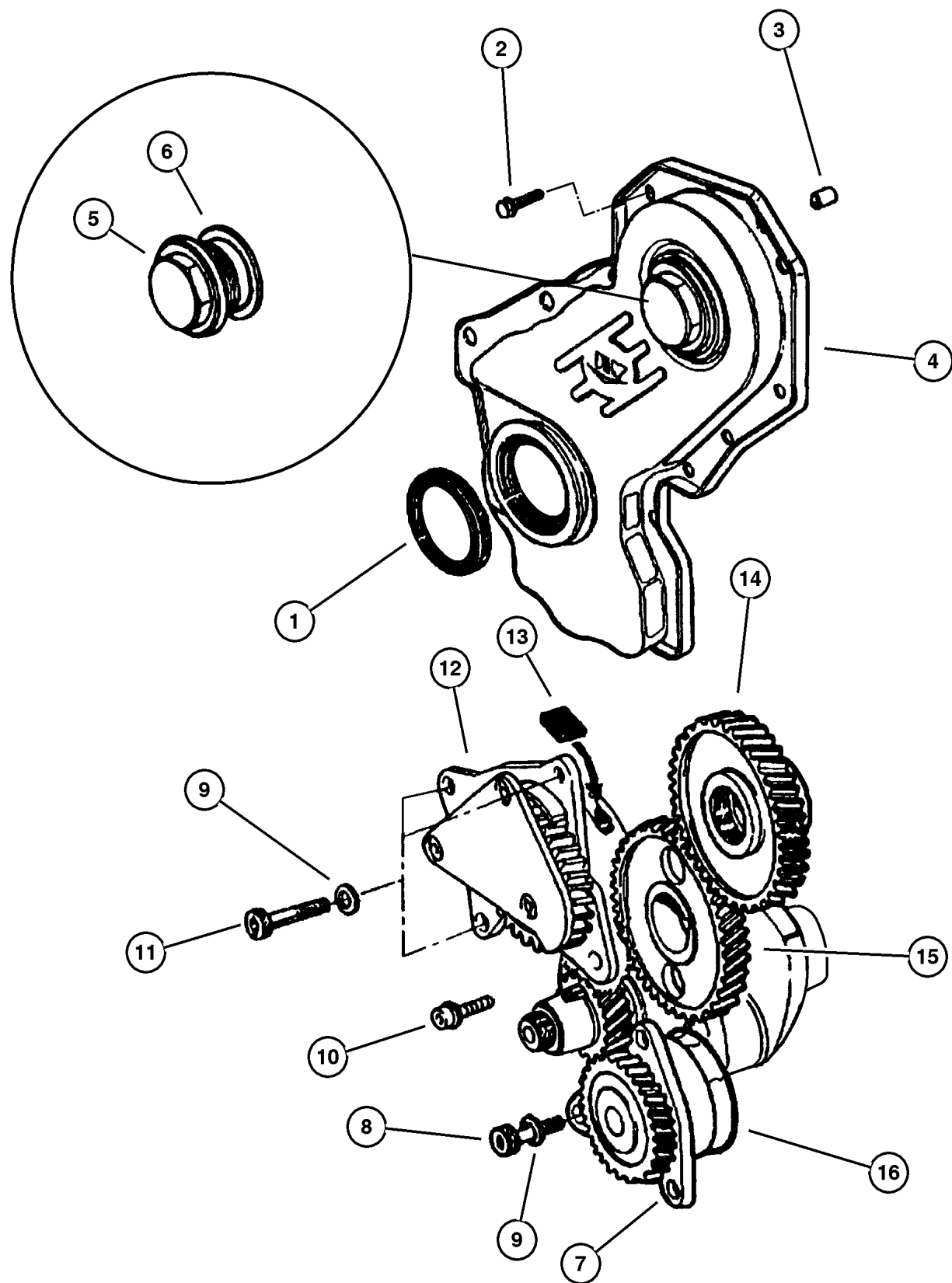
ITEM	PART NUMBER	QTY	LINE	SERIES	BODY	ENGINE	TRANS	TRIM	DESCRIPTION
34	4773 712	10				EX0	DG0		TAPPET, Valve
35	4720 220	3				EX0	DG0		BEARING, Camshaft
36	5014 966AA	1				EX0	DG0		BEARING, Camshaft
37	4720 137	1				EX0	DG0		KEY, Camshaft Sprocket
38	4723 163	1				EX0	DG0		PLATE, Camshaft Thrust
39	4723 165	2				EX0	DG0		WASHER, P Clip
40	4720 135	2				EX0	DG0		BOLT, Hex Head, M8x18

JEEP GRAND CHEROKEE (WJ)				
SERIES	LINE	BODY	ENGINE	TRANSMISSION
L = Grand Cherokee	J = 4WD T = 2WD U = 4WD (RHD)	74 = 4 Door (105.9 WB)	ERH,ERO = 4.0L, Power Tech EVA,EVO = 4.7L, Power Tech EXA,EXO = 3.1L 5 cyl Turbo Diesel	DGK = 4 Speed Autm, 42RE DG4 = Multi Speed Auto 45RFE DGW = 4 Speed Autom 44RE DGO = All Automatic

AR = Use as required - = Non illustrated part # = New this model year

September 15, 2005

Timing Gear and Cover 3.1L (EXA) Diesel Engine
Figure 3.1L-610



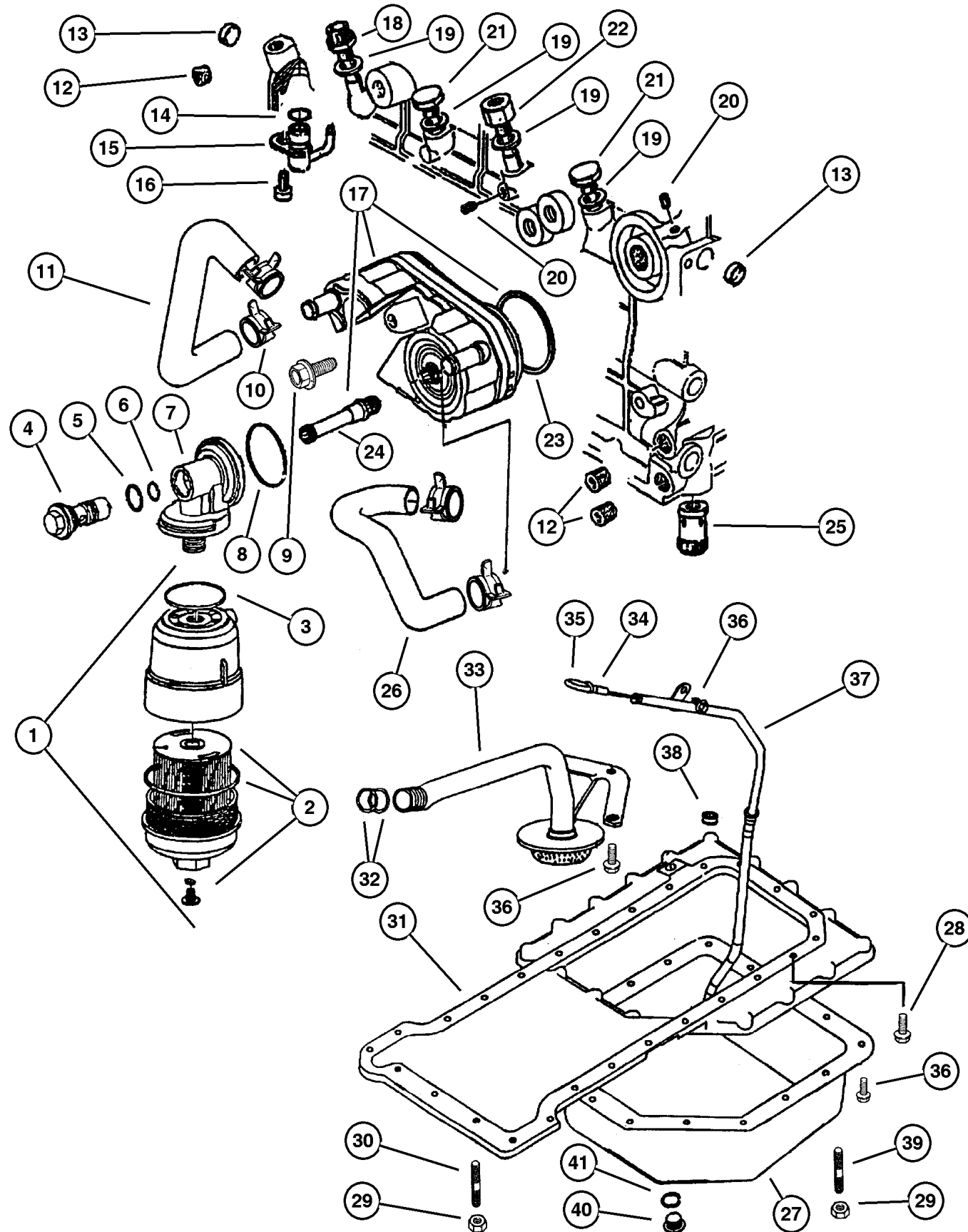
ITEM	PART NUMBER	QTY	LINE	SERIES	BODY	ENGINE	TRANS	TRIM	DESCRIPTION
NOTE: EX0=All 3.1L Engines DG0=All Automatic Transmissions									
1	5010 856AA	1				EX0	DG0		SEAL, Timing Belt Cover
2	4864 550	18				EX0	DG0		SCREW
3	4720 304	2				EX0	DG0		DOWEL, Front Cover
4	5010 853AA	1				EX0	DG0		COVER, Timing Belt
5	4778 839	1				EX0	DG0		COVER, Timing Belt
6	4720 290	1				EX0	DG0		GASKET, Engine Oil Plug
7	5015 006AA	1				EX0	DG0		PUMP, Engine Oil
8	4720 135	3				EX0	DG0		BOLT, Hex Head, M8x18
9	4720 565	3				EX0	DG0		WASHER, Tube Bolt
10	5003 539AA	1				EX0	DG0		BOLT
11	4720 136	3				EX0	DG0		BOLT, Hex Head, M8x20
12	5003 716AB	1				EX0	DG0		PUMP, Vacuum
13	5010 821AA	3				EX0	DG0		INSERT, Vacuum Pump Rotor
14	4882 412	1				EX0	DG0		GEAR, Injection Pump
15	4882 403	1				EX0	DG0		GEAR, Camshaft
16	4720 239	1				EX0	DG0		O RING, Adaptor Plate

JEEP GRAND CHEROKEE (WJ)				
SERIES	LINE	BODY	ENGINE	TRANSMISSION
L = Grand Cherokee	J = 4WD T = 2WD U = 4WD (RHD)	74 = 4 Door (105.9 WB)	ERH,ERO = 4.0L, Power Tech EVA,EVO = 4.7L, Power Tech EXA,EXO = 3.1L 5 cyl Turbo Diesel	DGK = 4 Speed Autm, 42RE DG4 = Multi Speed Auto 45RFE DGW = 4 Speed Autom 44RE DGO = All Automatic

AR = Use as required - = Non illustrated part # = New this model year

September 15, 2005

Engine Oiling 3.1L (EXA) Diesel Engine Figure 3.1L-710



ITEM	PART NUMBER	QTY	LINE	SERIES	BODY	ENGINE	TRANS	TRIM	DESCRIPTION
NOTE: EX0=All 3.1L Engines DG0=All Automatic Transmissions									
1	5015 064AA	1				EX0	DG0		FILTER, Engine Oil
2	5015 171AA	1				EX0	DG0		FILTER, Engine Oil
3	5015 172AA	1				EX0	DG0		GASKET, Oil Filter Head
4	5015 063AA	1				EX0	DG0		BOLT
5	4723 334	1				EX0	DG0		GASKET, Valve
6	4886 305AA	1				EX0	DG0		O RING, Oil Filter Adapter
7	4883 526AA	1				EX0	DG0		BASE, Oil Filter
8	4720 375	1				EX0	DG0		O RING, Oil Filter Base
9	5003 724AA	1				EX0	DG0		SCREW
10	4883 924AA	4				EX0	DG0		CLAMP, Heater Hose
11	5015 052AA	1				EX0	DG0		HOSE, Engine Oil Cooler
12	4864 753	3				EX0	DG0		PLUG
13	4723 211	2				EX0	DG0		PLUG, Cylinder Block Oil Hole
14	4864 689	5				EX0	DG0		O RING
15	4864 041AB	5				EX0	DG0		JET, Valve Body
16	4882 620	5				EX0	DG0		SCREW
17	5014 360AA	1				EX0	DG0		COOLER, Engine Oil
18	4720 709	1				EX0	DG0		BOLT, Turbo Oil Feed Adapter
19	4720 704	5				EX0	DG0		WASHER, Oil Pressure Transducer
20	4883 424AA	2				EX0	DG0		PLUG, Cylinder Block
21	4720 726	2				EX0	DG0		BOLT, Oil Feed To Turbo Adapter
22	5015 007AA	1				EX0	DG0		PIN
23	4723 217	1				EX0	DG0		O RING, Oil Cooler
24	5015 178AA	1				EX0	DG0		FITTING, Engine Oil Cooler
25	5003 543AA	1				EX0	DG0		VALVE, Oil Pressure Relief
26	5014 358AA	1				EX0	DG0		HOSE, Engine Oil Cooler
27	5015 059AA	1				EX0	DG0		PAN, Oil
28	4864 551	24				EX0	DG0		SCREW
29	4778 936	4				EX0	DG0		NUT, Suction Pipe Attaching
30	5015 062AA	2				EX0	DG0		STUD
31	5015 060AA	1				EX0	DG0		PAN, Engine Oil
32	4720 374	2				EX0	DG0		O RING, Oil Suction Tube
33	5015 061AA	1				EX0	DG0		PICKUP, Engine Oil
34	4720 373	1				EX0	DG0		O RING, Engine Oil Indicator
35	5015 051AA	1				EX0	DG0		INDICATOR, Engine Oil Level
36	4864 550	18				EX0	DG0		SCREW
37	5015 053AA	1				EX0	DG0		TUBE, Oil Gauge
38	4720 362	1				EX0	DG0		GASKET, Engine Oil Indicator Pipe
39	4864 745	1				EX0	DG0		BOLT
40	4720 352	1				EX0	DG0		PLUG, Oil Drain
41	4720 353	1				EX0	DG0		WASHER, Plain

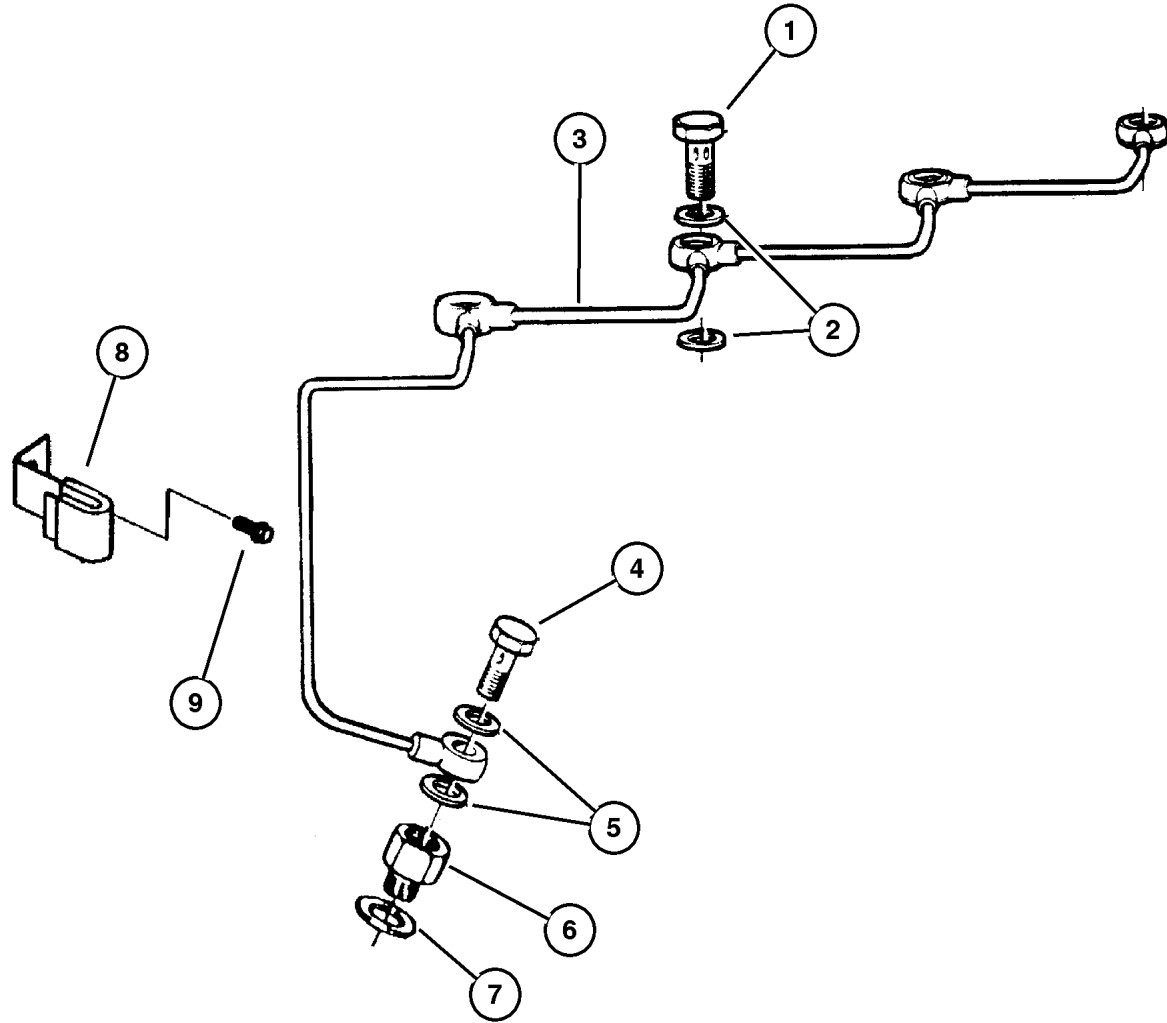
JEEP GRAND CHEROKEE (WJ)

SERIES	LINE	BODY	ENGINE	TRANSMISSION
L = Grand Cherokee	J = 4WD T = 2WD U = 4WD (RHD)	74 = 4 Door (105.9 WB)	ERH,ERO = 4.0L, Power Tech EVA,EVO = 4.7L, Power Tech EXA,EXO = 3.1L 5 cyl Turbo Diesel	DGK = 4 Speed Autm, 42RE DG4 = Multi Speed Auto 45RFE DGW = 4 Speed Autom 44RE DGO = All Automatic

AR = Use as required - = Non illustrated part # = New this model year

September 15, 2005

**Oil Lines 3.1L (EXA) Diesel Engine
Figure 3.1L-720**



ITEM	PART NUMBER	QTY	LINE	SERIES	BODY	ENGINE	TRANS	TRIM	DESCRIPTION
------	-------------	-----	------	--------	------	--------	-------	------	-------------

NOTE: EX0=All 3.1L Engines DG0=All Automatic Transmissions

1	4720 358	6				EX0	DG0		BOLT, Banjo
2	4720 554	12				EX0	DG0		WASHER, Banjo
3	5015 005AA	1				EX0	DG0		TUBE, Oil Feed
4	4720 358	6				EX0	DG0		BOLT, Banjo
5	4720 554	12				EX0	DG0		WASHER, Banjo
6	4863 777	1				EX0	DG0		UNION
7	4720 704	5				EX0	DG0		WASHER, Oil Pressure Transducer
8	5013 828AB	1				EX0	DG0		BRACKET, Tube
9	5014 071AA	1				EX0	DG0		BOLT, M5x10

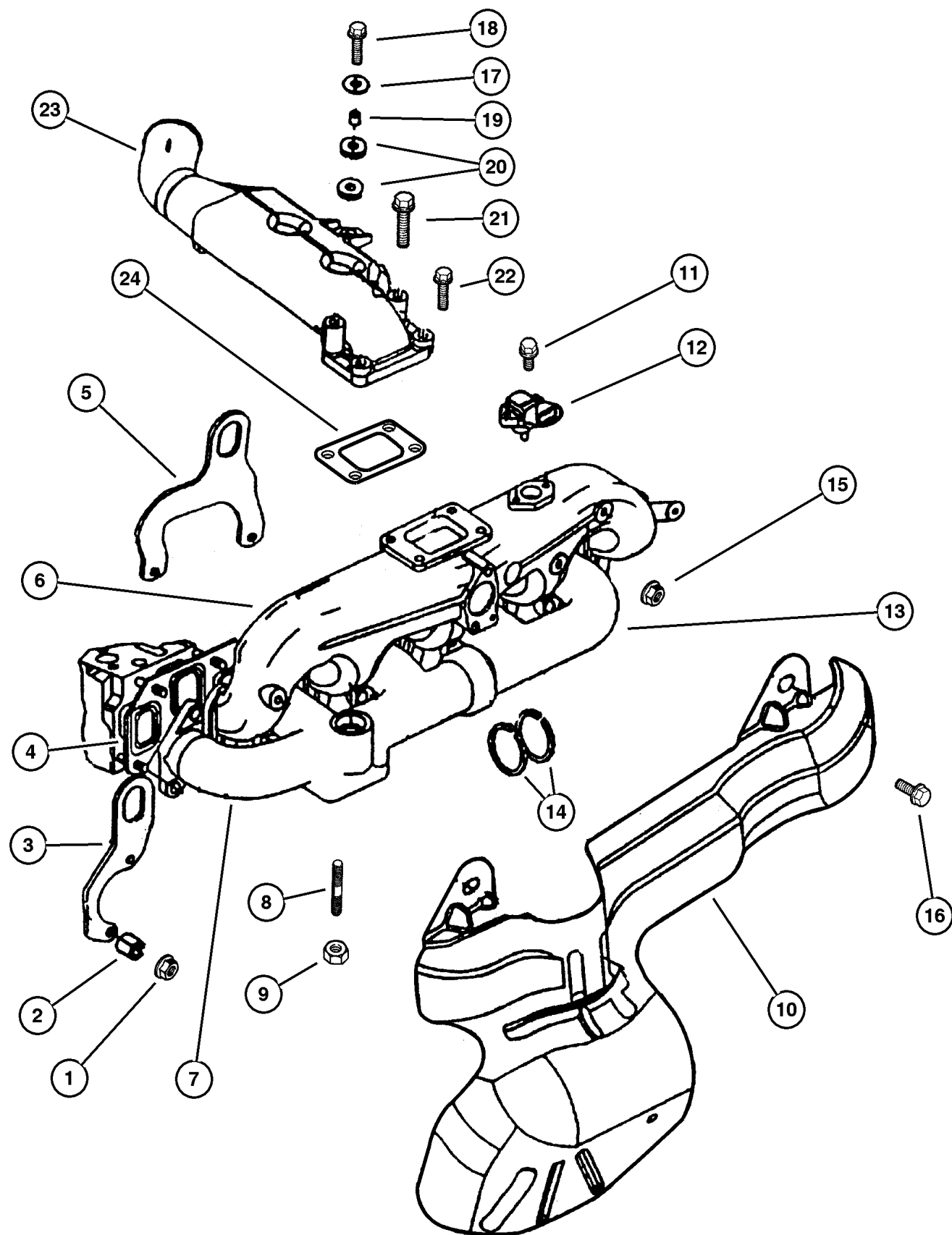
JEEP GRAND CHEROKEE (WJ)

SERIES	LINE	BODY	ENGINE	TRANSMISSION
L = Grand Cherokee	J = 4WD T = 2WD U = 4WD (RHD)	74 = 4 Door (105.9 WB)	ERH,ERO = 4.0L, Power Tech EVA,EVO = 4.7L, Power Tech EXA,EXO = 3.1L 5 cyl Turbo Diesel	DGK = 4 Speed Autm, 42RE DG4 = Multi Speed Auto 45RFE DGW = 4 Speed Autom 44RE DGO = All Automatic

AR = Use as required - = Non illustrated part # = New this model year

September 15, 2005

**Manifold, Intake and Exhaust 3.1L (EXA) Diesel Engine
Figure 3.1L-810**



ITEM	PART NUMBER	QTY	LINE	SERIES	BODY	ENGINE	TRANS	TRIM	DESCRIPTION
NOTE: EX0=All 3.1L Engines DG0=All Automatic Transmissions									
1	4882 611	10				EX0	DG0		NUT, Lock
2	5014 348AA	10				EX0	DG0		SPACER
3	5014 073AA	1				EX0	DG0		BRACKET, Engine Lift
4	5015 016AA	1				EX0	DG0		GASKET, Intake/Exhaust Manifold
5	5015 056AA	1				EX0	DG0		BRACKET, Engine Lift
6	5015 009AA	1				EX0	DG0		MANIFOLD, Intake
7	5015 058AA	1				EX0	DG0		MANIFOLD, Exhaust
8	4882 606	4				EX0	DG0		STUD, Turbo Elbow
9	4882 610	4				EX0	DG0		NUT, Lock
10	5015 029AA	1				EX0	DG0		SHIELD, Heat
11	5014 066AA	2				EX0	DG0		BOLT
12	5003 734AA	1				EX0	DG0		SENSOR, Air Temperature
13	5015 057AA	1				EX0	DG0		MANIFOLD, Exhaust
14	4720 214	2				EX0	DG0		CIRCLIP, Exhaust Manifold
15	4778 961	10				EX0	DG0		NUT
16	5003 553AA	2				EX0	DG0		SCREW
17	5015 014AA	1				EX0	DG0		WASHER
18	4864 551	1				EX0	DG0		SCREW
19	5015 011AA	1				EX0	DG0		SPACER
20	5015 112AA	2				EX0	DG0		GROMMET
21	5015 113AA	2				EX0	DG0		BOLT
22	4864 534	2				EX0	DG0		BOLT, Adaptor Plate
23	5015 010AA	1				EX0	DG0		ELBOW, Intake Manifold Vacuum
24	5015 015AA	1				EX0	DG0		GASKET, Intake Connector

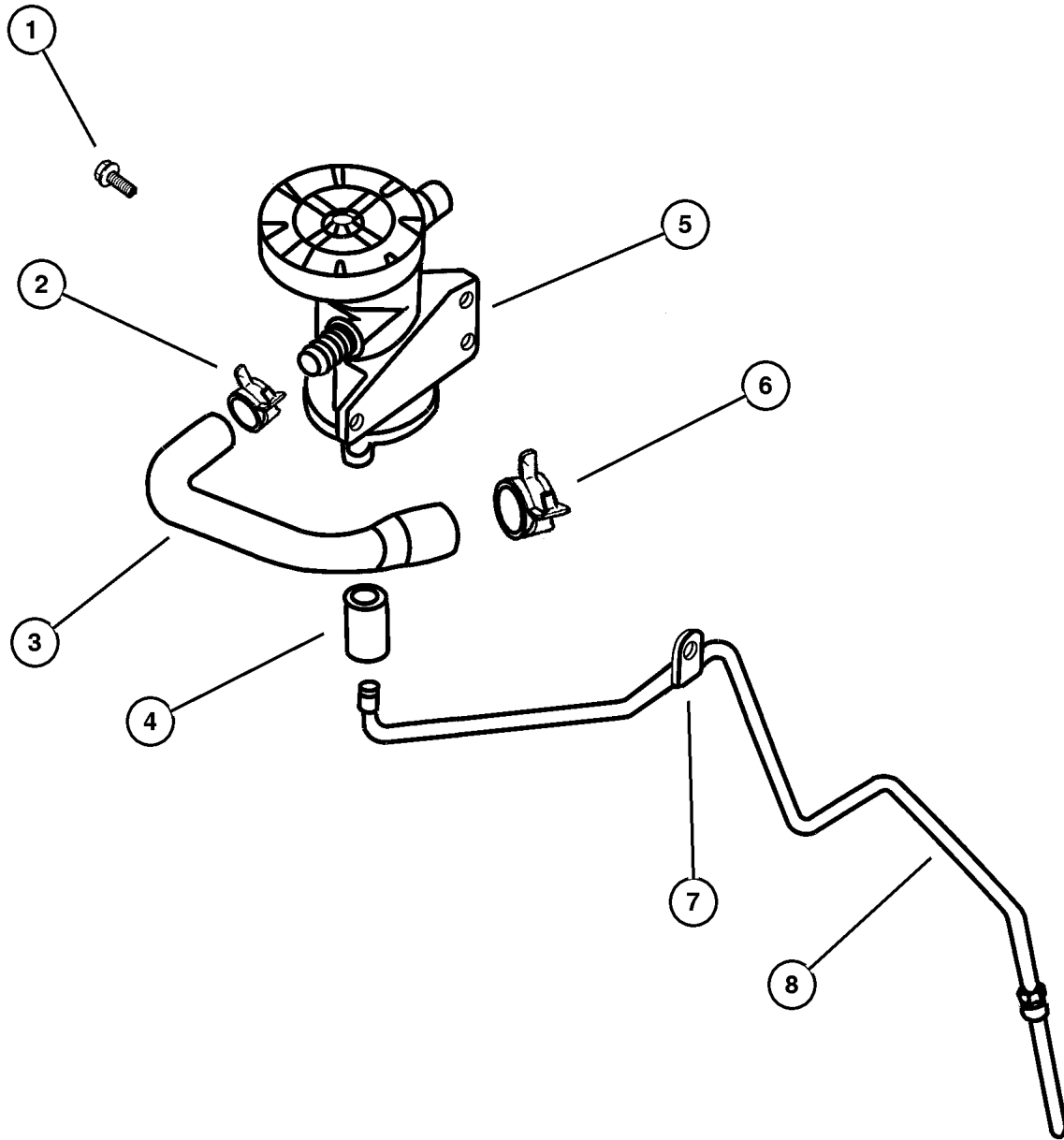
JEEP GRAND CHEROKEE (WJ)				
SERIES	LINE	BODY	ENGINE	TRANSMISSION
L = Grand Cherokee	J = 4WD T = 2WD U = 4WD (RHD)	74 = 4 Door (105.9 WB)	ERH,ERO = 4.0L, Power Tech EVA,EVO = 4.7L, Power Tech EXA,EXO = 3.1L 5 cyl Turbo Diesel	DGK = 4 Speed Autm, 42RE DG4 = Multi Speed Auto 45RFE DGW = 4 Speed Autom 44RE DGO = All Automatic

AR = Use as required - = Non illustrated part # = New this model year

September 15, 2005

**Crankcase Ventilation 3.1L (EXA) Diesel Engine
Figure 3.1L-910**

ITEM	PART NUMBER	QTY	LINE	SERIES	BODY	ENGINE	TRANS	TRIM	DESCRIPTION
NOTE: EX0=All 3.1L Engines DG0=All Automatic Transmissions									
1	5003 553AA	2				EX0	DG0		SCREW
2	4883 924AA	1				EX0	DG0		CLAMP, Heater Hose
3	5015 048AA	1				EX0	DG0		HOSE, Oil Separator
4	5015 049AA	1				EX0	DG0		HOSE, Oil Separator
5	4741 769	1				EX0	DG0		SEPERATOR, Oil
6	4886 050AA	1				EX0	DG0		CLAMP, Heater Hose
7	5015 050AA	1				EX0	DG0		CLIP
8	5015 047AA	1				EX0	DG0		TUBE, Oil Drain



JEEP GRAND CHEROKEE (WJ)				
SERIES	LINE	BODY	ENGINE	TRANSMISSION
L = Grand Cherokee	J = 4WD T = 2WD U = 4WD (RHD)	74 = 4 Door (105.9 WB)	ERH,ERO = 4.0L, Power Tech EVA,EVO = 4.7L, Power Tech EXA,EXO = 3.1L 5 cyl Turbo Diesel	DGK = 4 Speed Autm, 42RE DG4 = Multi Speed Auto 45RFE DGW = 4 Speed Autom 44RE DGO = All Automatic

AR = Use as required - = Non illustrated part # = New this model year

September 15, 2005

Group – 011

Exhaust

GROUP 11 - Exhaust

Illustration Title

Group-Fig. No.

Exhaust System

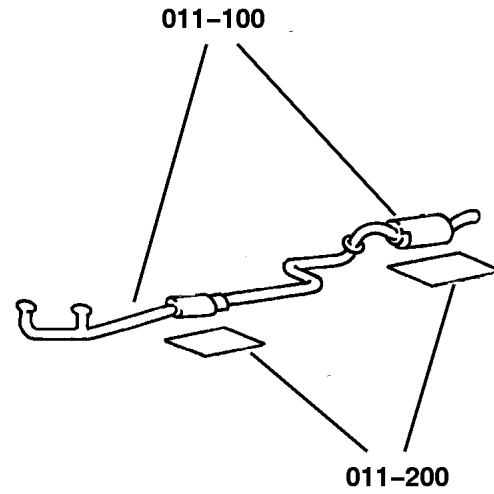
Exhaust System 3.1L (EXA) Diesel Engine Fig. 011-110

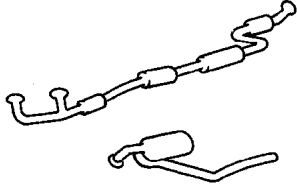
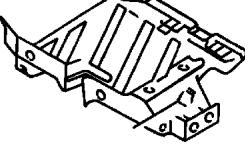
Exhaust System 4.0L (ERH) Engine Fig. 011-120

Exhaust System 4.7L (EVA) Engine Fig. 011-130

Heat Shields

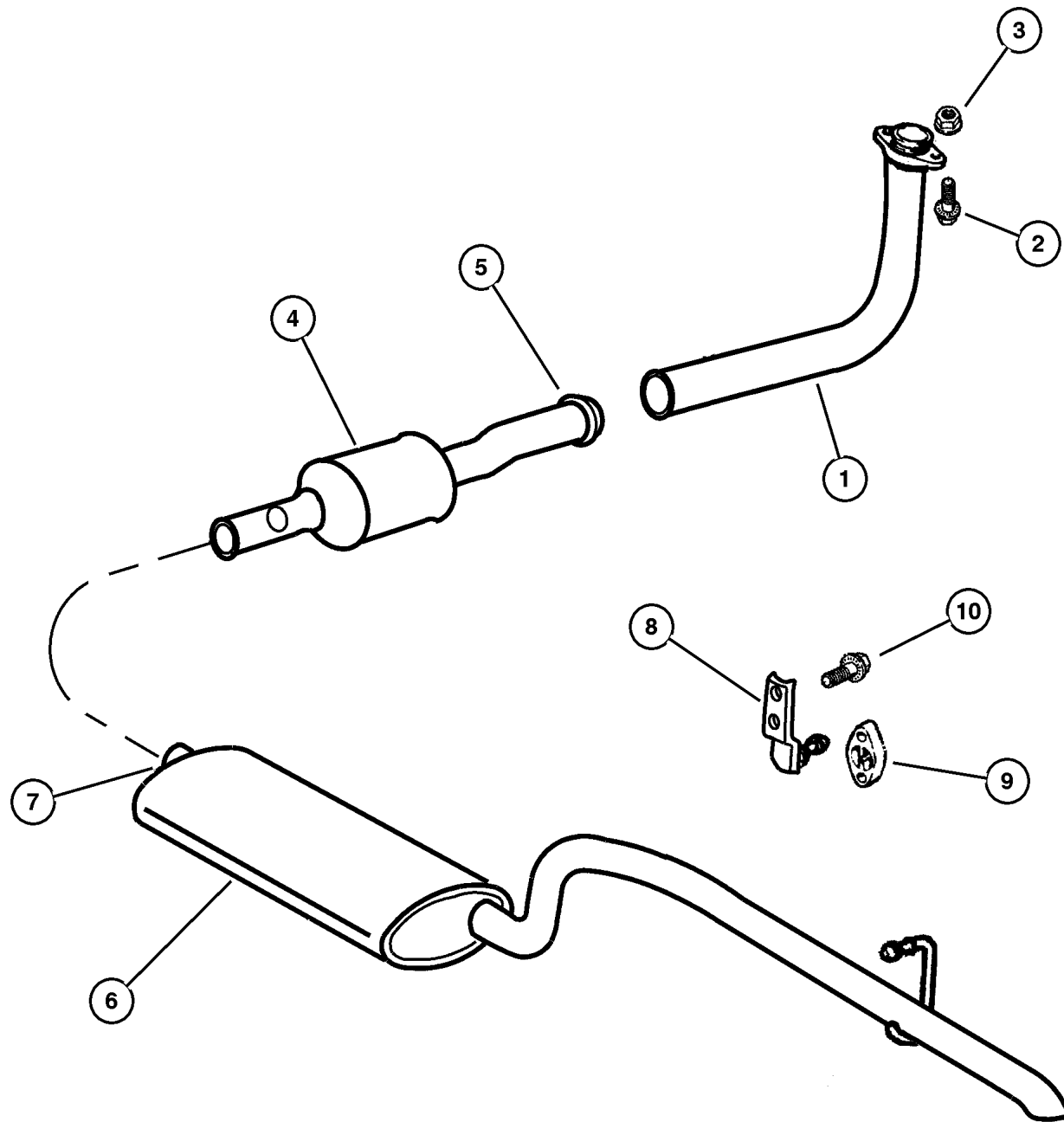
Heat Shields Fig. 011-210



<p>011-100 Exhaust System</p> 	<p>011-200 Heat Shields</p> 		
--	--	--	--

**Exhaust System 3.1L (EXA) Diesel Engine
Figure 011-110**

ITEM	PART NUMBER	QTY	LINE	SERIES	BODY	ENGINE	TRANS	TRIM	DESCRIPTION
NOTE: EX0=All 3.1L Engines									
1	5210 1037	1				EX0			PIPE, Exhaust
2	6505 495AA	2				EX0			SCREW, M10x1.50x60.00
3	6503 231	2				EX0			NUT, Brake Line
4	5210 1394	1				EX0			CONVERTER, Catalytic
5									CLAMP, Serviced in Converter assembly, (NOT SERVICED) (Not Serviced)
6	5210 1043	1				EX0			MUFFLER AND TAILPIPE, Exhaust
7	5210 1040	1				EX0			CLAMP, Exhaust
8	52079 758AA	1							HANGER, Exhaust
9	52101 068AA	1							INSULATOR, Exhaust
10	6101 542	2							SCREW, Hex Head, M8-1.25 x 20

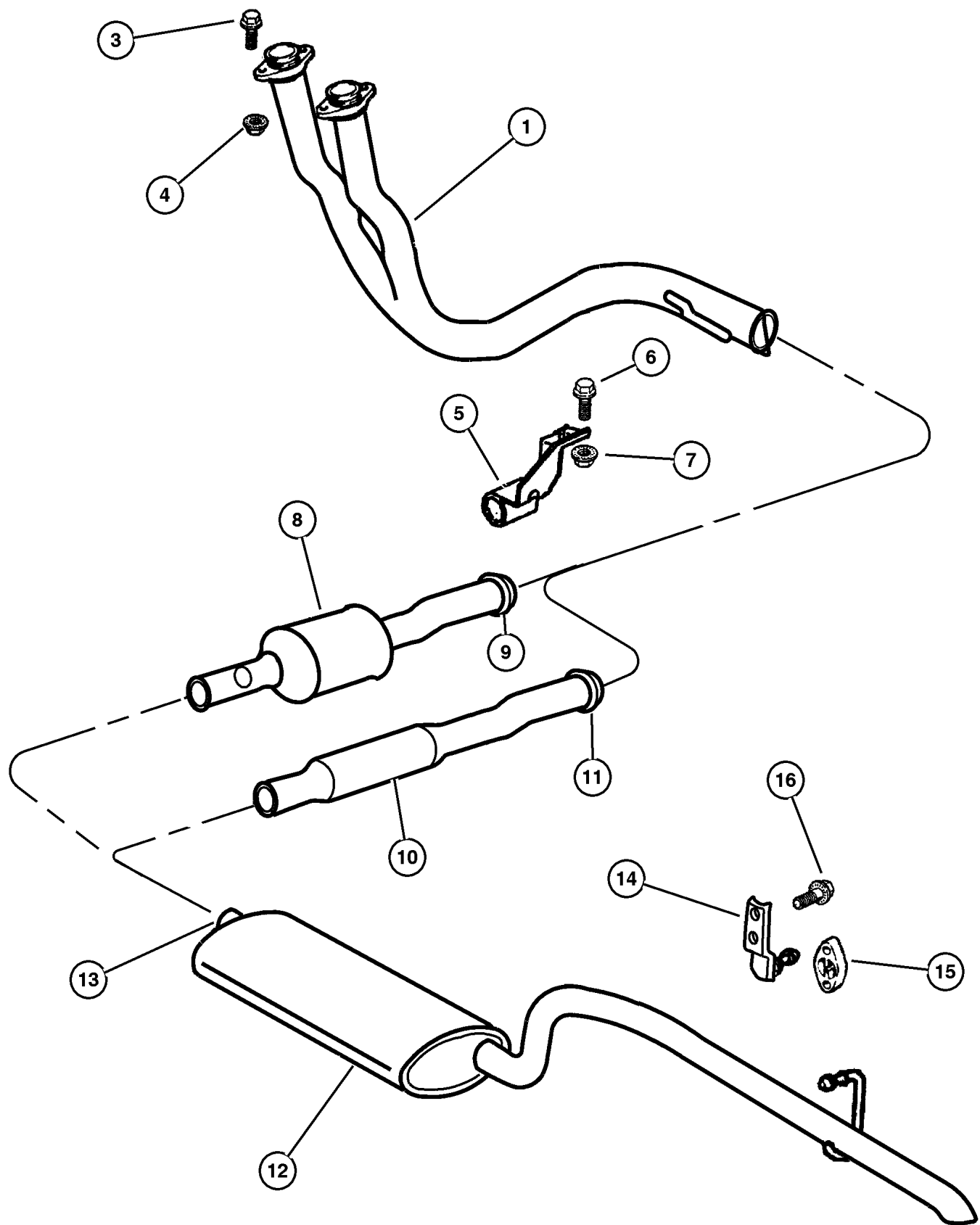


JEEP GRAND CHEROKEE (WJ)				
SERIES	LINE	BODY	ENGINE	TRANSMISSION
L = Grand Cherokee	J = 4WD T = 2WD U = 4WD (RHD)	74 = 4 Door (105.9 WB)	ERH,ERO = 4.0L, Power Tech EVA,EVO = 4.7L, Power Tech EXA,EXO = 3.1L 5 cyl Turbo Diesel	DGK = 4 Speed Autm, 42RE DG4 = Multi Speed Auto 45RFE DGW = 4 Speed Autom 44RE DGO = All Automatic

AR = Use as required - = Non illustrated part # = New this model year

September 15, 2005

**Exhaust System 4.0L (ERH) Engine
Figure 011-120**



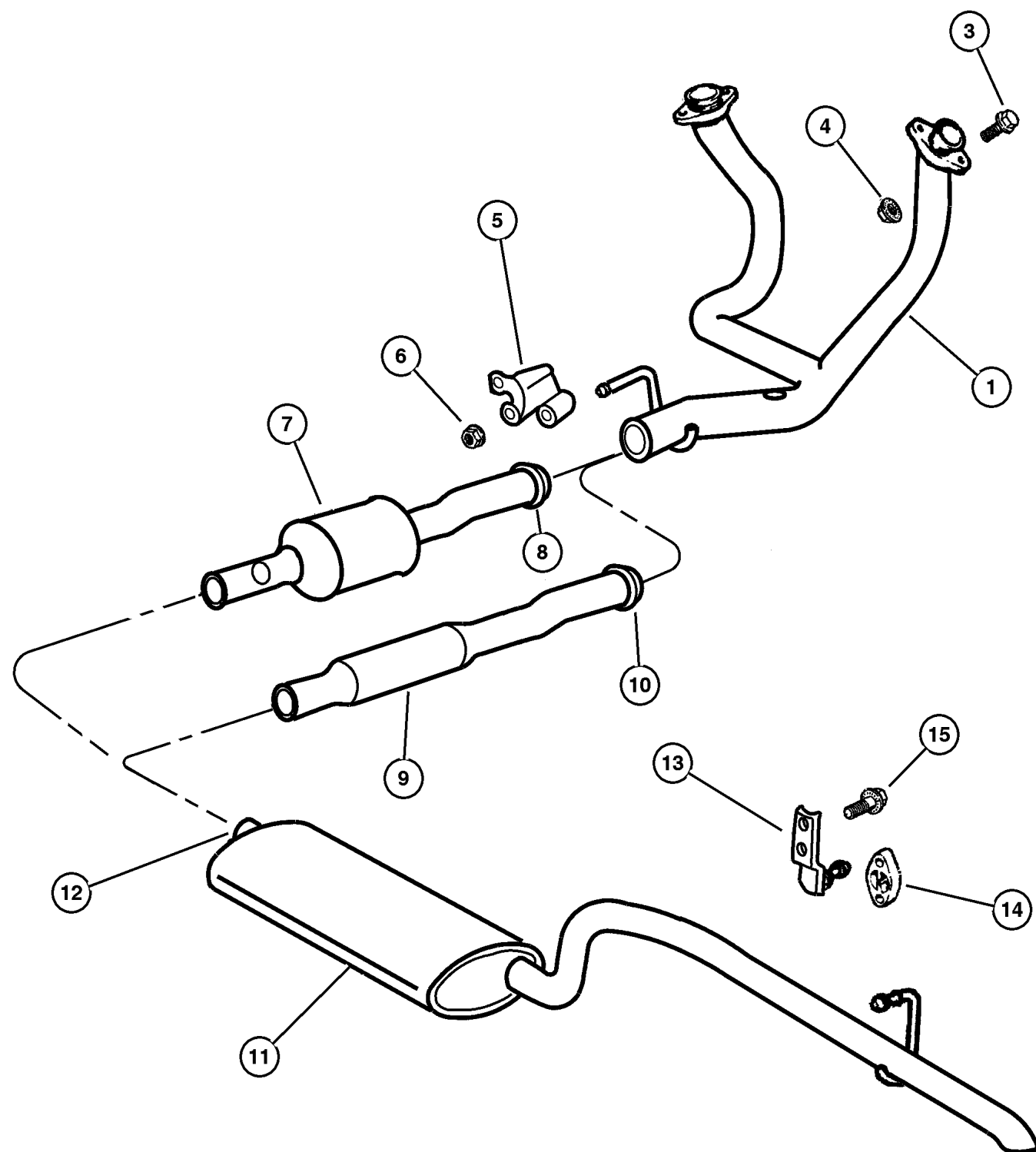
ITEM	PART NUMBER	QTY	LINE	SERIES	BODY	ENGINE	TRANS	TRIM	DESCRIPTION
NOTE: ER0=All 4.0L Engines DG0=All Automatic Transmissions									
1	5210 1090	1				ER0			PIPE, Exhaust, Federal, Canada
-2	52101 091AB-	1				ER0			CONVERTER, Catalytic, California
3	6504 819AA	4				ER0			SCREW, Hex Head
4	6503 231	4				ER0,			NUT, Brake Line
5	5210 1017	1				EVO			HANGER, Exhaust
6	6022 266	1	J, U			ER0	DG0		SCREW, Hex Head, .375-16x1.5
7	0152 474	1	T			ER0			NUT, Hex Flange Lock, .375-16
8	5210 1390	1	T			ER0			CONVERTER, Catalytic Federal, Canada
9	5210 1391	1				ER0			California CLAMP, Serviced in Converter assembly, (NOT SERVICED) (Not Serviced)
10	52101 122AA	1				ER0, EVO			RESONATOR, Exhaust
11									CLAMP, Serviced in Resonator Assembly, (NOT SERVICED) (Not Serviced)
12	5210 1040	1				ER0			CLAMP, Exhaust
13	52101 094AB	1				ER0			MUFFLER AND TAILPIPE, Exhaust
14	52101 141AD	1							NAA=NAE HANGER, Tailpipe
15	52101 068AA	1							INSULATOR, Exhaust
16	6101 542	2							SCREW, Hex Head, M8-1.25 x 20

JEEP GRAND CHEROKEE (WJ)				
SERIES	LINE	BODY	ENGINE	TRANSMISSION
L = Grand Cherokee	J = 4WD T = 2WD U = 4WD (RHD)	74 = 4 Door (105.9 WB)	ERH,ERO = 4.0L, Power Tech EVA,EVO = 4.7L, Power Tech EXA,EXO = 3.1L 5 cyl Turbo Diesel	DGK = 4 Speed Autm, 42RE DG4 = Multi Speed Auto 45RFE DGW = 4 Speed Autom 44RE DGO = All Automatic

AR = Use as required - = Non illustrated part # = New this model year

September 15, 2005

**Exhaust System 4.7L (EVA) Engine
Figure 011-130**



ITEM	PART NUMBER	QTY	LINE	SERIES	BODY	ENGINE	TRANS	TRIM	DESCRIPTION
NOTE: EVO=All 4.7L Engines, ERO= All 4.0L Engines									
1	52101 092AB	1				EVO			PIPE, Exhaust, Federal, Canada
-2	52101 093AB-	1				EVO			CONVERTER, Catalytic, California
3	6504 658	4				EVO			SCREW, Hex Head
4	6503 231	4				ERO,			NUT
5	5210 1018	1				EVO			HANGER, Exhaust, California
6	6502 696	2				EVO			NUT, Hex Flange Lock, M10x1.5
7									CONVERTER, Catalytic
	5210 1392	1				EVO			Federal, Canada
	5210 1393	1				EVO			California This One is a Secondary Underfloor Converter Between--The Muffler and The Main Front Converter and Y-Pipe.
8									CLAMP, Serviced in Converter Assembly, (NOT SERVICED) (Not Serviced)
9	52101 122AA	1				ERO, EVO			RESONATOR, Exhaust
10									CLAMP, Serviced in Resonator Assembly, (NOT SERVICED) (Not Serviced)
11	5210 1095	1				EVO			MUFFLER AND TAILPIPE, Exhaust
12	5210 1040	1				EVO			CLAMP, Exhaust
13	52079 758AA	1							HANGER, Exhaust
14	52101 068AA	1							INSULATOR, Exhaust
15	6101 542	2							SCREW, Hex Head, M8-1.25 x 20

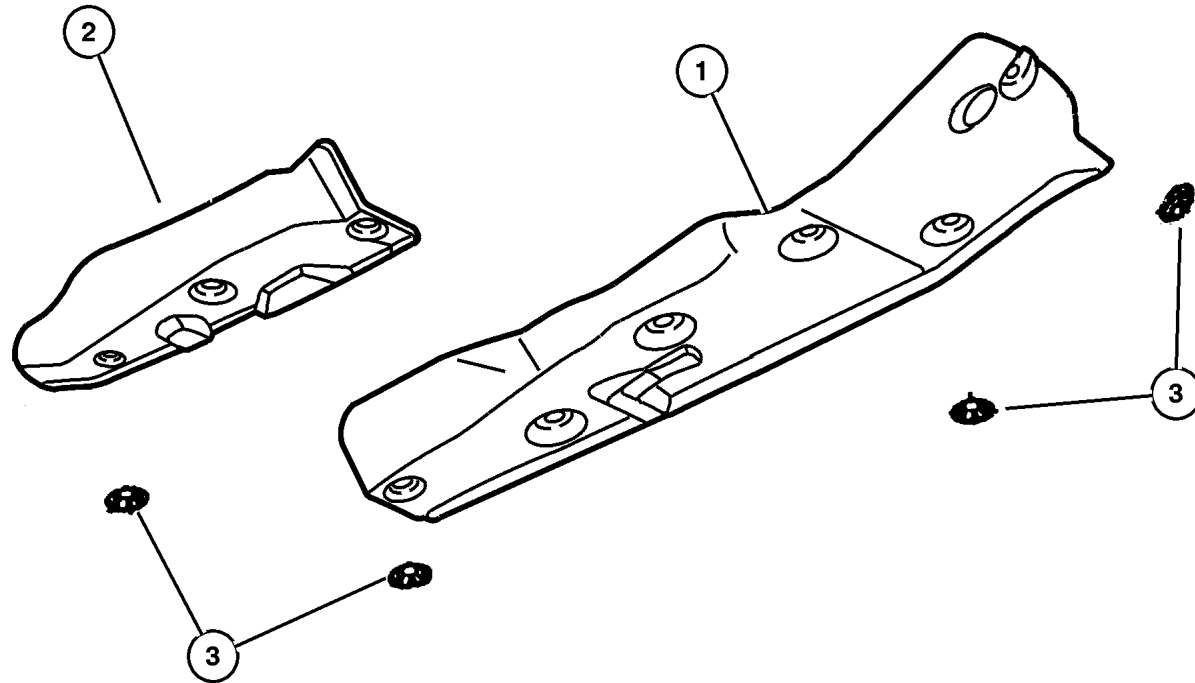
JEEP GRAND CHEROKEE (WJ)				
SERIES	LINE	BODY	ENGINE	TRANSMISSION
L = Grand Cherokee	J = 4WD T = 2WD U = 4WD (RHD)	74 = 4 Door (105.9 WB)	ERH,ERO = 4.0L, Power Tech EVA,EVO = 4.7L, Power Tech EXA,EXO = 3.1L 5 cyl Turbo Diesel	DGK = 4 Speed Autm, 42RE DG4 = Multi Speed Auto 45RFE DGW = 4 Speed Autom 44RE DGO = All Automatic

AR = Use as required - = Non illustrated part # = New this model year

September 15, 2005

Heat Shields Figure 011-210

ITEM	PART NUMBER	QTY	LINE	SERIES	BODY	ENGINE	TRANS	TRIM	DESCRIPTION
1	55135 709AB	1							SHIELD, Heat
2	55135 712AB	1							SHIELD, Heat
3									NUT, Heat Shield Attach, M5x1.60, (NOT SERVICED) (Not Serviced)



JEEP GRAND CHEROKEE (WJ)				
SERIES	LINE	BODY	ENGINE	TRANSMISSION
L = Grand Cherokee	J = 4WD T = 2WD U = 4WD (RHD)	74 = 4 Door (105.9 WB)	ERH,ERO = 4.0L, Power Tech EVA,EVO = 4.7L, Power Tech EXA,EXO = 3.1L 5 cyl Turbo Diesel	DGK = 4 Speed Autm, 42RE DG4 = Multi Speed Auto 45RFE DGW = 4 Speed Autom 44RE DGO = All Automatic

AR = Use as required - = Non illustrated part # = New this model year

September 15, 2005

Group – 013

Frames and Bumpers

GROUP 13 - Frames and Bumpers

Illustration Title

Group-Fig. No.

Front Bumper and Fascia

Bumper, Front Fig. 013-240

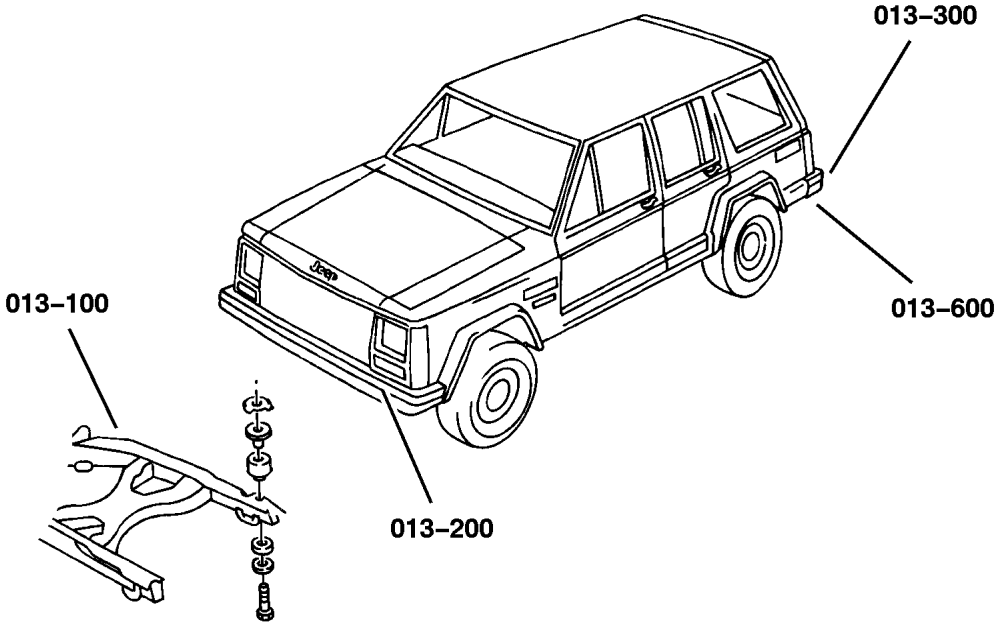
Rear Bumper and Fascia

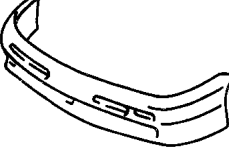


Bumper, Rear Fig. 013-340

Trailer Tow

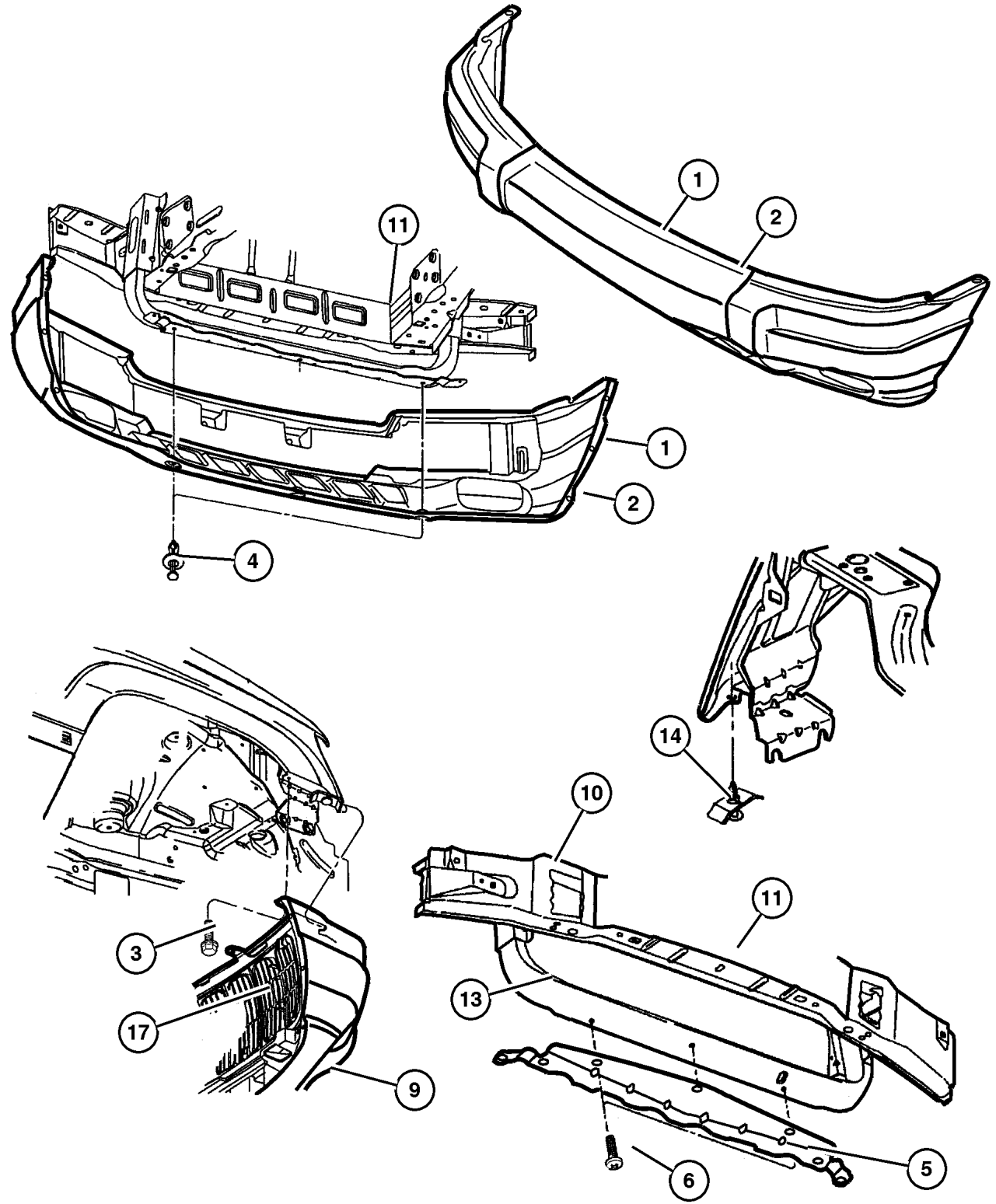
Tow Eye Fig. 013-610

Rear Hitch Fig. 013-620



<p>013-200 Front Bumper and Fascia</p> 	<p>013-300 Rear Bumper and Fascia</p> 	<p>013-600 Trailer Tow</p> 	
---	--	---	--

Bumper, Front Figure 013-240



ITEM	PART NUMBER	QTY	LINE	SERIES	BODY	ENGINE	TRANS	TRIM	DESCRIPTION
1									FASCIA, Front, without Grille
	5EU7 9HS5	1							Laredo, w/o Fog Lamps, Dark Gray (Paint Codes: AW, BT, PT, R4, X8)
	5EU7 9VF7	1							Laredo, w/o Fog Lamps, Dark Brownstone (Paint Codes: S4, S5, TH, TK, UL, W1)
	5FN2 9HS5	1							Laredo, w/Fog Lamps, Dark Gray (Paint Codes: AW, BT, PT, R4, X8)
	5FN2 9VF7	1							Laredo, w/Fog Lamps, Dark Brownstone (Paint Codes: S4, S5, TH, TK, UL, W1)
2									FASCIA, Front, Primed, with Grille Limited
	5012 668AA	1							Laredo, w/o Fog Lamps, Dark Gray (Paint Codes: AW, BT, PT, R4, X8)
	5015 233AA	1							Laredo, w/o Fog Lamps, Dark Gray (Paint Codes: AW, BT, PT, R4, X8)
3	6035 188	2							SCREW, Hex Flange Head, .25-14x.875
4	5517 6248	3							PIN, Push
5	55296 138AA	1							BRACKET, Fascia
6									SCREW, M6x1.00x15.00, (NOT SERVICED) (Not Serviced)
-7									SCREW, (NOT SERVICED) (Not Serviced)
-8	6503 267	2							SCREW, Round Head, M6x1x25
9									LICENSE PLATE KIT
	55155 750AA	1							Europe
	55155 995AA	1							Europe
10	5513 5880	1							CROSSMEMBER, Radiator, Front Lower Front
11	5513 6113	1							CROSSMEMBER, Radiator, Front Lower Rear
-12									RAIL, Frame Side
	5012 524AB-	1			J, T				Right
	5012 525AB-	1			J, T				Left
13									CROSSMEMBER, Radiator
	5513 5870	1							Export
	55136 992AA	1							Export
14	6505 361AA	2							PIN, Push
-15	5515 5165	1							ABSORBER, Front Energy, Laredo
-16	5515 5505	1							ABSORBER, Front Energy, Limited

JEEP GRAND CHEROKEE (WJ)

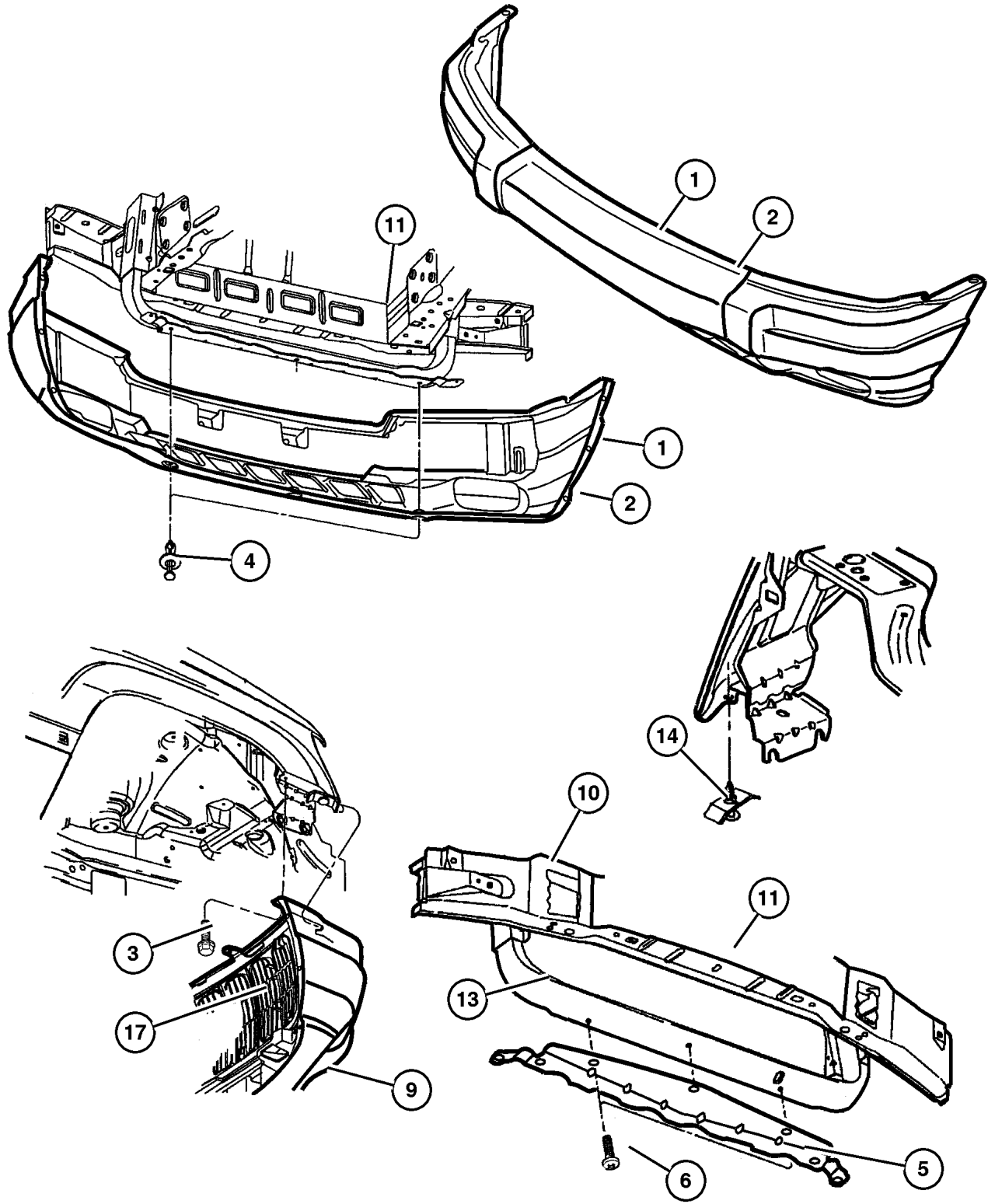
SERIES	LINE	BODY	ENGINE	TRANSMISSION
L = Grand Cherokee	J = 4WD T = 2WD U = 4WD (RHD)	74 = 4 Door (105.9 WB)	ERH,ERO = 4.0L, Power Tech EVA,EVO = 4.7L, Power Tech EXA,EXO = 3.1L 5 cyl Turbo Diesel	DGK = 4 Speed Autm, 42RE DG4 = Multi Speed Auto 45RFE DGW = 4 Speed Autom 44RE DGO = All Automatic

AR = Use as required - = Non illustrated part # = New this model year

September 15, 2005

Bumper, Front Figure 013-240

ITEM	PART NUMBER	QTY	LINE	SERIES	BODY	ENGINE	TRANS	TRIM	DESCRIPTION
17	5GA71 DX9AA	1							GRILLE, Texture
-18	5511 5928	1							DEFLECTOR, Radiator
-19	6505 667AA-	4							PIN, Deflector
-20									SKID PLATE, Front
	5205 8923	1	J, U						[ER0,EV0]
	52059 165AA-	1	J, U						[EX0]



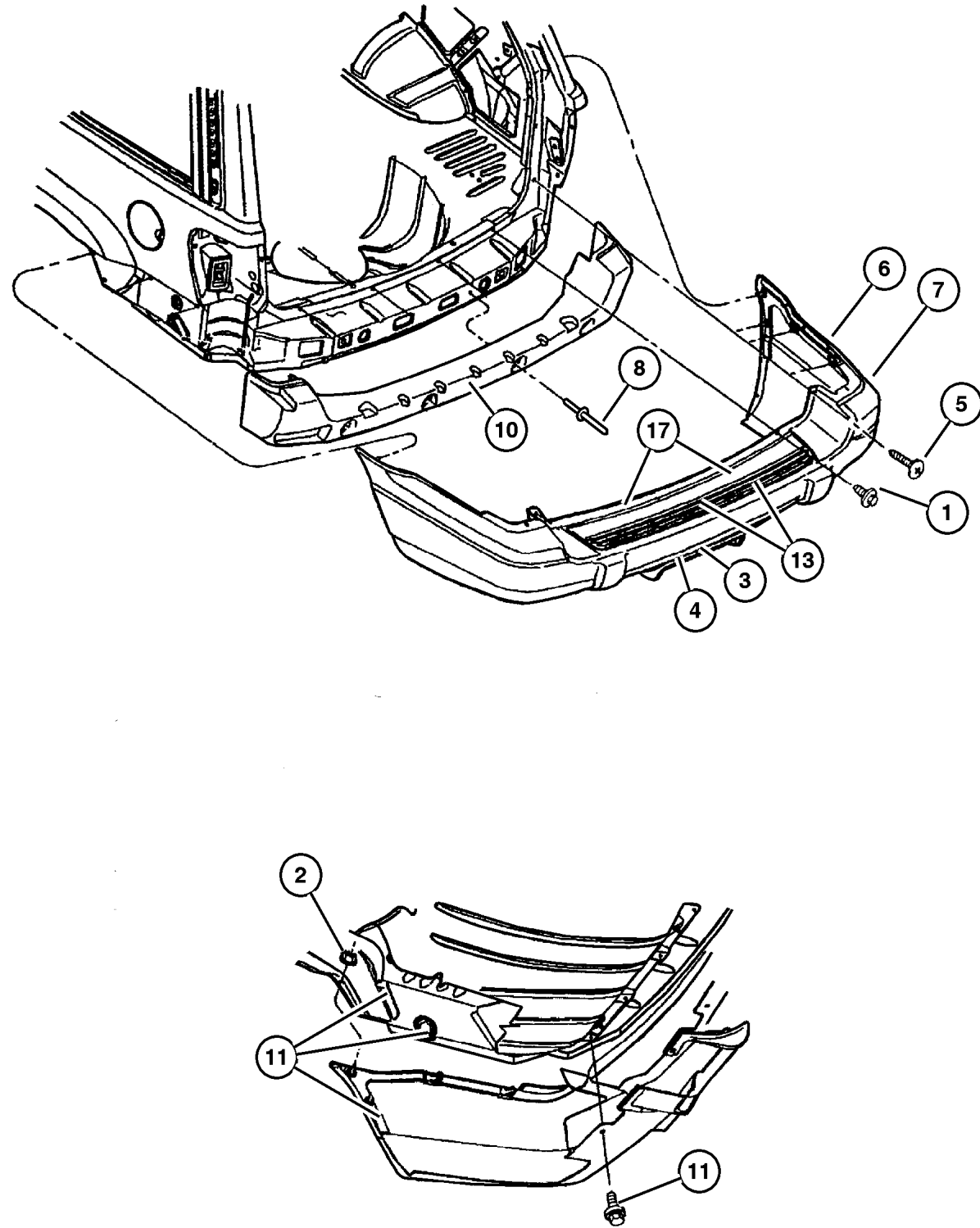
JEEP GRAND CHEROKEE (WJ)

SERIES	LINE	BODY	ENGINE	TRANSMISSION
L = Grand Cherokee	J = 4WD T = 2WD U = 4WD (RHD)	74 = 4 Door (105.9 WB)	ERH,ERO = 4.0L, Power Tech EVA,EVO = 4.7L, Power Tech EXA,EXO = 3.1L 5 cyl Turbo Diesel	DGK = 4 Speed Autm, 42RE DG4 = Multi Speed Auto 45RFE DGW = 4 Speed Autom 44RE DGO = All Automatic

AR = Use as required - = Non illustrated part # = New this model year

September 15, 2005

Bumper, Rear Figure 013-340



ITEM	PART NUMBER	QTY	LINE	SERIES	BODY	ENGINE	TRANS	TRIM	DESCRIPTION
1	5517 6248	8							PIN, Push
2	6101 444	4							NUT AND WASHER, Hex, M6x1.0
3	3420 1631	6							RIVET, M6.25x28 Black
4	0154 228	5							SCREW, Tapping, .19-16x.625
5	6035 412	1							SCREW
6	5EU8 1HS5	1							FASCIA, Rear Laredo, without Hitch Bezel, Dark Gray (Paint Codes: AW, BT, PT, R4, X8)
	5EU8 1VF7	1							Laredo, without Hitch Bezel, Dark Brownstone (Paint Codes: S4, S5, TH, TK, UI, W1)
	5FY08 HS5AA	1							Laredo, with/Hitch Bezel, Dark Gray (Paint Codes: AW, BT, PT, R4, X8)
	5FY08 VF7AA	1							Laredo, with/Hitch Bezel, Dark Brownstone (Paint Codes: S4, S5, TH, TK, UI, W1)
7	5FF9 9HS5	1							Export and Japan FASCIA, Rear, Primed Limited, without Hitch Bezel
	5012 804AA	1							Limited, with Hitch Bezel
	5012 936AA	1							Limited, Export
	5012 938AA	1							RIVET, (NOT SERVICED) (Not Serviced)
-9	55155 695AA-	1							CROSSMEMBER, Bumper, Rear, (Export)
10	5515 5166	1							ABSORBER, Rear Energy Laredo
	5515 5506	1							Limited
	55155 774AA	1							Limited, Export
11	5015 522AA	1							RETAINER PACKAGE, Fascia Right
	5015 523AA	1							Left
-12	55155 775AB-	1							RETAINER, Rear Fascia Export, Right
	55155 776AA-	1							Export, Left
13	5015 524AA	1							STEP PAD PACKAGE, Rear Fascia
-14	55155 773AA-	1							STEP PAD, Rear Fascia, Export
-15	5013 799AA-	1							NUT, PACKAGE
-16	55155 788AA-	1							REFLECTOR, Fascia Export, Right
	55155 789AA-	1							Export, Left

JEEP GRAND CHEROKEE (WJ)

SERIES	LINE	BODY	ENGINE	TRANSMISSION
L = Grand Cherokee	J = 4WD T = 2WD U = 4WD (RHD)	74 = 4 Door (105.9 WB)	ERH,ERO = 4.0L, Power Tech EVA,EVO = 4.7L, Power Tech EXA,EXO = 3.1L 5 cyl Turbo Diesel	DGK = 4 Speed Autm, 42RE DG4 = Multi Speed Auto 45RFE DGW = 4 Speed Autom 44RE DGO = All Automatic

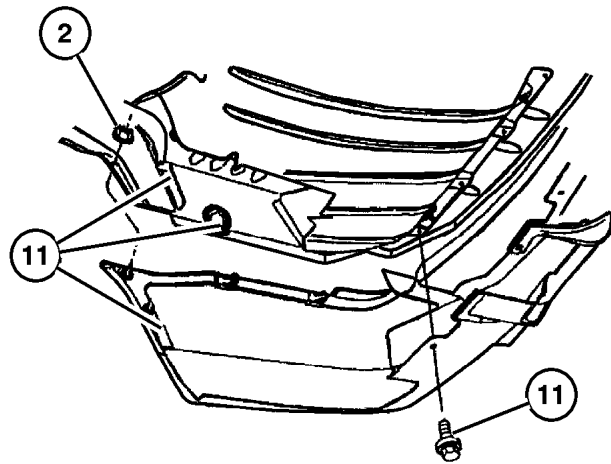
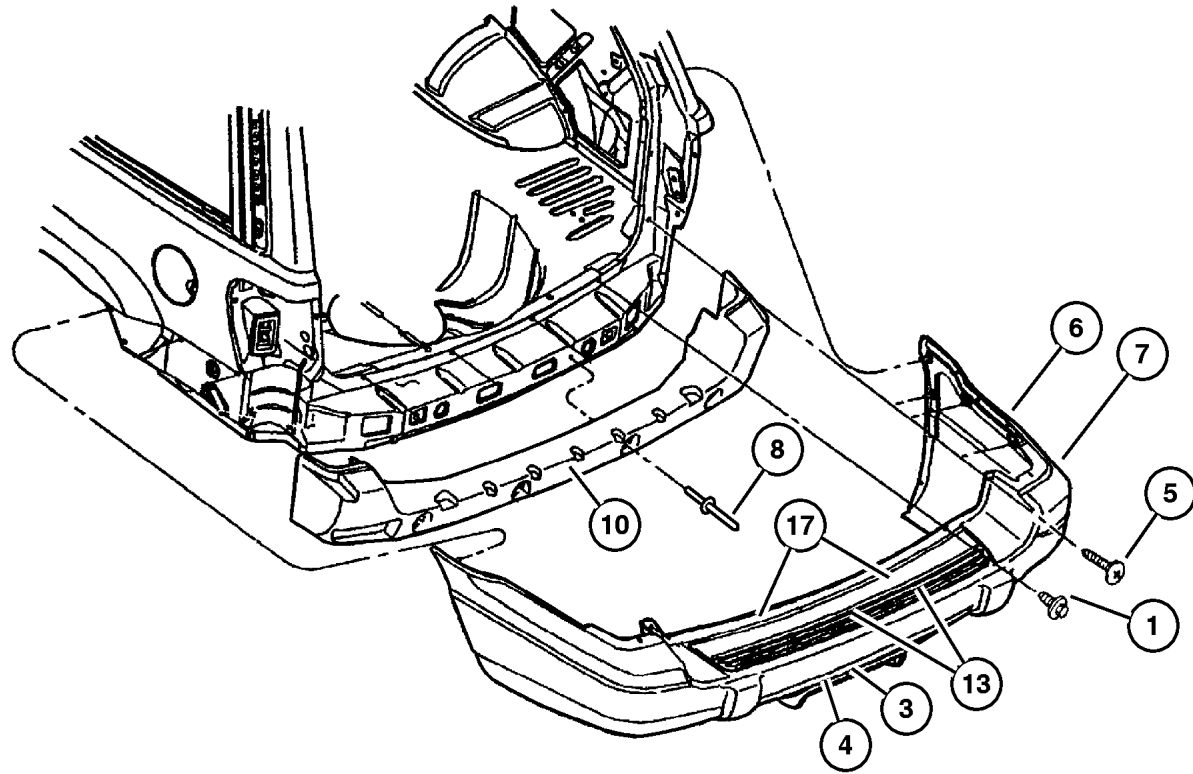
AR = Use as required - = Non illustrated part # = New this model year

September 15, 2005

Bumper, Rear

Figure 013-340

ITEM	PART NUMBER	QTY	LINE	SERIES	BODY	ENGINE	TRANS	TRIM	DESCRIPTION
17	6503 106	8							RETAINER, Push In Type M6.3 Hole

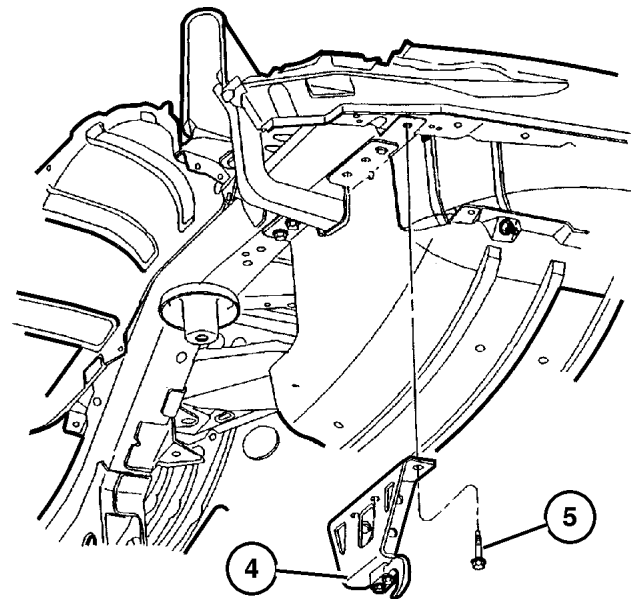
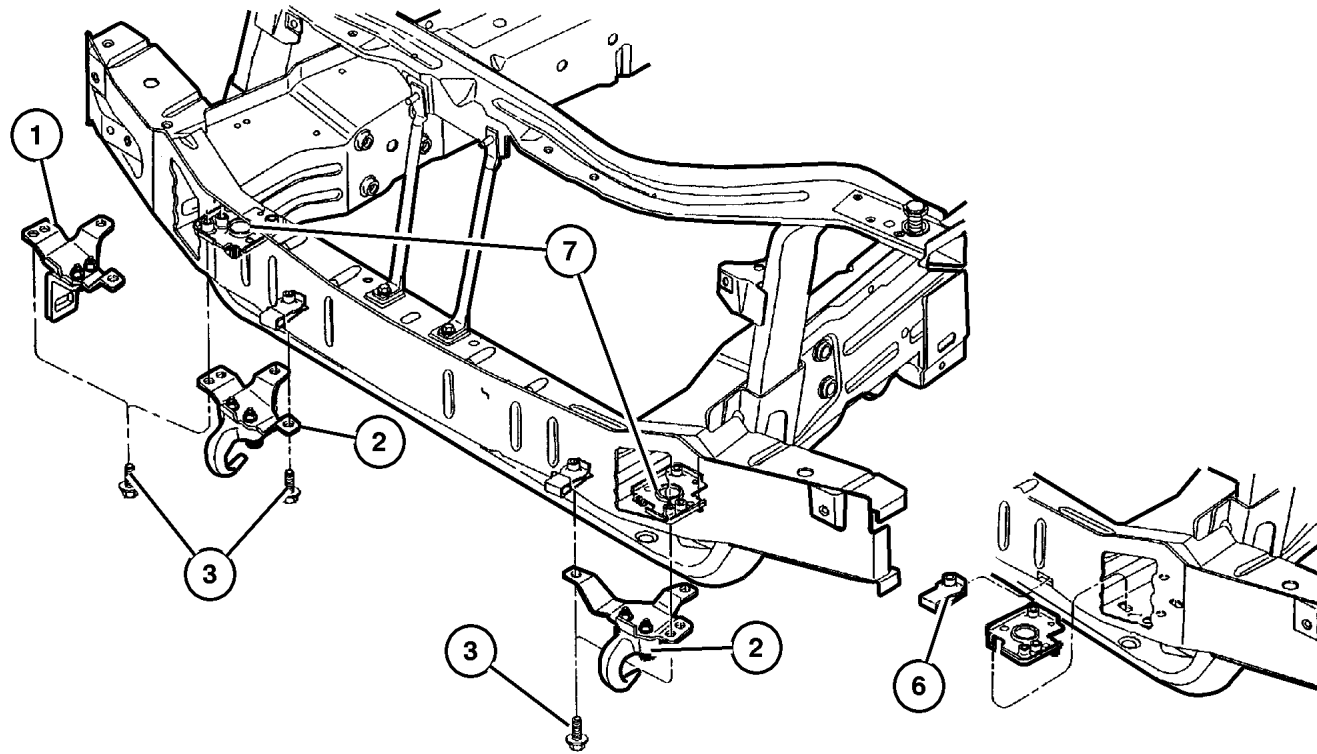


JEEP GRAND CHEROKEE (WJ)				
SERIES	LINE	BODY	ENGINE	TRANSMISSION
L = Grand Cherokee	J = 4WD T = 2WD U = 4WD (RHD)	74 = 4 Door (105.9 WB)	ERH,ERO = 4.0L, Power Tech EVA,EVO = 4.7L, Power Tech EXA,EXO = 3.1L 5 cyl Turbo Diesel	DGK = 4 Speed Autm, 42RE DG4 = Multi Speed Auto 45RFE DGW = 4 Speed Autom 44RE DGO = All Automatic

AR = Use as required - = Non illustrated part # = New this model year

September 15, 2005

Tow Eye
Figure 013-610



ITEM	PART NUMBER	QTY	LINE	SERIES	BODY	ENGINE	TRANS	TRIM	DESCRIPTION
1									EYE, Tow
	52059 158AB	1							Export, Right
	52059 159AA	1							Export, Left
2									HOOK, Tow
	5205 9012	1							Right Front
	5205 9013	1							Left Front
	5205 9014	1							Hold Down
3	6101 102	7							BOLT, Hex Head, M12x1.75x45
4	5205 9014	1							HOOK, Tow
5									SCREW AND WASHER, M10x1.50x35, (NOT SERVICED) (Not Serviced)
6									NUT, (NOT SERVICED) (Not Serviced)
7									TAPPING PLATE, Tow Hook
	52059 156AA	1							Right
	52059 157AA	1							Left

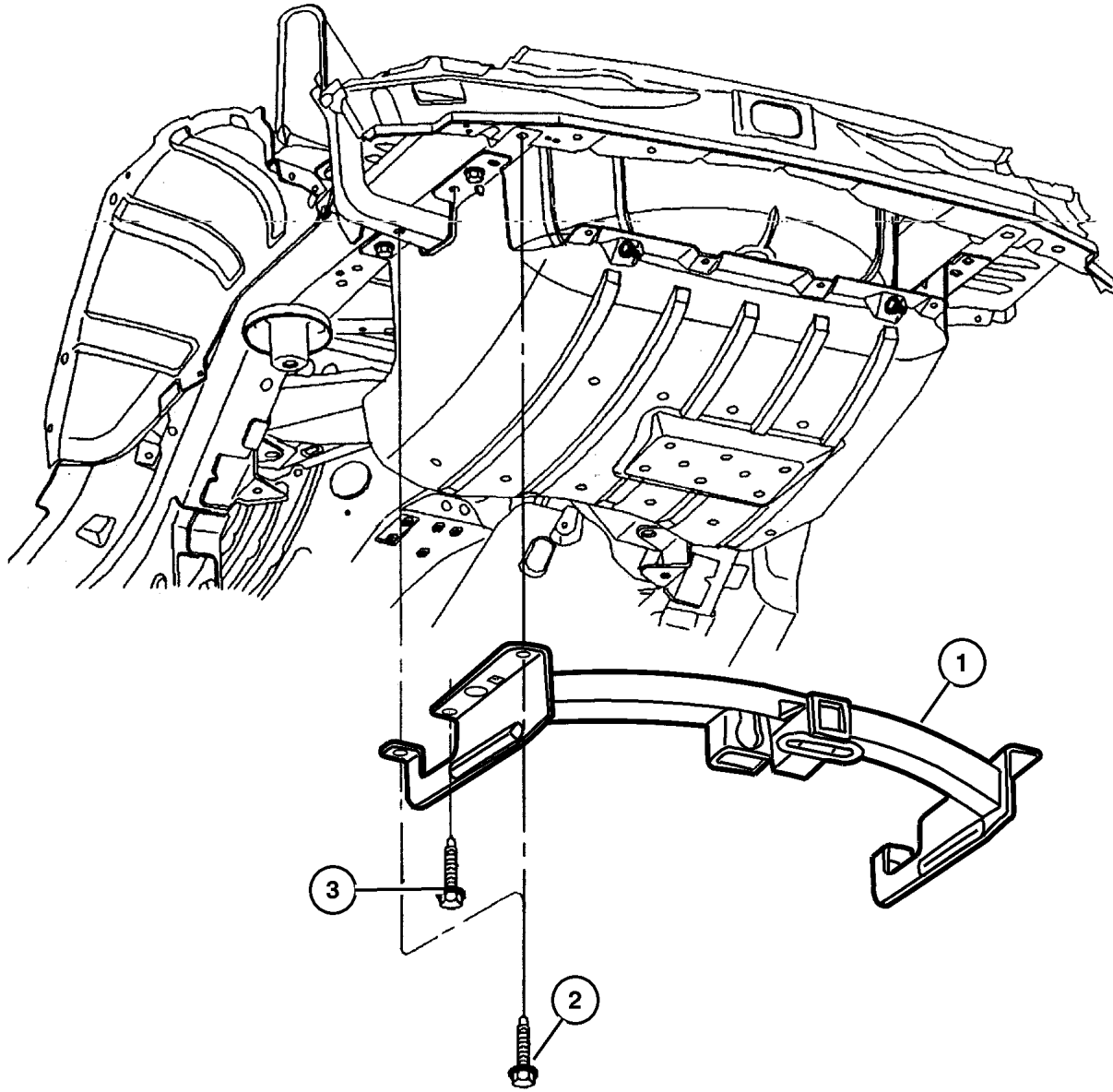
JEEP GRAND CHEROKEE (WJ)				
SERIES	LINE	BODY	ENGINE	TRANSMISSION
L = Grand Cherokee	J = 4WD T = 2WD U = 4WD (RHD)	74 = 4 Door (105.9 WB)	ERH,ERO = 4.0L, Power Tech EVA,EVO = 4.7L, Power Tech EXA,EXO = 3.1L 5 cyl Turbo Diesel	DGK = 4 Speed Autm, 42RE DG4 = Multi Speed Auto 45RFE DGW = 4 Speed Autom 44RE DGO = All Automatic

AR = Use as required - = Non illustrated part # = New this model year

September 15, 2005

Rear Hitch
Figure 013-620

ITEM	PART NUMBER	QTY	LINE	SERIES	BODY	ENGINE	TRANS	TRIM	DESCRIPTION
1	8220 4491	1							RECEIVER KIT, Trailer Tow
2	6101 102	4							BOLT, Hex Head, M12x1.75x45
3	6503 571	4							SCREW AND WASHER, M10x1.50x35
-4	52059 238AA-	1							BRACE, Tow Hook



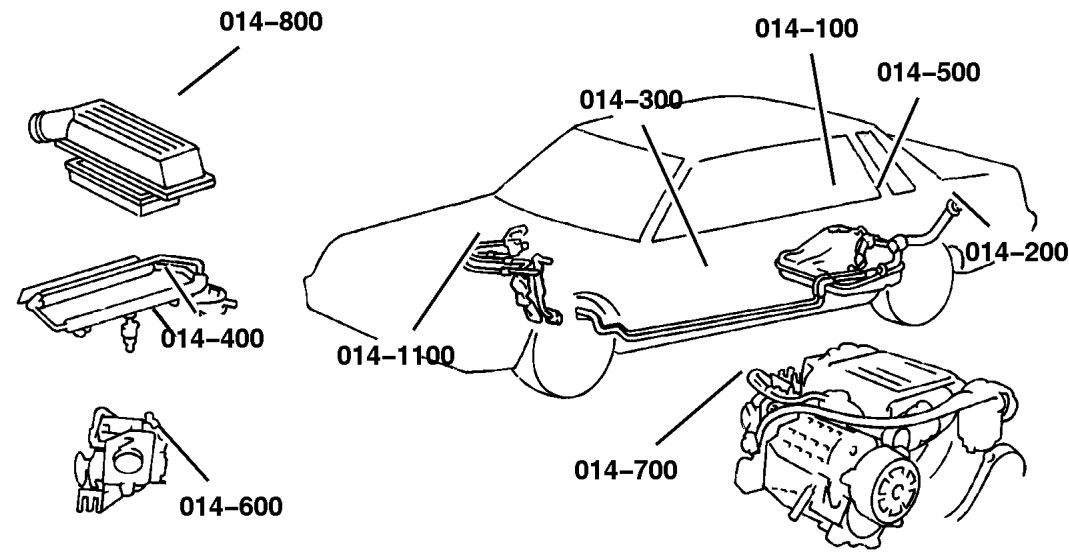
JEEP GRAND CHEROKEE (WJ)				
SERIES	LINE	BODY	ENGINE	TRANSMISSION
L = Grand Cherokee	J = 4WD T = 2WD U = 4WD (RHD)	74 = 4 Door (105.9 WB)	ERH,ERO = 4.0L, Power Tech EVA,EVO = 4.7L, Power Tech EXA,EXO = 3.1L 5 cyl Turbo Diesel	DGK = 4 Speed Autm, 42RE DG4 = Multi Speed Auto 45RFE DGW = 4 Speed Autom 44RE DGO = All Automatic

AR = Use as required - = Non illustrated part # = New this model year

September 15, 2005

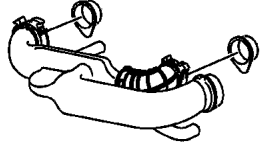
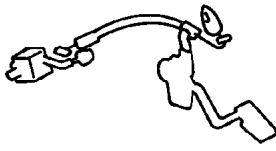

Group – 014

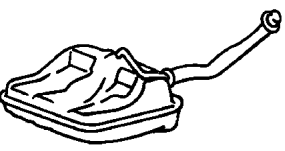
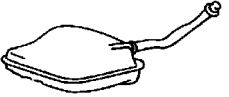
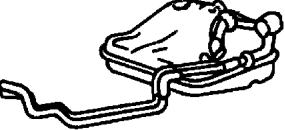
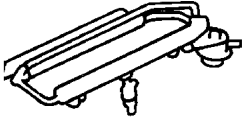
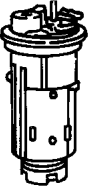

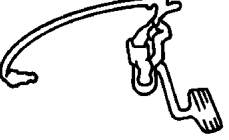
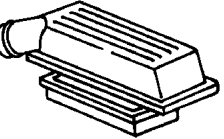
Fuel



Group – 014

Fuel

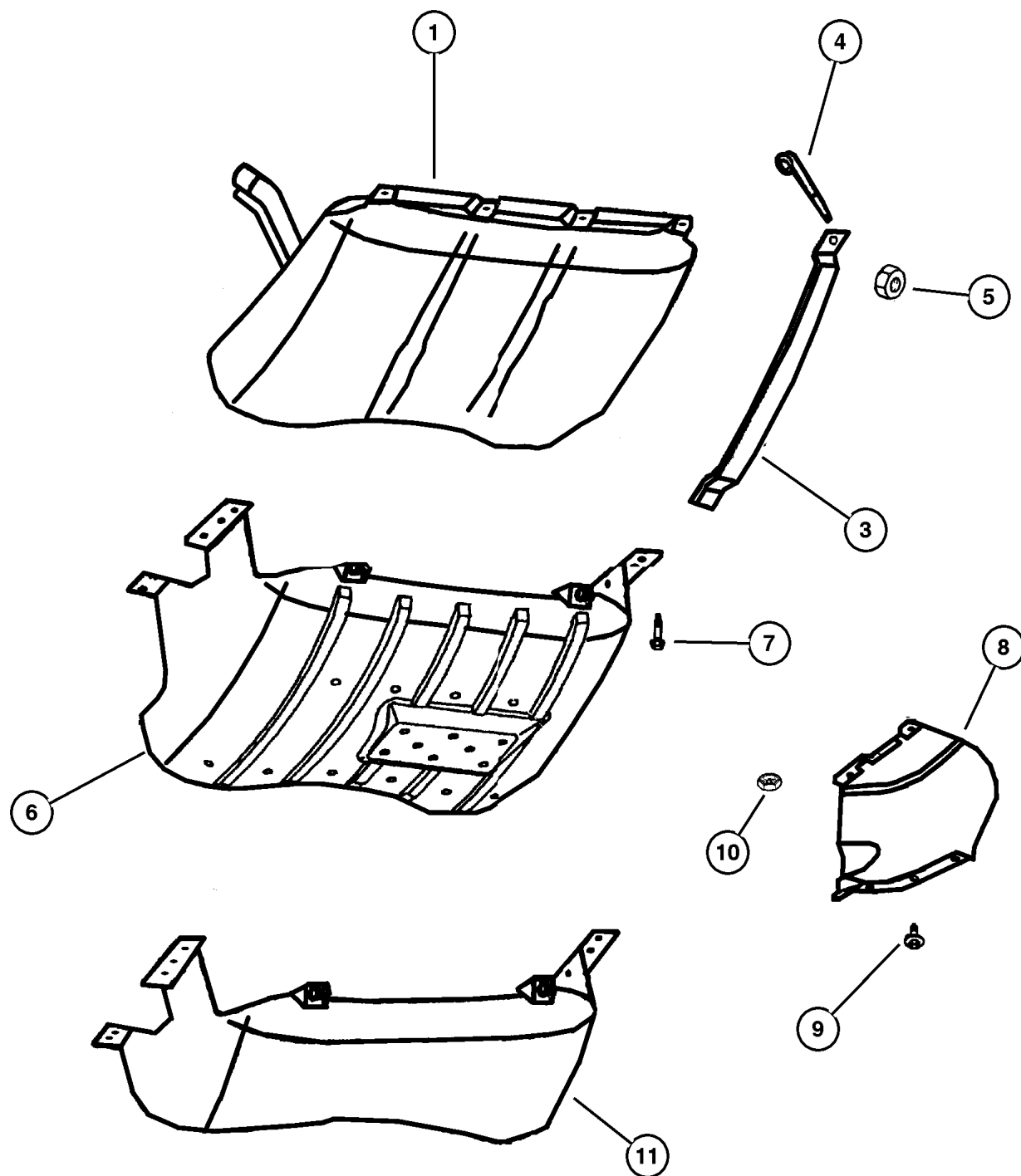
<p>014-900 Air Intake System</p> 	<p>014-1000 Speed Control</p> 	<p>014-1100 Accelerator Pedal</p> 	
---	--	--	--

<p>014-100 Tank, Fuel</p> 	<p>014-200 Fuel Tank Filler Tube</p> 	<p>014-300 Fuel Lines</p> 	<p>014-400 Fuel Rail</p> 
<p>014-500 Fuel Pump and Sending Unit</p> 	<p>014-600 Throttle Body</p> 	<p>014-700 Throttle Controls</p> 	<p>014-800 Air Cleaner</p> 

GROUP 14 - Fuel

Illustration Title	Group-Fig. No.
Tank, Fuel	
Fuel Tank 3.1L Diesel (EXA), 4.0L (ERH), 4.7L (EVA) Engine	Fig. 014-110
Fuel Tank Filler Tube	
Fuel Tank Filler Tube 3.1L Diesel (EXA), 4.0L (ERH), 4.7L (EVA) Engine	Fig. 014-210
Fuel Lines	
Front, Fuel Lines & Fuel Separator 3.1L Diesel (EXA)	Fig. 014-310
Fuel Lines, Rear 3.1L (EXA) Diesel Engine	Fig. 014-320
Fuel Lines, Front 4.0L (ERH) Engine	Fig. 014-330
Fuel Lines, Rear 4.0L (ERH) Engine	Fig. 014-340
Fuel Lines, Front 4.7L (EVA) Engine	Fig. 014-350
Fuel Lines, Rear 4.7L (EVA) Engine	Fig. 014-360
Fuel Rail	
Fuel Rail 4.0L (ERH), 4.7L (EVA) Engine	Fig. 014-410
Fuel Injection System 3.1L (EXA) Diesel Engine	Fig. 014-440
Fuel Injection Pump 3.1L (EVA) Diesel Engine	Fig. 014-460
Fuel Pump and Sending Unit	
Fuel Pump and Sending Unit 3.1L Diesel (EXA), 4.0L (ERH), 4.7L (EVA) Engine	Fig. 014-510
Throttle Body	
Throttle Body 4.0L (ERH), 4.7L (EVA) Engine	Fig. 014-610
Turbocharger 3.1L (EXA) Engine	Fig. 014-660
Throttle Controls	
Throttle Controls 3.1L (EXA) Diesel Engine	Fig. 014-710
Throttle Controls 4.0L (ERH) Engine	Fig. 014-720
Throttle Controls 4.7L (EVA) Engine	Fig. 014-730
Air Cleaner	
Air Cleaner 3.1L (EXA) Diesel Engine	Fig. 014-810
Air Cleaner 4.0L (ERH) Engine	Fig. 014-820
Air Cleaner 4.7L (EVA) Engine	Fig. 014-830
Air Intake System	
Air Intake System 3.1L Diesel (EXA) 4.0L (ERH), 4.7L (EVA) Engine	Fig. 014-910
Speed Control	
Speed Control 3.1L Diesel (EXA), 4.0L (ERH), 4.7L (EVA) Engine	Fig. 014-1010
Accelerator Pedal	
Accelerator Pedal	Fig. 014-1110

Fuel Tank 3.1L Diesel (EXA), 4.0L (ERH), 4.7L (EVA) Engine
Figure 014-110



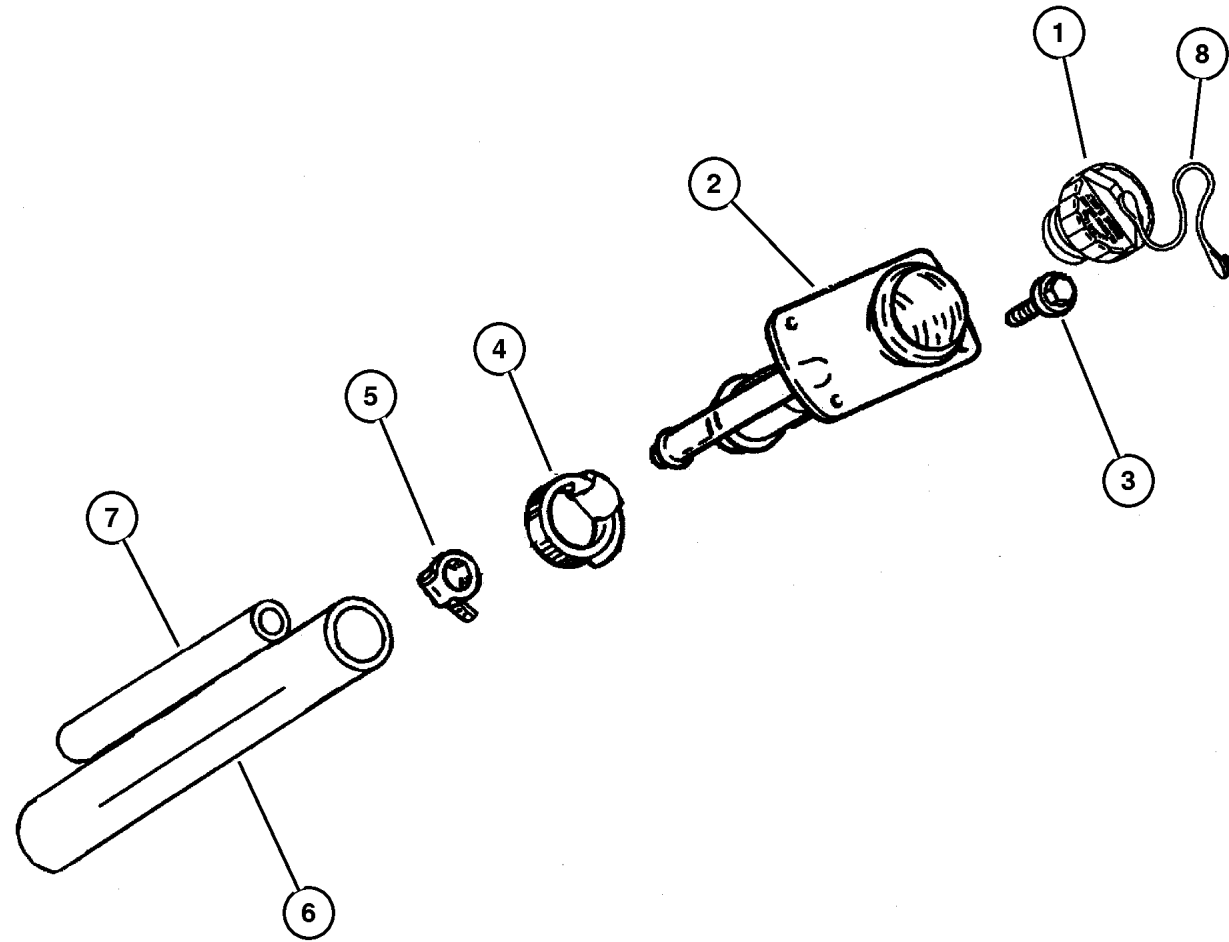
ITEM	PART NUMBER	QTY	LINE	SERIES	BODY	ENGINE	TRANS	TRIM	DESCRIPTION
NOTE: EX0=All 3.1L Engines ER0=All 4.0L Engines EV0=All 4.7L Engines									
1	5210 0074	1				ER0, EV0			TANK, Fuel
-2	52100 364AA-	1				EX0			TANK, Fuel - Plastic
3	5210 0216	2				ER0, EV0			STRAP, Fuel Tank
4	6504 171	2				ER0, EV0			SCREW, Hex Flange Head, M8x1.25x32
5	6101 467	2							NUT, Hex Flange, M8x1.25
6	5210 0061	1				ER0, EV0			SKID PLATE, Fuel Tank
7	6101 102	7							BOLT, Hex Head, M12x1.75x45
8	55136 160AC	1							SHIELD, Fuel Tank
9	3420 1631	6							RIVET, M6.25x28 Black
10									NUT, Heat Shield Attach, (NOT SERVICED) (Not Serviced)
11	52100 313AA	1				ER0, EV0			GUARD, Brush, Fuel Tank

JEEP GRAND CHEROKEE (WJ)
 SERIES L = Grand Cherokee
 LINE J = 4WD
 T = 2WD
 U = 4WD (RHD)
 BODY 74 = 4 Door (105.9 WB)
 ENGINE ERH,ERO = 4.0L, Power Tech
 EVA,EVO = 4.7L, Power Tech
 EXA,EXO = 3.1L 5 cyl Turbo Diesel
 TRANSMISSION DGK = 4 Speed Autm, 42RE
 DG4 = Multi Speed Auto 45RFE
 DGW = 4 Speed Autom 44RE
 DGO = All Automatic

AR = Use as required - = Non illustrated part # = New this model year

September 15, 2005

**Fuel Tank Filler Tube 3.1L Diesel (EXA), 4.0L (ERH), 4.7L (EVA) Engine
Figure 014-210**



ITEM	PART NUMBER	QTY	LINE	SERIES	BODY	ENGINE	TRANS	TRIM	DESCRIPTION
NOTE: EX0=All 3.1L Engines ER0=All 4.0L Engines EV0=All 4.7L Engines									
1	4764 917AA	1							CAP, Fuel Filler Locking Cap
	52100 420AA	1							
2									TUBE, Fuel Filler
	5210 0064	1				ER0, EV0			
	5210 0267	1				EX0			
3	0154 236	4							SCREW, Stake, .19-24
4									CLAMP, Hose
	6505 322AA	1				ER0, EV0			
		1				EX0			
5									CLAMP, Hose, (NOT SERVICED) (Not Serviced)
6									HOSE, Fuel Filler
	52100 072AB	1				ER0, EV0			
		1				EX0			
7									HOSE, Fuel Tank Vent
	52100 073AB	1				ER0, EV0			
		1				EX0			
8	4682 676	1							TETHER, Fuel Filler Cap

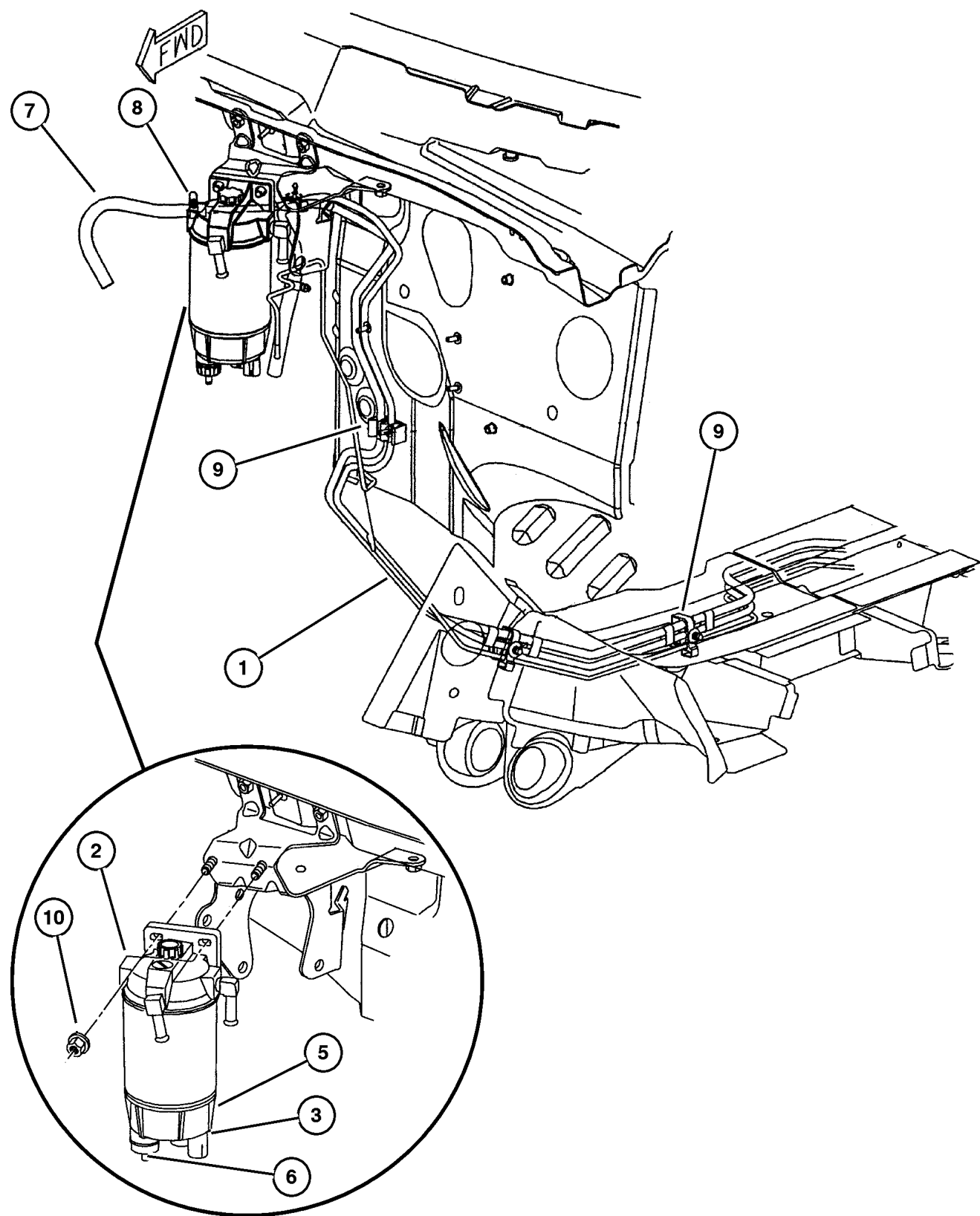
JEEP GRAND CHEROKEE (WJ)

SERIES	LINE	BODY	ENGINE	TRANSMISSION
L = Grand Cherokee	J = 4WD T = 2WD U = 4WD (RHD)	74 = 4 Door (105.9 WB)	ERH,ERO = 4.0L, Power Tech EVA,EVO = 4.7L, Power Tech EXA,EXO = 3.1L 5 cyl Turbo Diesel	DGK = 4 Speed Autm, 42RE DG4 = Multi Speed Auto 45RFE DGW = 4 Speed Autom 44RE DGO = All Automatic

AR = Use as required - = Non illustrated part # = New this model year

September 15, 2005

**Front, Fuel Lines & Fuel Separator 3.1L Diesel (EXA)
Figure 014-310**



ITEM	PART NUMBER	QTY	LINE	SERIES	BODY	ENGINE	TRANS	TRIM	DESCRIPTION
------	-------------	-----	------	--------	------	--------	-------	------	-------------

NOTE:

Sales Codes:

EX0=All Diesel Engines

1	52100 189AC	1				EX0			BUNDLE, Fuel Line
2	5014 017AA	1				EX0			HEAD, Fuel Filter
3	4723 901	1				EX0			VALVE KIT, Fuel Filter Check
-4	4723 905	1				EX0			FILTER, Fuel
5	5014 018AA	1				EX0			BOWL, Fuel Filter
6	4723 907	1				EX0			DRAIN, Fuel Filter Bowl
7	HFV0 0038	1				EX0			HOSE, Fuel And Vapor, 25 Foot Roll 3/8"
8	52079 632AA	1				EX0			CLAMP, Oil Cooler Tube
9									CLAMP, Fuel Line, (NOT SERVICED) (Not Serviced)
10	6101 675	2				EX0			NUT, Hex Flange Lock, M8x1.25

JEEP GRAND CHEROKEE (WJ)

SERIES	LINE	BODY	ENGINE	TRANSMISSION
L = Grand Cherokee	J = 4WD T = 2WD U = 4WD (RHD)	74 = 4 Door (105.9 WB)	ERH,ERO = 4.0L, Power Tech EVA,EVO = 4.7L, Power Tech EXA,EXO = 3.1L 5 cyl Turbo Diesel	DGK = 4 Speed Autm, 42RE DG4 = Multi Speed Auto 45RFE DGW = 4 Speed Autom 44RE DGO = All Automatic

AR = Use as required - = Non illustrated part # = New this model year

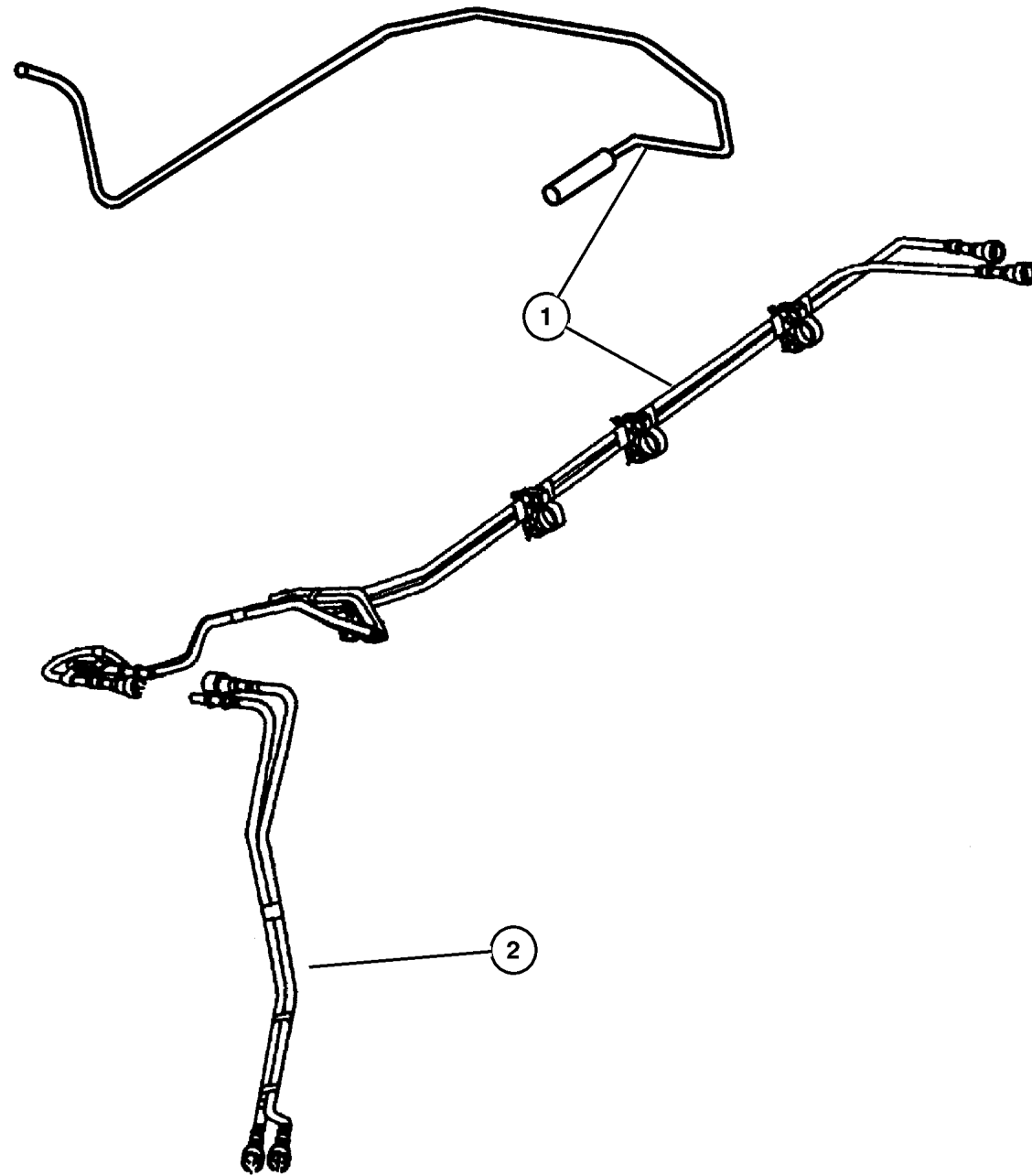
September 15, 2005

Fuel Lines, Rear 3.1L (EXA) Diesel Engine
Figure 014-320

ITEM	PART NUMBER	QTY	LINE	SERIES	BODY	ENGINE	TRANS	TRIM	DESCRIPTION
------	-------------	-----	------	--------	------	--------	-------	------	-------------

NOTE: EX0=All 3.1L Engines

1	5210 0189	1				EX0			BUNDLE, Fuel Line
2	5210 0258	1				EX0			TUBE, Fuel



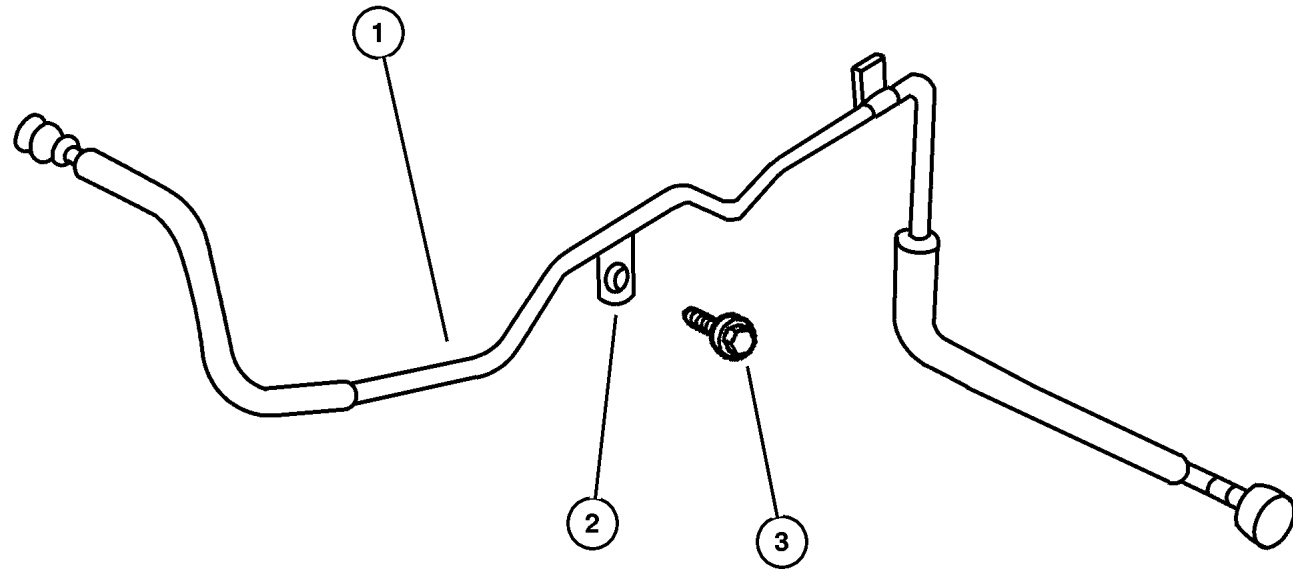
JEEP GRAND CHEROKEE (WJ)				
SERIES	LINE	BODY	ENGINE	TRANSMISSION
L = Grand Cherokee	J = 4WD T = 2WD U = 4WD (RHD)	74 = 4 Door (105.9 WB)	ERH,ERO = 4.0L, Power Tech EVA,EVO = 4.7L, Power Tech EXA,EXO = 3.1L 5 cyl Turbo Diesel	DGK = 4 Speed Autm, 42RE DG4 = Multi Speed Auto 45RFE DGW = 4 Speed Autom 44RE DGO = All Automatic

AR = Use as required - = Non illustrated part # = New this model year

September 15, 2005

Fuel Lines, Front 4.0L (ERH) Engine
Figure 014-330

ITEM	PART NUMBER	QTY	LINE	SERIES	BODY	ENGINE	TRANS	TRIM	DESCRIPTION
NOTE: ER0=All 4.0L Engines									
1	52100 041AB	1				ER0			BUNDLE, Fuel Line
2	6504 589	1				ER0			CLIP, Fuel Line
3	6101 786	1	J, T						SCREW, Self Tapping, M6x1x15

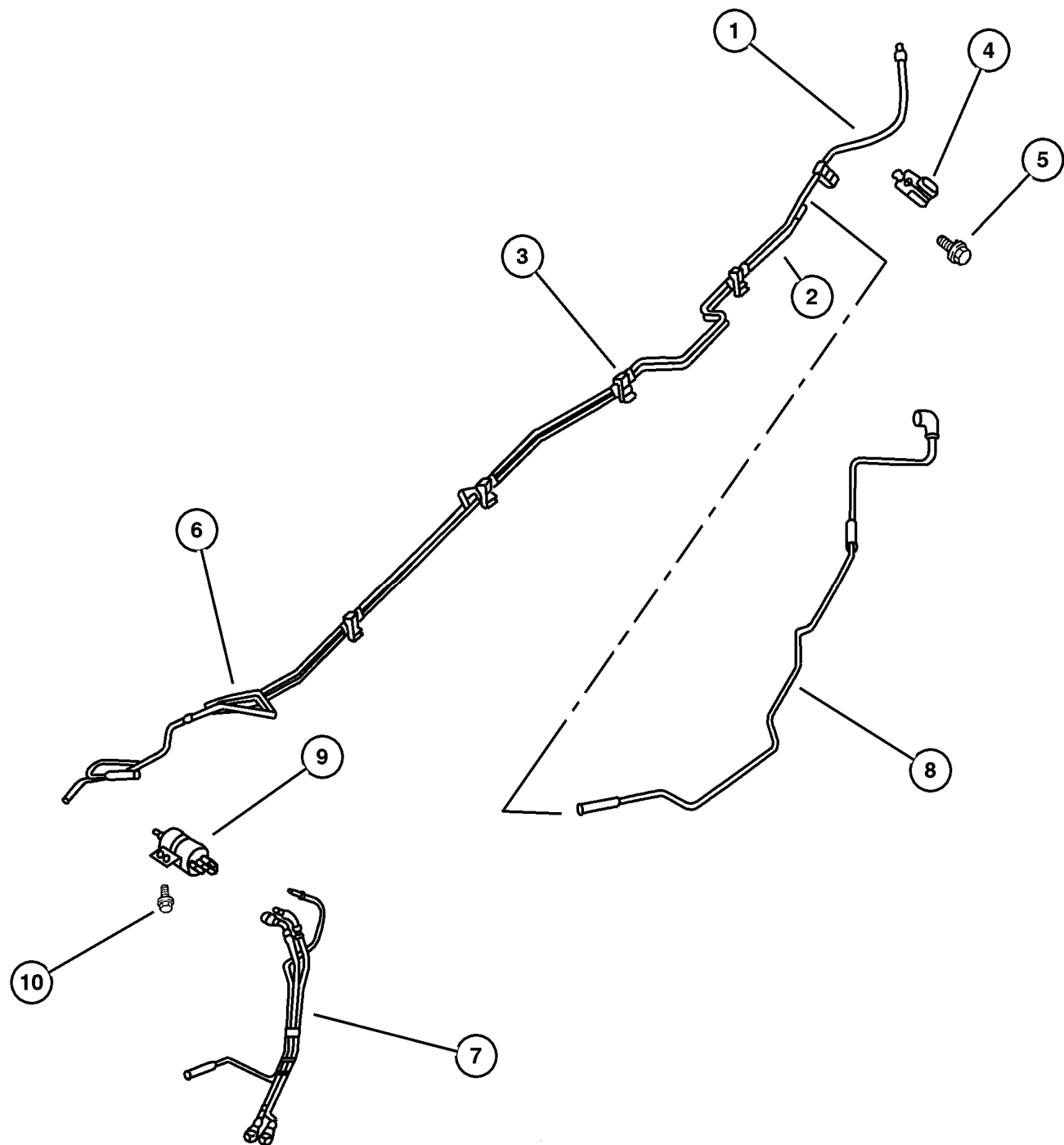


JEEP GRAND CHEROKEE (WJ)				
SERIES	LINE	BODY	ENGINE	TRANSMISSION
L = Grand Cherokee	J = 4WD T = 2WD U = 4WD (RHD)	74 = 4 Door (105.9 WB)	ERH,ERO = 4.0L, Power Tech EVA,EVO = 4.7L, Power Tech EXA,EXO = 3.1L 5 cyl Turbo Diesel	DGK = 4 Speed Autm, 42RE DG4 = Multi Speed Auto 45RFE DGW = 4 Speed Autom 44RE DGO = All Automatic

AR = Use as required - = Non illustrated part # = New this model year

September 15, 2005

Fuel Lines, Rear 4.0L (ERH) Engine Figure 014-340



ITEM	PART NUMBER	QTY	LINE	SERIES	BODY	ENGINE	TRANS	TRIM	DESCRIPTION
NOTE: ER0=All 4.0L Engines, EVO= All 4.7L Engines									
1	52100 249AB	1				ER0, EVO			TUBE, Fuel Supply
2	52100 253AC	1				ER0, EVO			TUBE, Fuel Vapor
3	4695 819	6				ER0, EVO			CLIP, Fuel Bundle
4	3420 2997	1				ER0, EVO			CLIP, Wrap Around Sealing
5									SCREW, (NOT SERVICED) (Not Serviced)
6	0120 526	1				ER0, EVO			CLIP, Fuel
7	52100 196AC	1				ER0, EVO			TUBE, Fuel
8	5210 0049	1	J, T			ER0, EVO			TUBE, Fuel Vapor
9	52100 283AA	1				ER0, EVO			FILTER AND REGULATOR, Fuel
10	6101 777	2				ER0, EVO			SCREW, Hex Flange Head Tapping, M6x1.00x20.00

JEEP GRAND CHEROKEE (WJ)

SERIES	LINE	BODY	ENGINE	TRANSMISSION
L = Grand Cherokee	J = 4WD T = 2WD U = 4WD (RHD)	74 = 4 Door (105.9 WB)	ERH,ERO = 4.0L, Power Tech EVA,EVO = 4.7L, Power Tech EXA,EXO = 3.1L 5 cyl Turbo Diesel	DGK = 4 Speed Autm, 42RE DG4 = Multi Speed Auto 45RFE DGW = 4 Speed Autom 44RE DGO = All Automatic

AR = Use as required - = Non illustrated part # = New this model year

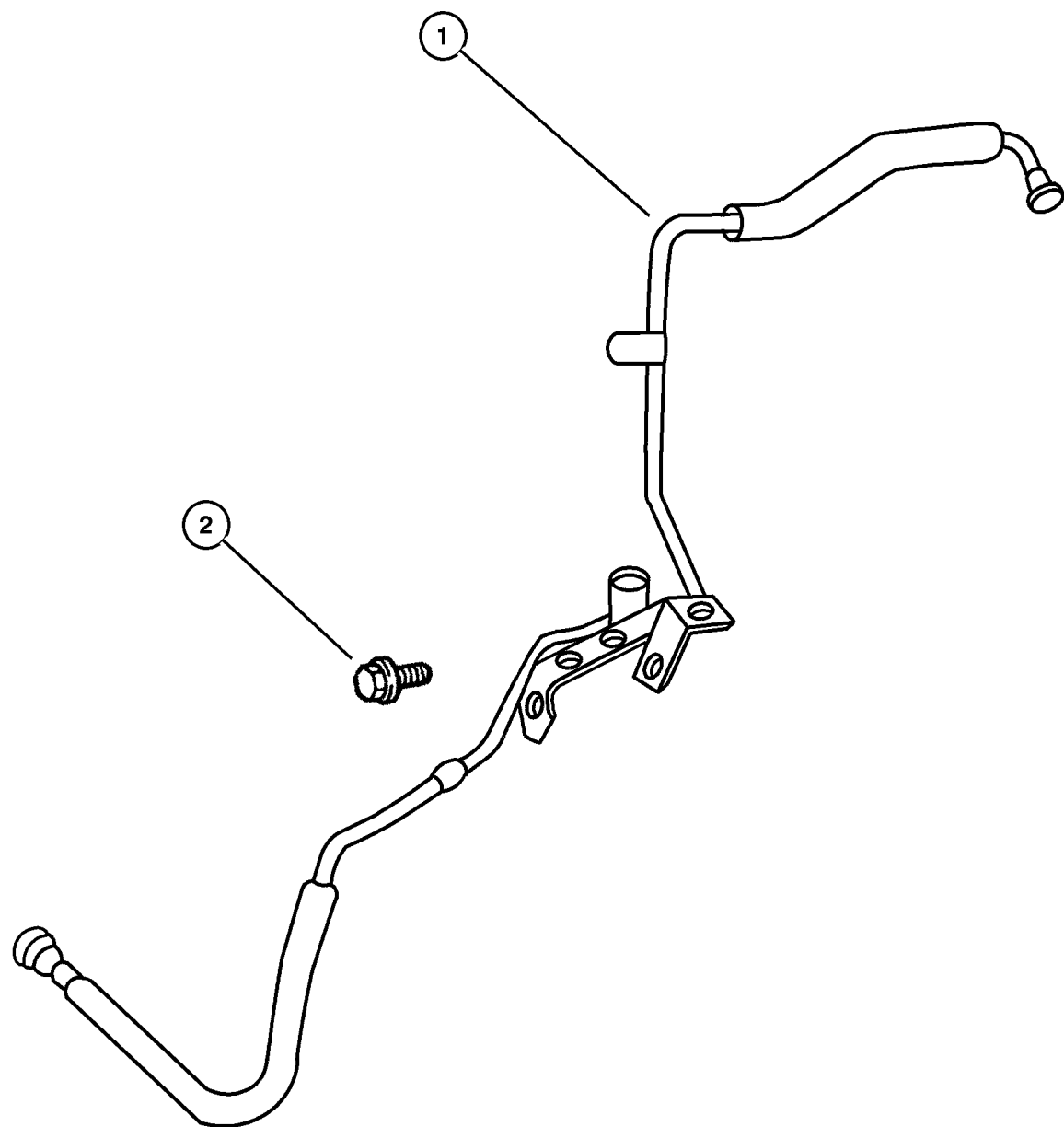
September 15, 2005

Fuel Lines, Front 4.7L (EVA) Engine
Figure 014-350

ITEM	PART NUMBER	QTY	LINE	SERIES	BODY	ENGINE	TRANS	TRIM	DESCRIPTION
------	-------------	-----	------	--------	------	--------	-------	------	-------------

NOTE: EV0=All 4.7L Engines

1	52100 043AC	1				EVO			BUNDLE, Fuel Line
2									SCREW, (NOT SERVICED) (Not Serviced)



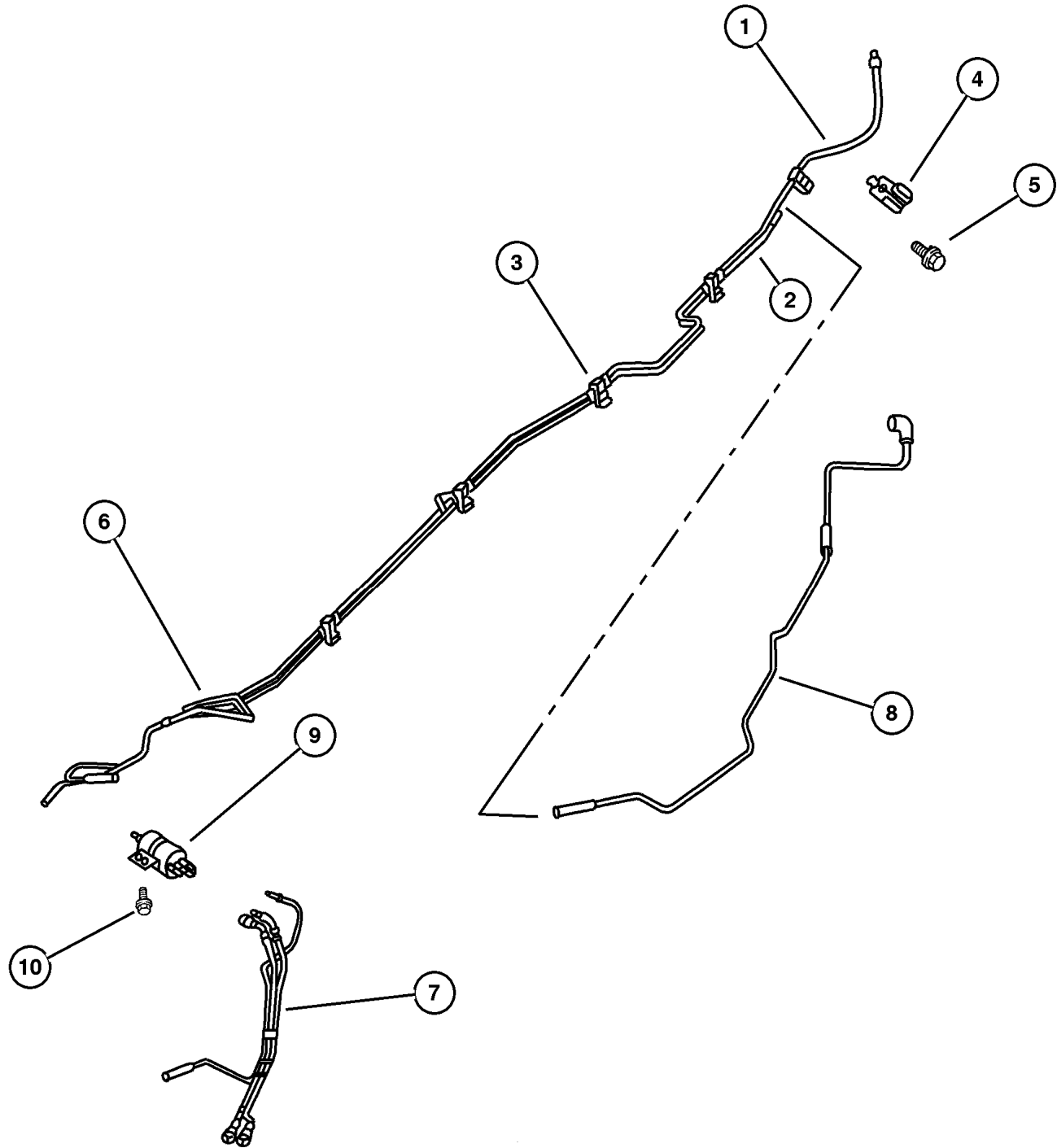
JEEP GRAND CHEROKEE (WJ)

SERIES	LINE	BODY	ENGINE	TRANSMISSION
L = Grand Cherokee	J = 4WD T = 2WD U = 4WD (RHD)	74 = 4 Door (105.9 WB)	ERH,ERO = 4.0L, Power Tech EVA,EVO = 4.7L, Power Tech EXA,EXO = 3.1L 5 cyl Turbo Diesel	DGK = 4 Speed Autm, 42RE DG4 = Multi Speed Auto 45RFE DGW = 4 Speed Autom 44RE DGO = All Automatic

AR = Use as required - = Non illustrated part # = New this model year

September 15, 2005

Fuel Lines, Rear 4.7L (EVA) Engine
Figure 014-360



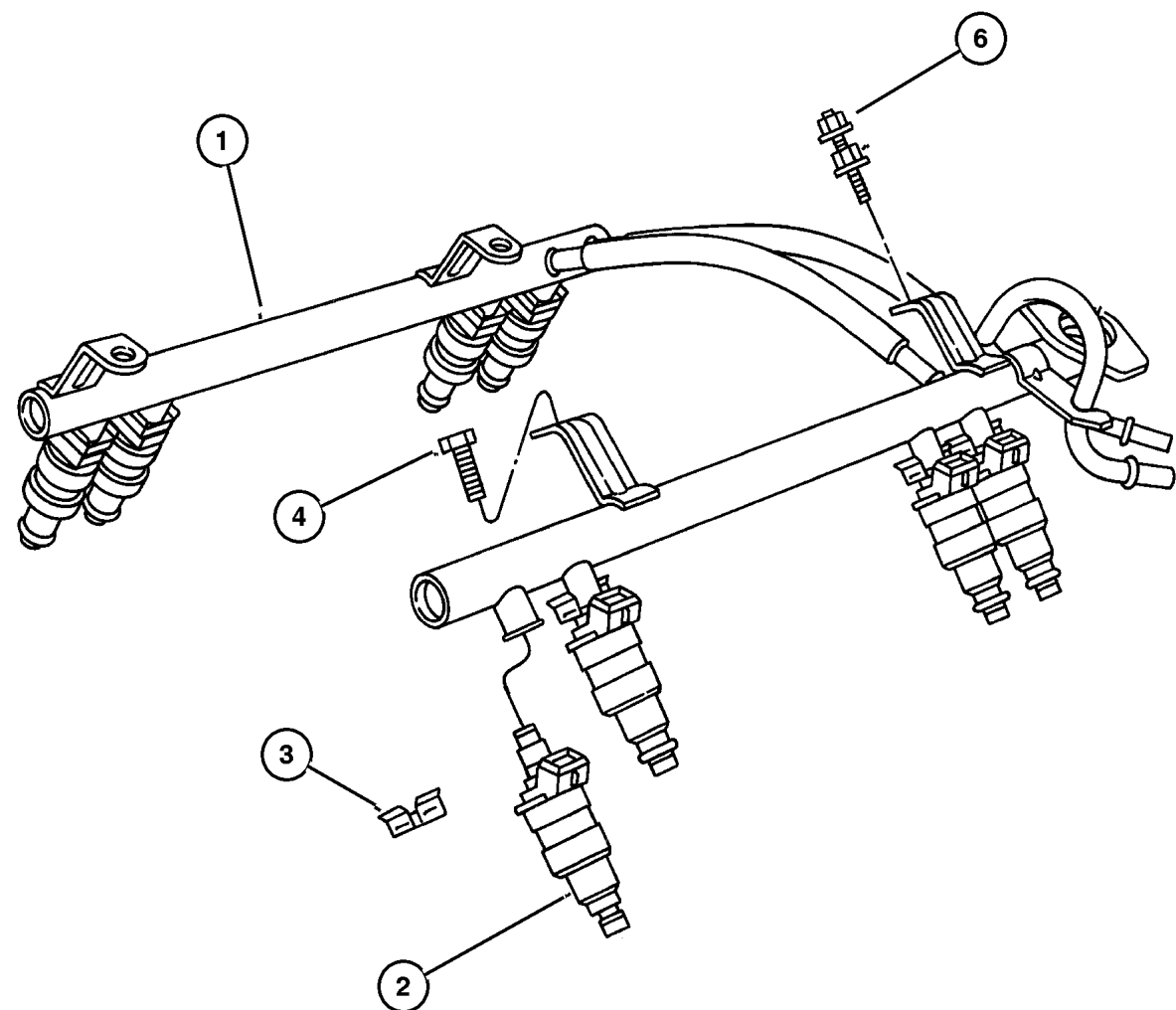
ITEM	PART NUMBER	QTY	LINE	SERIES	BODY	ENGINE	TRANS	TRIM	DESCRIPTION
NOTE: EV0=All 4.7L Engines, ERO= All 4.0L Engines									
1	52100 249AC	1				ER0, EV0			TUBE, Fuel Supply
2	52100 253AC	1				ER0, EV0			TUBE, Fuel Vapor
3	4695 819	6				ER0, EV0			CLIP, Fuel Bundle
4	3420 2997	1				ER0, EV0			CLIP, Wrap Around Sealing
5									SCREW, (NOT SERVICED) (Not Serviced)
6	0120 526	1				ER0, EV0			CLIP, Fuel
7	52100 196AC	1				ER0, EV0			TUBE, Fuel
8	5210 0049	1	J, T			ER0, EV0			TUBE, Fuel Vapor
9	52100 283AB	1				ER0, EV0			FILTER AND REGULATOR, Fuel
10	6101 777	2				ER0, EV0			SCREW, Hex Flange Head Tapping, M6x1.00x20.00

JEEP GRAND CHEROKEE (WJ)				
SERIES	LINE	BODY	ENGINE	TRANSMISSION
L = Grand Cherokee	J = 4WD T = 2WD U = 4WD (RHD)	74 = 4 Door (105.9 WB)	ERH,ERO = 4.0L, Power Tech EVA,EVO = 4.7L, Power Tech EXA,EXO = 3.1L 5 cyl Turbo Diesel	DGK = 4 Speed Autm, 42RE DG4 = Multi Speed Auto 45RFE DGW = 4 Speed Autom 44RE DGO = All Automatic

AR = Use as required - = Non illustrated part # = New this model year

September 15, 2005

Fuel Rail 4.0L (ERH), 4.7L (EVA) Engine
Figure 014-410



ITEM	PART NUMBER	QTY	LINE	SERIES	BODY	ENGINE	TRANS	TRIM	DESCRIPTION
------	-------------	-----	------	--------	------	--------	-------	------	-------------

NOTE: ER0=All 4.0L Engines EV0=All 4.7L Engines

1	4854 102	1				ER0			RAIL, Fuel
	5303 0848	1				EV0			
2	5303 0842	8				EV0			INJECTOR, Fuel
	4854 181	6				ER0			
3	4418 257	8				EV0			CLIP, Fuel Injector
		6				ER0			
4	6501 979	2				ER0			SCREW AND WASHER, Hex Head, M6x1x17
-5	6505 504AA-	4				EV0			SCREW
6	6502 647	1				EV0			STUD, M6x1.00x44
		2				ER0			
-7	5018 781AA-	1				ER0			CAP
		1				EV0			Diagnostic Port
-8	4897 125AA-	6				ER0			O RING KIT, Fuel Injector
		8				EV0			

JEEP GRAND CHEROKEE (WJ)

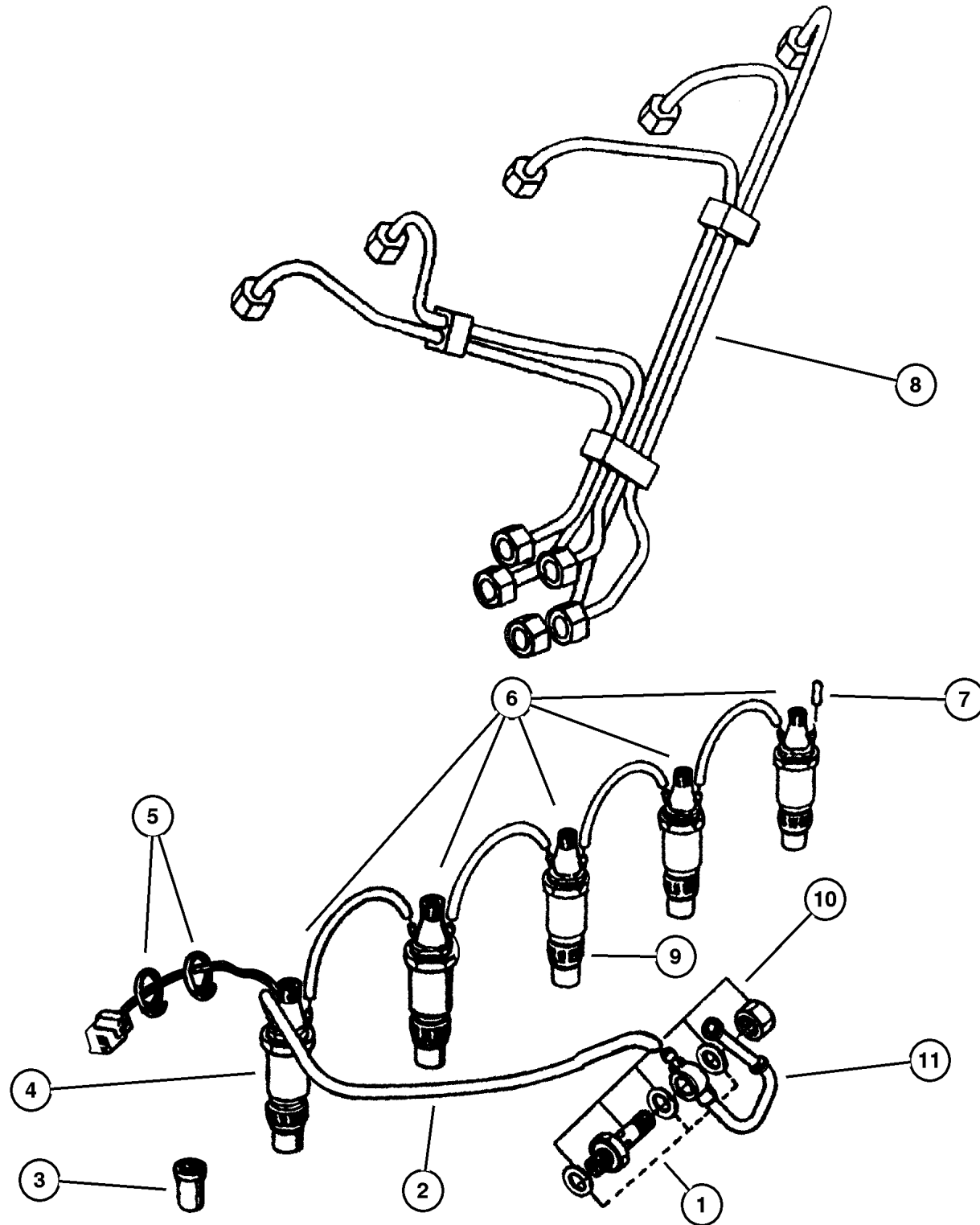
SERIES	LINE	BODY	ENGINE	TRANSMISSION
L = Grand Cherokee	J = 4WD T = 2WD U = 4WD (RHD)	74 = 4 Door (105.9 WB)	ERH,ERO = 4.0L, Power Tech EVA,EVO = 4.7L, Power Tech EXA,EXO = 3.1L 5 cyl Turbo Diesel	DGK = 4 Speed Autm, 42RE DG4 = Multi Speed Auto 45RFE DGW = 4 Speed Autom 44RE DGO = All Automatic

AR = Use as required - = Non illustrated part # = New this model year

September 15, 2005

**Fuel Injection System 3.1L (EXA) Diesel Engine
Figure 014-440**

ITEM	PART NUMBER	QTY	LINE	SERIES	BODY	ENGINE	TRANS	TRIM	DESCRIPTION
NOTE: EX0=All 3.1L Engines DG0=All Automatic Transmissions									
1	4720 703	4				EX0	DG0		WASHER, Plain
2	4720 190AB	1				EX0	DG0		PIPE, Fuel Spill Return
3	4723 346	5				EX0	DG0		NOZZLE, Fuel Injector
4	5014 990AA	1				EX0	DG0		INJECTOR, Fuel
5	4728 184	3				EX0	DG0		CLIP, Spill Return Pipe
6	4720 189AB	4				EX0	DG0		PIPE, Fuel Spill Return
7	4720 197	1				EX0	DG0		PLUG, Cylinder Block Oil Hole
8	5014 988AA	1				EX0	DG0		TUBE, Fuel Injector Supply
9	5014 989AA	4				EX0	DG0		INJECTOR, Fuel
10	4874 444	1				EX0	DG0		VALVE, Flow Control
11	4864 579	1				EX0	DG0		BANJO, Fuel

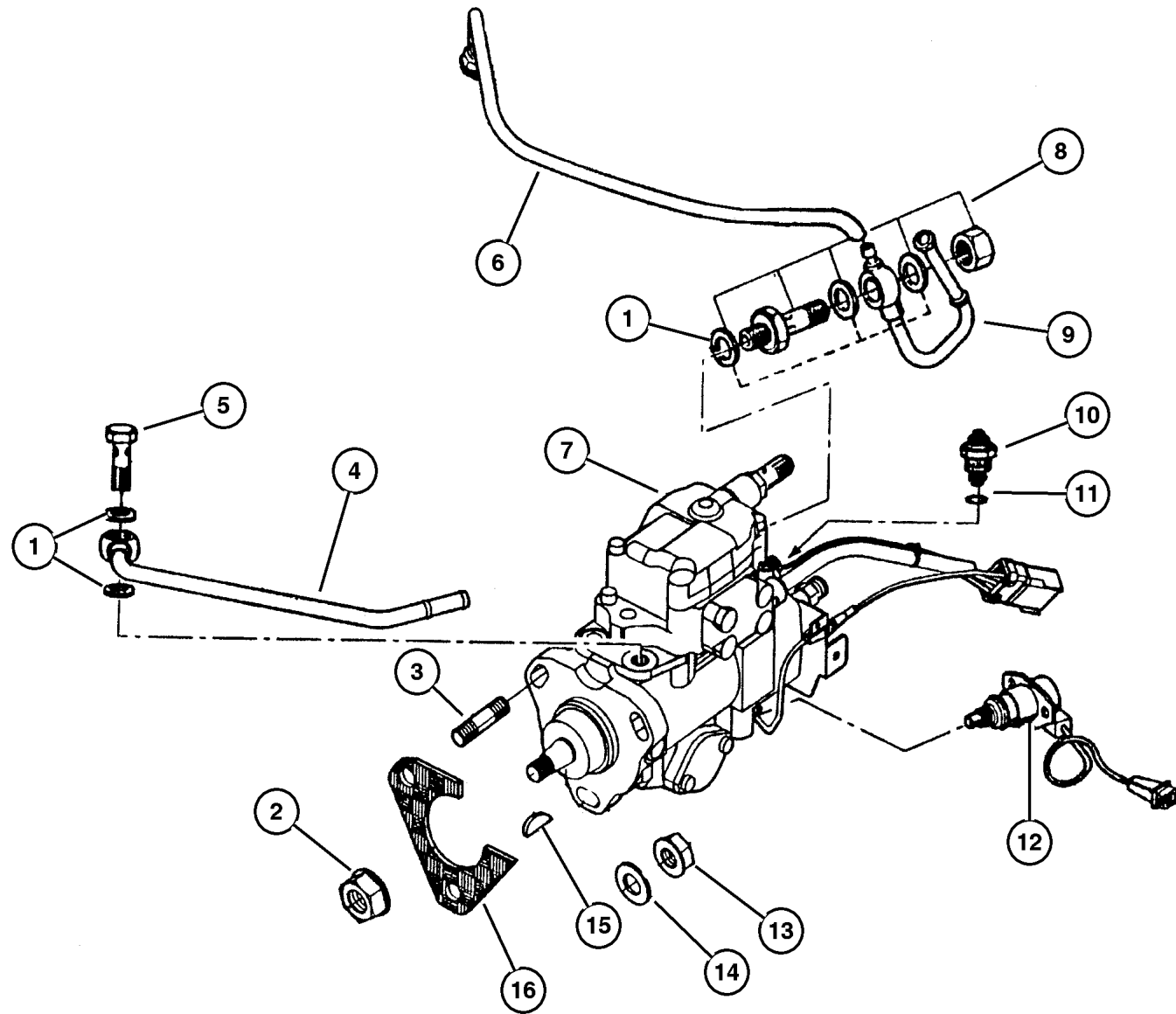


JEEP GRAND CHEROKEE (WJ)				
SERIES	LINE	BODY	ENGINE	TRANSMISSION
L = Grand Cherokee	J = 4WD T = 2WD U = 4WD (RHD)	74 = 4 Door (105.9 WB)	ERH,ERO = 4.0L, Power Tech EVA,EVO = 4.7L, Power Tech EXA,EXO = 3.1L 5 cyl Turbo Diesel	DGK = 4 Speed Autm, 42RE DG4 = Multi Speed Auto 45RFE DGW = 4 Speed Autom 44RE DGO = All Automatic

AR = Use as required - = Non illustrated part # = New this model year

September 15, 2005

Fuel Injection Pump 3.1L (EVA) Diesel Engine
Figure 014-460



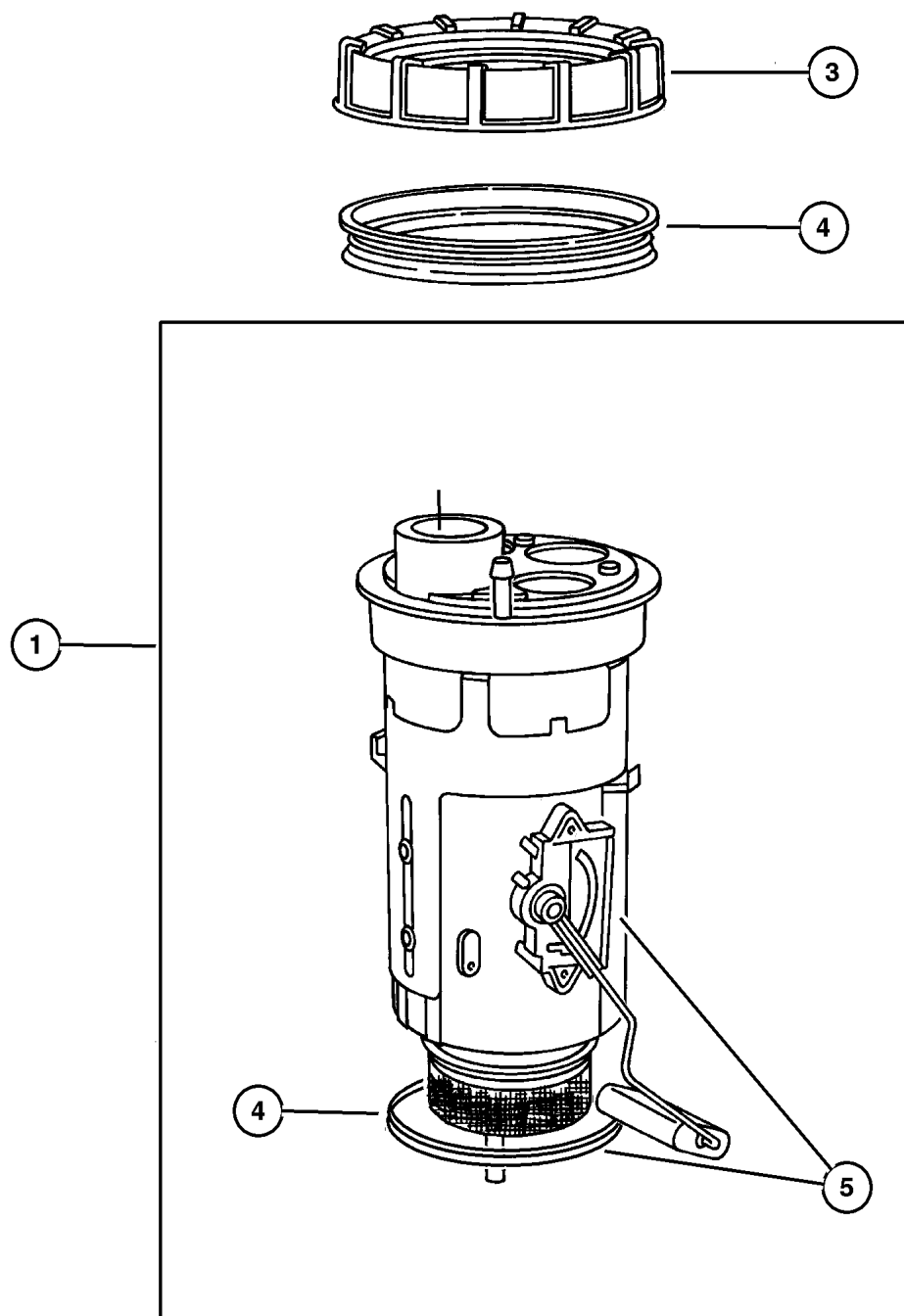
ITEM	PART NUMBER	QTY	LINE	SERIES	BODY	ENGINE	TRANS	TRIM	DESCRIPTION
NOTE: EX0=All 3.1L Engines DG0=All Automatic Transmissions									
1	4720 703	2				EX0	DG0		WASHER, Plain
2	4883 402AA	1				EX0	DG0		NUT
3	4723 241	3				EX0	DG0		STUD
4	5014 991AA	1				EX0	DG0		BANJO, Fuel
5	4720 367	1				EX0	DG0		BOLT, Banjo
6	4720 190AB	1				EX0	DG0		PIPE, Fuel Spill Return
7	5014 992AA	1				EX0	DG0		PUMP, Fuel Injection
8	4874 444	1				EX0	DG0		VALVE, Flow Control
9	4864 579	1				EX0	DG0		BANJO, Fuel
10	4723 264	1				EX0	DG0		SOLENOID, Fuel Shut Off Valve
11	4723 266	1				EX0	DG0		O RING, Fuel Solenoid
12	4797 786	1				EX0	DG0		ADVANCE, Automatic Injection
13	4778 961	3				EX0	DG0		NUT
14	4720 193	3				EX0	DG0		WASHER, Flat
15	4720 198	1				EX0	DG0		KEY, Fuel Injection Pump
16	4720 196	1				EX0	DG0		GASKET, Injection Pump

JEEP GRAND CHEROKEE (WJ)				
SERIES	LINE	BODY	ENGINE	TRANSMISSION
L = Grand Cherokee	J = 4WD T = 2WD U = 4WD (RHD)	74 = 4 Door (105.9 WB)	ERH,ERO = 4.0L, Power Tech EVA,EVO = 4.7L, Power Tech EXA,EXO = 3.1L 5 cyl Turbo Diesel	DGK = 4 Speed Autm, 42RE DG4 = Multi Speed Auto 45RFE DGW = 4 Speed Autom 44RE DGO = All Automatic

AR = Use as required - = Non illustrated part # = New this model year

September 15, 2005

**Fuel Pump and Sending Unit 3.1L Diesel (EXA), 4.0L (ERH), 4.7L (EVA) Engine
Figure 014-510**



ITEM	PART NUMBER	QTY	LINE	SERIES	BODY	ENGINE	TRANS	TRIM	DESCRIPTION
NOTE: EX0=All 3.1L Engines ER0=All 4.0L Engines EV0=4.7L Engines									
1	5012 380AA	1				ER0, EV0			MODULE PACKAGE, Fuel Pump/ Level Unit, Module Package also contain seal
-2	5013 451AA-	1				EX0			MODULE PACKAGE, Fuel Tank
3	5200 5389	1				ER0, EV0			NUT, Fuel Pump Module
		1				EX0			
4	5201 8808	1				ER0, EV0			SEAL, Fuel Pump and Level Unit
		1				EX0			
5	5013 584AA	1				ER0, EV0			LEVEL UNIT PACKAGE, Fuel

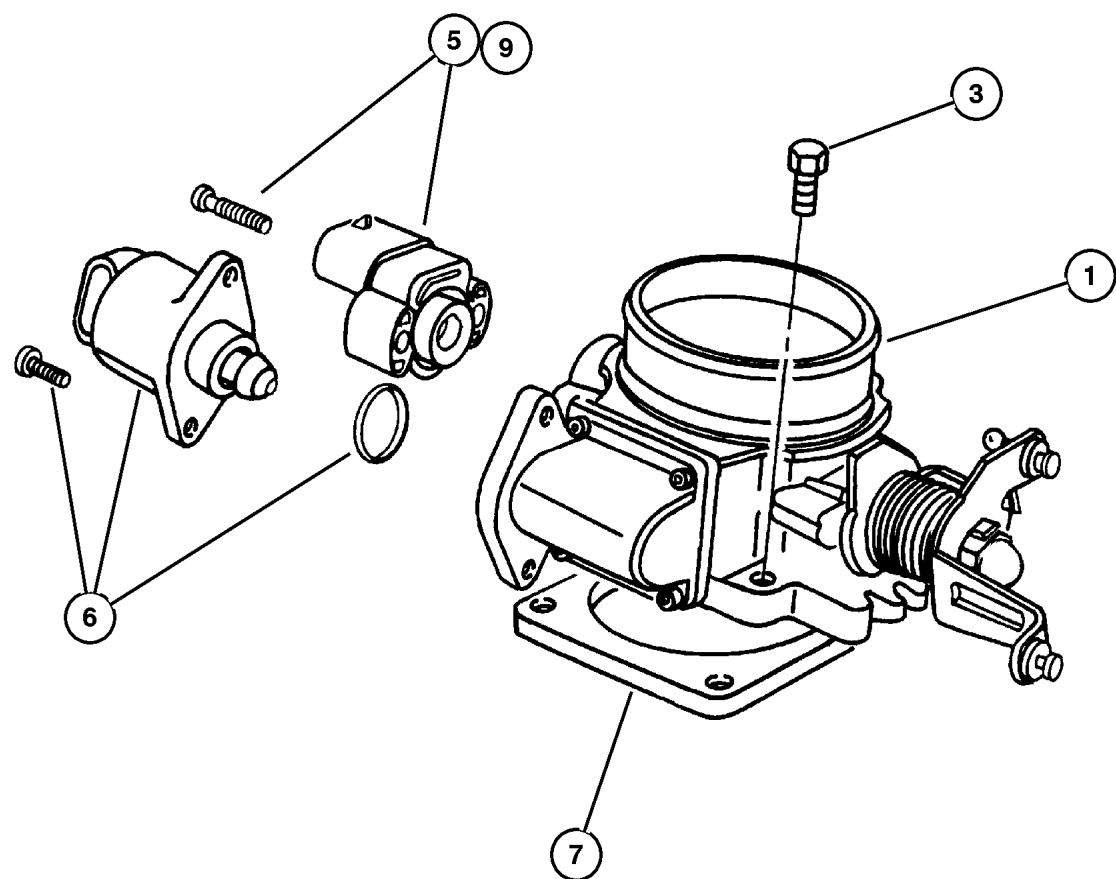
JEEP GRAND CHEROKEE (WJ)

SERIES	LINE	BODY	ENGINE	TRANSMISSION
L = Grand Cherokee	J = 4WD T = 2WD U = 4WD (RHD)	74 = 4 Door (105.9 WB)	ERH,ERO = 4.0L, Power Tech EVA,EVO = 4.7L, Power Tech EXA,EXO = 3.1L 5 cyl Turbo Diesel	DGK = 4 Speed Autm, 42RE DG4 = Multi Speed Auto 45RFE DGW = 4 Speed Autom 44RE DGO = All Automatic

AR = Use as required - = Non illustrated part # = New this model year

September 15, 2005

**Throttle Body 4.0L (ERH), 4.7L (EVA) Engine
Figure 014-610**



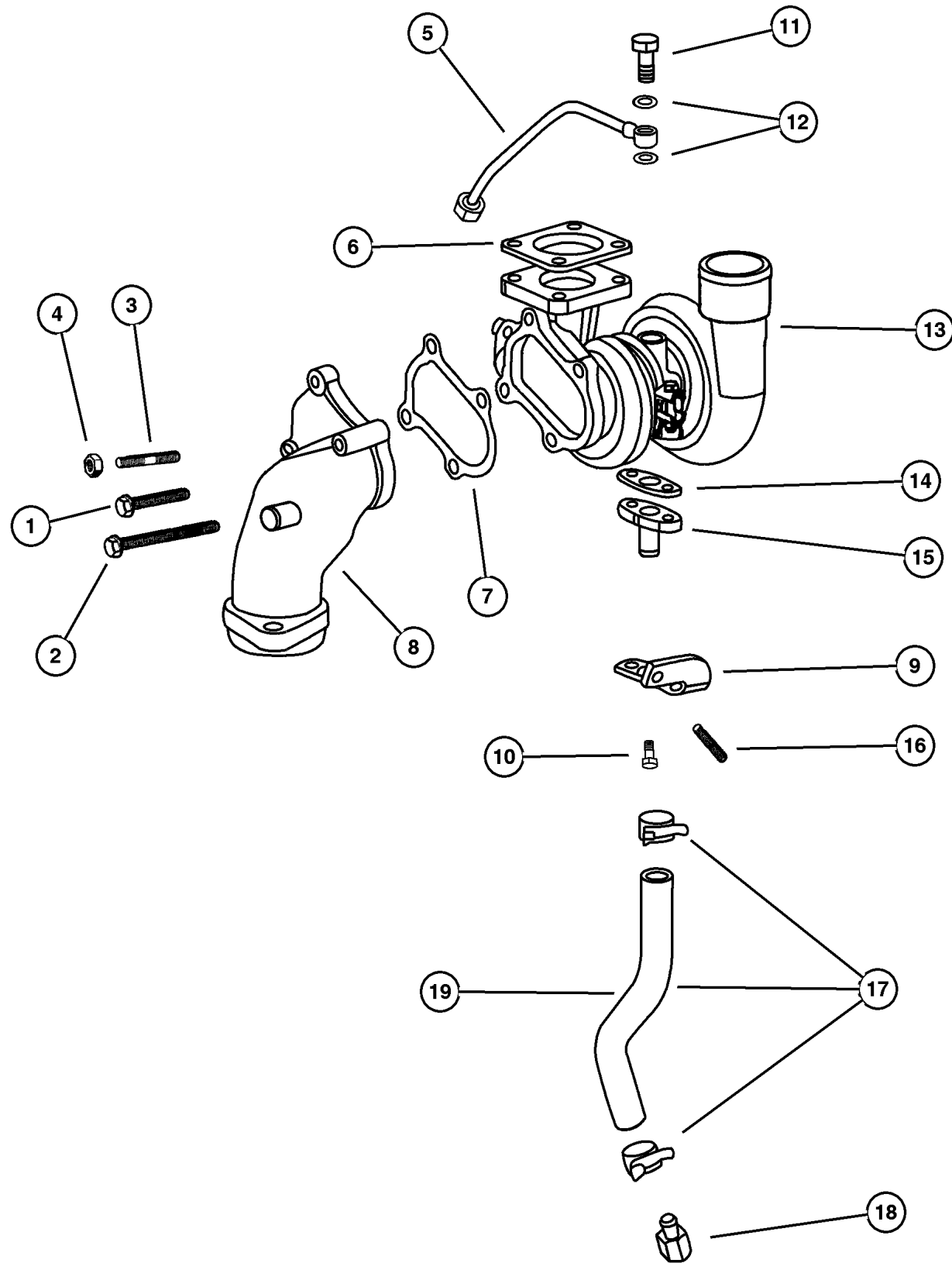
ITEM	PART NUMBER	QTY	LINE	SERIES	BODY	ENGINE	TRANS	TRIM	DESCRIPTION
NOTE: ER0=All 4.0L Engines EV0=All 4.7L Engines									
1									THROTTLE BODY
	5303 1100	1				EVO			
	53032 023AC	1				ER0			
-2	8350 3642	1				EVO			O RING, Throttle Body
3	6503 929	4				ER0			SCREW AND WASHER, Coned Pilot, M6x1x30
-4									SCREW, M6x1x40, (NOT SERVICED) (Not Serviced)
5	4874 371AC	1				ER0			SENSOR, Throttle Position
6	4874 373	1				ER0			MOTOR, Air Idle Speed
	5303 0840	1				EVO			
7	5300 7543	1				ER0			GASKET, Throttle Body
-8	5303 0952	1				EVO			GASKET, Throttle Body To Intake
9	5017 479AA	1				EVO			SENSOR KIT, Throttle Position

JEEP GRAND CHEROKEE (WJ)				
SERIES	LINE	BODY	ENGINE	TRANSMISSION
L = Grand Cherokee	J = 4WD T = 2WD U = 4WD (RHD)	74 = 4 Door (105.9 WB)	ERH,ERO = 4.0L, Power Tech EVA,EVO = 4.7L, Power Tech EXA,EXO = 3.1L 5 cyl Turbo Diesel	DGK = 4 Speed Autm, 42RE DG4 = Multi Speed Auto 45RFE DGW = 4 Speed Autom 44RE DGO = All Automatic

AR = Use as required - = Non illustrated part # = New this model year

September 15, 2005

**Turbocharger 3.1L (EXA) Engine
Figure 014-660**



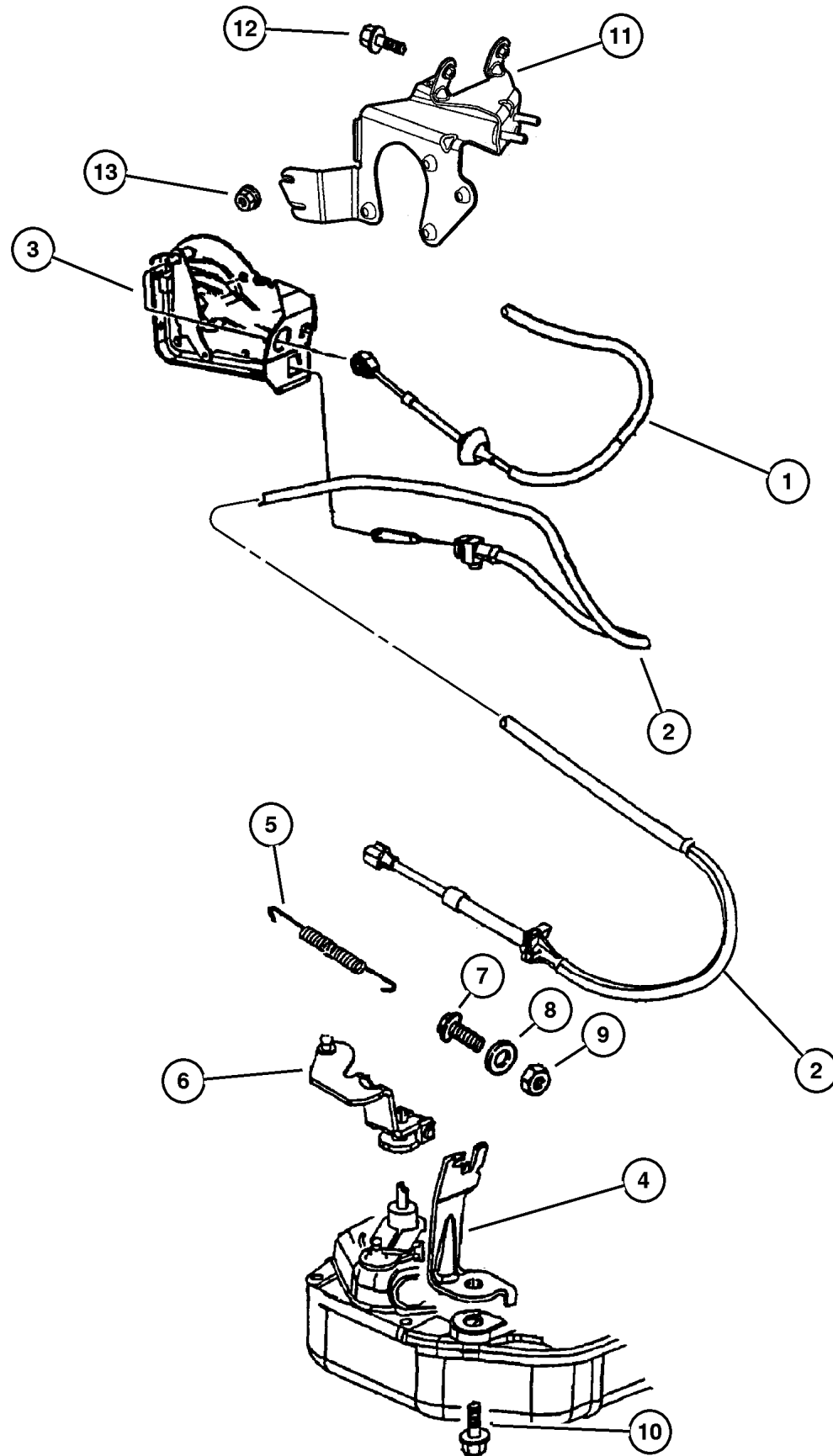
ITEM	PART NUMBER	QTY	LINE	SERIES	BODY	ENGINE	TRANS	TRIM	DESCRIPTION
NOTE: EX0=All 3.1L Engines DG0=All Automatic Transmissions									
1	5015 031AA	1				EX0	DG0		SCREW
2	5015 032AA	1				EX0	DG0		SCREW
3	4863 803	2				EX0	DG0		STUD
4	4882 610	2				EX0	DG0		NUT, Lock
5	5015 023AA	1				EX0	DG0		TUBE, Turbo Oil Feed
6	5015 027AA	1				EX0	DG0		GASKET, Manifold To Turbo
7	5015 028AA	1				EX0	DG0		GASKET, Turbo Exhaust Outlet
8	5015 022AA	1				EX0	DG0		ELBOW, Turbo Exhaust Outlet
9	5015 021AA	1				EX0	DG0		BRACKET
10	4864 551	2				EX0	DG0		SCREW
11	4720 367	1				EX0	DG0		BOLT, Banjo
12	4720 703	2				EX0	DG0		WASHER, Plain
13	5015 030AA	1				EX0	DG0		TURBOCHARGER
14	4796 007AB	1				EX0	DG0		GASKET, Turbo Oil Return Pipe
15	5015 024AA	1				EX0	DG0		TUBE, Oil Drain
16	4886 035AA	1				EX0	DG0		STUD, M6x1.0x30
17	4886 052AA	2				EX0	DG0		CLAMP, Heater Hose
18	5015 026AA	1				EX0	DG0		ADAPTER, Oil Drain Pipe
19	5015 025AA	1				EX0	DG0		PIPE, Oil Return

JEEP GRAND CHEROKEE (WJ)				
SERIES	LINE	BODY	ENGINE	TRANSMISSION
L = Grand Cherokee	J = 4WD T = 2WD U = 4WD (RHD)	74 = 4 Door (105.9 WB)	ERH,ERO = 4.0L, Power Tech EVA,EVO = 4.7L, Power Tech EXA,EXO = 3.1L 5 cyl Turbo Diesel	DGK = 4 Speed Autm, 42RE DG4 = Multi Speed Auto 45RFE DGW = 4 Speed Autom 44RE DGO = All Automatic

AR = Use as required - = Non illustrated part # = New this model year

September 15, 2005

Throttle Controls 3.1L (EXA) Diesel Engine Figure 014-710



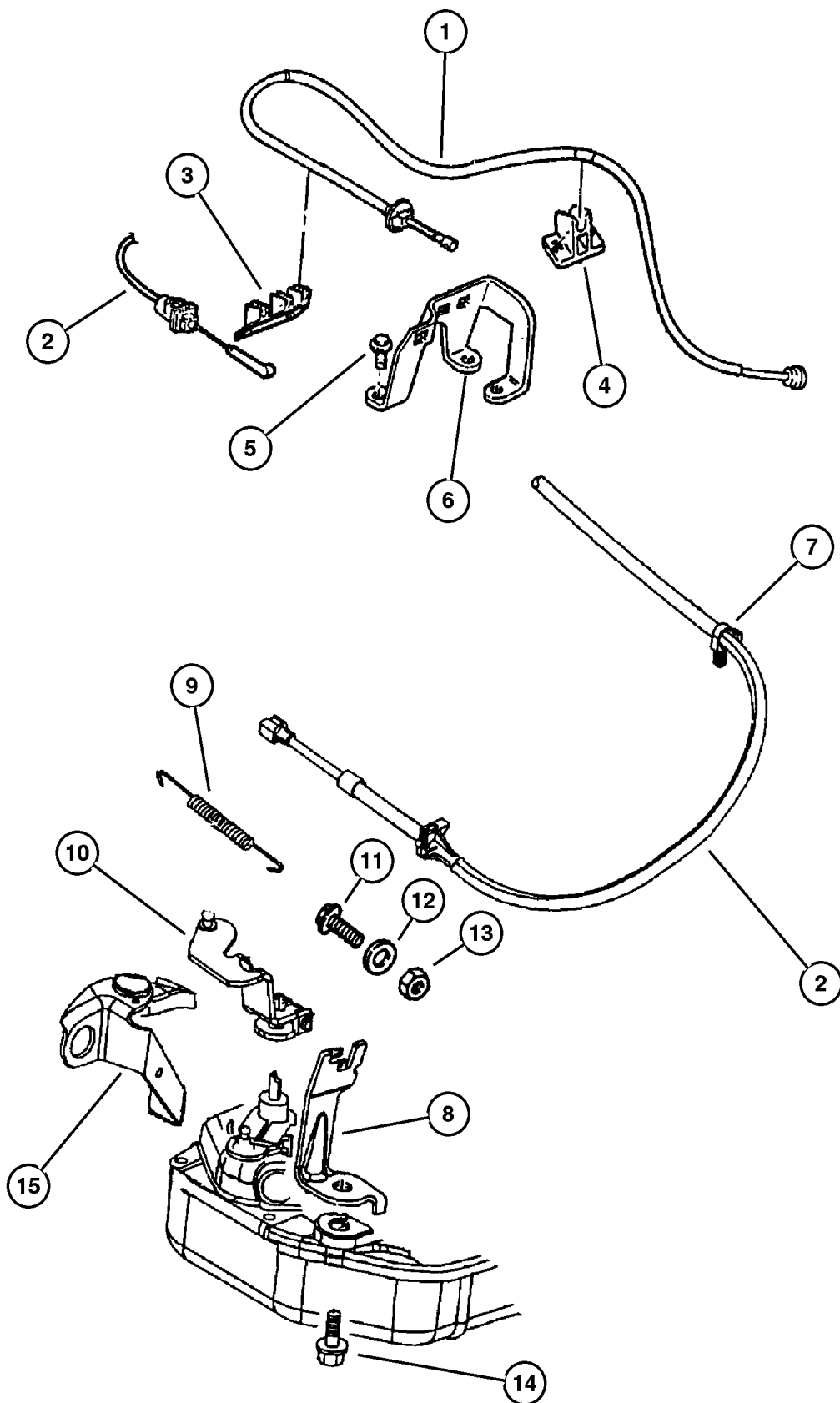
ITEM	PART NUMBER	QTY	LINE	SERIES	BODY	ENGINE	TRANS	TRIM	DESCRIPTION
NOTE: EX0=All 3.1L Engines DGW=4 Speed Automatic Transmission 44RE, DGK= 4 Speed Automatic Transmission 42RE									
1	4854 254AA	1	J, T			EX0			CABLE, Accelerator
2	52104 232AA	1	J, T			EX0	DGW		CABLE, Throttle Valve
3	53031 575AC	1				EX0	DGW		BELLCRANK, Accelerator and Cruise
4	5207 8867	1					DGK, DGW		BRACKET, Cable
5	5300 9055	1					DGK, DGW		SPRING, Throttle Valve Return
6	52078 723AB	1					DGK, DGW		LEVER, Throttle Valve
7	0181 065	1					DGK, DGW		BOLT, Hex Head, .25-20x1.00
8	0138 165	1					DGK, DGW		WASHER, Lock
9	J012 0375	1					DGK, DGW		NUT, Hex, .250-20
10	0181 112	1					DGK, DGW		SCREW AND WASHER, .375-16x1.00
11	53013 049AA	1				EX0	DGW		BRACKET, Bellcrank
12	6101 221	3				EX0			SCREW
13	6101 444	4							NUT AND WASHER, Hex, M6x1.0

JEEP GRAND CHEROKEE (WJ)				
SERIES	LINE	BODY	ENGINE	TRANSMISSION
L = Grand Cherokee	J = 4WD T = 2WD U = 4WD (RHD)	74 = 4 Door (105.9 WB)	ERH,ERO = 4.0L, Power Tech EVA,EVO = 4.7L, Power Tech EXA,EXO = 3.1L 5 cyl Turbo Diesel	DGK = 4 Speed Autm, 42RE DG4 = Multi Speed Auto 45RFE DGW = 4 Speed Autom 44RE DGO = All Automatic

AR = Use as required - = Non illustrated part # = New this model year

September 15, 2005

Throttle Controls 4.0L (ERH) Engine Figure 014-720



ITEM	PART NUMBER	QTY	LINE	SERIES	BODY	ENGINE	TRANS	TRIM	DESCRIPTION
NOTE: ER0=All 4.0L Engines DGK=4 Speed Automatic Transmission 42RE, DGW= 4 Speed Automatic Transmission 44RE									
1	4854 150	1	J, T			ER0			CABLE, Accelerator
2	52104 284AA	1					DGK		CABLE, Throttle Valve
3	5207 9029	1				ER0			GUIDE, Accelerator Cable
4	5207 8987	1	J, T			ER0			GUIDE, Accelerator Cable
5	6501 979	3				ER0			SCREW AND WASHER, Hex Head, M6x1x17
6	53013 160AA	1				ER0			BRACKET, Accelerator Cable
7	J400 5701	1	J, U						CLIP
8	5207 8867	1					DGK, DGW		BRACKET, Cable
9	5300 9055	1					DGK, DGW		SPRING, Throttle Valve Return
10	52078 723AB	1					DGK, DGW		LEVER, Throttle Valve
11	0181 065	1					DGK, DGW		BOLT, Hex Head, .25-20x1.00
12	0138 165	1					DGK, DGW		WASHER, Lock
13	J012 0375	1					DGK, DGW		NUT, Hex, .250-20
14	0181 112	1					DGK, DGW		SCREW AND WASHER, .375-16x1.00
15	5210 4057	1					DGK		BRACKET, Shift Cable

JEEP GRAND CHEROKEE (WJ)

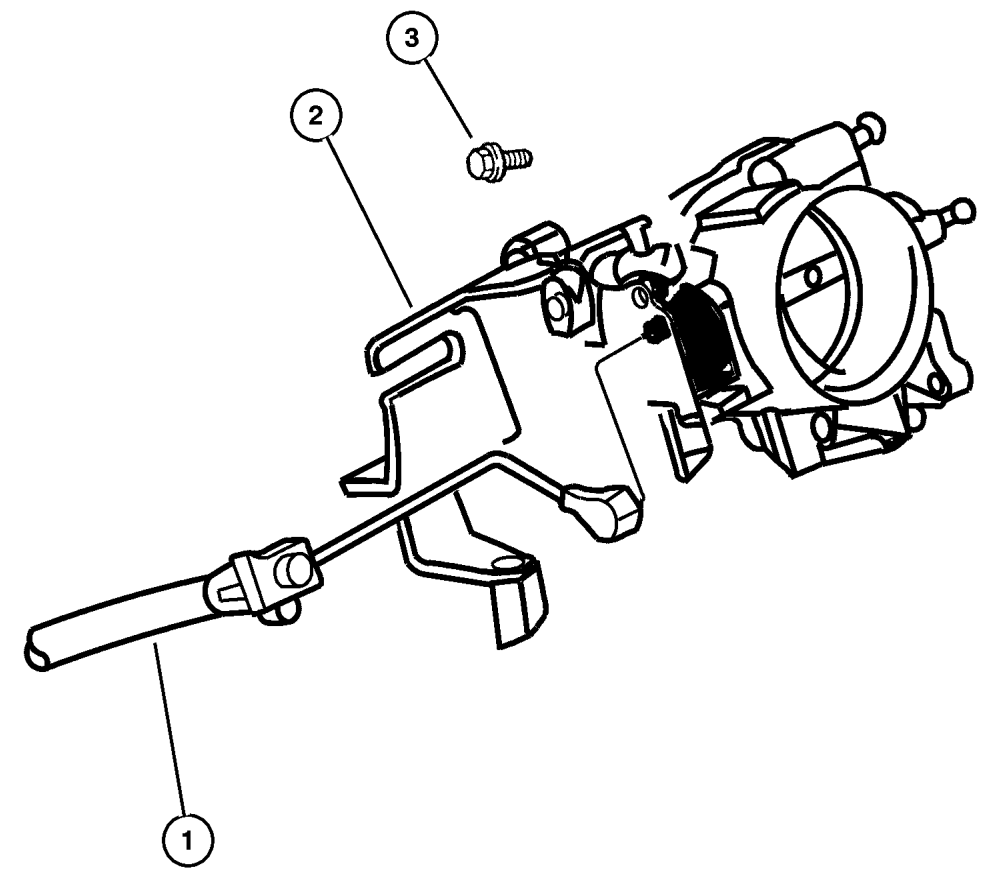
SERIES	LINE	BODY	ENGINE	TRANSMISSION
L = Grand Cherokee	J = 4WD T = 2WD U = 4WD (RHD)	74 = 4 Door (105.9 WB)	ERH,ERO = 4.0L, Power Tech EVA,EVO = 4.7L, Power Tech EXA,EXO = 3.1L 5 cyl Turbo Diesel	DGK = 4 Speed Autm, 42RE DG4 = Multi Speed Auto 45RFE DGW = 4 Speed Autom 44RE DGO = All Automatic

**Throttle Controls 4.7L (EVA) Engine
Figure 014-730**

ITEM	PART NUMBER	QTY	LINE	SERIES	BODY	ENGINE	TRANS	TRIM	DESCRIPTION
------	-------------	-----	------	--------	------	--------	-------	------	-------------

NOTE: EV0=All 4.7L Engines

1									CABLE, Accelerator
	4854 061	1	J, T			EVO			
	4854 162	1	U			EVO			
2	53031 683AA	1				EVO			BRACKET, Accelerator Cable
3									SCREW, M6X1.00X16.00, (NOT SERVICED) (Not Serviced)



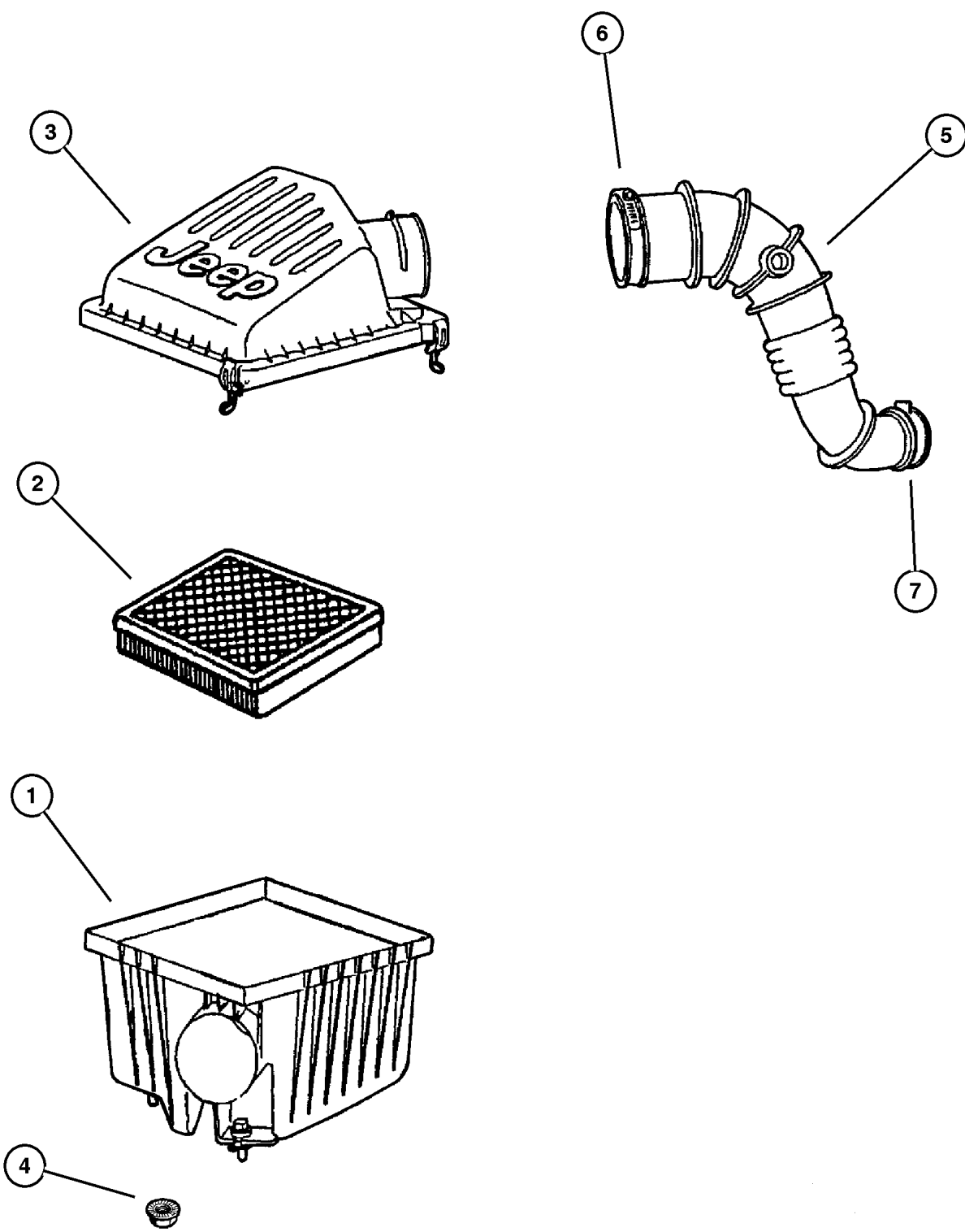
JEEP GRAND CHEROKEE (WJ)				
SERIES	LINE	BODY	ENGINE	TRANSMISSION
L = Grand Cherokee	J = 4WD T = 2WD U = 4WD (RHD)	74 = 4 Door (105.9 WB)	ERH,ERO = 4.0L, Power Tech EVA,EVO = 4.7L, Power Tech EXA,EXO = 3.1L 5 cyl Turbo Diesel	DGK = 4 Speed Autm, 42RE DG4 = Multi Speed Auto 45RFE DGW = 4 Speed Autom 44RE DGO = All Automatic

AR = Use as required - = Non illustrated part # = New this model year

September 15, 2005

**Air Cleaner 3.1L (EXA) Diesel Engine
Figure 014-810**

ITEM	PART NUMBER	QTY	LINE	SERIES	BODY	ENGINE	TRANS	TRIM	DESCRIPTION
Note; EXO= All 3.1L Diesel Engines									
1	5013 465AA	1	J, T			EX0			BODY, Air Cleaner
2	5303 0688	1	J, T			EX0			FILTER, Air
3	5013 466AA	1	J, T			EX0			COVER, Air Cleaner
4									NUT, M8x1.25, (NOT SERVICED) (Not Serviced)
5	4854 188AB	1	J, T			EX0			HOSE, Air Cleaner
6	5013 837AA	1	J, T			EX0			CLAMP, Air Cleaner Duct
7	5013 838AA	1	J, T			EX0			CLAMP, Air Cleaner Duct

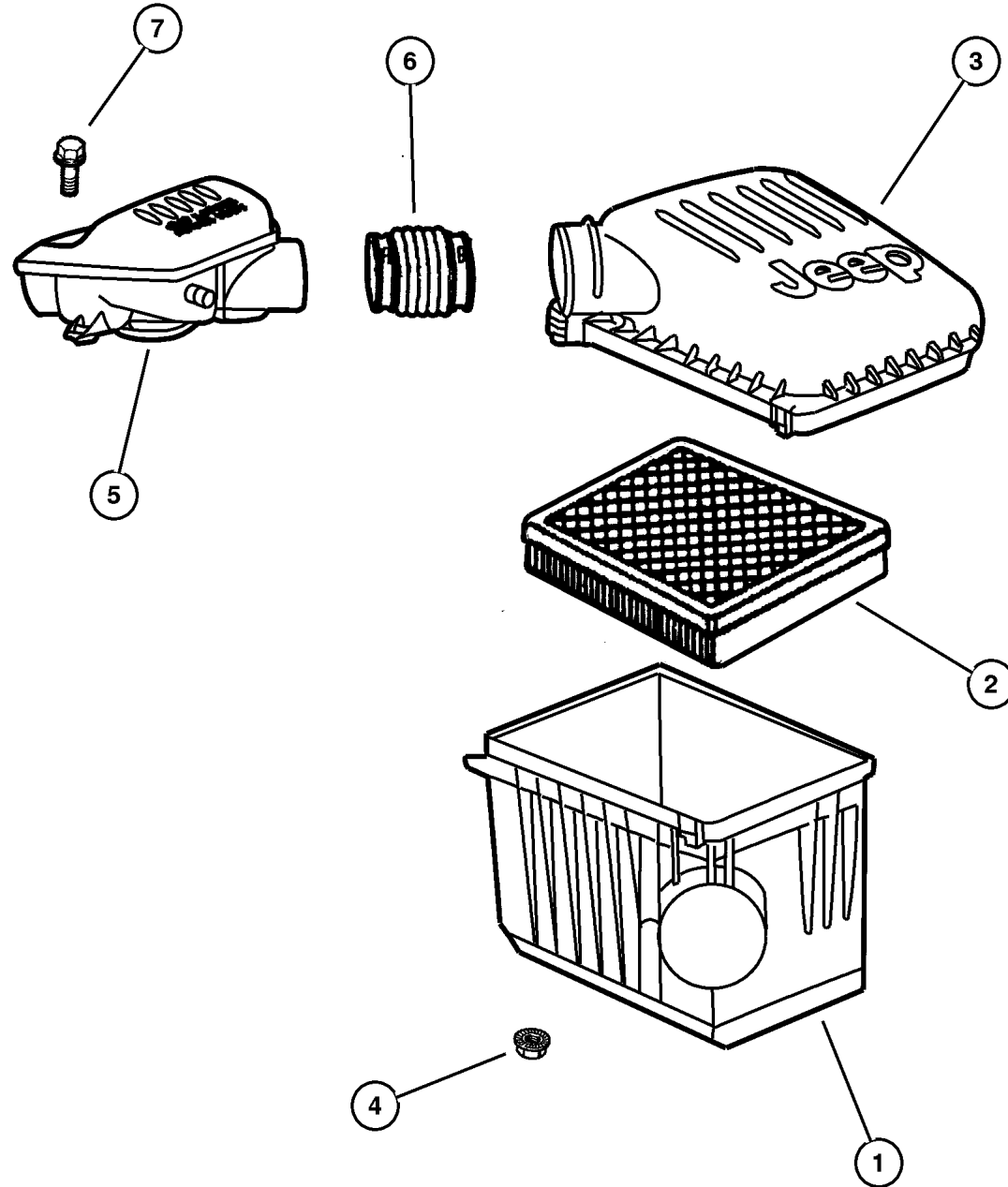


JEEP GRAND CHEROKEE (WJ)				
SERIES	LINE	BODY	ENGINE	TRANSMISSION
L = Grand Cherokee	J = 4WD T = 2WD U = 4WD (RHD)	74 = 4 Door (105.9 WB)	ERH,ERO = 4.0L, Power Tech EVA,EVO = 4.7L, Power Tech EXA,EXO = 3.1L 5 cyl Turbo Diesel	DGK = 4 Speed Autm, 42RE DG4 = Multi Speed Auto 45RFE DGW = 4 Speed Autom 44RE DGO = All Automatic

AR = Use as required - = Non illustrated part # = New this model year

September 15, 2005

**Air Cleaner 4.0L (ERH) Engine
Figure 014-820**



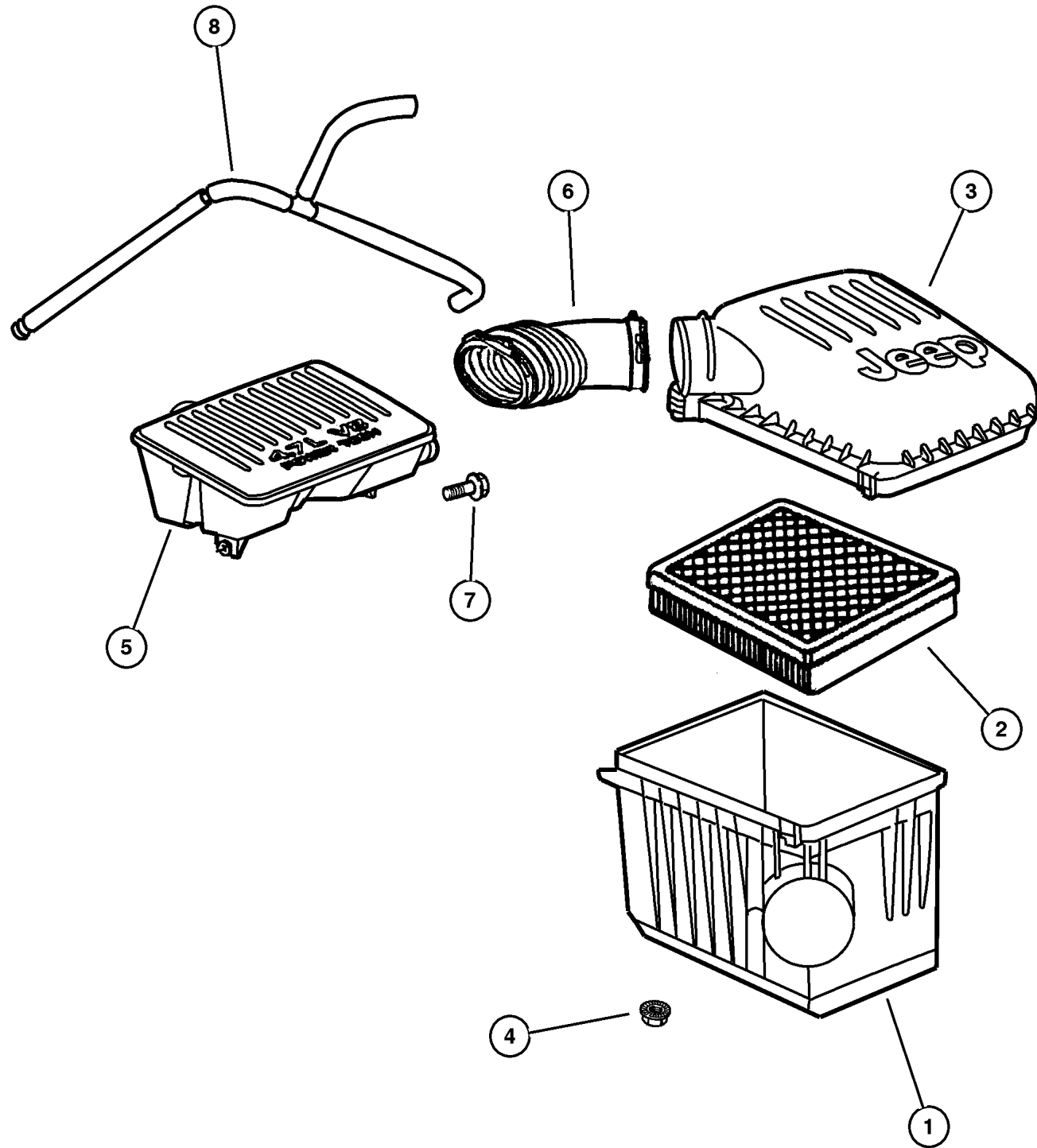
ITEM	PART NUMBER	QTY	LINE	SERIES	BODY	ENGINE	TRANS	TRIM	DESCRIPTION
NOTE: ER0=All 4.0L Engines									
1	5013 462AA	1				ER0			BODY, Air Cleaner
2	5300 7386	1				ER0			FILTER, Air
3	5013 461AA	1				ER0			COVER, Air Cleaner
4									NUT, M8x1.25, (NOT SERVICED) (Not Serviced)
5	4854 013	1				ER0			RESONATOR, Air Cleaner
6	4854 014	1				ER0			HOSE, Air Cleaner
7	6101 769	1				ER0			SCREW, Hex Head, M6x1x35

JEEP GRAND CHEROKEE (WJ)				
SERIES	LINE	BODY	ENGINE	TRANSMISSION
L = Grand Cherokee	J = 4WD T = 2WD U = 4WD (RHD)	74 = 4 Door (105.9 WB)	ERH,ERO = 4.0L, Power Tech EVA,EVO = 4.7L, Power Tech EXA,EXO = 3.1L 5 cyl Turbo Diesel	DGK = 4 Speed Autm, 42RE DG4 = Multi Speed Auto 45RFE DGW = 4 Speed Autom 44RE DGO = All Automatic

AR = Use as required - = Non illustrated part # = New this model year

September 15, 2005

Air Cleaner 4.7L (EVA) Engine
Figure 014-830



ITEM	PART NUMBER	QTY	LINE	SERIES	BODY	ENGINE	TRANS	TRIM	DESCRIPTION
NOTE: EV0=All 4.7L Engines									
1	5013 462AA	1				EVO			BODY, Air Cleaner
2	5300 7386	1				EVO			FILTER, Air
3	5013 461AA	1				EVO			COVER, Air Cleaner
4									NUT, M8x1.25, (NOT SERVICED) (Not Serviced)
5	4854 011	1				EVO			RESONATOR, Air Cleaner
6	4854 012	1				EVO			DUCT, Air Cleaner
7	6101 769	2				EVO			SCREW, Hex Head, M6x1x35
8	53031 667AA	1				EVO			TUBE, Breather

JEEP GRAND CHEROKEE (WJ)				
SERIES	LINE	BODY	ENGINE	TRANSMISSION
L = Grand Cherokee	J = 4WD T = 2WD U = 4WD (RHD)	74 = 4 Door (105.9 WB)	ERH,ERO = 4.0L, Power Tech EVA,EVO = 4.7L, Power Tech EXA,EXO = 3.1L 5 cyl Turbo Diesel	DGK = 4 Speed Autm, 42RE DG4 = Multi Speed Auto 45RFE DGW = 4 Speed Autom 44RE DGO = All Automatic

AR = Use as required - = Non illustrated part # = New this model year

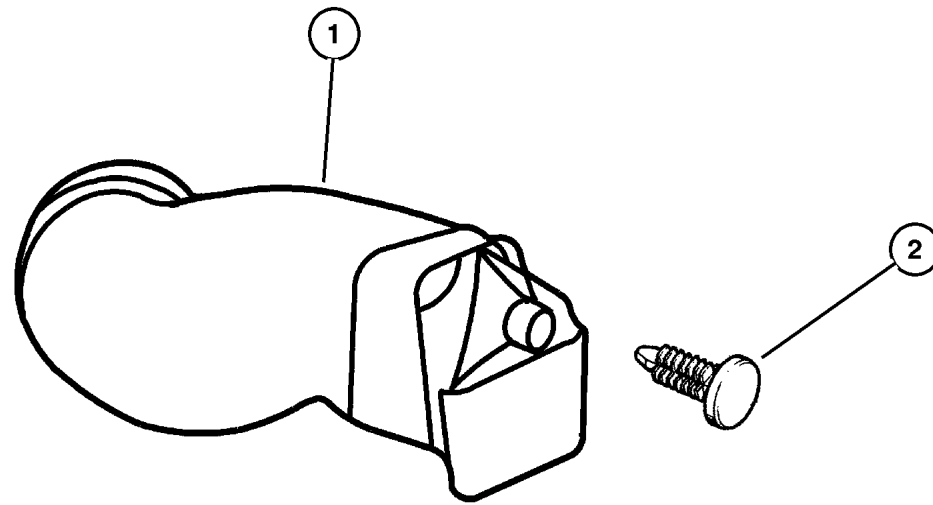
September 15, 2005

**Air Intake System 3.1L Diesel (EXA) 4.0L (ERH), 4.7L (EVA) Engine
Figure 014-910**

ITEM	PART NUMBER	QTY	LINE	SERIES	BODY	ENGINE	TRANS	TRIM	DESCRIPTION
------	-------------	-----	------	--------	------	--------	-------	------	-------------

NOTE: ER0=All 4.0L Engines EV0=All 4.7L Engines,
EXO= All 3.1L Diesel Engines

1	4854 015	1				ER0, EV0			DUCT, Ambient Air
	4854 218	1	J, T			EX0			
2	6030 441	1				ER0, EV0			PIN, Retainer
		1	J, T			EX0			

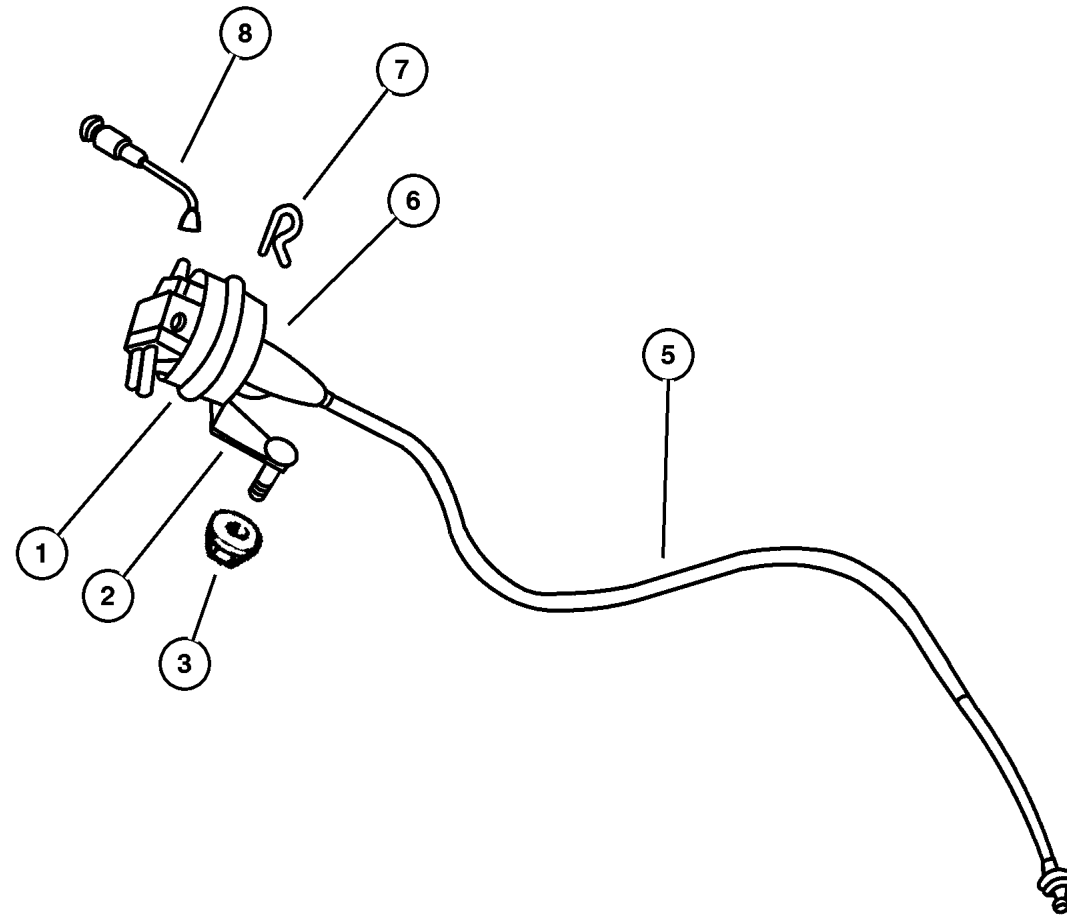


JEEP GRAND CHEROKEE (WJ)				
SERIES	LINE	BODY	ENGINE	TRANSMISSION
L = Grand Cherokee	J = 4WD T = 2WD U = 4WD (RHD)	74 = 4 Door (105.9 WB)	ERH,ERO = 4.0L, Power Tech EVA,EVO = 4.7L, Power Tech EXA,EXO = 3.1L 5 cyl Turbo Diesel	DGK = 4 Speed Autm, 42RE DG4 = Multi Speed Auto 45RFE DGW = 4 Speed Autom 44RE DGO = All Automatic

AR = Use as required - = Non illustrated part # = New this model year

September 15, 2005

**Speed Control 3.1L Diesel (EXA), 4.0L (ERH), 4.7L (EVA) Engine
Figure 014-1010**



ITEM	PART NUMBER	QTY	LINE	SERIES	BODY	ENGINE	TRANS	TRIM	DESCRIPTION
------	-------------	-----	------	--------	------	--------	-------	------	-------------

NOTE: EX0=All 3.1L Engines ER0=All 4.0L Engines EV0=All 4.7L Engines

1									SERVO, Speed Control, Vacuum harness is part of hevac a/c harness
	4669 979	1				EV0			
		1				ER0			
		1	J, T			EX0			
2									BRACKET, Cruise Control Servo
	4854 200AA	1	J, T			EX0			
	4854 057	1				EV0			
		1				ER0			
3	6100 051	2				EX0			NUT AND WASHER, Hex Nut-Coned Washer, M8 x 1.25
-4	6101 820	2				ER0, EV0			NUT, Hex Flange Lock
5									CABLE, Speed Control
	4854 055	1				EV0			
	4854 058	1				ER0			
	4854 201AA	1	J, T			EX0			
6									NUT, Hex Flange Serration, M6x1
	6502 493	2				EV0			
		2				ER0			
7									CLIP, Cable
	6025 867	1				EV0			
		1				ER0			
8	4854 202AA	1	J, T			EX0			HARNESS, Vacuum Speed Control

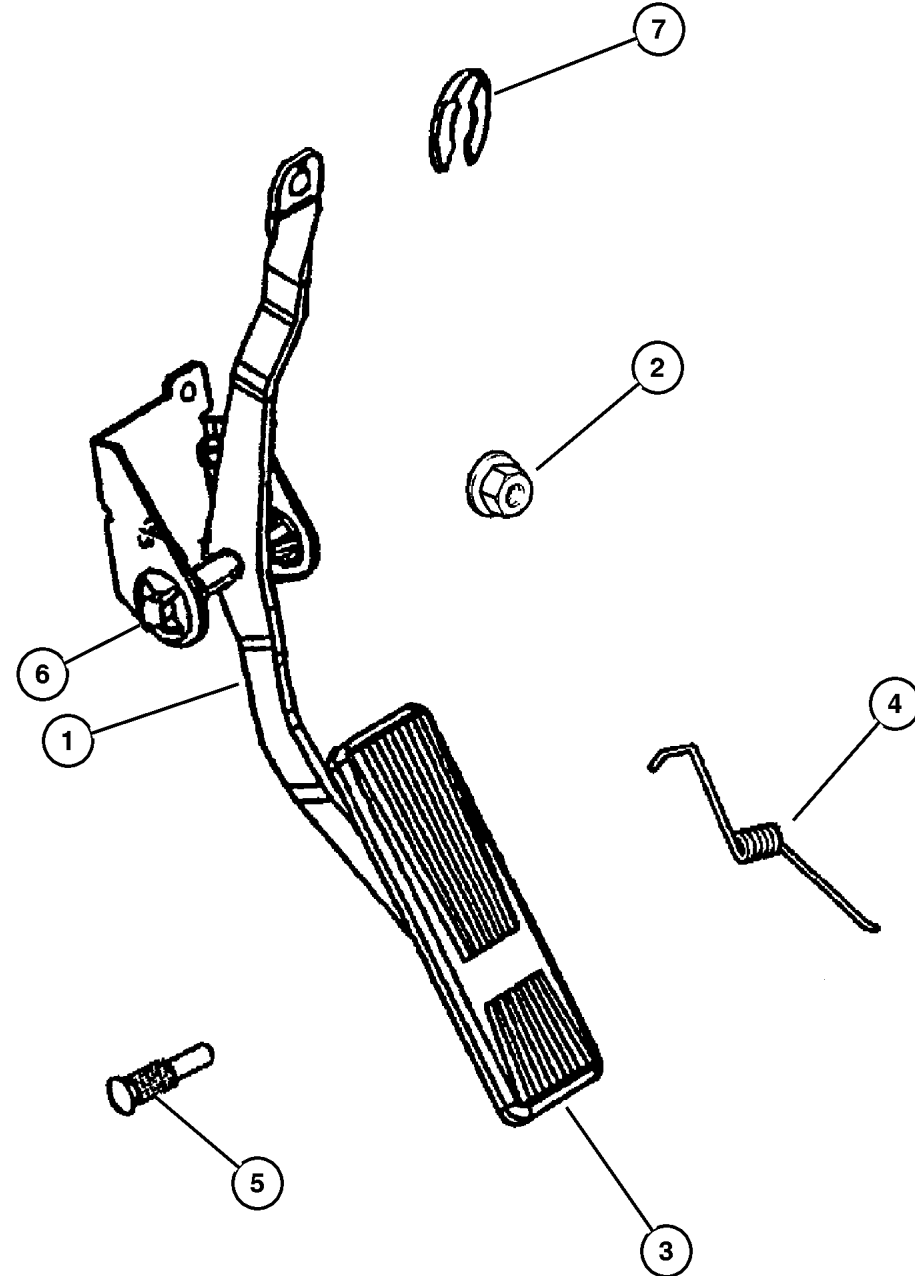
JEEP GRAND CHEROKEE (WJ)

SERIES	LINE	BODY	ENGINE	TRANSMISSION
L = Grand Cherokee	J = 4WD T = 2WD U = 4WD (RHD)	74 = 4 Door (105.9 WB)	ERH,ER0 = 4.0L, Power Tech EVA,EVO = 4.7L, Power Tech EXA,EXO = 3.1L 5 cyl Turbo Diesel	DGK = 4 Speed Autm, 42RE DG4 = Multi Speed Auto 45RFE DGW = 4 Speed Autom 44RE DGO = All Automatic

AR = Use as required - = Non illustrated part # = New this model year

September 15, 2005

**Accelerator Pedal
Figure 014-1110**



ITEM	PART NUMBER	QTY	LINE	SERIES	BODY	ENGINE	TRANS	TRIM	DESCRIPTION
1									PEDAL, Accelerator
	4854 130	1	J, T						
	4854 131	1	U						
2	3420 1680	2							NUT, Hex Flange, M6x1
3									PAD, Accelerator Pedal
	5300 3932	1	J, T						
		1	U						
4									SPRING, Accelerator Pedal Return
	5207 8168	1	J, T						
		1	U						
5									PIN, Accelerator Pedal Mtg.
	J322 0231	1	J, T						
		1	U						
6									BUSHING, Accelerator Pedal
	5207 8653	2	U						
		2	J, T						
7	4592 020	1							CLIP, Cable

JEEP GRAND CHEROKEE (WJ)

SERIES	LINE	BODY	ENGINE	TRANSMISSION
L = Grand Cherokee	J = 4WD T = 2WD U = 4WD (RHD)	74 = 4 Door (105.9 WB)	ERH,ERO = 4.0L, Power Tech EVA,EVO = 4.7L, Power Tech EXA,EXO = 3.1L 5 cyl Turbo Diesel	DGK = 4 Speed Autm, 42RE DG4 = Multi Speed Auto 45RFE DGW = 4 Speed Autom 44RE DGO = All Automatic

AR = Use as required - = Non illustrated part # = New this model year

September 15, 2005

Group – 016

Propeller Shafts and U-Joints

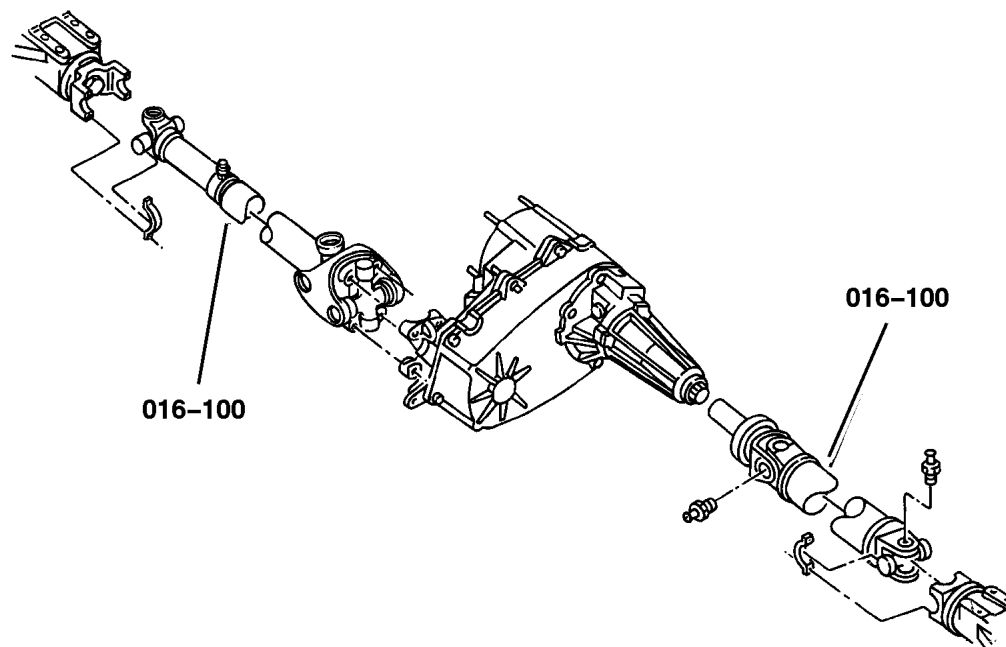
GROUP 16 - Propeller Shafts and U-Joints

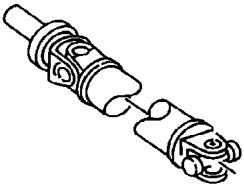
Illustration Title

Group-Fig. No.

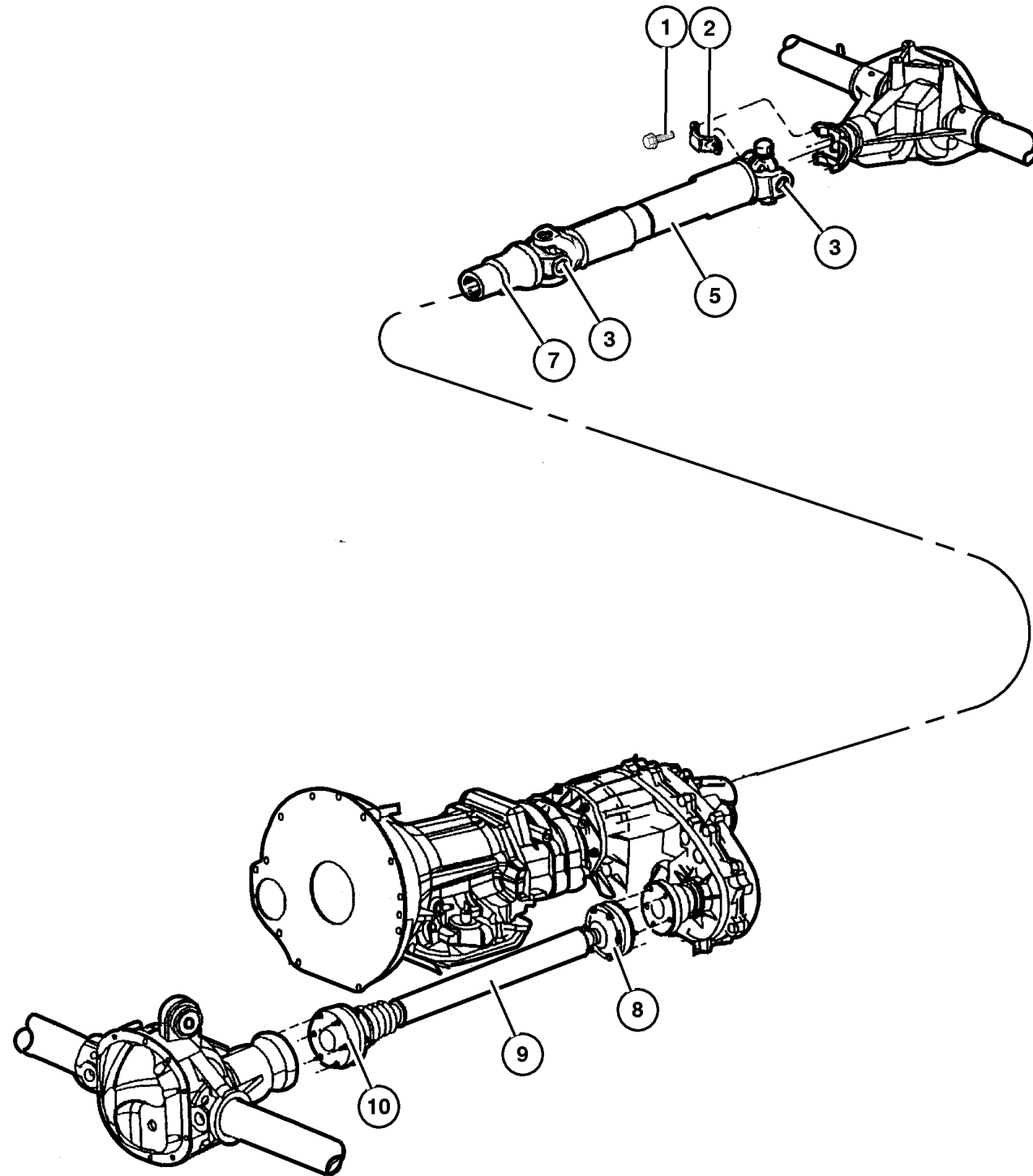
Propeller Shaft

Propeller Shafts, Front and Rear Fig. 016-110



<p>016-100 Propeller Shaft</p> 			
---	--	--	--

Propeller Shafts, Front and Rear Figure 016-110



ITEM	PART NUMBER	QTY	LINE	SERIES	BODY	ENGINE	TRANS	TRIM	DESCRIPTION
------	-------------	-----	------	--------	------	--------	-------	------	-------------

Note: Sales Codes:

Note: Item 6,7,9 one part number consists of 2 Bolts and 1 Strap

Note: There are NO parts released for REAR DRIVE SHAFT 52111489AA

[DGW]=Transmission - 4-Speed Automatic 44R

[DHF]=Quadra-Trac II On Demand System

[DHP]=Selec-Trac Full Time 4WD System

[DRK]=Axle - Rear, Dana 44/226MM

[DRM]=Axle - Rear, Dana 35C/194MM

[ER0]=Engines - All 4.0L 6 Cylinder Gas

[EV0]=Engines - All 4.7L Gas10

[EX0]=Engines - All 3.0/3.1L Turbo Diesel

1	J400 6928	4				ER0, EVO			BOLT
2	J324 0553	2				ER0, EVO			STRAP, Prop Shaft
3	4882 793	2	T			ER0			U JOINT Front or Rear
		2	J			ER0			[DHF,DRM], Front or Rear
		2	J, U			ER0			[DHP], Front or Rear
		2	J, U			ER0			[DRK], Front or Rear
		2	J, U			EVO			[DHF], Front or Rear
	5014 733AA	1	J, U			EVO			[DHP], Front
	5015 694AA	1	J, U			EVO			[DHP], Rear
-4	J320 7886	4	T			ER0			RING, U Joint
		4	J, U			ER0			[DHF,DRM]
		4	J			ER0			[DHP]
		4	J, U			ER0			[DRK]
		4	J, U			EVO			[DHF]
		4	J, U			EVO			[DHP]
5									SHAFT, Drive, Rear 1-Piece
	5209 9484	1	T			ER0			
	5209 9485	1	J			ER0			[DHF,DRM]
	5210 5530	1	J			ER0			[DHP]
	52111 483AA	1	J, U			ER0			[DRK]
	5209 9487	1	J, U			EVO			[DHF]
	52111 490AA	1	J, U			EVO			[DHP]
	52111 489AA	1	J			EX0	DGW		
-6	5096 080AA-	3	J			EX0	DGW		BOLT AND WASHER For 52111489AA Drive Shaft, Transmission,End
	5096 081AA-	3	J			EX0	DGW		For 52111489AA Drive Shaft, Rear Axle,End

JEEP GRAND CHEROKEE (WJ)

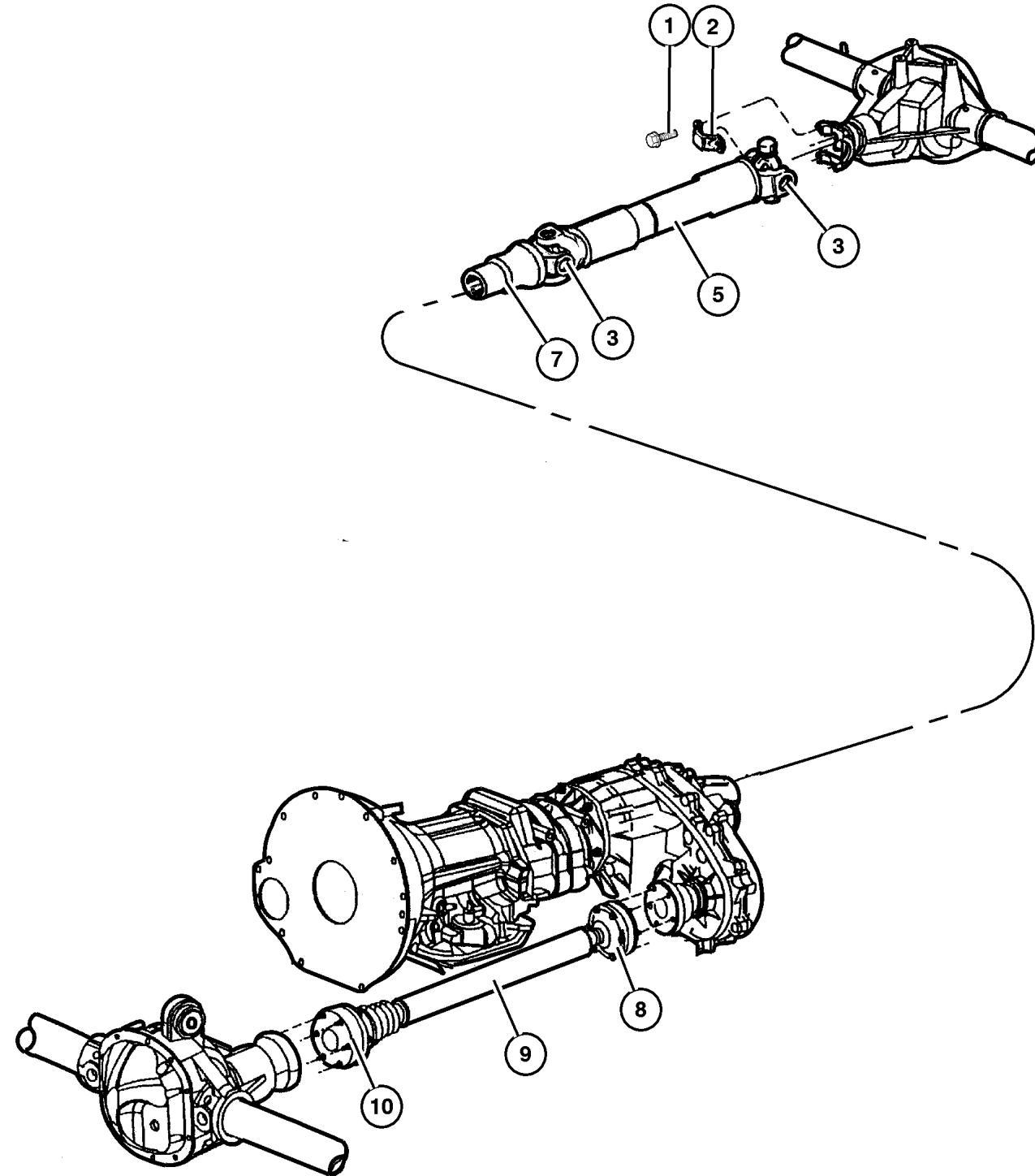
SERIES	LINE	BODY	ENGINE	TRANSMISSION
L = Grand Cherokee	J = 4WD T = 2WD U = 4WD (RHD)	74 = 4 Door (105.9 WB)	ERH,ERO = 4.0L, Power Tech EVA,EVO = 4.7L, Power Tech EXA,EXO = 3.1L 5 cyl Turbo Diesel	DGK = 4 Speed Autm, 42RE DG4 = Multi Speed Auto 45RFE DGW = 4 Speed Autom 44RE DGO = All Automatic

AR = Use as required - = Non illustrated part # = New this model year

September 15, 2005

Propeller Shafts, Front and Rear
Figure 016-110

ITEM	PART NUMBER	QTY	LINE	SERIES	BODY	ENGINE	TRANS	TRIM	DESCRIPTION
7									YOKE, Drive Shaft
	5010 030AA	1	T			ER0			
	4874 052	1	J			ER0			[DHF,DRM]
	4882 714	1	J, U			ER0			[DHP]
	4874 052	1	J, U			ER0			[DRK]
		1	J, U			EVO			[DHF]
8	5014 043AA	1	J, U			EVO			[DHP]
		6	J, U			ER0			BOLT AND WASHER Mounting
	5015 109AA	6	J, U			EVO			Mounting
9									SHAFT, Drive, Front
	52099 497AC	1	J, U			ER0			
	52099 498AB	1	J, U			EVO			
	52099 499AC	1	J			EX0	DGW		
10									BOLT AND WASHER Mounting
	5015 996AA	1	J, U			ER0			Mounting
		6	J, U			EVO			Mounting



JEEP GRAND CHEROKEE (WJ)

SERIES	LINE	BODY	ENGINE	TRANSMISSION
L = Grand Cherokee	J = 4WD T = 2WD U = 4WD (RHD)	74 = 4 Door (105.9 WB)	ERH,ERO = 4.0L, Power Tech EVA,EVO = 4.7L, Power Tech EXA,EXO = 3.1L 5 cyl Turbo Diesel	DGK = 4 Speed Autm, 42RE DG4 = Multi Speed Auto 45RFE DGW = 4 Speed Autom 44RE DGO = All Automatic

AR = Use as required - = Non illustrated part # = New this model year

September 15, 2005

Group - 017

Rear Suspension

GROUP 17 - Rear Suspension

Illustration Title

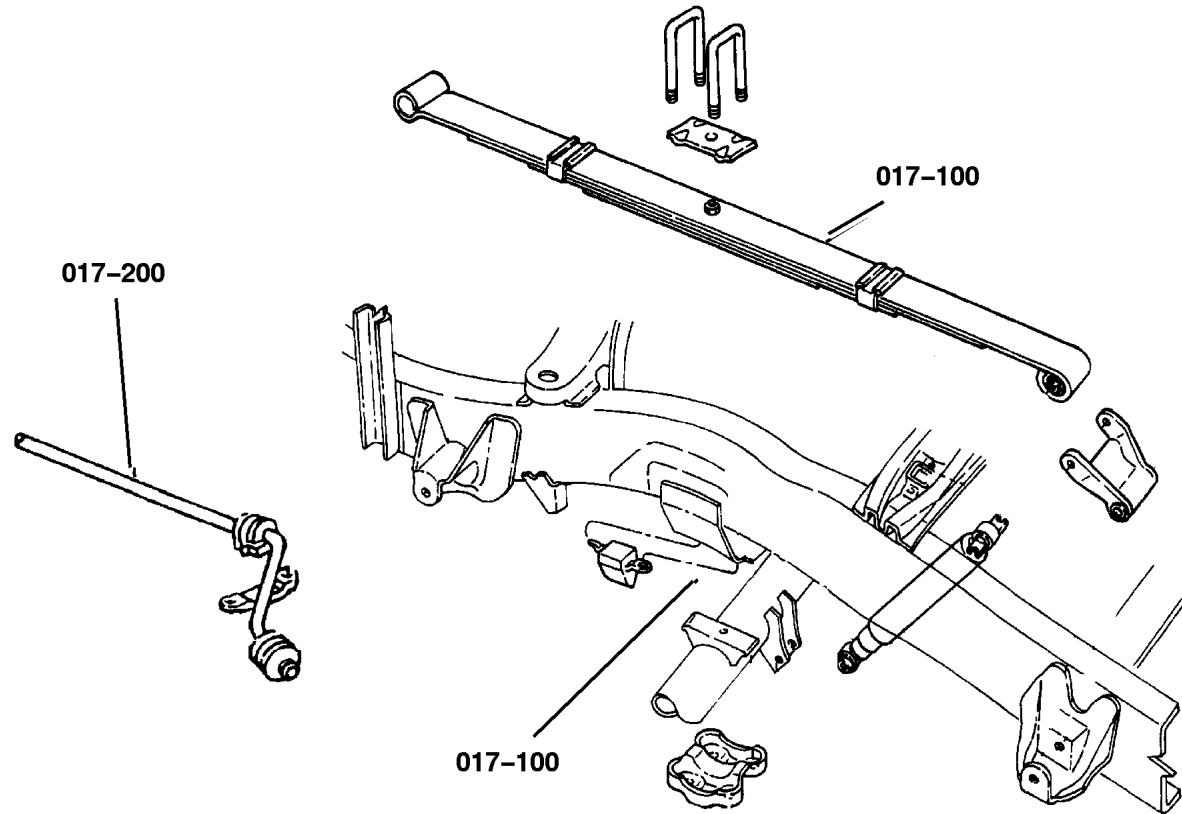
Group-Fig. No.

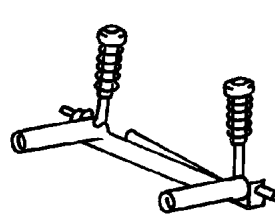
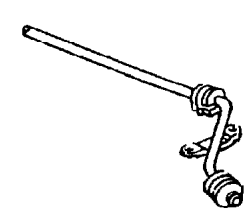
Rear Suspension

Suspension,Rear with Springs,Shocks and Control Arms Fig. 017-110

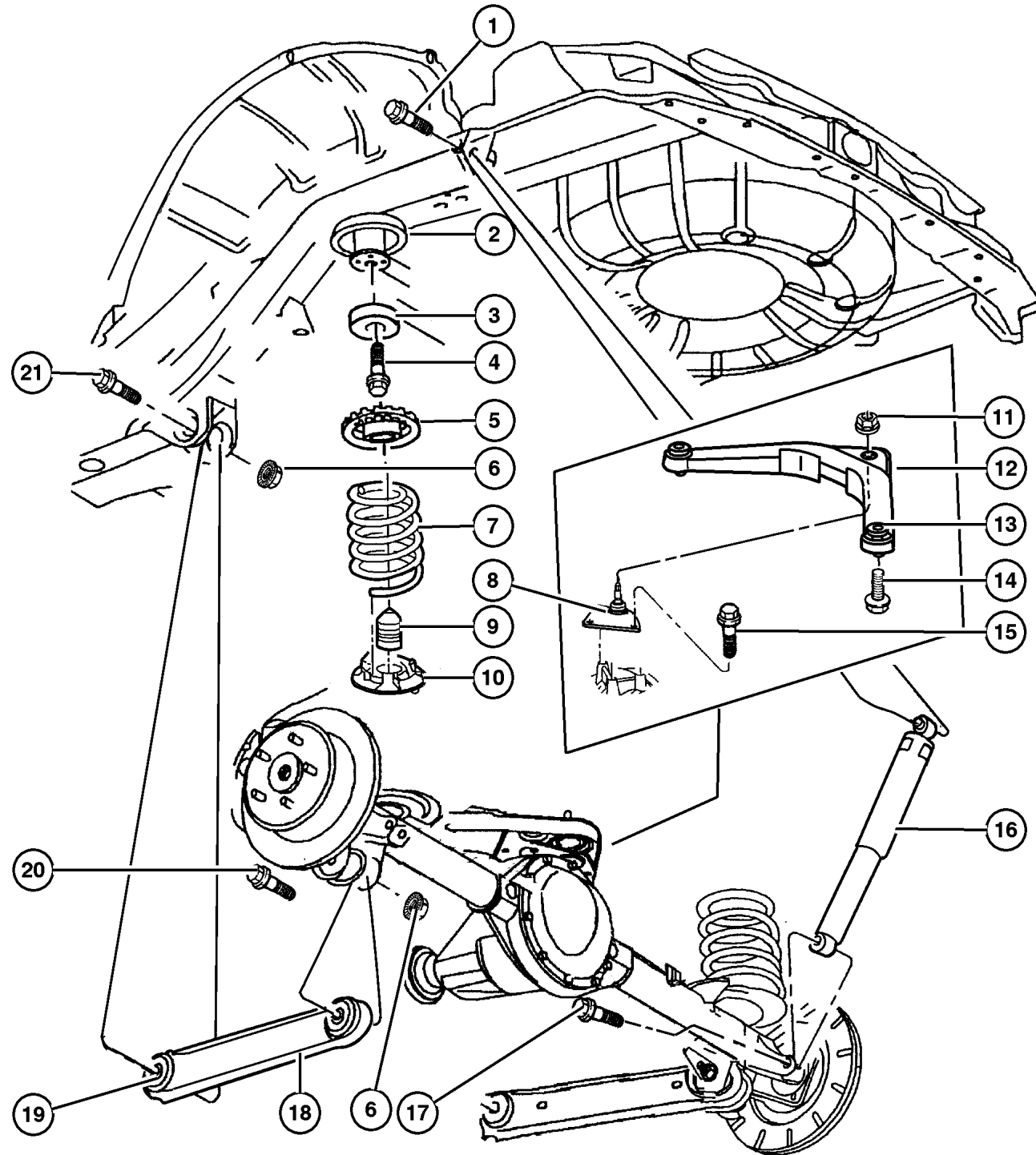
Rear Stabilizer

Stabilizer, Rear Fig. 017-210



<p>017-100 Rear Suspension</p> 	<p>017-200 Rear Stabilizer</p> 		
---	---	--	--

Suspension,Rear with Springs,Shocks and Control Arms Figure 017-110



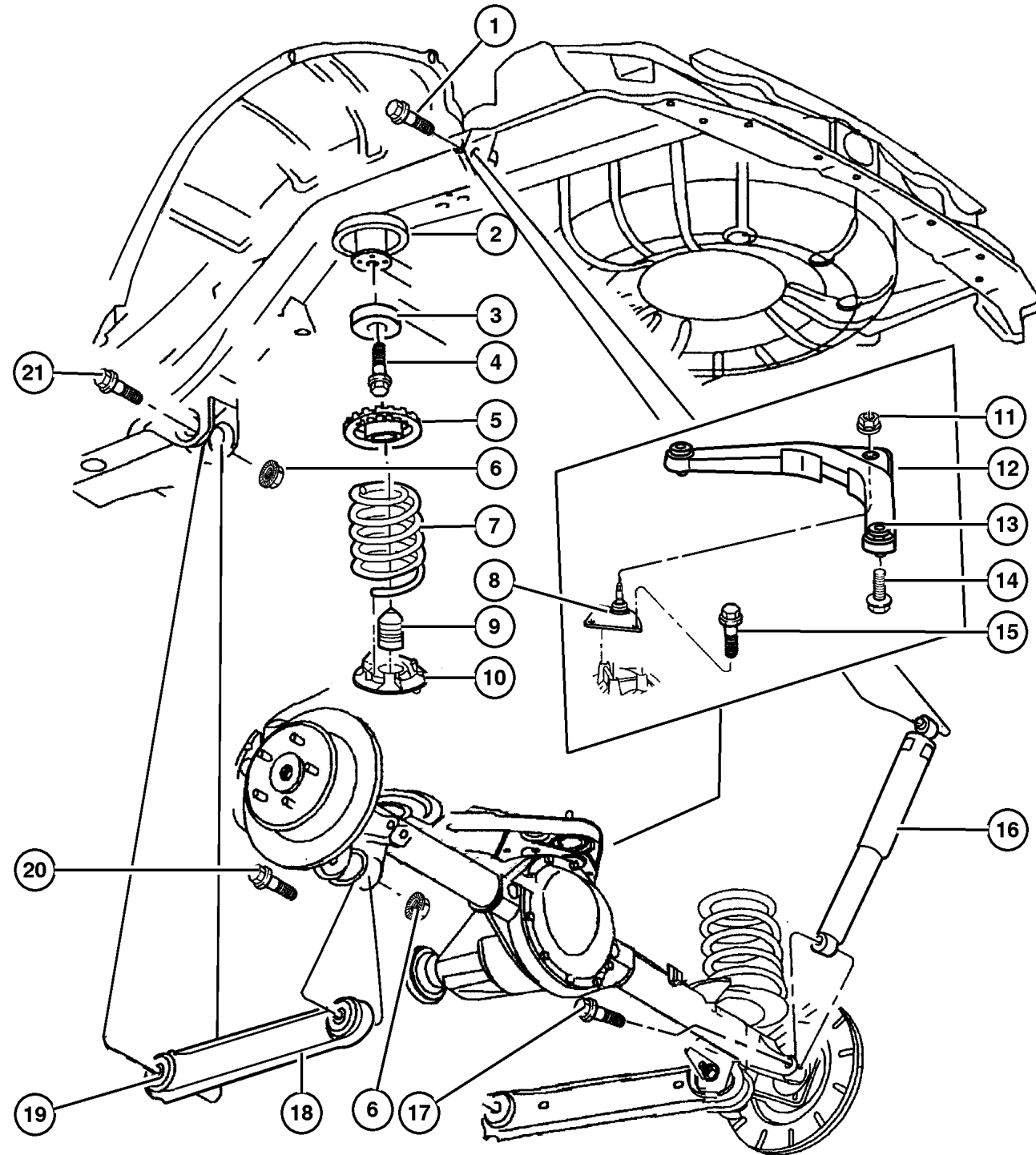
ITEM	PART NUMBER	QTY	LINE	SERIES	BODY	ENGINE	TRANS	TRIM	DESCRIPTION
Note:									
SDA = Quadra Coil Suspension									
SDU = Heavy Duty Suspension									
SDJ = Firm Feel Suspension (EXPORT)									
The 'Z' Sales Codes for the Coil Springs will be found in the VIN number									
1	6506 147AA	2							SCREW, Hex Flange Head, M12x1.75x80, Shock Mounting, Upper
2	5014 781AA	2							GUIDE, Rear Spring, None, Upper
3	5208 8350	2							SPACER, Jounce Bumper, Upper
4	6505 378AA	2							SCREW, Hex Flange Head, M10x1.5x40, Jounce Bumper Spacer, Mounting
5	5208 8346	2							ISOLATOR, Spring, Upper
6	6502 698	4							NUT, Hex Flange Lock, LCA to Axle and Sill, Mounting
7									SPRING, Suspension, Rear
	5208 8343	1							[ZKW,ZYW]
	5208 8344	1							[ZLV,ZZV]
	5208 8345	1							[ZLW,ZZW]
	5208 8404	1							[ZKY,ZYY]
	5208 8550	1							[ZKX,ZYX]
	5208 8551	1							[ZLU,ZZU]
	52089 500AA	1							[ZKZ,ZYZ]
8	5208 8428	1							BALL JOINT ASSEMBLY, UPPER CONTROL ARM, REAR
9	5208 8352	2							BUMPER, Jounce, Lower
10	52088 402AB	2							ISOLATOR, Spring, Lower
11	6502 698	1							NUT, Hex Flange Lock, UCA to Axle Ball Joint, Mounting
12	5208 8422	1							ARM, Upper Control, Rear, With 2 Bushings
13	5208 8425	2							BUSHING, Control Arm
14	6504 748	2							SCREW, Hex Flange Head, M12x1.75x117, UCA to Body, Mounting
15	6505 445AA	3							BOLT, UCA Ball Joint to Axle, Mounting
16									SHOCK ABSORBER, Suspension, Rear
	52088 221AC	2							[SDA] CU Market
	52088 736AB	2							[SDA] B Market
	52088 950AB	2							[SDJ] B Market
	52088 235AB	2							[SDU] CU Market
	52088 735AA	2							[SDU] B Market

JEEP GRAND CHEROKEE (WJ)				
SERIES	LINE	BODY	ENGINE	TRANSMISSION
L = Grand Cherokee	J = 4WD T = 2WD U = 4WD (RHD)	74 = 4 Door (105.9 WB)	ERH,ERO = 4.0L, Power Tech EVA,EVO = 4.7L, Power Tech EXA,EXO = 3.1L 5 cyl Turbo Diesel	DGK = 4 Speed Autm, 42RE DG4 = Multi Speed Auto 45RFE DGW = 4 Speed Autom 44RE DGO = All Automatic

AR = Use as required - = Non illustrated part # = New this model year

September 15, 2005

Suspension,Rear with Springs,Shocks and Control Arms
Figure 017-110



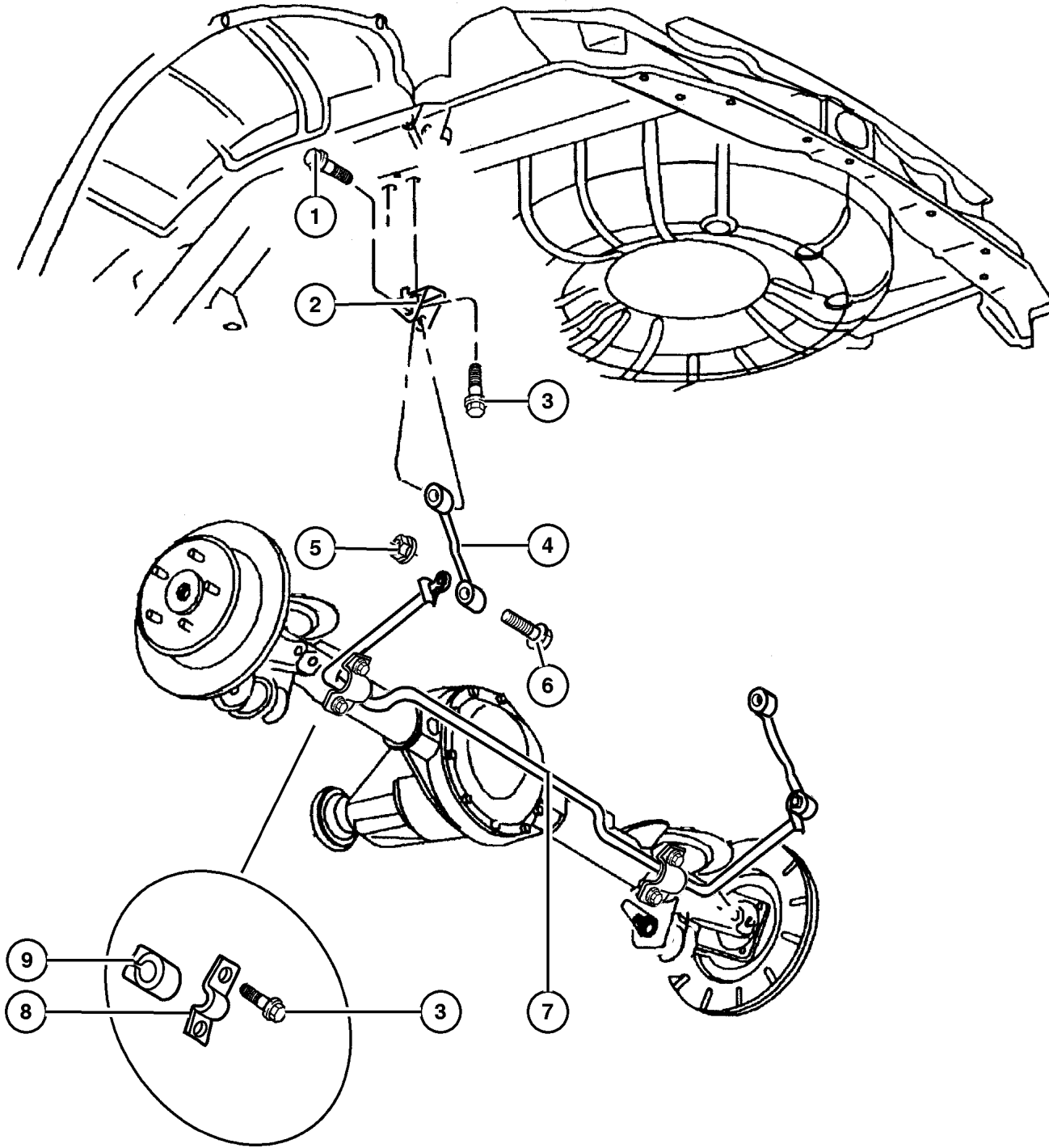
ITEM	PART NUMBER	QTY	LINE	SERIES	BODY	ENGINE	TRANS	TRIM	DESCRIPTION
17	6505 935AA	2							SCREW, Shock Mounting, Lower
18	52088 355AB	2							ARM, Control, Lower -With 2 Bushings, Right or Left
19	5208 8220	2							BUSHING, Control Arm, LCA to Body, Mounting
20	6505 214AA	2							SCREW, Hex Flange Head, M14x2.00x114, LCA to Axle, Mounting
21	6506 033AA	2							BOLT, Hex Flange Head, M14x2.0x105, LCA to Sill, Mounting

JEEP GRAND CHEROKEE (WJ)				
SERIES	LINE	BODY	ENGINE	TRANSMISSION
L = Grand Cherokee	J = 4WD T = 2WD U = 4WD (RHD)	74 = 4 Door (105.9 WB)	ERH,ERO = 4.0L, Power Tech EVA,EVO = 4.7L, Power Tech EXA,EXO = 3.1L 5 cyl Turbo Diesel	DGK = 4 Speed Autm, 42RE DG4 = Multi Speed Auto 45RFE DGW = 4 Speed Autom 44RE DGO = All Automatic

AR = Use as required - = Non illustrated part # = New this model year

September 15, 2005

Stabilizer, Rear Figure 017-210



ITEM	PART NUMBER	QTY	LINE	SERIES	BODY	ENGINE	TRANS	TRIM	DESCRIPTION
1	6502 473	2							BOLT, Hex Flange Head, M12x1.75x65, Sway Bar Link to Sill Bracket, Mounting
2	52088 525AA	2							BRACKET, Suspension, Sway Bar End Link/Sill, Mounting
3	6503 571	4							SCREW AND WASHER, M10x1.50x35 End Link Bracket to Sill, Mounting Sway Bar Retainer to Axle, Mounting
4	5208 8319	2							LINK, Sway Eliminator
5	6502 696	2							NUT, Hex Flange Lock, M10x1.5, Sway Bar Link to Sway Bar, Mounting
6	6503 726	2							SCREW, Shoulder, Sway Bar Link to Sway Bar, Mounting
7	5208 8661	1							STABILIZER BAR, Rear Suspension
8	5208 7865	2							RETAINER, Sway Bar
9	5208 8322	2							BUSHING, Sway Bar

JEEP GRAND CHEROKEE (WJ)

SERIES	LINE	BODY	ENGINE	TRANSMISSION
L = Grand Cherokee	J = 4WD T = 2WD U = 4WD (RHD)	74 = 4 Door (105.9 WB)	ERH,ERO = 4.0L, Power Tech EVA,EVO = 4.7L, Power Tech EXA,EXO = 3.1L 5 cyl Turbo Diesel	DGK = 4 Speed Autm, 42RE DG4 = Multi Speed Auto 45RFE DGW = 4 Speed Autom 44RE DGO = All Automatic

AR = Use as required - = Non illustrated part # = New this model year

September 15, 2005

Group – 019

Steering

GROUP 19 - Steering

Illustration Title

Group-Fig. No.

Steering Wheel

Steering Wheel Assemblys Fig. 019-110

Steering Column

Steering Column Assy Fig. 019-210

Steering Gear

Steering Gear and Linkage Left Hand Drive Fig. 019-310

Steering Gear and Linkage Right Hand Drive Fig. 019-320

Power Steering Pump

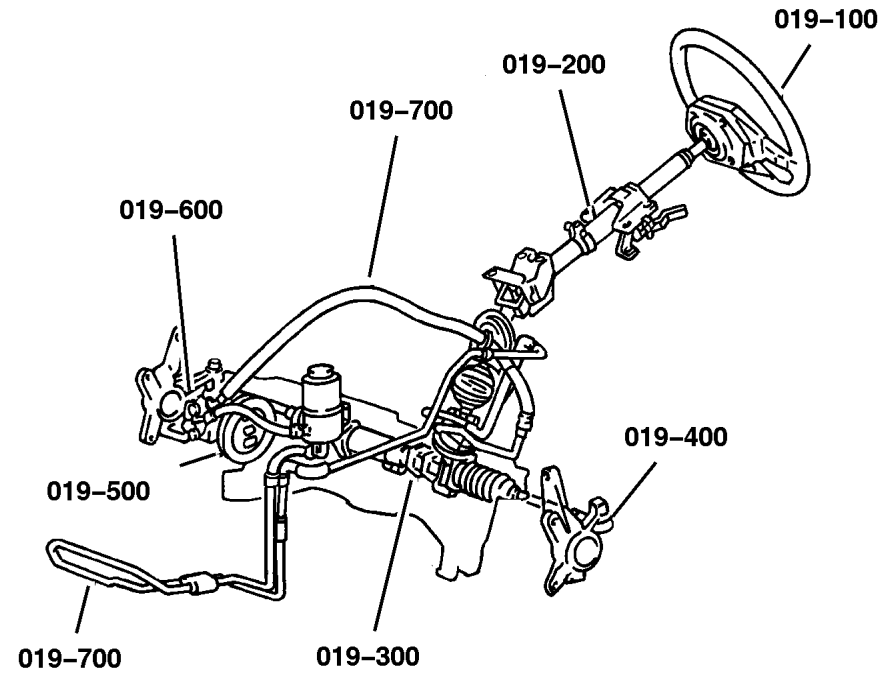
Power Steering Pumps-Gas Fig. 019-510

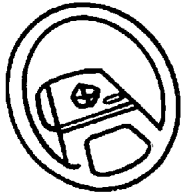
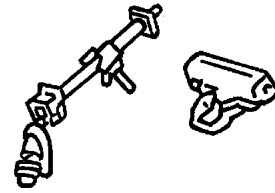
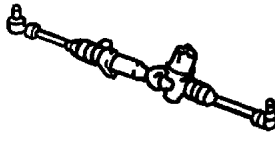
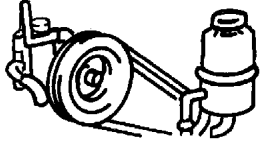

Power Steering Pumps-Diesel Fig. 019-520

Power Steering Hoses

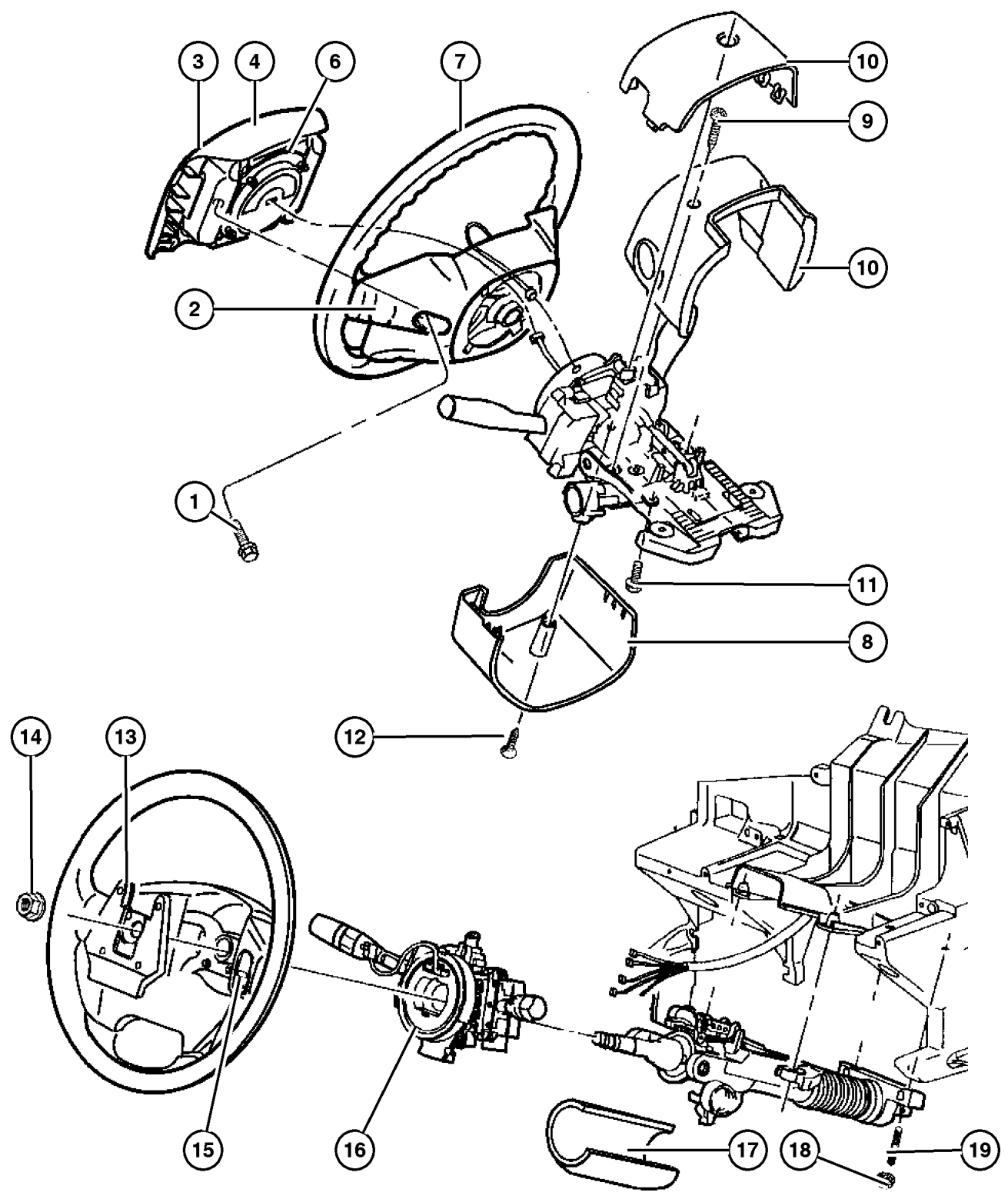
Power Steering Hoses-Diesel Fig. 019-710

Power Steering Hoses-Gas Fig. 019-720



<p>019-100 Steering Wheel</p> 	<p>019-200 Steering Column</p> 	<p>019-300 Steering Gear</p> 	<p>019-500 Power Steering Pump</p> 
<p>019-700 Power Steering Hoses</p> 			

Steering Wheel Assembly Figure 019-110



ITEM	PART NUMBER	QTY	LINE	SERIES	BODY	ENGINE	TRANS	TRIM	DESCRIPTION
Note: Sales Codes;									
[SCA]=Steering Wheel									
[SCL]=Steering Wheel-Leather Wrapped									
[DG0]=Transmissions - All Automatic									
1	6503 771	2							SCREW, Hex Flange Head, M6x1x23, Air Bag to Steering Wheel, Mounting
2	56042 312AB	1							SWITCH, Remote Radio Right
	56042 313AB	1							Left
3	5FA39 LAZAD	1							AIR BAG, Driver [AZ] With Horn Switch
	5FA39 VK9AD	1							[K5] With Horn Switch
	5FA39 WL8AD	1							[L5] With Horn Switch
4	SX52 LAZAA	1							COVER, Air Bag Module [AZ] With Horn Switch
	SX52 VK9AA	1							[K5] With Horn Switch
	SX52 WL8AA	1							[L5] With Horn Switch
-5	5014 533AA-	1							SWITCH, Horn
6	4595 746AA	1							LABEL, Air Bag Warning
7	5FK84 1AZAD	1							WHEEL, Steering [SCA] With Horn Switch-AZ
	5FA11 1AZAD	1							[SCL] With Horn Switch-AZ
	5FA11 1K9AD	1							[SCL] With Horn Switch-K5
	5FA11 1L8AD	1							[SCL] With Horn Switch-L5
8	5GE40 LAZAA	1							SHROUD, Steering Column AZ, Upper And Lower
	5GE40 VK9AA	1							K5, Upper And Lower
	5GE40 WL8AA	1							L5, Upper And Lower
9	6035 142	2							SCREW, .164-32x1.00, Shroud to Column, Mounting
10	5GE39 LAZAA	1					DG0		SHROUD, Steering Column Fixed-AZ
	5GE39 VK9AA	1					DG0		Fixed-K5
	5GE39 WL8AA	1					DG0		Fixed-L5
11	6505 513AA	1							SCREW, Tapping, M4x0.7x14, Immobilizer Module, Mounting
12	6034 678	1							SCREW, Self Piercing, .164-15-1, Shroud to Shroud, Mounting
13									DAMPER, Steering Wheel, (NOT SERVICED) (Not Serviced)
14	4690 339	1							NUT, Hex Lock, M14x1.5, Steering Wheel, Mounting

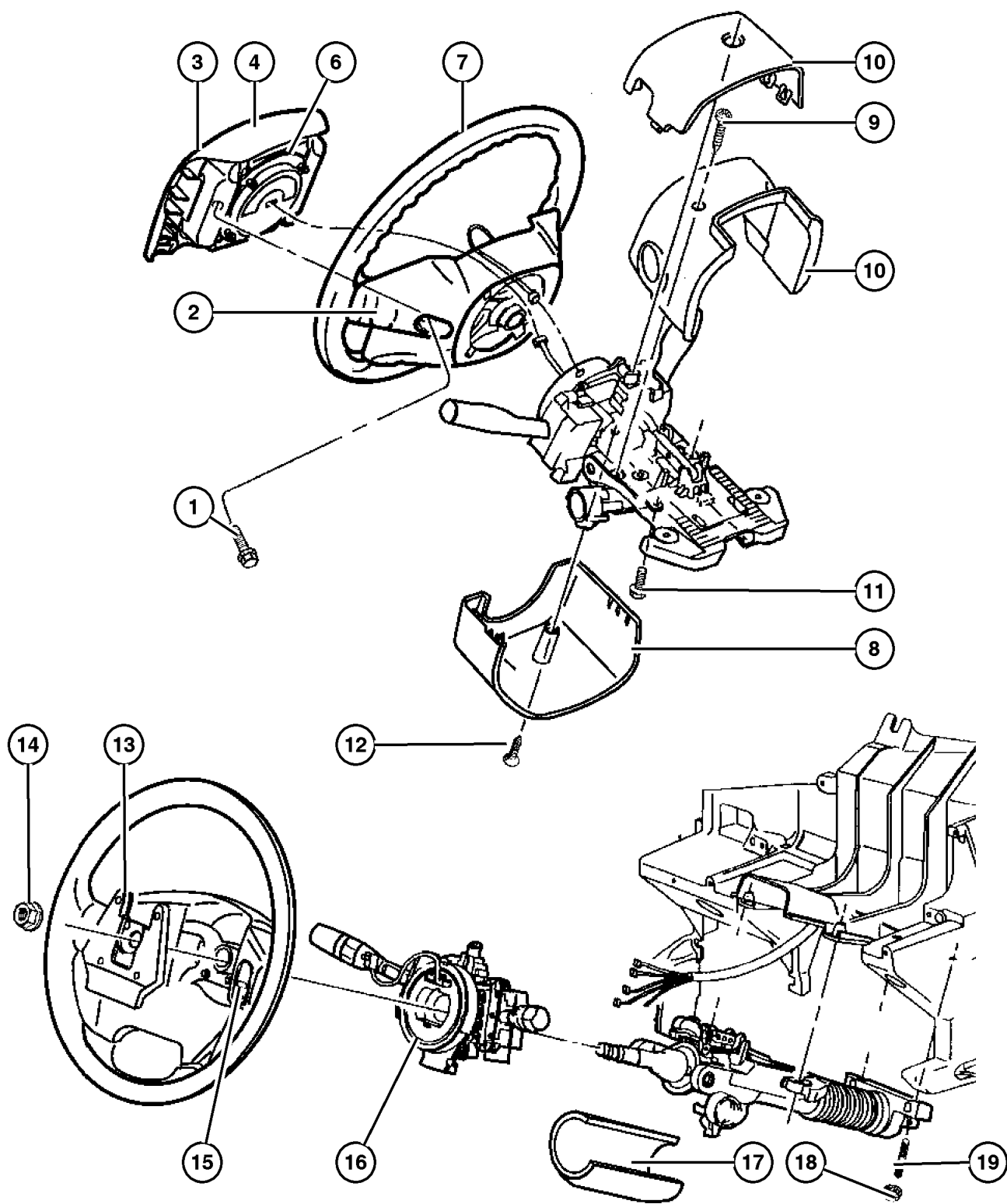
JEEP GRAND CHEROKEE (WJ)				
SERIES	LINE	BODY	ENGINE	TRANSMISSION
L = Grand Cherokee	J = 4WD T = 2WD U = 4WD (RHD)	74 = 4 Door (105.9 WB)	ERH,ERO = 4.0L, Power Tech EVA,EVO = 4.7L, Power Tech EXA,EXO = 3.1L 5 cyl Turbo Diesel	DGK = 4 Speed Autm, 42RE DG4 = Multi Speed Auto 45RFE DGW = 4 Speed Autom 44RE DGO = All Automatic

AR = Use as required - = Non illustrated part # = New this model year

September 15, 2005

Steering Wheel Assembly Figure 019-110

ITEM	PART NUMBER	QTY	LINE	SERIES	BODY	ENGINE	TRANS	TRIM	DESCRIPTION
15									SWITCH, Speed Control
	56042 310AB	1							Right
	56042 311AB	1							Left
16	56042 341AD	1							CLOCKSPRING
17	4690 413	2							COVER, Steering Column
18	6503 014	4							NUT AND WASHER, Hex, M6x1, Steering Column, Mounting
19	6503 761	4							STUD, M6x1.00mmx48.80mm, Steering Column, Mounting
-20	56042 297AD-	1							HOUSING, Switch, With Turn Signal Cancelling Cam, Multifunction

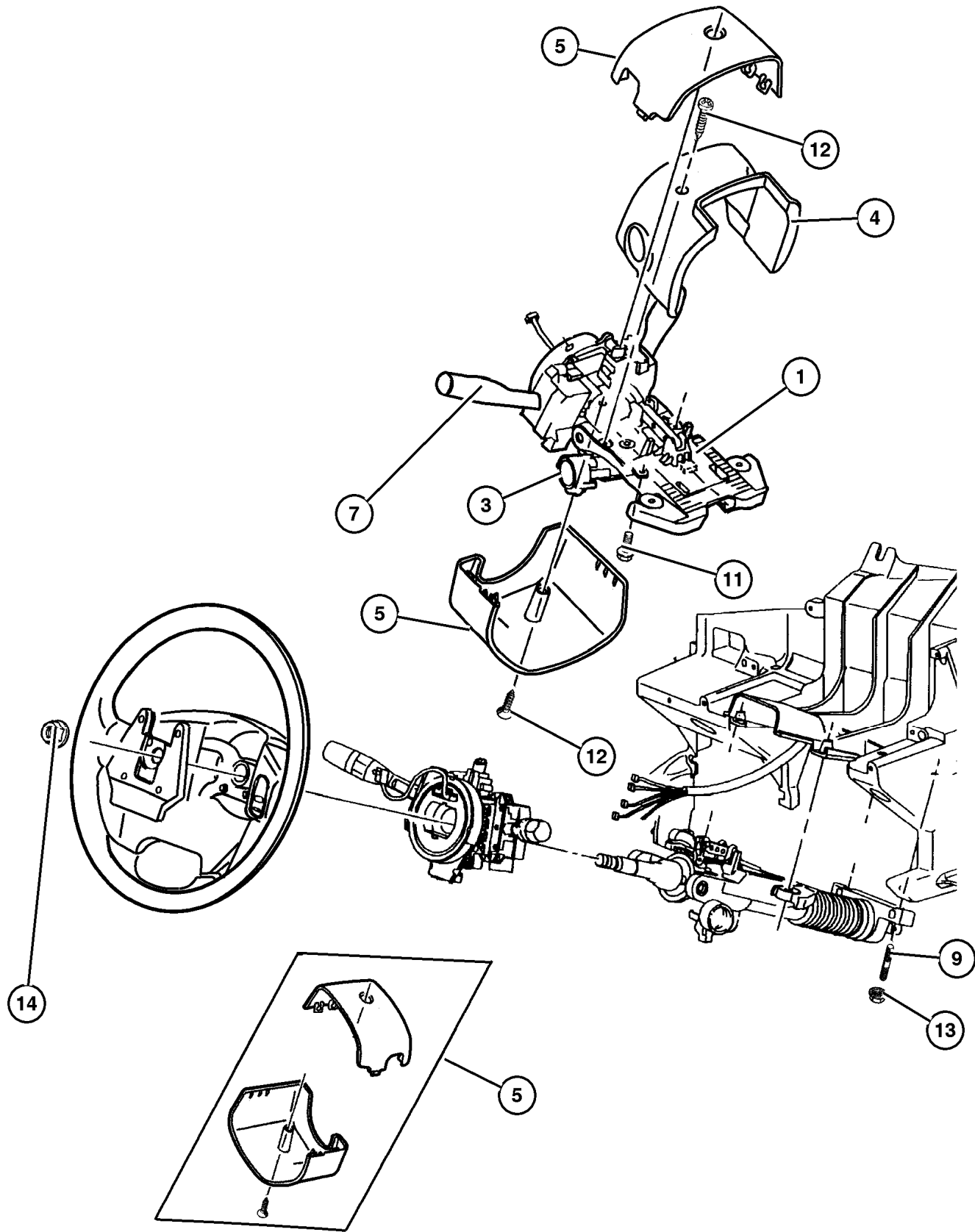


JEEP GRAND CHEROKEE (WJ)				
SERIES	LINE	BODY	ENGINE	TRANSMISSION
L = Grand Cherokee	J = 4WD T = 2WD U = 4WD (RHD)	74 = 4 Door (105.9 WB)	ERH,ERO = 4.0L, Power Tech EVA,EVO = 4.7L, Power Tech EXA,EXO = 3.1L 5 cyl Turbo Diesel	DGK = 4 Speed Autm, 42RE DG4 = Multi Speed Auto 45RFE DGW = 4 Speed Autom 44RE DGO = All Automatic

AR = Use as required - = Non illustrated part # = New this model year

September 15, 2005

Steering Column Assy Figure 019-210



ITEM	PART NUMBER	QTY	LINE	SERIES	BODY	ENGINE	TRANS	TRIM	DESCRIPTION
NOTES: Sales Code ARP=Limited Decor Group									
Sales Code LSA= Security Alarm									
NOTES; SALES CODE DGO= ALL AUTOMATIC TRANSMISSIONS									
1	5012 871AA	1							COLUMN, Steering, Tilt, w/Floor Shift
-2	4690 488	1							HOUSING, Steering Column Lock
3	56042 298AC	1							MODULE, Immobilizer
4									SHROUD, Steering Column
	5GE39 LAZAA	1					DG0		Agate, Lower
	5GE39 VK9AA	1					DG0		Dark Suede, Lower
	5GE39 WL8AA	1					DG0		Dark Brown, Lower
5									SHROUD, Steering Column, (comp Shroud)
	5GE40 VK9AA	1							Dark Suede, Upper And Lower
	5GE40 LAZAA	1							Agate, Upper And Lower
	5GE40 WL8AA	1							Dark Brown, Upper And Lower
-6	4690 023	2							SCREW, Pan Head, .25-20x.62, (for Shroud Assy)
7	4690 595AA	1							LEVER, Steering Column
-8	5003 845AA-	1	U						CYLINDER, Ignition Lock
9	6503 761	4							STUD, M6x1.00mmx48.80mm, (for Strg Col Assy)
-10	6505 513AA-	1							SCREW, Tapping, M4x0.7x14
11	6035 142	2							SCREW, .164-32x1.00
12	6034 678	1							SCREW, Self Piercing, .164-15-1
13	6503 014	4							NUT AND WASHER, Hex, M6x1, (for Strg Col Assy)
14	4690 339	1							NUT, Hex Lock, M14x1.5

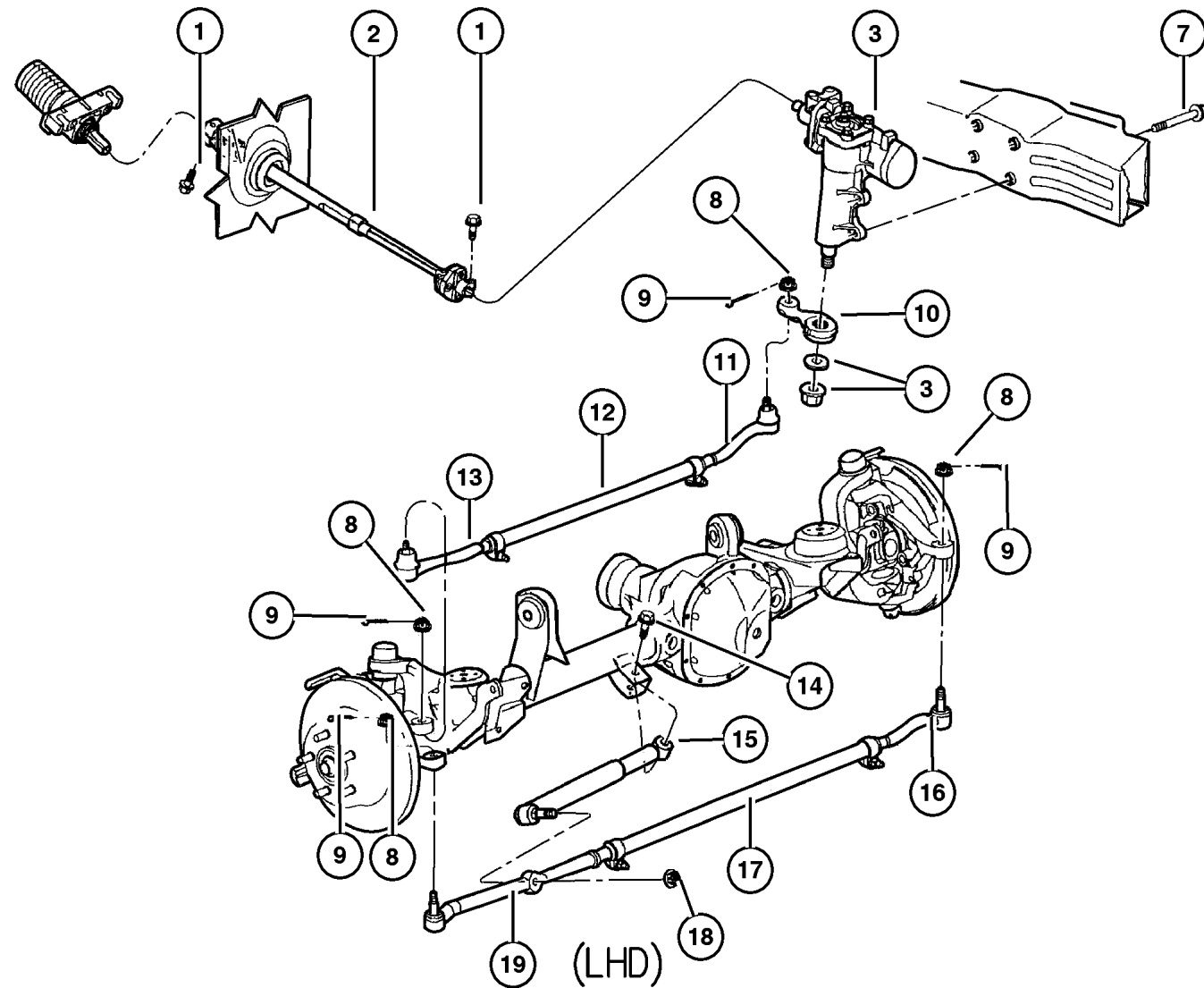
JEEP GRAND CHEROKEE (WJ)

SERIES	LINE	BODY	ENGINE	TRANSMISSION
L = Grand Cherokee	J = 4WD T = 2WD U = 4WD (RHD)	74 = 4 Door (105.9 WB)	ERH,ERO = 4.0L, Power Tech EVA,EVO = 4.7L, Power Tech EXA,EXO = 3.1L 5 cyl Turbo Diesel	DGK = 4 Speed Autm, 42RE DG4 = Multi Speed Auto 45RFE DGW = 4 Speed Autom 44RE DGO = All Automatic

AR = Use as required - = Non illustrated part # = New this model year

September 15, 2005

Steering Gear and Linkage Left Hand Drive Figure 019-310



ITEM	PART NUMBER	QTY	LINE	SERIES	BODY	ENGINE	TRANS	TRIM	DESCRIPTION
Note: T=2 Wheel Drive Left Hand Drive---J=4 Wheel Drive Left Hand Drive									
1	6504 926AA	2							SCREW, Hex Flange Head, M10x1.5x40, Intermediate Shaft to Steering Column and to Steering Gear
2	52088 253AE	1	J, T						SHAFT, Intermediate
3	5208 8273	1	J						GEAR, Power Steering Export
	52088 272AC	1	J, T						
-4	5014 667AA-	1	J, T						SEAL KIT, Steering Gear Housing
-5	5014 665AA-	1	J, T						SEAL KIT, Steering Gear
-6	5014 671AA-	1	J, T						SEAL KIT, Steering gear pitman shaft
7	6504 965AA	4							SCREW, Hex Head, Steering Gear to Sill Mounting
8	6034 358	2							NUT, Hex, .50-20 Tie Rod to Knuckle
		1							Drag Link to Pitman Arm Mounting
		1							Drag Link to Knuckle Mounting
9	3420 2101	2							PIN, Cotter Tie Rod to Knuckle
		1							Drag Link to Pitman Arm
		1							Drag Link to Knuckle
10	5208 8242	1	J, T						ARM, Pitman
11	5208 8511	1	J, T						SOCKET, Tie Rod, Drag Link to Pitman Arm
12	5208 8463	1	J, T						LINK, Steering, Drag Link Adjuster
13	5208 8461	1	J, T						SOCKET, Tie Rod, Drag Link to Knuckle
14	6502 473	1							BOLT, Hex Flange Head, M12x1.75x65, [Steering Damper to Axle Bracket Mounting]
15	5208 8251	1							DAMPER, Steering
16	52088 869AA	1							SOCKET, Tie Rod, Outer
17	52088 871AA	1							LINK, Steering, Adjuster Assembly
18	6505 822AA	1							NUT
19	52088 870AA	1							SOCKET, Tie Rod, Outer

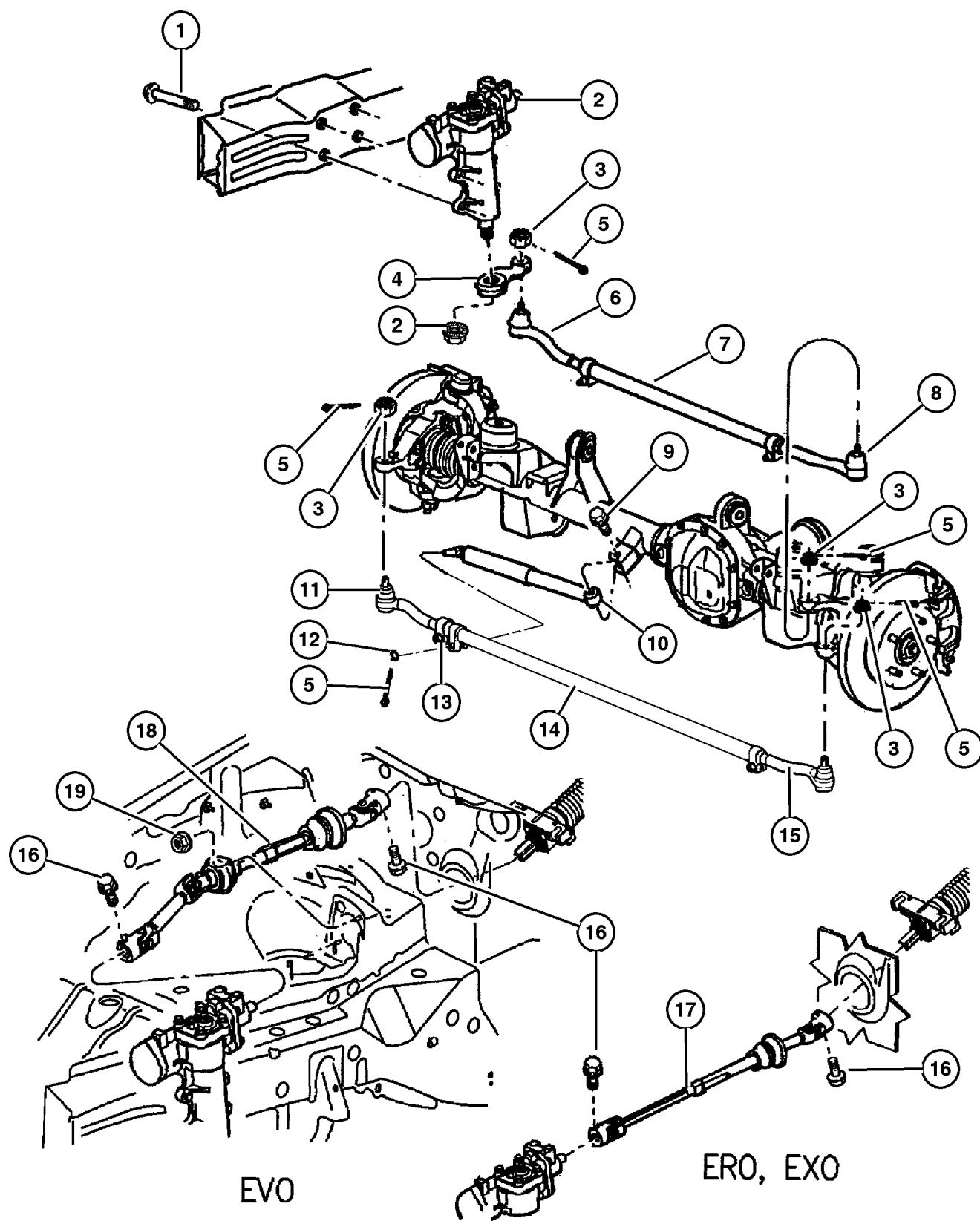
JEEP GRAND CHEROKEE (WJ)

SERIES	LINE	BODY	ENGINE	TRANSMISSION
L = Grand Cherokee	J = 4WD T = 2WD U = 4WD (RHD)	74 = 4 Door (105.9 WB)	ERH,ERO = 4.0L, Power Tech EVA,EVO = 4.7L, Power Tech EXA,EXO = 3.1L 5 cyl Turbo Diesel	DGK = 4 Speed Autm, 42RE DG4 = Multi Speed Auto 45RFE DGW = 4 Speed Autom 44RE DGO = All Automatic

AR = Use as required - = Non illustrated part # = New this model year

September 15, 2005

Steering Gear and Linkage Right Hand Drive Figure 019-320



ITEM	PART NUMBER	QTY	LINE	SERIES	BODY	ENGINE	TRANS	TRIM	DESCRIPTION
Note:ERO=4.0L 6 Cylinder Gas Engine---EVO=4.7L Gas Engine---EX0=3.0/3.1L Turbo Diesel Engine									
1	6504 965AA	4							SCREW, Hex Head, Steering Gear to Sill Mounting
2	5208 8471	1	U						GEAR, Power Steering
3	6034 358	1							NUT, Hex, .50-20
		2							Drag Link to Pitman Arm Mounting
		1							Tie Rod to Knuckle Mounting
4	5208 8243	1	U						Drag Link to Knuckle Mounting
		1							ARM, Pitman
5	3420 2101	1							PIN, Cotter
		2							Drag Link to Pitman Arm
		1							Tie Rod to Knuckle
		1							Drag Link to Knuckle
6	5208 8511	1	U						SOCKET, Tie Rod, Drag Link to Pitman Arm
7	52088 728AB	1	U						LINK, Steering, Drag Link Adjuster
8	5208 8512	1	U						SOCKET, Tie Rod, Drag Link to Knuckle
9	6502 473	1							BOLT, Hex Flange Head, M12x1.75x65, Steering Damper to Axle Bracket Mounting
10	5208 8251	1							DAMPER, Steering
11	52088 870AA	1							SOCKET, Tie Rod, Outer, Right
12	6505 822AA	1							NUT
13	52088 872AA	1							CLAMP, Steering Damper
14	52088 871AA	1							LINK, Steering, To Tie Rod Assembly Mounting
15	52088 869AA	1							SOCKET, Tie Rod, Outer
16	6504 926AA	2							SCREW, Hex Flange Head, M10x1.5x40, Intermediate Shaft to Steering Column and to Steering Gear Mounting
17	52088 253AE	1	U			ERO,			SHAFT, Intermediate, Upto and
						EX0			Including 03-08-00
18	55116 336AC	1	U			EVO			SHAFT, Intermediate
19	6100 516	2	U			EVO			NUT, Hex Flange Lock, M6 Phosphate, Center bearing to Bracket Mounting

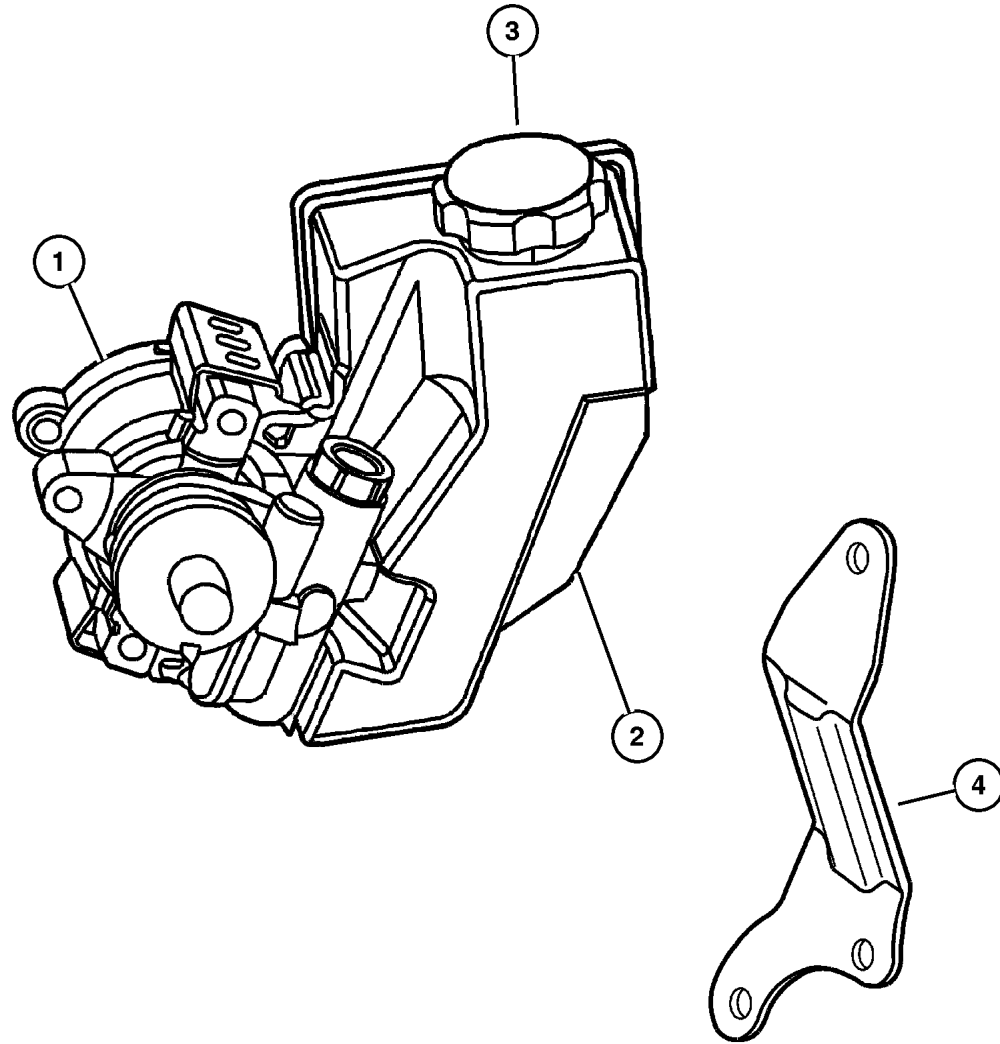
JEEP GRAND CHEROKEE (WJ)

SERIES	LINE	BODY	ENGINE	TRANSMISSION
L = Grand Cherokee	J = 4WD T = 2WD U = 4WD (RHD)	74 = 4 Door (105.9 WB)	ERH,ERO = 4.0L, Power Tech EVA,EVO = 4.7L, Power Tech EXA,EXO = 3.1L 5 cyl Turbo Diesel	DGK = 4 Speed Autm, 42RE DG4 = Multi Speed Auto 45RFE DGW = 4 Speed Autom 44RE DGO = All Automatic

AR = Use as required - = Non illustrated part # = New this model year

September 15, 2005

Power Steering Pumps-Gas
Figure 019-510



ITEM	PART NUMBER	QTY	LINE	SERIES	BODY	ENGINE	TRANS	TRIM	DESCRIPTION
------	-------------	-----	------	--------	------	--------	-------	------	-------------

NOTES:

Sales Code:

ERO= 4.0L 6 Cyl Engine

EVO = 4.7L Gas Engine

DGO =All Automatic Transmissions

1	52088 278AB	1				ERO, EVO			PUMP, Power Steering
2	5016 184AA	1				ERO, EVO			RESERVOIR KIT, power steering pump
3	4897 287AA	1				ERO, EVO			CAP, Power Steering Reservoir
4	4854 157	1				ERO			BRACE, Power Steering Pump
-5									HOSE, Power Steering Pressure, (See Illustration 720), (NOT SERVICED) (Not Serviced)
-6	53010 258AB-	1				ERO, EVO			PULLEY, Power Steering Pump
-7	6101 777	4							SCREW, Hex Flange Head Tapping, M6x1.00x20.00
-8	6502 425	3				ERO			SCREW AND WASHER, Hex Head, M8x1.25x95
-9	4728 247	1				ERO, EVO			SEAL, Power Steering Pump Shaft

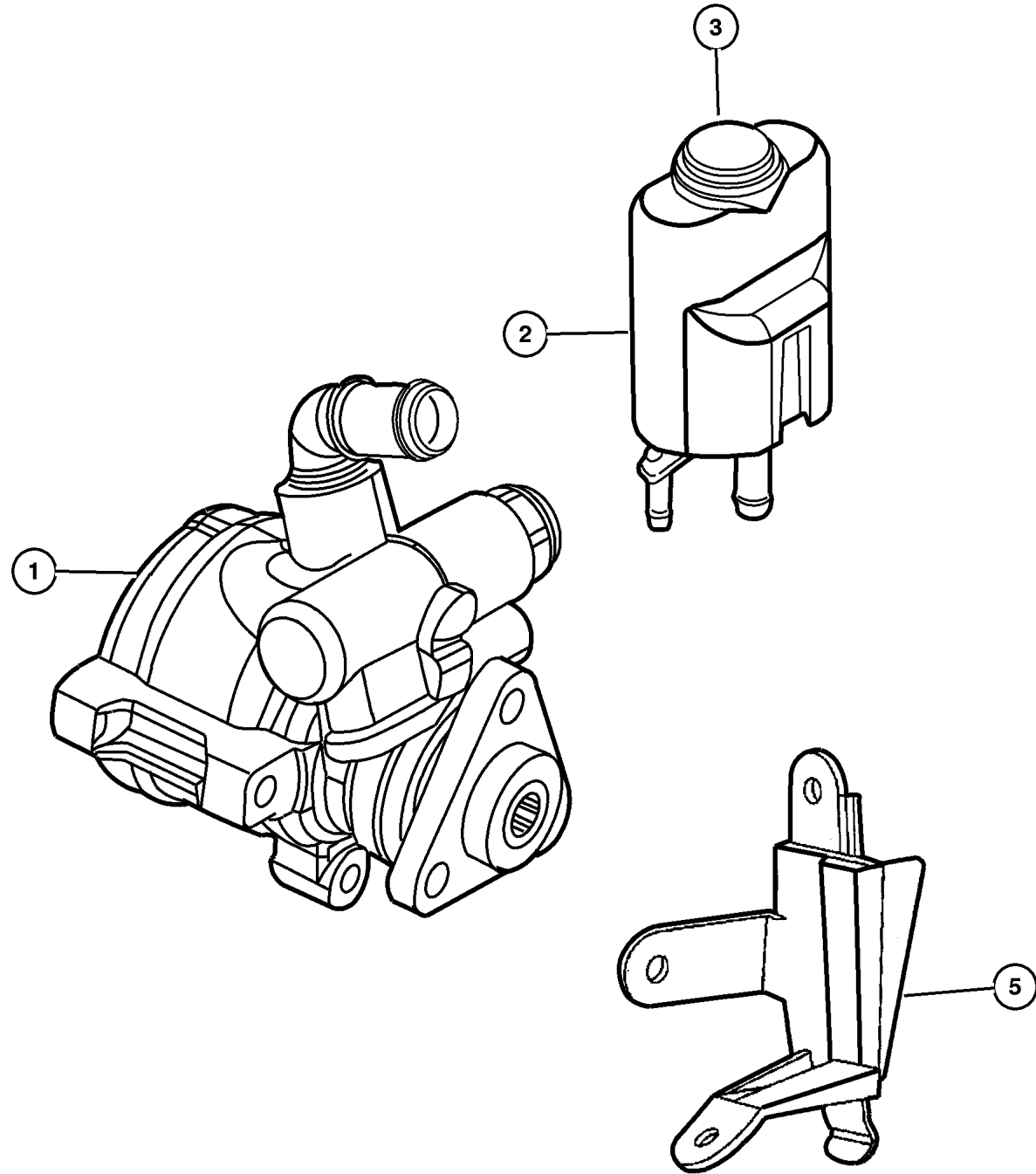
JEEP GRAND CHEROKEE (WJ)

SERIES	LINE	BODY	ENGINE	TRANSMISSION
L = Grand Cherokee	J = 4WD T = 2WD U = 4WD (RHD)	74 = 4 Door (105.9 WB)	ERH,ERO = 4.0L, Power Tech EVA,EVO = 4.7L, Power Tech EXA,EXO = 3.1L 5 cyl Turbo Diesel	DGK = 4 Speed Autm, 42RE DG4 = Multi Speed Auto 45RFE DGW = 4 Speed Autom 44RE DGO = All Automatic

AR = Use as required - = Non illustrated part # = New this model year

September 15, 2005

Power Steering Pumps-Diesel
Figure 019-520



ITEM	PART NUMBER	QTY	LINE	SERIES	BODY	ENGINE	TRANS	TRIM	DESCRIPTION
NOTES:Sales Code:EXO = All 3.0/3.1L Turbo Diesel Engine---DGO= All Automatio Transmissions									
1	52088 582AB	1				EX0			PUMP, Power Steering
2	52087 713AD	1				EX0			RESERVOIR, Power Steering Pump
3	4694 766	1				EX0			CAP, Power Steering Pump
-4	52088 530AA-	1				EX0			HOSE, Power Steering Reservoir, (See Illustration 710)
5	52088 529AA	1				EX0			BRACKET, Power Steering Reservoir
-6	5015 034AA-	1				EX0	DG0		PULLEY, Power Steering Pump
-7	6101 777	3				EX0			SCREW, Hex Flange Head Tapping, M6x1.00x20.00

JEEP GRAND CHEROKEE (WJ)				
SERIES	LINE	BODY	ENGINE	TRANSMISSION
L = Grand Cherokee	J = 4WD T = 2WD U = 4WD (RHD)	74 = 4 Door (105.9 WB)	ERH,ERO = 4.0L, Power Tech EVA,EVO = 4.7L, Power Tech EXA,EXO = 3.1L 5 cyl Turbo Diesel	DGK = 4 Speed Autm, 42RE DG4 = Multi Speed Auto 45RFE DGW = 4 Speed Autom 44RE DGO = All Automatic

AR = Use as required - = Non illustrated part # = New this model year

September 15, 2005

Power Steering Hoses-Diesel
Figure 019-710

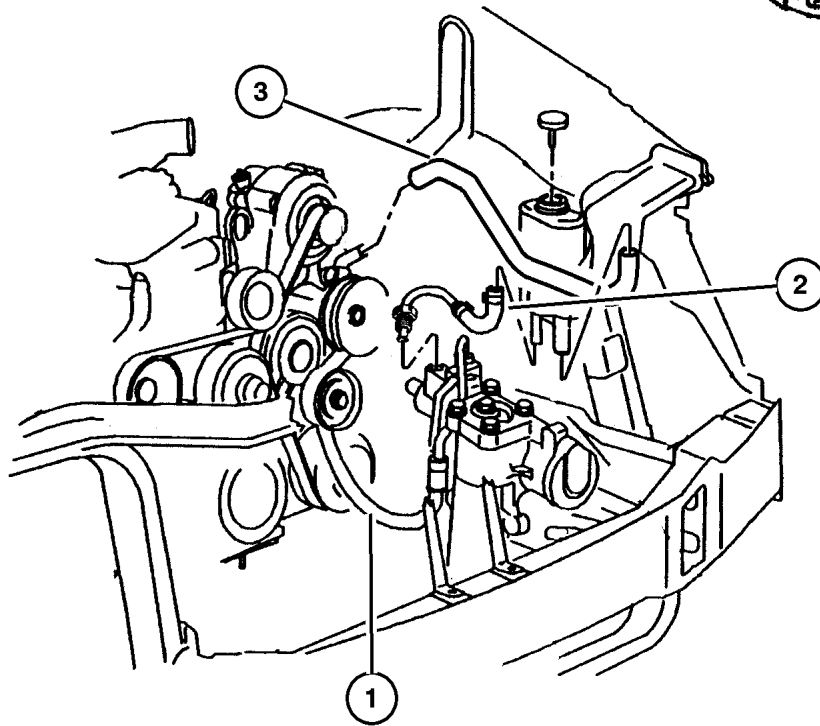
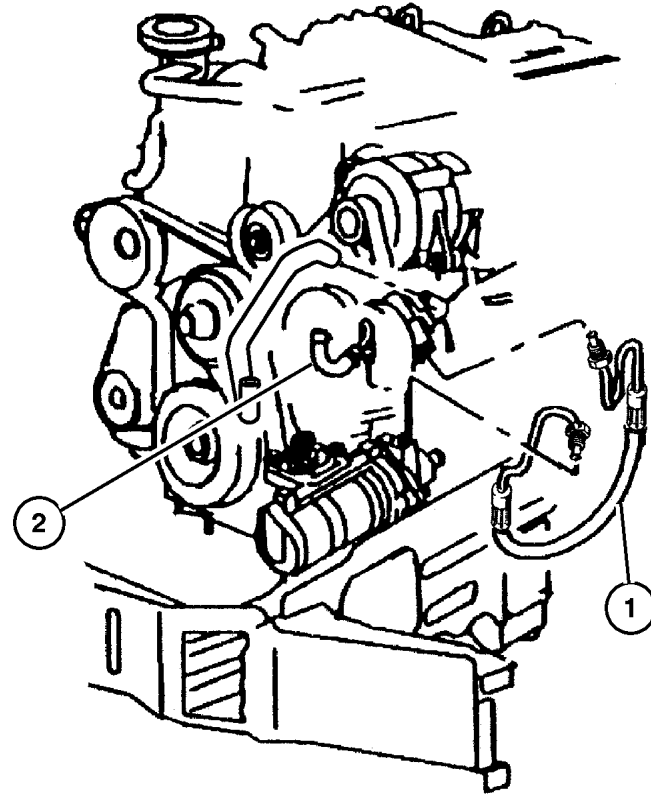
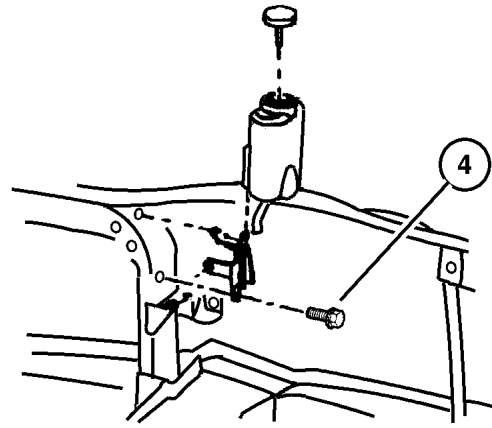
ITEM	PART NUMBER	QTY	LINE	SERIES	BODY	ENGINE	TRANS	TRIM	DESCRIPTION
------	-------------	-----	------	--------	------	--------	-------	------	-------------

NOTES:

Sales Code:

EXO = All 3.0/3.1L Turbo Diesel Engine

1	52088 666AB	1	J, T			EX0			HOSE, Power Steering Pressure
2	52088 776AB	1	J			EX0			HOSE, Power Steering Return
3	52088 530AA	1				EX0			HOSE, Power Steering Reservoir
4	6102 132AA	1							SCREW, Hex Head, M6x1x20
-5	5205 254	1	J			EX0			O RING, Power Steering Hose
-6	2448 770	1	J			EX0			CLAMP, Hose
-7	6101 780	5	J, T						SCREW, M6x1x25



JEEP GRAND CHEROKEE (WJ)

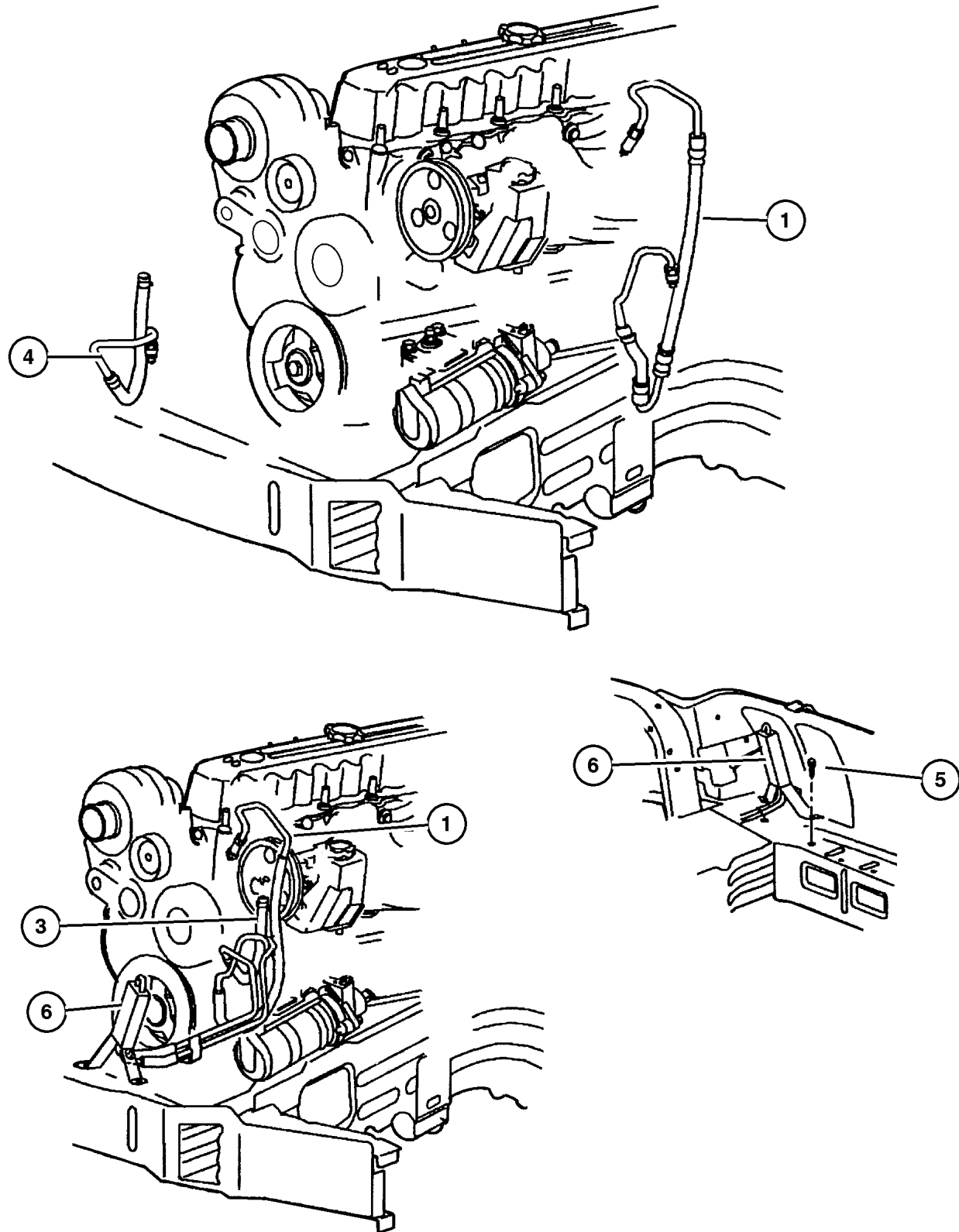
SERIES	LINE	BODY	ENGINE	TRANSMISSION
L = Grand Cherokee	J = 4WD T = 2WD U = 4WD (RHD)	74 = 4 Door (105.9 WB)	ERH,ERO = 4.0L, Power Tech EVA,EVO = 4.7L, Power Tech EXA,EXO = 3.1L 5 cyl Turbo Diesel	DGK = 4 Speed Autm, 42RE DG4 = Multi Speed Auto 45RFE DGW = 4 Speed Autom 44RE DGO = All Automatic

AR = Use as required - = Non illustrated part # = New this model year

September 15, 2005

**Power Steering Hoses-Gas
Figure 019-720**

ITEM	PART NUMBER	QTY	LINE	SERIES	BODY	ENGINE	TRANS	TRIM	DESCRIPTION
NOTE:Sales Code:ER0 = 4.0L 6 Cyl Gas Engine---EVO = 4.7L Gas EngineNHM=Speed Control---DG0= All Automatic									
Transmissions									
1									HOSE, Power Steering Pressure
	52088 452AB	1	J, T			ER0			
	52088 453AB	1	J, T			EVO			
-2	52088 116AB-	1				ER0,			FITTING, Quick Connect
						EVO			
3	52088 620AD	1	U			ER0,			HOSE, Power Steering, Pressure and Return Combo
						EVO			
4									HOSE, Power Steering Return
	52088 774AA	1	J, T			ER0			
	52088 776AB	1	J, T			EVO			[NHF]
	52088 777AA	1	J, T			EVO			
5	6102 132AA	2				ER0,			SCREW, Hex Head, M6x1x20
						EVO			
6	52088 618AA	1	J, T			EVO			COOLER, Power Steering
-7									HOSE, Power Steering Return
	5080 951AA-	1	J			EX0			Cooler to Gear
	52088 776AB-	1	J, T						Cooler to Pump
-8	5205 254	1	J, T			ER0,			O RING, Power Steering Hose
						EVO			
-9	2448 770	1							CLAMP, Hose, P/S Return Hose
-10	6504 480	3				EVO	DG0		SCREW, M6x1x25
-11	5080 951AA-	1	J			EX0			HOSE, Power Steering Return



JEEP GRAND CHEROKEE (WJ)				
SERIES	LINE	BODY	ENGINE	TRANSMISSION
L = Grand Cherokee	J = 4WD T = 2WD U = 4WD (RHD)	74 = 4 Door (105.9 WB)	ERH,ER0 = 4.0L, Power Tech EVA,EVO = 4.7L, Power Tech EXA,EXO = 3.1L 5 cyl Turbo Diesel	DGK = 4 Speed Autm, 42RE DG4 = Multi Speed Auto 45RFE DGW = 4 Speed Autom 44RE DGO = All Automatic

AR = Use as required - = Non illustrated part # = New this model year

September 15, 2005

Group – 42RE

Automatic Transmission 4 Speed

GROUP 42RE - Automatic Transmission 4 Speed

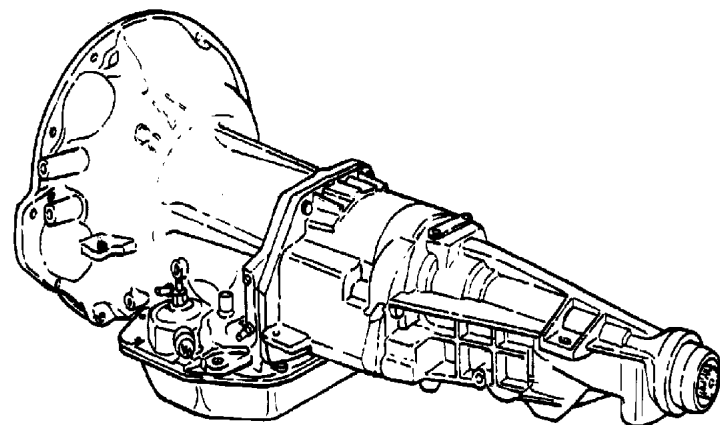


Illustration Title

Group-Fig. No.

Transmission Assembly

Transmission 42RE [DGK] Fig. 42RE-110

Case and Extension

Case and Related Parts 42RE [DGK] Fig. 42RE-210

Case Rear 42RE [DGK] Fig. 42RE-220

Oil Pump

Oil Pump 42RE [DGK] Fig. 42RE-310

Gear Train

Gear Train 42RE [DGK] Fig. 42RE-410

Gear Train and Intermediate Shaft 42RE [DGK] Fig. 42RE-420

Output Shaft 42RE [DGK] Fig. 42RE-430

Bands, Reverse and Kickdown

Bands 42RE [DGK] Fig. 42RE-510

Valve Body

Valve Body 42RE [DGK] Fig. 42RE-710

Servos 42RE [DGK] Fig. 42RE-720

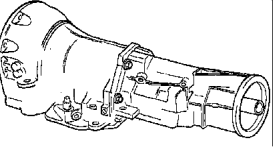
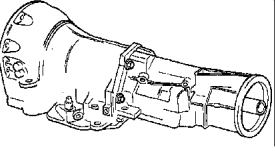

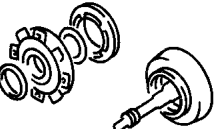
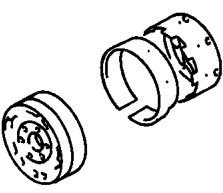
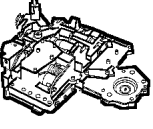
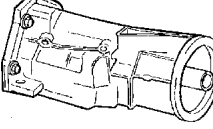
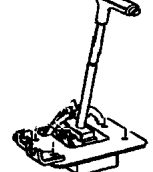
Parking Sprag 42RE [DGK] Fig. 42RE-730

Overdrive Gear Train

Overdrive Gear Train 42RE [DGK] Fig. 42RE-1010

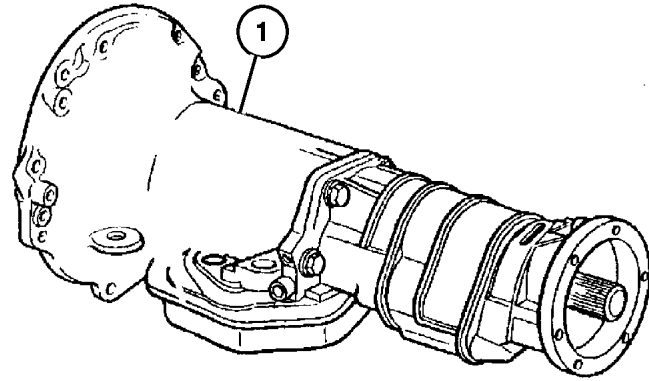
Gearshift Controls

Gearshift Controls 42RE [DGK] Fig. 42RE-1210

<p>42RE-100 Transmission Assembly</p> 	<p>42RE-200 Case and Extension</p> 	<p>42RE-300 Oil Pump</p> 	<p>42RE-400 Gear Train</p> 
<p>42RE-500 Bands, Reverse and Kickdown</p> 	<p>42RE-700 Valve Body</p> 	<p>42RE-1000 Overdrive Gear Train</p> 	<p>42RE-1200 Gearshift Controls</p> 

**Transmission 42RE [DGK]
Figure 42RE-110**

ITEM	PART NUMBER	QTY	LINE	SERIES	BODY	ENGINE	TRANS	TRIM	DESCRIPTION
NOTES: Sales Codes									
[DGK] = 42RE Automatic Transmission									
1	5012 459AB	1	T			ER0	DGK		TRANSMISSION PACKAGE 52119580AA (Package Contains 52119580AA Transmission, K4736596 Converter, K1949765 Bolts)
	5012 464AA	1	J, U			ER0	DGK		52119581AA (Package Contains 52119581AA Transmission, K4736596 Converter, K1949765 Bolts)
-2	5211 8782	1	T			ER0	DGK		OVERDRIVE
	52118 783AB-	1	J, U			ER0	DGK		

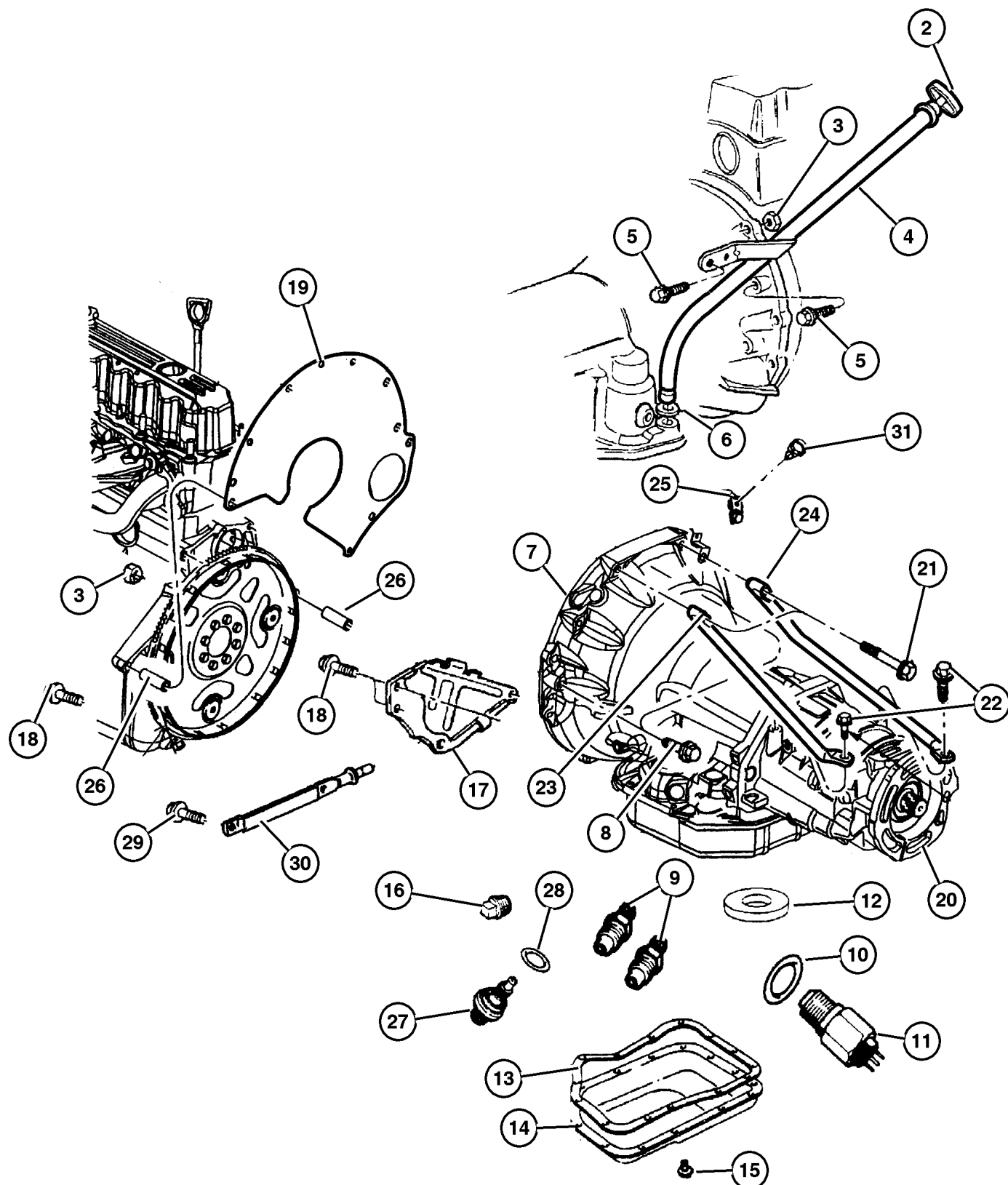


JEEP GRAND CHEROKEE (WJ)				
SERIES	LINE	BODY	ENGINE	TRANSMISSION
L = Grand Cherokee	J = 4WD T = 2WD U = 4WD (RHD)	74 = 4 Door (105.9 WB)	ERH,ERO = 4.0L, Power Tech EVA,EVO = 4.7L, Power Tech EXA,EXO = 3.1L 5 cyl Turbo Diesel	DGK = 4 Speed Autm, 42RE DG4 = Multi Speed Auto 45RFE DGW = 4 Speed Autom 44RE DGO = All Automatic

AR = Use as required - = Non illustrated part # = New this model year

September 15, 2005

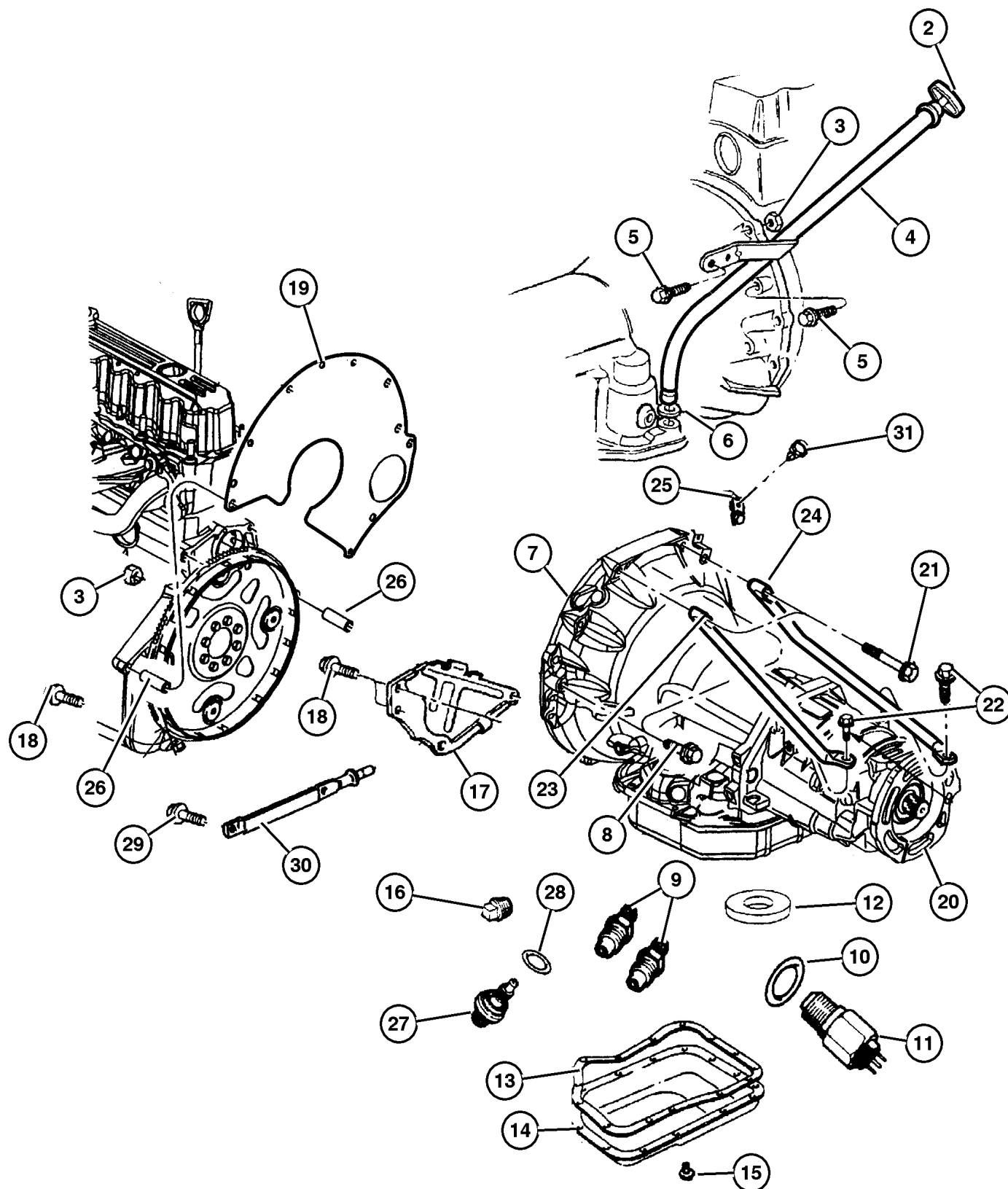
**Case and Related Parts 42RE [DGK]
Figure 42RE-210**



ITEM	PART NUMBER	QTY	LINE	SERIES	BODY	ENGINE	TRANS	TRIM	DESCRIPTION
-1									SEAL AND GASKET PACKAGE, Transmission
	4863 907AC-	1	T			ER0	DGK		
		1	J, U			ER0	DGK		
2	5211 8641	1				ER0, EX0	DGK, DGW		INDICATOR, Transmission Fluid Level
3	J021 9422	1					DGK		NUT, Hex
4	5210 4247	1				ER0	DGK		TUBE, Transmission Oil Filler
5	0153 371	1					DGK		BOLT, Hex Head, .375-16x2.25
6	5211 8629	1					DGK, DGW		SEAL, Oil Filler Tube
7									CASE, Transmission
	5211 8291	1	T			ER0	DGK		
		1	J, U			ER0	DGK		
8	J400 4370	2				ER0	DGK		BOLT AND WASHER, Hex Head, .437-14x2.75
9									NUT, Inverted Flare, .62-18
	6033 879	2	T			ER0	DGK		
		2	J, U			ER0	DGK		
10	2408 143	1	J, U			EX0	DGW		WASHER, Switch
11									SWITCH, Neutral, Safety, Back Up
	5602 8181	1	T			ER0	DGK		
		1	J, U			ER0	DGK		
12									MAGNET, Transmission
	3681 601	1	T			ER0	DGK		
		1	J, U			ER0	DGK		
13									GASKET, Oil Pan
	4295 875	1	T			ER0	DGK		
		1	J, U			ER0	DGK		
14									PAN, Transmission Oil
	52118 779AB	1	T			ER0	DGK		
		1	J, U			ER0	DGK		
15									SCREW AND WASHER, Hex Head, .312-18x.625
	4723 548	12	J, U			ER0	DGK		
		12	T			ER0	DGK		
16									PLUG, Pressure Check

JEEP GRAND CHEROKEE (WJ)
 SERIES L = Grand Cherokee
 LINE J = 4WD, T = 2WD, U = 4WD (RHD)
 BODY 74 = 4 Door (105.9 WB)
 ENGINE ERH,ERO = 4.0L, Power Tech; EVA,EVO = 4.7L, Power Tech; EXA,EXO = 3.1L 5 cyl Turbo Diesel
 TRANSMISSION DGK = 4 Speed Autm, 42RE; DG4 = Multi Speed Auto 45RFE; DGW = 4 Speed Autom 44RE; DGO = All Automatic

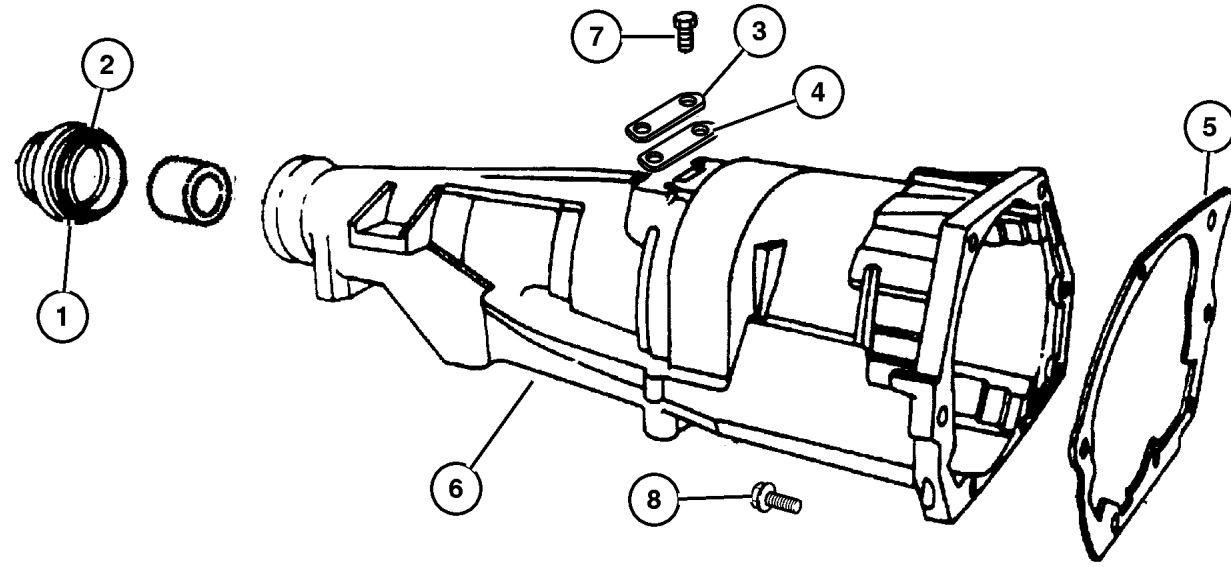
Case and Related Parts 42RE [DGK]
Figure 42RE-210



ITEM	PART NUMBER	QTY	LINE	SERIES	BODY	ENGINE	TRANS	TRIM	DESCRIPTION
	6028 095	1	T			ER0	DGK		
		1	J, U			ER0	DGK		
17	5211 8136	1				ER0	DGK		COVER, Converter
18									SCREW AND WASHER, Hex Head, .312-18x.625
	6035 031	3	T			ER0	DGK		2wd
		1	J, U			ER0	DGK		4wd
19	J323 7847	1				ER0	DG0		SPACER, Clutch Housing
20	5012 428AA	1	J, U			ER0	DGK		ADAPTER, Transfer Case
21	6034 242	2	J, U			ER0	DG0		SCREW AND WASHER
22	6025 677	2	J, U			ER0	DG0		SCREW, .375-16x1.375, 06025677
23	5210 4201	1	J, U			ER0	DG0		BRACE, Bending Transmission, Top Left
24	5210 4200	1	J, U			ER0	DG0		BRACE, Bending Transmission, Top Right
25	5209 8522	1	J, U			ER0, EX0			BRACKET, Tube
26	J400 5148	2				ER0			DOWEL, Transmission
27									SENSOR, Transmission Output Speed
	4412 879	1	T			ER0	DGK		
		1	J, U			ER0	DGK		
28	6501 701	1	T			ER0	DGK		O RING, Trans Speed Sensor
		1	J, U			ER0	DGK		
29	6034 498	2	J, U			ER0	DG0		SCREW AND WASHER, Hex Head, .312-18x1.25
30	52104 250AA	1	J, U			ER0	DG0		BRACE, Bell Housing
31	J400 5701	1	J, U						CLIP

JEEP GRAND CHEROKEE (WJ)
 SERIES LINE BODY ENGINE TRANSMISSION
 L = Grand Cherokee J = 4WD 74 = 4 Door (105.9 WB) ERH,ERO = 4.0L, Power Tech DGK = 4 Speed Autm, 42RE
 T = 2WD EVA,EVO = 4.7L, Power Tech DG4 = Multi Speed Auto 45RFE
 U = 4WD (RHD) EXA,EXO = 3.1L 5 cyl Turbo Diesel DGW = 4 Speed Autom 44RE
 DGO = All Automatic

Case Rear 42RE [DGK]
Figure 42RE-220



ITEM	PART NUMBER	QTY	LINE	SERIES	BODY	ENGINE	TRANS	TRIM	DESCRIPTION
NOTES: Sales Codes									
[DGK] = 42RE Automatic Transmission									
1	4531 216	1	T			ER0	DGK		SEAL, Extension Yoke
2	4269 956	1	J, U			ER0	DGK		SEAL, Adapter
3									COVER, Transmission Converter
	2466 957	1	J, U			ER0	DGK		
		1	T			ER0	DGK		
4									GASKET, Transmission
	2801 398	1	J, U			ER0	DGK		
		1	T			ER0	DGK		
5									GASKET, Overdrive Piston Retainer
	4471 564	1	T			ER0	DGK		
		1	J, U			ER0	DGK		
6	5003 231AA	1	T			ER0	DGK		CASE, Transmission Rear
7									SCREW, (NOT SERVICED) (Not Serviced)
8									SCREW, Hex Flange Head, .375-16x1.38
	6036 046AA	7	J, U			ER0	DGK		
		7	T			ER0	DGK		

JEEP GRAND CHEROKEE (WJ)

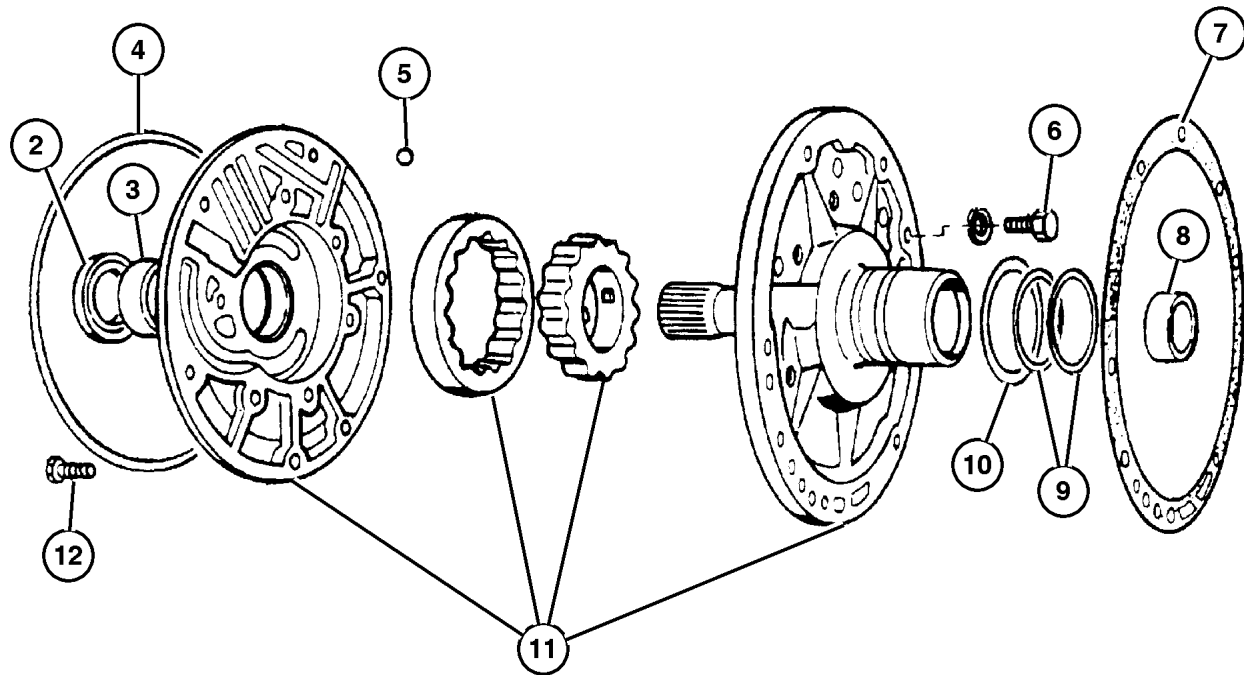
SERIES	LINE	BODY	ENGINE	TRANSMISSION
L = Grand Cherokee	J = 4WD T = 2WD U = 4WD (RHD)	74 = 4 Door (105.9 WB)	ERH,ERO = 4.0L, Power Tech EVA,EVO = 4.7L, Power Tech EXA,EXO = 3.1L 5 cyl Turbo Diesel	DGK = 4 Speed Autm, 42RE DG4 = Multi Speed Auto 45RFE DGW = 4 Speed Autom 44RE DGO = All Automatic

AR = Use as required - = Non illustrated part # = New this model year

September 15, 2005

**Oil Pump 42RE [DGK]
Figure 42RE-310**

ITEM	PART NUMBER	QTY	LINE	SERIES	BODY	ENGINE	TRANS	TRIM	DESCRIPTION
NOTES: Sales Codes:									
[DGK] = 42RE Automatic Transmission									
									GASKET AND SEAL PACKAGE, Transmission Oil Pump
	4713 108AB-	1	J, U			ER0	DGK		
		1	T			ER0	DGK		
2	4412 475	1	T			ER0	DGK		SEAL, Impeller Hub, 57.25mm OD
		1	J, U			ER0	DGK		
3	2466 796	1	T			ER0	DGK		BUSHING, Front Pump
		1	J, U			ER0	DGK		
4	2204 709	1	T			ER0	DGK		SEAL, Front Pump Housing
		1	J, U			ER0	DGK		
5	0104 918	1	T			ER0	DGK		BALL, Valve Body Check
		1	J, U			ER0	DGK		
6	0179 815	6	T			ER0	DGK		SCREW, Hex Head, .312-18x.687
		6	J, U			ER0	DGK		
7	5211 8266	1	T			ER0	DGK		GASKET, Transmission Oil Pump
		1	J, U			ER0	DGK		
8	4058 635	1	T			ER0	DGK		BUSHING, Reaction Shaft
		1	J, U			ER0	DGK		
9									SEAL, Ring Reaction Support, 2 1/16 O.D.
	4471 874	2	T			ER0	DGK		
		2	J, U			ER0	DGK		
10	4617 786	1	T			ER0	DGK		THRUST WASHER, Front Clutch
		1	J, U			ER0	DGK		
11	5211 8267	1	T			ER0	DGK		PUMP, Transmission Oil
		1	J, U			ER0	DGK		
12									SCREW AND WASHER, Hex Flange Head, .312-18x1.375
	6023 943	6	T			ER0	DGK		
		6	J, U			ER0	DGK		



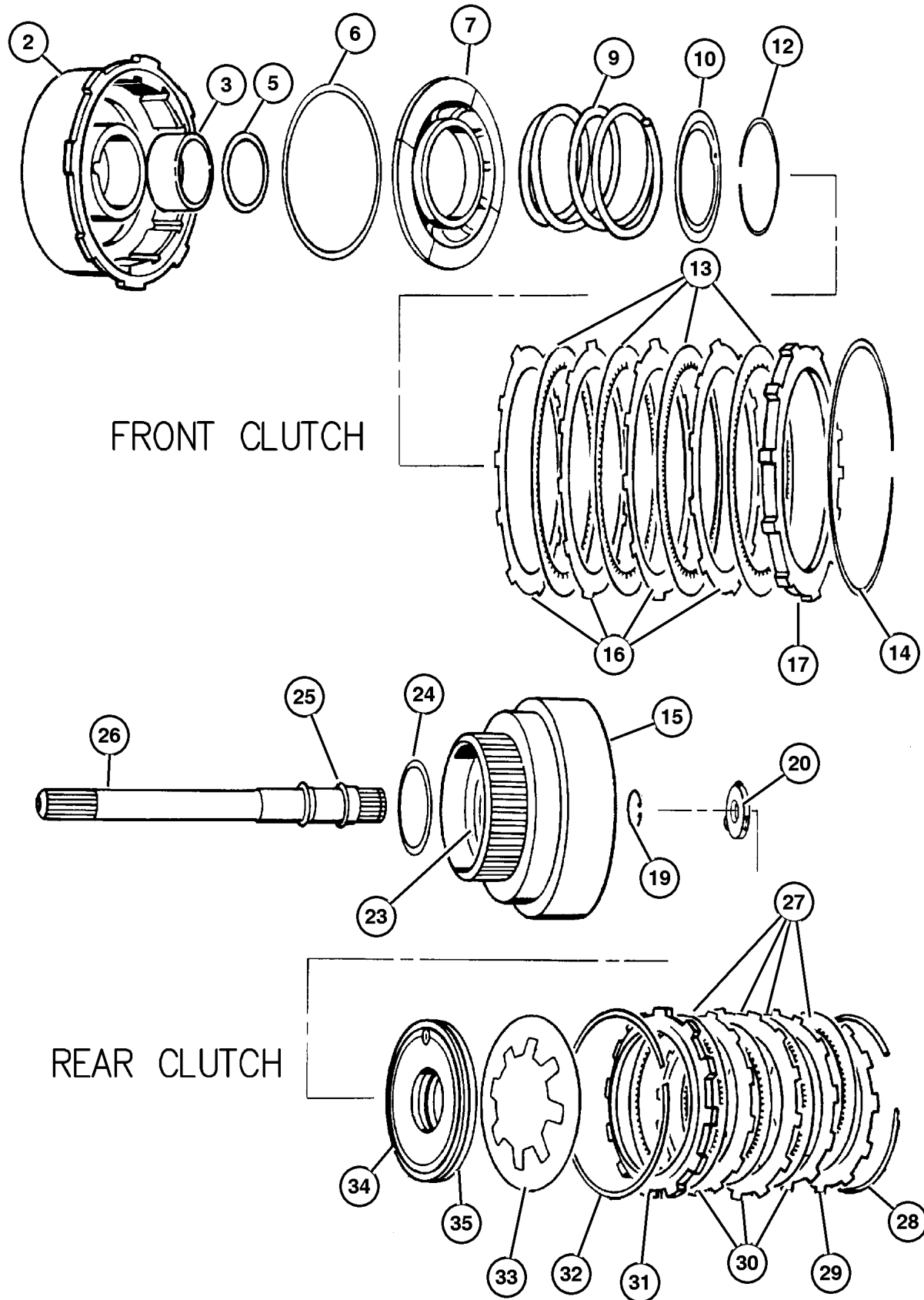
JEEP GRAND CHEROKEE (WJ)

SERIES	LINE	BODY	ENGINE	TRANSMISSION
L = Grand Cherokee	J = 4WD T = 2WD U = 4WD (RHD)	74 = 4 Door (105.9 WB)	ERH,ERO = 4.0L, Power Tech EVA,EVO = 4.7L, Power Tech EXA,EXO = 3.1L 5 cyl Turbo Diesel	DGK = 4 Speed Autm, 42RE DG4 = Multi Speed Auto 45RFE DGW = 4 Speed Autom 44RE DGO = All Automatic

AR = Use as required - = Non illustrated part # = New this model year

September 15, 2005

**Gear Train 42RE [DGK]
Figure 42RE-410**



ITEM	PART NUMBER	QTY	LINE	SERIES	BODY	ENGINE	TRANS	TRIM	DESCRIPTION
NOTES: Sales Codes									
[DGK] = 42RE 4 Speed Automatic Transmission									
[ER0] = All 4.0L 6 Cylinder Gas Engines									
-1									SEAL PACKAGE, Transmission Clutch
	5252 926	1	J, U			ER0	DGK		
		1	T			ER0	DGK		
2									RETAINER AND BUSHING, Transmission Front Clutch
	4531 285	1	T			ER0	DGK		
		1	J, U			ER0	DGK		
3									BUSHING, Front Clutch
	4617 157	1	T			ER0	DGK		
		1	J, U			ER0	DGK		
-4									BUSHING, Rear Clutch
	4617 159	1	T			ER0	DGK		
		1	J, U			ER0	DGK		
5									SEAL, Front Clutch Piston
	3515 176	1	T			ER0	DGK		
		1	J, U			ER0	DGK		
6									SEAL, Front Piston Clutch
	4058 487	1	T			ER0	DGK		
		1	J, U			ER0	DGK		
7									PISTON, Clutch
	4617 154	1	T			ER0	DGK		
		1	J, U			ER0	DGK		
-8									CHECK BALL, Dia-.187
	0147 483	1	T			ER0	DGK		
		1	J, U			ER0	DGK		
9									SPRING, Front Clutch
	4329 809	1	T			ER0	DGK		
		1	J, U			ER0	DGK		
10									RETAINER, Transmission Front Clutch Piston Spring
	4617 516AB	1	T			ER0	DGK		
		1	J, U			ER0	DGK		
-11									CHECK BALL, Dia-.187
	0147 483	1	T			ER0	DGK		
		1	J, U			ER0	DGK		
12									SNAP RING Front Clutch
	1942 400	1	T			ER0	DGK		
		1	J, U			ER0	DGK		
13									DISC, Direct Clutch

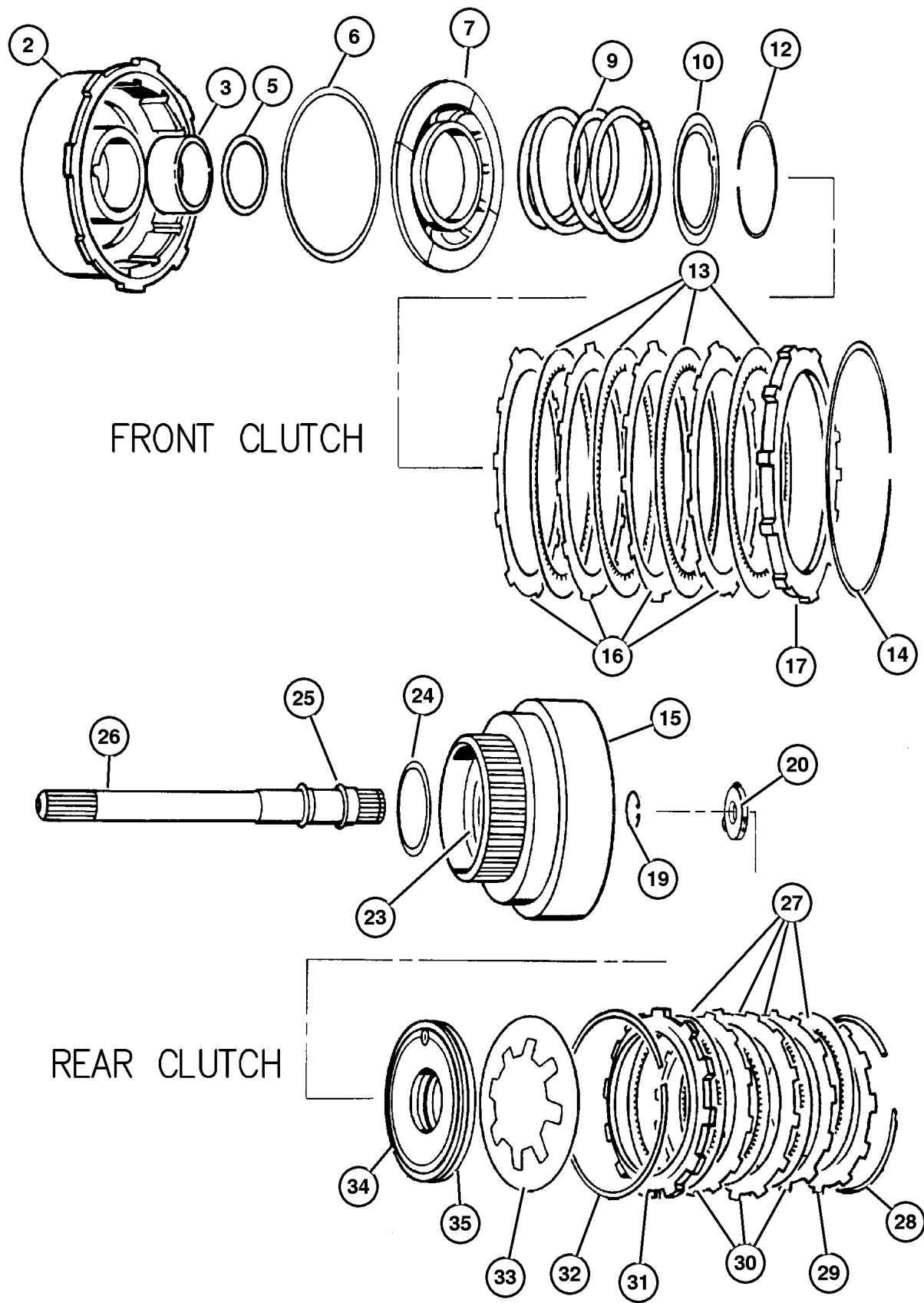
JEEP GRAND CHEROKEE (WJ)

SERIES	LINE	BODY	ENGINE	TRANSMISSION
L = Grand Cherokee	J = 4WD T = 2WD U = 4WD (RHD)	74 = 4 Door (105.9 WB)	ERH,ERO = 4.0L, Power Tech EVA,EVO = 4.7L, Power Tech EXA,EXO = 3.1L 5 cyl Turbo Diesel	DGK = 4 Speed Autm, 42RE DG4 = Multi Speed Auto 45RFE DGW = 4 Speed Autom 44RE DGO = All Automatic

AR = Use as required - = Non illustrated part # = New this model year

September 15, 2005

**Gear Train 42RE [DGK]
Figure 42RE-410**



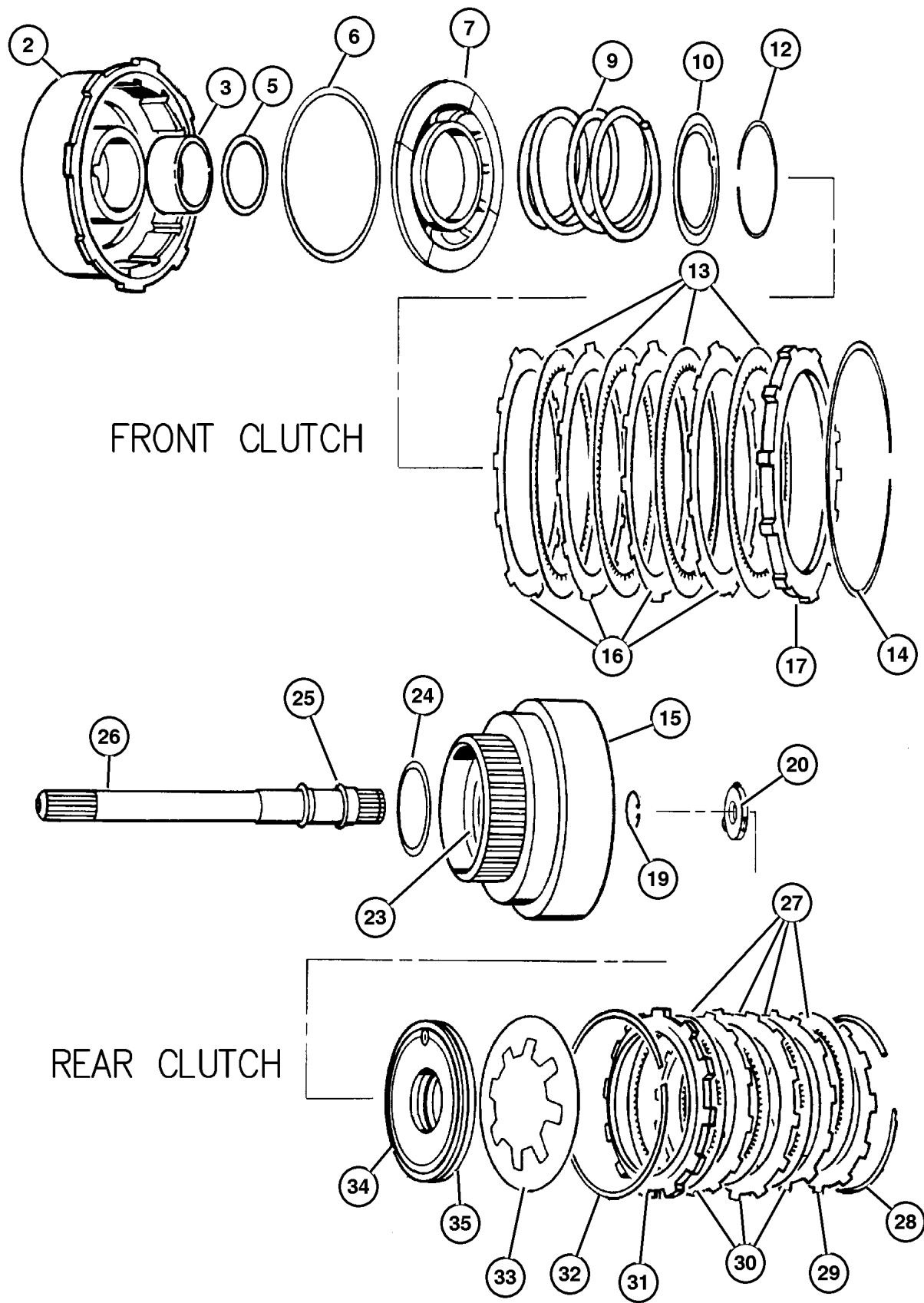
ITEM	PART NUMBER	QTY	LINE	SERIES	BODY	ENGINE	TRANS	TRIM	DESCRIPTION
	4617 362	4	T			ER0	DGK		
14	3410 571	1	J, U			ER0	DGK		SNAP RING
		1	J, U			ER0	DGK		
15	4505 199	1	T			ER0	DGK		RETAINER, Transmission Rear Clutch
		1	J, U			ER0	DGK		
16	1942 403AB	4	T			ER0	DGK		PLATE, Clutch Separator
		4	J, U			ER0	DGK		
17									PLATE, Transmission Clutch Reaction
	4617 176	1	T			ER0	DGK		
		1	J, U			ER0	DGK		
-18	0147 483	1	T			ER0	DGK		CHECK BALL, Dia-.187
		1	J, U			ER0	DGK		
19	6022 859	1	T			ER0	DGK		SNAP RING, .890625
		1	J, U			ER0	DGK		
20									THRUST WASHER, Output Shaft, Gray .052
	4505 185	1	T			ER0	DGK		
		1	J, U			ER0	DGK		
-21									THRUST WASHER, Output Shaft, Red .068
	4505 186	1	T			ER0	DGK		
		1	J, U			ER0	DGK		
-22									THRUST WASHER, Output Shaft, Green .083
	4505 187	1	T			ER0	DGK		
		1	J, U			ER0	DGK		
23	4617 063	1	T			ER0	DGK		SEAL, Rear Clutch Retainer
		1	J, U			ER0	DGK		
24	4617 786	1	T			ER0	DGK		THRUST WASHER, Front Clutch
		1	J, U			ER0	DGK		
25									SEAL, Input Shaft
	1401 221	1	T			ER0	DGK		

JEEP GRAND CHEROKEE (WJ)

SERIES	LINE	BODY	ENGINE	TRANSMISSION
L = Grand Cherokee	J = 4WD T = 2WD U = 4WD (RHD)	74 = 4 Door (105.9 WB)	ERH,ERO = 4.0L, Power Tech EVA,EVO = 4.7L, Power Tech EXA,EXO = 3.1L 5 cyl Turbo Diesel	DGK = 4 Speed Autm, 42RE DG4 = Multi Speed Auto 45RFE DGW = 4 Speed Autom 44RE DGO = All Automatic

AR = Use as required - = Non illustrated part # = New this model year

**Gear Train 42RE [DGK]
Figure 42RE-410**



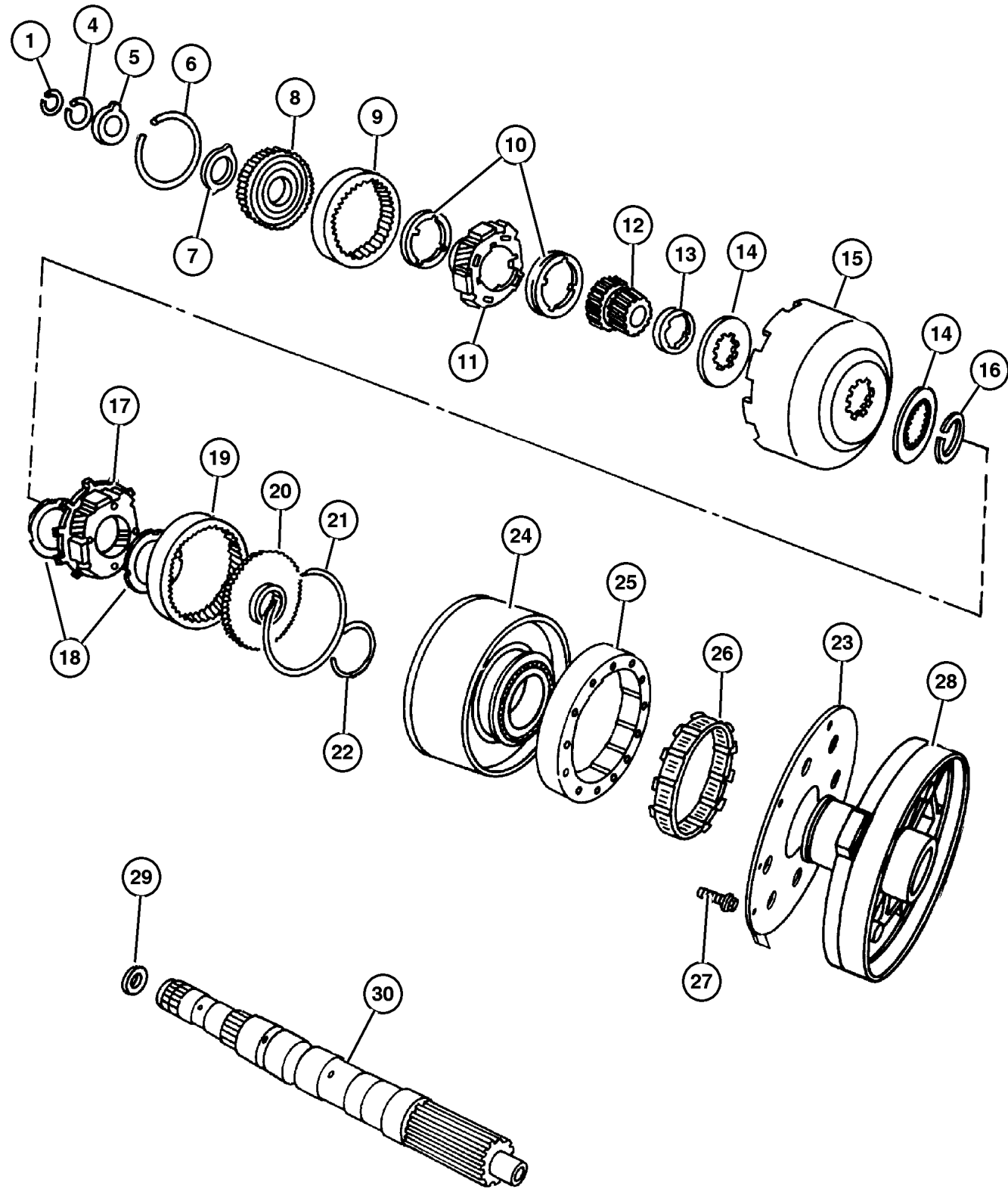
ITEM	PART NUMBER	QTY	LINE	SERIES	BODY	ENGINE	TRANS	TRIM	DESCRIPTION
		1	J, U			ER0	DGK		
26	4505 189	1	T			ER0	DGK		INPUT SHAFT, Transmission
		1	J, U			ER0	DGK		
27	4713 880	4	T			ER0	DGK		DISC, Clutch
		4	J, U			ER0	DGK		
28	4130 761	1	T			ER0	DGK		SNAP RING
		1	J, U			ER0	DGK		
29	4617 176	1	T			ER0	DGK		PLATE, Transmission Clutch Reaction
		1	J, U			ER0	DGK		
30	1942 403AB	3	T			ER0	DGK		PLATE, Clutch Separator
		3	J, U			ER0	DGK		
31	2466 281	1	T			ER0	DGK		PLATE, Clutch Pressure
		1	J, U			ER0	DGK		
32	2466 283	1	T			ER0	DGK		SPRING, Rear Clutch
		1	J, U			ER0	DGK		
33	4728 487	1	T			ER0	DGK		SPRING, Rear Clutch Piston
		1	J, U			ER0	DGK		
34	2538 695	1	T			ER0	DGK		SEAL, Rear Clutch Piston
		1	J, U			ER0	DGK		
35	3515 716	1	T			ER0	DGK		PISTON, Clutch
		1	J, U			ER0	DGK		

JEEP GRAND CHEROKEE (WJ)

SERIES	LINE	BODY	ENGINE	TRANSMISSION
L = Grand Cherokee	J = 4WD T = 2WD U = 4WD (RHD)	74 = 4 Door (105.9 WB)	ERH,ER0 = 4.0L, Power Tech EVA,EVO = 4.7L, Power Tech EXA,EXO = 3.1L 5 cyl Turbo Diesel	DGK = 4 Speed Autom, 42RE DG4 = Multi Speed Auto 45RFE DGW = 4 Speed Autom 44RE DGO = All Automatic

AR = Use as required - = Non illustrated part # = New this model year

**Gear Train and Intermediate Shaft 42RE [DGK]
Figure 42RE-420**



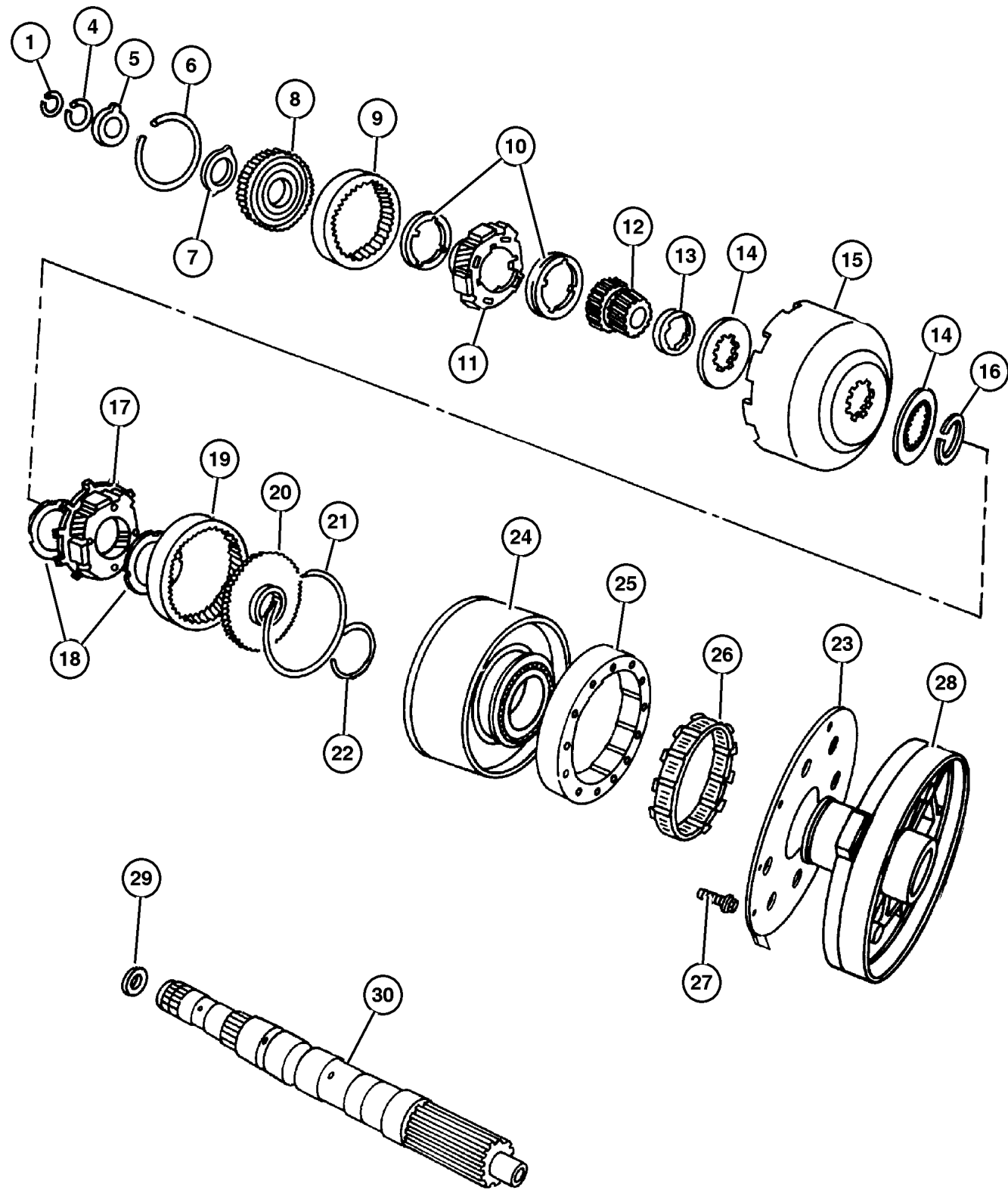
ITEM	PART NUMBER	QTY	LINE	SERIES	BODY	ENGINE	TRANS	TRIM	DESCRIPTION
NOTES: Sales Codes									
[DGK] = 42RE Automatic Transmission									
[ER0] = All 4.0L 6 Cylinder Gas Engines									
1	6026 289	1	T			ER0	DGK		SNAP RING, .946 ID
-2	6030 938	1	J, U			ER0	DGK		SNAP RING
-3	6030 404	1	T			ER0	DGK		SNAP RING, Output Shaft, 1.029 OD
4	6030 576	1	T			ER0	DGK		SNAP RING, Annulus Gear, 1.375 ID
5	3681 969	1	T			ER0	DGK		THRUST WASHER, Annulus Gear
6	6030 938	1	J, U			ER0	DGK		SNAP RING
7	4617 775	1	T			ER0	DGK		PLATE, Annulus Gear Thrust
8	4617 774	1	J, U			ER0	DGK		SUPPORT, Annulus Gear
9	4130 512	1	T			ER0	DGK		GEAR, Front Annulus
10	4130 518	2	T			ER0	DGK		THRUST WASHER, Planetary Carrier
11	4130 514	1	T			ER0	DGK		CARRIER, Planetary Pinion
12	4130 685	1	T			ER0	DGK		GEAR, Sun
13	4130 736	1	T			ER0	DGK		SPACER, Sun Gear

JEEP GRAND CHEROKEE (WJ)				
SERIES	LINE	BODY	ENGINE	TRANSMISSION
L = Grand Cherokee	J = 4WD T = 2WD U = 4WD (RHD)	74 = 4 Door (105.9 WB)	ERH,ERO = 4.0L, Power Tech EVA,EVO = 4.7L, Power Tech EXA,EXO = 3.1L 5 cyl Turbo Diesel	DGK = 4 Speed Autm, 42RE DG4 = Multi Speed Auto 45RFE DGW = 4 Speed Autom 44RE DGO = All Automatic

AR = Use as required - = Non illustrated part # = New this model year

September 15, 2005

**Gear Train and Intermediate Shaft 42RE [DGK]
Figure 42RE-420**



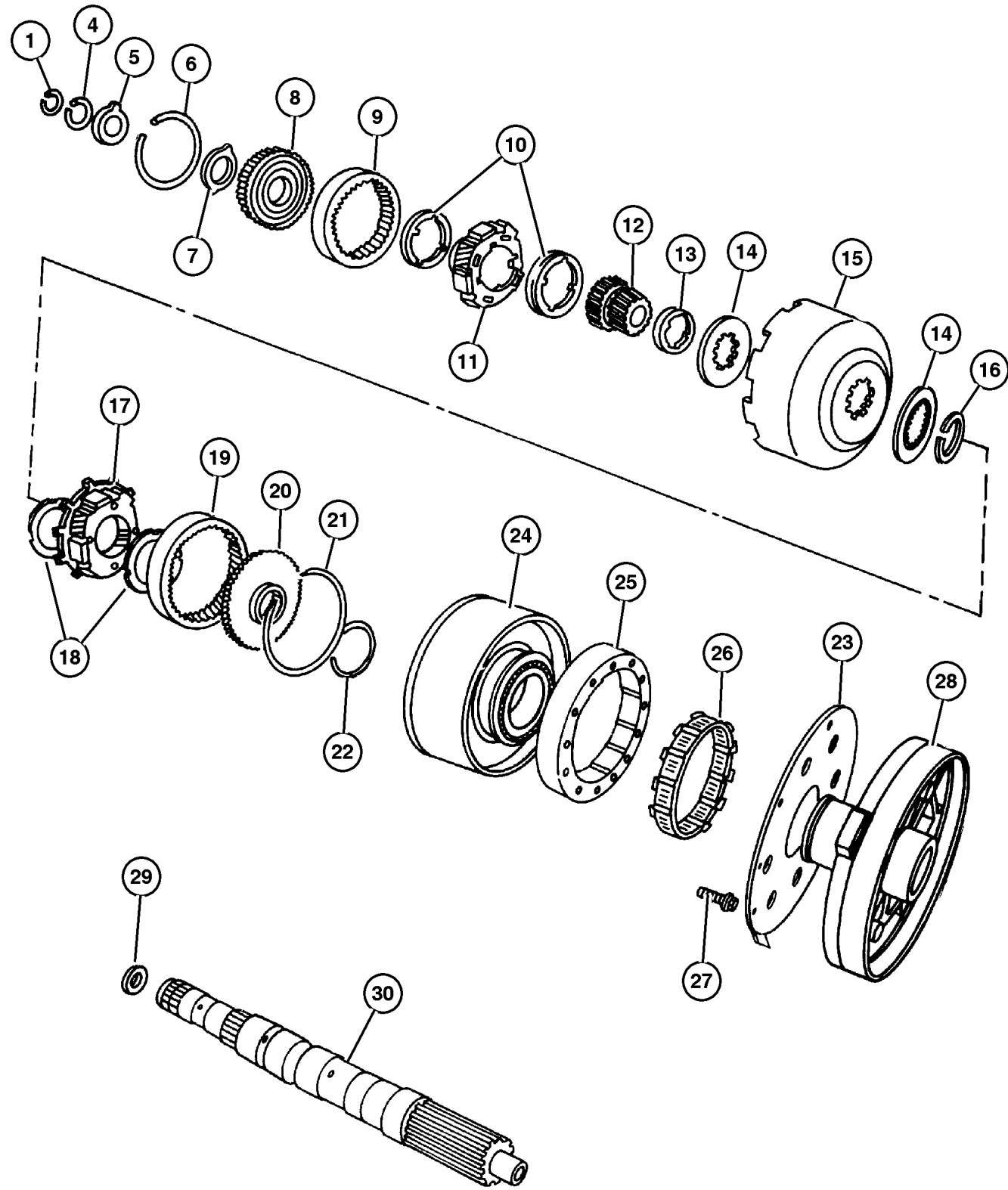
ITEM	PART NUMBER	QTY	LINE	SERIES	BODY	ENGINE	TRANS	TRIM	DESCRIPTION
		1	J, U			ER0	DGK		
14	4471 566	2	T			ER0	DGK		PLATE, Transmission Module
		2	J, U			ER0	DGK		
15	4531 288	1	T			ER0	DGK		SHELL, Sun Gear
		1	J, U			ER0	DGK		
16	1942 439	1	T			ER0	DGK		SNAP RING, Sun Gear Shell
		1	J, U			ER0	DGK		
17	4431 438	1	T			ER0	DGK		CARRIER, Planetary Pinion
		1	J, U			ER0	DGK		
18	3681 935	1	J, U			EX0	DGW		THRUST WASHER, Planetary Carrier
19	3743 184	1	T			ER0	DGK		GEAR, Rear Annulus
		1	J, U			ER0	DGK		
20	3515 501	1	T			ER0	DGK		SUPPORT, Annulus Gear
		1	J, U			ER0	DGK		
21	1942 444	1	T			ER0	DGK		SNAP RING
		1	J, U			ER0	DGK		
22	6033 480	1	T			ER0	DGK		SNAP RING, Reverse Drum
		1	J, U			ER0	DGK		
23	4471 564	1	T			ER0	DGK		GASKET, Overdrive Piston Retainer
		1	J, U			ER0	DGK		
24	4637 956	1	T			ER0	DGK		DRUM PACKAGE, Transmission
		1	J, U			ER0	DGK		
25	4431 690	1	T			ER0	DGK		CAM, Overrunning Clutch
		1	J, U			ER0	DGK		
26	4431 432	1	T			ER0	DGK		CLUTCH, Overrunning
		1	J, U			ER0	DGK		
27	6033 616	5	T			ER0	DGK		SCREW, Hex Flange Head, .25-28x.875

JEEP GRAND CHEROKEE (WJ)
 SERIES L = Grand Cherokee
 LINE J = 4WD, T = 2WD, U = 4WD (RHD)
 BODY 74 = 4 Door (105.9 WB)
 ENGINE ERH,ERO = 4.0L, Power Tech; EVA,EVO = 4.7L, Power Tech; EXA,EXO = 3.1L 5 cyl Turbo Diesel
 TRANSMISSION DGK = 4 Speed Autm, 42RE; DG4 = Multi Speed Auto 45RFE; DGW = 4 Speed Autom 44RE; DGO = All Automatic

AR = Use as required - = Non illustrated part # = New this model year

September 15, 2005

**Gear Train and Intermediate Shaft 42RE [DGK]
Figure 42RE-420**



ITEM	PART NUMBER	QTY	LINE	SERIES	BODY	ENGINE	TRANS	TRIM	DESCRIPTION
		5	J, U			ER0	DGK		
28	4617 246	1	T			ER0	DGK		RETAINER, Transmission Overdrive Clutch Piston
		1	J, U			ER0	DGK		
29	4505 188	1	T			ER0	DGK		PLATE, Transmission Module
		1	J, U			ER0	DGK		
30	4617 604	1	T			ER0	DGK		INTERMEDIATE SHAFT, Transmission
		1	J, U			ER0	DGK		

JEEP GRAND CHEROKEE (WJ)

SERIES	LINE	BODY	ENGINE	TRANSMISSION
L = Grand Cherokee	J = 4WD T = 2WD U = 4WD (RHD)	74 = 4 Door (105.9 WB)	ERH,ER0 = 4.0L, Power Tech EVA,EVO = 4.7L, Power Tech EXA,EXO = 3.1L 5 cyl Turbo Diesel	DGK = 4 Speed Autm, 42RE DG4 = Multi Speed Auto 45RFE DGW = 4 Speed Autom 44RE DGO = All Automatic

AR = Use as required - = Non illustrated part # = New this model year

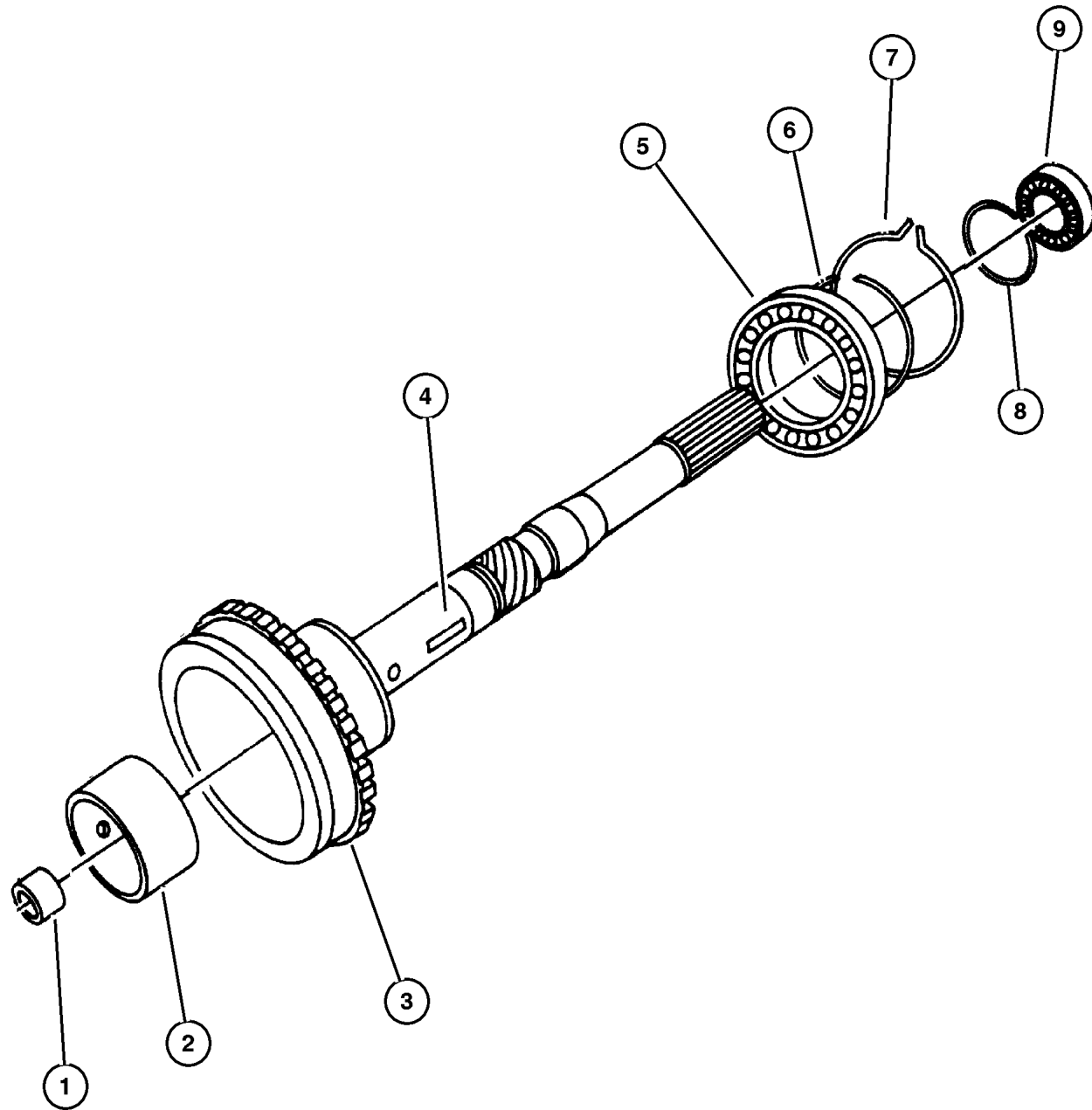
September 15, 2005

**Output Shaft [DGK]
Figure 42RE-430**

ITEM	PART NUMBER	QTY	LINE	SERIES	BODY	ENGINE	TRANS	TRIM	DESCRIPTION
------	-------------	-----	------	--------	------	--------	-------	------	-------------

NOTES: Sales Codes
 [DGK] = 42RE 4 Speed Automatic Transmission
 [ER0] = All 4.0L 6 Cylinder Gas Engines

1									BUSHING, (NOT SERVICED) (Not Serviced)
2									BUSHING, (NOT SERVICED) (Not Serviced)
3									SHAFT, Output
	5003 232AA	1	T			ER0	DGK		
	4798 536	1	J, U			ER0	DGK		
4									KEY, Shaft, (NOT SERVICED) (Not Serviced)
5									BEARING, Output Shaft
	4461 008	1	J, U			ER0	DGK		
		1	T			ER0	DGK		
6									SNAP RING, .946 ID
	6026 289	1	T			ER0	DGK		
		1	J, U			ER0	DGK		
7									SNAP RING, Output Shaft, 1.029 OD
	6030 404	1	T			ER0	DGK		
		1	J, U			ER0	DGK		
8									SNAP RING
	6030 938	1	T			ER0	DGK		
		1	J, U			ER0	DGK		
9									BEARING, Output Shaft
	4461 008	1	J, U			ER0	DGK		
		1	T			ER0	DGK		

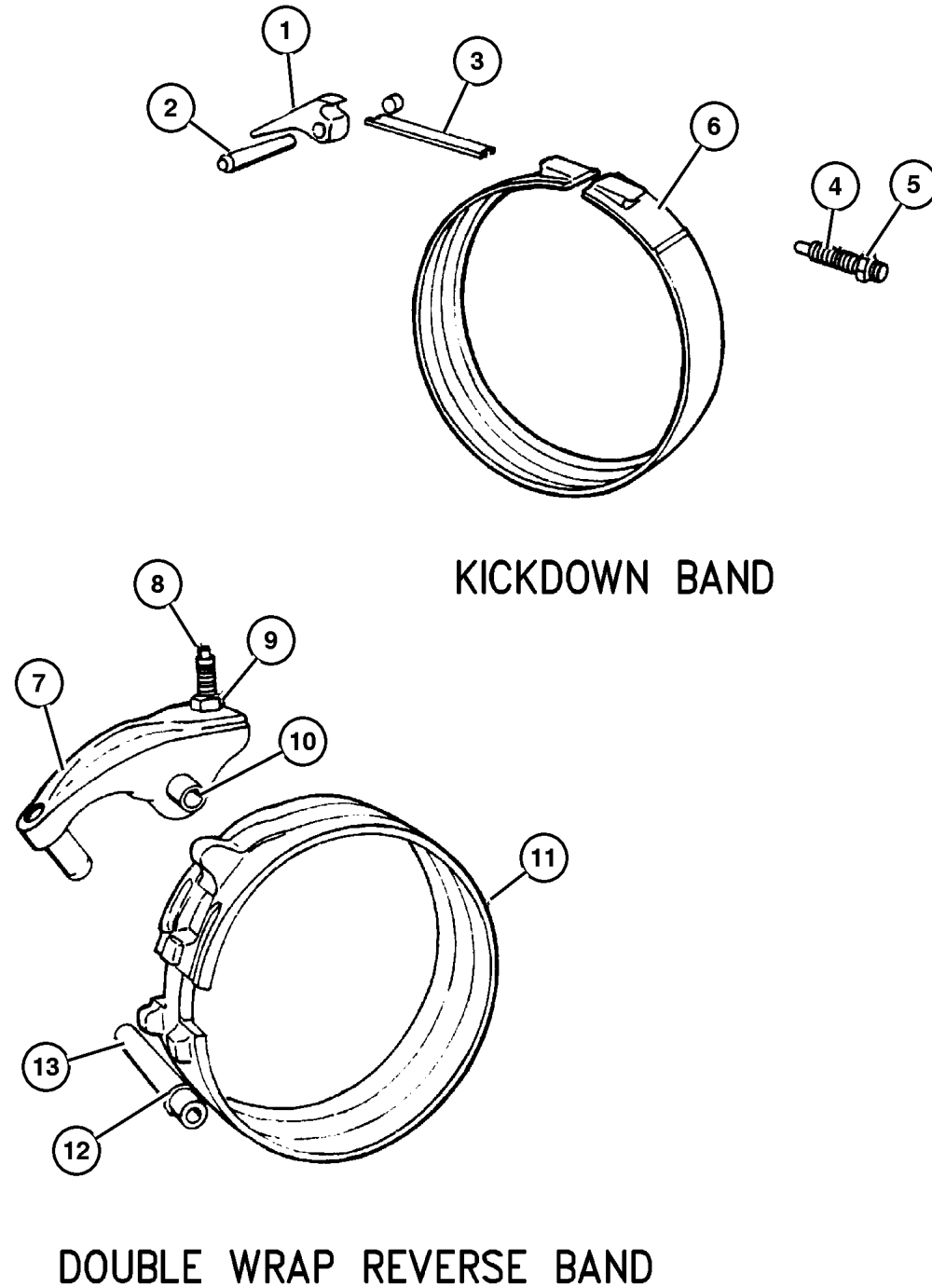


JEEP GRAND CHEROKEE (WJ)				
SERIES	LINE	BODY	ENGINE	TRANSMISSION
L = Grand Cherokee	J = 4WD T = 2WD U = 4WD (RHD)	74 = 4 Door (105.9 WB)	ERH,ERO = 4.0L, Power Tech EVA,EVO = 4.7L, Power Tech EXA,EXO = 3.1L 5 cyl Turbo Diesel	DGK = 4 Speed Autm, 42RE DG4 = Multi Speed Auto 45RFE DGW = 4 Speed Autom 44RE DGO = All Automatic

AR = Use as required - = Non illustrated part # = New this model year

September 15, 2005

**Bands 42RE [DGK]
Figure 42RE-510**



ITEM	PART NUMBER	QTY	LINE	SERIES	BODY	ENGINE	TRANS	TRIM	DESCRIPTION
NOTES: Sales Codes									
[DGK] = 42RE 4 Speed Automatic Transmission									
[ER0] = All 4.0L 6 Cylinder Gas Engines									
1	5211 8264	1	T			ER0	DGK		LEVER, Kickdown
		1	J, U			ER0	DGK		
2	4531 181	1	T			ER0	DGK		SHAFT, Band Lever
		1	J, U			ER0	DGK		
3	3515 084	1	T			ER0	DGK		STRUT, Kickdown Band
		1	J, U			ER0	DGK		
4	6036 141AA	1	J, U			ER0	DGK		SCREW
		1	T			ER0	DGK		
5	0124 934	1	T			ER0	DGK		NUT, Hex Jam, .50-20
		1	J, U			ER0	DGK		
6	4617 849	1	T			ER0	DGK		BAND, Kickdown
		1	J, U			ER0	DGK		
7	4202 765	1	T			ER0	DGK		LEVER, Reverse Band w/Stem
	4202 764AB	1	T			ER0	DGK		
		1	J, U			ER0	DGK		
	4202 765	1	J, U			ER0	DGK		w/Stem
8									SCREW, Trans Reverse Band Adjusting, .375-24-1.88
	2538 472	1	T			ER0	DGK		
		1	J, U			ER0	DGK		
9									NUT, Hex, .375-24
	0114 942	1	T			ER0	DGK		
		1	J, U			ER0	DGK		
10									SHAFT, Reverse Band
	3410 102	1	T			ER0	DGK		
		1	J, U			ER0	DGK		
11									BAND, Reverse
	4431 406	1	T			ER0	DGK		
		1	J, U			ER0	DGK		
12									O RING, Steering Gear
	6030 657	1	T			ER0	DGK		
		1	J, U			ER0	DGK		
13									SHAFT, Reverse Band

JEEP GRAND CHEROKEE (WJ)

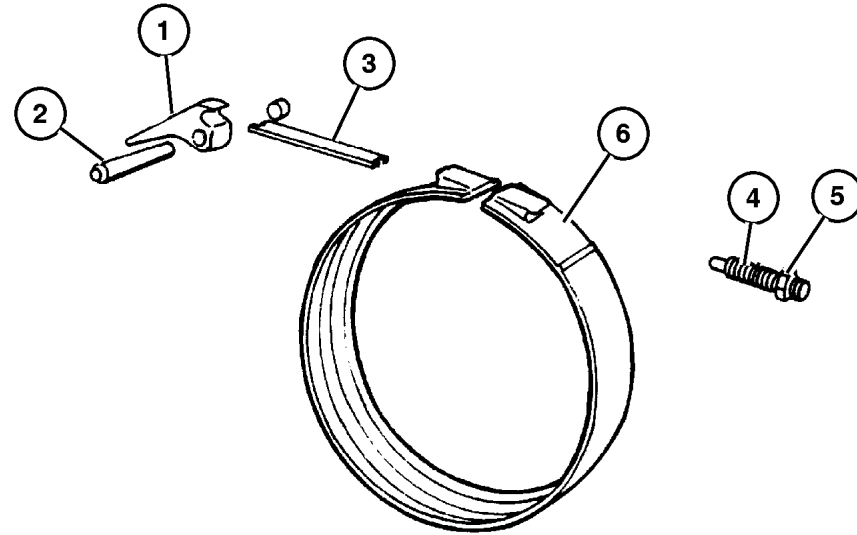
SERIES	LINE	BODY	ENGINE	TRANSMISSION
L = Grand Cherokee	J = 4WD T = 2WD U = 4WD (RHD)	74 = 4 Door (105.9 WB)	ERH,ERO = 4.0L, Power Tech EVA,EVO = 4.7L, Power Tech EXA,EXO = 3.1L 5 cyl Turbo Diesel	DGK = 4 Speed Autm, 42RE DG4 = Multi Speed Auto 45RFE DGW = 4 Speed Autom 44RE DGO = All Automatic

AR = Use as required - = Non illustrated part # = New this model year

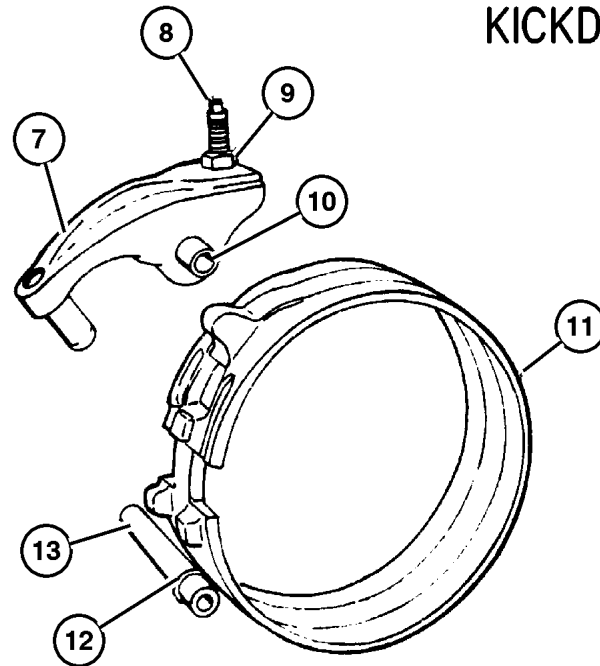
September 15, 2005

Bands 42RE [DGK]
Figure 42RE-510

ITEM	PART NUMBER	QTY	LINE	SERIES	BODY	ENGINE	TRANS	TRIM	DESCRIPTION
	3410 102	1	T			ER0	DGK		
		1	J, U			ER0	DGK		



KICKDOWN BAND



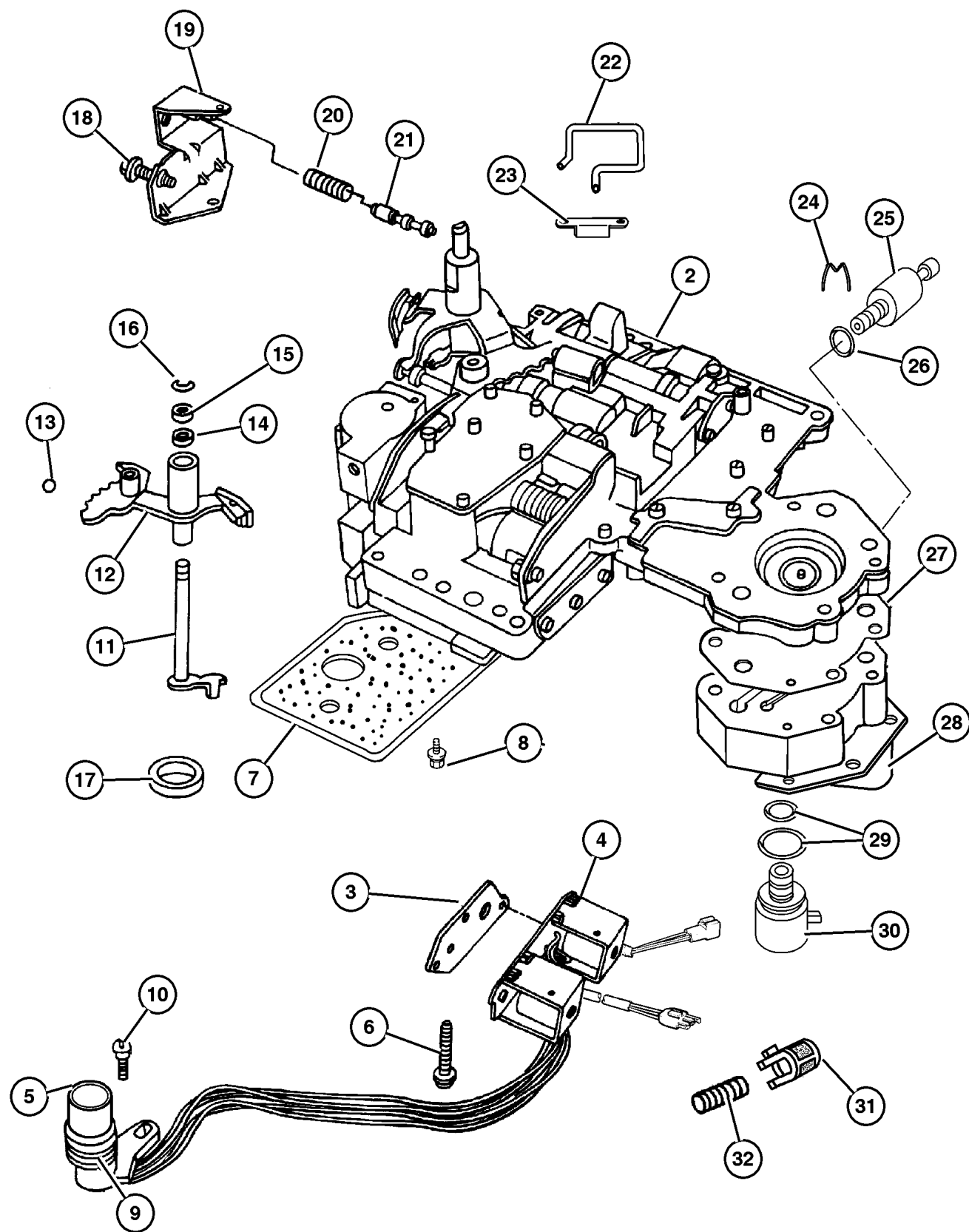
DOUBLE WRAP REVERSE BAND

JEEP GRAND CHEROKEE (WJ)				
SERIES	LINE	BODY	ENGINE	TRANSMISSION
L = Grand Cherokee	J = 4WD T = 2WD U = 4WD (RHD)	74 = 4 Door (105.9 WB)	ERH,ERO = 4.0L, Power Tech EVA,EVO = 4.7L, Power Tech EXA,EXO = 3.1L 5 cyl Turbo Diesel	DGK = 4 Speed Autm, 42RE DG4 = Multi Speed Auto 45RFE DGW = 4 Speed Autom 44RE DGO = All Automatic

AR = Use as required - = Non illustrated part # = New this model year

September 15, 2005

**Valve Body 42RE [DGK]
Figure 42RE-710**



ITEM	PART NUMBER	QTY	LINE	SERIES	BODY	ENGINE	TRANS	TRIM	DESCRIPTION
NOTES: Sales Codes									
[DGK] = 42RE 4 Speed Automatic Transmission									
[ER0] = All 4.0L 6 Cylinder Gas Engines									
-1									SEAL AND GASKET PACKAGE, Valve Body and Servo
2	4863 933AB-	1	T			ER0	DGK		BODY, Transfer Plate
	52119 633AA	1	J, U			ER0	DGK		
3	5211 8510	1	T			ER0	DGK		GASKET, Transmission Solenoid
		1	J, U			ER0	DGK		
4	5211 8500	1	T			ER0	DGK		SOLENOID, Transmission Overdrive
		1	J, U			ER0	DGK		
5	56041 403AA	1	T			ER0	DGK		TRANSDUCER, Pressure Sensor
		1	J, U			ER0	DGK		
6	0181 071	3	T			ER0	DGK		BOLT, Valve Body, .25-20x1.75
		3	J, U			ER0	DGK		
7	5211 8789	1	T			ER0	DGK		FILTER, Valve Body
		1	J, U			ER0	DGK		
8	6033 826	3	T			ER0	DGK		SCREW AND WASHER, Oil Filter Mounting, Fillester Head .190-24x2.500
		3	J, U			ER0	DGK		
9	6034 748	2	T			ER0	DGK		O RING, Solenoid Wiring, Transmission
		2	J, U			ER0	DGK		
10	6033 985	1	T			ER0	DGK		SCREW, Tapping, .19-24x.75
		1	J, U			ER0	DGK		
11	3681 227	1	T			ER0	DGK		LEVER, Throttle Valve
		1	J, U			ER0	DGK		
12	4617 439	1	T			ER0	DGK		LEVER, Manual Valve

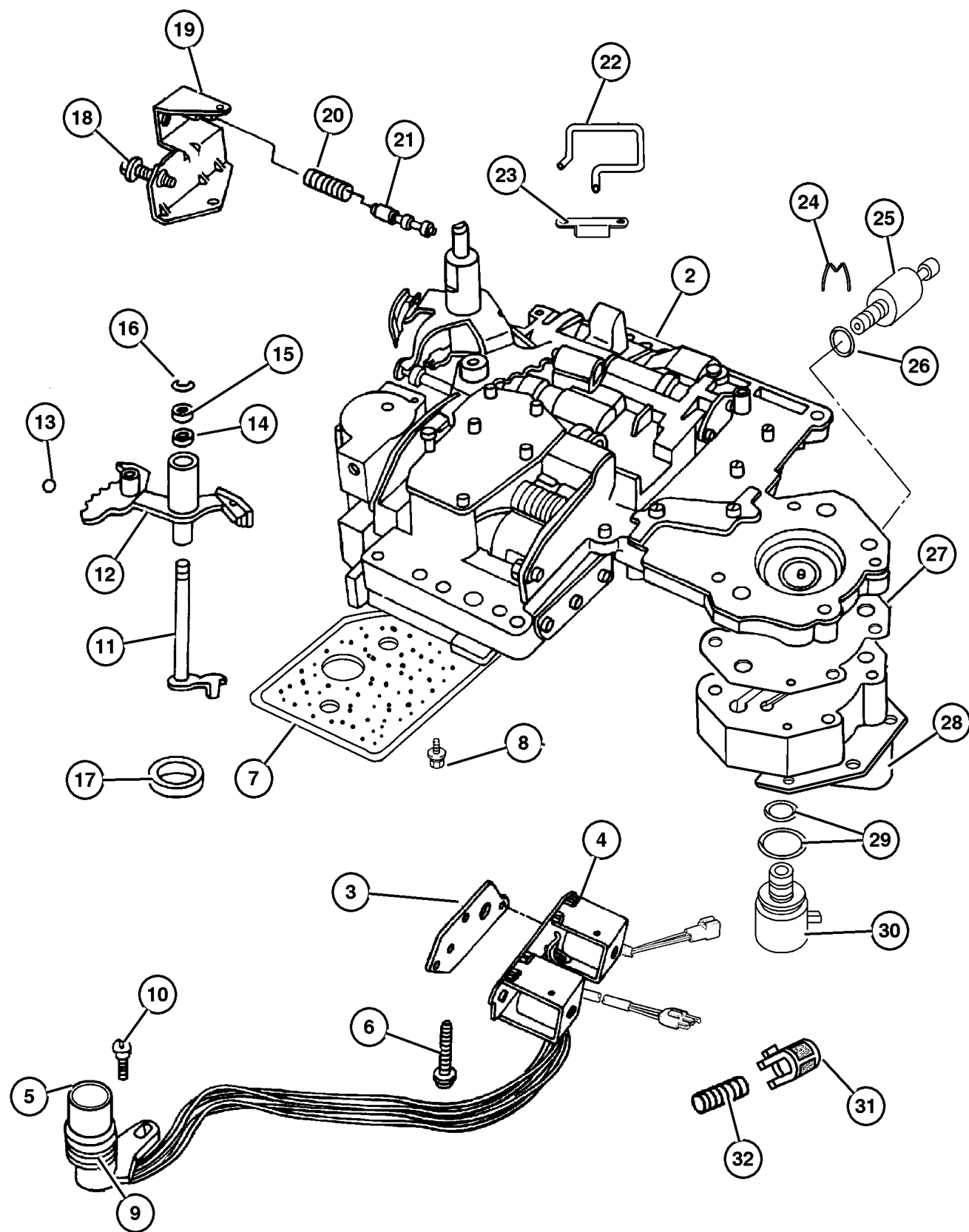
JEEP GRAND CHEROKEE (WJ)

SERIES	LINE	BODY	ENGINE	TRANSMISSION
L = Grand Cherokee	J = 4WD T = 2WD U = 4WD (RHD)	74 = 4 Door (105.9 WB)	ERH,ERO = 4.0L, Power Tech EVA,EVO = 4.7L, Power Tech EXA,EXO = 3.1L 5 cyl Turbo Diesel	DGK = 4 Speed Autm, 42RE DG4 = Multi Speed Auto 45RFE DGW = 4 Speed Autom 44RE DGO = All Automatic

AR = Use as required - = Non illustrated part # = New this model year

September 15, 2005

Valve Body 42RE [DGK]
Figure 42RE-710



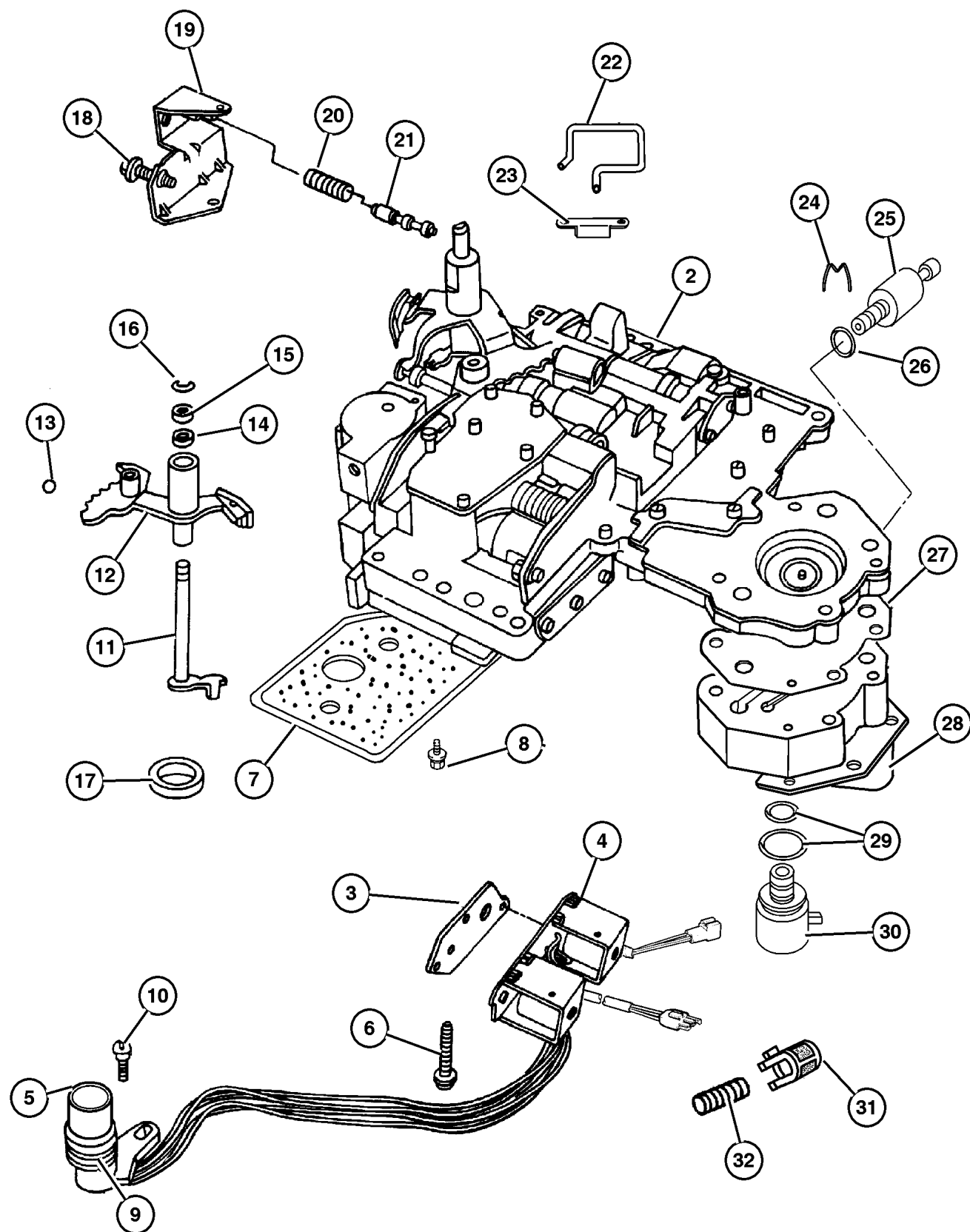
ITEM	PART NUMBER	QTY	LINE	SERIES	BODY	ENGINE	TRANS	TRIM	DESCRIPTION
		1	J, U			ER0	DGK		
13		1	T			ER0	DGK		BALL, Manual Lever Detent, .343 Diameter
	0147 488	1	J, U			ER0	DGK		
14		1	T			ER0	DGK		SEAL, Valve Lever Shift
	2466 548	1	J, U			ER0	DGK		
15		1	T			ER0	DGK		WASHER, Manual Valve Lever
	2538 062	1	J, U			ER0	DGK		
16		2	T			ER0	DGK		SNAP RING
	6035 208	2	J, U			ER0	DGK		
17		1	T			ER0	DGK		SEAL, Manual Shift Valve, 1.25 OD
	4505 098	1	J, U			ER0	DGK		
18		1	T			ER0	DGK		SCREW, Cap Head Lock, .312-24x1.25
	6030 609	1	J, U			ER0	DGK		
19		1	T			ER0	DGK		BRACKET, Valve Body Switch
	4617 010	1	J, U			ER0	DGK		
20		1	T			ER0	DGK		SPRING, Switch Valve
	4130 492	1	J, U			ER0	DGK		
21		1	T			ER0	DGK		VALVE, Trans Lockup Switch
	4505 036	1	J, U			ER0	DGK		
22		1	T			ER0	DGK		TUBE, Boost Valve
	4617 008	1	J, U			ER0	DGK		
23		1	T			ER0	DGK		RETAINER, Boost Valve Oil Supply Tube
	5211 7958	1	J, U			ER0	DGK		
24		1	T			ER0	DGK		CLIP, Transmission Governor Transducer
	4617 219	1	J, U			ER0	DGK		
25		1	T			ER0	DGK		TRANSDUCER, Pressure Sensor

JEEP GRAND CHEROKEE (WJ)
 SERIES L = Grand Cherokee
 LINE J = 4WD, T = 2WD, U = 4WD (RHD)
 BODY 74 = 4 Door (105.9 WB)
 ENGINE ERH,ERO = 4.0L, Power Tech, EVA,EVO = 4.7L, Power Tech, EXA,EXO = 3.1L 5 cyl Turbo Diesel
 TRANSMISSION DGK = 4 Speed Autm, 42RE, DG4 = Multi Speed Auto 45RFE, DGW = 4 Speed Autom 44RE, DGO = All Automatic

AR = Use as required - = Non illustrated part # = New this model year

September 15, 2005

Valve Body 42RE [DGK]
Figure 42RE-710



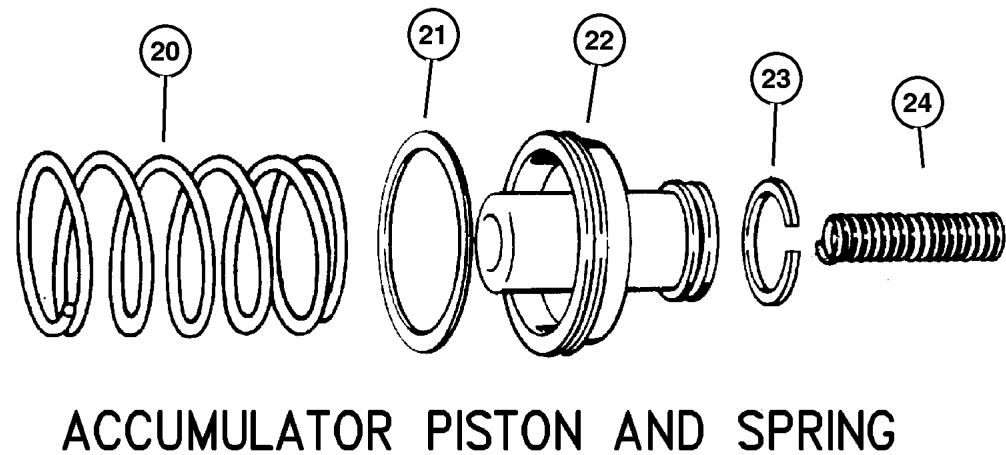
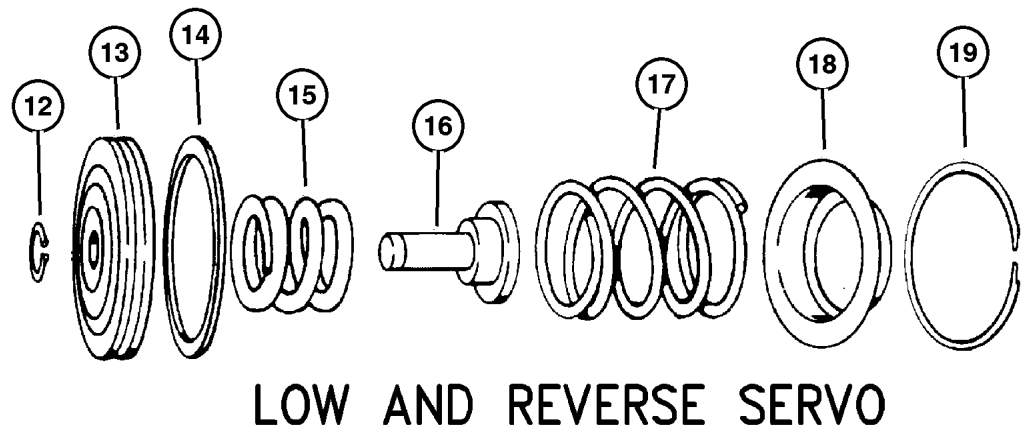
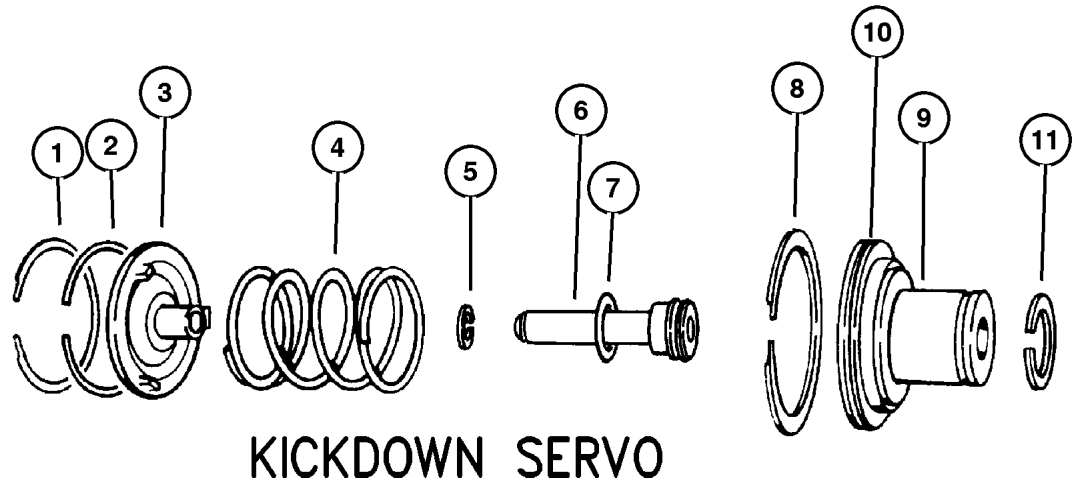
ITEM	PART NUMBER	QTY	LINE	SERIES	BODY	ENGINE	TRANS	TRIM	DESCRIPTION
	56041 403AA	1	T			ER0	DGK		
		1	J, U			ER0	DGK		
26	6034 493	1	T			ER0	DGK		O RING, Pressure Switch
		1	J, U			ER0	DGK		
27	4617 216	1	T			ER0	DGK		GASKET, Transmission Solenoid
		1	J, U			ER0	DGK		
28									RETAINER, Transmission Governor Solenoid
	4617 211	1	T			ER0	DGK		
		1	J, U			ER0	DGK		
29									O RING PACKAGE, Valve Body, Transmission
	4723 549	1	T			ER0	DGK		
		1	J, U			ER0	DGK		
30									SOLENOID, Transmission Governor
	4617 210	1	T			ER0	DGK		
		1	J, U			ER0	DGK		
31									SCREEN, Transmission Regulator Valve
	3878 313	1	T			ER0	DGK		
		1	J, U			ER0	DGK		
32									SPRING, Limit Valve
	4348 907	1	T			ER0	DGK		
		1	J, U			ER0	DGK		

JEEP GRAND CHEROKEE (WJ)
 SERIES L = Grand Cherokee
 LINE J = 4WD, T = 2WD, U = 4WD (RHD)
 BODY 74 = 4 Door (105.9 WB)
 ENGINE ERH,ERO = 4.0L, Power Tech, EVA,EVO = 4.7L, Power Tech, EXA,EXO = 3.1L 5 cyl Turbo Diesel
 TRANSMISSION DGK = 4 Speed Autm, 42RE, DG4 = Multi Speed Auto 45RFE, DGW = 4 Speed Autom 44RE, DGO = All Automatic

AR = Use as required - = Non illustrated part # = New this model year

September 15, 2005

Servos 42RE [DGK]
Figure 42RE-720



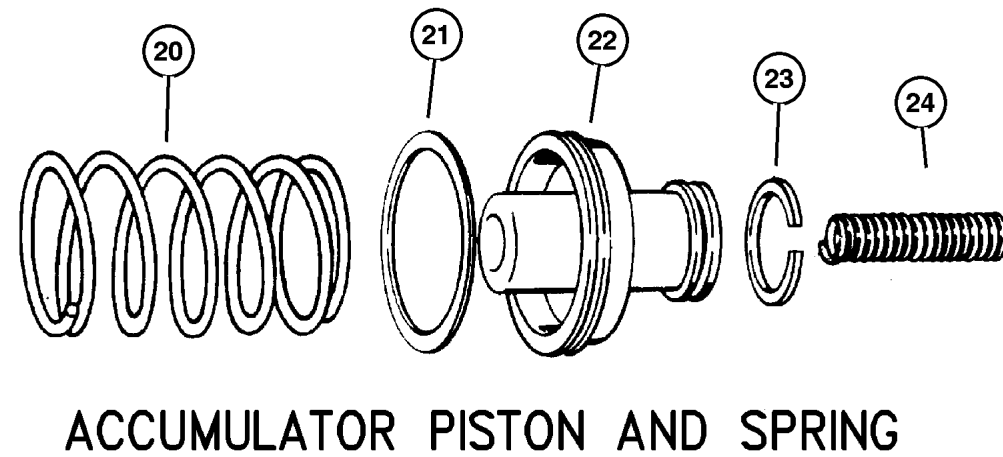
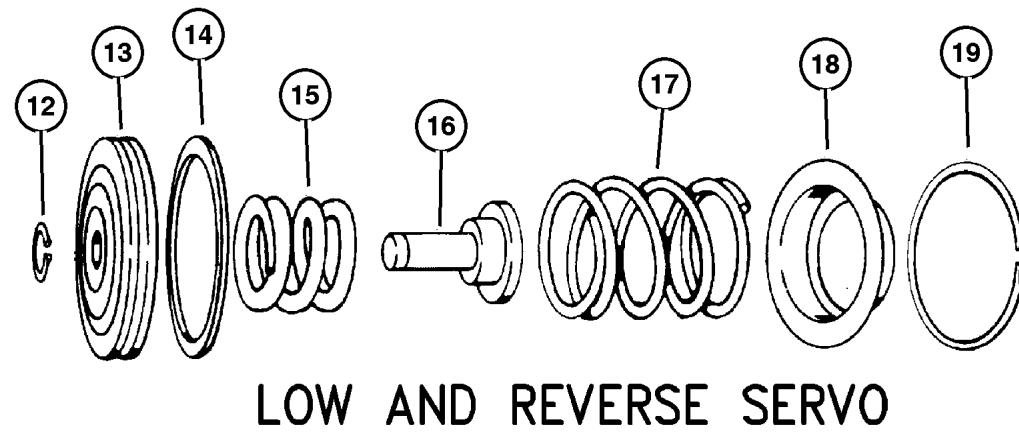
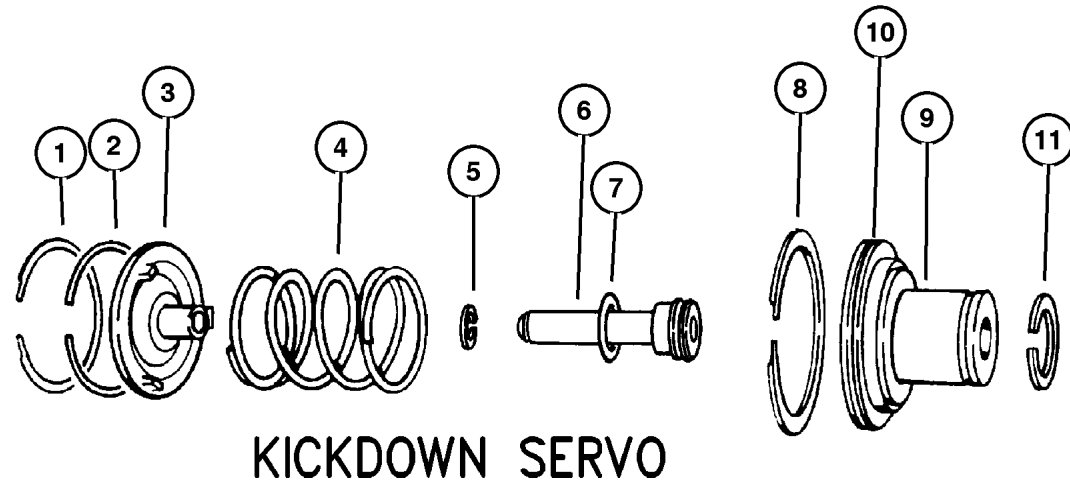
ITEM	PART NUMBER	QTY	LINE	SERIES	BODY	ENGINE	TRANS	TRIM	DESCRIPTION
NOTES: Sales Codes									
[DGK] = 42RE 4 Speed Automatic Transmission									
[ER0] = All 4.0L 6 Cylinder Gas Engines									
1	6028 863	1	J, U			EX0	DGW		SNAP RING, Kickdown, 2.377
		1	T			ER0	DGK		
		1	J, U			ER0	DGK		SEAL, Servo Guide
2	4295 966	1	T			ER0	DGK		
		1	J, U			ER0	DGK		GUIDE, Kickdown Servo
3	3410 332	1	T			ER0	DGK		
		1	J, U			ER0	DGK		SPRING, Kickdown Servo Piston
4	4531 119	1	T			ER0	DGK		
		1	J, U			ER0	DGK		SNAP RING, Brake Master Cylinder
5	6031 392	1	T			ER0	DGK		
		1	J, U			ER0	DGK		ROD, Kickdown Servo Piston
6	4058 780	1	T			ER0	DGK		
		1	J, U			ER0	DGK		O RING, Kick Down Servo
7	6028 864	1	T			ER0	DGK		
		1	J, U			ER0	DGK		SEAL, Servo Guide
8	4295 966	1	T			ER0	DGK		
		1	J, U			ER0	DGK		PISTON, Kickdown Servo
9	4058 777	1	T			ER0	DGK		
		1	J, U			ER0	DGK		O RING, Kick Down Servo
10	6028 864	1	T			ER0	DGK		
		1	J, U			ER0	DGK		SEAL, Kickdown Servo
11	3743 033	1	T			ER0	DGK		
		1	J, U			ER0	DGK		SNAP RING, .435 ID
12	6027 153	1	T			ER0	DGK		
		1	J, U			ER0	DGK		PISTON, Reverse Servo
13	5211 8744	1	T			ER0	DGK		

JEEP GRAND CHEROKEE (WJ)				
SERIES	LINE	BODY	ENGINE	TRANSMISSION
L = Grand Cherokee	J = 4WD T = 2WD U = 4WD (RHD)	74 = 4 Door (105.9 WB)	ERH,ERO = 4.0L, Power Tech EVA,EVO = 4.7L, Power Tech EXA,EXO = 3.1L 5 cyl Turbo Diesel	DGK = 4 Speed Autm, 42RE DG4 = Multi Speed Auto 45RFE DGW = 4 Speed Autom 44RE DGO = All Automatic

AR = Use as required - = Non illustrated part # = New this model year

September 15, 2005

Servos 42RE [DGK]
Figure 42RE-720



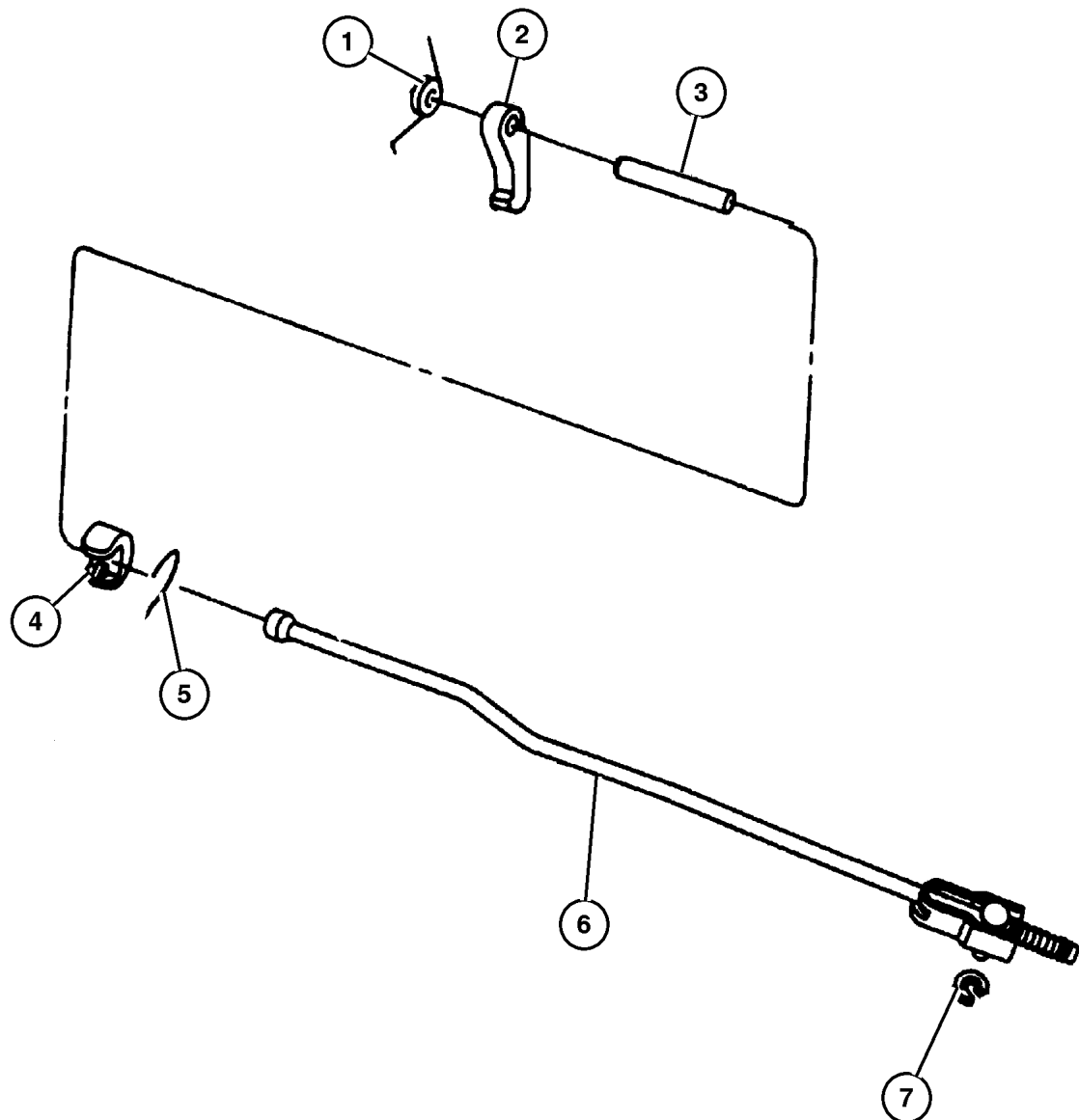
ITEM	PART NUMBER	QTY	LINE	SERIES	BODY	ENGINE	TRANS	TRIM	DESCRIPTION
		1	J, U			ER0	DGK		
14	4202 864	1	T			ER0	DGK		SEAL, Reverse Servo Piston
15	4130 824	1	T			ER0	DGK		SPRING, Reverse Servo Piston
		1	J, U			ER0	DGK		
16	52118 740AB	1	T			ER0	DGK		PLUG, Reverse Servo Piston
		1	J, U			ER0	DGK		
17	2801 274	1	T			ER0	DGK		SPRING, Reverse Servo Piston
		1	J, U			ER0	DGK		
18									RETAINER, Transmission Rear Clutch
	2464 463	1	T			ER0	DGK		
		1	J, U			ER0	DGK		
19									SNAP RING
	2464 464	1	T			ER0	DGK		
		1	J, U			ER0	DGK		
20	4531 259	1	T			ER0	DGK		SPRING, Transmission Accumulator
		1	J, U			ER0	DGK		
21	3743 013	1	T			ER0	DGK		SEAL, Piston Accumulator
		1	J, U			ER0	DGK		
22									PISTON, Accumulator
	3743 650	1	T			ER0	DGK		
		1	J, U			ER0	DGK		
23	3743 010	1	T			ER0	DGK		SEAL, Piston Accumulator
		1	J, U			ER0	DGK		
24	4617 529	1	T			ER0	DGK		SPRING, Accumulator Piston
		1	J, U			ER0	DGK		

JEEP GRAND CHEROKEE (WJ)
 SERIES L = Grand Cherokee
 LINE J = 4WD, T = 2WD, U = 4WD (RHD)
 BODY 74 = 4 Door (105.9 WB)
 ENGINE ERH,ERO = 4.0L, Power Tech, EVA,EVO = 4.7L, Power Tech, EXA,EXO = 3.1L 5 cyl Turbo Diesel
 TRANSMISSION DGK = 4 Speed Autm, 42RE, DG4 = Multi Speed Auto 45RFE, DGW = 4 Speed Autom 44RE, DGO = All Automatic

AR = Use as required - = Non illustrated part # = New this model year

September 15, 2005

**Parking Sprag 42RE [DGK]
Figure 42RE-730**



ITEM	PART NUMBER	QTY	LINE	SERIES	BODY	ENGINE	TRANS	TRIM	DESCRIPTION
NOTES: Sales Codes									
[DGK] = 42RE 4 Speed Automatic Transmission									
[ER0] = All 4.0L 6 Cylinder Gas Engines									
1	2466 909	1	J, U			ER0	DGK		SPRING, Parking Sprag
		1	T			ER0	DGK		
2	4471 415	1	J, U			ER0	DGK		SPRAG, Transmission Parking
		1	T			ER0	DGK		
3	2466 892	1	J, U			ER0	DGK		SHAFT, Parking Sprag
		1	T			ER0	DGK		
4	2538 042	1	J, U			ER0	DGK		PLUG, Parking Sprag
		1	T			ER0	DGK		
5	2538 034	1	J, U			ER0	DGK		SNAP RING, Transmission
		1	T			ER0	DGK		
6	4431 748	1	T			ER0	DGK		ROD, Parking Sprag
		1	J, U			ER0	DGK		
7	6035 256	1	J, U			ER0	DGK		SNAP RING, Rod
		1	T			ER0	DGK		

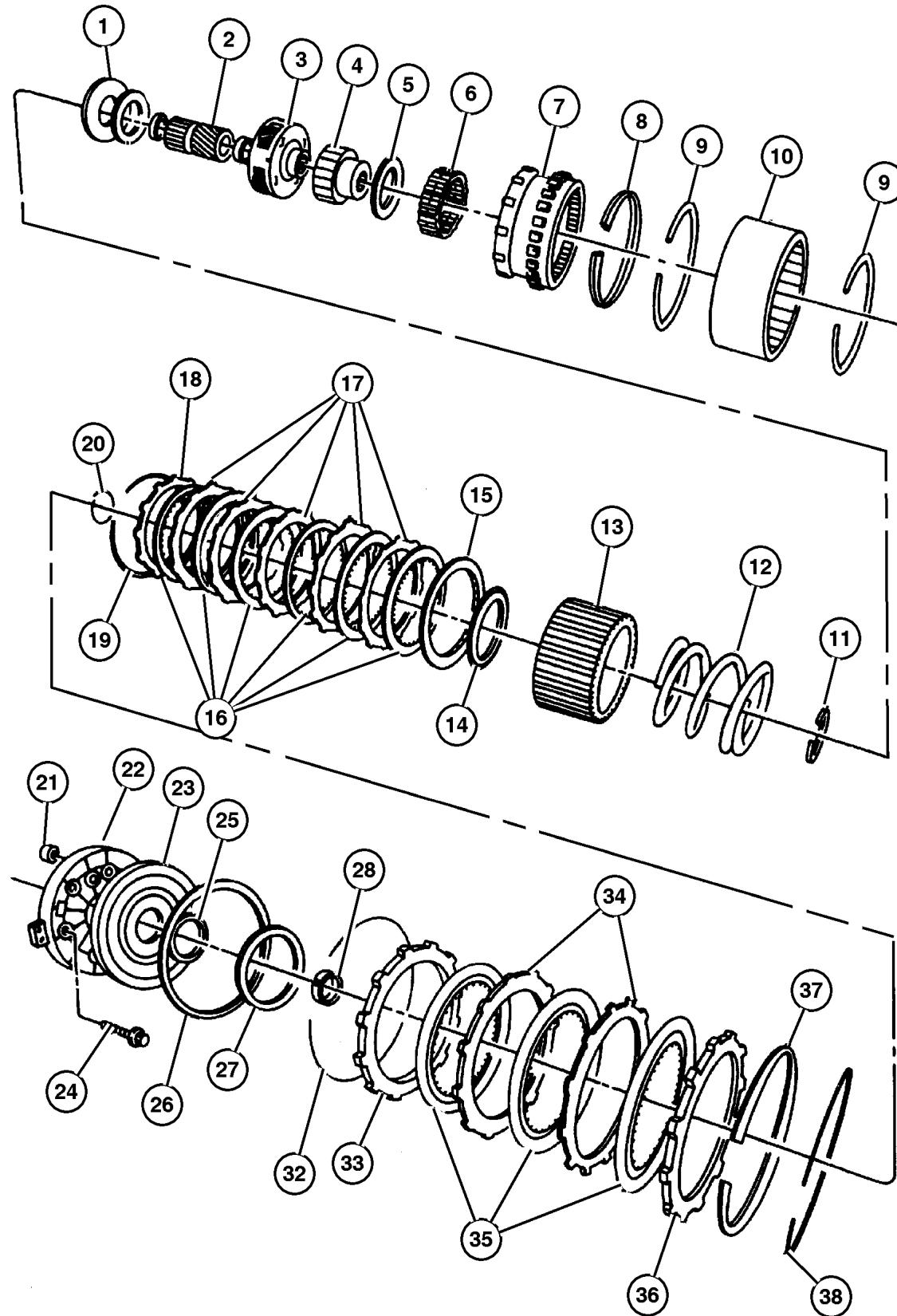
JEEP GRAND CHEROKEE (WJ)

SERIES	LINE	BODY	ENGINE	TRANSMISSION
L = Grand Cherokee	J = 4WD T = 2WD U = 4WD (RHD)	74 = 4 Door (105.9 WB)	ERH,ERO = 4.0L, Power Tech EVA,EVO = 4.7L, Power Tech EXA,EXO = 3.1L 5 cyl Turbo Diesel	DGK = 4 Speed Autm, 42RE DG4 = Multi Speed Auto 45RFE DGW = 4 Speed Autom 44RE DGO = All Automatic

AR = Use as required - = Non illustrated part # = New this model year

September 15, 2005

**Overdrive Gear Train 42RE [DGK]
Figure 42RE-1010**



ITEM	PART NUMBER	QTY	LINE	SERIES	BODY	ENGINE	TRANS	TRIM	DESCRIPTION
1									PLATE PACKAGE, Transmission Module
	4740 774	1	J, U			ER0	DGK		
		AR	T			EH0	DGK		
2									GEAR, Overdrive Sun
	4778 742	1	J, U			ER0	DGK		
		1	T			ER0	DGK		
3									CARRIER, O/Drive Planet Pinion
	4798 520	1	J, U			ER0	DGK		
		1	T			ER0	DGK		
4									RACE, Overrunning Clutch
	4461 124	1	J, U			ER0	DGK		
		1	T			ER0	DGK		
5									THRUST BEARING, Ovedrive Third Position
	4461 014	1	J, U			ER0	DGK		
		1	T			ER0	DGK		
6									CLUTCH, Overdrive Overrunning
	4461 015	1	J, U			ER0	DGK		
		1	T			ER0	DGK		
7									GEAR, Overdrive Annulus
	4761 010	1	J, U			ER0	DGK		
		1	T			ER0	DGK		
8									SNAP RING, 5.25 OD
	4461 059	1	J, U			ER0	DGK		
		1	T			ER0	DGK		
9									SNAP RING, 6.00 OD
	4461 060	2	J, U			ER0	DGK		
		2	T			ER0	DGK		
10									DRUM, Automatic Transmission
	4461 040	1	J, U			ER0	DGK		
		1	T			ER0	DGK		
11									SNAP RING, 2.1875 OD
	4461 063	1	J, U			ER0	DGK		
		1	T			ER0	DGK		
12									SPRING, Direct Clutch
	4461 027	1	J, U			ER0	DGK		
		1	T			ER0	DGK		
13									HUB, Direct Clutch

NOTES: Sales Codes

[DGK] = 42RE 4 Speed Automatic Transmission

[ER0] = All 4.0L 6 Cylinder Gas Engines

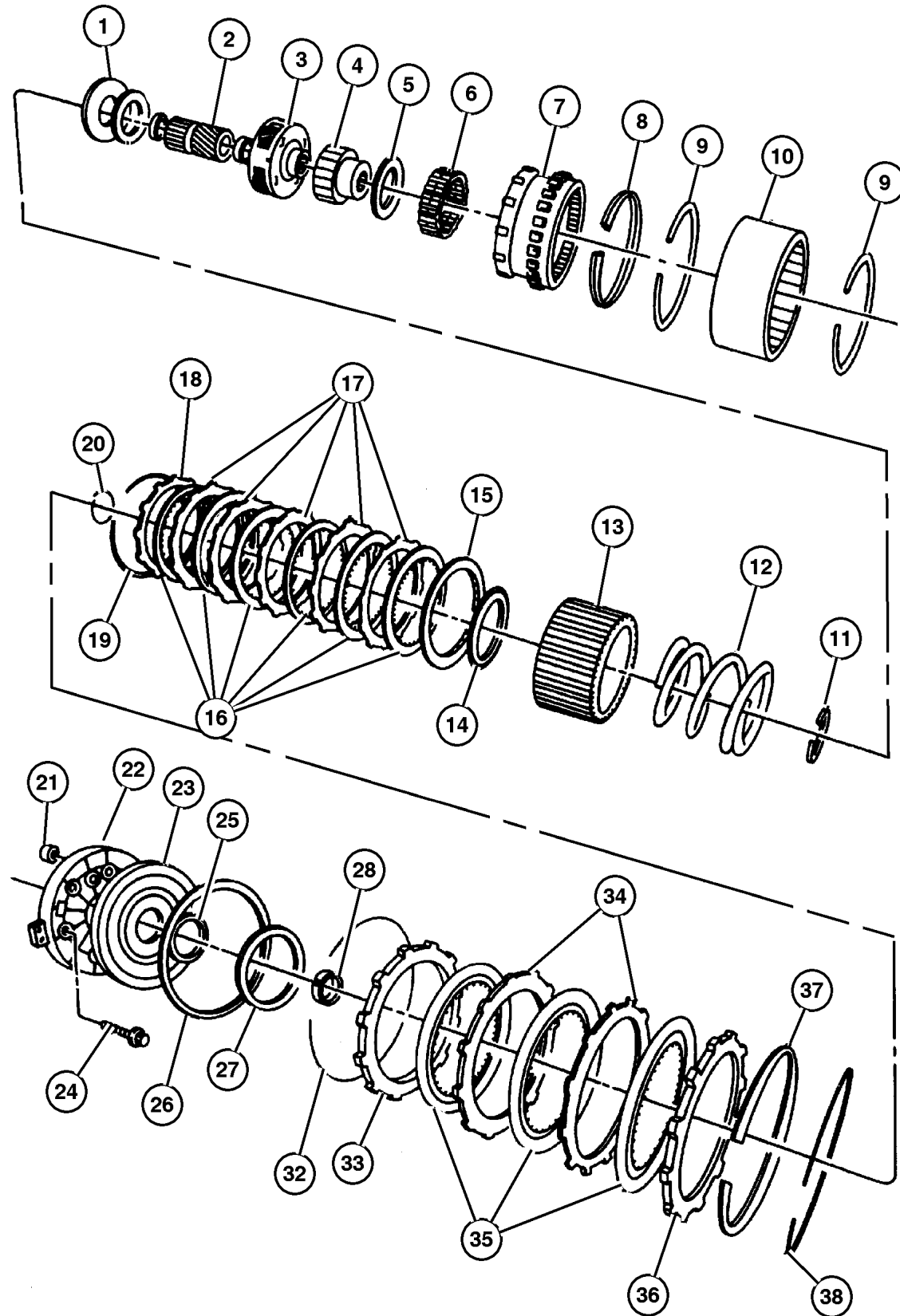
JEEP GRAND CHEROKEE (WJ)

SERIES	LINE	BODY	ENGINE	TRANSMISSION
L = Grand Cherokee	J = 4WD T = 2WD U = 4WD (RHD)	74 = 4 Door (105.9 WB)	ERH,ERO = 4.0L, Power Tech EVA,EVO = 4.7L, Power Tech EXA,EXO = 3.1L 5 cyl Turbo Diesel	DGK = 4 Speed Autm, 42RE DG4 = Multi Speed Auto 45RFE DGW = 4 Speed Autom 44RE DGO = All Automatic

AR = Use as required - = Non illustrated part # = New this model year

September 15, 2005

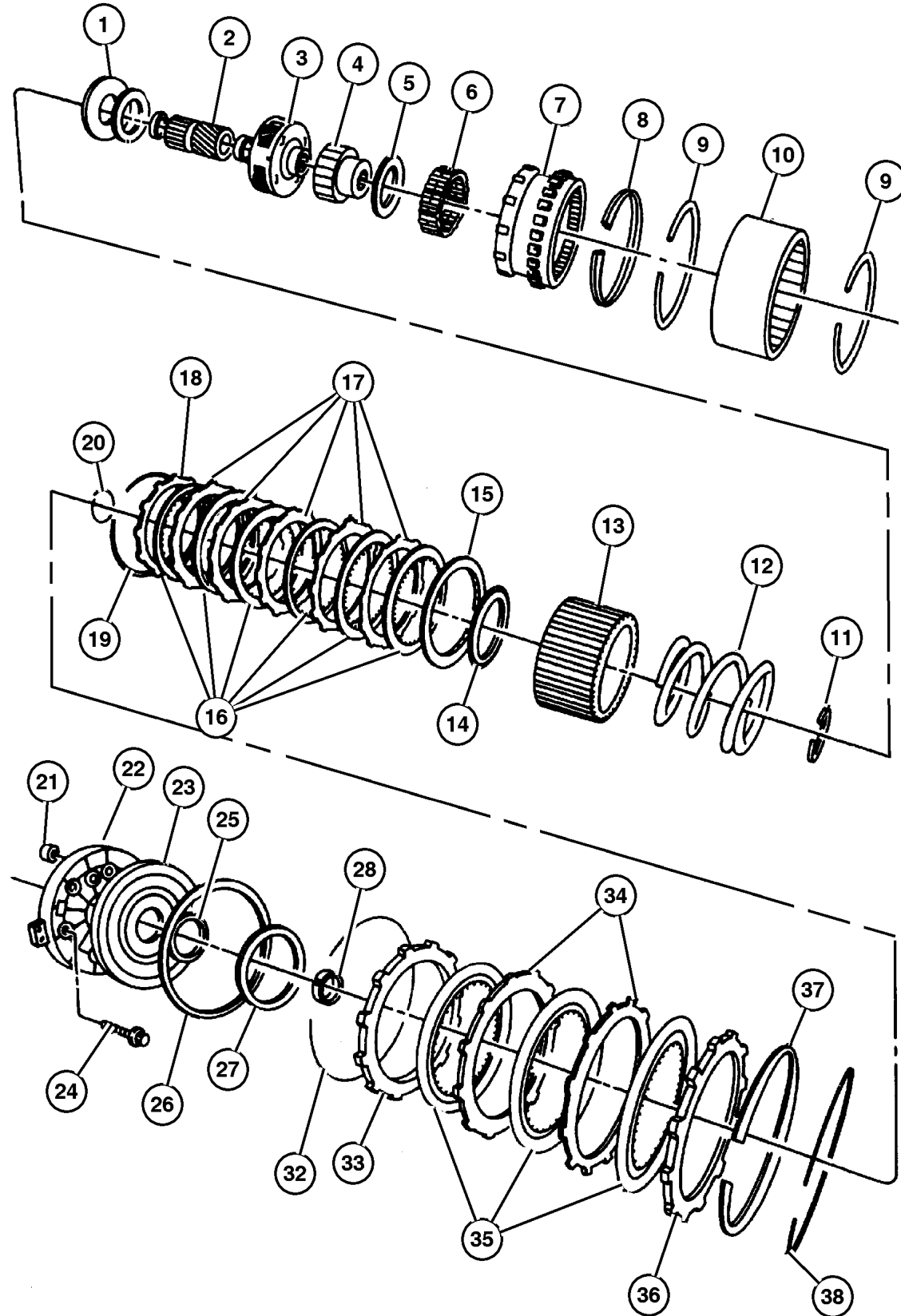
**Overdrive Gear Train 42RE [DGK]
Figure 42RE-1010**



ITEM	PART NUMBER	QTY	LINE	SERIES	BODY	ENGINE	TRANS	TRIM	DESCRIPTION
	4461 072	1	J, U			ER0	DGK		
14	4446 724	1	T			ER0	DGK		THRUST BEARING, Overdrive
	4461 030	1	J, U			ER0	DGK		PLATE, Transmission Clutch Reaction
15	4461 042	6	J, U			ER0	DGK		DISC, Direct Clutch
16	4461 054	5	J, U			ER0	DGK		PLATE, Transmission Clutch Reaction
17	4461 031	1	J, U			ER0	DGK		PLATE, Transmission Clutch Reaction
18	4461 032	1	J, U			ER0	DGK		SPRING, Direct Clutch
19	4461 032	1	T			ER0	DGK		SNAP RING, 1.875" OD
20	4461 064	1	J, U			ER0	DGK		FILTER, Overdrive Clutch
21	4412 583	1	T			ER0	DGK		RETAINER, Transmission Overdrive Clutch Piston
22	4617 246	1	T			ER0	DGK		PISTON, Overdrive Clutch
23	5211 8599	1	T			ER0	DGK		BOLT, Hex Head, .25-28x1-5/8
24	6033 479	6	T			ER0	DGK		SEAL, Overdrive Clutch Piston
25	4431 697	1	T			ER0	DGK		SEAL, Overdrive Clutch Piston
26	4431 696	1	T			ER0	DGK		SEAL, Overdrive Clutch Piston

JEEP GRAND CHEROKEE (WJ)
 SERIES L = Grand Cherokee
 LINE J = 4WD, T = 2WD, U = 4WD (RHD)
 BODY 74 = 4 Door (105.9 WB)
 ENGINE ERH,ERO = 4.0L, Power Tech; EVA,EVO = 4.7L, Power Tech; EXA,EXO = 3.1L 5 cyl Turbo Diesel
 TRANSMISSION DGK = 4 Speed Autm, 42RE; DG4 = Multi Speed Auto 45RFE; DGW = 4 Speed Autom 44RE; DGO = All Automatic

Overdrive Gear Train 42RE [DGK]
Figure 42RE-1010



ITEM	PART NUMBER	QTY	LINE	SERIES	BODY	ENGINE	TRANS	TRIM	DESCRIPTION
		1	J, U			ER0	DGK		
27	4431 585	1	T			ER0	DGK		PLATE, Transmission O/Drive Clutch .123"-.125" Thick
	4431 586	1	J, U			ER0	DGK		.123"-.125" Thick
	4431 587	1	T			ER0	DGK		.153"-.155" Thick
	4431 588	1	T			ER0	DGK		.183"-.185" Thick
	4431 588	1	J, U			ER0	DGK		.183"-.185" Thick
	4431 586	1	J, U			ER0	DGK		.153"-.155" Thick
	4431 588	1	J, U			ER0	DGK		.213"-.215" Thick
	4431 590	1	T			ER0	DGK		.243"-.245" Thick
	4431 731	1	J, U			ER0	DGK		.243"-.245" Thick
	4431 731	1	T			ER0	DGK		.138"-.140" Thick
	4431 732	1	T			ER0	DGK		.168"-.170" Thick
	4431 732	1	J, U			ER0	DGK		.168"-.170" thick
	4431 733	1	T			ER0	DGK		.198"-.200" Thick
	4431 731	1	J, U			ER0	DGK		.138"-.140" Thick
	4431 733	1	J, U			ER0	DGK		.198"-.200" Thick
	4431 734	1	T			ER0	DGK		.228"-.245" Thick
	4431 734	1	J, U			ER0	DGK		.228"-.245" Thick
	4431 735	1	T			ER0	DGK		.108"-.110" Thick
	4431 735	1	J, U			ER0	DGK		.108"-.110" Thick
28		1	J, U			ER0	DGK		SPACER, Intermediate Shaft, 1.58mm .158" Thick
	4431 916	1	T			ER0	DGK		.158" Thick
	4431 916	1	J, U			ER0	DGK		.158" Thick
-29		1	T			ER0	DGK		SPACER, Intermediate Shaft, .175 .175" thick
	4431 917	1	T			ER0	DGK		.175" thick
	4431 917	1	J, U			ER0	DGK		.175" Thick
-30		1	T			ER0	DGK		SPACER, Intermediate Shaft, .193 .193" Thick
	4431 918	1	T			ER0	DGK		.193" Thick
	4431 918	1	J, U			ER0	DGK		.193" Thick
-31		1	T			ER0	DGK		SPACER, Intermediate Shaft, .211 .211" Thick
	4431 919	1	T			ER0	DGK		.211" Thick
	4431 919	1	J, U			ER0	DGK		.211" Thick
32		1	T			ER0	DGK		SNAP RING, Overdrive Clutch
	4461 082	1	J, U			ER0	DGK		
	4461 082	1	T			ER0	DGK		
33		1	T			ER0	DGK		PLATE, Transmission Clutch Reaction
	4461 048	1	J, U			ER0	DGK		
	4461 048	1	T			ER0	DGK		

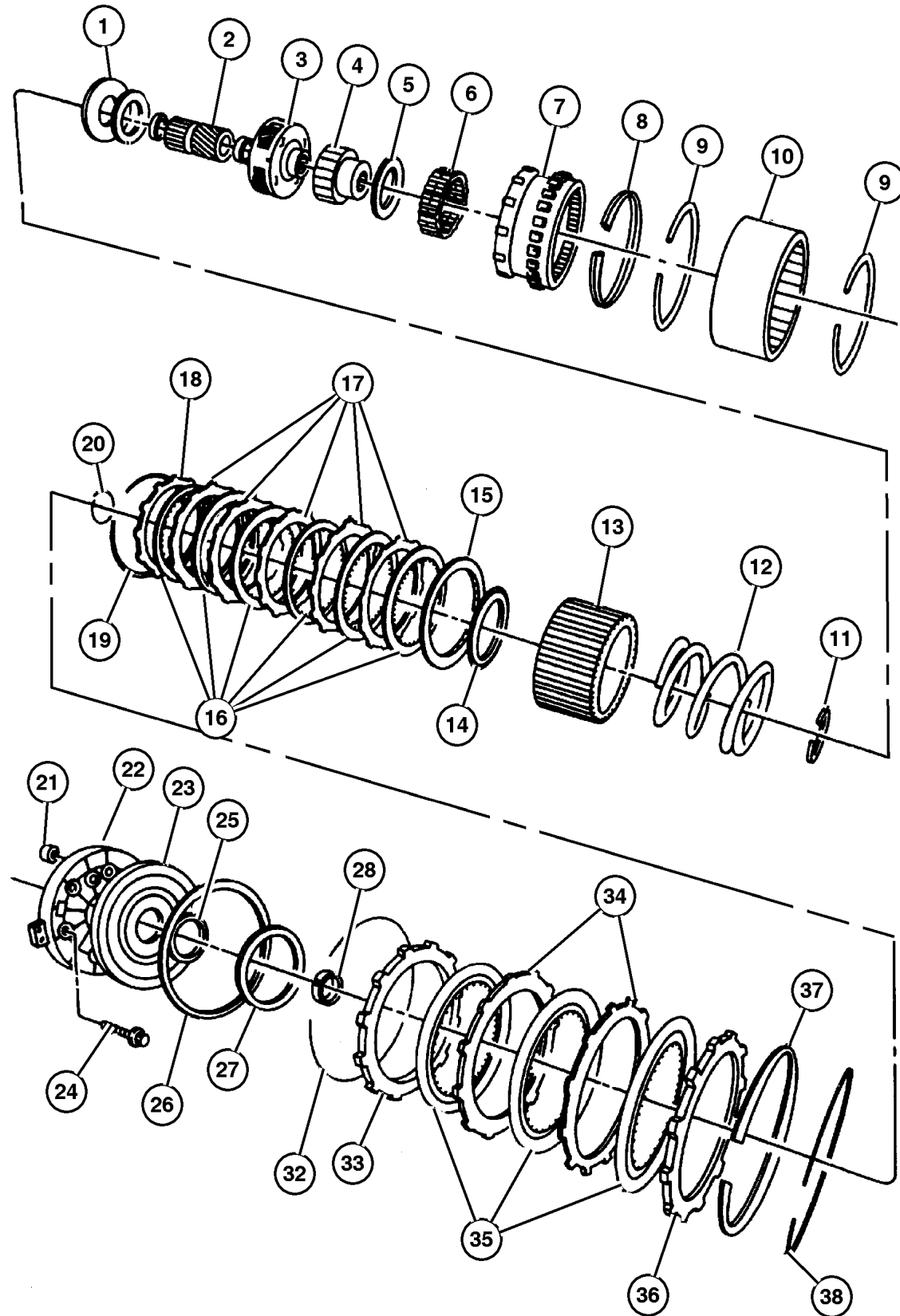
JEEP GRAND CHEROKEE (WJ)

SERIES	LINE	BODY	ENGINE	TRANSMISSION
L = Grand Cherokee	J = 4WD T = 2WD U = 4WD (RHD)	74 = 4 Door (105.9 WB)	ERH,ERO = 4.0L, Power Tech EVA,EVO = 4.7L, Power Tech EXA,EXO = 3.1L 5 cyl Turbo Diesel	DGK = 4 Speed Autm, 42RE DG4 = Multi Speed Auto 45RFE DGW = 4 Speed Autom 44RE DGO = All Automatic

AR = Use as required - = Non illustrated part # = New this model year

September 15, 2005

**Overdrive Gear Train 42RE [DGK]
Figure 42RE-1010**



ITEM	PART NUMBER	QTY	LINE	SERIES	BODY	ENGINE	TRANS	TRIM	DESCRIPTION
34									PLATE, Transmission Clutch Reaction
	4461 047	2	J, U			ER0	DGK		
		2	T			ER0	DGK		
35									DISC, Direct Clutch
	4461 181	3	J, U			ER0	DGK		
		3	T			ER0	DGK		
36									PLATE, Transmission Clutch Reaction
	4461 033	1	J, U			ER0	DGK		
		1	T			ER0	DGK		
37									SPRING, Overdrive Clutch
	4461 066	1	J, U			ER0	DGK		
		1	T			ER0	DGK		
38									SNAP RING, 6.50 OD
	4461 065	1	J, U			ER0	DGK		
		1	T			ER0	DGK		

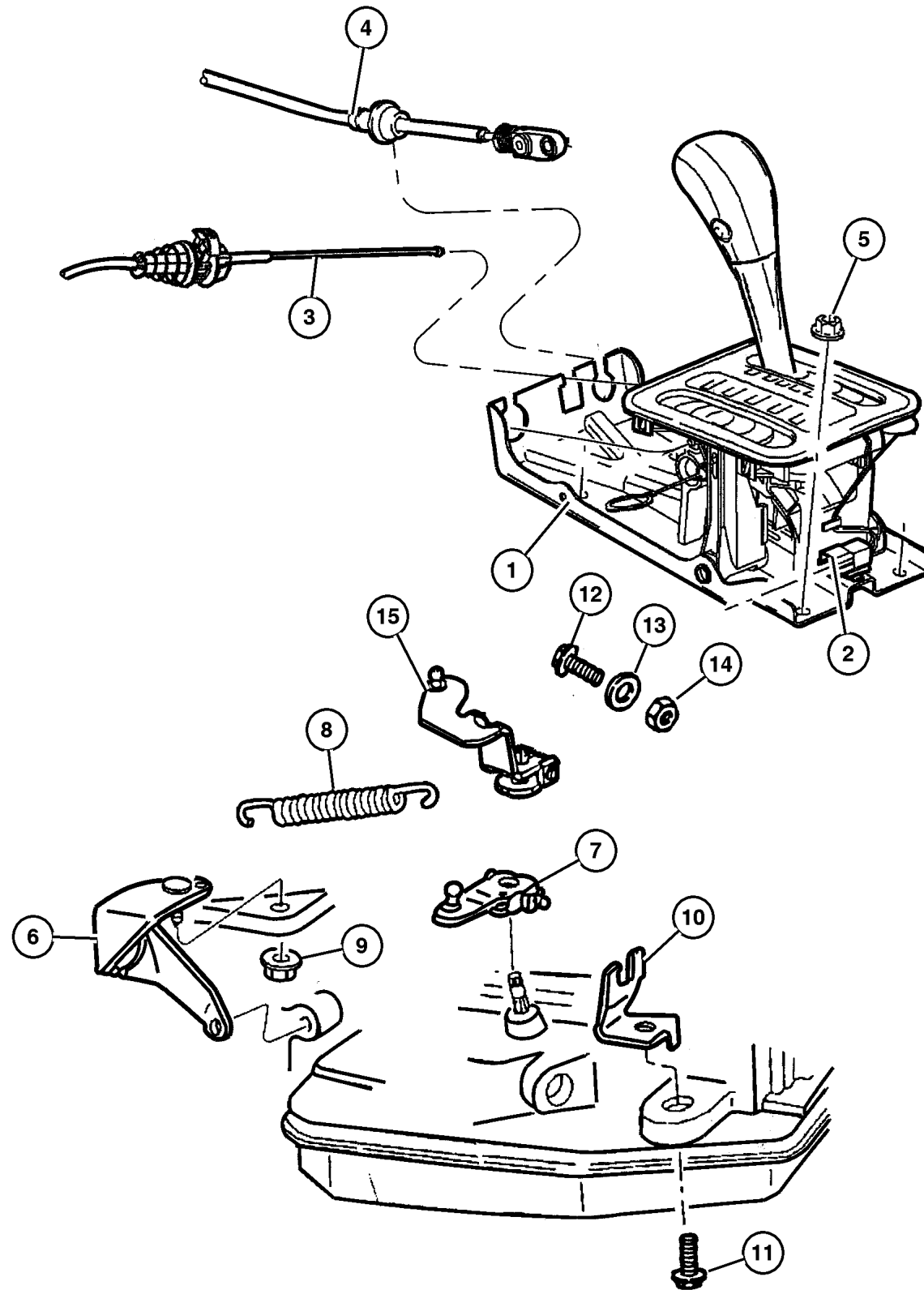
JEEP GRAND CHEROKEE (WJ)

SERIES	LINE	BODY	ENGINE	TRANSMISSION
L = Grand Cherokee	J = 4WD T = 2WD U = 4WD (RHD)	74 = 4 Door (105.9 WB)	ERH,ERO = 4.0L, Power Tech EVA,EVO = 4.7L, Power Tech EXA,EXO = 3.1L 5 cyl Turbo Diesel	DGK = 4 Speed Autm, 42RE DG4 = Multi Speed Auto 45RFE DGW = 4 Speed Autom 44RE DGO = All Automatic

AR = Use as required - = Non illustrated part # = New this model year

September 15, 2005

**Gearshift Controls 42RE [DGK]
Figure 42RE-1210**



ITEM	PART NUMBER	QTY	LINE	SERIES	BODY	ENGINE	TRANS	TRIM	DESCRIPTION
------	-------------	-----	------	--------	------	--------	-------	------	-------------

NOTES: Sales Codes

- [DG0] = All Automatic Transmission
- [DGK] = 42RE 4 Speed Automatic Transmission
- [DGW] = 44RE 4 Speed Automatic Transmission
- [ER0] = All 4.0L 6 Cylinder Gas Engines
- [EX0] = All 3.0/3.1L Turbo Diesel Engine

1									HOUSING AND LEVER, Shifter
	5210 4147	1	T				DG0		
	5210 4149	1	J				DG0		With [DHP]
	5210 4151	1	J				DG0		With [DHF] Without [DSB]
2	5013 117AA	1	T				DG0		CONNECTOR, Wiring
3	5210 4054	1					DG0		CABLE, Park Interlock
4	5210 4060	1					DG0		CABLE, Gearshift Control
5	6101 695	4					DG0		NUT, Hex Flange Lock, M8x1.25
6	5210 4057	1					DGK		BRACKET, Shift Cable
7	5210 4058	1					DGK		LEVER, Manual Control
8	5300 9055	1					DGK,		SPRING, Throttle Valve Return
							DGW		
9	6028 114	1					DGK,		NUT, Hex, .437-14
							DGW		
10	5207 8867	1					DGK,		BRACKET, Cable
							DGW		
11	0181 112	1					DGK,		SCREW AND WASHER, .375-16x1.00
							DGW		
12	0181 065	1					DGK,		BOLT, Hex Head, .25-20x1.00
							DGW		
13	0138 165	1					DGK,		WASHER, Lock
							DGW		
14	J012 0375	1					DGK,		NUT, Hex, .250-20
							DGW		
15	52078 723AB	1					DGK,		LEVER, Throttle Valve
							DGW		

JEEP GRAND CHEROKEE (WJ)

SERIES	LINE	BODY	ENGINE	TRANSMISSION
L = Grand Cherokee	J = 4WD T = 2WD U = 4WD (RHD)	74 = 4 Door (105.9 WB)	ERH,ERO = 4.0L, Power Tech EVA,EVO = 4.7L, Power Tech EXA,EXO = 3.1L 5 cyl Turbo Diesel	DGK = 4 Speed Autm, 42RE DG4 = Multi Speed Auto 45RFE DGW = 4 Speed Autom 44RE DGO = All Automatic

AR = Use as required - = Non illustrated part # = New this model year

September 15, 2005

Group – 44RE

Automatic Transmission 4 Speed

GROUP 44RE - Automatic Transmission 4 Speed

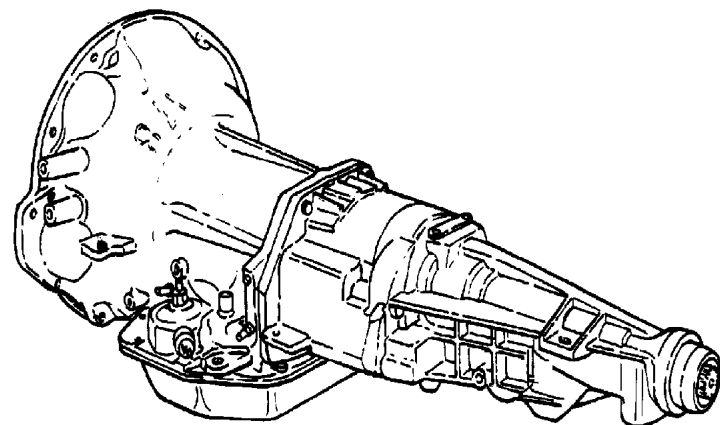


Illustration Title

Group-Fig. No.

Transmission Assembly

Transmission 44RE [DGW] Fig. 44RE-110

Case and Extension

Case and Related Parts 44RE [DGW] Fig. 44RE-210

Extension 44RE [DGW] Fig. 44RE-220

Oil Pump

Oil Pump 44RE [DGW] Fig. 44RE-310

Gear Train

Clutch Front and Rear 44RE [DGW] Fig. 44RE-410

Gear Train and Intermediate Shaft 44RE [DGW] Fig. 44RE-420

Output Shaft 44RE [DGW] Fig. 44RE-430

Bands, Reverse and Kickdown

Bands 44RE [DGW] Fig. 44RE-510

Valve Body

Valve Body 44RE [DGW] Fig. 44RE-710

Servos 44RE [DGW] Fig. 44RE-720

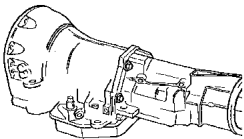
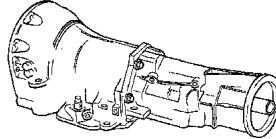

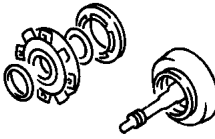
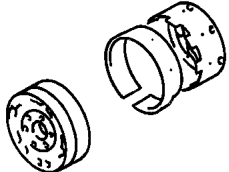
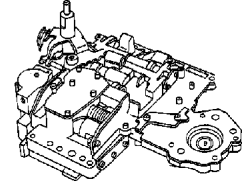
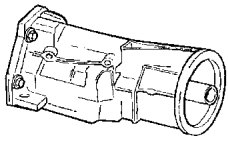
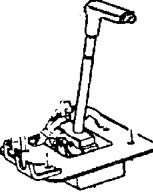
Parking Sprag 44RE [DGW] Fig. 44RE-730

Overdrive Gear Train

Overdrive Gear Train 44RE [DGW] Fig. 44RE-1010

Gearshift Controls

Gearshift Controls 44RE [DGW] Fig. 44RE-1210

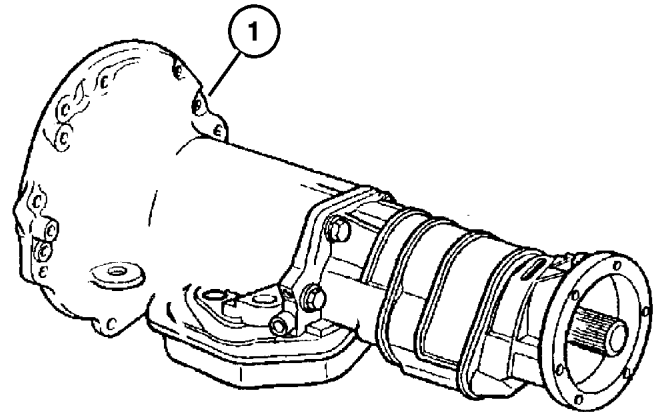
<p>44RE-100 Transmission Assembly</p> 	<p>44RE-200 Case and Extension</p> 	<p>44RE-300 Oil Pump</p> 	<p>44RE-400 Gear Train</p> 
<p>44RE-500 Bands, Reverse and Kickdown</p> 	<p>44RE-700 Valve Body</p> 	<p>44RE-1000 Overdrive Gear Train</p> 	<p>44RE-1200 Gearshift Controls</p> 

**Transmission 44RE [DGW]
Figure 44RE-110**

ITEM	PART NUMBER	QTY	LINE	SERIES	BODY	ENGINE	TRANS	TRIM	DESCRIPTION
------	-------------	-----	------	--------	------	--------	-------	------	-------------

NOTES: Sales Codes
[DGW] = 44RE 4 Speed Automatic Transmission
[EX0] = All 3.0/3.1L Turbo Diesel Engines

1	5012 934AA	1	J, U			EX0	DGW		TRANSMISSION PACKAGE, 52119490 (Package Contains 52119490 Transmission, 52118861 Converter, K1949765 Bolts)
-2	52118 155AB-	1	J, U			EX0	DGW		OVERDRIVE ASSEMBLY, Transmission Rear Unit w/ Extension

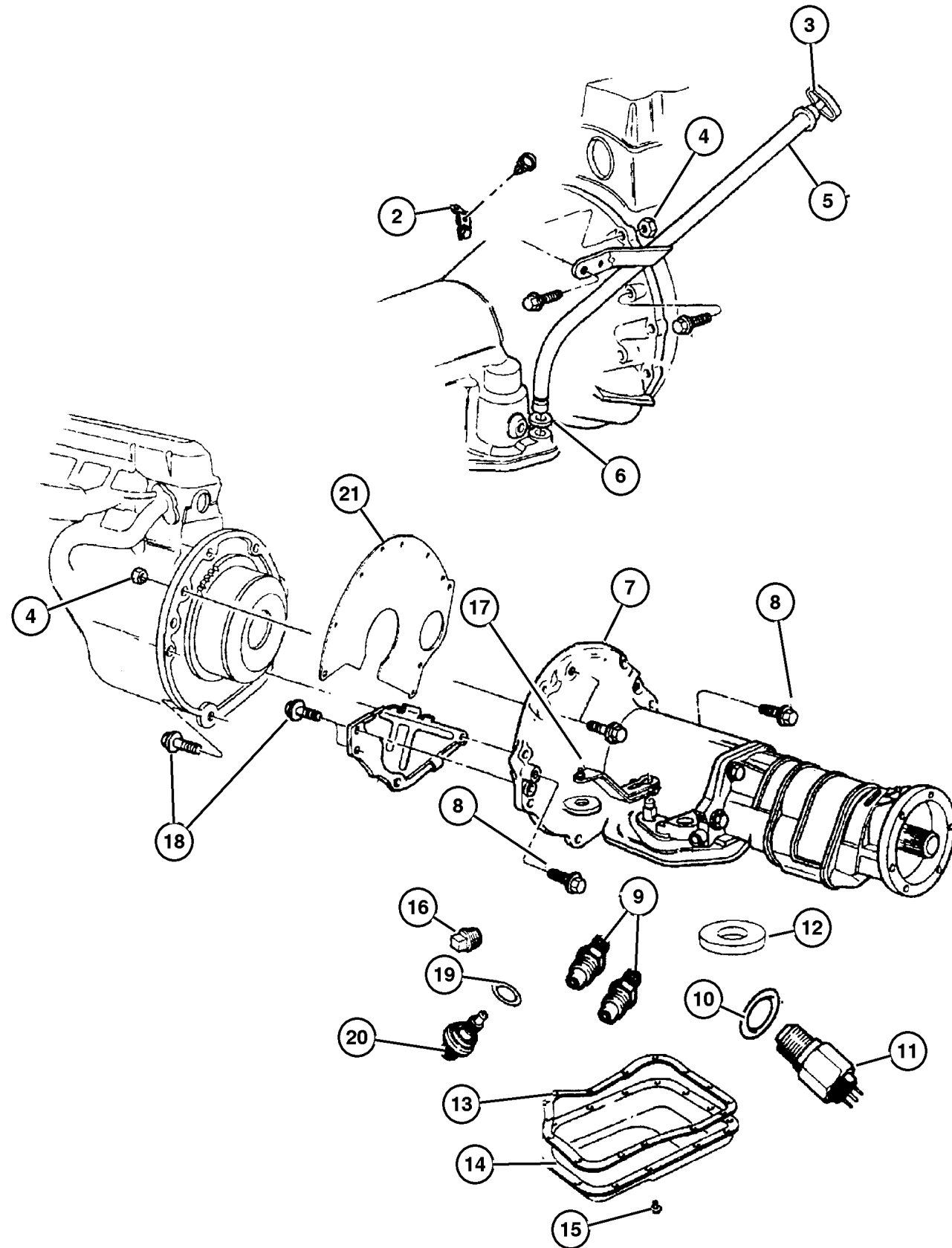


JEEP GRAND CHEROKEE (WJ)				
SERIES	LINE	BODY	ENGINE	TRANSMISSION
L = Grand Cherokee	J = 4WD T = 2WD U = 4WD (RHD)	74 = 4 Door (105.9 WB)	ERH,ERO = 4.0L, Power Tech EVA,EVO = 4.7L, Power Tech EXA,EXO = 3.1L 5 cyl Turbo Diesel	DGK = 4 Speed Autm, 42RE DG4 = Multi Speed Auto 45RFE DGW = 4 Speed Autom 44RE DGO = All Automatic

AR = Use as required - = Non illustrated part # = New this model year

September 15, 2005

**Case and Related Parts 44RE [DGW]
Figure 44RE-210**



ITEM	PART NUMBER	QTY	LINE	SERIES	BODY	ENGINE	TRANS	TRIM	DESCRIPTION
NOTES: Sales Codes									
[DG0] = All Automatic Transmission									
[DGK] = 42RE 4 Speed Automatic Transmission									
[DGW] = 44RE 4 Speed Automatic Transmission									
[ER0] = All 4.0L 6 Cylinder Gas Engines									
[EX0] = All 3.0/3.1L Turbo Diesel Engine									
-1	4863 907AC-	1	J, U			EX0	DGW		SEAL AND GASKET PACKAGE, Transmission
2	5209 8522	1	J, U			ER0, EX0			BRACKET, Tube
3	5211 8641	1				ER0, EX0	DGK, DGW		INDICATOR, Transmission Fluid Level
4	J021 9422	1					DGK		NUT, Hex
5	5211 8800	1				EX0	DGW		TUBE, Transmission Oil Filler
6	5211 8629	1					DGK, DGW		SEAL, Oil Filler Tube
7	52118 816AA	1	J, U			EX0	DGW		CASE, Transmission
8	J400 4370	2				ER0	DGK		BOLT AND WASHER, Hex Head, .437-14x2.75
9	6033 879	2	J, U			EX0	DGW		NUT, Inverted Flare, .62-18
10	2408 143	1	J, U			EX0	DGW		WASHER, Switch
11	5602 8181	1	J, U			EX0	DGW		SWITCH, Neutral, Safety, Back Up
12	3681 601	1	J, U			EX0	DGW		MAGNET, Transmission
13	4295 875	1	J, U			EX0	DGW		GASKET, Oil Pan
14	52118 779AB	1	J, U			EX0	DGW		PAN, Transmission Oil
15	4723 548	12	J, U			EX0	DGW		SCREW AND WASHER, Hex Head, .312-18x.625
16	6028 095	1	J, U			EX0	DGW		PLUG, Pressure Check
17	52104 276AA	1					DGW		LEVER, Manual Control
18	4723 548	2	J, U			EX0	DGW		SCREW AND WASHER, Hex Head, .312-18x.625
19	6501 701	1	J, U			EX0	DGW		O RING, Trans Speed Sensor
20	4412 879	1	J, U			EX0	DGW		SENSOR, Transmission Output Speed
21	J323 7847	1				ER0	DG0		SPACER, Clutch Housing

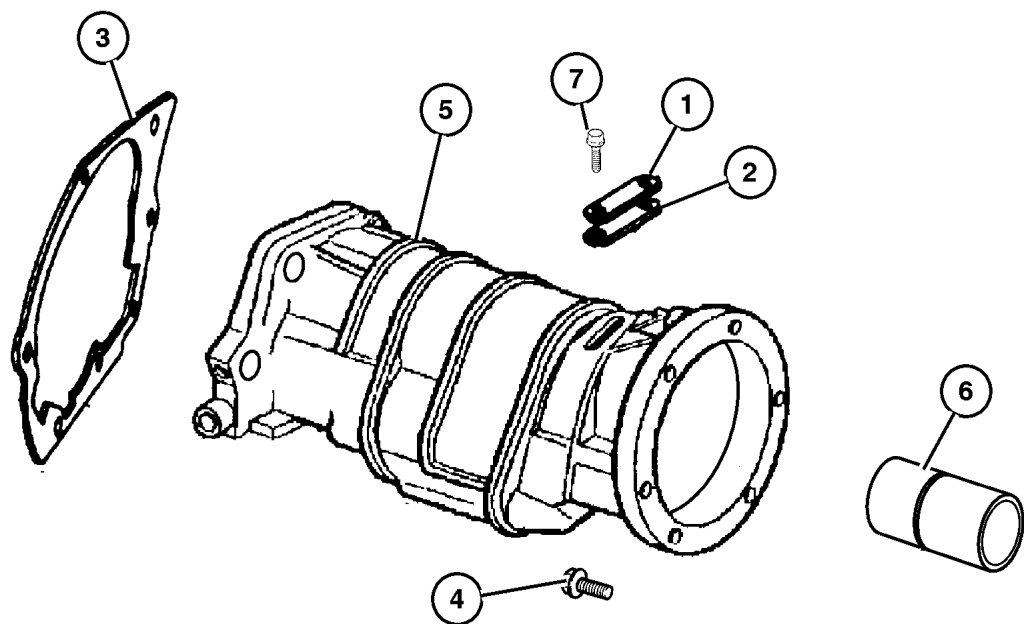
JEEP GRAND CHEROKEE (WJ)				
SERIES	LINE	BODY	ENGINE	TRANSMISSION
L = Grand Cherokee	J = 4WD T = 2WD U = 4WD (RHD)	74 = 4 Door (105.9 WB)	ERH,ERO = 4.0L, Power Tech EVA,EVO = 4.7L, Power Tech EXA,EXO = 3.1L 5 cyl Turbo Diesel	DGK = 4 Speed Autm, 42RE DG4 = Multi Speed Auto 45RFE DGW = 4 Speed Autom 44RE DGO = All Automatic

AR = Use as required - = Non illustrated part # = New this model year

September 15, 2005

Extension 44RE [DGW]
Figure 44RE-220

ITEM	PART NUMBER	QTY	LINE	SERIES	BODY	ENGINE	TRANS	TRIM	DESCRIPTION
NOTES: Sales Codes									
[DGW] = 44RE 4 Speed Automatic Transmission									
[EX0] = All 3.0/3.1L Turbo Diesel Engines									
1	2466 957	1	J, U			EX0	DGW		COVER, Transmission Converter
2	2801 398	1	J, U			EX0	DGW		GASKET, Transmission
3	4471 564	1	J, U			EX0	DGW		GASKET, Overdrive Piston Retainer
4	6036 046AA	7	J, U			EX0	DGW		SCREW, Hex Flange Head, .375-16x1.38
5	5012 428AA	1	J, U			EX0	DGW		ADAPTER, Transfer Case
6	4269 956	1	J, U			EX0	DGW		SEAL, Adapter
7									SCREW, (NOT SERVICED) (Not Serviced)



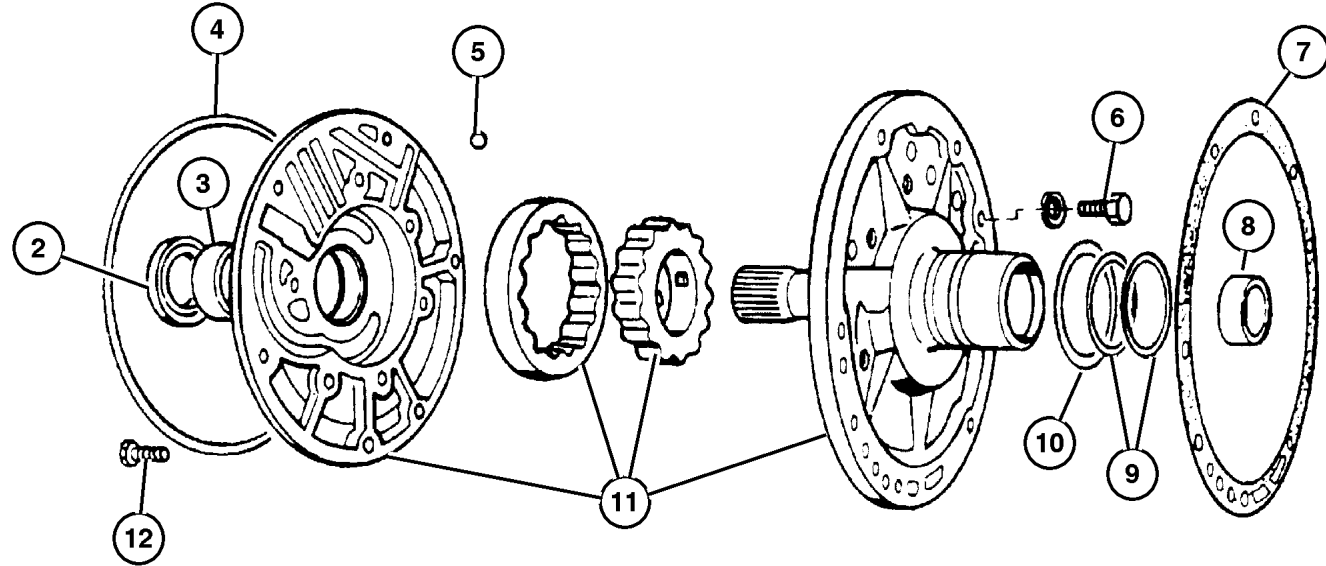
JEEP GRAND CHEROKEE (WJ)				
SERIES	LINE	BODY	ENGINE	TRANSMISSION
L = Grand Cherokee	J = 4WD T = 2WD U = 4WD (RHD)	74 = 4 Door (105.9 WB)	ERH,ERO = 4.0L, Power Tech EVA,EVO = 4.7L, Power Tech EXA,EXO = 3.1L 5 cyl Turbo Diesel	DGK = 4 Speed Autm, 42RE DG4 = Multi Speed Auto 45RFE DGW = 4 Speed Autom 44RE DGO = All Automatic

AR = Use as required - = Non illustrated part # = New this model year

September 15, 2005

**Oil Pump 44RE [DGW]
Figure 44RE-310**

ITEM	PART NUMBER	QTY	LINE	SERIES	BODY	ENGINE	TRANS	TRIM	DESCRIPTION
NOTES: Sales Codes: [DGW] = 44RE 4 Speed Automatic Transmission [EX0] = All 3.0/3.1L Turbo Diesel Engines									
-1	4713 108	1	J, U			EX0	DGW		GASKET AND SEAL PACKAGE, Transmission Oil Pump
2	4412 475	1	J, U			EX0	DGW		SEAL, Impeller Hub, 57.25mm OD
3	2466 796	1	J, U			EX0	DGW		BUSHING, Front Pump
4	2204 709	1	J, U			EX0	DGW		SEAL, Front Pump Housing
5	0104 918	1	J, U			EX0	DGW		BALL, Valve Body Check
6	0179 815	6	J, U			EX0	DGW		SCREW, Hex Head, .312-18x.687
7	5211 8266	1	J, U			EX0	DGW		GASKET, Transmission Oil Pump
8	4058 635	1	J, U			EX0	DGW		BUSHING, Reaction Shaft
9	4471 874	2	J, U			EX0	DGW		SEAL, Ring Reaction Support, 2 1/16 O.D.
10	4617 786	1	J, U			EX0	DGW		THRUST WASHER, Front Clutch
11	5211 8267	1	J, U			EX0	DGW		PUMP, Transmission Oil
12	6023 943	6	J, U			EX0	DGW		SCREW AND WASHER, Hex Flange Head, .312-18x1.375



JEEP GRAND CHEROKEE (WJ)				
SERIES	LINE	BODY	ENGINE	TRANSMISSION
L = Grand Cherokee	J = 4WD T = 2WD U = 4WD (RHD)	74 = 4 Door (105.9 WB)	ERH,ERO = 4.0L, Power Tech EVA,EVO = 4.7L, Power Tech EXA,EXO = 3.1L 5 cyl Turbo Diesel	DGK = 4 Speed Autm, 42RE DG4 = Multi Speed Auto 45RFE DGW = 4 Speed Autom 44RE DGO = All Automatic

AR = Use as required - = Non illustrated part # = New this model year

September 15, 2005

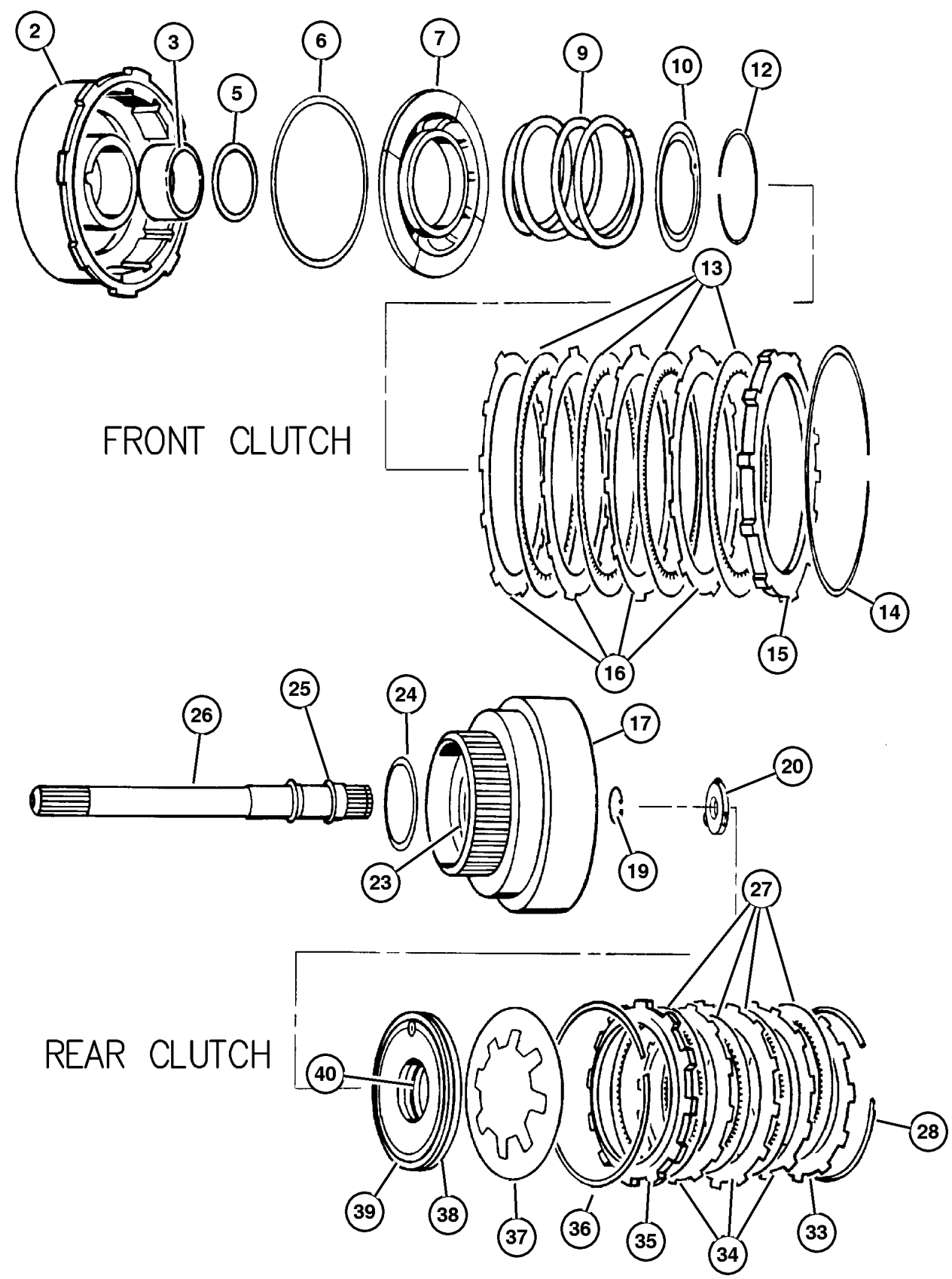
**Clutch Front and Rear 44RE [DGW]
Figure 44RE-410**

ITEM	PART NUMBER	QTY	LINE	SERIES	BODY	ENGINE	TRANS	TRIM	DESCRIPTION
NOTES: Sales Codes									
[DGW] = 44RE 4 Speed Automatic Transmission									
[EX0] = All 3.0/3.1L Turbo Diesel Engines									
-1	5252 926	1	J, U			EX0	DGW		SEAL PACKAGE, Transmission Clutch
2	4617 153AB	1	J, U			EX0	DGW		RETAINER, Transmission Front Clutch
3	4617 157	1	J, U			EX0	DGW		BUSHING, Front Clutch
-4	4617 159	1	J, U			EX0	DGW		BUSHING, Rear Clutch
5	3515 176	1	J, U			EX0	DGW		SEAL, Front Clutch Piston
6	4058 487	1	J, U			EX0	DGW		SEAL, Front Piston Clutch
7	4617 154	1	J, U			EX0	DGW		PISTON, Clutch
-8	0147 483	1	J, U			EX0	DGW		CHECK BALL, Dia-.187
9	4329 809	1	J, U			EX0	DGW		SPRING, Front Clutch
10	4617 516AB	1	J, U			EX0	DGW		RETAINER, Transmission Front Clutch Piston Spring
-11	0147 483	1	J, U			EX0	DGW		CHECK BALL, Dia-.187
12	1942 400	1	J, U			EX0	DGW		SNAP RING
13	4617 362	5	J, U			EX0	DGW		DISC, Direct Clutch
14	3410 571	1	J, U			EX0	DGW		SNAP RING
15	4617 176	1	J, U			EX0	DGW		PLATE, Transmission Clutch Reaction
16	1942 403AB	5	J, U			EX0	DGW		PLATE, Clutch Separator
17	4505 199	1	J, U			EX0	DGW		RETAINER, Transmission Rear Clutch
-18	0147 483	1	J, U			EX0	DGW		CHECK BALL, Dia-.187
19	6022 859	1	J, U			EX0	DGW		SNAP RING, .890625
20	4505 185	1	J, U			EX0	DGW		THRUST WASHER, Output Shaft, Gray .052, .052" Thick
-21	4505 186	1	J, U			EX0	DGW		THRUST WASHER, Output Shaft, Red .068, .068" Thick
-22	4505 187	1	J, U			EX0	DGW		THRUST WASHER, Output Shaft, Green .083, .083" Thick
23	4028 333	1	J, U			EX0	DGW		SEAL, Rear Clutch, 1.50 ODx.009 Thk
24	4617 786	1	J, U			EX0	DGW		THRUST WASHER, Front Clutch
25	1401 221AB	1	J, U			EX0	DGW		SEAL, Input Shaft
26	5211 8478	1	J, U			EX0	DGW		SHAFT, Input
27	4713 880	4	J, U			EX0	DGW		DISC, Clutch
28	4130 761	1	J, U			EX0	DGW		SNAP RING
-29	4539 121	1	J, U			EX0	DGW		SNAP RING, Rear Clutch, .076
-30	4539 122	1	J, U			EX0	DGW		SNAP RING, Rear Clutch, .098

JEEP GRAND CHEROKEE (WJ)
 SERIES L = Grand Cherokee
 LINE J = 4WD, T = 2WD, U = 4WD (RHD)
 BODY 74 = 4 Door (105.9 WB)
 ENGINE ERH,ERO = 4.0L, Power Tech; EVA,EVO = 4.7L, Power Tech; EXA,EXO = 3.1L 5 cyl Turbo Diesel
 TRANSMISSION DGK = 4 Speed Autm, 42RE; DG4 = Multi Speed Auto 45RFE; DGW = 4 Speed Autom 44RE; DGO = All Automatic

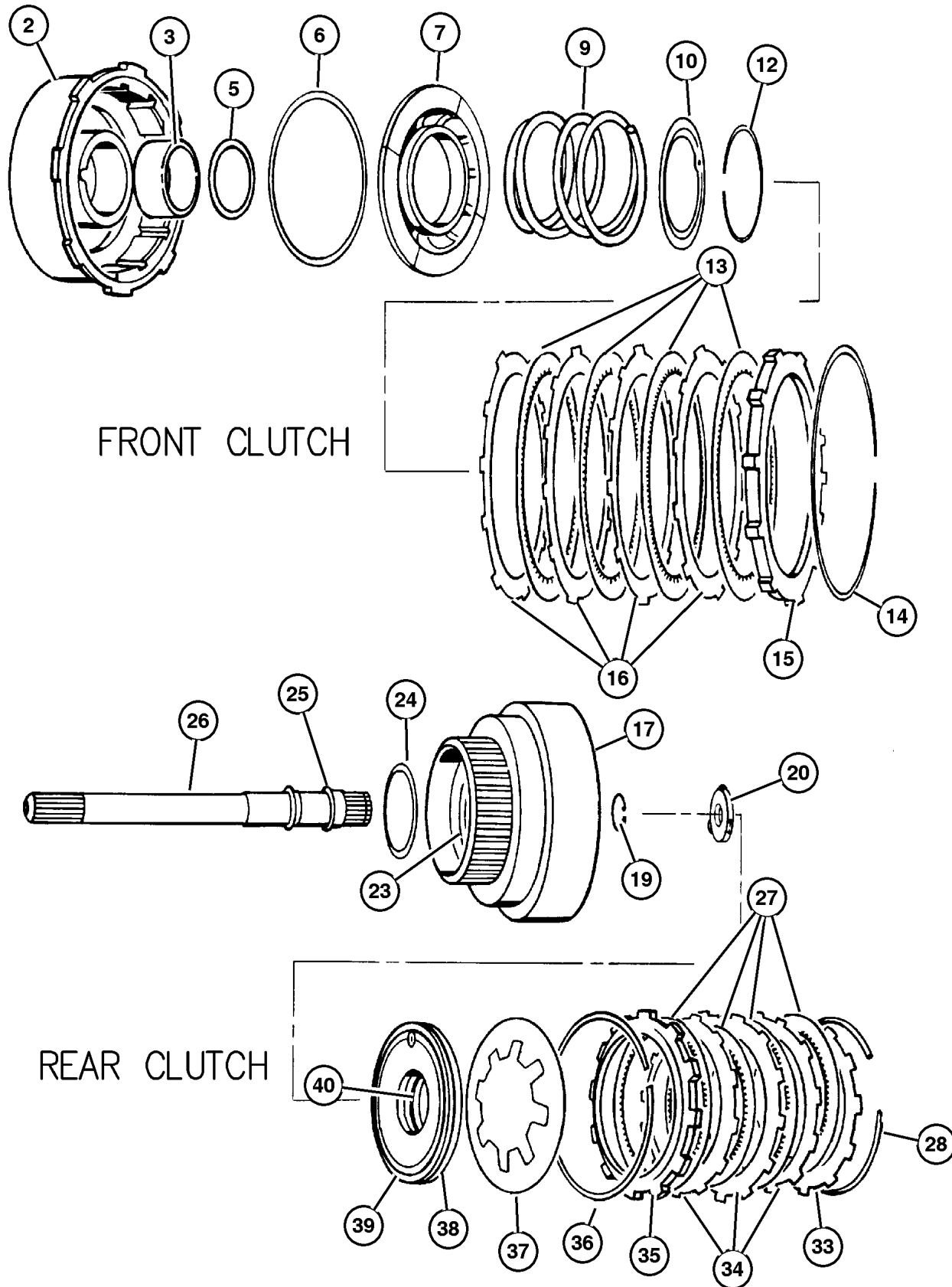
AR = Use as required - = Non illustrated part # = New this model year

September 15, 2005



**Clutch Front and Rear 44RE [DGW]
Figure 44RE-410**

ITEM	PART NUMBER	QTY	LINE	SERIES	BODY	ENGINE	TRANS	TRIM	DESCRIPTION
-31	4539 123	1	J, U			EX0	DGW		SNAP RING, Rear Clutch, .095
-32	4539 124	1	J, U			EX0	DGW		SNAP RING, Rear Clutch, .107
33	4617 176	1	J, U			EX0	DGW		PLATE, Transmission Clutch Reaction
34	1942 403AB	3	J, U			EX0	DGW		PLATE, Clutch Separator
35	2466 281	1	J, U			EX0	DGW		PLATE, Clutch Pressure
36	2466 283	1	J, U			EX0	DGW		SPRING, Rear Clutch
37	4269 623	1	J, U			EX0	DGW		SPRING, Rear Clutch Piston
38	2538 695	1	J, U			EX0	DGW		SEAL, Rear Clutch Piston
39	3515 716	1	J, U			EX0	DGW		PISTON, Clutch
40	2538 510	1	J, U			EX0	DGW		SEAL, Rear Clutch Piston



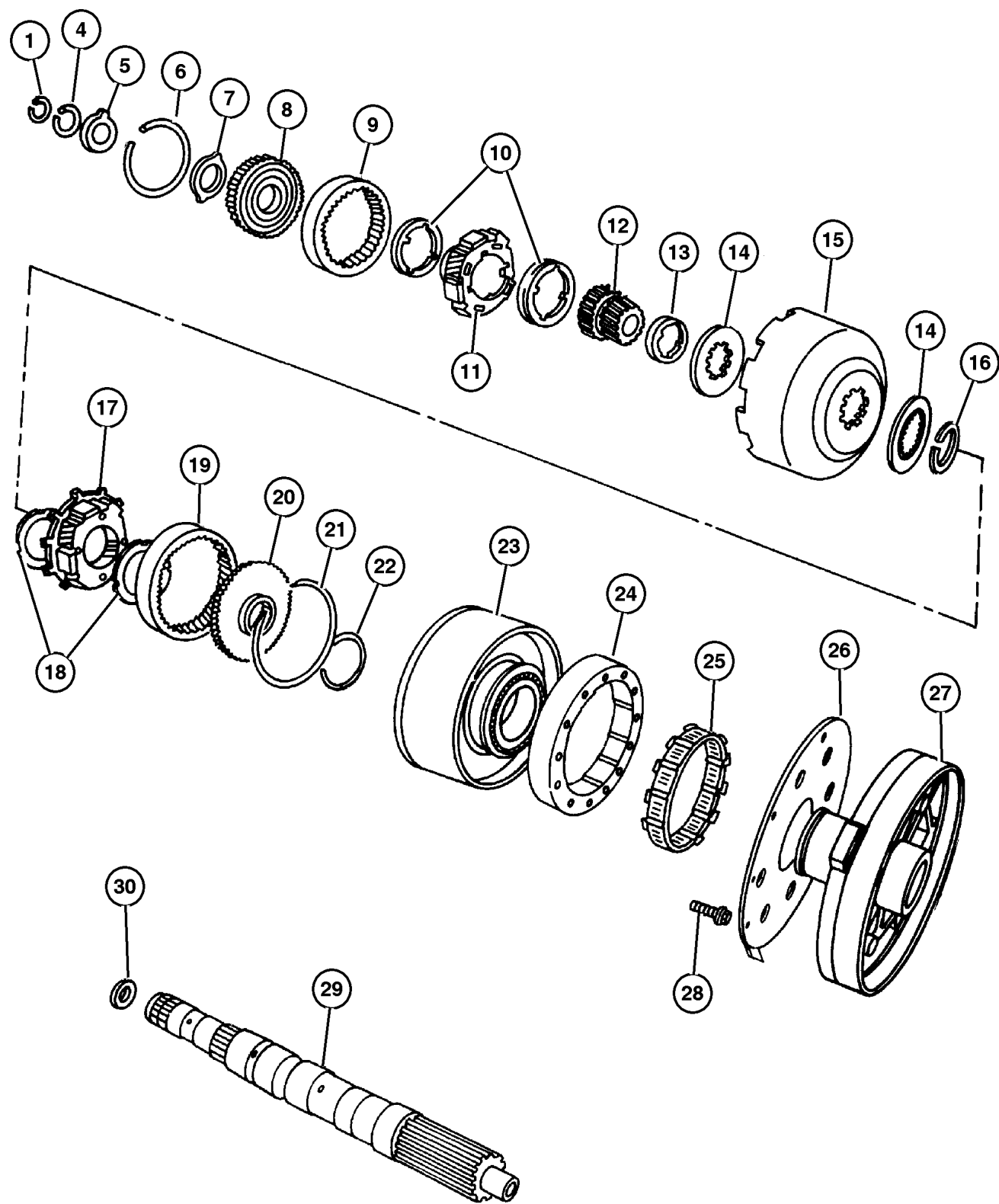
JEEP GRAND CHEROKEE (WJ)

SERIES	LINE	BODY	ENGINE	TRANSMISSION
L = Grand Cherokee	J = 4WD T = 2WD U = 4WD (RHD)	74 = 4 Door (105.9 WB)	ERH,ERO = 4.0L, Power Tech EVA,EVO = 4.7L, Power Tech EXA,EXO = 3.1L 5 cyl Turbo Diesel	DGK = 4 Speed Autm, 42RE DG4 = Multi Speed Auto 45RFE DGW = 4 Speed Autom 44RE DGO = All Automatic

AR = Use as required - = Non illustrated part # = New this model year

September 15, 2005

**Gear Train and Intermediate Shaft 44RE [DGW]
Figure 44RE-420**



ITEM	PART NUMBER	QTY	LINE	SERIES	BODY	ENGINE	TRANS	TRIM	DESCRIPTION
NOTES: Sales Codes									
[DGW] = 44RE 4 Speed Automatic Transmission									
[EX0] = All 3.0/3.1L Turbo Diesel Engines									
1	6026 289	1	J, U			EX0	DGW		SNAP RING, .946 ID
-2	6030 938	1	J, U			EX0	DGW		SNAP RING
-3	6030 404	1	J, U			EX0	DGW		SNAP RING, Output Shaft, 1.029 OD
4	6030 576	1	J, U			EX0	DGW		SNAP RING, Annulus Gear, 1.375 ID
5	3681 969	1	J, U			EX0	DGW		THRUST WASHER, Annulus Gear
6	6035 238	1	J, U			EX0	DGW		SNAP RING
7	4617 775	1	J, U			EX0	DGW		PLATE, Annulus Gear Thrust
8	4617 774	1	J, U			EX0	DGW		SUPPORT, Annulus Gear
9	4130 512	1	J, U			EX0	DGW		GEAR, Front Annulus
10	4130 518	2	J, U			EX0	DGW		THRUST WASHER, Planetary
									Carrier
11	5211 8476	1	J, U			EX0	DGW		CARRIER, Planetary Pinion
12	4130 685	1	J, U			EX0	DGW		GEAR, Sun
13	4130 736	1	J, U			EX0	DGW		SPACER, Sun Gear
14	4471 566	2	J, U			EX0	DGW		PLATE, Transmission Module
15	4531 288	1	J, U			EX0	DGW		SHELL, Sun Gear
16	1942 439	1	J, U			EX0	DGW		SNAP RING, Sun Gear Shell
17	4431 438	1	J, U			EX0	DGW		CARRIER, Planetary Pinion
18	3681 935	1	J, U			EX0	DGW		THRUST WASHER, Planetary
									Carrier
19	3743 184	1	J, U			EX0	DGW		GEAR, Rear Annulus
20	3515 501	1	J, U			EX0	DGW		SUPPORT, Annulus Gear
21	1942 444	1	J, U			EX0	DGW		SNAP RING
22	6033 480	1	J, U			EX0	DGW		SNAP RING, Reverse Drum
23	4637 956	1	J, U			EX0	DGW		DRUM PACKAGE, Transmission
24	4431 690	1	J, U			EX0	DGW		CAM, Overrunning Clutch
25	4431 432	1	J, U			EX0	DGW		CLUTCH, Overrunning
26	4471 564	1	J, U			EX0	DGW		GASKET, Overdrive Piston Retainer
27	4617 246	1	J, U			EX0	DGW		RETAINER, Transmission Overdrive Clutch Piston
28	6033 616	5	J, U			EX0	DGW		SCREW, Hex Flange Head, .25-28x.875
29	4617 604	1	J, U			EX0	DGW		INTERMEDIATE SHAFT, Transmission
30	4505 188	1	J, U			EX0	DGW		PLATE, Transmission Module

JEEP GRAND CHEROKEE (WJ)

SERIES	LINE	BODY	ENGINE	TRANSMISSION
L = Grand Cherokee	J = 4WD T = 2WD U = 4WD (RHD)	74 = 4 Door (105.9 WB)	ERH,ERO = 4.0L, Power Tech EVA,EVO = 4.7L, Power Tech EXA,EXO = 3.1L 5 cyl Turbo Diesel	DGK = 4 Speed Autm, 42RE DG4 = Multi Speed Auto 45RFE DGW = 4 Speed Autom 44RE DGO = All Automatic

AR = Use as required - = Non illustrated part # = New this model year

September 15, 2005

**Output Shaft 44RE [DGW]
Figure 44RE-430**

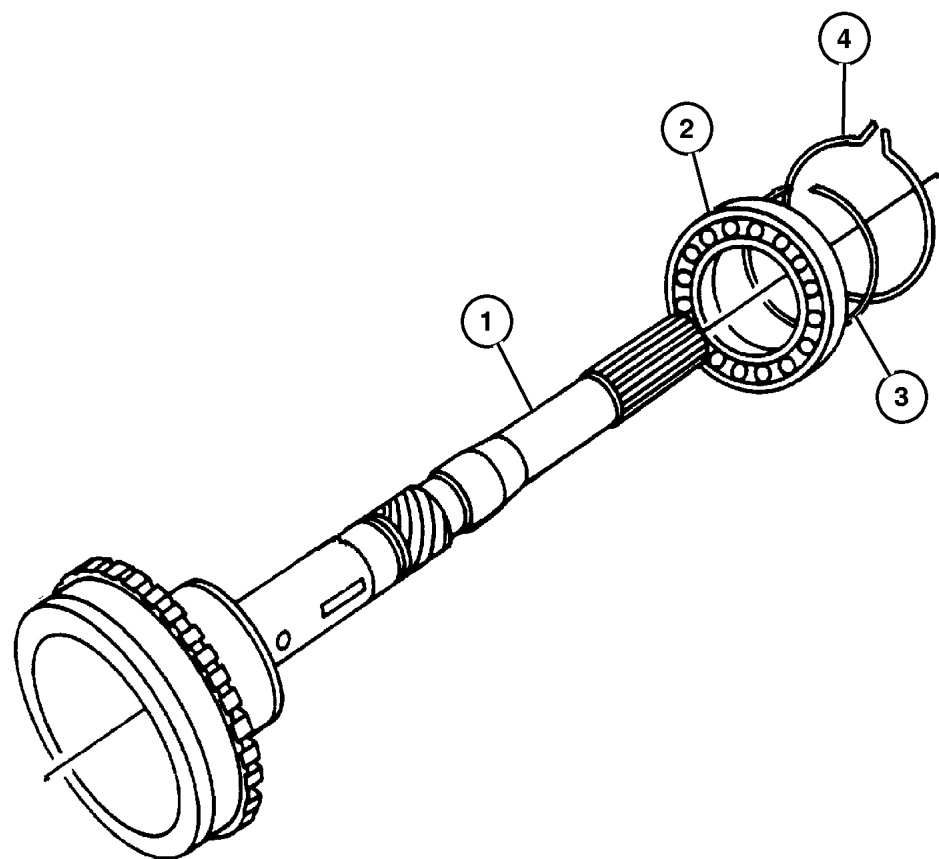
ITEM	PART NUMBER	QTY	LINE	SERIES	BODY	ENGINE	TRANS	TRIM	DESCRIPTION
------	-------------	-----	------	--------	------	--------	-------	------	-------------

NOTES: Sales Codes

[DGW] = 44RE 4 Speed Automatic Transmission

[EX0] = All 3.0/3.1L Turbo Diesel Engines

1	4798 536	1	J, U			EX0	DGW		SHAFT, Output
2	4461 008	1	J, U			EX0	DGW		BEARING, Output Shaft
3	4461 068	1	J, U			EX0	DGW		SNAP RING
4	4461 057	1	J, U			EX0	DGW		SNAP RING



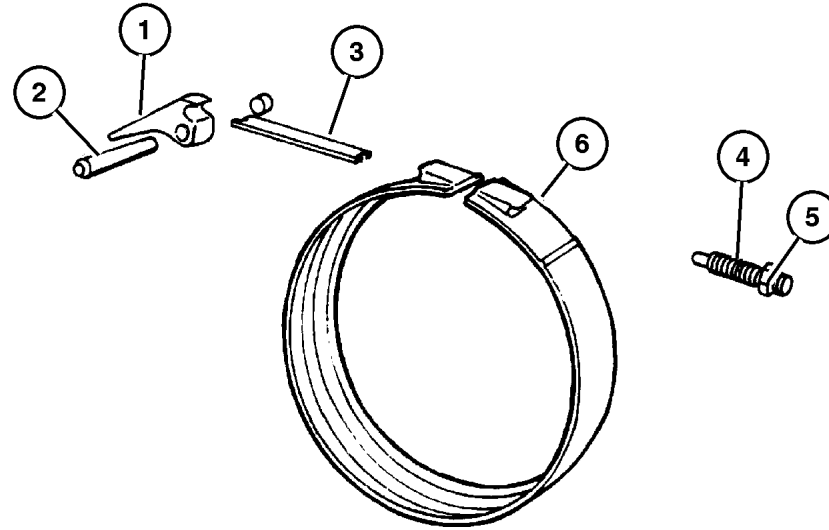
JEEP GRAND CHEROKEE (WJ)

SERIES	LINE	BODY	ENGINE	TRANSMISSION
L = Grand Cherokee	J = 4WD T = 2WD U = 4WD (RHD)	74 = 4 Door (105.9 WB)	ERH,ERO = 4.0L, Power Tech EVA,EVO = 4.7L, Power Tech EXA,EXO = 3.1L 5 cyl Turbo Diesel	DGK = 4 Speed Autm, 42RE DG4 = Multi Speed Auto 45RFE DGW = 4 Speed Autom 44RE DGO = All Automatic

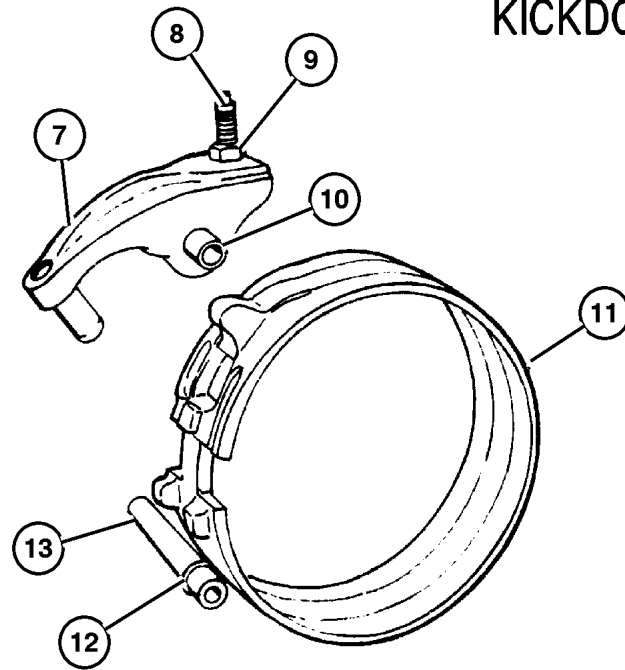
AR = Use as required - = Non illustrated part # = New this model year

September 15, 2005

**Bands 44RE [DGW]
Figure 44RE-510**



KICKDOWN BAND

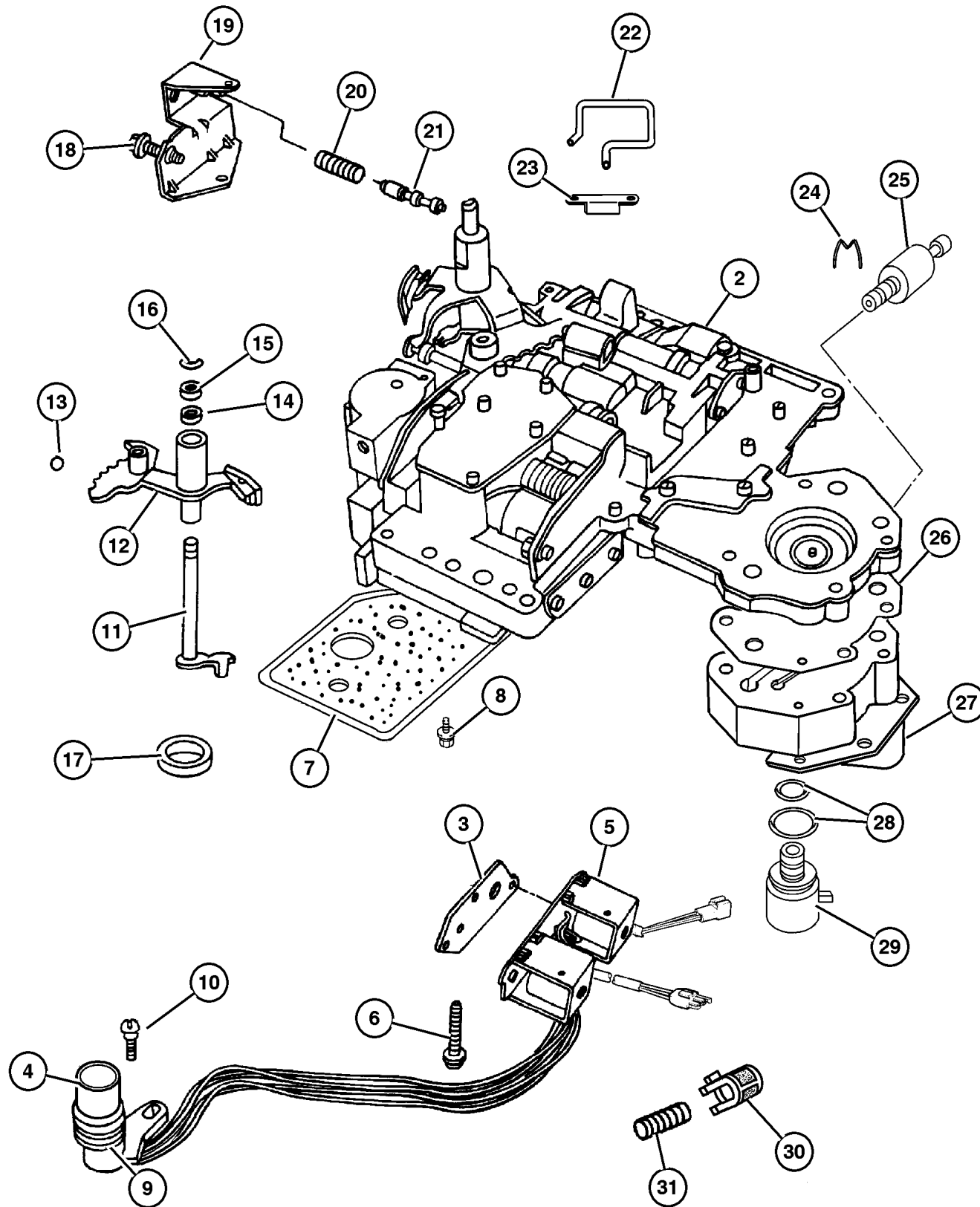


DOUBLE WRAP REVERSE BAND

ITEM	PART NUMBER	QTY	LINE	SERIES	BODY	ENGINE	TRANS	TRIM	DESCRIPTION
NOTES: Sales Codes									
[DGW] = 44RE 4 Speed Automatic Transmission									
[EX0] = All 3.0/3.1L Turbo Diesel Engines									
1	2125 067	1	J, U			EX0	DGW		LEVER, Kickdown
2	4531 181	1	J, U			EX0	DGW		SHAFT, Band Lever
3	3515 084	1	J, U			EX0	DGW		STRUT, Kickdown Band
4	6036 141AA	1	J, U			EX0	DGW		SCREW
5	0124 934	1	J, U			EX0	DGW		NUT, Hex Jam, .50-20
6	4617 899	1	J, U			EX0	DGW		BAND, Kickdown
7									LEVER, Reverse Band
	4202 764	1	J, U			EX0	DGW		w/Stem
	4202 765	1	J, U			EX0	DGW		
8	2538 472	1	J, U			EX0	DGW		SCREW, Trans Reverse Band
									Adjusting, .375-24-1.88
9	0114 942	1	J, U			EX0	DGW		NUT, Hex, .375-24
10	3410 102	1	J, U			EX0	DGW		SHAFT, Reverse Band
11	4431 406	1	J, U			EX0	DGW		BAND, Reverse
12	6030 657	1	J, U			EX0	DGW		O RING, Steering Gear
13	3410 102	1	J, U			EX0	DGW		SHAFT, Reverse Band

JEEP GRAND CHEROKEE (WJ)				
SERIES	LINE	BODY	ENGINE	TRANSMISSION
L = Grand Cherokee	J = 4WD T = 2WD U = 4WD (RHD)	74 = 4 Door (105.9 WB)	ERH,ERO = 4.0L, Power Tech EVA,EVO = 4.7L, Power Tech EXA,EXO = 3.1L 5 cyl Turbo Diesel	DGK = 4 Speed Autm, 42RE DG4 = Multi Speed Auto 45RFE DGW = 4 Speed Autom 44RE DGO = All Automatic

**Valve Body 44RE [DGW]
Figure 44RE-710**



ITEM	PART NUMBER	QTY	LINE	SERIES	BODY	ENGINE	TRANS	TRIM	DESCRIPTION
NOTES: Sales Codes									
[DGW] = 44RE 4 Speed Automatic Transmission									
[EX0] = All 3.0/3.1L Turbo Diesel Engines									
-1	4863 933AB-	1	J, U			EX0	DGW		SEAL AND GASKET PACKAGE, Valve Body and Servo
2	52119 634AA	1	J, U			EX0	DGW		BODY, Transfer Plate, w/Filter
3	4617 216	1	J, U			EX0	DGW		GASKET, Transmission Solenoid
4	5211 8500	1	J, U			EX0	DGW		SOLENOID, Transmission Overdrive
5	56041 403AA	1	J, U			EX0	DGW		TRANSDUCER, Pressure Sensor
6	0181 071	3	J, U			EX0	DGW		BOLT, Valve Body, .25-20x1.75
7	5211 8789	1	J, U			EX0	DGW		FILTER, Valve Body
8	6033 826	3	J, U			EX0	DGW		SCREW AND WASHER, Oil Filter Mounting, Fillester Head .190-24x2.500
9	6034 748	2	J, U			EX0	DGW		O RING, Solenoid Wiring, Transmission
10	6033 985	1	J, U			EX0	DGW		SCREW, Tapping, .19-24x.75
11	3681 227	1	J, U			EX0	DGW		LEVER, Throttle Valve
12	4617 439	1	J, U			EX0	DGW		LEVER, Manual Valve
13	0147 488	1	J, U			EX0	DGW		BALL, Manual Lever Detent, .343 Diameter
14	2466 548	1	J, U			EX0	DGW		SEAL, Valve Lever Shift
15	2538 062	1	J, U			EX0	DGW		WASHER, Manual Valve Lever
16	6035 208	2	J, U			EX0	DGW		SNAP RING
17	4505 098	1	J, U			EX0	DGW		SEAL, Manual Shift Valve, 1.25 OD
18	6030 609	1	J, U			EX0	DGW		SCREW, Cap Head Lock, .312-24x1.25
19	4617 010	1	J, U			EX0	DGW		BRACKET, Valve Body Switch
20	4130 492	1	J, U			EX0	DGW		SPRING, Switch Valve
21	4505 036	1	J, U			EX0	DGW		VALVE, Trans Lockup Switch
22	4617 008	1	J, U			EX0	DGW		TUBE, Boost Valve
23	5211 7958	1	J, U			EX0	DGW		RETAINER, Boost Valve Oil Supply Tube
24	4617 219	1	J, U			EX0	DGW		CLIP, Transmission Governor Transducer
25	56041 403AA	1	J, U			EX0	DGW		TRANSDUCER, Pressure Sensor
26	4617 216	1	J, U			EX0	DGW		GASKET, Transmission Solenoid
27	4617 211	1	J, U			EX0	DGW		RETAINER, Transmission Governor Solenoid
28	6034 748	2	J, U			EX0	DGW		O RING, Solenoid Wiring, Transmission
29	4617 210	1	J, U			EX0	DGW		SOLENOID, Transmission Governor

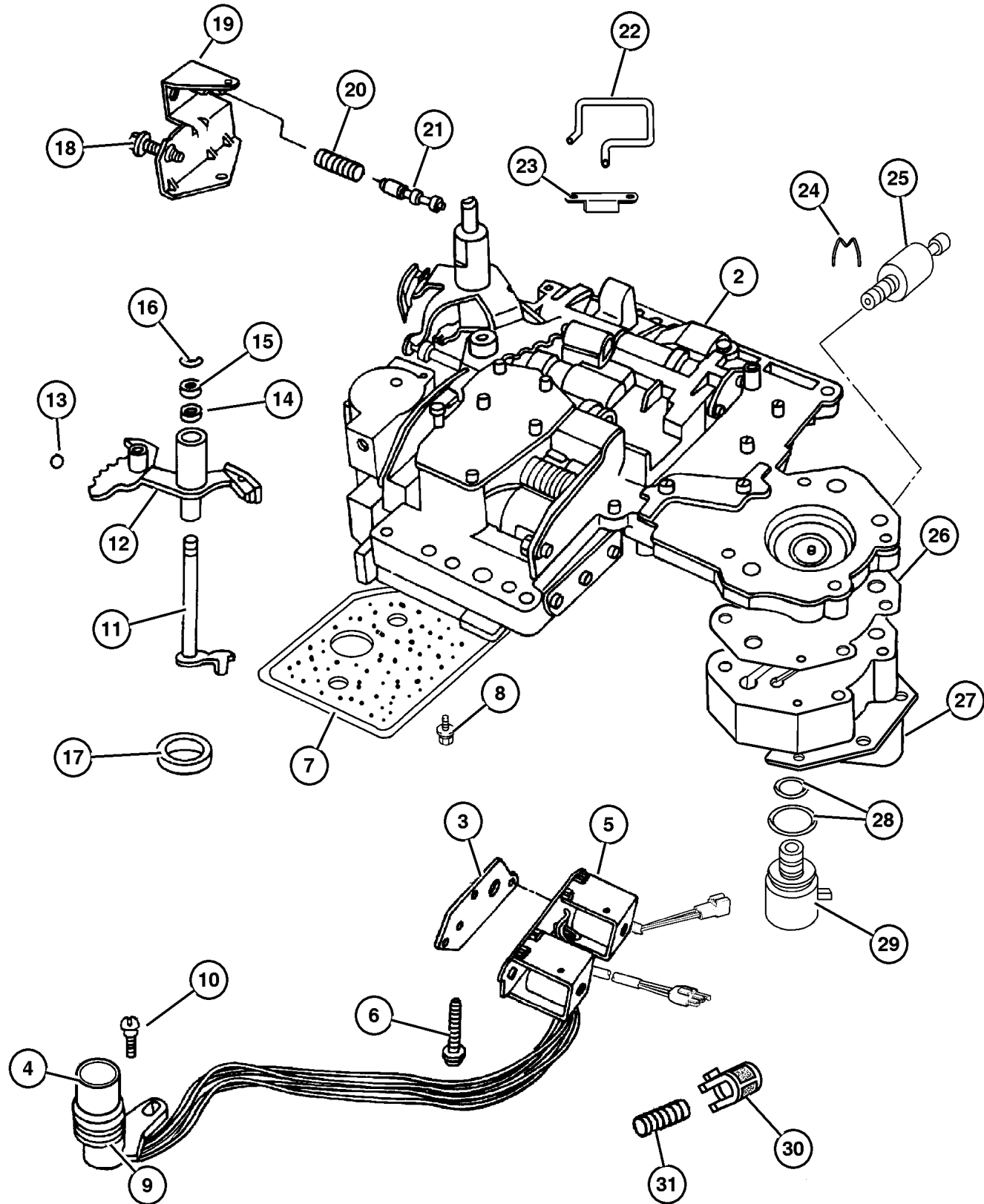
JEEP GRAND CHEROKEE (WJ)

SERIES	LINE	BODY	ENGINE	TRANSMISSION
L = Grand Cherokee	J = 4WD T = 2WD U = 4WD (RHD)	74 = 4 Door (105.9 WB)	ERH,ERO = 4.0L, Power Tech EVA,EVO = 4.7L, Power Tech EXA,EXO = 3.1L 5 cyl Turbo Diesel	DGK = 4 Speed Autm, 42RE DG4 = Multi Speed Auto 45RFE DGW = 4 Speed Autom 44RE DGO = All Automatic

AR = Use as required - = Non illustrated part # = New this model year

September 15, 2005

Valve Body 44RE [DGW]
Figure 44RE-710



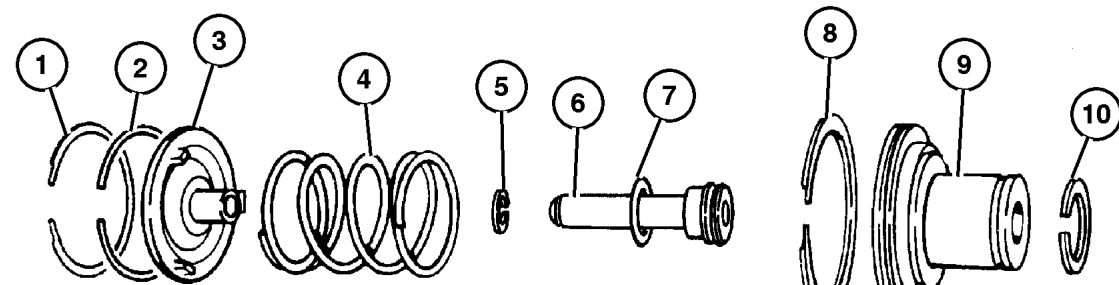
ITEM	PART NUMBER	QTY	LINE	SERIES	BODY	ENGINE	TRANS	TRIM	DESCRIPTION
30	3878 313	1	J, U			EX0	DGW		SCREEN, Transmission Regulator Valve
31	4348 907	1	J, U			EX0	DGW		SPRING, Limit Valve

JEEP GRAND CHEROKEE (WJ)				
SERIES	LINE	BODY	ENGINE	TRANSMISSION
L = Grand Cherokee	J = 4WD T = 2WD U = 4WD (RHD)	74 = 4 Door (105.9 WB)	ERH,ERO = 4.0L, Power Tech EVA,EVO = 4.7L, Power Tech EXA,EXO = 3.1L 5 cyl Turbo Diesel	DGK = 4 Speed Autm, 42RE DG4 = Multi Speed Auto 45RFE DGW = 4 Speed Autom 44RE DGO = All Automatic

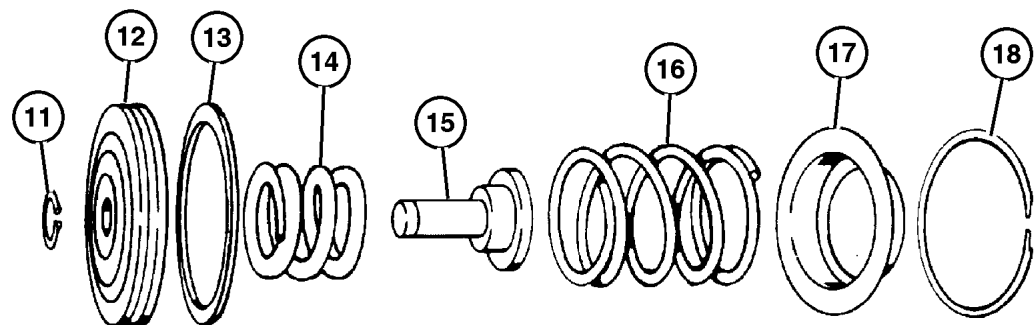
AR = Use as required - = Non illustrated part # = New this model year

September 15, 2005

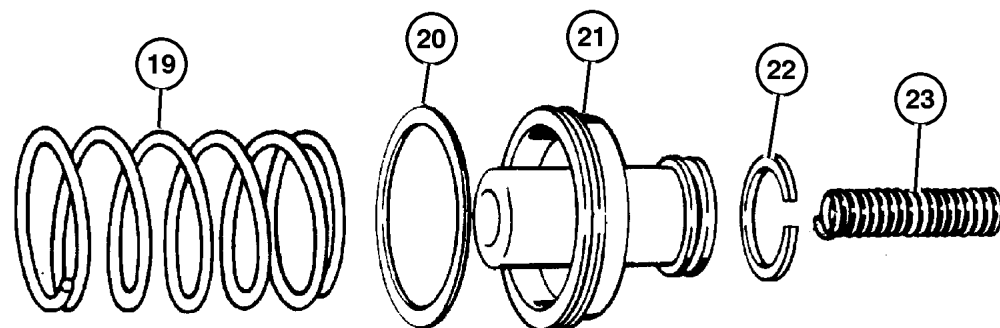
Servos 44RE [DGW]
Figure 44RE-720



KICKDOWN SERVO



LOW AND REVERSE SERVO



ACCUMULATOR PISTON AND SPRING

ITEM	PART NUMBER	QTY	LINE	SERIES	BODY	ENGINE	TRANS	TRIM	DESCRIPTION
NOTES:Sales Codes									
[DGW] = 44RE 4 Speed Automatic Transmission									
[EX0] = All 3.0/3.1L Turbo Diesel Engines									
1	6028 863	1	J, U			EX0	DGW		SNAP RING, Kickdown, 2.377
2	4295 966	1	J, U			EX0	DGW		SEAL, Servo Guide
3	3410 332	1	J, U			EX0	DGW		GUIDE, Kickdown Servo
4	4531 119	1	J, U			EX0	DGW		SPRING, Kickdown Servo Piston
5	6031 392	1	J, U			EX0	DGW		SNAP RING, Brake Master Cylinder
6	4058 780	1	J, U			EX0	DGW		ROD, Kickdown Servo Piston
7	6028 864	1	J, U			EX0	DGW		O RING, Kick Down Servo
8	4295 966	1	J, U			EX0	DGW		SEAL, Servo Guide
9	4058 777	1	J, U			EX0	DGW		PISTON, Kickdown Servo
10	3743 033	1	J, U			EX0	DGW		SEAL, Kickdown Servo
11	6027 153	1	J, U			EX0	DGW		SNAP RING, .435 ID
12	5211 8744	1	J, U			EX0	DGW		PISTON, Reverse Servo
13	4202 864	1	J, U			EX0	DGW		SEAL, Reverse Servo Piston
14	4130 824	1	J, U			EX0	DGW		SPRING, Reverse Servo Piston
15	52118 740AB	1	J, U			EX0	DGW		PLUG, Reverse Servo Piston
16	2801 274	1	J, U			EX0	DGW		SPRING, Reverse Servo Piston
17	2464 463	1	J, U			EX0	DGW		RETAINER, Transmission Rear Clutch
18	2464 464	1	J, U			EX0	DGW		SNAP RING
19	5211 8710	1	J, U			EX0	DGW		SPRING, Transmission Accumulator
20	3743 013	1	J, U			EX0	DGW		SEAL, Piston Accumulator
21	3743 650	1	J, U			EX0	DGW		PISTON, Accumulator
22	3743 010	1	J, U			EX0	DGW		SEAL, Piston Accumulator
23	4617 529	1	J, U			EX0	DGW		SPRING, Accumulator Piston

JEEP GRAND CHEROKEE (WJ)				
SERIES	LINE	BODY	ENGINE	TRANSMISSION
L = Grand Cherokee	J = 4WD T = 2WD U = 4WD (RHD)	74 = 4 Door (105.9 WB)	ERH,ERO = 4.0L, Power Tech EVA,EVO = 4.7L, Power Tech EXA,EXO = 3.1L 5 cyl Turbo Diesel	DGK = 4 Speed Autm, 42RE DG4 = Multi Speed Auto 45RFE DGW = 4 Speed Autom 44RE DGO = All Automatic

AR = Use as required - = Non illustrated part # = New this model year

September 15, 2005

**Parking Sprag 44RE [DGW]
Figure 44RE-730**

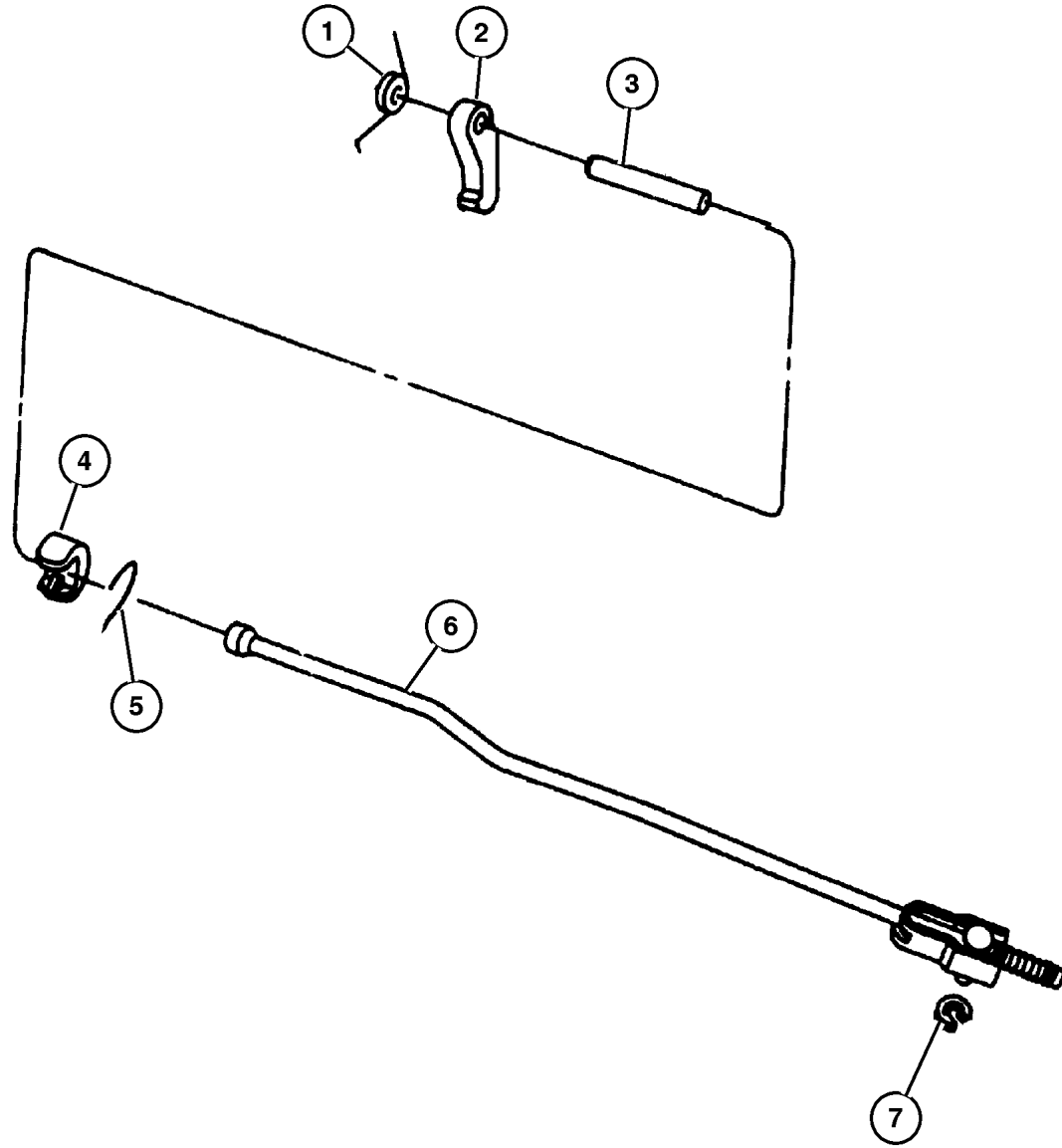
ITEM	PART NUMBER	QTY	LINE	SERIES	BODY	ENGINE	TRANS	TRIM	DESCRIPTION
------	-------------	-----	------	--------	------	--------	-------	------	-------------

NOTES: Sales Codes

[DGW] = 44RE 4 Speed Automatic Transmission

[EX0] = All 3.0/3.1L Turbo Diesel Engines

1	2466 909	1	J, U			EX0	DGW		SPRING, Parking Sprag
2	4471 415	1	J, U			EX0	DGW		SPRAG, Transmission Parking
3	2466 892	1	J, U			EX0	DGW		SHAFT, Parking Sprag
4	2538 042	1	J, U			EX0	DGW		PLUG, Parking Sprag
5	2538 034	1	J, U			EX0	DGW		SNAP RING, Transmission
6	4431 748	1	J, U			EX0	DGW		ROD, Parking Sprag
7	6035 256	1	J, U			EX0	DGW		SNAP RING, Rod



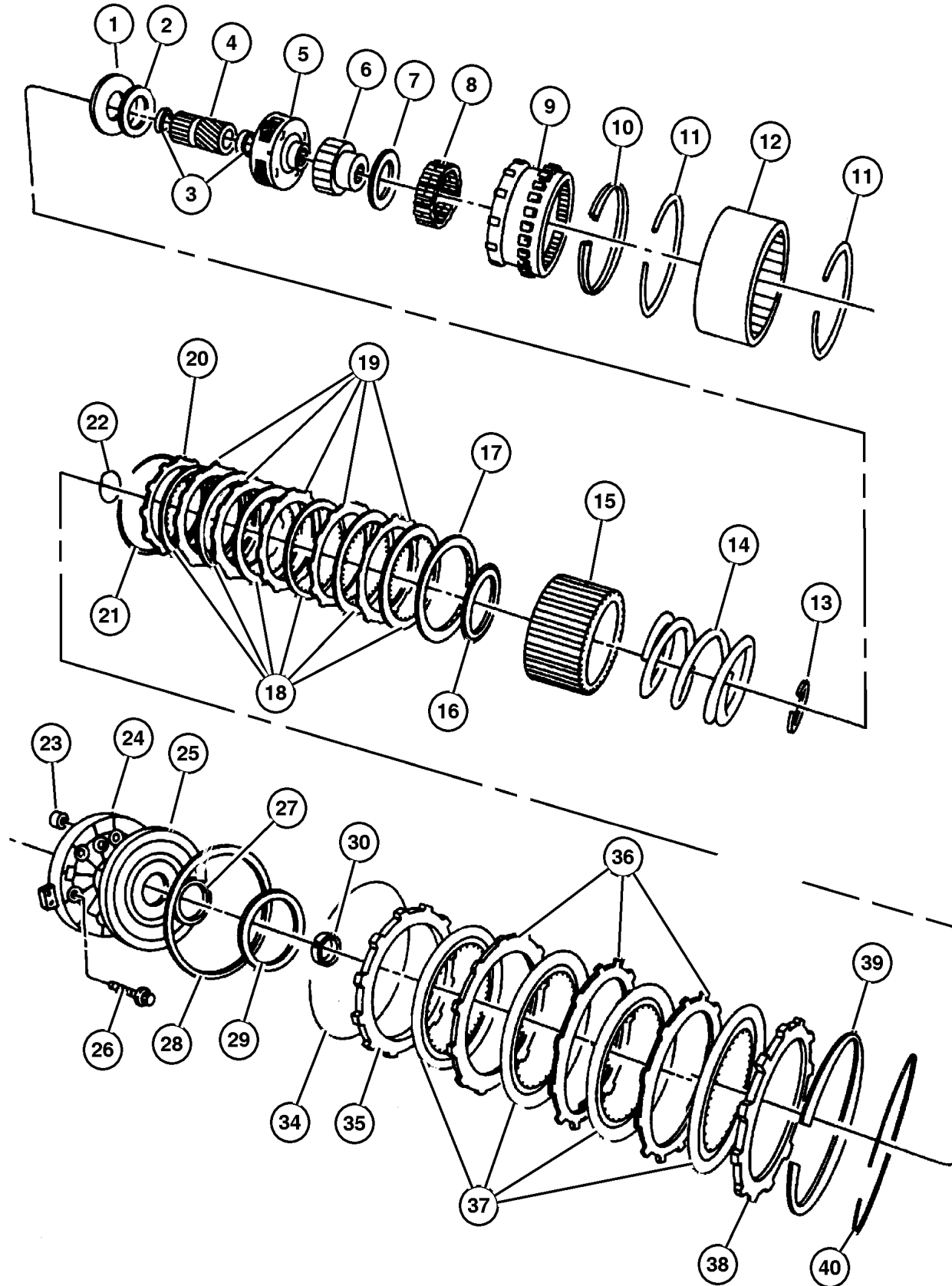
JEEP GRAND CHEROKEE (WJ)

SERIES	LINE	BODY	ENGINE	TRANSMISSION
L = Grand Cherokee	J = 4WD T = 2WD U = 4WD (RHD)	74 = 4 Door (105.9 WB)	ERH,ERO = 4.0L, Power Tech EVA,EVO = 4.7L, Power Tech EXA,EXO = 3.1L 5 cyl Turbo Diesel	DGK = 4 Speed Autm, 42RE DG4 = Multi Speed Auto 45RFE DGW = 4 Speed Autom 44RE DGO = All Automatic

AR = Use as required - = Non illustrated part # = New this model year

September 15, 2005

**Overdrive Gear Train 44RE [DGW]
Figure 44RE-1010**



ITEM	PART NUMBER	QTY	LINE	SERIES	BODY	ENGINE	TRANS	TRIM	DESCRIPTION
NOTES: Sales Codes									
[DGW] = 44RE 4 Speed Automatic Transmission									
[EX0] = All 3.0/3.1L Turbo Diesel Engines									
1	4740 774	AR	J, U			EX0	DGW		PLATE PACKAGE, Transmission Module
2									BEARING, (NOT SERVICED) (Not Serviced)
3									BEARING, (NOT SERVICED) (Not Serviced)
4	4778 742	1	J, U			EX0	DGW		GEAR, Overdrive Sun
5	4798 520	1	J, U			EX0	DGW		CARRIER, O/Drive Planet Pinion
6	4461 124	1	J, U			EX0	DGW		RACE, Overrunning Clutch
7	4461 014	1	J, U			EX0	DGW		THRUST BEARING, Ovedrive Third Position
8	4461 015	1	J, U			EX0	DGW		CLUTCH, Overdrive Overrunning
9	4761 010	1	J, U			EX0	DGW		GEAR, Overdrive Annulus
10	4461 059	1	J, U			EX0	DGW		SNAP RING, 5.25 OD
11	4461 060	2	J, U			EX0	DGW		SNAP RING, 6.00 OD
12	4461 089	1	J, U			EX0	DGW		DRUM, Automatic Transmission
13	4461 063	1	J, U			EX0	DGW		SNAP RING, 2.1875 OD
14	4461 027	1	J, U			EX0	DGW		SPRING, Direct Clutch
15	4461 072	1	J, U			EX0	DGW		HUB, Direct Clutch
16	4446 724	1	J, U			EX0	DGW		THRUST BEARING, Overdrive
17	4461 030	1	J, U			EX0	DGW		PLATE, Transmission Clutch Reaction
18	4461 042	8	J, U			EX0	DGW		DISC, Direct Clutch
19	4461 054	7	J, U			EX0	DGW		PLATE, Transmission Clutch Reaction
20	4461 031	1	J, U			EX0	DGW		PLATE, Transmission Clutch Reaction
21	4461 032	1	J, U			EX0	DGW		SPRING, Direct Clutch
22	4461 064	1	J, U			EX0	DGW		SNAP RING, 1.875" OD
23	4412 583	1	J, U			EX0	DGW		FILTER, Overdrive Clutch
24	4617 246	1	J, U			EX0	DGW		RETAINER, Transmission Overdrive Clutch Piston
25	5211 8599	1	J, U			EX0	DGW		PISTON, Overdrive Clutch
26	6033 479	6	J, U			EX0	DGW		BOLT, Hex Head, .25-28x1-5/8
27	4431 697	1	J, U			EX0	DGW		SEAL, Overdrive Clutch Piston
28	4431 696	1	J, U			EX0	DGW		SEAL, Overdrive Clutch Piston
29	4431 586	1	J, U			EX0	DGW		PLATE, Transmission O/Drive Clutch .153-.155 " Thick
	4431 587	1	J, U			EX0	DGW		.183-.185" Thick

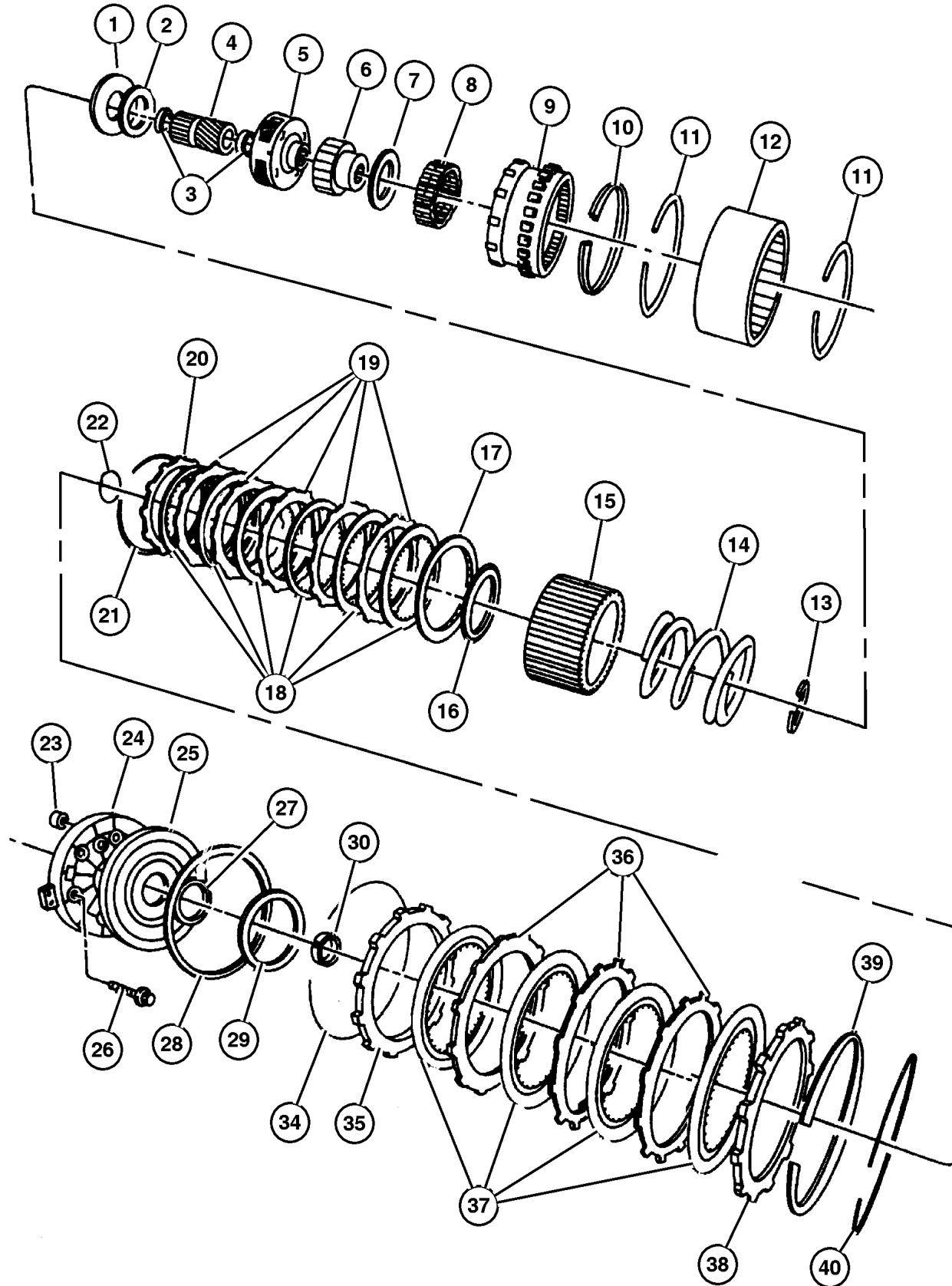
JEEP GRAND CHEROKEE (WJ)

SERIES	LINE	BODY	ENGINE	TRANSMISSION
L = Grand Cherokee	J = 4WD T = 2WD U = 4WD (RHD)	74 = 4 Door (105.9 WB)	ERH,ERO = 4.0L, Power Tech EVA,EVO = 4.7L, Power Tech EXA,EXO = 3.1L 5 cyl Turbo Diesel	DGK = 4 Speed Autm, 42RE DG4 = Multi Speed Auto 45RFE DGW = 4 Speed Autom 44RE DGO = All Automatic

AR = Use as required - = Non illustrated part # = New this model year

September 15, 2005

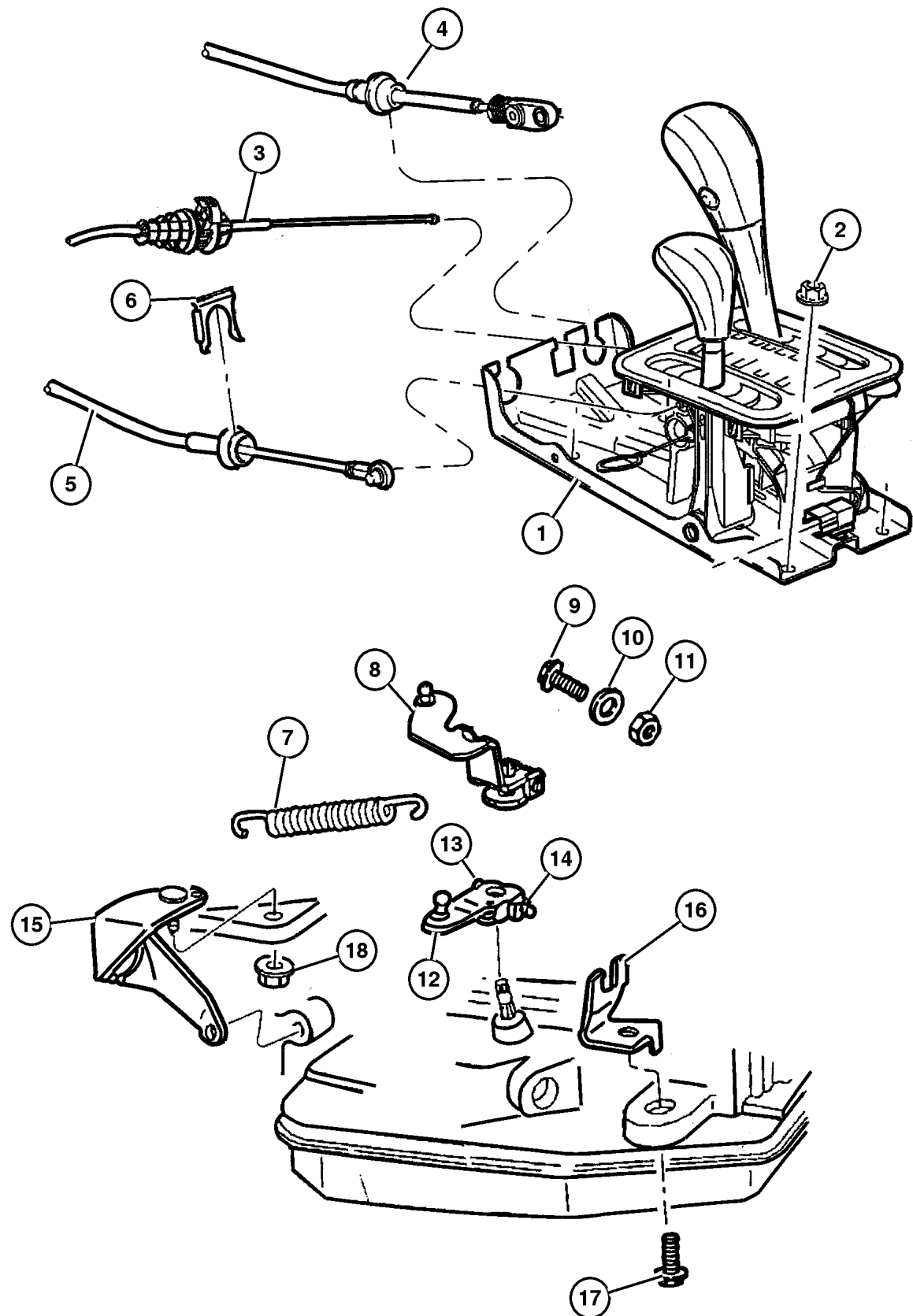
Overdrive Gear Train 44RE [DGW]
Figure 44RE-1010



ITEM	PART NUMBER	QTY	LINE	SERIES	BODY	ENGINE	TRANS	TRIM	DESCRIPTION
	4431 588	1	J, U			ER0	DGK		.213-.215" Thick.
	4431 590	1	J, U			EX0	DGW		.243-.245" Thick
	4431 731	1	J, U			EX0	DGW		.135-.140" Thick
	4431 732	1	J, U			EX0	DGW		.168-.170" Thick
	4431 733	1	J, U			EX0	DGW		.198-.200" Thick
	4431 734	1	J, U			EX0	DGW		.228-.230" Thick
	4431 735	1	J, U			EX0	DGW		.108-.110" Thick
30	4431 916	1	J, U			EX0	DGW		SPACER, Intermediate Shaft, 1.58mm, 1.58mm
-31	4431 917	1	J, U			EX0	DGW		SPACER, Intermediate Shaft, .175, .175mm
-32	4431 918	1	J, U			EX0	DGW		SPACER, Intermediate Shaft, .193, .193mm
-33	4431 919	1	J, U			EX0	DGW		SPACER, Intermediate Shaft, .211, .211mm
34	4461 082	1	J, U			EX0	DGW		SNAP RING, Overdrive Clutch
35	4461 033	2	J, U			EX0	DGW		PLATE, Transmission Clutch Reaction
36	4461 047	3	J, U			EX0	DGW		PLATE, Transmission Clutch Reaction
37	4461 181	4	J, U			EX0	DGW		DISC, Direct Clutch
38	4461 033	2	J, U			EX0	DGW		PLATE, Transmission Clutch Reaction
39	4461 066	1	J, U			EX0	DGW		SPRING, Overdrive Clutch
40	4461 065	1	J, U			EX0	DGW		SNAP RING, 6.50 OD

JEEP GRAND CHEROKEE (WJ)
 SERIES L = Grand Cherokee
 LINE J = 4WD, T = 2WD, U = 4WD (RHD)
 BODY 74 = 4 Door (105.9 WB)
 ENGINE ERH,ERO = 4.0L, Power Tech, EVA,EVO = 4.7L, Power Tech, EXA,EXO = 3.1L 5 cyl Turbo Diesel
 TRANSMISSION DGK = 4 Speed Autm, 42RE, DG4 = Multi Speed Auto 45RFE, DGW = 4 Speed Autom 44RE, DGO = All Automatic

**Gearshift Controls 44RE [DGW]
Figure 44RE-1210**



NOTES: Sales Codes

[DGK] = 42RE 4 Speed Automatic Transmissions

[DG0] = All Automatic Transmission

[DGW] = 44RE 4 Speed Automatic Transmission

[ER0] = All 4.0L 6 Cylinder Gas Engines

[EX0] = All 3.0/3.1L Turbo Diesel Engine

ITEM	PART NUMBER	QTY	LINE	SERIES	BODY	ENGINE	TRANS	TRIM	DESCRIPTION
1									HOUSING AND LEVER, Shifter
	5210 4149	1	J				DG0		With [DHP], Left Hand Drive
	5210 4152	1	U				DG0		With [DHF] Without [DSB], Right
	52104 374AA	1	J				DG0		With [DHF] With [DSB], Left Hand Drive
	52104 375AA	1	U				DG0		With [DHF] With [DSB], Right
2	6101 695	4							NUT, Hex Flange Lock, M8x1.25
3	5210 4054	1					DG0		CABLE, Park Interlock
4	5210 4218	1	J, U				DG0		CABLE, Gearshift Control
5	5210 4060	1					DG0		CABLE, Gearshift Control, Transfer Case
6	4269 830	2	J, U						CLIP, Cable
7	5300 9055	1					DGK, DGW		SPRING, Throttle Valve Return
8	3681 227	1	J, U			EX0	DGW		LEVER, Throttle Valve
9	0181 065	1					DGK, DGW		BOLT, Hex Head, .25-20x1.00
10	0138 165	1					DGK, DGW		WASHER, Lock
11	J012 0375	1					DGK, DGW		NUT, Hex, .250-20
12	52104 276AA	1					DGW		LEVER, Manual Control
13									SCREW AND WASHER, Hex Head, .25-20x1.50, (NOT SERVICED) (Not Serviced)
14									NUT, Brake Line, (NOT SERVICED) (Not Serviced)
15	52104 275AA	1					DGW		BRACKET, Shift Cable
16	5207 8867	1					DGK, DGW		BRACKET, Cable
17	0181 112	1					DGK, DGW		SCREW AND WASHER, .375-16x1.00
18	6028 114	1					DGK, DGW		NUT, Hex, .437-14

JEEP GRAND CHEROKEE (WJ)

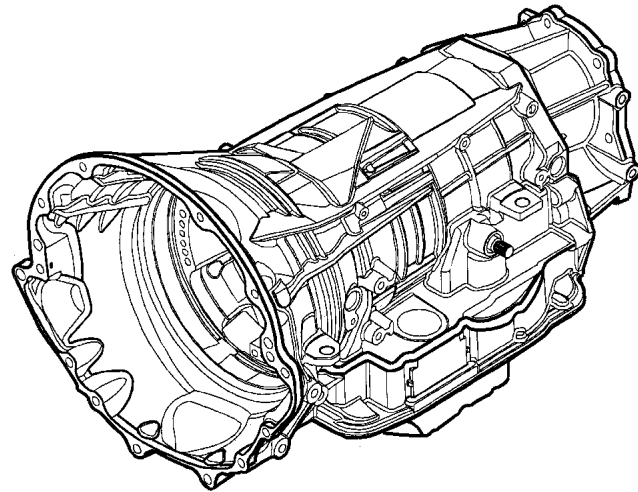
SERIES	LINE	BODY	ENGINE	TRANSMISSION
L = Grand Cherokee	J = 4WD T = 2WD U = 4WD (RHD)	74 = 4 Door (105.9 WB)	ERH,ERO = 4.0L, Power Tech EVA,EVO = 4.7L, Power Tech EXA,EXO = 3.1L 5 cyl Turbo Diesel	DGK = 4 Speed Autm, 42RE DG4 = Multi Speed Auto 45RFE DGW = 4 Speed Autom 44RE DGO = All Automatic

AR = Use as required - = Non illustrated part # = New this model year

September 15, 2005

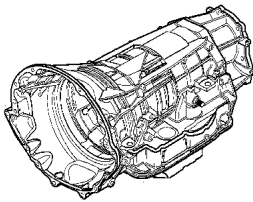
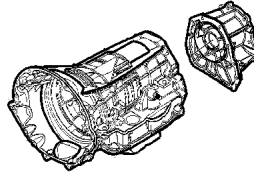
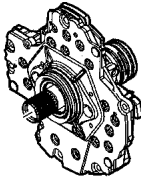
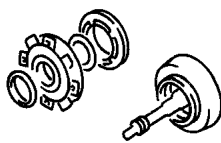
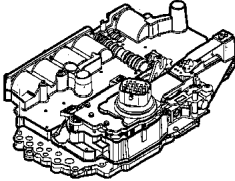
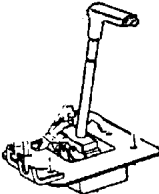
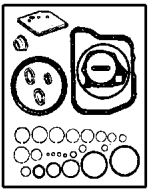
Group – 45RFE

Automatic Transmission Multi-Speed



GROUP 45RFE - Automatic Transmission Multi-Speed

Illustration Title	Group-Fig. No.
Transmission Assembly	
Transmission 45RFE [DG4]	Fig. 45RFE-110
Case and Extension	
Case and Related Parts 45RFE [DG4]	Fig. 45RFE-210
Adapter 45RFE [DG4]	Fig. 45RFE-220
Oil Pump	
Oil Pump [45RFE] [DG4]	Fig. 45RFE-310
Gear Train	
Input Clutch 45RFE [DG4]	Fig. 45RFE-410
Underdrive 45RFE [DG4]	Fig. 45RFE-420
Overdrive 45RFE [DG4]	Fig. 45RFE-430
2/4 Clutch Retainer 45RFE [DG4]	Fig. 45RFE-440
Input/Reverse Planetary 45RFE [DG4]	Fig. 45RFE-450
Reaction Annulus/Sun Gear 45RFE [DG4]	Fig. 45RFE-460
Low / Reverse Clutch [DGQ]	Fig. 45RFE-470
Valve Body	
Valve Body 45RFE [DG4]	Fig. 45RFE-710
Parking Sprag 45RFE [DG4]	Fig. 45RFE-730
Gearshift Controls	
Gearshift Controls 45RFE [DG4]	Fig. 45RFE-1210
Seal and Shim Packages	
LR Clutch 45RFE [DG4]	Fig. 45RFE-1302
Input Clutch Plate 45RFE [DG4]	Fig. 45RFE-1303
OVERHAUL 45RFE [DG4]	Fig. 45RFE-1304
Input Clutch 45RFE [DG4]	Fig. 45RFE-1305
Planetary Plate 45RFE [DG4]	Fig. 45RFE-1306
2&4 Clutch [DG4] 45RFE	Fig. 45RFE-1310

45RFE-100 Transmission Assembly 	45RFE-200 Case and Extension 	45RFE-300 Oil Pump 	45RFE-400 Gear Train 
45RFE-700 Valve Body 	45RFE-1200 Gearshift Controls 	45RFE-1300 Seal and Shim Packages 	

Transmission 45RFE [DG4]
Figure 45RFE-110

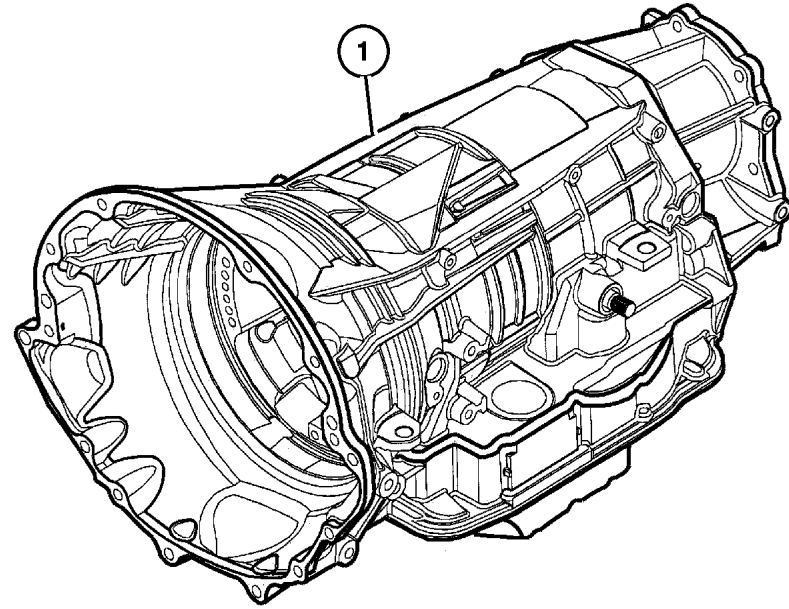
ITEM	PART NUMBER	QTY	LINE	SERIES	BODY	ENGINE	TRANS	TRIM	DESCRIPTION
------	-------------	-----	------	--------	------	--------	-------	------	-------------

NOTES: Sales Codes

[DG4] = 45RFE Multi-Speed Automatic Transmission

[EVO] = All 4.7L Gas Engines

1	5014 218AA	1	J, U			EVO	DG4		TRANSMISSION KIT, Automatic, 52119099 Transmission, Includes Converter.
---	------------	---	------	--	--	-----	-----	--	---



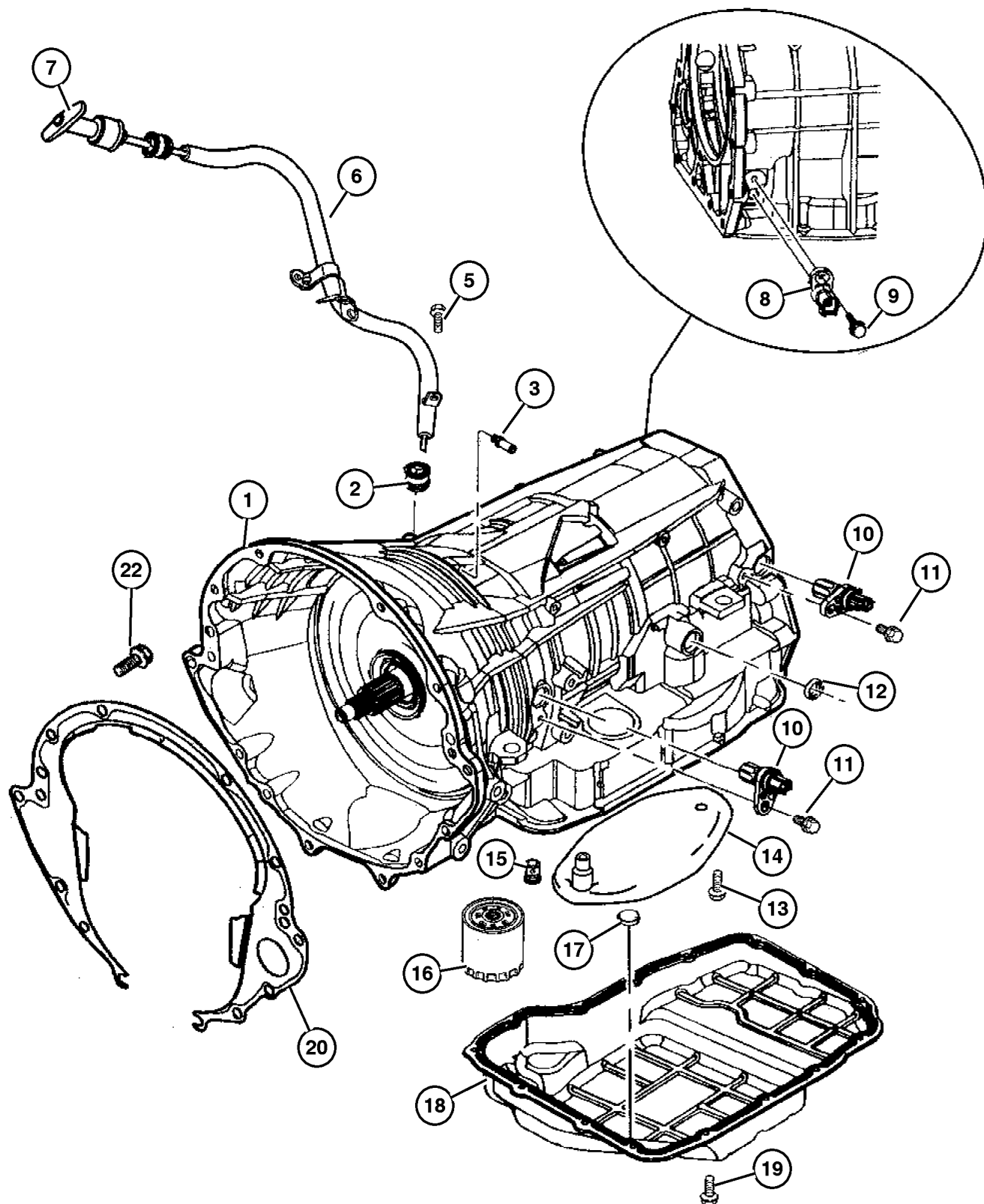
JEEP GRAND CHEROKEE (WJ)

SERIES	LINE	BODY	ENGINE	TRANSMISSION
L = Grand Cherokee	J = 4WD T = 2WD U = 4WD (RHD)	74 = 4 Door (105.9 WB)	ERH,ERO = 4.0L, Power Tech EVA,EVO = 4.7L, Power Tech EXA,EXO = 3.1L 5 cyl Turbo Diesel	DGK = 4 Speed Autm, 42RE DG4 = Multi Speed Auto 45RFE DGW = 4 Speed Autom 44RE DGO = All Automatic

AR = Use as required - = Non illustrated part # = New this model year

September 15, 2005

**Case and Related Parts 45RFE [DG4]
Figure 45RFE-210**



ITEM	PART NUMBER	QTY	LINE	SERIES	BODY	ENGINE	TRANS	TRIM	DESCRIPTION
NOTES: Sales Codes									
[DG4] = 45RFE Multi-Speed Automatic Transmission									
[EV0] = All 4.7L Gas Engines									
1	4799 613	1	J, U			EV0	DG4		CASE, Transmission
2	4810 021	1	J, U			EV0	DG4		GROMMET
3	4799 861AA	1	J, U			EV0	DG4		VENT, Transmission
-4	5210 4212	1					DG4		TUBE, Vent
5	6501 979	1					DG4		SCREW AND WASHER, Hex Head, M6x1x17
6	5210 4134	1				EV0	DG4		TUBE, Transmission Oil Filler
7	5210 4137	1					DG4		INDICATOR, Transmission Fluid Level
8	4799 758	1	J, U			EV0	DG4		TRANSDUCER, Pressure Sensor
9	6101 331	1	J, U			EV0	DG4		BOLT, M6x1.00x20
10	4799 061	2	J, U			EV0	DG4		SENSOR, Transmission Output Speed, Input/Output
11	6101 331	2	J, U			EV0	DG4		BOLT, M6x1.00x20
12	4799 346	1	J, U			EV0	DG4		SEAL
13	6503 232	1	J, U			EV0	DG4		SCREW, Pan Head, M5 x 0.8 x 12.60
14	5013 470AC	1	J, U			EV0	DG4		FILTER PACKAGE, Transmission Oil
15	4799 681	1	J, U			EV0	DG4		VALVE, Flow Control
16	4799 662	1	J, U			EV0	DG4		FILTER, Transmission Oil
17	4446 728	1	J, U			EV0	DG4		MAGNET, Transmission
18	5013 681AA	1	J, U			EV0	DG4		PAN, Transmission Oil
19	6101 221	15	J, U			EV0	DG4		SCREW
20	5210 4133	1				EV0	DG4		COVER, Transmission Dust
-21	4799 433	2	J, U			EV0	DG4		NUT, Transmission Case
22	6022 266	4				EV0	DG4		SCREW, Hex Head, .375-16x1.5, Transmission to Engine

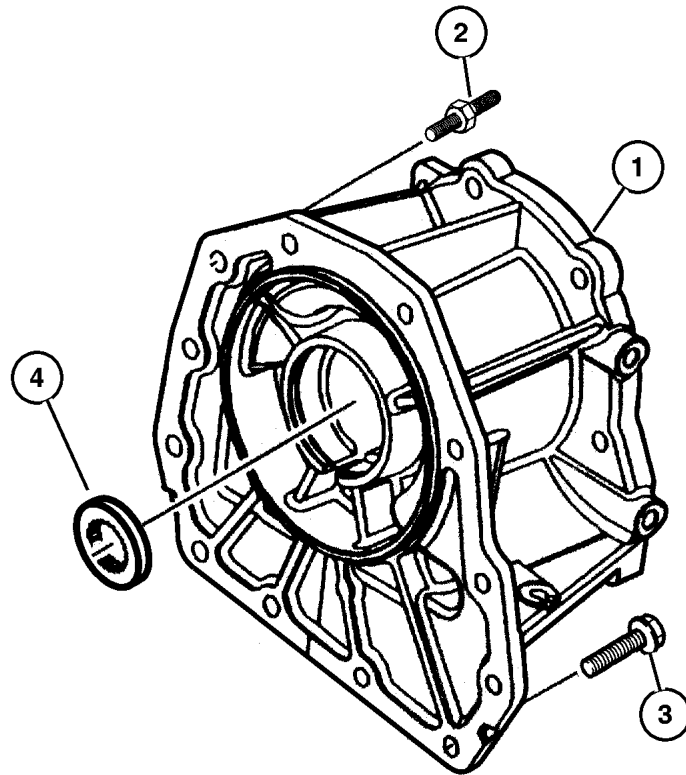
JEEP GRAND CHEROKEE (WJ)				
SERIES	LINE	BODY	ENGINE	TRANSMISSION
L = Grand Cherokee	J = 4WD T = 2WD U = 4WD (RHD)	74 = 4 Door (105.9 WB)	ERH,ERO = 4.0L, Power Tech EVA,EVO = 4.7L, Power Tech EXA,EXO = 3.1L 5 cyl Turbo Diesel	DGK = 4 Speed Autm, 42RE DG4 = Multi Speed Auto 45RFE DGW = 4 Speed Autom 44RE DGO = All Automatic

AR = Use as required - = Non illustrated part # = New this model year

September 15, 2005

Adapter 45RFE [DG4]
Figure 45RFE-220

ITEM	PART NUMBER	QTY	LINE	SERIES	BODY	ENGINE	TRANS	TRIM	DESCRIPTION
NOTES: Sales Codes									
[DG4] = 45RFE Multi-Speed Automatic Transmission									
[EVO] = All 4.7L Gas Engines									
1	5209 8690	1	J, U			EVO	DG4		ADAPTER, Transfer Case
2	6505 064AA	2	J, U			EVO	DG4		STUD, M10x1.5x62
3	6504 774	10	J, U			EVO	DG4		SCREW AND WASHER, Hex Head, M10x1.5x37
4	4167 929	1	J, U			EVO	DG4		SEAL, Input Gear

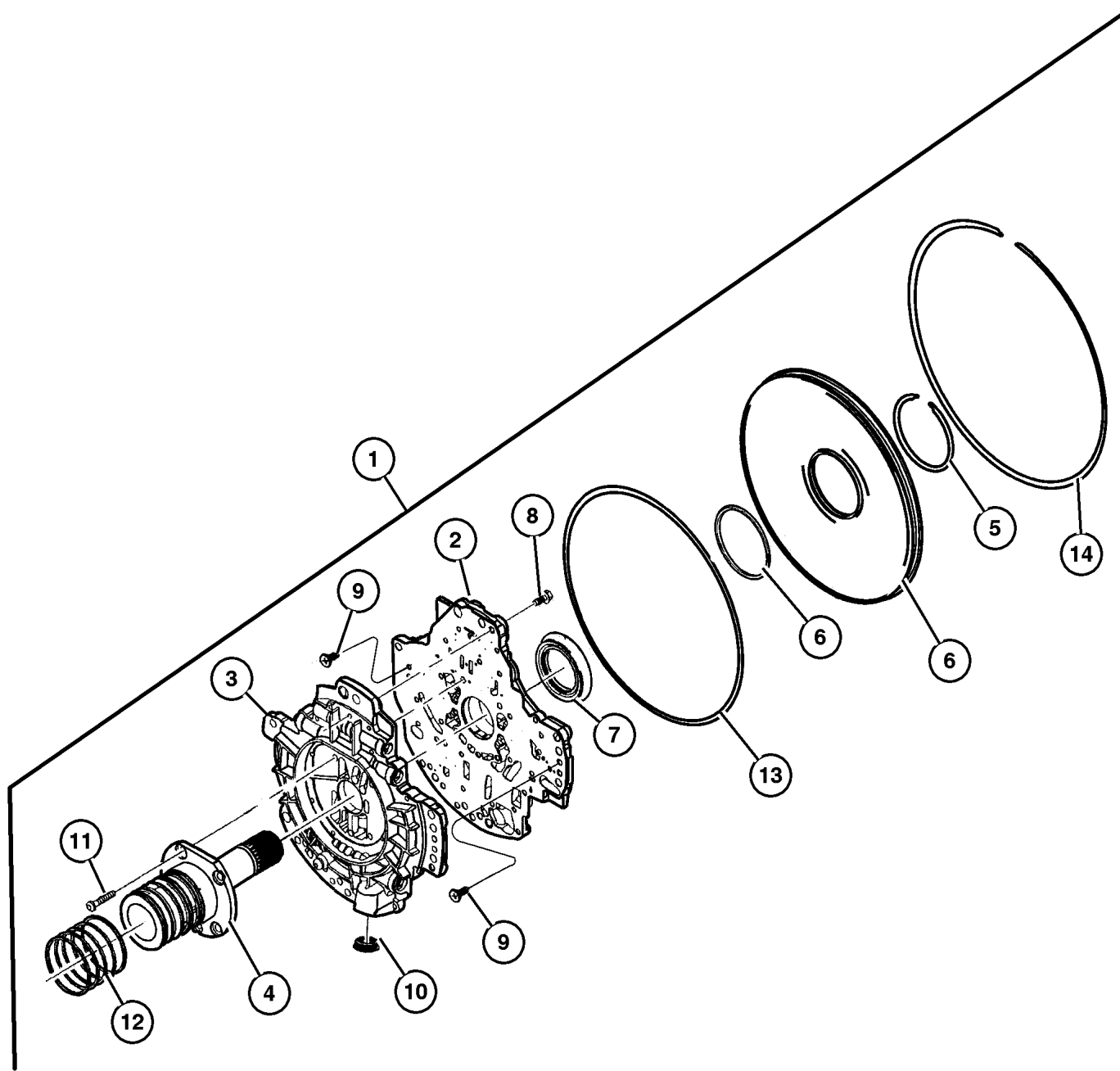


JEEP GRAND CHEROKEE (WJ)				
SERIES	LINE	BODY	ENGINE	TRANSMISSION
L = Grand Cherokee	J = 4WD T = 2WD U = 4WD (RHD)	74 = 4 Door (105.9 WB)	ERH,ERO = 4.0L, Power Tech EVA,EVO = 4.7L, Power Tech EXA,EXO = 3.1L 5 cyl Turbo Diesel	DGK = 4 Speed Autm, 42RE DG4 = Multi Speed Auto 45RFE DGW = 4 Speed Autom 44RE DGO = All Automatic

AR = Use as required - = Non illustrated part # = New this model year

September 15, 2005

Oil Pump [45RFE] [DG4]
Figure 45RFE-310



ITEM	PART NUMBER	QTY	LINE	SERIES	BODY	ENGINE	TRANS	TRIM	DESCRIPTION
1	5072 589AA	1	J, U			EVO	DG4		PUMP PACKAGE, Transmission
2									HOUSING, Pump, (NOT SERVICED) (Not Serviced)
3									BODY, Oil Pump Valve, (NOT SERVICED) (Not Serviced)
4									SUPPORT, Reaction Shaft, (NOT SERVICED) (Not Serviced)
5	4799 082	1	J, U			EVO	DG4		SNAP RING, Transmission
6	4799 609	1	J, U			EVO	DG4		COVER, Oil Pump
7	4617 919	1	J, U			EVO	DG4		SEAL, Transmission Oil Pump
8	6500 215	24	J, U			EVO	DG4		SCREW AND WASHER, Pan Head, M5x.8x25
9	6503 232	1	J, U			EVO	DG4		SCREW, Pan Head, M5 x 0.8 x 12. 60
10	4799 964AA	1	J, U			EVO	DG4		SEAL, Oil Pump
11	6504 661	5	J, U			EVO	DG4		SCREW, Button Head
12	4799 056	5	J, U			EVO	DG4		RING, Transmission
13	4799 003	1	J, U			EVO	DG4		O RING, Oil Pump, .
14	4799 005	1	J, U			EVO	DG4		SNAP RING, Transmission

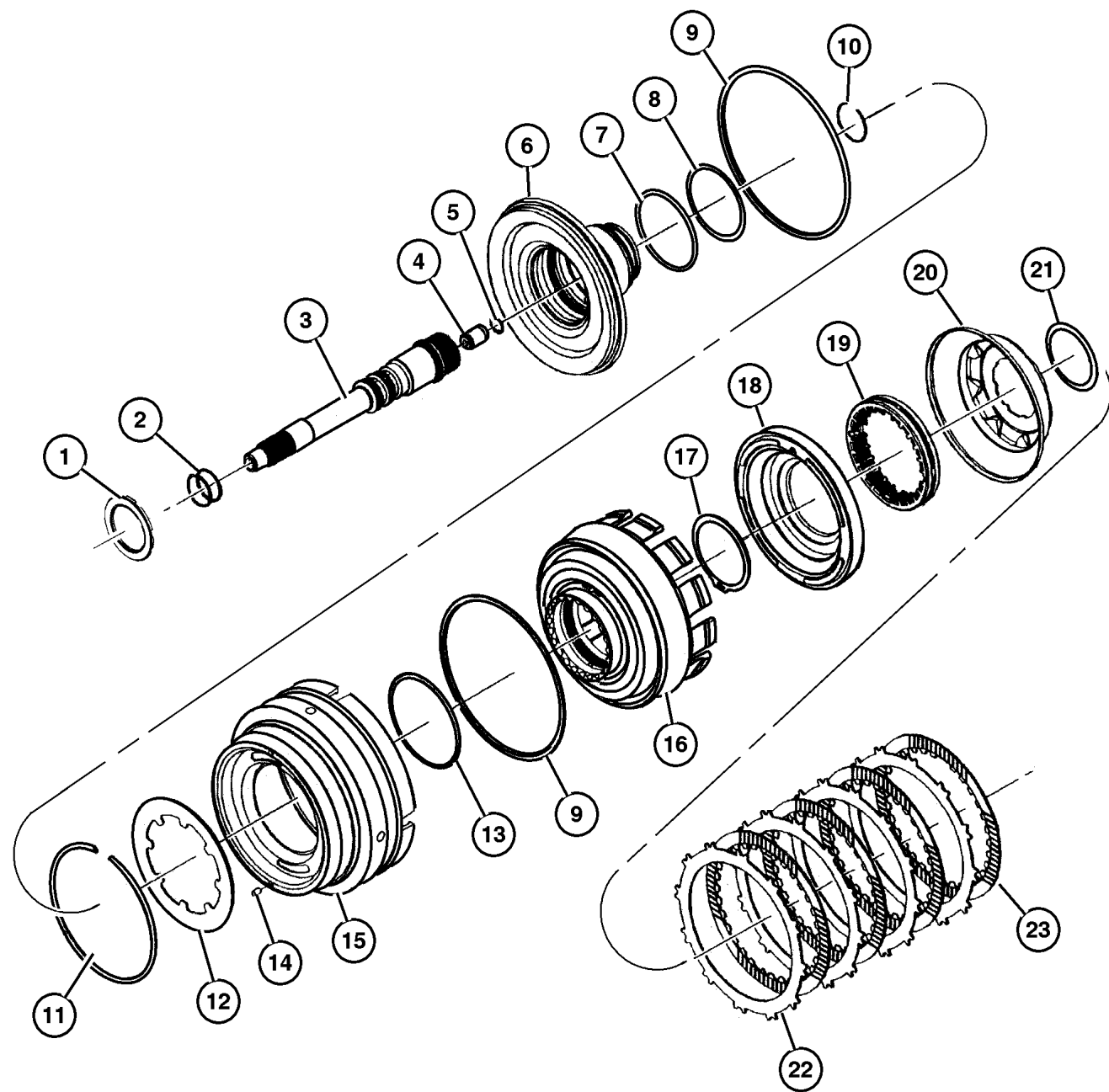
JEEP GRAND CHEROKEE (WJ)

SERIES	LINE	BODY	ENGINE	TRANSMISSION
L = Grand Cherokee	J = 4WD T = 2WD U = 4WD (RHD)	74 = 4 Door (105.9 WB)	ERH,ERO = 4.0L, Power Tech EVA,EVO = 4.7L, Power Tech EXA,EXO = 3.1L 5 cyl Turbo Diesel	DGK = 4 Speed Autm, 42RE DG4 = Multi Speed Auto 45RFE DGW = 4 Speed Autom 44RE DGO = All Automatic

AR = Use as required - = Non illustrated part # = New this model year

September 15, 2005

**Input Clutch 45RFE [DG4]
Figure 45RFE-410**



ITEM	PART NUMBER	QTY	LINE	SERIES	BODY	ENGINE	TRANS	TRIM	DESCRIPTION
NOTES: Sales Codes									
[DG4] = 45RFE Multi-Speed Automatic Transmission									
[EV0] = All 4.7L Gas Engines									
1	4799 469	1	J, U			EV0	DG4		THRUST BEARING, Needle Roller
2	4799 539	2	J, U			EV0	DG4		SEAL, Input Shaft, PKG 05013090AA
3	4799 537	1	J, U			EV0	DG4		SHAFT, Input
4	4799 974AA	1	J, U			EV0	DG4		CHECK VALVE, Transmission
5	4799 978AA	1	J, U			EV0	DG4		SNAP RING
6	4799 536AC	1	J, U			EV0	DG4		HUB, Input Clutch
7	4799 073	1	J, U			EV0	DG4		O RING, Transmission Clutch, PKG 05013090AA
8	4799 755	1	J, U			EV0	DG4		O RING, Transmission Clutch, PKG 05013090AA
9	4799 090	1	J, U			EV0	DG4		SEAL, Input
10	4799 538	1	J, U			EV0	DG4		SNAP RING, Input Shaft
11	4799 088	1	J, U			EV0	DG4		SNAP RING, Transmission
12	4799 087	1	J, U			EV0	DG4		SPRING, Piston Return
13	4799 089	1	J, U			EV0	DG4		O RING, Reverse & O/Drive Clutch Piston, Transmission, PKG 05013090AA
14	4531 903	1	J, U			EV0	DG4		FILTER, Reverse And O/D Clutch
15	4799 645	1	J, U			EV0	DG4		PISTON, Reverse and Overdrive
16	4799 648	1	J, U			EV0	DG4		RETAINER, Transmission Input Clutch
17	4799 097	1	J, U			EV0	DG4		SNAP RING
18	4799 650	1	J, U			EV0	DG4		PISTON, Underdrive
19	4799 101	1	J, U			EV0	DG4		SPRING, Undredrive Piston, PKG 05013090AA
20	4799 652	1	J, U			EV0	DG4		PISTON, Underdrive
21	4799 103	1	J, U			EV0	DG4		SNAP RING, Transmission, PKG 05013090AA
22									PLATE, PKG 05013090AA, (NOT SERVICED) (Not Serviced)
23									DISC, Clutch, PKG 05013090AA, (NOT SERVICED) (Not Serviced)

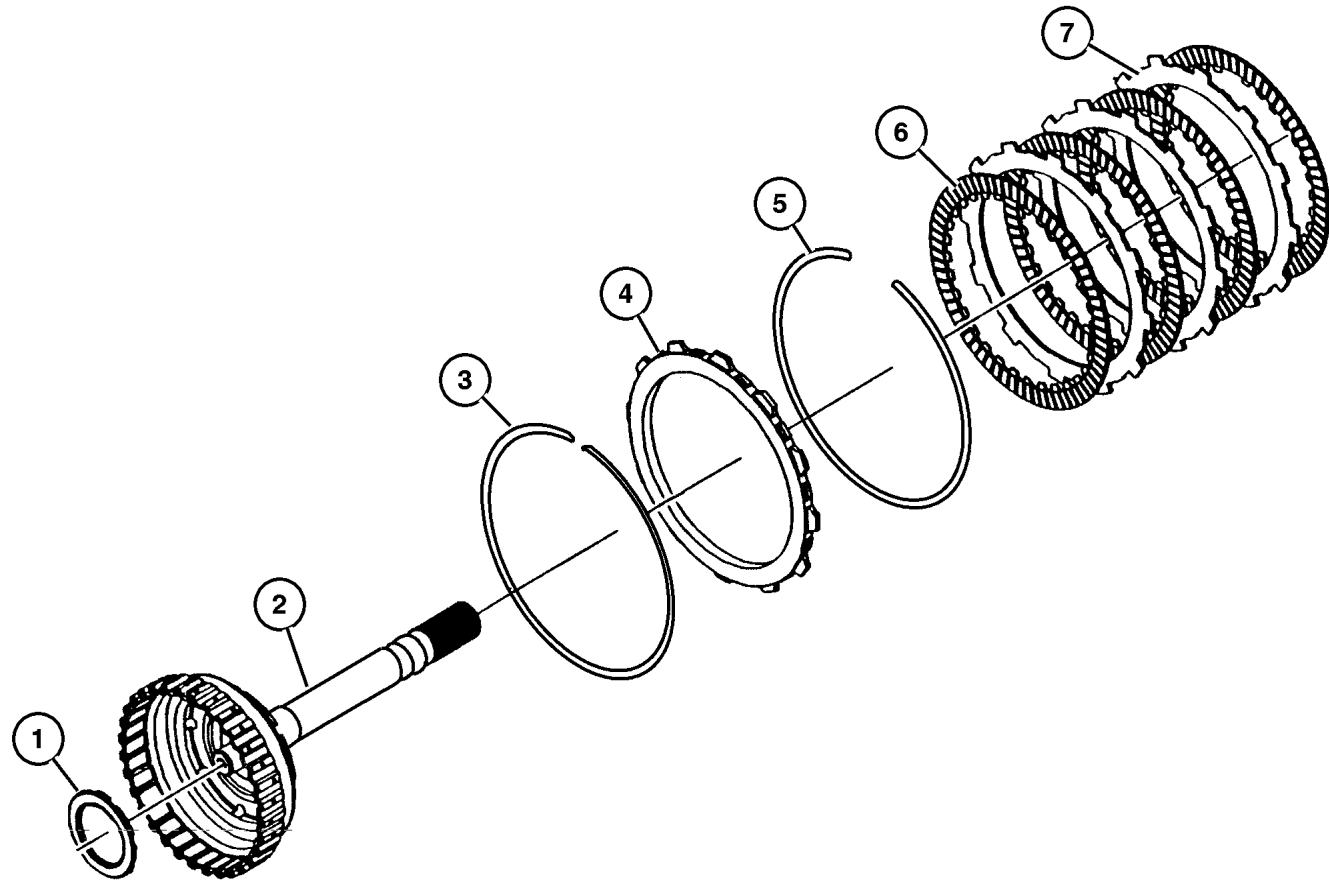
JEEP GRAND CHEROKEE (WJ)

SERIES	LINE	BODY	ENGINE	TRANSMISSION
L = Grand Cherokee	J = 4WD T = 2WD U = 4WD (RHD)	74 = 4 Door (105.9 WB)	ERH,ERO = 4.0L, Power Tech EVA,EVO = 4.7L, Power Tech EXA,EXO = 3.1L 5 cyl Turbo Diesel	DGK = 4 Speed Autm, 42RE DG4 = Multi Speed Auto 45RFE DGW = 4 Speed Autom 44RE DGO = All Automatic

AR = Use as required - = Non illustrated part # = New this model year

September 15, 2005

**Underdrive 45RFE [DG4]
Figure 45RFE-420**



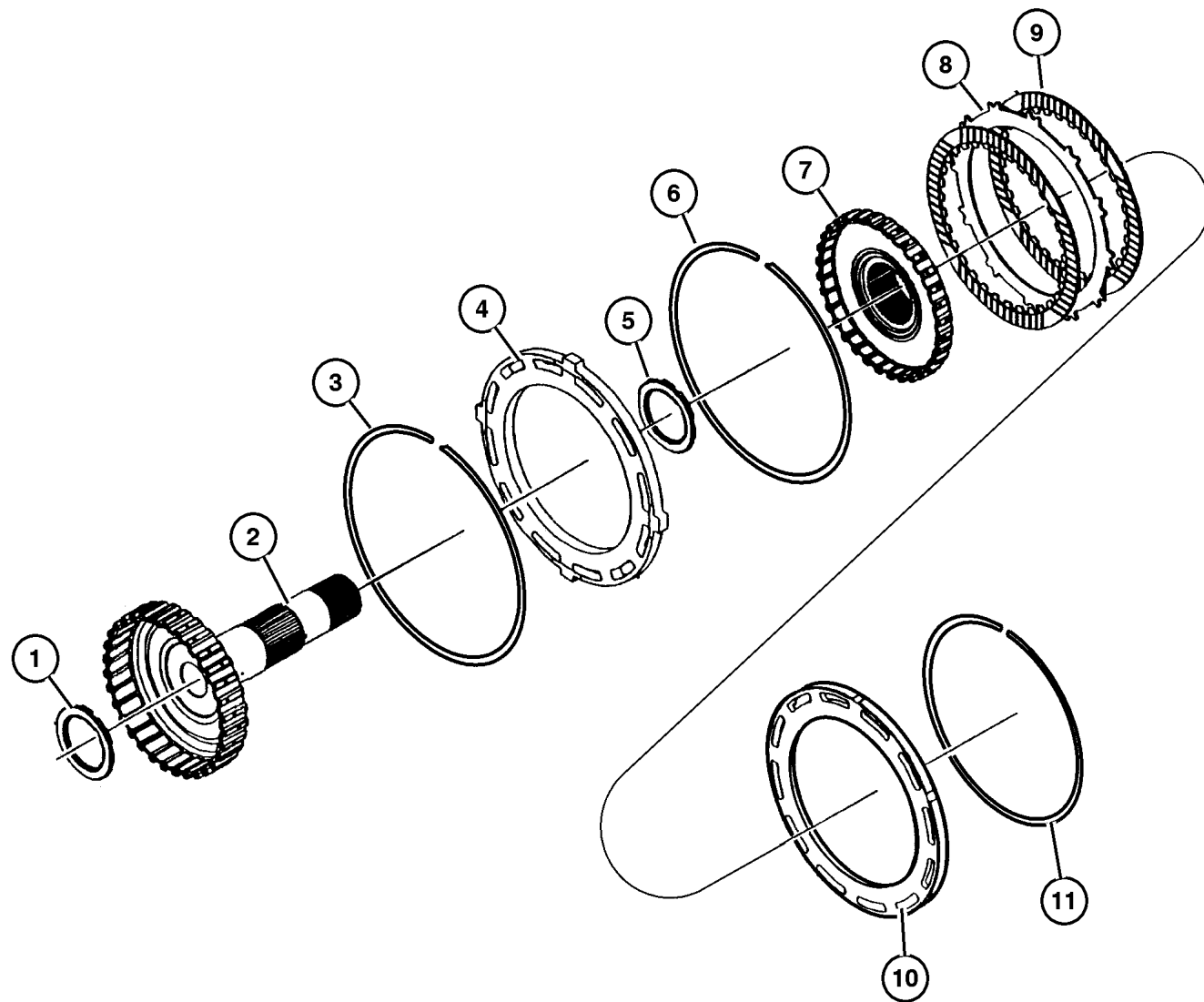
ITEM	PART NUMBER	QTY	LINE	SERIES	BODY	ENGINE	TRANS	TRIM	DESCRIPTION
NOTES: Sales Codes									
[DG4] = 45RFE Multi-Speed Automatic Transmission									
[EV0] = All 4.7L Gas Engines									
1	4799 469	1	J, U			EV0	DG4		THRUST BEARING, Needle Roller
2	4799 546	1	J, U			EV0	DG4		HUB AND SHAFT, Underdrive Clutch
3	4799 760	1	J, U			EV0	DG4		SNAP RING, Transmission
4									PLATE, Transmission Clutch Reaction
	4799 109AB	AR	J, U			EV0	DG4		3.60/3.37
	4799 107AB	AR	J, U			EV0	DG4		7.06/7.16
	4799 108AB	AR	J, U			EV0	DG4		3.05/3.21
5									SNAP RING, PKG 05013090AA, (NOT SERVICED) (Not Serviced)
6									DISC, Clutch, PKG 05013090AA, (NOT SERVICED) (Not Serviced)
7									PLATE, PKG 05013090AA, (NOT SERVICED) (Not Serviced)

JEEP GRAND CHEROKEE (WJ)				
SERIES	LINE	BODY	ENGINE	TRANSMISSION
L = Grand Cherokee	J = 4WD T = 2WD U = 4WD (RHD)	74 = 4 Door (105.9 WB)	ERH,ERO = 4.0L, Power Tech EVA,EVO = 4.7L, Power Tech EXA,EXO = 3.1L 5 cyl Turbo Diesel	DGK = 4 Speed Autm, 42RE DG4 = Multi Speed Auto 45RFE DGW = 4 Speed Autom 44RE DGO = All Automatic

AR = Use as required - = Non illustrated part # = New this model year

September 15, 2005

Overdrive 45RFE [DG4]
Figure 45RFE-430



ITEM	PART NUMBER	QTY	LINE	SERIES	BODY	ENGINE	TRANS	TRIM	DESCRIPTION
NOTES: Sales Codes									
[DG4] = 45RFE Multi-Speed Automatic Transmission									
[EV0] = All 4.7L Gas Engines									
1	4799 469	1	J, U			EV0	DG4		THRUST BEARING, Needle Roller
2	4799 550	1	J, U			EV0	DG4		HUB AND SHAFT, Overdrive Clutch
3	4799 118	1	J, U			EV0	DG4		SNAP RING, Overdrive Clutch
4	4799 116	1	J, U			EV0	DG4		PLATE, Clutch Pressure
5	4799 469	1	J, U			EV0	DG4		THRUST BEARING, Needle Roller
6	4799 117	1	J, U			EV0	DG4		SNAP RING, Transmission
7	4799 556	1	J, U			EV0	DG4		HUB AND SHAFT, Reverse Clutch
8									PLATE, PKG 05013090AA, (NOT SERVICED) (Not Serviced)
9									DISC, Clutch, PKG 05013090AA, (NOT SERVICED) (Not Serviced)
10	4799 121	1	J, U			EV0	DG4		PLATE, Transmission Clutch Reaction
11									SNAP RING, PKG 05013090AA, (NOT SERVICED) (Not Serviced)

JEEP GRAND CHEROKEE (WJ)				
SERIES	LINE	BODY	ENGINE	TRANSMISSION
L = Grand Cherokee	J = 4WD T = 2WD U = 4WD (RHD)	74 = 4 Door (105.9 WB)	ERH,ERO = 4.0L, Power Tech EVA,EVO = 4.7L, Power Tech EXA,EXO = 3.1L 5 cyl Turbo Diesel	DGK = 4 Speed Autm, 42RE DG4 = Multi Speed Auto 45RFE DGW = 4 Speed Autom 44RE DGO = All Automatic

AR = Use as required - = Non illustrated part # = New this model year

September 15, 2005

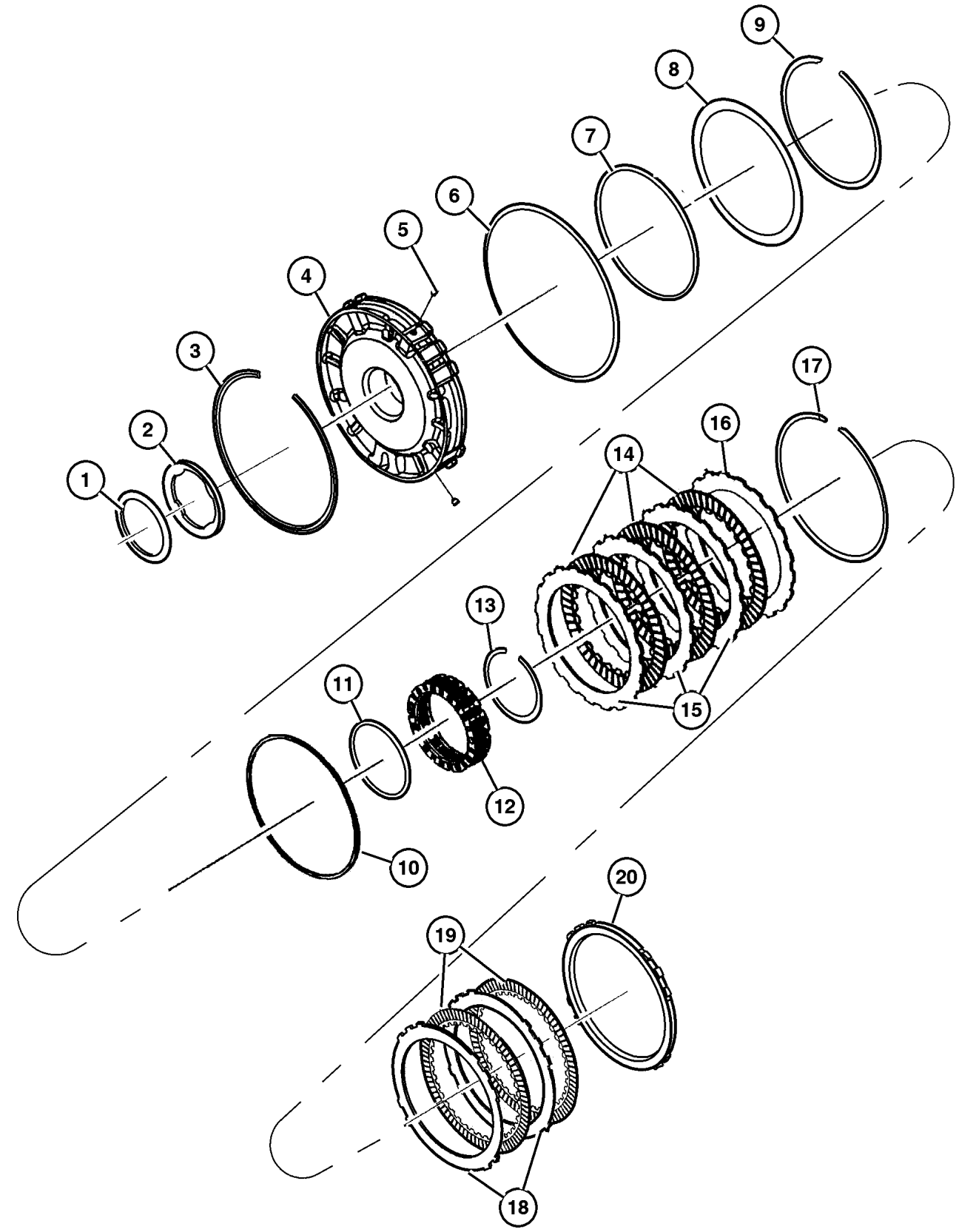
**2/4 Clutch Retainer 45RFE [DG4]
Figure 45RFE-440**

ITEM	PART NUMBER	QTY	LINE	SERIES	BODY	ENGINE	TRANS	TRIM	DESCRIPTION
NOTES: Sales Codes									
[DG4] = 45RFE Multi-Speed Automatic Transmission									
[EV0] = All 4.7L Gas Engines									
1	4799 936AB	1	J, U			EV0	DG4		THRUST BEARING, Needle Roller PLATE, Clutch Hub Thrust, PKG 05013093AB, (NOT SERVICED) (Not Serviced)
2									
3	4799 680	1	J, U			EV0	DG4		SNAP RING, Transmission
4	4799 498	1	J, U			EV0	DG4		RETAINER, Transmission 2nd and 4th Clutch Piston
5	4799 086	2	J, U			EV0	DG4		BLEED ORIFICE, Transmission
6	4799 174	1	J, U			EV0	DG4		SNAP RING, Transmission
7									RING, PKG 05013093AB, (NOT SERVICED) (Not Serviced)
8	4799 521	1	J, U			EV0	DG4		SPRING, 2nd And 4th Clutch Piston
9	4799 522	1	J, U			EV0	DG4		SNAP RING, Transmission
10									RING, PKG 05013093AB, (NOT SERVICED) (Not Serviced)
11									RING, PKG 05013093AB, (NOT SERVICED) (Not Serviced)
12	4799 527	1	J, U			EV0	DG4		SPRING, 2nd And 4th Clutch Piston
13	4799 528AB	1	J, U			EV0	DG4		SNAP RING, Transmission
14									DISC, Clutch, PKG 05013087AA, (NOT SERVICED) (Not Serviced)
15									PLATE, Clutch Separator, PKG 05013087AA, (NOT SERVICED) (Not Serviced)
16	4799 533	1	J, U			EV0	DG4		PLATE, Transmission Clutch Reaction
17									SNAP RING, Transmission, PKG 05013087AA, (NOT SERVICED) (Not Serviced)
18									PLATE, PKG 05013087AA, (NOT SERVICED) (Not Serviced)
19									DISC, Clutch, PKG 05013087AA, (NOT SERVICED) (Not Serviced)
20									PLATE, PKG 05013087AA, (NOT SERVICED) (Not Serviced)

JEEP GRAND CHEROKEE (WJ)				
SERIES	LINE	BODY	ENGINE	TRANSMISSION
L = Grand Cherokee	J = 4WD T = 2WD U = 4WD (RHD)	74 = 4 Door (105.9 WB)	ERH,ERO = 4.0L, Power Tech EVA,EVO = 4.7L, Power Tech EXA,EXO = 3.1L 5 cyl Turbo Diesel	DGK = 4 Speed Autm, 42RE DG4 = Multi Speed Auto 45RFE DGW = 4 Speed Autom 44RE DGO = All Automatic

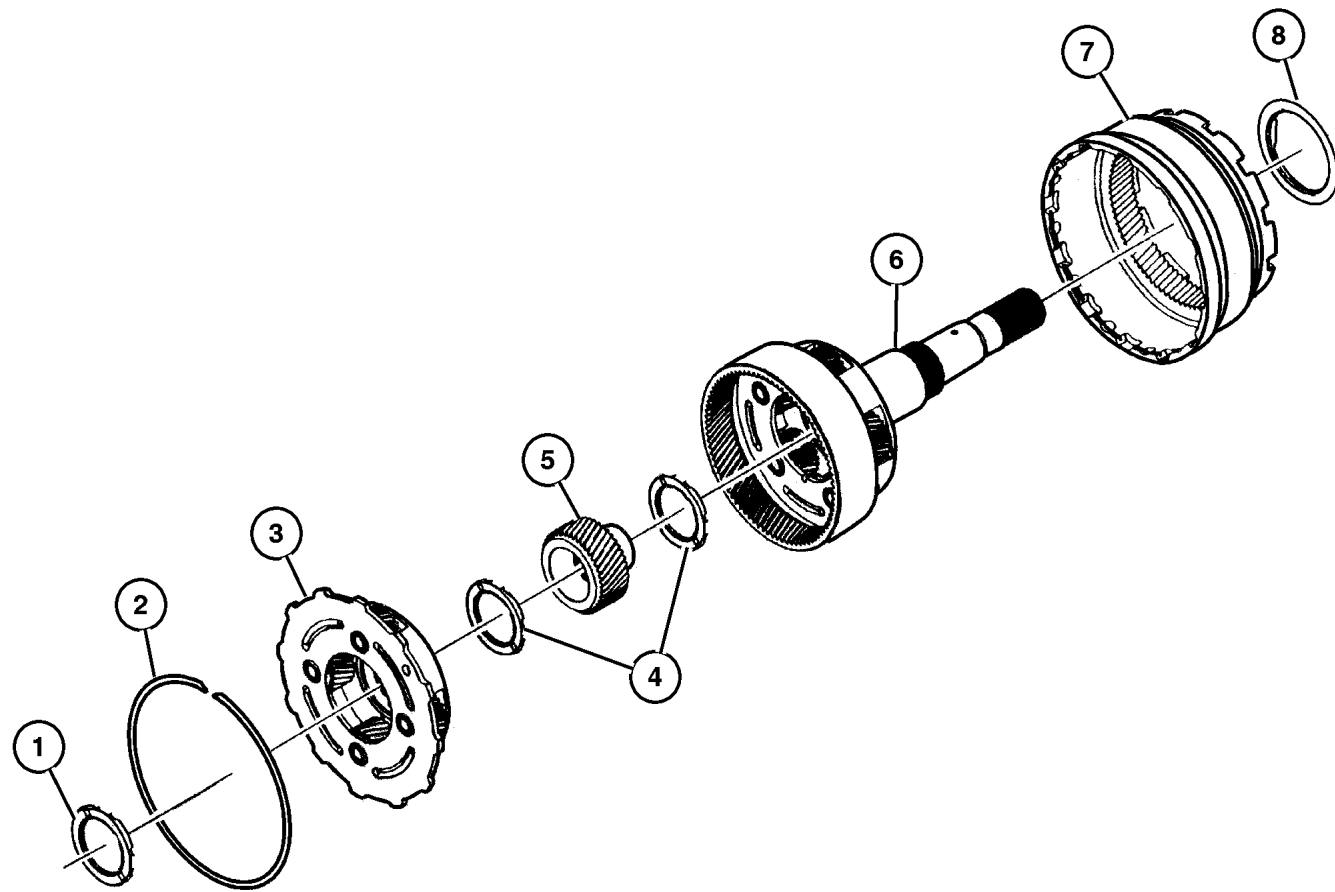
AR = Use as required - = Non illustrated part # = New this model year

September 15, 2005



**Input/Reverse Planetary 45RFE [DG4]
Figure 45RFE-450**

ITEM	PART NUMBER	QTY	LINE	SERIES	BODY	ENGINE	TRANS	TRIM	DESCRIPTION
NOTES: Sales Codes									
[DG4] = 45RFE Multi-Speed Automatic Transmission									
[EV0] = All 4.7L Gas Engines									
1	4799 469	1	J, U			EV0	DG4		THRUST BEARING, Needle Roller
2	4799 247	1	J, U			EV0	DG4		SNAP RING
3	5134 382AA	1	J, U			EV0	DG4		REVERSE CARRIER KIT
4									THRUST BEARING, Needle Roller
	4799 469	1	J, U			EV0	DG4		#10
		1	J, U			EV0	DG4		#11
5	4799 586	1	J, U			EV0	DG4		GEAR, Input Sun
6	5135 165AA	1	J, U			EV0	DG4		INPUT CARRIER KIT
7	4799 501	1	J, U			EV0	DG4		GEAR, Annulus
8	4799 459	1	J, U			EV0	DG4		THRUST BEARING, Needle Roller, #12



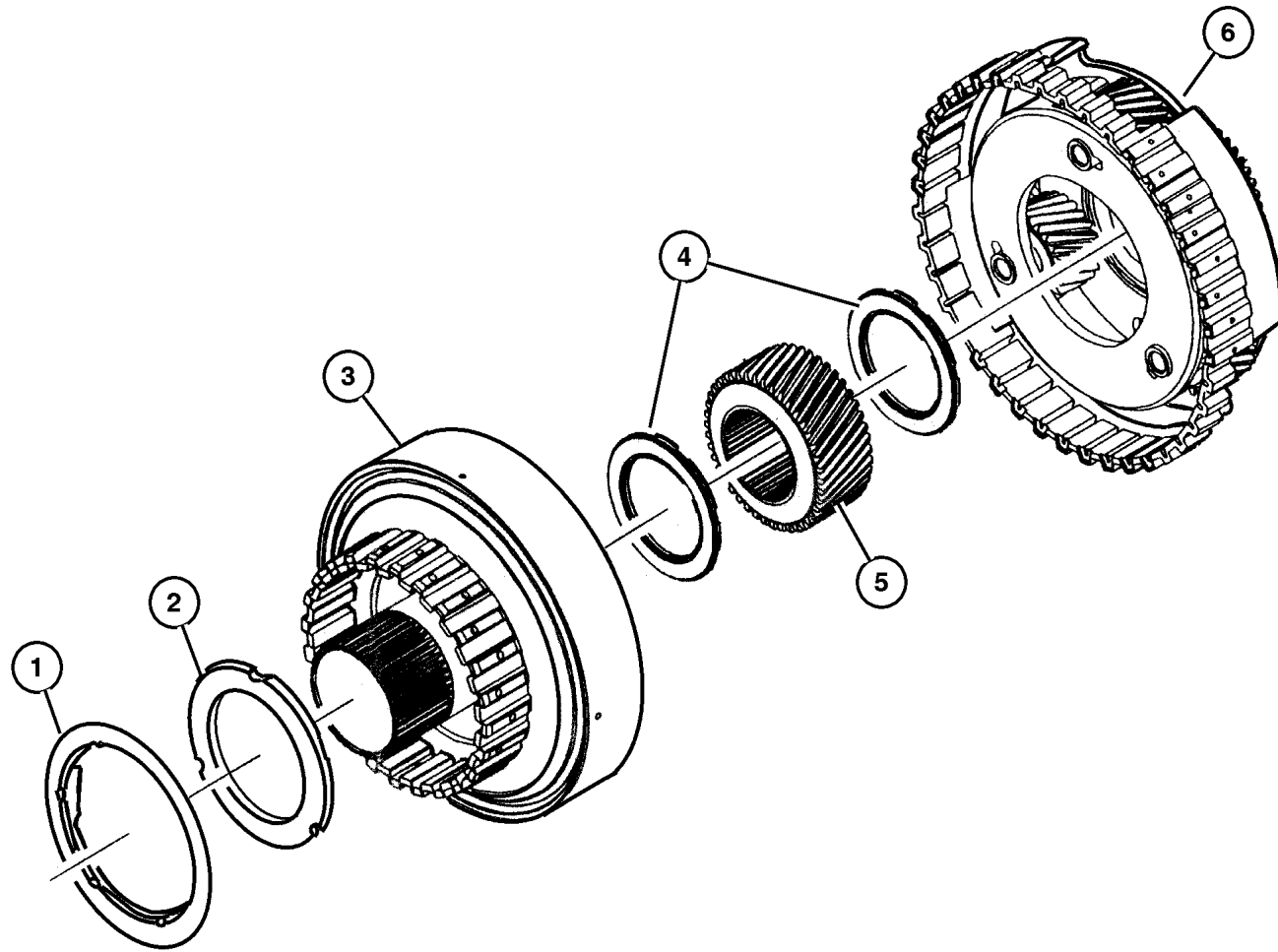
JEEP GRAND CHEROKEE (WJ)				
SERIES	LINE	BODY	ENGINE	TRANSMISSION
L = Grand Cherokee	J = 4WD T = 2WD U = 4WD (RHD)	74 = 4 Door (105.9 WB)	ERH,ERO = 4.0L, Power Tech EVA,EVO = 4.7L, Power Tech EXA,EXO = 3.1L 5 cyl Turbo Diesel	DGK = 4 Speed Autm, 42RE DG4 = Multi Speed Auto 45RFE DGW = 4 Speed Autom 44RE DGO = All Automatic

AR = Use as required - = Non illustrated part # = New this model year

September 15, 2005

**Reaction Annulus/Sun Gear 45RFE [DG4]
Figure 45RFE-460**

ITEM	PART NUMBER	QTY	LINE	SERIES	BODY	ENGINE	TRANS	TRIM	DESCRIPTION
NOTES: Sales Codes									
[DG4] = 45RFE Multi-Speed Automatic Transmission									
[EVO] = All 4.7L Gas Engines									
1	4799 459	1	J, U			EVO	DG4		THRUST BEARING, Needle Roller
2									THRUST WASHER, Planetary Carrier, PKG 05013092AA, (NOT SERVICED) (Not Serviced)
3	4799 604	1	J, U			EVO	DG4		GEAR, Annulus
4	4799 469	1	J, U			EVO	DG4		THRUST BEARING, Needle Roller
5	4799 602	1	J, U			EVO	DG4		GEAR, Reaction Sun
6	4799 619	1	J, U			EVO	DG4		CARRIER, Reaction Complete



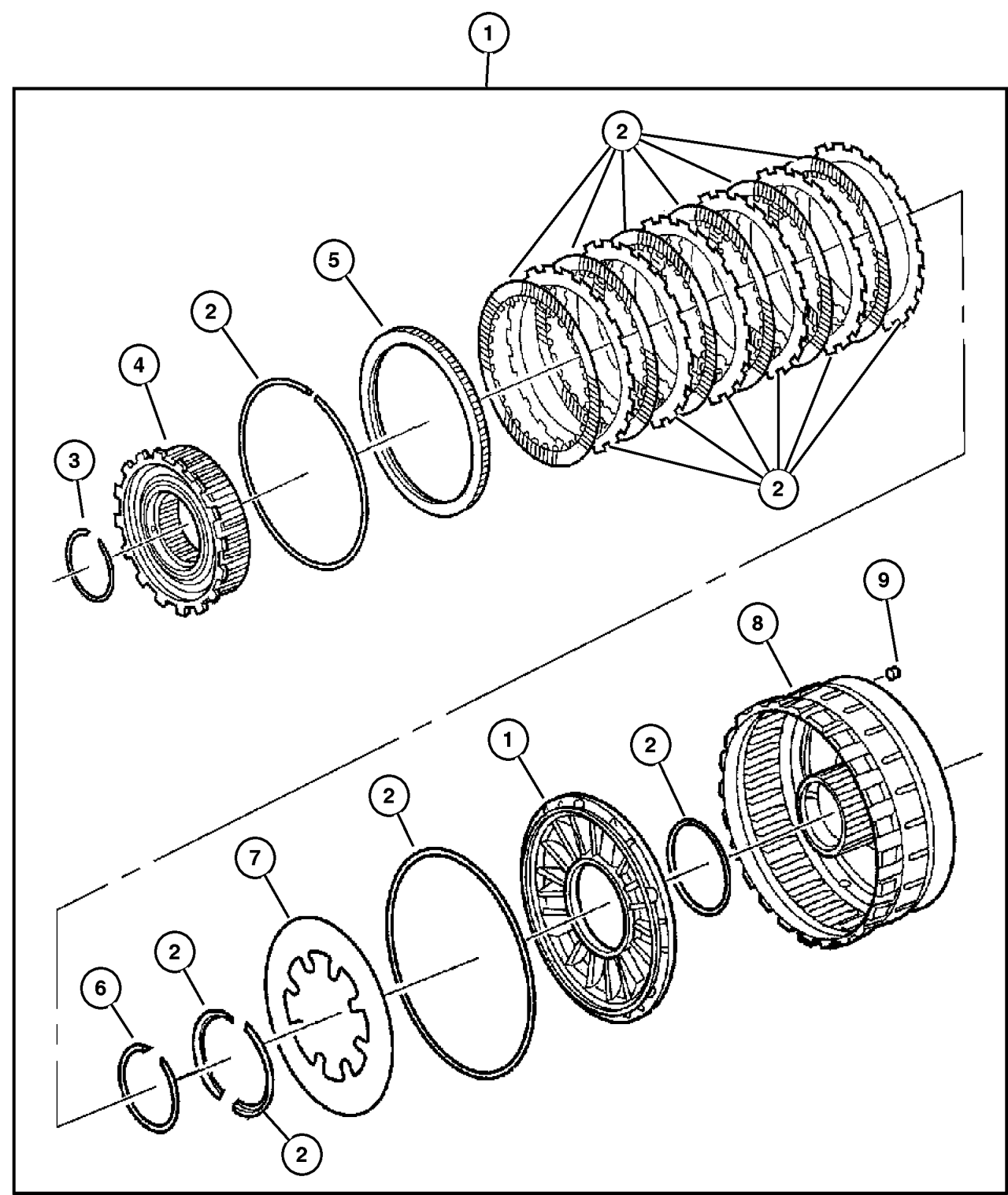
JEEP GRAND CHEROKEE (WJ)				
SERIES	LINE	BODY	ENGINE	TRANSMISSION
L = Grand Cherokee	J = 4WD T = 2WD U = 4WD (RHD)	74 = 4 Door (105.9 WB)	ERH,ERO = 4.0L, Power Tech EVA,EVO = 4.7L, Power Tech EXA,EXO = 3.1L 5 cyl Turbo Diesel	DGK = 4 Speed Autm, 42RE DG4 = Multi Speed Auto 45RFE DGW = 4 Speed Autom 44RE DGO = All Automatic

AR = Use as required - = Non illustrated part # = New this model year

September 15, 2005

Low / Reverse Clutch [DGQ]
Figure 45RFE-470

ITEM	PART NUMBER	QTY	LINE	SERIES	BODY	ENGINE	TRANS	TRIM	DESCRIPTION
1	4799 457	1	J, U			EVO	DG4		CLUTCH, L/R Clutch
2	5013 091AA	1	J, U			EVO	DG4		CLUTCH PACKAGE, Automatic Transmission, Low/Reverse
3	4799 863AA	1	J, U			EVO	DG4		SNAP RING
4	4799 465	1	J, U			EVO	DG4		CLUTCH, Overrunning
5	4799 667	1	J, U			EVO	DG4		PLATE, Transmission Clutch Reaction
6	4799 863AA	1	J, U			EVO	DG4		SNAP RING
7	4799 640	1	J, U			EVO	DG4		SPRING, Low/Reverse Clutch Piston
8	4799 635	1	J, U			EVO	DG4		RETAINER, Clutch
9	4799 086	1	J, U			EVO	DG4		BLEED ORIFICE, Transmission



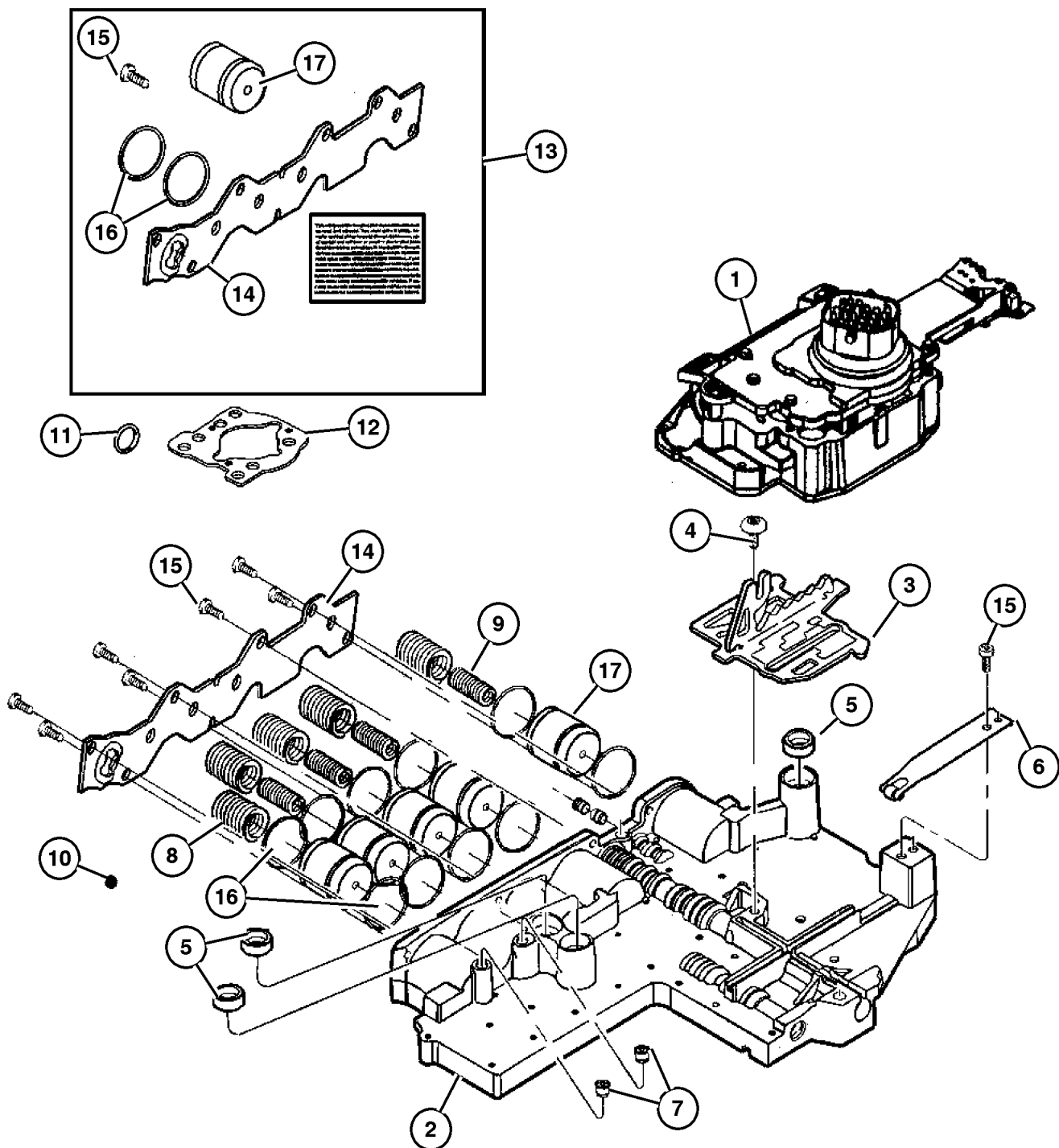
JEEP GRAND CHEROKEE (WJ)
 SERIES L = Grand Cherokee
 LINE J = 4WD, T = 2WD, U = 4WD (RHD)
 BODY 74 = 4 Door (105.9 WB)
 ENGINE ERH,ERO = 4.0L, Power Tech; EVA,EVO = 4.7L, Power Tech; EXA,EXO = 3.1L 5 cyl Turbo Diesel
 TRANSMISSION DGK = 4 Speed Autm, 42RE; DG4 = Multi Speed Auto 45RFE; DGW = 4 Speed Autom 44RE; DGO = All Automatic

AR = Use as required - = Non illustrated part # = New this model year

September 15, 2005

Valve Body 45RFE [DG4]
Figure 45RFE-710

ITEM	PART NUMBER	QTY	LINE	SERIES	BODY	ENGINE	TRANS	TRIM	DESCRIPTION
NOTES: Sales Codes									
[DG4] = 45RFE Multi-Speed Automatic Transmission									
[EV0] = All 4.7L Gas Engines									
1	4799 934AB	1	J, U			EV0	DG4		SOLENOID, Transmission
2	4799 588	1	J, U			EV0	DG4		VALVE BODY, Transfer Plate and Valve
3	4799 654AB	1	J, U			EV0	DG4		PLATE, Manual Valve Cam
4	6501 710	1	J, U			EV0	DG4		SCREW, Shoulder/Truss, M5x.8x12.5
5	4799 778	3	J, U			EV0	DG4		SEAL, Clutch Feed
6	4799 593	1	J, U			EV0	DG4		DETENT, Valve Body
7	4799 086	2	J, U			EV0	DG4		BLEED ORIFICE, Transmission
8	4471 880	5	J, U			EV0	DG4		SPRING, Accumulator
9	4567 575	4	J, U			EV0	DG4		SPRING, Accumulator
10	4446 602	7	J, U			EV0	DG4		BALL, Check
11	6505 335AA	1	J, U			EV0	DG4		O RING, Control Valve
12	4799 986AA	1	J, U			EV0	DG4		SEAL, Insulator
13	5174 633AA	1	J, U			EV0	DG4		ACCUMULATOR KIT, Accumulator Cover
14	4799 598AB	1	J, U			EV0	DG4		COVER, Accumulator
15	6503 232	7	J, U			EV0	DG4		SCREW, Pan Head, M5 x 0.8 x 12.60
16	4446 544	10	J, U			EV0	DG4		SEAL, Accumulator
17	4446 620	5	J, U			EV0	DG4		PISTON, 2nd and 4th Accumulator



JEEP GRAND CHEROKEE (WJ)				
SERIES	LINE	BODY	ENGINE	TRANSMISSION
L = Grand Cherokee	J = 4WD T = 2WD U = 4WD (RHD)	74 = 4 Door (105.9 WB)	ERH,ERO = 4.0L, Power Tech EVA,EVO = 4.7L, Power Tech EXA,EXO = 3.1L 5 cyl Turbo Diesel	DGK = 4 Speed Autm, 42RE DG4 = Multi Speed Auto 45RFE DGW = 4 Speed Autom 44RE DGO = All Automatic

AR = Use as required - = Non illustrated part # = New this model year

September 15, 2005

**Parking Sprag 45RFE [DG4]
Figure 45RFE-730**

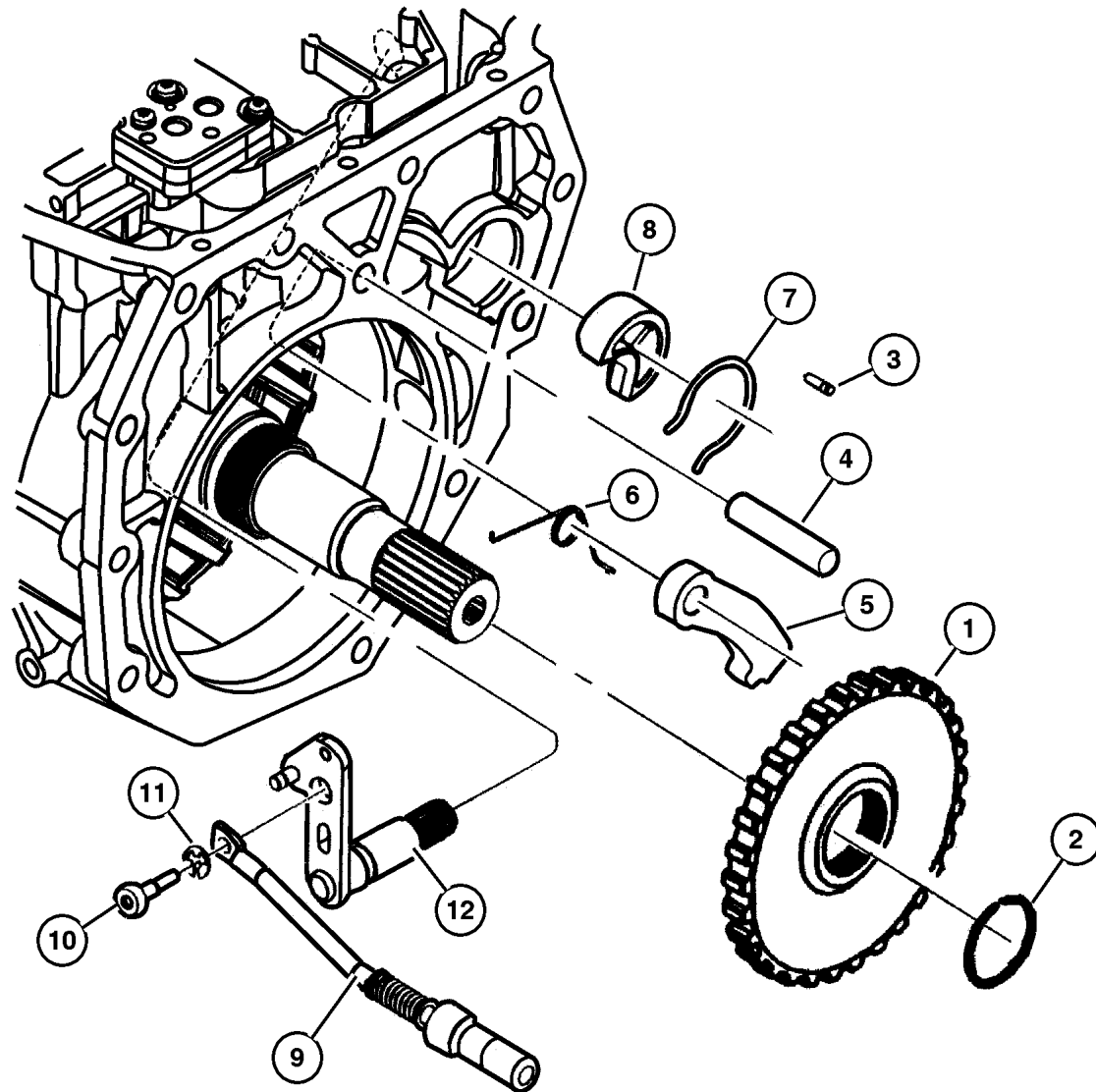
ITEM	PART NUMBER	QTY	LINE	SERIES	BODY	ENGINE	TRANS	TRIM	DESCRIPTION
------	-------------	-----	------	--------	------	--------	-------	------	-------------

NOTES: Sales Codes

[DG4] = 45RFE Multi-Speed Automatic Transmission

[EV0] = All 4.7L Gas Engines

1	4799 493	1	J, U			EV0	DG4		SPRAG, Transmission Parking
2	4799 704	1	J, U			EV0	DG4		SNAP RING, Transmission
3	0456 636	1	J, U			EV0	DG4		PIN
4	4799 450	1	J, U			EV0	DG4		SHAFT, Parking Pawl
5	4799 744AB	1	J, U			EV0	DG4		PAWL, Parking Sprag
6	4799 451	1	J, U			EV0	DG4		SPRING, Torsion
7	4799 313	1	J, U			EV0	DG4		SNAP RING
8	4799 774	1	J, U			EV0	DG4		GUIDE, Parking Sprag Pawl
9	4799 611	1	J, U			EV0	DG4		ROD, Parking Sprag
10	6504 548	1	J, U			EV0	DG4		SCREW, M6x1x30
11	6035 256	1	J, U			EV0	DG4		SNAP RING, Rod
12	4799 453	1	J, U			EV0	DG4		LEVER, Shift Shaft



JEEP GRAND CHEROKEE (WJ)

SERIES	LINE	BODY	ENGINE	TRANSMISSION
L = Grand Cherokee	J = 4WD T = 2WD U = 4WD (RHD)	74 = 4 Door (105.9 WB)	ERH,ERO = 4.0L, Power Tech EVA,EVO = 4.7L, Power Tech EXA,EXO = 3.1L 5 cyl Turbo Diesel	DGK = 4 Speed Autm, 42RE DG4 = Multi Speed Auto 45RFE DGW = 4 Speed Autom 44RE DGO = All Automatic

AR = Use as required - = Non illustrated part # = New this model year

September 15, 2005

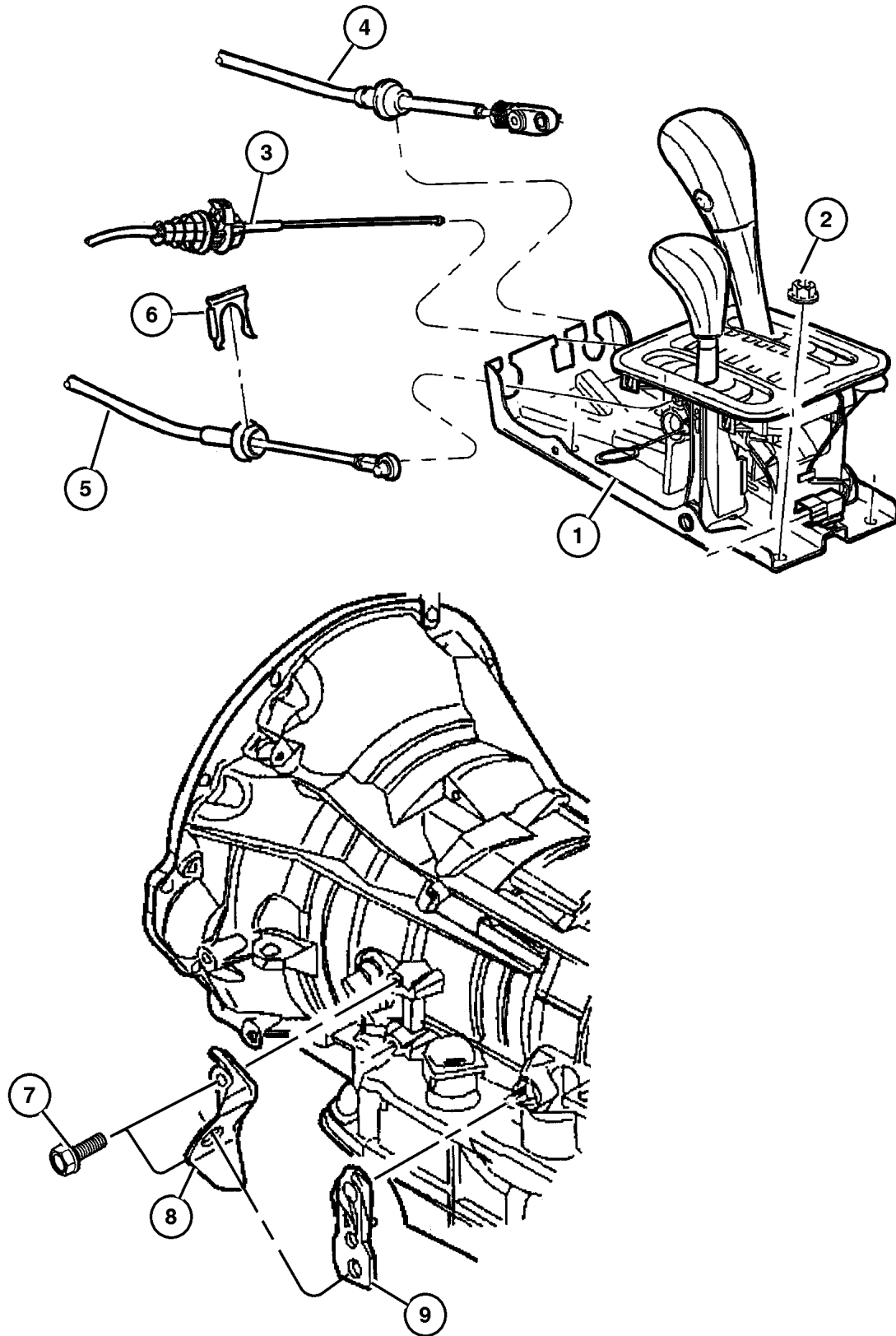
**Gearshift Controls 45RFE [DG4]
Figure 45RFE-1210**

ITEM	PART NUMBER	QTY	LINE	SERIES	BODY	ENGINE	TRANS	TRIM	DESCRIPTION
------	-------------	-----	------	--------	------	--------	-------	------	-------------

NOTES: Sales Codes

[DG0] = All Automatic Transmissions

1									HOUSING AND LEVER, Shifter
	5210 4151	1	J				DG0		With [DHF] Without [DSB], Left
	5210 4152	1	U				DG0		With [DHF] Without [DSB], Right
	52104 374AA	1	J				DG0		With [DHF] With [DSB], Left
	52104 375AA	1	U				DG0		With [DHF] With [DSB], Right
2	6101 695	4					DG0		NUT, Hex Flange Lock, M8x1.25
3	5210 4054	1					DG0		CABLE, Park Interlock
4	5210 4060	1					DG0		CABLE, Gearshift Control
5	5210 4218	1	J, U				DG0		CABLE, Gearshift Control
6	4269 830	2	J, U						CLIP, Cable
7	6101 758	2					DG4		SCREW, Hex Head, M8x1.25x20
8	5210 4176	1					DG4		BRACKET, Shift Cable
9	5210 4177	1					DG4		LEVER, Manual Control



JEEP GRAND CHEROKEE (WJ)

SERIES	LINE	BODY	ENGINE	TRANSMISSION
L = Grand Cherokee	J = 4WD T = 2WD U = 4WD (RHD)	74 = 4 Door (105.9 WB)	ERH,ERO = 4.0L, Power Tech EVA,EVO = 4.7L, Power Tech EXA,EXO = 3.1L 5 cyl Turbo Diesel	DGK = 4 Speed Autm, 42RE DG4 = Multi Speed Auto 45RFE DGW = 4 Speed Autom 44RE DGO = All Automatic

AR = Use as required - = Non illustrated part # = New this model year

September 15, 2005

LR Clutch 45RFE [DG4]
Figure 45RFE-1302

LR CLUTCH PACKAGE 05013091aa

	D-ring, external (L/R piston outer)
	D-ring, internal (L/R piston inner)
(6)	Plate, clutch separator (1.74mm thk)
(6)	Disc assy, clutch (L/R)
	Snap ring, flat (1.5/1.6 thk)
	Snap ring, flat (2.03/2.13 thk)
	Snap ring, flat (2.54/2.68 thk)
(2)	Retainer, c-clip

1

ITEM	PART NUMBER	QTY	LINE	SERIES	BODY	ENGINE	TRANS	TRIM	DESCRIPTION
------	-------------	-----	------	--------	------	--------	-------	------	-------------

NOTES: Sales Codes

[DG4] = 45RFE Multi-Speed Automatic Transmission

[EVO] = All 4.7L Gas Engines

1	5013 091AA	1	J, U			EVO	DG4		CLUTCH PACKAGE, Automatic Transmission, Low/Reverse
---	------------	---	------	--	--	-----	-----	--	---

JEEP GRAND CHEROKEE (WJ)

SERIES	LINE	BODY	ENGINE	TRANSMISSION
L = Grand Cherokee	J = 4WD T = 2WD U = 4WD (RHD)	74 = 4 Door (105.9 WB)	ERH,ERO = 4.0L, Power Tech EVA,EVO = 4.7L, Power Tech EXA,EXO = 3.1L 5 cyl Turbo Diesel	DGK = 4 Speed Autm, 42RE DG4 = Multi Speed Auto 45RFE DGW = 4 Speed Autom 44RE DGO = All Automatic

AR = Use as required - = Non illustrated part # = New this model year

September 15, 2005

**OVERHAUL 45RFE [DG4]
Figure 45RFE-1304**

O/H seal/gasket package

05014221ac

1

	2&4 clutch package	
	Input clutch package	
	L/R clutch package	
	Sump filter & seal package	
	Cooler filter	
	fill tube sea	
	Frt pmp cover o-ring/seal assy	
	Rotating shaft seal,pmp hsg	
	Adapter seal, 4x4	
	Extension seal,4x2	
	Manual lever seal	
(2)	Speed sensor seal	
	Reaction supt ring seal	
	Rev O/D clutch filter	
(10)	Accumulator ring seal	
(3)	Valve body seal	
	Check valve o-ring	
	Solenoid insulator seal	
	T/C seal	

ITEM	PART NUMBER	QTY	LINE	SERIES	BODY	ENGINE	TRANS	TRIM	DESCRIPTION
------	-------------	-----	------	--------	------	--------	-------	------	-------------

NOTES: Sales Codes

[DG4] = 45RFE Multi-Speed Automatic Transmission

[EVO] = All 4.7L Gas Engines

1	5014 221AC	1	J, U			EVO	DG4		OVERHAUL PACKAGE, Transmission
---	------------	---	------	--	--	-----	-----	--	-----------------------------------

JEEP GRAND CHEROKEE (WJ)

SERIES	LINE	BODY	ENGINE	TRANSMISSION
L = Grand Cherokee	J = 4WD T = 2WD U = 4WD (RHD)	74 = 4 Door (105.9 WB)	ERH,ERO = 4.0L, Power Tech EVA,EVO = 4.7L, Power Tech EXA,EXO = 3.1L 5 cyl Turbo Diesel	DGK = 4 Speed Autm, 42RE DG4 = Multi Speed Auto 45RFE DGW = 4 Speed Autom 44RE DGO = All Automatic

AR = Use as required - = Non illustrated part # = New this model year

September 15, 2005

**Input Clutch 45RFE [DG4]
Figure 45RFE-1305**

INPUT CLUTCH PACKAGE

05013090aa

1

	O-ring, large (2.62mm x 79.84 ID,gm)
	O-ring, small (2.62mm x 70.56 ID,red)
(2)	Seal, internal lip
(2)	Ring seal, l-shaft
	O-ring, piston inner (2.62mm x 93.54 ID)
(5)	Plate, clutch separator (1.74mm thk)
(4)	Disc assy, clutch (u/d clutch)
(4)	Disc assy, clutch (o/d clutch)
(3)	PLate, clutch separator (2.21mm thk, O/D)
(2)	Disc assy, clutch (rev clutch)
	Snap ring,tapered, internal butterfly end
	Snap ring, flat (1.5/1.6 thk)
	Snap ring, flat (1.80/1.90 thk)
	Snap ring, flat (2.15/2.25 thk)
	Piston & seal, underdrive
	Piston & seal, underdrive balance

ITEM	PART NUMBER	QTY	LINE	SERIES	BODY	ENGINE	TRANS	TRIM	DESCRIPTION
------	-------------	-----	------	--------	------	--------	-------	------	-------------

NOTES: Sales Codes

[DG4] = 45RFE Multi-Speed Automatic Transmission

[EVO] = All 4.7L Gas Engines

1	5013 090AA	1	J, U			EVO	DG4		CLUTCH PACKAGE, Automatic Transmission, Input
---	------------	---	------	--	--	-----	-----	--	---

JEEP GRAND CHEROKEE (WJ)

SERIES	LINE	BODY	ENGINE	TRANSMISSION
L = Grand Cherokee	J = 4WD T = 2WD U = 4WD (RHD)	74 = 4 Door (105.9 WB)	ERH,ERO = 4.0L, Power Tech EVA,EVO = 4.7L, Power Tech EXA,EXO = 3.1L 5 cyl Turbo Diesel	DGK = 4 Speed Autm, 42RE DG4 = Multi Speed Auto 45RFE DGW = 4 Speed Autom 44RE DGO = All Automatic

AR = Use as required - = Non illustrated part # = New this model year

September 15, 2005

**Planetary Plate 45RFE [DG4]
Figure 45RFE-1306**

**SELECTIVE THRUST PLATES
PLANETARY THRUST PLATE PKG 05013092aa**

	Thrust plate, planetary	1.62 / 1.75
	Thrust plate, planetary	1.81 / 1.94
	Thrust plate, planetary	1.96 / 2.09
	Thrust plate, planetary	2.11 / 2.24
	Thrust plate, planetary	2.26 / 2.39
	Thrust plate, planetary	2.41 / 2.54
	Thrust plate, planetary	2.56 / 2.69
	Thrust plate, planetary	2.71 / 2.84
	Thrust plate, planetary	2.86 / 2.99
	Thrust plate, planetary	3.01 / 3.14
	Thrust plate, planetary	3.16 / 3.29
	Thrust plate, planetary	3.31 / 3.44
	Thrust plate, planetary	3.46 / 3.59
	Thrust plate, planetary	3.61 / 3.74
	Thrust plate, planetary	3.76 / 3.89
	Thrust plate, planetary	3.91 / 4.04
	Thrust plate, planetary	4.06 / 4.19
	Thrust plate, planetary	4.21 / 4.34
	Thrust plate, planetary	4.36 / 4.49

①

ITEM	PART NUMBER	QTY	LINE	SERIES	BODY	ENGINE	TRANS	TRIM	DESCRIPTION
------	-------------	-----	------	--------	------	--------	-------	------	-------------

NOTES: Sales Codes

[DG4] = 45RFE Multi-Speed Automatic Transmission

[EVO] = All 4.7L Gas Engines

1	5013 092AA	1	J, U			EVO	DG4		PLATE PACKAGE, Planetary Thrust
---	------------	---	------	--	--	-----	-----	--	---------------------------------

JEEP GRAND CHEROKEE (WJ)

SERIES L = Grand Cherokee	LINE J = 4WD T = 2WD U = 4WD (RHD)	BODY 74 = 4 Door (105.9 WB)	ENGINE ERH,ERO = 4.0L, Power Tech EVA,EVO = 4.7L, Power Tech EXA,EXO = 3.1L 5 cyl Turbo Diesel	TRANSMISSION DGK = 4 Speed Autm, 42RE DG4 = Multi Speed Auto 45RFE DGW = 4 Speed Autom 44RE DGO = All Automatic
-------------------------------------	--	---------------------------------------	--	--

AR = Use as required - = Non illustrated part # = New this model year

September 15, 2005

2&4 Clutch [DG4] 45RFE
Figure 45RFE-1310

2&4 CLUTCH PACKAGE 05013087aa

(2)	Disc assy, clutch (2nd clutch)
(2)	Plate, clutch separator
	D-ring, external (2nd outer)
	D-ring, internal (2nd inner)
	D-ring, internal (4th outer)
	D-ring, internal (4th inner)
(3)	Plate, clutch separator (4th clutch)
(3)	Disc assy, clutch (4th clutch)
	Snap ring (4th, 1.74/1.84 thk)
	Snap ring (4th, 2.15/2.25 thk)
	Snap ring (4th, 2.56/2.66 thk)

1

ITEM	PART NUMBER	QTY	LINE	SERIES	BODY	ENGINE	TRANS	TRIM	DESCRIPTION
------	-------------	-----	------	--------	------	--------	-------	------	-------------

NOTES: Sales Codes
 [DG4] = 45RFE Multi-Speed Automatic Transmission
 [EVO] = All 4.7L Gas Engines
 1 5013 087AA 1 J, U EV0 DG4 CLUTCH PACKAGE, Automatic Transmission, 2/4

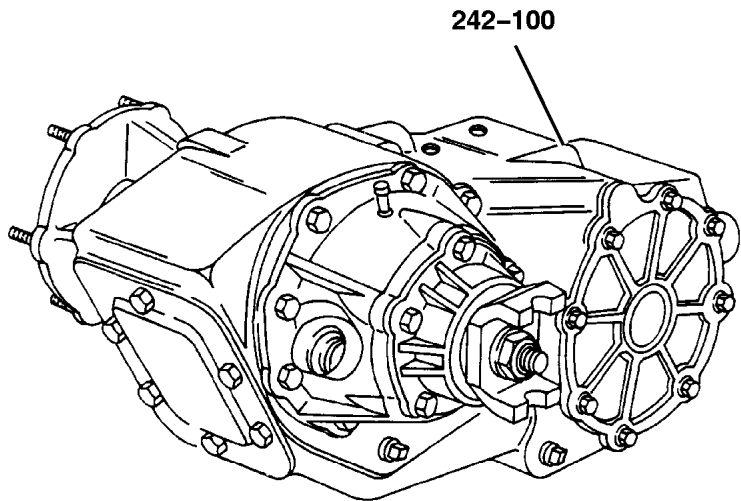
JEEP GRAND CHEROKEE (WJ)
 SERIES L = Grand Cherokee LINE J = 4WD T = 2WD U = 4WD (RHD) BODY 74 = 4 Door (105.9 WB) ENGINE ERH,ERO = 4.0L, Power Tech EVA,EVO = 4.7L, Power Tech EXA,EXO = 3.1L 5 cyl Turbo Diesel TRANSMISSION DGK = 4 Speed Autm, 42RE DG4 = Multi Speed Auto 45RFE DGW = 4 Speed Autom 44RE DGO = All Automatic

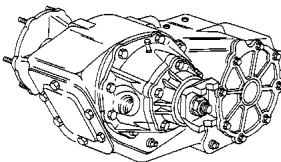
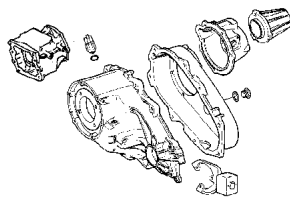
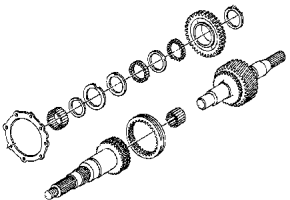
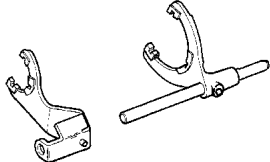

Group – 242

Transfer Case Model 242 [DHC, DHP]

GROUP 242 - Transfer Case Model 242 [DHC, DHP]

Illustration Title	Group-Fig. No.
Transfer Case Assembly	
Transfer Case Select Trac [DHP]	Fig. 242-110
Case and Related Parts	
Case and Related Parts Select Trac [DHP]	Fig. 242-210
Gear Train	
Gear Train Select Trac [DHP]	Fig. 242-410
Fork and Rails	
Fork and Rails Select Trac [DHP]	Fig. 242-910
Gearshift Controls	
Gearshift Controls Select Trac [DHP]	Fig. 242-1210



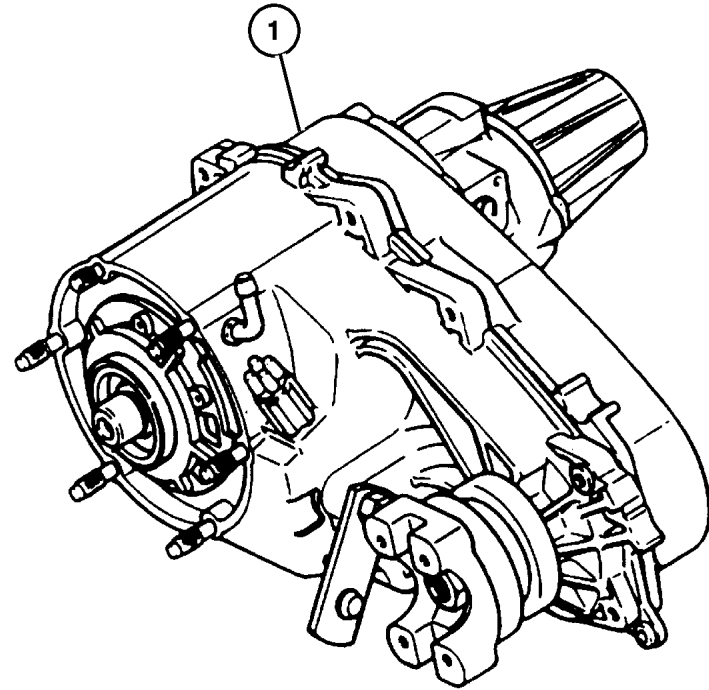
<p>242-100 Transfer Case Assembly</p> 	<p>242-200 Case and Related Parts</p> 	<p>242-400 Gear Train</p> 	<p>242-900 Fork and Rails</p> 
<p>242-1200 Gearshift Controls</p> 			

**Transfer Case Select Trac [DHP]
Figure 242-110**

ITEM	PART NUMBER	QTY	LINE	SERIES	BODY	ENGINE	TRANS	TRIM	DESCRIPTION
------	-------------	-----	------	--------	------	--------	-------	------	-------------

NOTES: Sales Codes
 [ER0] = All 4.0L 6 cyl Gas Engines
 [DHP] = Selec-Trac II full time 4 x 4 System

1	5209 8875	1	J, U			ER0			TRANSFER CASE, NP242
---	-----------	---	------	--	--	-----	--	--	----------------------

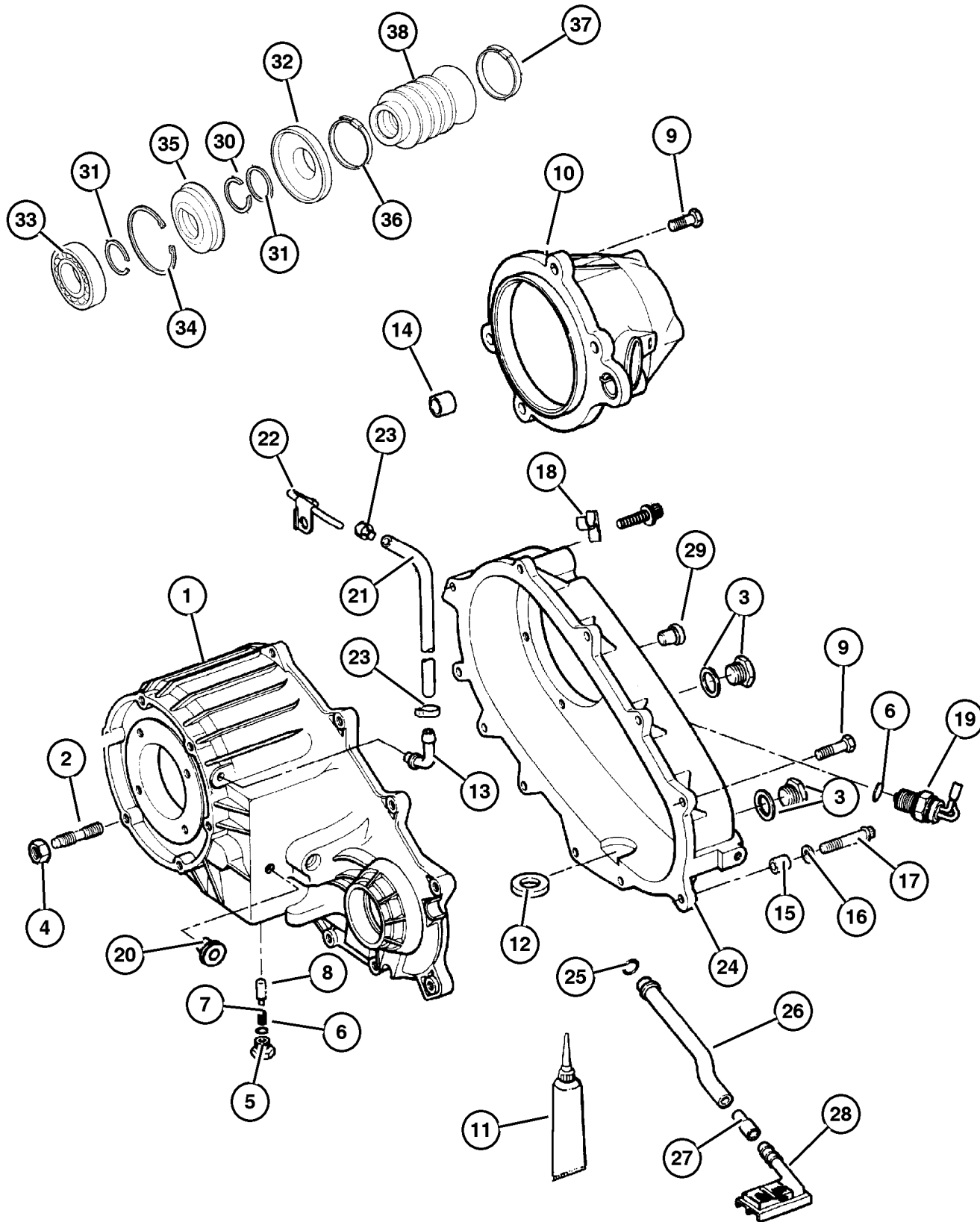


JEEP GRAND CHEROKEE (WJ)				
SERIES	LINE	BODY	ENGINE	TRANSMISSION
L = Grand Cherokee	J = 4WD T = 2WD U = 4WD (RHD)	74 = 4 Door (105.9 WB)	ERH,ER0 = 4.0L, Power Tech EVA,EVO = 4.7L, Power Tech EXA,EXO = 3.1L 5 cyl Turbo Diesel	DGK = 4 Speed Autm, 42RE DG4 = Multi Speed Auto 45RFE DGW = 4 Speed Autom 44RE DGO = All Automatic

AR = Use as required - = Non illustrated part # = New this model year

September 15, 2005

Case and Related Parts Select Trac [DHP]
Figure 242-210



ITEM	PART NUMBER	QTY	LINE	SERIES	BODY	ENGINE	TRANS	TRIM	DESCRIPTION
NOTES: Sales Codes									
[DHP] = Selec-Trac II Full Time 4 x 4 System									
[ER0] = All 4.0L Gas Engines									
1	5003 439AA	1	J, U			ER0			CASE, Transfer Front
2	4505 365	6	J, U			ER0			STUD, M10x1.54x36
3	4856 641	2	J, U			ER0			PLUG, Oil Fill
4	J400 6681	6	J, U						NUT AND CONED WASHER, Hex, .375-24
5	4886 473AA	1	J, U			ER0			SCREW
6	4338 956	2	J, U			ER0			SEAL, Vacuum Switch
7	5003 445AA	1	J, U			ER0			SPRING, Poppet Plunger
8	5003 444AA	1	J, U			ER0			PLUNGER
9	4210 617	10	J, U			ER0			BOLT, Transfer Case
10	5012 347AA	1	J, U			ER0			RETAINER, Transfer Case Rear
11	5010 884AA	1	J, U			ER0			SEALANT, RTV
12	3681 601	1	J, U			ER0			MAGNET, Transmission
13	4796 910	1	J, U			ER0			VENT, Transfer Case
14	4338 945	2	J, U			ER0			BUSHING, Shift Rail
15	4116 310	2	J, U			ER0			DOWEL, Transfer Case
16	4210 983	2	J, U			ER0			WASHER, Flat
17	4210 614	2	J, U			ER0			BOLT, Hex Flange Head
18	5211 8181	1	J, U			ER0			CLIP
19	5600 6755	1	J, U			ER0			SWITCH, Transfer Case Mode
20	0015 105	1	J, U			ER0			PLUG, Transmission Case
21	4443 176	1	J, U						HOSE, Fuel, .31 I.D. 50 Foot Roll
22	5300 7494	1	J, U						VENT, Transfer Case
23	6502 081	2	J, U						CLAMP, Oil Cooler Line
24	4886 373AA	1	J, U			ER0			CASE, Transfer Case Rear
25	4338 942	1	J, U			ER0			SEAL, Oil
26	8350 3523	1	J, U			ER0			TUBE, Oil Pickup
27	4338 944	1	J, U			ER0			CONNECTOR, Oil Tube Pickup
28	4338 943	1	J, U			ER0			FILTER, Transfer Case Oil
29	J813 0979	3	J, U			ER0			BOLT, Twelve Point Head, M10x1.5x48
30	J813 4488	2	J, U			ER0			SNAP RING
31	4798 118	1	J, U			ER0			WASHER
32	4798 119	1	J, U			ER0			SLINGER, Oil
33	4338 892	1	J, U			ER0			BEARING
34	4798 116	1	J, U			ER0			SNAP RING
35	4798 117	1	J, U			ER0			SEAL, Output Shaft
36	4798 121	1	J, U			ER0			CLAMP, Boot
37	4798 122	1	J, U			ER0			CLAMP, Boot

JEEP GRAND CHEROKEE (WJ)

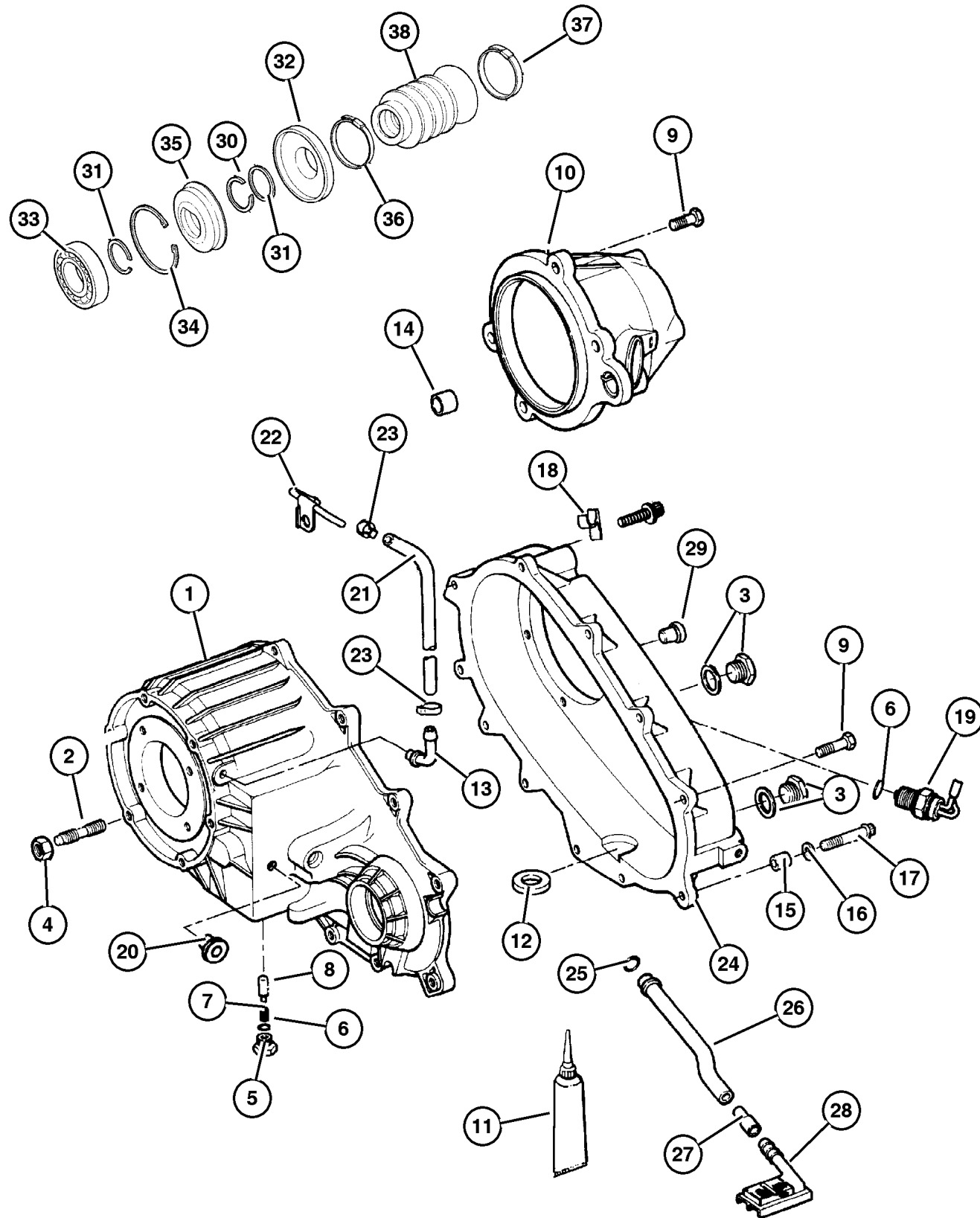
SERIES	LINE	BODY	ENGINE	TRANSMISSION
L = Grand Cherokee	J = 4WD T = 2WD U = 4WD (RHD)	74 = 4 Door (105.9 WB)	ERH,ERO = 4.0L, Power Tech EVA,EVO = 4.7L, Power Tech EXA,EXO = 3.1L 5 cyl Turbo Diesel	DGK = 4 Speed Autm, 42RE DG4 = Multi Speed Auto 45RFE DGW = 4 Speed Autom 44RE DGO = All Automatic

AR = Use as required - = Non illustrated part # = New this model year

September 15, 2005

Case and Related Parts Select Trac [DHP]
Figure 242-210

ITEM	PART NUMBER	QTY	LINE	SERIES	BODY	ENGINE	TRANS	TRIM	DESCRIPTION
38	4798 123	1	J, U			ERO			BOOT, Driveshaft

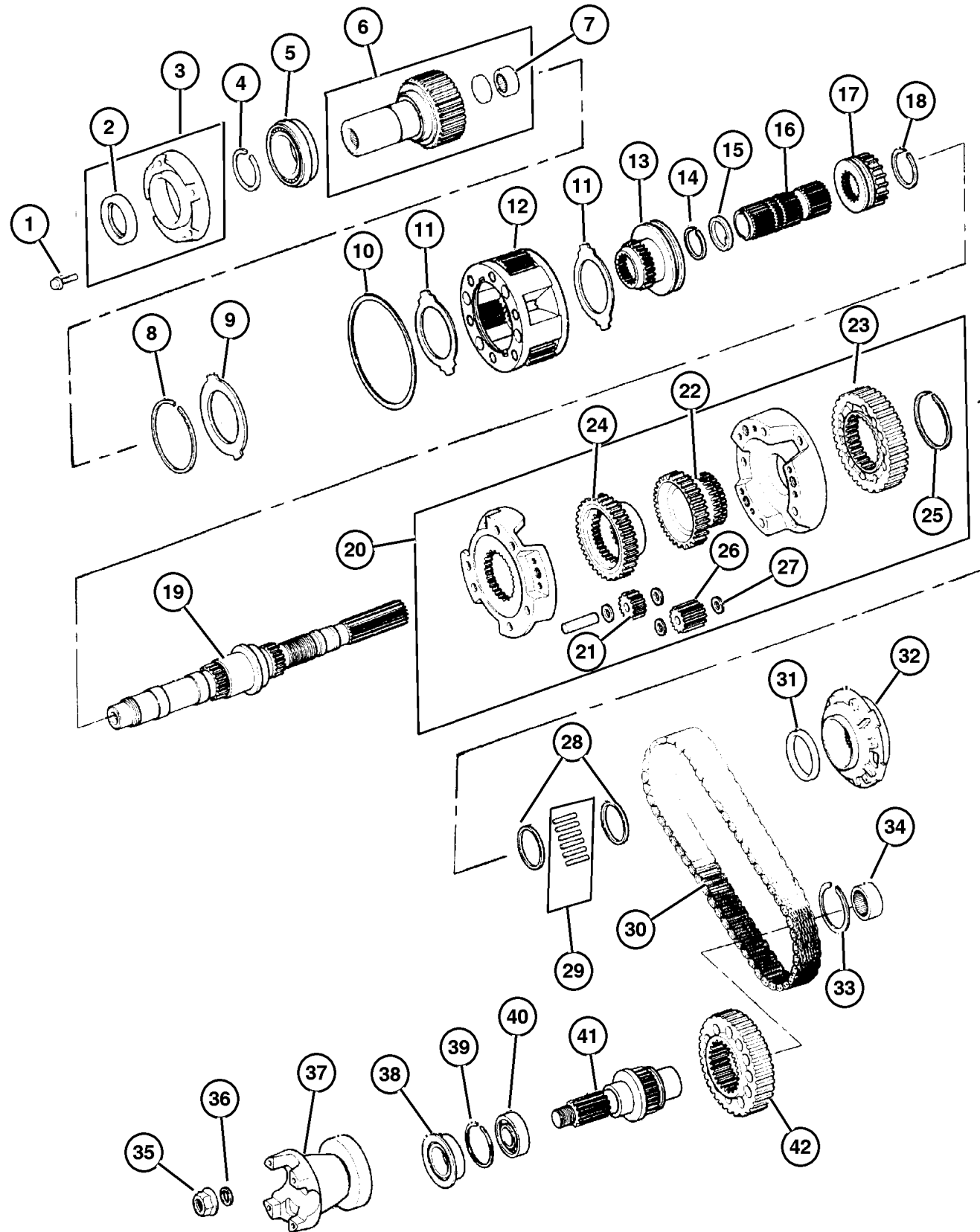


JEEP GRAND CHEROKEE (WJ)				
SERIES	LINE	BODY	ENGINE	TRANSMISSION
L = Grand Cherokee	J = 4WD T = 2WD U = 4WD (RHD)	74 = 4 Door (105.9 WB)	ERH,ERO = 4.0L, Power Tech EVA,EVO = 4.7L, Power Tech EXA,EXO = 3.1L 5 cyl Turbo Diesel	DGK = 4 Speed Autm, 42RE DG4 = Multi Speed Auto 45RFE DGW = 4 Speed Autom 44RE DGO = All Automatic

AR = Use as required - = Non illustrated part # = New this model year

September 15, 2005

**Gear Train Select Trac [DHP]
Figure 242-410**



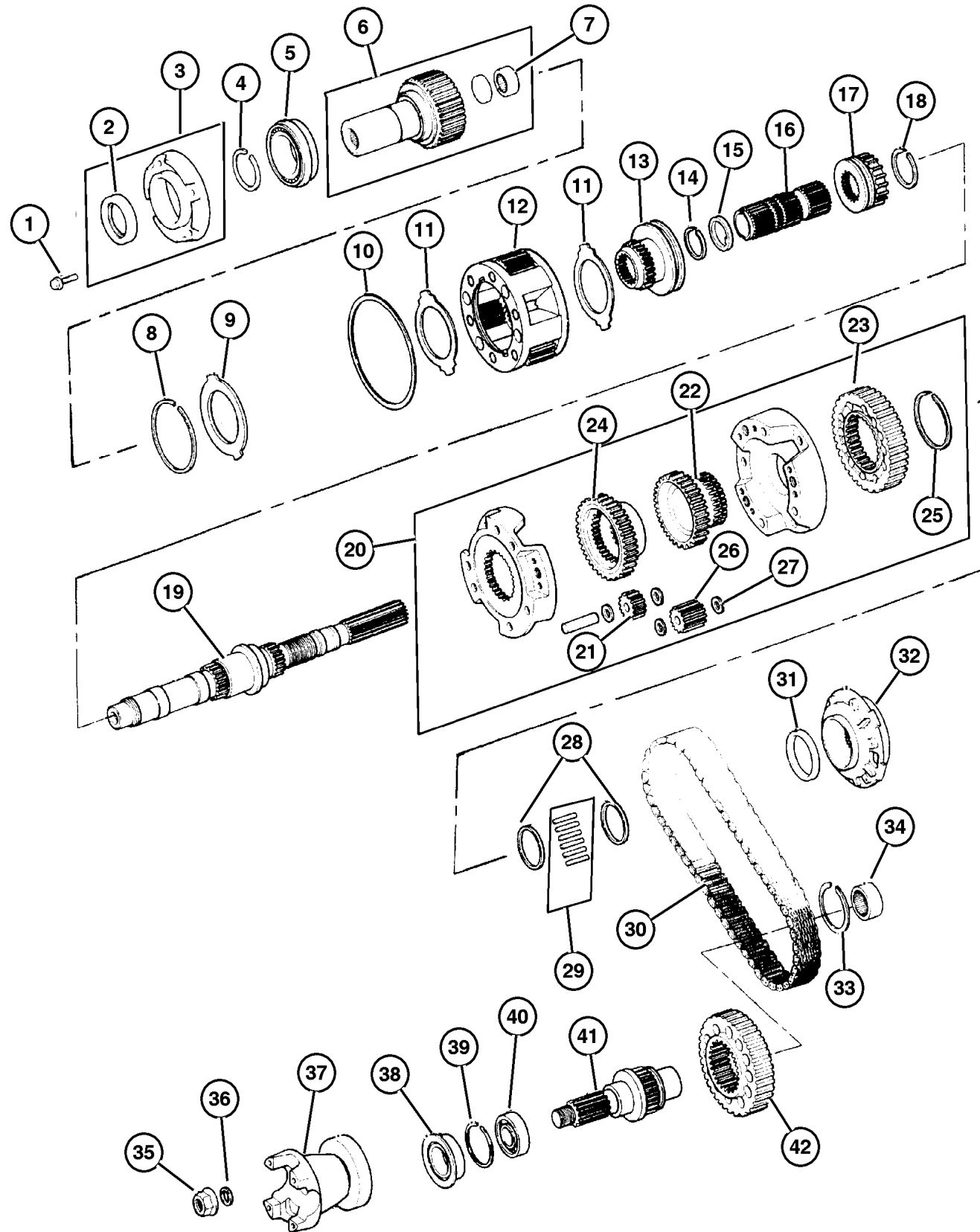
ITEM	PART NUMBER	QTY	LINE	SERIES	BODY	ENGINE	TRANS	TRIM	DESCRIPTION
NOTES: Sales Codes									
[DHP] = Selec-Trac II Full time 4 x 4 System									
[ER0] = All 4.0L Gas Engines									
1	6500 318	4	J, U			ER0			BOLT
2	4167 929	1	J, U			ER0			SEAL, Input Gear
3	4338 973	1	J, U			ER0			EXTENSION, Transfer Case
4	3821 558	1	J, U			ER0			SNAP RING
5	4746 155	1	J, U			ER0			BEARING, Input Gear
6	5003 446AA	1	J, U			ER0			GEAR, Input
7	8350 3507	1	J, U			ER0			BEARING, Input Shaft
8	4338 910	1	J, U			ER0			SNAP RING
9	4338 909	1	J, U			ER0			RING
10	4219 065	1	J, U			ER0			SNAP RING, Annulus Gear
11	4338 908	2	J, U			ER0			THRUST WASHER, Planetary Carrier
12	4796 903	1	J, U			ER0			GEAR, Low Range Planetary
13	5003 746AA	1	J, U			ER0			SLEEVE, Shift Range
14	8350 3540	1	J, U			ER0			SNAP RING
15	8350 3539	1	J, U			ER0			WASHER, Intermediate Sleeve
16	4798 277	1	J, U			ER0			SHAFT, Intermediate
17	8350 3542	1	J, U			ER0			SLEEVE, Mode Synchronizer
18	8350 3537	1	J, U			ER0			SNAP RING
19	5012 274AA	1	J, U			ER0			MAINSHAFT, Transfer Case
20	8350 3529	1	J, U			ER0			CARRIER, Differential
21	8350 4170	3	J, U			ER0			GEAR, Planetary
22	8350 3530	1	J, U			ER0			SPROCKET, Transfer Case
23	8350 3531	1	J, U			ER0			SPROCKET, Transfer Case
24	8350 3536	1	J, U			ER0			SPROCKET, Differential
25	8350 3532	1	J, U			ER0			SNAP RING
26	8350 4169	3	J, U			ER0			GEAR, Planetary
27	8350 4168	12	J, U			ER0			WASHER, Differential Gear
28	8350 3533	2	J, U			ER0			SPACER, Sprocket
29	8350 3543	1	J, U			ER0			BEARING PACKAGE, Transfer Case
30	8350 4575	1	J, U			ER0			CHAIN, Transfer Case
31	4210 603	1	J, U			ER0			SEAL, Main Shaft
32	4338 936	1	J, U			ER0			PUMP, Transfer Case Oil
33	4167 991	1	J, U			ER0			SNAP RING, Bearing
34	4269 189	1	J, U			ER0			BEARING, Output Shaft
35	4167 924	1	J, U			ER0			NUT, Transfer Case Yoke
36	4210 973	1	J, U			ER0			WASHER, Transfer Case Yoke
37	5012 308AA	1	J, U			ER0			YOKE, Transfer Case
38	4798 125	1	J, U			ER0			SEAL, Output Shaft

JEEP GRAND CHEROKEE (WJ)				
SERIES	LINE	BODY	ENGINE	TRANSMISSION
L = Grand Cherokee	J = 4WD T = 2WD U = 4WD (RHD)	74 = 4 Door (105.9 WB)	ERH,ERO = 4.0L, Power Tech EVA,EVO = 4.7L, Power Tech EXA,EXO = 3.1L 5 cyl Turbo Diesel	DGK = 4 Speed Autm, 42RE DG4 = Multi Speed Auto 45RFE DGW = 4 Speed Autom 44RE DGO = All Automatic

AR = Use as required - = Non illustrated part # = New this model year

September 15, 2005

**Gear Train Select Trac [DHP]
Figure 242-410**



ITEM	PART NUMBER	QTY	LINE	SERIES	BODY	ENGINE	TRANS	TRIM	DESCRIPTION
39	0893 31A	1	J, U			ER0			SNAP RING
40	2466 224	1	J, U			ER0			BEARING, Output Shaft
41	5012 336AA	1	J, U			ER0			OUTPUT SHAFT, Transfer Case
42	8350 3518	1	J, U			ER0			SPROCKET, Transfer Case

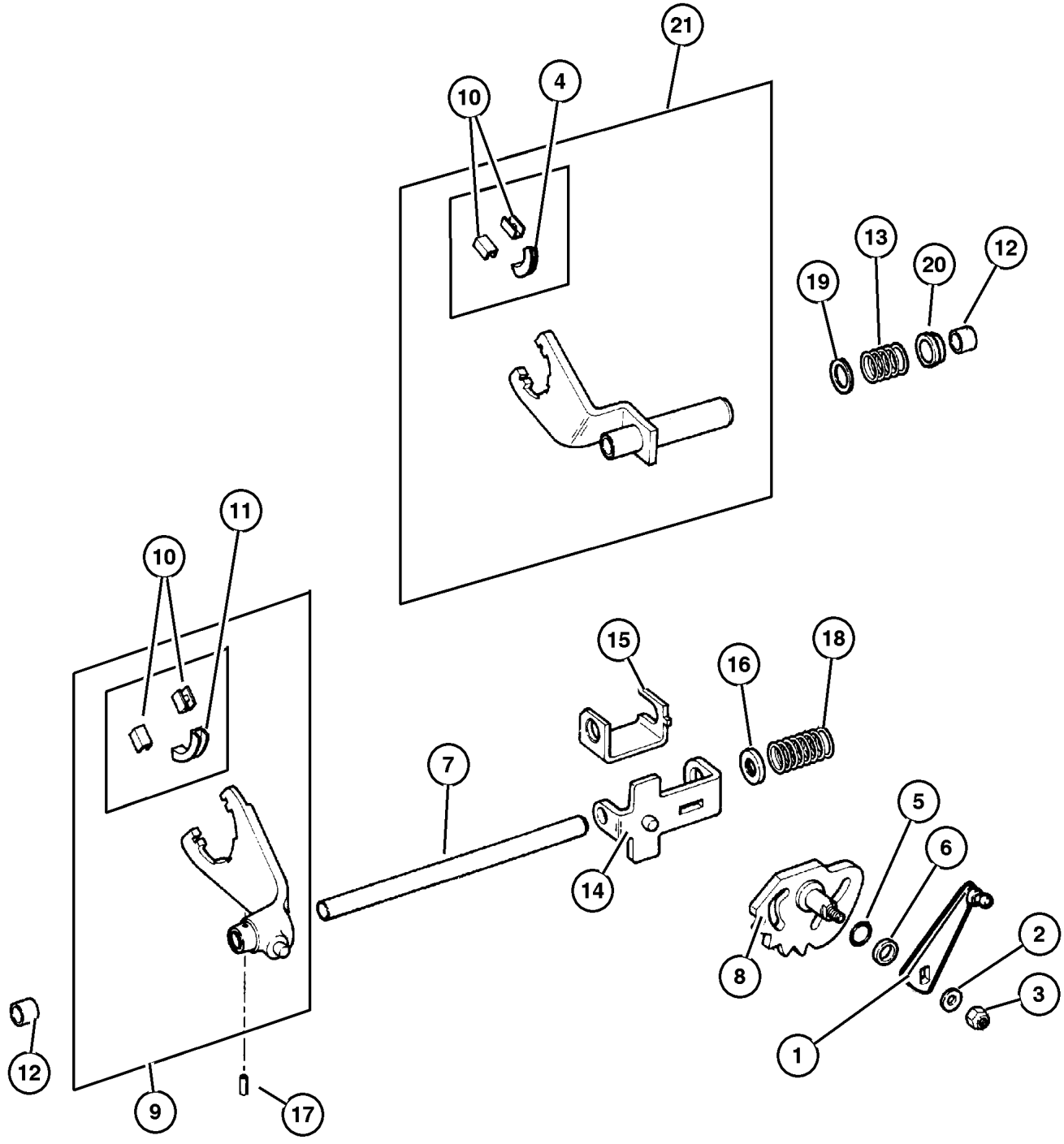
JEEP GRAND CHEROKEE (WJ)				
SERIES	LINE	BODY	ENGINE	TRANSMISSION
L = Grand Cherokee	J = 4WD T = 2WD U = 4WD (RHD)	74 = 4 Door (105.9 WB)	ERH,ERO = 4.0L, Power Tech EVA,EVO = 4.7L, Power Tech EXA,EXO = 3.1L 5 cyl Turbo Diesel	DGK = 4 Speed Autm, 42RE DG4 = Multi Speed Auto 45RFE DGW = 4 Speed Autom 44RE DGO = All Automatic

AR = Use as required - = Non illustrated part # = New this model year

September 15, 2005

Fork and Rails Select Trac [DHP]
Figure 242-910

ITEM	PART NUMBER	QTY	LINE	SERIES	BODY	ENGINE	TRANS	TRIM	DESCRIPTION
NOTES: Sales Codes									
[DHP] = Selec-Trac II Full time 4 x 4 System									
[ER0] = All 4.0L 6 Cyl. Gas Engines									
1	5012 307AA	1	J, U			ER0			LEVER, Transfer Case
2	S243 6163	1	J, U			ER0			WASHER, Flat
3	5014 048AA	1	J, U			ER0			BOLT, Hex Head
4	4338 376	1	J, U			ER0			PAD, Shift Fork
5	5003 443AA	1	J, U			ER0			SEAL, Sector Shaft
6	5003 442AA	1	J, U			ER0			BEARING, Shift Lever Linkage
7	8350 4469	1	J, U			ER0			RAIL, Transfer Case
8	4638 949	1	J, U			ER0			SECTOR, Transfer Case
9	5003 459AA	1	J, U			ER0			FORK, Range
10	4167 969	4	J, U			ER0			PAD, Shift Fork
11	4167 970	1	J, U			ER0			PAD, Shift Fork
12	J813 4291	2	J, U			ER0			BUSHING, Shift Fork
13	8350 3513	1	J, U			ER0			SPRING, Mode Shift Fork
14	8350 3511	1	J, U			ER0			BRACKET, Shift Mode
15	8350 3510	1	J, U			ER0			BRACKET, Shift Mode
16	8350 3515	1	J, U			ER0			CUP, Shift Fork Spring
17	1664 355	1	J, U			ER0			PIN, Shift Fork
18	8350 3516	1	J, U			ER0			SPRING, Mode Shift Fork
19	8350 3512	1	J, U			ER0			WASHER, Flat
20	8350 3514	1	J, U			ER0			BUSHING, Shift Rail
21	4638 950	1	J, U			ER0			FORK, Transfer Case Mode Shift
-22	8350 3514	1	J, U			ER0			BUSHING, Shift Rail

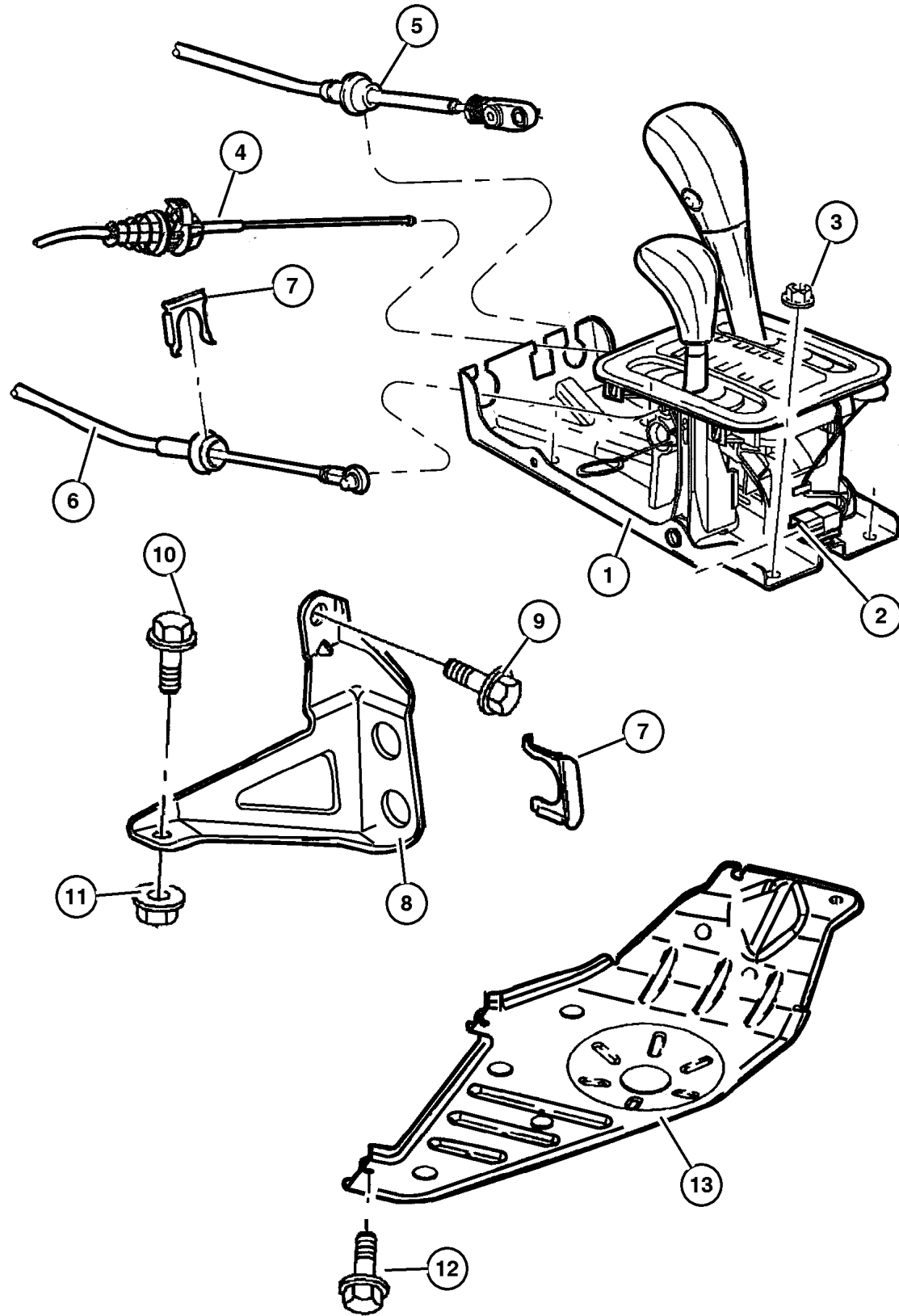


JEEP GRAND CHEROKEE (WJ)
 SERIES L = Grand Cherokee
 LINE J = 4WD, T = 2WD, U = 4WD (RHD)
 BODY 74 = 4 Door (105.9 WB)
 ENGINE ERH,ERO = 4.0L, Power Tech; EVA,EVO = 4.7L, Power Tech; EXA,EXO = 3.1L 5 cyl Turbo Diesel
 TRANSMISSION DGK = 4 Speed Autm, 42RE; DG4 = Multi Speed Auto 45RFE; DGW = 4 Speed Autom 44RE; DGO = All Automatic

AR = Use as required - = Non illustrated part # = New this model year

September 15, 2005

**Gearshift Controls Select Trac [DHP]
Figure 242-1210**



ITEM	PART NUMBER	QTY	LINE	SERIES	BODY	ENGINE	TRANS	TRIM	DESCRIPTION
------	-------------	-----	------	--------	------	--------	-------	------	-------------

NOTES: Sales Codes

[DGK] = 4 Speed Automatic [42RE]

[DGW] = 4 Speed Automatic [44RE]

[DG0] = All Automatic Transmissions

[ER0] = All 4.0L Gas Engines

[EVO] = All 4.7L Gas Engines

[EX0] = All 3.0/3.1L Turbo Diesel Engines

1	5210 4149	1	J				DG0		HOUSING AND LEVER, Shifter
2	5013 117AA	1	J				DG0		CONNECTOR, Wiring
3	6101 695	4							NUT, Hex Flange Lock, M8x1.25
4	5210 4054	1					DG0		CABLE, Park Interlock
5	5210 4060	1					DG0		CABLE, Gearshift Control
6	5210 4218	1	J, U				DG0		CABLE, Gearshift Control
7	4269 830	2	J, U						CLIP, Cable
8	5210 4219	1	J, U				DGK, DGW		BRACKET, Torque Shaft
9	6101 062	1	J, U				DGK, DGW		SCREW AND WASHER, Hex Head, M10x1.5x40
10	6027 884	1	J, U				DGK, DGW		BOLT AND CONED WASHER, Hex Head, .437-14x1.12
11	0115 984	1					DGK, DGW		NUT, Brake Line
12	6503 571	4							SCREW AND WASHER, M10x1. 50x35
13									SKID PLATE, Front
	5205 8922	1	J, U				ER0, EVO		
	52059 302AA	1	J, U				EX0		

JEEP GRAND CHEROKEE (WJ)

SERIES	LINE	BODY	ENGINE	TRANSMISSION
L = Grand Cherokee	J = 4WD T = 2WD U = 4WD (RHD)	74 = 4 Door (105.9 WB)	ERH,ERO = 4.0L, Power Tech EVA,EVO = 4.7L, Power Tech EXA,EXO = 3.1L 5 cyl Turbo Diesel	DGK = 4 Speed Autm, 42RE DG4 = Multi Speed Auto 45RFE DGW = 4 Speed Autom 44RE DGO = All Automatic

AR = Use as required - = Non illustrated part # = New this model year

September 15, 2005

Group – 247

Transfer Case Model 247 [DHF, DHQ]

GROUP 247 - Transfer Case Model 247 [DHF, DHQ]

Illustration Title

Group-Fig. No.

Transfer Case Assembly

Transfer Case Quadra Trac II on Demand [DHF] Fig. 247-110

Case and Related Parts

Case and Related Parts Quadra Trac II on Demand [DHF] Fig. 247-210

Gear Train

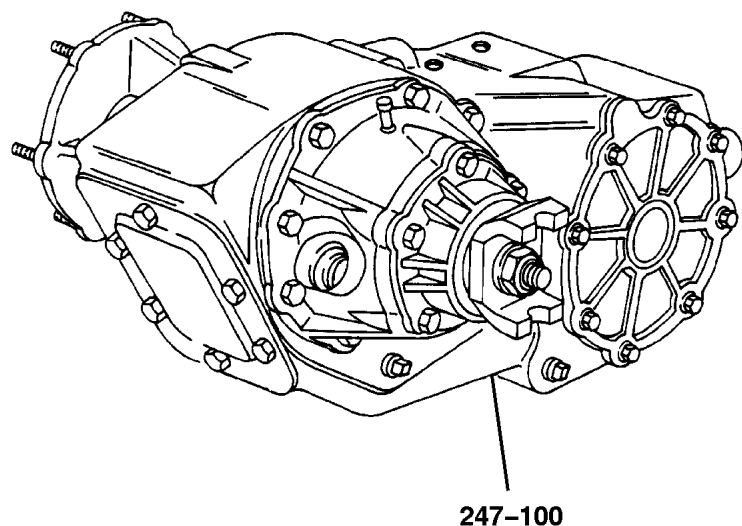
Gear Train Quadra Trac II on Demand [DHF] Fig. 247-410

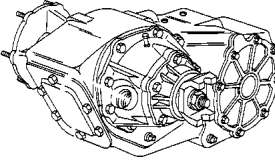
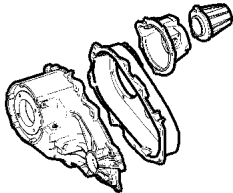
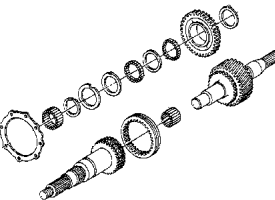
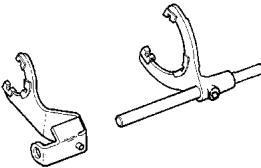

Fork and Rails

Fork and Rails Quadra Trac II on Demand [DHF] Fig. 247-910

Gearshift Controls

Gearshift Controls Quadra Trac II on Demand [DHF] Fig. 247-1210



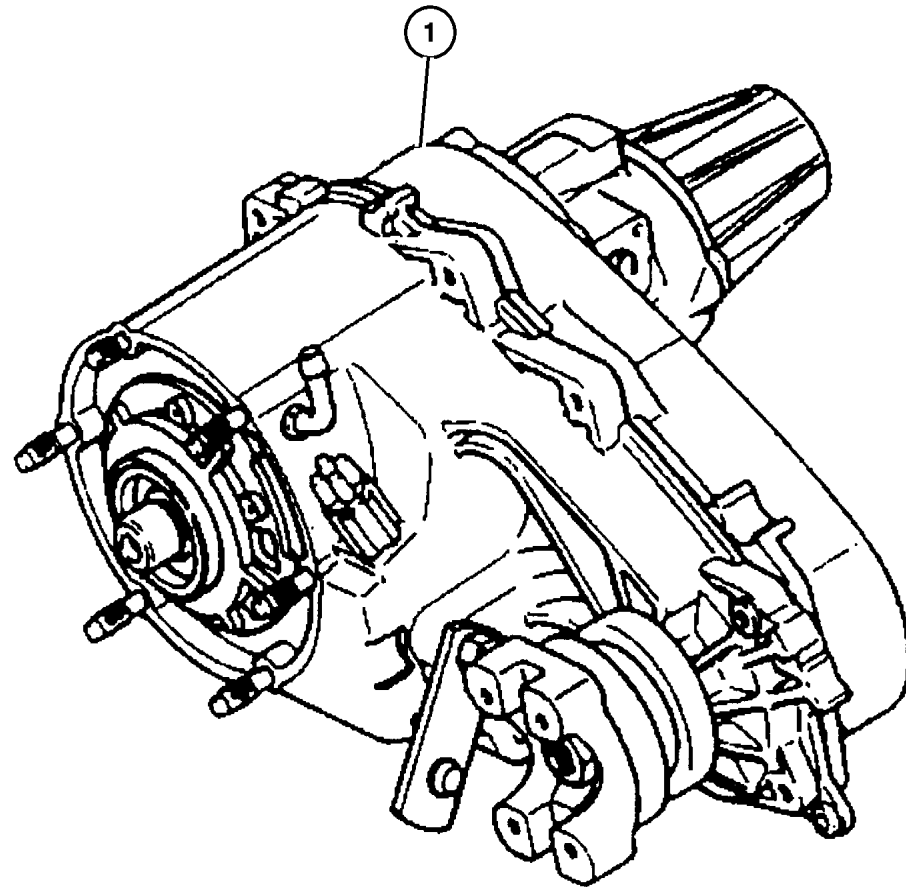
<p>247-100 Transfer Case Assembly</p> 	<p>247-200 Case and Related Parts</p> 	<p>247-400 Gear Train</p> 	<p>247-900 Fork and Rails</p> 
<p>247-1200 Gearshift Controls</p> 			

**Transfer Case Quadra Trac II on Demand [DHF]
Figure 247-110**

ITEM	PART NUMBER	QTY	LINE	SERIES	BODY	ENGINE	TRANS	TRIM	DESCRIPTION
------	-------------	-----	------	--------	------	--------	-------	------	-------------

NOTE: Sales Codes
 DHF] = Quadra-Trac II on Demand 4 x 4
 [ER0] = All 4.0L Gas Engines
 [EV0] = All 4.7L Gas Engines
 [EX0] = All Turbo Diesel Engines]

1									TRANSFER CASE, NP247
	5209 8871	1	J, U			ER0			
	5209 8872	1	J, U			EV0			[CANADA, U.S.]
	5209 8873	1	J, U			EX0			[Export, Europe]
	5209 8874	1	J, U			EV0			[Export, Europe]



JEEP GRAND CHEROKEE (WJ)				
SERIES	LINE	BODY	ENGINE	TRANSMISSION
L = Grand Cherokee	J = 4WD T = 2WD U = 4WD (RHD)	74 = 4 Door (105.9 WB)	ERH,ERO = 4.0L, Power Tech EVA,EVO = 4.7L, Power Tech EXA,EXO = 3.1L 5 cyl Turbo Diesel	DGK = 4 Speed Autm, 42RE DG4 = Multi Speed Auto 45RFE DGW = 4 Speed Autom 44RE DGO = All Automatic

AR = Use as required - = Non illustrated part # = New this model year

September 15, 2005

**Case and Related Parts Quadra Trac II on Demand [DHF]
Figure 247-210**

ITEM	PART NUMBER	QTY	LINE	SERIES	BODY	ENGINE	TRANS	TRIM	DESCRIPTION
------	-------------	-----	------	--------	------	--------	-------	------	-------------

NOTE: Sales Codes

[DHP] = Quadra-Trac II on Demand 4 x 4

[ER0] = All 4.0L Gas Engines

[EVO] = All 4.7L Gas Engines

[EX0] = All Turbo Diesel Engines

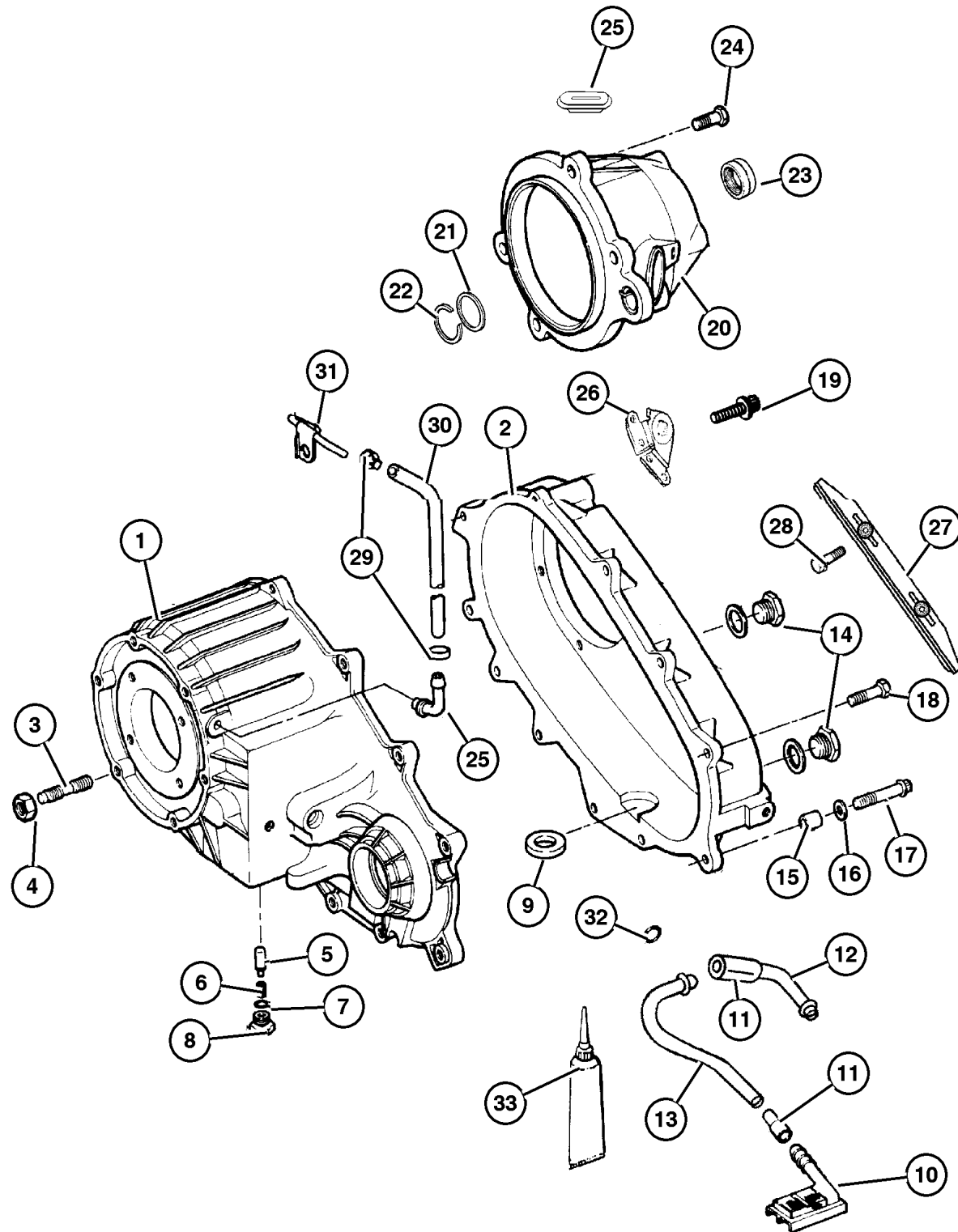
1	5012 309AA	1	J, U			ER0			CASE, Transfer Front
			J, U			EVO		CANADA, U.S.>	
			J, U			EVO		Export, Europe	
2	5012 341AA	1	J, U			EX0			CASE, Transfer Case Rear
			J, U			EVO		Export, Europe	
			J, U			EVO		CANADA, U.S.	
3	5013 010AA	1	J, U			ER0			STUD, M10x1.54x36
			J, U			EX0			
			J, U						
4	J400 6681	6	J, U			ER0			NUT AND CONED WASHER, Hex, .375-24
			J, U			EX0			
			J, U						
5	5300 8217	1	J, U			ER0			PLUNGER
			J, U			EVO		CANADA, U.S.	
			J, U			EVO		Export, Europe	
			J, U			EX0		Export, Europe	
6	4638 497	1	J, U			ER0			SPRING, Shift Detent
			J, U			EVO		CANADA, U.S.	
			J, U			EVO		Export, Europe	
			J, U			EX0		Export, Europe	
7	4338 956	2	J, U			EVO			SEAL, Vacuum Switch
			J, U			EVO		Export, Europe	
			J, U			EVO		CANADA,, U.S.	
			J, U			ER0			
8	4886 473AA	1	J, U			ER0			SCREW
			J, U			EVO		CANADA, U.S.	
			J, U			EVO		Export, Europe	
			J, U			EX0		Export, Europe	
9	3681 601	1	J, U			ER0		MAGNET, Transmission	

JEEP GRAND CHEROKEE (WJ)

SERIES	LINE	BODY	ENGINE	TRANSMISSION
L = Grand Cherokee	J = 4WD T = 2WD U = 4WD (RHD)	74 = 4 Door (105.9 WB)	ERH,ERO = 4.0L, Power Tech EVA,EVO = 4.7L, Power Tech EXA,EXO = 3.1L 5 cyl Turbo Diesel	DGK = 4 Speed Autm, 42RE DG4 = Multi Speed Auto 45RFE DGW = 4 Speed Autom 44RE DGO = All Automatic

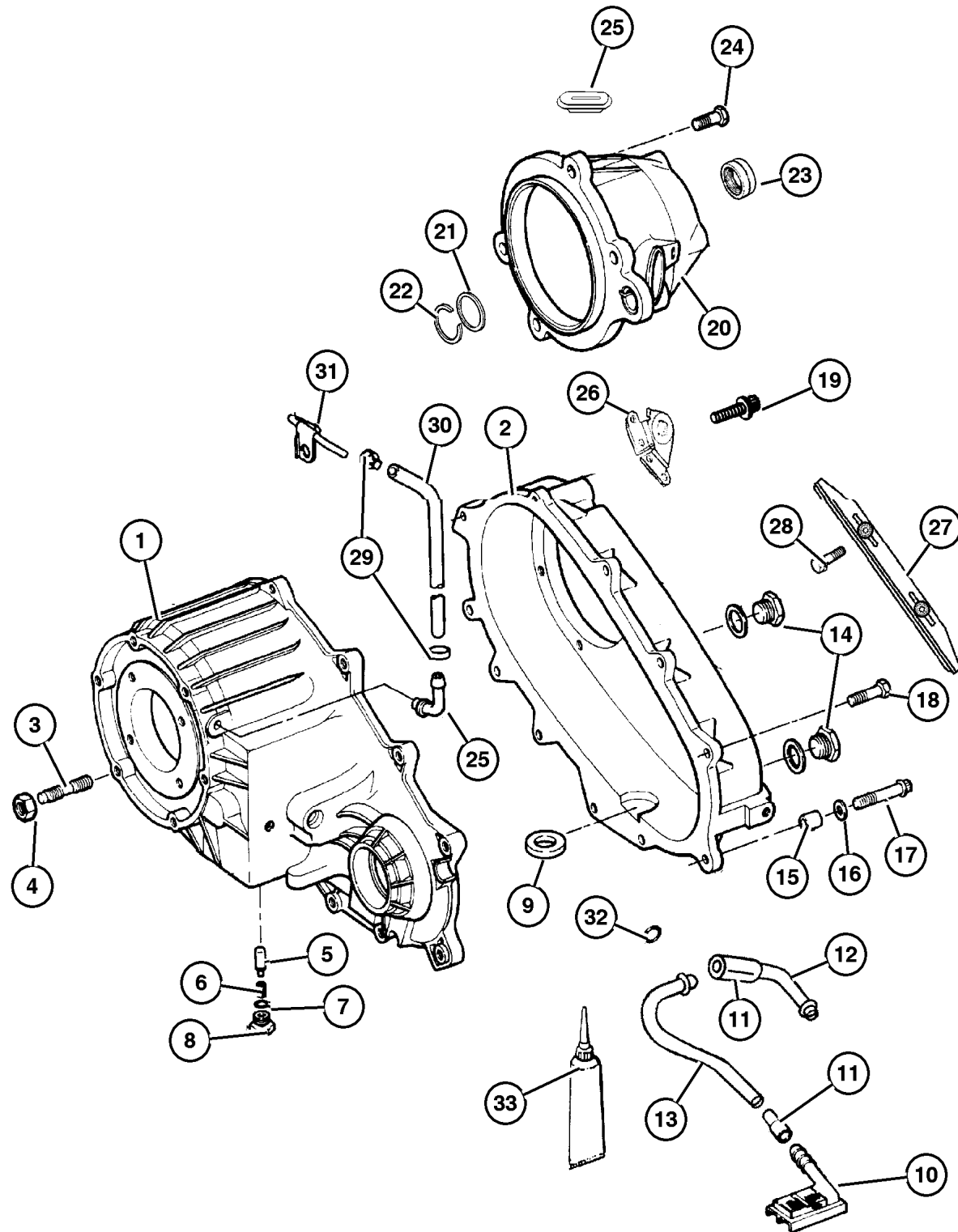
AR = Use as required - = Non illustrated part # = New this model year

September 15, 2005



Case and Related Parts Quadra Trac II on Demand [DHF]
Figure 247-210

ITEM	PART NUMBER	QTY	LINE	SERIES	BODY	ENGINE	TRANS	TRIM	DESCRIPTION
		1	J, U			EVO			CANADA, U.S.
		1	J, U			EVO			Export, Europe
		1	J, U			EX0			Export, Europe
10	5012 326AA	1	J, U			EVO			FILTER, Transfer Case Oil
		1	J, U			EVO			Export, Europe
		1	J, U			EVO			CANADA, U.S.
	5013 011AA	1	J, U			ER0			Export, Europe
		1	J, U			EX0			CONNECTOR, Oil Tube Pickup
11	5012 327AA	1	J, U			EVO			Export, Europe
		1	J, U			EVO			CANADA, U.S.
		1	J, U			ER0			Export, Europe
12	5013 018AA	1	J, U			ER0			TUBE, Oil Pickup
		1	J, U			EVO			CANADA, U.S.
		1	J, U			EVO			Export, Europe
13	5012 328AA	1	J, U			EVO			TUBE, Oil Pickup
		1	J, U			EVO			Export, Europe
		1	J, U			EVO			CANADA, U.S.
	5013 012AA	1	J, U			ER0			Export, Europe
14	4798 036	1	J, U			EVO			PLUG, Oil Fill
	4856 641	2	J, U			ER0			Export, Europe
		2	J, U			EVO			CANADA, U.S.
		1	J, U			EVO			Export, Europe. w/Washer
		2	J, U			EX0			Export, Europe
15	4116 310	2	J, U			EVO			DOWEL, Transfer Case
		2	J, U			EVO			Export, Europe
		2	J, U			EVO			CANADA, U.S.
		2	J, U			ER0			Export, Europe
16	4210 983	2	J, U			EVO			WASHER, Flat
		2	J, U			EVO			Export, Europe
		2	J, U			EVO			CANADA, U.S.
		2	J, U			ER0			Export, Europe
17	4210 614	2	J, U			EVO			BOLT, Hex Flange Head
		2	J, U			EVO			Export, Europe
		2	J, U			EVO			CANADA, U.S.
		2	J, U			ER0			Export, Europe
18	4210 617	6	J, U			EVO			BOLT, Transfer Case
		6	J, U			EVO			Export, Europe
		6	J, U			EVO			CANADA, U.S.



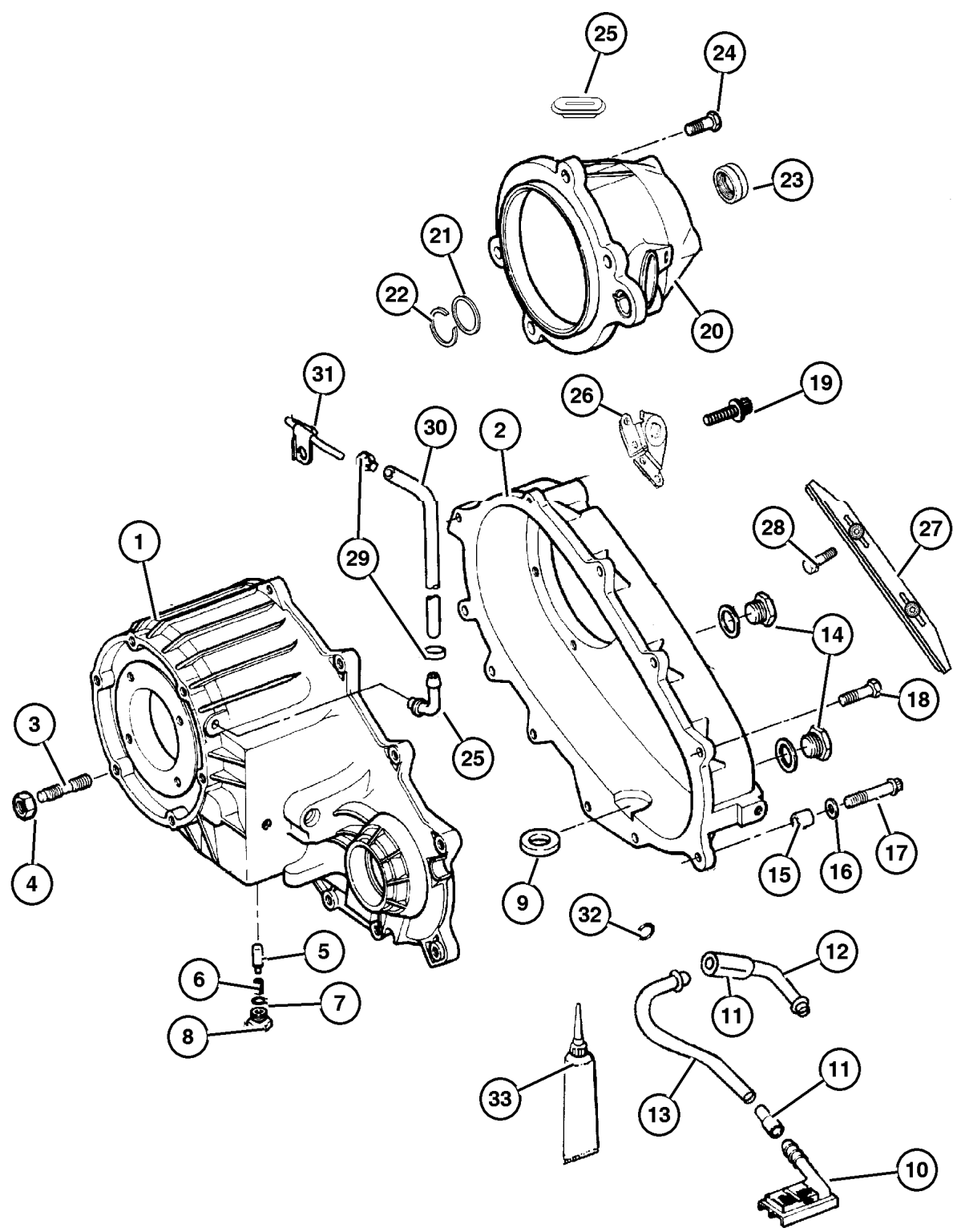
JEEP GRAND CHEROKEE (WJ)
 SERIES L = Grand Cherokee
 LINE J = 4WD, T = 2WD, U = 4WD (RHD)
 BODY 74 = 4 Door (105.9 WB)
 ENGINE ERH,ERO = 4.0L, Power Tech; EVA,EVO = 4.7L, Power Tech; EXA,EXO = 3.1L 5 cyl Turbo Diesel
 TRANSMISSION DGK = 4 Speed Autm, 42RE; DG4 = Multi Speed Auto 45RFE; DGW = 4 Speed Autom 44RE; DGO = All Automatic

AR = Use as required - = Non illustrated part # = New this model year

September 15, 2005

Case and Related Parts Quadra Trac II on Demand [DHF]
Figure 247-210

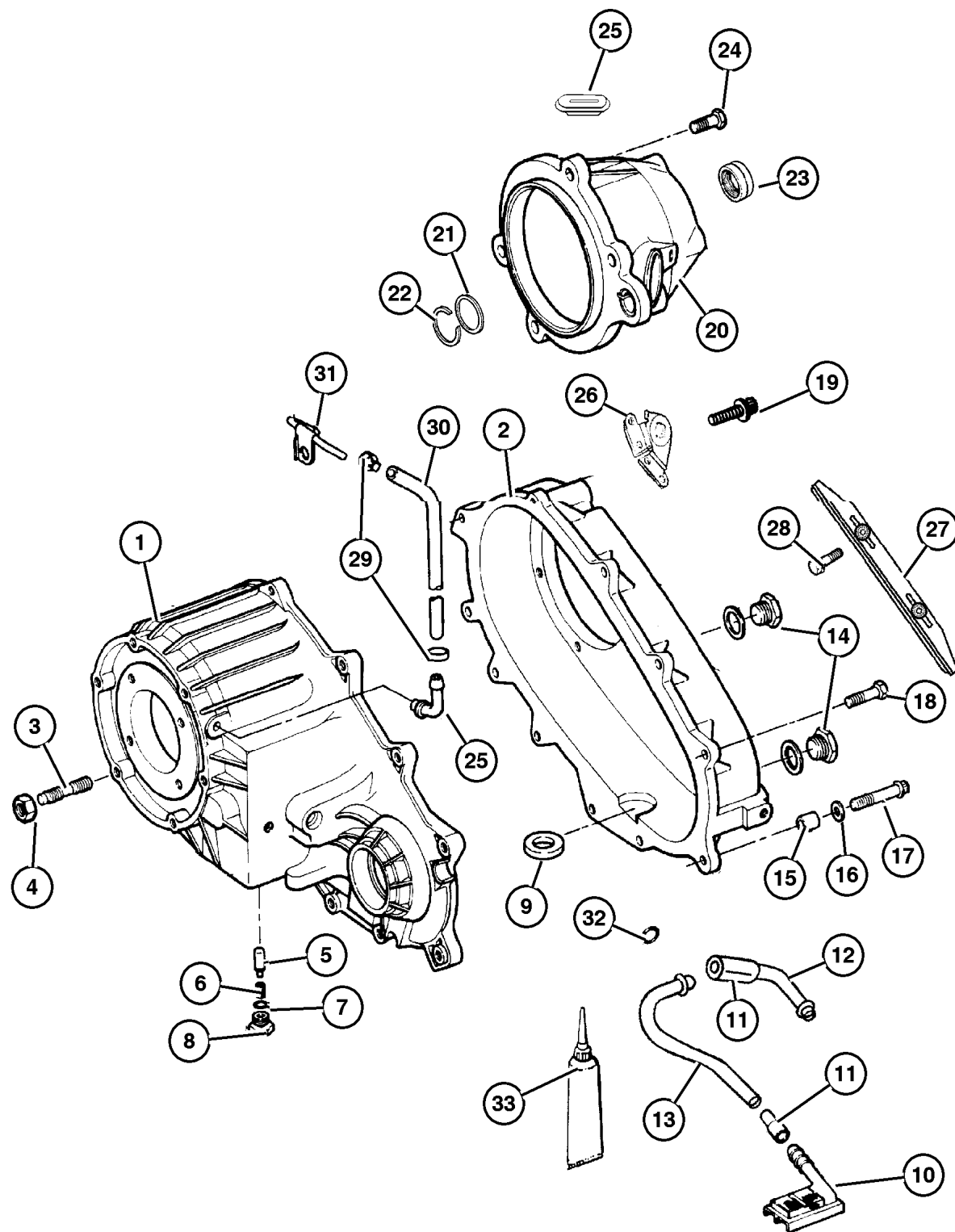
ITEM	PART NUMBER	QTY	LINE	SERIES	BODY	ENGINE	TRANS	TRIM	DESCRIPTION
		6	J, U			ERO			
19									BOLT, Twelve Point Head, M10x1.5x48
	J813 0979	3	J, U			EVO			w/52098874
		3	J, U			EVO			w/52098872
		3	J, U			ERO			w/52098871
20	5012 332AA	1	J, U			EVO			RETAINER, Transfer Case Rear Export, Europe
		1	J, U			EVO			
		1	J, U			ERO			
21	4638 902	1	J, U			EVO			BUSHING, Extension Housing Export, Europe
		1	J, U			EVO			CANADA, U.S.
		1	J, U			ERO			
22	4638 905	1	J, U			EVO			SNAP RING Export, Europe
		1	J, U			EVO			CANADA, U.S.
		1	J, U			ERO			
23	4897 298AA	1	J, U			EVO			SEAL, Output Shaft Export, Europe
		1	J, U			EVO			CANADA, U.S.
		1	J, U			ERO			
24	6501 371	4	J, U			EVO			BOLT, Retainer Export, Europe
		4	J, U			EVO			CANADA, U.S.
		4	J, U			ERO			
		6	J, U			EX0			Export, Europe
25	5010 123AA	1	J, U			EVO			PLUG Export, Europe
		1	J, U			EVO			CANADA, U.S.
		1	J, U			ERO			
26	5211 8181	1	J, U			ERO			CLIP w/52098871
		1	J, U			EVO			w/52098872
		1	J, U			EX0			w/52098873
		1	J, U			EVO			w/52098874
27	5012 324AA	1	J, U			EVO			SNUBBER, Drive Chain Export, Europe
		1	J, U			EVO			CANADA, U.S.
		1	J, U			ERO			
28	5012 325AA	2	J, U			EVO			BOLT Export, Europe



JEEP GRAND CHEROKEE (WJ)
 SERIES L = Grand Cherokee
 LINE J = 4WD, T = 2WD, U = 4WD (RHD)
 BODY 74 = 4 Door (105.9 WB)
 ENGINE ERH,ERO = 4.0L, Power Tech; EVA,EVO = 4.7L, Power Tech; EXA,EXO = 3.1L 5 cyl Turbo Diesel
 TRANSMISSION DGK = 4 Speed Autm, 42RE; DG4 = Multi Speed Auto 45RFE; DGW = 4 Speed Autom 44RE; DGO = All Automatic

Case and Related Parts Quadra Trac II on Demand [DHF]
Figure 247-210

ITEM	PART NUMBER	QTY	LINE	SERIES	BODY	ENGINE	TRANS	TRIM	DESCRIPTION
		2	J, U			EVO			CANADA, U.S.
		2	J, U			ERO			
29	6502 081	2	J, U						CLAMP, Oil Cooler Line
30	4443 176	1	J, U						HOSE, Fuel, .31 I.D. 50 Foot Roll
31	5300 7494	1	J, U						VENT, Transfer Case
32									SEAL, Transfer Case
	5013 016AA	1	J, U			EX0			
		1	J, U			ERO			
		1	J, U			EVO			CANADA, U.S.
		1	J, U			EVO			Export, Europe
33									SEALANT, RTV
	5010 884AA	1	J, U			ERO			
		1	J, U			EVO			CANADA, U.S.
		1	J, U			EX0			Export, Europe
		1	J, U			EVO			Export, Europe

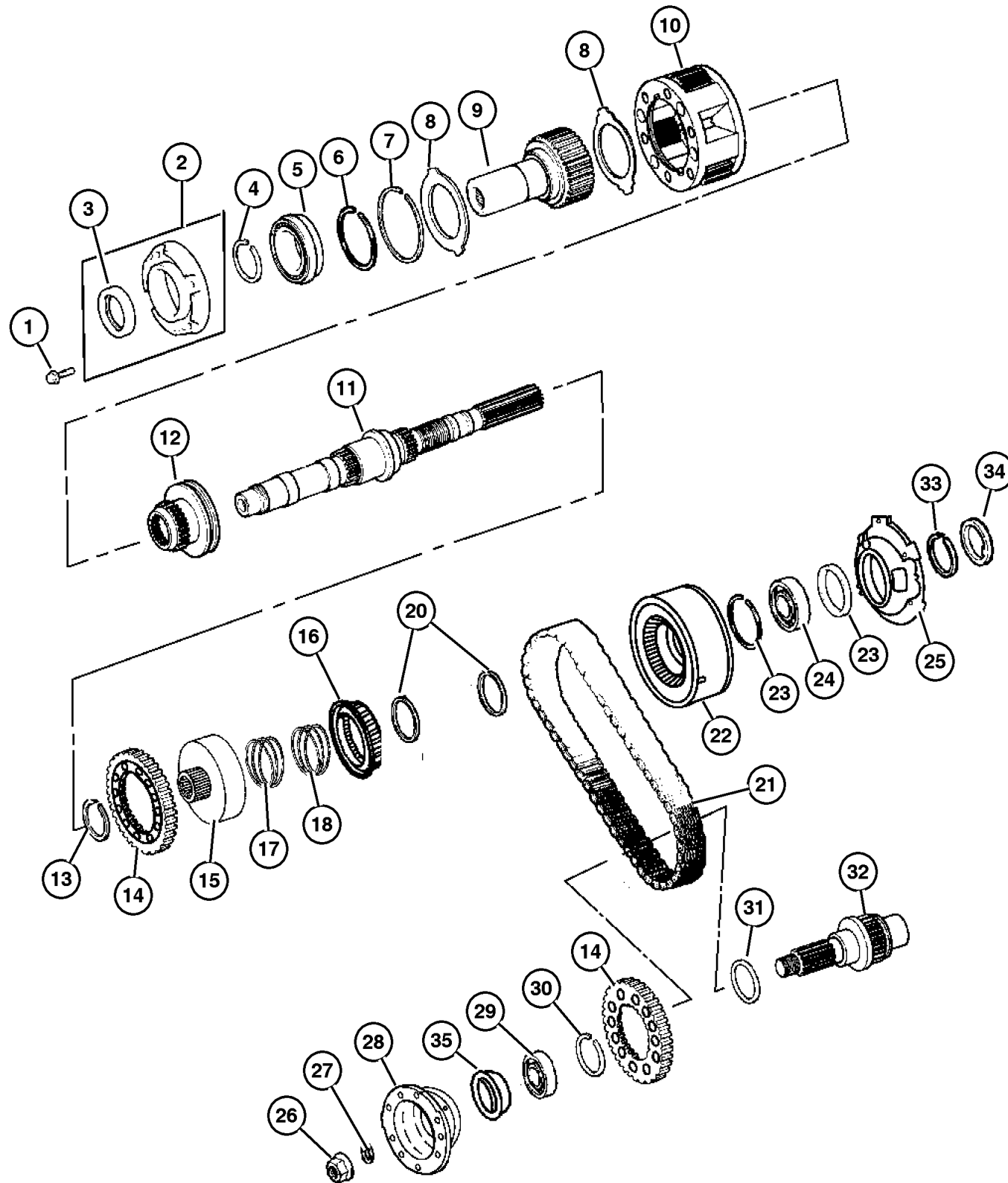


JEEP GRAND CHEROKEE (WJ)				
SERIES	LINE	BODY	ENGINE	TRANSMISSION
L = Grand Cherokee	J = 4WD T = 2WD U = 4WD (RHD)	74 = 4 Door (105.9 WB)	ERH,ERO = 4.0L, Power Tech EVA,EVO = 4.7L, Power Tech EXA,EXO = 3.1L 5 cyl Turbo Diesel	DGK = 4 Speed Autm, 42RE DG4 = Multi Speed Auto 45RFE DGW = 4 Speed Autom 44RE DGO = All Automatic

AR = Use as required - = Non illustrated part # = New this model year

September 15, 2005

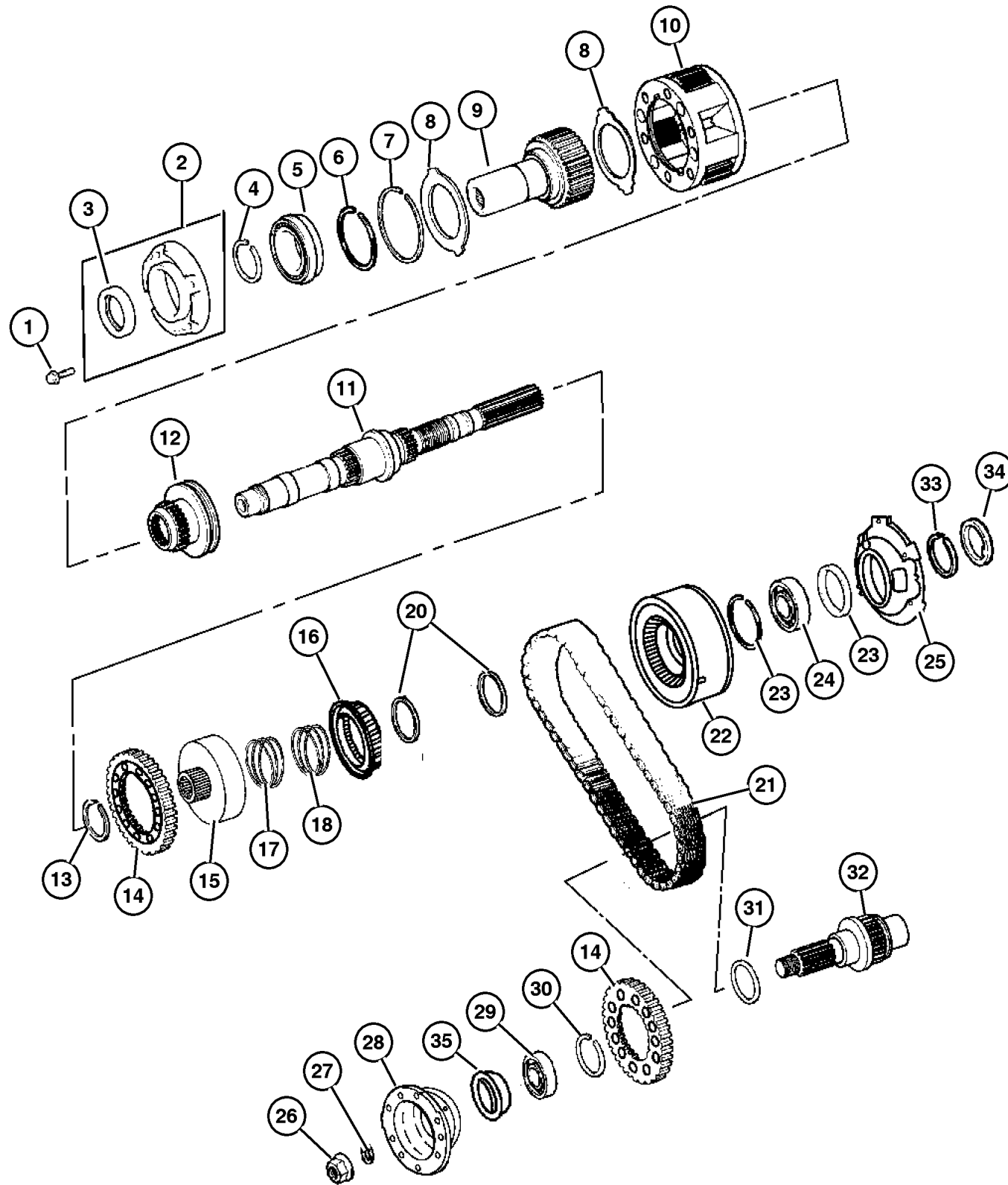
**Gear Train Quadra Trac II on Demand [DHF]
Figure 247-410**



ITEM	PART NUMBER	QTY	LINE	SERIES	BODY	ENGINE	TRANS	TRIM	DESCRIPTION
NOTE: Sales Codes									
[DHF] = Quadra Trac II on demand 4 X 4									
[ER0] = All 4.0L 6 Cyl Gas									
[EV0] = All 4.7L Gas									
1									BOLT
	6500 318	4	J, U			EV0			Export, Europe
		4	J, U			EV0			CANADA, U.S.
		4	J, U			ER0			
2									EXTENSION, Transfer Case
	4864 782	1	J, U			EV0			Export, Europe
		1	J, U			EV0			CANADA, U.S.
		1	J, U			ER0			
3									SEAL, Input Gear
	4798 033	1	J, U			EV0			Export, Europe
		1	J, U			EV0			CANADA, U.S.
		1	J, U			ER0			
4									SNAP RING
	3821 558	1	J, U			EV0			[Export, Europe]
		1	J, U			EV0			[CANADA, U.S.]
		1	J, U			ER0			
5									BEARING, Input Gear
	4746 155	1	J, U			ER0			
		1	J, U			EV0			CANADA
		1	J, U			EV0			Export, Europe
	5012 997AA	1	J, U			EX0			Export, Europe
6									SNAP RING
	4338 910	1	J, U			EV0			Export, Europe
		1	J, U			EV0			CANADA, U.S.
		1	J, U			ER0			
7									RING
	4338 909	1	J, U			EV0			Export, Europe
		1	J, U			EV0			CANADA, U.S.
		1	J, U			ER0			
8									THRUST WASHER, Planetary Carrier
	4338 908	2	J, U			ER0			
		2	J, U			EV0			CANADA, U.S.
		2	J, U			EV0			Export, Europe
9									GEAR, Input
	4798 126	1	J, U			ER0			
	5012 311AA	1	J, U			EV0			CANADA, U.S.
		1	J, U			EV0			Export, Europe
10									PLANETARY, Transfer Case

JEEP GRAND CHEROKEE (WJ)
 SERIES L = Grand Cherokee
 LINE J = 4WD, T = 2WD, U = 4WD (RHD)
 BODY 74 = 4 Door (105.9 WB)
 ENGINE ERH,ERO = 4.0L, Power Tech; EVA,EVO = 4.7L, Power Tech; EXA,EXO = 3.1L 5 cyl Turbo Diesel
 TRANSMISSION DGK = 4 Speed Autm, 42RE; DG4 = Multi Speed Auto 45RFE; DGW = 4 Speed Autom 44RE; DGO = All Automatic

**Gear Train Quadra Trac II on Demand [DHF]
Figure 247-410**



ITEM	PART NUMBER	QTY	LINE	SERIES	BODY	ENGINE	TRANS	TRIM	DESCRIPTION
	4796 903AB	1	J, U			EVO			Export, Europe
		1	J, U			EVO			CANADA, U.S.
		1	J, U			ERO			
11	5012 313AA	1	J, U			EVO			MAINSHAFT, Transfer Case
		1	J, U			EVO			Export, Europe
		1	J, U			EVO			CANADA, U.S.
		1	J, U			ERO			
12	5012 314AA	1	J, U			EVO			SLEEVE, Shift Range
		1	J, U			EVO			Export, Europe
		1	J, U			EVO			CANADA, U.S.
		1	J, U			ERO			
13	4798 130	1	J, U			EVO			SNAP RING
		1	J, U			EVO			Export, Europe
		1	J, U			EVO			CANADA, U.S.
		1	J, U			ERO			
14	5012 319AA	2	J, U			EVO			SPROCKET, Drive
		2	J, U			EVO			Export, Europe
		2	J, U			EVO			CANADA, U.S.
		2	J, U			ERO			
15	5012 315AA	1	J, U			EVO			CARRIER, Sprocket
		1	J, U			EVO			Export, Europe
		1	J, U			EVO			CANADA, U.S.
		1	J, U			ERO			
16	8350 3543	1	J, U			EVO			BEARING PACKAGE, Transfer Case
		1	J, U			EVO			Export, Europe
		1	J, U			EVO			CANADA, U.S.
		1	J, U			ERO			
17	4798 131	1	J, U			EVO			SPRING, Clutch
		1	J, U			EVO			Export, Europe
		1	J, U			EVO			CANADA, U.S.
		1	J, U			ERO			
18	4897 521AA	1	J, U			EVO			SPRING, Clutch
		1	J, U			EVO			Export, Europe
		1	J, U			EVO			CANADA, U.S.
		1	J, U			ERO			
-19	4897 520AA-	1	J, U			EVO			CLUTCH, Oneway
		1	J, U			EVO			Export, Europe
		1	J, U			EVO			CANADA, U.S.
		1	J, U			ERO			
20	5012 316AA	2	J, U			EVO			SPACER, Sprocket
		2	J, U			EVO			CANADA, U.S.

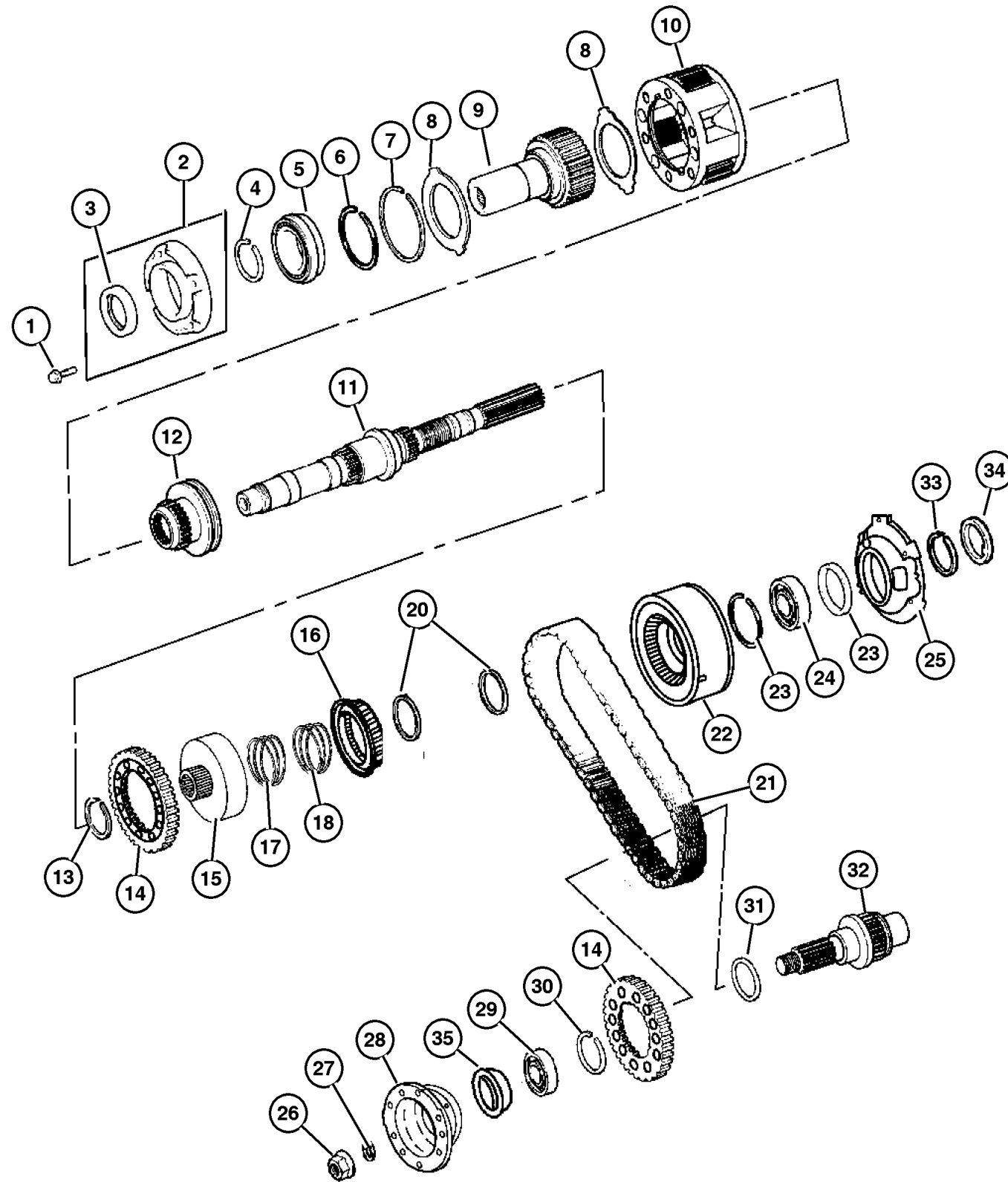
JEEP GRAND CHEROKEE (WJ)

SERIES	LINE	BODY	ENGINE	TRANSMISSION
L = Grand Cherokee	J = 4WD T = 2WD U = 4WD (RHD)	74 = 4 Door (105.9 WB)	ERH,ERO = 4.0L, Power Tech EVA,EVO = 4.7L, Power Tech EXA,EXO = 3.1L 5 cyl Turbo Diesel	DGK = 4 Speed Autm, 42RE DG4 = Multi Speed Auto 45RFE DGW = 4 Speed Autom 44RE DGO = All Automatic

AR = Use as required - = Non illustrated part # = New this model year

September 15, 2005

**Gear Train Quadra Trac II on Demand [DHF]
Figure 247-410**



ITEM	PART NUMBER	QTY	LINE	SERIES	BODY	ENGINE	TRANS	TRIM	DESCRIPTION
		2	J, U			ER0			
		2	J, U			EX0			
21	5012 322AB	1	J, U			ER0			CHAIN, Transfer Case
		1	J, U			EVO			CANADA, U.S.
22	5012 329AA	1	J, U			EVO			PUMP, Transfer Case Gear Rotor
		1	J, U			EVO			Export, Europe
		1	J, U			EVO			CANADA, U.S.
23	4446 478	1	J, U			ER0			SNAP RING
		2	J, U			EVO			Export, Europe
		2	J, U			EVO			CANADA, U.S.
24	4638 899	1	J, U			ER0			BEARING, Output Shaft
		1	J, U			EVO			Export, Europe
		1	J, U			EVO			CANADA, U.S.
25	5013 017AA	1	J, U			ER0			PUMP, Transfer Case Oil
		1	J, U			EVO			CANADA, U.S.
		1	J, U			EVO			Export, Europe
26	4167 924	1	J, U			EVO			NUT, Transfer Case Yoke
		1	J, U			EVO			Export, Europe
		1	J, U			EVO			CANADA, U.S.
27	4210 973	1	J, U			ER0			WASHER, Transfer Case Yoke
		1	J, U			EVO			CANADA
		1	J, U			ER0			Export, Europe
28	5012 308AA	1	J, U			EVO			YOKE, Transfer Case
		1	J, U			EVO			Export, Europe
		1	J, U			EVO			CANADA, U.S.
29	2466 224	1	J, U			ER0			BEARING, Output Shaft
		1	J, U			EVO			CANADA
		1	J, U			EVO			Export, Europe
		1	J, U			EX0			Export, Europe
30	5012 320AA	2	J, U			ER0			SNAP RING
		2	J, U			EVO			CANADA, U.S.

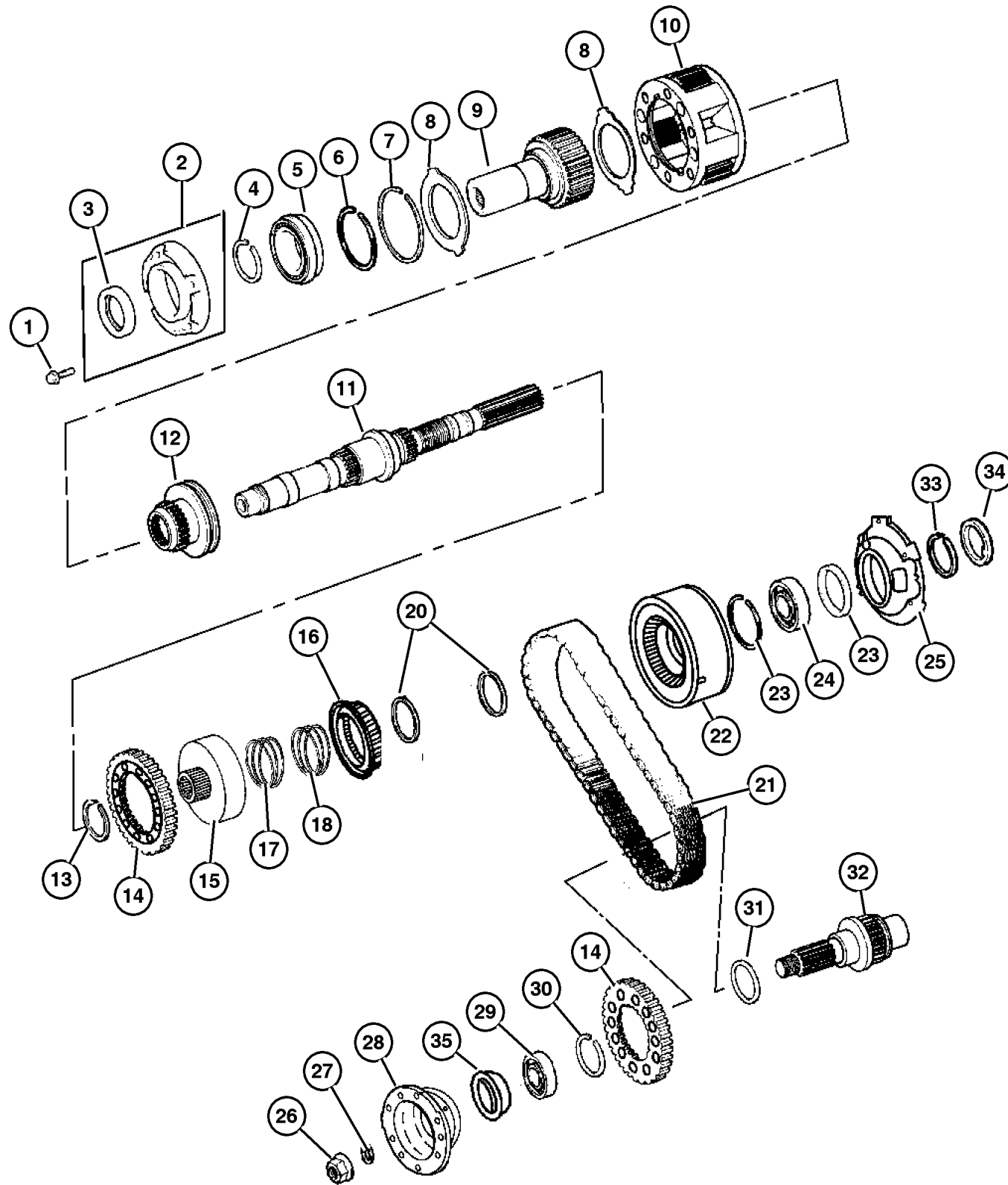
JEEP GRAND CHEROKEE (WJ)

SERIES	LINE	BODY	ENGINE	TRANSMISSION
L = Grand Cherokee	J = 4WD T = 2WD U = 4WD (RHD)	74 = 4 Door (105.9 WB)	ERH,ER0 = 4.0L, Power Tech EVA,EVO = 4.7L, Power Tech EXA,EXO = 3.1L 5 cyl Turbo Diesel	DGK = 4 Speed Autm, 42RE DG4 = Multi Speed Auto 45RFE DGW = 4 Speed Autom 44RE DGO = All Automatic

AR = Use as required - = Non illustrated part # = New this model year

September 15, 2005

**Gear Train Quadra Trac II on Demand [DHF]
Figure 247-410**



ITEM	PART NUMBER	QTY	LINE	SERIES	BODY	ENGINE	TRANS	TRIM	DESCRIPTION
		2	J, U			EVO			Export, Europe
31	4210 973	1	J, U			EVO			WASHER, Transfer Case Yoke
		1	J, U			EVO			Export, Europe
		1	J, U			ER0			CANADA, U.S.
32	5012 321AA	1	J, U			ER0			OUTPUT SHAFT, Transfer Case
		1	J, U			EVO			CANADA, U.S.
		1	J, U			EVO			Export, Europe
33	5013 014AA	1	J, U			ER0			WASHER
		1	J, U			EVO			CANADA, U.S.
		1	J, U			EVO			Export, Europe
34	5013 015AA	2	J, U			ER0			SNAP RING
		2	J, U			EVO			CANADA, U.S.
		2	J, U			EVO			Export, Europe
35	4798 125	1	J, U			ER0			SEAL, Output Shaft
		1	J, U			EVO			CANADA, U.S.
		1	J, U			EVO			Export, Europe

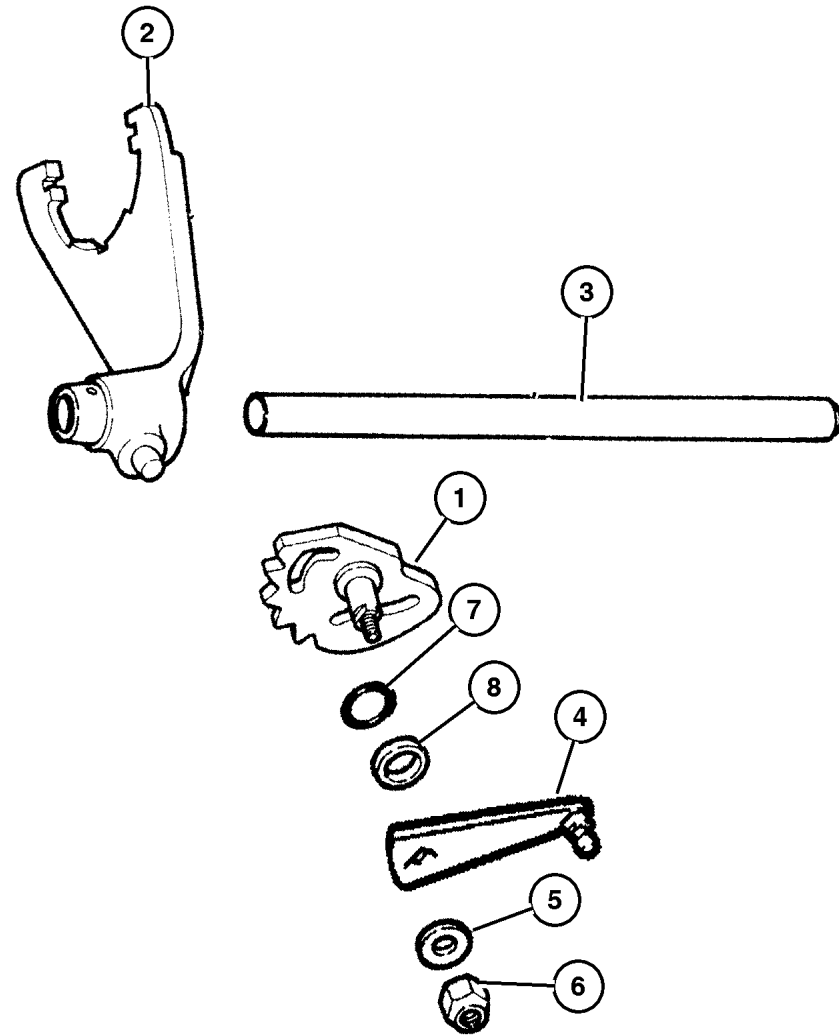
JEEP GRAND CHEROKEE (WJ)

SERIES	LINE	BODY	ENGINE	TRANSMISSION
L = Grand Cherokee	J = 4WD T = 2WD U = 4WD (RHD)	74 = 4 Door (105.9 WB)	ERH,ER0 = 4.0L, Power Tech EVA,EVO = 4.7L, Power Tech EXA,EXO = 3.1L 5 cyl Turbo Diesel	DGK = 4 Speed Autm, 42RE DG4 = Multi Speed Auto 45RFE DGW = 4 Speed Autom 44RE DGO = All Automatic

AR = Use as required - = Non illustrated part # = New this model year

September 15, 2005

Fork and Rails Quadra Trac II on Demand [DHF]
Figure 247-910



ITEM	PART NUMBER	QTY	LINE	SERIES	BODY	ENGINE	TRANS	TRIM	DESCRIPTION
NOTE: Sales Codes									
[ER0] = ALL 4.0L 6 CYL GAS									
[EV0] = ALL 4.7L GAS									
1	5012 312AA	1	J, U			ER0			SECTOR, Transfer Case
		1	J, U			EV0			Export, Europe
		1	J, U			EV0			CANADA,U.S.
2	4798 136	1	J, U			ER0			FORK, Range
		1	J, U			EV0			Export, Europe
		1	J, U			EV0			CANADA, U.S.
3	4798 135	1	J, U			ER0			RAIL, Transfer Case
		1	J, U			EV0			Export, Europe
		1	J, U			EV0			CANADA, U.S.
4	5012 333AA	1	J, U			ER0			LEVER, Transfer Case
		1	J, U			EV0			Export, Europe
		1	J, U			EV0			CANADA, U.S.
5	S243 6163	1	J, U			EV0			WASHER, Flat
		1	J, U			EV0			Export, Europe
		1	J, U			EV0			CANADA, U.S.
6	0152 345	1	J, U			ER0			NUT, Hex Flange Lock
		1	J, U			EV0			CANADA, U.S.
		1	J, U			EV0			Export, Europe
7	4167 963	1	J, U			ER0			SEAL, O-Ring
		1	J, U			EV0			Export, Europe
		1	J, U			EV0			CANADA, U.S.
8	4167 964	1	J, U			EV0			RETAINER, Rear Clutch
		1	J, U			EV0			Export, Europe
		1	J, U			ER0			CANADA, U.S.

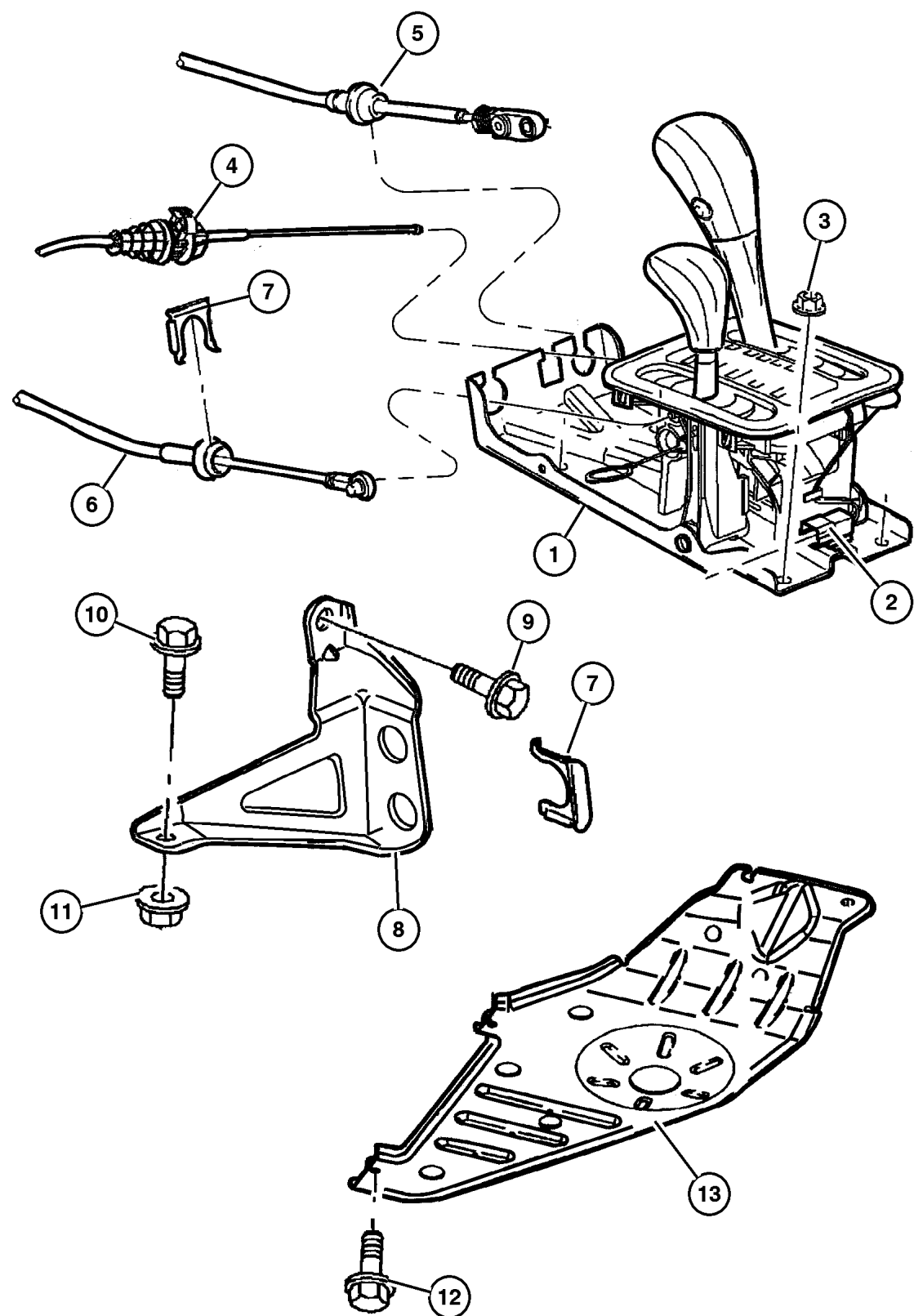
JEEP GRAND CHEROKEE (WJ)

SERIES	LINE	BODY	ENGINE	TRANSMISSION
L = Grand Cherokee	J = 4WD T = 2WD U = 4WD (RHD)	74 = 4 Door (105.9 WB)	ERH,ERO = 4.0L, Power Tech EVA,EVO = 4.7L, Power Tech EXA,EXO = 3.1L 5 cyl Turbo Diesel	DGK = 4 Speed Autm, 42RE DG4 = Multi Speed Auto 45RFE DGW = 4 Speed Autom 44RE DGO = All Automatic

AR = Use as required - = Non illustrated part # = New this model year

September 15, 2005

**Gearshift Controls Quadra Trac II on Demand [DHF]
Figure 247-1210**



ITEM	PART NUMBER	QTY	LINE	SERIES	BODY	ENGINE	TRANS	TRIM	DESCRIPTION
NOTES: Sales Codes									
[DSB] = Front Axle, Vari Lok Progressive									
[DGO] = All Automatic Transmissions									
[ERH] = 4.0L Power Tech Engine.									
[EVA] = 4.7L Power Tech Engine.									
[EXA] = 3.1L 5 Cylinder Turbo Diesel Engine.									
1									HOUSING AND LEVER, Shifter
	5210 4151	1	J				DG0		With [DHF] Without [DSB], Left
	5210 4152	1	U				DG0		With [DHF] Without [DSB], Right
	52104 374AA	1	J				DG0		With [DHF] With [DSB], Left
	52104 375AA	1	U				DG0		With [DHF] With [DSB], Right
2									CONNECTOR, Wiring
	5013 117AA	1	J				DG0		Left
		1	U				DG0		Right
		1	J				DG0		w/DSB, Right
		1	U				DG0		w/DSB, Right
3	6101 695	4					DG0		NUT, Hex Flange Lock, M8x1.25
4	5210 4054	1					DG0		CABLE, Park Interlock
5	5210 4060	1					DG0		CABLE, Gearshift Control
6	5210 4218	1	J, U				DG0		CABLE, Gearshift Control
7	4269 830	2	J, U						CLIP, Cable
8	5210 4219	1	J, U				DGK, DGW		BRACKET, Torque Shaft
9	6101 062	1	J, U				DGK, DGW		SCREW AND WASHER, Hex Head, M10x1.5x40
10	6027 884	1	J, U				DGK, DGW		BOLT AND CONED WASHER, Hex Head, .437-14x1.12
11	0115 984	1					DGK, DGW		NUT, Brake Line
12	6503 571	4							SCREW AND WASHER, M10x1. 50x35
13									SKID PLATE, Front
	5205 8922	1	J, U			ER0, EVO			
	52059 302AA	1	J, U			EX0			

JEEP GRAND CHEROKEE (WJ)

SERIES	LINE	BODY	ENGINE	TRANSMISSION
L = Grand Cherokee	J = 4WD T = 2WD U = 4WD (RHD)	74 = 4 Door (105.9 WB)	ERH,ERO = 4.0L, Power Tech EVA,EVO = 4.7L, Power Tech EXA,EXO = 3.1L 5 cyl Turbo Diesel	DGK = 4 Speed Autm, 42RE DG4 = Multi Speed Auto 45RFE DGW = 4 Speed Autom 44RE DGO = All Automatic

AR = Use as required - = Non illustrated part # = New this model year

September 15, 2005

Group – 022

Wheels, Covers and Jacks

GROUP 22 - Wheels, Covers and Jacks

Illustration Title

Group-Fig. No.

Wheels and Hardware

Wheels and Hardware Fig. 022-130

Wheel Covers and Center Caps

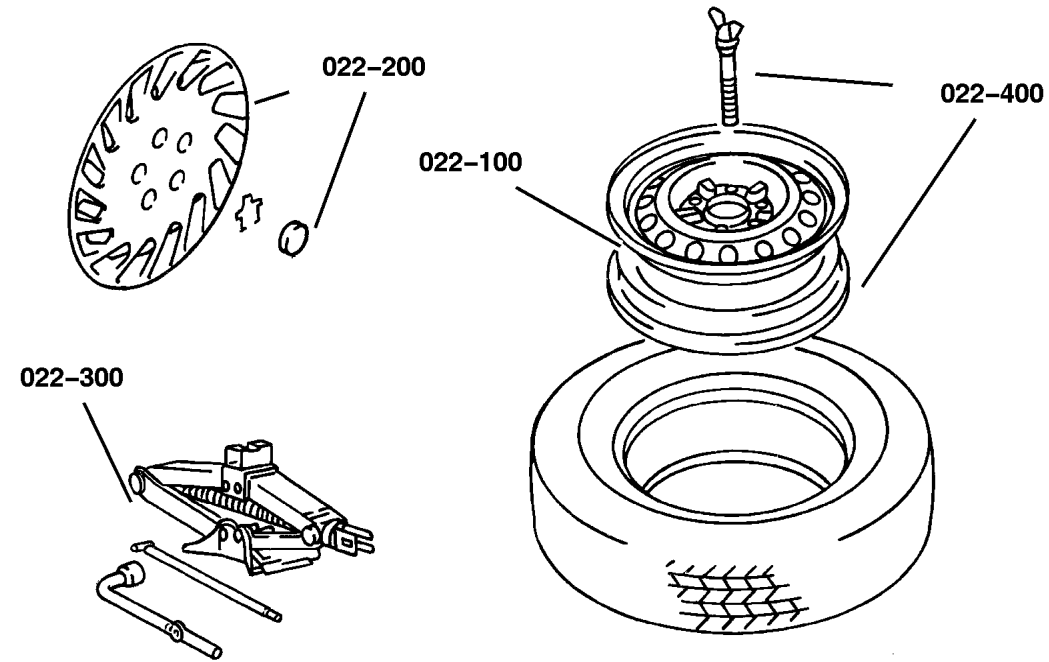
Caps, Wheel Cover and center Fig. 022-230


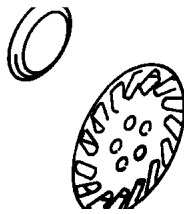
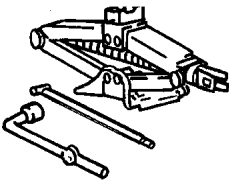
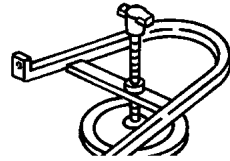
Jack Stowage

Jack Stowage Fig. 022-330

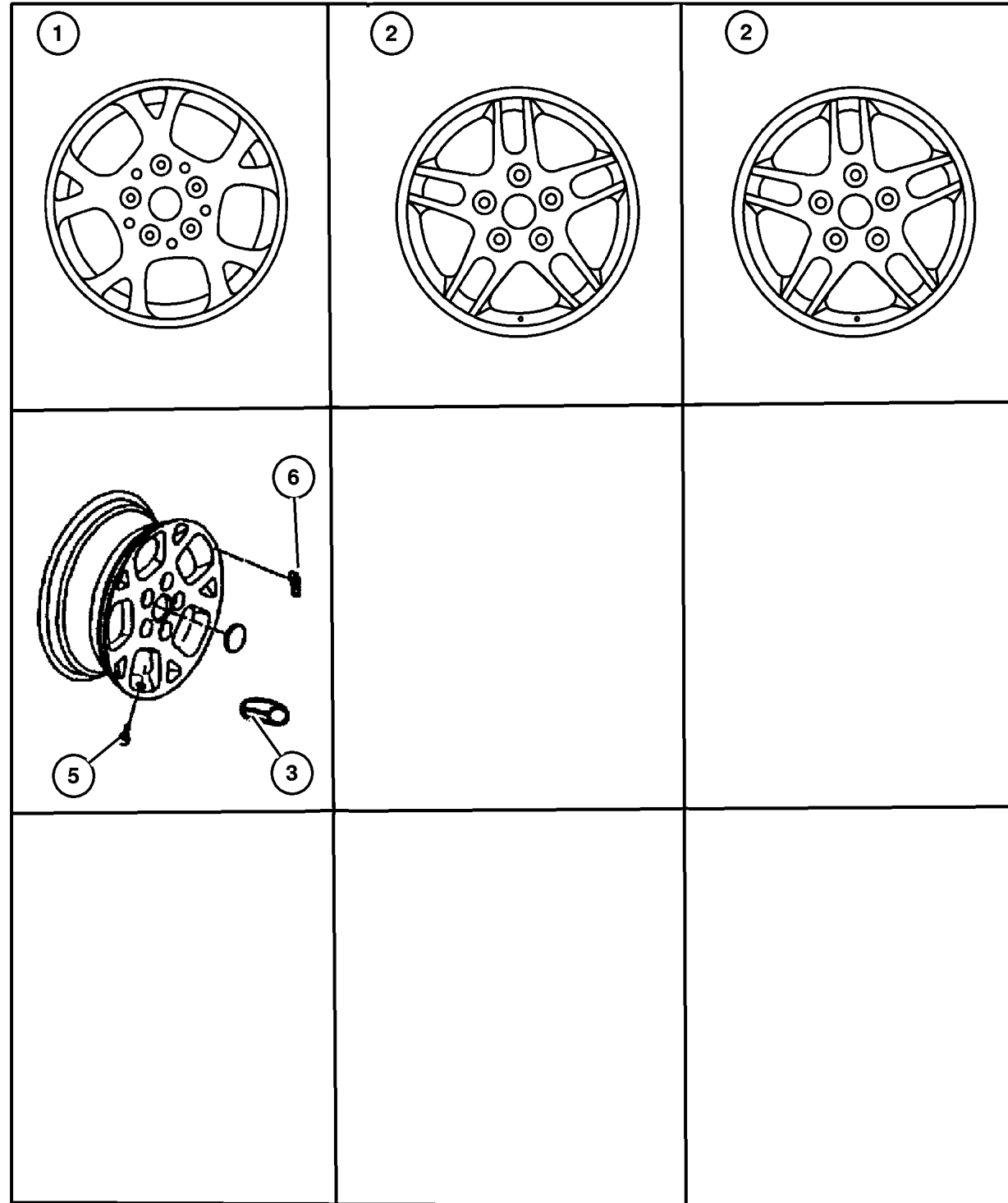
Spare Tire Stowage

Spare Wheel Stowage Fig. 022-460



<p>022-100 Wheels and Hardware</p> 	<p>022-200 Wheel Covers and Center Caps</p> 	<p>022-300 Jack Stowage</p> 	<p>022-400 Spare Tire Stowage</p> 
---	--	---	--

Wheels and Hardware
Figure 022-130



ITEM	PART NUMBER	QTY	LINE	SERIES	BODY	ENGINE	TRANS	TRIM	DESCRIPTION
------	-------------	-----	------	--------	------	--------	-------	------	-------------

Note: Sales Code WDS = 16x7.0 Aluminum Wheel
 Note: Sales Code WDR = 16x7.0 Aluminum Wheel
 Note: Sales Code WDM = 16x7.0 Aluminum Wheel

1	5EZ98 TAEAB	4							WHEEL, Aluminum, Laredo Charcoal, WDS
	5GT99 PAKAA	4							Silver, WDS (Export)
2	5EZ99 PAKAB	4	J, T						WHEEL, Aluminum, Limited Silver, WDR,
	5EZ99 WK3AB	4	J, T						Camel/Almond, WDM
	5GJ48 PAKAA	4							Silver, WDR,, Export
3	J400 6956	20							NUT, Wheel, .50x20
-4	52088 203AB-	1							WHEEL, Spare
5	2073 355	4							STEM, Wheel Valve
6									WEIGHT, Wheel Balance Tape, (NOT SERVICED) (Not Serviced)

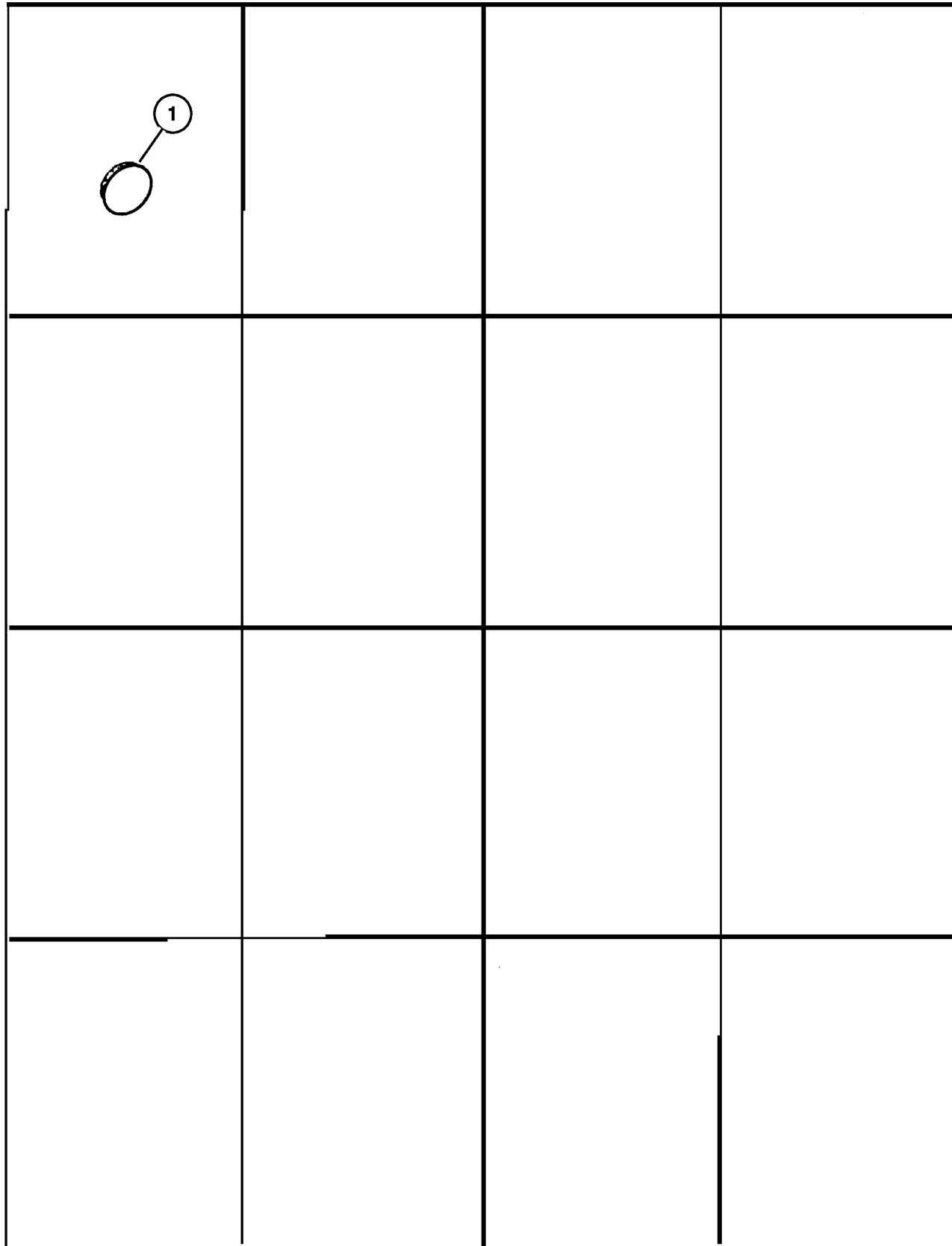
JEEP GRAND CHEROKEE (WJ)

SERIES	LINE	BODY	ENGINE	TRANSMISSION
L = Grand Cherokee	J = 4WD T = 2WD U = 4WD (RHD)	74 = 4 Door (105.9 WB)	ERH,ERO = 4.0L, Power Tech EVA,EVO = 4.7L, Power Tech EXA,EXO = 3.1L 5 cyl Turbo Diesel	DGK = 4 Speed Autm, 42RE DG4 = Multi Speed Auto 45RFE DGW = 4 Speed Autom 44RE DGO = All Automatic

AR = Use as required - = Non illustrated part # = New this model year

September 15, 2005

**Caps, Wheel Cover and center
Figure 022-230**



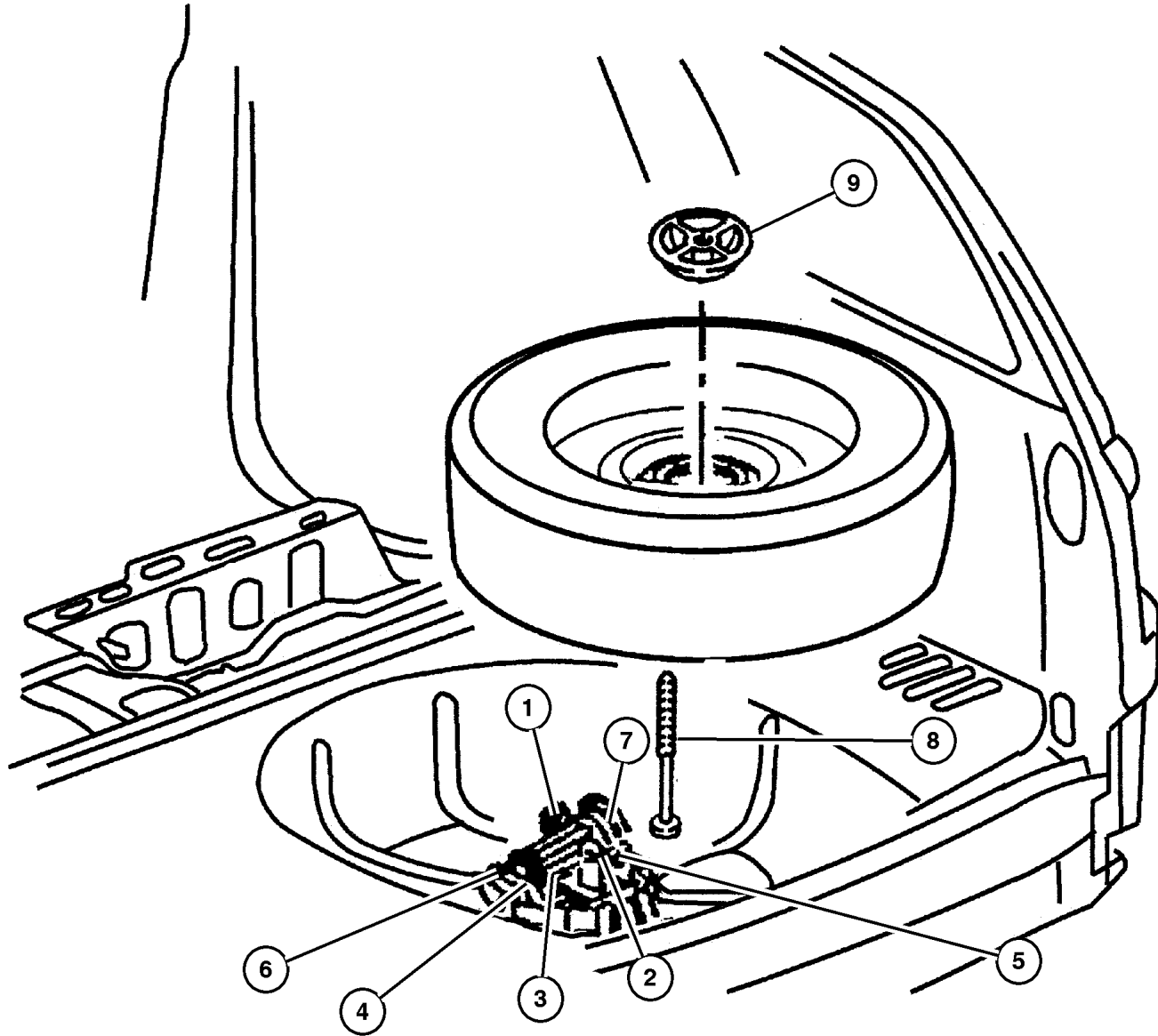
ITEM	PART NUMBER	QTY	LINE	SERIES	BODY	ENGINE	TRANS	TRIM	DESCRIPTION
1	5CF9 7L3X	4							CAP, Wheel Center, Brushed Aluminum "Jeep" Name

JEEP GRAND CHEROKEE (WJ)

SERIES	LINE	BODY	ENGINE	TRANSMISSION
L = Grand Cherokee	J = 4WD T = 2WD U = 4WD (RHD)	74 = 4 Door (105.9 WB)	ERH,ERO = 4.0L, Power Tech EVA,EVO = 4.7L, Power Tech EXA,EXO = 3.1L 5 cyl Turbo Diesel	DGK = 4 Speed Autm, 42RE DG4 = Multi Speed Auto 45RFE DGW = 4 Speed Autom 44RE DGO = All Automatic

Jack Stowage
Figure 022-330

ITEM	PART NUMBER	QTY	LINE	SERIES	BODY	ENGINE	TRANS	TRIM	DESCRIPTION
1	5205 9104	1							JACK
2	5205 9121	1							EXTENSION, Jack Handle
3	52059 122AB	1							EXTENSION, Jack Handle
4	52059 134AA	2							BRACKET, Tool Hold Down
5	6500 284	3							NUT, Hex, M6x1.00
6	5205 9105	1							WRENCH, Wheel Lug Nut
7	52059 148AA	1							CLIP
8									J BOLT, Spare Tire Hold Down, (NOT SERVICED) (Not Serviced)
9									CUP, Spare Tire Retention, (NOT SERVICED) (Not Serviced)



JEEP GRAND CHEROKEE (WJ)

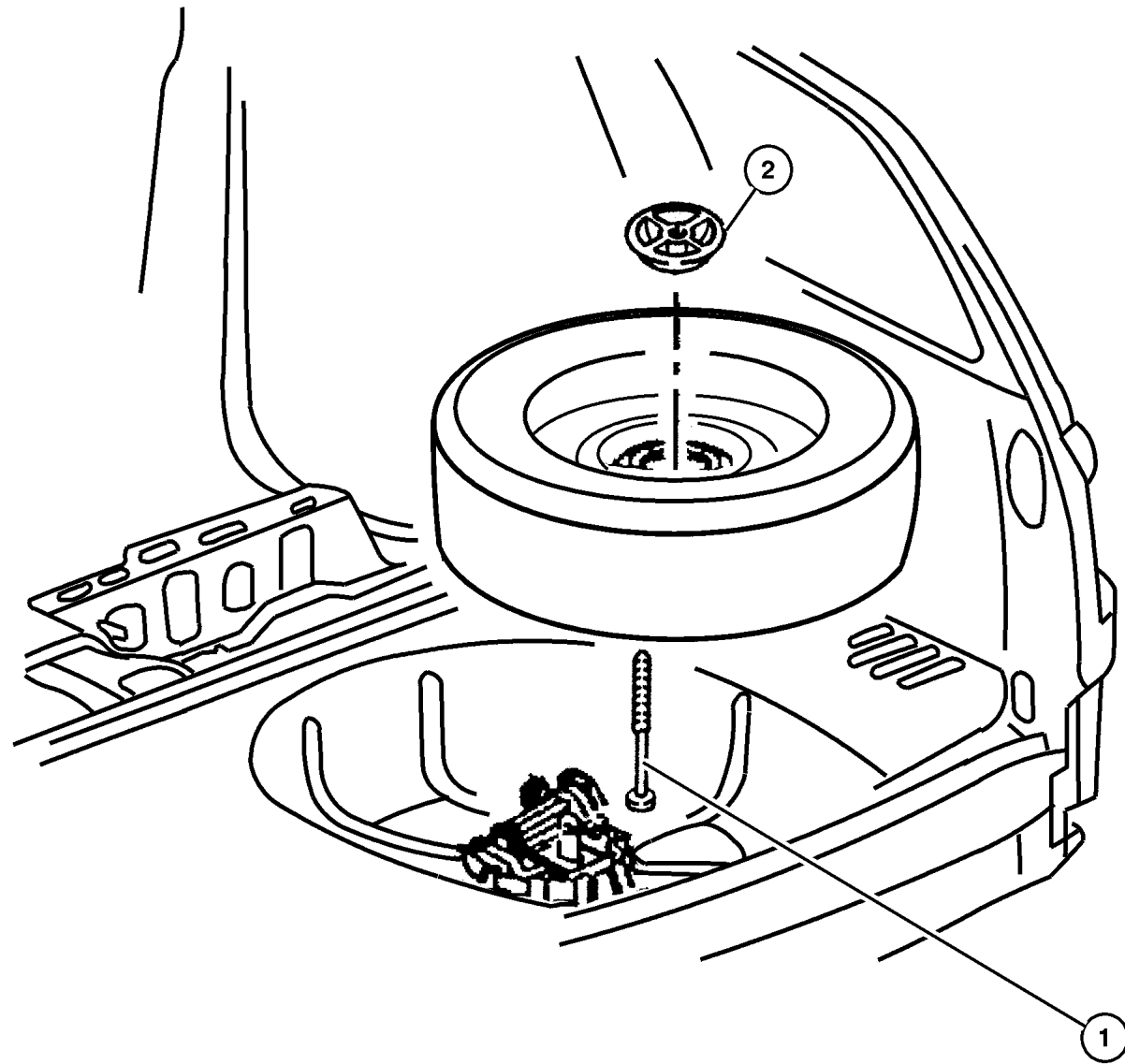
SERIES	LINE	BODY	ENGINE	TRANSMISSION
L = Grand Cherokee	J = 4WD T = 2WD U = 4WD (RHD)	74 = 4 Door (105.9 WB)	ERH,ERO = 4.0L, Power Tech EVA,EVO = 4.7L, Power Tech EXA,EXO = 3.1L 5 cyl Turbo Diesel	DGK = 4 Speed Autm, 42RE DG4 = Multi Speed Auto 45RFE DGW = 4 Speed Autom 44RE DGO = All Automatic

AR = Use as required - = Non illustrated part # = New this model year

September 15, 2005

Spare Wheel Stowage
Figure 022-460

ITEM	PART NUMBER	QTY	LINE	SERIES	BODY	ENGINE	TRANS	TRIM	DESCRIPTION
1	52059 169AB	1							BOLT, J, M10x1.5x150
2	52059 160AA	1							CUP, Spare Tire Retention
-3	52088 806AA-	1							SILENCER, Wheelhouse



JEEP GRAND CHEROKEE (WJ)				
SERIES	LINE	BODY	ENGINE	TRANSMISSION
L = Grand Cherokee	J = 4WD T = 2WD U = 4WD (RHD)	74 = 4 Door (105.9 WB)	ERH,ERO = 4.0L, Power Tech EVA,EVO = 4.7L, Power Tech EXA,EXO = 3.1L 5 cyl Turbo Diesel	DGK = 4 Speed Autm, 42RE DG4 = Multi Speed Auto 45RFE DGW = 4 Speed Autom 44RE DGO = All Automatic

AR = Use as required - = Non illustrated part # = New this model year

September 15, 2005

Group – 23D

Wiper/Lock Cylinder and Keys

GROUP 23D - Wiper/Lock Cylinder and Keys

Illustration Title

Group-Fig. No.

Lock Cylinders and Keys

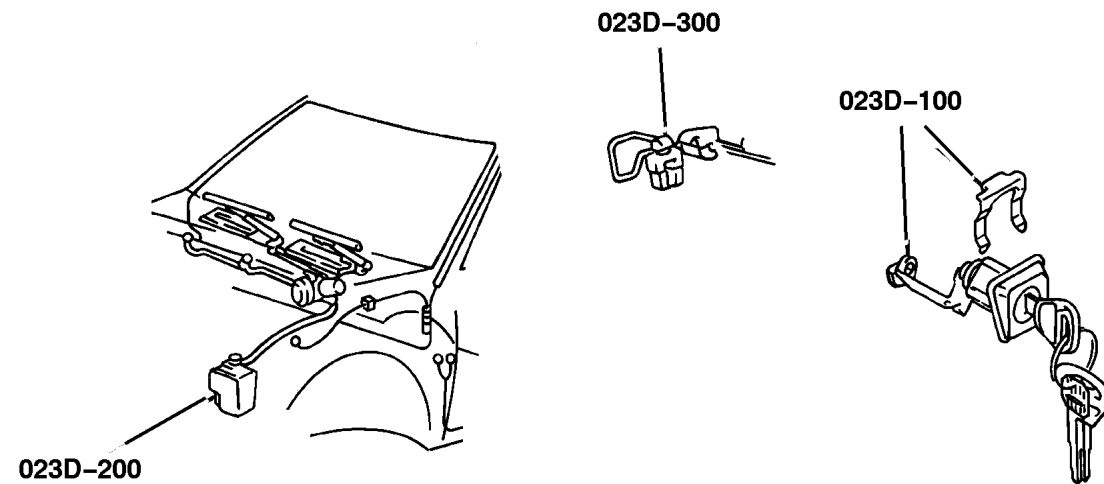
Lock Cylinder & Keys Fig. 23D-130

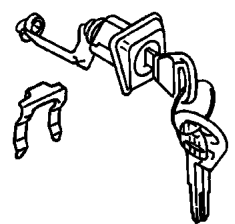
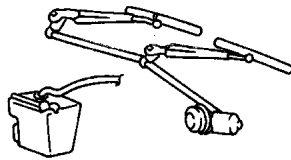
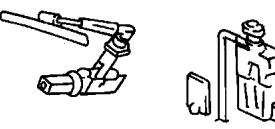
Windshield Wiper and Washer Systems

Windshield Wiper & Washer Fig. 23D-230

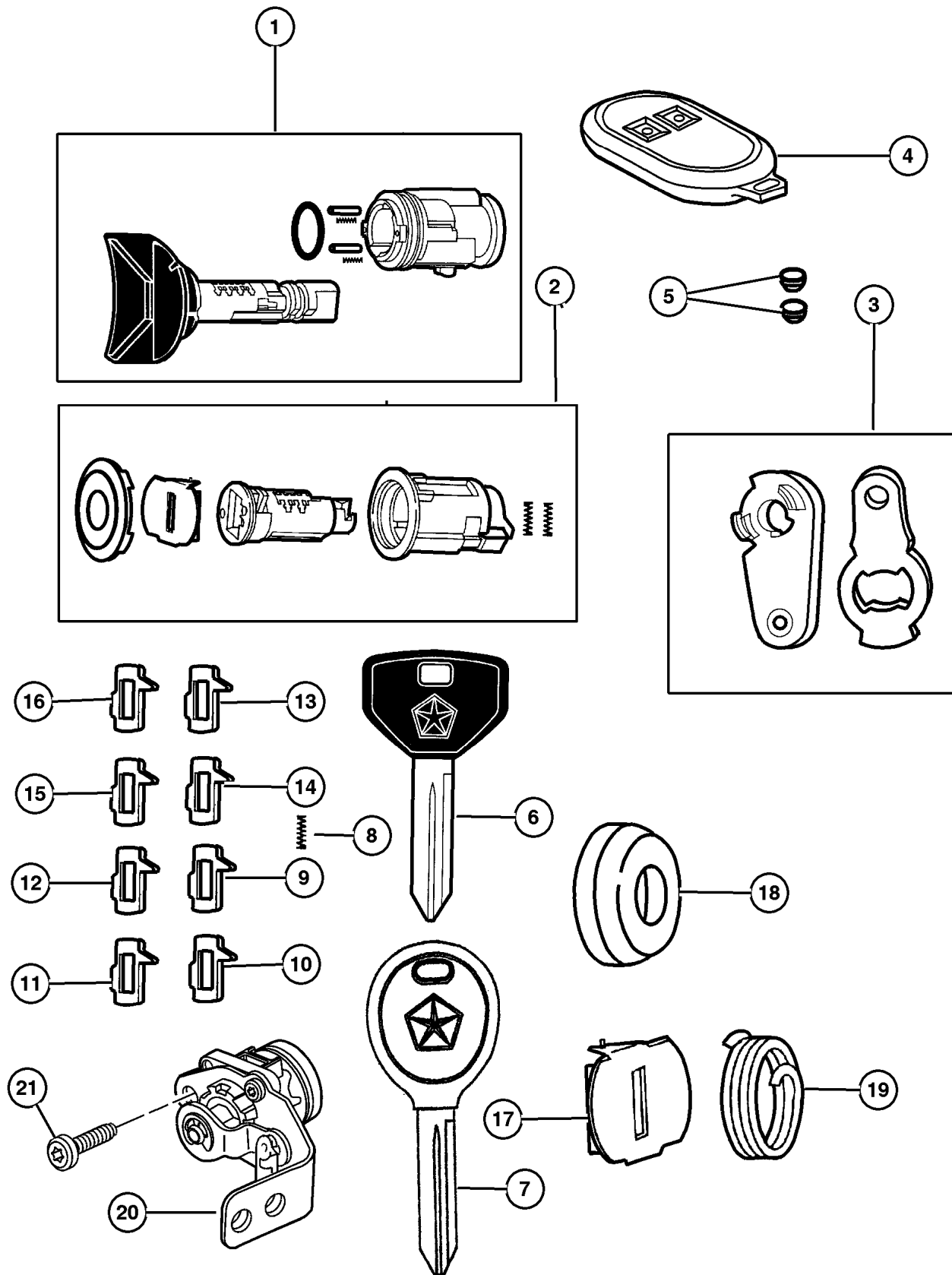
Rear Wiper and Washer System

Rear Wiper & Washer System Fig. 23D-330



<p>23D-100 Lock Cylinders and Keys</p> 	<p>23D-200 Windshield Wiper and Washer Systems</p> 	<p>23D-300 Rear Wiper and Washer System</p> 	
---	---	---	--

Lock Cylinder & Keys Figure 23D-130



ITEM	PART NUMBER	QTY	LINE	SERIES	BODY	ENGINE	TRANS	TRIM	DESCRIPTION
1									CYLINDER, Ignition Lock
	5003 843AA	1	J, T						
		1	U						
2									CYLINDER, Door Lock
	5013 682AA	1	J, T						
		1	U						
3									LEVER, Door Lock Cylinder
	55136 554AA	1	J, T						
		1	U						
4									TRANSMITTER, Keyless Entry
	56036 857AB	1							Primary Driver #1 (JAPAN)
	56036 858AB	1							Secondary Driver #2 (JAPAN)
	56036 859AB	1							Primary Driver #1 (USA/CANADA)
									Frequency 315
	56036 860AB	1							Secondary Driver #2 (USA/ CANADA) Frequency 315
	56036 862AB	1							Primary Driver #1 (EUROPE)
									Frequency 433
	56036 863AB	1							Secondary Driver #2 (EUROPE)
									Frequency 433
5	8350 4802	2							BATTERY, Transmitter
6	4778 115	2	J, T						KEY, Blank, 84 Groove
7									KEY, Master
	5010 366AA	2	U						With Security Alarm, Sentry ('Smart') Key
									With Security Alarm, Sentry ('Smart') Key
		2	J, T						With Keyless Entry & Security Alarm, Sentry ('Smart') Key
		1	J, T						With Keyless Entry & Security Alarm, Sentry ('Smart') Key
		1	U						With Keyless Entry & Security Alarm, Sentry ('Smart') Key
	5013 807AA	1	J, T						With Security Alarm ('Jeep' Centry)
		1	U						With Keyless Entry ('Jeep Centry)
		1	J, T						With Keyless Entry & Security Alarm ('Jeep' Centry)
		1	U						With Keyless Entry & Security Alarm ('Jeep' Centry)
	5013 809AA	2	J, T						Without Security Alarm (Oval Shaped)
8	5010 883AA	1	U						SPRING, Ignition Tumbler, Sidebar
9	4778 117	1	U						TUMBLER, Door and Deck Number 1, Wide

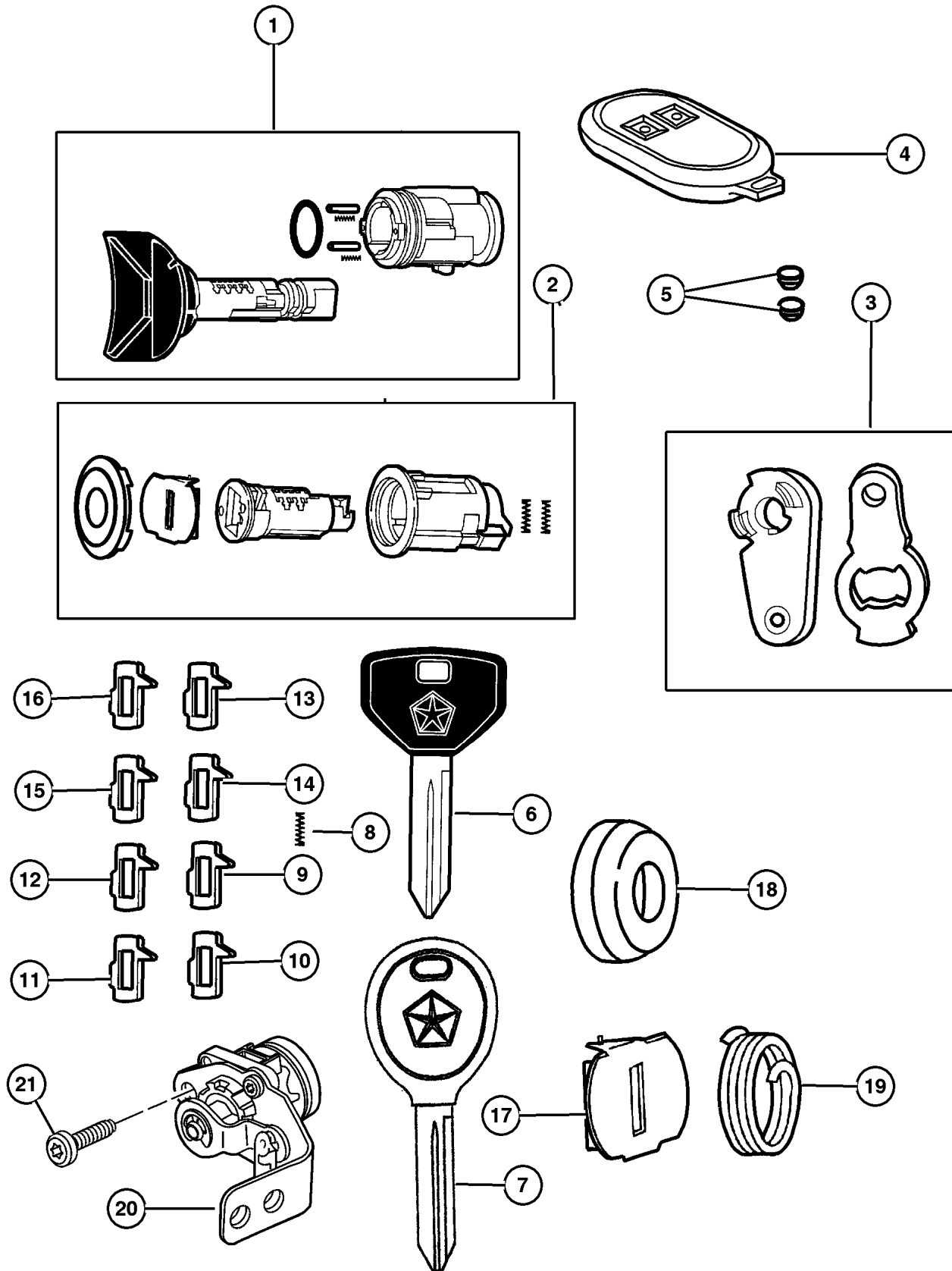
JEEP GRAND CHEROKEE (WJ)

SERIES	LINE	BODY	ENGINE	TRANSMISSION
L = Grand Cherokee	J = 4WD T = 2WD U = 4WD (RHD)	74 = 4 Door (105.9 WB)	ERH,ERO = 4.0L, Power Tech EVA,EVO = 4.7L, Power Tech EXA,EXO = 3.1L 5 cyl Turbo Diesel	DGK = 4 Speed Autm, 42RE DG4 = Multi Speed Auto 45RFE DGW = 4 Speed Autom 44RE DGO = All Automatic

AR = Use as required - = Non illustrated part # = New this model year

September 15, 2005

Lock Cylinder & Keys Figure 23D-130



ITEM	PART NUMBER	QTY	LINE	SERIES	BODY	ENGINE	TRANS	TRIM	DESCRIPTION
10	4778 118	1	U						TUMBLER, Door and Deck Number 2, Wide
11	4778 119	1	U						TUMBLER, Door and Deck Number 3, Wide
12	4778 120	1	U						TUMBLER, Door and Deck Number 4, Wide
13	5010 879AA	1	U						TUMBLER, Ignition Number 1, Sidebar
14	5010 880AA	1	U						TUMBLER, Ignition Number 2, Sidebar
15	5010 881AA	1	U						TUMBLER, Ignition Number 3, Sidebar
16	5010 882AA	1	U						TUMBLER, Ignition Number 4, Sidebar
17	4778 150	1	U						SHUTTER, Door, Deck and Liftgate, Bright
18	4778 149	1	U						CAP, Door Lock Cylinder, Bright
19	4778 121	1	U						SPRING, Door and Deck Tumbler
20	55136 762AA	1	U						BRACKET, Security Right
	55136 763AA	1	J, T						Left
21	5013 808AA	1	J, T						SCREW, Security Bracket Mounting
-22	4658 444	1	J, T						CLIP, Latch Purple
		1	U						Purple
	4658 445	1	U						Orange
-23	55136 557AA-	1	U						SWITCH, Security Alarm
		1	J, T						

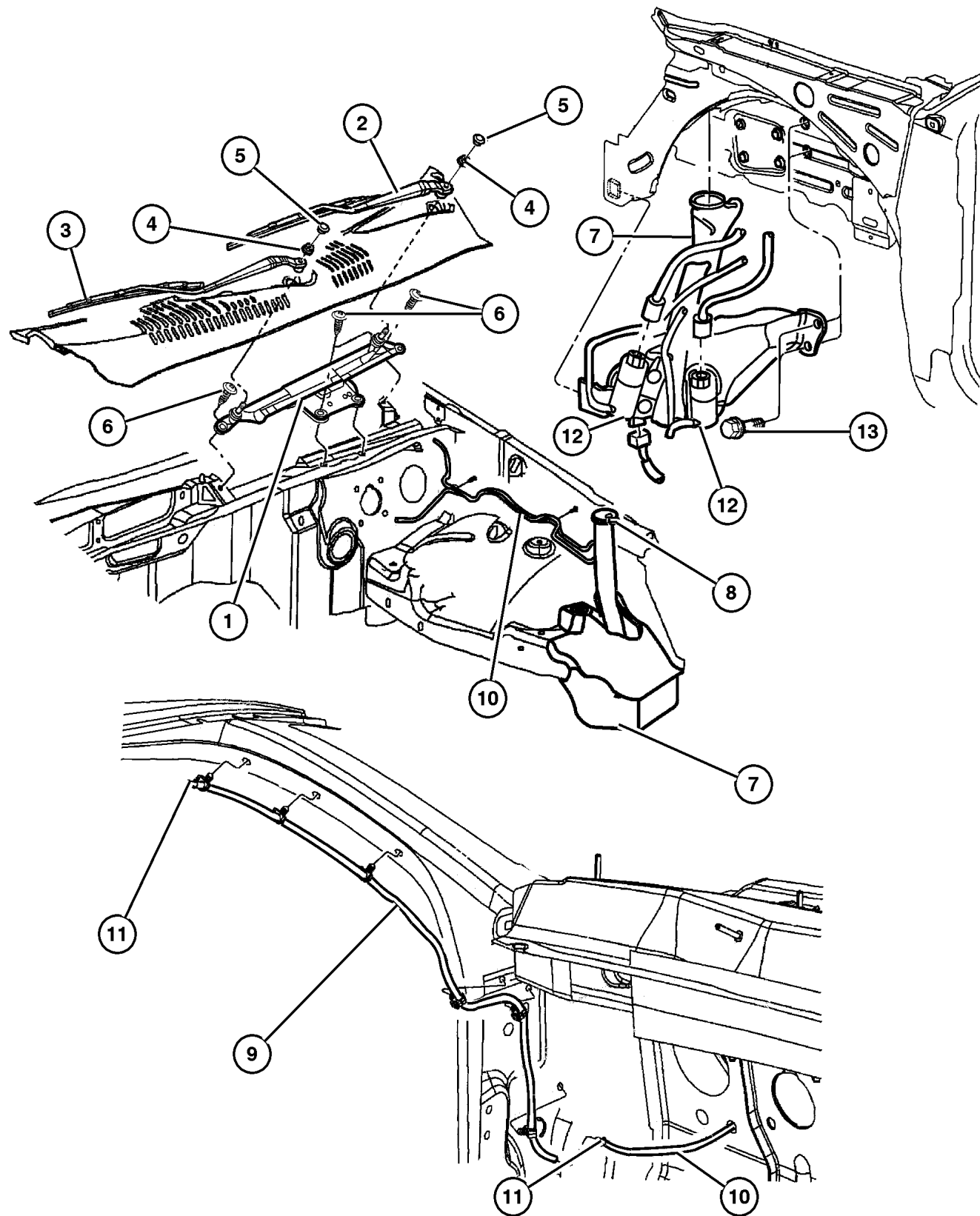
JEEP GRAND CHEROKEE (WJ)

SERIES	LINE	BODY	ENGINE	TRANSMISSION
L = Grand Cherokee	J = 4WD T = 2WD U = 4WD (RHD)	74 = 4 Door (105.9 WB)	ERH,ERO = 4.0L, Power Tech EVA,EVO = 4.7L, Power Tech EXA,EXO = 3.1L 5 cyl Turbo Diesel	DGK = 4 Speed Autm, 42RE DG4 = Multi Speed Auto 45RFE DGW = 4 Speed Autom 44RE DGO = All Automatic

AR = Use as required - = Non illustrated part # = New this model year

September 15, 2005

Windshield Wiper & Washer Figure 23D-230



ITEM	PART NUMBER	QTY	LINE	SERIES	BODY	ENGINE	TRANS	TRIM	DESCRIPTION
1									MODULE, Wiper
	55155 656AA	1	J, T						EUROPE
	5515 5092	1	J, T						USA/CANADA
	5515 5352	1	U						EUROPE
2									ARM, Wiper
	5012 605AA	1	J, T						Left
	5012 606AA	1	J, T						Right
	5012 607AA	1	J, T						EUROPE
	5012 608AA	1	U						EUROPE, Passenger Side
	5012 609AA	1	U						EUROPE, Driver Side
3									BLADE, Wiper
	5012 611AA	1	J, T						EUROPE, Passenger Side
		1	J, T						USA/CANADA, Driver and Passenger
	5012 612AA	1	J, T						EUROPE, Driver Side
	5012 613AA	1	U						EUROPE, Driver Side
	5012 614AA	1	U						EUROPE, Passenger Side
4	6503 335	2							NUT, Hex, M10X1.25
5	55155 765AA	2							CAP, Wiper Arm Nut
6	6100 568	1							BOLT AND WASHER, Implement Attaching
7	5012 594AA	1							RESERVOIR, Washer
8	5012 603AA	1							CAP, Washer Reservoir
9	55155 522AB	1							HOSE, Windshield Washer
10	4439 003	1							HOSE, Windshield Washer, 0156 ID=4MM
11	4778 224	1							CONNECTOR, Washer Hose, In Line
12									PUMP, Washer, Windshield
	5012 597AA	1							Front Wiper
	5012 602AA	1							Rear Wiper
13									SCREW, .250-14x.875, (NOT SERVICED) (Not Serviced)
-14									NOZZLE, Washer, Windshield
	5515 5199	2	J, T						
		2	U						
-15	5012 763AA-	1							SENSOR, Washer Fluid Level
-16	4798 779	1							GROMMET, Windshield Washer Pump, Sensor Grommet
-17	5011 809AA-	2							GROMMET, Windshield Washer Pump, Pump Grommet
-18									GROMMET, Hose to Reservoir
	3799 520	1	J, T						4.0L & 4.7L Engine

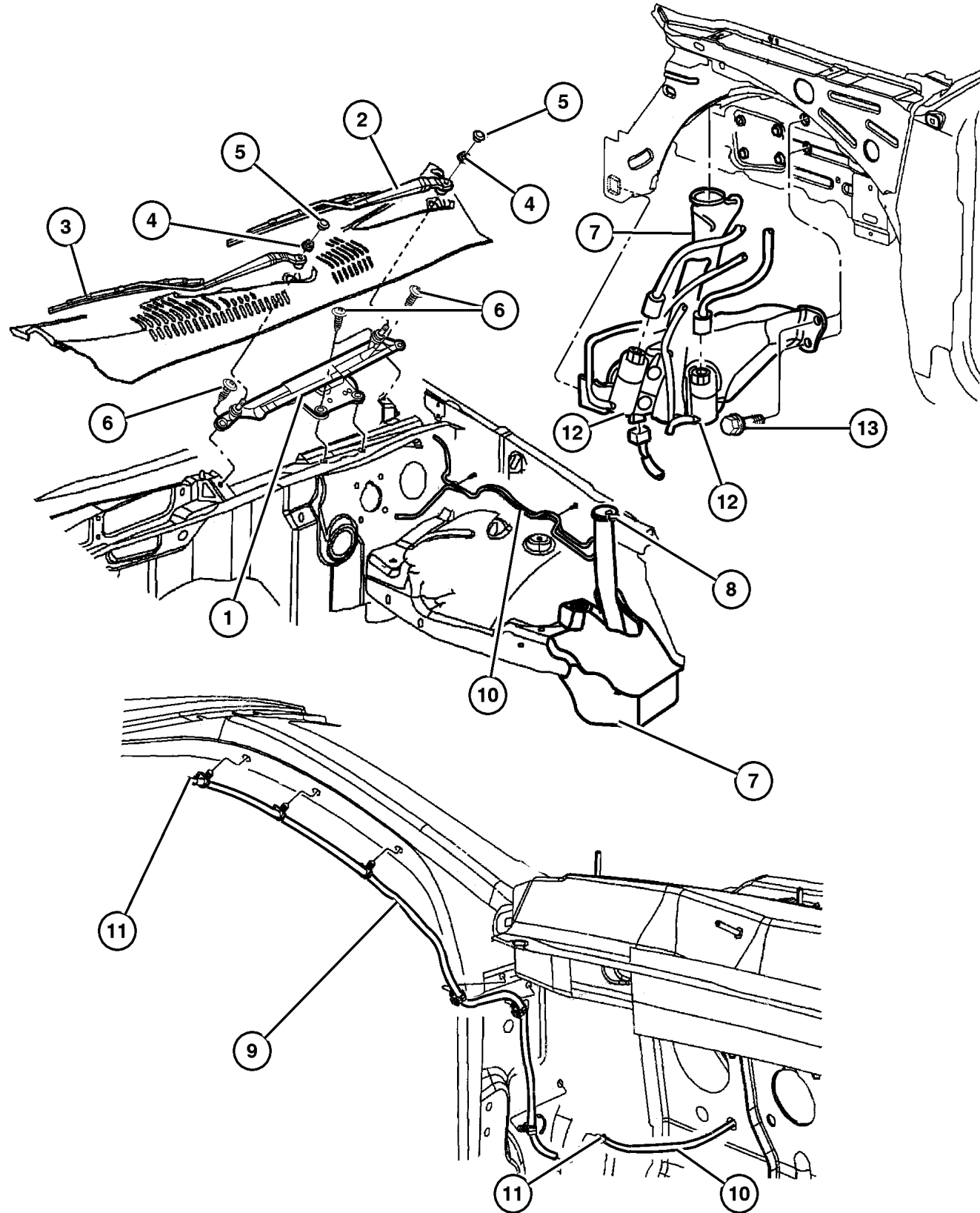
JEEP GRAND CHEROKEE (WJ)

SERIES	LINE	BODY	ENGINE	TRANSMISSION
L = Grand Cherokee	J = 4WD T = 2WD U = 4WD (RHD)	74 = 4 Door (105.9 WB)	ERH,ERO = 4.0L, Power Tech EVA,EVO = 4.7L, Power Tech EXA,EXO = 3.1L 5 cyl Turbo Diesel	DGK = 4 Speed Autm, 42RE DG4 = Multi Speed Auto 45RFE DGW = 4 Speed Autom 44RE DGO = All Automatic

AR = Use as required - = Non illustrated part # = New this model year

September 15, 2005

**Windshield Wiper & Washer
Figure 23D-230**



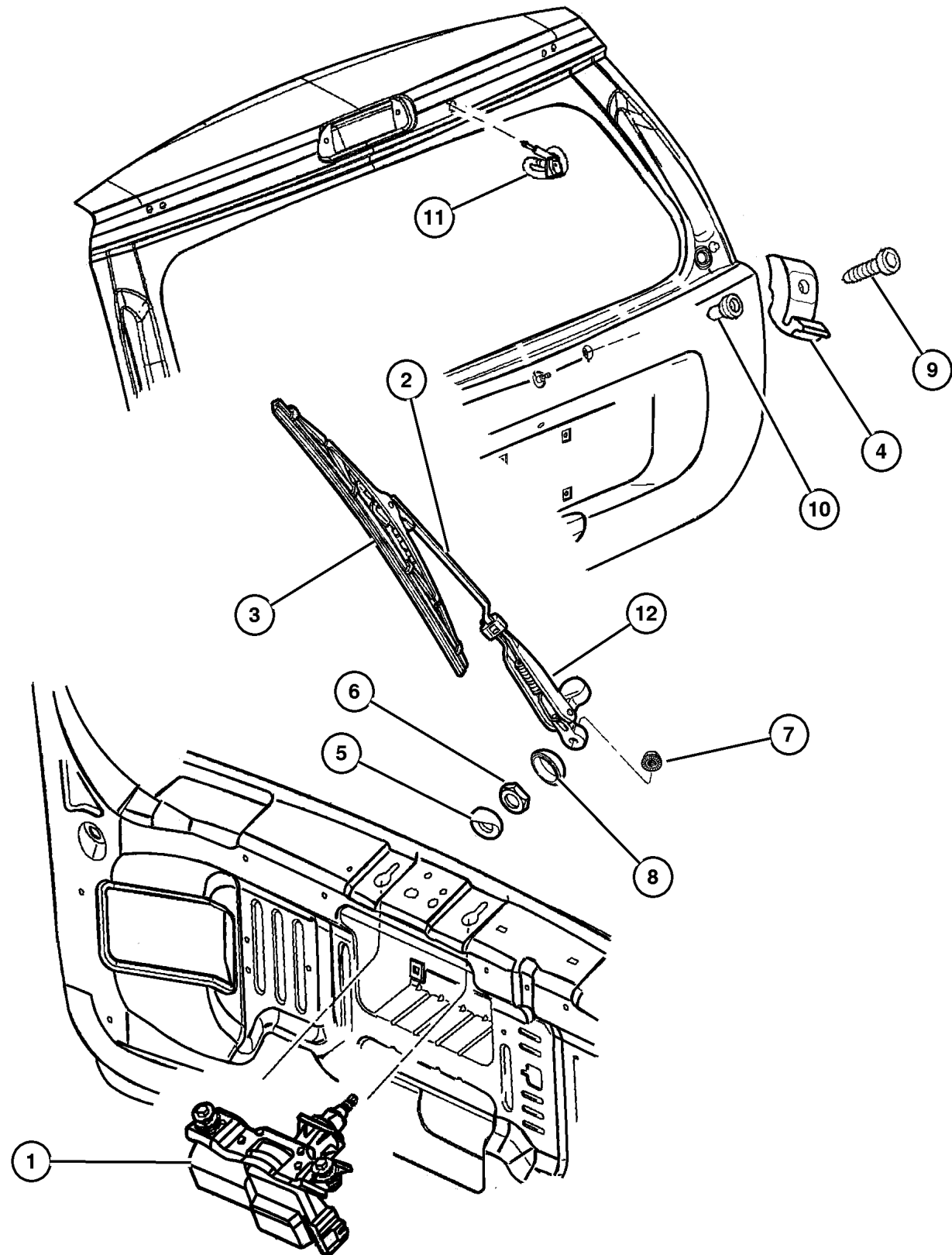
ITEM	PART NUMBER	QTY	LINE	SERIES	BODY	ENGINE	TRANS	TRIM	DESCRIPTION
		1	J, T						Diesel Engine
		1	U						
-19	55155 694AA-	1	J, T						HOSE, Washer Reservoir, (Windshield Wiper Tee Serviced in this Assembly)

JEEP GRAND CHEROKEE (WJ)				
SERIES	LINE	BODY	ENGINE	TRANSMISSION
L = Grand Cherokee	J = 4WD T = 2WD U = 4WD (RHD)	74 = 4 Door (105.9 WB)	ERH,ERO = 4.0L, Power Tech EVA,EVO = 4.7L, Power Tech EXA,EXO = 3.1L 5 cyl Turbo Diesel	DGK = 4 Speed Autm, 42RE DG4 = Multi Speed Auto 45RFE DGW = 4 Speed Autom 44RE DGO = All Automatic

AR = Use as required - = Non illustrated part # = New this model year

September 15, 2005

Rear Wiper & Washer System Figure 23D-330



ITEM	PART NUMBER	QTY	LINE	SERIES	BODY	ENGINE	TRANS	TRIM	DESCRIPTION
NOTE: New blade may mated with either old or new wiper arm. 05012615AB can only be used with the old wiper arm, 05012610AB									
1									MOTOR, Wiper
	55155 122AB	1							Rear Window Wiper/Washer
2	5012 610AA	1							ARM, Liftgate Wiper
3	5012 615AA	1							BLADE, Wiper
4	5515 5124	1							RAMP, Wiper Park
5	5515 5358	1							BEZEL, Wiper Motor
6	6502 263	1							NUT, Hex, M20x1.00
7	6500 165	1							NUT, Wiper Arm
8	5507 6650	1							COVER, Rear Wiper Motor, Nut
9	6505 062AA	1							SCREW, Pilot Point
10	6503 245	1							RIVET
11	5515 5201	1							NOZZLE, Washer, Windshield, Rear Wiper
12	5014 217AA	1							COVER, Rear Wiper Motor, Lower Wiper Arm
-13	55155 765AA-	2							CAP, Wiper Arm Nut

JEEP GRAND CHEROKEE (WJ)				
SERIES	LINE	BODY	ENGINE	TRANSMISSION
L = Grand Cherokee	J = 4WD T = 2WD U = 4WD (RHD)	74 = 4 Door (105.9 WB)	ERH,ERO = 4.0L, Power Tech EVA,EVO = 4.7L, Power Tech EXA,EXO = 3.1L 5 cyl Turbo Diesel	DGK = 4 Speed Autm, 42RE DG4 = Multi Speed Auto 45RFE DGW = 4 Speed Autom 44RE DGO = All Automatic

AR = Use as required - = Non illustrated part # = New this model year

September 15, 2005

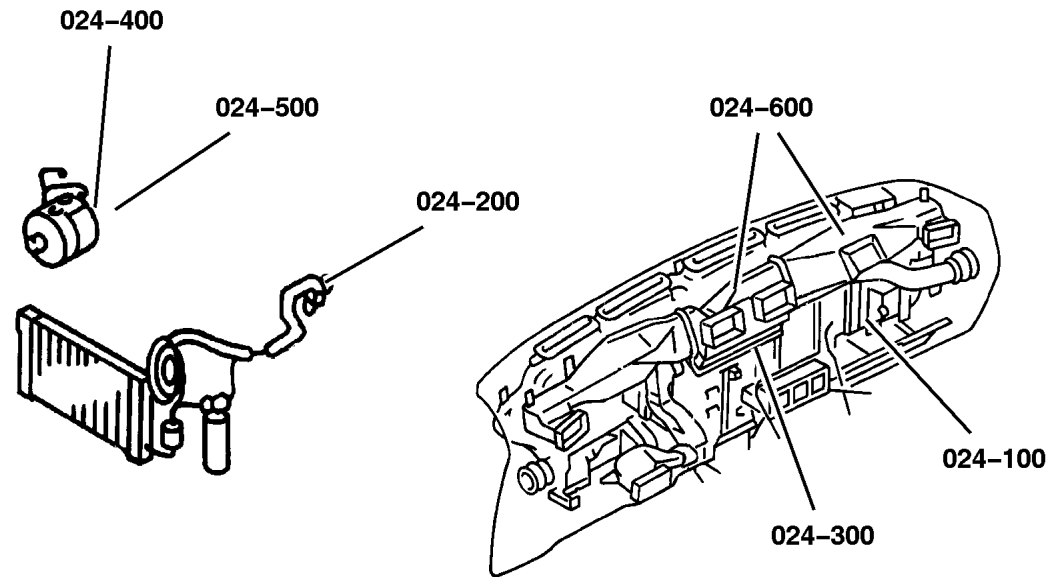
Group – 024

Air Conditioning & Heater

GROUP 24 - Air Conditioning & Heater

Illustration Title

Group-Fig. No.



Air Conditioner and Heater Units

HEVAC with Auto Temp Control, LHD	Fig. 024-150
HEVAC with Auto Temp Control, RHD	Fig. 024-160
HEVAC with Manual Control, LHD	Fig. 024-170
HEVAC with Manual Control, RHD	Fig. 024-180

Air Conditioner and Heater Plumbing

Hoses, Heater 3.1, 4.0L Engines	Fig. 024-240
Hoses, Heater 4.7L Engine	Fig. 024-245
Accumulator, Condenser and Lines 3.1, 4.0L Engines	Fig. 024-250
Accumulator, Condenser and Lines 4.7L Engine	Fig. 024-255
Hevac Vacuum Engine Lines and Controls	Fig. 024-260

Air Conditioner and Heater Controls

Control, Heater and Air Conditioner	Fig. 024-330
---	--------------

Air Conditioning Compressor

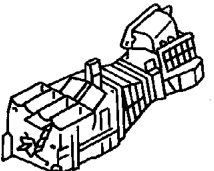
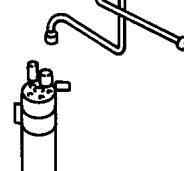
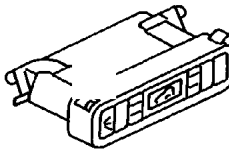
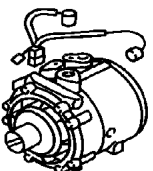
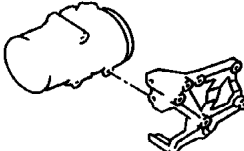
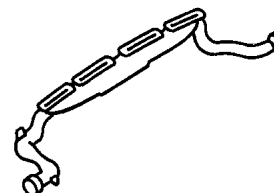
Compressor, Air Conditioning 4.0L Engine	Fig. 024-410
Compressor, Air Conditioning 4.7L Engine	Fig. 024-420
Compressor, Air Conditioning 3.1L Engine	Fig. 024-430

Air Conditioning Compressor Mounting

Compressor, Mounting 4.0L Engine	Fig. 024-510
Compressor, Mounting 4.7L Engine	Fig. 024-520

Air Ducts and Outlets

Air Ducts and Outlets	Fig. 024-610
-----------------------------	--------------

<p>024-100 Air Conditioner and Heater Units</p> 	<p>024-200 Air Conditioner and Heater Plumbing</p> 	<p>024-300 Air Conditioner and Heater Controls</p> 	<p>024-400 Air Conditioning Compressor</p> 
<p>024-500 Air Conditioning Compressor Mounting</p> 	<p>024-600 Air Ducts and Outlets</p> 		

HEVAC with Auto Temp Control, LHD
Figure 024-150

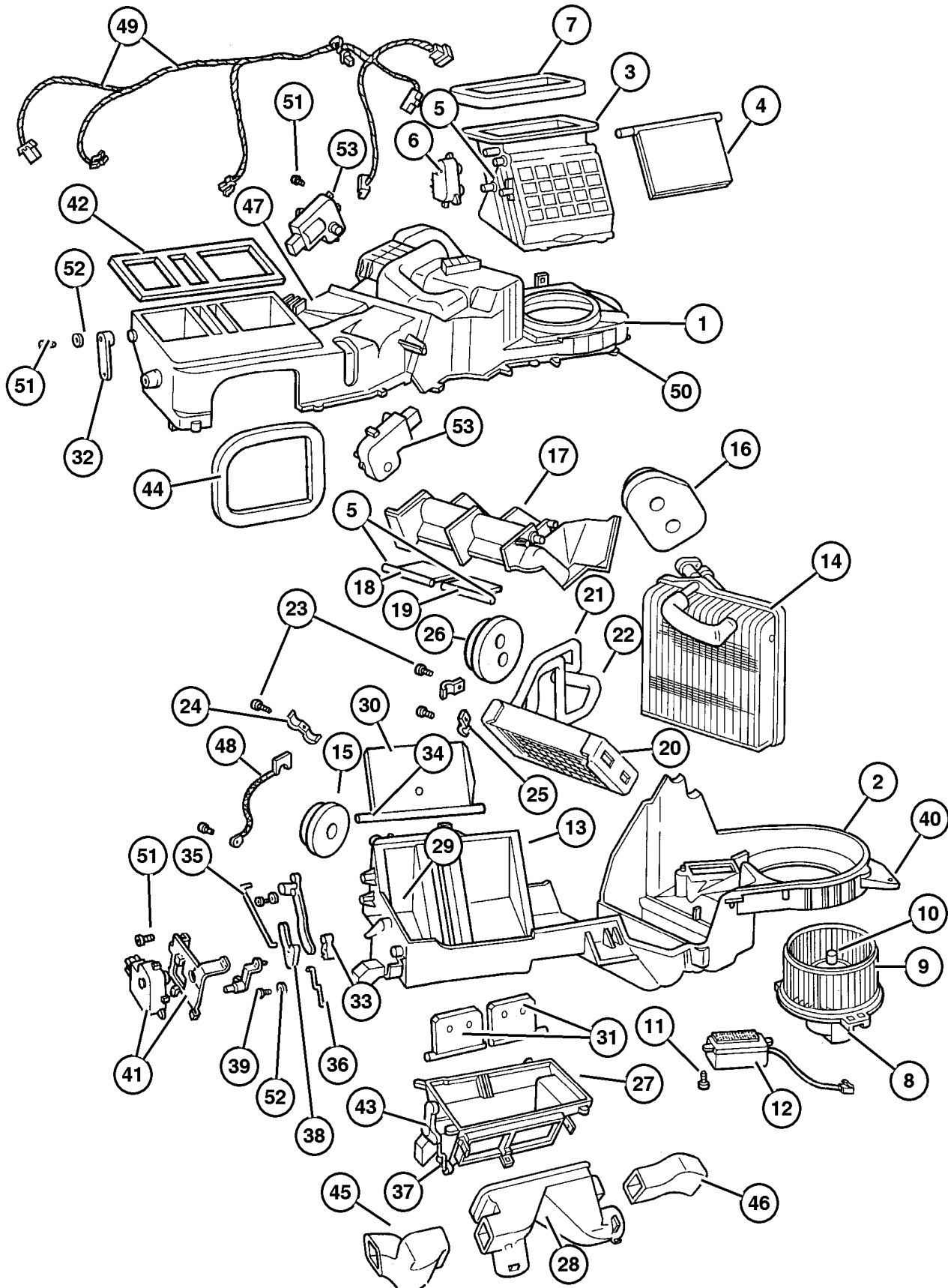
ITEM	PART NUMBER	QTY	LINE	SERIES	BODY	ENGINE	TRANS	TRIM	DESCRIPTION
Note: Sales Code HAF = Auto Temp Control									
1	5012 715AB	1	J, T						HOUSING, A/C Upper
2	5012 714AB	1	J, T						HOUSING, A/C Lower
3	5012 713AA	1	J, T						HOUSING, Air Recirculating
4	5012 712AA	1	J, T						DOOR, Air Inlet
5	5012 711AA	3	J, T						LINK, Heater and Damper Contrl
6	5012 710AA	2	J, T						SERVO, A/C Temperature Door
7	5012 709AA	1	J, T						SEAL, Air Inlet
8	5012 708AA	1	J, T						MOTOR, Blower
9	5012 701AA	3	J, T						FAN, Blower Motor
10	2837 680	1	J, T						CLAMP, Blower Motor Wheel
11	5012 700AA	3	J, T						SCREW, Tapping
12	5012 699AA	1	J, T						RESISTOR, Blower Motor
13	5012 698AA	1	J, T						INSULATOR, Air Conditioning
14	5012 697AA	1	J, T						EVAPORATOR, Air Conditioning
15	5012 696AA	1	J, T						SEAL, Evaporator Drain
16	5012 695AA	1	J, T						SEAL, A/C Evaporator
17	5012 694AA	1	J, T						HOUSING, A/C Unit, Mid Case
18	5012 693AA	1	J, T						DOOR, Blend Air
19	5012 692AA	1	J, T						DOOR, Blend Air
20	5012 691AA	1	J, T						CORE, Heater
21	5012 690AA	1	J, T						TUBE, Heater Core
22	5012 689AA	1	J, T						TUBE, Heater Core
23	5012 686AA	2	J, T						SCREW AND WASHER
24	5012 745AA	2	J, T						CLAMP, Heater
25	5012 745AA	2	J, T						CLAMP, Heater
26	5012 744AA	1	J, T						SEAL, Heater Tubes
27	5012 743AA	1	J, T						HOUSING, A/C Unit
28	5012 742AA	1	J, T						COVER, Heater
29	5012 740AA	1	J, T						DOOR, Distribution Duct
30	5012 740AA	1	J, T						DOOR, Distribution Duct
31	5012 739AA	1	J, T						DOOR, Floor Defroster Duct
32	5012 738AA	1	J, T						LEVER, Panel Door
33	5012 735AA	1	J, T						LEVER, Panel Door
34	5012 734AA	1	J, T						SHAFT, A/C and Heater Door
35	5012 733AA	1	J, T						LINK, Heater and Defroster Door
36	5012 732AA	1	J, T						SHAFT, Defroster Door
37	5012 731AA	1	J, T						LEVER, A/C Vent Defrost Door
38	5012 730AA	1	J, T						LEVER, Panel Door
39	5012 729AA	2	J, T						SCREW, Tapping
40	6101 442	2	J, T						U-NUT, M6 x 1.00, M6x1.00
41	5012 728AA	1	J, T						SERVO, Mode Door

JEEP GRAND CHEROKEE (WJ)

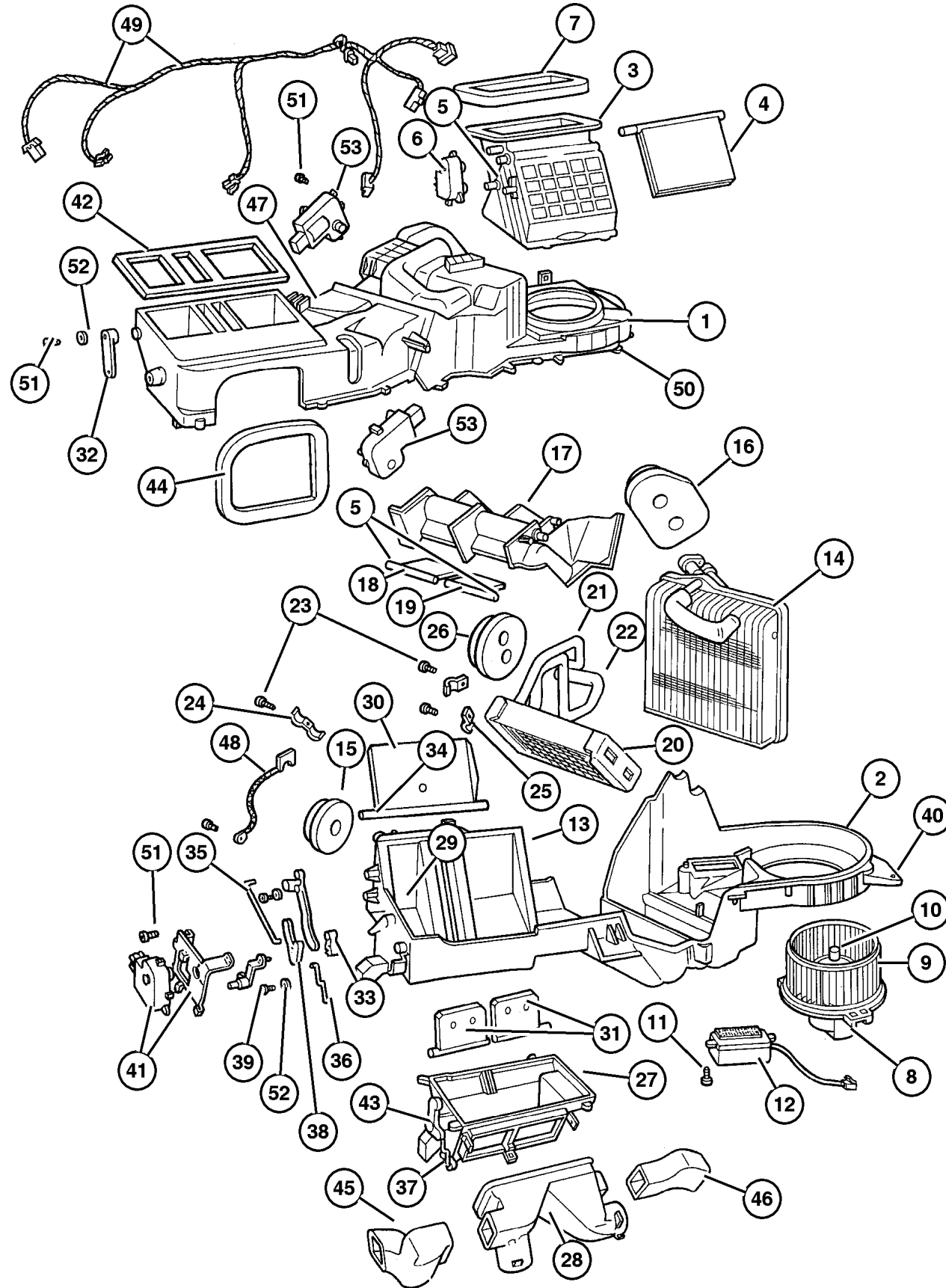
SERIES	LINE	BODY	ENGINE	TRANSMISSION
L = Grand Cherokee	J = 4WD T = 2WD U = 4WD (RHD)	74 = 4 Door (105.9 WB)	ERH,ERO = 4.0L, Power Tech EVA,EVO = 4.7L, Power Tech EXA,EXO = 3.1L 5 cyl Turbo Diesel	DGK = 4 Speed Autm, 42RE DG4 = Multi Speed Auto 45RFE DGW = 4 Speed Autom 44RE DGO = All Automatic

AR = Use as required - = Non illustrated part # = New this model year

September 15, 2005



HEVAC with Auto Temp Control, LHD
Figure 024-150



ITEM	PART NUMBER	QTY	LINE	SERIES	BODY	ENGINE	TRANS	TRIM	DESCRIPTION
42	5012 727AA	1	J, T						SEAL, Demister
43	5012 726AA	1	J, T						SEAL, Defroster Duct
44	5012 724AA	1	J, T						SEAL, Panel
45	5012 722AA	1	J, T						DUCT, Floor Distribution
46	5012 722AA	1	J, T						DUCT, Floor Distribution
47	5012 721AA	1	J, T						SEAL, Air Conditioning Unit
48	5012 720AA	1	J, T						STRAP, Ground
49	5012 719AA	1	J, T						HARNESS, Air Conditioning Control, Includes Connector For Blower
									Resistor
50	4720 533	32	J, T						SCREW, Heater Housing
51	4720 534	3	J, T						SCREW, Pan Head
52	5012 756AA	5	J, T						SPRING
53	5012 710AA	2	J, T						SERVO, A/C Temperature Door

JEEP GRAND CHEROKEE (WJ)				
SERIES	LINE	BODY	ENGINE	TRANSMISSION
L = Grand Cherokee	J = 4WD T = 2WD U = 4WD (RHD)	74 = 4 Door (105.9 WB)	ERH,ERO = 4.0L, Power Tech EVA,EVO = 4.7L, Power Tech EXA,EXO = 3.1L 5 cyl Turbo Diesel	DGK = 4 Speed Autm, 42RE DG4 = Multi Speed Auto 45RFE DGW = 4 Speed Autom 44RE DGO = All Automatic

AR = Use as required - = Non illustrated part # = New this model year

September 15, 2005

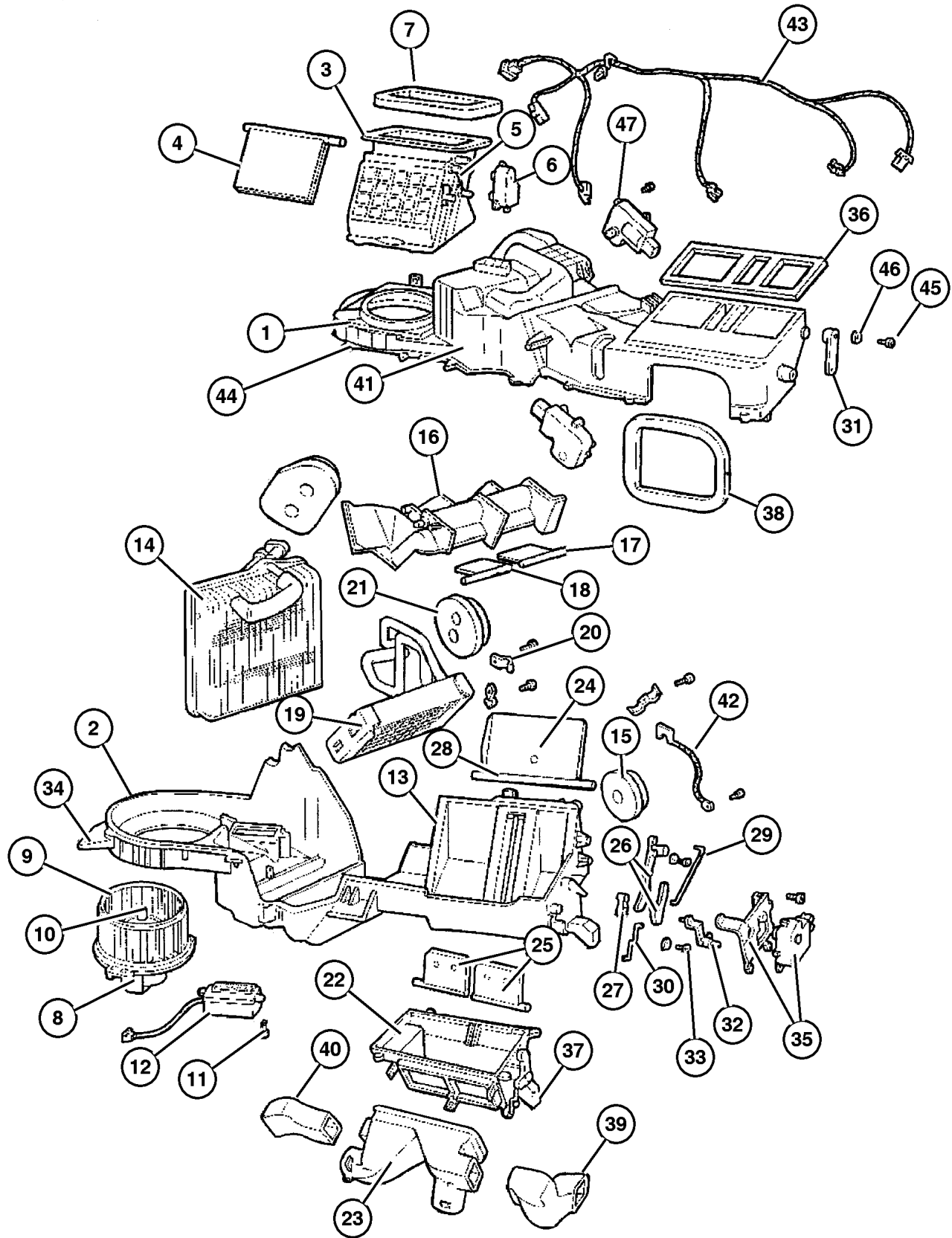
HEVAC with Auto Temp Control, RHD
Figure 024-160

ITEM	PART NUMBER	QTY	LINE	SERIES	BODY	ENGINE	TRANS	TRIM	DESCRIPTION
Note: Sales Code HAF = Auto Temp Control									
1	5013 552AA	1	U						HOUSING, A/C Lower
2	5013 499AA	1	U						HOUSING, A/C Lower
3	5013 568AA	1	U						HOUSING, Air Recirculating
4	5012 712AA	1	U						DOOR, Air Inlet
5	5013 559AA	2	U						LINK, Heater and Damper Contrl
6	5012 710AA	3	U						SERVO, A/C Temperature Door
7	5012 709AA	1	U						SEAL, Air Inlet
8	5013 566AA	1	U						MOTOR, Blower
9	5013 565AA	1	U						FAN, Blower Motor
10	2837 680	1	U						CLAMP, Blower Motor Wheel
11	5012 700AA	3	U						SCREW, Tapping
12	5012 699AA	1	U						RESISTOR, Blower Motor
13	5013 564AA	1	U						INSULATOR, Air Conditioning
14	5013 563AA	1	U						EVAPORATOR, Air Conditioning
15	5012 696AA	1	U						SEAL, Evaporator Drain
16	5013 560AA	1	U						HOUSING, A/C Unit
17	5013 557AA	1	U						DOOR, Blend Air
18	5012 692AA	1	U						DOOR, Blend Air
19	5014 420AA	1	U						CORE, Heater
20	5013 554AA	1	U						CLIP, Heater Core
21	5013 553AA	1	U						SEAL, Heater Tubes
22	5013 497AA	1	U						HOUSING, A/C Unit
23	5013 496AA	1	U						COVER, Heater
24	5013 579AA	1	U						DOOR, Distribution Duct
25	5012 739AA	1	U						DOOR, Floor Defroster Duct
26	5013 578AA	1	U						LEVER, Panel Door
27	5013 577AA	1	U						LEVER, Panel Door
28	5012 734AA	1	U						SHAFT, A/C and Heater Door
29	5013 576AA	1	U						LINK, Heater and Defroster Door
30	5012 732AA	1	U						SHAFT, Defroster Door
31	5013 575AA	1	U						LEVER, A/C Vent Defrost Door
32	5013 573AA	1	U						LEVER, Panel Door
33	5012 729AA	2	U						SCREW, Tapping
34	6101 442	4	U						U-NUT, M6 x 1.00, M6x1.00
35	5013 572AA	1	U						SERVO, Mode Door
36	5012 727AA	1	U						SEAL, Demister
37	5012 726AA	1	U						SEAL, Defroster Duct
38	5012 724AA	1	U						SEAL, Panel
39	5013 571AA	1	U						DUCT, Floor Distribution
40	5013 570AA	1	U						DUCT, Floor Distribution
41	5012 721AA	1	U						SEAL, Air Conditioning Unit

JEEP GRAND CHEROKEE (WJ)
 SERIES L = Grand Cherokee
 LINE J = 4WD, T = 2WD, U = 4WD (RHD)
 BODY 74 = 4 Door (105.9 WB)
 ENGINE ERH,ERO = 4.0L, Power Tech, EVA,EVO = 4.7L, Power Tech, EXA,EXO = 3.1L 5 cyl Turbo Diesel
 TRANSMISSION DGK = 4 Speed Autm, 42RE, DG4 = Multi Speed Auto 45RFE, DGW = 4 Speed Autom 44RE, DGO = All Automatic

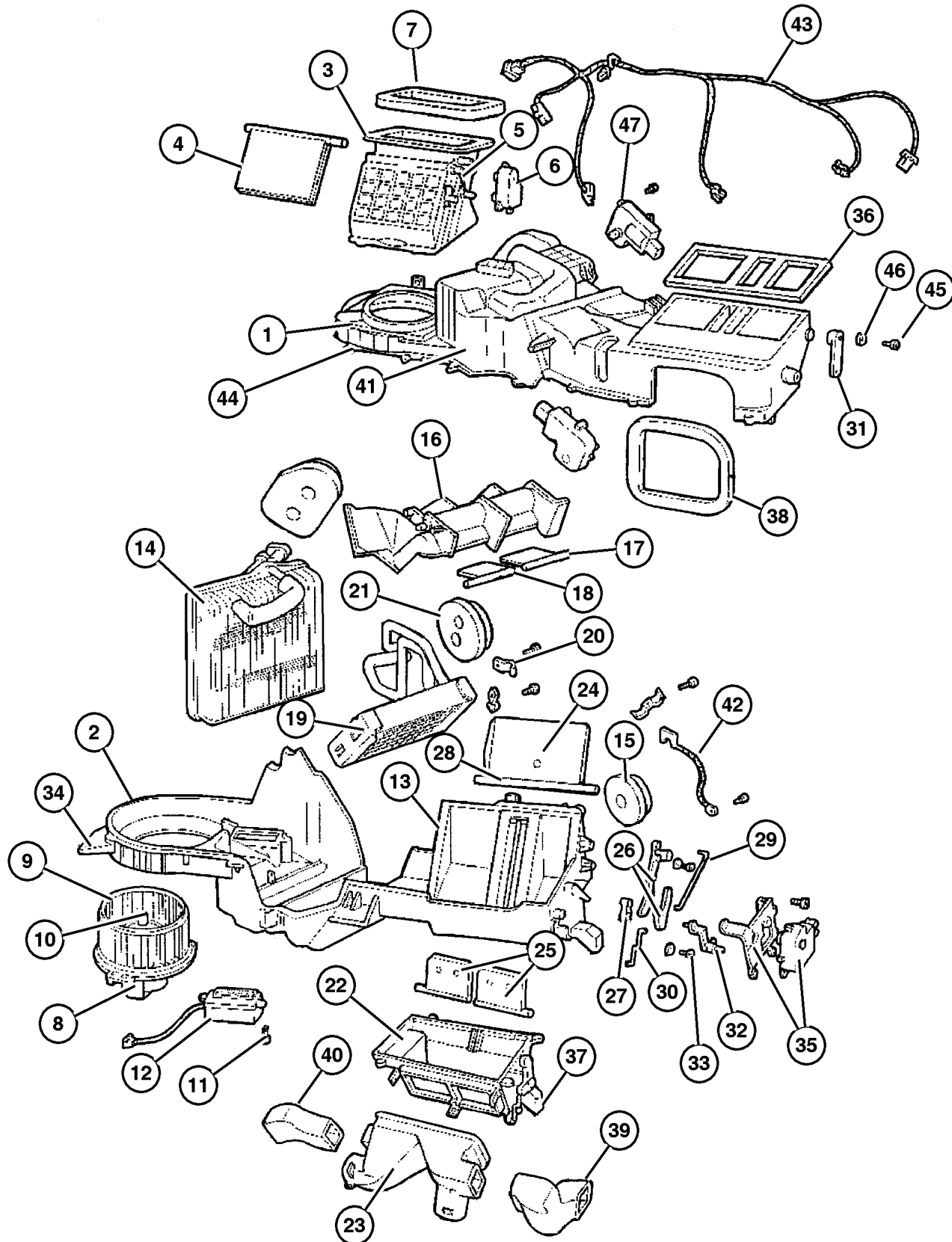
AR = Use as required - = Non illustrated part # = New this model year

September 15, 2005



HEVAC with Auto Temp Control, RHD
Figure 024-160

ITEM	PART NUMBER	QTY	LINE	SERIES	BODY	ENGINE	TRANS	TRIM	DESCRIPTION
42	5012 720AA	1	U						STRAP, Ground
43	5014 421AA	1	U						HARNES, Air Conditioning Control
44	4720 533	32	U						SCREW, Heater Housing
45	4720 534	3	U						SCREW, Pan Head
46	5012 756AA	5	U						SPRING
47	5015 339AA	1	U						SEAL, A/C Evaporator
-48	5015 245AA-	1	U						TAPE, Foam
-49	5014 883AA-	1	J, T						SEAL, Evaporator To Dash



JEEP GRAND CHEROKEE (WJ)				
SERIES	LINE	BODY	ENGINE	TRANSMISSION
L = Grand Cherokee	J = 4WD T = 2WD U = 4WD (RHD)	74 = 4 Door (105.9 WB)	ERH,ERO = 4.0L, Power Tech EVA,EVO = 4.7L, Power Tech EXA,EXO = 3.1L 5 cyl Turbo Diesel	DGK = 4 Speed Autm, 42RE DG4 = Multi Speed Auto 45RFE DGW = 4 Speed Autom 44RE DGO = All Automatic

AR = Use as required - = Non illustrated part # = New this model year

September 15, 2005

HEVAC with Manual Control, LHD
Figure 024-170

ITEM	PART NUMBER	QTY	LINE	SERIES	BODY	ENGINE	TRANS	TRIM	DESCRIPTION
------	-------------	-----	------	--------	------	--------	-------	------	-------------

A

Note: Sales Code HAA = Air Conditioning

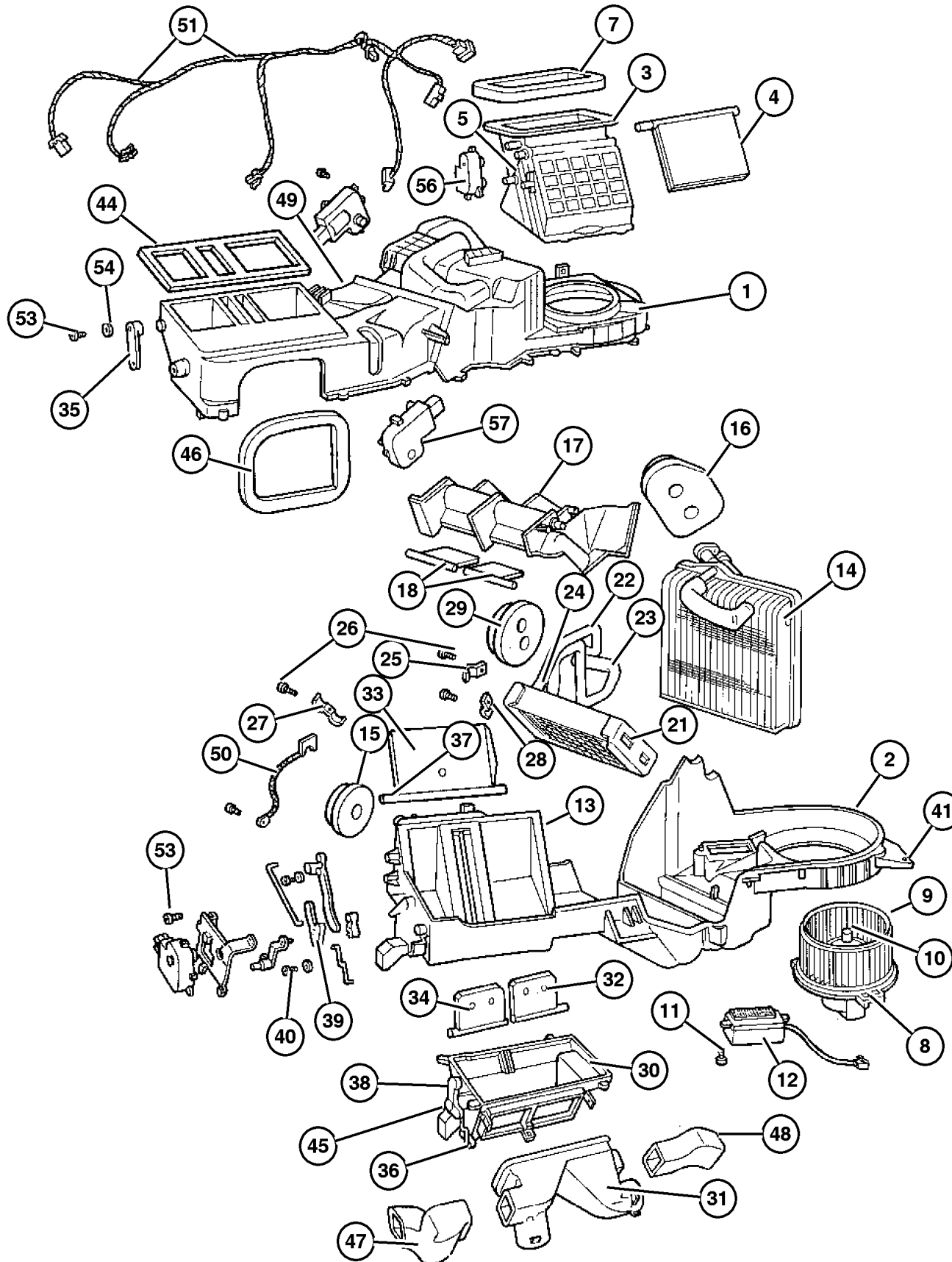
1	5012 715AC	1	J, T						HOUSING, A/C Upper
2	5012 755AA	1	J, T						HOUSING, A/C Lower
3	5012 754AA	1	J, T						HOUSING, Air Recirculating
4	5012 712AA	1	J, T						DOOR, Air Inlet
5	5012 753AA	1	J, T						LEVER, A/C Recirculation Door
-6	5012 752AA-	1	J, T						DIAPHRAGM, Heater and A/C Unit
7	5012 709AA	1	J, T						SEAL, Air Inlet
8	5012 708AA	1	J, T						MOTOR, Blower
9	5012 701AA	3	J, T						FAN, Blower Motor
10	2837 680	1	J, T						CLAMP, Blower Motor Wheel
11	5012 700AA	3	J, T						SCREW, Tapping
12	4720 278	1	J, T						RESISTOR, Blower Motor
13	5012 698AA	1	J, T						INSULATOR, Air Conditioning
14	5012 697AA	1	J, T						EVAPORATOR, Air Conditioning
15	5012 696AA	1	J, T						SEAL, Evaporator Drain
16	5012 695AA	1	J, T						SEAL, A/C Evaporator
17	5012 694AA	1	J, T						HOUSING, A/C Unit
18	5012 751AA	1	J, T						DOOR, Blend Air
-19	5012 711AA-	2	J, T						LINK, Heater and Damper Contrl
-20	5012 750AA-	1	J, T						SERVO, A/C Temperature Door
21	5012 691AA	1	J, T						CORE, Heater
22	5012 690AA	1	J, T						TUBE, Heater Core
23	5012 689AA	1	J, T						TUBE, Heater Core
24	5012 688AA	2	J, T						O RING, Heater Core
25	5012 687AA	2	J, T						CLIP, Heater Core
26	5012 686AA	2	J, T						SCREW AND WASHER
27	5012 745AA	2	J, T						CLAMP, Heater
28	5012 745AA	2	J, T						CLAMP, Heater
29	5012 744AA	1	J, T						SEAL, Heater Tubes
30	5012 762AA	1	J, T						HOUSING, A/C Unit
31	5012 742AA	1	J, T						COVER, Heater
32	5012 741AA	1	J, T						DOOR, Panel
33	5012 740AA	1	J, T						DOOR, Distribution Duct
34	5012 739AA	1	J, T						DOOR, Floor Defroster Duct
35	5012 738AA	1	J, T						LEVER, Panel Door
36	5012 735AA	1	J, T						LEVER, Panel Door
37	5012 734AA	1	J, T						SHAFT, A/C and Heater Door
38	5012 731AA	1	J, T						LEVER, A/C Vent Defrost Door
39	5012 761AA	1	J, T						LEVER, Panel Door
40	5012 729AA	1	J, T						SCREW, Tapping

JEEP GRAND CHEROKEE (WJ)

SERIES	LINE	BODY	ENGINE	TRANSMISSION
L = Grand Cherokee	J = 4WD T = 2WD U = 4WD (RHD)	74 = 4 Door (105.9 WB)	ERH,ERO = 4.0L, Power Tech EVA,EVO = 4.7L, Power Tech EXA,EXO = 3.1L 5 cyl Turbo Diesel	DGK = 4 Speed Autm, 42RE DG4 = Multi Speed Auto 45RFE DGW = 4 Speed Autom 44RE DGO = All Automatic

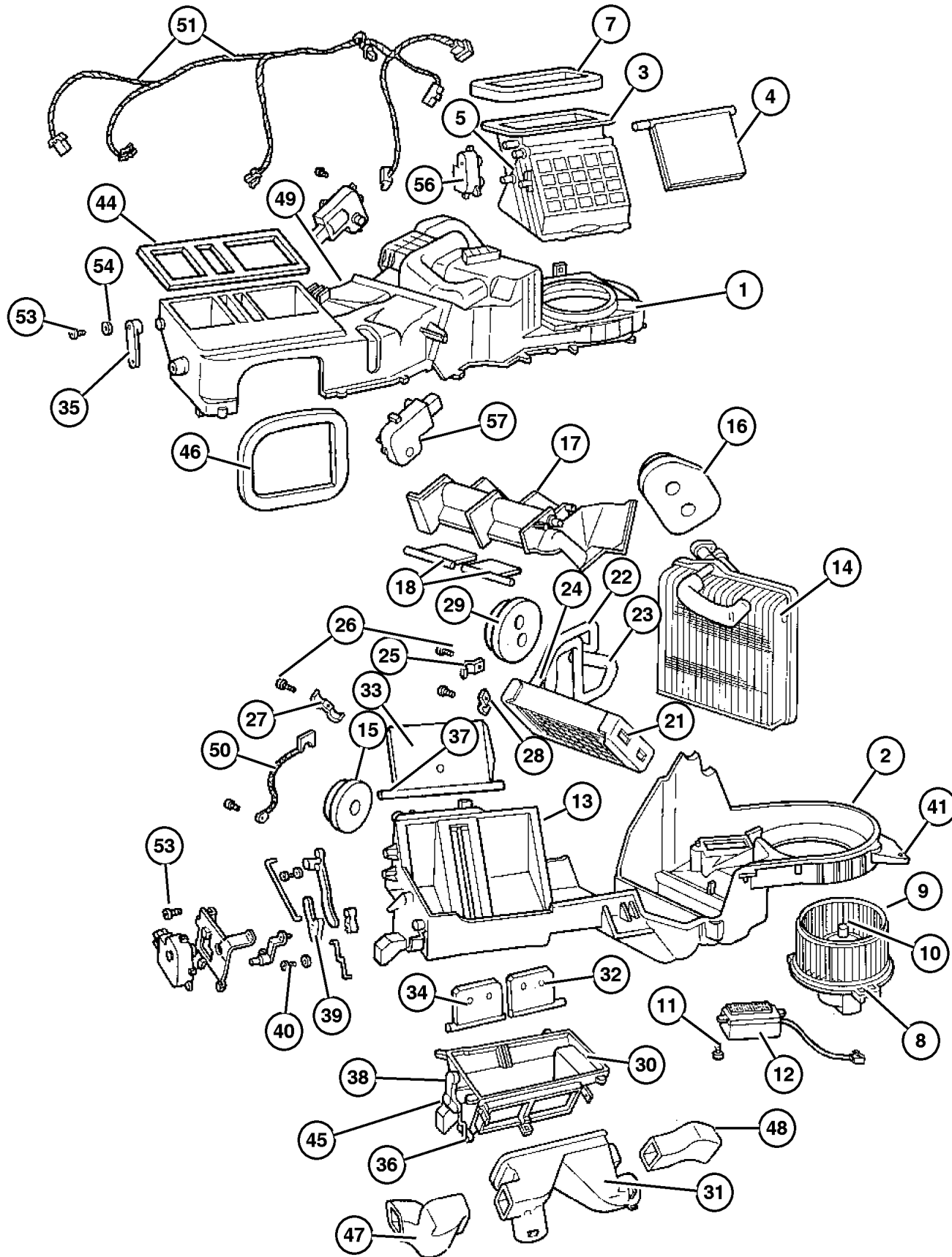
AR = Use as required - = Non illustrated part # = New this model year

September 15, 2005



HEVAC with Manual Control, LHD
Figure 024-170

ITEM	PART NUMBER	QTY	LINE	SERIES	BODY	ENGINE	TRANS	TRIM	DESCRIPTION
41	6101 442	4	J, T						U-NUT, M6 x 1.00, M6x1.00
-42	5012 760AA-	1	J, T						DIAPHRAGM, Heater and A/C Unit
-43	5012 759AA-	1	J, T						DIAPHRAGM, Heater and A/C Unit
44	5012 727AA	1	J, T						SEAL, Demister
45	5012 726AA	1	J, T						SEAL, Defroster Duct
46	5012 724AA	1	J, T						SEAL, Panel
47	5012 723AA	1	J, T						DUCT, Floor Distribution
48	5012 722AA	1	J, T						DUCT, Floor Distribution
49	5012 721AA	1	J, T						SEAL, Air Conditioning Unit
50	5012 720AA	1	J, T						STRAP, Ground
51	5012 758AA	1	J, T						HARNESS, Air Conditioning Control
-52	5012 757AA-	1	J, T						TUBE, Vacuum
53	4720 533	26	J, T						SCREW, Heater Housing
54	4720 534	6	J, T						SCREW, Pan Head
-55	5012 756AA-	5	J, T						SPRING
56									SERVO, A/C Temperature Door, (NOT REQUIRED)
57	5012 750AA	1	J, T						SERVO, A/C Temperature Door



JEEP GRAND CHEROKEE (WJ)
 SERIES L = Grand Cherokee
 LINE J = 4WD, T = 2WD, U = 4WD (RHD)
 BODY 74 = 4 Door (105.9 WB)
 ENGINE ERH,ERO = 4.0L, Power Tech; EVA,EVO = 4.7L, Power Tech; EXA,EXO = 3.1L 5 cyl Turbo Diesel
 TRANSMISSION DGK = 4 Speed Autm, 42RE; DG4 = Multi Speed Auto 45RFE; DGW = 4 Speed Autom 44RE; DGO = All Automatic

HEVAC with Manual Control, RHD
Figure 024-180

ITEM	PART NUMBER	QTY	LINE	SERIES	BODY	ENGINE	TRANS	TRIM	DESCRIPTION
------	-------------	-----	------	--------	------	--------	-------	------	-------------

Note: Sales Code HAA = Air Conditioning

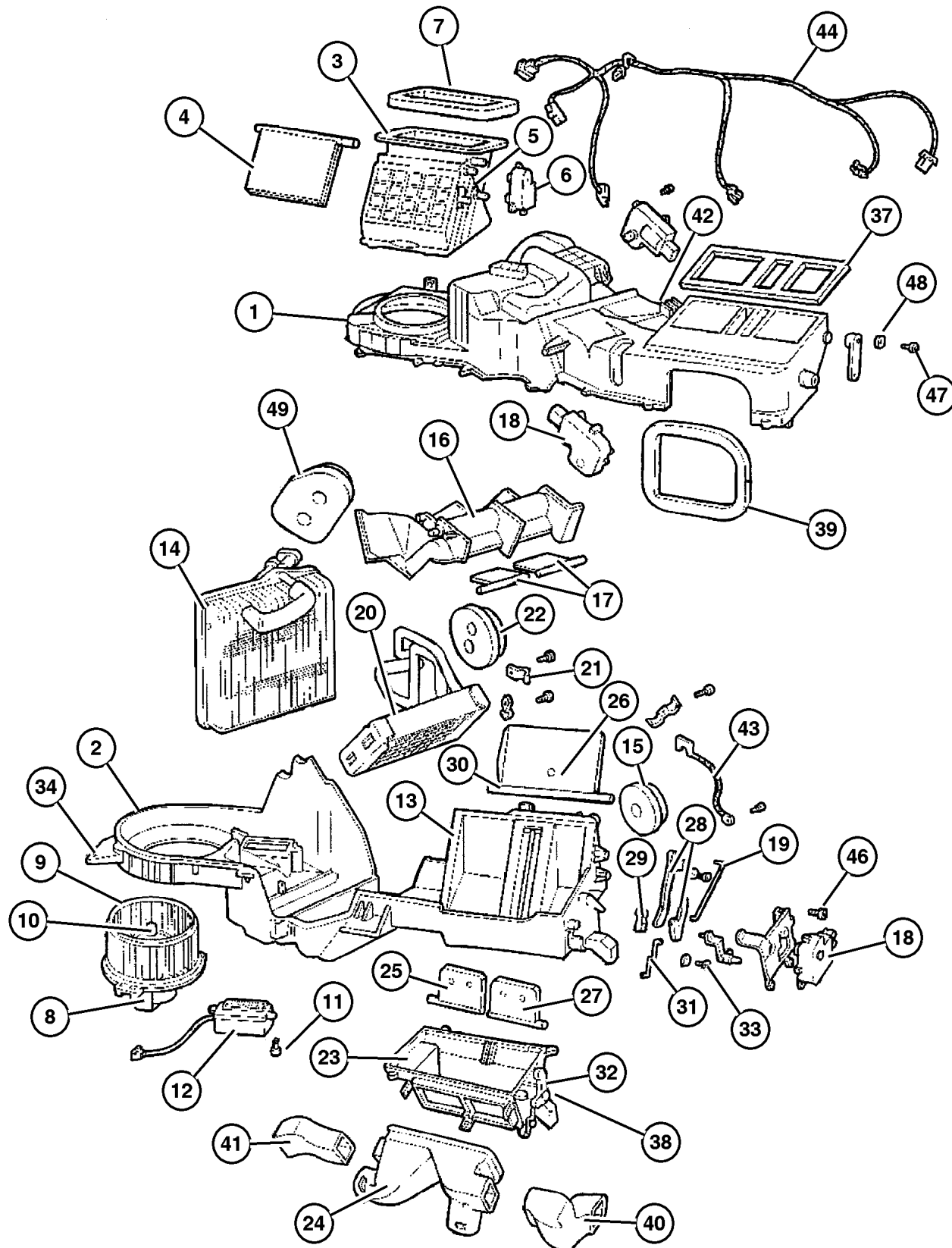
1	5013 552AA	1	U						HOUSING, A/C Lower
2	5013 551AA	1	U						HOUSING, A/C Lower
3	5013 569AA	1	U						HOUSING, Air Recirculating
4	5012 712AA	1	U						DOOR, Air Inlet
5	5013 567AA	1	U						LEVER, A/C Recirculation Door
6	5012 752AA	1	U						DIAPHRAGM, Heater and A/C Unit
7	5012 709AA	1	U						SEAL, Air Inlet
8	5013 566AA	1	U						MOTOR, Blower
9	5013 565AA	1	U						FAN, Blower Motor
10	2837 680	1	U						CLAMP, Blower Motor Wheel
11	5012 700AA	3	U						SCREW, Tapping
12	4720 278	1	U						RESISTOR, Blower Motor
13	5013 564AA	1	U						INSULATOR, Air Conditioning
14	5013 563AA	1	U						EVAPORATOR, Air Conditioning
15	5012 696AA	1	U						SEAL, Evaporator Drain
16	5013 560AA	1	U						HOUSING, A/C Unit
17	5013 558AA	1	U						DOOR, Blend Air
18	5013 561AA	1	U						SERVO, A/C Temperature Door
19	5013 559AA	2	U						LINK, Heater and Damper Contrl
20	5014 420AA	1	U						CORE, Heater
21	5013 554AA	1	U						CLIP, Heater Core
22	5013 553AA	1	U						SEAL, Heater Tubes
23	5013 498AA	1	U						HOUSING, A/C Unit
24	5013 496AA	1	U						COVER, Heater
25	5012 741AA	1	U						DOOR, Panel
26	5013 579AA	1	U						DOOR, Distribution Duct
27	5012 739AA	1	U						DOOR, Floor Defroster Duct
28	5013 578AA	1	U						LEVER, Panel Door
29	5013 577AA	1	U						LEVER, Panel Door
30	5012 734AA	1	U						SHAFT, A/C and Heater Door
31	5013 575AA	1	U						LEVER, A/C Vent Defrost Door
32	5013 574AA	1	U						LEVER, Panel Door
33	5012 729AA	1	U						SCREW, Tapping
34	6101 442	4	U						U-NUT, M6 x 1.00, M6x1.00
-35	5014 422AA-	1	U						DIAPHRAGM, Heater and A/C Unit
-36	5014 423AA-	1	U						DIAPHRAGM, Heater and A/C Unit
37	5012 727AA	1	U						SEAL, Demister
38	5012 726AA	1	U						SEAL, Defroster Duct
39	5012 724AA	1	U						SEAL, Panel
40	5013 571AA	1	U						DUCT, Floor Distribution
41	5013 570AA	1	U						DUCT, Floor Distribution

JEEP GRAND CHEROKEE (WJ)

SERIES	LINE	BODY	ENGINE	TRANSMISSION
L = Grand Cherokee	J = 4WD T = 2WD U = 4WD (RHD)	74 = 4 Door (105.9 WB)	ERH,ERO = 4.0L, Power Tech EVA,EVO = 4.7L, Power Tech EXA,EXO = 3.1L 5 cyl Turbo Diesel	DGK = 4 Speed Autm, 42RE DG4 = Multi Speed Auto 45RFE DGW = 4 Speed Autom 44RE DGO = All Automatic

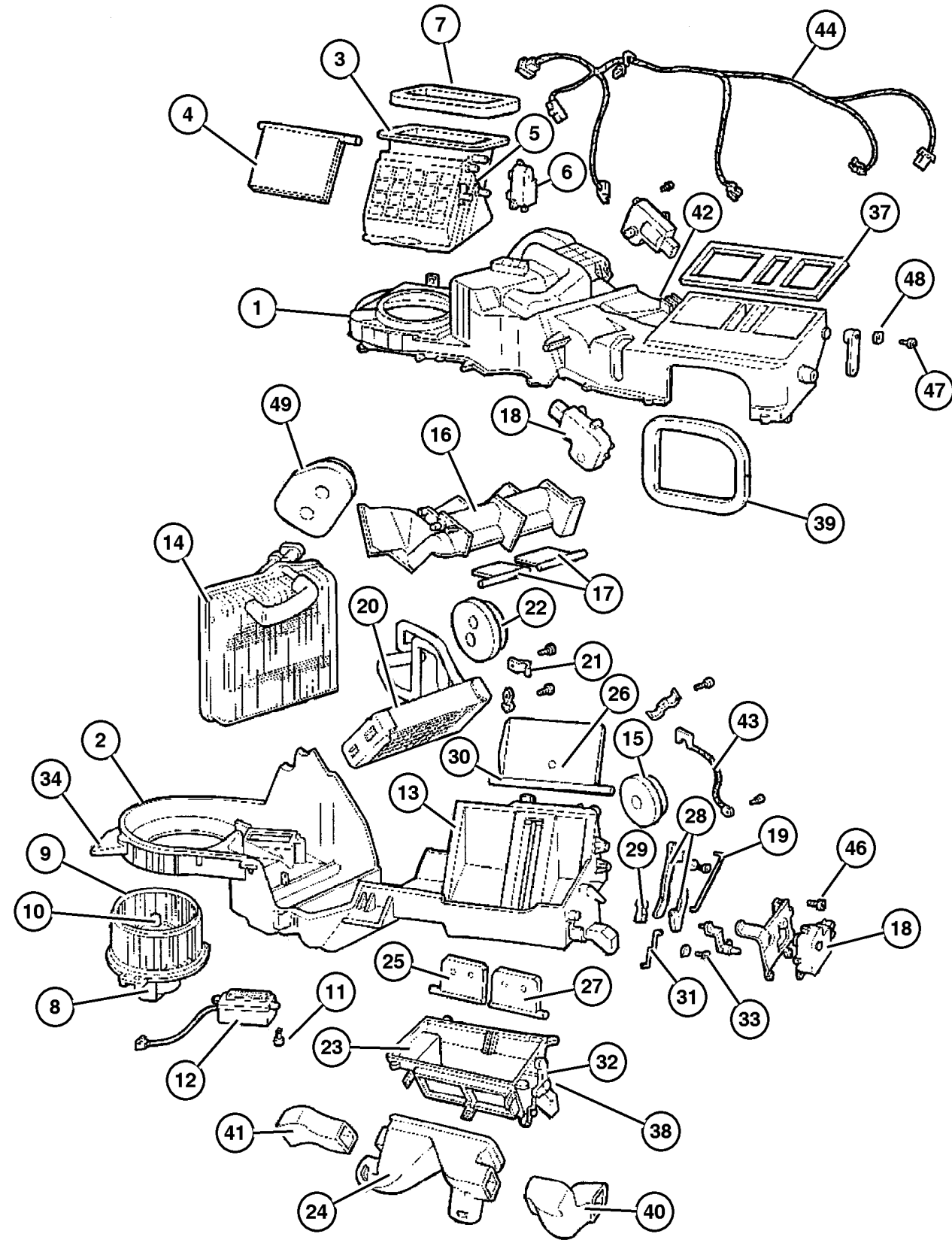
AR = Use as required - = Non illustrated part # = New this model year

September 15, 2005



HEVAC with Manual Control, RHD
Figure 024-180

ITEM	PART NUMBER	QTY	LINE	SERIES	BODY	ENGINE	TRANS	TRIM	DESCRIPTION
42	5012 721AA	1	U						SEAL, Air Conditioning Unit
43	5012 720AA	1	U						STRAP, Ground
44	5012 758AA	1	U						HARNESS, Air Conditioning Control
-45	5012 757AA-	1	U						TUBE, Vacuum
46	4720 533	26	U						SCREW, Heater Housing
47	4720 534	3	U						SCREW, Pan Head
48	5012 756AA	5	U						SPRING
49	5013 562AA	1	U						SEAL, A/C Evaporator

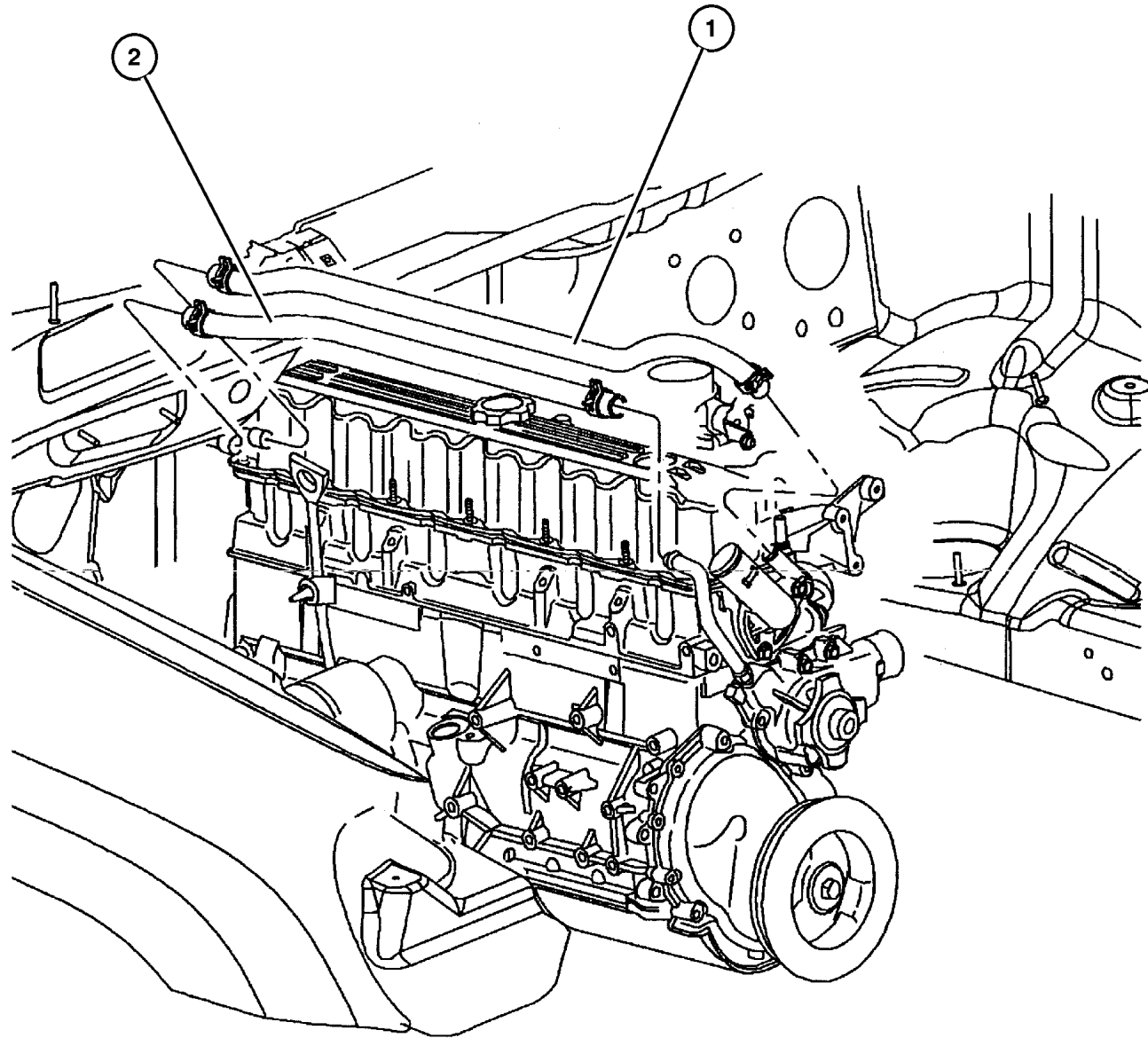


JEEP GRAND CHEROKEE (WJ)				
SERIES	LINE	BODY	ENGINE	TRANSMISSION
L = Grand Cherokee	J = 4WD T = 2WD U = 4WD (RHD)	74 = 4 Door (105.9 WB)	ERH,ERO = 4.0L, Power Tech EVA,EVO = 4.7L, Power Tech EXA,EXO = 3.1L 5 cyl Turbo Diesel	DGK = 4 Speed Autm, 42RE DG4 = Multi Speed Auto 45RFE DGW = 4 Speed Autom 44RE DGO = All Automatic

AR = Use as required - = Non illustrated part # = New this model year

September 15, 2005

Hoses, Heater 3.1, 4.0L Engines
Figure 024-240



ITEM	PART NUMBER	QTY	LINE	SERIES	BODY	ENGINE	TRANS	TRIM	DESCRIPTION
------	-------------	-----	------	--------	------	--------	-------	------	-------------

Note: Sales Code ER0 = 4.0 L Engine

Note: Sales Code EX0 = 3.1 L Engine

1									HOSE, Heater Supply
	5511 7081	1	J, T			EX0			
	5511 5889	1	U			ER0			
	5511 5890	1	J, T			ER0			
2									HOSE, Heater Return
	5511 7082	1	J, T			EX0			
	5511 5892	1	U			ER0			
	5511 5897	1	J, T			ER0			

JEEP GRAND CHEROKEE (WJ)

SERIES	LINE	BODY	ENGINE	TRANSMISSION
L = Grand Cherokee	J = 4WD T = 2WD U = 4WD (RHD)	74 = 4 Door (105.9 WB)	ERH,ER0 = 4.0L, Power Tech EVA,EVO = 4.7L, Power Tech EXA,EXO = 3.1L 5 cyl Turbo Diesel	DGK = 4 Speed Autm, 42RE DG4 = Multi Speed Auto 45RFE DGW = 4 Speed Autom 44RE DGO = All Automatic

AR = Use as required - = Non illustrated part # = New this model year

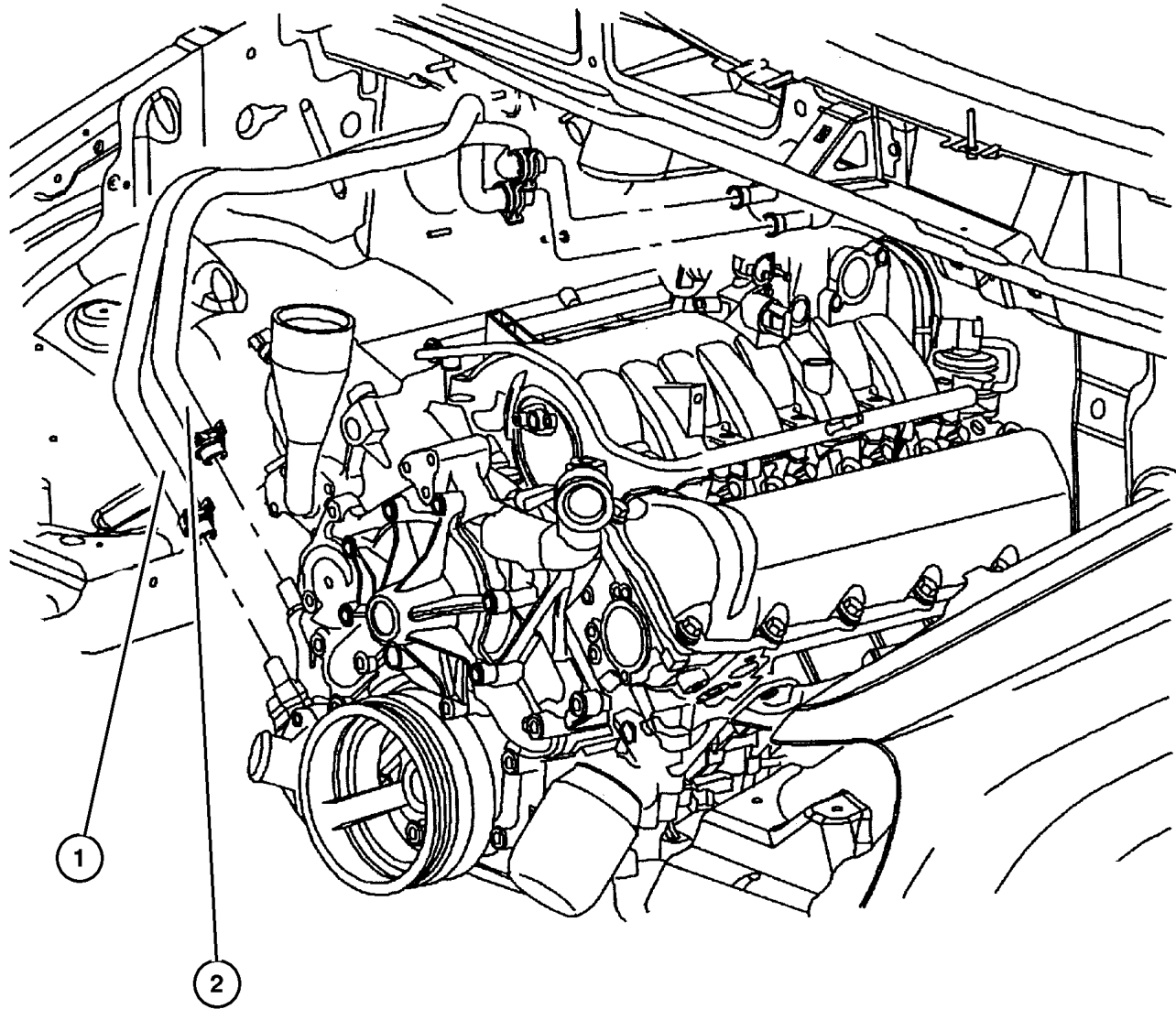
September 15, 2005

Hoses, Heater 4.7L Engine Figure 024-245

ITEM	PART NUMBER	QTY	LINE	SERIES	BODY	ENGINE	TRANS	TRIM	DESCRIPTION
------	-------------	-----	------	--------	------	--------	-------	------	-------------

Note: Sales Code EVO = 4.7 L Engine

1									TUBE AND HOSE, Supply
	55115 895AB	1		J, T		EVO			
	55116 352AA	1		U		EVO			
2									TUBE AND HOSE, Return
	55116 353AA	1		U		EVO			
	55115 896AB	1		J, T		EVO			

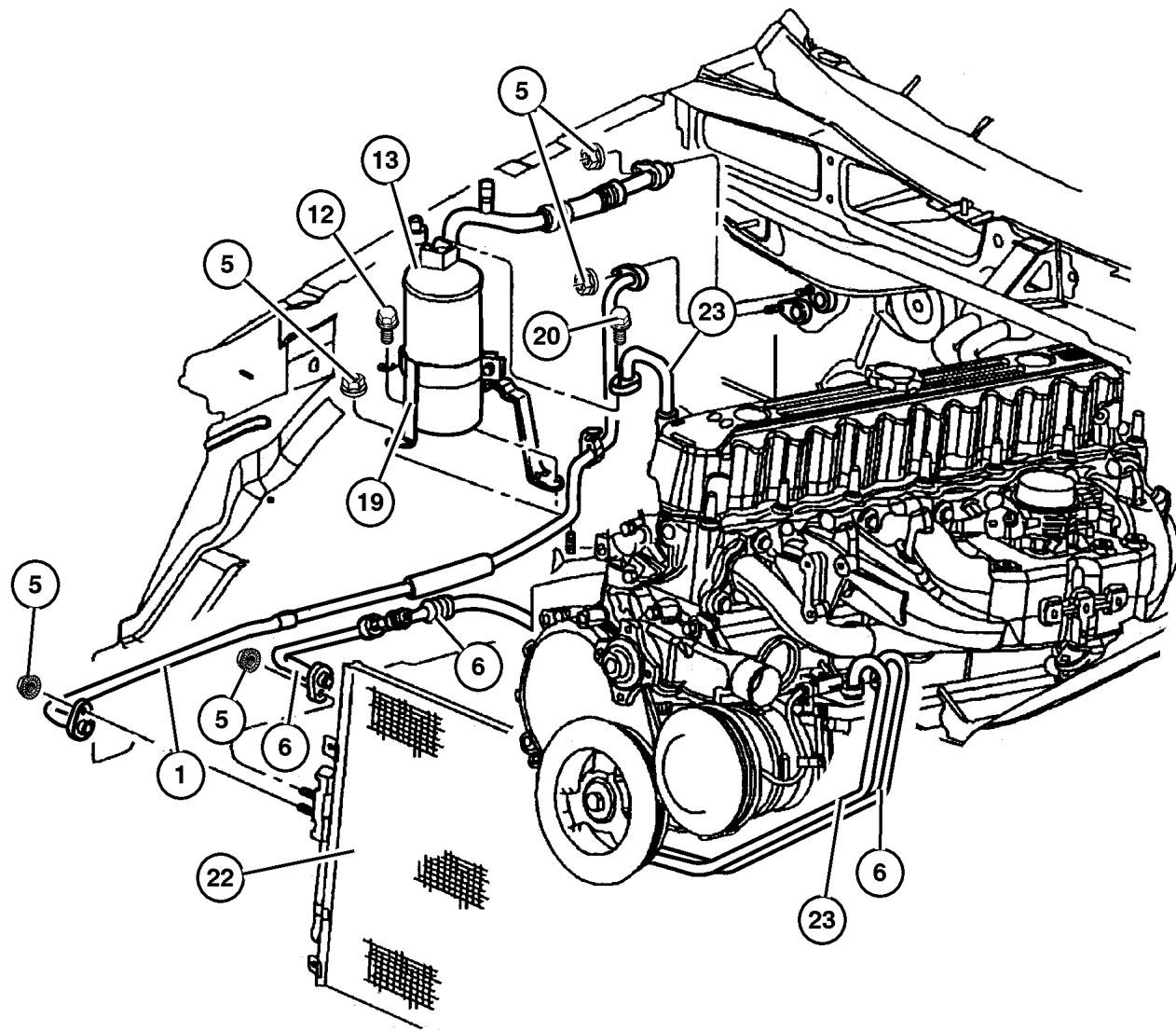


JEEP GRAND CHEROKEE (WJ)				
SERIES	LINE	BODY	ENGINE	TRANSMISSION
L = Grand Cherokee	J = 4WD T = 2WD U = 4WD (RHD)	74 = 4 Door (105.9 WB)	ERH,ERO = 4.0L, Power Tech EVA,EVO = 4.7L, Power Tech EXA,EXO = 3.1L 5 cyl Turbo Diesel	DGK = 4 Speed Autm, 42RE DG4 = Multi Speed Auto 45RFE DGW = 4 Speed Autom 44RE DGO = All Automatic

AR = Use as required - = Non illustrated part # = New this model year

September 15, 2005

**Accumulator, Condenser and Lines 3.1, 4.0L Engines
Figure 024-250**



ITEM	PART NUMBER	QTY	LINE	SERIES	BODY	ENGINE	TRANS	TRIM	DESCRIPTION
Note: Sales Code ER0 = 4.0 L Engine									
Note: Sales Code EX0 = 3.1 L Engine									
1									LINE, A/C Liquid
	53054 569AA	1	J, T			EX0			
	5511 5914	1	J, T			ER0,			
						EVO			
	55116 161AC	1	U			ER0,			
						EVO			
-2									O RING, A/C Discharge Line
	4796 565	2	U			ER0			
		1	J, T			ER0,			
		1	J, T			EVO			
						EX0			
-3									O RING, A/C Liquid Line
	5012 980AA-	1	U			ER0,			
		1	J, T			ER0,			
		1	J, T			EVO			
						EX0			
-4									RETAINER, A/C Supply Line
	55116 339AA-	1	J, T			ER0,			
		1	J, T			EVO			
		1	U			EX0			
						ER0,			
						EVO			
5									NUT AND WASHER, Hex Nut-Coned Washer, M8 x 1.25
	6100 051	2				EX0			
		4							
6									LINE, A/C Discharge
	55116 163AC	1	U			ER0			
	5511 7086	1	J, T			EX0			
	55116 162AB	1	J, T			ER0			
-7									O RING, A/C Discharge Line
	4796 565	1	J, T			EX0			
		1	J, T			ER0,			
						EVO			
		2	U			ER0			
-8									O RING, A/C Liquid Line
	4741 705	1	J, T			EX0			
		1	U			ER0			
		1	J, T			ER0			
-9									VALVE CORE, Service Port

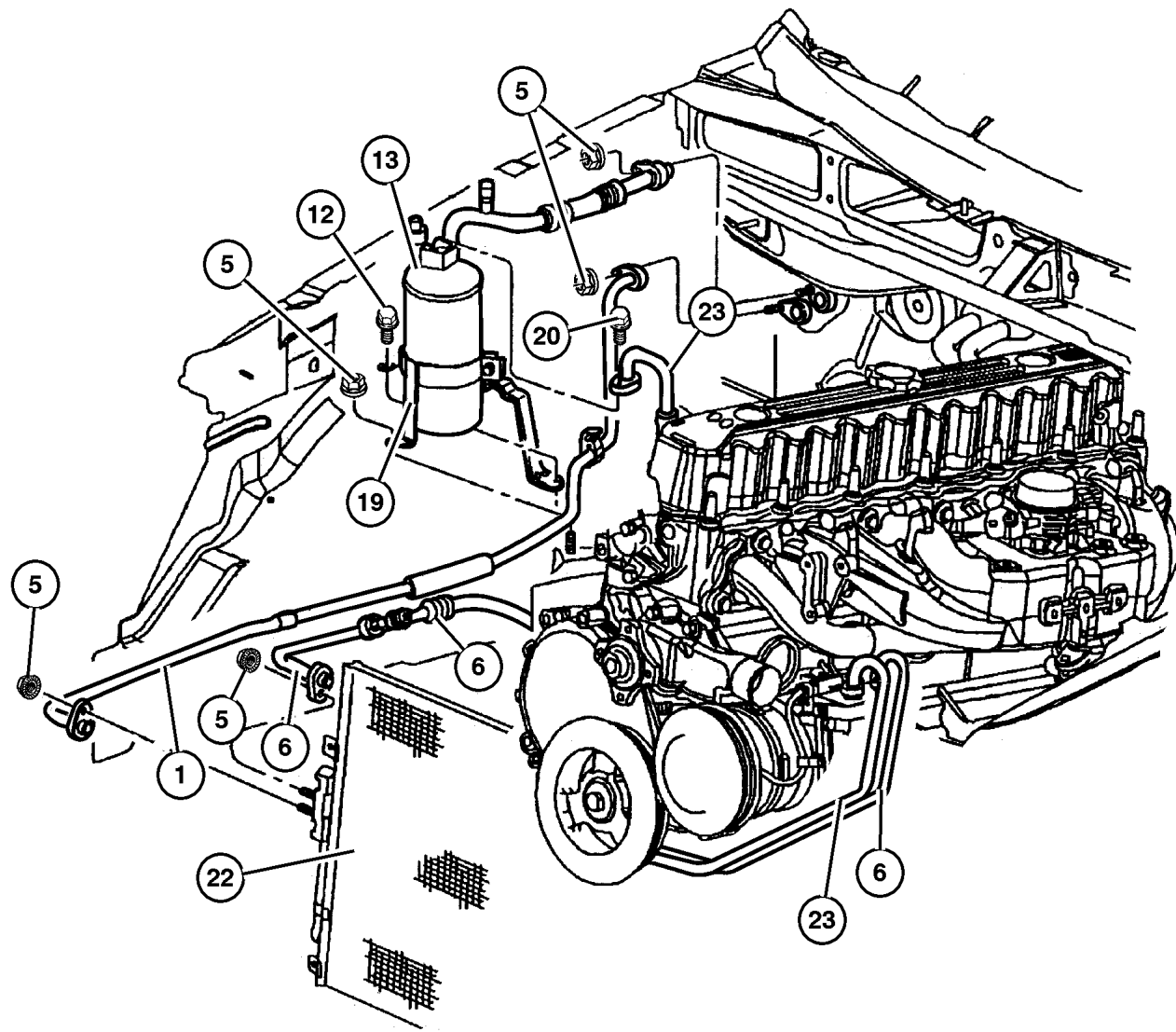
JEEP GRAND CHEROKEE (WJ)

SERIES	LINE	BODY	ENGINE	TRANSMISSION
L = Grand Cherokee	J = 4WD T = 2WD U = 4WD (RHD)	74 = 4 Door (105.9 WB)	ERH,ER0 = 4.0L, Power Tech EVA,EVO = 4.7L, Power Tech EXA,EXO = 3.1L 5 cyl Turbo Diesel	DGK = 4 Speed Autm, 42RE DG4 = Multi Speed Auto 45RFE DGW = 4 Speed Autom 44RE DGO = All Automatic

AR = Use as required - = Non illustrated part # = New this model year

September 15, 2005

**Accumulator, Condenser and Lines 3.1, 4.0L Engines
Figure 024-250**



ITEM	PART NUMBER	QTY	LINE	SERIES	BODY	ENGINE	TRANS	TRIM	DESCRIPTION
	5011 346AA-	1	J, T			EX0			
		1	J, T			ER0			
		2	U			ER0			
-10									BRACKET, A/C Line
	5012 988AA-	1	J, T			ER0			
	5012 989AA-	1	U			EVO			
	5511 5796	1				EX0			
-11									SWITCH, A/C High Pressure Cut Off
	4897 617AA-	1	J, T			EX0			
		1	U			ER0			
12	6502 064	2	J, T			ER0			SCREW, Tapping, M6x1x20
13									ACCUMULATOR, Suction Line
	5511 7088	1	J, T			EX0			
	55115 909AB	1	U			ER0, EVO			
	55115 910AC	1	J, T			ER0			
-14									O RING, A/C Suction Line
	5012 979AA-	1	U			ER0			
		1	J, T			ER0			
		1				EX0			
-15									O RING, Low Pressure Cutout Switch
	4728 705	1	U			ER0, EVO			
		1	J, T			ER0			
		1	J, T			EX0			
-16									SWITCH, A/C Cycling
	4897 613AA-	1	U			ER0, EVO			
		1	J, T			ER0			
		1	J, T			EX0			
-17									VALVE CORE, Service Port
	5011 346AA-	2	J, T			EX0			
		1	U			ER0, EVO			
		1	J, T			ER0			
-18									CAP, A/C Charge Valve
	5015 568AA-	1	J, T			EVO			
		1	U			ER0, EVO			
		1	J, T			ER0			
19									BRACKET, Accumulator

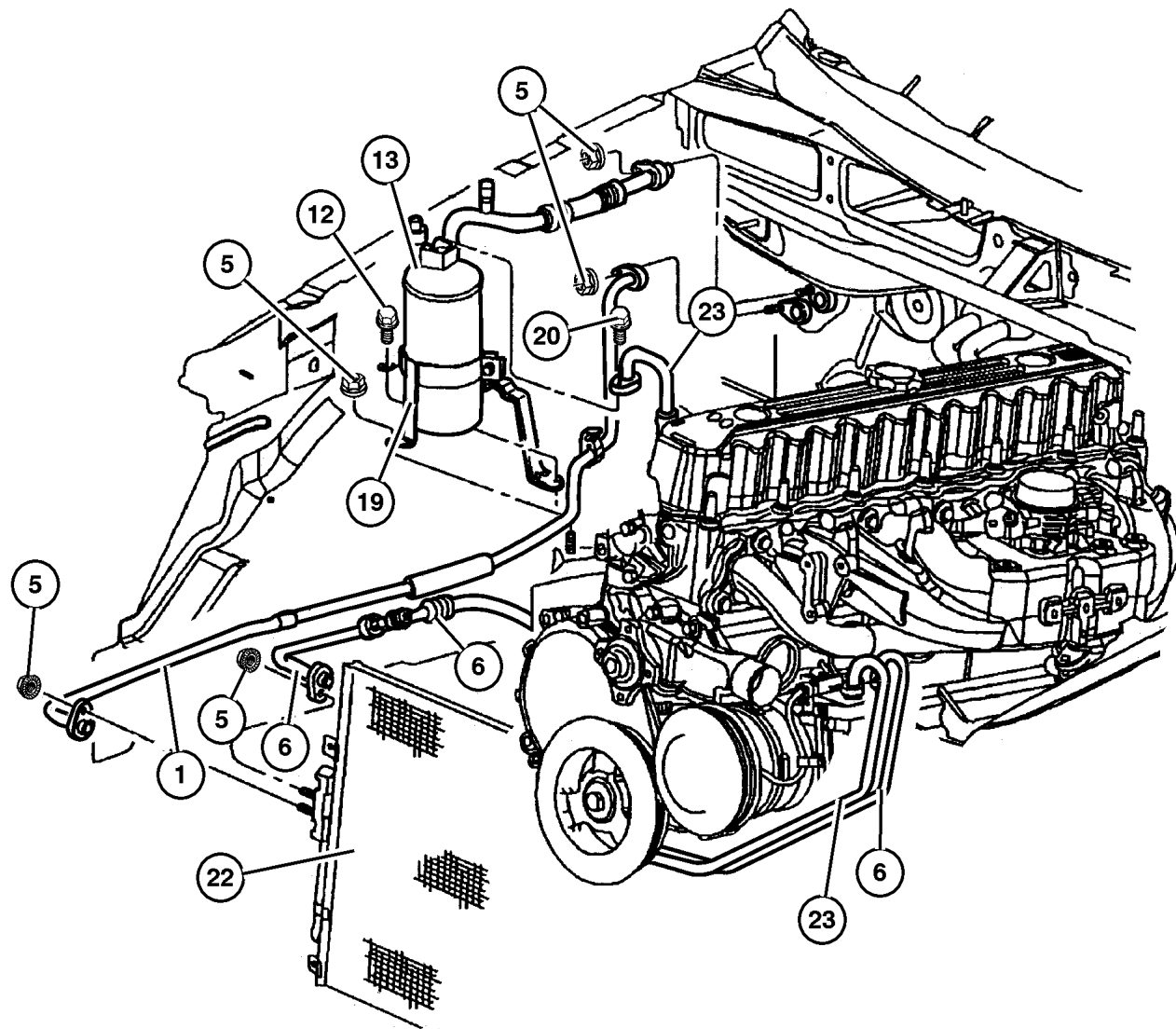
JEEP GRAND CHEROKEE (WJ)

SERIES	LINE	BODY	ENGINE	TRANSMISSION
L = Grand Cherokee	J = 4WD T = 2WD U = 4WD (RHD)	74 = 4 Door (105.9 WB)	ERH,ER0 = 4.0L, Power Tech EVA,EVO = 4.7L, Power Tech EXA,EXO = 3.1L 5 cyl Turbo Diesel	DGK = 4 Speed Autm, 42RE DG4 = Multi Speed Auto 45RFE DGW = 4 Speed Autom 44RE DGO = All Automatic

AR = Use as required - = Non illustrated part # = New this model year

September 15, 2005

**Accumulator, Condenser and Lines 3.1, 4.0L Engines
Figure 024-250**



ITEM	PART NUMBER	QTY	LINE	SERIES	BODY	ENGINE	TRANS	TRIM	DESCRIPTION
	5012 985AA	1	U			ER0, EVO			
	5012 986AA	1	J, T			ER0			
	53054 571AA	1	J, T			EX0			
20									SCREW, Hex Flange Head, M8x1.25x25.00
	6501 648	1	J, T			ER0			
		1	U			ER0, EVO			
		1	J			EX0			
-21	55116 001AB-	1							LABEL, Refrigerant
22									CONDENSER, Air Conditioning
	55115 918AB	1	J, T			EX0			
		1	U			ER0			
		1	J, T			ER0			
23									LINE, A/C Suction
	55116 359AC	1	U			EVO			
	55116 501AB	1	J, T			ER0			
	5511 7087	1				EX0			
-24	5012 979AA-	1				EX0			O RING, A/C Suction Line
-25	5012 981AA-	1				EX0			O RING, A/C Suction Line
-26	5503 5784	1				EX0			CLIP, Tube
-27	6034 966	1				EX0			BOLT, .312-24x1.170
-28	4885 591AA-	1	U						BRACKET, A/C Evaporator

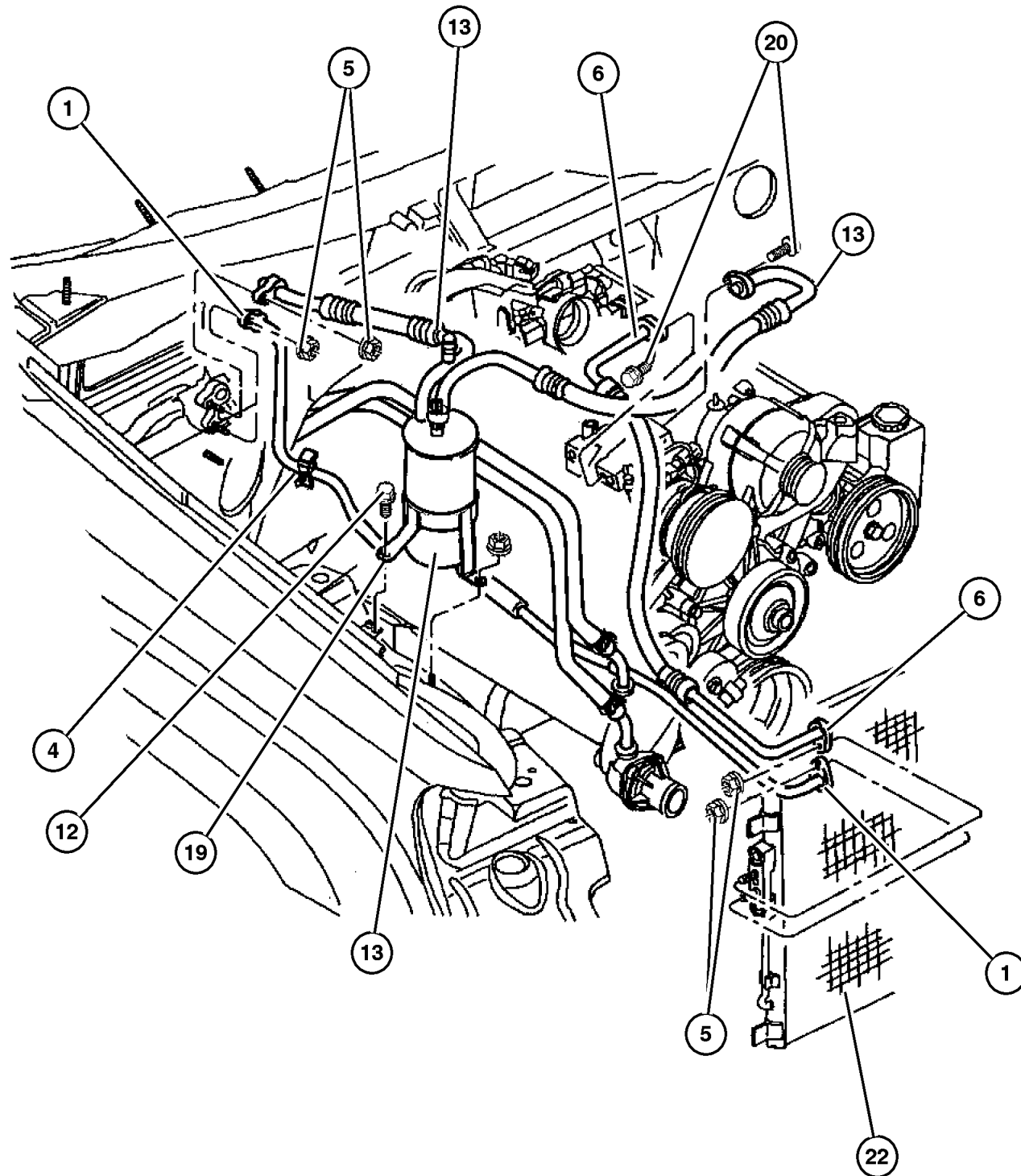
JEEP GRAND CHEROKEE (WJ)

SERIES	LINE	BODY	ENGINE	TRANSMISSION
L = Grand Cherokee	J = 4WD T = 2WD U = 4WD (RHD)	74 = 4 Door (105.9 WB)	ERH,ERO = 4.0L, Power Tech EVA,EVO = 4.7L, Power Tech EXA,EXO = 3.1L 5 cyl Turbo Diesel	DGK = 4 Speed Autm, 42RE DG4 = Multi Speed Auto 45RFE DGW = 4 Speed Autom 44RE DGO = All Automatic

AR = Use as required - = Non illustrated part # = New this model year

September 15, 2005

Accumulator, Condenser and Lines 4.7L Engine Figure 024-255



ITEM	PART NUMBER	QTY	LINE	SERIES	BODY	ENGINE	TRANS	TRIM	DESCRIPTION
Note: Sales Code EV0 = 4.7 L Engine									
1	55115 914AB	1	J, T			ER0, EV0			LINE, A/C Liquid
	55116 161AC	1	U			ER0, EV0			
-2	4796 565	2	J, T			EV0			O RING, A/C Discharge Line
		1	U			ER0, EV0			
-3	5012 980AA-	1	U			ER0, EV0			O RING, A/C Liquid Line
		1	J, T			ER0, EV0			
4	55116 339AA	1	U			ER0, EV0			RETAINER, A/C Supply Line
		1	J, T			ER0, EV0			
5	6101 445	1				ER0, EV0			NUT AND WASHER, Hex Nut-Coned Washer, M8 x 1.25
6	55116 165AC	1	J, T			EV0			LINE, A/C Discharge
	55116 358AC	1	U			EV0			
-7	4796 565	1	J, T			ER0, EV0			O RING, A/C Discharge Line
		1	U			ER0, EV0			
-8	4741 705	1	J, T			EV0			O RING, A/C Liquid Line
		1	U			EV0			
-9	5011 346AA-	1	U			ER0, EV0			VALVE CORE, Service Port
		2	J, T			EV0			
-10	5012 987AA-	1	U			EV0			CLIP, Discharge Line
-11	4897 617AA-	1	J, T			EV0			SWITCH, A/C High Pressure Cut Off
		1	U			EV0			
12	6502 064	2							SCREW, Tapping, M6x1x20
13									ACCUMULATOR, Suction Line

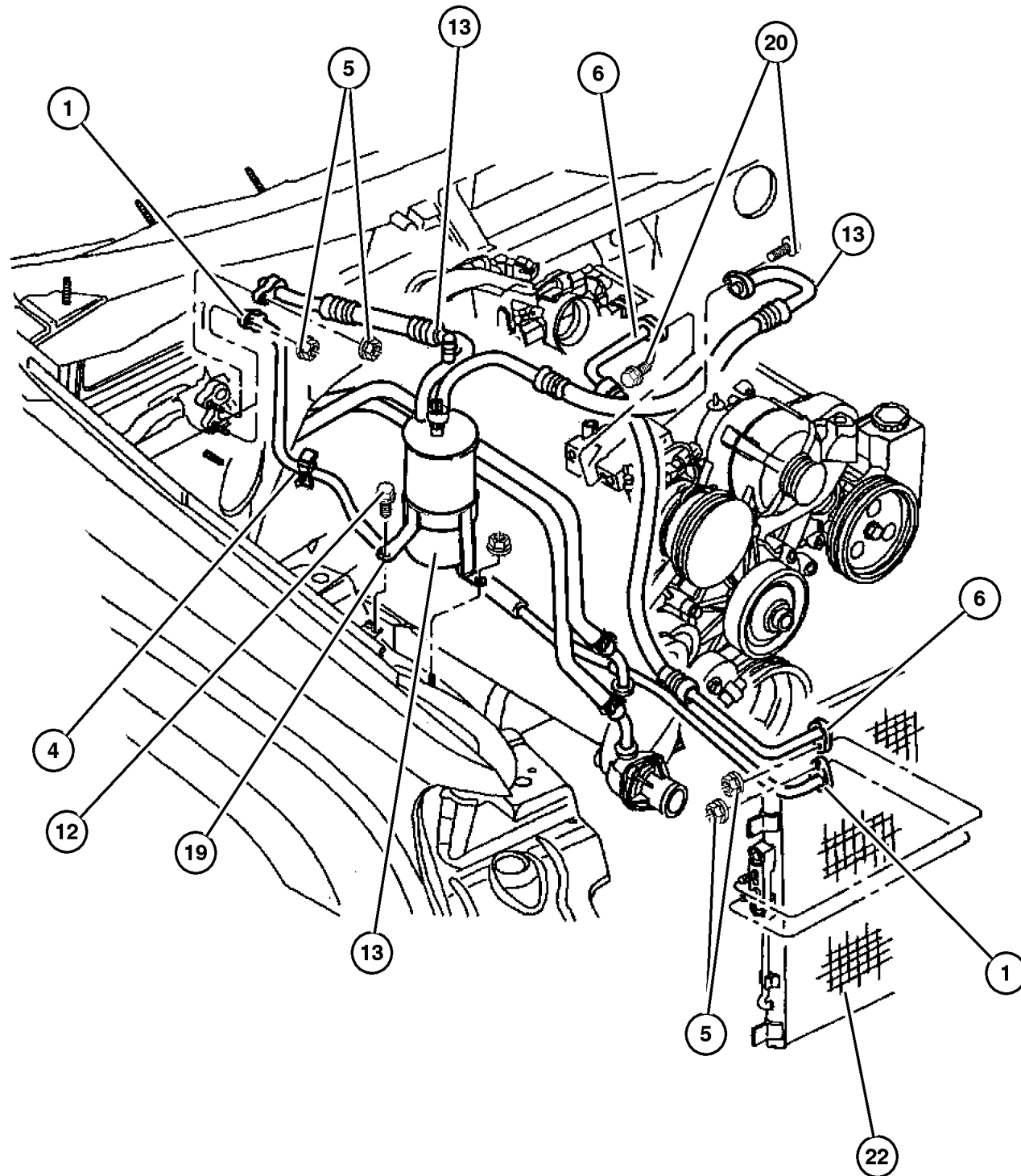
JEEP GRAND CHEROKEE (WJ)

SERIES	LINE	BODY	ENGINE	TRANSMISSION
L = Grand Cherokee	J = 4WD T = 2WD U = 4WD (RHD)	74 = 4 Door (105.9 WB)	ERH,ERO = 4.0L, Power Tech EVA,EVO = 4.7L, Power Tech EXA,EXO = 3.1L 5 cyl Turbo Diesel	DGK = 4 Speed Autm, 42RE DG4 = Multi Speed Auto 45RFE DGW = 4 Speed Autom 44RE DGO = All Automatic

AR = Use as required - = Non illustrated part # = New this model year

September 15, 2005

Accumulator, Condenser and Lines 4.7L Engine
Figure 024-255



ITEM	PART NUMBER	QTY	LINE	SERIES	BODY	ENGINE	TRANS	TRIM	DESCRIPTION
	55115 911AC	1	J, T			EVO			
	5511 5909	1	U			ER0, EVO			
-14	5012 979AA-	1	J, T			EVO			O RING, A/C Suction Line
	5012 981AA-	1	U			EVO			
-15	4728 705	1	J, T			EVO			O RING, Low Pressure Cutout Switc SWITCH, A/C Cycling
-16	4897 613AA-	1	J, T			EVO			
		1	U			ER0, EVO			
-17	5011 346AA-	2	U			EVO			VALVE CORE, Service Port
		1	J, T			EVO			
-18	5015 568AA-	1	J, T			EVO			CAP, A/C Charge Valve
19	5012 985AA	1	U			ER0, EVO			BRACKET, Accumulator
	5012 986AA	1	J, T			EVO			
20	6501 648	1	U			ER0, EVO			SCREW, Hex Flange Head, M8x1. 25x25.00
-21	55116 001AB-	1							LABEL, Refrigerant
22	55115 918AB	1	J, T			EVO			CONDENSER, Air Conditioning
		1	U			EVO			
-23	4885 589AA-	1	J, T						BRACKET, A/C Evaporator

JEEP GRAND CHEROKEE (WJ)

SERIES	LINE	BODY	ENGINE	TRANSMISSION
L = Grand Cherokee	J = 4WD T = 2WD U = 4WD (RHD)	74 = 4 Door (105.9 WB)	ERH,ERO = 4.0L, Power Tech EVA,EVO = 4.7L, Power Tech EXA,EXO = 3.1L 5 cyl Turbo Diesel	DGK = 4 Speed Autm, 42RE DG4 = Multi Speed Auto 45RFE DGW = 4 Speed Autom 44RE DGO = All Automatic

AR = Use as required - = Non illustrated part # = New this model year

September 15, 2005

Hevac Vacuum Engine Lines and Controls Figure 024-260

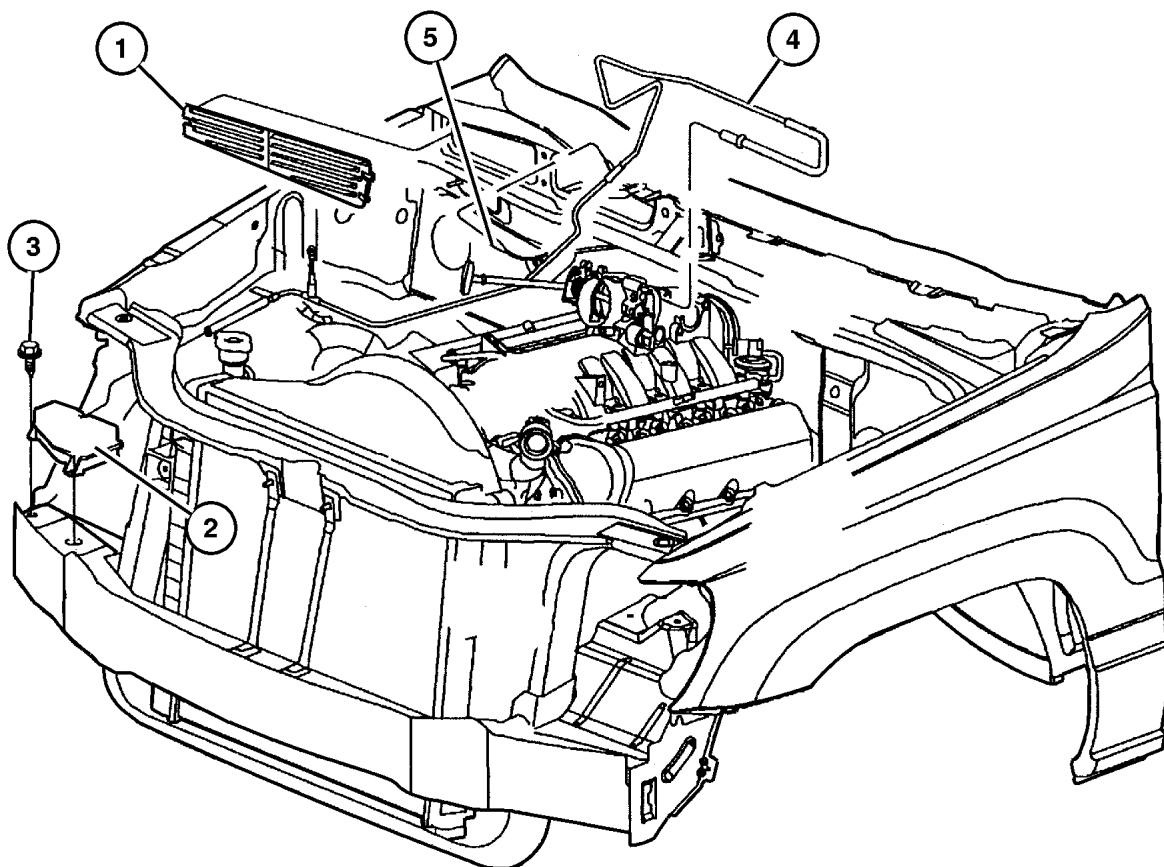
ITEM	PART NUMBER	QTY	LINE	SERIES	BODY	ENGINE	TRANS	TRIM	DESCRIPTION
------	-------------	-----	------	--------	------	--------	-------	------	-------------

Note: Sales Code ER0 = 4.0 L Engine

Note: Sales Code EX0 = 3.1 L Engine

Note: Sales Code EV0 = 4.7 L Engine

1	5511 5885	1	J, T						BAFFLE, Air
	5511 5886	1	U						
2	5511 5899	1				ER0, EVO			RESERVOIR, Vacuum
3									SCREW, Hex Flange Head Tapping, M4.8 x 1.59 x 14.00, (NOT SERVICED) (Not Serviced)
4									VACUUM HARNESS, Heater and A/C
	5511 5901	1	J, T			ER0			
	55116 332AA	1	U			EVO			
	5511 5900	1	J, T			EVO			
	5511 6156	1	U			ER0			
	5511 6158	1	J, T			EX0			
5	3580 172	1							CAP, Vacuum



JEEP GRAND CHEROKEE (WJ)

SERIES	LINE	BODY	ENGINE	TRANSMISSION
L = Grand Cherokee	J = 4WD T = 2WD U = 4WD (RHD)	74 = 4 Door (105.9 WB)	ERH,ER0 = 4.0L, Power Tech EVA,EVO = 4.7L, Power Tech EXA,EXO = 3.1L 5 cyl Turbo Diesel	DGK = 4 Speed Autm, 42RE DG4 = Multi Speed Auto 45RFE DGW = 4 Speed Autom 44RE DGO = All Automatic

AR = Use as required - = Non illustrated part # = New this model year

September 15, 2005

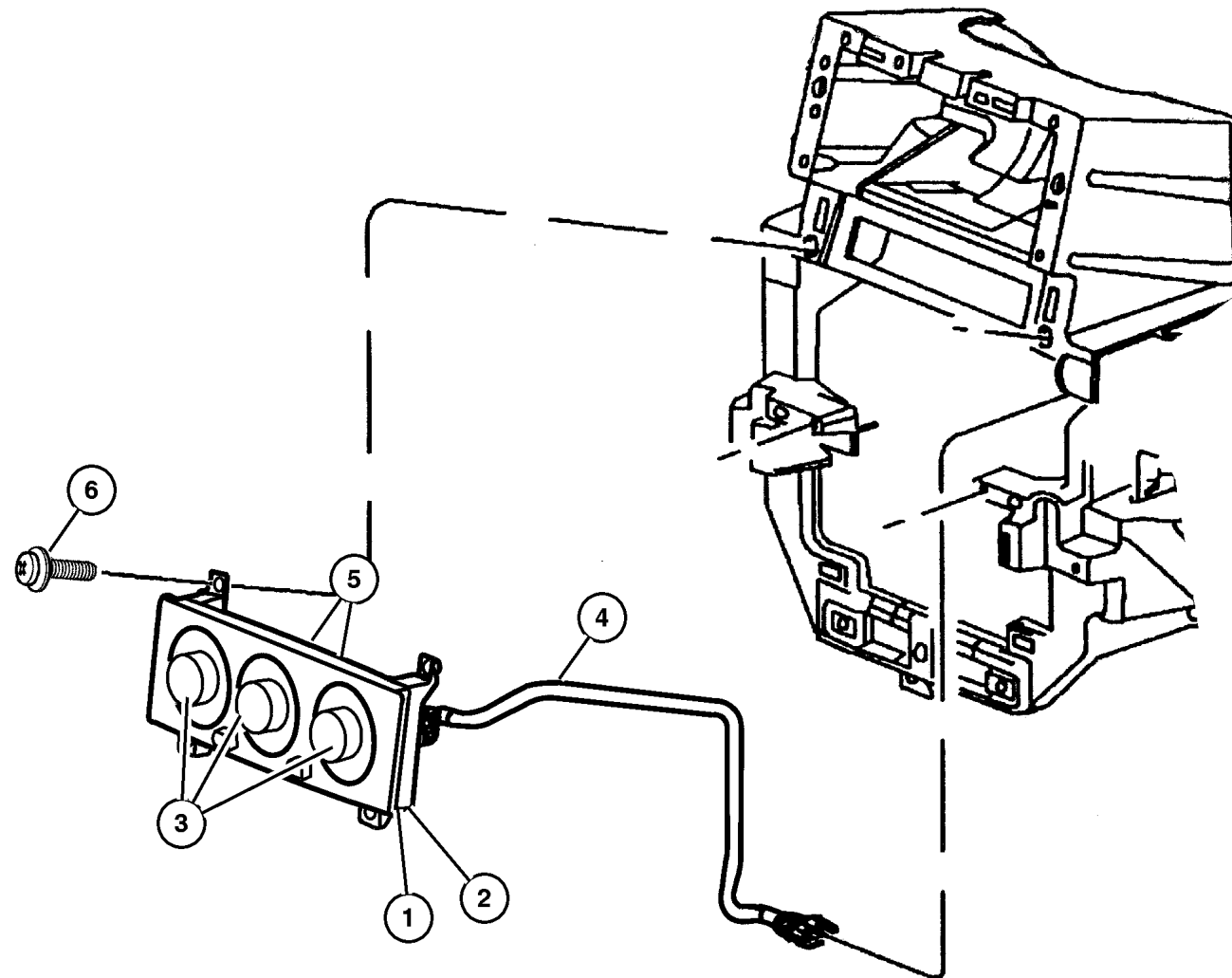
**Control, Heater and Air Conditioner
Figure 024-330**

ITEM	PART NUMBER	QTY	LINE	SERIES	BODY	ENGINE	TRANS	TRIM	DESCRIPTION
------	-------------	-----	------	--------	------	--------	-------	------	-------------

Note: Sales Code HAA = Air Conditioning

Note: Sales Code HAF = Auto Temp Control

1	55115 904AB	1							CONTROL, A/C And Heater
2	55115 903AB	1							CONTROL, Auto Temp Control
3	5012 976AA	2							KNOB, ATC Control
4	5012 977AA	1							HARNES, A/C And Heater Vacuum
5	5013 124AA	2							BULB, Heater and A/C Control
6	6101 946	1							SCREW, Tapping



JEEP GRAND CHEROKEE (WJ)

SERIES	LINE	BODY	ENGINE	TRANSMISSION
L = Grand Cherokee	J = 4WD T = 2WD U = 4WD (RHD)	74 = 4 Door (105.9 WB)	ERH,ERO = 4.0L, Power Tech EVA,EVO = 4.7L, Power Tech EXA,EXO = 3.1L 5 cyl Turbo Diesel	DGK = 4 Speed Autm, 42RE DG4 = Multi Speed Auto 45RFE DGW = 4 Speed Autom 44RE DGO = All Automatic

AR = Use as required - = Non illustrated part # = New this model year

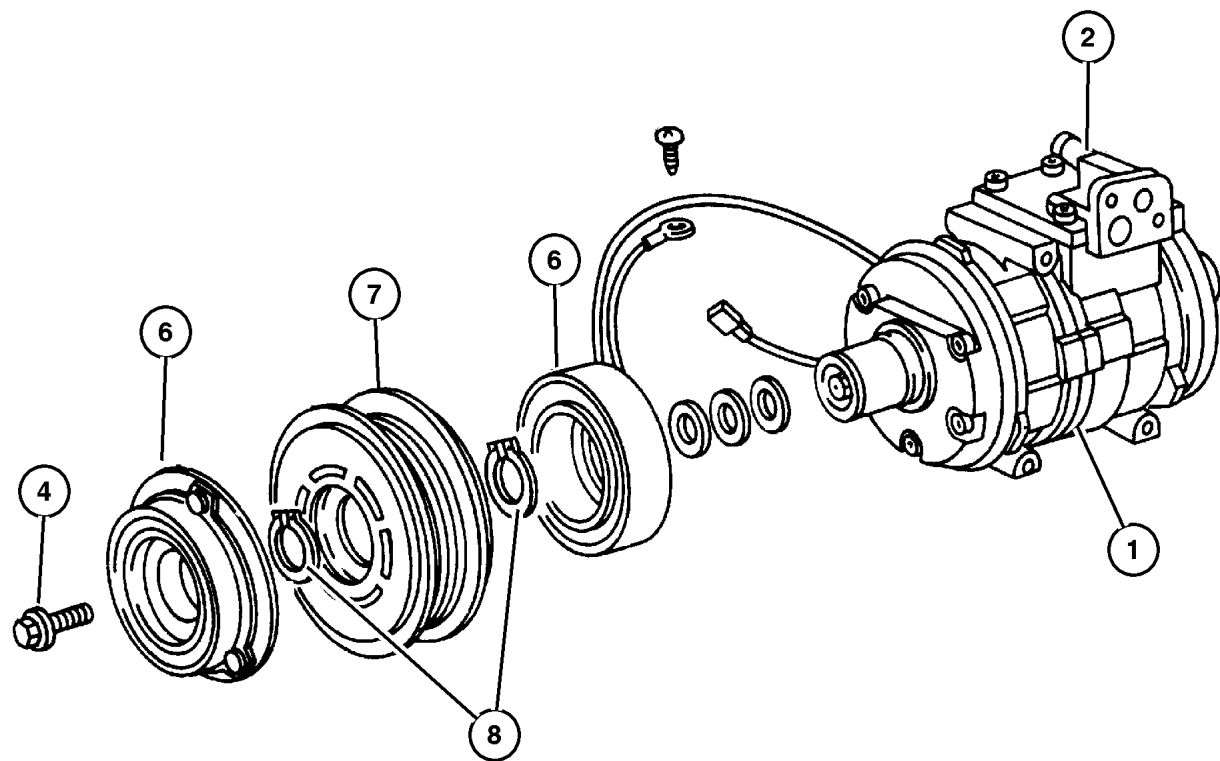
September 15, 2005

**Compressor, Air Conditioning 4.0L Engine
Figure 024-410**

ITEM	PART NUMBER	QTY	LINE	SERIES	BODY	ENGINE	TRANS	TRIM	DESCRIPTION
------	-------------	-----	------	--------	------	--------	-------	------	-------------

Note: Sales Code ERO = 4.0 L Engine

1	55116 144AB	1				ERO			COMPRESSOR, Air Conditioning
2	5014 413AA	1				ERO			MANIFOLD KIT, A/C Compressor
-3	4728 854	1				ERO			SEAL, Manifold To Compressor
4	55116 423AA	1				ERO			BOLT, A/C Line Mounting
-5	5264 457	1				ERO			BOLT KIT, A/C Compressor Manifold
6	5003 681AA	1				ERO			COIL, Air Conditioning Clutch
7	4720 834	1				ERO			PULLEY, A/C Compressor
8	5264 454	1				ERO			SNAP RING KIT, A/C Clutch
-9	8230 0102	1				ERO			LUBRICANT, Oil, 75w90



JEEP GRAND CHEROKEE (WJ)

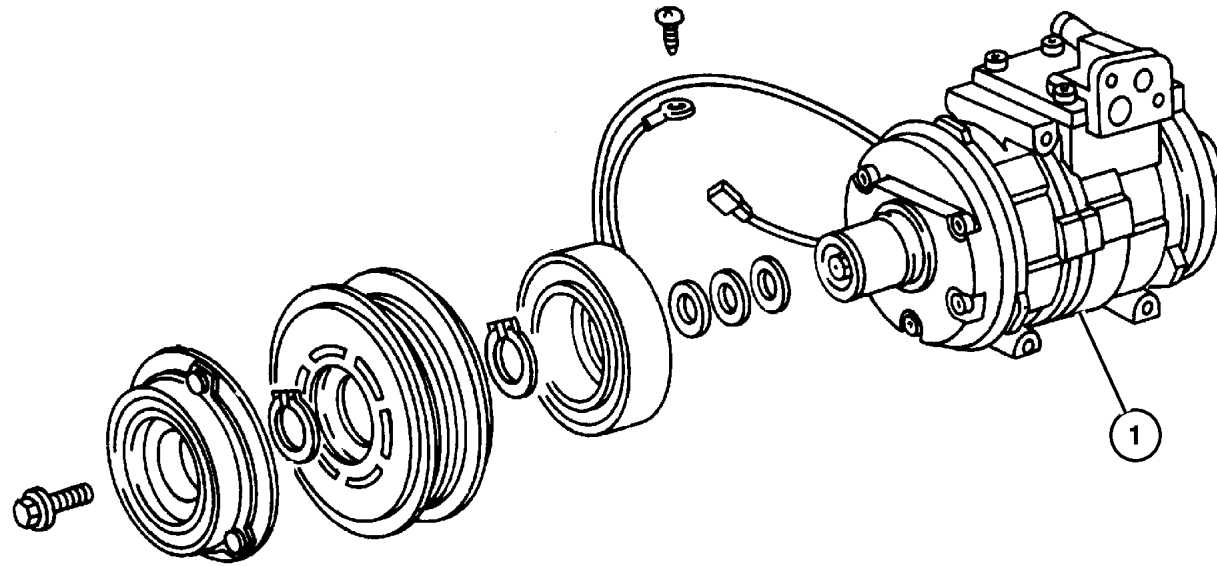
SERIES	LINE	BODY	ENGINE	TRANSMISSION
L = Grand Cherokee	J = 4WD T = 2WD U = 4WD (RHD)	74 = 4 Door (105.9 WB)	ERH,ERO = 4.0L, Power Tech EVA,EVO = 4.7L, Power Tech EXA,EXO = 3.1L 5 cyl Turbo Diesel	DGK = 4 Speed Autm, 42RE DG4 = Multi Speed Auto 45RFE DGW = 4 Speed Autom 44RE DGO = All Automatic

AR = Use as required - = Non illustrated part # = New this model year

September 15, 2005

**Compressor, Air Conditioning 4.7L Engine
Figure 024-420**

ITEM	PART NUMBER	QTY	LINE	SERIES	BODY	ENGINE	TRANS	TRIM	DESCRIPTION
Note: Sales Code EVO = 4.7 L Engine									
1	55115 907AB	1	U			EVO			COMPRESSOR, Air Conditioning
		1	J, T			EVO			
-2	5014 414AA-	1	J, T			EVO			MANIFOLD KIT, A/C Compressor
		1	U			EVO			
-3	4728 854	1	U			EVO			SEAL, Manifold To Compressor
		1	J, T			EVO			
-4	5014 416AA-	1	U			EVO			CLUTCH OVERHAUL KIT, A/C Compressor
		1	J, T			EVO			
-5	55116 423AA-	1	J, T			EVO			BOLT, A/C Line Mounting
		1	U			EVO			
-6	5264 457	1	J, T			EVO			BOLT KIT, A/C Compressor Manifold
		1	U			EVO			
-7	5003 681AA-	1	U			EVO			COIL, Air Conditioning Clutch
		1	J, T			EVO			
-8	4720 834	1	J, T			EVO			PULLEY, A/C Compressor
		1	U			EVO			
-9	5264 454	1	J, T			EVO			SNAP RING KIT, A/C Clutch
		1	U			EVO			
-10	8230 0102	1	J, T			EVO			LUBRICANT, Oil, 75w90
		1	U			EVO			



JEEP GRAND CHEROKEE (WJ)

SERIES	LINE	BODY	ENGINE	TRANSMISSION
L = Grand Cherokee	J = 4WD T = 2WD U = 4WD (RHD)	74 = 4 Door (105.9 WB)	ERH,ERO = 4.0L, Power Tech EVA,EVO = 4.7L, Power Tech EXA,EXO = 3.1L 5 cyl Turbo Diesel	DGK = 4 Speed Autm, 42RE DG4 = Multi Speed Auto 45RFE DGW = 4 Speed Autom 44RE DGO = All Automatic

AR = Use as required - = Non illustrated part # = New this model year

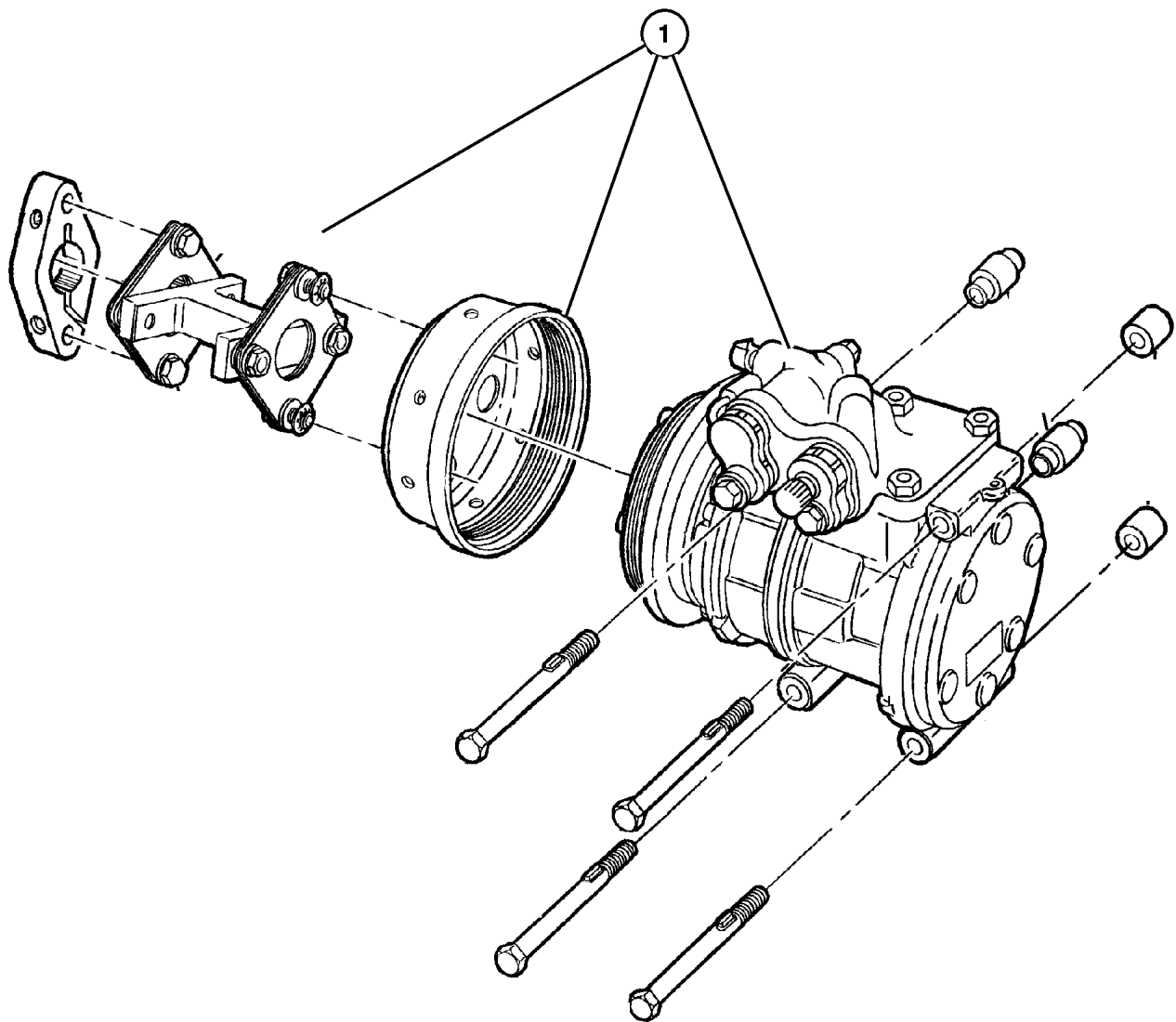
September 15, 2005

**Compressor, Air Conditioning 3.1L Engine
Figure 024-430**

ITEM	PART NUMBER	QTY	LINE	SERIES	BODY	ENGINE	TRANS	TRIM	DESCRIPTION
------	-------------	-----	------	--------	------	--------	-------	------	-------------

Note: Sales Code EX0 = 3.1 L Engine

1	5015 042AA	1				EX0			COMPRESSOR, Air Conditioning
---	------------	---	--	--	--	-----	--	--	------------------------------



JEEP GRAND CHEROKEE (WJ)				
SERIES	LINE	BODY	ENGINE	TRANSMISSION
L = Grand Cherokee	J = 4WD T = 2WD U = 4WD (RHD)	74 = 4 Door (105.9 WB)	ERH,ERO = 4.0L, Power Tech EVA,EVO = 4.7L, Power Tech EXA,EXO = 3.1L 5 cyl Turbo Diesel	DGK = 4 Speed Autm, 42RE DG4 = Multi Speed Auto 45RFE DGW = 4 Speed Autom 44RE DGO = All Automatic

AR = Use as required - = Non illustrated part # = New this model year

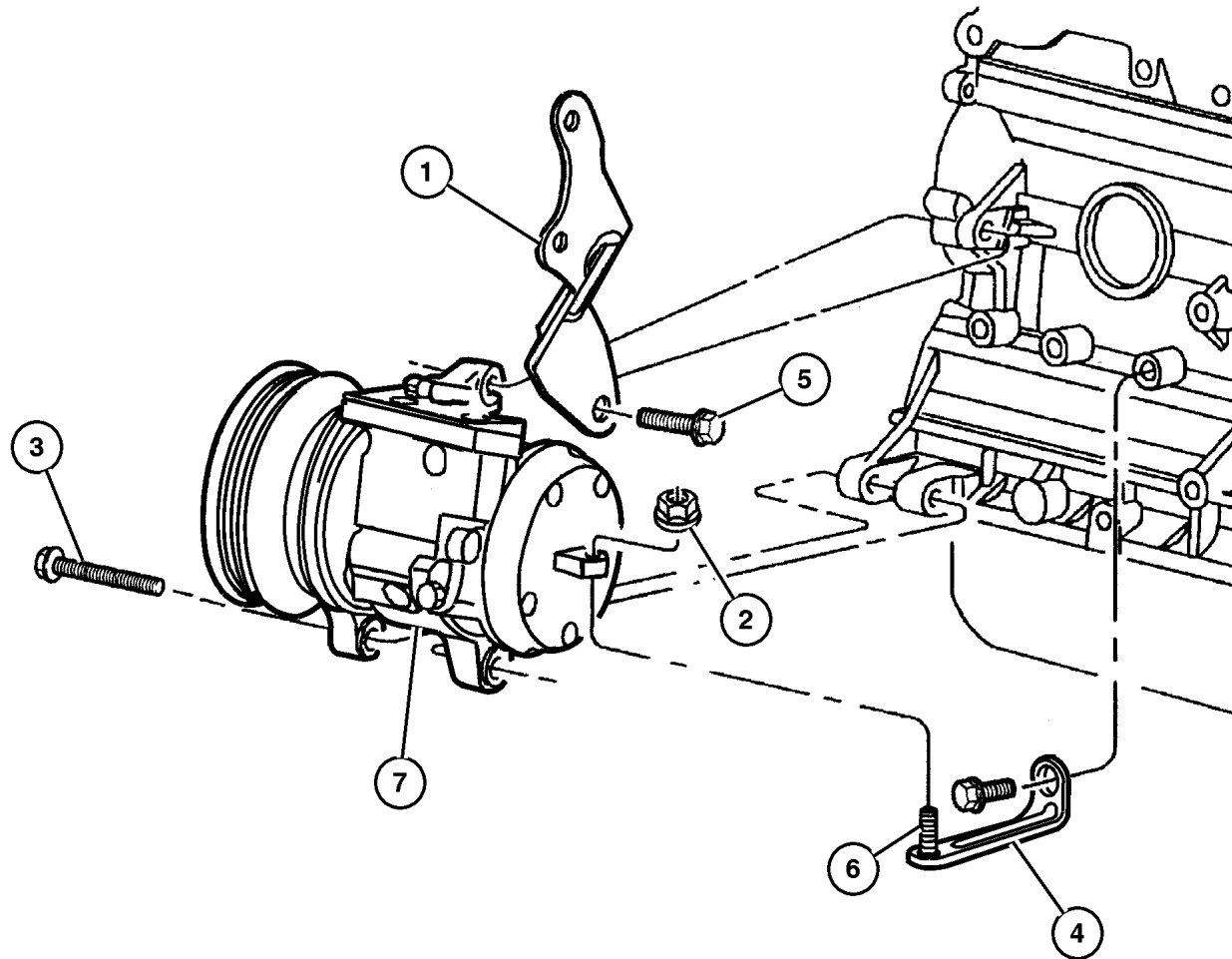
September 15, 2005

Compressor, Mounting 4.0L Engine
Figure 024-510

ITEM	PART NUMBER	QTY	LINE	SERIES	BODY	ENGINE	TRANS	TRIM	DESCRIPTION
------	-------------	-----	------	--------	------	--------	-------	------	-------------

Note: Sales Code ER0 = 4.0 L Engine

1	4854 157	1				ER0			BRACE, Power Steering Pump
2	6101 695	4							NUT, Hex Flange Lock, M8x1.25
3	6504 344	1				ER0			SCREW AND WASHER, Hex Head
4	53013 053AA	1				ER0			BRACE, A/C Compressor
5	6101 985	5				EVO			SCREW AND WASHER, M10x1.50x45.00
6									SCREW AND WASHER, Hex Head, (NOT SERVICED) (Not Serviced)
7	55116 144AB	1				ER0			COMPRESSOR, Air Conditioning



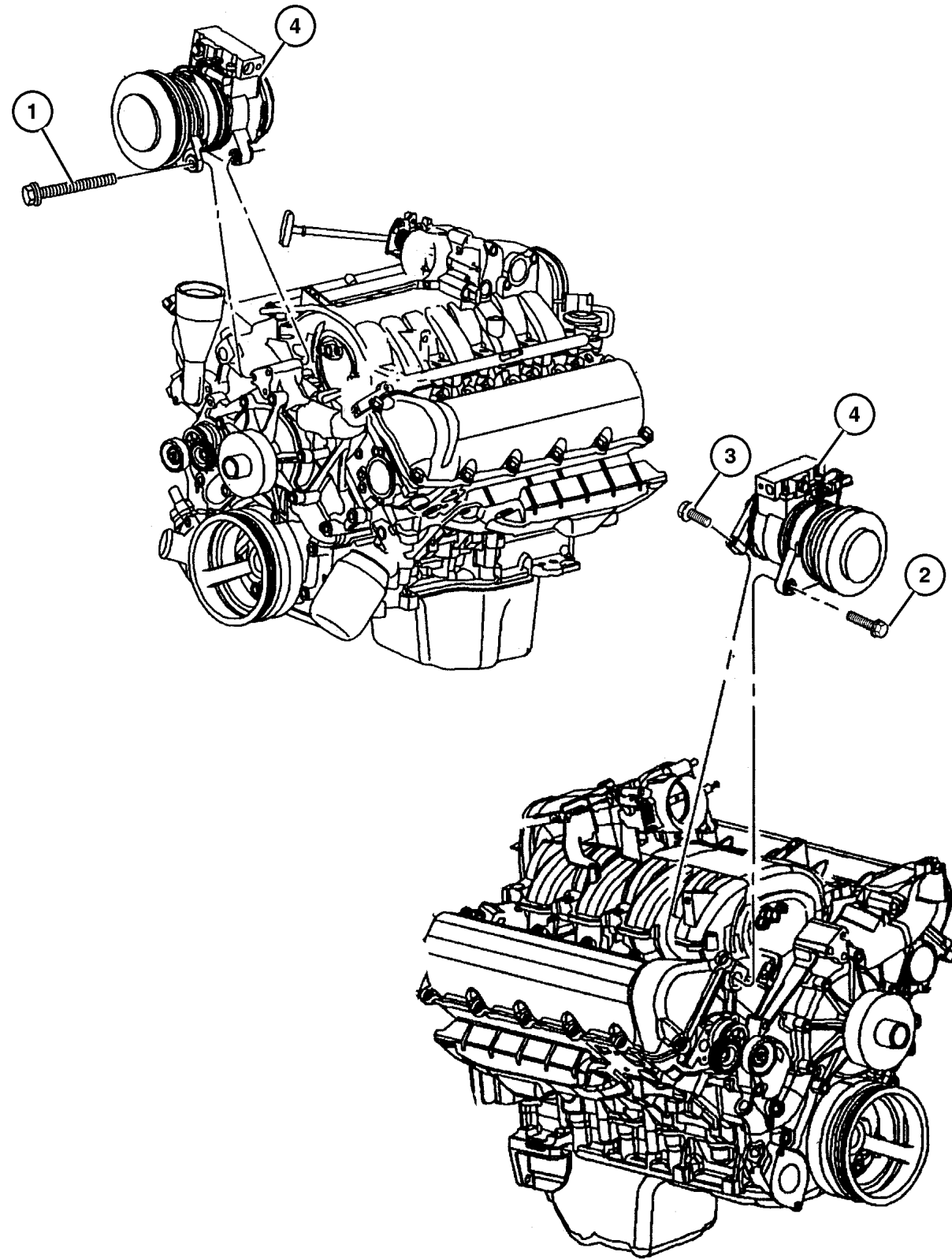
JEEP GRAND CHEROKEE (WJ)

SERIES	LINE	BODY	ENGINE	TRANSMISSION
L = Grand Cherokee	J = 4WD T = 2WD U = 4WD (RHD)	74 = 4 Door (105.9 WB)	ERH,ER0 = 4.0L, Power Tech EVA,EVO = 4.7L, Power Tech EXA,EXO = 3.1L 5 cyl Turbo Diesel	DGK = 4 Speed Autm, 42RE DG4 = Multi Speed Auto 45RFE DGW = 4 Speed Autom 44RE DGO = All Automatic

AR = Use as required - = Non illustrated part # = New this model year

September 15, 2005

Compressor, Mounting 4.7L Engine
Figure 024-520



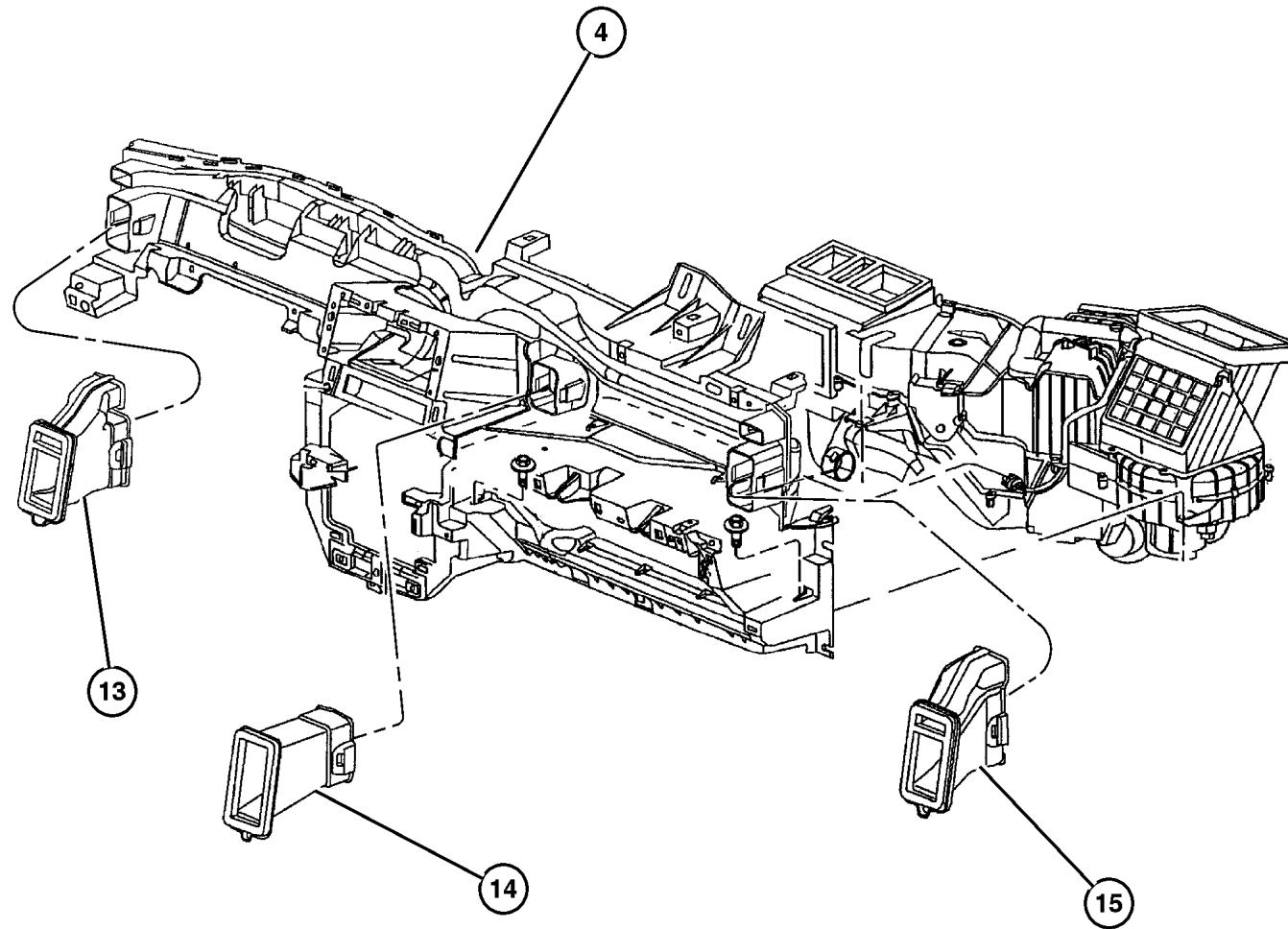
ITEM	PART NUMBER	QTY	LINE	SERIES	BODY	ENGINE	TRANS	TRIM	DESCRIPTION
Note: Sales Code EVO = 4.7 L Engine									
1	6504 344	1				ERO			SCREW AND WASHER, Hex Head
2	6101 985	5				EVO			SCREW AND WASHER, M10x1.50x45.00
3	6102 047AA	6				EVO			SCREW, Hex Head, M8x1.25x50
4	55115 907AB	1	U			EVO			COMPRESSOR, Air Conditioning
		1	J, T			EVO			
-5	53031 709AA-	1				EVO			BRACE, A/C Compressor

JEEP GRAND CHEROKEE (WJ)				
SERIES	LINE	BODY	ENGINE	TRANSMISSION
L = Grand Cherokee	J = 4WD T = 2WD U = 4WD (RHD)	74 = 4 Door (105.9 WB)	ERH,ERO = 4.0L, Power Tech EVA,EVO = 4.7L, Power Tech EXA,EXO = 3.1L 5 cyl Turbo Diesel	DGK = 4 Speed Autm, 42RE DG4 = Multi Speed Auto 45RFE DGW = 4 Speed Autom 44RE DGO = All Automatic

AR = Use as required - = Non illustrated part # = New this model year

September 15, 2005

Air Ducts and Outlets Figure 024-610



ITEM	PART NUMBER	QTY	LINE	SERIES	BODY	ENGINE	TRANS	TRIM	DESCRIPTION
-1									BRACKET, Instrument Panel, Steering Column Support
	5511 6032	1	J, T						
	55116 299AA-	1	U						
-2	6101 442	2							U-NUT, M6 x 1.00, M6x1.00
-3	6101 780	5							SCREW, M6x1x25
4									DUCT, Instrument Panel, Structural
	55116 407AA	1	J, T						
	55116 295AA	1	U						
-5									CLIP, .453Wx.528LGx.017THK
	6034 319	2	J, T						
		2	U						
-6									CLIP, Push, .164-7.5
	6034 833	11	J, T						
		11	U						
-7									BRACKET, Instrument Panel, C/ Channel Cover
	55116 373AA-	1	J, T						
	55116 376AA-	1	U						
-8	6101 946	8							SCREW, Tapping
-9									BRACKET, Instrument Panel, Courtesy Lamp
	55116 390AA-	1	J, T						
	55116 418AA-	1	U						
-10	5511 6041	1							BRACKET, Instrument Panel, Center to Floor
-11	6101 786	6							SCREW, Self Tapping, M6x1x15
-12									DUCT, Defroster
	5511 6014	1	J, T						
	55116 394AA-	1	U						
13	55116 287AA	1							DUCT, Instrument Panel, Extension, Left
14									DUCT, Instrument Panel Extension, Inboard
	55116 285AA	1	J, T						
	55116 439AA	1	U						
15	55116 286AB	1							DUCT, Instrument Panel, Extension, Right

JEEP GRAND CHEROKEE (WJ)

SERIES	LINE	BODY	ENGINE	TRANSMISSION
L = Grand Cherokee	J = 4WD T = 2WD U = 4WD (RHD)	74 = 4 Door (105.9 WB)	ERH,ERO = 4.0L, Power Tech EVA,EVO = 4.7L, Power Tech EXA,EXO = 3.1L 5 cyl Turbo Diesel	DGK = 4 Speed Autm, 42RE DG4 = Multi Speed Auto 45RFE DGW = 4 Speed Autom 44RE DGO = All Automatic

AR = Use as required - = Non illustrated part # = New this model year

September 15, 2005

Group – 025

Emission Systems

GROUP 25 - Emission Systems

Illustration Title

Group-Fig. No.

Emission Labels

Emission Labels 3.1 Diesel (EXA), 4.0L (ERH), 4.7L (EVA) Engine Fig. 025-110

EGR System

EGR System 3.1L (EXA) Diesel Engine Fig. 025-220

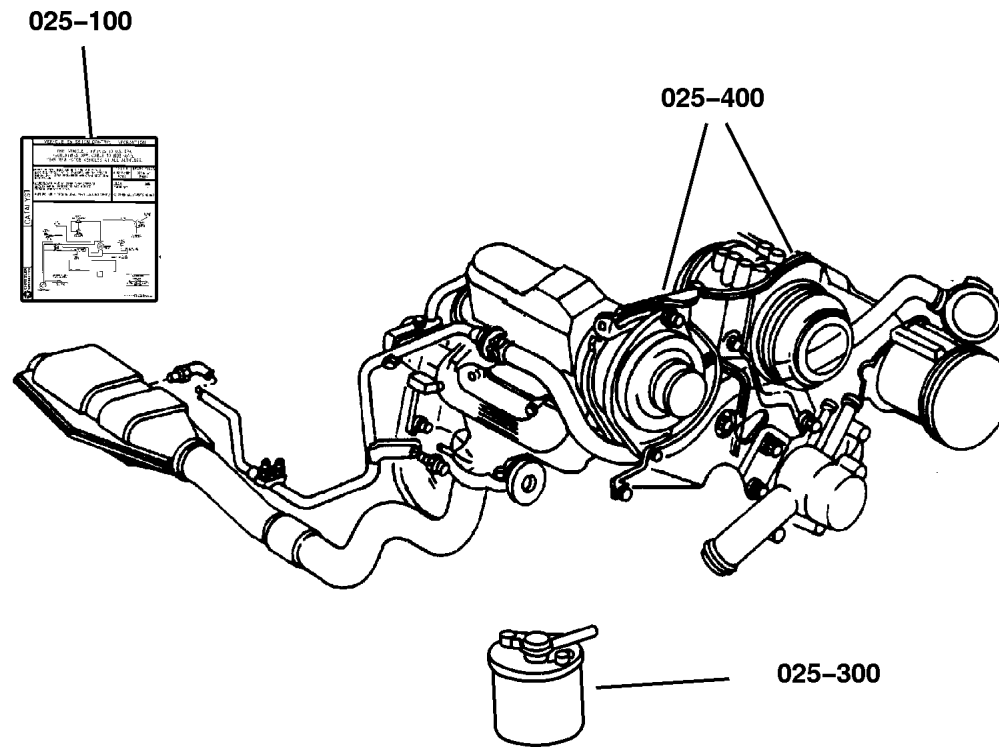
Vacuum Canister

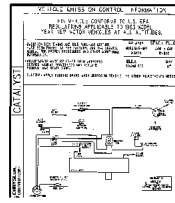
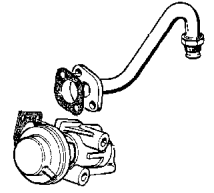
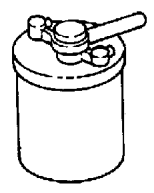
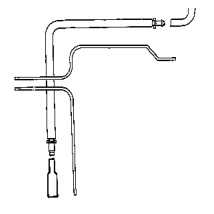
Vacuum Canister 4.0L (ERH), 4.7L (EVA) Engines Fig. 025-310

Emission Harness

Emission Control Vacuum Harness 4.0L (ERH), 4.7L (EVA) Engine Fig. 025-410

Leak Detection Pump Fig. 025-430



<p>025-100 Emission Labels</p> 	<p>025-200 EGR System</p> 	<p>025-300 Vacuum Canister</p> 	<p>025-400 Emission Harness</p> 
---	--	---	--

**Emission Labels 3.1 Diesel (EXA), 4.0L (ERH), 4.7L (EVA) Engine
Figure 025-110**

1

VEHICLE EMISSION CONTROL INFORMATION

THIS VEHICLE CONFORMS TO U.S. EPA REGULATIONS APPLICABLE TO 1994 MODEL YEAR NEW MOTOR VEHICLES AT ALL ALTITUDES.

*BASIC IGNITION TIMING AND IDLE FUEL/AIR MIXTURE HAVE BEEN PRESET AT THE FACTORY. SEE THE SERVICE MANUAL FOR PROPER PROCEDURES AND OTHER ADDITIONAL INFORMATION. *ADJUSTMENTS MADE BY OTHER THAN APPROVED SERVICE MANUAL PROCEDURES MAY VIOLATE FEDERAL AND STATE LAWS. CAUTION: APPLY PARKING BRAKE WHEN SERVICING VEHICLE	2.2 LITER MCR2.5V5HHP7 MCRVB	SPARK PLUGS .035 in. GAP RN12YC
	IDLE * TIMING BTC	MAN 12°
NO OTHER ADJUSTMENTS NEEDED		

ITEM	PART NUMBER	QTY	LINE	SERIES	BODY	ENGINE	TRANS	TRIM	DESCRIPTION
NOTE: EX0=All 3.1L Engines ER0=All 4.0L Engines EV0=All 4.7L Engines NAA=Federal NAE=California NAC=Europe NBN=Northeastern States DHP=Selet-Trac DHF=Quadra-Trac									
1	53013 126AA	1	T			ER0			LABEL, Emission Federal
		1	J			ER0			Federal, w/Select-Trac
	53013 128AA	1				ER0			California
	53013 129AA	1				EV0			Federal
	53013 130AA	1				EV0			Canada
	53013 131AA	1				EV0			California
	53013 227AA	1	T			ER0			Canada
		1	J			ER0			Canada, w/Select-Trac
	53013 306AA	1	J			ER0			Federal
		1	J			ER0			Federal, w/Quadra-Trac
	53013 308AA	1	J			ER0			Canada
		1	J			ER0			Canada, w/Quadra-Trac
	53013 309AA	1				ER0			Europe
	53013 312AA	1				EV0			Europe
	53014 004AA	1	J			EX0			Australia
	53032 080AA	1				ER0			California, Northeastern States
	53032 081AA	1				EV0			California, Northeastern States

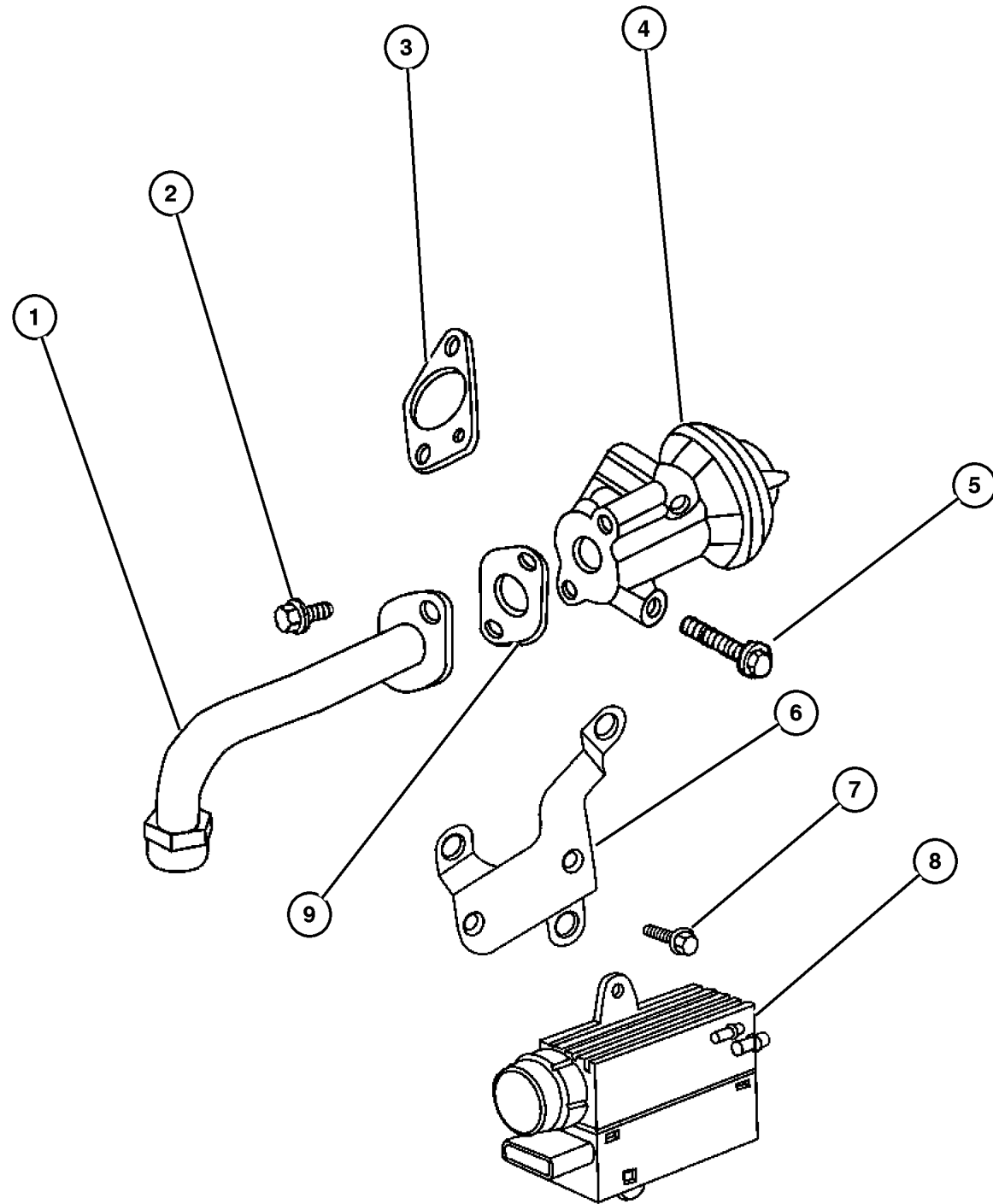
JEEP GRAND CHEROKEE (WJ)				
SERIES	LINE	BODY	ENGINE	TRANSMISSION
L = Grand Cherokee	J = 4WD T = 2WD U = 4WD (RHD)	74 = 4 Door (105.9 WB)	ERH,ERO = 4.0L, Power Tech EVA,EVO = 4.7L, Power Tech EXA,EXO = 3.1L 5 cyl Turbo Diesel	DGK = 4 Speed Autm, 42RE DG4 = Multi Speed Auto 45RFE DGW = 4 Speed Autom 44RE DGO = All Automatic

AR = Use as required - = Non illustrated part # = New this model year

September 15, 2005

EGR System 3.1L (EXA) Diesel Engine
Figure 025-220

ITEM	PART NUMBER	QTY	LINE	SERIES	BODY	ENGINE	TRANS	TRIM	DESCRIPTION
NOTE: EX0=All 3.1L Engines DG0=All Automatic Transmissions									
1	5015 069AA	1				EX0	DG0		TUBE, EGR
2	4864 537	2				EX0	DG0		BOLT, 8Mx20
3	4778 965	1				EX0	DG0		GASKET, EGR Tube
4	4882 409	1				EX0	DG0		VALVE, EGR
5	5015 070AA	2				EX0	DG0		BOLT
6	4854 158	1	J, T			EX0			BRACKET
7	6101 949	3	J, T			EX0			SCREW
8	53013 147AA	1	J, T			EX0			MODULATOR, Vacuum Electric
9	4720 208	1				EX0	DG0		GASKET, EGR Tube Flange



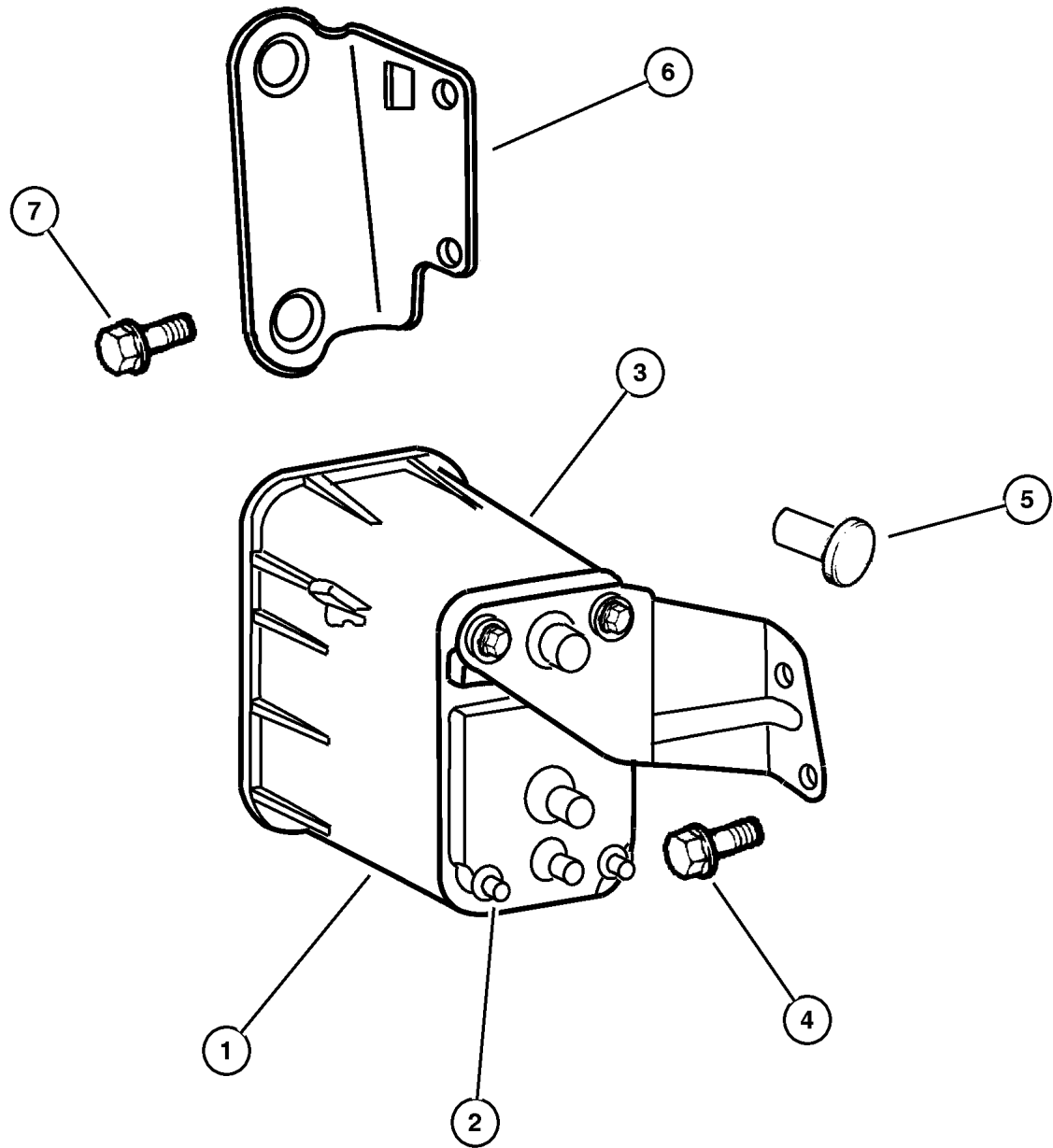
JEEP GRAND CHEROKEE (WJ)				
SERIES	LINE	BODY	ENGINE	TRANSMISSION
L = Grand Cherokee	J = 4WD T = 2WD U = 4WD (RHD)	74 = 4 Door (105.9 WB)	ERH,ERO = 4.0L, Power Tech EVA,EVO = 4.7L, Power Tech EXA,EXO = 3.1L 5 cyl Turbo Diesel	DGK = 4 Speed Autm, 42RE DG4 = Multi Speed Auto 45RFE DGW = 4 Speed Autom 44RE DGO = All Automatic

AR = Use as required - = Non illustrated part # = New this model year

September 15, 2005

Vacuum Canister 4.0L (ERH), 4.7L (EVA) Engines
Figure 025-310

ITEM	PART NUMBER	QTY	LINE	SERIES	BODY	ENGINE	TRANS	TRIM	DESCRIPTION
NOTE: ER0=All 4.0L Engines EV0=All 4.7L Engines									
1	4854 208AC	1	J, T			ER0, EV0			CANISTER, Vapor
2	6503 951	4	J, T			ER0, EV0			STUD, M6X1.00X.250-14X30.00
3									NUT, M14, (NOT SERVICED) (Not Serviced)
4									SCREW, M6.3x1.81x20, (NOT SERVICED) (Not Serviced)
5	53013 035AA	1				ER0			CAP, Vapor Canister
6	4854 159	1	J, T			ER0, EV0			BRACKET, Vapor Canister
7	6504 167	2				ER0, EV0			SCREW



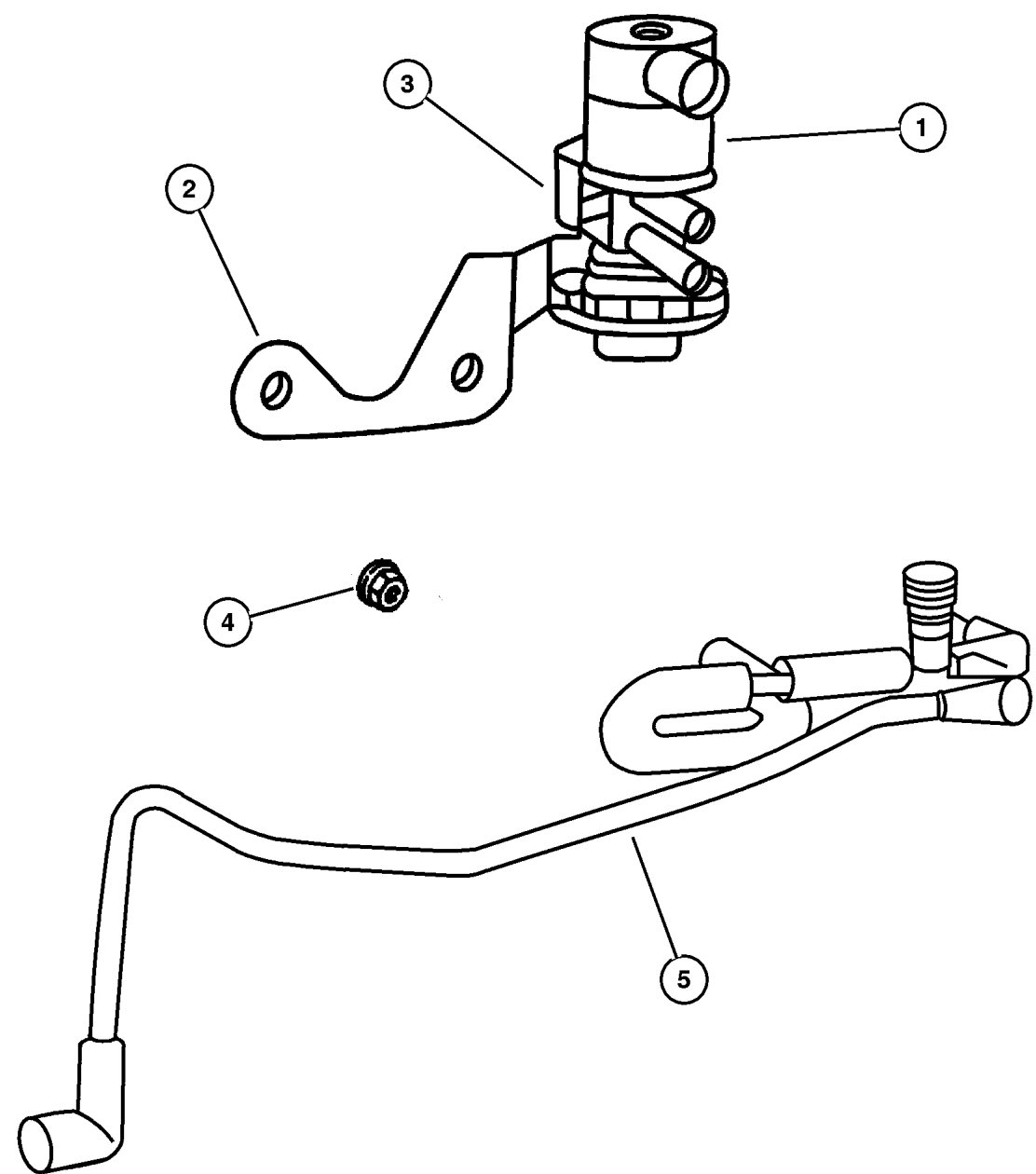
JEEP GRAND CHEROKEE (WJ)				
SERIES	LINE	BODY	ENGINE	TRANSMISSION
L = Grand Cherokee	J = 4WD T = 2WD U = 4WD (RHD)	74 = 4 Door (105.9 WB)	ERH,ERO = 4.0L, Power Tech EVA,EVO = 4.7L, Power Tech EXA,EXO = 3.1L 5 cyl Turbo Diesel	DGK = 4 Speed Autm, 42RE DG4 = Multi Speed Auto 45RFE DGW = 4 Speed Autom 44RE DGO = All Automatic

AR = Use as required - = Non illustrated part # = New this model year

September 15, 2005

**Emission Control Vacuum Harness 4.0L (ERH), 4.7L (EVA) Engine
Figure 025-410**

ITEM	PART NUMBER	QTY	LINE	SERIES	BODY	ENGINE	TRANS	TRIM	DESCRIPTION
NOTE: ER0=All 4.0L Engines EV0=All 4.7L Engines									
1	4669 475AB	1				ER0, EV0			SOLENOID, Duty Cycle Purge
2	4854 127	1				ER0, EV0			BRACKET, Duty Cycle Purge Solenoid
3	5303 0987	1				ER0, EV0			BUSHING, Isolator
4	6500 284	3							NUT, Hex, M6x1.00
5									HARNESS, Vapor Purge
	4854 100	1				ER0			
	4854 105	1				EV0			
-6	4591 090	1				ER0			PORT, Emission Testing



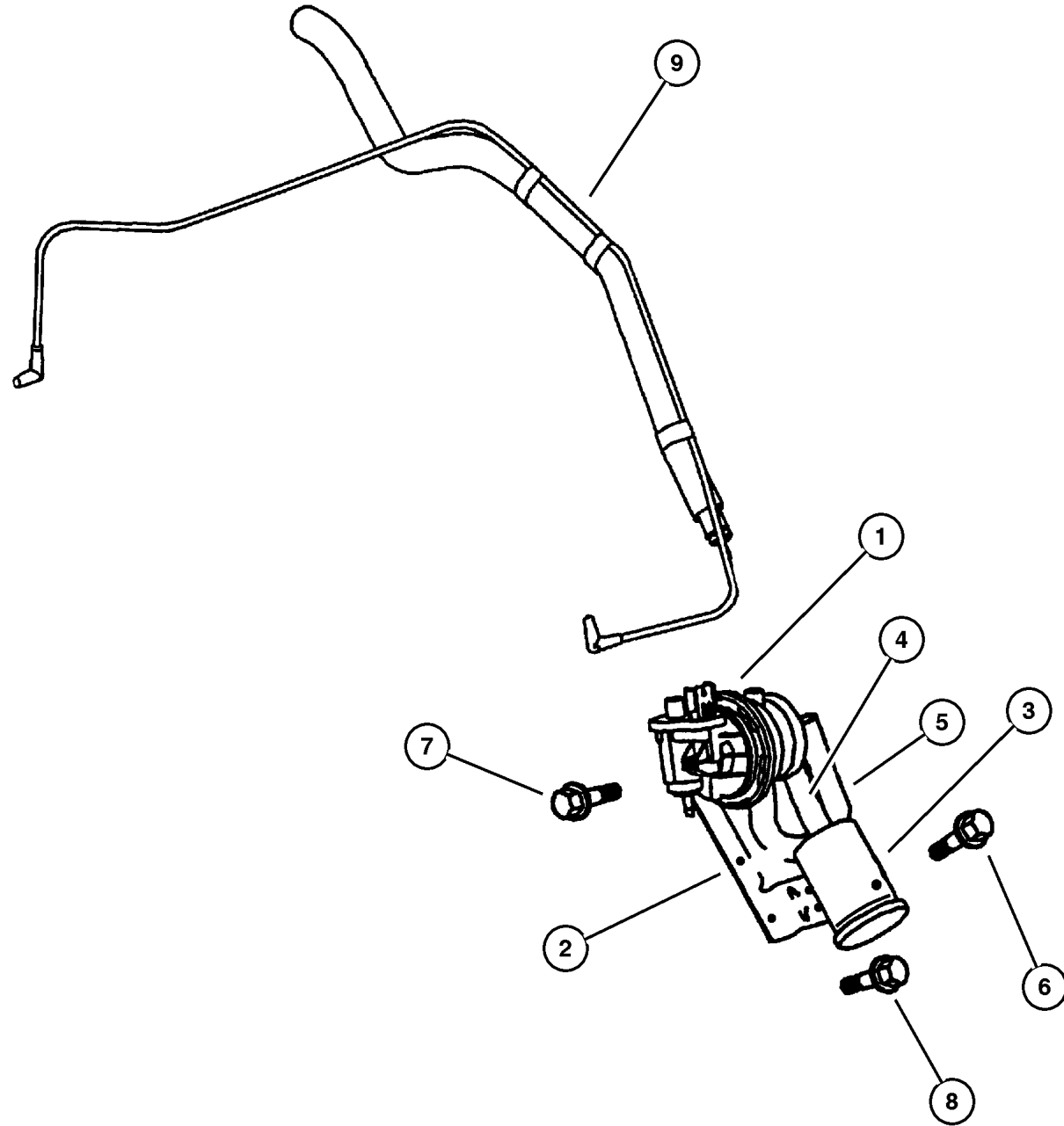
JEEP GRAND CHEROKEE (WJ)

SERIES	LINE	BODY	ENGINE	TRANSMISSION
L = Grand Cherokee	J = 4WD T = 2WD U = 4WD (RHD)	74 = 4 Door (105.9 WB)	ERH,ERO = 4.0L, Power Tech EVA,EVO = 4.7L, Power Tech EXA,EXO = 3.1L 5 cyl Turbo Diesel	DGK = 4 Speed Autm, 42RE DG4 = Multi Speed Auto 45RFE DGW = 4 Speed Autom 44RE DGO = All Automatic

AR = Use as required - = Non illustrated part # = New this model year

September 15, 2005

**Leak Detection Pump
Figure 025-430**



ITEM	PART NUMBER	QTY	LINE	SERIES	BODY	ENGINE	TRANS	TRIM	DESCRIPTION
------	-------------	-----	------	--------	------	--------	-------	------	-------------

NOTE: ER0=All 4.0L Engines EVO=All 4.7L Engines

1	53013 003AA	1				ER0 EVO			PUMP, Leak Detection
2	4854 128AB	1				ER0 EVO			BRACKET, Leak Detection Pump
3	4612 901	1				ER0, EVO			FILTER, Leak Detection Pump
4	53013 004AA	1				ER0 EVO			HOSE, Leak Detection Pump
5	53013 168AA	1				ER0 EVO			HOSE, Leak Detection Pump to Canister
6									SCREW, Hex Flange Head, M4.8x1.59x15.74, (NOT SERVICED) (Not Serviced)
7	6035 482	3				ER0, EVO			SCREW, Tapping, .19-16x.375
8									SCREW, Hex Flange Head, M4.8x1.59x15.74, (NOT SERVICED) (Not Serviced)
9	5303 0917 4854 120	1 1				ER0 EVO			HARNESS, Leak Detection Pump

JEEP GRAND CHEROKEE (WJ)

SERIES	LINE	BODY	ENGINE	TRANSMISSION
L = Grand Cherokee	J = 4WD T = 2WD U = 4WD (RHD)	74 = 4 Door (105.9 WB)	ERH,ERO = 4.0L, Power Tech EVA,EVO = 4.7L, Power Tech EXA,EXO = 3.1L 5 cyl Turbo Diesel	DGK = 4 Speed Autm, 42RE DG4 = Multi Speed Auto 45RFE DGW = 4 Speed Autom 44RE DGO = All Automatic

AR = Use as required - = Non illustrated part # = New this model year

September 15, 2005

Group – DWJ

Doors and Related Parts

GROUP DWJ - Doors and Related Parts

Illustration Title

Group-Fig. No.

Front Door

Door, Front Shell and Hinges	Fig. DWJ-110
Door, Front Glass and Regulators	Fig. DWJ-120
Door, Front Lock and Controls	Fig. DWJ-130

Rear Door

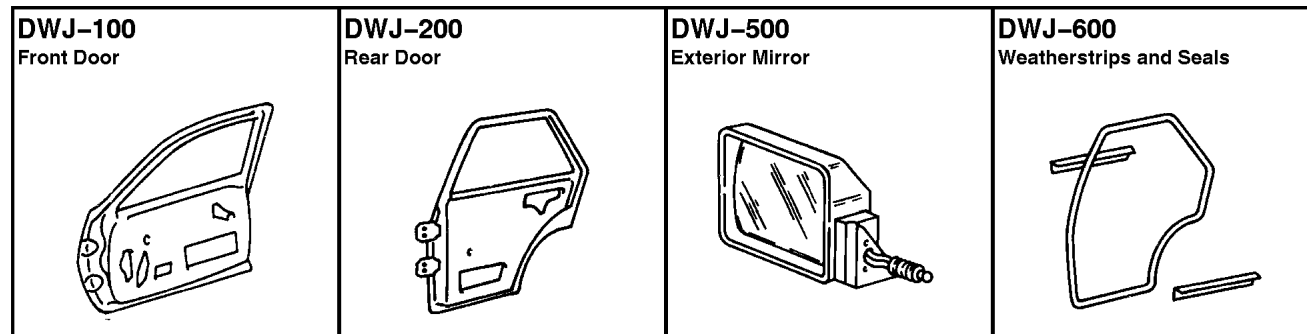
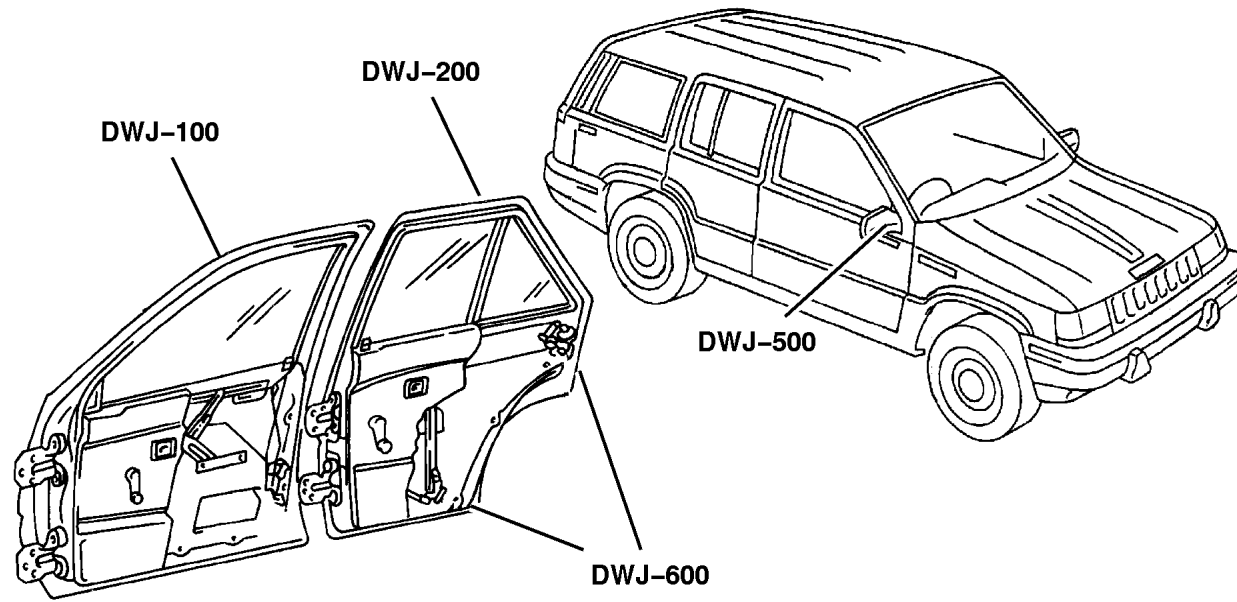
Door, Rear Shell and Hinges	Fig. DWJ-210
Door, Rear Glass and Regulators	Fig. DWJ-220
Door, Rear Lock and Controls	Fig. DWJ-230

Exterior Mirror

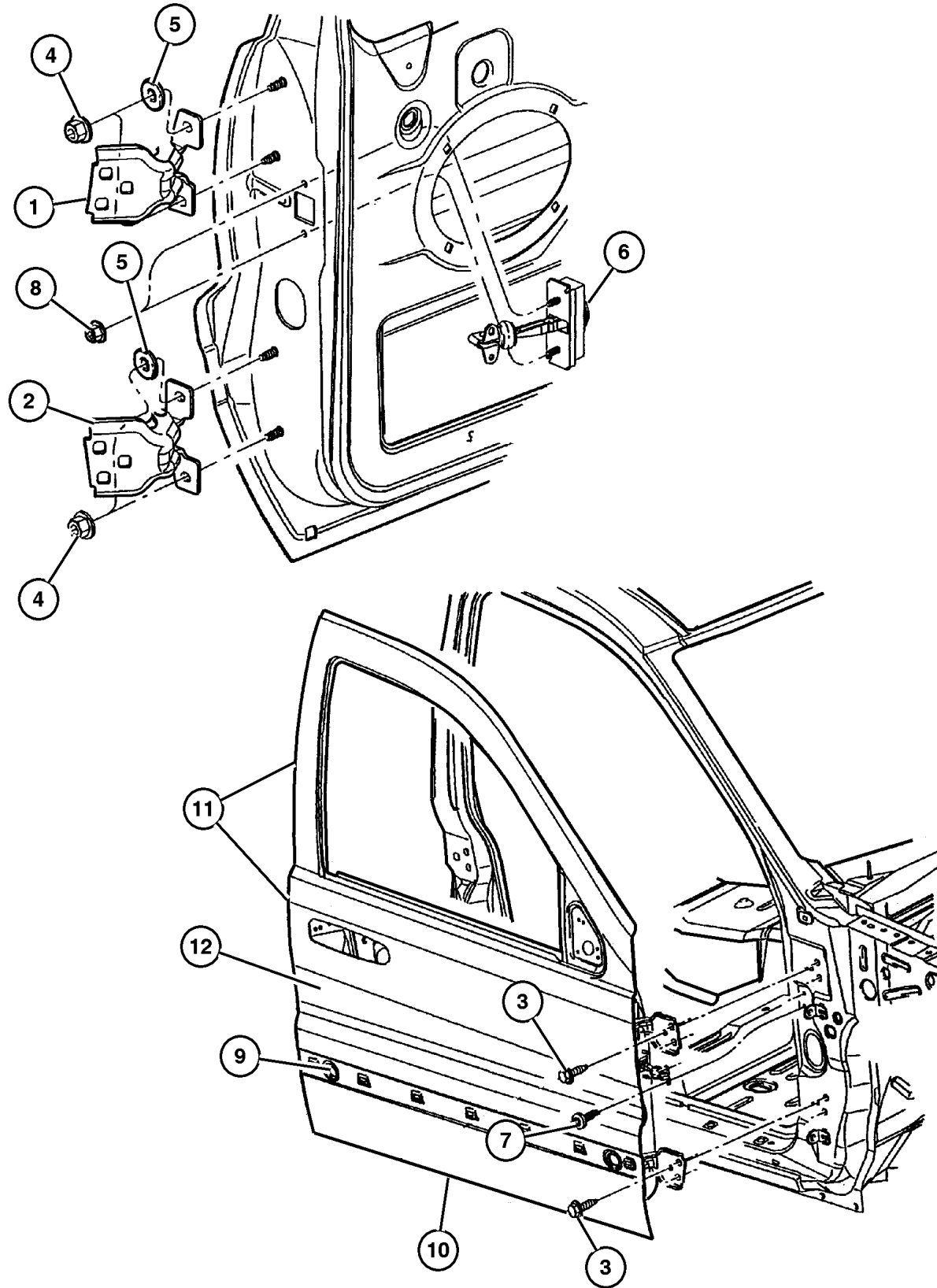
Mirrors, Exterior	Fig. DWJ-510
-------------------------	--------------

Weatherstrips and Seals

Door, Front Weatherstrips and Seals	Fig. DWJ-610
Door, Rear Weatherstrips and Seals	Fig. DWJ-620
Door, Rear Tail Gate Weatherstrips and Seals	Fig. DWJ-630



Door, Front Shell and Hinges
Figure DWJ-110



ITEM	PART NUMBER	QTY	LINE	SERIES	BODY	ENGINE	TRANS	TRIM	DESCRIPTION
1									HINGE, Door Half, Upper
	55136 480AB	2							Right
	55136 481AB	2							Left
2									HINGE, Door Half, Lower
	55136 480AC	2							Left
	55136 481AC	2							Right
3	6503 328	12							SCREW, Hex Head, M8x1.25x30
4	6102 034AA	8							NUT AND WASHER, Hex, M8x1.25
5	55256 920AB	4							WASHER, Flat
6									CHECK, Front Door
	55135 590AB	1							Right
	55135 591AB	1							Left
7									SCREW, Torx Round Head, M6-1.0x20.0, (NOT SERVICED) (Not Serviced)
8	6503 504	4							NUT AND WASHER, Hex, M6x1
9	55257 380AA	12							PLUG
10	2860 332	4							PLUG, Anti-Rattle
11									DOOR, Front
	55135 920AB	1							Right
	55135 921AB	1							Left
12									PANEL, Front Door Outer Repair
	55135 922AB	1							Right
	55135 923AB	1							Left
-13									SCREW, [06505201AA] M5x.080x26.41, (NOT SERVICED) (Not Serviced)

JEEP GRAND CHEROKEE (WJ)

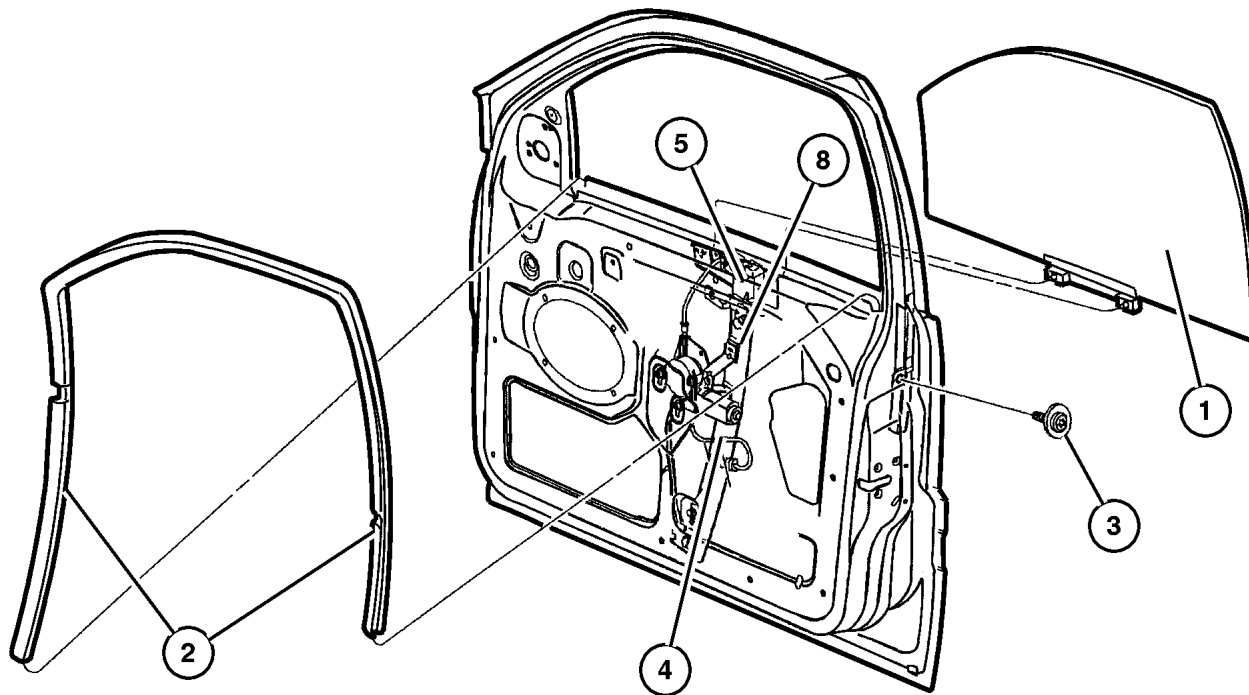
SERIES	LINE	BODY	ENGINE	TRANSMISSION
L = Grand Cherokee	J = 4WD T = 2WD U = 4WD (RHD)	74 = 4 Door (105.9 WB)	ERH,ERO = 4.0L, Power Tech EVA,EVO = 4.7L, Power Tech EXA,EXO = 3.1L 5 cyl Turbo Diesel	DGK = 4 Speed Autm, 42RE DG4 = Multi Speed Auto 45RFE DGW = 4 Speed Autom 44RE DGO = All Automatic

AR = Use as required - = Non illustrated part # = New this model year

September 15, 2005

Door, Front Glass and Regulators
Figure DWJ-120

ITEM	PART NUMBER	QTY	LINE	SERIES	BODY	ENGINE	TRANS	TRIM	DESCRIPTION
1									GLASS, Front Door
	55136 002AB	1	J, T						Right
	55136 003AB	1	J, T						Left
2									SEAL, Front Door Glass
	55136 024AB	1							Right
	55136 025AB	1							Left
3	6504 987AA	2							SCREW AND WASHER, Tapping, M6-1.0x20.0
4									REGULATOR, Front Door Window
	55076 466AB	1							Right
	55076 467AB	1							Left
5									SCREW, M6X1.00X16.00, (NOT SERVICED) (Not Serviced)
-6									CHANNEL, Front Door Glass Lower
	5513 6016	1							Front
	5513 6017	1							Rear
-7	5086 563AA-	1							CLIP, Regulator
8	55135 934AB	1							REINFORCEMENT, Armrest Bracket Front Door



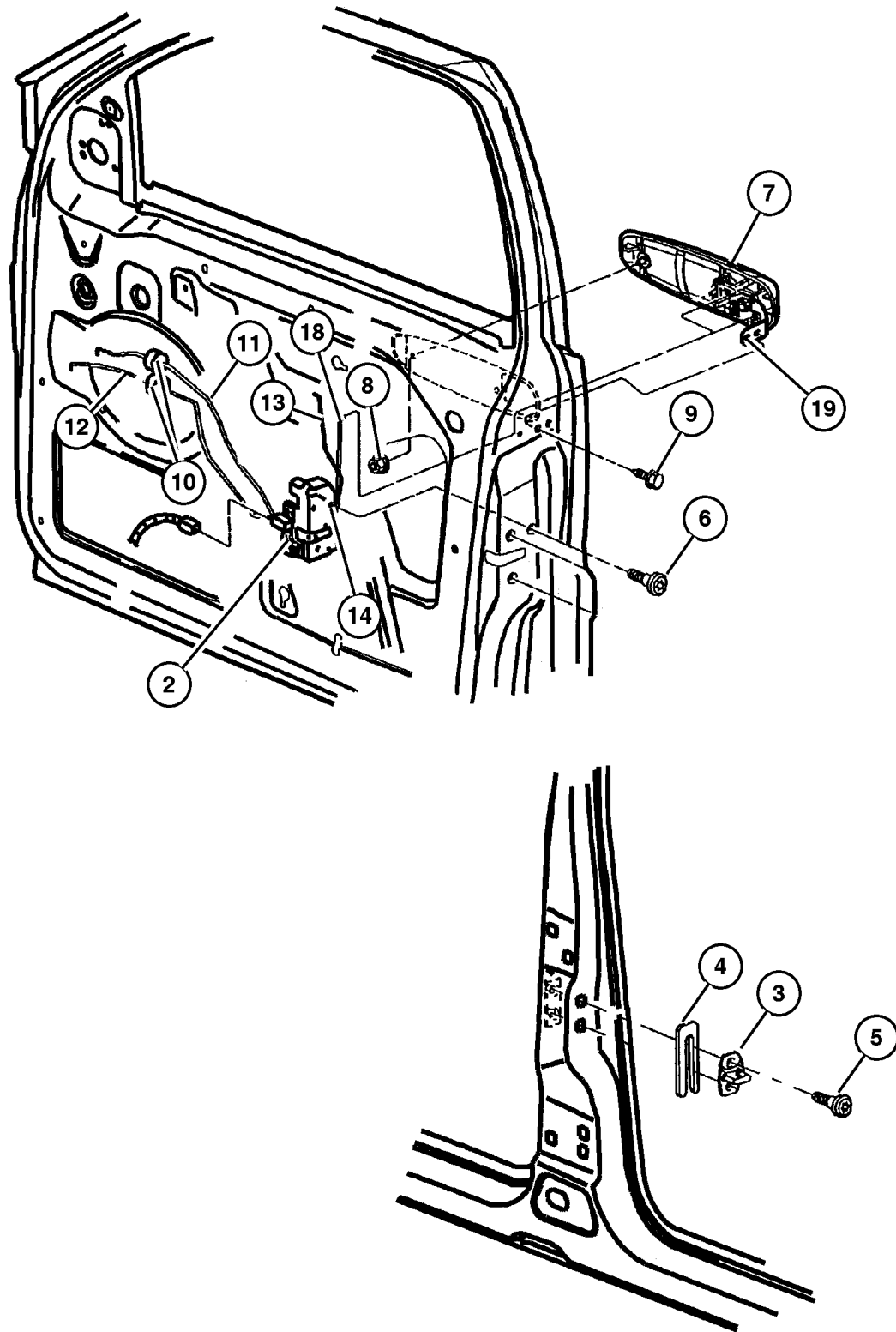
JEEP GRAND CHEROKEE (WJ)

SERIES	LINE	BODY	ENGINE	TRANSMISSION
L = Grand Cherokee	J = 4WD T = 2WD U = 4WD (RHD)	74 = 4 Door (105.9 WB)	ERH,ERO = 4.0L, Power Tech EVA,EVO = 4.7L, Power Tech EXA,EXO = 3.1L 5 cyl Turbo Diesel	DGK = 4 Speed Autm, 42RE DG4 = Multi Speed Auto 45RFE DGW = 4 Speed Autom 44RE DGO = All Automatic

AR = Use as required - = Non illustrated part # = New this model year

September 15, 2005

Door, Front Lock and Controls
Figure DWJ-130



ITEM	PART NUMBER	QTY	LINE	SERIES	BODY	ENGINE	TRANS	TRIM	DESCRIPTION
-1									HANDLE, Door Interior
	5FX72 1AZAB-	1							[AZ] Laredo, Right
	5FX72 1K5AB-	1							[K5] Laredo, Right
	5FX72 1L5AB-	1							[L5] Laredo, Right
	5FX73 1AZAB-	1							[AZ] Laredo, Left
	5FX73 1K5AB-	1							[K5] Laredo, Left
	5FX73 1L5AB-	1							[L5] Laredo, Left
	5FX74 LAZAB-	1							[AZ] Limited, Right
	5FX74 RK5AB-	1							[K5] Limited, Right
	5FX74 WL5AB-	1							[L5] Limited, Right
	5FX75 LAZAB-	1							[AZ] Limited, Left
	5FX75 RK5AB-	1							[K5] Limited, Left
	5FX75 WL5AB-	1							[L5] Limited, Left
2									LATCH, Front Door
	55135 606AB	1	J, T						w/o Cylinder Lock, Right
	55135 607AB	1	U						w/o Cylinder Lock, Left
	55136 346AB	1	U						w/Cylinder Lock, Right
	55136 347AB	1	J, T						w/Cylinder Lock, Left
3	4780 259	2							STRIKER, Door
4	4520 289	AR							SPACER, Door Latch Striker
5	6504 573	4							SCREW, Oval Head, SCREW
6	6033 876	6							SCREW, Tapping, M6.3x1.8x38.1
7									HANDLE, Exterior Door
	55135 636AB	1	J, T						Black, Laredo, w/o Cylinder, Right
	55136 351AB	1	J, T						Black, Laredo, w/Cylinder, Left
	QR38 DX8AB	1	J, T						Black Clear Coat, Limited, Right
	QR38 GW7AB	1	J, T						Bright White, Limited, Right
	QR38 MS4AB	1	J, T						Bright Platinum, Limited, Right
	QR38 PR4AB	1	J, T						Flame Red, Limited, Right
	QR38 SW1AB	1	J, T						Stone White, Limited, Right
	QR38 TCNAB	1	J, T						Deep Amethyst, Limited, Right
	QR38 TTKAB	1	J, T						Taupe Frost, Limited, Right
	QR38 VAWAB	1	J, T						Deep Slate, Limited, Right
	QR38 VTEAB	1	J, T						Champagne Pearl Metallic, Limited, Right
	QR38 WBTAB	1	J, T						Patriot Blue, Right
	QR38 WPTAB	1	J, T						Everglade, Limited, Right
	QR38 WTHAB	1	J, T						Champagne Pearl Coat, Limited, Right
	QR38 WULAB	1	J, T						Sienna Tinted Pearl, Limited (WUL), Right
	QR38 WURAB	1	J, T						Sienna Tinted Pearl, Limited (WUR), Right

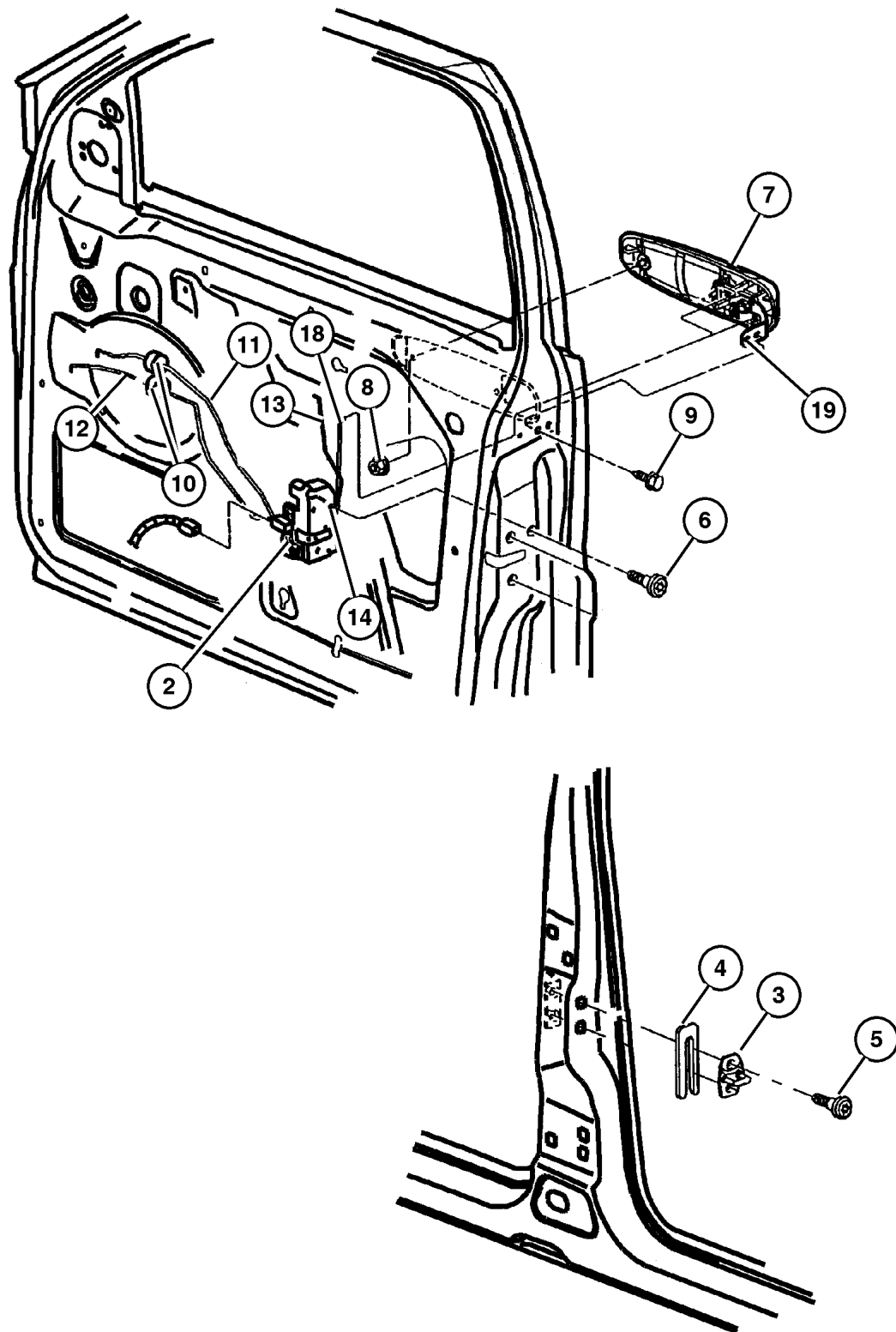
JEEP GRAND CHEROKEE (WJ)

SERIES	LINE	BODY	ENGINE	TRANSMISSION
L = Grand Cherokee	J = 4WD T = 2WD U = 4WD (RHD)	74 = 4 Door (105.9 WB)	ERH,ERO = 4.0L, Power Tech EVA,EVO = 4.7L, Power Tech EXA,EXO = 3.1L 5 cyl Turbo Diesel	DGK = 4 Speed Autm, 42RE DG4 = Multi Speed Auto 45RFE DGW = 4 Speed Autom 44RE DGO = All Automatic

AR = Use as required - = Non illustrated part # = New this model year

September 15, 2005

Door, Front Lock and Controls
Figure DWJ-130



ITEM	PART NUMBER	QTY	LINE	SERIES	BODY	ENGINE	TRANS	TRIM	DESCRIPTION
	5GG27 DX8AA	1	J, T						Black Clear Coat, Limited, w/ Cylinder, Left
	5GG27 GW7AA	1	J, T						Bright White, Limited, w/Cylinder, Left
	5GG27 MS4AA	1	J, T						Bright Platinum, Limited, w/ Cylinder, Left
	5GG27 PR4AA	1	J, T						Flame Red, Limited, w/Cylinder, Left
	5GG27 SW1AA	1	J, T						Stone White, Limited, w/Cylinder, Left
	5GG27 TCNAA	1	J, T						Deep Amethyst, Limited, w/ Cylinder, Left
	5GG27 TTKAA	1	J, T						Taupe Frost, Limited, w/Cylinder, Left
	5GG27 VAWAA	1	J, T						Deep Slate, Limited, w/Cylinder, Left
	5GG27 VTEAA	1	J, T						Champagne Pearl Metallic, Limited, w/Cylinder, Left
	5GG27 WPTAA	1	J, T						Everglade, Limited, w/Cylinder, Left
	5GG27 WTHAA	1	J, T						Champagne Pearl Coat, Limited, w/ Cylinder, Left
	5GG27 WULAA	1	J, T						Sienna Pearl, Limited, w/Cylinder (WUL), Left
	5GG27 WURAA	1	J, T						Sienna Pearl, Limited, w/Cylinder (WUR), Left
	5GG27 WBTAA	1	J, T						Patroit Blue, Limited, w/Cylinder, Left
	QR39 DX8AB	1	U						Black Clear Coat, Limited, Left
	QR39 GW7AB	1	U						Bright White, Limited, Left
	QR39 MS4AB	1	U						Bright Platinum, Limited, Left
	QR39 PR4AB	1	U						Flame Red, Limited, Left
	QR39 TCNAB	1	U						Deep Amethyst, Limited, Left
	QR39 TTKAB	1	U						Taupe Frost, Limited, Left
	QR39 VAWAB	1	U						Deep Slate, Limited, Left
	QR39 VTEAB	1	U						Champagne Pearl Metallic, Limited, Left
	QR39 WPTAB	1	U						Everglade, Limited, w/o Cylinder, Left
	55135 637AB	1	U						Black, Laredo, w/o Cylinder, Left
	55136 350AB	1	U						Black, Laredo, w/Cylinder, Right
	5GG26 DX8AA	1	U						Black Clear Coat, Limited, w/ Cylinder, Right

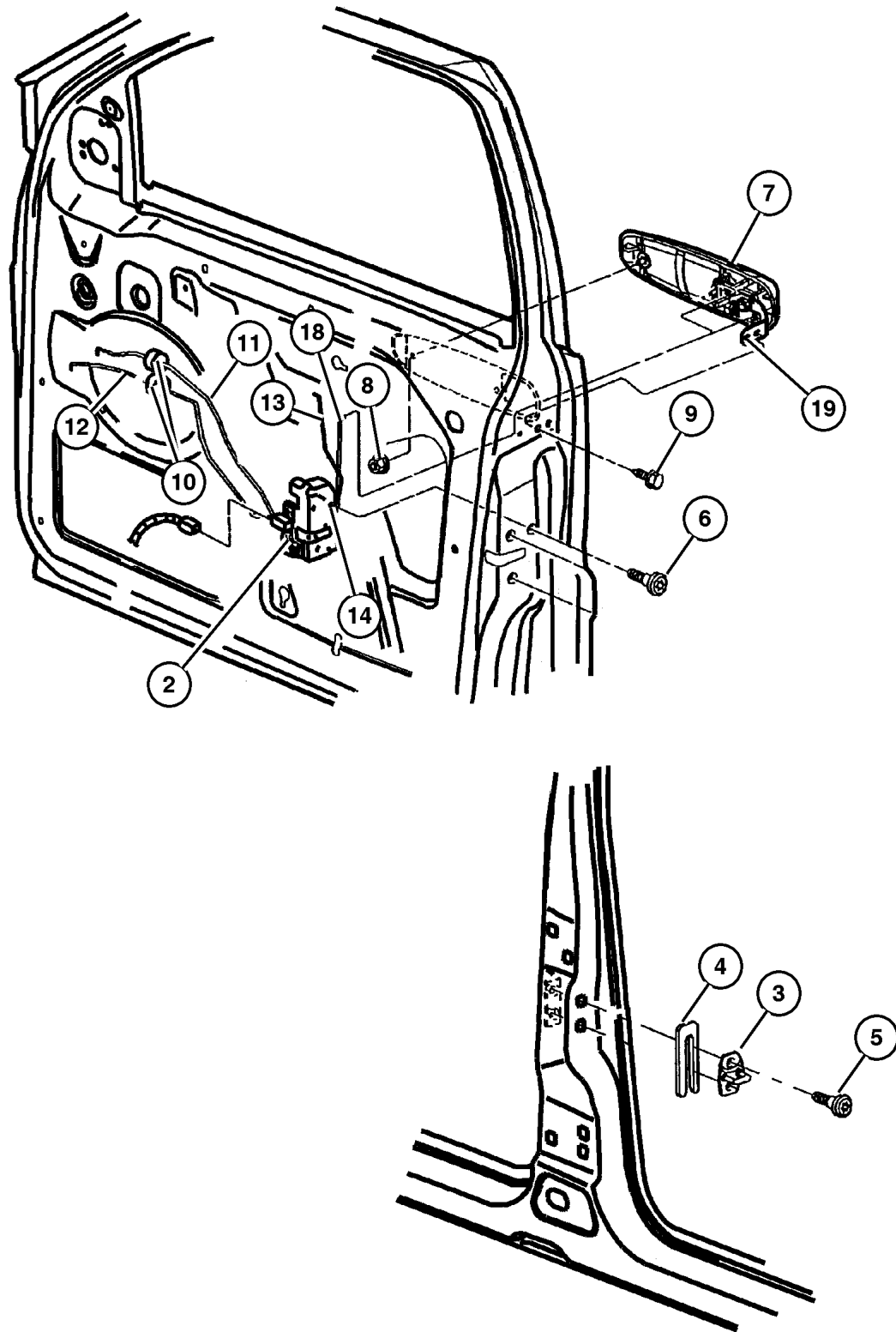
JEEP GRAND CHEROKEE (WJ)

SERIES	LINE	BODY	ENGINE	TRANSMISSION
L = Grand Cherokee	J = 4WD T = 2WD U = 4WD (RHD)	74 = 4 Door (105.9 WB)	ERH,ERO = 4.0L, Power Tech EVA,EVO = 4.7L, Power Tech EXA,EXO = 3.1L 5 cyl Turbo Diesel	DGK = 4 Speed Autm, 42RE DG4 = Multi Speed Auto 45RFE DGW = 4 Speed Autom 44RE DGO = All Automatic

AR = Use as required - = Non illustrated part # = New this model year

September 15, 2005

Door, Front Lock and Controls
Figure DWJ-130



ITEM	PART NUMBER	QTY	LINE	SERIES	BODY	ENGINE	TRANS	TRIM	DESCRIPTION
	5GG26 GW7AA	1	U						Bright White, Limited, w/Cylinder, Right
	5GG26 MS4AA	1	U						Bright Platinum, Limited, w/Cylinder, Right
	5GG26 PR4AA	1	U						Flame Red, Limited, w/Cylinder, Right
	5GG26 TCNAA	1	U						Deep Amethyst, Limited, w/Cylinder, Right
	5GG26 TTKAA	1	U						Taupe Frost, Limited, w/Cylinder, Right
	5GG26 VAWAA	1	U						Deep Slate, Limited, w/Cylinder, Right
	5GG26 VTEAA	1	U						Champagne Pearl Metallic, Limited, w/Cylinder, Right
	5GG26 WPTAA	1	U						Everglade, Limited, w/Cylinder, Right
8	6503 226	4							NUT, Hex Flange, M5x.8
9	6505 365AA	2							SCREW
10	55136 811AA	4							ISOLATOR
11	5014 378AA	1	J, T						ROD, Inside Handle to Latch Right
	5014 379AA	1	U						Left
	5014 380AA	1	J, T						Right
	5014 381AA	1	U						Left
	5014 382AA	1	J, T						Right
12	5014 380AA	1	J, T						ROD, Inside Lock to Latch Right
	5014 381AA	1	U						Left
	5014 382AA	1	J, T						Right
	5014 383AA	1	U						Left
13	5014 372AA	1	J, T						LINK, Exterior Door Handle Right
	5014 373AA	1	U						Left
	5014 374AA	1	J, T						Right
	5014 375AA	1	U						Left
14	5014 395AA	1							COVER, Latch-Anti Theft Right
	5014 396AA	1							Left
-15	5014 397AA-	1							CLIP, Latch Purple, Right
	5014 398AA-	1							Orange, Left
-16	4658 674	1	J, T						CLIP, Latch Link Green, Right

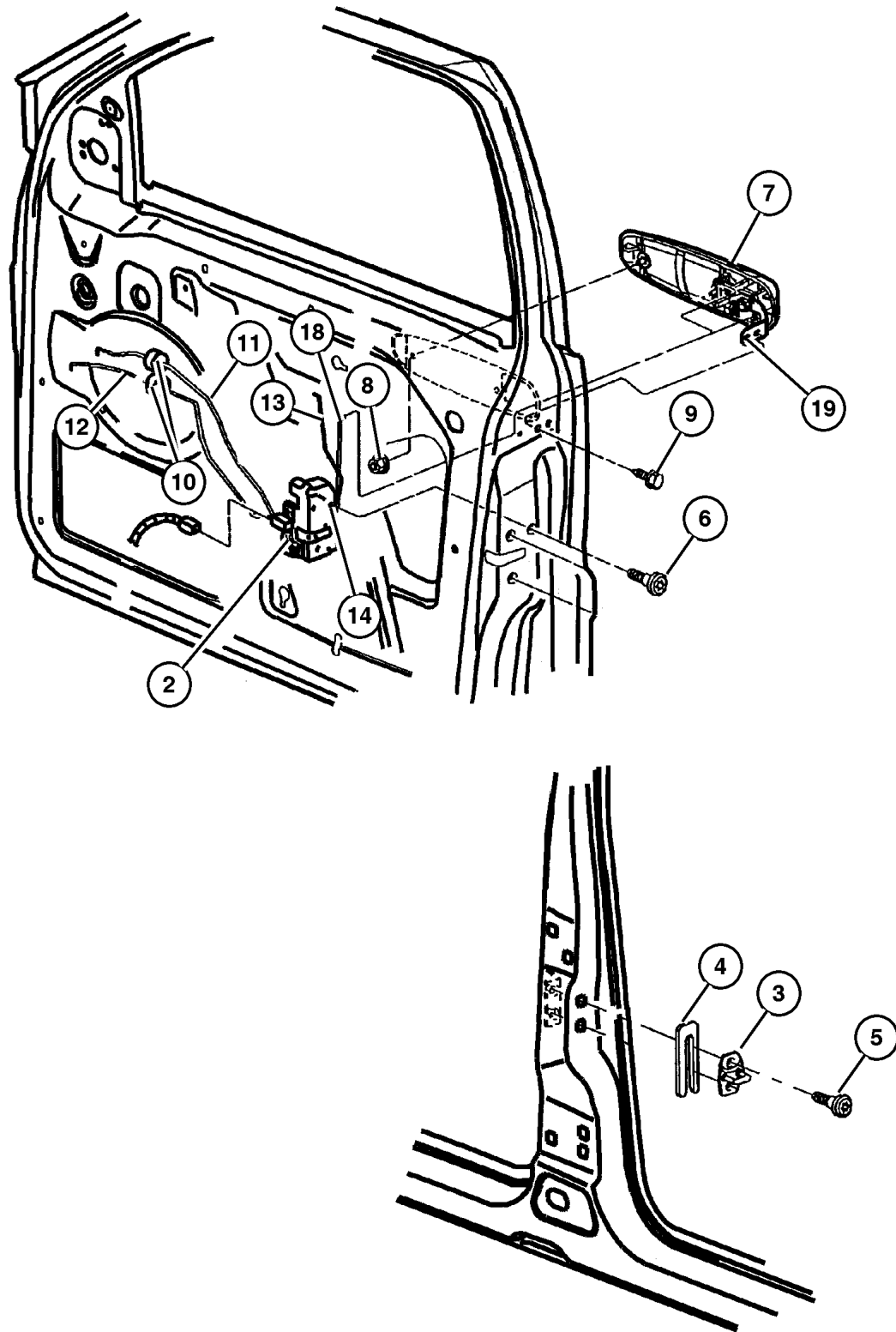
JEEP GRAND CHEROKEE (WJ)

SERIES	LINE	BODY	ENGINE	TRANSMISSION
L = Grand Cherokee	J = 4WD T = 2WD U = 4WD (RHD)	74 = 4 Door (105.9 WB)	ERH,ERO = 4.0L, Power Tech EVA,EVO = 4.7L, Power Tech EXA,EXO = 3.1L 5 cyl Turbo Diesel	DGK = 4 Speed Autm, 42RE DG4 = Multi Speed Auto 45RFE DGW = 4 Speed Autom 44RE DGO = All Automatic

AR = Use as required - = Non illustrated part # = New this model year

September 15, 2005

Door, Front Lock and Controls
Figure DWJ-130



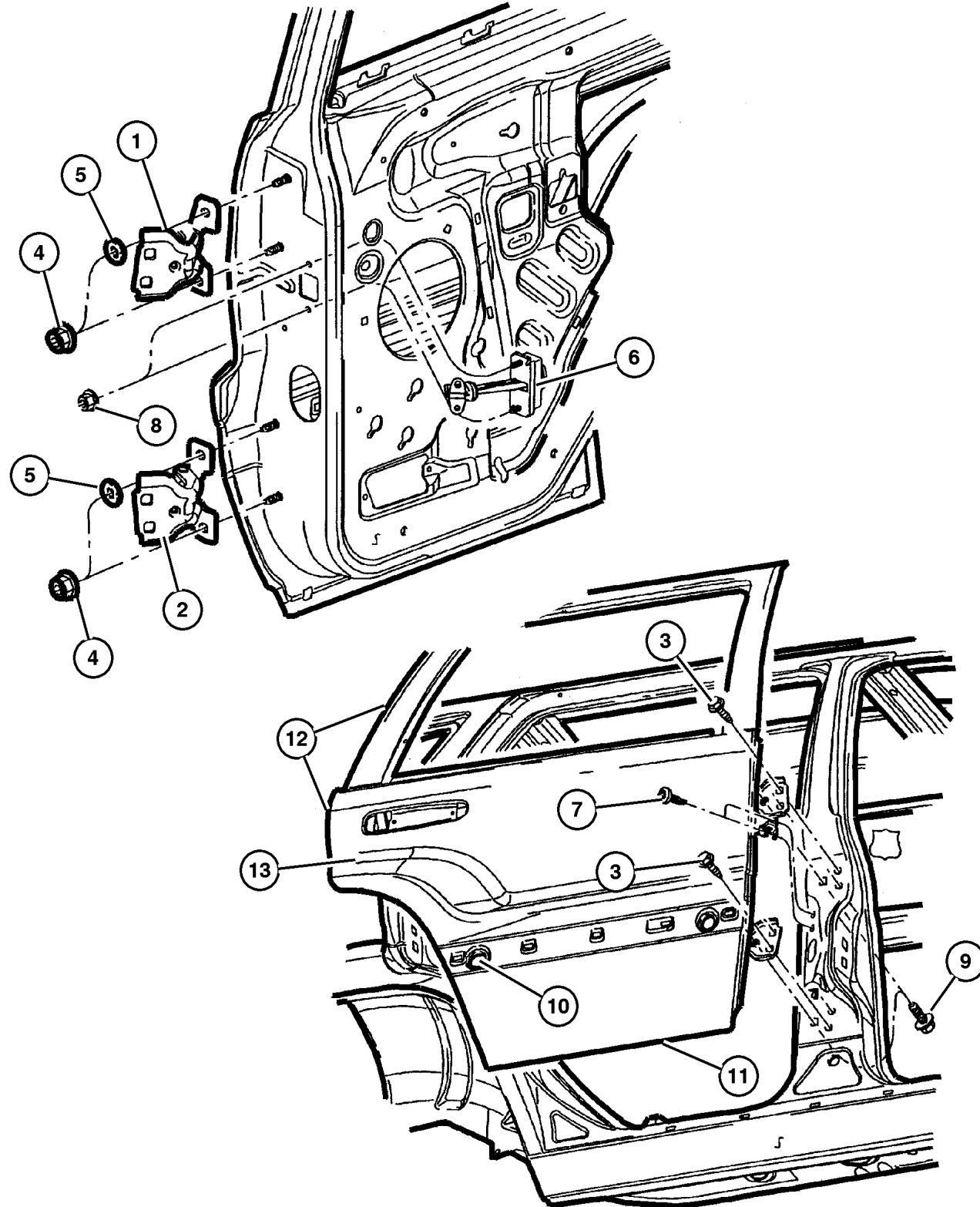
ITEM	PART NUMBER	QTY	LINE	SERIES	BODY	ENGINE	TRANS	TRIM	DESCRIPTION
	4658 675	1	U						Red, Left
-17									CLIP, Latch
	4658 444	1	U						Orange, Key Cylinder To Latch, Right
		1	J, T						Orange, Key Cylinder To Latch, Right
18	4658 445	1	U						Purple, Key Cylinder To Latch, Left
	5014 386AA	1	U						LINK, Key Cylinder To Latch Right
	5014 387AA	1	J, T						Left
19									BRACKET, Security
	55136 762AA	1	U						
	55136 763AA	1	J, T						

JEEP GRAND CHEROKEE (WJ)
 SERIES L = Grand Cherokee
 LINE J = 4WD, T = 2WD, U = 4WD (RHD)
 BODY 74 = 4 Door (105.9 WB)
 ENGINE ERH,ERO = 4.0L, Power Tech, EVA,EVO = 4.7L, Power Tech, EXA,EXO = 3.1L 5 cyl Turbo Diesel
 TRANSMISSION DGK = 4 Speed Autm, 42RE, DG4 = Multi Speed Auto 45RFE, DGW = 4 Speed Autom 44RE, DGO = All Automatic

AR = Use as required - = Non illustrated part # = New this model year

September 15, 2005

Door, Rear Shell and Hinges
Figure DWJ-210



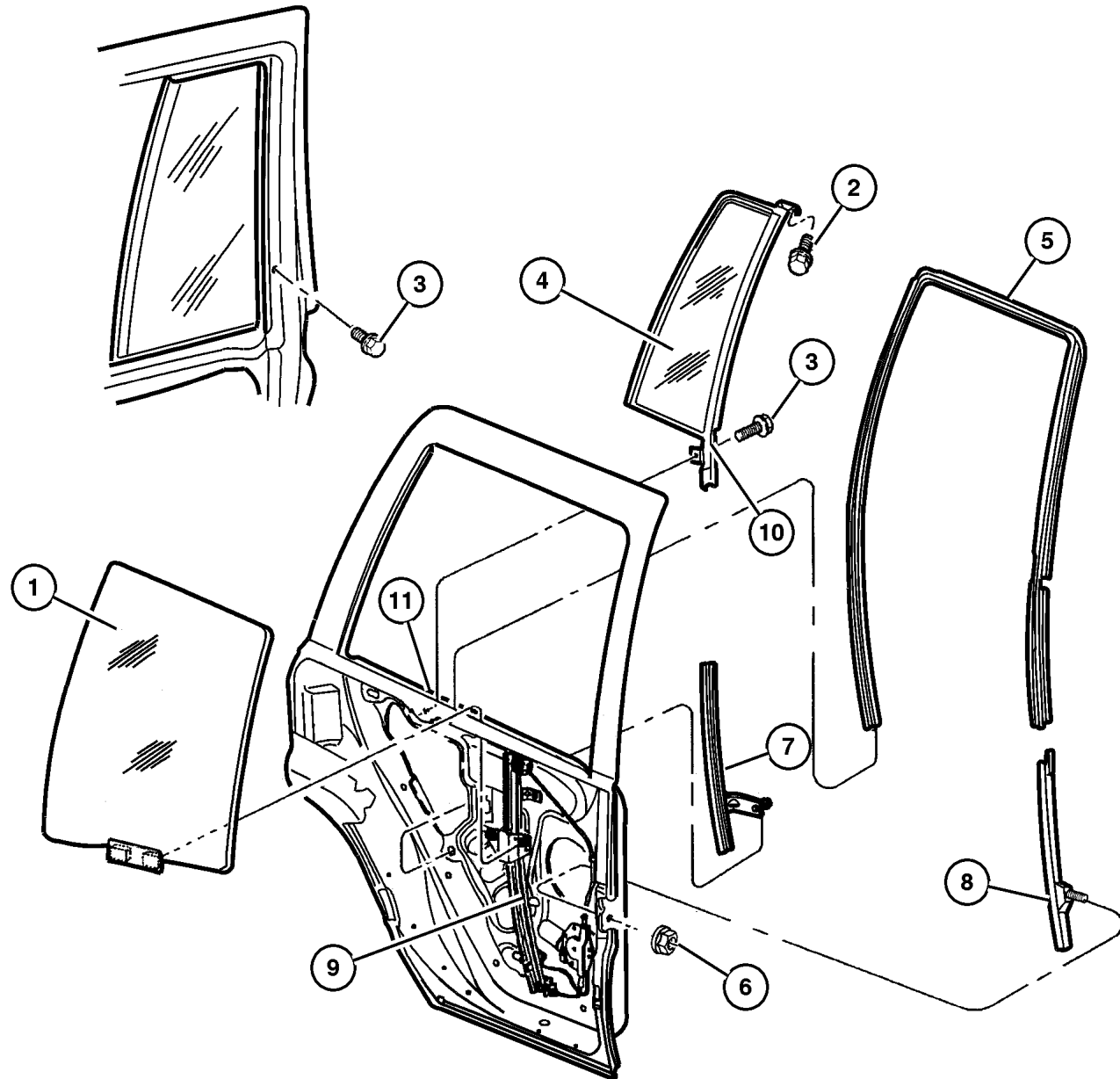
ITEM	PART NUMBER	QTY	LINE	SERIES	BODY	ENGINE	TRANS	TRIM	DESCRIPTION
1									HINGE, Door Half, Upper
	55135 574AB	2							Right
	55135 575AB	2							Left
2									HINGE, Door Half, Lower
	55135 574AC	2							Left
	55135 575AC	2							Right
3	6503 328	12							SCREW, Hex Head, M8x1.25x30
4	6102 034AA	8							NUT AND WASHER, Hex, M8x1.25
5	55256 920AB	4							WASHER, Flat
6									CHECK, Rear Door
	55135 658AB	1							Right
	55135 659AB	1							Left
7									SCREW, Torx Head, M6x1.0x16, (NOT SERVICED) (Not Serviced)
8	6503 504	4							NUT AND WASHER, Hex, M6x1
9	6503 538	4							SCREW AND WASHER, Hex Head, M8x1.25x30
10	55257 380AA	12							PLUG
11	2860 332	4							PLUG, Anti-Rattle
12									DOOR, Rear
	55136 700AB	1							Right
	55136 701AB	1							Left
13									PANEL, Rear Door
	55136 703AB	1							Left
	55136 702AB	1							Right
-14									NUT, Rivet, M5x.080x26.41, (NOT SERVICED) (Not Serviced)

JEEP GRAND CHEROKEE (WJ)
 SERIES L = Grand Cherokee
 LINE J = 4WD
 T = 2WD
 U = 4WD (RHD)
 BODY 74 = 4 Door (105.9 WB)
 ENGINE ERH,ERO = 4.0L, Power Tech
 EVA,EVO = 4.7L, Power Tech
 EXA,EXO = 3.1L 5 cyl Turbo Diesel
 TRANSMISSION DGK = 4 Speed Autm, 42RE
 DG4 = Multi Speed Auto 45RFE
 DGW = 4 Speed Autom 44RE
 DGO = All Automatic

AR = Use as required - = Non illustrated part # = New this model year

September 15, 2005

Door, Rear Glass and Regulators
Figure DWJ-220



ITEM	PART NUMBER	QTY	LINE	SERIES	BODY	ENGINE	TRANS	TRIM	DESCRIPTION
1									GLASS, Rear Door
	5513 6064	1							Sunscreen, Right
	5513 6065	1							Sunscreen, Left
	5513 6036	1							Tinted, Right
	5513 6037	1							Tinted, Left
2									SCREW, Tapping, .164-15x.75, (NOT SERVICED) (Not Serviced)
3									SCREW, Hex Flange Head, [.164-18x.75], (NOT SERVICED) (Not Serviced)
4									GLASS, Rear Door, Fixed
	5513 5998	1							Sunscreen, Right
	5513 5999	1							Sunscreen, Left
	5513 5994	1							Tinted, Right
	5513 5995	1							Tinted, Left
5									SEAL, Rear Door Glass
	55136 081AB	1							Left
	55136 080AB	1							Right
6	6503 504	2							NUT AND WASHER, Hex, M6x1
7									CHANNEL, Rear Door Glass Lower
	5513 6074	1							Right
	5513 6075	1							Left
8									CHANNEL, Rear Door Glass Lower
	5513 6716	1							Right
	5513 6717	1							Left
9									REGULATOR, Rear Door Window
	5507 6468	1							Right
	5507 6469	1							Left
10	55137 006AA	2							CLIP
11	6505 223AA	2							NUT, Spring, M6
-12	5086 563AA-	1							CLIP, Regulator

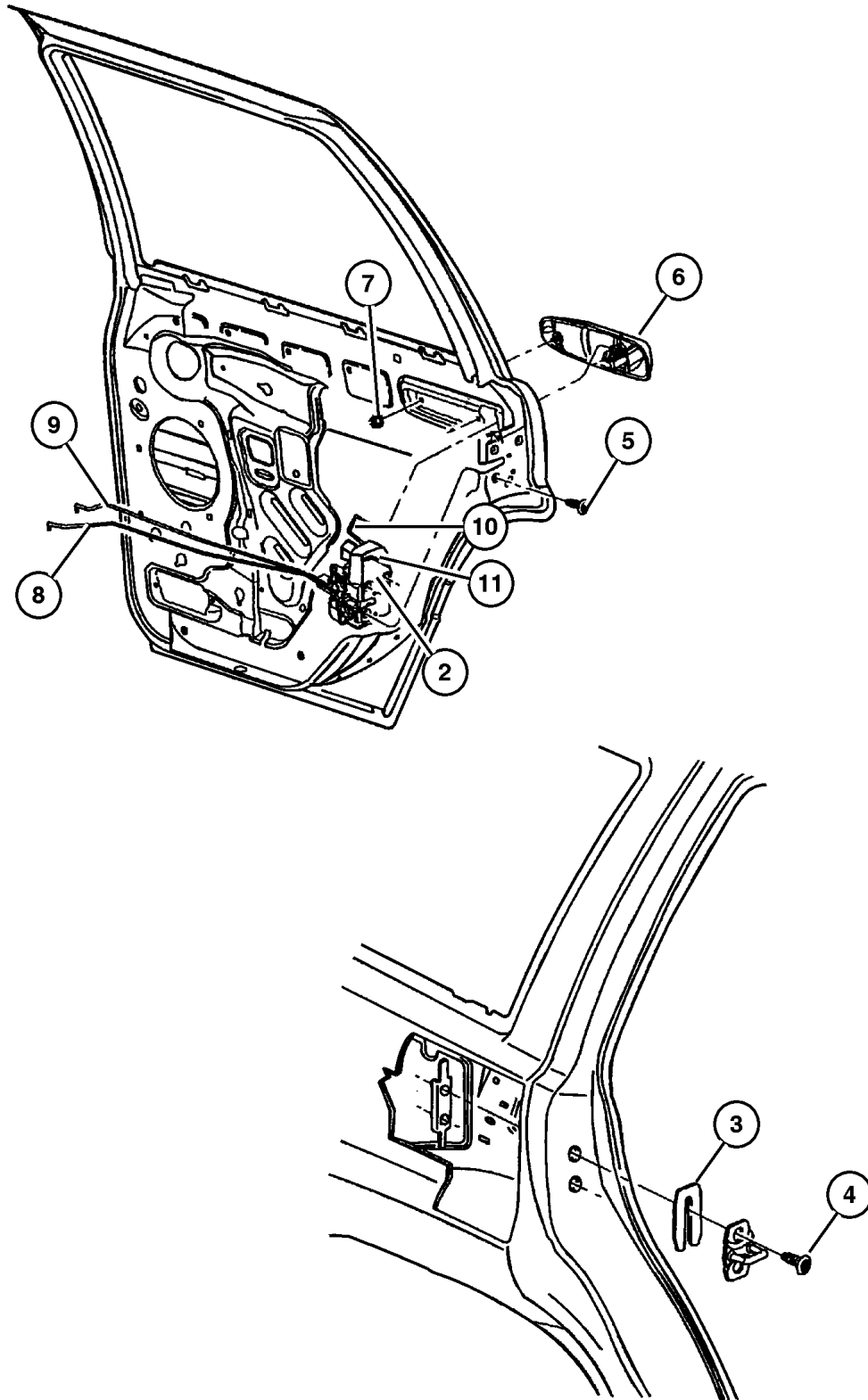
JEEP GRAND CHEROKEE (WJ)

SERIES	LINE	BODY	ENGINE	TRANSMISSION
L = Grand Cherokee	J = 4WD T = 2WD U = 4WD (RHD)	74 = 4 Door (105.9 WB)	ERH,ERO = 4.0L, Power Tech EVA,EVO = 4.7L, Power Tech EXA,EXO = 3.1L 5 cyl Turbo Diesel	DGK = 4 Speed Autm, 42RE DG4 = Multi Speed Auto 45RFE DGW = 4 Speed Autom 44RE DGO = All Automatic

AR = Use as required - = Non illustrated part # = New this model year

September 15, 2005

Door, Rear Lock and Controls
Figure DWJ-230



ITEM	PART NUMBER	QTY	LINE	SERIES	BODY	ENGINE	TRANS	TRIM	DESCRIPTION
-1									HANDLE, Door Interior
	5FX72 1AZAB-	1							[AZ] Larado, Right
	5FX72 1K5AB-	1							[K5] Larado, Right
	5FX72 1L5AB-	1							[L5] Larado, Right
	5FX73 1AZAB-	1							[AZ] Larado, Left
	5FX73 1K5AB-	1							[K5] Larado, Left
	5FX73 1L5AB-	1							[L5] Larado, Left
	5FX74 LAZAB-	1							[AZ] Limited, Right
	5FX74 RK5AB-	1							[K5] Limited, Right
	5FX74 WL5AB-	1							[L5] Limited, Right
	5FX75 LAZAB-	1							[AZ] Limited, Left
	5FX75 RK5AB-	1							[K5] Limited, Left
	5FX75 WL5AB-	1							[L5] Limited, Left
2									LATCH, Rear Door
	55135 620AB	1							Right
	55135 621AB	1							Left
3	4520 289	AR							SPACER, Door Latch Striker
4	6504 573	4							SCREW, Oval Head, SCREW
5									SCREW, Tapping, M6.3x1.8x38.1, (NOT SERVICED) (Not Serviced)
6									HANDLE, Exterior Door
	55135 838AB	1							Laredo, Right
	55135 839AB	1							Laredo, Left
	5FW46 DX8AB	1							[X8] Limited, Right
	5FW46 GW7AB	1							[W7] Limited, Right
	5FW46 MS4AB	1							[S4] Limited, Right
	5FW46 PR4AB	1							[R4] Limited, Right
	5FW46 SW1AB	1							[W1] Limited, Right
	5FW46 TCNAB	1							[CN] Limited, Right
	5FW46 TTKAB	1							[TK] Limited, Right
	5FW46 VAWAB	1							[AW] Limited, Right
	5FW46 VTEAB	1							[TE] Limited, Right
	5FW46 WPTAB	1							[PT] Limited, Right
	5FW46 WTHAB	1							[TH] Limited, Right
	5FW46 WULAB	1							[UL] Limited, Right
	5FW46 WURAB	1							[UR] Limited, Right
	5FW46 WBTAB	1							[BT] Limited, Right
	5FW47 DX8AB	1							[X8] Limited, Left
	5FW47 GW7AB	1							[W7] Limited, Left
	5FW47 MS4AB	1							[S4] Limited, Left
	5FW47 PR4AB	1							[R4] Limited, Left
	5FW47 SW1AB	1							[W1] Limited, Left
	5FW47 TCNAB	1							[CN] Limited, Left

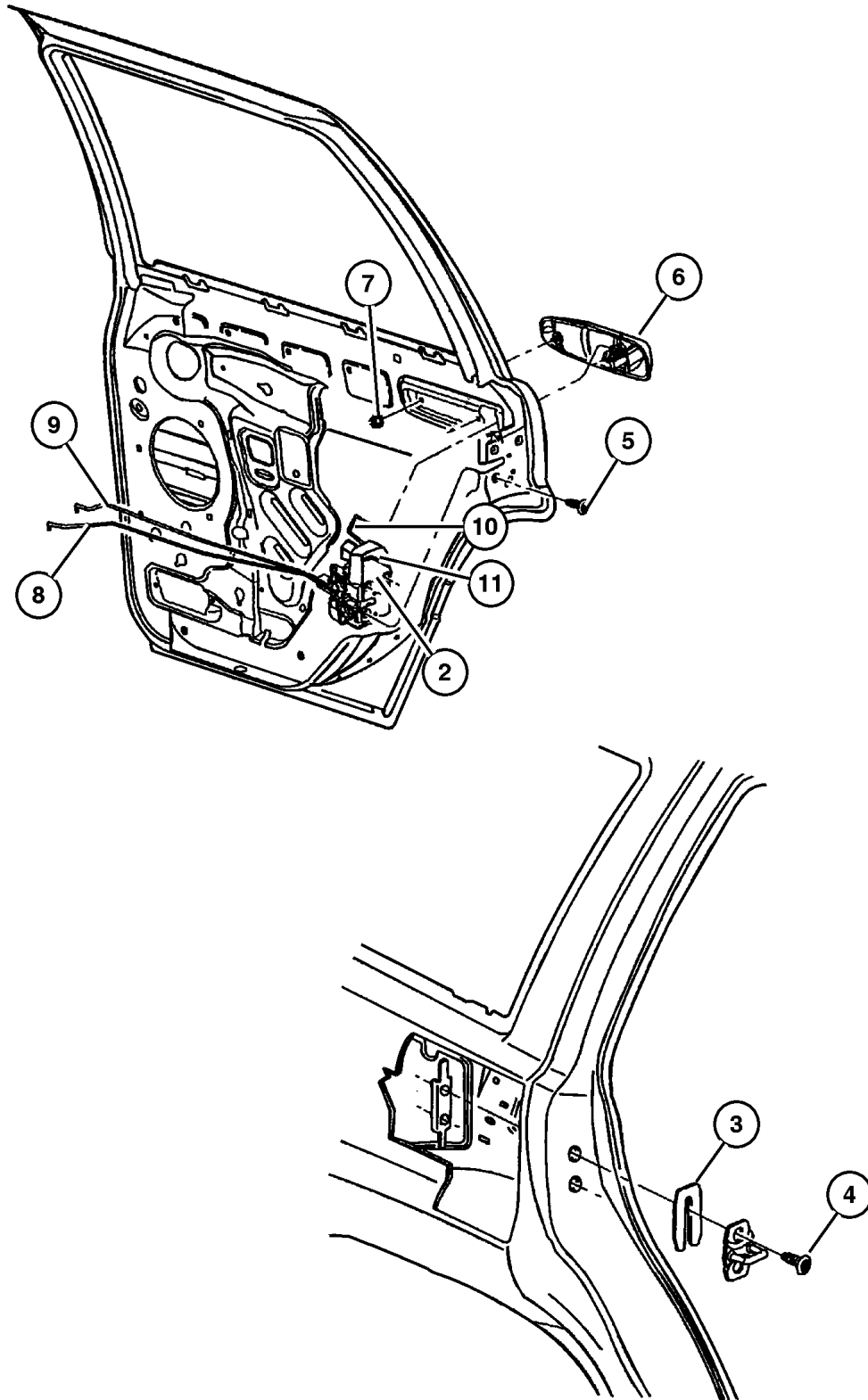
JEEP GRAND CHEROKEE (WJ)

SERIES	LINE	BODY	ENGINE	TRANSMISSION
L = Grand Cherokee	J = 4WD T = 2WD U = 4WD (RHD)	74 = 4 Door (105.9 WB)	ERH,ERO = 4.0L, Power Tech EVA,EVO = 4.7L, Power Tech EXA,EXO = 3.1L 5 cyl Turbo Diesel	DGK = 4 Speed Autm, 42RE DG4 = Multi Speed Auto 45RFE DGW = 4 Speed Autom 44RE DGO = All Automatic

AR = Use as required - = Non illustrated part # = New this model year

September 15, 2005

Door, Rear Lock and Controls
Figure DWJ-230



ITEM	PART NUMBER	QTY	LINE	SERIES	BODY	ENGINE	TRANS	TRIM	DESCRIPTION
	5FW47 TTKAB	1							[TK] Limited, Left
	5FW47 VAWAB	1							[AW] Limited, Left
	5FW47 VTEAB	1							[TE] Limited, Left
	5FW47 WPTAB	1							[PT] Limited, Left
	5FW47 WTHAB	1							[TH] Limited, Left
	5FW47 WULAB	1							[UL] Limited, Left
	5FW47 WURAB	1							[UR] Limited, Left
	5FW47 WBTAB	1							[BT] Limited, Left
7	6503 226	4							NUT, Hex Flange, M5x.8
8	5014 384AA	1							ROD, Inside Handle to Latch Right
	5014 385AA	1							Left
9	5014 382AA	1							ROD, Inside Lock to Latch Right
	5014 383AA	1							Left
10	5014 376AA	1							LINK, Exterior Door Handle Right
	5014 377AA	1							Left
11	5014 395AA	1							COVER, Latch-Anti Theft Right
	5014 396AA	1							Left
-12	5014 397AA-	1							CLIP, Latch, Purple
-13	5014 398AA-	1							CLIP, Latch, Orange
-14	4658 675	1			U				CLIP, Latch Link, Red
-15	4658 674	1			J, T				CLIP, Latch Link, Green

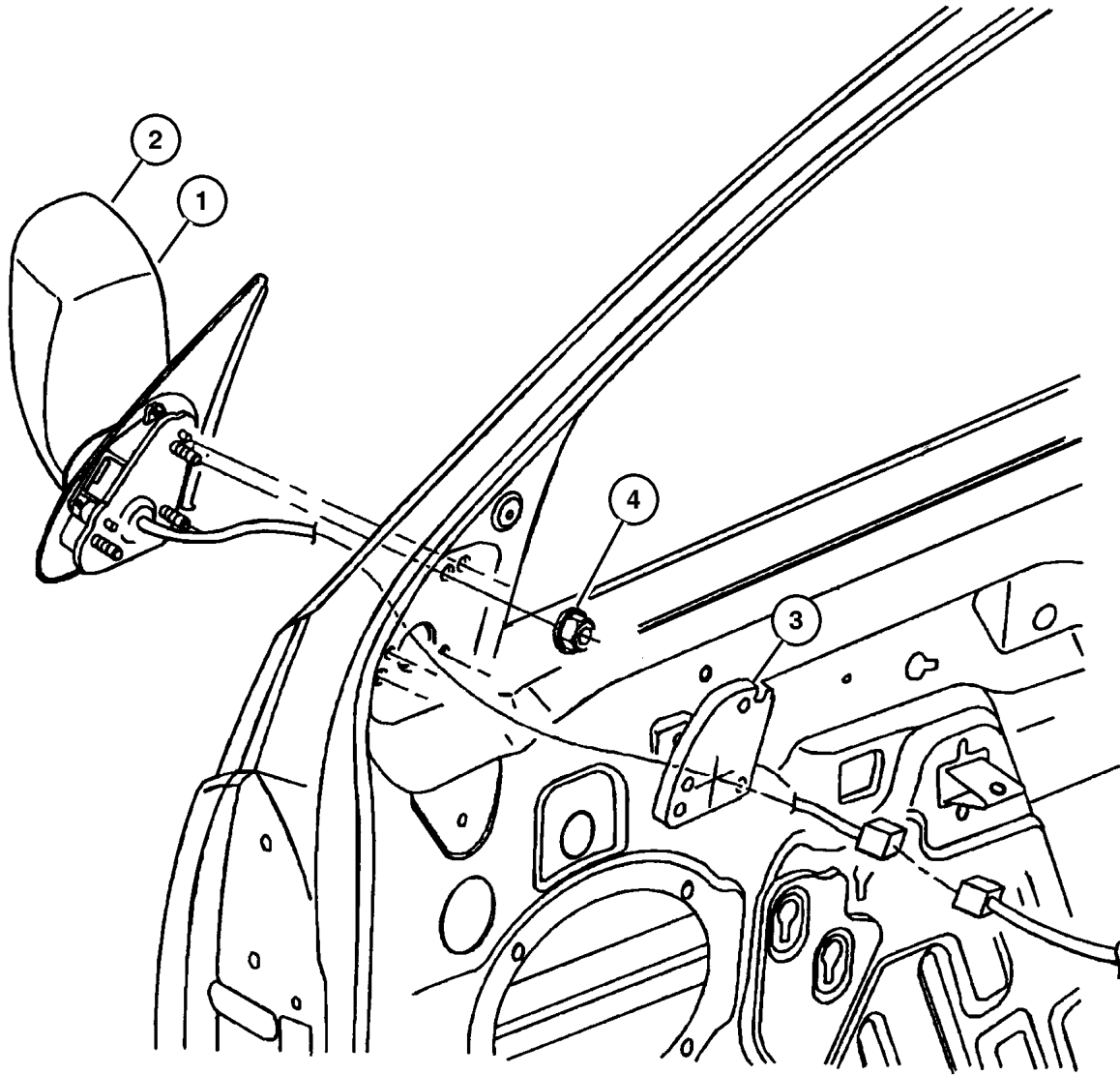
JEEP GRAND CHEROKEE (WJ)
 SERIES L = Grand Cherokee LINE J = 4WD T = 2WD U = 4WD (RHD) BODY 74 = 4 Door (105.9 WB) ENGINE ERH,ERO = 4.0L, Power Tech EVA,EVO = 4.7L, Power Tech EXA,EXO = 3.1L 5 cyl Turbo Diesel TRANSMISSION DGK = 4 Speed Autm, 42RE DG4 = Multi Speed Auto 45RFE DGW = 4 Speed Autom 44RE DGO = All Automatic

AR = Use as required - = Non illustrated part # = New this model year

September 15, 2005

Mirrors, Exterior
Figure DWJ-510

ITEM	PART NUMBER	QTY	LINE	SERIES	BODY	ENGINE	TRANS	TRIM	DESCRIPTION
Note: Sales Code GTF = Power Fold-Away									
Note: Sales Code GTN = Power Fold-Away									
Note: Sales Code GTM = Power Fold-Away Heated									
Note: Sales Code GTR = Power Fold-Away									
Note: Sales Code GTW = Power Fold-Away Black									
Note: Sales Code GT3 = Power Fold-Away Hea									
1									MIRROR, Outside, Rearview, Electric, Heated
	53054 460AB	1	U						GTF, Right
	53054 461AB	1	U						GTF, Left
	5515 5224	1	J, T						GTF, Right
	5515 5225	1	J, T						GTF,GTX, Left
	5515 5230	1	J, T						GT3, Right
	5515 5231	1	J, T						GT3, Left
	55155 806AA	1	J						GTX, Right
	55155 232AC	1	J, T						GTM, Right
	55155 233AC	1	J, T						GTM, Left
2									MIRROR, Outside Rearview Electric Foldaway
	5515 5446	1	J, T						GTN, Right
	5515 5447	1	J, T						GTN, Left
	55155 790AA	1	J, T						GTR, Right
	55155 791AA	1	J, T						GTR,GTW, Left
	55155 792AB	1	U						GTR, Right
	55155 793AB	1	U						GTR, Left
	55155 804AA	1	J						GTW, Right
3									SEAL, Mirror
	55136 274AB	1							Right
	55136 275AB	1							Left
4	J420 0408	6							NUT AND WASHER, Hex Nut-Coned Washer, M5 x 0.80
-5									GLASS, Mirror Replacement
	5013 636AA-	1	J, T						GTN, Right
	5013 637AA-	1	J, T						GTN, Left
	5017 072AA-	1	J, T						GTM,GT3, Right
	5017 073AA-	1	J, T						GTM, Left
	5017 075AA-	1	J, T						GT3, Left
	5017 082AA-	1	J, T						GTR, Right
	5017 083AA-	1	J, T						GTR,GTW, Left
	5017 084AA-	1	J, T						GTF, Right
	5017 085AA-	1	J, T						GTN,GTX, Left
	5017 086AA-	1	J						GTW, Right



JEEP GRAND CHEROKEE (WJ)

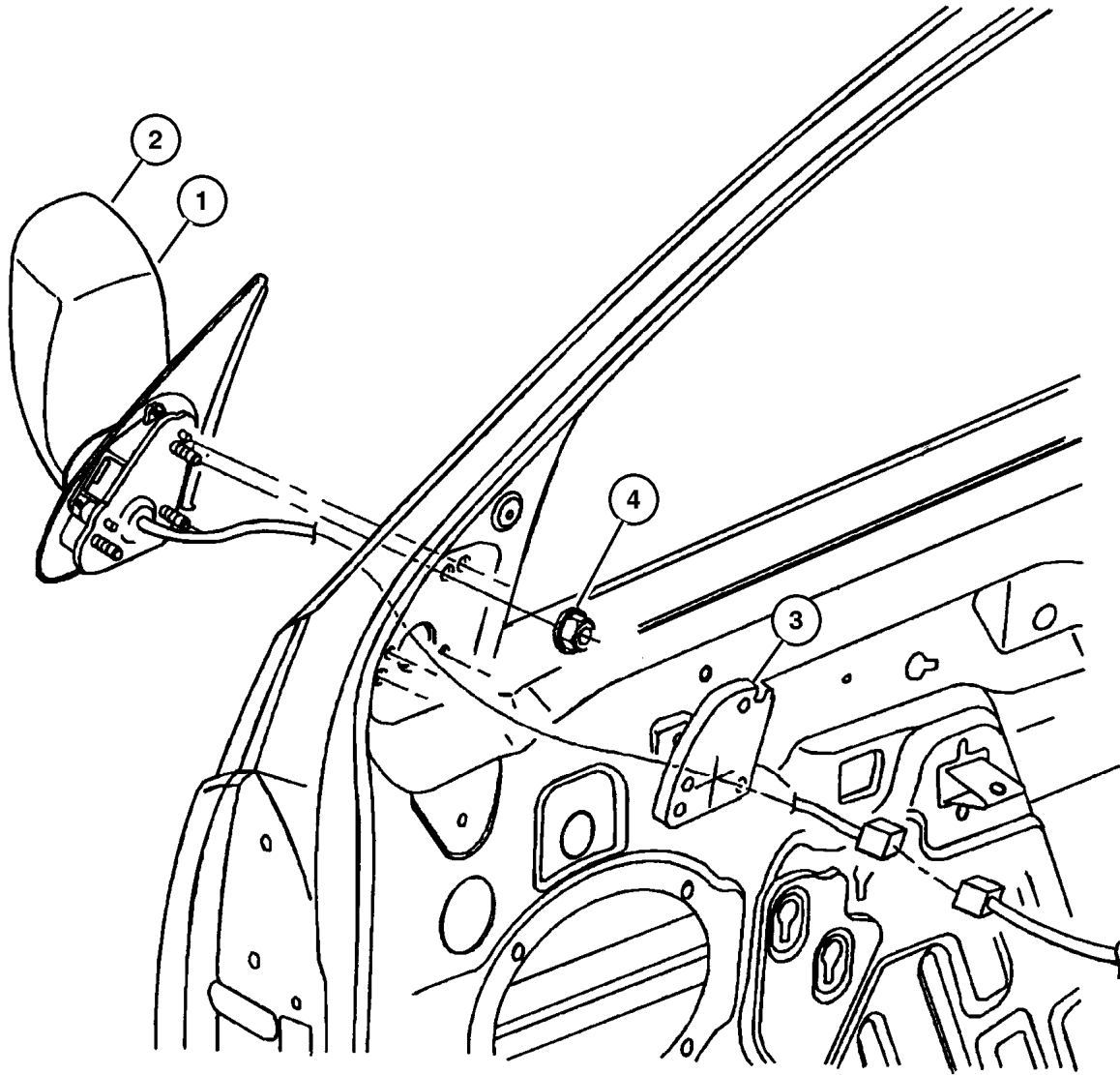
SERIES	LINE	BODY	ENGINE	TRANSMISSION
L = Grand Cherokee	J = 4WD T = 2WD U = 4WD (RHD)	74 = 4 Door (105.9 WB)	ERH,ERO = 4.0L, Power Tech EVA,EVO = 4.7L, Power Tech EXA,EXO = 3.1L 5 cyl Turbo Diesel	DGK = 4 Speed Autm, 42RE DG4 = Multi Speed Auto 45RFE DGW = 4 Speed Autom 44RE DGO = All Automatic

AR = Use as required - = Non illustrated part # = New this model year

September 15, 2005

Mirrors, Exterior
Figure DWJ-510

ITEM	PART NUMBER	QTY	LINE	SERIES	BODY	ENGINE	TRANS	TRIM	DESCRIPTION
	5017 087AA-	1	J						GTX, Left
	5017 088AA-	1	U						GTR, Right
	5017 089AA-	1	U						GTR, Left
	5017 090AA-	1	U						GTF, Right
	5017 091AA-	1	U						GTF, Left

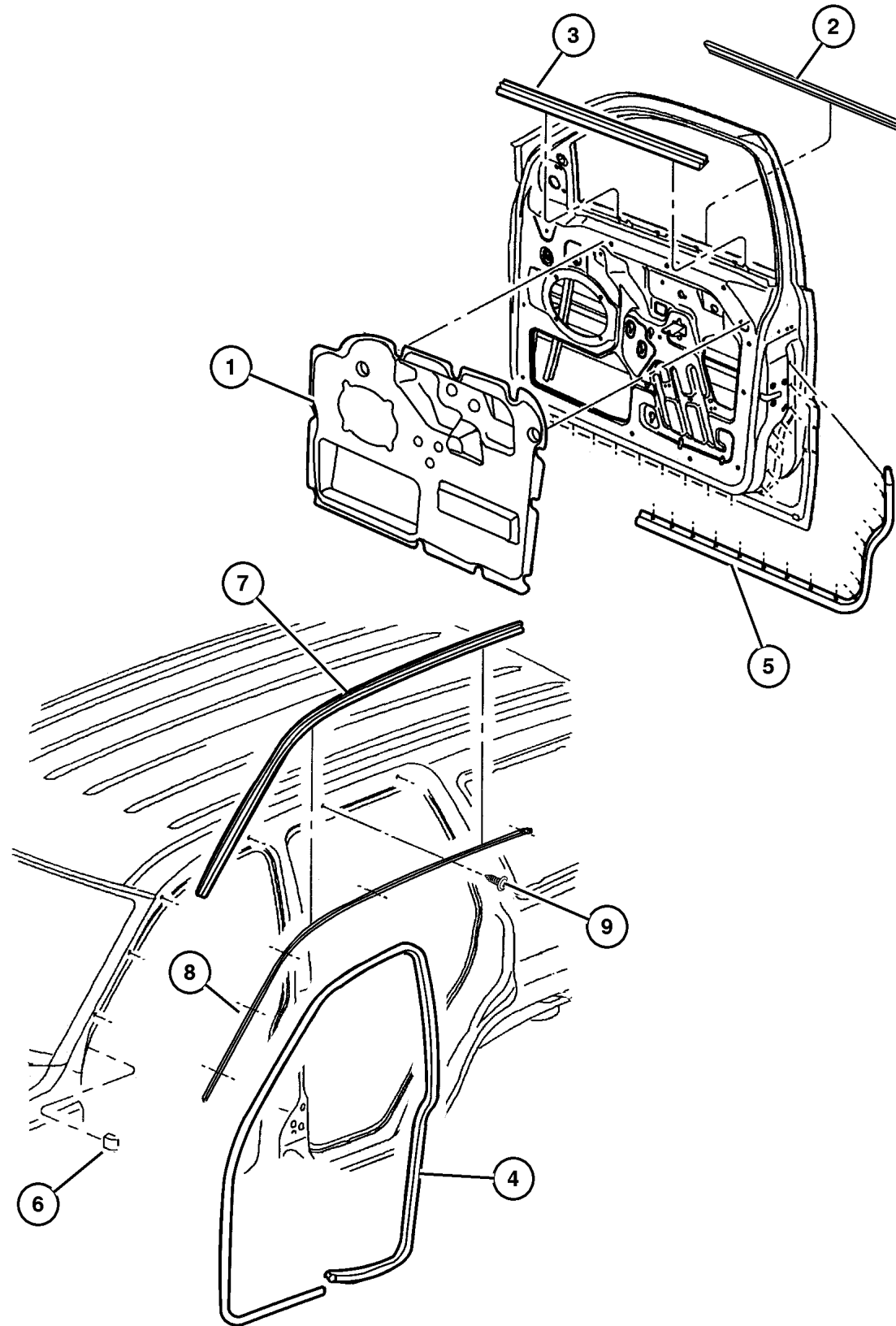


JEEP GRAND CHEROKEE (WJ)
 SERIES LINE BODY ENGINE TRANSMISSION
 L = Grand Cherokee J = 4WD 74 = 4 Door (105.9 WB) ERH,ERO = 4.0L, Power Tech DGK = 4 Speed Autm, 42RE
 T = 2WD EVA,EVO = 4.7L, Power Tech DG4 = Multi Speed Auto 45RFE
 U = 4WD (RHD) EXA,EXO = 3.1L 5 cyl Turbo Diesel DGW = 4 Speed Autom 44RE
 DGO = All Automatic

AR = Use as required - = Non illustrated part # = New this model year

September 15, 2005

Door, Front Weatherstrips and Seals
Figure DWJ-610



ITEM	PART NUMBER	QTY	LINE	SERIES	BODY	ENGINE	TRANS	TRIM	DESCRIPTION
1	55135 874AC	1							INSULATOR, Front Door Right
	55135 875AC	1							Left
2	55135 878AB	1							WEATHERSTRIP, Front Door Belt Right
	55135 879AB	1							Left
3	55135 898AB	1							WEATHERSTRIP, Front Door Belt Right
	55135 899AB	1							Left
4	55135 918AB	1							SEAL, Front Door Right
	55135 919AB	1							Left
5	55136 114AB	1							SEAL, Front Door Lower, Right
	55136 115AB	1							Lower, Left
6	5513 5678	2							BLOCKER, Seal Exterior A Pillar
7	55135 869AB	1							SEAL, Body Side Right
	55135 872AB	1							Left
8	55136 902AA	1							MOLDING, Windshield Right
	55136 903AA	1							Left
9	6033 605	20							SCREW, Tapping, .164-18x.437

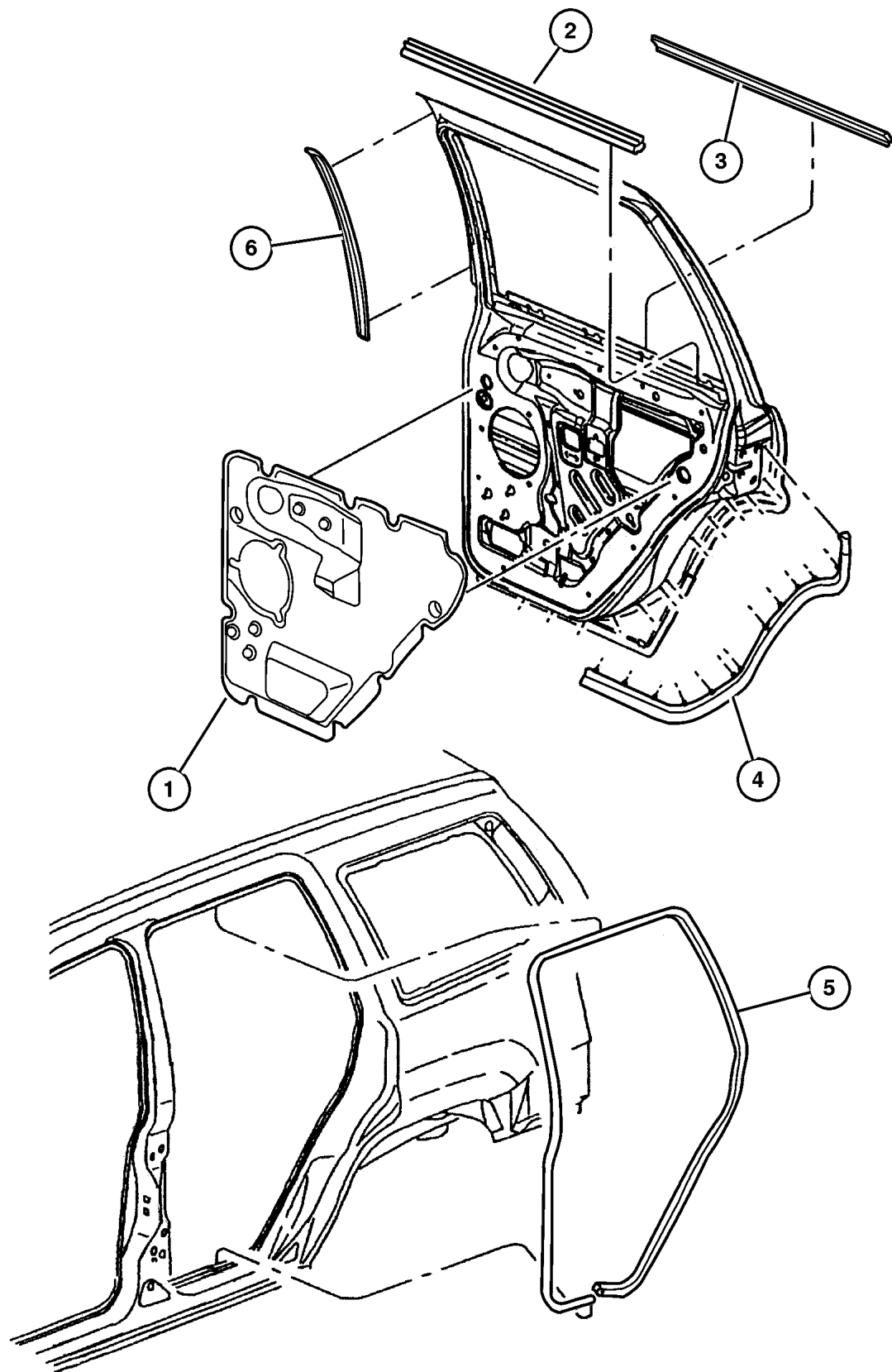
JEEP GRAND CHEROKEE (WJ)

SERIES	LINE	BODY	ENGINE	TRANSMISSION
L = Grand Cherokee	J = 4WD T = 2WD U = 4WD (RHD)	74 = 4 Door (105.9 WB)	ERH,ERO = 4.0L, Power Tech EVA,EVO = 4.7L, Power Tech EXA,EXO = 3.1L 5 cyl Turbo Diesel	DGK = 4 Speed Autm, 42RE DG4 = Multi Speed Auto 45RFE DGW = 4 Speed Autom 44RE DGO = All Automatic

AR = Use as required - = Non illustrated part # = New this model year

September 15, 2005

Door, Rear Weatherstrips and Seals Figure DWJ-620



ITEM	PART NUMBER	QTY	LINE	SERIES	BODY	ENGINE	TRANS	TRIM	DESCRIPTION
1	55135 876AC	1							INSULATOR, Rear Door Right
	55135 877AC	1							Left
2	55135 888AB	1							WEATHERSTRIP, Rear Door Belt, Inner Right
	55135 889AB	1							Left
3	55135 890AB	1							WEATHERSTRIP, Rear Door Belt, Outer Right
	55135 891AB	1							Left
4	55136 116AB	1							SEAL, Rear Door Right
	55136 117AB	1							Left
5	55135 958AB	1							SEAL, Rear Door Right
	55135 959AB	1							Left
6	55136 118AB	1							SEAL, B-Pillar Right
	55136 119AB	1							Left

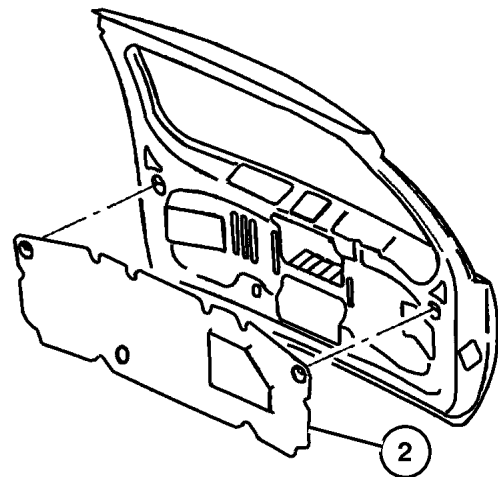
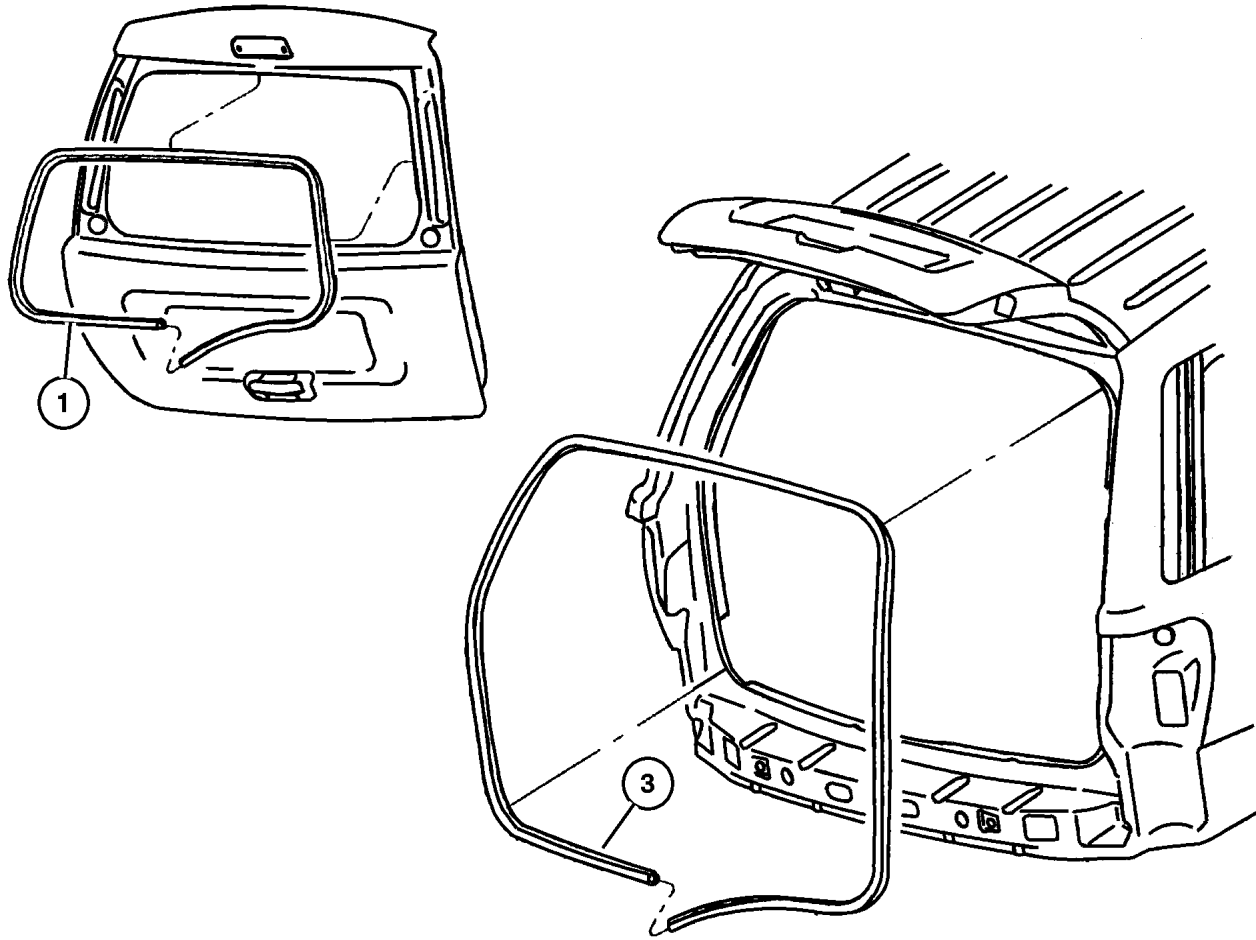
JEEP GRAND CHEROKEE (WJ)				
SERIES	LINE	BODY	ENGINE	TRANSMISSION
L = Grand Cherokee	J = 4WD T = 2WD U = 4WD (RHD)	74 = 4 Door (105.9 WB)	ERH,ERO = 4.0L, Power Tech EVA,EVO = 4.7L, Power Tech EXA,EXO = 3.1L 5 cyl Turbo Diesel	DGK = 4 Speed Autm, 42RE DG4 = Multi Speed Auto 45RFE DGW = 4 Speed Autom 44RE DGO = All Automatic

AR = Use as required - = Non illustrated part # = New this model year

September 15, 2005

**Door, Rear Tail Gate Weatherstrips and Seals
Figure DWJ-630**

ITEM	PART NUMBER	QTY	LINE	SERIES	BODY	ENGINE	TRANS	TRIM	DESCRIPTION
1	55136 053AB	1							WEATHERSTRIP, Liftgate Glass
2	55136 185AC	1							INSULATION, liftgate
3	55135 388AB	1							SEAL, Liftgate



JEEP GRAND CHEROKEE (WJ)				
SERIES	LINE	BODY	ENGINE	TRANSMISSION
L = Grand Cherokee	J = 4WD T = 2WD U = 4WD (RHD)	74 = 4 Door (105.9 WB)	ERH,ERO = 4.0L, Power Tech EVA,EVO = 4.7L, Power Tech EXA,EXO = 3.1L 5 cyl Turbo Diesel	DGK = 4 Speed Autm, 42RE DG4 = Multi Speed Auto 45RFE DGW = 4 Speed Autom 44RE DGO = All Automatic

AR = Use as required - = Non illustrated part # = New this model year

September 15, 2005

Group – EWJ

Exterior Ornamentation

GROUP EWJ - Exterior Ornamentation

Illustration Title

Group-Fig. No.

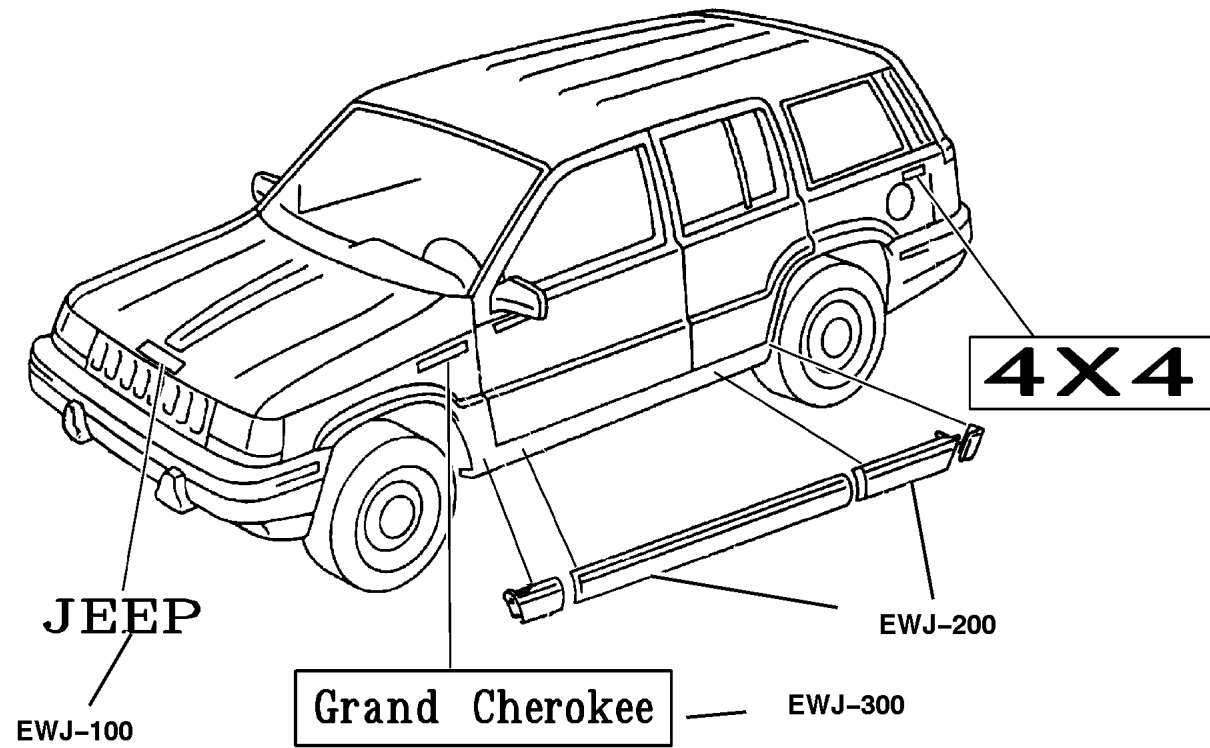
Nameplates

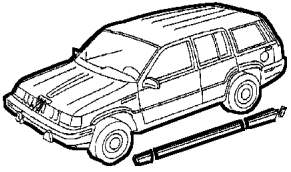
Nameplates and Decals Fig. EWJ-120

Moldings and Ornamentation

Moldings, Upper Fig. EWJ-210

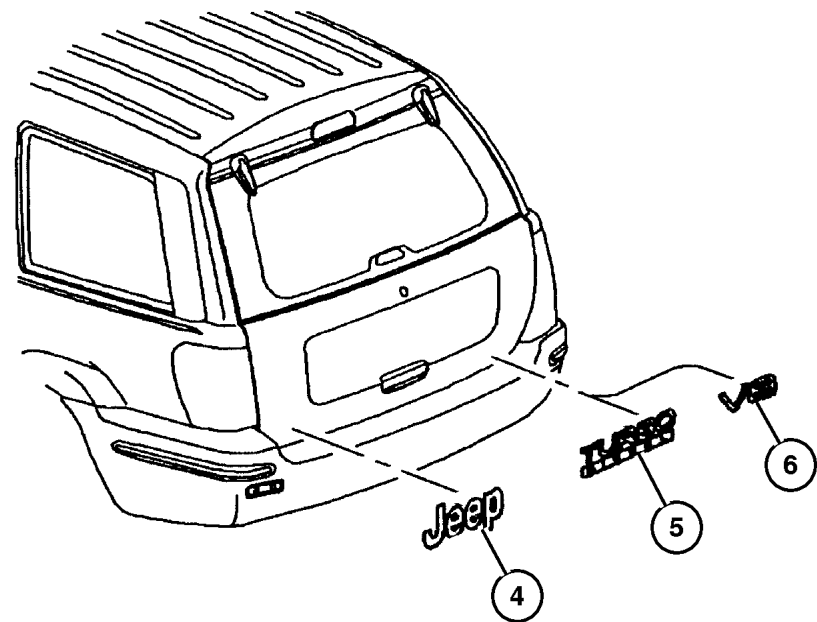
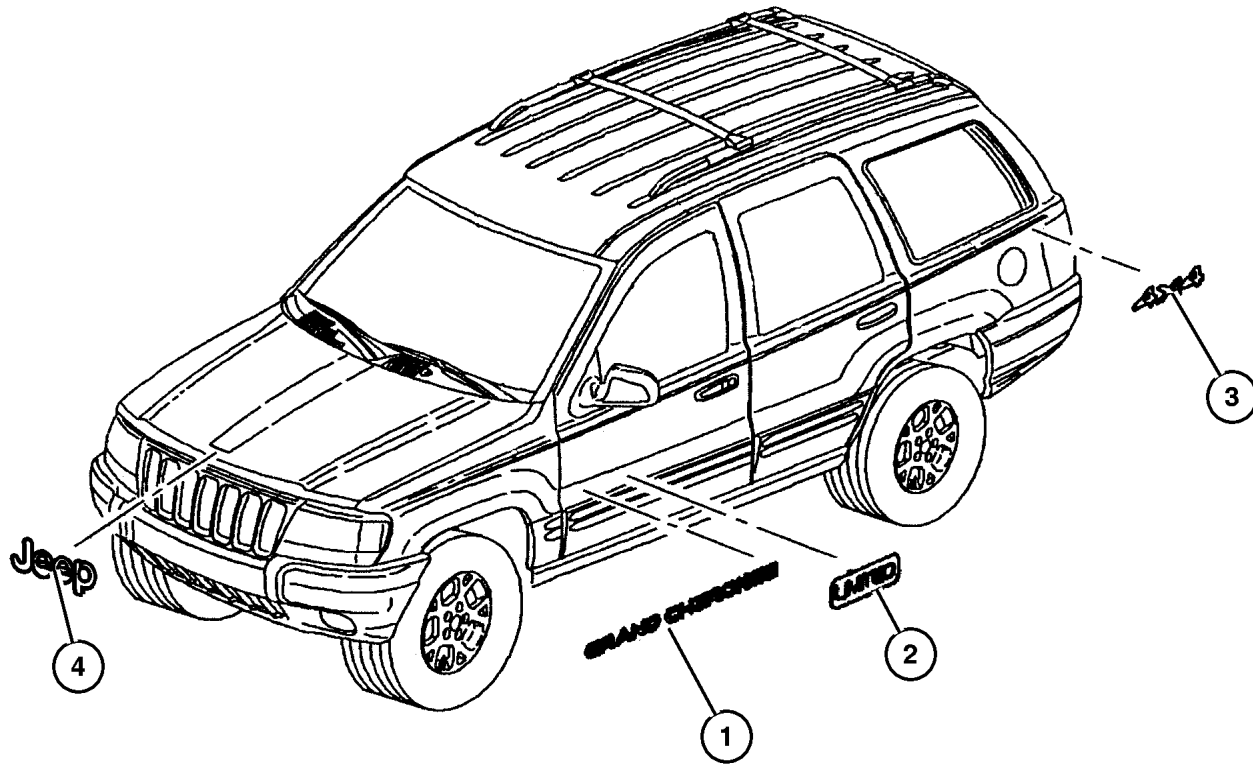
Cladding and Sill Moldings Fig. EWJ-220



<p>EWJ-100 Nameplates</p> <p>Grand Cherokee JEEP</p>	<p>EWJ-200 Moldings and Ornamentation</p> 		
---	--	--	--

**Nameplates and Decals
Figure EWJ-120**

ITEM	PART NUMBER	QTY	LINE	SERIES	BODY	ENGINE	TRANS	TRIM	DESCRIPTION
1									NAMEPLATE, Grand Cherokee, Grand Cherokee Silver [KWS] Camel [KWC] Camel [KWY]
	5EN8 0SA1	2							
	5EN8 0WKK	2							
	5EN8 0HY2	2							
2									DIMENSIONAL GRAPHIC, Limited Silver [KUS] Camel [KUC]
	5EM9 1SA1	2							
	5EM9 1WKK	2							
3									DECAL, 4x4
	5EM8 9SA1	2							Silver [KRS] Camel [KRC]
	5EM8 9WKK	2							
4									NAMEPLATE, Jeep, Jeep Silver [KTS] Camel [KTC]
	5EM8 7SA1	2							
	5EM8 7WKK	2							
5									DECAL, Turbo Diesel Silver [KVS] Camel [KVC]
	5EN8 6SA1	1							
	5EN8 6WKK	1							
6									NAMEPLATE, V-8 and Quadra Drive [MZB] Quadra Drive on Liftgate Silver [KSS] Camel [KSC]
	55155 994AA	1							
	5EN7 8SA1	1							
	5EN7 8WKK	1							



JEEP GRAND CHEROKEE (WJ)				
SERIES	LINE	BODY	ENGINE	TRANSMISSION
L = Grand Cherokee	J = 4WD T = 2WD U = 4WD (RHD)	74 = 4 Door (105.9 WB)	ERH,ERO = 4.0L, Power Tech EVA,EVO = 4.7L, Power Tech EXA,EXO = 3.1L 5 cyl Turbo Diesel	DGK = 4 Speed Autm, 42RE DG4 = Multi Speed Auto 45RFE DGW = 4 Speed Autom 44RE DGO = All Automatic

AR = Use as required - = Non illustrated part # = New this model year

September 15, 2005

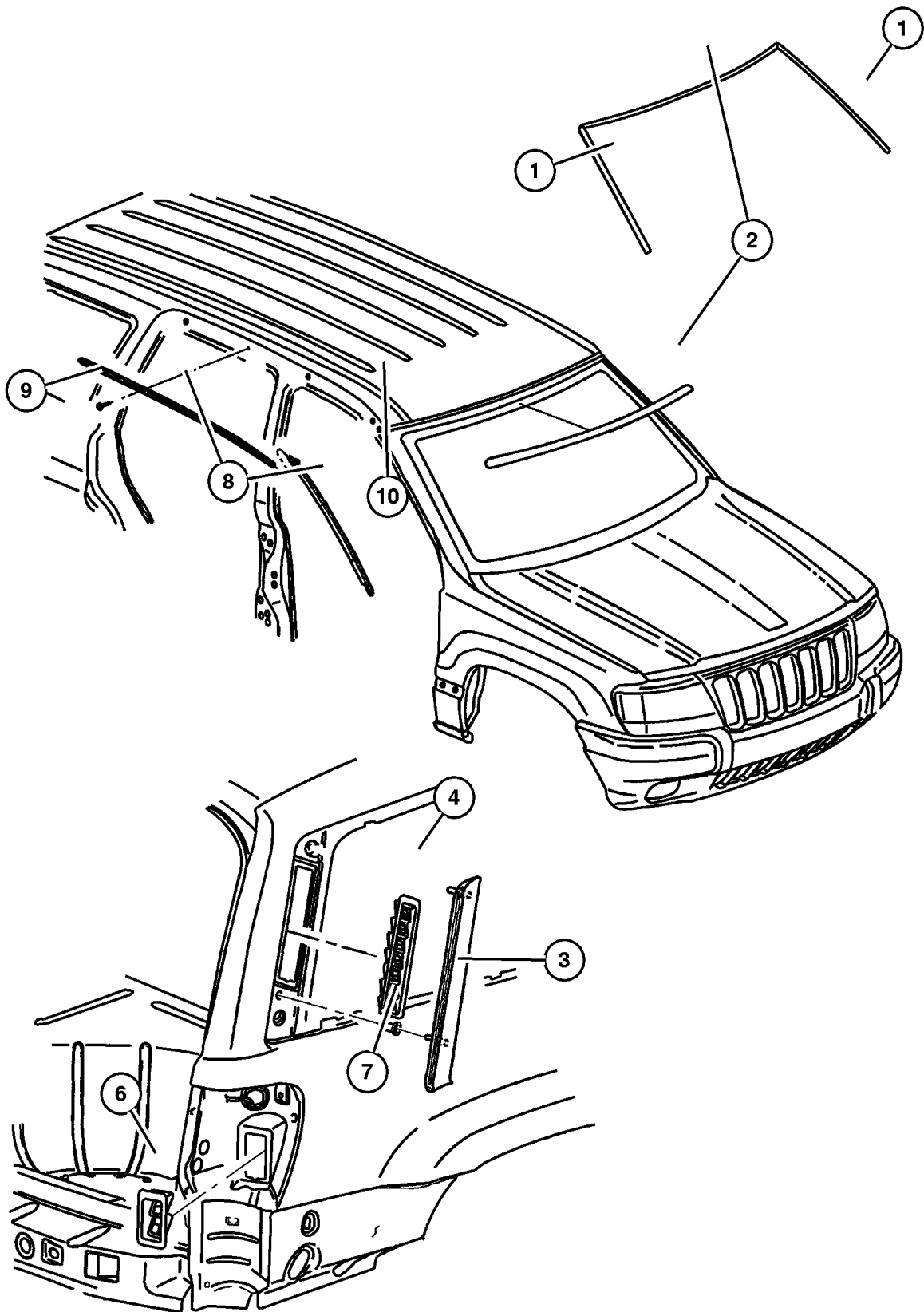
**Moldings, Upper
Figure EWJ-210**

ITEM	PART NUMBER	QTY	LINE	SERIES	BODY	ENGINE	TRANS	TRIM	DESCRIPTION
1									MOLDING, Windshield
	55136 902AA	1							Right
	55136 903AA	1							Left
2	55135 592AB	1							MOLDING, Windshield, Upper
3									APPLIQUE, D Pillar
	5EZ20 DX8AB	1							Black Clear Coat, Right
	5EZ20 GW7AB	1							Bright White Clear Coat, Right
	5EZ20 MS4AB	1							Bright Platinum Metallic, Right
	5EZ20 PR4AB	1							Flame Red, Right
	5EZ20 SW1AB	1							Stone White Clear Coat, Right
	5EZ20 TCNAB	1							Deep Amethyst, Right
	5EZ20 TTKAB	1							Taupe Frost, Right
	5EZ20 VAWAB	1							Deep Slate, Right
	5EZ20 VTEAB	1							Champagne Pearl Metallic, Right
	5EZ20 WPTAB	1							Everglade Pearl Coat, Right
	5EZ20 WTHAB	1							Champagne Pearl Coat, Right
	5EZ20 WULAB	1							Sienna Pearl Coat, Right
	5EZ21 DX8AB	1							Black Clear Coat, Left
	5EZ21 MS4AB	1							Bright Platinum Metallic, Left
	5EZ21 GW7AB	1							Bright White Clear Coat, Left
	5EZ21 TCNAB	1							Deep Amethyst, Left
	5EZ21 PR4AB	1							Flame Red, Left
	5EZ21 SW1AB	1							Stone White Clear Coat, Left
	5EZ21 TTKAB	1							Taupe Frost, Left
	5EZ21 VAWAB	1							Deep Slate, Left
	5EZ21 VTEAB	1							Champagne Pearl Metallic, Left
	5EZ21 WPTAB	1							Everglade Pearl Coat, Left
	5EZ21 WTHAB	1							Champagne Pearl Coat, Left
	5EZ21 WULAB	1							Sienna Pearl Coat, Left
4									EXHAUSTER, Quarter Panel
	55136 278AF	1							After 12-14-98, Right
	55136 279AF	1							After 12-14-98, Left
	55136 278AE	1							Up To 12-14-98, Right
	55136 279AE	1							Up To 12-14-98, Left
-5									SHIELD, Water
	55137 013AA-	1							Up To 12-14-98, After Not Used, Left
	55137 012AA-	1							Up To 12-14-98, After Not Used, Right
6	55136 280AB	2							EXHAUSTER, Quarter Panel
7	6004 512	6							CLIP, D Pillar Exhauster
8									SEAL, Body Side
	55135 869AB	1							Right

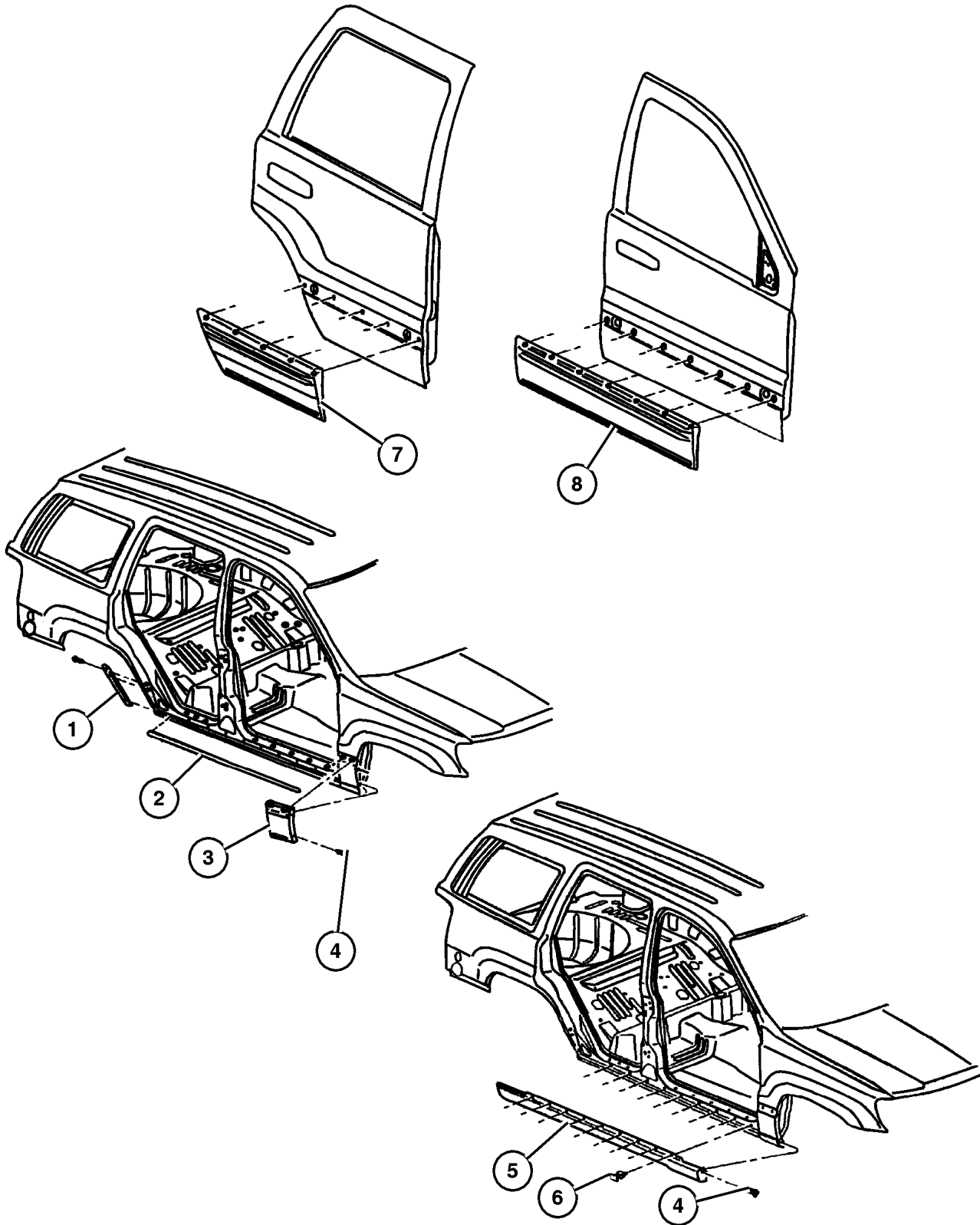
JEEP GRAND CHEROKEE (WJ)
 SERIES L = Grand Cherokee LINE J = 4WD T = 2WD U = 4WD (RHD) BODY 74 = 4 Door (105.9 WB) ENGINE ERH,ERO = 4.0L, Power Tech EVA,EVO = 4.7L, Power Tech EXA,EXO = 3.1L 5 cyl Turbo Diesel TRANSMISSION DGK = 4 Speed Autm, 42RE DG4 = Multi Speed Auto 45RFE DGW = 4 Speed Autom 44RE DGO = All Automatic

AR = Use as required - = Non illustrated part # = New this model year

September 15, 2005



Cladding and Sill Moldings Figure EWJ-220



ITEM	PART NUMBER	QTY	LINE	SERIES	BODY	ENGINE	TRANS	TRIM	DESCRIPTION
Note: Larado Cladding Colors, Order with Paint Codes. (Gray HS5= AW, BT, PT, R4, X8) (Brownstone VF7= S4, S5, TH, TK, UL, W1)									
1	5EY7 8HS5	1							CLADDING, Quarter Panel Dark Neutral Gray, Laredo, Right
	5EY7 8VF7	1							Dark Brownstone, Laredo, Right
	5EY7 9HS5	1							Dark Neutral Gray, Laredo, Left
	5EY7 9VF7	1							Dark Brownstone, Laredo, Left
	5EY8 8TZZ	1							Service Dealer Paint, Limited, Right
	5EY8 9TZZ	1							Service Dealer Paint, Limited, Left
2	5FX65 DX9AA	2							MOLDING, Sill Cover, Black, Limited
3	5EY2 6DX8	1							CLADDING, Fender Black Clear Coat, Limited, Right
	5EY2 6GW7	1							Bright White Clear Coat, Limited, Right
	5EY2 6MS4	1							Bright Platinum Metallic, Limited, Right
	5EY2 6PR4	1							Flame Red, Limited, Right
	5EY2 6SW1	1							Stone White Clear Coat, Limited, Right
	5EY2 6TCN	1							Deep Amethyst, Limited, Right
	5EY2 6TTK	1							Taupe Frost, Limited, Right
	5EY2 6VAW	1							Deep Slate, Limited, Right
	5EY2 6VTE	1							Champagne Pearl Metallic, Limited, Right
	5EY2 6WPT	1							Everglade Pearl Coat, Limited, Right
	5EY2 6WTH	1							Champagne Pearl Coat, Limited, Right
	5EY2 6WUL	1							Sienna Pearl Coat, Limited, Right
	5EY2 7DX8	1							Black Clear Coat, Limited, Left
	5EY2 7GW7	1							Bright White Clear Coat, Limited, Left
	5EY2 7MS4	1							Bright Platinum Metallic, Limited, Left
	5EY2 7PR4	1							Flame Red, Limited, Left
	5EY2 7SW1	1							Stone White Clear Coat, Limited, Left
	5EY2 7TCN	1							Deep Amethyst, Limited, Left
	5EY2 7TTK	1							Taupe Frost, Limited, Left
	5EY2 7VAW	1							Deep Slate, Limited, Left
	5EY2 7VTE	1							Champagne Pearl Metallic, Limited, Left
	5EY2 7WPT	1							Everglade Pearl Coat, Limited, Left

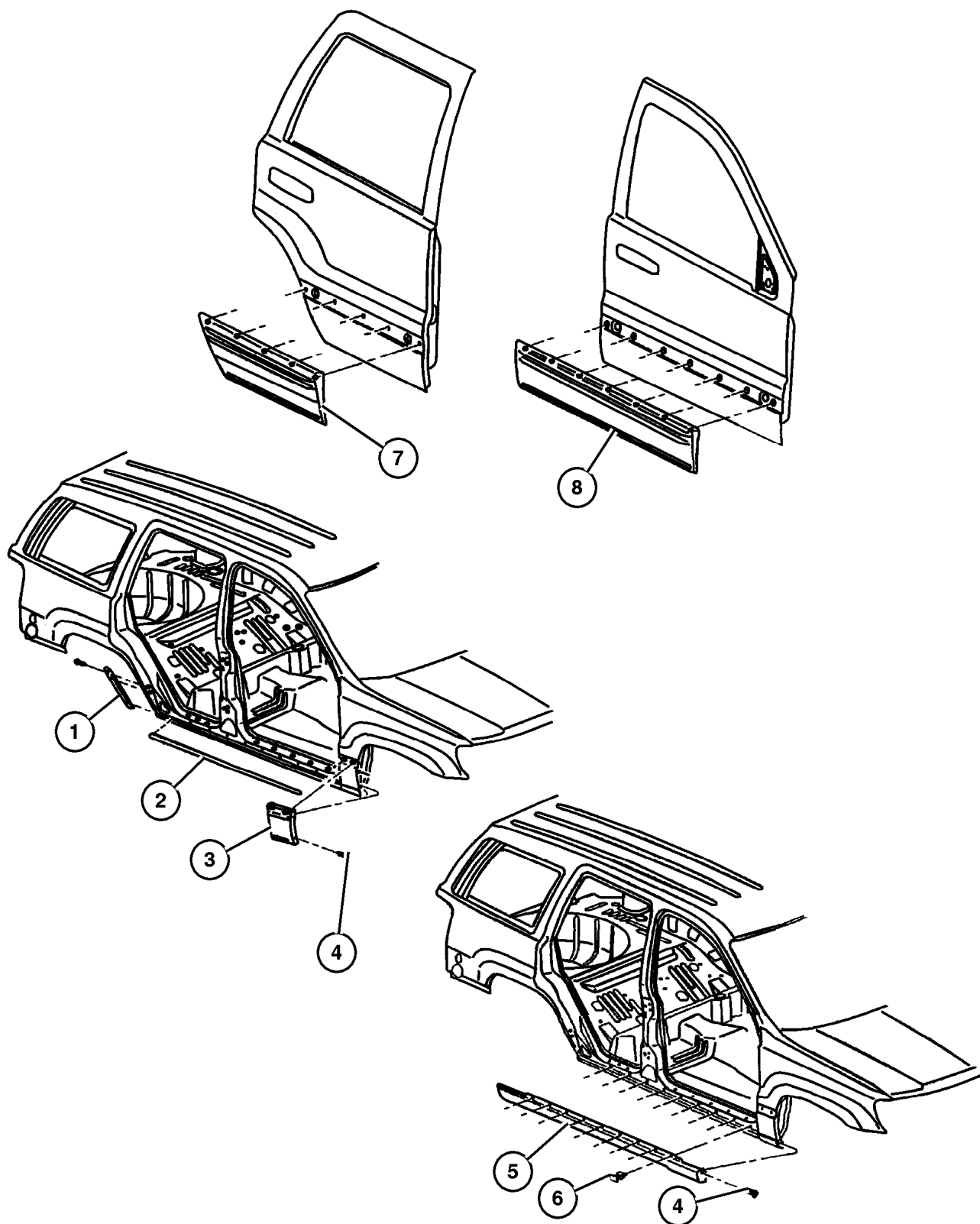
JEEP GRAND CHEROKEE (WJ)

SERIES	LINE	BODY	ENGINE	TRANSMISSION
L = Grand Cherokee	J = 4WD T = 2WD U = 4WD (RHD)	74 = 4 Door (105.9 WB)	ERH,ERO = 4.0L, Power Tech EVA,EVO = 4.7L, Power Tech EXA,EXO = 3.1L 5 cyl Turbo Diesel	DGK = 4 Speed Autm, 42RE DG4 = Multi Speed Auto 45RFE DGW = 4 Speed Autom 44RE DGO = All Automatic

AR = Use as required - = Non illustrated part # = New this model year

September 15, 2005

Cladding and Sill Moldings Figure EWJ-220



ITEM	PART NUMBER	QTY	LINE	SERIES	BODY	ENGINE	TRANS	TRIM	DESCRIPTION
	5EY2 7WTH	1							Champagne Pearl Coat, Limited, Left
	5EY2 7WUL	1							Sienna Pearl Coat, Limited, Left
	5FR1 6HS5	1							Dark Neutral Gray, Laredo, Right
	5FR1 6VF7	1							Dark Brownstone, Laredo, Right
	5FR1 7HS5	1							Dark Neutral Gray, Laredo, Left
	5FR1 7VF7	1							Dark Brownstone, Laredo, Left
	5015 766AA	1							Service Dealer Paint, Limited, Right
	5015 767AA	1							Service Dealer Paint, Limited, Left
4	6035 217	4							SCREW, Round Head, .164-18.5
5									MOLDING, Sill Cover
	5EY6 4HS5	1							Dark Neutral Gray, Laredo, Right
	5EY6 4VF7	1							Dark Brownstone, Laredo, Right
	5EY6 5HS5	1							Dark Neutral Gray, Laredo, Left
	5EY6 5VF7	1							Dark Brownstone, Laredo, Left
	5EY6 4HS5	1							[K5A]
	5EY6 4VF7	1							[K5K]
6	5FR5 6DX9	18							RETAINER
7									CLADDING, Rear Door
	5EY7 4HS5	1							Dark Neutral Gray, Laredo, Right
	5EY7 4VF7	1							Dark Brownstone, Laredo, Right
	5EY7 5HS5	1							Dark Neutral Gray, Laredo, Left
	5EY7 5VF7	1							Dark Brownstone, Laredo, Left
	5EY8 4DX8	1							Black Clear Coat, Laredo, Right
	5EY8 4GW7	1							Bright White Clear Coat, Limited, Right
	5EY8 4MS4	1							Bright Platinum Metallic, Limited, Right
	5EY8 4PR4	1							Flame Red, Limited, Right
	5EY8 4SW1	1							Stone White Clear Coat, Limited, Right
	5EY8 4TCN	1							Deep Amethyst, Limited, Right
	5EY8 4TTK	1							Taupe Frost, Limited, Right
	5EY8 4VAW	1							Deep Slate, Limited, Right
	5EY8 4VTE	1							Champagne Pearl Metallic, Limited, Right
	5EY8 4WPT	1							Everglade Pearl Coat, Limited, Right
	5EY8 4WTH	1							Champagne Pearl Coat, Limited, Right
	5EY8 4WUL	1							Sienna Pearl Coat, Limited, Right
	5EY8 5DX8	1							Black Clear Coat, Limited, Left

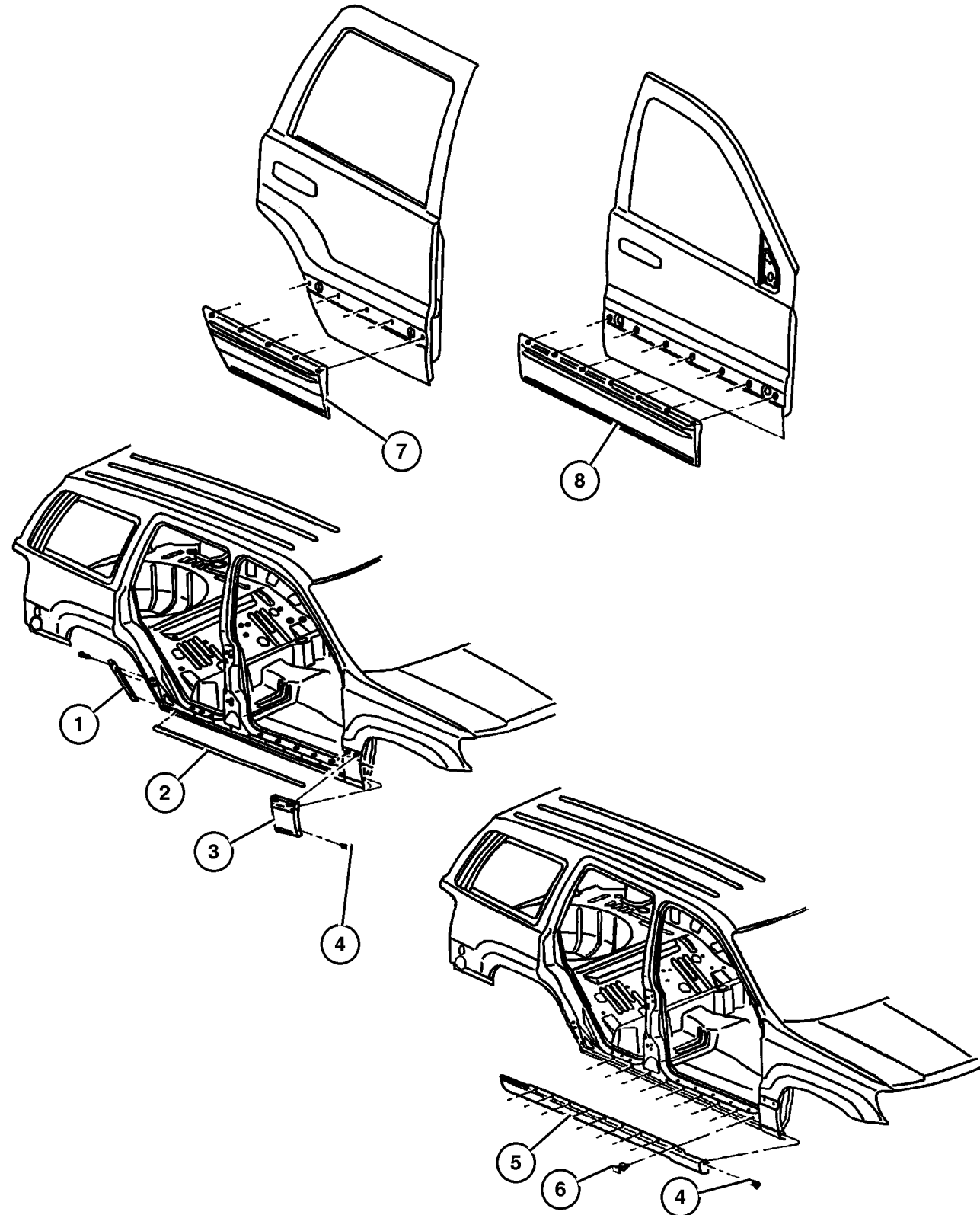
JEEP GRAND CHEROKEE (WJ)

SERIES	LINE	BODY	ENGINE	TRANSMISSION
L = Grand Cherokee	J = 4WD T = 2WD U = 4WD (RHD)	74 = 4 Door (105.9 WB)	ERH,ERO = 4.0L, Power Tech EVA,EVO = 4.7L, Power Tech EXA,EXO = 3.1L 5 cyl Turbo Diesel	DGK = 4 Speed Autm, 42RE DG4 = Multi Speed Auto 45RFE DGW = 4 Speed Autom 44RE DGO = All Automatic

AR = Use as required - = Non illustrated part # = New this model year

September 15, 2005

Cladding and Sill Moldings Figure EWJ-220



ITEM	PART NUMBER	QTY	LINE	SERIES	BODY	ENGINE	TRANS	TRIM	DESCRIPTION
	5EY8 5GW7	1							Bright White Clear Coat, Limited, Left
	5EY8 5MS4	1							Bright Platinum Metallic, Limited, Left
	5EY8 5PR4	1							Flame Red, Limited, Left
	5EY8 5SW1	1							Stone White Clear Coat, Limited, Left
	5EY8 5TCN	1							Deep Amethyst, Limited, Left
	5EY8 5TTK	1							Taupe Frost, Limited, Left
	5EY8 5VAW	1							Deep Slate, Limited, Left
	5EY8 5VTE	1							Champagne Pearl Metallic, Limited, Left
	5EY8 5WPT	1							Everglade Pearl Coat, Limited, Left
	5EY8 5WTH	1							Champagne Pearl Coat, Limited, Left
	5EY8 5WUL	1							Sienna Pearl Coat, Limited, Left
8									CLADDING, Front Door
	5EY5 2DX8	1							Black Clear Coat, Limited, Right
	5EY5 2GW7	1							Bright White Clear Coat, Limited, Right
	5EY5 2MS4	1							Bright Platinum Metallic, Limited, Right
	5EY5 2PR4	1							Flame Red, Limited, Right
	5EY5 2SW1	1							Stone White Clear Coat, Limited, Right
	5EY5 2TCN	1							Deep Amethyst, Limited, Right
	5EY5 2TTK	1							Taupe Frost, Limited, Right
	5EY5 2VAW	1							Deep Slate, Limited, Right
	5EY5 2VTE	1							Champagne Pearl Metallic, Limited, Right
	5EY5 2WPT	1							Everglade Pearl Coat, Limited, Right
	5EY5 2WTH	1							Champagne Pearl Coat, Limited, Right
	5EY5 2WUL	1							Sienna Pearl Coat, Limited, Right
	5EY5 3DX8	1							Black Clear Coat, Limited, Left
	5EY5 3GW7	1							Bright White Clear Coat, Limited, Left
	5EY5 3MS4	1							Bright Platinum Metallic, Limited, Left
	5EY5 3PR4	1							Flame Red, Limited, Left
	5EY5 3SW1	1							Stone White Clear Coat, Limited, Left

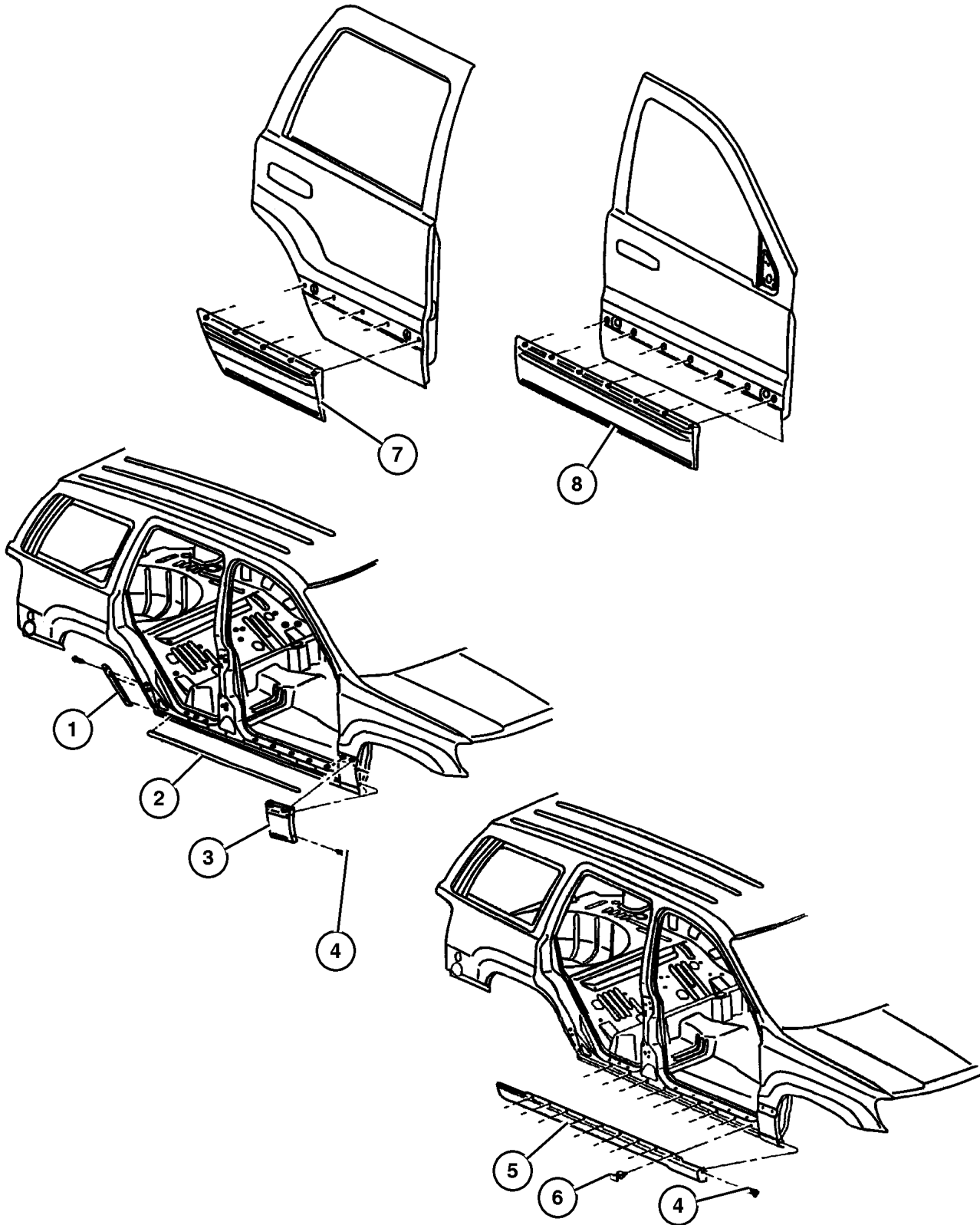
JEEP GRAND CHEROKEE (WJ)

SERIES	LINE	BODY	ENGINE	TRANSMISSION
L = Grand Cherokee	J = 4WD T = 2WD U = 4WD (RHD)	74 = 4 Door (105.9 WB)	ERH,ERO = 4.0L, Power Tech EVA,EVO = 4.7L, Power Tech EXA,EXO = 3.1L 5 cyl Turbo Diesel	DGK = 4 Speed Autm, 42RE DG4 = Multi Speed Auto 45RFE DGW = 4 Speed Autom 44RE DGO = All Automatic

AR = Use as required - = Non illustrated part # = New this model year

September 15, 2005

Cladding and Sill Moldings Figure EWJ-220



ITEM	PART NUMBER	QTY	LINE	SERIES	BODY	ENGINE	TRANS	TRIM	DESCRIPTION
	5EY5 3TCN	1							Deep Amethyst, Limited, Left
	5EY5 3TTK	1							Taupe Frost, Limited, Left
	5EY5 3VAW	1							Deep Slate, Limited, Left
	5EY5 3VTE	1							Champagne Pearl Metallic, Limited, Left
	5EY5 3WPT	1							Everglade Pearl Coat , Limited, Left
	5EY5 3WTH	1							Champagne Pearl Coat, Limited, Left
	5EY5 3WUL	1							Sienna Pearl Coat, Limited, Left
	5FR2 0HS5	1							Dark Neutral Gray, Laredo, Right
	5FR2 0VF7	1							Dark Brownstone, Laredo, Right
	5FR2 1HS5	1							Dark Neutral Gray, Laredo, Left
	5FR2 1VF7	1							Dark Brownstone, Laredo, Left
	5015 770AA	1							Service Dealer Paint, Limited, Right
	5015 771AA	1							Service Dealer Paint, Limited, Left

JEEP GRAND CHEROKEE (WJ)

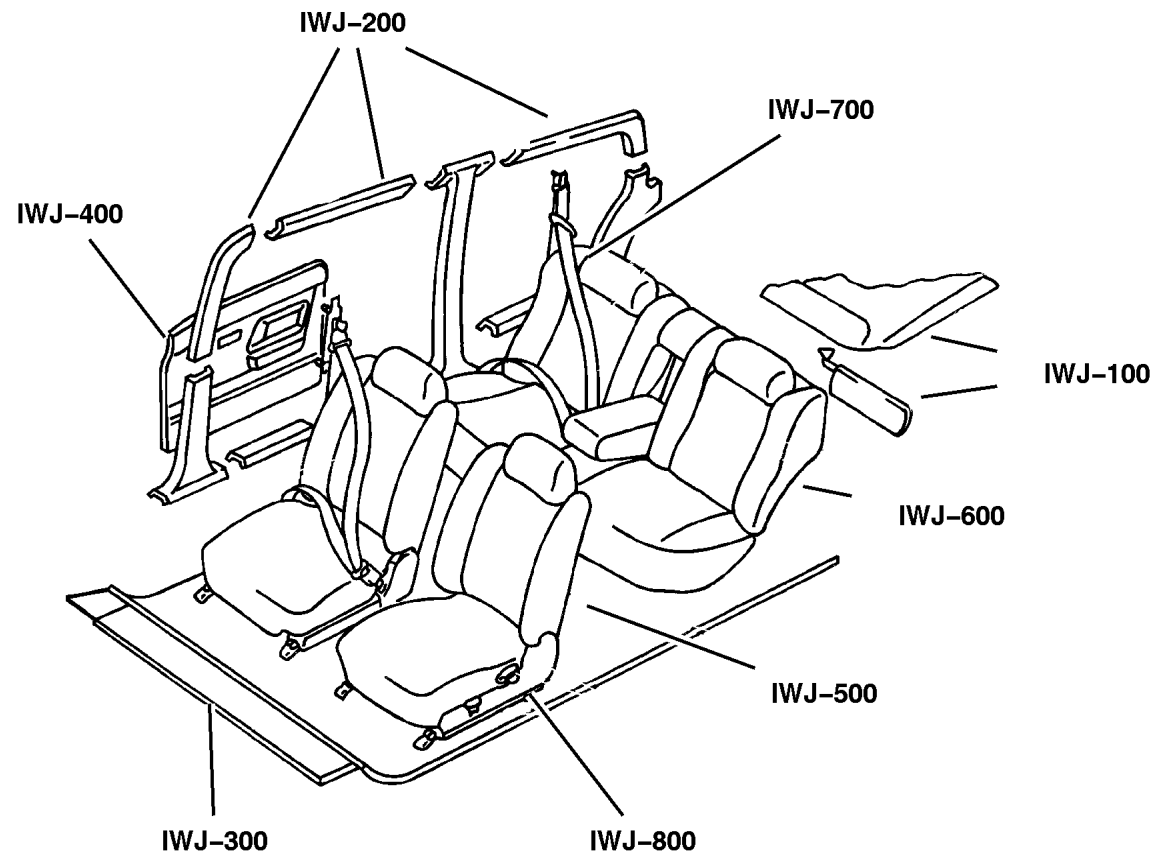
SERIES	LINE	BODY	ENGINE	TRANSMISSION
L = Grand Cherokee	J = 4WD T = 2WD U = 4WD (RHD)	74 = 4 Door (105.9 WB)	ERH,ERO = 4.0L, Power Tech EVA,EVO = 4.7L, Power Tech EXA,EXO = 3.1L 5 cyl Turbo Diesel	DGK = 4 Speed Autm, 42RE DG4 = Multi Speed Auto 45RFE DGW = 4 Speed Autom 44RE DGO = All Automatic

AR = Use as required - = Non illustrated part # = New this model year

September 15, 2005

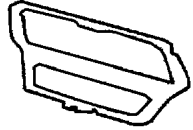
Group – IWJ

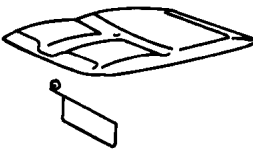
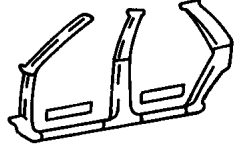
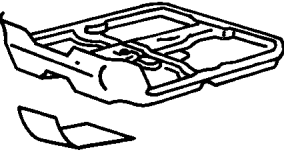
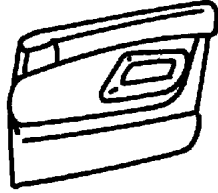

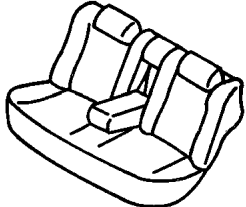
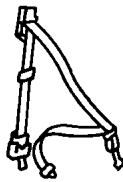
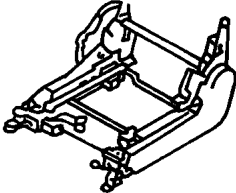
Interior Trim



Group – IWJ

Interior Trim

<p>IWJ-1000 Lift Gate Trim</p> 			
---	--	--	--

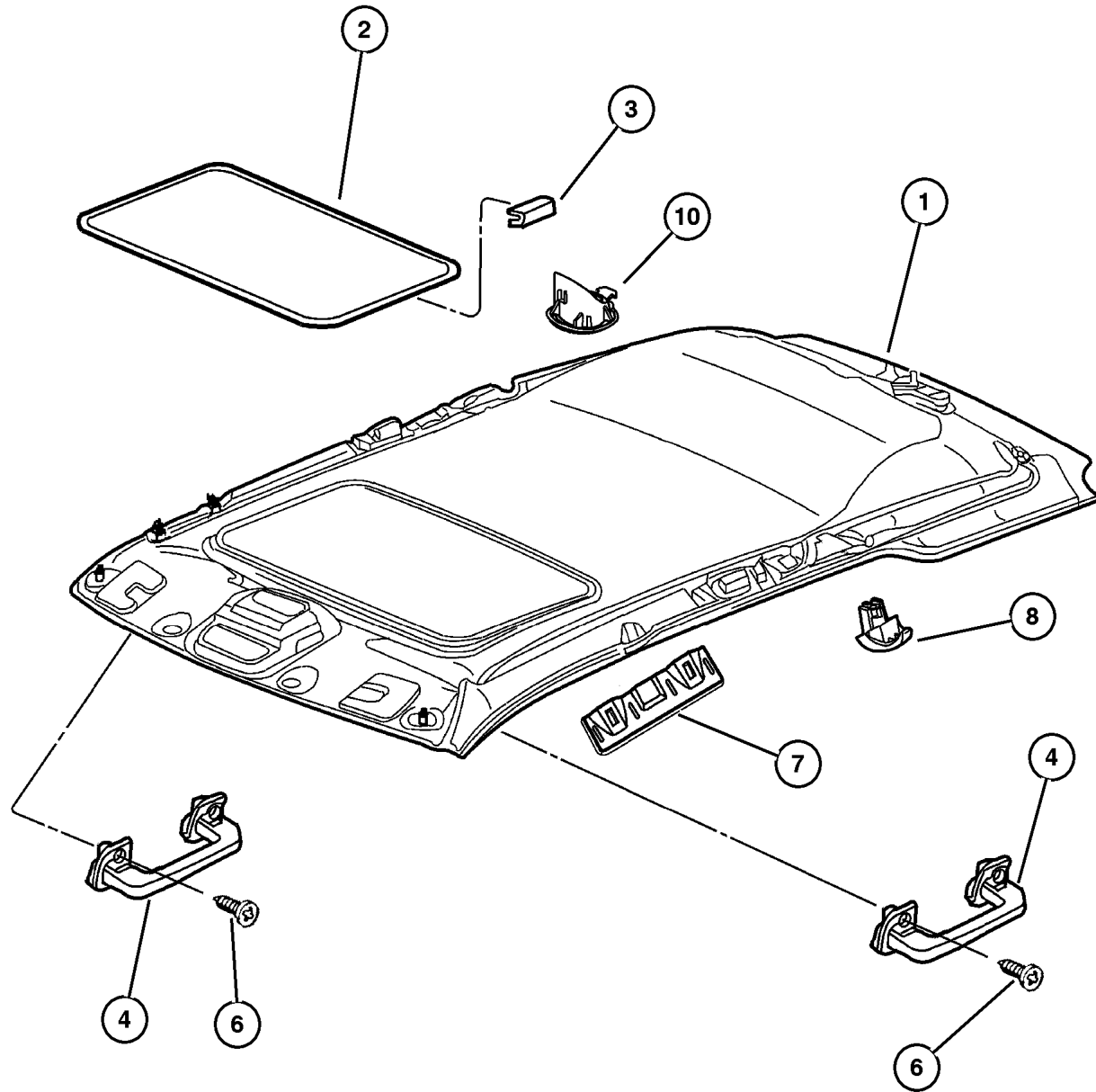
<p>IWJ-100 Headliner and Visor</p> 	<p>IWJ-200 Panel – Mouldings, Scuff Plates</p> 	<p>IWJ-300 Carpet</p> 	<p>IWJ-400 Door Trim Panels</p> 
<p>IWJ-500 Front Seats and Attaching Parts</p> 	<p>IWJ-600 Rear Seats and Attaching Parts</p> 	<p>IWJ-700 Seat Belts – Front and Rear</p> 	<p>IWJ-800 Adjusters, Covers, Shields and Risers</p> 

GROUP IWJ - Interior Trim

Illustration Title	Group-Fig. No.
Headliner and Visor	
Headliner and Assist Handle	Fig. IWJ-110
Sunvisor	Fig. IWJ-120
Panel - Mouldings, Scuff Plates	
Front Trim Panels and Scuff Plates	Fig. IWJ-210
Rear Trim Panels	Fig. IWJ-220
Carpet	
Carpet and Insulation	Fig. IWJ-310
Door Trim Panels	
Door Trim Panels	Fig. IWJ-410
Front Seats and Attaching Parts	
Front Seat, Cloth, Trim Code H7	Fig. IWJ-510
Front Seat, Leather, Trim Code [FL]	Fig. IWJ-520
Front Seat, Leather, Trim Code [DL]	Fig. IWJ-530
Front Seat, Leather, Trim Code [EL]	Fig. IWJ-540
Rear Seats and Attaching Parts	
Rear Seat, Trim Code H7	Fig. IWJ-610
Rear Seat, Trim Code FL	Fig. IWJ-620
Rear Seat, Trim Code DL	Fig. IWJ-630
Rear Seat, Trim Code EL	Fig. IWJ-640
Seat Belts - Front and Rear	
Front Seat	Fig. IWJ-710
Rear Seat Belt	Fig. IWJ-720
Adjusters, Covers, Shields and Risers	
Recliner and Adjusters	Fig. IWJ-810
Lift Gate Trim	
Liftgate Panel and Scuff Plate	Fig. IWJ-1010

Headliner and Assist Handle Figure IWJ-110

ITEM	PART NUMBER	QTY	LINE	SERIES	BODY	ENGINE	TRANS	TRIM	DESCRIPTION
1									HEADLINER
	5FS3 9TL2	1	J, T					O0	Light Neutral Beige, Without Overhead Console
	5FS4 3RK5	1	J, T					O0	Medium Camel, With Overhead Console
	5FS3 9RK5	1	J, T					O0	Medium Camel, Without Overhead Console
	5FS4 3TL2	1	J, T					O0	Light Neutral Beige, With Overhead Console
	5FS4 9RK5	1	J, T					O0	Medium Camel, With Overhead Console, Sunroof
	5FS4 9TL2	1	J, T					O0	Light Neutral Beige, With Overhead Console, Sunroof
	5GE18 TL2AA	1	U					O0	Light Neutral Beige, Without Overhead Console
	5GE19 RK5AA	1	U					O0	Medium Camel, With Overhead Console, Sunroof
	5GE18 RK5AA	1	U					O0	Medium Camel, Without Overhead Console
	5GE20 RK5AA	1	U					O0	Medium Camel, With Overhead Console
	5GE19 TL2AA	1	U					O0	Light Neutral Beige, With Overhead Console, Sunroof
	5GR04 TL2AA	1	J, T					O0	Light Neutral Beige, Laredo, Export
	5GR07 RK5AA	1	J, T					O0	Medium Camel, Limited With Sunroof, Export
	5GE20 TL2AA	1	U					O0	Light Neutral Beige, With Overhead Console
	5GR04 RK5AA	1	J, T					O0	Medium Camel, Laredo, Export
	5GR05 RK5AA	1	J, T					O0	Medium Camel, Limited Without Sunroof, Export
	5GR05 TL2AA	1	J, T					O0	Light Neutral Beige, Limited Without Sunroof, Export
	5GX24 RK5AA	1	U					O0	Medium Camel, AUSTRALIA Equipment Group, ABA, With Overhead Console And Child Tether
	5GX24 TL2AA	1	U					O0	Light Neutral Beige, AUSTRALIA Equipment Group, ABA With Overhead Console And Child Tether
	5GR07 TL2AA	1	J, T					O0	Light Neutral Beige, Limited With Sunroof, Export



JEEP GRAND CHEROKEE (WJ)

SERIES	LINE	BODY	ENGINE	TRANSMISSION
L = Grand Cherokee	J = 4WD T = 2WD U = 4WD (RHD)	74 = 4 Door (105.9 WB)	ERH,ERO = 4.0L, Power Tech EVA,EVO = 4.7L, Power Tech EXA,EXO = 3.1L 5 cyl Turbo Diesel	DGK = 4 Speed Autm, 42RE DG4 = Multi Speed Auto 45RFE DGW = 4 Speed Autom 44RE DGO = All Automatic

AR = Use as required - = Non illustrated part # = New this model year

September 15, 2005

Headliner and Assist Handle Figure IWJ-110

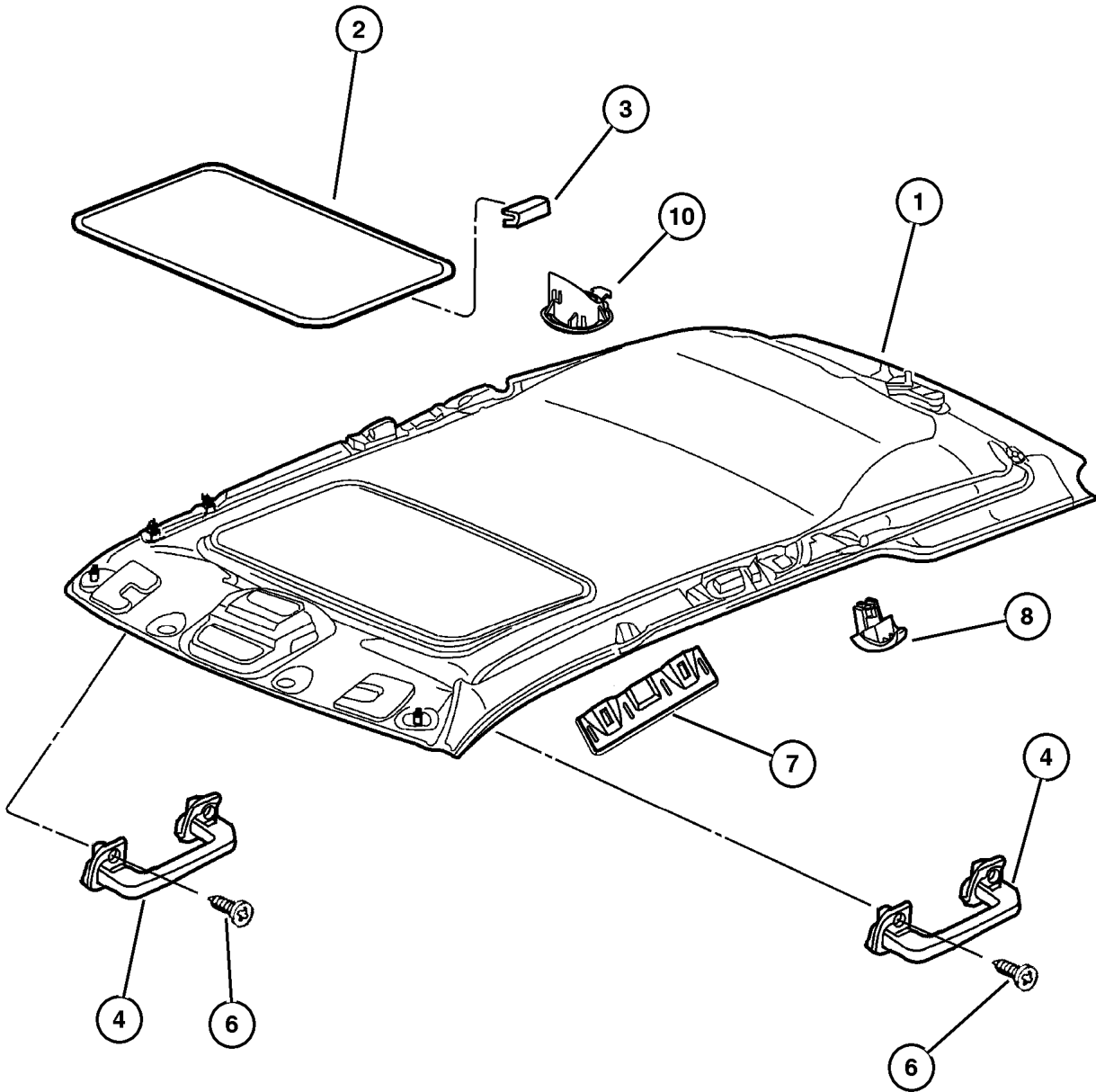
ITEM	PART NUMBER	QTY	LINE	SERIES	BODY	ENGINE	TRANS	TRIM	DESCRIPTION
	5GX23 RK5AA	1	U					O0	Medium Camel, AUSTRALIA Equipment Group, ABA, With Child Tether
	5GX23 TL2AA	1	U					O0	Light Neutral Beige, AUSTRALIA Equipment Group, ABA, With Child Tether
	5GX25 RK5AA	1	U					O0	Medium Camel, AUSTRALIA Equipment Group, ABA, With Overhead Console, Sunroof, And Child Tether
	5GX25 TL2AA	1	U					O0	Light Neutral Beige, AUSTRALIA Equipment Group, ABA, With Overhead Console, Sunroof, And Child Tether
2	5FW36 RK5AA	1						O0	WELT, Headliner Medium Camel
	5FW36 TL2AA	1						O0	Light Neutral Beige
3	5GD77 RK5AA	1						O0	RETAINER, Sunroof Welt Medium Camel
	5GD77 TL2AA	1						O0	Light Neutral Beige
4	5FS4 1RK5	1	J, T					O0	HANDLE, Roof Grab Medium Camel, Front Right
	5FS4 1TL2	1	J, T					O0	Medium Camel, Front Right Light Neutral Beige, Front Right
	5FS4 2RK5	1	J, T					O0	Light Neutral Beige, Front Right Medium Camel, Without Overhead Console, Rear Right
	5FS4 2TL2	1	J, T					O0	Light Neutral Beige, Without Overhead Console, Rear Right
	5FS6 0RK5	1	J, T					O0	Medium Camel, With Overhead Console, With Lamp, Rear Right
	5FS6 0TL2	1	J, T					O0	Medium Camel, With Overhead Console, With Lamp, Rear Right Light Neutral Beige, With Overhead Console, With Lamp, Rear Right
	5FS6 1RK5	1	U					O0	Light Neutral Beige, With Overhead Console, With Lamp, Rear Right Medium Camel, With Overhead Console, With Lamp, Rear Left
	5FS6 1TL2	1	J, T					O0	Light Neutral Beige, With Overhead Console, With Lamp, Rear Left
		1	U					O0	Light Neutral Beige, With Overhead Console, With Lamp, Rear Left

JEEP GRAND CHEROKEE (WJ)

SERIES	LINE	BODY	ENGINE	TRANSMISSION
L = Grand Cherokee	J = 4WD T = 2WD U = 4WD (RHD)	74 = 4 Door (105.9 WB)	ERH,ERO = 4.0L, Power Tech EVA,EVO = 4.7L, Power Tech EXA,EXO = 3.1L 5 cyl Turbo Diesel	DGK = 4 Speed Autm, 42RE DG4 = Multi Speed Auto 45RFE DGW = 4 Speed Autom 44RE DGO = All Automatic

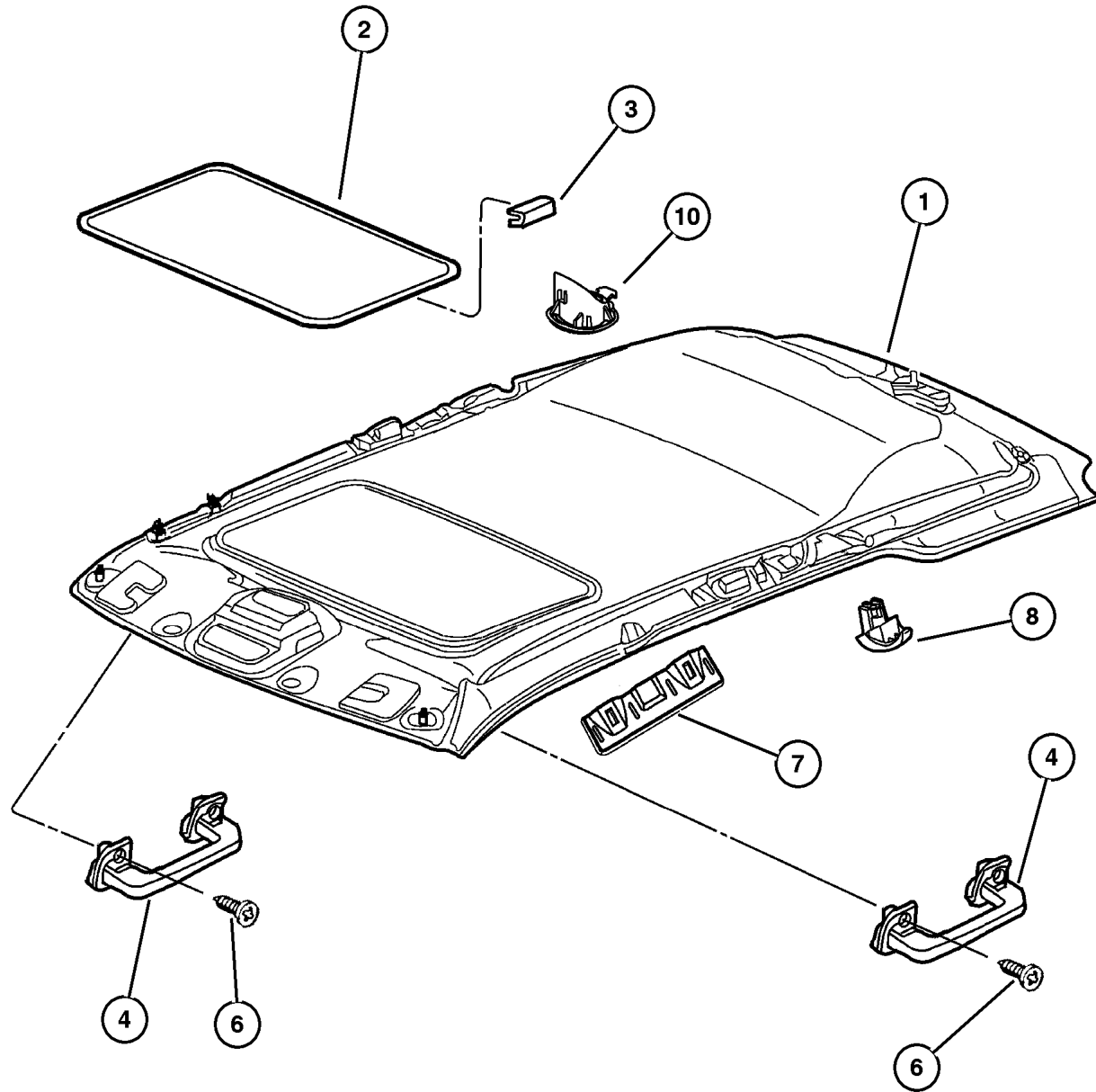
AR = Use as required - = Non illustrated part # = New this model year

September 15, 2005



Headliner and Assist Handle Figure IWJ-110

ITEM	PART NUMBER	QTY	LINE	SERIES	BODY	ENGINE	TRANS	TRIM	DESCRIPTION
	5FT0 2RK5	1	J, T					O0	Medium Camel, Without Overhead Console, With Lamp, Rear Left
	5FT0 2TL2	1	J, T					O0	Light Neutral Beige, Without Overhead Console, With Lamp, Rear Left
-5	5073 251AA-	8	U					O0	CLIP, Z-Axis, Grab Handle Attach
		8	J, T					O0	
6	6035 324	2	J, T					O0	SCREW, .164-18x.75
		2	U					O0	
7	55196 739AB	1	U						BRACKET, Grab Handle, Export HOOK, Coat
8	5FS5 2RK5	2	U					O0	Medium Camel
		2	J, T					O0	Medium Camel
	5FS5 2TL2	2	J, T					O0	Light Neutral Beige
		2	U					O0	Light Neutral Beige
-9	5016 132AA-	2	J, T					O0	CLIP, Headliner Mounting
		1	U					O0	'Z' Clip for Coat Hook Retention
10									BEZEL, tether anchor
	5GX26 RK5AA	1	U					O0	Medium Camel, Right
	5GX26 TL2AA	1	U					O0	Light Neutral Beige, Right
	5GX27 TL2AA	1	U					O0	Light Neutral Beige, Left
	5GX27 RK5AA	1	U					O0	Medium Camel, Left
-11	55196 862AA-	1	J, U						SPACER



JEEP GRAND CHEROKEE (WJ)

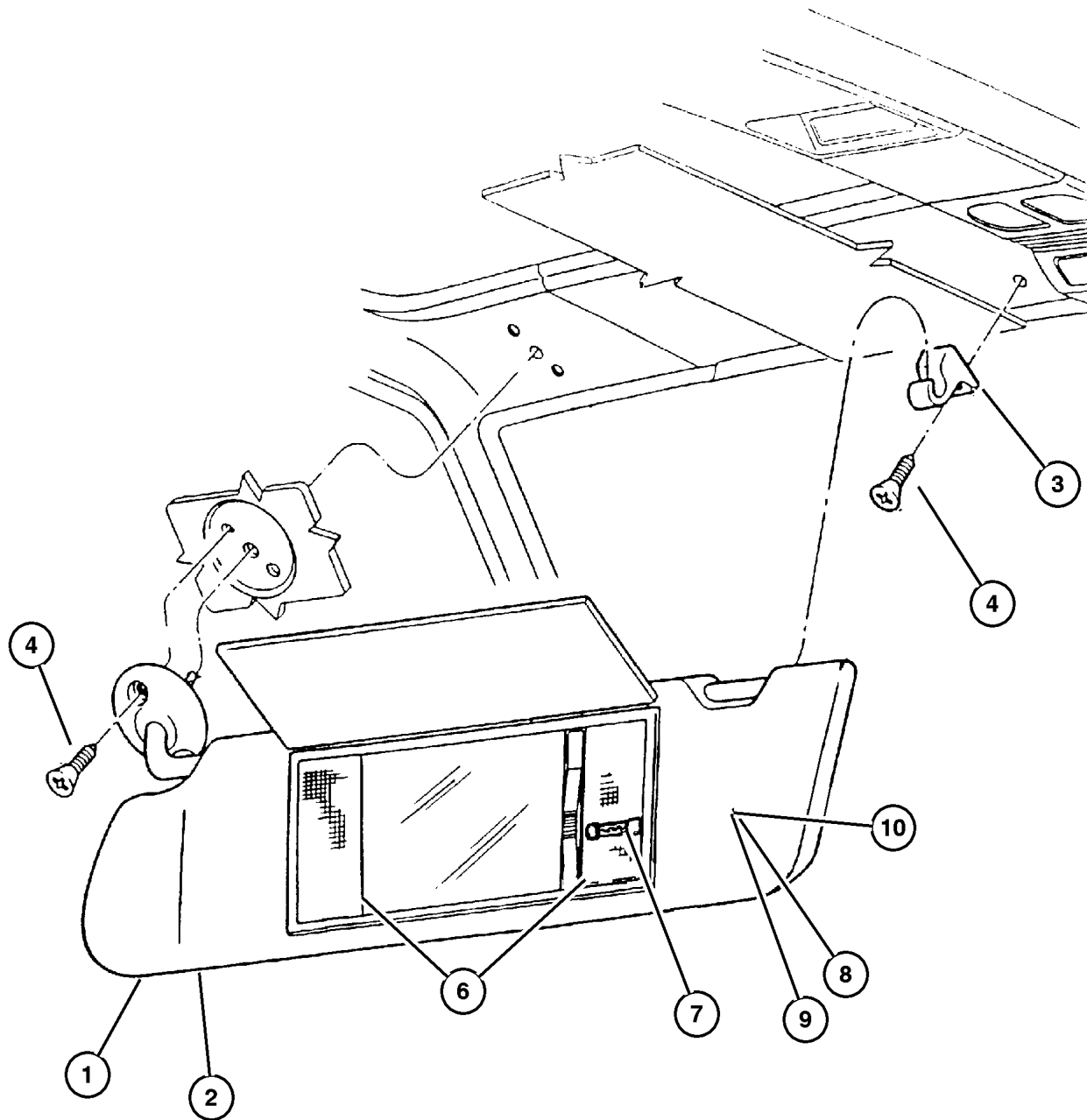
SERIES	LINE	BODY	ENGINE	TRANSMISSION
L = Grand Cherokee	J = 4WD T = 2WD U = 4WD (RHD)	74 = 4 Door (105.9 WB)	ERH,ERO = 4.0L, Power Tech EVA,EVO = 4.7L, Power Tech EXA,EXO = 3.1L 5 cyl Turbo Diesel	DGK = 4 Speed Autm, 42RE DG4 = Multi Speed Auto 45RFE DGW = 4 Speed Autom 44RE DGO = All Automatic

AR = Use as required - = Non illustrated part # = New this model year

September 15, 2005

**Sunvisor
Figure IWJ-120**

ITEM	PART NUMBER	QTY	LINE	SERIES	BODY	ENGINE	TRANS	TRIM	DESCRIPTION
1	VISOR, Illuminated								
	5FS58 RK5AB	1	J, T					O0	Camel, Right
	5FS58 TL2AB	1	J, T					O0	Neutral Beige, Right
	5FS59 RK5AB	1	J, T					O0	Camel, Left
	5FS59 TL2AB	1	J, T					O0	Neutral Beige, Left
	5GW52 TL2AA	1	U					O0	Neutral Beige, With Overhead Console, Right
	5GW52 RK5AA	1	U					O0	Camel, With Overhead Console, Right
	5GW53 TL2AA	1	U					O0	Neutral Beige, With Overhead Console, Left
	5GW53 RK5AA	1	U					O0	Camel, With Overhead Console, Left
2	VISOR, W/Mirror								
	5FS5 0RK5	1	J, T					O0	Camel, Right
	5FS5 0TL2	1	J, T					O0	Neutral Beige, Right
	5FS5 1RK5	1	J, T					O0	Camel, Left
	5GW50 RK5AA	1	U					O0	Camel, Without Overhead Console, Right
	5FS5 1TL2	1	J, T					O0	Neutral Beige, Left
	5GW50 TL2AA	1	U					O0	Neutral Beige, Without Overhead Console, Right
	5GW51 RK5AA	1	U					O0	Camel, Without Overhead Console, Left
	5GW51 TL2AA	1	U					O0	Neutral Beige, Without Overhead Console, Left
3	SUPPORT, Visor								
	5FS4 0RK5	2	J, T					O0	Camel
	5FS4 0TL2	2	J, T					O0	Neutral Beige
	5GH37 RK5AA	1	U					O0	Camel, With Sunroof, Export
		2	U					O0	Camel, Without Sunroof, Export
		1	J, T					O0	Camel, With Sunroof, Export
		2	J, T					O0	Camel, Without Sunroof, Export
	5GH37 TL2AA	2	J, T					O0	Neutral Beige, Without Sunroof, Export
		1	U					O0	Neutral Beige, With Sunroof, Export
		1	J, T					O0	Neutral Beige, With Sunroof, Export
2		U					O0	Neutral Beige, Without Sunroof, Export	
4	SCREW, .164-18x.75								



JEEP GRAND CHEROKEE (WJ)

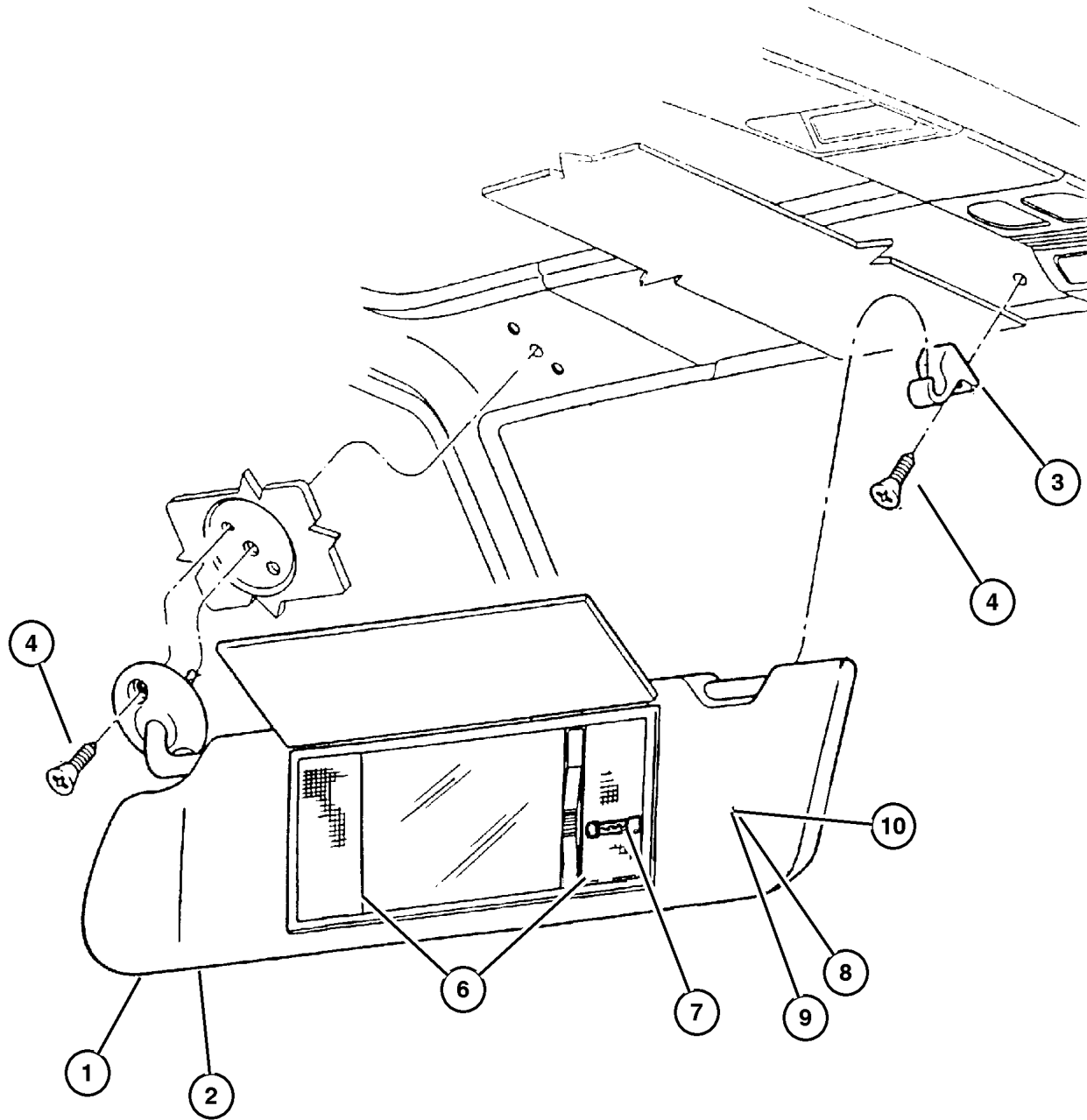
SERIES	LINE	BODY	ENGINE	TRANSMISSION
L = Grand Cherokee	J = 4WD T = 2WD U = 4WD (RHD)	74 = 4 Door (105.9 WB)	ERH,ERO = 4.0L, Power Tech EVA,EVO = 4.7L, Power Tech EXA,EXO = 3.1L 5 cyl Turbo Diesel	DGK = 4 Speed Autm, 42RE DG4 = Multi Speed Auto 45RFE DGW = 4 Speed Autom 44RE DGO = All Automatic

AR = Use as required - = Non illustrated part # = New this model year

September 15, 2005

Sunvisor Figure IWJ-120

ITEM	PART NUMBER	QTY	LINE	SERIES	BODY	ENGINE	TRANS	TRIM	DESCRIPTION
	6035 324	2	J, T					O0	
-5		2	U					O0	CLIP, Z-Axis, Visor & Grab Handle Attach
	5073 251AA-	8	U					O0	
6		8	J, T					O0	LENS, Illuminated Visor
	4778 794	1	U					O0	
		1	J, T					O0	
7									BULB, 74
	6501 966	1	J, T					O0	
		1	U					O0	
8	4787 437AA	2	J, T						LABEL, Air Bag Warning, English/ French, 5 Points
9									LABEL, Airbag Canada, Bi-Lingual
	55196 783AA	1	J, T						Canada, Closed Body Warning
	55196 784AA	1	J, T						
10	5200 8712	1							LABEL, Anti-lock Brake Operation, Drivers Side

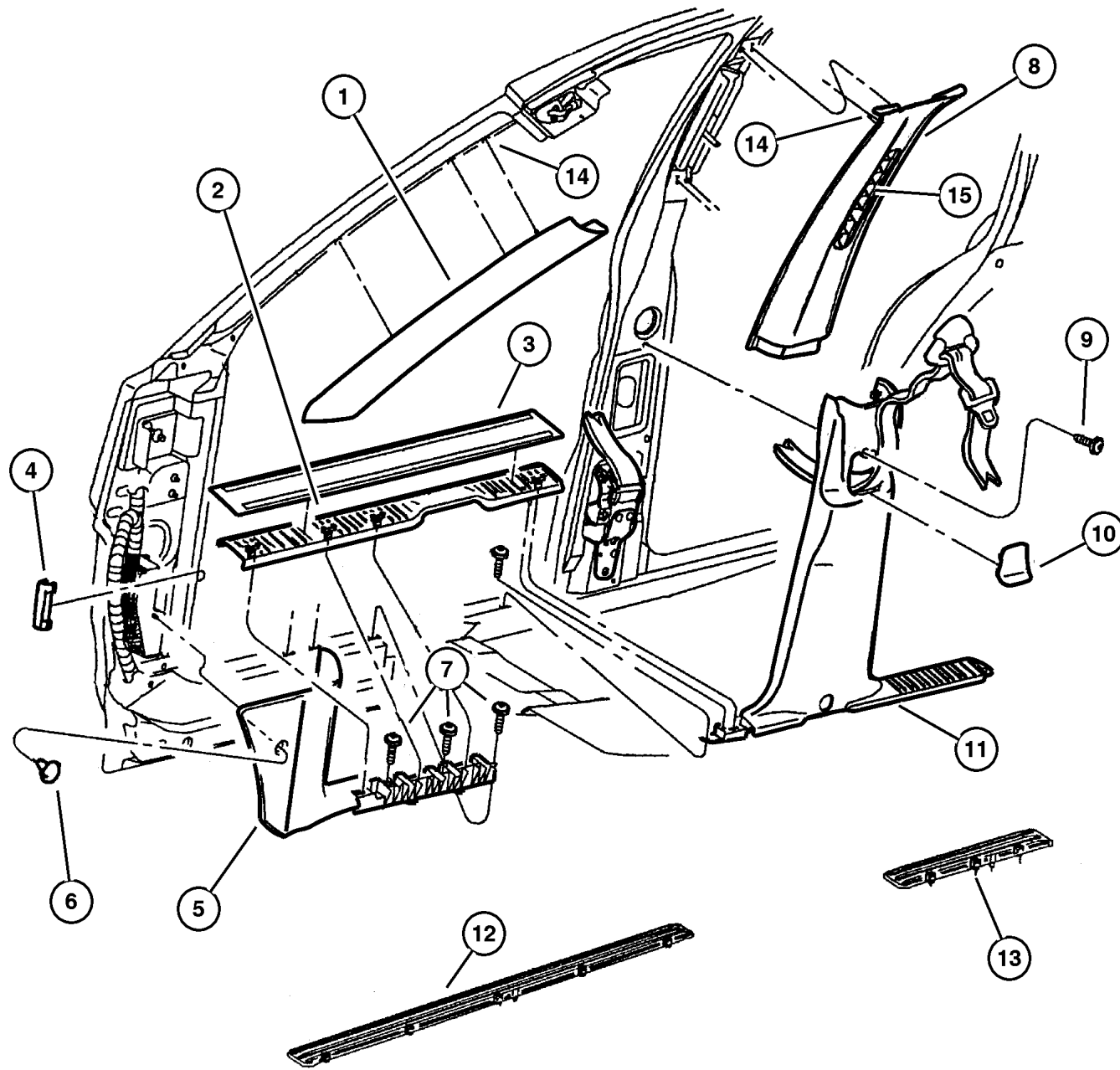


JEEP GRAND CHEROKEE (WJ)				
SERIES	LINE	BODY	ENGINE	TRANSMISSION
L = Grand Cherokee	J = 4WD T = 2WD U = 4WD (RHD)	74 = 4 Door (105.9 WB)	ERH,ERO = 4.0L, Power Tech EVA,EVO = 4.7L, Power Tech EXA,EXO = 3.1L 5 cyl Turbo Diesel	DGK = 4 Speed Autm, 42RE DG4 = Multi Speed Auto 45RFE DGW = 4 Speed Autom 44RE DGO = All Automatic

AR = Use as required - = Non illustrated part # = New this model year

September 15, 2005

Front Trim Panels and Scuff Plates
Figure IWJ-210



ITEM	PART NUMBER	QTY	LINE	SERIES	BODY	ENGINE	TRANS	TRIM	DESCRIPTION
1									MOLDING, Windshield Garnish
	5FA5 2LAZ	1						O0	Agate, Right
	5FA5 2VK9	1						O0	Dark Tan, Right
	5FA5 2WL8	1						O0	Dark Taupe, Right
	5FA5 3LAZ	1						O0	Agate, Left
	5FA5 3VK9	1						O0	Dark Tan, Left
	5FA5 3WL8	1						O0	Dark Taupe, Left
2									SILL COVER, Interior
	5FX10 LAZAA	1						O0	Agate, Right
	5FX10 RK5AA	1						O0	Dark Tan, Right
	5FX10 WL5AA	1						O0	Dark Taupe, Right
	5FX11 LAZAA	1						O0	Agate, Left
	5FX11 RK5AA	1						O0	Dark Tan, Left
	5FX11 WL5AA	1						O0	Dark Taupe, Left
3									PROTECTOR, Door Opening, (NOT SERVICED) (Not Serviced)
4	5535 0292	2							CLIP, Trim Panel
5									PANEL, Cowl
	5FA60 LAZAB	1	J, T					O0	Agate, Up to 1-29-99, Right
	5FA60 RK5AB	1	J, T					O0	Dark Tan, Up to 1-29-99, Right
	5FA60 WL5AB	1	J, T					O0	Dark Taupe, Up to 1-29-99, Right
	5FA60 LAZAD	1	J, T					O0	Agate, After 1-29-99, Right
	5FA60 RK5AD	1	J, T					O0	Dark Tan, After 1-29-99, Right
	5FA60 WL5AD	1	J, T					O0	Dark Taupe, After 1-29-99, Right
	5FA61 LAZAB	1	J, T					O0	Agate, Up to 1-29-99, Left
	5FA61 RK5AB	1	J, T					O0	Dark Tan, Up to 1-29-99, Left
	5FA61 WL5AB	1	J, T					O0	Dark Taupe, Up to 1-29-99, Left
	5FA61 LAZAD	1	J, T					O0	Agate, After 1-29-99, Left
	5FA61 RK5AD	1	J, T					O0	Dark Tan, After 1-29-99, Left
	5FA61 WL5AD	1	J, T					O0	Dark Taupe, After 1-29-99, Left
	5GE22 LAZAA	1	U					O0	Agate, Up to 3-8-99, Right
	5GE22 RK5AA	1	U					O0	Dark Tan, Up to 3-8-99, Right
	5GE23 LAZAA	1	U					O0	Agate, Up to 3-8-99, Left
	5GE23 RK5AA	1	U					O0	Dark Tan, Up to 3-8-99, Left
	5GE26 LAZAC	1	U					O0	Agate, After 3-8-99, Right
	5GE26 RK5AC	1	U					O0	Dark Tan, After 3-8-99, Right
	5GE27 LAZAB	1	U					O0	Agate, After 3-8-99, Left
	5GE27 RK5AB	1	U					O0	Dark Tan, After 3-8-99, Left
6	6503 339	2							NUT, Plastic
7									SCREW, .164-18x.625, (NOT SERVICED) (Not Serviced)
8									PANEL, B Pillar

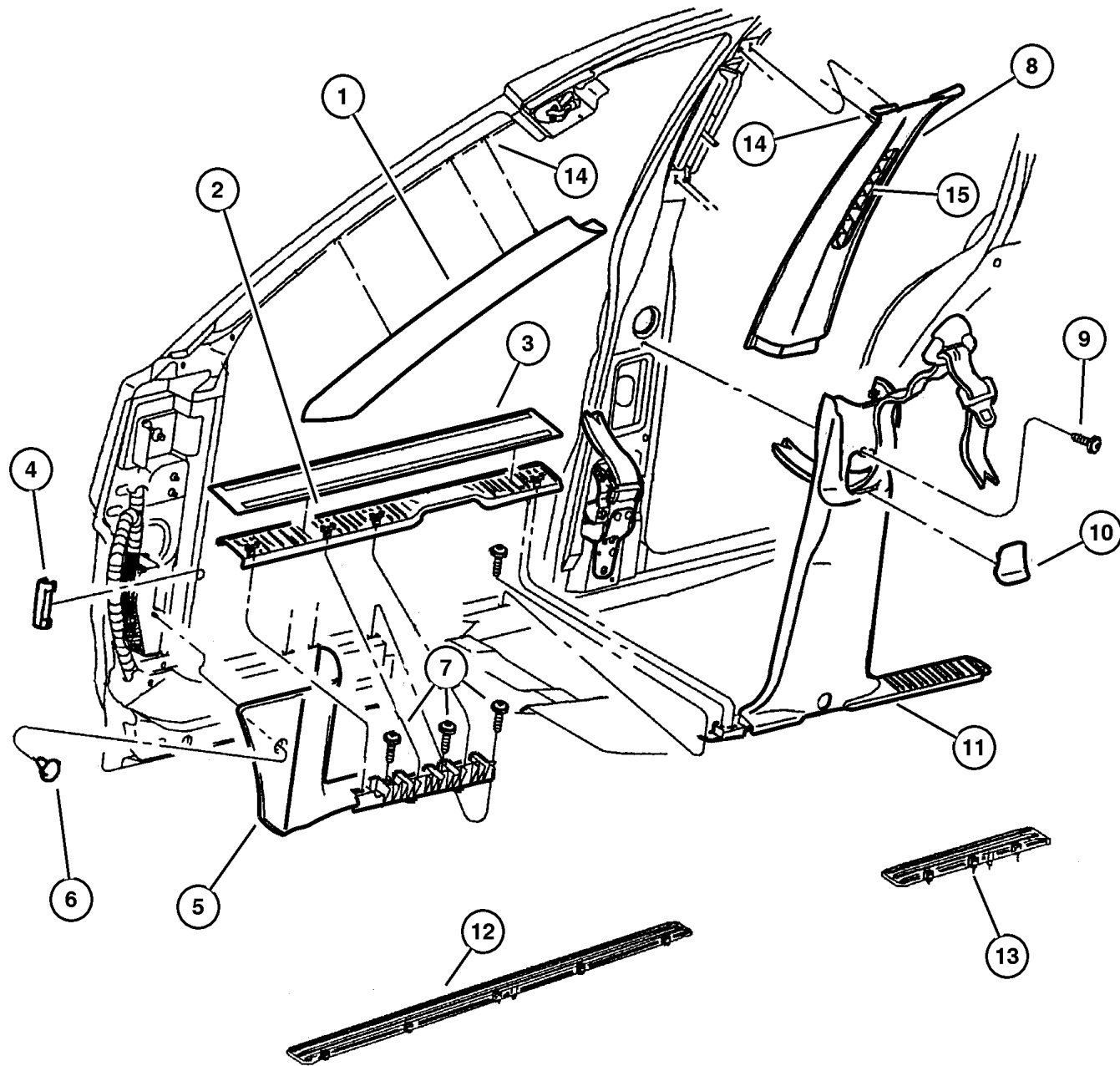
JEEP GRAND CHEROKEE (WJ)

SERIES	LINE	BODY	ENGINE	TRANSMISSION
L = Grand Cherokee	J = 4WD T = 2WD U = 4WD (RHD)	74 = 4 Door (105.9 WB)	ERH,ERO = 4.0L, Power Tech EVA,EVO = 4.7L, Power Tech EXA,EXO = 3.1L 5 cyl Turbo Diesel	DGK = 4 Speed Autm, 42RE DG4 = Multi Speed Auto 45RFE DGW = 4 Speed Autom 44RE DGO = All Automatic

AR = Use as required - = Non illustrated part # = New this model year

September 15, 2005

Front Trim Panels and Scuff Plates
Figure IWJ-210



ITEM	PART NUMBER	QTY	LINE	SERIES	BODY	ENGINE	TRANS	TRIM	DESCRIPTION
	5FA5 6LAZ	1						O0	Agate, Upper,Right
	5FA5 6RK5	1						O0	Dark Taupe, Upper,Right
	5FA5 6WL5	1						O0	Dark Tan, Upper,Right
	5FA5 7LAZ	1						O0	Agate, Upper,Left
	5FA5 7RK5	1						O0	Dark Taupe, Upper,Left
	5FA5 7WL5	1						O0	Dark Tan, Upper,Left
9	6032 723	2							SCREW, Self Tapping, M4.2x1.69x19.05
10									COVER, B Pillar Trim Panel
	5FP8 6LAZ	2						O0	Agate
	5FP8 6RK5	2						O0	Dark Tan
	5FP8 6WL5	2						O0	Dark Taupe
11									PANEL, B Pillar Lower Trim
	5FW54 LAZAA	1						O0	Agate, Right
	5FW54 RK5AA	1						O0	Dark Tan, Right
	5FW54 WL5AA	1						O0	Dark Taupe, Right
	5FW55 LAZAA	1						O0	Agate, Left
	5FW55 RK5AA	1						O0	Dark Tan, Left
	5FW55 WL5AA	1						O0	Dark Taupe, Left
12	5GH22 DX9AA	2						O0	PLATE, Front Door Scuff
13	5GH23 DX9AA	2						O0	PLATE, Rear Door Scuff
14	5521 4846	2						O0	CLIP, Trim Panel
15									ADJUSTER, Seat Belt Turning Loop, Slider, Also serviced in B Trim Panel, Item #8
	5FS1 9LAZ	1						O0	Agate
	5FS1 9RK5	1						O0	Medium Camel
	5FS1 9WL5	1						O0	Taupe
-16									PANEL, Quarter Trim
	5FA62 1AZAE-	1						O0	Agate
	5FA62 1K5AE-	1						O0	Camel
	5FA62 1L5AE-	1						O0	Taupe
	5FA62 1K5AE-	1						O0	

JEEP GRAND CHEROKEE (WJ)

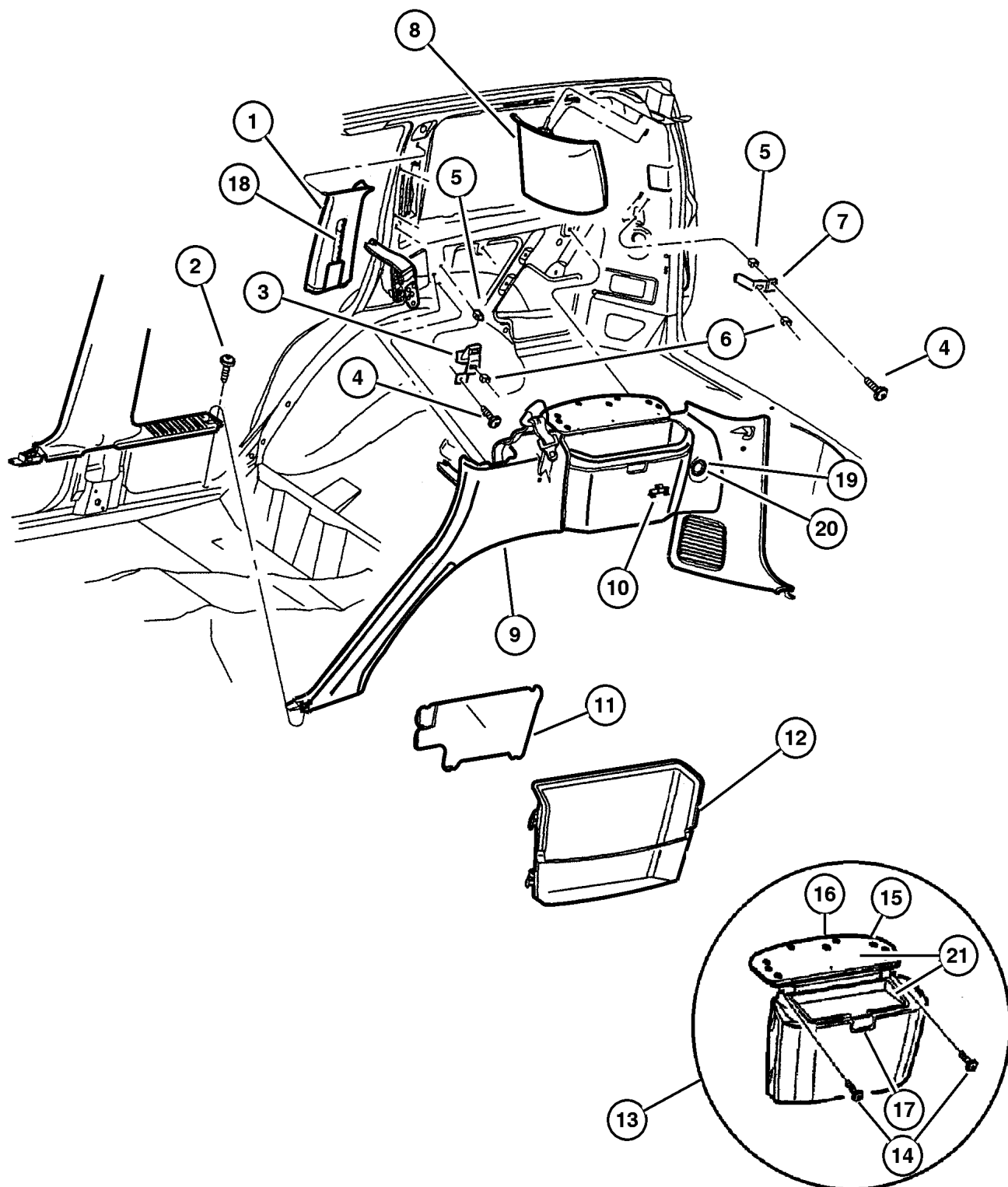
SERIES	LINE	BODY	ENGINE	TRANSMISSION
L = Grand Cherokee	J = 4WD T = 2WD U = 4WD (RHD)	74 = 4 Door (105.9 WB)	ERH,ERO = 4.0L, Power Tech EVA,EVO = 4.7L, Power Tech EXA,EXO = 3.1L 5 cyl Turbo Diesel	DGK = 4 Speed Autm, 42RE DG4 = Multi Speed Auto 45RFE DGW = 4 Speed Autom 44RE DGO = All Automatic

AR = Use as required - = Non illustrated part # = New this model year

September 15, 2005

Rear Trim Panels Figure IWJ-220

ITEM	PART NUMBER	QTY	LINE	SERIES	BODY	ENGINE	TRANS	TRIM	DESCRIPTION
1									PANEL, C Pillar
	5FA7 8WL5	1						O0	Dark Taupe, Upper,Right
	5FA7 9LAZ	1						O0	Agate, Upper,Left
	5FA7 8LAZ	1						O0	Agate, Upper,Right
	5FA7 8RK5	1						O0	Dark Tan, Upper,Right
	5FA7 9RK5	1						O0	Dark Tan, Upper,Left
	5FA7 9WL5	1						O0	Dark Taupe, Upper,Left
2									SCREW, .164-18x.625, (NOT SERVICED) (Not Serviced)
3	55196 742AB	2							BRACKET, Quarter Trim, Front
4	0154 806	2							SCREW, Round Head, .164-15x1.00
5	6035 498	2							NUT, Spring Type, .164-7.5
6	6035 773	2							NUT
7	55196 744AB	2							BRACKET, Quarter Trim, Rear
8									PANEL, D Pillar Trim
	5FA7 2WL5	1						O0	Dark Taupe, Right
	5FA7 3LAZ	1						O0	Agate, Left
	5FA7 2LAZ	1						O0	Agate, Right
	5FA7 2RK5	1						O0	Dark Tan, Right
	5FA7 3RK5	1						O0	Dark Tan, Left
	5FA7 3WL5	1						O0	Dark Taupe, Left
9									PANEL, Quarter Trim
	5FA6 21L5	1						O0	Dark Taupe, Right
	5FA6 31AZ	1						O0	Agate, Left
	5FA6 21AZ	1						O0	Agate, Right
	5FA6 21K5	1						O0	Dark Tan, Right
	5FA6 31K5	1						O0	Dark Tan, Left
	5FA6 31L5	1						O0	Dark Taupe, Left
10	5521 5609	4							LOOP, Cargo Tie Down
11									COVER, Bolt
	5FY38 WL5AA	1						O0	Dark Taupe
	5FY38 LAZAA	1						O0	Agate
	5FY38 RK5AA	1						O0	Dark Tan
12									BIN, Storage
	5FS1 4LAZ	1						O0	Agate, Cover
	5FS1 4RK5	1						O0	Dark Tan, Cover
	5FS1 4WL5	1						O0	Dark Taupe, Cover
13									BIN, Storage
	5FW37 1K5AA	1						O0	Dark Tan, Quarter Panel
	5FW37 1AZAA	1						O0	Agate, Quarter Panel
	5FW37 1L5AA	1						O0	Dark Taupe, Quarter Panel
14									SCREW, .164-15X.500, (NOT SERVICED) (Not Serviced)

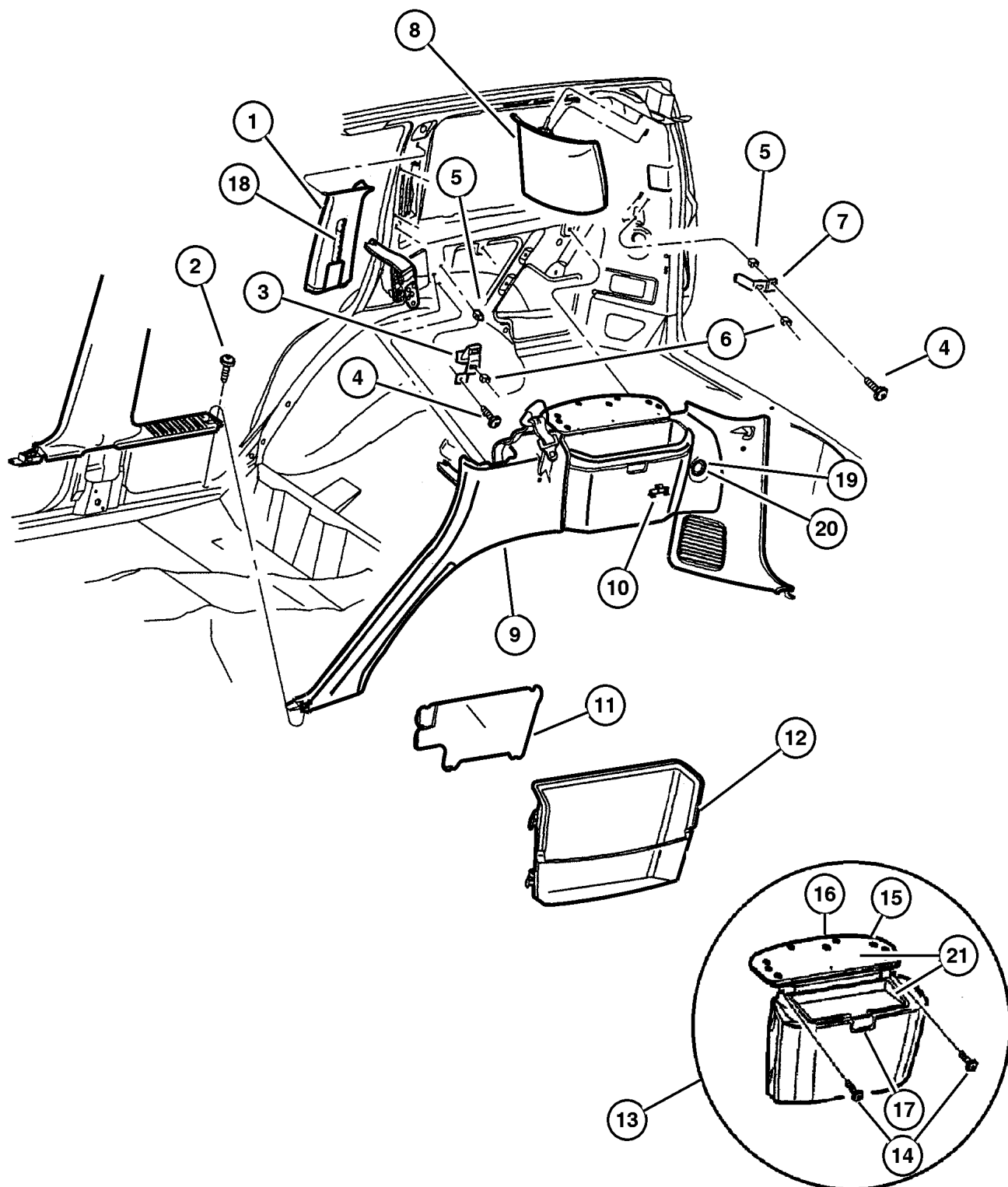


JEEP GRAND CHEROKEE (WJ)

SERIES	LINE	BODY	ENGINE	TRANSMISSION
L = Grand Cherokee	J = 4WD T = 2WD U = 4WD (RHD)	74 = 4 Door (105.9 WB)	ERH,ERO = 4.0L, Power Tech EVA,EVO = 4.7L, Power Tech EXA,EXO = 3.1L 5 cyl Turbo Diesel	DGK = 4 Speed Autm, 42RE DG4 = Multi Speed Auto 45RFE DGW = 4 Speed Autom 44RE DGO = All Automatic

Rear Trim Panels Figure IWJ-220

ITEM	PART NUMBER	QTY	LINE	SERIES	BODY	ENGINE	TRANS	TRIM	DESCRIPTION
15	4754 478	2						O0	BUMPER, Armrest Lid
16									DOOR
	5FS2 0LAZ	1						O0	Agate
	5FS2 0WL5	1						O0	Dark Taupe
	5FS2 0RK5	1						O0	Dark Tan
17	5519 6620	1						O0	LATCH, Storage Bin Lid
18									ADJUSTER, Seat Belt Turning Loop, Sider, Also sevised in Item #1
	5FS1 9RK5	1						O0	Medium Camel
	5FS1 9WL5	1						O0	Taupe
	5FS1 9LAZ	1						O0	Agate
19	4685 591	1							CAP, Cigar Lighter, Power Outlet, Rear
20	HX32 DX9AB	1						O0	PLUG, 12 V-Outlet
21	5FS21 DX9AB	1						O0	LID, Storage Bin



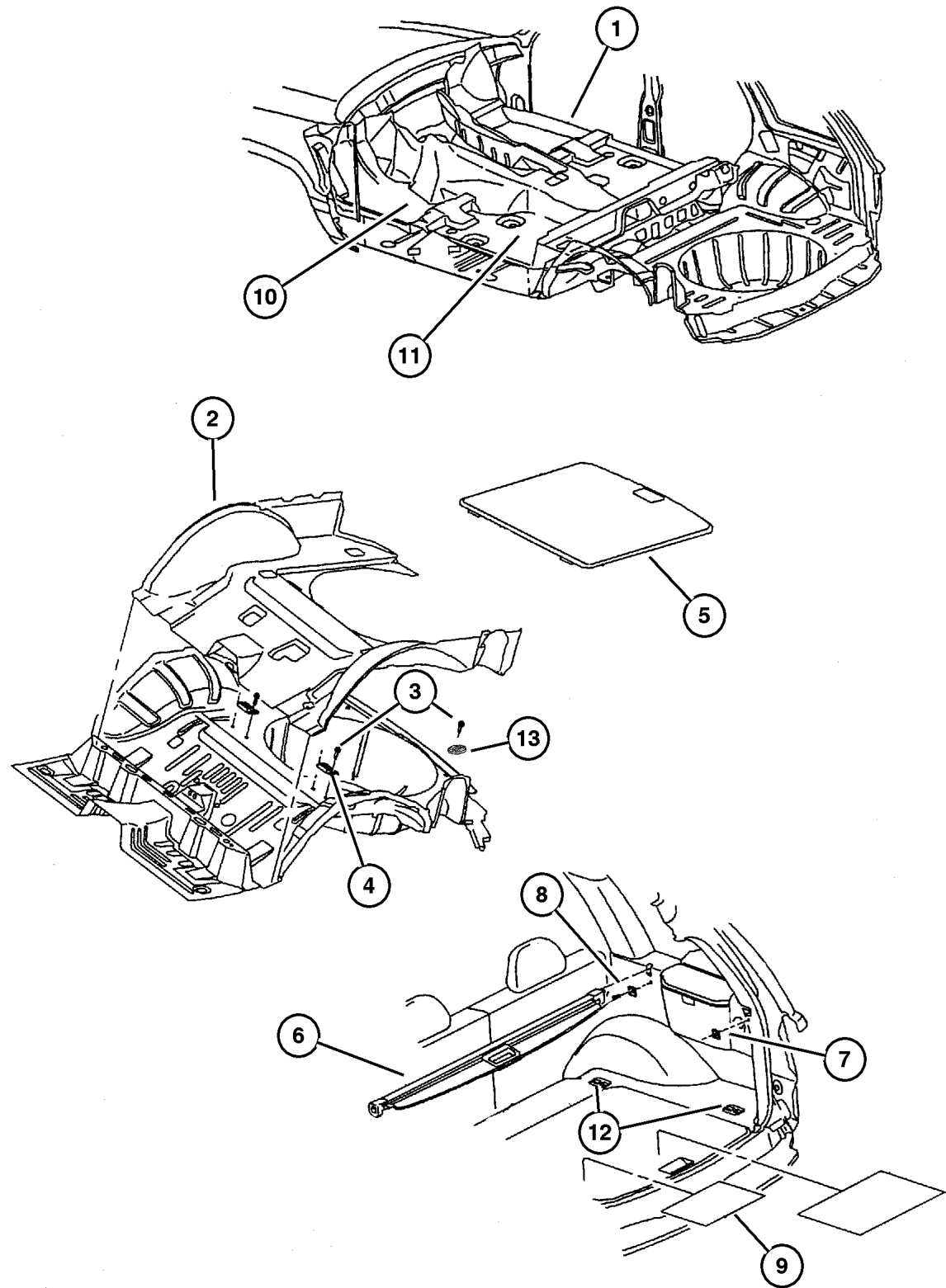
JEEP GRAND CHEROKEE (WJ)

SERIES	LINE	BODY	ENGINE	TRANSMISSION
L = Grand Cherokee	J = 4WD T = 2WD U = 4WD (RHD)	74 = 4 Door (105.9 WB)	ERH,ERO = 4.0L, Power Tech EVA,EVO = 4.7L, Power Tech EXA,EXO = 3.1L 5 cyl Turbo Diesel	DGK = 4 Speed Autm, 42RE DG4 = Multi Speed Auto 45RFE DGW = 4 Speed Autom 44RE DGO = All Automatic

AR = Use as required - = Non illustrated part # = New this model year

September 15, 2005

**Carpet and Insulation
Figure IWJ-310**



ITEM	PART NUMBER	QTY	LINE	SERIES	BODY	ENGINE	TRANS	TRIM	DESCRIPTION
1									CARPET, Front Floor
	5FA14 LAZAB	1	J, T					O0	Agate
	5FA14 VK9AB	1	J, T					O0	Dark Tan
	5GC66 VK9AA	1	J, T					O0	Dark Tan, Export
	5FA14 WL8AB	1	J, T					O0	Dark Taupe
	5FA2 0LAZ	1	U					O0	Agate, Export
	5FA2 0VK9	1	U					O0	Dark Tan, Export
	5GC66 LAZAA	1	J, T					O0	Agate, Export
2									CARPET, Cargo Floor
	5FS70 WL8AB	1	J, T					O0	Dark Taupe
	5GA92 LAZAA	1						O0	Agate, Export
	5FS70 LAZAB	1	J, T					O0	Agate
	5FS70 VK9AB	1	J, T					O0	Dark Tan
	5GA92 VK9AA	1						O0	Dark Tan, Export
3	6035 122	14							RIVET, .187x.70 Black
4	55196 748AA	2							BRACKET, Spare Tire, Hinge Cover
5									COVER, Spare Tire
	5FS83 1L8AB	1	J, T					O0	Black&Dark Taupe
	5FS83 1AZAB	1	J, T					O0	Black&Agate
	5FS83 1K9AB	1	J, T					O0	Black&Dark Tan
6									COVER, Cargo Compartment
	5FS2 71AZ	1						O0	Black&Agate
	5FS2 71K5	1						O0	Black&Medium Camel
	5FS2 71L5	1						O0	Black&Taupe
7	5521 5609	4							LOOP, Cargo Tie Down
8									SCREW, [.164-18x1.625], (NOT SERVICED) (Not Serviced)
9	55196 839AA	1							NET, Cargo
10									MAT KIT, Floor - Front
	8220 4402	1							Dark Taupe, Rubber
	8220 4409	1	J, T					O0	Agate, Carpeted With Jeep Logo
	8220 4410	1	J, T					O0	Dark Taupe, Carpeted With Jeep Logo
	8220 4400	1							Agate, Rubber
	8220 4401	1							Dark Tan, Rubber
	8220 4572	1							Dark Tan, Carpeted
	8220 4411	1	J, T					O0	Dark Tan, Carpeted With Jeep Logo
	8220 4570	1							Agate, Carpeted
	8220 4571	1							Dark Taupe, Carpeted
11									MAT KIT, Floor - Rear
	8220 4405	1							Dark Taupe, Rubber

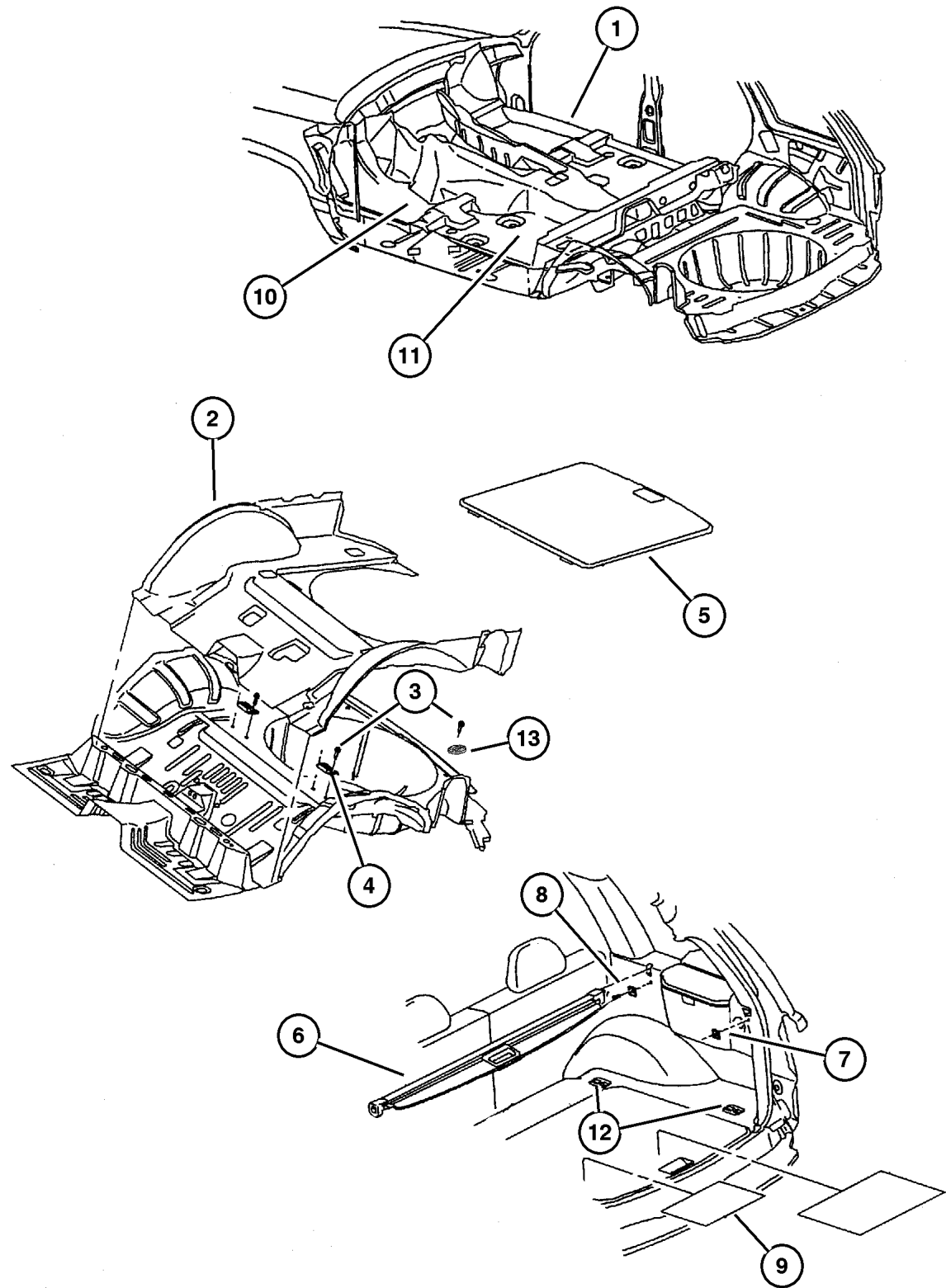
JEEP GRAND CHEROKEE (WJ)

SERIES	LINE	BODY	ENGINE	TRANSMISSION
L = Grand Cherokee	J = 4WD T = 2WD U = 4WD (RHD)	74 = 4 Door (105.9 WB)	ERH,ERO = 4.0L, Power Tech EVA,EVO = 4.7L, Power Tech EXA,EXO = 3.1L 5 cyl Turbo Diesel	DGK = 4 Speed Autm, 42RE DG4 = Multi Speed Auto 45RFE DGW = 4 Speed Autom 44RE DGO = All Automatic

AR = Use as required - = Non illustrated part # = New this model year

September 15, 2005

Carpet and Insulation
Figure IWJ-310



ITEM	PART NUMBER	QTY	LINE	SERIES	BODY	ENGINE	TRANS	TRIM	DESCRIPTION
	8220 4412	1	J, T					O0	Agate, Carpeted With Jeep Logo
	8220 4403	1							Agate, Rubber
	8220 4404	1							Dark Tan, Rubber
	8220 4413	1	J, T					O0	Dark Tan, Carpeted With Jeep Logo
	8220 4414	1	J, T					O0	Dark Taupe, Carpeted With Jeep Logo
	8220 4573	1							Agate, Carpeted
	8220 4574	1							Dark Taupe, Carpeted
	8220 4575	1							Dark Tan, Carpeted
12	5015 592AA	4	J, T					O0	LOOP, Cargo Tie Down
13	55196 832AA	2							RETAINER, Dual,Lock
-14									CLIP, Carpet
	55196 834AA-	1	U					O0	
		1	J, T					O0	

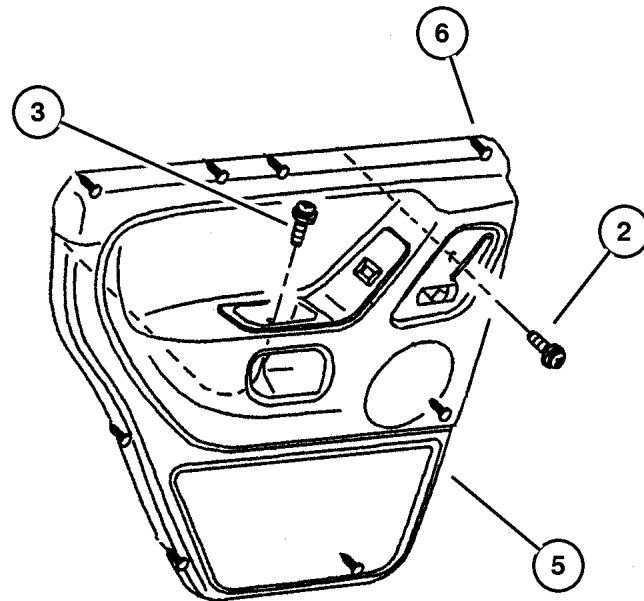
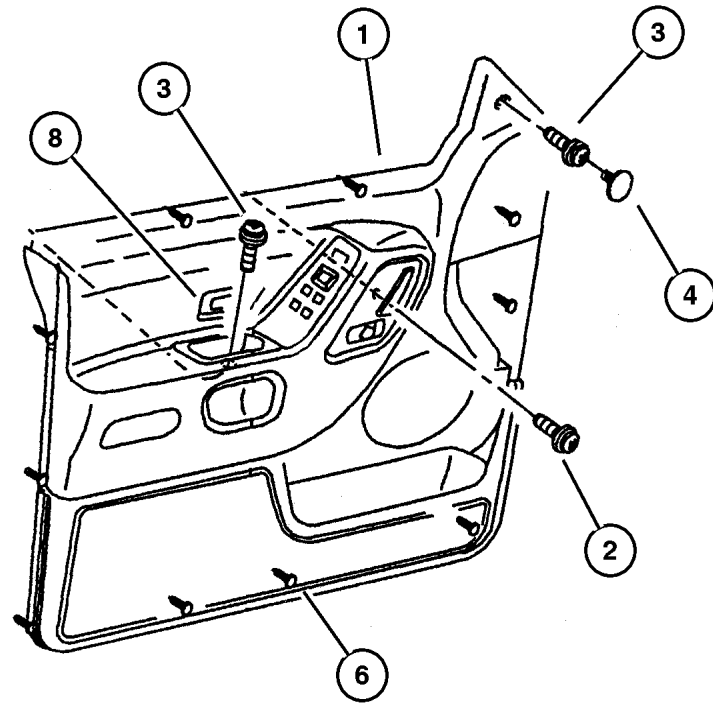
JEEP GRAND CHEROKEE (WJ)

SERIES	LINE	BODY	ENGINE	TRANSMISSION
L = Grand Cherokee	J = 4WD T = 2WD U = 4WD (RHD)	74 = 4 Door (105.9 WB)	ERH,ERO = 4.0L, Power Tech EVA,EVO = 4.7L, Power Tech EXA,EXO = 3.1L 5 cyl Turbo Diesel	DGK = 4 Speed Autm, 42RE DG4 = Multi Speed Auto 45RFE DGW = 4 Speed Autom 44RE DGO = All Automatic

AR = Use as required - = Non illustrated part # = New this model year

September 15, 2005

Door Trim Panels Figure IWJ-410



ITEM	PART NUMBER	QTY	LINE	SERIES	BODY	ENGINE	TRANS	TRIM	DESCRIPTION
1									PANEL, Front Door Trim
	SG06 1AZAA	1	J, T					O0	Agate, Laredo, With Infinity, Right
	SG06 1K5AA	1	J, T					O0	Camel, Laredo, With Infinity, Right
	SG06 1L5AA	1	J, T					O0	Taupe, Laredo, With Infinity, Right
	SG07 1AZAA	1	J, T					O0	Agate, Laredo, With Infinity, Left
	SG07 1K5AA	1	J, T					O0	Camel, Laredo, With Infinity, Left
	SG07 1L5AA	1	J, T					O0	Taupe, Laredo, With Infinity, Left
	SG14 1AZAA	1	J, T					O0	Agate, Limited, Right
	SG14 1K5AA	1	J, T					O0	Camel, Limited, Right
	SG14 1L5AA	1	J, T					O0	Taupe, Limited, Right
	SG15 1AZAA	1	J, T					O0	Agate, Limited, Left
	SG15 1K5AA	1	J, T					O0	Camel, Limited, Left
	SG15 1L5AA	1	J, T					O0	Taupe, Limited, Left
	SG16 1AZAA	1	J, T					O0	Agate, Laredo, Without Infinity, Right
	SG16 1K5AA	1	J, T					O0	Camel, Laredo, Without Infinity, Right
	SG16 1L5AA	1	J, T					O0	Taupe, Laredo, Without Infinity, Right
	SG17 1AZAA	1	J, T					O0	Agate, Laredo, Without Infinity, Left
	SG17 1K5AA	1	J, T					O0	Camel, Laredo, Without Infinity, Left
	SG17 1L5AA	1	J, T					O0	Taupe, Laredo, Without Infinity, Left
	SG18 1AZAA	1	U					O0	Agate, Limited, Right
	SG18 1K5AA	1	U					O0	Camel, Limited, Right
	SG19 1AZAA	1	U					O0	Agate, Limited, Left
	SG19 1K5AA	1	U					O0	Camel, Limited, Left
	SG22 1AZAA	1	U					O0	Agate, Laredo, Right
	SG22 1K5AA	1	U					O0	Camel, Laredo, Right
	SG23 1AZAA	1	U					O0	Agate, Laredo, Left
	SG23 1K5AA	1	U					O0	Camel, Laredo, Left
2									SCREW, [M5X0.8X16.00], (NOT SERVICED) (Not Serviced)
3									SCREW, [.164-18X1.00], (NOT SERVICED) (Not Serviced)
4									PLUG, Door Trim Panel
	5FC1 1LAZ	2						O0	Agate
	5FC1 1VK9	2						O0	Tan
	5FC1 1WL8	2						O0	Taupe
5									PANEL, Rear Door Trim
	SG24 1AZAA	1						O0	Agate, Laredo, Right
	SG24 1K5AA	1						O0	Camel, Laredo, Right

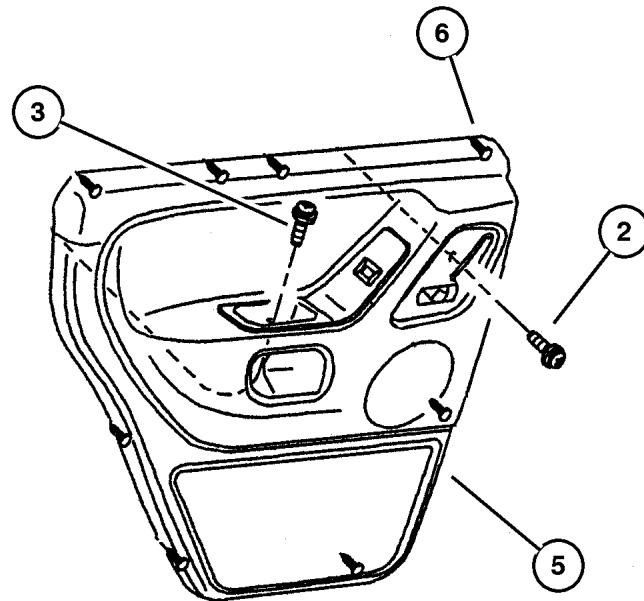
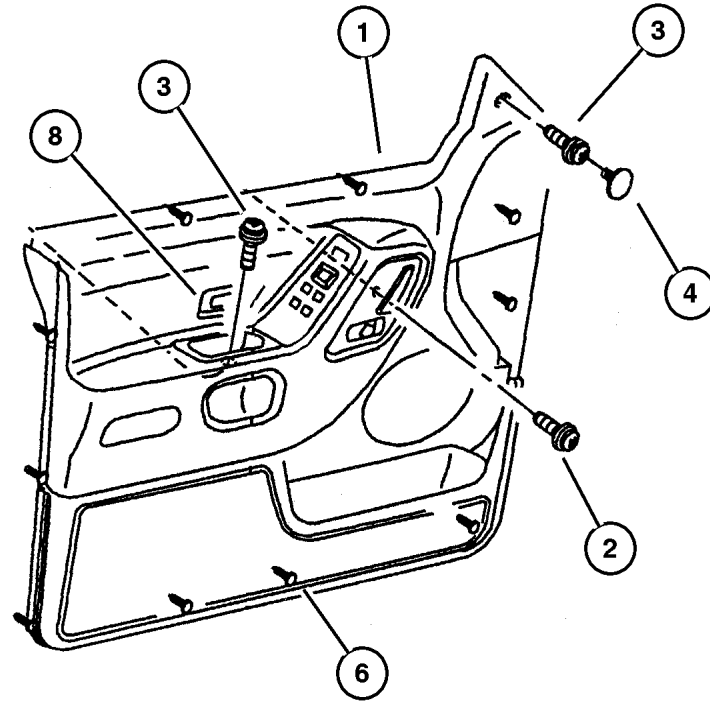
JEEP GRAND CHEROKEE (WJ)

SERIES	LINE	BODY	ENGINE	TRANSMISSION
L = Grand Cherokee	J = 4WD T = 2WD U = 4WD (RHD)	74 = 4 Door (105.9 WB)	ERH,ERO = 4.0L, Power Tech EVA,EVO = 4.7L, Power Tech EXA,EXO = 3.1L 5 cyl Turbo Diesel	DGK = 4 Speed Autm, 42RE DG4 = Multi Speed Auto 45RFE DGW = 4 Speed Autom 44RE DGO = All Automatic

AR = Use as required - = Non illustrated part # = New this model year

September 15, 2005

Door Trim Panels
Figure IWJ-410



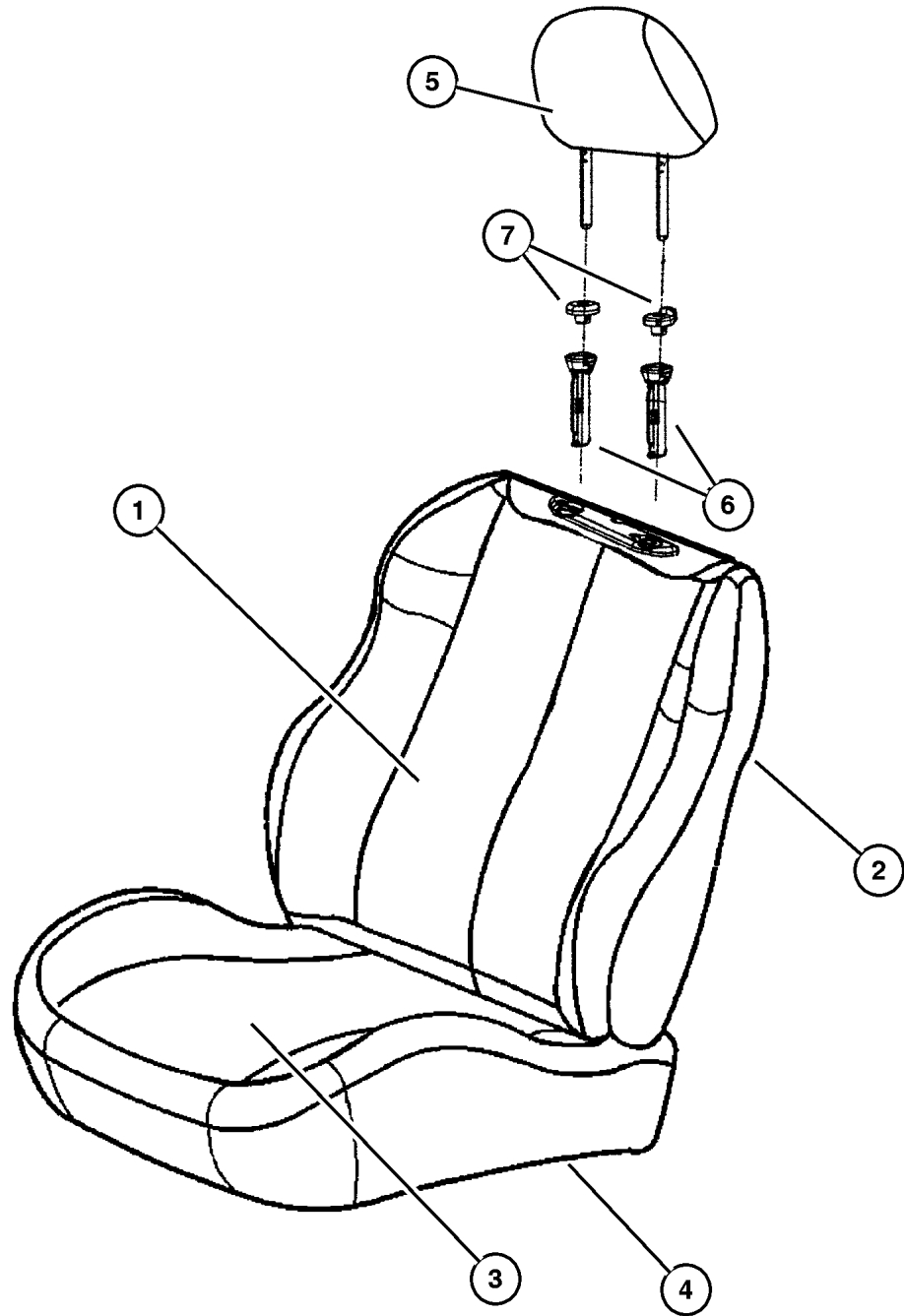
ITEM	PART NUMBER	QTY	LINE	SERIES	BODY	ENGINE	TRANS	TRIM	DESCRIPTION
	SG24 1L5AA	1						O0	Taupe, Laredo, Right
	SG25 1AZAA	1						O0	Agate, Laredo, Left
	SG25 1K5AA	1						O0	Camel, Laredo, Left
	SG25 1L5AA	1						O0	Taupe, Laredo, Left
	SG26 1AZAA	1						O0	Agate, Limited, Right
	SG26 1K5AA	1						O0	Camel, Limited, Right
	SG26 1L5AA	1						O0	Taupe, Limited, Right
	SG27 1AZAA	1						O0	Agate, Limited, Left
	SG27 1K5AA	1						O0	Camel, Limited, Left
	SG27 1L5AA	1						O0	Taupe, Limited, Left
6									FASTENER, Door Trim Panel
	6505 539AA	11	J, T					O0	Front Door
		11	U					O0	Front Door
		9						O0	Rear Door
-7									RETAINER, Trim Panel, Pin portion of 6505539AA
	5012 874AA-	11	J, T					O0	Front Door
		11	U					O0	Front Door
		9						O0	Rear Door
8									BEZEL, Door Trim Panel
	5012 956AA	1	J, T					O0	Memory Switch, Driver
	5012 957AA	1	U					O0	Memory Switch, Driver

JEEP GRAND CHEROKEE (WJ)
 SERIES LINE BODY ENGINE TRANSMISSION
 L = Grand Cherokee J = 4WD 74 = 4 Door (105.9 WB) ERH,ERO = 4.0L, Power Tech DGK = 4 Speed Autm, 42RE
 T = 2WD EVA,EVO = 4.7L, Power Tech DG4 = Multi Speed Auto 45RFE
 U = 4WD (RHD) EXA,EXO = 3.1L 5 cyl Turbo Diesel DGW = 4 Speed Autom 44RE
 DGO = All Automatic

AR = Use as required - = Non illustrated part # = New this model year

September 15, 2005

Front Seat, Cloth, Trim Code H7
Figure IWJ-510



ITEM	PART NUMBER	QTY	LINE	SERIES	BODY	ENGINE	TRANS	TRIM	DESCRIPTION
1									COVER, Front Seat Back
	SK31 1L5AA	2	J, T					H7	Dark Taupe
	SK31 1K5AA	2	J, T					H7	Medium Camel
	SK31 1AZAA	2	U					H7	Agate
		2	J, T					H7	Agate
2									BACK, Front Seat
	SK40 1AZAA	1	J, T					H7	Agate, Right
	SK40 1K5AA	1	J, T					H7	Medium Camel, Right
	SK40 1L5AA	1	J, T					H7	Dark Taupe, Right
	SK41 1AZAA	1	J, T					H7	Agate, Left
	SK41 1K5AA	1	J, T					H7	Medium Camel, Left
	SK41 1L5AA	1	J, T					H7	Dark Taupe, Left
	SX66 1AZAA	1	U					H7	Agate, Right,Power
	SX66 1K5AA	1	U					H7	Medium Camel, Right,Power
	SX67 1AZAA	1	U					H7	Agate, Left,Power
	SX67 1K5AA	1	U					H7	Medium Camel, Left,Power
3									COVER AND PAD, Cushion
	SK38 1AZAA	1	J, T					H7	Agate, Right
		1	U					H7	Agate, Right
	SK38 1K5AA	1	J, T					H7	Medium Camel, Right
		1	U					H7	Medium Camel, Right
	SK38 1L5AA	1	J, T					H7	Dark Taupe, Right
	SK39 1AZAA	1	U					H7	Agate, Left
	SK39 1K5AA	1	J, T					H7	Medium Camel, Left
		1	U					H7	Medium Camel, Left
	SK39 1L5AA	1	J, T					H7	Dark Taupe, Left
4									FRAME, Front Seat
	4856 470	1	U					H7	Right
		1	J, T					H7	Right
	4856 471	1	U					H7	Left
		1	J, T					H7	Left
5									HEADREST, Front
	SK33 1L5AA	2	J, T					H7	Dark Taupe
	SK33 1K5AA	2	J, T					H7	Medium Camel
	SK33 1AZAA	2	J, T					H7	Agate
	SK56 1AZAA	2	U					H7	Agate, Export
	SK56 1K5AA	2	U					H7	Medium Camel, Export
6									CYLINDER, Headrest
	5013 152AA	8	U					H7	
		8	J, T					H7	
7									COVER, Headrest Sleeve
	5013 172AA	4	U					H7	Locking

JEEP GRAND CHEROKEE (WJ)

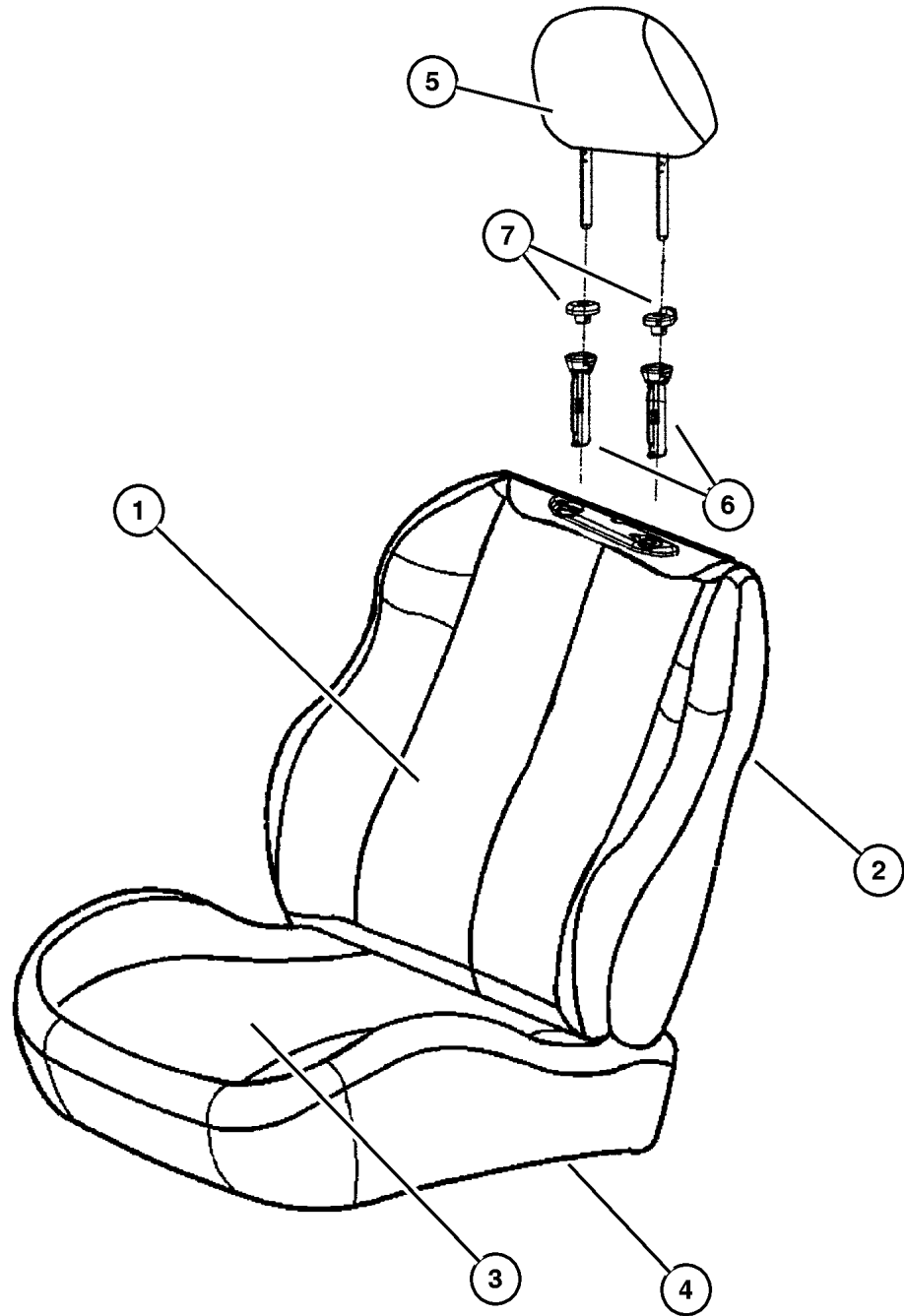
SERIES	LINE	BODY	ENGINE	TRANSMISSION
L = Grand Cherokee	J = 4WD T = 2WD U = 4WD (RHD)	74 = 4 Door (105.9 WB)	ERH,ERO = 4.0L, Power Tech EVA,EVO = 4.7L, Power Tech EXA,EXO = 3.1L 5 cyl Turbo Diesel	DGK = 4 Speed Autm, 42RE DG4 = Multi Speed Auto 45RFE DGW = 4 Speed Autom 44RE DGO = All Automatic

AR = Use as required - = Non illustrated part # = New this model year

September 15, 2005

Front Seat, Cloth, Trim Code H7
Figure IWJ-510

ITEM	PART NUMBER	QTY	LINE	SERIES	BODY	ENGINE	TRANS	TRIM	DESCRIPTION
	5013 163AA	4	J, T					H7	Non-Locking
-8	4740 415	1							EXTENDER, Seat Belt

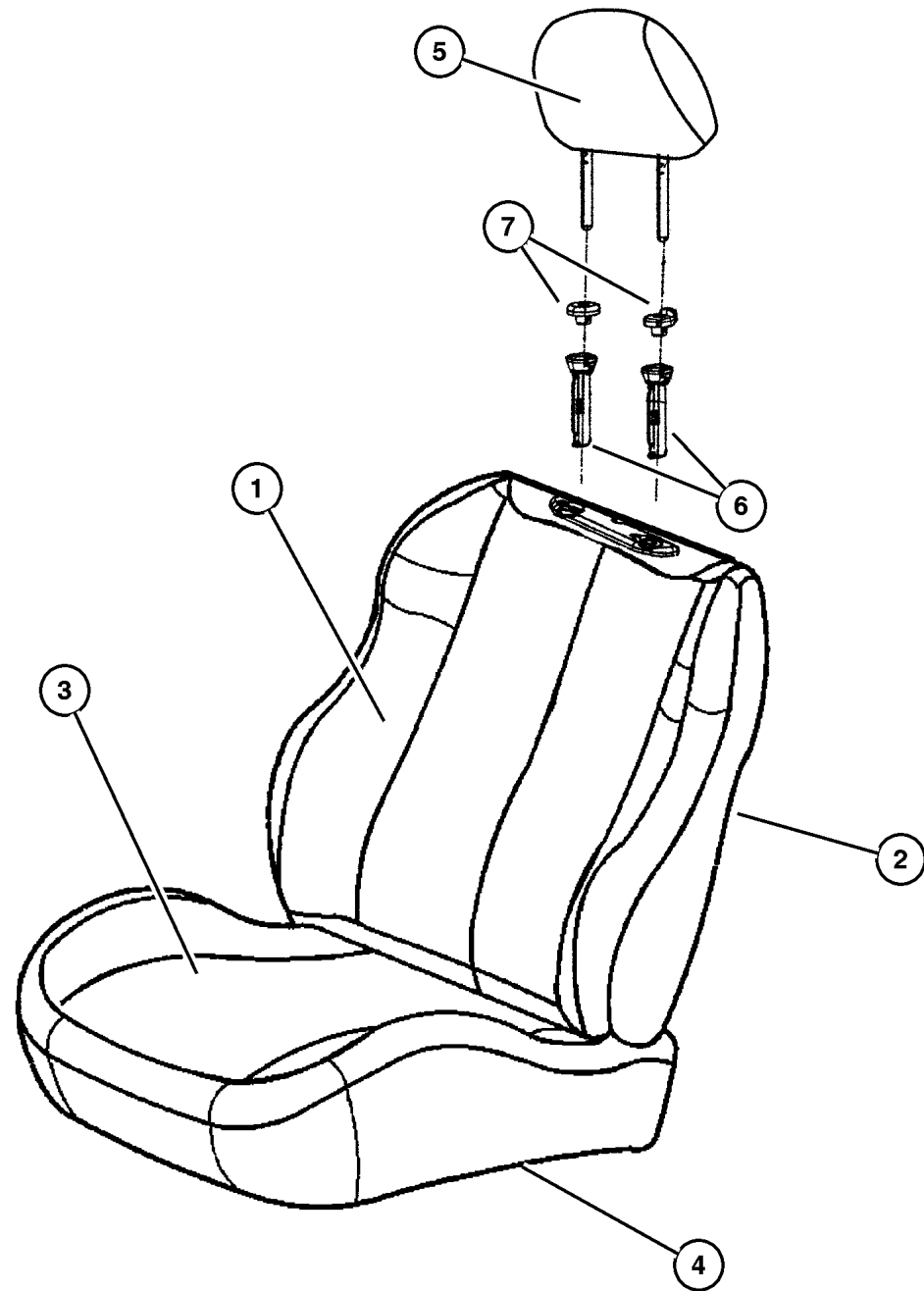


JEEP GRAND CHEROKEE (WJ)				
SERIES	LINE	BODY	ENGINE	TRANSMISSION
L = Grand Cherokee	J = 4WD T = 2WD U = 4WD (RHD)	74 = 4 Door (105.9 WB)	ERH,ERO = 4.0L, Power Tech EVA,EVO = 4.7L, Power Tech EXA,EXO = 3.1L 5 cyl Turbo Diesel	DGK = 4 Speed Autm, 42RE DG4 = Multi Speed Auto 45RFE DGW = 4 Speed Autom 44RE DGO = All Automatic

AR = Use as required - = Non illustrated part # = New this model year

September 15, 2005

**Front Seat, Leather, Trim Code [FL]
Figure IWJ-520**



ITEM	PART NUMBER	QTY	LINE	SERIES	BODY	ENGINE	TRANS	TRIM	DESCRIPTION
[JP2]= Power Seats 10-Way Power With Map Pocket.									
[JPX] = Pwer Heated									
1									COVER, Front Seat Back
	SK57 1AZAA	2	J, T					FL	Agate, With Map Pocket, [JP2]
	SK57 1K5AA	2	J, T					FL	Camel, With Map Pocket, [JP2]
	SK57 1L5AA	2	J, T					FL	Taupe, With Map Pocket, [JP2]
	SK61 1AZAA	2	J, T					FL	Agate, Heated, [JPX], With Sewn-In Heater Element
	SK61 1K5AA	2	J, T					FL	Camel, Heated, [JPX], With Sewn-In Heater Element
	SK61 1L5AA	2	J, T					FL	Taupe, Heated, [JPX], With Sewn-In Heater Element
2									BACK, Front Seat
	SK64 1AZAA	1	J, T					FL	Agate, With Map Pocket, [JP2], Right
	SK64 1K5AA	1	J, T					FL	Camel, With Map Pocket, [JP2], Right
	SK64 1L5AA	1	J, T					FL	Taupe, With Map Pocket, [JP2], Right
	SK65 1AZAA	1	J, T					FL	Agate, With Map Pocket, [JP2], Left
	SK65 1K5AA	1	J, T					FL	Camel, With Map Pocket, [JP2], Left
	SK65 1L5AA	1	J, T					FL	Taupe, With Map Pocket, [JP2], Left
	SK76 1AZAA	1	J, T					FL	Agate, Heated, [JPX], With Sewn-In Heater Element, Right
	SK76 1K5AA	1	J, T					FL	Camel, Heated, [JPX], With Sewn-In Heater Element, Right
	SK76 1L5AA	1	J, T					FL	Taupe, Heated, [JPX], With Sewn-In Heater Element, Right
	SK77 1AZAA	1	J, T					FL	Agate, Heated, [JPX], With Sewn-In Heater Element, Left
	SK77 1K5AA	1	J, T					FL	Camel, Heated, [JPX], With Sewn-In Heater Element, Left
	SK77 1L5AA	1	J, T					FL	Taupe, Heated, [JPX], With Sewn-In Heater Element, Left
3									COVER AND PAD, Cushion
	SK58 1AZAA	1	J, T					FL	Agate, With Map Pocket, [JP2], Right
	SK58 1K5AA	1	J, T					FL	Camel, With Map Pocket, [JP2], Right

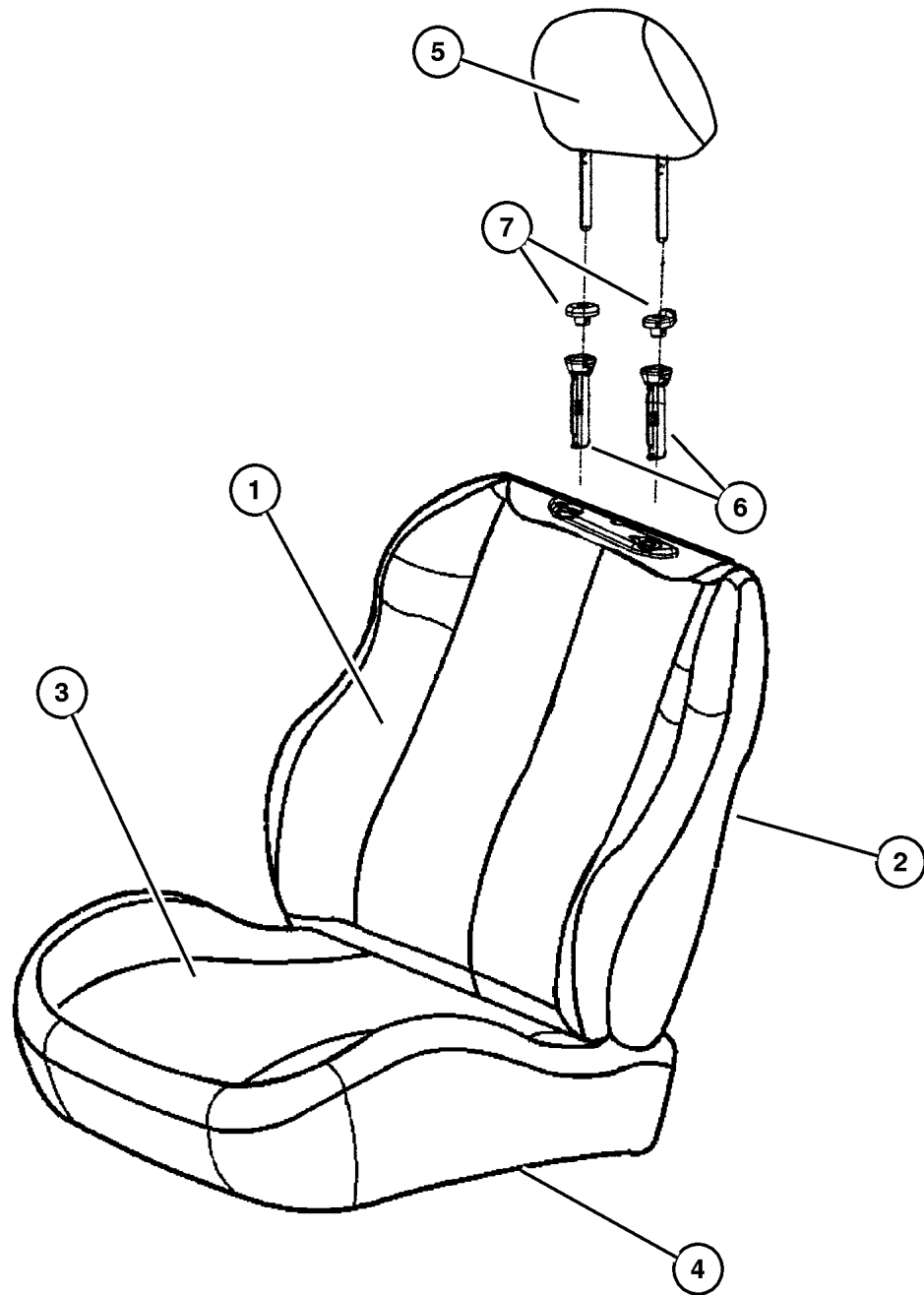
JEEP GRAND CHEROKEE (WJ)

SERIES	LINE	BODY	ENGINE	TRANSMISSION
L = Grand Cherokee	J = 4WD T = 2WD U = 4WD (RHD)	74 = 4 Door (105.9 WB)	ERH,ERO = 4.0L, Power Tech EVA,EVO = 4.7L, Power Tech EXA,EXO = 3.1L 5 cyl Turbo Diesel	DGK = 4 Speed Autm, 42RE DG4 = Multi Speed Auto 45RFE DGW = 4 Speed Autom 44RE DGO = All Automatic

AR = Use as required - = Non illustrated part # = New this model year

September 15, 2005

Front Seat, Leather, Trim Code [FL]
Figure IWJ-520



ITEM	PART NUMBER	QTY	LINE	SERIES	BODY	ENGINE	TRANS	TRIM	DESCRIPTION
	SK58 1L5AA	1	J, T					FL	Taupe, With Map Pocket, [JP2], Right
	SK59 1AZAA	1	J, T					FL	Agate, With Map Pocket, [JP2], Left
	SK59 1K5AA	1	J, T					FL	Camel, With Map Pocket, [JP2], Left
	SK59 1L5AA	1	J, T					FL	Taupe, With Map Pocket, [JP2], Left
	SK66 1AZAA	1	J, T					FL	Agate, Heated, [JPX], With Sewn-In Heater Element, Right
	SK66 1K5AA	1	J, T					FL	Camel, Heated, [JPX], With Sewn-In Heater Element, Right
	SK66 1L5AA	1	J, T					FL	Taupe, Heated, [JPX], With Sewn-In Heater Element, Right
	SK67 1AZAA	1	J, T					FL	Agate, Heated, [JPX], With Sewn-In Heater Element, Left
	SK67 1K5AA	1	J, T					FL	Camel, Heated, [JPX], With Sewn-In Heater Element, Left
	SK67 1L5AA	1	J, T					FL	Taupe, Heated, [JPX], With Sewn-In Heater Element, Left
4									FRAME, Front Seat
	4856 470	1	J, T					FL	Right
	4856 471	1	J, T					FL	Left
5									HEADREST, Front
	SK95 1AZAA	1	J, T					FL	Agate
	SK95 1K5AA	1	J, T					FL	Camel
	SK95 1L5AA	1	J, T					FL	Taupe
6	5013 152AA	8	J, T					FL	CYLINDER, Headrest
7									COVER, Headrest Sleeve
	5013 163AA	4	J, T					FL	Non-Locking
	5013 172AA	4	J, T					FL	Locking
-8	4740 415	1							EXTENDER, Seat Belt

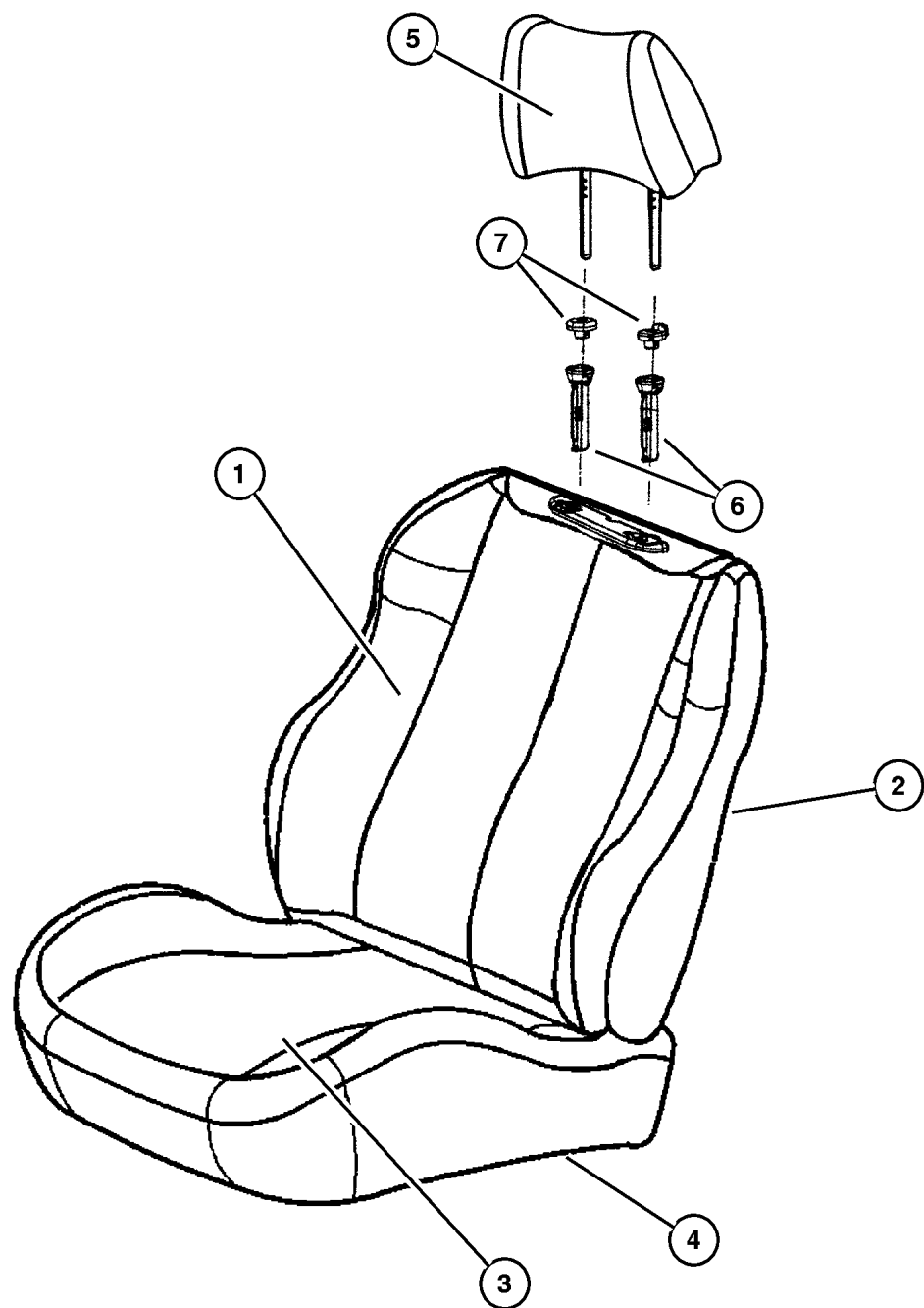
JEEP GRAND CHEROKEE (WJ)

SERIES	LINE	BODY	ENGINE	TRANSMISSION
L = Grand Cherokee	J = 4WD T = 2WD U = 4WD (RHD)	74 = 4 Door (105.9 WB)	ERH,ERO = 4.0L, Power Tech EVA,EVO = 4.7L, Power Tech EXA,EXO = 3.1L 5 cyl Turbo Diesel	DGK = 4 Speed Autm, 42RE DG4 = Multi Speed Auto 45RFE DGW = 4 Speed Autom 44RE DGO = All Automatic

AR = Use as required - = Non illustrated part # = New this model year

September 15, 2005

**Front Seat, Leather, Trim Code [DL]
Figure IWJ-530**



ITEM	PART NUMBER	QTY	LINE	SERIES	BODY	ENGINE	TRANS	TRIM	DESCRIPTION
[JTC] = Power 10-Way Memory. [JTF] = Power 10-Way Heated Memory.									
1									COVER, Front Seat Back
	SJ72 1AZAA	2	J, T					DL	Agate, Memory, [JTC]
	SJ72 1K5AA	2	J, T					DL	Camel, Memory, [JTC]
	SJ72 1L5AA	2	J, T					DL	Taupe, Memory, [JTC]
	SJ73 1AZAA	2	J, T					DL	Agate, Memory, Heated, [JTF], Up to 11-10-98, With Sewn-In Heater Element
	SJ73 1K5AA	2	J, T					DL	Camel, Memory, Heated, [JTF], Up to 11-10-98, With Sewn-In Heater Element
	SJ73 1L5AA	2	J, T					DL	Taupe, Memory, Heated, [JTF], Up to 11-10-98, With Sewn-In Heater Element
	TA61 1AZAA	2	J, T					DL	Agate, Memory, Heated, [JTF], After 11-10-98, With Sewn-In Heater Element
	TA61 1K5AA	2	J, T					DL	Camel, Memory, Heated, [JTF], After 11-10-98, With Sewn-In Heater Element
	TA61 1L5AA	2	J, T					DL	Taupe, Memory, Heated, [JTF], After 11-16-98, With Sewn-In Heater Element
2									BACK, Front Seat
	SJ76 1AZAA	1	J, T					DL	Agate, Memory, [JTC], Right
	SJ76 1K5AA	1	J, T					DL	Camel, Memory, [JTC], Right
	SJ76 1L5AA	1	J, T					DL	Taupe, Memory, [JTC], Right
	SJ77 1AZAA	1	J, T					DL	Agate, Memory, [JTC], Left
	SJ77 1K5AA	1	J, T					DL	Camel, Memory, [JTC], Left
	SJ77 1L5AA	1	J, T					DL	Taupe, Memory, [JTC], Left
	SJ78 1AZAA	1	J, T					DL	Agate, Memory, Heated, [JTF], Up to 11-10-98, With Sewn-In Heater Element, Right
	SJ78 1K5AA	1	J, T					DL	Camel, Memory, Heated, [JTF], Up to 11-10-98, With Sewn-In Heater Element, Right
	SJ78 1L5AA	1	J, T					DL	Taupe, Memory, Heated, [JTF], Up to 11-10-98, With Sewn-In Heater Element, Right

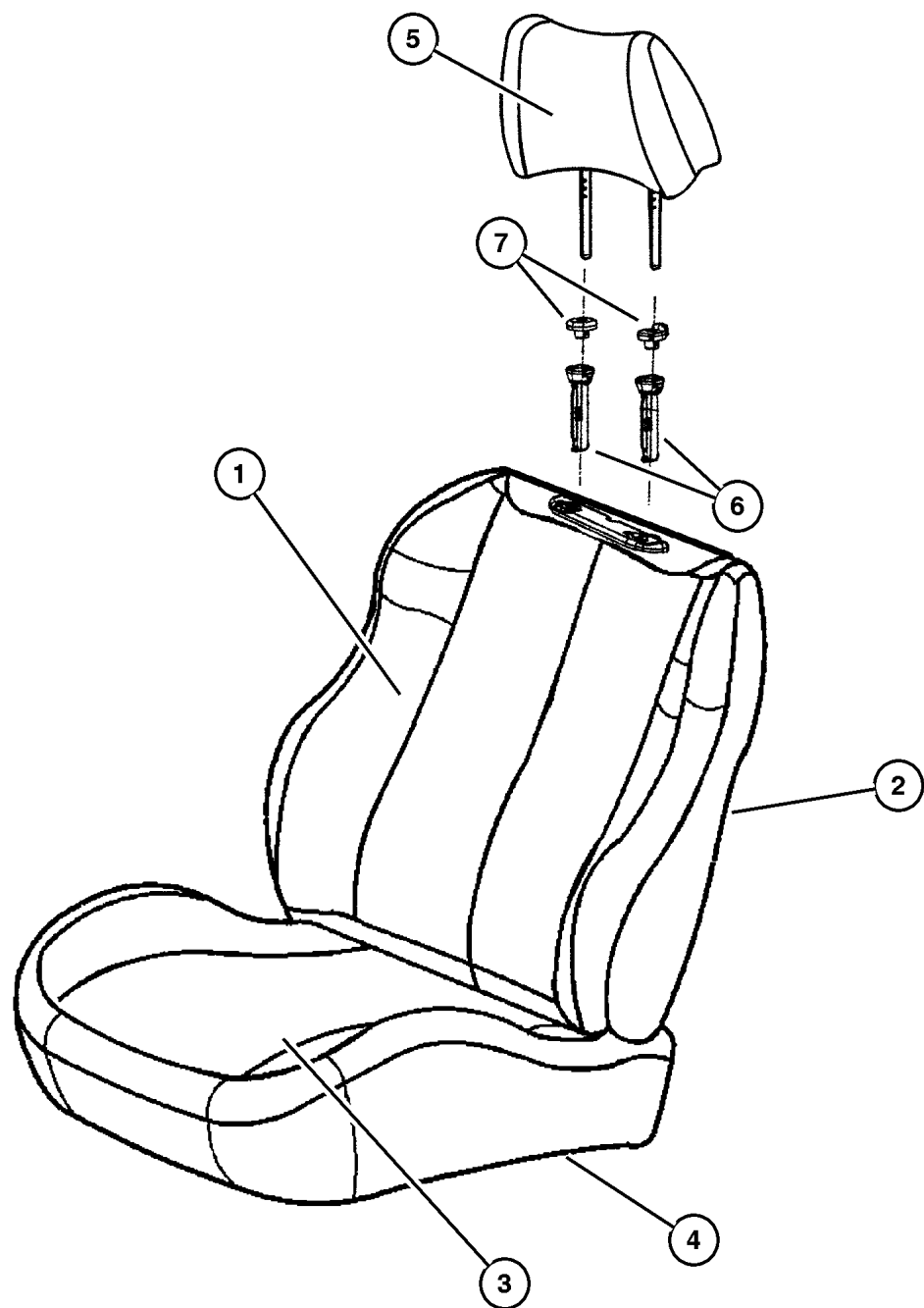
JEEP GRAND CHEROKEE (WJ)

SERIES	LINE	BODY	ENGINE	TRANSMISSION
L = Grand Cherokee	J = 4WD T = 2WD U = 4WD (RHD)	74 = 4 Door (105.9 WB)	ERH,ERO = 4.0L, Power Tech EVA,EVO = 4.7L, Power Tech EXA,EXO = 3.1L 5 cyl Turbo Diesel	DGK = 4 Speed Autm, 42RE DG4 = Multi Speed Auto 45RFE DGW = 4 Speed Autom 44RE DGO = All Automatic

AR = Use as required - = Non illustrated part # = New this model year

September 15, 2005

Front Seat, Leather, Trim Code [DL]
Figure IWJ-530



ITEM	PART NUMBER	QTY	LINE	SERIES	BODY	ENGINE	TRANS	TRIM	DESCRIPTION
	SJ79 1AZAA	1	J, T					DL	Agate, Memory, Heated, [JTF], Up to 11-10-98, (One Connector off of Heater Element), With Sewn-In Heater Element, Left
	SJ79 1K5AA	1	J, T					DL	Camel, Memory, Heated, [JTF], Up to 11-10-98, (One Connector off of Heater Element), With Sewn-In Heater Element, Left
	SJ79 1L5AA	1	J, T					DL	Taupe, Memory, Heated, [JTF], Up to 11-10-98, (One Connector off of Heater Element), With Sewn-In Heater Element, Left
	TA58 1AZAA	1	J, T					DL	Agate, Memory, Heated, [JTF], After 11-10-98, (Two Connector off of Heater Element), With Sewn-In Heater Element, Right
	TA58 1K5AA	1	J, T					DL	Camel, Memory, Heated, [JTF], After 11-10-98, (Two Connector off of Heater Element), With Sewn-In Heater Element, Right
	TA58 1L5AA	1	J, T					DL	Taupe, Memory, Heated, [JTF], After 11-16-98, (Two Connector off of Heater Element), With Sewn-In Heater Element, Right
	TA59 1AZAA	1	J, T					DL	Agate, Memory, Heated, [JTF], After 11-10-98, With Sewn-In Heater Element, Left
	TA59 1K5AA	1	J, T					DL	Camel, Memory, Heated, [JTF], After 11-10-98, With Sewn-In Heater Element, Left
	TA59 1L5AA	1	J, T					DL	Taupe, Memory, Heated, [JTF], After 11-16-98, With Sewn-In Heater Element, Left
3									COVER AND PAD, Cushion
	SF84 1AZAA	1	J, T					DL	Agate, Memory, [JTC], Right
	SF84 1K5AA	1	J, T					DL	Camel, Memory, [JTC], Right
	SF84 1L5AA	1	J, T					DL	Taupe, Memory, [JTC], Right
	SF85 1AZAA	1	J, T					DL	Agate, Memory, [JTC], Left
	SF85 1K5AA	1	J, T					DL	Camel, Memory, [JTC], Left
	SF85 1L5AA	1	J, T					DL	Taupe, Memory, [JTC], Left
	SJ66 1AZAA	1	J, T					DL	Agate, Memory, Heated, [JTF], Up to 11-10-98, With Sewn-In Heater Element, Right

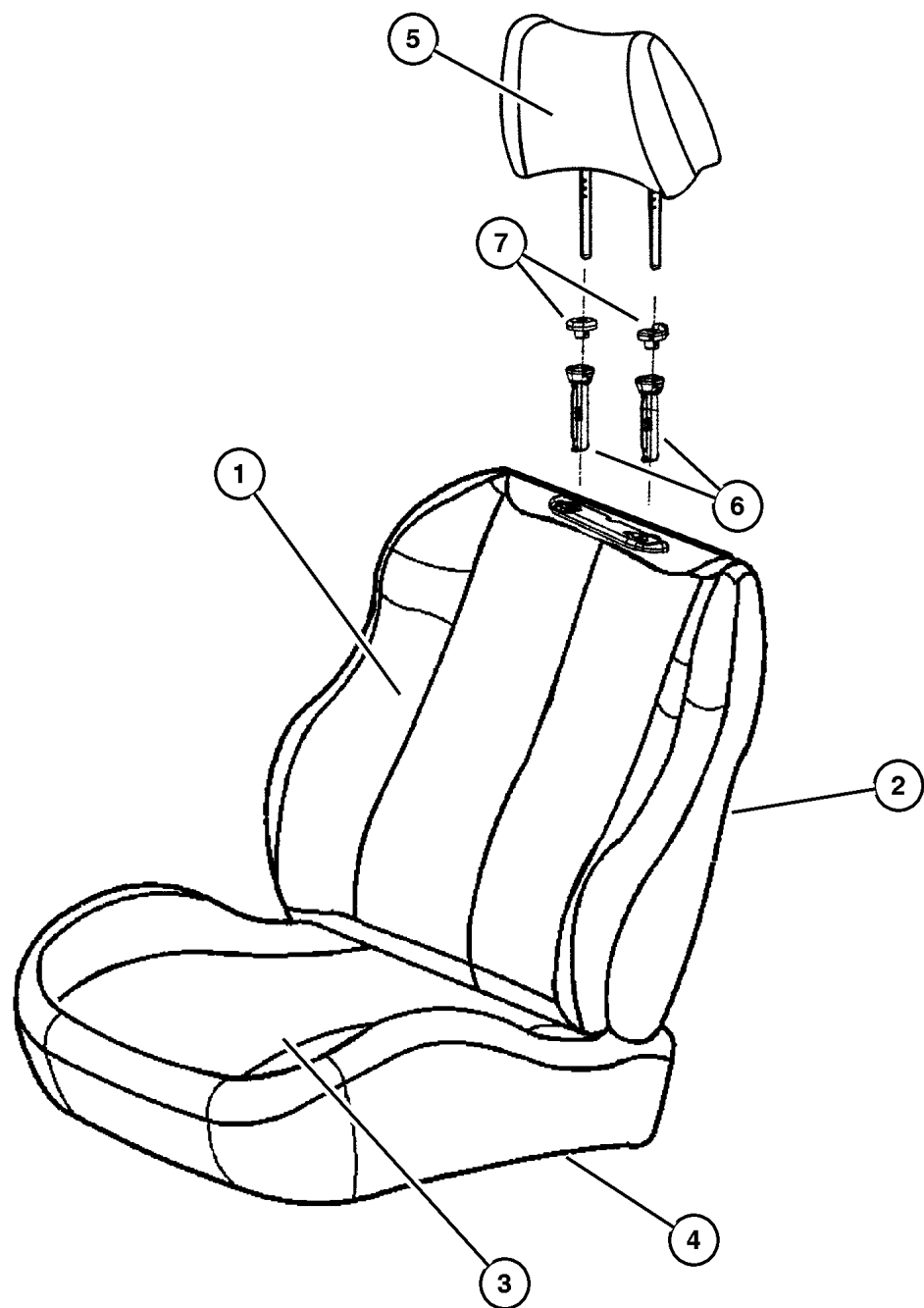
JEEP GRAND CHEROKEE (WJ)

SERIES	LINE	BODY	ENGINE	TRANSMISSION
L = Grand Cherokee	J = 4WD T = 2WD U = 4WD (RHD)	74 = 4 Door (105.9 WB)	ERH,ERO = 4.0L, Power Tech EVA,EVO = 4.7L, Power Tech EXA,EXO = 3.1L 5 cyl Turbo Diesel	DGK = 4 Speed Autm, 42RE DG4 = Multi Speed Auto 45RFE DGW = 4 Speed Autom 44RE DGO = All Automatic

AR = Use as required - = Non illustrated part # = New this model year

September 15, 2005

**Front Seat, Leather, Trim Code [DL]
Figure IWJ-530**



ITEM	PART NUMBER	QTY	LINE	SERIES	BODY	ENGINE	TRANS	TRIM	DESCRIPTION
	SJ66 1K5AA	1	J, T					DL	Camel, Memory, Heated, [JTF], Up to 11-10-98, With Sewn-In Heater Element, Right
	SJ66 1L5AA	1	J, T					DL	Taupe, Memory, Heated, [JTF], Up to 11-10-98, With Sewn-In Heater Element, Right
	SJ67 1AZAA	1	J, T					DL	Agate, Memory, Heated, [JTF], Up to 11-10-98, With Sewn-In Heater Element, Left
	SJ67 1K5AA	1	J, T					DL	Camel, Memory, Heated, [JTF], Up to 11-10-98, With Sewn-In Heater Element, Left
	SJ67 1L5AA	1	J, T					DL	Taupe, Memory, Heated, [JTF], Up to 11-10-98, With Sewn-In Heater Element, Left
	TA62 1AZAA	1	J, T					DL	Agate, Memory, Heated,[JTF], After 11-11-98, With Sewn-In Heater Element, Right
	TA62 1K5AA	1	J, T					DL	Camel, Memory, Heated, [JTF], After 11-11-98, With Sewn-In Heater Element, Right
	TA62 1L5AA	1	J, T					DL	Taupe, Memory, Heated, [JTF], After 11-11-98, With Sewn-In Heater Element, Right
	TA63 1AZAA	1	J, T					DL	Agate, Memory, Heated, [JTF], After 11-11-98, With Sewn-In Heater Element, Left
	TA63 1K5AA	1	J, T					DL	Camel, Memory, Heated, [JTF], After 11-11-98, With Sewn-In Heater Element, Left
	TA63 1L5AA	1	J, T					DL	Taupe, Memory, Heated, [JTF], After 11-11-98, With Sewn-In Heater Element, Left
4									FRAME, Front Seat
	4856 470	1	J, T					DL	Right
	4856 471	1	J, T					DL	Left
5									HEADREST, Front
	SK19 1AZAA	2	J, T					DL	Agate
	SK19 1K5AA	2	J, T					DL	Medium Camel
	SK19 1L5AA	2	J, T					DL	Dark Taupe
6	5013 152AA	8	J, T					DL	CYLINDER, Headrest
7									COVER, Headrest Sleeve

JEEP GRAND CHEROKEE (WJ)

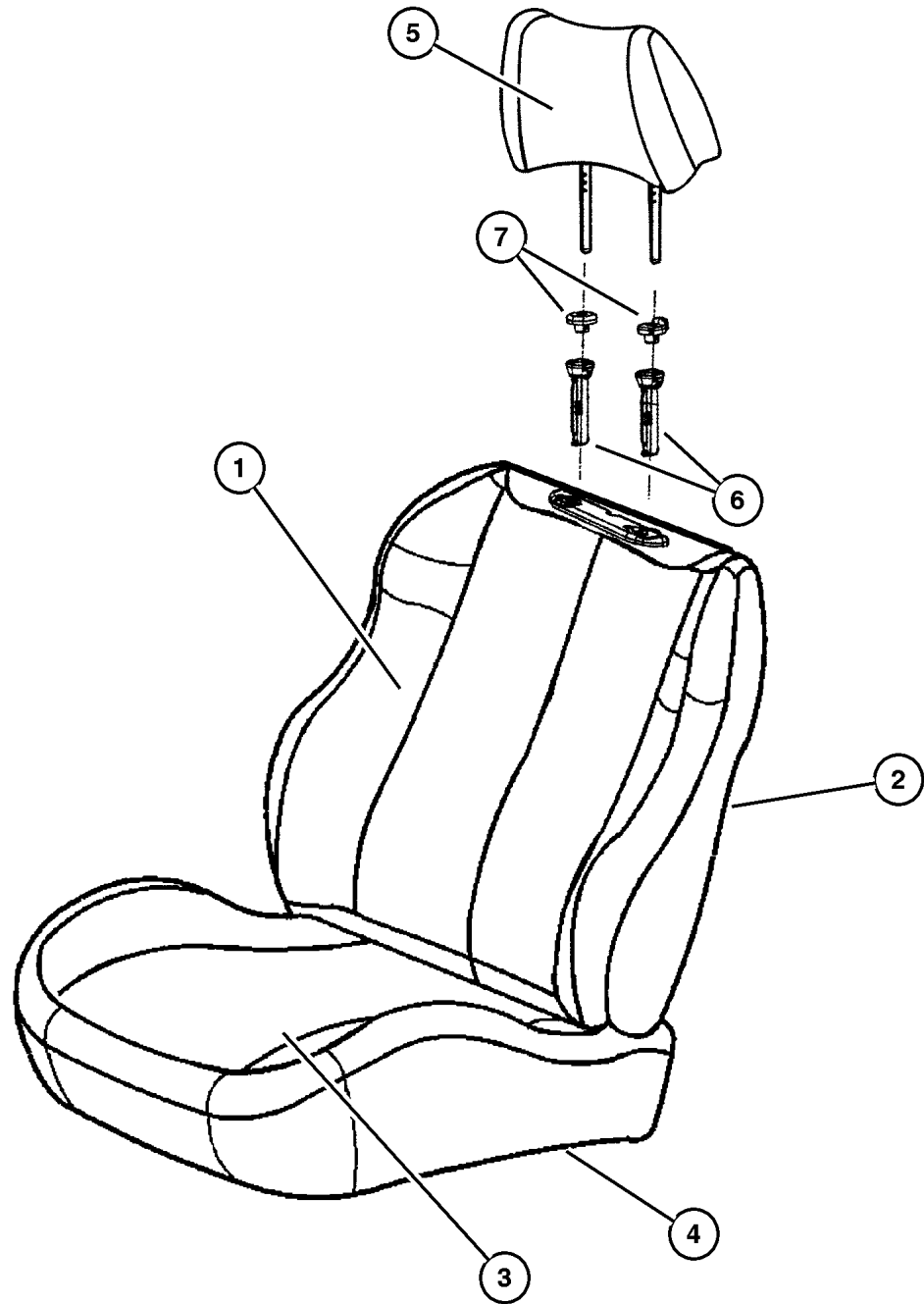
SERIES	LINE	BODY	ENGINE	TRANSMISSION
L = Grand Cherokee	J = 4WD T = 2WD U = 4WD (RHD)	74 = 4 Door (105.9 WB)	ERH,ERO = 4.0L, Power Tech EVA,EVO = 4.7L, Power Tech EXA,EXO = 3.1L 5 cyl Turbo Diesel	DGK = 4 Speed Autm, 42RE DG4 = Multi Speed Auto 45RFE DGW = 4 Speed Autom 44RE DGO = All Automatic

AR = Use as required - = Non illustrated part # = New this model year

September 15, 2005

**Front Seat, Leather, Trim Code [DL]
Figure IWJ-530**

ITEM	PART NUMBER	QTY	LINE	SERIES	BODY	ENGINE	TRANS	TRIM	DESCRIPTION
	5013 163AA	4	J, T					DL	Non-Locking
	5013 172AA	4	J, T					DL	Locking
-8	4740 415	1							EXTENDER, Seat Belt

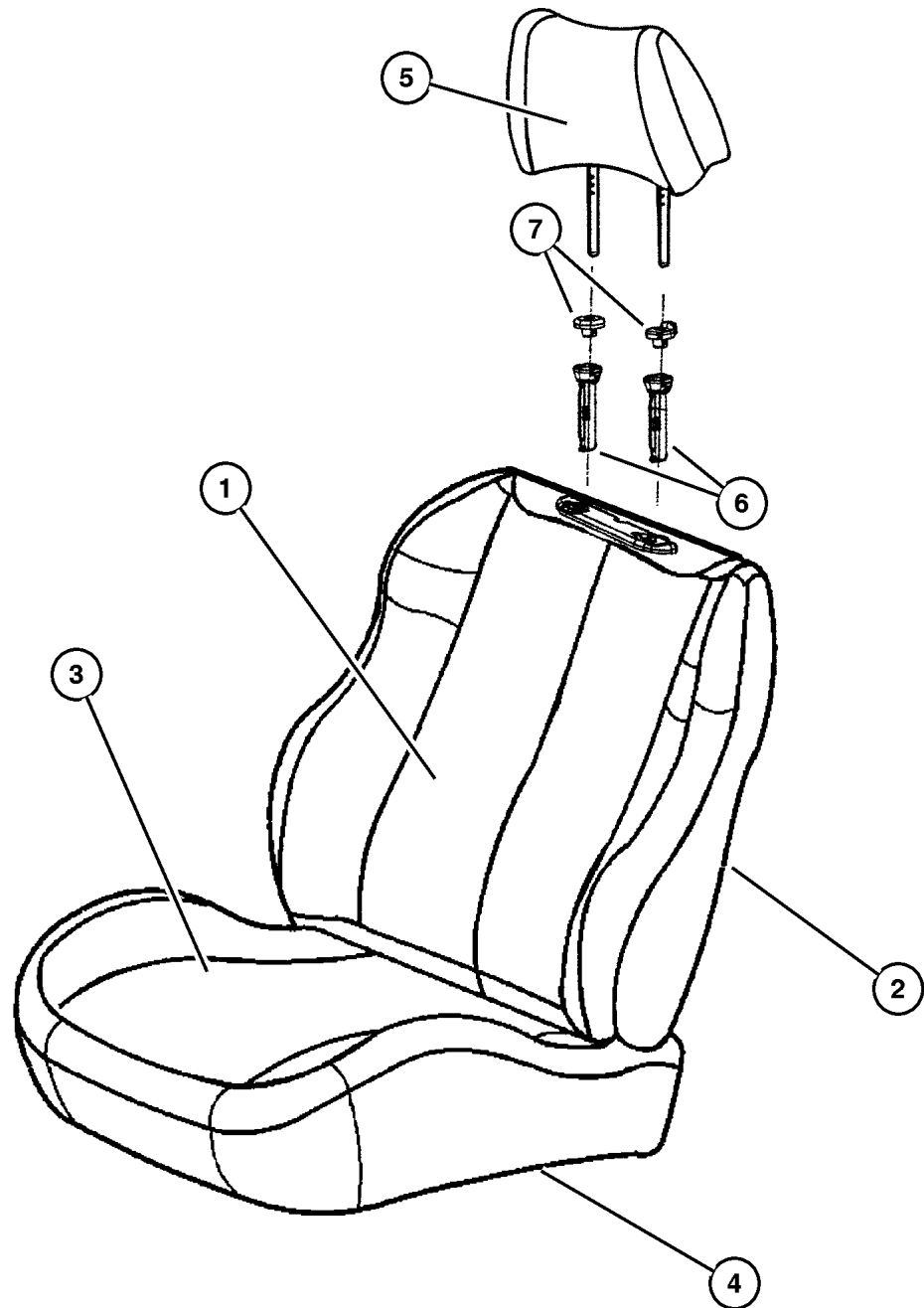


JEEP GRAND CHEROKEE (WJ)				
SERIES	LINE	BODY	ENGINE	TRANSMISSION
L = Grand Cherokee	J = 4WD T = 2WD U = 4WD (RHD)	74 = 4 Door (105.9 WB)	ERH,ERO = 4.0L, Power Tech EVA,EVO = 4.7L, Power Tech EXA,EXO = 3.1L 5 cyl Turbo Diesel	DGK = 4 Speed Autm, 42RE DG4 = Multi Speed Auto 45RFE DGW = 4 Speed Autom 44RE DGO = All Automatic

AR = Use as required - = Non illustrated part # = New this model year

September 15, 2005

**Front Seat, Leather, Trim Code [EL]
Figure IWJ-540**



ITEM	PART NUMBER	QTY	LINE	SERIES	BODY	ENGINE	TRANS	TRIM	DESCRIPTION
[JTC] = Power 10-Way Memory. [JTF] = Power 10-Way Heated Memory.									
1									COVER, Front Seat Back
	SJ74 1AZAA	2	J, T					EL	Agate, Memory, Heated, [JTF], With Sewn-In Heater Element
		2	U					EL	Agate, Memory, Heated, [JTF], With Sewn-In Heater Element
	SJ74 1K5AA	2	J, T					EL	Camel, Memory, Heated, [JTF], With Sewn-In Heater Element
		2	U					EL	Camel, Memory, Heated, [JTF], With Sewn-In Heater Element
	SJ96 1AZAA	1	J, T					EL	Agate, Memory, [JTC]
		1	U					EL	Agate, Memory, [JTC]
	SJ96 1K5AA	1	J, T					EL	Camel, Memory, [JTC]
		1	U					EL	Camel, Memory, [JTC]
2									BACK, Front Seat
	SJ80 1AZAA	1	J, T					EL	Agate, Memory, Heated, [JTF], With Sewn-In Heater Element, Right
		1	U					EL	Agate, Memory, Heated, [JTF], With Sewn-In Heater Element, Right
	SJ80 1K5AA	1	J, T					EL	Camel, Memory, Heated, [JTF], With Sewn-In Heater Element, Right
		1	U					EL	Camel, Memory, Heated, [JTF], With Sewn-In Heater Element, Right
	SJ81 1AZAA	1	J, T					EL	Agate, Memory, Heated, [JTF], With Sewn-In Heater Element, Left
		1	U					EL	Agate, Memory, Heated, [JTF], With Sewn-In Heater Element, Left
	SJ81 1K5AA	1	J, T					EL	Camel, Memory, Heated, [JTF], With Sewn-In Heater Element, Left
		1	U					EL	Camel, Memory, Heated, [JTF], With Sewn-In Heater Element, Left
	SJ98 1AZAA	1	J, T					EL	Agate, Memory, [JTC], Right
		1	U					EL	Agate, Memory, [JTC], Right

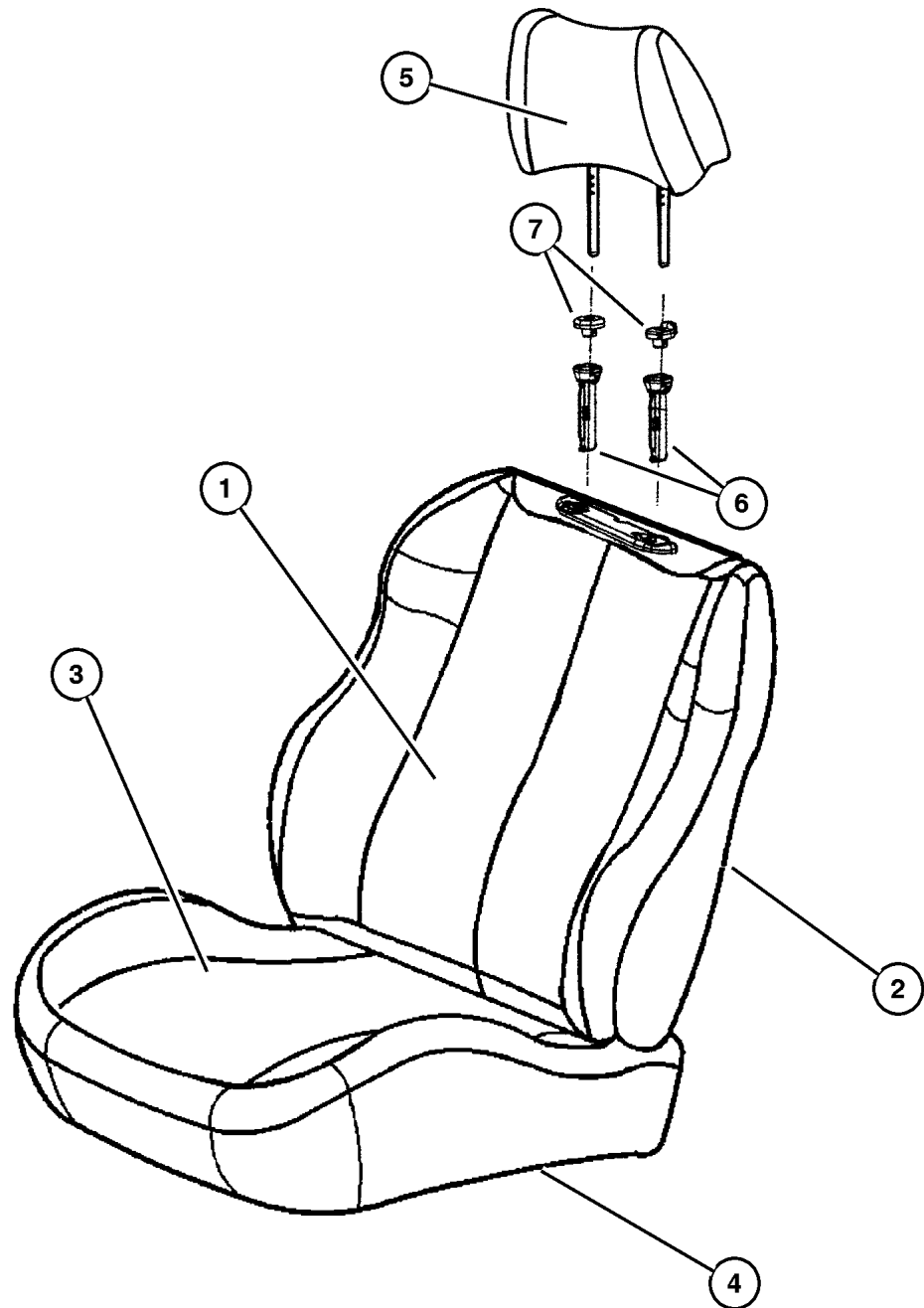
JEEP GRAND CHEROKEE (WJ)

SERIES	LINE	BODY	ENGINE	TRANSMISSION
L = Grand Cherokee	J = 4WD T = 2WD U = 4WD (RHD)	74 = 4 Door (105.9 WB)	ERH,ERO = 4.0L, Power Tech EVA,EVO = 4.7L, Power Tech EXA,EXO = 3.1L 5 cyl Turbo Diesel	DGK = 4 Speed Autm, 42RE DG4 = Multi Speed Auto 45RFE DGW = 4 Speed Autom 44RE DGO = All Automatic

AR = Use as required - = Non illustrated part # = New this model year

September 15, 2005

Front Seat, Leather, Trim Code [EL]
Figure IWJ-540



ITEM	PART NUMBER	QTY	LINE	SERIES	BODY	ENGINE	TRANS	TRIM	DESCRIPTION
	SJ98 1K5AA	1	J, T					EL	Camel, Memory, [JTC], Right
		1	U					EL	Camel, Memory, [JTC], Right
	SJ99 1AZAA	1	J, T					EL	Agate, Memory, [JTC], Left
		1	U					EL	Agate, Memory, [JTC], Left
	SJ99 1K5AA	1	J, T					EL	Camel, Memory, [JTC], Left
		1	U					EL	Camel, Memory, [JTC], Left
3									COVER AND PAD, Cushion
	SJ64 1AZAA	1	J, T					EL	Agate, Memory, [JTC], Right
		1	U					EL	Agate, Memory, [JTC], Right
	SJ64 1K5AA	1	J, T					EL	Camel, Memory, [JTC], Right
		1	U					EL	Camel, Memory, [JTC], Right
	SJ65 1AZAA	1	J, T					EL	Agate, Memory, [JTC], Left
		1	U					EL	Agate, Memory, [JTC], Left
	SJ65 1K5AA	1	J, T					EL	Camel, Memory, [JTC], Left
		1	U					EL	Camel, Memory, [JTC], Left
	SJ68 1AZAA	1	J, T					EL	Agate, Memory, Heated, [JTF], With Sewn-In Heater Element, Right
		1	U					EL	Agate, Memory, Heated, [JTF], With Sewn-In Heater Element, Right
	SJ68 1K5AA	1	J, T					EL	Camel, Memory, Heated, [JTF], With Sewn-In Heater Element, Right
		1	U					EL	Camel, Memory, Heated, [JTF], With Sewn-In Heater Element, Right
	SJ69 1AZAA	1	J, T					EL	Agate, Memory, Heated, [JTF], With Sewn-In Heater Element, Left
		1	U					EL	Agate, Memory, Heated, [JTF], With Sewn-In Heater Element, Left
	SJ69 1K5AA	1	J, T					EL	Camel, Memory, Heated, [JTF], With Sewn-In Heater Element, Left
		1	U					EL	Camel, Memory, Heated, [JTF], With Sewn-In Heater Element, Left
4									FRAME, Front Seat
	4856 470	1	J, T					EL	Right
		1	U					EL	Right

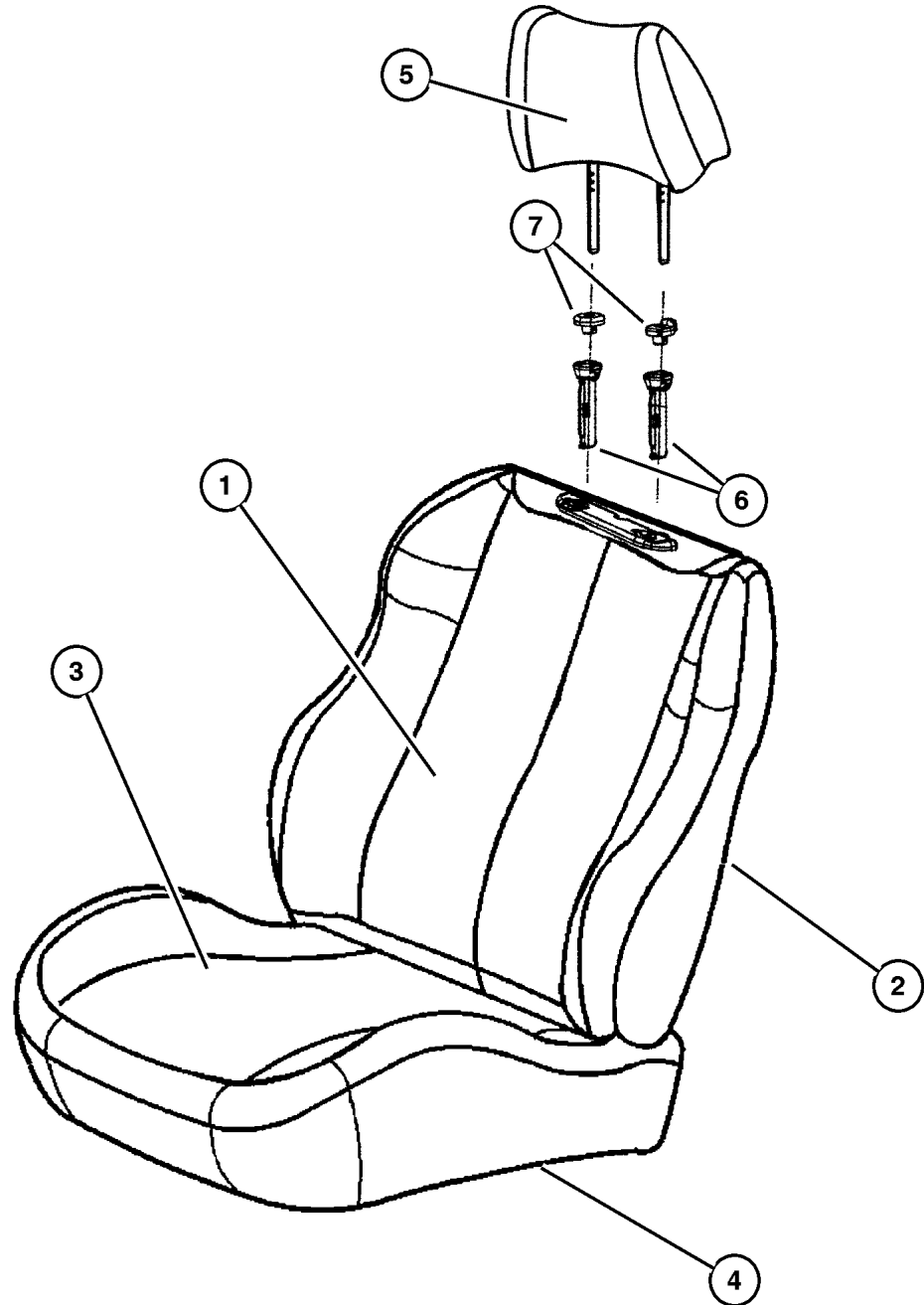
JEEP GRAND CHEROKEE (WJ)

SERIES	LINE	BODY	ENGINE	TRANSMISSION
L = Grand Cherokee	J = 4WD T = 2WD U = 4WD (RHD)	74 = 4 Door (105.9 WB)	ERH,ERO = 4.0L, Power Tech EVA,EVO = 4.7L, Power Tech EXA,EXO = 3.1L 5 cyl Turbo Diesel	DGK = 4 Speed Autm, 42RE DG4 = Multi Speed Auto 45RFE DGW = 4 Speed Autom 44RE DGO = All Automatic

AR = Use as required - = Non illustrated part # = New this model year

September 15, 2005

Front Seat, Leather, Trim Code [EL]
Figure IWJ-540



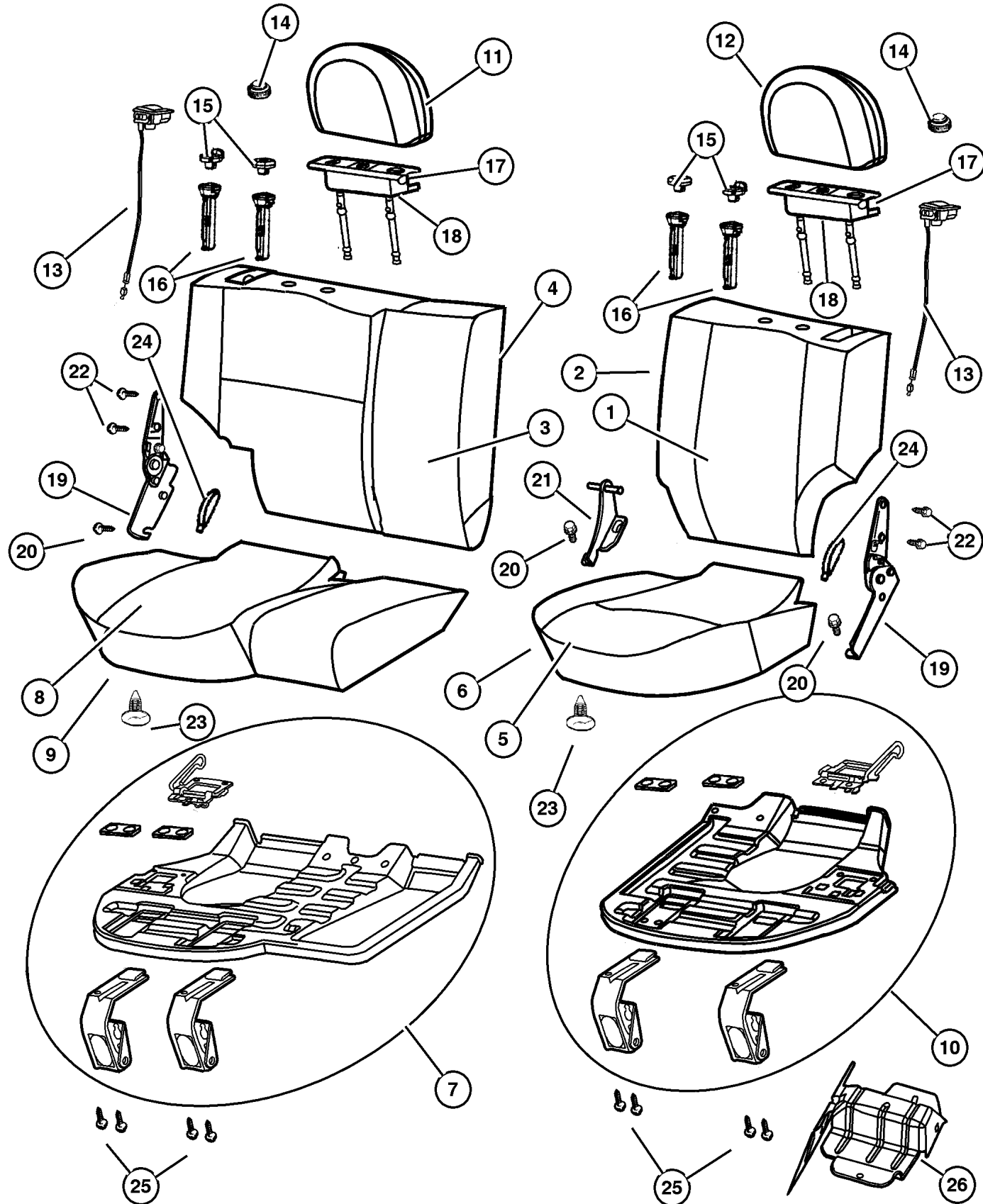
ITEM	PART NUMBER	QTY	LINE	SERIES	BODY	ENGINE	TRANS	TRIM	DESCRIPTION
	4856 471	1	J, T					EL	Left
		1	U					EL	Left
5	SK28 1AZAA	1	J, T					EL	HEADREST, Front
		1	U					EL	Agate, Export
	SK28 1K5AA	1	J, T					EL	Agate
		1	U					EL	Camel
6	5013 152AA	8	J, T					EL	CYLINDER, Headrest
		8	U					EL	Camel
7	5013 163AA	4	J, T					EL	COVER, Headrest Sleeve
		4	U					EL	Non-Locking
	5013 172AA	4	J, T					EL	Non-Locking
		4	U					EL	Locking
-8	4740 415	1						EL	Locking
									EXTENDER, Seat Belt

JEEP GRAND CHEROKEE (WJ)
 SERIES L = Grand Cherokee
 LINE J = 4WD, T = 2WD, U = 4WD (RHD)
 BODY 74 = 4 Door (105.9 WB)
 ENGINE ERH,ERO = 4.0L, Power Tech, EVA,EVO = 4.7L, Power Tech, EXA,EXO = 3.1L 5 cyl Turbo Diesel
 TRANSMISSION DGK = 4 Speed Autm, 42RE, DG4 = Multi Speed Auto 45RFE, DGW = 4 Speed Autom 44RE, DGO = All Automatic

AR = Use as required - = Non illustrated part # = New this model year

September 15, 2005

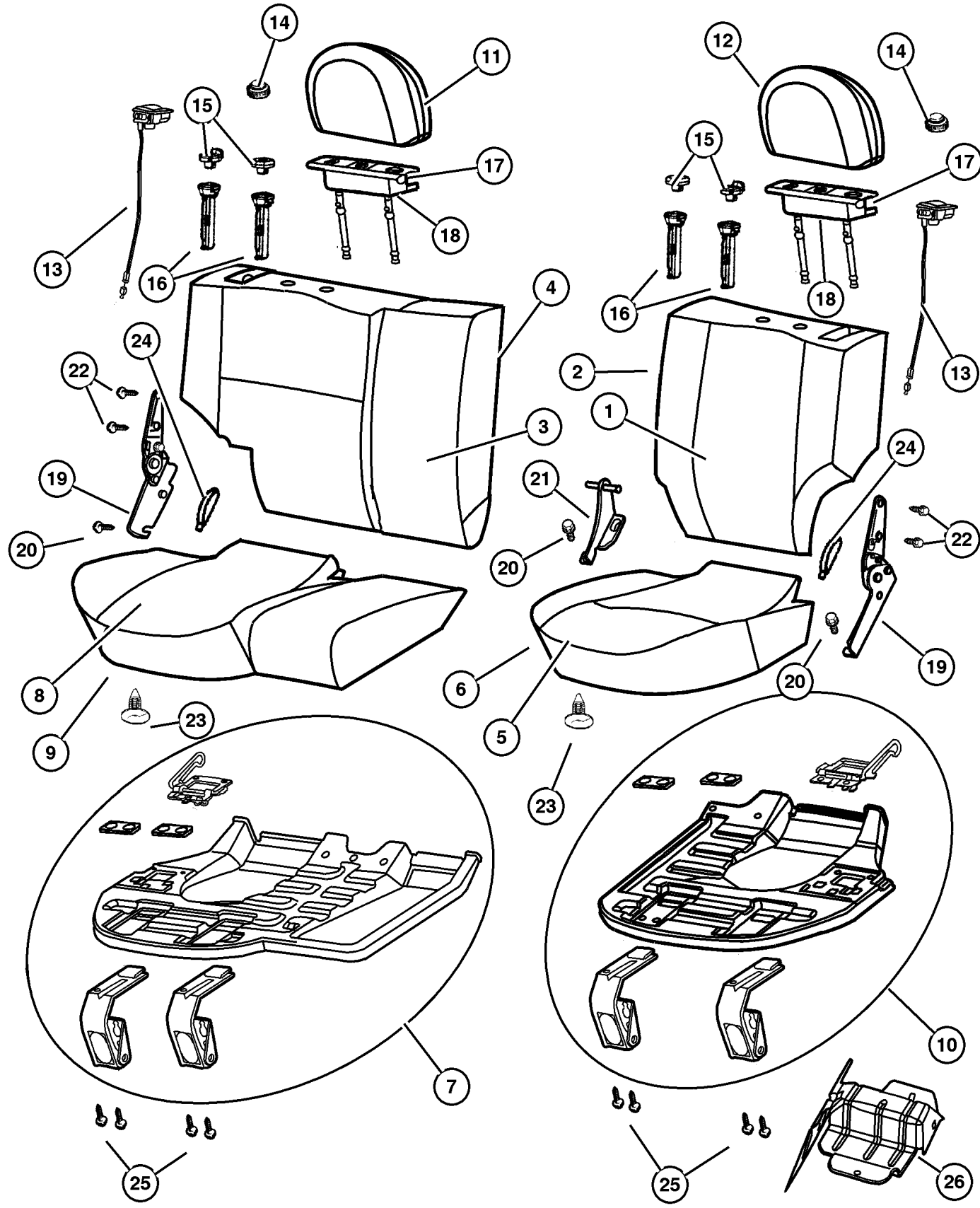
Rear Seat, Trim Code H7
Figure IWJ-610



ITEM	PART NUMBER	QTY	LINE	SERIES	BODY	ENGINE	TRANS	TRIM	DESCRIPTION
1	SK43 1AZAA	1	J, T					H7	COVER, Rear Seat Back, 40%
									Agate
									Agate
									Agate
2	SK43 1K5AA	1	U					H7	Medium Camel
									Medium Camel
									Dark Taupe
									Dark Taupe
3	SK47 1AZAA	1	J, T					H7	SEAT BACK, Rear, 40%
									Agate
									Agate
									Agate
4	SK47 1K5AA	1	J, T					H7	Medium Camel
									Medium Camel
									Dark Taupe
									Dark Taupe
5	SK47 1L5AA	1	J, T					H7	Medium Camel
									Medium Camel
									Dark Taupe
									Dark Taupe
6	SK42 1AZAA	1	J, T					H7	COVER, Rear Seat Back, 60%
									Agate
									Agate
									Agate
7	SK42 1L5AA	1	J, T					H7	Dark Taupe
									Dark Taupe
									Medium Camel
									Medium Camel
8	SK42 1K5AA	1	J, T					H7	Medium Camel
									Medium Camel
									Dark Taupe
									Dark Taupe
9	SK46 1AZAA	1	U					H7	SEAT BACK, Rear, 60%
									Agate
									Agate
									Agate
10	SK46 1K5AA	1	J, T					H7	Medium Camel
									Medium Camel
									Dark Taupe
									Dark Taupe
11	SK46 1AZAA	1	J, T					H7	Agate
									Agate
									Dark Taupe
									Dark Taupe
12	SK46 1L5AA	1	J, T					H7	Dark Taupe
									Dark Taupe
									Medium Camel
									Medium Camel
13	SK46 1K5AA	1	U					H7	Medium Camel
									Medium Camel
									Dark Taupe
									Dark Taupe
14	SK45 1AZAA	1	U					H7	COVER, Rear Seat Cushion, 40%
									Agate
									Agate
									Agate
15	SK45 1K5AA	1	J, T					H7	Medium Camel
									Medium Camel
									Dark Taupe
									Dark Taupe
16	SK45 1L5AA	1	J, T					H7	Dark Taupe
									Dark Taupe
									Medium Camel
									Medium Camel
17	SK45 1K5AA	1	U					H7	Medium Camel
									Medium Camel
									Dark Taupe
									Dark Taupe
18	SK49 1AZAA	1	U					H7	CUSHION, Rear Seat, 40%
									Agate
									Agate
									Agate
19	SK49 1K5AA	1	J, T					H7	Medium Camel
									Medium Camel
									Dark Taupe
									Dark Taupe
20	SK49 1L5AA	1	J, T					H7	Dark Taupe
									Dark Taupe
									Medium Camel
									Medium Camel
21	SK49 1K5AA	1	U					H7	Medium Camel
									Medium Camel
									Dark Taupe
									Dark Taupe
22	5013 119AA	1	U					H7	PANEL, Seat Cushion Base, 60%
									PANEL, Seat Cushion Base, 60%
									PANEL, Seat Cushion Base, 60%
									PANEL, Seat Cushion Base, 60%
23	SK44 1AZAA	1	J, T					H7	COVER, Rear Seat Cushion, 60%
									Agate
									Agate
									Agate
24		1	U					H7	Agate
									Agate
									Agate
									Agate

JEEP GRAND CHEROKEE (WJ)
 SERIES L = Grand Cherokee
 LINE J = 4WD, T = 2WD, U = 4WD (RHD)
 BODY 74 = 4 Door (105.9 WB)
 ENGINE ERH,ERO = 4.0L, Power Tech; EVA,EVO = 4.7L, Power Tech; EXA,EXO = 3.1L 5 cyl Turbo Diesel
 TRANSMISSION DGK = 4 Speed Autm, 42RE; DG4 = Multi Speed Auto 45RFE; DGW = 4 Speed Autom 44RE; DGO = All Automatic

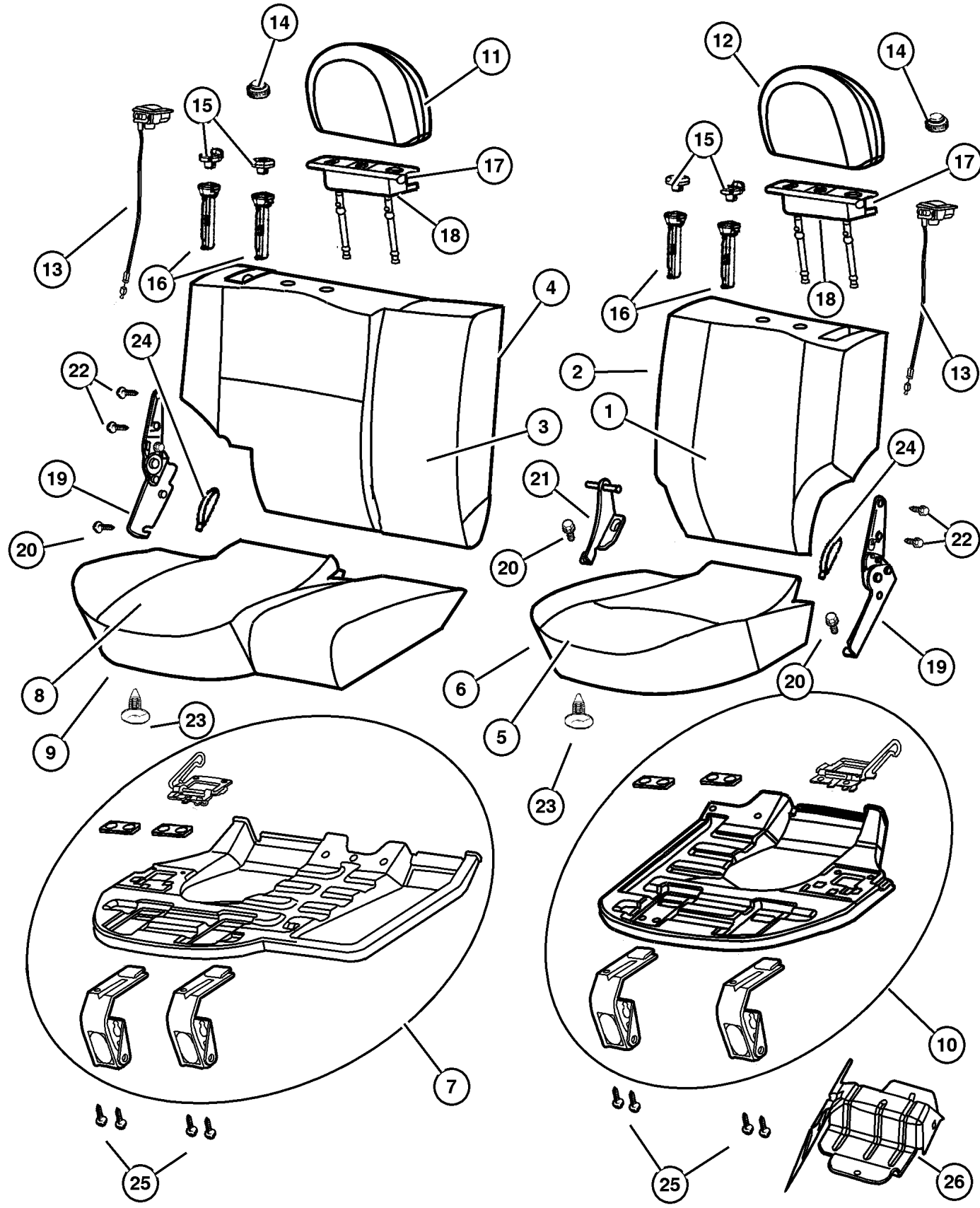
Rear Seat, Trim Code H7
Figure IWJ-610



ITEM	PART NUMBER	QTY	LINE	SERIES	BODY	ENGINE	TRANS	TRIM	DESCRIPTION
9	SK44 1K5AA	1	J, T					H7	Medium Camel
	SK44 1L5AA	1	J, T					H7	Dark Taupe
	SK44 1K5AA	1	U					H7	Medium Camel
	CUSHION, Rear Seat, 60%								
	SK48 1AZAA	1	J, T					H7	Agate
		1	U					H7	Agate
	SK48 1L5AA	1	J, T					H7	Dark Taupe
10	SK48 1K5AA	1	J, T					H7	Medium Camel
		1	U					H7	Medium Camel
	PANEL, Seat Cushion Base, 40%								
11	5013 118AA	1	U					H7	
		1	J, T					H7	
HEADREST, Rear, Right									
12	SK52 1AZAA	1	U					H7	Agate
		1	J, T					H7	Agate
	SK52 1K5AA	1	J, T					H7	Medium Camel
		1	U					H7	Medium Camel
	SK52 1L5AA	1	J, T					H7	Dark Taupe
	SK54 1AZAA	1	U					H7	Agate, Export
		1	J, T					H7	Agate, Export
13	SK54 1K5AA	1	J, T					H7	Medium Camel, Export
		1	U					H7	Medium Camel, Export
	HEADREST, Rear, Left								
	SK53 1AZAA	1	U					H7	Agate
		1	J, T					H7	Agate
	SK53 1K5AA	1	U					H7	Medium Camel
		1	J, T					H7	Medium Camel
14	SK53 1L5AA	1	J, T					H7	Dark Taupe
	SK55 1AZAA	1	U					H7	Agate, Export
		1	J, T					H7	Agate, Export
	SK55 1K5AA	1	U					H7	Medium Camel, Export
		1	J, T					H7	Medium Camel, Export
	CONTROL, SEAT RELEASE								
	15	SX64 1AZAA	2	U					H7
		2	J, T					H7	Agate
SX64 1K5AA		2	J, T					H7	Medium Camel
		2	U					H7	Medium Camel
16	SX64 1L5AA	2	J, T					H7	Taupe
	5013 168AA	1	J, T					H7	Right
		1	U					H7	Right
	5013 169AA	1	J, T					H7	Left

JEEP GRAND CHEROKEE (WJ)
 SERIES L = Grand Cherokee
 LINE J = 4WD, T = 2WD, U = 4WD (RHD)
 BODY 74 = 4 Door (105.9 WB)
 ENGINE ERH,ERO = 4.0L, Power Tech; EVA,EVO = 4.7L, Power Tech; EXA,EXO = 3.1L 5 cyl Turbo Diesel
 TRANSMISSION DGK = 4 Speed Autm, 42RE; DG4 = Multi Speed Auto 45RFE; DGW = 4 Speed Autom 44RE; DGO = All Automatic

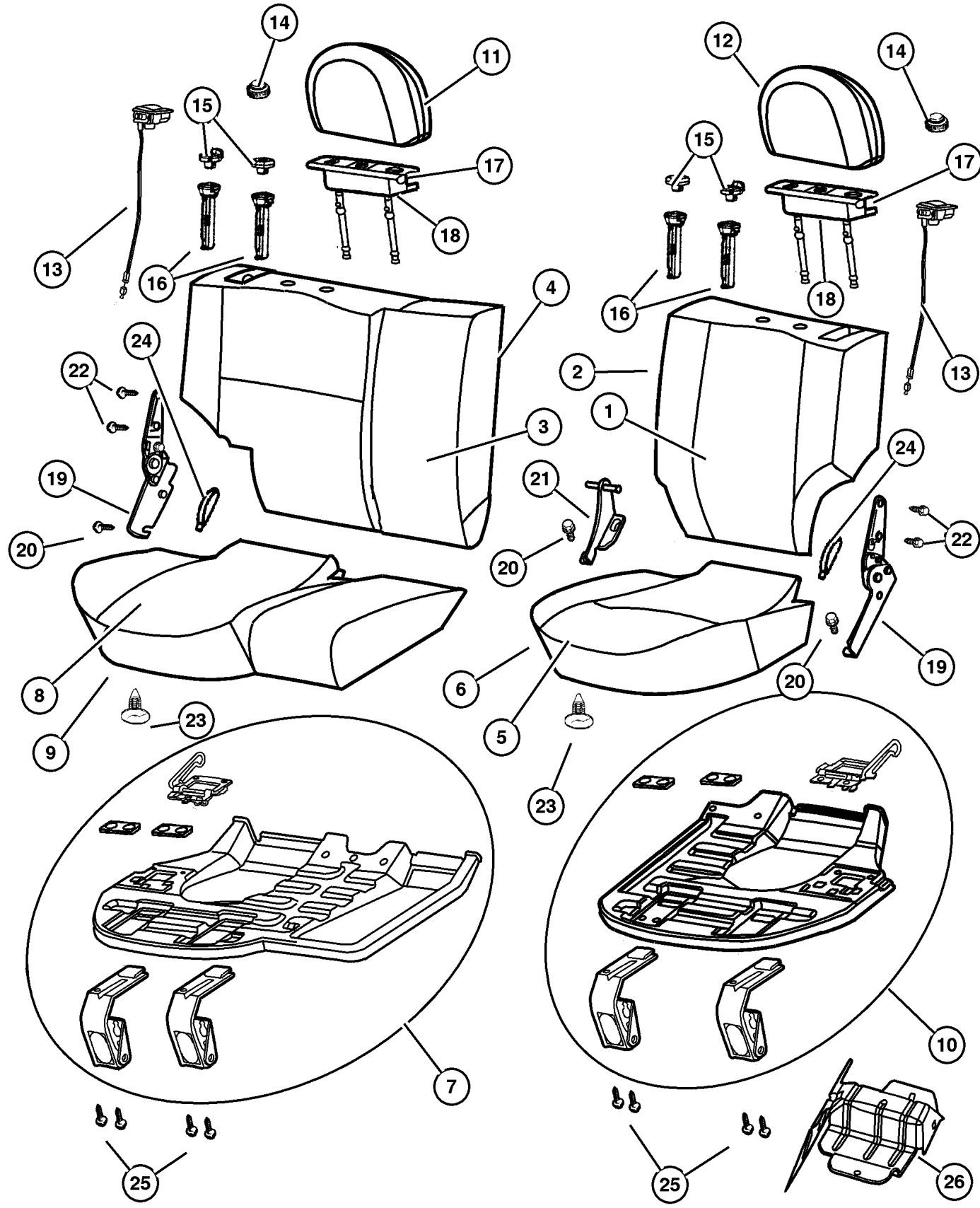
Rear Seat, Trim Code H7
Figure IWJ-610



ITEM	PART NUMBER	QTY	LINE	SERIES	BODY	ENGINE	TRANS	TRIM	DESCRIPTION
		1	U					H7	Left
15		4	U					H7	COVER, Headrest Sleeve
	5013 163AA	8	J, T					H7	Non-Locking
	5013 172AA	8	J, T					H7	Non-Locking
		8	U					H7	Locking
16		8	U					H7	Locking
	5013 152AA	8	J, T					H7	CYLINDER, Headrest
		8	U					H7	
17		1	J, T					H7	BRACKET AND HINGE, Headrest
	5013 164AA	1	J, T					H7	Up to 1-19-99, Right
	5013 165AA	1	J, T					H7	Up to 1-19-99, Left
	5013 166AA	1	J, T					H7	Up to 12-1-98, Right,Export
		1	U					H7	Up to 12-1-98, Right,Export
	5013 167AA	1	J, T					H7	Up to 12-1-98, Left,Export
		1	U					H7	Up to 12-1-98, Left,Export
	5016 178AA	1	J, T					H7	After 1-19-99, Right
	5016 179AA	1	J, T					H7	After 1-19-99, Left
	5016 180AA	1	U					H7	After 12-1-98, Right,Export
		1	J, T					H7	After 12-1-98, Right,Export
	5016 181AA	1	U					H7	After 12-1-98, Left,Export
		1	J, T					H7	After 12-1-98, Left,Export
18		1	J, T					H7	SHIELD, Headrest
	5016 920AA	1	J, T					H7	Right
	5016 921AA	1	J, T					H7	Left
19		1	J, T					H7	LATCH, Seat
	5013 150AA	1	J, T					H7	Right
		1	U					H7	Right
	5013 151AA	1	J, T					H7	Left
		1	U					H7	Left
20	6504 915AA	4							SCREW
21		1	J, T					H7	BRACKET, Pivot
	5013 145AA	1	J, T					H7	
		1	U					H7	
22	4720 768	4	J, T					H7	BOLT, Recliner to Seat Back
23		5	J, T					H7	RETAINER, Cushion Cover
	4720 778	5	J, T					H7	
		5	U					H7	
24		2	U					H7	STRAP, Seat Pull
	SL00 1AZAA	2	J, T					H7	Agate
		2	J, T					H7	Agate
	SL00 1K5AA	2	J, T					H7	Camel

JEEP GRAND CHEROKEE (WJ)
 SERIES L = Grand Cherokee
 LINE J = 4WD, T = 2WD, U = 4WD (RHD)
 BODY 74 = 4 Door (105.9 WB)
 ENGINE ERH,ERO = 4.0L, Power Tech; EVA,EVO = 4.7L, Power Tech; EXA,EXO = 3.1L 5 cyl Turbo Diesel
 TRANSMISSION DGK = 4 Speed Autm, 42RE; DG4 = Multi Speed Auto 45RFE; DGW = 4 Speed Autom 44RE; DGO = All Automatic

Rear Seat, Trim Code H7
Figure IWJ-610



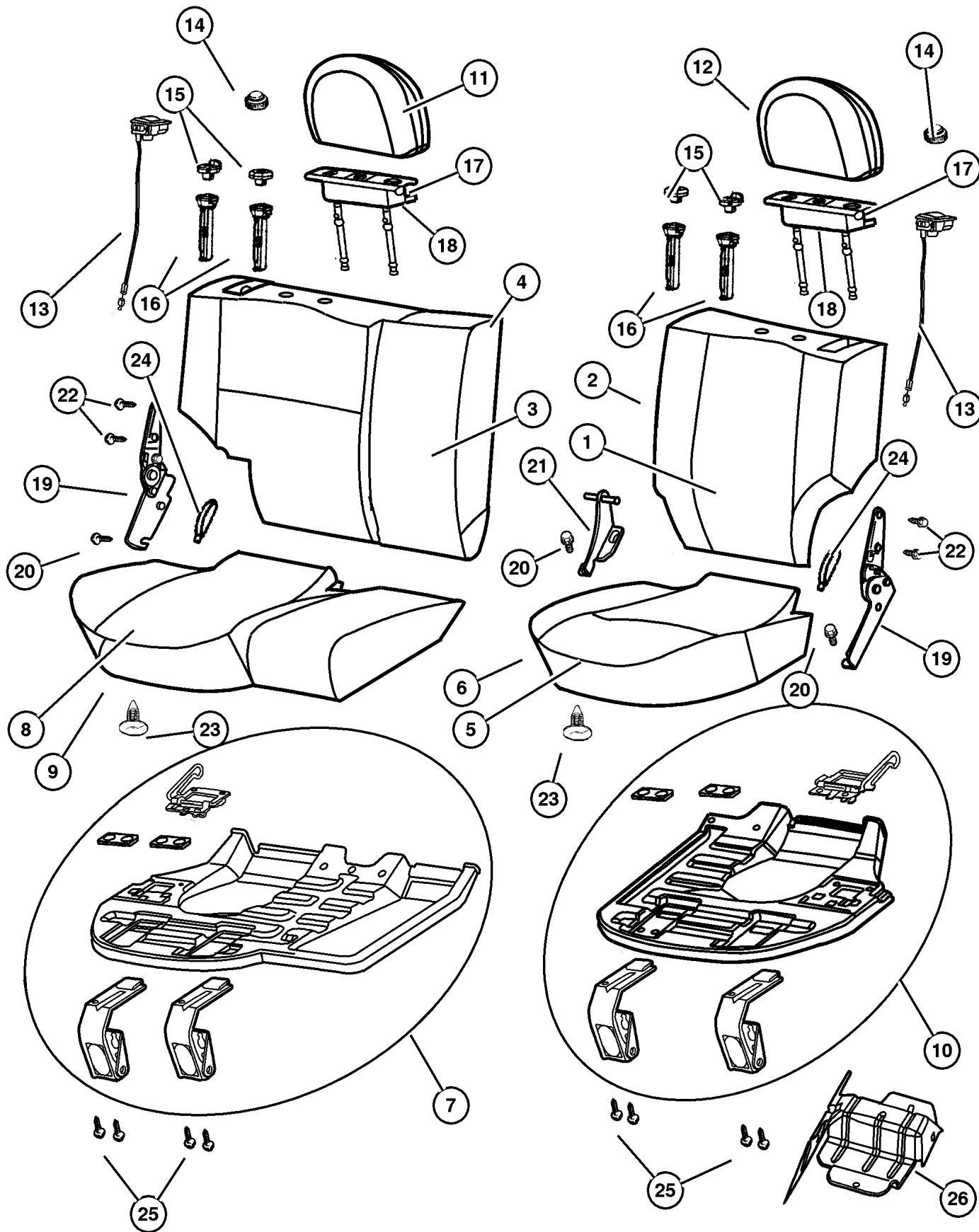
ITEM	PART NUMBER	QTY	LINE	SERIES	BODY	ENGINE	TRANS	TRIM	DESCRIPTION
		2	U					H7	Camel
	SL00 1L5AA	2	J, T					H7	Taupe
25	6100 558	8							BOLT AND CONED WASHER, Hex Head, M6x25x14
26									BRACKET, Seat
	55196 740AB	1							Rear Seat Cushion Latch, Right
	55196 741AC	1							Rear Seat Cushion Latch, Left

JEEP GRAND CHEROKEE (WJ)
 SERIES LINE BODY ENGINE TRANSMISSION
 L = Grand Cherokee J = 4WD 74 = 4 Door (105.9 WB) ERH,ERO = 4.0L, Power Tech DGK = 4 Speed Autm, 42RE
 EVA,EVO = 4.7L, Power Tech DG4 = Multi Speed Auto 45RFE
 EXA,EXO = 3.1L 5 cyl Turbo Diesel DGW = 4 Speed Autom 44RE
 DGO = All Automatic

AR = Use as required - = Non illustrated part # = New this model year

September 15, 2005

Rear Seat, Trim Code FL
Figure IWJ-620



ITEM	PART NUMBER	QTY	LINE	SERIES	BODY	ENGINE	TRANS	TRIM	DESCRIPTION
1									COVER, Rear Seat Back, 40%
	SK81 1K5AA	1	J, T					FL	Medium Camel
	SK81 1AZAA	1	J, T					FL	Agate
	SK81 1L5AA	1	J, T					FL	Dark Taupe
2									SEAT BACK, Rear, 40%
	SK93 1AZAA	1	J, T					FL	Agate
	SK93 1L5AA	1	J, T					FL	Dark Taupe
	SK93 1K5AA	1	J, T					FL	Medium Camel
3									COVER, Rear Seat Back, 60%
	SK80 1L5AA	1	J, T					FL	Dark Taupe
	SK80 1AZAA	1	J, T					FL	Agate
	SK80 1K5AA	1	J, T					FL	Medium Camel
4									SEAT BACK, Rear, 60%
	SK92 1AZAA	1	J, T					FL	Agate
	SK92 1L5AA	1	J, T					FL	Dark Taupe
	SK92 1K5AA	1	J, T					FL	Medium Camel
5									COVER, Rear Seat Cushion, 40%
	SK91 1K5AA	1	J, T					FL	Medium Camel
	SK91 1AZAA	1	J, T					FL	Agate
	SK91 1L5AA	1	J, T					FL	Dark Taupe
6									CUSHION, Rear Seat, 40%
	SK97 1K5AA	1	J, T					FL	Medium Camel
	SK97 1AZAA	1	J, T					FL	Agate
	SK97 1L5AA	1	J, T					FL	Dark Taupe
7	5013 119AA	1	J, T					FL	PANEL, Seat Cushion Base, 60%
8									COVER, Rear Seat Cushion, 60%
	SK90 1K5AA	1	J, T					FL	Medium Camel
	SK90 1AZAA	1	J, T					FL	Agate
	SK90 1L5AA	1	J, T					FL	Dark Taupe
9									CUSHION, Rear Seat, 60%
	SK96 1K5AA	1	J, T					FL	Medium Camel
	SK96 1AZAA	1	J, T					FL	Agate
	SK96 1L5AA	1	J, T					FL	Dark Taupe
10	5013 118AA	1	J, T					FL	PANEL, Seat Cushion Base, 40%
11									HEADREST, Rear, Right
	SK98 1K5AA	1	J, T					FL	Medium Camel
	SK98 1AZAA	1	J, T					FL	Agate
	SK98 1L5AA	1	J, T					FL	Dark Taupe
12									HEADREST, Rear, Left
	SK99 1K5AA	1	J, T					FL	Medium Camel
	SK99 1AZAA	1	J, T					FL	Agate
	SK99 1L5AA	1	J, T					FL	Dark Taupe
13									CONTROL, SEAT RELEASE

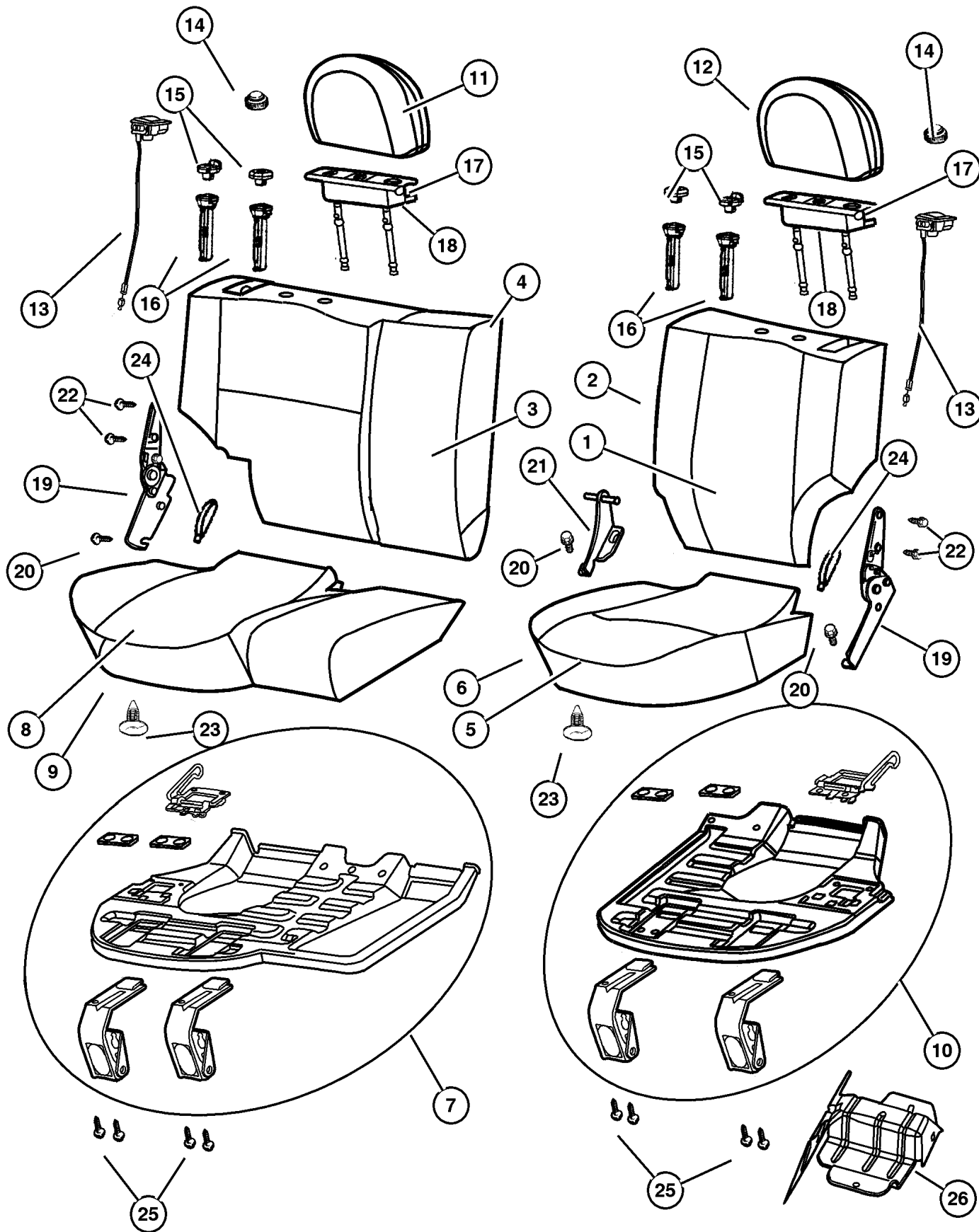
JEEP GRAND CHEROKEE (WJ)

SERIES	LINE	BODY	ENGINE	TRANSMISSION
L = Grand Cherokee	J = 4WD T = 2WD U = 4WD (RHD)	74 = 4 Door (105.9 WB)	ERH,ERO = 4.0L, Power Tech EVA,EVO = 4.7L, Power Tech EXA,EXO = 3.1L 5 cyl Turbo Diesel	DGK = 4 Speed Autm, 42RE DG4 = Multi Speed Auto 45RFE DGW = 4 Speed Autom 44RE DGO = All Automatic

AR = Use as required - = Non illustrated part # = New this model year

September 15, 2005

Rear Seat, Trim Code FL
Figure IWJ-620



ITEM	PART NUMBER	QTY	LINE	SERIES	BODY	ENGINE	TRANS	TRIM	DESCRIPTION
	SX64 1AZAA	1	J, T					FL	Agate
	SX64 1K5AA	1	J, T					FL	Medium Camel
	SX64 1L5AA	1	J, T					FL	Taupe
14									HANDLE, Headrest
	5013 168AA	1	J, T					FL	Right
	5013 169AA	1	J, T					FL	Left
15									COVER, Headrest Sleeve
	5013 163AA	4	J, T					FL	Non-Locking
	5013 172AA	4	J, T					FL	Locking
16	5013 152AA	8	J, T					FL	CYLINDER, Headrest
17									BRACKET AND HINGE, Headrest
	5013 164AA	1	J, T					FL	Up to 1-19-99, Right
	5013 165AA	1	J, T					FL	Up to 1-19-99, Left
	5016 178AA	1	J, T					FL	After 1-19-99, Right
	5016 179AA	1	J, T					FL	After 1-19-99, Left
18									SHIELD, Headrest
	5016 920AA	1	J, T					FL	Right
	5016 921AA	1	J, T					FL	Left
19									LATCH, Seat
	5013 150AA	1	J, T					FL	Right
	5013 151AA	1	J, T					FL	Left
20	6504 915AA	4							SCREW
21	5013 145AA	1	J, T					FL	BRACKET, Pivot
22	4720 768	4	J, T					H7	BOLT, Recliner to Seat Back
23	4720 778	5	J, T					FL	RETAINER, Cushion Cover
24									STRAP, Seat Pull
	SL00 1AZAA	2	J, T					FL	Agate
	SL00 1K5AA	2	J, T					FL	Medium Camek
	SL00 1L5AA	2	J, T					FL	Taupe
25	6100 558	8							BOLT AND CONED WASHER, Hex Head, M6x25x14
26									BRACKET, Seat
	55196 740AB	1							Rear Seat Cushion Latch, Right
	55196 741AC	1							Rear Seat Cushion Latch, Left

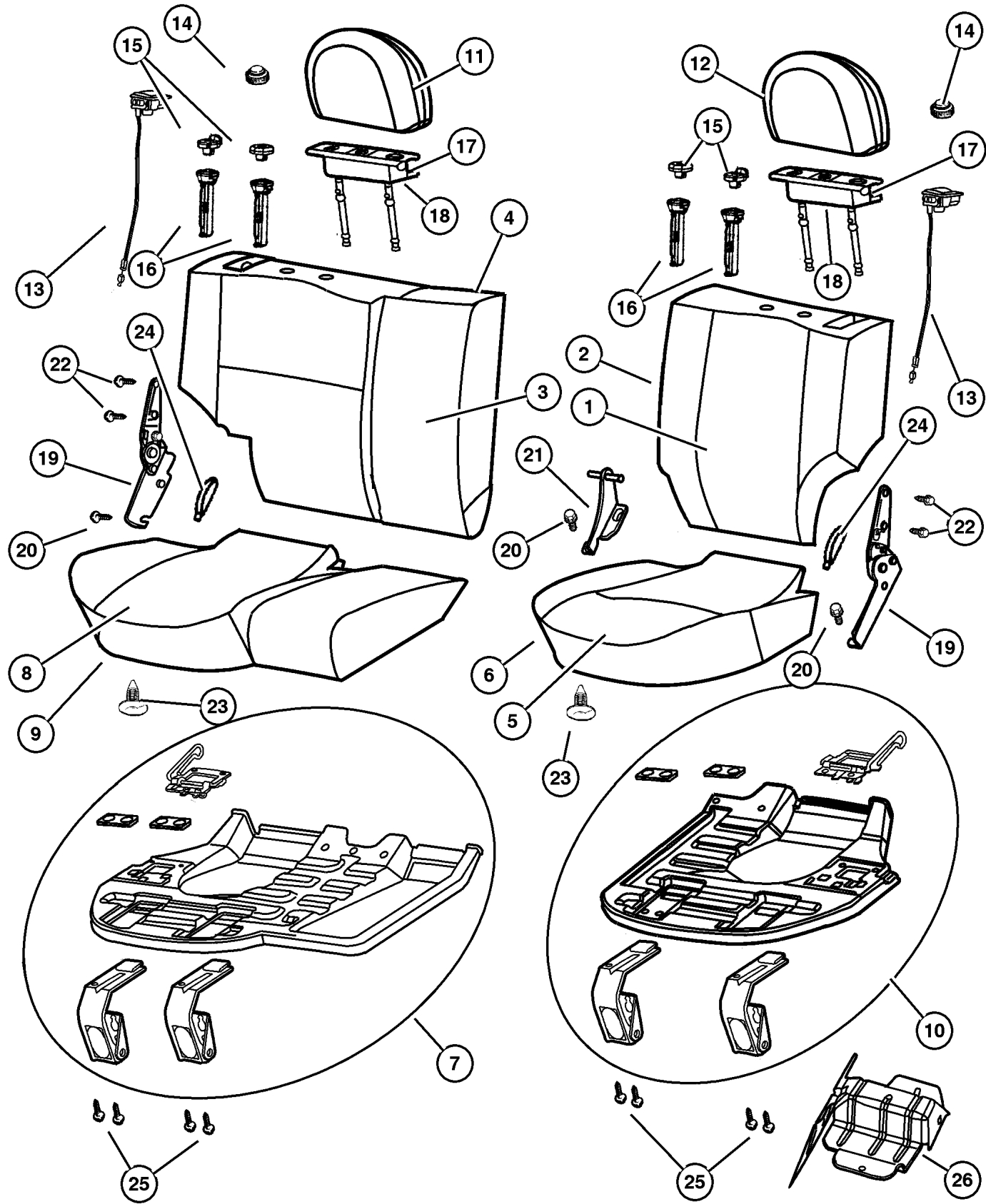
JEEP GRAND CHEROKEE (WJ)

SERIES	LINE	BODY	ENGINE	TRANSMISSION
L = Grand Cherokee	J = 4WD T = 2WD U = 4WD (RHD)	74 = 4 Door (105.9 WB)	ERH,ERO = 4.0L, Power Tech EVA,EVO = 4.7L, Power Tech EXA,EXO = 3.1L 5 cyl Turbo Diesel	DGK = 4 Speed Autm, 42RE DG4 = Multi Speed Auto 45RFE DGW = 4 Speed Autom 44RE DGO = All Automatic

AR = Use as required - = Non illustrated part # = New this model year

September 15, 2005

Rear Seat, Trim Code DL
Figure IWJ-630



ITEM	PART NUMBER	QTY	LINE	SERIES	BODY	ENGINE	TRANS	TRIM	DESCRIPTION
1									COVER, Rear Seat Back, 40%
	SJ85 1AZAA	1	J, T					DL	Agate
	SJ85 1L5AA	1	J, T					DL	Dark Taupe
	SJ85 1K5AA	1	J, T					DL	Medium Camel
2									SEAT BACK, Rear, 40%
	SK03 1K5AA	1	J, T					DL	Medium Camel
	SK03 1AZAA	1	J, T					DL	Agate
	SK03 1L5AA	1	J, T					DL	Dark Taupe
3									COVER, Rear Seat Back, 60%
	SJ84 1K5AA	1	J, T					DL	Medium Camel
	SJ84 1AZAA	1	J, T					DL	Agate
	SJ84 1L5AA	1	J, T					DL	Dark Taupe
4									SEAT BACK, Rear, 60%
	SK02 1AZAA	1	J, T					DL	Agate
	SK02 1K5AA	1	J, T					DL	Medium Camel
	SK02 1L5AA	1	J, T					DL	Dark Taupe
5									COVER, Rear Seat Cushion, 40%
	SJ91 1K5AA	1	J, T					DL	Medium Camel
	SJ91 1AZAA	1	J, T					DL	Agate
	SJ91 1L5AA	1	J, T					DL	Dark Taupe
6									CUSHION, Rear Seat, 40%
	SK15 1K5AA	1	J, T					DL	Medium Camel
	SK15 1AZAA	1	J, T					DL	Agate
	SK15 1L5AA	1	J, T					DL	Dark Taupe
7	5013 119AA	1	J, T					DL	PANEL, Seat Cushion Base, 60%
8									COVER, Rear Seat Cushion, 60%
	SJ90 1K5AA	1	J, T					DL	Medium Camel
	SJ90 1AZAA	1	J, T					DL	Agate
	SJ90 1L5AA	1	J, T					DL	Dark Taupe
9									CUSHION, Rear Seat, 60%
	SK14 1K5AA	1	J, T					DL	Medium Camel
	SK14 1AZAA	1	J, T					DL	Agate
	SK14 1L5AA	1	J, T					DL	Dark Taupe
10	5013 118AA	1	J, T					DL	PANEL, Seat Cushion Base, 40%
11									HEADREST, Rear, Right
	SK26 1K5AA	1	J, T					DL	Medium Camel
	SK26 1AZAA	1	J, T					DL	Agate
	SK26 1L5AA	1	J, T					DL	Dark Taupe
12									HEADREST, Rear, Left
	SK27 1AZAA	1	J, T					DL	Agate
	SK27 1L5AA	1	J, T					DL	Dark Taupe
	SK27 1K5AA	1	J, T					DL	Medium Camel
13									CONTROL, SEAT RELEASE

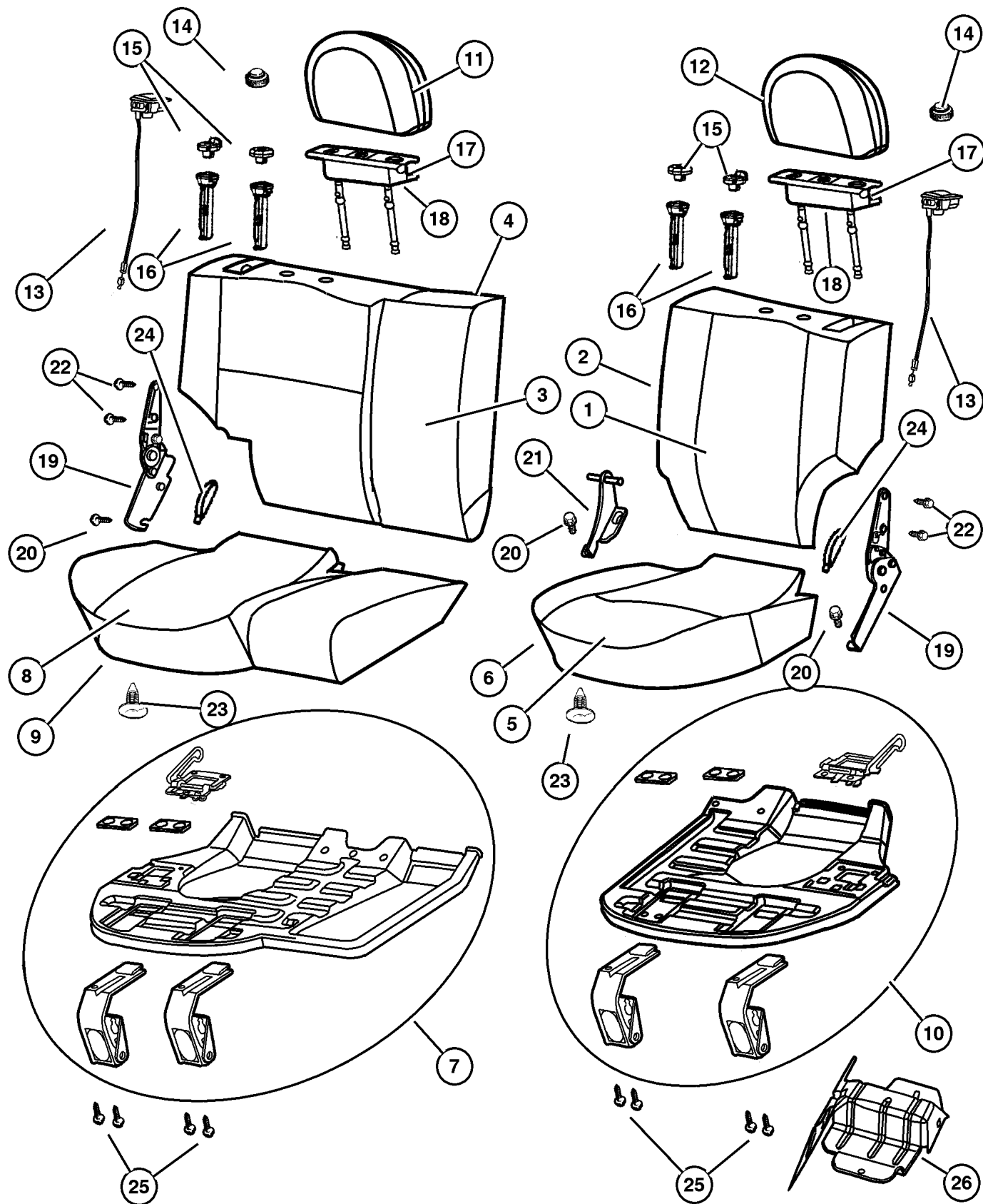
JEEP GRAND CHEROKEE (WJ)

SERIES	LINE	BODY	ENGINE	TRANSMISSION
L = Grand Cherokee	J = 4WD T = 2WD U = 4WD (RHD)	74 = 4 Door (105.9 WB)	ERH,ERO = 4.0L, Power Tech EVA,EVO = 4.7L, Power Tech EXA,EXO = 3.1L 5 cyl Turbo Diesel	DGK = 4 Speed Autm, 42RE DG4 = Multi Speed Auto 45RFE DGW = 4 Speed Autom 44RE DGO = All Automatic

AR = Use as required - = Non illustrated part # = New this model year

September 15, 2005

Rear Seat, Trim Code DL
Figure IWJ-630



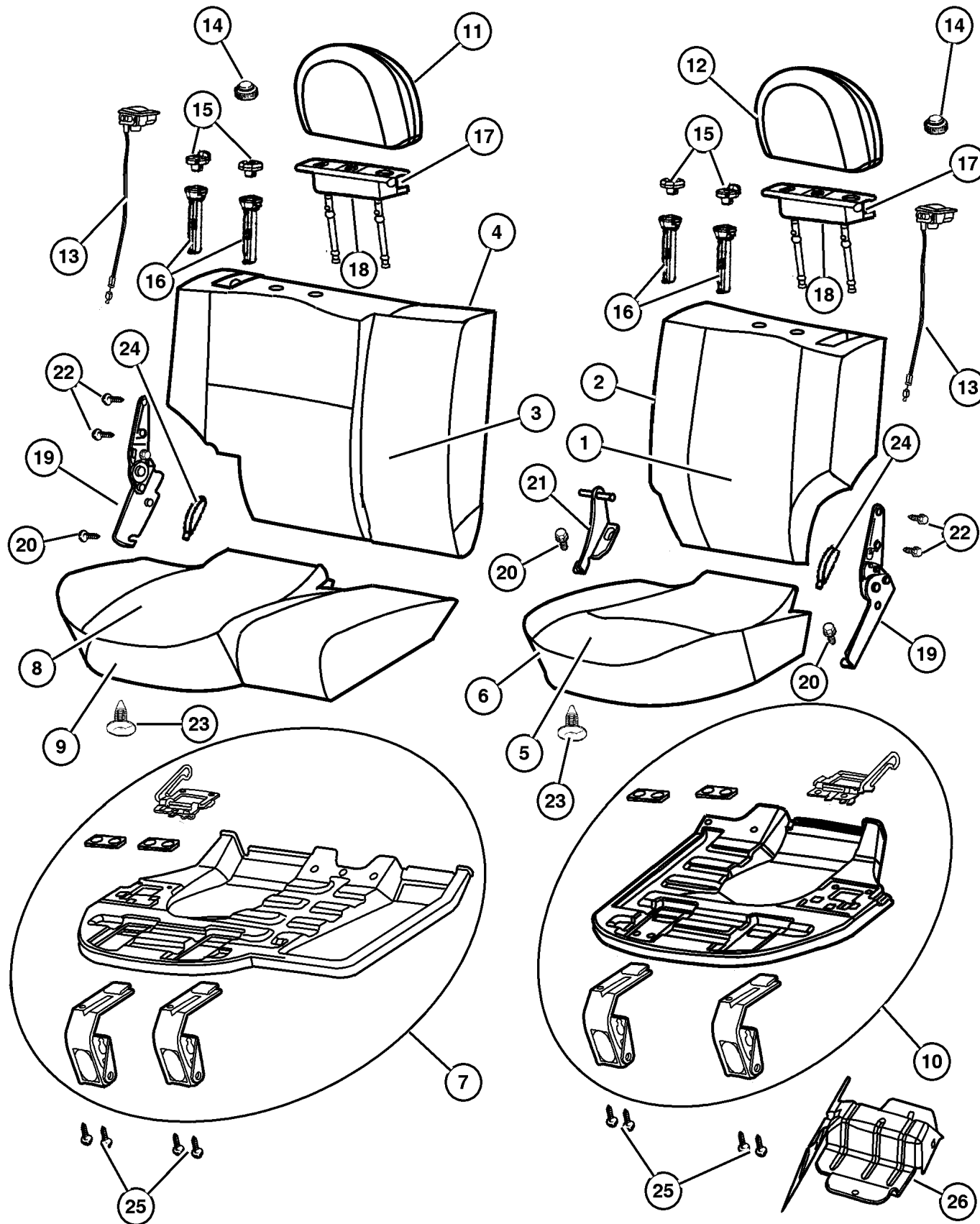
ITEM	PART NUMBER	QTY	LINE	SERIES	BODY	ENGINE	TRANS	TRIM	DESCRIPTION
	SX64 1AZAA	2	J, T					DL	Agate
	SX64 1K5AA	2	J, T					DL	Medium Camel
	SX64 1L5AA	2	J, T					DL	Taupe
14									HANDLE, Headrest
	5013 168AA	1	J, T					DL	Right
	5013 169AA	1	J, T					DL	Left
15									COVER, Headrest Sleeve
	5013 163AA	4	J, T					DL	Non-Locking
	5013 172AA	4	J, T					DL	Locking
16	5013 152AA	8	J, T					DL	CYLINDER, Headrest
17									BRACKET AND HINGE, Headrest
	5013 164AA	1	J, T					DL	Up to 1-19-99, Right
	5013 165AA	1	J, T					DL	Up to 1-19-99, Left
	5016 178AA	1	J, T					DL	After 1-19-99, Right
	5016 179AA	1	J, T					DL	After 1-19-99, Left
18									SHIELD, Headrest
	5016 920AA	1	J, T					DL	Right
	5016 921AA	1	J, T					DL	Left
19									LATCH, Seat
	5013 150AA	1	J, T					DL	Right
	5013 151AA	1	J, T					DL	Left
20	6504 915AA	4							SCREW
21	5013 145AA	1	J, T					DL	BRACKET, Pivot
22	4720 768	4	J, T					H7	BOLT, Recliner to Seat Back
23	4720 778	5	J, T					DL	RETAINER, Cushion Cover
24									STRAP, Seat Pull
	SL00 1AZAA	2	J, T					DL	Agate
	SL00 1K5AA	2	J, T					DL	Medium Camel
	SL00 1L5AA	2	J, T					DL	Dark Taupe
25	6100 558	8							BOLT AND CONED WASHER, Hex Head, M6x25x14
26									BRACKET, Seat
	55196 741AC	1							Rear Seat Cushion Latch, Left
	55196 740AB	1							Rear Seat Cushion Latch, Right

JEEP GRAND CHEROKEE (WJ)
 SERIES L = Grand Cherokee
 LINE J = 4WD, T = 2WD, U = 4WD (RHD)
 BODY 74 = 4 Door (105.9 WB)
 ENGINE ERH,ERO = 4.0L, Power Tech; EVA,EVO = 4.7L, Power Tech; EXA,EXO = 3.1L 5 cyl Turbo Diesel
 TRANSMISSION DGK = 4 Speed Autm, 42RE; DG4 = Multi Speed Auto 45RFE; DGW = 4 Speed Autom 44RE; DGO = All Automatic

AR = Use as required - = Non illustrated part # = New this model year

September 15, 2005

Rear Seat, Trim Code EL
Figure IWJ-640



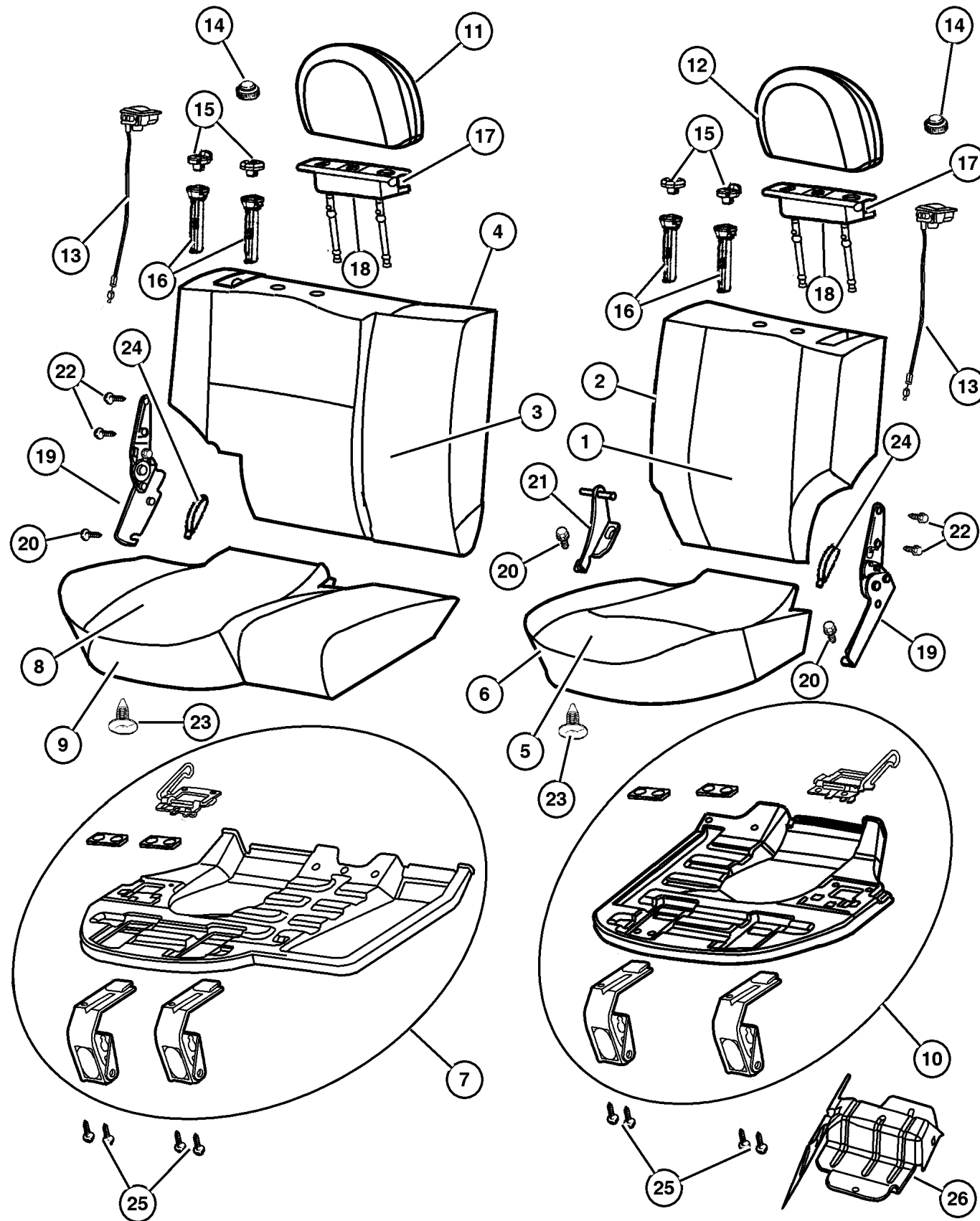
ITEM	PART NUMBER	QTY	LINE	SERIES	BODY	ENGINE	TRANS	TRIM	DESCRIPTION
1									COVER, Rear Seat Back, 40%
	SJ89 1AZAA	1	J, T					EL	Agate
		1	U					EL	Agate
	SJ89 1K5AA	1	J, T					EL	Medium Camel
		1	U					EL	Medium Camel
2									SEAT BACK, Rear, 40%
	SK05 1AZAA	1	J, T					EL	Agate
		1	U					EL	Agate
	SK05 1K5AA	1	J, T					EL	Medium Camel
		1	U					EL	Medium Camel
3									COVER, Rear Seat Back, 60%
	SJ88 1AZAA	1	J, T					EL	Agate
		1	U					EL	Agate
	SJ88 1K5AA	1	J, T					EL	Medium Camel
		1	U					EL	Medium Camel
4									SEAT BACK, Rear, 60%
	SK04 1AZAA	1	J, T					EL	Agate
		1	U					EL	Agate
	SK04 1K5AA	1	J, T					EL	Medium Camel
		1	U					EL	Medium Camel
5									COVER, Rear Seat Cushion, 40%
	SJ93 1K5AA	1	J, T					EL	Medium Camel
	SJ93 1AZAA	1	J, T					EL	Agate
		1	U					EL	Agate
	SJ93 1K5AA	1	U					EL	Medium Camel
6									CUSHION, Rear Seat, 40%
	SK21 1AZAA	1	J, T					EL	Agate
		1	U					EL	Agate
	SK21 1K5AA	1	J, T					EL	Medium Camel
		1	U					EL	Medium Camel
7									PANEL, Seat Cushion Base, 60%
	5013 119AA	1	U					EL	
		1	J, T					EL	
8									COVER, Rear Seat Cushion, 60%
	SJ92 1AZAA	1	J, T					EL	Agate
		1	U					EL	Agate
	SJ92 1K5AA	1	J, T					EL	Medium Camel
		1	U					EL	Medium Camel
9									CUSHION, Rear Seat, 60%
	SK20 1AZAA	1	J, T					EL	Agate
		1	U					EL	Agate
	SK20 1K5AA	1	J, T					EL	Medium Camel

JEEP GRAND CHEROKEE (WJ)
 SERIES LINE BODY ENGINE TRANSMISSION
 L = Grand Cherokee J = 4WD 74 = 4 Door (105.9 WB) ERH,ERO = 4.0L, Power Tech DGK = 4 Speed Autm, 42RE
 T = 2WD EVA,EVO = 4.7L, Power Tech DG4 = Multi Speed Auto 45RFE
 U = 4WD (RHD) EXA,EXO = 3.1L 5 cyl Turbo Diesel DGO = 4 Speed Autom 44RE
 DGO = All Automatic

AR = Use as required - = Non illustrated part # = New this model year

September 15, 2005

Rear Seat, Trim Code EL
Figure IWJ-640



ITEM	PART NUMBER	QTY	LINE	SERIES	BODY	ENGINE	TRANS	TRIM	DESCRIPTION
		1	U					EL	Medium Camel
10	5013 118AA	1	J, T					EL	PANEL, Seat Cushion Base, 40%
		1	U					EL	
11	SK36 1AZAA	1	J, T					EL	HEADREST, Rear, Right
	SK36 1K5AA	1	U					EL	Agate
		1	U					EL	Agate
		1	J, T					EL	Medium Camel
		1	U					EL	Medium Camel
12	SK37 1AZAA	1	J, T					EL	HEADREST, Rear, Left
		1	U					EL	Agate
	SK37 1K5AA	1	J, T					EL	Agate
		1	U					EL	Medium Camel
		1	U					EL	Medium Camel
13	SX64 1AZAA	2	U					EL	CONTROL, SEAT RELEASE
		2	J, T					EL	Agate
	SX64 1K5AA	2	J, T					EL	Agate
		2	U					EL	Medium Camel
		2	U					EL	Medium Camel
14	5013 168AA	1	J, T					EL	HANDLE, Headrest
		1	U					EL	Right
	5013 169AA	1	J, T					EL	Left
		1	U					EL	Left
15	5013 163AA	8	J, T					EL	COVER, Headrest Sleeve
		8	U					EL	Non-Locking
	5013 172AA	8	J, T					EL	Non-Locking
		8	U					EL	Locking
		8	U					EL	Locking
16	5013 152AA	8	J, T					EL	CYLINDER, Headrest
		8	U					EL	
17	5013 166AA	1	J, T					EL	BRACKET AND HINGE, Headrest
		1	U					EL	Up to 12-1-98, Right,Export
	5013 167AA	1	J, T					EL	Up to 12-1-98, Right,Export
		1	U					EL	Up to 12-1-98, Left,Export
		1	U					EL	Up to 12-1-98, Left,Export
	5016 180AA	1	J, T					EL	After 12-1-98, Right,Export
		1	U					EL	After 12-1-98, Right,Export
	5016 181AA	1	U					EL	After 12-1-98, Left,Export
		1	J, T					EL	After 12-1-98, Left,Export
18									SHIELD, Headrest

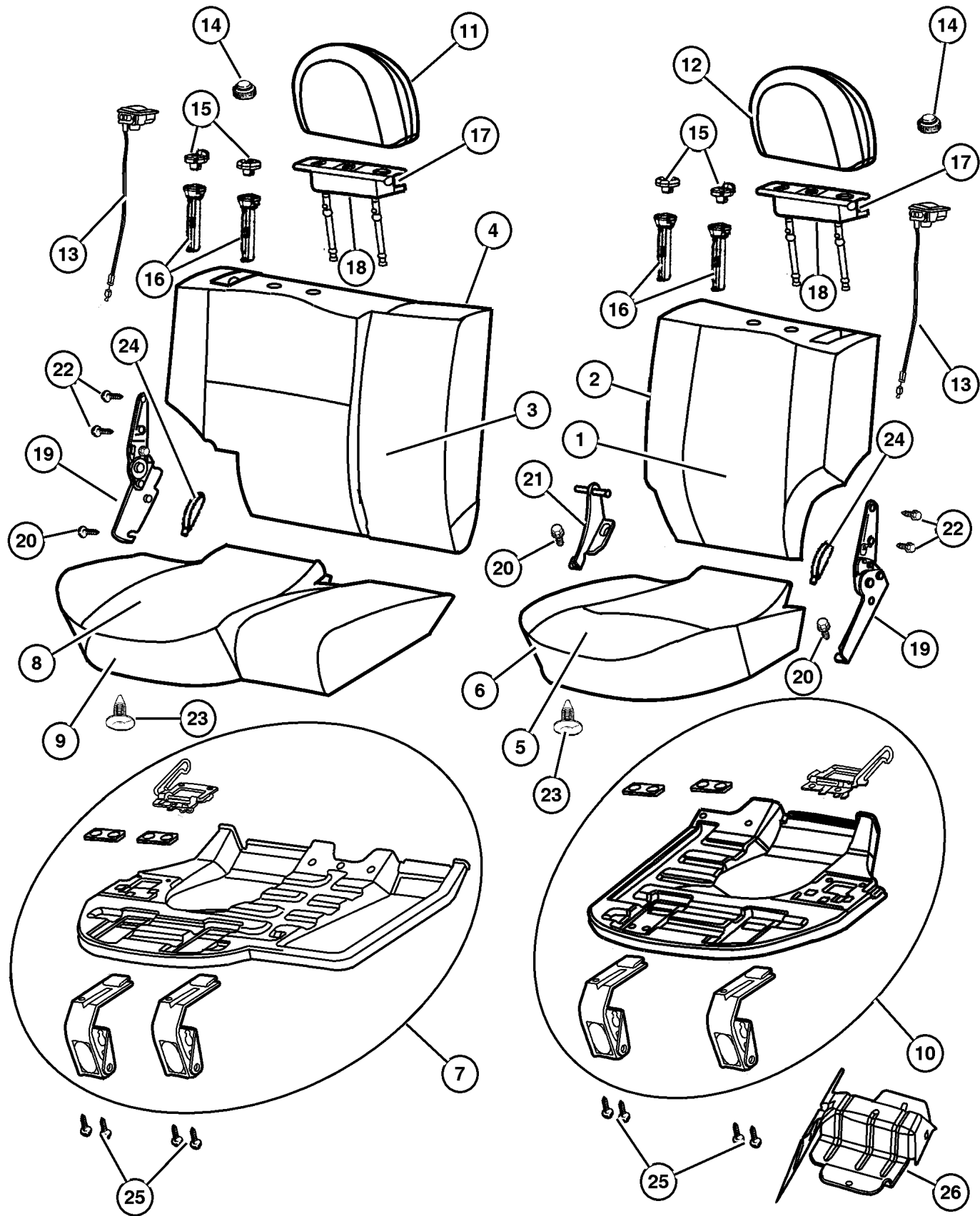
JEEP GRAND CHEROKEE (WJ)

SERIES	LINE	BODY	ENGINE	TRANSMISSION
L = Grand Cherokee	J = 4WD T = 2WD U = 4WD (RHD)	74 = 4 Door (105.9 WB)	ERH,ERO = 4.0L, Power Tech EVA,EVO = 4.7L, Power Tech EXA,EXO = 3.1L 5 cyl Turbo Diesel	DGK = 4 Speed Autm, 42RE DG4 = Multi Speed Auto 45RFE DGW = 4 Speed Autom 44RE DGO = All Automatic

AR = Use as required - = Non illustrated part # = New this model year

September 15, 2005

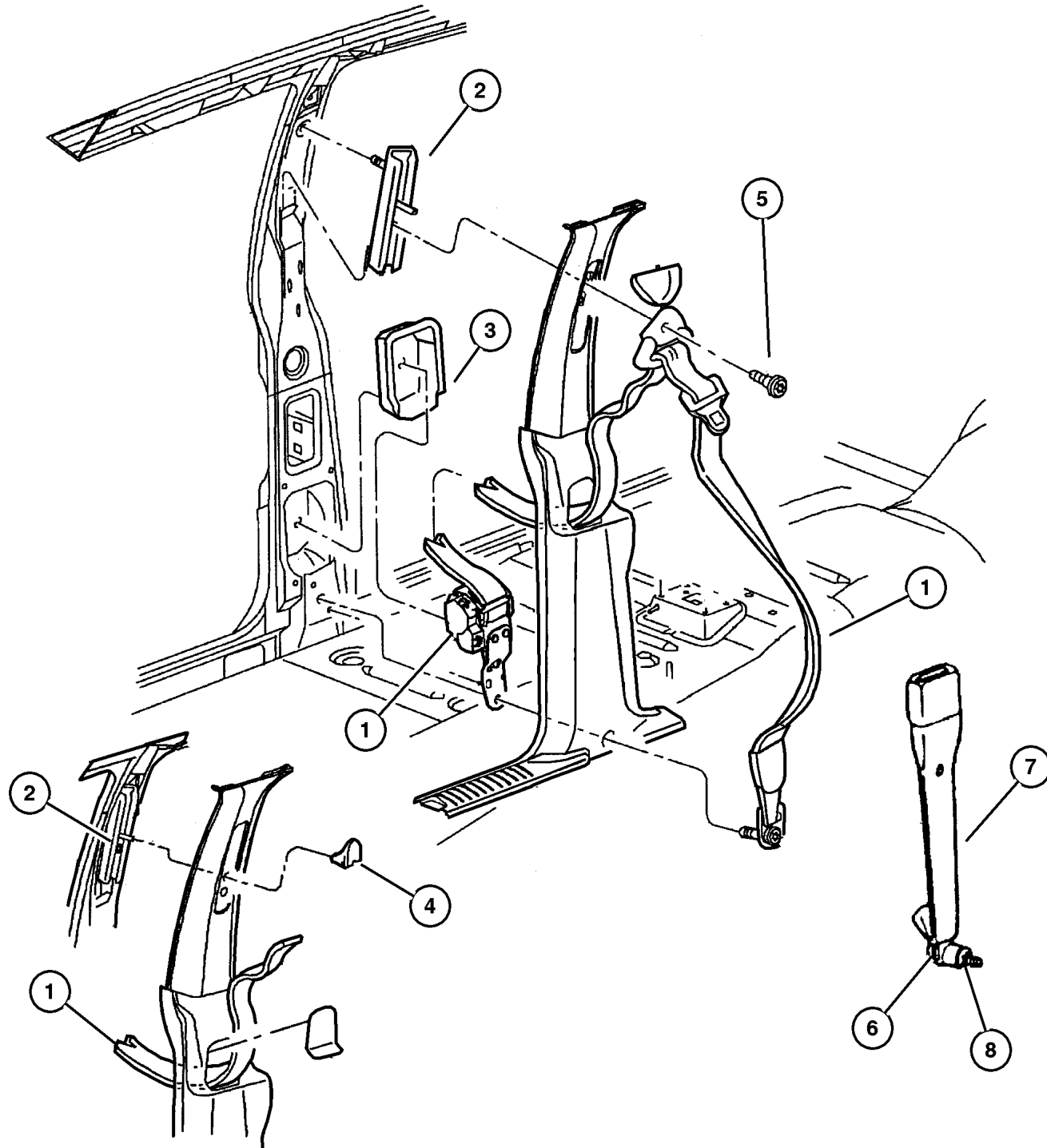
Rear Seat, Trim Code EL
Figure IWJ-640



ITEM	PART NUMBER	QTY	LINE	SERIES	BODY	ENGINE	TRANS	TRIM	DESCRIPTION
	5016 920AA	1	J, T					EL	Right
		1	U					EL	Right
	5016 921AA	1	J, T					EL	Left
		1	U					EL	Left
19									LATCH, Seat
	5013 150AA	1	J, T					EL	Right
		1	U					EL	Right
	5013 151AA	1	U					EL	Left
		1	J, T					EL	Left
20	6504 915AA	4							SCREW
21									BRACKET, Pivot
	5013 145AA	1	J, T					EL	
		1	U					EL	
22	4720 768	4	J, T					H7	BOLT, Recliner to Seat Back
23									RETAINER, Cushion Cover
	4720 778	5	J, T					EL	
		5	U					EL	
24									STRAP, Seat Pull
	SL00 1AZAA	2	J, T					EL	Agate
		2	U					EL	Agate
	SL00 1K5AA	2	U					EL	Camel
		2	J, T					EL	Camel
25	6100 558	8							BOLT AND CONED WASHER, Hex Head, M6x25x14
26									BRACKET, Seat
	55196 740AB	1							Rear Seat Cushion Latch, Right
	55196 741AC	1							Rear Seat Cushion Latch, Left

JEEP GRAND CHEROKEE (WJ)
 SERIES L = Grand Cherokee LINE J = 4WD T = 2WD U = 4WD (RHD) BODY 74 = 4 Door (105.9 WB) ENGINE ERH,ERO = 4.0L, Power Tech EVA,EVO = 4.7L, Power Tech EXA,EXO = 3.1L 5 cyl Turbo Diesel TRANSMISSION DGK = 4 Speed Autm, 42RE DG4 = Multi Speed Auto 45RFE DGW = 4 Speed Autom 44RE DGO = All Automatic

Front Seat
Figure IWJ-710



ITEM	PART NUMBER	QTY	LINE	SERIES	BODY	ENGINE	TRANS	TRIM	DESCRIPTION
1									SEAT BELT, Front Outer
	55196 786AC	1							Right,Export
	55196 787AC	1							Left,Export
	5GD60 1L5AC	1						O0	Dark Taupe, Right
	5GD60 LAZAC	1						O0	Agate, Right
	5GD60 RK5AC	1						O0	Medium Camel, Right
	5GD61 1L5AB	1						O0	Dark Taupe, Left
	5GD61 LAZAB	1						O0	Agate, Left
	5GD61 RK5AB	1						O0	Medium Camel, Left
2	5519 6689	2							ADJUSTER, Seat Belt Turning Loop
3									SHIELD, Seat Belt Retractor
	55196 734AA	1							Right
	55196 735AA	1							Left
4	55196 860AA	2							BUTTON, Adjuster
5	6035 888	2							SCREW, Shoulder
6	6504 867AA	1							SCREW
7									SEAT BELT, Front Inner
	55196 778AA	1	U					H7	Right,Export
		1	U					EL	Right,Export
	55196 779AA	1	J, T					H7	Left,Export
		1	J, T					EL	Left,Export
	5531 4894	1	J, T					EL	Right,Export
		1	J, T					H7	Right,Export
	5531 4895	1	U					EL	Left,Export
		1	U					H7	Left,Export
	5GC01 1AZAA	1	J, T					DL	Agate, Left
		1	J, T					FL	Agate, Left
		1	J, T					H7	Agate, Left
	5GC01 1K5AA	1	J, T					DL	Medium Camel, Left
		1	J, T					FL	Medium Camel, Left
		1	J, T					H7	Medium Camel, Left
	5GC01 1L5AA	1	J, T					FL	Dark Taupe, Left
		1	J, T					H7	Dark Taupe, Left
		1	J, T					DL	Dark Taupe, Left
	5GU08 1AZAA	1	J, T					O0	Agate, Right
	5GU08 1K5AA	1	J, T					O0	Medium Camel, Right
	5GU08 1L5AA	1	J, T					O0	Dark Taupe, Right
8									WASHER, Seat Belt Attaching
	4798 898	2	J, T					H7	
		2	U					EL	
-9	4740 415	1							EXTENDER, Seat Belt

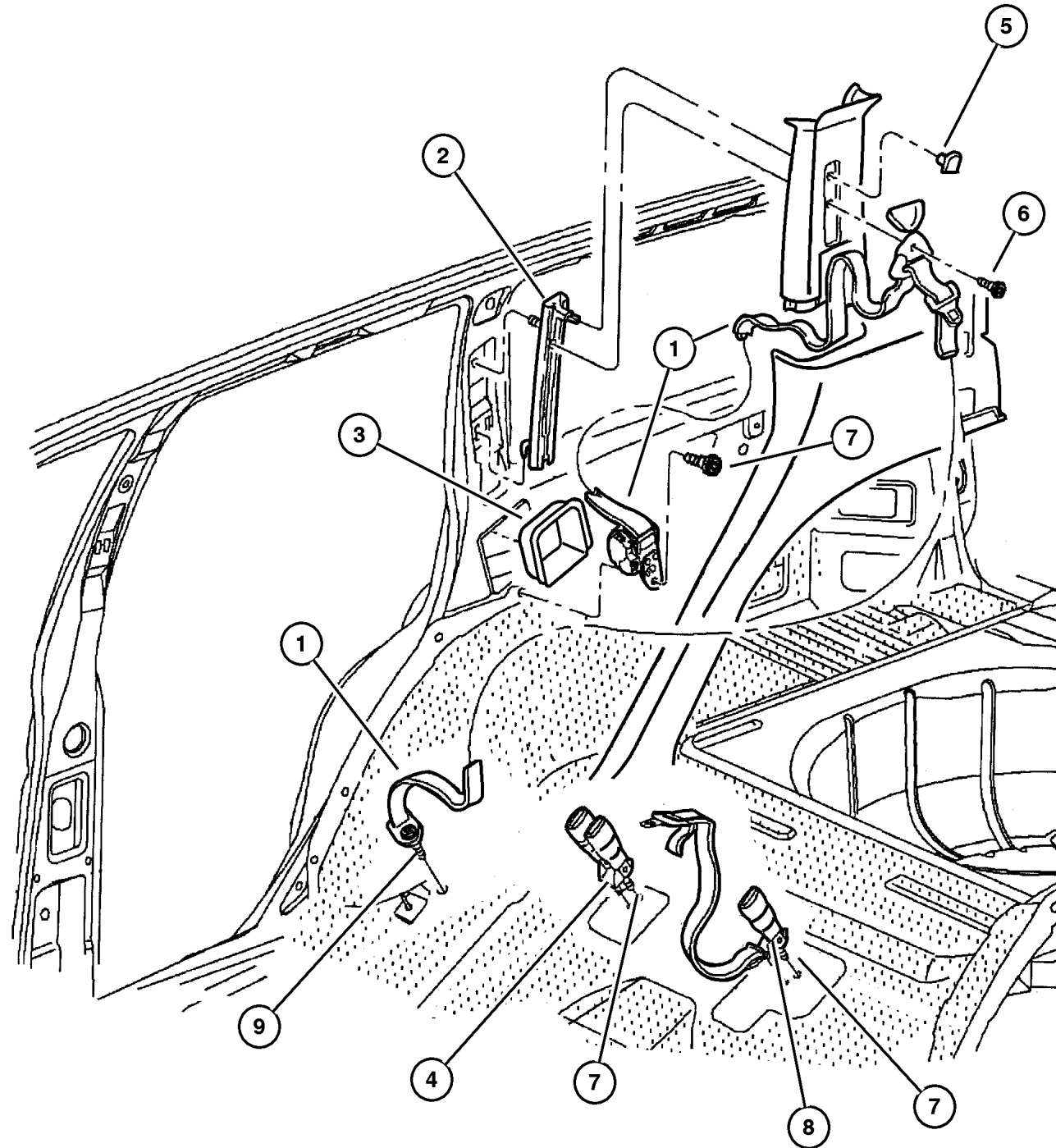
JEEP GRAND CHEROKEE (WJ)

SERIES	LINE	BODY	ENGINE	TRANSMISSION
L = Grand Cherokee	J = 4WD T = 2WD U = 4WD (RHD)	74 = 4 Door (105.9 WB)	ERH,ERO = 4.0L, Power Tech EVA,EVO = 4.7L, Power Tech EXA,EXO = 3.1L 5 cyl Turbo Diesel	DGK = 4 Speed Autm, 42RE DG4 = Multi Speed Auto 45RFE DGW = 4 Speed Autom 44RE DGO = All Automatic

AR = Use as required - = Non illustrated part # = New this model year

September 15, 2005

Rear Seat Belt Figure IWJ-720



ITEM	PART NUMBER	QTY	LINE	SERIES	BODY	ENGINE	TRANS	TRIM	DESCRIPTION
1									SEAT BELT, Rear Outer
	55196 788AA	1							Right,Export
	55196 789AA	1							Left,Export
	5GD62 RK5AA	1						O0	Medium Camel, Right
	5GD62 1L5AA	1						O0	Dark Taupe, Right
	5GD62 LAZAA	1						O0	Agate, Right
	5GD63 LAZAA	1						O0	Agate, Left
	5GD63 1L5AA	1						O0	Dark Taupe, Left
	5GD63 RK5AA	1						O0	Medium Camel, Left
2	5519 6689	2							ADJUSTER, Seat Belt Turning Loop
3	55196 733AA	2							SHIELD, Seat Belt Retractor
4									SEAT BELT, Rear Inner, Right
	5519 6586	1							Export
	5FP4 81AZ	1						O0	Agate
	5FP4 81K5	1						O0	Medium Camel
	5FP4 81L5	1						O0	Dark Taupe
5	4680 385	2							BUTTON, Adjuster
6	6035 888	2							SCREW, Shoulder
7	6505 286AA	2							SCREW
8									SEAT BELT, Rear Inner, Left
	5FP4 91K5	1						O0	Medium Camel
	5FP4 91L5	1						O0	Dark Taupe
	5519 6587	1							Export
	5FP4 91AZ	1						O0	Agate
9	6504 973AA	1							SCREW
-10									TETHER, Child Seat
	5016 869AA-	1							Camel, (K5)
	5016 870AA-	1							Beige, (AZ, L5)
	5016 871AA-	1							Camel, CANADA, (K5)
	5016 873AA-	1							Beige, CANADA, (AZ, L5)

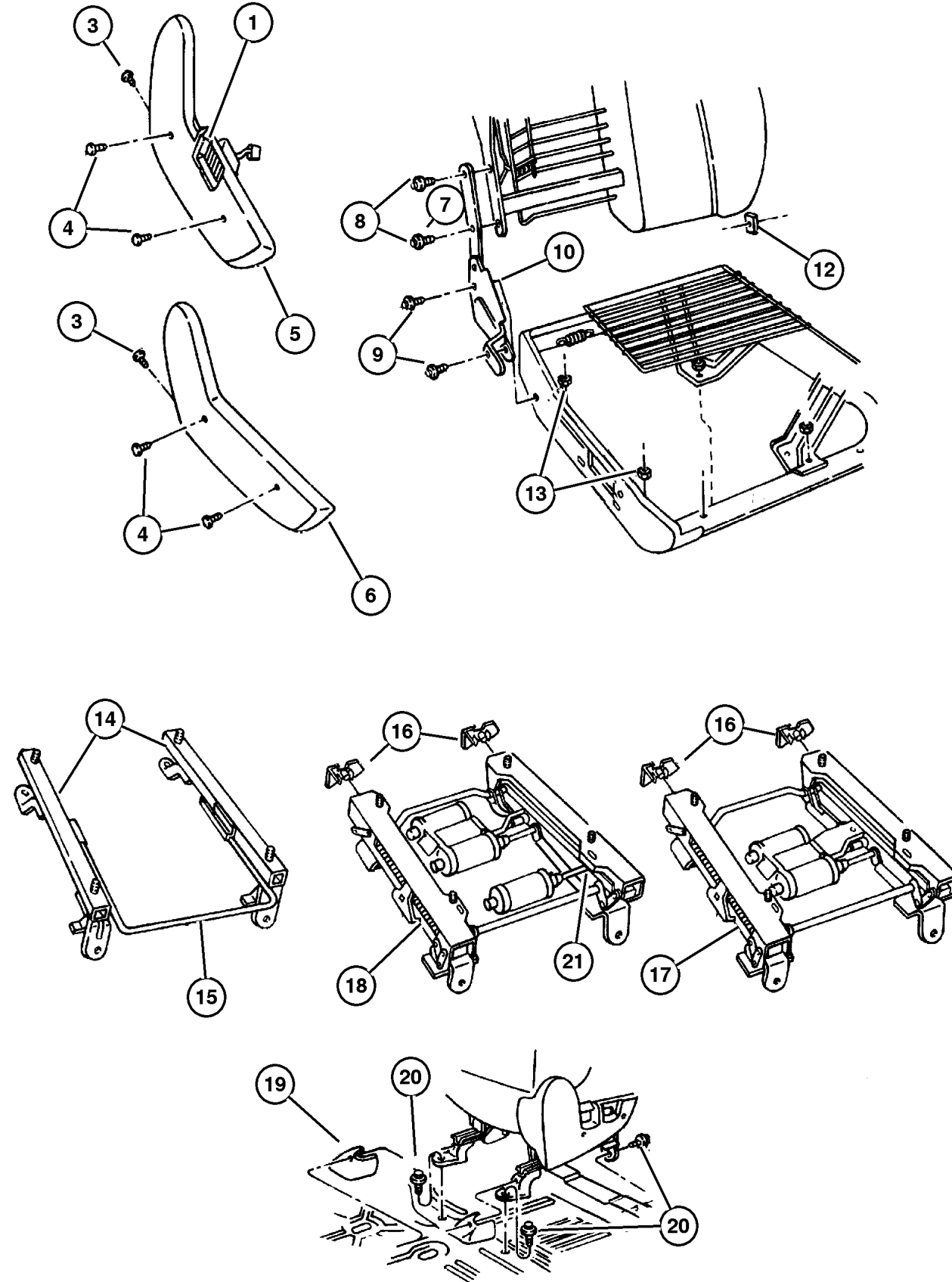
JEEP GRAND CHEROKEE (WJ)

SERIES	LINE	BODY	ENGINE	TRANSMISSION
L = Grand Cherokee	J = 4WD T = 2WD U = 4WD (RHD)	74 = 4 Door (105.9 WB)	ERH,ERO = 4.0L, Power Tech EVA,EVO = 4.7L, Power Tech EXA,EXO = 3.1L 5 cyl Turbo Diesel	DGK = 4 Speed Autm, 42RE DG4 = Multi Speed Auto 45RFE DGW = 4 Speed Autom 44RE DGO = All Automatic

AR = Use as required - = Non illustrated part # = New this model year

September 15, 2005

Recliner and Adjusters Figure IWJ-810



ITEM	PART NUMBER	QTY	LINE	SERIES	BODY	ENGINE	TRANS	TRIM	DESCRIPTION
1									SWITCH, Seat
	4373 666	1	J, T					H7	6 Way Power
		1	U					H7	6 Way Power
	4601 756	1	J, T					FL	10 Way Power, Right
		1	J, T					DL	10 Way Power, Right
		1	J, T					EL	10 Way Power, Right
		1	U					EL	10 Way Power, Right
	4601 757	1	J, T					FL	10 Way Power, Left
		1	J, T					DL	10 Way Power, Left
		1	J, T					EL	10 Way Power, Left
		1	U					EL	10 Way Power, Left
-2									KNOB, Power Seat Switch
	4607 042	1	J, T					FL	Right
		1	J, T					DL	Right
		1	J, T					EL	Right
		1	U					EL	Right
	4607 043	1	J, T					FL	Left
		1	J, T					DL	Left
		1	J, T					EL	Left
		1	U					EL	Left
3									SCREW, Trim
	4720 769	2	J, T					H7	
		2	J, T					FL	
		2	J, T					DL	
		2	J, T					EL	
		2	U					EL	
4									SCREW, Trim
	4720 770	4	J, T					H7	
		4	J, T					FL	
		4	J, T					DL	
		4	J, T					EL	
		4	U					EL	
5									SHIELD, Seat Adjuster
	SL04 1AZAA	1	J, T					FL	Agate, 10 Way Power, Right
		1	J, T					DL	Agate, 10 Way Power, Right
		1	J, T					EL	Agate, 10 Way Power, Right
		1	U					EL	Agate, 10 Way Power, Right
	SL04 1K5AA	1	J, T					FL	Camel, 10 Way Power, Right
		1	J, T					DL	Camel, 10 Way Power, Right
		1	J, T					EL	Camel, 10 Way Power, Right
		1	U					EL	Camel, 10 Way Power, Right
	SL04 1L5AA	1	J, T					FL	Taupe, 10 Way Power, Right

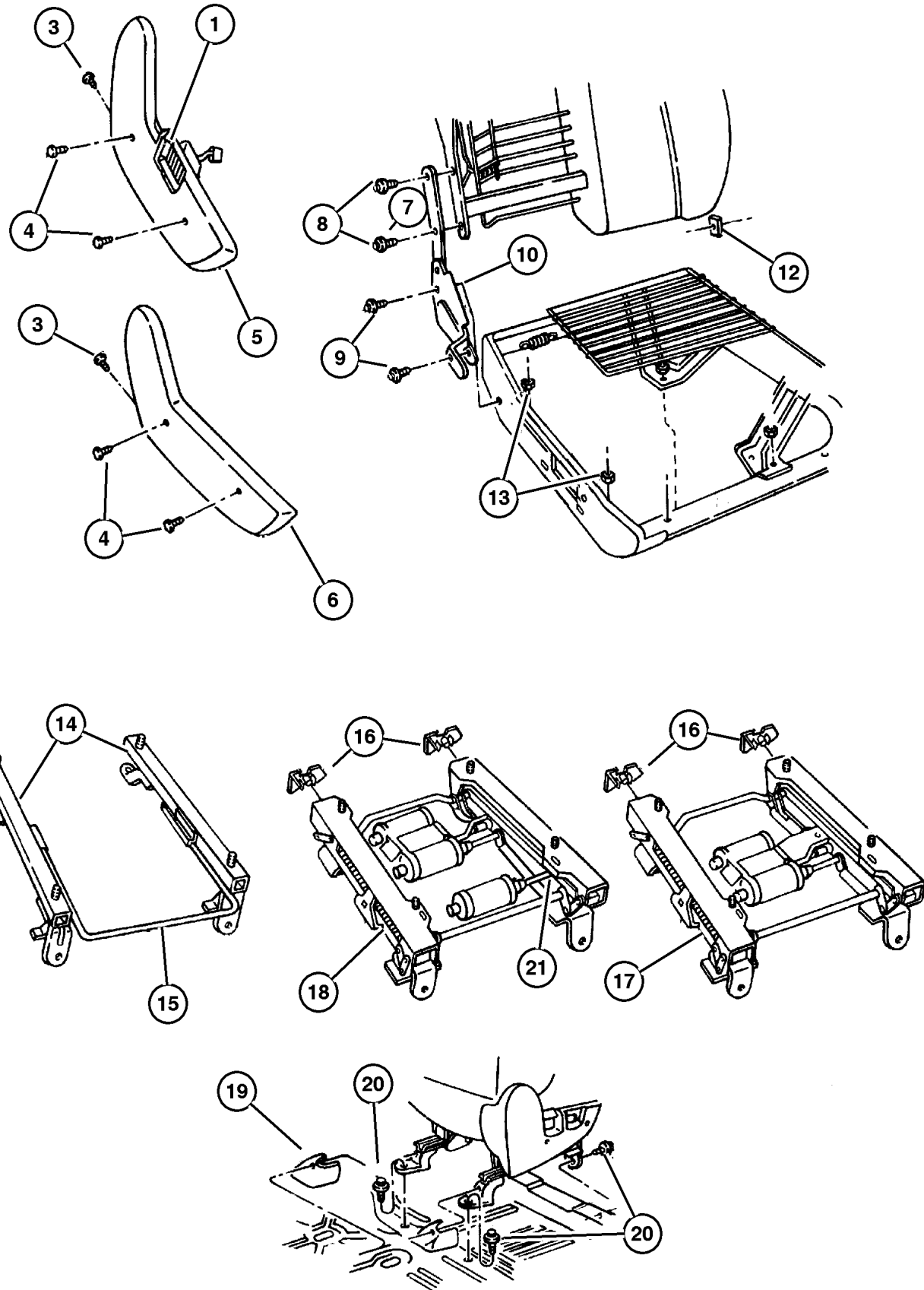
JEEP GRAND CHEROKEE (WJ)

SERIES	LINE	BODY	ENGINE	TRANSMISSION
L = Grand Cherokee	J = 4WD T = 2WD U = 4WD (RHD)	74 = 4 Door (105.9 WB)	ERH,ERO = 4.0L, Power Tech EVA,EVO = 4.7L, Power Tech EXA,EXO = 3.1L 5 cyl Turbo Diesel	DGK = 4 Speed Autm, 42RE DG4 = Multi Speed Auto 45RFE DGW = 4 Speed Autom 44RE DGO = All Automatic

AR = Use as required - = Non illustrated part # = New this model year

September 15, 2005

Recliner and Adjusters Figure IWJ-810



ITEM	PART NUMBER	QTY	LINE	SERIES	BODY	ENGINE	TRANS	TRIM	DESCRIPTION
		1	J, T					DL	Taupe, 10 Way Power, Right
	SL05 1AZAA	1	J, T					FL	Agate, 10 Way Power, Left
		1	J, T					DL	Agate, 10 Way Power, Left
		1	J, T					EL	Agate, 10 Way Power, Left
		1	U					EL	Agate, 10 Way Power, Left
	SL05 1K5AA	1	J, T					FL	Camel, 10 Way Power, Left
		1	J, T					DL	Camel, 10 Way Power, Left
		1	J, T					EL	Camel, 10 Way Power, Left
		1	U					EL	Camel, 10 Way Power, Left
	SL05 1L5AA	1	J, T					FL	Taupe, 10 Way Power, Left
		1	J, T					DL	Taupe, 10 Way Power, Left
	SL06 1AZAA	1	J, T					H7	Agate, 6 Way Power, Right
		1	U					H7	Agate, 6 Way Power, Right
	SL06 1K5AA	1	J, T					H7	Camel, 6 Way Power, Right
		1	U					H7	Camel, 6 Way Power, Right
	SL06 1L5AA	1	J, T					H7	Taupe, 6 Way Power, Right
	SL07 1AZAA	1	J, T					H7	Agate, 6 Way Power, Left
		1	U					H7	Agate, 6 Way Power, Left
	SL07 1K5AA	1	J, T					H7	Camel, 6 Way Power, Left
		1	U					H7	Camel, 6 Way Power, Left
	SL07 1L5AA	1	J, T					H7	Taupe, 6 Way Power, Left
6									SHIELD, Seat Adjuster
	SL02 1AZAA	1	J, T					H7	Agate, Manual,Right
	SL02 1K5AA	1	J, T					H7	Camel, Manual,Right
	SL02 1L5AA	1	J, T					H7	Taupe, Manual,Right
	SL03 1AZAA	1	J, T					H7	Agate, Manual,Left
	SL03 1K5AA	1	J, T					H7	Camel, Manual,Left
	SL03 1L5AA	1	J, T					H7	Taupe, Manual,Left
7									BOLT, Recliner to Seat Back, Manual Upper
	4720 768	4	J, T					H7	
		4	U					H7	
8									BOLT, Power Recliner
	4882 903	8	J, T					H7	
		8	J, T					FL	
		8	J, T					DL	
		8	U					H7	
		8	J, T					EL	
		8	U					EL	
9	4796 793	4	J, T					H7	BOLT, Recliner To Cushion, Front Seat
10									RECLINER, Seat Back

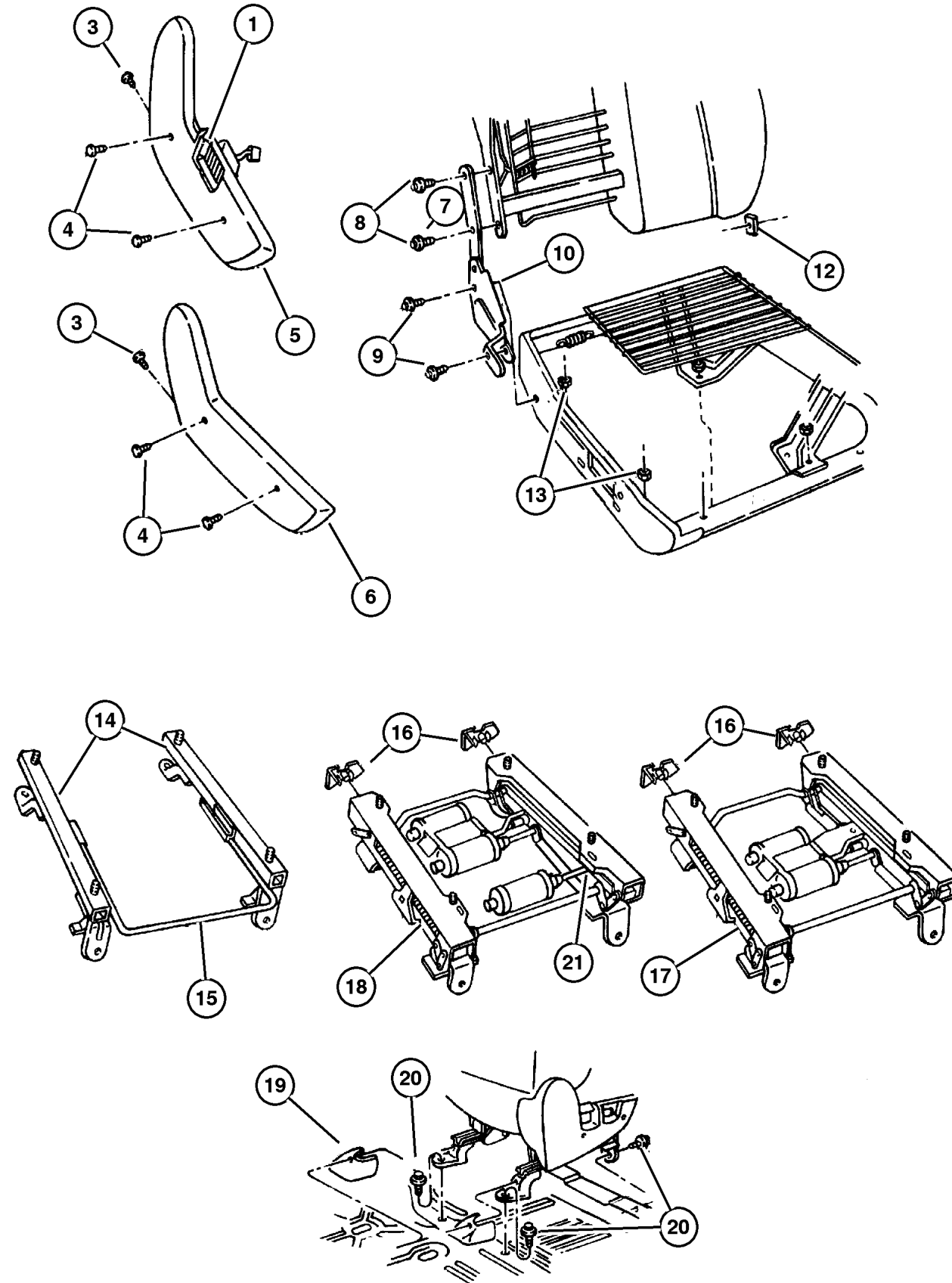
JEEP GRAND CHEROKEE (WJ)

SERIES	LINE	BODY	ENGINE	TRANSMISSION
L = Grand Cherokee	J = 4WD T = 2WD U = 4WD (RHD)	74 = 4 Door (105.9 WB)	ERH,ERO = 4.0L, Power Tech EVA,EVO = 4.7L, Power Tech EXA,EXO = 3.1L 5 cyl Turbo Diesel	DGK = 4 Speed Autm, 42RE DG4 = Multi Speed Auto 45RFE DGW = 4 Speed Autom 44RE DGO = All Automatic

AR = Use as required - = Non illustrated part # = New this model year

September 15, 2005

Recliner and Adjusters Figure IWJ-810



ITEM	PART NUMBER	QTY	LINE	SERIES	BODY	ENGINE	TRANS	TRIM	DESCRIPTION
	4796 714	1	J, T					H7	Includes Handle, Right,Manual
		1	U					H7	Includes Handle, Right,Manual
	4796 715	1	J, T					H7	Includes Handle, Left,Manual
		1	U					H7	Includes Handle, Left,Manual
	4856 748	1	J, T					FL	Without Memory, Right,Power Seat
		1	J, T					DL	Without Memory, Right,Power Seat
		1	U					H7	Without Memory, Right,Power Seat
		1	J, T					H7	Without Memory, Right,Power Seat
		1	J, T					EL	Without Memory, Right,Power Seat
	4856 749	1	J, T					H7	Without Memory, Left,Power Seat
		1	J, T					FL	Left,Power Seat
		1	J, T					FL	Without Memory, Left,Power Seat
		1	U					H7	Without Memory, Left,Power Seat
		1	U					EL	Without Memory, Left,Power Seat
	4864 861	1	J, T					EL	Drivers, Power With Memory
		1	J, T					DL	Drivers, Power With Memory
	4886 097AA	1	U					EL	Drivers, Power With Memory
-11									KNOB, Power Seat Switch, Power Recliner
	4607 044	1	J, T					FL	Right
		1	J, T					DL	Right
		1	J, T					EL	Right
		1	U					EL	Right
	4607 045	1	J, T					FL	Left
		1	J, T					DL	Left
		1	J, T					EL	Left
		1	U					EL	Left
12									U-NUT, Seat Back
	4713 982	2	J, T					H7	
		2	J, T					FL	
		2	J, T					DL	
		2	J, T					EL	
		2	U					EL	
13	5101 925AA	8						O0	NUT, Seat Adjuster To Cushion
14									ADJUSTER, Manual Seat
	5013 139AA	1	J, T					H7	Driver Outboard
	5013 142AA	1	J, T					H7	Driver Inboard
	5013 143AA	1	J, T					H7	Passenger Outboard
	5013 144AA	1	J, T					H7	Passenger Inboard
15	4713 930	2	J, T					H7	HANDLE, Seat Release
16									SHIELD, Seat Adjuster
	4723 888	2	J, T					H7	Passenger Outboard, Driver Inboard

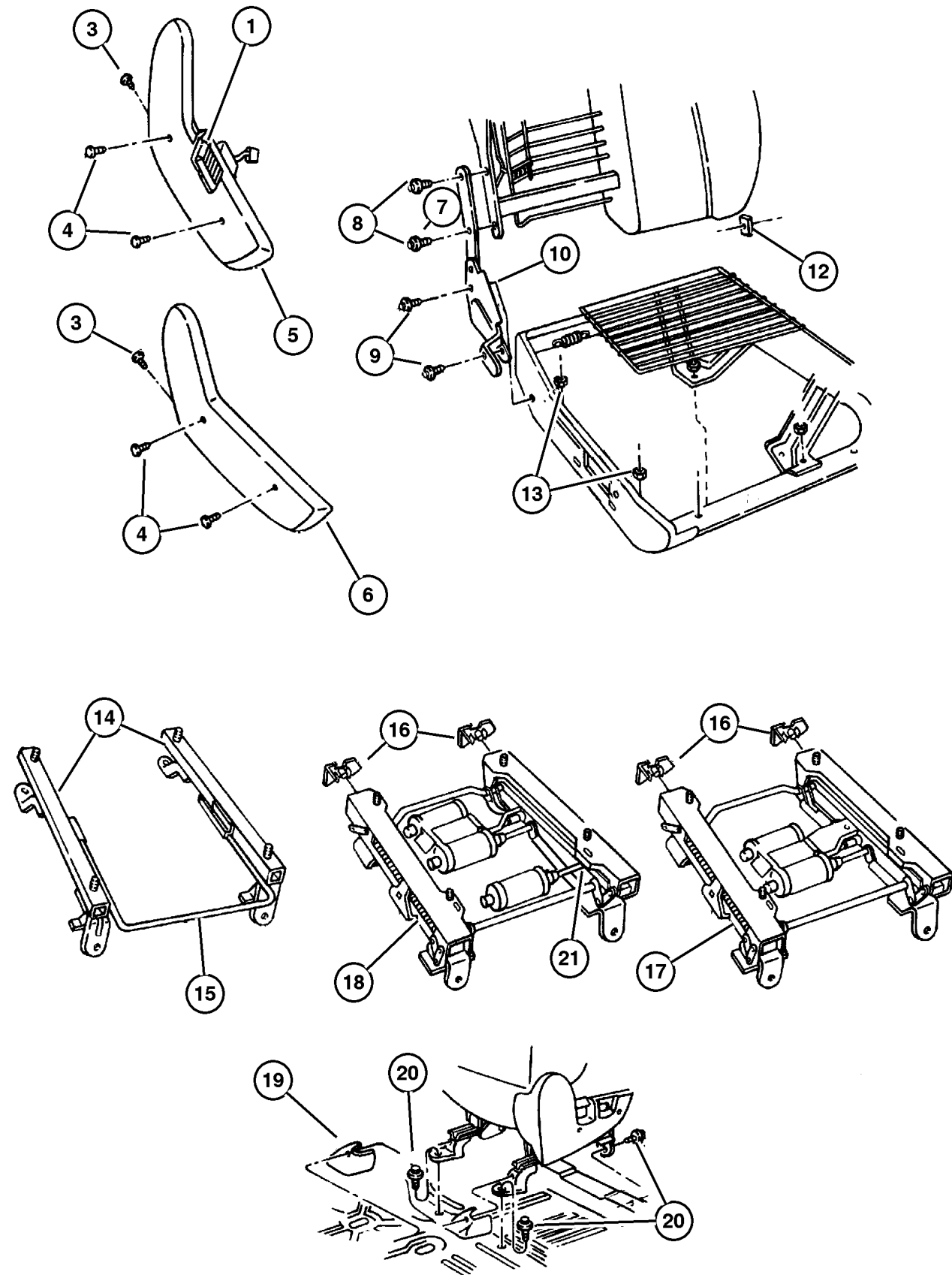
JEEP GRAND CHEROKEE (WJ)

SERIES	LINE	BODY	ENGINE	TRANSMISSION
L = Grand Cherokee	J = 4WD T = 2WD U = 4WD (RHD)	74 = 4 Door (105.9 WB)	ERH,ERO = 4.0L, Power Tech EVA,EVO = 4.7L, Power Tech EXA,EXO = 3.1L 5 cyl Turbo Diesel	DGK = 4 Speed Autm, 42RE DG4 = Multi Speed Auto 45RFE DGW = 4 Speed Autom 44RE DGO = All Automatic

AR = Use as required - = Non illustrated part # = New this model year

September 15, 2005

Recliner and Adjusters Figure IWJ-810



ITEM	PART NUMBER	QTY	LINE	SERIES	BODY	ENGINE	TRANS	TRIM	DESCRIPTION
		2	J, T					FL	Passenger Outboard, Driver Inboard
		2	J, T					DL	Passenger Outboard, Driver Inboard
		2	U					H7	Passenger Outboard, Driver Inboard
		2	J, T					EL	Passenger Outboard, Driver Inboard
		2	U					EL	Passenger Outboard, Driver Inboard
	4723 889	2	J, T					H7	Passenger Inboard, Driver Outboard
		2	J, T					FL	Passenger Inboard, Driver Outboard
		2	J, T					DL	Passenger Inboard, Driver Outboard
		2	U					H7	Passenger Inboard, Driver Outboard
		2	J, T					EL	Passenger Inboard, Driver Outboard
		2	U					EL	Passenger Inboard, Driver Outboard
17									ADJUSTER, Power Seat, Without Memory
	5013 146AA	1	J, T					DL	Right
		1	J, T					EL	Right
		1	J, T					FL	Right
	5015 571AA	1	J, T					FL	Left
		1	J, T					H7	Left
	5013 146AA	1	U					H7	Right
18									ADJUSTER, Power Seat, With Memory
	5013 148AA	1	U					EL	Right
	5013 149AA	1	J, T					DL	Left
		1	J, T					EL	Left
19									COVER, Power Seat Track
	5FZ19 LAZAA	4						O0	Agate
	5FZ19 VK9AA	4						O0	Tan
	5FZ19 WL8AA	4						O0	Taupe
20	6505 040AA	8							SCREW, Hex Head, M10x1.5x40
21									BRACKET, Module, With Memory
	5013 125AA	1	J, T					FL	

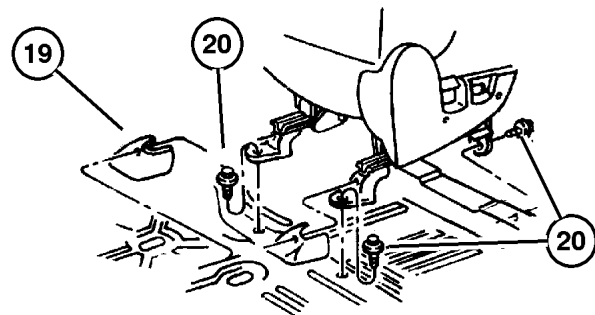
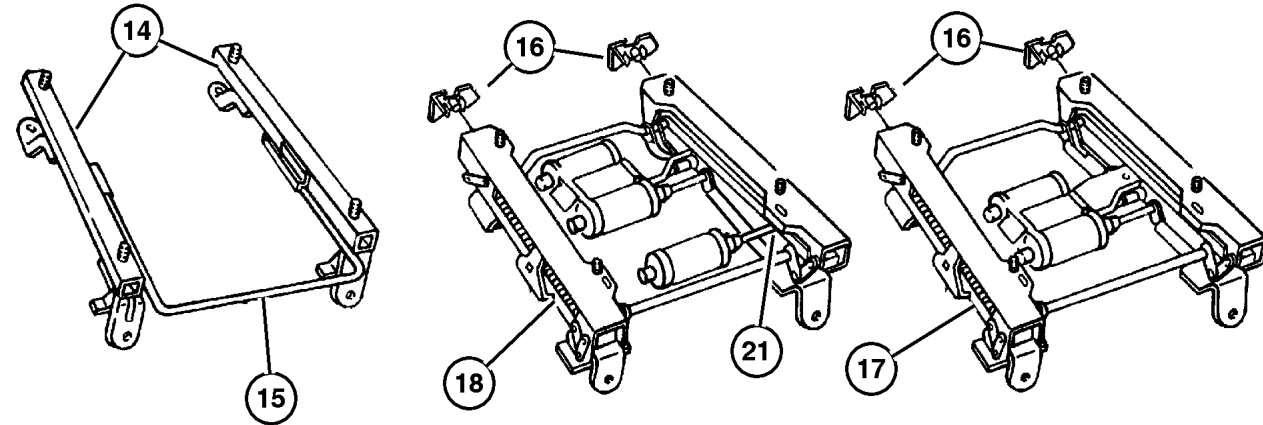
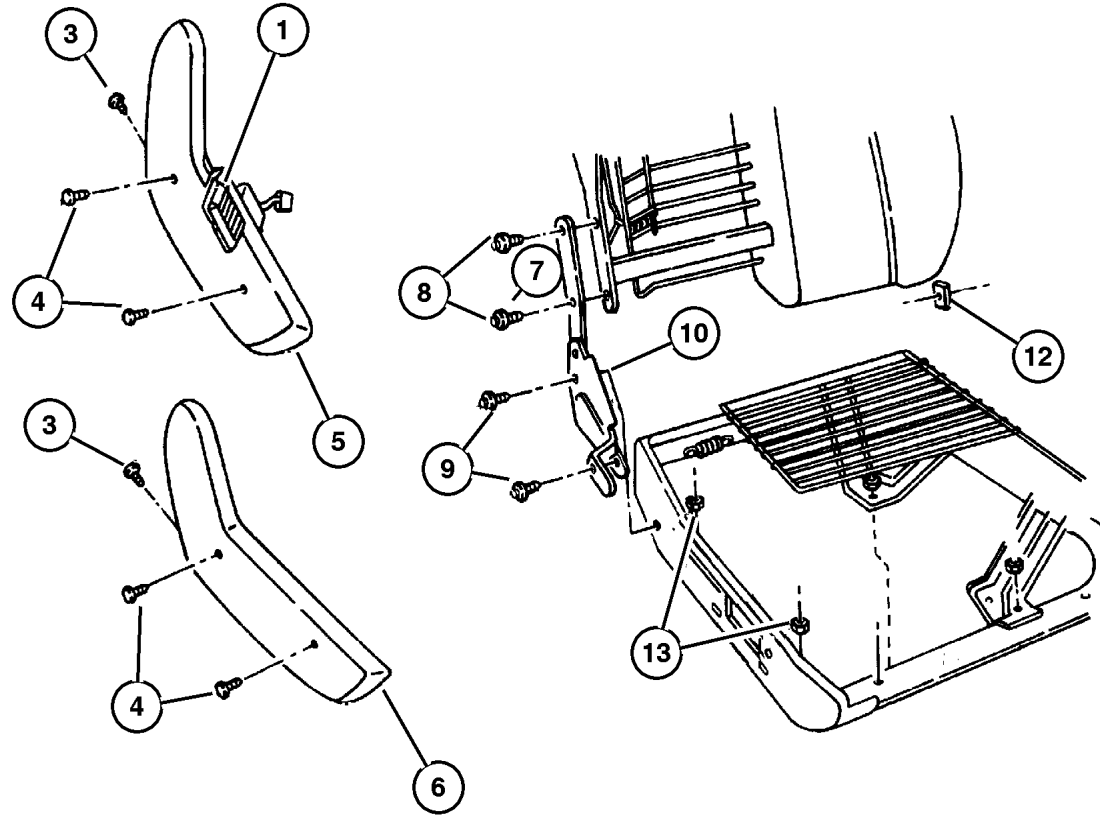
JEEP GRAND CHEROKEE (WJ)

SERIES	LINE	BODY	ENGINE	TRANSMISSION
L = Grand Cherokee	J = 4WD T = 2WD U = 4WD (RHD)	74 = 4 Door (105.9 WB)	ERH,ERO = 4.0L, Power Tech EVA,EVO = 4.7L, Power Tech EXA,EXO = 3.1L 5 cyl Turbo Diesel	DGK = 4 Speed Autm, 42RE DG4 = Multi Speed Auto 45RFE DGW = 4 Speed Autom 44RE DGO = All Automatic

AR = Use as required - = Non illustrated part # = New this model year

September 15, 2005

Recliner and Adjusters Figure IWJ-810



ITEM	PART NUMBER	QTY	LINE	SERIES	BODY	ENGINE	TRANS	TRIM	DESCRIPTION
------	-------------	-----	------	--------	------	--------	-------	------	-------------

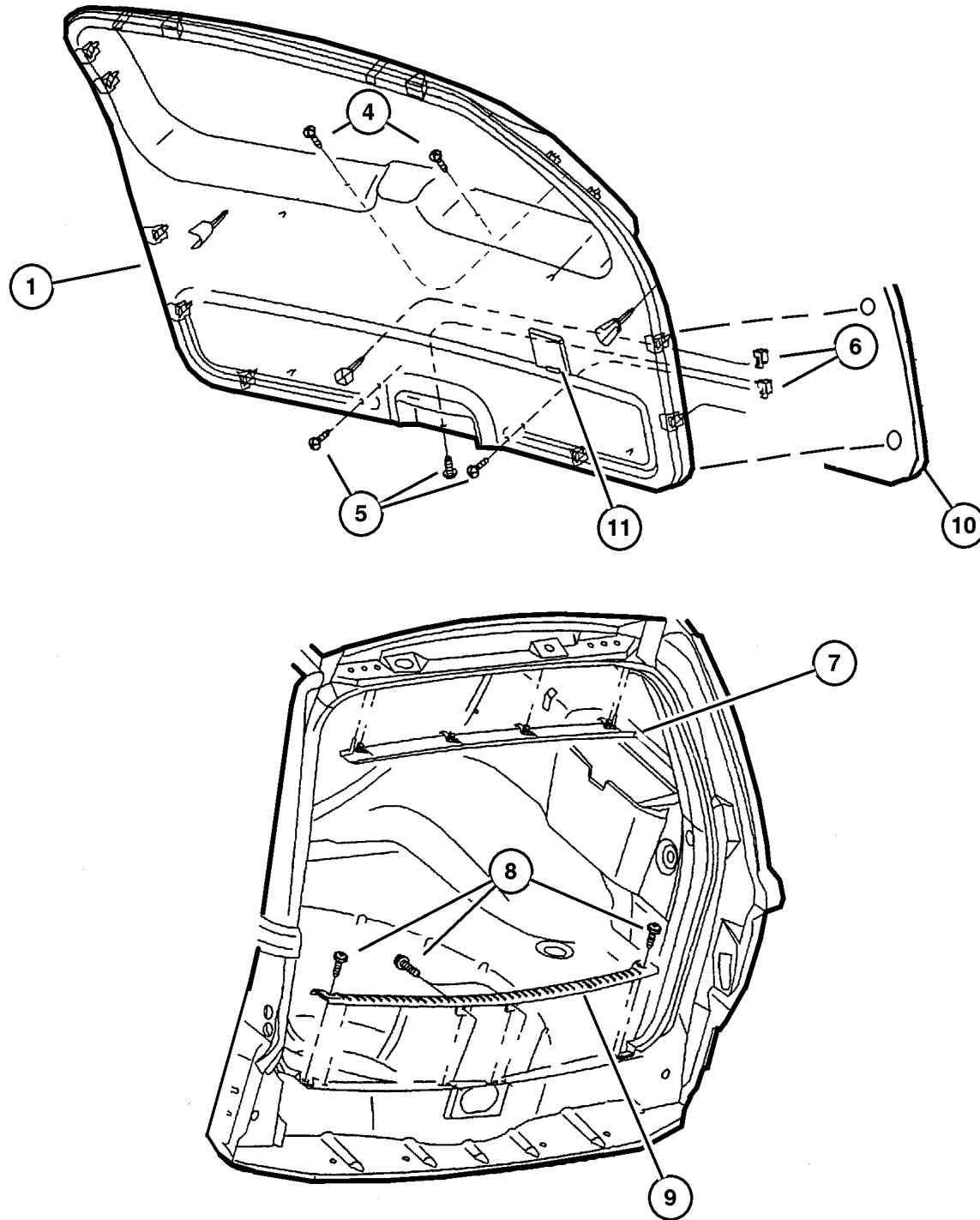
		1	J, T					DL	
		1	J, T					EL	
		1	U					EL	

JEEP GRAND CHEROKEE (WJ)				
SERIES	LINE	BODY	ENGINE	TRANSMISSION
L = Grand Cherokee	J = 4WD T = 2WD U = 4WD (RHD)	74 = 4 Door (105.9 WB)	ERH,ERO = 4.0L, Power Tech EVA,EVO = 4.7L, Power Tech EXA,EXO = 3.1L 5 cyl Turbo Diesel	DGK = 4 Speed Autm, 42RE DG4 = Multi Speed Auto 45RFE DGW = 4 Speed Autom 44RE DGO = All Automatic

AR = Use as required - = Non illustrated part # = New this model year

September 15, 2005

Liftgate Panel and Scuff Plate
Figure IWJ-1010



ITEM	PART NUMBER	QTY	LINE	SERIES	BODY	ENGINE	TRANS	TRIM	DESCRIPTION
1									PANEL, Liftgate
	5FS8 0LAZ	1						O0	Agate
	5FS8 0RK5	1						O0	Camel
	5FS8 0WL5	1						O0	Taupe
-2	6502 991	1						O0	FASTENER, M7.1 Hole Push In, For M7.1 Hole
-3	55196 747AA-	6						O0	CLIP, Trim Panel
4									SCREW AND WASHER, M4.2X1.41X52.80, (NOT SERVICED) (Not Serviced)
5	6032 723	3							SCREW, Self Tapping, M4.2x1.69x19.05
6									NUT, M4.2X1.70, (NOT SERVICED) (Not Serviced)
7									PANEL, Liftgate
	5FA6 7LAZ	1						O0	Agate, Upper
	5FA6 7RK5	1						O0	Camel
	5FA6 7WL5	1						O0	Taupe
8									SCREW, [.164-18X.625], (NOT SERVICED) (Not Serviced)
9									PLATE, Liftgate Scuff
	5FS8 2LAZ	1						O0	Agate
	5FS8 2RK5	1						O0	Camel
	5FS8 2WL5	1						O0	Taupe
10	55136 185AC	1							INSULATION, liftgate
11									COVER, Liftgate
	TH63 LAZAA	1						O0	Agate
	TH63 RK5AA	1						O0	Camel
	TH63 WL5AA	1						O0	Taupe

JEEP GRAND CHEROKEE (WJ)

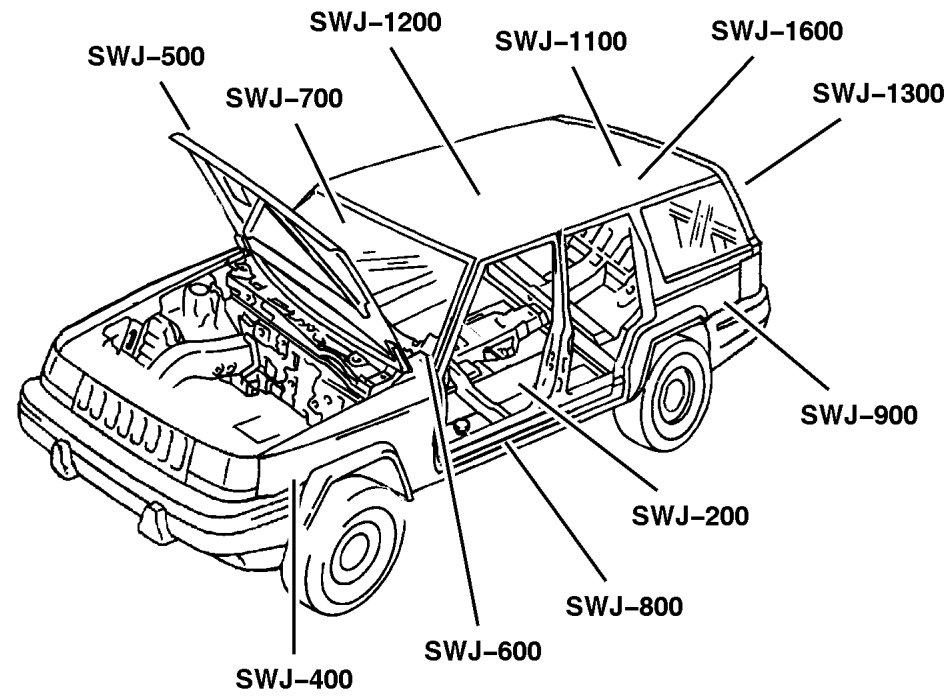
SERIES	LINE	BODY	ENGINE	TRANSMISSION
L = Grand Cherokee	J = 4WD T = 2WD U = 4WD (RHD)	74 = 4 Door (105.9 WB)	ERH,ERO = 4.0L, Power Tech EVA,EVO = 4.7L, Power Tech EXA,EXO = 3.1L 5 cyl Turbo Diesel	DGK = 4 Speed Autm, 42RE DG4 = Multi Speed Auto 45RFE DGW = 4 Speed Autom 44RE DGO = All Automatic

AR = Use as required - = Non illustrated part # = New this model year

September 15, 2005

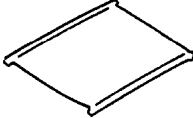

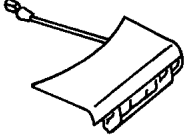

Group – SWJ

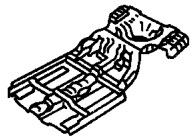

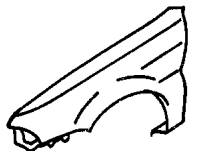
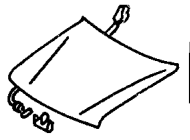
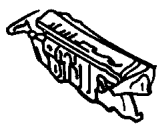

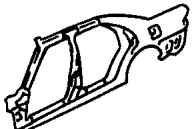
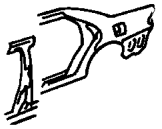
Body Sheet Metal Except Doors



Group – SWJ

Body Sheet Metal Except Doors

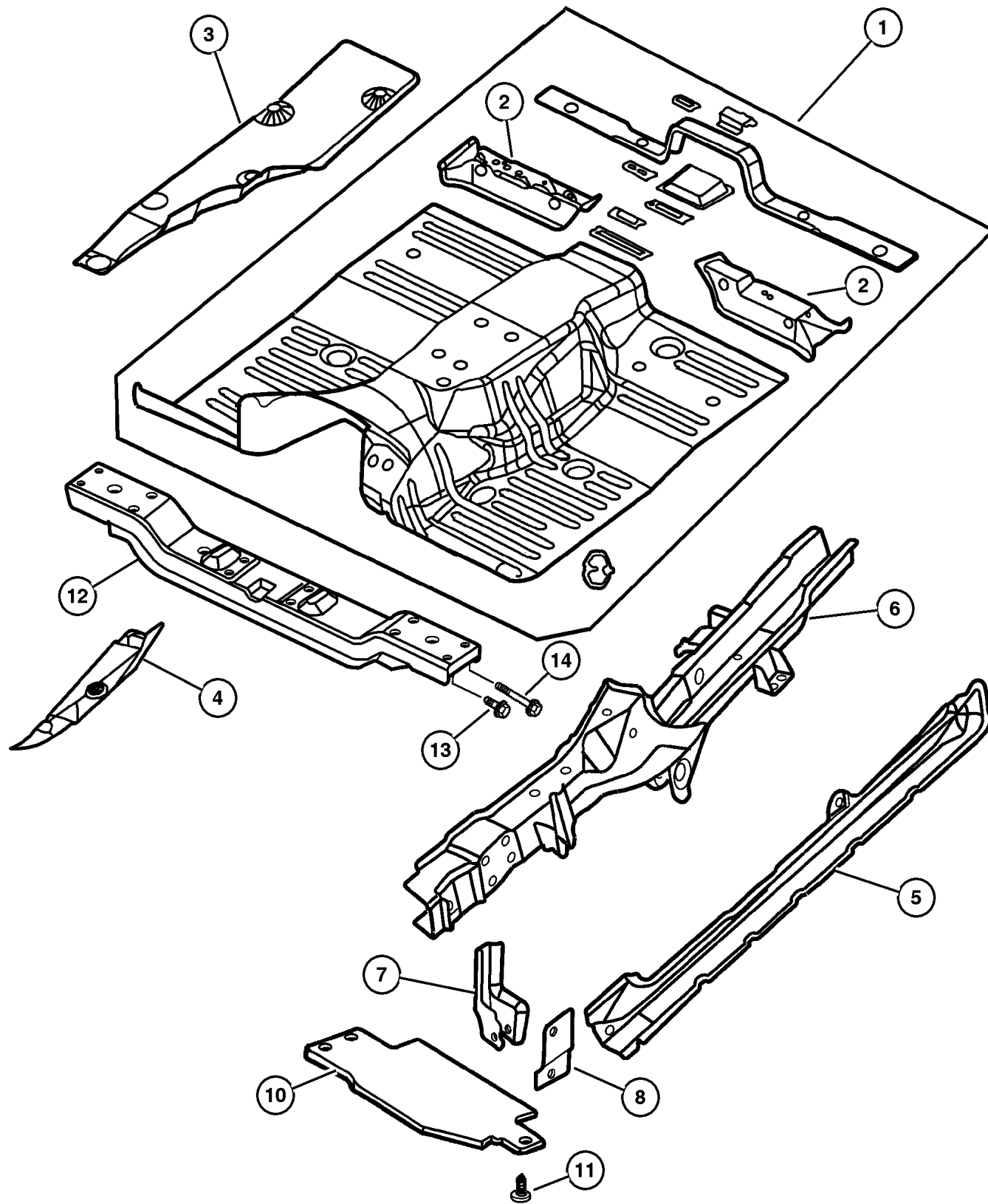
<p>SWJ-1100 Roof Panels</p> 	<p>SWJ-1200 Sunroof</p> 	<p>SWJ-1300 Liftgate Panel</p> 	<p>SWJ-1600 Luggage Rack</p> 
--	--	---	---

<p>SWJ-200 Floor Pans</p> 	<p>SWJ-300 Plugs</p> 	<p>SWJ-400 Front Fenders</p> 	<p>SWJ-500 Hood and Hood Release</p> 
<p>SWJ-600 Cowl and Dash Panel</p> 	<p>SWJ-700 Glass and Rear View Mirror</p> 	<p>SWJ-800 Aperture Panel</p> 	<p>SWJ-900 Quarter Panel and Pillars</p> 

GROUP SWJ - Body Sheet Metal Except Doors

Illustration Title	Group-Fig. No.
Floor Pans	
Front Floor Pan	Fig. SWJ-210
Center and Rear Floor Pan	Fig. SWJ-220
Plugs	
Plugs	Fig. SWJ-310
Front Fenders	
Front Fender	Fig. SWJ-410
Hood and Hood Release	
Hood, Latch, Hinges	Fig. SWJ-510
Cowl and Dash Panel	
Panels, Cowl and Dash	Fig. SWJ-610
Insulation, Dash And Cowl	Fig. SWJ-620
Glass and Rear View Mirror	
Glass, Windshield, Backlite, Quarter Window, Rear View Mirror	Fig. SWJ-710
Aperture Panel	
Panels, Body Side	Fig. SWJ-810
Quarter Panel and Pillars	
Panels, Rear Quarter	Fig. SWJ-910
Roof Panels	
Panels, Roof	Fig. SWJ-1110
Sunroof	
Sunroof	Fig. SWJ-1210
Liftgate Panel	
Liftgate, Latch and Hinges	Fig. SWJ-1310
Luggage Rack	
Roof Rack	Fig. SWJ-1610

Front Floor Pan
Figure SWJ-210



ITEM	PART NUMBER	QTY	LINE	SERIES	BODY	ENGINE	TRANS	TRIM	DESCRIPTION
1									PAN, Floor
	55136 619AC	1	U						Export
	55136 656AB	1	J, T						Diesel
	55296 400AB	1	J, T						
		1	U						
2									REINFORCEMENT, Front Seat
	55136 340AB	1	U						Right
		1	J, T						Right
	55136 341AB	1	U						Left
		1	J, T						Left
3	55135 709AB	1							SHIELD, Heat
4	55135 712AB	1							SHIELD, Heat
5									SILL, Body Side
	55135 802AC	1							Right
	55135 803AC	1							Left
6									RAIL, Frame Side
	5012 524AB	1	J, T						Right
	5012 525AB	1	J, T						Left
	5014 708AA	1							Right,Export
	5014 709AA	1							Left,Export
7									BRACKET, Track Bar
	5513 6316	1	U						Inner
	5513 6317	1	J, T						Inner
8	5513 6319	1							BRACKET, Track Bar, Outer
-9	6101 916	2	J, T						NUT, Hex Weld, M8x1.25
10	5513 5781	1							SHIELD, Splash
11	6034 608	4							PIN, Headline
12									CROSSMEMBER, Transmission
	5205 8940	1							Up to 4/8/99, Gas Only
	52059 303AA	1	J						Diesel
	52058 940AB	1							After 4/8/99, Gas Only
13	6506 000AA	4							SCREW AND WASHER
14	6505 671AA	4							SCREW AND WASHER

JEEP GRAND CHEROKEE (WJ)

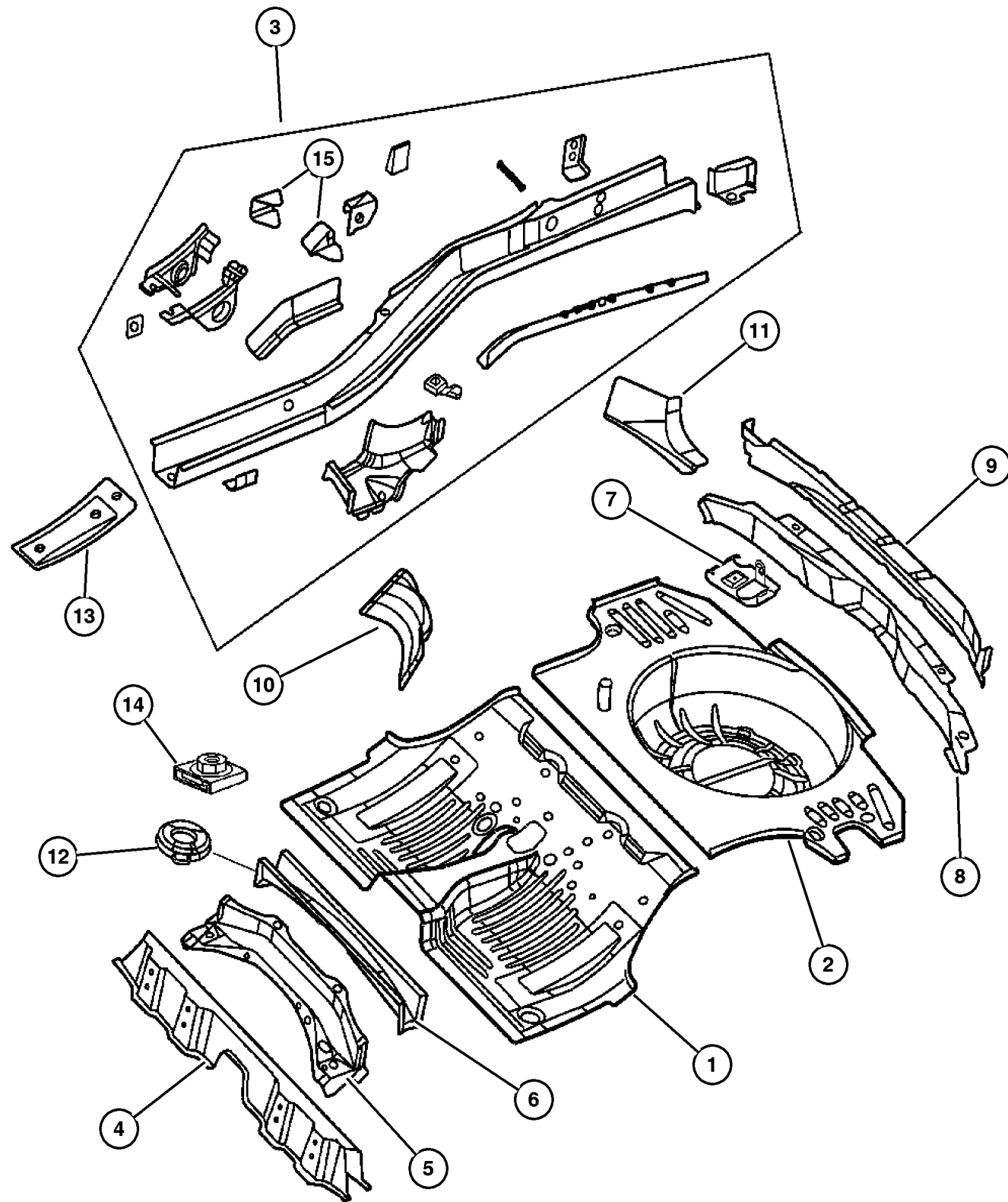
SERIES	LINE	BODY	ENGINE	TRANSMISSION
L = Grand Cherokee	J = 4WD T = 2WD U = 4WD (RHD)	74 = 4 Door (105.9 WB)	ERH,ERO = 4.0L, Power Tech EVA,EVO = 4.7L, Power Tech EXA,EXO = 3.1L 5 cyl Turbo Diesel	DGK = 4 Speed Autm, 42RE DG4 = Multi Speed Auto 45RFE DGW = 4 Speed Autom 44RE DGO = All Automatic

AR = Use as required - = Non illustrated part # = New this model year

September 15, 2005

**Center and Rear Floor Pan
Figure SWJ-220**

ITEM	PART NUMBER	QTY	LINE	SERIES	BODY	ENGINE	TRANS	TRIM	DESCRIPTION
1	5013 438AA	1							PAN, Floor
2	55136 377AC	1							PAN, Rear Floor
3									RAIL, Rear Floor Pan Side
	55136 520AB	1							Right
	55136 521AB	1							Left
4	55136 163AB	1							CROSSMEMBER, Rear Floor
5	55136 555AA	1							CROSSMEMBER, Rear Floor Pan Front
6	55136 511AC	1							CROSSMEMBER, Rear Floor
7	55295 800AB	1							BRACKET, Jack
8	55136 558AA	1							CROSSMEMBER, Rear Floor
9	55136 179AB	1							CROSSMEMBER, Rear Floor
10	55136 160AC	1							SHIELD, Fuel Tank
11									GUSSET, Side Member
	55135 505AB	1							Left
	55135 504AB	1							Right
12	5014 781AA	2							GUIDE, Rear Spring, None
13	55136 164AE	2							REINFORCEMENT, Rear Floor Pan Rear Rail
14	55136 398AB	2							PLATE, Control Arm
15									BRACKET, Rear Suspension
									Crossmember
	5016 252AA	1							Right
	5016 253AA	1							Left



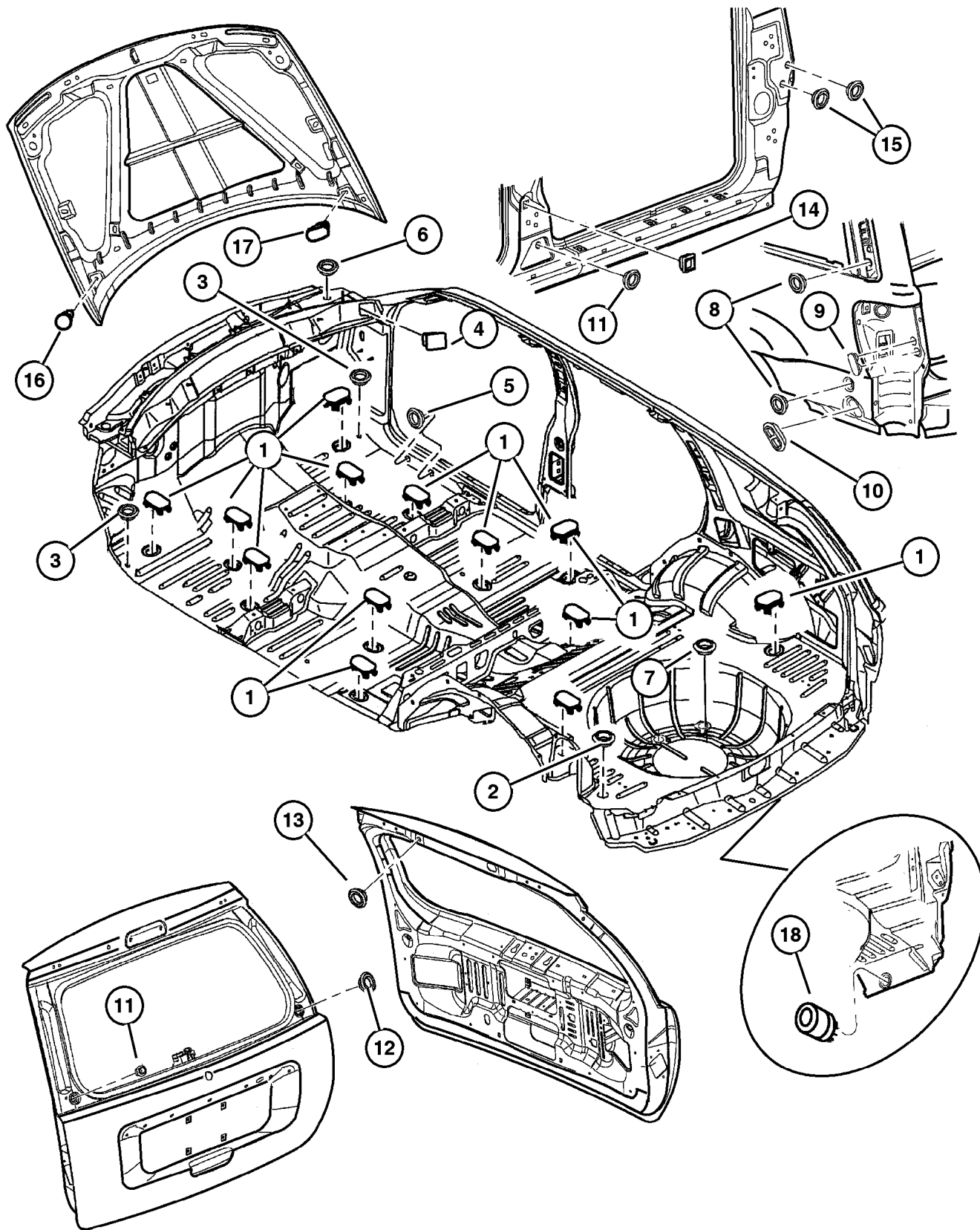
JEEP GRAND CHEROKEE (WJ)

SERIES	LINE	BODY	ENGINE	TRANSMISSION
L = Grand Cherokee	J = 4WD T = 2WD U = 4WD (RHD)	74 = 4 Door (105.9 WB)	ERH,ERO = 4.0L, Power Tech EVA,EVO = 4.7L, Power Tech EXA,EXO = 3.1L 5 cyl Turbo Diesel	DGK = 4 Speed Autm, 42RE DG4 = Multi Speed Auto 45RFE DGW = 4 Speed Autom 44RE DGO = All Automatic

AR = Use as required - = Non illustrated part # = New this model year

September 15, 2005

Plugs
Figure SWJ-310



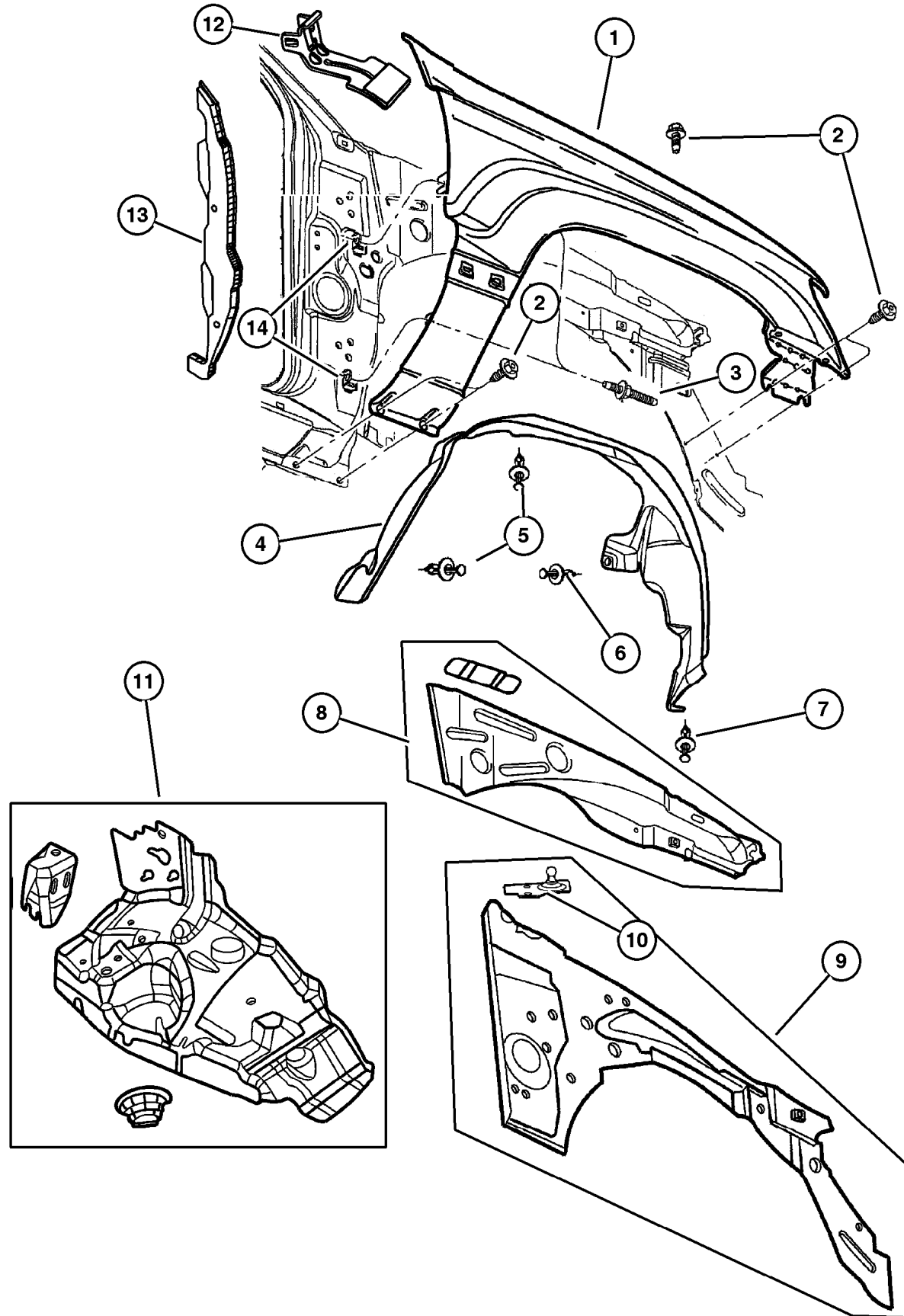
ITEM	PART NUMBER	QTY	LINE	SERIES	BODY	ENGINE	TRANS	TRIM	DESCRIPTION
1	4580 343	13							PLUG, Floor Pan
2	2424 864	1							PLUG, Body, 1.75 Diameter
3	2860 332	4							PLUG, Anti-Rattle
4	55136 507AA	1							PLUG, Body, Cowl Top
5	55257 380AA	12							PLUG
6	55136 456AB	1							PLUG, Body
7	55136 594AA	4							PLUG, Body
8	4440 294	4							PLUG, Rear Fascia
9	55136 652AA	2							PLUG, Body
10	55136 562AB	2							PLUG, Body
11	4674 441	3							PLUG, Body, .75 Diameter
12	55136 510AA	1							PLUG, Body
13	5255 217	1							PLUG, Dash Panel
14	55136 566AA	2							PLUG, Body
15	55136 859AA	2							PLUG
16	55136 755AA	1							PLUG, Body
17	55136 752AA	1							PLUG, Body
18	55135 856AB	2							PLUG, Body
-19	55136 844AA-	1							PLUG, Floor, Rear Floor at Spare Tire Hub

JEEP GRAND CHEROKEE (WJ)
 SERIES L = Grand Cherokee LINE J = 4WD T = 2WD U = 4WD (RHD) BODY 74 = 4 Door (105.9 WB) ENGINE ERH,ERO = 4.0L, Power Tech EVA,EVO = 4.7L, Power Tech EXA,EXO = 3.1L 5 cyl Turbo Diesel TRANSMISSION DGK = 4 Speed Autm, 42RE DG4 = Multi Speed Auto 45RFE DGW = 4 Speed Autom 44RE DGO = All Automatic

AR = Use as required - = Non illustrated part # = New this model year

September 15, 2005

Front Fender Figure SWJ-410



ITEM	PART NUMBER	QTY	LINE	SERIES	BODY	ENGINE	TRANS	TRIM	DESCRIPTION
1									FENDER, Front
	55135 900AB	1							Right
	55135 901AB	1							Left
	55136 582AB	1							Right,Export
	55136 583AB	1							Left,Export
2									SCREW, M6X1.00X15.00, (NOT SERVICED) (Not Serviced)
3									STUD, Double Ended, M6X1.00X57.00, (NOT SERVICED) (Not Serviced)
4									LINER, Front Fender
	5513 6228	1							Right
	5513 6229	1							Left
5									PIN, Headline
	6034 608	4							Cowl Side to Body
		10							Fender Liner to Panel
6	3420 1631	6							RIVET, M6.25x28 Black
7	5517 6248	2							PIN, Push
8									REINFORCEMENT, Cowl Side
	55136 354AB	1							Right
	55136 355AB	1							Left
	55136 861AA	1							Left,Export
9									PANEL, Cowl
	55135 442AB	1	J, T						Right
	55135 443AB	1	J, T						Left
	55136 852AA	1	U						Right
	55136 853AA	1	U						Left
10									BRACKET, Ball to Body
	5513 6434	1	J, T						Right
		1	U						Right
	5513 6435	1	J, T						Left
		1	U						Left
11									SUPPORT, Front Suspension
	55135 718AB	1							Right
	55135 719AB	1							Left
	55136 618AA	1							Left,Export
12	55136 774AA	2							BRACKET, Fender
13									FILLER, Fender to Wheelhouse
	55135 793AC	1							Left
	55135 866AC	1							Right
14	55136 586AB	4							BRACKET, Fender

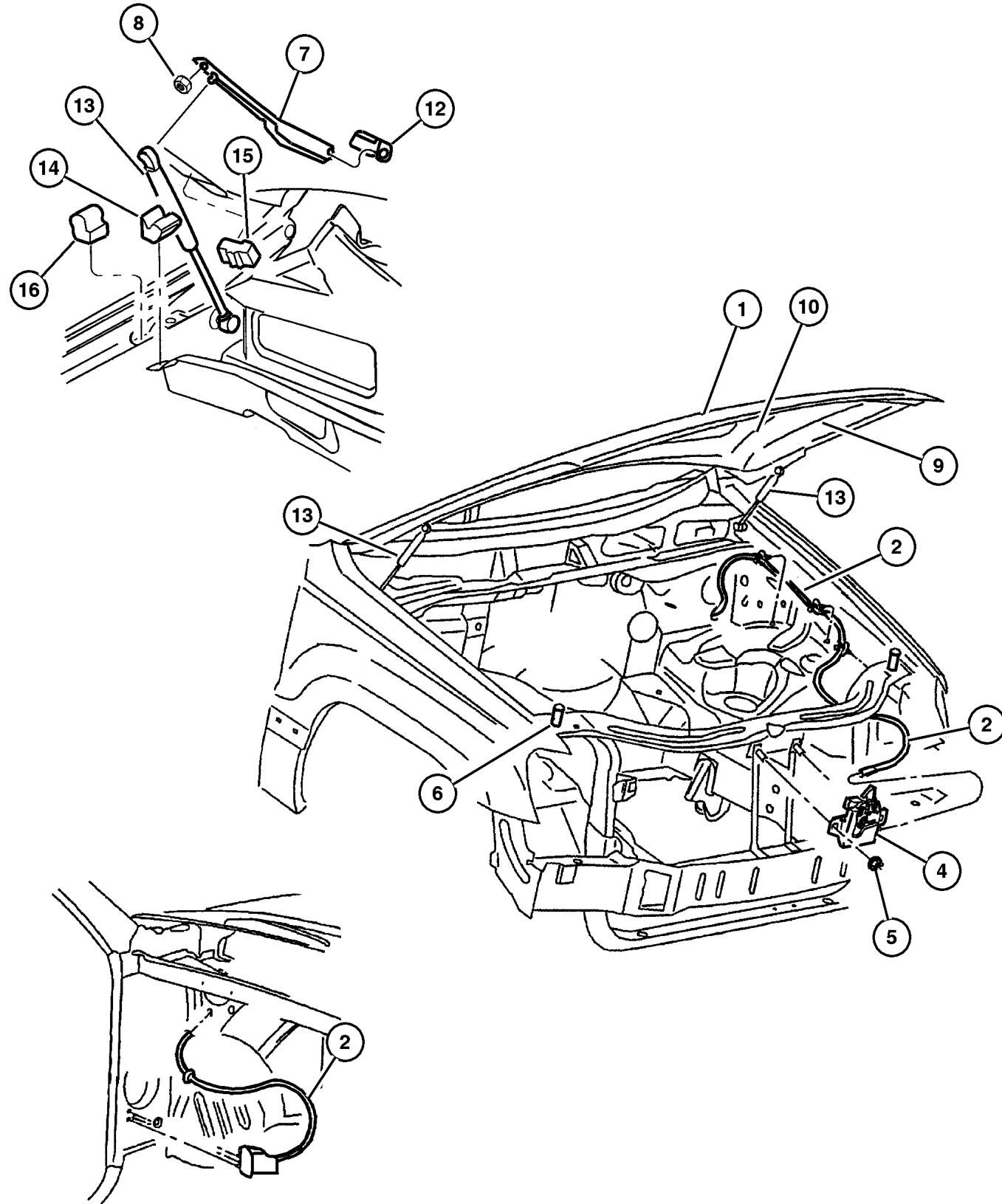
JEEP GRAND CHEROKEE (WJ)

SERIES	LINE	BODY	ENGINE	TRANSMISSION
L = Grand Cherokee	J = 4WD T = 2WD U = 4WD (RHD)	74 = 4 Door (105.9 WB)	ERH,ERO = 4.0L, Power Tech EVA,EVO = 4.7L, Power Tech EXA,EXO = 3.1L 5 cyl Turbo Diesel	DGK = 4 Speed Autm, 42RE DG4 = Multi Speed Auto 45RFE DGW = 4 Speed Autom 44RE DGO = All Automatic

AR = Use as required - = Non illustrated part # = New this model year

September 15, 2005

Hood, Latch, Hinges Figure SWJ-510



ITEM	PART NUMBER	QTY	LINE	SERIES	BODY	ENGINE	TRANS	TRIM	DESCRIPTION
1	55076 470AC	1							HOOD
2	5513 5532	1	J, T						CABLE, Hood Release
	5513 6454	1	U						
-3									CLIP, M6.3x11.2
	6503 794	3							
		3	J, T						
4	5513 5600	1							LATCH, Hood
5	6101 446	2							NUT AND WASHER
6	4103 165	2							BUMPER, Hood
7									HINGE, Hood
	5525 6196	1							Right
	5525 6197	1							Left
8	6503 664	4							NUT AND WASHER, Hex Nut-Coned Washer, M6 x 1.00
9	55196 298AB	1							INSULATION, Hood
10	55116 001AB	1							LABEL, Refrigerant
-11	6003 351	13							RETAINER, Hood Insulation, .415x.690
12									COVER, Hinge
	55136 955AA	1							Left
	55136 954AA	1							Right
13	55136 764AA	2							PROP, Hood
14	55136 545AA	2							SEAL, Hood, Lower
15	55136 549AA	2							SEAL, Hood, Upper
16	55136 550AA	2							SEAL, Hood, Outer

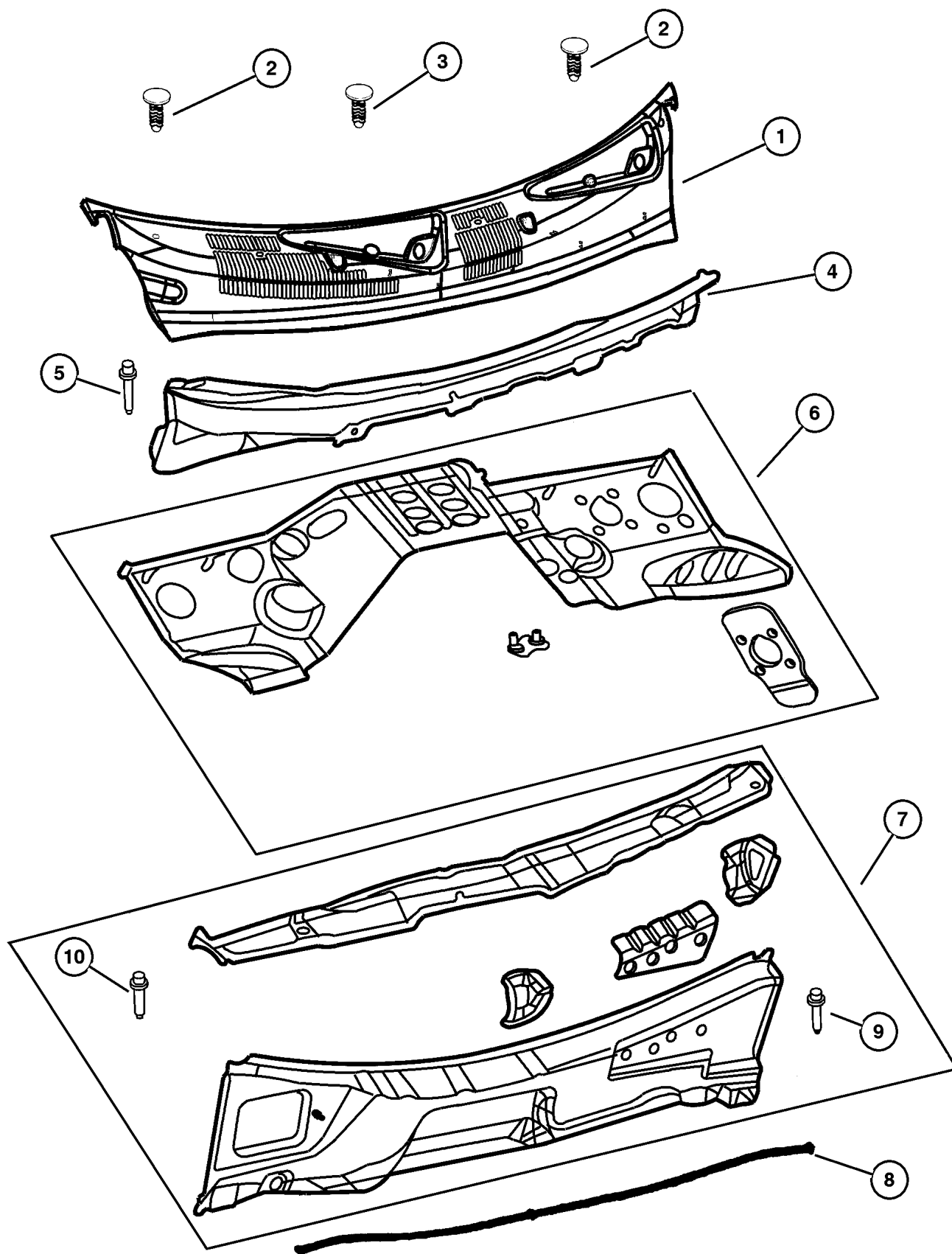
JEEP GRAND CHEROKEE (WJ)

SERIES	LINE	BODY	ENGINE	TRANSMISSION
L = Grand Cherokee	J = 4WD T = 2WD U = 4WD (RHD)	74 = 4 Door (105.9 WB)	ERH,ERO = 4.0L, Power Tech EVA,EVO = 4.7L, Power Tech EXA,EXO = 3.1L 5 cyl Turbo Diesel	DGK = 4 Speed Autm, 42RE DG4 = Multi Speed Auto 45RFE DGW = 4 Speed Autom 44RE DGO = All Automatic

AR = Use as required - = Non illustrated part # = New this model year

September 15, 2005

Panels, Cowl and Dash
Figure SWJ-610



ITEM	PART NUMBER	QTY	LINE	SERIES	BODY	ENGINE	TRANS	TRIM	DESCRIPTION
1									COVER, Cowl Grille
	5515 5355	1	J, T						
	5515 5356	1	U						
2	6505 319AA	4							NUT, M6x1.00
3	6503 339	2							NUT, Plastic
4									PANEL, Cowl Top
	55135 369AB	1	J, T						
	55135 373AB	1	U						
5									STUD
	6505 511AA	4	J, T						M6X1.00X40.5
		4	U						M6X1.00X40.5
6									PANEL, Dash
	55135 358AB	1	J, T						
	55135 364AB	1	U						
7									PANEL, Cowl And Plenum
	55135 486AB	1	U						
	55135 451AB	1	J, T						
	55136 540AB	1	J, T						Export
8	55135 392AB	1							SEAL, Hood To Plenum
9	6504 758	1	U						STUD, M8x, M8X1.25X40.00
10	6504 952AA	1	U						STUD, M5X0.8X19.00
-11									INSULATION, Dash Panel
	5519 6705	1	J, T						Diesel,Engine
	55196 836AA-	1	J, T						Gas Only

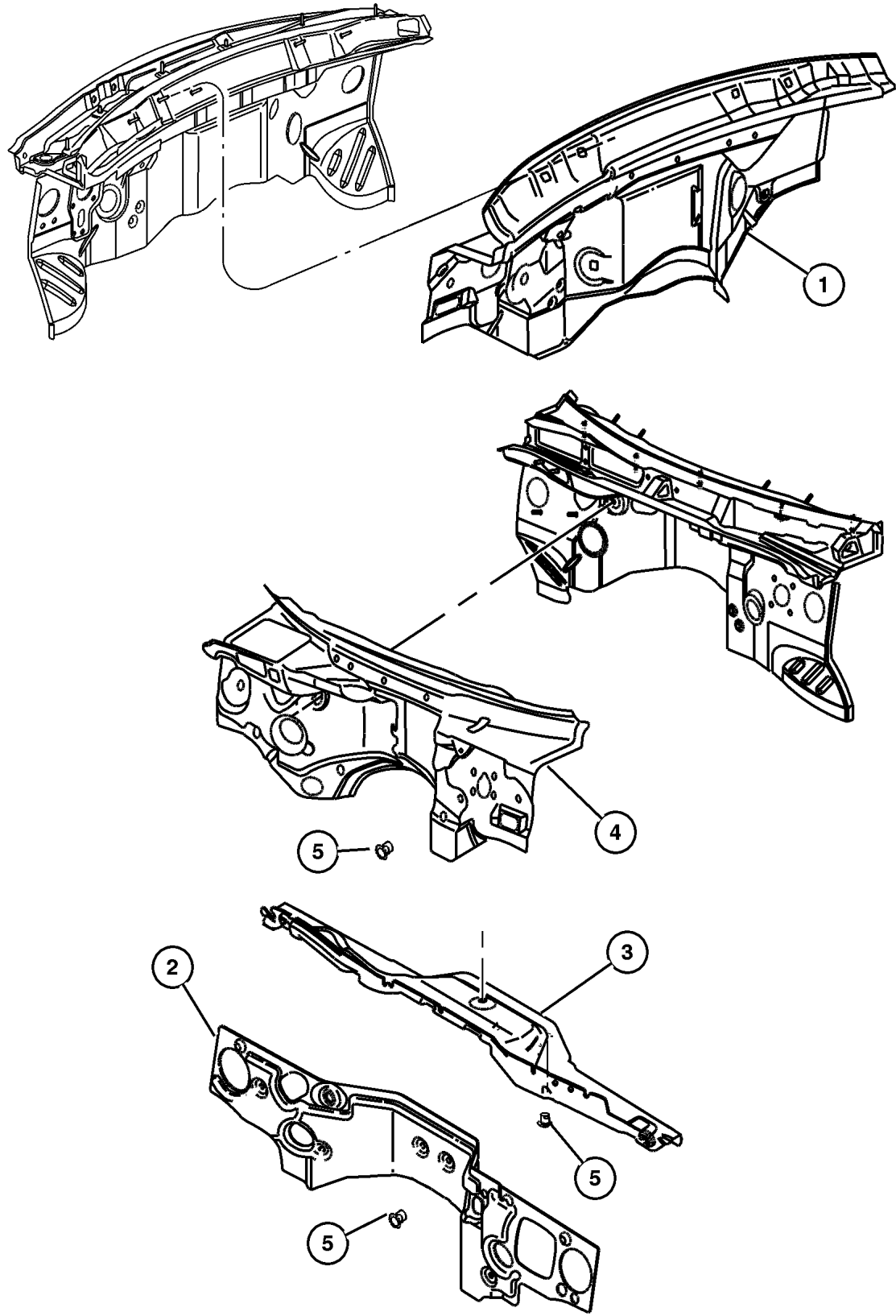
JEEP GRAND CHEROKEE (WJ)

SERIES	LINE	BODY	ENGINE	TRANSMISSION
L = Grand Cherokee	J = 4WD T = 2WD U = 4WD (RHD)	74 = 4 Door (105.9 WB)	ERH,ERO = 4.0L, Power Tech EVA,EVO = 4.7L, Power Tech EXA,EXO = 3.1L 5 cyl Turbo Diesel	DGK = 4 Speed Autm, 42RE DG4 = Multi Speed Auto 45RFE DGW = 4 Speed Autom 44RE DGO = All Automatic

AR = Use as required - = Non illustrated part # = New this model year

September 15, 2005

**Insulation, Dash And Cowl
Figure SWJ-620**



ITEM	PART NUMBER	QTY	LINE	SERIES	BODY	ENGINE	TRANS	TRIM	DESCRIPTION
1									INSULATION, Dash Panel
	55196 275AB	1	J, T						
	55196 277AB	1	U						Export
	55196 857AA	1	J, T						Export
2	55196 703AC	1	J, T						INSULATION, Dash Panel, [EX0], Diesel
3	55196 705AB	1	J, T						INSULATION, Dash Panel, Upper Plenum Outer, [EX0], Diesel
4									INSULATION, Dash Panel [ER0, EV0], Gas Only
	55196 848AC	1	U						[ER0, EV0], Gas Only
	55196 836AA	1	J, T						[ER0, EV0], Gas Only
5	6503 274	3							NUT, Push On

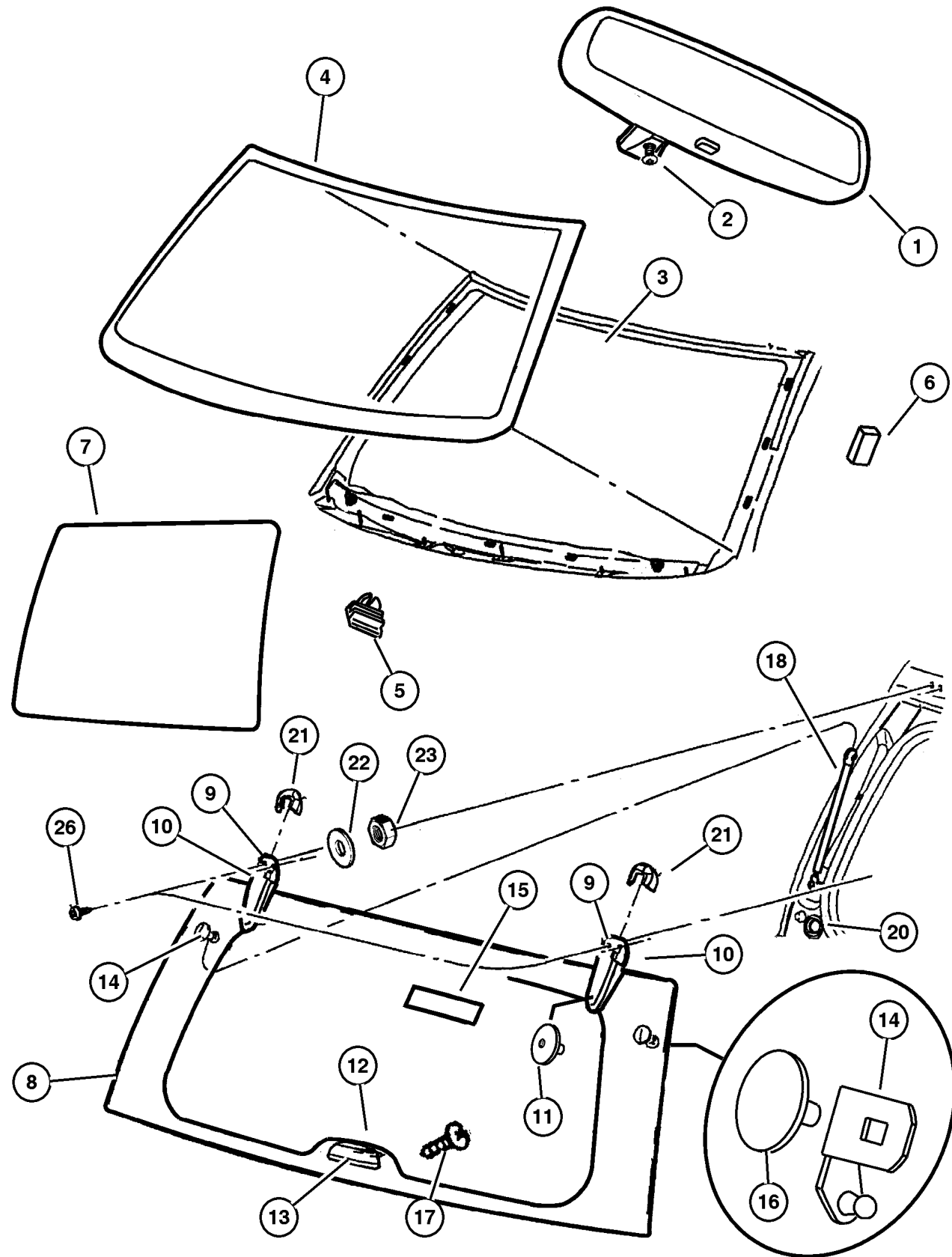
JEEP GRAND CHEROKEE (WJ)

SERIES	LINE	BODY	ENGINE	TRANSMISSION
L = Grand Cherokee	J = 4WD T = 2WD U = 4WD (RHD)	74 = 4 Door (105.9 WB)	ERH,ERO = 4.0L, Power Tech EVA,EVO = 4.7L, Power Tech EXA,EXO = 3.1L 5 cyl Turbo Diesel	DGK = 4 Speed Autm, 42RE DG4 = Multi Speed Auto 45RFE DGW = 4 Speed Autom 44RE DGO = All Automatic

AR = Use as required - = Non illustrated part # = New this model year

September 15, 2005

Glass, Windshield, Backlite, Quarter Window, Rear View Mirror
Figure SWJ-710



ITEM	PART NUMBER	QTY	LINE	SERIES	BODY	ENGINE	TRANS	TRIM	DESCRIPTION
1									MIRROR, Inside Rear View
	4299 325	1							Prismatic
	5515 5380	1							Automatic
2	6031 094	1							SCREW, Pan Head Tapping, .19-16x.375
3	5507 6401	1							BUTTON, Rear View Mirror
4									WINDSHIELD
	55136 054AC	1							Export
	55136 944AA	1							Export
5	5502 8214	9							SPACER, Windshield
6	5527 5388	2							SPACER, Windshield
7									GLASS, Quarter Window
	55135 788AB	1							Tinted, Up to 11-4-98, Right
	55135 788AC	1							Tinted, After 11-4-98, With Dotted Frit, Right
	55135 789AB	1							Tinted, Up to 11-4-98, Left
	55135 789AC	1							Tinted, After 11-4-98, With Dotted Frit, Left
	55135 796AB	1							Tinted, With Antenna, Right,Export
	55135 797AB	1							Tinted, Left,Export
	55135 808AB	1							Privacy, Up to 11-9-98, Right
	55135 808AC	1							Privacy, After 11-9-98, With Dotted Frit, Right
	55135 809AB	1							Privacy, Up to 11-9-98, Left
	55135 809AC	1							Privacy, After 11-9-98, With Dotted Frit, Left
	55135 816AB	1							Privacy, With Antenna, Right, Export
	55135 817AB	1							Privacy, Left,Export
8									GLASS, Liftgate Flipper
	55136 035AB	1							Tinted, Export
	55136 050AB	1							Privacy, Export
	55136 975AA	1							Tinted
	55136 980AA	1							Privacy
9									HINGE, Liftglass
	55136 684AA	1							Right
	55136 685AA	1							Left
10	5507 5164	4							GASKET, Liftgate Hinge
11	6502 900	2							SCREW, Special Head, M6x1x12.7, Hinge to Glass
12	5513 6045	1							GASKET, Liftgate Handle
13	5513 6048	1							HANDLE, Flipper Window
14									BALL STUD, Liftgate Glass

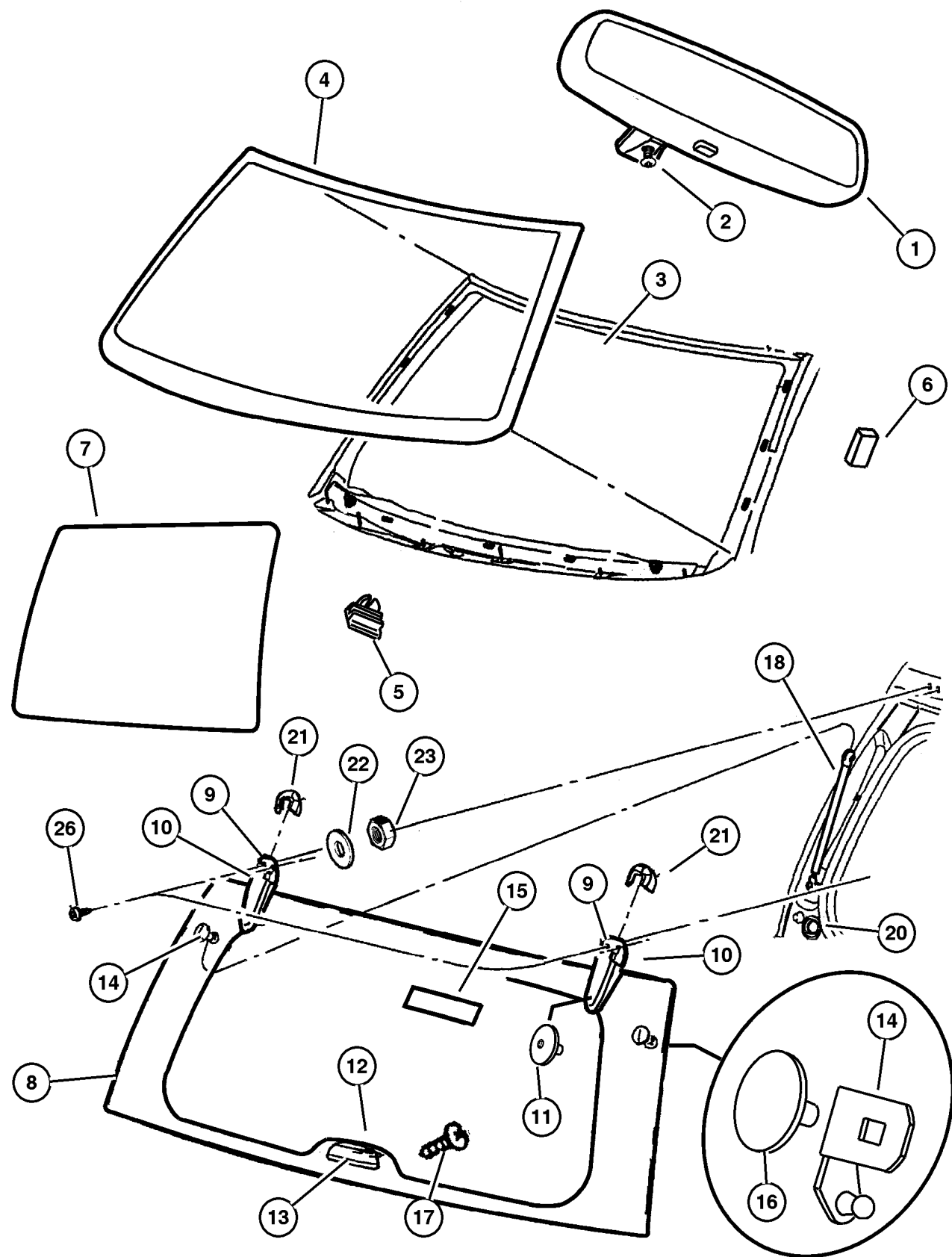
JEEP GRAND CHEROKEE (WJ)

SERIES	LINE	BODY	ENGINE	TRANSMISSION
L = Grand Cherokee	J = 4WD T = 2WD U = 4WD (RHD)	74 = 4 Door (105.9 WB)	ERH,ERO = 4.0L, Power Tech EVA,EVO = 4.7L, Power Tech EXA,EXO = 3.1L 5 cyl Turbo Diesel	DGK = 4 Speed Autm, 42RE DG4 = Multi Speed Auto 45RFE DGW = 4 Speed Autom 44RE DGO = All Automatic

AR = Use as required - = Non illustrated part # = New this model year

September 15, 2005

Glass, Windshield, Backlite, Quarter Window, Rear View Mirror
Figure SWJ-710



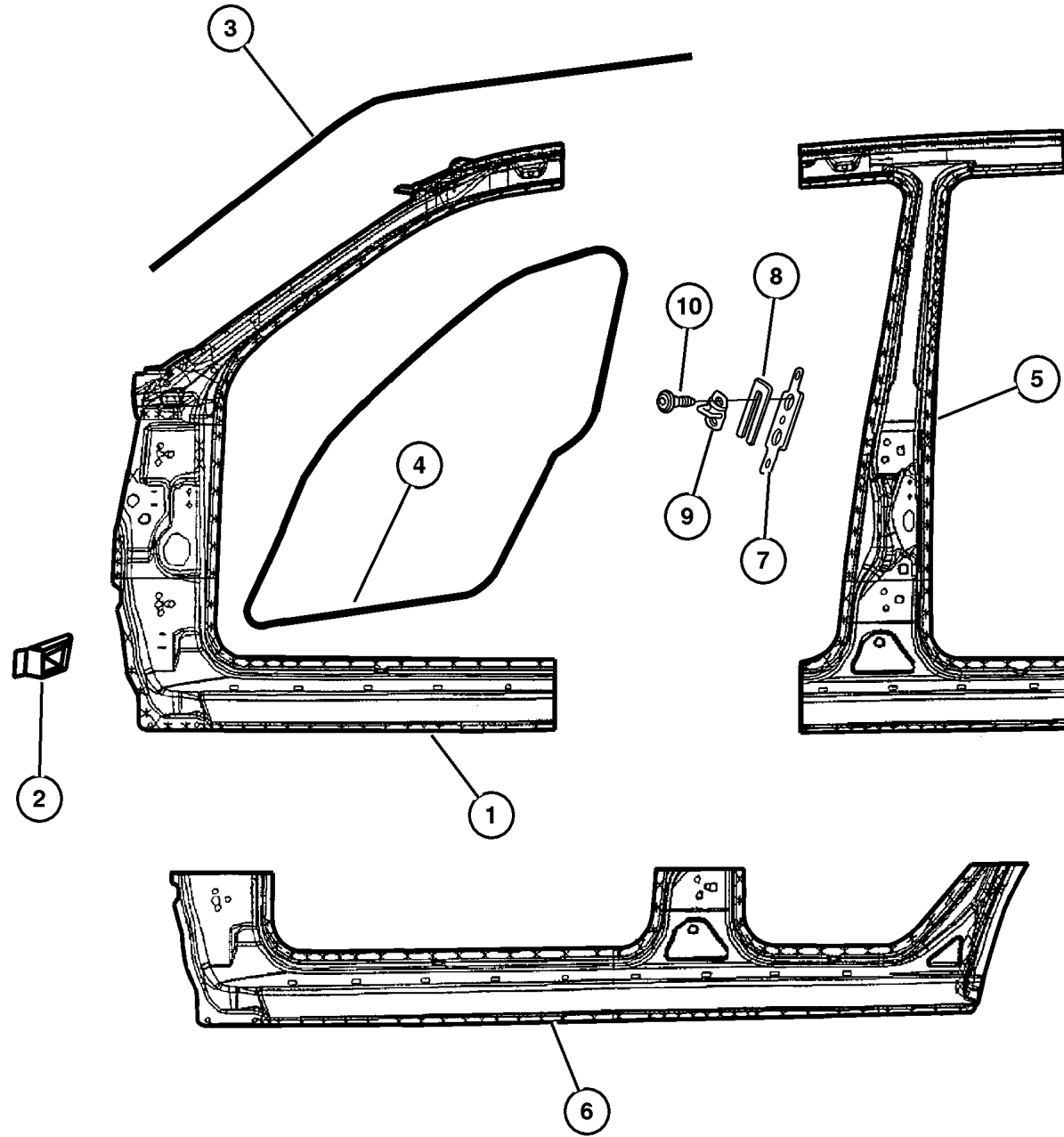
ITEM	PART NUMBER	QTY	LINE	SERIES	BODY	ENGINE	TRANS	TRIM	DESCRIPTION
	5513 6046	2							Up to 7-15-98
	55136 968AA	1							After 7-15-98, Right
	55136 969AA	1							After 7-15-98, Left
15	5525 6063	1							LABEL, Flipper Glass
16	6505 912AA	2							STUD
17	6035 479	2							SCREW AND WASHER
18	55136 761AA	2							GAS CYLINDER, Liftgate Glass
-19	55136 513AA-	2							CAP NUT, Liftgate Gas Prop
20	55136 845AA	2							BUMPER, Liftgate Glass
21									COVER, Hinge
	4717 486AA	1							Right
	4717 487AA	1							Left
22	5529 5914	4							GASKET, Ball Stud
23	6504 513	2							NUT AND WASHER, Hex Nut-Coned Washer, M6 x 1.00
-24	5513 6044	1							STRIKER, Liftgate Glass
-25	5507 6299	2							CAP, Lock Cylinder, Locks Prop Rod
26	6504 440	2							SCREW

JEEP GRAND CHEROKEE (WJ)				
SERIES	LINE	BODY	ENGINE	TRANSMISSION
L = Grand Cherokee	J = 4WD T = 2WD U = 4WD (RHD)	74 = 4 Door (105.9 WB)	ERH,ERO = 4.0L, Power Tech EVA,EVO = 4.7L, Power Tech EXA,EXO = 3.1L 5 cyl Turbo Diesel	DGK = 4 Speed Autm, 42RE DG4 = Multi Speed Auto 45RFE DGW = 4 Speed Autom 44RE DGO = All Automatic

AR = Use as required - = Non illustrated part # = New this model year

September 15, 2005

Panels, Body Side
Figure SWJ-810



ITEM	PART NUMBER	QTY	LINE	SERIES	BODY	ENGINE	TRANS	TRIM	DESCRIPTION
1									PANEL, Body Side Aperture Front
	5013 006AA	1							Right
	5013 007AA	1							Left
2									TAPPING PLATE, Door Hinge, Also serviced in Item #1
	55136 436AB	1							Right
	55136 437AB	1							Left
3									SEAL, Body Side
	55135 869AB	1							Upper,Right
	55135 872AB	1							Upper,Left
4									SEAL, Front Door
	55135 918AB	1							Right
	55135 919AB	1							Left
5									PANEL, Body Side Aperture Center
	5013 008AA	1							Right
	5013 009AA	1							Left
6									SILL, Body Side
	5013 062AA	1							Right
	5013 063AA	1							Left
7	55135 503AB	2							TAPPING PLATE, Striker
8	4520 289	AR							SPACER, Door Latch Striker
9	4780 259	2							STRIKER, Door
10	6504 573	4							SCREW, Oval Head, SCREW

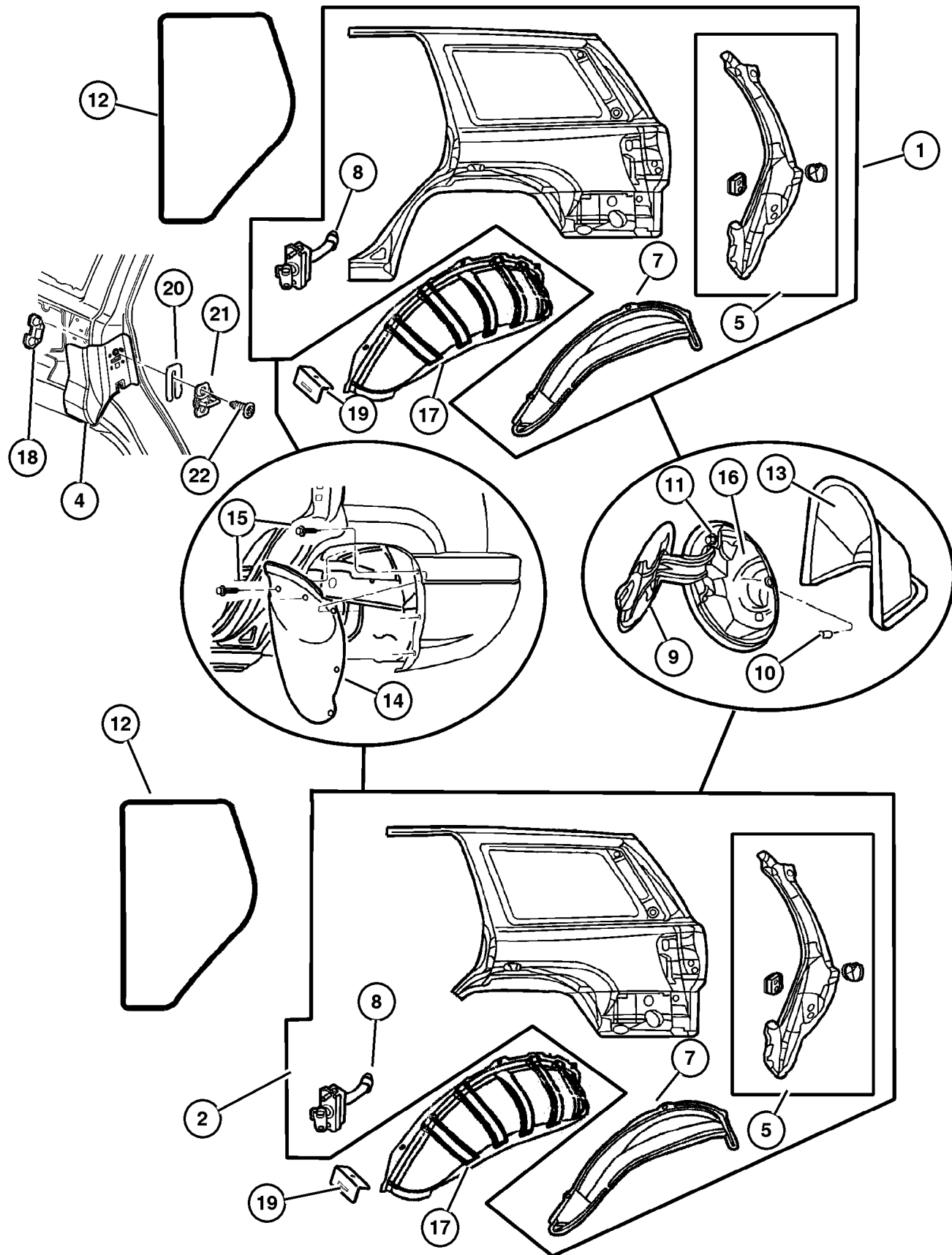
JEEP GRAND CHEROKEE (WJ)

SERIES	LINE	BODY	ENGINE	TRANSMISSION
L = Grand Cherokee	J = 4WD T = 2WD U = 4WD (RHD)	74 = 4 Door (105.9 WB)	ERH,ERO = 4.0L, Power Tech EVA,EVO = 4.7L, Power Tech EXA,EXO = 3.1L 5 cyl Turbo Diesel	DGK = 4 Speed Autm, 42RE DG4 = Multi Speed Auto 45RFE DGW = 4 Speed Autom 44RE DGO = All Automatic

AR = Use as required - = Non illustrated part # = New this model year

September 15, 2005

**Panels, Rear Quarter
Figure SWJ-910**



ITEM	PART NUMBER	QTY	LINE	SERIES	BODY	ENGINE	TRANS	TRIM	DESCRIPTION
The difference between item #1 and item #2 is the cut of the Quarter Panel. Item #1 contains part of the bottom sill.									
1	5013 058AA	1							PANEL, Body Side Aperture Rear, Includes Tailamp Pocket Complete, Includes Tailamp Pocket, Right
2	5013 059AA	1							Left
	5013 060AA	1							PANEL, Quarter Corner, Includes Tailamp Pocket
	5013 061AA	1							Includes Tailamp Pocket, Right
-3									Left
									PANEL, Quarter, Outer Skin Only, With Dogleg, Without Tailamp Pocket
	5017 866AB-	1							Right
	5017 867AB-	1							Left
4	55135 508AC	1							REINFORCEMENT, Door Striker Right
	55135 509AC	1							Left
5	55135 428AB	1							TROUGH, Liftgate Opening Right
	55135 429AB	1							Left
-6	6503 526	4							SCREW, Truss Head, M6x1x15, Stabilizer to Drain Trough Mounting
7	55136 546AB	1							PANEL, Rear Wheelhouse Right
	55136 547AB	1							Left
8	55135 658AB	1							CHECK, Rear Door Right
	55135 659AB	1							Left
9	55135 514AB	1							DOOR, Fuel Fill
10	55135 519AB	2							BUMPER, Fuel Door
11	6504 946AA	2							SCREW, Hex Flange Head, M6x1.0x16.0
12	55135 958AB	1							SEAL, Rear Door Right
	55135 959AB	1							Left
13	5513 6178	1							REINFORCEMENT, Fuel Filler Door, Inner
14	55136 500AB	1							SHIELD, Splash Rear,Right
	55136 501AB	1							Rear,Left
	55136 636AC	1							Rear,Right,Export
	55136 637AC	1							Rear,Left,Export

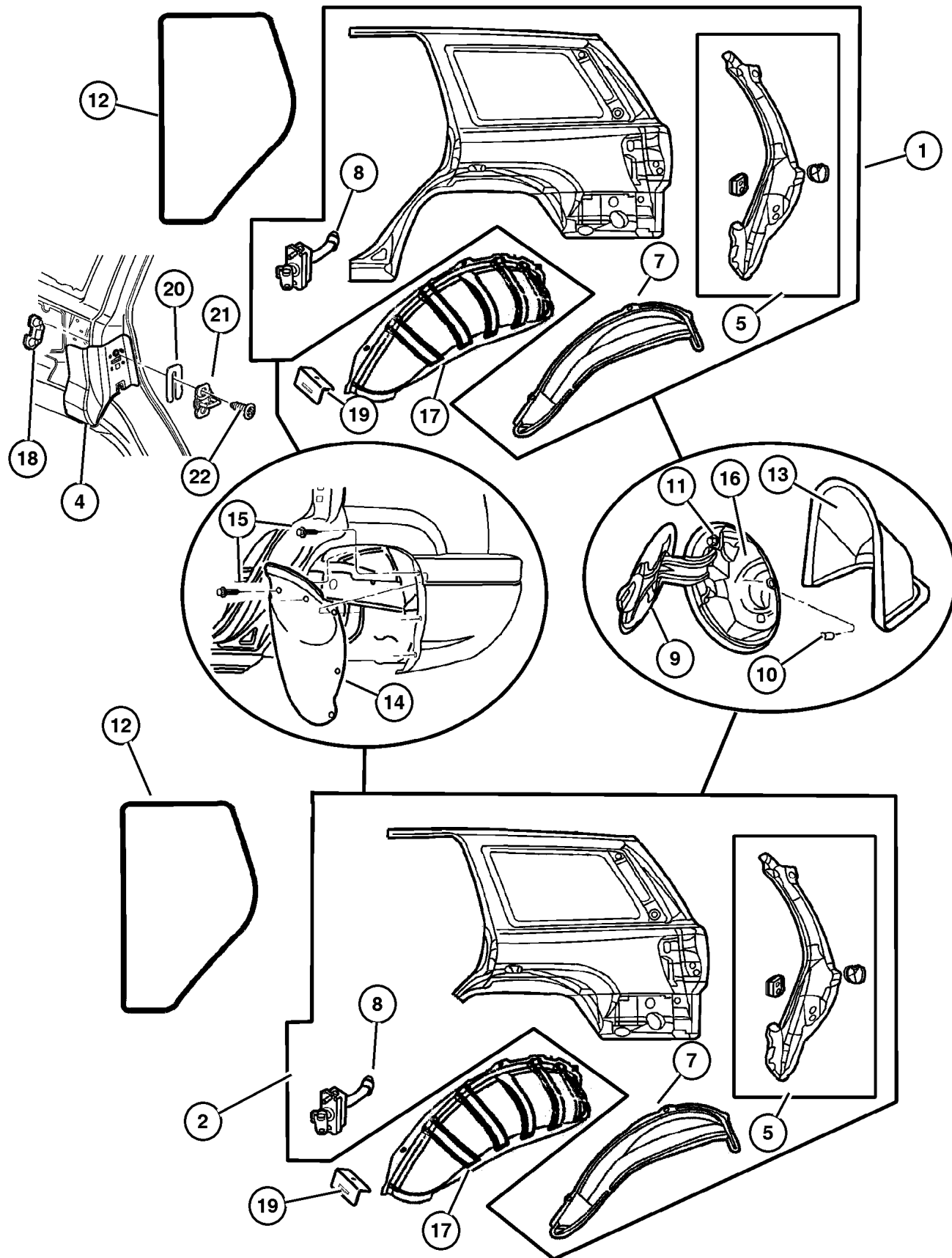
JEEP GRAND CHEROKEE (WJ)

SERIES	LINE	BODY	ENGINE	TRANSMISSION
L = Grand Cherokee	J = 4WD T = 2WD U = 4WD (RHD)	74 = 4 Door (105.9 WB)	ERH,ERO = 4.0L, Power Tech EVA,EVO = 4.7L, Power Tech EXA,EXO = 3.1L 5 cyl Turbo Diesel	DGK = 4 Speed Autm, 42RE DG4 = Multi Speed Auto 45RFE DGW = 4 Speed Autom 44RE DGO = All Automatic

AR = Use as required - = Non illustrated part # = New this model year

September 15, 2005

Panels, Rear Quarter
Figure SWJ-910



ITEM	PART NUMBER	QTY	LINE	SERIES	BODY	ENGINE	TRANS	TRIM	DESCRIPTION
15	3420 1631	4							RIVET, M6.25x28 Black
16	55135 511AB	1							HOUSING, Fuel Filler
17	55135 380AB	1							WHEELHOUSE, Rear Inner Right
	55135 381AB	1							Left
18	4674 669	2							PLATE, Liftgate Striker
19	55136 998AA	2							BRACKET, Wheel House, Trim Panel Attach
20									SPACER, Door Latch Striker
	4520 289	AR							3.5 Thick
	5507 5483	AR							2.0 to 2.5 Thick
21	4780 259	2							STRIKER, Door
22	6504 573	4							SCREW, Oval Head, SCREW

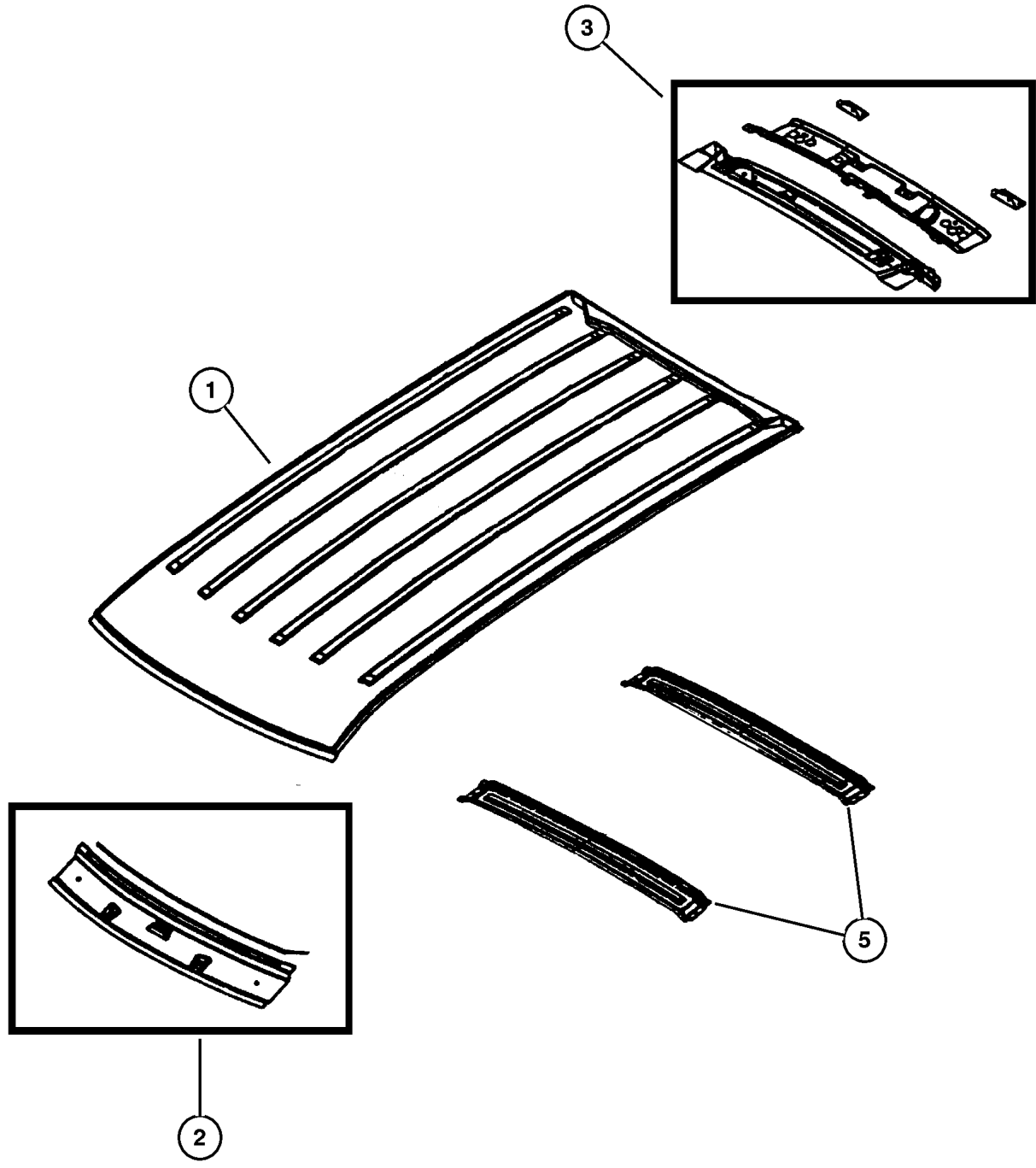
JEEP GRAND CHEROKEE (WJ)
 SERIES LINE BODY ENGINE TRANSMISSION
 L = Grand Cherokee J = 4WD 74 = 4 Door (105.9 WB) ERH,ERO = 4.0L, Power Tech DGK = 4 Speed Autm, 42RE
 T = 2WD EVA,EVO = 4.7L, Power Tech DG4 = Multi Speed Auto 45RFE
 U = 4WD (RHD) EXA,EXO = 3.1L 5 cyl Turbo Diesel DGW = 4 Speed Autom 44RE
 DGO = All Automatic

AR = Use as required - = Non illustrated part # = New this model year

September 15, 2005

Panels, Roof
Figure SWJ-1110

ITEM	PART NUMBER	QTY	LINE	SERIES	BODY	ENGINE	TRANS	TRIM	DESCRIPTION
1									PANEL, Roof
	55136 918AA	1							Export
	55135 404AC	1	J, T						Without Sunroof
	55135 461AB	1							With Sunroof
2	55135 545AB	1							HEADER, Roof Front
3	55135 523AB	1							HEADER, Panel, Rear
-4									PUSH PIN
	6505 451AA-	2							Front Header Attach
		4							Roof Bow Attach
		2							Rear Header Attach
5	55135 424AD	2							BOW, Roof



JEEP GRAND CHEROKEE (WJ)

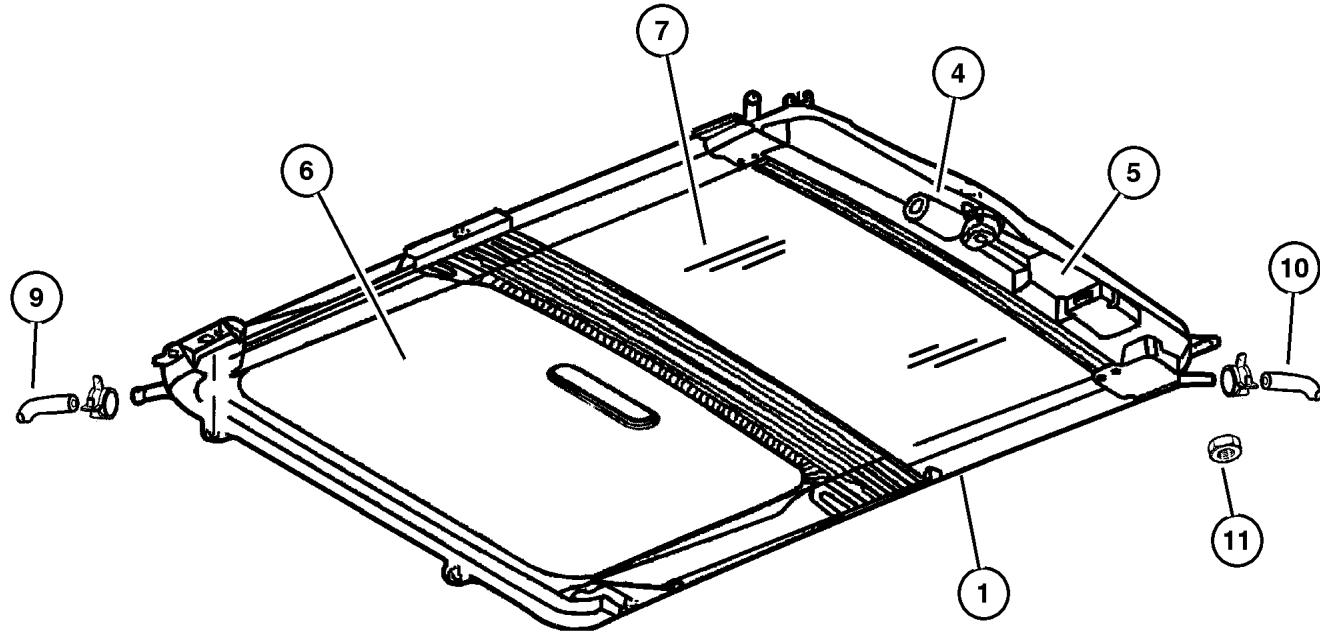
SERIES	LINE	BODY	ENGINE	TRANSMISSION
L = Grand Cherokee	J = 4WD T = 2WD U = 4WD (RHD)	74 = 4 Door (105.9 WB)	ERH,ERO = 4.0L, Power Tech EVA,EVO = 4.7L, Power Tech EXA,EXO = 3.1L 5 cyl Turbo Diesel	DGK = 4 Speed Autm, 42RE DG4 = Multi Speed Auto 45RFE DGW = 4 Speed Autom 44RE DGO = All Automatic

AR = Use as required - = Non illustrated part # = New this model year

September 15, 2005

Sunroof
Figure SWJ-1210

ITEM	PART NUMBER	QTY	LINE	SERIES	BODY	ENGINE	TRANS	TRIM	DESCRIPTION
1	5012 772AA	1							MODULE, Sunroof
-2	5012 765AA-	1							DEFLECTOR, Sunroof Wind
-3	5012 769AA-	1							CHANNEL, Sunroof Drain
4	5012 768AA	1							MOTOR, Sunroof
5	5012 771AA	1							CONTROL UNIT, Sunroof
6									SUNSHADE, Sunroof
	5EZ11 RK5AB	1							Camel
	5EZ11 TL2AB	1							Beige
7	55135 858AB	1							GLASS, Sunroof
-8	5012 773AA-	4							GUIDE, Sunroof Lid
9									HOSE, Sunroof Drain
	55136 966AA	1							Front,Right
	55136 967AA	1							Front,Left
10	55135 851AC	2							HOSE, Sunroof Drain, Rear
11	6503 504	9							NUT AND WASHER, Hex, M6x1
-12	4814 215	1							GROMMET, Tube

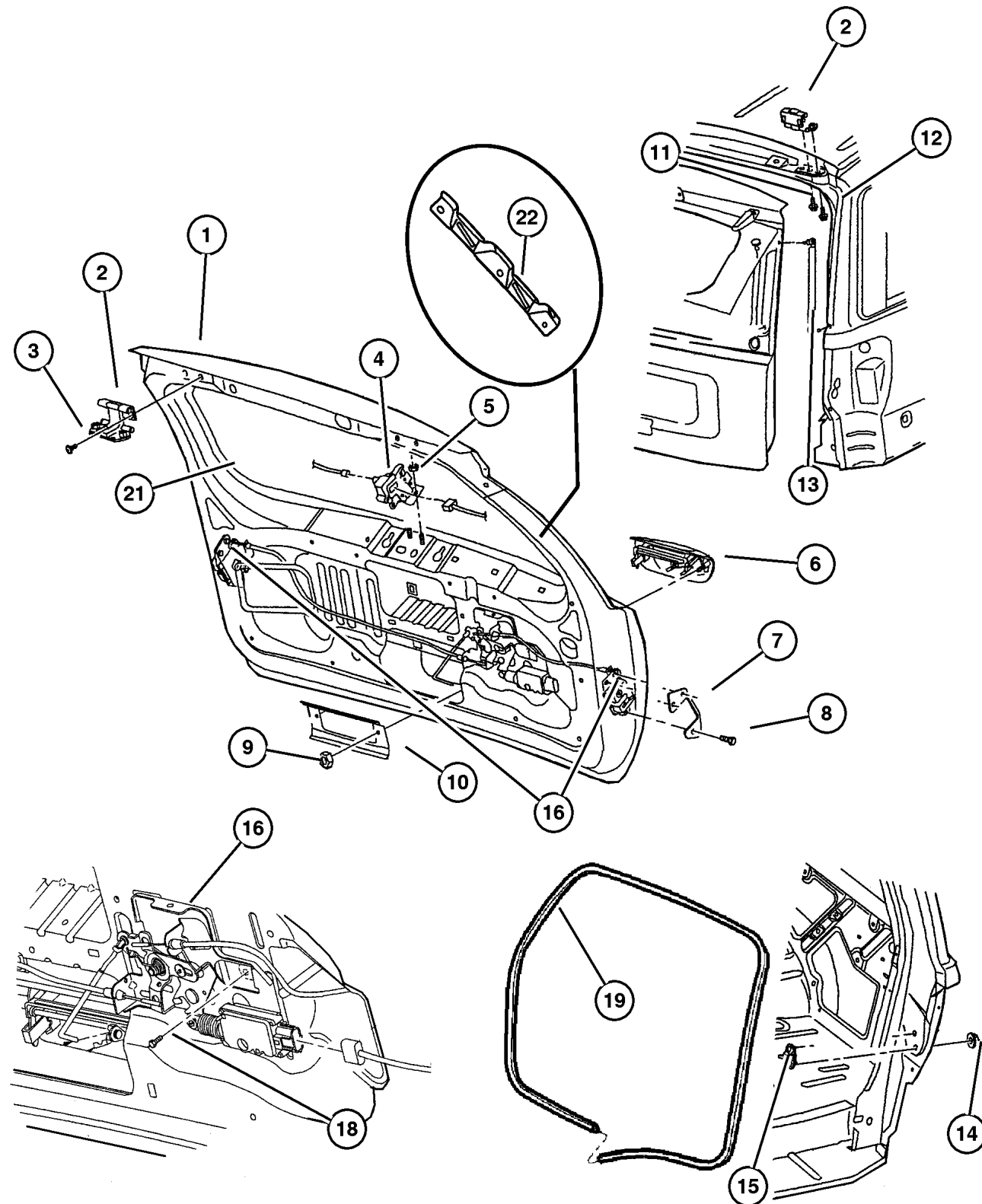


JEEP GRAND CHEROKEE (WJ)				
SERIES	LINE	BODY	ENGINE	TRANSMISSION
L = Grand Cherokee	J = 4WD T = 2WD U = 4WD (RHD)	74 = 4 Door (105.9 WB)	ERH,ERO = 4.0L, Power Tech EVA,EVO = 4.7L, Power Tech EXA,EXO = 3.1L 5 cyl Turbo Diesel	DGK = 4 Speed Autm, 42RE DG4 = Multi Speed Auto 45RFE DGW = 4 Speed Autom 44RE DGO = All Automatic

AR = Use as required - = Non illustrated part # = New this model year

September 15, 2005

Liftgate, Latch and Hinges Figure SWJ-1310



ITEM	PART NUMBER	QTY	LINE	SERIES	BODY	ENGINE	TRANS	TRIM	DESCRIPTION
[ARN]= Laredo									
[ARP]= Limited									
1	55256 177AB	1							PANEL, Liftgate
2	55257 015AB	2							HINGE, Liftgate
3									SCREW AND WASHER, Hex Head, M8-1.25x30, (NOT SERVICED) (Not Serviced)
4	55136 740AA	1							LATCH, Liftgate Glass
5	6503 102	2							NUT AND WASHER, Hex Nut-Coned Washer, M6 x 1.00
6									HANDLE, Liftgate
	55136 699AA	1							Laredo, Sales Code ARN
	5GD47 DX8AA	1							Black, Limited, Sales Code ARP
	5GD47 GW7AA	1							Bright White, Sales Code ARP
	5GD47 MS4AA	1							Bright Platinum, Sales Code ARP
	5GD47 PR4AA	1							Flame Red, Sales Code ARP
	5GD47 SW1AA	1							Stone White, Sales Code ARP
	5GD47 TCNAA	1							Deep Amethyst, Sales Code ARP
	5GD47 TTKAA	1							Taupe Frost, Sales Code ARP
	5GD47 VAWAA	1							Deep Slate, Sales Code ARP
	5GD47 VTEAA	1							Champagne Pearl Metallic, Sales Code ARP
	5GD47 WPTAA	1							Everglade, Sales Code ARP
	5GD47 WTHAA	1							Champagne Pearl Coat, Sales Code ARP
	5GD47 WULAA	1							Sienna Tined Pearl Coat, Sales Code ARP
	5GD47 WURAA	1							Sienna Pearl Coat, Sales Code ARP
	5GD47 WBTAB	1							Patriot Blue, Pearl Coat, Sales Code ARP
	5GD47 XS5AB	1							Silverstone Metallic, Sales Code ARP
7									LATCH, Liftgate
	55136 910AA	1							Right
	55136 911AA	1							Left
8	6503 259	6							SCREW, Tapping, M6x1x20
9	6505 316AA	1							NUT
10	55136 696AA	1							BRACKET, Outside Door Handle
11	6505 337AA	2							SCREW AND WASHER, Hex Head
12	6503 764	4							SCREW AND WASHER, Hex Head, M8x1.25x25
13	55136 760AA	2							SUPPORT, Liftgate Strut

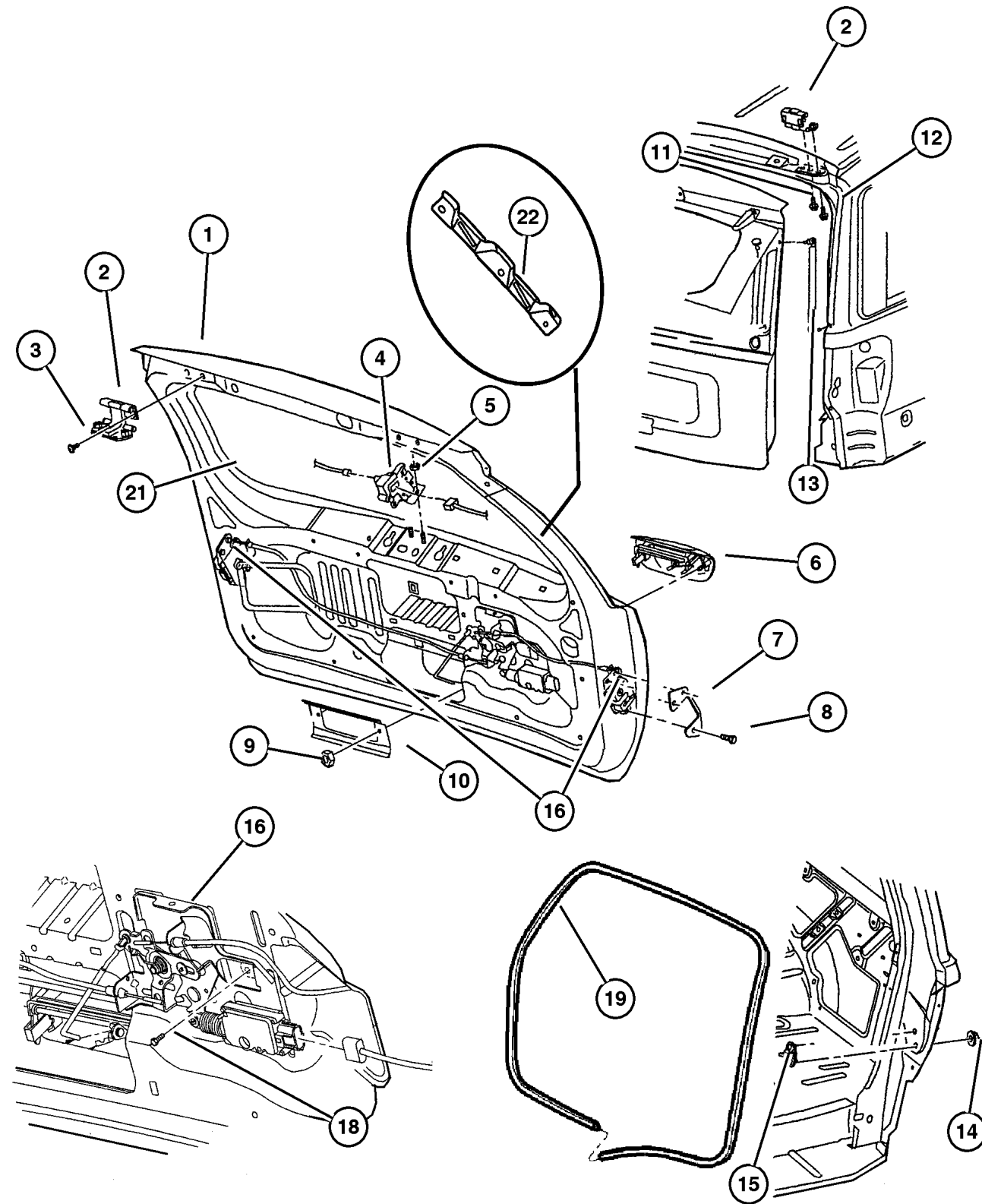
JEEP GRAND CHEROKEE (WJ)

SERIES	LINE	BODY	ENGINE	TRANSMISSION
L = Grand Cherokee	J = 4WD T = 2WD U = 4WD (RHD)	74 = 4 Door (105.9 WB)	ERH,ERO = 4.0L, Power Tech EVA,EVO = 4.7L, Power Tech EXA,EXO = 3.1L 5 cyl Turbo Diesel	DGK = 4 Speed Autm, 42RE DG4 = Multi Speed Auto 45RFE DGW = 4 Speed Autom 44RE DGO = All Automatic

AR = Use as required - = Non illustrated part # = New this model year

September 15, 2005

Liftgate, Latch and Hinges Figure SWJ-1310



ITEM	PART NUMBER	QTY	LINE	SERIES	BODY	ENGINE	TRANS	TRIM	DESCRIPTION
14	6100 051	4							NUT AND WASHER, Hex Nut-Coned Washer, M8 x 1.25
15	55136 912AA	1							STRIKER, Liftgate Right
	55136 913AA	1							Left
16	55136 742AB	1							LATCH, Liftgate, Includes Center, Left & Right
-17	5018 479AA-	1							ACTUATOR, Decklid Lock
18	6501 979	1							SCREW AND WASHER, Hex Head, M6x1x17
19	55135 388AB	1							SEAL, Liftgate
-20	6505 435AA-	4							NUT, Plastic, License Plate Ataching
21	55136 053AB	1							WEATHERSTRIP, Liftgate Glass
22	55136 654AA	1							BRACKET, Liftgate Right
	55136 655AA	1							Left

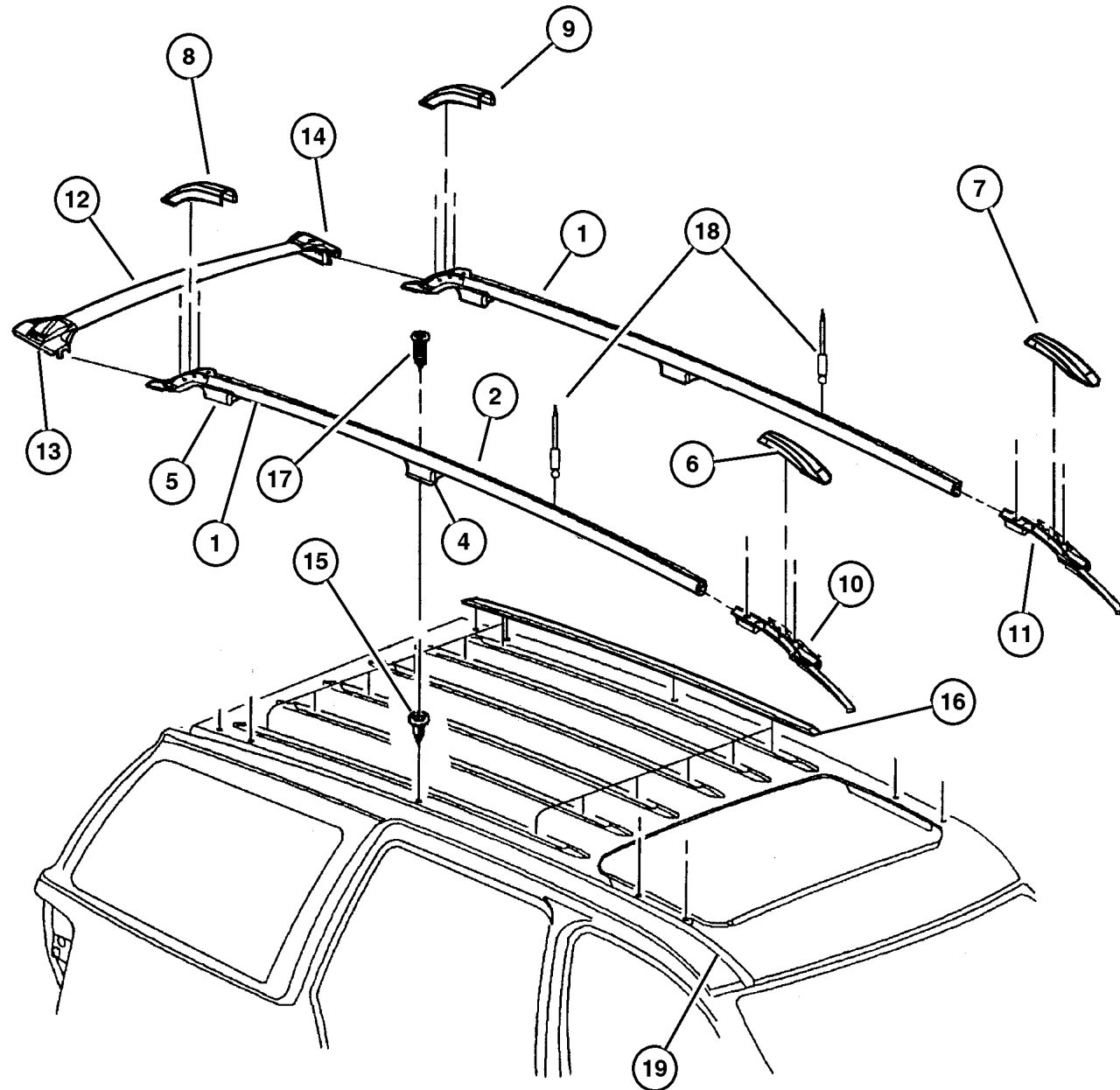
JEEP GRAND CHEROKEE (WJ)
 SERIES LINE BODY ENGINE TRANSMISSION
 L = Grand Cherokee J = 4WD 74 = 4 Door (105.9 WB) ERH,ERO = 4.0L, Power Tech DGK = 4 Speed Autm, 42RE
 T = 2WD EVA,EVO = 4.7L, Power Tech DG4 = Multi Speed Auto 45RFE
 U = 4WD (RHD) EXA,EXO = 3.1L 5 cyl Turbo Diesel DGW = 4 Speed Autom 44RE
 DGO = All Automatic

AR = Use as required - = Non illustrated part # = New this model year

September 15, 2005

Roof Rack Figure SWJ-1610

ITEM	PART NUMBER	QTY	LINE	SERIES	BODY	ENGINE	TRANS	TRIM	DESCRIPTION
1									RAIL, Luggage Rack Side
	5017 572AA	1							Up to 11-30-98, Right
	5017 573AA	1							Up to 11-30-98, Left
	55136 848AB	1							After 11-30-98, Right
	55136 849AB	1							After 11-30-98, Left
2									SPACER
	55136 839AA	1							Left
	55136 838AA	1							Right
-3	55136 842AA-	2							GASKET
4									SUPPORT, Luggage Rack
	55136 855AA	1							Left,Center
	55136 854AA	1							Right,Center
5									SUPPORT, Roof Rack
	55136 836AA	1							Right,Rear
	55136 837AA	1							Left,Rear
6	55135 970AB	1							CAP, Side Rail, Front,Right
7	55135 971AB	1							CAP, Side Rail, Front,Left
8	55136 576AA	1							CAP, Side Rail, Rear,Right
9	55136 577AA	1							CAP, Side Rail, Rear,Left
10	55136 840AA	1							SUPPORT, Roof Rack, Right
11	55136 841AA	1							SUPPORT, Roof Rack, Left
12	5017 213AA	2							CROSS RAIL, Roof Rack
13	55136 850AA	2							STANCHION, LUGG RACK CROSS RAIL, Right
14	55136 851AA	2							STANCHION, LUGG RACK CROSS RAIL, Left
15	6505 505AA	10							NUT
16									SKID STRIP, Roof Rack
	55135 987AB	6							
	55136 961AA	6							Export
17									SCREW, Pan Head, M6x1.00x45.00, (NOT SERVICED) (Not Serviced)
18									RIVET, [.125x.283], (NOT SERVICED) (Not Serviced)
19	55136 526AA	2							MOLDING, Roof Joint



JEEP GRAND CHEROKEE (WJ)

SERIES	LINE	BODY	ENGINE	TRANSMISSION
L = Grand Cherokee	J = 4WD T = 2WD U = 4WD (RHD)	74 = 4 Door (105.9 WB)	ERH,ERO = 4.0L, Power Tech EVA,EVO = 4.7L, Power Tech EXA,EXO = 3.1L 5 cyl Turbo Diesel	DGK = 4 Speed Autm, 42RE DG4 = Multi Speed Auto 45RFE DGW = 4 Speed Autom 44RE DGO = All Automatic

AR = Use as required - = Non illustrated part # = New this model year

September 15, 2005