

VIN PLATE DECODING INFORMATION

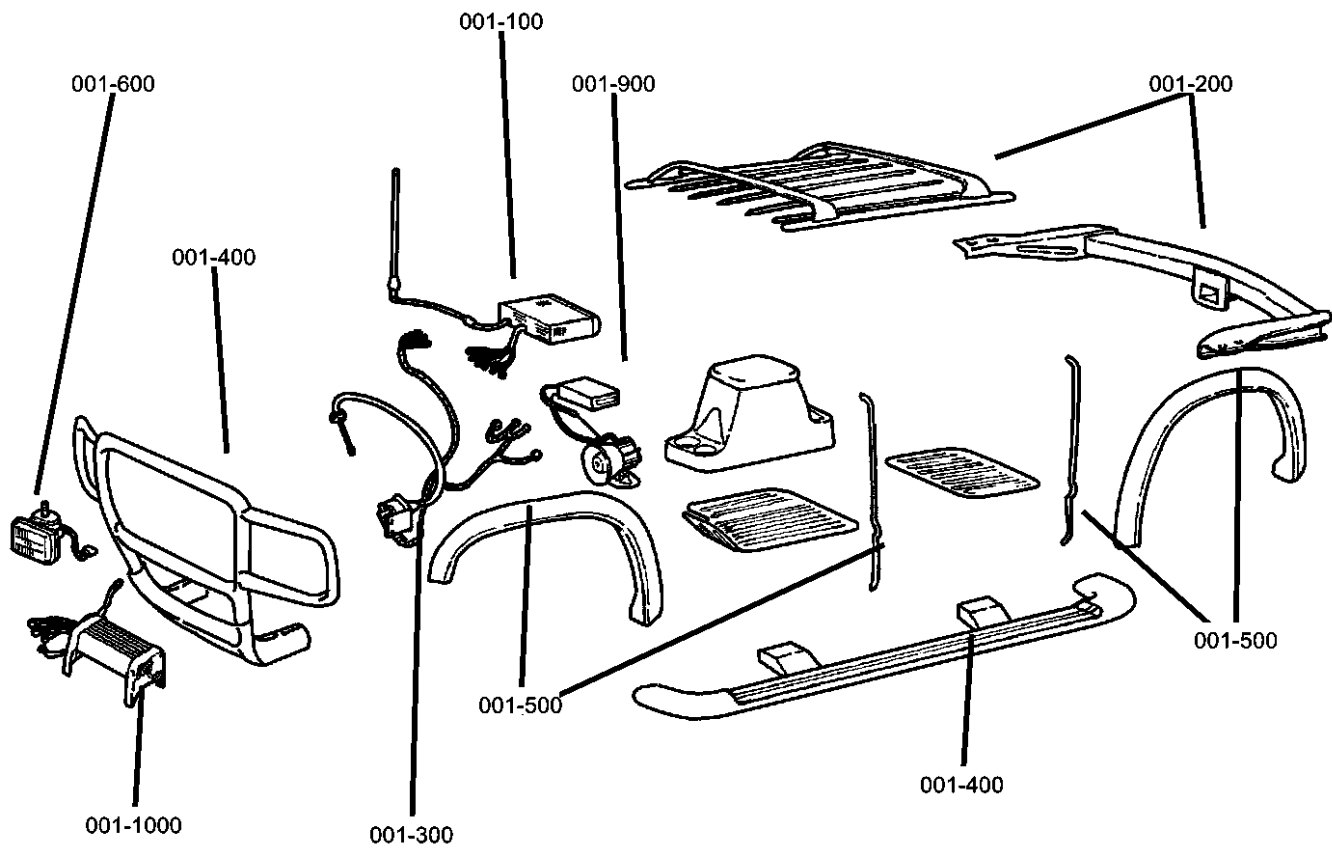
1	2	3	4	5	6	7	8	9	10	11	12 thru 17
Country	Make	Vehicle Type	Other	Line	Series	Body Style	Engine	Check Digit	Model Year	Assy. Plant	Sequence No.

The following table interprets the VIN Plate position shown above.

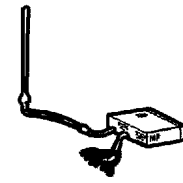
Position	Interpretation	Codes = Description
1	Country of Origin	1 = Manufactured By DaimlerChrysler Corporation
2	Assembler	J = Jeep
3	Vehicle Type	7 = Truck Less Sales Code "CGS" Side Air Bags
4	GVWR & Pass. Safety	D = 1-3000 GVWR & Hyd. Brakes M = 10001-14000 GVWR & Hyd. Brakes E = 3001-4000 GVWR & Hyd. Brakes F = 4001-5000 GVWR & Hyd. Brakes G = 5001-6000 GVWR & Hyd. Brakes H = 6001-7000 GVWR & Hyd. Brakes J = 7001-8000 GVWR & Hyd. Brakes K = 8001-9000 GVWR & Hyd. Brakes L = 9001-10000 GVWR & Hyd. Brakes
5	Vehicle Line	F = Compass / Patriot Left Hand Drive (4x4) T = Compass / Patriot Left Hand Drive (FWD) 7 = Compass / Patriot Right Hand Drive (4x4) F = Compass / Patriot Left Hand Drive (4X4)
6	Series	2 = Patriot (U.S., Canada, Mexico, BUX) (-74) 4 = Patriot Limited (U.S., Canada, BUX) (-74) 4 = Compass, Rallye (U.S., Canada, Mexico, BUX) (-49) 5 = Compass Limited, Rallye (U.S., Canada, BUX) (-49)
7	Body Style	8 = Sport Utility 4 Door
8	Engine	W = 2.4L I4 CYL DOHC 16 Valve Dual VVT Gasoline (ED3) Y = 2.0L I4 CYL DOHC Diesel (ECD) Z = 2.0L I4 CYL DOHC Diesel 16Valve (ECE) 0 = 2.0L I4 CYL DOHC 16V Dual VVT Gasoline (ECN)
9	Check Digit	0 = Check Digit
10	Model Year	8 = 2008 Model Year
11	Assembly Plant	D = Belvidere
12 thru 17	Vehicle Build Sequence	Model Year Assembly Sequence

Group - 1

MoPar Accessories

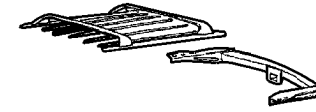


001-100
Audio & Electronics

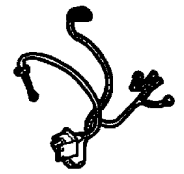


001-1100
Powertrain

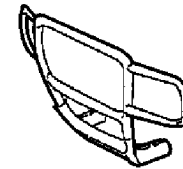
001-200
Carriers & Cargo Hauling



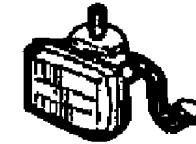
001-300
Driving Convenience



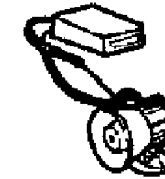
001-400
Exterior Appearance



001-600
Fog Lights & Electrical



001-900
Security

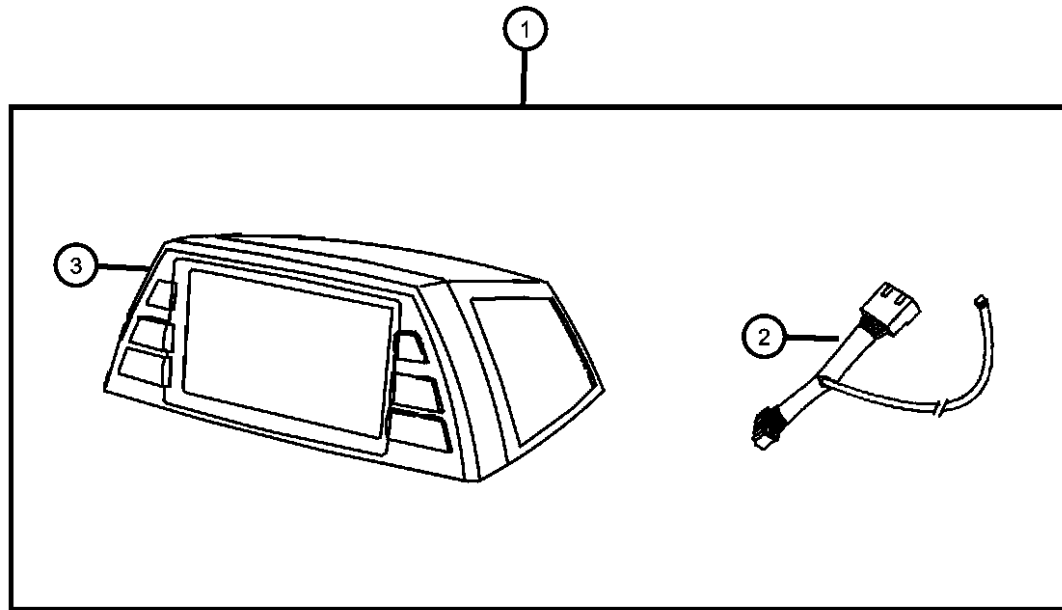


Group - 1 MoPar Accessories

Illustration Title	Group-Fig. No.
Audio & Electronics	
Navigation Kit - Stand Alone	Fig. 1 - 109
Media System	Fig. 1 - 110
Install Kit - Satellite Receiver	Fig. 1 - 114
Receiver Kit - Satellite	Fig. 1 - 120
iPod	Fig. 1 - 122
Carriers & Cargo Hauling	
Carrier Kit - Bike - Hitch Mount	Fig. 1 - 204
Carrier Kit - Water Sports	Fig. 1 - 210
Carrier Kit- Canoe	Fig. 1 - 212
Carrier Kit - Bike - Fork Mount	Fig. 1 - 214
Carrier Kit - Bike - Upright Mount	Fig. 1 - 216
Carrier Kit - Ski	Fig. 1 - 220
Carrier Kit - Luggage Soft	Fig. 1 - 252
Driving Convenience	
Remote Start	Fig. 1 - 304
Speed Control Kit	Fig. 1 - 306
Hands Free Kit/Cellular Phone-Blue Tooth-Low Speed	Fig. 1 - 312
Sensor Kit - Park/Distance	Fig. 1 - 320
Exterior Appearance	
Effects Kit - Ground	Fig. 1 - 442
Wheel Kit	Fig. 1 - 448
Fog Lights & Electrical	
Heater Kit - Engine Block	Fig. 1 - 602
Light Kit - Fog	Fig. 1 - 604
Light Kit - Driving	Fig. 1 - 608
Security	
Alarm Kit	Fig. 1 - 902
Powertrain	
Engine Oil Cooler - Automatic Transmission	Fig. 1 - 1102
Engine Oil Cooler - Manual Transmission	Fig. 1 - 1104

Navigation Kit - Stand Alone
Figure 1-109

ITEM	PART NUMBER	QTY	LINE	SERIES	BODY	ENGINE	TRANS	TRIM	DESCRIPTION
1	82209850	1							NAVIGATION KIT, Vehicle
2	05175003AA	1							WIRING, Navigation Display
3	05175002AA	1							MODULE, Navigation Display
-4	05175839AA	1							COVER, Radio
-5	05175016AA	1							MEMORY CARD, Map Data



COMPASS/PATRIOT (MK)

SERIES LINE
H = HIGHLINE T = JEEP - 2WD
L = LOWLINE J = JEEP - 4WD
P = PREMIUM U = JEEP - 4WD (RHD)

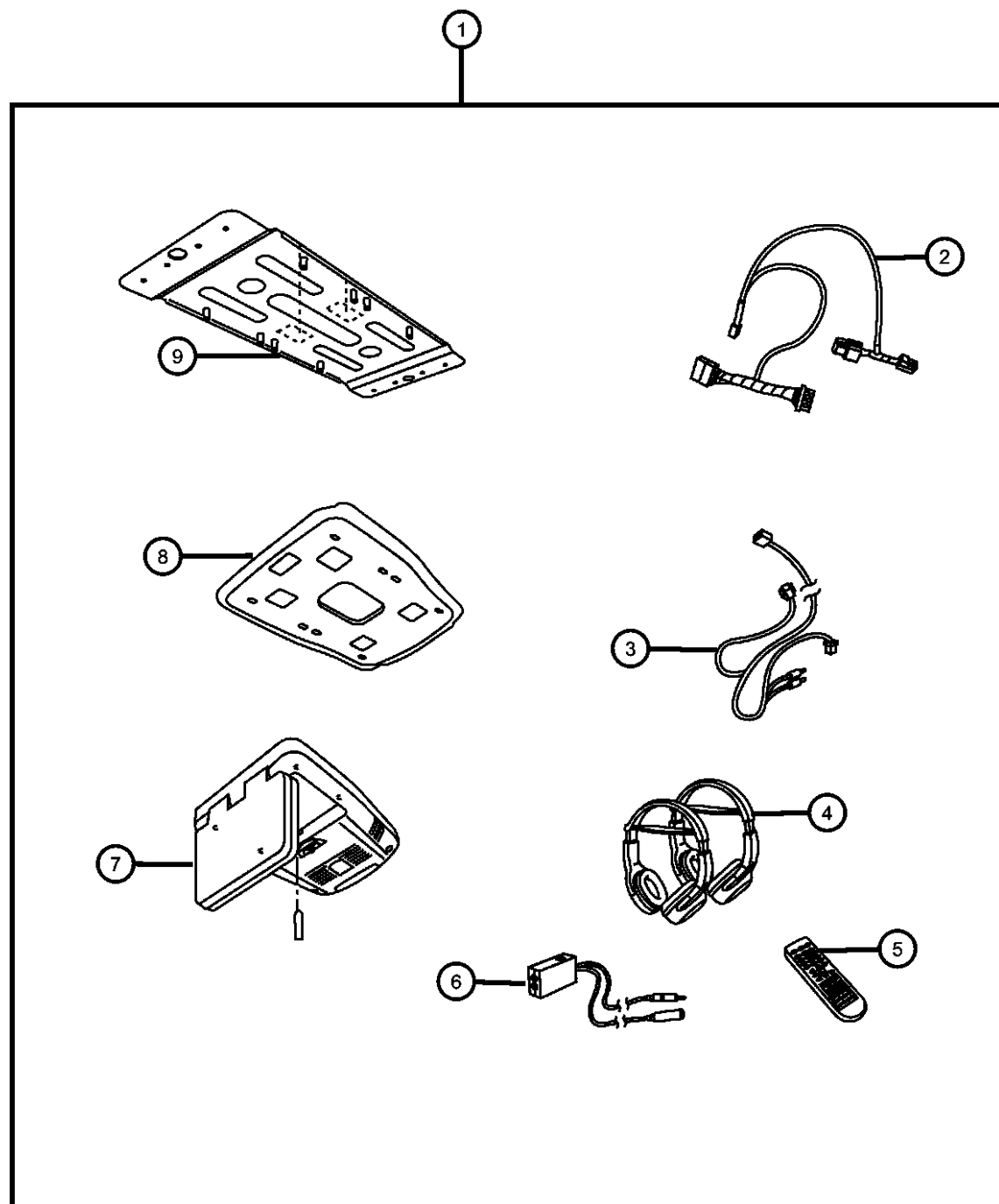
BODY
49 = HATCHBACK TYPE #2
74 = SPORT UTILITY 4-DR
TYPE #4

ENGINE TRANSMISSION
ECE = 2.0L 4 Cyl DOHC DPF Diesel Engine DEF = 6-Speed Manual Aisin BG6 Trans
ED3 = 2.4L 4 Cyl DOHC 16V Dual VVT Engine DD7 = 5-Speed Manual T355 Transmission
ECD = 2.0L 4 Cyl DOHC Diesel 16V Engine DAV = Continuously Variable Transaxle II
ECN = 2.0L 4 Cyl DOHC 16V Dual VVT Engine DAW = Cont.Var. w/Off-Rd Crawl Ratio Trans

AR = use ase required - = Non illustrated part

2008 MK

Media System
Figure 1-110



ITEM	PART NUMBER	QTY	LINE	SERIES	BODY	ENGINE	TRANS	TRIM	DESCRIPTION
1									MEDIA SYSTEM, Monitor with DVD
	82210358	1			49				
	82210468	1			74				
2	05191900AA	1			49				HARNESS, Wiring
3	05166870AA	1			49				HARNESS, Wiring
4	05064037AA	1			49				HEADPHONES, Wireless
5	05166873AA	1			49				REMOTE, Wireless Infrared
6	05166872AA	1			49				MODULATOR, FM
7									DVD ASSEMBLY, Overhead
	05166869AA	1			49				
		1			74				
8									SHROUD, SHROUD
	68001720AA	1			49				
	68001721AA	1			74				
9									BRACKET, Mounting
	68001717AA	1			49				
	68001718AA	1			74				

COMPASS/PATRIOT (MK)

SERIES LINE
 H = HIGHLINE T = JEEP - 2WD
 L = LOWLINE J = JEEP - 4WD
 P = PREMIUM U = JEEP - 4WD (RHD)

BODY
 49 = HATCHBACK TYPE #2
 74 = SPORT UTILITY 4-DR TYPE #4

ENGINE
 ECE = 2.0L 4 Cyl DOHC DPF Diesel Engine
 ED3 = 2.4L 4 Cyl DOHC 16V Dual VVT Engine
 ECD = 2.0L 4 Cyl DOHC Diesel 16V Engine
 ECN = 2.0L 4 Cyl DOHC 16V Dual VVT Engine

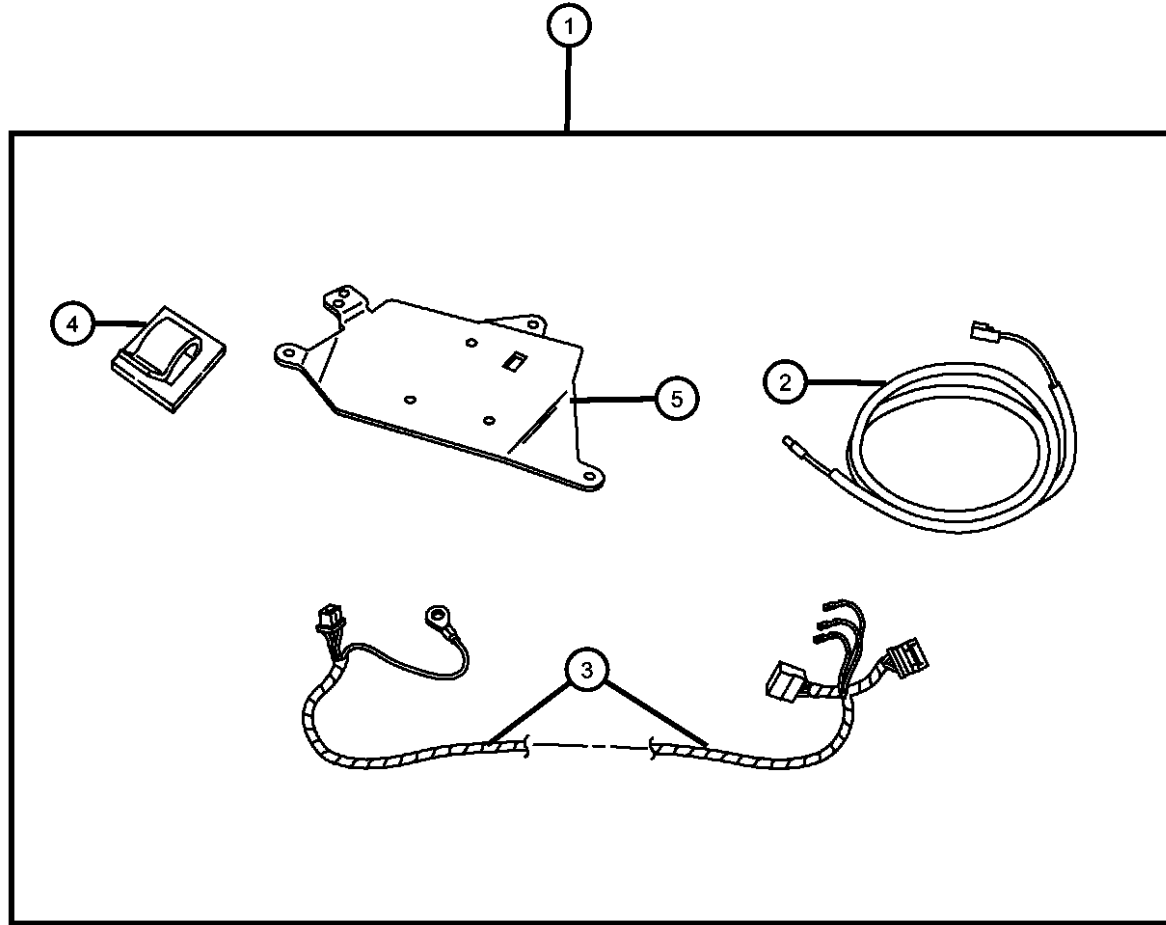
TRANSMISSION
 DEF = 6-Speed Manual Aisin BG6 Trans
 DD7 = 5-Speed Manual T355 Transmission
 DAV = Continuously Variable Transaxle II
 DAW = Cont.Var. w/Off-Rd Crawl Ratio Trans

AR = use ase required - = Non illustrated part

2008 MK

Install Kit - Satellite Receiver
Figure 1-114

ITEM	PART NUMBER	QTY	LINE	SERIES	BODY	ENGINE	TRANS	TRIM	DESCRIPTION
1	82209500AC	1							INSTALL KIT, Satelite Receiver
2	05183898AA	1							CABLE, Antenna
3	05159035AA	1							HARNESS, Overlay
4	05142940AA	1							CLIP
5	05183897AA	1							BRACKET, Radio



COMPASS/PATRIOT (MK)

SERIES LINE
H = HIGHLINE T = JEEP - 2WD
L = LOWLINE J = JEEP - 4WD
P = PREMIUM U = JEEP - 4WD (RHD)

BODY
49 = HATCHBACK TYPE #2
74 = SPORT UTILITY 4-DR
TYPE #4

ENGINE TRANSMISSION
ECE = 2.0L 4 Cyl DOHC DPF Diesel Engine DEF = 6-Speed Manual Aisin BG6 Trans
ED3 = 2.4L 4 Cyl DOHC 16V Dual VVT Engine DD7 = 5-Speed Manual T355 Transmission
ECD = 2.0L 4 Cyl DOHC Diesel 16V Engine DAV = Continuously Variable Transaxle II
ECN = 2.0L 4 Cyl DOHC 16V Dual VVT Engine DAW = Cont.Var. w/Off-Rd Crawl Ratio Trans

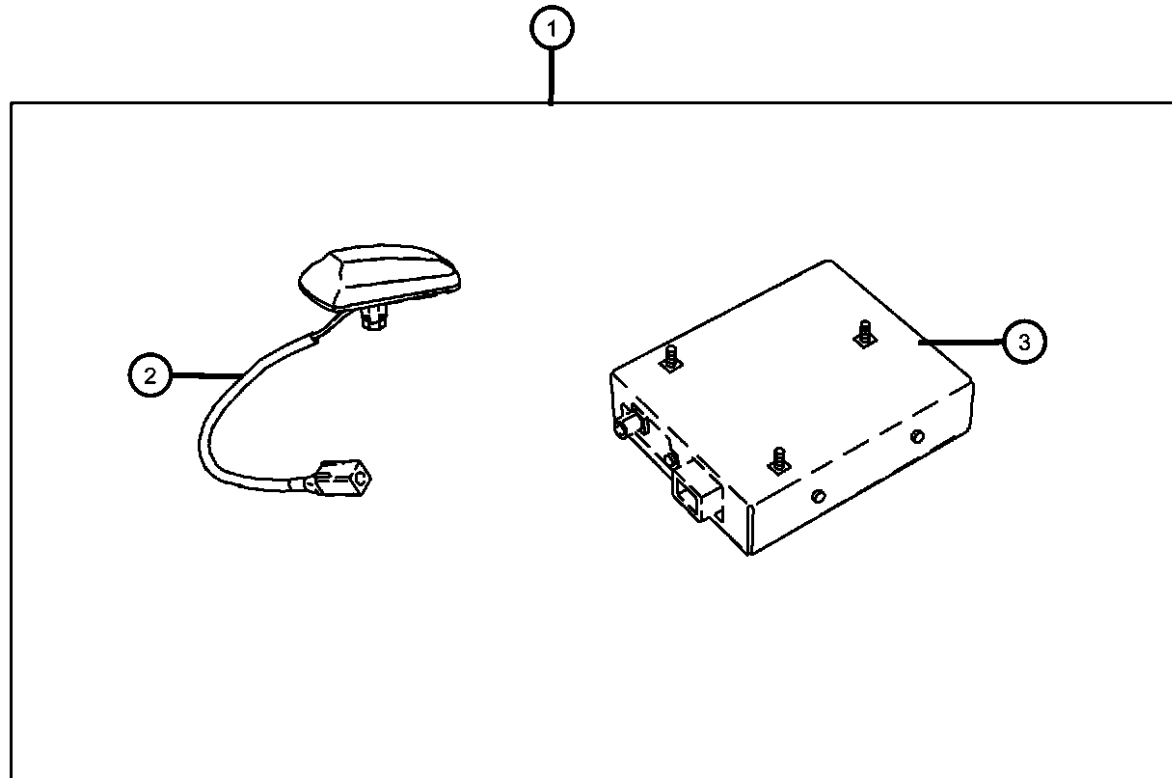
AR = use ase required - = Non illustrated part

2008 MK

**Receiver Kit - Satellite
Figure 1-120**

ITEM	PART NUMBER	QTY	LINE	SERIES	BODY	ENGINE	TRANS	TRIM	DESCRIPTION
1	82209719AD	1							RECEIVER, Satellite
2	05150048AB	1	J, T, U		49				ANTENNA, Satellite
		1	J, T, U		74				
3	68015147AE	1							RECEIVER, Satellite

Note: For Warranty Repair On Item 3, Order Using Z Prefix



COMPASS/PATRIOT (MK)

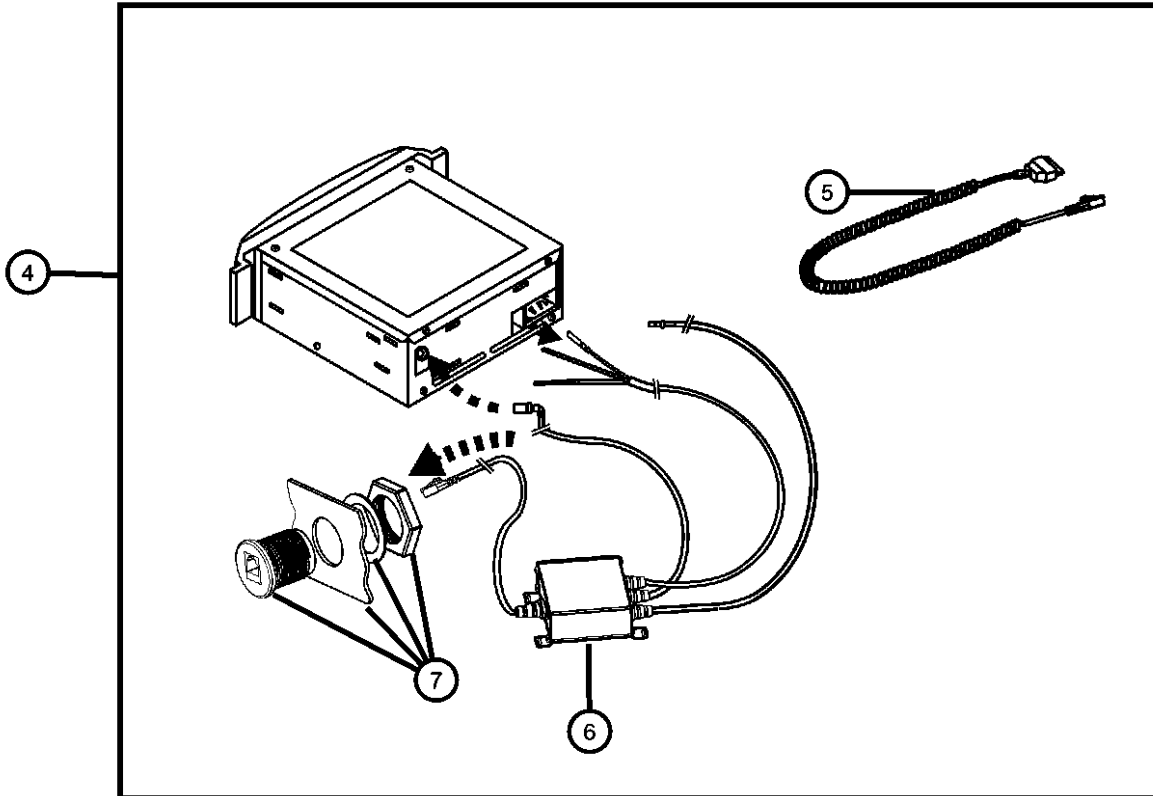
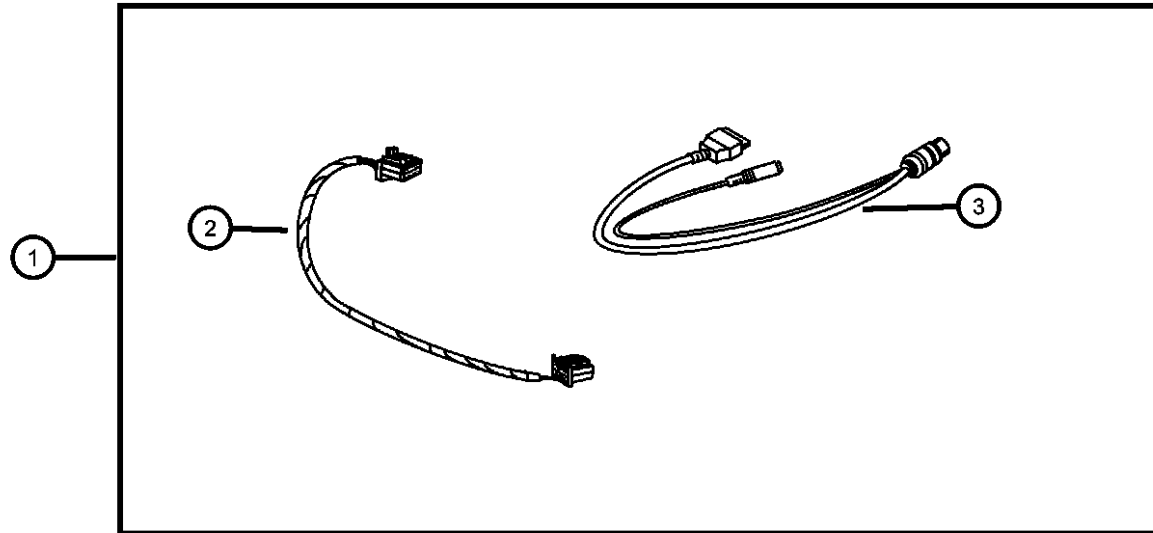
SERIES	LINE	BODY	ENGINE	TRANSMISSION
H = HIGHLINE	T = JEEP - 2WD	49 = HATCHBACK TYPE #2	ECE = 2.0L 4 Cyl DOHC DPF Diesel Engine	DEF = 6-Speed Manual Aisin BG6 Trans
L = LOWLINE	J = JEEP - 4WD	74 = SPORT UTILITY 4-DR TYPE #4	ED3 = 2.4L 4 Cyl DOHC 16V Dual VVT Engine	DD7 = 5-Speed Manual T355 Transmission
P = PREMIUM	U = JEEP - 4WD (RHD)		ECD = 2.0L 4 Cyl DOHC Diesel 16V Engine	DAV = Continuously Variable Transaxle II
			ECN = 2.0L 4 Cyl DOHC 16V Dual VVT Engine	DAW = Cont.Var. w/Off-Rd Crawl Ratio Trans

AR = use ase required - = Non illustrated part

2008 MK

IPod
Figure 1-122

ITEM	PART NUMBER	QTY	LINE	SERIES	BODY	ENGINE	TRANS	TRIM	DESCRIPTION
1	82209617AD	1							MODULE KIT, IPOD Interface, iPod for Can-B
2	68029468AA	1							CABLE
3	68029461AA	1							CABLE
4	82210181AB	1							MODULE KIT, IPOD Interface, iPod FM
5	68001396AA	1							HARNESS, Jumper
6	68001396AA	1							TRANSMITTER, FM, (NOT SERVICED)
7	68024675AA	1							HARDWARE, Contains: RJ11 Coupler, Plastic Nut & Lock Washer



COMPASS/PATRIOT (MK)

SERIES LINE
H = HIGHLINE T = JEEP - 2WD
L = LOWLINE J = JEEP - 4WD
P = PREMIUM U = JEEP - 4WD (RHD)

BODY
49 = HATCHBACK TYPE #2
74 = SPORT UTILITY 4-DR TYPE #4

ENGINE
ECE = 2.0L 4 Cyl DOHC DPF Diesel Engine
ED3 = 2.4L 4 Cyl DOHC 16V Dual VVT Engine
ECD = 2.0L 4 Cyl DOHC Diesel 16V Engine
ECN = 2.0L 4 Cyl DOHC 16V Dual VVT Engine

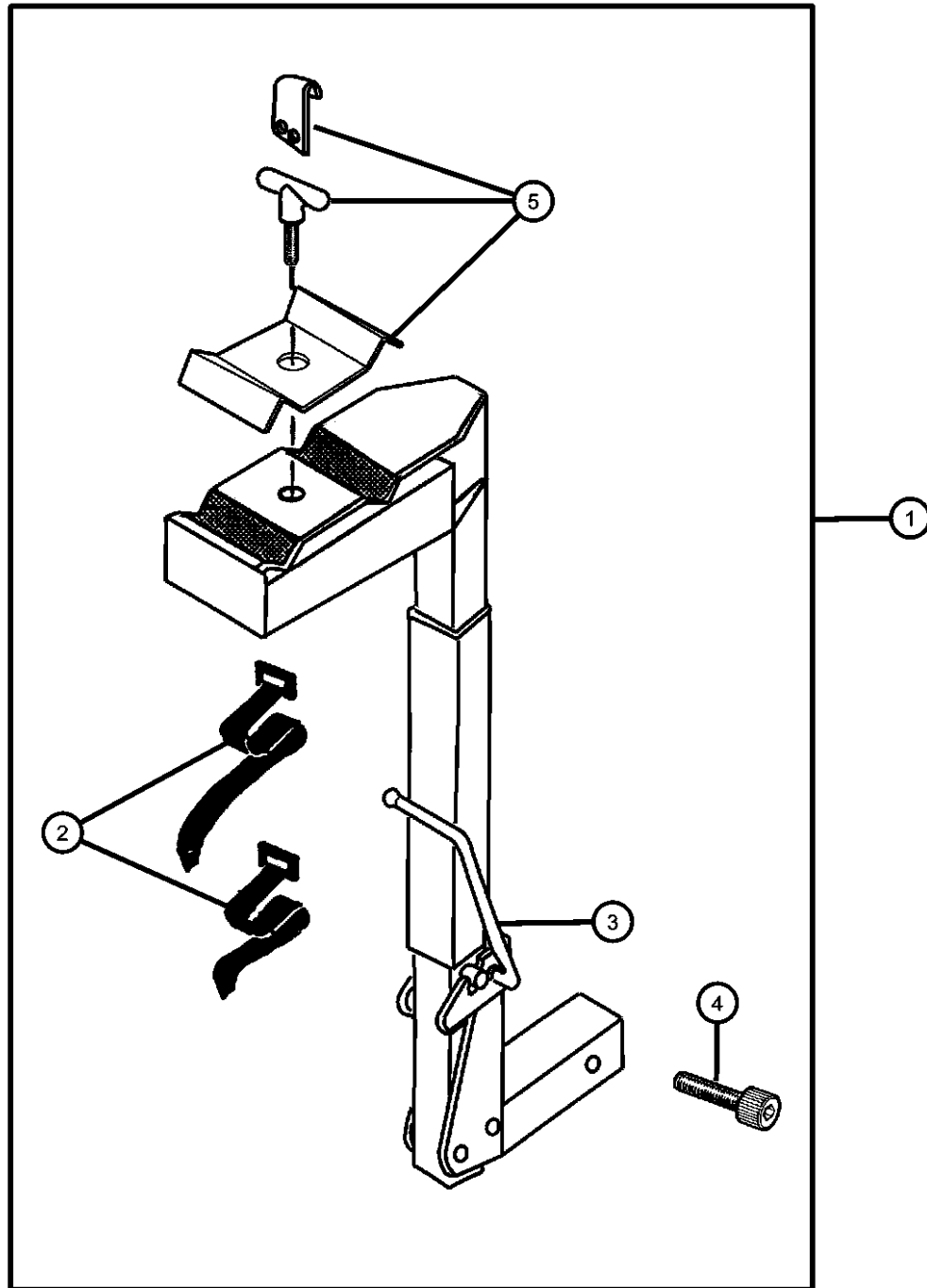
TRANSMISSION
DEF = 6-Speed Manual Aisin BG6 Trans
DD7 = 5-Speed Manual T355 Transmission
DAV = Continuously Variable Transaxle II
DAW = Cont.Var. w/Off-Rd Crawl Ratio Trans

AR = use ase required - = Non illustrated part

2008 MK

Carrier Kit - Bike - Hitch Mount
Figure 1-204

ITEM	PART NUMBER	QTY	LINE	SERIES	BODY	ENGINE	TRANS	TRIM	DESCRIPTION
1	82204452	1							CARRIER KIT, Bike
2	04762880	1			49				STRAP KIT, Velcro
3	05016775AA	1							STRAP KIT, Bike Carrier Latch, 2-Rubber Straps
4	05016774AA	1							BOLT KIT, Security, Contains: Security Bolt, Security Wrench, Washer & Nut
5	05018825AA	1							HARDWARE KIT, Bike Carrier, Contains: T-Handle, Lock Strap, Top Clamp Assy. & Nylon Washer



COMPASS/PATRIOT (MK)

SERIES	LINE	BODY	ENGINE	TRANSMISSION
H = HIGHLINE	T = JEEP - 2WD	49 = HATCHBACK TYPE #2	ECE = 2.0L 4 Cyl DOHC DPF Diesel Engine	DEF = 6-Speed Manual Aisin BG6 Trans
L = LOWLINE	J = JEEP - 4WD	74 = SPORT UTILITY 4-DR TYPE #4	ED3 = 2.4L 4 Cyl DOHC 16V Dual VVT Engine	DD7 = 5-Speed Manual T355 Transmission
P = PREMIUM	U = JEEP - 4WD (RHD)		ECD = 2.0L 4 Cyl DOHC Diesel 16V Engine	DAV = Continuously Variable Transaxle II
			ECN = 2.0L 4 Cyl DOHC 16V Dual VVT Engine	DAW = Cont.Var. w/Off-Rd Crawl Ratio Trans

AR = use ase required - = Non illustrated part

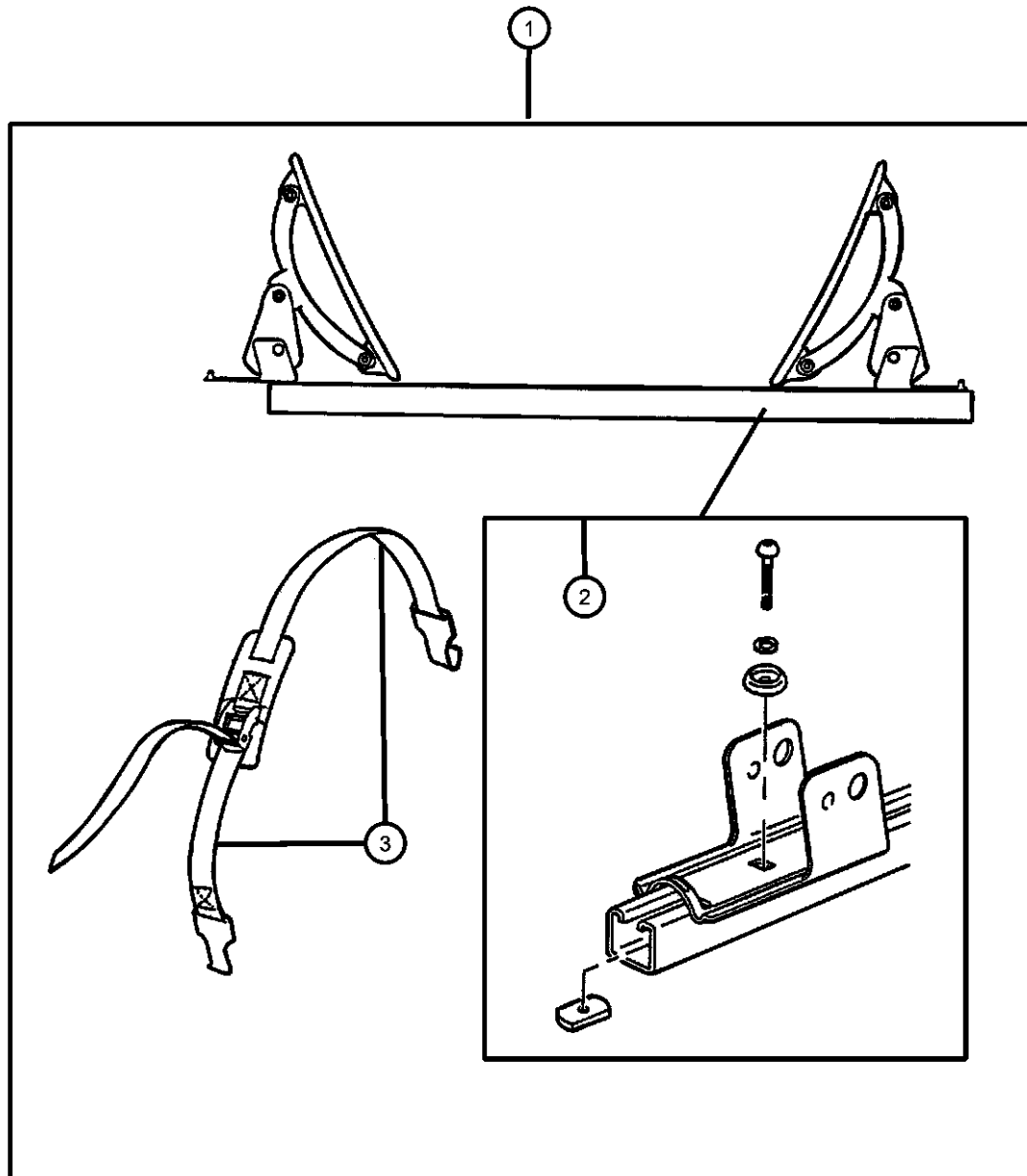
Carrier Kit - Water Sports
Figure 1-210

ITEM	PART NUMBER	QTY	LINE	SERIES	BODY	ENGINE	TRANS	TRIM	DESCRIPTION
------	-------------	-----	------	--------	------	--------	-------	------	-------------

Note; Requires T-Slot Crossbar

1	82205416	1							
2	05016389AA	1							
3	05016511AA	1							

CARRIER KIT, Water Sports, Kayak, Surfboard, Sail Board
 HARDWARE KIT, Accessory,
 Contains: 4-25MM Button Head
 Screws, 4-30MM Button Head
 Screws, 4-Lock Washers, 4- Dome
 Washers, 4-Rubber Washers &
 4-T-Nuts
 STRAP, Cargo Tie Down



COMPASS/PATRIOT (MK)

SERIES	LINE
H = HIGHLINE	T = JEEP - 2WD
L = LOWLINE	J = JEEP - 4WD
P = PREMIUM	U = JEEP - 4WD (RHD)

BODY
49 = HATCHBACK TYPE #2
74 = SPORT UTILITY 4-DR
TYPE #4

ENGINE
ECE = 2.0L 4 Cyl DOHC DPF Diesel Engine
ED3 = 2.4L 4 Cyl DOHC 16V Dual VVT Engine
ECD = 2.0L 4 Cyl DOHC Diesel 16V Engine
ECN = 2.0L 4 Cyl DOHC 16V Dual VVT Engine

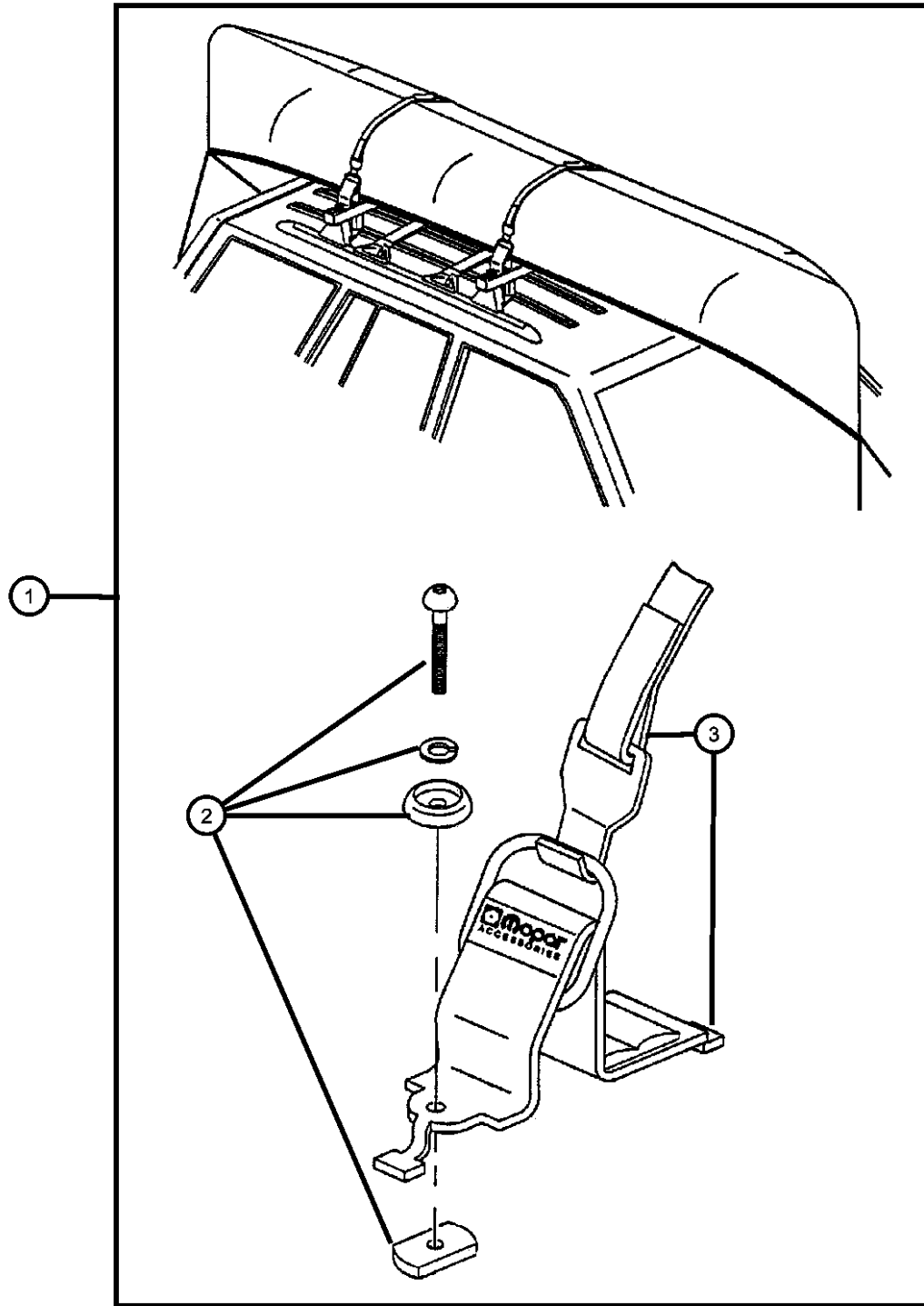
TRANSMISSION
DEF = 6-Speed Manual Aisin BG6 Trans
DD7 = 5-Speed Manual T355 Transmission
DAV = Continuously Variable Transaxle II
DAW = Cont.Var. w/Off-Rd Crawl Ratio Trans

AR = use ase required - = Non illustrated part

2008 MK

Carrier Kit- Canoe
Figure 1-212

ITEM	PART NUMBER	QTY	LINE	SERIES	BODY	ENGINE	TRANS	TRIM	DESCRIPTION
------	-------------	-----	------	--------	------	--------	-------	------	-------------



Note; Requires Sport Utility Bar

1	82204700	1							
2	05016389AA	1							
3	05016511AA	1							

CARRIER KIT, Canoe
HARDWARE KIT, Accessory,
Contains: 4-25MM Button Head
Screws, 4-30MM Button Head
Screws, 4-Lock Washers, 4-Dome
Washers, 4-Rubber Washers &
4-T-Nuts
STRAP, Cargo Tie Down

COMPASS/PATRIOT (MK)

SERIES LINE
H = HIGHLINE T = JEEP - 2WD
L = LOWLINE J = JEEP - 4WD
P = PREMIUM U = JEEP - 4WD (RHD)

BODY
49 = HATCHBACK TYPE #2
74 = SPORT UTILITY 4-DR
TYPE #4

ENGINE
ECE = 2.0L 4 Cyl DOHC DPF
Diesel Engine
ED3 = 2.4L 4 Cyl DOHC 16V
Dual VVT Engine
ECD = 2.0L 4 Cyl DOHC
Diesel 16V Engine
ECN = 2.0L 4 Cyl DOHC 16V
Dual VVT Engine

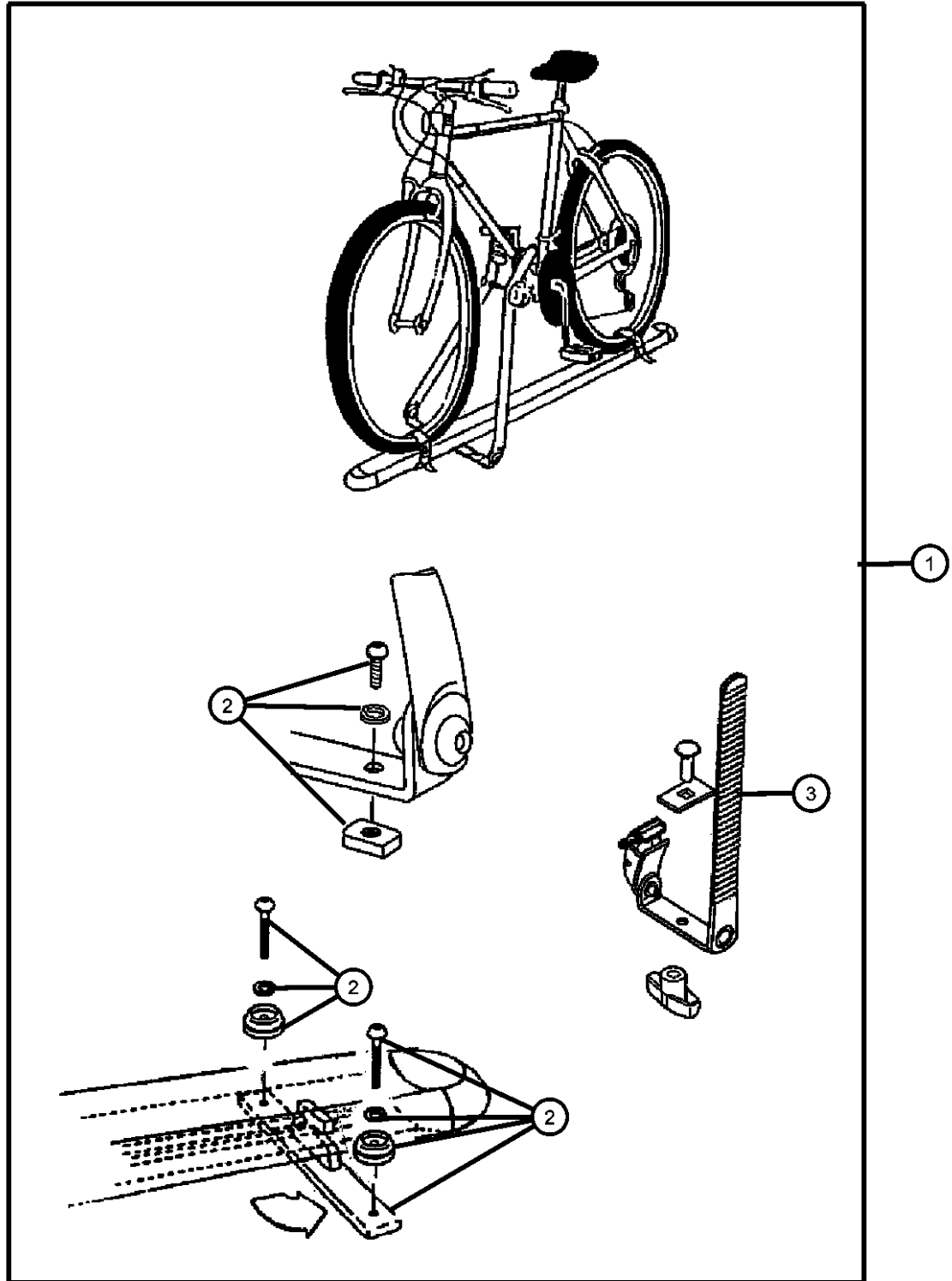
TRANSMISSION
DEF = 6-Speed Manual Aisin BG6
Trans
DD7 = 5-Speed Manual T355
Transmission
DAV = Continuously Variable
Transaxle II
DAW = Cont.Var. w/Off-Rd Crawl
Ratio Trans

AR = use ase required - = Non illustrated part

2008 MK

Carrier Kit - Bike - Fork Mount
Figure 1-214

ITEM	PART NUMBER	QTY	LINE	SERIES	BODY	ENGINE	TRANS	TRIM	DESCRIPTION
1	82207942	1			49				CARRIER KIT, Bike
		1			74				
2	05093779AA	1			74				HARDWARE KIT, Accessory, Contains: 2-T-Slot Anchors, 1-Rear T-Slot Bar, 4-Button Head Screws, 2-Lockwashers & 4-Round Dome Washers
3	05114532AA	1			74				STRAP, Cargo Tie Down



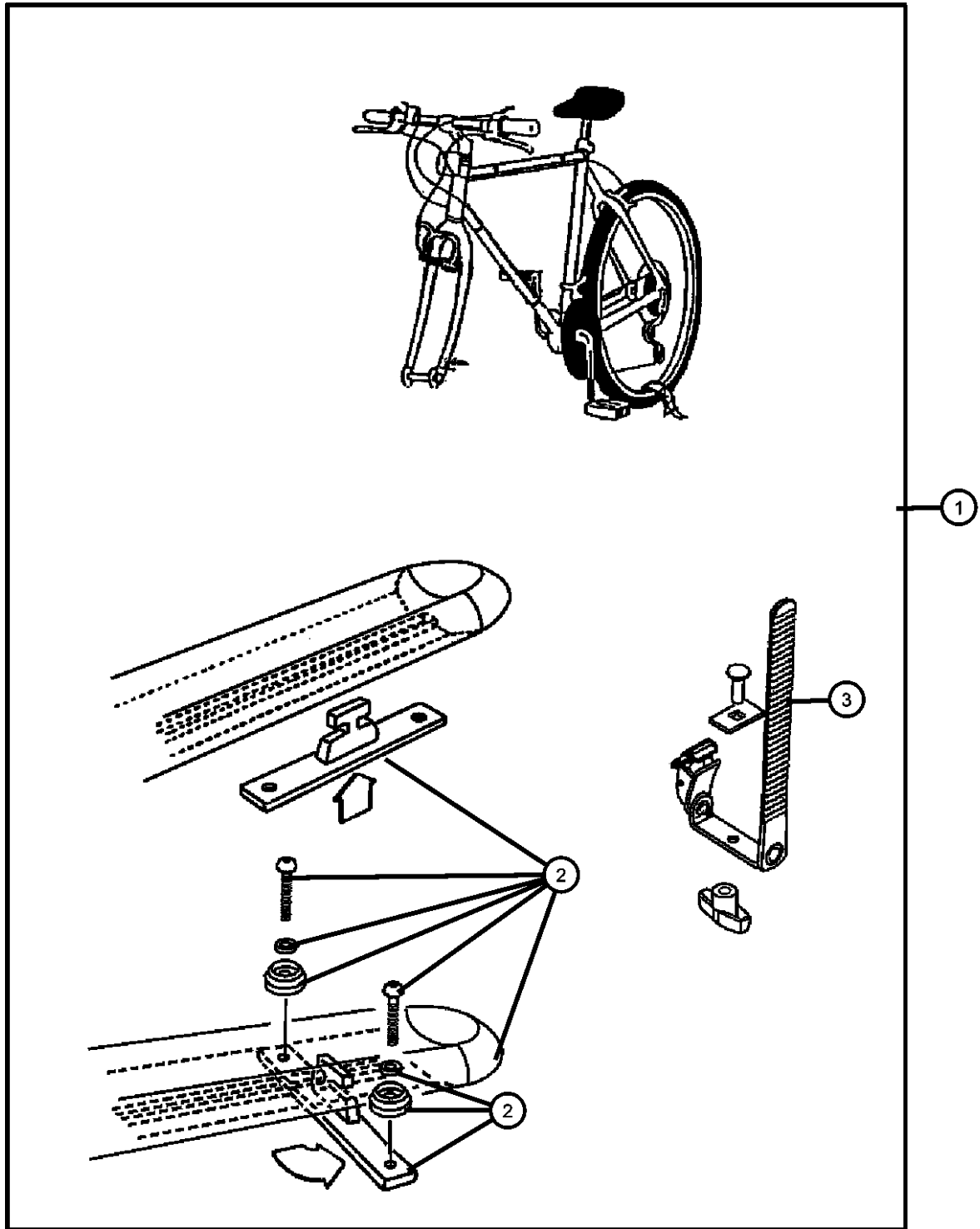
COMPASS/PATRIOT (MK)

SERIES	LINE	BODY	ENGINE	TRANSMISSION
H = HIGHLINE	T = JEEP - 2WD	49 = HATCHBACK TYPE #2	ECE = 2.0L 4 Cyl DOHC DPF Diesel Engine	DEF = 6-Speed Manual Aisin BG6 Trans
L = LOWLINE	J = JEEP - 4WD	74 = SPORT UTILITY 4-DR TYPE #4	ED3 = 2.4L 4 Cyl DOHC 16V Dual VVT Engine	DD7 = 5-Speed Manual T355 Transmission
P = PREMIUM	U = JEEP - 4WD (RHD)		ECD = 2.0L 4 Cyl DOHC Diesel 16V Engine	DAV = Continuously Variable Transaxle II
			ECN = 2.0L 4 Cyl DOHC 16V Dual VVT Engine	DAW = Cont.Var. w/Off-Rd Crawl Ratio Trans

AR = use ase required - = Non illustrated part

Carrier Kit - Bike - Upright Mount
Figure 1-216

ITEM	PART NUMBER	QTY	LINE	SERIES	BODY	ENGINE	TRANS	TRIM	DESCRIPTION
1	82207943	1			49				CARRIER KIT, Bike
2	05093779AA	1			74				HARDWARE KIT, Accessory Contains: 2-T-Slot Anchors, 1-Rear T-Slot Bar, 4-Button Head Screws, 2-Lockwashers & 4- Round Dome Washers
		1			49				Contains: 2-T-Slot Anchors, 1-Rear T-Slot Bar, 4-Button Head Screws, 2-Lockwashers & 4- Round Dome Washers
3	05114532AA	1			74				STRAP, Cargo Tie Down
		1			49				



COMPASS/PATRIOT (MK)

SERIES

H = HIGHLINE
L = LOWLINE
P = PREMIUM

LINE

T = JEEP - 2WD
J = JEEP - 4WD
U = JEEP - 4WD (RHD)

BODY

49 = HATCHBACK TYPE #2
74 = SPORT UTILITY 4-DR
TYPE #4

ENGINE

ECE = 2.0L 4 Cyl DOHC DPF
Diesel Engine
ED3 = 2.4L 4 Cyl DOHC 16V
Dual VVT Engine
ECD = 2.0L 4 Cyl DOHC
Diesel 16V Engine
ECN = 2.0L 4 Cyl DOHC 16V
Dual VVT Engine

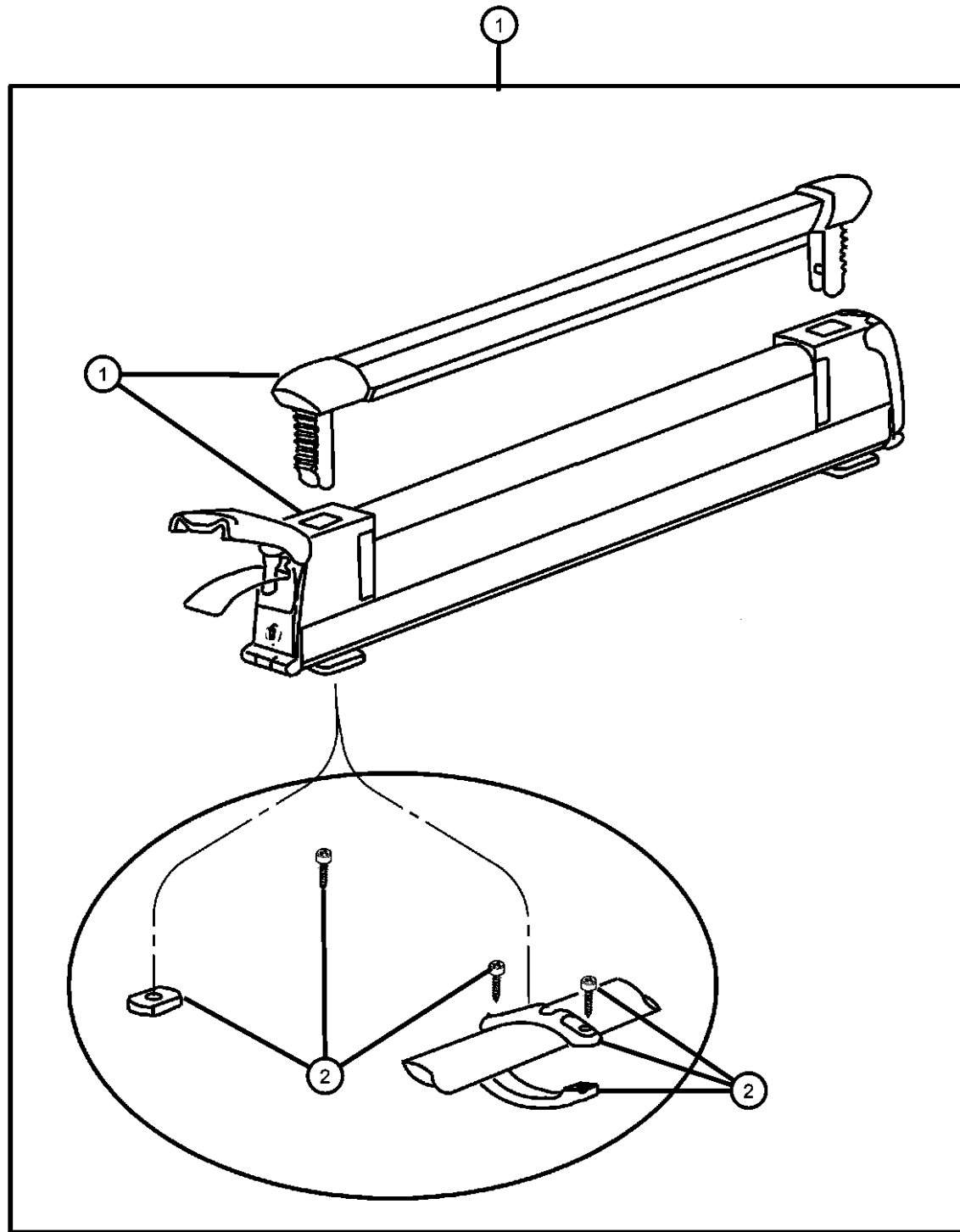
TRANSMISSION

DEF = 6-Speed Manual Aisin BG6
Trans
DD7 = 5-Speed Manual T355
Transmission
DAV = Continuously Variable
Transaxle II
DAW = Cont.Var. w/Off-Rd Crawl
Ratio Trans

AR = use ase required - = Non illustrated part

2008 MK

Carrier Kit - Ski
Figure 1-220



ITEM	PART NUMBER	QTY	LINE	SERIES	BODY	ENGINE	TRANS	TRIM	DESCRIPTION
1	82207312	1			74				CARRIER KIT, Ski
2	05086158AA	1			74				HARDWARE KIT, Accessory, Contains: 4-25MM Screws, 4-16MM Screws, 4-20MM Screws, 4-Lock Washers, 4-Flat Washers, 4-T Plates & 4-Rubber Washers
-3	05066632AB	1			49				TOOL, Screw Driver
		1			74				

COMPASS/PATRIOT (MK)

SERIES LINE

H = HIGHLINE T = JEEP - 2WD
L = LOWLINE J = JEEP - 4WD
P = PREMIUM U = JEEP - 4WD (RHD)

BODY

49 = HATCHBACK TYPE #2
74 = SPORT UTILITY 4-DR
TYPE #4

ENGINE

ECE = 2.0L 4 Cyl DOHC DPF Diesel Engine
ED3 = 2.4L 4 Cyl DOHC 16V Dual VVT Engine
ECD = 2.0L 4 Cyl DOHC Diesel 16V Engine
ECN = 2.0L 4 Cyl DOHC 16V Dual VVT Engine

TRANSMISSION

DEF = 6-Speed Manual Aisin BG6 Trans
DD7 = 5-Speed Manual T355 Transmission
DAV = Continuously Variable Transaxle II
DAW = Cont.Var. w/Off-Rd Crawl Ratio Trans

AR = use ase required - = Non illustrated part

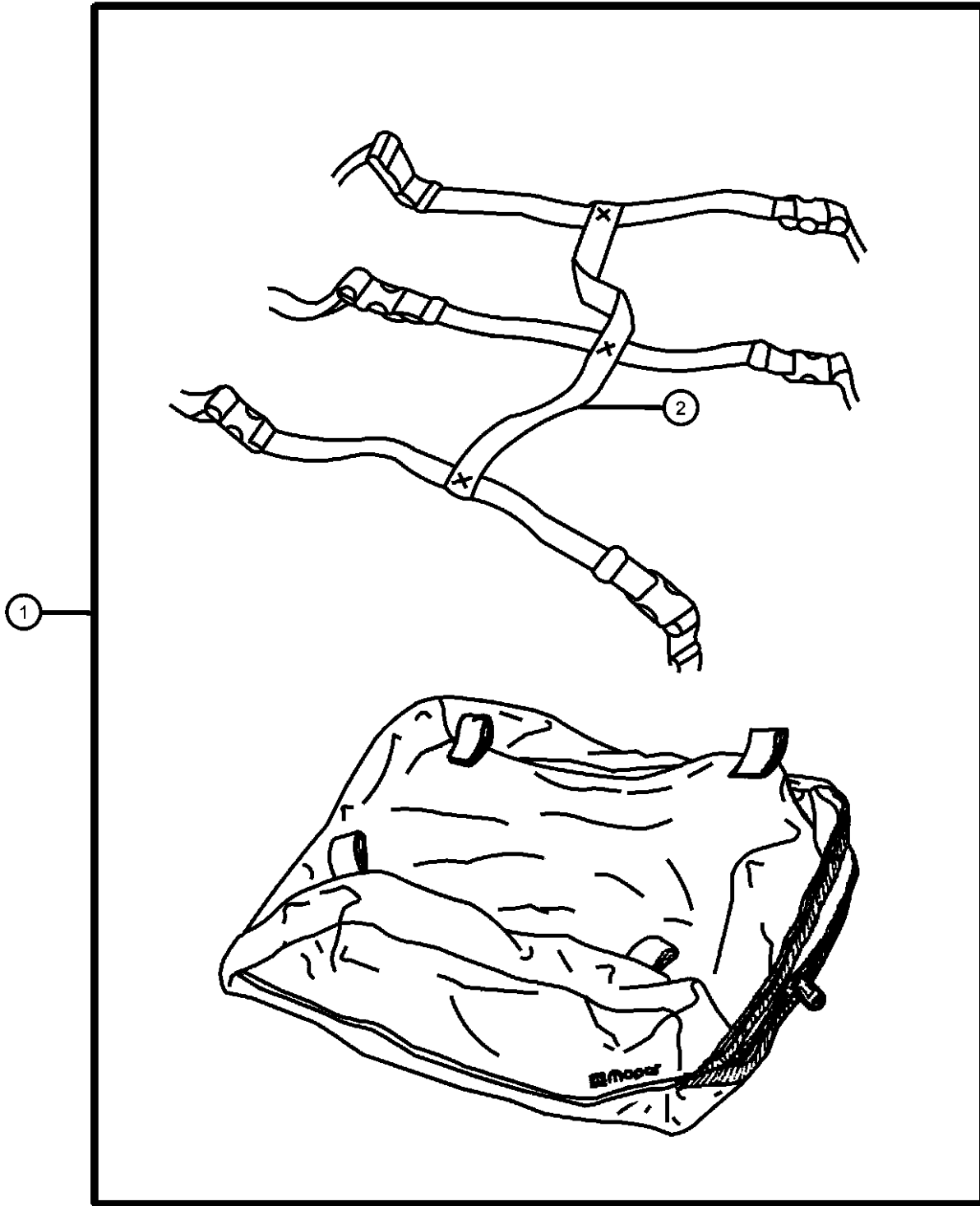
2008 MK

Carrier Kit - Luggage Soft
Figure 1-252

ITEM	PART NUMBER	QTY	LINE	SERIES	BODY	ENGINE	TRANS	TRIM	DESCRIPTION
------	-------------	-----	------	--------	------	--------	-------	------	-------------

NOTE: Requires Roof Rack.

1	82207198	1			74				CARRIER KIT, Luggage
		1			49				
2	05066332AA	1			49				STRAP KIT, Luggage Carrier
					74				Contains: 6-Tie Straps, 6-Locking Buckles, 6-Quick Release Connectors, 6- Elastic Loops
		1			74				Contains: 6-Tie Straps, 6-Locking Buckles, 6-Quick Release Connectors, 6- Elastic Loops



COMPASS/PATRIOT (MK)

SERIES	LINE	BODY	ENGINE	TRANSMISSION
H = HIGHLINE	T = JEEP - 2WD	49 = HATCHBACK TYPE #2	ECE = 2.0L 4 Cyl DOHC DPF Diesel Engine	DEF = 6-Speed Manual Aisin BG6 Trans
L = LOWLINE	J = JEEP - 4WD	74 = SPORT UTILITY 4-DR TYPE #4	ED3 = 2.4L 4 Cyl DOHC 16V Dual VVT Engine	DD7 = 5-Speed Manual T355 Transmission
P = PREMIUM	U = JEEP - 4WD (RHD)		ECD = 2.0L 4 Cyl DOHC Diesel 16V Engine	DAV = Continuously Variable Transaxle II
			ECN = 2.0L 4 Cyl DOHC 16V Dual VVT Engine	DAW = Cont.Var. w/Off-Rd Crawl Ratio Trans

AR = use ase required - = Non illustrated part

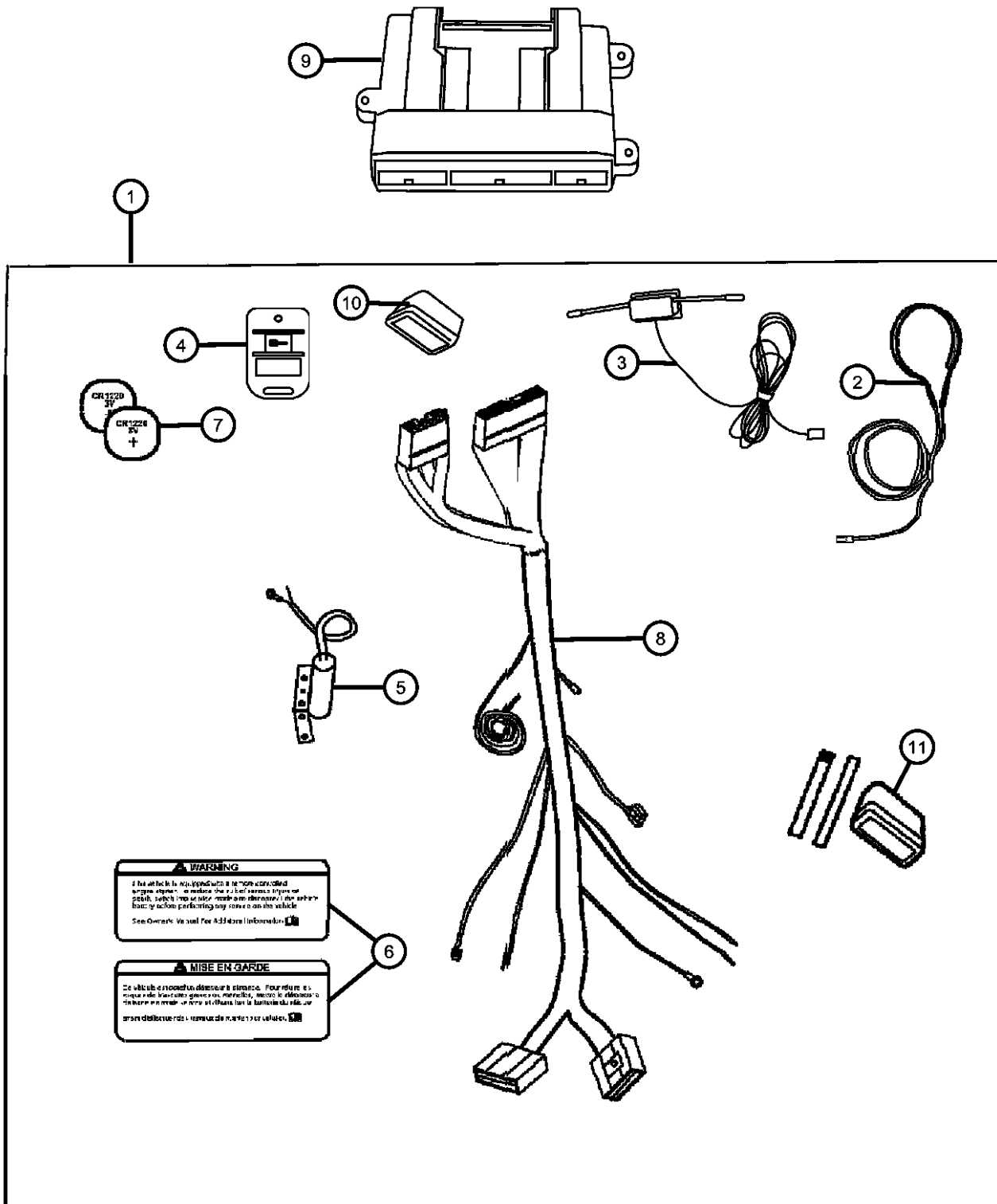
2008 MK

Remote Start
Figure 1-304

ITEM	PART NUMBER	QTY	LINE	SERIES	BODY	ENGINE	TRANS	TRIM	DESCRIPTION
------	-------------	-----	------	--------	------	--------	-------	------	-------------

NOTE: Module (Item # 9) not included in install kit, need to order separately.

1	82209364AH	1							INSTALL KIT, REMOTE START
2	05140470AA	1							ANTENNA
3	05140471AA	1							ANTENNA
4	05140472AA	1							TRANSMITTER
5	68001331AA	1							SWITCH
6	05140474AA	1							LABEL
7	05140773AA	1							BATTERY, Transmitter, Contains: 12 Replacement Batteries
8	05140773AA	1							HARNES, Wiring, (NOT SERVICED)
9	82208859AB	1							MODULE KIT, REMOTE START
10	68021198AA	1							MODULE, Remote Start
11	05140468AA	1							MODULE



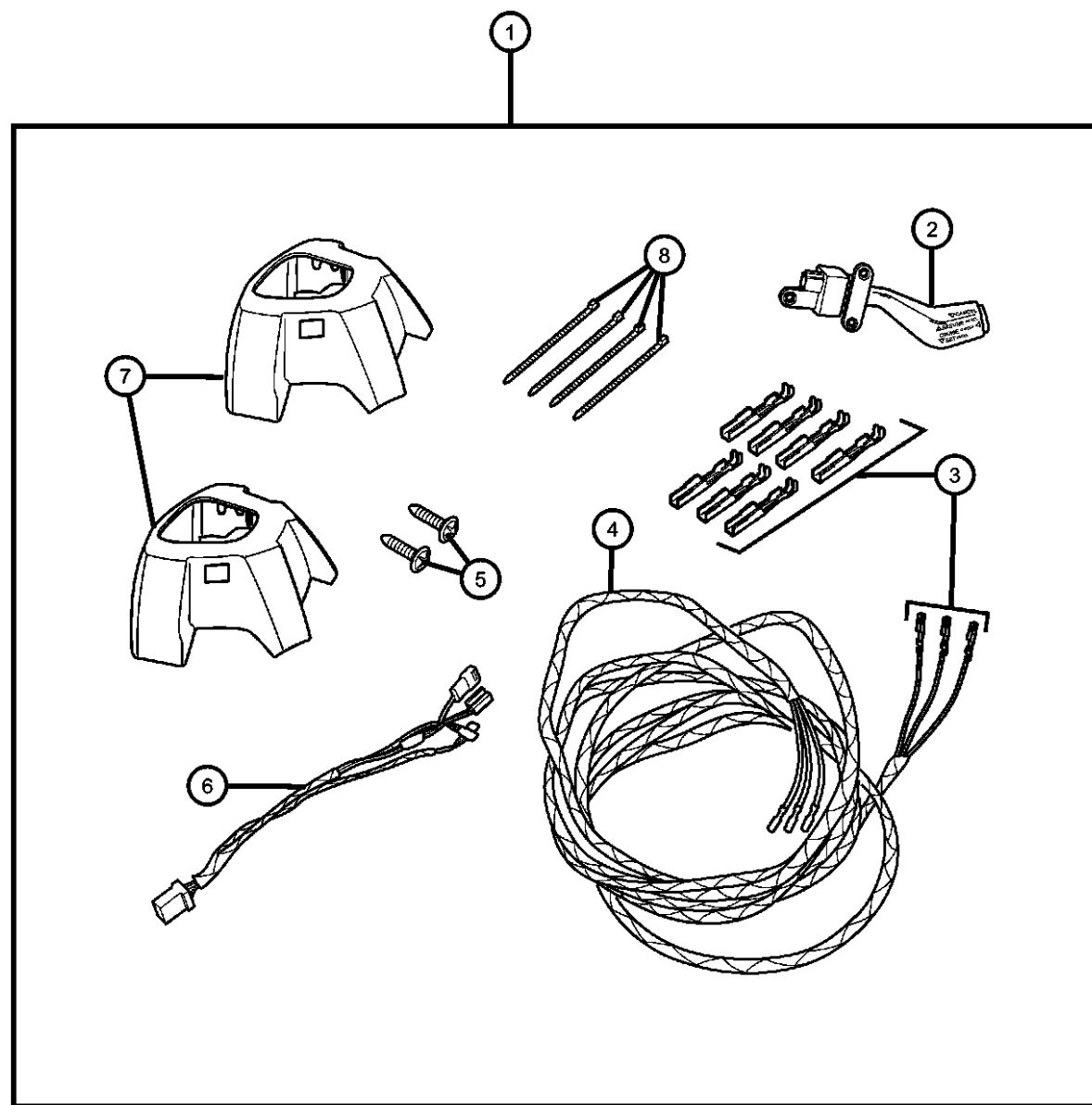
COMPASS/PATRIOT (MK)

SERIES	LINE	BODY	ENGINE	TRANSMISSION
H = HIGHLINE	T = JEEP - 2WD	49 = HATCHBACK TYPE #2	ECE = 2.0L 4 Cyl DOHC DPF Diesel Engine	DEF = 6-Speed Manual Aisin BG6 Trans
L = LOWLINE	J = JEEP - 4WD	74 = SPORT UTILITY 4-DR TYPE #4	ED3 = 2.4L 4 Cyl DOHC 16V Dual VVT Engine	DD7 = 5-Speed Manual T355 Transmission
P = PREMIUM	U = JEEP - 4WD (RHD)		ECD = 2.0L 4 Cyl DOHC Diesel 16V Engine	DAV = Continuously Variable Transaxle II
			ECN = 2.0L 4 Cyl DOHC 16V Dual VVT Engine	DAW = Cont.Var. w/Off-Rd Crawl Ratio Trans

AR = use ase required - = Non illustrated part

2008 MK

**Speed Control Kit
Figure 1-306**



ITEM	PART NUMBER	QTY	LINE	SERIES	BODY	ENGINE	TRANS	TRIM	DESCRIPTION
1	82210489	1			49				CONTROL PACKAGE, Speed Control
	82210878	1			74				
2	04671929AA	1			74				SWITCH, Speed Control
3	68021170AA	1			74				TERMINAL
4	68021639AA	1			74				HARNESS, Overlay
5	68021639AA	1							SCREW, Serviced in Assy., (NOT SERVICED)
6	68000462AB	1			74				WIRING, Steering Wheel
7									COVER, Steering Wheel Back
	1EB84DK7AB	1		J, T, U	49, 74				[DK7]
	1EB84XDVAB	1		J, T, U	49, 74				[XDV]
8	06015756	1			74				STRAP, Tie, Quantity of 4

COMPASS/PATRIOT (MK)

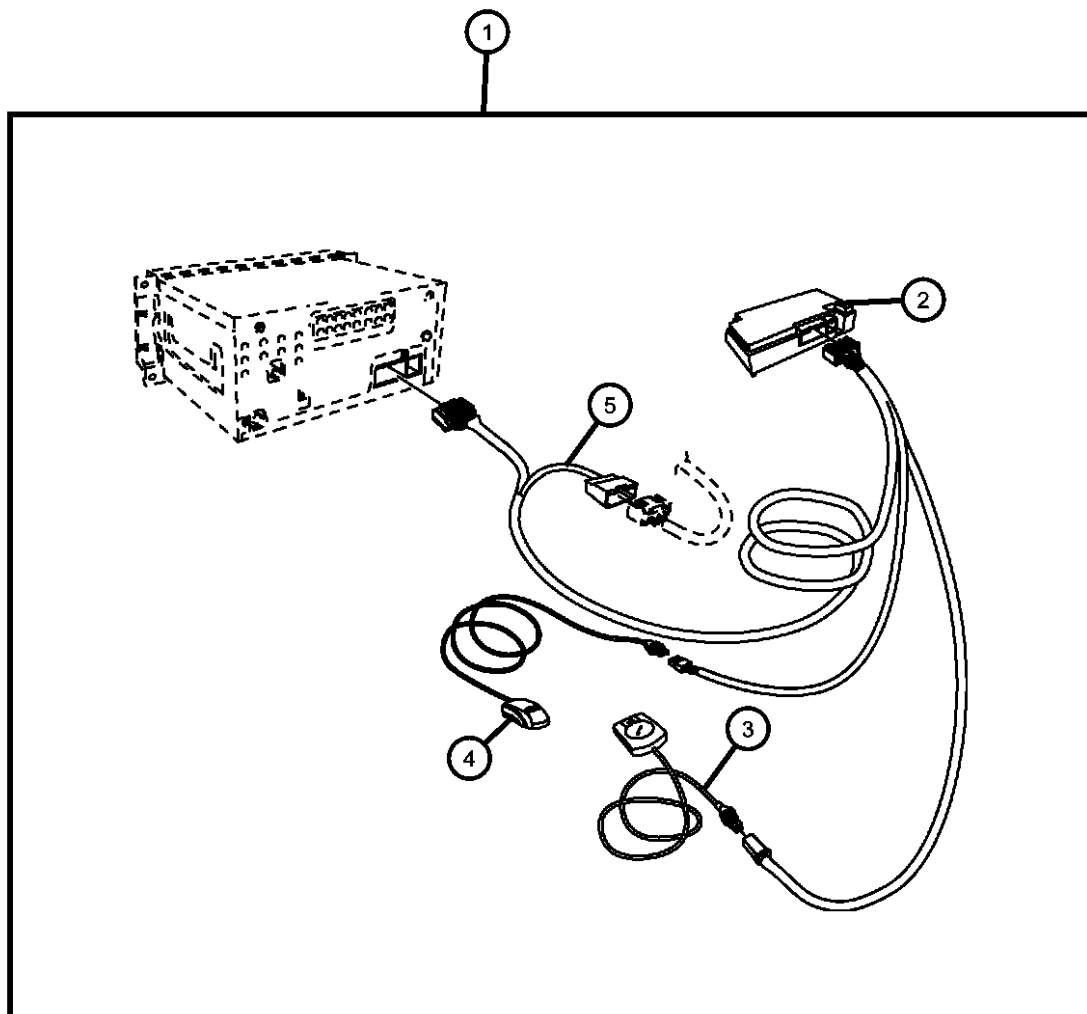
SERIES	LINE	BODY	ENGINE	TRANSMISSION
H = HIGHLINE	T = JEEP - 2WD	49 = HATCHBACK TYPE #2	ECE = 2.0L 4 Cyl DOHC DPF Diesel Engine	DEF = 6-Speed Manual Aisin BG6 Trans
L = LOWLINE	J = JEEP - 4WD	74 = SPORT UTILITY 4-DR TYPE #4	ED3 = 2.4L 4 Cyl DOHC 16V Dual VVT Engine	DD7 = 5-Speed Manual T355 Transmission
P = PREMIUM	U = JEEP - 4WD (RHD)		ECD = 2.0L 4 Cyl DOHC Diesel 16V Engine	DAV = Continuously Variable Transaxle II
			ECN = 2.0L 4 Cyl DOHC 16V Dual VVT Engine	DAW = Cont.Var. w/Off-Rd Crawl Ratio Trans

AR = use ase required - = Non illustrated part

2008 MK

**Hands Free Kit/Cellular Phone-Blue Tooth-Low Speed
Figure 1-312**

ITEM	PART NUMBER	QTY	LINE	SERIES	BODY	ENGINE	TRANS	TRIM	DESCRIPTION
1	82210081	1							HANDS FREE KIT, Cellular Phone
2	82210081	1							MODULE, (NOT SERVICED)
3	68002645AA	1							CONTROLLER, Audio
4	68002646AA	1							MICROPHONE, Audio
5	68002647AA	1							HARNESS



COMPASS/PATRIOT (MK)

SERIES LINE
H = HIGHLINE T = JEEP - 2WD
L = LOWLINE J = JEEP - 4WD
P = PREMIUM U = JEEP - 4WD (RHD)

BODY
49 = HATCHBACK TYPE #2
74 = SPORT UTILITY 4-DR
TYPE #4

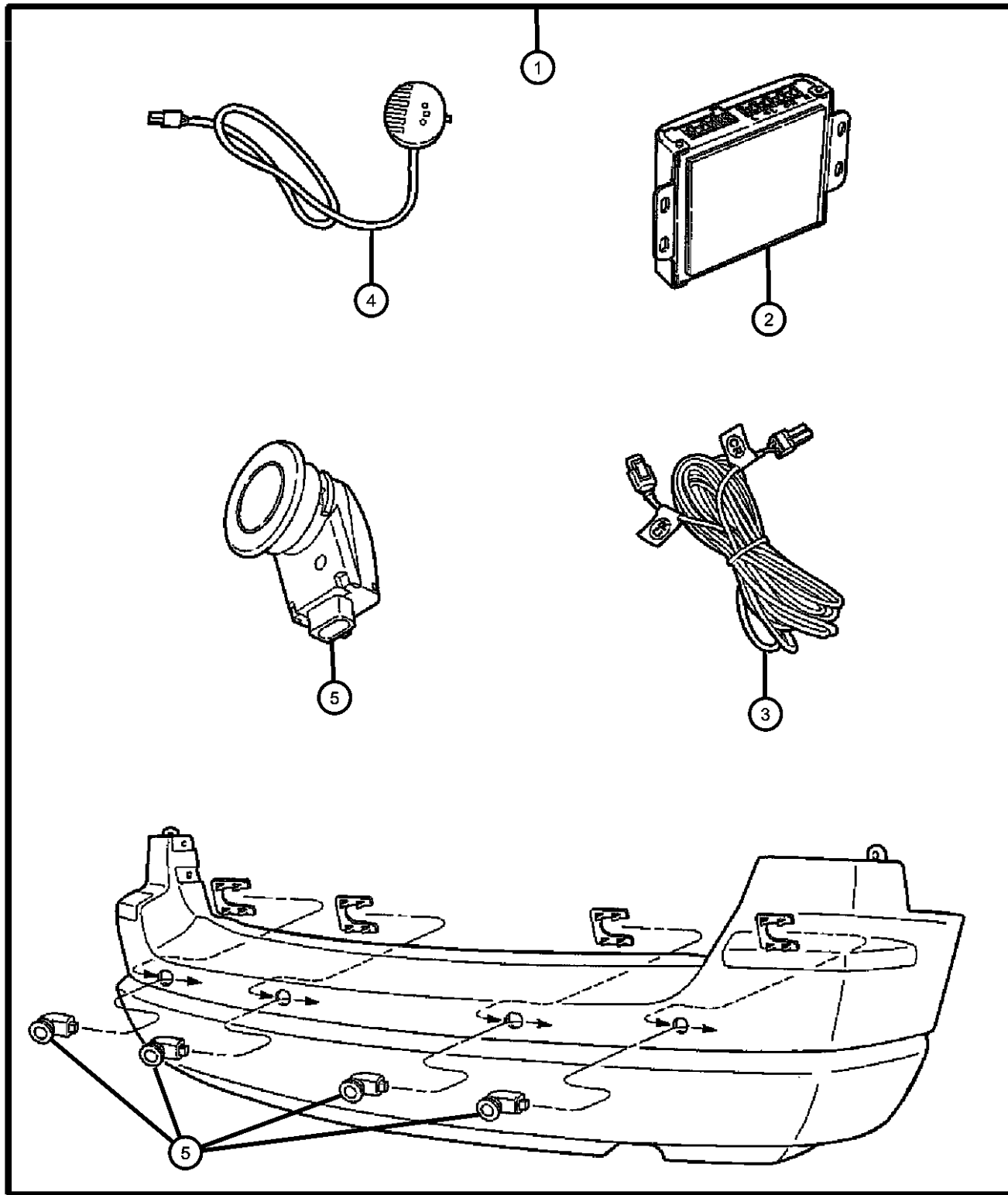
ENGINE
ECE = 2.0L 4 Cyl DOHC DPF Diesel Engine
ED3 = 2.4L 4 Cyl DOHC 16V Dual VVT Engine
ECD = 2.0L 4 Cyl DOHC Diesel 16V Engine
ECN = 2.0L 4 Cyl DOHC 16V Dual VVT Engine

TRANSMISSION
DEF = 6-Speed Manual Aisin BG6 Trans
DD7 = 5-Speed Manual T355 Transmission
DAV = Continuously Variable Transaxle II
DAW = Cont.Var. w/Off-Rd Crawl Ratio Trans

AR = use ase required - = Non illustrated part

2008 MK

Sensor Kit - Park/Distance
Figure 1-320



ITEM	PART NUMBER	QTY	LINE	SERIES	BODY	ENGINE	TRANS	TRIM	DESCRIPTION
1	82208246AE	1							SENSOR KIT, Park Distance
2	05137541AA	1							MODULE, Parking Assist
3	05137540AA	1							WIRING, Distance Sensor
4	05137539AA	1							DISPLAY, Parking Assist
5	05137536AA	1							SENSOR

COMPASS/PATRIOT (MK)

SERIES LINE
H = HIGHLINE T = JEEP - 2WD
L = LOWLINE J = JEEP - 4WD
P = PREMIUM U = JEEP - 4WD (RHD)

BODY
49 = HATCHBACK TYPE #2
74 = SPORT UTILITY 4-DR
TYPE #4

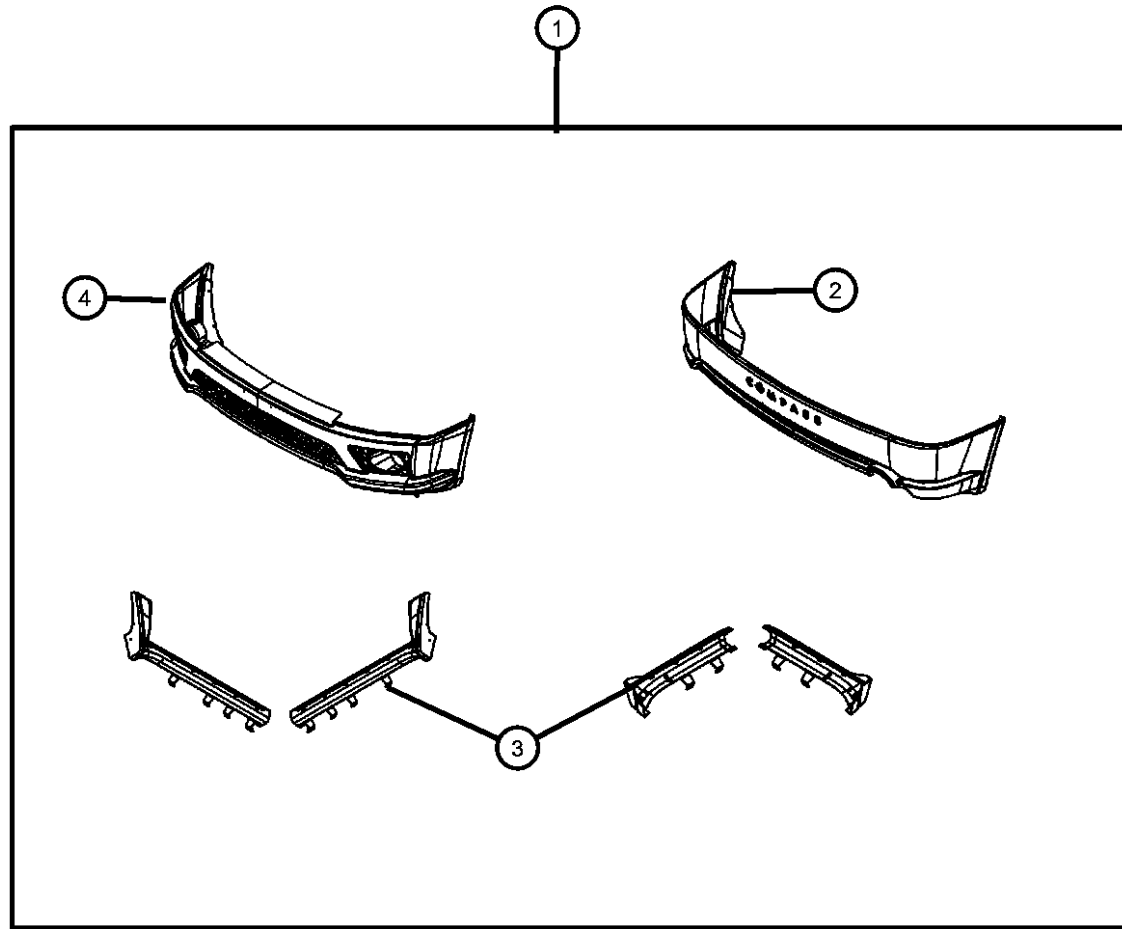
ENGINE
ECE = 2.0L 4 Cyl DOHC DPF Diesel Engine
ED3 = 2.4L 4 Cyl DOHC 16V Dual VVT Engine
ECD = 2.0L 4 Cyl DOHC Diesel 16V Engine
ECN = 2.0L 4 Cyl DOHC 16V Dual VVT Engine

TRANSMISSION
DEF = 6-Speed Manual Aisin BG6 Trans
DD7 = 5-Speed Manual T355 Transmission
DAV = Continuously Variable Transaxle II
DAW = Cont.Var. w/Off-Rd Crawl Ratio Trans

AR = use ase required - = Non illustrated part

Effects Kit - Ground
Figure 1-442

ITEM	PART NUMBER	QTY	LINE	SERIES	BODY	ENGINE	TRANS	TRIM	DESCRIPTION
1									EFFECTS KIT, Ground
	82210286AB	1			49				[WS2] Bright Silver Metallic, Clear Coat
	82210287AB	1			49				[ARH] Inferno Red Crystal Pearl Coat
	82210288AB	1			49				Prime
	82210289AB	1			49				[DBM] Steel Blue Metallic Clear Coat
	82211406AB	1			49				[AXR]Brilliant Black Crystal Finish
2	68034797AA	1			49				FASCIA, Rear, Includes Attaching Hardware
3	68034798AA	1			49				SILL, Body Side, Right Hand & Left Hand Includes Attaching Hardware
4	68034796AA	1			49				FASCIA, Front, Includes Attaching Hardware



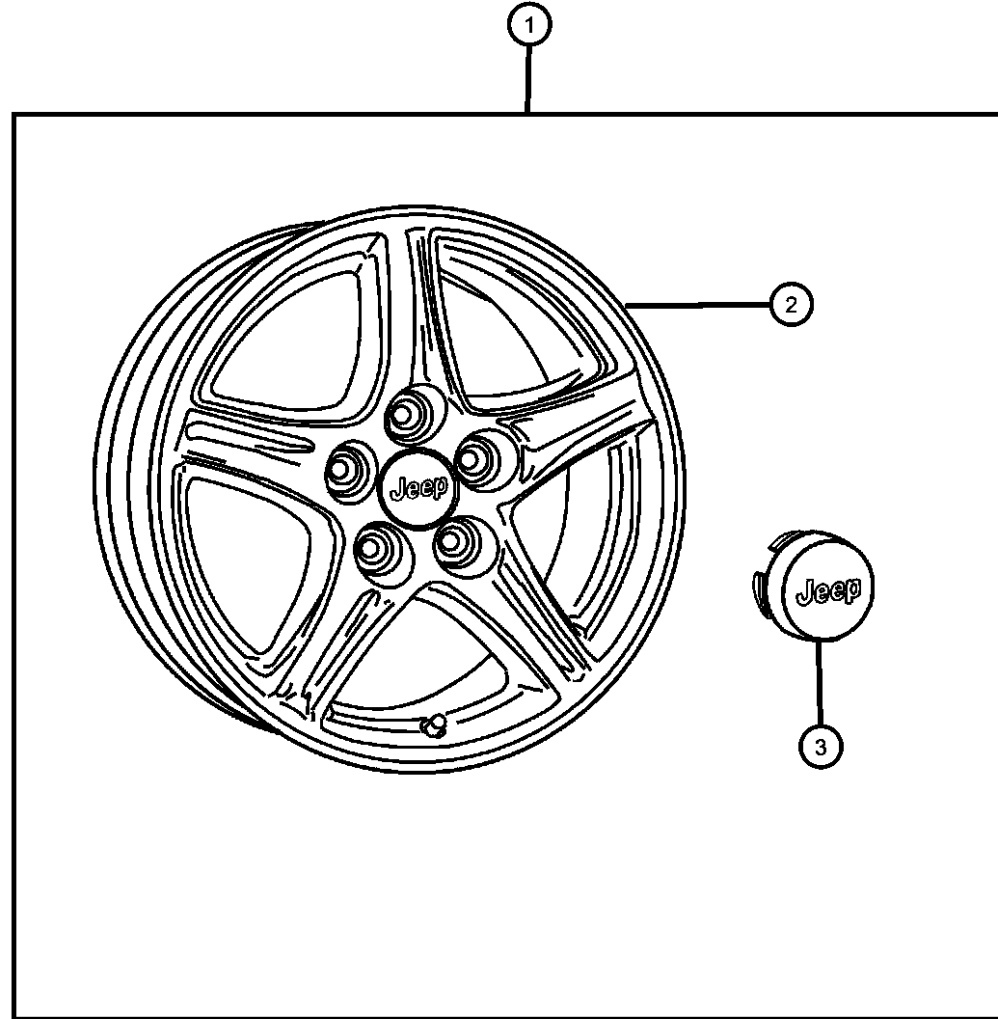
COMPASS/PATRIOT (MK)

SERIES	LINE	BODY	ENGINE	TRANSMISSION
H = HIGHLINE	T = JEEP - 2WD	49 = HATCHBACK TYPE #2	ECE = 2.0L 4 Cyl DOHC DPF Diesel Engine	DEF = 6-Speed Manual Aisin BG6 Trans
L = LOWLINE	J = JEEP - 4WD	74 = SPORT UTILITY 4-DR TYPE #4	ED3 = 2.4L 4 Cyl DOHC 16V Dual VVT Engine	DD7 = 5-Speed Manual T355 Transmission
P = PREMIUM	U = JEEP - 4WD (RHD)		ECD = 2.0L 4 Cyl DOHC Diesel 16V Engine	DAV = Continuously Variable Transaxle II
			ECN = 2.0L 4 Cyl DOHC 16V Dual VVT Engine	DAW = Cont.Var. w/Off-Rd Crawl Ratio Trans

AR = use ase required - = Non illustrated part

**Wheel Kit
Figure 1-448**

ITEM	PART NUMBER	QTY	LINE	SERIES	BODY	ENGINE	TRANS	TRIM	DESCRIPTION
NOTE: Item #1 Contains 1-Wheel & 1-Center Cap									
1	82210160AB	1	J		49				WHEEL KIT, Cast Aluminum 18x7x42 - Cast Aluminum
	82210606	1			49				18x7x42 - 5/Spoke w/Jeep Logo
2	82210606	1							WHEEL, (NOT SERVICED),
3	5HT59SZ0AB	4	J, T, U		49				CAP, Wheel Center



COMPASS/PATRIOT (MK)

SERIES LINE

H = HIGHLINE T = JEEP - 2WD
L = LOWLINE J = JEEP - 4WD
P = PREMIUM U = JEEP - 4WD (RHD)

BODY

49 = HATCHBACK TYPE #2
74 = SPORT UTILITY 4-DR
TYPE #4

ENGINE

ECE = 2.0L 4 Cyl DOHC DPF Diesel Engine
ED3 = 2.4L 4 Cyl DOHC 16V Dual VVT Engine
ECD = 2.0L 4 Cyl DOHC Diesel 16V Engine
ECN = 2.0L 4 Cyl DOHC 16V Dual VVT Engine

TRANSMISSION

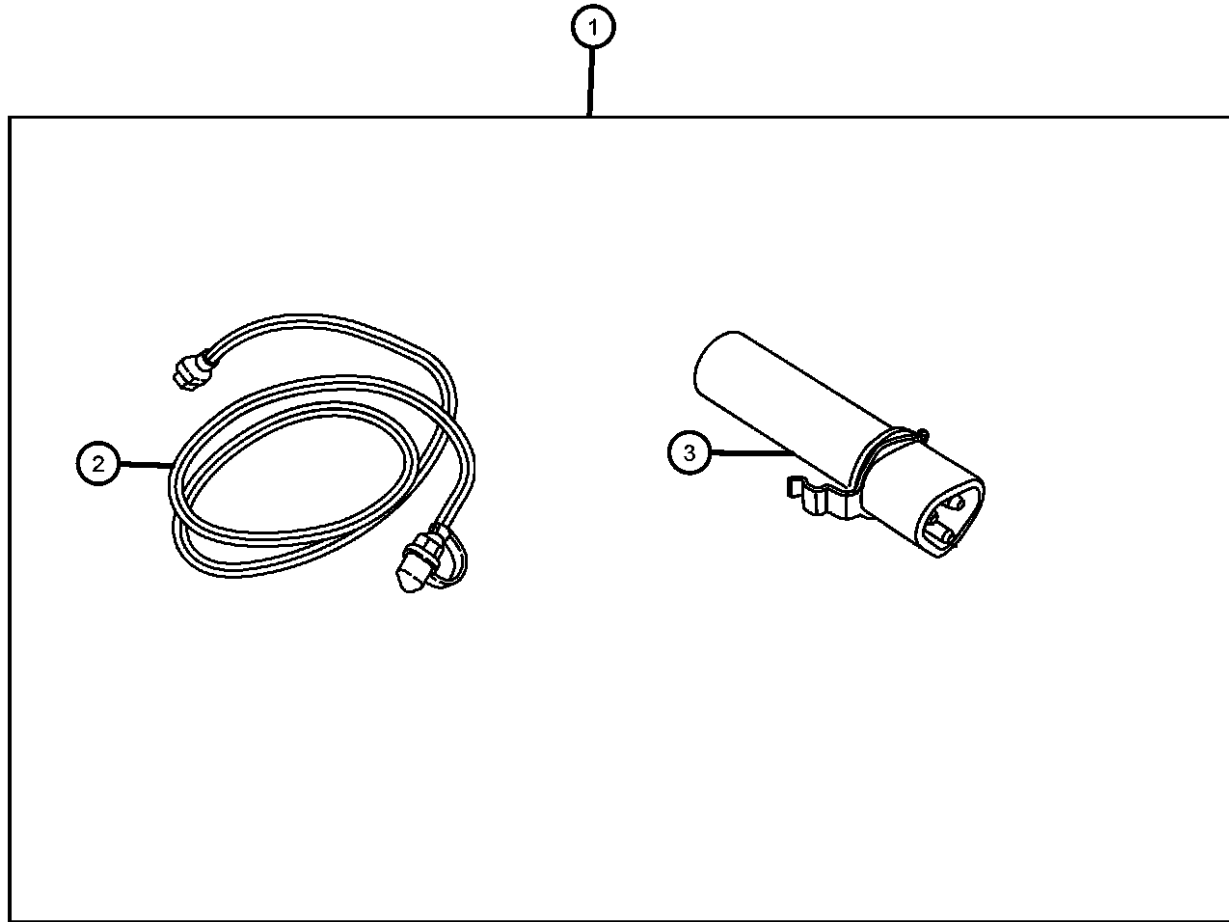
DEF = 6-Speed Manual Aisin BG6 Trans
DD7 = 5-Speed Manual T355 Transmission
DAV = Continuously Variable Transaxle II
DAW = Cont.Var. w/Off-Rd Crawl Ratio Trans

AR = use ase required - = Non illustrated part

2008 MK

Heater Kit - Engine Block
Figure 1-602

ITEM	PART NUMBER	QTY	LINE	SERIES	BODY	ENGINE	TRANS	TRIM	DESCRIPTION
1	82210533	1							HEATER KIT, Engine Block
2	05033279AA	1							CORD, Engine Block Heater
3	05033557AB	1	J, T, U		49				HEATER, Engine
		1	J, T, U		74				



COMPASS/PATRIOT (MK)

SERIES	LINE
H = HIGHLINE	T = JEEP - 2WD
L = LOWLINE	J = JEEP - 4WD
P = PREMIUM	U = JEEP - 4WD (RHD)

BODY
49 = HATCHBACK TYPE #2
74 = SPORT UTILITY 4-DR TYPE #4

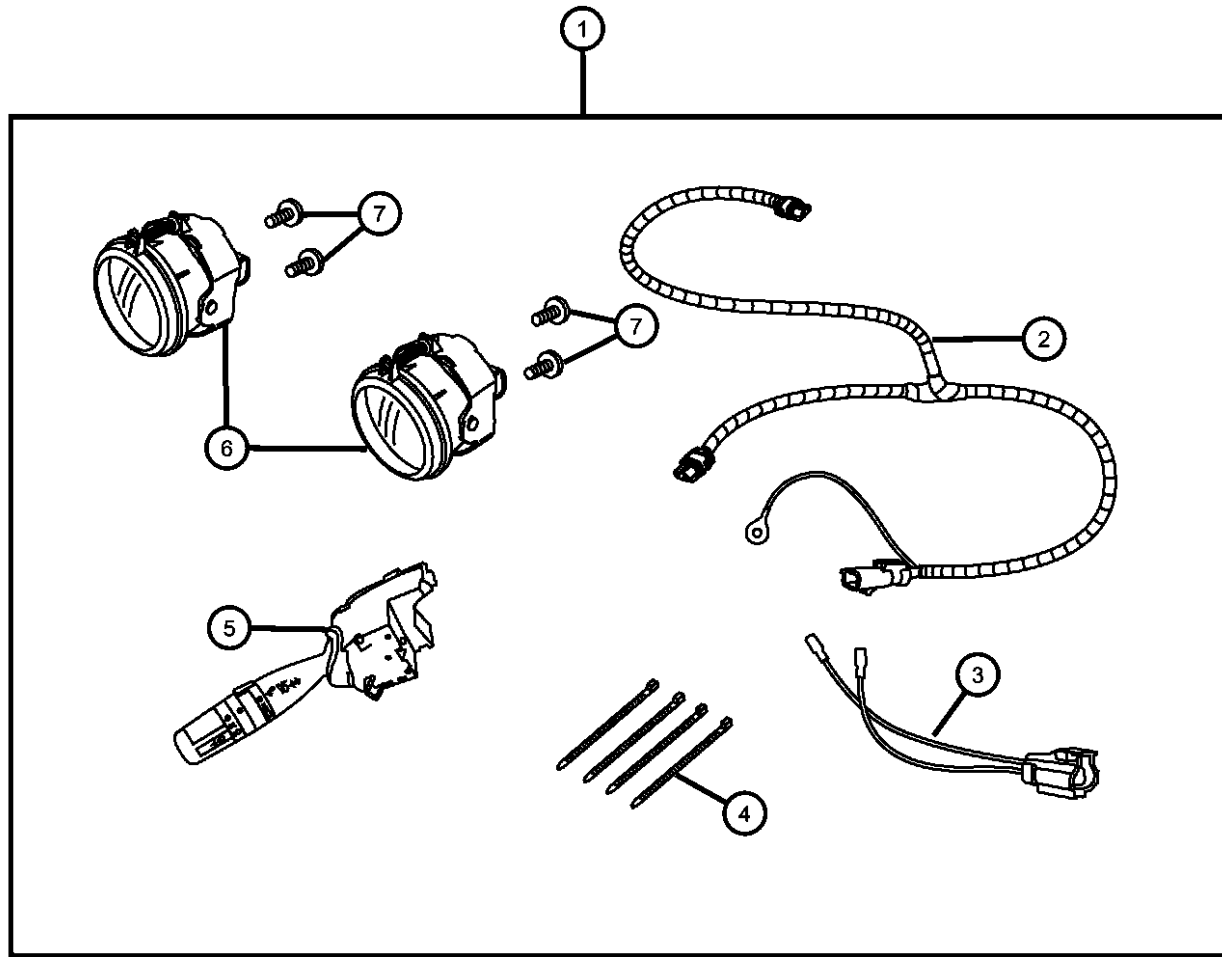
ENGINE
ECE = 2.0L 4 Cyl DOHC DPF Diesel Engine
ED3 = 2.4L 4 Cyl DOHC 16V Dual VVT Engine
ECD = 2.0L 4 Cyl DOHC Diesel 16V Engine
ECN = 2.0L 4 Cyl DOHC 16V Dual VVT Engine

TRANSMISSION
DEF = 6-Speed Manual Aisin BG6 Trans
DD7 = 5-Speed Manual T355 Transmission
DAV = Continuously Variable Transaxle II
DAW = Cont.Var. w/Off-Rd Crawl Ratio Trans

AR = use ase required - = Non illustrated part

2008 MK

Light Kit - Fog
Figure 1-604



ITEM	PART NUMBER	QTY	LINE	SERIES	BODY	ENGINE	TRANS	TRIM	DESCRIPTION
1	82210435	1			74				LIGHT KIT, Fog
2	05166846AA	1			74				HARNESS, Overlay
3	05191986AA	1			74				HARNESS, Overlay
4	06015756	1			74				STRAP, Tie, Quantity of 4
5	05183947AA	1			74				SWITCH, Multifunction
6	04805857AA	1			74				LAMP, Front Fog
7									SCREW, Tapping
	06104579AA	2	J, T, U		74				Quantity of 4
		2	J, T, U		49				Quantity of 4

COMPASS/PATRIOT (MK)

SERIES LINE
H = HIGHLINE T = JEEP - 2WD
L = LOWLINE J = JEEP - 4WD
P = PREMIUM U = JEEP - 4WD (RHD)

BODY
49 = HATCHBACK TYPE #2
74 = SPORT UTILITY 4-DR
TYPE #4

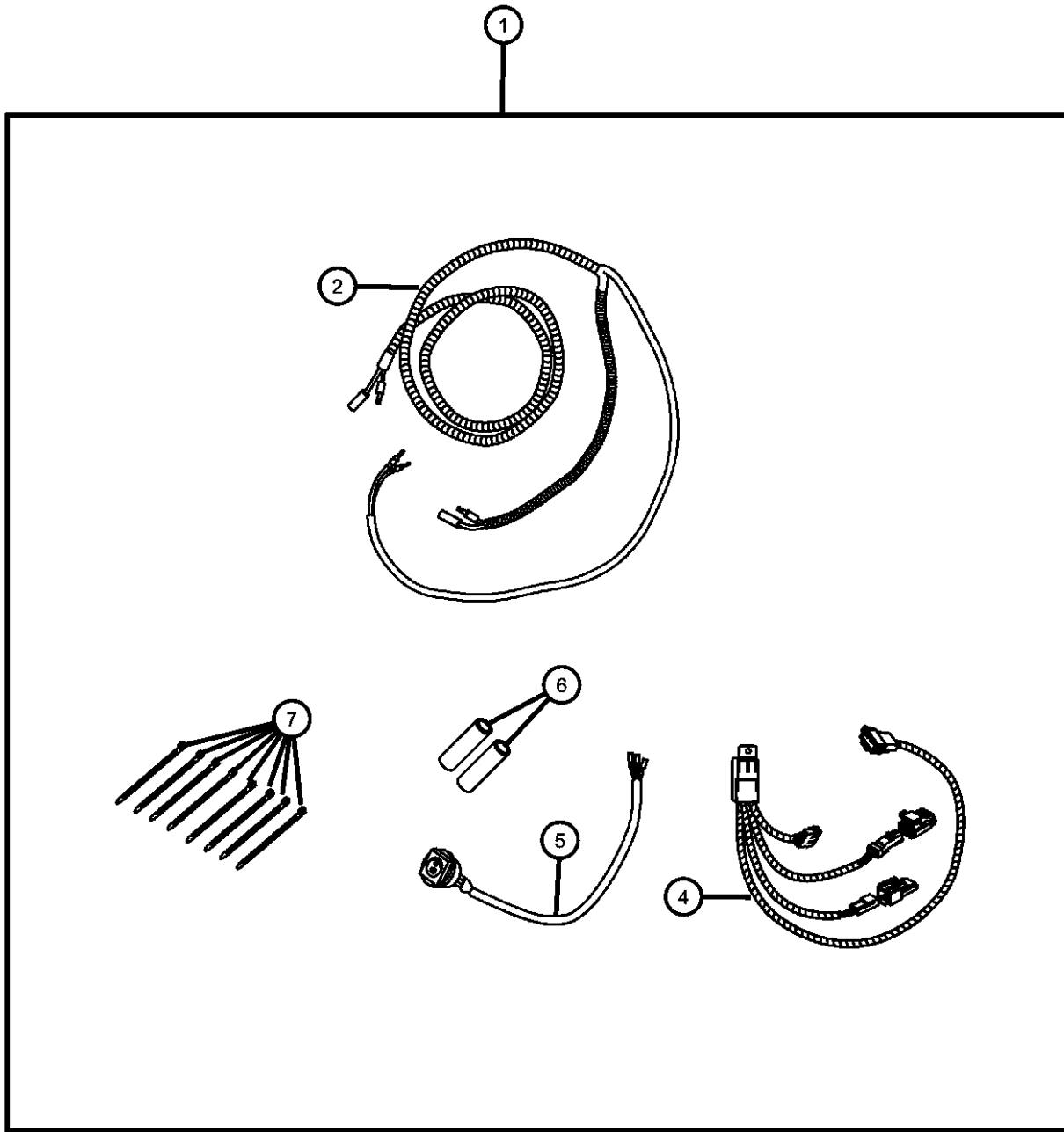
ENGINE TRANSMISSION
ECE = 2.0L 4 Cyl DOHC DPF DEF = 6-Speed Manual Aisin BG6
Diesel Engine Trans
ED3 = 2.4L 4 Cyl DOHC 16V DD7 = 5-Speed Manual T355
Dual VVT Engine Transmission
ECD = 2.0L 4 Cyl DOHC DAV = Continuously Variable
Diesel 16V Engine Transaxle II
ECN = 2.0L 4 Cyl DOHC 16V DAW = Cont.Var. w/Off-Rd Crawl
Dual VVT Engine Ratio Trans

AR = use ase required - = Non illustrated part

2008 MK

Light Kit - Driving
Figure 1-608

ITEM	PART NUMBER	QTY	LINE	SERIES	BODY	ENGINE	TRANS	TRIM	DESCRIPTION
1									INSTALL PACKAGE, Off Road Light
	82210715AD	1							Bumper Mounted Lights
	82210877AC	1			74				Roof Basket Lights
2	05179785AA	1							HARNESS
-3	05179784AA	1			74				HARNESS, Roof
4	05179783AA	1							HARNESS, Wiring
5	68005178AA	1							SWITCH, Fog Lamp
6	04778570	1							TUBE, Heat Shrink
7	06015756	1							STRAP, Tie, Quantity of 8



COMPASS/PATRIOT (MK)

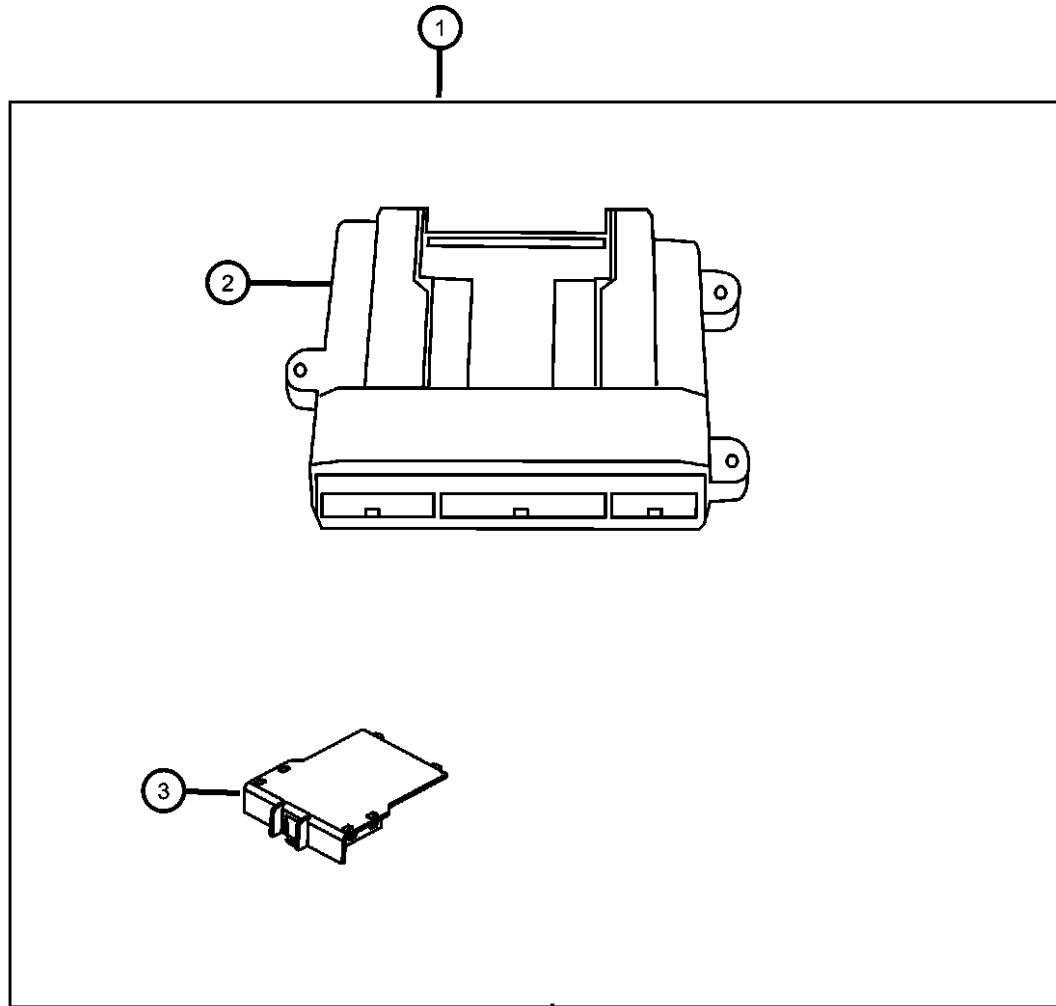
SERIES	LINE	BODY	ENGINE	TRANSMISSION
H = HIGHLINE	T = JEEP - 2WD	49 = HATCHBACK TYPE #2	ECE = 2.0L 4 Cyl DOHC DPF Diesel Engine	DEF = 6-Speed Manual Aisin BG6 Trans
L = LOWLINE	J = JEEP - 4WD	74 = SPORT UTILITY 4-DR TYPE #4	ED3 = 2.4L 4 Cyl DOHC 16V Dual VVT Engine	DD7 = 5-Speed Manual T355 Transmission
P = PREMIUM	U = JEEP - 4WD (RHD)		ECD = 2.0L 4 Cyl DOHC Diesel 16V Engine	DAV = Continuously Variable Transaxle II
			ECN = 2.0L 4 Cyl DOHC 16V Dual VVT Engine	DAW = Cont.Var. w/Off-Rd Crawl Ratio Trans

AR = use ase required - = Non illustrated part

2008 MK

**Alarm Kit
Figure 1-902**

ITEM	PART NUMBER	QTY	LINE	SERIES	BODY	ENGINE	TRANS	TRIM	DESCRIPTION
1	82209702AB	1			49				ALARM KIT, Security with Keyless For Vehicles with RKE Electric Locks
	82209703	1			74				
2	05140464AA	1			74				MODULE, Remote Start
3	05189810AA	1			74				MODULE, Security Alarm



COMPASS/PATRIOT (MK)

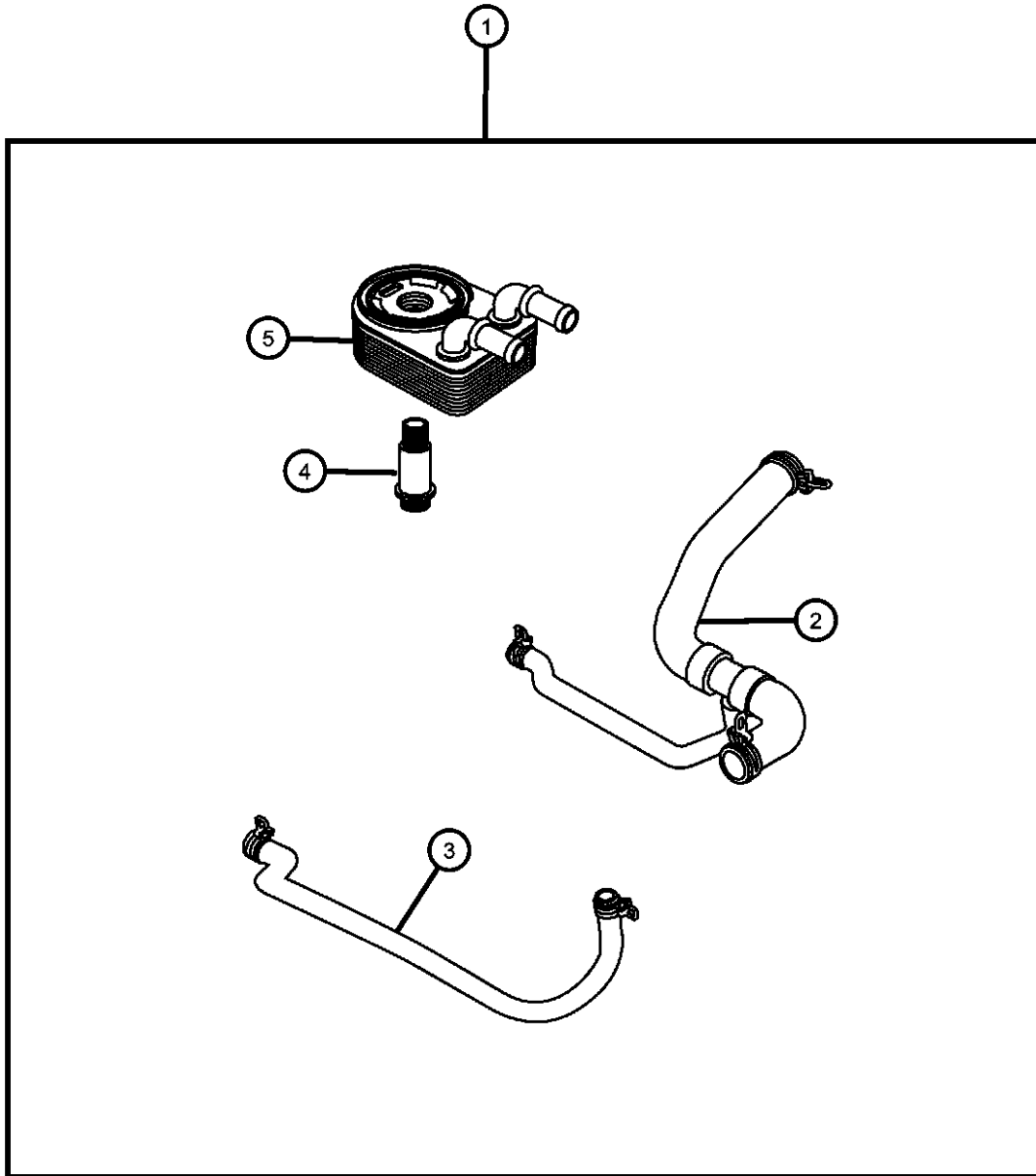
SERIES	LINE	BODY	ENGINE	TRANSMISSION
H = HIGHLINE	T = JEEP - 2WD	49 = HATCHBACK TYPE #2	ECE = 2.0L 4 Cyl DOHC DPF Diesel Engine	DEF = 6-Speed Manual Aisin BG6 Trans
L = LOWLINE	J = JEEP - 4WD	74 = SPORT UTILITY 4-DR TYPE #4	ED3 = 2.4L 4 Cyl DOHC 16V Dual VVT Engine	DD7 = 5-Speed Manual T355 Transmission
P = PREMIUM	U = JEEP - 4WD (RHD)		ECD = 2.0L 4 Cyl DOHC Diesel 16V Engine	DAV = Continuously Variable Transaxle II
			ECN = 2.0L 4 Cyl DOHC 16V Dual VVT Engine	DAW = Cont.Var. w/Off-Rd Crawl Ratio Trans

AR = use ase required - = Non illustrated part

2008 MK

Engine Oil Cooler - Automatic Transmission
Figure 1-1102

ITEM	PART NUMBER	QTY	LINE	SERIES	BODY	ENGINE	TRANS	TRIM	DESCRIPTION
1	82210700	1							COOLER KIT, Engine Oil
2	05058489AE	1							HOSE, Radiator Outlet
3	05058490AB	1							HOSE, Radiator Outlet
4	04884758AB	1							CONNECTOR, Engine Oil Cooler
5	04884757AD	1							COOLER, Engine Oil



COMPASS/PATRIOT (MK)

SERIES LINE
H = HIGHLINE T = JEEP - 2WD
L = LOWLINE J = JEEP - 4WD
P = PREMIUM U = JEEP - 4WD (RHD)

BODY
49 = HATCHBACK TYPE #2
74 = SPORT UTILITY 4-DR
TYPE #4

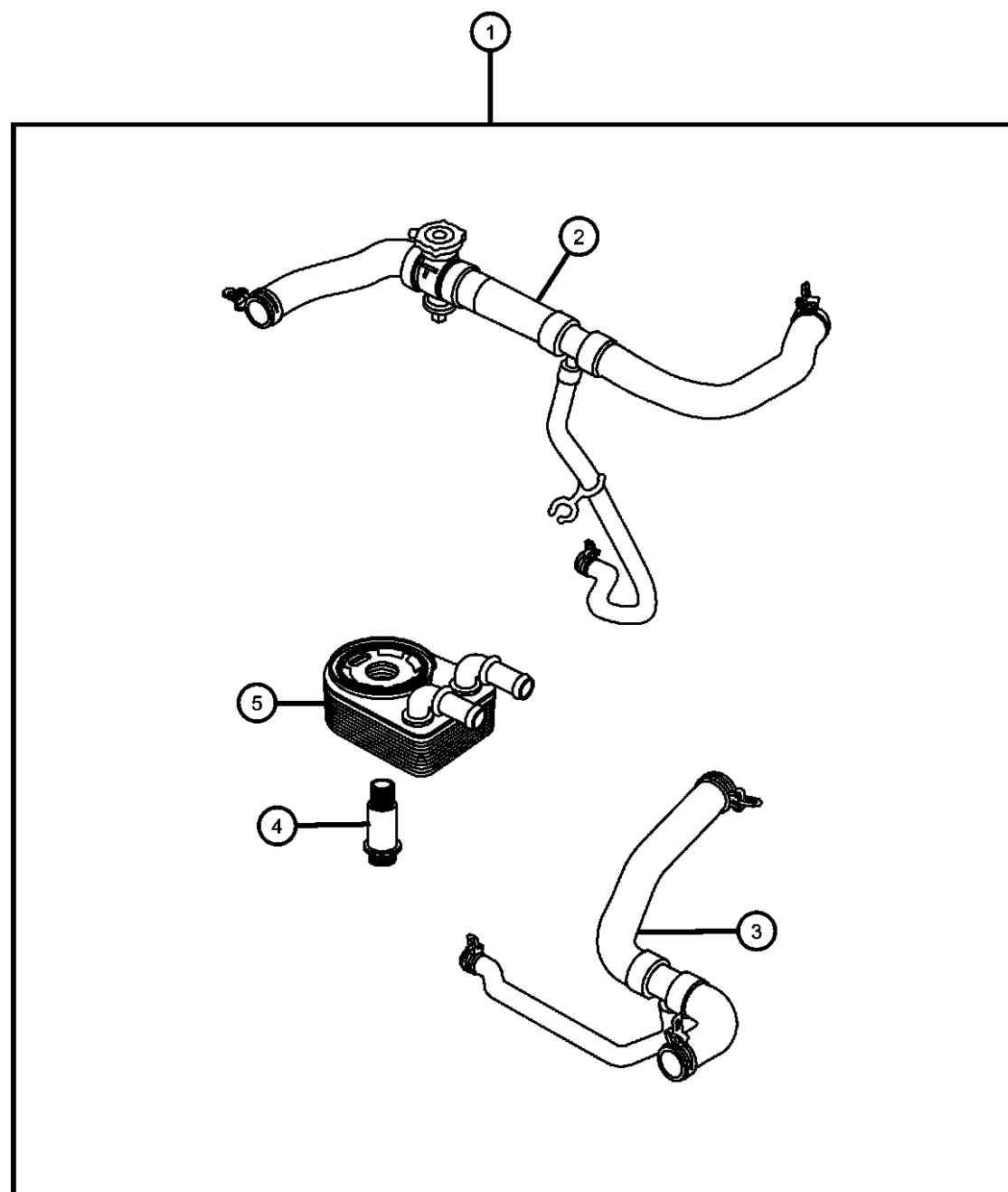
ENGINE
ECE = 2.0L 4 Cyl DOHC DPF Diesel Engine
ED3 = 2.4L 4 Cyl DOHC 16V Dual VVT Engine
ECD = 2.0L 4 Cyl DOHC Diesel 16V Engine
ECN = 2.0L 4 Cyl DOHC 16V Dual VVT Engine

TRANSMISSION
DEF = 6-Speed Manual Aisin BG6 Trans
DD7 = 5-Speed Manual T355 Transmission
DAV = Continuously Variable Transaxle II
DAW = Cont.Var. w/Off-Rd Crawl Ratio Trans

AR = use ase required - = Non illustrated part

2008 MK

Engine Oil Cooler - Manual Transmission
Figure 1-1104



ITEM	PART NUMBER	QTY	LINE	SERIES	BODY	ENGINE	TRANS	TRIM	DESCRIPTION
1	82210701	1							COOLER KIT, Engine Oil
2	05058492AB	1							HOSE, Radiator Inlet
3	05058489AE	1							HOSE, Radiator Outlet
4	04884758AB	1							CONNECTOR, Engine Oil Cooler
5	04884757AD	1							COOLER, Engine Oil

COMPASS/PATRIOT (MK)

SERIES	LINE	BODY	ENGINE	TRANSMISSION
H = HIGHLINE	T = JEEP - 2WD	49 = HATCHBACK TYPE #2	ECE = 2.0L 4 Cyl DOHC DPF Diesel Engine	DEF = 6-Speed Manual Aisin BG6 Trans
L = LOWLINE	J = JEEP - 4WD	74 = SPORT UTILITY 4-DR TYPE #4	ED3 = 2.4L 4 Cyl DOHC 16V Dual VVT Engine	DD7 = 5-Speed Manual T355 Transmission
P = PREMIUM	U = JEEP - 4WD (RHD)		ECD = 2.0L 4 Cyl DOHC Diesel 16V Engine	DAV = Continuously Variable Transaxle II
			ECN = 2.0L 4 Cyl DOHC 16V Dual VVT Engine	DAW = Cont.Var. w/Off-Rd Crawl Ratio Trans

AR = use ase required - = Non illustrated part

2008 MK

Group - 2

Front Suspension

Group - 2 Front Suspension

Illustration Title

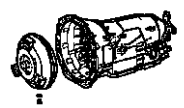
Group-Fig. No.

Front Suspension, Strut and Cradle

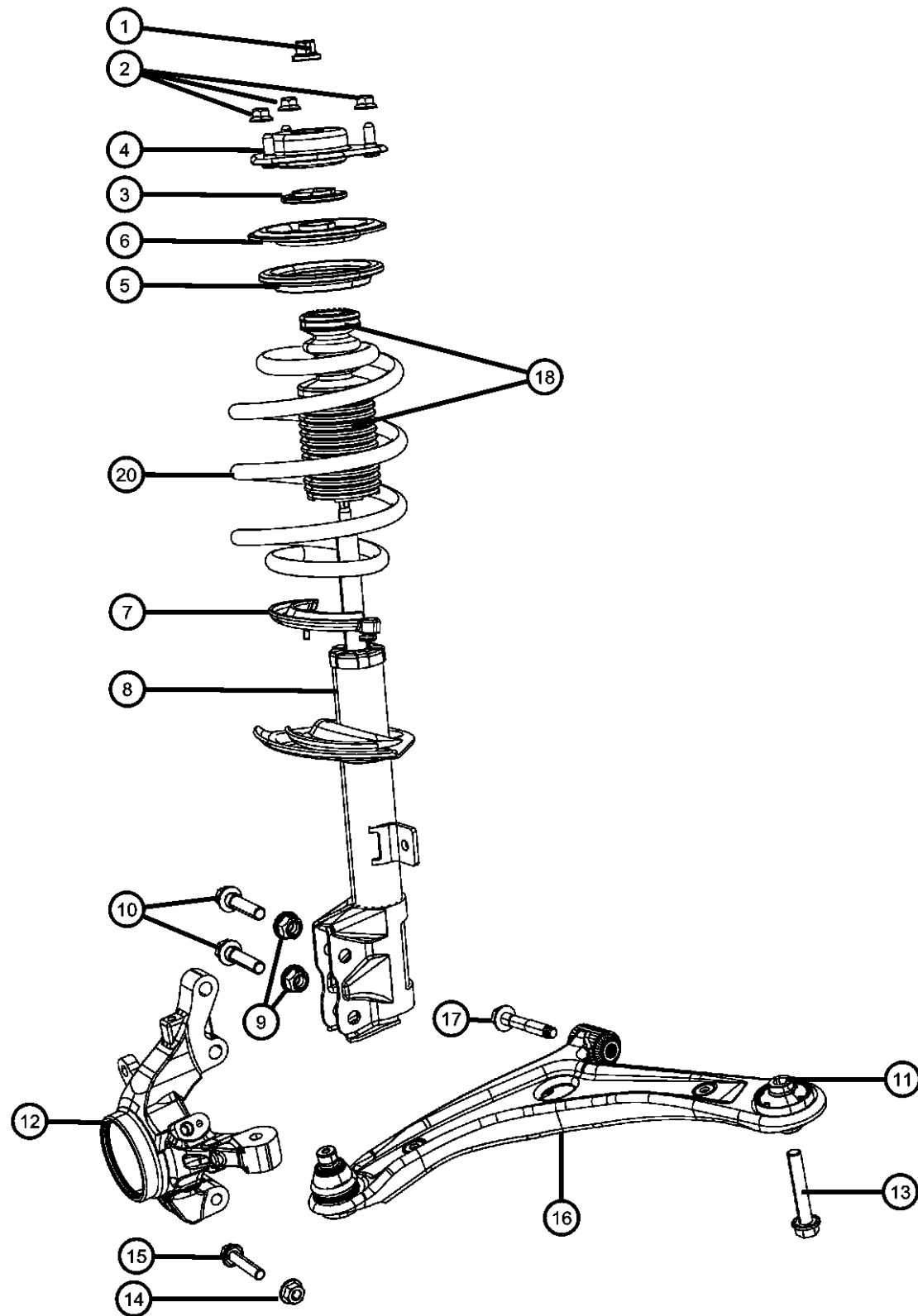
Suspension, Front..... Fig. 2 - 105

Front Stabilizer Bar

Stabilizer Bar, Front..... Fig. 2 - 205

<p>002-100 Front Suspension, Strut and Cradle</p> 	<p>002-200 Front Stabilizer Bar</p>		
--	--	--	--

Suspension, Front
Figure 2-105



ITEM	PART NUMBER	QTY	LINE	SERIES	BODY	ENGINE	TRANS	TRIM	DESCRIPTION
1									NUT AND WASHER, Hex
	06508273AA	2	J, T, U		49				
		2	J, T, U		74				
2	06503335	6	J, T, U		49, 74				NUT, Hex, M10X1.25, Strut Mount to Body, Mounting
3	05085458AA	2	J, T, U		49, 74				BEARING, Strut Mount, Upper Spring Seat Bearing
4	05085461AB	2	J, T, U		49, 74				MOUNT, StrutUpper
5	05105822AA	2	J, T, U		49, 74				ISOLATOR, SpringUpper
6	05085403AD	2	J, T, U		49, 74				SEAT, SpringUpper
7									ISOLATOR, Spring Lower
	05085405AB	2	J, T, U		49				
		2	J, T, U		74				
8									STRUT, Front Suspension [SDF], Right
	05105174AF	1	J, T, U		49, 74				
	05105175AF	1	J, T, U		49, 74				[SDF], Left
	05272924AA	1	J, T, U		49				[SDC], Right
		1	J, T, U		74				[SDC], Right
	05272925AA	1	J, T, U		49				[SDC], Left
		1	J, T, U		74				[SDC], Left
9	06505232AA	4	J, T, U		49, 74				NUT, Strut to Knuckle, Mounting
10	06508262AA	4	J, T, U		49, 74				BOLT, Strut to Knuckle, Mounting
11									NUT, Hex Flange Lock, M14x1.50
	06104719AA	2	J, T, U		49				LCA to Rear Crossmember
		2	J, T, U		74				LCA to Rear Crossmember
12									KNUCKLE AND HUB, Front
	05085702AI	1	J, T, U		49, 74				[BRF,BR1], Right
	05085702AJ	1	J, T, U		49				[BRF,BR1,BRJ], Right
		1	J, T, U		74				[BRF,BR1,BRJ], Right
	05085703AI	1	J, T, U		49, 74				[BRF,BR1], Left
	05085703AJ	1	J, T, U		49				[BRF,BR1,BRJ], Left
		1	J, T, U		74				[BRF,BR1,BRJ], Left
	05105935AA	1	J, T, U		49, 74				[BRF+AWL], Left
	05105936AA	1	J, T, U		49, 74				[BRF+AWL], Right

COMPASS/PATRIOT (MK)

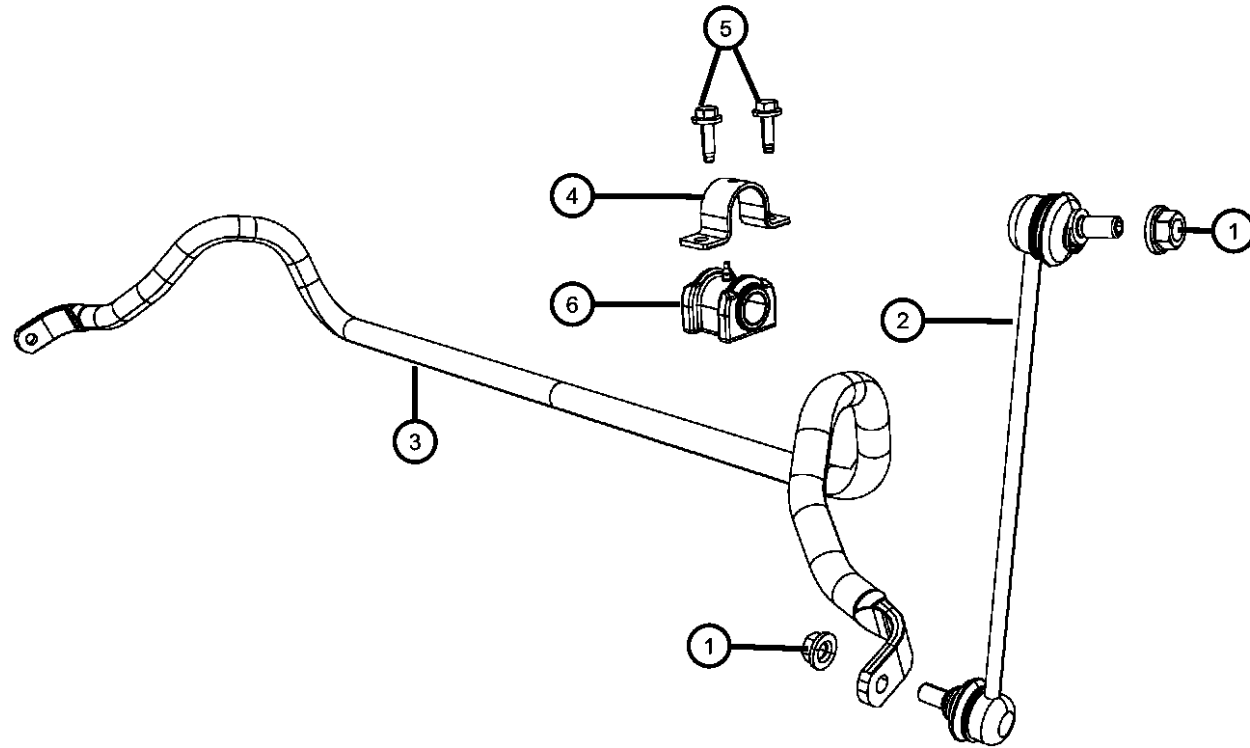
SERIES	LINE	BODY	ENGINE	TRANSMISSION
H = HIGHLINE	T = JEEP - 2WD	49 = HATCHBACK TYPE #2	ECE = 2.0L 4 Cyl DOHC DPF Diesel Engine	DEF = 6-Speed Manual Aisin BG6 Trans
L = LOWLINE	J = JEEP - 4WD	74 = SPORT UTILITY 4-DR TYPE #4	ED3 = 2.4L 4 Cyl DOHC 16V Dual VVT Engine	DD7 = 5-Speed Manual T355 Transmission
P = PREMIUM	U = JEEP - 4WD (RHD)		ECD = 2.0L 4 Cyl DOHC Diesel 16V Engine	DAV = Continuously Variable Transaxle II
			ECN = 2.0L 4 Cyl DOHC 16V Dual VVT Engine	DAW = Cont.Var. w/Off-Rd Crawl Ratio Trans

AR = use ase required - = Non illustrated part

2008 MK

**Stabilizer Bar, Front
Figure 2-205**

ITEM	PART NUMBER	QTY	LINE	SERIES	BODY	ENGINE	TRANS	TRIM	DESCRIPTION
1	06508961AA	4	J, T, U		49, 74				NUT & WASHER, Hex, M10 X 1.25
2	05174185AB	2	J, T, U		49, 74				LINK PACKAGE, Stabilizer Bar, Contains 1-Link and 2-Nuts BAR, Front Sway
3	05105101AA	1	J, T, U		49, 74				RETAINER, Stabilizer Bar Grommet
4	05105566AA	2	J, T, U		49				
		2	J, T, U		74				
5	06104388AA	4	J, T, U		49, 74				SCREW, Hex Head, M8x1.25x30
6	05105103AC	2	J, T, U		49, 74				CUSHION, Sway Eliminator



COMPASS/PATRIOT (MK)

SERIES LINE
H = HIGHLINE T = JEEP - 2WD
L = LOWLINE J = JEEP - 4WD
P = PREMIUM U = JEEP - 4WD (RHD)

BODY
49 = HATCHBACK TYPE #2
74 = SPORT UTILITY 4-DR TYPE #4

ENGINE
ECE = 2.0L 4 Cyl DOHC DPF Diesel Engine
ED3 = 2.4L 4 Cyl DOHC 16V Dual VVT Engine
ECD = 2.0L 4 Cyl DOHC Diesel 16V Engine
ECN = 2.0L 4 Cyl DOHC 16V Dual VVT Engine

TRANSMISSION
DEF = 6-Speed Manual Aisin BG6 Trans
DD7 = 5-Speed Manual T355 Transmission
DAV = Continuously Variable Transaxle II
DAW = Cont.Var. w/Off-Rd Crawl Ratio Trans

AR = use ase required - = Non illustrated part

2008 MK

Group - 003514

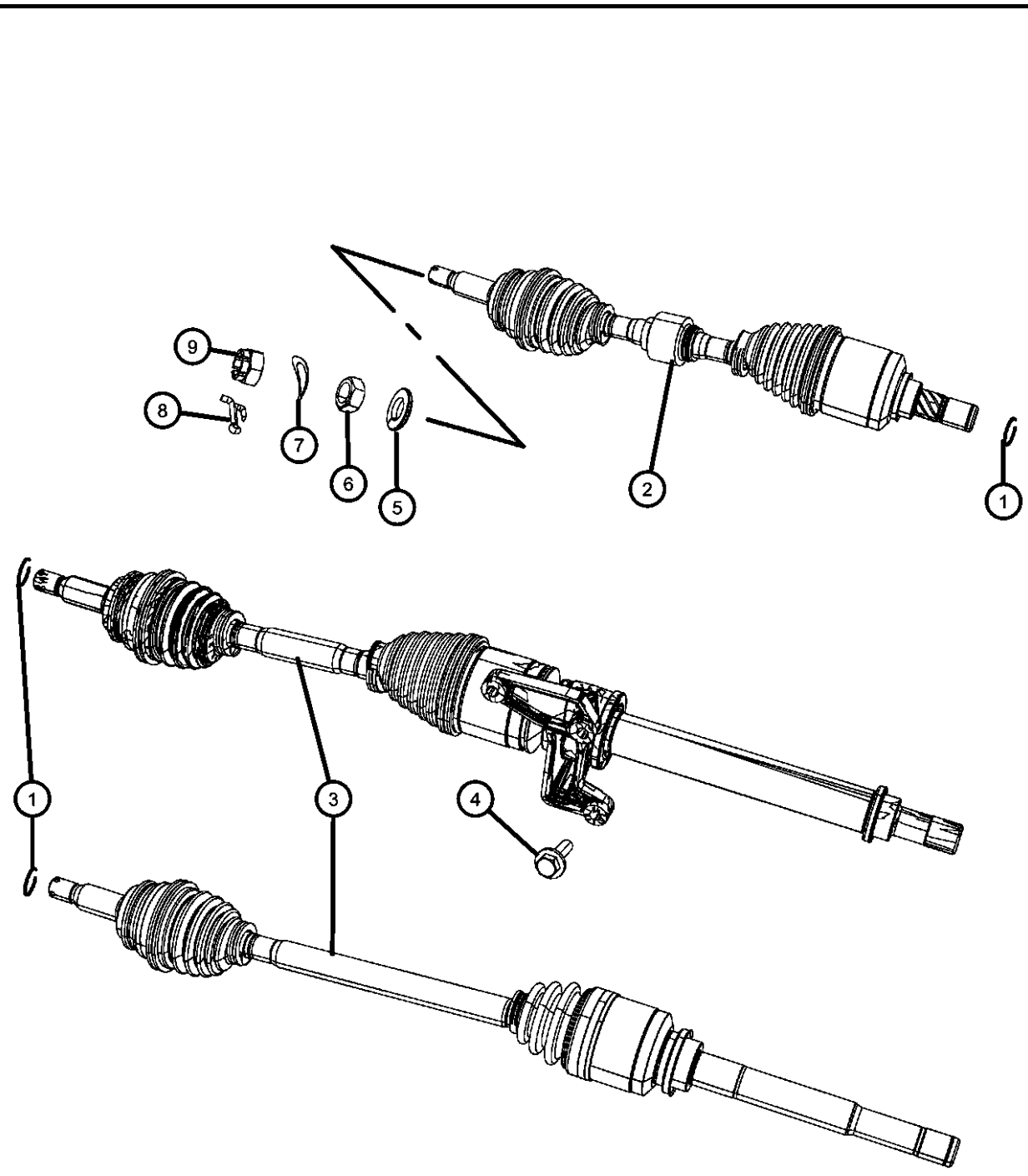
Four Wheel Drive; Differential and Drive Line

Group - 003514 Four Wheel Drive; Differential and Drive Line

Illustration Title	Group-Fig. No.
Front Axle Drive Shafts	
Shafts, Front Axle	Fig. 003514 - 310
Drive Shaft	
Shaft, Drive	Fig. 003514 - 620
Rear Axle Assembly	
Axle Assembly	Fig. 003514 - 705
Rear Axle; Housing, Differential and Vent	
Rear Axle Mounting	Fig. 003514 - 880
Rear Axle Shafts	
Shafts,Rear,Axle	Fig. 003514 - 905

003514-300 Front Axle Drive Shafts	003514-600 Drive Shaft	003514-700 Rear Axle Assembly	003514-800 Rear Axle; Housing, Differential and Vent
003514-900 Rear Axle Shafts			

Shafts, Front Axle
Figure 003514-310



ITEM	PART NUMBER	QTY	LINE	SERIES	BODY	ENGINE	TRANS	TRIM	DESCRIPTION
1									CIRCLIP, Half Shaft
	05189156AA	1	J, T, U		49				
		1	J, T, U		74				
	05189157AA	1	J, T, U		49, 74				
2									SHAFT, Axle Half
	05085220AB	1	J, T, U		49				Left
		1	J, T, U		74				Left
	05085224AB	1	J, T, U		49, 74				[ECD,ECE], Left
3									SHAFT, Axle Half
	05085250AC	1	J, U		49				Right
		1	J, U		74				Right
	05105649AC	1	T		49, 74				[DD7], Right
	05105658AC	1	T		49, 74				[DAV,DAW], Right
	05273438AD	1	J, U		49, 74				[ED3], Right
4	06102210AA	3	T		49, 74				BOLT AND CONED WASHER, Hex Head, M10X1.50X40.00, Halfshaft Bracket to Engine Block, Mounting
5	06503352	2	J, T, U		49, 74				WASHER, Flat, M23x38.0x405
6	06503685	2	J, T, U		49, 74				NUT
7	05212684	2	J, T, U		49, 74				WASHER, Wave
8	05212684	2							PIN, Cotter, 4x30, (NOT SERVICED)
9	05212525	2	J, T, U		49, 74				LOCK, Hub Nut

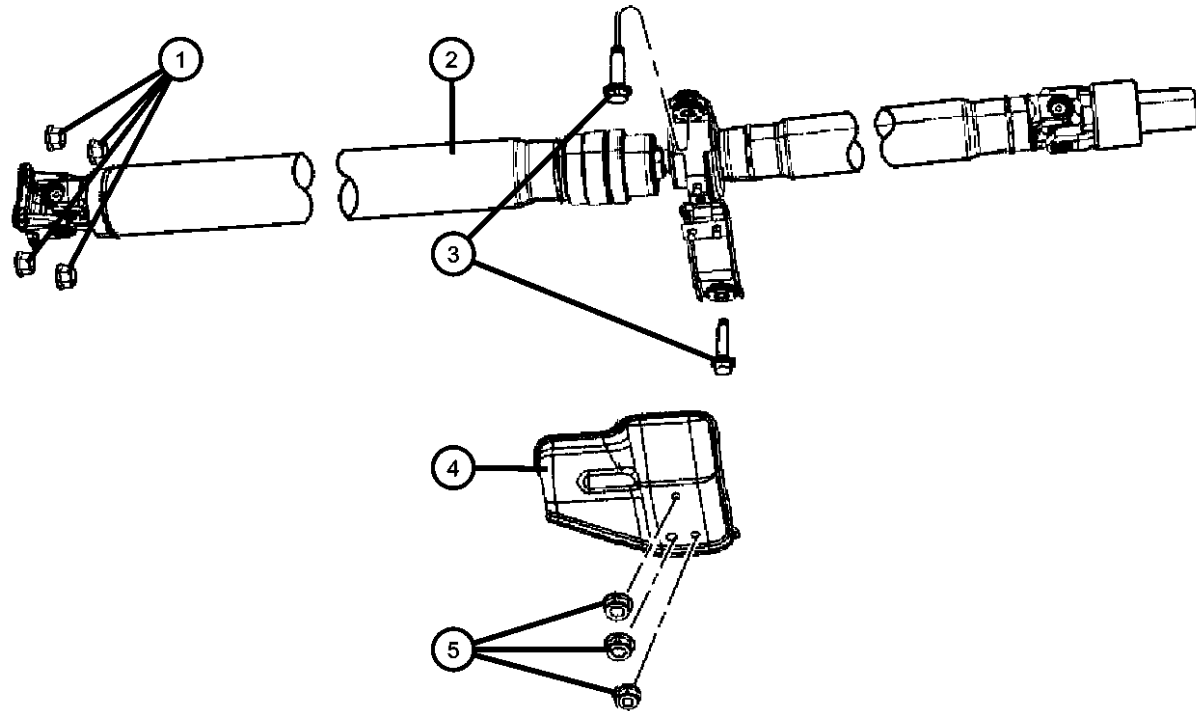
COMPASS/PATRIOT (MK)

SERIES	LINE	BODY	ENGINE	TRANSMISSION
H = HIGHLINE	T = JEEP - 2WD	49 = HATCHBACK TYPE #2	ECE = 2.0L 4 Cyl DOHC DPF Diesel Engine	DEF = 6-Speed Manual Aisin BG6 Trans
L = LOWLINE	J = JEEP - 4WD	74 = SPORT UTILITY 4-DR TYPE #4	ED3 = 2.4L 4 Cyl DOHC 16V Dual VVT Engine	DD7 = 5-Speed Manual T355 Transmission
P = PREMIUM	U = JEEP - 4WD (RHD)		ECD = 2.0L 4 Cyl DOHC Diesel 16V Engine	DAV = Continuously Variable Transaxle II
			ECN = 2.0L 4 Cyl DOHC 16V Dual VVT Engine	DAW = Cont.Var. w/Off-Rd Crawl Ratio Trans

AR = use ase required - = Non illustrated part

**Shaft, Drive
Figure 003514-620**

ITEM	PART NUMBER	QTY	LINE	SERIES	BODY	ENGINE	TRANS	TRIM	DESCRIPTION
1	05105715AA	4	J, U		49, 74				NUT, Locking, Drive Shaft to ECC, Mounting
2	05273310AB	1	J, U		49, 74				SHAFT, Drive, Rear
3	06104422AA	2	J, U		49, 74				BOLT AND WASHER, Hex Head, Drive Shaft Center Bearing to Body, Mounting
4									SHIELD, Heat [ECE]
	05160314AA	1	J, T, U		49				
	68004328AB	1	J, T, U		49				
	05105640AA	1	J, U		49				
		1	J, U		74				
5	06104716AA	3	J, T, U		49, 74				NUT, Hex Flange Lock, M8X1.25



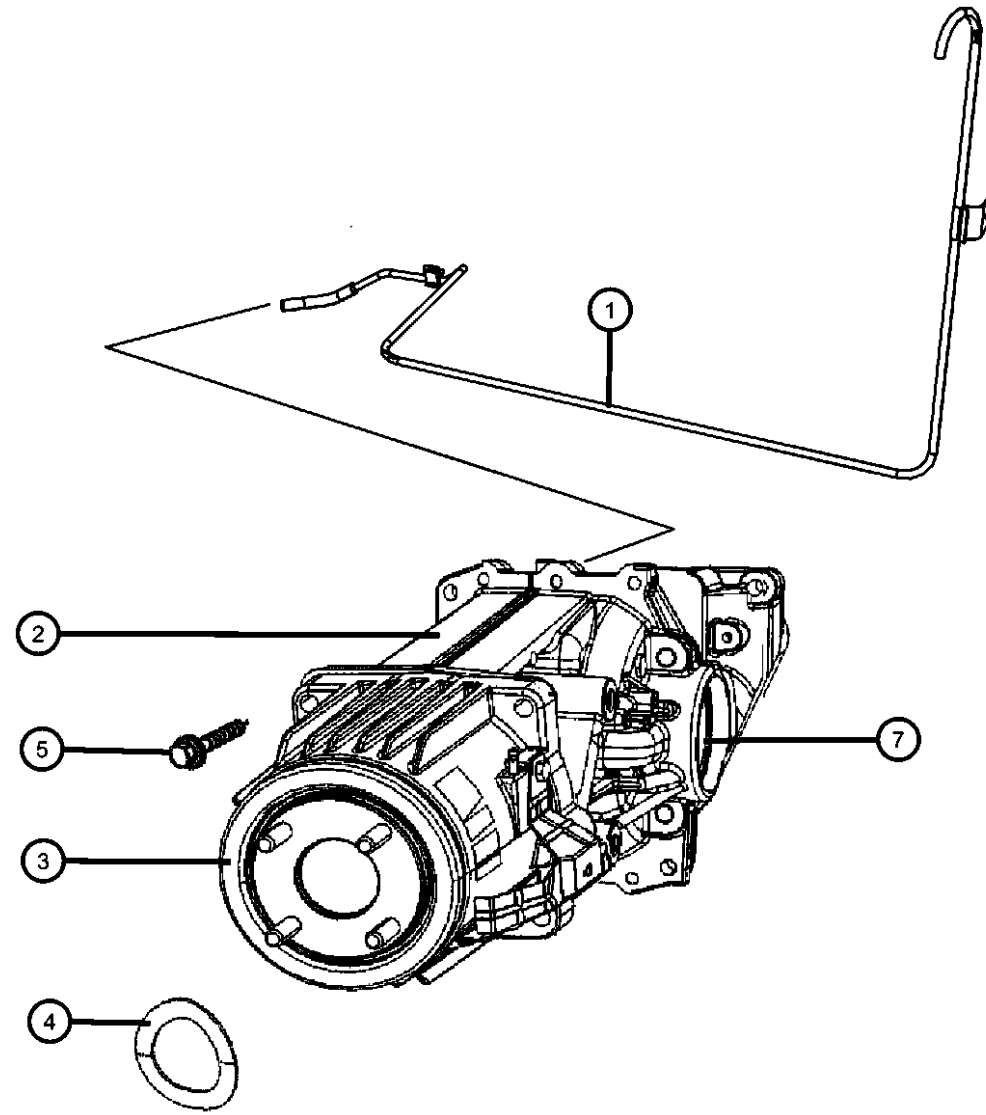
COMPASS/PATRIOT (MK)

SERIES	LINE	BODY	ENGINE	TRANSMISSION
H = HIGHLINE	T = JEEP - 2WD	49 = HATCHBACK TYPE #2	ECE = 2.0L 4 Cyl DOHC DPF Diesel Engine	DEF = 6-Speed Manual Aisin BG6 Trans
L = LOWLINE	J = JEEP - 4WD	74 = SPORT UTILITY 4-DR TYPE #4	ED3 = 2.4L 4 Cyl DOHC 16V Dual VVT Engine	DD7 = 5-Speed Manual T355 Transmission
P = PREMIUM	U = JEEP - 4WD (RHD)		ECD = 2.0L 4 Cyl DOHC Diesel 16V Engine	DAV = Continuously Variable Transaxle II
			ECN = 2.0L 4 Cyl DOHC 16V Dual VVT Engine	DAW = Cont.Var. w/Off-Rd Crawl Ratio Trans

AR = use ase required - = Non illustrated part

2008 MK

**Axle Assembly
Figure 003514-705**



ITEM	PART NUMBER	QTY	LINE	SERIES	BODY	ENGINE	TRANS	TRIM	DESCRIPTION
1	05273394AC	1	J, U		74				VENT ASSY, Rear diff
2									DIFFERENTIAL, Rear Axle
	3501A058	1	J		74				[DAW]
	3501A115	1	J, U		49, 74				[DAV,DD7]
		1	J, U		49, 74				[DEF]
3									COUPLING, Electric Clutch
	05157017AA	1	J, U		49, 74				[DAW]
	3570A007	1	J, U		49, 74				[DAV,DD7]
		1	J, U		49, 74				[DEF]
4	05105681AA	1	J, U		49, 74				WASHER, Differential
5									SCREW, Hex Flange Head, M10X1.25X40.00
	06508246AA	4	J, U		49				
		4	J, U		74				
-6	05157021AA	1	J, U		74				CLIP, Vent Tube
7									SEAL, Transmission Case
	MD707184	2	J, U		49				Axle Shaft Seal
		2	J, U		74				
-8									SEAL, Output Shaft
	MN132055	1	J, U		49				Pinion Seal
		1	J, U		74				
-9									PLUG, Oil Fill
	MT366113	1	J, U		49				Hex Head Plug
		1	J, U		74				
-10									GASKET, Drain Plug
	MF660036	1	J, U		49				For Hex Head Plug
		1	J, U		74				For Hex Head Plug
-11									GASKET, Drain Plug
	MD000312	1	J, U		49				For Allen Head Plug, Plug Not Serviced
		1	J, U		74				

COMPASS/PATRIOT (MK)

SERIES LINE
H = HIGHLINE T = JEEP - 2WD
L = LOWLINE J = JEEP - 4WD
P = PREMIUM U = JEEP - 4WD (RHD)

BODY
49 = HATCHBACK TYPE #2
74 = SPORT UTILITY 4-DR
TYPE #4

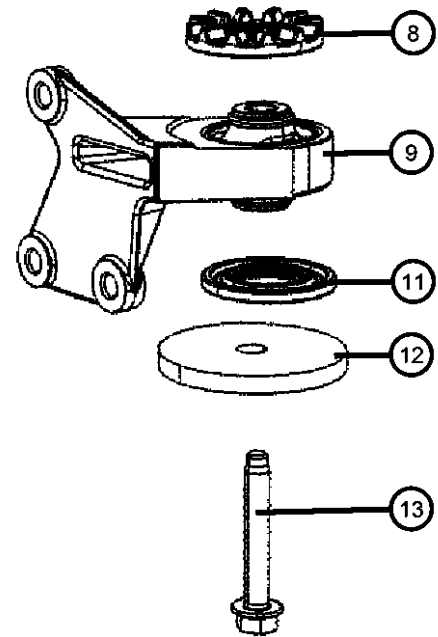
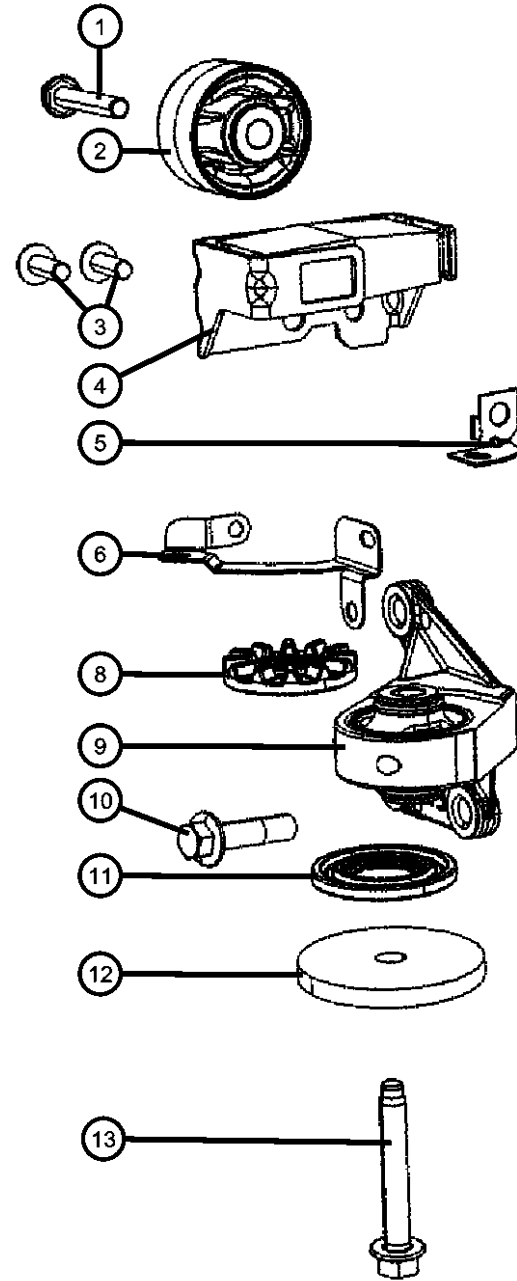
ENGINE
ECE = 2.0L 4 Cyl DOHC DPF
Diesel Engine
ED3 = 2.4L 4 Cyl DOHC 16V
Dual VVT Engine
ECD = 2.0L 4 Cyl DOHC
Diesel 16V Engine
ECN = 2.0L 4 Cyl DOHC 16V
Dual VVT Engine

TRANSMISSION
DEF = 6-Speed Manual Aisin BG6
Trans
DD7 = 5-Speed Manual T355
Transmission
DAV = Continuously Variable
Transaxle II
DAW = Cont.Var. w/Off-Rd Crawl
Ratio Trans

AR = use ase required - = Non illustrated part

2008 MK

Rear Axle Mounting
Figure 003514-880



ITEM	PART NUMBER	QTY	LINE	SERIES	BODY	ENGINE	TRANS	TRIM	DESCRIPTION
1	06104265AA	1	J, U		49, 74				BOLT, Hex Flange Head, M14x1.50x90.00, Rear Differential Isolator, Mounting
2	05105309AA	1	J, U		49, 74				ISOLATOR, Rear Differential-Mounting
3	06508185AA	2	J, U		49, 74				BOLT, Hex Flange Head, M10x1.25x30.00, Damper to RDA
4	05273464AA	1	J, U		49, 74				DAMPER, Axle
5	05273453AA	1	J, U		49, 74				BRACKET, Wiring
6									BRACKET, Wiring
	05105670AA	1	J, U		49				
		1	J, U		74				
-7	05073824AA	2	J, U		49, 74				BOLT
8	05105529AA	2	J, U		49, 74				ISOLATOR, Rear DifferentialUpper
9									ISOLATOR AND BRACKET, Rear Differential
	05273442AA	1	J, U		49, 74				Front Right
	05273443AA	1	J, U		49, 74				Front Left
10									BOLT, Hex Head
	06508986AA	6	J, U		49				
		6	J, U		74				
11	05273448AA	2	J, U		49, 74				CUSHION, DifferentialUpper
12	05105833AB	2	J, U		49, 74				CUSHION, Differential, Weight, Lower
13	06105085AA	2	J, U		49, 74				BOLT, RDA Front Mount to Front Crossmember, Mounting

COMPASS/PATRIOT (MK)

SERIES LINE
H = HIGHLINE T = JEEP - 2WD
L = LOWLINE J = JEEP - 4WD
P = PREMIUM U = JEEP - 4WD (RHD)

BODY
49 = HATCHBACK TYPE #2
74 = SPORT UTILITY 4-DR TYPE #4

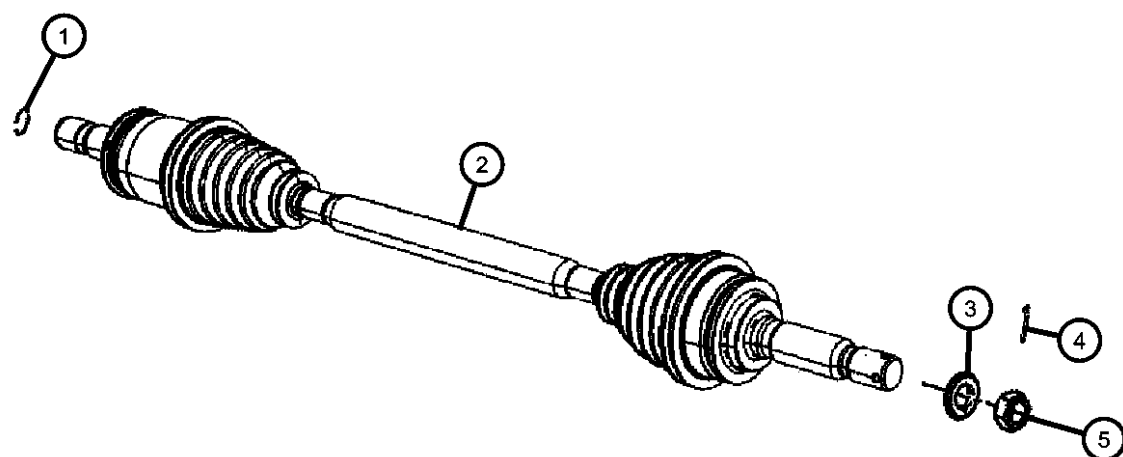
ENGINE TRANSMISSION
ECE = 2.0L 4 Cyl DOHC DPF DEF = 6-Speed Manual Aisin BG6 Diesel Engine Trans
ED3 = 2.4L 4 Cyl DOHC 16V DD7 = 5-Speed Manual T355 Dual VVT Engine Transmission
ECD = 2.0L 4 Cyl DOHC DAV = Continuously Variable Diesel 16V Engine Transaxle II
ECN = 2.0L 4 Cyl DOHC 16V DAW = Cont.Var. w/Off-Rd Crawl Dual VVT Engine Ratio Trans

AR = use ase required - = Non illustrated part

2008 MK

Shafts,Rear,Axle
Figure 003514-905

ITEM	PART NUMBER	QTY	LINE	SERIES	BODY	ENGINE	TRANS	TRIM	DESCRIPTION
1	05189155AA	1	J, U		49, 74				CIRCLIP, Half ShaftRight or Left
2									SHAFT, Axle Half
	05085141AB	1	J, U		49, 74				Left
	05085240AB	1	J, U		49, 74				Right
3	06503352	2	J, T, U		49, 74				WASHER, Flat, M23x38.0x405
4									PIN, Split
	04749175AA	2	J, U		49				
		2	J, U		74				
5									NUT
	06503685	2	J, T, U		49				
		2	J, T, U		74				



COMPASS/PATRIOT (MK)

SERIES LINE
H = HIGHLINE T = JEEP - 2WD
L = LOWLINE J = JEEP - 4WD
P = PREMIUM U = JEEP - 4WD (RHD)

BODY
49 = HATCHBACK TYPE #2
74 = SPORT UTILITY 4-DR
TYPE #4

ENGINE TRANSMISSION
ECE = 2.0L 4 Cyl DOHC DPF DEF = 6-Speed Manual Aisin BG6
Diesel Engine Trans
ED3 = 2.4L 4 Cyl DOHC 16V DD7 = 5-Speed Manual T355
Dual VVT Engine Transmission
ECD = 2.0L 4 Cyl DOHC DAV = Continuously Variable
Diesel 16V Engine Transaxle II
ECN = 2.0L 4 Cyl DOHC 16V DAW = Cont.Var. w/Off-Rd Crawl
Dual VVT Engine Ratio Trans

AR = use ase required - = Non illustrated part

2008 MK

Group - 0035ZU

Front Wheel Drive; Differential and Drive Line

Group - 0035ZU Front Wheel Drive; Differential and Drive Line

Illustration Title

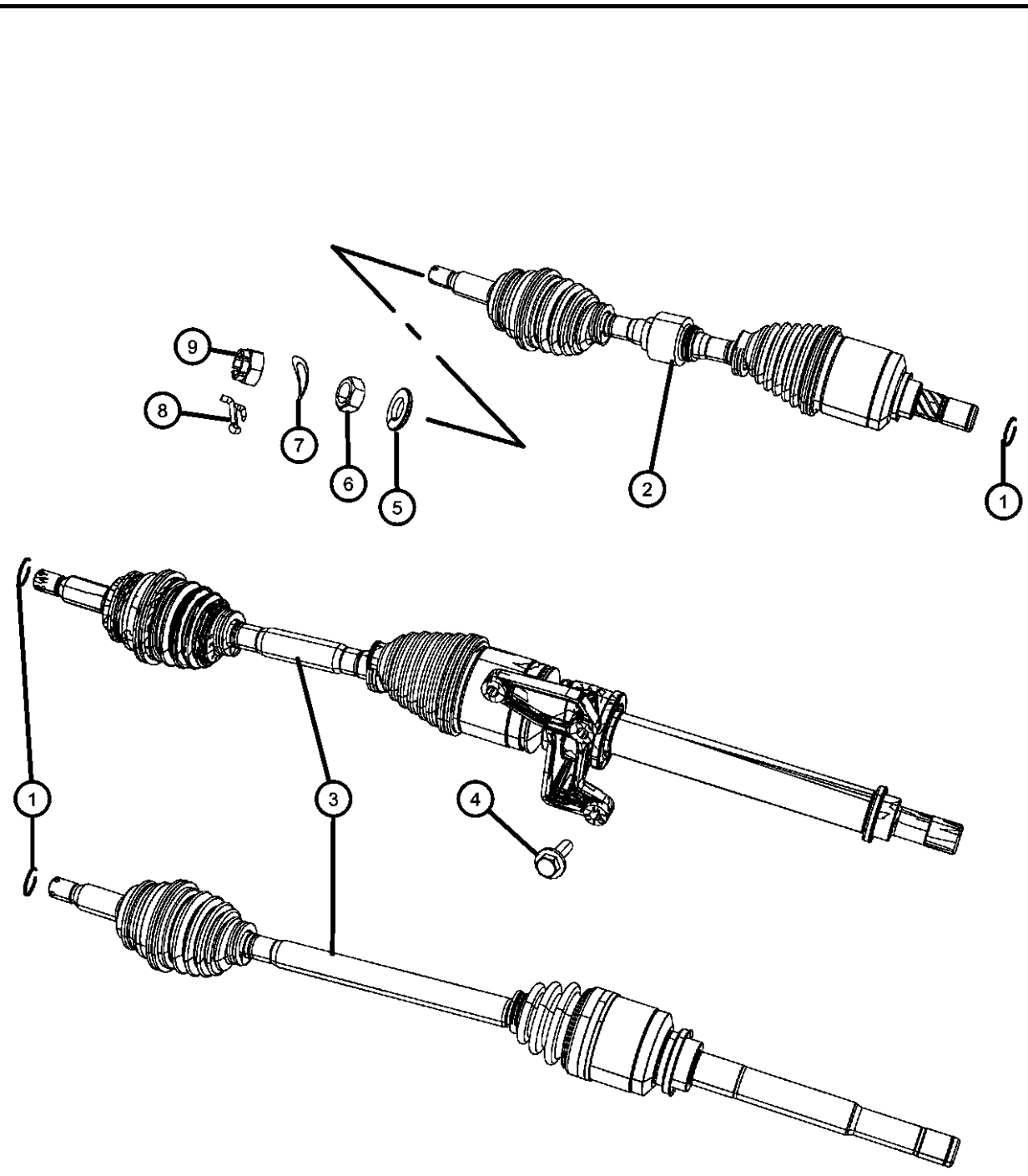
Group-Fig. No.

Front Axle Drive Shafts

Shafts, Front Axle Fig. 0035ZU - 310

0035ZU-300 Front Axle Drive Shafts			
--	--	--	--

Shafts, Front Axle
Figure 0035ZU-310



ITEM	PART NUMBER	QTY	LINE	SERIES	BODY	ENGINE	TRANS	TRIM	DESCRIPTION
1									CIRCLIP, Half Shaft
	05189156AA	1	J, T, U		49				
		1	J, T, U		74				
	05189157AA	1	J, T, U		49, 74				
2									SHAFT, Axle Half
	05085220AB	1	J, T, U		49				Left
	05085224AB	1	J, T, U		49, 74				[ECD,ECE], Left
		1	J, T, U		74				Left
3									SHAFT, Axle Half
	05085250AC	1	J, U		49				Right
		1	J, U		74				Right
	05105649AC	1	T		49, 74				[DD7], Right
	05105658AC	1	T		49, 74				[DAV,DAW], Right
	05273438AD	1	J, U		49, 74				[ED3], Right
4	06102210AA	3	T		49, 74				BOLT AND CONED WASHER, Hex Head, M10X1.50X40.00
5	06503352	2	J, T, U		49, 74				WASHER, Flat, M23x38.0x405
6	06503685	2	J, T, U		49, 74				NUT
7	05212684	2	J, T, U		49, 74				WASHER, Wave
8	05212684	2							PIN, Cotter, 4x30, (NOT SERVICED)
9	05212525	2	J, T, U		49, 74				LOCK, Hub Nut

COMPASS/PATRIOT (MK)

SERIES	LINE	BODY	ENGINE	TRANSMISSION
H = HIGHLINE	T = JEEP - 2WD	49 = HATCHBACK TYPE #2	ECE = 2.0L 4 Cyl DOHC DPF Diesel Engine	DEF = 6-Speed Manual Aisin BG6 Trans
L = LOWLINE	J = JEEP - 4WD	74 = SPORT UTILITY 4-DR TYPE #4	ED3 = 2.4L 4 Cyl DOHC 16V Dual VVT Engine	DD7 = 5-Speed Manual T355 Transmission
P = PREMIUM	U = JEEP - 4WD (RHD)		ECD = 2.0L 4 Cyl DOHC Diesel 16V Engine	DAV = Continuously Variable Transaxle II
			ECN = 2.0L 4 Cyl DOHC 16V Dual VVT Engine	DAW = Cont.Var. w/Off-Rd Crawl Ratio Trans

AR = use ase required - = Non illustrated part

Group - 5

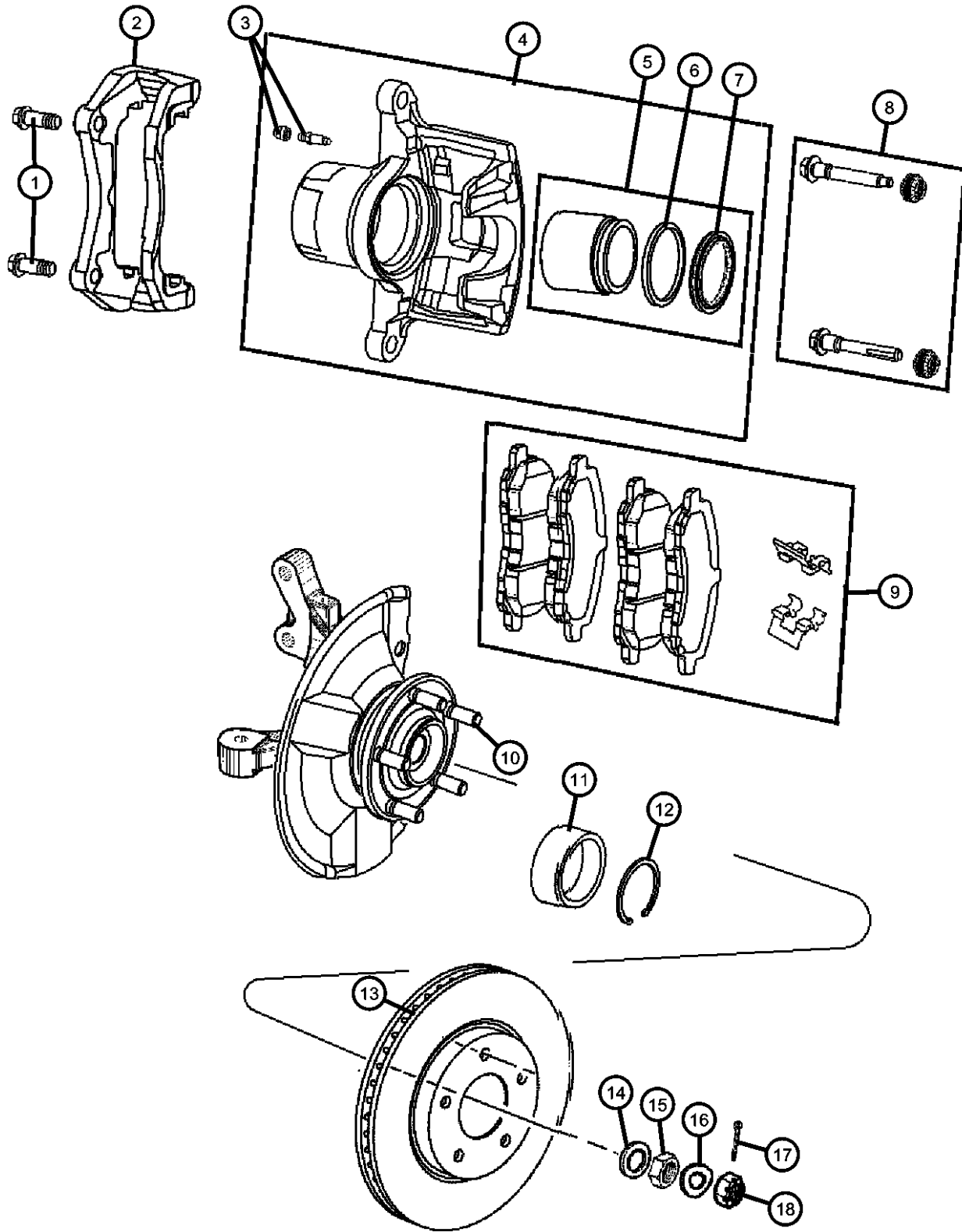
Brakes

Group - 5 Brakes

Illustration Title	Group-Fig. No.
Front Brakes	
Brakes, Front	Fig. 5 - 110
Rear Brakes	
Brakes, Rear, Disc	Fig. 5 - 205
Brakes, Rear, Drum	Fig. 5 - 220
Power Brake Booster	
Booster, Vacuum Power Brake	Fig. 5 - 305
Brake Master Cylinder	
Master Cylinder.....	Fig. 5 - 405
Hydraulic Control Unit, Brake Tubes and Hoses	
Brake Tubes, Front	Fig. 5 - 515
Brake Tubes, Rear.....	Fig. 5 - 520
Brake Pedals	
Pedal, Brake, Auto Trans	Fig. 5 - 605
Parking Brake Lever, Cables, and Rear Disc Park Brake Assembly	
Park Brake Lever and Cables, Front	Fig. 5 - 705
Park Brake Assembly, Rear Disc.....	Fig. 5 - 725

005-100 Front Brakes	005-200 Rear Brakes	005-300 Power Brake Booster	005-400 Brake Master Cylinder
005-500 Hydraulic Control Unit, Brake Tubes and Hoses	005-600 Brake Pedals	005-700 Parking Brake Lever, Cables, and Rear Disc Park Brake Assembly	

Brakes, Front
Figure 5-110



ITEM	PART NUMBER	QTY	LINE	SERIES	BODY	ENGINE	TRANS	TRIM	DESCRIPTION
1	06104233AA	4	J, T, U		49				BOLT, Hex Flange Head, M12x1.50x25.00
2	05191228AA	1	J, T, U		74				ADAPTER, Disc Brake Caliper
3	05191242AA	1	J, T, U		49, 74				BLEEDER SCREW, Brake CALIPER, Disc Brake
4	05191238AA	1	J, T, U		49, 74				Right
	05191239AA	1	J, T, U		49, 74				Left
5	05191212AA	1	J, T, U		49, 74				PISTON KIT, Front Brake
6	05191241AA	1	J, T, U		49, 74				SEAL KIT, Caliper
7	05191240AA	1	J, T, U		49, 74				BOOT KIT, Disc brake
8	05191272AA	1	J, T, U		49, 74				PIN, Caliper
9	05191217AA	1	J, T, U		49, 74				PAD KIT, Front Disc Brake, [BR1]
10	MU159002	5	J, T, U		49, 74				BOLT, HubRight or Left
11	05105586AA	1	J, T, U		49, 74				BEARING, WheelRight or Left
12	MB303868	1	J, T, U		49, 74				SNAP RING, Wheel HubRight or Left
13	05105514AA	2	J, T, U		49, 74				ROTOR, Brake
14	06503352	2	J, T, U		49, 74				WASHER, Flat, M23x38.0x405
15	06503685	2	J, T, U		49, 74				NUT
16	05212684	2	J, T, U		49, 74				WASHER, Wave
17	MF472085	2	J, T, U		49				PIN, Cotter, 4x30
18	05212525	2	J, T, U		49, 74				LOCK, Hub Nut

COMPASS/PATRIOT (MK)

SERIES LINE
H = HIGHLINE T = JEEP - 2WD
L = LOWLINE J = JEEP - 4WD
P = PREMIUM U = JEEP - 4WD (RHD)

BODY
49 = HATCHBACK TYPE #2
74 = SPORT UTILITY 4-DR TYPE #4

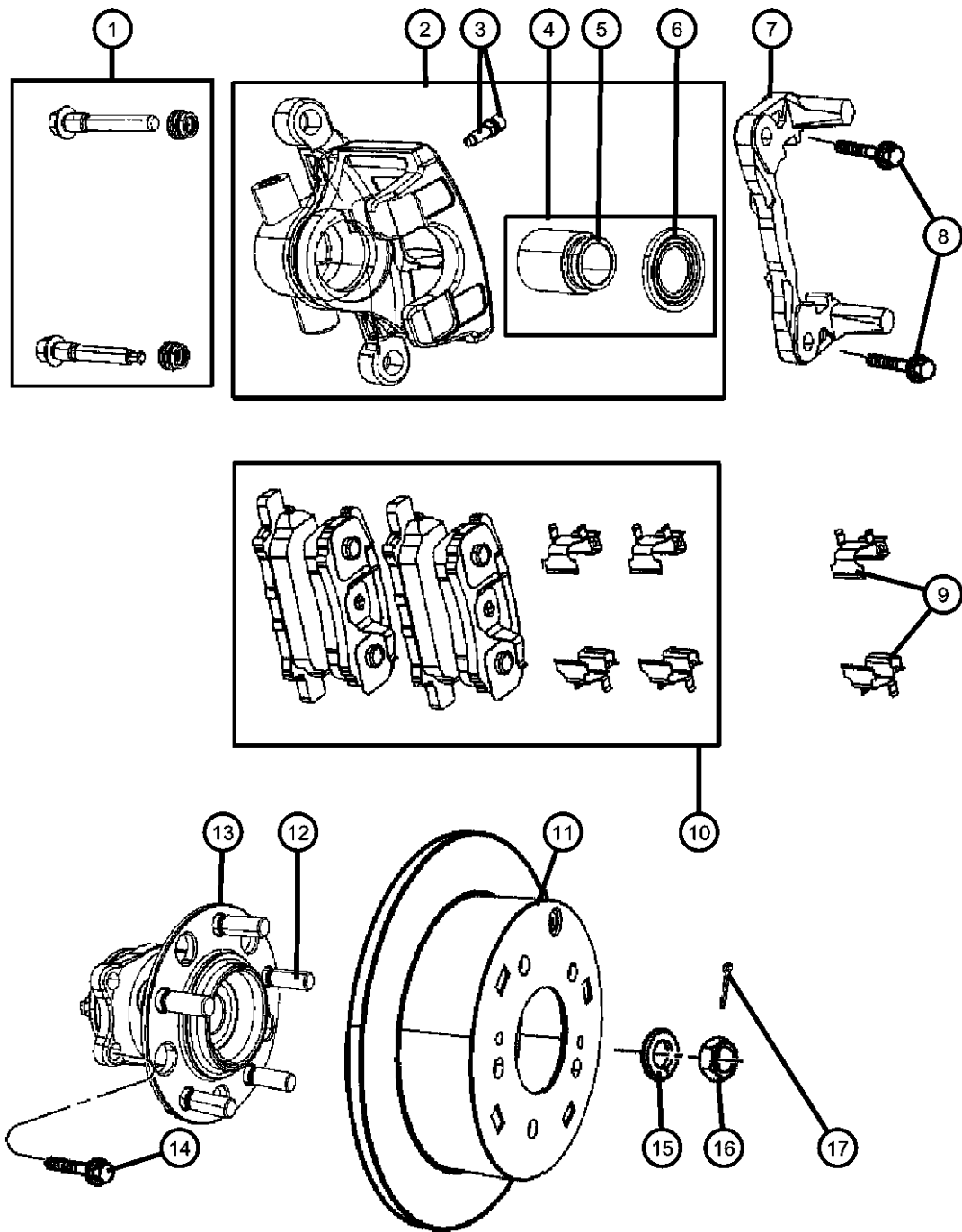
ENGINE TRANSMISSION
ECE = 2.0L 4 Cyl DOHC DPF DEF = 6-Speed Manual Aisin BG6 Diesel Engine Trans
ED3 = 2.4L 4 Cyl DOHC 16V DD7 = 5-Speed Manual T355 Dual VVT Engine Transmission
ECD = 2.0L 4 Cyl DOHC DAV = Continuously Variable Diesel 16V Engine Transaxle II
ECN = 2.0L 4 Cyl DOHC 16V DAW = Cont.Var. w/Off-Rd Crawl Dual VVT Engine Ratio Trans

AR = use ase required - = Non illustrated part

2008 MK

Brakes, Rear, Disc
Figure 5-205

ITEM	PART NUMBER	QTY	LINE	SERIES	BODY	ENGINE	TRANS	TRIM	DESCRIPTION
1	05191247AA	1	J, T, U		49, 74				PIN KIT, Disc Brake
2	05191267AA	1	J, T, U		49, 74				CALIPER, Disc Brake Left
	05191268AA	1	J, T, U		49, 74				Right
3	05191285AA	1	J, T, U		49, 74				BLEEDER SCREW, Brake
4	05191246AA	1	J, T, U		49, 74				PISTON KIT, Rear Brake
5	05191270AA	1	J, T, U		49, 74				SEAL, Caliper Piston
6	05191269AA	1	J, T, U		49, 74				BOOT, Brake Piston
7	05191291AA	1	J, T, U		49				ADAPTER, Disc Brake Caliper
	68020254AA	1	J, T, U		49				[BR1]
		1	J, T, U		74				[BR1]
8	MU000335	4	J, T, U		49, 74				BOLT, Hex Head, Caliper to knuckle, Mounting
9	05191221AA	1	J, T, U		49, 74				CLIP, Brake Caliper
10	05191271AB	1	J, T, U		49				PAD KIT, Rear Disc Brake
	68028671AA	1	J, T, U		49				[BR1]
		1	J, T, U		74				[BR1]
11	04743999AA	2	J, T, U		49				ROTOR, Brake [BR1]
	05105515AA	2	J, T, U		49				[BR1]
		2	J, T, U		74				
12	MB911495	5	T		49, 74				STUD, Hub
		5	J, U		49, 74				
13	05105719AB	2	T		49, 74				HUB AND BEARING, Brake
	05105770AD	2	J, U		49, 74				
14									BOLT, Hex Flange Head, M12x1.25x30.50



COMPASS/PATRIOT (MK)

SERIES

H = HIGHLINE
L = LOWLINE
P = PREMIUM

LINE

T = JEEP - 2WD
J = JEEP - 4WD
U = JEEP - 4WD (RHD)

BODY

49 = HATCHBACK TYPE #2
74 = SPORT UTILITY 4-DR
TYPE #4

ENGINE

ECE = 2.0L 4 Cyl DOHC DPF
Diesel Engine
ED3 = 2.4L 4 Cyl DOHC 16V
Dual VVT Engine
ECD = 2.0L 4 Cyl DOHC
Diesel 16V Engine
ECN = 2.0L 4 Cyl DOHC 16V
Dual VVT Engine

TRANSMISSION

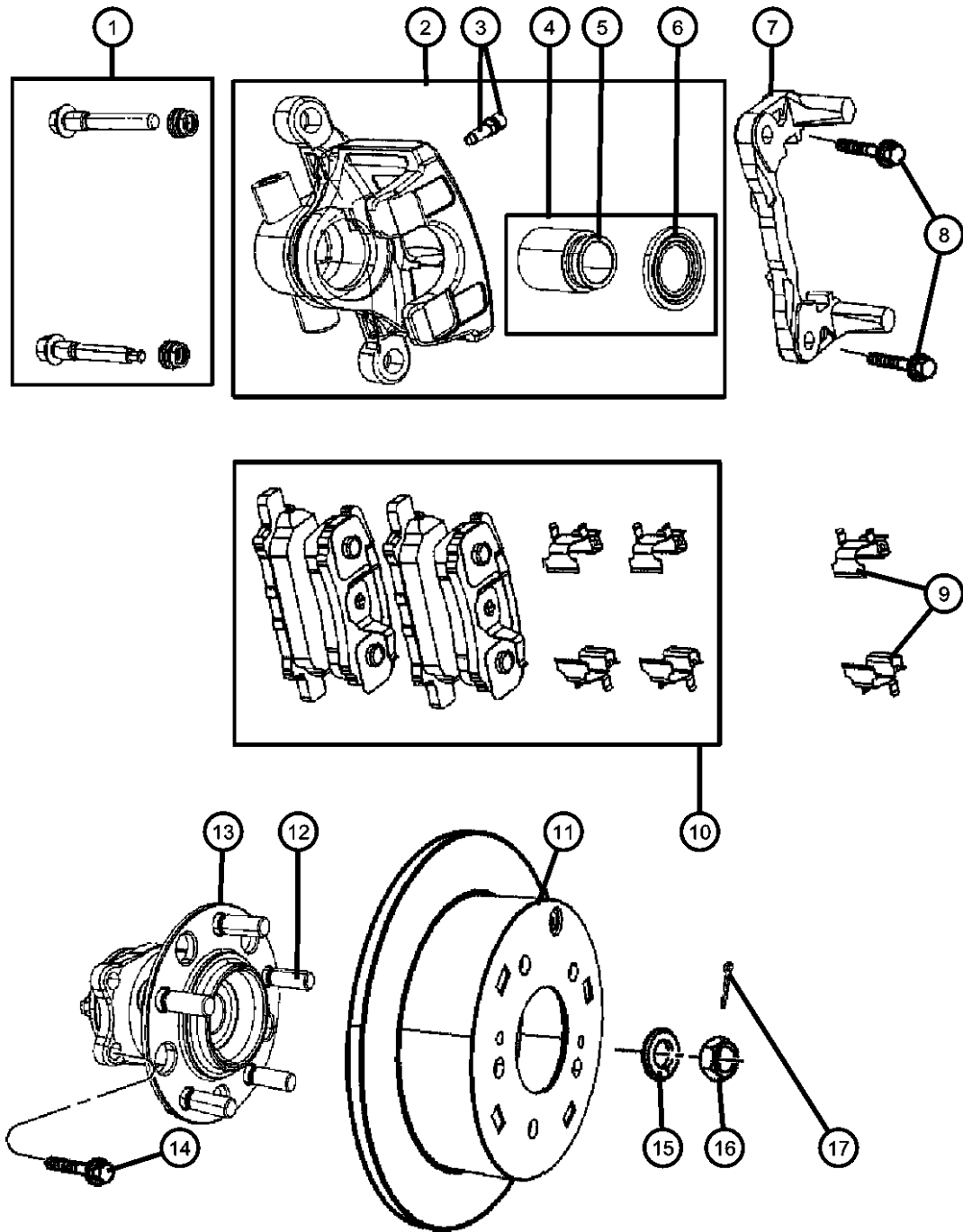
DEF = 6-Speed Manual Aisin BG6
Trans
DD7 = 5-Speed Manual T355
Transmission
DAV = Continuously Variable
Transaxle II
DAW = Cont.Var. w/Off-Rd Crawl
Ratio Trans

AR = use ase required - = Non illustrated part

2008 MK

Brakes, Rear, Disc
Figure 5-205

ITEM	PART NUMBER	QTY	LINE	SERIES	BODY	ENGINE	TRANS	TRIM	DESCRIPTION
	06509242AA	8	J, T, U		49				Hub and Bearing to Trailing Arm, Mounting
		8	J, T, U		74				Hub and Bearing to Trailing Arm, Mounting
15	06503352	2	J, T, U		49, 74				WASHER, Flat, M23x38.0x405
16	06503685	2	J, T, U		49, 74				NUT
17	MF472085	2	J, T, U		49				PIN, Cotter, 4x30
		2	J, T, U		74				



COMPASS/PATRIOT (MK)

SERIES

H = HIGHLINE
L = LOWLINE
P = PREMIUM

LINE

T = JEEP - 2WD
J = JEEP - 4WD
U = JEEP - 4WD (RHD)

BODY

49 = HATCHBACK TYPE #2
74 = SPORT UTILITY 4-DR TYPE #4

ENGINE

ECE = 2.0L 4 Cyl DOHC DPF Diesel Engine
ED3 = 2.4L 4 Cyl DOHC 16V Dual VVT Engine
ECD = 2.0L 4 Cyl DOHC Diesel 16V Engine
ECN = 2.0L 4 Cyl DOHC 16V Dual VVT Engine

TRANSMISSION

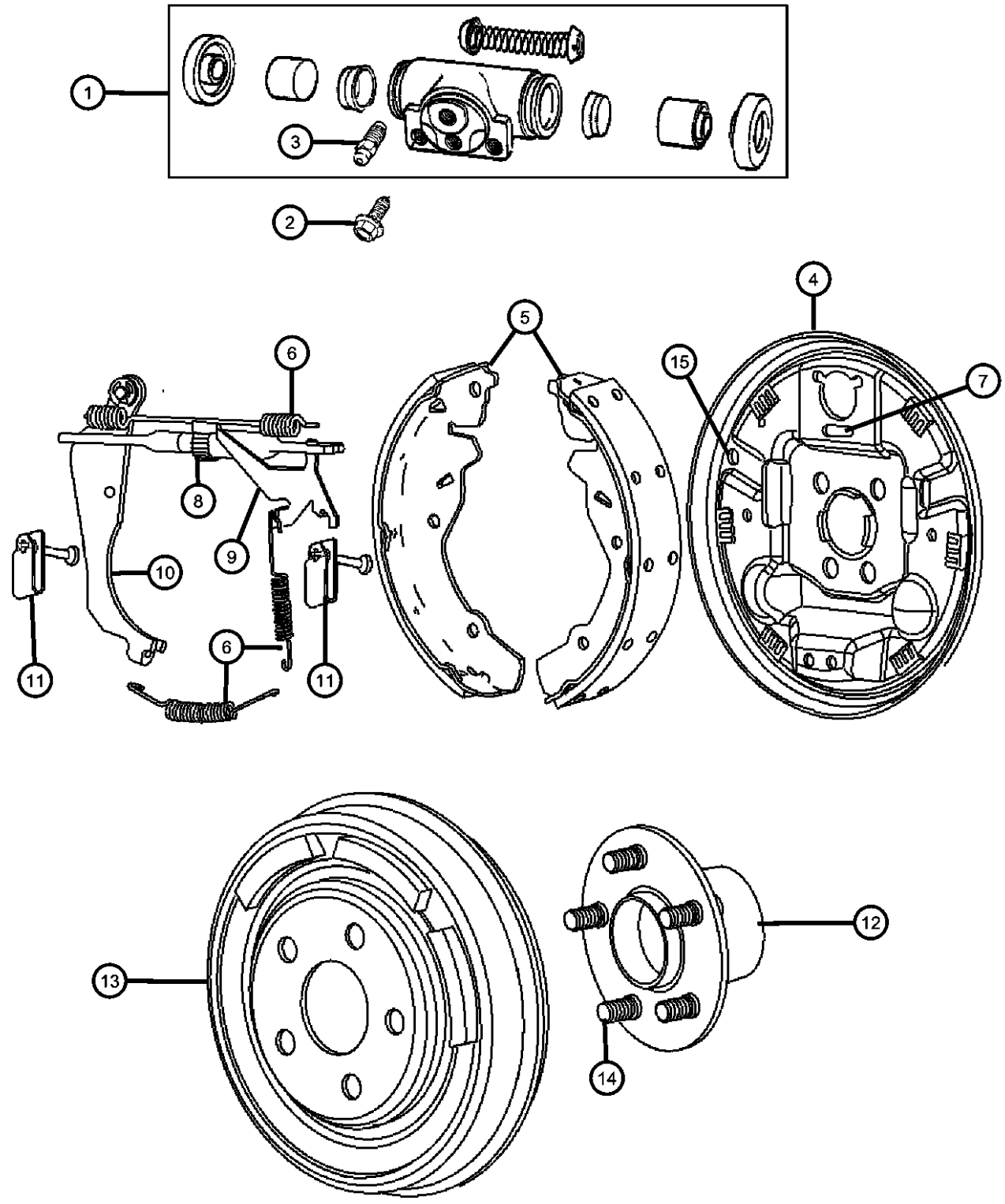
DEF = 6-Speed Manual Aisin BG6 Trans
DD7 = 5-Speed Manual T355 Transmission
DAV = Continuously Variable Transaxle II
DAW = Cont.Var. w/Off-Rd Crawl Ratio Trans

AR = use ase required - = Non illustrated part

2008 MK

Brakes, Rear, Drum
Figure 5-220

ITEM	PART NUMBER	QTY	LINE	SERIES	BODY	ENGINE	TRANS	TRIM	DESCRIPTION
1	05191305AA	1	J, T, U		49				CYLINDER, Wheel
		1	J, T, U		74				
2	05191314AA	1	J, T, U		49				BOLT, Wheel Cylinder
		1	J, T, U		74				
3	05191321AA	1	J, T, U		49				BLEEDER SCREW, Brake
		1	J, T, U		74				
4	05191297AA	1	J, T, U		49				BACKING PLATE, Rear Drum Brake
		1	J, T, U		74				Left
		1	J, T, U		49				Right
		1	J, T, U		74				Right
5	05191306AA	1	J, T, U		49				SHOE AND LINING KIT, Drum
		1	J, T, U		74				
6	05191307AB	1	J, T, U		49				SPRING KIT, Brake Shoe Return
		1	J, T, U		74				
7	05191317AA	1	J, T, U		49				PLUG, Brake Adjusting Hole
		1	J, T, U		74				
8	05191299AA	1	J, T, U		49				ADJUSTER, Brake Shoe
		1	J, T, U		74				Left
		1	J, T, U		49				Right
		1	J, T, U		74				Right
9	05191300AA	1	J, T, U		49				LEVER, Rear Wheel Brake Adjust
		1	J, T, U		74				Left
		1	J, T, U		49				Right
10	05191301AA	1	J, T, U		49				
		1	J, T, U		74				
11	05191302AA	1	J, T, U		49				
		1	J, T, U		74				

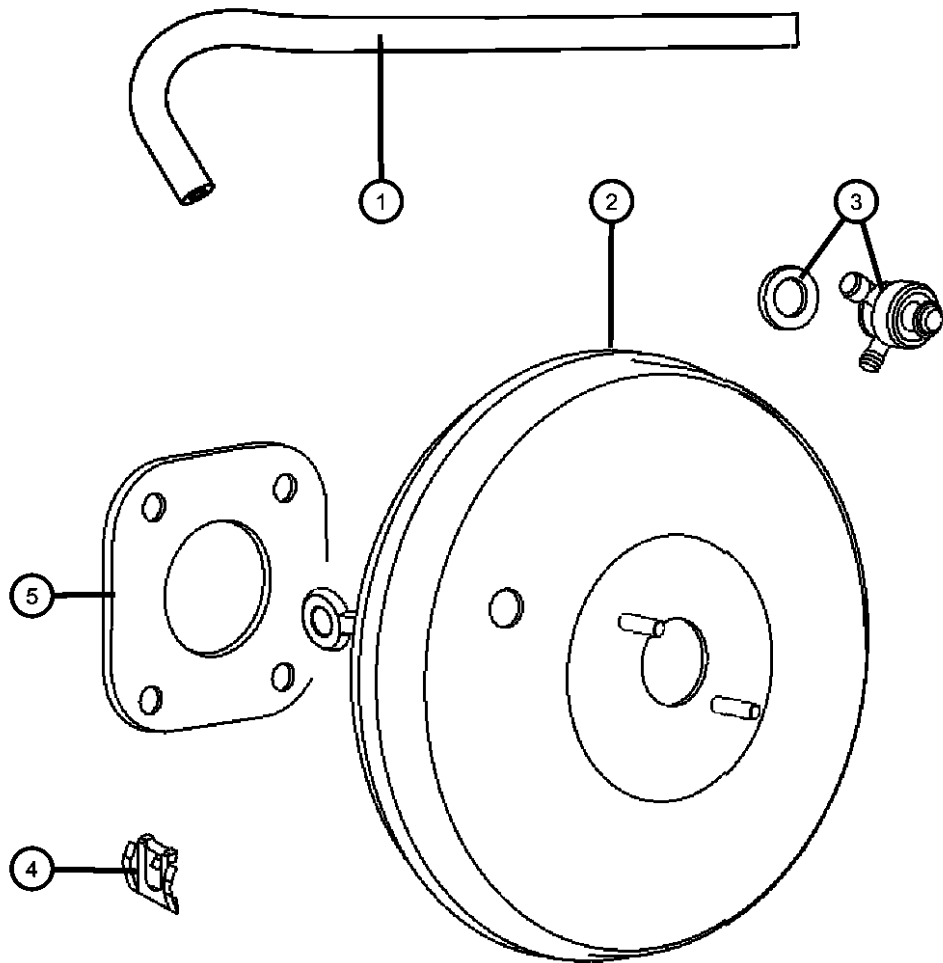


COMPASS/PATRIOT (MK)
 SERIES LINE BODY ENGINE TRANSMISSION
 H = HIGHLINE T = JEEP - 2WD 49 = HATCHBACK TYPE #2 ECE = 2.0L 4 Cyl DOHC DPF DEF = 6-Speed Manual Aisin BG6
 L = LOWLINE J = JEEP - 4WD 74 = SPORT UTILITY 4-DR Diesel Engine Trans
 P = PREMIUM U = JEEP - 4WD (RHD) TYPE #4 ED3 = 2.4L 4 Cyl DOHC 16V DD7 = 5-Speed Manual T355
 Dual VVT Engine Transmission
 ECD = 2.0L 4 Cyl DOHC DAV = Continuously Variable
 Diesel 16V Engine Transaxle II
 ECN = 2.0L 4 Cyl DOHC 16V DAW = Cont.Var. w/Off-Rd Crawl
 Dual VVT Engine Ratio Trans

AR = use ase required - = Non illustrated part

**Booster, Vacuum Power Brake
Figure 5-305**

ITEM	PART NUMBER	QTY	LINE	SERIES	BODY	ENGINE	TRANS	TRIM	DESCRIPTION
1	05105153AE	1	J, T, U		49, 74				HOSE, Vacuum Supply [ED3] Connector to Engine
	05105155AC	1	J, T, U		49, 74				[ECD] Connector to Engine
	05105156AD	1	J, T		49, 74				Booster to Connector
2	05175098AA	1	J, T		49, 74				BOOSTER, Power Brake
	05175707AA	1	U		49, 74				
3	05175096AA	1	U		49, 74				VALVE, Check
4	04294036	1	J, T, U		49, 74				CLIP
5	05175095AA	1	U		49, 74				GASKET, Booster To DashMounting



COMPASS/PATRIOT (MK)

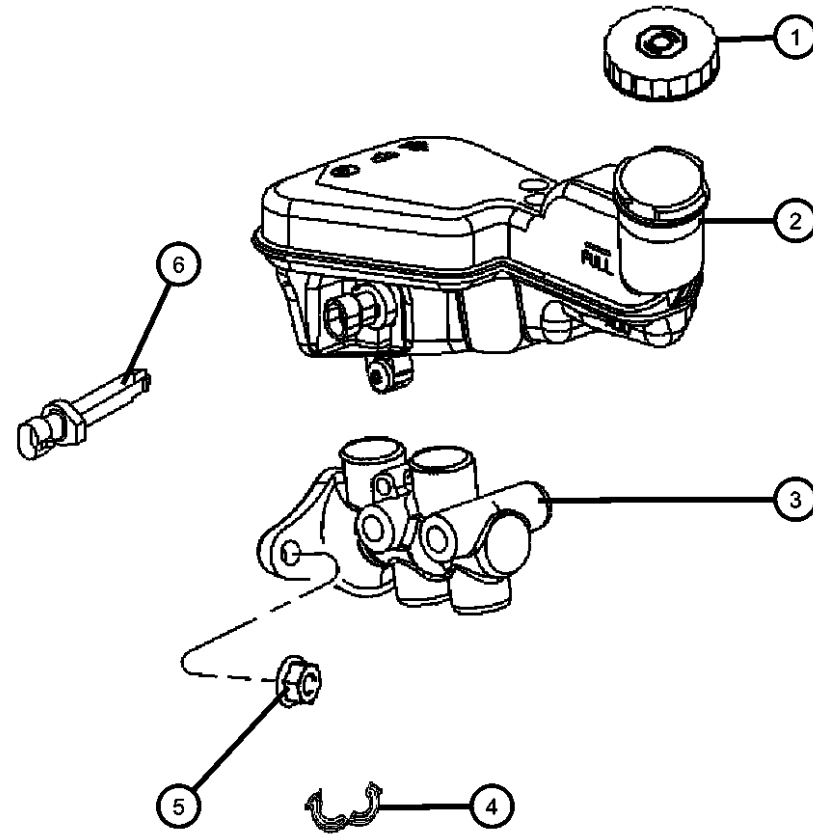
SERIES	LINE	BODY	ENGINE	TRANSMISSION
H = HIGHLINE	T = JEEP - 2WD	49 = HATCHBACK TYPE #2	ECE = 2.0L 4 Cyl DOHC DPF Diesel Engine	DEF = 6-Speed Manual Aisin BG6 Trans
L = LOWLINE	J = JEEP - 4WD	74 = SPORT UTILITY 4-DR TYPE #4	ED3 = 2.4L 4 Cyl DOHC 16V Dual VVT Engine	DD7 = 5-Speed Manual T355 Transmission
P = PREMIUM	U = JEEP - 4WD (RHD)		ECD = 2.0L 4 Cyl DOHC Diesel 16V Engine	DAV = Continuously Variable Transaxle II
			ECN = 2.0L 4 Cyl DOHC 16V Dual VVT Engine	DAW = Cont.Var. w/Off-Rd Crawl Ratio Trans

AR = use ase required - = Non illustrated part

2008 MK

**Master Cylinder
Figure 5-405**

ITEM	PART NUMBER	QTY	LINE	SERIES	BODY	ENGINE	TRANS	TRIM	DESCRIPTION
1	05014518AA	1	J, T		49, 74				CAP, Master Cylinder Reservoir
		1	U		49, 74				
2	05175091AA	1	J, T		49, 74				RESERVOIR, Brake Master Cylinder With Switch
	05175705AA	1	U		49, 74				With Switch
3	05175093AA	1	J, T		49, 74				MASTER CYLINDER, Brake
	05175704AA	1	U		49, 74				
4	05105902AB	1	J, T		49, 74				BLOCKER, Reservoir Blocker
5	05175097AA	2	J, T		49, 74				NUT AND WASHER KIT Master Cylinder to Booster, Mounting
		1	U		49, 74				Master Cylinder to Booster, Mounting
6	05175094AA	1	U		49, 74				SENSOR, Brake Fluid Level, Reservoir



COMPASS/PATRIOT (MK)

SERIES LINE

H = HIGHLINE T = JEEP - 2WD
L = LOWLINE J = JEEP - 4WD
P = PREMIUM U = JEEP - 4WD (RHD)

BODY

49 = HATCHBACK TYPE #2
74 = SPORT UTILITY 4-DR
TYPE #4

ENGINE

ECE = 2.0L 4 Cyl DOHC DPF Diesel Engine
ED3 = 2.4L 4 Cyl DOHC 16V Dual VVT Engine
ECD = 2.0L 4 Cyl DOHC Diesel 16V Engine
ECN = 2.0L 4 Cyl DOHC 16V Dual VVT Engine

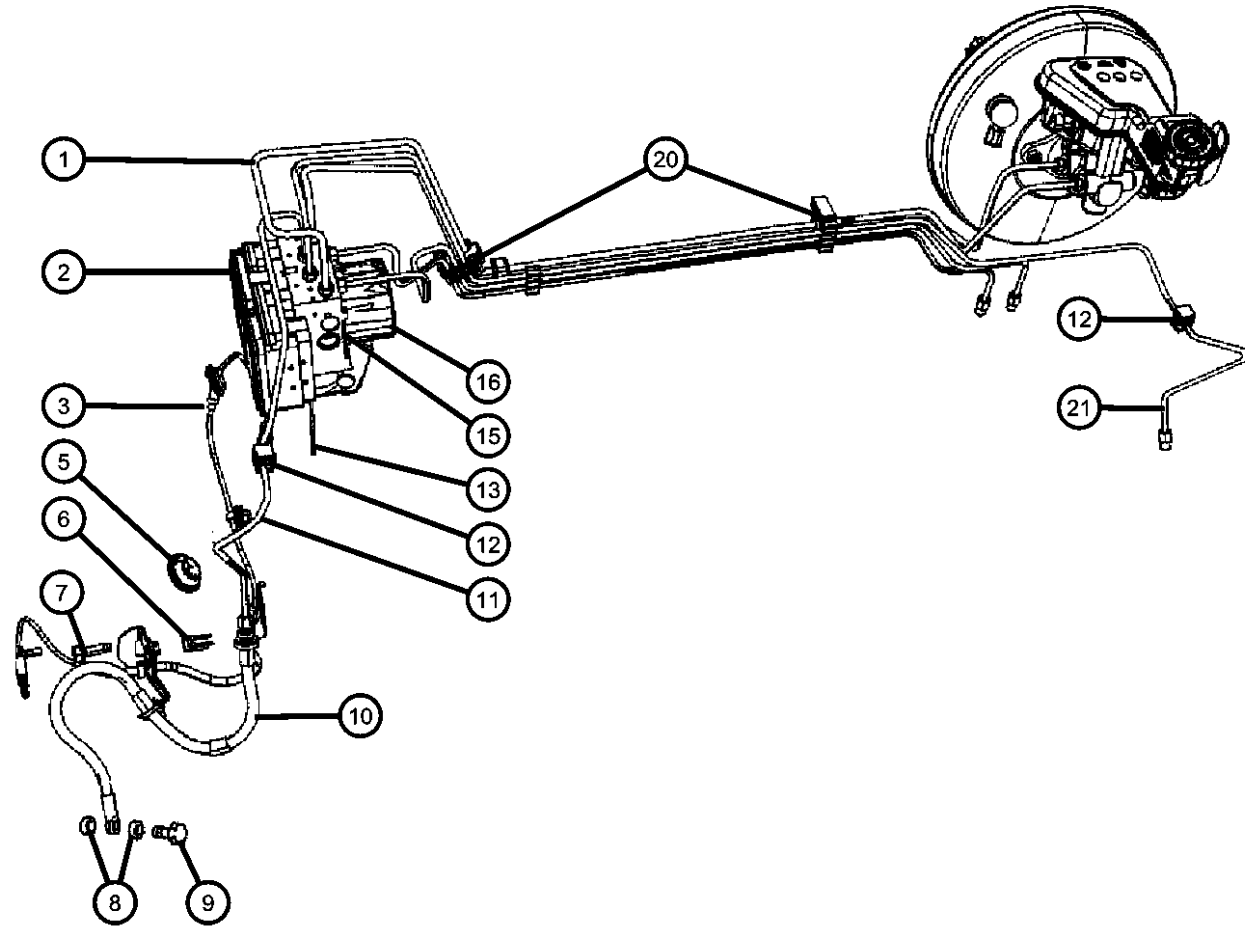
TRANSMISSION

DEF = 6-Speed Manual Aisin BG6 Trans
DD7 = 5-Speed Manual T355 Transmission
DAV = Continuously Variable Transaxle II
DAW = Cont.Var. w/Off-Rd Crawl Ratio Trans

AR = use ase required - = Non illustrated part

2008 MK

Brake Tubes,Front
Figure 5-515



ITEM	PART NUMBER	QTY	LINE	SERIES	BODY	ENGINE	TRANS	TRIM	DESCRIPTION
1									TUBE BUNDLE, Brake
	05105417AF	1	J, T		49				
		1	J, T		74				
	05105418AF	1	U		49, 74				
	05105826AA	1	J, T		49, 74				
2									MODULE, Anti-Lock Brake System
	05191006AD	1	J, T		49				
		1	J, T		74				
3									SENSOR, Anti-Lock Brakes
	05105572AA	1	J, T, U		49, 74				Right
	05105573AA	1	J, T, U		49, 74				Left
-4	06105037AA	2	J, T, U		49, 74				BOLT, Hex Flange Head, ABS Sensor Head to Front Knuckle, Mounting
5	05105821AB	2	J, T, U		49, 74				GROMMET, Brake Line, Mounting
6	02208893	2	J, T, U		49, 74				LOCK, Brake Hose
7									SCREW, Hex Flange Head, M8x1.25x25.00
	06105049AA	2	J, T, U		49, 74				ABS Sensor to Strut Bracket
		2	J, T, U		49, 74				ABS Sensor to Strut Bracket, Mounting
8	06502114	4	J, T, U		49, 74				WASHER, Brake Hose Mounting
9	MR249625	2	J, T, U		49, 74				BOLT, Banjo, Brake Hose to Caliper, Mounting
10									HOSE, Brake
	05105603AC	1	J, T, U		49, 74				Left
	05105604AC	1	J, T, U		49, 74				Right
11									TUBE, Brake
	05105199AE	1	J, T		49				
		1	J, T		74				
	05105778AB	1	U		49, 74				
12									CLIP, Brake Line
	05175421AA	1	J, T		49, 74				
		1	U		49, 74				
13	05179866AA	1	U		49, 74				BRACKET, Brake Control Unit

COMPASS/PATRIOT (MK)

SERIES LINE
H = HIGHLINE T = JEEP - 2WD
L = LOWLINE J = JEEP - 4WD
P = PREMIUM U = JEEP - 4WD (RHD)

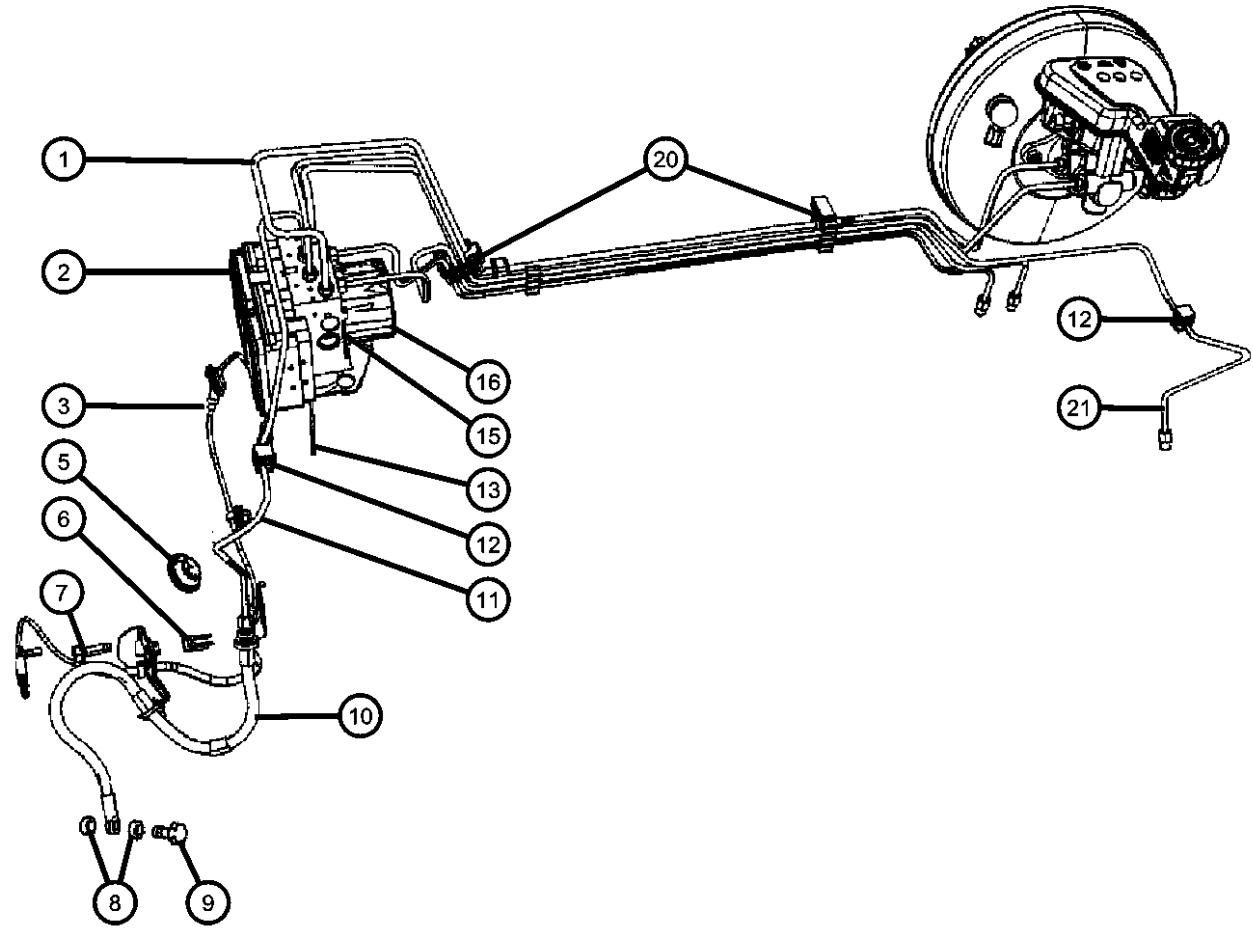
BODY
49 = HATCHBACK TYPE #2
74 = SPORT UTILITY 4-DR TYPE #4

ENGINE TRANSMISSION
ECE = 2.0L 4 Cyl DOHC DPF DEF = 6-Speed Manual Aisin BG6 Diesel Engine Trans
ED3 = 2.4L 4 Cyl DOHC 16V DD7 = 5-Speed Manual T355 Dual VVT Engine Transmission
ECD = 2.0L 4 Cyl DOHC DAV = Continuously Variable Diesel 16V Engine Transaxle II
ECN = 2.0L 4 Cyl DOHC 16V DAW = Cont.Var. w/Off-Rd Crawl Dual VVT Engine Ratio Trans

AR = use ase required - = Non illustrated part

2008 MK

Brake Tubes,Front
Figure 5-515



ITEM	PART NUMBER	QTY	LINE	SERIES	BODY	ENGINE	TRANS	TRIM	DESCRIPTION
-14									SCREW, Hex Head
	05191002AA	1	T, J		49				HCU Bracket
		1	J, T		74				HCU Bracket
		1	U		49, 74				HCU Bracket
15	05159024AA	1	U		49, 74				O RING, Pump Tower, Mounting
16	05179865AA	1	U		49, 74				HYDRAULIC CONTROL UNIT, Anti-Lock Brake System, [BNB,BNS]
-17									SCREW, Hex Head, M8x1.25x30
	06104388AA	1	U		49, 74				ICU to Frame Rail, Mounting
		2	J, T		49				ICU to Frame Rail, Mounting
		2	J, T		74				ICU to Frame Rail, Mounting
-18	06104726AA	1	U		49, 74				NUT AND WASHER, Hex, M8x1.25, ICU to Shock Tower
-19									SEAL, ECU Coil Seal
	68020717AA	12	J, T		49				
		12	J, T		74				
		12	U		49, 74				
20	05175422AA	3	U		49, 74				CLIP, Brake Line, 6-Way, Mounting
21									TUBE, Brake
	05105167AD	1	U		49, 74				HCU to Brake Hose, Left
	05171123AC	1	T, J		49				HCU to Brake Hose, Left
		1	J, T		74				HCU to Brake Hose, Left

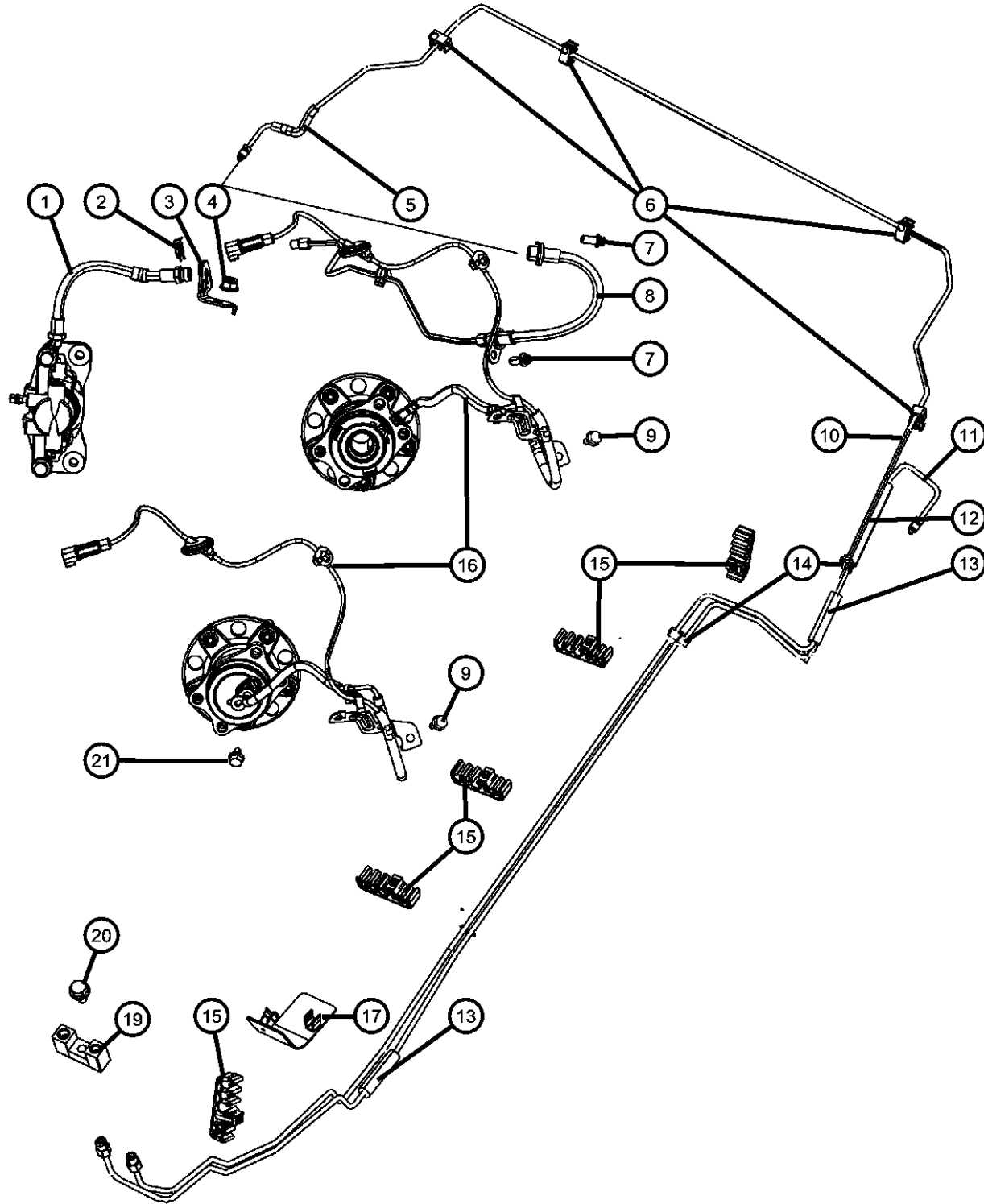
COMPASS/PATRIOT (MK)

SERIES	LINE	BODY	ENGINE	TRANSMISSION
H = HIGHLINE	T = JEEP - 2WD	49 = HATCHBACK TYPE #2	ECE = 2.0L 4 Cyl DOHC DPF Diesel Engine	DEF = 6-Speed Manual Aisin BG6 Trans
L = LOWLINE	J = JEEP - 4WD	74 = SPORT UTILITY 4-DR TYPE #4	ED3 = 2.4L 4 Cyl DOHC 16V Dual VVT Engine	DD7 = 5-Speed Manual T355 Transmission
P = PREMIUM	U = JEEP - 4WD (RHD)		ECD = 2.0L 4 Cyl DOHC Diesel 16V Engine	DAV = Continuously Variable Transaxle II
			ECN = 2.0L 4 Cyl DOHC 16V Dual VVT Engine	DAW = Cont.Var. w/Off-Rd Crawl Ratio Trans

AR = use ase required - = Non illustrated part

2008 MK

Brake Tubes,Rear
Figure 5-520



ITEM	PART NUMBER	QTY	LINE	SERIES	BODY	ENGINE	TRANS	TRIM	DESCRIPTION
1	05085960AC	2	J, T, U		49, 74				HOSE, Brake [BR1]
	05105654AA	2	J, T, U		49, 74				[BRF]
2	02208893	2	J, T, U		49, 74				LOCK, Brake HoseMounting
3									BRACKET, Brake Hose Right
	05105656AA	1	J, T, U		49, 74				Left
	05105657AA	1	J, T, U		49, 74				
4	06104716AA	2	J, T, U		49, 74				NUT, Hex Flange Lock, M8X1.25, Brake Hose Bracket to Body
									SLEEVE, Rubber
5	68001906AA	1	J, T, U		49				
		1	J, T, U		74				
6									CLIP, Fuel Line 2 Way
	05189343AA	1	J, T, U		49				2 Way
		1	J, T, U		74				
	68019081AA	1	J, T, U		49				2-Way [ECD] Only
		1	J, T, U		74				2-Way [ECD] Only
7	68019084AA	1	J, T, U		49				Plastic Shield [ECD] Only
		1	J, T, U		74				Plastic Shield [ECD] Only
7	06508532AA	2	J, T, U		49, 74				SCREW, Brake Hose and Tube Assembly to Body, Mounting
8									HOSE AND TUBE, Brake Right
	05105426AC	1	J, T, U		49, 74				Left
	05105427AC	1	J, T, U		49, 74				
9	06105048AA	2	J, T, U		49, 74				SCREW, Brake Hose and Tube Assembly to Body
10									TUBE, Brake, Right Rear
	05189340AB	1	J, T, U		49				
		1	J, T, U		74				
11									TUBE, Brake, Left Rear
	05189341AB	1	J, T, U		49				
		1	J, T, U		74				
12									BUMPER, Rubber
	68019043AA	1	J, T, U		49				

COMPASS/PATRIOT (MK)

SERIES LINE
H = HIGHLINE T = JEEP - 2WD
L = LOWLINE J = JEEP - 4WD
P = PREMIUM U = JEEP - 4WD (RHD)

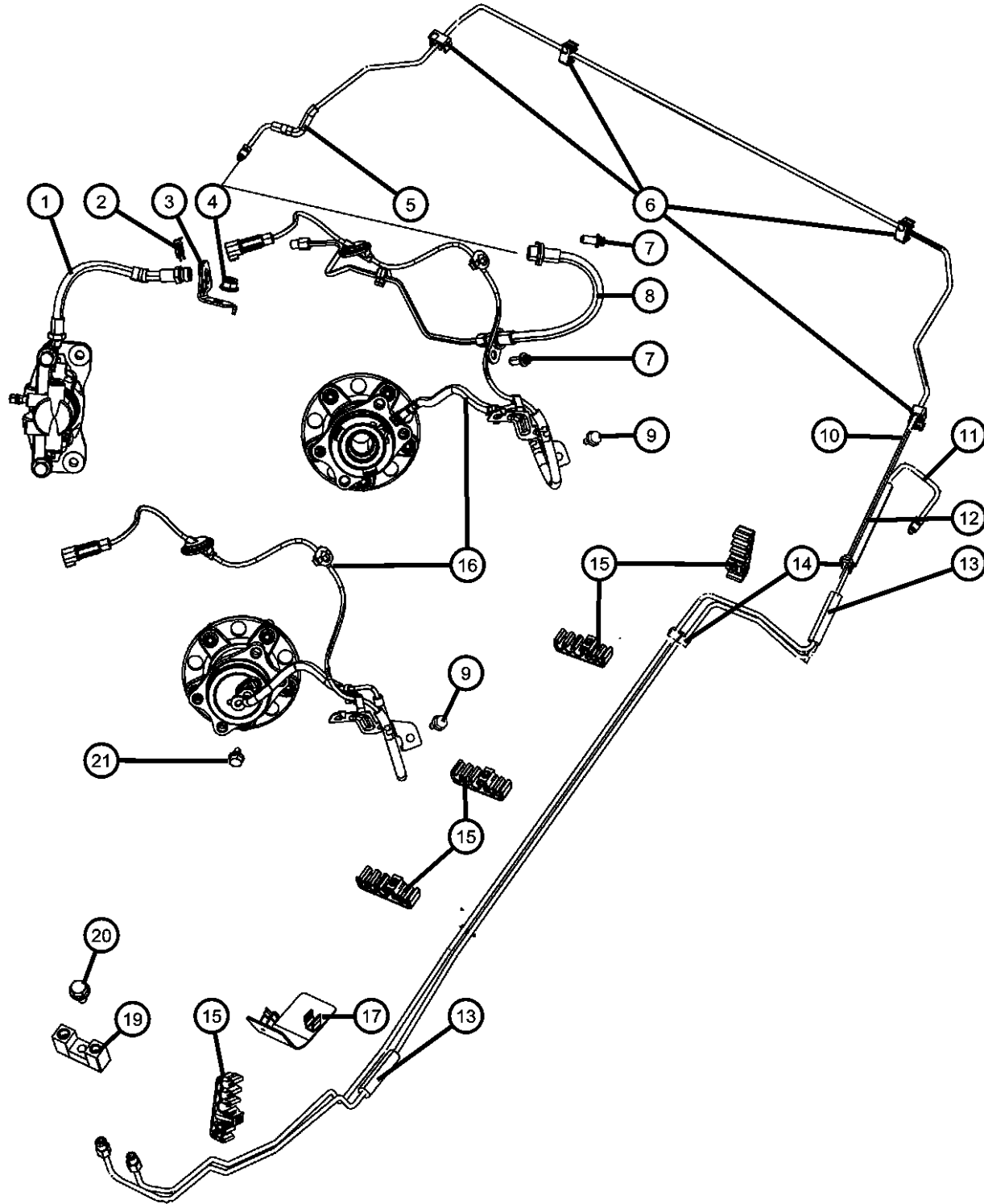
BODY
49 = HATCHBACK TYPE #2
74 = SPORT UTILITY 4-DR
TYPE #4

ENGINE TRANSMISSION
ECE = 2.0L 4 Cyl DOHC DPF DEF = 6-Speed Manual Aisin BG6
Diesel Engine Trans
ED3 = 2.4L 4 Cyl DOHC 16V DD7 = 5-Speed Manual T355
Dual VVT Engine Transmission
ECD = 2.0L 4 Cyl DOHC DAV = Continuously Variable
Diesel 16V Engine Transaxle II
ECN = 2.0L 4 Cyl DOHC 16V DAW = Cont.Var. w/Off-Rd Crawl
Dual VVT Engine Ratio Trans

AR = use ase required - = Non illustrated part

2008 MK

Brake Tubes,Rear
Figure 5-520



ITEM	PART NUMBER	QTY	LINE	SERIES	BODY	ENGINE	TRANS	TRIM	DESCRIPTION
13		1	J, T, U		74				BUMPER, Rubber
	05189344AA	1	J, T, U		49				
		1	J, T, U		74				
14									CLIP, Fuel Bundle
	04582074	1	J, T, U		49				2-Way
		1	J, T, U		74				2-Way
	05137750AB	1	J, T, U		49				Structural Metal
		1	J, T, U		74				Structural Metal
15									CLIP, Fuel Line
	05189342AA	1	J, T, U		49				5 Way
		1	J, T, U		74				5 Way
16									SENSOR, Anti-Lock Brakes
	05105062AA	1	T		49, 74				Right
	05105063AB	1	T		49, 74				Left
	05105064AA	1	J, U		49, 74				Right
	05105065AB	1	J, U		49, 74				Left
17									SHIELD, Fuel and Brake Bundle
	68019078AA	1	J, T, U		49				[ECN,ED3]
		1	J, T, U		74				[ECN,ED3]
	68019092AA	1	J, T, U		49				[ECD,ECE]
		1	J, T, U		74				[ECD,ECE]
-18									SHIELD, Fuel Line
	05105811AA	1	J, T, U		49				
		1	J, T, U		74				
19									JUNCTION BLOCK, Brake Tube
	05105682AA	1	J, T, U		74				
		1	J, T, U		49				
20									SCREW, Hex Flange Head, M6x1.00x25.00
	06105038AA	1	J, T, U		49				Junction Block to Body
		1	J, T, U		74				Junction Block to Body
21	05073824AA	1	J, T, U		49, 74				BOLT, ABS Sensor to Hub

COMPASS/PATRIOT (MK)

SERIES LINE
H = HIGHLINE T = JEEP - 2WD
L = LOWLINE J = JEEP - 4WD
P = PREMIUM U = JEEP - 4WD (RHD)

BODY
49 = HATCHBACK TYPE #2
74 = SPORT UTILITY 4-DR
TYPE #4

ENGINE TRANSMISSION
ECE = 2.0L 4 Cyl DOHC DPF DEF = 6-Speed Manual Aisin BG6
Diesel Engine Trans
ED3 = 2.4L 4 Cyl DOHC 16V DD7 = 5-Speed Manual T355
Dual VVT Engine Transmission
ECD = 2.0L 4 Cyl DOHC DAV = Continuously Variable
Diesel 16V Engine Transaxle II
ECN = 2.0L 4 Cyl DOHC 16V DAW = Cont.Var. w/Off-Rd Crawl
Dual VVT Engine Ratio Trans

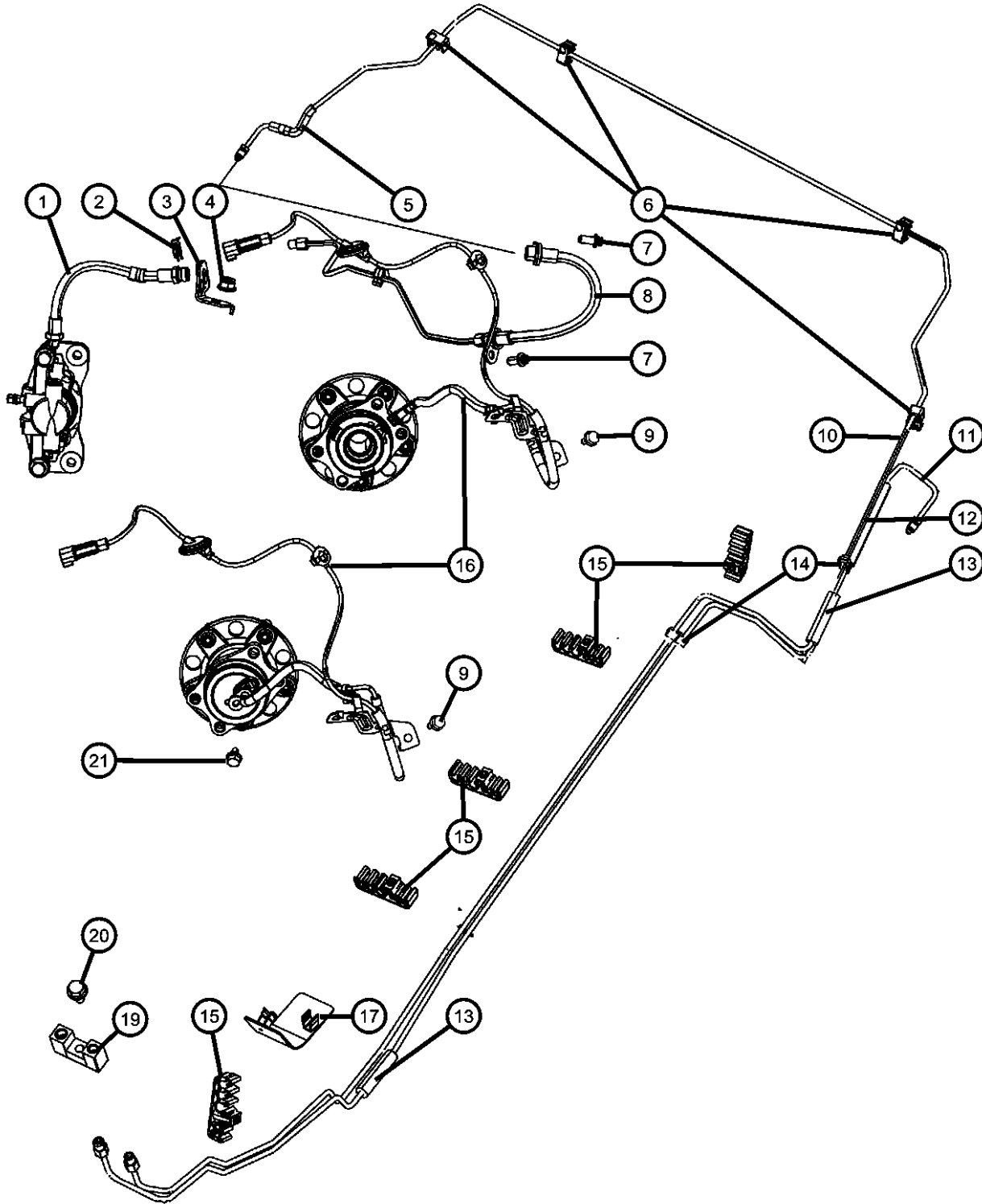
AR = use ase required - = Non illustrated part

2008 MK

Brake Tubes,Rear
Figure 5-520

ITEM	PART NUMBER	QTY	LINE	SERIES	BODY	ENGINE	TRANS	TRIM	DESCRIPTION
------	-------------	-----	------	--------	------	--------	-------	------	-------------

-22									TIE STRAP
	68001857AA	1	J, T, U		49				
		1	J, T, U		74				



COMPASS/PATRIOT (MK)

SERIES LINE
 H = HIGHLINE T = JEEP - 2WD
 L = LOWLINE J = JEEP - 4WD
 P = PREMIUM U = JEEP - 4WD (RHD)

BODY
 49 = HATCHBACK TYPE #2
 74 = SPORT UTILITY 4-DR
 TYPE #4

ENGINE TRANSMISSION
 ECE = 2.0L 4 Cyl DOHC DPF DEF = 6-Speed Manual Aisin BG6
 Diesel Engine Trans
 ED3 = 2.4L 4 Cyl DOHC 16V DD7 = 5-Speed Manual T355
 Dual VVT Engine Transmission
 ECD = 2.0L 4 Cyl DOHC DAV = Continuously Variable
 Diesel 16V Engine Transaxle II
 ECN = 2.0L 4 Cyl DOHC 16V DAW = Cont.Var. w/Off-Rd Crawl
 Dual VVT Engine Ratio Trans

AR = use ase required - = Non illustrated part

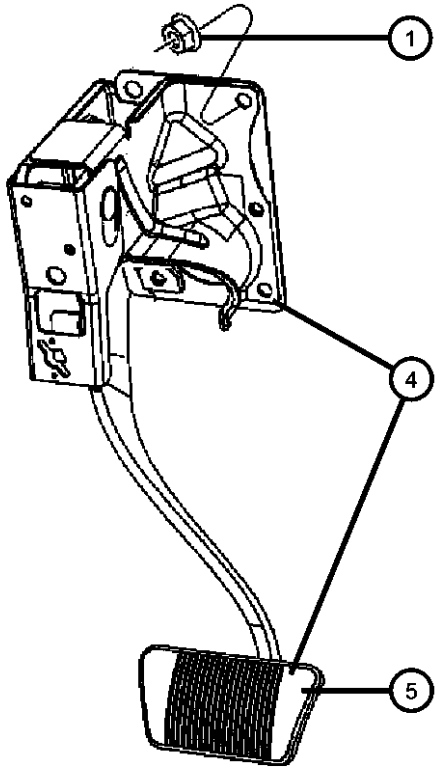
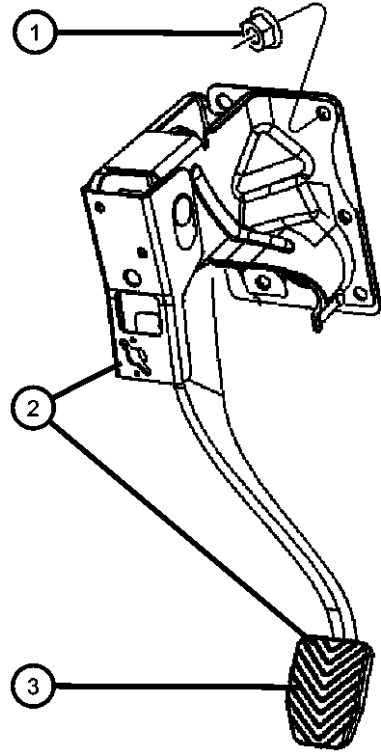
2008 MK

Pedal, Brake, Auto Trans
Figure 5-605

ITEM	PART NUMBER	QTY	LINE	SERIES	BODY	ENGINE	TRANS	TRIM	DESCRIPTION
------	-------------	-----	------	--------	------	--------	-------	------	-------------

Note: Sales Codes;
 [DAV]=Continuously Variable Transaxle
 [DAW]=Continuously Variable Transaxle with Off Road Crawl Ratio
 [DD7]=5-Speed Manual T355 Transmission
 [DEF]=6-Speed Manual Aisin BG6 Transmission

1	06104716AA	5	J, T, U		49				NUT, Hex Flange Lock, M8X1.25
		5	J, T, U		74				
2	05105520AF	1	U		49, 74				PEDAL, Brake [DD7,DEF]
	05105522AF	1	J, T		49, 74				[DD7,DEF]
3	05170975AB	1	U		49, 74				PAD, Pedal, [DD7,DEF]
4	05105521AG	1	U		49, 74				PEDAL, Brake, [DAV,DAW]
5	68020438AA	1	U		49, 74				PAD, Pedal, [DAV,DAW]



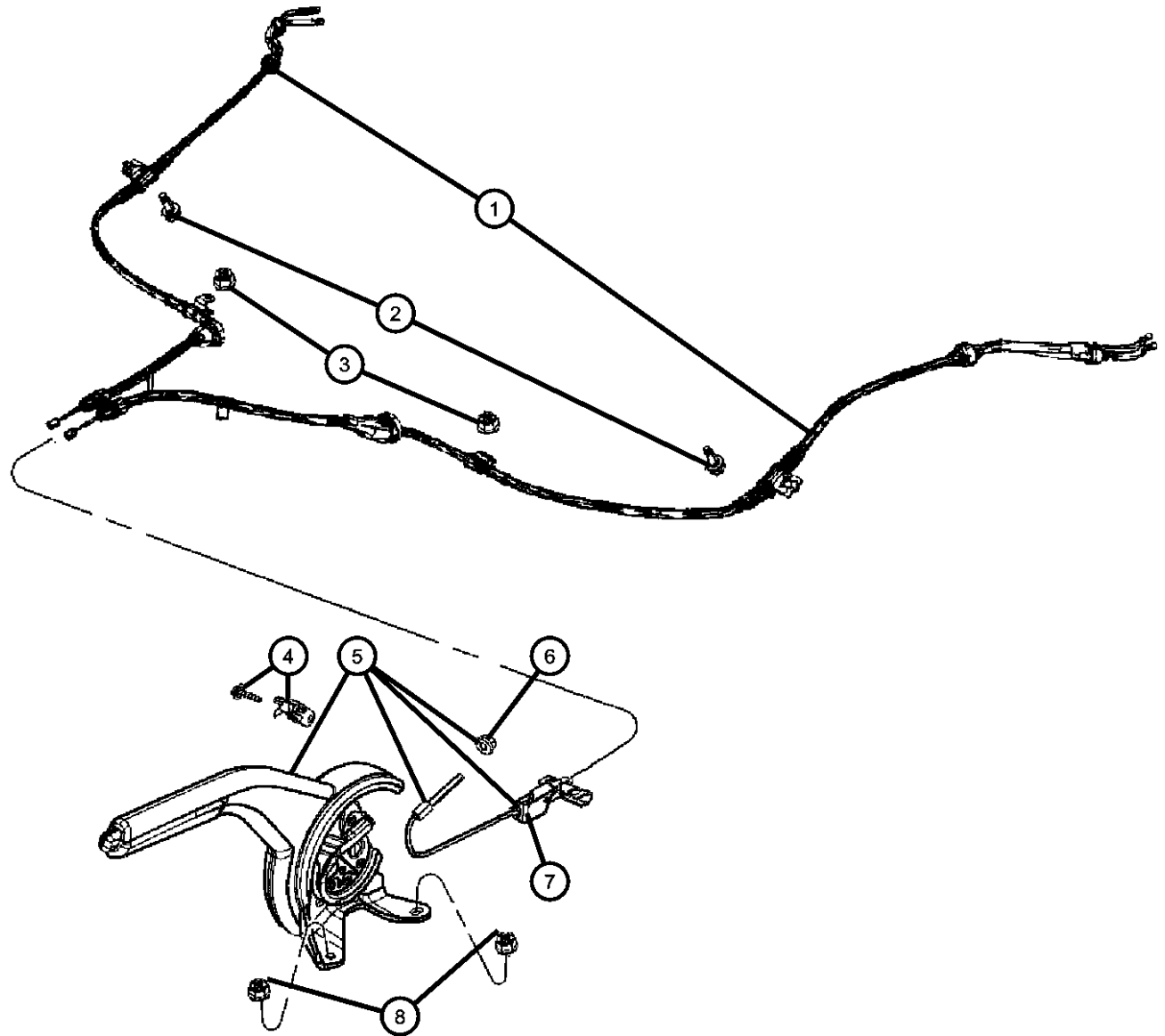
COMPASS/PATRIOT (MK)

SERIES	LINE	BODY	ENGINE	TRANSMISSION
H = HIGHLINE	T = JEEP - 2WD	49 = HATCHBACK TYPE #2	ECE = 2.0L 4 Cyl DOHC DPF Diesel Engine	DEF = 6-Speed Manual Aisin BG6 Trans
L = LOWLINE	J = JEEP - 4WD	74 = SPORT UTILITY 4-DR TYPE #4	ED3 = 2.4L 4 Cyl DOHC 16V Dual VVT Engine	DD7 = 5-Speed Manual T355 Transmission
P = PREMIUM	U = JEEP - 4WD (RHD)		ECD = 2.0L 4 Cyl DOHC Diesel 16V Engine	DAV = Continuously Variable Transaxle II
			ECN = 2.0L 4 Cyl DOHC 16V Dual VVT Engine	DAW = Cont.Var. w/Off-Rd Crawl Ratio Trans

AR = use ase required - = Non illustrated part

2008 MK

Park Brake Lever and Cables,Front
Figure 5-705



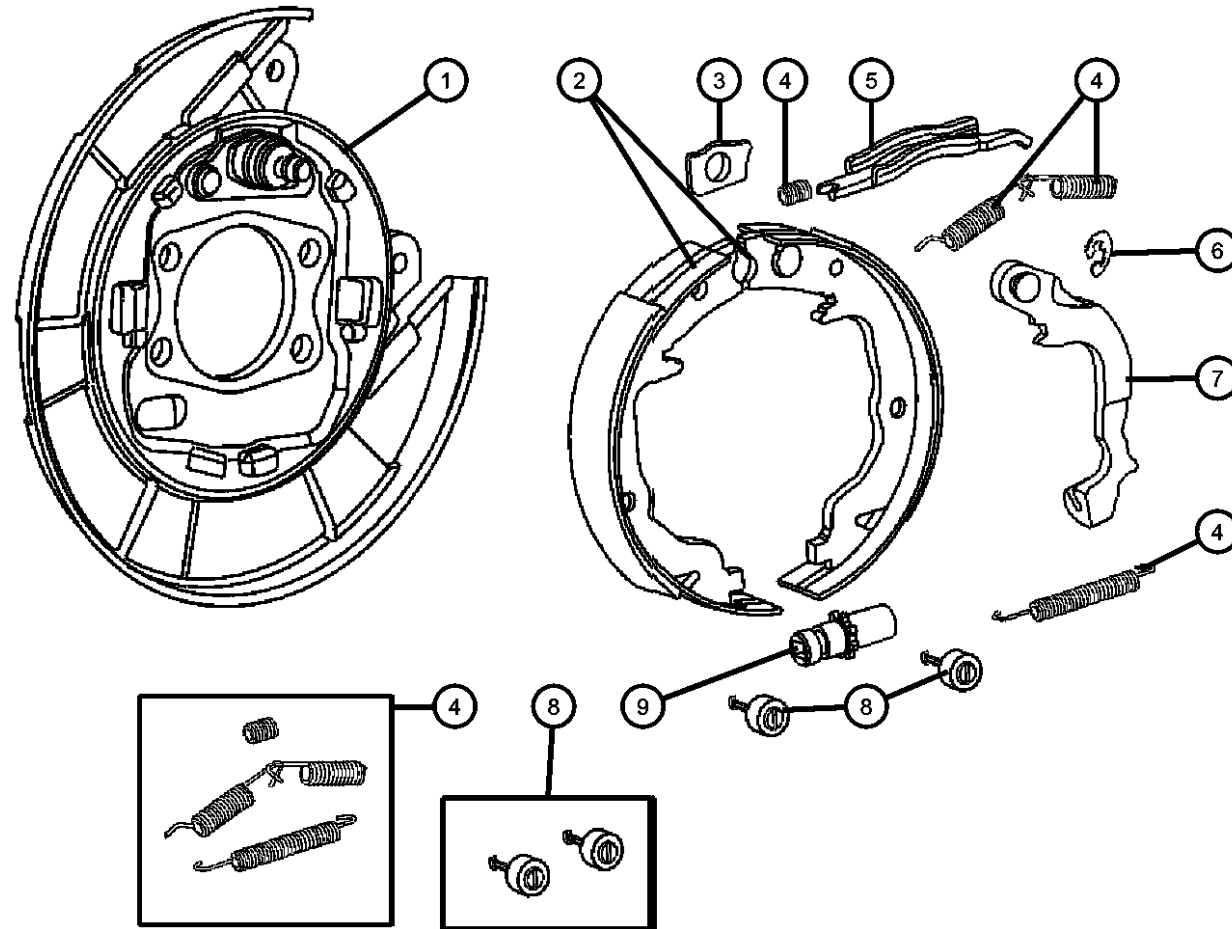
ITEM	PART NUMBER	QTY	LINE	SERIES	BODY	ENGINE	TRANS	TRIM	DESCRIPTION	
1	05105140AC	1	J, T, U		49				CABLE, Parking Brake Without [AWL], Right	
		1	J, T, U		74				Without [AWL], Right	
	05105141AC	1	J, T, U		49, 74				Left	
	68033142AA	1	J, T, U		49					With [AWL], Right
		1	J, T, U		74					With [AWL], Right
	2	06105048AA	2	J, T, U		49, 74			SCREW, Parking Brake Cable to Rear Side Member, Mounting	
	3	06104716AA	2	J, T, U		49, 74			NUT, Hex Flange Lock, M8X1.25	
	4	05209922	1	J, T, U		49, 74			SWITCH, Parking Brake	
5	1CR75DX9AC	1	J, T, U		49			LEVER, Parking Brake		
6	05127449AA	1	J, T, U		49, 74			NUT, M6x1.00, Rod to Lever Assembly, Mounting		
7	05105913AA	1	J, T, U		49, 74			EQUALIZER, Parking Brake Cable		
8	06104716AA	2	J, T, U		49, 74			NUT, Hex Flange Lock, M8X1.25		

COMPASS/PATRIOT (MK)

SERIES	LINE	BODY	ENGINE	TRANSMISSION
H = HIGHLINE	T = JEEP - 2WD	49 = HATCHBACK TYPE #2	ECE = 2.0L 4 Cyl DOHC DPF Diesel Engine	DEF = 6-Speed Manual Aisin BG6 Trans
L = LOWLINE	J = JEEP - 4WD	74 = SPORT UTILITY 4-DR TYPE #4	ED3 = 2.4L 4 Cyl DOHC 16V Dual VVT Engine	DD7 = 5-Speed Manual T355 Transmission
P = PREMIUM	U = JEEP - 4WD (RHD)		ECD = 2.0L 4 Cyl DOHC Diesel 16V Engine	DAV = Continuously Variable Transaxle II
			ECN = 2.0L 4 Cyl DOHC 16V Dual VVT Engine	DAW = Cont.Var. w/Off-Rd Crawl Ratio Trans

AR = use ase required - = Non illustrated part

**Park Brake Assembly,Rear Disc
Figure 5-725**



ITEM	PART NUMBER	QTY	LINE	SERIES	BODY	ENGINE	TRANS	TRIM	DESCRIPTION
1	05191219AA	1	J, T, U		49				PLATE, Brake Backing Left
		1	J, T, U		74				Left
	05191220AA	1	J, T, U		49				Right
		1	J, T, U		74				Right
	68001746AB	1	J, T, U		49				[BR1], Right
	68001747AC	1	J, T, U		49				[BR1], Left
2	05191215AA	1	J, T, U		49				SHOE AND LINING, Parking Brake
		1	J, T, U		74				
3	05191273AA	1	J, T, U		49				GUIDE
		1	J, T, U		74				
4	05191308AA	1	J, T, U		49				SPRING KIT, Brake Shoe Return
									STRUT, Parking Brake
5	05191259AA	1	J, T, U		49				Left
	05191260AA	1	J, T, U		49				Right
6	05191313AA	1	J, T, U		49				RETAINER, Parking Brake Lever
		1	J, T, U		74				
7	05191223AA	1	J, T, U		49				LEVER, Parking Brake
		1	J, T, U		74				Left
		1	J, T, U		74				Left
	05191258AA	1	J, T, U		49				Right
8		1	J, T, U		74				Right
	05191248AA	1	J, T, U		49				PIN, Brake Shoe Hold Down
		1	J, T, U		74				
9	05191218AA	1	J, T, U		49				ADJUSTER, Brake Shoe
		1	J, T, U		74				

COMPASS/PATRIOT (MK)

SERIES LINE
 H = HIGHLINE T = JEEP - 2WD
 L = LOWLINE J = JEEP - 4WD
 P = PREMIUM U = JEEP - 4WD (RHD)

BODY
 49 = HATCHBACK TYPE #2
 74 = SPORT UTILITY 4-DR TYPE #4

ENGINE TRANSMISSION
 ECE = 2.0L 4 Cyl DOHC DPF DEF = 6-Speed Manual Aisin BG6
 Diesel Engine Trans
 ED3 = 2.4L 4 Cyl DOHC 16V DD7 = 5-Speed Manual T355
 Dual VVT Engine Transmission
 ECD = 2.0L 4 Cyl DOHC DAV = Continuously Variable
 Diesel 16V Engine Transaxle II
 ECN = 2.0L 4 Cyl DOHC 16V DAW = Cont.Var. w/Off-Rd Crawl
 Dual VVT Engine Ratio Trans

AR = use ase required - = Non illustrated part

2008 MK

Group - 6

Clutch

Group - 6 Clutch

Illustration Title

Group-Fig. No.

Clutch

Clutch Assembly [DEF] Fig. 6 - 105
 Clutch Assembly [DD7] Fig. 6 - 110

Clutch Controls

Controls,Hydraulic Clutch,FWD/RWD/AWD..... Fig. 6 - 305

Clutch Pedals

Pedal,Clutch,FWD/RWD/AWD Fig. 6 - 405

006-100 Clutch	006-300 Clutch Controls	006-400 Clutch Pedals	
--------------------------	-----------------------------------	---------------------------------	--

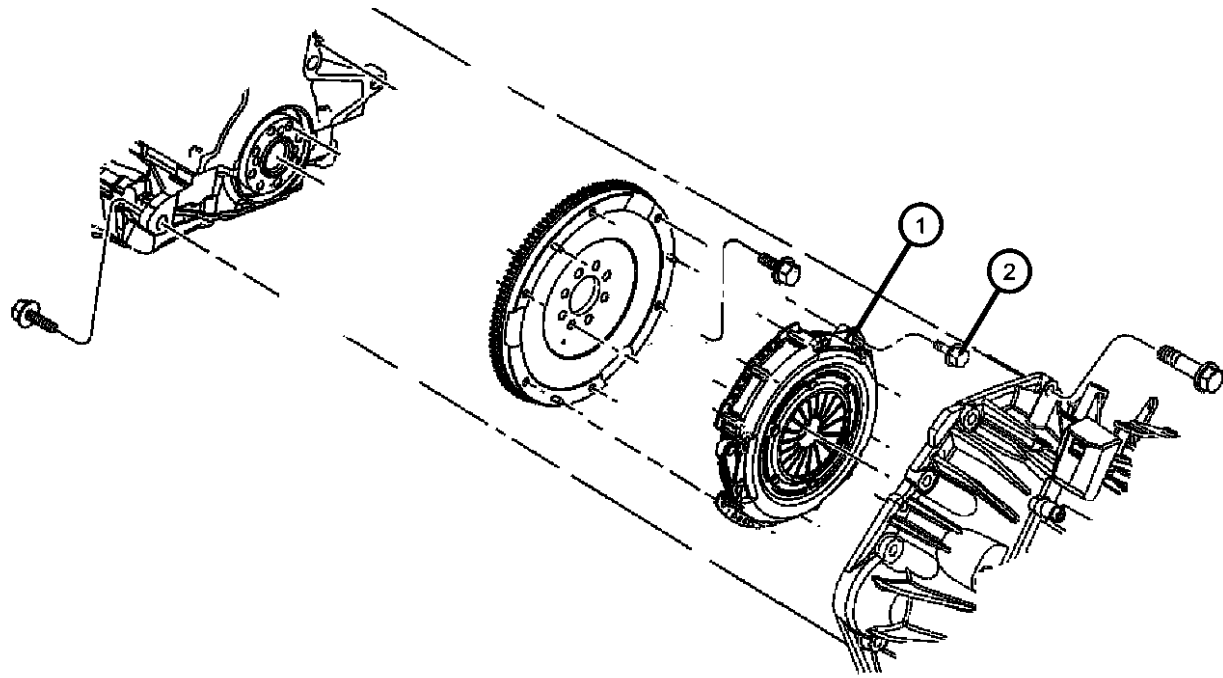
**Clutch Assembly [DEF]
Figure 6-105**

ITEM	PART NUMBER	QTY	LINE	SERIES	BODY	ENGINE	TRANS	TRIM	DESCRIPTION
------	-------------	-----	------	--------	------	--------	-------	------	-------------

NOTE: Sales Codes:

[DEF]=6-Speed Manual Transmission

1	05106018AA	1	J, T, U			ECD, ECE	DEF		CLUTCH KIT, Pressure Plate and Disc
2	06508455AA	6	J, T, U			ECD, ECE	DEF		BOLT



COMPASS/PATRIOT (MK)

SERIES	LINE
H = HIGHLINE	T = JEEP - 2WD
L = LOWLINE	J = JEEP - 4WD
P = PREMIUM	U = JEEP - 4WD (RHD)

BODY
49 = HATCHBACK TYPE #2
74 = SPORT UTILITY 4-DR TYPE #4

ENGINE	TRANSMISSION
ECE = 2.0L 4 Cyl DOHC DPF Diesel Engine	DEF = 6-Speed Manual Aisin BG6 Trans
ED3 = 2.4L 4 Cyl DOHC 16V Dual VVT Engine	DD7 = 5-Speed Manual T355 Transmission
ECD = 2.0L 4 Cyl DOHC Diesel 16V Engine	DAV = Continuously Variable Transaxle II
ECN = 2.0L 4 Cyl DOHC 16V Dual VVT Engine	DAW = Cont.Var. w/Off-Rd Crawl Ratio Trans

AR = use ase required - = Non illustrated part

2008 MK

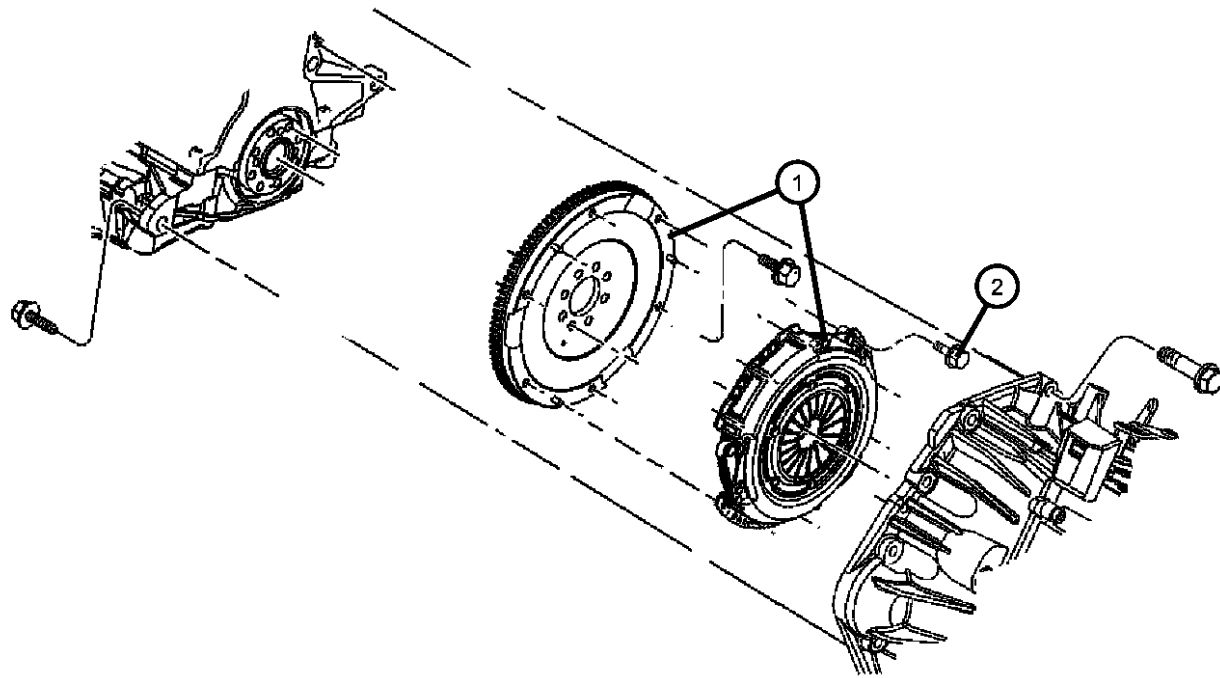
**Clutch Assembly [DD7]
Figure 6-110**

ITEM	PART NUMBER	QTY	LINE	SERIES	BODY	ENGINE	TRANS	TRIM	DESCRIPTION
------	-------------	-----	------	--------	------	--------	-------	------	-------------

NOTE: Sales Codes:

[DD7]=5 Speed Manual Transmission

1	05062150AD	1	J, T, U			ED3	DD7		CLUTCH KIT, Pressure Plate and Disc
2	06504383	4	J, T, U			ED3	DD7		BOLT, Hex Head Lock, M10X1.50X13.20



COMPASS/PATRIOT (MK)

SERIES	LINE
H = HIGHLINE	T = JEEP - 2WD
L = LOWLINE	J = JEEP - 4WD
P = PREMIUM	U = JEEP - 4WD (RHD)

BODY
49 = HATCHBACK TYPE #2
74 = SPORT UTILITY 4-DR TYPE #4

ENGINE
ECE = 2.0L 4 Cyl DOHC DPF Diesel Engine
ED3 = 2.4L 4 Cyl DOHC 16V Dual VVT Engine
ECD = 2.0L 4 Cyl DOHC Diesel 16V Engine
ECN = 2.0L 4 Cyl DOHC 16V Dual VVT Engine

TRANSMISSION
DEF = 6-Speed Manual Aisin BG6 Trans
DD7 = 5-Speed Manual T355 Transmission
DAV = Continuously Variable Transaxle II
DAW = Cont.Var. w/Off-Rd Crawl Ratio Trans

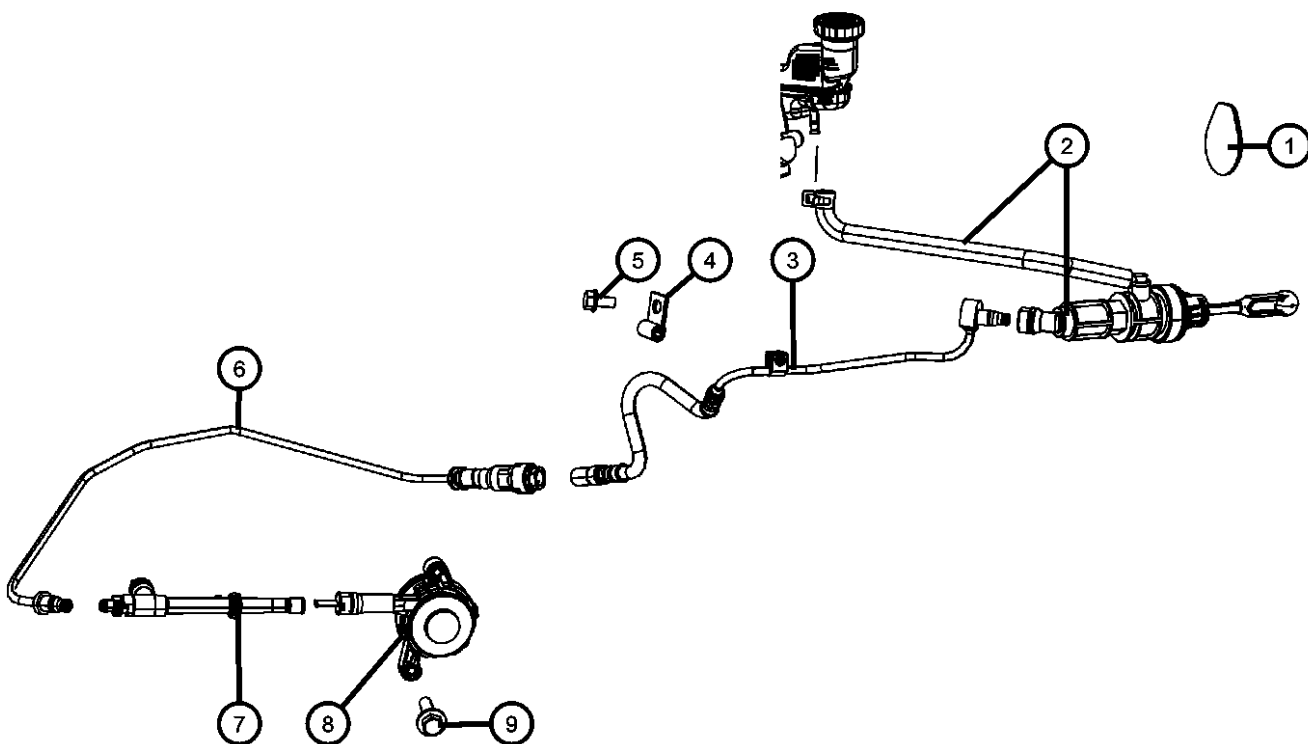
AR = use ase required - = Non illustrated part

2008 MK

Controls,Hydraulic Clutch,FWD/RWD/AWD

Figure 6-305

ITEM	PART NUMBER	QTY	LINE	SERIES	BODY	ENGINE	TRANS	TRIM	DESCRIPTION
NOTE:Sales Codes: [DD7]=5 Speed Manual Transmission [DEF]=6-Speed Manual Transmission									
1									PLUG, Body
	05273470AB	1	J, T				DAV, DAW		Clutch Actuator Hole Cover
		2	U				DAV		Clutch Actuator Hole Cover
		1	U				DD7, DEF		Clutch Actuator Hole Cover
2									ACTUATOR, Hydraulic Clutch
	05106043AA	1	J, T				DD7, DEF		
	05273266AD	1	U				DD7, DEF		
3	05273428AB	1	U				DD7, DEF		HOSE, Clutch Hydraulic
4	06508622AA	1	J, T, U				DD7, DEF		CLIP, Clutch Tube
5	06104716AA	1	J, T, U			ECD			NUT, Hex Flange Lock, M8X1.25
6	05273429AB	1	J, T, U				DD7		TUBE, Clutch M/Cyl
7									ADAPTER, CLUTCH SLAVE CYLINDER, LOWER
	05106032AA	1	J, T, U				DD7		[DD7]
	05273461AA	1	J, T, U				DEF		[DEF]
8	05273431AA	1	J, T, U				DD7, DEF		CYLINDER, Clutch Slave
9	06104124AA	2	J, T, U				DD7, DEF		BOLT, Hex Flange Head, M6X1.0X30.00



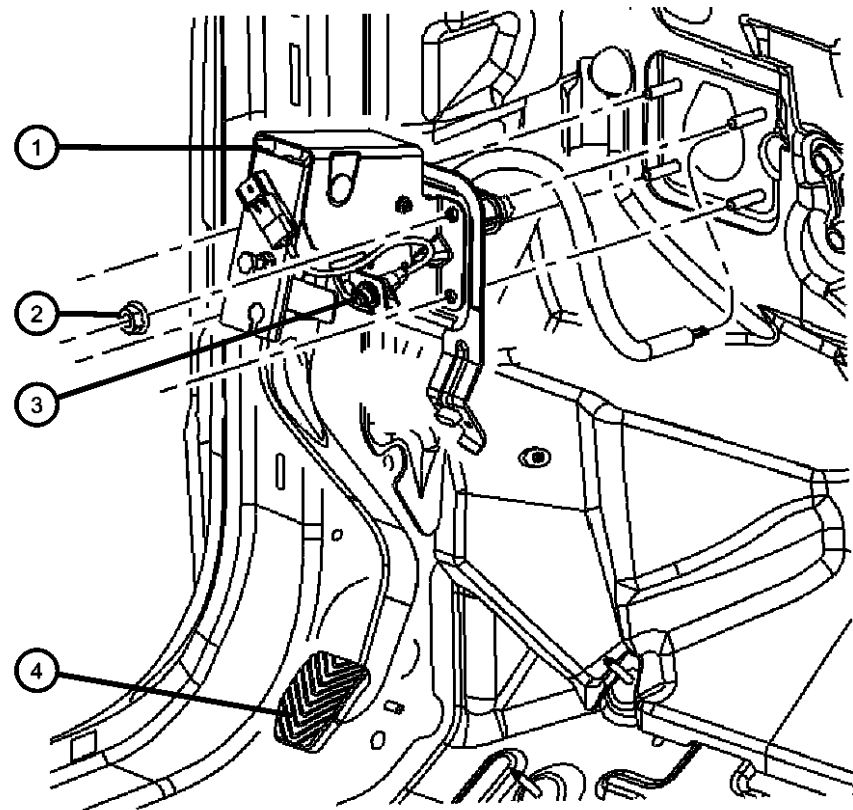
COMPASS/PATRIOT (MK)

SERIES	LINE	BODY	ENGINE	TRANSMISSION
H = HIGHLINE	T = JEEP - 2WD	49 = HATCHBACK TYPE #2	ECE = 2.0L 4 Cyl DOHC DPF Diesel Engine	DEF = 6-Speed Manual Aisin BG6 Trans
L = LOWLINE	J = JEEP - 4WD	74 = SPORT UTILITY 4-DR TYPE #4	ED3 = 2.4L 4 Cyl DOHC 16V Dual VVT Engine	DD7 = 5-Speed Manual T355 Transmission
P = PREMIUM	U = JEEP - 4WD (RHD)		ECD = 2.0L 4 Cyl DOHC Diesel 16V Engine	DAV = Continuously Variable Transaxle II
			ECN = 2.0L 4 Cyl DOHC 16V Dual VVT Engine	DAW = Cont.Var. w/Off-Rd Crawl Ratio Trans

AR = use ase required - = Non illustrated part

2008 MK

**Pedal,Clutch,FWD/RWD/AWD
Figure 6-405**



ITEM	PART NUMBER	QTY	LINE	SERIES	BODY	ENGINE	TRANS	TRIM	DESCRIPTION
NOTE:Sales Codes: [DD7]=5 Speed Manual Transmission [DEF]=6-Speed Manual Transmission									
1									PEDAL, Clutch
	05273419AF	1	J, T				DD7		
	05273424AH	1	J, T				DEF		
	05273425AF	1	U				DD7		
	05273426AH	1	U				DEF		
2	06104709AA	4	J, T, U				DD7, DEF		NUT, Hex Flange, M8x1.25
3									SWITCH, Clutch Starter Interlock
	05026131AB	1	U				DD7		[DD7]
		1	J, T				DD7		[DD7]
	05026410AA	1	U				DEF		[DEF]
		1	J, T				DEF		[DEF]
4									PAD, Pedal
	05170975AB	1	J, T				DD7		
		1	J, T				DEF		
		1	U				DD7		
		1	U				DEF		

COMPASS/PATRIOT (MK)

SERIES	LINE
H = HIGHLINE	T = JEEP - 2WD
L = LOWLINE	J = JEEP - 4WD
P = PREMIUM	U = JEEP - 4WD (RHD)

BODY
49 = HATCHBACK TYPE #2
74 = SPORT UTILITY 4-DR TYPE #4

ENGINE
ECE = 2.0L 4 Cyl DOHC DPF Diesel Engine
ED3 = 2.4L 4 Cyl DOHC 16V Dual VVT Engine
ECD = 2.0L 4 Cyl DOHC Diesel 16V Engine
ECN = 2.0L 4 Cyl DOHC 16V Dual VVT Engine

TRANSMISSION
DEF = 6-Speed Manual Aisin BG6 Trans
DD7 = 5-Speed Manual T355 Transmission
DAV = Continuously Variable Transaxle II
DAW = Cont.Var. w/Off-Rd Crawl Ratio Trans

AR = use ase required - = Non illustrated part

2008 MK

Group - 7

Cooling

Group - 7 Cooling

Illustration Title

Group-Fig. No.

Radiator and Related Parts and Turbo Intercooler

Radiator and Related Parts.....	Fig. 7 - 105
Radiator Support.....	Fig. 7 - 150
Air Charge Cooler.....	Fig. 7 - 175

Water Pump and Related Parts

Water Pump and Related Parts.....	Fig. 7 - 205
Water Pump and Related Parts.....	Fig. 7 - 210
Thermostat and Related Parts.....	Fig. 7 - 250
Thermostat and Related Parts.....	Fig. 7 - 255

Engine Coolant Reservoir (Bottle)

Coolant Recovery Bottle.....	Fig. 7 - 305
Coolant Recovery Bottle.....	Fig. 7 - 310

Pulleys and Related Parts

Pulleys and Related Parts Gas.....	Fig. 7 - 405
Pulley and Related Parts Diesel.....	Fig. 7 - 410

Drive Belts

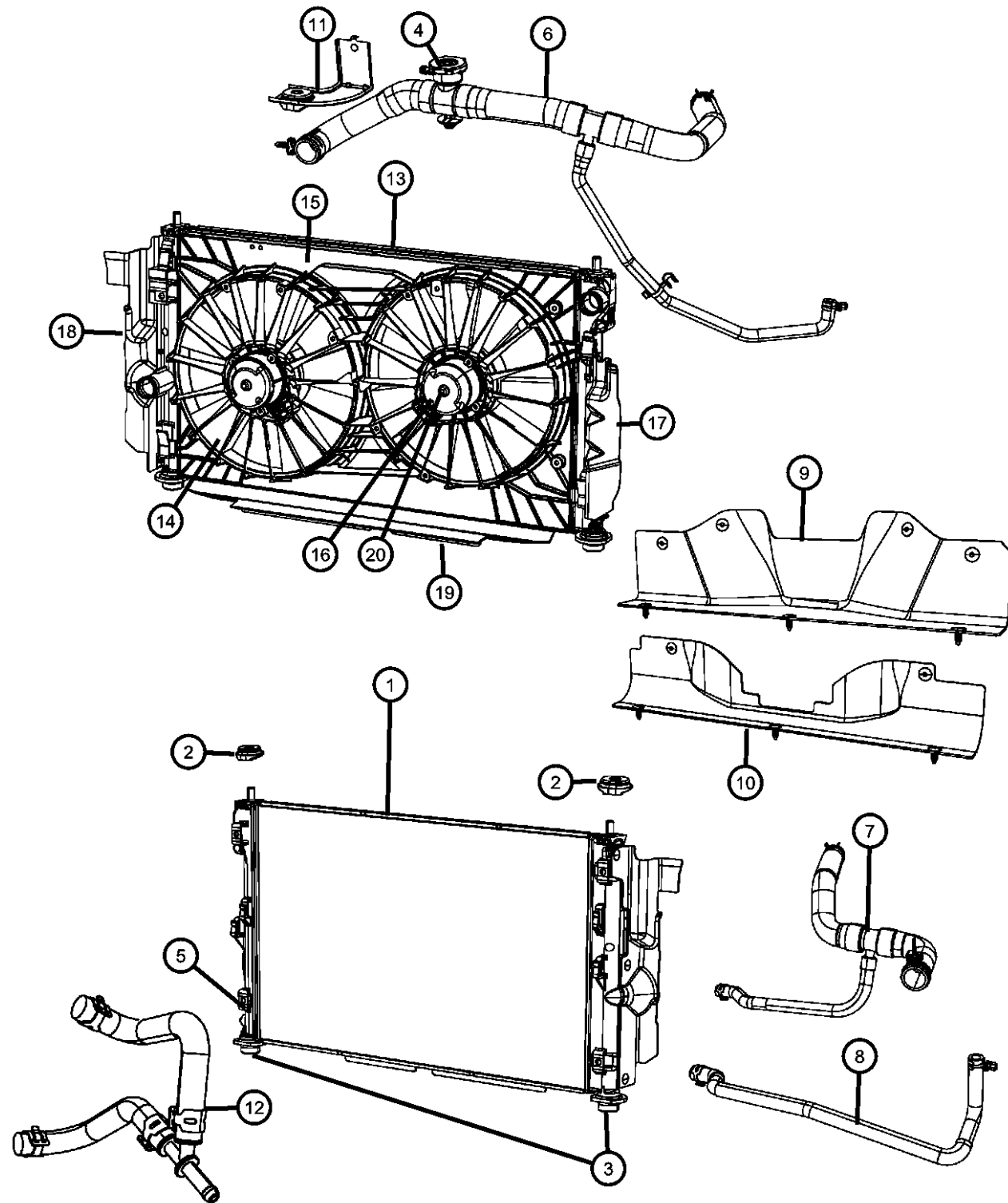
Belts, Serpentine and V-Belts.....	Fig. 7 - 505
------------------------------------	--------------

Transmission Oil Cooler, and Lines

Transmission Oil Cooler and Lines.....	Fig. 7 - 605
--	--------------

007-100 Radiator and Related Parts and Turbo Intercooler	007-200 Water Pump and Related Parts	007-300 Engine Coolant Reservoir (Bottle)	007-400 Pulleys and Related Parts
007-500 Drive Belts	007-600 Transmission Oil Cooler, and Lines		

**Radiator and Related Parts
Figure 7-105**



ITEM	PART NUMBER	QTY	LINE	SERIES	BODY	ENGINE	TRANS	TRIM	DESCRIPTION
------	-------------	-----	------	--------	------	--------	-------	------	-------------

Sales Codes:

- [DAV] = Continuously Variable Transmission
- [DD7] = 5 Speed Manual T355 Transmission
- [DEF] = 6-Speed Manual Aisin BG6 Transmission
- [EBA] = 1.8L 4 CYL DOHC 16V Dual VVT Engine
- [ECN] = 2.0L 4 CYL DOHC 16V Dual VVT Engine
- [ECD] = 2.0L 4 CYL

1	68004049AA	1	J, T, U			ECN, ED3	DD7, DEF		RADIATOR, Engine Cooling
		1	J, T, U			ECN, ED3	DD7, DEF		[HAA]
		1	J, T, U			ECN, ED3	DAV		[HCA]
2	68003224AA	2	J, T, U			ECN, ED3			ISOLATOR PACKAGE, Radiator MountingUpper
3	68020480AA	2	J, T, U			ECN, ED3	DD7, DEF		ISOLATOR, Radiator, Lower
		2	J, T, U			ECN, ED3	DAV, DAW		
4	04596198	1	J, T, U			ECD, ECE			CAP
5	52028466AB	1	J, T, U			ECN, ED3	DEF, DD7		DRAINCOCK, Radiator
6	05058172AG	1	J, T, U			ECN, ED3	DD7, DEF		HOSE, Radiator Inlet, Radiator Inlet Hose Assembly
	05058176AE	1	J, T, U			ECD			Includes Clamp
	05058482AF	1	T, U, J			ECN, ED3	DAV, DAW		Includes Clamp and Cap
	05058492AC	1	J, T, U			ECN, ED3	DD7, DEF		[X87+NHA] Includes Clamp and Ca[
	05058630AA	1	J, T, U			ECE			Includes Clamp and Cap
7	05058171AE	1	J, T, U			ECN, ED3	DAV, DAW		HOSE, Radiator Outlet, Radiator Outlet Hose Assembly
		1	J, T, U			ECN, ED3	DAV, DAW		[X87-NHA]
	05058489AE	1	J, T, U			ECN, ED3			[X87+NHA]
		1							
8	05058174AC	1	J, T, U			ECD, ECE			HOSE, Radiator Outlet
	05058413AE	1	J, T, U			ECN, ED3	DD7, DEF		[X87]
		1	T, U, J			ECN, ED3	DD7, DEF		[X87-NHA]
	05058490AB	1	J, T, U			ECN, ED3	DAV, DAW		[X87+NHA] Includes Clamps

COMPASS/PATRIOT (MK)

SERIES LINE
 H = HIGHLINE T = JEEP - 2WD
 L = LOWLINE J = JEEP - 4WD
 P = PREMIUM U = JEEP - 4WD (RHD)

BODY
 49 = HATCHBACK TYPE #2
 74 = SPORT UTILITY 4-DR TYPE #4

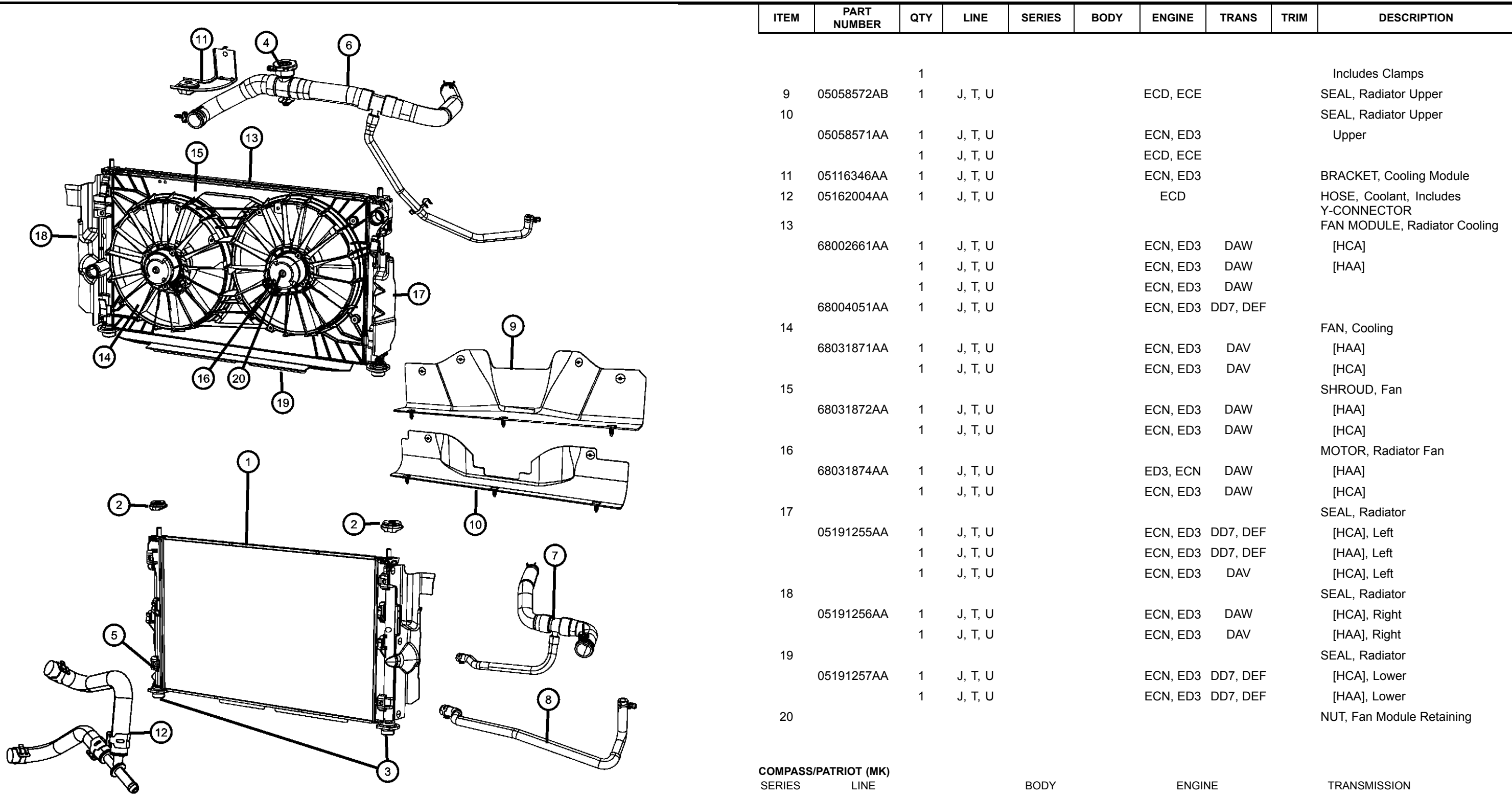
ENGINE
 ECE = 2.0L 4 Cyl DOHC DPF Diesel Engine
 ED3 = 2.4L 4 Cyl DOHC 16V Dual VVT Engine
 ECD = 2.0L 4 Cyl DOHC Diesel 16V Engine
 ECN = 2.0L 4 Cyl DOHC 16V Dual VVT Engine

TRANSMISSION
 DEF = 6-Speed Manual Aisin BG6 Trans
 DD7 = 5-Speed Manual T355 Transmission
 DAV = Continuously Variable Transaxle II
 DAW = Cont.Var. w/Off-Rd Crawl Ratio Trans

AR = use ase required - = Non illustrated part

2008 MK

**Radiator and Related Parts
Figure 7-105**



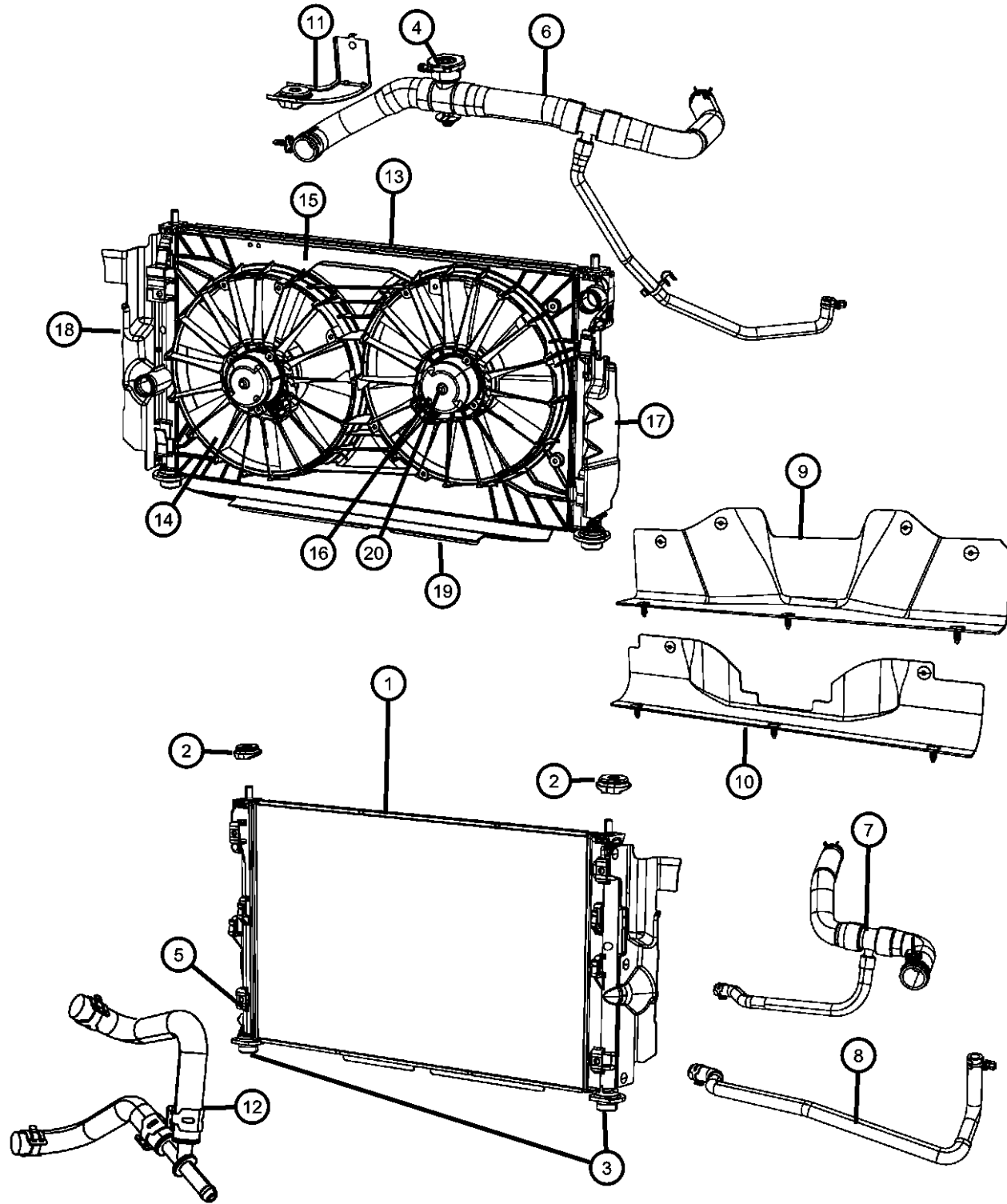
ITEM	PART NUMBER	QTY	LINE	SERIES	BODY	ENGINE	TRANS	TRIM	DESCRIPTION
9	05058572AB	1	J, T, U			ECD, ECE			Includes Clamps SEAL, Radiator Upper
10	05058571AA	1	J, T, U			ECN, ED3			SEAL, Radiator Upper Upper
11	05116346AA	1	J, T, U			ECD, ECE			BRACKET, Cooling Module
12	05162004AA	1	J, T, U			ECN, ED3			HOSE, Coolant, Includes Y-CONNECTOR
13	68002661AA	1	J, T, U			ECD			FAN MODULE, Radiator Cooling
	68002661AA	1	J, T, U			ECN, ED3	DAW		[HCA]
	68002661AA	1	J, T, U			ECN, ED3	DAW		[HAA]
	68004051AA	1	J, T, U			ECN, ED3	DAW		
	68004051AA	1	J, T, U			ECN, ED3	DD7, DEF		
14	68031871AA	1	J, T, U			ECN, ED3	DAV		FAN, Cooling [HAA]
	68031871AA	1	J, T, U			ECN, ED3	DAV		[HCA]
15	68031872AA	1	J, T, U			ECN, ED3	DAW		SHROUD, Fan [HAA]
	68031872AA	1	J, T, U			ECN, ED3	DAW		[HCA]
16	68031874AA	1	J, T, U			ED3, ECN	DAW		MOTOR, Radiator Fan [HAA]
	68031874AA	1	J, T, U			ECN, ED3	DAW		[HCA]
17	05191255AA	1	J, T, U			ECN, ED3	DD7, DEF		SEAL, Radiator [HCA], Left
	05191255AA	1	J, T, U			ECN, ED3	DD7, DEF		[HAA], Left
	05191255AA	1	J, T, U			ECN, ED3	DAV		[HCA], Left
18	05191256AA	1	J, T, U			ECN, ED3	DAW		SEAL, Radiator [HCA], Right
	05191256AA	1	J, T, U			ECN, ED3	DAV		[HAA], Right
19	05191257AA	1	J, T, U			ECN, ED3	DD7, DEF		SEAL, Radiator [HCA], Lower
	05191257AA	1	J, T, U			ECN, ED3	DD7, DEF		[HAA], Lower
20									NUT, Fan Module Retaining

COMPASS/PATRIOT (MK)

SERIES	LINE	BODY	ENGINE	TRANSMISSION
H = HIGHLINE	T = JEEP - 2WD	49 = HATCHBACK TYPE #2	ECE = 2.0L 4 Cyl DOHC DPF Diesel Engine	DEF = 6-Speed Manual Aisin BG6 Trans
L = LOWLINE	J = JEEP - 4WD	74 = SPORT UTILITY 4-DR TYPE #4	ED3 = 2.4L 4 Cyl DOHC 16V Dual VVT Engine	DD7 = 5-Speed Manual T355 Transmission
P = PREMIUM	U = JEEP - 4WD (RHD)		ECD = 2.0L 4 Cyl DOHC Diesel 16V Engine	DAV = Continuously Variable Transaxle II
			ECN = 2.0L 4 Cyl DOHC 16V Dual VVT Engine	DAW = Cont.Var. w/Off-Rd Crawl Ratio Trans

AR = use ase required - = Non illustrated part

Radiator and Related Parts
Figure 7-105



ITEM	PART NUMBER	QTY	LINE	SERIES	BODY	ENGINE	TRANS	TRIM	DESCRIPTION
------	-------------	-----	------	--------	------	--------	-------	------	-------------

05137718AA	2	U, J, T				ECN, ED3	DD7, DEF		
	1	J, T, U				ECN, ED3	DAW		

COMPASS/PATRIOT (MK)

SERIES	LINE
H = HIGHLINE	T = JEEP - 2WD
L = LOWLINE	J = JEEP - 4WD
P = PREMIUM	U = JEEP - 4WD (RHD)

BODY
49 = HATCHBACK TYPE #2
74 = SPORT UTILITY 4-DR TYPE #4

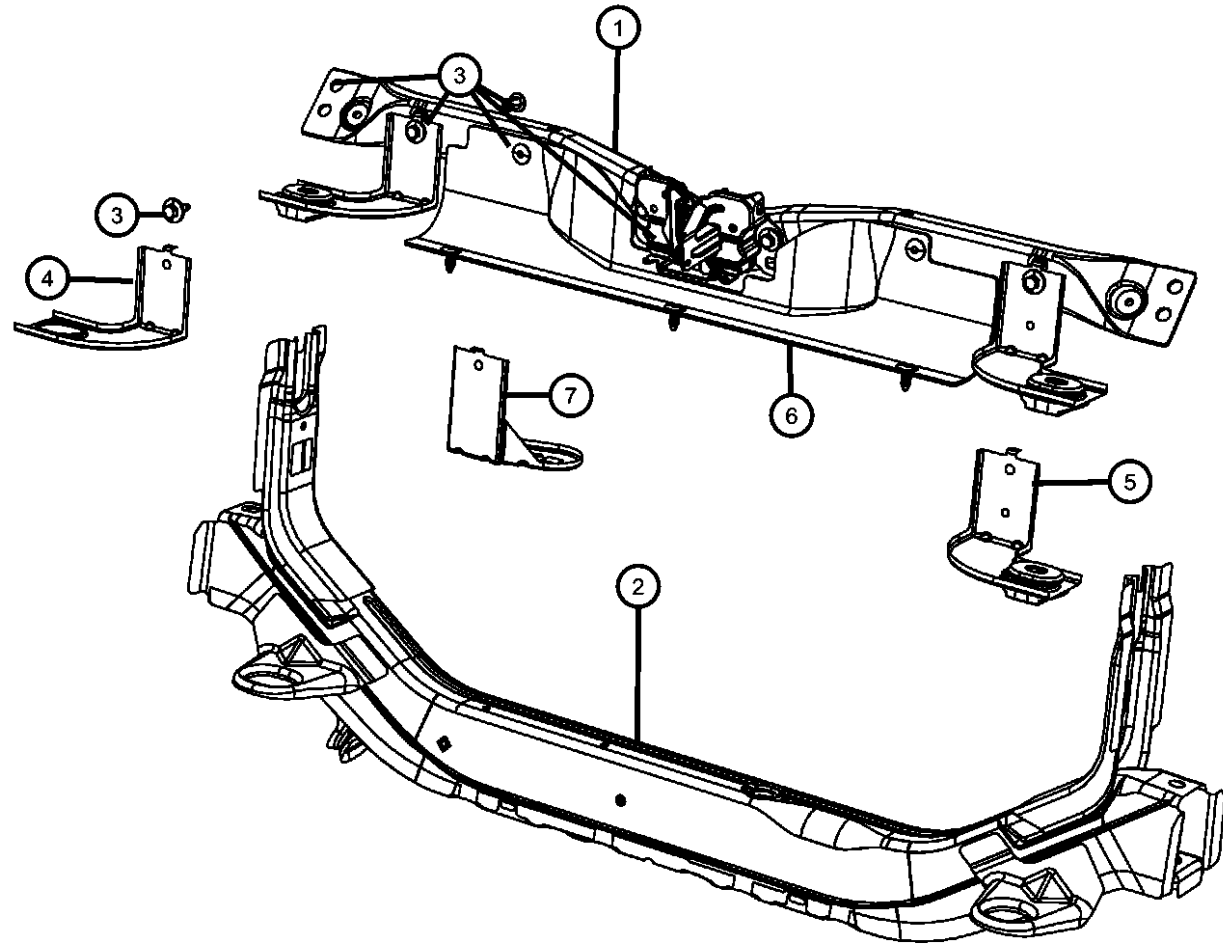
ENGINE
ECE = 2.0L 4 Cyl DOHC DPF Diesel Engine
ED3 = 2.4L 4 Cyl DOHC 16V Dual VVT Engine
ECD = 2.0L 4 Cyl DOHC Diesel 16V Engine
ECN = 2.0L 4 Cyl DOHC 16V Dual VVT Engine

TRANSMISSION
DEF = 6-Speed Manual Aisin BG6 Trans
DD7 = 5-Speed Manual T355 Transmission
DAV = Continuously Variable Transaxle II
DAW = Cont.Var. w/Off-Rd Crawl Ratio Trans

AR = use ase required - = Non illustrated part

2008 MK

**Radiator Support
Figure 7-150**



ITEM	PART NUMBER	QTY	LINE	SERIES	BODY	ENGINE	TRANS	TRIM	DESCRIPTION
------	-------------	-----	------	--------	------	--------	-------	------	-------------

Sales Codes:
 [DAV] = Continuously Variable Transmission
 [DD7] = 5 Speed Manual T355 Transmission
 [DEF] = 6-Speed Manual Aisin BG6 Transmission
 [EBA] = 1.8L 4 CYL DOHC 16V Dual VVT Engine
 [ECN] = 2.0L 4 CYL DOHC 16V Dual VVT Engine
 [ECD] = 2.0L 4 CYL

1									CROSSMEMBER, Radiator Closure Panel
	05115244AD	1	J, T, U			ECN, ED3			[ECN,ED3]
	05160000AD	1	J, T, U			ECD, ECE			[ECD][ECE]
	05160195AD	1	J, T, U			ECD, ECE			[ECD,ECE]
	05160196AD	1	J, T, U			ECN, ED3			[ECN][ED3]
2	05115402AF	1	J, T, U						CROSSMEMBER, Front Side Rail, Bracket AttachingLower
3									SCREW AND WASHER, Hex Head, M6x1x20
	06104366AA	2	J, T, U						
		2	J, T, U			ED3			
		2	J, T, U			ECD, ECE			
4	05115966AA	1	J, T, U			ECD, ECE			BRACKET, Cooling ModuleUpper Right
5									BRACKET, Cooling Module Upper Left
	05115967AA	1	J, T, U			ECD, ECE			Upper Left
		1	J, T, U			ECN, ED3			Upper Left
6									SEAL, Radiator Upper
	05058571AA	1	J, T, U			ECD, ECE			
		1	J, T, U			ECN, ED3			
7	05116346AA	1	J, T, U			ECN, ED3			BRACKET, Cooling Module

COMPASS/PATRIOT (MK)

SERIES LINE
 H = HIGHLINE T = JEEP - 2WD
 L = LOWLINE J = JEEP - 4WD
 P = PREMIUM U = JEEP - 4WD (RHD)

BODY
 49 = HATCHBACK TYPE #2
 74 = SPORT UTILITY 4-DR TYPE #4

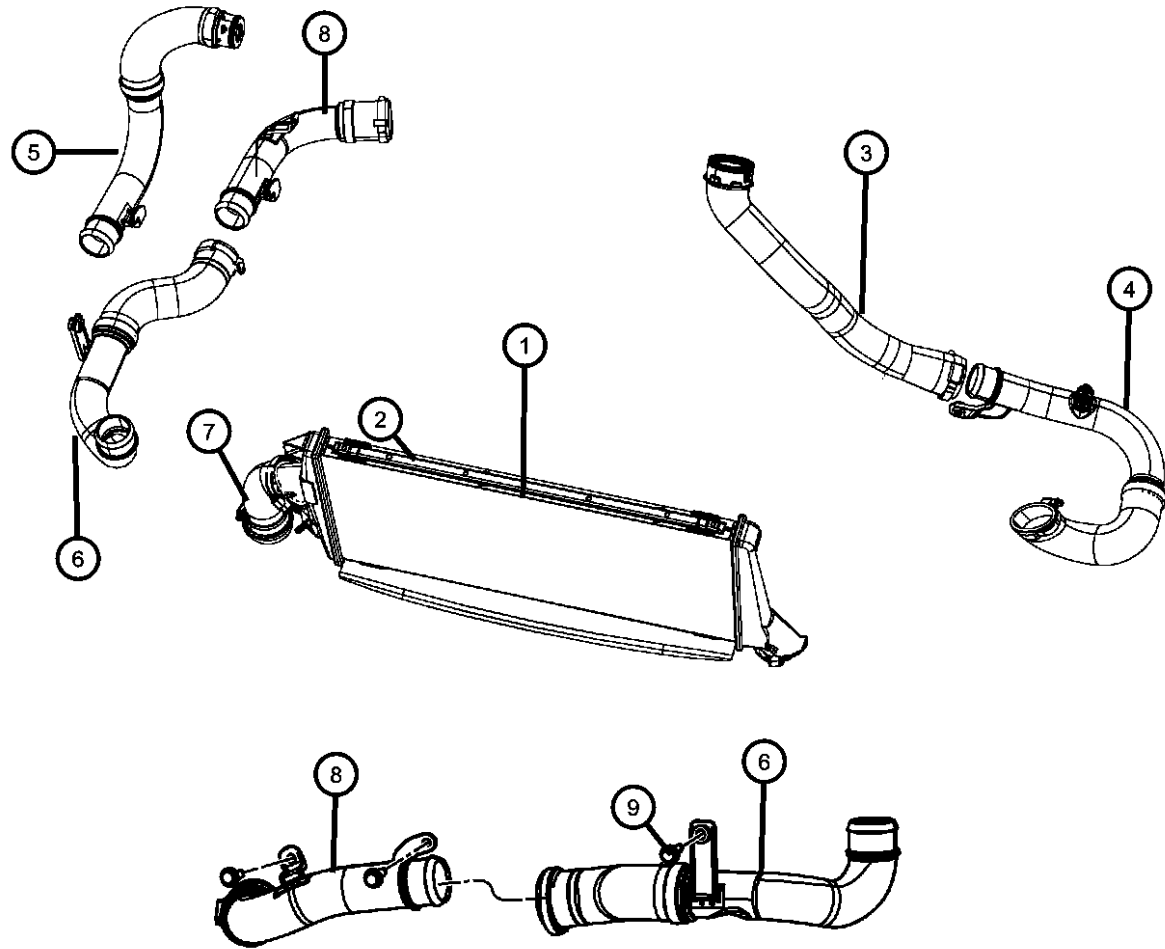
ENGINE
 ECE = 2.0L 4 Cyl DOHC DPF Diesel Engine
 ED3 = 2.4L 4 Cyl DOHC 16V Dual VVT Engine
 ECD = 2.0L 4 Cyl DOHC Diesel 16V Engine
 ECN = 2.0L 4 Cyl DOHC 16V Dual VVT Engine

TRANSMISSION
 DEF = 6-Speed Manual Aisin BG6 Trans
 DD7 = 5-Speed Manual T355 Transmission
 DAV = Continuously Variable Transaxle II
 DAW = Cont.Var. w/Off-Rd Crawl Ratio Trans

AR = use ase required - = Non illustrated part

2008 MK

**Air Charge Cooler
Figure 7-175**



ITEM	PART NUMBER	QTY	LINE	SERIES	BODY	ENGINE	TRANS	TRIM	DESCRIPTION
1	05191288AB	1	J, T, U			ECD, ECE	DD7, DEF		COOLER, Charge Air [HAA]
		1	J, T, U			ECD, ECE	DD7, DEF		[HCA]
2	68002664AA	1	J, T, U			ECD, ECE	DD7, DEF		SEAL, CHARGE AIR COOLER, Lower
3	04891705AB	1	J, T, U			ECD, ECE			HOSE, Intercooler Outlet [X87]
		1	J, T, U			ECE, ECD			
4	04891699AC	1	J, T, U			ECD, ECE			HOSE, Intercooler Outlet
5	04891697AB	1	J, T, U			ECD			HOSE, Intercooler Inlet
		1	J, T, U			ECD			INTERCOOLER INLET
6	04891698AB	1	J, T, U			ECD, ECE			HOSE, Intercooler Inlet
		1	J, T, U			ECD, ECE			INTERCOOLER INLET
	04891945AA	1	J, T, U			ECE			[X87] INTERCOOLER INLET
		1	J, T, U			ECE			[X87]
7	04891788AA	1	J, T, U			ECD, ECE	DD7, DEF		HOSE, Intercooler Inlet [HAC]
		1	J, T, U			ECD, ECE	DD7, DEF		
8	04891848AA	1	J, T, U			ECE			HOSE
		1	J, T, U			ECE			INTERCOOLER INLET
9	06104390AA	1	J, T, U			ECD, ECE			SCREW AND WASHER, Hex Head, M8x1.25x35
		1	J, T, U			ECD, ECE			CHARGE AIR COOLER OUTLET TO RAIL
									CHARGE AIR COOLER INLET TO RAIL

COMPASS/PATRIOT (MK)

SERIES LINE
H = HIGHLINE T = JEEP - 2WD
L = LOWLINE J = JEEP - 4WD
P = PREMIUM U = JEEP - 4WD (RHD)

BODY
49 = HATCHBACK TYPE #2
74 = SPORT UTILITY 4-DR TYPE #4

ENGINE
ECE = 2.0L 4 Cyl DOHC DPF Diesel Engine
ED3 = 2.4L 4 Cyl DOHC 16V Dual VVT Engine
ECD = 2.0L 4 Cyl DOHC Diesel 16V Engine
ECN = 2.0L 4 Cyl DOHC 16V Dual VVT Engine

TRANSMISSION
DEF = 6-Speed Manual Aisin BG6 Trans
DD7 = 5-Speed Manual T355 Transmission
DAV = Continuously Variable Transaxle II
DAW = Cont.Var. w/Off-Rd Crawl Ratio Trans

AR = use ase required - = Non illustrated part

2008 MK

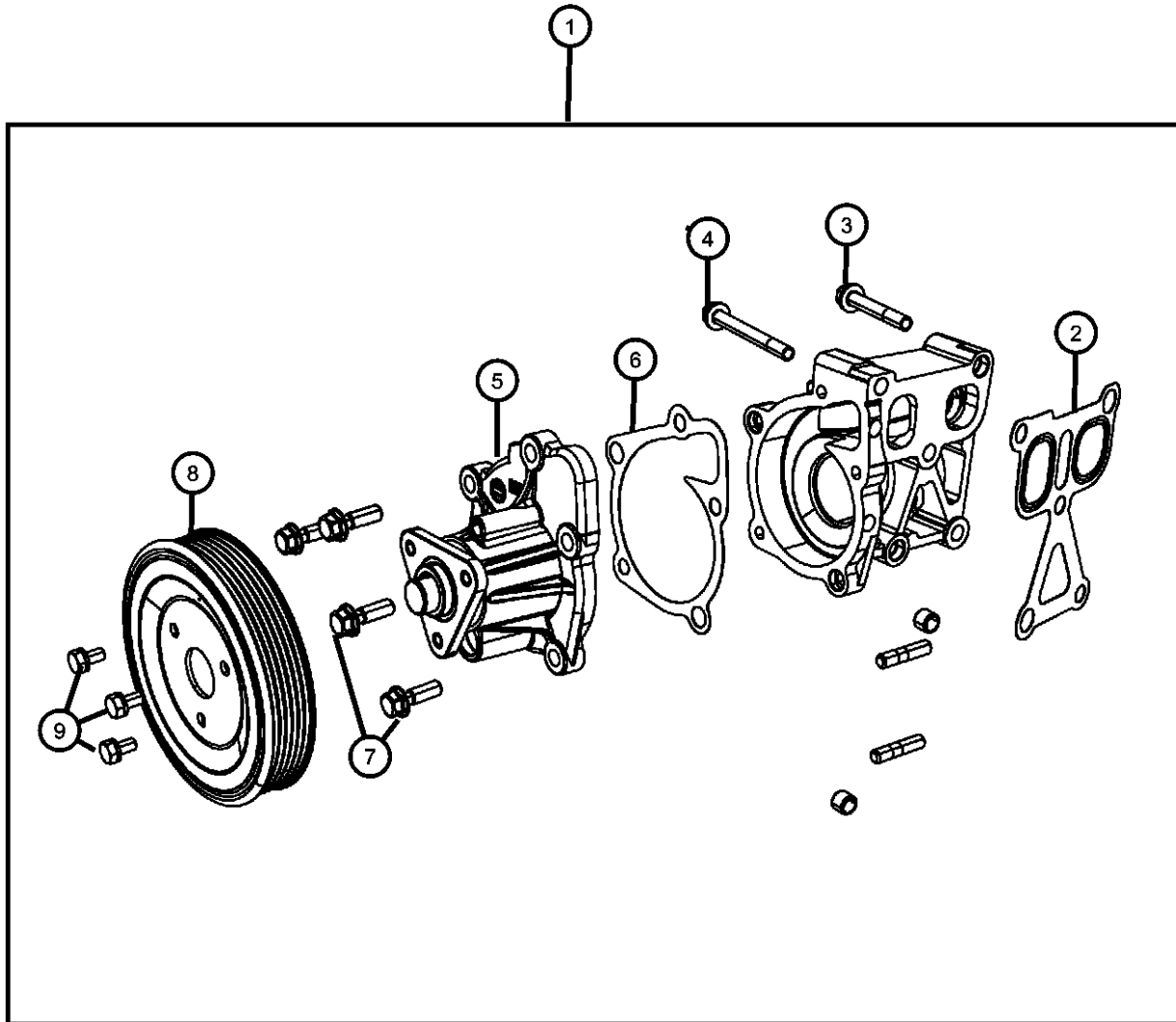
**Water Pump and Related Parts
Figure 7-205**

ITEM	PART NUMBER	QTY	LINE	SERIES	BODY	ENGINE	TRANS	TRIM	DESCRIPTION
------	-------------	-----	------	--------	------	--------	-------	------	-------------

NOTE: Sales Codes:

[ED3] = 2.4L 4 CYL DOHC 16V Dual VVT Engine

Components with no call out are serviced in assy only



1	05047138AA	1	J, T, U			ECN, ED3			PUMP, Water
2	04884696AA	1	J, T, U			ECN, ED3			GASKET, Water Pump Outlet
3									BOLT
	1140308553	2	J, T, U			ECN, ED3			WATER PUMP TO CYL BLOCK
		2	J, T, U			ECN, ED3			
4	1140308803	3	J, T, U			ECN, ED3			BOLT, WATER PUMP TO CYL BLOCK
5	68046026AA	1	J, T, U			ECN, ED3			PUMP, Water
6	68046028AA	1	J, T, U			ECN, ED3			GASKET, Water Pump
7	68048706AA	5	J, T, U			ECN, ED3			BOLT, Hex Flange Head, WATERPUMP TO HOUSING
8	68046027AA	1	J, T, U			ECN, ED3			PULLEY, Water Pump
9	68048701AA	3	J, T, U			ECN, ED3			BOLT, Hex Flange Head, PULLEY TO WATER PUMP

COMPASS/PATRIOT (MK)

SERIES LINE
H = HIGHLINE T = JEEP - 2WD
L = LOWLINE J = JEEP - 4WD
P = PREMIUM U = JEEP - 4WD (RHD)

BODY
49 = HATCHBACK TYPE #2
74 = SPORT UTILITY 4-DR
TYPE #4

ENGINE
ECE = 2.0L 4 Cyl DOHC DPF Diesel Engine
ED3 = 2.4L 4 Cyl DOHC 16V Dual VVT Engine
ECD = 2.0L 4 Cyl DOHC Diesel 16V Engine
ECN = 2.0L 4 Cyl DOHC 16V Dual VVT Engine

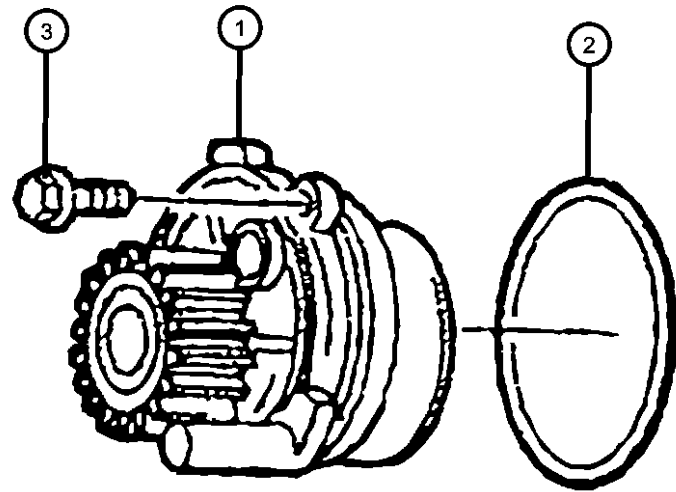
TRANSMISSION
DEF = 6-Speed Manual Aisin BG6 Trans
DD7 = 5-Speed Manual T355 Transmission
DAV = Continuously Variable Transaxle II
DAW = Cont.Var. w/Off-Rd Crawl Ratio Trans

AR = use ase required - = Non illustrated part

2008 MK

Water Pump and Related Parts
Figure 7-210

ITEM	PART NUMBER	QTY	LINE	SERIES	BODY	ENGINE	TRANS	TRIM	DESCRIPTION
1	68000693AB	1	J, T, U			ECD			PUMP, Water
2	68001448AA	1	J, T, U			ECD			O RING
3	68001543AA	3	J, T, U			ECD			BOLT, Hex Head, M7x21.5



COMPASS/PATRIOT (MK)

SERIES LINE
H = HIGHLINE T = JEEP - 2WD
L = LOWLINE J = JEEP - 4WD
P = PREMIUM U = JEEP - 4WD (RHD)

BODY
49 = HATCHBACK TYPE #2
74 = SPORT UTILITY 4-DR
TYPE #4

ENGINE
ECE = 2.0L 4 Cyl DOHC DPF Diesel Engine
ED3 = 2.4L 4 Cyl DOHC 16V Dual VVT Engine
ECD = 2.0L 4 Cyl DOHC Diesel 16V Engine
ECN = 2.0L 4 Cyl DOHC 16V Dual VVT Engine

TRANSMISSION
DEF = 6-Speed Manual Aisin BG6 Trans
DD7 = 5-Speed Manual T355 Transmission
DAV = Continuously Variable Transaxle II
DAW = Cont.Var. w/Off-Rd Crawl Ratio Trans

AR = use ase required - = Non illustrated part

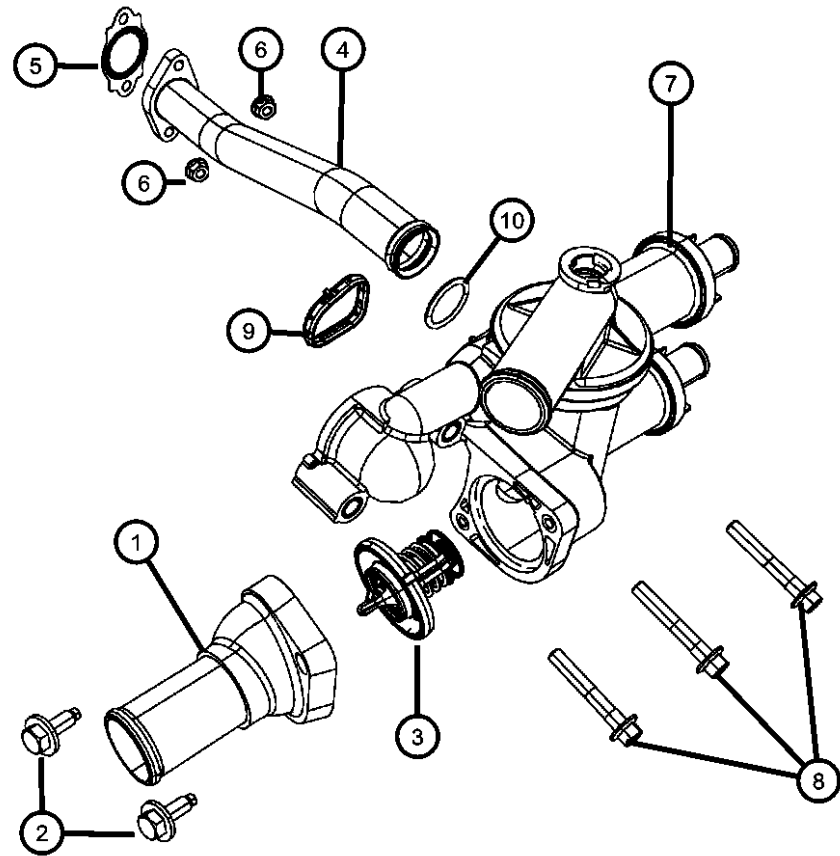
2008 MK

**Thermostat and Related Parts
Figure 7-250**

ITEM	PART NUMBER	QTY	LINE	SERIES	BODY	ENGINE	TRANS	TRIM	DESCRIPTION
------	-------------	-----	------	--------	------	--------	-------	------	-------------

Sales Codes:

[DAV] = Continuously Variable Transmission
 [DD7] = 5 Speed Manual T355 Transmission
 [DEF] = 6-Speed Manual Aisin BG6 Transmission
 [EBA] = 1.8L 4 CYL DOHC 16V Dual VVT Engine
 [ECN] = 2.0L 4 CYL DOHC 16V Dual VVT Engine
 [ECD] = 2.0L 4 CYL



1	04884571AB	1	J, T, U			ECN, ED3			HOUSING, Thermostat
2	06104716AA	2	J, T, U						NUT, Hex Flange Lock, M8X1.25
3	55111017AB	1	J, T, U			ECN, ED3			THERMOSTAT 203 DEGREES F
	55111016AC	1	J, T, U			ECN, ED3			170 Degrees F
4	04884697AB	1	J, T, U			ECN, ED3			TUBE, Water Inlet
5	04884703AA	1	J, T, U			ECN, ED3			GASKET, Water Inlet
6	06104716AA	2	J, T, U			ECN, ED3			NUT, Hex Flange Lock, M8X1.25
7	68003582AA	1	J, T, U			ECN, ED3			ADAPTER PACKAGE, Coolant
8	06508393AA	3	J, T, U			ECN, ED3			BOLT COOLANT ADAPTER ASSY TO CYL HEAD
		3	J, T, U			ECN, ED3			
9	04884572AA	1	J, T, U			ECN, ED3			SEAL
10	04884873AA	1	J, T, U			ECN, ED3			O RING, Water Inlet Tube

COMPASS/PATRIOT (MK)

SERIES LINE
 H = HIGHLINE T = JEEP - 2WD
 L = LOWLINE J = JEEP - 4WD
 P = PREMIUM U = JEEP - 4WD (RHD)

BODY
 49 = HATCHBACK TYPE #2
 74 = SPORT UTILITY 4-DR
 TYPE #4

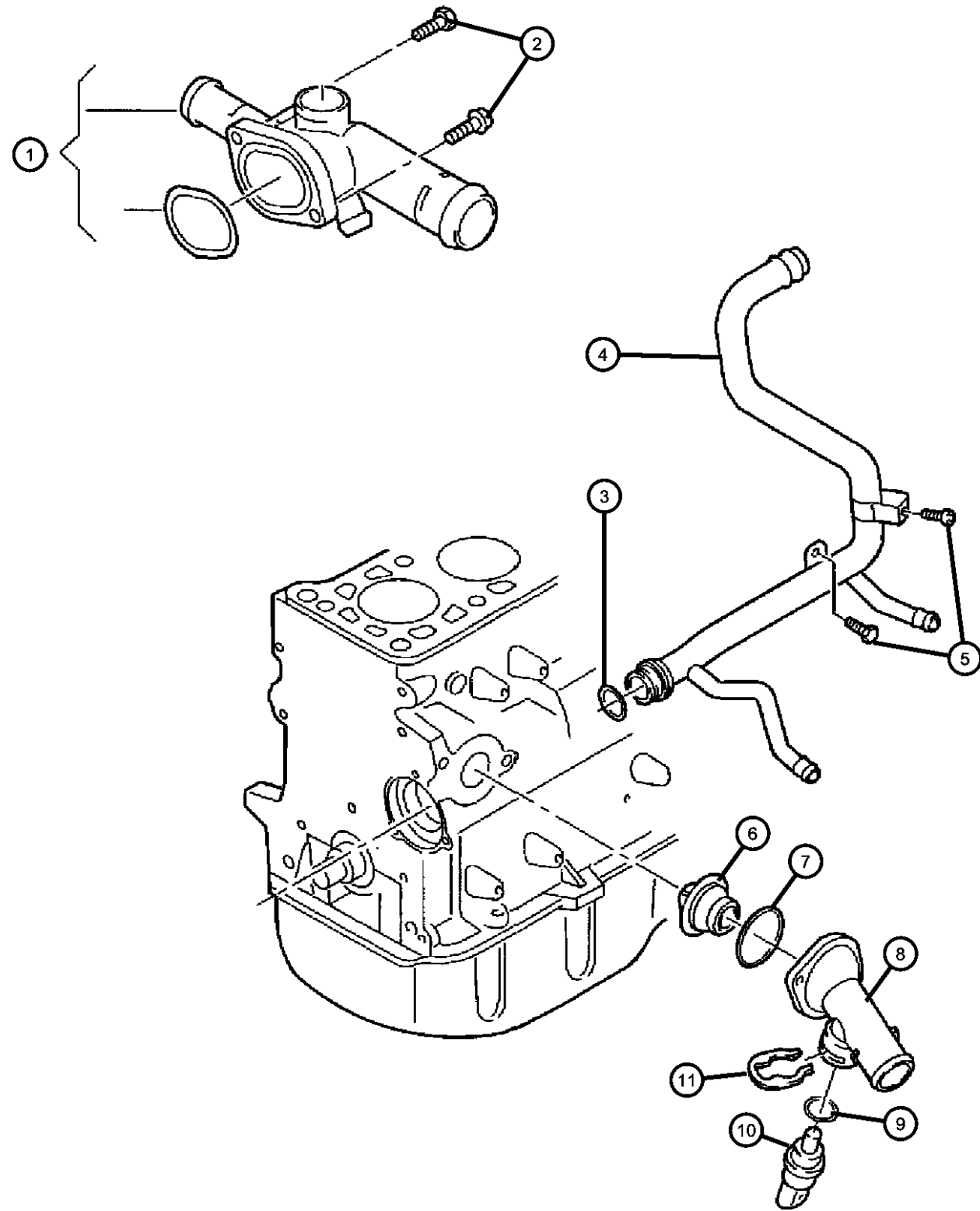
ENGINE
 ECE = 2.0L 4 Cyl DOHC DPF
 Diesel Engine
 ED3 = 2.4L 4 Cyl DOHC 16V
 Dual VVT Engine
 ECD = 2.0L 4 Cyl DOHC
 Diesel 16V Engine
 ECN = 2.0L 4 Cyl DOHC 16V
 Dual VVT Engine

TRANSMISSION
 DEF = 6-Speed Manual Aisin BG6
 Trans
 DD7 = 5-Speed Manual T355
 Transmission
 DAV = Continuously Variable
 Transaxle II
 DAW = Cont.Var. w/Off-Rd Crawl
 Ratio Trans

AR = use ase required - = Non illustrated part

2008 MK

Thermostat and Related Parts
Figure 7-255



ITEM	PART NUMBER	QTY	LINE	SERIES	BODY	ENGINE	TRANS	TRIM	DESCRIPTION
1	68001300AA	1	J, T, U			ECD			HOUSING, Water Outlet
	68041184AA	1	J, T, U			ECE			
2	68041184AA	1							BOLT, (NOT SERVICED)
3	68001603AA	1	J, T, U			ECD			WASHER
4	68000811AA	1	J, T, U			ECD			TUBE, Heater
5	68000811AA	1							BOLT, (NOT SERVICED)
6	68000800AA	1	J, T, U			ECD			THERMOSTAT, Engine Coolant
7	68000800AA	1							SEAL, (NOT SERVICED)
8	04884571AB	1	J, T, U			ED3, ECN			HOUSING, Thermostat
9	68001527AA	1	J, T, U			ECD			SEAL
10	68001313AB	1	J, T, U			ECD			SENSOR, Temperature
11	68001423AA	1	J, T, U			ECD			CLIP

COMPASS/PATRIOT (MK)

SERIES LINE
 H = HIGHLINE T = JEEP - 2WD
 L = LOWLINE J = JEEP - 4WD
 P = PREMIUM U = JEEP - 4WD (RHD)

BODY
 49 = HATCHBACK TYPE #2
 74 = SPORT UTILITY 4-DR
 TYPE #4

ENGINE
 ECE = 2.0L 4 Cyl DOHC DPF
 Diesel Engine
 ED3 = 2.4L 4 Cyl DOHC 16V
 Dual VVT Engine
 ECD = 2.0L 4 Cyl DOHC
 Diesel 16V Engine
 ECN = 2.0L 4 Cyl DOHC 16V
 Dual VVT Engine

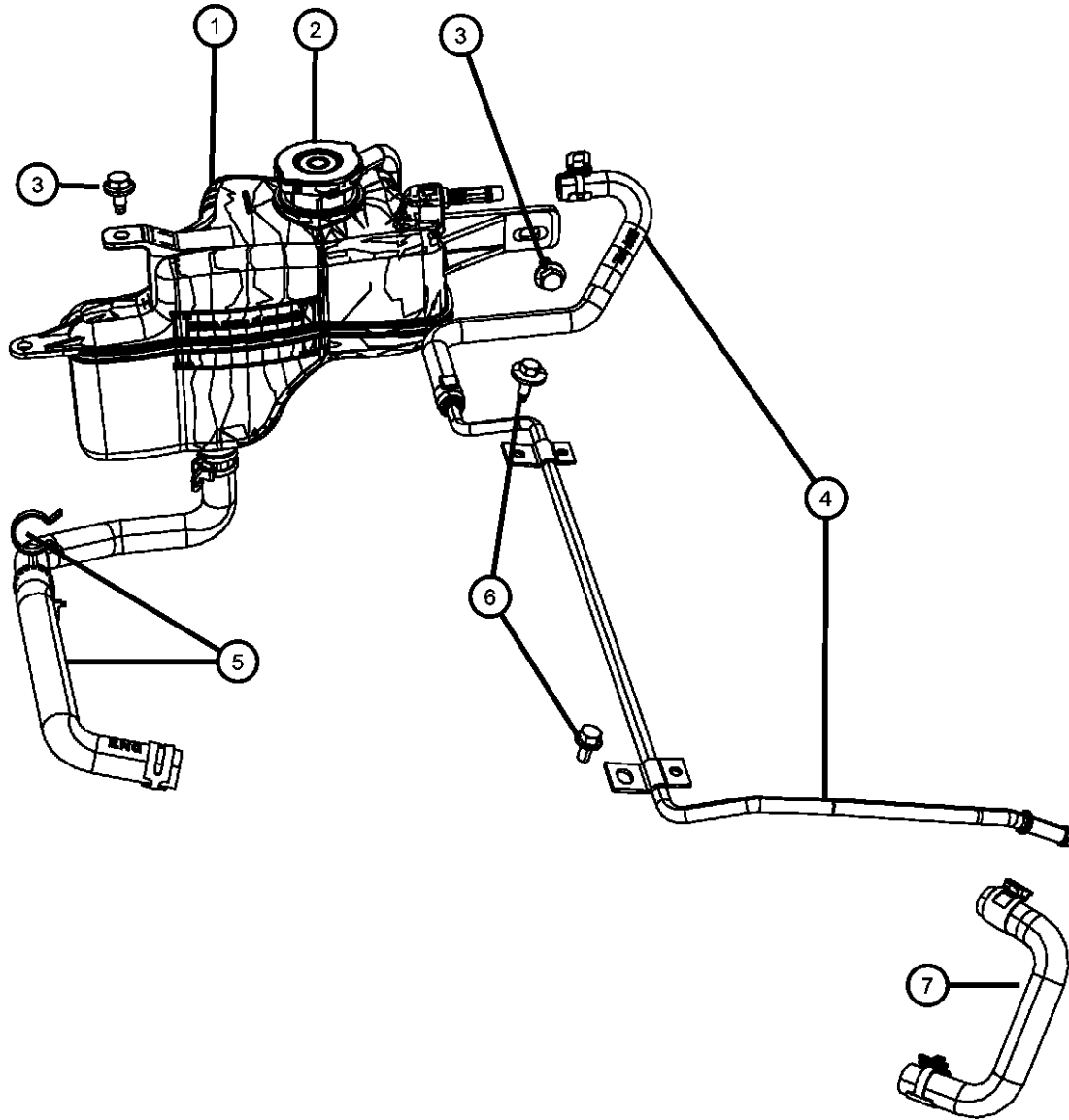
TRANSMISSION
 DEF = 6-Speed Manual Aisin BG6
 Trans
 DD7 = 5-Speed Manual T355
 Transmission
 DAV = Continuously Variable
 Transaxle II
 DAW = Cont.Var. w/Off-Rd Crawl
 Ratio Trans

AR = use ase required - = Non illustrated part

2008 MK

**Coolant Recovery Bottle
Figure 7-305**

ITEM	PART NUMBER	QTY	LINE	SERIES	BODY	ENGINE	TRANS	TRIM	DESCRIPTION
Sales Codes: [ECB] = 2.0L 4 CYL DOHC DIESEL 16V ENGINE									
1	05058157AC	1	J, T, U			ECD, ECE			BOTTLE, Coolant Recovery
2	55111074AA	AR	J, T, U			ECN, ED3			CAP, Coolant Recovery Bottle
3	06104384AA	1	J, T, U			ECN, ED3			BOLT AND WASHER, Hex Head, M8x1.25x20
4	05058295AB	1	J, T, U			ECD			HOSE, Coolant Bottle Supply
5	05058296AC	1	J, T, U			ECD, ECE			HOSE, Coolant Bottle Return
6	06104179AA	1	J, T, U						BOLT, Hex Flange Head, M6x1.00x12.00
7									HOSE, Coolant Bottle Supply
	05058628AA	1	J, T, U			ECE			[X87]
		1	J, T, U			ECE			



COMPASS/PATRIOT (MK)

SERIES	LINE	BODY	ENGINE	TRANSMISSION
H = HIGHLINE	T = JEEP - 2WD	49 = HATCHBACK TYPE #2	ECE = 2.0L 4 Cyl DOHC DPF Diesel Engine	DEF = 6-Speed Manual Aisin BG6 Trans
L = LOWLINE	J = JEEP - 4WD	74 = SPORT UTILITY 4-DR TYPE #4	ED3 = 2.4L 4 Cyl DOHC 16V Dual VVT Engine	DD7 = 5-Speed Manual T355 Transmission
P = PREMIUM	U = JEEP - 4WD (RHD)		ECD = 2.0L 4 Cyl DOHC Diesel 16V Engine	DAV = Continuously Variable Transaxle II
			ECN = 2.0L 4 Cyl DOHC 16V Dual VVT Engine	DAW = Cont.Var. w/Off-Rd Crawl Ratio Trans

AR = use ase required - = Non illustrated part

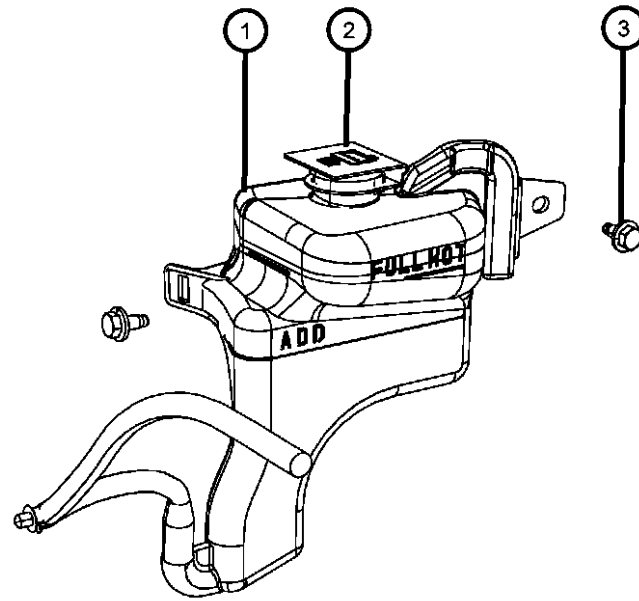
**Coolant Recovery Bottle
Figure 7-310**

ITEM	PART NUMBER	QTY	LINE	SERIES	BODY	ENGINE	TRANS	TRIM	DESCRIPTION
------	-------------	-----	------	--------	------	--------	-------	------	-------------

NOTES: Sales Codes:

[ED3] = 2.4L 4 CYL DOHC 16V DUAL VVT ENGINE

1	05058156AH	1	J, T, U			ECN, ED3			BOTTLE, Coolant Recovery
2	55111074AA	1	J, T, U			ECN, ED3			CAP, Coolant Recovery Bottle
3	06104384AA	1	J, T, U			ECN, ED3			BOLT AND WASHER, Hex Head, M8x1.25x20



COMPASS/PATRIOT (MK)

SERIES	LINE
H = HIGHLINE	T = JEEP - 2WD
L = LOWLINE	J = JEEP - 4WD
P = PREMIUM	U = JEEP - 4WD (RHD)

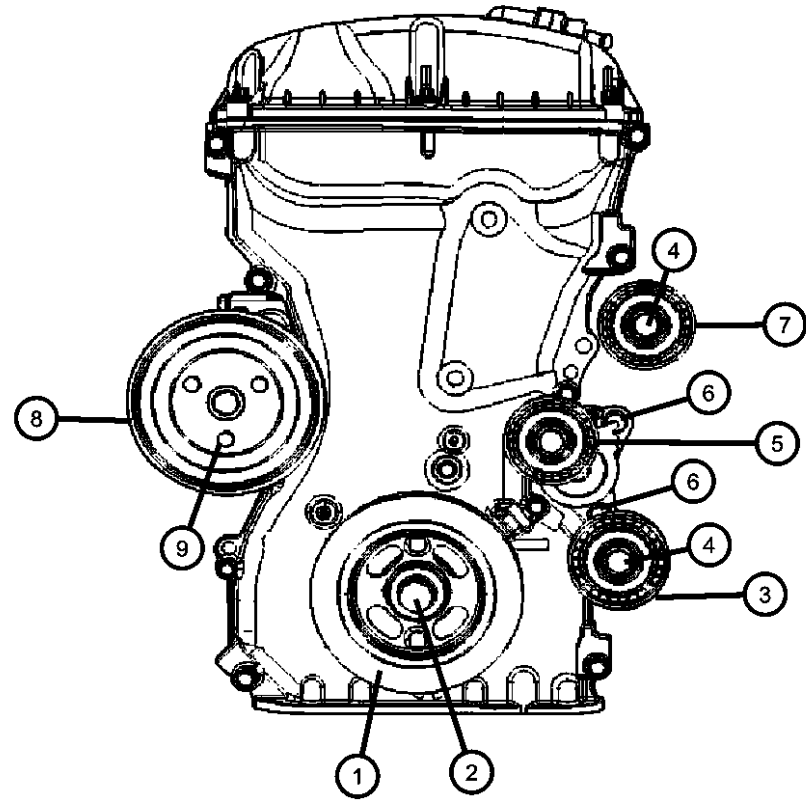
BODY
49 = HATCHBACK TYPE #2
74 = SPORT UTILITY 4-DR TYPE #4

ENGINE	TRANSMISSION
ECE = 2.0L 4 Cyl DOHC DPF Diesel Engine	DEF = 6-Speed Manual Aisin BG6 Trans
ED3 = 2.4L 4 Cyl DOHC 16V Dual VVT Engine	DD7 = 5-Speed Manual T355 Transmission
ECD = 2.0L 4 Cyl DOHC Diesel 16V Engine	DAV = Continuously Variable Transaxle II
ECN = 2.0L 4 Cyl DOHC 16V Dual VVT Engine	DAW = Cont.Var. w/Off-Rd Crawl Ratio Trans

AR = use ase required - = Non illustrated part

2008 MK

Pulleys and Related Parts Gas
Figure 7-405



ITEM	PART NUMBER	QTY	LINE	SERIES	BODY	ENGINE	TRANS	TRIM	DESCRIPTION
Sales Codes: [ED3] = 2.4L Gas Engine									
1	2312425000	1	J, T, U			ECN, ED3			DAMPER, Crankshaft
2	06509029AA	1	J, T, U			ED3			BOLT, Hex Flange Head, M14x1.50x40.00, DAMPER PULLEY TO CRANKSHAFT
3	04891596AB	2				ED3			PULLEY, Idler, UPPER & LOWER, ACCESSORY BELT
4									SCREW, Hex Flange Head, M10X1.50X40.00
	06508391AA	1	J, T, U			ECN, ED3			IDLER TO ENG ACCESSORY DRIVE BRKT
		1	J, T, U			ECN, ED3			
5									TENSIONER, Belt
	04891595AB	1	J, T, U			ECN, ED3			TENSIONER ASSY-ACCESSORY DRIVE
		1				ED3			
6	06104035AA	1	J, T, U			ECN, ED3			BOLT, Hex Flange Head, M8X1.25X90.00
7									PULLEY, Idler
	04891797AA	1	J, T, U			ECN, ED3			UPPER & LOWER, ACCESSORY BELT
		1	J, T, U			ECN, ED3			
8	68046027AA	1	J, T, U			ECN, ED3			PULLEY, Water Pump
9	68048701AA	3	J, T, U			ECN, ED3			BOLT, Hex Flange Head, PULLEY TO WATER PUMP

COMPASS/PATRIOT (MK)

SERIES LINE
H = HIGHLINE T = JEEP - 2WD
L = LOWLINE J = JEEP - 4WD
P = PREMIUM U = JEEP - 4WD (RHD)

BODY
49 = HATCHBACK TYPE #2
74 = SPORT UTILITY 4-DR TYPE #4

ENGINE
ECE = 2.0L 4 Cyl DOHC DPF Diesel Engine
ED3 = 2.4L 4 Cyl DOHC 16V Dual VVT Engine
ECD = 2.0L 4 Cyl DOHC Diesel 16V Engine
ECN = 2.0L 4 Cyl DOHC 16V Dual VVT Engine

TRANSMISSION
DEF = 6-Speed Manual Aisin BG6 Trans
DD7 = 5-Speed Manual T355 Transmission
DAV = Continuously Variable Transaxle II
DAW = Cont.Var. w/Off-Rd Crawl Ratio Trans

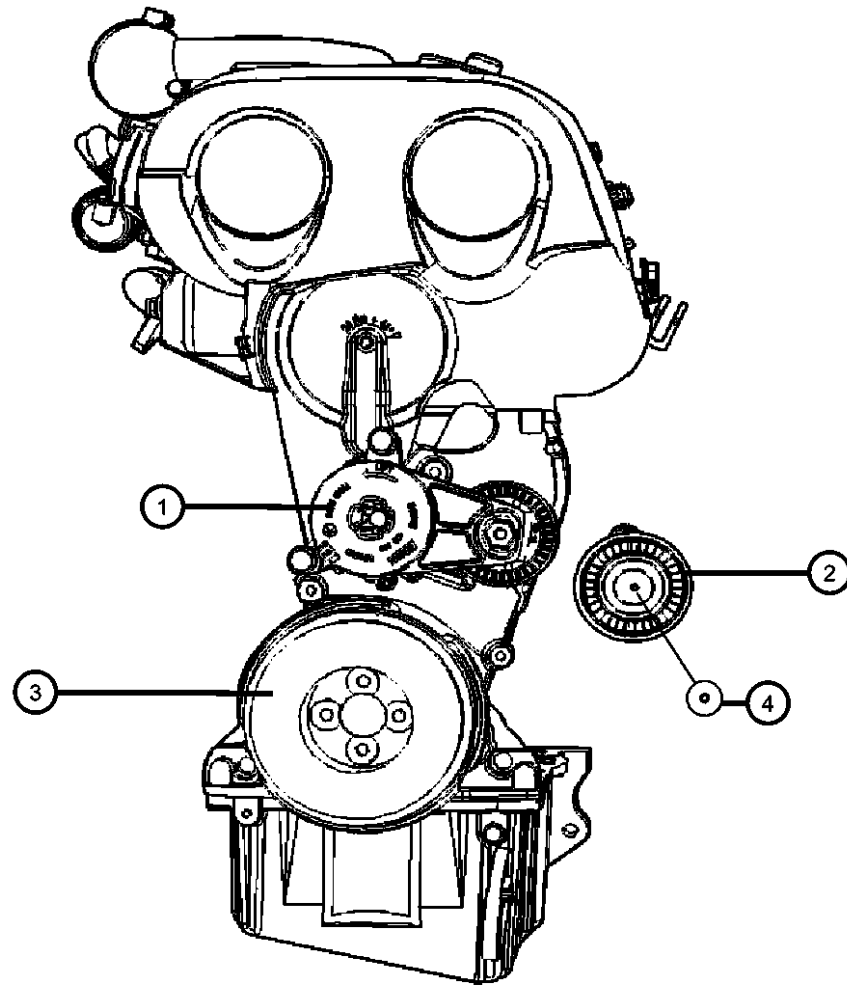
AR = use ase required - = Non illustrated part

Pulley and Related Parts Diesel
Figure 7-410

ITEM	PART NUMBER	QTY	LINE	SERIES	BODY	ENGINE	TRANS	TRIM	DESCRIPTION
------	-------------	-----	------	--------	------	--------	-------	------	-------------

Sales Code:
[ECD] = 2.0L Diesel Engine

1	04891659AA	1	J, T, U			ECD, ECE			TENSIONER, Belt
2	04891660AA	1	J, T, U			ECD, ECE			PULLEY, Idler
3	04891660AA	1							PULLEY, Crankshaft, Serviced with Damper, (NOT SERVICED)
4	04891736AA	1				ECD			SHIELD, Idler, DUST COVER, IDLER (PLASTIC)



COMPASS/PATRIOT (MK)

SERIES	LINE	BODY	ENGINE	TRANSMISSION
H = HIGHLINE	T = JEEP - 2WD	49 = HATCHBACK TYPE #2	ECE = 2.0L 4 Cyl DOHC DPF Diesel Engine	DEF = 6-Speed Manual Aisin BG6 Trans
L = LOWLINE	J = JEEP - 4WD	74 = SPORT UTILITY 4-DR TYPE #4	ED3 = 2.4L 4 Cyl DOHC 16V Dual VVT Engine	DD7 = 5-Speed Manual T355 Transmission
P = PREMIUM	U = JEEP - 4WD (RHD)		ECD = 2.0L 4 Cyl DOHC Diesel 16V Engine	DAV = Continuously Variable Transaxle II
			ECN = 2.0L 4 Cyl DOHC 16V Dual VVT Engine	DAW = Cont.Var. w/Off-Rd Crawl Ratio Trans

AR = use ase required - = Non illustrated part

2008 MK

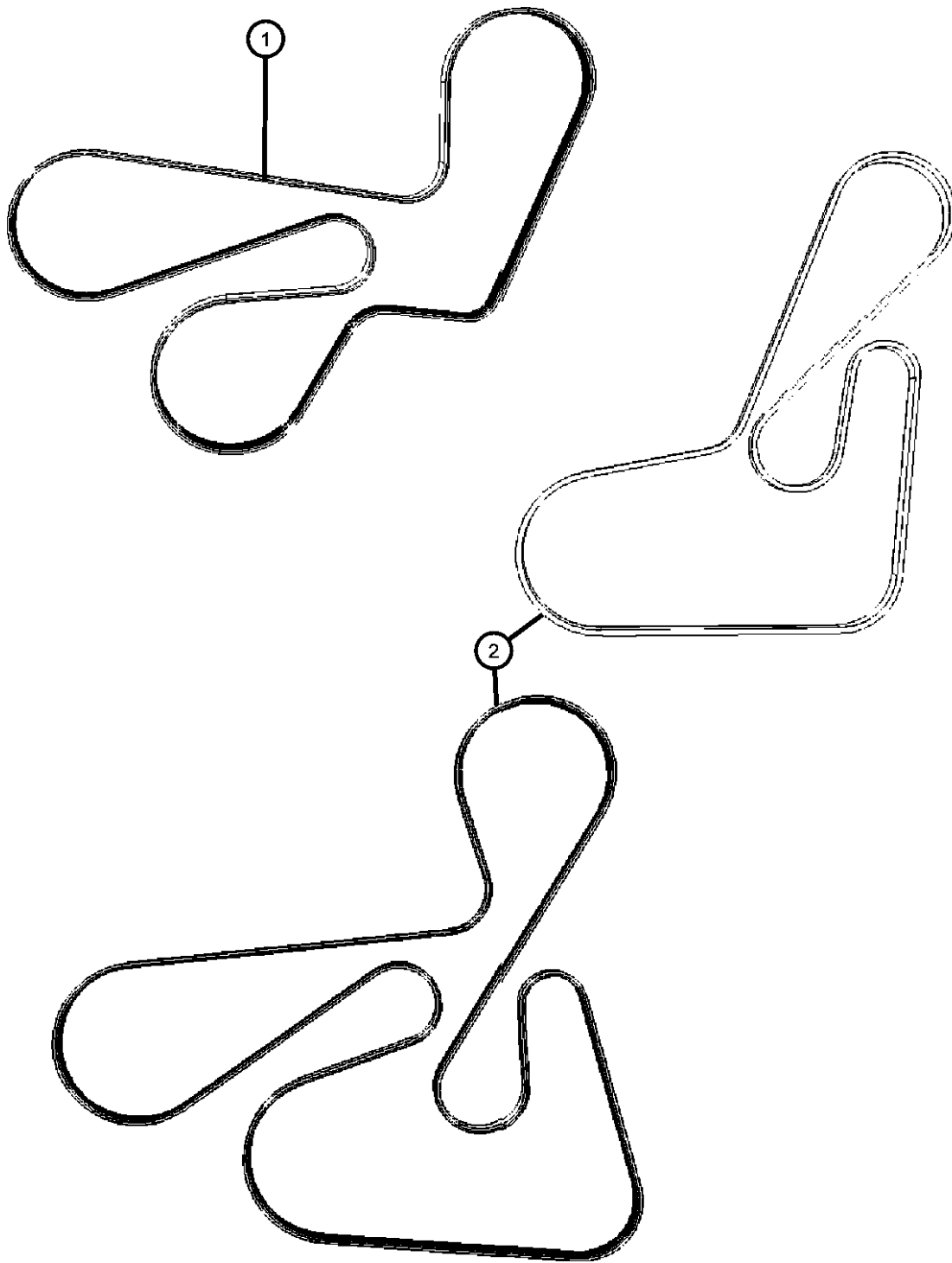
**Belts, Serpentine and V-Belts
Figure 7-505**

ITEM	PART NUMBER	QTY	LINE	SERIES	BODY	ENGINE	TRANS	TRIM	DESCRIPTION
------	-------------	-----	------	--------	------	--------	-------	------	-------------

Sales Codes:

[ECN] = 2.0L Gas Engine
 [ED3] = 2.4L Gas Engine
 [ECD] = 2.0L Diesel Engine

1	04891692AB	1	J, T, U			ECN, ED3			BELT, Accessory Drive, [HCA+X87]
2									BELT, Accessory Drive
	04891598AB	1	J, T, U			ECN, ED3	DAV, DAW		
	04891661AA	1	J, T, U			ECD, ECE			
	04891721AB	1	J, T, U			ECN, ED3	DD7		



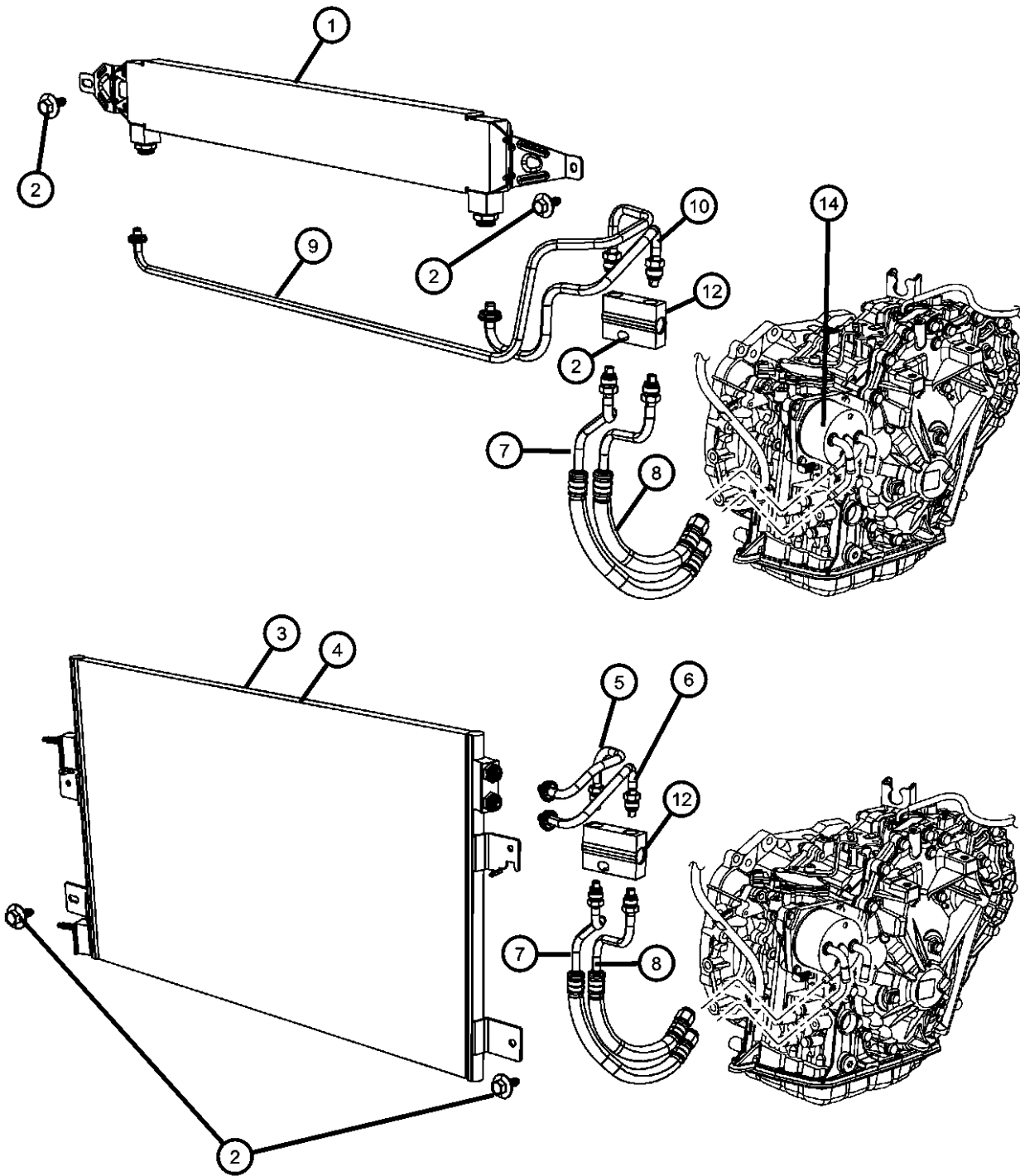
COMPASS/PATRIOT (MK)

SERIES	LINE	BODY	ENGINE	TRANSMISSION
H = HIGHLINE	T = JEEP - 2WD	49 = HATCHBACK TYPE #2	ECE = 2.0L 4 Cyl DOHC DPF Diesel Engine	DEF = 6-Speed Manual Aisin BG6 Trans
L = LOWLINE	J = JEEP - 4WD	74 = SPORT UTILITY 4-DR TYPE #4	ED3 = 2.4L 4 Cyl DOHC 16V Dual VVT Engine	DD7 = 5-Speed Manual T355 Transmission
P = PREMIUM	U = JEEP - 4WD (RHD)		ECD = 2.0L 4 Cyl DOHC Diesel 16V Engine	DAV = Continuously Variable Transaxle II
			ECN = 2.0L 4 Cyl DOHC 16V Dual VVT Engine	DAW = Cont.Var. w/Off-Rd Crawl Ratio Trans

AR = use ase required - = Non illustrated part

2008 MK

Transmission Oil Cooler and Lines
Figure 7-605



ITEM	PART NUMBER	QTY	LINE	SERIES	BODY	ENGINE	TRANS	TRIM	DESCRIPTION
Sales Codes: [HCA] = Heater [HAA] = Heater with Air Conditioning [DAV]=Continuously Variable Transmission [ECN] = 2.0L Gas Engine [ED3] = 2.4L Gas Engine									
1	68004055AA	1	J, T, U			ED3, ECN	DAV		COOLER, Auxiliary Trans. Oil
2									SCREW, M6x1.0
	05191254AA	1	J, T, U			ECN, ED3	DAV		[HCA]
		1	J, T, U			ECN, ED3	DD7, DEF		[HAA]
3	68004053AA	1	J, T, U			ECN, ED3	DAV		COOLER, Condenser and Aux TOC
4									COOLER, Transmission Oil
	68004297AA	1	J, T, U			ECN, ED3	DAW		[HAA]
		1	J, T, U			ECN, ED3	DAW		[HCA]
5	68021175AA	1	J, T, U			ECN, ED3	DAV		TUBE, Transmission By-Pass Valve
6									TUBE, Transmission By-Pass Valve
	68021172AA	1	J, T, U			ECN, ED3	DAW		[HCA]
		1	T, U, J			ECN, ED3	DAV		
7									TUBE, Transmission By-Pass Valve
	68021174AA	1	J, T, U			ECN, ED3	DAV		[HCA]
	68021174AB	1	J, T, U			ECN, ED3	DAW		
		1	J, T, U			ECN, ED3	DAV		[HAA]
8									TUBE, Transmission By-Pass Valve
	68021173AB	1	J, T, U			ECN, ED3	DAW		
	68021174AA	1	J, T, U			ECN, ED3	DAV		
9	68021176AA	1	J, T, U			ECN, ED3	DAV		TUBE, Transmission By-Pass Valve, BY-PASS VALVE TO COOLER
10	68021177AA	1	J, T, U			ECN, ED3	DAV		TUBE, Transmission By-Pass Valve, BY-PASS VALVE TO COOLER
-11	68021178AA	1	J, T, U			ECN, ED3	DAW		TUBE, Transmission By-Pass Valve, BY-PASS VALVE TO COOLER
12									VALVE, Transmission By-Pass

COMPASS/PATRIOT (MK)

SERIES LINE
H = HIGHLINE T = JEEP - 2WD
L = LOWLINE J = JEEP - 4WD
P = PREMIUM U = JEEP - 4WD (RHD)

BODY
49 = HATCHBACK TYPE #2
74 = SPORT UTILITY 4-DR
TYPE #4

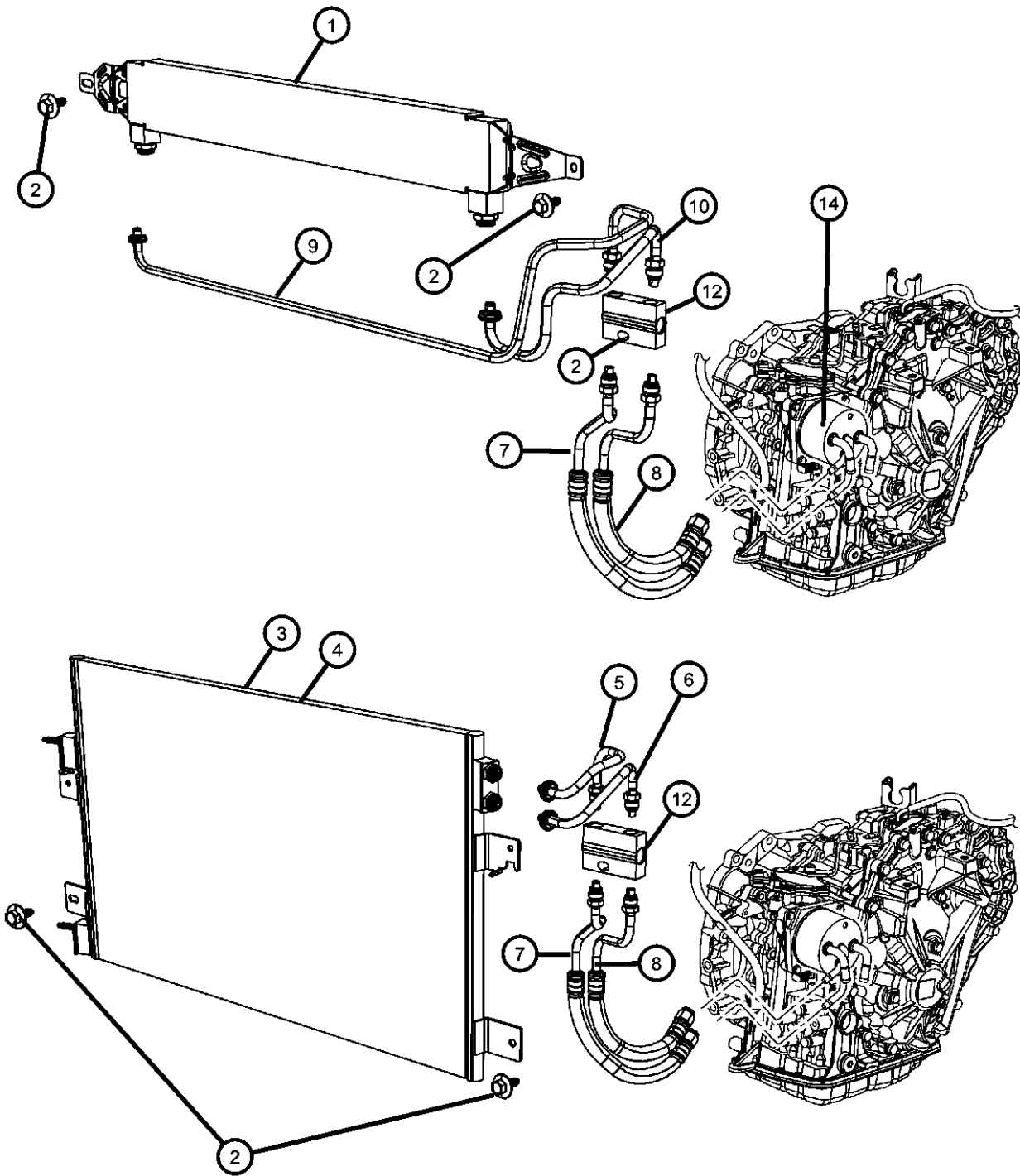
ENGINE
ECE = 2.0L 4 Cyl DOHC DPF
Diesel Engine
ED3 = 2.4L 4 Cyl DOHC 16V
Dual VVT Engine
ECD = 2.0L 4 Cyl DOHC
Diesel 16V Engine
ECN = 2.0L 4 Cyl DOHC 16V
Dual VVT Engine

TRANSMISSION
DEF = 6-Speed Manual Aisin BG6
Trans
DD7 = 5-Speed Manual T355
Transmission
DAV = Continuously Variable
Transaxle II
DAW = Cont.Var. w/Off-Rd Crawl
Ratio Trans

AR = use ase required - = Non illustrated part

2008 MK

Transmission Oil Cooler and Lines
Figure 7-605



ITEM	PART NUMBER	QTY	LINE	SERIES	BODY	ENGINE	TRANS	TRIM	DESCRIPTION
	68021179AA	1	J, T, U			ECN, ED3	DAW		
		1	J, T, U			ECN, ED3	DAV		[HAA]
		1	J, T, U			ECN, ED3	DAV		[HCA]
-13	68021180AA	1	J, T, U			ECN, ED3	DAV		O RING, Transmission By-Pass Valve
14	68025160AA	1	T			ED3	DAV		COOLER, Auxiliary Trans. Oil
		1	J, T, U			ED3	DAW		

COMPASS/PATRIOT (MK)

SERIES	LINE	BODY	ENGINE	TRANSMISSION
H = HIGHLINE	T = JEEP - 2WD	49 = HATCHBACK TYPE #2	ECE = 2.0L 4 Cyl DOHC DPF Diesel Engine	DEF = 6-Speed Manual Aisin BG6 Trans
L = LOWLINE	J = JEEP - 4WD	74 = SPORT UTILITY 4-DR TYPE #4	ED3 = 2.4L 4 Cyl DOHC 16V Dual VVT Engine	DD7 = 5-Speed Manual T355 Transmission
P = PREMIUM	U = JEEP - 4WD (RHD)		ECD = 2.0L 4 Cyl DOHC Diesel 16V Engine	DAV = Continuously Variable Transaxle II
			ECN = 2.0L 4 Cyl DOHC 16V Dual VVT Engine	DAW = Cont.Var. w/Off-Rd Crawl Ratio Trans

AR = use ase required - = Non illustrated part

Group - 8

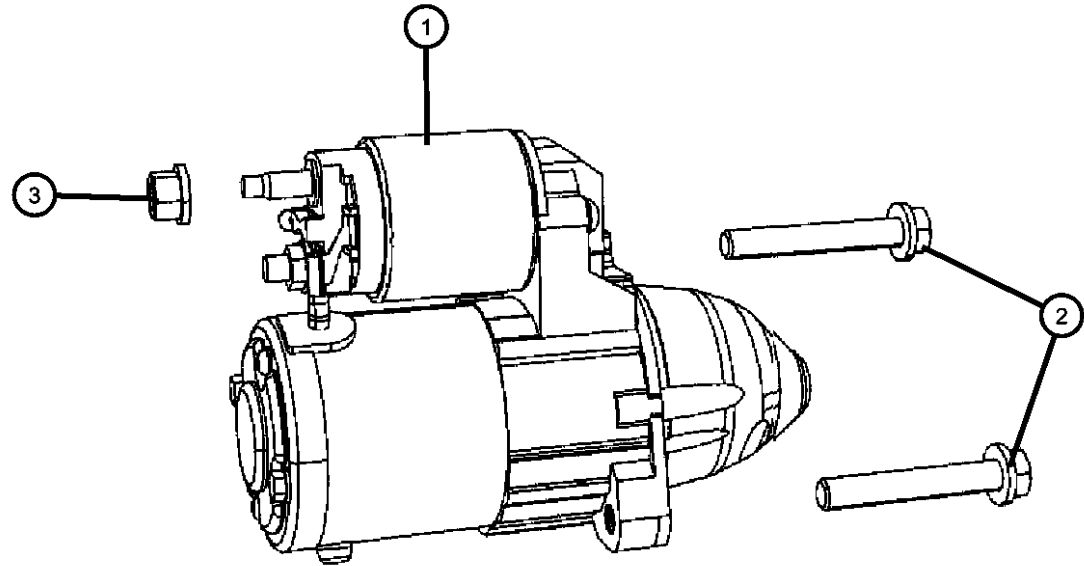
Electrical

008-1900 Ignition - Spark Plugs, Cables, Coils, and Glow Plugs	008-200 Generators / Alternators	008-2000 Instrument Panel	008-2100 Instrument Panel Cluster
008-2200 Radio, Antenna, Speakers, DVD, and Video systems	008-2300 Consoles	008-2400 Navigation	008-2500 Telecommunication
008-2700 Speed Control	008-400 Modules and Engine Controllers	008-500 Power Distribution Center, Fuse Block, Junction Block, Relays and Fuses	008-600 Sensors
008-800 Switches	008-900 Horns		

008-100 Starters	008-1000 Battery, Battery Tray and Cables	008-1100 Lamps-Interior and Exterior	008-1200 Wiring-Powertrain
008-1300 Wiring-Headlamp to Dash	008-1400 Wiring-Instrument Panel	008-1500 Wiring-Body and Accessories	008-1600 Wiring and Repair

**Starter and Related Parts
Figure 8-105**

ITEM	PART NUMBER	QTY	LINE	SERIES	BODY	ENGINE	TRANS	TRIM	DESCRIPTION
1	05034555AA	1	J, T, U		49	ED3, ECN			STARTER, Engine
		1	J, T, U		74	ECN, ED3			
2	06505488AA	2	J, T, U		49	ECN, ED3			SCREW AND WASHER, Hex Head, M10X1.50X65.0
		2	J, T, U		74	ECN, ED3			
3	06101809	1	J, T, U		49				NUT AND WASHER, Hex, M8x1.25
		1	J, T, U		74				



COMPASS/PATRIOT (MK)

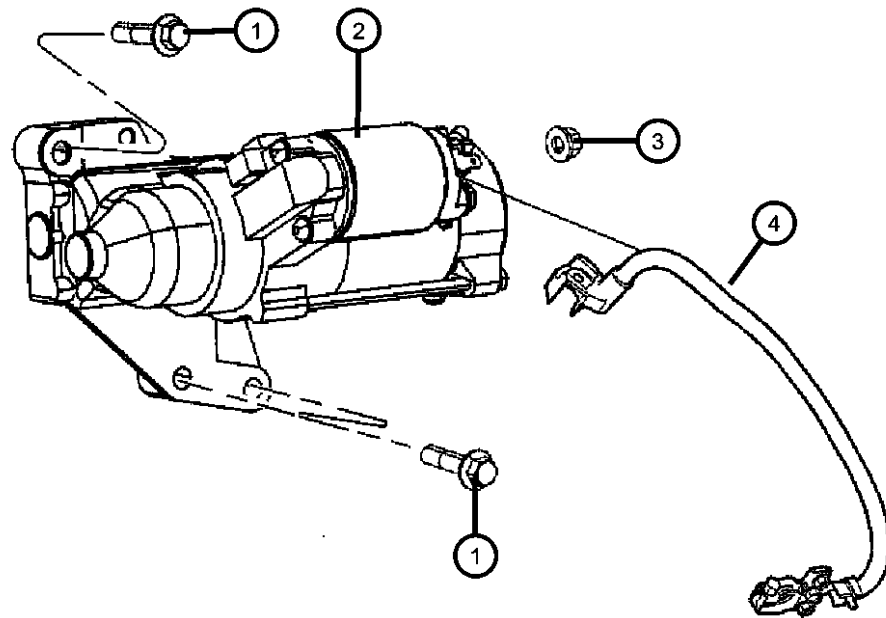
SERIES	LINE	BODY	ENGINE	TRANSMISSION
H = HIGHLINE	T = JEEP - 2WD	49 = HATCHBACK TYPE #2	ECE = 2.0L 4 Cyl DOHC DPF Diesel Engine	DEF = 6-Speed Manual Aisin BG6 Trans
L = LOWLINE	J = JEEP - 4WD	74 = SPORT UTILITY 4-DR TYPE #4	ED3 = 2.4L 4 Cyl DOHC 16V Dual VVT Engine	DD7 = 5-Speed Manual T355 Transmission
P = PREMIUM	U = JEEP - 4WD (RHD)		ECD = 2.0L 4 Cyl DOHC Diesel 16V Engine	DAV = Continuously Variable Transaxle II
			ECN = 2.0L 4 Cyl DOHC 16V Dual VVT Engine	DAW = Cont.Var. w/Off-Rd Crawl Ratio Trans

AR = use ase required - = Non illustrated part

2008 MK

**Starter and Related Parts
Figure 8-106**

ITEM	PART NUMBER	QTY	LINE	SERIES	BODY	ENGINE	TRANS	TRIM	DESCRIPTION
1									SCREW, Hex Flange Head, M10X1.25X40.00
	06508522AA	3	J, T, U		49	ECD, ECE			
		3	J, T, U		74	ECD, ECE			
2									STARTER, Engine
	05033440AC	1	J, T, U		74	ECD, ECE			
		1	J, T, U		49	ECD, ECE			
3	06101809	1	J, T, U		49				NUT AND WASHER, Hex, M8x1.25
4									WIRING, Starter
	04801352AB	1	J, T, U		49	ECE, ECD			
		1	J, T, U		74	ECD, ECE			



COMPASS/PATRIOT (MK)

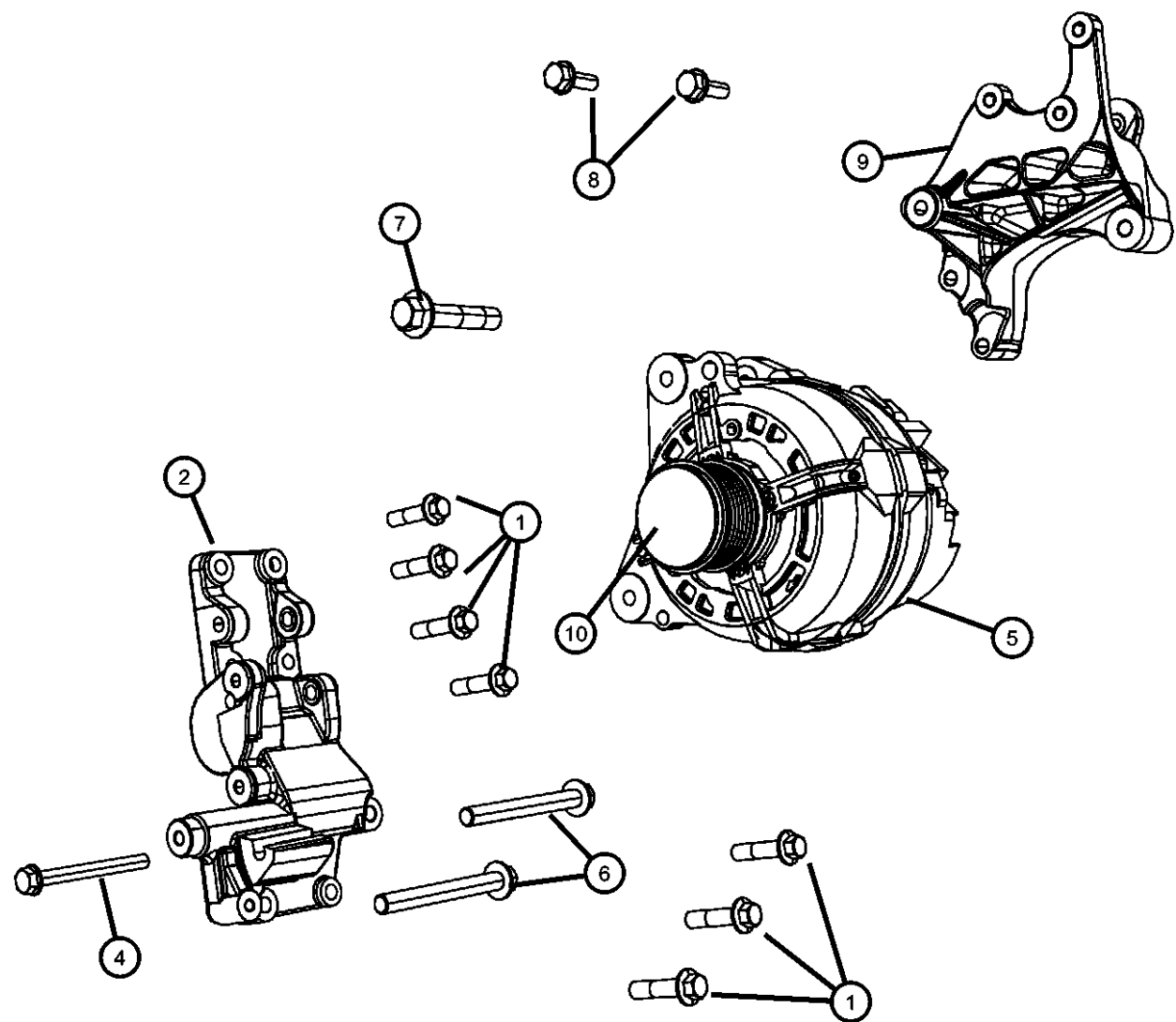
SERIES	LINE	BODY	ENGINE	TRANSMISSION
H = HIGHLINE	T = JEEP - 2WD	49 = HATCHBACK TYPE #2	ECE = 2.0L 4 Cyl DOHC DPF Diesel Engine	DEF = 6-Speed Manual Aisin BG6 Trans
L = LOWLINE	J = JEEP - 4WD	74 = SPORT UTILITY 4-DR TYPE #4	ED3 = 2.4L 4 Cyl DOHC 16V Dual VVT Engine	DD7 = 5-Speed Manual T355 Transmission
P = PREMIUM	U = JEEP - 4WD (RHD)		ECD = 2.0L 4 Cyl DOHC Diesel 16V Engine	DAV = Continuously Variable Transaxle II
			ECN = 2.0L 4 Cyl DOHC 16V Dual VVT Engine	DAW = Cont.Var. w/Off-Rd Crawl Ratio Trans

AR = use ase required - = Non illustrated part

2008 MK

**Generator/Alternator and Related Parts
Figure 8-205**

ITEM	PART NUMBER	QTY	LINE	SERIES	BODY	ENGINE	TRANS	TRIM	DESCRIPTION
1	06508246AA	7	J, T, U		49	ECN, ED3			SCREW, Hex Flange Head, M10X1.25X40.00
		7	U, J, T		74	ECN, ED3			
2	04891592AA	1	J, T, U		49	ECN, ED3			BRACKET, Accessory Mount
		1	J, T, U		74	ECN, ED3			
-3	06502987	1	J, T, U		49	ECN, ED3			NUT AND RETAINER, Hex Flange Locking, M10 x 1.50
		1	J, T, U		74	ECN, ED3			
4	06104227AA	1	J, T, U		49	ECN, ED3			SCREW, Hex Flange Head, M10X1.5X100.0
		1	J, T, U		74	ECN, ED3			
5	04801323AD	1	J, T, U		74	ECN, ED3			ALTERNATOR [BAN]
	04801477AA	1	J, T, U		49	ECN, ED3			[BAE]
		1	J, T, U		74	ECN, ED3			[BAE]
		1	J, T, U		49	ECN, ED3			[BAN]
6	06508279AA	2	J, T, U		49	ECN, ED3			SCREW, Hex Flange Head, M10X1.25X90.00
		2	J, T, U		74	ECN, ED3			
7	06508278AA	1	J, T, U		49	ECN, ED3			SCREW, Hex Flange Head, M10X1.25X50.00
		1	J, T, U		74	ECN, ED3			
8	06104197AA	3	J, T, U		49	ECN, ED3			BOLT, Hex Flange Head, M8X1.25X25.00
		3	J, T, U		74	ECN, ED3			
9	04891593AA	1	J, T, U		49	ECN, ED3			BRACKET, Power Steering Pump
		1	J, T, U		74	ECN, ED3			
10									CAP, Alternator Pulley



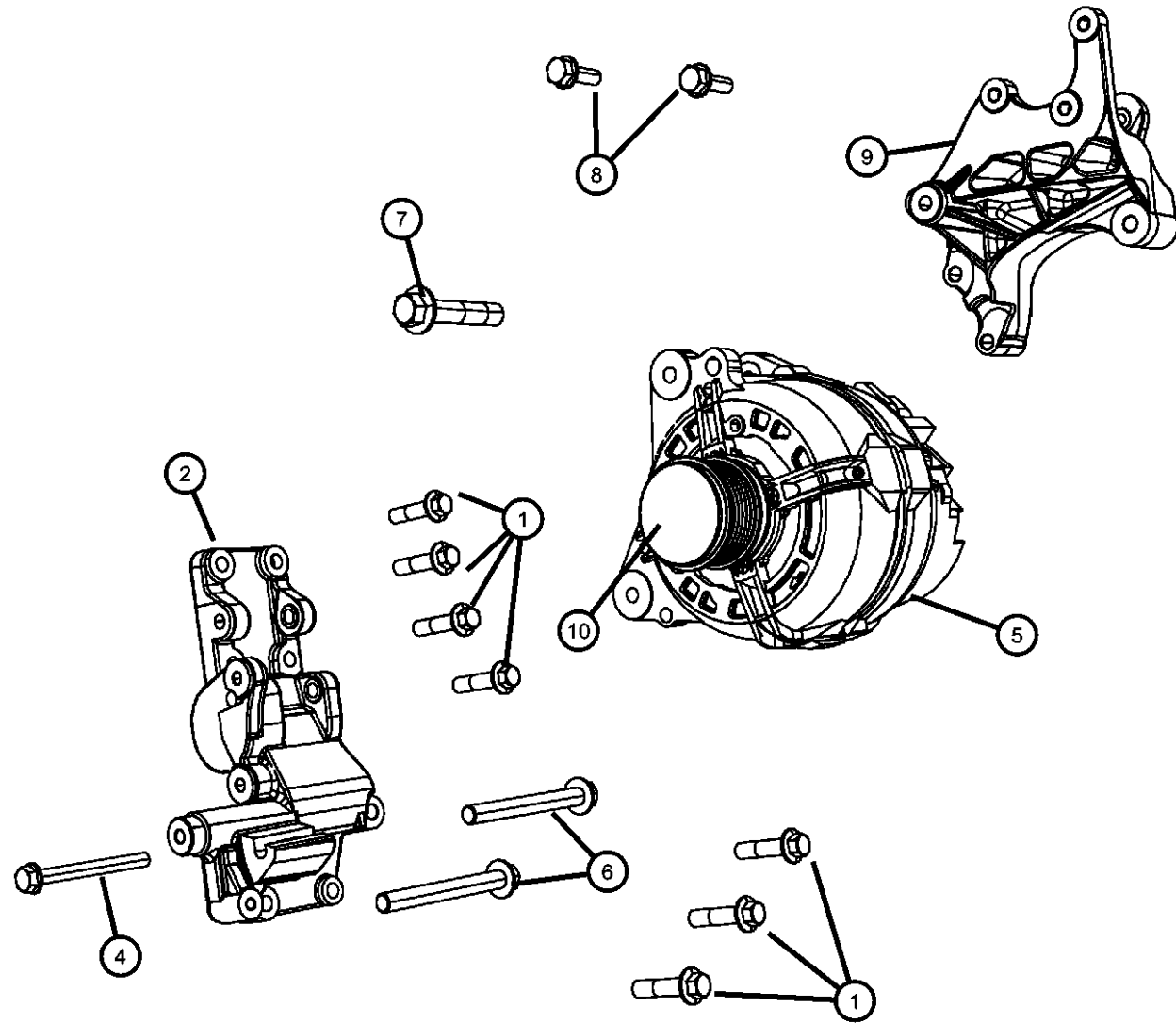
COMPASS/PATRIOT (MK)

SERIES	LINE	BODY	ENGINE	TRANSMISSION
H = HIGHLINE	T = JEEP - 2WD	49 = HATCHBACK TYPE #2	ECE = 2.0L 4 Cyl DOHC DPF Diesel Engine	DEF = 6-Speed Manual Aisin BG6 Trans
L = LOWLINE	J = JEEP - 4WD	74 = SPORT UTILITY 4-DR TYPE #4	ED3 = 2.4L 4 Cyl DOHC 16V Dual VVT Engine	DD7 = 5-Speed Manual T355 Transmission
P = PREMIUM	U = JEEP - 4WD (RHD)		ECD = 2.0L 4 Cyl DOHC Diesel 16V Engine	DAV = Continuously Variable Transaxle II
			ECN = 2.0L 4 Cyl DOHC 16V Dual VVT Engine	DAW = Cont.Var. w/Off-Rd Crawl Ratio Trans

AR = use ase required - = Non illustrated part

**Generator/Alternator and Related Parts
Figure 8-205**

ITEM	PART NUMBER	QTY	LINE	SERIES	BODY	ENGINE	TRANS	TRIM	DESCRIPTION
	04891743AA	1	J, T, U		74	ECN, ED3			
		1	J, T, U		49	ECN, ED3			



COMPASS/PATRIOT (MK)

SERIES LINE
H = HIGHLINE T = JEEP - 2WD
L = LOWLINE J = JEEP - 4WD
P = PREMIUM U = JEEP - 4WD (RHD)

BODY
49 = HATCHBACK TYPE #2
74 = SPORT UTILITY 4-DR
TYPE #4

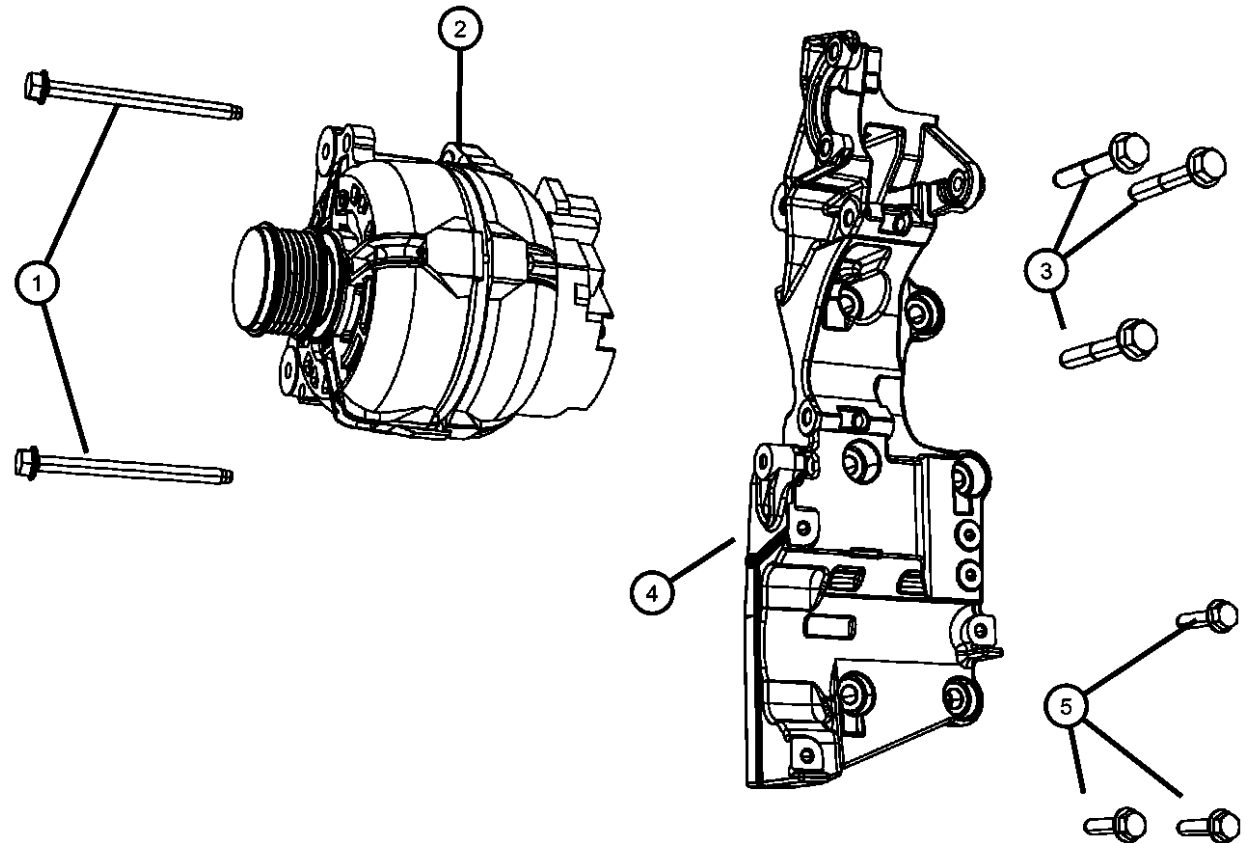
ENGINE
ECE = 2.0L 4 Cyl DOHC DPF Diesel Engine
ED3 = 2.4L 4 Cyl DOHC 16V Dual VVT Engine
ECD = 2.0L 4 Cyl DOHC Diesel 16V Engine
ECN = 2.0L 4 Cyl DOHC 16V Dual VVT Engine

TRANSMISSION
DEF = 6-Speed Manual Aisin BG6 Trans
DD7 = 5-Speed Manual T355 Transmission
DAV = Continuously Variable Transaxle II
DAW = Cont.Var. w/Off-Rd Crawl Ratio Trans

AR = use ase required - = Non illustrated part

2008 MK

**Generator/Alternator and Related Parts
Figure 8-210**



ITEM	PART NUMBER	QTY	LINE	SERIES	BODY	ENGINE	TRANS	TRIM	DESCRIPTION
1	06508316AA	2	J, T, U		49	ECD, ECE			SCREW, Hex Flange Head, M8X1.25X110.00
		2	T, U, J		74	ECD, ECE			
2	05033757AB	1	J, T, U		49	ECD, ECE			ALTERNATOR
		1	J, T, U		74	ECD, ECE			
3	68001496AA	3	J, T, U		49	ECD			BOLT, Hex Head, M10x65
		3	J, T, U		74	ECD			
4	68000635AB	1	J, T, U		49	ECD			BRACKET, Accessory Mount
		1	J, T, U		74	ECD			
5	68001499AB	3	J, T, U		49	ECD			BOLT, Hex Head, M10x45
		3	J, T, U		74	ECD			

COMPASS/PATRIOT (MK)

SERIES LINE
H = HIGHLINE T = JEEP - 2WD
L = LOWLINE J = JEEP - 4WD
P = PREMIUM U = JEEP - 4WD (RHD)

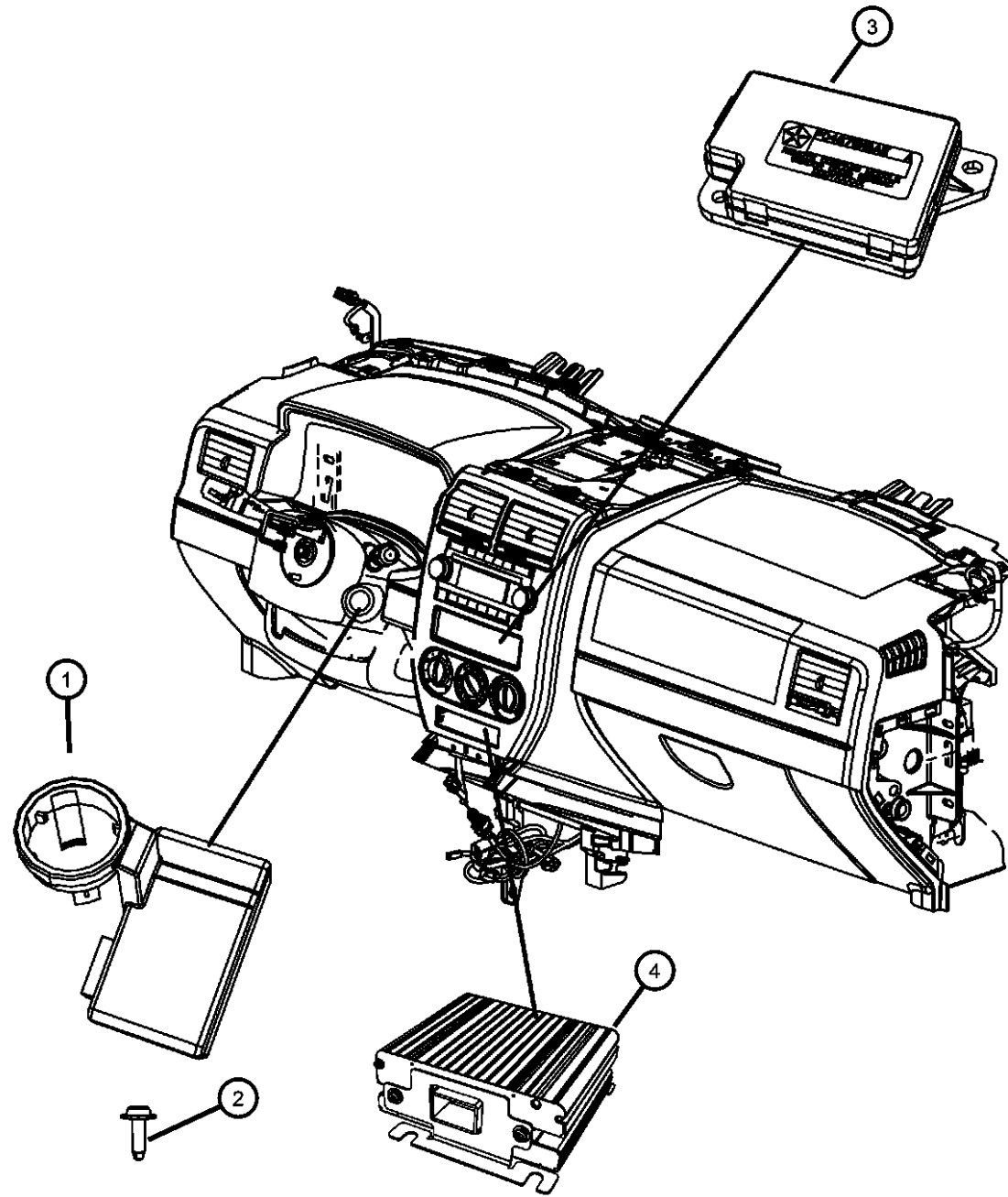
BODY
49 = HATCHBACK TYPE #2
74 = SPORT UTILITY 4-DR TYPE #4

ENGINE
ECE = 2.0L 4 Cyl DOHC DPF Diesel Engine
ED3 = 2.4L 4 Cyl DOHC 16V Dual VVT Engine
ECD = 2.0L 4 Cyl DOHC Diesel 16V Engine
ECN = 2.0L 4 Cyl DOHC 16V Dual VVT Engine

TRANSMISSION
DEF = 6-Speed Manual Aisin BG6 Trans
DD7 = 5-Speed Manual T355 Transmission
DAV = Continuously Variable Transaxle II
DAW = Cont.Var. w/Off-Rd Crawl Ratio Trans

AR = use ase required - = Non illustrated part

Modules Instrument Panel
Figure 8-410



ITEM	PART NUMBER	QTY	LINE	SERIES	BODY	ENGINE	TRANS	TRIM	DESCRIPTION
1	05026216AH	1	J, T, U		49				MODULE, Receiver [GXX,XGM]
	05026218AH	1	J, T, U		74				[GXX,XGM]
	05026222AH	1	J, T, U		49				[GXX,GXR,LAB]
	05026225AH	1	J, T, U		74				[GXX,GXR,LAB]
	05026226AH	1	J, T, U		49				[GXX,GXP]
	05026228AH	1	J, T, U		74				[GXX,GXP]
	05026225AH	1	J, T, U		49				[GXX,GXN]
	05026226AH	1	J, T, U		74				[GXX,GXN]
	05026228AH	1	J, T, U		49				[GXX]
	05026228AH	1	J, T, U		74				[GXX]
	05026228AH	1	J, T, U		49				[GXX,LS9]
	05026228AH	1	J, T, U		74				[GXX,LS9]
2	06508440AA	1	J, T, U		49				SCREW, Tapping Round Head, M4X1.40X14.00
	06508440AA	1	J, T, U		74				
3	04671918AF	1	J, T, U		49				MODULE, Compass
	04671918AF	1	J, T, U		74				
4	04671954AG	1	J, T, U		49				MODULE, Power Inverter
	04671954AG	1	J, T, U		74				

COMPASS/PATRIOT (MK)

SERIES LINE
H = HIGHLINE T = JEEP - 2WD
L = LOWLINE J = JEEP - 4WD
P = PREMIUM U = JEEP - 4WD (RHD)

BODY
49 = HATCHBACK TYPE #2
74 = SPORT UTILITY 4-DR
TYPE #4

ENGINE
ECE = 2.0L 4 Cyl DOHC DPF Diesel Engine
ED3 = 2.4L 4 Cyl DOHC 16V Dual VVT Engine
ECD = 2.0L 4 Cyl DOHC Diesel 16V Engine
ECN = 2.0L 4 Cyl DOHC 16V Dual VVT Engine

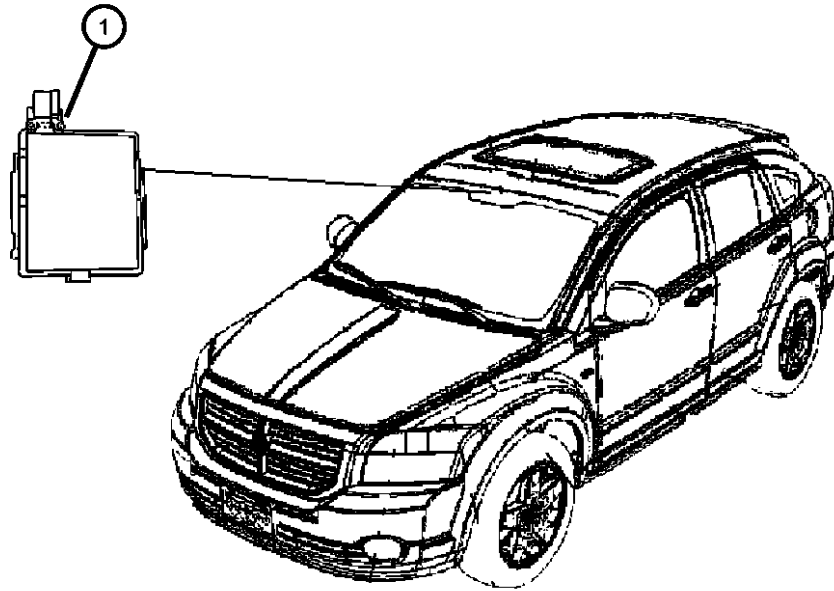
TRANSMISSION
DEF = 6-Speed Manual Aisin BG6 Trans
DD7 = 5-Speed Manual T355 Transmission
DAV = Continuously Variable Transaxle II
DAW = Cont.Var. w/Off-Rd Crawl Ratio Trans

AR = use ase required - = Non illustrated part

2008 MK

**Modules Overhead
Figure 8-415**

ITEM	PART NUMBER	QTY	LINE	SERIES	BODY	ENGINE	TRANS	TRIM	DESCRIPTION
1	56044968AA	1	J, T, U		74				MODULE, Garage Door Opener



COMPASS/PATRIOT (MK)

SERIES	LINE
H = HIGHLINE	T = JEEP - 2WD
L = LOWLINE	J = JEEP - 4WD
P = PREMIUM	U = JEEP - 4WD (RHD)

BODY
49 = HATCHBACK TYPE #2
74 = SPORT UTILITY 4-DR TYPE #4

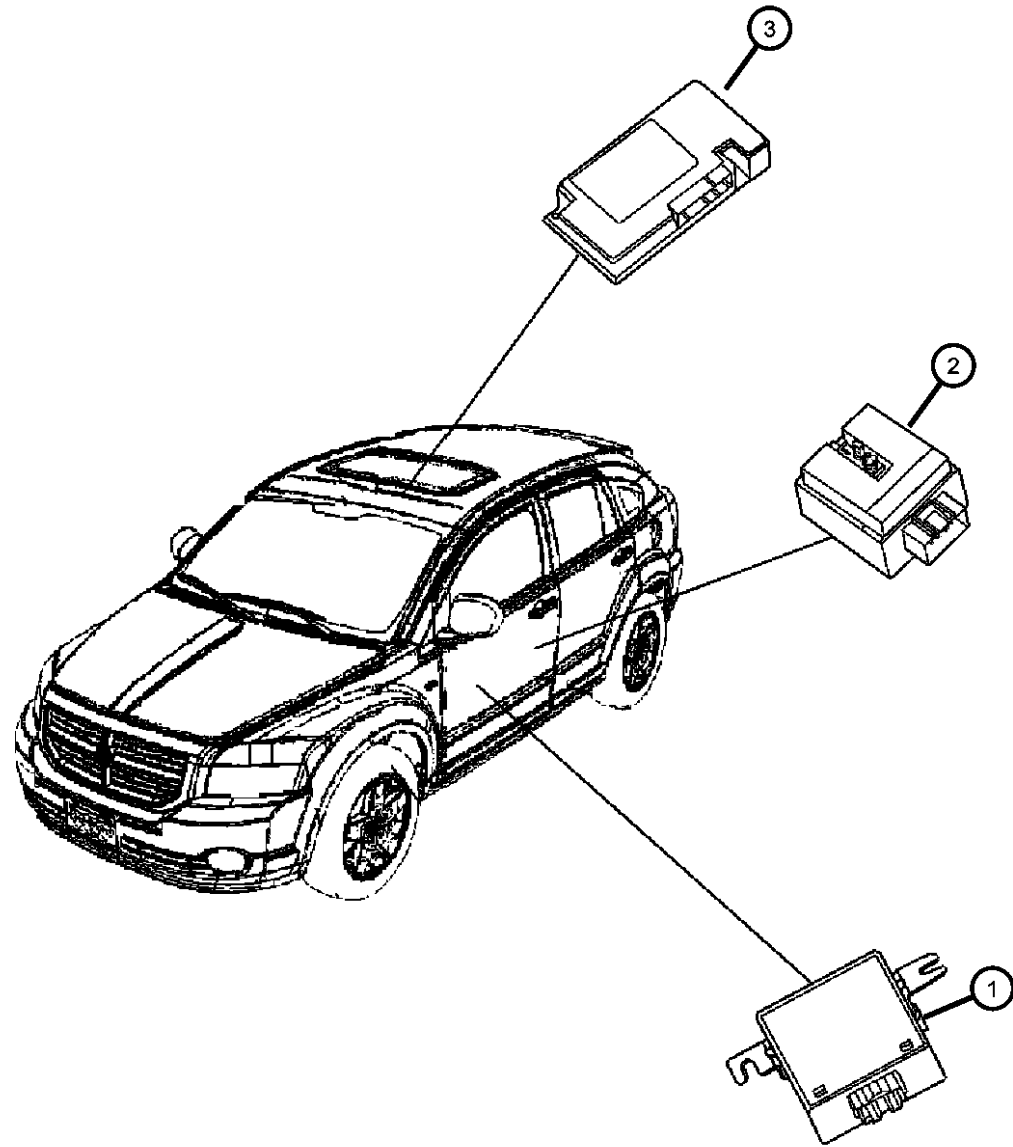
ENGINE
ECE = 2.0L 4 Cyl DOHC DPF Diesel Engine
ED3 = 2.4L 4 Cyl DOHC 16V Dual VVT Engine
ECD = 2.0L 4 Cyl DOHC Diesel 16V Engine
ECN = 2.0L 4 Cyl DOHC 16V Dual VVT Engine

TRANSMISSION
DEF = 6-Speed Manual Aisin BG6 Trans
DD7 = 5-Speed Manual T355 Transmission
DAV = Continuously Variable Transaxle II
DAW = Cont.Var. w/Off-Rd Crawl Ratio Trans

AR = use ase required - = Non illustrated part

2008 MK

Modules Body
Figure 8-420



ITEM	PART NUMBER	QTY	LINE	SERIES	BODY	ENGINE	TRANS	TRIM	DESCRIPTION
1	05033301AF	1	J, U		49				MODULE, AWD Driveline Up to 08/19/07
		1	J, U		74				Up to 08/19/07
	05033301AG	1	J, U		49				After 08/19/07
		1	J, U		74				After 08/19/07
2	04602522AD	1	J, T		49, 74			MODULE, Heated Seat Control	
3	05064560AB	1	J, T, U		49				MODULE, Telematics
		1	J, T, U		74				

COMPASS/PATRIOT (MK)

SERIES LINE
H = HIGHLINE T = JEEP - 2WD
L = LOWLINE J = JEEP - 4WD
P = PREMIUM U = JEEP - 4WD (RHD)

BODY
49 = HATCHBACK TYPE #2
74 = SPORT UTILITY 4-DR
TYPE #4

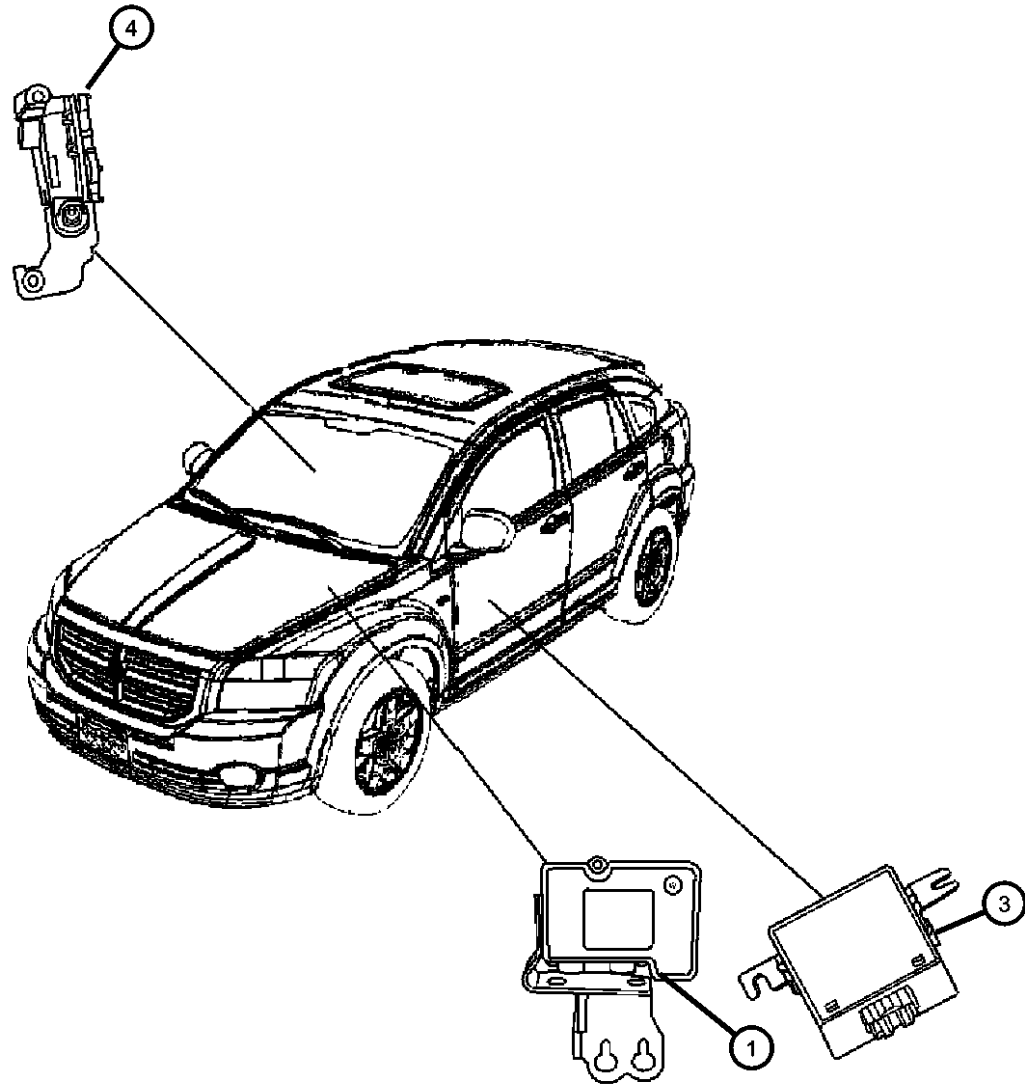
ENGINE
ECE = 2.0L 4 Cyl DOHC DPF Diesel Engine
ED3 = 2.4L 4 Cyl DOHC 16V Dual VVT Engine
ECD = 2.0L 4 Cyl DOHC Diesel 16V Engine
ECN = 2.0L 4 Cyl DOHC 16V Dual VVT Engine

TRANSMISSION
DEF = 6-Speed Manual Aisin BG6 Trans
DD7 = 5-Speed Manual T355 Transmission
DAV = Continuously Variable Transaxle II
DAW = Cont.Var. w/Off-Rd Crawl Ratio Trans

AR = use ase required - = Non illustrated part

2008 MK

Modules Brakes, Suspension and Steering
Figure 8-430



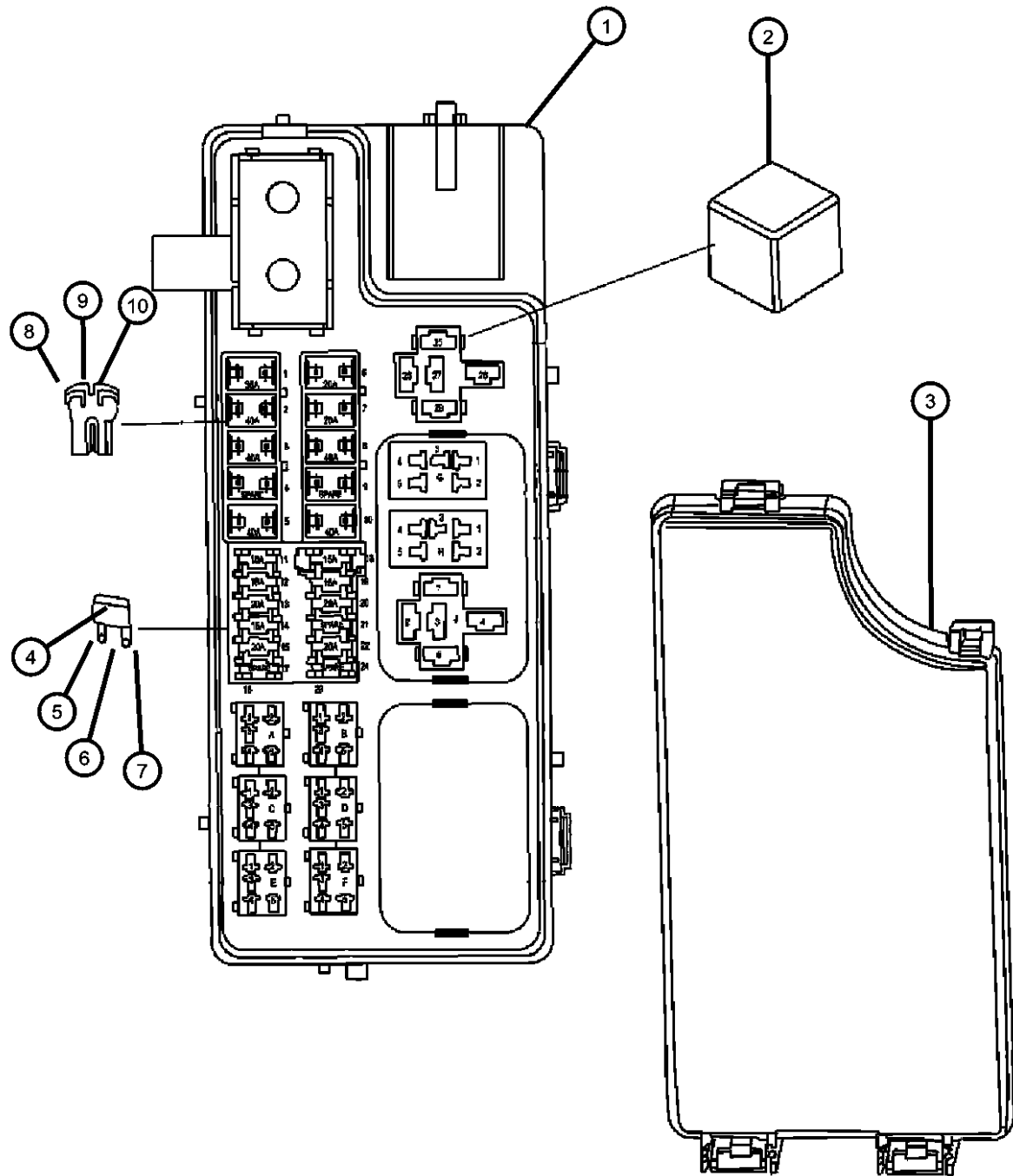
ITEM	PART NUMBER	QTY	LINE	SERIES	BODY	ENGINE	TRANS	TRIM	DESCRIPTION
1									MODULE, Anti-Lock Brake System
	05191006AD	1	J, T		49	ECN			
		1	J, T		74	ECN			
	68033231AA	1	J, T		49	ECE			
		1	J, T		74	ECE			
	68038072AA	1	J, T		49	ECD, ECN, ED3			
		1	J, T		74	ECD, ECN, ED3			
-2									SEAL, ECU Coil Seal
	68020717AA	12	J, T		49	ECD			
		12	J, T		74	ECD			
		12	J, T		49	ED3			
		12	J, T		74	ED3			
		12	J, T		49	ECE			
		12	J, T		74	ECE			
3									MODULE, AWD Driveline
	05033301AF	1	J, U		49				
		1	J, U		74				
4									MODULE, Electronic Stability
	05033321AC	1	J, U		49				
		1	J, U		74				

COMPASS/PATRIOT (MK)

SERIES	LINE	BODY	ENGINE	TRANSMISSION
H = HIGHLINE	T = JEEP - 2WD	49 = HATCHBACK TYPE #2	ECE = 2.0L 4 Cyl DOHC DPF Diesel Engine	DEF = 6-Speed Manual Aisin BG6 Trans
L = LOWLINE	J = JEEP - 4WD	74 = SPORT UTILITY 4-DR TYPE #4	ED3 = 2.4L 4 Cyl DOHC 16V Dual VVT Engine	DD7 = 5-Speed Manual T355 Transmission
P = PREMIUM	U = JEEP - 4WD (RHD)		ECD = 2.0L 4 Cyl DOHC Diesel 16V Engine	DAV = Continuously Variable Transaxle II
			ECN = 2.0L 4 Cyl DOHC 16V Dual VVT Engine	DAW = Cont.Var. w/Off-Rd Crawl Ratio Trans

AR = use ase required - = Non illustrated part

**Power Distribution Center
Figure 8-505**



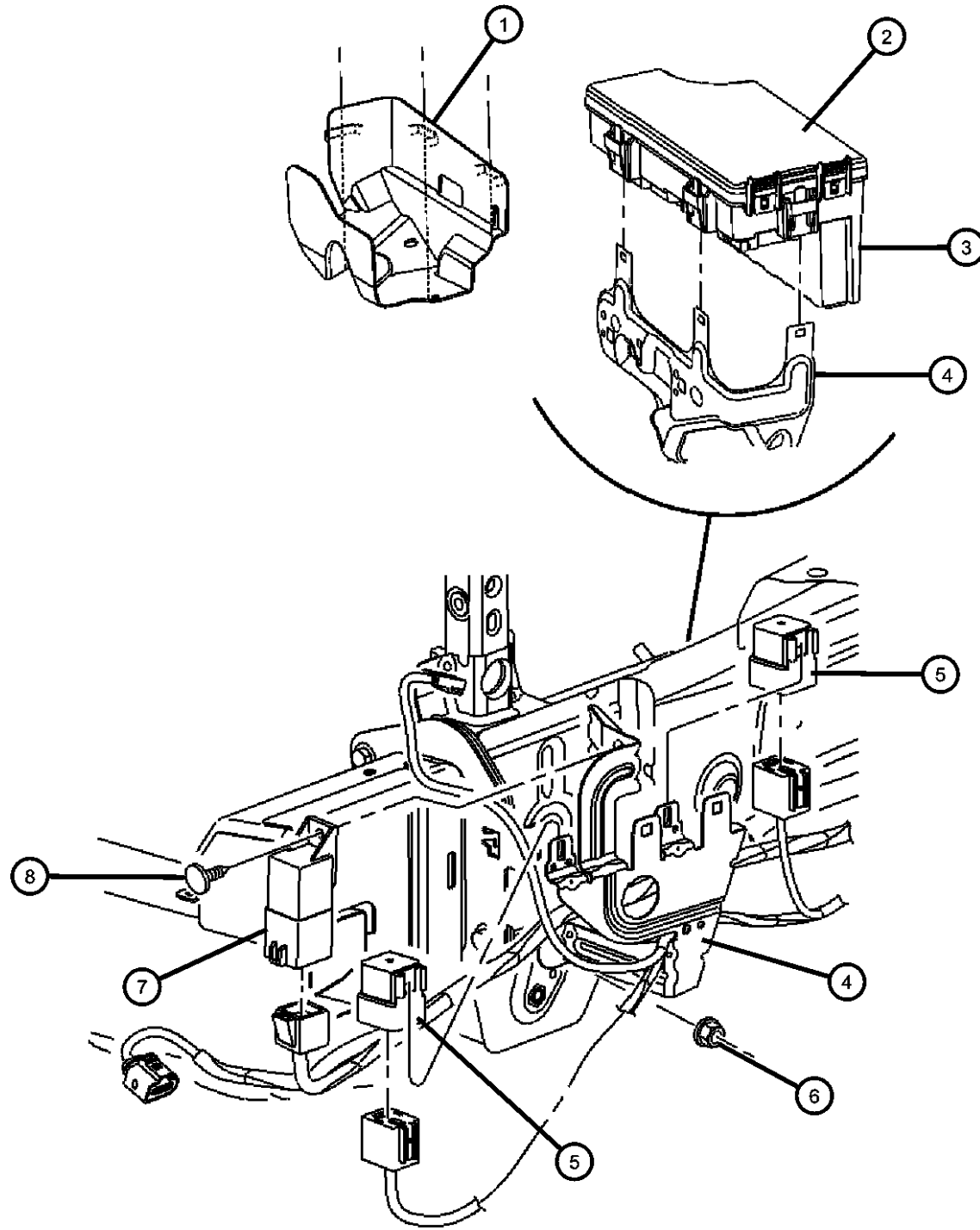
ITEM	PART NUMBER	QTY	LINE	SERIES	BODY	ENGINE	TRANS	TRIM	DESCRIPTION
1	68028007AB	1	J, T, U		49				MODULE, Totally Integrated Power
		1	J, T, U		74				
2	04671167AB	1							RELAY, Mini
3	68002786AA	1	J, T, U		49				COVER, Totally Integrated Power Module
		1	J, T, U		74				
4	000ATM10	11	J, T, U		49				FUSE, Mini, 10 AMP, Red
		11	J, T, U		74				
5	000ATM15	7	J, T, U		49				FUSE, Mini, 15 AMP, Light Blue
		7	J, T, U		74				
6	000ATM20	9	J, T, U		49				FUSE, Mini, 20 AMP, Yellow
		9	J, T, U		74				
7	000ATM25	2	J, T, U		49				FUSE, Mini, 25 Amp, Natural
		2	J, T, U		74				
8	04868007AA	2	J, T, U		49				FUSE CARTRIDGE, 30 Amp
		2	J, T, U		74				
9	04868008AA	5	J, T, U		49				FUSE CARTRIDGE, 40 Amp
		5	J, T, U		74				
10	06102078AA	1	J, T, U		49				FUSE CARTRIDGE, 50 Amp
		1	J, T, U		74				

COMPASS/PATRIOT (MK)

SERIES	LINE	BODY	ENGINE	TRANSMISSION
H = HIGHLINE	T = JEEP - 2WD	49 = HATCHBACK TYPE #2	ECE = 2.0L 4 Cyl DOHC DPF Diesel Engine	DEF = 6-Speed Manual Aisin BG6 Trans
L = LOWLINE	J = JEEP - 4WD	74 = SPORT UTILITY 4-DR TYPE #4	ED3 = 2.4L 4 Cyl DOHC 16V Dual VVT Engine	DD7 = 5-Speed Manual T355 Transmission
P = PREMIUM	U = JEEP - 4WD (RHD)		ECD = 2.0L 4 Cyl DOHC Diesel 16V Engine	DAV = Continuously Variable Transaxle II
			ECN = 2.0L 4 Cyl DOHC 16V Dual VVT Engine	DAW = Cont.Var. w/Off-Rd Crawl Ratio Trans

AR = use ase required - = Non illustrated part

**Relays and Totally Integrated Power Module Mounting
Figure 8-506**



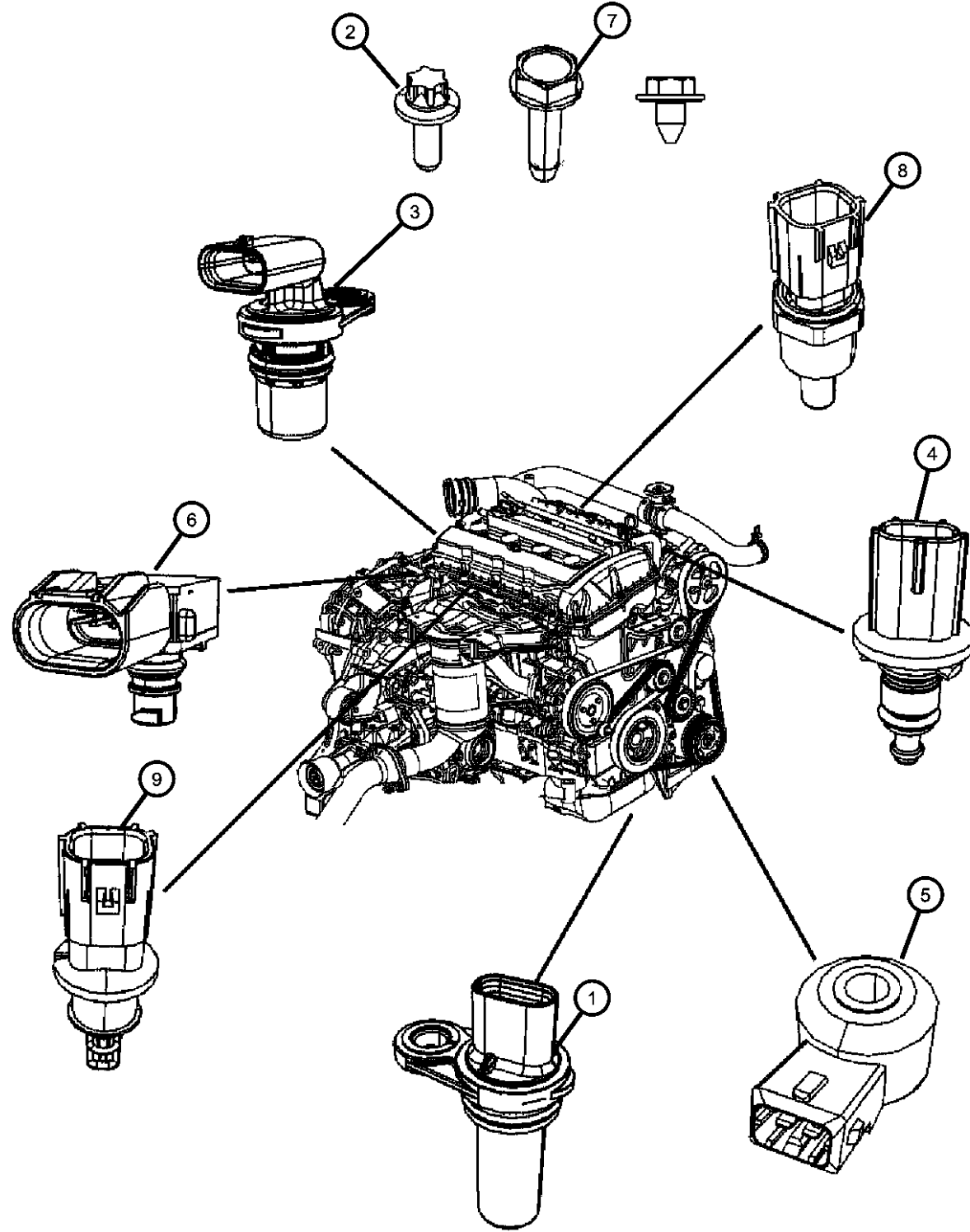
ITEM	PART NUMBER	QTY	LINE	SERIES	BODY	ENGINE	TRANS	TRIM	DESCRIPTION
1	04692044AC	1	J, T, U		49				SHIELD, Splash
			J, T, U		74				
2	68002786AA	1	J, T, U		49				COVER, Totally Integrated Power Module
			J, T, U		74				
3	68028007AB	1	J, T, U		49				MODULE, Totally Integrated Power
			J, T, U		74				
4	04692126AC	1	J, T, U		49				BRACKET, Power Distribution Center
			J, T, U		74				
5	04671167AB	1							RELAY, Mini
6	06104726AA	2	J, T, U		49, 74				NUT AND WASHER, Hex, M8x1.25
7	05033351AA	1	J, T, U		49	ECD, ECE			MODULE, Glow Plug
			J, T, U		74	ECD, ECE			
8	06030441	1	J, T, U		49	ECD, ECE			PIN, Retainer
			J, T, U		74	ECD, ECE			

COMPASS/PATRIOT (MK)

SERIES	LINE	BODY	ENGINE	TRANSMISSION
H = HIGHLINE	T = JEEP - 2WD	49 = HATCHBACK TYPE #2	ECE = 2.0L 4 Cyl DOHC DPF Diesel Engine	DEF = 6-Speed Manual Aisin BG6 Trans
L = LOWLINE	J = JEEP - 4WD	74 = SPORT UTILITY 4-DR TYPE #4	ED3 = 2.4L 4 Cyl DOHC 16V Dual VVT Engine	DD7 = 5-Speed Manual T355 Transmission
P = PREMIUM	U = JEEP - 4WD (RHD)		ECD = 2.0L 4 Cyl DOHC Diesel 16V Engine	DAV = Continuously Variable Transaxle II
			ECN = 2.0L 4 Cyl DOHC 16V Dual VVT Engine	DAW = Cont.Var. w/Off-Rd Crawl Ratio Trans

AR = use ase required - = Non illustrated part

Sensors, Gas Engine
Figure 8-605



ITEM	PART NUMBER	QTY	LINE	SERIES	BODY	ENGINE	TRANS	TRIM	DESCRIPTION
1	05033307AC	1	J, T, U		49	ED3, ECN			SENSOR, Crankshaft Position
		1	J, T, U		74	ECN, ED3			
2	06105037AA	1	J, T, U		49	ECN, ED3			SCREW, Hex Flange Head, M6x1.00x20.00
		1	J, T, U		74	ECN, ED3			
3	05033308AB	2	J, T, U		49	ECN, ED3			SENSOR, Camshaft
		2	J, T, U		74	ECN, ED3			
4	05033313AA	1	J, T, U		49	ECN, ED3			SENSOR, Coolant Temperature
		1	J, T, U		74	ECN, ED3			
5	05033316AA	1	J, T, U		49	ECN, ED3			SENSOR, Knock
		1	J, T, U		74	ECN, ED3			
6	05033310AB	1	J, T, U		49	ECN, ED3			SENSOR, MAP
		1	J, T, U		74	ECN, ED3			
7	06102417AA	1	J, T, U		49	ECN, ED3			SCREW, Tapping Hex Head, M4.2X1.70X16.00 MAP Sensor attaching
		1	J, T, U		74	ECN, ED3			
8	05033314AA	1	J, T, U		74	ECN, ED3			SENSOR, Temperature OIL TEMPERATURE
		1	J, T, U		49	ECN, ED3			
9	04606487AB	1	J, T, U		49	ECN, ED3			SENSOR, Charge Air Temp
		1	J, T, U		74	ECN, ED3			

COMPASS/PATRIOT (MK)

SERIES LINE
H = HIGHLINE T = JEEP - 2WD
L = LOWLINE J = JEEP - 4WD
P = PREMIUM U = JEEP - 4WD (RHD)

BODY
49 = HATCHBACK TYPE #2
74 = SPORT UTILITY 4-DR TYPE #4

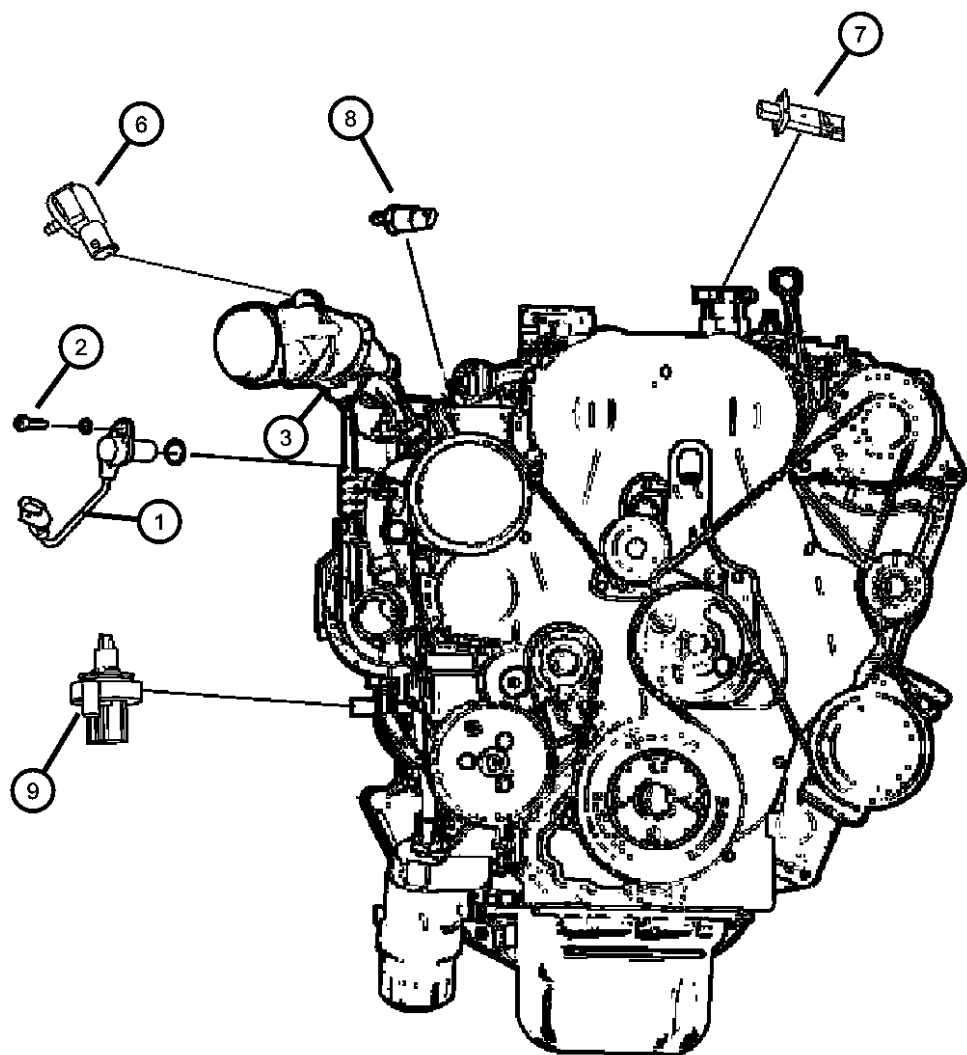
ENGINE
ECE = 2.0L 4 Cyl DOHC DPF Diesel Engine
ED3 = 2.4L 4 Cyl DOHC 16V Dual VVT Engine
ECD = 2.0L 4 Cyl DOHC Diesel 16V Engine
ECN = 2.0L 4 Cyl DOHC 16V Dual VVT Engine

TRANSMISSION
DEF = 6-Speed Manual Aisin BG6 Trans
DD7 = 5-Speed Manual T355 Transmission
DAV = Continuously Variable Transaxle II
DAW = Cont.Var. w/Off-Rd Crawl Ratio Trans

AR = use ase required - = Non illustrated part

2008 MK

Sensors Diesel Engine
Figure 8-610



ITEM	PART NUMBER	QTY	LINE	SERIES	BODY	ENGINE	TRANS	TRIM	DESCRIPTION
1	05033378AA	1	J, T, U		49	ECD, ECE			SENSOR, Fuel Temperature
		1	J, T, U		74	ECD, ECE			
2	06104650AA	2	J, T, U		49	ECD, ECE			SCREW, Tapping Pan Head, M6.0X2.69X20.00
		2	J, T, U		74	ECD, ECE			SENSOR TO INNER COOLER PIPE
3	05033320AA	1	J, T, U		49	ECD			SENSOR, Mass Airflow
		1	J, T, U		74	ECD			
-4	05149036AA	1	J, T, U		49	ECD			O RING
		1	J, T, U		74	ECD			
-5	06104181AA	1	J, T, U		49	ECE			SCREW, Hex Flange Head, M6X1.0X20.00
		1	J, T, U		74	ECE			
6	68001591AA	1	J, T, U		49	ECD			SENSOR, Camshaft
		1	J, T, U		74	ECD			
7	05149001AA	1	J, T, U		49	ECD, ECE			SENSOR, Fuel Temperature
		1	J, T, U		74	ECD, ECE			
8	68025592AA	1	J, T, U		49	ECD			SENSOR, Crankshaft
		1	J, T, U		74	ECD			
9	68028946AA	1	J, T, U		49	ECD			SWITCH, Oil Pressure
		1	J, T, U		74	ECD			

COMPASS/PATRIOT (MK)

SERIES LINE
H = HIGHLINE T = JEEP - 2WD
L = LOWLINE J = JEEP - 4WD
P = PREMIUM U = JEEP - 4WD (RHD)

BODY
49 = HATCHBACK TYPE #2
74 = SPORT UTILITY 4-DR TYPE #4

ENGINE
ECE = 2.0L 4 Cyl DOHC DPF Diesel Engine
ED3 = 2.4L 4 Cyl DOHC 16V Dual VVT Engine
ECD = 2.0L 4 Cyl DOHC Diesel 16V Engine
ECN = 2.0L 4 Cyl DOHC 16V Dual VVT Engine

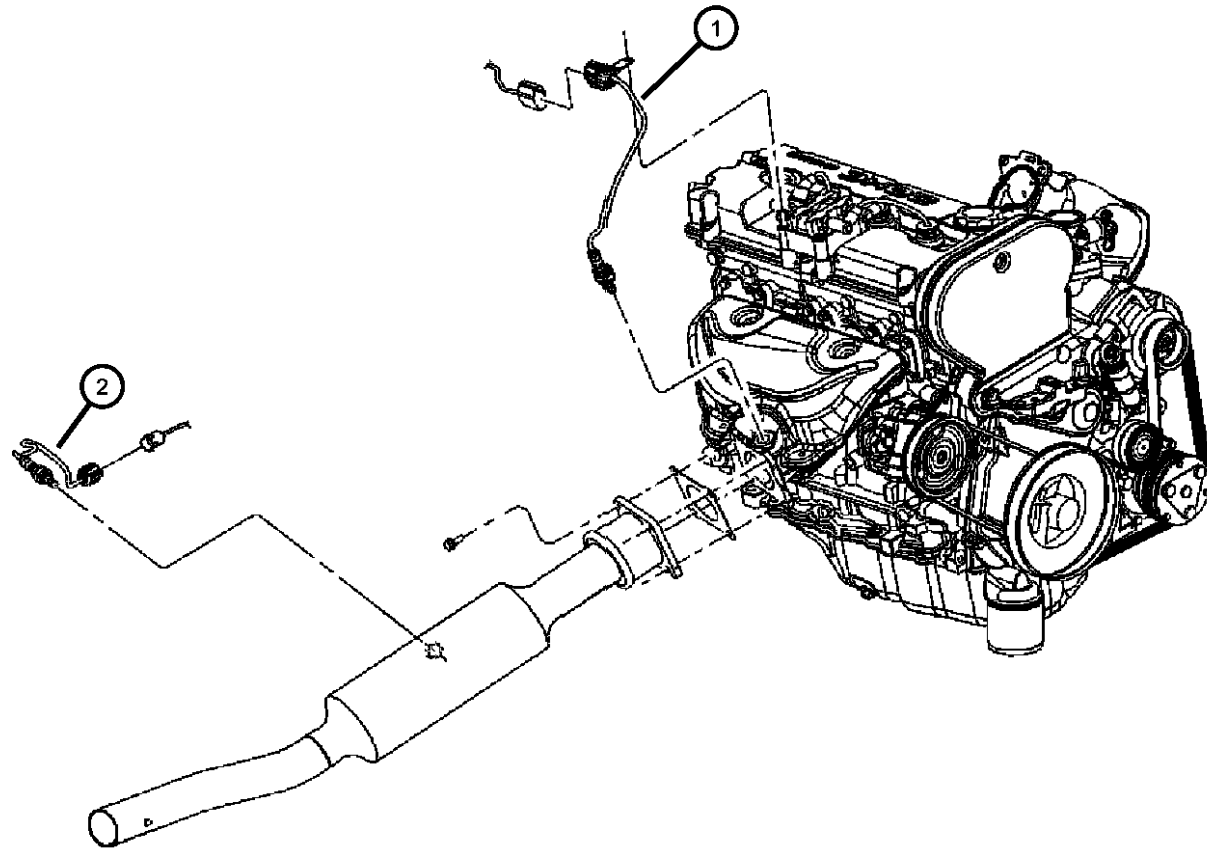
TRANSMISSION
DEF = 6-Speed Manual Aisin BG6 Trans
DD7 = 5-Speed Manual T355 Transmission
DAV = Continuously Variable Transaxle II
DAW = Cont.Var. w/Off-Rd Crawl Ratio Trans

AR = use ase required - = Non illustrated part

2008 MK

Sensors Oxygen Gas
Figure 8-615

ITEM	PART NUMBER	QTY	LINE	SERIES	BODY	ENGINE	TRANS	TRIM	DESCRIPTION
1	56029084AA	1	J, U		49	ED3			SENSOR, Oxygen
			J, U		74	ED3			
			J, T, U		49	ECN			
			J, T, U		74	ECN			
2	56029084AA	1	J, T, U		74	ECN			SENSOR, Oxygen
			J, T, U		49	ED3			
			J, T, U		74	ED3			
			J, T, U		49	ECN			



COMPASS/PATRIOT (MK)

SERIES LINE

H = HIGHLINE T = JEEP - 2WD
L = LOWLINE J = JEEP - 4WD
P = PREMIUM U = JEEP - 4WD (RHD)

BODY

49 = HATCHBACK TYPE #2
74 = SPORT UTILITY 4-DR
TYPE #4

ENGINE

ECE = 2.0L 4 Cyl DOHC DPF Diesel Engine
ED3 = 2.4L 4 Cyl DOHC 16V Dual VVT Engine
ECD = 2.0L 4 Cyl DOHC Diesel 16V Engine
ECN = 2.0L 4 Cyl DOHC 16V Dual VVT Engine

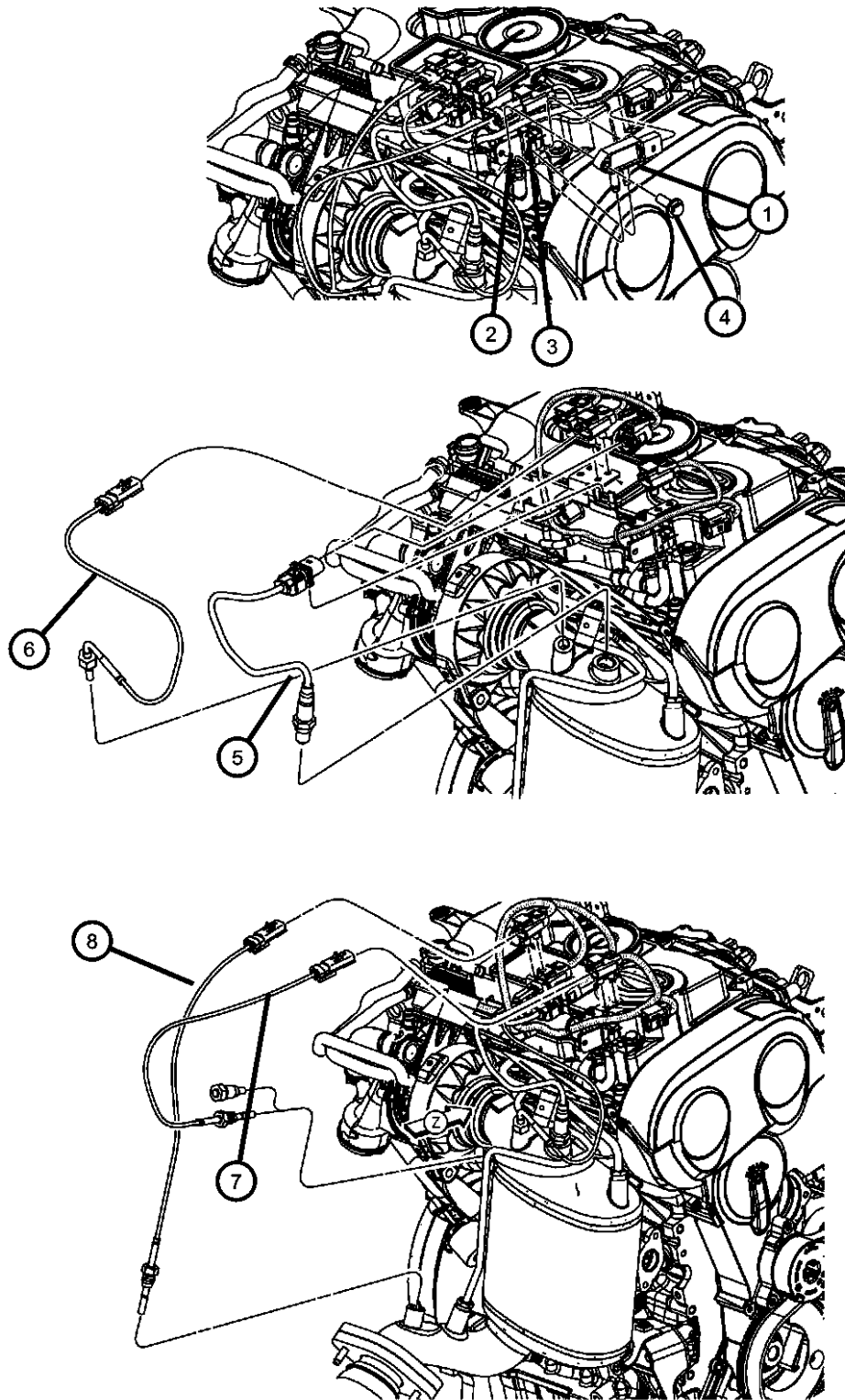
TRANSMISSION

DEF = 6-Speed Manual Aisin BG6 Trans
DD7 = 5-Speed Manual T355 Transmission
DAV = Continuously Variable Transaxle II
DAW = Cont.Var. w/Off-Rd Crawl Ratio Trans

AR = use ase required - = Non illustrated part

2008 MK

Sensors, Oxygen and Temperature
Figure 8-616



ITEM	PART NUMBER	QTY	LINE	SERIES	BODY	ENGINE	TRANS	TRIM	DESCRIPTION
1	05149175AA	1	J, T, U		49	ECE			SENSOR, Differential Pressure
		1	J, T, U		74	ECE			
2	05149138AA	1	J, T, U		49	ECE			BRACKET, Differential Pressure Sensor
		1	J, T, U		74	ECE			
3	06105038AA	1	J, T, U		49	ECE			SCREW, Hex Flange Head, M6x1.00x25.00
		1	J, T, U		74	ECE			
4	06104368AA	2	J, T, U		49	ECE			BOLT AND WASHER, Hex Head, M6X1.00X25.00
		2	J, T, U		74	ECE			
5	05149027AA	1	J, T, U		49	ECE			SENSOR, Oxygen
		1	J, T, U		74	ECE			
6	05149132AA	1	J, T, U		49	ECE			SENSOR, Exhaust Temperature
		1	J, T, U		74	ECE			
7	05149131AA	1	J, T, U		49	ECE			SENSOR, Exhaust Temperature
		1	J, T, U		74	ECE			
8	05149133AA	1	J, T, U		49	ECE			SENSOR, Exhaust Temperature
		1	J, T, U		74	ECE			

COMPASS/PATRIOT (MK)

SERIES

H = HIGHLINE
L = LOWLINE
P = PREMIUM

LINE

T = JEEP - 2WD
J = JEEP - 4WD
U = JEEP - 4WD (RHD)

BODY

49 = HATCHBACK TYPE #2
74 = SPORT UTILITY 4-DR TYPE #4

ENGINE

ECE = 2.0L 4 Cyl DOHC DPF Diesel Engine
ED3 = 2.4L 4 Cyl DOHC 16V Dual VVT Engine
ECD = 2.0L 4 Cyl DOHC Diesel 16V Engine
ECN = 2.0L 4 Cyl DOHC 16V Dual VVT Engine

TRANSMISSION

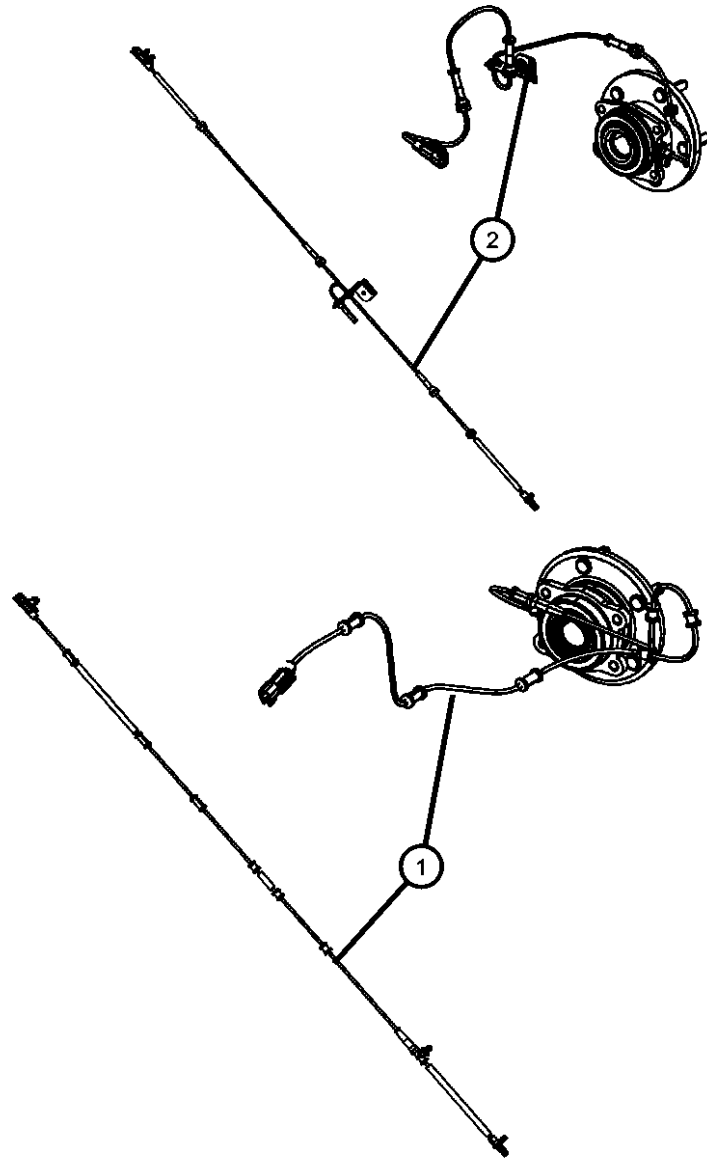
DEF = 6-Speed Manual Aisin BG6 Trans
DD7 = 5-Speed Manual T355 Transmission
DAV = Continuously Variable Transaxle II
DAW = Cont.Var. w/Off-Rd Crawl Ratio Trans

AR = use ase required - = Non illustrated part

2008 MK

Sensors Brakes
Figure 8-625

ITEM	PART NUMBER	QTY	LINE	SERIES	BODY	ENGINE	TRANS	TRIM	DESCRIPTION
1									SENSOR, Anti-Lock Brakes
	05105572AA	1	J, T, U		49				
		1	J, T, U		74				
2									SENSOR, Anti-Lock Brakes
	05105062AA	1	T		49, 74				
	05105064AA	1	J, U		49				Right
		1	J, U		74				Right
	05105065AB	1	J, U		49				Left
		1	J, U		74				Left



COMPASS/PATRIOT (MK)

SERIES LINE

H = HIGHLINE T = JEEP - 2WD
L = LOWLINE J = JEEP - 4WD
P = PREMIUM U = JEEP - 4WD (RHD)

BODY

49 = HATCHBACK TYPE #2
74 = SPORT UTILITY 4-DR
TYPE #4

ENGINE

ECE = 2.0L 4 Cyl DOHC DPF Diesel Engine
ED3 = 2.4L 4 Cyl DOHC 16V Dual VVT Engine
ECD = 2.0L 4 Cyl DOHC Diesel 16V Engine
ECN = 2.0L 4 Cyl DOHC 16V Dual VVT Engine

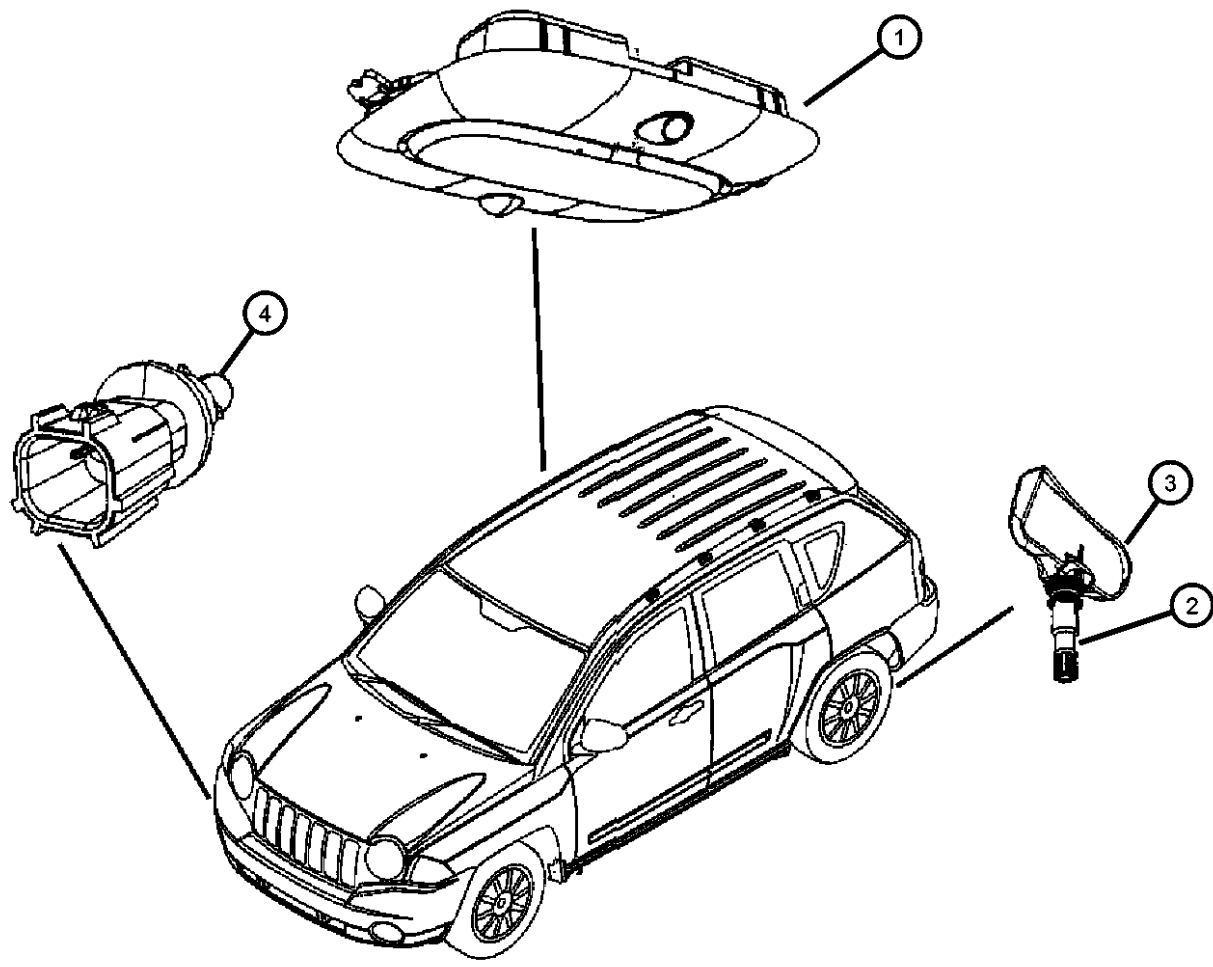
TRANSMISSION

DEF = 6-Speed Manual Aisin BG6 Trans
DD7 = 5-Speed Manual T355 Transmission
DAV = Continuously Variable Transaxle II
DAW = Cont.Var. w/Off-Rd Crawl Ratio Trans

AR = use ase required - = Non illustrated part

2008 MK

Sensors Body
Figure 8-635



ITEM	PART NUMBER	QTY	LINE	SERIES	BODY	ENGINE	TRANS	TRIM	DESCRIPTION
1	1BX26DW1AD	1	J, T, U		74				SENSOR, Intrusion Module
2	68001743AA	4	J, T, U		49				HARDWARE KIT, Mounting
		4	J, T, U		74				
3	68001696AA	4	J, T, U		49				SENSOR PACKAGE, Tire Pressure
		4	J, T, U		74				
4	05293138AA	1	J, T, U		49	ECD, ECN, ED3			SENSOR, Air Temperature
		1	J, T, U		74	ECD, ECN, ED3			

COMPASS/PATRIOT (MK)

SERIES LINE
H = HIGHLINE T = JEEP - 2WD
L = LOWLINE J = JEEP - 4WD
P = PREMIUM U = JEEP - 4WD (RHD)

BODY
49 = HATCHBACK TYPE #2
74 = SPORT UTILITY 4-DR TYPE #4

ENGINE
ECE = 2.0L 4 Cyl DOHC DPF Diesel Engine
ED3 = 2.4L 4 Cyl DOHC 16V Dual VVT Engine
ECD = 2.0L 4 Cyl DOHC Diesel 16V Engine
ECN = 2.0L 4 Cyl DOHC 16V Dual VVT Engine

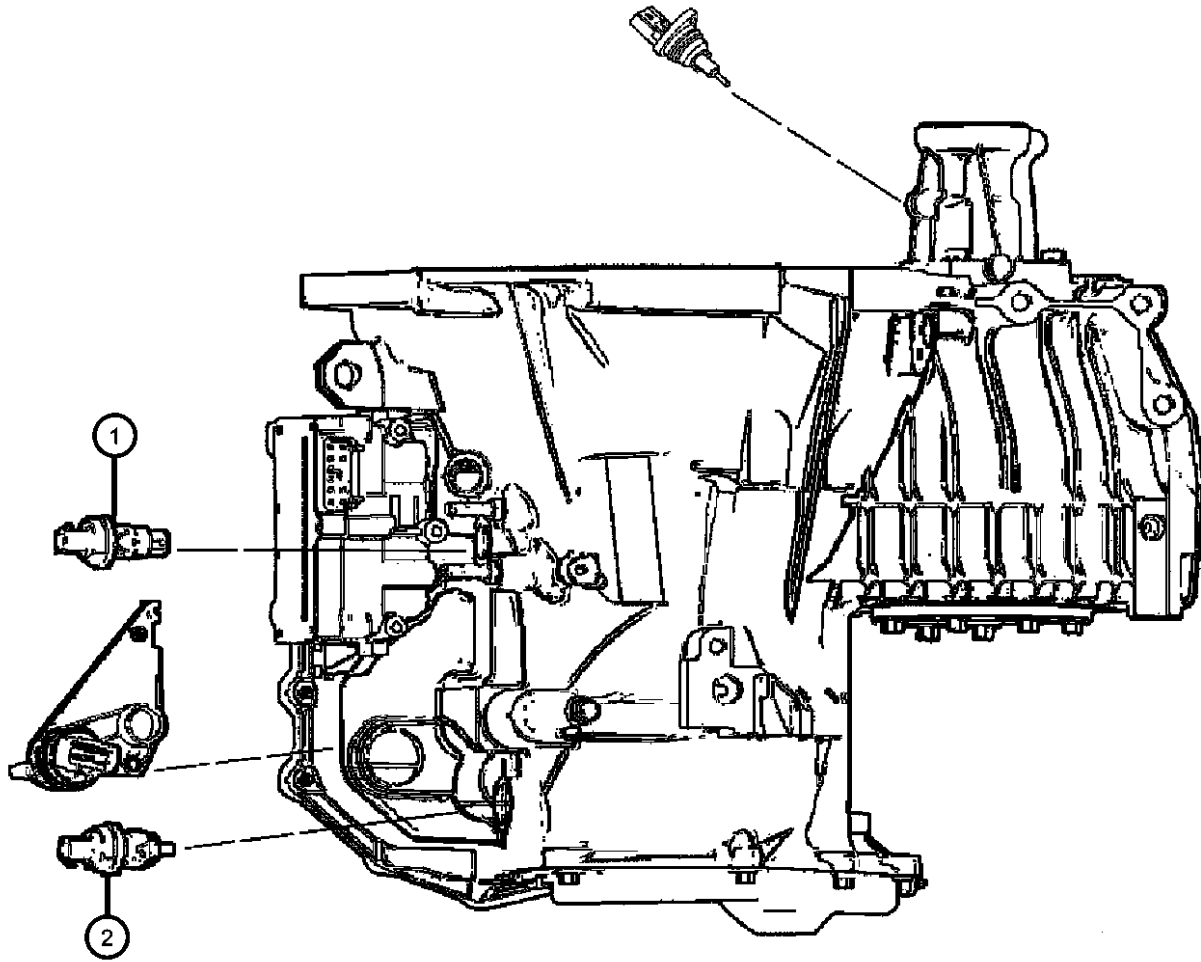
TRANSMISSION
DEF = 6-Speed Manual Aisin BG6 Trans
DD7 = 5-Speed Manual T355 Transmission
DAV = Continuously Variable Transaxle II
DAW = Cont.Var. w/Off-Rd Crawl Ratio Trans

AR = use ase required - = Non illustrated part

2008 MK

Sensors Drivetrain
Figure 8-640

ITEM	PART NUMBER	QTY	LINE	SERIES	BODY	ENGINE	TRANS	TRIM	DESCRIPTION
1	05189841AA	1	J, T, U		49	ECN	DAV		SENSOR, Primary revolution
		1	J, T, U		74	ECN	DAV		
		1	J, U		49	ED3	DAV		
		1	J, U		74	ED3	DAV		
		1	J, T, U		74	ED3	DAW		
2	05189840AA	1	J, T, U		49	ECN	DAV		SENSOR, Secondary revolution
		1	J, T, U		74	ECN	DAV		
		1	J, U		49	ED3	DAV		
		1	J, U		74	ED3	DAV		
		1	J, T, U		74	ED3	DAW		



COMPASS/PATRIOT (MK)

SERIES LINE

H = HIGHLINE T = JEEP - 2WD
L = LOWLINE J = JEEP - 4WD
P = PREMIUM U = JEEP - 4WD (RHD)

BODY

49 = HATCHBACK TYPE #2
74 = SPORT UTILITY 4-DR
TYPE #4

ENGINE

ECE = 2.0L 4 Cyl DOHC DPF Diesel Engine
ED3 = 2.4L 4 Cyl DOHC 16V Dual VVT Engine
ECD = 2.0L 4 Cyl DOHC Diesel 16V Engine
ECN = 2.0L 4 Cyl DOHC 16V Dual VVT Engine

TRANSMISSION

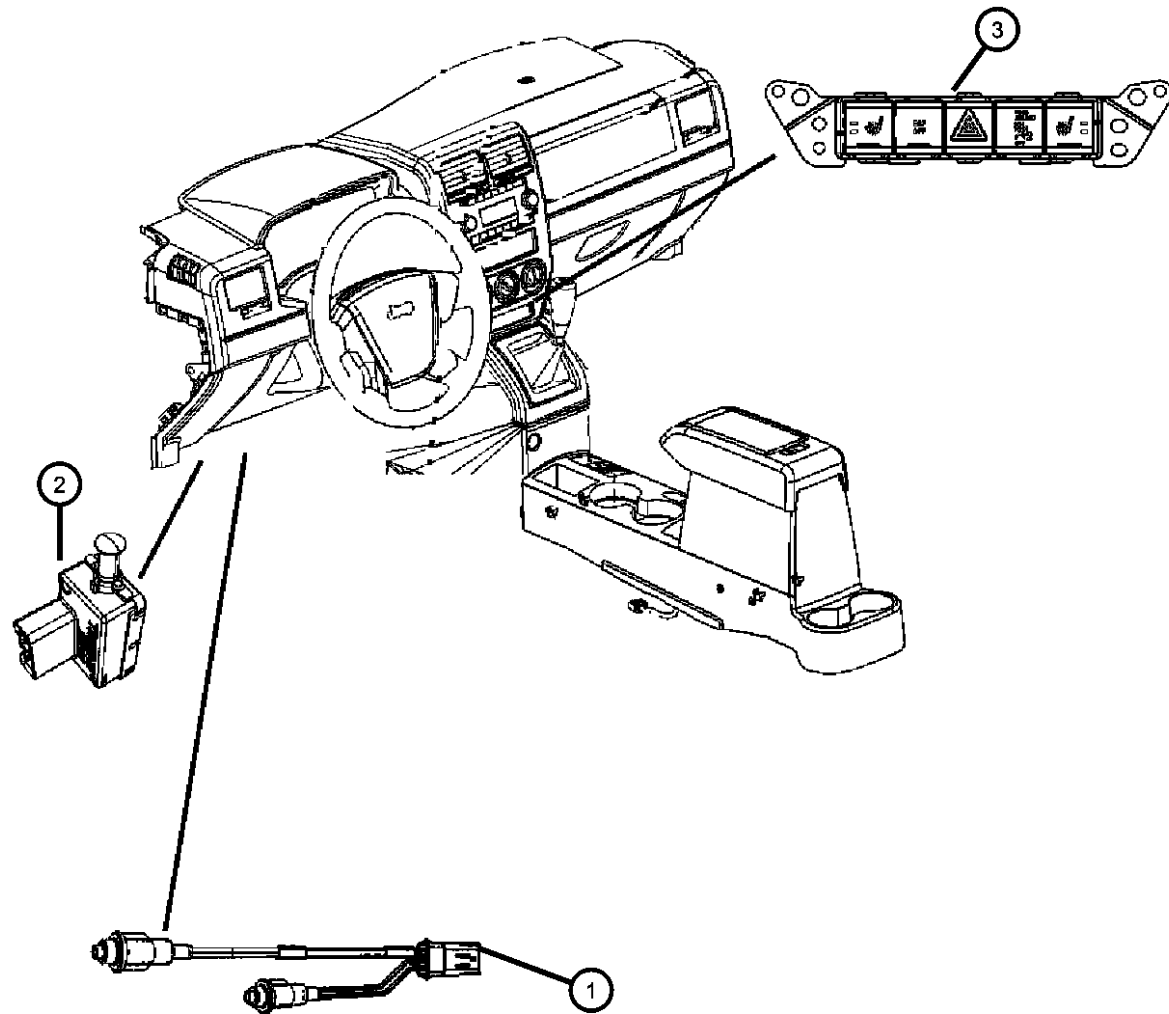
DEF = 6-Speed Manual Aisin BG6 Trans
DD7 = 5-Speed Manual T355 Transmission
DAV = Continuously Variable Transaxle II
DAW = Cont.Var. w/Off-Rd Crawl Ratio Trans

AR = use ase required - = Non illustrated part

2008 MK

Switches Instrument Panel
Figure 8-805

ITEM	PART NUMBER	QTY	LINE	SERIES	BODY	ENGINE	TRANS	TRIM	DESCRIPTION
1	05026131AB	1	J, T		49		DD7		SWITCH, Clutch Starter Interlock
		1	J, T		74		DD7		
	05026410AA	1	J, T		49		DEF		
		1	J, T		74		DEF		
2	05083344AA	1	J, T, U		49				SWITCH PACKAGE, Stop Lamp
		1	J, T, U		74				
3	04602724AD	1	J, T, U		49				SWITCH, Pod [JKL] [JKL] [JKL,CMA] [JKL,CMA]
		1	J, T, U		74				
	04602726AD	1	J, T, U		49				
		1	J, T, U		74				
	04602728AD	1	J, T, U		49				
		1	J, T, U		74				
04602730AD	1	J, T, U		49				[CMA]	
	1	J, T, U		74				[CMA]	



COMPASS/PATRIOT (MK)

SERIES LINE
H = HIGHLINE T = JEEP - 2WD
L = LOWLINE J = JEEP - 4WD
P = PREMIUM U = JEEP - 4WD (RHD)

BODY
49 = HATCHBACK TYPE #2
74 = SPORT UTILITY 4-DR
TYPE #4

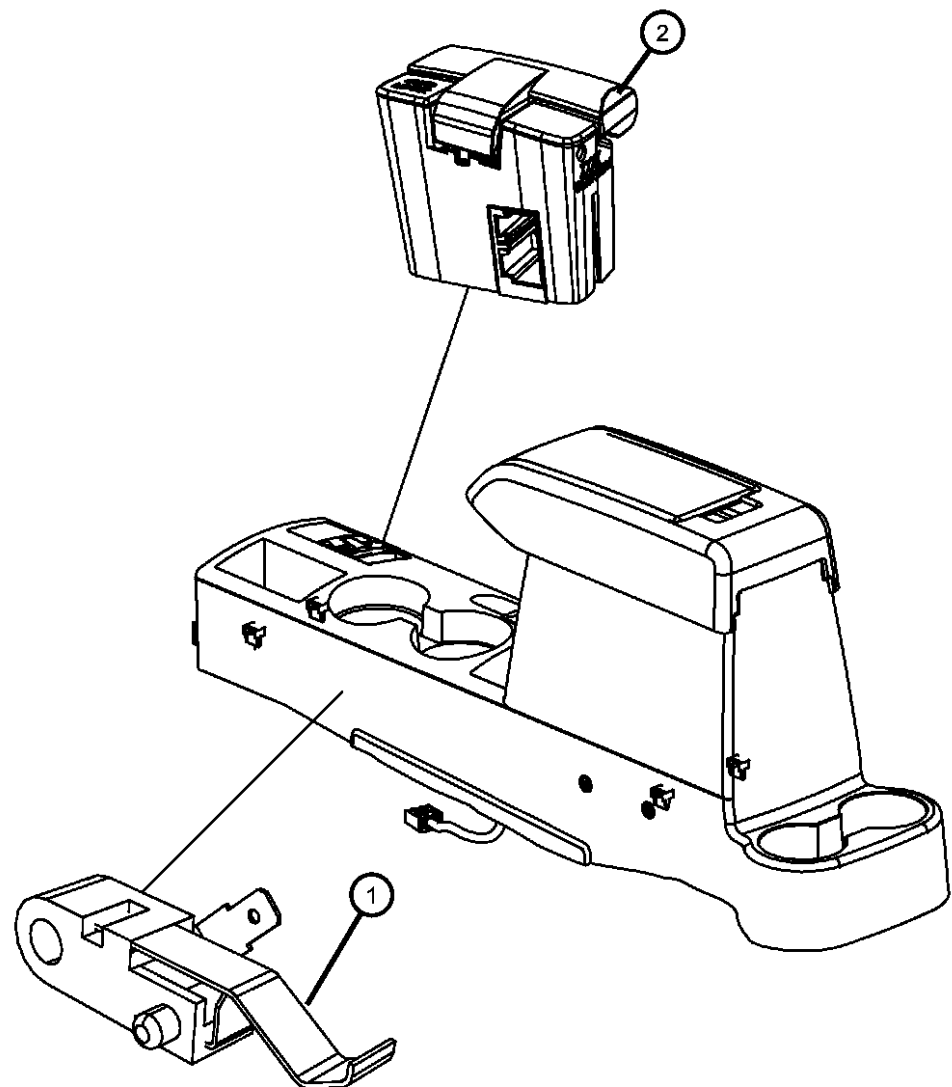
ENGINE TRANSMISSION
ECE = 2.0L 4 Cyl DOHC DPF Diesel Engine DEF = 6-Speed Manual Aisin BG6 Trans
ED3 = 2.4L 4 Cyl DOHC 16V Dual VVT Engine DD7 = 5-Speed Manual T355 Transmission
ECD = 2.0L 4 Cyl DOHC Diesel 16V Engine DAV = Continuously Variable Transaxle II
ECN = 2.0L 4 Cyl DOHC 16V Dual VVT Engine DAW = Cont.Var. w/Off-Rd Crawl Ratio Trans

AR = use ase required - = Non illustrated part

2008 MK

**Switches Console
Figure 8-810**

ITEM	PART NUMBER	QTY	LINE	SERIES	BODY	ENGINE	TRANS	TRIM	DESCRIPTION
1	05209922	1	J, T, U		49				SWITCH, Parking Brake
			J, T, U		74				
2	05107932AA	1	J, U		49				SWITCH, Transfer Case
			J, U		74				



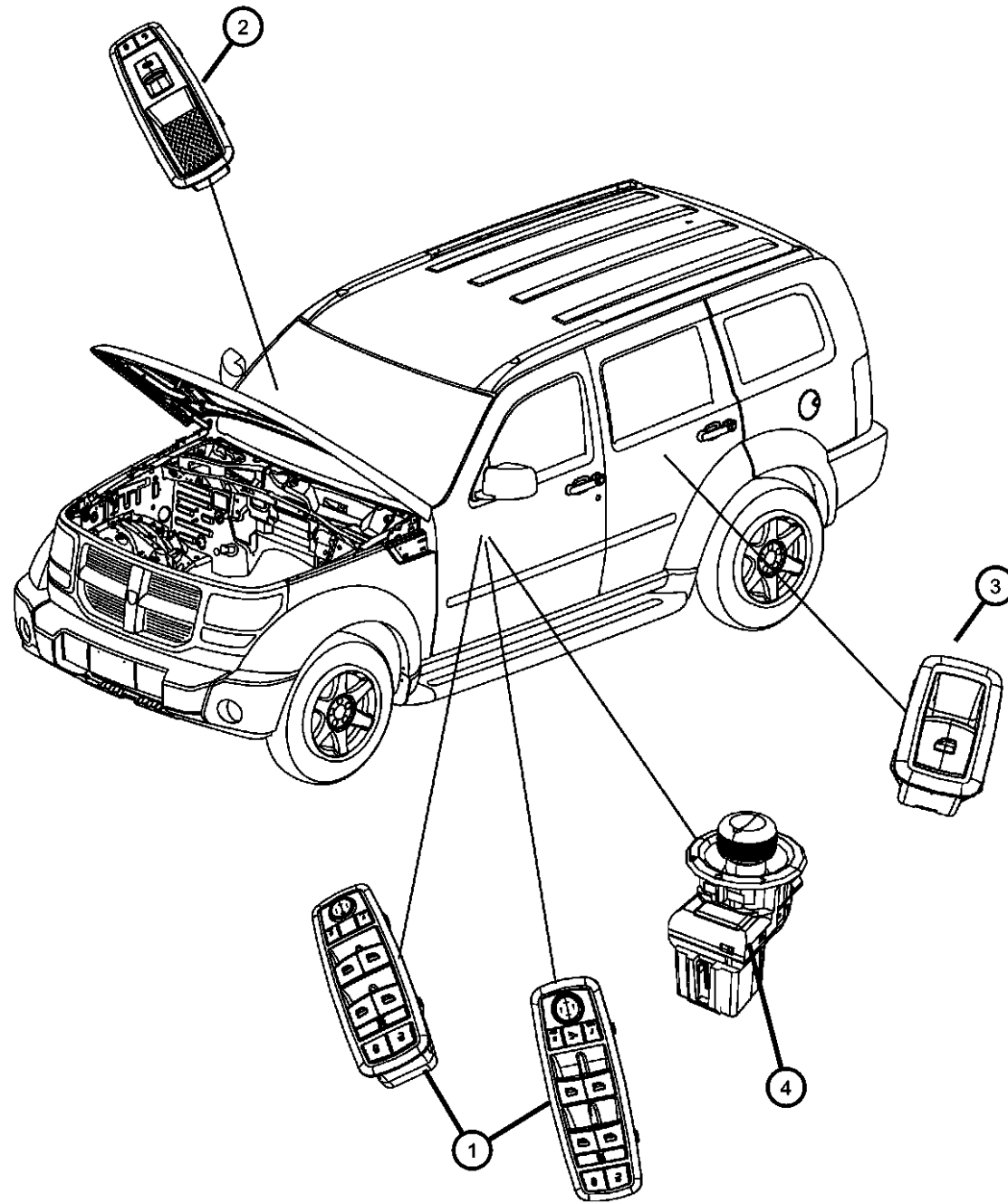
COMPASS/PATRIOT (MK)

SERIES	LINE	BODY	ENGINE	TRANSMISSION
H = HIGHLINE	T = JEEP - 2WD	49 = HATCHBACK TYPE #2	ECE = 2.0L 4 Cyl DOHC DPF Diesel Engine	DEF = 6-Speed Manual Aisin BG6 Trans
L = LOWLINE	J = JEEP - 4WD	74 = SPORT UTILITY 4-DR TYPE #4	ED3 = 2.4L 4 Cyl DOHC 16V Dual VVT Engine	DD7 = 5-Speed Manual T355 Transmission
P = PREMIUM	U = JEEP - 4WD (RHD)		ECD = 2.0L 4 Cyl DOHC Diesel 16V Engine	DAV = Continuously Variable Transaxle II
			ECN = 2.0L 4 Cyl DOHC 16V Dual VVT Engine	DAW = Cont.Var. w/Off-Rd Crawl Ratio Trans

AR = use ase required - = Non illustrated part

2008 MK

**Switches Door and Liftgate
Figure 8-815**



ITEM	PART NUMBER	QTY	LINE	SERIES	BODY	ENGINE	TRANS	TRIM	DESCRIPTION
1									SWITCH, Window and Door Lock
	56040691AD	1	J, T		74				
		1	J, T		49				
	56040701AD	1	U		49				
2									SWITCH, Window
	56040693AD	1	J, T		74				
3									SWITCH, Window
	56040693AD	1	J, T		74				
		1	J, T		49				
		1	U		74				
4									SWITCH, Mirror
	04602789AA	1	U		74				
	V7700008AA								Mopar Alternative Switch
		1	U		49				
	V7700008AA								Mopar Alternative Switch
	56040694AD	1	J, T		49				
	V7700009AA								Mopar Alternative Switch
	1	J, T		74					
	V7700009AA								Mopar Alternative Switch

COMPASS/PATRIOT (MK)

SERIES LINE
H = HIGHLINE T = JEEP - 2WD
L = LOWLINE J = JEEP - 4WD
P = PREMIUM U = JEEP - 4WD (RHD)

BODY
49 = HATCHBACK TYPE #2
74 = SPORT UTILITY 4-DR TYPE #4

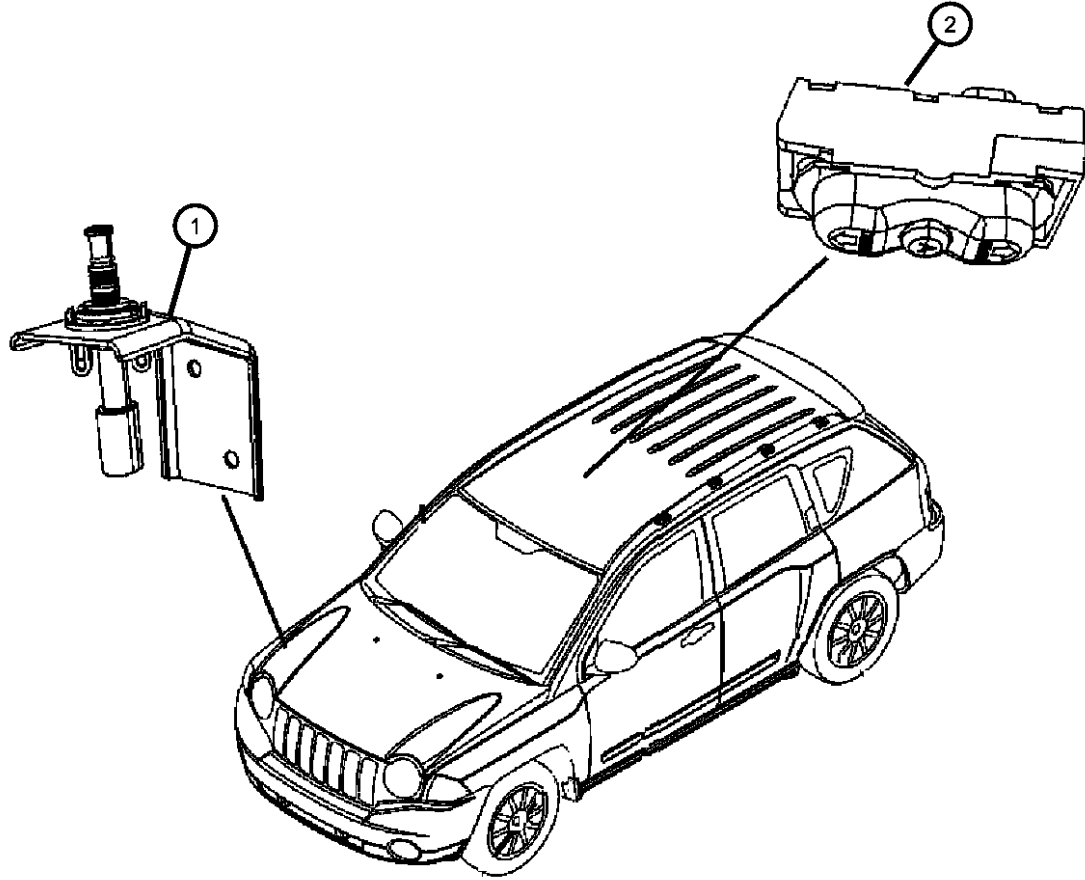
ENGINE TRANSMISSION
ECE = 2.0L 4 Cyl DOHC DPF Diesel Engine DEF = 6-Speed Manual Aisin BG6 Trans
ED3 = 2.4L 4 Cyl DOHC 16V Dual VVT Engine DD7 = 5-Speed Manual T355 Transmission
ECD = 2.0L 4 Cyl DOHC Diesel 16V Engine DAV = Continuously Variable Transaxle II
ECN = 2.0L 4 Cyl DOHC 16V Dual VVT Engine DAW = Cont.Var. w/Off-Rd Crawl Ratio Trans

AR = use ase required - = Non illustrated part

2008 MK

Switches Body
Figure 8-820

ITEM	PART NUMBER	QTY	LINE	SERIES	BODY	ENGINE	TRANS	TRIM	DESCRIPTION
1									SWITCH, Underhood
	05026276AA	1	J, T, U		49				
	05026295AA	1	J, T, U		74				
2									SWITCH, Sunroof
	04602687AA	1	J, T, U		74				
		1	J, T, U		49				



COMPASS/PATRIOT (MK)

SERIES LINE

H = HIGHLINE T = JEEP - 2WD
L = LOWLINE J = JEEP - 4WD
P = PREMIUM U = JEEP - 4WD (RHD)

BODY

49 = HATCHBACK TYPE #2
74 = SPORT UTILITY 4-DR
TYPE #4

ENGINE

ECE = 2.0L 4 Cyl DOHC DPF Diesel Engine
ED3 = 2.4L 4 Cyl DOHC 16V Dual VVT Engine
ECD = 2.0L 4 Cyl DOHC Diesel 16V Engine
ECN = 2.0L 4 Cyl DOHC 16V Dual VVT Engine

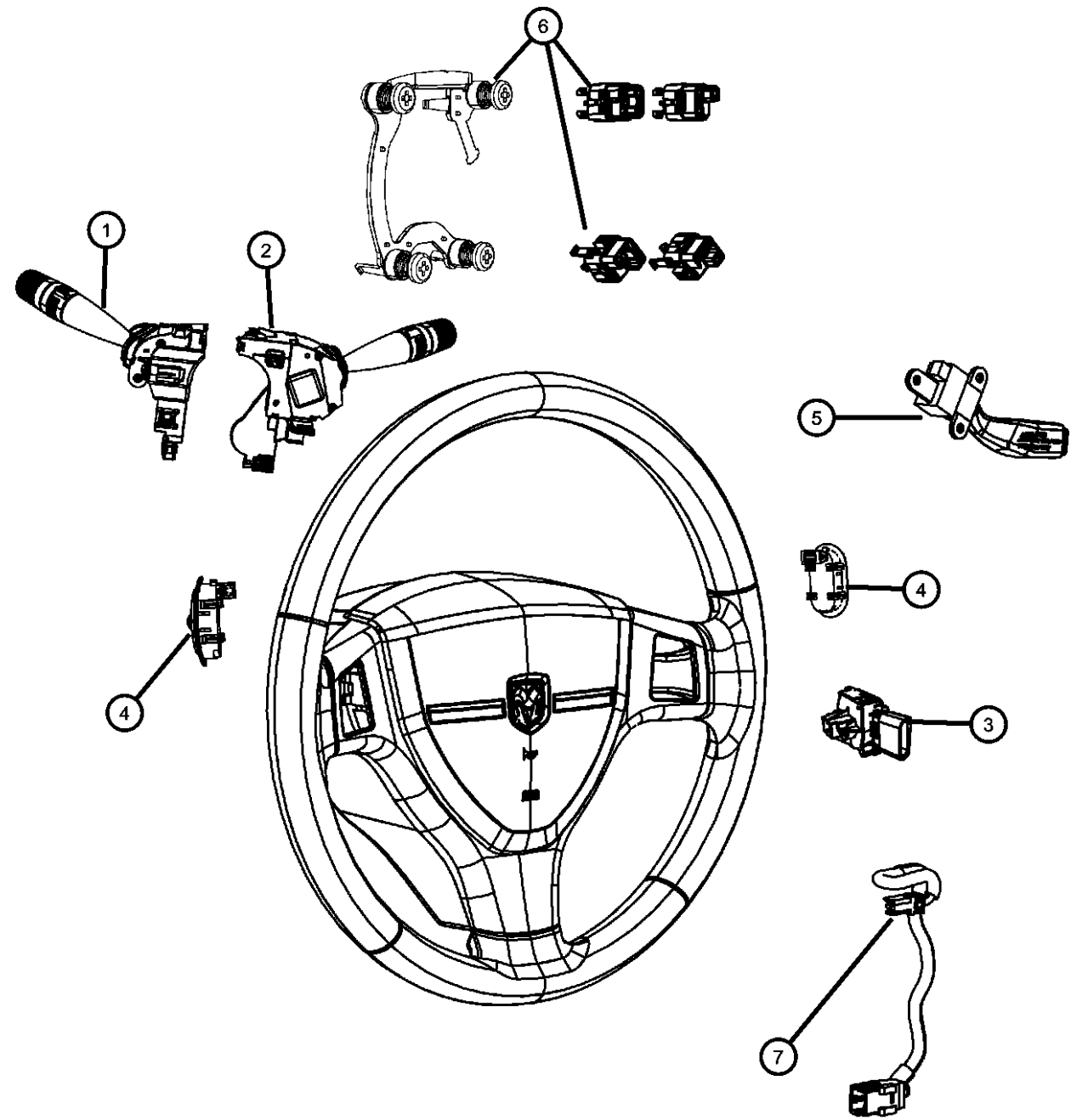
TRANSMISSION

DEF = 6-Speed Manual Aisin BG6 Trans
DD7 = 5-Speed Manual T355 Transmission
DAV = Continuously Variable Transaxle II
DAW = Cont.Var. w/Off-Rd Crawl Ratio Trans

AR = use ase required - = Non illustrated part

2008 MK

Switches Steering Column and Wheel
Figure 8-830



ITEM	PART NUMBER	QTY	LINE	SERIES	BODY	ENGINE	TRANS	TRIM	DESCRIPTION
1	05183947AB	1	J, T, U		49				SWITCH, Multifunction [JHA,JHB,LNJ,BNB]
		1	J, T, U		74				[JHA,JHB,LNJ,BNB]
	05183950AB	1	J, T, U		49				[JHA,JHB,LPG,BNB]
		1	J, T, U		74				[JHA,JHB,LPG,BNB]
	05183946AB	1	J, T, U		49				[JHA,JHB,LPG,LNJ,BNB]
		1	J, T, U		74				[JHA,JHB,LPG,LNJ,BNB]
2	05183952AB	1	J, T, U		49				[JHA,JHB,BNB]
		1	J, T, U		74				[JHA,JHB,BNB]
3	68003215AB	1	J, T, U		74				SWITCH, Wiper
		1	J, T, U		49				
4	68033393AA	1	J, T		49	DAV, DAW			SWITCH, Ignition
		1	J, T		74	DAV, DAW			
		1	J, T		49	DD7, DEF			
		1	J, T		74	DD7, DEF			
5	04685728AB	1	J, T, U		49				SWITCH, Radio Control Right
		1	J, T, U		74				Right
	04685729AB	1	J, T, U		49				Left
		1	J, T, U		74				Left
6	04671929AA	1	J, T, U		49				SWITCH, Speed Control
		1	J, T, U		74				
7	05189428AB	1	J, T, U		49				SWITCH, Horn
		1	J, T, U		74				
7	68000462AB	1	J, T, U		49				WIRING, Steering Wheel [NHM]
		1	J, T, U		74				[NHM]
	68018160AB	1	J, T, U		49				
	68036592AA	1	J, T, U		49				[NHM,RDZ]

COMPASS/PATRIOT (MK)
 SERIES LINE
 H = HIGHLINE T = JEEP - 2WD
 L = LOWLINE J = JEEP - 4WD
 P = PREMIUM U = JEEP - 4WD (RHD)

BODY
 49 = HATCHBACK TYPE #2
 74 = SPORT UTILITY 4-DR TYPE #4

ENGINE
 ECE = 2.0L 4 Cyl DOHC DPF Diesel Engine
 ED3 = 2.4L 4 Cyl DOHC 16V Dual VVT Engine
 ECD = 2.0L 4 Cyl DOHC Diesel 16V Engine
 ECN = 2.0L 4 Cyl DOHC 16V Dual VVT Engine

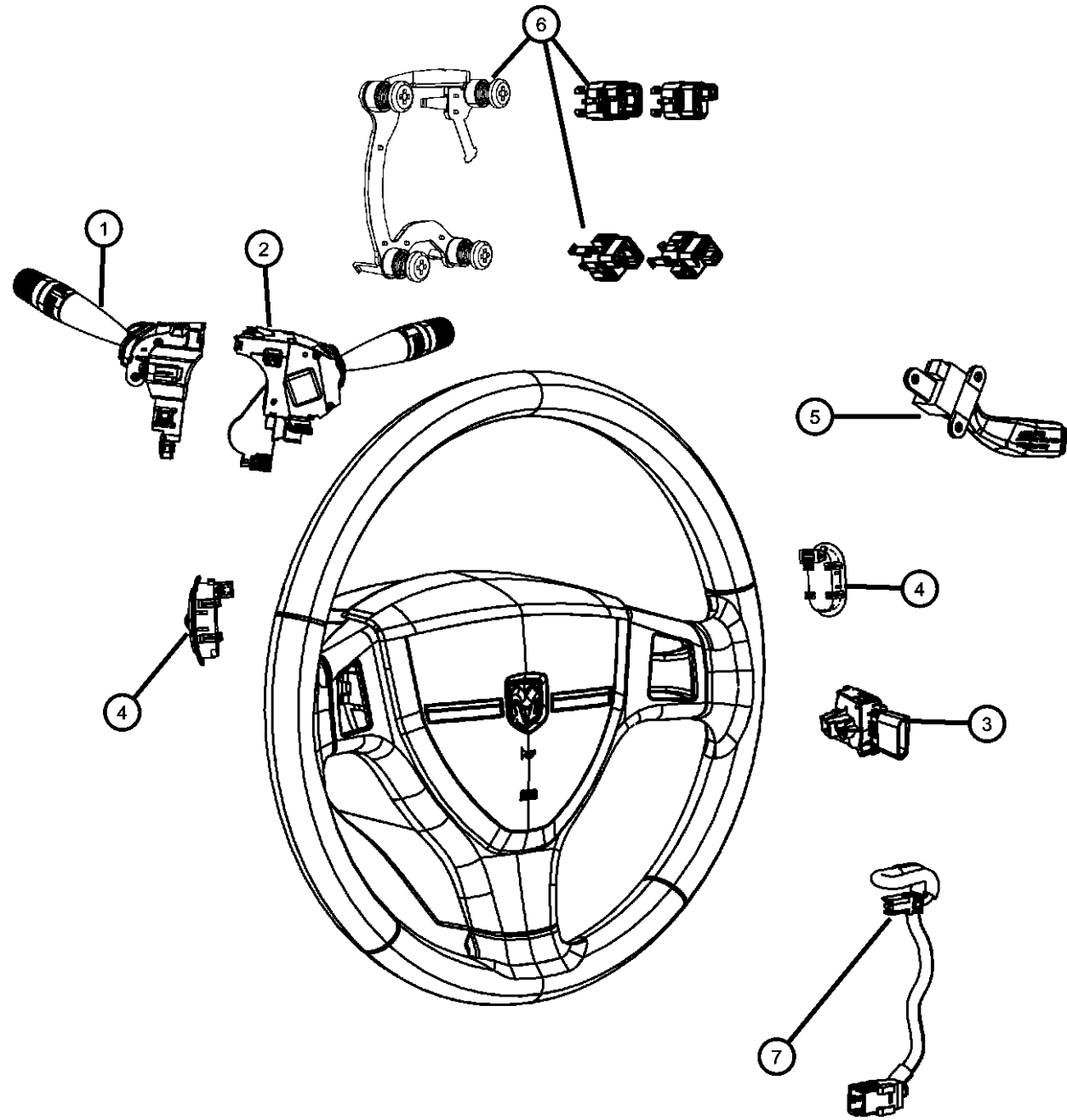
TRANSMISSION
 DEF = 6-Speed Manual Aisin BG6 Trans
 DD7 = 5-Speed Manual T355 Transmission
 DAV = Continuously Variable Transaxle II
 DAW = Cont.Var. w/Off-Rd Crawl Ratio Trans

AR = use ase required - = Non illustrated part

Switches Steering Column and Wheel
Figure 8-830

ITEM	PART NUMBER	QTY	LINE	SERIES	BODY	ENGINE	TRANS	TRIM	DESCRIPTION
------	-------------	-----	------	--------	------	--------	-------	------	-------------

		1	J, T, U		74				[NHM,RDZ]
		1	J, T, U		74				



COMPASS/PATRIOT (MK)

SERIES	LINE
H = HIGHLINE	T = JEEP - 2WD
L = LOWLINE	J = JEEP - 4WD
P = PREMIUM	U = JEEP - 4WD (RHD)

BODY
49 = HATCHBACK TYPE #2
74 = SPORT UTILITY 4-DR TYPE #4

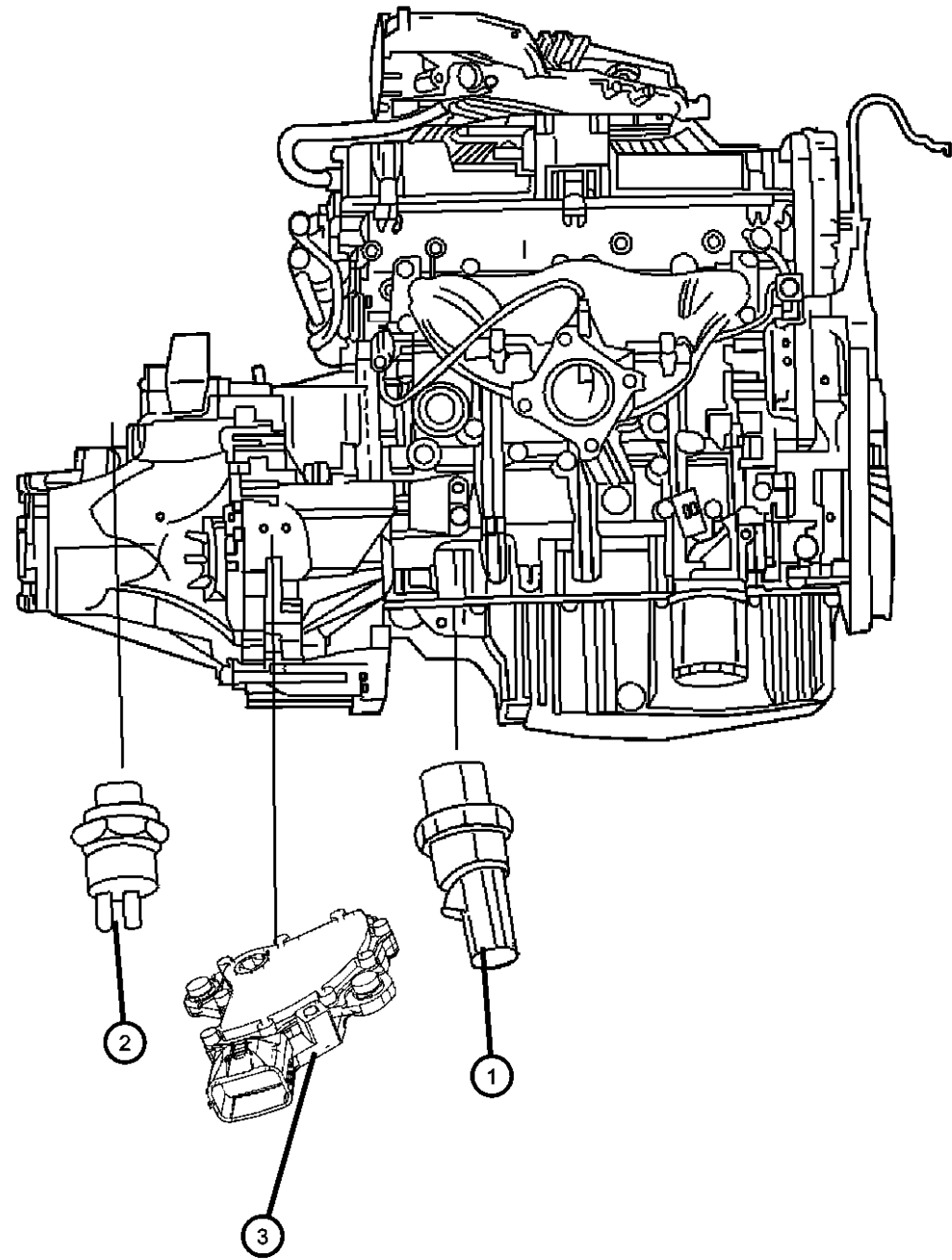
ENGINE
ECE = 2.0L 4 Cyl DOHC DPF Diesel Engine
ED3 = 2.4L 4 Cyl DOHC 16V Dual VVT Engine
ECD = 2.0L 4 Cyl DOHC Diesel 16V Engine
ECN = 2.0L 4 Cyl DOHC 16V Dual VVT Engine

TRANSMISSION
DEF = 6-Speed Manual Aisin BG6 Trans
DD7 = 5-Speed Manual T355 Transmission
DAV = Continuously Variable Transaxle II
DAW = Cont.Var. w/Off-Rd Crawl Ratio Trans

AR = use ase required - = Non illustrated part

2008 MK

Switches Powertrain
Figure 8-835



ITEM	PART NUMBER	QTY	LINE	SERIES	BODY	ENGINE	TRANS	TRIM	DESCRIPTION
1	68028946AA	1	J, T, U		49	ECD			SWITCH, Oil Pressure
		1	J, T, U		74	ECD			
2	05163420AB	1	J, U		49	ED3	DD7		SWITCH, Back Up Lamp
		1	J, U		74	ED3	DD7		
		1	J, U		49	ECD, ECE	DEF		
		1	J, U		74	ECD, ECE	DEF		
3	05189839AA	1	J, T, U		49	ECN	DAV		SWITCH, Inhibitor, A/T NEUTRAL, SAFETY, BACK UP
		1	J, T, U		74	ECN	DAV		
		1	J, U		49	ED3	DAV		
		1	J, U		74	ED3	DAV		

COMPASS/PATRIOT (MK)

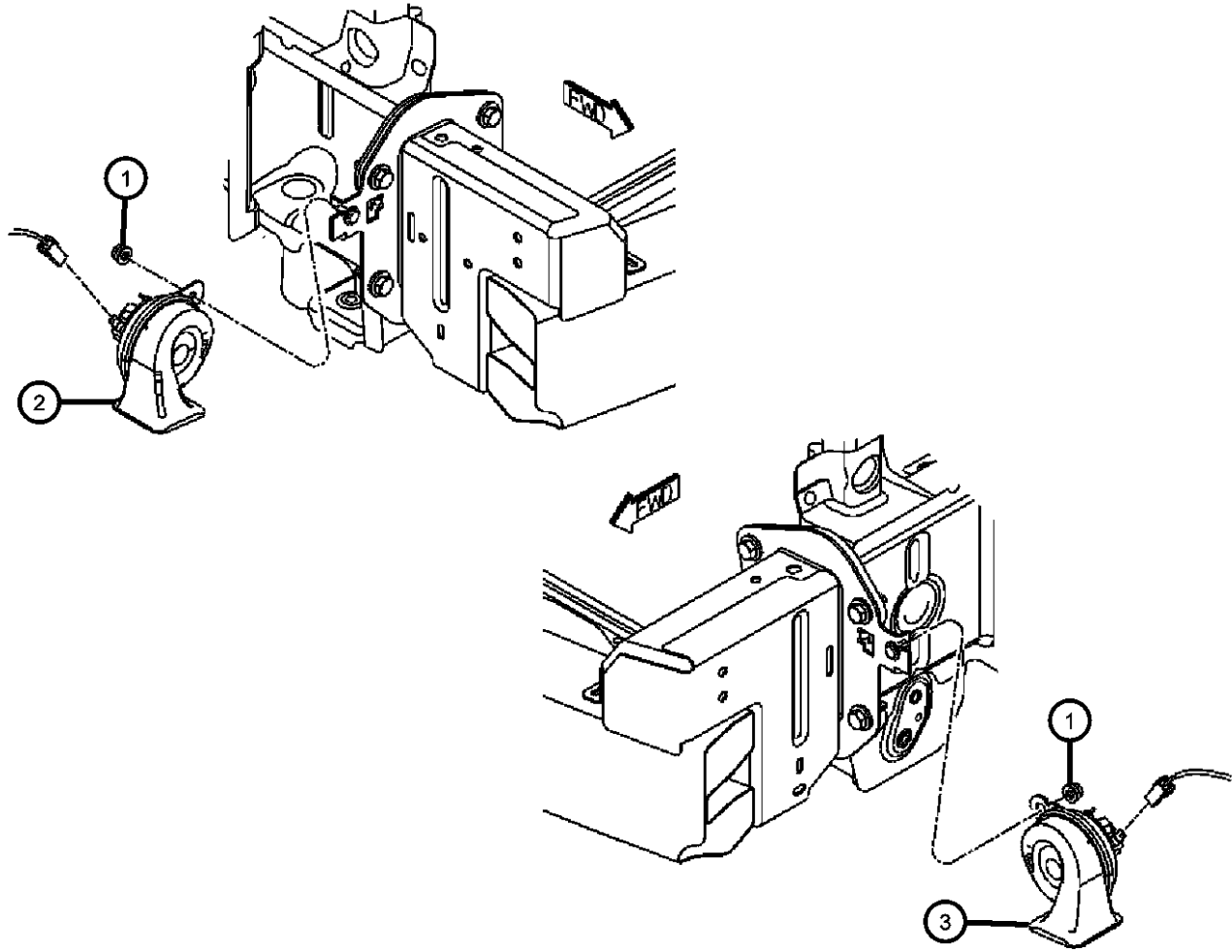
SERIES	LINE	BODY	ENGINE	TRANSMISSION
H = HIGHLINE	T = JEEP - 2WD	49 = HATCHBACK TYPE #2	ECE = 2.0L 4 Cyl DOHC DPF Diesel Engine	DEF = 6-Speed Manual Aisin BG6 Trans
L = LOWLINE	J = JEEP - 4WD	74 = SPORT UTILITY 4-DR TYPE #4	ED3 = 2.4L 4 Cyl DOHC 16V Dual VVT Engine	DD7 = 5-Speed Manual T355 Transmission
P = PREMIUM	U = JEEP - 4WD (RHD)		ECD = 2.0L 4 Cyl DOHC Diesel 16V Engine	DAV = Continuously Variable Transaxle II
			ECN = 2.0L 4 Cyl DOHC 16V Dual VVT Engine	DAW = Cont.Var. w/Off-Rd Crawl Ratio Trans

AR = use ase required - = Non illustrated part

2008 MK

Horns
Figure 8-905

ITEM	PART NUMBER	QTY	LINE	SERIES	BODY	ENGINE	TRANS	TRIM	DESCRIPTION
1		1							NUT, Locking, (NOT SERVICED)
2	04671942AE	1	J, T, U		49				HORN AND BRACKET, High Note
		1	J, T, U		74				
3	04671988AE	1	J, T, U		49				HORN AND BRACKET, Low Note
		1	J, T, U		74				



COMPASS/PATRIOT (MK)

SERIES LINE

H = HIGHLINE T = JEEP - 2WD
L = LOWLINE J = JEEP - 4WD
P = PREMIUM U = JEEP - 4WD (RHD)

BODY

49 = HATCHBACK TYPE #2
74 = SPORT UTILITY 4-DR
TYPE #4

ENGINE

ECE = 2.0L 4 Cyl DOHC DPF Diesel Engine
ED3 = 2.4L 4 Cyl DOHC 16V Dual VVT Engine
ECD = 2.0L 4 Cyl DOHC Diesel 16V Engine
ECN = 2.0L 4 Cyl DOHC 16V Dual VVT Engine

TRANSMISSION

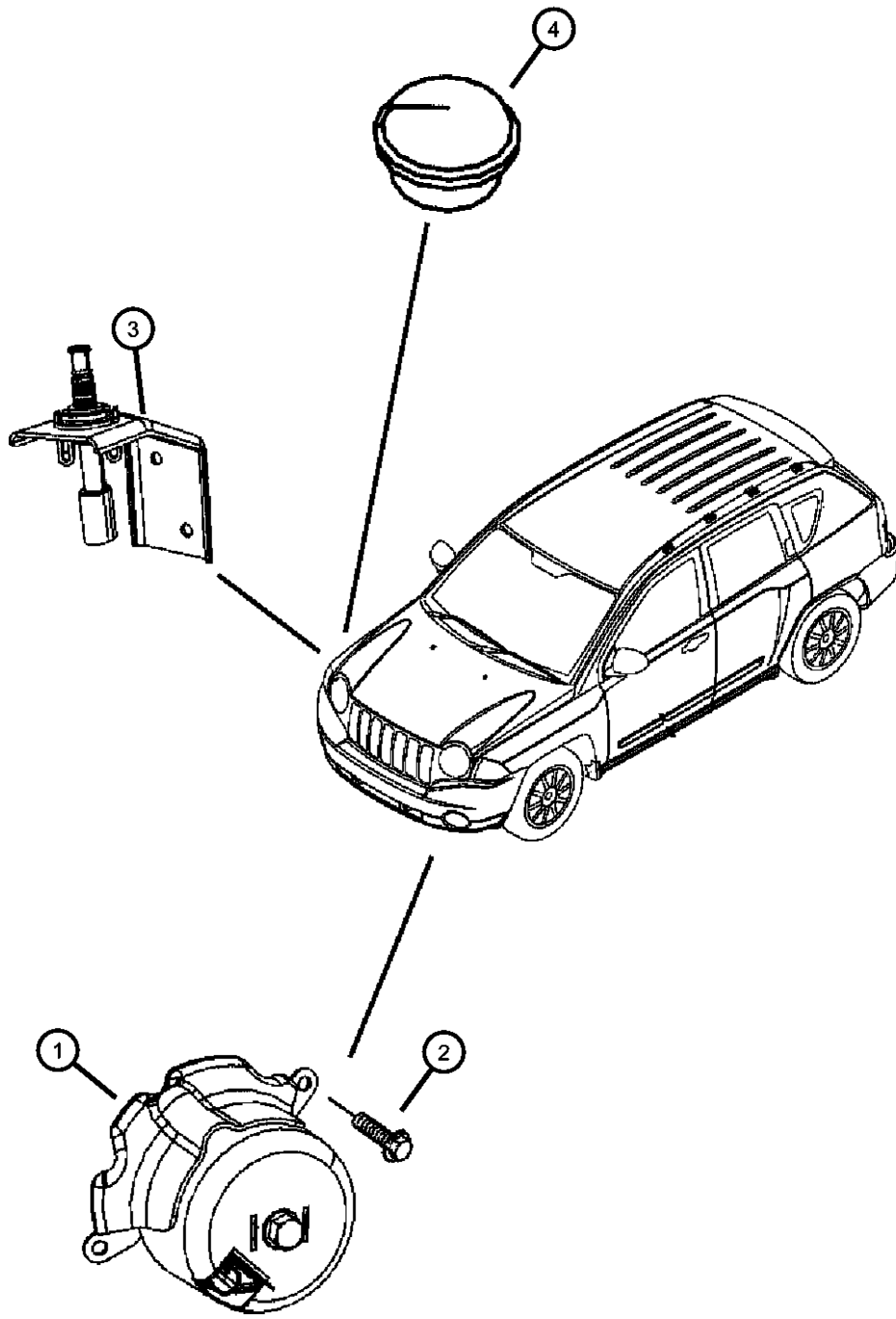
DEF = 6-Speed Manual Aisin BG6 Trans
DD7 = 5-Speed Manual T355 Transmission
DAV = Continuously Variable Transaxle II
DAW = Cont.Var. w/Off-Rd Crawl Ratio Trans

AR = use ase required - = Non illustrated part

2008 MK

**Siren Alarm System
Figure 8-910**

ITEM	PART NUMBER	QTY	LINE	SERIES	BODY	ENGINE	TRANS	TRIM	DESCRIPTION
1									SIREN, Alarm
	04692034AB	1	J, T, U		49				
		1	J, T, U		74				
2		1							SCREW, Hex Head, M8, (NOT SERVICED)
3	05026295AA	1	J, T, U		74				SWITCH, Underhood
4	05026271AA	1	J, T, U		49				CAP, Protective



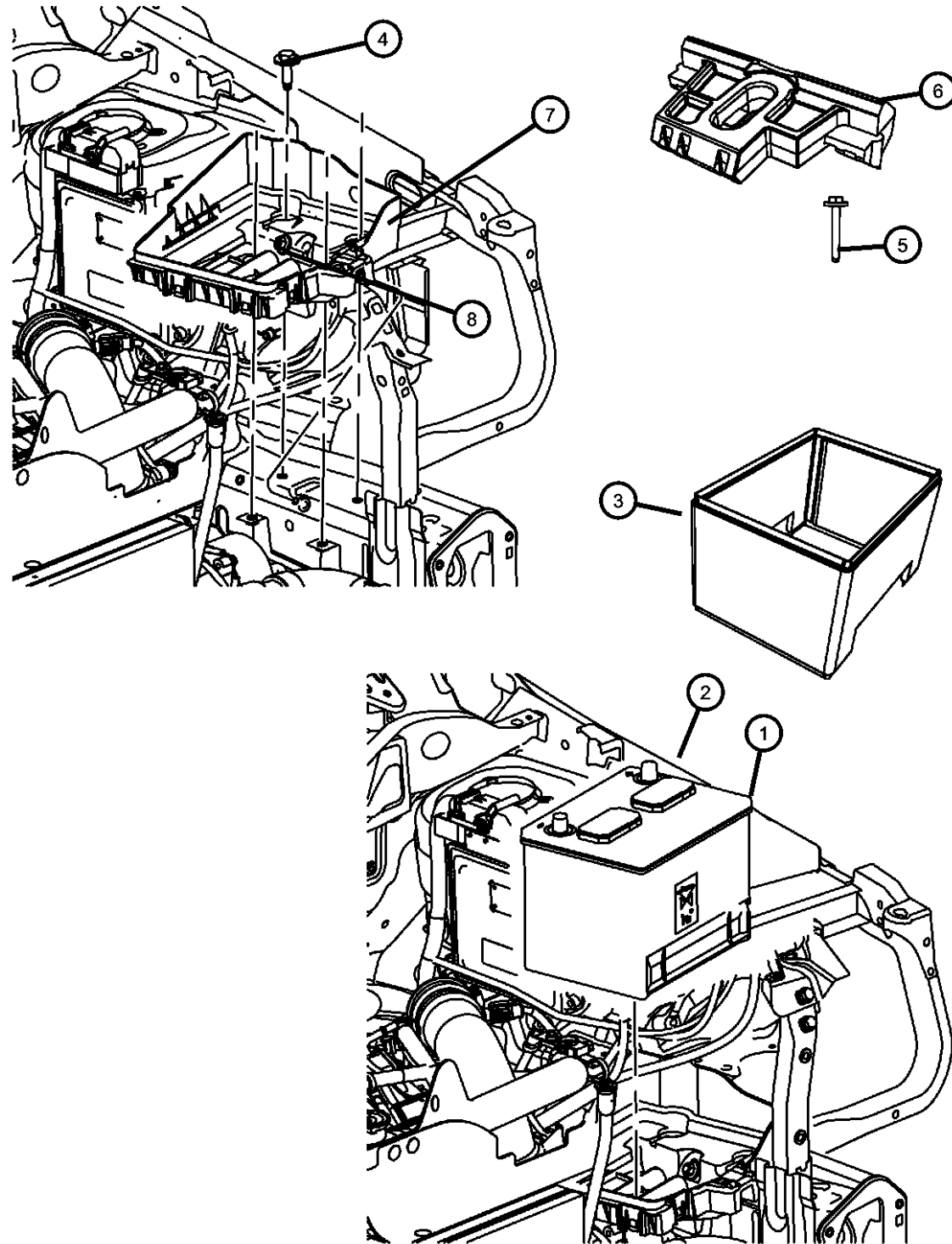
COMPASS/PATRIOT (MK)

SERIES	LINE	BODY	ENGINE	TRANSMISSION
H = HIGHLINE	T = JEEP - 2WD	49 = HATCHBACK TYPE #2	ECE = 2.0L 4 Cyl DOHC DPF Diesel Engine	DEF = 6-Speed Manual Aisin BG6 Trans
L = LOWLINE	J = JEEP - 4WD	74 = SPORT UTILITY 4-DR TYPE #4	ED3 = 2.4L 4 Cyl DOHC 16V Dual VVT Engine	DD7 = 5-Speed Manual T355 Transmission
P = PREMIUM	U = JEEP - 4WD (RHD)		ECD = 2.0L 4 Cyl DOHC Diesel 16V Engine	DAV = Continuously Variable Transaxle II
			ECN = 2.0L 4 Cyl DOHC 16V Dual VVT Engine	DAW = Cont.Var. w/Off-Rd Crawl Ratio Trans

AR = use ase required - = Non illustrated part

2008 MK

Battery Tray and Support
Figure 8-1005



ITEM	PART NUMBER	QTY	LINE	SERIES	BODY	ENGINE	TRANS	TRIM	DESCRIPTION
1	04868999AB	1	J, T, U		49				BATTERY, Storage [BCV]
		1	J, T, U		74				[BCV]
2	56041380AE	1	J, T, U		49				BATTERY [BCP]
		1	J, T, U		74				[BCP]
3	05082107AB	1	J, T, U		49				COVER, Battery
		1	J, T, U		74				
4	06105101AA	4	J, T, U		49, 74				SCREW AND WASHER, Hex Head, M8X1.25X20.00
5									SCREW AND WASHER, Hex Head, M8X1.25X63
	06506502AA	1	J, T, U		49				
		1	J, T, U		74				
6	05115732AA	1	J, T, U		49				RETAINER, Battery
		1	J, T, U		74				
7	05115731AB	1	J, T, U		49				TRAY, Battery
		1	J, T, U		74				
8	06104726AA	1	J, T, U		49, 74				NUT AND WASHER, Hex, M8x1.25

COMPASS/PATRIOT (MK)

SERIES LINE
H = HIGHLINE T = JEEP - 2WD
L = LOWLINE J = JEEP - 4WD
P = PREMIUM U = JEEP - 4WD (RHD)

BODY
49 = HATCHBACK TYPE #2
74 = SPORT UTILITY 4-DR
TYPE #4

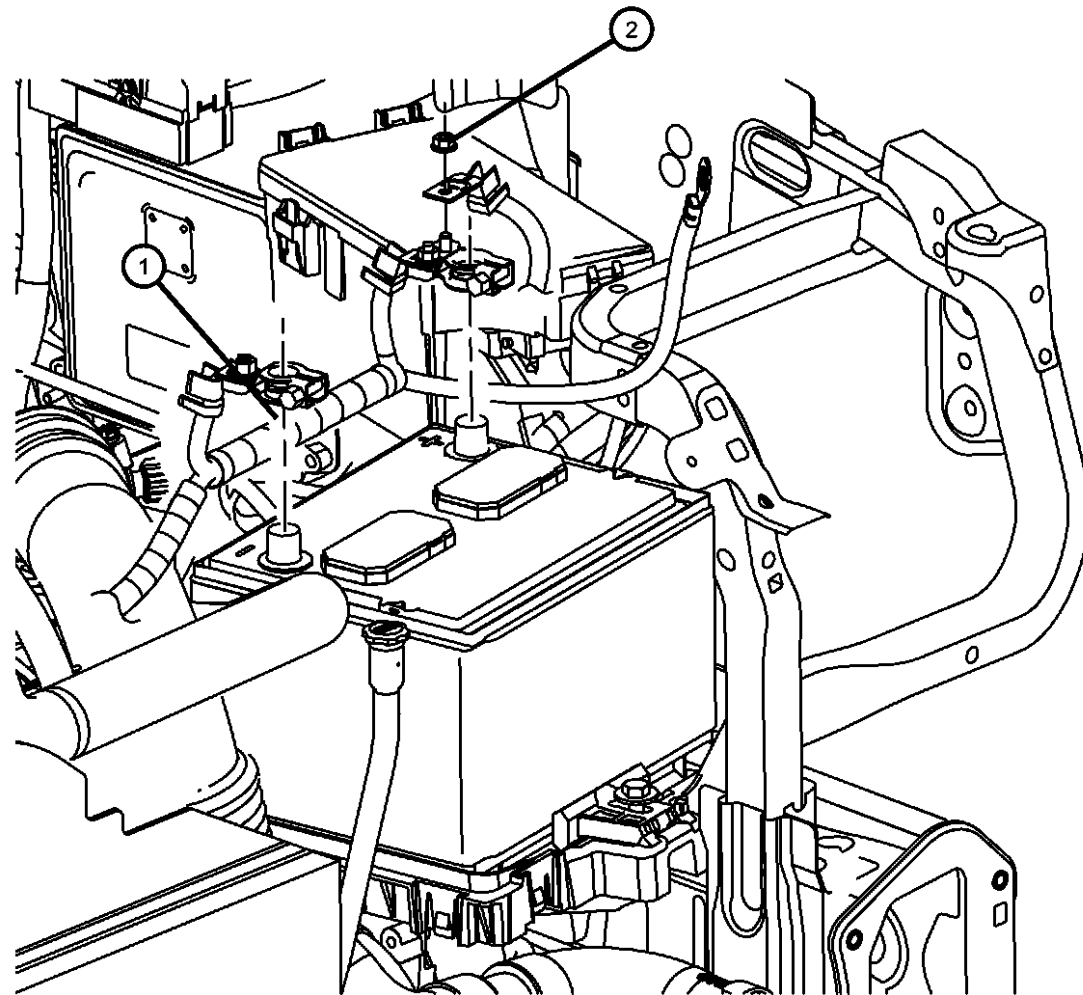
ENGINE TRANSMISSION
ECE = 2.0L 4 Cyl DOHC DPF Diesel Engine DEF = 6-Speed Manual Aisin BG6 Trans
ED3 = 2.4L 4 Cyl DOHC 16V Dual VVT Engine DD7 = 5-Speed Manual T355 Transmission
ECD = 2.0L 4 Cyl DOHC Diesel 16V Engine DAV = Continuously Variable Transaxle II
ECN = 2.0L 4 Cyl DOHC 16V Dual VVT Engine DAW = Cont.Var. w/Off-Rd Crawl Ratio Trans

AR = use ase required - = Non illustrated part

2008 MK

**Battery Wiring
Figure 8-1010**

ITEM	PART NUMBER	QTY	LINE	SERIES	BODY	ENGINE	TRANS	TRIM	DESCRIPTION
1	06104726AA	1							WIRING, Battery, serviced in powertrain wiring, (NOT SERVICED)
2	06104726AA	1							NUT, (NOT SERVICED)



COMPASS/PATRIOT (MK)

SERIES LINE

H = HIGHLINE T = JEEP - 2WD
L = LOWLINE J = JEEP - 4WD
P = PREMIUM U = JEEP - 4WD (RHD)

BODY

49 = HATCHBACK TYPE #2
74 = SPORT UTILITY 4-DR TYPE #4

ENGINE

ECE = 2.0L 4 Cyl DOHC DPF Diesel Engine
ED3 = 2.4L 4 Cyl DOHC 16V Dual VVT Engine
ECD = 2.0L 4 Cyl DOHC Diesel 16V Engine
ECN = 2.0L 4 Cyl DOHC 16V Dual VVT Engine

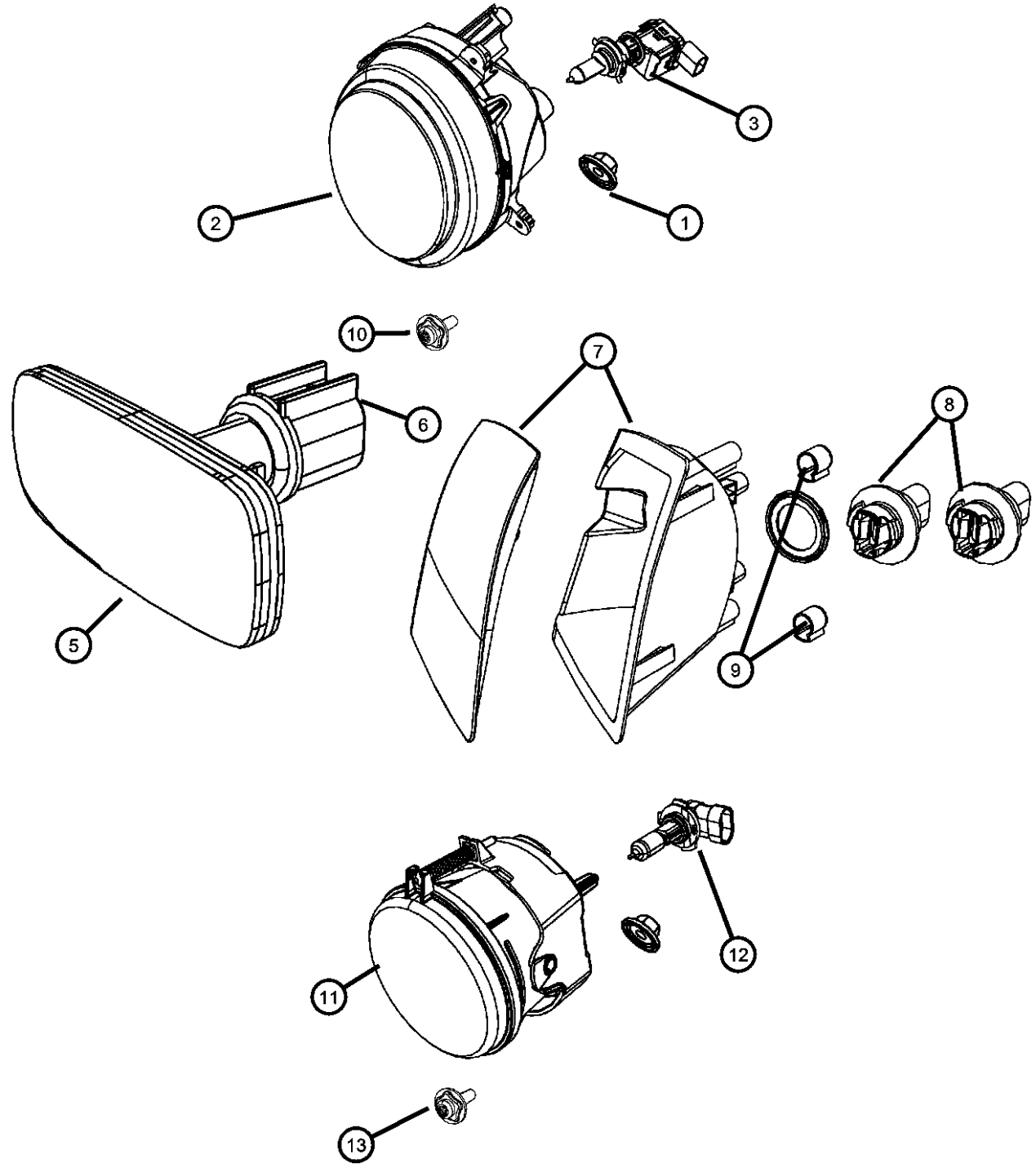
TRANSMISSION

DEF = 6-Speed Manual Aisin BG6 Trans
DD7 = 5-Speed Manual T355 Transmission
DAV = Continuously Variable Transaxle II
DAW = Cont.Var. w/Off-Rd Crawl Ratio Trans

AR = use ase required - = Non illustrated part

2008 MK

Lamps Front
Figure 8-1105



ITEM	PART NUMBER	QTY	LINE	SERIES	BODY	ENGINE	TRANS	TRIM	DESCRIPTION
1	06104725AA	6	J, T, U		49, 74				NUT AND WASHER, Hex, M6X1.00
2									HEADLAMP
	05303843AB	1	J, T		74				[LMA], Left
	05303874AB	1	J, T		49				[LML,LMA], Right
		1	J, T		74				[LML,LMA], Right
	05303875AB	1	J, T		49				[LML,LMA], Left
		1	J, T		74				[LML,LMA], Left
	05303876AB	1	U		74, 49				[LMR,LMA], Right
	05303842AB	1	J, T		49				[LMA], Right
		1	J, T		74				[LMA], Right
		1	J, T		49				[LMA], Left
	05303877AB	1	U		49, 74				[LMR,LMA], Left
3									BULB, Headlamp
	L00H460W	1	U		49, 74				
		1	J, T		49				
		1	J, T		74				
-4									BULB, W5W
	L002825W5W	1	J, T		49				
		1	J, T		74				
5									LAMP, Side Repeater
	04806224AE	2	J, T, U		74				
		2	J, T, U		49				
6									BULB, 12V 5W
	05126194AA	2	J, T, U		49				
		2	J, T, U		74				
7									LAMP, Park and Turn Signal
	68000682AB	1	J, T, U		49				[ML3], Right
	68000683AA	1	J, T, U		49				[MCX], Left
	68000683AB	1	J, T, U		49				[ML3], Left
	68000682AA	1	J, T, U		49				[MCX], Right
	68004181AB	1	J, T, U		74				Left
	68004180AB	1	J, T, U		74				Right

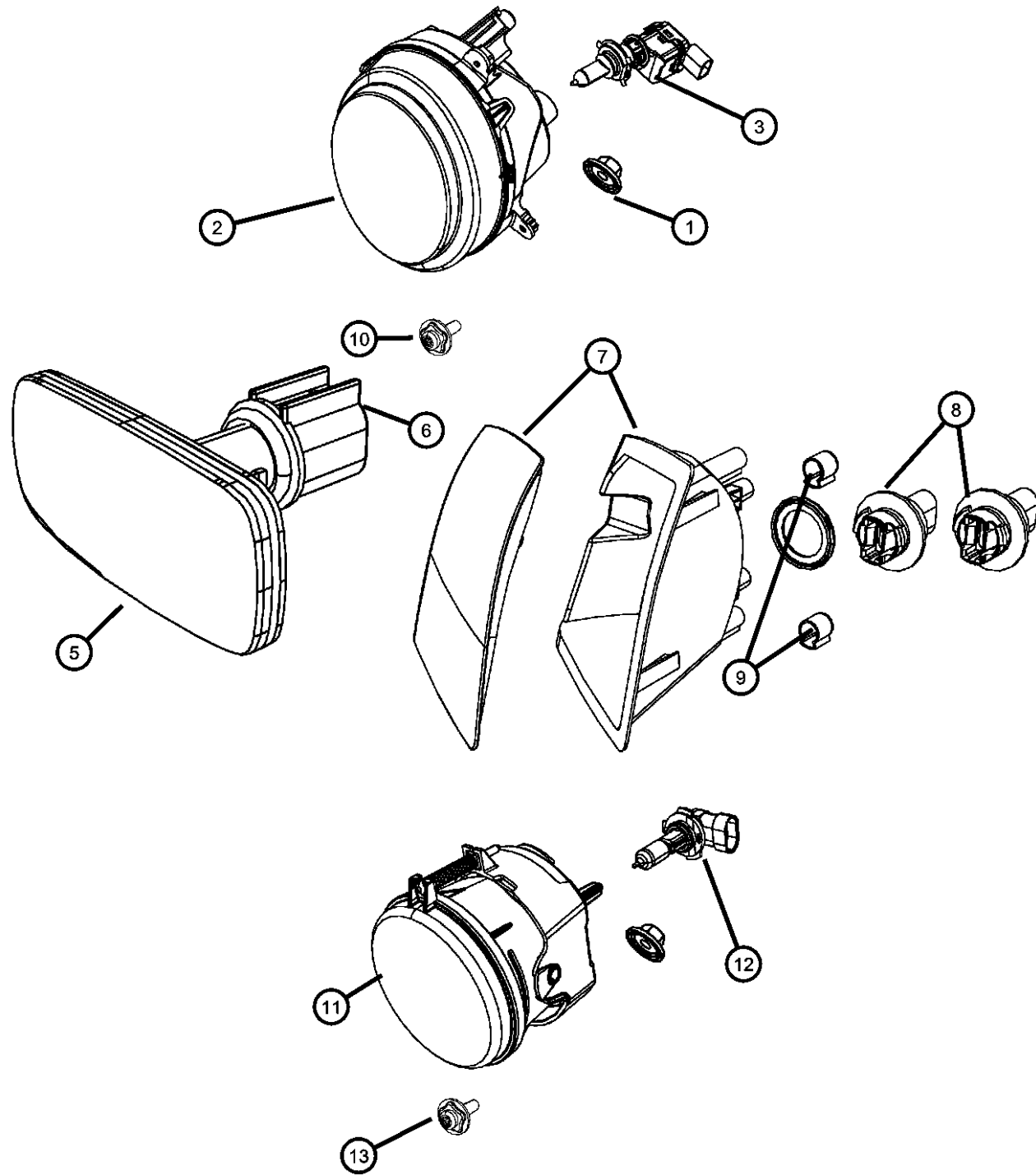
COMPASS/PATRIOT (MK)

SERIES	LINE	BODY	ENGINE	TRANSMISSION
H = HIGHLINE	T = JEEP - 2WD	49 = HATCHBACK TYPE #2	ECE = 2.0L 4 Cyl DOHC DPF Diesel Engine	DEF = 6-Speed Manual Aisin BG6 Trans
L = LOWLINE	J = JEEP - 4WD	74 = SPORT UTILITY 4-DR TYPE #4	ED3 = 2.4L 4 Cyl DOHC 16V Dual VVT Engine	DD7 = 5-Speed Manual T355 Transmission
P = PREMIUM	U = JEEP - 4WD (RHD)		ECD = 2.0L 4 Cyl DOHC Diesel 16V Engine	DAV = Continuously Variable Transaxle II
			ECN = 2.0L 4 Cyl DOHC 16V Dual VVT Engine	DAW = Cont.Var. w/Off-Rd Crawl Ratio Trans

AR = use ase required - = Non illustrated part

2008 MK

Lamps Front
Figure 8-1105



ITEM	PART NUMBER	QTY	LINE	SERIES	BODY	ENGINE	TRANS	TRIM	DESCRIPTION
8	68000686AA	1	J, T, U		49				SOCKET, Park And Turn Signal
		1	J, T, U		74				
9	L003757NAK	1	J, T, U		49				BULB, 3757NAKPY27W/7W
		1	U, J, T		74				
10	06506579AA	3	J, T, U		74				SCREW, Tapping, M6X2.69X21.55, Park lamp attaching
11	04805857AA	2	J, T, U		74				LAMP, Front Fog
		2	J, T, U		49				
12	L0009145	2	J, T, U		49				BULB, 9145
		2	J, T		74				
13	06506579AA	4	J, T		74				SCREW, Tapping, M6X2.69X21.55, Fog lamp attaching

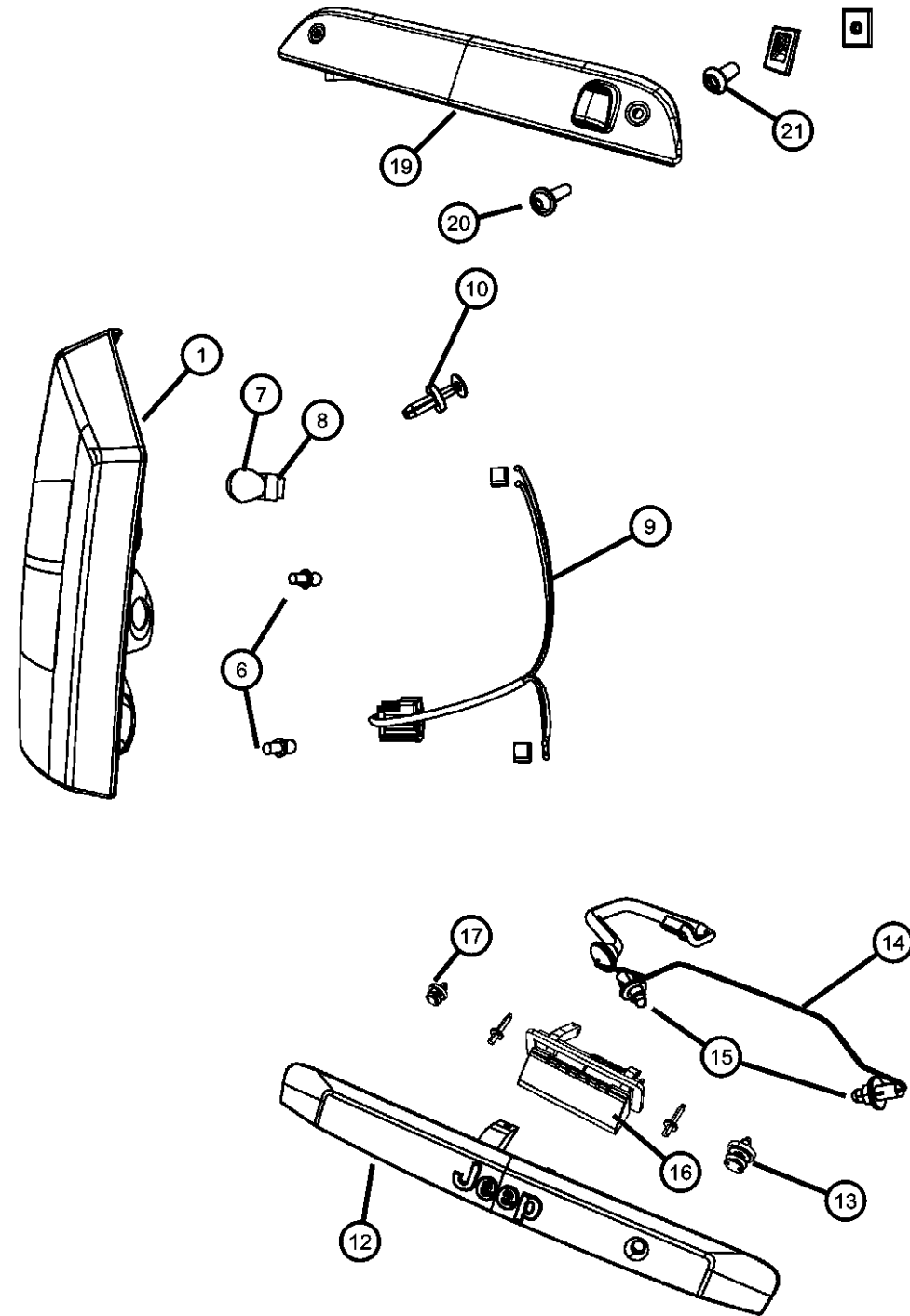
COMPASS/PATRIOT (MK)

SERIES	LINE	BODY	ENGINE	TRANSMISSION
H = HIGHLINE	T = JEEP - 2WD	49 = HATCHBACK TYPE #2	ECE = 2.0L 4 Cyl DOHC DPF Diesel Engine	DEF = 6-Speed Manual Aisin BG6 Trans
L = LOWLINE	J = JEEP - 4WD	74 = SPORT UTILITY 4-DR TYPE #4	ED3 = 2.4L 4 Cyl DOHC 16V Dual VVT Engine	DD7 = 5-Speed Manual T355 Transmission
P = PREMIUM	U = JEEP - 4WD (RHD)		ECD = 2.0L 4 Cyl DOHC Diesel 16V Engine	DAV = Continuously Variable Transaxle II
			ECN = 2.0L 4 Cyl DOHC 16V Dual VVT Engine	DAW = Cont.Var. w/Off-Rd Crawl Ratio Trans

AR = use ase required - = Non illustrated part

2008 MK

Lamps Rear
Figure 8-1110



ITEM	PART NUMBER	QTY	LINE	SERIES	BODY	ENGINE	TRANS	TRIM	DESCRIPTION
1	05116240AC	1	J, T, U		74				LAMP, Tail Stop Turn Sidemarker
	05116241AC	1	J, T, U		74				[LPC], Right
	05160364AA	1	J, T, U		74				[LPC], Left
	05160365AA	1	J, T, U		74				Right
	05303878AB	1	J, T, U		49				Left
	05303879AB	1	J, T, U		49				Right
	05303882AB	1	J, T, U		49				Left
	05303883AB	1	J, T, U		49				[LPC], Right
									[LPC], Left
-2	68014979AA	1	J, T, U		74				SOCKET, Lamp
		1	J, T, U		49				Turn signal
		1	J, T, U		49				Turn signal
-3	68014981AA	1	J, T, U		74				SOCKET, Lamp
		1	J, T, U		49				Backup lamp
		1	J, T, U		49				Backup lamp
-4	05191194AA	1	J, T, U		49				SOCKET, Back-Up Lamp
-5	05191192AA	1	J, T, U		49				SOCKET, Stop and Tail Lamp
6	L000921E	1	J, T, U		74				BULB, 921
		1	J, T, U		49				
7	L0003157	1	J, T, U		74				BULB, 3157
		1	J, T, U		49				
8	L003757A	1	J, T, U		74				BULB, 3757A
		1	J, T, U		49				
9	68014985AA	1	J, T, U		74				WIRING, Tail Lamp
		1	J, T, U		49				
10	05160260AA	4	J, T, U		49				PIN, Push
		4	J, T, U		74				
-11	05191193AA	1	J, T, U		49				SOCKET, Turn Signal Lamp

COMPASS/PATRIOT (MK)

SERIES LINE
H = HIGHLINE T = JEEP - 2WD
L = LOWLINE J = JEEP - 4WD
P = PREMIUM U = JEEP - 4WD (RHD)

BODY
49 = HATCHBACK TYPE #2
74 = SPORT UTILITY 4-DR TYPE #4

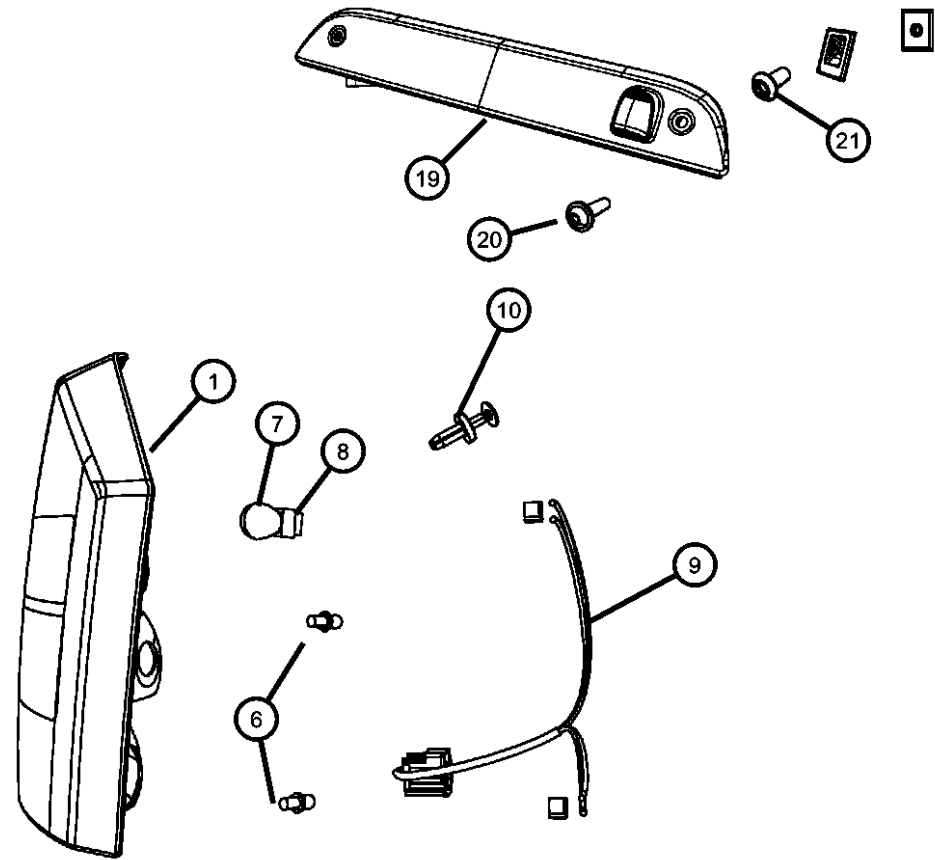
ENGINE
ECE = 2.0L 4 Cyl DOHC DPF Diesel Engine
ED3 = 2.4L 4 Cyl DOHC 16V Dual VVT Engine
ECD = 2.0L 4 Cyl DOHC Diesel 16V Engine
ECN = 2.0L 4 Cyl DOHC 16V Dual VVT Engine

TRANSMISSION
DEF = 6-Speed Manual Aisin BG6 Trans
DD7 = 5-Speed Manual T355 Transmission
DAV = Continuously Variable Transaxle II
DAW = Cont.Var. w/Off-Rd Crawl Ratio Trans

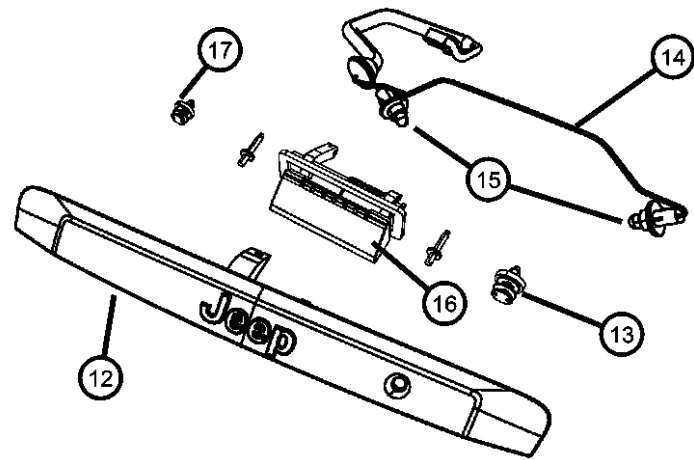
AR = use ase required - = Non illustrated part

2008 MK

Lamps Rear
Figure 8-1110



ITEM	PART NUMBER	QTY	LINE	SERIES	BODY	ENGINE	TRANS	TRIM	DESCRIPTION
12	0ZH34RXFAF	1	J, T, U		49				HANDLE, Liftgate
		1	J, T, U		74				
13	68025107AA	2	J, T, U		49, 74				CLIP, Retaining
14	68001368AA	1	J, T, U		49, 74				WIRING, License Lamp
15	L002825W5W	2	J, T, U		49, 74				BULB, W5W
16	68001366AA	1	J, T, U		49, 74				LENS, License Lamp Right
	68001367AA	1	J, T, U		49, 74				Left
17	04806271AA	4	J, T, U		49				GROMMET
-18	05160255AB	4	J, T, U		49				GROMMET, Lamp
		4	J, T, U		74				
19	05116236AD	1	J, T, U		74				LAMP, Liftgate Chmsl
	05303754AE	1	J, T, U		49				
20	06104635AA	2	J, T, U		74				SCREW, Tapping Round Head, M5.0X2.24X20.00, CHMSL attaching
21	06036718AA	2	J, T, U		74				NUT, Snap In, CHMSL attaching



COMPASS/PATRIOT (MK)

SERIES LINE
H = HIGHLINE T = JEEP - 2WD
L = LOWLINE J = JEEP - 4WD
P = PREMIUM U = JEEP - 4WD (RHD)

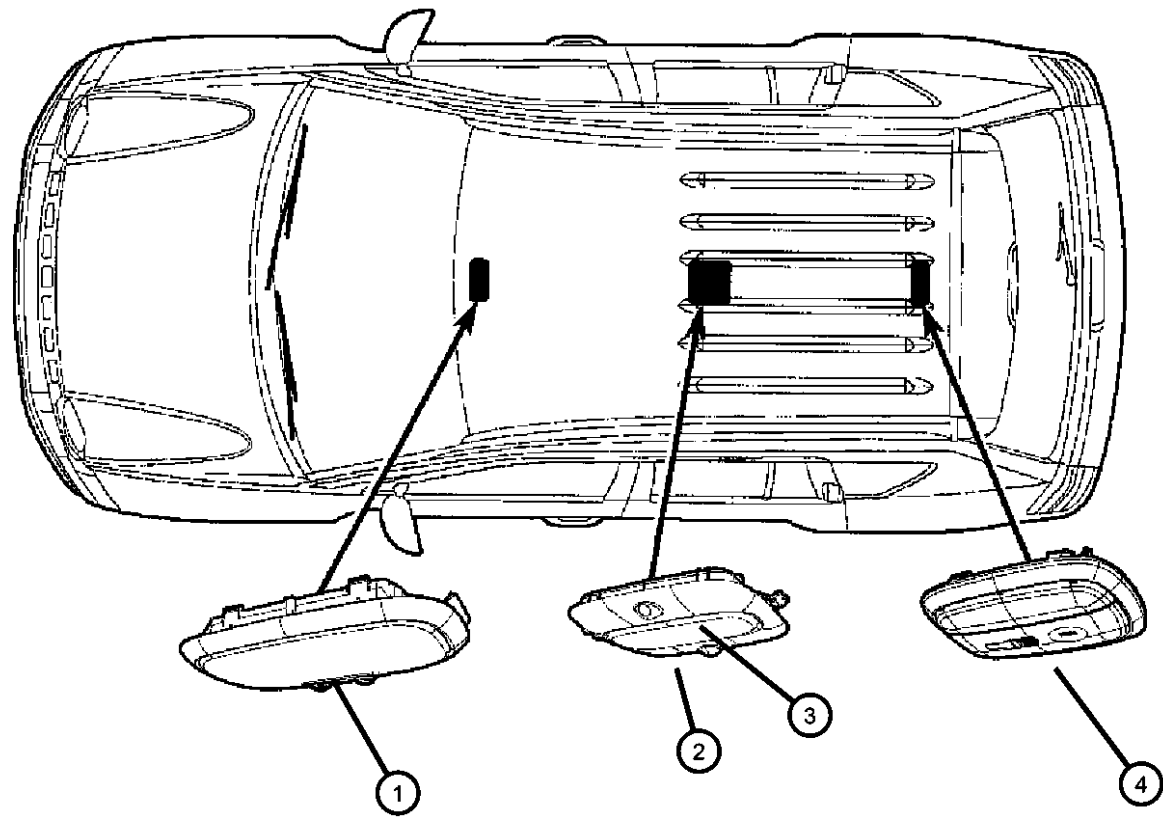
BODY
49 = HATCHBACK TYPE #2
74 = SPORT UTILITY 4-DR
TYPE #4

ENGINE TRANSMISSION
ECE = 2.0L 4 Cyl DOHC DPF DEF = 6-Speed Manual Aisin BG6
Diesel Engine Trans
ED3 = 2.4L 4 Cyl DOHC 16V DD7 = 5-Speed Manual T355
Dual VVT Engine Transmission
ECD = 2.0L 4 Cyl DOHC DAV = Continuously Variable
Diesel 16V Engine Transaxle II
ECN = 2.0L 4 Cyl DOHC 16V DAW = Cont.Var. w/Off-Rd Crawl
Dual VVT Engine Ratio Trans

AR = use ase required - = Non illustrated part

2008 MK

Lamps Interior
Figure 8-1115



ITEM	PART NUMBER	QTY	LINE	SERIES	BODY	ENGINE	TRANS	TRIM	DESCRIPTION
1	1AN73DW1AD	1	J, T, U		74				LAMP, Reading
	1CJ11DW1AA	1	J, T, U		74				[GWG]
2	05183445AA	1	J, T, U		74				LAMP, Dome
		1	J, T, U		49				[LCD]
	5JG55DW1AD	2	J, T, U		74				[LCK]
		1	J, T, U		49				[LCK]
3	05093413AA	2	J, T, U		74				LENS, Dome Lamp
		2	J, T, U		49				[LCK]
	05183449AA	1	J, T, U		74				[LCD]
		1	J, T, U		49				[LCD]
4	05183459AA	1	J, T, U		74				FLASHLIGHT
		1	J, T, U		49				
-5	05183454AA	1	J, T, U		74				BATTERY, Flashlight
		1	J, T, U		49				

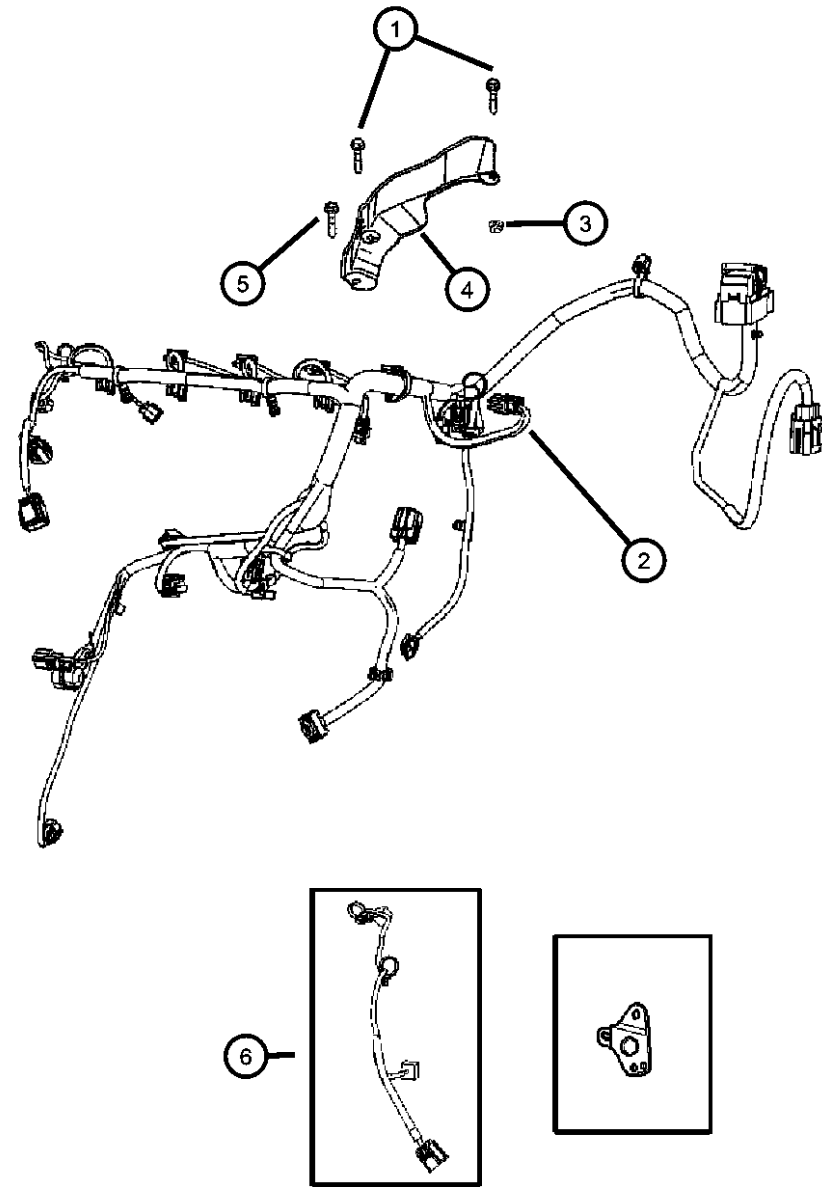
COMPASS/PATRIOT (MK)

SERIES	LINE	BODY	ENGINE	TRANSMISSION
H = HIGHLINE	T = JEEP - 2WD	49 = HATCHBACK TYPE #2	ECE = 2.0L 4 Cyl DOHC DPF Diesel Engine	DEF = 6-Speed Manual Aisin BG6 Trans
L = LOWLINE	J = JEEP - 4WD	74 = SPORT UTILITY 4-DR TYPE #4	ED3 = 2.4L 4 Cyl DOHC 16V Dual VVT Engine	DD7 = 5-Speed Manual T355 Transmission
P = PREMIUM	U = JEEP - 4WD (RHD)		ECD = 2.0L 4 Cyl DOHC Diesel 16V Engine	DAV = Continuously Variable Transaxle II
			ECN = 2.0L 4 Cyl DOHC 16V Dual VVT Engine	DAW = Cont.Var. w/Off-Rd Crawl Ratio Trans

AR = use ase required - = Non illustrated part

2008 MK

**Wiring Engine Gas
Figure 8-1205**



ITEM	PART NUMBER	QTY	LINE	SERIES	BODY	ENGINE	TRANS	TRIM	DESCRIPTION
1		1							SCREW, Hex Flange Head, M6x1.0x16.0, (NOT SERVICED)
2									WIRING, Powertrain
	05148312AA	1	J, T, U		49	ECN			
		1	J, T, U		74	ECN			
	05148774AA	1	J, T, U		49	ED3			
		1	J, T, U		74	ED3			
3									NUT AND WASHER, M6x1.00
	06101447	1	J, T, U		49	ECN, ED3			
		1	J, T, U		74	ECN, ED3			
4									SHIELD, Wiring
	04795259AD	1	J, T, U		49	ECN, ED3			
		1	J, T, U		74	ECN, ED3			
5									BOLT AND WASHER, Hex Head, M8x1.25x20
	06104384AA	1	J, T, U		49	ECN, ED3			
		1	J, T, U		74	ECN, ED3			
6									WIRING, Transmission
	04795865AF	1	J, T		49		DAV		
		1	J, T		74		DAV		
		1	J, T		49		DAV, DAW		
		1	J, T		74		DAV, DAW		
-7	05273453AA	1	J, U		49, 74				BRACKET, Wiring

COMPASS/PATRIOT (MK)

SERIES LINE
H = HIGHLINE T = JEEP - 2WD
L = LOWLINE J = JEEP - 4WD
P = PREMIUM U = JEEP - 4WD (RHD)

BODY
49 = HATCHBACK TYPE #2
74 = SPORT UTILITY 4-DR TYPE #4

ENGINE
ECE = 2.0L 4 Cyl DOHC DPF Diesel Engine
ED3 = 2.4L 4 Cyl DOHC 16V Dual VVT Engine
ECD = 2.0L 4 Cyl DOHC Diesel 16V Engine
ECN = 2.0L 4 Cyl DOHC 16V Dual VVT Engine

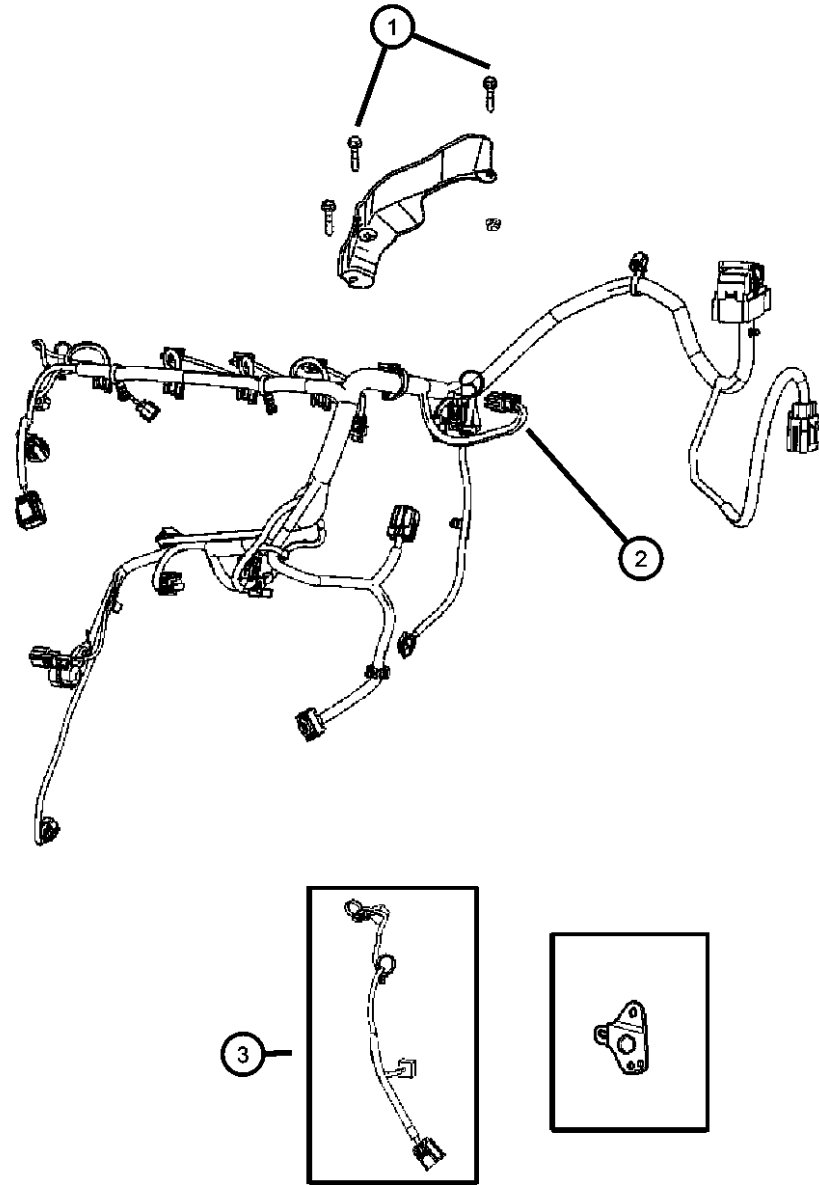
TRANSMISSION
DEF = 6-Speed Manual Aisin BG6 Trans
DD7 = 5-Speed Manual T355 Transmission
DAV = Continuously Variable Transaxle II
DAW = Cont.Var. w/Off-Rd Crawl Ratio Trans

AR = use ase required - = Non illustrated part

2008 MK

**Wiring Engine Diesel
Figure 8-1210**

ITEM	PART NUMBER	QTY	LINE	SERIES	BODY	ENGINE	TRANS	TRIM	DESCRIPTION
1	05273453AA	1							SCREW, Hex Flange Head, M6x1.0x16.0, (NOT SERVICED)
2	04795485AE	1	J, T, U		49	ECD			WIRING, Powertrain
		1	J, T, U		74	ECD			
	04801631AB	1	J, T, U		49	ECE			
		1	J, T, U		74	ECE			
3	04795865AF	1	J, T		49		DAV		WIRING, Transmission
		1	J, T		74		DAV		
		1	J, T		49		DAV, DAW		
		1	J, T		74		DAV, DAW		
-4	05273453AA	1	J, U		49, 74				



COMPASS/PATRIOT (MK)

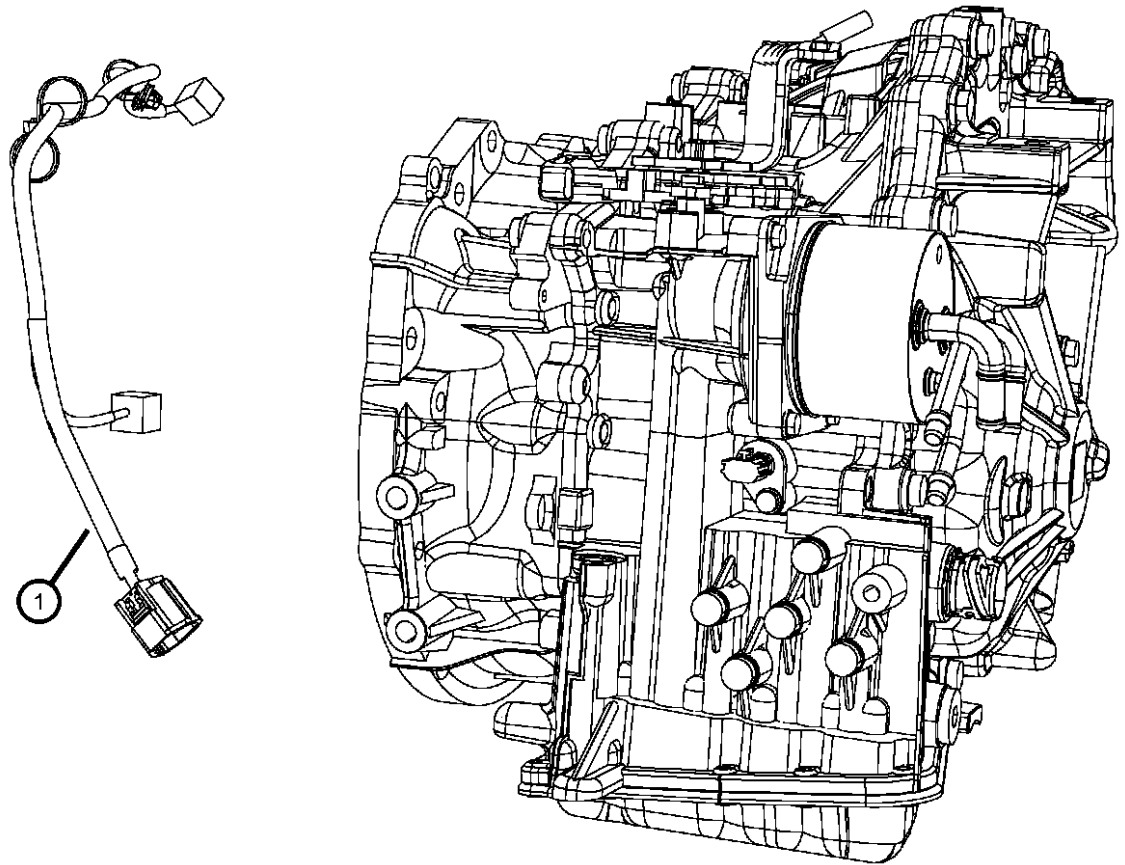
SERIES	LINE	BODY	ENGINE	TRANSMISSION
H = HIGHLINE	T = JEEP - 2WD	49 = HATCHBACK TYPE #2	ECE = 2.0L 4 Cyl DOHC DPF Diesel Engine	DEF = 6-Speed Manual Aisin BG6 Trans
L = LOWLINE	J = JEEP - 4WD	74 = SPORT UTILITY 4-DR TYPE #4	ED3 = 2.4L 4 Cyl DOHC 16V Dual VVT Engine	DD7 = 5-Speed Manual T355 Transmission
P = PREMIUM	U = JEEP - 4WD (RHD)		ECD = 2.0L 4 Cyl DOHC Diesel 16V Engine	DAV = Continuously Variable Transaxle II
			ECN = 2.0L 4 Cyl DOHC 16V Dual VVT Engine	DAW = Cont.Var. w/Off-Rd Crawl Ratio Trans

AR = use ase required - = Non illustrated part

2008 MK

Wiring Transmission and Transfer Cases
Figure 8-1215

ITEM	PART NUMBER	QTY	LINE	SERIES	BODY	ENGINE	TRANS	TRIM	DESCRIPTION
1									WIRING, Transmission
	04795865AF	1	J, T		49		DAV		
		1	J, T		74		DAV		
		1	J, T		49		DAV, DAW		
		1	J, T		74		DAV, DAW		

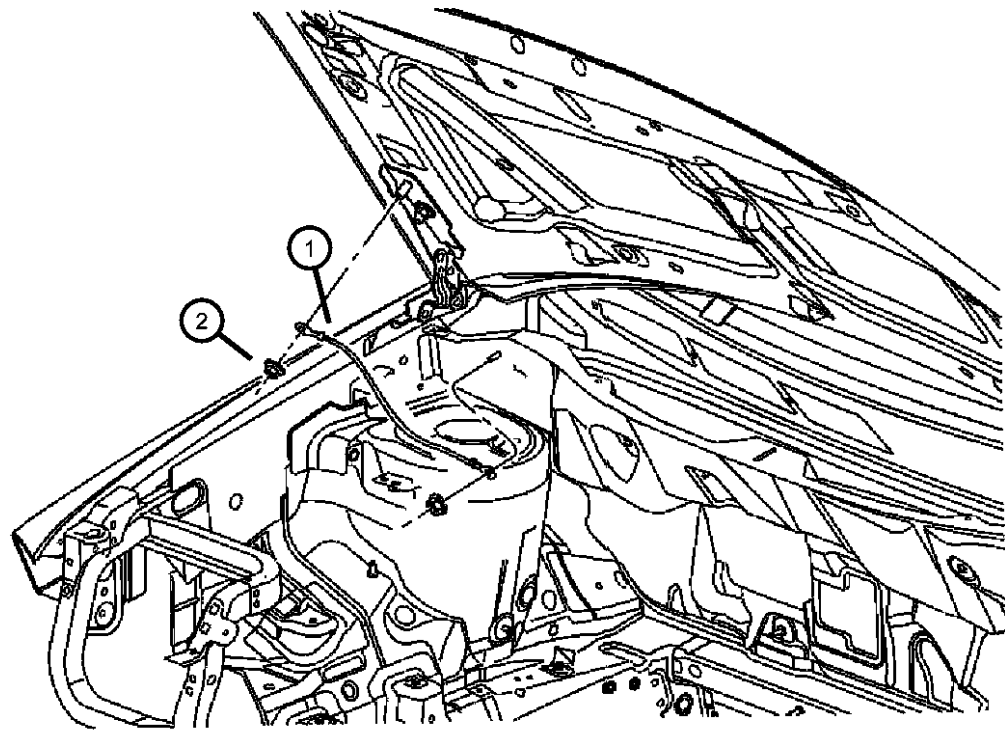


COMPASS/PATRIOT (MK)

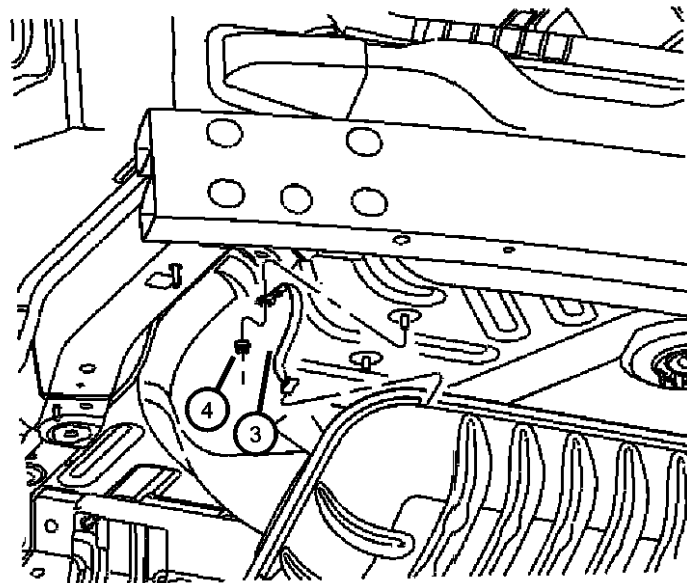
SERIES	LINE	BODY	ENGINE	TRANSMISSION
H = HIGHLINE	T = JEEP - 2WD	49 = HATCHBACK TYPE #2	ECE = 2.0L 4 Cyl DOHC DPF Diesel Engine	DEF = 6-Speed Manual Aisin BG6 Trans
L = LOWLINE	J = JEEP - 4WD	74 = SPORT UTILITY 4-DR TYPE #4	ED3 = 2.4L 4 Cyl DOHC 16V Dual VVT Engine	DD7 = 5-Speed Manual T355 Transmission
P = PREMIUM	U = JEEP - 4WD (RHD)		ECD = 2.0L 4 Cyl DOHC Diesel 16V Engine	DAV = Continuously Variable Transaxle II
			ECN = 2.0L 4 Cyl DOHC 16V Dual VVT Engine	DAW = Cont.Var. w/Off-Rd Crawl Ratio Trans

AR = use ase required - = Non illustrated part

Ground Straps
Figure 8-1220



ITEM	PART NUMBER	QTY	LINE	SERIES	BODY	ENGINE	TRANS	TRIM	DESCRIPTION
1	04671169AC	1	J, T, U		49				STRAP, Ground Hood hinge to body
	05064557AA	1	J, T, U		74				Hood hinge to body
2	06101809	1	J, T, U		49				NUT AND WASHER, Hex, M8x1.25
		1	J, T, U		74				
3	04672308AA	1	J, T, U		49				STRAP, Ground Exhaust
		1	J, T, U		74				Exhaust
4	06101809	1	J, T, U		49				NUT AND WASHER, Hex, M8x1.25
		1	J, T, U		74				
-5	04672303AB	1	J, T, U		74	ECD, ED3			STRAP, Ground, Cylinder head to heat shield



COMPASS/PATRIOT (MK)

SERIES LINE
H = HIGHLINE T = JEEP - 2WD
L = LOWLINE J = JEEP - 4WD
P = PREMIUM U = JEEP - 4WD (RHD)

BODY
49 = HATCHBACK TYPE #2
74 = SPORT UTILITY 4-DR
TYPE #4

ENGINE
ECE = 2.0L 4 Cyl DOHC DPF Diesel Engine
ED3 = 2.4L 4 Cyl DOHC 16V Dual VVT Engine
ECD = 2.0L 4 Cyl DOHC Diesel 16V Engine
ECN = 2.0L 4 Cyl DOHC 16V Dual VVT Engine

TRANSMISSION
DEF = 6-Speed Manual Aisin BG6 Trans
DD7 = 5-Speed Manual T355 Transmission
DAV = Continuously Variable Transaxle II
DAW = Cont.Var. w/Off-Rd Crawl Ratio Trans

AR = use ase required - = Non illustrated part

2008 MK

Wiring Headlamp to Dash
Figure 8-1305

ITEM	PART NUMBER	QTY	LINE	SERIES	BODY	ENGINE	TRANS	TRIM	DESCRIPTION
1									WIRING, Engine Compartment
	05084343AC	1	J, T		49	ECE	DEF		[CG1]
		1	J, T		74	ECE	DEF		[CG1]
	05084344AC	1	J, T		49	ECE	DEF		[CG1,LNJ]
		1	J, T		74	ECE	DEF		[CG1,LNJ]
	05084345AC	1	U		49, 74	ECE	DEF		[CG1]
	05084346AC	1	U		49, 74	ECE	DEF		[CG1,LNJ]
	05084431AB	1	J, T		49		DAV, DD7		[CG1,LMF,JKL,LSC]
		1	J, T		74		DAV, DD7		[CG1,LMF,JKL,LSC]
	05084433AB	1	J, T		49	ECD	DEF		[CG1]
		1	J, T		74	ECD	DEF		[CG1]
	05084434AB	1	J, T		49	ECD	DEF		[CG1,LNJ]
		1	J, T		74	ECD	DEF		[CG1,LNJ]
	05084435AB	1	U		49, 74		DAV, DEF		[CG1,LMF,JKL,LSC]
	05084454AB	1	J, T		49		DAV, DD7		[CG1,NHM]
		1	J, T		74		DAV, DD7		[CG1,NHM]
	05084455AB	1	J, T		49		DAV, DD7		[CG1,LNJ]
		1	J, T		74		DAV, DD7		[CG1,LNJ]
	05084460AB	1	U		49, 74	ECD	DEF		[CG1]
	05084463AB	1	J, T		49		DAV, DD7		[CG1,ABB,LNJ]
		1	J, T		74		DAV, DD7		[CG1,ABB,LNJ]
	05084464AB	1	J, T		49		DAV, DD7		[CG1,LNJ,LMF]
		1	J, T		74		DAV, DD7		[CG1,LNJ,LMF]
	05084465AB	1	U		49, 74	ECD	DEF		[CG1,LNJ]
	05084466AB	1	U		49, 74		DAV, DD7		[CG1,LNJ,LMF,JKL]
	05084467AB	1	J, T		49		DAV, DD7		[CG1]
		1	J, T		74		DAV, DD7		[CG1]
	05084468AB	1	J, T		49		DAW		[CG1]
		1	J, T		74		DAW		[CG1]
	05084469AB	1	J, T		49		DAW		[CG1,LNJ]
		1	J, T		74		DAW		[CG1,LNJ]

COMPASS/PATRIOT (MK)

SERIES LINE
H = HIGHLINE T = JEEP - 2WD
L = LOWLINE J = JEEP - 4WD
P = PREMIUM U = JEEP - 4WD (RHD)

BODY
49 = HATCHBACK TYPE #2
74 = SPORT UTILITY 4-DR TYPE #4

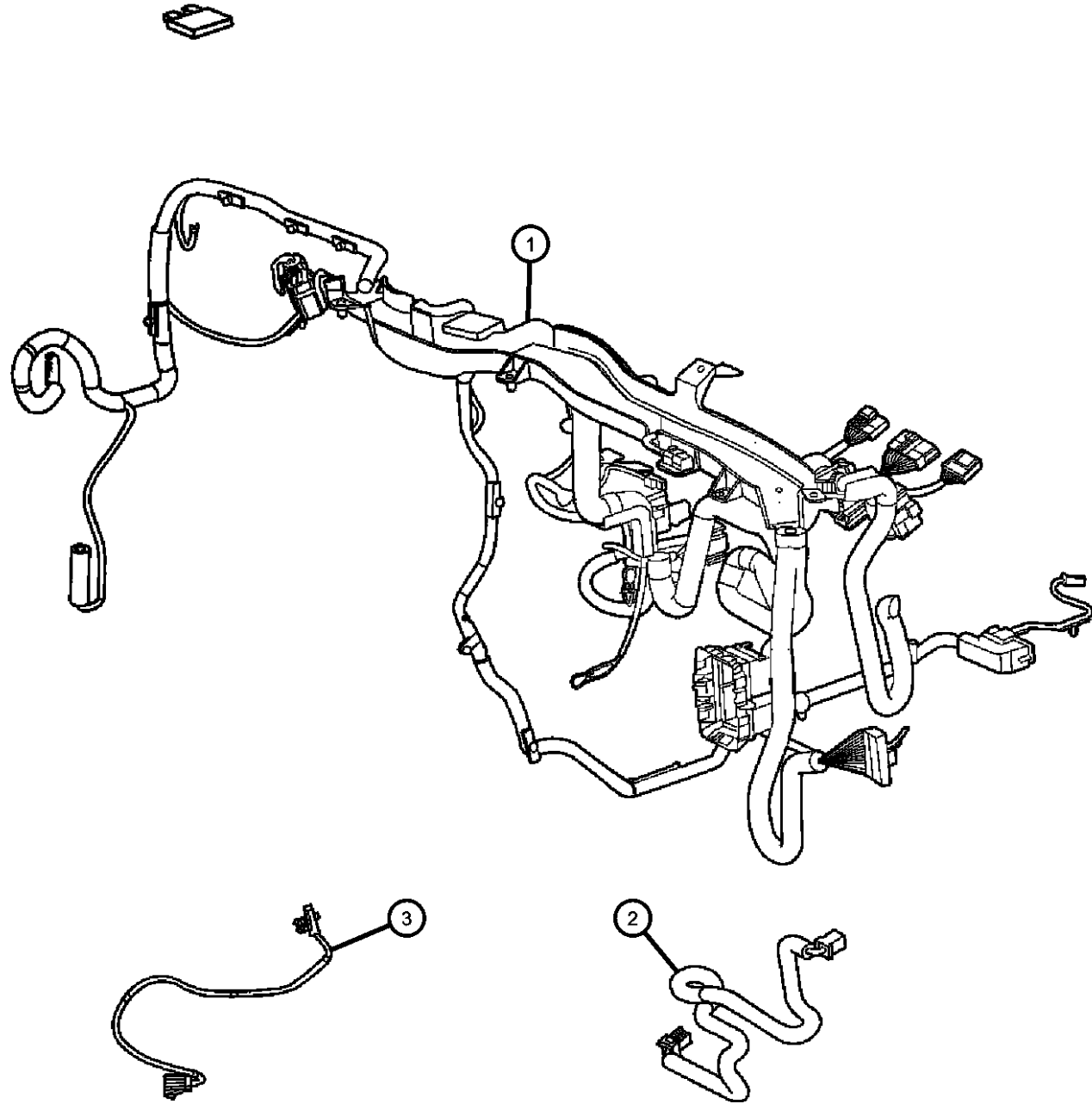
ENGINE
ECE = 2.0L 4 Cyl DOHC DPF Diesel Engine
ED3 = 2.4L 4 Cyl DOHC 16V Dual VVT Engine
ECD = 2.0L 4 Cyl DOHC Diesel 16V Engine
ECN = 2.0L 4 Cyl DOHC 16V Dual VVT Engine

TRANSMISSION
DEF = 6-Speed Manual Aisin BG6 Trans
DD7 = 5-Speed Manual T355 Transmission
DAV = Continuously Variable Transaxle II
DAW = Cont.Var. w/Off-Rd Crawl Ratio Trans

AR = use ase required - = Non illustrated part

2008 MK

**Wiring Instrument Panel
Figure 8-1405**



ITEM	PART NUMBER	QTY	LINE	SERIES	BODY	ENGINE	TRANS	TRIM	DESCRIPTION
1									WIRING, Instrument Panel
	04795904AE	1	J, T		49				[CG1,JPH,JKV]
		1	J, T		74				[CG1,JPH,JKV]
	04795905AE	1	J, T		49				[CG1,GWG]
		1	J, T		74				[CG1,GWG]
	04795906AE	1	J, T		49		DAV		[CG1,ABB]
		1	J, T		74		DAV		[CG1,ABB]
	04795907AE	1	J, T		49		DD7, DEF		[CG1,ABB]
		1	J, T		74		DD7, DEF		[CG1,ABB]
	05084090AC	1	J, T		49				[RDD]
		1	J, T		74				[RDD]
	05084092AB	1	J, T		49				[RDB]
		1	J, T		74				[RDB]
	05084100AE	1	J, T		49				[CG1,XGM]
		1	J, T		74				[CG1,XGM]
	05084176AD	1	J, T		49				[CG1]
		1	J, T		74				[CG1]
	05084177AD	1	J, T		49				[CG1,GWG,XGM]
		1	J, T		74				[CG1,GWG,XGM]
	05084178AD	1	J, T		49				[CG1,GWG,DHD]
		1	J, T		74				[CG1,GWG,DHD]
	05084179AD	1	J, T		49				[CG1,RSP,XGM]
		1	J, T		74				[CG1,RSP,XGM]
	05084180AD	1	J, T		49				[CG1,GWG,DHD,XGM]
		1	J, T		74				[CG1,GWG,DHD,XGM]
	05084181AD	1	J, T		49				[CG1,RSP,XGM,GWG]
		1	J, T		74				[CG1,RSP,XGM,GWG]
	05084182AD	1	J, T		49				[CG1,RSP,XGM,DHD]
		1	J, T		74				[CG1,RSP,XGM,DHD]
	05084681AC	1	J, T		49				[CG1,DHD,XGM]
		1	J, T		74				[CG1,DHD,XGM]
	05084682AC	1	J, T		49				[CG1,DHD]
		1	J, T		74				[CG1,DHD]

COMPASS/PATRIOT (MK)

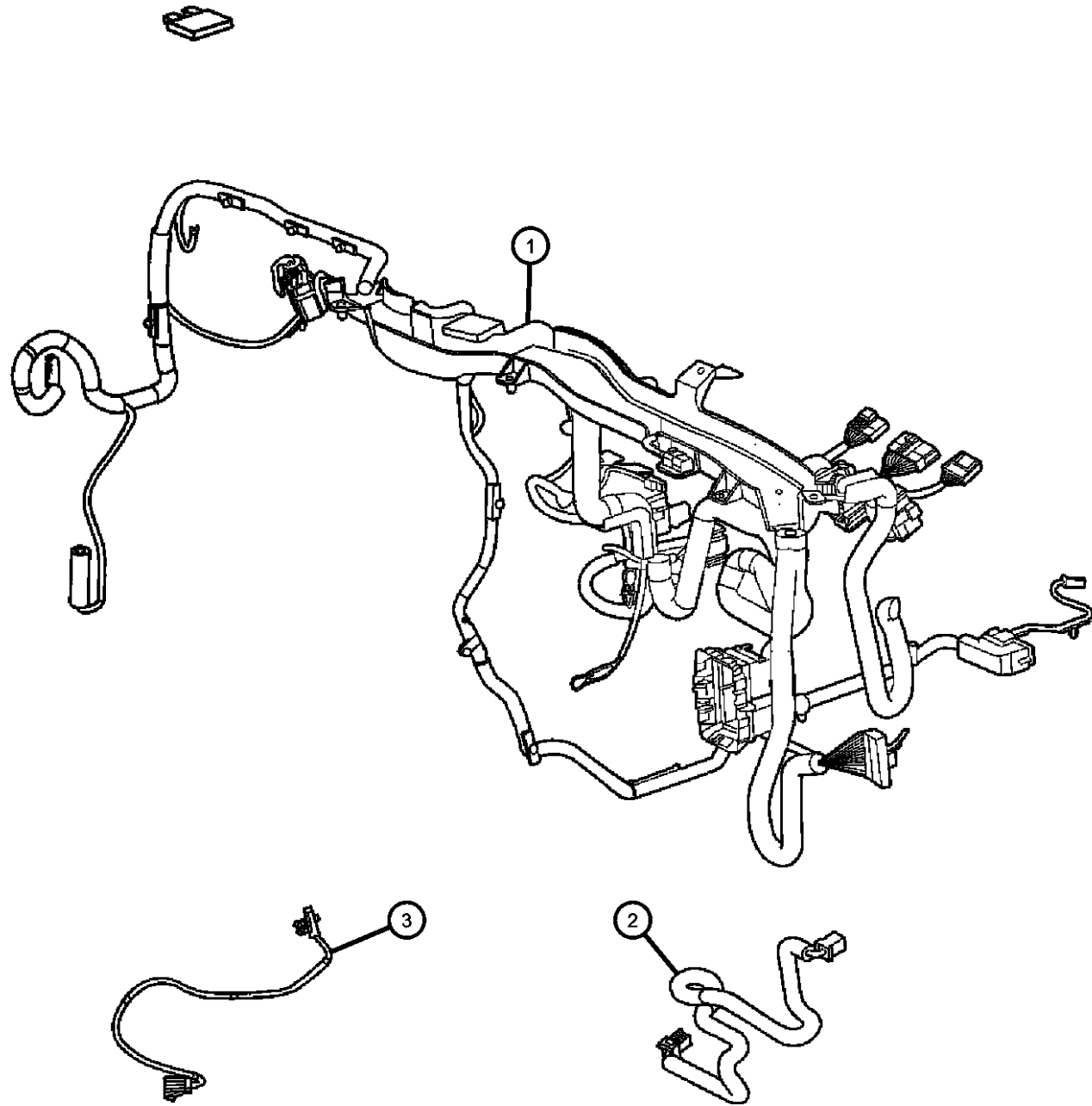
SERIES	LINE	BODY	ENGINE	TRANSMISSION
H = HIGHLINE	T = JEEP - 2WD	49 = HATCHBACK TYPE #2	ECE = 2.0L 4 Cyl DOHC DPF Diesel Engine	DEF = 6-Speed Manual Aisin BG6 Trans
L = LOWLINE	J = JEEP - 4WD	74 = SPORT UTILITY 4-DR TYPE #4	ED3 = 2.4L 4 Cyl DOHC 16V Dual VVT Engine	DD7 = 5-Speed Manual T355 Transmission
P = PREMIUM	U = JEEP - 4WD (RHD)		ECD = 2.0L 4 Cyl DOHC Diesel 16V Engine	DAV = Continuously Variable Transaxle II
			ECN = 2.0L 4 Cyl DOHC 16V Dual VVT Engine	DAW = Cont.Var. w/Off-Rd Crawl Ratio Trans

AR = use ase required - = Non illustrated part

2008 MK

**Wiring Instrument Panel
Figure 8-1405**

ITEM	PART NUMBER	QTY	LINE	SERIES	BODY	ENGINE	TRANS	TRIM	DESCRIPTION
2									WIRING, Jumper
	05084600AE	1	J, U		49				[NAA,NAE] Differential Vent Jumper Assembly
		1	J, U		74				[NAA,NAE] Differential Vent Jumper Assembly
	05084601AE	1	J, U		49				[NA1] Differential Vent Jumper Assembly
		1	J, U		74				[NA1] Differential Vent Jumper Assembly
3									WIRING, Steering Wheel
	68000462AB	1	J, T, U		49				
		1	J, T, U		74				
-4									WIRING, Jumper
	05064236AA	1	J, T, U		49				Message center
		1	J, T, U		74				Message center



COMPASS/PATRIOT (MK)

SERIES LINE

H = HIGHLINE T = JEEP - 2WD
L = LOWLINE J = JEEP - 4WD
P = PREMIUM U = JEEP - 4WD (RHD)

BODY

49 = HATCHBACK TYPE #2
74 = SPORT UTILITY 4-DR TYPE #4

ENGINE

ECE = 2.0L 4 Cyl DOHC DPF Diesel Engine
ED3 = 2.4L 4 Cyl DOHC 16V Dual VVT Engine
ECD = 2.0L 4 Cyl DOHC Diesel 16V Engine
ECN = 2.0L 4 Cyl DOHC 16V Dual VVT Engine

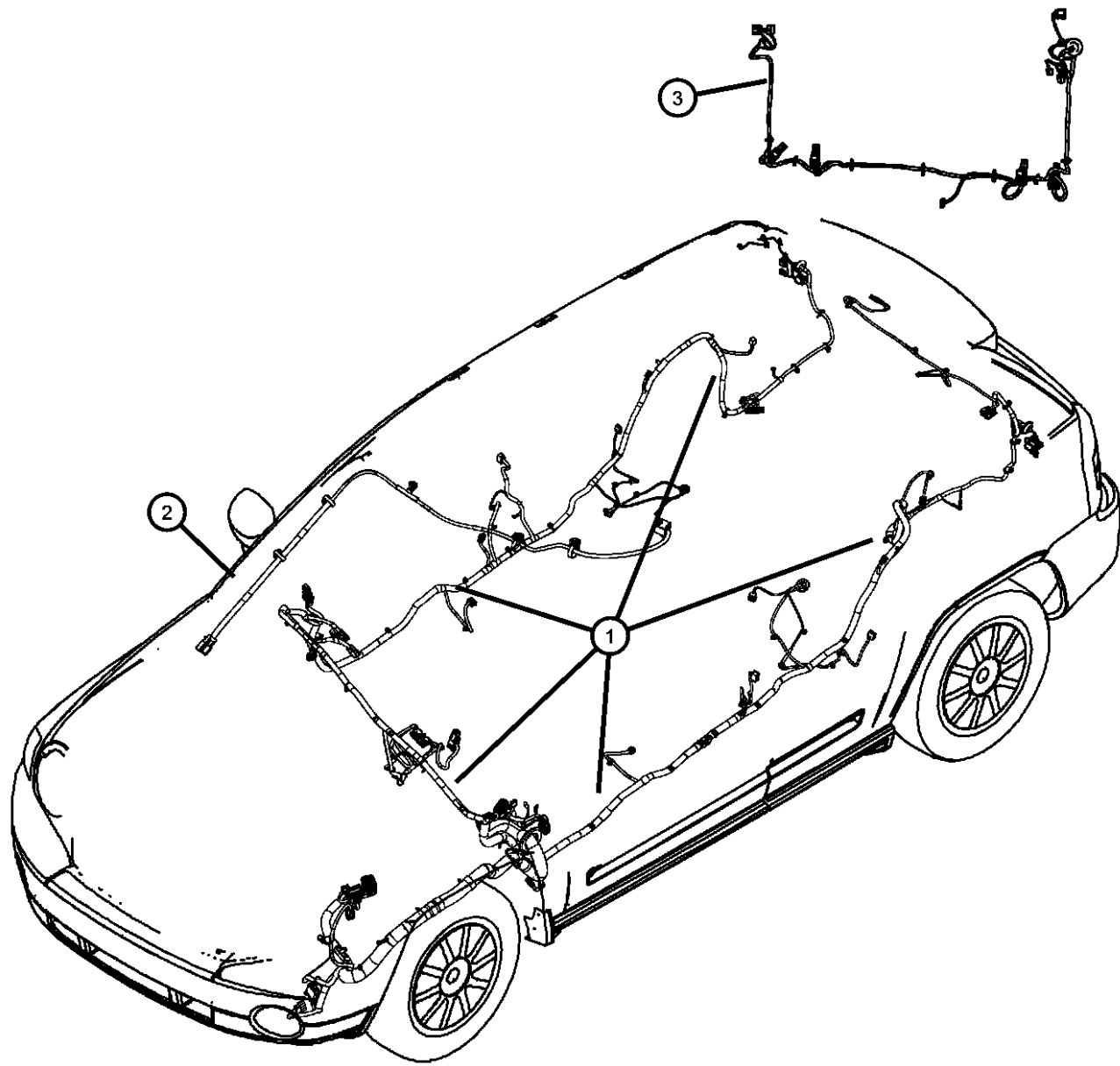
TRANSMISSION

DEF = 6-Speed Manual Aisin BG6 Trans
DD7 = 5-Speed Manual T355 Transmission
DAV = Continuously Variable Transaxle II
DAW = Cont.Var. w/Off-Rd Crawl Ratio Trans

AR = use ase required - = Non illustrated part

2008 MK

Wiring Body
Figure 8-1505



ITEM	PART NUMBER	QTY	LINE	SERIES	BODY	ENGINE	TRANS	TRIM	DESCRIPTION
1									WIRING, Unified Body
	05084130AC	1	J		49		DD7		[CG1,XGM,CJ4,RFS,CJ1]
	05084135AC	1	J		49		DD7		[CG1,CJ4,CJ1]
	05084139AC	1	J		49		DD7		[CG1,CJ4,RFS,CJ1]
	05084300AC	1	T		49		DAV		[CJ1]
	05084301AC	1	T		49		DAV		[CJ1,CJ4]
	05084302AC	1	T		49		DAV		[CJ1,XGM]
	05084125AC	1	J		49		DD7		[CG1,XGM,CJ4,CJ1]
	05084358AC	1	T		49		DD7		[CG1,XGM,CJ4]
	05084361AC	1	T		49		DD7		[CG1,XGM,CJ4,RFS]
	05084365AC	1	T		49		DD7		[CJ1]
	05084367AC	1	J		49		DAV, DAW		[CG1,CJ4,CMA,RSA,GWG]
	05084368AC	1	T		49		DD7		[CJ1,XGM]
	05084304AC	1	T		49		DAV		[CG1,CJ4,RFS]
	05084306AC	1	T		49		DAV		[CG1,XGM,CJ4]
	05084348AC	1	T		49		DAV		[CG1,XGM,CJ4,RFS]
	05084352AC	1	T		49		DAV		[CJ1,RFS]
	05084353AC	1	T		49		DD7		[CG1,CJ4]
	05084354AC	1	T		49		DAV		[CJ1,XGM,RFS]
	05084356AC	1	T		49		DD7		[CG1,CJ4,RFS]
	05084399AC	1	J		49		DD7		[CG1,CJ4]
	05084400AC	1	J		49		DD7		[CG1,CJ4,RFS]
	05084401AC	1	J		49		DAV, DAW		[CJ1,RFS]
	05084402AC	1	J		49		DAV, DAW		[CG1,CJ4]
	05084369AC	1	J		49		DAV, DAW		[CG1,CJ4,RFS]
	05084371AC	1	J		49		DAV, DAW		[CG1,XGM,CJ4]
	05084374AC	1	J		49		DAV, DAW		[CG1,XGM,CJ4.RFS]
	05084394AC	1	T		49		DD7		[CJ1,RFS]
	05084395AC	1	J		49		DD7		[CG1,XGM,CJ4]
	05084396AC	1	T		49		DD7		Cj1,RFS,XGM]
	05084397AC	1	J		49		DD7		[CG1,XGM,CJ4,RFS]
	05084398AC	1	J		49		DAV, DAW		[CJ1]
	05084411AB	1	J		49, 74		DD7		[ABB,XGM,RFS]

COMPASS/PATRIOT (MK)

SERIES LINE
H = HIGHLINE T = JEEP - 2WD
L = LOWLINE J = JEEP - 4WD
P = PREMIUM U = JEEP - 4WD (RHD)

BODY
49 = HATCHBACK TYPE #2
74 = SPORT UTILITY 4-DR
TYPE #4

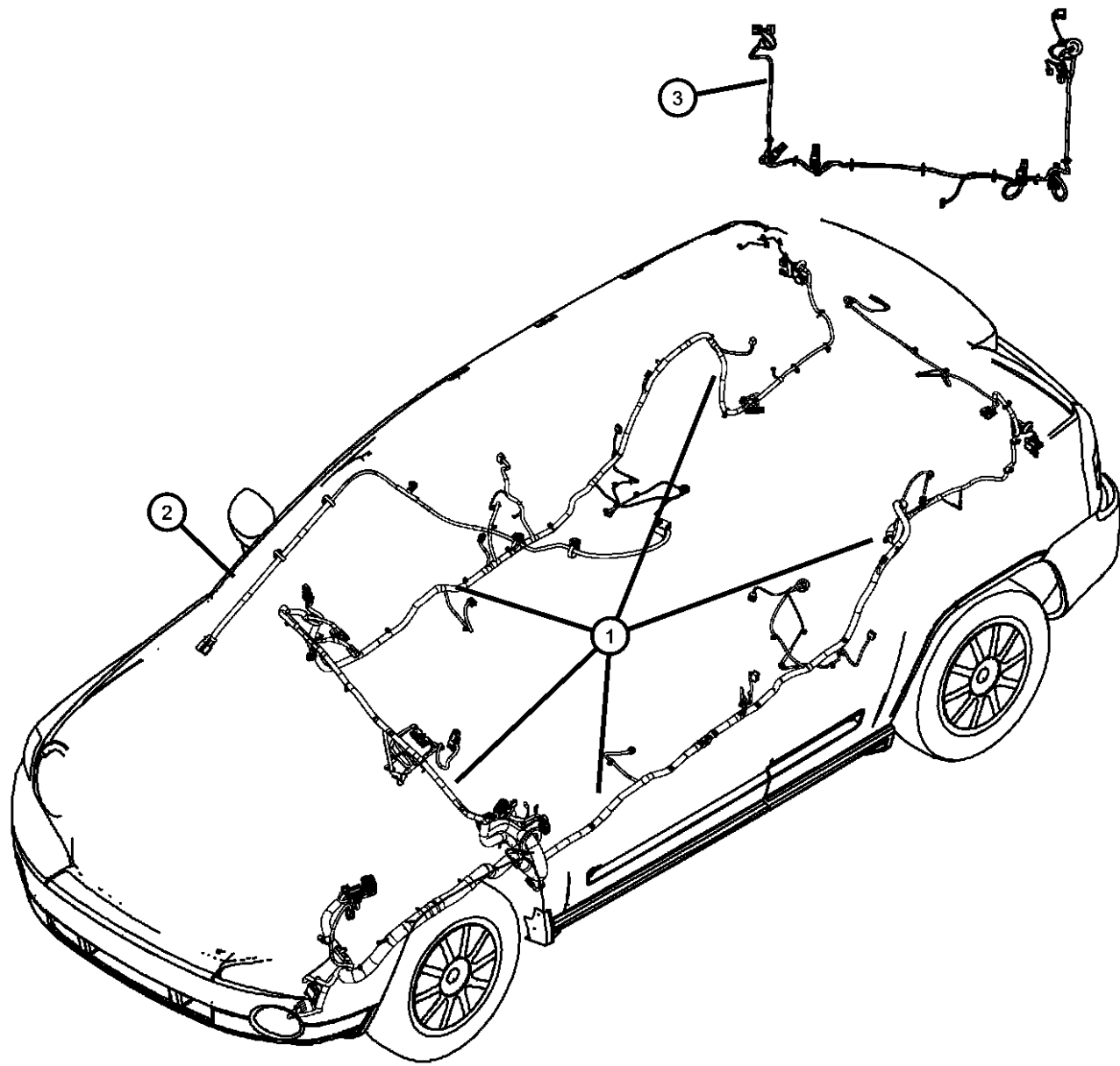
ENGINE
ECE = 2.0L 4 Cyl DOHC DPF Diesel Engine
ED3 = 2.4L 4 Cyl DOHC 16V Dual VVT Engine
ECD = 2.0L 4 Cyl DOHC Diesel 16V Engine
ECN = 2.0L 4 Cyl DOHC 16V Dual VVT Engine

TRANSMISSION
DEF = 6-Speed Manual Aisin BG6 Trans
DD7 = 5-Speed Manual T355 Transmission
DAV = Continuously Variable Transaxle II
DAW = Cont.Var. w/Off-Rd Crawl Ratio Trans

AR = use ase required - = Non illustrated part

2008 MK

Wiring Body
Figure 8-1505



ITEM	PART NUMBER	QTY	LINE	SERIES	BODY	ENGINE	TRANS	TRIM	DESCRIPTION
	05084412AB	1	J		49, 74		DEF		[ABB]
	05084414AB	1	J		49, 74		DEF		[ABB,XGM]
	05084404AB	1	J		49, 74		DAV, DAW		[ABB]
	05084405AB	1	J		49, 74		DAV, DAW		[ABB,XGM]
	05084406AB	1	J		49, 74		DAV, DAW		[ABB,RFS]
	05084407AB	1	J		49, 74		DAV, DAW		[ABB,XGM,RFS]
	05084408AB	1	J		49, 74		DD7		[ABB]
	05084409AB	1	J		49, 74		DD7		[ABB,XGM]
	05084410AB	1	J		49, 74		DD7		[ABB,RFS]
	68019192AA	1	J		49, 74		DD7		[CG1,ABB,XGM,RFS,CJ1]
	68019193AA	1	J		49, 74		DEF		[CG1,ABB,CJ1]
	05084415AB	1	J		49, 74		DEF		[ABB,RFS]
	05084416AB	1	J		49, 74		DEF		[ABB,XGM,RFS]
	05084429AC	1	J		49		DAV, DAW		[CJ1,XGM]
	05084430AC	1	J		49		DAV, DAW		[CJ1,RFS,XGM]
	68019186AA	1	J		49, 74		DAV, DAW		[CG1,ABB,XGM,CJ1]
	68019187AA	1	J		49, 74		DAV, DAW		[CG1,ABB,RFS,CJ1]
	68019188AA	1	J		49, 74		DAV, DAW		[CG1,ABB,XGM,RFS,CJ1]
	68019189AA	1	J		49, 74		DD7		[CG1,ABB,CJ1]
	68019190AA	1	J		49, 74		DD7		[CG1,ABB,XGM,CJ1]
	68019191AA	1	J		49, 74		DD7		[CG1,ABB,RFS,CJ1]
	68019194AA	1	J		49, 74		DEF		[CG1,ABB,XGM,CJ1]
	68019195AA	1	J		49, 74		DEF		[CG1,ABB,RFS,CJ1]
	68019196AA	1	J		49, 74		DEF		[CG1,ABB,XGM,RFS,CJ1]
	68019197AA	1	U		49, 74		DAV, DAW		[CG1,CJ1]
	68019198AA	1	U		49, 74		DAV, DAW		[CG1,XGM,CJ1]
	68019199AA	1	U		49, 74		DAV, DAW		[CG1,RFS,CJ1]
	68019216AA	1	U		49, 74		DAV, DAW		[CG1,XGM,RFS,CJ1]
	68019217AA	1	U		49, 74		DD7		[CG1,CJ1]
	68019218AA	1	U		49, 74		DD7		[CG1,XGM,CJ1]
	68019219AA	1	U		49, 74		DD7		[CG1,RFS,CJ1]
	68019220AA	1	U		49, 74		DD7		[CG1,XGM,RFS,CJ1]

COMPASS/PATRIOT (MK)

SERIES LINE
H = HIGHLINE T = JEEP - 2WD
L = LOWLINE J = JEEP - 4WD
P = PREMIUM U = JEEP - 4WD (RHD)

BODY
49 = HATCHBACK TYPE #2
74 = SPORT UTILITY 4-DR
TYPE #4

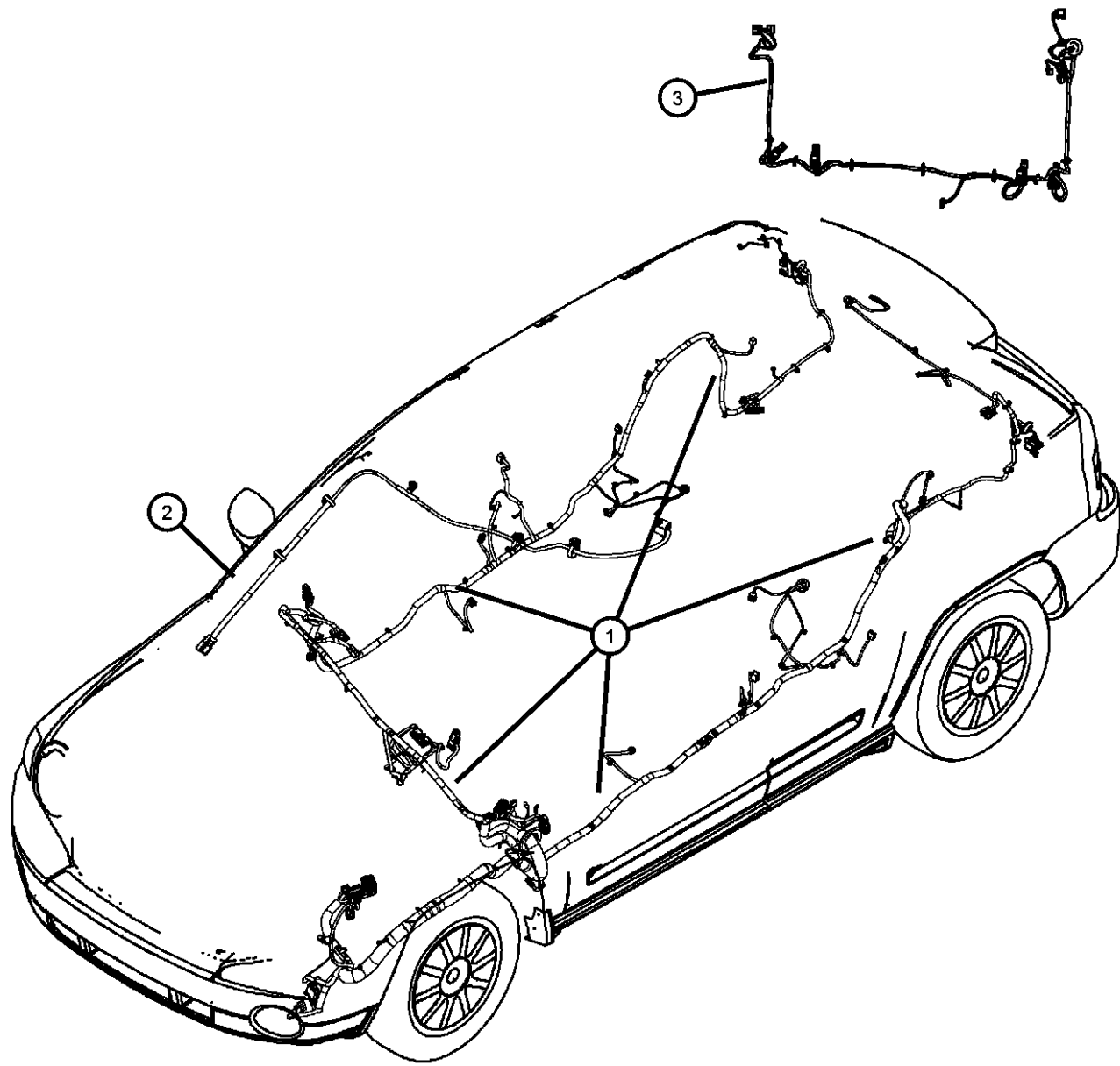
ENGINE
ECE = 2.0L 4 Cyl DOHC DPF Diesel Engine
ED3 = 2.4L 4 Cyl DOHC 16V Dual VVT Engine
ECD = 2.0L 4 Cyl DOHC Diesel 16V Engine
ECN = 2.0L 4 Cyl DOHC 16V Dual VVT Engine

TRANSMISSION
DEF = 6-Speed Manual Aisin BG6 Trans
DD7 = 5-Speed Manual T355 Transmission
DAV = Continuously Variable Transaxle II
DAW = Cont.Var. w/Off-Rd Crawl Ratio Trans

AR = use ase required - = Non illustrated part

2008 MK

Wiring Body
Figure 8-1505



ITEM	PART NUMBER	QTY	LINE	SERIES	BODY	ENGINE	TRANS	TRIM	DESCRIPTION
	68019221AA	1	U		49, 74		DEF		[CG1,CJ1]
	68019223AA	1	U		49, 74		DEF		[CG1,RFS,CJ1]
	68019224AA	1	U		49, 74		DEF		[CG1,XGM,RFS,CJ1]
	68032575AA	1	T		49		DAV		[CG1]
	68032576AA	1	T		49		DAV		[CG1,XGM,RFS]
	68032577AA	1	T		49		DD7		[CG1]
	68032578AA	1	T		49		DD7		[CG1,XGM,RFS]
	68032579AA	1	J		49		DAV, DAW		[CG1]
	68032580AA	1	J		49		DAV, DAW		[CG1,XGM,RFS]
	68033554AA	1	U		49, 74		DAV, DAW		[XGM,RFS]
	68033555AA	1	U		49, 74		DD7		Base
	68033556AA	1	U		49, 74		DD7		[XGM]
	68019222AA	1	U		49, 74		DEF		[CG1,XGM,CJ1]
	68035504AA	1	T		74		DAV		[CG1,XGM,CJ4]
	68035505AA	1	T		74		DAV		[CG1,CJ4,RFS]
	68035506AA	1	T		74		DAV		[CG1,XGM,CJ4,RFS]
	68035507AA	1	T		74		DAV		[CJ1]
	68035508AA	1	T		74		DAV		[CJ1,XGM]
	68033557AA	1	U		49, 74		DD7		[RFS]
	68033558AA	1	U		49, 74		DD7		[XGM,RFS]
	68033559AA	1	U		49, 74		DEF		Base
	68033560AA	1	U		49, 74		DEF		[XGM]
	68033561AA	1	U		49, 74		DEF		[RFS]
	68033562AA	1	U		49, 74		DEF		[XGM,RFS]
	68035503AA	1	T		74		DAV		[CG1,CJ4]
	68035516AA	1	T		74		DD7		[CJ1]
	68035517AA	1	T		74		DD7		[CJ1,XGM]
	68035518AA	1	T		74		DD7		[CJ1,RFS]
	68035519AA	1	T		74		DD7		[CJ1,XGM,RFS]
	68035509AA	1	T		74		DAV		[CJ1,RFS]
	68035510AA	1	T		74		DAV		[CJ1,XGM,RFS]
	68035511AA	1	T		74		DD7		[CJ4,JE8]

COMPASS/PATRIOT (MK)

SERIES LINE
H = HIGHLINE T = JEEP - 2WD
L = LOWLINE J = JEEP - 4WD
P = PREMIUM U = JEEP - 4WD (RHD)

BODY
49 = HATCHBACK TYPE #2
74 = SPORT UTILITY 4-DR TYPE #4

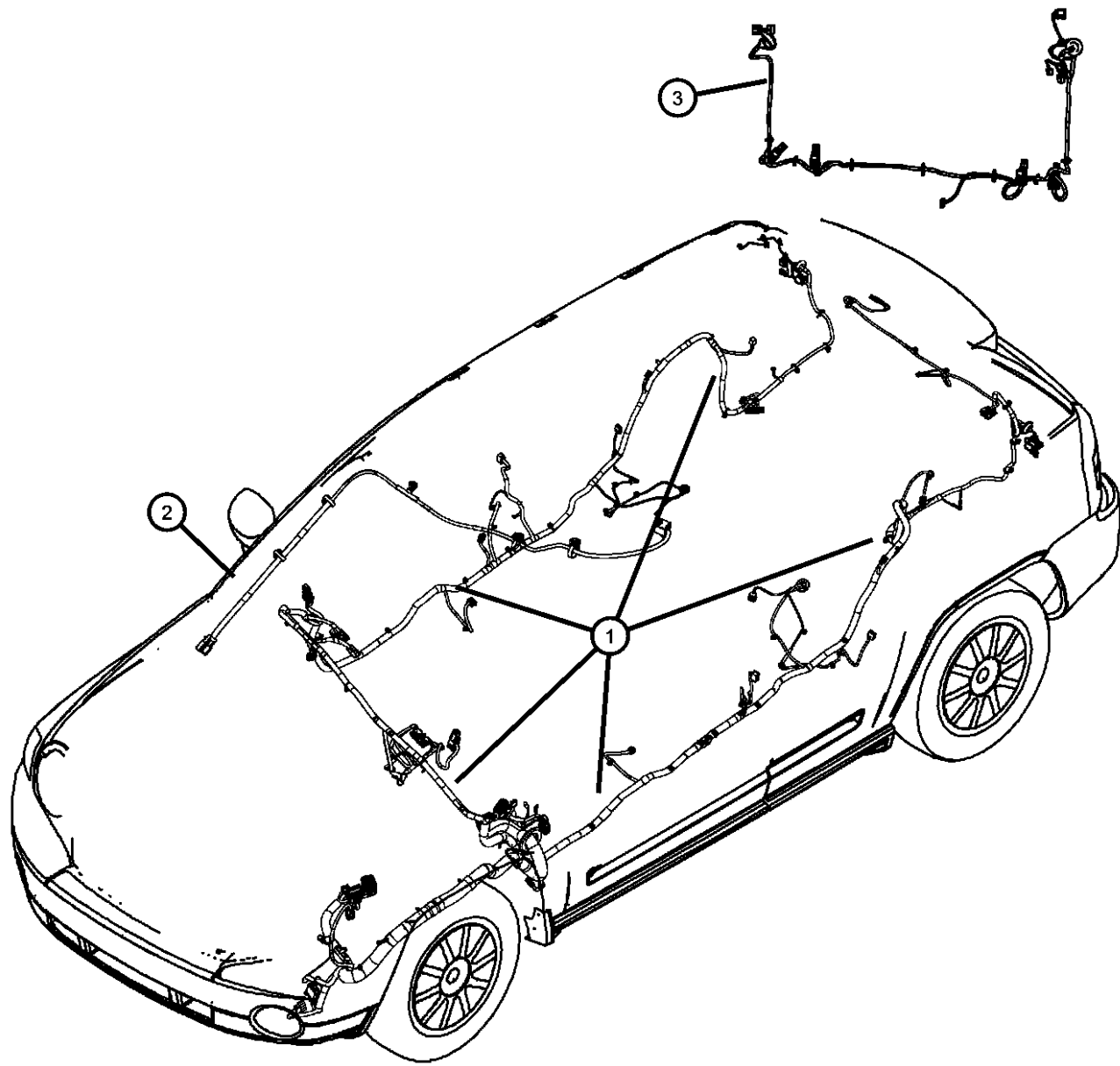
ENGINE
ECE = 2.0L 4 Cyl DOHC DPF Diesel Engine
ED3 = 2.4L 4 Cyl DOHC 16V Dual VVT Engine
ECD = 2.0L 4 Cyl DOHC Diesel 16V Engine
ECN = 2.0L 4 Cyl DOHC 16V Dual VVT Engine

TRANSMISSION
DEF = 6-Speed Manual Aisin BG6 Trans
DD7 = 5-Speed Manual T355 Transmission
DAV = Continuously Variable Transaxle II
DAW = Cont.Var. w/Off-Rd Crawl Ratio Trans

AR = use ase required - = Non illustrated part

2008 MK

Wiring Body
Figure 8-1505



ITEM	PART NUMBER	QTY	LINE	SERIES	BODY	ENGINE	TRANS	TRIM	DESCRIPTION
	68035512AA	1	T		74		DD7		[CG1,CJ4]
	68035513AA	1	T		74		DD7		[CJ4,JPH,JKV,CMA,RSA,NHM,GW
	68035514AA	1	T		74		DD7		[CG1,XGM,CJ4]
	68035515AA	1	T		74		DD7		[CG1,CJ4,RFS]
	68035520AA	1	J		74		DD7		[CG1,XGM,CJ4,RFS]
	68035521AA	1	J		74		DD7		[CG1,XGM,CJ4,RFS]
	68035522AA	1	J		74		DD7		[CG1,CJ4]
	68035523AA	1	J		74		DD7		[CG1,CJ4,RFS]
	68035524AA	1	J		74		DD7		[CG1,XGM,CJ4,CJ1]
	68035525AA	1	J		74		DD7		[CG1,XGM,CJ4,RFS,CJ1]
	68035526AA	1	J		74		DD7		[CG1,CJ4,CJ1]
	68035527AA	1	J		74		DD7		[CG1,CJ4,RFS,CJ1]
	68035529AA	1	J		74		DAV, DAW		[CG1,CJ4]
	68035531AA	1	J		74		DAV, DAW		[CG1,CJ4,CMA,RSA,GWG,DHD]
	68035532AA	1	J		74		DAV, DAW		[CG1,CJ4,RFS]
	68035535AA	1	J		74		DAV, DAW		[CJ1]
	68035536AA	1	J		74		DAV, DAW		[CJ1,RFS]
	68035537AA	1	J		74		DAV, DAW		[CJ1,XGM]
	68035538AA	1	J		74		DAV, DAW		[CJ1,RFS,XGM]
	68035539AA	1	T		74		DAV		[CG1]
	68035540AA	1	T		74		DAV		[CG1,XGM,RFS]
	68035541AA	1	T		74		DD7		[CG1]
	68035542AA	1	T		74		DD7		[CG1,XGM,RFS]
	68035543AA	1	J		74		DAV, DAW		[CG1]
	68035544AA	1	J		74		DAV, DAW		[CG1,XGM,RFS]
	68035533AA	1	J		74		DAV, DAW		[CG1,XGM,CJ4]
	68035534AA	1	J		74		DAV, DAW		[CG1,XGM,CJ4,RFS]
	68035553AA	1	U		49, 74		DAV, DAW		[RFS]
	68035549AA	1	J		49, 74		DAV, DAW		[CG1,XGM,CJ4,LMF]
	68035551AA	1	U		49, 74		DAV, DAW		Base
	68035552AA	1	U		49, 74		DAV, DAW		[XGM]

COMPASS/PATRIOT (MK)

SERIES LINE
H = HIGHLINE T = JEEP - 2WD
L = LOWLINE J = JEEP - 4WD
P = PREMIUM U = JEEP - 4WD (RHD)

BODY
49 = HATCHBACK TYPE #2
74 = SPORT UTILITY 4-DR
TYPE #4

ENGINE
ECE = 2.0L 4 Cyl DOHC DPF
Diesel Engine
ED3 = 2.4L 4 Cyl DOHC 16V
Dual VVT Engine
ECD = 2.0L 4 Cyl DOHC
Diesel 16V Engine
ECN = 2.0L 4 Cyl DOHC 16V
Dual VVT Engine

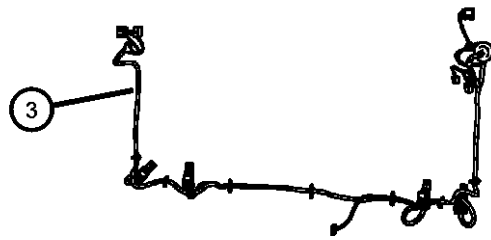
TRANSMISSION
DEF = 6-Speed Manual Aisin BG6
Trans
DD7 = 5-Speed Manual T355
Transmission
DAV = Continuously Variable
Transaxle II
DAW = Cont.Var. w/Off-Rd Crawl
Ratio Trans

AR = use ase required - = Non illustrated part

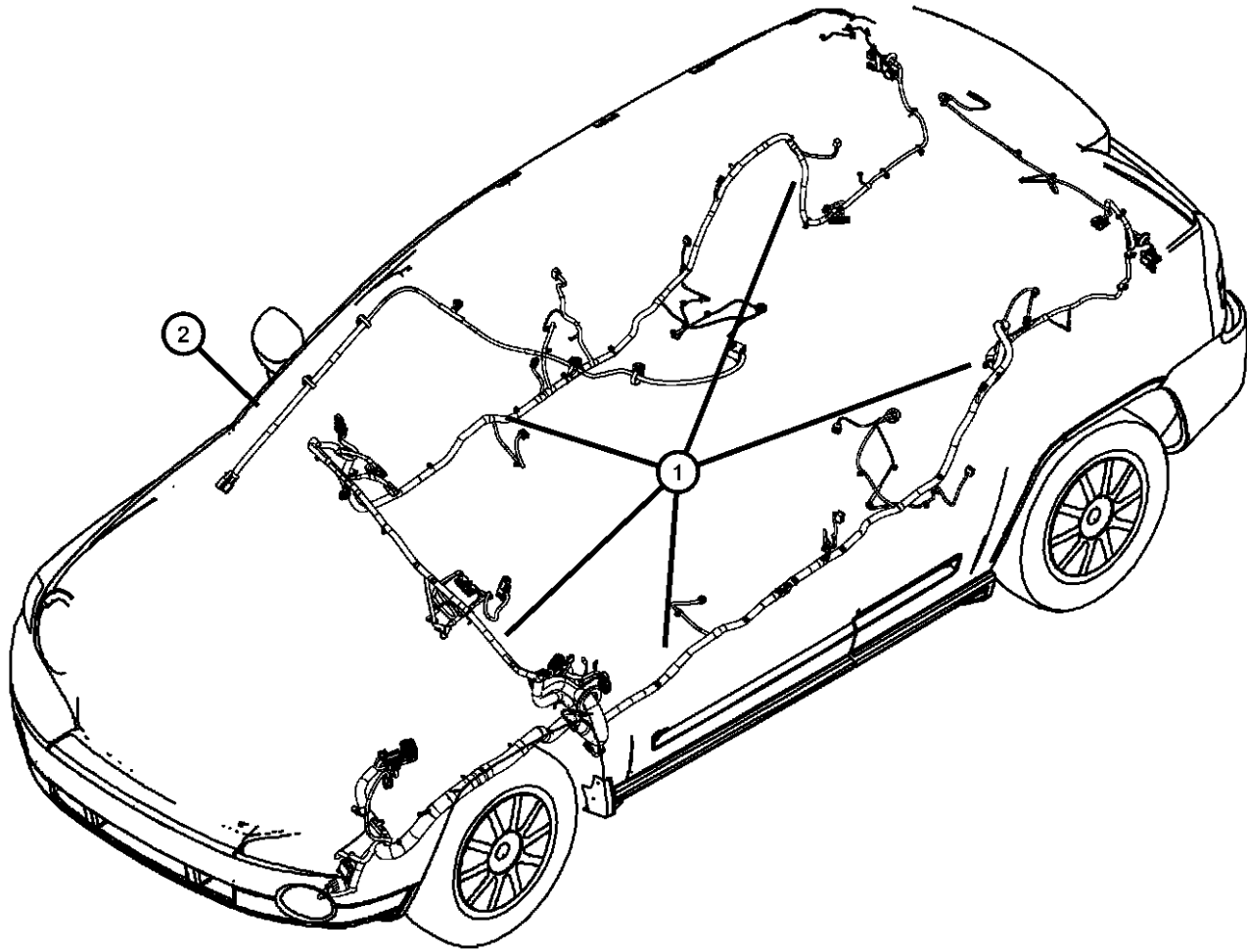
2008 MK

Wiring Body
Figure 8-1505

ITEM	PART NUMBER	QTY	LINE	SERIES	BODY	ENGINE	TRANS	TRIM	DESCRIPTION
------	-------------	-----	------	--------	------	--------	-------	------	-------------



2	04795925AC	1	J, T, U		49				WIRING, Jumper A pillar
	04795926AD	1	J, T, U		74				A pillar
3	05084123AB	1	J, T, U		49				WIRING, Trailer Tow
	68004125AA	1	J, T, U		74				



COMPASS/PATRIOT (MK)

SERIES LINE

H = HIGHLINE T = JEEP - 2WD
L = LOWLINE J = JEEP - 4WD
P = PREMIUM U = JEEP - 4WD (RHD)

BODY

49 = HATCHBACK TYPE #2
74 = SPORT UTILITY 4-DR
TYPE #4

ENGINE

ECE = 2.0L 4 Cyl DOHC DPF Diesel Engine
ED3 = 2.4L 4 Cyl DOHC 16V Dual VVT Engine
ECD = 2.0L 4 Cyl DOHC Diesel 16V Engine
ECN = 2.0L 4 Cyl DOHC 16V Dual VVT Engine

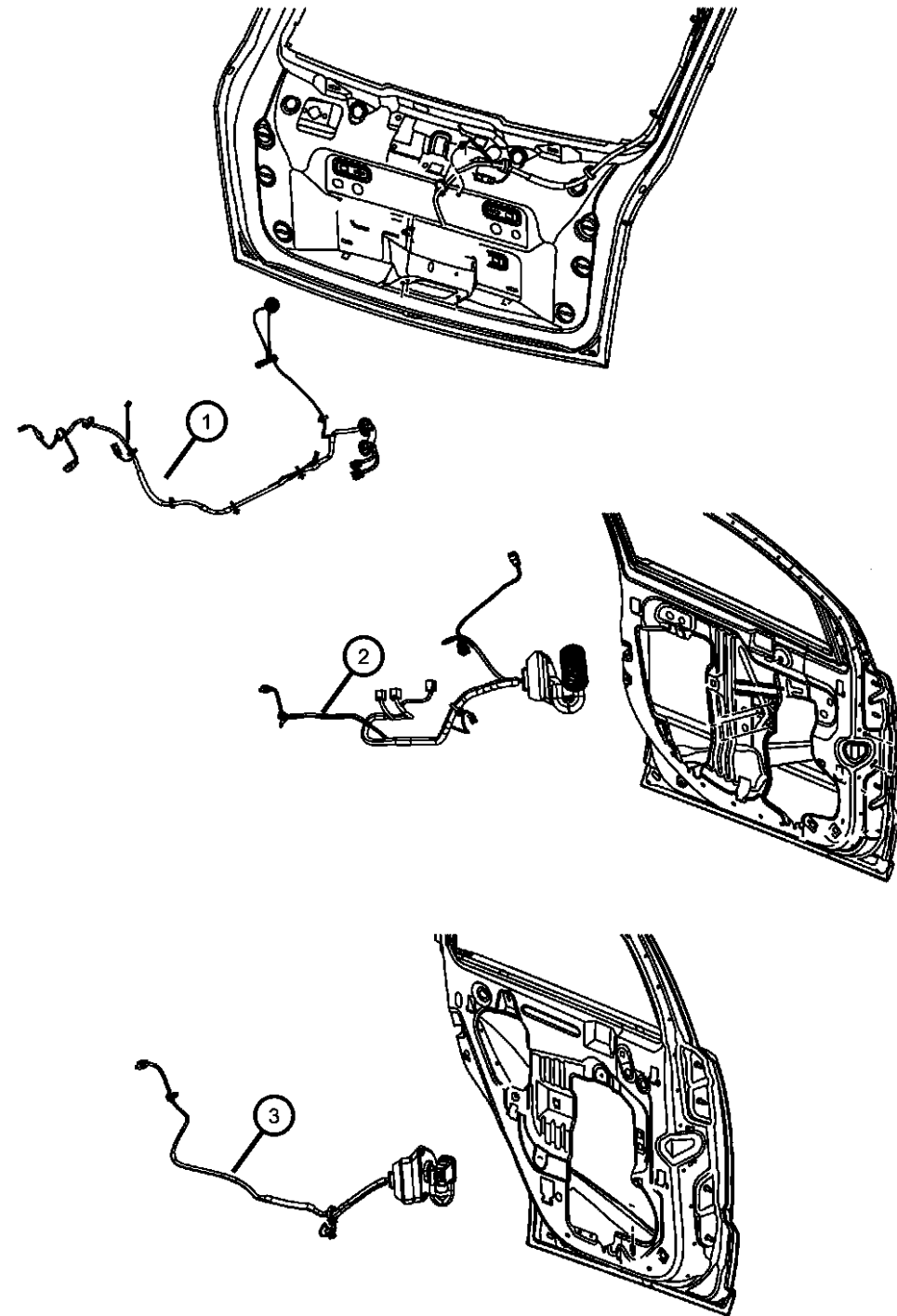
TRANSMISSION

DEF = 6-Speed Manual Aisin BG6 Trans
DD7 = 5-Speed Manual T355 Transmission
DAV = Continuously Variable Transaxle II
DAW = Cont.Var. w/Off-Rd Crawl Ratio Trans

AR = use ase required - = Non illustrated part

2008 MK

**Wiring Door, Deck Lid, and Liftgate
Figure 8-1515**



ITEM	PART NUMBER	QTY	LINE	SERIES	BODY	ENGINE	TRANS	TRIM	DESCRIPTION
1									WIRING, Liftgate
	04795919AD	1	J, T, U		49				
	04795920AD	1	J, T, U		49				[JPH]
	04795921AD	1	J, T, U		49				[RFS]
	04795922AD	1	J, T, U		49				[RFS,JPH]
	05084165AC	1	J, T, U		74				
	05084166AC	1	J, T, U		74				[JPH]
	05084167AC	1	J, T, U		74				[RFS]
	05084168AC	1	J, T, U		74				[RFS,JPH]
2									WIRING, Front Door
	04795319AD	1	J, T		49				[GTN,JPD,JPH,RC9], Left
		1	J, T		49				[GTN,JPD,JPH,RC9], Left
		1	J, T		74				[GTN,JPD,JPH,RC9], Left
		1	J, T		74				[GTN,JPD,JPH,RC9], Left
	04795320AD	1	J, T		49				[GTN,JPD,JPH,RC9], Right
		1	J, T		49				[GTN,JPD,JPH,RC9], Right
		1	J, T		74				[GTN,JPD,JPH,RC9], Right
		1	J, T		74				[GTN,JPD,JPH,RC9], Right
	04795496AD	1	J, T		49				[GTP,JF8,JE8,RC9], Right
		1	J, T		74				[GTP,JF8,JE8,RC9], Right
		1	J, T		74				[GTP,JF8,JE8,RC9], Right
		1	J, T		49				[GTP,JF8,JE8,RC9], Right
	04795497AE	1	J, T		74				[GTS,JPD,JPH,RC9], Left
		1	J, T		49				[GTS,JPD,JPH,RC9], Left
		1	J, T		49				[GTS,JPD,JPH,RC9], Left
		1	J, T		74				[GTS,JPD,JPH,RC9], Left
	04795578AF	1	U		74				[GUL,JPD,JPH,RC9], Right
		1	U		74				[GUL,JPD,JPH,RC9], Right
		1	U		49				[GUL,JPD,JPH,RC9], Right
		1	U		49				[GUL,JPD,JPH,RC9], Right
	04795579AF	1	U		74				[GUL,JPD,JPH,RC9], Left
		1	U		74				[GUL,JPD,JPH,RC9], Left
		1	U		49				[GUL,JPD,JPH,RC9], Left

COMPASS/PATRIOT (MK)

SERIES LINE
H = HIGHLINE T = JEEP - 2WD
L = LOWLINE J = JEEP - 4WD
P = PREMIUM U = JEEP - 4WD (RHD)

BODY
49 = HATCHBACK TYPE #2
74 = SPORT UTILITY 4-DR TYPE #4

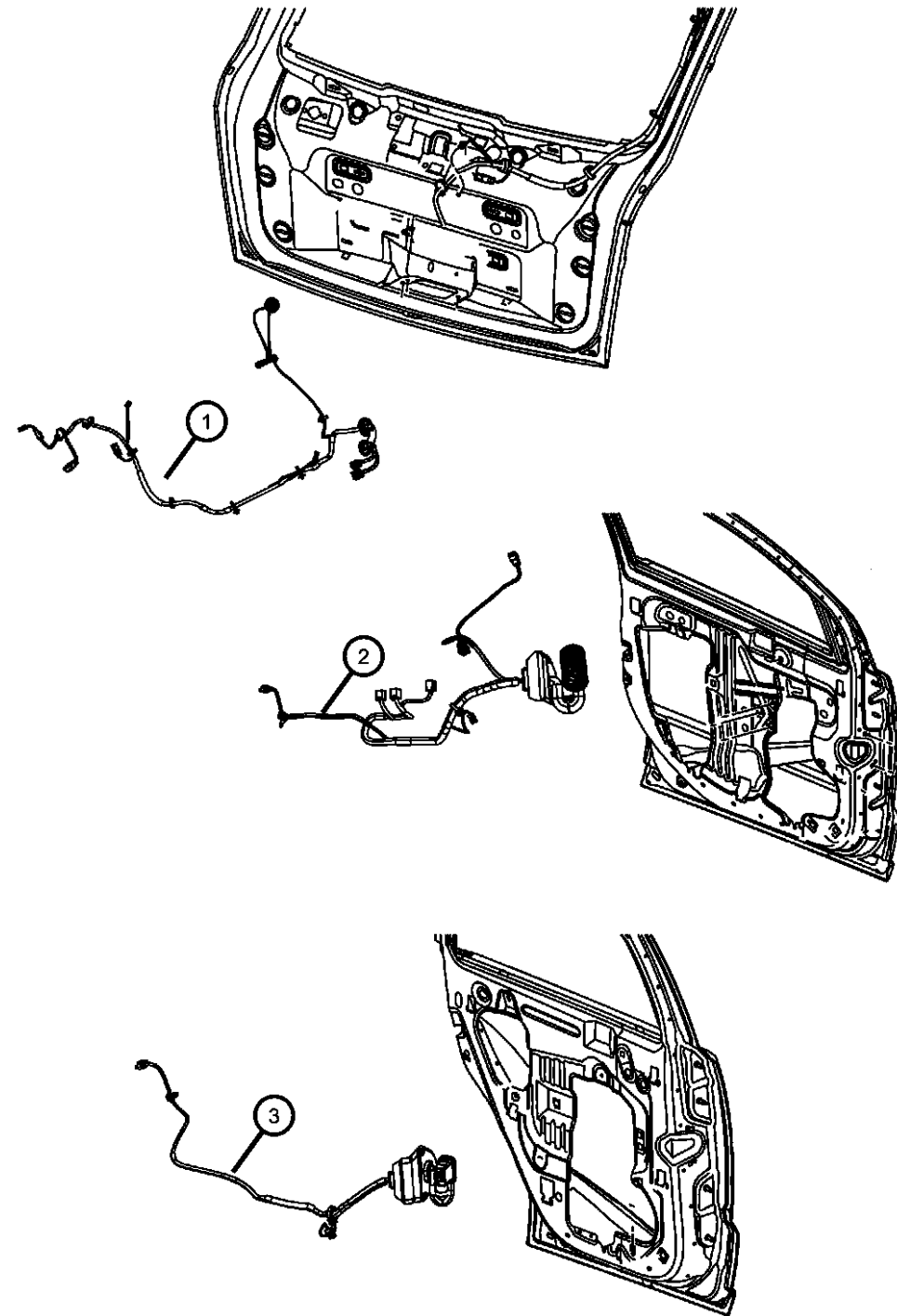
ENGINE
ECE = 2.0L 4 Cyl DOHC DPF Diesel Engine
ED3 = 2.4L 4 Cyl DOHC 16V Dual VVT Engine
ECD = 2.0L 4 Cyl DOHC Diesel 16V Engine
ECN = 2.0L 4 Cyl DOHC 16V Dual VVT Engine

TRANSMISSION
DEF = 6-Speed Manual Aisin BG6 Trans
DD7 = 5-Speed Manual T355 Transmission
DAV = Continuously Variable Transaxle II
DAW = Cont.Var. w/Off-Rd Crawl Ratio Trans

AR = use ase required - = Non illustrated part

2008 MK

**Wiring Door, Deck Lid, and Liftgate
Figure 8-1515**



ITEM	PART NUMBER	QTY	LINE	SERIES	BODY	ENGINE	TRANS	TRIM	DESCRIPTION
3		1	U		49				[GUL,JPD,JPH,RCD], Left WIRING, Rear Door
	04795321AD	1	J, T		74				[JF8,JE8,RCD], Left
		1	J, T		74				[JF8,JE8,RC9], Left
		1	J, T		49				[JF8,JE8,RCD], Left
		1	J, T		49				[JF8,JE8,RC9], Left
	04795574AD	1	J, T		49				[JF8,JE8,RCD], Right
		1	J, T		49				[JF8,JE8,RC9], Right
		1	J, T		74				[JF8,JE8,RCD], Right
		1	J, T		74				[JF8,JE8,RC9], Right
	04795575AD	1	J, T		74				[JPD,JPH,RCD], Left
		1	J, T		74				[JPD,JPH,RC9], Left
		1	J, T		49				[JPD,JPH,RCD], Left
		1	J, T		49				[JPD,JPH,RC9], Left
	04795888AD	1	U		74				[JPD,JPH,RC9], Right
		1	U		74				[JPD,JPH,RCD], Right
		1	U		49				[JPD,JPH,RC9], Right
		1	U		49				[JPD,JPH,RCD], Right
	04795889AD	1	U		74				[JPD,JPH,RC9], Left
		1	U		74				[JPD,JPH,RCD], Left
		1	U		49				[JPD,JPH,RC9], Left
		1	U		49				[JPD,JPH,RCD], Left
	05267790AD	1	J, T		49				[JPD,JPH,RCD], Right
		1	J, T		49				[JPD,JPH,RC9], Right
		1	J, T		74				[JPD,JPH,RCD], Right
		1	J, T		74				[JPD,JPH,RC9], Right

COMPASS/PATRIOT (MK)

SERIES LINE
H = HIGHLINE T = JEEP - 2WD
L = LOWLINE J = JEEP - 4WD
P = PREMIUM U = JEEP - 4WD (RHD)

BODY
49 = HATCHBACK TYPE #2
74 = SPORT UTILITY 4-DR TYPE #4

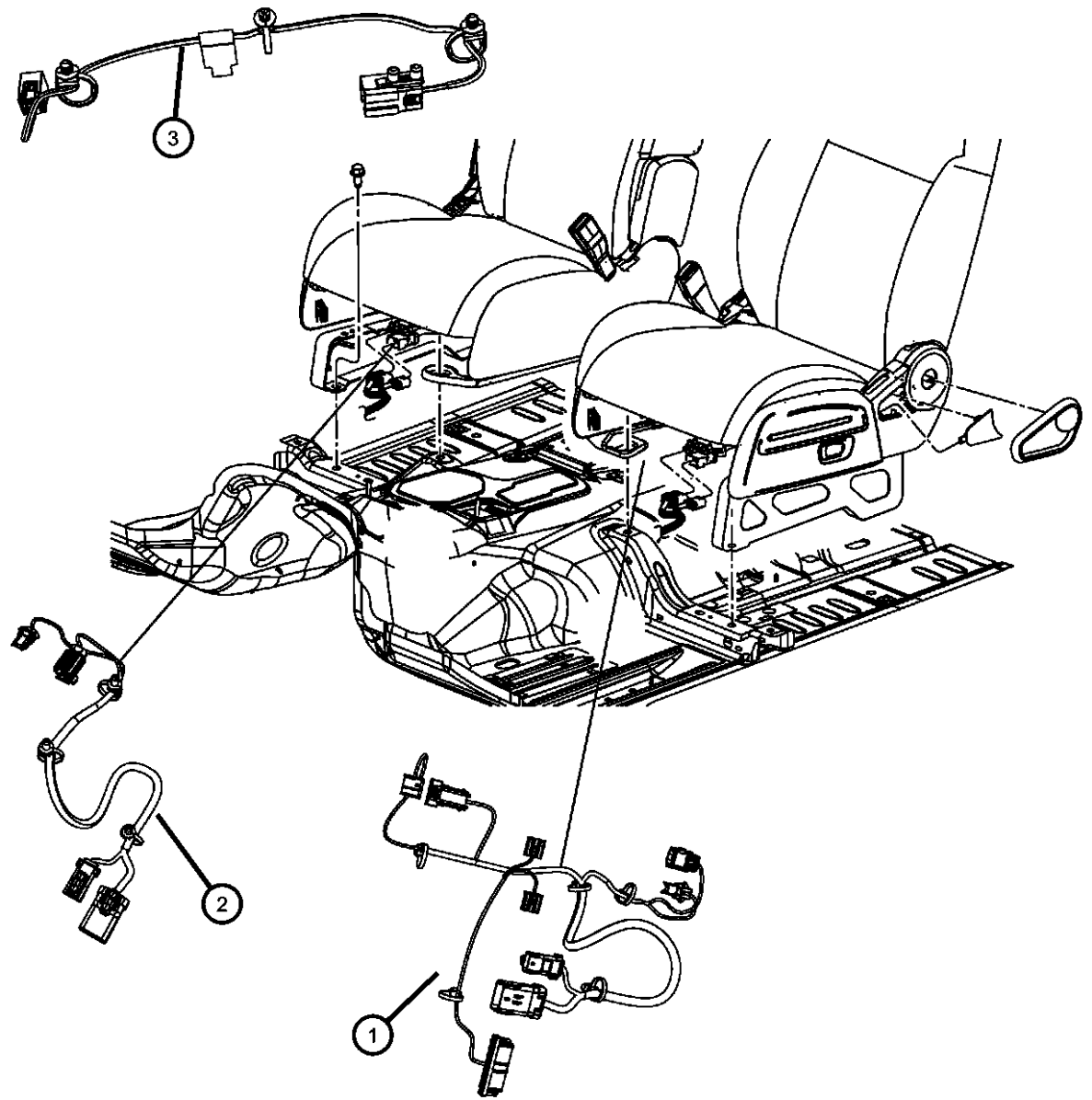
ENGINE
ECE = 2.0L 4 Cyl DOHC DPF Diesel Engine
ED3 = 2.4L 4 Cyl DOHC 16V Dual VVT Engine
ECD = 2.0L 4 Cyl DOHC Diesel 16V Engine
ECN = 2.0L 4 Cyl DOHC 16V Dual VVT Engine

TRANSMISSION
DEF = 6-Speed Manual Aisin BG6 Trans
DD7 = 5-Speed Manual T355 Transmission
DAV = Continuously Variable Transaxle II
DAW = Cont.Var. w/Off-Rd Crawl Ratio Trans

AR = use ase required - = Non illustrated part

2008 MK

Wiring Seats
Figure 8-1520



ITEM	PART NUMBER	QTY	LINE	SERIES	BODY	ENGINE	TRANS	TRIM	DESCRIPTION
1									WIRING, Seat
	68021963AA	1	J, T		49				Side air bag
		1	J, T		74				Side air bag
	68021966AA	1	J, T		49				Side air bag, seat track positioning system
		1	J, T		74				Side air bag, seat track positioning system
	68021968AA	1	J, T		49				Side air bag, heated
		1	J, T		74				Side air bag, heated
		1	U		49, 74				Side air bag, heated
2									WIRING, Seat
	68021964AA	1	J, T		49				Fold flat seat, side air bag
		1	J, T		74				Fold flat seat, side air bag
		1	U		49, 74				Fold flat seat, side air bag
	68021967AA	1	J, T		49				Side air bag, occupant restraint system
	68022066AA	1	J, T		49				Side air bag, heated
		1	J, T		74				Side air bag, heated
		1	U		49, 74				Side air bag, heated
	68024683AA	1	J, T		74				Seat track positioning system
		1	J, T		49				Seat track positioning system
	68024685AA	1	J, T		74				Seat track positioning system, side air bag
		1	J, T		49				Seat track positioning system, side air bag
3	05183378AA	1	J, T		49, 74				WIRING, Track Position Sensor

COMPASS/PATRIOT (MK)

SERIES	LINE	BODY	ENGINE	TRANSMISSION
H = HIGHLINE	T = JEEP - 2WD	49 = HATCHBACK TYPE #2	ECE = 2.0L 4 Cyl DOHC DPF Diesel Engine	DEF = 6-Speed Manual Aisin BG6 Trans
L = LOWLINE	J = JEEP - 4WD	74 = SPORT UTILITY 4-DR TYPE #4	ED3 = 2.4L 4 Cyl DOHC 16V Dual VVT Engine	DD7 = 5-Speed Manual T355 Transmission
P = PREMIUM	U = JEEP - 4WD (RHD)		ECD = 2.0L 4 Cyl DOHC Diesel 16V Engine	DAV = Continuously Variable Transaxle II
			ECN = 2.0L 4 Cyl DOHC 16V Dual VVT Engine	DAW = Cont.Var. w/Off-Rd Crawl Ratio Trans

AR = use ase required - = Non illustrated part

**Wiring Repairs
Figure 8-1605**

ITEM	PART NUMBER	QTY	LINE	SERIES	BODY	ENGINE	TRANS	TRIM	DESCRIPTION
-1	68001466AA	4	J, T, U		49	ECD			CONNECTOR
-2	04670088	1	T		49, 74				PLUG, Dash Panel, 35mm Diameter
-3	04641780	1	J, T, U		49				STRAP, Tie
		1	J, T, U		74				
-4	05073039AA	1	J, T, U		49				STRAP, Tie
		1	J, T, U		74				

For Electrical Connector Repair Information visit the World Wide Web at

<http://dto.vftis.com/mopar/disclaimer.asp>

COMPASS/PATRIOT (MK)

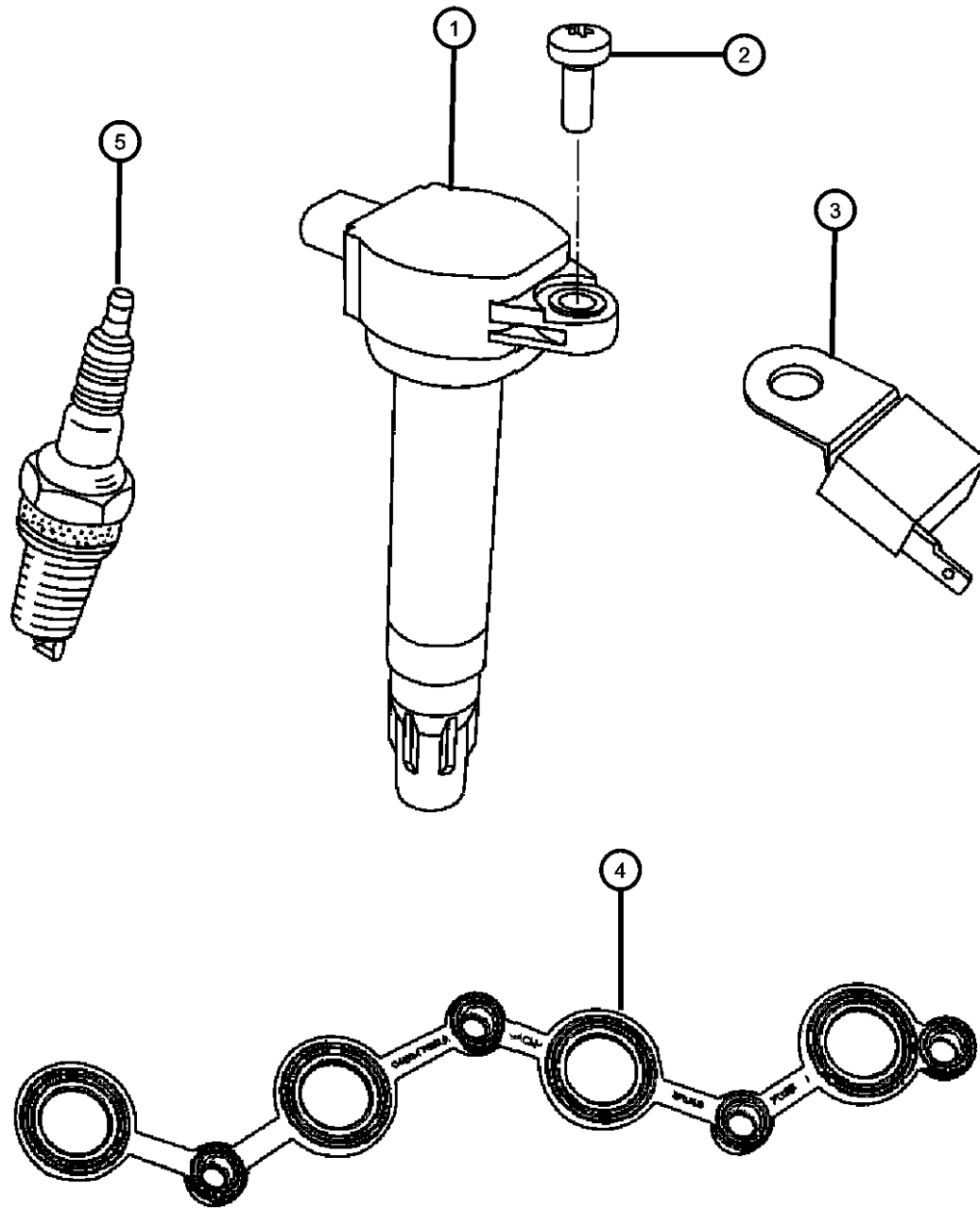
SERIES	LINE	BODY	ENGINE	TRANSMISSION
H = HIGHLINE	T = JEEP - 2WD	49 = HATCHBACK TYPE #2	ECE = 2.0L 4 Cyl DOHC DPF Diesel Engine	DEF = 6-Speed Manual Aisin BG6 Trans
L = LOWLINE	J = JEEP - 4WD	74 = SPORT UTILITY 4-DR TYPE #4	ED3 = 2.4L 4 Cyl DOHC 16V Dual VVT Engine	DD7 = 5-Speed Manual T355 Transmission
P = PREMIUM	U = JEEP - 4WD (RHD)		ECD = 2.0L 4 Cyl DOHC Diesel 16V Engine	DAV = Continuously Variable Transaxle II
			ECN = 2.0L 4 Cyl DOHC 16V Dual VVT Engine	DAW = Cont.Var. w/Off-Rd Crawl Ratio Trans

AR = use ase required - = Non illustrated part

2008 MK

Spark Plugs, Ignition Wires, Ignition Coil
Figure 8-1905

ITEM	PART NUMBER	QTY	LINE	SERIES	BODY	ENGINE	TRANS	TRIM	DESCRIPTION
1	04606824AB	4	J, T, U		49	ECN, ED3			COIL, Ignition
		4	J, T, U		74	ED3, ECN			
		4				ED3			
2	06104142AA	4	J, T, U		49	ECN, ED3			SCREW, Pan Head, M6x1.00x16.00
		4	J, T, U		74	ECN, ED3			
3	04606866AA	1	J, T, U		49	ECN, ED3			CAPACITOR, Ignition
		1	J, T, U		74	ECN, ED3			
4	04884765AA	1	J, T, U		49	ECN, ED3			GASKET
		1	J, T, U		74	ECN, ED3			
5	SP0ZFR5F11	4	J, T, U		49	ECN, ED3			SPARK PLUG
		4	J, T, U		74	ECN, ED3			



COMPASS/PATRIOT (MK)

SERIES LINE
H = HIGHLINE T = JEEP - 2WD
L = LOWLINE J = JEEP - 4WD
P = PREMIUM U = JEEP - 4WD (RHD)

BODY
49 = HATCHBACK TYPE #2
74 = SPORT UTILITY 4-DR
TYPE #4

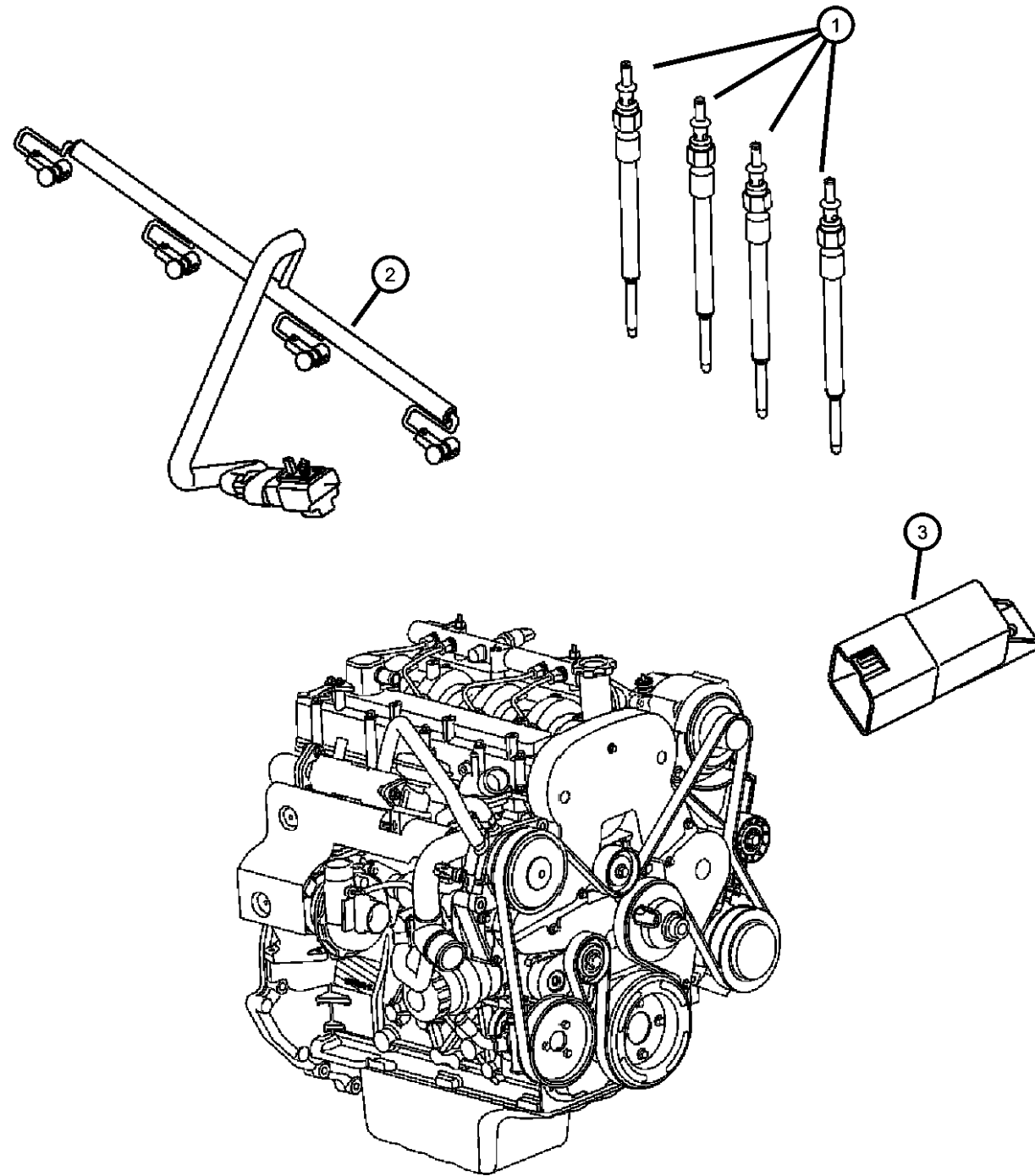
ENGINE
ECE = 2.0L 4 Cyl DOHC DPF Diesel Engine
ED3 = 2.4L 4 Cyl DOHC 16V Dual VVT Engine
ECD = 2.0L 4 Cyl DOHC Diesel 16V Engine
ECN = 2.0L 4 Cyl DOHC 16V Dual VVT Engine

TRANSMISSION
DEF = 6-Speed Manual Aisin BG6 Trans
DD7 = 5-Speed Manual T355 Transmission
DAV = Continuously Variable Transaxle II
DAW = Cont.Var. w/Off-Rd Crawl Ratio Trans

AR = use ase required - = Non illustrated part

2008 MK

Glow Plugs
Figure 8-1915



ITEM	PART NUMBER	QTY	LINE	SERIES	BODY	ENGINE	TRANS	TRIM	DESCRIPTION
1	68021306AA	1	J, T, U		49	ECD			PLUG, Glow
		1	J, T, U		74	ECD			
		1	J, T, U		49	ECE			
		1	J, T, U		74	ECE			
2	68001592AB	1	J, T, U		49	ECD			WIRING, Glow Plug
		1	J, T, U		74	ECD			
3	05033351AA	1	J, T, U		49	ECD, ECE			MODULE, Glow Plug
		1	J, T, U		74	ECD, ECE			

COMPASS/PATRIOT (MK)

SERIES LINE
H = HIGHLINE T = JEEP - 2WD
L = LOWLINE J = JEEP - 4WD
P = PREMIUM U = JEEP - 4WD (RHD)

BODY
49 = HATCHBACK TYPE #2
74 = SPORT UTILITY 4-DR
TYPE #4

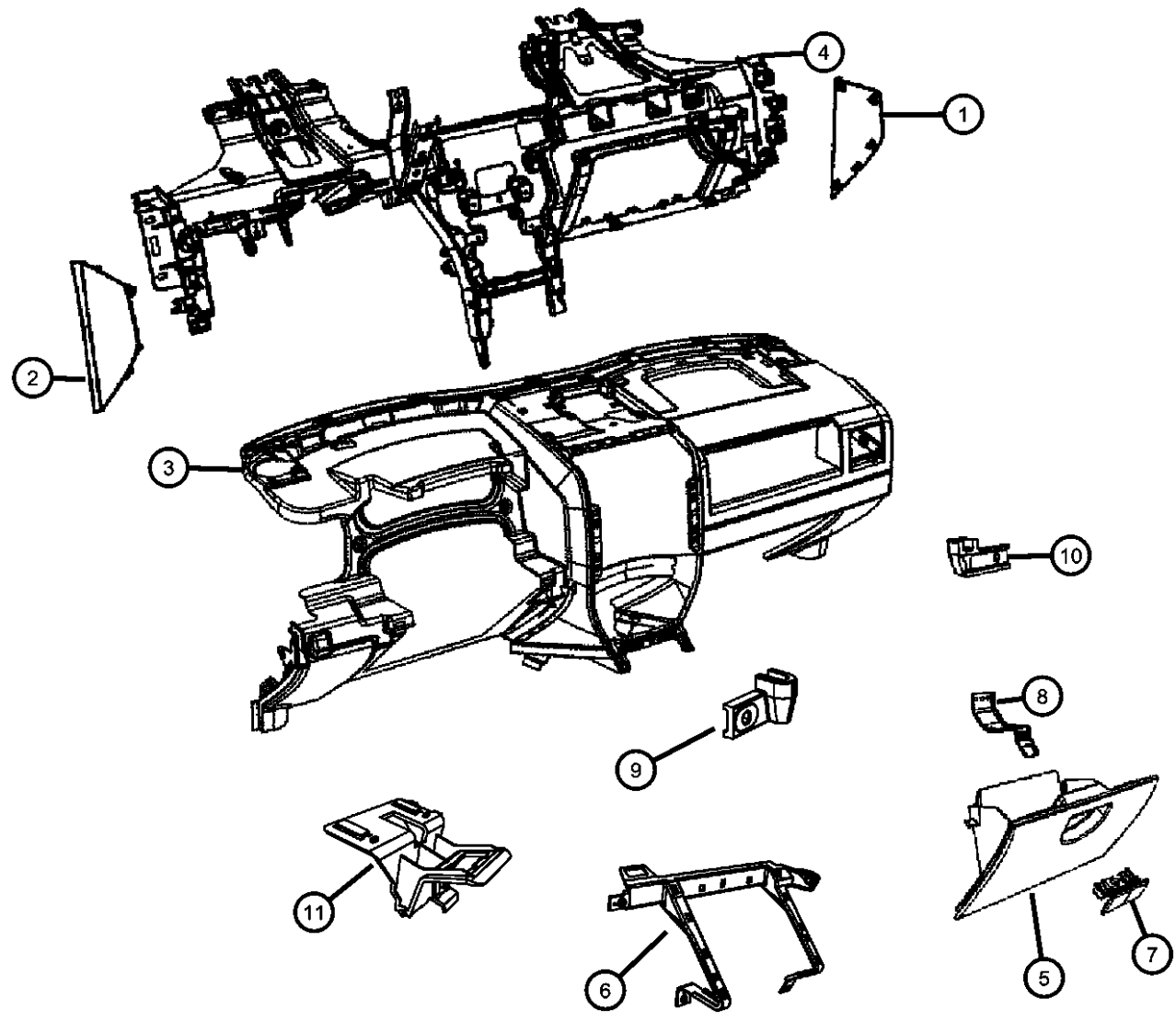
ENGINE
ECE = 2.0L 4 Cyl DOHC DPF
Diesel Engine
ED3 = 2.4L 4 Cyl DOHC 16V
Dual VVT Engine
ECD = 2.0L 4 Cyl DOHC
Diesel 16V Engine
ECN = 2.0L 4 Cyl DOHC 16V
Dual VVT Engine

TRANSMISSION
DEF = 6-Speed Manual Aisin BG6
Trans
DD7 = 5-Speed Manual T355
Transmission
DAV = Continuously Variable
Transaxle II
DAW = Cont.Var. w/Off-Rd Crawl
Ratio Trans

AR = use ase required - = Non illustrated part

2008 MK

Instrument Panel and Structure
Figure 8-2005



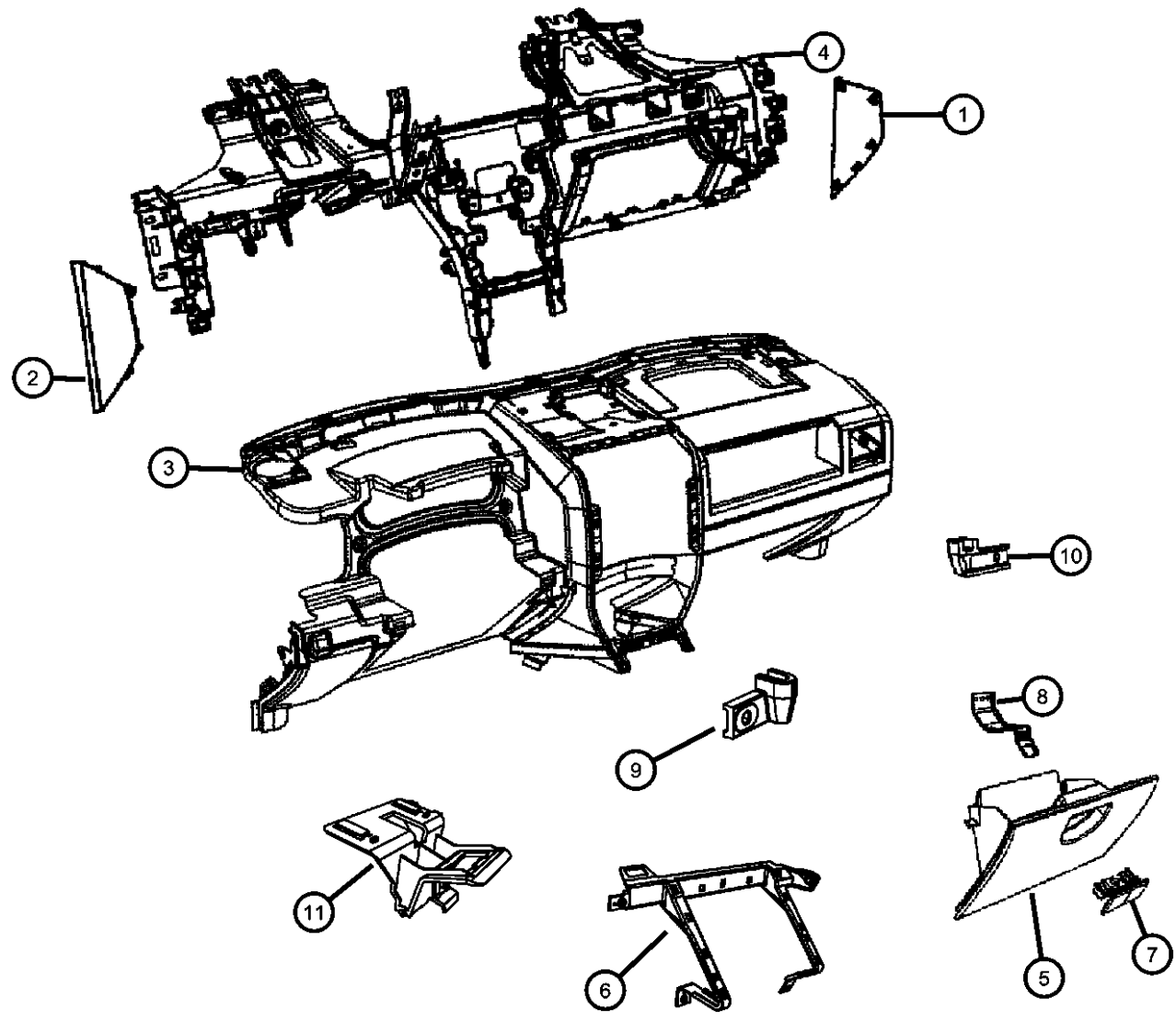
ITEM	PART NUMBER	QTY	LINE	SERIES	BODY	ENGINE	TRANS	TRIM	DESCRIPTION
1	0YF48DK7AA	1	J, T		49				CAP, Instrument Panel End [KA], Right
		1	J, T		74				[KA], Right
		1	U		49, 74				[KA], Right
	0YF48XDVAA	1	J, T		49				[DV], Right
		1	J, T		74				[DV], Right
		1	U		49, 74				[DV], Right
2	0YF48XDVAB	1	J, T		49				CAP, Instrument Panel End [DV]
		1	J, T		74				[DV]
	1AV81DK7AA	1	U		49, 74				[KA], Left
		1	U		49, 74				[DA], Left
3	1FB981DVAA	1	J, T		49				PANEL, Instrument Panel [DV]
		1	J, T		74				[DV]
	1FB981K7AA	1	J, T		49				[KA]
		1	J, T		74				[KA]
	1FF531DVAA	1	U		49, 74				[DV]
1		U		49, 74				[KA]	
4	05291721AA	1	J, T		49				REINFORCEMENT, Instrument Panel
		1	J, T		74				
	05291722AA	1	J, T		49				Export
		1	J, T		74				Export
05291723AB	1	U		49, 74					
5	1FB991DVAA	1	J, T		49				GLOVE BOX, Instrument Panel [DV]
		1	J, T		74				[DV]
		1	U		49, 74				[DV]
	1FB991K7AA	1	J, T		49				[KA]
		1	J, T		74				[KA]
1	U		49, 74				[KA]		

COMPASS/PATRIOT (MK)

SERIES	LINE	BODY	ENGINE	TRANSMISSION
H = HIGHLINE	T = JEEP - 2WD	49 = HATCHBACK TYPE #2	ECE = 2.0L 4 Cyl DOHC DPF Diesel Engine	DEF = 6-Speed Manual Aisin BG6 Trans
L = LOWLINE	J = JEEP - 4WD	74 = SPORT UTILITY 4-DR TYPE #4	ED3 = 2.4L 4 Cyl DOHC 16V Dual VVT Engine	DD7 = 5-Speed Manual T355 Transmission
P = PREMIUM	U = JEEP - 4WD (RHD)		ECD = 2.0L 4 Cyl DOHC Diesel 16V Engine	DAV = Continuously Variable Transaxle II
			ECN = 2.0L 4 Cyl DOHC 16V Dual VVT Engine	DAW = Cont.Var. w/Off-Rd Crawl Ratio Trans

AR = use ase required - = Non illustrated part

**Instrument Panel and Structure
Figure 8-2005**



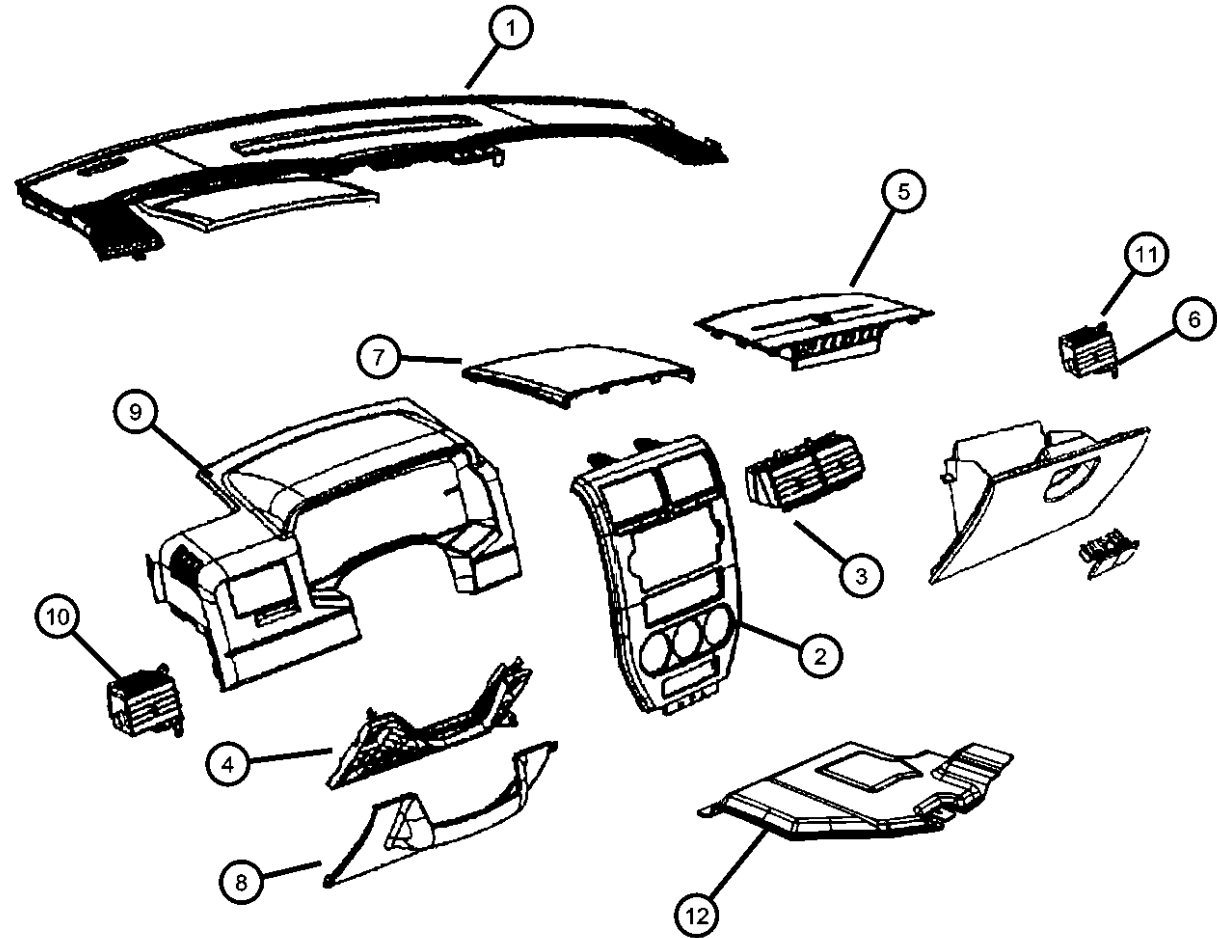
ITEM	PART NUMBER	QTY	LINE	SERIES	BODY	ENGINE	TRANS	TRIM	DESCRIPTION
6	68002376AA	1	U		49, 74				BRACKET, Glove Box
7									LATCH, Glovebox Door
	1DN89DK7AA	1	J		49				[KA]
		1	U		49, 74				[KA]
		1	J, T		74				[KA]
	1DN89XDVAA	1	J, T		49				[DV]
		1	J, T		74				[DV]
	1DN89XDVAB	1	U		49, 74				[DV]
8									STRIKER, Glove Box Door Latch
	68002150AA	1	J, T		49				
		1	J, T		74				
9									BRACKET, Instrument Panel
	05291844AB	1	J, T, U		49				
		1	J, T, U		74				
10									BRACKET, Energy Absorbing
	68002351AA	1	J, T		49				
		1	J, T		74				
	68002366AA	1	U		49, 74				Export
	68002367AA	1	J, T		49				Export
		1	J, T		74				
11									BRACKET, Electrical Connectors
	68002374AA	1	J, T		49				
		1	J, T		74				
		1	U		49, 74				

COMPASS/PATRIOT (MK)

SERIES	LINE	BODY	ENGINE	TRANSMISSION
H = HIGHLINE	T = JEEP - 2WD	49 = HATCHBACK TYPE #2	ECE = 2.0L 4 Cyl DOHC DPF Diesel Engine	DEF = 6-Speed Manual Aisin BG6 Trans
L = LOWLINE	J = JEEP - 4WD	74 = SPORT UTILITY 4-DR TYPE #4	ED3 = 2.4L 4 Cyl DOHC 16V Dual VVT Engine	DD7 = 5-Speed Manual T355 Transmission
P = PREMIUM	U = JEEP - 4WD (RHD)		ECD = 2.0L 4 Cyl DOHC Diesel 16V Engine	DAV = Continuously Variable Transaxle II
			ECN = 2.0L 4 Cyl DOHC 16V Dual VVT Engine	DAW = Cont.Var. w/Off-Rd Crawl Ratio Trans

AR = use ase required - = Non illustrated part

**Instrument Panel Trim
Figure 8-2010**



ITEM	PART NUMBER	QTY	LINE	SERIES	BODY	ENGINE	TRANS	TRIM	DESCRIPTION
1	1AV82DK7AA	1	J, T, U		74				COVER, Instrument Panel [KA]
	1AV82XDVAA	1	J, T, U		74				[DA]
2	0YF381Z2AC	1	J, T, U		49				BEZEL, Instrument Panel, Center
		1	J, T, U		74				
3	1AV631X9AC	1	J, T, U		49				BEZEL, A/C Outlet
		1	J, T, U		74				
4	1AV76DK7AA	1	J, T, U		49				COVER, Steering Column [KA]
		1	J, T, U		74				[KA]
	1AV76XDVAA	1	J, T, U		49				[DV]
		1	J, T, U		74				[DV]
5	0YF36DK7AB	1	J, T		49				COVER, Air Bag Module [KA]
		1	J, T		74				[KA]
	0YF36XDVAB	1	J, T		49				[DV]
		1	J, T		74				[DV]
	0ZU92DK7AB	1	U		49, 74				[KA]
	0ZU92XDVAB	1	U		49, 74				[DV]
6	1EN73DK7AB	1	J, T, U		49				COVER, Air Bag Delete [KA]
		1	J, T, U		74				[KA]
	1EN73XDVAB	1	J, T, U		49				[DV]
		1	J, T, U		74				[DV]
7	0ZM93DK7AA	1	J, T, U		49				COVER, Instrument Panel [KA]
		1	J, T, U		74				[KA]
	0ZM93XDVAA	1	J, T, U		49				[DV]
		1	J, T, U		74				[DV]
8								KNEEBLOCKER, Steering Column Opening	

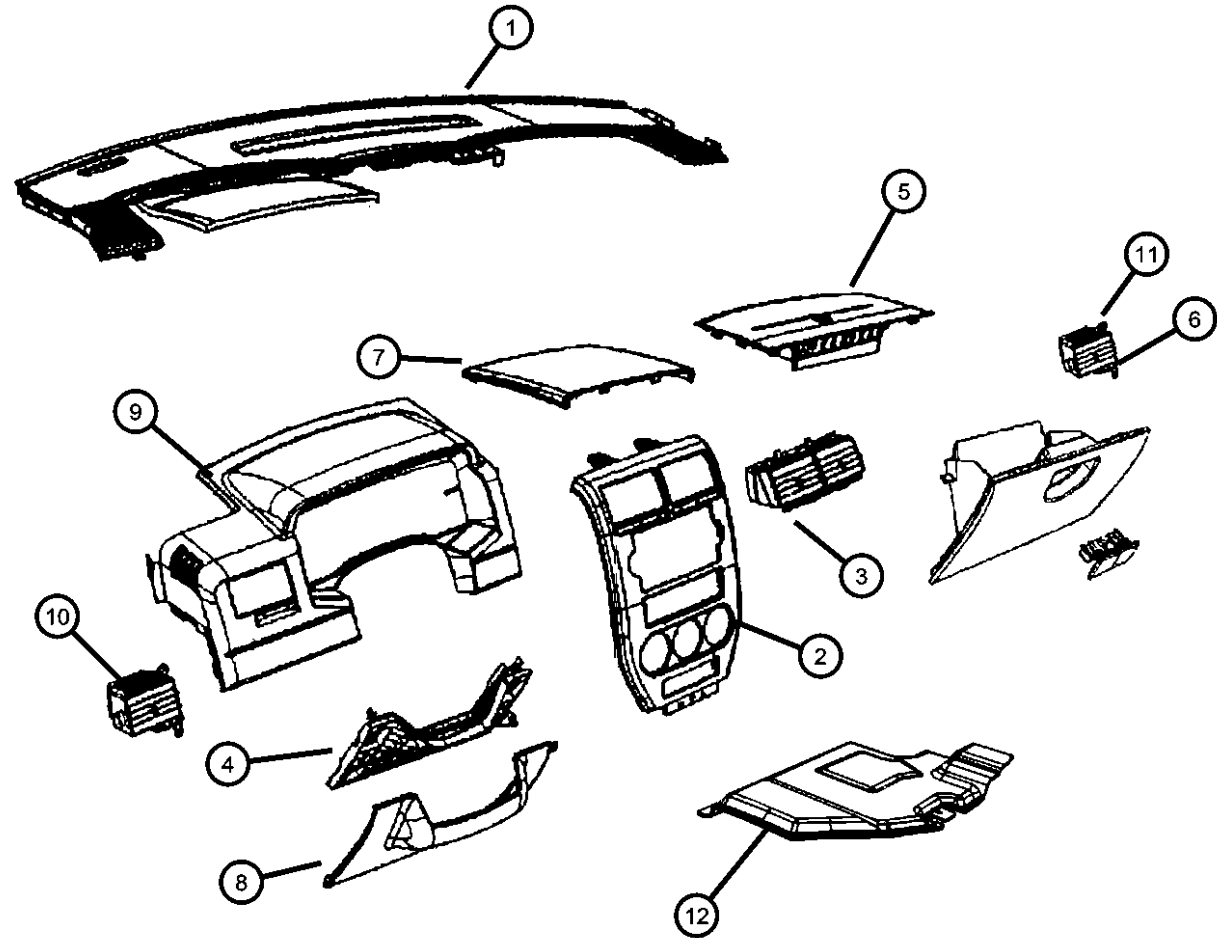
COMPASS/PATRIOT (MK)

SERIES	LINE	BODY	ENGINE	TRANSMISSION
H = HIGHLINE	T = JEEP - 2WD	49 = HATCHBACK TYPE #2	ECE = 2.0L 4 Cyl DOHC DPF Diesel Engine	DEF = 6-Speed Manual Aisin BG6 Trans
L = LOWLINE	J = JEEP - 4WD	74 = SPORT UTILITY 4-DR TYPE #4	ED3 = 2.4L 4 Cyl DOHC 16V Dual VVT Engine	DD7 = 5-Speed Manual T355 Transmission
P = PREMIUM	U = JEEP - 4WD (RHD)		ECD = 2.0L 4 Cyl DOHC Diesel 16V Engine	DAV = Continuously Variable Transaxle II
			ECN = 2.0L 4 Cyl DOHC 16V Dual VVT Engine	DAW = Cont.Var. w/Off-Rd Crawl Ratio Trans

AR = use ase required - = Non illustrated part

2008 MK

Instrument Panel Trim
Figure 8-2010



ITEM	PART NUMBER	QTY	LINE	SERIES	BODY	ENGINE	TRANS	TRIM	DESCRIPTION
	05291724AB	1	J, T		49				
		1	J, T		74				
	05291726AA	1	U		49, 74				
9	0YF37DK7AB	1	J, T		49				BEZEL, Instrument Cluster
		1	J, T		74				[KA]
	0YF371DVAD	1	J, T		49				[DV]
		1	J, T		74				[DV]
	1AV751DVAD	1	U		49, 74				[DV]
	1AV751K7AD	1	U		49, 74				[KA]
10	1CC711DVAB	1	U		49, 74				OUTLET, Air Conditioning & Heater
		1	J, T		49				[DV], Left
		1	J, T		74				[DV], Left
	1CC711K7AB	1	U		49, 74				[KA], Left
		1	J, T		49				[KA], Left
		1	J, T		74				[KA], Left
11	1CC701DVAB	1	J, T		49				OUTLET, Air Conditioning & Heater
		1	J, T		74				[DV]
		1	U		49, 74				[DV]
	1CC701K7AB	1	J, T		49				[KA]
		1	J, T		74				[KA]
		1	U		49, 74				[KA]
12	04664365AA	1	J, T		49, 74				PANEL, Instrument Panel Closeout
	05291661AB	1	U		49, 74				

COMPASS/PATRIOT (MK)

SERIES LINE
H = HIGHLINE T = JEEP - 2WD
L = LOWLINE J = JEEP - 4WD
P = PREMIUM U = JEEP - 4WD (RHD)

BODY
49 = HATCHBACK TYPE #2
74 = SPORT UTILITY 4-DR
TYPE #4

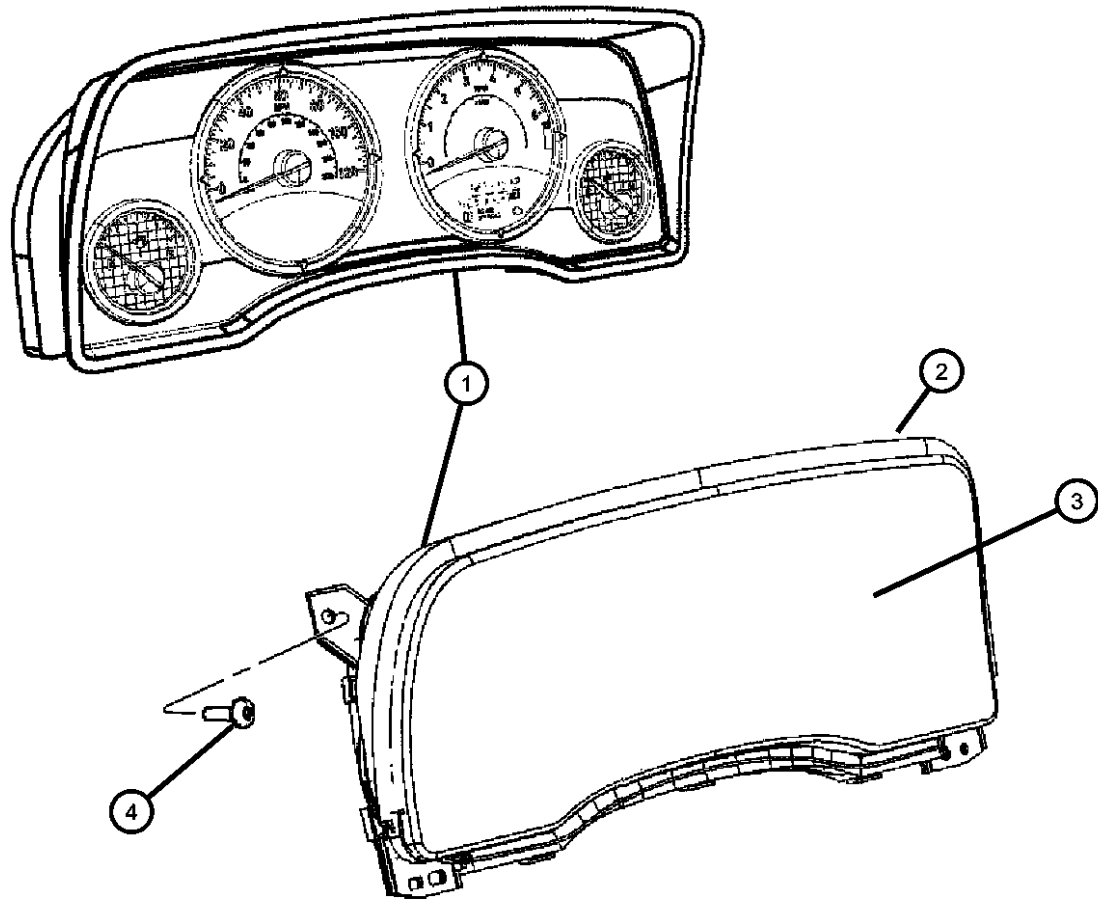
ENGINE TRANSMISSION
ECE = 2.0L 4 Cyl DOHC DPF DEF = 6-Speed Manual Aisin BG6
Diesel Engine Trans
ED3 = 2.4L 4 Cyl DOHC 16V DD7 = 5-Speed Manual T355
Dual VVT Engine Transmission
ECD = 2.0L 4 Cyl DOHC DAV = Continuously Variable
Diesel 16V Engine Transaxle II
ECN = 2.0L 4 Cyl DOHC 16V DAW = Cont.Var. w/Off-Rd Crawl
Dual VVT Engine Ratio Trans

AR = use ase required - = Non illustrated part

2008 MK

**Instrument Panel Cluster
Figure 8-2105**

ITEM	PART NUMBER	QTY	LINE	SERIES	BODY	ENGINE	TRANS	TRIM	DESCRIPTION
1									CLUSTER
	05107005AD	1	J, T, U		49, 74				[JDJ,JE8]
	05107006AD	1	J, T, U		49, 74				[JCB,JE8]
	05107007AD	1	J, T, U		49, 74				[JDJ,JPH]
	05107016AD	1	J, T, U		49, 74	ED3			[JDJ,JFJ]
	05107023AD	1	J, T, U		49, 74	ED3			[JCE]
	05172335AB	1	J, T, U		49				[JCB,JPH,JBD]
		1	J, T, U		74				[JCB,JPH,JBD]
	05172336AB	1	J, T, U		49				[JCB,JBD]
		1	J, T, U		74				[JCB,JBD]
	05172337AB	1	J, T, U		49				[JCB]
		1	J, T, U		74				[JCB]
	05172338AB	1	J, T, U		49				[JCB,JPH]
		1	J, T, U		74				[JCB,JPH]
	05172339AB	1	J, T, U		49				[JCB,JE8]
		1	J, T, U		74				[JCB,JE8]
	05172340AB	1	J, T, U		49				[JDJ,JPH,JPD]
		1	J, T, U		74				[JDJ,JPH,JPD]
	05172341AB	1	J, T, U		49	ECN, ED3			[JDJ,LAZ]
		1	J, T, U		74	ECN, ED3			[JDJ,LAZ]
	05172342AB	1	J, T, U		49	ECD, ECE			[JDJ]
		1	J, T, U		74	ECD, ECE			[JDJ]
	05172344AB	1	J, T, U		74	ECN, ED3			[JDJ,LAZ,JPD]
	05172345AB	1	J, T, U		49				[JDJ,JPH]
		1	J, T, U		74				[JDJ,JPH]
	05172346AB	1	J, T, U		49				[JDJ,JE8]
		1	J, T, U		74				[JDJ,JE8]
	05172347AB	1	J, T, U		49	ECD, ECE			[JCE]
		1	J, T, U		74	ECD, ECE			[JCE]
2									MASK, Instrument Cluster
	68001784AA	1	J, T, U		49				Base
		1	J, T, U		74				Base
	68036894AA	1	J, T, U		49				No Paint 2 Hole



COMPASS/PATRIOT (MK)

SERIES	LINE
H = HIGHLINE	T = JEEP - 2WD
L = LOWLINE	J = JEEP - 4WD
P = PREMIUM	U = JEEP - 4WD (RHD)

BODY
49 = HATCHBACK TYPE #2
74 = SPORT UTILITY 4-DR TYPE #4

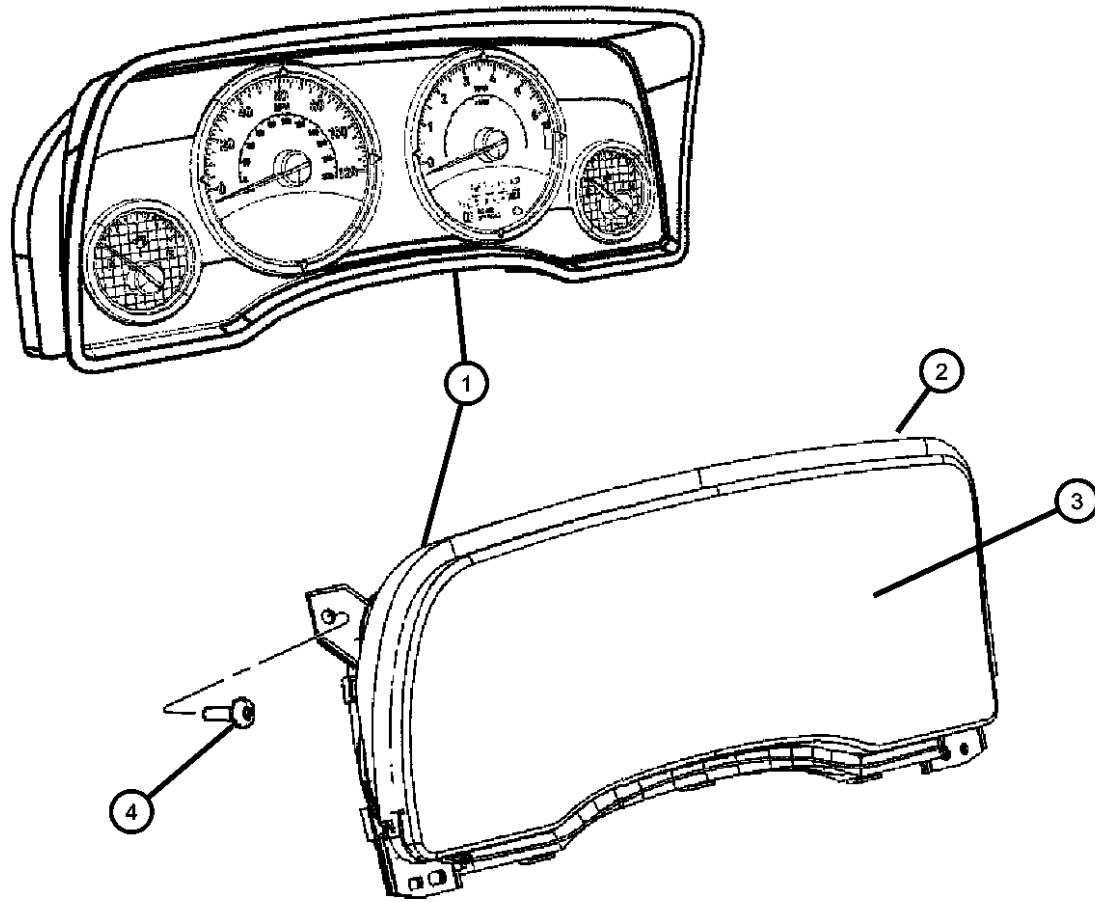
ENGINE	TRANSMISSION
ECE = 2.0L 4 Cyl DOHC DPF Diesel Engine	DEF = 6-Speed Manual Aisin BG6 Trans
ED3 = 2.4L 4 Cyl DOHC 16V Dual VVT Engine	DD7 = 5-Speed Manual T355 Transmission
ECD = 2.0L 4 Cyl DOHC Diesel 16V Engine	DAV = Continuously Variable Transaxle II
ECN = 2.0L 4 Cyl DOHC 16V Dual VVT Engine	DAW = Cont.Var. w/Off-Rd Crawl Ratio Trans

AR = use ase required - = Non illustrated part

2008 MK

**Instrument Panel Cluster
Figure 8-2105**

ITEM	PART NUMBER	QTY	LINE	SERIES	BODY	ENGINE	TRANS	TRIM	DESCRIPTION
		1	J, T, U		74				No Paint 2 Hole
	68036895AA	1	J, T, U		49				New Silver 1 Hole
		1	J, T, U		74				New Silver 1 Hole
	68036896AA	1	J, T, U		49				New Silver 2 Hole
		1	J, T, U		74				New Silver 2 Hole
3									LENS, Instrument Cluster
	68001786AA	1	J, T, U		49				Base
		1	J, T, U		74				Base
	68001787AA	1	J, T, U		49				Hi-Line
		1	J, T, U		74				Hi-Line
4									SCREW, Tapping Hex Head, M4.2X1.70X20.00
	06101946	2	J, T, U		49				Cluster Attaching
		2	J, T, U		74				Cluster Attaching



COMPASS/PATRIOT (MK)

SERIES LINE
H = HIGHLINE T = JEEP - 2WD
L = LOWLINE J = JEEP - 4WD
P = PREMIUM U = JEEP - 4WD (RHD)

BODY
49 = HATCHBACK TYPE #2
74 = SPORT UTILITY 4-DR
TYPE #4

ENGINE
ECE = 2.0L 4 Cyl DOHC DPF Diesel Engine
ED3 = 2.4L 4 Cyl DOHC 16V Dual VVT Engine
ECD = 2.0L 4 Cyl DOHC Diesel 16V Engine
ECN = 2.0L 4 Cyl DOHC 16V Dual VVT Engine

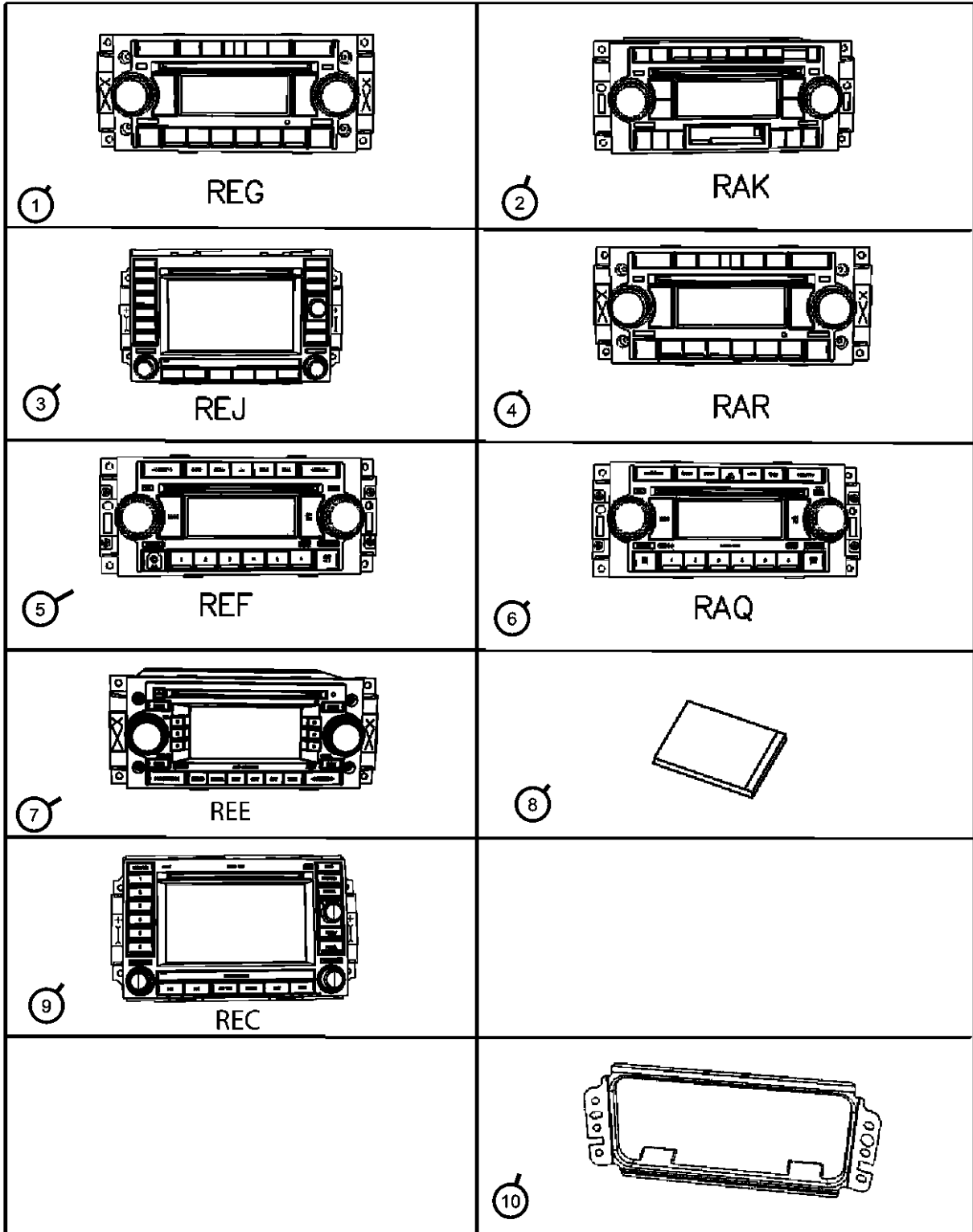
TRANSMISSION
DEF = 6-Speed Manual Aisin BG6 Trans
DD7 = 5-Speed Manual T355 Transmission
DAV = Continuously Variable Transaxle II
DAW = Cont.Var. w/Off-Rd Crawl Ratio Trans

AR = use ase required - = Non illustrated part

2008 MK

Radio
Figure 8-2205

ITEM	PART NUMBER	QTY	LINE	SERIES	BODY	ENGINE	TRANS	TRIM	DESCRIPTION
1	05091509AG	1	J, T, U		49, 74				RADIO, AM/FM with CD and Equalizer, [REG]
2	05091523AM	1	J, T, U		49, 74				RADIO, AM/FM/Cassette With CD, [RAK]
3	05064191AE	1	J, T, U		49, 74				RADIO, AM/FM CD W/NAV/DVD & CD-CTRL, [REJ]
4	05064362AA	1	J, T, U		49, 74				RADIO, AM/FM with CD and Equalizer, [RAR]
5									RADIO, AM/FM with CD [REF]
	05064171AK	1	J, T, U		49				[REF]
		1	J, T, U		74				[REF]
6	05091175AB	1	J, T, U		49, 74				RADIO, AM/FM with CD and Equalizer, [RAQ]
7	05091522AD	1	J, T, U		49, 74				RADIO, AM/FM CD W/NAV/DVD & CD-CTRL, [REE]
8	56038650AE	1	J, T, U		49				COMPACT DISC, Navigation, Europe Only
9	05064184AD	1	J, T, U		49, 74				RADIO, AM/FM CD W/NAV/DVD & CD-CTRL, [REC]
10	05291823AB	1							BRACKET, Radio, With [REJ]



COMPASS/PATRIOT (MK)

SERIES LINE
 H = HIGHLINE T = JEEP - 2WD
 L = LOWLINE J = JEEP - 4WD
 P = PREMIUM U = JEEP - 4WD (RHD)

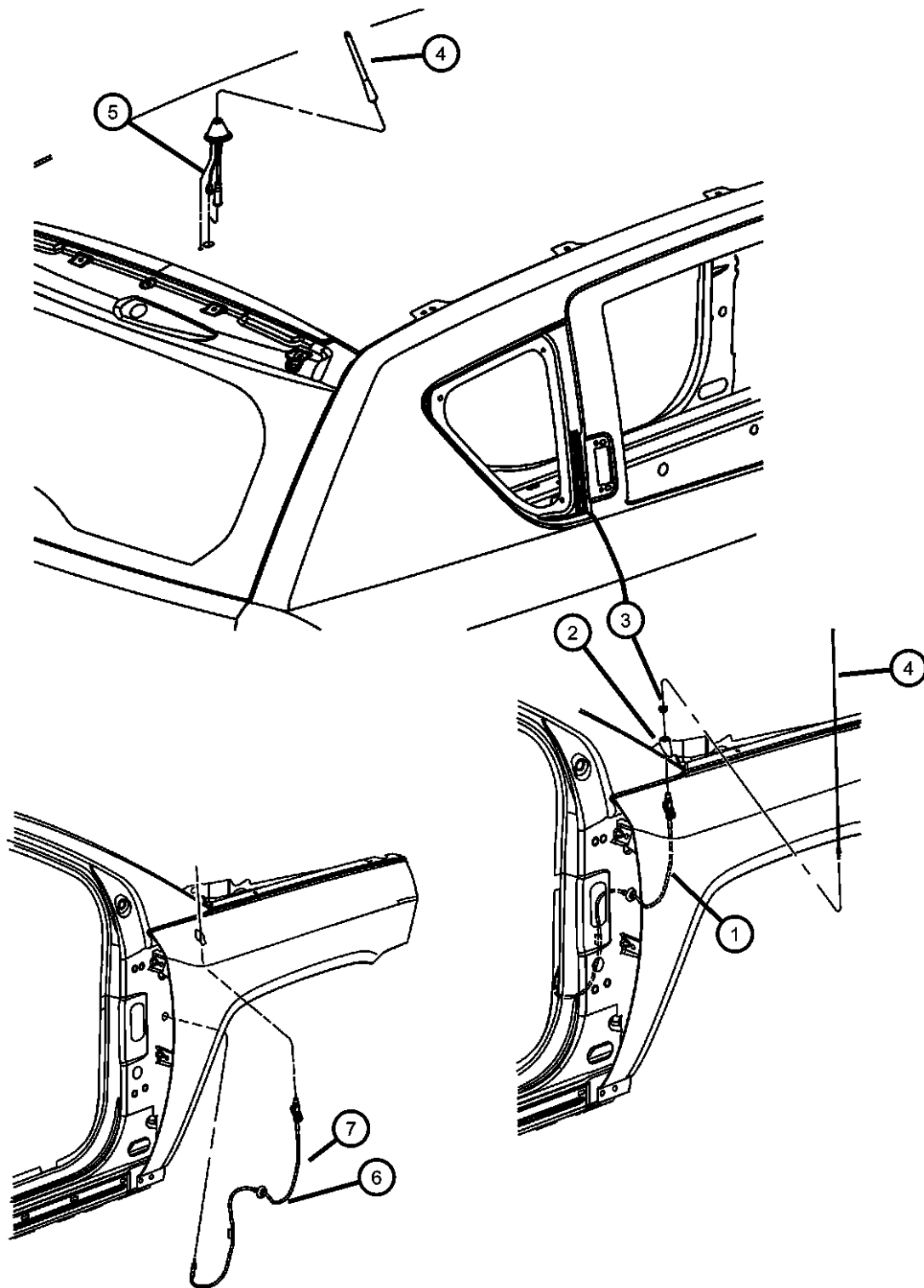
BODY
 49 = HATCHBACK TYPE #2
 74 = SPORT UTILITY 4-DR TYPE #4

ENGINE
 ECE = 2.0L 4 Cyl DOHC DPF Diesel Engine
 ED3 = 2.4L 4 Cyl DOHC 16V Dual VVT Engine
 ECD = 2.0L 4 Cyl DOHC Diesel 16V Engine
 ECN = 2.0L 4 Cyl DOHC 16V Dual VVT Engine

TRANSMISSION
 DEF = 6-Speed Manual Aisin BG6 Trans
 DD7 = 5-Speed Manual T355 Transmission
 DAV = Continuously Variable Transaxle II
 DAW = Cont.Var. w/Off-Rd Crawl Ratio Trans

AR = use ase required - = Non illustrated part

Antenna
Figure 8-2210



ITEM	PART NUMBER	QTY	LINE	SERIES	BODY	ENGINE	TRANS	TRIM	DESCRIPTION
1	04671904AD	1	J, T, U		49				BASE, Antenna
	05064279AB	1	J, T, U		74				
2	04672390AB	1	J, T, U		49				ADAPTER, Antenna
	05064280AB	1	J, T, U		74				
3	56007570	1	J, T, U		49				NUT, Antenna Base
		1	J, T, U		74				
4	04671906AA	1	J, T, U		49				MAST, Antenna [RDB] [RDB] [RDD] [RDD]
		1	J, T, U		74				
	56043311AB	1	J, T		49				
		1	J, T		74				
5	04671904AD	1	J, T, U		49				BASE, Antenna [RDB] [RDB] [RDD] [RDD]
		1	J, T, U		74				
	04672389AC	1	J, T, U		49				
	05064279AB	1	J, T, U		74				
6	04672302AD	1	J, T, U		49				CABLE, Antenna Extension [RDD] [RDD] [RDB] [RDB]
		1	J, T, U		74				
	04672396AD	1	J, T, U		49				
		1	J, T, U		74				
7	05064282AB	1	J, T		49				CABLE, Antenna [RDD] [RDD]
		1	J, T		74				

COMPASS/PATRIOT (MK)

SERIES

H = HIGHLINE
L = LOWLINE
P = PREMIUM

LINE

T = JEEP - 2WD
J = JEEP - 4WD
U = JEEP - 4WD (RHD)

BODY

49 = HATCHBACK TYPE #2
74 = SPORT UTILITY 4-DR TYPE #4

ENGINE

ECE = 2.0L 4 Cyl DOHC DPF Diesel Engine
ED3 = 2.4L 4 Cyl DOHC 16V Dual VVT Engine
ECD = 2.0L 4 Cyl DOHC Diesel 16V Engine
ECN = 2.0L 4 Cyl DOHC 16V Dual VVT Engine

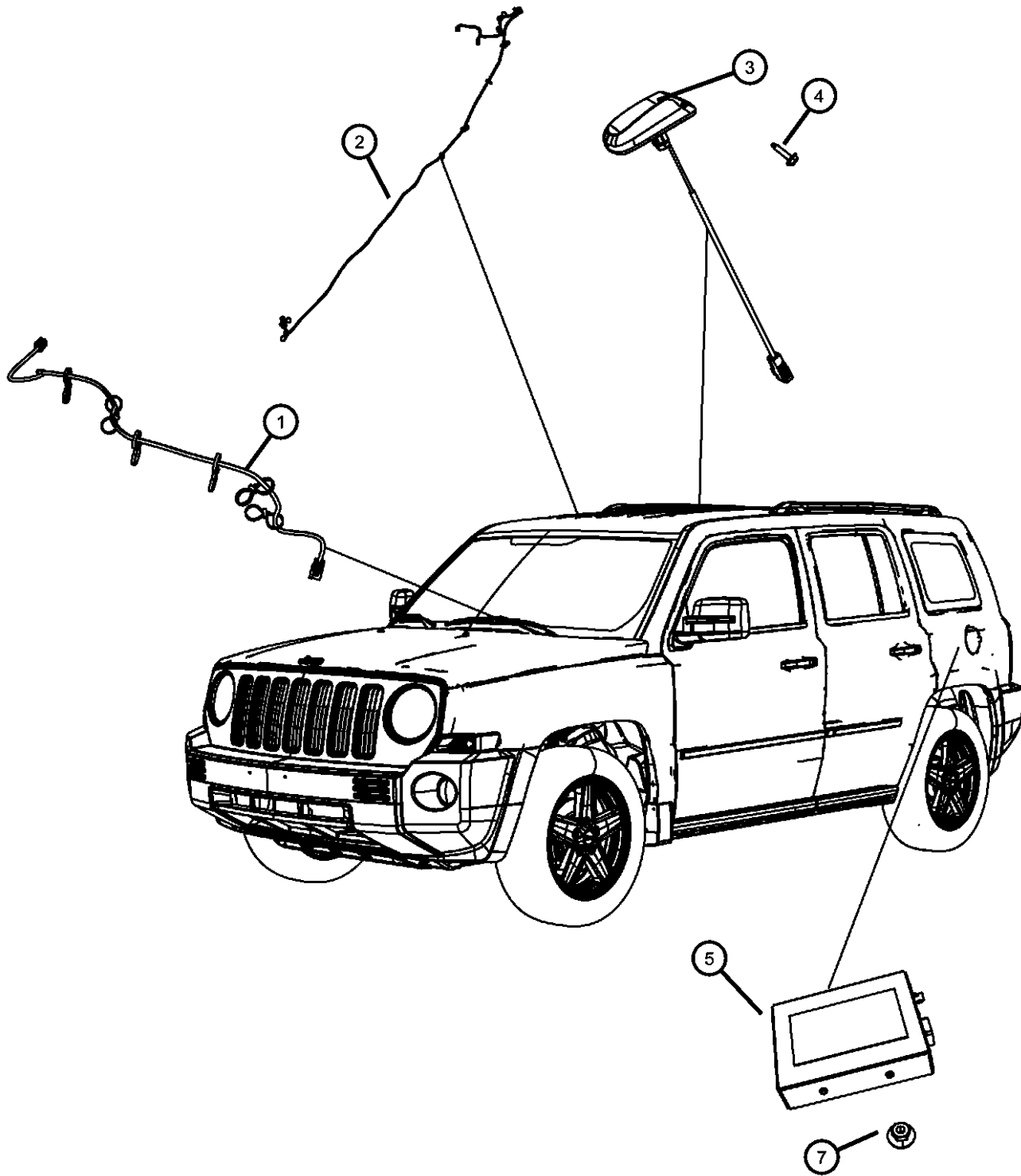
TRANSMISSION

DEF = 6-Speed Manual Aisin BG6 Trans
DD7 = 5-Speed Manual T355 Transmission
DAV = Continuously Variable Transaxle II
DAW = Cont.Var. w/Off-Rd Crawl Ratio Trans

AR = use ase required - = Non illustrated part

2008 MK

**Satellite Radio System
Figure 8-2215**



ITEM	PART NUMBER	QTY	LINE	SERIES	BODY	ENGINE	TRANS	TRIM	DESCRIPTION
1	04795761AC	1	J, T, U		49				WIRING, Radio
		1	J, T, U		74				Satellite radio instrument panel
2	04795760AF	1	J, T, U		49				WIRING, Radio
		1	J, T, U		74				Satellite radio body
3	05150048AB	1	J, T, U		49				ANTENNA, Satellite
		1	J, T, U		74				Satellite radio body
4	06101946	2	J, T, U		49				SCREW, Tapping Hex Head, M4.2X1.70X20.00
		2	J, T, U		74				
5	68015147AE	1							RECEIVER, Satellite
-6	68032962AA	1	J, T, U		49				BRACKET, Satellite Receiver
7	06501730	1	J, T, U		74				
		3	J, T, U		49				NUT, Retainer, M6 x 1.00
		3	J, T, U		74				

COMPASS/PATRIOT (MK)

SERIES LINE
H = HIGHLINE T = JEEP - 2WD
L = LOWLINE J = JEEP - 4WD
P = PREMIUM U = JEEP - 4WD (RHD)

BODY
49 = HATCHBACK TYPE #2
74 = SPORT UTILITY 4-DR TYPE #4

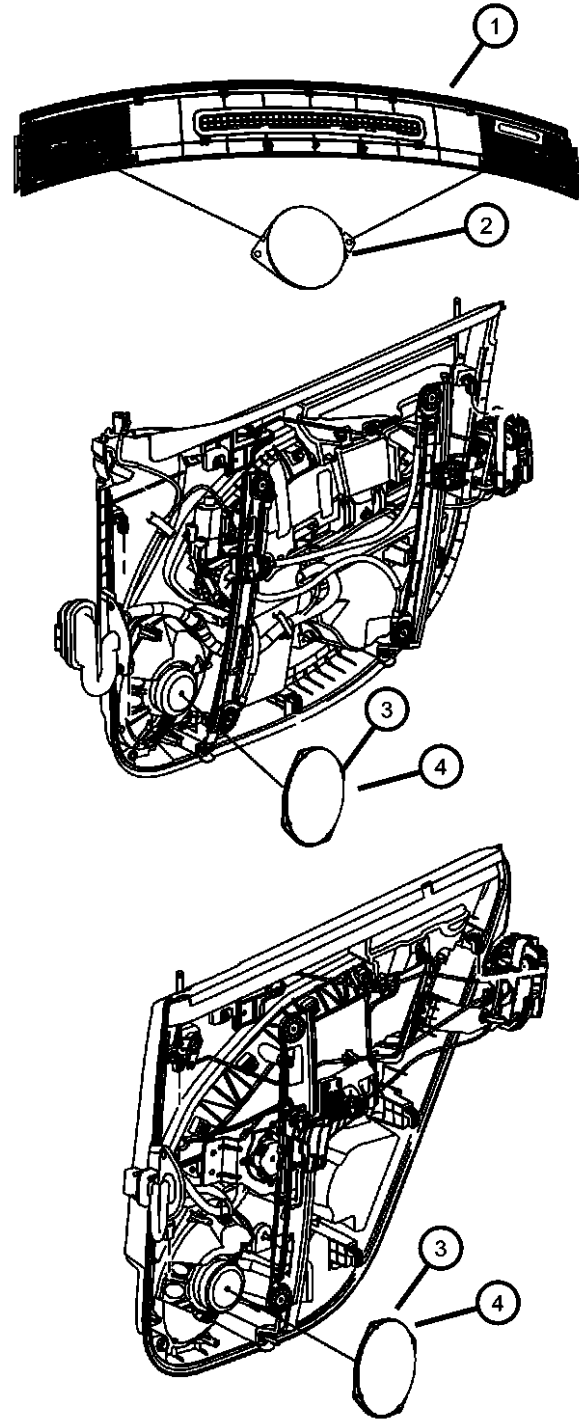
ENGINE
ECE = 2.0L 4 Cyl DOHC DPF Diesel Engine
ED3 = 2.4L 4 Cyl DOHC 16V Dual VVT Engine
ECD = 2.0L 4 Cyl DOHC Diesel 16V Engine
ECN = 2.0L 4 Cyl DOHC 16V Dual VVT Engine

TRANSMISSION
DEF = 6-Speed Manual Aisin BG6 Trans
DD7 = 5-Speed Manual T355 Transmission
DAV = Continuously Variable Transaxle II
DAW = Cont.Var. w/Off-Rd Crawl Ratio Trans

AR = use ase required - = Non illustrated part

2008 MK

Speakers and Amplifiers
Figure 8-2220



ITEM	PART NUMBER	QTY	LINE	SERIES	BODY	ENGINE	TRANS	TRIM	DESCRIPTION
1	1AV82DK7AA	1	J, T, U		74				COVER, Instrument Panel [KA]
	1AV82XDVAA	1	J, T, U		74				[DA]
2	05059068AB	2	J, T, U		49				SPEAKER, Instrument Panel
		2	J, T, U		74				
3	05059063AC	1	J, T		74				SPEAKER, 6"X9" [RC9]
		1	U		74			[RC9]	
		1	U		49			[RC9]	
	05091019AB	1	J, T		49				[RC9]
		1	U		49				[RCD]
		1	J, T		49				[RCD]
4	05059063AC	1	J, T		74				SPEAKER, 6"X9" [RC9]
		1	U		74			[RC9]	
		1	U		49			[RC9]	
	05091019AB	1	J, T		49				[RC9]
		1	J, T		49				[RCD]
		1	U		74				[RCD]

COMPASS/PATRIOT (MK)

SERIES LINE
H = HIGHLINE T = JEEP - 2WD
L = LOWLINE J = JEEP - 4WD
P = PREMIUM U = JEEP - 4WD (RHD)

BODY
49 = HATCHBACK TYPE #2
74 = SPORT UTILITY 4-DR TYPE #4

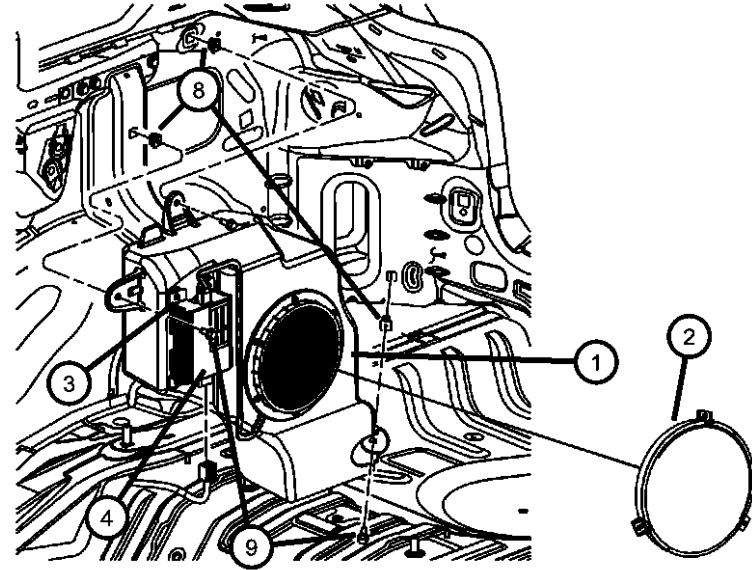
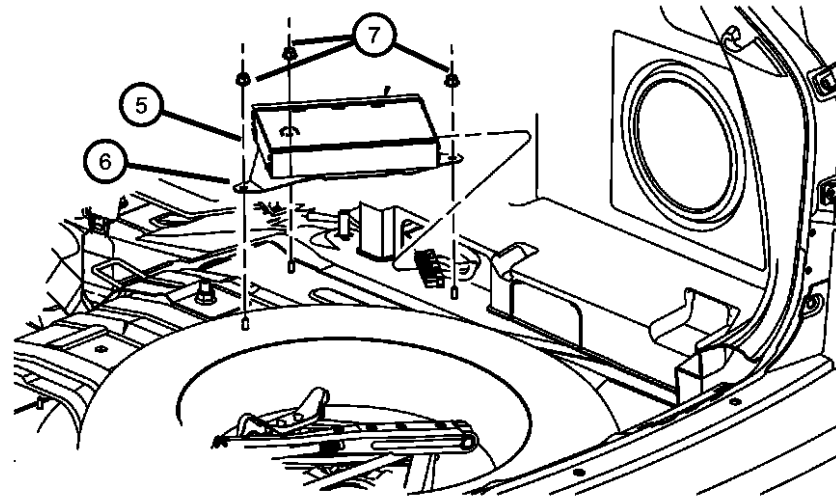
ENGINE
ECE = 2.0L 4 Cyl DOHC DPF Diesel Engine
ED3 = 2.4L 4 Cyl DOHC 16V Dual VVT Engine
ECD = 2.0L 4 Cyl DOHC Diesel 16V Engine
ECN = 2.0L 4 Cyl DOHC 16V Dual VVT Engine

TRANSMISSION
DEF = 6-Speed Manual Aisin BG6 Trans
DD7 = 5-Speed Manual T355 Transmission
DAV = Continuously Variable Transaxle II
DAW = Cont.Var. w/Off-Rd Crawl Ratio Trans

AR = use ase required - = Non illustrated part

2008 MK

**Subwoofer and Amplifier
Figure 8-2221**



ITEM	PART NUMBER	QTY	LINE	SERIES	BODY	ENGINE	TRANS	TRIM	DESCRIPTION
1	68001775AA	1	J, T, U		49				ENCLOSURE, Speaker
		1	J, T, U		74				
2	68002196AA	1	J, T, U		49				AMPLIFIER
		1	J, T, U		74				
3	06104368AA	1	J, T, U		49, 74				BOLT AND WASHER, Hex Head, M6X1.00X25.00
4	06104368AA	1							SPEAKER, Sub Woofer, Serviced in enclosure, (NOT SERVICED)
5	05064118AJ	1	J, T, U		49				AMPLIFIER, Audio
		1	J, T, U		74				
6	05175457AB	1	J, T, U		49				BRACKET, Amplifier
		1	J, T, U		74				
7	06501730	3	J, T, U		49				NUT, Retainer, M6 x 1.00
		3	J, T, U		74				
8	06506955AA	1	J, T, U		49				NUT, Snap In
		1	J, T, U		74				
9	06104368AA	1	J, T, U		49				BOLT AND WASHER, Hex Head, M6X1.00X25.00
		1	J, T, U		74				

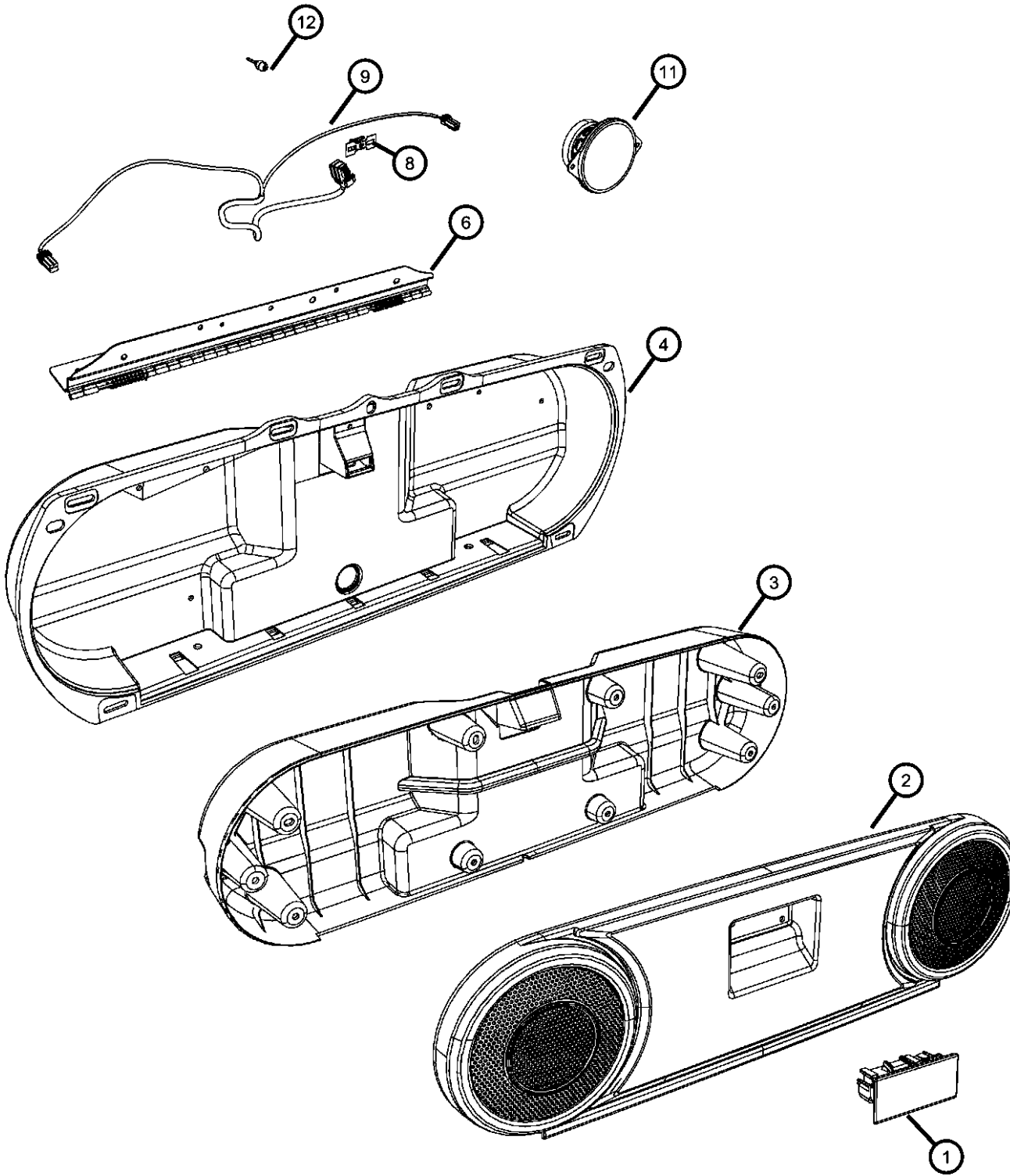
COMPASS/PATRIOT (MK)

SERIES	LINE	BODY	ENGINE	TRANSMISSION
H = HIGHLINE	T = JEEP - 2WD	49 = HATCHBACK TYPE #2	ECE = 2.0L 4 Cyl DOHC DPF Diesel Engine	DEF = 6-Speed Manual Aisin BG6 Trans
L = LOWLINE	J = JEEP - 4WD	74 = SPORT UTILITY 4-DR TYPE #4	ED3 = 2.4L 4 Cyl DOHC 16V Dual VVT Engine	DD7 = 5-Speed Manual T355 Transmission
P = PREMIUM	U = JEEP - 4WD (RHD)		ECD = 2.0L 4 Cyl DOHC Diesel 16V Engine	DAV = Continuously Variable Transaxle II
			ECN = 2.0L 4 Cyl DOHC 16V Dual VVT Engine	DAW = Cont.Var. w/Off-Rd Crawl Ratio Trans

AR = use ase required - = Non illustrated part

2008 MK

Liftgate Speaker System
Figure 8-2222



ITEM	PART NUMBER	QTY	LINE	SERIES	BODY	ENGINE	TRANS	TRIM	DESCRIPTION
1	1DK62DKAAC	1	J, T, U		49				HANDLE [KA]
		1	J, T, U		74				[KA]
	1DK62XDVAC	1	J, T, U		74				[DV]
2	1DR92BDAAA	1	J, T, U		49				PANEL, Speaker [DV]
		1	J, T, U		74				[DV]
	1DR92DKAAA	1	J, T, U		49				[KA]
		1	J, T, U		74				[KA]
3	1DR93BDAAA	1	J, T, U		49				PANEL, Speaker [DV]
		1	J, T, U		74				[DV]
	1DR93DKAAA	1	J, T, U		49				[KA]
		1	J, T, U		74				[KA]
4	1DR91DKAAB	1	J, T, U		49				PANEL, Speaker [KA]
		1	J, T, U		74				[KA]
	1DR91XDVAB	1	J, T, U		49				[DV]
		1	J, T, U		74				[DV]
-5	05183413AA	3	J, T, U		49				SCREW
		3	J, T, U		74				
6	05183428AA	1	J, T, U		49				HINGE
		1	J, T, U		74				
-7	05183414AA	10	J, T, U		49				SCREW
		10	J, T, U		74				
8	05183416AA	4	J, T, U		49				CLIP, Z-Axis
		4	J, T, U		74				
9	05183417AA	1	J, T, U		49				WIRING, Speaker

COMPASS/PATRIOT (MK)

SERIES LINE
H = HIGHLINE T = JEEP - 2WD
L = LOWLINE J = JEEP - 4WD
P = PREMIUM U = JEEP - 4WD (RHD)

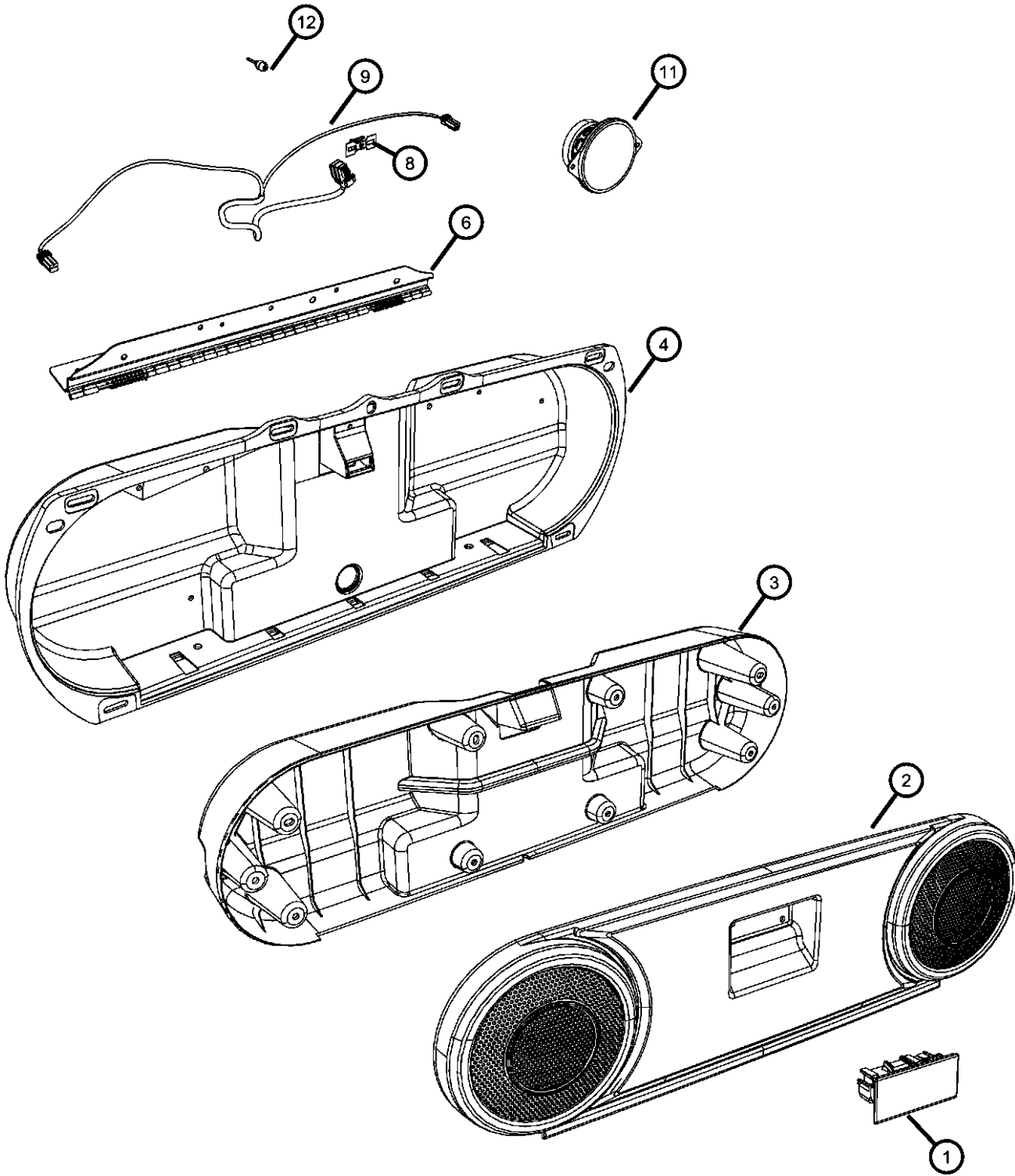
BODY
49 = HATCHBACK TYPE #2
74 = SPORT UTILITY 4-DR
TYPE #4

ENGINE TRANSMISSION
ECE = 2.0L 4 Cyl DOHC DPF DEF = 6-Speed Manual Aisin BG6
Diesel Engine Trans
ED3 = 2.4L 4 Cyl DOHC 16V DD7 = 5-Speed Manual T355
Dual VVT Engine Transmission
ECD = 2.0L 4 Cyl DOHC DAV = Continuously Variable
Diesel 16V Engine Transaxle II
ECN = 2.0L 4 Cyl DOHC 16V DAW = Cont.Var. w/Off-Rd Crawl
Dual VVT Engine Ratio Trans

AR = use ase required - = Non illustrated part

2008 MK

Liftgate Speaker System
Figure 8-2222



ITEM	PART NUMBER	QTY	LINE	SERIES	BODY	ENGINE	TRANS	TRIM	DESCRIPTION
-10		1	J, T, U		74				SCREW
	05183415AA	4	J, T, U		49				
		4	J, T, U		74				
11		2	J, T, U		49				SPEAKER, Instrument Panel
	05059068AB	2	J, T, U		49				
		2	J, T, U		74				
12		1	J, T, U		49				BUMPER, Liftgate
	55055900AA	1	J, T, U		49				
		1	J, T, U		74				

COMPASS/PATRIOT (MK)

SERIES LINE
H = HIGHLINE T = JEEP - 2WD
L = LOWLINE J = JEEP - 4WD
P = PREMIUM U = JEEP - 4WD (RHD)

BODY
49 = HATCHBACK TYPE #2
74 = SPORT UTILITY 4-DR
TYPE #4

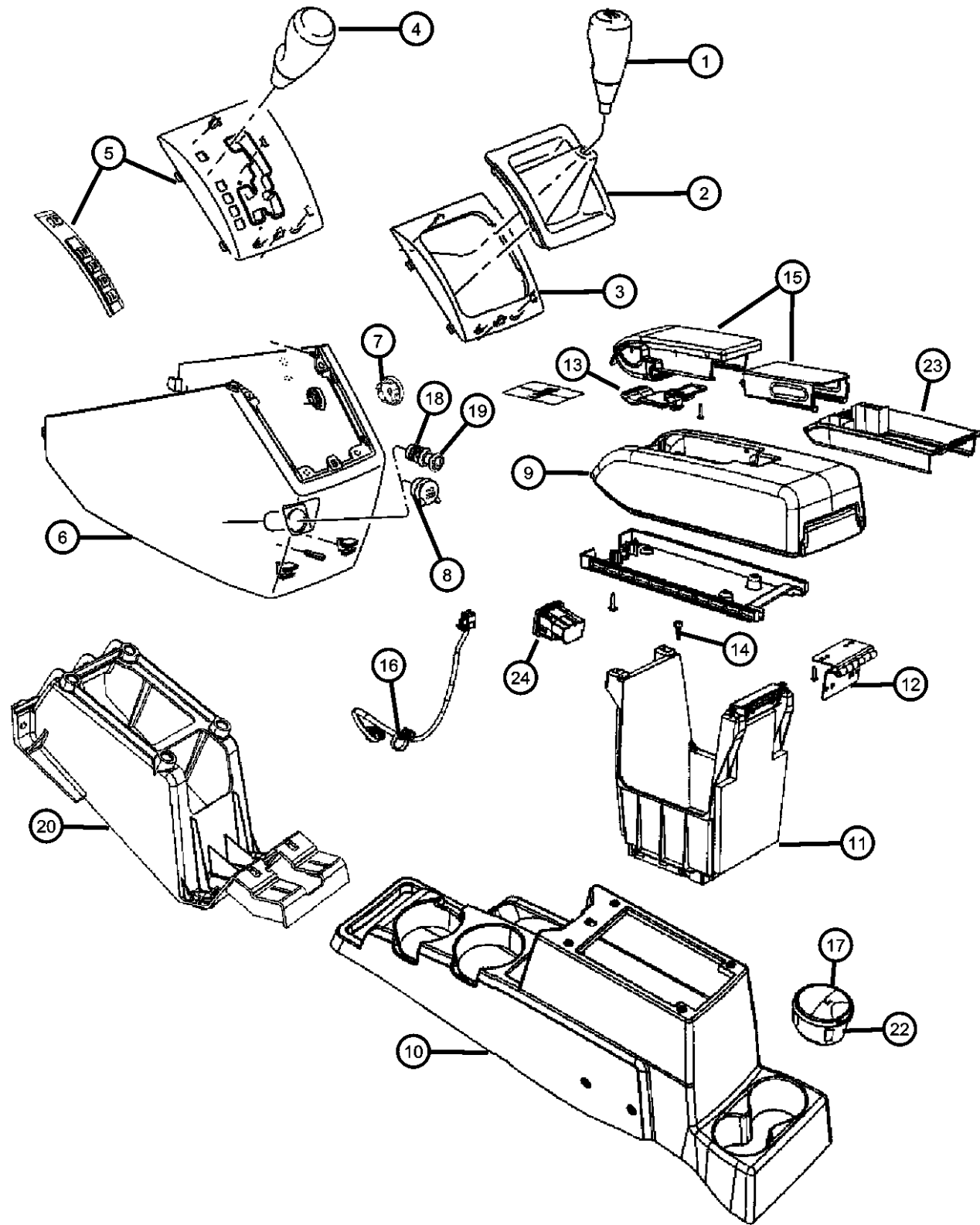
ENGINE
ECE = 2.0L 4 Cyl DOHC DPF Diesel Engine
ED3 = 2.4L 4 Cyl DOHC 16V Dual VVT Engine
ECD = 2.0L 4 Cyl DOHC Diesel 16V Engine
ECN = 2.0L 4 Cyl DOHC 16V Dual VVT Engine

TRANSMISSION
DEF = 6-Speed Manual Aisin BG6 Trans
DD7 = 5-Speed Manual T355 Transmission
DAV = Continuously Variable Transaxle II
DAW = Cont.Var. w/Off-Rd Crawl Ratio Trans

AR = use ase required - = Non illustrated part

2008 MK

Floor Console Front
Figure 8-2305



ITEM	PART NUMBER	QTY	LINE	SERIES	BODY	ENGINE	TRANS	TRIM	DESCRIPTION
NOTES: Sales Codes: [DAV] = Continuously Variable Transaxle [DAW] = Continuously Variable off-Road Ratio [DD7] = 5 Speed Manual T355 Transmission [DEF] = 6 Speed Manual AISIN BG6 Transmission [DHD] = Autostick									
1									KNOB, Gearshift
	05273342AB	1	J, T, U		49		DD7		
		1	J, T, U		74		DD7		
	05273462AB	1	J, T, U		49		DEF		
		1	J, T, U		74		DEF		
2									BOOT, Gearshift
	05105708AB	1	J, T, U		49		DEF		
		1	J, T, U		74		DEF		
	05273434AC	1	J, T, U		49		DD7		
		1	J, T, U		74		DD7		
3									BEZEL, Console Shifter
	0YZ99DSFAB	1	J, T, U		49				[KA]
	0YZ99XZ2AB	1	J, T, U		49				[DV]
		1	J, T, U		74				[DV]
		1	J, T, U		74				[KA]
4									KNOB, Gearshift
	05273370AB	1	J, T, U		49		DAV, DAW		
		1	J, T, U		74		DAV, DAW		
5									BEZEL, Console PRNDL
	0ZH70DX9AB	1	J, T, U		49		DAV		[DA] [DHD] Autostick
		1	J, T, U		49		DAV		[KA][DHD] Autostick
	1AW70DX9AB	1	J, T, U		49		DAV		[DA] [-DHD] Without Autostick
		1	J, T, U		49		DAV		[KA] [-DHD] Without Autostick
		1	J, T, U		74		DAV		[DA] [-DHD] Without Autostick
		1	J, T, U		74		DAV		[KA] [-DHD] Without Autostick
	1FX88DX9AA	1	J, T, U		49		DAW		
		1	J, T, U		74		DAW		
6									HOUSING, Console

COMPASS/PATRIOT (MK)

SERIES LINE
H = HIGHLINE T = JEEP - 2WD
L = LOWLINE J = JEEP - 4WD
P = PREMIUM U = JEEP - 4WD (RHD)

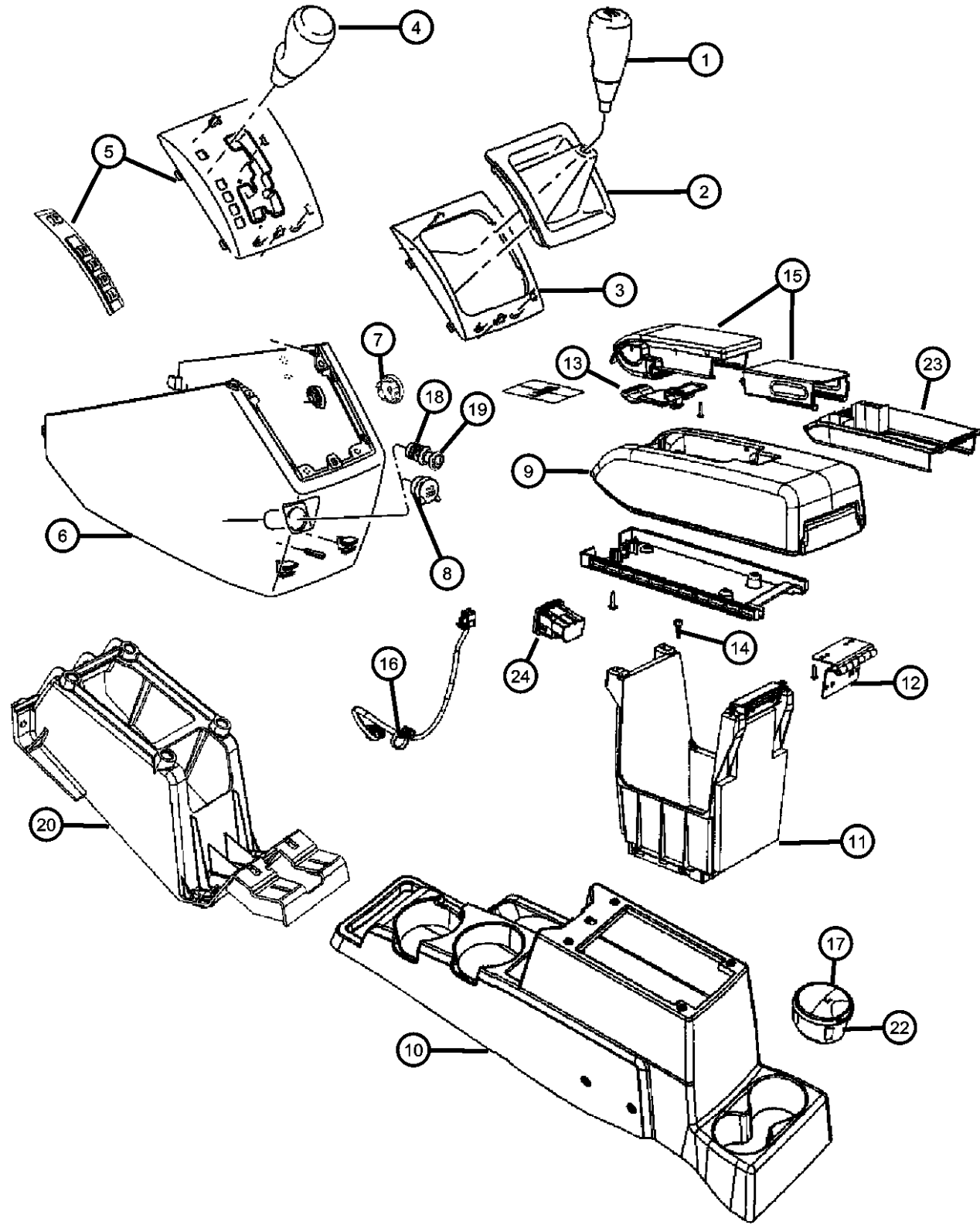
BODY
49 = HATCHBACK TYPE #2
74 = SPORT UTILITY 4-DR TYPE #4

ENGINE TRANSMISSION
ECE = 2.0L 4 Cyl DOHC DPF Diesel Engine DEF = 6-Speed Manual Aisin BG6 Trans
ED3 = 2.4L 4 Cyl DOHC 16V Dual VVT Engine DD7 = 5-Speed Manual T355 Transmission
ECD = 2.0L 4 Cyl DOHC Diesel 16V Engine DAV = Continuously Variable Transaxle II
ECN = 2.0L 4 Cyl DOHC 16V Dual VVT Engine DAW = Cont.Var. w/Off-Rd Crawl Ratio Trans

AR = use ase required - = Non illustrated part

2008 MK

Floor Console Front
Figure 8-2305



ITEM	PART NUMBER	QTY	LINE	SERIES	BODY	ENGINE	TRANS	TRIM	DESCRIPTION
	1BL89DK7AA	1	J, T, U		49				[KA]
	1BL89XDVAA	1	J, T, U		74				[KA]
	1BL89XDVAA	1	J, T, U		49				[DA]
	1BL89XDVAA	1	J, T, U		74				[DA]
7	1FW94DK7AA	1	J, T, U		49				[KA]
	1FW94DK7AA	1	J, T, U		74				[KA]
	1FW94XD-VAA	1	J, T, U		49				[DA]
	1FW94XD-VAA	1	J, T, U		74				[DA]
8	04685591AD	1	J, T, U		49				CAP, Power Outlet
	04685591AD	1	J, T, U		74				
9	1EE201DVAB	1	T		49, 74				ARMREST, Console
	1EE201DVAB	1	J, U		49				[DA] Includes phone holder
	1EE201DVAB	1	J, U		74				[DA] Includes phone holder
	1EE201K7AB	1	T		49, 74				[DA] Includes phone holder
	1EE201K7AB	1	J, U		49				[KA] Includes phone holder
	1EE201K7AB	1	J, U		74				[KA] Includes phone holder
10	1FA041DVAB	1	T		49, 74				BASE, Floor Console
	1FA041DVAB	1	J, U		49				[DA]
	1FA041DVAB	1	J, U		74				[DA]
	1FA041K7AB	1	T		49, 74				[KA]
	1FA041K7AB	1	J, U		49				[KA]
	1FA041K7AB	1	J, U		74				[KA]
11	1FA05DX9AB	1	T		49, 74				BIN, Floor Console
	1FA05DX9AB	1	J, U		49				[DA]
	1FA05DX9AB	1	J, U		49				[DA]
	1FA05DX9AB	1	J, U		74				[KA]
	1FA05DX9AB	1	J, U		74				[DA]
	1FA05DX9AB	1	J, U		74				[KA]

COMPASS/PATRIOT (MK)

SERIES LINE
H = HIGHLINE T = JEEP - 2WD
L = LOWLINE J = JEEP - 4WD
P = PREMIUM U = JEEP - 4WD (RHD)

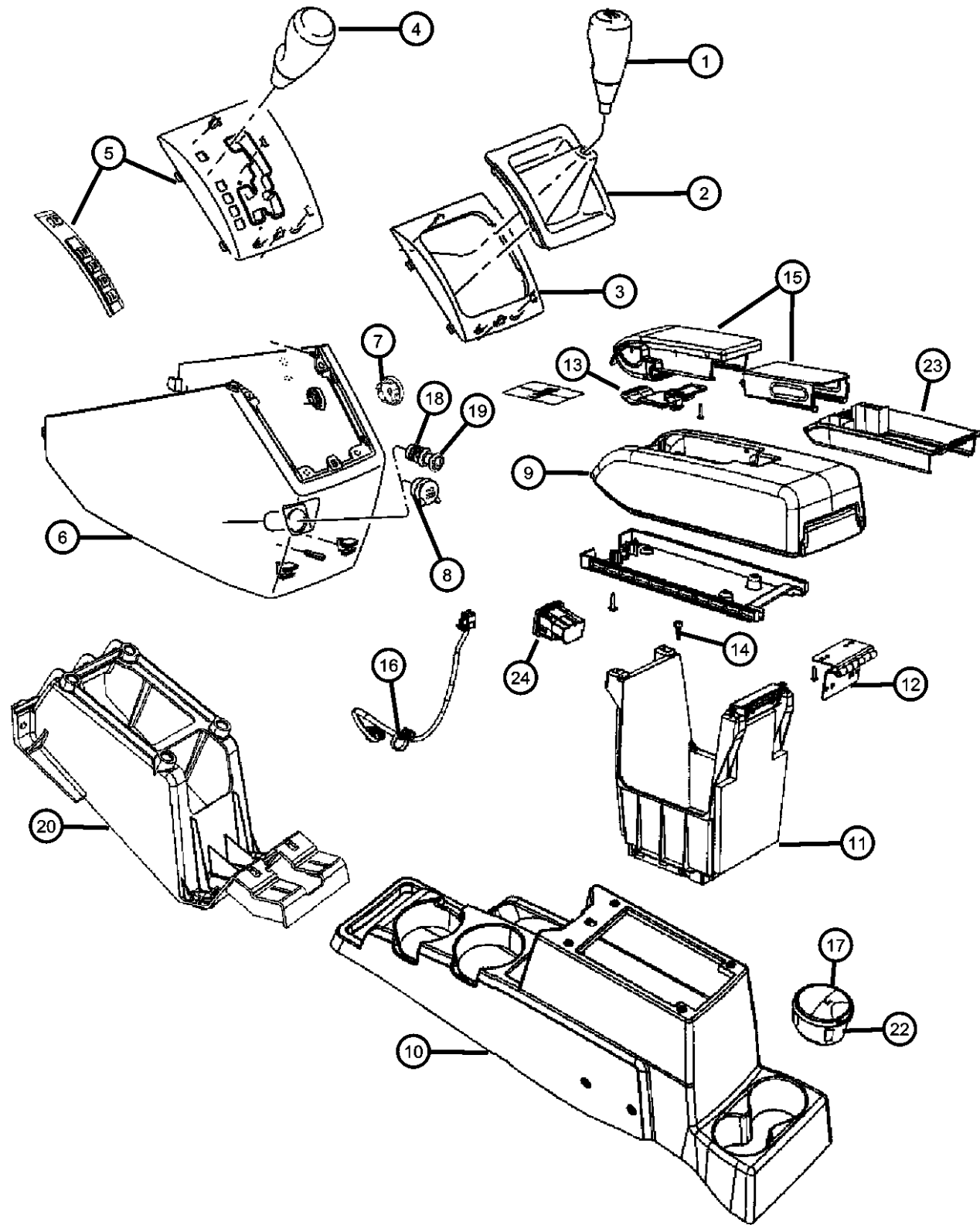
BODY
49 = HATCHBACK TYPE #2
74 = SPORT UTILITY 4-DR TYPE #4

ENGINE TRANSMISSION
ECE = 2.0L 4 Cyl DOHC DPF Diesel Engine DEF = 6-Speed Manual Aisin BG6 Trans
ED3 = 2.4L 4 Cyl DOHC 16V Dual VVT Engine DD7 = 5-Speed Manual T355 Transmission
ECD = 2.0L 4 Cyl DOHC Diesel 16V Engine DAV = Continuously Variable Transaxle II
ECN = 2.0L 4 Cyl DOHC 16V Dual VVT Engine DAW = Cont.Var. w/Off-Rd Crawl Ratio Trans

AR = use ase required - = Non illustrated part

2008 MK

Floor Console Front
Figure 8-2305



ITEM	PART NUMBER	QTY	LINE	SERIES	BODY	ENGINE	TRANS	TRIM	DESCRIPTION
12		1	T		49, 74				[KA] HINGE, Floor Console Lid
	68019160AA	1	T		49, 74				
		1	J, U		49				
		1	J, U		74				
13									LATCH, Armrest Lid
	1EE341DVAA	1	T		49, 74				[DV]
		1	J, U		49				[DV]
		1	J, U		74				[DV]
	1EE341K7AA	1	T		49, 74				[KA]
		1	J, U		49				[KA]
		1	J, U		74				[KA]
14									BUMPER, Floor Console
	05189964AA	6	T		49, 74				
		6	J, U		49				
		6	J, U		74				
15									SLIDE, Console
	1FA151DVAB	1	T		49, 74				[DA]
		1	J, U		49				[DA]
		1	J, U		74				[DA]
	1FA151K7AB	1	T		49, 74				[KA]
		1	J, U		49				[KA]
		1	J, U		74				[KA]
16									WIRING, Console
	04795945AC	1	J, U		49				
		1	J, U		74				
	05084099AC	1	T		49, 74				
17	04595833AB	1	J, T, U		49, 74				SMOKERS PACKAGE
18									BASE, Cigar Lighter
	04685590	1	J, T, U		49				
		1	J, T, U		74				
19	04685536	1	J, T, U		49, 74				KNOB AND ELEMENT, Cigar Lighter

COMPASS/PATRIOT (MK)

SERIES LINE
H = HIGHLINE T = JEEP - 2WD
L = LOWLINE J = JEEP - 4WD
P = PREMIUM U = JEEP - 4WD (RHD)

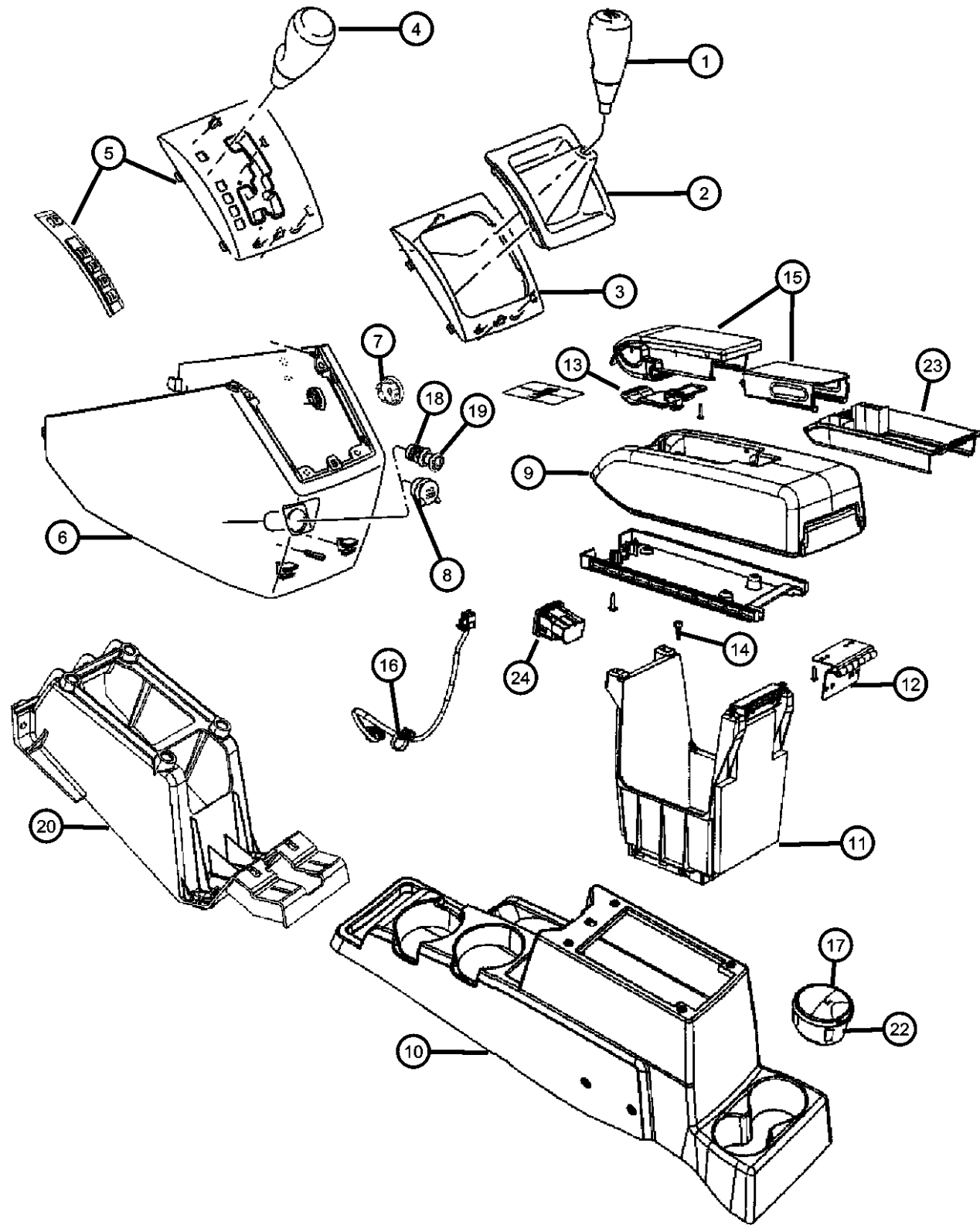
BODY
49 = HATCHBACK TYPE #2
74 = SPORT UTILITY 4-DR TYPE #4

ENGINE TRANSMISSION
ECE = 2.0L 4 Cyl DOHC DPF Diesel Engine DEF = 6-Speed Manual Aisin BG6 Trans
ED3 = 2.4L 4 Cyl DOHC 16V Dual VVT Engine DD7 = 5-Speed Manual T355 Transmission
ECD = 2.0L 4 Cyl DOHC Diesel 16V Engine DAV = Continuously Variable Transaxle II
ECN = 2.0L 4 Cyl DOHC 16V Dual VVT Engine DAW = Cont.Var. w/Off-Rd Crawl Ratio Trans

AR = use ase required - = Non illustrated part

2008 MK

Floor Console Front
Figure 8-2305



ITEM	PART NUMBER	QTY	LINE	SERIES	BODY	ENGINE	TRANS	TRIM	DESCRIPTION
20	05291763AB	1	J, T, U		49		DD7, DEF		BRACKET, Gearshift
		1	J, T, U		74		DD7, DEF		
-21	04664360AA	1	J, T, U		49		DAV, DAW		BRACKET, Gearshift Cable
		1	J, T, U		74		DAV, DAW		
22	04595665AB	1	J, T, U		49, 74				ASH RECEIVER, Floor Console
23	1FA151DVAB	1	T		49, 74				SLIDE, Console
		1	J, U		49				[DA], Upper
		1	J, U		74				[DA], Upper
	1FA151K7AB	1	T		49, 74				[KA], Upper
		1	J, U		49				[KA], Upper
		1	J, U		74				[KA], Upper
	1FA161DVAA	1	T		49, 74				[DA], Lower
		1	J, U		49				[DA], Lower
		1	J, U		74				[DA], Lower
	1FA161K7AA	1	T		49, 74				[KA], Lower
		1	J, U		49				[KA], Lower
		1	J, U		74				[KA], Lower
24	04671955AB	1	T		49, 74				POWER OUTLET, Inverter
		1	J, U		49				
		1	J, U		74				
-25	1AG14DK7AA	1	T		49, 74				PLUG, Power Outlet
		1	J, U		49				[KA]
		1	J, U		74				[KA]
	1AG14XDVAA	1	T		49, 74				[DA]
		1	J, U		49				[DA]
		1	J, U		74				[DA]
-26		1							COIN BOX, Console, (NOT SERVICED),

COMPASS/PATRIOT (MK)

SERIES LINE
H = HIGHLINE T = JEEP - 2WD
L = LOWLINE J = JEEP - 4WD
P = PREMIUM U = JEEP - 4WD (RHD)

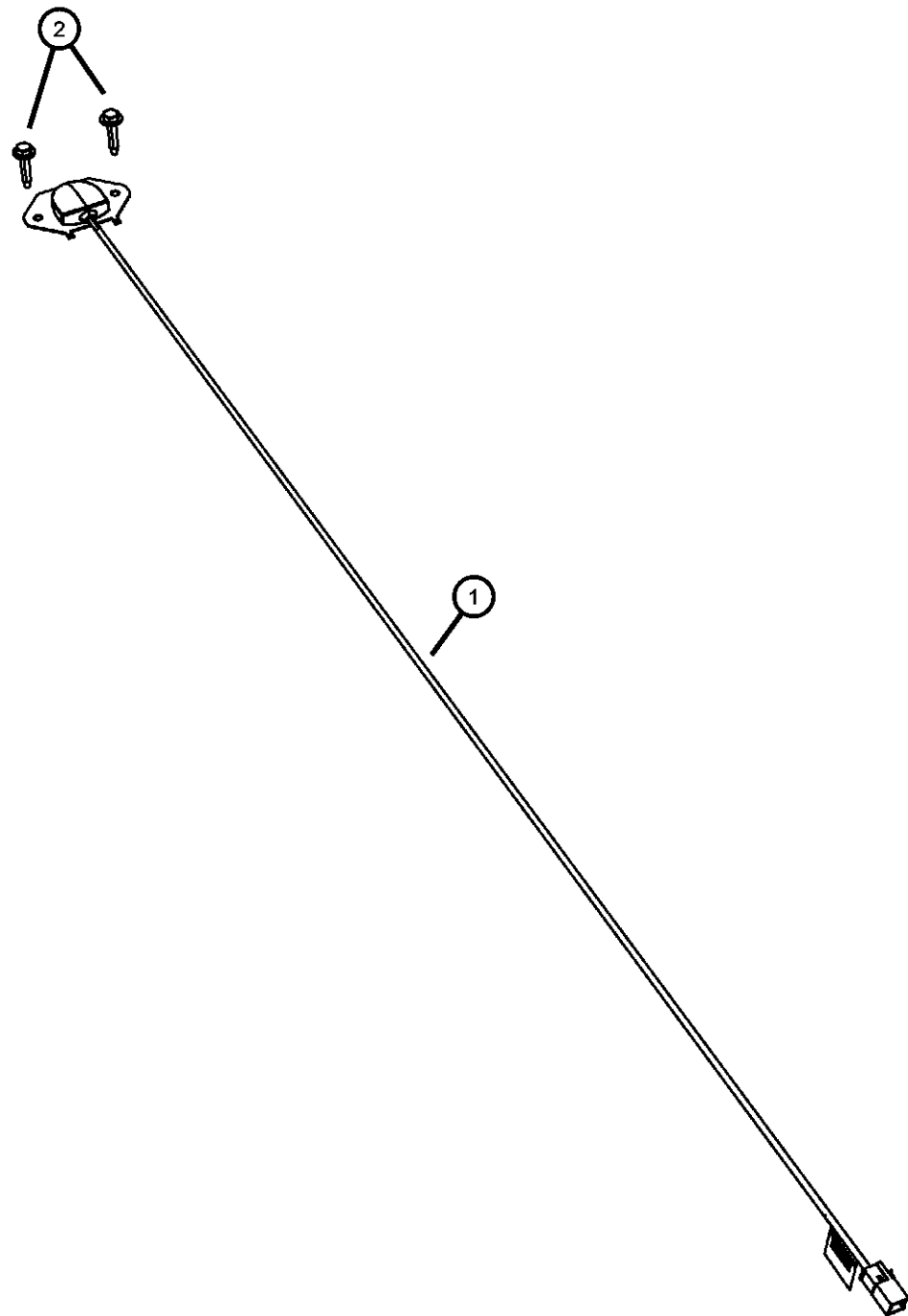
BODY
49 = HATCHBACK TYPE #2
74 = SPORT UTILITY 4-DR TYPE #4

ENGINE TRANSMISSION
ECE = 2.0L 4 Cyl DOHC DPF DEF = 6-Speed Manual Aisin BG6
Diesel Engine Trans
ED3 = 2.4L 4 Cyl DOHC 16V DD7 = 5-Speed Manual T355
Dual VVT Engine Transmission
ECD = 2.0L 4 Cyl DOHC DAV = Continuously Variable
Diesel 16V Engine Transaxle II
ECN = 2.0L 4 Cyl DOHC 16V DAW = Cont.Var. w/Off-Rd Crawl
Dual VVT Engine Ratio Trans

AR = use ase required - = Non illustrated part

2008 MK

Antenna GPS
Figure 8-2410



ITEM	PART NUMBER	QTY	LINE	SERIES	BODY	ENGINE	TRANS	TRIM	DESCRIPTION
1									ANTENNA, GPS
	56038630AC	1	J, T, U		49				
		1	J, T, U		74				
2									SCREW, Tapping Hex Head, M4.2X1.70X20.00
	06101946	2	J, T, U		49				
		2	J, T, U		74				

COMPASS/PATRIOT (MK)

SERIES LINE

H = HIGHLINE T = JEEP - 2WD
L = LOWLINE J = JEEP - 4WD
P = PREMIUM U = JEEP - 4WD (RHD)

BODY

49 = HATCHBACK TYPE #2
74 = SPORT UTILITY 4-DR
TYPE #4

ENGINE

ECE = 2.0L 4 Cyl DOHC DPF Diesel Engine
ED3 = 2.4L 4 Cyl DOHC 16V Dual VVT Engine
ECD = 2.0L 4 Cyl DOHC Diesel 16V Engine
ECN = 2.0L 4 Cyl DOHC 16V Dual VVT Engine

TRANSMISSION

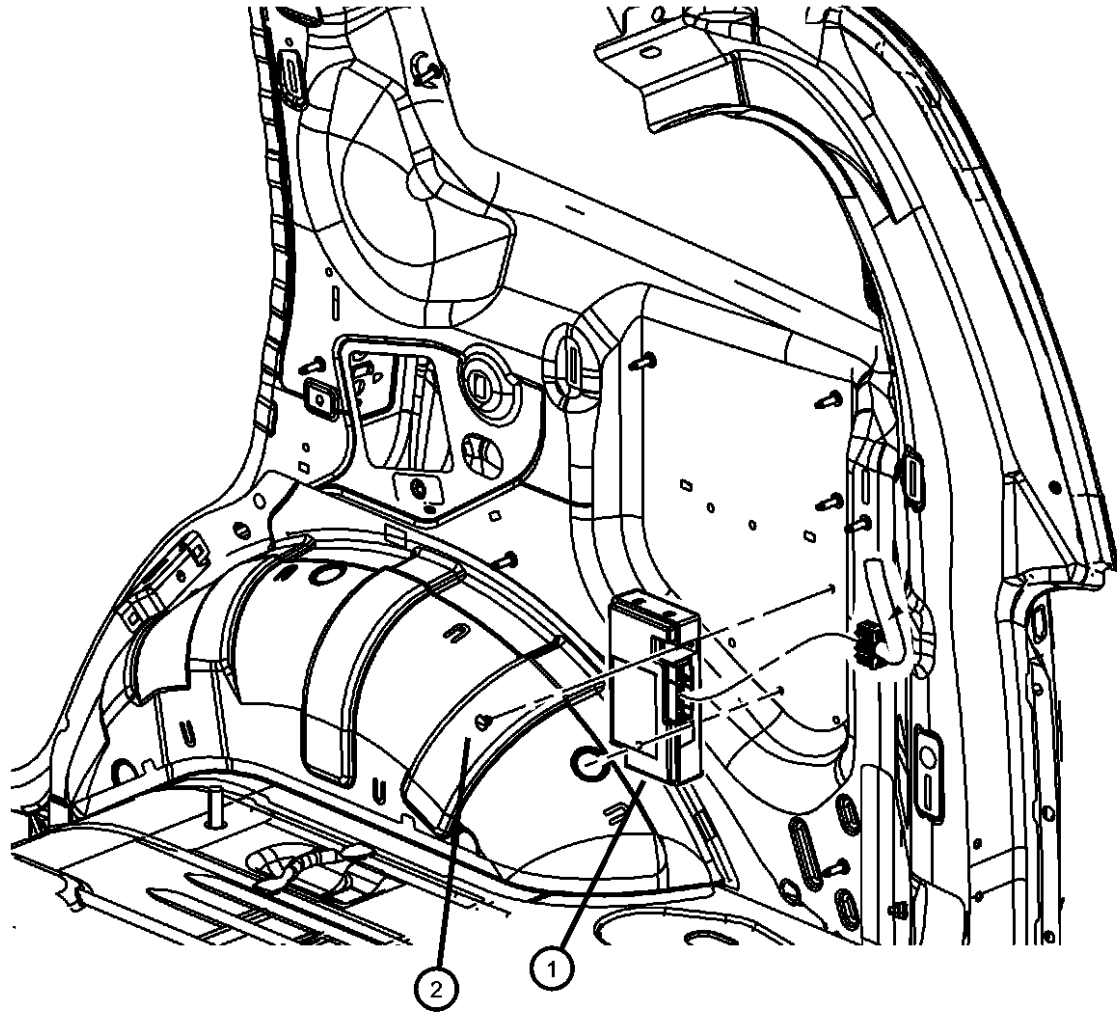
DEF = 6-Speed Manual Aisin BG6 Trans
DD7 = 5-Speed Manual T355 Transmission
DAV = Continuously Variable Transaxle II
DAW = Cont.Var. w/Off-Rd Crawl Ratio Trans

AR = use ase required - = Non illustrated part

2008 MK

Telecommunications
Figure 8-2505

ITEM	PART NUMBER	QTY	LINE	SERIES	BODY	ENGINE	TRANS	TRIM	DESCRIPTION
1	05064560AB	1	J, T, U		49				MODULE, Telematics
		1	J, T, U		74				
2	06101946	2	J, T, U		49				SCREW, Tapping Hex Head, M4.2X1.70X20.00
		2	J, T, U		74				



COMPASS/PATRIOT (MK)

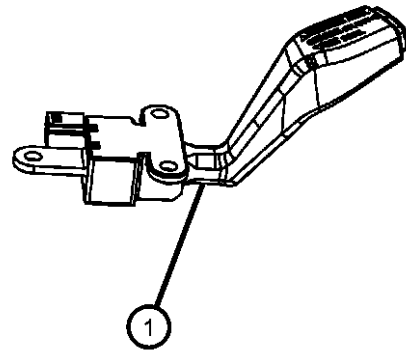
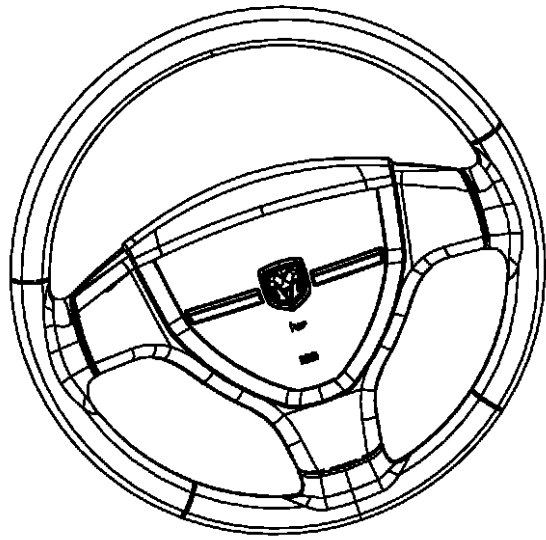
SERIES	LINE	BODY	ENGINE	TRANSMISSION
H = HIGHLINE	T = JEEP - 2WD	49 = HATCHBACK TYPE #2	ECE = 2.0L 4 Cyl DOHC DPF Diesel Engine	DEF = 6-Speed Manual Aisin BG6 Trans
L = LOWLINE	J = JEEP - 4WD	74 = SPORT UTILITY 4-DR TYPE #4	ED3 = 2.4L 4 Cyl DOHC 16V Dual VVT Engine	DD7 = 5-Speed Manual T355 Transmission
P = PREMIUM	U = JEEP - 4WD (RHD)		ECD = 2.0L 4 Cyl DOHC Diesel 16V Engine	DAV = Continuously Variable Transaxle II
			ECN = 2.0L 4 Cyl DOHC 16V Dual VVT Engine	DAW = Cont.Var. w/Off-Rd Crawl Ratio Trans

AR = use ase required - = Non illustrated part

2008 MK

**Speed Control
Figure 8-2705**

ITEM	PART NUMBER	QTY	LINE	SERIES	BODY	ENGINE	TRANS	TRIM	DESCRIPTION
1									SWITCH, Speed Control
	04671929AA	1	J, T, U		49				
		1	J, T, U		74				



COMPASS/PATRIOT (MK)

SERIES LINE

H = HIGHLINE T = JEEP - 2WD
 L = LOWLINE J = JEEP - 4WD
 P = PREMIUM U = JEEP - 4WD (RHD)

BODY

49 = HATCHBACK TYPE #2
 74 = SPORT UTILITY 4-DR TYPE #4

ENGINE

ECE = 2.0L 4 Cyl DOHC DPF Diesel Engine
 ED3 = 2.4L 4 Cyl DOHC 16V Dual VVT Engine
 ECD = 2.0L 4 Cyl DOHC Diesel 16V Engine
 ECN = 2.0L 4 Cyl DOHC 16V Dual VVT Engine

TRANSMISSION

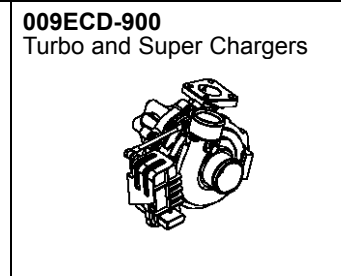
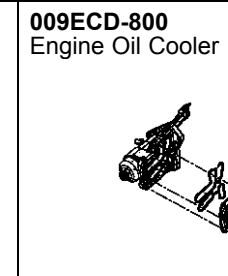
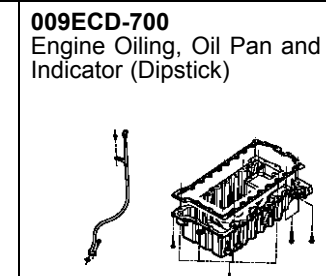
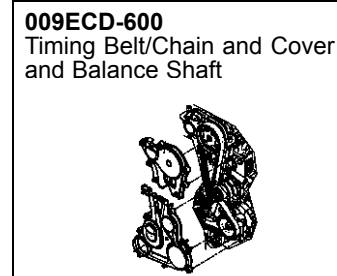
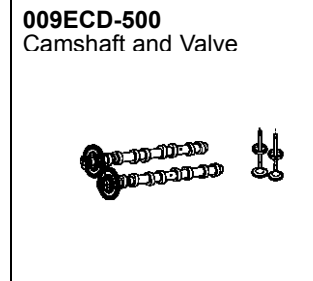
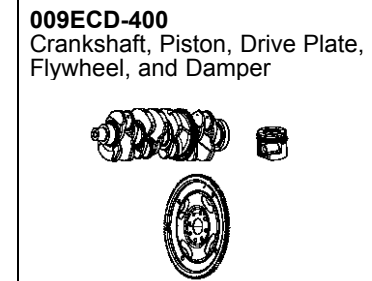
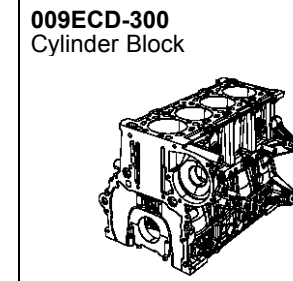
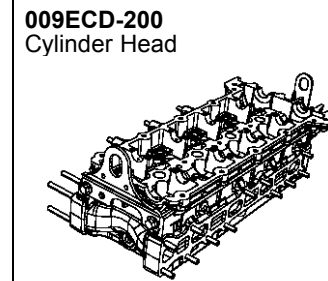
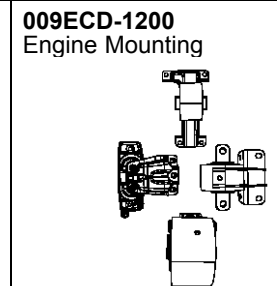
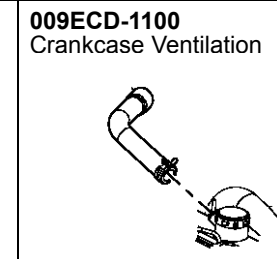
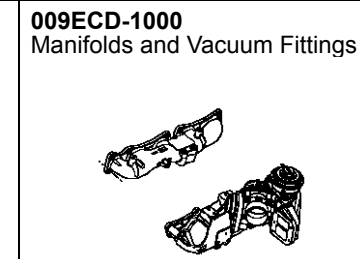
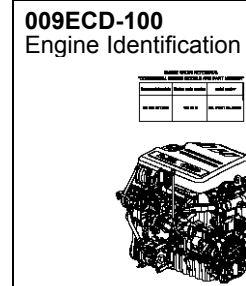
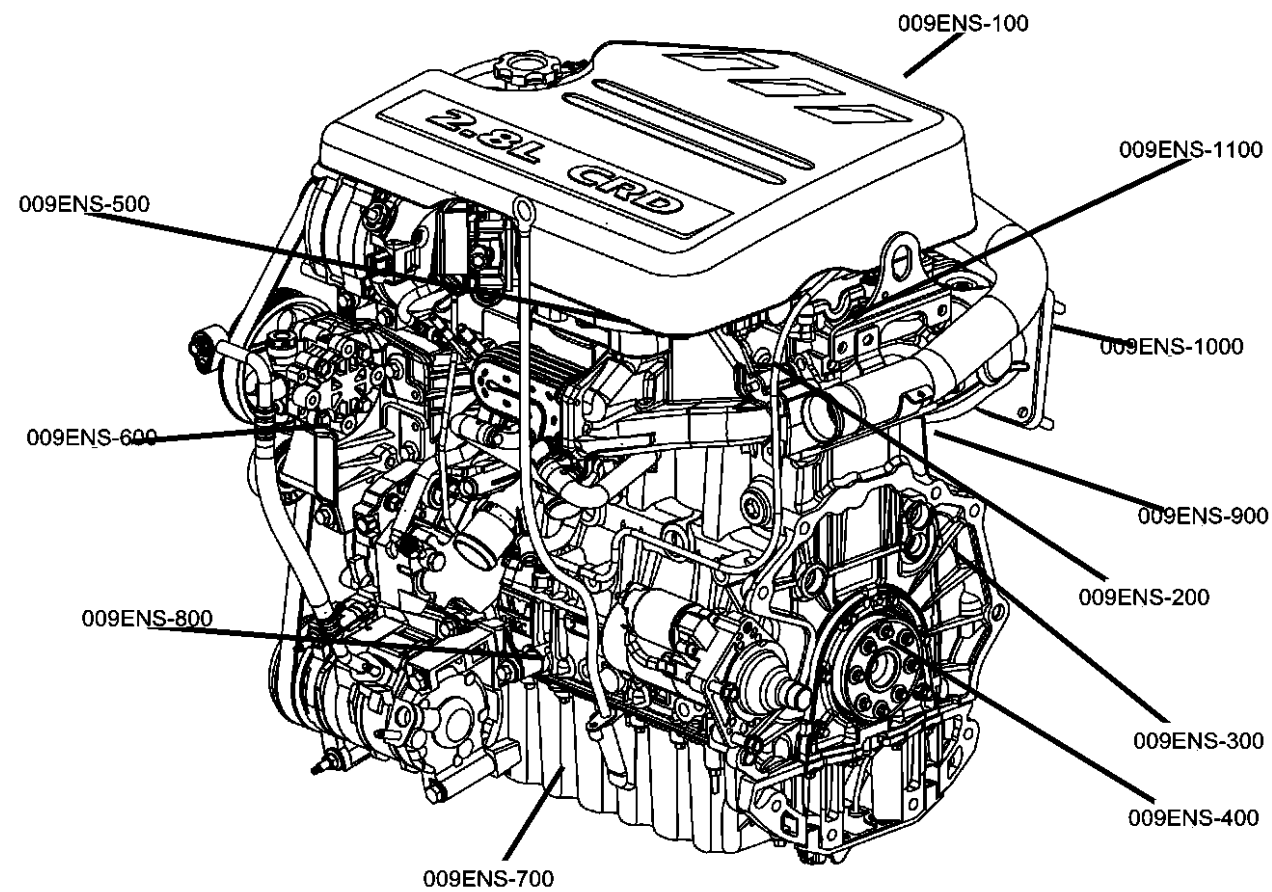
DEF = 6-Speed Manual Aisin BG6 Trans
 DD7 = 5-Speed Manual T355 Transmission
 DAV = Continuously Variable Transaxle II
 DAW = Cont.Var. w/Off-Rd Crawl Ratio Trans

AR = use ase required - = Non illustrated part

2008 MK

Group - 009ECD

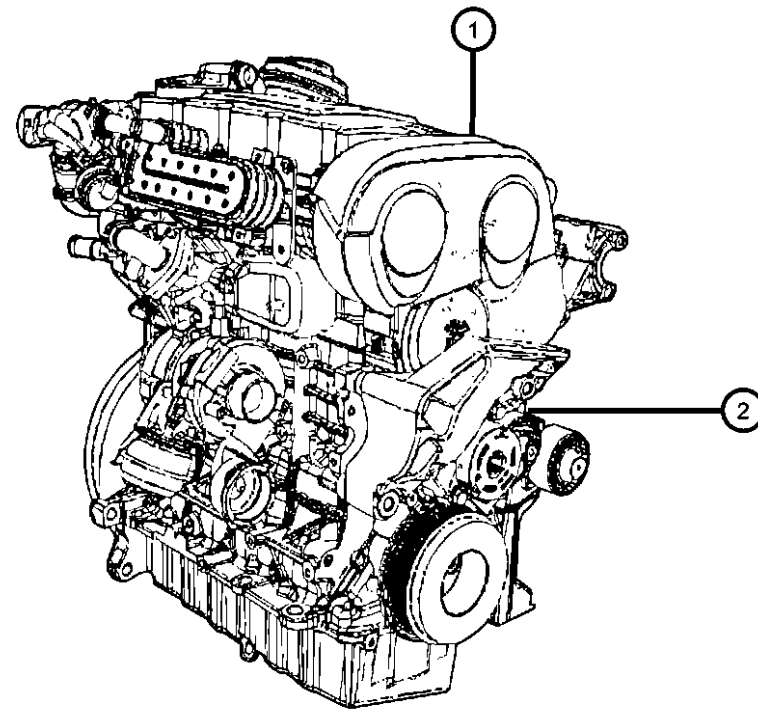
2.0L Turbo Diesel; Engine



Group - 009ECD 2.0L Turbo Diesel; Engine

Illustration Title	Group-Fig. No.
Engine Identification	
Engine Assembly And Identification 2.0L Diesel [ECD]	Fig. 009ECD - 105
Engine Cover And Related Parts 2.0L Diesel [ECD]	Fig. 009ECD - 125
Cylinder Head	
Cylinder Head Cover 2.0L Diesel [ECD]	Fig. 009ECD - 205
Cylinder Head 2.0L Diesel [ECD]	Fig. 009ECD - 225
Cylinder Block	
Engine Cylinder Block And Hardware 2.0L Diesel [ECD]	Fig. 009ECD - 305
Crankshaft, Piston, Drive Plate, Flywheel, and Damper	
Crankshaft, Crankshaft Bearings, Damper, Flywheel And Flexplate 2.0L Diesel [ECD]	Fig. 009ECD - 405
Pistons, Piston Rings, Connecting Rods And Connecting Rod Bearings 2.0L Diesel [ECD]	Fig. 009ECD - 425
Camshaft and Valve	
Camshafts And Valvetrain 2.0L Diesel [ECD]	Fig. 009ECD - 505
Timing Belt/Chain and Cover and Balance Shaft	
Timing Case Cover 2.0L Diesel [ECD]	Fig. 009ECD - 605
Timing System 2.0L Diesel [ECD]	Fig. 009ECD - 625
Engine Oiling, Oil Pan and Indicator (Dipstick)	
Engine Oiling Pump 2.0L Diesel [ECD]	Fig. 009ECD - 705
Engine Oil Pan, Engine Oil Level Indicator And Related Parts 2.0L Diesel [ECD]	Fig. 009ECD - 725
Engine Oil Filter And Adapter 2.0L Diesel [ECD]	Fig. 009ECD - 745
Engine Oil Cooler	
Engine Oil Cooler And Hoses/Tubes 2.0L Diesel [ECD]	Fig. 009ECD - 805
Turbo and Super Chargers	
Exhaust Manifold/Turbo Charger Assembly 2.0L Diesel [ECD]	Fig. 009ECD - 945
Manifolds and Vacuum Fittings	
Intake Manifold 2.0L Diesel [ECD]	Fig. 009ECD - 1025
Crankcase Ventilation	
Crankcase Ventilation 2.0L Diesel [ECD]	Fig. 009ECD - 1105
Engine Mounting	
Engine Mounting Front AWD/4WD 2.0L Diesel [ECD]	Fig. 009ECD - 1215
Engine Mounting Right Side AWD/4WD 2.0L Diesel [ECD]	Fig. 009ECD - 1235
Engine Mounting Left Side AWD/4WD 2.0L Diesel [ECD]	Fig. 009ECD - 1255
Engine Mounting Rear AWD/4WD 2.0L Diesel [ECD]	Fig. 009ECD - 1275

**Engine Assembly And Identification 2.0L Diesel [ECD]
Figure 009ECD-105**



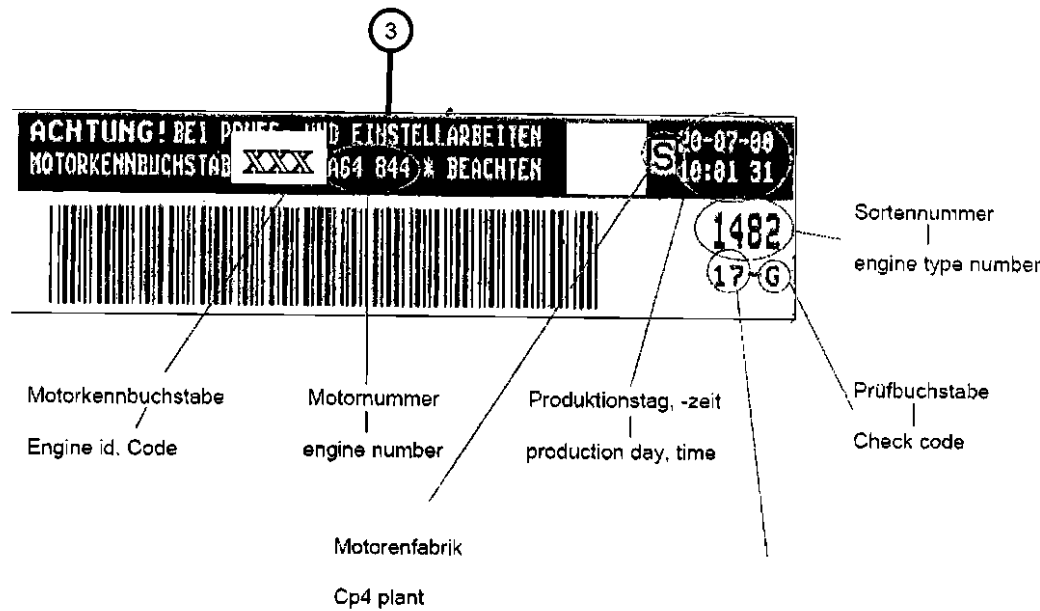
ITEM	PART NUMBER	QTY	LINE	SERIES	BODY	ENGINE	TRANS	TRIM	DESCRIPTION
------	-------------	-----	------	--------	------	--------	-------	------	-------------

NOTE:
When Engine Long Block Is Ordered, The First Three Alpha Characters Of The Engine I.D. Code Must Be Obtained For Proper Engine Replacement.
Engine I.D. Codes Are Listed Below:
[BSY] = NON-Balance Shaft Engine
[BLY] = Balance Shaft Engine WITHOUT Diesel Particulate Filter
[BWD] = Balance Shaft Engine WITH Diesel Particulate Filter
Base Engine Does Not Include Any External Bolt On Components, Only Main Components Cylinder Head, Cylinder Block, And Internals

1		1							ENGINE, Complete, Diesel, Serviced By Base Engine Only, (NOT SERVICED)
2	68034258AA	1	J, T, U			ECD			ENGINE, Long Block, See Note For Important Information, With Engine Alpha I.D. Code [BYL] LABEL, Engine Identification, Located On Timing Cover See Note For Important Information, (NOT SERVICED)
3	68034258AA	1							

Barcode-label for Cp4 engine

Aufkleber für den ZP4-Motor



COMPASS/PATRIOT (MK)

SERIES	LINE	BODY	ENGINE	TRANSMISSION
H = HIGHLINE	T = JEEP - 2WD	49 = HATCHBACK TYPE #2	ECE = 2.0L 4 Cyl DOHC DPF Diesel Engine	DEF = 6-Speed Manual Aisin BG6 Trans
L = LOWLINE	J = JEEP - 4WD	74 = SPORT UTILITY 4-DR TYPE #4	ED3 = 2.4L 4 Cyl DOHC 16V Dual VVT Engine	DD7 = 5-Speed Manual T355 Transmission
P = PREMIUM	U = JEEP - 4WD (RHD)		ECD = 2.0L 4 Cyl DOHC Diesel 16V Engine	DAV = Continuously Variable Transaxle II
			ECN = 2.0L 4 Cyl DOHC 16V Dual VVT Engine	DAW = Cont.Var. w/Off-Rd Crawl Ratio Trans

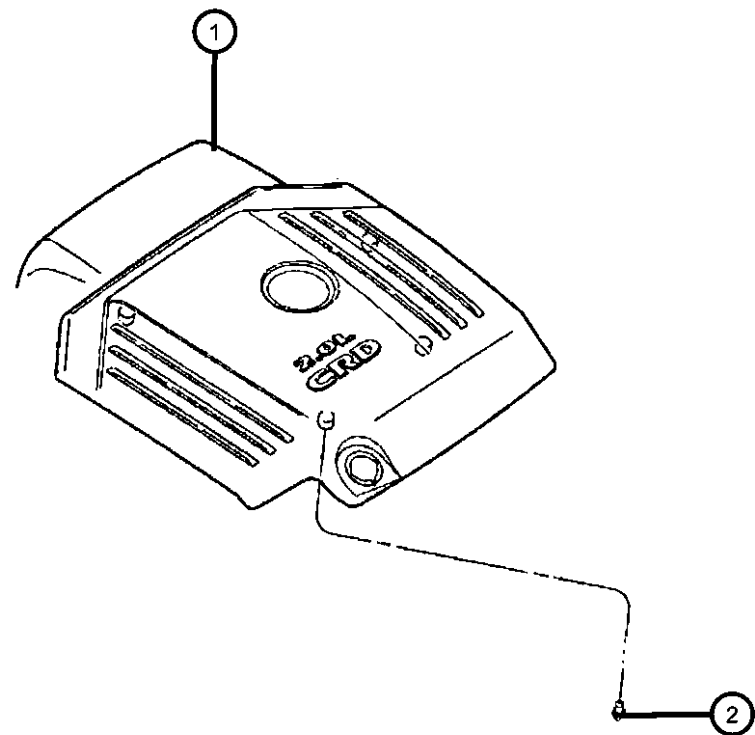
AR = use ase required - = Non illustrated part

2008 MK

**Engine Cover And Related Parts 2.0L Diesel [ECD]
Figure 009ECD-125**

ITEM	PART NUMBER	QTY	LINE	SERIES	BODY	ENGINE	TRANS	TRIM	DESCRIPTION
------	-------------	-----	------	--------	------	--------	-------	------	-------------

NOTE:
Sales Codes:
[DAV] = Continuously Variable Transmission
[DEF] = 6-Speed Manual Aisian BG6 Transmission
[DE0] = All 6-Speed Manual Transmissions
[DD0] = All 5-Speed Manual Transmissions
[DD7] = 5-Speed Manual T355 Transmission
[ECD] = 2.0L 4 C



1									COVER, Engine
	04891644AE	1	J, T, U			ECD			Compass
		1	J, T, U			ECD			Patriot
2		1							ISOLATOR, (NOT SERVICED),

COMPASS/PATRIOT (MK)

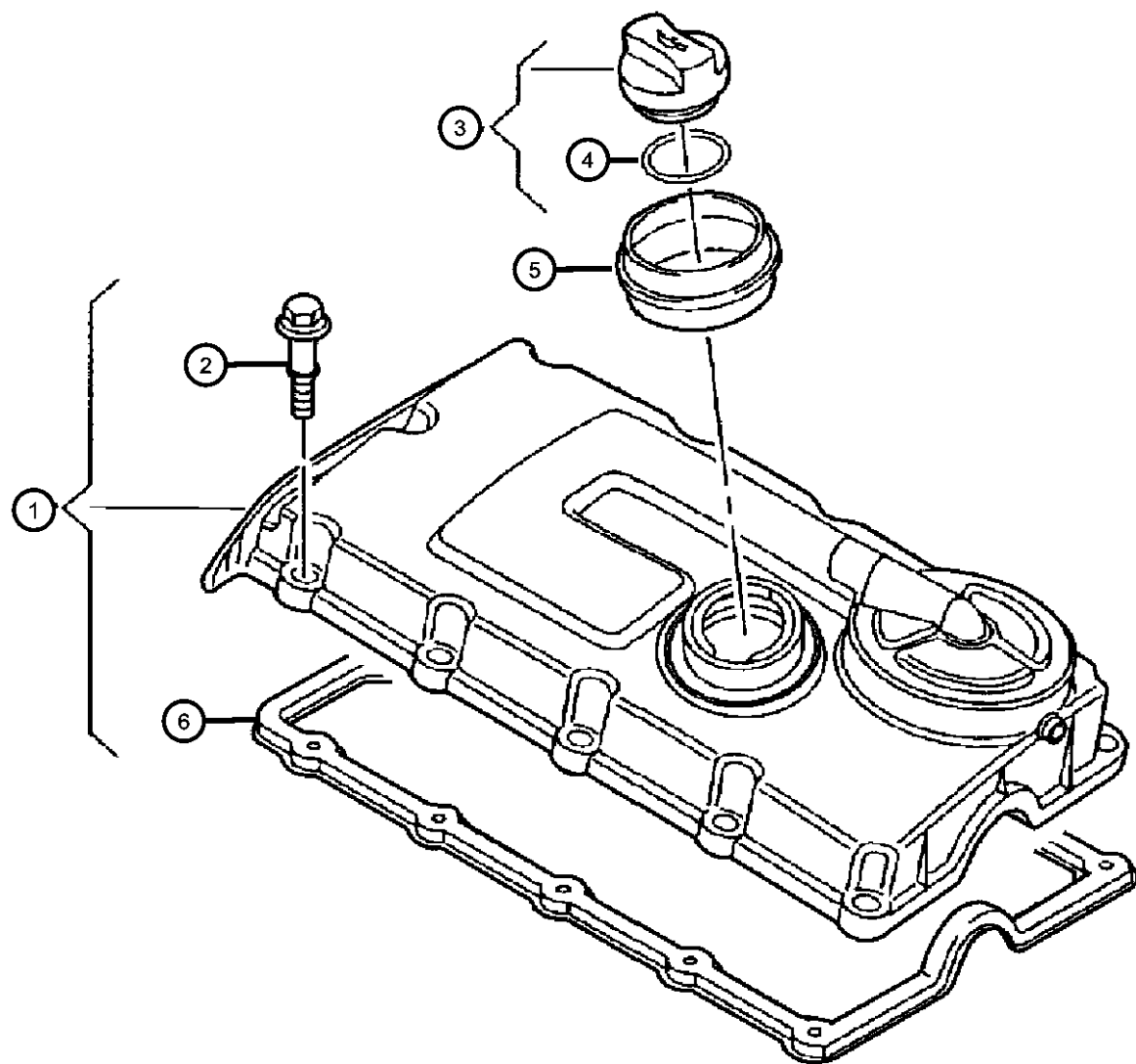
SERIES	LINE	BODY	ENGINE	TRANSMISSION
H = HIGHLINE	T = JEEP - 2WD	49 = HATCHBACK TYPE #2	ECE = 2.0L 4 Cyl DOHC DPF Diesel Engine	DEF = 6-Speed Manual Aisin BG6 Trans
L = LOWLINE	J = JEEP - 4WD	74 = SPORT UTILITY 4-DR TYPE #4	ED3 = 2.4L 4 Cyl DOHC 16V Dual VVT Engine	DD7 = 5-Speed Manual T355 Transmission
P = PREMIUM	U = JEEP - 4WD (RHD)		ECD = 2.0L 4 Cyl DOHC Diesel 16V Engine	DAV = Continuously Variable Transaxle II
			ECN = 2.0L 4 Cyl DOHC 16V Dual VVT Engine	DAW = Cont.Var. w/Off-Rd Crawl Ratio Trans

AR = use ase required - = Non illustrated part

2008 MK

**Cylinder Head Cover 2.0L Diesel [ECD]
Figure 009ECD-205**

ITEM	PART NUMBER	QTY	LINE	SERIES	BODY	ENGINE	TRANS	TRIM	DESCRIPTION
1	68001294AB	1	J, T, U			ECD			COVER, Cylinder Head, Includes Items 2, 6
2	68001292AA	11	J, T, U			ECD			BOLT, Cylinder Head Cover To Cylinder Head, Mounting
3							DAV, DAW		CAP, Oil Filler, Includes Item 4
	05105718AC	1	J, T, U						
	68001602AA	1	J, T, U			ECD			
4	68001296AA	1	J, T, U			ECD			SEAL
5	68001312AA	1	J, T, U			ECD			GASKET, Oil Filler Cap
6	68001293AA	1	J, T, U			ECD			GASKET, Cylinder head Cover



COMPASS/PATRIOT (MK)

SERIES LINE
H = HIGHLINE T = JEEP - 2WD
L = LOWLINE J = JEEP - 4WD
P = PREMIUM U = JEEP - 4WD (RHD)

BODY
49 = HATCHBACK TYPE #2
74 = SPORT UTILITY 4-DR
TYPE #4

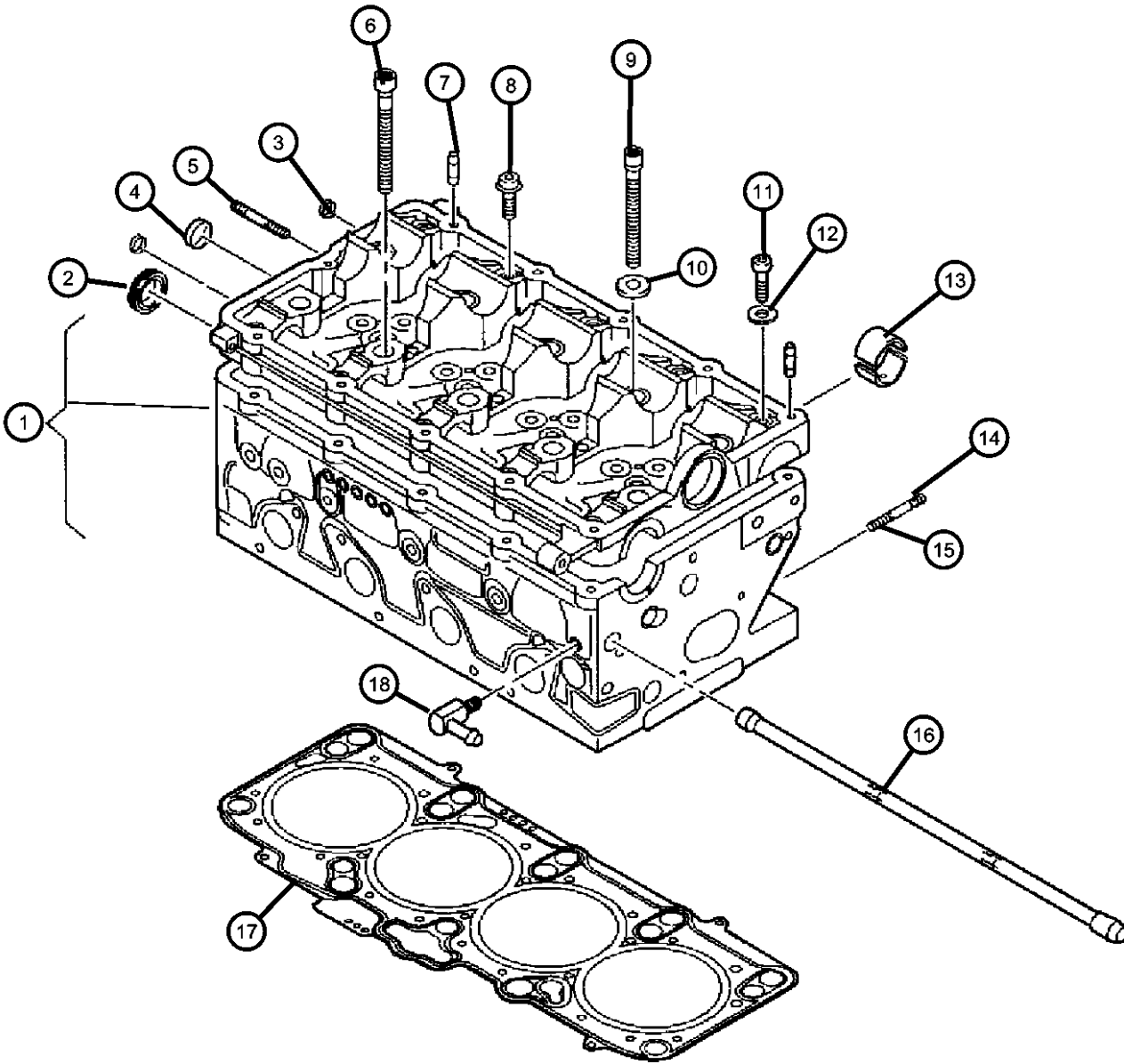
ENGINE
ECE = 2.0L 4 Cyl DOHC DPF Diesel Engine
ED3 = 2.4L 4 Cyl DOHC 16V Dual VVT Engine
ECD = 2.0L 4 Cyl DOHC Diesel 16V Engine
ECN = 2.0L 4 Cyl DOHC 16V Dual VVT Engine

TRANSMISSION
DEF = 6-Speed Manual Aisin BG6 Trans
DD7 = 5-Speed Manual T355 Transmission
DAV = Continuously Variable Transaxle II
DAW = Cont.Var. w/Off-Rd Crawl Ratio Trans

AR = use ase required - = Non illustrated part

2008 MK

**Cylinder Head 2.0L Diesel [ECD]
Figure 009ECD-225**



ITEM	PART NUMBER	QTY	LINE	SERIES	BODY	ENGINE	TRANS	TRIM	DESCRIPTION
1	68001295AA	1	J, T, U			ECD			HEAD, Cylinder, Includes Items 3, 4, 7, 17,
2	68001164AA	2	J, T, U			ECD			SEAL, Camshaft
3	68004312AA	3	J, T, U			ECD			PLUG, Core
4	68001486AA	1	J, T, U			ECD			PLUG, Core
5	68001310AA	1	J, T, U			ECD			STUD, M8x73
6	68001457AA	10	J, T, U			ECD			BOLT, Cylinder Head, Mounting
7	68001492AA	4	J, T, U			ECD			DOWEL PIN
8	68001487AB	5	J, T, U			ECD			BOLT
9	68001458AA	8	J, T, U			ECD			BOLT, M6x88, Cylinder Head, Mounting
10	68001522AA	1	J, T, U			ECD			WASHER
11	68019947AA	10	J, T, U			ECD			BOLT
12	68001522AA	1	J, T, U			ECD			WASHER
13									BEARING, Camshaft
	68001565AA	1	J, T, U			ECD			Lower
	68001570AA	1	J, T, U			ECD			Upper
14	68001493AA	4	J, T, U			ECD			STUD, Double Ended, M8x18
15	68001524AA	8	J, T, U			ECD			STUD, Double Ended
16	68001311AA	1	J, T, U			ECD			RAIL, Fuel
17	68001272AA	1	J, T, U			ECD			GASKET, Cylinder Head
18	68001314AA	1	J, T, U			ECD			FITTING

COMPASS/PATRIOT (MK)

SERIES LINE
H = HIGHLINE T = JEEP - 2WD
L = LOWLINE J = JEEP - 4WD
P = PREMIUM U = JEEP - 4WD (RHD)

BODY
49 = HATCHBACK TYPE #2
74 = SPORT UTILITY 4-DR
TYPE #4

ENGINE
ECE = 2.0L 4 Cyl DOHC DPF Diesel Engine
ED3 = 2.4L 4 Cyl DOHC 16V Dual VVT Engine
ECD = 2.0L 4 Cyl DOHC Diesel 16V Engine
ECN = 2.0L 4 Cyl DOHC 16V Dual VVT Engine

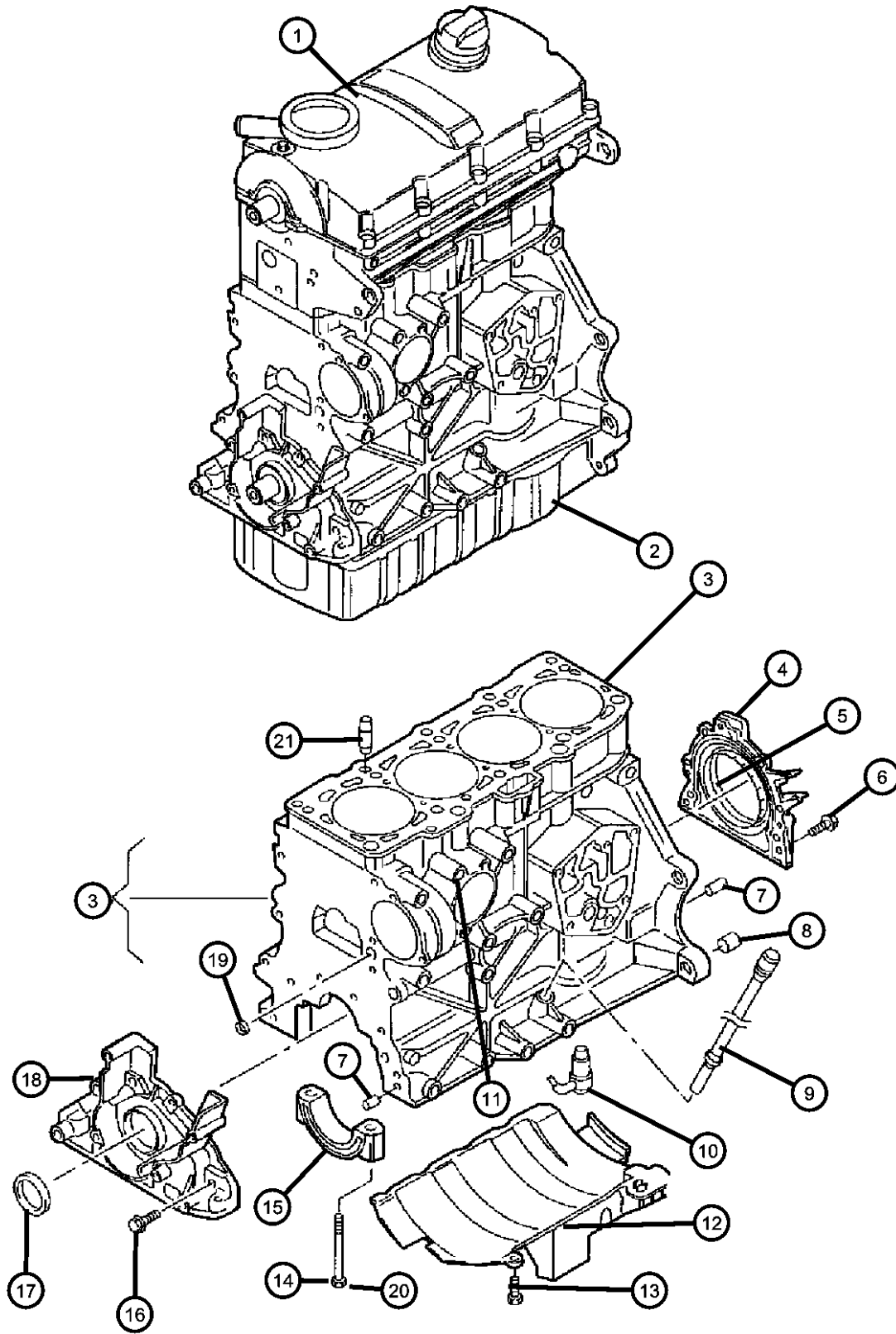
TRANSMISSION
DEF = 6-Speed Manual Aisin BG6 Trans
DD7 = 5-Speed Manual T355 Transmission
DAV = Continuously Variable Transaxle II
DAW = Cont.Var. w/Off-Rd Crawl Ratio Trans

AR = use ase required - = Non illustrated part

2008 MK

**Engine Cylinder Block And Hardware 2.0L Diesel [ECD]
Figure 009ECD-305**

ITEM	PART NUMBER	QTY	LINE	SERIES	BODY	ENGINE	TRANS	TRIM	DESCRIPTION
NOTE: Base Engine Does Not Include Any External Bolt On Components, Only Main Components Cylinder Head, Cylinder Block, And Internals ETC.									
1	68001314AA	1							ENGINE, See Note, (NOT SERVICED)
2	68001342AA	1	J, T, U			ECD			PAN, Engine Oil
3	68004311AB	1	J, T, U			ECD			BLOCK, Cylinder, Bare Block
4	68000669AA	1	J, T, U			ECD			RETAINER AND SEAL, Crankshaft Rear Oil
5	68000669AA	1							SEAL, Rear Main Crankshaft, Serviced In Item #5 Retainer, (NOT SERVICED)
6	68000669AA	1							BOLT, (NOT SERVICED)
7	68001492AA	4	J, T, U			ECD			DOWEL PIN, Cylinder Block
8	68000664AA	2	J, T, U			ECD			DOWEL PIN, Clutch Housing To Cylinder Block, Mounting
9	68001464AA	1	J, T, U			ECD			TUBE, Turbo Oil Feed
10	68000668AA	4	J, T, U			ECD			JET, Piston Oil Cooler
11	68001136AA	1	J, T, U			ECD			DOWEL
12	68000670AA	1	J, T, U			ECD			TRAY, Windage
13	68000670AA	1							BOLT, (NOT SERVICED)
14	68001347AA	10	J, T, U			ECD			BOLT, Main Bearing Caps, Mounting
15	68001347AA	10							CAP, Main, Serviced with Cylinder Block, (NOT SERVICED)
16	68001543AB	7	J, T, U			ECD			BOLT, Hex Head, M7x21.5
17	68000666AA	1	J, T, U			ECD			SEAL, Crankshaft Oil, Front
18	68000667AA	1	J, T, U			ECD			RETAINER, Crankshaft Front Oil Seal
19	68004312AA	3	J, T, U			ECD			PLUG, Core
20	68001479AB	1	J, T, U			ECD			BOLT
21	68000665AA	2	J, T, U			ECD			DOWEL PIN, Cylinder Head To Cylinder Block, Mounting



COMPASS/PATRIOT (MK)

SERIES LINE
H = HIGHLINE T = JEEP - 2WD
L = LOWLINE J = JEEP - 4WD
P = PREMIUM U = JEEP - 4WD (RHD)

BODY
49 = HATCHBACK TYPE #2
74 = SPORT UTILITY 4-DR TYPE #4

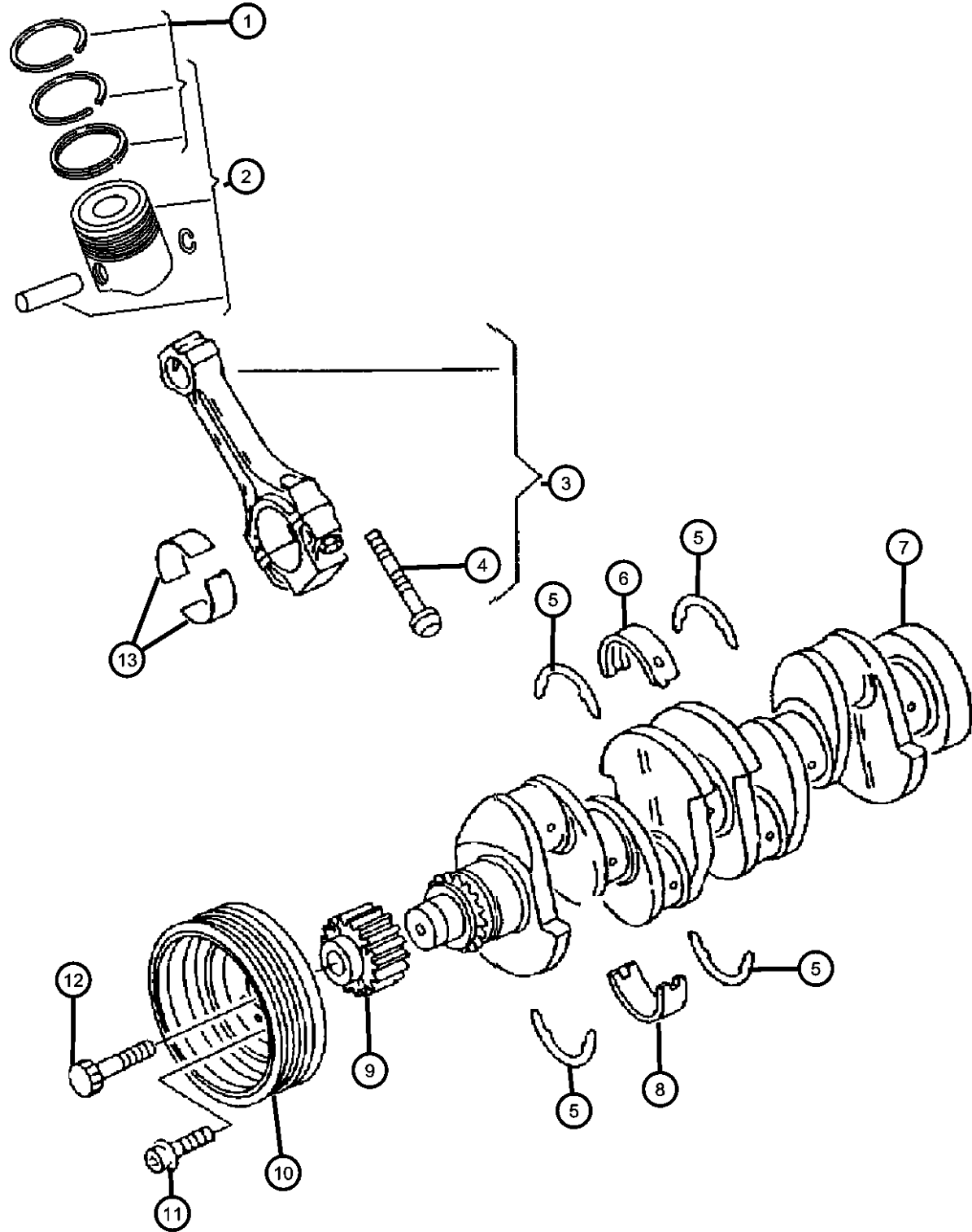
ENGINE
ECE = 2.0L 4 Cyl DOHC DPF Diesel Engine
ED3 = 2.4L 4 Cyl DOHC 16V Dual VVT Engine
ECD = 2.0L 4 Cyl DOHC Diesel 16V Engine
ECN = 2.0L 4 Cyl DOHC 16V Dual VVT Engine

TRANSMISSION
DEF = 6-Speed Manual Aisin BG6 Trans
DD7 = 5-Speed Manual T355 Transmission
DAV = Continuously Variable Transaxle II
DAW = Cont.Var. w/Off-Rd Crawl Ratio Trans

AR = use ase required - = Non illustrated part

2008 MK

**Crankshaft, Crankshaft Bearings, Damper, Flywheel And Flexplate 2.0L Diesel [ECD]
Figure 009ECD-405**



ITEM	PART NUMBER	QTY	LINE	SERIES	BODY	ENGINE	TRANS	TRIM	DESCRIPTION
------	-------------	-----	------	--------	------	--------	-------	------	-------------

NOTE:
See Group 6 Clutch For Flywheel

1	68000632AA	1	J, T, U			ECD			RING KIT, Piston
2	68004320AA	5	J, T, U			ECD			PISTON, ENGINE, Includes Item 1
3	68000673AA	4	J, T, U			ECD			ROD, Connecting, Includes Item 4
4	68000673AA	4							BOLT, Connecting Rod, (NOT SERVICED)
5	68000631AA	5	J, T, U			ECD			WASHER KIT, Crankshaft Thrust
6	68001343AB	5	J, T, U			ECD			BEARING, Crankshaft Upper
7	68000671AB	1	J, T, U			ECD			CRANKSHAFT
8	68001344AB	5	J, T, U			ECD			BEARING, Crankshaft Lower
9	68000672AA	1	J, T, U			ECD			SPROCKET, Crankshaft
10	68001304AA	1	J, T, U			ECD			DAMPER, Vibration
11	68001500AA	4	J, T, U			ECD			BOLT
12	68001500AA	4							BOLT, Crankshaft Vibration Damper, (NOT SERVICED)
13									BEARING, Connecting Rod, STD.
	68000674AA	4	J, T, U			ECD			Upper
	68002278AA	4	J, T, U			ECD			Lower

COMPASS/PATRIOT (MK)

SERIES LINE
H = HIGHLINE T = JEEP - 2WD
L = LOWLINE J = JEEP - 4WD
P = PREMIUM U = JEEP - 4WD (RHD)

BODY
49 = HATCHBACK TYPE #2
74 = SPORT UTILITY 4-DR TYPE #4

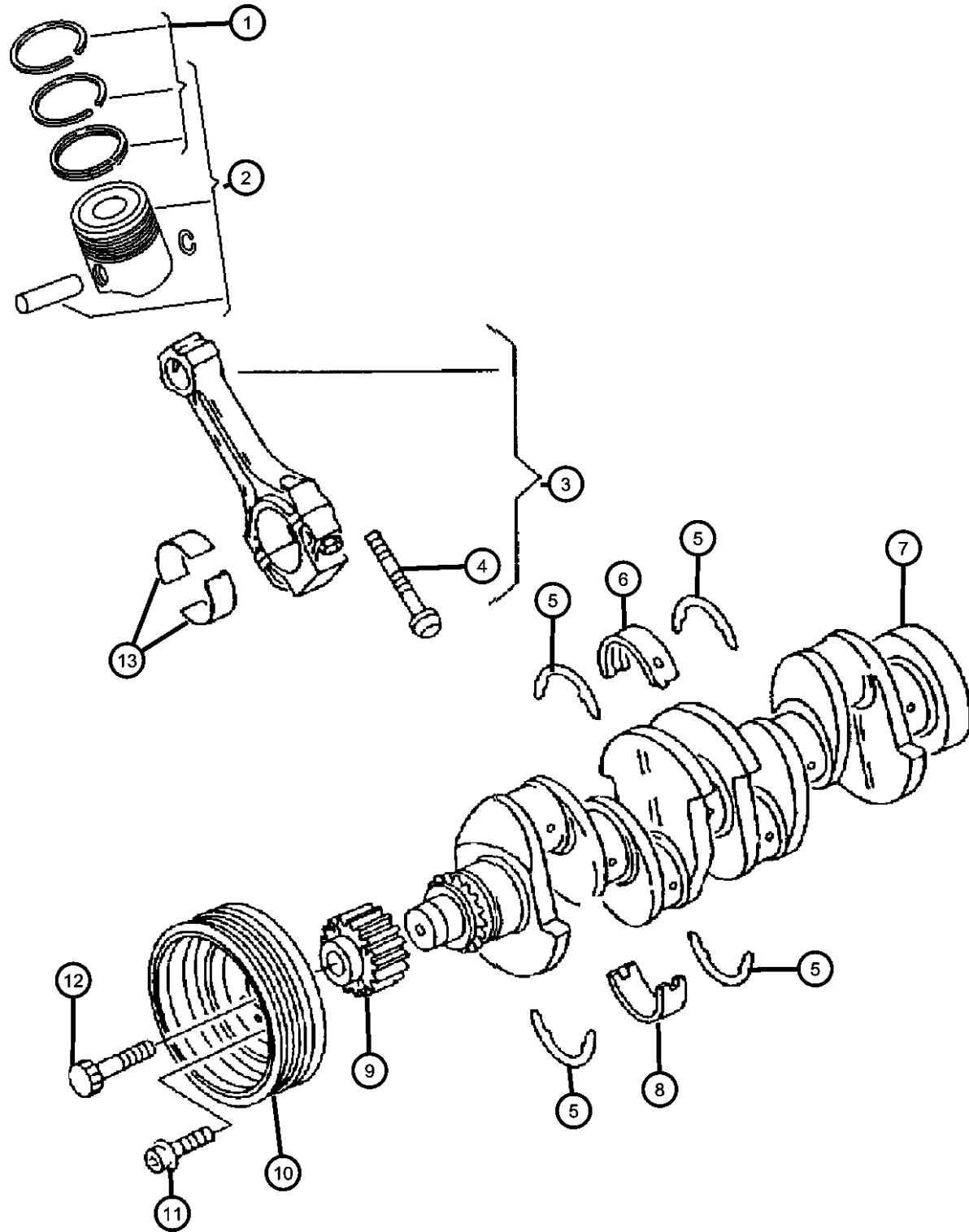
ENGINE
ECE = 2.0L 4 Cyl DOHC DPF Diesel Engine
ED3 = 2.4L 4 Cyl DOHC 16V Dual VVT Engine
ECD = 2.0L 4 Cyl DOHC Diesel 16V Engine
ECN = 2.0L 4 Cyl DOHC 16V Dual VVT Engine

TRANSMISSION
DEF = 6-Speed Manual Aisin BG6 Trans
DD7 = 5-Speed Manual T355 Transmission
DAV = Continuously Variable Transaxle II
DAW = Cont.Var. w/Off-Rd Crawl Ratio Trans

AR = use ase required - = Non illustrated part

2008 MK

**Pistons, Piston Rings, Connecting Rods And Connecting Rod Bearings 2.0L Diesel [ECD]
Figure 009ECD-425**



ITEM	PART NUMBER	QTY	LINE	SERIES	BODY	ENGINE	TRANS	TRIM	DESCRIPTION
NOTE: See Group 6 Clutch For Flywheel									
1	68000632AA	1	J, T, U			ECD			RING KIT, Piston
2	68004320AA	5	J, T, U			ECD			PISTON, ENGINE, Includes Item 1
3	68000673AA	4	J, T, U			ECD			ROD, Connecting, Includes Item 4
4	68000673AA	4							BOLT, Connecting Rod, (NOT SERVICED)
5	68000631AA	5	J, T, U			ECD			WASHER KIT, Crankshaft Thrust
6	68001343AB	5	J, T, U			ECD			BEARING, Crankshaft Upper
7	68000671AB	1	J, T, U			ECD			CRANKSHAFT
8	68001344AB	5	J, T, U			ECD			BEARING, Crankshaft Lower
9	68000672AA	1	J, T, U			ECD			SPROCKET, Crankshaft
10	68001304AA	1	J, T, U			ECD			DAMPER, Vibration
11	68001500AA	4	J, T, U			ECD			BOLT
12	68001500AA	4							BOLT, Crankshaft Vibration Damper, (NOT SERVICED)
13									BEARING, Connecting Rod, STD.
	68000674AA	4	J, T, U			ECD			Upper
	68002278AA	4	J, T, U			ECD			Lower

COMPASS/PATRIOT (MK)

SERIES LINE
H = HIGHLINE T = JEEP - 2WD
L = LOWLINE J = JEEP - 4WD
P = PREMIUM U = JEEP - 4WD (RHD)

BODY
49 = HATCHBACK TYPE #2
74 = SPORT UTILITY 4-DR TYPE #4

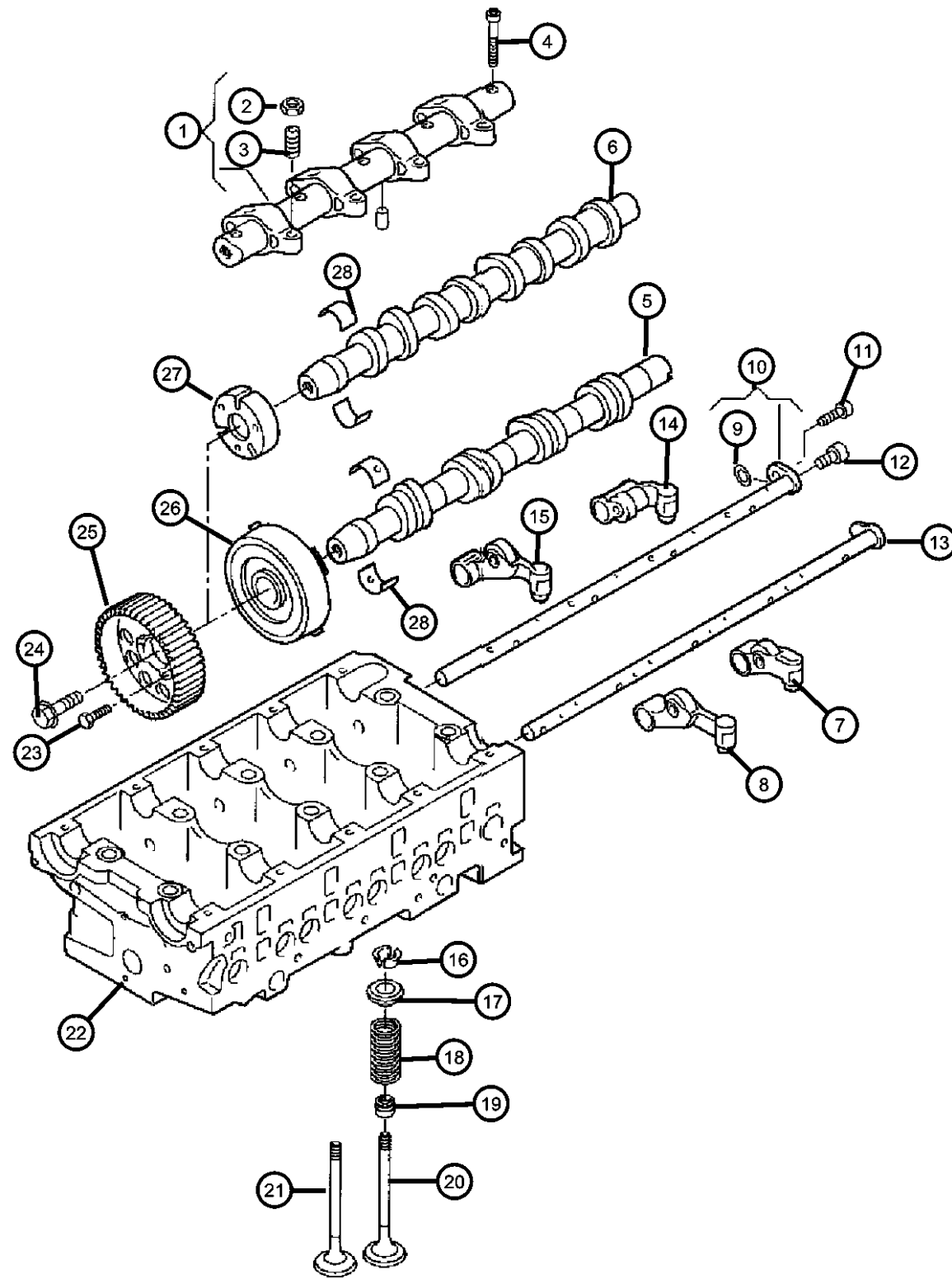
ENGINE
ECE = 2.0L 4 Cyl DOHC DPF Diesel Engine
ED3 = 2.4L 4 Cyl DOHC 16V Dual VVT Engine
ECD = 2.0L 4 Cyl DOHC Diesel 16V Engine
ECN = 2.0L 4 Cyl DOHC 16V Dual VVT Engine

TRANSMISSION
DEF = 6-Speed Manual Aisin BG6 Trans
DD7 = 5-Speed Manual T355 Transmission
DAV = Continuously Variable Transaxle II
DAW = Cont.Var. w/Off-Rd Crawl Ratio Trans

AR = use ase required - = Non illustrated part

2008 MK

**Camshafts And Valvetrain 2.0L Diesel [ECD]
Figure 009ECD-505**



ITEM	PART NUMBER	QTY	LINE	SERIES	BODY	ENGINE	TRANS	TRIM	DESCRIPTION
1	68004322AA	1	J, T, U			ECD			SHAFT, Rocker Arm
2	68004322AA	1							NUT, (NOT SERVICED)
3	68001418AA	3	J, T, U			ECD			DOWEL PIN, Cam Plate To Cylinder Head, Mounting
4	68001487AB	5	J, T, U			ECD			BOLT, Cam Plate To Cylinder Head, Mounting
5	68001571AA	1	J, T, U			ECD			CAMSHAFT, Intake
6	68001572AA	1	J, T, U			ECD			CAMSHAFT, Exhaust
7	68001579AA	4	J, T, U			ECD			ARM, Rocker
8	68001580AA	4	J, T, U			ECD			ARM, Rocker
9	68001580AA	4							WASHER, (NOT SERVICED)
10	68001575AA	1	J, T, U			ECD			SHAFT, Rocker Arm
11	68001575AA	1							BOLT, (NOT SERVICED)
12	68001348AA	5	J, T, U			ECD			BOLT, M8x58, Rocker Shaft, Mounting
13	68001576AA	1	J, T, U			ECD			SHAFT, Rocker Arm
14	68001578AA	4	J, T, U			ECD			ARM, Rocker
15	68001577AA	4	J, T, U			ECD			ARM, Rocker
16	68001577AA	4							LOCK, Valve Spring Retainer, (NOT SERVICED)
17	68001577AA	4							RETAINER, Valve, (NOT SERVICED)
18	68001584AA	1	J, T, U			ECD			SPRING, Valve
19	68001551AA	1	J, T, U			ECD			SEAL, Valve Guide
20	68001582AA	8	J, T, U			ECD			VALVE
21	68001583AA	8	J, T, U			ECD			VALVE
22	68001295AA	1	J, T, U			ECD			HEAD, Cylinder
23	68019947AA	10	J, T, U			ECD			BOLT, Cam Plate To Cylinder Head, Mounting
24	68001488AA	3	J, T, U			ECD			BOLT, M6x10, Cam Plate To Cylinder Head, Mounting
25	68001554AA	1	J, T, U			ECD			SPROCKET, Camshaft
26	68001573AA	1	J, T, U			ECD			HUB
27	68001574AA	1	J, T, U			ECD			HUB
28	68001565AA	1	J, T, U			ECD			BEARING, Camshaft Lower

COMPASS/PATRIOT (MK)

SERIES LINE
H = HIGHLINE T = JEEP - 2WD
L = LOWLINE J = JEEP - 4WD
P = PREMIUM U = JEEP - 4WD (RHD)

BODY
49 = HATCHBACK TYPE #2
74 = SPORT UTILITY 4-DR TYPE #4

ENGINE
ECE = 2.0L 4 Cyl DOHC DPF Diesel Engine
ED3 = 2.4L 4 Cyl DOHC 16V Dual VVT Engine
ECD = 2.0L 4 Cyl DOHC Diesel 16V Engine
ECN = 2.0L 4 Cyl DOHC 16V Dual VVT Engine

TRANSMISSION
DEF = 6-Speed Manual Aisin BG6 Trans
DD7 = 5-Speed Manual T355 Transmission
DAV = Continuously Variable Transaxle II
DAW = Cont.Var. w/Off-Rd Crawl Ratio Trans

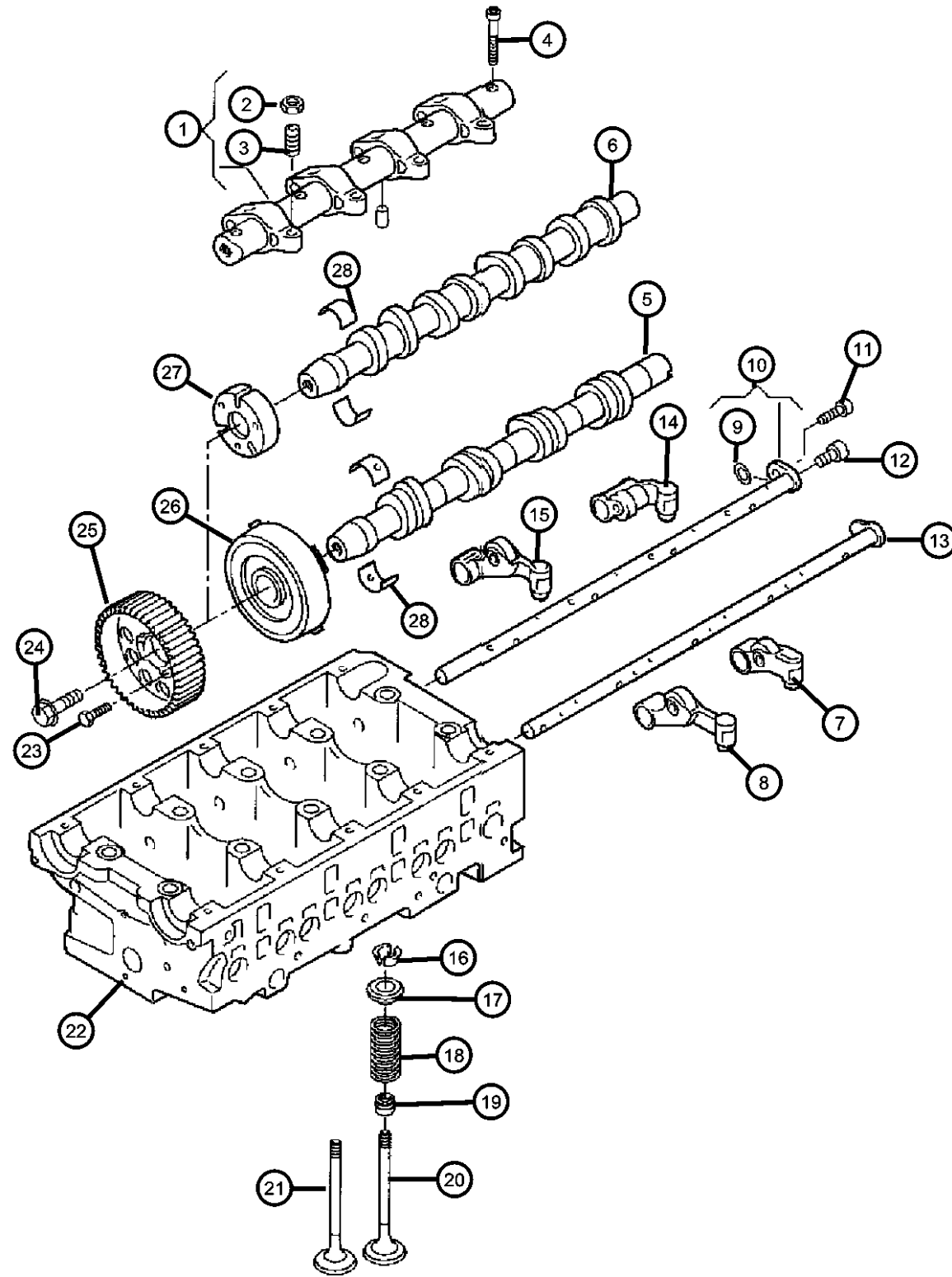
AR = use ase required - = Non illustrated part

2008 MK

**Camshafts And Valvetrain 2.0L Diesel [ECD]
Figure 009ECD-505**

ITEM	PART NUMBER	QTY	LINE	SERIES	BODY	ENGINE	TRANS	TRIM	DESCRIPTION
------	-------------	-----	------	--------	------	--------	-------	------	-------------

	68001570AA	1	J, T, U			ECD			Upper
-29	68001570AA	1							PLATE, CAM, (NOT SERVICED)



COMPASS/PATRIOT (MK)

SERIES LINE
H = HIGHLINE T = JEEP - 2WD
L = LOWLINE J = JEEP - 4WD
P = PREMIUM U = JEEP - 4WD (RHD)

BODY
49 = HATCHBACK TYPE #2
74 = SPORT UTILITY 4-DR
TYPE #4

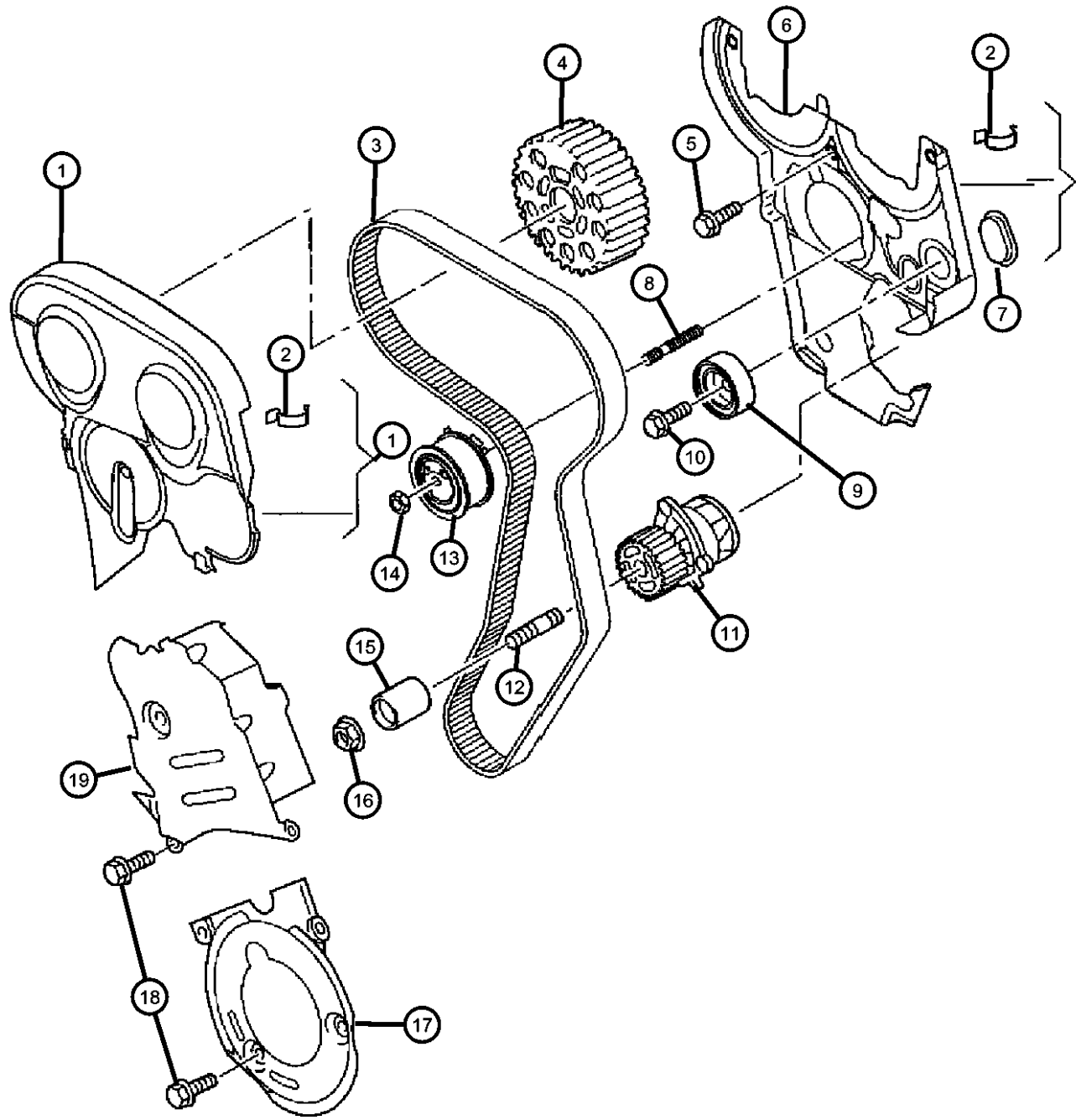
ENGINE
ECE = 2.0L 4 Cyl DOHC DPF Diesel Engine
ED3 = 2.4L 4 Cyl DOHC 16V Dual VVT Engine
ECD = 2.0L 4 Cyl DOHC Diesel 16V Engine
ECN = 2.0L 4 Cyl DOHC 16V Dual VVT Engine

TRANSMISSION
DEF = 6-Speed Manual Aisin BG6 Trans
DD7 = 5-Speed Manual T355 Transmission
DAV = Continuously Variable Transaxle II
DAW = Cont.Var. w/Off-Rd Crawl Ratio Trans

AR = use ase required - = Non illustrated part

2008 MK

**Timing Case Cover 2.0L Diesel [ECD]
Figure 009ECD-605**



ITEM	PART NUMBER	QTY	LINE	SERIES	BODY	ENGINE	TRANS	TRIM	DESCRIPTION
1	68001308AB	1	J, T, U			ECD			COVER, Timing Belt, Outer Upper
2	68001419AA	3	J, T, U			ECD			CLIP, Upper Front Belt Cover, Retainer
3	68001309AA	1	J, T, U			ECD			BELT, Timing
4	68001554AA	1	J, T, U			ECD			SPROCKET, Camshaft
5	68001554AA	1							BOLT, (NOT SERVICED)
6	68000814AA	1	J, T, U			ECD			COVER, Timing Case, Upper Inner
7	68001338AB	1	J, T, U			ECD			PLUG
8	68001501AA	1	J, T, U			ECD			STUD
9	68000678AA	1	J, T, U			ECD			PULLEY, Idler
10	68001544AA	1	J, T, U			ECD			BOLT, M10x25
11	68000693AB	1	J, T, U			ECD			PUMP, Water
12	68001310AA	1	J, T, U			ECD			STUD, M8x73
13	68000816AA	1	J, T, U			ECD			TENSIONER, Belt
14	68001447AA	1	J, T, U			ECD			NUT, Hex Flange, M8
15	68000817AA	1	J, T, U			ECD			PULLEY, Idler
16	68001447AA	1	J, T, U			ECD			NUT, Hex Flange, M8
17	68000677AA	1	J, T, U			ECD			COVER, Timing Case
18	68000677AA	1							BOLT, (NOT SERVICED)
19	68000677AA	1							COVER, Timing Belt, (NOT SERVICED)

COMPASS/PATRIOT (MK)

SERIES LINE
H = HIGHLINE T = JEEP - 2WD
L = LOWLINE J = JEEP - 4WD
P = PREMIUM U = JEEP - 4WD (RHD)

BODY
49 = HATCHBACK TYPE #2
74 = SPORT UTILITY 4-DR
TYPE #4

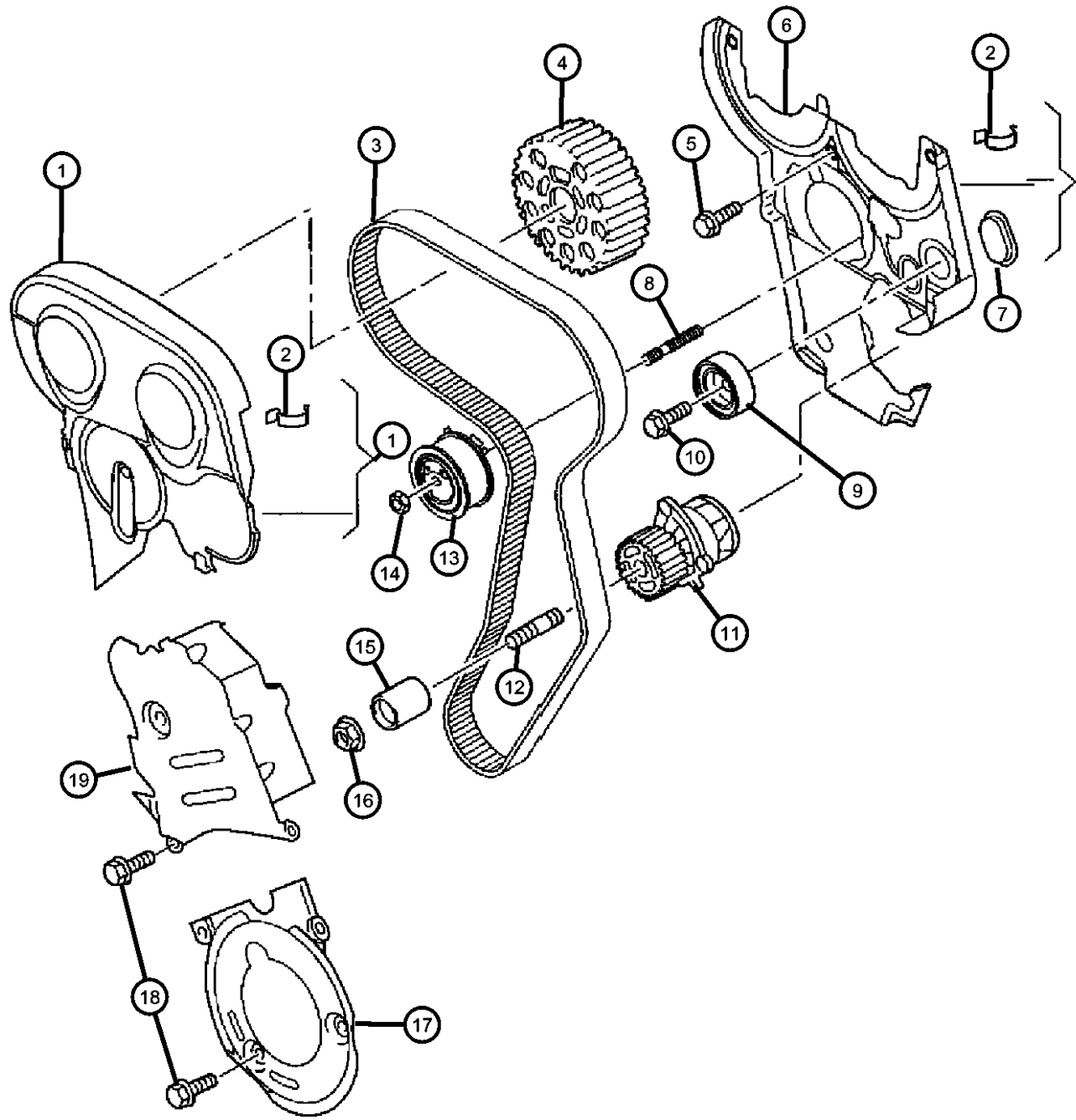
ENGINE
ECE = 2.0L 4 Cyl DOHC DPF Diesel Engine
ED3 = 2.4L 4 Cyl DOHC 16V Dual VVT Engine
ECD = 2.0L 4 Cyl DOHC Diesel 16V Engine
ECN = 2.0L 4 Cyl DOHC 16V Dual VVT Engine

TRANSMISSION
DEF = 6-Speed Manual Aisin BG6 Trans
DD7 = 5-Speed Manual T355 Transmission
DAV = Continuously Variable Transaxle II
DAW = Cont.Var. w/Off-Rd Crawl Ratio Trans

AR = use ase required - = Non illustrated part

2008 MK

**Timing System 2.0L Diesel [ECD]
Figure 009ECD-625**



ITEM	PART NUMBER	QTY	LINE	SERIES	BODY	ENGINE	TRANS	TRIM	DESCRIPTION
1	68001308AB	1	J, T, U			ECD			COVER, Timing Belt, Outer Upper
2	68001419AA	3	J, T, U			ECD			CLIP, Upper Front Belt Cover, Retainer
3	68001309AA	1	J, T, U			ECD			BELT, Timing
4	68001554AA	1	J, T, U			ECD			SPROCKET, Camshaft
5	68001554AA	1							BOLT, (NOT SERVICED)
6	68000814AA	1	J, T, U			ECD			COVER, Timing Case, Upper Inner
7	68001338AB	1	J, T, U			ECD			PLUG
8	68001501AA	1	J, T, U			ECD			STUD
9	68000678AA	1	J, T, U			ECD			PULLEY, Idler
10	68001544AA	1	J, T, U			ECD			BOLT, M10x25
11	68000693AB	1	J, T, U			ECD			PUMP, Water
12	68001310AA	1	J, T, U			ECD			STUD, M8x73
13	68000816AA	1	J, T, U			ECD			TENSIONER, Belt
14	68001447AA	1	J, T, U			ECD			NUT, Hex Flange, M8
15	68000817AA	1	J, T, U			ECD			PULLEY, Idler
16	68001447AA	1	J, T, U			ECD			NUT, Hex Flange, M8
17	68000677AA	1	J, T, U			ECD			COVER, Timing Case
18	68000677AA	1							BOLT, (NOT SERVICED)
19	68000677AA	1							COVER, Timing Belt, (NOT SERVICED)

COMPASS/PATRIOT (MK)

SERIES LINE
H = HIGHLINE T = JEEP - 2WD
L = LOWLINE J = JEEP - 4WD
P = PREMIUM U = JEEP - 4WD (RHD)

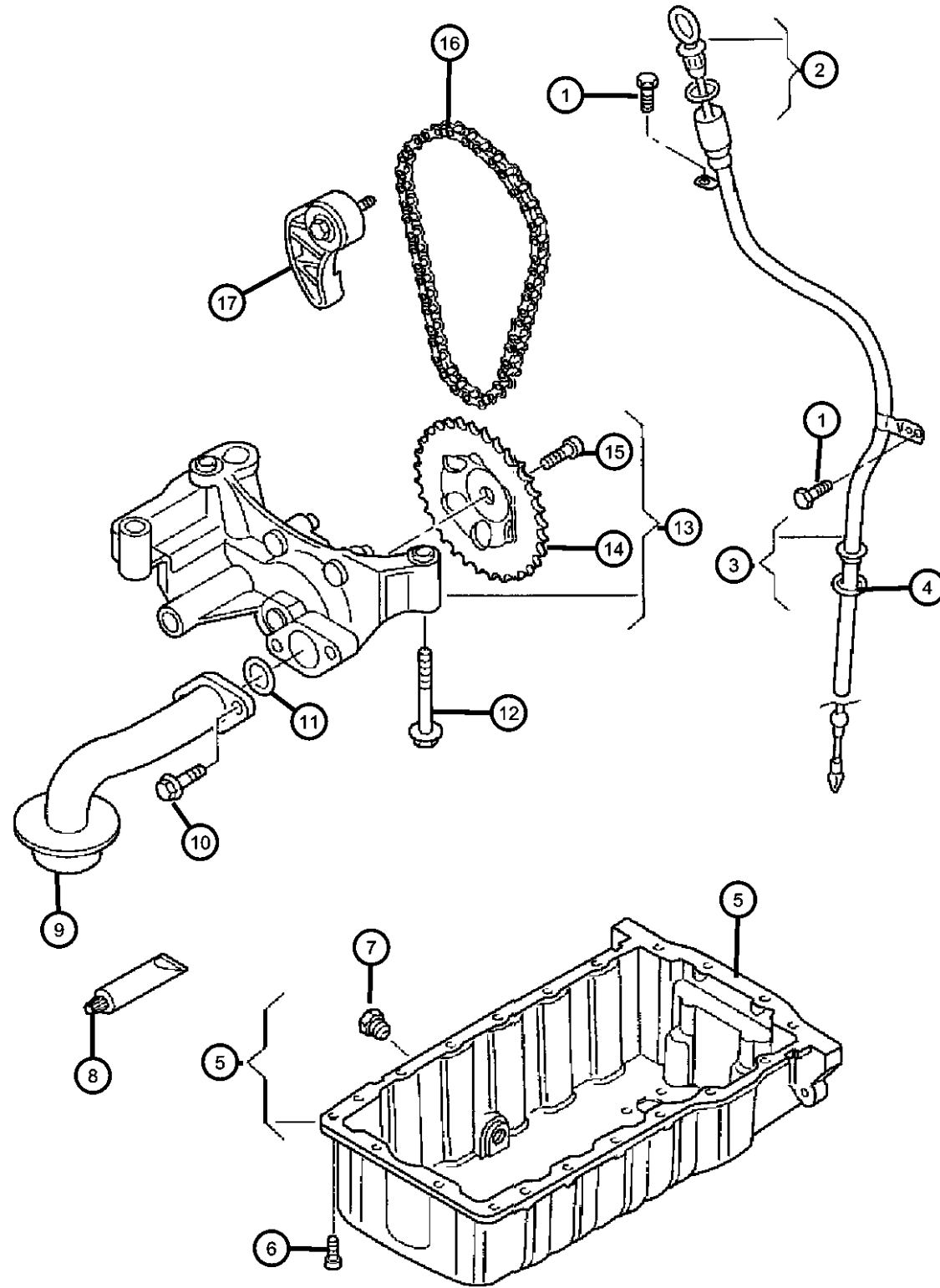
BODY
49 = HATCHBACK TYPE #2
74 = SPORT UTILITY 4-DR
TYPE #4

ENGINE TRANSMISSION
ECE = 2.0L 4 Cyl DOHC DPF Diesel Engine DEF = 6-Speed Manual Aisin BG6 Trans
ED3 = 2.4L 4 Cyl DOHC 16V Dual VVT Engine DD7 = 5-Speed Manual T355 Transmission
ECD = 2.0L 4 Cyl DOHC Diesel 16V Engine DAV = Continuously Variable Transaxle II
ECN = 2.0L 4 Cyl DOHC 16V Dual VVT Engine DAW = Cont.Var. w/Off-Rd Crawl Ratio Trans

AR = use ase required - = Non illustrated part

2008 MK

**Engine Oiling Pump 2.0L Diesel [ECD]
Figure 009ECD-705**



ITEM	PART NUMBER	QTY	LINE	SERIES	BODY	ENGINE	TRANS	TRIM	DESCRIPTION
------	-------------	-----	------	--------	------	--------	-------	------	-------------

NOTE:

Refer To Service Manual For Proper Type Of Sealer. Refer To Mopar Vehicle Care & Maintenance Products Catalog For Part Number.

1	68000677AA	1							SCREW, (NOT SERVICED)
2	68001460AA	1	J, T, U			ECD			INDICATOR, Engine Oil Level
3	68001138AA	1	J, T, U			ECD			TUBE, Engine Oil Indicator
4	55276821AA	2	J, T, U						SEAL
5	68001342AA	1	J, T, U			ECD			PAN, Engine Oil
6	68001288AA	20	J, T, U			ECD			BOLT, Oil Pan, Mounting
7	68004313AA	1	J, T, U			ECD			PLUG, Drain
8	68004313AA	1							SEALER, See Note, (NOT SERVICED)
9	68000687AA	1	J, T, U			ECD			TUBE, Oil Pickup
10	68000687AA	1							BOLT, (NOT SERVICED)
11	68000687AA	1							O RING, (NOT SERVICED)
12	68001537AA	1	J, T, U			ECD			BOLT, Hex Head, M8x35
13	68000680AB	1	J, T, U			ECD			PUMP, Engine Oil
14	68000679AA	1	J, T, U			ECD			GEAR, Oil Pump Drive
15	68000679AA	1							BOLT, (NOT SERVICED)
16	68000684AA	1	J, T, U			ECD			CHAIN, Oil Pump Drive
17	68000681AA	1	J, T, U			ECD			TENSIONER, Chain

COMPASS/PATRIOT (MK)

SERIES	LINE
H = HIGHLINE	T = JEEP - 2WD
L = LOWLINE	J = JEEP - 4WD
P = PREMIUM	U = JEEP - 4WD (RHD)

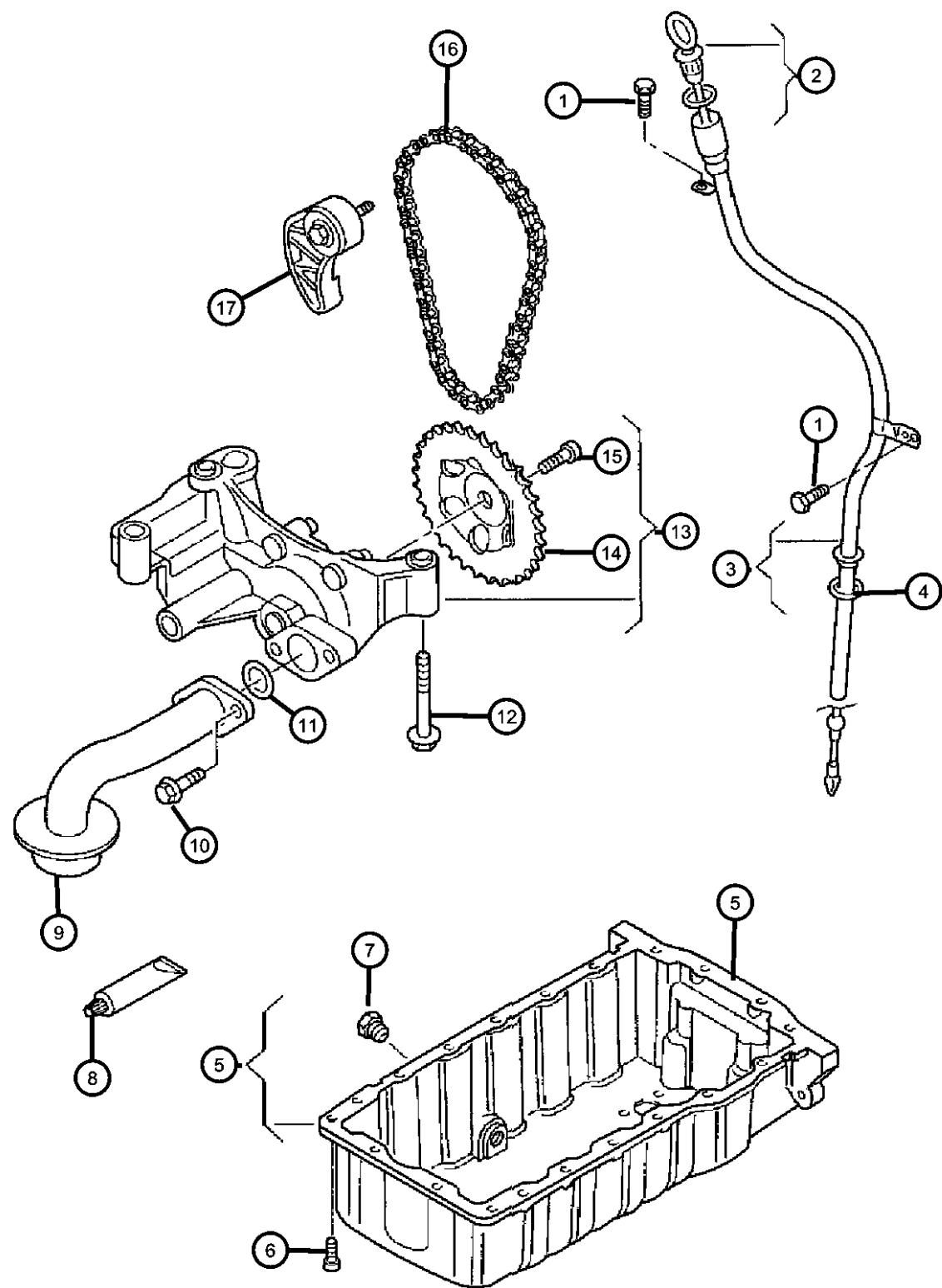
BODY
49 = HATCHBACK TYPE #2
74 = SPORT UTILITY 4-DR TYPE #4

ENGINE	TRANSMISSION
ECE = 2.0L 4 Cyl DOHC DPF Diesel Engine	DEF = 6-Speed Manual Aisin BG6 Trans
ED3 = 2.4L 4 Cyl DOHC 16V Dual VVT Engine	DD7 = 5-Speed Manual T355 Transmission
ECD = 2.0L 4 Cyl DOHC Diesel 16V Engine	DAV = Continuously Variable Transaxle II
ECN = 2.0L 4 Cyl DOHC 16V Dual VVT Engine	DAW = Cont.Var. w/Off-Rd Crawl Ratio Trans

AR = use ase required - = Non illustrated part

2008 MK

**Engine Oil Pan, Engine Oil Level Indicator And Related Parts 2.0L Diesel [ECD]
Figure 009ECD-725**



ITEM	PART NUMBER	QTY	LINE	SERIES	BODY	ENGINE	TRANS	TRIM	DESCRIPTION
------	-------------	-----	------	--------	------	--------	-------	------	-------------

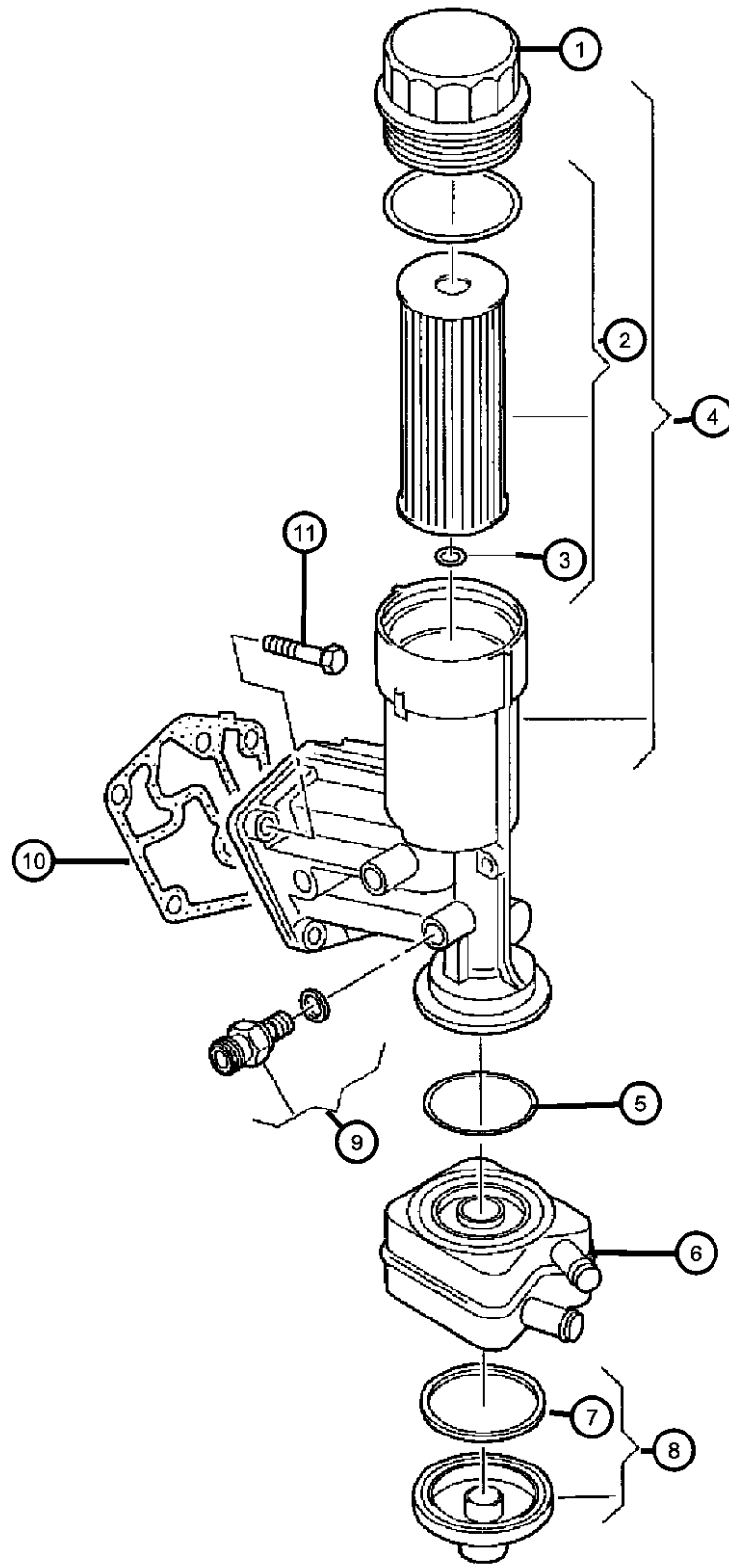
NOTE:
Refer To Service Manual For Proper Type Of Sealer. Refer To Mopar Vehicle Care & Maintenance Products Catalog For Part Number.

1	68000681AA	1							SCREW, (NOT SERVICED)
2	68001460AA	1	J, T, U			ECD			INDICATOR, Engine Oil Level
3	68001138AA	1	J, T, U			ECD			TUBE, Engine Oil Indicator
4	55276821AA	2	J, T, U						SEAL
5	68001342AA	1	J, T, U			ECD			PAN, Engine Oil
6	68001288AA	20	J, T, U			ECD			BOLT, Oil Pan, Mounting
7	68004313AA	1	U, J, T			ECD			PLUG, Drain
8	68004313AA	1							SEALER, See Note, (NOT SERVICED)
9	68000687AA	1	J, T, U			ECD			TUBE, Oil Pickup
10	68000687AA	1							BOLT, (NOT SERVICED)
11	68000687AA	1							O RING, (NOT SERVICED)
12	68001537AA	1	J, T, U			ECD			BOLT, Hex Head, M8x35
13	68000680AB	1	J, T, U			ECD			PUMP, Engine Oil
14	68000679AA	1	J, T, U			ECD			GEAR, Oil Pump Drive
15	68000679AA	1							BOLT, (NOT SERVICED)
16	68000684AA	1	J, T, U			ECD			CHAIN, Oil Pump Drive
17	68000681AA	1	J, T, U			ECD			TENSIONER, Chain

COMPASS/PATRIOT (MK)		BODY	ENGINE	TRANSMISSION
SERIES	LINE			
H = HIGHLINE	T = JEEP - 2WD	49 = HATCHBACK TYPE #2	ECE = 2.0L 4 Cyl DOHC DPF Diesel Engine	DEF = 6-Speed Manual Aisin BG6 Trans
L = LOWLINE	J = JEEP - 4WD	74 = SPORT UTILITY 4-DR TYPE #4	ED3 = 2.4L 4 Cyl DOHC 16V Dual VVT Engine	DD7 = 5-Speed Manual T355 Transmission
P = PREMIUM	U = JEEP - 4WD (RHD)		ECD = 2.0L 4 Cyl DOHC Diesel 16V Engine	DAV = Continuously Variable Transaxle II
			ECN = 2.0L 4 Cyl DOHC 16V Dual VVT Engine	DAW = Cont.Var. w/Off-Rd Crawl Ratio Trans

AR = use ase required - = Non illustrated part

**Engine Oil Filter And Adapter 2.0L Diesel [ECD]
Figure 009ECD-745**



ITEM	PART NUMBER	QTY	LINE	SERIES	BODY	ENGINE	TRANS	TRIM	DESCRIPTION
1	68004324AA	1	J, T, U			ECD			CAP, Oil Filter Housing
2	68001297AA	1	J, T, U			ECD			FILTER, Engine Oil
3	68001298AA	1	J, T, U			ECD			O RING
4	68004323AA	1	J, T, U			ECD			HOUSING, Oil Filter
5	68000691AA	1	U, J, T			ECD			O RING, Oil Cooler
6	68000688AA	1	J, T, U			ECD			COOLER, Engine Oil
7	68000690AA	1	J, T, U			ECD			SEAL, Engine Oil Cooler
8	68000689AA	1	J, T, U			ECD			COVER, Engine Oil Cooler
9	68028946AA	1	J, T, U			ECD			SWITCH, Oil Pressure
10	68001474AA	1	J, T, U			ECD			GASKET, Oil Filter Housing
11	68001540AB	4	J, T, U			ECD			BOLT

COMPASS/PATRIOT (MK)

SERIES LINE
H = HIGHLINE T = JEEP - 2WD
L = LOWLINE J = JEEP - 4WD
P = PREMIUM U = JEEP - 4WD (RHD)

BODY
49 = HATCHBACK TYPE #2
74 = SPORT UTILITY 4-DR
TYPE #4

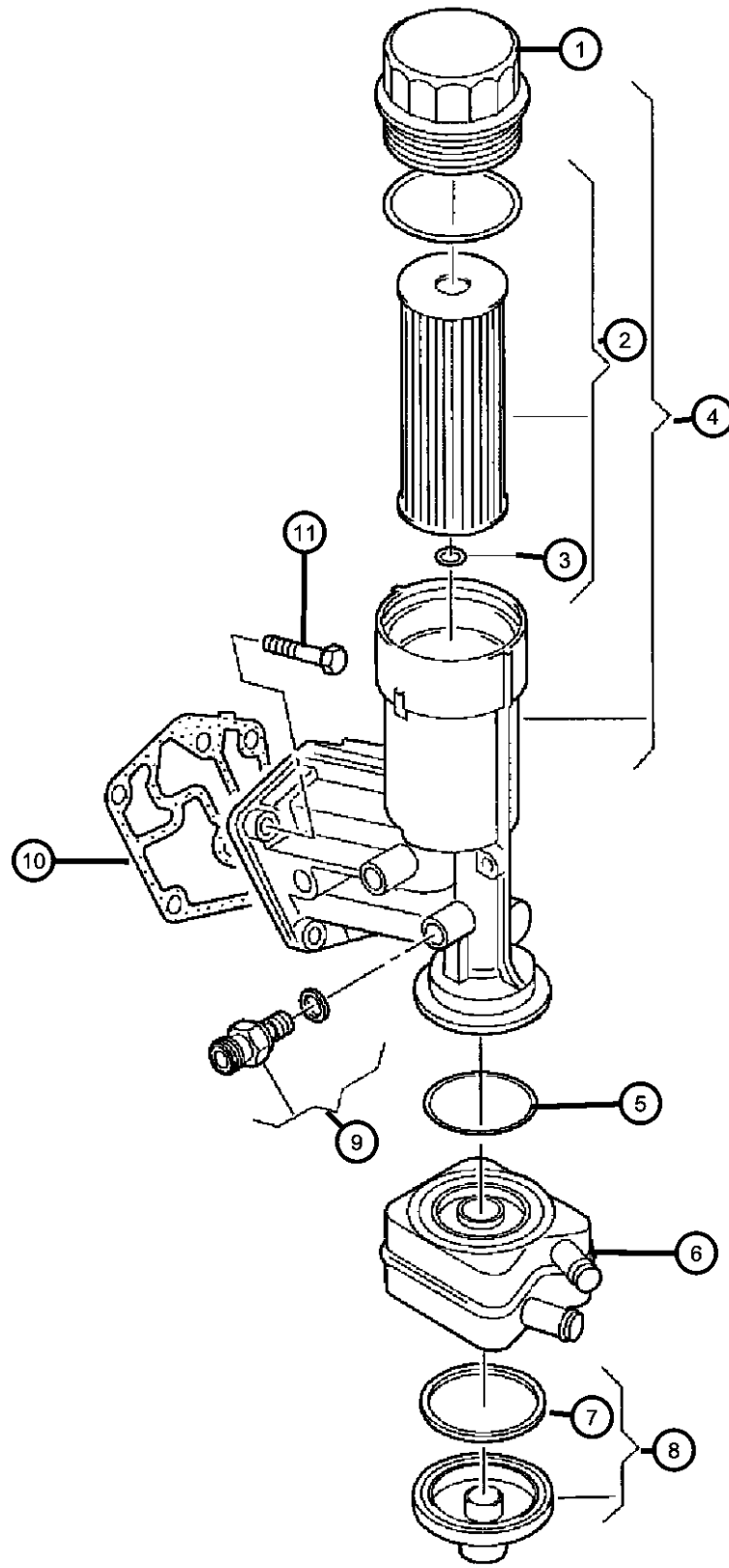
ENGINE
ECE = 2.0L 4 Cyl DOHC DPF Diesel Engine
ED3 = 2.4L 4 Cyl DOHC 16V Dual VVT Engine
ECD = 2.0L 4 Cyl DOHC Diesel 16V Engine
ECN = 2.0L 4 Cyl DOHC 16V Dual VVT Engine

TRANSMISSION
DEF = 6-Speed Manual Aisin BG6 Trans
DD7 = 5-Speed Manual T355 Transmission
DAV = Continuously Variable Transaxle II
DAW = Cont.Var. w/Off-Rd Crawl Ratio Trans

AR = use ase required - = Non illustrated part

2008 MK

**Engine Oil Cooler And Hoses/Tubes 2.0L Diesel [ECD]
Figure 009ECD-805**



ITEM	PART NUMBER	QTY	LINE	SERIES	BODY	ENGINE	TRANS	TRIM	DESCRIPTION
1	68004324AA	1	J, T, U			ECD			CAP, Oil Filter Housing
2	68001297AA	1	J, T, U			ECD			FILTER, Engine Oil
3	68001298AA	1	J, T, U			ECD			O RING
4	68004323AA	1	J, T, U			ECD			HOUSING, Oil Filter
5	68000691AA	1	J, T, U			ECD			O RING, Oil Cooler
6	68000688AA	1	J, T, U			ECD			COOLER, Engine Oil
7	68000690AA	1	J, T, U			ECD			SEAL, Engine Oil Cooler
8	68000689AA	1	J, T, U			ECD			COVER, Engine Oil Cooler
9	68028946AA	1	J, T, U			ECD			SWITCH, Oil Pressure
10	68001474AA	1	J, T, U			ECD			GASKET, Oil Filter Housing
11	68001540AB	4	J, T, U			ECD			BOLT

COMPASS/PATRIOT (MK)

SERIES LINE
H = HIGHLINE T = JEEP - 2WD
L = LOWLINE J = JEEP - 4WD
P = PREMIUM U = JEEP - 4WD (RHD)

BODY
49 = HATCHBACK TYPE #2
74 = SPORT UTILITY 4-DR
TYPE #4

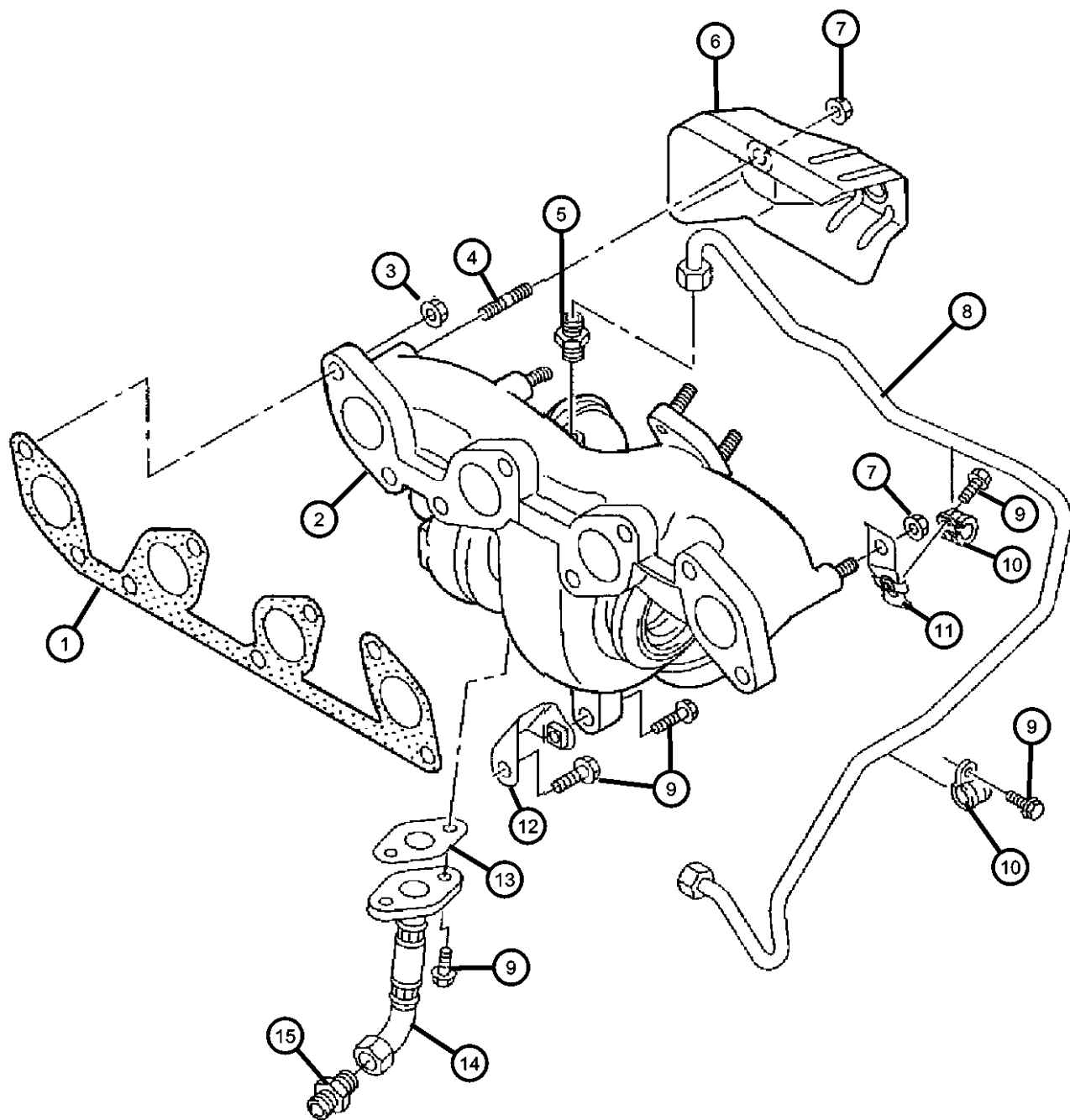
ENGINE
ECE = 2.0L 4 Cyl DOHC DPF Diesel Engine
ED3 = 2.4L 4 Cyl DOHC 16V Dual VVT Engine
ECD = 2.0L 4 Cyl DOHC Diesel 16V Engine
ECN = 2.0L 4 Cyl DOHC 16V Dual VVT Engine

TRANSMISSION
DEF = 6-Speed Manual Aisin BG6 Trans
DD7 = 5-Speed Manual T355 Transmission
DAV = Continuously Variable Transaxle II
DAW = Cont.Var. w/Off-Rd Crawl Ratio Trans

AR = use ase required - = Non illustrated part

2008 MK

**Exhaust Manifold/Turbo Charger Assembly 2.0L Diesel [ECD]
Figure 009ECD-945**



ITEM	PART NUMBER	QTY	LINE	SERIES	BODY	ENGINE	TRANS	TRIM	DESCRIPTION
1	68000634AA	1	J, T, U			ECD			GASKET, Exhaust Manifold
2	68000633AB	1	J, T, U			ECD			MANIFOLD/TURBOCHARGER, Exhaust
3	68001525AA	3	J, T, U			ECD			NUT, Hex Flange, M8, Exhaust Manifold, Mounting
4	68001524AA	8	J, T, U			ECD			STUD, Double Ended, Exhaust Manifold, Mounting
5	68001422AA	1	J, T, U			ECD			FITTING, Male, Oil Line
6	68004328AB	1	J, T, U			ECD			SHIELD, Heat
7	68004328AB	1							NUT, (NOT SERVICED)
8	68001464AA	1	J, T, U			ECD			TUBE, Turbo Oil Feed
9	68001464AA	1							BOLT, (NOT SERVICED)
10	68001289AA	2	J, T, U			ECD			CLAMP, Hose
11	68001465AA	1	J, T, U			ECD			BRACKET, Exhaust Manifold
12	68001302AA	1	J, T, U			ECD			SUPPORT
13	68001420AA	1	J, T, U			ECD			GASKET, Turbo Oil Drain Hose and Tube Assembly
14	68001303AA	1	J, T, U			ECD			HOSE AND TUBE ASSEMBLY, Turbo Oil Drain
15	68001541AA	1	J, T, U			ECD			FITTING, Male

COMPASS/PATRIOT (MK)

SERIES LINE
H = HIGHLINE T = JEEP - 2WD
L = LOWLINE J = JEEP - 4WD
P = PREMIUM U = JEEP - 4WD (RHD)

BODY
49 = HATCHBACK TYPE #2
74 = SPORT UTILITY 4-DR TYPE #4

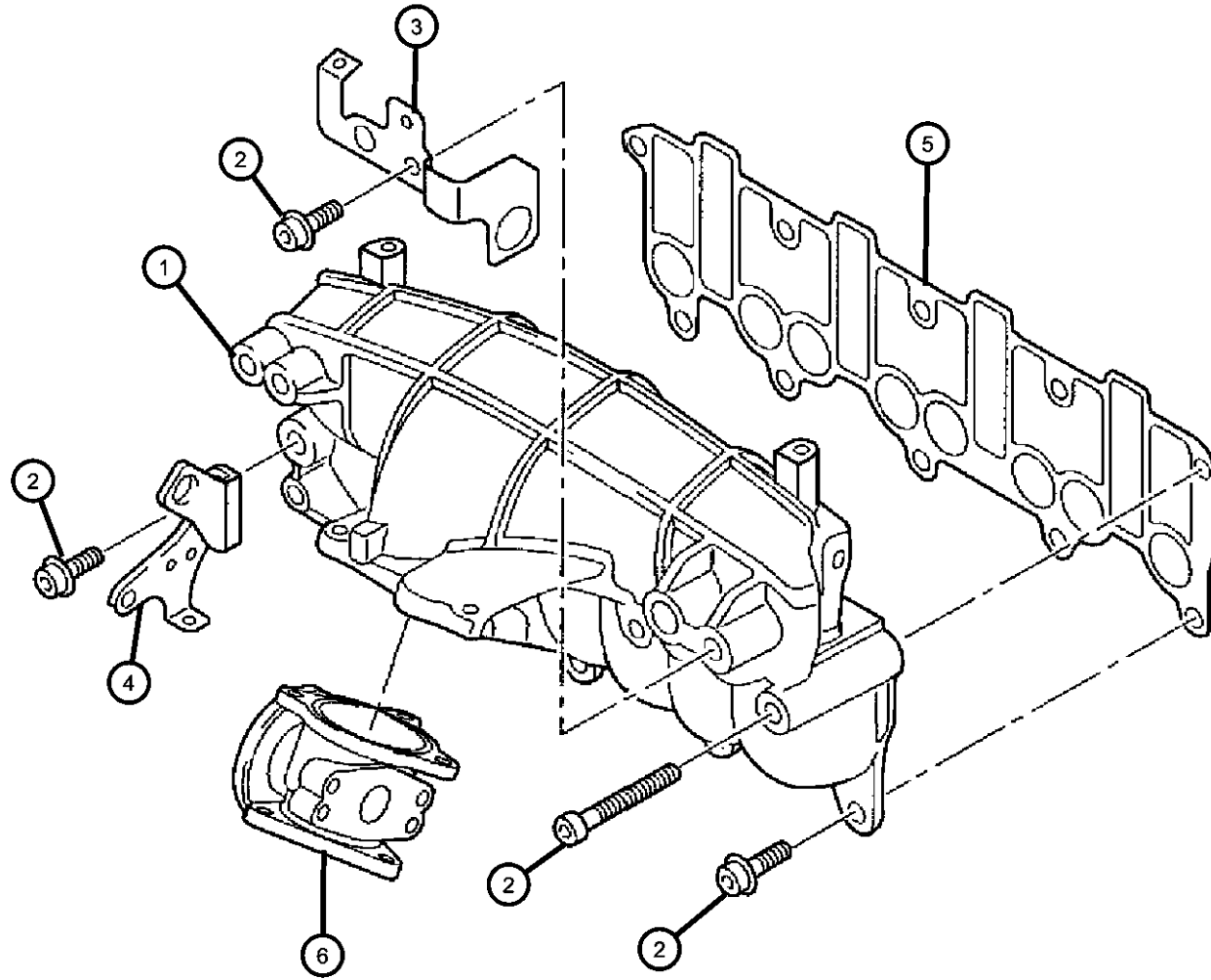
ENGINE TRANSMISSION
ECE = 2.0L 4 Cyl DOHC DPF Diesel Engine DEF = 6-Speed Manual Aisin BG6 Trans
ED3 = 2.4L 4 Cyl DOHC 16V Dual VVT Engine DD7 = 5-Speed Manual T355 Transmission
ECD = 2.0L 4 Cyl DOHC Diesel 16V Engine DAV = Continuously Variable Transaxle II
ECN = 2.0L 4 Cyl DOHC 16V Dual VVT Engine DAW = Cont.Var. w/Off-Rd Crawl Ratio Trans

AR = use ase required - = Non illustrated part

2008 MK

**Intake Manifold 2.0L Diesel [ECD]
Figure 009ECD-1025**

ITEM	PART NUMBER	QTY	LINE	SERIES	BODY	ENGINE	TRANS	TRIM	DESCRIPTION
1	68004325AA	1	J, T, U			ECD			MANIFOLD, Intake
2	68004325AA	1							BOLT, (NOT SERVICED)
3	68001459AA	1	J, T, U			ECD			BRACKET
4	68001453AA	1	J, T, U			ECD			BRACKET
5	68001462AA	1	J, T, U			ECD			GASKET, Intake Manifold
6	68001558AB	1	J, T, U			ECD			VALVE, EGR



COMPASS/PATRIOT (MK)

SERIES	LINE	BODY	ENGINE	TRANSMISSION
H = HIGHLINE	T = JEEP - 2WD	49 = HATCHBACK TYPE #2	ECE = 2.0L 4 Cyl DOHC DPF Diesel Engine	DEF = 6-Speed Manual Aisin BG6 Trans
L = LOWLINE	J = JEEP - 4WD	74 = SPORT UTILITY 4-DR TYPE #4	ED3 = 2.4L 4 Cyl DOHC 16V Dual VVT Engine	DD7 = 5-Speed Manual T355 Transmission
P = PREMIUM	U = JEEP - 4WD (RHD)		ECD = 2.0L 4 Cyl DOHC Diesel 16V Engine	DAV = Continuously Variable Transaxle II
			ECN = 2.0L 4 Cyl DOHC 16V Dual VVT Engine	DAW = Cont.Var. w/Off-Rd Crawl Ratio Trans

AR = use ase required - = Non illustrated part

2008 MK

**Crankcase Ventilation 2.0L Diesel [ECD]
Figure 009ECD-1105**

ITEM	PART NUMBER	QTY	LINE	SERIES	BODY	ENGINE	TRANS	TRIM	DESCRIPTION
------	-------------	-----	------	--------	------	--------	-------	------	-------------

NOTE:

Sales Codes:

[DAV] = Continuously Variable Transmission

[DEF] = 6-Speed Manual Aisian BG6 Transmission

[DE0] = All 6-Speed Manual Transmissions

[DD0] = All 5-Speed Manual Transmissions

[DD7] = 5-Speed Manual T355 Transmission

[ECD] = 2.0L 4 Cylinder DOHC Diesel 16 Valve Engine

[ED3] = 2.4L 4 Cylinder DOHC 16 Valve Duel VVT Engine

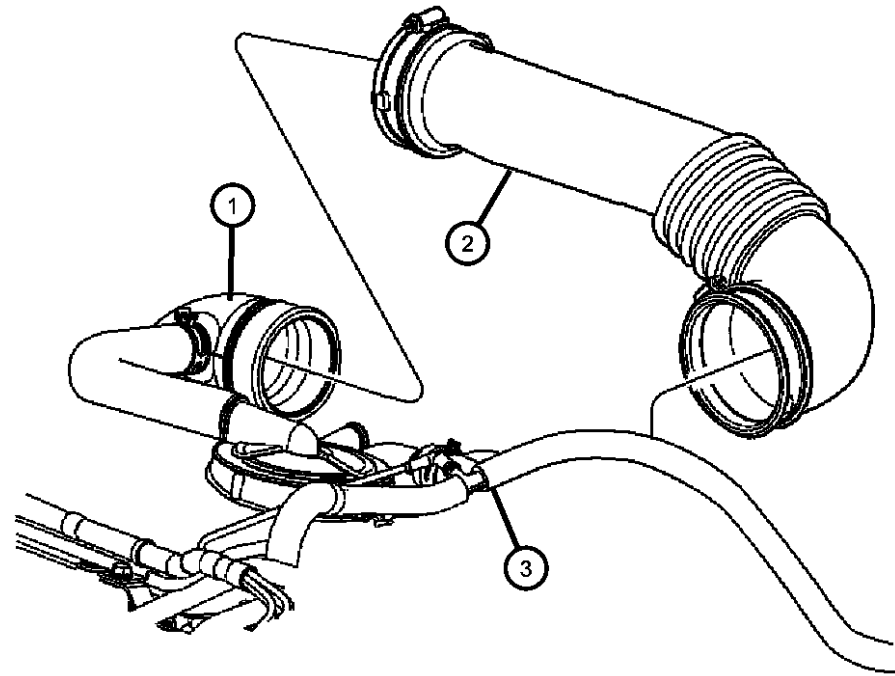
[ED0] = All 2.4L 4 Cylinder Gas Engines

[NAA] = Federal Emissions

[NAE] = California Emisssions

[NAS] = 50 States Emissions

[NA1] = Export Emissions



1	04891634AD	1	J, T, U			ECD			HOSE, Clean Air
2	04891794AB	1	J, T, U			ECD			HOSE, Clean Air Compass
		1	J, T, U			ECD			Patriot
3	05105157AF	1	U						HOSE, Vacuum Supply

COMPASS/PATRIOT (MK)

SERIES LINE

H = HIGHLINE T = JEEP - 2WD

L = LOWLINE J = JEEP - 4WD

P = PREMIUM U = JEEP - 4WD (RHD)

BODY

49 = HATCHBACK TYPE #2

74 = SPORT UTILITY 4-DR

TYPE #4

ENGINE

ECE = 2.0L 4 Cyl DOHC DPF

Diesel Engine

ED3 = 2.4L 4 Cyl DOHC 16V

Dual VVT Engine

ECD = 2.0L 4 Cyl DOHC

Diesel 16V Engine

ECN = 2.0L 4 Cyl DOHC 16V

Dual VVT Engine

TRANSMISSION

DEF = 6-Speed Manual Aisin BG6

Trans

DD7 = 5-Speed Manual T355

Transmission

DAV = Continuously Variable

Transaxle II

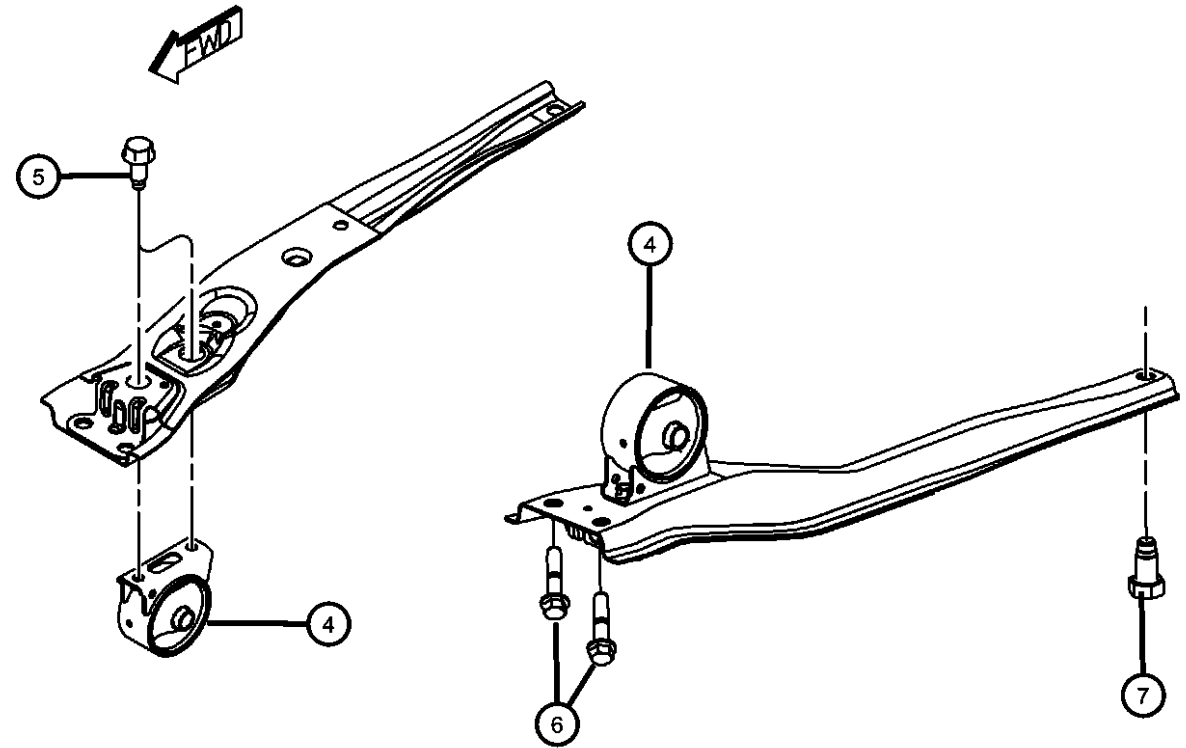
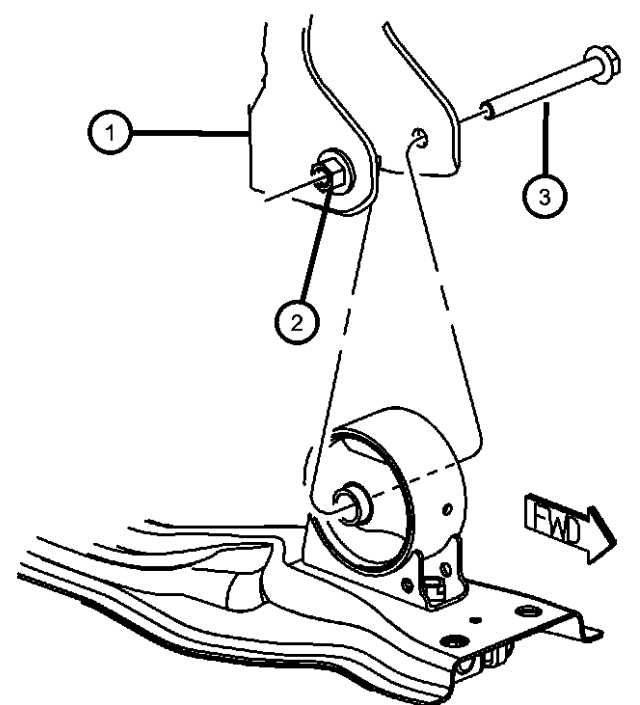
DAW = Cont.Var. w/Off-Rd Crawl

Ratio Trans

AR = use ase required - = Non illustrated part

2008 MK

**Engine Mounting Front AWD/4WD 2.0L Diesel [ECD]
Figure 009ECD-1215**



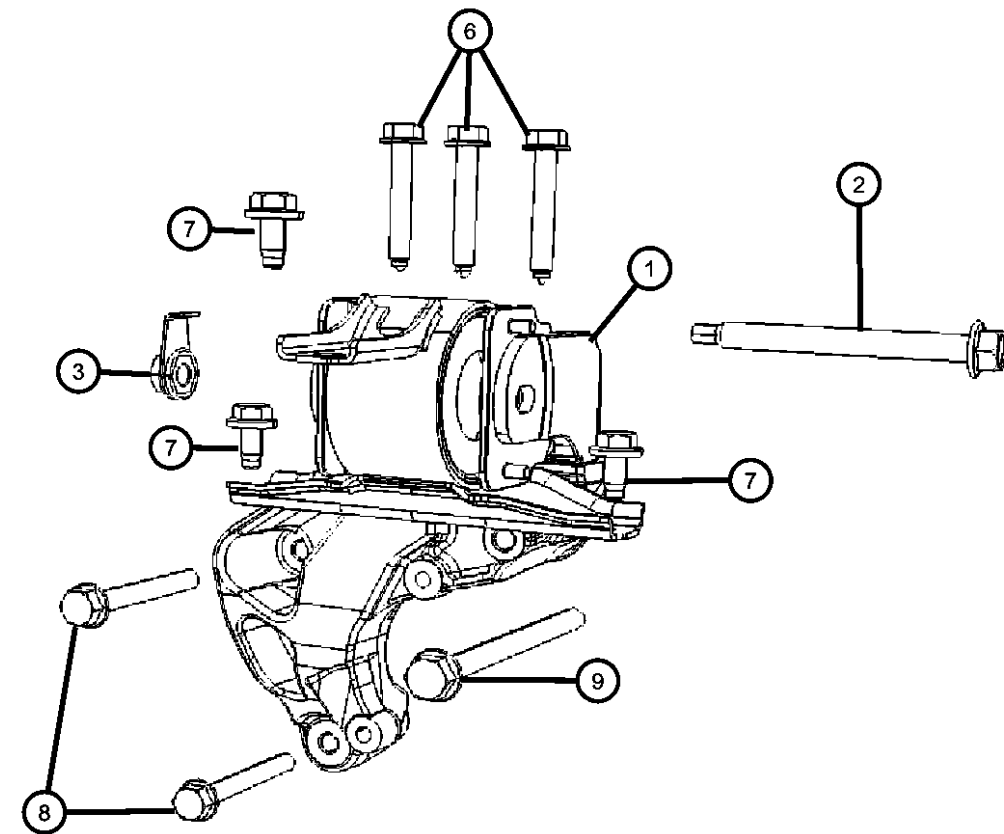
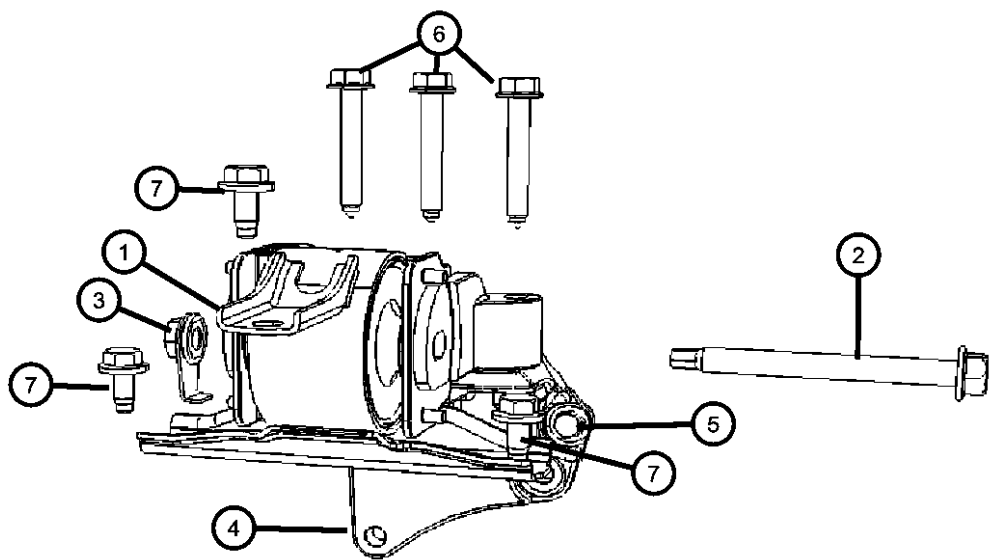
ITEM	PART NUMBER	QTY	LINE	SERIES	BODY	ENGINE	TRANS	TRIM	DESCRIPTION
1	05105596AB	1	J, T, U			ECN, ED3			BRACKET, Engine MountFront
2	05105596AB	1							WELD NUT, Serviced With Bracket, (NOT SERVICED)
3	06105074AA	1	J, T, U						BOLT, Hex Flange Head, M10X1.50X100.00, Front Mount To Bracket, Mounting
4	05105493AB	1	J, T, U				DD7, DEF		INSULATOR Front
	05105494AB	1	J, T, U				DAV, DAW		
5	06105062AA	2	J, T, U						BOLT, Hex Flange Head, M10x1.50x25.00, Front Mount To Crossmember, Mounting
6	06508511AA	2	J, T, U						BOLT, Hex Flange Head, M12X1.25X55.00, To Radiator Cross Member, Mounting
7	06105075AA	1	J, T, U						BOLT, Hex Flange Head, M12x1.50x25.00, To Suspension Cross Member, Mounting

COMPASS/PATRIOT (MK)		BODY	ENGINE	TRANSMISSION
SERIES	LINE	49 = HATCHBACK TYPE #2	ECE = 2.0L 4 Cyl DOHC DPF Diesel Engine	DEF = 6-Speed Manual Aisin BG6 Trans
H = HIGHLINE	T = JEEP - 2WD	74 = SPORT UTILITY 4-DR TYPE #4	ED3 = 2.4L 4 Cyl DOHC 16V Dual VVT Engine	DD7 = 5-Speed Manual T355 Transmission
L = LOWLINE	J = JEEP - 4WD		ECD = 2.0L 4 Cyl DOHC Diesel 16V Engine	DAV = Continuously Variable Transaxle II
P = PREMIUM	U = JEEP - 4WD (RHD)		ECN = 2.0L 4 Cyl DOHC 16V Dual VVT Engine	DAW = Cont.Var. w/Off-Rd Crawl Ratio Trans

AR = use ase required - = Non illustrated part

**Engine Mounting Right Side AWD/4WD 2.0L Diesel [ECD]
Figure 009ECD-1235**

ITEM	PART NUMBER	QTY	LINE	SERIES	BODY	ENGINE	TRANS	TRIM	DESCRIPTION
1	05105489AD	1	J, T, U			ECN, ED3			INSULATOR, Engine Mount, Includes Items 3 and 4, Right
2	06508529AA	1	J, T, U			ECN, ED3			BOLT, Hex Flange Head, M12X1.50X121.00, Engine Mount Bracket to Insulator, Mounting
3	06508684AA	1	J, T, U			ECN, ED3			NUT, Hex Flange, M12X1.50, Engine Mount Bracket to Insulator, Mounting
4	68004188AA	1	J, T, U			ECN, ED3			BRACKET PACKAGE, Engine Mount
5	06500584	1	J, T, U			ECN, ED3			BOLT
6	06508235AA	3	J, T, U						BOLT, Hex Flange Head, M10X1.25X65.00, Engine Support Bracket to Power Steering Bracket, Mounting
7	06104412AA	3	J, T, U						BOLT AND CONED WASHER, Hex Head, M10X1.5X25.00
8	06104225AA	2	J, T, U			ECD, ECE			BOLT, Hex Flange Head, M10X1.50X80.00
9	06104230AA	1	J, T, U			ECD, ECE			BOLT, Hex Flange Head, M10X1.50X130.00, Engine Support Bracket to Block, Mounting



COMPASS/PATRIOT (MK)

SERIES LINE
H = HIGHLINE T = JEEP - 2WD
L = LOWLINE J = JEEP - 4WD
P = PREMIUM U = JEEP - 4WD (RHD)

BODY
49 = HATCHBACK TYPE #2
74 = SPORT UTILITY 4-DR TYPE #4

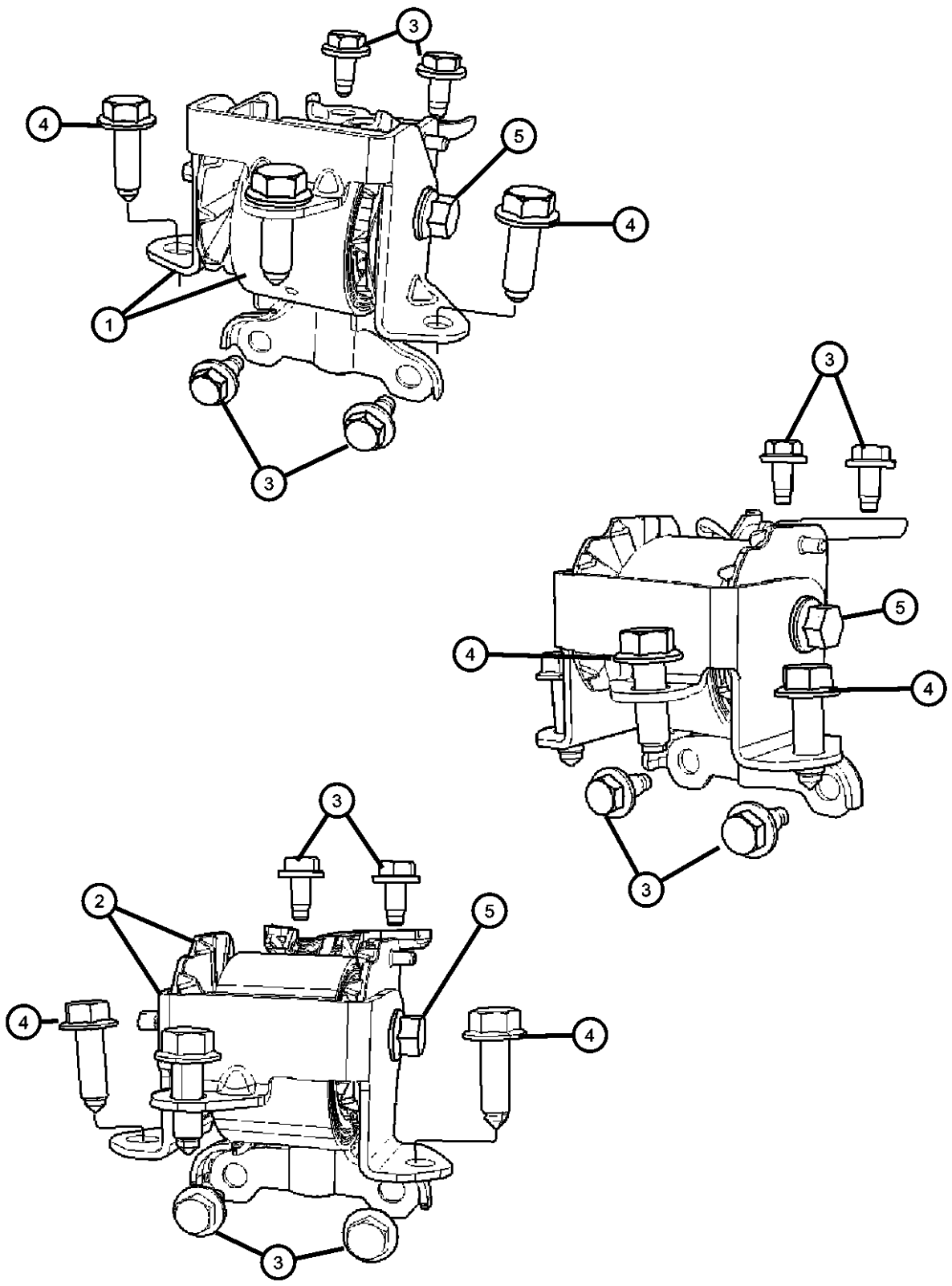
ENGINE
ECE = 2.0L 4 Cyl DOHC DPF Diesel Engine
ED3 = 2.4L 4 Cyl DOHC 16V Dual VVT Engine
ECD = 2.0L 4 Cyl DOHC Diesel 16V Engine
ECN = 2.0L 4 Cyl DOHC 16V Dual VVT Engine

TRANSMISSION
DEF = 6-Speed Manual Aisin BG6 Trans
DD7 = 5-Speed Manual T355 Transmission
DAV = Continuously Variable Transaxle II
DAW = Cont.Var. w/Off-Rd Crawl Ratio Trans

AR = use ase required - = Non illustrated part

2008 MK

**Engine Mounting Left Side AWD/4WD 2.0L Diesel [ECD]
Figure 009ECD-1255**



ITEM	PART NUMBER	QTY	LINE	SERIES	BODY	ENGINE	TRANS	TRIM	DESCRIPTION
1	05105489AD	1	J, T, U			ECN, ED3			INSULATOR, Engine Mount
	05105667AD	1	J, T, U				DAV, DAW		
	05105669AE	1	J, T, U				DD7		
2	05105671AD	1	J, T, U				DEF		SUPPORT, Engine Mount
3	06104412AA	4	J, T, U						BOLT AND CONED WASHER, Hex Head, M10X1.5X25.00, Left Mount To Frame Rail, Mounting
4	06508530AA	3	J, T, U						BOLT, Hex Flange Head, M12X1.25X40.00
5	06508530AA	3							BOLT, Serviced With Mount, (NOT SERVICED)

COMPASS/PATRIOT (MK)

SERIES	LINE
H = HIGHLINE	T = JEEP - 2WD
L = LOWLINE	J = JEEP - 4WD
P = PREMIUM	U = JEEP - 4WD (RHD)

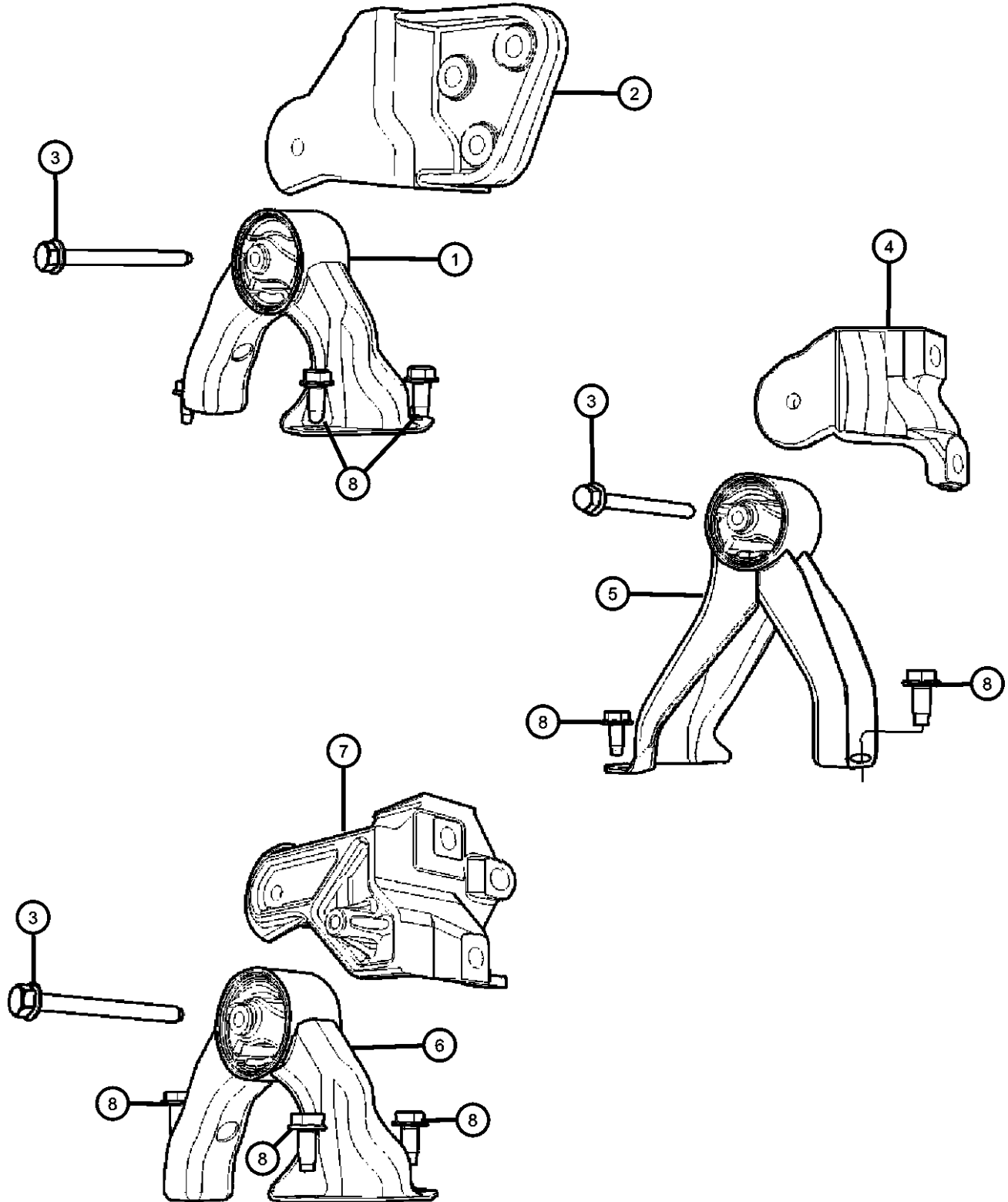
BODY
49 = HATCHBACK TYPE #2
74 = SPORT UTILITY 4-DR TYPE #4

ENGINE
ECE = 2.0L 4 Cyl DOHC DPF Diesel Engine
ED3 = 2.4L 4 Cyl DOHC 16V Dual VVT Engine
ECD = 2.0L 4 Cyl DOHC Diesel 16V Engine
ECN = 2.0L 4 Cyl DOHC 16V Dual VVT Engine

TRANSMISSION
DEF = 6-Speed Manual Aisin BG6 Trans
DD7 = 5-Speed Manual T355 Transmission
DAV = Continuously Variable Transaxle II
DAW = Cont.Var. w/Off-Rd Crawl Ratio Trans

AR = use ase required - = Non illustrated part

**Engine Mounting Rear AWD/4WD 2.0L Diesel [ECD]
Figure 009ECD-1275**



ITEM	PART NUMBER	QTY	LINE	SERIES	BODY	ENGINE	TRANS	TRIM	DESCRIPTION
1	05105511AE	1	T				DAV, DAW		SUPPORT
	68032586AA	1	T				DD7, DEF		
2	05105416AE	1	T			ECN, ED3			BRACKET, Torque Reaction
3	06105074AA	1	J, T, U						BOLT, Hex Flange Head, M10X1.50X100.00
4	05105409AE	1	J, U			ED3			BRACKET, Transmission Case Mounting
5	05105495AD	1	J, U				DD7, DEF		INSULATOR
	05105498AE	1	J, U				DAV, DAW		
6	05105511AE	1	T				DAV, DAW		SUPPORT
7	05105598AE	1	T			ECD, ECE			BRACKET, Torque Reaction
8	06105062AA	3	J, T, U						BOLT, Hex Flange Head, M10x1.50x25.00

COMPASS/PATRIOT (MK)

SERIES LINE
H = HIGHLINE T = JEEP - 2WD
L = LOWLINE J = JEEP - 4WD
P = PREMIUM U = JEEP - 4WD (RHD)

BODY
49 = HATCHBACK TYPE #2
74 = SPORT UTILITY 4-DR TYPE #4

ENGINE
ECE = 2.0L 4 Cyl DOHC DPF Diesel Engine
ED3 = 2.4L 4 Cyl DOHC 16V Dual VVT Engine
ECD = 2.0L 4 Cyl DOHC Diesel 16V Engine
ECN = 2.0L 4 Cyl DOHC 16V Dual VVT Engine

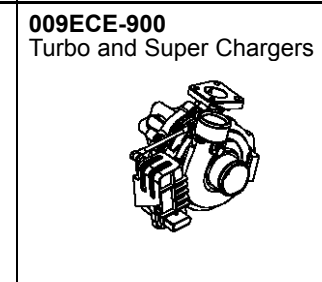
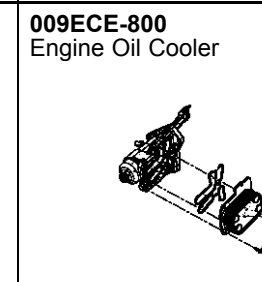
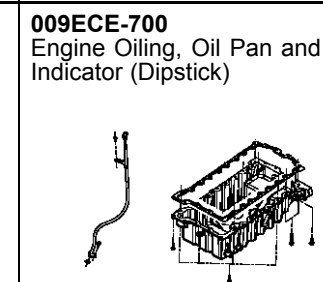
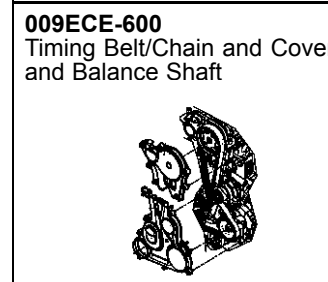
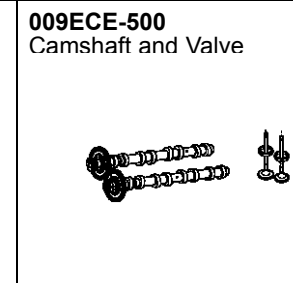
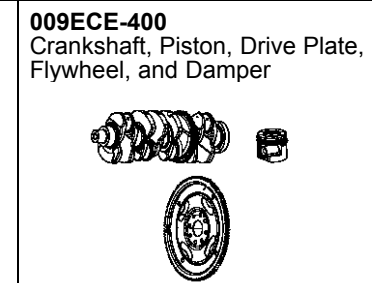
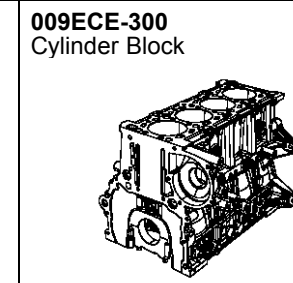
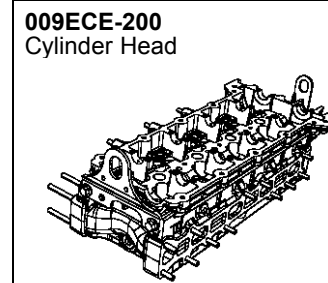
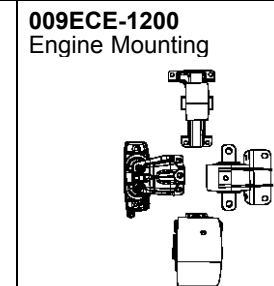
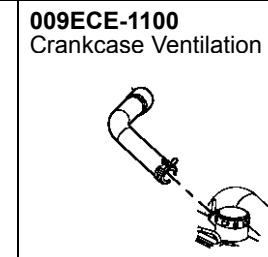
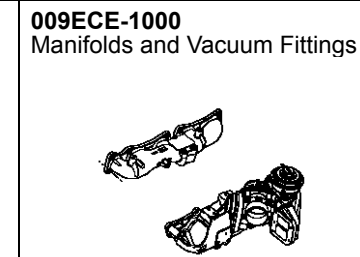
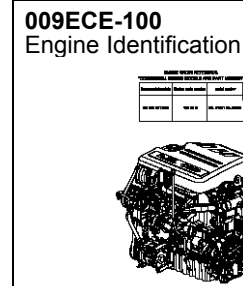
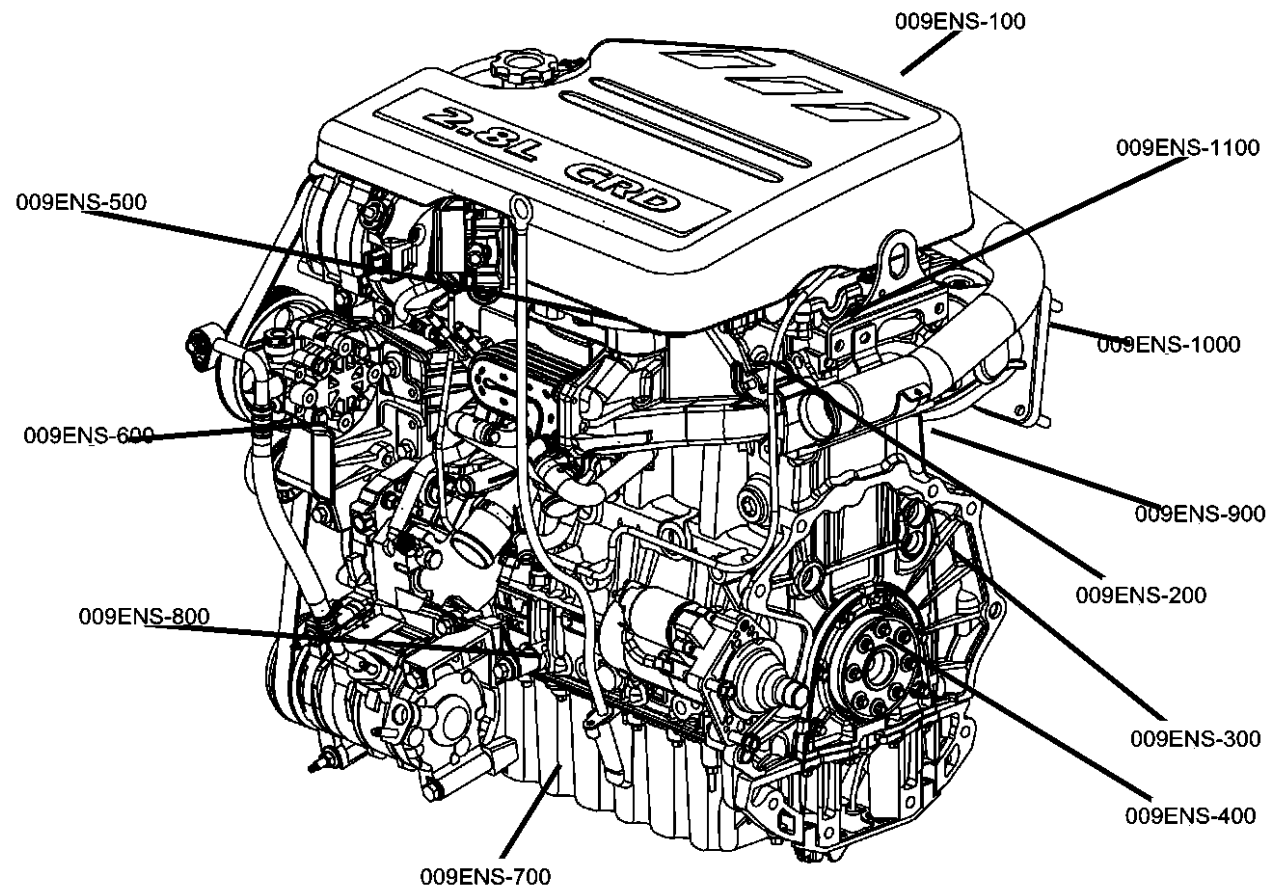
TRANSMISSION
DEF = 6-Speed Manual Aisin BG6 Trans
DD7 = 5-Speed Manual T355 Transmission
DAV = Continuously Variable Transaxle II
DAW = Cont.Var. w/Off-Rd Crawl Ratio Trans

AR = use ase required - = Non illustrated part

2008 MK

Group - 009ECE

2.0L Turbo Diesel; Engine

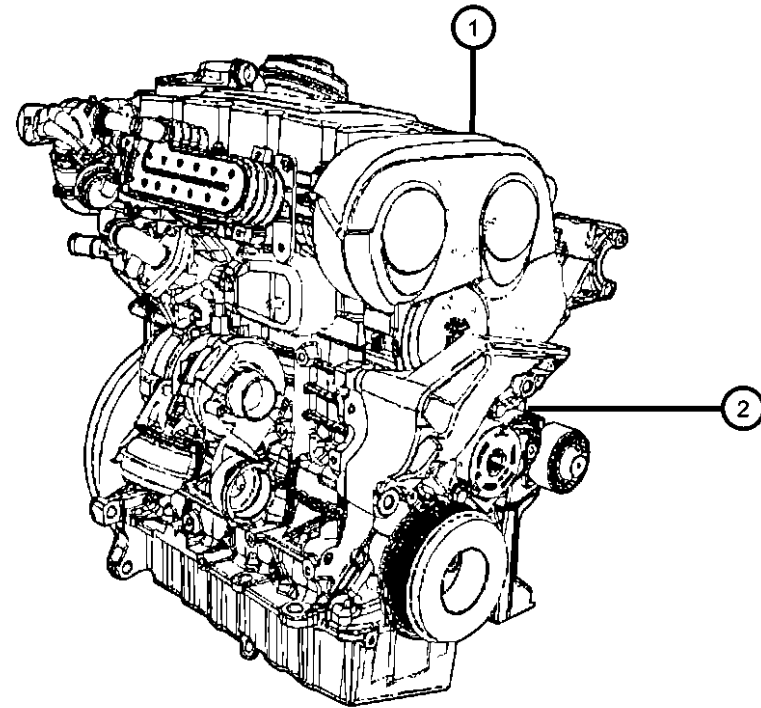


Group - 009ECE 2.0L Turbo Diesel; Engine

Illustration Title	Group-Fig. No.
Engine Identification	
Engine Assembly And Identification 2.0L Diesel [ECE]	Fig. 009ECE - 105
Engine Cover And Related Parts 2.0L Diesel [ECE]	Fig. 009ECE - 125
Cylinder Head	
Cylinder Head Cover 2.0L Diesel [ECE]	Fig. 009ECE - 205
Cylinder Head 2.0L Diesel [ECE]	Fig. 009ECE - 225
Cylinder Block	
Engine Cylinder Block And Hardware 2.0L Diesel [ECE]	Fig. 009ECE - 305
Crankshaft, Piston, Drive Plate, Flywheel, and Damper	
Crankshaft, Crankshaft Bearings, Damper And Flywheel 2.0L Diesel [ECE]	Fig. 009ECE - 405
Pistons, Piston Rings, Connecting Rods, And Connecting Rod Bearings 2.0L Diesel [ECE]	Fig. 009ECE - 425
Camshaft and Valve	
Camshafts And Valvetrain 2.0L Diesel [ECE]	Fig. 009ECE - 505
Timing Belt/Chain and Cover and Balance Shaft	
Timing Case Cover 2.0L Diesel [ECE]	Fig. 009ECE - 605
Timing System 2.0L Diesel [ECE]	Fig. 009ECE - 625
Balance Shaft Assembly 2.0L Diesel [ECE]	Fig. 009ECE - 645
Engine Oiling, Oil Pan and Indicator (Dipstick)	
Engine Oil Pump 2.0L Diesel [ECE]	Fig. 009ECE - 705
Engine Oil Pan, Engine Oil Level Indicator And Related Parts 2.0L Diesel [ECE]	Fig. 009ECE - 725
Engine Oil Filter And Adapter 2.0L Diesel [ECE]	Fig. 009ECE - 745
Engine Oil Cooler	
Engine Oil Cooler And Hoses/Tubes 2.0L Diesel [ECE]	Fig. 009ECE - 805
Turbo and Super Chargers	
Exhaust Manifold/Turbo Charger Assembly	Fig. 009ECE - 945
Manifolds and Vacuum Fittings	
Intake Manifold 2.0L Diesel [ECE]	Fig. 009ECE - 1025
Crankcase Ventilation	
Crankcase Ventilation 2.0L Diesel [ECE]	Fig. 009ECE - 1105
Engine Mounting	
Engine Mounting Front AWD/4WD 2.0L Diesel [ECE]	Fig. 009ECE - 1215
Engine Mounting Front AWD/4WD 2.0L [ECE]	Fig. 009ECE - 1235
Engine Mounting Left Side AWD/4WD 2.0L Diesel	Fig. 009ECE - 1255
Engine Mouting Rear AWD/4WD 2.0L Diesel [ECE]	Fig. 009ECE - 1275

**Engine Assembly And Identification 2.0L Diesel [ECE]
Figure 009ECE-105**

ITEM	PART NUMBER	QTY	LINE	SERIES	BODY	ENGINE	TRANS	TRIM	DESCRIPTION
------	-------------	-----	------	--------	------	--------	-------	------	-------------



NOTE:

When Engine Long Block Is Ordered, The First Three Alpha Characters Of The Engine I.D. Code Must Be Obtained For Proper Engine Replacement

Engine I.D. Codes Are Listed Below:

- [BSY] = NON-Balance Shaft Engine
- [BLY] = Balance Shaft Engine WITHOUT Diesel Particulate Filter
- [BWD] = Balance Shaft Engine WITH Diesel Particulate Filter

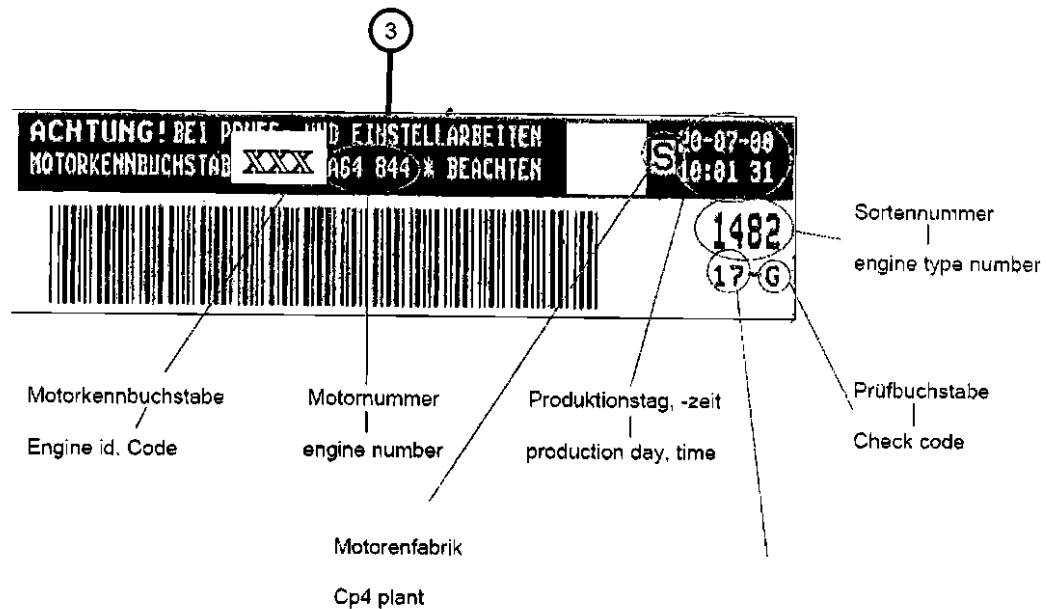
Engine Long Block Does Not Include Any External Bolt On Components, Only Main Components Cylinder Head, Cylinder Block, And Internals ETC

Sales Codes:

- [DAV] = Continuously Variable Transmission
- [DEF] = 6-Speed Manual Aisin BG6 Transmission
- [DEK] = 6-Speed Manual Getrag DM76 Transmission
- [DE0] = All 6-Speed Manual Transmissions
- [DD0] = All 5-Speed Manual Transmissions
- [DD7] = 5-Speed Manual T355 Transmission
- [ECD] = 2.0L 4 Cylinder DOHC Diesel 16 Valve Engine Without DPF
- [ECE] = 2.0L 4 Cylinder DOHC Diesel 16 Valve Engine With DPF
- [ECN] = 2.0L 4 Cylinder DOHC 16 Valve VVT Engine
- [EC0] = All 2.0L 4 Cylinder Gas Engines
- [ED3] = 2.4L 4 Cylinder DOHC 16 Valve Dual VVT Engine
- [ED4] = 2.4L 4 Cylinder DOHC 16 Valve Turbo Engine
- [ED0] = All 2.4L 4 Cylinder Gas Engines
- [NAA] = Federal Emissions
- [NAE] = California Emissions
- [NAS] = 50 State Emissions
- [NA1] = Export Emissions

Barcode-label for Cp4 engine

Aufkleber für den ZP4-Motor



1	06105062AA	3							
2	68040870AB	1	J, T, U			ECE			
3	68040870AB	1							

ENGINE, Complete, Diesel,
Serviced By Base Engine Only,
(NOT SERVICED)
ENGINE, Long Block, See Note
For Important Information, With
Engine Alpha I.D. Code [BWD]
LABEL, Engine Identification,
Located On Timing Cover See Note
For Important Information, (NOT
SERVICED)

COMPASS/PATRIOT (MK)

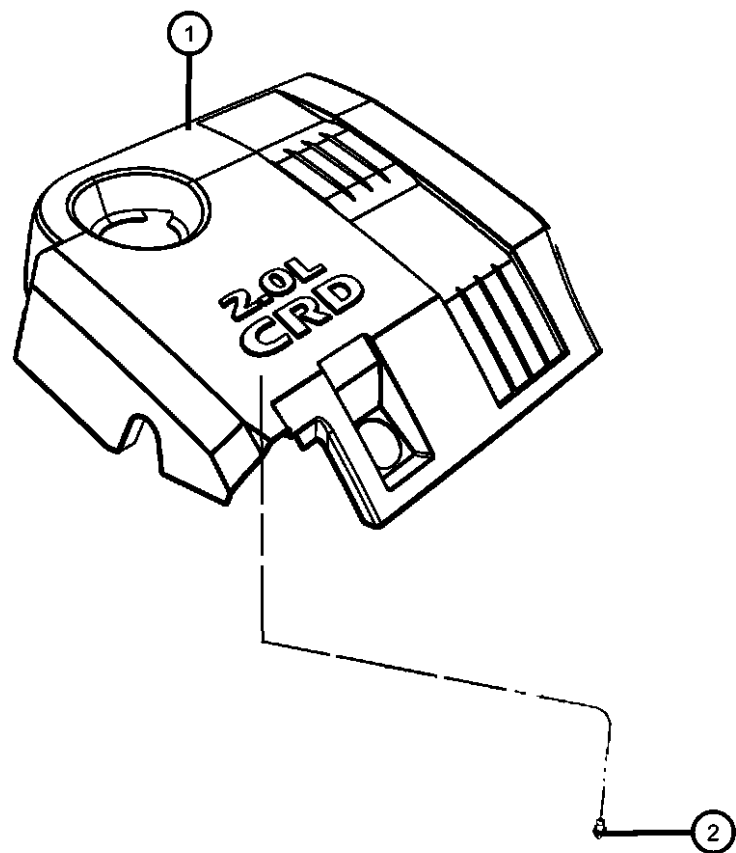
SERIES	LINE	BODY	ENGINE	TRANSMISSION
H = HIGHLINE	T = JEEP - 2WD	49 = HATCHBACK TYPE #2	ECE = 2.0L 4 Cyl DOHC DPF Diesel Engine	DEF = 6-Speed Manual Aisin BG6 Trans
L = LOWLINE	J = JEEP - 4WD	74 = SPORT UTILITY 4-DR TYPE #4	ED3 = 2.4L 4 Cyl DOHC 16V Dual VVT Engine	DD7 = 5-Speed Manual T355 Transmission
P = PREMIUM	U = JEEP - 4WD (RHD)		ECD = 2.0L 4 Cyl DOHC Diesel 16V Engine	DAV = Continuously Variable Transaxle II
			ECN = 2.0L 4 Cyl DOHC 16V Dual VVT Engine	DAW = Cont.Var. w/Off-Rd Crawl Ratio Trans

AR = use ase required - = Non illustrated part

2008 MK

**Engine Cover And Related Parts 2.0L Diesel [ECE]
Figure 009ECE-125**

ITEM	PART NUMBER	QTY	LINE	SERIES	BODY	ENGINE	TRANS	TRIM	DESCRIPTION
------	-------------	-----	------	--------	------	--------	-------	------	-------------



NOTE:

Sales Codes:

- [DAV] = Continuously Variable Transmission
- [DEF] = 6-Speed Manual Aisian BG6 Transmission
- [DEK] = 6-Speed Manual Getrag DM76 Transmission
- [DE0] = All 6-Speed Manual Transmissions
- [DD0] = All 5-Speed Manual Transmissions
- [DD7] = 5-Speed Manual T355 Transmission
- [ECD] = 2.0L 4 Cylinder DOHC Diesel 16 Valve Engine Without DPF
- [ECE] = 2.0L 4 Cylinder DOHC Diesel 16 Valve Engine With DPF
- [ECN] = 2.0L 4 Cylinder DOHC 16 Valve VVT Engine
- [EC0] = All 2.0L 4 Cylinder Gas Engines
- [ED3] = 2.4L 4 Cylinder DOHC 16 Valve Dual VVT Engine
- [ED4] = 2.4L 4 Cylinder DOHC 16 Valve Turbo Engine
- [ED0] = All 2.4L 4 Cylinder Gas Engines
- [NAA] = Federal Emissions
- [NAE] = California Emissions
- [NAS] = 50 State Emissions
- [NA1] = Export Emissions

1	04891828AC	1	J, T, U			ECE			COVER, Engine
2	04891828AC	1							ISOLATOR, (NOT SERVICED)

COMPASS/PATRIOT (MK)

SERIES	LINE	BODY	ENGINE	TRANSMISSION
H = HIGHLINE	T = JEEP - 2WD	49 = HATCHBACK TYPE #2	ECE = 2.0L 4 Cyl DOHC DPF Diesel Engine	DEF = 6-Speed Manual Aisin BG6 Trans
L = LOWLINE	J = JEEP - 4WD	74 = SPORT UTILITY 4-DR TYPE #4	ED3 = 2.4L 4 Cyl DOHC 16V Dual VVT Engine	DD7 = 5-Speed Manual T355 Transmission
P = PREMIUM	U = JEEP - 4WD (RHD)		ECD = 2.0L 4 Cyl DOHC Diesel 16V Engine	DAV = Continuously Variable Transaxle II
			ECN = 2.0L 4 Cyl DOHC 16V Dual VVT Engine	DAW = Cont.Var. w/Off-Rd Crawl Ratio Trans

AR = use ase required - = Non illustrated part

2008 MK

Cylinder Head Cover 2.0L Diesel [ECE]

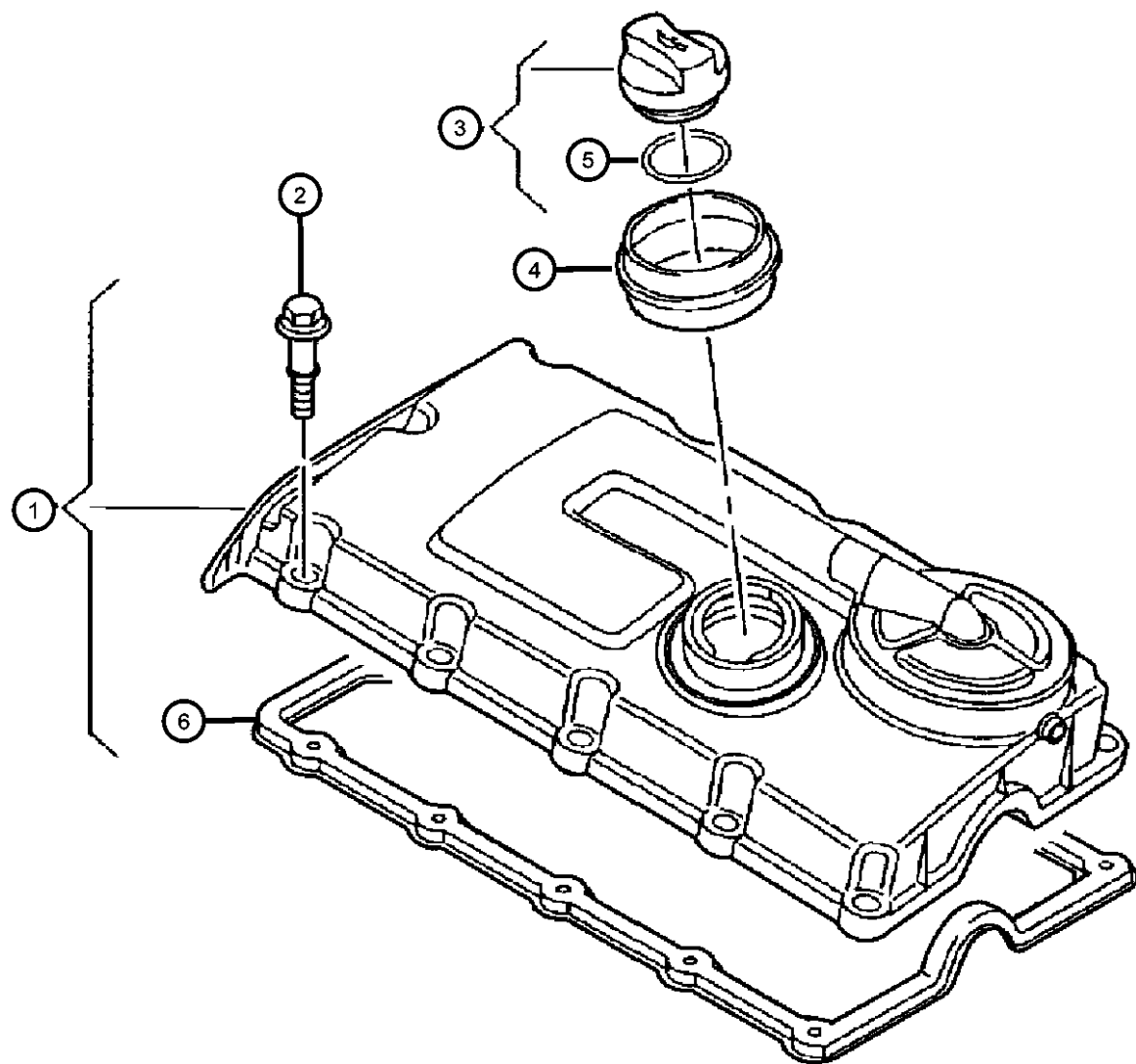
Figure 009ECE-205

ITEM	PART NUMBER	QTY	LINE	SERIES	BODY	ENGINE	TRANS	TRIM	DESCRIPTION
------	-------------	-----	------	--------	------	--------	-------	------	-------------

NOTE:

Sales Codes:

- [DAV] = Continuously Variable Transmission
- [DEF] = 6-Speed Manual Aisian BG6 Transmission
- [DEK] = 6-Speed Manual Getrag DM76 Transmission
- [DE0] = All 6-Speed Manual Transmissions
- [DD0] = All 5-Speed Manual Transmissions
- [DD7] = 5-Speed Manual T355 Transmission
- [ECD] = 2.0L 4 Cylinder DOHC Diesel 16 Valve Engine Without DPF
- [ECE] = 2.0L 4 Cylinder DOHC Diesel 16 Valve Engine With DPF
- [ECN] = 2.0L 4 Cylinder DOHC 16 Valve VVT Engine
- [EC0] = All 2.0L 4 Cylinder Gas Engines
- [ED3] = 2.4L 4 Cylinder DOHC 16 Valve Dual VVT Engine
- [ED4] = 2.4L 4 Cylinder DOHC 16 Valve Turbo Engine
- [ED0] = All 2.4L 4 Cylinder Gas Engines
- [NAA] = Federal Emissions
- [NAE] = California Emissions
- [NAS] = 50 State Emissions
- [NA1] = Export Emissions



1	68041142AA	1	J, T, U			ECE			COVER, Cylinder Head
2	68001292AA	11	J, T, U			ECE			BOLT, Hex Head, M6x20, Cylinder Head Cover To Cylinder Head, Mounting
3	68041153AA	1	J, T, U			ECE			CAP, Oil Filler
4	68001312AA	1	J, T, U			ECE			GASKET, Oil Filler Cap
5	68001296AA	1	J, T, U			ECE			SEAL
6	68001293AA	1	J, T, U			ECE			GASKET, Cylinder head Cover

COMPASS/PATRIOT (MK)

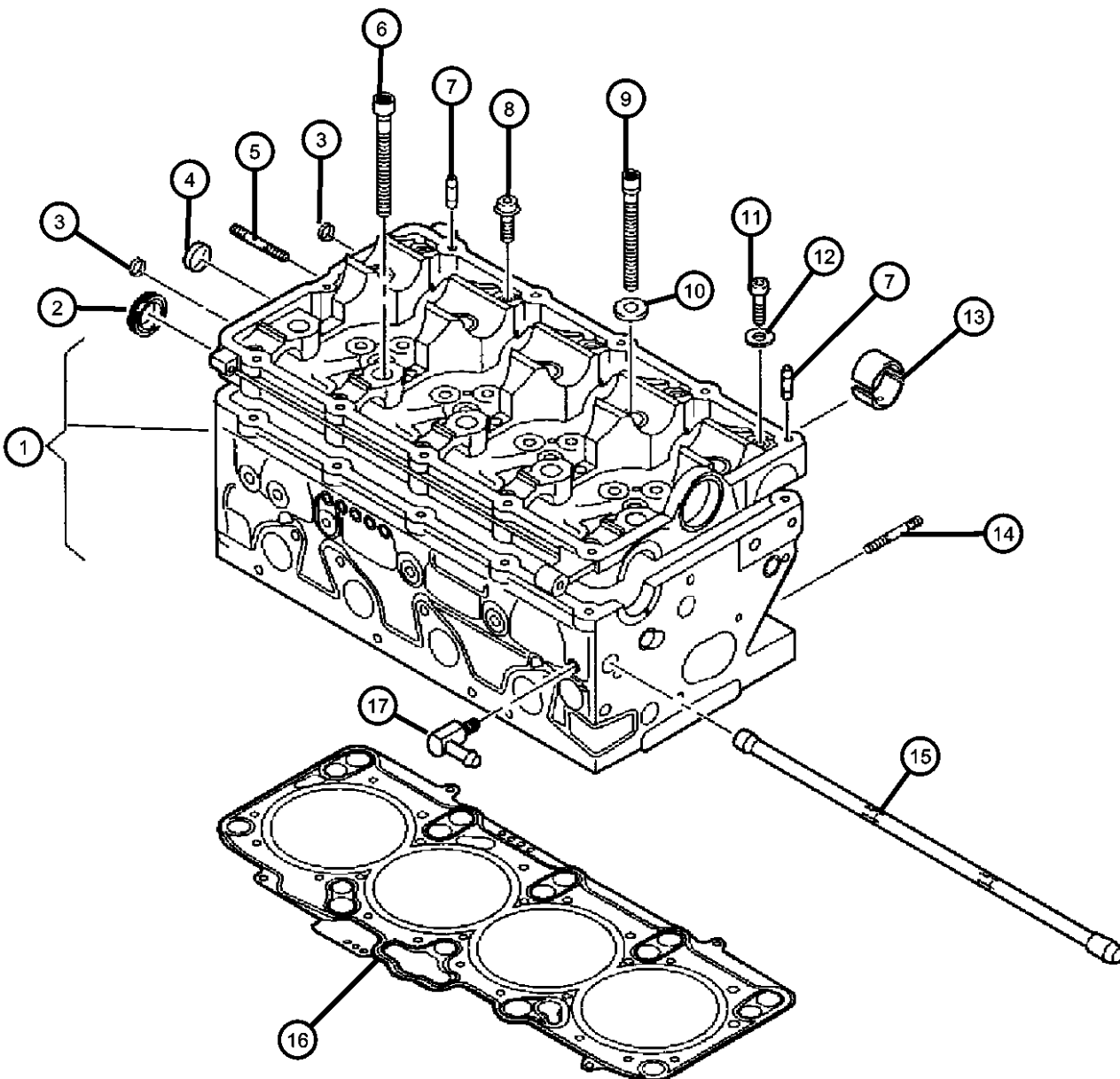
SERIES	LINE	BODY	ENGINE	TRANSMISSION
H = HIGHLINE	T = JEEP - 2WD	49 = HATCHBACK TYPE #2	ECE = 2.0L 4 Cyl DOHC DPF Diesel Engine	DEF = 6-Speed Manual Aisian BG6 Trans
L = LOWLINE	J = JEEP - 4WD	74 = SPORT UTILITY 4-DR TYPE #4	ED3 = 2.4L 4 Cyl DOHC 16V Dual VVT Engine	DD7 = 5-Speed Manual T355 Transmission
P = PREMIUM	U = JEEP - 4WD (RHD)		ECD = 2.0L 4 Cyl DOHC Diesel 16V Engine	DAV = Continuously Variable Transaxle II
			ECN = 2.0L 4 Cyl DOHC 16V Dual VVT Engine	DAW = Cont.Var. w/Off-Rd Crawl Ratio Trans

AR = use ase required - = Non illustrated part

2008 MK

**Cylinder Head 2.0L Diesel [ECE]
Figure 009ECE-225**

ITEM	PART NUMBER	QTY	LINE	SERIES	BODY	ENGINE	TRANS	TRIM	DESCRIPTION
------	-------------	-----	------	--------	------	--------	-------	------	-------------



NOTE:

Sales Codes:

- [DAV] = Continuously Variable Transmission
- [DEF] = 6-Speed Manual Aisin BG6 Transmission
- [DEK] = 6-Speed Manual Getrag DM76 Transmission
- [DE0] = All 6-Speed Manual Transmissions
- [DD0] = All 5-Speed Manual Transmissions
- [DD7] = 5-Speed Manual T355 Transmission
- [ECD] = 2.0L 4 Cylinder DOHC Diesel 16 Valve Engine Without DPF
- [ECE] = 2.0L 4 Cylinder DOHC Diesel 16 Valve Engine With DPF
- [ECN] = 2.0L 4 Cylinder DOHC 16 Valve VVT Engine
- [EC0] = All 2.0L 4 Cylinder Gas Engines
- [ED3] = 2.4L 4 Cylinder DOHC 16 Valve Dual VVT Engine
- [ED4] = 2.4L 4 Cylinder DOHC 16 Valve Turbo Engine
- [ED0] = All 2.4L 4 Cylinder Gas Engines
- [NAA] = Federal Emissions
- [NAE] = California Emissions
- [NAS] = 50 State Emissions
- [NA1] = Export Emissions

1	68001295AA	1	J, T, U			ECE			HEAD, Cylinder
2	68001164AA	2	J, T, U			ECE			SEAL, Camshaft
3	68004312AA	2	J, T, U			ECE			PLUG, Core
4	68001486AB	1	J, T, U			ECE			PLUG, Core
5	68001310AA	1	J, T, U			ECE			STUD, Double Ended, M8x73
6	68001458AA	8	J, T, U			ECE			BOLT, M6x88, Cylinder Head To Cylinder Block, Mounting
7	68001418AA	3	J, T, U			ECE			DOWEL PIN
8	68019947AA	10	J, T, U			ECE			BOLT, Cam Plate To Cylinder Head, Mounting
9	68001457AA	10	J, T, U			ECE			BOLT, Torx Head, M12x149, Cylinder Head To Cylinder Block, Mounting
10	68001523AA	10	J, T, U			ECE			WASHER, Cylinder Head To Cylinder Block, Mounting
11	68001487AB	5	J, T, U			ECE			BOLT, Cam Plate To Cylinder Head, Mounting
12	68041152AA	5	J, T, U			ECE			WASHER, Cam Plate To Cylinder Head, Mounting
13									BEARING, Camshaft
	68001139AA	10	J, T, U			ECE			Intake, Upper And Lower
	68001565AA	5	J, T, U			ECE			Exhaust, Lower
	68001570AA	5	J, T, U			ECE			Exhaust, Upper

COMPASS/PATRIOT (MK)

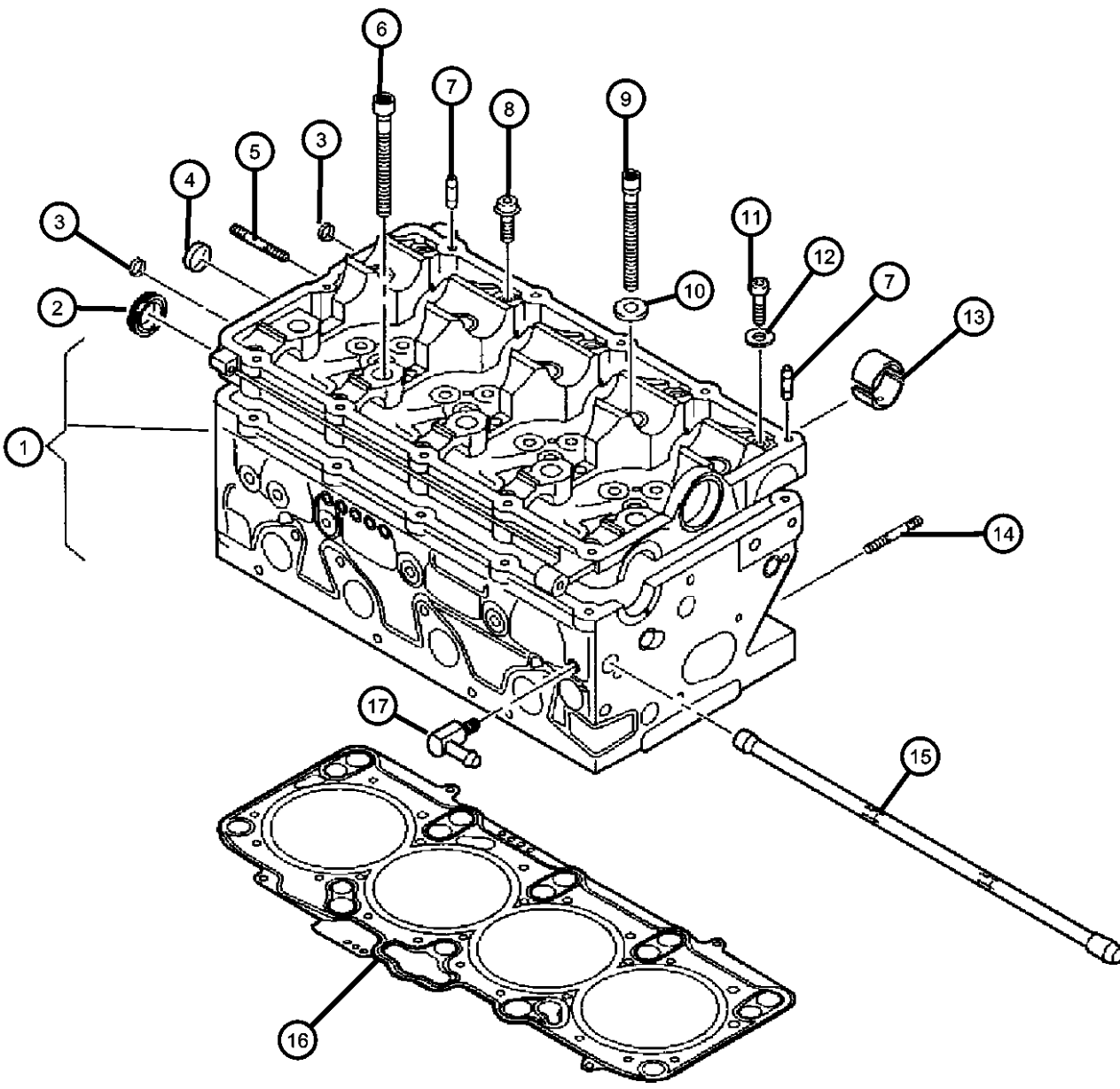
SERIES	LINE	BODY	ENGINE	TRANSMISSION
H = HIGHLINE	T = JEEP - 2WD	49 = HATCHBACK TYPE #2	ECE = 2.0L 4 Cyl DOHC DPF Diesel Engine	DEF = 6-Speed Manual Aisin BG6 Trans
L = LOWLINE	J = JEEP - 4WD	74 = SPORT UTILITY 4-DR TYPE #4	ED3 = 2.4L 4 Cyl DOHC 16V Dual VVT Engine	DD7 = 5-Speed Manual T355 Transmission
P = PREMIUM	U = JEEP - 4WD (RHD)		ECD = 2.0L 4 Cyl DOHC Diesel 16V Engine	DAV = Continuously Variable Transaxle II
			ECN = 2.0L 4 Cyl DOHC 16V Dual VVT Engine	DAW = Cont.Var. w/Off-Rd Crawl Ratio Trans

AR = use ase required - = Non illustrated part

2008 MK

**Cylinder Head 2.0L Diesel [ECE]
Figure 009ECE-225**

ITEM	PART NUMBER	QTY	LINE	SERIES	BODY	ENGINE	TRANS	TRIM	DESCRIPTION
14	68001524AA	8	J, T, U			ECE			STUD, Double Ended, M8x35
15	68001311AA	1	J, T, U			ECE			RAIL, Fuel
16	68001272AA	1	J, T, U			ECE			GASKET, Cylinder Head 1.71 MM 3 Holes
	68033094AA	1	J, T, U			ECE			1.63 MM 2 Holes
	68033096AA	1	J, T, U			ECE			1.55 MM 1 Hole
17	68001314AA	1	J, T, U			ECE			FITTING



COMPASS/PATRIOT (MK)

SERIES LINE
H = HIGHLINE T = JEEP - 2WD
L = LOWLINE J = JEEP - 4WD
P = PREMIUM U = JEEP - 4WD (RHD)

BODY
49 = HATCHBACK TYPE #2
74 = SPORT UTILITY 4-DR
TYPE #4

ENGINE TRANSMISSION
ECE = 2.0L 4 Cyl DOHC DPF Diesel Engine DEF = 6-Speed Manual Aisin BG6 Trans
ED3 = 2.4L 4 Cyl DOHC 16V Dual VVT Engine DD7 = 5-Speed Manual T355 Transmission
ECD = 2.0L 4 Cyl DOHC Diesel 16V Engine DAV = Continuously Variable Transaxle II
ECN = 2.0L 4 Cyl DOHC 16V Dual VVT Engine DAW = Cont.Var. w/Off-Rd Crawl Ratio Trans

AR = use ase required - = Non illustrated part

2008 MK

**Engine Cylinder Block And Hardware 2.0L Diesel [ECE]
Figure 009ECE-305**

ITEM	PART NUMBER	QTY	LINE	SERIES	BODY	ENGINE	TRANS	TRIM	DESCRIPTION
------	-------------	-----	------	--------	------	--------	-------	------	-------------

NOTE:

Base Engine Does Not Include Any External Bolt On Components, Only Main Components Cylinder Head, Cylinder Block, And Internals ETC.

Sales Codes:

[DAV] = Continuously Variable Transmission

[DEF] = 6-Speed Manual Aisin BG6 Transmission

[DEK] = 6-Speed Manual Getrag DM76 Transmission

[DE0] = All 6-Speed Manual Transmissions

[DD0] = All 5-Speed Manual Transmissions

[DD7] = 5-Speed Manual T355 Transmission

[ECD] = 2.0L 4 Cylinder DOHC Diesel 16 Valve Engine Without DPF

[ECE] = 2.0L 4 Cylinder DOHC Diesel 16 Valve Engine With DPF

[ECN] = 2.0L 4 Cylinder DOHC 16 Valve VVT Engine

[EC0] = All 2.0L 4 Cylinder Gas Engines

[ED3] = 2.4L 4 Cylinder DOHC 16 Valve Dual VVT Engine

[ED4] = 2.4L 4 Cylinder DOHC 16 Valve Turbo Engine

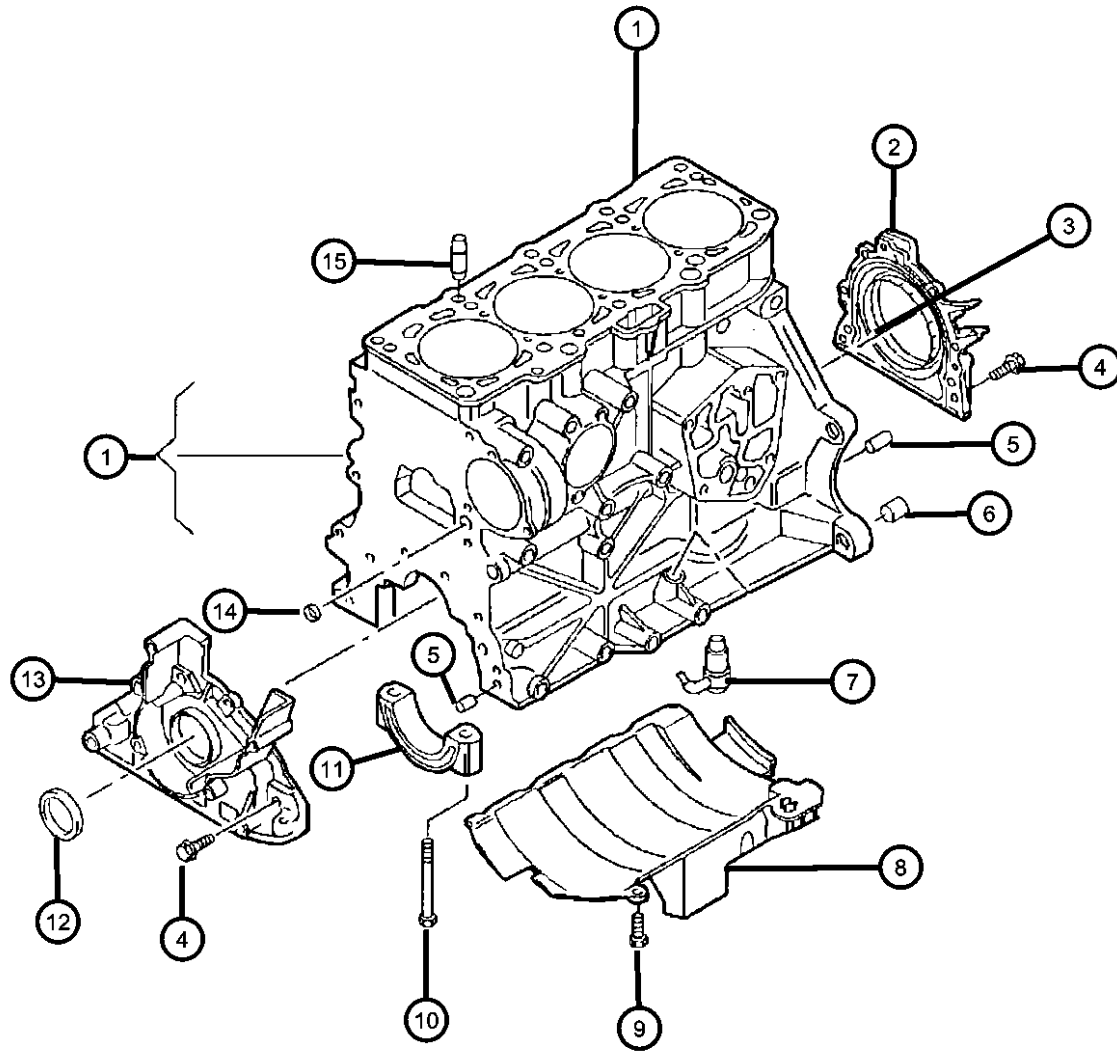
[ED0] = All 2.4L 4 Cylinder Gas Engines

[NAA] = Federal Emissions

[NAE] = California Emissions

[NAS] = 50 State Emissions

[NA1] = Export Emissions



1	68034259AB	1	J, T, U			ECE			BLOCK, Cylinder, Bare Cylinder Block
2	68000669AA	1	J, T, U			ECE			RETAINER AND SEAL, Crankshaft Rear Oil
3	68000669AA	1							SEAL, Rear Main Crankshaft, Serviced In Rear Retainer, (NOT SERVICED)
4									BOLT, Hex Head, M7x21.5
	68001543AB	6	J, T, U			ECE			Rear Oil Seal Retainer To Cylinder Block, Mounting
		6	J, T, U			ECE			Front Oil Seal Retainer To Cylinder Block, Mounting
5	68001492AA	4	J, T, U			ECE			DOWEL PIN
6	68000664AA	2	J, T, U			ECE			DOWEL PIN
7	68000668AA	4	J, T, U			ECE			JET, Piston Oil Cooler
8	68000670AA	1	J, T, U			ECE			TRAY, Windage
9	68001536AB	1	J, T, U			ECE			BOLT, M7x55, Windage Tray To Cylinder Block, Mounting
10	68001347AA	10	J, T, U			ECE			BOLT, Main Bearing Caps To Cylinder Block, Mounting
11	68001347AA	10							CAP, Main, Serviced with Cylinder Block, (NOT SERVICED)
12	68000666AA	1	J, T, U			ECE			SEAL, Crankshaft Oil, Front

COMPASS/PATRIOT (MK)

SERIES LINE
 H = HIGHLINE T = JEEP - 2WD
 L = LOWLINE J = JEEP - 4WD
 P = PREMIUM U = JEEP - 4WD (RHD)

BODY
 49 = HATCHBACK TYPE #2
 74 = SPORT UTILITY 4-DR
 TYPE #4

ENGINE
 ECE = 2.0L 4 Cyl DOHC DPF Diesel Engine
 ED3 = 2.4L 4 Cyl DOHC 16V Dual VVT Engine
 ECD = 2.0L 4 Cyl DOHC Diesel 16V Engine
 ECN = 2.0L 4 Cyl DOHC 16V Dual VVT Engine

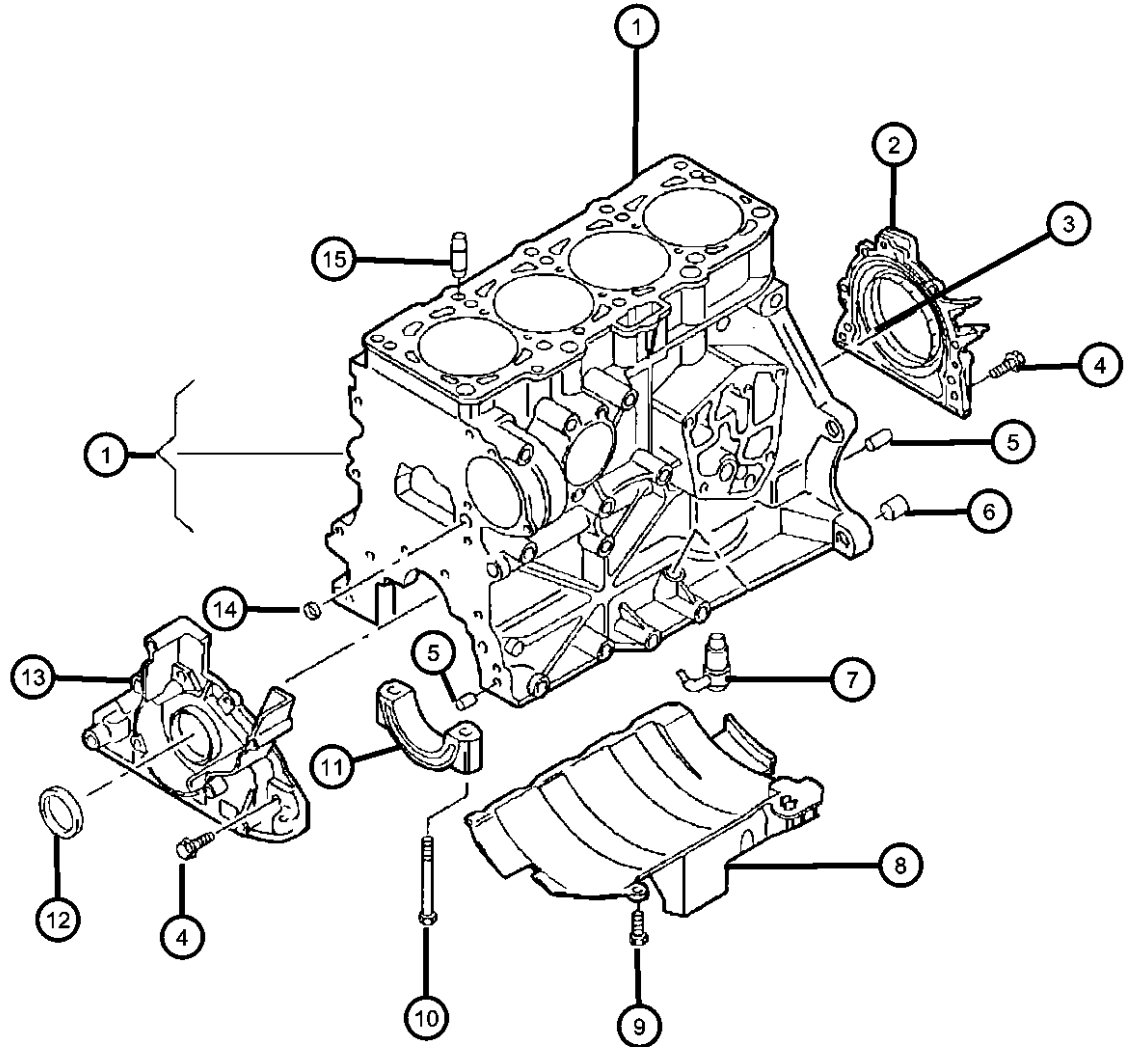
TRANSMISSION
 DEF = 6-Speed Manual Aisin BG6 Trans
 DD7 = 5-Speed Manual T355 Transmission
 DAV = Continuously Variable Transaxle II
 DAW = Cont.Var. w/Off-Rd Crawl Ratio Trans

AR = use ase required - = Non illustrated part

2008 MK

**Engine Cylinder Block And Hardware 2.0L Diesel [ECE]
Figure 009ECE-305**

ITEM	PART NUMBER	QTY	LINE	SERIES	BODY	ENGINE	TRANS	TRIM	DESCRIPTION
13	68034263AA	1	J, T, U			ECE			RETAINER, Crankshaft Front Oil Seal
14	68004312AA	3	J, T, U			ECE			PLUG, Core
15	68000665AA	2	J, T, U			ECE			DOWEL PIN

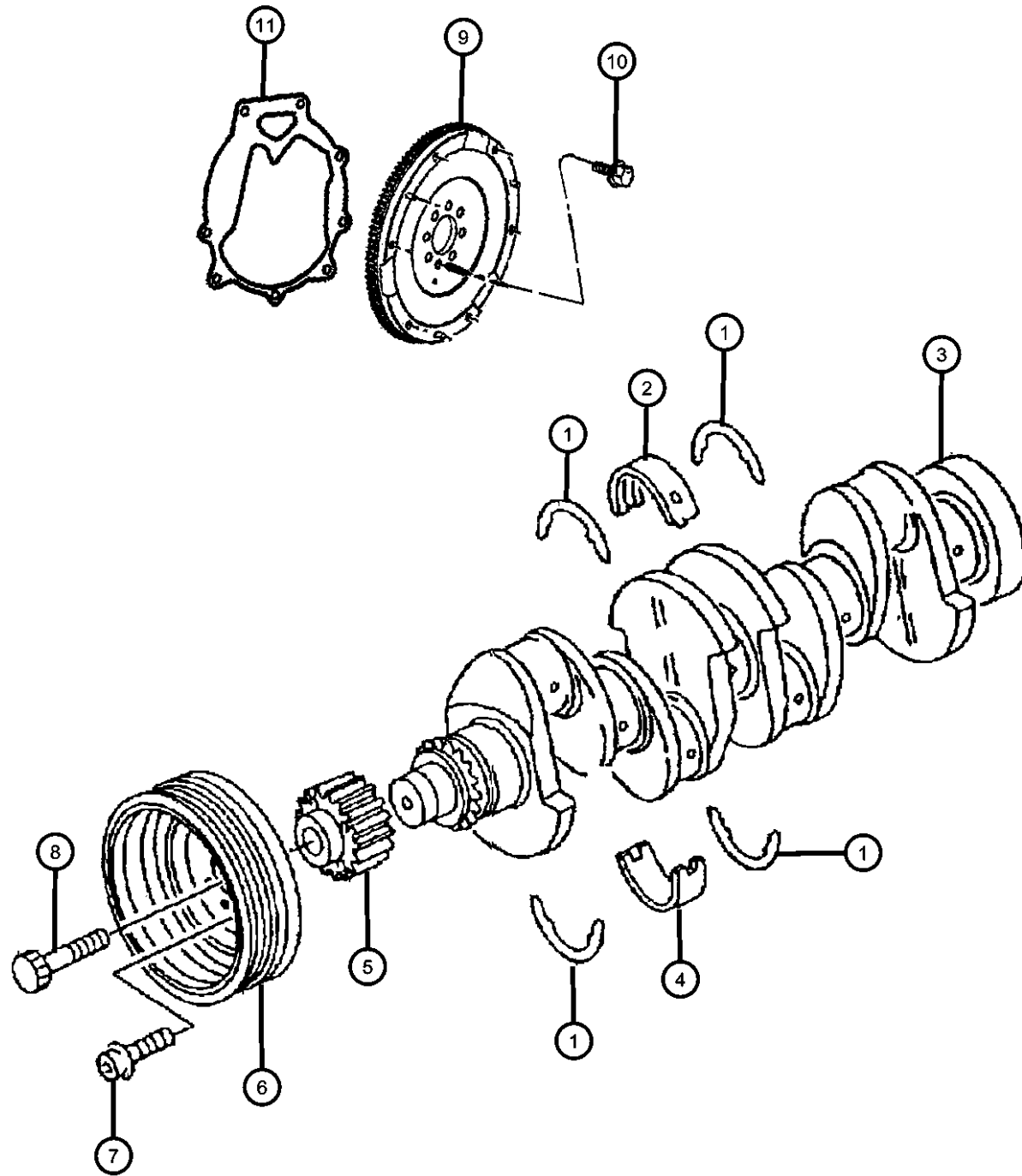


COMPASS/PATRIOT (MK)

SERIES	LINE	BODY	ENGINE	TRANSMISSION
H = HIGHLINE	T = JEEP - 2WD	49 = HATCHBACK TYPE #2	ECE = 2.0L 4 Cyl DOHC DPF Diesel Engine	DEF = 6-Speed Manual Aisin BG6 Trans
L = LOWLINE	J = JEEP - 4WD	74 = SPORT UTILITY 4-DR TYPE #4	ED3 = 2.4L 4 Cyl DOHC 16V Dual VVT Engine	DD7 = 5-Speed Manual T355 Transmission
P = PREMIUM	U = JEEP - 4WD (RHD)		ECD = 2.0L 4 Cyl DOHC Diesel 16V Engine	DAV = Continuously Variable Transaxle II
			ECN = 2.0L 4 Cyl DOHC 16V Dual VVT Engine	DAW = Cont.Var. w/Off-Rd Crawl Ratio Trans

AR = use ase required - = Non illustrated part

**Crankshaft, Crankshaft Bearings, Damper And Flywheel 2.0L Diesel [ECE]
Figure 009ECE-405**



ITEM	PART NUMBER	QTY	LINE	SERIES	BODY	ENGINE	TRANS	TRIM	DESCRIPTION
------	-------------	-----	------	--------	------	--------	-------	------	-------------

NOTE: For Crankshaft Identification, Stamping Location And Bearing Information Refer To The Service Manual.
For Bearing Selection Sizes Please Refer To Service Manual Group 9, Bearings Crankshaft Main, [Select Fit Identification]

Sales Codes:

- [DAV] = Continuously Variable Transmission
- [DEF] = 6-Speed Manual Aisian BG6 Transmission
- [DEK] = 6-Speed Manual Getrag DM76 Transmission
- [DE0] = All 6-Speed Manual Transmissions
- [DD0] = All 5-Speed Manual Transmissions
- [DD7] = 5-Speed Manual T355 Transmission
- [ECD] = 2.0L 4 Cylinder DOHC Diesel 16 Valve Engine Without DPF
- [ECE] = 2.0L 4 Cylinder DOHC Diesel 16 Valve Engine With DPF
- [ECN] = 2.0L 4 Cylinder DOHC 16 Valve VVT Engine
- [EC0] = All 2.0L 4 Cylinder Gas Engines
- [ED3] = 2.4L 4 Cylinder DOHC 16 Valve Dual VVT Engine
- [ED4] = 2.4L 4 Cylinder DOHC 16 Valve Turbo Engine
- [ED0] = All 2.4L 4 Cylinder Gas Engines
- [NAA] = Federal Emissions
- [NAE] = California Emissions
- [NAS] = 50 State Emissions
- [NA1] = Export Emissions

1	68000631AA	1	J, T, U			ECE			WASHER KIT, Crankshaft Thrust, One [1] Package Services One [1] Set
2	68001343AB	5	J, T, U			ECE			BEARING, Crankshaft Upper
3	68034265AA	1	J, T, U			ECE			CRANKSHAFT
4	68001344AB	5	J, T, U			ECE			BEARING, Crankshaft Lower
5	68034267AA	1	J, T, U			ECE			SPROCKET, Crankshaft
6	68001304AA	1	J, T, U			ECE			DAMPER, Vibration
7	68021326AA	4	J, T, U			ECE			BOLT, M8x20, Damper To Crankshaft, Mounting
8	68001597AA	1	J, T, U			ECE			BOLT, 12 Point Head, M16x1.5x59, Pulley To Crankshaft, Mounting
9	05106019AA	1	J, T, U			ECD, ECE	DEF		FLYWHEEL
10	06508456AA	6	J, T, U			ECD, ECE	DEF		BOLT, Lock Patch, M10X1.00X22.50, Flywheel To Crankshaft, Mounting
11	04891665AA	1	J, T, U			ECD, ECE			COVER, Transmission Case

COMPASS/PATRIOT (MK)

SERIES LINE
H = HIGHLINE T = JEEP - 2WD
L = LOWLINE J = JEEP - 4WD
P = PREMIUM U = JEEP - 4WD (RHD)

BODY
49 = HATCHBACK TYPE #2
74 = SPORT UTILITY 4-DR TYPE #4

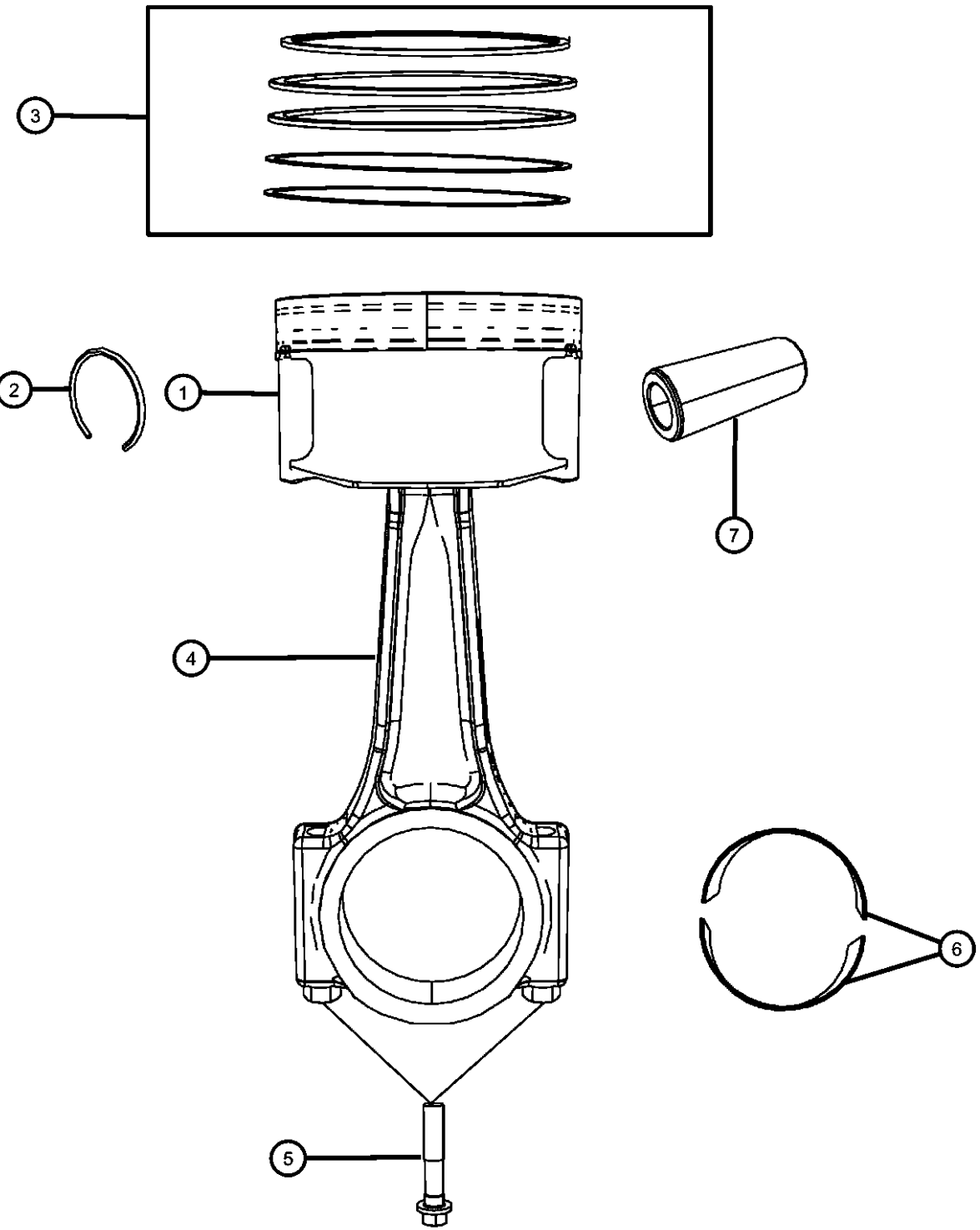
ENGINE
ECE = 2.0L 4 Cyl DOHC DPF Diesel Engine
ED3 = 2.4L 4 Cyl DOHC 16V Dual VVT Engine
ECD = 2.0L 4 Cyl DOHC Diesel 16V Engine
ECN = 2.0L 4 Cyl DOHC 16V Dual VVT Engine

TRANSMISSION
DEF = 6-Speed Manual Aisin BG6 Trans
DD7 = 5-Speed Manual T355 Transmission
DAV = Continuously Variable Transaxle II
DAW = Cont.Var. w/Off-Rd Crawl Ratio Trans

AR = use ase required - = Non illustrated part

2008 MK

**Pistons, Piston Rings, Connecting Rods, And Connecting Rod Bearings 2.0L Diesel [ECE]
Figure 009ECE-425**



ITEM	PART NUMBER	QTY	LINE	SERIES	BODY	ENGINE	TRANS	TRIM	DESCRIPTION
------	-------------	-----	------	--------	------	--------	-------	------	-------------

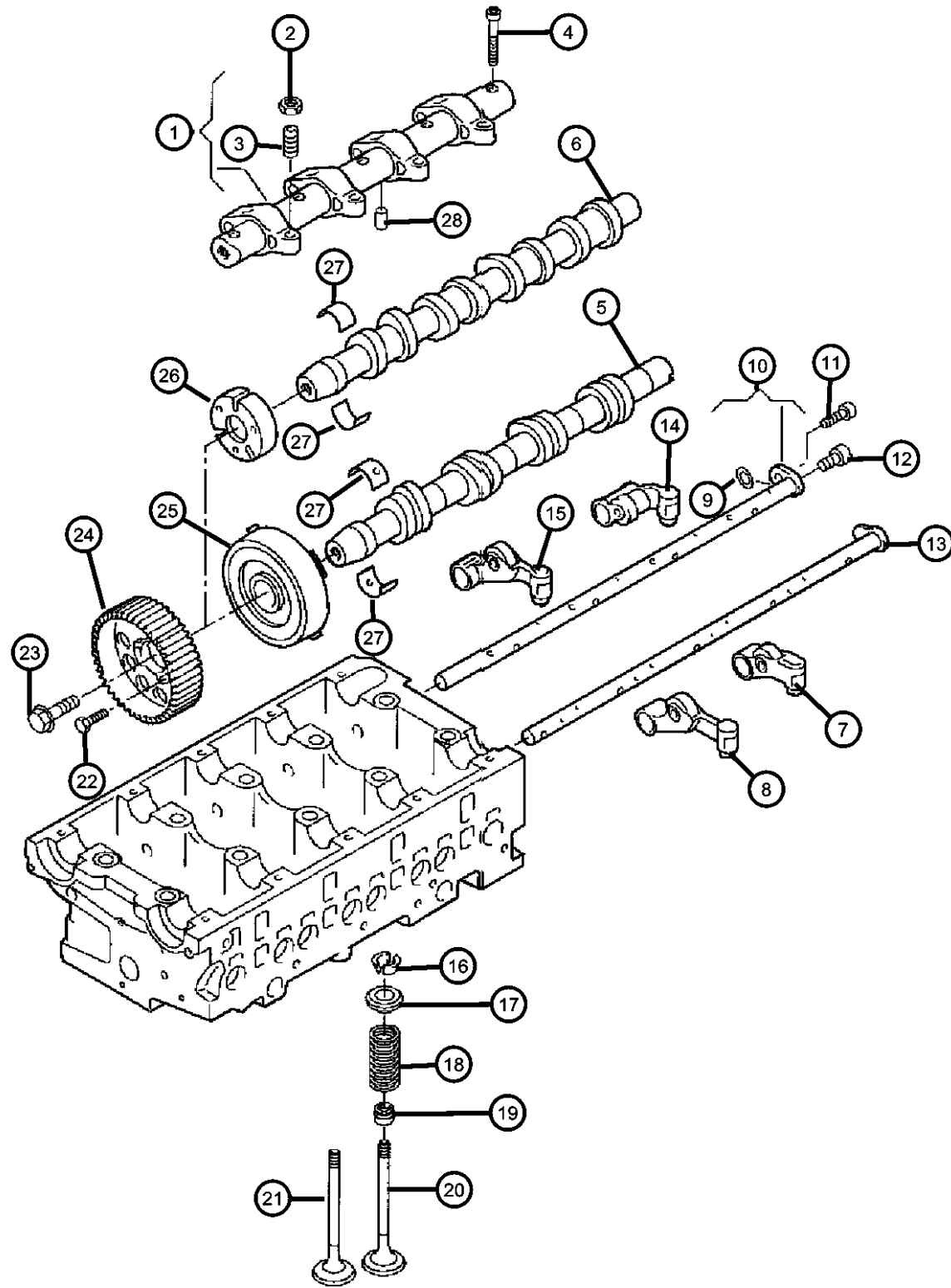
NOTE: For Crankshaft Identification, Stamping Location And Bearing Information Refer To The Service Manual.
For Bearing Selection Sizes Please Refer To Service Manual Group 9, Bearings Crankshaft Main, [Select Fit Identification]
Sales Codes:
[DAV] = Continuously Variable Transmission
[DEF] = 6-Speed Manual Aisian BG6 Transmission
[DEK] = 6-Speed Manual Getrag DM76 Transmission
[DE0] = All 6-Speed Manual Transmissions
[DD0] = All 5-Speed Manual Transmissions
[DD7] = 5-Speed Manual T355 Transmission
[ECD] = 2.0L 4 Cylinder DOHC Diesel 16 Valve Engine Without DPF
[ECE] = 2.0L 4 Cylinder DOHC Diesel 16 Valve Engine With DPF
[ECN] = 2.0L 4 Cylinder DOHC 16 Valve VVT Engine
[EC0] = All 2.0L 4 Cylinder Gas Engines
[ED3] = 2.4L 4 Cylinder DOHC 16 Valve Dual VVT Engine
[ED4] = 2.4L 4 Cylinder DOHC 16 Valve Turbo Engine
[ED0] = All 2.4L 4 Cylinder Gas Engines
[NAA] = Federal Emissions
[NAE] = California Emissions
[NAS] = 50 State Emissions
[NA1] = Export Emissions

1									PISTON, ENGINE
	68004320AA	4	J, T, U			ECE			Size Group 1
	68041154AA	4	J, T, U			ECE			Size Group 3
2	68001495AA	8	J, T, U			ECE			RING, Piston Pin
3	68000632AA	4	J, T, U			ECE			RING KIT, Piston
4	68000673AA	4	J, T, U			ECE			ROD, Connecting
5	68001598AA	8	J, T, U			ECE			BOLT, Torx Head, M8x1.00x44
6									BEARING, Connecting Rod, STD., See Note
	68000674AA	4	J, T, U			ECE			Upper
	68002278AA	4	J, T, U			ECE			Lower
7	68002278AA	4							PIN, Piston, Serviced With Piston, (NOT SERVICED)

COMPASS/PATRIOT (MK)		BODY	ENGINE	TRANSMISSION
SERIES	LINE			
H = HIGHLINE	T = JEEP - 2WD	49 = HATCHBACK TYPE #2	ECE = 2.0L 4 Cyl DOHC DPF Diesel Engine	DEF = 6-Speed Manual Aisian BG6 Trans
L = LOWLINE	J = JEEP - 4WD	74 = SPORT UTILITY 4-DR TYPE #4	ED3 = 2.4L 4 Cyl DOHC 16V Dual VVT Engine	DD7 = 5-Speed Manual T355 Transmission
P = PREMIUM	U = JEEP - 4WD (RHD)		ECD = 2.0L 4 Cyl DOHC Diesel 16V Engine	DAV = Continuously Variable Transaxle II
			ECN = 2.0L 4 Cyl DOHC 16V Dual VVT Engine	DAW = Cont.Var. w/Off-Rd Crawl Ratio Trans

AR = use ase required - = Non illustrated part

**Camshafts And Valvetrain 2.0L Diesel [ECE]
Figure 009ECE-505**



ITEM	PART NUMBER	QTY	LINE	SERIES	BODY	ENGINE	TRANS	TRIM	DESCRIPTION
------	-------------	-----	------	--------	------	--------	-------	------	-------------

NOTE:

Sales Codes:

- [DAV] = Continuously Variable Transmission
- [DEF] = 6-Speed Manual Aisin BG6 Transmission
- [DEK] = 6-Speed Manual Getrag DM76 Transmission
- [DE0] = All 6-Speed Manual Transmissions
- [DD0] = All 5-Speed Manual Transmissions
- [DD7] = 5-Speed Manual T355 Transmission
- [ECD] = 2.0L 4 Cylinder DOHC Diesel 16 Valve Engine Without DPF
- [ECE] = 2.0L 4 Cylinder DOHC Diesel 16 Valve Engine With DPF
- [ECN] = 2.0L 4 Cylinder DOHC 16 Valve VVT Engine
- [EC0] = All 2.0L 4 Cylinder Gas Engines
- [ED3] = 2.4L 4 Cylinder DOHC 16 Valve Dual VVT Engine
- [ED4] = 2.4L 4 Cylinder DOHC 16 Valve Turbo Engine
- [ED0] = All 2.4L 4 Cylinder Gas Engines
- [NAA] = Federal Emissions
- [NAE] = California Emissions
- [NAS] = 50 State Emissions
- [NA1] = Export Emissions

1	68004322AA	1	J, T, U			ECE			SHAFT, Rocker Arm, With Rocker Arms
2	68001516AA	4	J, T, U			ECE			NUT, Hex, M12x1.25, Rocker Arm Shaft, Mounting
3	68019948AA	4	J, T, U			ECE			BOLT, M12x1.25x26.75, Adjusting With Ball Head
4	68001348AA	5	J, T, U			ECE			BOLT, M8x58, Rocker Arm Shaft, Mounting
5	68001571AA	1	J, T, U			ECE			CAMSHAFT, Intake
6	68041155AA	1	J, T, U			ECE			CAMSHAFT, Exhaust
7	68001577AA	4	J, T, U			ECE			ARM, RockerIntake
8	68001578AA	4	J, T, U			ECE			ARM, RockerIntake
9	68001547AA	1	J, T, U			ECE			SEAL
10	68001576AA	1	J, T, U			ECE			SHAFT, Rocker ArmExhaust
11	68001515AA	1	J, T, U			ECE			BOLT, M6x18
12	68001519AA	1	J, T, U			ECE			BOLT, Torx Head, M8x12
13	68001575AA	1	J, T, U			ECE			SHAFT, Rocker Arm
14	68001579AA	4	J, T, U			ECE			ARM, RockerExhaust
15	68001580AA	4	J, T, U			ECE			ARM, RockerExhaust
16	68001550AA	32	J, T, U			ECE			LOCK, Valve Spring Retainer
17	68001599AA	16	J, T, U			ECE			RETAINER, SpringUpper

COMPASS/PATRIOT (MK)

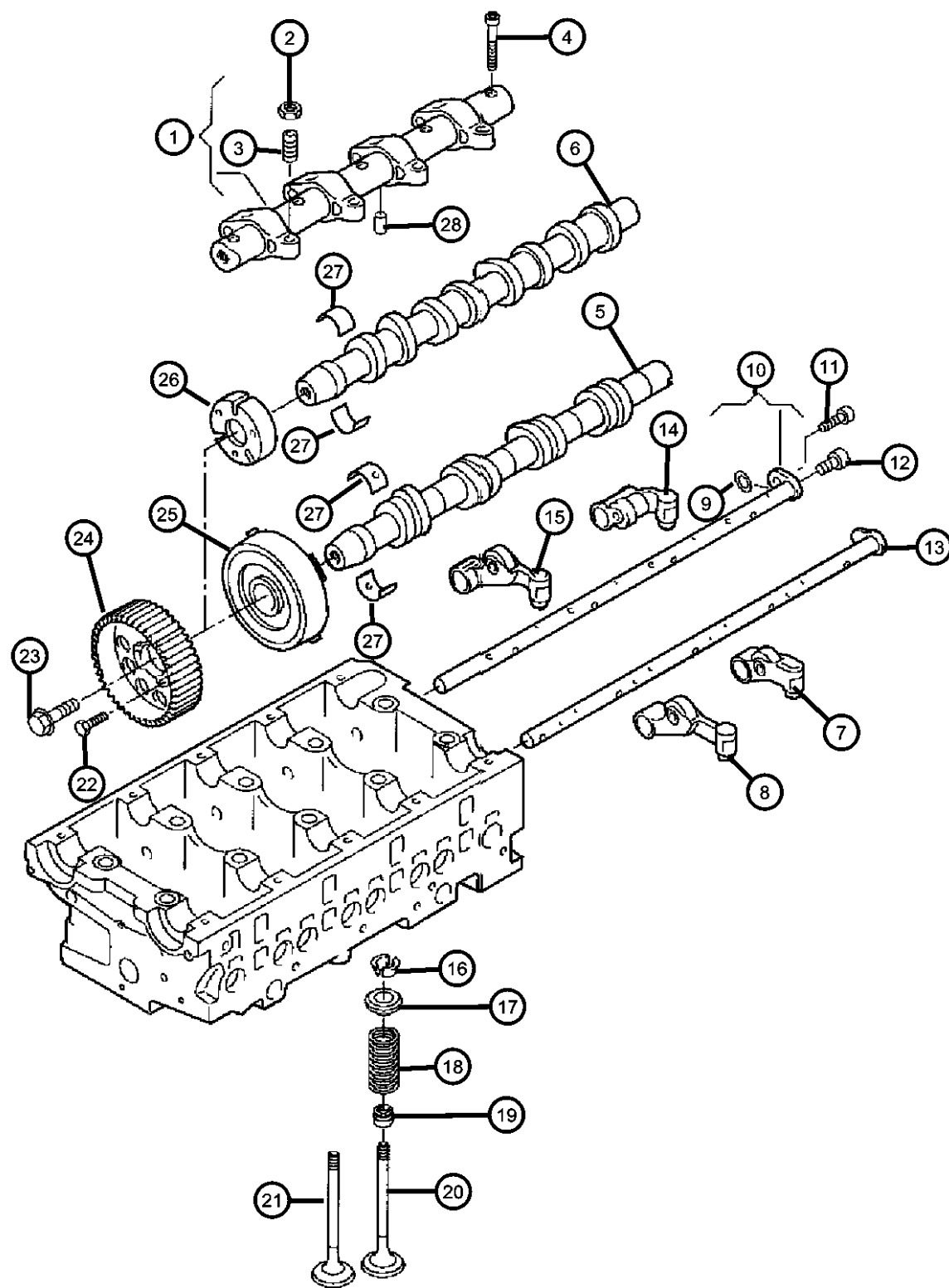
SERIES	LINE	BODY	ENGINE	TRANSMISSION
H = HIGHLINE	T = JEEP - 2WD	49 = HATCHBACK TYPE #2	ECE = 2.0L 4 Cyl DOHC DPF Diesel Engine	DEF = 6-Speed Manual Aisin BG6 Trans
L = LOWLINE	J = JEEP - 4WD	74 = SPORT UTILITY 4-DR TYPE #4	ED3 = 2.4L 4 Cyl DOHC 16V Dual VVT Engine	DD7 = 5-Speed Manual T355 Transmission
P = PREMIUM	U = JEEP - 4WD (RHD)		ECD = 2.0L 4 Cyl DOHC Diesel 16V Engine	DAV = Continuously Variable Transaxle II
			ECN = 2.0L 4 Cyl DOHC 16V Dual VVT Engine	DAW = Cont.Var. w/Off-Rd Crawl Ratio Trans

AR = use ase required - = Non illustrated part

2008 MK

Camshafts And Valvetrain 2.0L Diesel [ECE]

Figure 009ECE-505



ITEM	PART NUMBER	QTY	LINE	SERIES	BODY	ENGINE	TRANS	TRIM	DESCRIPTION
18	68001584AA	16	J, T, U			ECE			SPRING, Valve
19	68001551AA	16	J, T, U			ECE			SEAL, Valve Guide
20	68001582AA	8	J, T, U			ECE			VALVEIntake
21	68001583AA	8	J, T, U			ECE			VALVEExhaust
22	68041160AA	6	J, T, U			ECE			BOLT, Hex Flange Head, M8x30, Camshaft Sprocket, Mounting
23	68001532AA	2	J, T, U			ECE			BOLT, Hex Head, M12x1.5x35Mounting
24	68001554AA	2	J, T, U			ECE			SPROCKET, Camshaft
25	68034302AA	1	J, T, U			ECE			HUBIntake
26	68001574AA	1	J, T, U			ECE			HUBExhaust
27									BEARING, Camshaft
	68001139AA	10	J, T, U			ECE			Intake
	68001565AA	5	J, T, U			ECE			Exhaust, Lower
	68001570AA	5	J, T, U			ECE			Exhaust, Upper
28	68001611AA	1	J, T, U			ECE			DOWEL

COMPASS/PATRIOT (MK)

SERIES LINE
 H = HIGHLINE T = JEEP - 2WD
 L = LOWLINE J = JEEP - 4WD
 P = PREMIUM U = JEEP - 4WD (RHD)

BODY
 49 = HATCHBACK TYPE #2
 74 = SPORT UTILITY 4-DR TYPE #4

ENGINE
 ECE = 2.0L 4 Cyl DOHC DPF Diesel Engine
 ED3 = 2.4L 4 Cyl DOHC 16V Dual VVT Engine
 ECD = 2.0L 4 Cyl DOHC Diesel 16V Engine
 ECN = 2.0L 4 Cyl DOHC 16V Dual VVT Engine

TRANSMISSION
 DEF = 6-Speed Manual Aisin BG6 Trans
 DD7 = 5-Speed Manual T355 Transmission
 DAV = Continuously Variable Transaxle II
 DAW = Cont.Var. w/Off-Rd Crawl Ratio Trans

AR = use ase required - = Non illustrated part

2008 MK

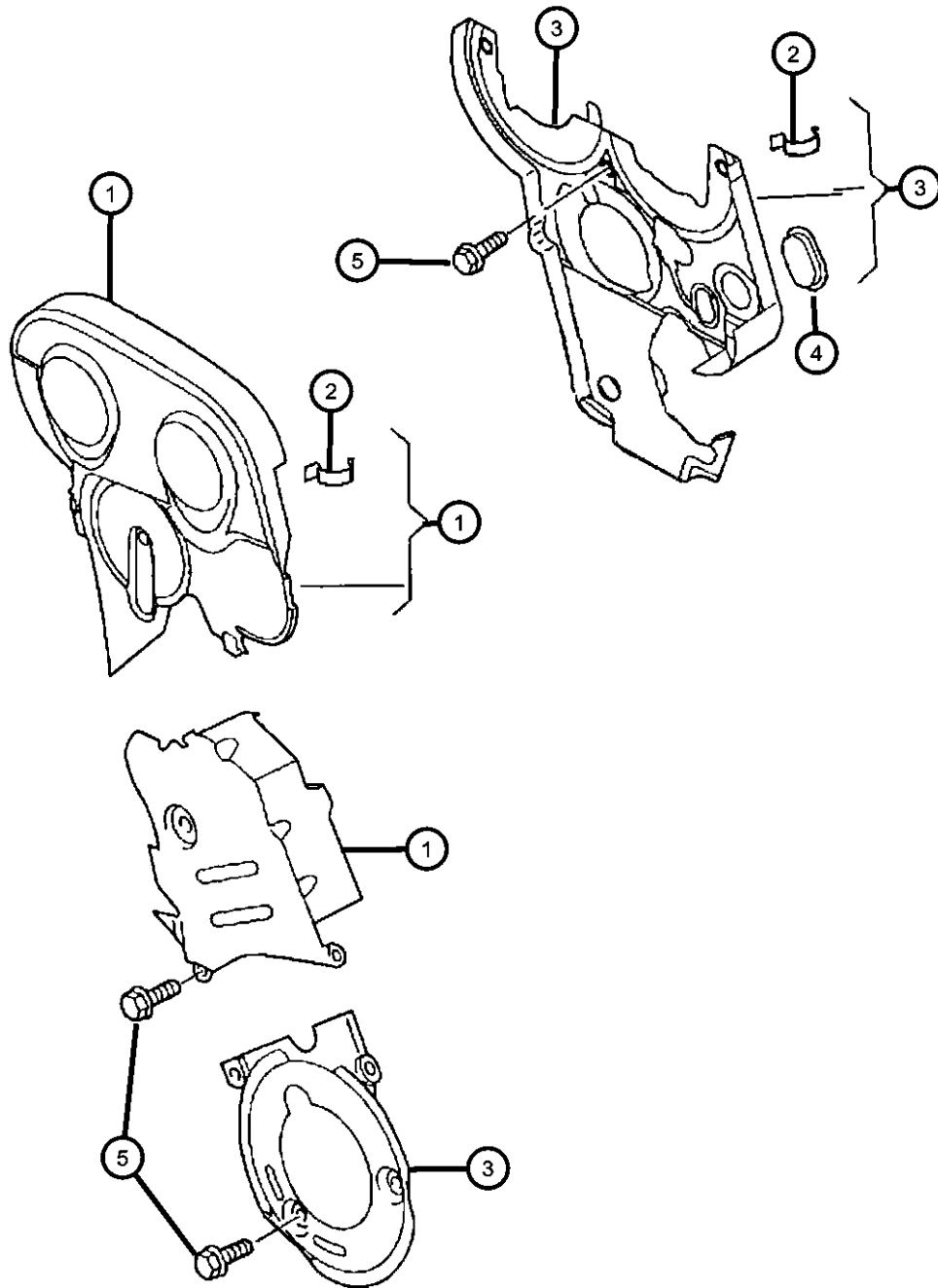
**Timing Case Cover 2.0L Diesel [ECE]
Figure 009ECE-605**

ITEM	PART NUMBER	QTY	LINE	SERIES	BODY	ENGINE	TRANS	TRIM	DESCRIPTION
------	-------------	-----	------	--------	------	--------	-------	------	-------------

NOTE:

Sales Codes:

- [DAV] = Continuously Variable Transmission
- [DEF] = 6-Speed Manual Aisian BG6 Transmission
- [DEK] = 6-Speed Manual Getrag DM76 Transmission
- [DE0] = All 6-Speed Manual Transmissions
- [DD0] = All 5-Speed Manual Transmissions
- [DD7] = 5-Speed Manual T355 Transmission
- [ECD] = 2.0L 4 Cylinder DOHC Diesel 16 Valve Engine Without DPF
- [ECE] = 2.0L 4 Cylinder DOHC Diesel 16 Valve Engine With DPF
- [ECN] = 2.0L 4 Cylinder DOHC 16 Valve VVT Engine
- [EC0] = All 2.0L 4 Cylinder Gas Engines
- [ED3] = 2.4L 4 Cylinder DOHC 16 Valve Dual VVT Engine
- [ED4] = 2.4L 4 Cylinder DOHC 16 Valve Turbo Engine
- [ED0] = All 2.4L 4 Cylinder Gas Engines
- [NAA] = Federal Emissions
- [NAE] = California Emissions
- [NAS] = 50 State Emissions
- [NA1] = Export Emissions



1									COVER, Timing Belt Outer, Center
	68000813AA	1	J, T, U			ECE			Outer Upper, Center
	68001308AB	1	J, T, U			ECE			
2	68001419AA	3	J, T, U			ECE			CLIP
3									COVER, Timing Case Lower
	68000677AA	1	J, T, U			ECE			Inner
	68000814AA	1	J, T, U			ECE			
4	68001338AB	1	J, T, U			ECE			PLUG
5									BOLT, Hex Head, M6x16
	68019940AA	3	J, T, U			ECE			InnerTiming Case Cover, Mounting
		2	J, T, U			ECE			LowerTiming Case Cover, Mounting
		3	J, T, U			ECE			Center Timing Belt Cover, Mounting

COMPASS/PATRIOT (MK)

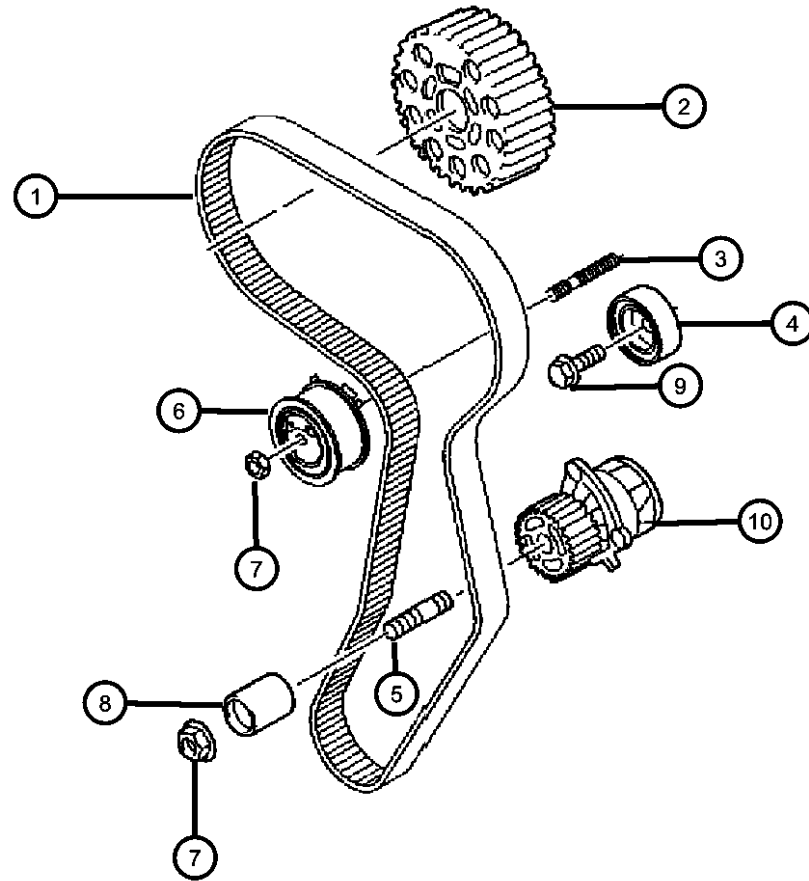
SERIES	LINE	BODY	ENGINE	TRANSMISSION
H = HIGHLINE	T = JEEP - 2WD	49 = HATCHBACK TYPE #2	ECE = 2.0L 4 Cyl DOHC DPF Diesel Engine	DEF = 6-Speed Manual Aisin BG6 Trans
L = LOWLINE	J = JEEP - 4WD	74 = SPORT UTILITY 4-DR TYPE #4	ED3 = 2.4L 4 Cyl DOHC 16V Dual VVT Engine	DD7 = 5-Speed Manual T355 Transmission
P = PREMIUM	U = JEEP - 4WD (RHD)		ECD = 2.0L 4 Cyl DOHC Diesel 16V Engine	DAV = Continuously Variable Transaxle II
			ECN = 2.0L 4 Cyl DOHC 16V Dual VVT Engine	DAW = Cont.Var. w/Off-Rd Crawl Ratio Trans

AR = use ase required - = Non illustrated part

2008 MK

**Timing System 2.0L Diesel [ECE]
Figure 009ECE-625**

ITEM	PART NUMBER	QTY	LINE	SERIES	BODY	ENGINE	TRANS	TRIM	DESCRIPTION
------	-------------	-----	------	--------	------	--------	-------	------	-------------



NOTE:

Sales Codes:

- [DAV] = Continuously Variable Transmission
- [DEF] = 6-Speed Manual Aisin BG6 Transmission
- [DEK] = 6-Speed Manual Getrag DM76 Transmission
- [DE0] = All 6-Speed Manual Transmissions
- [DD0] = All 5-Speed Manual Transmissions
- [DD7] = 5-Speed Manual T355 Transmission
- [ECD] = 2.0L 4 Cylinder DOHC Diesel 16 Valve Engine Without DPF
- [ECE] = 2.0L 4 Cylinder DOHC Diesel 16 Valve Engine With DPF
- [ECN] = 2.0L 4 Cylinder DOHC 16 Valve VVT Engine
- [EC0] = All 2.0L 4 Cylinder Gas Engines
- [ED3] = 2.4L 4 Cylinder DOHC 16 Valve Dual VVT Engine
- [ED4] = 2.4L 4 Cylinder DOHC 16 Valve Turbo Engine
- [ED0] = All 2.4L 4 Cylinder Gas Engines
- [NAA] = Federal Emissions
- [NAE] = California Emissions
- [NAS] = 50 State Emissions
- [NA1] = Export Emissions

1	68001309AA	1	J, T, U			ECE			BELT, Timing
2	68001554AA	2	J, T, U			ECE			SPROCKET, Camshaft
3	68001310AA	1	J, T, U			ECE			STUD, Double Ended, M8x73
4	68000817AA	1	J, T, U			ECE			PULLEY, Idler
5	68001501AA	1	J, T, U			ECE			STUD, M8x55
6	68000816AA	1	J, T, U			ECE			TENSIONER, Belt
7									NUT, Hex Flange, M8
	68001447AA	1	J, T, U			ECE			Timing Belt Tensioner, Mounting
	68041168AA	1	J, T, U			ECE			Idler Pulley, Mounting
8	68000678AA	1	J, T, U			ECE			PULLEY, Idler
9	68001498AB	1	J, T, U			ECE			BOLT, Hex Head, M10x50, Idler Pulley, Mounting
10	68000693AB	1	J, T, U			ECE			PUMP, Water

COMPASS/PATRIOT (MK)

SERIES LINE
H = HIGHLINE T = JEEP - 2WD
L = LOWLINE J = JEEP - 4WD
P = PREMIUM U = JEEP - 4WD (RHD)

BODY
49 = HATCHBACK TYPE #2
74 = SPORT UTILITY 4-DR TYPE #4

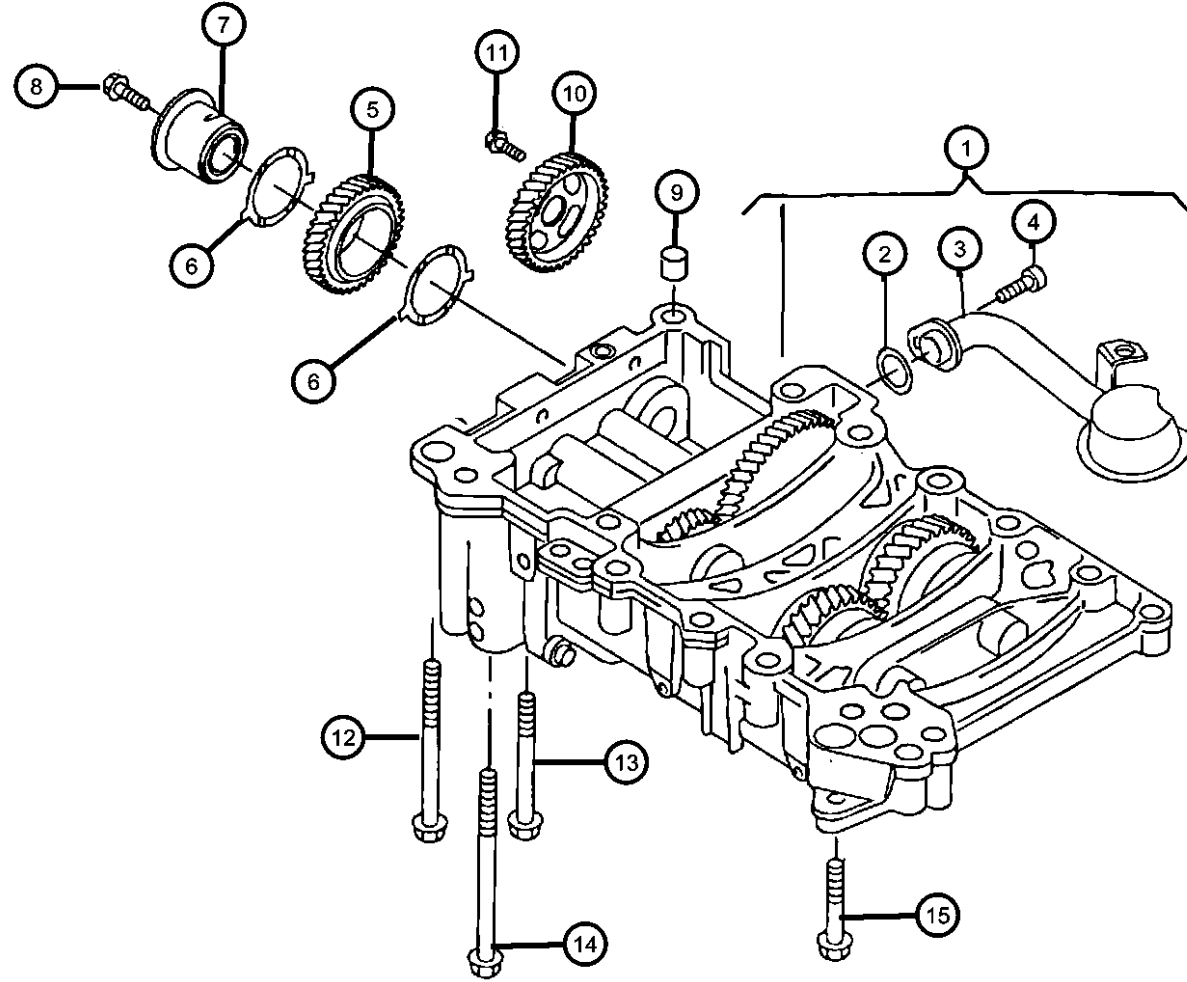
ENGINE
ECE = 2.0L 4 Cyl DOHC DPF Diesel Engine
ED3 = 2.4L 4 Cyl DOHC 16V Dual VVT Engine
ECD = 2.0L 4 Cyl DOHC Diesel 16V Engine
ECN = 2.0L 4 Cyl DOHC 16V Dual VVT Engine

TRANSMISSION
DEF = 6-Speed Manual Aisin BG6 Trans
DD7 = 5-Speed Manual T355 Transmission
DAV = Continuously Variable Transaxle II
DAW = Cont.Var. w/Off-Rd Crawl Ratio Trans

AR = use ase required - = Non illustrated part

2008 MK

**Balance Shaft Assembly 2.0L Diesel [ECE]
Figure 009ECE-645**



ITEM	PART NUMBER	QTY	LINE	SERIES	BODY	ENGINE	TRANS	TRIM	DESCRIPTION
------	-------------	-----	------	--------	------	--------	-------	------	-------------

NOTE:

Sales Codes:

- [DAV] = Continuously Variable Transmission
- [DEF] = 6-Speed Manual Aisian BG6 Transmission
- [DEK] = 6-Speed Manual Getrag DM76 Transmission
- [DE0] = All 6-Speed Manual Transmissions
- [DD0] = All 5-Speed Manual Transmissions
- [DD7] = 5-Speed Manual T355 Transmission
- [ECD] = 2.0L 4 Cylinder DOHC Diesel 16 Valve Engine Without DPF
- [ECE] = 2.0L 4 Cylinder DOHC Diesel 16 Valve Engine With DPF
- [ECN] = 2.0L 4 Cylinder DOHC 16 Valve VVT Engine
- [EC0] = All 2.0L 4 Cylinder Gas Engines
- [ED3] = 2.4L 4 Cylinder DOHC 16 Valve Dual VVT Engine
- [ED4] = 2.4L 4 Cylinder DOHC 16 Valve Turbo Engine
- [ED0] = All 2.4L 4 Cylinder Gas Engines
- [NAA] = Federal Emissions
- [NAE] = California Emissions
- [NAS] = 50 State Emissions
- [NA1] = Export Emissions

1	68034298AA	1	J, T, U			ECE			SHAFT PACKAGE, Balance with Oil Pump
2	68034305AA	1	J, T, U			ECE			O RING, Oil Pickup Tube
3	68034269AA	1	J, T, U			ECE			TUBE, Oil Pickup
4	68034323AA	1	J, T, U			ECE			BOLT, M6x20, Oil Pickup Tube, Mounting
5	68034301AA	1	J, T, U			ECE			RING GEAR FLANGE
6	68034299AA	2	J, T, U			ECE			WASHER, Thrust
7	68034304AA	2	J, T, U			ECE			HUB
8	68034324AA	1	J, T, U			ECE			BOLT, M12x30, Ring Gear Flange, Mounting
9	68034306AA	2	J, T, U			ECE			DOWEL
10	68034310AA	1	J, T, U			ECE			SPROCKET, Drive
11	68034307AA	4	J, T, U			ECE			BOLT, Hex Head, M7x18, Drive Sprocket, Mounting
12	68041180AA	1	J, T, U			ECE			BOLT, Hex Flange Head, M7x85x70, Balance Shaft Assembly, Mounting
13	68034325AA	5	J, T, U			ECE			BOLT, M8x70, Balance Shaft Assembly, Mounting
14	68034312AA	1	J, T, U			ECE			BOLT, Hex Head, M7x105x39, Balance Shaft Assembly, Mounting
15	68034313AA	1	J, T, U			ECE			BOLT, Hex Head, M8x40, Balance Shaft Assembly, Mounting

COMPASS/PATRIOT (MK)

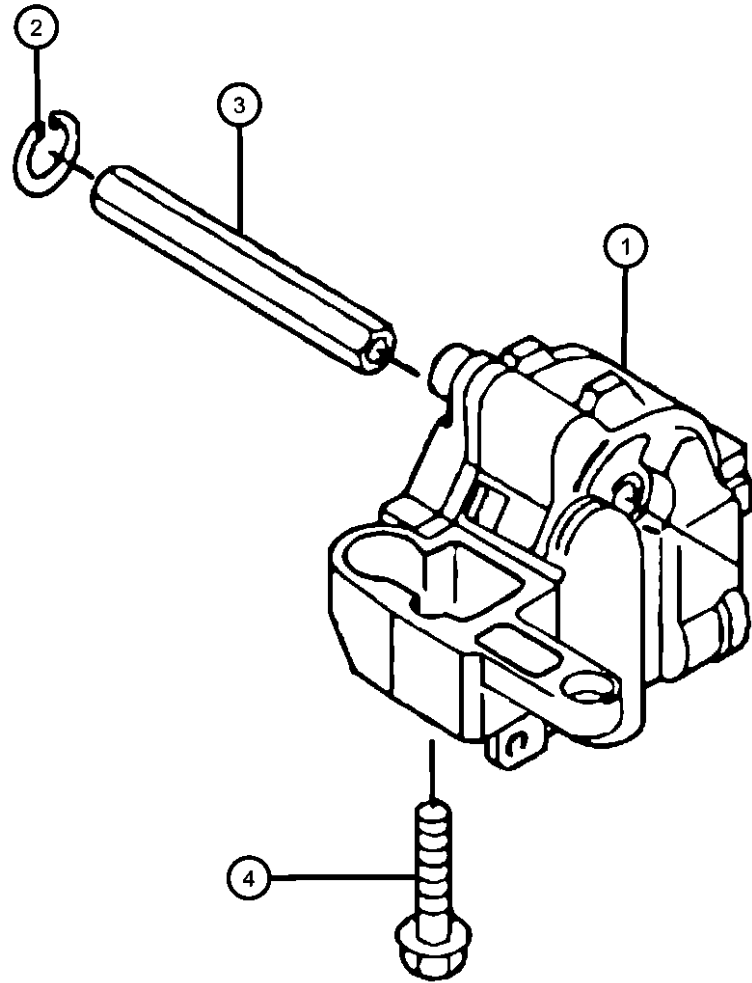
SERIES	LINE	BODY	ENGINE	TRANSMISSION
H = HIGHLINE	T = JEEP - 2WD	49 = HATCHBACK TYPE #2	ECE = 2.0L 4 Cyl DOHC DPF Diesel Engine	DEF = 6-Speed Manual Aisian BG6 Trans
L = LOWLINE	J = JEEP - 4WD	74 = SPORT UTILITY 4-DR TYPE #4	ED3 = 2.4L 4 Cyl DOHC 16V Dual VVT Engine	DD7 = 5-Speed Manual T355 Transmission
P = PREMIUM	U = JEEP - 4WD (RHD)		ECD = 2.0L 4 Cyl DOHC Diesel 16V Engine	DAV = Continuously Variable Transaxle II
			ECN = 2.0L 4 Cyl DOHC 16V Dual VVT Engine	DAW = Cont.Var. w/Off-Rd Crawl Ratio Trans

AR = use ase required - = Non illustrated part

2008 MK

**Engine Oil Pump 2.0L Diesel [ECE]
Figure 009ECE-705**

ITEM	PART NUMBER	QTY	LINE	SERIES	BODY	ENGINE	TRANS	TRIM	DESCRIPTION
------	-------------	-----	------	--------	------	--------	-------	------	-------------



NOTE:

Sales Codes:

- [DAV] = Continuously Variable Transmission
- [DEF] = 6-Speed Manual Aisin BG6 Transmission
- [DEK] = 6-Speed Manual Getrag DM76 Transmission
- [DE0] = All 6-Speed Manual Transmissions
- [DD0] = All 5-Speed Manual Transmissions
- [DD7] = 5-Speed Manual T355 Transmission
- [ECD] = 2.0L 4 Cylinder DOHC Diesel 16 Valve Engine Without DPF
- [ECE] = 2.0L 4 Cylinder DOHC Diesel 16 Valve Engine With DPF
- [ECN] = 2.0L 4 Cylinder DOHC 16 Valve VVT Engine
- [EC0] = All 2.0L 4 Cylinder Gas Engines
- [ED3] = 2.4L 4 Cylinder DOHC 16 Valve Dual VVT Engine
- [ED4] = 2.4L 4 Cylinder DOHC 16 Valve Turbo Engine
- [ED0] = All 2.4L 4 Cylinder Gas Engines
- [NAA] = Federal Emissions
- [NAE] = California Emissions
- [NAS] = 50 State Emissions
- [NA1] = Export Emissions

1	68000680AB	1	J, T, U			ECE			PUMP, Engine Oil
2	68034320AA	1	J, T, U			ECE			RING, Snap
3	68034327AA	1	J, T, U			ECE			DRIVER
4	68034316AA	2	J, T, U			ECE			BOLT, M6x30, Oil Pump, Mounting

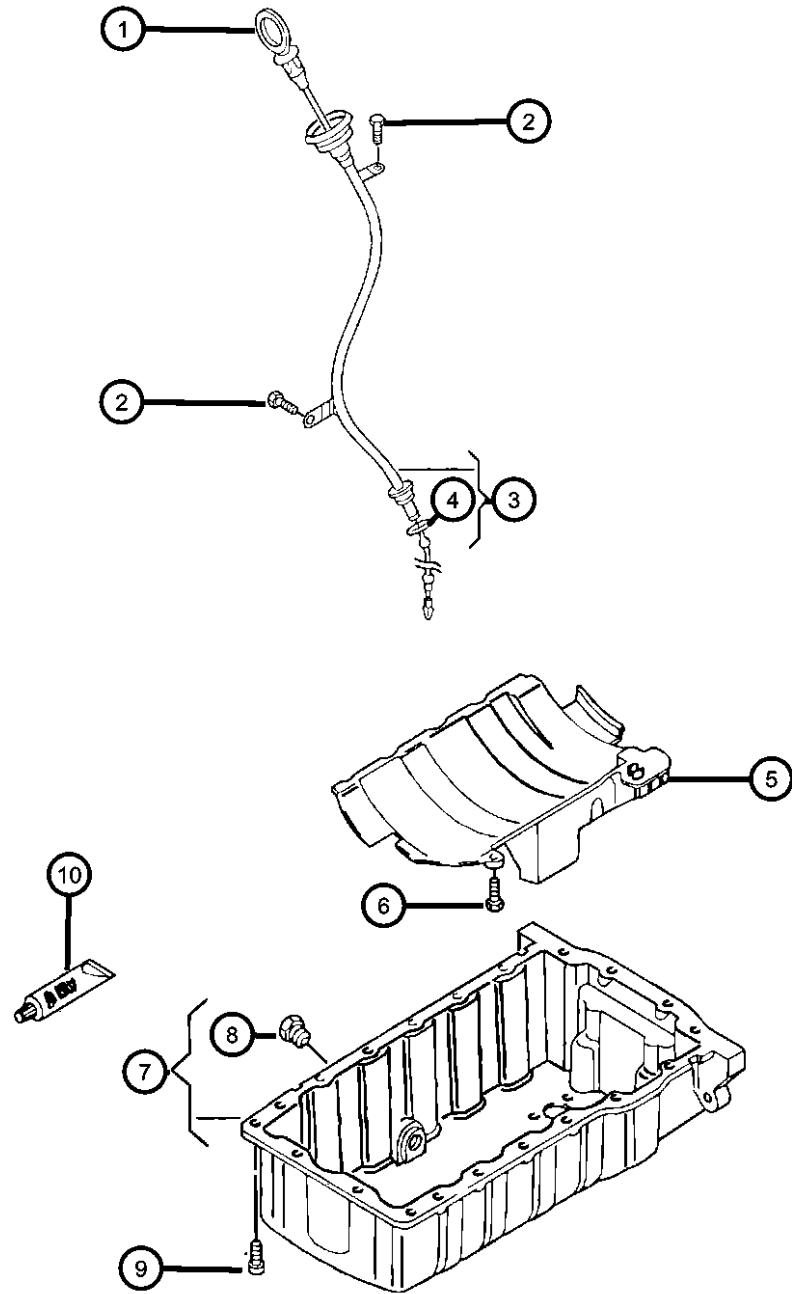
COMPASS/PATRIOT (MK)

SERIES	LINE	BODY	ENGINE	TRANSMISSION
H = HIGHLINE	T = JEEP - 2WD	49 = HATCHBACK TYPE #2	ECE = 2.0L 4 Cyl DOHC DPF Diesel Engine	DEF = 6-Speed Manual Aisin BG6 Trans
L = LOWLINE	J = JEEP - 4WD	74 = SPORT UTILITY 4-DR TYPE #4	ED3 = 2.4L 4 Cyl DOHC 16V Dual VVT Engine	DD7 = 5-Speed Manual T355 Transmission
P = PREMIUM	U = JEEP - 4WD (RHD)		ECD = 2.0L 4 Cyl DOHC Diesel 16V Engine	DAV = Continuously Variable Transaxle II
			ECN = 2.0L 4 Cyl DOHC 16V Dual VVT Engine	DAW = Cont.Var. w/Off-Rd Crawl Ratio Trans

AR = use ase required - = Non illustrated part

2008 MK

**Engine Oil Pan, Engine Oil Level Indicator And Related Parts 2.0L Diesel [ECE]
Figure 009ECE-725**



ITEM	PART NUMBER	QTY	LINE	SERIES	BODY	ENGINE	TRANS	TRIM	DESCRIPTION
------	-------------	-----	------	--------	------	--------	-------	------	-------------

NOTE:

Sales Codes:

- [DAV] = Continuously Variable Transmission
- [DEF] = 6-Speed Manual Aisin BG6 Transmission
- [DEK] = 6-Speed Manual Getrag DM76 Transmission
- [DE0] = All 6-Speed Manual Transmissions
- [DD0] = All 5-Speed Manual Transmissions
- [DD7] = 5-Speed Manual T355 Transmission
- [ECD] = 2.0L 4 Cylinder DOHC Diesel 16 Valve Engine Without DPF
- [ECE] = 2.0L 4 Cylinder DOHC Diesel 16 Valve Engine With DPF
- [ECN] = 2.0L 4 Cylinder DOHC 16 Valve VVT Engine
- [EC0] = All 2.0L 4 Cylinder Gas Engines
- [ED3] = 2.4L 4 Cylinder DOHC 16 Valve Dual VVT Engine
- [ED4] = 2.4L 4 Cylinder DOHC 16 Valve Turbo Engine
- [ED0] = All 2.4L 4 Cylinder Gas Engines
- [NAA] = Federal Emissions
- [NAE] = California Emissions
- [NAS] = 50 State Emissions
- [NA1] = Export Emissions

1	68034268AA	1	J, T, U			ECE			INDICATOR, Engine Oil Level
2	68034314AA	2	J, T, U			ECE			BOLT, Hex Head, M6x16, Engine Oil Indicator Tube, Mounting
3									TUBE, Engine Oil Indicator
	68034266AA	1	J, T, U			ECE			Metal
	68043570AA	1	J, T, U			ECE			Plastic
4	68001521AA	1	J, T, U			ECE			O RING, Engine Oil Indicator Tube
5	68000670AA	1	J, T, U			ECE			TRAY, Windage
6	68001536AB	1	J, T, U			ECE			BOLT, M7x55, Windage Tray, Mounting
7	68034264AB	1	J, T, U			ECE			PAN, Engine Oil
8	68004313AA	1	J, T, U			ECE			PLUG, Drain
9	68041138AA	20	J, T, U			ECE			BOLT, Hex Socket Head, M7x28, Engine Oil Pan, Mounting
10	68041138AA	20							SEALANT, RTV, Please Refer To Mopar Vehicle Care And Maintenance Catalog, (NOT SERVICED)

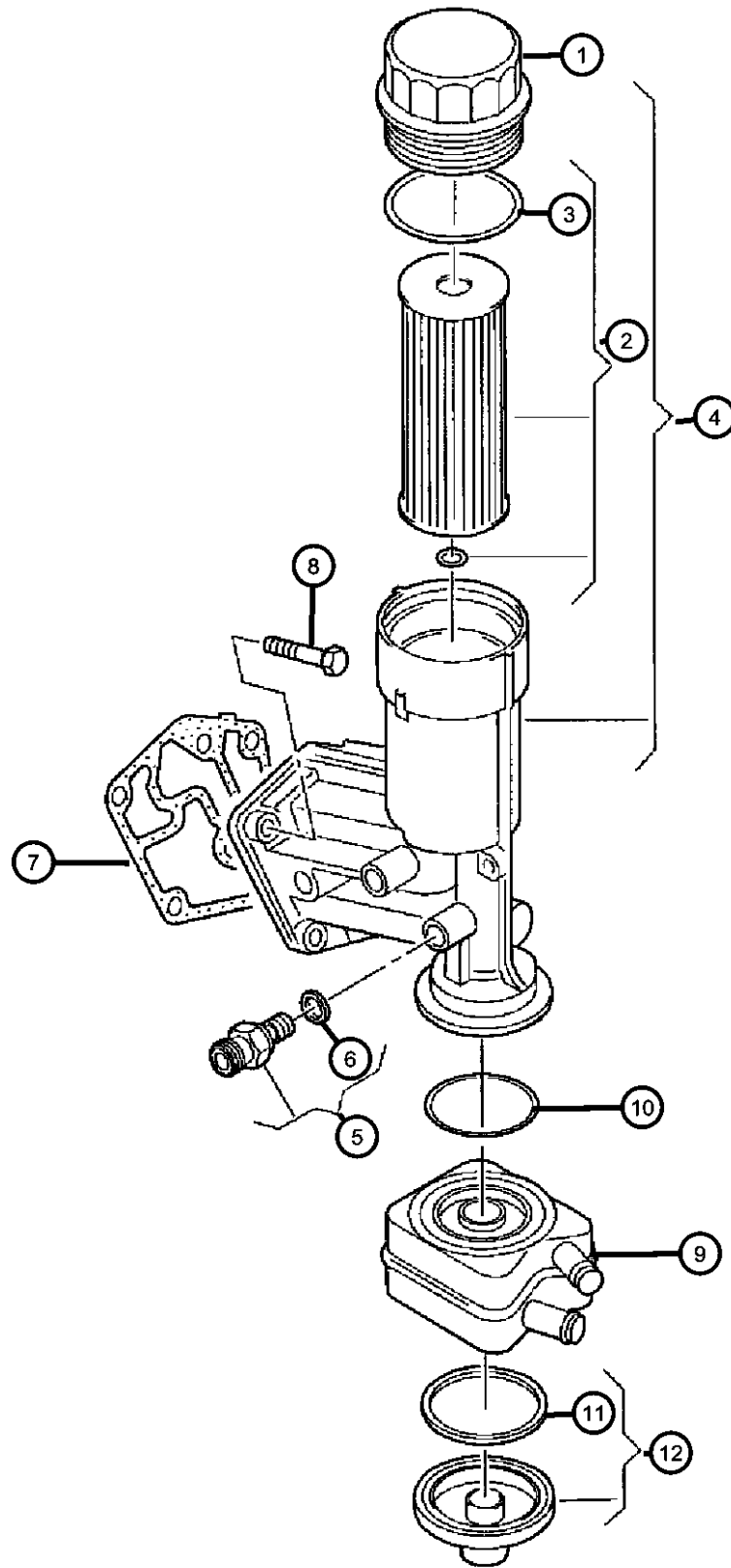
COMPASS/PATRIOT (MK)

SERIES	LINE	BODY	ENGINE	TRANSMISSION
H = HIGHLINE	T = JEEP - 2WD	49 = HATCHBACK TYPE #2	ECE = 2.0L 4 Cyl DOHC DPF Diesel Engine	DEF = 6-Speed Manual Aisin BG6 Trans
L = LOWLINE	J = JEEP - 4WD	74 = SPORT UTILITY 4-DR TYPE #4	ED3 = 2.4L 4 Cyl DOHC 16V Dual VVT Engine	DD7 = 5-Speed Manual T355 Transmission
P = PREMIUM	U = JEEP - 4WD (RHD)		ECD = 2.0L 4 Cyl DOHC Diesel 16V Engine	DAV = Continuously Variable Transaxle II
			ECN = 2.0L 4 Cyl DOHC 16V Dual VVT Engine	DAW = Cont.Var. w/Off-Rd Crawl Ratio Trans

AR = use ase required - = Non illustrated part

2008 MK

**Engine Oil Filter And Adapter 2.0L Diesel [ECE]
Figure 009ECE-745**



ITEM	PART NUMBER	QTY	LINE	SERIES	BODY	ENGINE	TRANS	TRIM	DESCRIPTION
------	-------------	-----	------	--------	------	--------	-------	------	-------------

NOTE:

Sales Codes:

- [DAV] = Continuously Variable Transmission
- [DEF] = 6-Speed Manual Aisian BG6 Transmission
- [DEK] = 6-Speed Manual Getrag DM76 Transmission
- [DE0] = All 6-Speed Manual Transmissions
- [DD0] = All 5-Speed Manual Transmissions
- [DD7] = 5-Speed Manual T355 Transmission
- [ECD] = 2.0L 4 Cylinder DOHC Diesel 16 Valve Engine Without DPF
- [ECE] = 2.0L 4 Cylinder DOHC Diesel 16 Valve Engine With DPF
- [ECN] = 2.0L 4 Cylinder DOHC 16 Valve VVT Engine
- [EC0] = All 2.0L 4 Cylinder Gas Engines
- [ED3] = 2.4L 4 Cylinder DOHC 16 Valve Dual VVT Engine
- [ED4] = 2.4L 4 Cylinder DOHC 16 Valve Turbo Engine
- [ED0] = All 2.4L 4 Cylinder Gas Engines
- [NAA] = Federal Emissions
- [NAE] = California Emissions
- [NAS] = 50 State Emissions
- [NA1] = Export Emissions

1	68004324AA	1	J, T, U			ECE			CAP, Oil Filter Housing
2	68001297AA	1	J, T, U			ECE			FILTER, Engine Oil
3	68001298AA	1	J, T, U			ECE			O RING
4	68004323AA	1	J, T, U			ECE			HOUSING, Oil Filter
5	68001478AA	1	J, T, U			ECE			FITTING
6	68001477AA	1	J, T, U			ECE			O RING
7	68001474AA	1	J, T, U			ECE			GASKET, Oil Filter Housing
8	68001540AB	4	J, T, U			ECE			BOLT, M7x42, Oil Filter Housing, Mounting
9	68000688AA	1	J, T, U			ECE			COOLER, Engine Oil
10	68000691AA	1	J, T, U			ECE			O RING, Oil Cooler
11	68000690AA	1	J, T, U			ECE			SEAL, Engine Oil Cooler
12	68000689AA	1	J, T, U			ECE			COVER, Engine Oil Cooler

COMPASS/PATRIOT (MK)

SERIES LINE
H = HIGHLINE T = JEEP - 2WD
L = LOWLINE J = JEEP - 4WD
P = PREMIUM U = JEEP - 4WD (RHD)

BODY
49 = HATCHBACK TYPE #2
74 = SPORT UTILITY 4-DR TYPE #4

ENGINE
ECE = 2.0L 4 Cyl DOHC DPF Diesel Engine
ED3 = 2.4L 4 Cyl DOHC 16V Dual VVT Engine
ECD = 2.0L 4 Cyl DOHC Diesel 16V Engine
ECN = 2.0L 4 Cyl DOHC 16V Dual VVT Engine

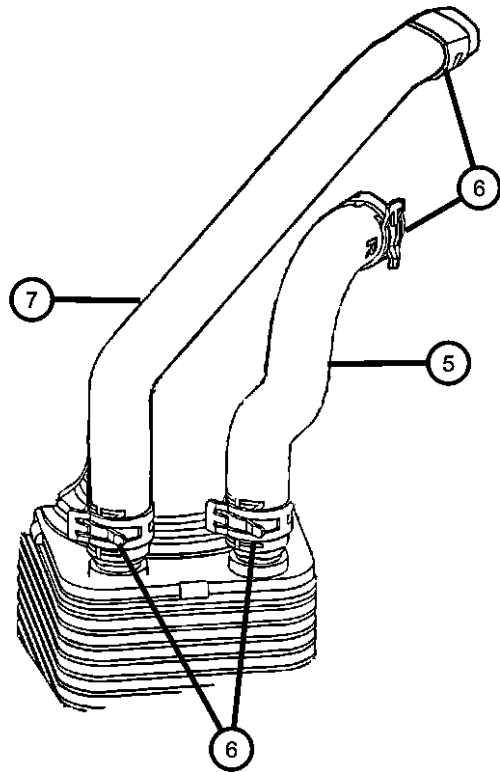
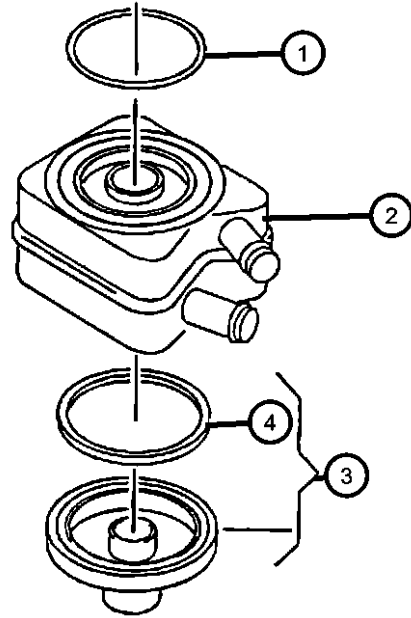
TRANSMISSION
DEF = 6-Speed Manual Aisian BG6 Trans
DD7 = 5-Speed Manual T355 Transmission
DAV = Continuously Variable Transaxle II
DAW = Cont.Var. w/Off-Rd Crawl Ratio Trans

AR = use ase required - = Non illustrated part

2008 MK

**Engine Oil Cooler And Hoses/Tubes 2.0L Diesel [ECE]
Figure 009ECE-805**

ITEM	PART NUMBER	QTY	LINE	SERIES	BODY	ENGINE	TRANS	TRIM	DESCRIPTION
------	-------------	-----	------	--------	------	--------	-------	------	-------------



NOTE:

Sales Codes:

- [DAV] = Continuously Variable Transmission
- [DEF] = 6-Speed Manual Aisin BG6 Transmission
- [DEK] = 6-Speed Manual Getrag DM76 Transmission
- [DE0] = All 6-Speed Manual Transmissions
- [DD0] = All 5-Speed Manual Transmissions
- [DD7] = 5-Speed Manual T355 Transmission
- [ECD] = 2.0L 4 Cylinder DOHC Diesel 16 Valve Engine Without DPF
- [ECE] = 2.0L 4 Cylinder DOHC Diesel 16 Valve Engine With DPF
- [ECN] = 2.0L 4 Cylinder DOHC 16 Valve VVT Engine
- [EC0] = All 2.0L 4 Cylinder Gas Engines
- [ED3] = 2.4L 4 Cylinder DOHC 16 Valve Dual VVT Engine
- [ED4] = 2.4L 4 Cylinder DOHC 16 Valve Turbo Engine
- [ED0] = All 2.4L 4 Cylinder Gas Engines
- [NAA] = Federal Emissions
- [NAE] = California Emissions
- [NAS] = 50 State Emissions
- [NA1] = Export Emissions

1	68000691AA	1	J, T, U			ECE			O RING, Oil Cooler
2	68000688AA	1	J, T, U			ECE			COOLER, Engine Oil
3	68000689AA	1	J, T, U			ECE			COVER, Engine Oil Cooler
4	68000690AA	1	J, T, U			ECE			SEAL, Engine Oil Cooler
5	05162000AA	1	J, T, U			ECE			HOSE, Oil Cooler Return
6	J3203077	1	J, T, U			ECE			CLAMP, Hose
7	J3203077	1							HOSE, Coolant, (NOT SERVICED)

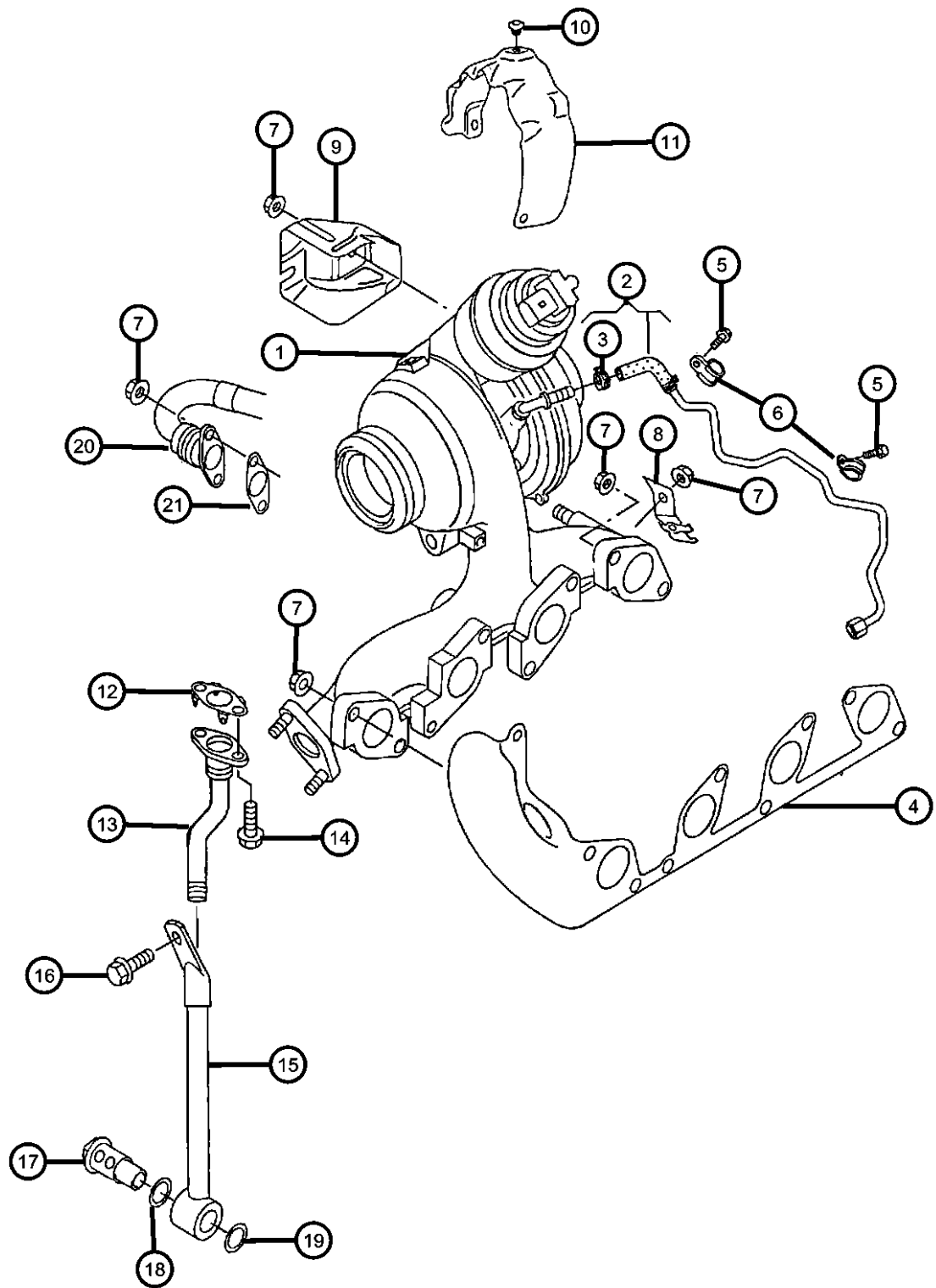
COMPASS/PATRIOT (MK)

SERIES	LINE	BODY	ENGINE	TRANSMISSION
H = HIGHLINE	T = JEEP - 2WD	49 = HATCHBACK TYPE #2	ECE = 2.0L 4 Cyl DOHC DPF Diesel Engine	DEF = 6-Speed Manual Aisin BG6 Trans
L = LOWLINE	J = JEEP - 4WD	74 = SPORT UTILITY 4-DR TYPE #4	ED3 = 2.4L 4 Cyl DOHC 16V Dual VVT Engine	DD7 = 5-Speed Manual T355 Transmission
P = PREMIUM	U = JEEP - 4WD (RHD)		ECD = 2.0L 4 Cyl DOHC Diesel 16V Engine	DAV = Continuously Variable Transaxle II
			ECN = 2.0L 4 Cyl DOHC 16V Dual VVT Engine	DAW = Cont.Var. w/Off-Rd Crawl Ratio Trans

AR = use ase required - = Non illustrated part

2008 MK

**Exhaust Manifold/Turbo Charger Assembly
Figure 009ECE-945**



ITEM	PART NUMBER	QTY	LINE	SERIES	BODY	ENGINE	TRANS	TRIM	DESCRIPTION
------	-------------	-----	------	--------	------	--------	-------	------	-------------

NOTE:

Sales Codes:

- [DAV] = Continuously Variable Transmission
- [DEF] = 6-Speed Manual Aisian BG6 Transmission
- [DEK] = 6-Speed Manual Getrag DM76 Transmission
- [DE0] = All 6-Speed Manual Transmissions
- [DD0] = All 5-Speed Manual Transmissions
- [DD7] = 5-Speed Manual T355 Transmission
- [ECD] = 2.0L 4 Cylinder DOHC Diesel 16 Valve Engine Without DPF
- [ECE] = 2.0L 4 Cylinder DOHC Diesel 16 Valve Engine With DPF
- [ECN] = 2.0L 4 Cylinder DOHC 16 Valve VVT Engine
- [EC0] = All 2.0L 4 Cylinder Gas Engines
- [ED3] = 2.4L 4 Cylinder DOHC 16 Valve Dual VVT Engine
- [ED4] = 2.4L 4 Cylinder DOHC 16 Valve Turbo Engine
- [ED0] = All 2.4L 4 Cylinder Gas Engines
- [NAA] = Federal Emissions
- [NAE] = California Emissions
- [NAS] = 50 State Emissions
- [NA1] = Export Emissions

1	68021540AA	1	J, T, U			ECE			MANIFOLD/TURBOCHARGER, Exhaust
2	68021537AA	1	J, T, U			ECE			HOSE, Turbocharger Oil FeedTube
3	68021320AA	1	J, T, U			ECE			CLIP, Spring
4	68021543AA	1	J, T, U			ECE			GASKET, Exhaust Manifold
5	68041405AA	2	J, T, U			ECE			BOLT, Hex Flange Head, M6x12, Oil Feed Tube, Mounting
6	68041376AA	2	J, T, U			ECE			CLIP, Tube, Oil Feed Tube, Mounting
7	68041369AA	2	J, T, U			ECE			NUT, Hex Flange Lock, M8 Exhaust Manifold, Mounting
		1	J, T, U			ECE			Exhaust Manifold Bracket, Mounting
		1	J, T, U			ECE			Turbocharger Cover, Mounting
		1	J, T, U			ECE			EGR Tube, Mounting
8	68001465AA	1	J, T, U			ECE			BRACKET, Exhaust Manifold
9	68041414AA	1	J, T, U			ECE			COVER, Turbocharger
10	68041415AA	2	J, T, U			ECE			BOLT, Torx head, M6x8, Turbocharger Cover, Mounting
11	68041416AA	1	J, T, U			ECE			COVER, Turbocharger
12	68021533AA	1	J, T, U			ECE			TUBE, Turbo Oil Drain
13	68021535AA	1	J, T, U			ECE			GASKET, Oil Drain Tube

COMPASS/PATRIOT (MK)

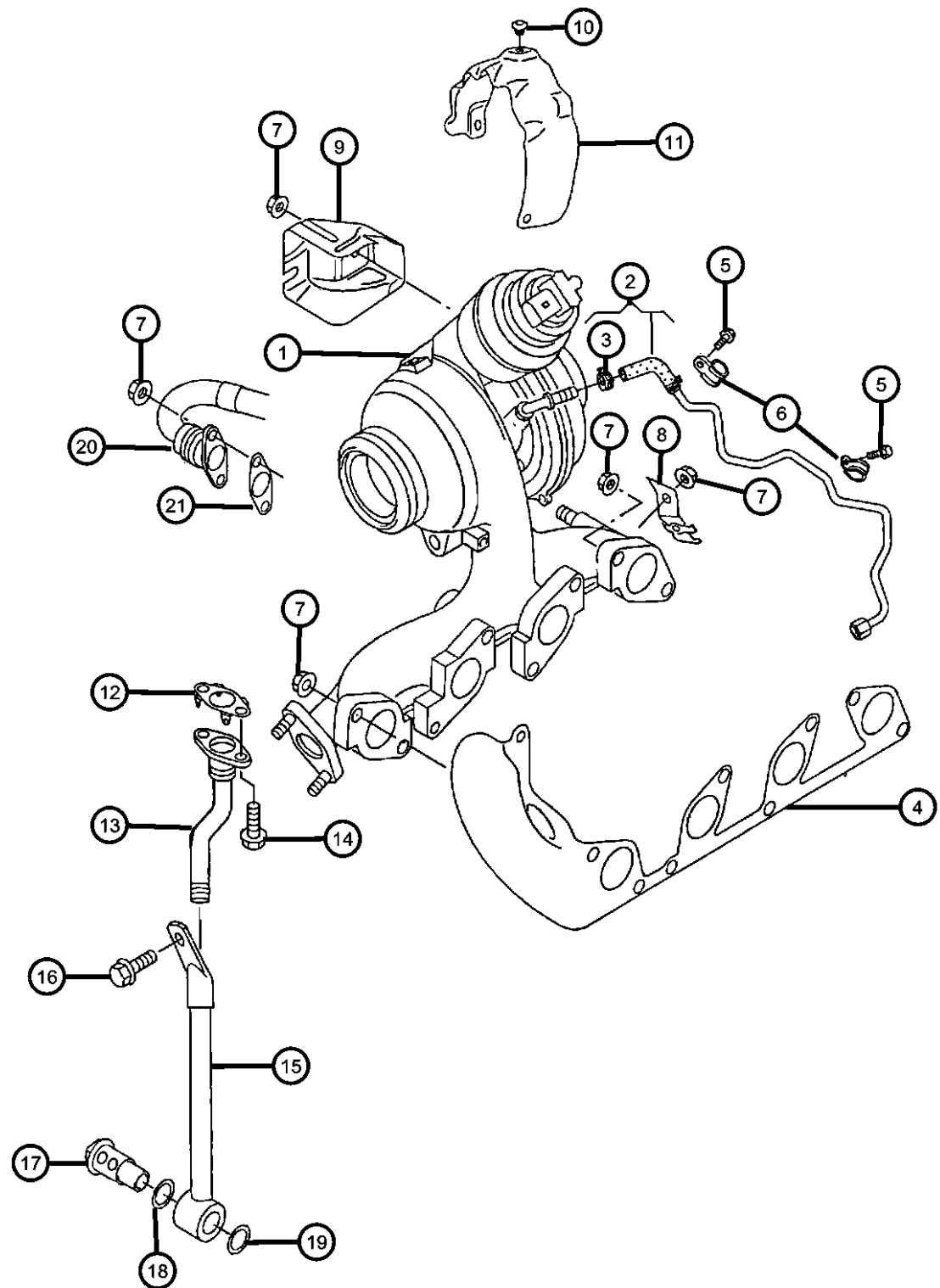
SERIES	LINE	BODY	ENGINE	TRANSMISSION
H = HIGHLINE	T = JEEP - 2WD	49 = HATCHBACK TYPE #2	ECE = 2.0L 4 Cyl DOHC DPF Diesel Engine	DEF = 6-Speed Manual Aisin BG6 Trans
L = LOWLINE	J = JEEP - 4WD	74 = SPORT UTILITY 4-DR TYPE #4	ED3 = 2.4L 4 Cyl DOHC 16V Dual VVT Engine	DD7 = 5-Speed Manual T355 Transmission
P = PREMIUM	U = JEEP - 4WD (RHD)		ECD = 2.0L 4 Cyl DOHC Diesel 16V Engine	DAV = Continuously Variable Transaxle II
			ECN = 2.0L 4 Cyl DOHC 16V Dual VVT Engine	DAW = Cont.Var. w/Off-Rd Crawl Ratio Trans

AR = use ase required - = Non illustrated part

2008 MK

**Exhaust Manifold/Turbo Charger Assembly
Figure 009ECE-945**

ITEM	PART NUMBER	QTY	LINE	SERIES	BODY	ENGINE	TRANS	TRIM	DESCRIPTION
14	68001533AA	2	J, T, U			ECE			BOLT, Hex Flange Head, M6x16, Oil Drain Tube, Mounting
15	68041408AA	1	J, T, U			ECE			SUPPORT, Turbocharger
16	68041406AA	2	J, T, U			ECE			BOLT, Hex Head, M8x35, Turbocharger Support Bracket, Mounting
17	68041413AA	1	J, T, U			ECE			BOLT, Banjo
18	68041410AA	1	J, T, U			ECE			SEAL
19	68041409AA	1	J, T, U			ECE			O RING
20	68021530AA	1	J, T, U			ECE			TUBE, EGR
21	68001560AA	1	J, T, U			ECE			GASKET, EGR Tube



COMPASS/PATRIOT (MK)

SERIES

H = HIGHLINE
L = LOWLINE
P = PREMIUM

LINE

T = JEEP - 2WD
J = JEEP - 4WD
U = JEEP - 4WD (RHD)

BODY

49 = HATCHBACK TYPE #2
74 = SPORT UTILITY 4-DR TYPE #4

ENGINE

ECE = 2.0L 4 Cyl DOHC DPF Diesel Engine
ED3 = 2.4L 4 Cyl DOHC 16V Dual VVT Engine
ECD = 2.0L 4 Cyl DOHC Diesel 16V Engine
ECN = 2.0L 4 Cyl DOHC 16V Dual VVT Engine

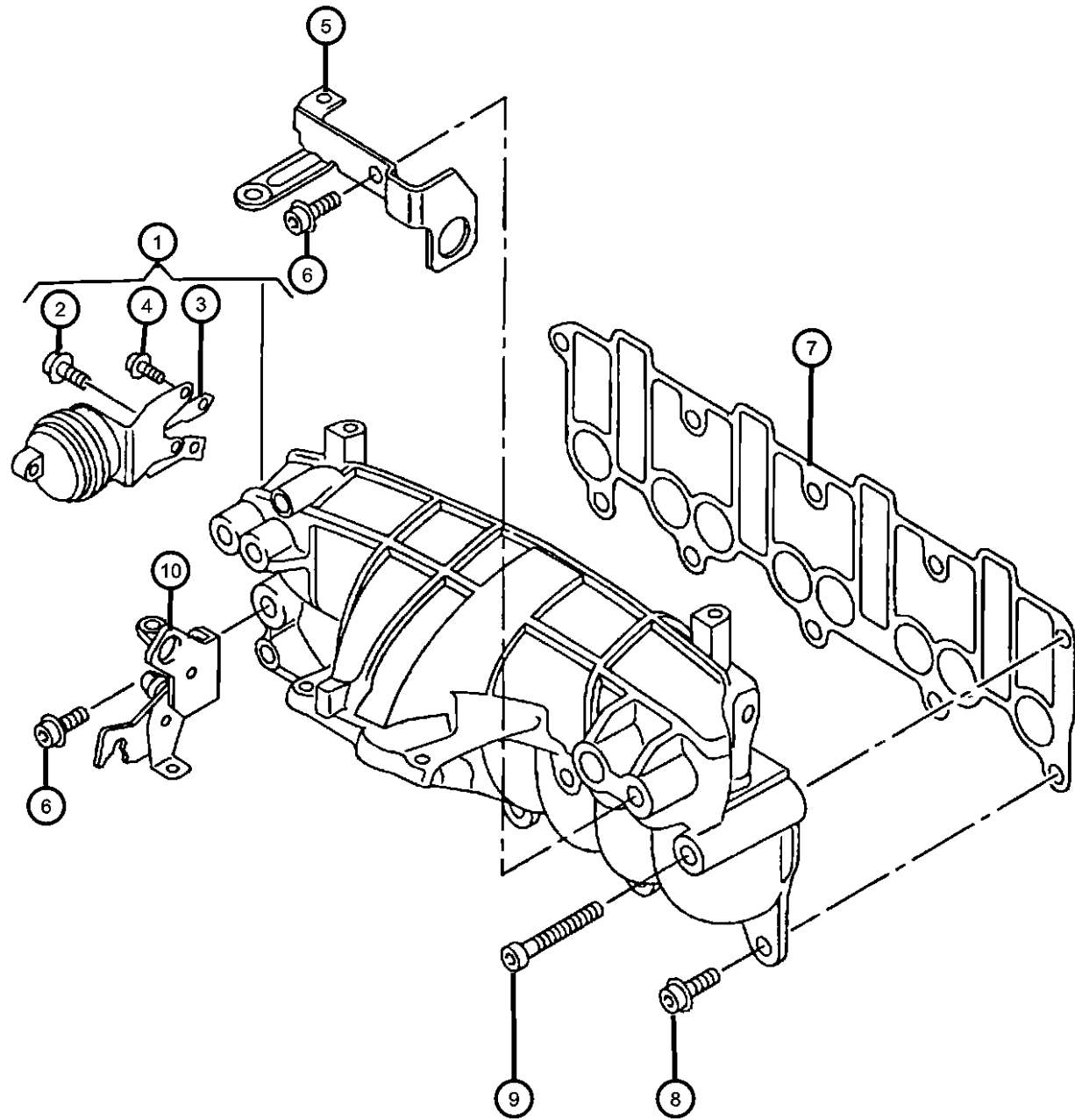
TRANSMISSION

DEF = 6-Speed Manual Aisin BG6 Trans
DD7 = 5-Speed Manual T355 Transmission
DAV = Continuously Variable Transaxle II
DAW = Cont.Var. w/Off-Rd Crawl Ratio Trans

AR = use ase required - = Non illustrated part

2008 MK

**Intake Manifold 2.0L Diesel [ECE]
Figure 009ECE-1025**



ITEM	PART NUMBER	QTY	LINE	SERIES	BODY	ENGINE	TRANS	TRIM	DESCRIPTION
------	-------------	-----	------	--------	------	--------	-------	------	-------------

NOTE:

Sales Codes:

- [DAV] = Continuously Variable Transmission
- [DEF] = 6-Speed Manual Aisian BG6 Transmission
- [DEK] = 6-Speed Manual Getrag DM76 Transmission
- [DE0] = All 6-Speed Manual Transmissions
- [DD0] = All 5-Speed Manual Transmissions
- [DD7] = 5-Speed Manual T355 Transmission
- [ECD] = 2.0L 4 Cylinder DOHC Diesel 16 Valve Engine Without DPF
- [ECE] = 2.0L 4 Cylinder DOHC Diesel 16 Valve Engine With DPF
- [ECN] = 2.0L 4 Cylinder DOHC 16 Valve VVT Engine
- [EC0] = All 2.0L 4 Cylinder Gas Engines
- [ED3] = 2.4L 4 Cylinder DOHC 16 Valve Dual VVT Engine
- [ED4] = 2.4L 4 Cylinder DOHC 16 Valve Turbo Engine
- [ED0] = All 2.4L 4 Cylinder Gas Engines
- [NAA] = Federal Emissions
- [NAE] = California Emissions
- [NAS] = 50 State Emissions
- [NA1] = Export Emissions

1	68041191AA	1	J, T, U			ECE			MANIFOLD, Engine Intake
2	68041191AA	1							BOLT, Hex Flange Head, Serviced With Intake Manifold, (NOT SERVICED)
3	68041192AA	1	J, T, U			ECE			ACTUATOR, Manifold Tuning Valve
4	68041193AA	1	J, T, U			ECE			BOLT, Torx Head, M6x12, Actuator To Intake Manifold, Mounting
5	68001459AA	1	J, T, U			ECE			BRACKET
6	68021326AA	2	J, T, U			ECE			BOLT, M8x20, Bracket To Intake Manifold, Mounting
7	68001462AA	1	J, T, U			ECE			GASKET, Intake Manifold
8	68001526AB	5	J, T, U			ECE			BOLT, M8x25, Intake Manifold To Cylinder Head, Mounting
9	68001548AA	5	J, T, U			ECE			BOLT, M8x80, Intake Manifold To Cylinder Head, Mounting
10	68001453AA	1	J, T, U			ECE			BRACKET

COMPASS/PATRIOT (MK)

SERIES LINE
H = HIGHLINE T = JEEP - 2WD
L = LOWLINE J = JEEP - 4WD
P = PREMIUM U = JEEP - 4WD (RHD)

BODY
49 = HATCHBACK TYPE #2
74 = SPORT UTILITY 4-DR TYPE #4

ENGINE
ECE = 2.0L 4 Cyl DOHC DPF Diesel Engine
ED3 = 2.4L 4 Cyl DOHC 16V Dual VVT Engine
ECD = 2.0L 4 Cyl DOHC Diesel 16V Engine
ECN = 2.0L 4 Cyl DOHC 16V Dual VVT Engine

TRANSMISSION
DEF = 6-Speed Manual Aisian BG6 Trans
DD7 = 5-Speed Manual T355 Transmission
DAV = Continuously Variable Transaxle II
DAW = Cont.Var. w/Off-Rd Crawl Ratio Trans

AR = use ase required - = Non illustrated part

2008 MK

**Crankcase Ventilation 2.0L Diesel [ECE]
Figure 009ECE-1105**

ITEM	PART NUMBER	QTY	LINE	SERIES	BODY	ENGINE	TRANS	TRIM	DESCRIPTION
------	-------------	-----	------	--------	------	--------	-------	------	-------------

NOTE:

Sales Codes:

[DAV] = Continuously Variable Transmission

[DEF] = 6-Speed Manual Aisin BG6 Transmission

[DEK] = 6-Speed Manual Getrag DM76 Transmission

[DE0] = All 6-Speed Manual Transmissions

[DD0] = All 5-Speed Manual Transmissions

[DD7] = 5-Speed Manual T355 Transmission

[ECD] = 2.0L 4 Cylinder DOHC Diesel 16 Valve Engine Without DPF

[ECE] = 2.0L 4 Cylinder DOHC Diesel 16 Valve Engine With DPF

[ECN] = 2.0L 4 Cylinder DOHC 16 Valve VVT Engine

[EC0] = All 2.0L 4 Cylinder Gas Engines

[ED3] = 2.4L 4 Cylinder DOHC 16 Valve Dual VVT Engine

[ED4] = 2.4L 4 Cylinder DOHC 16 Valve Turbo Engine

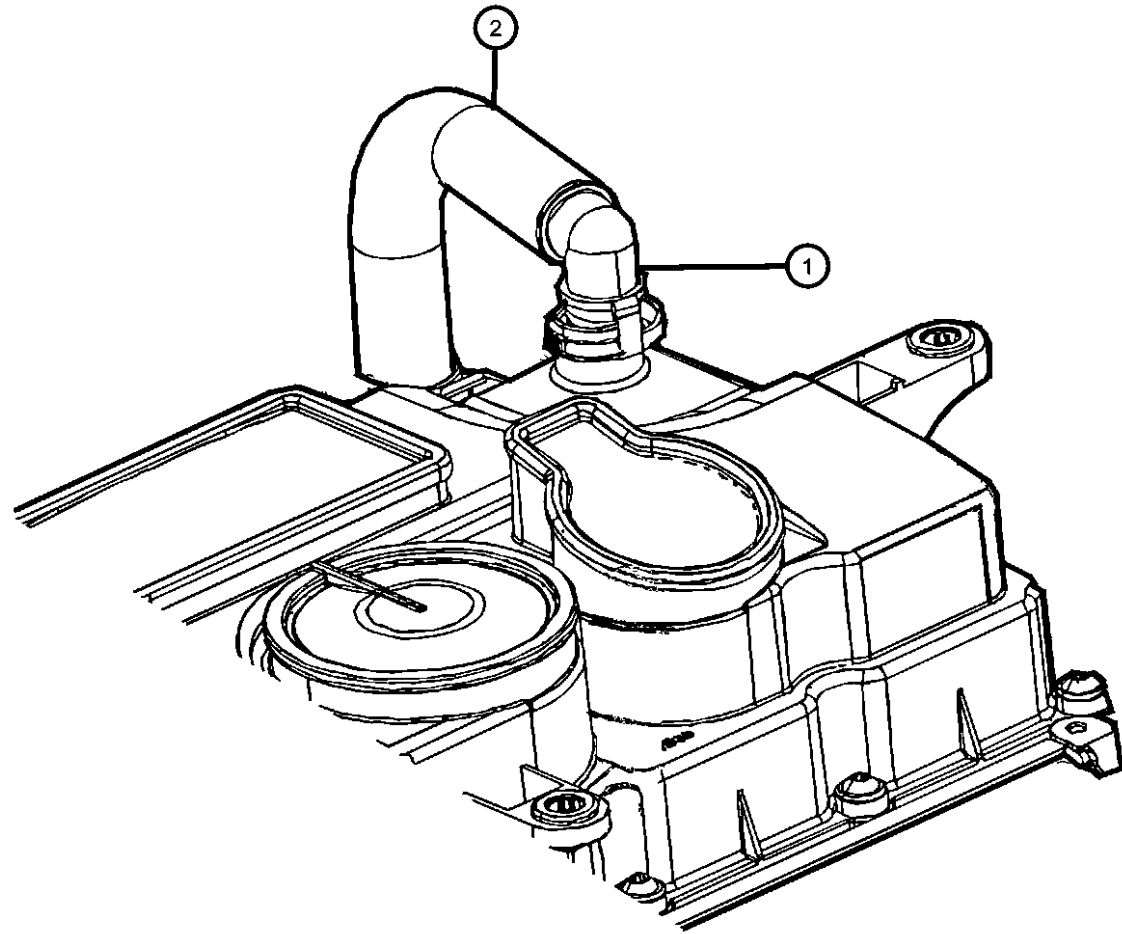
[ED0] = All 2.4L 4 Cylinder Gas Engines

[NAA] = Federal Emissions

[NAE] = California Emissions

[NAS] = 50 State Emissions

[NA1] = Export Emissions



1	05162034AA	1	J, T, U			ECE			FITTING, Crankcase Vent Tube
2	05162034AA	1							HOSE, PCV, Serviced With Clean Air Hose 04891898AB, (NOT SERVICED)

COMPASS/PATRIOT (MK)

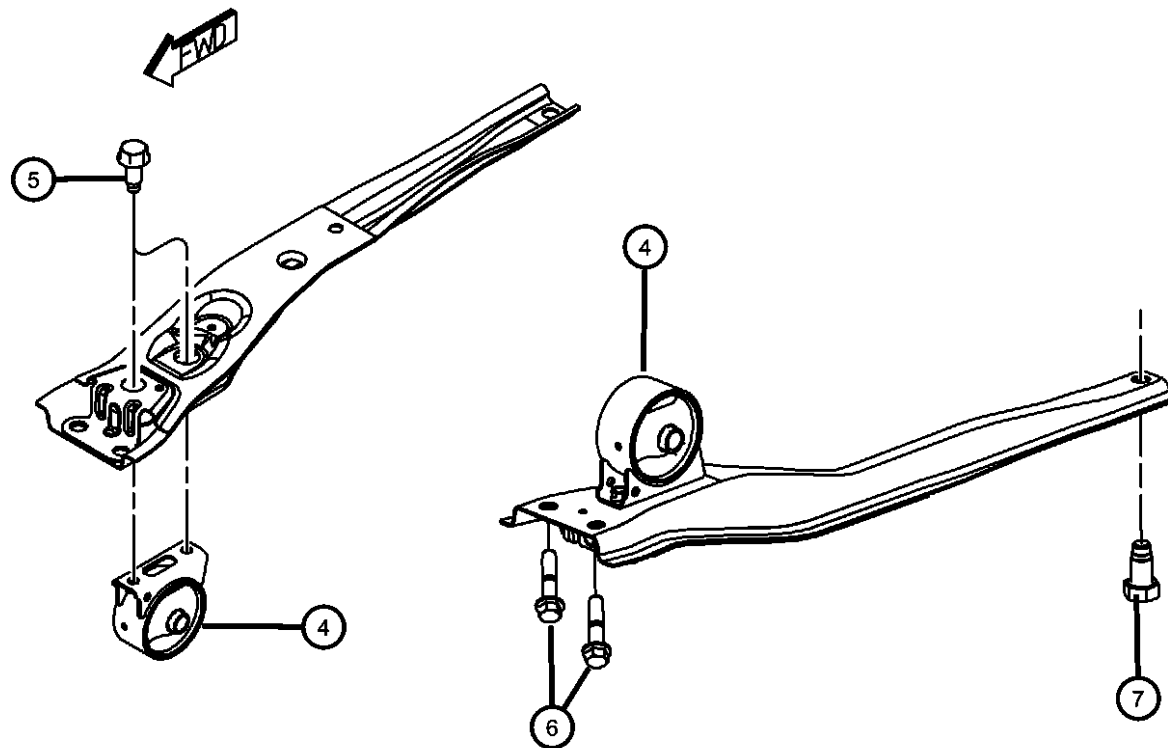
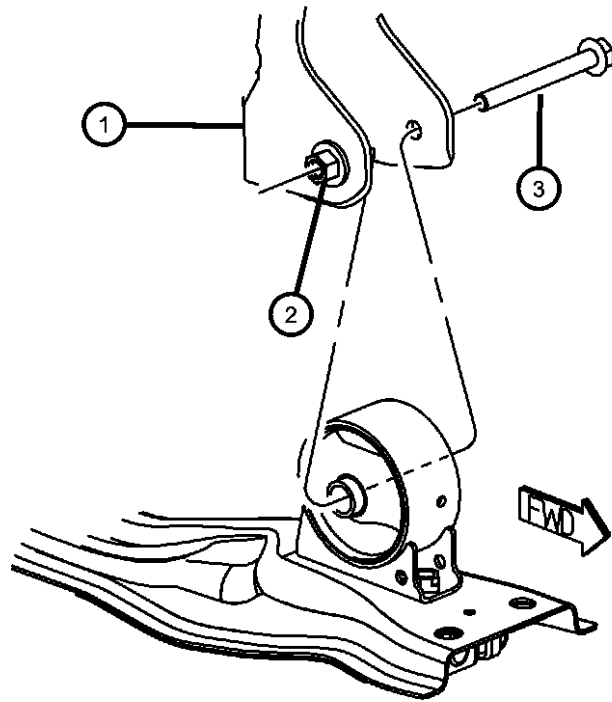
SERIES	LINE	BODY	ENGINE	TRANSMISSION
H = HIGHLINE	T = JEEP - 2WD	49 = HATCHBACK TYPE #2	ECE = 2.0L 4 Cyl DOHC DPF Diesel Engine	DEF = 6-Speed Manual Aisin BG6 Trans
L = LOWLINE	J = JEEP - 4WD	74 = SPORT UTILITY 4-DR TYPE #4	ED3 = 2.4L 4 Cyl DOHC 16V Dual VVT Engine	DD7 = 5-Speed Manual T355 Transmission
P = PREMIUM	U = JEEP - 4WD (RHD)		ECD = 2.0L 4 Cyl DOHC Diesel 16V Engine	DAV = Continuously Variable Transaxle II
			ECN = 2.0L 4 Cyl DOHC 16V Dual VVT Engine	DAW = Cont.Var. w/Off-Rd Crawl Ratio Trans

AR = use ase required - = Non illustrated part

2008 MK

**Engine Mounting Front AWD/4WD 2.0L Diesel [ECE]
Figure 009ECE-1215**

ITEM	PART NUMBER	QTY	LINE	SERIES	BODY	ENGINE	TRANS	TRIM	DESCRIPTION
------	-------------	-----	------	--------	------	--------	-------	------	-------------



NOTE:

Sales Codes:

- [DAV] = Continuously Variable Transmission
- [DEF] = 6-Speed Manual Aisian BG6 Transmission
- [DEK] = 6-Speed Manual Getrag DM76 Transmission
- [DE0] = All 6-Speed Manual Transmissions
- [DD0] = All 5-Speed Manual Transmissions
- [DD7] = 5-Speed Manual T355 Transmission
- [ECD] = 2.0L 4 Cylinder DOHC Diesel 16 Valve Engine Without DPF
- [ECE] = 2.0L 4 Cylinder DOHC Diesel 16 Valve Engine With DPF
- [ECN] = 2.0L 4 Cylinder DOHC 16 Valve VVT Engine
- [EC0] = All 2.0L 4 Cylinder Gas Engines
- [ED3] = 2.4L 4 Cylinder DOHC 16 Valve Dual VVT Engine
- [ED4] = 2.4L 4 Cylinder DOHC 16 Valve Turbo Engine
- [ED0] = All 2.4L 4 Cylinder Gas Engines
- [NAA] = Federal Emissions
- [NAE] = California Emissions
- [NAS] = 50 State Emissions
- [NA1] = Export Emissions

1	05105597AC	1	J, T, U			ECD, ECE			BRACKET, Engine Mount
2	05105597AC	1							WELD NUT, Serviced With Bracket, (NOT SERVICED)
3	06105074AA	1	J, T, U						BOLT, Hex Flange Head, M10X1.50X100.00, Front Mount To Bracket, Mounting
4	05105493AB	1	J, T, U				DD7, DEF		INSULATORFront
5	06105062AA	2	J, T, U						BOLT, Hex Flange Head, M10x1.50x25.00, Front Mount To Crossmember, Mounting
6	06508511AA	2	J, T, U						BOLT, Hex Flange Head, M12X1.25X55.00, To Radiator Cross Member, Mounting
7	06105075AA	1	J, T, U						BOLT, Hex Flange Head, M12x1.50x25.00, To Suspension Cross Member, Mounting

COMPASS/PATRIOT (MK)

SERIES	LINE
H = HIGHLINE	T = JEEP - 2WD
L = LOWLINE	J = JEEP - 4WD
P = PREMIUM	U = JEEP - 4WD (RHD)

BODY
49 = HATCHBACK TYPE #2
74 = SPORT UTILITY 4-DR TYPE #4

ENGINE	TRANSMISSION
ECE = 2.0L 4 Cyl DOHC DPF Diesel Engine	DEF = 6-Speed Manual Aisian BG6 Trans
ED3 = 2.4L 4 Cyl DOHC 16V Dual VVT Engine	DD7 = 5-Speed Manual T355 Transmission
ECD = 2.0L 4 Cyl DOHC Diesel 16V Engine	DAV = Continuously Variable Transaxle II
ECN = 2.0L 4 Cyl DOHC 16V Dual VVT Engine	DAW = Cont.Var. w/Off-Rd Crawl Ratio Trans

AR = use ase required - = Non illustrated part

2008 MK

**Engine Mounting Front AWD/4WD 2.0L [ECE]
Figure 009ECE-1235**

ITEM	PART NUMBER	QTY	LINE	SERIES	BODY	ENGINE	TRANS	TRIM	DESCRIPTION
------	-------------	-----	------	--------	------	--------	-------	------	-------------

NOTE:

Sales Codes:

- [DAV] = Continuously Variable Transmission
- [DEF] = 6-Speed Manual Aisin BG6 Transmission
- [DEK] = 6-Speed Manual Getrag DM76 Transmission
- [DE0] = All 6-Speed Manual Transmissions
- [DD0] = All 5-Speed Manual Transmissions
- [DD7] = 5-Speed Manual T355 Transmission
- [ECD] = 2.0L 4 Cylinder DOHC Diesel 16 Valve Engine Without DPF
- [ECE] = 2.0L 4 Cylinder DOHC Diesel 16 Valve Engine With DPF
- [ECN] = 2.0L 4 Cylinder DOHC 16 Valve VVT Engine
- [EC0] = All 2.0L 4 Cylinder Gas Engines
- [ED3] = 2.4L 4 Cylinder DOHC 16 Valve Dual VVT Engine
- [ED4] = 2.4L 4 Cylinder DOHC 16 Valve Turbo Engine
- [ED0] = All 2.4L 4 Cylinder Gas Engines
- [NAA] = Federal Emissions
- [NAE] = California Emissions
- [NAS] = 50 State Emissions
- [NA1] = Export Emissions

1	05105492AE	1	J, T, U			ECD, ECE			INSULATOR, Engine Mount
2	06508529AA	1	J, T, U			ECD, ECE			BOLT, Hex Flange Head, M12X1.50X121.00, Engine Mount Bracket to Insulator, Mounting
3	06508684AA	1	J, T, U			ECD, ECE			NUT, Hex Flange, M12X1.50, Engine Mount Bracket to Insulator, Mounting
4	06508684AA	1							BRACKET PACKAGE, Engine Mount, Serviced With Insulator Assembly, (NOT SERVICED)
5	06508235AA	3	J, T, U						BOLT, Hex Flange Head, M10X1.25X65.00, Engine Support Bracket to Power Steering Bracket, Mounting
6	06104412AA	3	J, T, U						BOLT AND CONED WASHER, Hex Head, M10X1.5X25.00, Engine Mount To Frame Rail, Mounting
7	06104225AA	2	J, T, U			ECD, ECE			BOLT, Hex Flange Head, M10X1.50X80.00, Support Bracket To Cylinder Block, Mounting
8	06104230AA	1	J, T, U			ECD, ECE			BOLT, Hex Flange Head, M10X1.50X130.00, Engine Support Bracket to Block, Mounting

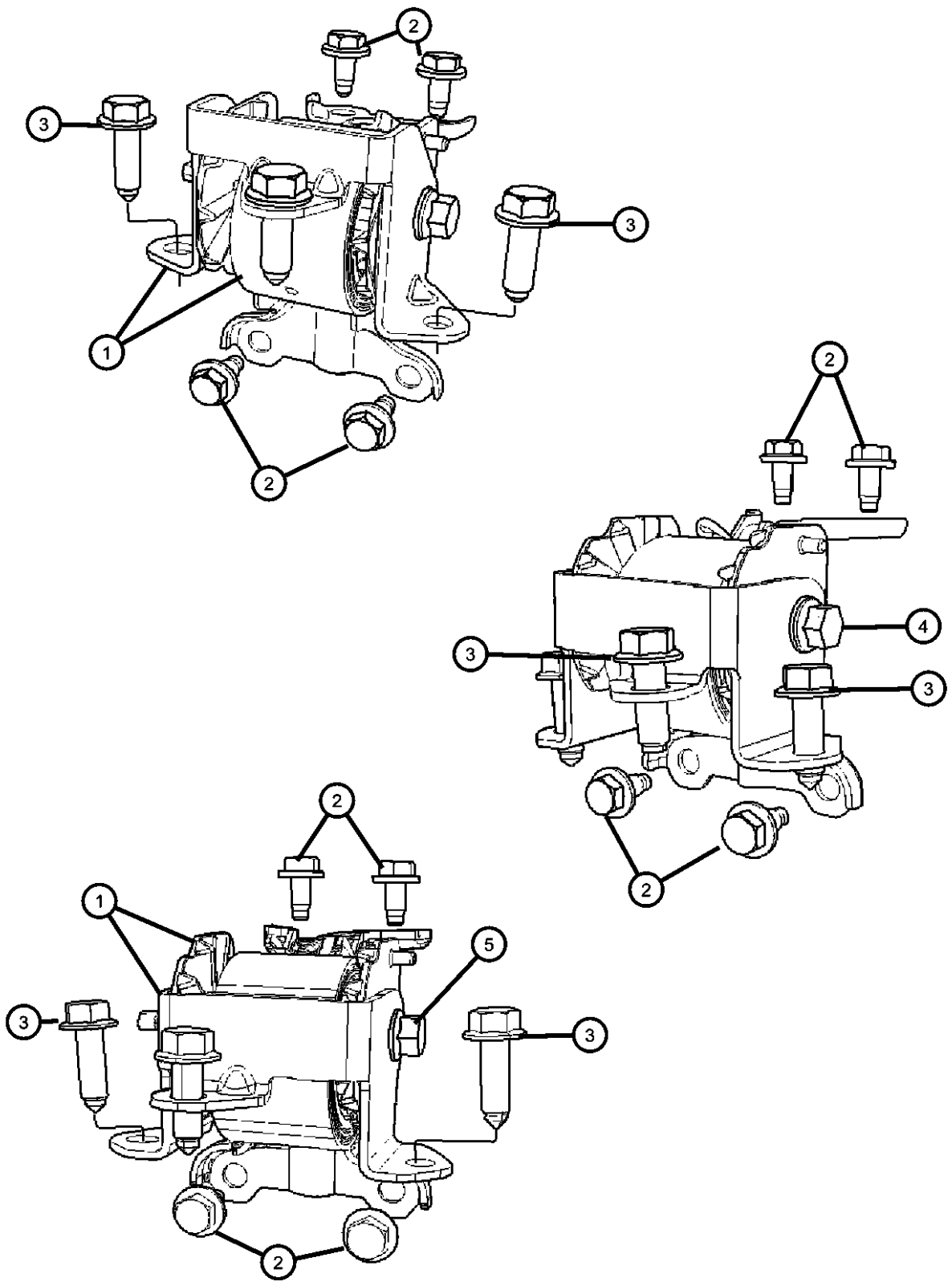
COMPASS/PATRIOT (MK)

SERIES	LINE	BODY	ENGINE	TRANSMISSION
H = HIGHLINE	T = JEEP - 2WD	49 = HATCHBACK TYPE #2	ECE = 2.0L 4 Cyl DOHC DPF Diesel Engine	DEF = 6-Speed Manual Aisin BG6 Trans
L = LOWLINE	J = JEEP - 4WD	74 = SPORT UTILITY 4-DR TYPE #4	ED3 = 2.4L 4 Cyl DOHC 16V Dual VVT Engine	DD7 = 5-Speed Manual T355 Transmission
P = PREMIUM	U = JEEP - 4WD (RHD)		ECD = 2.0L 4 Cyl DOHC Diesel 16V Engine	DAV = Continuously Variable Transaxle II
			ECN = 2.0L 4 Cyl DOHC 16V Dual VVT Engine	DAW = Cont.Var. w/Off-Rd Crawl Ratio Trans

AR = use ase required - = Non illustrated part

2008 MK

**Engine Mounting Left Side AWD/4WD 2.0L Diesel
Figure 009ECE-1255**



ITEM	PART NUMBER	QTY	LINE	SERIES	BODY	ENGINE	TRANS	TRIM	DESCRIPTION
------	-------------	-----	------	--------	------	--------	-------	------	-------------

NOTE:

Sales Codes:

- [DAV] = Continuously Variable Transmission
- [DEF] = 6-Speed Manual Aisin BG6 Transmission
- [DEK] = 6-Speed Manual Getrag DM76 Transmission
- [DE0] = All 6-Speed Manual Transmissions
- [DD0] = All 5-Speed Manual Transmissions
- [DD7] = 5-Speed Manual T355 Transmission
- [ECD] = 2.0L 4 Cylinder DOHC Diesel 16 Valve Engine Without DPF
- [ECE] = 2.0L 4 Cylinder DOHC Diesel 16 Valve Engine With DPF
- [ECN] = 2.0L 4 Cylinder DOHC 16 Valve VVT Engine
- [EC0] = All 2.0L 4 Cylinder Gas Engines
- [ED3] = 2.4L 4 Cylinder DOHC 16 Valve Dual VVT Engine
- [ED4] = 2.4L 4 Cylinder DOHC 16 Valve Turbo Engine
- [ED0] = All 2.4L 4 Cylinder Gas Engines
- [NAA] = Federal Emissions
- [NAE] = California Emissions
- [NAS] = 50 State Emissions
- [NA1] = Export Emissions

1	05105671AD	1	J, T, U				DEF		SUPPORT, Engine Mount
2	06104412AA	4	J, T, U						BOLT AND CONED WASHER, Hex Head, M10X1.5X25.00, Left Mount To Frame Rail, Mounting
3	06508530AA	3	J, T, U						BOLT, Hex Flange Head, M12X1.25X40.00, Support To Transmission, Mounting
4	06104246AA	1	J, T, U			ECD, ECE			BOLT, Hex Flange Head, M12X1.50X110.00, Engine Mount To Bracket, Mounting
5	06104718AA	1	J, T, U				DD7		NUT, Hex Flange Lock, M12X1.50Mounting

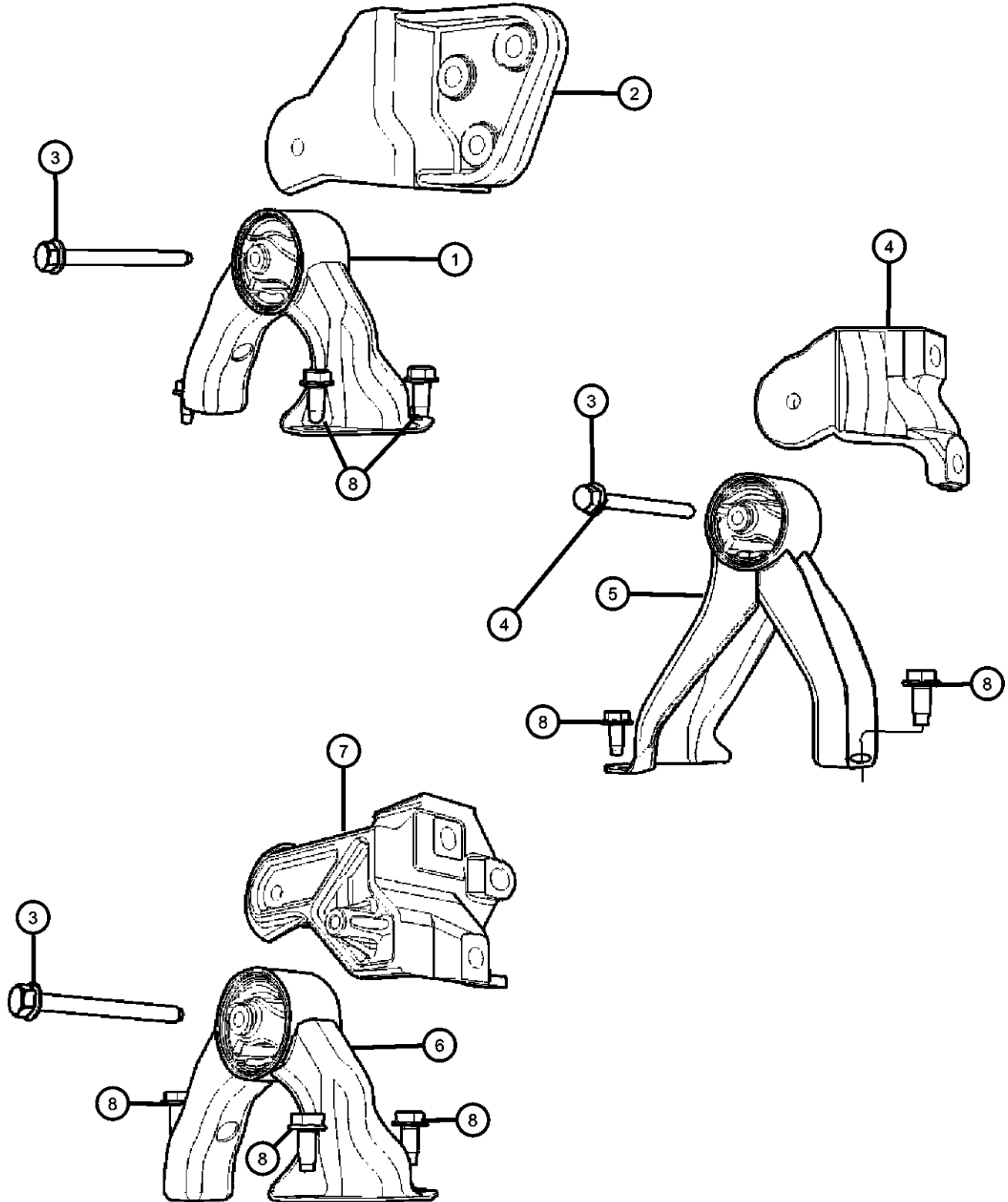
COMPASS/PATRIOT (MK)

SERIES	LINE	BODY	ENGINE	TRANSMISSION
H = HIGHLINE	T = JEEP - 2WD	49 = HATCHBACK TYPE #2	ECE = 2.0L 4 Cyl DOHC DPF Diesel Engine	DEF = 6-Speed Manual Aisin BG6 Trans
L = LOWLINE	J = JEEP - 4WD	74 = SPORT UTILITY 4-DR TYPE #4	ED3 = 2.4L 4 Cyl DOHC 16V Dual VVT Engine	DD7 = 5-Speed Manual T355 Transmission
P = PREMIUM	U = JEEP - 4WD (RHD)		ECD = 2.0L 4 Cyl DOHC Diesel 16V Engine	DAV = Continuously Variable Transaxle II
			ECN = 2.0L 4 Cyl DOHC 16V Dual VVT Engine	DAW = Cont.Var. w/Off-Rd Crawl Ratio Trans

AR = use ase required - = Non illustrated part

2008 MK

**Engine Mounting Rear AWD/4WD 2.0L Diesel [ECE]
Figure 009ECE-1275**



ITEM	PART NUMBER	QTY	LINE	SERIES	BODY	ENGINE	TRANS	TRIM	DESCRIPTION
------	-------------	-----	------	--------	------	--------	-------	------	-------------

NOTE:
Sales Codes:
[DAV] = Continuously Variable Transmission
[DEF] = 6-Speed Manual Aisian BG6 Transmission
[DEK] = 6-Speed Manual Getrag DM76 Transmission
[DE0] = All 6-Speed Manual Transmissions
[DD0] = All 5-Speed Manual Transmissions
[DD7] = 5-Speed Manual T355 Transmission
[ECD] = 2.0L 4 Cylinder DOHC Diesel 16 Valve Engine Without DPF
[ECE] = 2.0L 4 Cylinder DOHC Diesel 16 Valve Engine With DPF
[ECN] = 2.0L 4 Cylinder DOHC 16 Valve VVT Engine
[EC0] = All 2.0L 4 Cylinder Gas Engines
[ED3] = 2.4L 4 Cylinder DOHC 16 Valve Dual VVT Engine
[ED4] = 2.4L 4 Cylinder DOHC 16 Valve Turbo Engine
[ED0] = All 2.4L 4 Cylinder Gas Engines
[NAA] = Federal Emissions
[NAE] = California Emissions
[NAS] = 50 State Emissions
[NA1] = Export Emissions

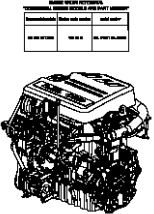
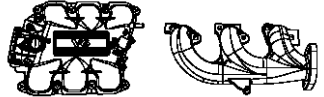

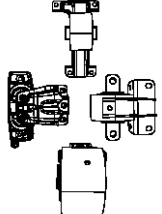
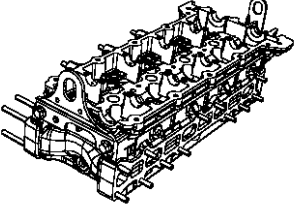
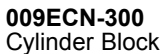
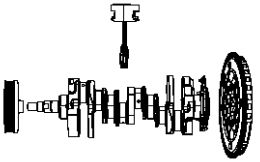
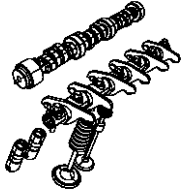
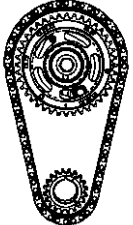
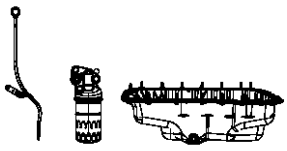
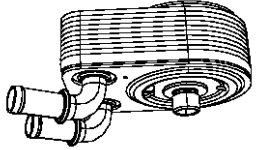
1									SUPPORT
	05105511AE	1	T				DAV, DAW		
	68032586AA	1	T				DD7, DEF		
2	05105598AE	1	T			ECD, ECE			BRACKET, Torque Reaction
3	06105074AA	1	J, T, U						BOLT, Hex Flange Head, M10X1.50X100.00
4	06105074AA	1							BRACKET, Transmission Case Mounting, (NOT SERVICED) INSULATOR
5									
	05105495AD	1	J, U				DD7, DEF		
	05105498AE	1	J, U				DAV, DAW		
6	05105511AE	1	T				DAV, DAW		SUPPORT
7	05105598AE	1	T			ECD, ECE			BRACKET, Torque Reaction
8	06105062AA	3	J, T, U						BOLT, Hex Flange Head, M10x1.50x25.00

COMPASS/PATRIOT (MK)		BODY	ENGINE	TRANSMISSION
SERIES	LINE			
H = HIGHLINE	T = JEEP - 2WD	49 = HATCHBACK TYPE #2	ECE = 2.0L 4 Cyl DOHC DPF Diesel Engine	DEF = 6-Speed Manual Aisian BG6 Trans
L = LOWLINE	J = JEEP - 4WD	74 = SPORT UTILITY 4-DR TYPE #4	ED3 = 2.4L 4 Cyl DOHC 16V Dual VVT Engine	DD7 = 5-Speed Manual T355 Transmission
P = PREMIUM	U = JEEP - 4WD (RHD)		ECD = 2.0L 4 Cyl DOHC Diesel 16V Engine	DAV = Continuously Variable Transaxle II
			ECN = 2.0L 4 Cyl DOHC 16V Dual VVT Engine	DAW = Cont.Var. w/Off-Rd Crawl Ratio Trans

AR = use ase required - = Non illustrated part

Group - 009ECN

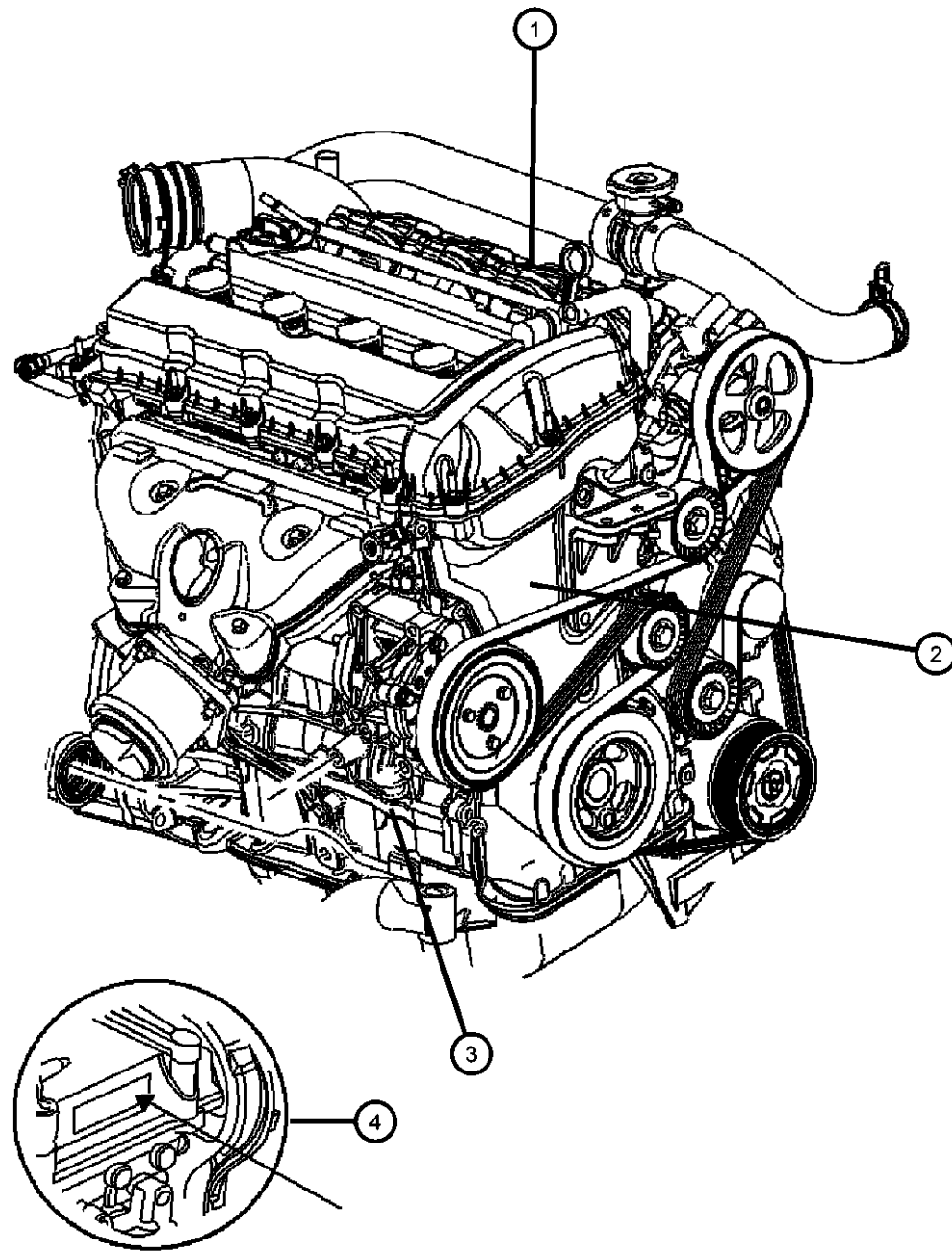
2.0L Gas; Engine

<p>009ECN-100 Engine Identification</p> 	<p>009ECN-1000 Manifolds and Vacuum Fittings</p> 	<p>009ECN-1100 Crankcase Ventilation</p> 	<p>009ECN-1200 Engine Mounting</p> 
<p>009ECN-200 Cylinder Head</p> 	<p>009ECN-300 Cylinder Block</p> 	<p>009ECN-400 Crankshaft, Piston, Drive Plate, Flywheel, and Damper</p> 	<p>009ECN-500 Camshaft and Valve</p> 
<p>009ECN-600 Timing Belt/Chain and Cover and Balance Shaft</p> 	<p>009ECN-700 Engine Oiling, Oil Pan and Indicator (Dipstick)</p> 	<p>009ECN-800 Engine Oil Cooler</p> 	

Group - 009ECN 2.0L Gas; Engine

Illustration Title	Group-Fig. No.
Engine Identification	
Engine Assembly And Identification 2.0L [ECN]	Fig. 009ECN - 105
Engine Gasket Packages 2.0L [ECN]	Fig. 009ECN - 145
Cylinder Head	
Cylinder Head Cover 2.0L [ECN]	Fig. 009ECN - 205
Cylinder Head 2.0L [ECN]	Fig. 009ECN - 225
Cylinder Block	
Engine Cylinder Block And Hardware 2.0L [ECN]	Fig. 009ECN - 305
Engine Cylinder Block Heater 2.0L [ECN]	Fig. 009ECN - 325
Crankshaft, Piston, Drive Plate, Flywheel, and Damper	
Crankshaft, Crankshaft Bearings, Damper And Driveplate 2.0L [ECN]	Fig. 009ECN - 405
Pistons, Connecting Rods, Connecting Rod Bearings And Piston Rings 2.0L [ECN]	Fig. 009ECN - 425
Camshaft and Valve	
Camshafts And Valvetrain 2.0L [ECN]	Fig. 009ECN - 505
Timing Belt/Chain and Cover and Balance Shaft	
Timing Case Cover 2.0L [ECN]	Fig. 009ECN - 605
Timing System 2.0L [ECN]	Fig. 009ECN - 625
Balance Shafts 2.0L [ECN]	Fig. 009ECN - 645
Engine Oiling, Oil Pan and Indicator (Dipstick)	
Engine Oiling Pump 2.0L [ECN]	Fig. 009ECN - 705
Engine Oil Pan, Engine Oil Level Indicator And Related Parts 2.0L [ECN]	Fig. 009ECN - 725
Engine Oil Filter And Related Parts 2.0L [ECN]	Fig. 009ECN - 745
Engine Oil Cooler	
Engine Oil Cooler 2.0L [ECN]	Fig. 009ECN - 805
Manifolds and Vacuum Fittings	
Exhaust Manifold And Heat Shields 2.0L [ECN]	Fig. 009ECN - 1005
Intake Manifold 2.0L [ECN]	Fig. 009ECN - 1025
Crankcase Ventilation	
Crankcase Ventilation 2.0L [ECN]	Fig. 009ECN - 1105
Engine Mounting	
Engine Mounting Front FWD 2.0L [ECN]	Fig. 009ECN - 1205
Engine Mounting Front AWD/4WD 2.0L [ECN]	Fig. 009ECN - 1215
Engine Mounting Right Side FWD 2.0L [ECN]	Fig. 009ECN - 1225
Engine Mounting Right Side AWD/4WD 2.0L [ECN]	Fig. 009ECN - 1235
Engine Mounting Left Side FWD 2.0L [ECN]	Fig. 009ECN - 1245
Engine Mounting Left Side AWD/4WD 2.0L [ECN]	Fig. 009ECN - 1255
Engine Mounting Rear FWD 2.0L [ECN]	Fig. 009ECN - 1265
Engine Mounting Rear AWD/4WD 2.0L [ECN]	Fig. 009ECN - 1275

**Engine Assembly And Identification 2.0L [ECN]
Figure 009ECN-105**



ITEM	PART NUMBER	QTY	LINE	SERIES	BODY	ENGINE	TRANS	TRIM	DESCRIPTION
------	-------------	-----	------	--------	------	--------	-------	------	-------------

NOTE:

World Engines Produced Until Mid September 2007 Used A Bolt On Oil Injector, Updated World Engines Produced Mid September 2007 And Later The Following Parts Must Be Replaced When Ordering A Replacement Short Block:

Upper Engine Gasket Package, Flex Plate To Clutch Bolts, Flex Plate To Crankshaft Bolts, Catalytic Converter Gasket, Thermostat Housing "D" R

The Engine Identification Label Contains: The Production Assembly Part Number And Displacement. It Is Located On The Valve Cover In The Rear

Short Block Contains: Crankshaft, Pistons, Connecting Rods, Piston Rings, Crankshaft Bearings, Connecting Rod Bearings, Bedplate, Balance S

Sales Codes:

[DAV] = Continuously Variable Transmission

[DEF] = 6-Speed Manual Aisin BG6 Transmission

[DEK] = 6-Speed Manual Getrag DM76 Transmission

[DE0] = All 6-Speed Manual Transmissions

[DD0] = All 5-Speed Manual Transmissions

[DD7] = 5-Speed Manual T355 Transmission

[ECD] = 2.0L 4 Cylinder DOHC Diesel 16 Valve Engine

[ECN] = 2.0L 4 Cylinder DOHC 16 Valve VVT Engine

[EC0] = All 2.0L 4 Cylinder Gas Engines

[ED3] = 2.4L 4 Cylinder DOHC 16 Valve Dual VVT Engine

[ED4] = 2.4L 4 Cylinder DOHC 16 Valve Turbo Engine

[ED0] = All 2.4L 4 Cylinder Gas Engines

[NAA] = Federal Emissions

[NAE] = California Emissions

[NAS] = 50 State Emissions

[NA1] = Export Emissions

1	06105062AA	3							ENGINE, Complete, Serviced By New Short Block Only, (NOT SERVICED)
2	06105062AA	3							ENGINE, Long Block, Serviced By New Short Block Only, (NOT SERVICED)
3	05183905AC	1	J, T, U			ECN			ENGINE, Short Block, See Note
4	05183905AC	1							LABEL, Engine Identification, See Note, (NOT SERVICED)

COMPASS/PATRIOT (MK)

SERIES	LINE
H = HIGHLINE	T = JEEP - 2WD
L = LOWLINE	J = JEEP - 4WD
P = PREMIUM	U = JEEP - 4WD (RHD)

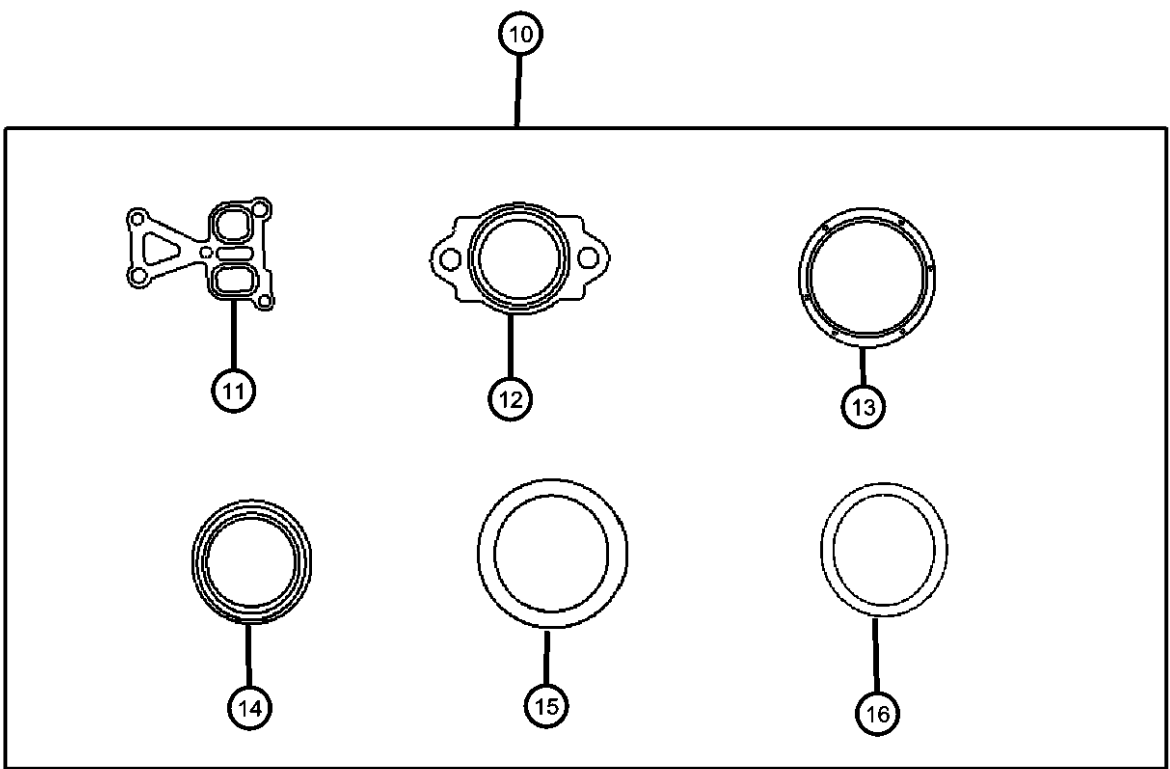
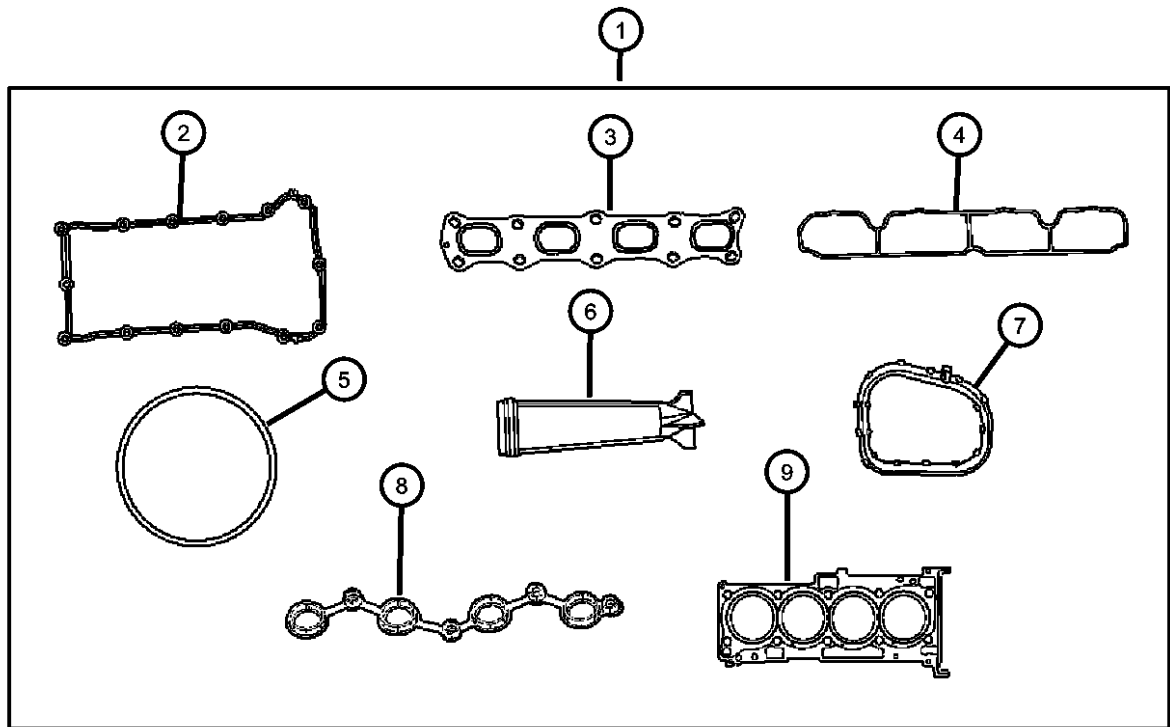
BODY
49 = HATCHBACK TYPE #2
74 = SPORT UTILITY 4-DR TYPE #4

ENGINE	TRANSMISSION
ECE = 2.0L 4 Cyl DOHC DPF Diesel Engine	DEF = 6-Speed Manual Aisin BG6 Trans
ED3 = 2.4L 4 Cyl DOHC 16V Dual VVT Engine	DD7 = 5-Speed Manual T355 Transmission
ECD = 2.0L 4 Cyl DOHC Diesel 16V Engine	DAV = Continuously Variable Transaxle II
ECN = 2.0L 4 Cyl DOHC 16V Dual VVT Engine	DAW = Cont.Var. w/Off-Rd Crawl Ratio Trans

AR = use ase required - = Non illustrated part

2008 MK

**Engine Gasket Packages 2.0L [ECN]
Figure 009ECN-145**



ITEM	PART NUMBER	QTY	LINE	SERIES	BODY	ENGINE	TRANS	TRIM	DESCRIPTION
------	-------------	-----	------	--------	------	--------	-------	------	-------------

NOTE:
Sales Codes:
[DAV] = Continuously Variable Transmission
[DEF] = 6-Speed Manual Aisian BG6 Transmission
[DEK] = 6-Speed Manual Getrag DM76 Transmission
[DE0] = All 6-Speed Manual Transmissions
[DD0] = All 5-Speed Manual Transmissions
[DD7] = 5-Speed Manual T355 Transmission
[ECD] = 2.0L 4 Cylinder DOHC Diesel 16 Valve Engine
[ECN] = 2.0L 4 Cylinder DOHC 16 Valve VVT Engine
[EC0] = All 2.0L 4 Cylinder Gas Engines
[ED3] = 2.4L 4 Cylinder DOHC 16 Valve Duel VVT Engine
[ED4] = 2.4L 4 Cylinder DOHC 16 Valve Turbo Engine
[ED0] = All 2.4L 4 Cylinder Gas Engines
[NAA] = Federal Emissions
[NAE] = California Emissions
[NAS] = 50 State Emissions
[NA1] = Export Emissions

1	05189954AA	1	J, T, U			ECN			GASKET PACKAGE, Engine Upper, Contains Items 2,3,4,5,6,7,8,9
2	04884762AA	1	J, T, U			ECN, ED3			GASKET, Cylinder Cover
3	1555A185	1	J, T, U			ECN, ED3			GASKET, Exhaust Manifold
4	04884550AB	1	J, T, U			ECN, ED3			GASKET, Intake Manifold
5	04884551AA	1	J, T, U			ECN, ED3			GASKET, Throttle Body
6	1028A025	1	J, T, U			ECN, ED3			FILTER, Continuous Variable Valve Timing
7	04884572AA	1	J, T, U			ECN, ED3			SEAL, Coolant Outlet Adapter
8	04884765AA	1	J, T, U			ECN, ED3			GASKET, Coil
9	05189975AA	1	J, T, U			ECN			GASKET PACKAGE, Cylinder Head, Contains Item 6
10	05189957AA	1	J, T, U			ECN			GASKET PACKAGE, Engine Lower, Contains Items 11,12, 13, 14, 15, 16
11	04884696AA	1	J, T, U			ECN, ED3			GASKET, Water Pump Outlet
12	04884703AA	1	J, T, U			ECN, ED3			GASKET, Water Inlet
13	2142125000	1	J, T, U			ECN, ED3			SEAL, Crankshaft Oil, Front
14	2144325000	1	J, T, U			ECN, ED3			SEAL, Crankshaft Oil, Rear
15	04884873AA	1	J, T, U			ECN, ED3			O RING, Water Inlet Tube
16	04884873AA	1							O RING, Engine Oil Level Tube, Part # 2661423500, (NOT SERVICED)

COMPASS/PATRIOT (MK)		BODY	ENGINE	TRANSMISSION
SERIES	LINE			
H = HIGHLINE	T = JEEP - 2WD	49 = HATCHBACK TYPE #2	ECE = 2.0L 4 Cyl DOHC DPF Diesel Engine	DEF = 6-Speed Manual Aisin BG6 Trans
L = LOWLINE	J = JEEP - 4WD	74 = SPORT UTILITY 4-DR TYPE #4	ED3 = 2.4L 4 Cyl DOHC 16V Dual VVT Engine	DD7 = 5-Speed Manual T355 Transmission
P = PREMIUM	U = JEEP - 4WD (RHD)		ECD = 2.0L 4 Cyl DOHC Diesel 16V Engine	DAV = Continuously Variable Transaxle II
			ECN = 2.0L 4 Cyl DOHC 16V Dual VVT Engine	DAW = Cont.Var. w/Off-Rd Crawl Ratio Trans

AR = use ase required - = Non illustrated part

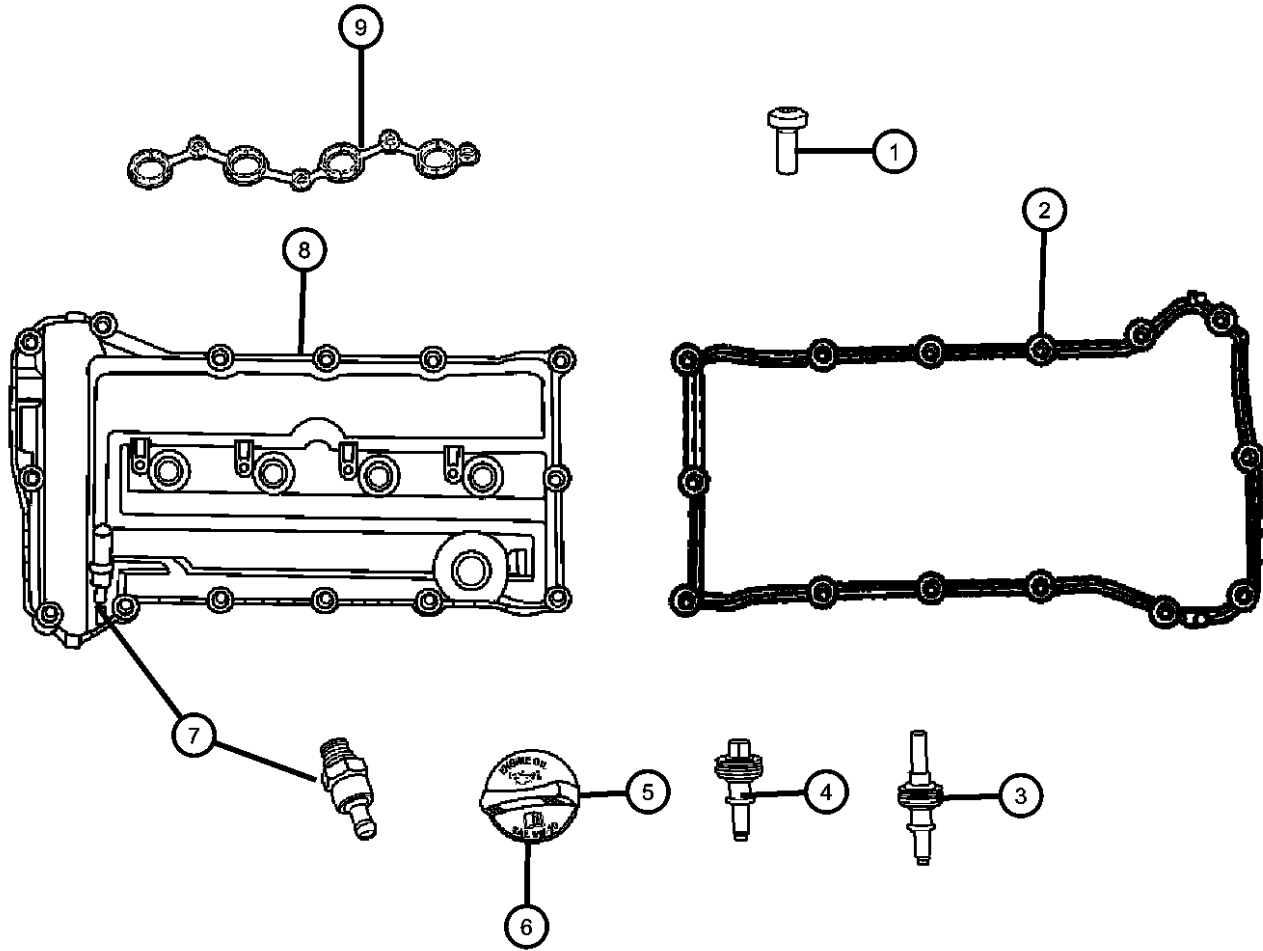
**Cylinder Head Cover 2.0L [ECN]
Figure 009ECN-205**

ITEM	PART NUMBER	QTY	LINE	SERIES	BODY	ENGINE	TRANS	TRIM	DESCRIPTION
------	-------------	-----	------	--------	------	--------	-------	------	-------------

NOTE:

Sales Codes:

- [DAV] = Continuously Variable Transmission
- [DEF] = 6-Speed Manual Aisian BG6 Transmission
- [DEK] = 6-Speed Manual Getrag DM76 Transmission
- [DE0] = All 6-Speed Manual Transmissions
- [DD0] = All 5-Speed Manual Transmissions
- [DD7] = 5-Speed Manual T355 Transmission
- [ECD] = 2.0L 4 Cylinder DOHC Diesel 16 Valve Engine
- [ECN] = 2.0L 4 Cylinder DOHC 16 Valve VVT Engine
- [EC0] = All 2.0L 4 Cylinder Gas Engines
- [ED3] = 2.4L 4 Cylinder DOHC 16 Valve Duel VVT Engine
- [ED4] = 2.4L 4 Cylinder DOHC 16 Valve Turbo Engine
- [ED0] = All 2.4L 4 Cylinder Gas Engines
- [NAA] = Federal Emissions
- [NAE] = California Emisssions
- [NAS] = 50 State Emissions
- [NA1] = Export Emissions



1	06104141AA	4	J, T, U			ECN, ED3			SCREW, [M6X1.0X16.0], Ignition Coil To Cylinder Head Cover, Mounting
2	04884762AA	1	J, T, U			ECN, ED3			GASKET, Cylinder Cover
3	04884763AA	11	J, T, U			ECN, ED3			ISOLATOR, Cylinder Head Cover, Grommet And Stud, [M6 X 1.0-6G]
4	04884764AA	7	J, T, U			ECN, ED3			ISOLATOR, Cylinder Head Cover, Grommet And Bolt, [M6 X 1.0-6G]
5	04884739AA	1	J, T, U			ECN, ED3			CAP, Oil Filler, Includes O-ring
6	68029299AA	1	J, T, U			ECN, ED3			O RING, Oil Filler Cap
7	05047002AA	1	J, T, U			ECN, ED3			VALVE, PCV, 15mm Nipple
8	04884760AE	1	J, T, U			ECN, ED3			COVER, Cylinder Head
9	04884765AA	1	J, T, U			ECN, ED3			GASKET, Coil

COMPASS/PATRIOT (MK)

SERIES LINE
H = HIGHLINE T = JEEP - 2WD
L = LOWLINE J = JEEP - 4WD
P = PREMIUM U = JEEP - 4WD (RHD)

BODY
49 = HATCHBACK TYPE #2
74 = SPORT UTILITY 4-DR TYPE #4

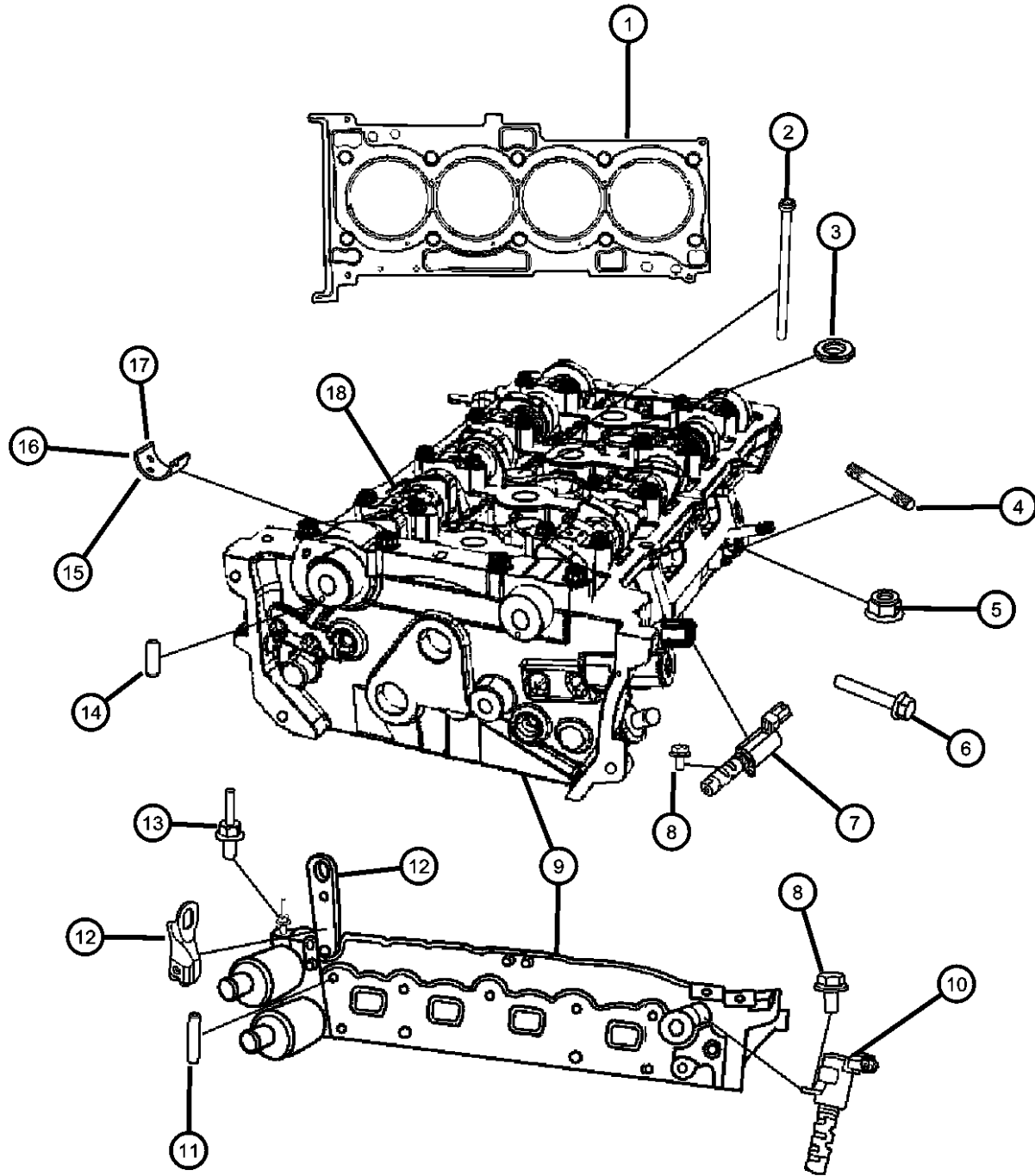
ENGINE
ECE = 2.0L 4 Cyl DOHC DPF Diesel Engine
ED3 = 2.4L 4 Cyl DOHC 16V Dual VVT Engine
ECD = 2.0L 4 Cyl DOHC Diesel 16V Engine
ECN = 2.0L 4 Cyl DOHC 16V Dual VVT Engine

TRANSMISSION
DEF = 6-Speed Manual Aisin BG6 Trans
DD7 = 5-Speed Manual T355 Transmission
DAV = Continuously Variable Transaxle II
DAW = Cont.Var. w/Off-Rd Crawl Ratio Trans

AR = use ase required - = Non illustrated part

2008 MK

**Cylinder Head 2.0L [ECN]
Figure 009ECN-225**



ITEM	PART NUMBER	QTY	LINE	SERIES	BODY	ENGINE	TRANS	TRIM	DESCRIPTION
------	-------------	-----	------	--------	------	--------	-------	------	-------------

NOTE:
Complete Cylinder Contains: Cylinder Head, Camshafts, Camshaft Bearings, Intake Valves, Exhaust Valves, Valve Stem Seals, Valve Retainers, Valve Springs, and Valve Lifters.

Sales Codes:
[DAV] = Continuously Variable Transmission
[DEF] = 6-Speed Manual Aisin BG6 Transmission
[DEK] = 6-Speed Manual Getrag DM76 Transmission
[DE0] = All 6-Speed Manual Transmissions
[DD0] = All 5-Speed Manual Transmissions
[DD7] = 5-Speed Manual T355 Transmission
[ECD] = 2.0L 4 Cylinder DOHC Diesel 16 Valve Engine
[ECN] = 2.0L 4 Cylinder DOHC 16 Valve VVT Engine
[EC0] = All 2.0L 4 Cylinder Gas Engines
[ED3] = 2.4L 4 Cylinder DOHC 16 Valve Dual VVT Engine
[ED4] = 2.4L 4 Cylinder DOHC 16 Valve Turbo Engine
[ED0] = All 2.4L 4 Cylinder Gas Engines
[NAA] = Federal Emissions
[NAE] = California Emissions
[NAS] = 50 State Emissions
[NA1] = Export Emissions

1	05189975AA	1	J, T, U			ECN			GASKET PACKAGE, Cylinder Head, See ILL 110 For Contents
2	06508858AA	8	J, T, U			ECN, ED3			BOLT, Torx Head, M11x1.50x165.70, Cylinder Head To Cylinder Block, Mounting
3	06508859AA	2	J, T, U			ECN, ED3			WASHER, Flat Special, ID M11.50 OD 23.20 THK 3.40, Cylinder Head To Engine Block, Mounting
4	06102397AA	2				ECN			STUD, Double Ended, M8x1.25x55.00, Intake Manifold To Cylinder Head, Mounting
5	06104716AA	4	J, T, U						NUT, Hex Flange Lock, M8X1.25, Intake Manifold To Cylinder Head, Mounting
6	06104201AA	3	J, T, U			ECN, ED3			BOLT, Hex Flange Head, M8X1.25X45.00, Intake Manifold To Cylinder Head, Mounting
7	04884695AA	1	J, T, U			ECN, ED3			CONTROL VALVE, Oil Intake
8	04884695AA	1							BOLT, [M6X12], (NOT SERVICED)
9	68004168AA	1	J, T, U			ECN, ED3			HEAD PACKAGE, Engine Cylinder, See Note
10	04884483AA	1	J, T, U			ECN, ED3			CONTROL VALVE, Oil Exhaust
11	06509036AA	2	J, T, U			ECN, ED3			STUD, Double Ended, [M10X1.25X43.80], Exhaust Manifold To Cylinder Head, Mounting

COMPASS/PATRIOT (MK)

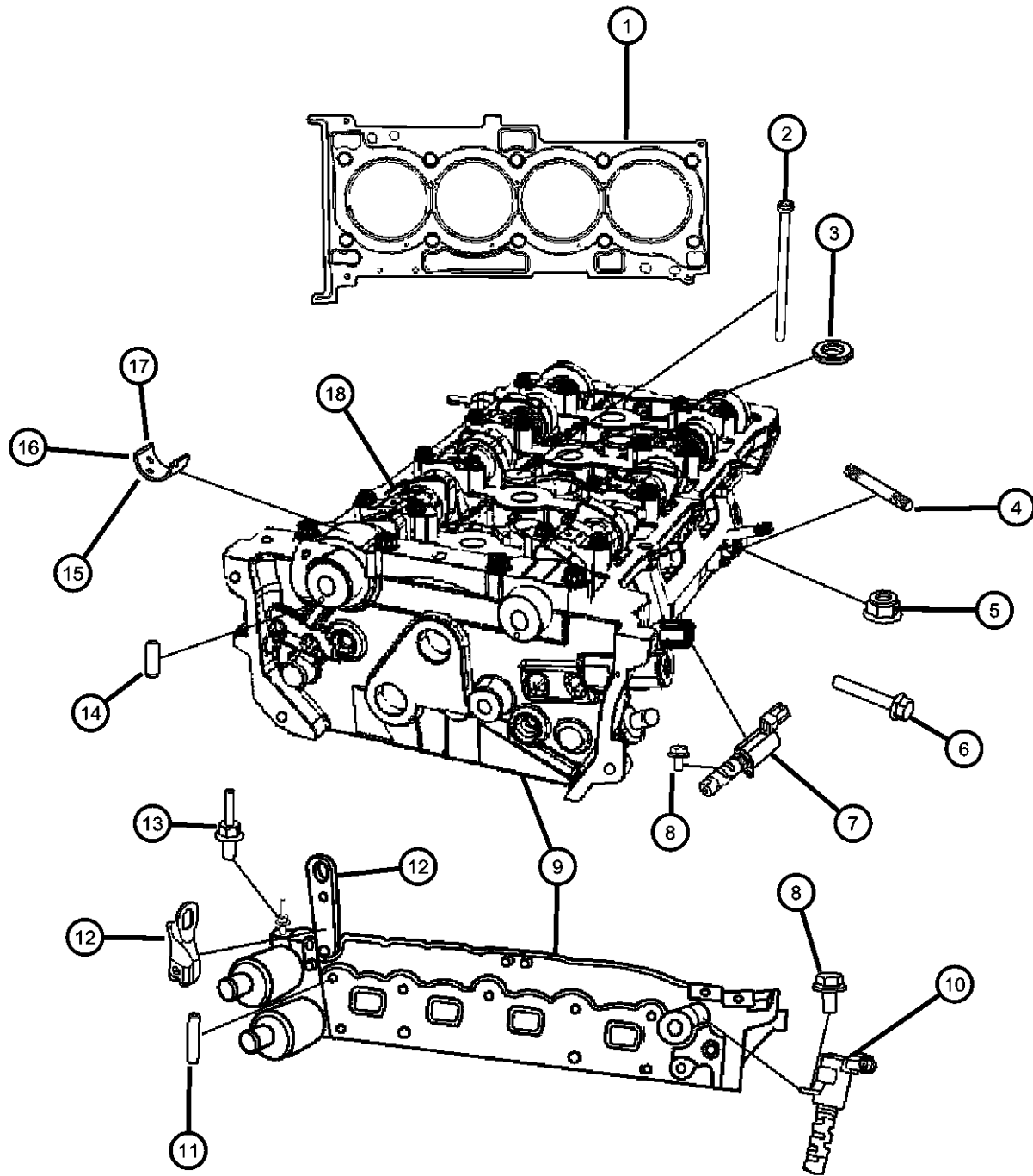
SERIES	LINE	BODY	ENGINE	TRANSMISSION
H = HIGHLINE	T = JEEP - 2WD	49 = HATCHBACK TYPE #2	ECE = 2.0L 4 Cyl DOHC DPF Diesel Engine	DEF = 6-Speed Manual Aisin BG6 Trans
L = LOWLINE	J = JEEP - 4WD	74 = SPORT UTILITY 4-DR TYPE #4	ED3 = 2.4L 4 Cyl DOHC 16V Dual VVT Engine	DD7 = 5-Speed Manual T355 Transmission
P = PREMIUM	U = JEEP - 4WD (RHD)		ECD = 2.0L 4 Cyl DOHC Diesel 16V Engine	DAV = Continuously Variable Transaxle II
			ECN = 2.0L 4 Cyl DOHC 16V Dual VVT Engine	DAW = Cont.Var. w/Off-Rd Crawl Ratio Trans

AR = use ase required - = Non illustrated part

2008 MK

**Cylinder Head 2.0L [ECN]
Figure 009ECN-225**

ITEM	PART NUMBER	QTY	LINE	SERIES	BODY	ENGINE	TRANS	TRIM	DESCRIPTION
------	-------------	-----	------	--------	------	--------	-------	------	-------------



12	04884752AC	1	J, T, U			ECN, ED3			BRACKET, Engine LiftRear
13	06508424AA	1	J, T, U			ECN, ED3			STUD, Double Ended, M8x1.25x50.00, Rear Lift Hook To Cylinder Head, Mounting
14	06508424AA	1							PIN, Dowel, Serviced With Camshaft, (NOT SERVICED)
15	05047008AA	AR	J, T, U			ECN, ED3			BEARING, Camshaft, Size 1
16	05047009AA	AR	J, T, U			ECN, ED3			BEARING, Camshaft, Size 2
17	05047010AA	AR	J, T, U			ECN, ED3			BEARING, Camshaft, Size 3
18	1601110000	7				ECN, ED3			BALL

COMPASS/PATRIOT (MK)

SERIES LINE
H = HIGHLINE T = JEEP - 2WD
L = LOWLINE J = JEEP - 4WD
P = PREMIUM U = JEEP - 4WD (RHD)

BODY
49 = HATCHBACK TYPE #2
74 = SPORT UTILITY 4-DR TYPE #4

ENGINE
ECE = 2.0L 4 Cyl DOHC DPF Diesel Engine
ED3 = 2.4L 4 Cyl DOHC 16V Dual VVT Engine
ECD = 2.0L 4 Cyl DOHC Diesel 16V Engine
ECN = 2.0L 4 Cyl DOHC 16V Dual VVT Engine

TRANSMISSION
DEF = 6-Speed Manual Aisin BG6 Trans
DD7 = 5-Speed Manual T355 Transmission
DAV = Continuously Variable Transaxle II
DAW = Cont.Var. w/Off-Rd Crawl Ratio Trans

AR = use ase required - = Non illustrated part

2008 MK

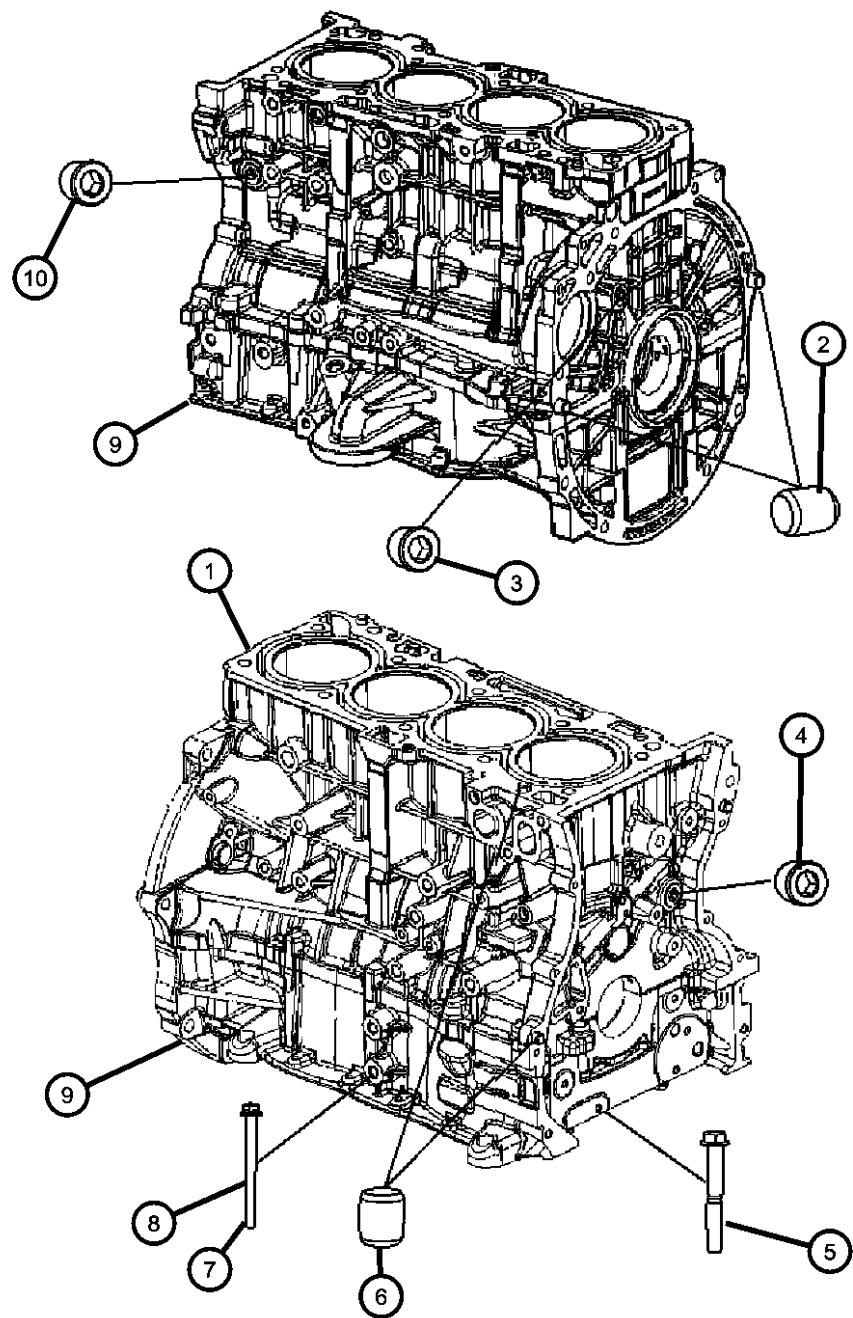
Engine Cylinder Block And Hardware 2.0L [ECN]

Figure 009ECN-305

ITEM	PART NUMBER	QTY	LINE	SERIES	BODY	ENGINE	TRANS	TRIM	DESCRIPTION
------	-------------	-----	------	--------	------	--------	-------	------	-------------

NOTE:

World Engines Produced Until Mid September 2007 Used A Bolt On Oil Injector, Updated World Engines Produced Mid September 2007 And Later The Following Parts Must Be Replaced When Ordering A Replacement Long Block:
Flex Plate To Clutch Bolts, Flex Plate To Crankshaft Bolts, Catalytic Converter Gasket, Intake And Exhaust Manifold Gaskets, Thermostat Housing



1	05183905AA	1	J, T, U			ECN			ENGINE, Short Block, See Note With Bolt On Oil Squiter With Engines Produced Until Mid September 2007
	05183905AC	1	J, T, U			ECN			Without Bolt On Oil Squiter, 1 MM Hole In Block Used For Oiling With Engines Produced Mid September And After
2	04884783AA	2	J, T, U			ECN			DOWEL PIN
3	04884701AA	2	J, T, U			ECN			PLUG, Main Oil Gallery
4	04884701AA	1	J, T, U			ECN			PLUG, Oil Feed To Tensioner
5	04884701AA	1							BOLT, [M10X1.25X76] Serviced With Shortblock, (NOT SERVICED)
6	04884905AA	2	J, T, U			ECN			DOWEL PIN Chain Case Cover To Cylinder Block, Mounting
		2	J, T, U			ECN			Cylinder Block To Cylinder Head, Mounting
		2	J, T, U			ECN			Cylinder Block To Ladder Frame, Mounting
7	2434825000	2	J, T, U			ECN, ED3			BOLT, [M8X1.25X55], Ladder Frame To Cylinder Block, Mounting
8	2434825000	2							BOLT, [M8X1.25X103] Serviced With Shortblock, (NOT SERVICED)
9	2434825000	2							BEDPLATE, Serviced With Shortblock Only, (NOT SERVICED)
10	04884782AA	1	J, T, U			ECN, ED3			PLUG, Cylinder Block, [M14 X 1.5], Engine Block Water Jacket Drain

COMPASS/PATRIOT (MK)

SERIES LINE
H = HIGHLINE T = JEEP - 2WD
L = LOWLINE J = JEEP - 4WD
P = PREMIUM U = JEEP - 4WD (RHD)

BODY
49 = HATCHBACK TYPE #2
74 = SPORT UTILITY 4-DR TYPE #4

ENGINE TRANSMISSION
ECE = 2.0L 4 Cyl DOHC DPF Diesel Engine DEF = 6-Speed Manual Aisin BG6 Trans
ED3 = 2.4L 4 Cyl DOHC 16V Dual VVT Engine DD7 = 5-Speed Manual T355 Transmission
ECD = 2.0L 4 Cyl DOHC Diesel 16V Engine DAV = Continuously Variable Transaxle II
ECN = 2.0L 4 Cyl DOHC 16V Dual VVT Engine DAW = Cont.Var. w/Off-Rd Crawl Ratio Trans

AR = use ase required - = Non illustrated part

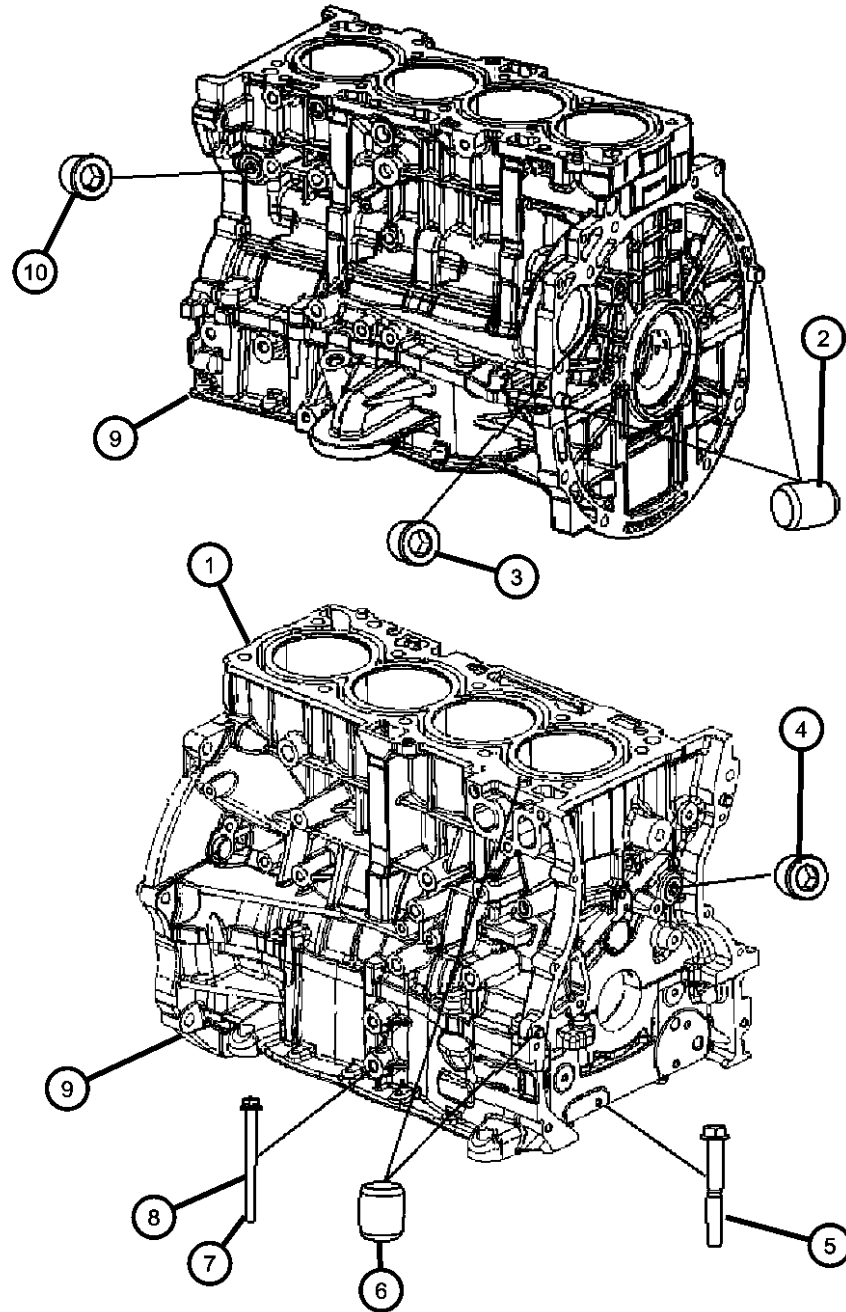
2008 MK

**Engine Cylinder Block Heater 2.0L [ECN]
Figure 009ECN-325**

ITEM	PART NUMBER	QTY	LINE	SERIES	BODY	ENGINE	TRANS	TRIM	DESCRIPTION
------	-------------	-----	------	--------	------	--------	-------	------	-------------

NOTE:
The Following Parts Must Be Replaced When Ordering A Replacement Long Block:
Flex Plate To Clutch Bolts, Flex Plate To Crankshaft Bolts, Catalytic Converter Gasket, Intake And Exhaust Manifold Gaskets, Thermostat Housing

1	05183905AC	1	J, T, U			ECN			ENGINE, Short Block, See Note
2	04884783AA	2	J, T, U			ECN			DOWEL PIN
3	04884701AA	2	J, T, U			ECN			PLUG, Main Oil Gallery
4	04884701AA	1	J, T, U			ECN			PLUG, Oil Feed To Tensioner
5	04884701AA	1							BOLT, [M10X1.25X76] Serviced With Shortblock, (NOT SERVICED)
6									DOWEL PIN
	04884905AA	2	J, T, U			ECN			Chain Case Cover To Cylinder Block, Mounting
		2	J, T, U			ECN			Cylinder Block To Cylinder Head, Mounting
		2	J, T, U			ECN			Cylinder Block To Ladder Frame, Mounting
7	2434825000	2	J, T, U			ECN, ED3			BOLT, [M8X1.25X55], Ladder Frame To Cylinder Block, Mounting
8	2434825000	2							BOLT, [M8X1.25X103] Serviced With Shortblock, (NOT SERVICED)
9	2434825000	2							BEDPLATE, Serviced With Shortblock Only, (NOT SERVICED)
10	04884782AA	1	J, T, U			ECN, ED3			PLUG, Cylinder Block, [M14 X 1.5], Engine Block Water Jacket Drain



COMPASS/PATRIOT (MK)

SERIES LINE
H = HIGHLINE T = JEEP - 2WD
L = LOWLINE J = JEEP - 4WD
P = PREMIUM U = JEEP - 4WD (RHD)

BODY
49 = HATCHBACK TYPE #2
74 = SPORT UTILITY 4-DR TYPE #4

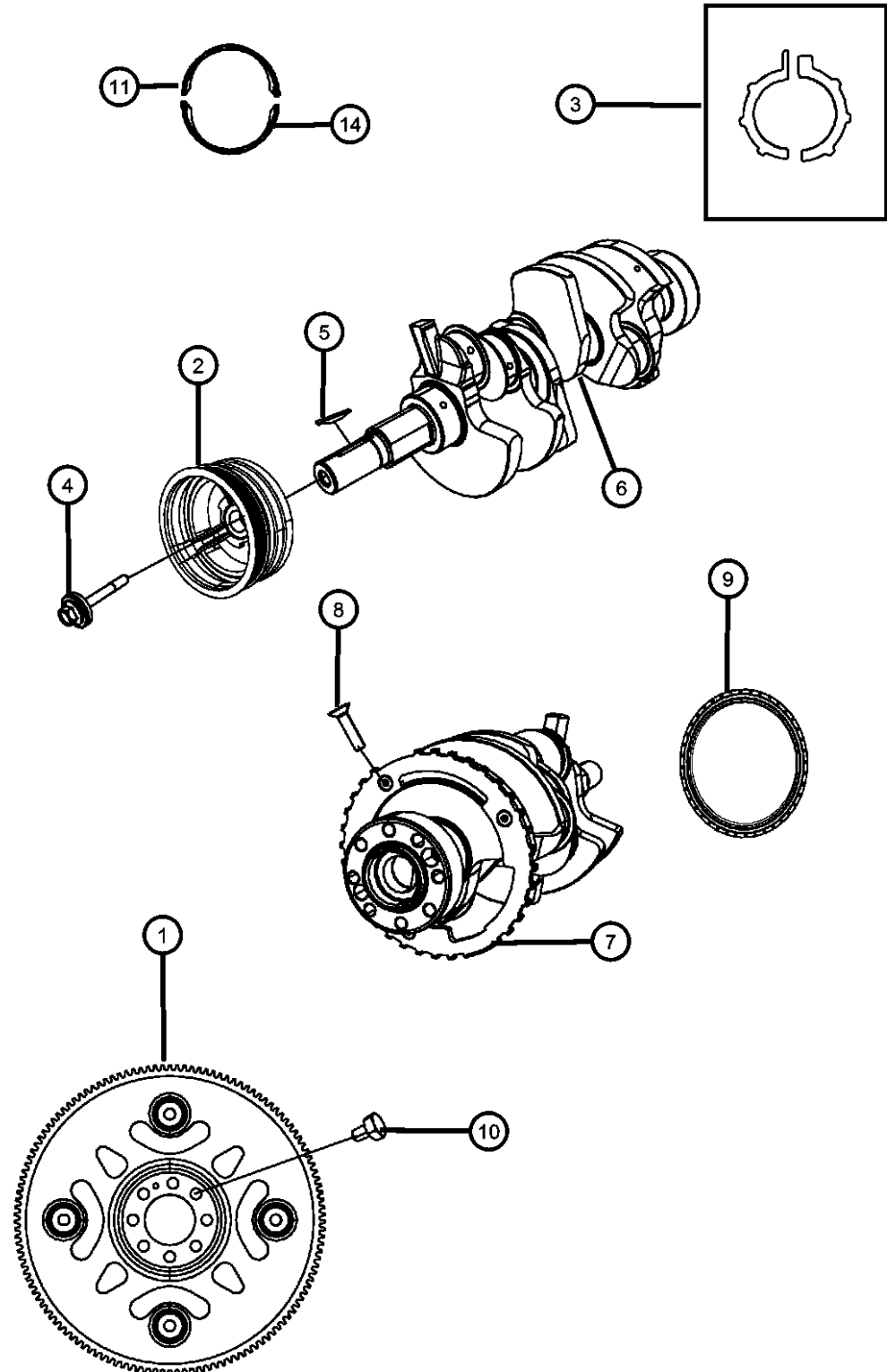
ENGINE
ECE = 2.0L 4 Cyl DOHC DPF Diesel Engine
ED3 = 2.4L 4 Cyl DOHC 16V Dual VVT Engine
ECD = 2.0L 4 Cyl DOHC Diesel 16V Engine
ECN = 2.0L 4 Cyl DOHC 16V Dual VVT Engine

TRANSMISSION
DEF = 6-Speed Manual Aisin BG6 Trans
DD7 = 5-Speed Manual T355 Transmission
DAV = Continuously Variable Transaxle II
DAW = Cont.Var. w/Off-Rd Crawl Ratio Trans

AR = use ase required - = Non illustrated part

2008 MK

**Crankshaft, Crankshaft Bearings, Damper And Driveplate 2.0L [ECN]
Figure 009ECN-405**



ITEM	PART NUMBER	QTY	LINE	SERIES	BODY	ENGINE	TRANS	TRIM	DESCRIPTION
------	-------------	-----	------	--------	------	--------	-------	------	-------------

NOTE: For Crankshaft Identification, Stamping Location And Bearing Information Refer To The Service Manual.
For Bearing Selection Sizes Please Refer To Service Manual Group 9, Bearings Crankshaft Main, [Select Fit Identification]
Sales Codes:

- [DAV] = Continuously Variable Transmission
- [DEF] = 6-Speed Manual Aisian BG6 Transmission
- [DEK] = 6-Speed Manual Getrag DM76 Transmission
- [DE0] = All 6-Speed Manual Transmissions
- [DD0] = All 5-Speed Manual Transmissions
- [DD7] = 5-Speed Manual T355 Transmission
- [ECD] = 2.0L 4 Cylinder DOHC Diesel 16 Valve Engine
- [ECN] = 2.0L 4 Cylinder DOHC 16 Valve VVT Engine
- [EC0] = All 2.0L 4 Cylinder Gas Engines
- [ED3] = 2.4L 4 Cylinder DOHC 16 Valve Dual VVT Engine
- [ED4] = 2.4L 4 Cylinder DOHC 16 Valve Turbo Engine
- [ED0] = All 2.4L 4 Cylinder Gas Engines
- [NAA] = Federal Emissions
- [NAE] = California Emissions
- [NAS] = 50 State Emissions
- [NA1] = Export Emissions

1	04736238AA	1	J, T, U				DAV, DAW		FLEXPLATE
		1	J, T, U				DD7		
2	2312425000	1	J, T, U			ECN, ED3			DAMPER, Crankshaft
3	04884910AA	2	J, T, U			ECN, ED3			BEARING, Crankshaft Thrust
4	06509029AA	1	J, T, U			ECN, ED3			BOLT, Hex Flange Head, M14x1.50x40.00
5	04884923AC	1	J, T, U			ECN, ED3			KEY, Crankshaft Sprocket
6	68001693AA	1	J, T, U			ECN			CRANKSHAFT PACKAGE, Engine
7	68001693AA	1							TONE RING, Sensor, Serviced With Crankshaft, (NOT SERVICED)
8	06509028AA	4	J, T, U			ECN, ED3			SCREW, Torx Flange Head, M6x1.00x14.00
9	2144325000	1	J, T, U			ECN, ED3			SEAL, Crankshaft Oil, Rear
10	05189932AA	7	J, T, U			ECN, ED3			BOLT PACKAGE, Driveplate To Crankshaft
11	04884915AA	AR	J, T, U			ECN, ED3			BEARING, Crankshaft Upper, Standard
-12	04884914AA	AR	J, T, U			ECN, ED3			BEARING, Crankshaft Upper, -6 Micron
-13	04884916AA	AR	J, T, U			ECN, ED3			BEARING, Crankshaft Upper, +6 Micron
14	04884919AA	AR	J, T, U			ECN, ED3			BEARING, Crankshaft Lower, Standard

COMPASS/PATRIOT (MK)

SERIES LINE
H = HIGHLINE T = JEEP - 2WD
L = LOWLINE J = JEEP - 4WD
P = PREMIUM U = JEEP - 4WD (RHD)

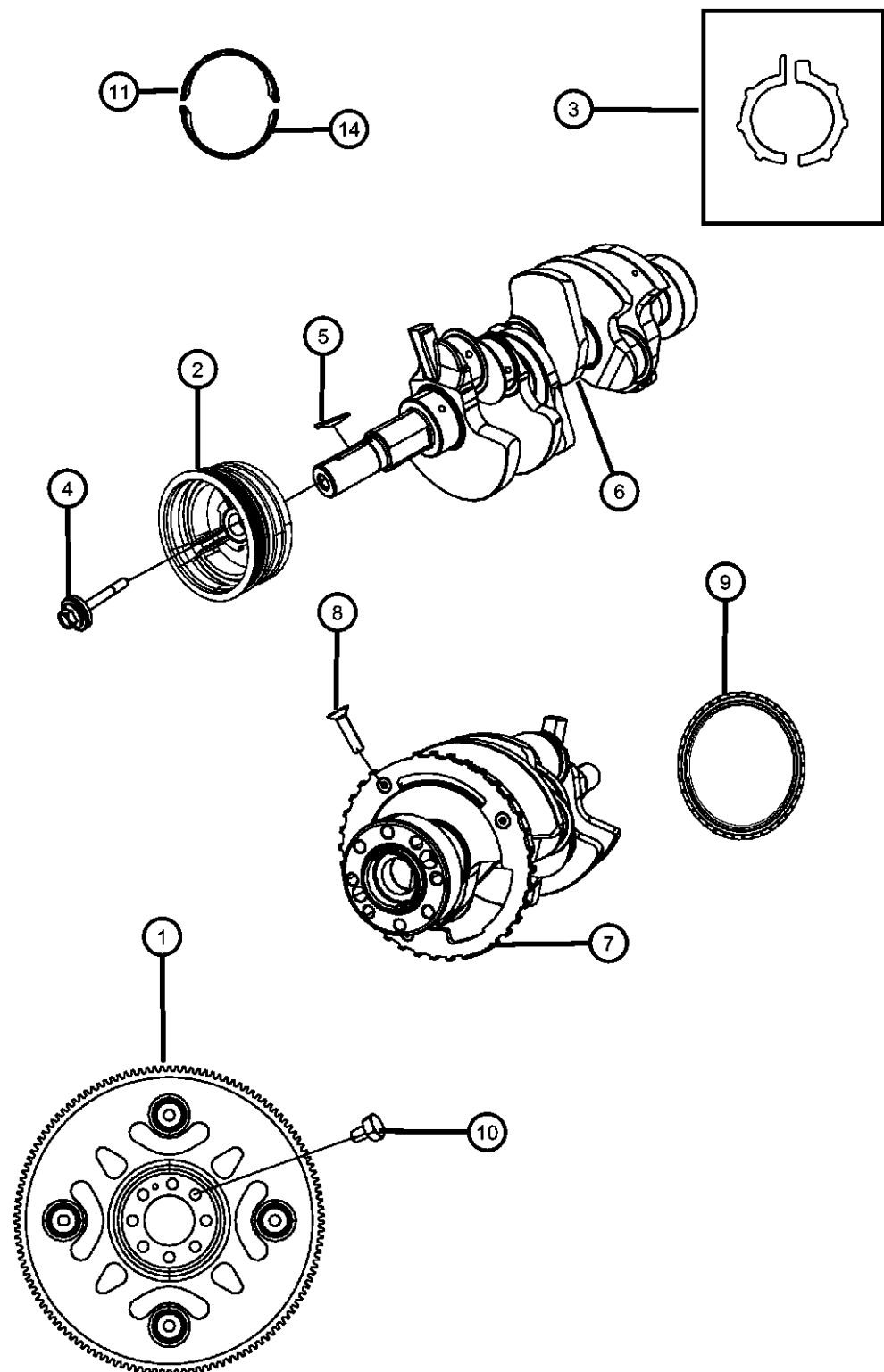
BODY
49 = HATCHBACK TYPE #2
74 = SPORT UTILITY 4-DR TYPE #4

ENGINE TRANSMISSION
ECE = 2.0L 4 Cyl DOHC DPF Diesel Engine DEF = 6-Speed Manual Aisian BG6 Trans
ED3 = 2.4L 4 Cyl DOHC 16V Dual VVT Engine DD7 = 5-Speed Manual T355 Transmission
ECD = 2.0L 4 Cyl DOHC Diesel 16V Engine DAV = Continuously Variable Transaxle II
ECN = 2.0L 4 Cyl DOHC 16V Dual VVT Engine DAW = Cont.Var. w/Off-Rd Crawl Ratio Trans

AR = use ase required - = Non illustrated part

2008 MK

**Crankshaft, Crankshaft Bearings, Damper And Driveplate 2.0L [ECN]
Figure 009ECN-405**



ITEM	PART NUMBER	QTY	LINE	SERIES	BODY	ENGINE	TRANS	TRIM	DESCRIPTION
-15	04884918AA	AR	J, T, U			ECN, ED3			BEARING, Crankshaft Lower, -3 Micron
-16	04884920AA	AR	J, T, U			ECN, ED3			BEARING, Crankshaft Lower, +3 Micron
-17	04884917AA	AR	J, T, U			ECN, ED3			BEARING, Crankshaft Lower, -6 Micron
-18	04884921AA	AR	J, T, U			ECN, ED3			BEARING, Crankshaft Lower, +6 Micron

COMPASS/PATRIOT (MK)

SERIES LINE
H = HIGHLINE T = JEEP - 2WD
L = LOWLINE J = JEEP - 4WD
P = PREMIUM U = JEEP - 4WD (RHD)

BODY
49 = HATCHBACK TYPE #2
74 = SPORT UTILITY 4-DR TYPE #4

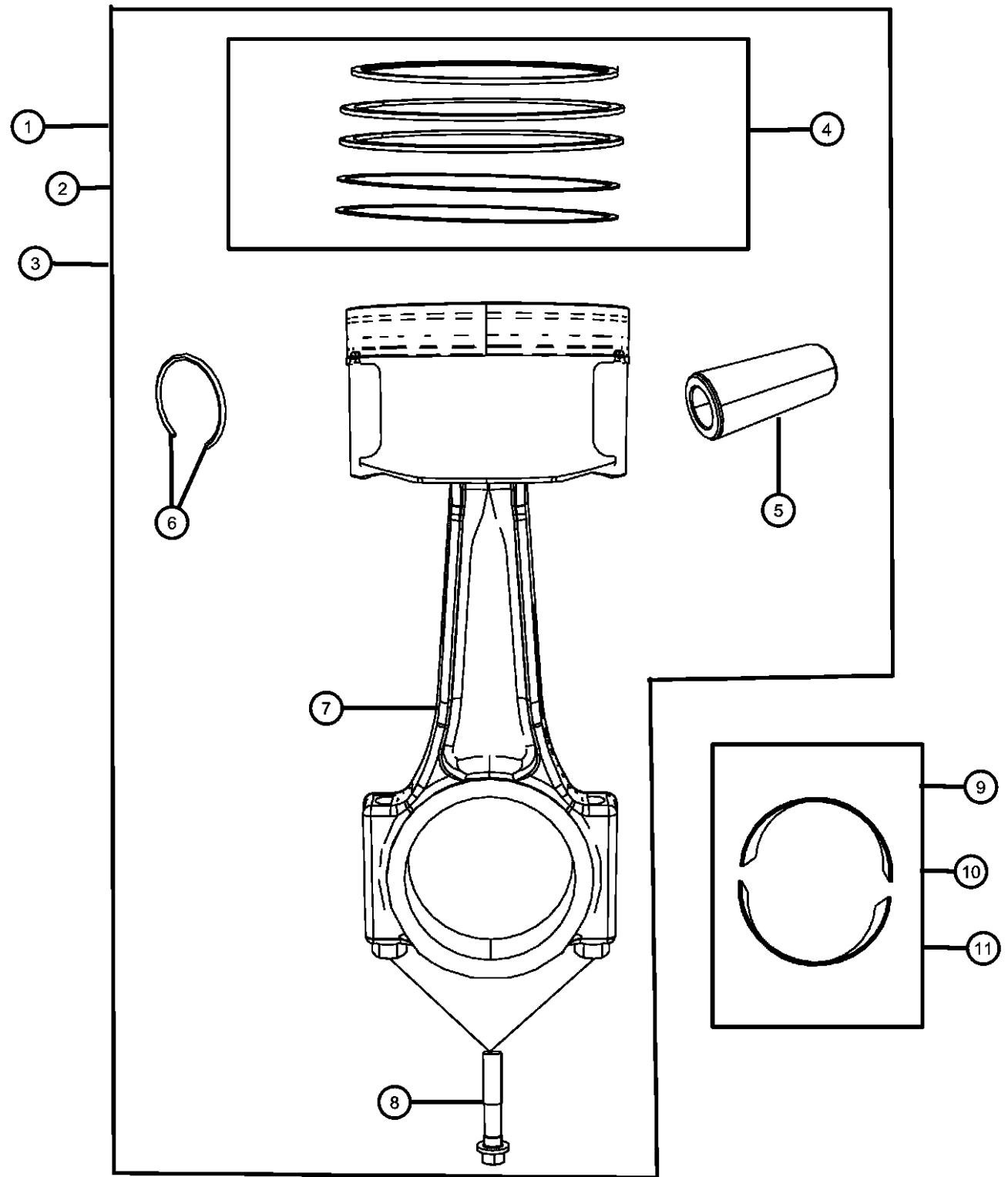
ENGINE
ECE = 2.0L 4 Cyl DOHC DPF Diesel Engine
ED3 = 2.4L 4 Cyl DOHC 16V Dual VVT Engine
ECD = 2.0L 4 Cyl DOHC Diesel 16V Engine
ECN = 2.0L 4 Cyl DOHC 16V Dual VVT Engine

TRANSMISSION
DEF = 6-Speed Manual Aisin BG6 Trans
DD7 = 5-Speed Manual T355 Transmission
DAV = Continuously Variable Transaxle II
DAW = Cont.Var. w/Off-Rd Crawl Ratio Trans

AR = use ase required - = Non illustrated part

2008 MK

**Pistons, Connecting Rods, Connecting Rod Bearings And Piston Rings 2.0L [ECN]
Figure 009ECN-425**



ITEM	PART NUMBER	QTY	LINE	SERIES	BODY	ENGINE	TRANS	TRIM	DESCRIPTION
------	-------------	-----	------	--------	------	--------	-------	------	-------------

NOTE: For Crankshaft Identification, Stamping Location And Bearing Information Refer To The Service Manual.
For Bearing Selection Sizes Please Refer To Service Manual Group 9, Bearings Crankshaft Main, [Select Fit Identification]
Sales Codes:
[DAV] = Continuously Variable Transmission
[DEF] = 6-Speed Manual Aisian BG6 Transmission
[DEK] = 6-Speed Manual Getrag DM76 Transmission
[DE0] = All 6-Speed Manual Transmissions
[DD0] = All 5-Speed Manual Transmissions
[DD7] = 5-Speed Manual T355 Transmission
[ECD] = 2.0L 4 Cylinder DOHC Diesel 16 Valve Engine
[ECN] = 2.0L 4 Cylinder DOHC 16 Valve VVT Engine
[EC0] = All 2.0L 4 Cylinder Gas Engines
[ED3] = 2.4L 4 Cylinder DOHC 16 Valve Dual VVT Engine
[ED4] = 2.4L 4 Cylinder DOHC 16 Valve Turbo Engine
[ED0] = All 2.4L 4 Cylinder Gas Engines
[NAA] = Federal Emissions
[NAE] = California Emissions
[NAS] = 50 State Emissions
[NA1] = Export Emissions

1	05191337AA	AR	J, T, U			ECN			PISTON PIN AND ROD, A-Size
2	05191338AA	AR	J, T, U			ECN			PISTON PIN AND ROD, B-Size
3	05191339AA	AR	J, T, U			ECN			PISTON PIN AND ROD, C-Size
4	05191418AB	AR	J, T, U			ECN			PISTON RING SET, COMPLETE ENGINE, STD.
5	05191418AB	AR							PIN, Piston, Serviced With Piston Package, (NOT SERVICED)
6	05191418AB	AR							RING, Piston Pin, Serviced With Piston Package, (NOT SERVICED)
7	05191418AB	AR							ROD, Connecting, Serviced With Piston Package, (NOT SERVICED)
8	MN195112	8	J, T, U			ECN			BOLT, Connecting Rod
9	04884912AA	AR	J, T, U			ECN, ED3			BEARING, Connecting Rod, STD.
10	04884911AA	AR	J, T, U			ECN, ED3			BEARING, Connecting Rod, -3 Micron
11	04884913AA	AR	J, T, U			ECN, ED3			BEARING, Connecting Rod, +3 Micron

COMPASS/PATRIOT (MK)				
SERIES	LINE	BODY	ENGINE	TRANSMISSION
H = HIGHLINE	T = JEEP - 2WD	49 = HATCHBACK TYPE #2	ECE = 2.0L 4 Cyl DOHC DPF Diesel Engine	DEF = 6-Speed Manual Aisin BG6 Trans
L = LOWLINE	J = JEEP - 4WD	74 = SPORT UTILITY 4-DR TYPE #4	ED3 = 2.4L 4 Cyl DOHC 16V Dual VVT Engine	DD7 = 5-Speed Manual T355 Transmission
P = PREMIUM	U = JEEP - 4WD (RHD)		ECD = 2.0L 4 Cyl DOHC Diesel 16V Engine	DAV = Continuously Variable Transaxle II
			ECN = 2.0L 4 Cyl DOHC 16V Dual VVT Engine	DAW = Cont.Var. w/Off-Rd Crawl Ratio Trans

AR = use ase required - = Non illustrated part

**Camshafts And Valvetrain 2.0L [ECN]
Figure 009ECN-505**

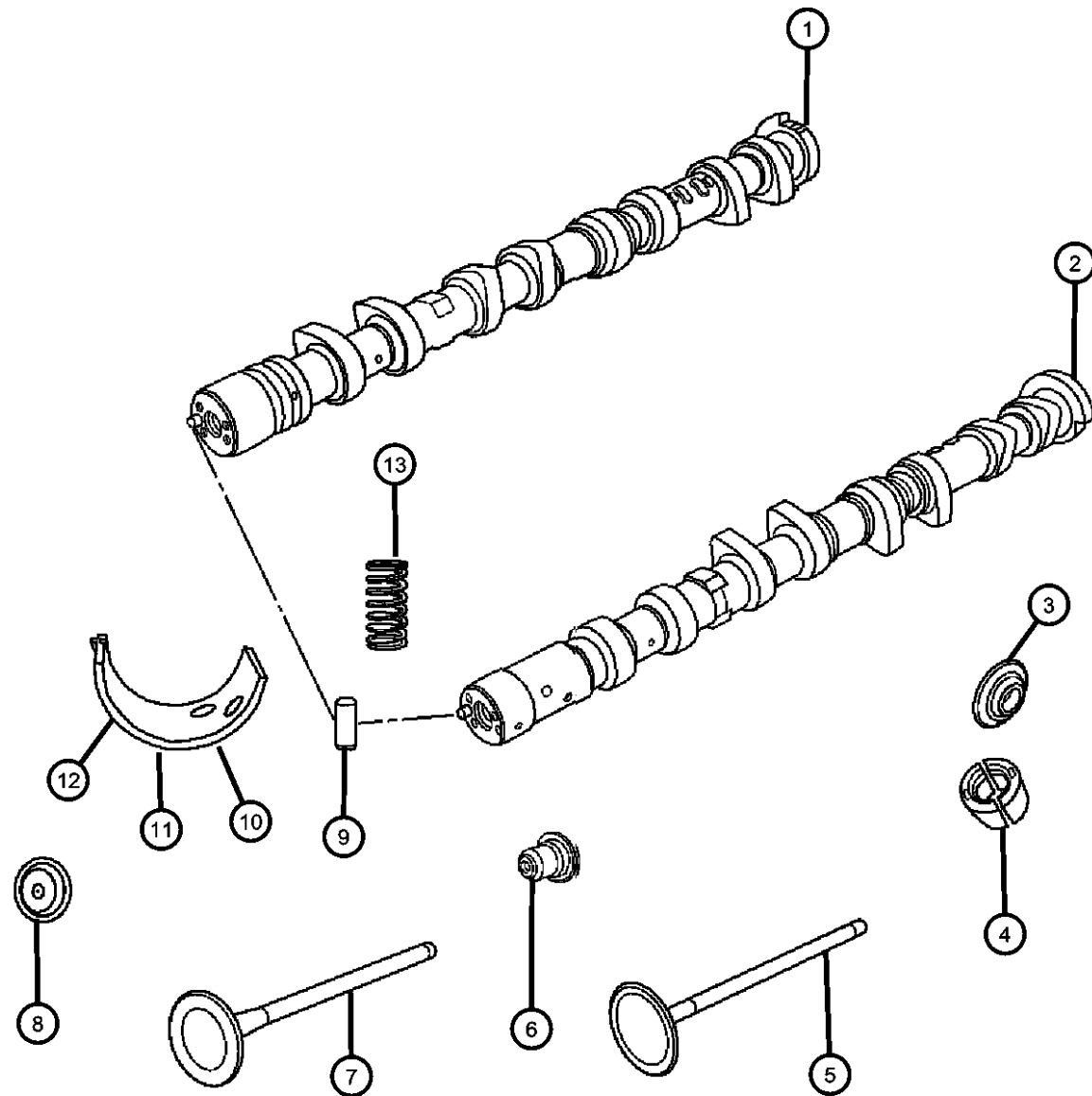
ITEM	PART NUMBER	QTY	LINE	SERIES	BODY	ENGINE	TRANS	TRIM	DESCRIPTION
------	-------------	-----	------	--------	------	--------	-------	------	-------------

NOTE:

Solid Bucket Tappets Thickness Is Stamped On Inside Of Bucket.

Sales Codes:

- [DAV] = Continuously Variable Transmission
- [DEF] = 6-Speed Manual Aisian BG6 Transmission
- [DEK] = 6-Speed Manual Getrag DM76 Transmission
- [DE0] = All 6-Speed Manual Transmissions
- [DD0] = All 5-Speed Manual Transmissions
- [DD7] = 5-Speed Manual T355 Transmission
- [ECD] = 2.0L 4 Cylinder DOHC Diesel 16 Valve Engine
- [ECN] = 2.0L 4 Cylinder DOHC 16 Valve VVT Engine
- [EC0] = All 2.0L 4 Cylinder Gas Engines
- [ED3] = 2.4L 4 Cylinder DOHC 16 Valve Dual VVT Engine
- [ED4] = 2.4L 4 Cylinder DOHC 16 Valve Turbo Engine
- [ED0] = All 2.4L 4 Cylinder Gas Engines
- [NAA] = Federal Emissions
- [NAE] = California Emissions
- [NAS] = 50 State Emissions
- [NA1] = Export Emissions



1	04884736AB	1				ECN			CAMSHAFT, Exhaust
2	04884735AB	1				ECN			CAMSHAFT, Intake
3	04884725AA	16				ECN			RETAINER, Valve Spring
4	04884726AA	32				ECN			LOCK, Valve Spring Retainer
5	MN187696	8				ECN			VALVE, Engine Intake
6	2222425000	16				ECN			SEAL, Valve Guide
7	MN183950	8				ECN			VALVE, Engine Exhaust
8									TAPPET, Valve, See Note
	04884594AB	AR				ECN			3.015 Millimeters
	04884594AE	AR				ECN			3.06 Millimeters
	04884594AH	AR				ECN			3.105 Millimeters
	04884594AK	AR				ECN			3.15 Millimeters
	04884594AN	AR				ECN			3.195 Millimeters
	04884594AQ	AR				ECN			3.24 Millimeters
	04884594AT	AR				ECN			3.285 Millimeters
	04884594AW	AR				ECN			3.33 Millimeters
	04884594AZ	AR				ECN			3.375 Millimeters
	04884594BC	AR				ECN			3.42 Millimeters
	04884594BF	AR				ECN			3.465 Millimeters

COMPASS/PATRIOT (MK)

SERIES LINE
H = HIGHLINE T = JEEP - 2WD
L = LOWLINE J = JEEP - 4WD
P = PREMIUM U = JEEP - 4WD (RHD)

BODY
49 = HATCHBACK TYPE #2
74 = SPORT UTILITY 4-DR
TYPE #4

ENGINE
ECE = 2.0L 4 Cyl DOHC DPF
Diesel Engine
ED3 = 2.4L 4 Cyl DOHC 16V
Dual VVT Engine
ECD = 2.0L 4 Cyl DOHC
Diesel 16V Engine
ECN = 2.0L 4 Cyl DOHC 16V
Dual VVT Engine

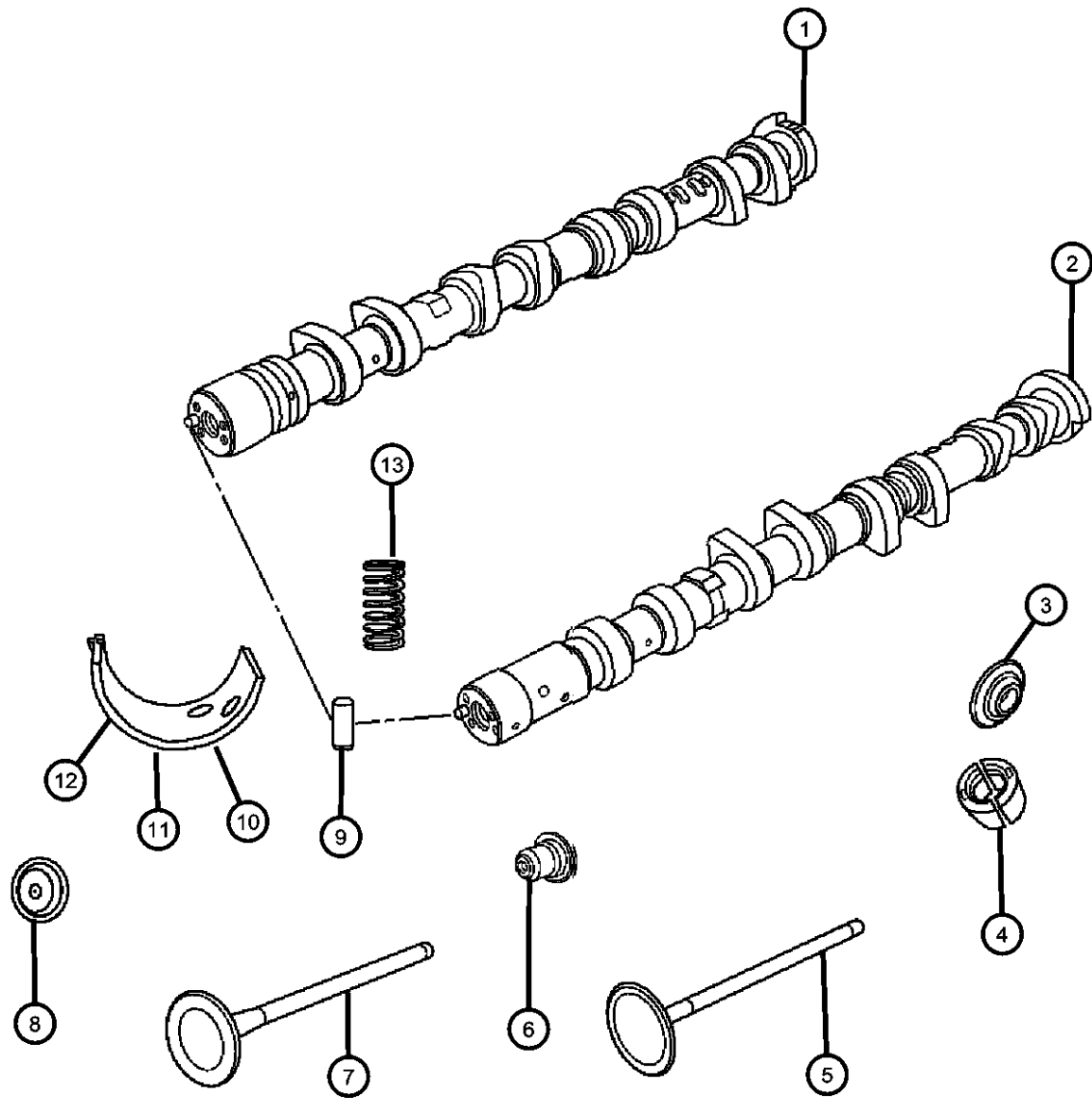
TRANSMISSION
DEF = 6-Speed Manual Aisin BG6
Trans
DD7 = 5-Speed Manual T355
Transmission
DAV = Continuously Variable
Transaxle II
DAW = Cont.Var. w/Off-Rd Crawl
Ratio Trans

AR = use ase required - = Non illustrated part

2008 MK

**Camshafts And Valvetrain 2.0L [ECN]
Figure 009ECN-505**

ITEM	PART NUMBER	QTY	LINE	SERIES	BODY	ENGINE	TRANS	TRIM	DESCRIPTION
	04884594BI	AR				ECN			3.51 Millimeters
	04884594BL	AR				ECN			3.555 Millimeters
	04884594BO	AR				ECN			3.600 Millimeters
	04884594BR	AR				ECN			3.645 Millimeters
	04884594BU	AR				ECN			3.690 Millimeters
9	04884594BU	AR							PIN, Dowel, Serviced With Items 1 And 2, (NOT SERVICED),
10	05047008AA	AR	J, T, U			ECN, ED3			BEARING, Camshaft, Size 1
11	05047009AA	AR	J, T, U			ECN, ED3			BEARING, Camshaft, Size 2
12	05047010AA	AR	J, T, U			ECN, ED3			BEARING, Camshaft, Size 3
13	04884804AA	16				ECN			SPRING, Valve



COMPASS/PATRIOT (MK)

SERIES LINE
H = HIGHLINE T = JEEP - 2WD
L = LOWLINE J = JEEP - 4WD
P = PREMIUM U = JEEP - 4WD (RHD)

BODY
49 = HATCHBACK TYPE #2
74 = SPORT UTILITY 4-DR
TYPE #4

ENGINE
ECE = 2.0L 4 Cyl DOHC DPF Diesel Engine
ED3 = 2.4L 4 Cyl DOHC 16V Dual VVT Engine
ECD = 2.0L 4 Cyl DOHC Diesel 16V Engine
ECN = 2.0L 4 Cyl DOHC 16V Dual VVT Engine

TRANSMISSION
DEF = 6-Speed Manual Aisin BG6 Trans
DD7 = 5-Speed Manual T355 Transmission
DAV = Continuously Variable Transaxle II
DAW = Cont.Var. w/Off-Rd Crawl Ratio Trans

AR = use ase required - = Non illustrated part

2008 MK

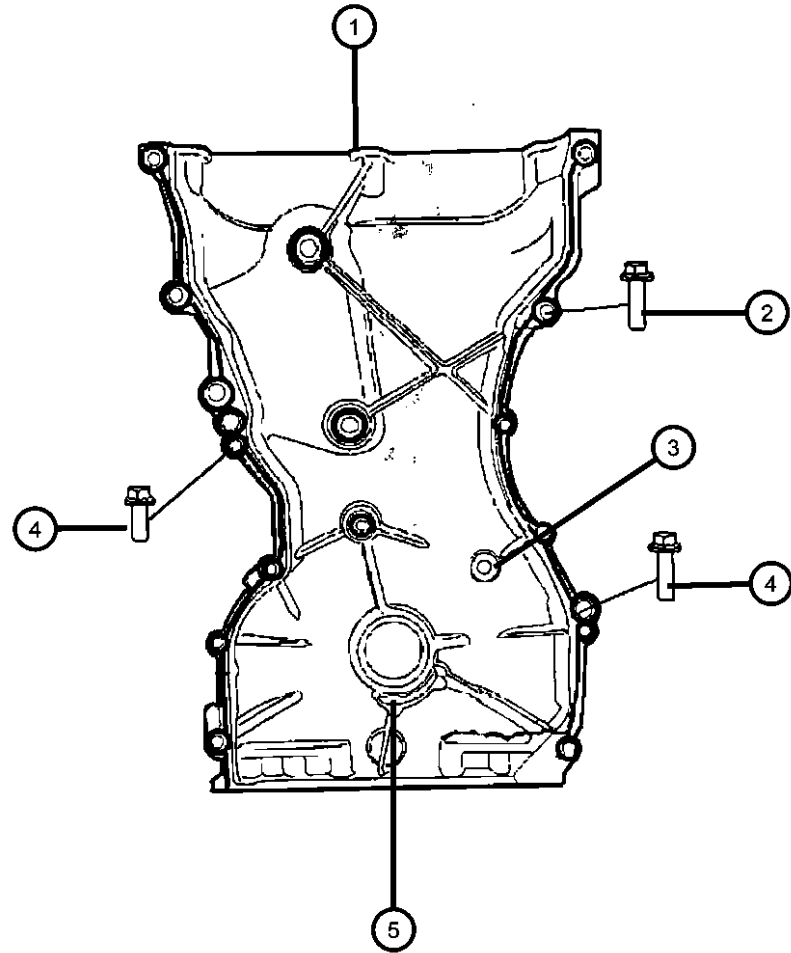
**Timing Case Cover 2.0L [ECN]
Figure 009ECN-605**

ITEM	PART NUMBER	QTY	LINE	SERIES	BODY	ENGINE	TRANS	TRIM	DESCRIPTION
------	-------------	-----	------	--------	------	--------	-------	------	-------------

NOTE:

Sales Codes:

- [DAV] = Continuously Variable Transmission
- [DEF] = 6-Speed Manual Aisin BG6 Transmission
- [DEK] = 6-Speed Manual Getrag DM76 Transmission
- [DE0] = All 6-Speed Manual Transmissions
- [DD0] = All 5-Speed Manual Transmissions
- [DD7] = 5-Speed Manual T355 Transmission
- [ECD] = 2.0L 4 Cylinder DOHC Diesel 16 Valve Engine
- [ECN] = 2.0L 4 Cylinder DOHC 16 Valve VVT Engine
- [EC0] = All 2.0L 4 Cylinder Gas Engines
- [ED3] = 2.4L 4 Cylinder DOHC 16 Valve Dual VVT Engine
- [ED4] = 2.4L 4 Cylinder DOHC 16 Valve Turbo Engine
- [ED0] = All 2.4L 4 Cylinder Gas Engines
- [NAA] = Federal Emissions
- [NAE] = California Emissions
- [NAS] = 50 State Emissions
- [NA1] = Export Emissions



1	04884466AB	1	J, T, U			ECN, ED3			COVER, Timing Case
2	04884466AB	1							BOLT, BOLT-FLANGE, [M6X25], (NOT SERVICED)
3	06102258AA	1	J, T, U			ECN, ED3			PLUG, Timing Chain Tensioner Access
4	06104025AA	6	J, T, U			ECN, ED3			SCREW, Hex Flange Head, M8X1.25X30.0, Timing Chain Cover To Engine Block, Mounting
5	2142125000	1	J, T, U			ECN, ED3			SEAL, Crankshaft Oil, Front

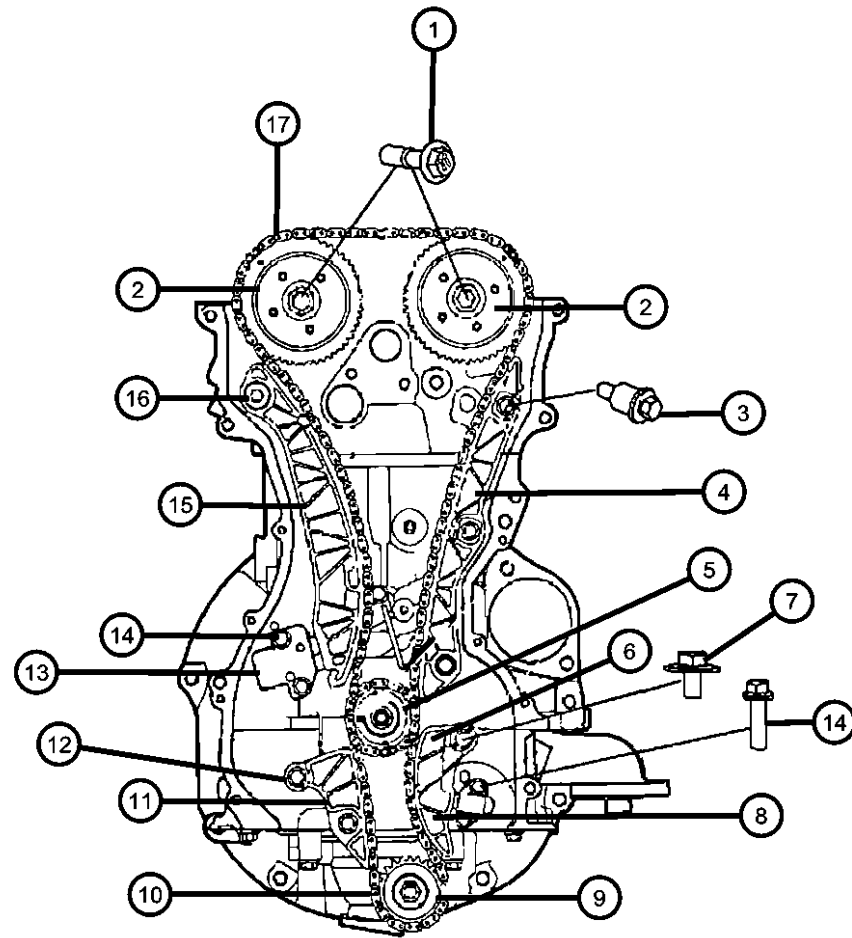
COMPASS/PATRIOT (MK)

SERIES	LINE	BODY	ENGINE	TRANSMISSION
H = HIGHLINE	T = JEEP - 2WD	49 = HATCHBACK TYPE #2	ECE = 2.0L 4 Cyl DOHC DPF Diesel Engine	DEF = 6-Speed Manual Aisin BG6 Trans
L = LOWLINE	J = JEEP - 4WD	74 = SPORT UTILITY 4-DR TYPE #4	ED3 = 2.4L 4 Cyl DOHC 16V Dual VVT Engine	DD7 = 5-Speed Manual T355 Transmission
P = PREMIUM	U = JEEP - 4WD (RHD)		ECD = 2.0L 4 Cyl DOHC Diesel 16V Engine	DAV = Continuously Variable Transaxle II
			ECN = 2.0L 4 Cyl DOHC 16V Dual VVT Engine	DAW = Cont.Var. w/Off-Rd Crawl Ratio Trans

AR = use ase required - = Non illustrated part

2008 MK

**Timing System 2.0L [ECN]
Figure 009ECN-625**



ITEM	PART NUMBER	QTY	LINE	SERIES	BODY	ENGINE	TRANS	TRIM	DESCRIPTION
------	-------------	-----	------	--------	------	--------	-------	------	-------------

NOTE:

Sales Codes:

- [DAV] = Continuously Variable Transmission
- [DEF] = 6-Speed Manual Aisian BG6 Transmission
- [DEK] = 6-Speed Manual Getrag DM76 Transmission
- [DE0] = All 6-Speed Manual Transmissions
- [DD0] = All 5-Speed Manual Transmissions
- [DD7] = 5-Speed Manual T355 Transmission
- [ECD] = 2.0L 4 Cylinder DOHC Diesel 16 Valve Engine
- [ECN] = 2.0L 4 Cylinder DOHC 16 Valve VVT Engine
- [EC0] = All 2.0L 4 Cylinder Gas Engines
- [ED3] = 2.4L 4 Cylinder DOHC 16 Valve Dual VVT Engine
- [ED4] = 2.4L 4 Cylinder DOHC 16 Valve Turbo Engine
- [ED0] = All 2.4L 4 Cylinder Gas Engines
- [NAA] = Federal Emissions
- [NAE] = California Emissions
- [NAS] = 50 State Emissions
- [NA1] = Export Emissions

1	06509008AA	2	J, T, U			ECN, ED3			BOLT, Hex Flange Head, M10x1.25x41.50, Phaser To Camshaft, Mounting PHASER, Camshaft
2	05047021AA	1	J, T, U			ECN, ED3			Variable Valve Timing Intake
	05047022AA	1	J, T, U			ECN, ED3			Variable Valve Timing Exhaust
3	2434825000	3	J, T, U			ECN, ED3			BOLT, Timing Chain Guide Fixed To Engine Block, Mounting GUIDE, Timing Chain, Fixed
4	2443125000	1	J, T, U			ECN, ED3			GUIDE, Timing Chain, Fixed
5	04884587AA	1	J, T, U			ECN, ED3			SPROCKET, Crankshaft
6	04884588AA	1	J, T, U			ECN, ED3			TENSIONER ARM, Balance Shaft Driver
7	06509007AA	1	J, T, U			ECN, ED3			SCREW, Hex Flange Head, Balanceshaft Chain Arm To Ladder, Mounting
8	04884876AA	1	J, T, U			ECN, ED3			TENSIONER, Chain, Balance Shaft Chain, Secondary
9	04884876AA	1							SPROCKET, Drive, Serviced With Oil Pump, (NOT SERVICED)
10	04884870AB	1	J, T, U			ECN, ED3			CHAIN, Balance Shaft
11	04884589AA	1	J, T, U			ECN, ED3			GUIDE, Balance Shaft Chain
12	2434825000	2	J, T, U			ECN, ED3			BOLT, Balance Shaft Chain Guide, Mounting
13	2441025000	1	J, T, U			ECN, ED3			TENSIONER, ChainPrimary

COMPASS/PATRIOT (MK)

SERIES LINE
H = HIGHLINE T = JEEP - 2WD
L = LOWLINE J = JEEP - 4WD
P = PREMIUM U = JEEP - 4WD (RHD)

BODY
49 = HATCHBACK TYPE #2
74 = SPORT UTILITY 4-DR TYPE #4

ENGINE
ECE = 2.0L 4 Cyl DOHC DPF Diesel Engine
ED3 = 2.4L 4 Cyl DOHC 16V Dual VVT Engine
ECD = 2.0L 4 Cyl DOHC Diesel 16V Engine
ECN = 2.0L 4 Cyl DOHC 16V Dual VVT Engine

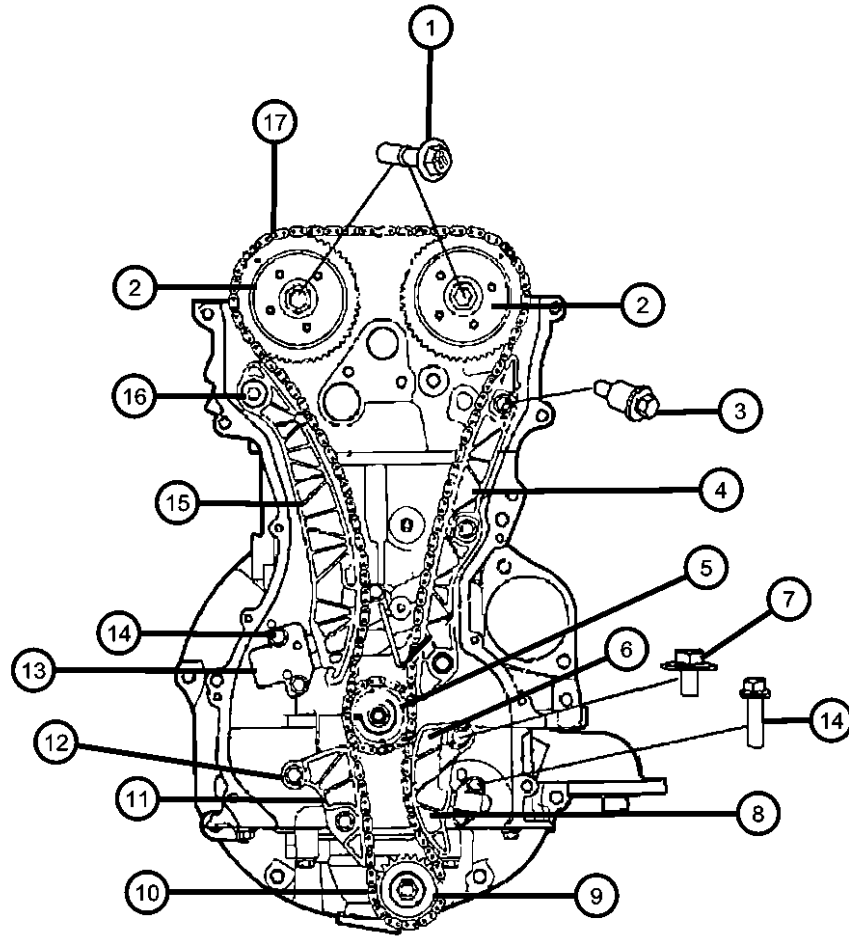
TRANSMISSION
DEF = 6-Speed Manual Aisin BG6 Trans
DD7 = 5-Speed Manual T355 Transmission
DAV = Continuously Variable Transaxle II
DAW = Cont.Var. w/Off-Rd Crawl Ratio Trans

AR = use ase required - = Non illustrated part

2008 MK

Timing System 2.0L [ECN]
Figure 009ECN-625

ITEM	PART NUMBER	QTY	LINE	SERIES	BODY	ENGINE	TRANS	TRIM	DESCRIPTION
14	06509090AA	2	J, T, U			ECN, ED3			BOLT, Hex Flange Head, M6X1.00X25.00, Tensioner To Cylinder Block, Mounting
15	2442025000	1	J, T, U			ECN, ED3			TENSIONER ARM, Pivot
16	06509005AA	1	J, T, U			ECN, ED3			SCREW, Hex Flange Head, Timing Chain Guide Pivot To Cylinder Head, Mounting
17	04884868AB	1	J, T, U			ECN, ED3			CHAIN, TimingPrimary



COMPASS/PATRIOT (MK)

SERIES LINE

H = HIGHLINE T = JEEP - 2WD
L = LOWLINE J = JEEP - 4WD
P = PREMIUM U = JEEP - 4WD (RHD)

BODY

49 = HATCHBACK TYPE #2
74 = SPORT UTILITY 4-DR TYPE #4

ENGINE

ECE = 2.0L 4 Cyl DOHC DPF Diesel Engine
ED3 = 2.4L 4 Cyl DOHC 16V Dual VVT Engine
ECD = 2.0L 4 Cyl DOHC Diesel 16V Engine
ECN = 2.0L 4 Cyl DOHC 16V Dual VVT Engine

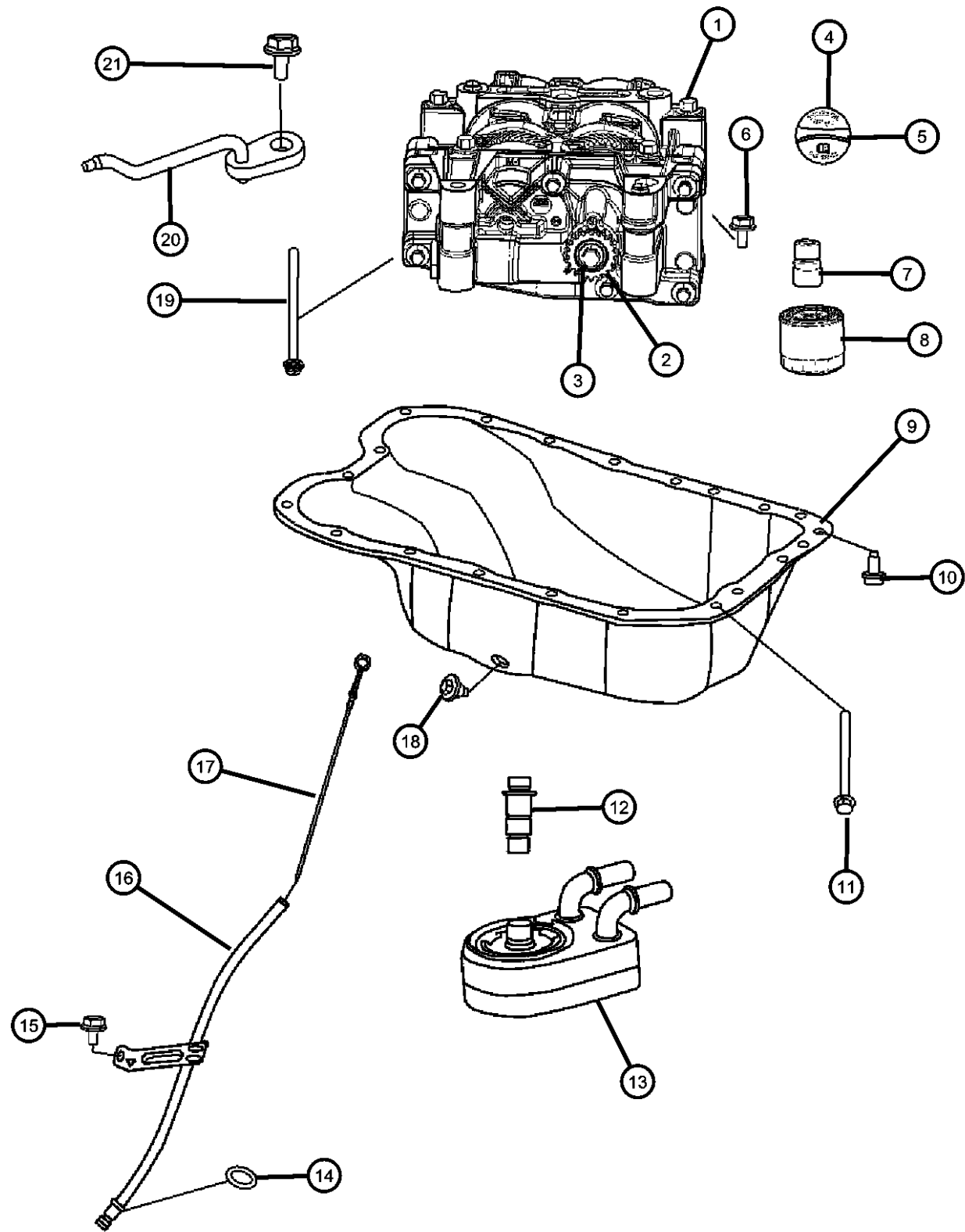
TRANSMISSION

DEF = 6-Speed Manual Aisin BG6 Trans
DD7 = 5-Speed Manual T355 Transmission
DAV = Continuously Variable Transaxle II
DAW = Cont.Var. w/Off-Rd Crawl Ratio Trans

AR = use ase required - = Non illustrated part

2008 MK

**Balance Shafts 2.0L [ECN]
Figure 009ECN-645**



ITEM	PART NUMBER	QTY	LINE	SERIES	BODY	ENGINE	TRANS	TRIM	DESCRIPTION
1	05189870AC	1	J, T, U			ECN			SHAFT PACKAGE, Balance with Oil Pump
2	05189870AC	1							SPROCKET, Drive, Serviced With Oil Pump, (NOT SERVICED)
3	05189870AC	1							BOLT, BOLT, Serviced With Oil Pump, (NOT SERVICED)
4	04884739AA	1	J, T, U			ECN, ED3			CAP, Oil Filler
5	68029299AA	1	J, T, U			ECN, ED3			O RING, Oil Filler Cap
6	06508618AA	4	J, T, U			ECN, ED3			BOLT AND WASHER, Hex Flange Head Locking, M8x1.25x180.00, Balance Shaft Oil Pump Assembly To Cylinder Block, Mounting
7	04884902AB	1	J, T, U			ECN			CONNECTOR, Oil Filter
8	04884900AB	1	J, T, U			ECN, ED3			FILTER, Engine Oil
9	04884665AE	1	J, T, U			ECN, ED3			PAN, Oil
10	06509005AA	1	J, T, U			ECN, ED3			SCREW, Hex Flange Head
11	06508985AA	6	J, T, U			ECN			BOLT, Hex Flange Head, M8x1.25x104.00
12	04884758AB	1							CONNECTOR, Engine Oil Cooler
13	04884757AD	1							COOLER, Engine Oil
14	04884757AD	1							O RING, Engine Oil Level Tube, Serviced With Indicator Tube. O-Ring Part # 2661423500, (NOT SERVICED)
15	05183964AA	1	J, T, U			ECN, ED3			BOLT, Hex Flange Head, M6x1.00x10.90
16	04884733AC	1	J, T, U			ECN, ED3			TUBE, Engine Oil Indicator
17	04884688AD	1	J, T, U			ECN, ED3			INDICATOR, Engine Oil Level
18	06507741AA	1	J, T, U			ECN, ED3			PLUG, Oil Drain, [M14X1.50X21.50]
19	06508618AA	4	J, T, U			ECN, ED3			BOLT AND WASHER, Hex Flange Head Locking, M8x1.25x180.00
20	06508618AA	4							INJECTOR, Oil, (NOT SERVICED)
21	06508618AA	4							BOLT, [M6X12], (NOT SERVICED)

COMPASS/PATRIOT (MK)

SERIES LINE
H = HIGHLINE T = JEEP - 2WD
L = LOWLINE J = JEEP - 4WD
P = PREMIUM U = JEEP - 4WD (RHD)

BODY
49 = HATCHBACK TYPE #2
74 = SPORT UTILITY 4-DR TYPE #4

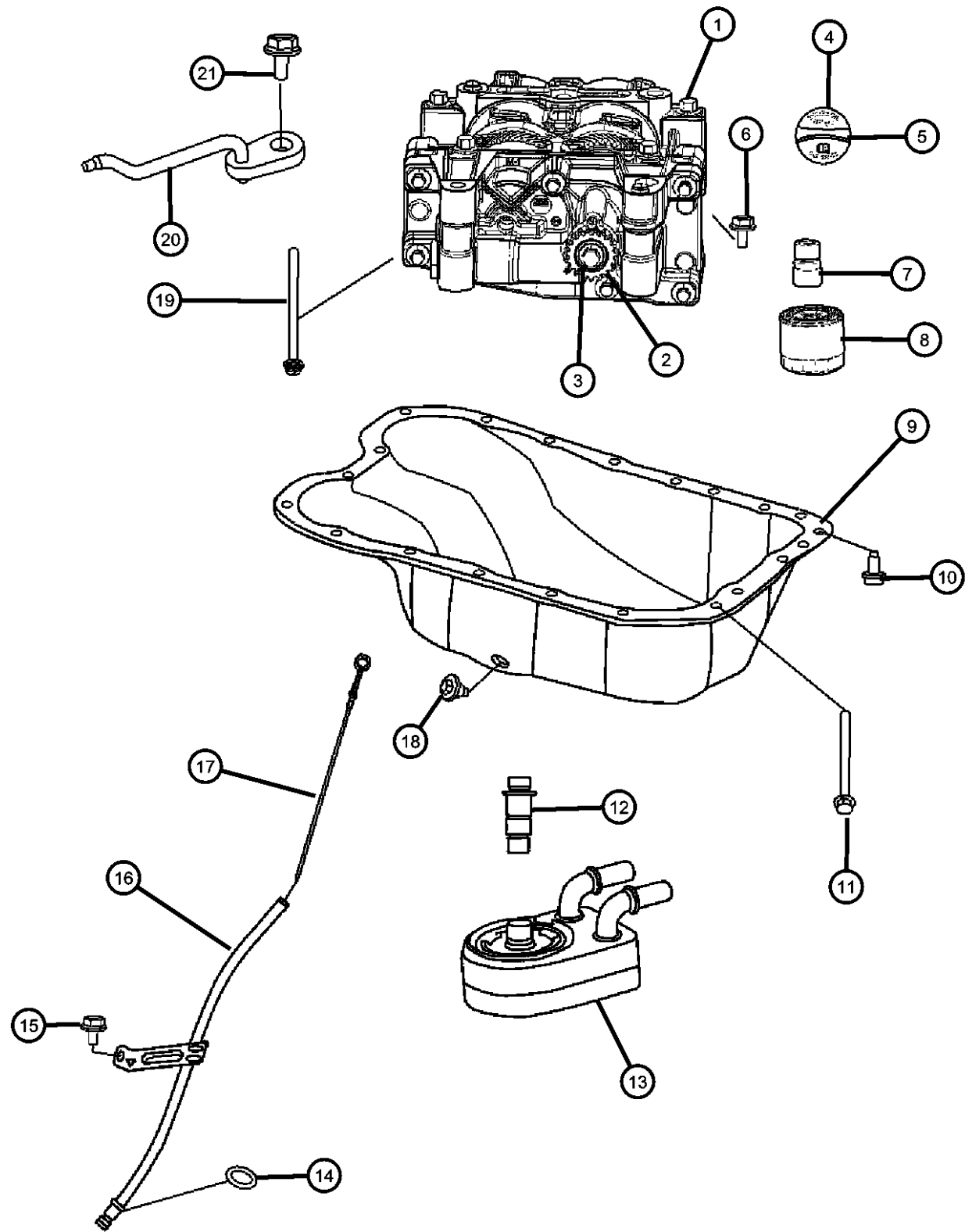
ENGINE
ECE = 2.0L 4 Cyl DOHC DPF Diesel Engine
ED3 = 2.4L 4 Cyl DOHC 16V Dual VVT Engine
ECD = 2.0L 4 Cyl DOHC Diesel 16V Engine
ECN = 2.0L 4 Cyl DOHC 16V Dual VVT Engine

TRANSMISSION
DEF = 6-Speed Manual Aisin BG6 Trans
DD7 = 5-Speed Manual T355 Transmission
DAV = Continuously Variable Transaxle II
DAW = Cont.Var. w/Off-Rd Crawl Ratio Trans

AR = use ase required - = Non illustrated part

2008 MK

**Engine Oiling Pump 2.0L [ECN]
Figure 009ECN-705**



ITEM	PART NUMBER	QTY	LINE	SERIES	BODY	ENGINE	TRANS	TRIM	DESCRIPTION
1	05189870AC	1	J, T, U			ECN			SHAFT PACKAGE, Balance with Oil Pump
2	05189870AC	1							SPROCKET, Drive, Serviced With Oil Pump, (NOT SERVICED)
3	05189870AC	1							BOLT, BOLT, Serviced With Oil Pump, (NOT SERVICED)
4	04884739AA	1	J, T, U			ECN, ED3			CAP, Oil Filler
5	68029299AA	1	J, T, U			ECN, ED3			O RING, Oil Filler Cap
6	06508618AA	4	J, T, U			ECN, ED3			BOLT AND WASHER, Hex Flange Head Locking, M8x1.25x180.00, Balance Shaft Oil Pump Assembly To Cylinder Block, Mounting
7	04884902AB	1	J, T, U			ECN			CONNECTOR, Oil Filter
8	04884900AB	1	J, T, U			ECN, ED3			FILTER, Engine Oil
9	04884665AE	1	J, T, U			ECN, ED3			PAN, Oil
10	06509005AA	1	J, T, U			ECN, ED3			SCREW, Hex Flange Head
11	06508985AA	6	J, T, U			ECN			BOLT, Hex Flange Head, M8x1.25x104.00
12	04884758AB	1							CONNECTOR, Engine Oil Cooler
13	04884757AD	1							COOLER, Engine Oil
14	04884757AD	1							O RING, Engine Oil Level Tube, Serviced With Indicator Tube. O-Ring Part # 2661423500, (NOT SERVICED)
15	05183964AA	1	J, T, U			ECN, ED3			BOLT, Hex Flange Head, M6x1.00x10.90
16	04884733AC	1	J, T, U			ECN, ED3			TUBE, Engine Oil Indicator
17	04884688AD	1	T, U, J			ECN, ED3			INDICATOR, Engine Oil Level
18	06507741AA	1	J, T, U			ECN, ED3			PLUG, Oil Drain, [M14X1.50X21.50]
19	06508618AA	4	J, T, U			ECN, ED3			BOLT AND WASHER, Hex Flange Head Locking, M8x1.25x180.00
20	04884767AA	1	J, T, U			ECN, ED3			INJECTOR, Oil
21	1140306123	1	J, T, U			ECN, ED3			BOLT, Hex Flange Head, M6x1.00x12.00

COMPASS/PATRIOT (MK)

SERIES LINE
H = HIGHLINE T = JEEP - 2WD
L = LOWLINE J = JEEP - 4WD
P = PREMIUM U = JEEP - 4WD (RHD)

BODY
49 = HATCHBACK TYPE #2
74 = SPORT UTILITY 4-DR TYPE #4

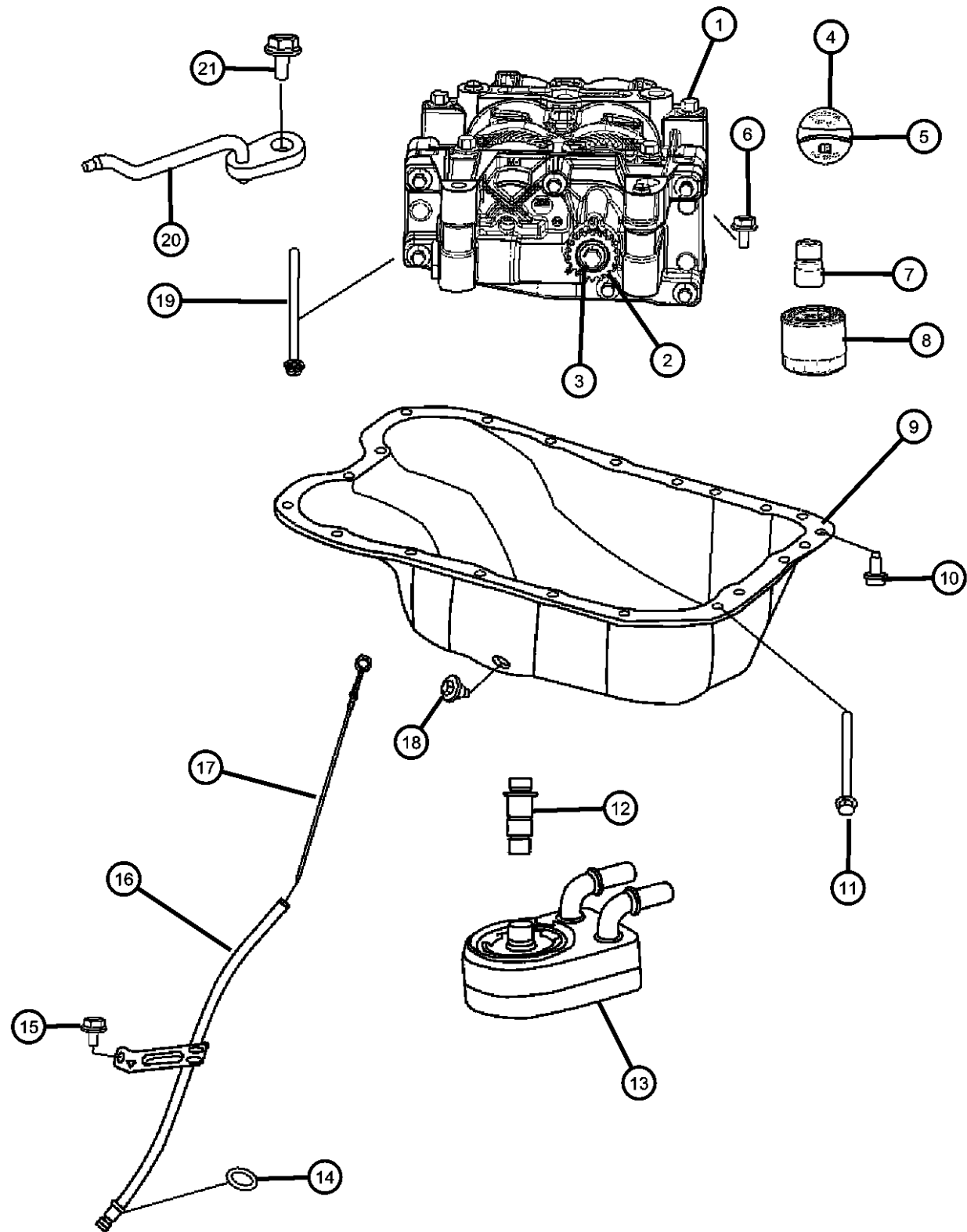
ENGINE
ECE = 2.0L 4 Cyl DOHC DPF Diesel Engine
ED3 = 2.4L 4 Cyl DOHC 16V Dual VVT Engine
ECD = 2.0L 4 Cyl DOHC Diesel 16V Engine
ECN = 2.0L 4 Cyl DOHC 16V Dual VVT Engine

TRANSMISSION
DEF = 6-Speed Manual Aisin BG6 Trans
DD7 = 5-Speed Manual T355 Transmission
DAV = Continuously Variable Transaxle II
DAW = Cont.Var. w/Off-Rd Crawl Ratio Trans

AR = use ase required - = Non illustrated part

2008 MK

**Engine Oil Pan, Engine Oil Level Indicator And Related Parts 2.0L [ECN]
Figure 009ECN-725**



ITEM	PART NUMBER	QTY	LINE	SERIES	BODY	ENGINE	TRANS	TRIM	DESCRIPTION
1	05189870AC	1	J, T, U			ECN			SHAFT PACKAGE, Balance with Oil Pump
2	05189870AC	1							SPROCKET, Drive, Serviced With Oil Pump, (NOT SERVICED)
3	05189870AC	1							BOLT, BOLT, Serviced With Oil Pump, (NOT SERVICED)
4	04884739AA	1	J, T, U			ECN, ED3			CAP, Oil Filler
5	68029299AA	1	J, T, U			ECN, ED3			O RING, Oil Filler Cap
6	06508618AA	4	T, U, J			ECN, ED3			BOLT AND WASHER, Hex Flange Head Locking, M8x1.25x180.00, Balance Shaft Oil Pump Assembly To Cylinder Block, Mounting
7	04884902AB	1	J, T, U			ECN			CONNECTOR, Oil Filter
8	04884900AB	1	J, T, U			ECN, ED3			FILTER, Engine Oil
9	04884665AE	1	J, T, U			ECN, ED3			PAN, Oil
10	06509005AA	1	J, T, U			ECN, ED3			SCREW, Hex Flange Head
11	06508985AA	6	J, T, U			ECN			BOLT, Hex Flange Head, M8x1.25x104.00
12	04884758AB	1							CONNECTOR, Engine Oil Cooler
13	04884757AD	1							COOLER, Engine Oil
14	04884757AD	1							O RING, Engine Oil Level Tube, Serviced With Indicator Tube. O-Ring Part # 2661423500, (NOT SERVICED)
15	05183964AA	1	J, T, U			ECN, ED3			BOLT, Hex Flange Head, M6x1.00x10.90
16	04884733AC	1	J, T, U			ECN, ED3			TUBE, Engine Oil Indicator
17	04884688AD	1	J, T, U			ECN, ED3			INDICATOR, Engine Oil Level
18	06507741AA	1	J, T, U			ECN, ED3			PLUG, Oil Drain, [M14X1.50X21.50]
19	06508618AA	4	J, T, U			ECN, ED3			BOLT AND WASHER, Hex Flange Head Locking, M8x1.25x180.00
20	04884767AA	1	J, T, U			ECN, ED3			INJECTOR, Oil
21	1140306123	1	J, T, U			ECN, ED3			BOLT, Hex Flange Head, M6x1.00x12.00

COMPASS/PATRIOT (MK)

SERIES LINE
H = HIGHLINE T = JEEP - 2WD
L = LOWLINE J = JEEP - 4WD
P = PREMIUM U = JEEP - 4WD (RHD)

BODY
49 = HATCHBACK TYPE #2
74 = SPORT UTILITY 4-DR TYPE #4

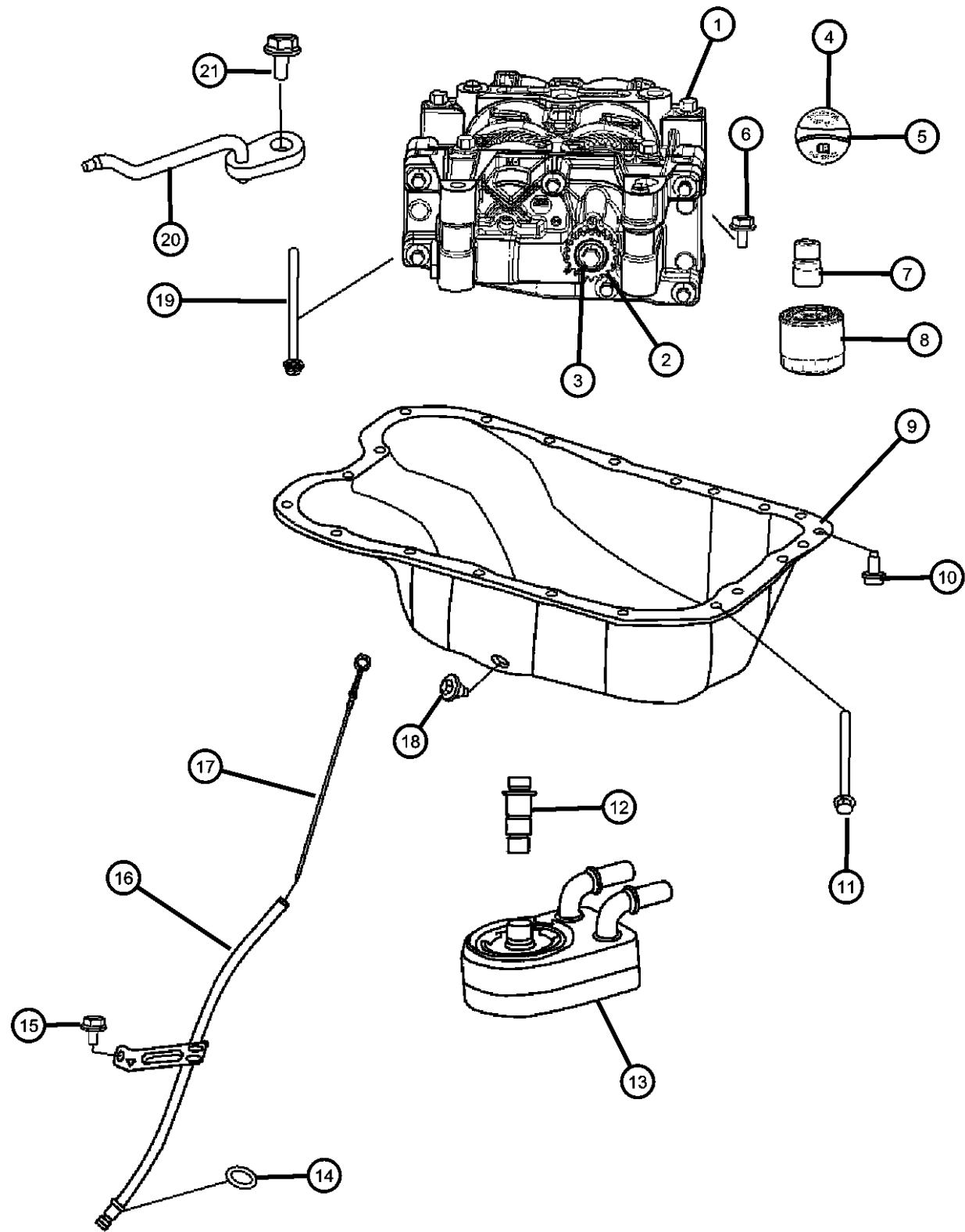
ENGINE
ECE = 2.0L 4 Cyl DOHC DPF Diesel Engine
ED3 = 2.4L 4 Cyl DOHC 16V Dual VVT Engine
ECD = 2.0L 4 Cyl DOHC Diesel 16V Engine
ECN = 2.0L 4 Cyl DOHC 16V Dual VVT Engine

TRANSMISSION
DEF = 6-Speed Manual Aisin BG6 Trans
DD7 = 5-Speed Manual T355 Transmission
DAV = Continuously Variable Transaxle II
DAW = Cont.Var. w/Off-Rd Crawl Ratio Trans

AR = use ase required - = Non illustrated part

2008 MK

**Engine Oil Filter And Related Parts 2.0L [ECN]
Figure 009ECN-745**



ITEM	PART NUMBER	QTY	LINE	SERIES	BODY	ENGINE	TRANS	TRIM	DESCRIPTION
1	05189870AC	1	J, T, U			ECN			SHAFT PACKAGE, Balance with Oil Pump
2	05189870AC	1							SPROCKET, Drive, Serviced With Oil Pump, (NOT SERVICED)
3	05189870AC	1							BOLT, BOLT, Serviced With Oil Pump, (NOT SERVICED)
4	04884739AA	1	J, T, U			ECN, ED3			CAP, Oil Filler
5	68029299AA	1	J, T, U			ECN, ED3			O RING, Oil Filler Cap
6	06508618AA	4	J, T, U			ECN, ED3			BOLT AND WASHER, Hex Flange Head Locking, M8x1.25x180.00, Balance Shaft Oil Pump Assembly To Cylinder Block, Mounting
7	04884902AB	1	J, T, U			ECN			CONNECTOR, Oil Filter
8	04884900AB	1	J, T, U			ECN, ED3			FILTER, Engine Oil
9	04884665AE	1	J, T, U			ECN, ED3			PAN, Oil
10	06509005AA	1	J, T, U			ECN, ED3			SCREW, Hex Flange Head
11	06508985AA	6	J, T, U			ECN			BOLT, Hex Flange Head, M8x1.25x104.00
12	04884758AB	1							CONNECTOR, Engine Oil Cooler
13	04884757AD	1							COOLER, Engine Oil
14	04884757AD	1							O RING, Engine Oil Level Tube, Serviced With Indicator Tube. O-Ring Part # 2661423500, (NOT SERVICED)
15	05183964AA	1	J, T, U			ECN, ED3			BOLT, Hex Flange Head, M6x1.00x10.90
16	04884733AC	1	J, T, U			ECN, ED3			TUBE, Engine Oil Indicator
17	04884688AD	1	J, T, U			ECN, ED3			INDICATOR, Engine Oil Level
18	06507741AA	1	J, T, U			ECN, ED3			PLUG, Oil Drain, [M14X1.50X21.50]
19	06508618AA	4	J, T, U			ECN, ED3			BOLT AND WASHER, Hex Flange Head Locking, M8x1.25x180.00
20	04884767AA	1	J, T, U			ECN, ED3			INJECTOR, Oil
21	1140306123	1	J, T, U			ECN, ED3			BOLT, Hex Flange Head, M6x1.00x12.00

COMPASS/PATRIOT (MK)

SERIES LINE
H = HIGHLINE T = JEEP - 2WD
L = LOWLINE J = JEEP - 4WD
P = PREMIUM U = JEEP - 4WD (RHD)

BODY
49 = HATCHBACK TYPE #2
74 = SPORT UTILITY 4-DR TYPE #4

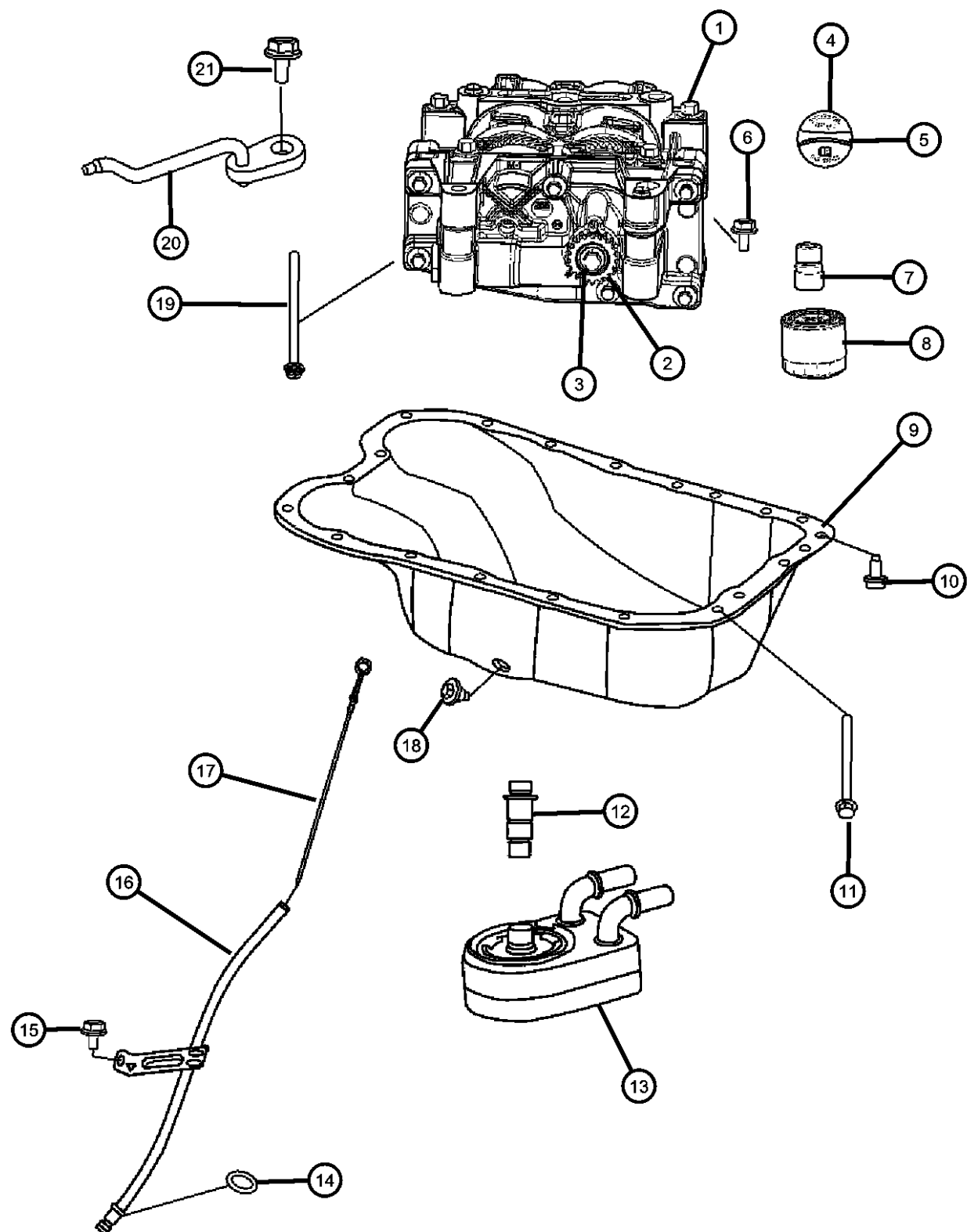
ENGINE
ECE = 2.0L 4 Cyl DOHC DPF Diesel Engine
ED3 = 2.4L 4 Cyl DOHC 16V Dual VVT Engine
ECD = 2.0L 4 Cyl DOHC Diesel 16V Engine
ECN = 2.0L 4 Cyl DOHC 16V Dual VVT Engine

TRANSMISSION
DEF = 6-Speed Manual Aisin BG6 Trans
DD7 = 5-Speed Manual T355 Transmission
DAV = Continuously Variable Transaxle II
DAW = Cont.Var. w/Off-Rd Crawl Ratio Trans

AR = use ase required - = Non illustrated part

2008 MK

**Engine Oil Cooler 2.0L [ECN]
Figure 009ECN-805**



ITEM	PART NUMBER	QTY	LINE	SERIES	BODY	ENGINE	TRANS	TRIM	DESCRIPTION
1	05189870AC	1	J, T, U			ECN			SHAFT PACKAGE, Balance with Oil Pump
2	05189870AC	1							SPROCKET, Drive, Serviced With Oil Pump, (NOT SERVICED)
3	05189870AC	1							BOLT, BOLT, Serviced With Oil Pump, (NOT SERVICED)
4	04884739AA	1	J, T, U			ECN, ED3			CAP, Oil Filler
5	68029299AA	1	J, T, U			ECN, ED3			O RING, Oil Filler Cap
6	06508618AA	4	J, T, U			ECN, ED3			BOLT AND WASHER, Hex Flange Head Locking, M8x1.25x180.00, Balance Shaft Oil Pump Assembly To Cylinder Block, Mounting
7	04884902AB	1	J, T, U			ECN			CONNECTOR, Oil Filter
8	04884900AB	1	J, T, U			ECN, ED3			FILTER, Engine Oil
9	04884665AE	1	J, T, U			ECN, ED3			PAN, Oil
10	06509005AA	1	J, T, U			ECN, ED3			SCREW, Hex Flange Head
11	06508985AA	6	J, T, U			ECN			BOLT, Hex Flange Head, M8x1.25x104.00
12	04884758AB	1							CONNECTOR, Engine Oil Cooler
13	04884757AD	1							COOLER, Engine Oil
14	04884757AD	1							O RING, Engine Oil Level Tube, Serviced With Indicator Tube. O-Ring Part # 2661423500, (NOT SERVICED)
15	05183964AA	1	J, T, U			ECN, ED3			BOLT, Hex Flange Head, M6x1.00x10.90
16	04884733AC	1	J, T, U			ECN, ED3			TUBE, Engine Oil Indicator
17	04884688AD	1	J, T, U			ECN, ED3			INDICATOR, Engine Oil Level
18	06507741AA	1	J, T, U			ECN, ED3			PLUG, Oil Drain, [M14X1.50X21.50]
19	06508618AA	4	J, T, U			ECN, ED3			BOLT AND WASHER, Hex Flange Head Locking, M8x1.25x180.00
20	04884767AA	1	J, T, U			ED3, ECN			INJECTOR, Oil
21	1140306123	1	J, T, U			ECN, ED3			BOLT, Hex Flange Head, M6x1.00x12.00

COMPASS/PATRIOT (MK)

SERIES LINE
H = HIGHLINE T = JEEP - 2WD
L = LOWLINE J = JEEP - 4WD
P = PREMIUM U = JEEP - 4WD (RHD)

BODY
49 = HATCHBACK TYPE #2
74 = SPORT UTILITY 4-DR TYPE #4

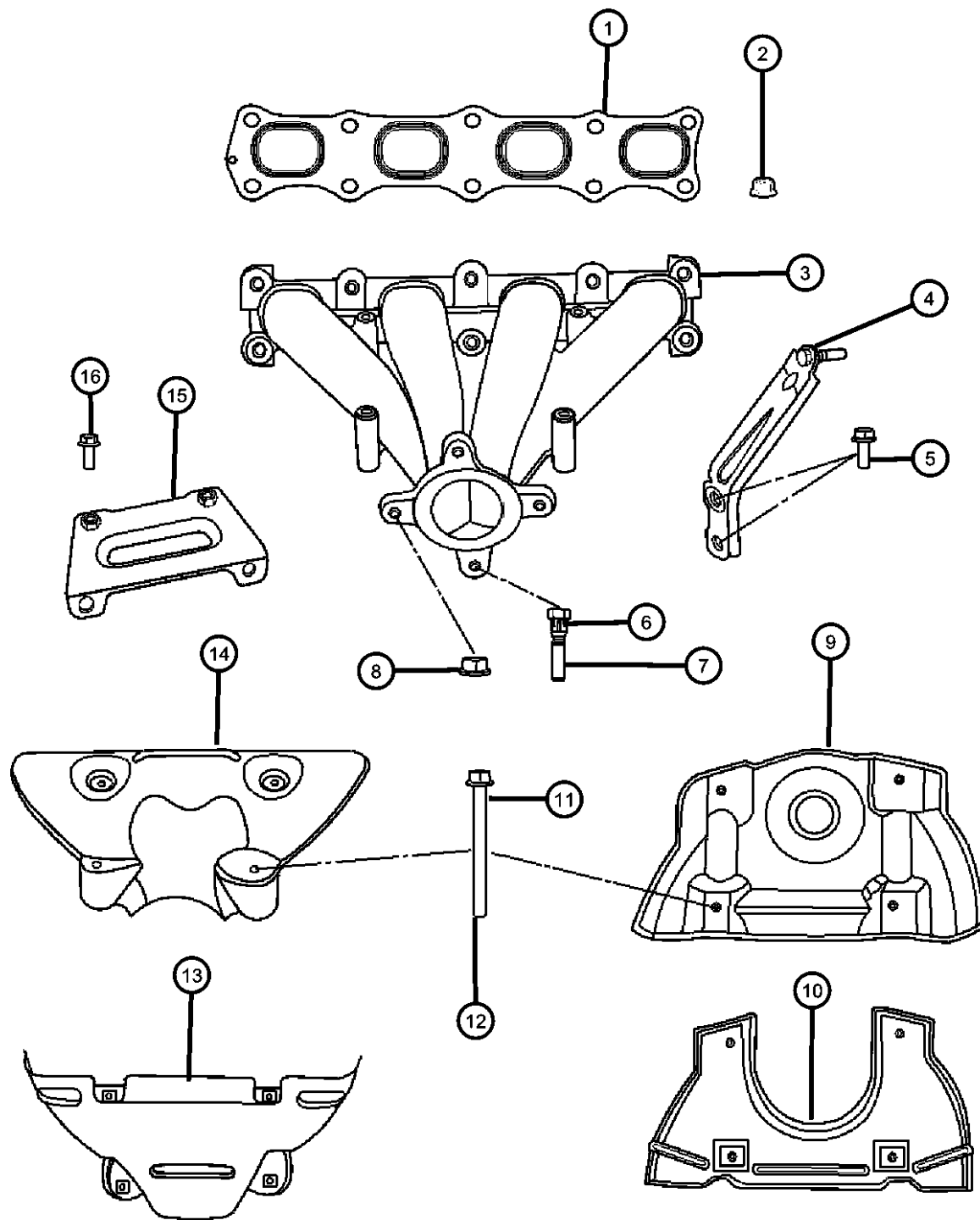
ENGINE
ECE = 2.0L 4 Cyl DOHC DPF Diesel Engine
ED3 = 2.4L 4 Cyl DOHC 16V Dual VVT Engine
ECD = 2.0L 4 Cyl DOHC Diesel 16V Engine
ECN = 2.0L 4 Cyl DOHC 16V Dual VVT Engine

TRANSMISSION
DEF = 6-Speed Manual Aisin BG6 Trans
DD7 = 5-Speed Manual T355 Transmission
DAV = Continuously Variable Transaxle II
DAW = Cont.Var. w/Off-Rd Crawl Ratio Trans

AR = use ase required - = Non illustrated part

2008 MK

**Exhaust Manifold And Heat Shields 2.0L [ECN]
Figure 009ECN-1005**



ITEM	PART NUMBER	QTY	LINE	SERIES	BODY	ENGINE	TRANS	TRIM	DESCRIPTION
1	1555A185	1	J, T, U			ECN, ED3			GASKET, Exhaust Manifold
2	1022510003	2	J, T, U			ECN, ED3			NUT, Exhaust Manifold To Cylinder Head, Mounting
3	04693321AD	1	T						MANIFOLD, Exhaust
4	04693350AC	1	T						BRACKET, Exhaust ManifoldSupport
5	06104215AA	2	T						BOLT, Hex Flange Head, M10x1.50x25.00, Exhaust Manifold Bracket To Cylinder Block, Mounting
6	06508635AA	1	T						BOLT, M8X1.25X45.00, Exhaust Manifold To Front Exhaust Pipe, Mounting
7	06508185AA	6	T						BOLT, Hex Flange Head, M10x1.25x30.00, Exhaust Manifold To Cylinder Head, Mounting
8	06104716AA	4	T			ECN, ED3			NUT, Hex Flange Lock, M8X1.25, Exhaust Manifold To Front Exhaust Pipe, Mounting
9	04693326AC	1							SHIELD, Heat, AWD Only, Upper
10	04693327AC	1							SHIELD, Heat, AWD Only, Lower
11	06104191AA	4	J, T, U			ECN, ED3			BOLT, Hex Flange Head, M6x1.00x70.00, Heat Shield To Exhaust Manifold, Mounting
12	06104191AA	4							BOLT, Hex Head, M8x1.25x16, [06501474], (NOT SERVICED)
13	04693349AB	1	T						SHIELD, Exhaust Manifold, FWD Only, Lower
14	04693348AB	1	T						SHIELD, Exhaust Manifold, FWD Only, Upper
15	04693351AC	1							BRACKET, Exhaust Manifold
16	06104215AA	2	T						BOLT, Hex Flange Head, M10x1.50x25.00, Exhaust Manifold Bracket To Engine Block, Mounting

COMPASS/PATRIOT (MK)

SERIES LINE
H = HIGHLINE T = JEEP - 2WD
L = LOWLINE J = JEEP - 4WD
P = PREMIUM U = JEEP - 4WD (RHD)

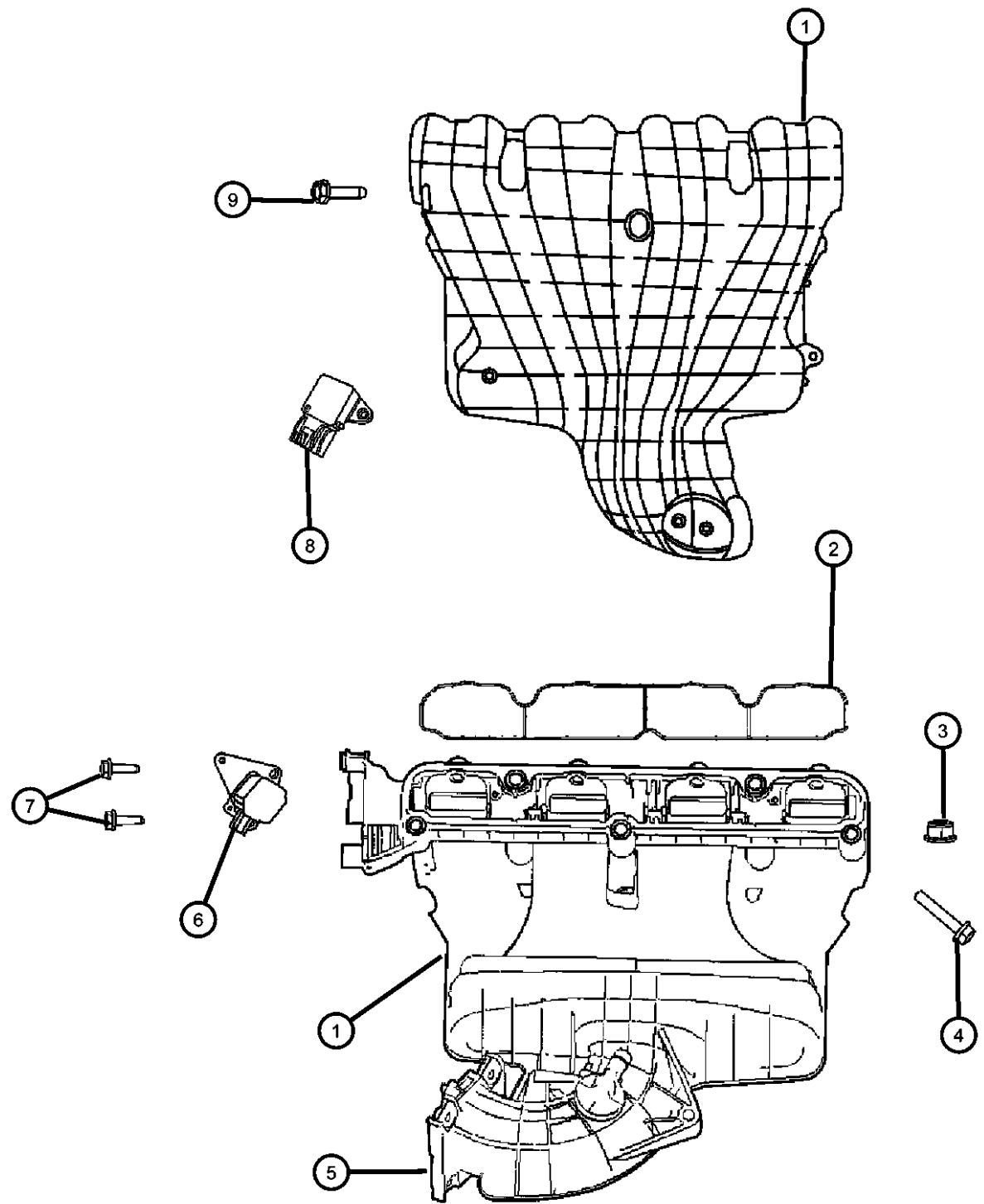
BODY
49 = HATCHBACK TYPE #2
74 = SPORT UTILITY 4-DR TYPE #4

ENGINE TRANSMISSION
ECE = 2.0L 4 Cyl DOHC DPF Diesel Engine DEF = 6-Speed Manual Aisin BG6 Trans
ED3 = 2.4L 4 Cyl DOHC 16V Dual VVT Engine DD7 = 5-Speed Manual T355 Transmission
ECD = 2.0L 4 Cyl DOHC Diesel 16V Engine DAV = Continuously Variable Transaxle II
ECN = 2.0L 4 Cyl DOHC 16V Dual VVT Engine DAW = Cont.Var. w/Off-Rd Crawl Ratio Trans

AR = use ase required - = Non illustrated part

2008 MK

**Intake Manifold 2.0L [ECN]
Figure 009ECN-1025**



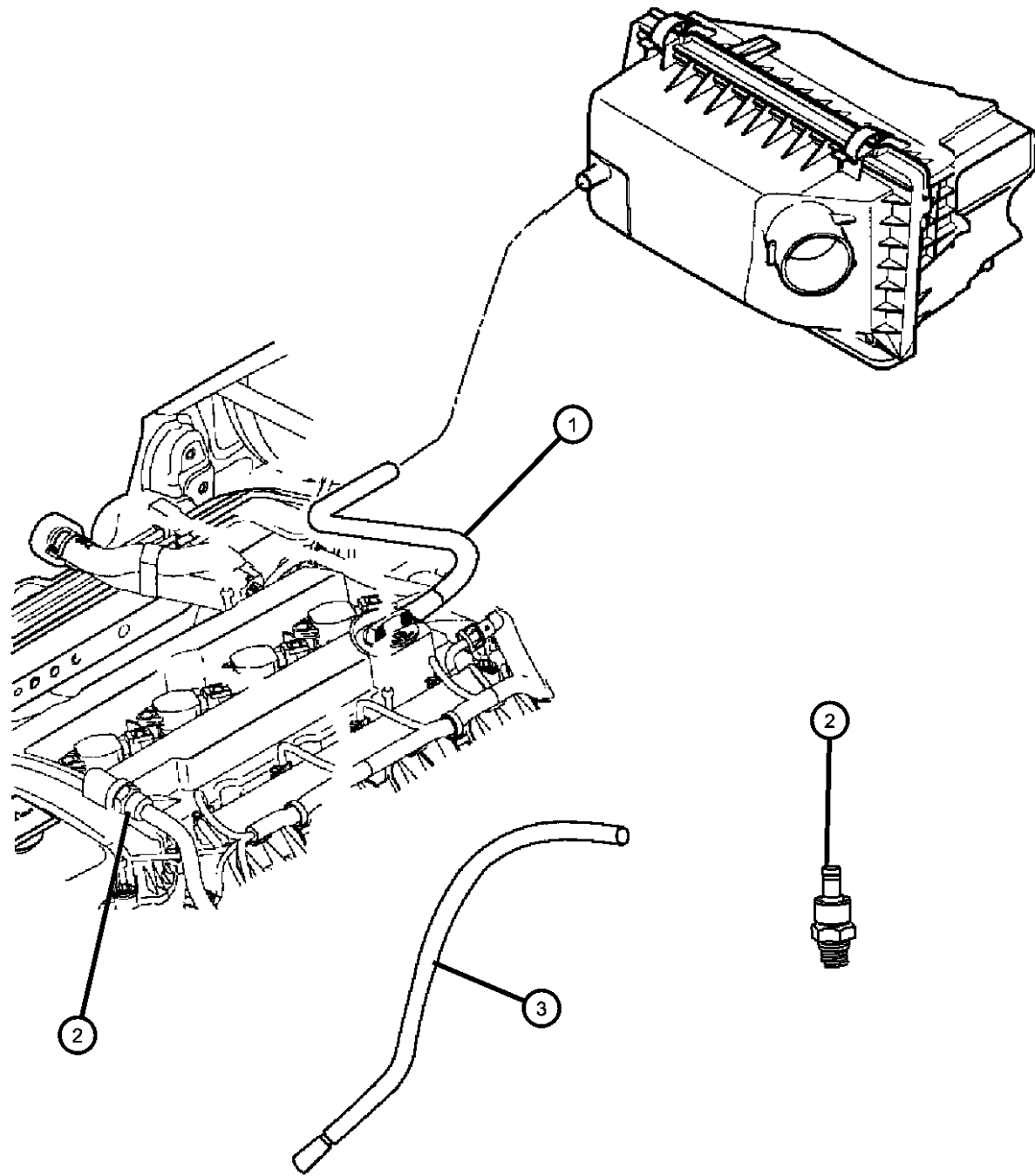
ITEM	PART NUMBER	QTY	LINE	SERIES	BODY	ENGINE	TRANS	TRIM	DESCRIPTION
1	04884495AF	1	J, T, U			ECN, ED3			MANIFOLD, Intake
2	04884550AB	1	J, T, U			ECN, ED3			GASKET, Intake Manifold
3	06104716AA	2	J, T, U			ECN, ED3			NUT, Hex Flange Lock, M8X1.25, Intake Manifold To Cylinder Head, Mounting
4	06104201AA	3	J, T, U			ECN, ED3			BOLT, Hex Flange Head, M8X1.25X45.00 Intake Manifold To Cylinder Head, Mounting
		1	J, T, U			ECN, ED3			Intake Manifold Support Bracket To Engine Block, Mounting
5	04884871AA	1	J, T, U			ECN, ED3			BRACKET, Throttle Body Support
6	04884549AD	1	J, T, U			ECN, ED3			ACTUATOR, Flow Control Valve
7	06508891AA	2	J, T, U			ECN, ED3			SCREW, Hex Flange Head Tapping, M5.74X1.81X21.50, Actuator To Intake Manifold, Mounting
8	05033310AB	1	J, T, U			ECN, ED3			SENSOR, MAP
9	06102417AA	1	J, T, U			ECN, ED3			SCREW, Tapping Hex Head, M4.2X1.70X16.00, Map Sensor To Intake Manifold, Mounting

COMPASS/PATRIOT (MK)				
SERIES	LINE	BODY	ENGINE	TRANSMISSION
H = HIGHLINE	T = JEEP - 2WD	49 = HATCHBACK TYPE #2	ECE = 2.0L 4 Cyl DOHC DPF Diesel Engine	DEF = 6-Speed Manual Aisin BG6 Trans
L = LOWLINE	J = JEEP - 4WD	74 = SPORT UTILITY 4-DR TYPE #4	ED3 = 2.4L 4 Cyl DOHC 16V Dual VVT Engine	DD7 = 5-Speed Manual T355 Transmission
P = PREMIUM	U = JEEP - 4WD (RHD)		ECD = 2.0L 4 Cyl DOHC Diesel 16V Engine	DAV = Continuously Variable Transaxle II
			ECN = 2.0L 4 Cyl DOHC 16V Dual VVT Engine	DAW = Cont.Var. w/Off-Rd Crawl Ratio Trans

AR = use ase required - = Non illustrated part

**Crankcase Ventilation 2.0L [ECN]
Figure 009ECN-1105**

ITEM	PART NUMBER	QTY	LINE	SERIES	BODY	ENGINE	TRANS	TRIM	DESCRIPTION
------	-------------	-----	------	--------	------	--------	-------	------	-------------



NOTE:

Sales Codes:

- [DAV] = Continuously Variable Transmission
- [DEF] = 6-Speed Manual Aisian BG6 Transmission
- [DEK] = 6-Speed Manual Getrag DM76 Transmission
- [DE0] = All 6-Speed Manual Transmissions
- [DD0] = All 5-Speed Manual Transmissions
- [DD7] = 5-Speed Manual T355 Transmission
- [ECD] = 2.0L 4 Cylinder DOHC Diesel 16 Valve Engine
- [ECN] = 2.0L 4 Cylinder DOHC 16 Valve VVT Engine
- [EC0] = All 2.0L 4 Cylinder Gas Engines
- [ED3] = 2.4L 4 Cylinder DOHC 16 Valve Dual VVT Engine
- [ED4] = 2.4L 4 Cylinder DOHC 16 Valve Turbo Engine
- [ED0] = All 2.4L 4 Cylinder Gas Engines
- [NAA] = Federal Emissions
- [NAE] = California Emissions
- [NAS] = 50 State Emissions
- [NA1] = Export Emissions

1	05047000AA	1	J, T, U			ECN, ED3			HOSE, Make Up Air
2	05047002AA	1	J, T, U			ECN, ED3			VALVE, PCV, 15mm Nipple
3	05047034AA	1	J, T, U			ECN, ED3			HOSE, Crankcase Vent

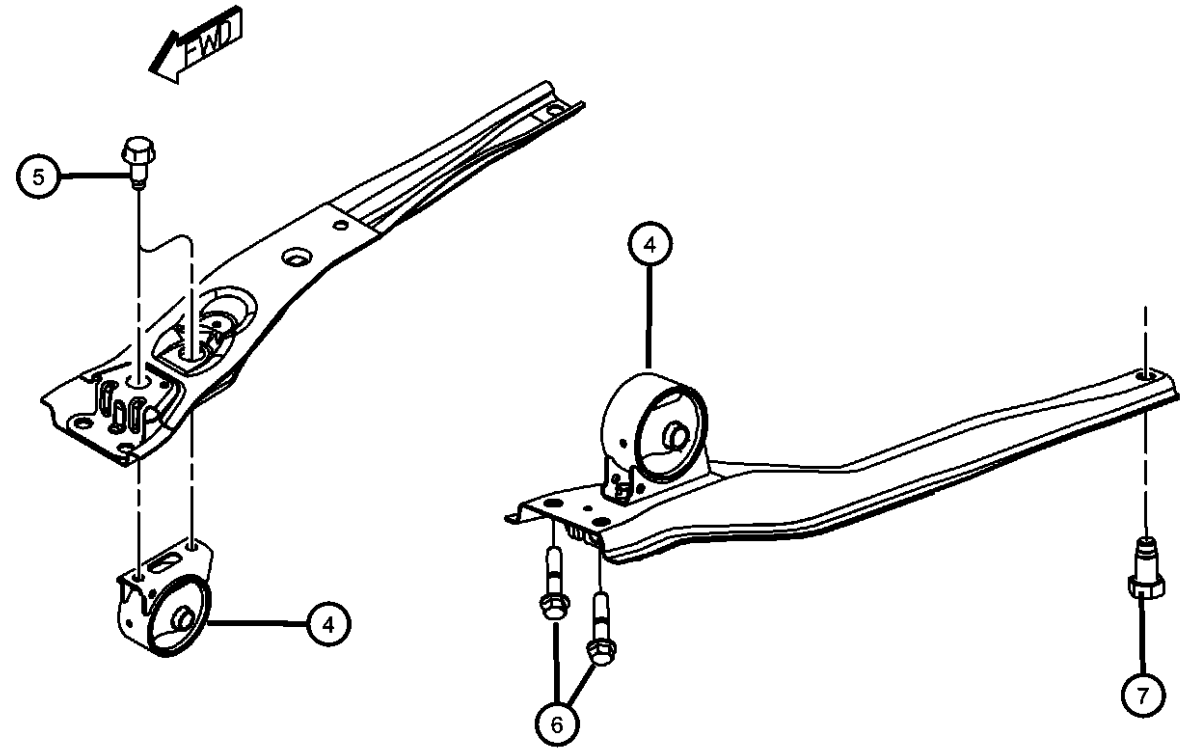
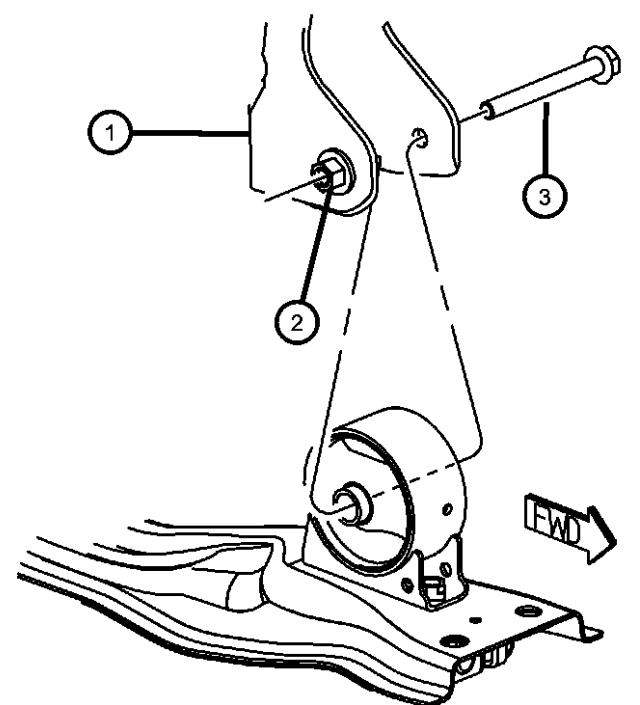
COMPASS/PATRIOT (MK)

SERIES	LINE	BODY	ENGINE	TRANSMISSION
H = HIGHLINE	T = JEEP - 2WD	49 = HATCHBACK TYPE #2	ECE = 2.0L 4 Cyl DOHC DPF Diesel Engine	DEF = 6-Speed Manual Aisin BG6 Trans
L = LOWLINE	J = JEEP - 4WD	74 = SPORT UTILITY 4-DR TYPE #4	ED3 = 2.4L 4 Cyl DOHC 16V Dual VVT Engine	DD7 = 5-Speed Manual T355 Transmission
P = PREMIUM	U = JEEP - 4WD (RHD)		ECD = 2.0L 4 Cyl DOHC Diesel 16V Engine	DAV = Continuously Variable Transaxle II
			ECN = 2.0L 4 Cyl DOHC 16V Dual VVT Engine	DAW = Cont.Var. w/Off-Rd Crawl Ratio Trans

AR = use ase required - = Non illustrated part

2008 MK

**Engine Mounting Front FWD 2.0L [ECN]
Figure 009ECN-1205**

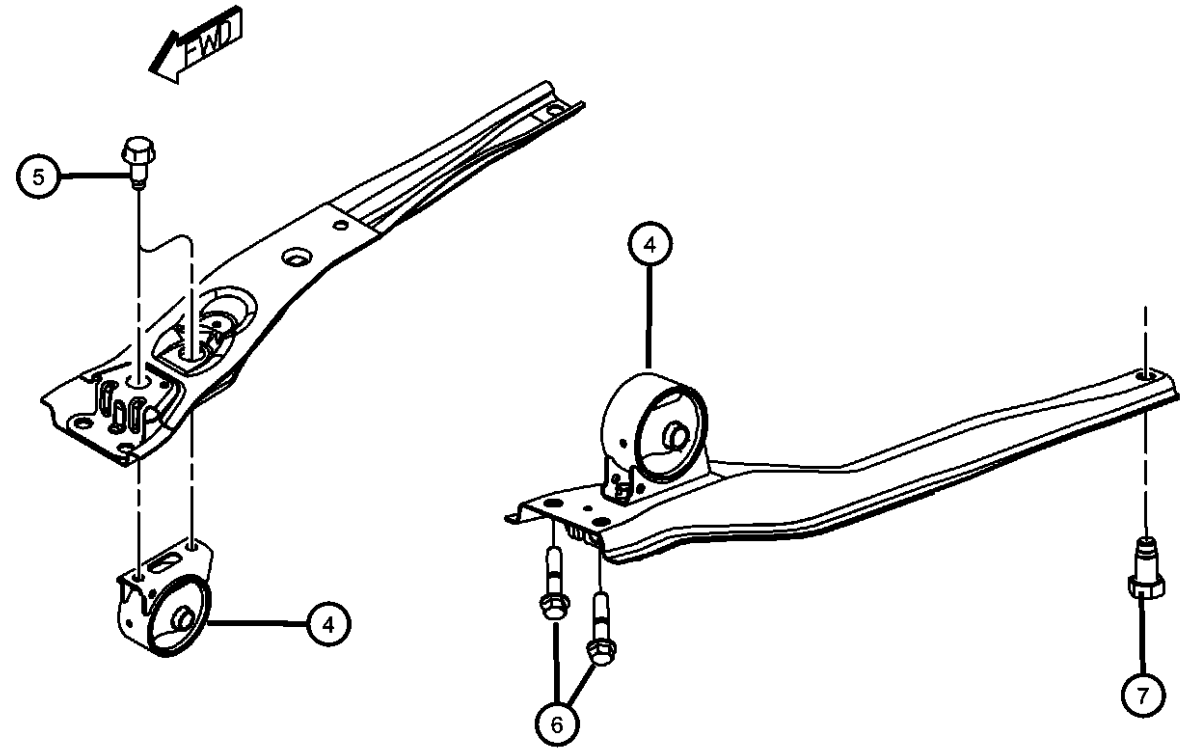
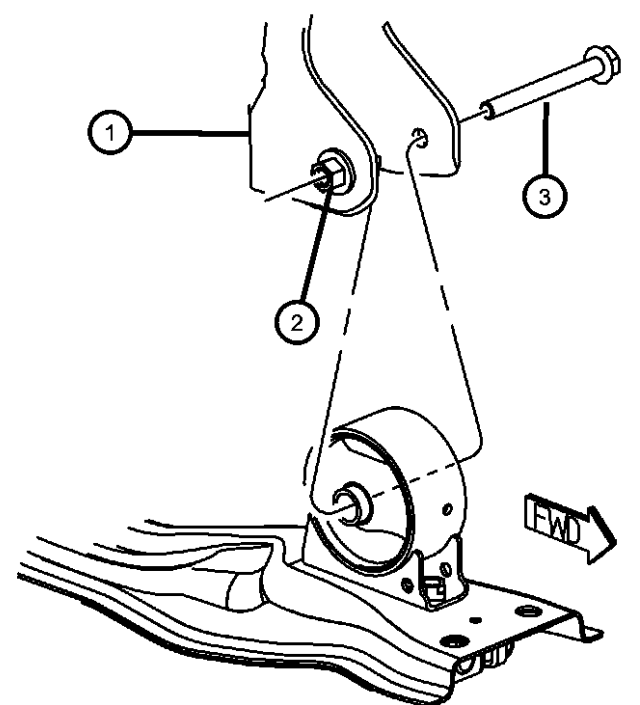


ITEM	PART NUMBER	QTY	LINE	SERIES	BODY	ENGINE	TRANS	TRIM	DESCRIPTION
1	05105596AB	1	J, T, U			ECN, ED3			BRACKET, Engine MountFront
2	05105596AB	1							WELD NUT, Serviced With Bracket, (NOT SERVICED)
3	06105074AA	1	J, T, U						BOLT, Hex Flange Head, M10X1.50X100.00, Front Mount To Bracket, Mounting
4	05105493AB	1	J, T, U				DD7, DEF		INSULATOR Front
	05105494AB	1	J, T, U				DAV, DAW		
5	06105062AA	2	J, T, U						BOLT, Hex Flange Head, M10x1.50x25.00, Front Mount To Crossmember, Mounting
6	06508511AA	2	J, T, U						BOLT, Hex Flange Head, M12X1.25X55.00, To Radiator Cross Member, Mounting
7	06105075AA	1	J, T, U						BOLT, Hex Flange Head, M12x1.50x25.00, To Suspension Cross Member, Mounting

COMPASS/PATRIOT (MK)				
SERIES	LINE	BODY	ENGINE	TRANSMISSION
H = HIGHLINE	T = JEEP - 2WD	49 = HATCHBACK TYPE #2	ECE = 2.0L 4 Cyl DOHC DPF Diesel Engine	DEF = 6-Speed Manual Aisin BG6 Trans
L = LOWLINE	J = JEEP - 4WD	74 = SPORT UTILITY 4-DR TYPE #4	ED3 = 2.4L 4 Cyl DOHC 16V Dual VVT Engine	DD7 = 5-Speed Manual T355 Transmission
P = PREMIUM	U = JEEP - 4WD (RHD)		ECD = 2.0L 4 Cyl DOHC Diesel 16V Engine	DAV = Continuously Variable Transaxle II
			ECN = 2.0L 4 Cyl DOHC 16V Dual VVT Engine	DAW = Cont.Var. w/Off-Rd Crawl Ratio Trans

AR = use ase required - = Non illustrated part

**Engine Mounting Front AWD/4WD 2.0L [ECN]
Figure 009ECN-1215**



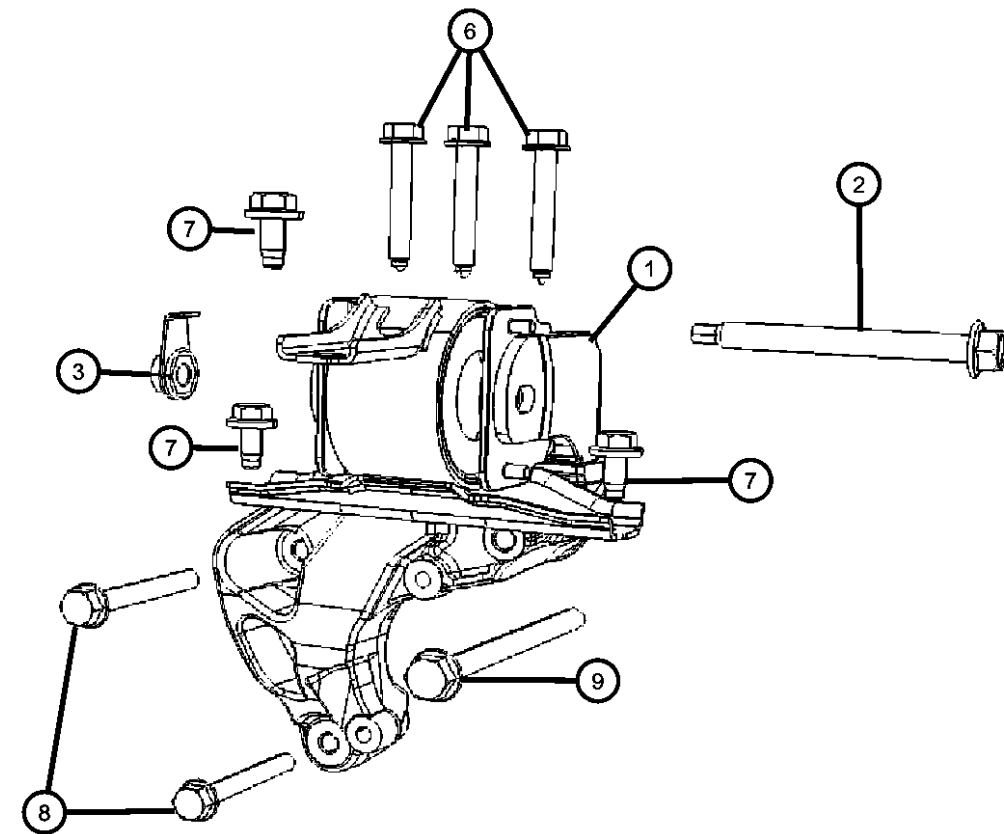
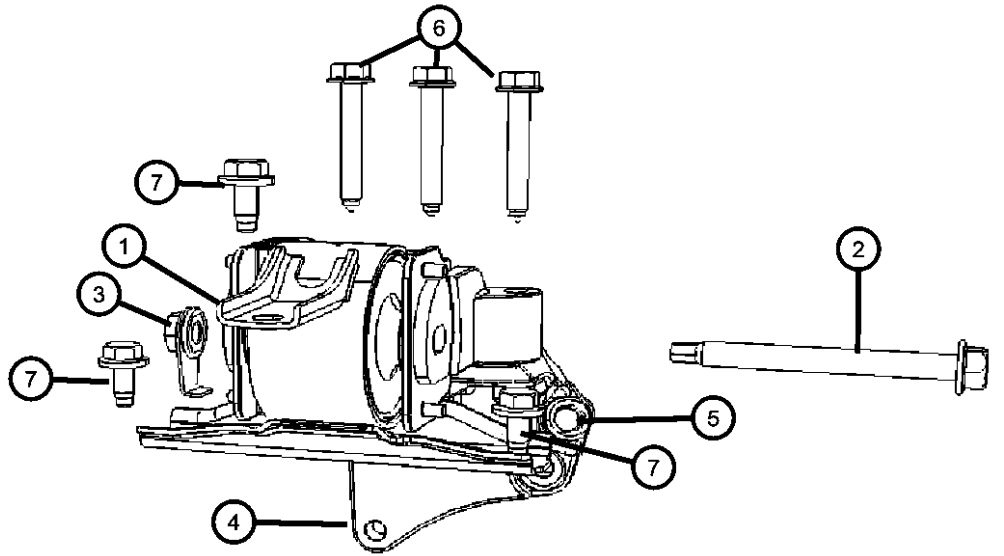
ITEM	PART NUMBER	QTY	LINE	SERIES	BODY	ENGINE	TRANS	TRIM	DESCRIPTION
1	05105596AB	1	J, T, U			ECN, ED3			BRACKET, Engine MountFront
2	05105596AB	1							WELD NUT, Serviced With Bracket, (NOT SERVICED)
3	06105074AA	1	J, T, U						BOLT, Hex Flange Head, M10X1.50X100.00, Front Mount To Bracket, Mounting
4	05105493AB	1	J, T, U				DD7, DEF		INSULATOR Front
	05105494AB	1	J, T, U				DAV, DAW		
5	06105062AA	2	J, T, U						BOLT, Hex Flange Head, M10x1.50x25.00, Front Mount To Crossmember, Mounting
6	06508511AA	2	J, T, U						BOLT, Hex Flange Head, M12X1.25X55.00, To Radiator Cross Member, Mounting
7	06105075AA	1	J, T, U						BOLT, Hex Flange Head, M12x1.50x25.00, To Suspension Cross Member, Mounting

COMPASS/PATRIOT (MK)				
SERIES	LINE	BODY	ENGINE	TRANSMISSION
H = HIGHLINE	T = JEEP - 2WD	49 = HATCHBACK TYPE #2	ECE = 2.0L 4 Cyl DOHC DPF Diesel Engine	DEF = 6-Speed Manual Aisin BG6 Trans
L = LOWLINE	J = JEEP - 4WD	74 = SPORT UTILITY 4-DR TYPE #4	ED3 = 2.4L 4 Cyl DOHC 16V Dual VVT Engine	DD7 = 5-Speed Manual T355 Transmission
P = PREMIUM	U = JEEP - 4WD (RHD)		ECD = 2.0L 4 Cyl DOHC Diesel 16V Engine	DAV = Continuously Variable Transaxle II
			ECN = 2.0L 4 Cyl DOHC 16V Dual VVT Engine	DAW = Cont.Var. w/Off-Rd Crawl Ratio Trans

AR = use ase required - = Non illustrated part

**Engine Mounting Right Side FWD 2.0L [ECN]
Figure 009ECN-1225**

ITEM	PART NUMBER	QTY	LINE	SERIES	BODY	ENGINE	TRANS	TRIM	DESCRIPTION
1	05105489AD	1	J, T, U			ECN, ED3			INSULATOR, Engine Mount, Includes Items 3 and 4, Right
2	06508529AA	1	J, T, U			ECN, ED3			BOLT, Hex Flange Head, M12X1.50X121.00, Engine Mount Bracket to Insulator, Mounting
3	06508684AA	1	J, T, U			ECN, ED3			NUT, Hex Flange, M12X1.50, Engine Mount Bracket to Insulator, Mounting
4	68004188AA	1	J, T, U			ECN, ED3			BRACKET PACKAGE, Engine Mount
5	06500584	1	J, T, U			ECN, ED3			BOLT
6	06508235AA	3	J, T, U						BOLT, Hex Flange Head, M10X1.25X65.00, Engine Support Bracket to Power Steering Bracket, Mounting
7	06104412AA	3	J, T, U						BOLT AND CONED WASHER, Hex Head, M10X1.5X25.00
8	06104225AA	2	J, T, U			ECD, ECE			BOLT, Hex Flange Head, M10X1.50X80.00
9	06104230AA	1	J, T, U			ECD, ECE			BOLT, Hex Flange Head, M10X1.50X130.00, Engine Support Bracket to Block, Mounting



COMPASS/PATRIOT (MK)

SERIES	LINE
H = HIGHLINE	T = JEEP - 2WD
L = LOWLINE	J = JEEP - 4WD
P = PREMIUM	U = JEEP - 4WD (RHD)

BODY
49 = HATCHBACK TYPE #2
74 = SPORT UTILITY 4-DR TYPE #4

ENGINE
ECE = 2.0L 4 Cyl DOHC DPF Diesel Engine
ED3 = 2.4L 4 Cyl DOHC 16V Dual VVT Engine
ECD = 2.0L 4 Cyl DOHC Diesel 16V Engine
ECN = 2.0L 4 Cyl DOHC 16V Dual VVT Engine

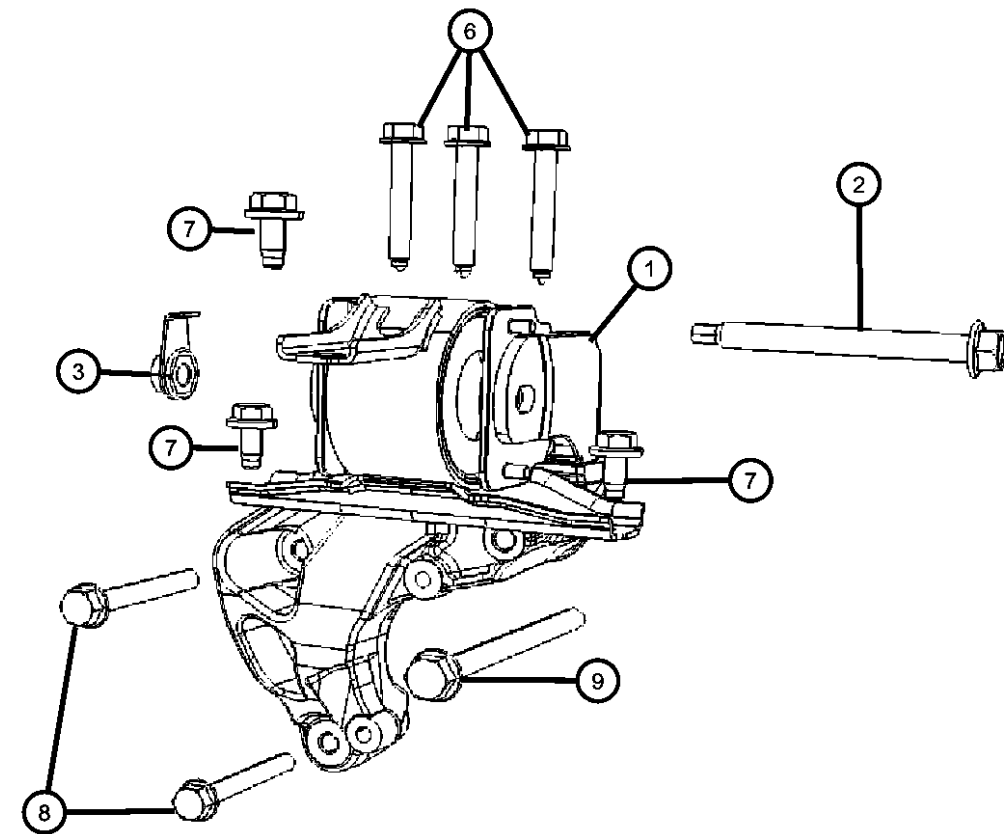
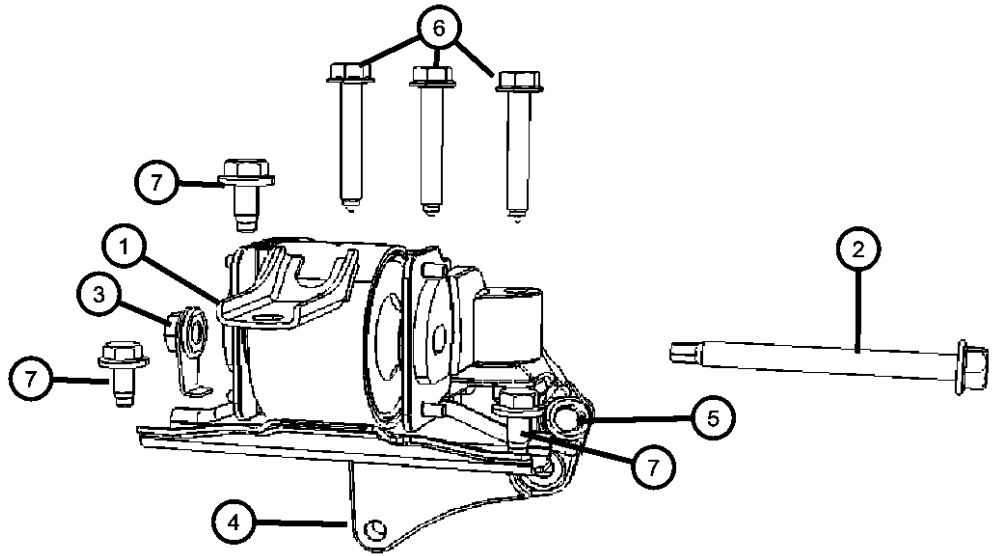
TRANSMISSION
DEF = 6-Speed Manual Aisin BG6 Trans
DD7 = 5-Speed Manual T355 Transmission
DAV = Continuously Variable Transaxle II
DAW = Cont.Var. w/Off-Rd Crawl Ratio Trans

AR = use ase required - = Non illustrated part

2008 MK

**Engine Mounting Right Side AWD/4WD 2.0L [ECN]
Figure 009ECN-1235**

ITEM	PART NUMBER	QTY	LINE	SERIES	BODY	ENGINE	TRANS	TRIM	DESCRIPTION
1	05105489AD	1	J, T, U			ECN, ED3			INSULATOR, Engine Mount, Includes Items 3 and 4, Right
2	06508529AA	1	J, T, U			ECN, ED3			BOLT, Hex Flange Head, M12X1.50X121.00, Engine Mount Bracket to Insulator, Mounting
3	06508684AA	1	J, T, U			ECN, ED3			NUT, Hex Flange, M12X1.50, Engine Mount Bracket to Insulator, Mounting
4	68004188AA	1	J, T, U			ECN, ED3			BRACKET PACKAGE, Engine Mount
5	06500584	1	J, T, U			ECN, ED3			BOLT
6	06508235AA	3	J, T, U						BOLT, Hex Flange Head, M10X1.25X65.00, Engine Support Bracket to Power Steering Bracket, Mounting
7	06104412AA	3	J, T, U						BOLT AND CONED WASHER, Hex Head, M10X1.5X25.00
8	06104225AA	2	J, T, U			ECD, ECE			BOLT, Hex Flange Head, M10X1.50X80.00
9	06104230AA	1	J, T, U			ECD, ECE			BOLT, Hex Flange Head, M10X1.50X130.00



COMPASS/PATRIOT (MK)

SERIES	LINE
H = HIGHLINE	T = JEEP - 2WD
L = LOWLINE	J = JEEP - 4WD
P = PREMIUM	U = JEEP - 4WD (RHD)

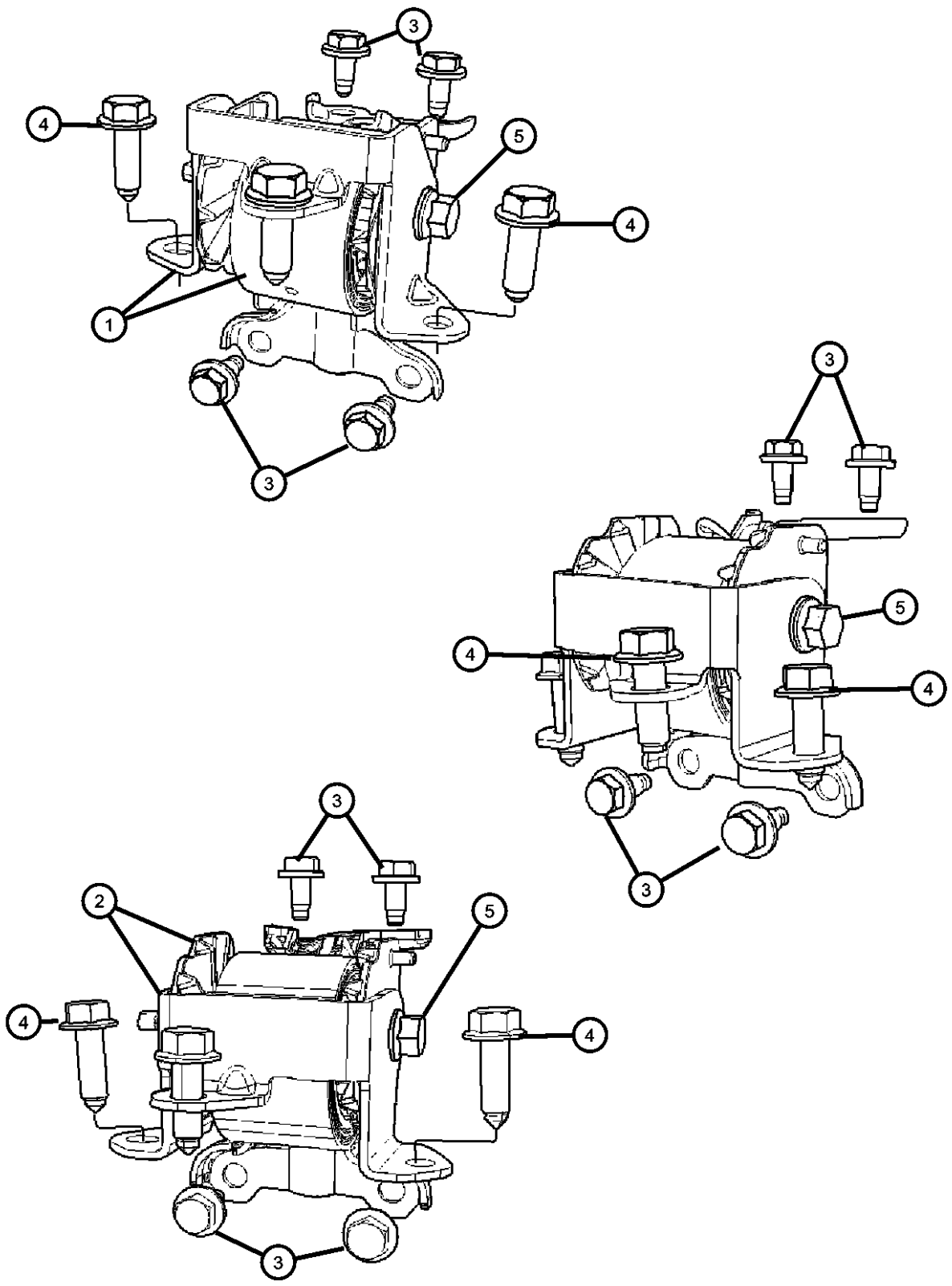
BODY
49 = HATCHBACK TYPE #2
74 = SPORT UTILITY 4-DR TYPE #4

ENGINE
ECE = 2.0L 4 Cyl DOHC DPF Diesel Engine
ED3 = 2.4L 4 Cyl DOHC 16V Dual VVT Engine
ECD = 2.0L 4 Cyl DOHC Diesel 16V Engine
ECN = 2.0L 4 Cyl DOHC 16V Dual VVT Engine

TRANSMISSION
DEF = 6-Speed Manual Aisin BG6 Trans
DD7 = 5-Speed Manual T355 Transmission
DAV = Continuously Variable Transaxle II
DAW = Cont.Var. w/Off-Rd Crawl Ratio Trans

AR = use ase required - = Non illustrated part

**Engine Mounting Left Side FWD 2.0L [ECN]
Figure 009ECN-1245**



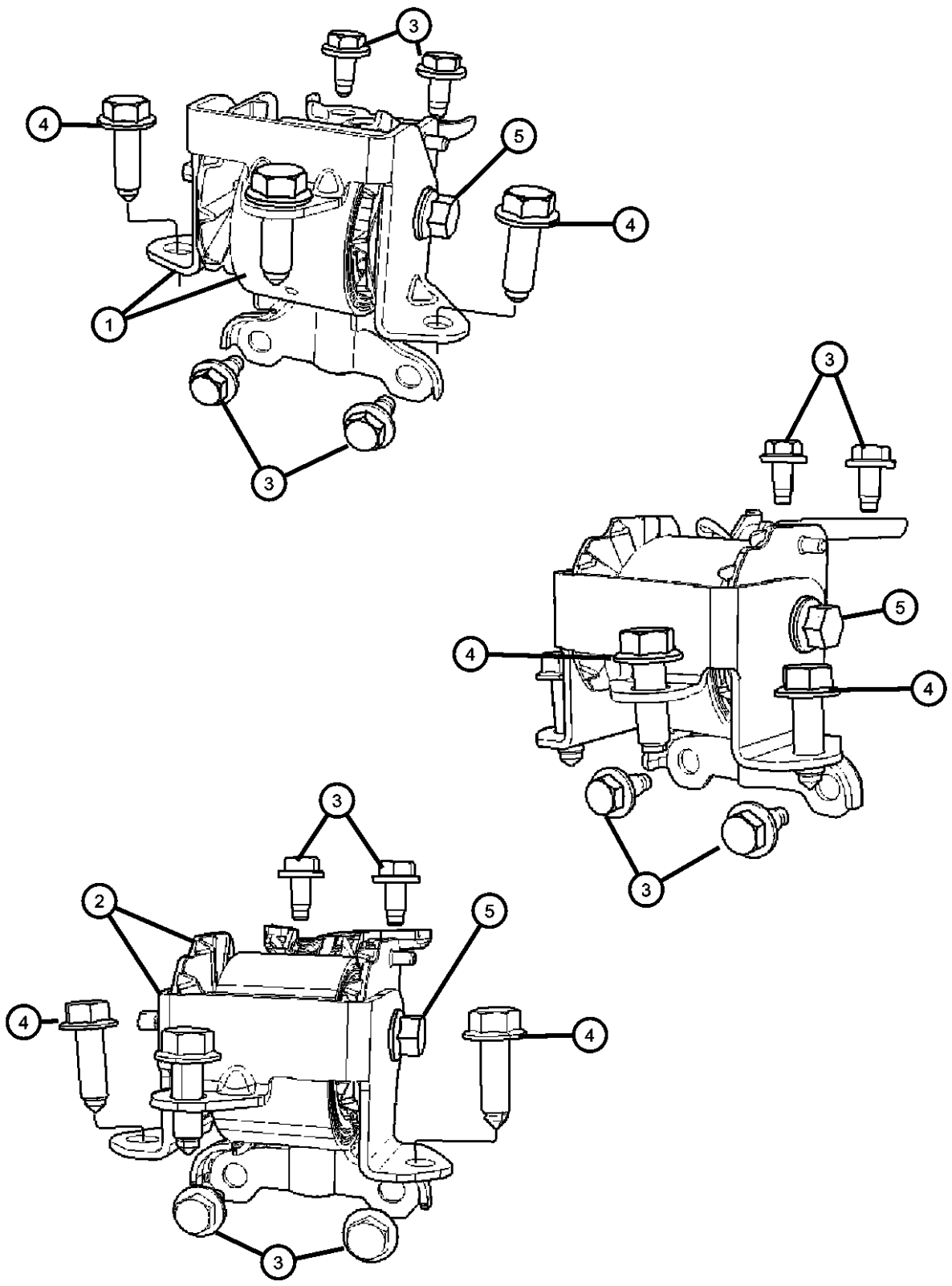
ITEM	PART NUMBER	QTY	LINE	SERIES	BODY	ENGINE	TRANS	TRIM	DESCRIPTION
1	05105489AD	1	J, T, U			ECN, ED3			INSULATOR, Engine Mount
	05105667AD	1	J, T, U				DAV, DAW		
	05105669AE	1	J, T, U				DD7		
2	05105671AD	1	J, T, U				DEF		SUPPORT, Engine Mount
3	06104412AA	4	J, T, U						BOLT AND CONED WASHER, Hex Head, M10X1.5X25.00, Left Mount To Frame Rail, Mounting
4	06508530AA	3	J, T, U						BOLT, Hex Flange Head, M12X1.25X40.00
5	06508530AA	3							BOLT, Serviced With Mount, (NOT SERVICED)

COMPASS/PATRIOT (MK)

SERIES	LINE	BODY	ENGINE	TRANSMISSION
H = HIGHLINE	T = JEEP - 2WD	49 = HATCHBACK TYPE #2	ECE = 2.0L 4 Cyl DOHC DPF Diesel Engine	DEF = 6-Speed Manual Aisin BG6 Trans
L = LOWLINE	J = JEEP - 4WD	74 = SPORT UTILITY 4-DR TYPE #4	ED3 = 2.4L 4 Cyl DOHC 16V Dual VVT Engine	DD7 = 5-Speed Manual T355 Transmission
P = PREMIUM	U = JEEP - 4WD (RHD)		ECD = 2.0L 4 Cyl DOHC Diesel 16V Engine	DAV = Continuously Variable Transaxle II
			ECN = 2.0L 4 Cyl DOHC 16V Dual VVT Engine	DAW = Cont.Var. w/Off-Rd Crawl Ratio Trans

AR = use ase required - = Non illustrated part

**Engine Mounting Left Side AWD/4WD 2.0L [ECN]
Figure 009ECN-1255**



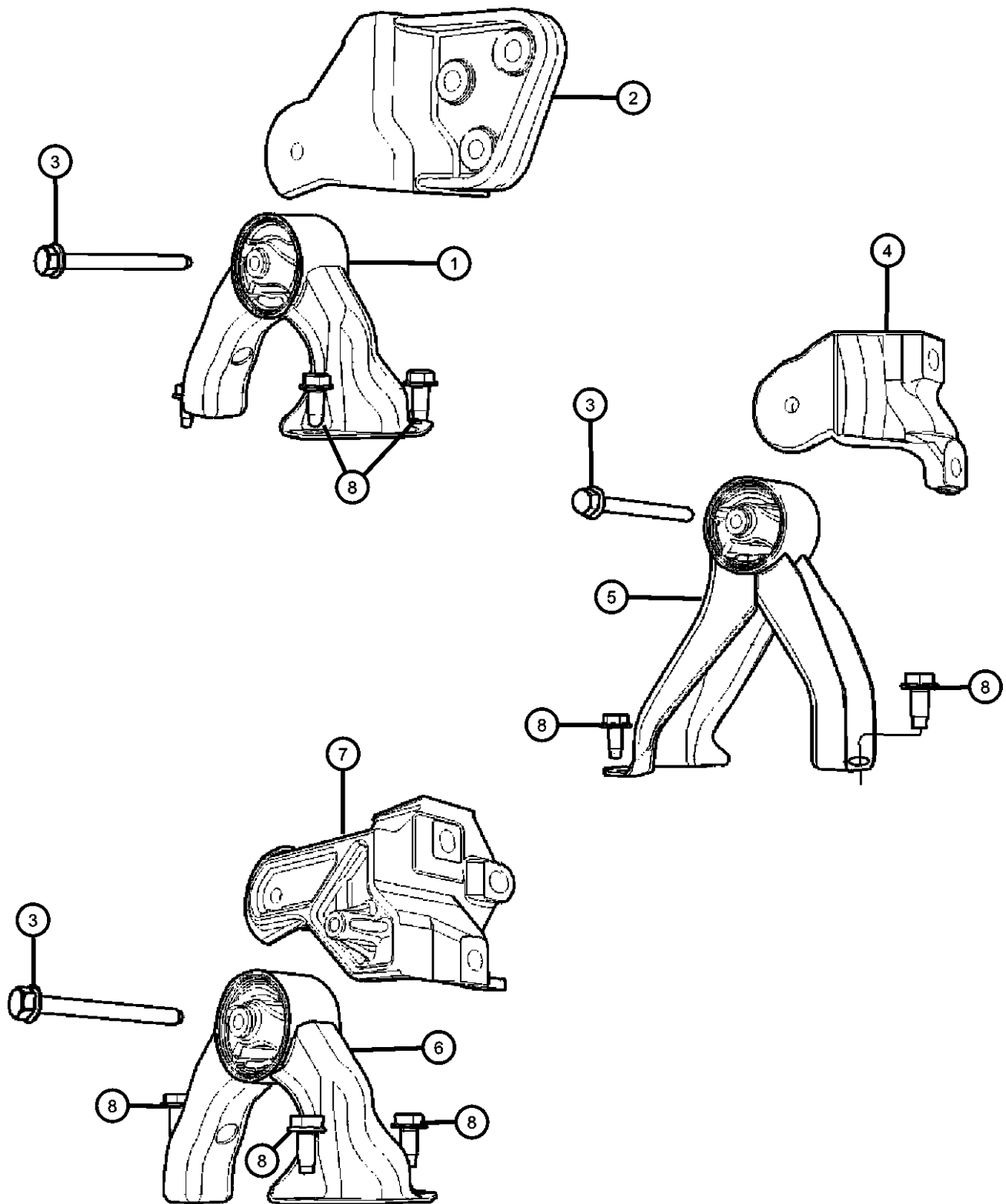
ITEM	PART NUMBER	QTY	LINE	SERIES	BODY	ENGINE	TRANS	TRIM	DESCRIPTION
1	05105489AD	1	J, T, U			ECN, ED3			INSULATOR, Engine Mount
	05105667AD	1	J, T, U				DAV, DAW		
	05105669AE	1	J, T, U				DD7		
2	05105671AD	1	J, T, U				DEF		SUPPORT, Engine Mount
3	06104412AA	4	J, T, U						BOLT AND CONED WASHER, Hex Head, M10X1.5X25.00, Left Mount To Frame Rail, Mounting
4	06508530AA	3	J, T, U						BOLT, Hex Flange Head, M12X1.25X40.00
5	06508530AA	3							BOLT, Serviced With Mount, (NOT SERVICED)

COMPASS/PATRIOT (MK)

SERIES	LINE	BODY	ENGINE	TRANSMISSION
H = HIGHLINE	T = JEEP - 2WD	49 = HATCHBACK TYPE #2	ECE = 2.0L 4 Cyl DOHC DPF Diesel Engine	DEF = 6-Speed Manual Aisin BG6 Trans
L = LOWLINE	J = JEEP - 4WD	74 = SPORT UTILITY 4-DR TYPE #4	ED3 = 2.4L 4 Cyl DOHC 16V Dual VVT Engine	DD7 = 5-Speed Manual T355 Transmission
P = PREMIUM	U = JEEP - 4WD (RHD)		ECD = 2.0L 4 Cyl DOHC Diesel 16V Engine	DAV = Continuously Variable Transaxle II
			ECN = 2.0L 4 Cyl DOHC 16V Dual VVT Engine	DAW = Cont.Var. w/Off-Rd Crawl Ratio Trans

AR = use ase required - = Non illustrated part

**Engine Mounting Rear FWD 2.0L [ECN]
Figure 009ECN-1265**

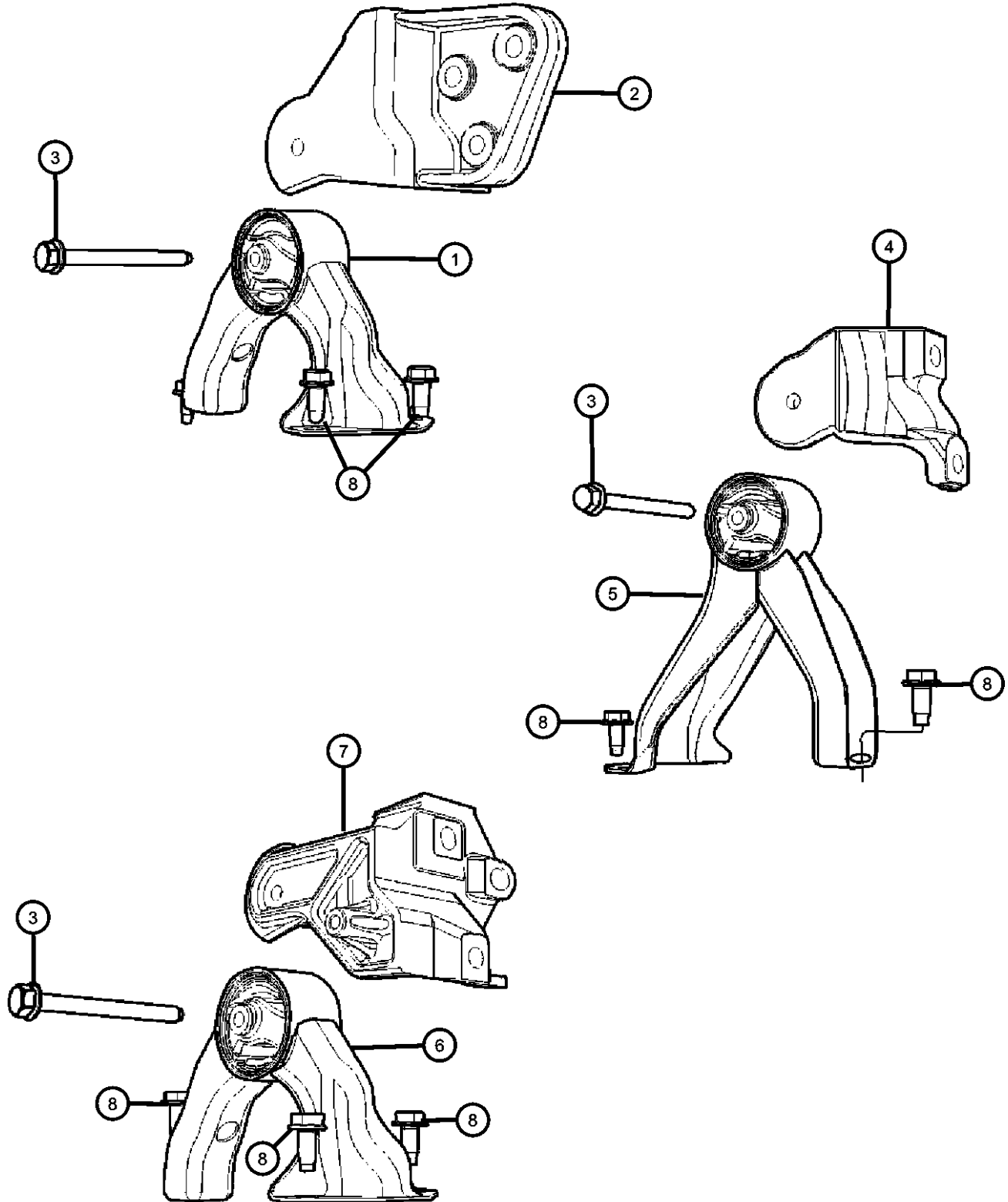


ITEM	PART NUMBER	QTY	LINE	SERIES	BODY	ENGINE	TRANS	TRIM	DESCRIPTION
1	05105511AE	1	T				DAV, DAW		SUPPORT
	68032586AA	1	T				DD7, DEF		
2	05105416AE	1	T			ECN, ED3			BRACKET, Torque Reaction
3	06105074AA	1	J, T, U						BOLT, Hex Flange Head, M10X1.50X100.00
4	05105409AE	1	J, U			ED3			BRACKET, Transmission Case Mounting
5	05105495AD	1	J, U				DD7, DEF		INSULATOR
	05105498AE	1	J, U				DAV, DAW		
6	05105511AE	1	T				DAV, DAW		SUPPORT
7	05105598AE	1	T			ECD, ECE			BRACKET, Torque Reaction
8	06105062AA	3	J, T, U						BOLT, Hex Flange Head, M10x1.50x25.00

COMPASS/PATRIOT (MK)		BODY	ENGINE	TRANSMISSION
SERIES	LINE	49 = HATCHBACK TYPE #2	ECE = 2.0L 4 Cyl DOHC DPF Diesel Engine	DEF = 6-Speed Manual Aisin BG6 Trans
H = HIGHLINE	T = JEEP - 2WD	74 = SPORT UTILITY 4-DR TYPE #4	ED3 = 2.4L 4 Cyl DOHC 16V Dual VVT Engine	DD7 = 5-Speed Manual T355 Transmission
L = LOWLINE	J = JEEP - 4WD		ECD = 2.0L 4 Cyl DOHC Diesel 16V Engine	DAV = Continuously Variable Transaxle II
P = PREMIUM	U = JEEP - 4WD (RHD)		ECN = 2.0L 4 Cyl DOHC 16V Dual VVT Engine	DAW = Cont.Var. w/Off-Rd Crawl Ratio Trans

AR = use ase required - = Non illustrated part

**Engine Mounting Rear AWD/4WD 2.0L [ECN]
Figure 009ECN-1275**



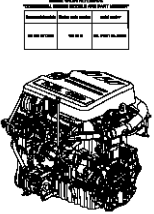
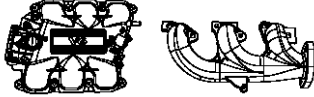

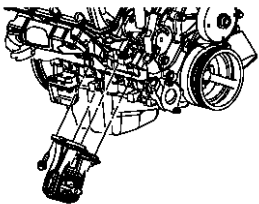
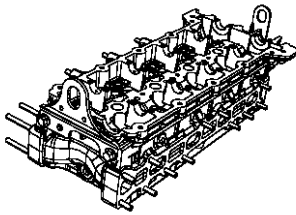
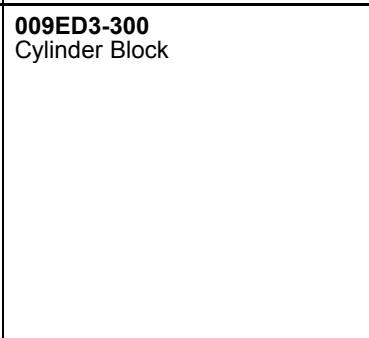
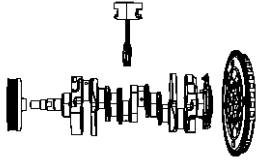
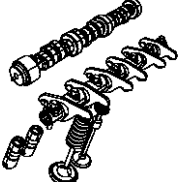
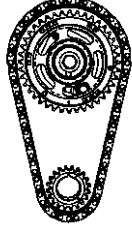
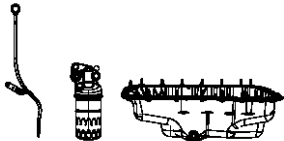
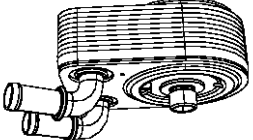
ITEM	PART NUMBER	QTY	LINE	SERIES	BODY	ENGINE	TRANS	TRIM	DESCRIPTION
1	05105511AE	1	T				DAV, DAW		SUPPORT
	68032586AA	1	T				DD7, DEF		
2	05105416AE	1	T			ECN, ED3			BRACKET, Torque Reaction
3	06105074AA	1	J, T, U						BOLT, Hex Flange Head, M10X1.50X100.00
4	05105409AE	1	J, U			ED3			BRACKET, Transmission Case Mounting
5	05105495AD	1	J, U				DD7, DEF		INSULATOR
	05105498AE	1	J, U				DAV, DAW		
6	05105511AE	1	T				DAV, DAW		SUPPORT
7	05105598AE	1	T			ECD, ECE			BRACKET, Torque Reaction
8	06105062AA	3	J, T, U						BOLT, Hex Flange Head, M10x1.50x25.00

COMPASS/PATRIOT (MK)		BODY		ENGINE		TRANSMISSION					
SERIES	LINE	49 = HATCHBACK TYPE #2	74 = SPORT UTILITY 4-DR TYPE #4	ECE = 2.0L 4 Cyl DOHC DPF Diesel Engine	ED3 = 2.4L 4 Cyl DOHC 16V Dual VVT Engine	ECD = 2.0L 4 Cyl DOHC Diesel 16V Engine	ECN = 2.0L 4 Cyl DOHC 16V Dual VVT Engine	DEF = 6-Speed Manual Aisin BG6 Trans	DD7 = 5-Speed Manual T355 Transmission	DAV = Continuously Variable Transaxle II	DAW = Cont.Var. w/Off-Rd Crawl Ratio Trans
H = HIGHLINE	T = JEEP - 2WD										
L = LOWLINE	J = JEEP - 4WD										
P = PREMIUM	U = JEEP - 4WD (RHD)										

AR = use ase required - = Non illustrated part

Group - 009ED3

2.4L Gas; Engine

<p>009ED3-100 Engine Identification</p> 	<p>009ED3-1000 Manifolds and Vacuum Fittings</p> 	<p>009ED3-1100 Crankcase Ventilation</p> 	<p>009ED3-1200 Engine Mounting</p> 
<p>009ED3-200 Cylinder Head</p> 	<p>009ED3-300 Cylinder Block</p> 	<p>009ED3-400 Crankshaft, Piston, Drive Plate, Flywheel, and Damper</p> 	<p>009ED3-500 Camshaft and Valve</p> 
<p>009ED3-600 Timing Belt/Chain and Cover and Balance Shaft</p> 	<p>009ED3-700 Engine Oiling, Oil Pan and Indicator (Dipstick)</p> 	<p>009ED3-800 Engine Oil Cooler</p> 	

Group - 009ED3 2.4L Gas; Engine

Illustration Title	Group-Fig. No.
Engine Identification	
Engine Assembly And Identification 2.4L [ED3]	Fig. 009ED3 - 105
Engine Cover And Related Parts 2.4L [ED3].....	Fig. 009ED3 - 125
Engine Gasket Packages 2.4L [ED3].....	Fig. 009ED3 - 145
Cylinder Head	
Cylinder Head Cover 2.4L [ED3].....	Fig. 009ED3 - 205
Cylinder Head 2.4L [ED3]	Fig. 009ED3 - 225
Cylinder Block	
Engine Cylinder Block And Hardware 2.4L [ED3]	Fig. 009ED3 - 305
Engine Cylinder Block Heater 2.4L [ED3]	Fig. 009ED3 - 325
Crankshaft, Piston, Drive Plate, Flywheel, and Damper	
Crankshaft, Crankshaft Bearings, Damper, And Driveplate 2.4L [ED3].....	Fig. 009ED3 - 405
Pistons, Piston Rings, Connecting Rods And Connecting Rod Bearings 2.4L [ED3].....	Fig. 009ED3 - 425
Camshaft and Valve	
Camshafts And Valvetrain 2.4L [ED3]	Fig. 009ED3 - 505
Timing Belt/Chain and Cover and Balance Shaft	
Timing Case Cover 2.4L [ED3].....	Fig. 009ED3 - 605
Timing System 2.4L [ED3].....	Fig. 009ED3 - 625
Balance Shafts 2.4L [ED3]	Fig. 009ED3 - 645
Engine Oiling, Oil Pan and Indicator (Dipstick)	
Engine Oiling Pump 2.4L [ED3].....	Fig. 009ED3 - 705
Engine Pan, Engine Oil Level Indicator And Related Parts 2.4L [ED3]	Fig. 009ED3 - 725
Engine Oil Cooler	
Engine Oil Cooler 2.4L [ED3].....	Fig. 009ED3 - 805
Manifolds and Vacuum Fittings	
Exhaust Manifold And Heat Shields 2.4L [ED3]	Fig. 009ED3 - 1005
Intake Manifold 2.4L [ED3]	Fig. 009ED3 - 1025
Crankcase Ventilation	
Crankcase Ventilation 2.4L [ED3].....	Fig. 009ED3 - 1105
Engine Mounting	
Engine Mounting Front FWD 2.4L [ED3]	Fig. 009ED3 - 1205
Engine Mounting Front AWD/4WD 2.4L [ED3].....	Fig. 009ED3 - 1215
Engine Mounting Right Side FWD 2.4L [ED3]	Fig. 009ED3 - 1225
Engine Mounting Right Side AWD/4WD 2.4L [ED3].....	Fig. 009ED3 - 1235
Engine Mounting Left Side FWD 2.4L [ED3].....	Fig. 009ED3 - 1245
Engine Mounting Left Side AWD/4WD 2.4L [ED3]	Fig. 009ED3 - 1255
Engine Mounting Rear FWD 2.4L [ED3].....	Fig. 009ED3 - 1265
Engine Mounting Rear AWD/4WD 2.4L [ED3].....	Fig. 009ED3 - 1275

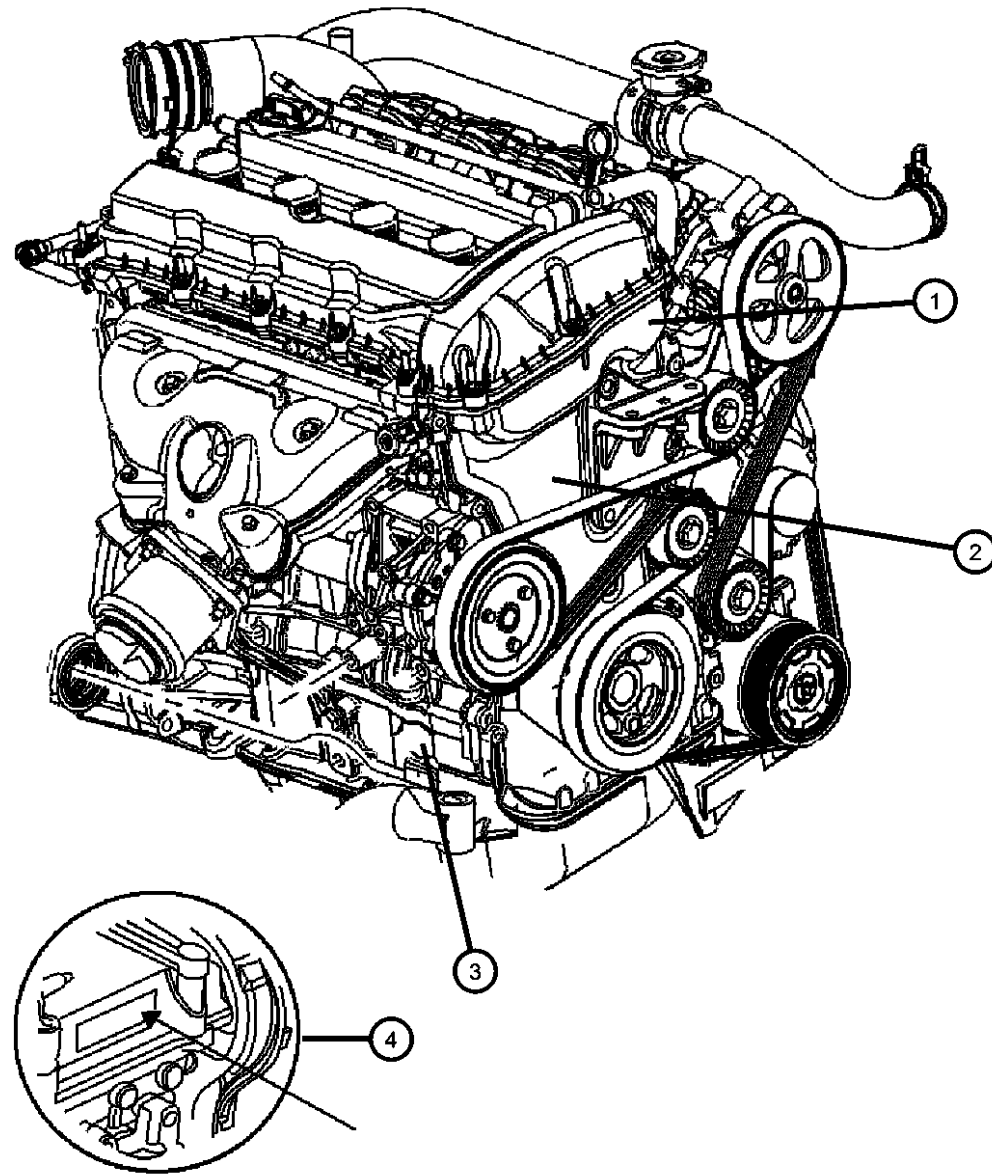
**Engine Assembly And Identification 2.4L [ED3]
Figure 009ED3-105**

ITEM	PART NUMBER	QTY	LINE	SERIES	BODY	ENGINE	TRANS	TRIM	DESCRIPTION
------	-------------	-----	------	--------	------	--------	-------	------	-------------

NOTE:

World Engines Produced Until Mid September 2007 Used A Bolt On Oil Injector, Updated World Engines Produced Mid September 2007 And Later

The Engine Identification Label Contains: The Production Assembly Part Number And Displacement. It Is Located On The Valve Cover In The Rear



1	06105062AA	3							ENGINE, Complete, Serviced By New Short Block Only, (NOT SERVICED)
2	06105062AA	3							ENGINE, Long Block, Serviced By New Short Block Only, (NOT SERVICED)
3	05183906AC	1	J, T, U			ED3			ENGINE, Short Block, See Note
4	05183906AC	1							LABEL, Engine Identification, See Note, (NOT SERVICED)

COMPASS/PATRIOT (MK)

SERIES	LINE	BODY	ENGINE	TRANSMISSION
H = HIGHLINE	T = JEEP - 2WD	49 = HATCHBACK TYPE #2	ECE = 2.0L 4 Cyl DOHC DPF Diesel Engine	DEF = 6-Speed Manual Aisin BG6 Trans
L = LOWLINE	J = JEEP - 4WD	74 = SPORT UTILITY 4-DR TYPE #4	ED3 = 2.4L 4 Cyl DOHC 16V Dual VVT Engine	DD7 = 5-Speed Manual T355 Transmission
P = PREMIUM	U = JEEP - 4WD (RHD)		ECD = 2.0L 4 Cyl DOHC Diesel 16V Engine	DAV = Continuously Variable Transaxle II
			ECN = 2.0L 4 Cyl DOHC 16V Dual VVT Engine	DAW = Cont.Var. w/Off-Rd Crawl Ratio Trans

AR = use ase required - = Non illustrated part

2008 MK

**Engine Cover And Related Parts 2.4L [ED3]
Figure 009ED3-125**

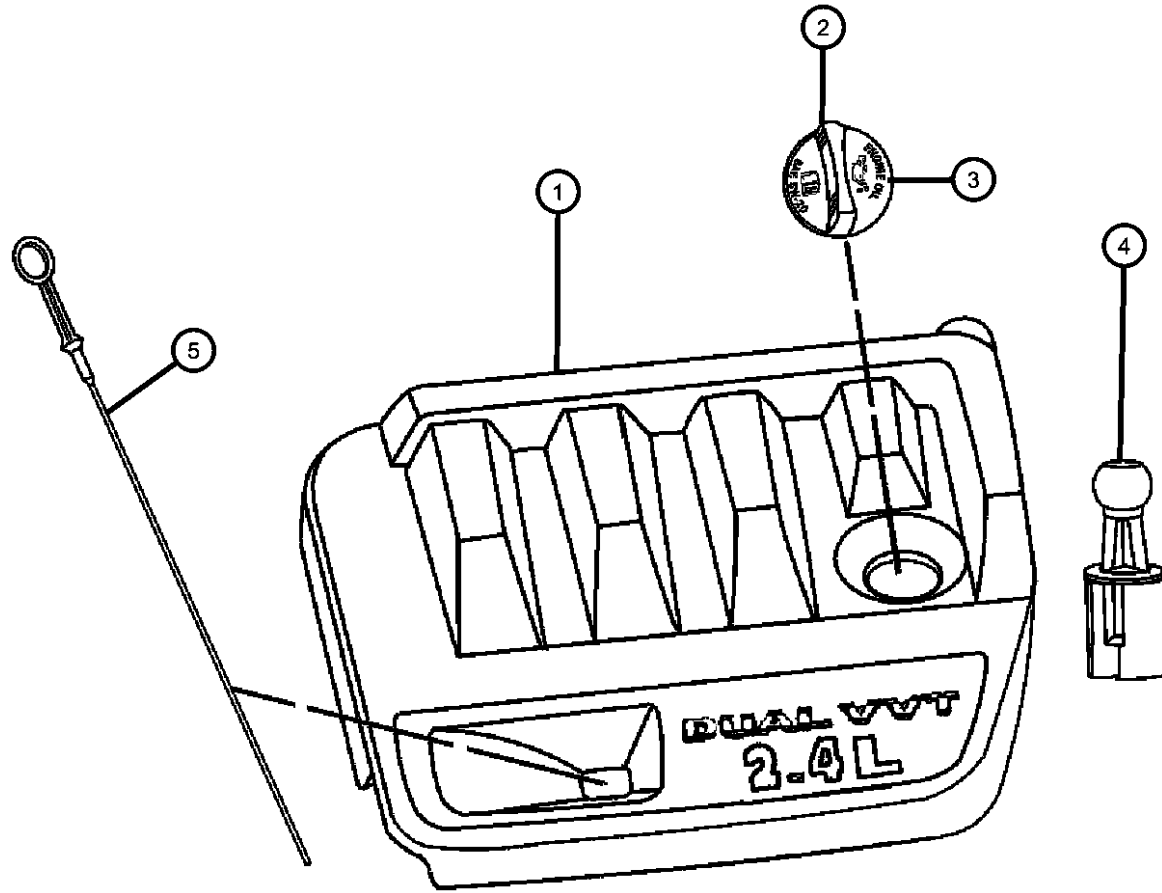
ITEM	PART NUMBER	QTY	LINE	SERIES	BODY	ENGINE	TRANS	TRIM	DESCRIPTION
------	-------------	-----	------	--------	------	--------	-------	------	-------------

NOTE:

Sales Codes:

- [DAV] = Continuously Variable Transmission
- [DEF] = 6-Speed Manual Aisin BG6 Transmission
- [DE0] = All 6-Speed Manual Transmissions
- [DD0] = All 5-Speed Manual Transmissions
- [DD7] = 5-Speed Manual T355 Transmission
- [ECD] = 2.0L 4 C

1	04891689AB	1	J, T, U			ED3			COVER, Engine
2	04884739AA	1	J, T, U			ECN, ED3			CAP, Oil Filler
3	68029299AA	1	J, T, U			ECN, ED3			O RING, Oil Filler Cap
4	04891847AA	4	J, T, U			ECN, ED3			BALL STUD
5	04884688AD	1	J, T, U			ECN, ED3			INDICATOR, Engine Oil Level



COMPASS/PATRIOT (MK)

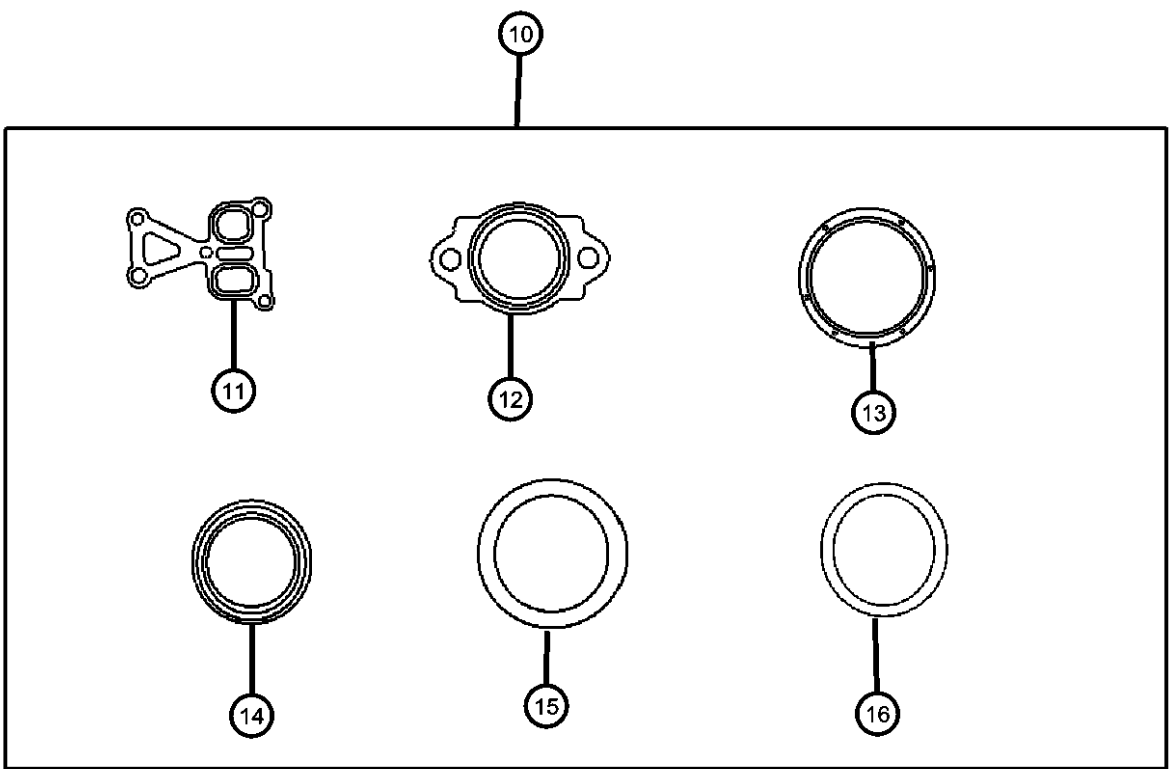
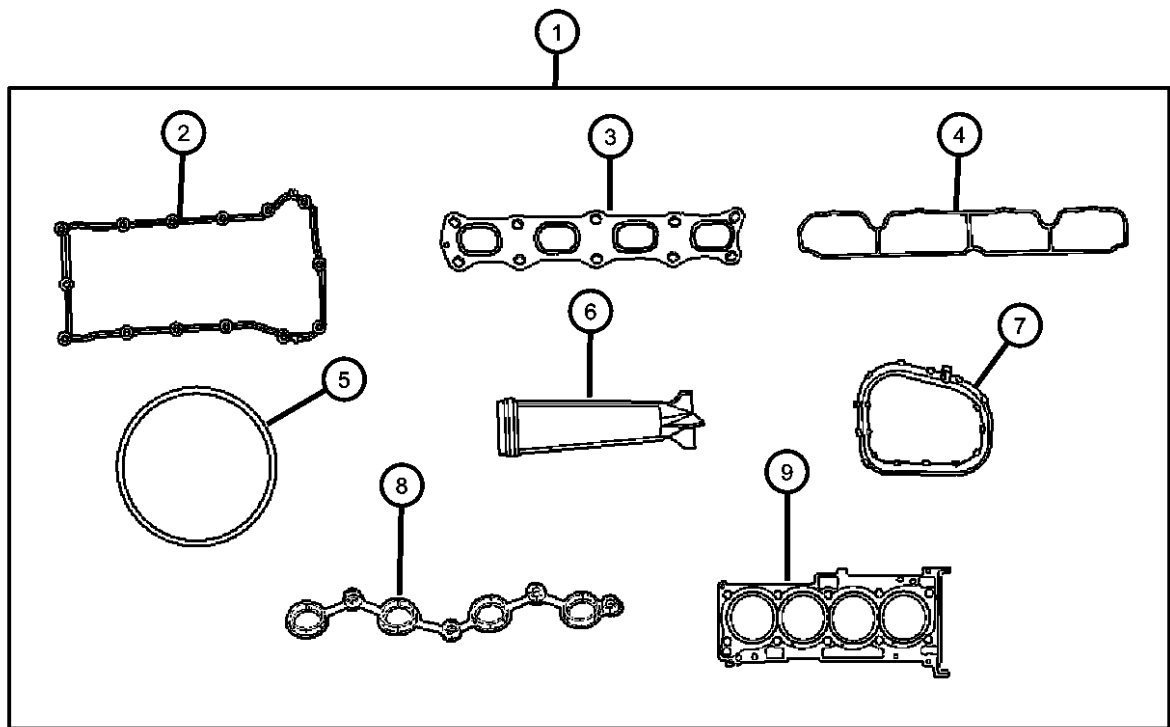
SERIES	LINE	BODY	ENGINE	TRANSMISSION
H = HIGHLINE	T = JEEP - 2WD	49 = HATCHBACK TYPE #2	ECE = 2.0L 4 Cyl DOHC DPF Diesel Engine	DEF = 6-Speed Manual Aisin BG6 Trans
L = LOWLINE	J = JEEP - 4WD	74 = SPORT UTILITY 4-DR TYPE #4	ED3 = 2.4L 4 Cyl DOHC 16V Dual VVT Engine	DD7 = 5-Speed Manual T355 Transmission
P = PREMIUM	U = JEEP - 4WD (RHD)		ECD = 2.0L 4 Cyl DOHC Diesel 16V Engine	DAV = Continuously Variable Transaxle II
			ECN = 2.0L 4 Cyl DOHC 16V Dual VVT Engine	DAW = Cont.Var. w/Off-Rd Crawl Ratio Trans

AR = use ase required - = Non illustrated part

2008 MK

Engine Gasket Packages 2.4L [ED3]

Figure 009ED3-145



ITEM	PART NUMBER	QTY	LINE	SERIES	BODY	ENGINE	TRANS	TRIM	DESCRIPTION
------	-------------	-----	------	--------	------	--------	-------	------	-------------

NOTE:
 Sales Codes:
 [DAV] = Continuously Variable Transmission
 [DEF] = 6-Speed Manual Aisian BG6 Transmission
 [DE0] = All 6-Speed Manual Transmissions
 [DD0] = All 5-Speed Manual Transmissions
 [DD7] = 5-Speed Manual T355 Transmission
 [ECD] = 2.0L 4 C

1	05189956AA	1	J, T, U			ED3			GASKET PACKAGE, Engine Upper
2	04884762AA	1	J, T, U			ECN, ED3			GASKET, Cylinder Cover
3	1555A185	1	J, T, U			ECN, ED3			GASKET, Exhaust Manifold
4	04884550AB	1	J, T, U			ECN, ED3			GASKET, Intake Manifold
5	04884551AA	1	J, T, U			ECN, ED3			GASKET, Throttle Body
6	1028A025	1	J, T, U			ECN, ED3			FILTER, Continuous Variable Valve Timing
7	04884572AA	1				ED3			SEAL, Coolant Outlet Adapter
8	04884765AA	1	J, T, U			ECN, ED3			GASKET, Coil
9	05189976AA	1	J, T, U			ED3			GASKET PACKAGE, Cylinder Head, Contains Item 6
10	05189957AA	1	J, T, U			ED3			GASKET PACKAGE, Engine Lower, Contains Items 11,12, 13, 14, 15, 16
11	04884696AA	1	J, T, U			ECN, ED3			GASKET, Water Pump Outlet
12	04884703AA	1	J, T, U			ECN, ED3			GASKET, Water Inlet
13	2142125000	1	J, T, U			ECN, ED3			SEAL, Crankshaft Oil, Front
14	2144325000	1	J, T, U			ECN, ED3			SEAL, Crankshaft Oil, Rear
15	04884873AA	1	J, T, U			ECN, ED3			O RING, Water Inlet Tube
16	04884873AA	1							O RING, Engine Oil Level Tube, Part # 2661423500, (NOT SERVICED)

COMPASS/PATRIOT (MK)		BODY	ENGINE	TRANSMISSION
SERIES	LINE			
H = HIGHLINE	T = JEEP - 2WD	49 = HATCHBACK TYPE #2	ECE = 2.0L 4 Cyl DOHC DPF Diesel Engine	DEF = 6-Speed Manual Aisin BG6 Trans
L = LOWLINE	J = JEEP - 4WD	74 = SPORT UTILITY 4-DR TYPE #4	ED3 = 2.4L 4 Cyl DOHC 16V Dual VVT Engine	DD7 = 5-Speed Manual T355 Transmission
P = PREMIUM	U = JEEP - 4WD (RHD)		ECD = 2.0L 4 Cyl DOHC Diesel 16V Engine	DAV = Continuously Variable Transaxle II
			ECN = 2.0L 4 Cyl DOHC 16V Dual VVT Engine	DAW = Cont.Var. w/Off-Rd Crawl Ratio Trans

AR = use ase required - = Non illustrated part

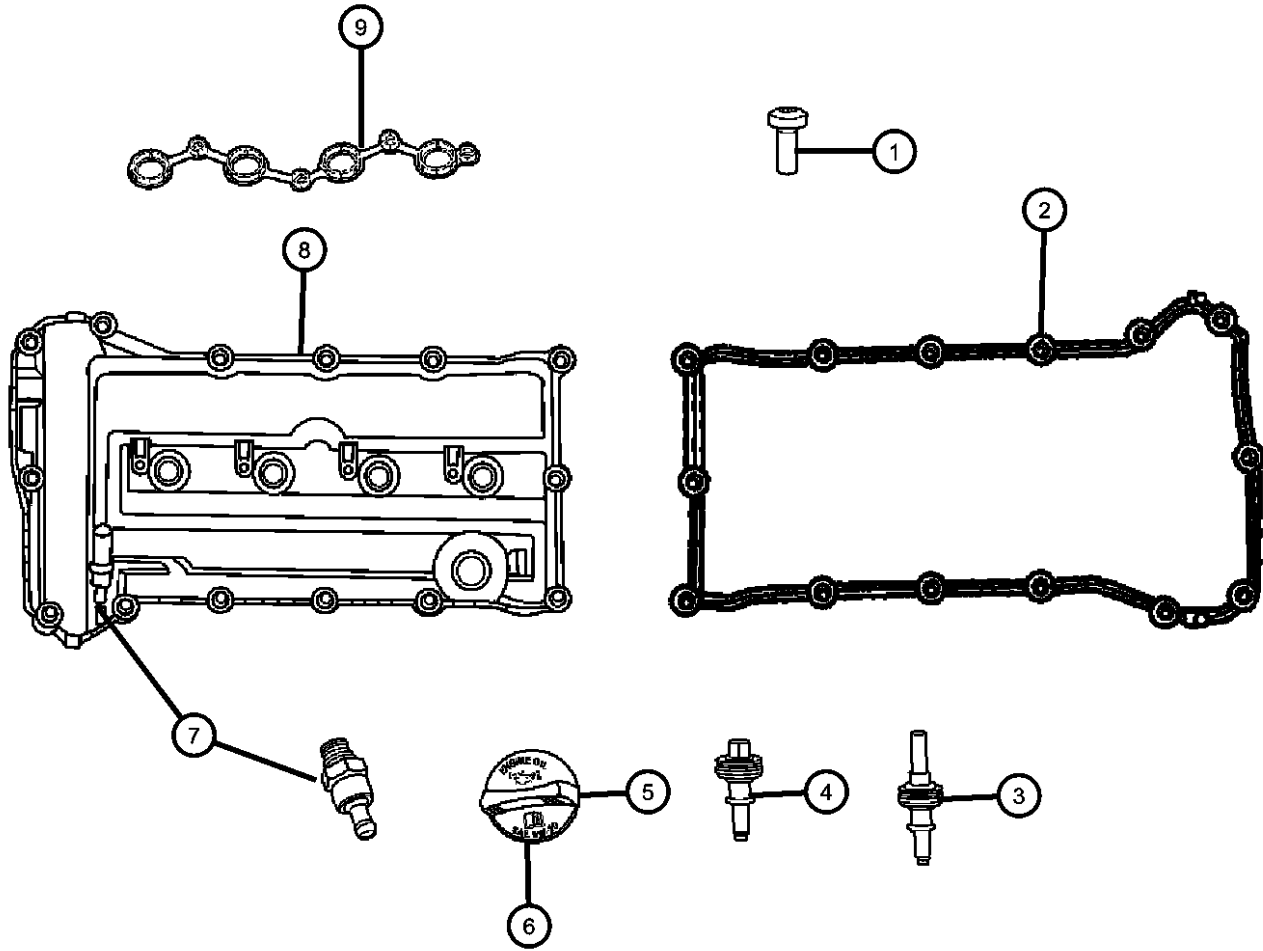
**Cylinder Head Cover 2.4L [ED3]
Figure 009ED3-205**

ITEM	PART NUMBER	QTY	LINE	SERIES	BODY	ENGINE	TRANS	TRIM	DESCRIPTION
------	-------------	-----	------	--------	------	--------	-------	------	-------------

NOTE:

Sales Codes:

- [DAV] = Continuously Variable Transmission
- [DEF] = 6-Speed Manual Aisin BG6 Transmission
- [DE0] = All 6-Speed Manual Transmissions
- [DD0] = All 5-Speed Manual Transmissions
- [DD7] = 5-Speed Manual T355 Transmission
- [ECD] = 2.0L 4 C



1	06104141AA	4	J, T, U			ECN, ED3			SCREW, [M6X1.0X16.0]
2	04884762AA	1	J, T, U			ECN, ED3			GASKET, Cylinder Cover
3	04884764AA	7	J, T, U			ECN, ED3			ISOLATOR, Cylinder Head Cover, Grommet And Bolt, [M6 X 1.0-6G]
4	04884764AA	7	J, T, U			ECN, ED3			ISOLATOR, Cylinder Head Cover, Grommet And Bolt, [M6 X 1.0-6G]
5	04884739AA	1	J, T, U			ECN, ED3			CAP, Oil Filler
6	68029299AA	1	J, T, U			ECN, ED3			O RING, Oil Filler Cap
7	05047002AA	1	J, T, U			ECN, ED3			VALVE, PCV
8	04884760AE	1	J, T, U			ECN, ED3			COVER, Cylinder Head
9	04884765AA	1	J, T, U			ECN, ED3			GASKET, Coil

COMPASS/PATRIOT (MK)

SERIES	LINE
H = HIGHLINE	T = JEEP - 2WD
L = LOWLINE	J = JEEP - 4WD
P = PREMIUM	U = JEEP - 4WD (RHD)

BODY
49 = HATCHBACK TYPE #2
74 = SPORT UTILITY 4-DR TYPE #4

ENGINE
ECE = 2.0L 4 Cyl DOHC DPF Diesel Engine
ED3 = 2.4L 4 Cyl DOHC 16V Dual VVT Engine
ECD = 2.0L 4 Cyl DOHC Diesel 16V Engine
ECN = 2.0L 4 Cyl DOHC 16V Dual VVT Engine

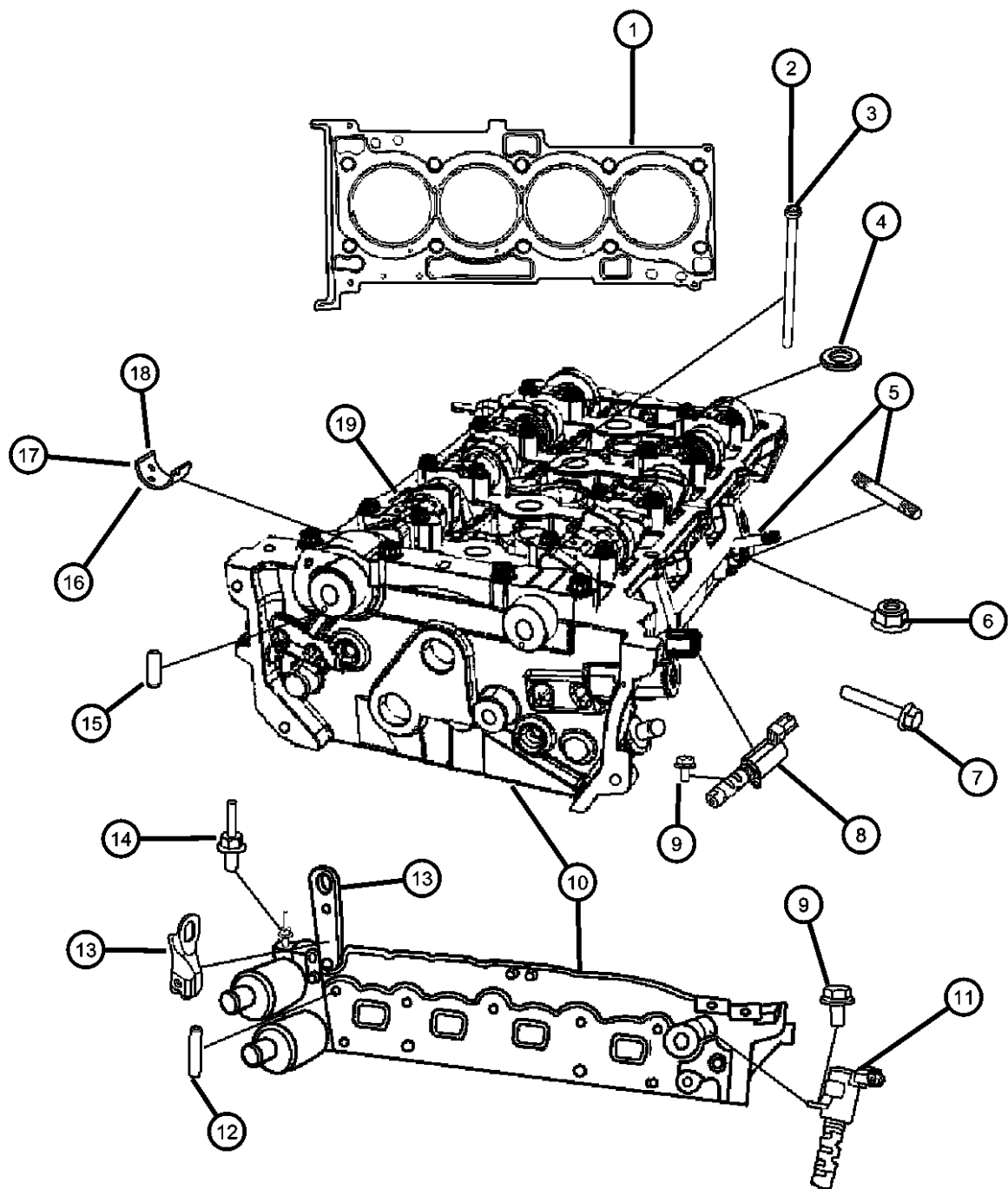
TRANSMISSION
DEF = 6-Speed Manual Aisin BG6 Trans
DD7 = 5-Speed Manual T355 Transmission
DAV = Continuously Variable Transaxle II
DAW = Cont.Var. w/Off-Rd Crawl Ratio Trans

AR = use ase required - = Non illustrated part

2008 MK

Cylinder Head 2.4L [ED3]

Figure 009ED3-225



ITEM	PART NUMBER	QTY	LINE	SERIES	BODY	ENGINE	TRANS	TRIM	DESCRIPTION
------	-------------	-----	------	--------	------	--------	-------	------	-------------

NOTE:
Complete Cylinder Contains: Cylinder Head, Camshafts, Camshaft Bearings, Intake Valves, Exhaust Valves, Valve Stem Seals, Valve Retainers, Valve Lifters, and Main Oil Gallery Ball.

Sales Codes:
[DAV] = Continuously Variable Transmission
[DEF] = 6-Speed Manual Aisia

1	05189976AA	1	J, T, U			ED3			GASKET PACKAGE, Cylinder Head
2	06508857AA	8	J, T, U			ED3			BOLT, Torx Head, M11x1.50x165.70
3	06508857AA	8	J, T, U			ECN, ED3			BOLT, Torx Head, M11x1.50x165.70
4	06508859AA	2	J, T, U			ED3			WASHER, Flat Special, ID M11.50 OD 23.20 THK 3.40
5	06102397AA	2	J, T, U			ECN, ED3			STUD, Double Ended, M8x1.25x55.00
6	06104716AA	3	J, T, U						NUT, Hex Flange Lock, M8X1.25
7	06104201AA	3	J, T, U			ECN, ED3			BOLT, Hex Flange Head, M8X1.25X45.00
8	04884695AA	1	J, T, U			ECN, ED3			CONTROL VALVE, Oil Intake
9	06104179AA	1	J, T, U						BOLT, [M6X12]
10	68004168AA	1	J, T, U			ECN, ED3			HEAD PACKAGE, Engine Cylinder, See Note
11	04884483AA	1	J, T, U			ECN, ED3			CONTROL VALVE, Oil Exhaust
12	06509036AA	2	J, T, U			ED3			STUD, Double Ended, [10X28]
13	04884752AC	1				ED3			BRACKET, Engine LiftRear
14	06508424AA	1	J, T, U			ECN, ED3			STUD, Double Ended, M8x1.25x50.00
15	06508424AA	1							PIN, Dowel, (NOT SERVICED)
16	05047008AA	AR	J, T, U			ECN, ED3			BEARING, Camshaft, Size 1, Black
17	05047009AA	AR	J, T, U			ECN, ED3			BEARING, Camshaft, Size 2
18	05047010AA	AR	J, T, U			ECN, ED3			BEARING, Camshaft, Size 3, Green
19	1601110000	7	J, T, U			ECN, ED3			BALL, Main Oil Gallery

COMPASS/PATRIOT (MK)

SERIES LINE
H = HIGHLINE T = JEEP - 2WD
L = LOWLINE J = JEEP - 4WD
P = PREMIUM U = JEEP - 4WD (RHD)

BODY
49 = HATCHBACK TYPE #2
74 = SPORT UTILITY 4-DR TYPE #4

ENGINE
ECE = 2.0L 4 Cyl DOHC DPF Diesel Engine
ED3 = 2.4L 4 Cyl DOHC 16V Dual VVT Engine
ECD = 2.0L 4 Cyl DOHC Diesel 16V Engine
ECN = 2.0L 4 Cyl DOHC 16V Dual VVT Engine

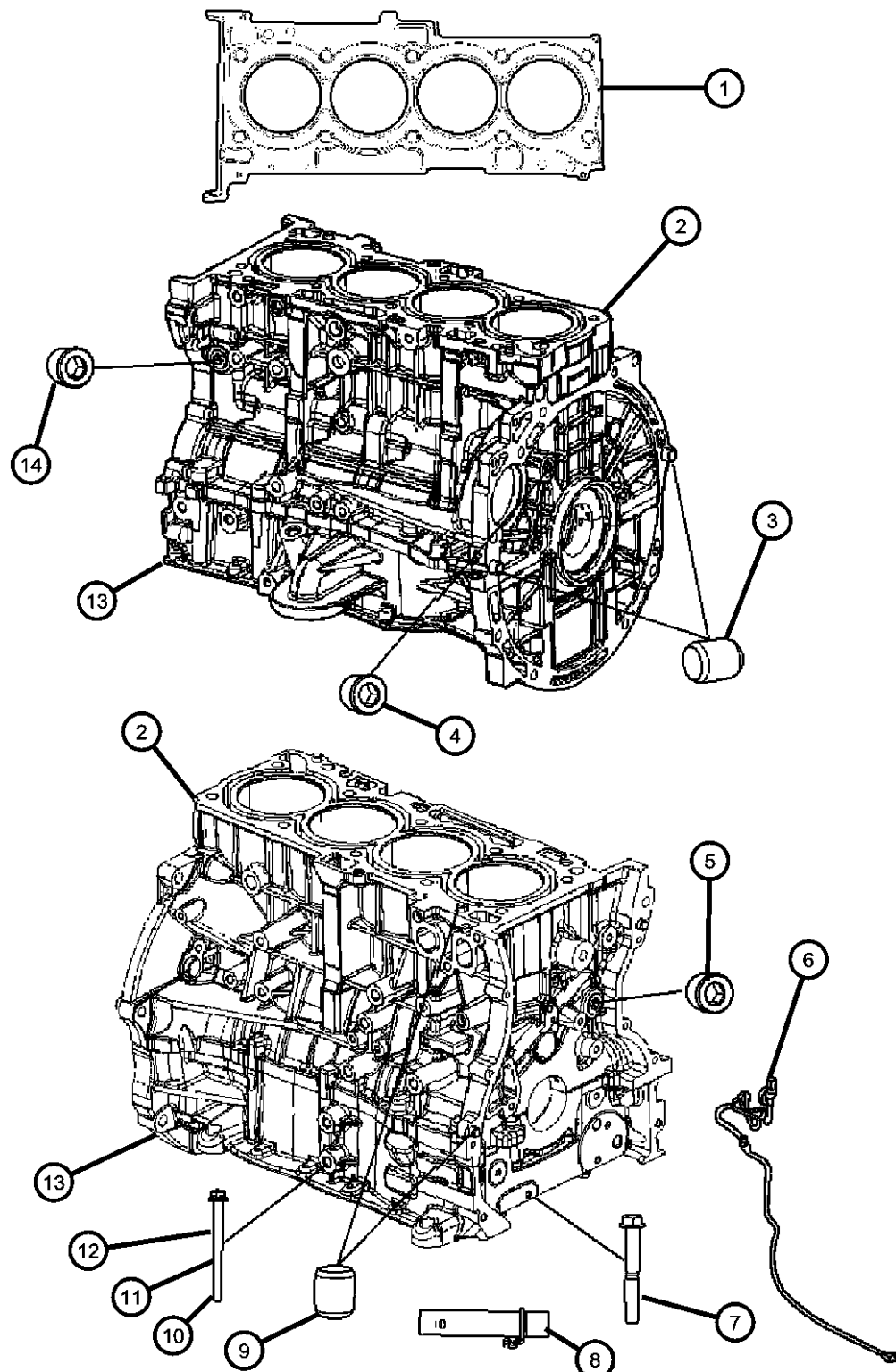
TRANSMISSION
DEF = 6-Speed Manual Aisin BG6 Trans
DD7 = 5-Speed Manual T355 Transmission
DAV = Continuously Variable Transaxle II
DAW = Cont.Var. w/Off-Rd Crawl Ratio Trans

AR = use ase required - = Non illustrated part

2008 MK

Engine Cylinder Block And Hardware 2.4L [ED3]

Figure 009ED3-305



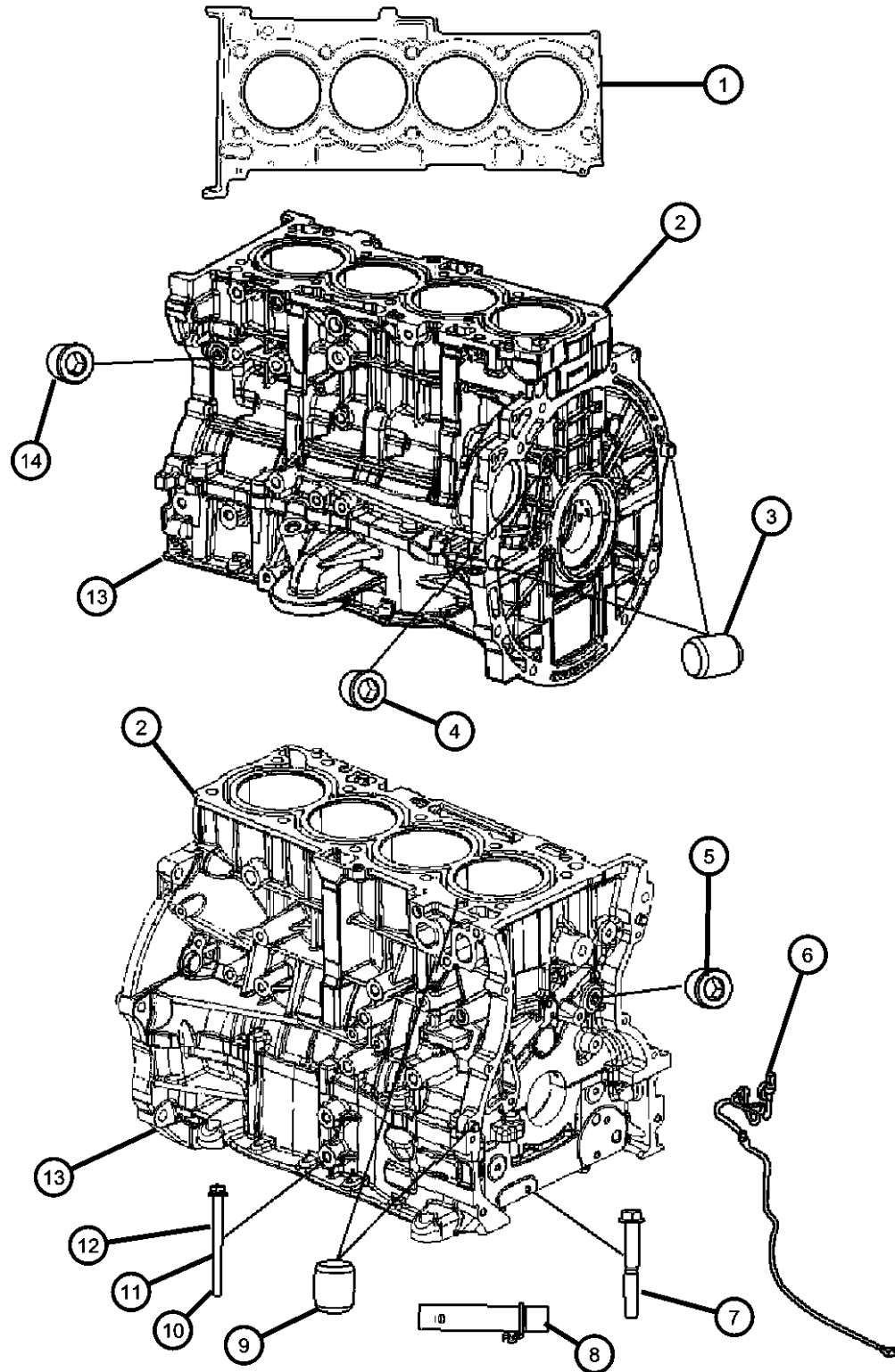
ITEM	PART NUMBER	QTY	LINE	SERIES	BODY	ENGINE	TRANS	TRIM	DESCRIPTION
1	05189957AA	1	J, T, U			ED3			GASKET PACKAGE, Engine Lower, See ILL 110 For Contents
2	05183906AA	1	J, T, U			ED3			ENGINE, Short Block, See Note
	05183906AC	1	J, T, U			ED3			With Bolt On Oil Squiter With Engines Produced Until Mid September 2007
									Without Bolt On Oil Squiter, 1 MM Hole In Block Used For Oiling With Engines Produced Mid September And After
3	04884783AA	2	J, T, U			ED3			DOWEL PIN
4	04884701AA	2	J, T, U			ED3			PLUG
5	04884701AA	1	J, T, U			ED3			PLUG
6	05033279AA	1	J, T, U			ED3			CORD, Engine Block Heater
7	06508983AA	10	J, T, U			ED3			BOLT, Hex Flange Head, M10x1.25x76.50
8	05033557AB	1	J, T, U			ECN, ED3			HEATER, Engine
9	04884783AA	2	J, T, U			ED3			DOWEL PIN
		2	J, T, U			ED3			Engine Block To Timing Chain Cover
		2	J, T, U			ED3			Engine Block To Cylinder Head
		2	J, T, U			ED3			Engine Block To Ladder
10	2212625000	4	J, T, U			ECN, ED3			BOLT, [M8X1.25X55], Ladder Frame To Cylinder Block
11	06508985AA	6	J, T, U			ED3			BOLT, Hex Flange Head, M8x1.25x104.00, Ladder Frame To Cylinder Block
12	06508985AA	6	J, T, U			ED3			BOLT, Hex Flange Head, M8x1.25x104.00
13	06508985AA	6							BEDPLATE, Serviced With Shortblock Only, (NOT SERVICED)
14	04884782AA	1	J, T, U			ECN, ED3			PLUG, Cylinder Block, [M14 X 1.5]

NOTE:
 World Engines Produced Until Mid September 2007 Used A Bolt On Oil Injector, Updated World Engines Produced Mid September 2007 And Later
 Short Block Contains: Crankshaft, Pistons, Connecting Rods, Piston Rings, Crankshaft Bearings, Connecting Rod Bearings, Sensor Target Wheel

COMPASS/PATRIOT (MK)				
SERIES	LINE	BODY	ENGINE	TRANSMISSION
H = HIGHLINE	T = JEEP - 2WD	49 = HATCHBACK TYPE #2	ECE = 2.0L 4 Cyl DOHC DPF Diesel Engine	DEF = 6-Speed Manual Aisin BG6 Trans
L = LOWLINE	J = JEEP - 4WD	74 = SPORT UTILITY 4-DR TYPE #4	ED3 = 2.4L 4 Cyl DOHC 16V Dual VVT Engine	DD7 = 5-Speed Manual T355 Transmission
P = PREMIUM	U = JEEP - 4WD (RHD)		ECD = 2.0L 4 Cyl DOHC Diesel 16V Engine	DAV = Continuously Variable Transaxle II
			ECN = 2.0L 4 Cyl DOHC 16V Dual VVT Engine	DAW = Cont.Var. w/Off-Rd Crawl Ratio Trans

AR = use ase required - = Non illustrated part

**Engine Cylinder Block Heater 2.4L [ED3]
Figure 009ED3-325**



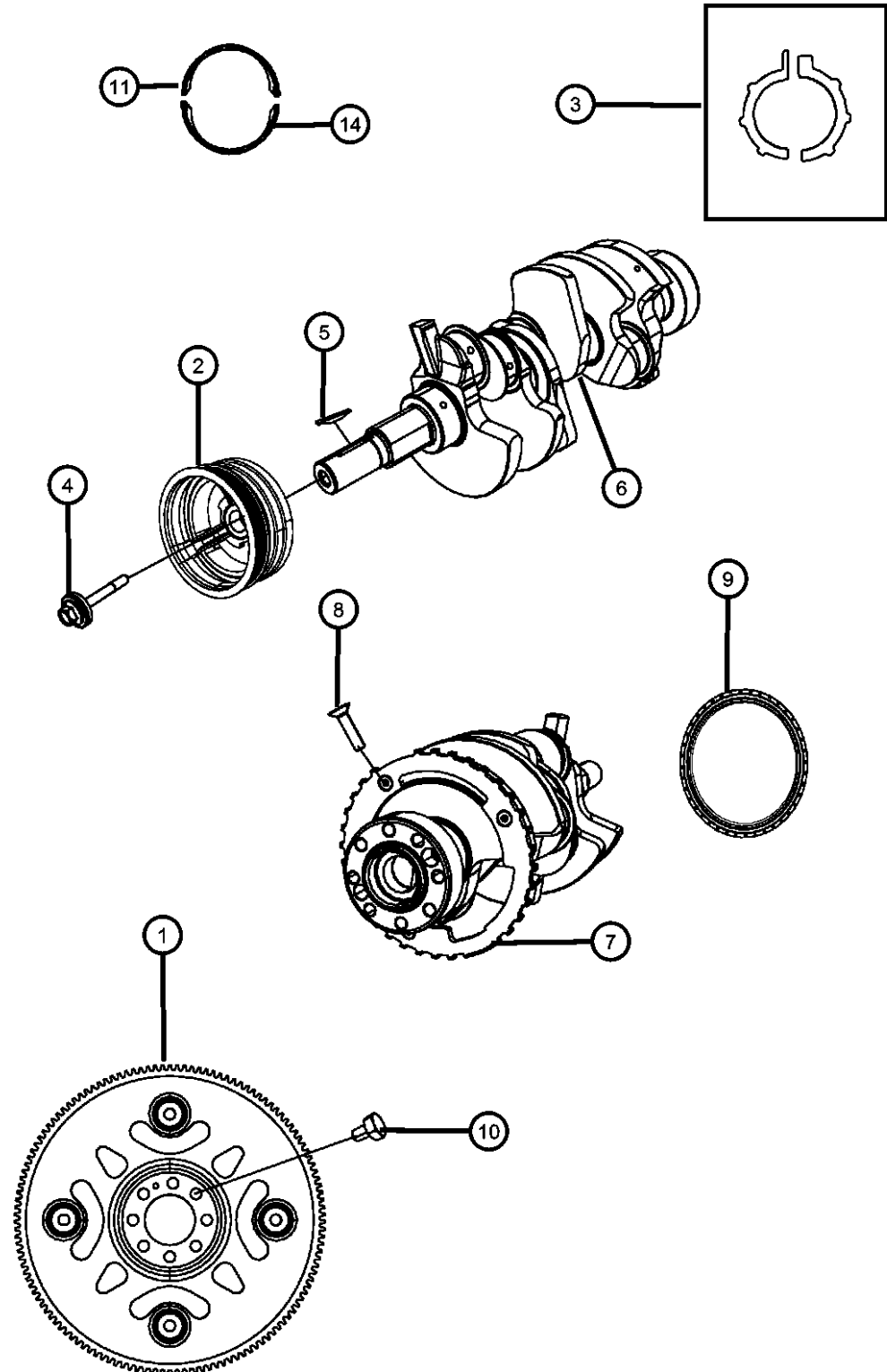
ITEM	PART NUMBER	QTY	LINE	SERIES	BODY	ENGINE	TRANS	TRIM	DESCRIPTION
NOTE: Short Block Contains: Crankshaft, Pistons, Connecting Rods, Piston Rings, Crankshaft Bearings, Connecting Rod Bearings, Sensor Target Wheel									
1	05189957AA	1	J, T, U			ED3			GASKET PACKAGE, Engine Lower, See ILL 110 For Contents
2	05183906AC	1	J, T, U			ED3			ENGINE, Short Block, See Note
3	04884783AA	2	J, T, U			ED3			DOWEL PIN
4	04884701AA	2	J, T, U			ED3			PLUG
5	04884701AA	1	J, T, U			ED3			PLUG
6	05033279AA	1	J, T, U			ED3			CORD, Engine Block Heater
7	06508983AA	10	J, T, U			ED3			BOLT, Hex Flange Head, M10x1.25x76.50
8	05033557AB	1	J, T, U			ECN, ED3			HEATER, Engine
9									DOWEL PIN
	04884783AA	2	J, T, U			ED3			Engine Block To Timing Chain Cover
		2	J, T, U			ED3			Engine Block To Cylinder Head
		2	J, T, U			ED3			Engine Block To Ladder
10	2212625000	4	J, T, U			ECN, ED3			BOLT, [M8X1.25X55], Ladder Frame To Cylinder Block
11	06508985AA	6	J, T, U			ED3			BOLT, Hex Flange Head, M8x1.25x104.00, Ladder Frame To Cylinder Block
12	06508985AA	6	J, T, U			ED3			BOLT, Hex Flange Head, M8x1.25x104.00
13	06508985AA	6							BEDPLATE, Serviced With Shortblock Only, (NOT SERVICED)
14	04884782AA	1	J, T, U			ECN, ED3			PLUG, Cylinder Block, [M14 X 1.5]

COMPASS/PATRIOT (MK)

SERIES	LINE	BODY	ENGINE	TRANSMISSION
H = HIGHLINE	T = JEEP - 2WD	49 = HATCHBACK TYPE #2	ECE = 2.0L 4 Cyl DOHC DPF Diesel Engine	DEF = 6-Speed Manual Aisin BG6 Trans
L = LOWLINE	J = JEEP - 4WD	74 = SPORT UTILITY 4-DR TYPE #4	ED3 = 2.4L 4 Cyl DOHC 16V Dual VVT Engine	DD7 = 5-Speed Manual T355 Transmission
P = PREMIUM	U = JEEP - 4WD (RHD)		ECD = 2.0L 4 Cyl DOHC Diesel 16V Engine	DAV = Continuously Variable Transaxle II
			ECN = 2.0L 4 Cyl DOHC 16V Dual VVT Engine	DAW = Cont.Var. w/Off-Rd Crawl Ratio Trans

AR = use ase required - = Non illustrated part

**Crankshaft, Crankshaft Bearings, Damper, And Driveplate 2.4L [ED3]
Figure 009ED3-405**



ITEM	PART NUMBER	QTY	LINE	SERIES	BODY	ENGINE	TRANS	TRIM	DESCRIPTION
------	-------------	-----	------	--------	------	--------	-------	------	-------------

NOTE: For Crankshaft Identification, Stamping Location And Bearing Information Refer To The Service Manual.
For Bearing Selection Sizes Please Refer To Service Manual Group 9, Bearings Crankshaft Main, [Select Fit Identification]
Sales Codes:

- [DAV] = Continuously Variable Transmission
- [DEF] = 6-Speed Manual Aisian BG6 Transmission
- [DEK] = 6-Speed Manual Getrag DM76 Transmission
- [DE0] = All 6-Speed Manual Transmissions
- [DD0] = All 5-Speed Manual Transmissions
- [DD7] = 5-Speed Manual T355 Transmission
- [ECD] = 2.0L 4 Cylinder DOHC Diesel 16 Valve Engine
- [ECN] = 2.0L 4 Cylinder DOHC 16 Valve VVT Engine
- [EC0] = All 2.0L 4 Cylinder Gas Engines
- [ED3] = 2.4L 4 Cylinder DOHC 16 Valve Dual VVT Engine
- [ED4] = 2.4L 4 Cylinder DOHC 16 Valve Turbo Engine
- [ED0] = All 2.4L 4 Cylinder Gas Engines
- [NAA] = Federal Emissions
- [NAE] = California Emissions
- [NAS] = 50 State Emissions
- [NA1] = Export Emissions

1	04736238AA	1	J, T, U				DAV, DAW		FLEXPLATE
		1	J, T, U				DD7		
2	2312425000	1	J, T, U			ECN, ED3			DAMPER, Crankshaft
3	04884910AA	2	J, T, U			ECN, ED3			BEARING, Crankshaft Thrust
4	06509029AA	1	J, T, U			ECN, ED3			BOLT, Hex Flange Head, M14x1.50x40.00
5	04884923AC	1	J, T, U			ECN, ED3			KEY, Crankshaft Sprocket
6	68001694AA	1	J, T, U			ED3			CRANKSHAFT PACKAGE, Engine
7	68001694AA	1							TONE RING, Sensor, Serviced With Crankshaft, (NOT SERVICED)
8	06509028AA	4	J, T, U			ECN, ED3			SCREW, Torx Flange Head, M6x1.00x14.00
9	2144325000	1	J, T, U			ECN, ED3			SEAL, Crankshaft Oil, Rear
10	05189932AA	7	J, T, U			ECN, ED3			BOLT PACKAGE, Driveplate To Crankshaft
11	04884915AA	AR	J, T, U			ECN, ED3			BEARING, Crankshaft Upper, Standard
-12	04884914AA	AR	J, T, U			ECN, ED3			BEARING, Crankshaft Upper, -6 Micron
-13	04884916AA	AR	J, T, U			ECN, ED3			BEARING, Crankshaft Upper, +6 Micron
14	04884919AA	AR	J, T, U			ECN, ED3			BEARING, Crankshaft Lower, Standard

COMPASS/PATRIOT (MK)

SERIES LINE
H = HIGHLINE T = JEEP - 2WD
L = LOWLINE J = JEEP - 4WD
P = PREMIUM U = JEEP - 4WD (RHD)

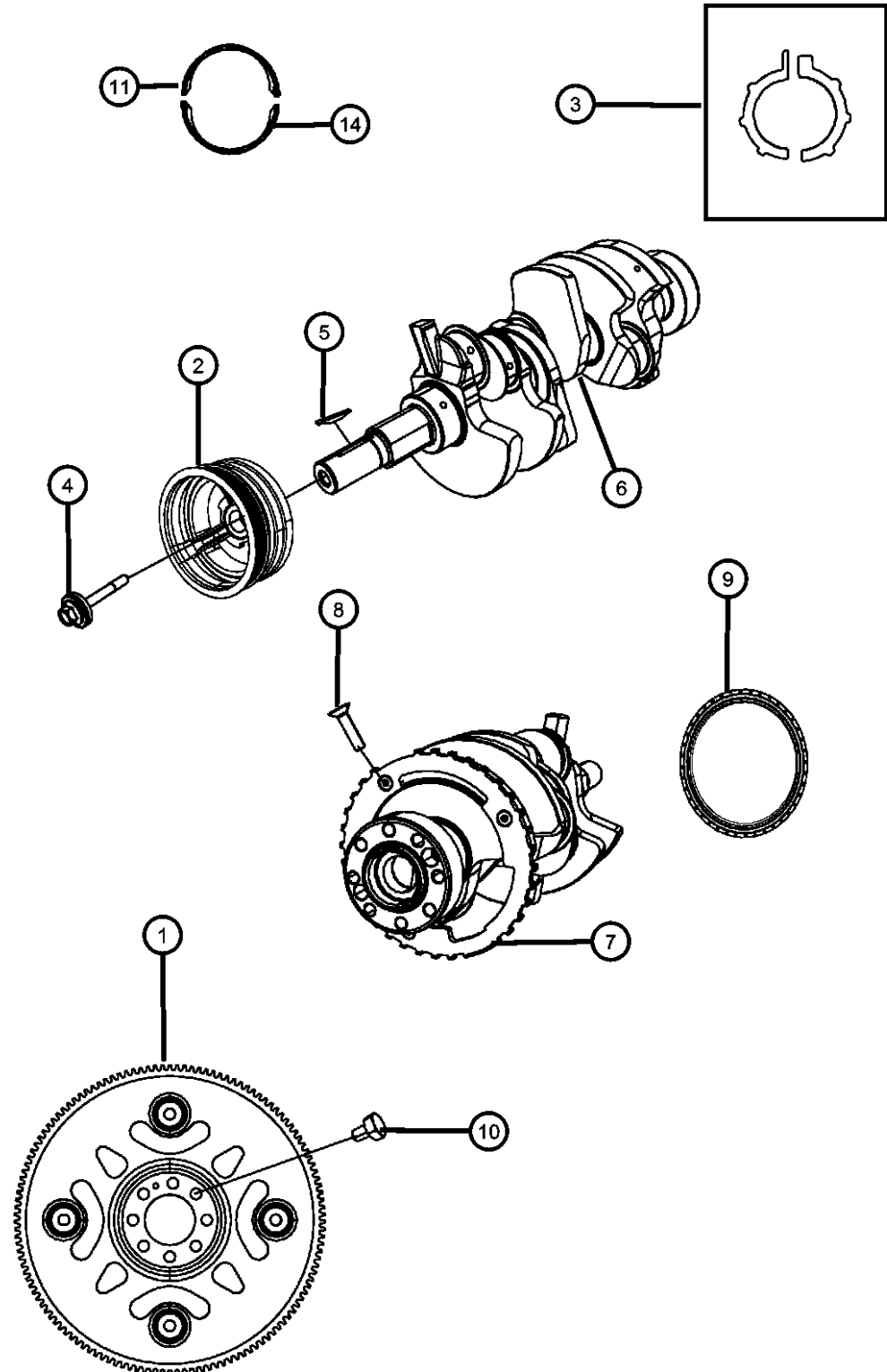
BODY
49 = HATCHBACK TYPE #2
74 = SPORT UTILITY 4-DR TYPE #4

ENGINE TRANSMISSION
ECE = 2.0L 4 Cyl DOHC DPF Diesel Engine DEF = 6-Speed Manual Aisian BG6 Trans
ED3 = 2.4L 4 Cyl DOHC 16V Dual VVT Engine DD7 = 5-Speed Manual T355 Transmission
ECD = 2.0L 4 Cyl DOHC Diesel 16V Engine DAV = Continuously Variable Transaxle II
ECN = 2.0L 4 Cyl DOHC 16V Dual VVT Engine DAW = Cont.Var. w/Off-Rd Crawl Ratio Trans

AR = use ase required - = Non illustrated part

2008 MK

**Crankshaft, Crankshaft Bearings, Damper, And Driveplate 2.4L [ED3]
Figure 009ED3-405**



ITEM	PART NUMBER	QTY	LINE	SERIES	BODY	ENGINE	TRANS	TRIM	DESCRIPTION
-15	04884918AA	AR	J, T, U			ECN, ED3			BEARING, Crankshaft Lower, -3 Micron
-16	04884920AA	AR	J, T, U			ECN, ED3			BEARING, Crankshaft Lower, +3 Micron
-17	04884917AA	AR	J, T, U			ECN, ED3			BEARING, Crankshaft Lower, -6 Micron
-18	04884921AA	AR	J, T, U			ECN, ED3			BEARING, Crankshaft Lower, +6 Micron

COMPASS/PATRIOT (MK)

SERIES	LINE
H = HIGHLINE	T = JEEP - 2WD
L = LOWLINE	J = JEEP - 4WD
P = PREMIUM	U = JEEP - 4WD (RHD)

BODY
49 = HATCHBACK TYPE #2
74 = SPORT UTILITY 4-DR TYPE #4

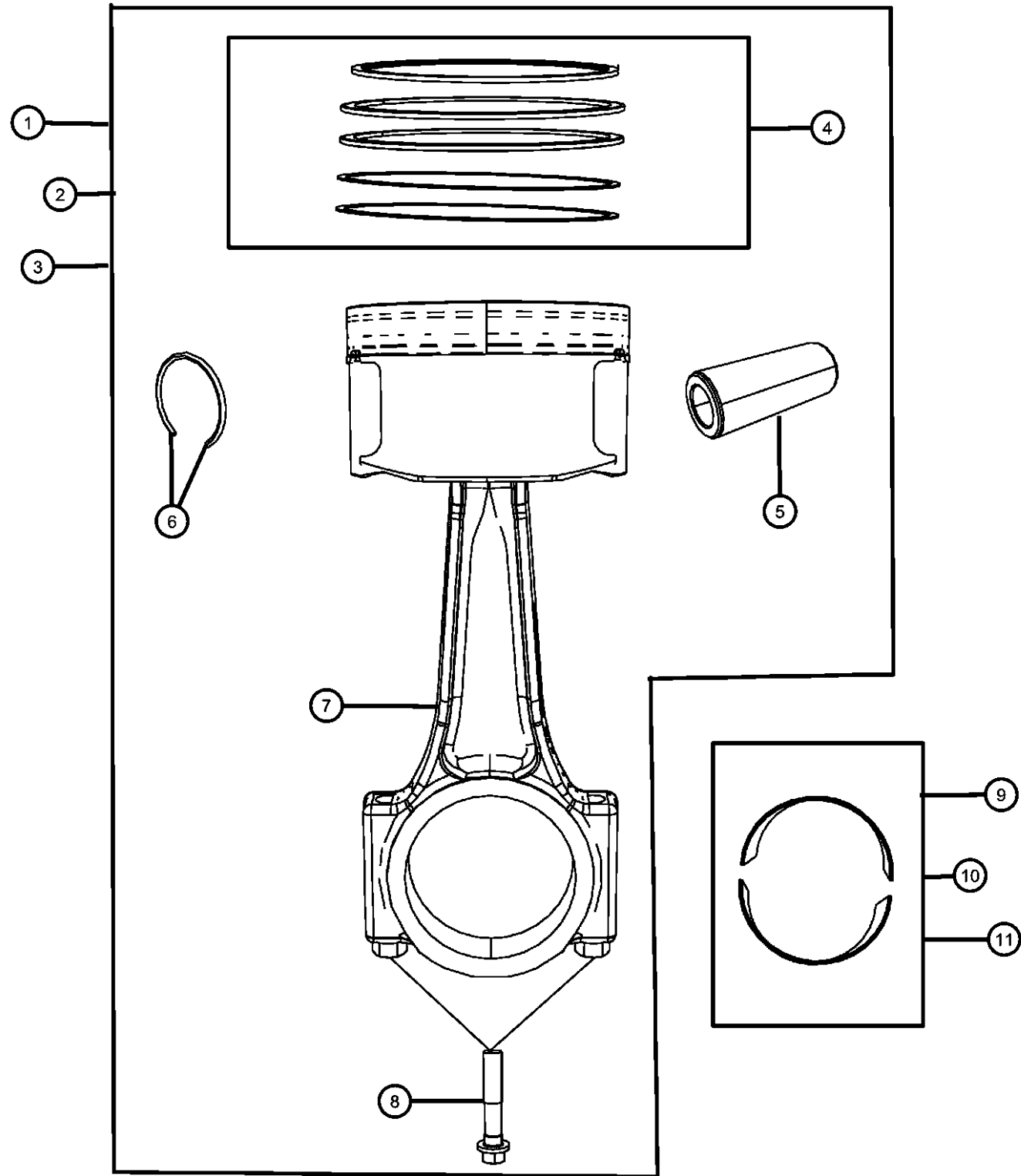
ENGINE
ECE = 2.0L 4 Cyl DOHC DPF Diesel Engine
ED3 = 2.4L 4 Cyl DOHC 16V Dual VVT Engine
ECD = 2.0L 4 Cyl DOHC Diesel 16V Engine
ECN = 2.0L 4 Cyl DOHC 16V Dual VVT Engine

TRANSMISSION
DEF = 6-Speed Manual Aisin BG6 Trans
DD7 = 5-Speed Manual T355 Transmission
DAV = Continuously Variable Transaxle II
DAW = Cont.Var. w/Off-Rd Crawl Ratio Trans

AR = use ase required - = Non illustrated part

2008 MK

**Pistons, Piston Rings, Connecting Rods And Connecting Rod Bearings 2.4L [ED3]
Figure 009ED3-425**



ITEM	PART NUMBER	QTY	LINE	SERIES	BODY	ENGINE	TRANS	TRIM	DESCRIPTION
------	-------------	-----	------	--------	------	--------	-------	------	-------------

NOTE: For Crankshaft Identification, Stamping Location And Bearing Information Refer To The Service Manual.
For Bearing Selection Sizes Please Refer To Service Manual Group 9, Bearings Crankshaft Main, [Select Fit Identification]

Sales Codes:
[DA

1	05191340AA	AR	J, T, U			ED3			PISTON PIN AND ROD, A-Size
2	05191341AA	AR	J, T, U			ED3			PISTON PIN AND ROD, B-Size
3	05191342AA	AR	J, T, U			ED3			PISTON PIN AND ROD, C-Size
4	05191424AA	1	J, T, U			ED3			PISTON RING SET, COMPLETE ENGINE, STD.
5	05191424AA	1							PIN, Piston, Serviced With Piston Package, (NOT SERVICED)
6	05191424AA	1							RING, Piston Pin, Serviced With Piston Package, (NOT SERVICED)
7	05191424AA	1							ROD, Connecting, Serviced With Piston Package, (NOT SERVICED)
8	MN195112	8	J, T, U			ED3			BOLT, Connecting Rod
9	04884912AA	AR	J, T, U			ECN, ED3			BEARING, Connecting Rod, STD.
10	04884911AA	AR	J, T, U			ECN, ED3			BEARING, Connecting Rod, -3 Micron
11	04884913AA	AR	J, T, U			ECN, ED3			BEARING, Connecting Rod, +3 Micron

COMPASS/PATRIOT (MK)

SERIES LINE
H = HIGHLINE T = JEEP - 2WD
L = LOWLINE J = JEEP - 4WD
P = PREMIUM U = JEEP - 4WD (RHD)

BODY
49 = HATCHBACK TYPE #2
74 = SPORT UTILITY 4-DR TYPE #4

ENGINE
ECE = 2.0L 4 Cyl DOHC DPF Diesel Engine
ED3 = 2.4L 4 Cyl DOHC 16V Dual VVT Engine
ECD = 2.0L 4 Cyl DOHC Diesel 16V Engine
ECN = 2.0L 4 Cyl DOHC 16V Dual VVT Engine

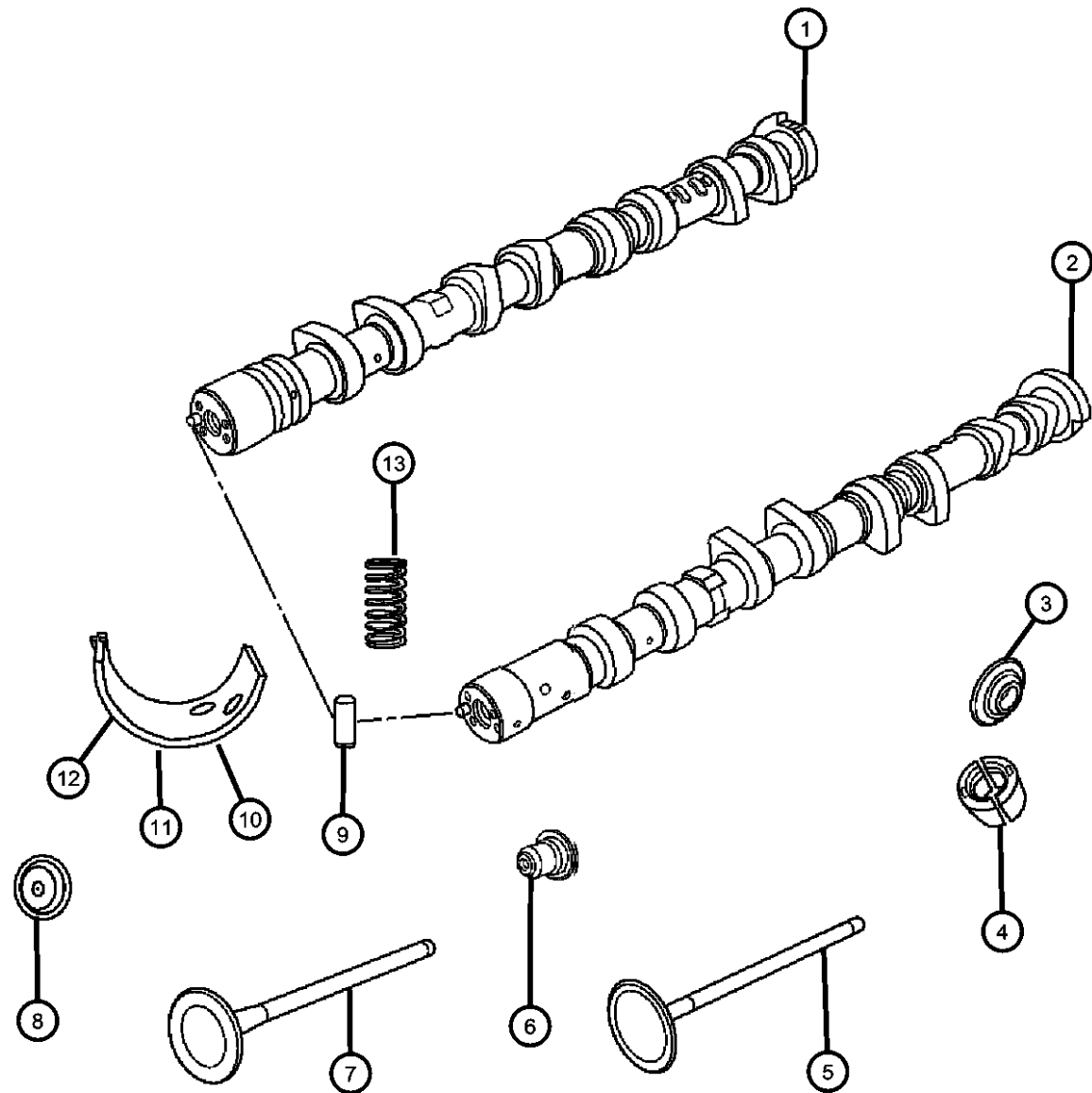
TRANSMISSION
DEF = 6-Speed Manual Aisin BG6 Trans
DD7 = 5-Speed Manual T355 Transmission
DAV = Continuously Variable Transaxle II
DAW = Cont.Var. w/Off-Rd Crawl Ratio Trans

AR = use ase required - = Non illustrated part

2008 MK

**Camshafts And Valvetrain 2.4L [ED3]
Figure 009ED3-505**

ITEM	PART NUMBER	QTY	LINE	SERIES	BODY	ENGINE	TRANS	TRIM	DESCRIPTION
NOTE: Solid Bucket Tappets Thickness Is Stamped On Inside Of Bucket. Sales Codes: [DAV] = Continuously Variable Transmission [DEF] = 6-Speed Manual Aisian BG6 Transmission [DE0] = All 6-Speed Manual Transmissions [DD0] = All 5-Speed Manual Transmiss									
1	04884736AB	1	J, T, U			ECN, ED3			CAMSHAFT, Exhaust
2	04884735AB	1	J, T, U			ECN, ED3			CAMSHAFT, Intake
3	04884725AA	16	J, T, U			ECN, ED3			RETAINER, Valve Spring
4	04884726AA	32	J, T, U			ECN, ED3			LOCK, Valve Spring Retainer
5	MN187696	8	J, T, U			ECN, ED3			VALVE, Engine Intake
6	2222425000	16	J, T, U			ECN, ED3			SEAL, Valve Guide
7	MN183950	8	J, T, U			ECN, ED3			VALVE, Engine Exhaust
8									TAPPET, Valve, See Note
	04884594AB	AR				ED3			3.015 Millimeters
	04884594AE	AR				ED3			3.06 Millimeters
	04884594AH	AR				ED3			3.105 Millimeters
	04884594AK	AR				ED3			3.15 Millimeters
	04884594AN	AR				ED3			3.195 Millimeters
	04884594AQ	AR				ED3			3.24 Millimeters
	04884594AT	AR				ED3			3.285 Millimeters
	04884594AW	AR				ED3			3.33 Millimeters
	04884594AZ	AR				ED3			3.375 Millimeters
	04884594BC	AR				ED3			3.42 Millimeters
	04884594BF	AR				ED3			3.465 Millimeters
	04884594BI	AR				ED3			3.51 Millimeters
	04884594BL	AR				ED3			3.555 Millimeters
	04884594BO	AR				ED3			3.600 Millimeters
	04884594BR	AR				ED3			3.645 Millimeters
	04884594BU	AR				ED3			3.690 Millimeters
9	04884594BU	AR							PIN, Dowel, (NOT SERVICED),
10	05047008AA	AR	J, T, U			ECN, ED3			BEARING, Camshaft, Size 1
11	05047009AA	AR	J, T, U			ECN, ED3			BEARING, Camshaft, Size 2



COMPASS/PATRIOT (MK)

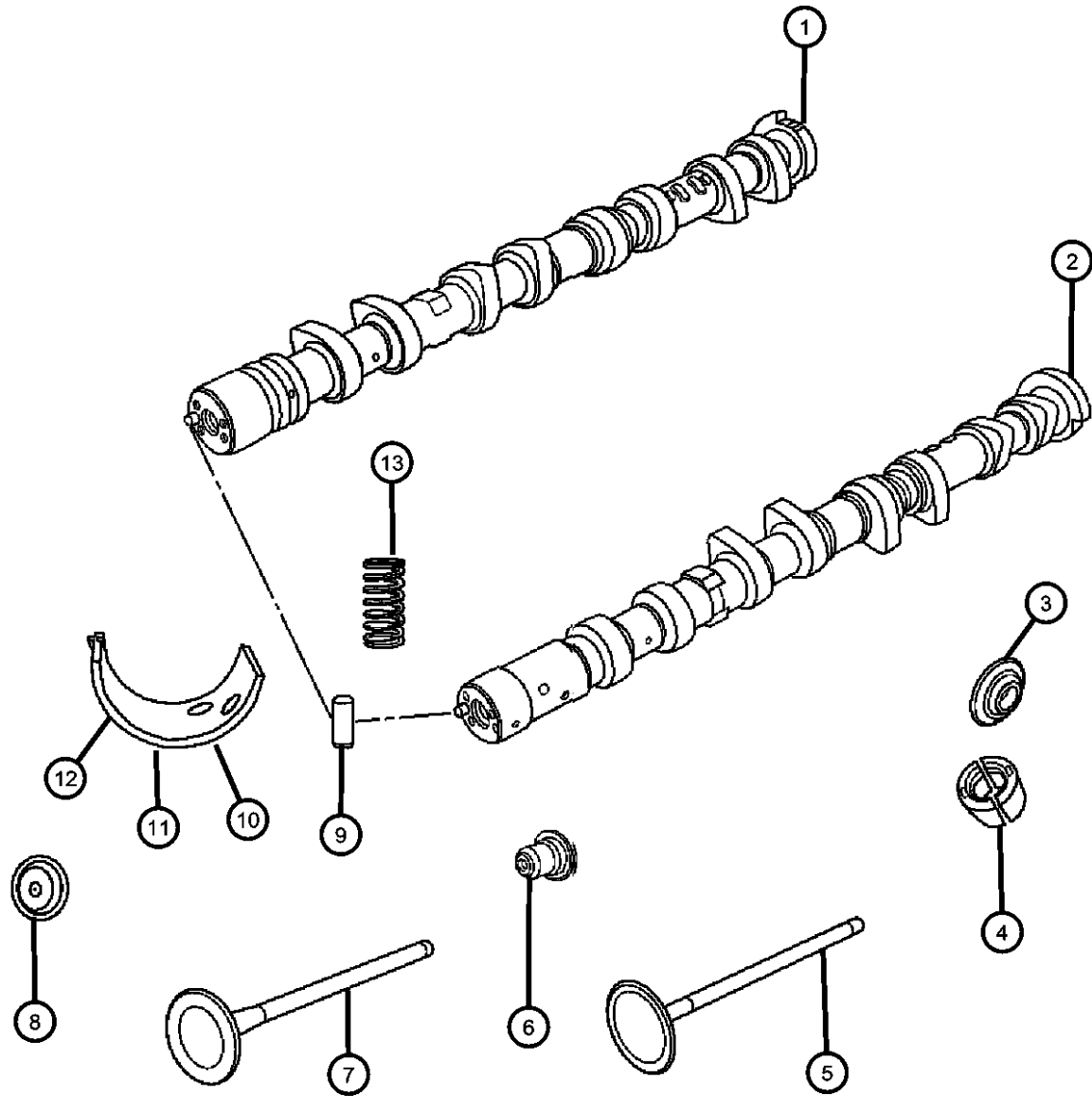
SERIES	LINE	BODY	ENGINE	TRANSMISSION
H = HIGHLINE	T = JEEP - 2WD	49 = HATCHBACK TYPE #2	ECE = 2.0L 4 Cyl DOHC DPF Diesel Engine	DEF = 6-Speed Manual Aisian BG6 Trans
L = LOWLINE	J = JEEP - 4WD	74 = SPORT UTILITY 4-DR TYPE #4	ED3 = 2.4L 4 Cyl DOHC 16V Dual VVT Engine	DD7 = 5-Speed Manual T355 Transmission
P = PREMIUM	U = JEEP - 4WD (RHD)		ECD = 2.0L 4 Cyl DOHC Diesel 16V Engine	DAV = Continuously Variable Transaxle II
			ECN = 2.0L 4 Cyl DOHC 16V Dual VVT Engine	DAW = Cont.Var. w/Off-Rd Crawl Ratio Trans

AR = use ase required - = Non illustrated part

2008 MK

**Camshafts And Valvetrain 2.4L [ED3]
Figure 009ED3-505**

ITEM	PART NUMBER	QTY	LINE	SERIES	BODY	ENGINE	TRANS	TRIM	DESCRIPTION
12	05047010AA	AR	J, T, U			ECN, ED3			BEARING, Camshaft, Size 3
13	04884804AA	16	J, T, U			ECN, ED3			SPRING, Valve



COMPASS/PATRIOT (MK)

SERIES LINE

H = HIGHLINE T = JEEP - 2WD
L = LOWLINE J = JEEP - 4WD
P = PREMIUM U = JEEP - 4WD (RHD)

BODY

49 = HATCHBACK TYPE #2
74 = SPORT UTILITY 4-DR
TYPE #4

ENGINE

ECE = 2.0L 4 Cyl DOHC DPF Diesel Engine
ED3 = 2.4L 4 Cyl DOHC 16V Dual VVT Engine
ECD = 2.0L 4 Cyl DOHC Diesel 16V Engine
ECN = 2.0L 4 Cyl DOHC 16V Dual VVT Engine

TRANSMISSION

DEF = 6-Speed Manual Aisin BG6 Trans
DD7 = 5-Speed Manual T355 Transmission
DAV = Continuously Variable Transaxle II
DAW = Cont.Var. w/Off-Rd Crawl Ratio Trans

AR = use ase required - = Non illustrated part

2008 MK

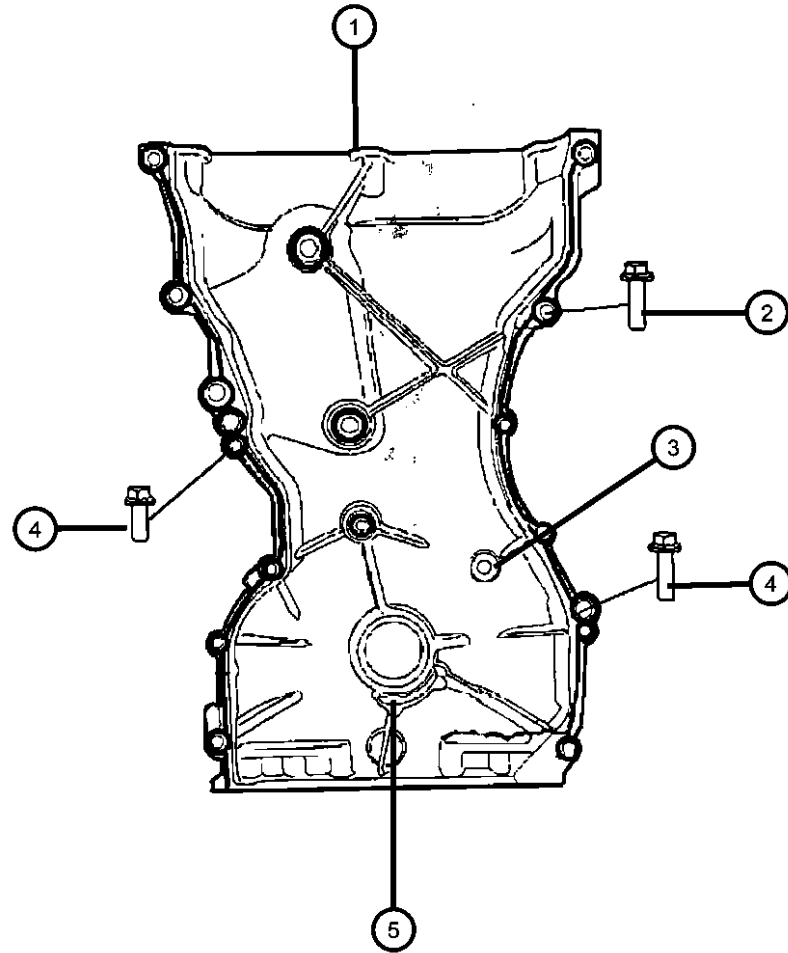
**Timing Case Cover 2.4L [ED3]
Figure 009ED3-605**

ITEM	PART NUMBER	QTY	LINE	SERIES	BODY	ENGINE	TRANS	TRIM	DESCRIPTION
------	-------------	-----	------	--------	------	--------	-------	------	-------------

NOTE:

Sales Codes:

- [DAV] = Continuously Variable Transmission
- [DEF] = 6-Speed Manual Aisin BG6 Transmission
- [DEK] = 6-Speed Manual Getrag DM76 Transmission
- [DE0] = All 6-Speed Manual Transmissions
- [DD0] = All 5-Speed Manual Transmissions
- [DD7] = 5-Speed Manual T355 Transmission
- [ECD] = 2.0L 4 Cylinder DOHC Diesel 16 Valve Engine
- [ECN] = 2.0L 4 Cylinder DOHC 16 Valve VVT Engine
- [EC0] = All 2.0L 4 Cylinder Gas Engines
- [ED3] = 2.4L 4 Cylinder DOHC 16 Valve Dual VVT Engine
- [ED4] = 2.4L 4 Cylinder DOHC 16 Valve Turbo Engine
- [ED0] = All 2.4L 4 Cylinder Gas Engines
- [NAA] = Federal Emissions
- [NAE] = California Emissions
- [NAS] = 50 State Emissions
- [NA1] = Export Emissions



1	04884466AB	1	J, T, U			ECN, ED3			COVER, Timing Case
2	04884466AB	1							BOLT, BOLT-FLANGE, [M6X25], (NOT SERVICED)
3	06102258AA	1	J, T, U			ECN, ED3			PLUG, Timing Chain Tensioner Access
4	06104025AA	6	J, T, U			ECN, ED3			SCREW, Hex Flange Head, M8X1.25X30.0, Timing Chain Cover To Engine Block, Mounting
5	2142125000	1	J, T, U			ECN, ED3			SEAL, Crankshaft Oil, Front

COMPASS/PATRIOT (MK)

SERIES	LINE	BODY	ENGINE	TRANSMISSION
H = HIGHLINE	T = JEEP - 2WD	49 = HATCHBACK TYPE #2	ECE = 2.0L 4 Cyl DOHC DPF Diesel Engine	DEF = 6-Speed Manual Aisin BG6 Trans
L = LOWLINE	J = JEEP - 4WD	74 = SPORT UTILITY 4-DR TYPE #4	ED3 = 2.4L 4 Cyl DOHC 16V Dual VVT Engine	DD7 = 5-Speed Manual T355 Transmission
P = PREMIUM	U = JEEP - 4WD (RHD)		ECD = 2.0L 4 Cyl DOHC Diesel 16V Engine	DAV = Continuously Variable Transaxle II
			ECN = 2.0L 4 Cyl DOHC 16V Dual VVT Engine	DAW = Cont.Var. w/Off-Rd Crawl Ratio Trans

AR = use ase required - = Non illustrated part

2008 MK

**Timing System 2.4L [ED3]
Figure 009ED3-625**

ITEM	PART NUMBER	QTY	LINE	SERIES	BODY	ENGINE	TRANS	TRIM	DESCRIPTION
------	-------------	-----	------	--------	------	--------	-------	------	-------------

NOTE:

Sales Codes:

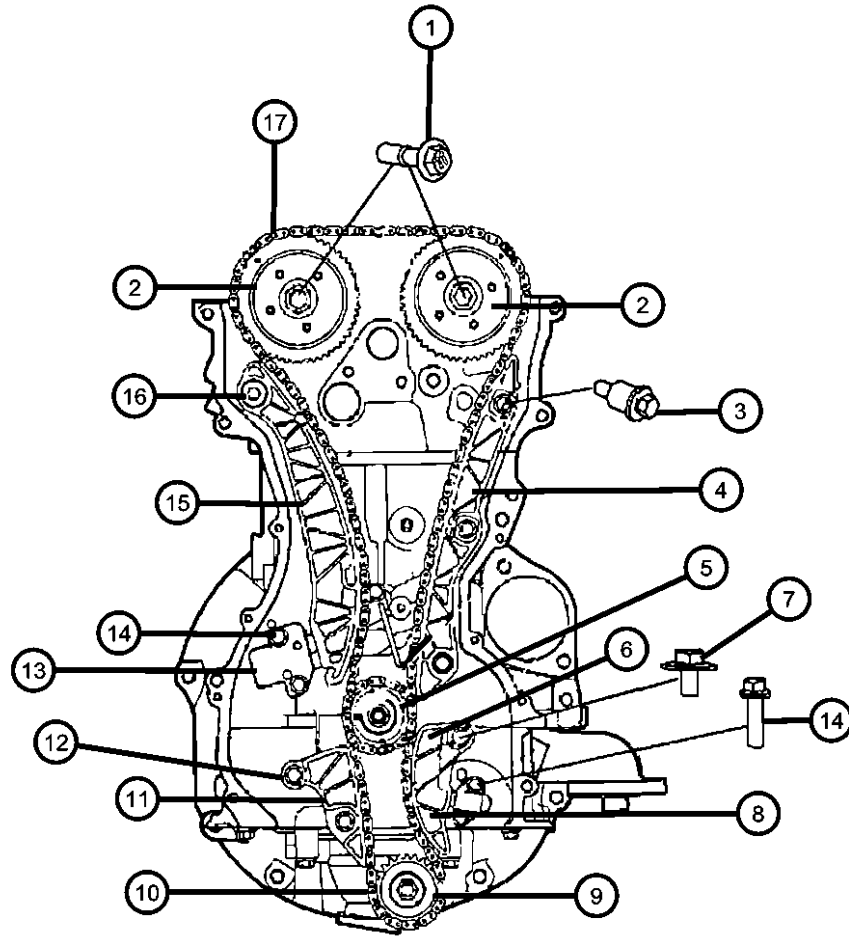
[DAV] = Continuously Variable Transmission

[DEF] = 6-Speed Manual Aisin BG6 Transmission

[DEK] = 6-Speed Manual Getrag DM76 Transmission

[DE0] = All 6-Speed Manual Transmissions

[DD0] = All 5-Speed Manual Transmissions



1	06509008AA	2	J, T, U			ECN, ED3			BOLT, Hex Flange Head, M10x1.25x41.50, Phaser To Camshaft, Mounting
2									PHASER, Camshaft
	05047021AA	1	J, T, U			ECN, ED3			Variable Valve Timing Intake
	05047022AA	1	J, T, U			ECN, ED3			Variable Valve Timing Exhaust
3	2434825000	3	J, T, U			ECN, ED3			BOLT, Timing Chain Guide Fixed To Engine Block, Mounting
4	2443125000	1	J, T, U			ECN, ED3			GUIDE, Timing Chain, Fixed
5	04884587AA	1	J, T, U			ECN, ED3			SPROCKET, Crankshaft
6	04884588AA	1	J, T, U			ECN, ED3			TENSIONER ARM, Balance Shaft Driver
7	06509007AA	1	J, T, U			ECN, ED3			SCREW, Hex Flange Head, Balanceshaft Chain Arm To Ladder, Mounting
8	04884876AA	1	J, T, U			ECN, ED3			TENSIONER, Chain, Balance Shaft Chain, Secondary
9	04884876AA	1							SPROCKET, Drive, Serviced With Oil Pump, (NOT SERVICED)
10	04884870AB	1	J, T, U			ECN, ED3			CHAIN, Balance Shaft
11	04884589AA	1	J, T, U			ECN, ED3			GUIDE, Balance Shaft Chain
12	2434825000	2	J, T, U			ECN, ED3			BOLT, Balance Shaft Chain Guide, Mounting
13	2441025000	1	J, T, U			ECN, ED3			TENSIONER, ChainPrimary
14	06509090AA	2	J, T, U			ECN, ED3			BOLT, Hex Flange Head, M6X1.00X25.00, Tensioner To Cylinder Block, Mounting
15	2442025000	1	J, T, U			ECN, ED3			TENSIONER ARM, Pivot
16	06509005AA	1	J, T, U			ECN, ED3			SCREW, Hex Flange Head, Timing Chain Guide Pivot To Cylinder Head, Mounting
17	04884868AB	1	J, T, U			ECN, ED3			CHAIN, TimingPrimary

COMPASS/PATRIOT (MK)

SERIES LINE
H = HIGHLINE T = JEEP - 2WD
L = LOWLINE J = JEEP - 4WD
P = PREMIUM U = JEEP - 4WD (RHD)

BODY
49 = HATCHBACK TYPE #2
74 = SPORT UTILITY 4-DR
TYPE #4

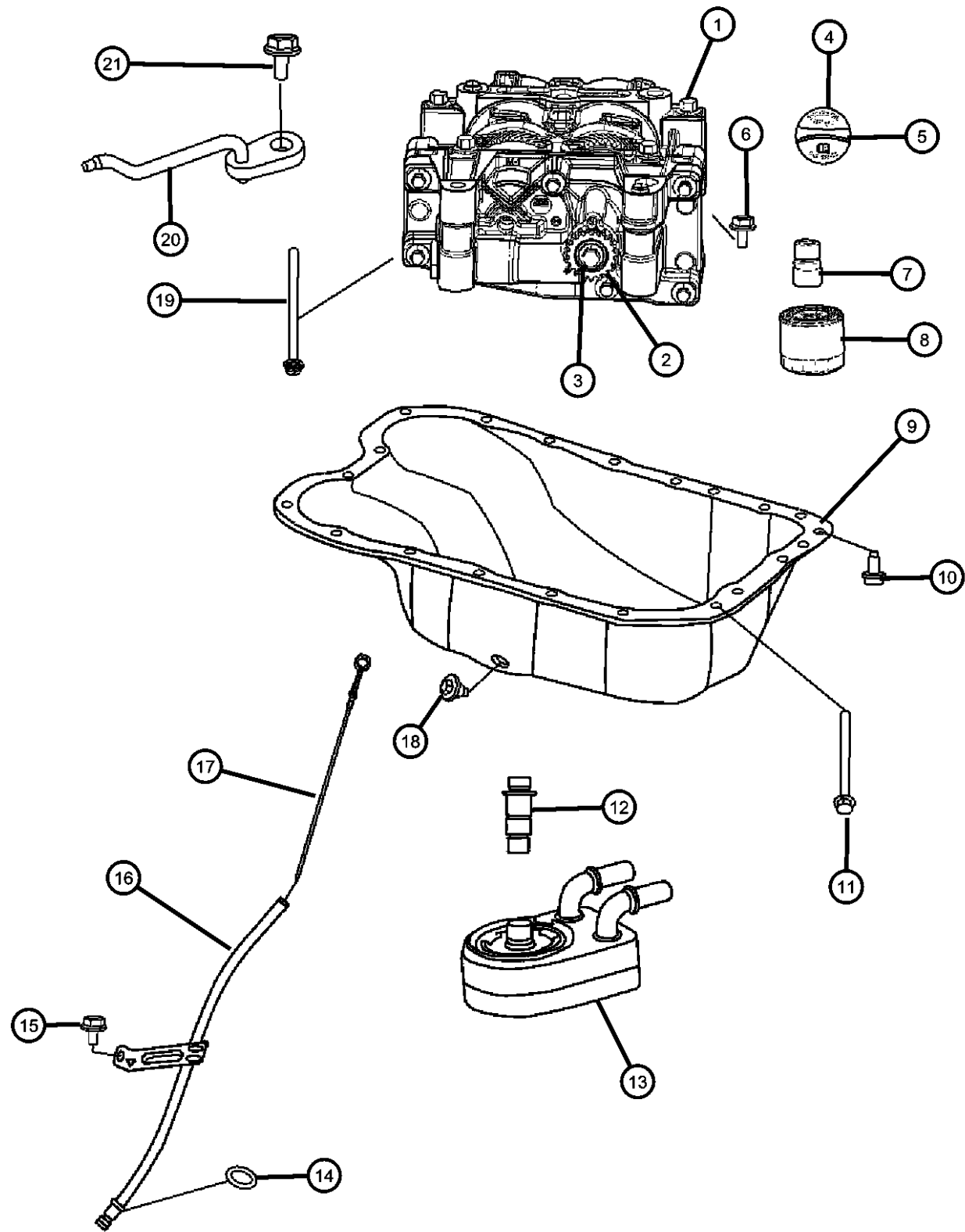
ENGINE
ECE = 2.0L 4 Cyl DOHC DPF Diesel Engine
ED3 = 2.4L 4 Cyl DOHC 16V Dual VVT Engine
ECD = 2.0L 4 Cyl DOHC Diesel 16V Engine
ECN = 2.0L 4 Cyl DOHC 16V Dual VVT Engine

TRANSMISSION
DEF = 6-Speed Manual Aisin BG6 Trans
DD7 = 5-Speed Manual T355 Transmission
DAV = Continuously Variable Transaxle II
DAW = Cont.Var. w/Off-Rd Crawl Ratio Trans

AR = use ase required - = Non illustrated part

2008 MK

**Balance Shafts 2.4L [ED3]
Figure 009ED3-645**



ITEM	PART NUMBER	QTY	LINE	SERIES	BODY	ENGINE	TRANS	TRIM	DESCRIPTION
1	05189868AC	1	J, T, U			ED3			SHAFT PACKAGE, Balance with Oil Pump
2	05189868AC	1							SPROCKET, Drive, Serviced With Oil Pump, (NOT SERVICED)
3	05189868AC	1							BOLT, BOLT, Serviced With Oil Pump, (NOT SERVICED)
4	04884739AA	1	J, T, U			ECN, ED3			CAP, Oil Filler
5	68029299AA	1	J, T, U			ECN, ED3			O RING, Oil Filler Cap
6	06508618AA	4	J, T, U			ECN, ED3			BOLT AND WASHER, Hex Flange Head Locking, M8x1.25x180.00, Balance Shaft Oil Pump Assembly To Cylinder Block, Mounting
7	04884902AB	1	J, T, U			ED3			CONNECTOR, Oil Filter
8	04884900AB	1	J, T, U			ECN, ED3			FILTER, Engine Oil
9	04884665AE	1	J, T, U			ECN, ED3			PAN, Oil
10	06509005AA	1	J, T, U			ECN, ED3			SCREW, Hex Flange Head
11	06508985AA	6	J, T, U			ED3			BOLT, Hex Flange Head, M8x1.25x104.00
12	04884758AB	1							CONNECTOR, Engine Oil Cooler
13	04884757AD	1							COOLER, Engine Oil
14	04884757AD	1							O RING, Engine Oil Level Tube, Serviced With Indicator Tube. O-Ring Part # 2661423500, (NOT SERVICED)
15	05183964AA	1	J, T, U			ECN, ED3			BOLT, Hex Flange Head, M6x1.00x10.90
16	04884733AC	1	J, T, U			ECN, ED3			TUBE, Engine Oil Indicator
17	04884688AD	1	J, T, U			ECN, ED3			INDICATOR, Engine Oil Level
18	06507741AA	1	J, T, U			ECN, ED3			PLUG, Oil Drain, [M14X1.50X21.50]
19	06508618AA	4	J, T, U			ECN, ED3			BOLT AND WASHER, Hex Flange Head Locking, M8x1.25x180.00
20	06508618AA	4							INJECTOR, Oil, (NOT SERVICED)
21	06508618AA	4							BOLT, [M6X12], (NOT SERVICED)

COMPASS/PATRIOT (MK)

SERIES LINE
H = HIGHLINE T = JEEP - 2WD
L = LOWLINE J = JEEP - 4WD
P = PREMIUM U = JEEP - 4WD (RHD)

BODY
49 = HATCHBACK TYPE #2
74 = SPORT UTILITY 4-DR TYPE #4

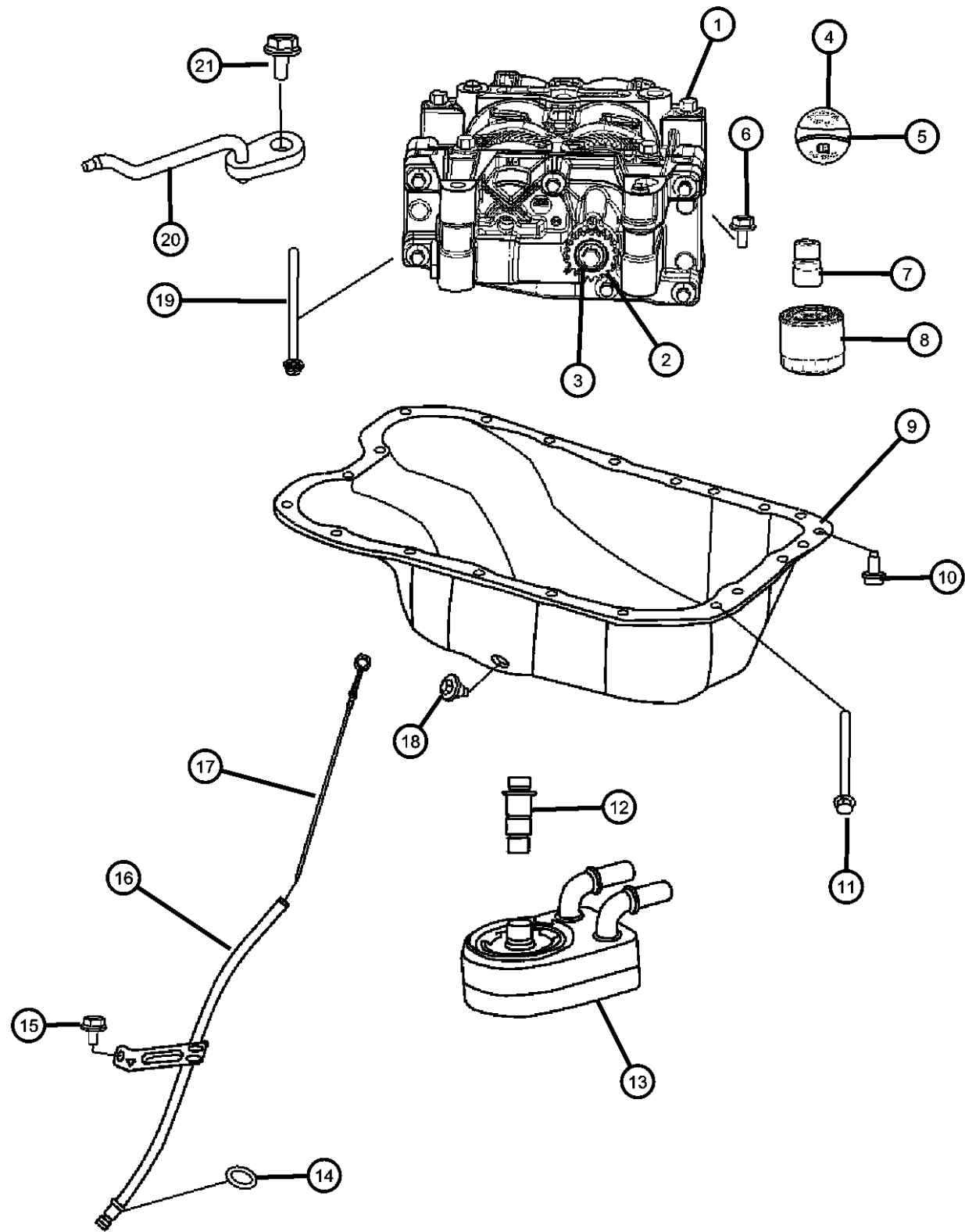
ENGINE
ECE = 2.0L 4 Cyl DOHC DPF Diesel Engine
ED3 = 2.4L 4 Cyl DOHC 16V Dual VVT Engine
ECD = 2.0L 4 Cyl DOHC Diesel 16V Engine
ECN = 2.0L 4 Cyl DOHC 16V Dual VVT Engine

TRANSMISSION
DEF = 6-Speed Manual Aisin BG6 Trans
DD7 = 5-Speed Manual T355 Transmission
DAV = Continuously Variable Transaxle II
DAW = Cont.Var. w/Off-Rd Crawl Ratio Trans

AR = use ase required - = Non illustrated part

2008 MK

**Engine Oiling Pump 2.4L [ED3]
Figure 009ED3-705**



ITEM	PART NUMBER	QTY	LINE	SERIES	BODY	ENGINE	TRANS	TRIM	DESCRIPTION
1	05189868AC	1	J, T, U			ED3			SHAFT PACKAGE, Balance with Oil Pump
2	05189868AC	1							SPROCKET, Drive, Serviced With Oil Pump, (NOT SERVICED)
3	05189868AC	1							BOLT, BOLT, Serviced With Oil Pump, (NOT SERVICED)
4	04884739AA	1	J, T, U		ECN, ED3				CAP, Oil Filler
5	68029299AA	1	J, T, U		ECN, ED3				O RING, Oil Filler Cap
6	06508618AA	4	J, T, U		ECN, ED3				BOLT AND WASHER, Hex Flange Head Locking, M8x1.25x180.00, Balance Shaft Oil Pump Assembly To Cylinder Block, Mounting
7	04884902AB	1	J, T, U			ED3			CONNECTOR, Oil Filter
8	04884900AB	1	J, T, U		ECN, ED3				FILTER, Engine Oil
9	04884665AE	1	J, T, U		ECN, ED3				PAN, Oil
10	06509005AA	1	J, T, U		ECN, ED3				SCREW, Hex Flange Head
11	06508985AA	6	J, T, U			ED3			BOLT, Hex Flange Head, M8x1.25x104.00
12	04884758AB	1							CONNECTOR, Engine Oil Cooler
13	04884757AD	1							COOLER, Engine Oil
14	04884757AD	1							O RING, Engine Oil Level Tube, Serviced With Indicator Tube. O-Ring Part # 2661423500, (NOT SERVICED)
15	05183964AA	1	J, T, U		ECN, ED3				BOLT, Hex Flange Head, M6x1.00x10.90
16	04884733AC	1	J, T, U		ECN, ED3				TUBE, Engine Oil Indicator
17	04884688AD	1	J, T, U		ECN, ED3				INDICATOR, Engine Oil Level
18	06507741AA	1	J, T, U		ECN, ED3				PLUG, Oil Drain, [M14X1.50X21.50]
19	06508618AA	4	J, T, U		ECN, ED3				BOLT AND WASHER, Hex Flange Head Locking, M8x1.25x180.00
20	04884767AA	1	J, T, U		ECN, ED3				INJECTOR, Oil, Used Only On Engines Produced Before Mid September 2007
21	1140306123	1	J, T, U		ECN, ED3				BOLT, Hex Flange Head, M6x1.00x12.00

COMPASS/PATRIOT (MK)

SERIES LINE
H = HIGHLINE T = JEEP - 2WD
L = LOWLINE J = JEEP - 4WD
P = PREMIUM U = JEEP - 4WD (RHD)

BODY
49 = HATCHBACK TYPE #2
74 = SPORT UTILITY 4-DR TYPE #4

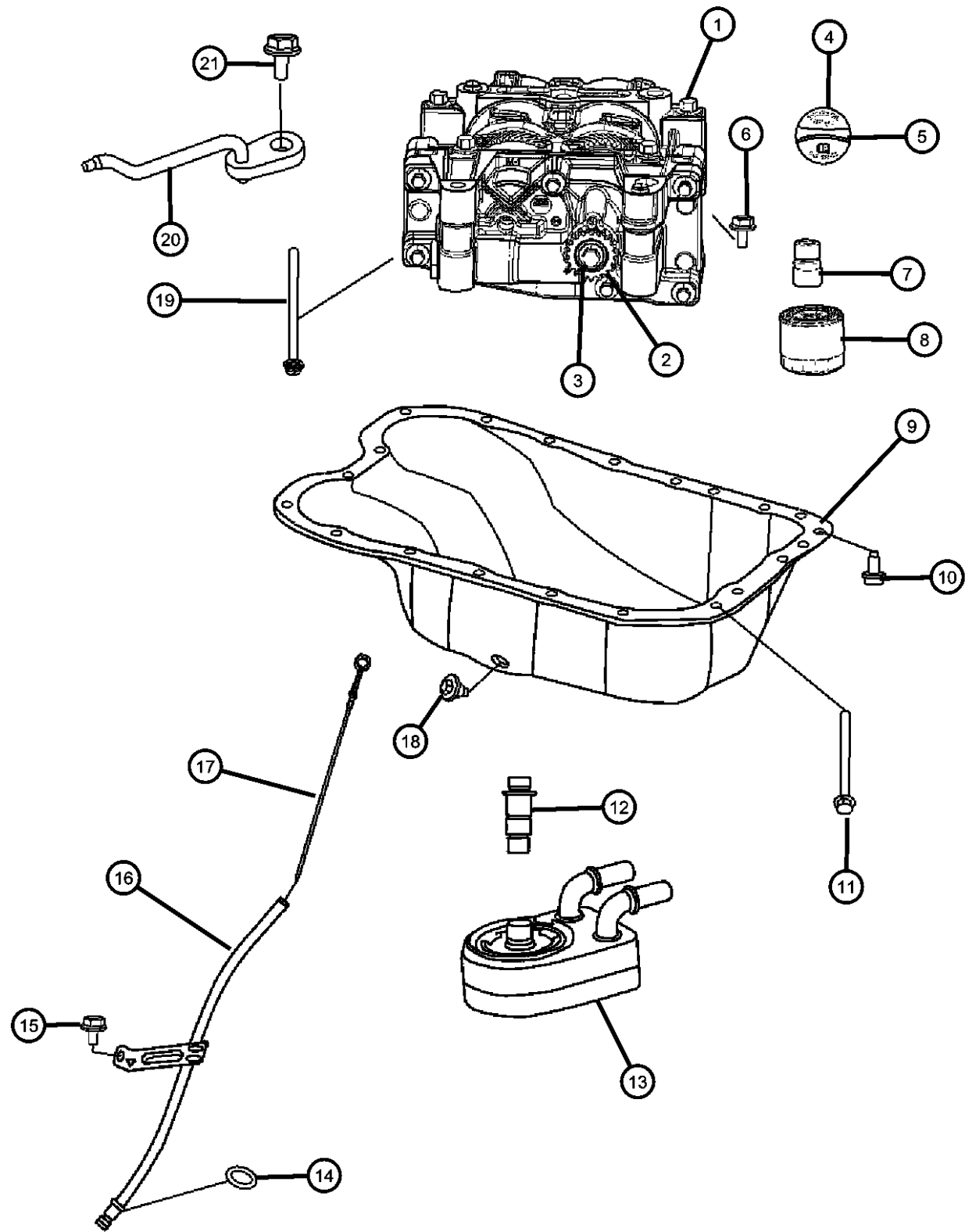
ENGINE
ECE = 2.0L 4 Cyl DOHC DPF Diesel Engine
ED3 = 2.4L 4 Cyl DOHC 16V Dual VVT Engine
ECD = 2.0L 4 Cyl DOHC Diesel 16V Engine
ECN = 2.0L 4 Cyl DOHC 16V Dual VVT Engine

TRANSMISSION
DEF = 6-Speed Manual Aisin BG6 Trans
DD7 = 5-Speed Manual T355 Transmission
DAV = Continuously Variable Transaxle II
DAW = Cont.Var. w/Off-Rd Crawl Ratio Trans

AR = use ase required - = Non illustrated part

2008 MK

**Engine Pan, Engine Oil Level Indicator And Related Parts 2.4L [ED3]
Figure 009ED3-725**



ITEM	PART NUMBER	QTY	LINE	SERIES	BODY	ENGINE	TRANS	TRIM	DESCRIPTION
1	05189868AC	1	J, T, U			ED3			SHAFT PACKAGE, Balance with Oil Pump
2	05189868AC	1							SPROCKET, Drive, Serviced With Oil Pump, (NOT SERVICED)
3	05189868AC	1							BOLT, BOLT, Serviced With Oil Pump, (NOT SERVICED)
4	04884739AA	1	J, T, U			ECN, ED3			CAP, Oil Filler
5	68029299AA	1	J, T, U			ECN, ED3			O RING, Oil Filler Cap
6	06508618AA	4	J, T, U			ECN, ED3			BOLT AND WASHER, Hex Flange Head Locking, M8x1.25x180.00, Balance Shaft Oil Pump Assembly To Cylinder Block, Mounting
7	04884902AB	1	J, T, U			ED3			CONNECTOR, Oil Filter
8	04884900AB	1	J, T, U			ECN, ED3			FILTER, Engine Oil
9	04884665AE	1	J, T, U			ECN, ED3			PAN, Oil
10	06509005AA	1	J, T, U			ECN, ED3			SCREW, Hex Flange Head
11	06508985AA	6	J, T, U			ED3			BOLT, Hex Flange Head, M8x1.25x104.00
12	04884758AB	1							CONNECTOR, Engine Oil Cooler
13	04884757AD	1							COOLER, Engine Oil
14	04884757AD	1							O RING, Engine Oil Level Tube, Serviced With Indicator Tube. O-Ring Part # 2661423500, (NOT SERVICED)
15	05183964AA	1	J, T, U			ECN, ED3			BOLT, Hex Flange Head, M6x1.00x10.90
16	04884733AC	1	J, T, U			ECN, ED3			TUBE, Engine Oil Indicator
17	04884688AD	1	J, T, U			ECN, ED3			INDICATOR, Engine Oil Level
18	06507741AA	1	J, T, U			ECN, ED3			PLUG, Oil Drain, [M14X1.50X21.50]
19	06508618AA	4	J, T, U			ECN, ED3			BOLT AND WASHER, Hex Flange Head Locking, M8x1.25x180.00
20	04884767AA	1	J, T, U			ECN, ED3			INJECTOR, Oil, Used Only On Engines Produced Before Mid September 2007
21	1140306123	1	J, T, U			ECN, ED3			BOLT, Hex Flange Head, M6x1.00x12.00

COMPASS/PATRIOT (MK)

SERIES LINE
H = HIGHLINE T = JEEP - 2WD
L = LOWLINE J = JEEP - 4WD
P = PREMIUM U = JEEP - 4WD (RHD)

BODY
49 = HATCHBACK TYPE #2
74 = SPORT UTILITY 4-DR TYPE #4

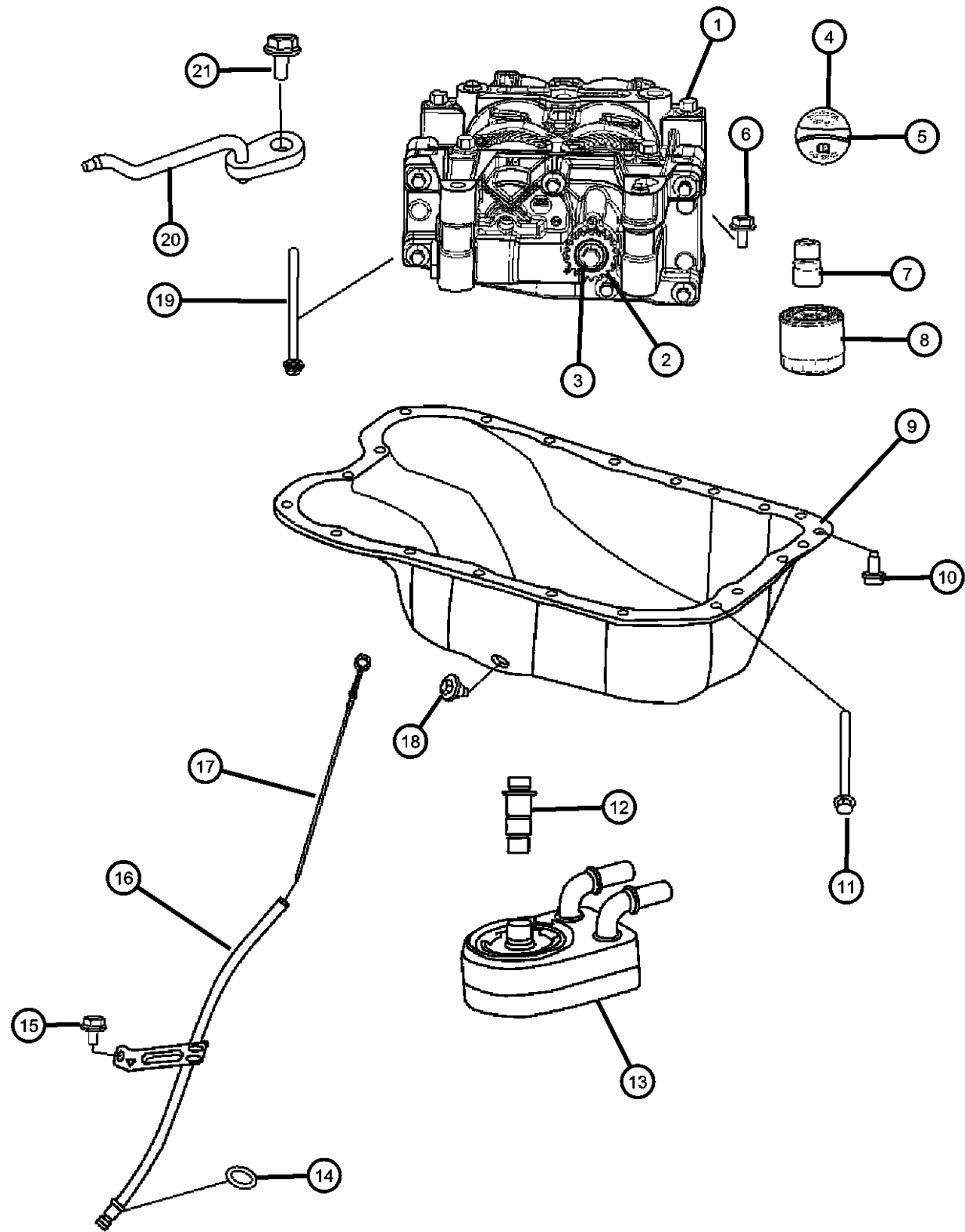
ENGINE
ECE = 2.0L 4 Cyl DOHC DPF Diesel Engine
ED3 = 2.4L 4 Cyl DOHC 16V Dual VVT Engine
ECD = 2.0L 4 Cyl DOHC Diesel 16V Engine
ECN = 2.0L 4 Cyl DOHC 16V Dual VVT Engine

TRANSMISSION
DEF = 6-Speed Manual Aisin BG6 Trans
DD7 = 5-Speed Manual T355 Transmission
DAV = Continuously Variable Transaxle II
DAW = Cont.Var. w/Off-Rd Crawl Ratio Trans

AR = use ase required - = Non illustrated part

2008 MK

**Engine Oil Cooler 2.4L [ED3]
Figure 009ED3-805**



ITEM	PART NUMBER	QTY	LINE	SERIES	BODY	ENGINE	TRANS	TRIM	DESCRIPTION
1	05189868AC	1	J, T, U			ED3			SHAFT PACKAGE, Balance with Oil Pump
2	05189868AC	1							SPROCKET, Drive, Serviced With Oil Pump, (NOT SERVICED)
3	05189868AC	1							BOLT, BOLT, Serviced With Oil Pump, (NOT SERVICED)
4	04884739AA	1	J, T, U			ECN, ED3			CAP, Oil Filler
5	68029299AA	1	J, T, U			ECN, ED3			O RING, Oil Filler Cap
6	06508618AA	4	J, T, U			ECN, ED3			BOLT AND WASHER, Hex Flange Head Locking, M8x1.25x180.00, Balance Shaft Oil Pump Assembly To Cylinder Block, Mounting
7	04884902AB	1	J, T, U			ED3			CONNECTOR, Oil Filter
8	04884900AB	1	J, T, U			ECN, ED3			FILTER, Engine Oil
9	04884665AE	1	J, T, U			ECN, ED3			PAN, Oil
10	06509005AA	1	J, T, U			ECN, ED3			SCREW, Hex Flange Head
11	06508985AA	6	J, T, U			ED3			BOLT, Hex Flange Head, M8x1.25x104.00
12	04884758AB	1							CONNECTOR, Engine Oil Cooler
13	04884757AD	1							COOLER, Engine Oil
14	04884757AD	1							O RING, Engine Oil Level Tube, Serviced With Indicator Tube. O-Ring Part # 2661423500, (NOT SERVICED)
15	05183964AA	1	J, T, U			ECN, ED3			BOLT, Hex Flange Head, M6x1.00x10.90
16	04884733AC	1	J, T, U			ECN, ED3			TUBE, Engine Oil Indicator
17	04884688AD	1	J, T, U			ECN, ED3			INDICATOR, Engine Oil Level
18	06507741AA	1	J, T, U			ECN, ED3			PLUG, Oil Drain, [M14X1.50X21.50]
19	06508618AA	4	J, T, U			ECN, ED3			BOLT AND WASHER, Hex Flange Head Locking, M8x1.25x180.00
20	04884767AA	1	J, T, U			ECN, ED3			INJECTOR, Oil, Used Only On Engines Produced Before Mid September 2007
21	1140306123	1	J, T, U			ECN, ED3			BOLT, Hex Flange Head, M6x1.00x12.00

COMPASS/PATRIOT (MK)

SERIES LINE
H = HIGHLINE T = JEEP - 2WD
L = LOWLINE J = JEEP - 4WD
P = PREMIUM U = JEEP - 4WD (RHD)

BODY
49 = HATCHBACK TYPE #2
74 = SPORT UTILITY 4-DR TYPE #4

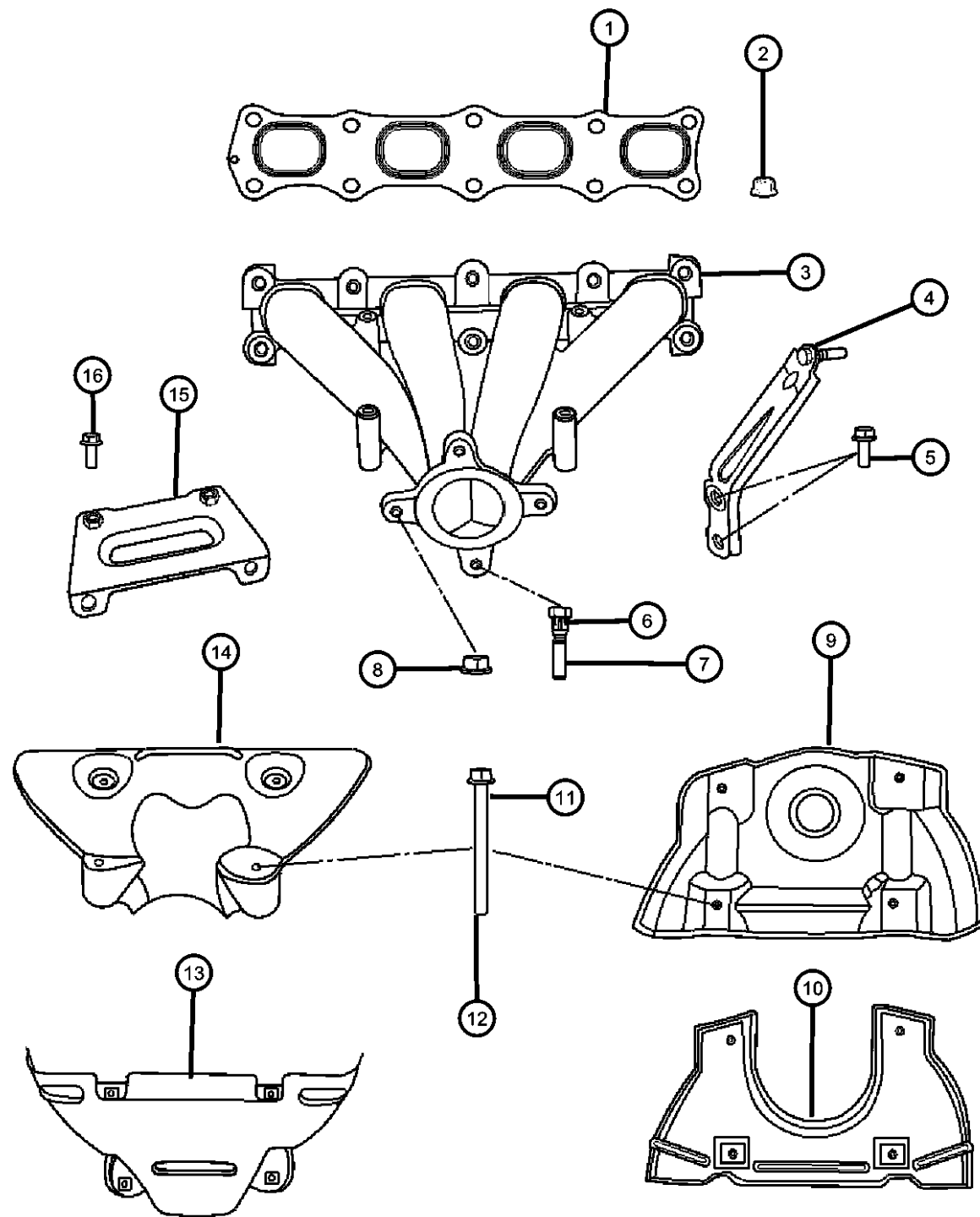
ENGINE
ECE = 2.0L 4 Cyl DOHC DPF Diesel Engine
ED3 = 2.4L 4 Cyl DOHC 16V Dual VVT Engine
ECD = 2.0L 4 Cyl DOHC Diesel 16V Engine
ECN = 2.0L 4 Cyl DOHC 16V Dual VVT Engine

TRANSMISSION
DEF = 6-Speed Manual Aisin BG6 Trans
DD7 = 5-Speed Manual T355 Transmission
DAV = Continuously Variable Transaxle II
DAW = Cont.Var. w/Off-Rd Crawl Ratio Trans

AR = use ase required - = Non illustrated part

2008 MK

**Exhaust Manifold And Heat Shields 2.4L [ED3]
Figure 009ED3-1005**



ITEM	PART NUMBER	QTY	LINE	SERIES	BODY	ENGINE	TRANS	TRIM	DESCRIPTION
1	1555A185	1	J, T, U			ECN, ED3			GASKET, Exhaust Manifold
2	1022510003	2	J, T, U			ECN, ED3			NUT, Exhaust Manifold To Cylinder Head, Mounting
3	04693321AD	1	T						MANIFOLD, Exhaust
4	04693350AC	1	T						BRACKET, Exhaust ManifoldSupport
5	06104215AA	2	T						BOLT, Hex Flange Head, M10x1.50x25.00, Exhaust Manifold Bracket To Cylinder Block, Mounting
6	06508635AA	1	T						BOLT, M8X1.25X45.00, Exhaust Manifold To Front Exhaust Pipe, Mounting
7	06508185AA	6	T						BOLT, Hex Flange Head, M10x1.25x30.00, Exhaust Manifold To Cylinder Head, Mounting
8	06104716AA	4	T			ECN, ED3			NUT, Hex Flange Lock, M8X1.25, Exhaust Manifold To Front Exhaust Pipe, Mounting
9	04693326AC	1							SHIELD, Heat, AWD Only, Upper
10	04693327AC	1							SHIELD, Heat, AWD Only, Lower
11	06104191AA	4	J, T, U			ECN, ED3			BOLT, Hex Flange Head, M6x1.00x70.00, Heat Shield To Exhaust Manifold, Mounting
12	06104191AA	4							BOLT, Hex Head, M8x1.25x16, [06501474], (NOT SERVICED)
13	04693349AB	1	T						SHIELD, Exhaust Manifold, FWD Only, Lower
14	04693348AB	1	T						SHIELD, Exhaust Manifold, FWD Only, Upper
15	04693351AC	1							BRACKET, Exhaust Manifold
16	06104215AA	2	T						BOLT, Hex Flange Head, M10x1.50x25.00, Exhaust Manifold Bracket To Engine Block, Mounting

COMPASS/PATRIOT (MK)

SERIES LINE
H = HIGHLINE T = JEEP - 2WD
L = LOWLINE J = JEEP - 4WD
P = PREMIUM U = JEEP - 4WD (RHD)

BODY
49 = HATCHBACK TYPE #2
74 = SPORT UTILITY 4-DR TYPE #4

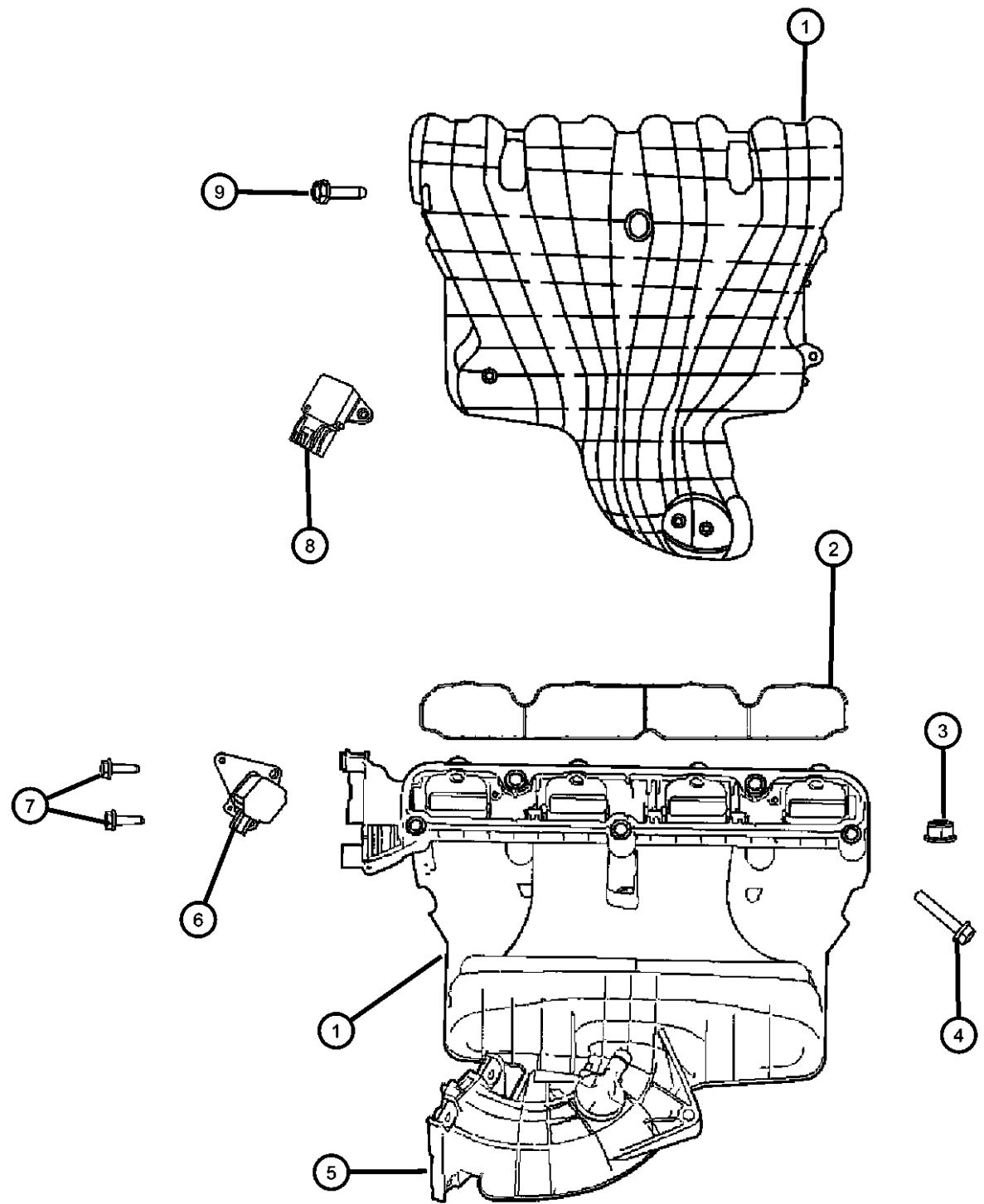
ENGINE
ECE = 2.0L 4 Cyl DOHC DPF Diesel Engine
ED3 = 2.4L 4 Cyl DOHC 16V Dual VVT Engine
ECD = 2.0L 4 Cyl DOHC Diesel 16V Engine
ECN = 2.0L 4 Cyl DOHC 16V Dual VVT Engine

TRANSMISSION
DEF = 6-Speed Manual Aisin BG6 Trans
DD7 = 5-Speed Manual T355 Transmission
DAV = Continuously Variable Transaxle II
DAW = Cont.Var. w/Off-Rd Crawl Ratio Trans

AR = use ase required - = Non illustrated part

2008 MK

Intake Manifold 2.4L [ED3]
Figure 009ED3-1025



ITEM	PART NUMBER	QTY	LINE	SERIES	BODY	ENGINE	TRANS	TRIM	DESCRIPTION
1	04884495AF	1	J, T, U			ECN, ED3			MANIFOLD, Intake
2	04884550AB	1	J, T, U			ECN, ED3			GASKET, Intake Manifold
3	06104716AA	2	J, T, U			ECN, ED3			NUT, Hex Flange Lock, M8X1.25, Intake Manifold To Cylinder Head, Mounting
4	06104201AA	3	J, T, U			ECN, ED3			BOLT, Hex Flange Head, M8X1.25X45.00 Intake Manifold To Cylinder Head, Mounting
		1	J, T, U			ECN, ED3			Intake Manifold Support Bracket To Engine Block, Mounting
5	04884871AA	1	J, T, U			ECN, ED3			BRACKET, Throttle Body Support
6	04884549AD	1	J, T, U			ECN, ED3			ACTUATOR, Flow Control Valve
7	06508891AA	2	J, T, U			ECN, ED3			SCREW, Hex Flange Head Tapping, M5.74X1.81X21.50, Actuator To Intake Manifold, Mounting
8	05033310AB	1	J, T, U			ECN, ED3			SENSOR, MAP
9	06102417AA	1	J, T, U			ECN, ED3			SCREW, Tapping Hex Head, M4.2X1.70X16.00, Map Sensor To Intake Manifold, Mounting

SERIES	LINE	BODY	ENGINE	TRANSMISSION
H = HIGHLINE	T = JEEP - 2WD	49 = HATCHBACK TYPE #2	ECE = 2.0L 4 Cyl DOHC DPF Diesel Engine	DEF = 6-Speed Manual Aisin BG6 Trans
L = LOWLINE	J = JEEP - 4WD	74 = SPORT UTILITY 4-DR TYPE #4	ED3 = 2.4L 4 Cyl DOHC 16V Dual VVT Engine	DD7 = 5-Speed Manual T355 Transmission
P = PREMIUM	U = JEEP - 4WD (RHD)		ECD = 2.0L 4 Cyl DOHC Diesel 16V Engine	DAV = Continuously Variable Transaxle II
			ECN = 2.0L 4 Cyl DOHC 16V Dual VVT Engine	DAW = Cont.Var. w/Off-Rd Crawl Ratio Trans

AR = use ase required - = Non illustrated part

**Crankcase Ventilation 2.4L [ED3]
Figure 009ED3-1105**

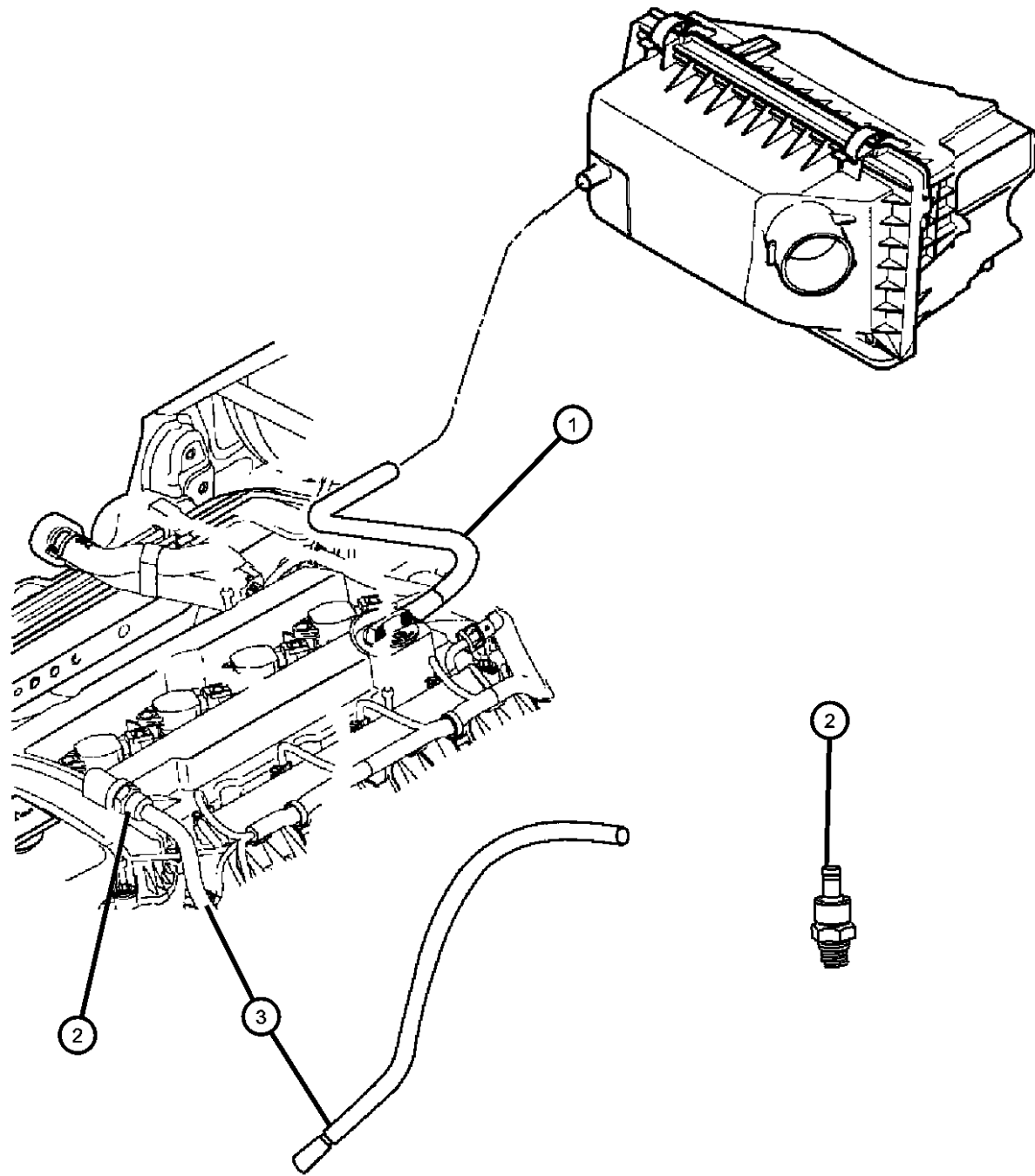
ITEM	PART NUMBER	QTY	LINE	SERIES	BODY	ENGINE	TRANS	TRIM	DESCRIPTION
------	-------------	-----	------	--------	------	--------	-------	------	-------------

NOTE:

Sales Codes:

- [DAV] = Continuously Variable Transmission
- [DEF] = 6-Speed Manual Aisian BG6 Transmission
- [DE0] = All 6-Speed Manual Transmissions
- [DD0] = All 5-Speed Manual Transmissions
- [DD7] = 5-Speed Manual T355 Transmission
- [ECD] = 2.0L 4 C

1	05047000AA	1	J, T, U			ECN, ED3			HOSE, Make Up Air
2	05047002AA	1	J, T, U			ECN, ED3			VALVE, PCV
3	05047034AA	1	J, T, U			ECN, ED3			HOSE, Crankcase Vent



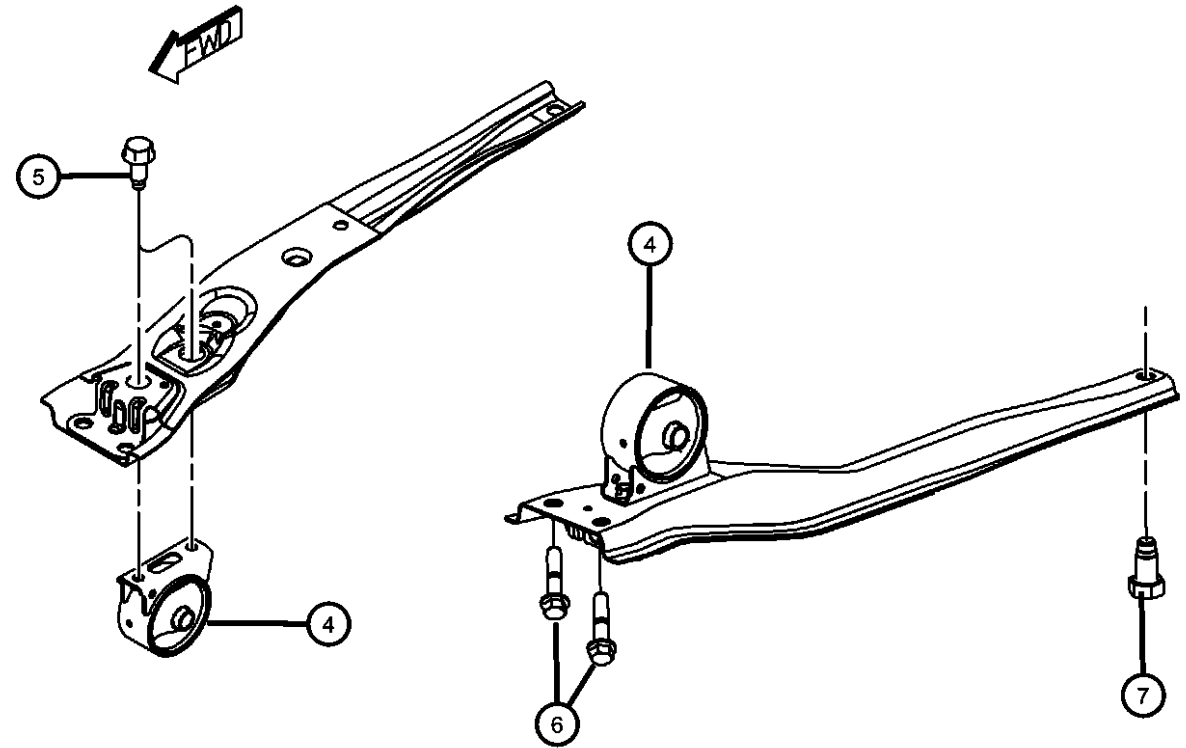
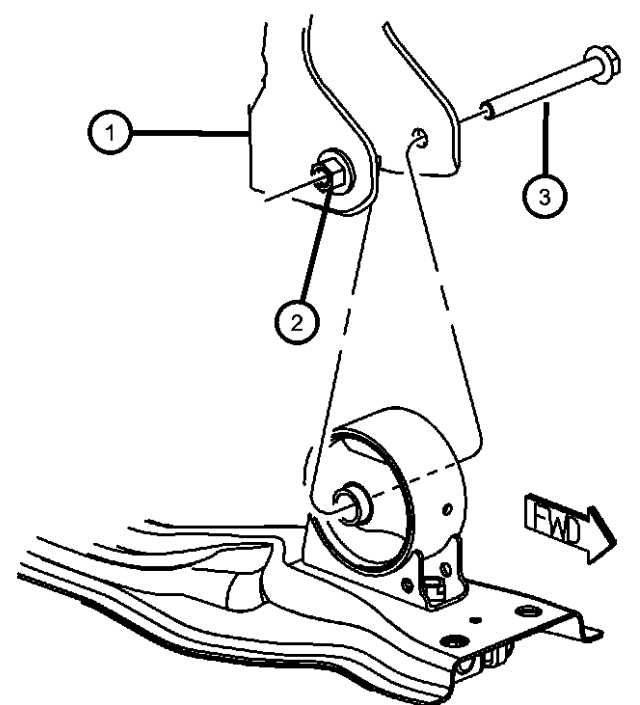
COMPASS/PATRIOT (MK)

SERIES	LINE	BODY	ENGINE	TRANSMISSION
H = HIGHLINE	T = JEEP - 2WD	49 = HATCHBACK TYPE #2	ECE = 2.0L 4 Cyl DOHC DPF Diesel Engine	DEF = 6-Speed Manual Aisin BG6 Trans
L = LOWLINE	J = JEEP - 4WD	74 = SPORT UTILITY 4-DR TYPE #4	ED3 = 2.4L 4 Cyl DOHC 16V Dual VVT Engine	DD7 = 5-Speed Manual T355 Transmission
P = PREMIUM	U = JEEP - 4WD (RHD)		ECD = 2.0L 4 Cyl DOHC Diesel 16V Engine	DAV = Continuously Variable Transaxle II
			ECN = 2.0L 4 Cyl DOHC 16V Dual VVT Engine	DAW = Cont.Var. w/Off-Rd Crawl Ratio Trans

AR = use ase required - = Non illustrated part

2008 MK

**Engine Mounting Front FWD 2.4L [ED3]
Figure 009ED3-1205**

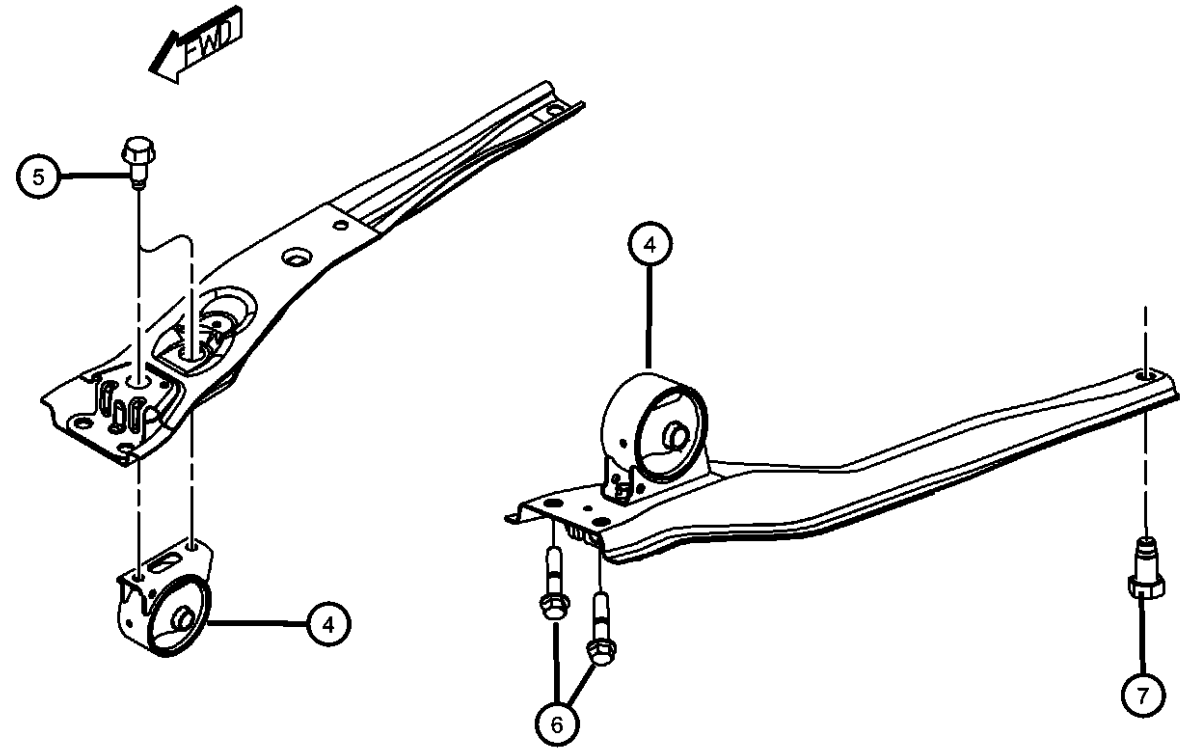
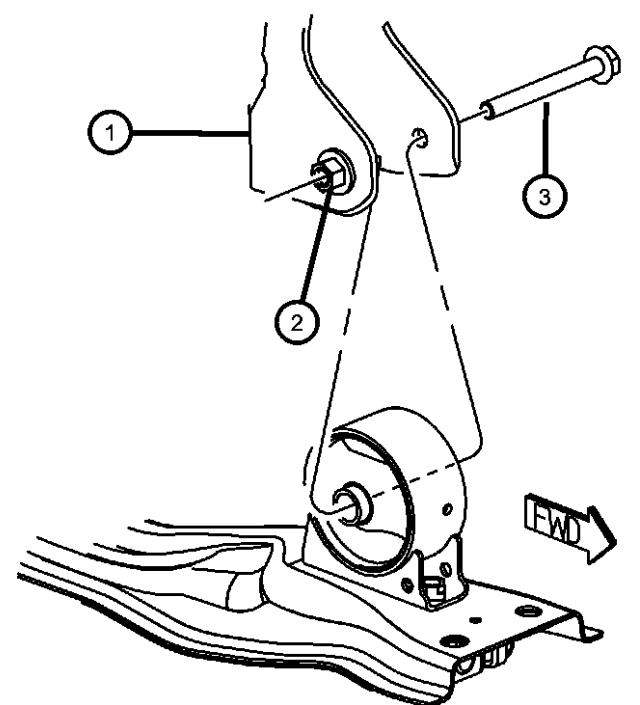


ITEM	PART NUMBER	QTY	LINE	SERIES	BODY	ENGINE	TRANS	TRIM	DESCRIPTION
1	05105596AB	1	J, T, U			ECN, ED3			BRACKET, Engine MountFront
2	05105596AB	1							WELD NUT, Serviced With Bracket, (NOT SERVICED)
3	06105074AA	1	J, T, U						BOLT, Hex Flange Head, M10X1.50X100.00, Front Mount To Bracket, Mounting
4	05105493AB	1	J, T, U				DD7, DEF		INSULATOR Front
	05105494AB	1	J, T, U				DAV, DAW		
5	06105062AA	2	J, T, U						BOLT, Hex Flange Head, M10x1.50x25.00, Front Mount To Crossmember, Mounting
6	06508511AA	2	J, T, U						BOLT, Hex Flange Head, M12X1.25X55.00, To Radiator Cross Member, Mounting
7	06105075AA	1	J, T, U						BOLT, Hex Flange Head, M12x1.50x25.00, To Suspension Cross Member, Mounting

COMPASS/PATRIOT (MK)				
SERIES	LINE	BODY	ENGINE	TRANSMISSION
H = HIGHLINE	T = JEEP - 2WD	49 = HATCHBACK TYPE #2	ECE = 2.0L 4 Cyl DOHC DPF Diesel Engine	DEF = 6-Speed Manual Aisin BG6 Trans
L = LOWLINE	J = JEEP - 4WD	74 = SPORT UTILITY 4-DR TYPE #4	ED3 = 2.4L 4 Cyl DOHC 16V Dual VVT Engine	DD7 = 5-Speed Manual T355 Transmission
P = PREMIUM	U = JEEP - 4WD (RHD)		ECD = 2.0L 4 Cyl DOHC Diesel 16V Engine	DAV = Continuously Variable Transaxle II
			ECN = 2.0L 4 Cyl DOHC 16V Dual VVT Engine	DAW = Cont.Var. w/Off-Rd Crawl Ratio Trans

AR = use ase required - = Non illustrated part

**Engine Mounting Front AWD/4WD 2.4L [ED3]
Figure 009ED3-1215**



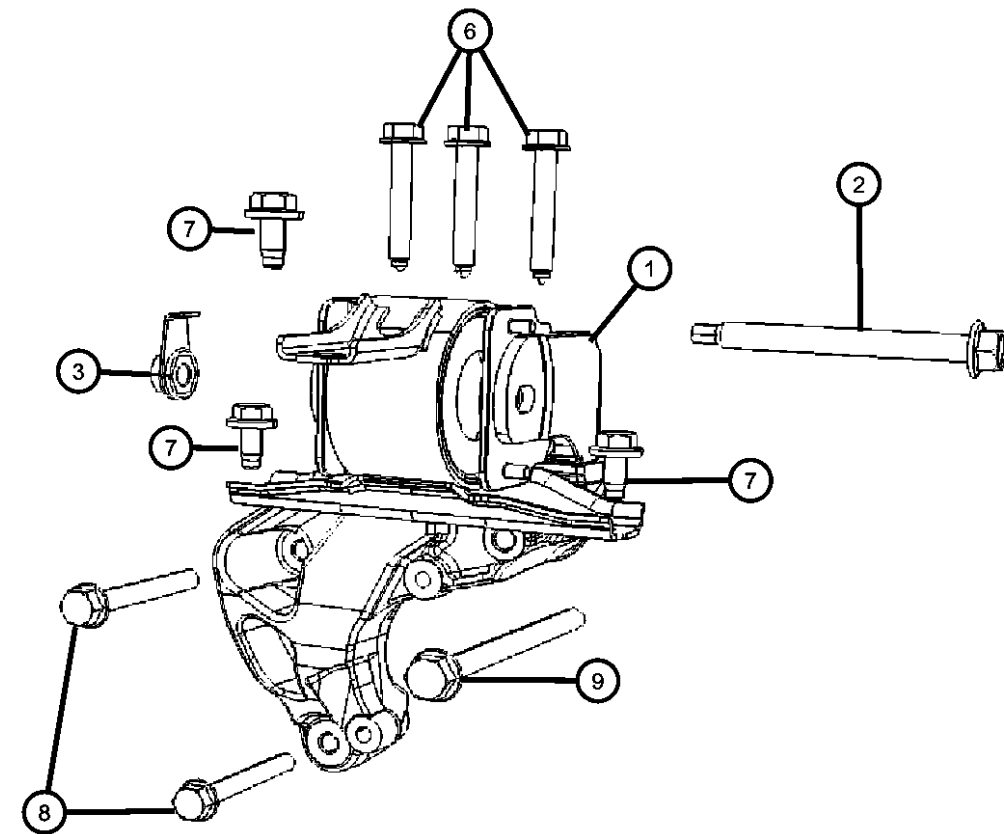
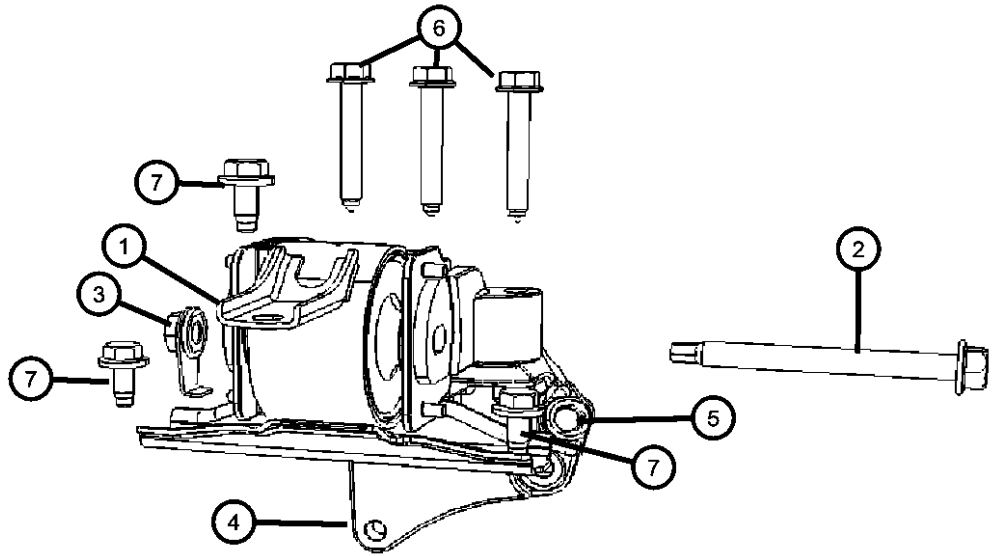
ITEM	PART NUMBER	QTY	LINE	SERIES	BODY	ENGINE	TRANS	TRIM	DESCRIPTION
1	05105596AB	1	J, T, U			ECN, ED3			BRACKET, Engine MountFront
2	05105596AB	1							WELD NUT, Serviced With Bracket, (NOT SERVICED)
3	06105074AA	1	J, T, U						BOLT, Hex Flange Head, M10X1.50X100.00, Front Mount To Bracket, Mounting
4	05105493AB	1	J, T, U				DD7, DEF		INSULATOR Front
	05105494AB	1	J, T, U				DAV, DAW		
5	06105062AA	2	J, T, U						BOLT, Hex Flange Head, M10x1.50x25.00, Front Mount To Crossmember, Mounting
6	06508511AA	2	J, T, U						BOLT, Hex Flange Head, M12X1.25X55.00, To Radiator Cross Member, Mounting
7	06105075AA	1	J, T, U						BOLT, Hex Flange Head, M12x1.50x25.00, To Suspension Cross Member, Mounting

COMPASS/PATRIOT (MK)		BODY	ENGINE	TRANSMISSION
SERIES	LINE	49 = HATCHBACK TYPE #2 74 = SPORT UTILITY 4-DR TYPE #4	ECE = 2.0L 4 Cyl DOHC DPF Diesel Engine ED3 = 2.4L 4 Cyl DOHC 16V Dual VVT Engine ECD = 2.0L 4 Cyl DOHC Diesel 16V Engine ECN = 2.0L 4 Cyl DOHC 16V Dual VVT Engine	DEF = 6-Speed Manual Aisin BG6 Trans DD7 = 5-Speed Manual T355 Transmission DAV = Continuously Variable Transaxle II DAW = Cont.Var. w/Off-Rd Crawl Ratio Trans
H = HIGHLINE L = LOWLINE P = PREMIUM	T = JEEP - 2WD J = JEEP - 4WD U = JEEP - 4WD (RHD)			

AR = use ase required - = Non illustrated part

**Engine Mounting Right Side FWD 2.4L [ED3]
Figure 009ED3-1225**

ITEM	PART NUMBER	QTY	LINE	SERIES	BODY	ENGINE	TRANS	TRIM	DESCRIPTION
1	05105489AD	1	J, T, U			ECN, ED3			INSULATOR, Engine Mount, Includes Items 3 and 4, Right
2	06508529AA	1	J, T, U			ECN, ED3			BOLT, Hex Flange Head, M12X1.50X121.00, Engine Mount Bracket to Insulator, Mounting
3	06508684AA	1	J, T, U			ECN, ED3			NUT, Hex Flange, M12X1.50, Engine Mount Bracket to Insulator, Mounting
4	68004188AA	1	J, T, U			ECN, ED3			BRACKET PACKAGE, Engine Mount
5	06500584	1	J, T, U			ECN, ED3			BOLT
6	06508235AA	3	J, T, U						BOLT, Hex Flange Head, M10X1.25X65.00, Engine Support Bracket to Power Steering Bracket, Mounting
7	06104412AA	3	J, T, U						BOLT AND CONED WASHER, Hex Head, M10X1.5X25.00
8	06104225AA	2	J, T, U			ECD, ECE			BOLT, Hex Flange Head, M10X1.50X80.00
9	06104230AA	1	J, T, U			ECD, ECE			BOLT, Hex Flange Head, M10X1.50X130.00



COMPASS/PATRIOT (MK)

SERIES LINE
H = HIGHLINE T = JEEP - 2WD
L = LOWLINE J = JEEP - 4WD
P = PREMIUM U = JEEP - 4WD (RHD)

BODY
49 = HATCHBACK TYPE #2
74 = SPORT UTILITY 4-DR TYPE #4

ENGINE
ECE = 2.0L 4 Cyl DOHC DPF Diesel Engine
ED3 = 2.4L 4 Cyl DOHC 16V Dual VVT Engine
ECD = 2.0L 4 Cyl DOHC Diesel 16V Engine
ECN = 2.0L 4 Cyl DOHC 16V Dual VVT Engine

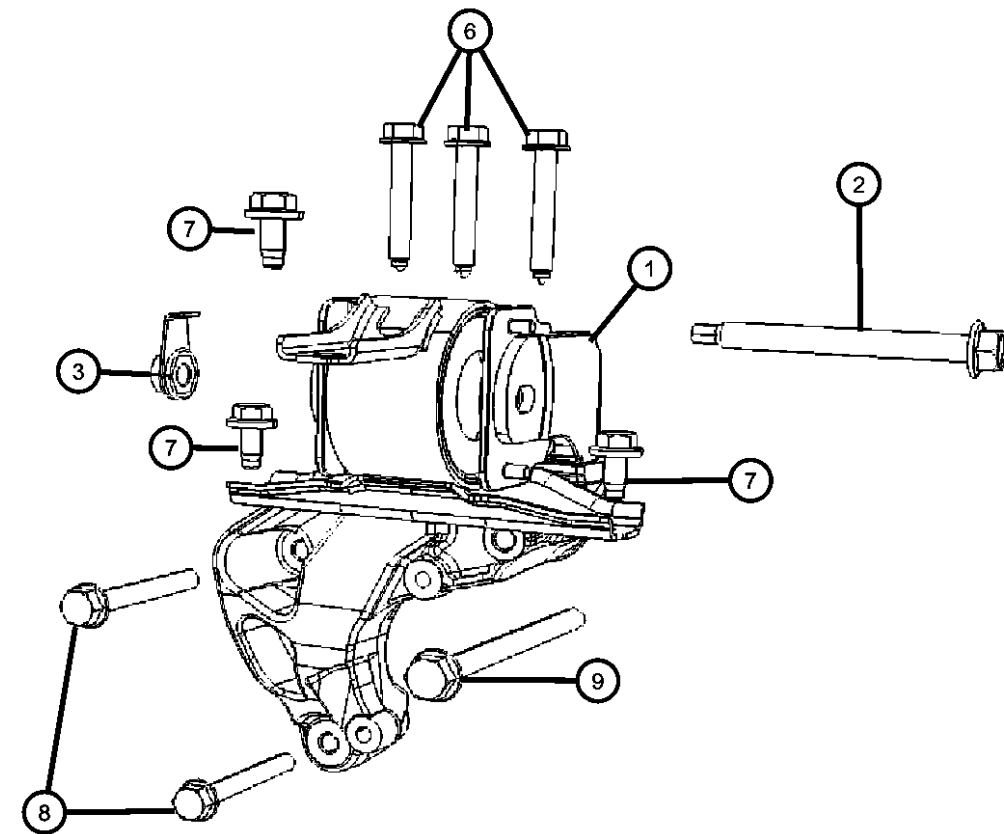
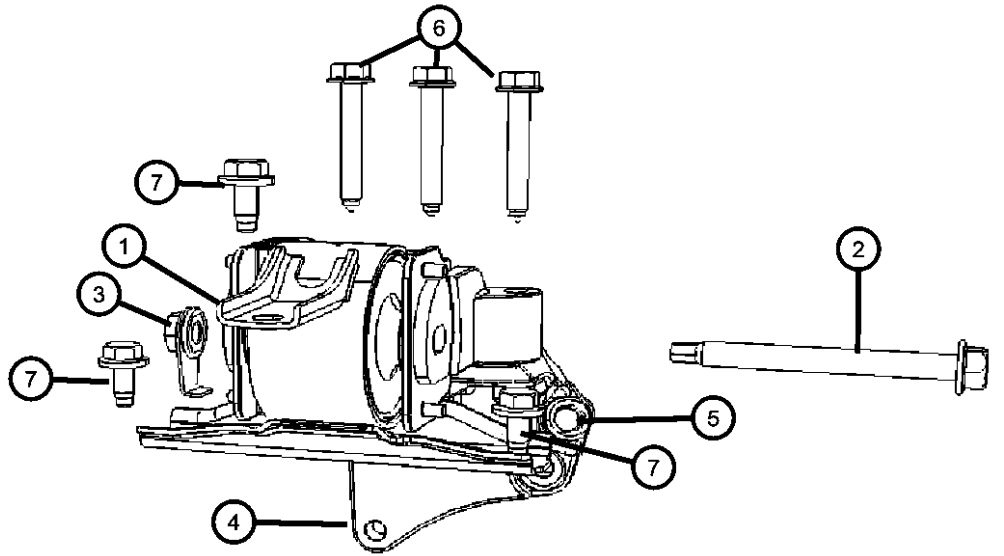
TRANSMISSION
DEF = 6-Speed Manual Aisin BG6 Trans
DD7 = 5-Speed Manual T355 Transmission
DAV = Continuously Variable Transaxle II
DAW = Cont.Var. w/Off-Rd Crawl Ratio Trans

AR = use ase required - = Non illustrated part

2008 MK

**Engine Mounting Right Side AWD/4WD 2.4L [ED3]
Figure 009ED3-1235**

ITEM	PART NUMBER	QTY	LINE	SERIES	BODY	ENGINE	TRANS	TRIM	DESCRIPTION
1	05105489AD	1	J, T, U			ECN, ED3			INSULATOR, Engine Mount, Includes Items 3 and 4, Right
2	06508529AA	1	J, T, U			ECN, ED3			BOLT, Hex Flange Head, M12X1.50X121.00, Engine Mount Bracket to Insulator, Mounting
3	06508684AA	1	J, T, U			ECN, ED3			NUT, Hex Flange, M12X1.50, Engine Mount Bracket to Insulator, Mounting
4	68004188AA	1	J, T, U			ECN, ED3			BRACKET PACKAGE, Engine Mount
5	06500584	1	J, T, U			ECN, ED3			BOLT
6	06508235AA	3	J, T, U						BOLT, Hex Flange Head, M10X1.25X65.00, Engine Support Bracket to Power Steering Bracket, Mounting
7	06104412AA	3	J, T, U						BOLT AND CONED WASHER, Hex Head, M10X1.5X25.00
8	06104225AA	2	J, T, U			ECD, ECE			BOLT, Hex Flange Head, M10X1.50X80.00
9	06104230AA	1	J, T, U			ECD, ECE			BOLT, Hex Flange Head, M10X1.50X130.00



COMPASS/PATRIOT (MK)

SERIES	LINE
H = HIGHLINE	T = JEEP - 2WD
L = LOWLINE	J = JEEP - 4WD
P = PREMIUM	U = JEEP - 4WD (RHD)

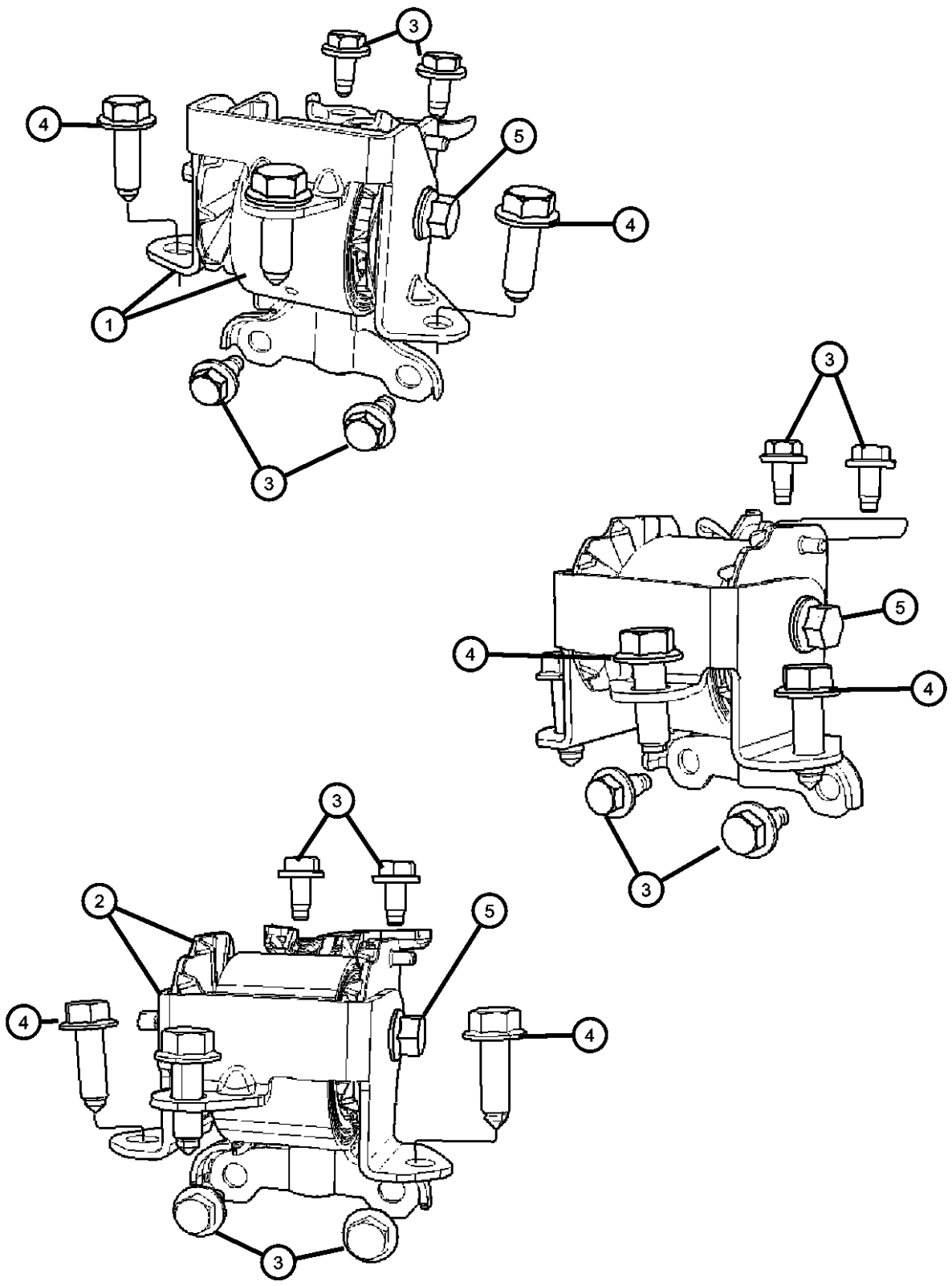
BODY
49 = HATCHBACK TYPE #2
74 = SPORT UTILITY 4-DR TYPE #4

ENGINE
ECE = 2.0L 4 Cyl DOHC DPF Diesel Engine
ED3 = 2.4L 4 Cyl DOHC 16V Dual VVT Engine
ECD = 2.0L 4 Cyl DOHC Diesel 16V Engine
ECN = 2.0L 4 Cyl DOHC 16V Dual VVT Engine

TRANSMISSION
DEF = 6-Speed Manual Aisin BG6 Trans
DD7 = 5-Speed Manual T355 Transmission
DAV = Continuously Variable Transaxle II
DAW = Cont.Var. w/Off-Rd Crawl Ratio Trans

AR = use ase required - = Non illustrated part

**Engine Mounting Left Side FWD 2.4L [ED3]
Figure 009ED3-1245**



ITEM	PART NUMBER	QTY	LINE	SERIES	BODY	ENGINE	TRANS	TRIM	DESCRIPTION
1	05105489AD	1	J, T, U			ECN, ED3			INSULATOR, Engine Mount
	05105667AD	1	J, T, U				DAV, DAW		
	05105669AE	1	J, T, U				DD7		
2	05105671AD	1	J, T, U				DEF		SUPPORT, Engine Mount
3	06104412AA	4	J, T, U						BOLT AND CONED WASHER, Hex Head, M10X1.5X25.00, Left Mount To Frame Rail, Mounting
4	06508530AA	3	J, T, U						BOLT, Hex Flange Head, M12X1.25X40.00
5	06508530AA	3							BOLT, Serviced With Mount, (NOT SERVICED)

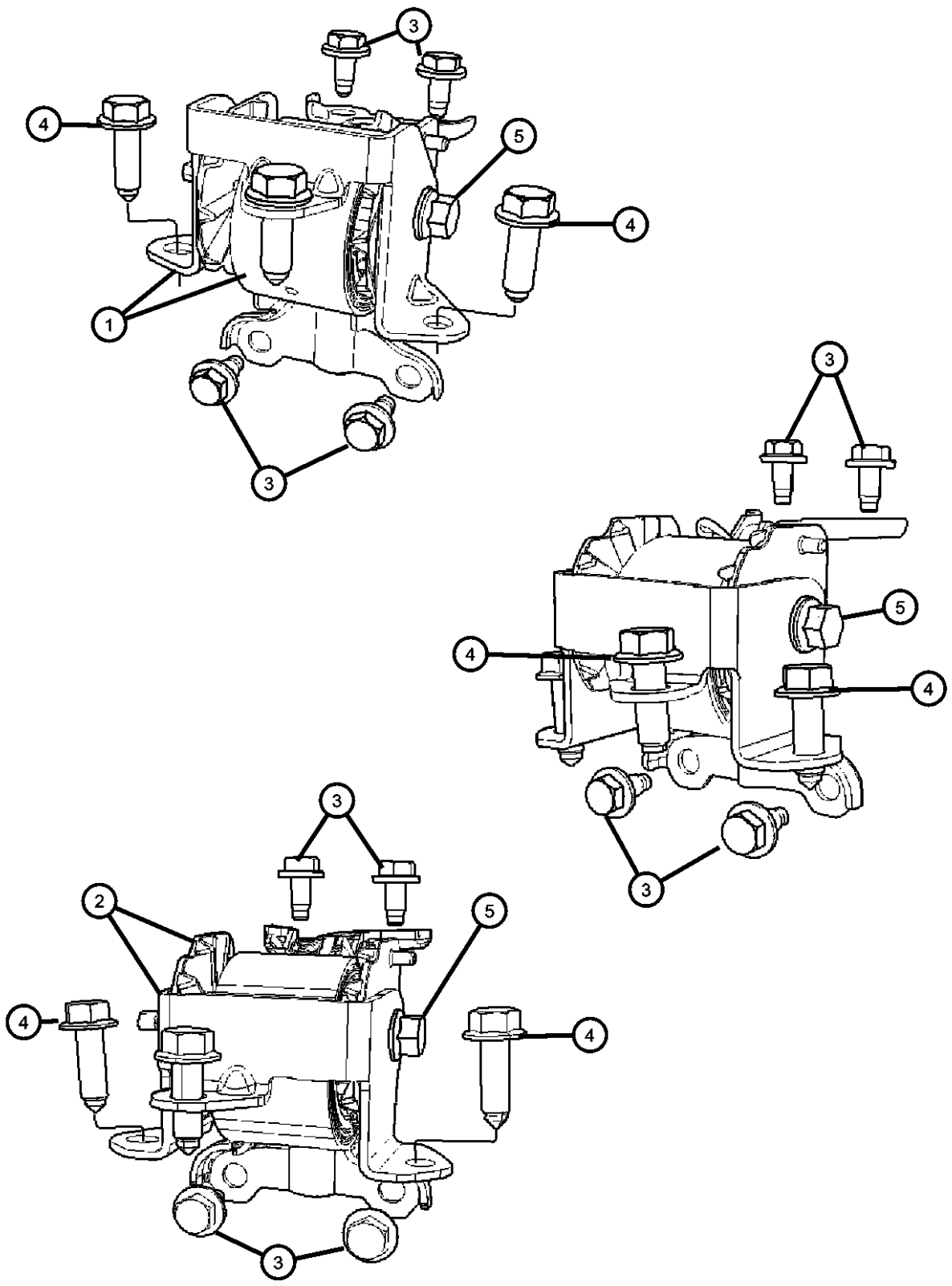
COMPASS/PATRIOT (MK)

SERIES	LINE	BODY	ENGINE	TRANSMISSION
H = HIGHLINE	T = JEEP - 2WD	49 = HATCHBACK TYPE #2	ECE = 2.0L 4 Cyl DOHC DPF Diesel Engine	DEF = 6-Speed Manual Aisin BG6 Trans
L = LOWLINE	J = JEEP - 4WD	74 = SPORT UTILITY 4-DR TYPE #4	ED3 = 2.4L 4 Cyl DOHC 16V Dual VVT Engine	DD7 = 5-Speed Manual T355 Transmission
P = PREMIUM	U = JEEP - 4WD (RHD)		ECD = 2.0L 4 Cyl DOHC Diesel 16V Engine	DAV = Continuously Variable Transaxle II
			ECN = 2.0L 4 Cyl DOHC 16V Dual VVT Engine	DAW = Cont.Var. w/Off-Rd Crawl Ratio Trans

AR = use ase required - = Non illustrated part

Engine Mounting Left Side AWD/4WD 2.4L [ED3]

Figure 009ED3-1255



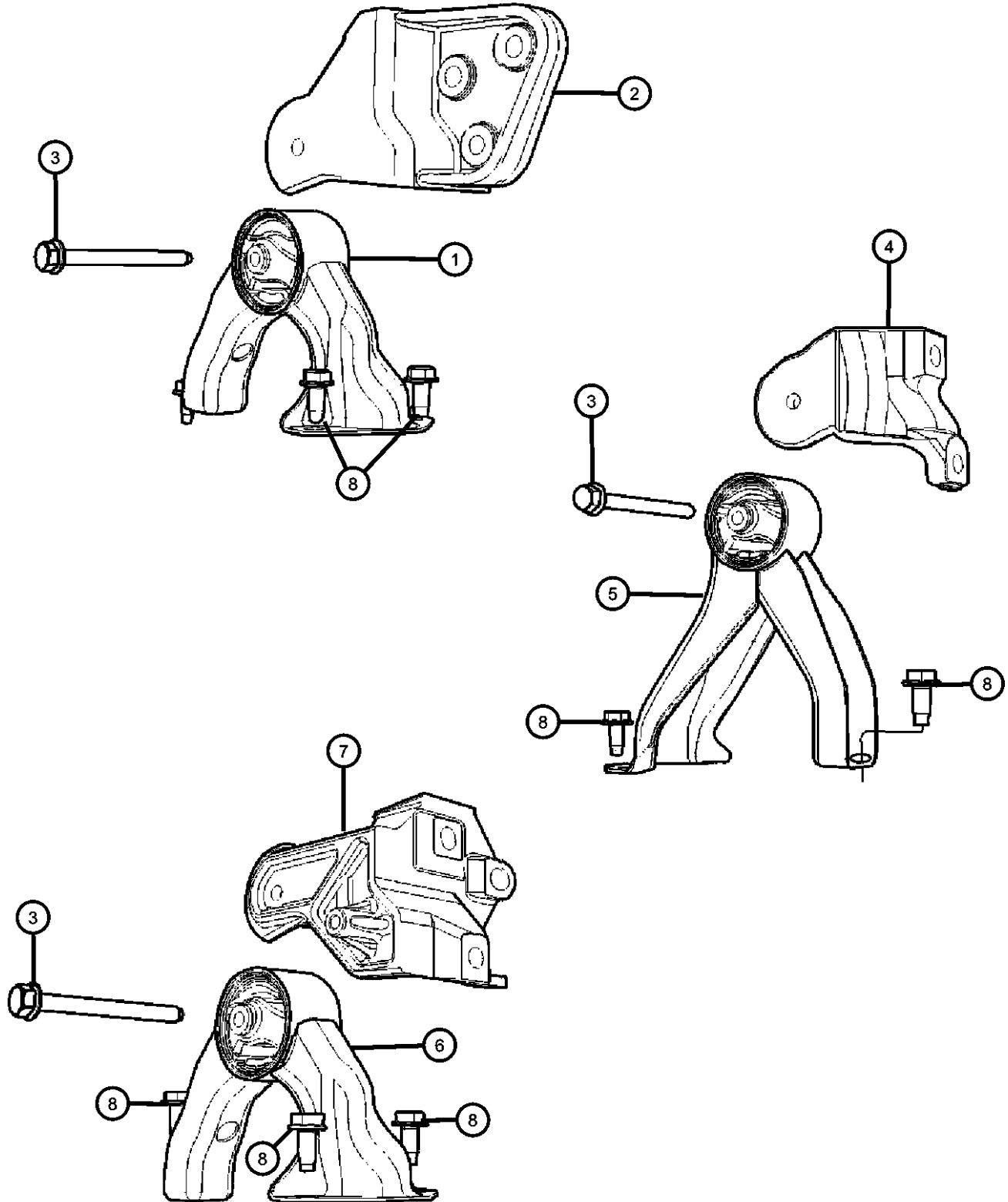
ITEM	PART NUMBER	QTY	LINE	SERIES	BODY	ENGINE	TRANS	TRIM	DESCRIPTION
1	05105489AD	1	J, T, U			ECN, ED3			INSULATOR, Engine Mount
	05105667AD	1	J, T, U				DAV, DAW		
	05105669AE	1	J, T, U				DD7		
2	05105671AD	1	J, T, U				DEF		SUPPORT, Engine Mount
3	06104412AA	4	J, T, U						BOLT AND CONED WASHER, Hex Head, M10X1.5X25.00, Left Mount To Frame Rail, Mounting
4	06508530AA	3	J, T, U						BOLT, Hex Flange Head, M12X1.25X40.00
5	06508530AA	3							BOLT, Serviced With Mount, (NOT SERVICED)

COMPASS/PATRIOT (MK)

SERIES	LINE	BODY	ENGINE	TRANSMISSION
H = HIGHLINE	T = JEEP - 2WD	49 = HATCHBACK TYPE #2	ECE = 2.0L 4 Cyl DOHC DPF Diesel Engine	DEF = 6-Speed Manual Aisin BG6 Trans
L = LOWLINE	J = JEEP - 4WD	74 = SPORT UTILITY 4-DR TYPE #4	ED3 = 2.4L 4 Cyl DOHC 16V Dual VVT Engine	DD7 = 5-Speed Manual T355 Transmission
P = PREMIUM	U = JEEP - 4WD (RHD)		ECD = 2.0L 4 Cyl DOHC Diesel 16V Engine	DAV = Continuously Variable Transaxle II
			ECN = 2.0L 4 Cyl DOHC 16V Dual VVT Engine	DAW = Cont.Var. w/Off-Rd Crawl Ratio Trans

AR = use ase required - = Non illustrated part

**Engine Mounting Rear FWD 2.4L [ED3]
Figure 009ED3-1265**

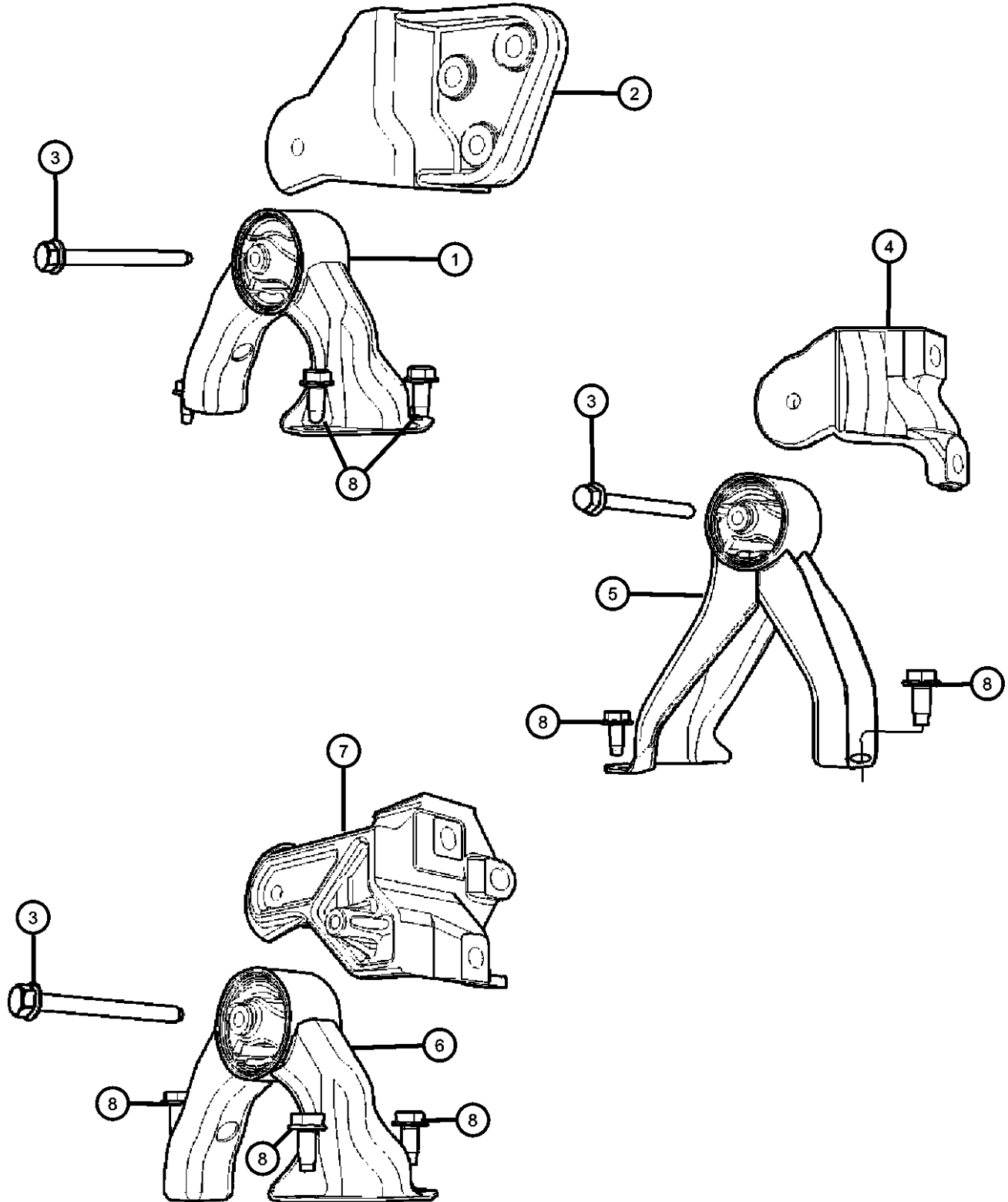


ITEM	PART NUMBER	QTY	LINE	SERIES	BODY	ENGINE	TRANS	TRIM	DESCRIPTION
1	05105511AE	1	T				DAV, DAW		SUPPORT
	68032586AA	1	T				DD7, DEF		
2	05105416AE	1	T			ECN, ED3			BRACKET, Torque Reaction
3	06105074AA	1	J, T, U						BOLT, Hex Flange Head, M10X1.50X100.00
4	05105409AE	1	J, U			ED3			BRACKET, Transmission Case Mounting
5	05105495AD	1	J, U				DD7, DEF		INSULATOR
	05105498AE	1	J, U				DAV, DAW		
6	05105511AE	1	T				DAV, DAW		SUPPORT
7	05105416AE	1	T			ECN, ED3			BRACKET, Torque Reaction
8	06105062AA	3	J, T, U						BOLT, Hex Flange Head, M10x1.50x25.00

COMPASS/PATRIOT (MK)		BODY		ENGINE		TRANSMISSION					
SERIES	LINE	49 = HATCHBACK TYPE #2	74 = SPORT UTILITY 4-DR TYPE #4	ECE = 2.0L 4 Cyl DOHC DPF Diesel Engine	ED3 = 2.4L 4 Cyl DOHC 16V Dual VVT Engine	ECD = 2.0L 4 Cyl DOHC Diesel 16V Engine	ECN = 2.0L 4 Cyl DOHC 16V Dual VVT Engine	DEF = 6-Speed Manual Aisin BG6 Trans	DD7 = 5-Speed Manual T355 Transmission	DAV = Continuously Variable Transaxle II	DAW = Cont.Var. w/Off-Rd Crawl Ratio Trans
H = HIGHLINE	T = JEEP - 2WD										
L = LOWLINE	J = JEEP - 4WD										
P = PREMIUM	U = JEEP - 4WD (RHD)										

AR = use ase required - = Non illustrated part

**Engine Mounting Rear AWD/4WD 2.4L [ED3]
Figure 009ED3-1275**



ITEM	PART NUMBER	QTY	LINE	SERIES	BODY	ENGINE	TRANS	TRIM	DESCRIPTION
1	05105511AE	1	T				DAV, DAW		SUPPORT
	68032586AA	1	T				DD7, DEF		
2	05105416AE	1	T			ECN, ED3			BRACKET, Torque Reaction
3	06105074AA	1	J, T, U						BOLT, Hex Flange Head, M10X1.50X100.00
4	05105409AE	1	J, U			ED3			BRACKET, Transmission Case Mounting
5	05105495AD	1	J, U				DD7, DEF		INSULATOR
	05105498AE	1	J, U				DAV, DAW		
6	05105511AE	1	T				DAV, DAW		SUPPORT
7	05105416AE	1	T			ECN, ED3			BRACKET, Torque Reaction
8	06105062AA	3	J, T, U						BOLT, Hex Flange Head, M10x1.50x25.00

COMPASS/PATRIOT (MK)

SERIES LINE
H = HIGHLINE T = JEEP - 2WD
L = LOWLINE J = JEEP - 4WD
P = PREMIUM U = JEEP - 4WD (RHD)

BODY
49 = HATCHBACK TYPE #2
74 = SPORT UTILITY 4-DR TYPE #4

ENGINE
ECE = 2.0L 4 Cyl DOHC DPF Diesel Engine
ED3 = 2.4L 4 Cyl DOHC 16V Dual VVT Engine
ECD = 2.0L 4 Cyl DOHC Diesel 16V Engine
ECN = 2.0L 4 Cyl DOHC 16V Dual VVT Engine

TRANSMISSION
DEF = 6-Speed Manual Aisin BG6 Trans
DD7 = 5-Speed Manual T355 Transmission
DAV = Continuously Variable Transaxle II
DAW = Cont.Var. w/Off-Rd Crawl Ratio Trans

AR = use ase required - = Non illustrated part

2008 MK

Group - 10

Restraints

Group - 10 Restraints

Illustration Title

Group-Fig. No.

Air Bags

Air Bag Modules, Impact Sensors and Clock SpringFig. 10 - 205

Air Bags FrontFig. 10 - 210

Side Air BagsFig. 10 - 215

Seat Belts

Seat Belts First RowFig. 10 - 305

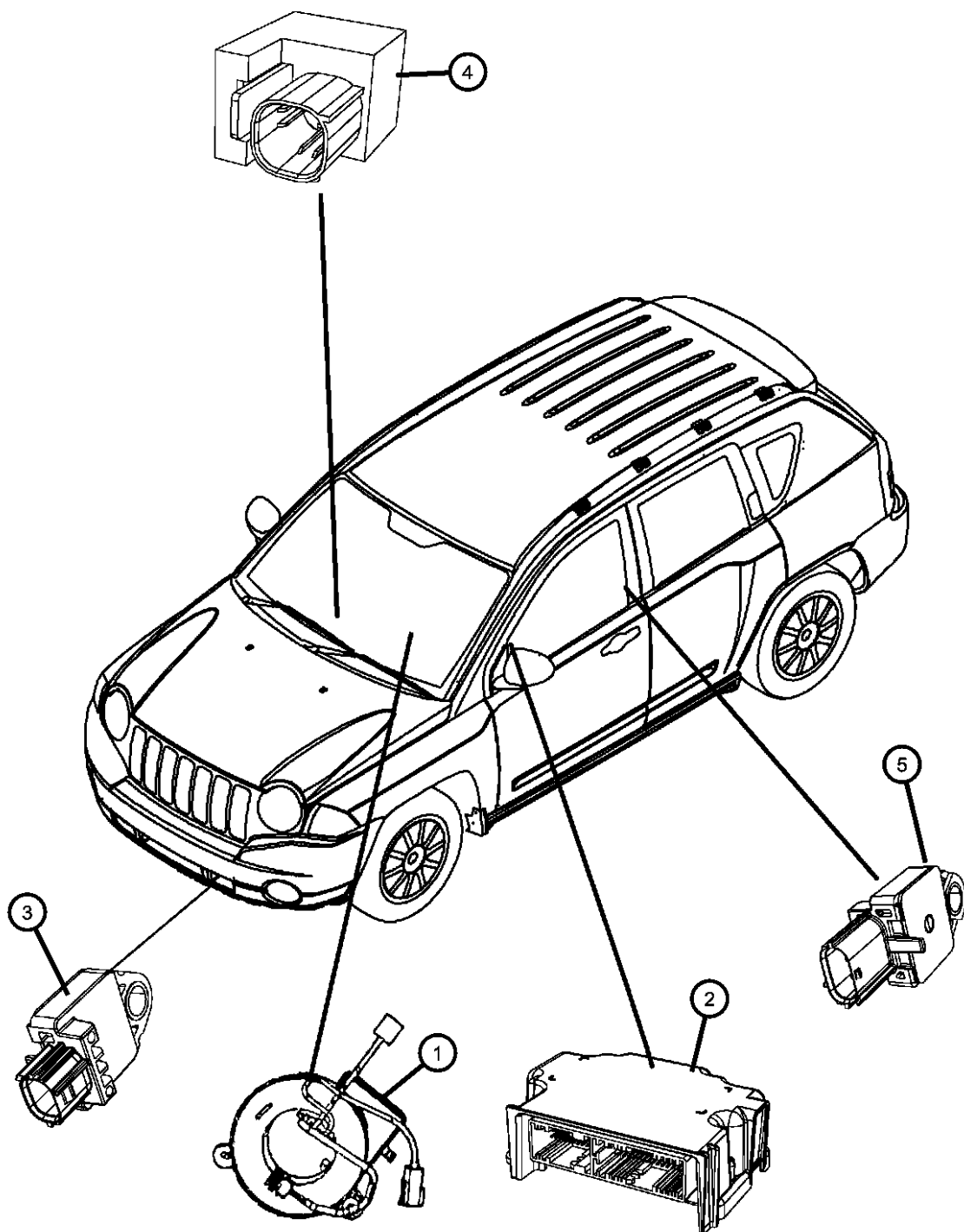
Seat Belt Second RowFig. 10 - 310

010-200 Air Bags	010-300 Seat Belts		
---------------------	-----------------------	--	--

Air Bag Modules, Impact Sensors and Clock Spring

Figure 10-205

ITEM	PART NUMBER	QTY	LINE	SERIES	BODY	ENGINE	TRANS	TRIM	DESCRIPTION
1	68003216AE	1	J, T, U		49				CLOCKSPRING, Steering Column Control Module Without [LNJ]
		1	J, T, U		74				Without [LNJ]
	68024159AC	1	J, T, U		49				
		1	J, T, U		74				
2	04672609AF	1	J, T, U		49				MODULE, Occupant Restraint [CG1,CJ4], Export
	04672610AD	1	J, T, U		49				[CG1] Mexico,
	04672611AC	1	J, T, U		74				[CG1,CJ4]
	04672612AC	1	J, T, U		74				[CG1,CJ4,CJ1]
	04672614AC	1	J, T, U		74				[CG1] Mexico
	04896615AC	1	J, T, U		74				[CG1,CJ4], Export
	04896619AC	1	J, T, U		49				[CG1,CJ4,CJ1], Export
	04896623AC	1	J, T, U		49				[CG1,CJ4]
	04896624AC	1	J, T, U		49				[CG1,CJ4,CJ1]
	04672613AC	1	J, T, U		74				[CG1,CJ4,CJ1], Export
3	04896061AA	2	J, T, U		49				SENSOR, Impact Front
		2	J, T, U		74				Front
4	05084008AA	2	J, T		49, 74				*AL SENSOR, Seat Position
5	04896065AA	2	J, T, U		49				SENSOR, Impact Side
		2	J, T, U		74				Side
-6	05097674AA	3	J, T, U		49				NUT, Hex AIRBAG MODULE TO CENTER TUNNEL
		3	J, T, U		74				AIRBAG MODULE TO CENTER TUNNEL



COMPASS/PATRIOT (MK)

SERIES	LINE	BODY	ENGINE	TRANSMISSION
H = HIGHLINE	T = JEEP - 2WD	49 = HATCHBACK TYPE #2	ECE = 2.0L 4 Cyl DOHC DPF Diesel Engine	DEF = 6-Speed Manual Aisin BG6 Trans
L = LOWLINE	J = JEEP - 4WD	74 = SPORT UTILITY 4-DR TYPE #4	ED3 = 2.4L 4 Cyl DOHC 16V Dual VVT Engine	DD7 = 5-Speed Manual T355 Transmission
P = PREMIUM	U = JEEP - 4WD (RHD)		ECD = 2.0L 4 Cyl DOHC Diesel 16V Engine	DAV = Continuously Variable Transaxle II
			ECN = 2.0L 4 Cyl DOHC 16V Dual VVT Engine	DAW = Cont.Var. w/Off-Rd Crawl Ratio Trans

AR = use ase required - = Non illustrated part

Air Bags Front
Figure 10-210

ITEM	PART NUMBER	QTY	LINE	SERIES	BODY	ENGINE	TRANS	TRIM	DESCRIPTION
------	-------------	-----	------	--------	------	--------	-------	------	-------------

NOTE:

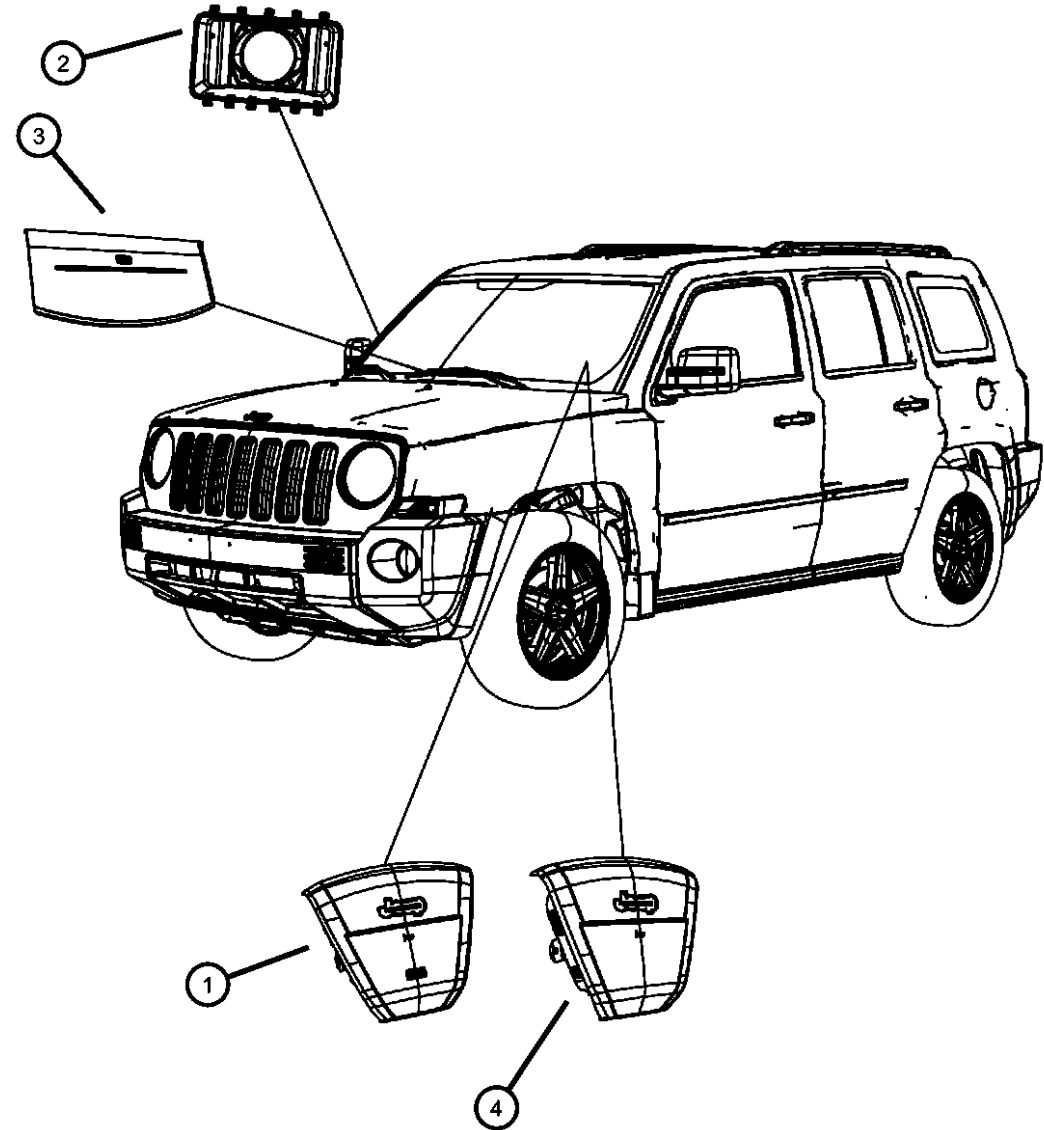
Sales Codes:

[EBA]=1.8L 4 CYL DOHC 16V DUAL VVT ENGINE

[ECN]=2.0L 4 CYL DOHC 16V DUAL VVT ENGINE

[ED3]=2.4L 4 CYL DOHC 16V DUAL VVT ENGINE

[ECD]=2.0L 4 CYL DOHC Diesel 16V Engine



1									AIR BAG, Driver
	1BL23XDVAC	1	J, T, U		49			*00	[CGJ] [DA]
		1	J, T, U		74			*00	[CGJ] [DA]
		1	J, T, U		49			*00	[CGJ] [DV]
	0YD59DK7AD	1	J, T, U		49			*00	[CG1] [KA]
		1	J, T, U		74			*00	[CG1] [KA]
	0YD59XDVAD	1	J, T, U		49			*00	[CG1] [DA]
		1	J, T, U		74			*00	[CG1] [DA]
		1	J, T, U		49			*00	[CG1] [DV]
		1	J, T, U		74			*00	[CG1] [DV]
	1BL23DK7AC	1	J, T, U		49			*00	[CGJ] [KA]
		1	J, T, U		74			*00	[CGJ] [KA]
		1	J, T, U		74			*00	[CGJ] [DV]
2									AIR BAG, Passenger
	04664345AE	1	J, T, U		74				[CG1], Export
		1	J, T, U		49				[CG1], Export
	05108018AA	1	J, T, U		74				[CG1]
	05108037AA	1	J, T, U		49				[CG1]
3									COVER, Air Bag Module
	0YF36DK7AB	1	J, T		49			*00	[CG1] [KA]
		1	J, T		74			*00	[CG1] [KA]
	0YF36XDVAB	1	J, T		49			*00	[CG1] [DV]
		1	J, T		74			*00	[CG1] [DV]
4									AIR BAG, Driver, Air Bag Delete
	1BL23DK7AC	1	J, T, U		49			*00	[KA]
		1	J, T, U		74			*00	[KA]
	1BL23XDVAC	1	J, T, U		49			*00	[DA]
		1	T, U, J		74			*00	[DA]

COMPASS/PATRIOT (MK)

SERIES

H = HIGHLINE

L = LOWLINE

P = PREMIUM

LINE

T = JEEP - 2WD

J = JEEP - 4WD

U = JEEP - 4WD (RHD)

BODY

49 = HATCHBACK TYPE #2

74 = SPORT UTILITY 4-DR

TYPE #4

ENGINE

ECE = 2.0L 4 Cyl DOHC DPF

Diesel Engine

ED3 = 2.4L 4 Cyl DOHC 16V

Dual VVT Engine

ECD = 2.0L 4 Cyl DOHC

Diesel 16V Engine

ECN = 2.0L 4 Cyl DOHC 16V

Dual VVT Engine

TRANSMISSION

DEF = 6-Speed Manual Aisin BG6

Trans

DD7 = 5-Speed Manual T355

Transmission

DAV = Continuously Variable

Transaxle II

DAW = Cont.Var. w/Off-Rd Crawl

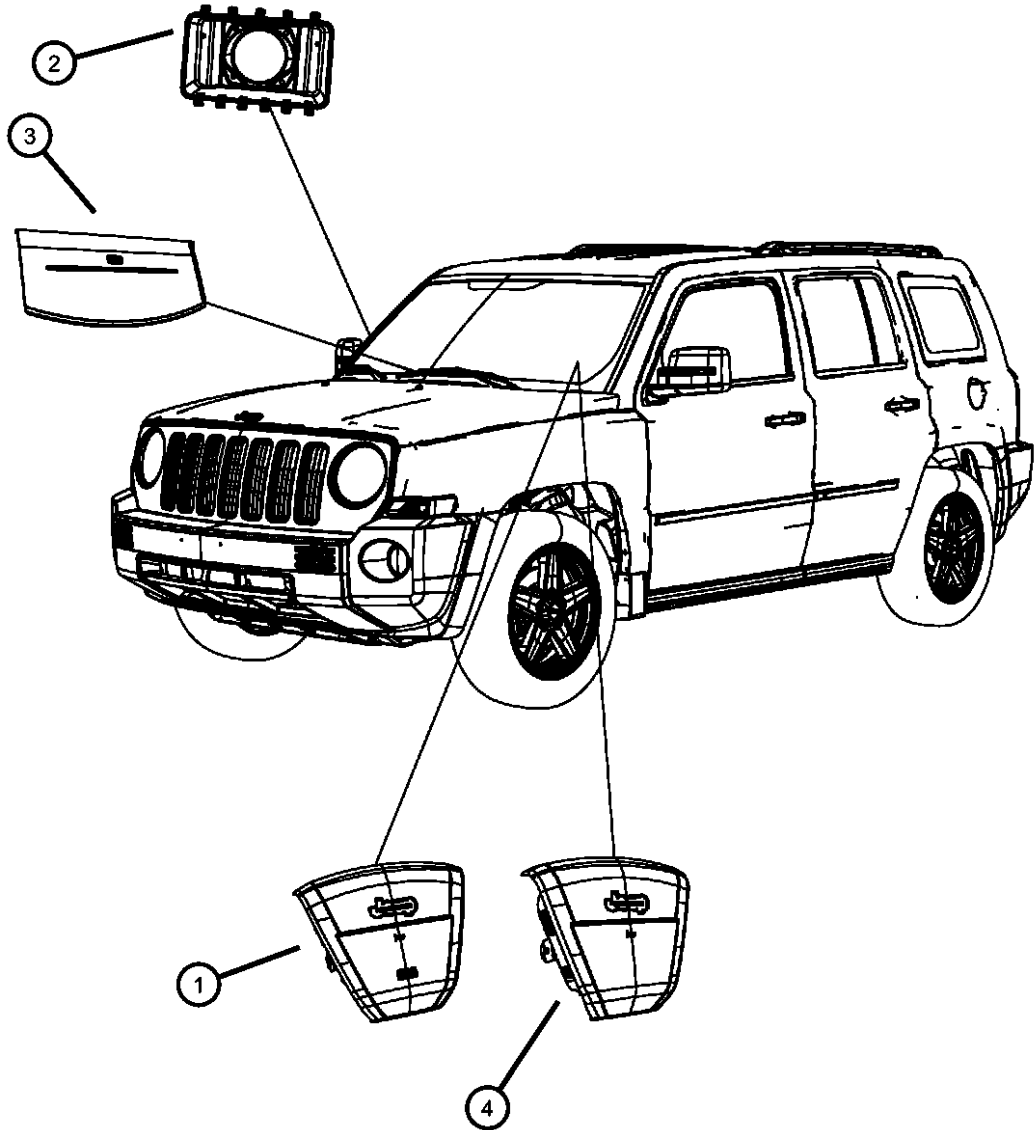
Ratio Trans

AR = use ase required - = Non illustrated part

2008 MK

Air Bags Front
Figure 10-210

ITEM	PART NUMBER	QTY	LINE	SERIES	BODY	ENGINE	TRANS	TRIM	DESCRIPTION
		1	J, T, U		49			*00	[DV]
		1	J, T, U		74			*00	[DV]
-5									BOLT, Hex Flange Head, [M6X1.00X20.00]
	06105037AA	2	J, T, U		49				Air Bag to Steering Wheel
		2	J, T, U		74				Air Bag to Steering Wheel



COMPASS/PATRIOT (MK)

SERIES LINE
H = HIGHLINE T = JEEP - 2WD
L = LOWLINE J = JEEP - 4WD
P = PREMIUM U = JEEP - 4WD (RHD)

BODY
49 = HATCHBACK TYPE #2
74 = SPORT UTILITY 4-DR
TYPE #4

ENGINE
ECE = 2.0L 4 Cyl DOHC DPF Diesel Engine
ED3 = 2.4L 4 Cyl DOHC 16V Dual VVT Engine
ECD = 2.0L 4 Cyl DOHC Diesel 16V Engine
ECN = 2.0L 4 Cyl DOHC 16V Dual VVT Engine

TRANSMISSION
DEF = 6-Speed Manual Aisin BG6 Trans
DD7 = 5-Speed Manual T355 Transmission
DAV = Continuously Variable Transaxle II
DAW = Cont.Var. w/Off-Rd Crawl Ratio Trans

AR = use ase required - = Non illustrated part

2008 MK

Side Air Bags
Figure 10-215

ITEM	PART NUMBER	QTY	LINE	SERIES	BODY	ENGINE	TRANS	TRIM	DESCRIPTION
------	-------------	-----	------	--------	------	--------	-------	------	-------------

NOTE:

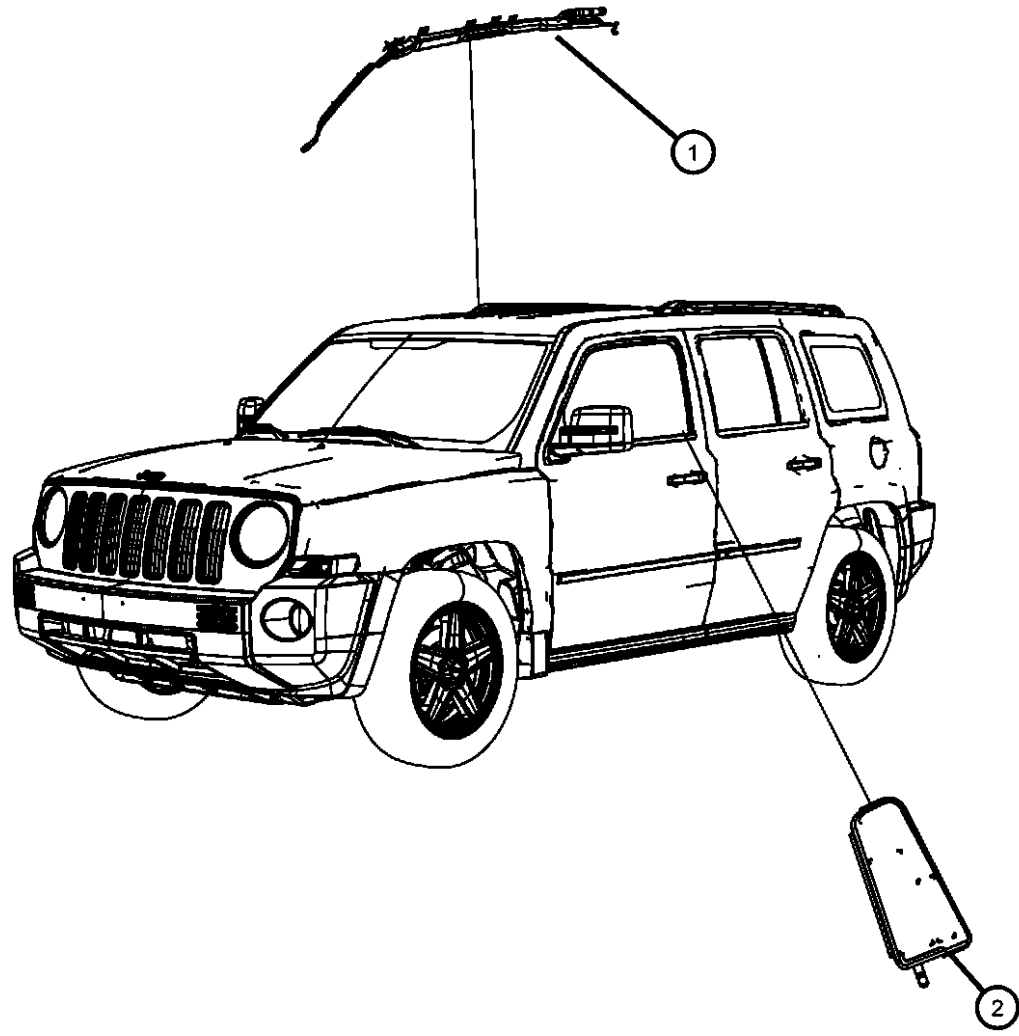
Sales Codes:

[EBA]=1.8L 4 CYL DOHC 16V DUAL VVT ENGINE

[ECN]=2.0L 4 CYL DOHC 16V DUAL VVT ENGINE

[ED3]=2.4L 4 CYL DOHC 16V DUAL VVT ENGINE

[ECD]=2.0L 4 CYL DOHC Diesel 16V Engine



1									AIR BAG, Side Curtain
	55351258AB	1	J, T, U		74				Right
	55351259AB	1	J, T, U		74				Left
	55351290AE	1	J, T, U		49				Right
	55351291AE	1	J, T, U		49				Left
2									AIR BAG, Seat
	04645992AC	1	J		49, 74			*D7	Export, Right
		1	J, T		49			*D7	, Right
		1	J, T		74			*D7	Right
	04645997AC	1	J		74, 49			*D7	Export, Left
	05108033AA	1	J, T		74			*E6	Right
		1	J, T		49			*AL	Right
		1	J, T		74			*AL	Right
		1	J, T		74			*K6	Right
		1	J, T		49			*K6	Right
		1	U		49, 74			*AL	Export, Right
		1	J		49, 74			*AL	Export, Right
		1	U		49, 74			*K6	Export, Right
		1	J, T		49			*K6	Export, Right
		1	J, T		74			*K6	Export, Right
	05108036AA	1	J, T		74			*E6	Left
		1	U		49, 74			*K6	Export, Left
		1	J, T		49			*K6	Export, Left
		1	J, T		74			*K6	Export, Left
		1	J, T		49			*K6	Left
		1	J, T		74			*K6	Left
	05108036AB	1	J, T		49			*AL	Left
		1	J, T		74			*AL	Left

COMPASS/PATRIOT (MK)

SERIES LINE
H = HIGHLINE T = JEEP - 2WD
L = LOWLINE J = JEEP - 4WD
P = PREMIUM U = JEEP - 4WD (RHD)

BODY
49 = HATCHBACK TYPE #2
74 = SPORT UTILITY 4-DR TYPE #4

ENGINE
ECE = 2.0L 4 Cyl DOHC DPF Diesel Engine
ED3 = 2.4L 4 Cyl DOHC 16V Dual VVT Engine
ECD = 2.0L 4 Cyl DOHC Diesel 16V Engine
ECN = 2.0L 4 Cyl DOHC 16V Dual VVT Engine

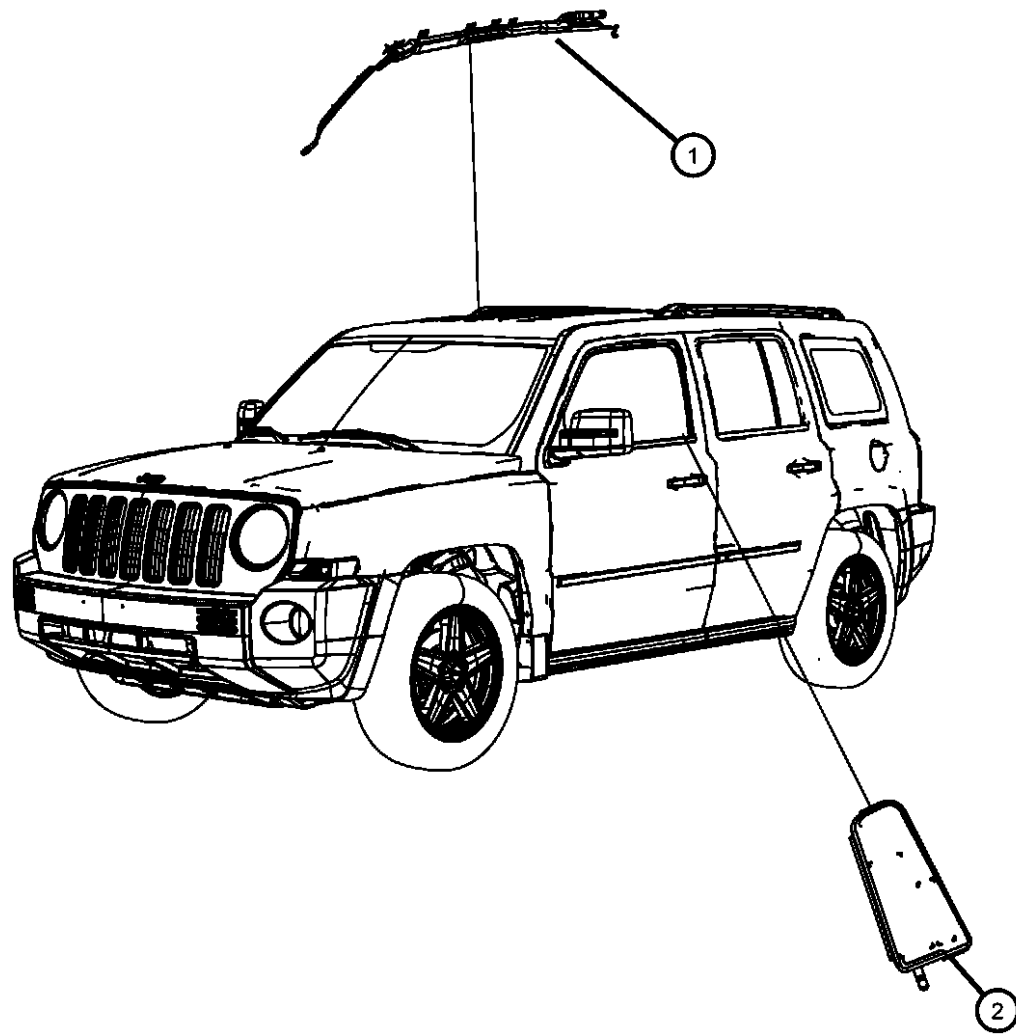
TRANSMISSION
DEF = 6-Speed Manual Aisin BG6 Trans
DD7 = 5-Speed Manual T355 Transmission
DAV = Continuously Variable Transaxle II
DAW = Cont.Var. w/Off-Rd Crawl Ratio Trans

AR = use ase required - = Non illustrated part

2008 MK

Side Air Bags
Figure 10-215

ITEM	PART NUMBER	QTY	LINE	SERIES	BODY	ENGINE	TRANS	TRIM	DESCRIPTION
		1	J		49, 74			*AL	Export, Left
		1	U		49, 74			*AL	Export, Left
-3									NUT, U, M6x1.00
	06506035AA	14	J, T, U		49				Side Air Bag to Body
		14	J, T, U		74				Side Air Bag to Body



COMPASS/PATRIOT (MK)

SERIES LINE

H = HIGHLINE T = JEEP - 2WD
L = LOWLINE J = JEEP - 4WD
P = PREMIUM U = JEEP - 4WD (RHD)

BODY

49 = HATCHBACK TYPE #2
74 = SPORT UTILITY 4-DR
TYPE #4

ENGINE

ECE = 2.0L 4 Cyl DOHC DPF Diesel Engine
ED3 = 2.4L 4 Cyl DOHC 16V Dual VVT Engine
ECD = 2.0L 4 Cyl DOHC Diesel 16V Engine
ECN = 2.0L 4 Cyl DOHC 16V Dual VVT Engine

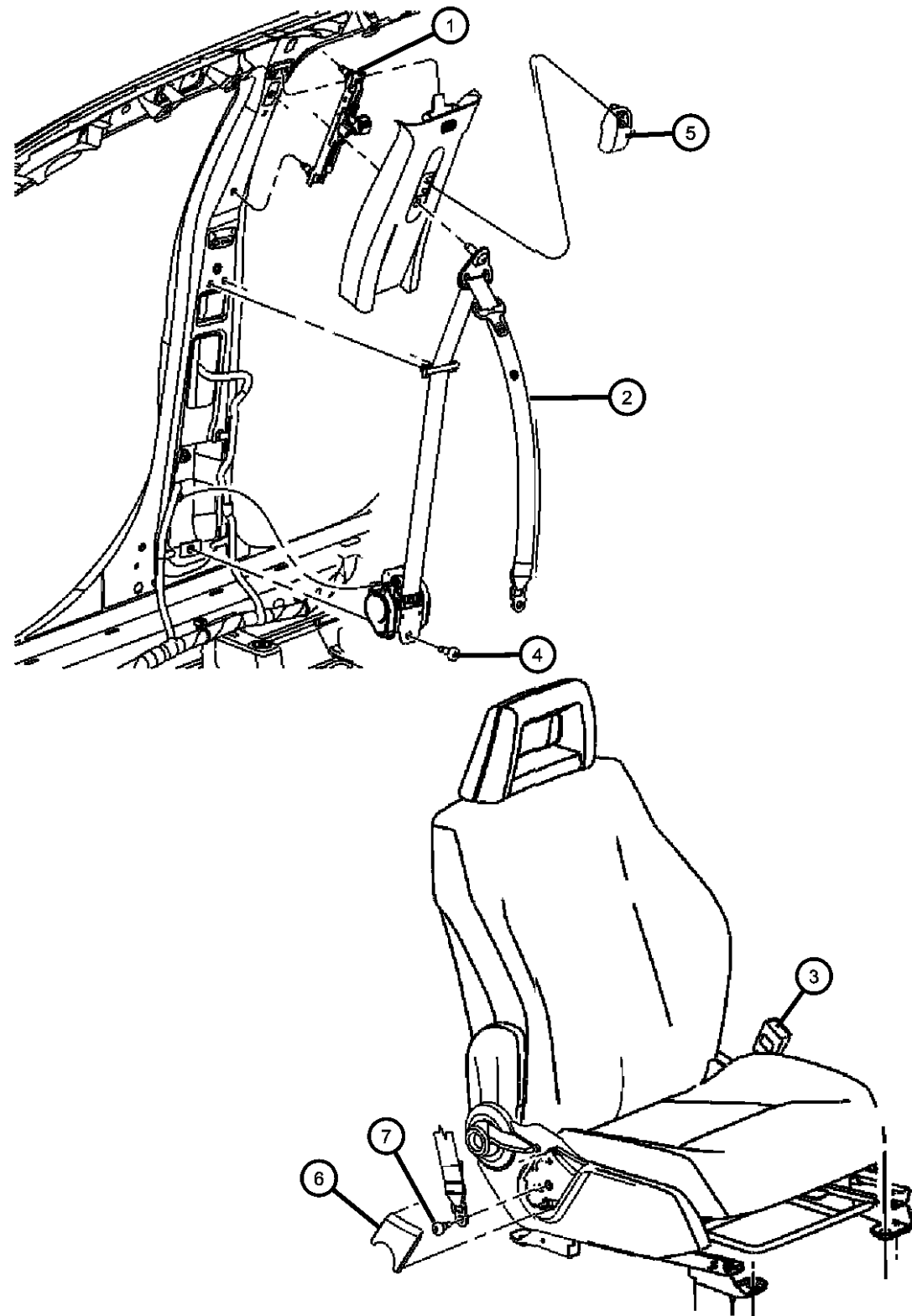
TRANSMISSION

DEF = 6-Speed Manual Aisin BG6 Trans
DD7 = 5-Speed Manual T355 Transmission
DAV = Continuously Variable Transaxle II
DAW = Cont.Var. w/Off-Rd Crawl Ratio Trans

AR = use ase required - = Non illustrated part

2008 MK

**Seat Belts First Row
Figure 10-305**



ITEM	PART NUMBER	QTY	LINE	SERIES	BODY	ENGINE	TRANS	TRIM	DESCRIPTION
1									ADJUSTER, Seat Belt Turning Loop
	0YV89DW1AE	2	J, T, U		49			*00	[DA]
		2	J, T, U		49			*00	[DV]
		2	J, T, U		49			*00	[KA]
		2	J, T, U		74			*00	[DA]
		2	J, T, U		74			*00	[DV]
2									SEAT BELT, Front Outer
	1BR841DVAA	1	J, T		49			*00	[DA] With [CG1] Without [CGK], Right
		1	J, T		74			*00	[DA] With [CG1] Without [CGK], Right
		1	J, T		49			*00	[DV] With [CG1] Without [CGK], Right
		1	J, T		74			*00	[DV] With [CG1] Without [CGK], Right
	1BR841K7AA	1	J, T		49			*00	[KA] With [CG1] Without [CGK], Right
		1	J, T		74			*00	[KA] With [CG1] Without [CGK], Right
	1BR851DVAA	1	J, T		49			*00	[DA] With [CG1] Without [CGK], Left
	1BR851DVAB	1	J, T		49			*00	[DV] With [CG1] Without [CGK], Left
	1BR851K7AB	1	J, T		49			*00	[KA] With [CG1] Without [CGK], Left
	1BR881DVAA	1	J, T		49			*00	[DA] With [CGJ], Right
		1	J, T		74			*00	[DA] With [CGJ], Right
		1	J, T		49			*00	[DV] With [CGJ], Right
		1	J, T		74			*00	[DV] With [CGJ], Right
	1BR881K7AA	1	J, T		49			*00	[KA] With [CGJ], Right
	1	J, T		74			*00	[KA] With [CGJ], Right	
1BR891DVAA	1	J, T		49			*00	[DA] With [CGJ], Left	
	1	J, T		74			*00	[DA] With [CGJ], Left	
	1	J, T		49			*00	[DV] With [CGJ], Left	
	1	J, T		74			*00	[DV] With [CGJ], Left	
1BR891K7AA	1	J, T		49			*00	[KA] With [CGJ], Left	

COMPASS/PATRIOT (MK)

SERIES LINE
H = HIGHLINE T = JEEP - 2WD
L = LOWLINE J = JEEP - 4WD
P = PREMIUM U = JEEP - 4WD (RHD)

BODY
49 = HATCHBACK TYPE #2
74 = SPORT UTILITY 4-DR TYPE #4

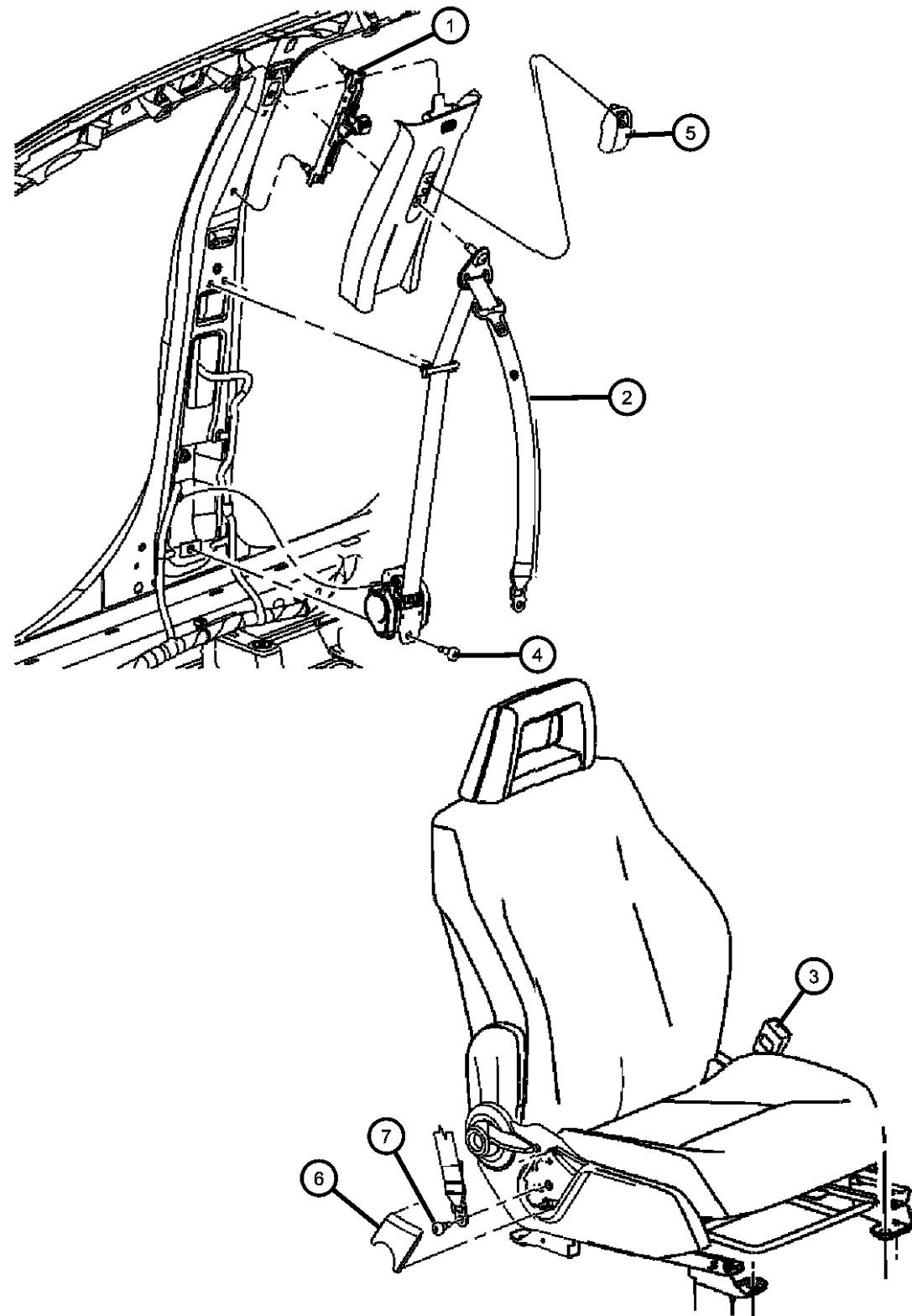
ENGINE
ECE = 2.0L 4 Cyl DOHC DPF Diesel Engine
ED3 = 2.4L 4 Cyl DOHC 16V Dual VVT Engine
ECD = 2.0L 4 Cyl DOHC Diesel 16V Engine
ECN = 2.0L 4 Cyl DOHC 16V Dual VVT Engine

TRANSMISSION
DEF = 6-Speed Manual Aisin BG6 Trans
DD7 = 5-Speed Manual T355 Transmission
DAV = Continuously Variable Transaxle II
DAW = Cont.Var. w/Off-Rd Crawl Ratio Trans

AR = use ase required - = Non illustrated part

2008 MK

Seat Belts First Row
Figure 10-305



ITEM	PART NUMBER	QTY	LINE	SERIES	BODY	ENGINE	TRANS	TRIM	DESCRIPTION
		1	J, T		74			*O0	[KA] With [CGJ], Left
	1BS031DVAB	1	J, T		49			*O0	[DA] With [CG1] and [CGK], Left
		1	J, T		74			*O0	[DA] With [CG1] and [CGK], Left
	1BS031DVAC	1	J, T		74			*O0	[DV] With [CG1] and [CGK], Left
	1BS041DVAB	1	J, T		49			*O0	[DA] With [CG1] and [CGK], Right
	1BS031K7AB	1	J, T		49			*O0	[KA] With [CG1] and [CGK], Left
		1	J, T		74			*O0	[KA] With [CG1] and [CGK], Left
		1	J, T		49			*O0	[DV] With [CG1] and [CGK], Left
	1BS061DVAB	1	U		49, 74			*O0	[DV] With [CG1] and [CGK], Right
	1BS061K7AB	1	U		49, 74			*O0	[KA] With [CG1] and [CGK], Right
	1BS091DVAB	1	U		49, 74			*O0	[DA] With [CG1] and [CGK], Left
	1BS091K7AB	1	U		49, 74			*O0	[KA] With [CG1] and [CGK], Left
		1	J, T		74			*O0	[DA] With [CG1] and [CGK], Right
		1	J, T		49			*O0	[DV] With [CG1] and [CGK], Right
		1	J, T		74			*O0	[DV] With [CG1] and [CGK], Right
	1BS041K7AB	1	J, T		49			*O0	[KA] With [CG1] and [CGK], Right
		1	J, T		74			*O0	[KA] With [CG1] and [CGK], Right
3									SEAT BELT, Buckle Half
	0YV931D5AB	1	J, T		49			*K6	[DA]
		1	J, T		74			*K6	[DA]
	0YV931DAAB	1	J, T		49			*AL	[DA]
		1	J, T		74			*AL	[DA]
		1	J, T		74			*E6	[DA]
	0YV931DVAB	1	J, T		49			*D7	[DA]
		1	J, T		74			*D7	[DA]
	0YV931K7AB	1	J, T		49			*D7	[KA]
		1	J, T		74			*D7	[KA]
		1	J, T		49			*K6	[KA]
		1	J, T		74			*K6	[KA]

COMPASS/PATRIOT (MK)

SERIES LINE
H = HIGHLINE T = JEEP - 2WD
L = LOWLINE J = JEEP - 4WD
P = PREMIUM U = JEEP - 4WD (RHD)

BODY
49 = HATCHBACK TYPE #2
74 = SPORT UTILITY 4-DR TYPE #4

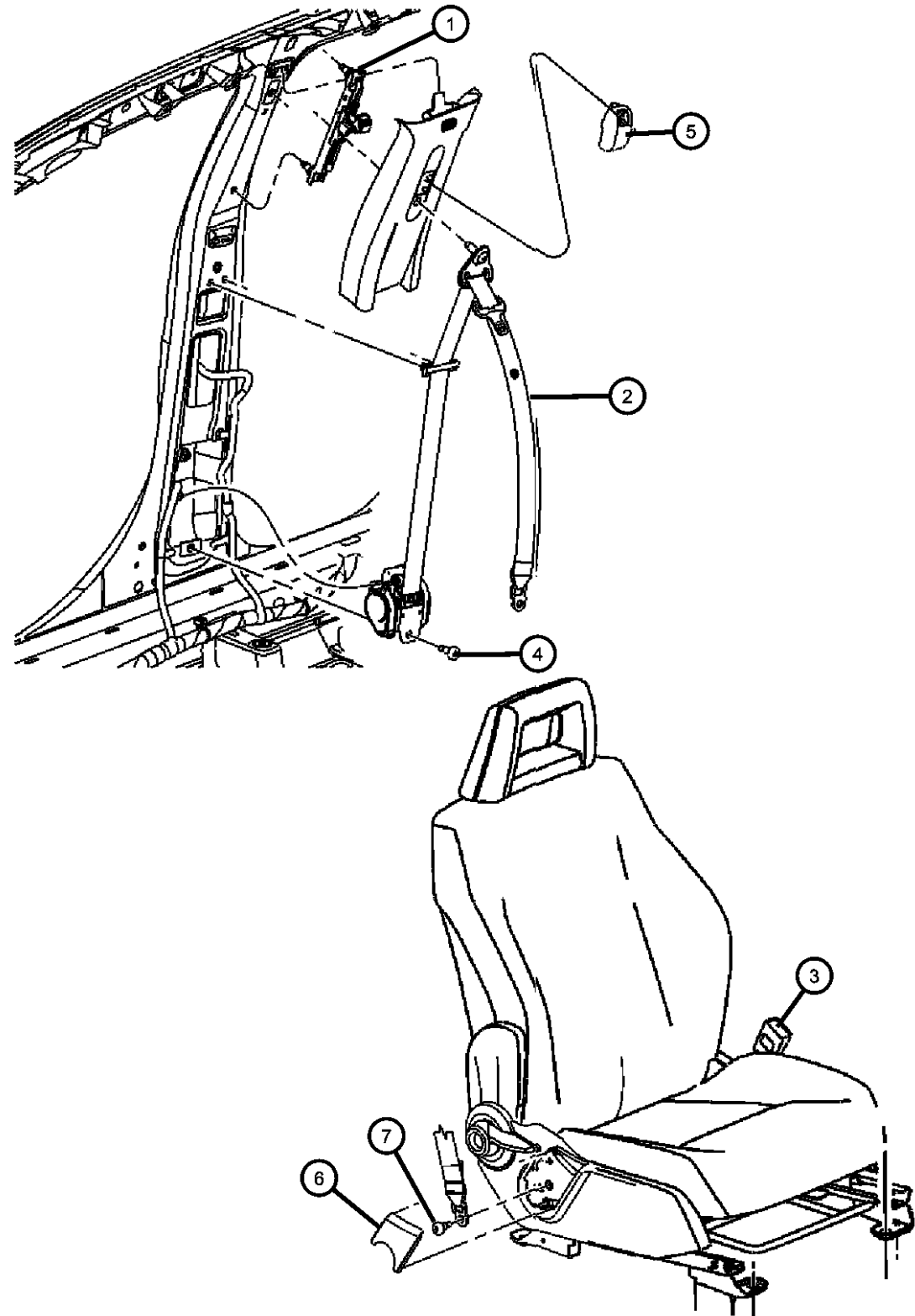
ENGINE
ECE = 2.0L 4 Cyl DOHC DPF Diesel Engine
ED3 = 2.4L 4 Cyl DOHC 16V Dual VVT Engine
ECD = 2.0L 4 Cyl DOHC Diesel 16V Engine
ECN = 2.0L 4 Cyl DOHC 16V Dual VVT Engine

TRANSMISSION
DEF = 6-Speed Manual Aisin BG6 Trans
DD7 = 5-Speed Manual T355 Transmission
DAV = Continuously Variable Transaxle II
DAW = Cont.Var. w/Off-Rd Crawl Ratio Trans

AR = use ase required - = Non illustrated part

2008 MK

Seat Belts First Row
Figure 10-305



ITEM	PART NUMBER	QTY	LINE	SERIES	BODY	ENGINE	TRANS	TRIM	DESCRIPTION
	0YV931KAAB	1	J, T		49			*AL	[KA]
		1	J, T		74			*AL	[KA]
		1	J, T		74			*E6	[KA]
	1CW251D5AA	1	J, T		74			*D7	[DA] 2-Way
		1	J, T		49			*K6	[DA] 2-Way
		1	J, T		74			*K6	[DA] 2-Way
		1	J, T		49			*D7	[DA] 2-Way
	1CW251DAAA	1	J, T		74			*E6	[DA] 2-Way
		1	J, T		49			*AL	[DA] 2-Way
		1	J, T		74			*AL	[DA] 2-Way
	1CW251K7AA	1	J, T		49			*D7	[KA] 2-Way
		1	J, T		74			*D7	[KA] 2-Way
		1	J, T		49			*K6	[KA] 2-Way
		1	J, T		74			*K6	[KA] 2-Way
	1CW251KAAA	1	J, T		74			*E6	[KA] 2-Way
		1	J, T		49			*AL	[KA] 2-Way
		1	J, T		74			*AL	[KA] 2-Way
	1JB461DVAA	2	J, T		49			*B7	[DV]
	1JB461K7AA	2	J, T		49			*B7	[KA]
4	06105123AA	2	J, T, U		74				SCREW
5									COVER, Turning Loop
	0YV87DW1AC	2	J, T, U		49			*O0	[DA]
		2	J, T, U		49			*O0	[KA]
		2	J, T, U		74			*O0	[DA]
		2	J, T, U		74			*O0	[KA]
		2	J, T, U		49			*O0	[DV]
		2	J, T, U		74			*O0	[DV]
6									COVER, Anchor
	1DQ431K2AA	1	J, T		49			*D7	[KA]
		1	J, T		74			*D7	[KA]
		1	J, T		49			*K6	[KA]
		1	J, T		74			*K6	[KA]

COMPASS/PATRIOT (MK)

SERIES LINE
H = HIGHLINE T = JEEP - 2WD
L = LOWLINE J = JEEP - 4WD
P = PREMIUM U = JEEP - 4WD (RHD)

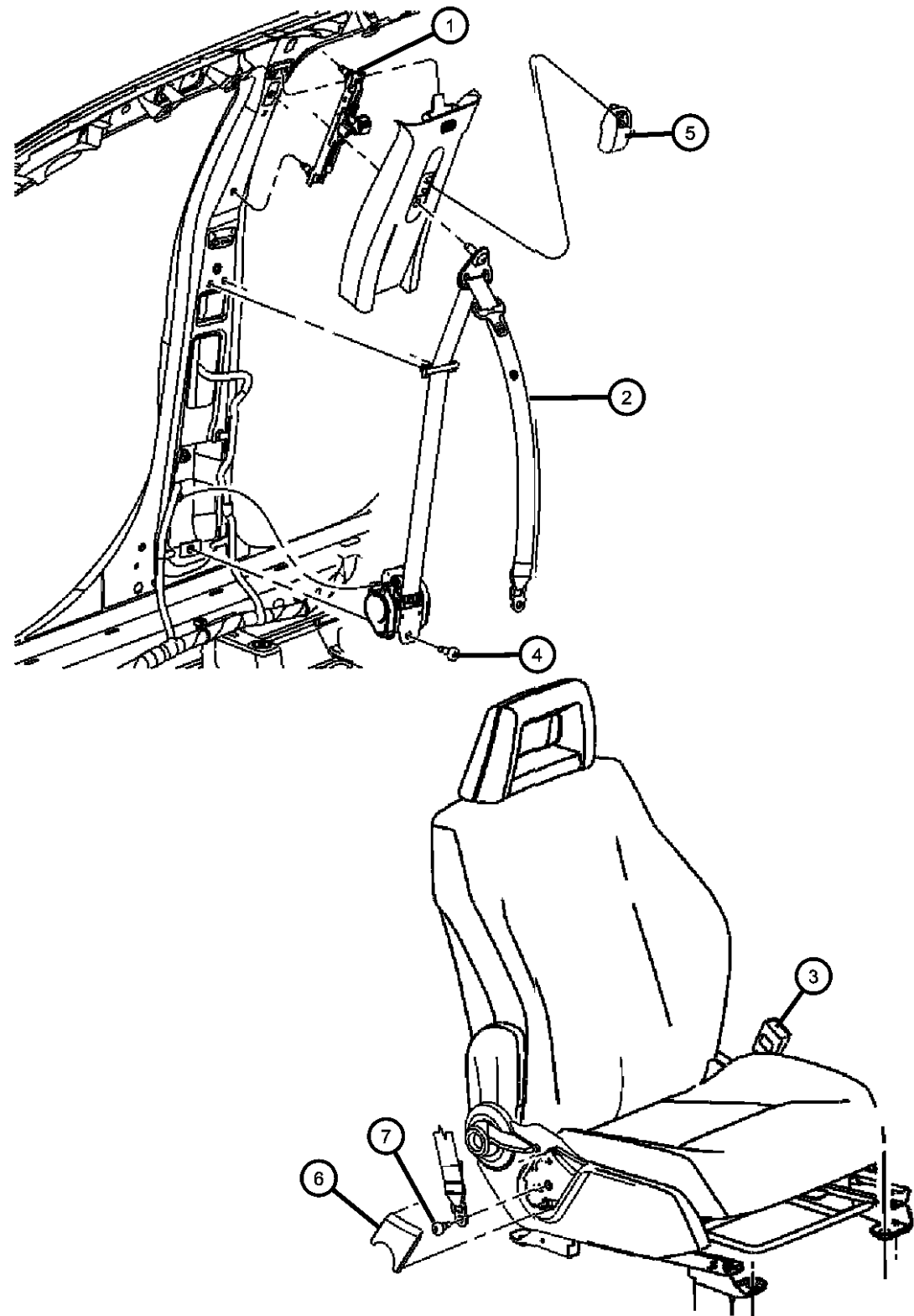
BODY
49 = HATCHBACK TYPE #2
74 = SPORT UTILITY 4-DR TYPE #4

ENGINE TRANSMISSION
ECE = 2.0L 4 Cyl DOHC DPF Diesel Engine DEF = 6-Speed Manual Aisin BG6 Trans
ED3 = 2.4L 4 Cyl DOHC 16V Dual VVT Engine DD7 = 5-Speed Manual T355 Transmission
ECD = 2.0L 4 Cyl DOHC Diesel 16V Engine DAV = Continuously Variable Transaxle II
ECN = 2.0L 4 Cyl DOHC 16V Dual VVT Engine DAW = Cont.Var. w/Off-Rd Crawl Ratio Trans

AR = use ase required - = Non illustrated part

2008 MK

Seat Belts First Row
Figure 10-305



ITEM	PART NUMBER	QTY	LINE	SERIES	BODY	ENGINE	TRANS	TRIM	DESCRIPTION
	1DQ431D5AA	1	J, T		49			*D7 [DA]	
		1	J, T		74			*D7 [DA]	
		1	J, T		49			*K6 [DA]	
		1	J, T		74			*K6 [DA]	
7	06105131AA	2	J, T, U		49				SCREW
-8	05291865AC	1	J, T, U		49, 74				COVER, Seat Belt Retractor, Lower Left
	05291866AC	1	J, T, U		49, 74				Right
-9	05179969AA	1	J, T		74			*E6	EXTENDER, Seat Belt
		1	J, T		49			*B7	
		1	J, T		49, 74			*K6	

COMPASS/PATRIOT (MK)

SERIES LINE

H = HIGHLINE T = JEEP - 2WD
L = LOWLINE J = JEEP - 4WD
P = PREMIUM U = JEEP - 4WD (RHD)

BODY

49 = HATCHBACK TYPE #2
74 = SPORT UTILITY 4-DR TYPE #4

ENGINE

ECE = 2.0L 4 Cyl DOHC DPF Diesel Engine
ED3 = 2.4L 4 Cyl DOHC 16V Dual VVT Engine
ECD = 2.0L 4 Cyl DOHC Diesel 16V Engine
ECN = 2.0L 4 Cyl DOHC 16V Dual VVT Engine

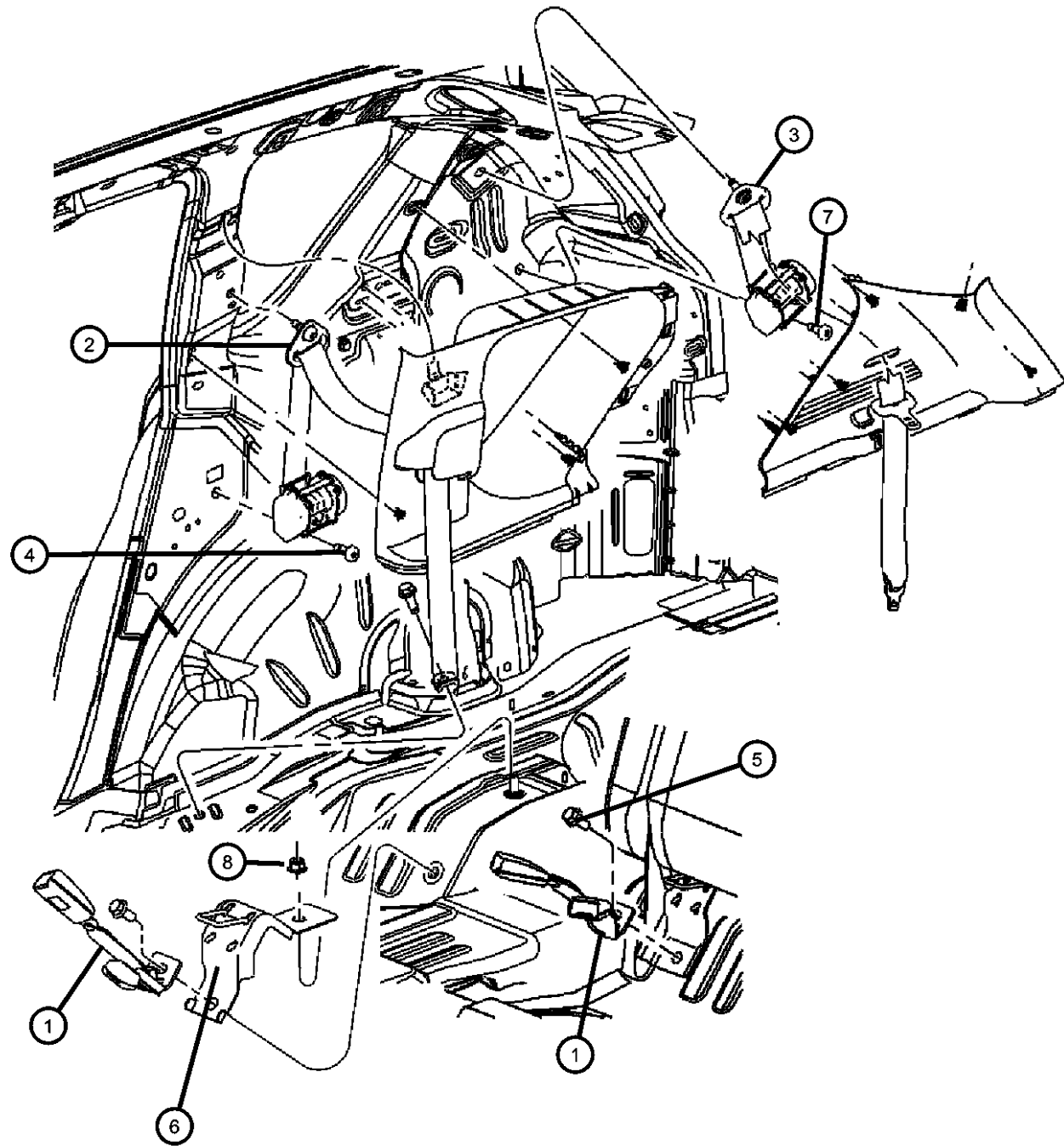
TRANSMISSION

DEF = 6-Speed Manual Aisin BG6 Trans
DD7 = 5-Speed Manual T355 Transmission
DAV = Continuously Variable Transaxle II
DAW = Cont.Var. w/Off-Rd Crawl Ratio Trans

AR = use ase required - = Non illustrated part

2008 MK

Seat Belt Second Row
Figure 10-310



ITEM	PART NUMBER	QTY	LINE	SERIES	BODY	ENGINE	TRANS	TRIM	DESCRIPTION
1	SEAT BELT, Rear Inner								
	1GD221DVAA	1	J, T, U		49			*00	[DA], Right
		1	J, T, U		74			*00	[DA], Right
	1GD221K7AA	1	J, T, U		49			*00	[KA], Right
		1	J, T, U		74			*00	[KA], Right
	1GD231DVAA	1	J, T, U		49			*00	[DA], Left
		1	J, T, U		74			*00	[DA], Left
2	SEAT BELT, Rear Outer								
	1GE61XDVAA	1	J, T		49			*00	[DA] Without [CGK], Left
		1	J, T		74			*00	[DA] Without [CGK], Left
	1GE61DK7AA	1	J, T		49			*00	[KA] Without [CGK], Left
		1	J, T		74			*00	[KA] Without [CGK], Left
	1GE73DK7AA	1	J, T, U		49			*00	[KA] With [CKG], Left
	1GE62DK7AA	1	J, T		49			*00	[KA] Without [CGK], Right
	1GE62XDVAA	1	J, T		49			*00	[DA] Without [CGK], Right
		1	J, T		74			*00	[DA] Without [CGK], Right
	1GE62DK7AB	1	J, T		74			*00	[KA] Without [CGK], Right
		1	J, T, U		74			*00	[KA] With [CKG], Left
	1GE73XDVAA	1	J, T, U		49			*00	[DA] With [CKG], Left
		1	J, T, U		74			*00	[DA] With [CKG], Left
	1GE74DK7AA	1	J, T, U		49			*00	[KA] With [CKG], Right
	1	J, T, U		74			*00	[KA] With [CKG], Right	
3	SEAT BELT, RR CNTR SHOULDER								
	1AC86DK7AB	1	J, T		49			*00	[KA], Without [CGK]
	1AC86XDVAB	1	J, T		49			*00	[DA], Without [CGK]
	1DD58DK7AA	1	J, T		74			*00	[KA], Without [CGK]
	1DD58XDVAA	1	J, T		74			*00	[DA], Without [CGK]
	1DE64DK7AA	1	J, T, U		74			*00	[KA], With [CGK]

COMPASS/PATRIOT (MK)

SERIES LINE
H = HIGHLINE T = JEEP - 2WD
L = LOWLINE J = JEEP - 4WD
P = PREMIUM U = JEEP - 4WD (RHD)

BODY
49 = HATCHBACK TYPE #2
74 = SPORT UTILITY 4-DR TYPE #4

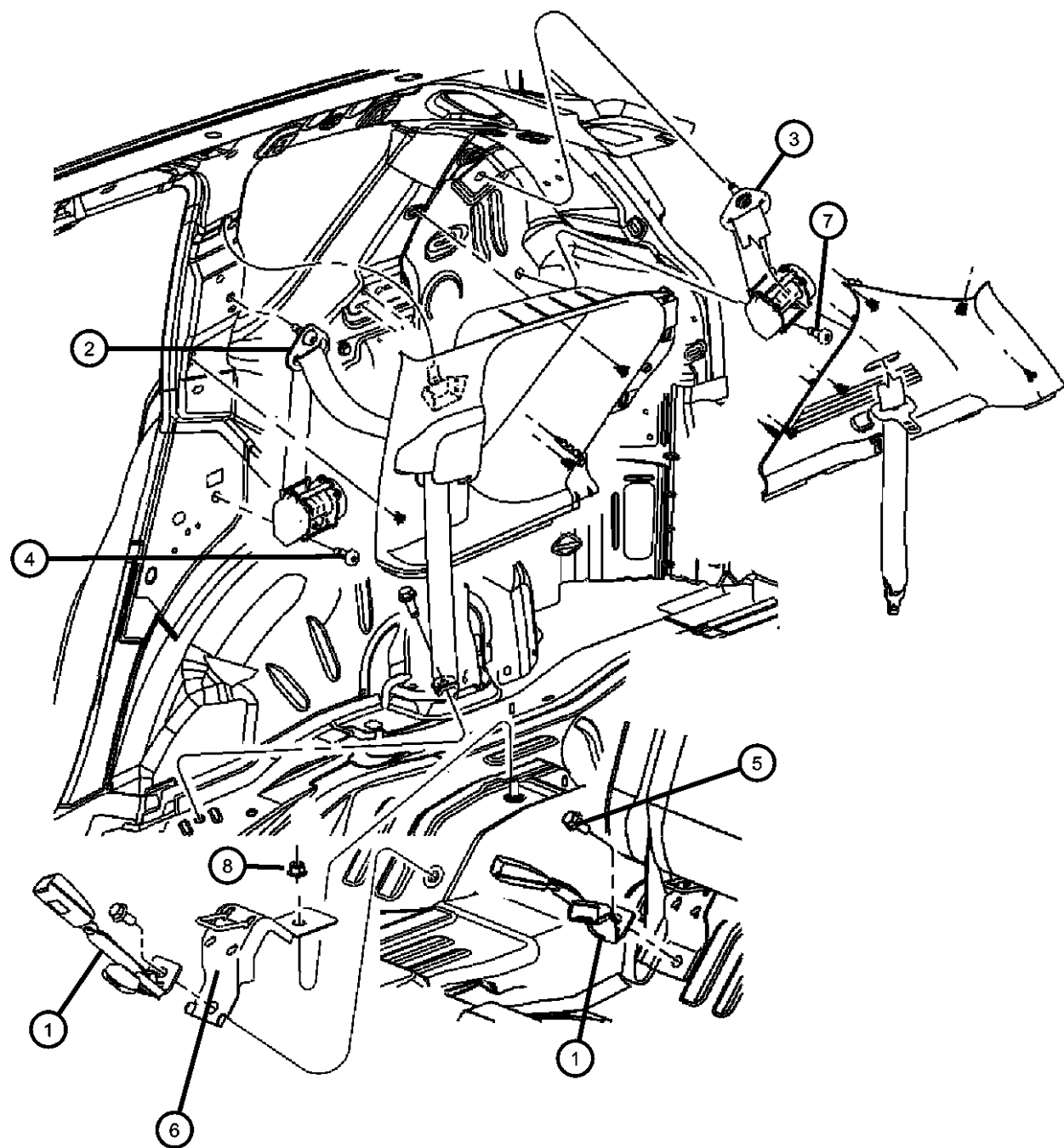
ENGINE TRANSMISSION
ECE = 2.0L 4 Cyl DOHC DPF Diesel Engine DEF = 6-Speed Manual Aisin BG6 Trans
ED3 = 2.4L 4 Cyl DOHC 16V Dual VVT Engine DD7 = 5-Speed Manual T355 Transmission
ECD = 2.0L 4 Cyl DOHC Diesel 16V Engine DAV = Continuously Variable Transaxle II
ECN = 2.0L 4 Cyl DOHC 16V Dual VVT Engine DAW = Cont.Var. w/Off-Rd Crawl Ratio Trans

AR = use ase required - = Non illustrated part

2008 MK

Seat Belt Second Row
Figure 10-310

ITEM	PART NUMBER	QTY	LINE	SERIES	BODY	ENGINE	TRANS	TRIM	DESCRIPTION
	1DE64XDVAA	1	J, T, U		74			*00	[DA] , With [CGK]
4	06105123AA	2	J, T, U		74				SCREW
5	06105074AA	1	J, T, U		49				BOLT, Hex Flange Head, M10X1.50X100.00
6	04645999AA	1	J, T, U		49				ANCHOR, Child Seat
7	06105123AA	2	J, T, U		49				SCREW
8	06502724	3	J, T, U		49				NUT, Hex Flange, M12x1.75



COMPASS/PATRIOT (MK)

SERIES	LINE	BODY	ENGINE	TRANSMISSION
H = HIGHLINE	T = JEEP - 2WD	49 = HATCHBACK TYPE #2	ECE = 2.0L 4 Cyl DOHC DPF Diesel Engine	DEF = 6-Speed Manual Aisin BG6 Trans
L = LOWLINE	J = JEEP - 4WD	74 = SPORT UTILITY 4-DR TYPE #4	ED3 = 2.4L 4 Cyl DOHC 16V Dual VVT Engine	DD7 = 5-Speed Manual T355 Transmission
P = PREMIUM	U = JEEP - 4WD (RHD)		ECD = 2.0L 4 Cyl DOHC Diesel 16V Engine	DAV = Continuously Variable Transaxle II
			ECN = 2.0L 4 Cyl DOHC 16V Dual VVT Engine	DAW = Cont.Var. w/Off-Rd Crawl Ratio Trans

AR = use ase required - = Non illustrated part

2008 MK

Group - 11

Exhaust

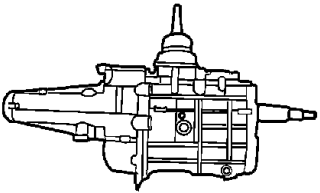
Group - 11 Exhaust

Illustration Title

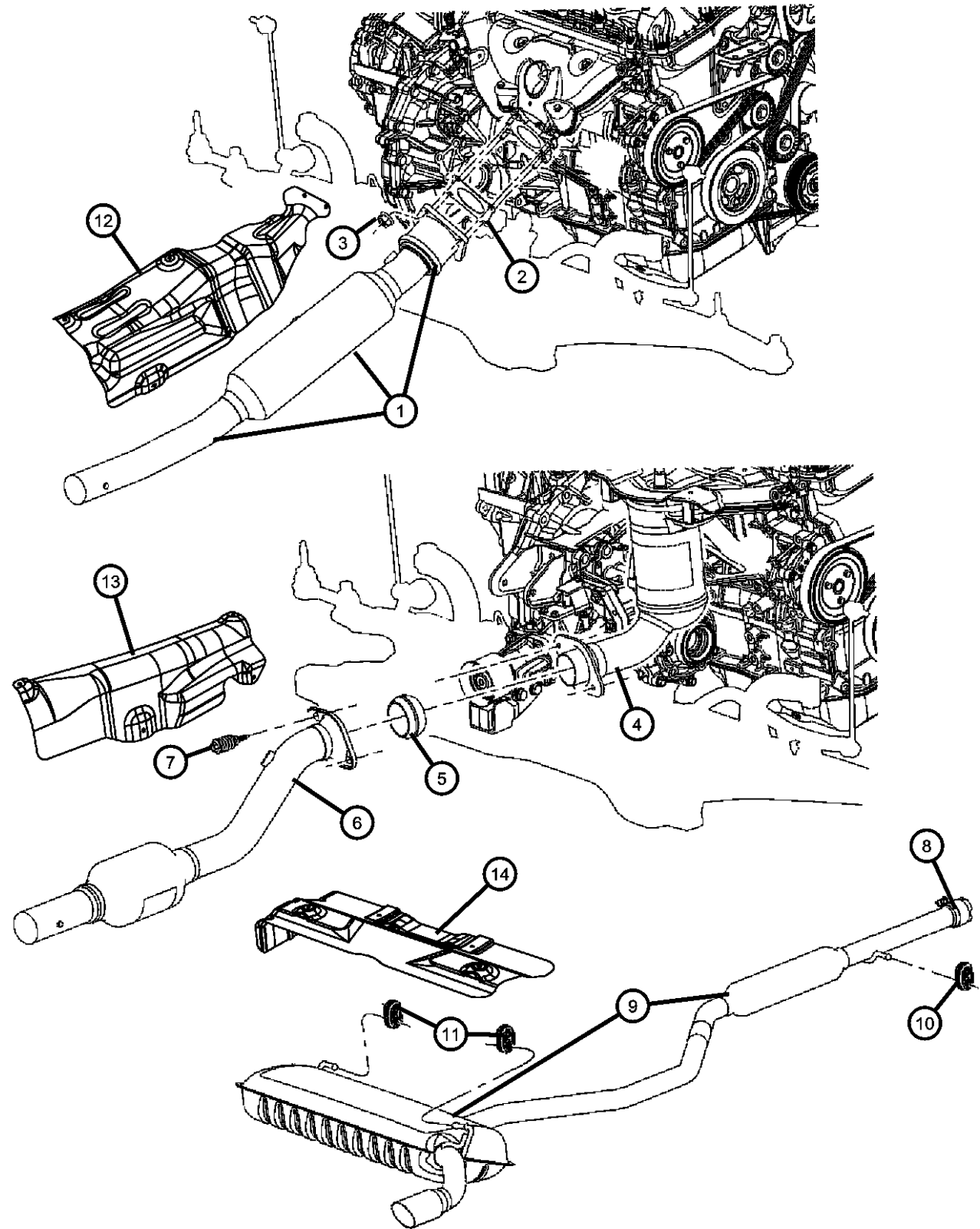
Group-Fig. No.

Exhaust System

Exhaust System	Fig. 11 - 105
Exhaust System	Fig. 11 - 110

<p>011-100 Exhaust System</p> 			
---	--	--	--

**Exhaust System
Figure 11-105**



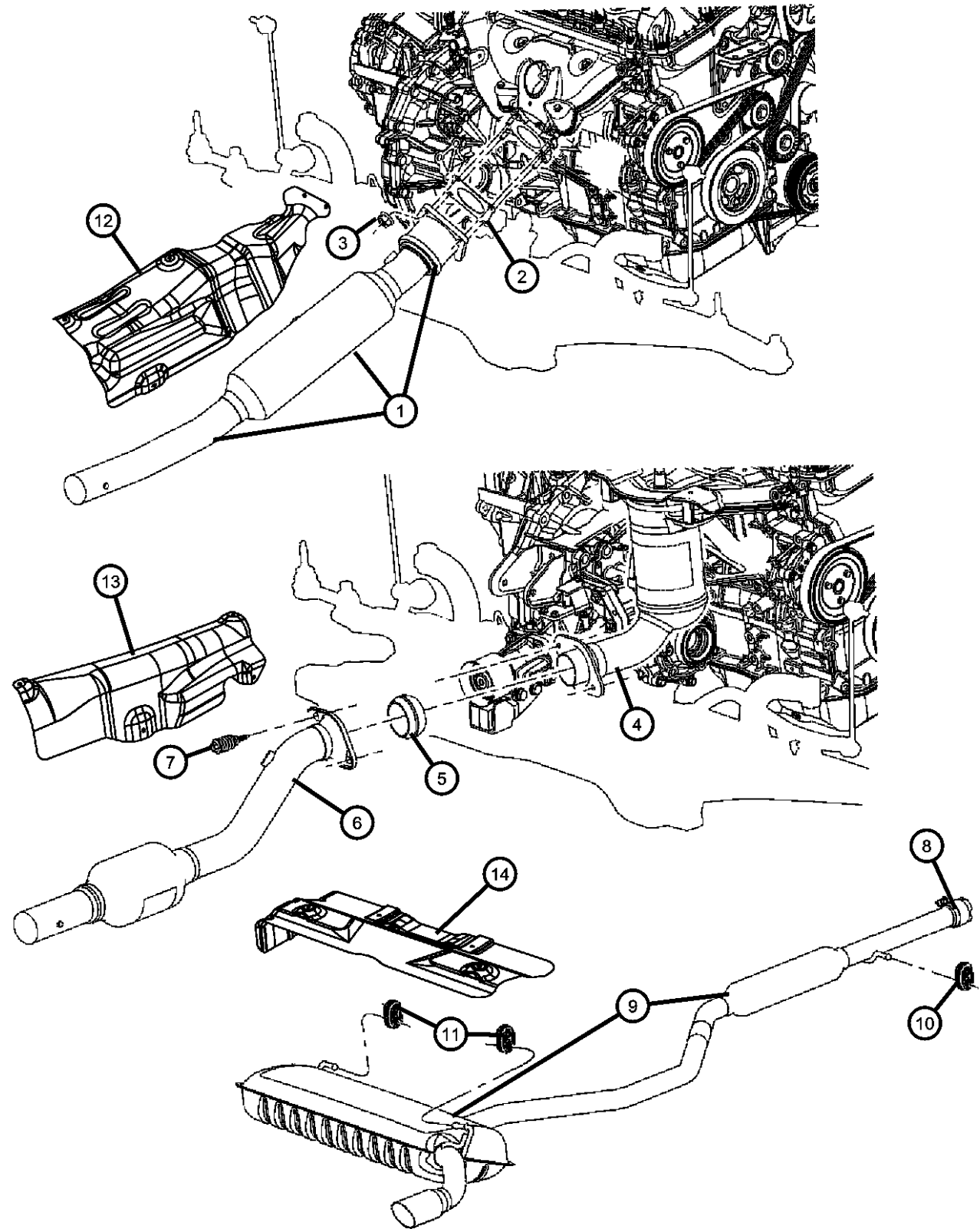
ITEM	PART NUMBER	QTY	LINE	SERIES	BODY	ENGINE	TRANS	TRIM	DESCRIPTION
Sales Codes: [ECN]= 2.0L 4 Cylinder 16V Dual VVT [ED3] = 2.4L 4 Cylinder DOHC 16 Valve Dual VVT									
1									CONVERTER, Catalytic
	05105049AC	1	T		49, 74	ED3	DD7		
	05105126AD	1	T		49, 74	ECN, ED3	DAV		
2	04616671AB	1	T		49, 74	ECN, ED3			GASKET, Catalytic Converter
3	06104709AA	4	T		49, 74	ECN, ED3			NUT, Hex Flange, M8x1.25
4									MANIFOLD AND CONVERTER, Exhaust
	05105408AD	1	J, U		74	ED3	DD7		[NAA,NA1]
		1	J, U		49	ED3	DAV, DAW		[NAA,NA1]
		1	J, U		74	ED3	DAV, DAW		[NAA,NA1]
		1	J, U		49	ED3	DD7		[NAA,NA1]
	05105460AE	1	J, U		49	ED3	DD7		[NAE]
		1	J, U		74	ED3	DD7		[NAE]
5									GASKET, Catalytic Converter
	05105615AB	1	J, U		49	ED3			
		1	J, U		74	ED3			
6									PIPE AND CONVERTER, Exhaust
	05105131AC	1	J, U		49	ED3	DD7		[NAE]
		1	J, U		74	ED3	DD7		[NAE]
	05105428AC	1	J, U		49	ED3	DAV, DAW		[NAA,NAE,NA1]
		1	J, U		74	ED3	DAV, DAW		[NAA,NAE,NA1]
		1	J, U		49	ED3	DD7		[NAA,NA1]
		1	J, U		74	ED3	DD7		[NAA,NA1]
7									BOLT, Spring
	05105616AA	2	J, U		49	ED3			
		2	J, U		74	ED3			
8									CLAMP, Exhaust
	04695220AB	1	T		49, 74	ECN, ED3			[-NEC]
		1	T		49, 74	ECN, ED3			[NEC]
		1	J, U		49	ED3			
		1	J, U		74	ED3			

COMPASS/PATRIOT (MK)

SERIES	LINE	BODY	ENGINE	TRANSMISSION
H = HIGHLINE	T = JEEP - 2WD	49 = HATCHBACK TYPE #2	ECE = 2.0L 4 Cyl DOHC DPF Diesel Engine	DEF = 6-Speed Manual Aisin BG6 Trans
L = LOWLINE	J = JEEP - 4WD	74 = SPORT UTILITY 4-DR TYPE #4	ED3 = 2.4L 4 Cyl DOHC 16V Dual VVT Engine	DD7 = 5-Speed Manual T355 Transmission
P = PREMIUM	U = JEEP - 4WD (RHD)		ECD = 2.0L 4 Cyl DOHC Diesel 16V Engine	DAV = Continuously Variable Transaxle II
			ECN = 2.0L 4 Cyl DOHC 16V Dual VVT Engine	DAW = Cont.Var. w/Off-Rd Crawl Ratio Trans

AR = use ase required - = Non illustrated part

Exhaust System
Figure 11-105



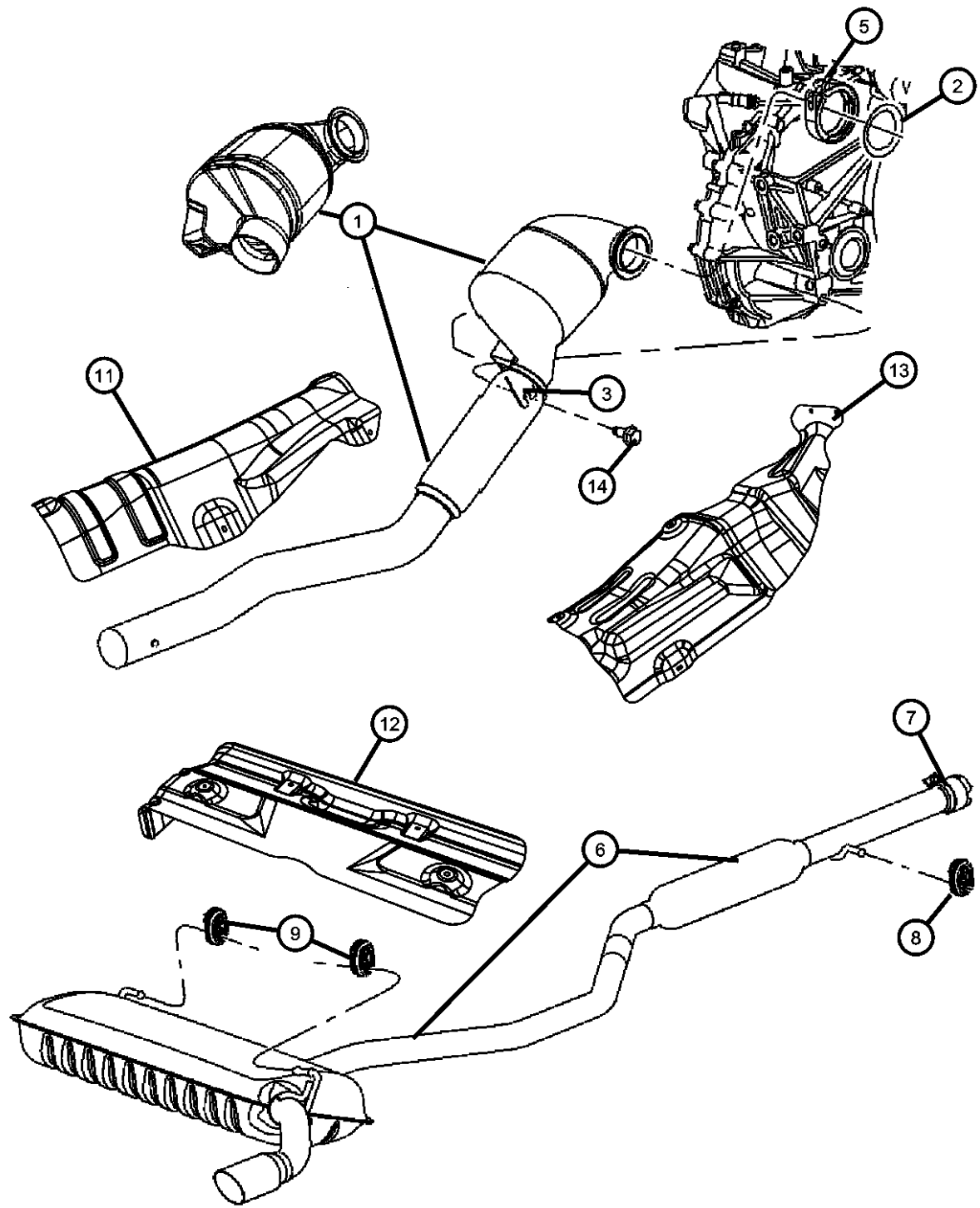
ITEM	PART NUMBER	QTY	LINE	SERIES	BODY	ENGINE	TRANS	TRIM	DESCRIPTION
9									MUFFLER AND RESONATOR, Exhaust
	05105123AG	1	T		49, 74	ECN, ED3			[-NEC]
	05105125AH	1	J, U		49	ED3			[-AWL,-ABA,-NEC]
		1	J, U		74	ED3			[-AWL,-ABA,-NEC]
	05105694AF	1	T		49, 74	ECN, ED3			[NEC]
	05105917AD	1	J, U		49	ED3			[AWL,-ABA,NEC]
		1	J, U		74	ED3			[AWL,-ABA,NEC]
	68025356AC	1	J, U		49	ED3			[ABA,-AWL,-NEC]
		1	J, U		74	ED3			[ABA,-AWL,-NEC]
10									ISOLATOR, Exhaust
	04766177AA	1	J, T, U		49				
		1	J, T, U		74				
11									ISOLATOR, Exhaust
	05105110AB	2	J, T, U		49				
		2	J, T, U		74				
12									SHIELD, Heat
	05155473AA	1	J, T, U		49				Front Floor
		1	J, T, U		74				
13									SHIELD, Floor Pan
	04673701AB	1	J, T, U		49				Front Floor, Rear
		1	J, T, U		74				Front Floor, Rear
14									SHIELD, Floor Pan
	04673702AB	1	J, T, U		74				Rear
		1	J, T, U		49				Rear

COMPASS/PATRIOT (MK)

SERIES	LINE	BODY	ENGINE	TRANSMISSION
H = HIGHLINE	T = JEEP - 2WD	49 = HATCHBACK TYPE #2	ECE = 2.0L 4 Cyl DOHC DPF Diesel Engine	DEF = 6-Speed Manual Aisin BG6 Trans
L = LOWLINE	J = JEEP - 4WD	74 = SPORT UTILITY 4-DR TYPE #4	ED3 = 2.4L 4 Cyl DOHC 16V Dual VVT Engine	DD7 = 5-Speed Manual T355 Transmission
P = PREMIUM	U = JEEP - 4WD (RHD)		ECD = 2.0L 4 Cyl DOHC Diesel 16V Engine	DAV = Continuously Variable Transaxle II
			ECN = 2.0L 4 Cyl DOHC 16V Dual VVT Engine	DAW = Cont.Var. w/Off-Rd Crawl Ratio Trans

AR = use ase required - = Non illustrated part

**Exhaust System
Figure 11-110**



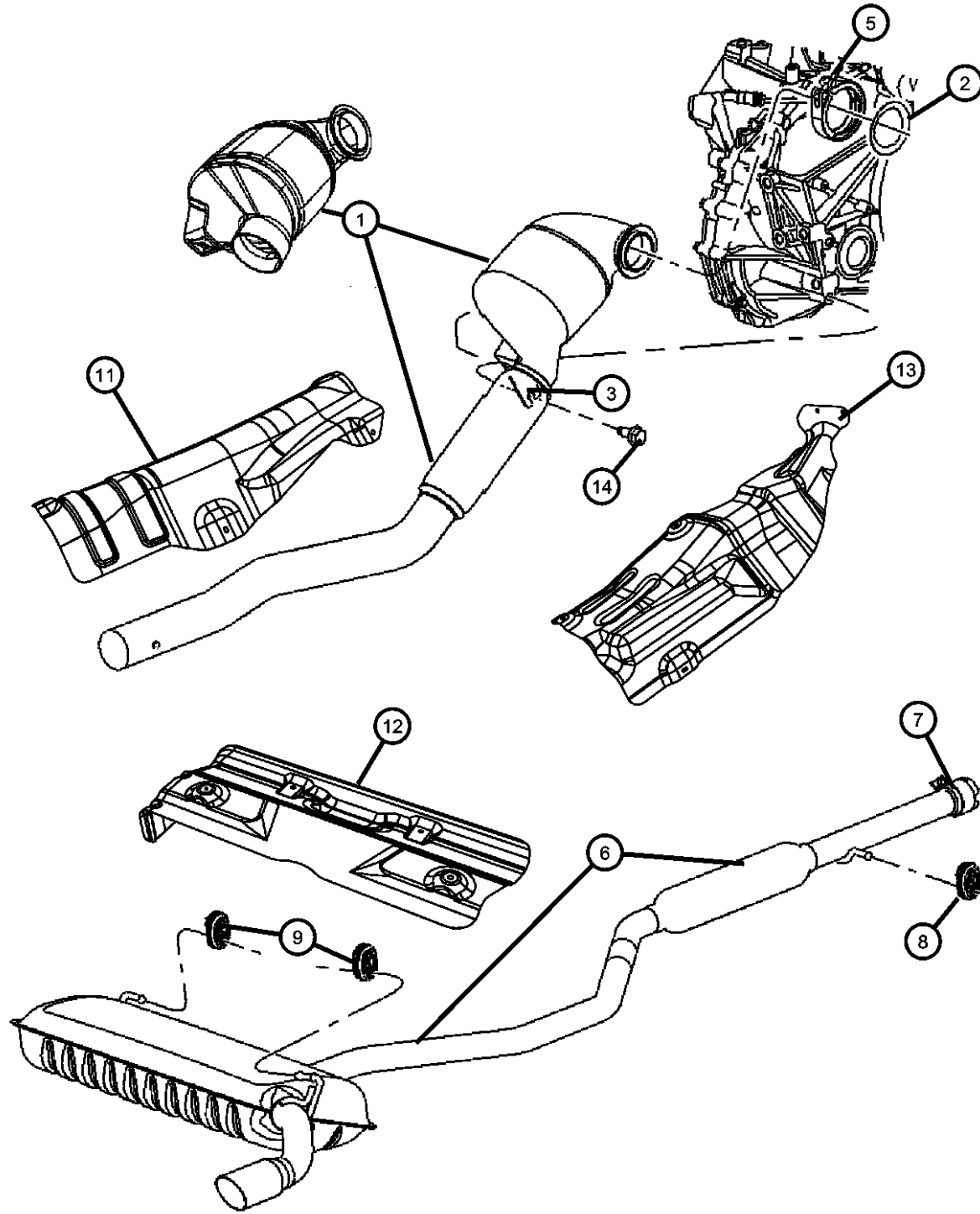
ITEM	PART NUMBER	QTY	LINE	SERIES	BODY	ENGINE	TRANS	TRIM	DESCRIPTION
1	04743962AA	1	J, T, U		49	ECE			CONVERTER, Catalytic
		1	J, T, U		74	ECE			
	05105452AC	1	J, T, U		49, 74	ECD			
		1	J, U		49	ECD	DEF		[NA1]
		1	J, U		74	ECD	DEF		[NA1]
2	05105630AA	1	J, T, U		49	ECE			GASKET, Exhaust Manifold to Front Converter
		1	J, T, U		74	ECE			
		1	J, T, U		49	ECD			
		1	J, T, U		74	ECD			
3	05105907AA	1	J, T, U		49	ECE			BRACKET, Exhaust Particulate Filter
		1	J, T, U		74	ECE			
4	05105815AA	1	J, U		49	ECE	DEF		PIPE, Exhaust Front Without Converter
		1	J, U		74	ECE	DEF		Without Converter
5	05105634AB	1	J, T, U		49	ECE			CLAMP, Exhaust
		1	J, T, U		74	ECE			
		1	J, T, U		49	ECD			
		1	J, T, U		74	ECD			
6	05105675AG	1	J, U		49	ECD, ECE			MUFFLER AND TAILPIPE, Exhaust
	05105941AB	1	J, U		49	ECD, ECE			[NEC]
		1	J, U		74	ECD, ECE			[NEC]
		1	J, U		74	ECD, ECE			
7	04695220AB	1	J, U		49	ECD, ECE			CLAMP, Exhaust
		1	J, U		74	ECD, ECE			[NEC]
		1	J, U		49	ECD, ECE			[NEC]

COMPASS/PATRIOT (MK)

SERIES	LINE	BODY	ENGINE	TRANSMISSION
H = HIGHLINE	T = JEEP - 2WD	49 = HATCHBACK TYPE #2	ECE = 2.0L 4 Cyl DOHC DPF Diesel Engine	DEF = 6-Speed Manual Aisin BG6 Trans
L = LOWLINE	J = JEEP - 4WD	74 = SPORT UTILITY 4-DR TYPE #4	ED3 = 2.4L 4 Cyl DOHC 16V Dual VVT Engine	DD7 = 5-Speed Manual T355 Transmission
P = PREMIUM	U = JEEP - 4WD (RHD)		ECD = 2.0L 4 Cyl DOHC Diesel 16V Engine	DAV = Continuously Variable Transaxle II
			ECN = 2.0L 4 Cyl DOHC 16V Dual VVT Engine	DAW = Cont.Var. w/Off-Rd Crawl Ratio Trans

AR = use ase required - = Non illustrated part

Exhaust System
Figure 11-110



ITEM	PART NUMBER	QTY	LINE	SERIES	BODY	ENGINE	TRANS	TRIM	DESCRIPTION
8		1	J, U		74	ECD, ECE			[-NEC] ISOLATOR, Exhaust
	04766177AA	1	J, T, U		74				
9		1	J, T, U		49				ISOLATOR, Exhaust
	05105110AB	2	J, T, U		49				
		2	J, T, U		74				
-10									SHIELD, Converter
	05105896AB	1	J, T, U		49	ECE			
		1	J, T, U		74	ECE			
11									SHIELD, Floor Pan Front Floor Rear
	04673701AB	1	J, T, U		49				
		1	J, T, U		74				Front Floor Rear
12									SHIELD, Floor Pan
	04673702AB	1	J, T, U		49				
		1	J, T, U		74				
13									SHIELD, Heat Front Floor
	05155473AA	1	J, T, U		49				
		1	J, T, U		74				Front Floor
14									SCREW
	06105048AA	1	J, T, U		49	ECD			
		1	J, T, U		74	ECD			
		1	J, T, U		49	ECE			
		1	J, T, U		74	ECE			

COMPASS/PATRIOT (MK)

SERIES	LINE	BODY	ENGINE	TRANSMISSION
H = HIGHLINE	T = JEEP - 2WD	49 = HATCHBACK TYPE #2	ECE = 2.0L 4 Cyl DOHC DPF Diesel Engine	DEF = 6-Speed Manual Aisin BG6 Trans
L = LOWLINE	J = JEEP - 4WD	74 = SPORT UTILITY 4-DR TYPE #4	ED3 = 2.4L 4 Cyl DOHC 16V Dual VVT Engine	DD7 = 5-Speed Manual T355 Transmission
P = PREMIUM	U = JEEP - 4WD (RHD)		ECD = 2.0L 4 Cyl DOHC Diesel 16V Engine	DAV = Continuously Variable Transaxle II
			ECN = 2.0L 4 Cyl DOHC 16V Dual VVT Engine	DAW = Cont.Var. w/Off-Rd Crawl Ratio Trans

AR = use ase required - = Non illustrated part

2008 MK

Group - 13

Frame, Bumper, and Fascia

Group - 13 Frame, Bumper, and Fascia

Illustration Title

Group-Fig. No.

Frames

Frame, Front.....	Fig. 13 - 120
Frame, Rear	Fig. 13 - 140

Front Bumper and Fascia

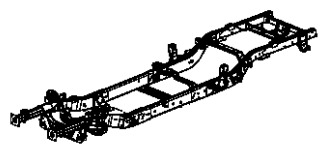
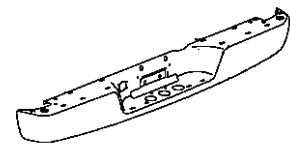
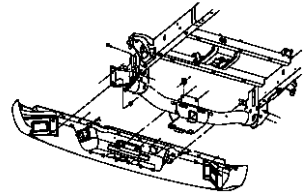
Fascia, Front, Compass	Fig. 13 - 205
Fascia, Front, Patriot.....	Fig. 13 - 210

Rear Bumper and Fascia

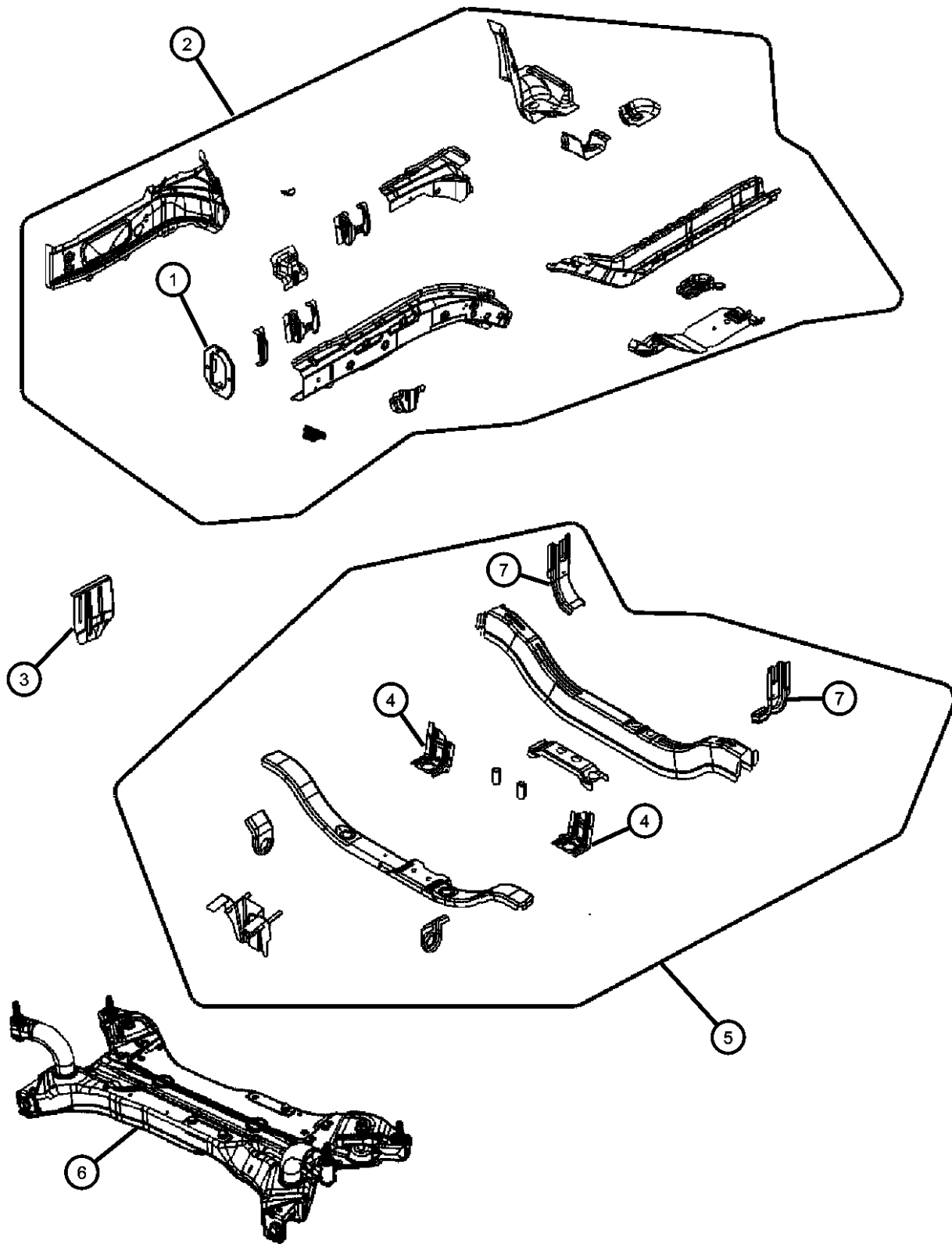
Fascia, Rear, Compass.....	Fig. 13 - 305
Fascia, Rear, Patriot	Fig. 13 - 310

Trailer Tow and Tow Hooks

Tow Hooks, Front.....	Fig. 13 - 505
Tow Hooks and Hitches, Rear.....	Fig. 13 - 520

<p>013-100 Frames</p> 	<p>013-200 Front Bumper and Fascia</p>	<p>013-300 Rear Bumper and Fascia</p> 	<p>013-500 Trailer Tow and Tow Hooks</p> 
---	---	---	---

Frame, Front
Figure 13-120



ITEM	PART NUMBER	QTY	LINE	SERIES	BODY	ENGINE	TRANS	TRIM	DESCRIPTION
1									REINFORCEMENT, Front Bumper Side Rail
	05115352AA	1	J, T, U		49				Right
		1	J, T, U		74				Right
	05115353AA	1	J, T, U		49				Left
		1	J, T, U		74				Left
2									RAIL, Frame Front
	05074802AF	1	J, T, U		49, 74				Right
	05074803AF	1	J, T, U		49, 74				Left
3									CAP, Rail
	05115314AB	1	J, T, U		49				Right
		1	J, T, U		74				Right
	05115315AB	1	J, T, U		49				Left
		1	J, T, U		74				Left
4									BRACKET, Radiator Support
	05115410AA	1	J, T, U		49				Right
		1	J, T, U		74				Right
	05115411AA	1	J, T, U		49				Left
		1	J, T, U		74				Left
5									CROSSMEMBER, Front Side Rail, Lower
	05115402AE	1	J, T, U		49				
		1	J, T, U		74				
6	05105623AD	1	J, T, U		49, 74				CROSSMEMBER, Front Suspension
7									BRACE, Front Crossmember
	05115399AA	2	J, T, U		49				
		2	J, T, U		74				
-8	06508844AA	4	J, T, U		49, 74				BOLT, Hex Head, Crossmember to Body

COMPASS/PATRIOT (MK)

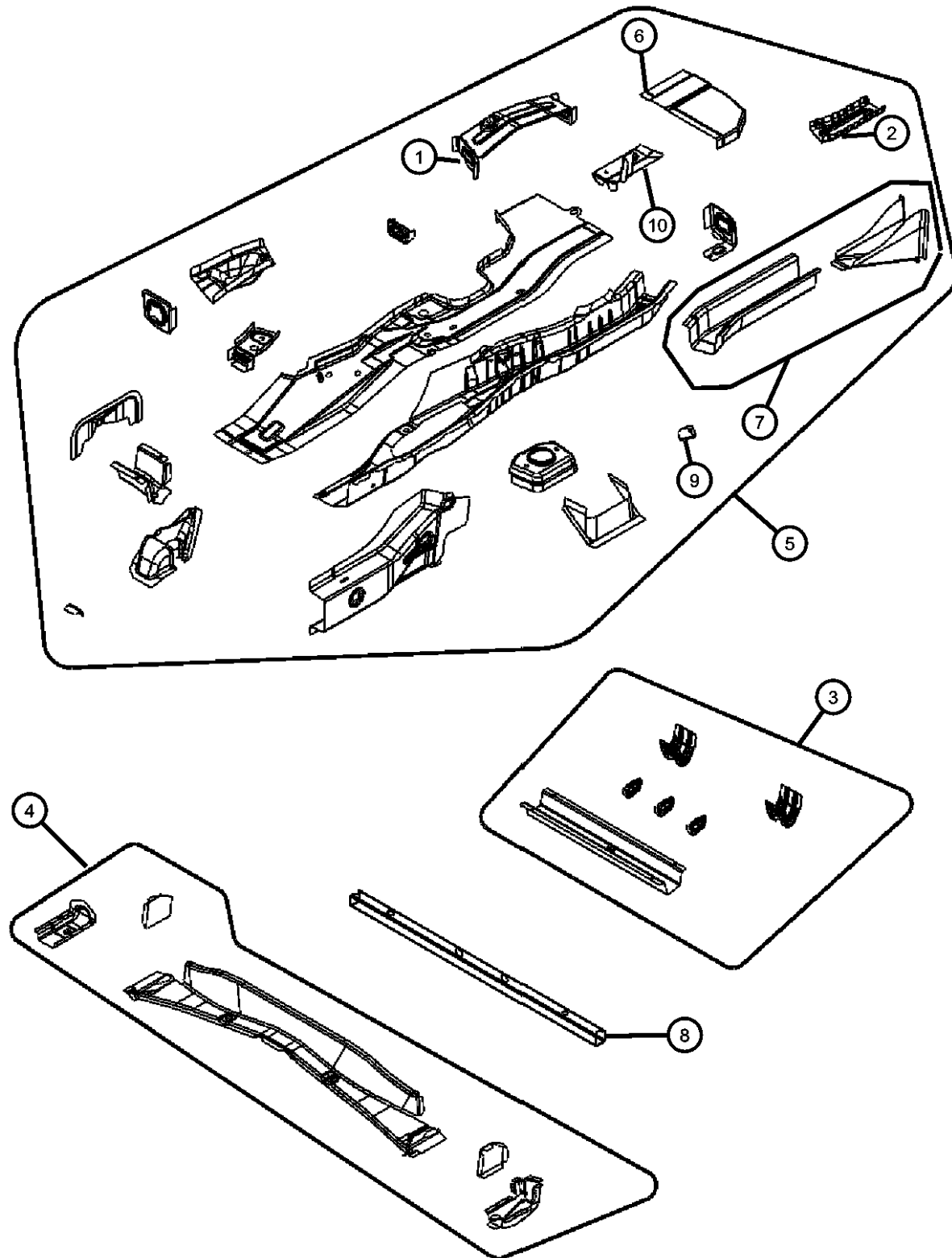
SERIES LINE
H = HIGHLINE T = JEEP - 2WD
L = LOWLINE J = JEEP - 4WD
P = PREMIUM U = JEEP - 4WD (RHD)

BODY
49 = HATCHBACK TYPE #2
74 = SPORT UTILITY 4-DR
TYPE #4

ENGINE TRANSMISSION
ECE = 2.0L 4 Cyl DOHC DPF DEF = 6-Speed Manual Aisin BG6
Diesel Engine Trans
ED3 = 2.4L 4 Cyl DOHC 16V DD7 = 5-Speed Manual T355
Dual VVT Engine Transmission
ECD = 2.0L 4 Cyl DOHC DAV = Continuously Variable
Diesel 16V Engine Transaxle II
ECN = 2.0L 4 Cyl DOHC 16V DAW = Cont.Var. w/Off-Rd Crawl
Dual VVT Engine Ratio Trans

AR = use ase required - = Non illustrated part

Frame, Rear
Figure 13-140



ITEM	PART NUMBER	QTY	LINE	SERIES	BODY	ENGINE	TRANS	TRIM	DESCRIPTION
1	05115524AA	1	J, T, U		49				REINFORCEMENT, Rear Floor Sidemember Right
		1	J, T, U		74				Right
	05115525AA	1	J, T, U		49				Left
		1	J, T, U		74				Left
2	05115496AA	1	J, T, U		49				REINFORCEMENT, Rear Floor Pan Right
		1	J, T, U		74				Right
	05115497AA	1	J, T, U		49				Left
		1	J, T, U		74				Left
3	05115538AA	1	J, T, U		49				CROSSMEMBER, Rear Floor
		1	J, T, U		74				
4	05115549AA	1	J, T, U		49				CROSSMEMBER, Rear Seat
		1	J, T, U		74				
5	05115272AF	1	J, T, U		49				SIDEMEMBER, Floor Right
		1	J, T, U		74				Right
	05115273AG	1	J, T, U		49				Left
		1	J, T, U		74				Left
6	05115206AA	1	J, T, U		49				EXTENSION, Rear Floor Pan Right
		1	J, T, U		74				Right
	05115207AA	1	J, T, U		49				Left
		1	J, T, U		74				Left
7	68025688AA	1	J, T, U		49				EXTENSION, Rear Rail Right
		1	J, T, U		74				Right
	68025689AA	1	J, T, U		49				Left
		1	J, T, U		74				Left
8								BEAM ASSY, Side Impact	

COMPASS/PATRIOT (MK)

SERIES LINE
H = HIGHLINE T = JEEP - 2WD
L = LOWLINE J = JEEP - 4WD
P = PREMIUM U = JEEP - 4WD (RHD)

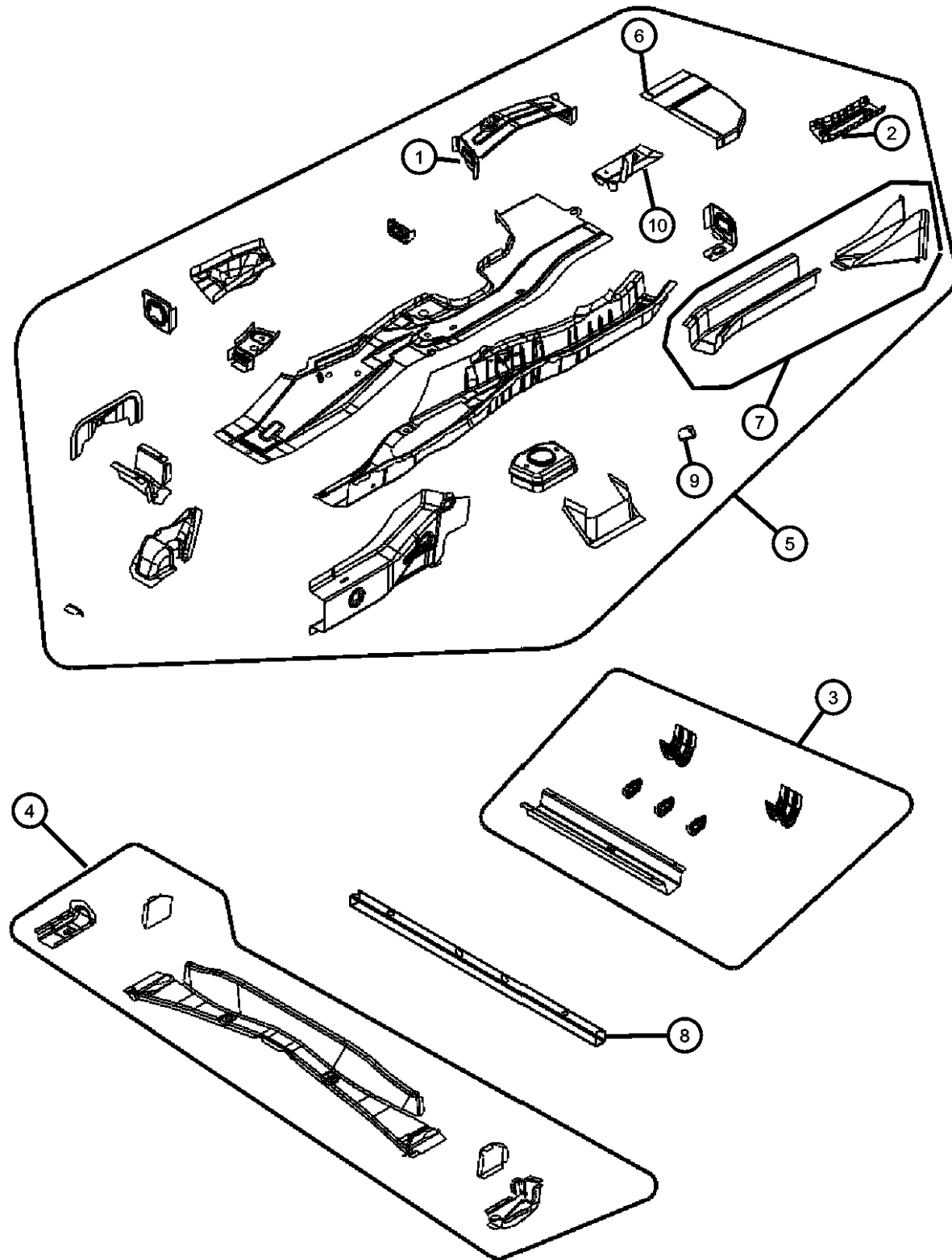
BODY
49 = HATCHBACK TYPE #2
74 = SPORT UTILITY 4-DR TYPE #4

ENGINE TRANSMISSION
ECE = 2.0L 4 Cyl DOHC DPF Diesel Engine DEF = 6-Speed Manual Aisin BG6 Trans
ED3 = 2.4L 4 Cyl DOHC 16V Dual VVT Engine DD7 = 5-Speed Manual T355 Transmission
ECD = 2.0L 4 Cyl DOHC Diesel 16V Engine DAV = Continuously Variable Transaxle II
ECN = 2.0L 4 Cyl DOHC 16V Dual VVT Engine DAW = Cont.Var. w/Off-Rd Crawl Ratio Trans

AR = use ase required - = Non illustrated part

2008 MK

Frame, Rear
Figure 13-140



ITEM	PART NUMBER	QTY	LINE	SERIES	BODY	ENGINE	TRANS	TRIM	DESCRIPTION
	05115657AB	1	J, T, U		49				
		1	J, T, U		74				
9									NUT, Hex Weld, M8x1.25
	06101916	1	J, T, U		49				
		1	J, T, U		74				
10									EXTENSION, Rear Floor Sidemember
	05160250AA	1	J, T, U		49				Right
		1	J, T, U		74				Right
	05160251AA	1	J, T, U		49				Left
		1	J, T, U		74				Left

COMPASS/PATRIOT (MK)

SERIES

H = HIGHLINE
L = LOWLINE
P = PREMIUM

LINE

T = JEEP - 2WD
J = JEEP - 4WD
U = JEEP - 4WD (RHD)

BODY

49 = HATCHBACK TYPE #2
74 = SPORT UTILITY 4-DR TYPE #4

ENGINE

ECE = 2.0L 4 Cyl DOHC DPF Diesel Engine
ED3 = 2.4L 4 Cyl DOHC 16V Dual VVT Engine
ECD = 2.0L 4 Cyl DOHC Diesel 16V Engine
ECN = 2.0L 4 Cyl DOHC 16V Dual VVT Engine

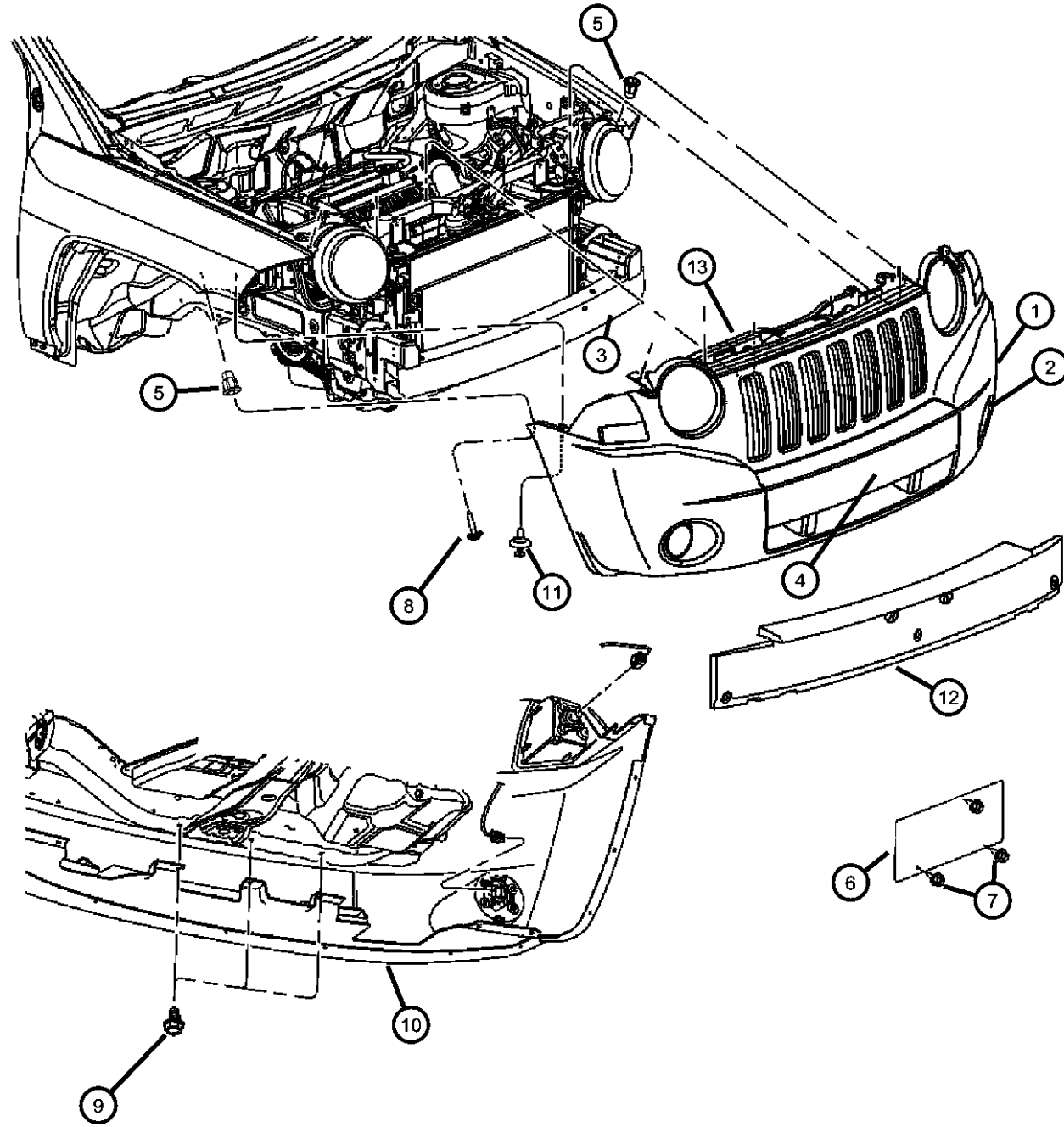
TRANSMISSION

DEF = 6-Speed Manual Aisin BG6 Trans
DD7 = 5-Speed Manual T355 Transmission
DAV = Continuously Variable Transaxle II
DAW = Cont.Var. w/Off-Rd Crawl Ratio Trans

AR = use ase required - = Non illustrated part

2008 MK

Fascia, Front, Compass
Figure 13-205



ITEM	PART NUMBER	QTY	LINE	SERIES	BODY	ENGINE	TRANS	TRIM	DESCRIPTION
1	68002271AB	1	J, T, U		49				FASCIA, Front, Primed
2	68034796AA	1			49				FASCIA, Front, Rallye Package [ASC]
3									REINFORCEMENT, Front Bumper
	05116056AC	1	J, T, U		49				Without Tow Eye Bracket
	05303761AC	1	J, T, U		49				With Tow Eye Bracket
4	1CD92WS2AA	1	J, T, U		49				TRIM PLATE, Fascia Front, With Bright Insert
5	06503245	2	J, T, U		49				RIVET, Fascia to Fender
6	05303390AB	1	J, T, U		49				LICENSE PLATE KIT
7	06034866	2	J, T, U		49				SCREW, Tapping Hex Flange Head, .250-14X.750
8	06104366AA	2	J, T, U		49				SCREW AND WASHER, Hex Head, M6x1x20, Fascia to Fender
9	06105098AA	3	J, T, U		49				SCREW AND WASHER, Hex Head, M6x1x25, Lower Fascia to Crossmember
10	05116334AA	1	J, T, U		49				PANEL, Lower Fascia
11	04806334AA	4	J, T, U		49				FASTENER, Fascia
12	05303762AC	1	J, T, U		49				FOAM, Front Bumper Fascia
13	05116333AA	1	J, T, U		49				PANEL, Upper fascia

COMPASS/PATRIOT (MK)

SERIES

H = HIGHLINE
L = LOWLINE
P = PREMIUM

LINE

T = JEEP - 2WD
J = JEEP - 4WD
U = JEEP - 4WD (RHD)

BODY

49 = HATCHBACK TYPE #2
74 = SPORT UTILITY 4-DR TYPE #4

ENGINE

ECE = 2.0L 4 Cyl DOHC DPF Diesel Engine
ED3 = 2.4L 4 Cyl DOHC 16V Dual VVT Engine
ECD = 2.0L 4 Cyl DOHC Diesel 16V Engine
ECN = 2.0L 4 Cyl DOHC 16V Dual VVT Engine

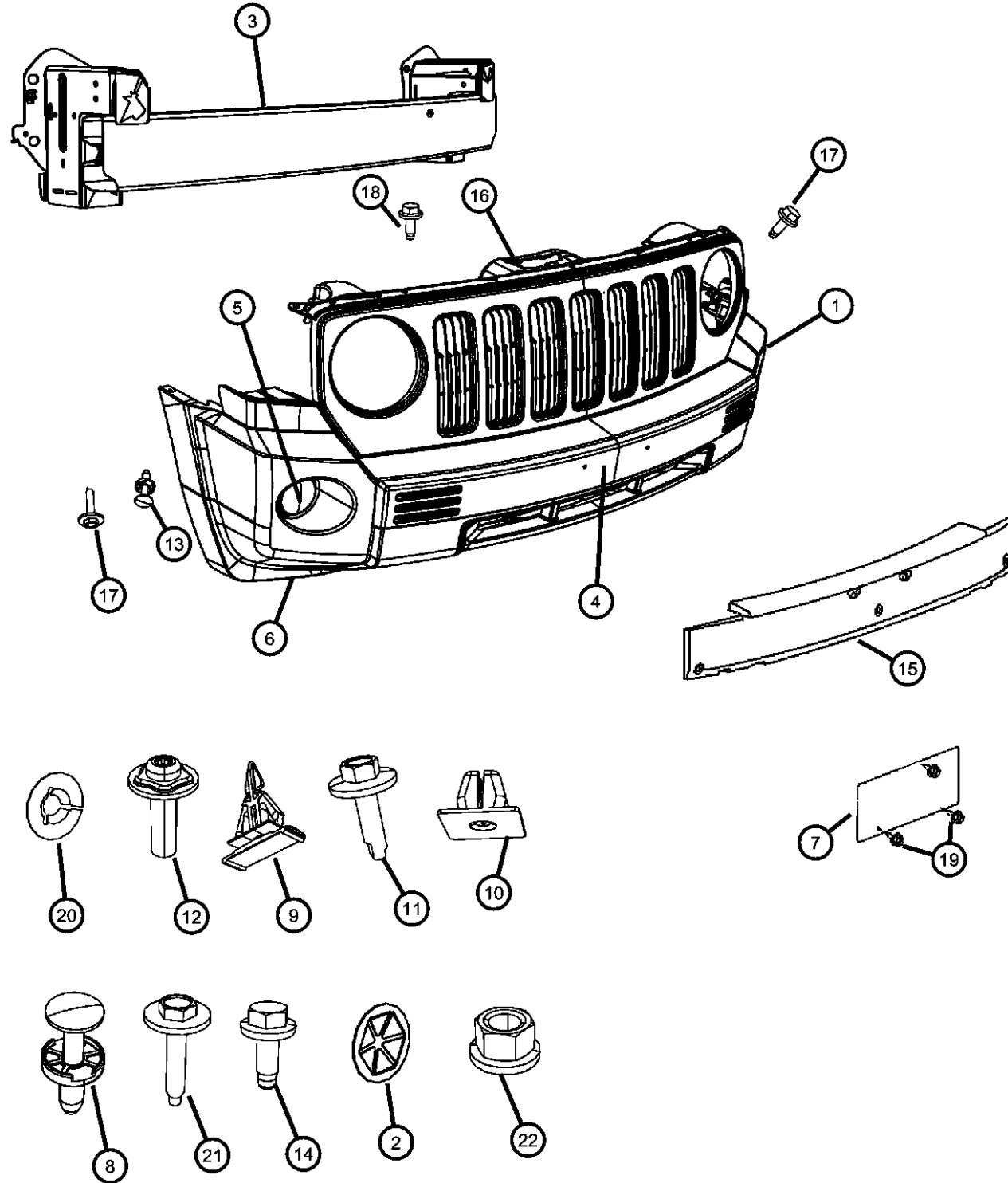
TRANSMISSION

DEF = 6-Speed Manual Aisin BG6 Trans
DD7 = 5-Speed Manual T355 Transmission
DAV = Continuously Variable Transaxle II
DAW = Cont.Var. w/Off-Rd Crawl Ratio Trans

AR = use ase required - = Non illustrated part

2008 MK

Fascia, Front, Patriot
Figure 13-210



ITEM	PART NUMBER	QTY	LINE	SERIES	BODY	ENGINE	TRANS	TRIM	DESCRIPTION
------	-------------	-----	------	--------	------	--------	-------	------	-------------

Sales Codes:
 [MCX]= Body Color Fascia With Bright Insert
 [ML3]= Body Color Fascia
 [MLA]= Body Color Fascia
 [XEA]= Tow Hooks

1	68021299AB	1	J, T		74				FASCIA, Front
		1	J, T		74				With Sales Code [MCX], Without Sales Code [XEA]
	68021303AB	1	J, T		74				With Sales Code [ML3], Without Sales Code [XEA]
		1	J, T		74				With Sales Code [ML3], and Sales Code [XEA]
	68021312AA	1	J, T, U		74				With Sales Code [MCX], and Sales Code [XEA]
2	06505049AA	3	J, T, U		74				With Sales Code [MLA], Export
3									NUT, M5
	05116373AC	1	J, T, U		74				REINFORCEMENT, Front Bumper
									Without Tow Eye Bracket [XEV]
	05303761AC	1	J, T, U		74				With Tow Eye Bracket [XEV]
4	1CQ97WS2AC	1	J, T		74				NERF, Fascia
5	04806184AA	2	J, T, U		74				BEZEL, Fog Lamp
6	05116410AA	1	J, T, U		74				PANEL, CLOSEOUT
7	05303390AB	1	J, T, U		74				LICENSE PLATE KIT
8	05160260AA	5	J, T, U		74				PIN, Push, Upper Fascia to Crossmember
9	06508947AA	2	J, T		74				PIN, Push
10									NUT, Snap In, .164-18
	06035401	2	J, T, U		74				Fascia to Fender
		2	J, T, U		74				Fascia to Bodyside
11	06105097AA	2	J, T, U		74				SCREW, M6x1x20, Fascia to Fender
12									SCREW, Tapping, M6X2.69X21.55
	06506579AA	3	J, T		74				Park/Turn Lamp to Fascia
		4	J, T, U		74				Fog Lamp to Fascia
13	04806334AA	4	J, T, U		74				FASTENER, Fascia
14	06104386AA	8	J, T, U		74				BOLT AND WASHER, Hex Head, M8X1.25X25.00, Reinforcement to Rail

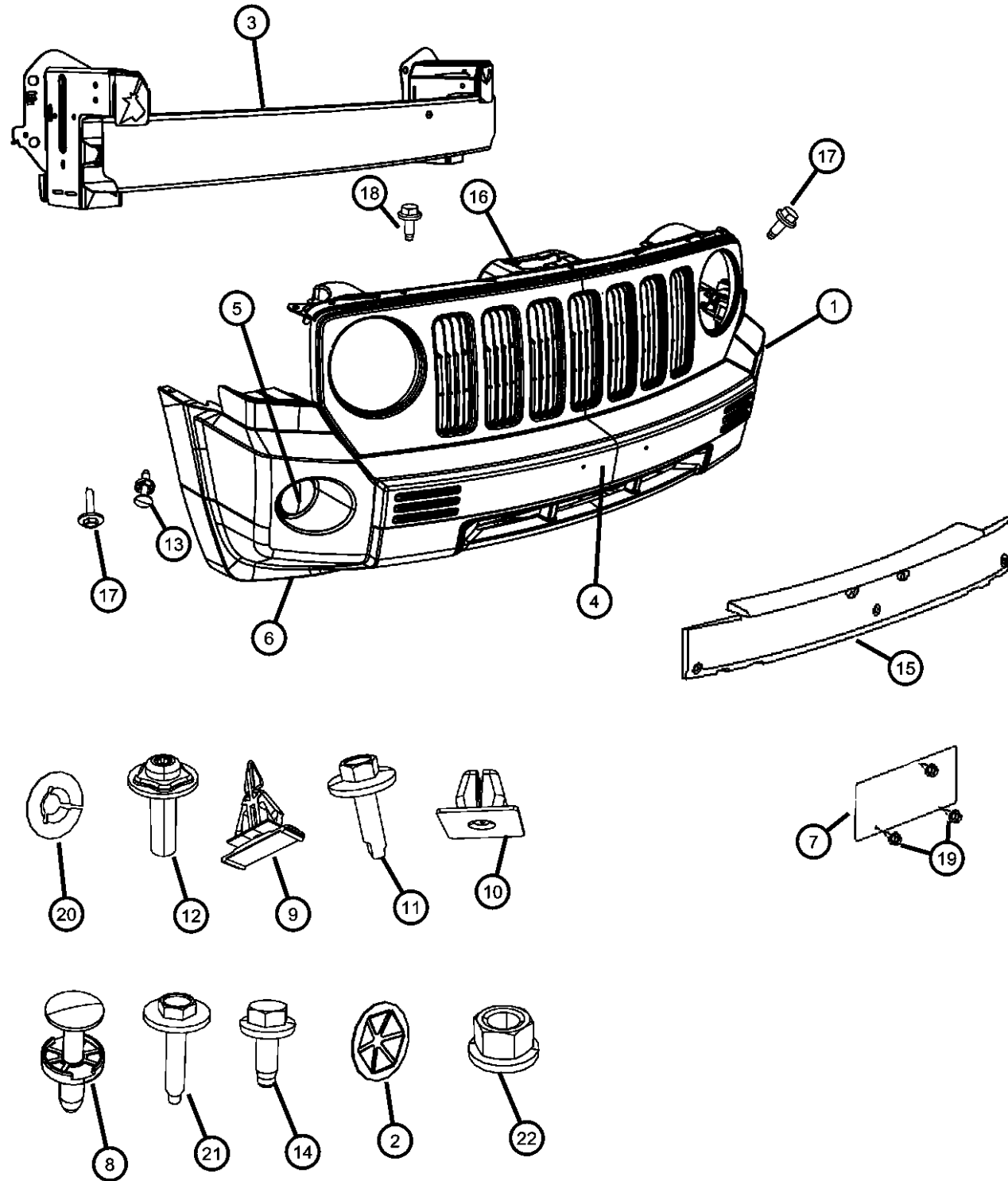
COMPASS/PATRIOT (MK)

SERIES	LINE	BODY	ENGINE	TRANSMISSION
H = HIGHLINE	T = JEEP - 2WD	49 = HATCHBACK TYPE #2	ECE = 2.0L 4 Cyl DOHC DPF Diesel Engine	DEF = 6-Speed Manual Aisin BG6 Trans
L = LOWLINE	J = JEEP - 4WD	74 = SPORT UTILITY 4-DR TYPE #4	ED3 = 2.4L 4 Cyl DOHC 16V Dual VVT Engine	DD7 = 5-Speed Manual T355 Transmission
P = PREMIUM	U = JEEP - 4WD (RHD)		ECD = 2.0L 4 Cyl DOHC Diesel 16V Engine	DAV = Continuously Variable Transaxle II
			ECN = 2.0L 4 Cyl DOHC 16V Dual VVT Engine	DAW = Cont.Var. w/Off-Rd Crawl Ratio Trans

AR = use ase required - = Non illustrated part

2008 MK

Fascia, Front, Patriot
Figure 13-210



ITEM	PART NUMBER	QTY	LINE	SERIES	BODY	ENGINE	TRANS	TRIM	DESCRIPTION
15	05116362AA	1	J, T		74				FOAM, Front Bumper Fascia
	05116368AA	1	J, T, U		74				Export
16	05116364AA	1	J, T, U		74				PANEL, Upper fascia
17	06507238AA	2	J, T, U		74				SCREW, Hex Flange Head Tapping, M4.2x1.7x25, Fascia to Fender
18	06104610AA	7	J, T, U		74				SCREW AND WASHER, Tapping Pan Head, M4.2X1.4X19.0, Close Out Panel to Fascia
19	06034866	2	J, T, U		74				SCREW, Tapping Hex Flange Head, .250-14X.750, License Plate Attach
20	06036169AA	2	J, T		74				NUT, Spring Push On, .236
		12	J, T, U		74				Foam to Fascia
		1	J, T		74				Grille to Fascia
		2	T, J		74				Applique to Fascia
21	06507238AA	2	J, T, U		74				Close Out Panel to Fascia
		2	J, T, U		74				SCREW, Hex Flange Head Tapping, M4.2x1.7x25, Fascia to Fender
22	06036169AA	12	J, T, U		74				NUT, Spring Push On, .236
		1	J, T		74				Grille to Fascia
		2	J, T		74				Applique to Fascia
					74				Close out Panel to Fascia

COMPASS/PATRIOT (MK)

SERIES

H = HIGHLINE
L = LOWLINE
P = PREMIUM

LINE

T = JEEP - 2WD
J = JEEP - 4WD
U = JEEP - 4WD (RHD)

BODY

49 = HATCHBACK TYPE #2
74 = SPORT UTILITY 4-DR TYPE #4

ENGINE

ECE = 2.0L 4 Cyl DOHC DPF Diesel Engine
ED3 = 2.4L 4 Cyl DOHC 16V Dual VVT Engine
ECD = 2.0L 4 Cyl DOHC Diesel 16V Engine
ECN = 2.0L 4 Cyl DOHC 16V Dual VVT Engine

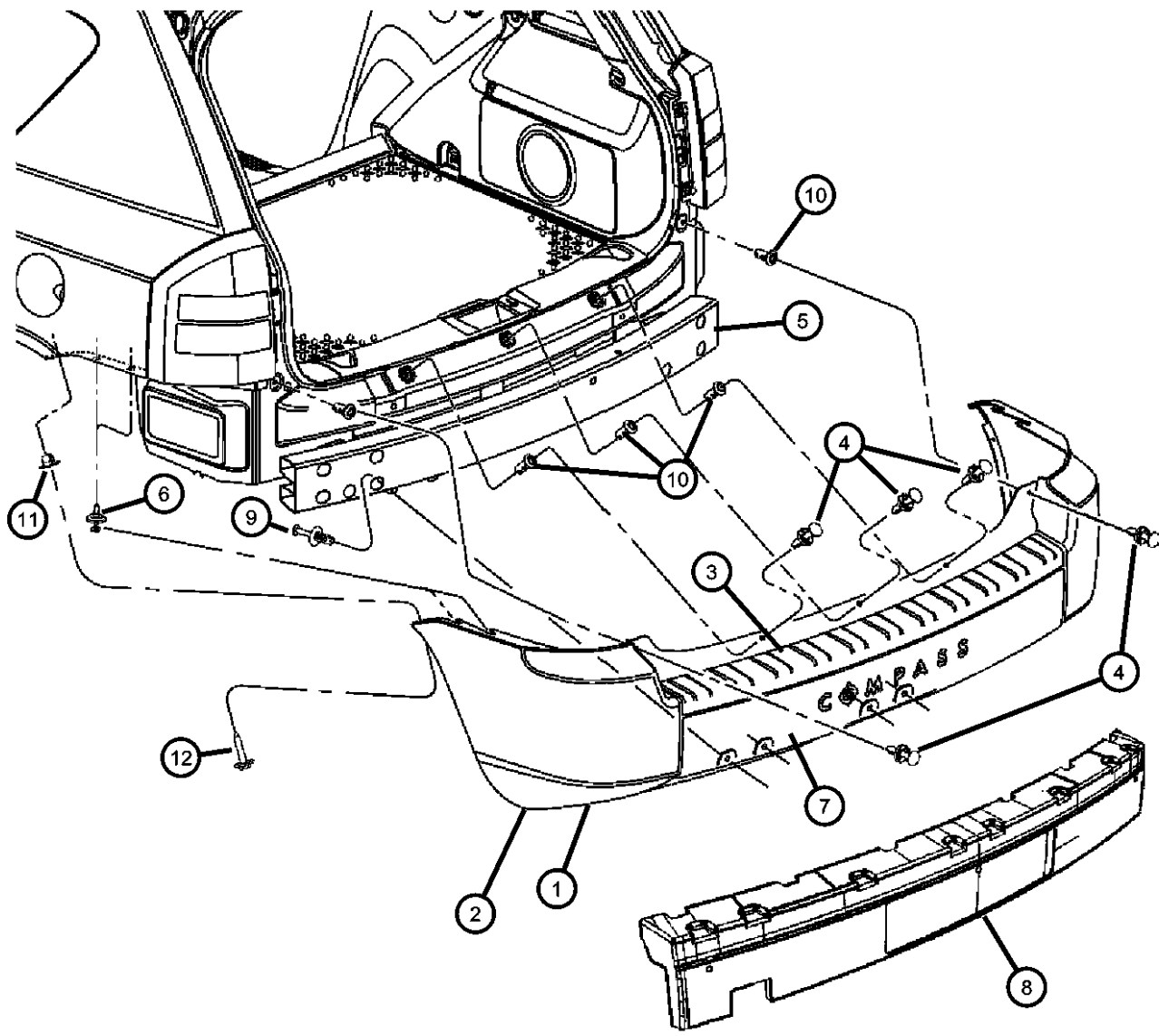
TRANSMISSION

DEF = 6-Speed Manual Aisin BG6 Trans
DD7 = 5-Speed Manual T355 Transmission
DAV = Continuously Variable Transaxle II
DAW = Cont.Var. w/Off-Rd Crawl Ratio Trans

AR = use ase required - = Non illustrated part

2008 MK

Fascia, Rear, Compass
Figure 13-305

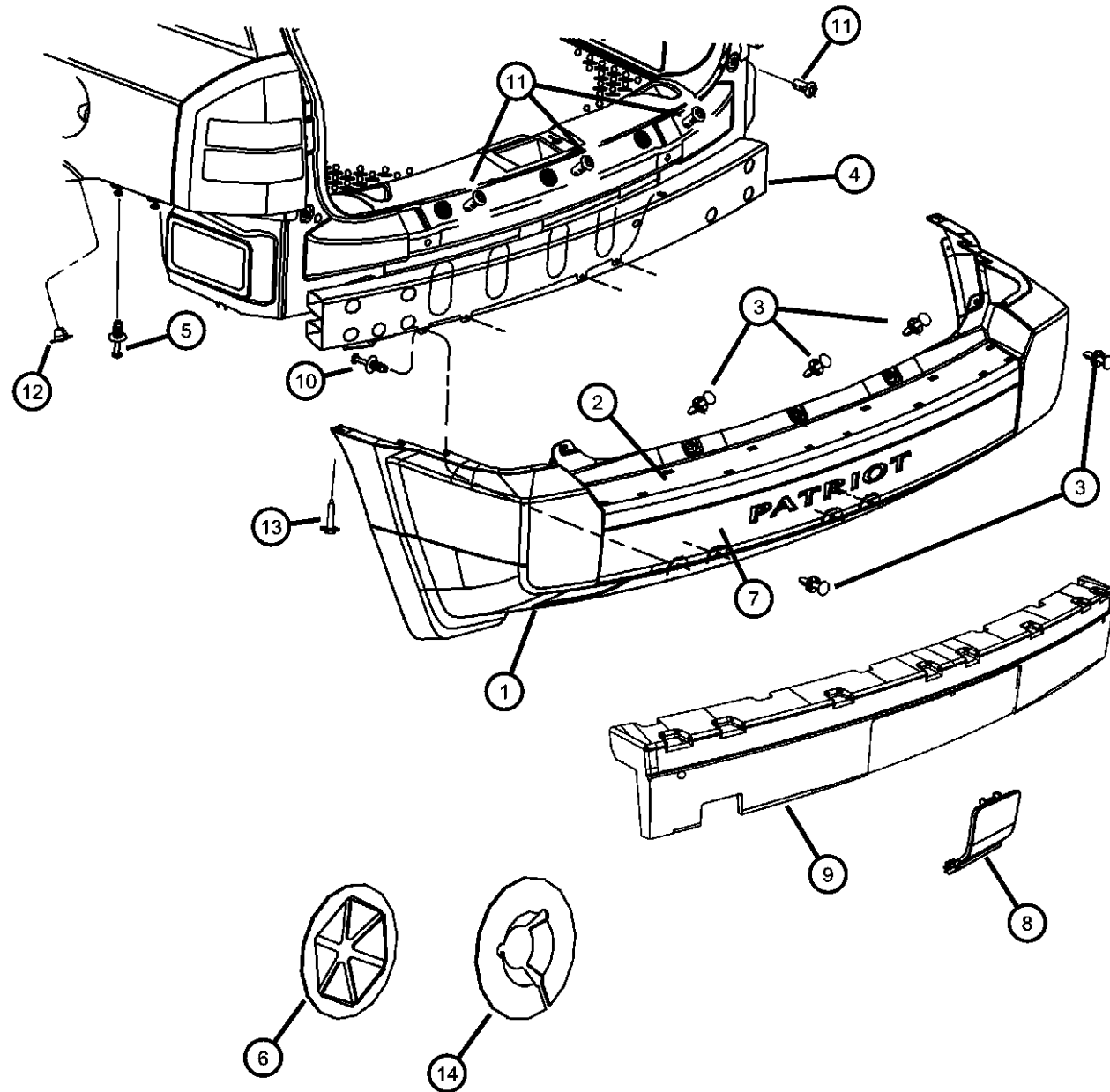


ITEM	PART NUMBER	QTY	LINE	SERIES	BODY	ENGINE	TRANS	TRIM	DESCRIPTION
1									FASCIA, Rear, Primed, Paint as Required
	0ZY61TZZAA	1	J, T, U		49				
	0ZY71TZZAA	1	J, T, U		49				Export
2									FASCIA, Rear
	68034797AA	1			49				Rallye Package [ASC]
	68034799AA	1			49				Rallye Package [ASC], Export
3	05116331AA	1	J, T, U		49				SCUFF PAD, Rear Fascia
4	05160260AA	5	J, T, U		49				PIN, Push
5									REINFORCEMENT, Rear Bumper
	05116052AC	1	J, T, U		49				With Tow Eye Brackets [XEV]
	05303769AC	1	J, T, U		49				Without Tow Eye Brackets [XEV]
6	04806334AA	4	J, T, U		49				FASTENER, Fascia, To Body Side Aperture
7									MOLDING, Fascia
	1CD94WS2AA	1	J, T, U		49				
	1CD97WS2AA	1	T, U, J		49				Export
8									FOAM, Rear Bumper Fascia
	05303822AA	1	J, T, U		49				
	68002101AA	1	J, T, U		49				Without Tow Eye Brackets [XEV]
9	05166238AA	2	J, T, U		49				RIVET, Plastic
10	04806271AA	5	J, T, U		49				GROMMET, Fascia to Liftgate Opening
11	06035401	2	T, U, J		49				NUT, Snap In, .164-18, Fascia to Body Side Aperture
12	06507238AA	2	J, T, U		49				SCREW, Hex Flange Head Tapping, M4.2x1.7x25

COMPASS/PATRIOT (MK)		BODY	ENGINE	TRANSMISSION
SERIES	LINE			
H = HIGHLINE	T = JEEP - 2WD	49 = HATCHBACK TYPE #2	ECE = 2.0L 4 Cyl DOHC DPF Diesel Engine	DEF = 6-Speed Manual Aisin BG6 Trans
L = LOWLINE	J = JEEP - 4WD	74 = SPORT UTILITY 4-DR TYPE #4	ED3 = 2.4L 4 Cyl DOHC 16V Dual VVT Engine	DD7 = 5-Speed Manual T355 Transmission
P = PREMIUM	U = JEEP - 4WD (RHD)		ECD = 2.0L 4 Cyl DOHC Diesel 16V Engine	DAV = Continuously Variable Transaxle II
			ECN = 2.0L 4 Cyl DOHC 16V Dual VVT Engine	DAW = Cont.Var. w/Off-Rd Crawl Ratio Trans

AR = use ase required - = Non illustrated part

Fascia, Rear, Patriot
Figure 13-310



ITEM	PART NUMBER	QTY	LINE	SERIES	BODY	ENGINE	TRANS	TRIM	DESCRIPTION
Sales Codes: [MCU]= Body Color Fascia [MCX]= Body Color Fascia With Bright Insert [ML3]= Body Color Fascia [MLA]= Body Color Fascia [XEA]= Tow Hooks									
1									FASCIA, Rear, Primed, Paint as Required
	68021290AA	1	J, T, U		74				Body Color Fascia [ML3], Without Tow Hook [XEA]
	68021293AA	1	J, T		74				Body Color Fascia [MCX], With Tow Hook [XEA]
	68021294AA	1	J, T		74				Body Color Fascia [ML3], With Tow Hook [XEA]
	68021296AA	1	T, J		74				Body Color Fascia [MCX], Without Tow Hook [XEA]
	68021316AA	1	J, T, U		74				With Sales Code [MLA]
	68021317AA	1	J, T, U		74				With Sales Code [MCU]
2	05116331AA	1	J, T		74				SCUFF PAD, Rear Fascia
3	05160260AA	5	J, T, U		74				PIN, Push
4									REINFORCEMENT, Rear Bumper
	05116052AC	1	J, T, U		74				With Tow Eye Brackets [XEV]
	05303769AC	1	J, T, U		74				Without Tow Eye Brackets [XEV]
5	04806334AA	4	J, T, U		74				FASTENER, Fascia, To Body Side Aperture
6	06505049AA	3	J, T, U		74				NUT, M5, Foam to Fascia
7									NERF, Fascia
	05116497AA	1	J, T, U		74				Export
	1CR08WS2AA	1	J, T		74				
8	1CR13TZZAA	1	J, T, U		74				PLUG, Tow Hook
9									FOAM, Rear Bumper Fascia
	05116367AA	1	J, T, U		74				
	68002101AA	1	J, T, U		74				Without Tow Eye Brackets [XEV]
10	05166238AA	4	J, T, U		74				RIVET, Plastic
11	04806271AA	5	J, T, U		74				GROMMET, Fascia to iftgate Opening
12	06035401	2	J, T, U		74				NUT, Snap In, .164-18, Fascia to Body Side Aperture

COMPASS/PATRIOT (MK)

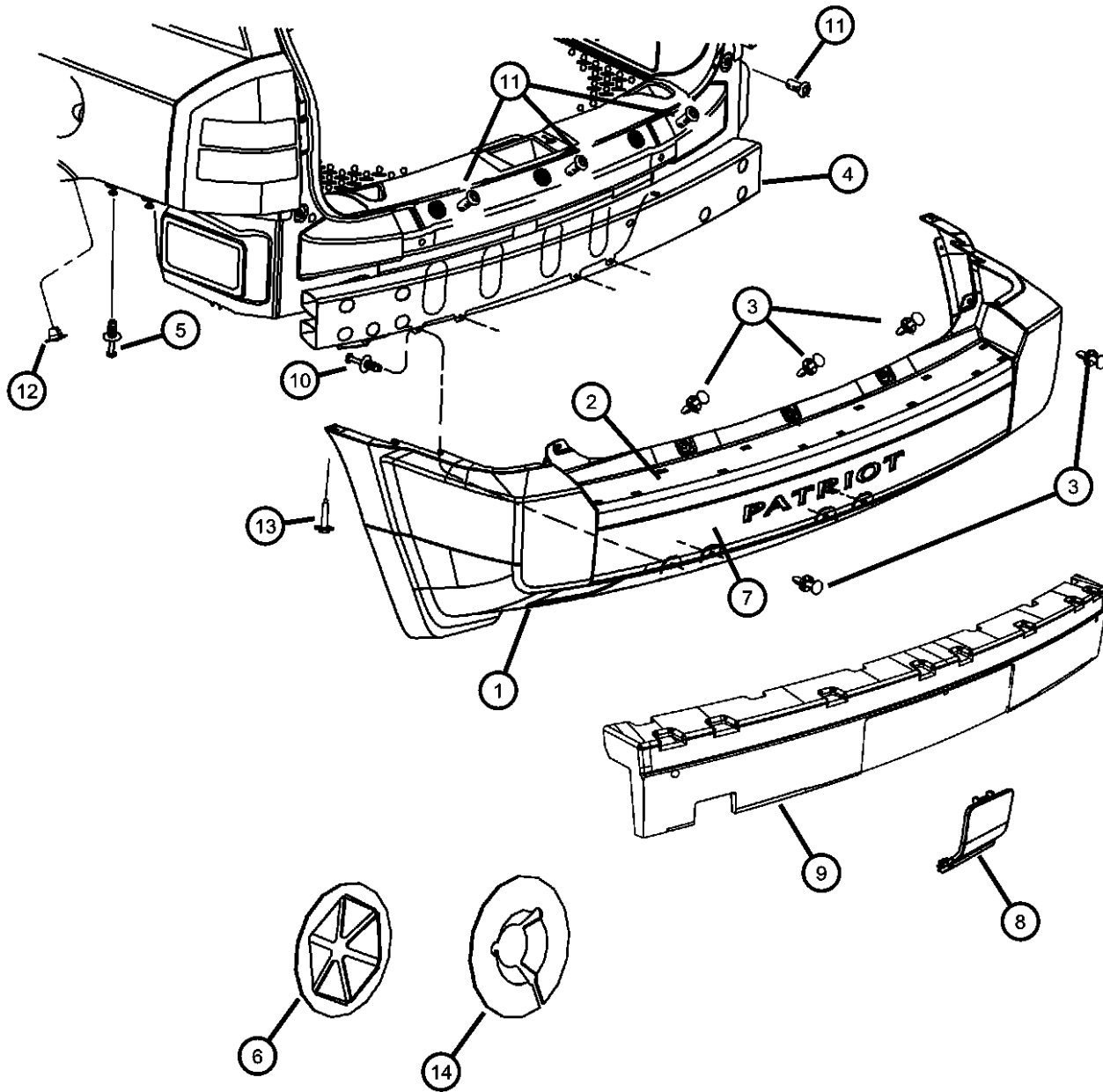
SERIES	LINE	BODY	ENGINE	TRANSMISSION
H = HIGHLINE	T = JEEP - 2WD	49 = HATCHBACK TYPE #2	ECE = 2.0L 4 Cyl DOHC DPF Diesel Engine	DEF = 6-Speed Manual Aisin BG6 Trans
L = LOWLINE	J = JEEP - 4WD	74 = SPORT UTILITY 4-DR TYPE #4	ED3 = 2.4L 4 Cyl DOHC 16V Dual VVT Engine	DD7 = 5-Speed Manual T355 Transmission
P = PREMIUM	U = JEEP - 4WD (RHD)		ECD = 2.0L 4 Cyl DOHC Diesel 16V Engine	DAV = Continuously Variable Transaxle II
			ECN = 2.0L 4 Cyl DOHC 16V Dual VVT Engine	DAW = Cont.Var. w/Off-Rd Crawl Ratio Trans

AR = use ase required - = Non illustrated part

2008 MK

Fascia, Rear, Patriot
Figure 13-310

ITEM	PART NUMBER	QTY	LINE	SERIES	BODY	ENGINE	TRANS	TRIM	DESCRIPTION
13	06507238AA	2	J, T, U		74				SCREW, Hex Flange Head Tapping, M4.2x1.7x25
14	06036169AA	2	J, T		74				NUT, Spring Push On, .236, Foam to Fascia



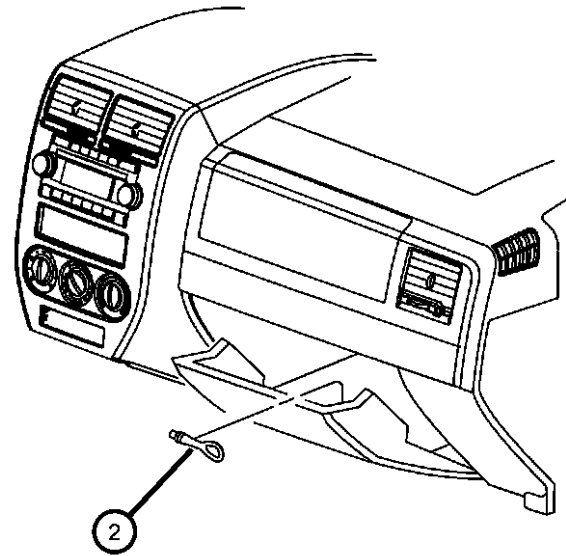
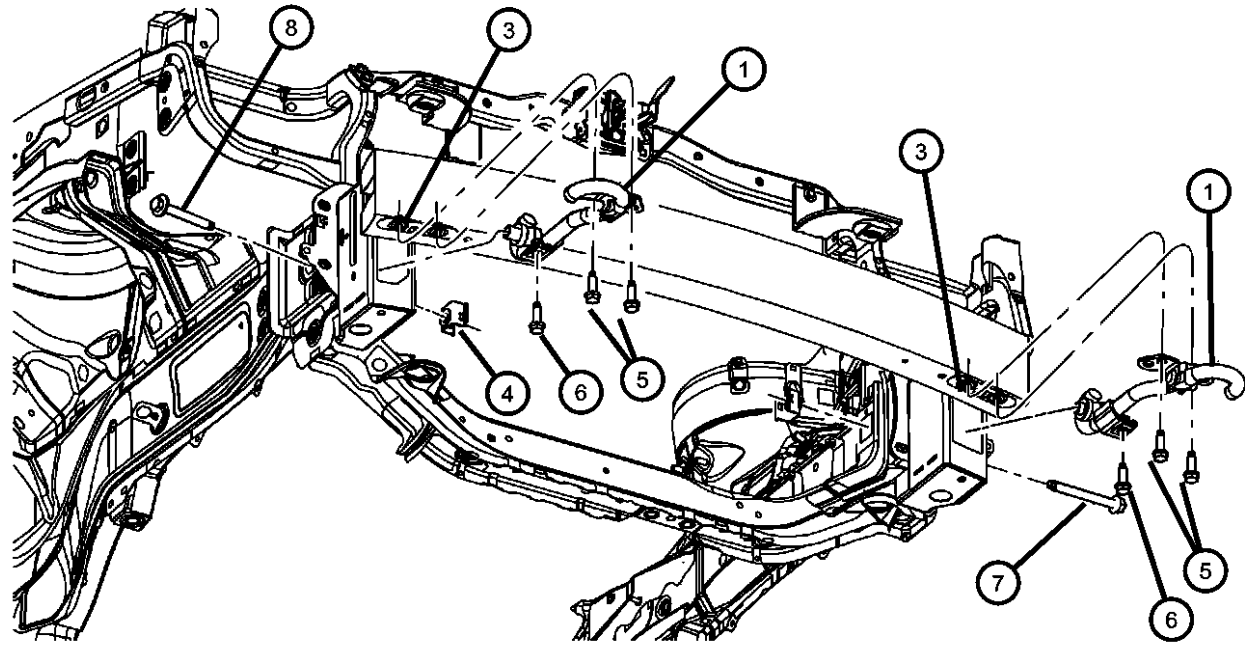
COMPASS/PATRIOT (MK)

SERIES	LINE	BODY	ENGINE	TRANSMISSION
H = HIGHLINE	T = JEEP - 2WD	49 = HATCHBACK TYPE #2	ECE = 2.0L 4 Cyl DOHC DPF Diesel Engine	DEF = 6-Speed Manual Aisin BG6 Trans
L = LOWLINE	J = JEEP - 4WD	74 = SPORT UTILITY 4-DR TYPE #4	ED3 = 2.4L 4 Cyl DOHC 16V Dual VVT Engine	DD7 = 5-Speed Manual T355 Transmission
P = PREMIUM	U = JEEP - 4WD (RHD)		ECD = 2.0L 4 Cyl DOHC Diesel 16V Engine	DAV = Continuously Variable Transaxle II
			ECN = 2.0L 4 Cyl DOHC 16V Dual VVT Engine	DAW = Cont.Var. w/Off-Rd Crawl Ratio Trans

AR = use ase required - = Non illustrated part

2008 MK

Tow Hooks, Front
Figure 13-505



ITEM	PART NUMBER	QTY	LINE	SERIES	BODY	ENGINE	TRANS	TRIM	DESCRIPTION
1	05115268AC	1	J, T, U		74				HOOK, Tow Right
	05115269AC	1	J, T, U		74				HOOK, Tow Left
2	05067531AA	1	J, T, U		49				HOOK, Tow
		1	J, T, U		74				
3	05116361AB	2	J, T, U		74				BRACKET, Tow Hook
4	05116357AC	2	J, T, U		74				BRACKET, Tow Hook
5	06105064AA	4	J, T, U		74				BOLT, Hex Flange Head, M10x1.50x35.00, Hook to Bumper Beam
6	06105064AA	2	J, T, U		74				BOLT, Hex Flange Head, M10x1.50x35.00, Rail Inner to Hook
7	06105073AA	1	J, T, U		74				BOLT, Hex Head, M10x1.50x90, Tow Hook to Rail
8	06104432AA	1	J, T, U		74				BOLT, Hex Head, M10x1.50x80.0, Tow Hook to Rail

COMPASS/PATRIOT (MK)

SERIES LINE
H = HIGHLINE T = JEEP - 2WD
L = LOWLINE J = JEEP - 4WD
P = PREMIUM U = JEEP - 4WD (RHD)

BODY
49 = HATCHBACK TYPE #2
74 = SPORT UTILITY 4-DR TYPE #4

ENGINE
ECE = 2.0L 4 Cyl DOHC DPF Diesel Engine
ED3 = 2.4L 4 Cyl DOHC 16V Dual VVT Engine
ECD = 2.0L 4 Cyl DOHC Diesel 16V Engine
ECN = 2.0L 4 Cyl DOHC 16V Dual VVT Engine

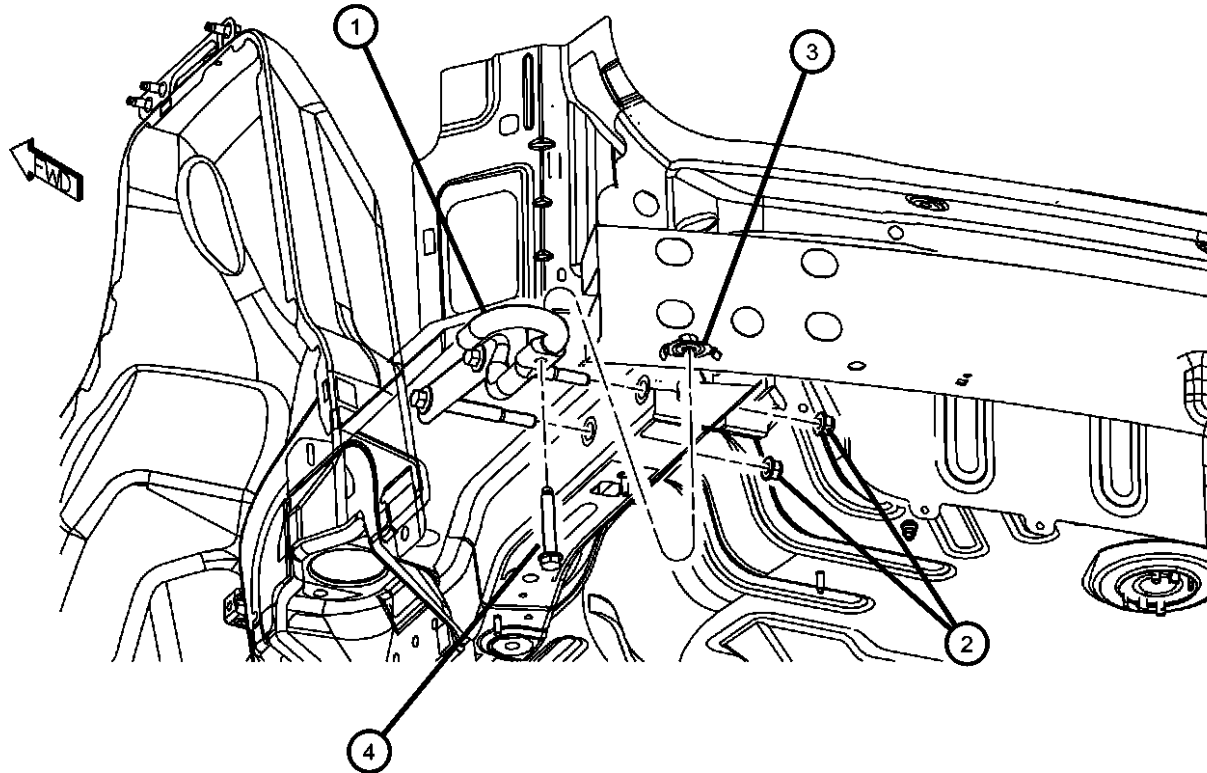
TRANSMISSION
DEF = 6-Speed Manual Aisin BG6 Trans
DD7 = 5-Speed Manual T355 Transmission
DAV = Continuously Variable Transaxle II
DAW = Cont.Var. w/Off-Rd Crawl Ratio Trans

AR = use ase required - = Non illustrated part

2008 MK

Tow Hooks and Hitches, Rear
Figure 13-520

ITEM	PART NUMBER	QTY	LINE	SERIES	BODY	ENGINE	TRANS	TRIM	DESCRIPTION
1	05115270AB	1	J, T, U		74				HOOK, Tow
2	06104717AA	2	J, T, U		74				NUT, Hex Flange Lock, M10x1.50
3	05116360AB	1	J, T, U		74				PLATE, Tow Hook
4	06104428AA	1	J, T, U		74				BOLT AND CONED WASHER, Hex Head, M10X1.5X65.00



COMPASS/PATRIOT (MK)


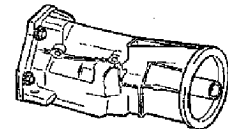


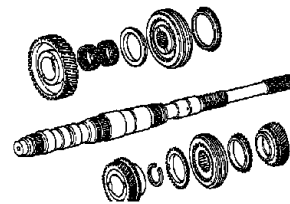
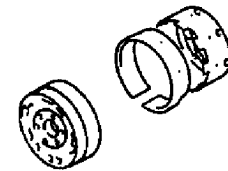
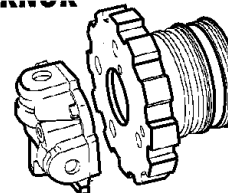
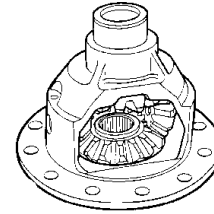
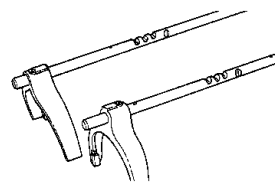
SERIES	LINE	BODY	ENGINE	TRANSMISSION
H = HIGHLINE	T = JEEP - 2WD	49 = HATCHBACK TYPE #2	ECE = 2.0L 4 Cyl DOHC DPF Diesel Engine	DEF = 6-Speed Manual Aisin BG6 Trans
L = LOWLINE	J = JEEP - 4WD	74 = SPORT UTILITY 4-DR TYPE #4	ED3 = 2.4L 4 Cyl DOHC 16V Dual VVT Engine	DD7 = 5-Speed Manual T355 Transmission
P = PREMIUM	U = JEEP - 4WD (RHD)		ECD = 2.0L 4 Cyl DOHC Diesel 16V Engine	DAV = Continuously Variable Transaxle II
			ECN = 2.0L 4 Cyl DOHC 16V Dual VVT Engine	DAW = Cont.Var. w/Off-Rd Crawl Ratio Trans

AR = use ase required - = Non illustrated part

2008 MK

Group - 14

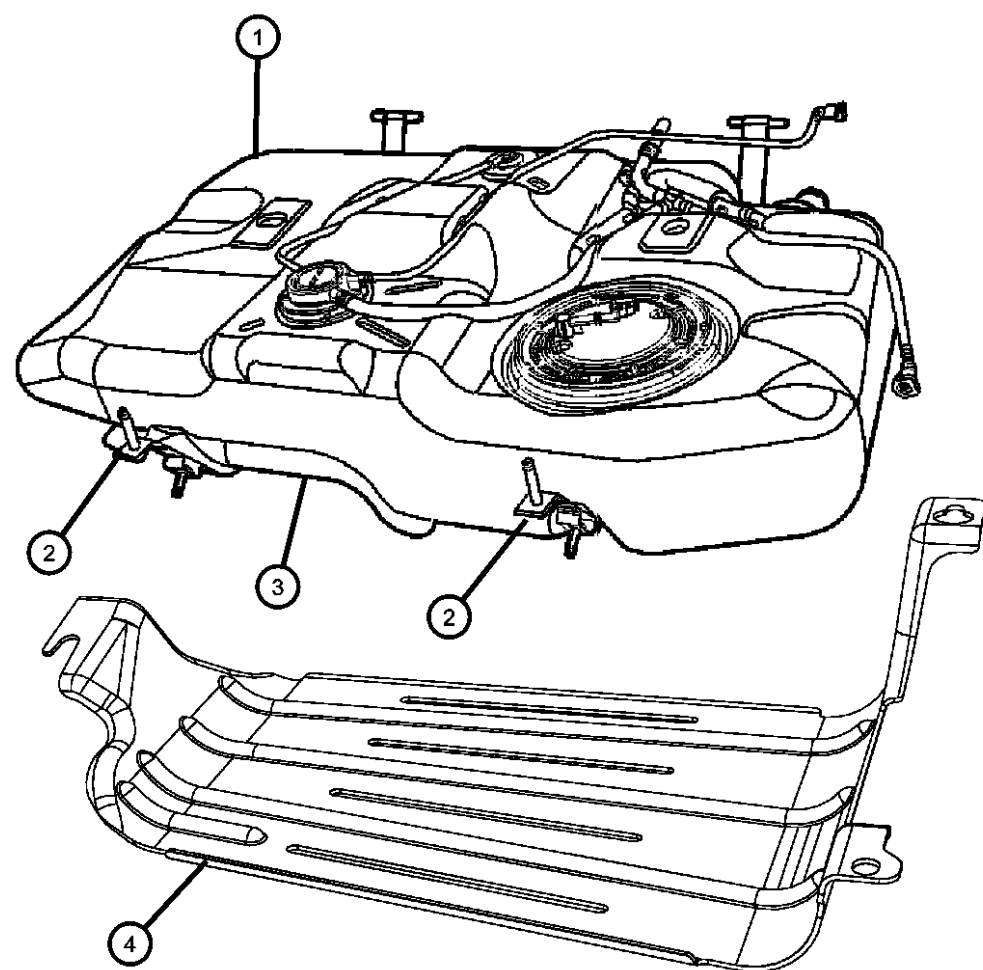
Fuel

<p>014-100 Fuel Tank</p> 	<p>014-1000 Accelerator Pedal</p> 	<p>014-200 Fuel Tank Filler Tube</p> 	<p>014-300 Fuel Lines</p> 
<p>014-400 Fuel Rail and Injectors</p> 	<p>014-500 Fuel Pump and Sending Unit</p> 	<p>014-600 Throttle Body</p> 	<p>014-800 Air Cleaner</p> 
<p>014-900 Air Inlet Components</p> 			

Group - 14 Fuel

Illustration Title	Group-Fig. No.
Fuel Tank	
Fuel Tank and Related	Fig. 14 - 105
Fuel Tank Filler Tube	
Fuel Filler Tube and Related	Fig. 14 - 205
Fuel Lines	
Fuel Lines and Related	Fig. 14 - 305
Fuel Lines and Related	Fig. 14 - 310
Fuel Lines and Related	Fig. 14 - 315
Fuel Rail and Injectors	
Fuel Rail and Related	Fig. 14 - 405
Fuel Pump and Sending Unit	
Fuel Pump Module	Fig. 14 - 505
Fuel Injection Pump and Related	Fig. 14 - 520
Fuel Filter and Related	Fig. 14 - 530
Throttle Body	
Throttle Body and Related	Fig. 14 - 605
Air Cleaner	
Air Cleaner and Related	Fig. 14 - 805
Air Cleaner and Related	Fig. 14 - 810
Air Inlet Components	
Air Inlet and Components	Fig. 14 - 905
Accelerator Pedal	
Accelerator Pedal and Related	Fig. 14 - 1005

Fuel Tank and Related
Figure 14-105



ITEM	PART NUMBER	QTY	LINE	SERIES	BODY	ENGINE	TRANS	TRIM	DESCRIPTION
1									TANK, Fuel
	05105135AG	1	T		49, 74	ECN, ED3			[NFL]
	05105136AF	1	J, U		49	ED3			[NF6]
		1	J, U		74	ED3			[NF6]
	05105574AG	1	J, U		49	ECD, ECE			[NF6]
		1	J, U		74	ECD, ECE			[NF6]
2									STRAP, Fuel Tank
	05105548AC	1	T		49, 74				Right
	05105549AC	2	J, U		49				All Wheel Drive
		2	J, U		74				All Wheel Drive
		1	T		49, 74				Left
3									SHIELD, Fuel Tank Heat
	05105334AD	1	J, U		49	ED3			[NF6]
		1	J, U		74	ED3			[NF6]
		1	J, U		49	ECD, ECE			[NF6]
		1	J, U		74	ECD, ECE			[NF6]
	05105336AC	1	T		49, 74	ECN, ED3			[NFL]
4									PLATE, Skid
	05105234AA	1	J, T, U		49				Right
		1	J, T, U		74				Right
	05105235AA	1	J, T, U		49				Left
		1	J, T, U		74				Left

COMPASS/PATRIOT (MK)

SERIES LINE
H = HIGHLINE T = JEEP - 2WD
L = LOWLINE J = JEEP - 4WD
P = PREMIUM U = JEEP - 4WD (RHD)

BODY
49 = HATCHBACK TYPE #2
74 = SPORT UTILITY 4-DR TYPE #4

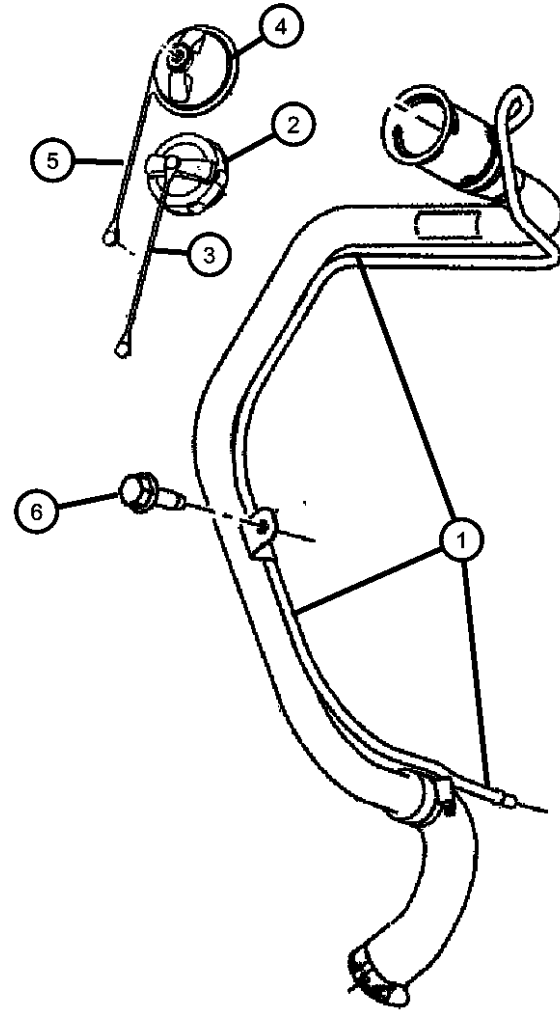
ENGINE
ECE = 2.0L 4 Cyl DOHC DPF Diesel Engine
ED3 = 2.4L 4 Cyl DOHC 16V Dual VVT Engine
ECD = 2.0L 4 Cyl DOHC Diesel 16V Engine
ECN = 2.0L 4 Cyl DOHC 16V Dual VVT Engine

TRANSMISSION
DEF = 6-Speed Manual Aisin BG6 Trans
DD7 = 5-Speed Manual T355 Transmission
DAV = Continuously Variable Transaxle II
DAW = Cont.Var. w/Off-Rd Crawl Ratio Trans

AR = use ase required - = Non illustrated part

2008 MK

Fuel Filler Tube and Related
Figure 14-205



ITEM	PART NUMBER	QTY	LINE	SERIES	BODY	ENGINE	TRANS	TRIM	DESCRIPTION
1									TUBE, Fuel Filler
	04726227AF	1	J, T, U		49	ECD, ECE			
	05105806AC	1	J, T, U		74	ECN, ED3			
	05105807AD	1	J, T, U		74	ECD, ECE			
	05105255AE	1	J, T, U		49	ED3, ECN			
2									CAP, Fuel Filler
	05278632AG	1	J, T, U		49				
		1	U, J, T		74				
3									TETHER, Fuel Filler Cap
	04682676	1	J, T, U		49				
		1	J, T, U		74				
4									CAP KIT, Fuel Tank Locking
	68030940AA	1	J, T, U		49				
		1	J, T, U		74				
5									TETHER, Fuel Filler Cap
	05278461AA	1	J, T, U		49				
		1	J, T, U		74				
6	06105150AA	1	J, T, U		49, 74				SCREW, Hex Flange Head, M6x1.00x20.00

COMPASS/PATRIOT (MK)

SERIES

H = HIGHLINE
L = LOWLINE
P = PREMIUM

LINE

T = JEEP - 2WD
J = JEEP - 4WD
U = JEEP - 4WD (RHD)

BODY

49 = HATCHBACK TYPE #2
74 = SPORT UTILITY 4-DR TYPE #4

ENGINE

ECE = 2.0L 4 Cyl DOHC DPF Diesel Engine
ED3 = 2.4L 4 Cyl DOHC 16V Dual VVT Engine
ECD = 2.0L 4 Cyl DOHC Diesel 16V Engine
ECN = 2.0L 4 Cyl DOHC 16V Dual VVT Engine

TRANSMISSION

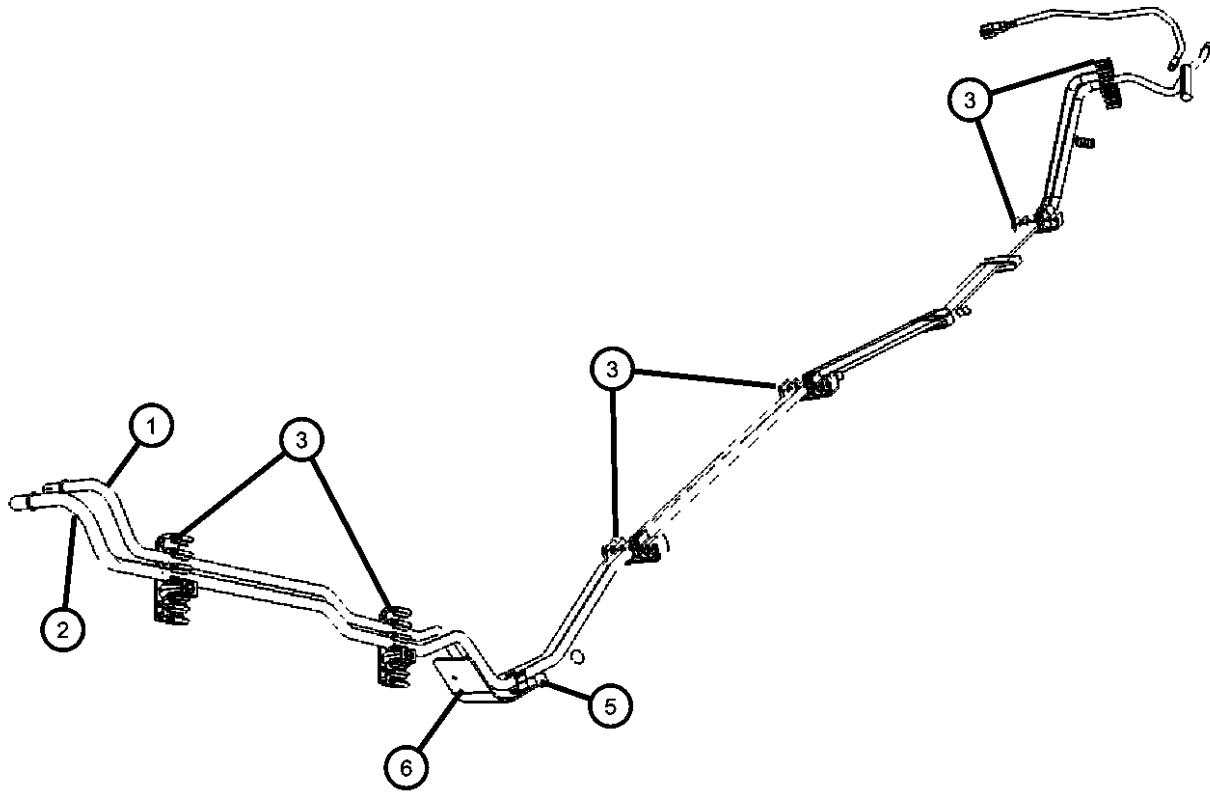
DEF = 6-Speed Manual Aisin BG6 Trans
DD7 = 5-Speed Manual T355 Transmission
DAV = Continuously Variable Transaxle II
DAW = Cont.Var. w/Off-Rd Crawl Ratio Trans

AR = use ase required - = Non illustrated part

2008 MK

Fuel Lines and Related
Figure 14-305

ITEM	PART NUMBER	QTY	LINE	SERIES	BODY	ENGINE	TRANS	TRIM	DESCRIPTION
1	05189338AA	1	J, T, U		49	ECN, ED3			TUBE, Fuel Supply
		1	J, T, U		74	ECN, ED3			
2	05189339AB	1	J, T, U		49	ECN, ED3			TUBE, Fuel Vapor
		1	J, T, U		74	ECN, ED3			
3	05189342AA	1	J, T, U		49	ECN, ED3			CLIP, Fuel Line
		1	U, J, T		74	ECN, ED3			
-4	05189343AA	1	J, T, U		49	ECN, ED3			CLIP, Fuel Line [2 Line]
		1	J, T, U		74	ECN, ED3			
5	05189344AA	1	J, T, U		49	ECN, ED3			BUMPER, Rubber
		1	J, T, U		74	ECN, ED3			
6	68019078AA	1	J, T, U		49	ECN, ED3			SHIELD, Fuel and Brake Bundle



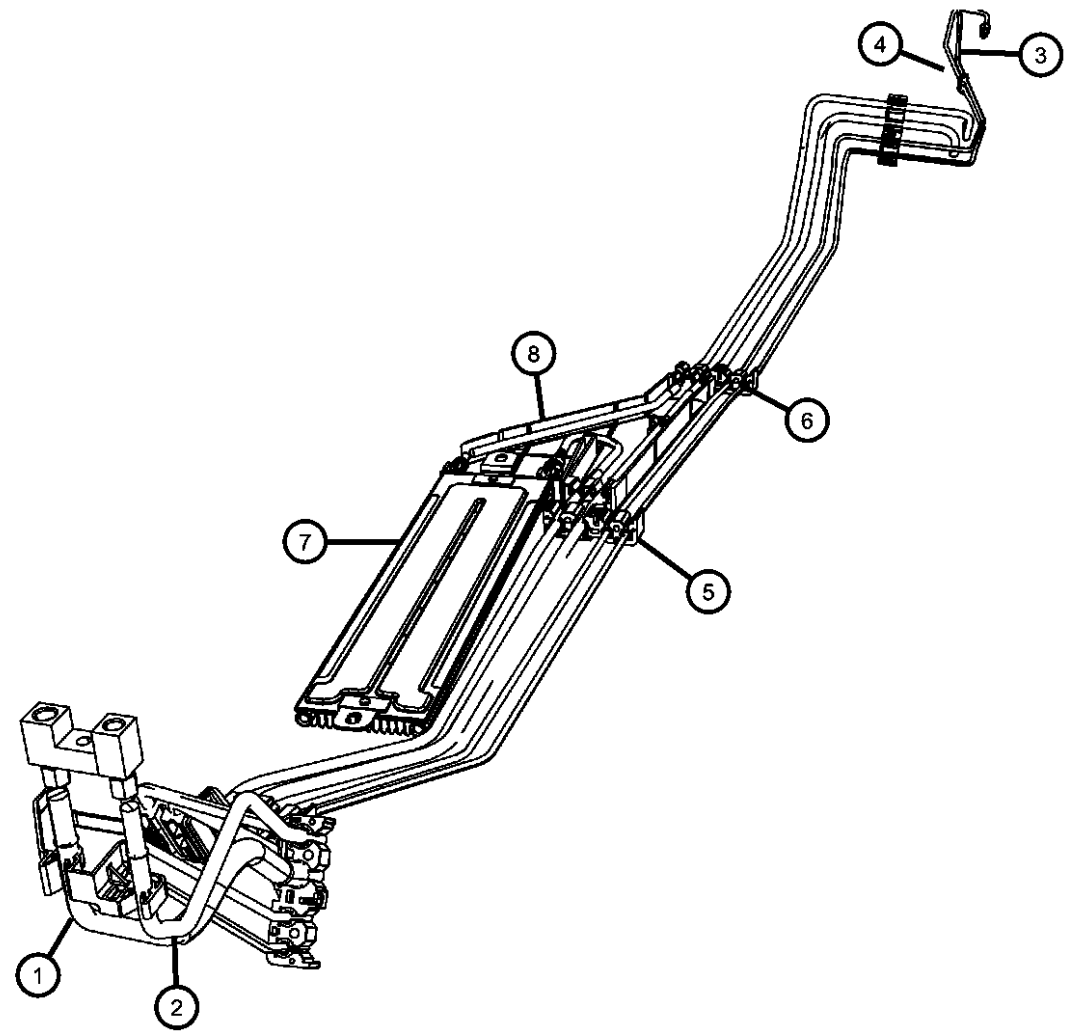
COMPASS/PATRIOT (MK)

SERIES	LINE	BODY	ENGINE	TRANSMISSION
H = HIGHLINE	T = JEEP - 2WD	49 = HATCHBACK TYPE #2	ECE = 2.0L 4 Cyl DOHC DPF Diesel Engine	DEF = 6-Speed Manual Aisin BG6 Trans
L = LOWLINE	J = JEEP - 4WD	74 = SPORT UTILITY 4-DR TYPE #4	ED3 = 2.4L 4 Cyl DOHC 16V Dual VVT Engine	DD7 = 5-Speed Manual T355 Transmission
P = PREMIUM	U = JEEP - 4WD (RHD)		ECD = 2.0L 4 Cyl DOHC Diesel 16V Engine	DAV = Continuously Variable Transaxle II
			ECN = 2.0L 4 Cyl DOHC 16V Dual VVT Engine	DAW = Cont.Var. w/Off-Rd Crawl Ratio Trans

AR = use ase required - = Non illustrated part

2008 MK

Fuel Lines and Related
Figure 14-310



ITEM	PART NUMBER	QTY	LINE	SERIES	BODY	ENGINE	TRANS	TRIM	DESCRIPTION
NOTE: Sales Codes: [ED3] = 2.4L DOHC 16V Dual V.V.T [ECN] = 2.0L 4 Cyl. DOHC 16V Dual V.V.T [EER] = 2.7L V6 DOHC 24V MPI [EGF] = 3.5L High Output V6 24V MPI [ECD] = 2.0L 4 Cyl. DOHC Diesel 16V									
1									TUBE, Fuel Supply
	05189346AA	1	J, T, U		49	ECD, ECE			
		1	J, T, U		74	ECD, ECE			
2	05189345AB	1	J, T, U		49	ECD, ECE			TUBE, Fuel Return
3	05189345AB	1							TUBE, Fuel Supply, (NOT SERVICED)
4	05189347AB	1	J, T, U		49	ECD, ECE			TUBE, Fuel Return
5									CLIP, Fuel Bundle
	05137750AA	1	J, T, U		49	ECD, ECE			
		1	J, T, U		74	ECD, ECE			
6	05189342AA	6	J, T, U		49	ECD, ECE			CLIP, Fuel Line
7									COOLER, Fuel, Diesel
	05105636AA	1	J, T, U		49	ECD, ECE			
		1	J, T, U		74	ECD, ECE			
8	05105811AA	1	J, T, U		49	ECD, ECE			SHIELD, Fuel Line
-9	68019092AA	1	J, T, U		49	ECD, ECE			SHIELD, Fuel and Brake Bundle

COMPASS/PATRIOT (MK)

SERIES LINE
H = HIGHLINE T = JEEP - 2WD
L = LOWLINE J = JEEP - 4WD
P = PREMIUM U = JEEP - 4WD (RHD)

BODY
49 = HATCHBACK TYPE #2
74 = SPORT UTILITY 4-DR TYPE #4

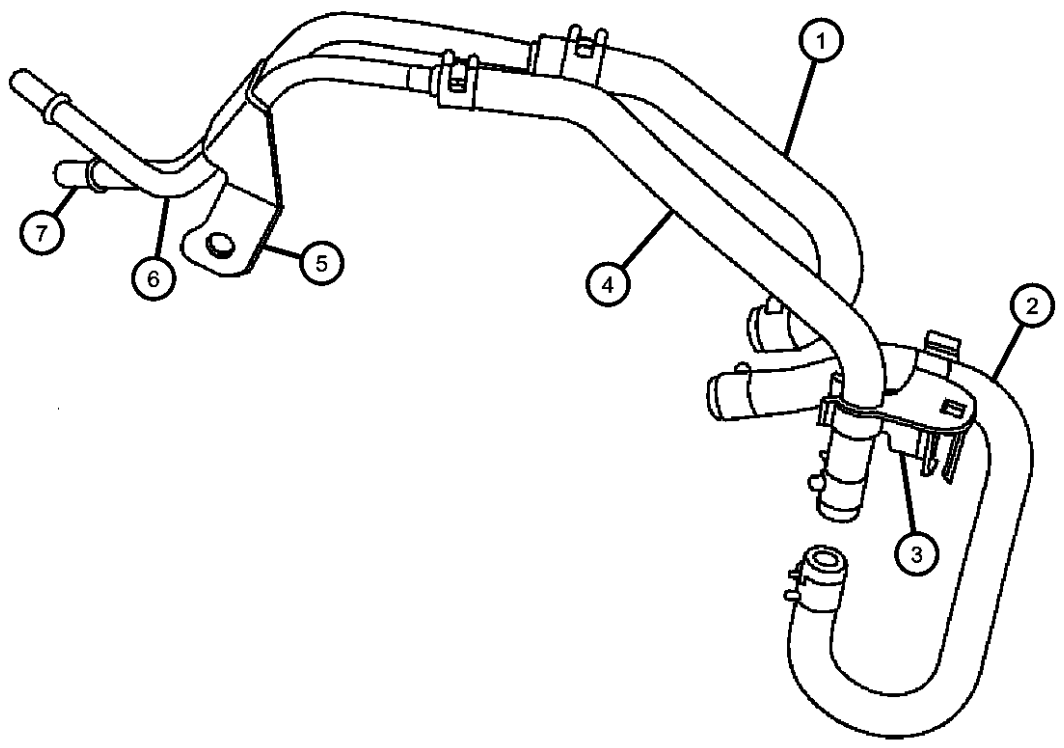
ENGINE TRANSMISSION
ECE = 2.0L 4 Cyl DOHC DPF Diesel Engine DEF = 6-Speed Manual Aisin BG6 Trans
ED3 = 2.4L 4 Cyl DOHC 16V Dual VVT Engine DD7 = 5-Speed Manual T355 Transmission
ECD = 2.0L 4 Cyl DOHC Diesel 16V Engine DAV = Continuously Variable Transaxle II
ECN = 2.0L 4 Cyl DOHC 16V Dual VVT Engine DAW = Cont.Var. w/Off-Rd Crawl Ratio Trans

AR = use ase required - = Non illustrated part

2008 MK

Fuel Lines and Related
Figure 14-315

ITEM	PART NUMBER	QTY	LINE	SERIES	BODY	ENGINE	TRANS	TRIM	DESCRIPTION
1	05085369AA	1	J, T, U		49	ECD, ECE			HOSE, Fuel Supply
		1	J, T, U		74	ECD, ECE			
2	05105443AA	1	J, T, U		49	ECD, ECE			HOSE, Fuel Return
		1	J, T, U		74	ECD, ECE			
3	05105714AA	1	J, T, U		49	ECD, ECE			CLIP, Fuel Bundle
		1	J, T, U		74	ECD, ECE			
4	05085370AA	1	J, T, U		49	ECD, ECE			HOSE, Fuel Return
		1	J, T, U		74	ECD, ECE			
5		1							BRACKET, Service with fuel bundle 05105444AA, (NOT SERVICED)
6	05189346AA	1	J, T, U		49	ECD, ECE			TUBE, Fuel Supply, Service with fuel bundle 05105444AA
		1	J, T, U		74	ECD, ECE			
7		1							TUBE, Fuel Supply, Service with fuel bundle 05105444AA, (NOT SERVICED)
-8	05189342AA	1	J, T, U		49	ECD, ECE			CLIP, Fuel Line [5 Tube]
		1	J, T, U		74	ECD, ECE			[5 Tube]
	05189343AA	1	J, T, U		49	ECD, ECE			[2 Tube]
		1	J, T, U		74	ECD, ECE			[2 Tube]



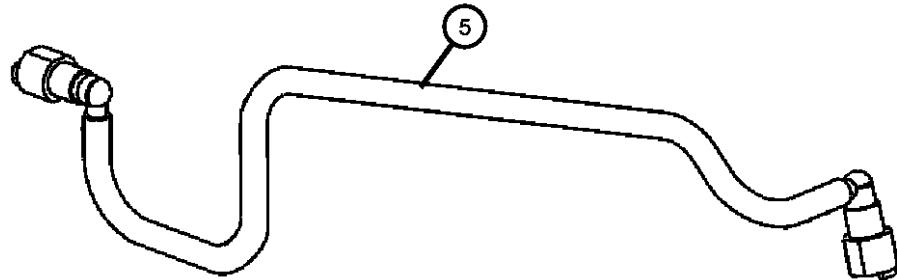
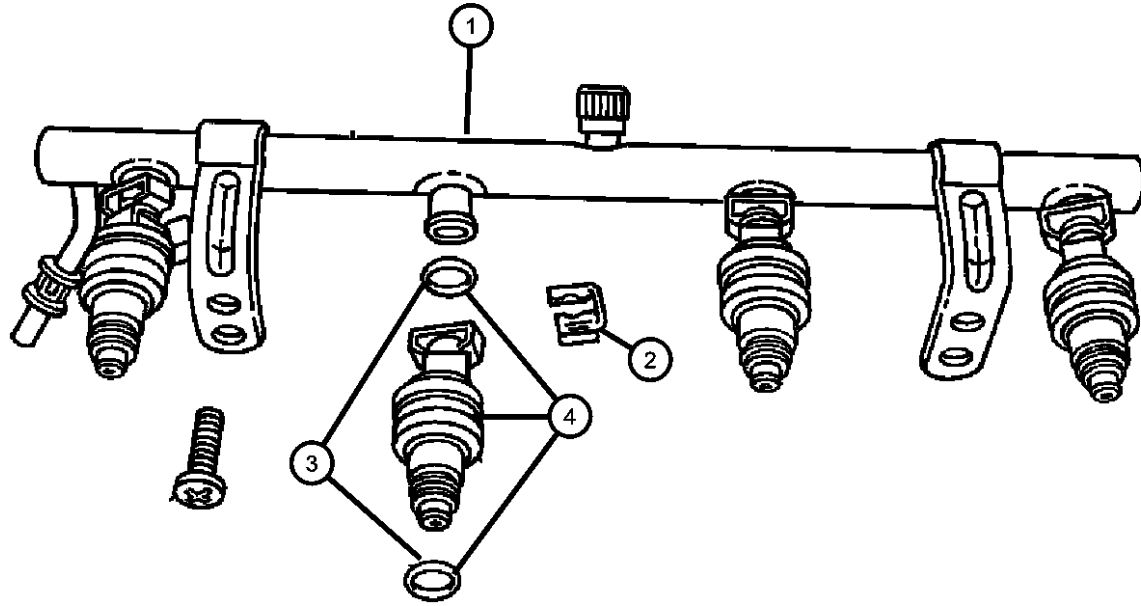
COMPASS/PATRIOT (MK)

SERIES	LINE	BODY	ENGINE	TRANSMISSION
H = HIGHLINE	T = JEEP - 2WD	49 = HATCHBACK TYPE #2	ECE = 2.0L 4 Cyl DOHC DPF Diesel Engine	DEF = 6-Speed Manual Aisin BG6 Trans
L = LOWLINE	J = JEEP - 4WD	74 = SPORT UTILITY 4-DR TYPE #4	ED3 = 2.4L 4 Cyl DOHC 16V Dual VVT Engine	DD7 = 5-Speed Manual T355 Transmission
P = PREMIUM	U = JEEP - 4WD (RHD)		ECD = 2.0L 4 Cyl DOHC Diesel 16V Engine	DAV = Continuously Variable Transaxle II
			ECN = 2.0L 4 Cyl DOHC 16V Dual VVT Engine	DAW = Cont.Var. w/Off-Rd Crawl Ratio Trans

AR = use ase required - = Non illustrated part

Fuel Rail and Related
Figure 14-405

ITEM	PART NUMBER	QTY	LINE	SERIES	BODY	ENGINE	TRANS	TRIM	DESCRIPTION
1	04891575AA	1	J, T, U		49	ECN, ED3			RAIL, Fuel
		1	J, T, U		74	ECN, ED3			
2	04418257AB	4	J, T, U		49	ECN, ED3			CLIP, Fuel Injector
		4	J, T, U		74	ECN, ED3			
3	04897125AA	1	J, T, U		49	ECN, ED3			O RING KIT, Fuel Injector
		1	J, T, U		74	ECN, ED3			
4	04891577AB	4	J, T, U		49	ECN, ED3			INJECTOR, Fuel
		4	J, T, U		74	ECN, ED3			
5	05105112AD	1	J, T, U		49	ECN, ED3			TUBE, Fuel Supply
		1	J, T, U		74	ECN, ED3			



COMPASS/PATRIOT (MK)

SERIES LINE
 H = HIGHLINE T = JEEP - 2WD
 L = LOWLINE J = JEEP - 4WD
 P = PREMIUM U = JEEP - 4WD (RHD)

BODY
 49 = HATCHBACK TYPE #2
 74 = SPORT UTILITY 4-DR
 TYPE #4

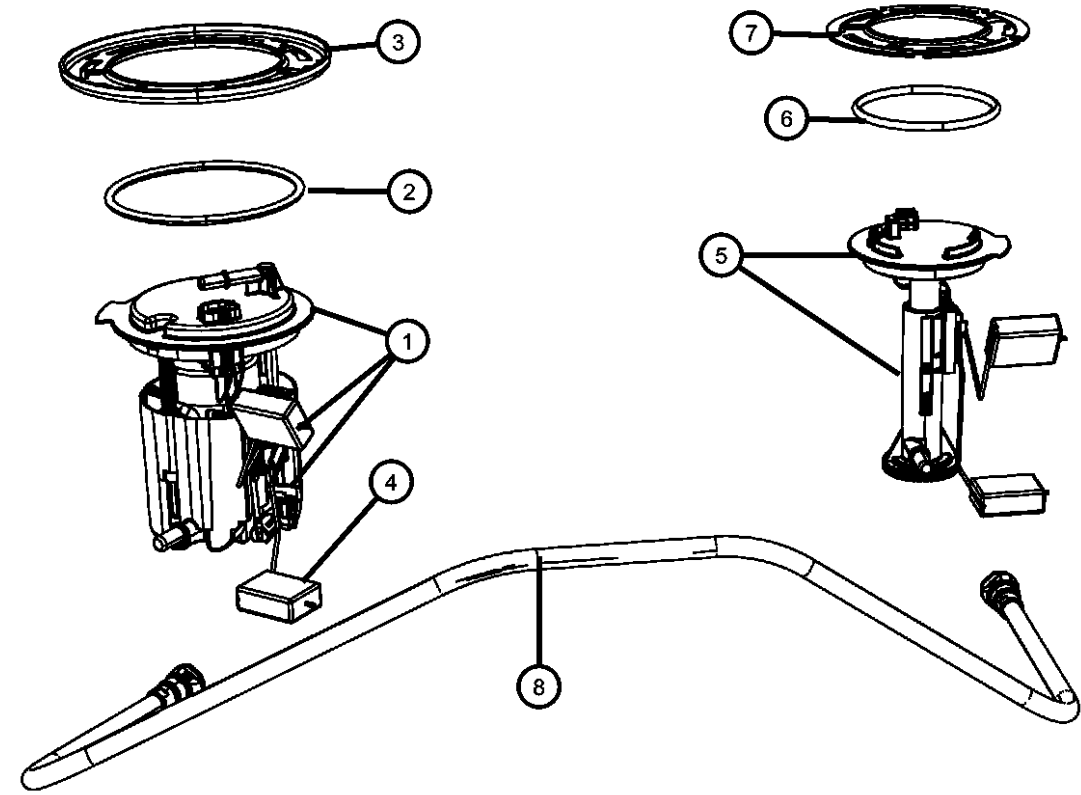
ENGINE TRANSMISSION
 ECE = 2.0L 4 Cyl DOHC DPF DEF = 6-Speed Manual Aisin BG6
 Diesel Engine Trans
 ED3 = 2.4L 4 Cyl DOHC 16V DD7 = 5-Speed Manual T355
 Dual VVT Engine Transmission
 ECD = 2.0L 4 Cyl DOHC DAV = Continuously Variable
 Diesel 16V Engine Transaxle II
 ECN = 2.0L 4 Cyl DOHC 16V DAW = Cont.Var. w/Off-Rd Crawl
 Dual VVT Engine Ratio Trans

AR = use ase required - = Non illustrated part

2008 MK

Fuel Pump Module
Figure 14-505

ITEM	PART NUMBER	QTY	LINE	SERIES	BODY	ENGINE	TRANS	TRIM	DESCRIPTION
1									MODULE PACKAGE, Fuel Tank
	05183201AB	1	T		49, 74	ECN, ED3			[NFL]
	05183202AB	1	J, U		49	ED3			[NF6]
		1	J, U		74	ED3			[NF6]
	68003358AA	1	J, U		49	ECD, ECE			[NF6]
		1	J, U		74	ECD, ECE			[NF6]
2									O RING, Fuel Pump and Level Unit
	55366298AA	1	J, U		74	ECD, ECE			[NF6]
		1	T		49, 74	ECN, ED3			[NFL]
		1	J, U		49	ED3			[NF6]
		1	J, U		74	ED3			[NF6]
		1	J, U		49	ECD, ECE			[NF6]
3									RING, Lock, Fuel Module
	55366299AA	1	J, U		49	ED3			[NF6]
		1	J, U		74	ED3			[NF6]
		1	J, U		49	ECD, ECE			[NF6]
		1	J, U		74	ECD, ECE			[NF6]
		1	T		49, 74	ECN, ED3			[NFL]
4									LEVEL UNIT PACKAGE, Fuel
	05183203AA	1	T		49, 74	ECN, ED3			[NFL]
		1	J, U		49	ED3			[NF6] Primary
		1	J, U		74	ED3			[NF6] Primary
5	05183204AA	1	J, U		49, 74	ED3			LEVEL UNIT PACKAGE, Fuel, [NF6] Secondary
6									O RING, Fuel Pump and Level Unit
	05105331AA	1	J, U		74	ECD, ECE			[NF6]
		1	J, U		49	ED3			[NF6]
		1	J, U		74	ED3			[NF6]
		1	J, U		49	ECD, ECE			[NF6]
7	05105332AB	1	J, U		49	ED3			RING, Lock, Fuel Module
8									TUBE, Fuel Supply
	05105327AA	1	J, U		49	ED3			[NF6]
		1	J, U		74	ED3			[NF6]



COMPASS/PATRIOT (MK)

SERIES LINE
H = HIGHLINE T = JEEP - 2WD
L = LOWLINE J = JEEP - 4WD
P = PREMIUM U = JEEP - 4WD (RHD)

BODY
49 = HATCHBACK TYPE #2
74 = SPORT UTILITY 4-DR
TYPE #4

ENGINE
ECE = 2.0L 4 Cyl DOHC DPF
Diesel Engine
ED3 = 2.4L 4 Cyl DOHC 16V
Dual VVT Engine
ECD = 2.0L 4 Cyl DOHC
Diesel 16V Engine
ECN = 2.0L 4 Cyl DOHC 16V
Dual VVT Engine

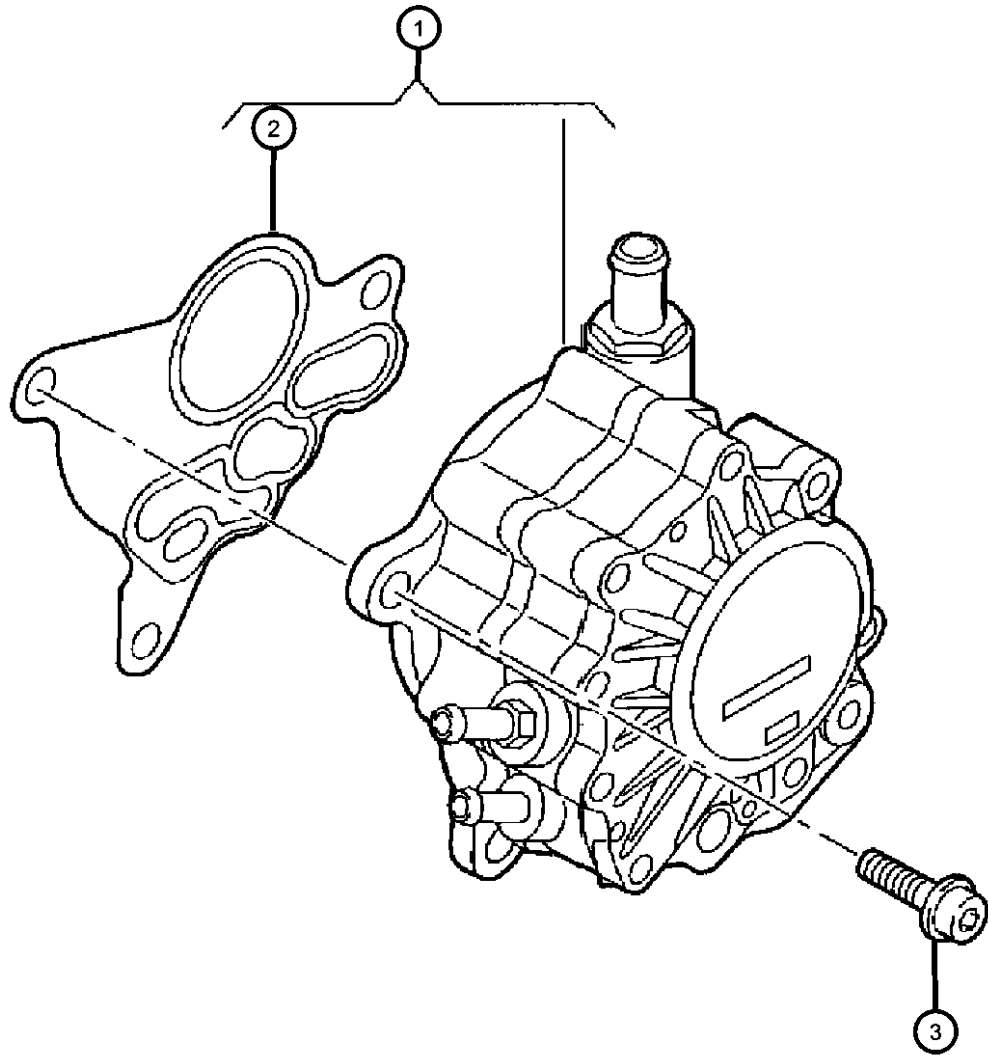
TRANSMISSION
DEF = 6-Speed Manual Aisin BG6
Trans
DD7 = 5-Speed Manual T355
Transmission
DAV = Continuously Variable
Transaxle II
DAW = Cont.Var. w/Off-Rd Crawl
Ratio Trans

AR = use ase required - = Non illustrated part

2008 MK

Fuel Injection Pump and Related
Figure 14-520

ITEM	PART NUMBER	QTY	LINE	SERIES	BODY	ENGINE	TRANS	TRIM	DESCRIPTION
1	68004327AA	1	J, T, U		49	ECD			PUMP, Fuel Injection
		1	J, T, U		74	ECD			
		1	J, T, U		49	ECE			
		1	J, T, U		74	ECE			
2	68000630AA	1	J, T, U		49	ECD			GASKET, Fuel Pump
		1	J, T, U		74	ECD			
		1	J, T, U		49	ECE			
		1	J, T, U		74	ECE			
3		1						BOLT, (NOT SERVICED)	



COMPASS/PATRIOT (MK)

SERIES LINE
 H = HIGHLINE T = JEEP - 2WD
 L = LOWLINE J = JEEP - 4WD
 P = PREMIUM U = JEEP - 4WD (RHD)

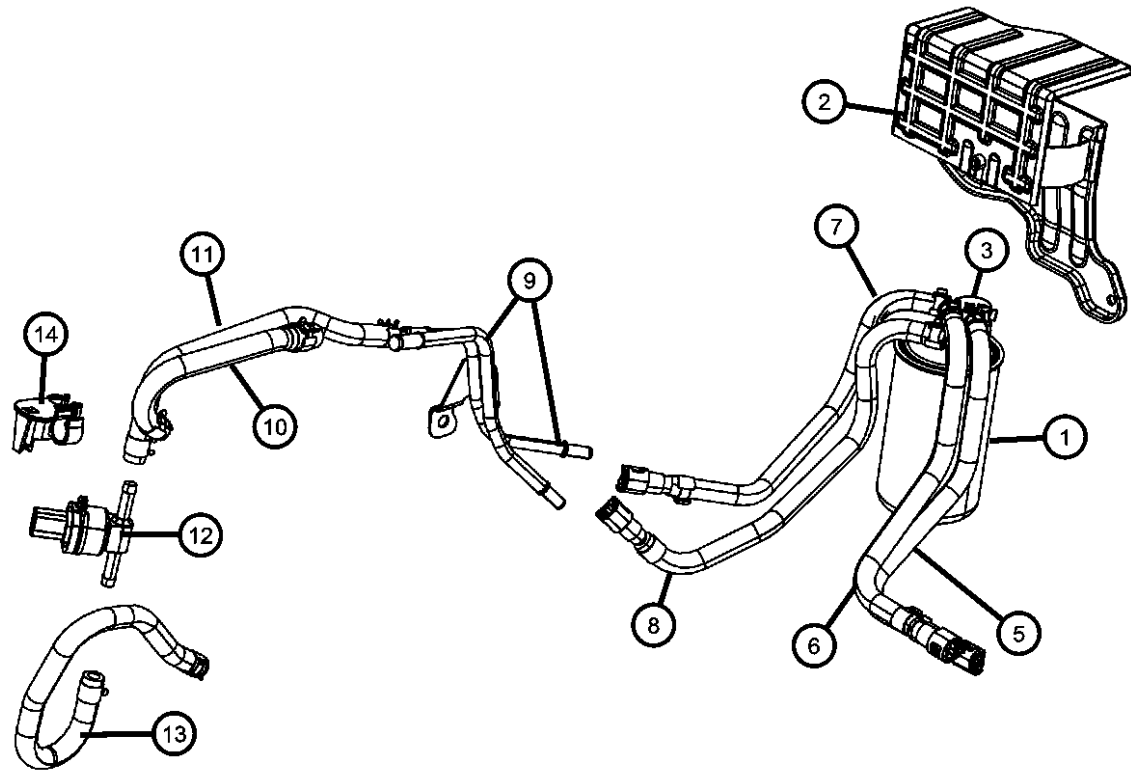
BODY
 49 = HATCHBACK TYPE #2
 74 = SPORT UTILITY 4-DR
 TYPE #4

ENGINE TRANSMISSION
 ECE = 2.0L 4 Cyl DOHC DPF Diesel Engine DEF = 6-Speed Manual Aisin BG6 Trans
 ED3 = 2.4L 4 Cyl DOHC 16V Dual VVT Engine DD7 = 5-Speed Manual T355 Transmission
 ECD = 2.0L 4 Cyl DOHC Diesel 16V Engine DAV = Continuously Variable Transaxle II
 ECN = 2.0L 4 Cyl DOHC 16V Dual VVT Engine DAW = Cont.Var. w/Off-Rd Crawl Ratio Trans

AR = use ase required - = Non illustrated part

2008 MK

Fuel Filter and Related
Figure 14-530



ITEM	PART NUMBER	QTY	LINE	SERIES	BODY	ENGINE	TRANS	TRIM	DESCRIPTION
1	05166780AA	1	J, T, U		49	ECD, ECE			FILTER, Fuel
		1	J, T, U		74	ECD, ECE			
2	05085574AD	1	J, T, U		49	ECD, ECE			BRACKET, Fuel Filter
		1	J, T, U		74	ECD, ECE			
3	05179522AA	1	J, T, U		49	ECD, ECE			VALVE, Flow
		1	J, T, U		74	ECD, ECE			
-4	05179912AA	1	J, T, U		49	ECD, ECE			CLIP, Flow Valve
		1	J, T, U		74	ECD, ECE			
5	68000472AA	1	J, T, U		49	ECD, ECE			HOSE, Fuel Filter
		1	J, T, U		74	ECD, ECE			
6	68000473AA	1	J, T, U		49	ECD, ECE			HOSE, Fuel Filter
		1	J, T, U		74	ECD, ECE			
7	68000474AA	1	J, T, U		49	ECD, ECE			HOSE, Fuel Filter
		1	J, T, U		74	ECD, ECE			
8	68000475AA	1	J, T, U		49	ECD, ECE			HOSE, Fuel Filter
		1	J, T, U		74	ECD, ECE			
9	05179913AA	1	J, T, U		49	ECD, ECE			TUBE, Fuel Supply and Return
		1	J, T, U		74	ECD, ECE			
10	05085369AA	1	J, T, U		49	ECD, ECE			HOSE, Fuel Supply
		1	J, T, U		74	ECD, ECE			
11	05085370AA	1	J, T, U		49	ECD, ECE			HOSE, Fuel Return
		1	J, T, U		74	ECD, ECE			

COMPASS/PATRIOT (MK)

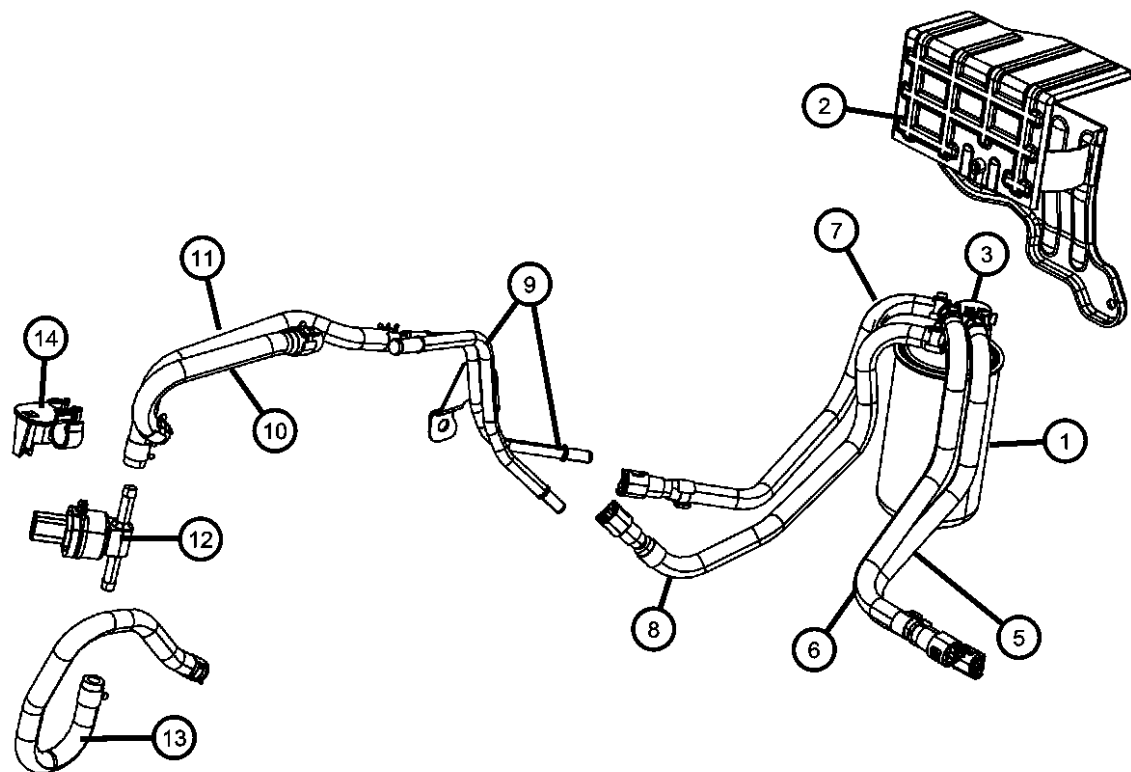
SERIES	LINE	BODY	ENGINE	TRANSMISSION
H = HIGHLINE	T = JEEP - 2WD	49 = HATCHBACK TYPE #2	ECE = 2.0L 4 Cyl DOHC DPF Diesel Engine	DEF = 6-Speed Manual Aisin BG6 Trans
L = LOWLINE	J = JEEP - 4WD	74 = SPORT UTILITY 4-DR TYPE #4	ED3 = 2.4L 4 Cyl DOHC 16V Dual VVT Engine	DD7 = 5-Speed Manual T355 Transmission
P = PREMIUM	U = JEEP - 4WD (RHD)		ECD = 2.0L 4 Cyl DOHC Diesel 16V Engine	DAV = Continuously Variable Transaxle II
			ECN = 2.0L 4 Cyl DOHC 16V Dual VVT Engine	DAW = Cont.Var. w/Off-Rd Crawl Ratio Trans

AR = use ase required - = Non illustrated part

2008 MK

Fuel Filter and Related
Figure 14-530

ITEM	PART NUMBER	QTY	LINE	SERIES	BODY	ENGINE	TRANS	TRIM	DESCRIPTION
12	05033378AA	1	J, T, U		49	ECD, ECE			SENSOR, Fuel Temperature
		1	J, T, U		74	ECD, ECE			
13	05105443AA	1	J, T, U		49	ECD, ECE			HOSE, Fuel Return
		1	J, T, U		74	ECD, ECE			
14	05105714AA	1	J, T, U		49	ECD, ECE			CLIP, Fuel Bundle
		1	J, T, U		74	ECD, ECE			



COMPASS/PATRIOT (MK)

SERIES LINE
H = HIGHLINE T = JEEP - 2WD
L = LOWLINE J = JEEP - 4WD
P = PREMIUM U = JEEP - 4WD (RHD)

BODY
49 = HATCHBACK TYPE #2
74 = SPORT UTILITY 4-DR TYPE #4

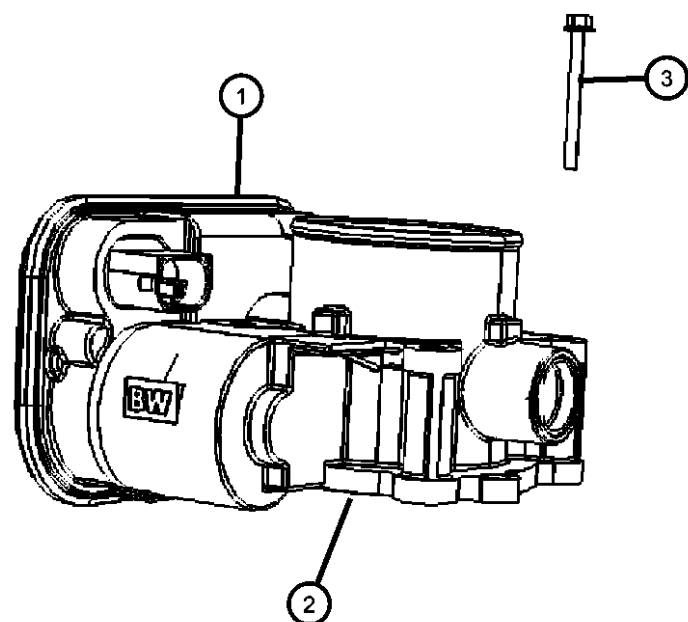
ENGINE TRANSMISSION
ECE = 2.0L 4 Cyl DOHC DPF Diesel Engine DEF = 6-Speed Manual Aisin BG6 Trans
ED3 = 2.4L 4 Cyl DOHC 16V Dual VVT Engine DD7 = 5-Speed Manual T355 Transmission
ECD = 2.0L 4 Cyl DOHC Diesel 16V Engine DAV = Continuously Variable Transaxle II
ECN = 2.0L 4 Cyl DOHC 16V Dual VVT Engine DAW = Cont.Var. w/Off-Rd Crawl Ratio Trans

AR = use ase required - = Non illustrated part

2008 MK

**Throttle Body and Related
Figure 14-605**

ITEM	PART NUMBER	QTY	LINE	SERIES	BODY	ENGINE	TRANS	TRIM	DESCRIPTION
1									THROTTLE BODY
	04891735AC	1	J, T, U		49	ECN, ED3			
		1	J, T, U		74	ECN, ED3			
	68034270AA	1	J, T, U		49	ECE			
		1	J, T, U		74	ECE			
		1	J, T, U		49	ECD			
		1	J, T, U		74	ECD			
2									GASKET, Throttle Body
	04884551AA	1	J, T, U		49	ECN, ED3			
		1	J, T, U		74	ECN, ED3			
3									SCREW, Hex Flange Head, M6X1.0X60.0
	06104189AA	4	J, T, U		49	ECN, ED3			
		4	J, T, U		74	ECN, ED3			



COMPASS/PATRIOT (MK)

SERIES LINE
H = HIGHLINE T = JEEP - 2WD
L = LOWLINE J = JEEP - 4WD
P = PREMIUM U = JEEP - 4WD (RHD)

BODY
49 = HATCHBACK TYPE #2
74 = SPORT UTILITY 4-DR
TYPE #4

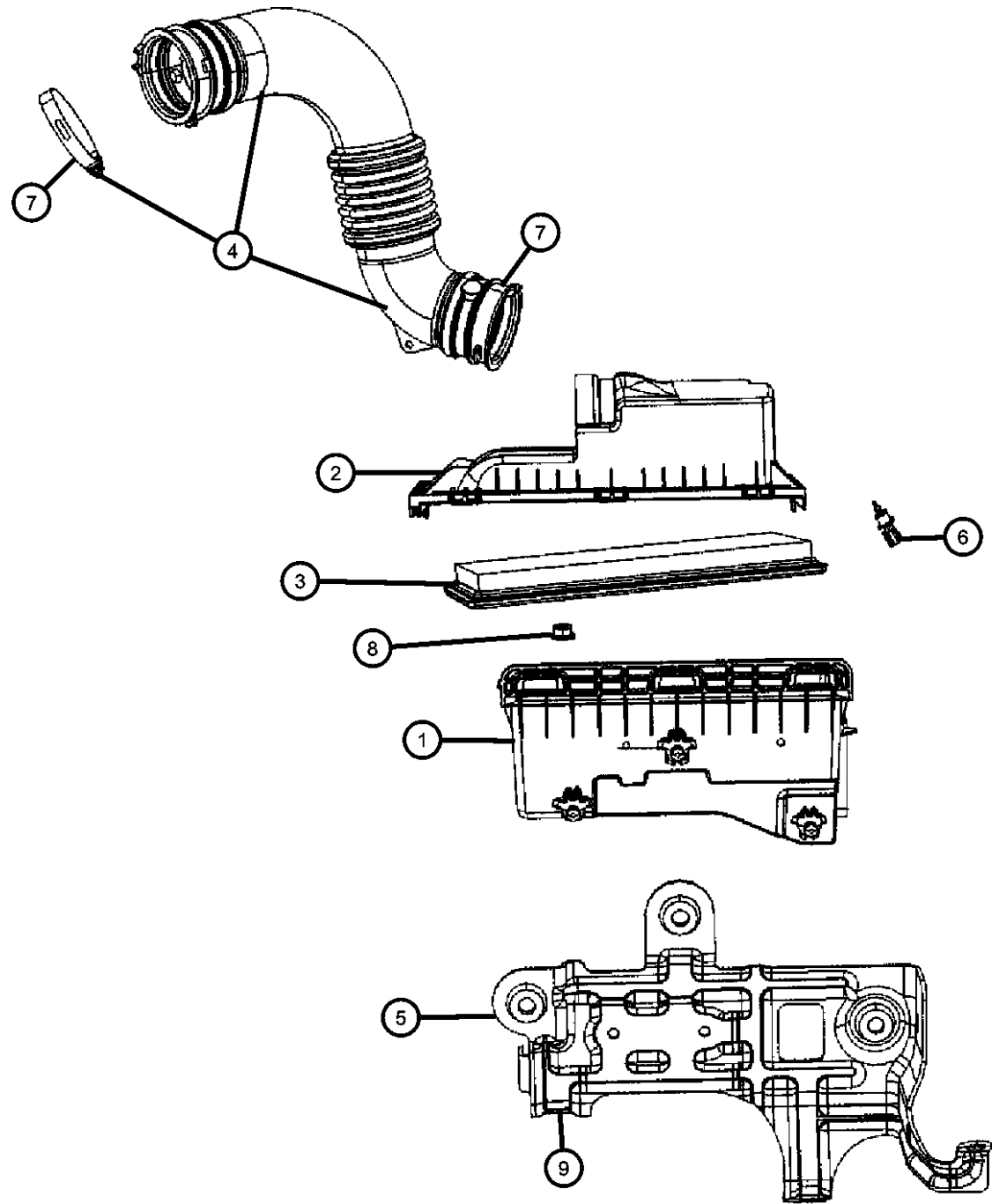
ENGINE
ECE = 2.0L 4 Cyl DOHC DPF Diesel Engine
ED3 = 2.4L 4 Cyl DOHC 16V Dual VVT Engine
ECD = 2.0L 4 Cyl DOHC Diesel 16V Engine
ECN = 2.0L 4 Cyl DOHC 16V Dual VVT Engine

TRANSMISSION
DEF = 6-Speed Manual Aisin BG6 Trans
DD7 = 5-Speed Manual T355 Transmission
DAV = Continuously Variable Transaxle II
DAW = Cont.Var. w/Off-Rd Crawl Ratio Trans

AR = use ase required - = Non illustrated part

2008 MK

**Air Cleaner and Related
Figure 14-805**



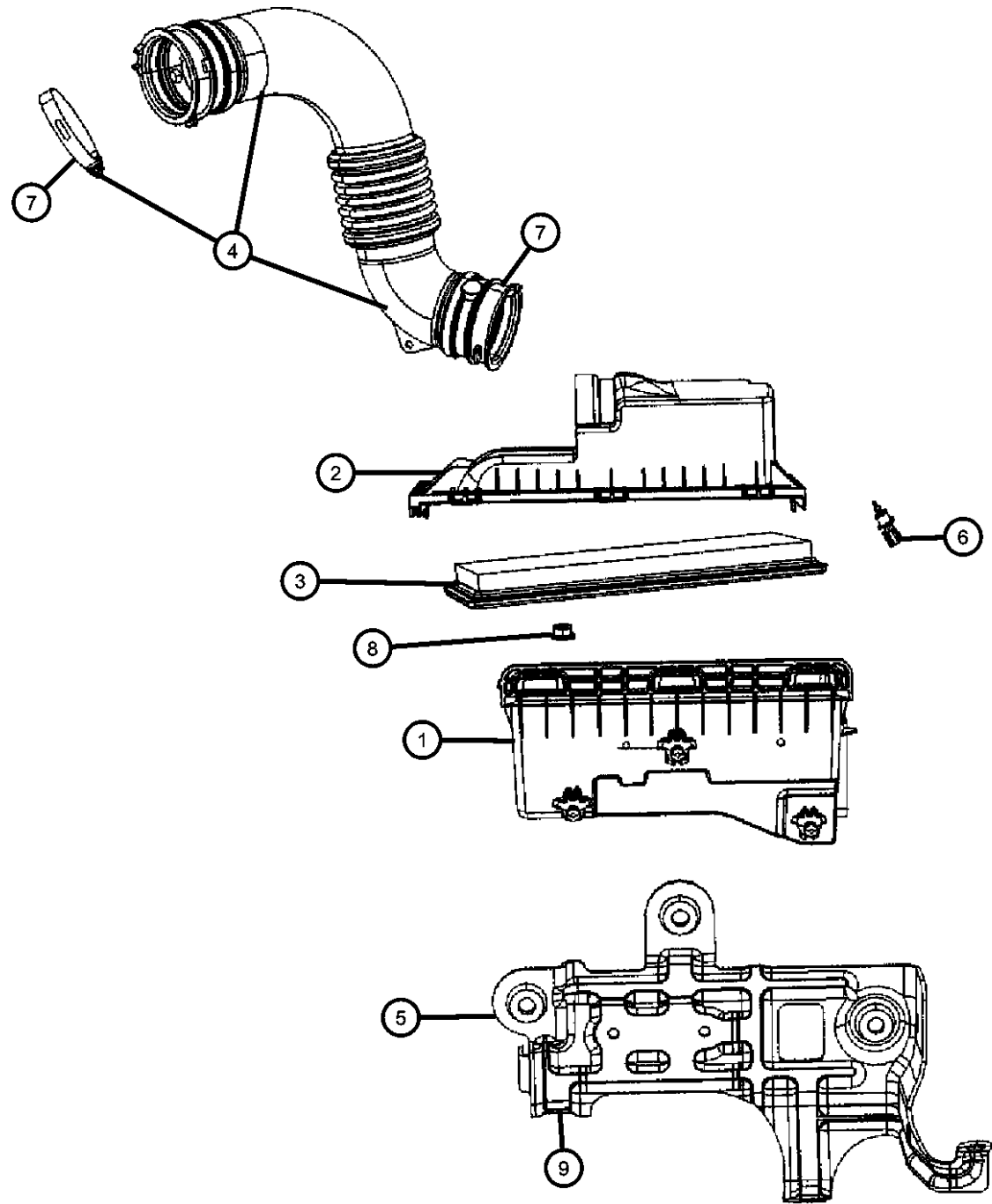
ITEM	PART NUMBER	QTY	LINE	SERIES	BODY	ENGINE	TRANS	TRIM	DESCRIPTION
1	05183089AA	1	J, T, U		49	ECD, ECE			BODY, Air Cleaner
		1	J, T, U		74	ECD, ECE			
2	05183088AB	1	J, T, U		49	ECN, ED3			COVER, Air Cleaner
		1	J, T, U		74	ECN, ED3			
3	04891694AA	1	J, T, U		49	ECN, ED3			FILTER, Air
	77060012								Performance Cold Air System, PM, 2007-2007, 2.4L
	P5153573								Performance Air Filter, PM, 2007-2007, 2.0L/2.4L
		1	J, T, U		74	ECN, ED3			
	77060012								Performance Cold Air System, PM, 2007-2007, 2.4L
	P5153573								Performance Air Filter, PM, 2007-2007, 2.0L/2.4L
4	04891621AC	1	J, T, U		49	ECN, ED3			HOSE, Clean Air
		1	J, T, U		74	ECN, ED3			
5	04891638AB	1	J, T, U		49	ECD, ECE, ECN, ED3			BRACKET, Air Cleaner
		1	J, T, U		74	ECD, ECE, ECN, ED3			
6	04606487AB	1	J, T, U		49	ECN, ED3			SENSOR, Charge Air Temp
		1	J, T, U		74	ECN, ED3			
7	06508369AA	2	J, T, U		49	ECN, ED3			CLAMP, Clean Air Hose
		2	J, T, U		74	ECN, ED3			
8	06104709AA	2	J, T, U		49	ECD, ECE, ECN, ED3			NUT, Hex Flange, M8x1.25

COMPASS/PATRIOT (MK)

SERIES	LINE	BODY	ENGINE	TRANSMISSION
H = HIGHLINE	T = JEEP - 2WD	49 = HATCHBACK TYPE #2	ECE = 2.0L 4 Cyl DOHC DPF Diesel Engine	DEF = 6-Speed Manual Aisin BG6 Trans
L = LOWLINE	J = JEEP - 4WD	74 = SPORT UTILITY 4-DR TYPE #4	ED3 = 2.4L 4 Cyl DOHC 16V Dual VVT Engine	DD7 = 5-Speed Manual T355 Transmission
P = PREMIUM	U = JEEP - 4WD (RHD)		ECD = 2.0L 4 Cyl DOHC Diesel 16V Engine	DAV = Continuously Variable Transaxle II
			ECN = 2.0L 4 Cyl DOHC 16V Dual VVT Engine	DAW = Cont.Var. w/Off-Rd Crawl Ratio Trans

AR = use ase required - = Non illustrated part

**Air Cleaner and Related
Figure 14-805**

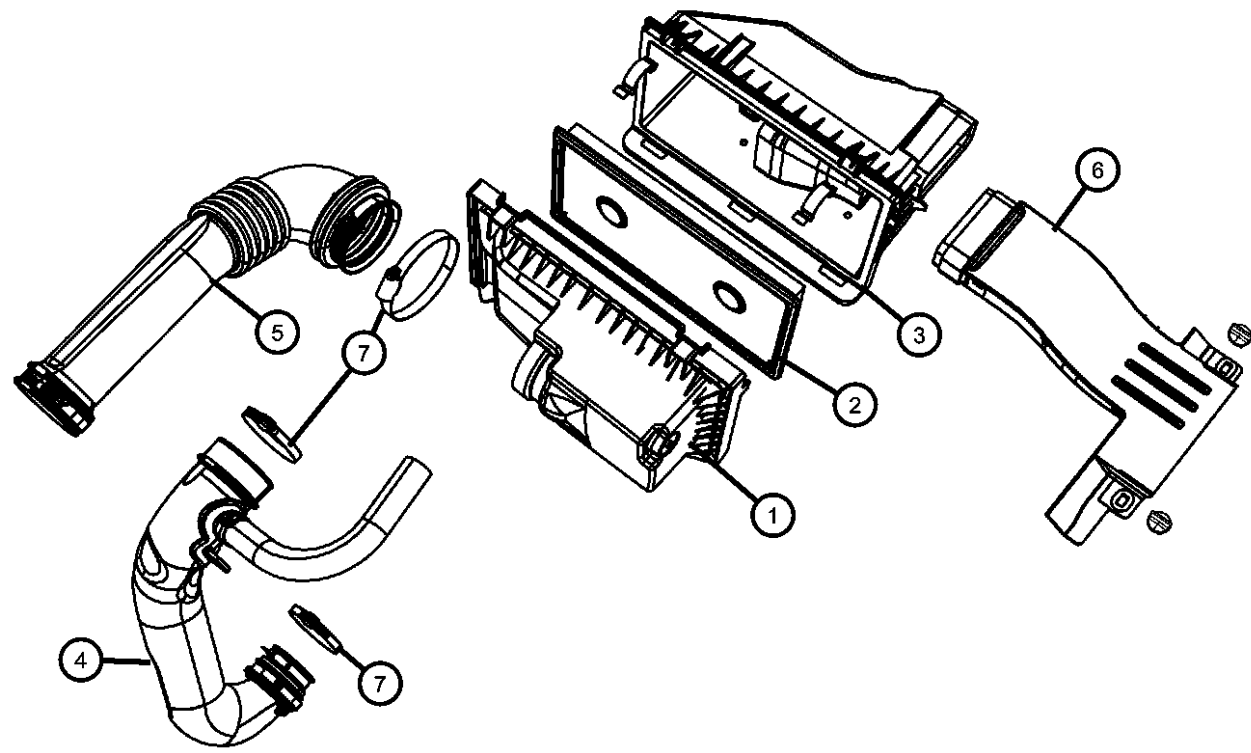


ITEM	PART NUMBER	QTY	LINE	SERIES	BODY	ENGINE	TRANS	TRIM	DESCRIPTION
		2	J, T, U		74	ECD, ECE, ECN, ED3			
9	06105049AA	1	J, T, U		49, 74	ECD, ECE, ED3			BOLT, Hex Flange Head, M8X1.25X25.00

COMPASS/PATRIOT (MK)				
SERIES	LINE	BODY	ENGINE	TRANSMISSION
H = HIGHLINE	T = JEEP - 2WD	49 = HATCHBACK TYPE #2	ECE = 2.0L 4 Cyl DOHC DPF Diesel Engine	DEF = 6-Speed Manual Aisin BG6 Trans
L = LOWLINE	J = JEEP - 4WD	74 = SPORT UTILITY 4-DR TYPE #4	ED3 = 2.4L 4 Cyl DOHC 16V Dual VVT Engine	DD7 = 5-Speed Manual T355 Transmission
P = PREMIUM	U = JEEP - 4WD (RHD)		ECD = 2.0L 4 Cyl DOHC Diesel 16V Engine	DAV = Continuously Variable Transaxle II
			ECN = 2.0L 4 Cyl DOHC 16V Dual VVT Engine	DAW = Cont.Var. w/Off-Rd Crawl Ratio Trans

AR = use ase required - = Non illustrated part

**Air Cleaner and Related
Figure 14-810**



ITEM	PART NUMBER	QTY	LINE	SERIES	BODY	ENGINE	TRANS	TRIM	DESCRIPTION
1	05183087AA	1	J, T, U		49	ECD, ECE			COVER, Air Cleaner
		1	J, T, U		74	ECD, ECE			
2	04891695AA	1	J, T, U		49	ECD, ECE			FILTER, Air
		1	J, T, U		74	ECD, ECE			
3	05183089AA	1	J, T, U		74	ECD, ECE			BODY, Air Cleaner
		1	J, T, U		49	ECD, ECE			
4	04891634AD	1	J, T, U		49	ECD			HOSE, Clean Air
		1	J, T, U		74	ECD			
5	04891794AB	1	J, T, U		49	ECD			HOSE, Clean Air
		1	J, T, U		74	ECD			
6	04891646AD	1	J, T, U		49	ECE			DUCT, Fresh Air
		1	J, T, U		74	ECE			
		1	J, T, U		49	ECD, ECN, ED3			
		1	J, T, U		74	ECD, ECN, ED3			
7		1							CLAMP, (NOT SERVICED)

COMPASS/PATRIOT (MK)

SERIES LINE
H = HIGHLINE T = JEEP - 2WD
L = LOWLINE J = JEEP - 4WD
P = PREMIUM U = JEEP - 4WD (RHD)

BODY
49 = HATCHBACK TYPE #2
74 = SPORT UTILITY 4-DR
TYPE #4

ENGINE
ECE = 2.0L 4 Cyl DOHC DPF
Diesel Engine
ED3 = 2.4L 4 Cyl DOHC 16V
Dual VVT Engine
ECD = 2.0L 4 Cyl DOHC
Diesel 16V Engine
ECN = 2.0L 4 Cyl DOHC 16V
Dual VVT Engine

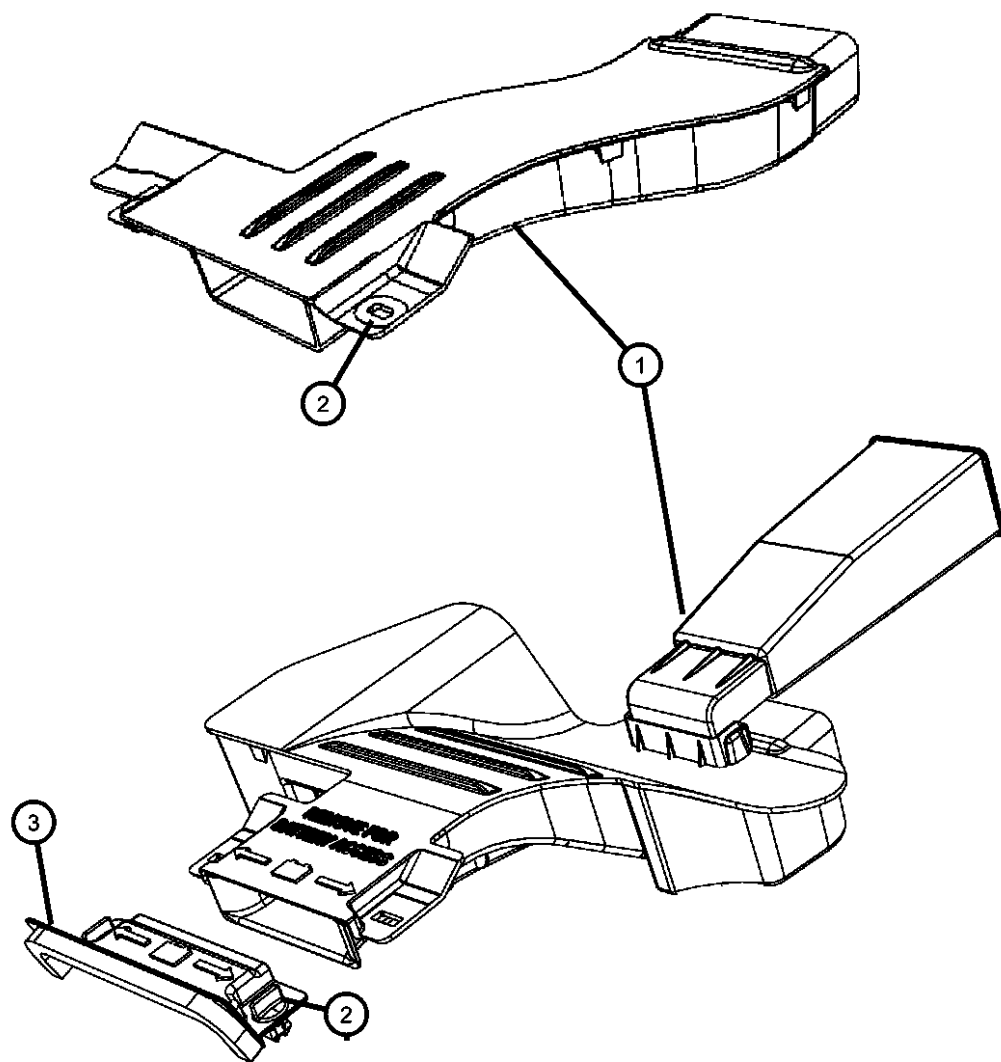
TRANSMISSION
DEF = 6-Speed Manual Aisin BG6
Trans
DD7 = 5-Speed Manual T355
Transmission
DAV = Continuously Variable
Transaxle II
DAW = Cont.Var. w/Off-Rd Crawl
Ratio Trans

AR = use ase required - = Non illustrated part

2008 MK

Air Inlet and Components
Figure 14-905

ITEM	PART NUMBER	QTY	LINE	SERIES	BODY	ENGINE	TRANS	TRIM	DESCRIPTION
1	04891646AD	1	J, T, U		49	ECD, ECN, ED3			DUCT, Fresh Air
		1	J, T, U		74	ECD, ECN, ED3			
		1	J, T, U		49	ECE			
		1	J, T, U		74	ECE			
2	06508655AA	2	J, T, U		49	ECD, ECN, ED3			PIN, M9.2X14.50, SC/SPECIALTY
3	04891851AA	1	J, T, U		74				SHIELD, Throttle Control



COMPASS/PATRIOT (MK)

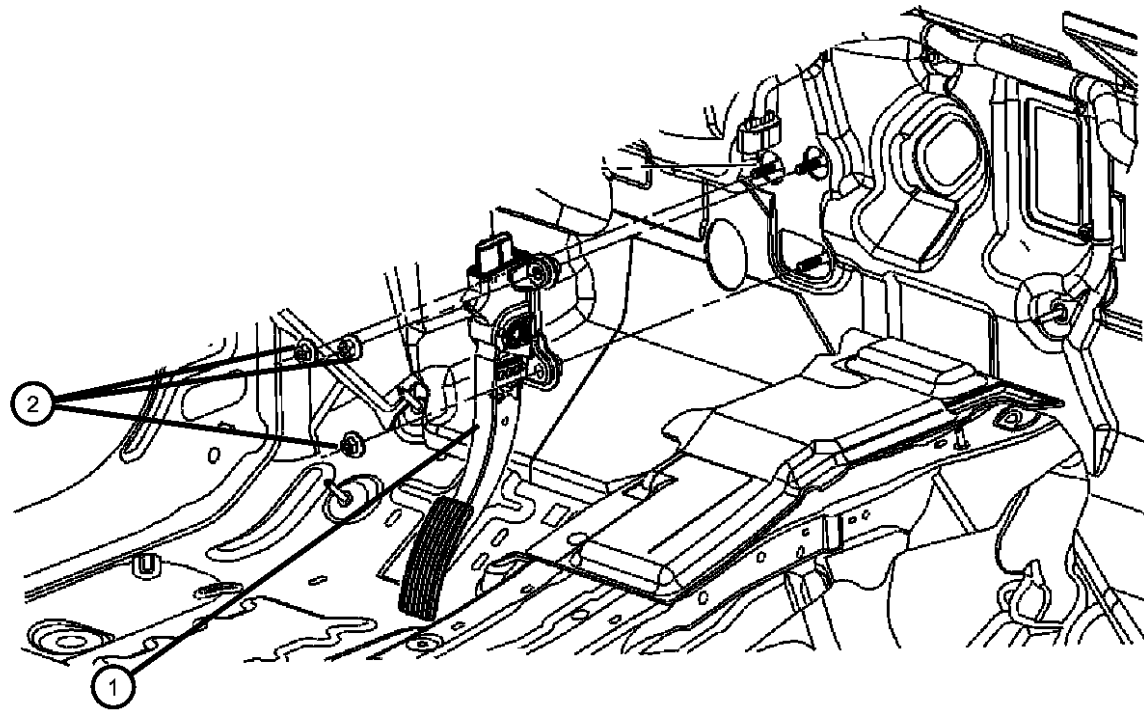
SERIES	LINE	BODY	ENGINE	TRANSMISSION
H = HIGHLINE	T = JEEP - 2WD	49 = HATCHBACK TYPE #2	ECE = 2.0L 4 Cyl DOHC DPF Diesel Engine	DEF = 6-Speed Manual Aisin BG6 Trans
L = LOWLINE	J = JEEP - 4WD	74 = SPORT UTILITY 4-DR TYPE #4	ED3 = 2.4L 4 Cyl DOHC 16V Dual VVT Engine	DD7 = 5-Speed Manual T355 Transmission
P = PREMIUM	U = JEEP - 4WD (RHD)		ECD = 2.0L 4 Cyl DOHC Diesel 16V Engine	DAV = Continuously Variable Transaxle II
			ECN = 2.0L 4 Cyl DOHC 16V Dual VVT Engine	DAW = Cont.Var. w/Off-Rd Crawl Ratio Trans

AR = use ase required - = Non illustrated part

2008 MK

**Accelerator Pedal and Related
Figure 14-1005**

ITEM	PART NUMBER	QTY	LINE	SERIES	BODY	ENGINE	TRANS	TRIM	DESCRIPTION
1									PEDAL, Accelerator
	04891586AB	1	U				DD7		Right Hand, Drive
	04891585AB	1					DD7		Left Hand, Drive
		1	J, T				DD7		Left Hand, Drive
		1	J, T				DEF		Left Hand, Drive
		1	U				DEF		Right Hand, Drive
2	06104716AA	3	J, T, U		49, 74				NUT, Hex Flange Lock, M8X1.25



COMPASS/PATRIOT (MK)

SERIES LINE

H = HIGHLINE T = JEEP - 2WD
L = LOWLINE J = JEEP - 4WD
P = PREMIUM U = JEEP - 4WD (RHD)

BODY

49 = HATCHBACK TYPE #2
74 = SPORT UTILITY 4-DR
TYPE #4

ENGINE

ECE = 2.0L 4 Cyl DOHC DPF Diesel Engine
ED3 = 2.4L 4 Cyl DOHC 16V Dual VVT Engine
ECD = 2.0L 4 Cyl DOHC Diesel 16V Engine
ECN = 2.0L 4 Cyl DOHC 16V Dual VVT Engine

TRANSMISSION

DEF = 6-Speed Manual Aisin BG6 Trans
DD7 = 5-Speed Manual T355 Transmission
DAV = Continuously Variable Transaxle II
DAW = Cont.Var. w/Off-Rd Crawl Ratio Trans

AR = use ase required - = Non illustrated part

2008 MK

Group - 17

Rear Suspension

Group - 17 Rear Suspension

Illustration Title

Group-Fig. No.

Rear Suspension and Cradle

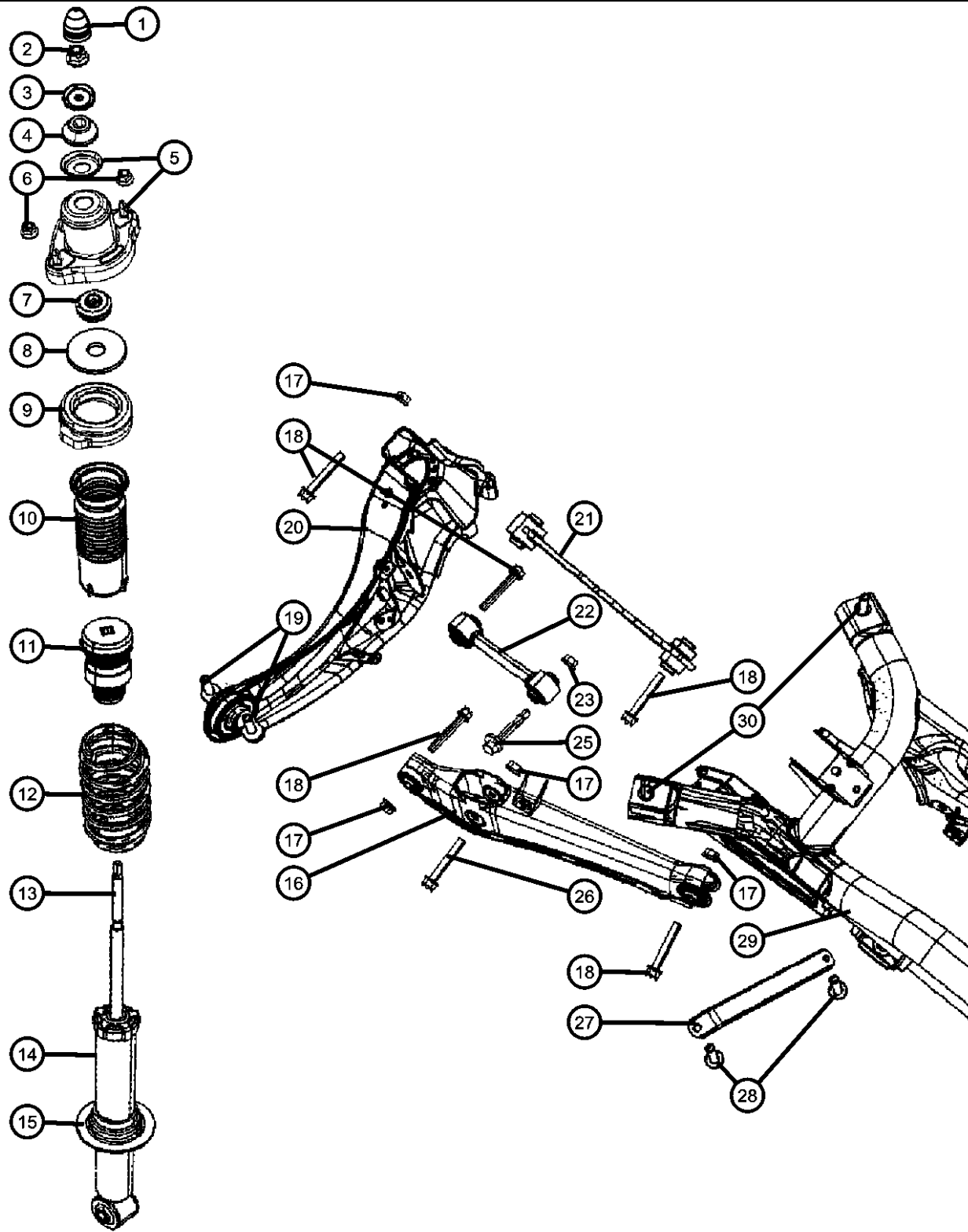
Suspension,Rear.....Fig. 17 - 105

Rear Stabilizer Bar

Stabilizer Bar,Rear,FWD/RWD,AWDFig. 17 - 205

017-100 Rear Suspension and Cradle	017-200 Rear Stabilizer Bar		
--	---------------------------------------	--	--

Suspension,Rear
Figure 17-105



ITEM	PART NUMBER	QTY	LINE	SERIES	BODY	ENGINE	TRANS	TRIM	DESCRIPTION
1	05105949AA	2	J, T, U		49, 74				CAP, Suspension Strut
2									NUT, Hex, M10X1.25
	06503335	2	J, T, U		49				Shock to Shock Mount, Mounting
		2	J, T, U		74				Shock to Shock Mount,
3									WASHER, Shock Absorber
	05085529AA	2	J, T, U		49				
		2	J, T, U		74				
4									BUSHING, Shock Absorber
	05085525AA	2	J, T, U		49				
		2	J, T, U		74				
5									BRACKET, Shock Absorber
	05085495AC	2	J, T, U		74				
		2	J, T, U		49				
6	06503335	4	J, T, U		49, 74				NUT, Hex, M10X1.25, Shock Mount to Body, Mounting
7									BUSHING, Shock Absorber
	05105879AA	2	J, T, U		49				
		2	J, T, U		74				
8									PLATE, Shock Absorber
	05085534AA	2	J, T, U		49				
		2	J, T, U		74				
9	05085505AD	2	T, U, J		49, 74				ISOLATOR, Rear Suspension SpringUpper
10	05105104AC	2	J, T, U		49, 74				SHIELD, Suspension, Dust
11	05272705AB	2	J, T, U		49, 74				BUMPER, Jounce
12									SPRING, Suspension, Rear
	05105982AA	1	J, T, U		49				[ZES,ZTS]
		1	J, T, U		74				[ZES,ZTS]
	05105983AA	1	J, T, U		49				[ZET,ZTT]
		1	J, T, U		74				[ZET,ZTT]
13									SLEEVE, Shock Absorber
	05085519AA	2	J, T, U		49				
		2	J, T, U		74				

COMPASS/PATRIOT (MK)

SERIES

H = HIGHLINE
L = LOWLINE
P = PREMIUM

LINE

T = JEEP - 2WD
J = JEEP - 4WD
U = JEEP - 4WD (RHD)

BODY

49 = HATCHBACK TYPE #2
74 = SPORT UTILITY 4-DR TYPE #4

ENGINE

ECE = 2.0L 4 Cyl DOHC DPF Diesel Engine
ED3 = 2.4L 4 Cyl DOHC 16V Dual VVT Engine
ECD = 2.0L 4 Cyl DOHC Diesel 16V Engine
ECN = 2.0L 4 Cyl DOHC 16V Dual VVT Engine

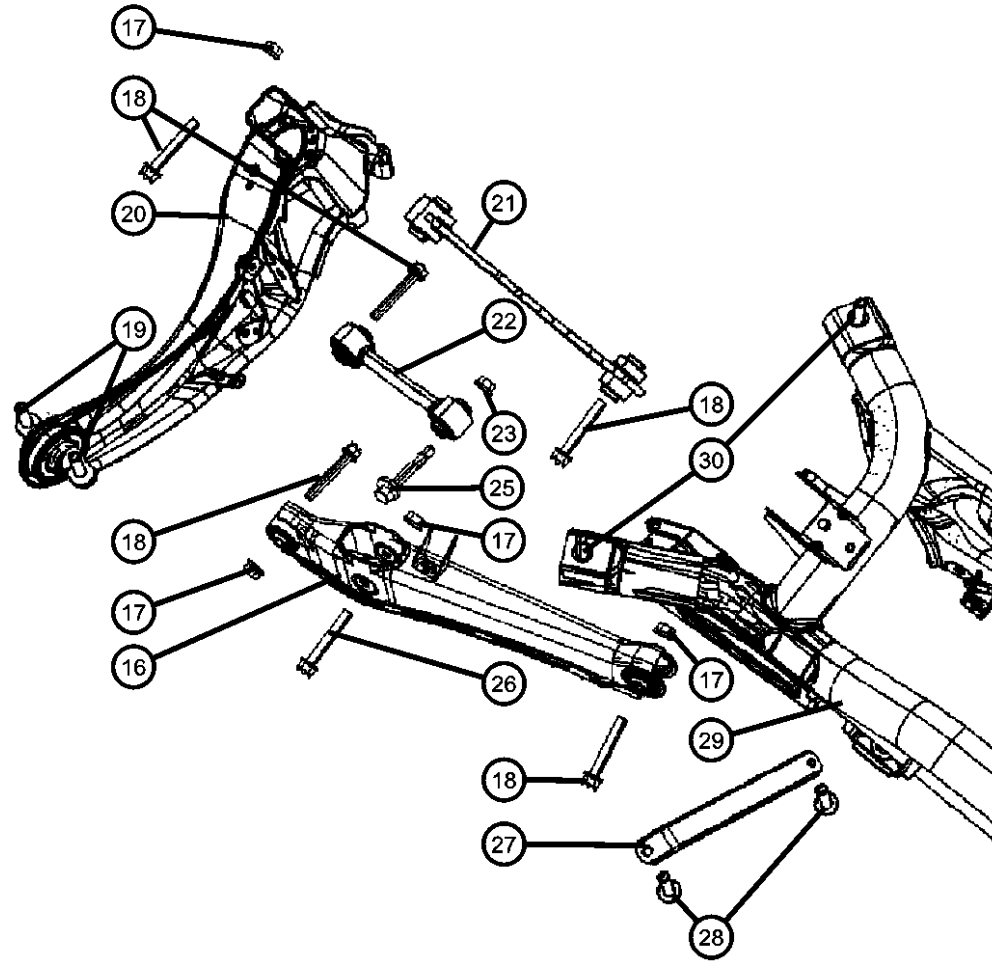
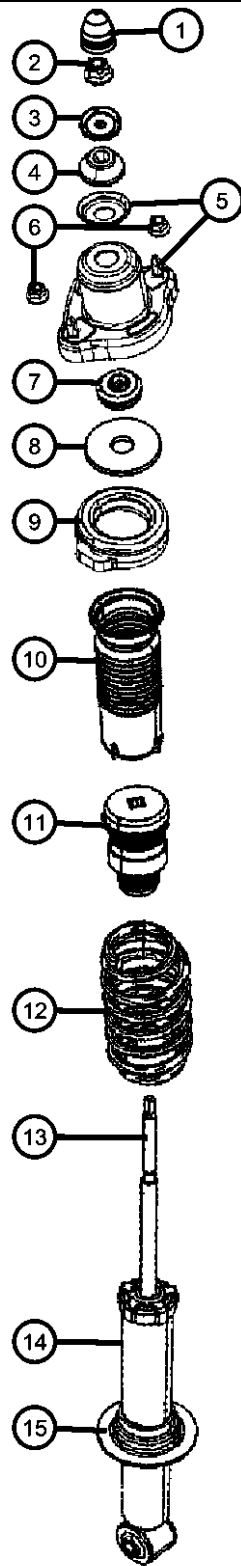
TRANSMISSION

DEF = 6-Speed Manual Aisin BG6 Trans
DD7 = 5-Speed Manual T355 Transmission
DAV = Continuously Variable Transaxle II
DAW = Cont.Var. w/Off-Rd Crawl Ratio Trans

AR = use ase required - = Non illustrated part

2008 MK

Suspension,Rear
Figure 17-105



ITEM	PART NUMBER	QTY	LINE	SERIES	BODY	ENGINE	TRANS	TRIM	DESCRIPTION
14									SHOCK ABSORBER, Suspension, Rear
	05105178AE	2	J, T, U		49				[SDC]
		2	J, T, U		74				[SDC]
	05105179AE	2	J, T, U		49, 74				[SDF]
	05272718AA	2	J, T, U		49				[SDC] With [AWL]
		2	J, T, U		74				[SDC] With [AWL]
15	05085528AA	2	J, T, U		49, 74				ISOLATOR, Rear Suspension SpringLower
16									LINK, Rear Lateral
	05105272AB	2	J, T, U		49				
		2	J, T, U		74				
	05105688AB	2	J, T, U		49				With [AWL]
		2	J, T, U		74				With [AWL]
17	06104711AA	2	J, T, U		49, 74				NUT, M12, Shock to Rear Lower Lateral Link, Mounting
18									BOLT, Hex Flange Head, M12X1.50X80.00
	06104243AA	2	J, T, U		49, 74				Rear Lower Link to Crossmember, Mounting
		2	J, T, U		49, 74				Rear Upper Lateral Link to Rear Crossmember, Mounting
		2	J, T, U		49				Rear Lower Lateral Link to Rear Crossmember, Mounting
		2	J, T, U		74				Rear Lower Lateral Link to Rear Crossmember, Mounting
		2	J, T, U		49				Rear Lower Lateral Link to Rear Trailing Link, Mounting
		2	J, T, U		74				Rear Lower Lateral Link to Rear Trailing Link, Mounting
		2	J, T, U		49				Rear Upper Lateral Link to Rear Crossmember, Mounting
		2	J, T, U		74				Rear Upper Lateral Link to Rear Crossmember, Mounting
		2	J, T, U		49				Rear Toe Link to Rear Trailing Link, Mounting
		2	J, T, U		74				Rear Toe Link to Rear Trailing Link, Mounting
19	06508511AA	4	J, T, U		49, 74				BOLT, Hex Flange Head, Rear Trailing Link to Rear Body, Mounting

COMPASS/PATRIOT (MK)

SERIES

H = HIGHLINE
L = LOWLINE
P = PREMIUM

LINE

T = JEEP - 2WD
J = JEEP - 4WD
U = JEEP - 4WD (RHD)

BODY

49 = HATCHBACK TYPE #2
74 = SPORT UTILITY 4-DR TYPE #4

ENGINE

ECE = 2.0L 4 Cyl DOHC DPF Diesel Engine
ED3 = 2.4L 4 Cyl DOHC 16V Dual VVT Engine
ECD = 2.0L 4 Cyl DOHC Diesel 16V Engine
ECN = 2.0L 4 Cyl DOHC 16V Dual VVT Engine

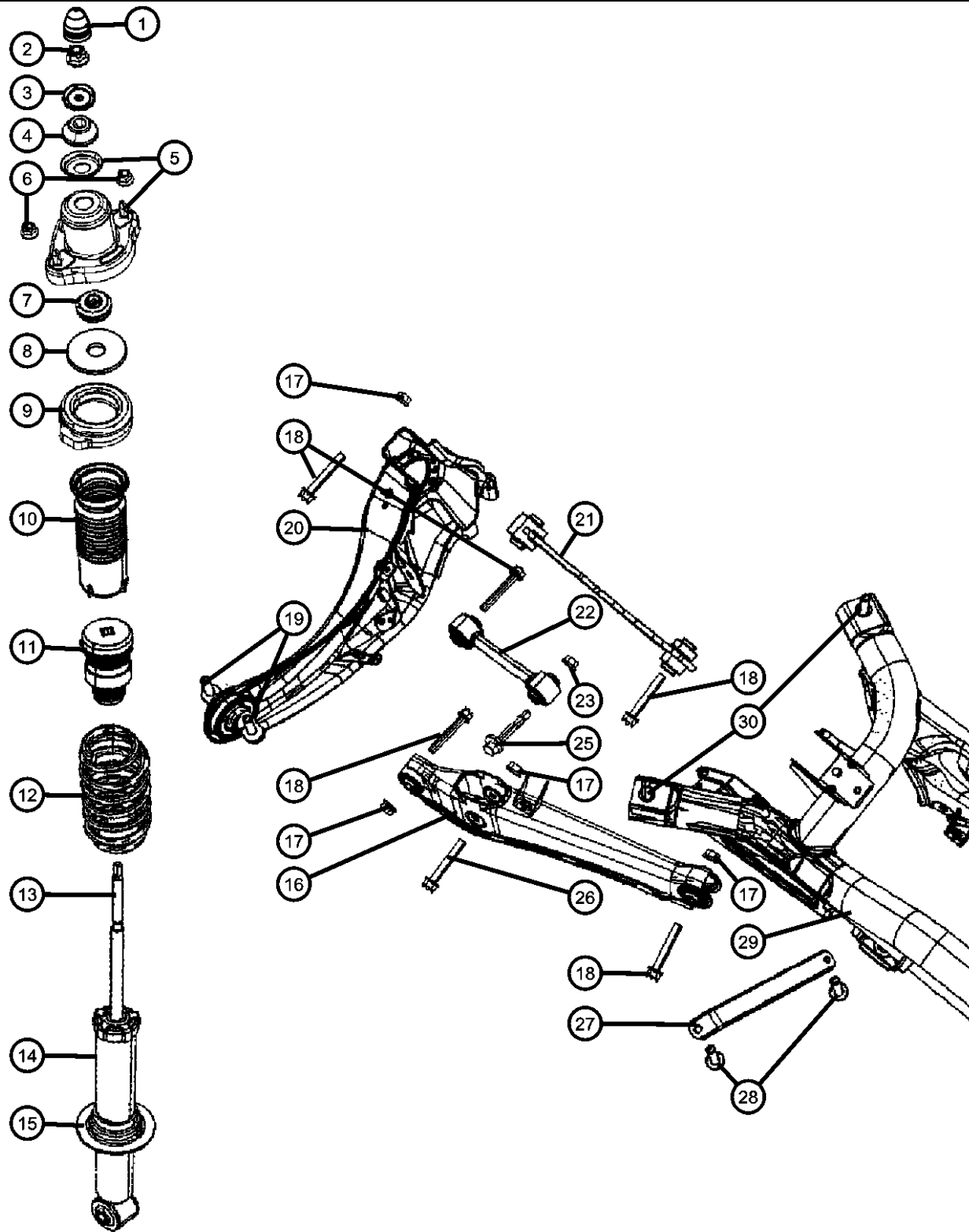
TRANSMISSION

DEF = 6-Speed Manual Aisin BG6 Trans
DD7 = 5-Speed Manual T355 Transmission
DAV = Continuously Variable Transaxle II
DAW = Cont.Var. w/Off-Rd Crawl Ratio Trans

AR = use ase required - = Non illustrated part

2008 MK

Suspension,Rear
Figure 17-105



ITEM	PART NUMBER	QTY	LINE	SERIES	BODY	ENGINE	TRANS	TRIM	DESCRIPTION
20	05105927AA	1	J, T, U		49				LINK, Trailing Rear Suspension With [AWL], Left
		1	J, T, U		74				With [AWL], Left
	05272714AC	1	J, T, U		49, 74				Right
	05272715AC	1	J, T, U		49, 74				Left
	05105930AA	1	J, T, U		49				With [AWL], Right
		1	J, T, U		74				With [AWL], Right
21	05105271AA	2	J, T, U		49, 74				LINK, Rear LateralUpper
22	05105270AA	2	J, T, U		49, 74				LINK, Rear Toe
23									NUT, Hex Flange Mounting
	06508487AA	2	J, T, U		49				
		2	J, T, U		74				
-24									WASHER
	06508488AA	2	J, T, U		49				Rear Toe Link to Rear Crossmember
		2	J, T, U		74				Rear Toe Link to Rear Crossmember
25									BOLT
	06508486AA	2	J, T, U		49				Rear Toe Link to Rear Crossmember, Mounting
		2	J, T, U		74				Rear Toe Link to Rear Crossmember, Mounting
26	06508628AA	2	J, T, U		49, 74				SCREW, Shock to Rear Lower Lateral Link, Mounting
27	05105337AA	2	J, T, U		49, 74				BRACE, Suspension
28	06104196AA	4	J, T, U		49, 74				BOLT, Hex Head, Suspension Brace to Rear Crossmember, Mounting
29									CROSSMEMBER, Rear Suspension
	05105251AB	1	T		49, 74				
	05105252AB	1	J, U		49, 74				
30	06508743AA	4	J, T, U		49, 74				BOLT, Hex Flange Head, Rear Suspension Crossmember to Body, Mounting

COMPASS/PATRIOT (MK)

SERIES LINE
H = HIGHLINE T = JEEP - 2WD
L = LOWLINE J = JEEP - 4WD
P = PREMIUM U = JEEP - 4WD (RHD)

BODY
49 = HATCHBACK TYPE #2
74 = SPORT UTILITY 4-DR
TYPE #4

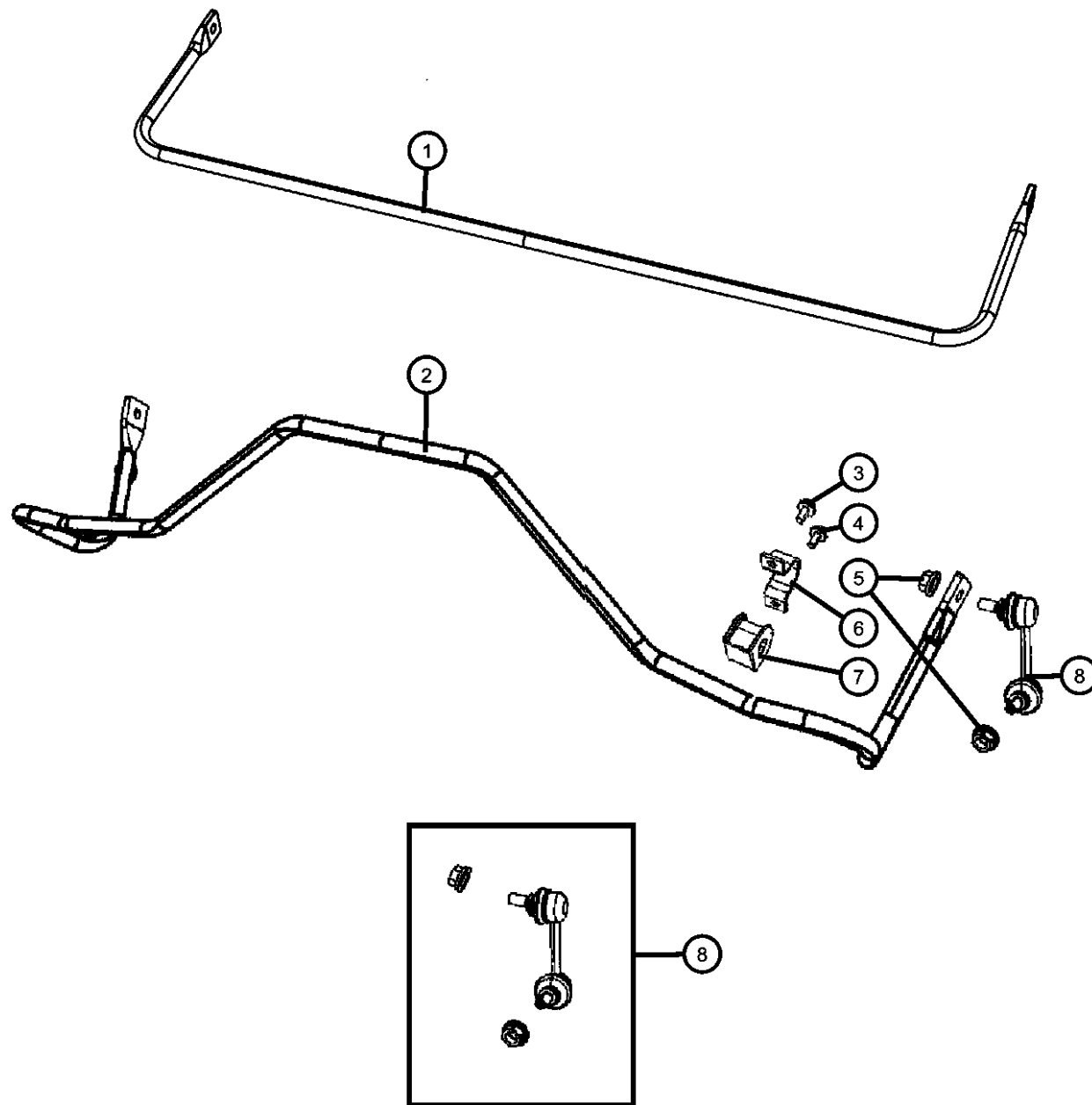
ENGINE
ECE = 2.0L 4 Cyl DOHC DPF
Diesel Engine
ED3 = 2.4L 4 Cyl DOHC 16V
Dual VVT Engine
ECD = 2.0L 4 Cyl DOHC
Diesel 16V Engine
ECN = 2.0L 4 Cyl DOHC 16V
Dual VVT Engine

TRANSMISSION
DEF = 6-Speed Manual Aisin BG6
Trans
DD7 = 5-Speed Manual T355
Transmission
DAV = Continuously Variable
Transaxle II
DAW = Cont.Var. w/Off-Rd Crawl
Ratio Trans

AR = use ase required - = Non illustrated part

2008 MK

Stabilizer Bar,Rear,FWD/RWD,AWD
Figure 17-205



ITEM	PART NUMBER	QTY	LINE	SERIES	BODY	ENGINE	TRANS	TRIM	DESCRIPTION
1	05105887AA	1	T		49, 74				STABILIZER BAR, Rear Suspension
2	05105886AA	1	J, U		49				STABILIZER BAR, Rear Suspension
		1	J, U		74				
3	06104388AA	4	J, T, U		49				SCREW, Hex Head, M8x1.25x30 Sway Bar to Subframe
		4	J, T, U		74				Sway Bar to Subframe
4	06101758	2	J, T, U		49, 74				SCREW, Hex Head, M8x1.25x20, Sway Bar to Subframe, Lower
5	06508961AA	2	J, T, U		49, 74				NUT & WASHER, Hex, M10 X 1.25, Link to Front Suspension, Mounting
6	05105566AA	2	J, T, U		49				RETAINER, Stabilizer Bar Grommet
		2	J, T, U		74				
7	05105878AA	2	J, T, U		49				CUSHION, Sway Eliminator
		2	J, T, U		74				
8	05174245AD	2	J, T, U		49, 74				LINK PACKAGE, Stabilizer Bar

COMPASS/PATRIOT (MK)

SERIES

H = HIGHLINE
L = LOWLINE
P = PREMIUM

LINE

T = JEEP - 2WD
J = JEEP - 4WD
U = JEEP - 4WD (RHD)

BODY

49 = HATCHBACK TYPE #2
74 = SPORT UTILITY 4-DR
TYPE #4

ENGINE

ECE = 2.0L 4 Cyl DOHC DPF
Diesel Engine
ED3 = 2.4L 4 Cyl DOHC 16V
Dual VVT Engine
ECD = 2.0L 4 Cyl DOHC
Diesel 16V Engine
ECN = 2.0L 4 Cyl DOHC 16V
Dual VVT Engine

TRANSMISSION

DEF = 6-Speed Manual Aisin BG6
Trans
DD7 = 5-Speed Manual T355
Transmission
DAV = Continuously Variable
Transaxle II
DAW = Cont.Var. w/Off-Rd Crawl
Ratio Trans

AR = use ase required - = Non illustrated part

2008 MK

Group - 19

Steering

Group - 19 Steering

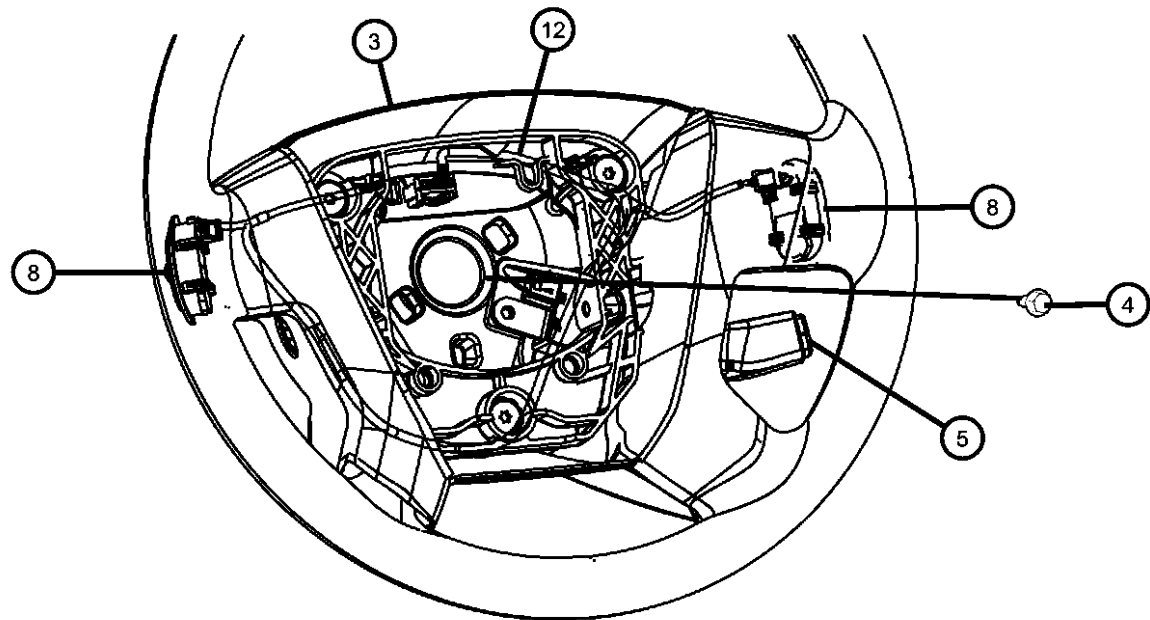
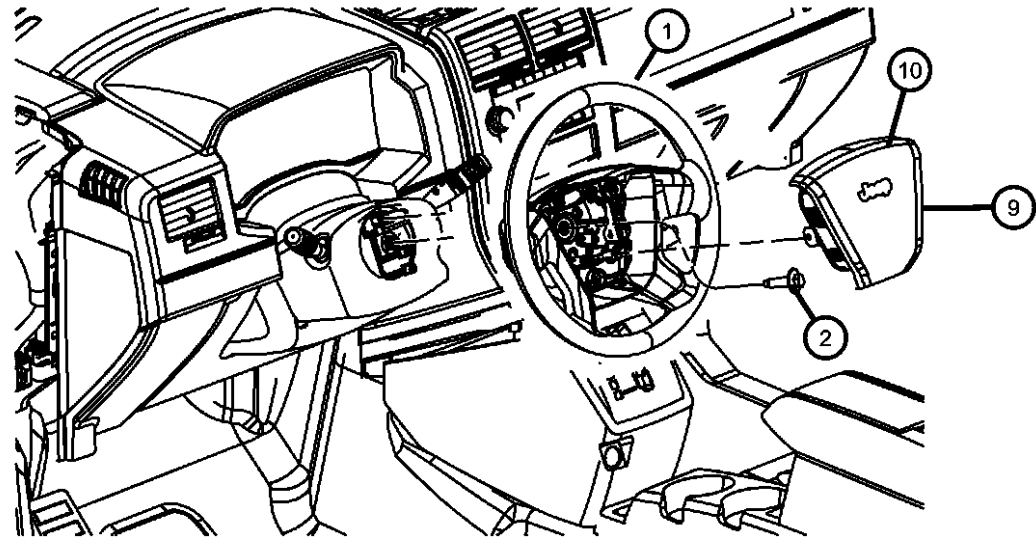
Illustration Title	Group-Fig. No.
Steering Wheel	
Steering Wheel Assembly	Fig. 19 - 105
Steering Column and Intermediate Shaft	
Steering Column	Fig. 19 - 205
Steering Gear	
Steering Gear - Left Hand Drive	Fig. 19 - 305
Steering Gear - Right Hand Drive.....	Fig. 19 - 307
Power Steering Pump	
Power Steering Pump.....	Fig. 19 - 505
Reservoir Assembly.....	Fig. 19 - 510
Power Steering Hoses	
Hoses, Power Steering	Fig. 19 - 605

019-100 Steering Wheel	019-200 Steering Column and Intermediate Shaft	019-300 Steering Gear	019-500 Power Steering Pump
019-600 Power Steering Hoses			

**Steering Wheel Assembly
Figure 19-105**

ITEM	PART NUMBER	QTY	LINE	SERIES	BODY	ENGINE	TRANS	TRIM	DESCRIPTION
------	-------------	-----	------	--------	------	--------	-------	------	-------------

NOTES: Sales Codes:
 [CGJ] = Restraint System without Airbags
 [NHM] = Speed Control
 [RDZ] = Steering Wheel Mounted Audio Controls
 [SCC] = Performance Tutone Leather Steering Wheel



1	1EB83DK5AA	1	J, T, U						WHEEL, Steering [KA] [NHM] With or without [NHM] Speed Control [DV] With or without [NHM Speed Control
	1FS562R4AB	1	J, T, U						[KA] [SCC] Performance Tutone Leather Steering Wheel and [NHM] Speed Control and [RDZ] Wheel Mounted Audio Controls [DV] [SCC] Performance Tutone Leather Steering Wheel and [NHM] Speed Control and [RDZ] Wheel Mounted Audio Controls
2	06505656AA	1	J, T, U						SCREW, Hex Flange Head, M10x1.5x35., Steering Wheel to Column
3	1EB84DK7AB	1	J, T, U						COVER, Steering Wheel Back [KA] With [NHM] Speed Control [DV] With [NHM] Speed Control [DV] Without [NHM] Speed Control [KA] Without [NHM] Speed Control [KA] [SCC] Performance Tutone Leather Steering Wheel and [NHM] Speed Control and [RDZ] Wheel Mounted Audio Controls [DV] [SCC] Performance Tutone Leather Steering Wheel with [NHM] Speed Control with [RDZ] Wheel Mounted Audio Controls
	1EB84XDVAB	1	J, T, U						
	1EB85DK5AB	1	J, T, U						
	1EB85DK7AB	1	J, T, U						
	1ES10DK5AB	1	J, T, U						
4	06105037AA	2	J, T, U						BOLT, Hex Flange Head, Driver Air Bag to Steering Wheel
5	04671929AA	1							SWITCH, Speed Control
-6	05183946AB	1	J, T, U						SWITCH, Multifunction Turn Signal with Front & Rear Fog
	05183947AA	1							Turn Signal with Front Fog

COMPASS/PATRIOT (MK)

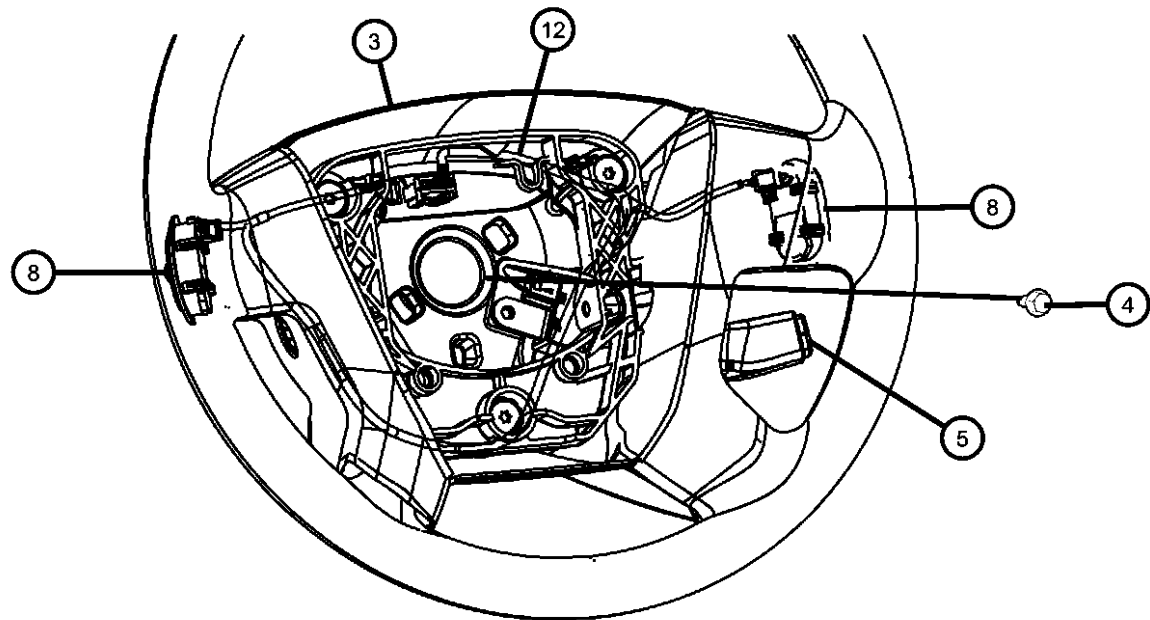
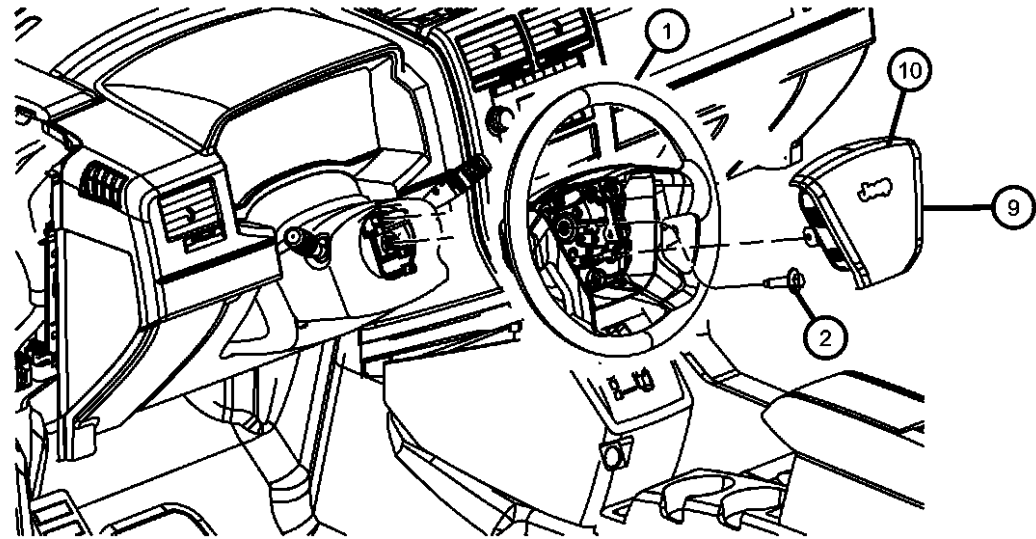
SERIES	LINE	BODY	ENGINE	TRANSMISSION
H = HIGHLINE	T = JEEP - 2WD	49 = HATCHBACK TYPE #2	ECE = 2.0L 4 Cyl DOHC DPF Diesel Engine	DEF = 6-Speed Manual Aisin BG6 Trans
L = LOWLINE	J = JEEP - 4WD	74 = SPORT UTILITY 4-DR TYPE #4	ED3 = 2.4L 4 Cyl DOHC 16V Dual VVT Engine	DD7 = 5-Speed Manual T355 Transmission
P = PREMIUM	U = JEEP - 4WD (RHD)		ECD = 2.0L 4 Cyl DOHC Diesel 16V Engine	DAV = Continuously Variable Transaxle II
			ECN = 2.0L 4 Cyl DOHC 16V Dual VVT Engine	DAW = Cont.Var. w/Off-Rd Crawl Ratio Trans

AR = use ase required - = Non illustrated part

2008 MK

**Steering Wheel Assembly
Figure 19-105**

ITEM	PART NUMBER	QTY	LINE	SERIES	BODY	ENGINE	TRANS	TRIM	DESCRIPTION
	05183950AB	1	J, T, U						Turn Signal and Rear Fog
	05183952AB	1	J, T, U						Turn Signal Base
-7	68003215AB	1	J, T, U						SWITCH, Wiper Front And Rear
8									SWITCH, Radio Control
	04685728AB	1	J, T, U						Right
	04685729AB	1	J, T, U						Left
9									AIR BAG, Driver, See Group 10 Restraints
	0YD59DK7AD	1	J, T, U						[KA]
	0YD59XDVAD	1	J, T, U						[DV]
	1BL23DK7AC	1	J, T, U						[KA] Jeep Emblem
	1BL23XDVAC	1	J, T, U						[DV] Jeep Emblem
10									COVER, Air Bag Module, See Group 10 Restraints
	0YF36DK7AB	1	J, T						[KA] [CGJ] Restraint System without Airbags
	0YF36XDVAB	1	J, T						[DV] [CGJ] Restraint System without Airbags
	0ZU92DK7AB	1	U						[KA]
	0ZU92XDVAB	1	U						[DV]
	1EN73DK7AB	1	J, T, U						[KA] Passenger Delete
	1EN73XDVAB	1	J, T, U						[DV] Passenger Delete
-11	68024159AB	1	J, T, U						CLOCKSPRING, See Group 008 Electrical
12									WIRING, Steering Wheel, See Group 008 Electrical
	68000462AB	1	J, T, U						Leather with [NHM] Speed Control
	68018160AB	1	J, T, U						[-NHM] Without Speed Control
	68036592AA	1	J, T, U						[SCC] Performance Tutone Leather Steering Wheel and [NHM] Speed Control and [RDZ] Wheel Mounted Audio Controls



COMPASS/PATRIOT (MK)

SERIES LINE
H = HIGHLINE T = JEEP - 2WD
L = LOWLINE J = JEEP - 4WD
P = PREMIUM U = JEEP - 4WD (RHD)

BODY
49 = HATCHBACK TYPE #2
74 = SPORT UTILITY 4-DR TYPE #4

ENGINE
ECE = 2.0L 4 Cyl DOHC DPF Diesel Engine
ED3 = 2.4L 4 Cyl DOHC 16V Dual VVT Engine
ECD = 2.0L 4 Cyl DOHC Diesel 16V Engine
ECN = 2.0L 4 Cyl DOHC 16V Dual VVT Engine

TRANSMISSION
DEF = 6-Speed Manual Aisin BG6 Trans
DD7 = 5-Speed Manual T355 Transmission
DAV = Continuously Variable Transaxle II
DAW = Cont.Var. w/Off-Rd Crawl Ratio Trans

AR = use ase required - = Non illustrated part

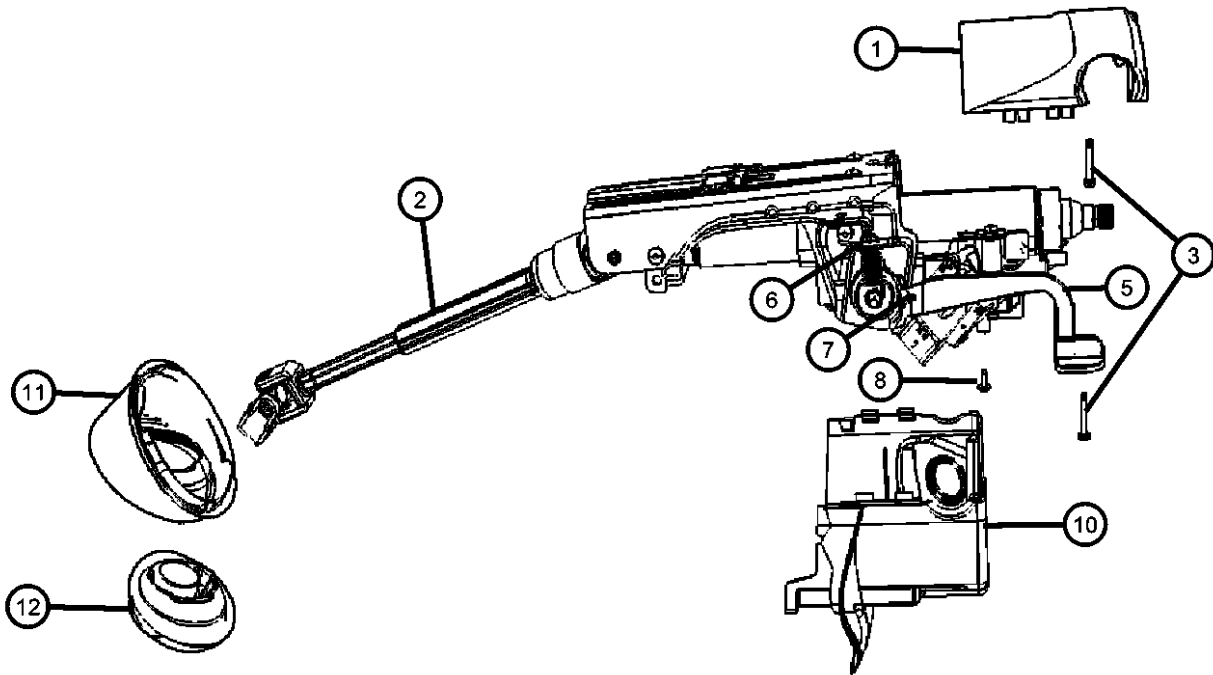
2008 MK

**Steering Column
Figure 19-205**

ITEM	PART NUMBER	QTY	LINE	SERIES	BODY	ENGINE	TRANS	TRIM	DESCRIPTION
------	-------------	-----	------	--------	------	--------	-------	------	-------------

NOTES: Sales Codes:

- [ABB] = European Equipment Group
- [DAV] = Continuously Variable Transmission
- [DAW] = Continuously Variable with off-road Crawl Ratio
- [DD7] = 5 Speed Manual T355 Transmission
- [DEF] = 6-Speed Manual Aisin BG6 Transmission
- [LS9] = Thatcham Security Equipment
- [SUA] = Tilt Steering Column



1									SHROUD, Steering Column, Upper, Upper [KA]
	1CH69DK7AA	1	J, T, U						[KA]
	1CH69XDVAA	1	J, T, U						[DV]
2									COLUMN, Steering
	04664333AN	1	J, T			DD7, DEF			[-ABB] Without European Equipment Group
	68004184AA	1	J			DAV, DAW			[-ABB] Without European Equipment Group
		1	J			DAV, DAW			[SUA] Tilt Steering Column-Lock Housings not Included
	68004244AA	1	J						[ABB] With European Equipment Group
		1	J						LHD [SUA] Tilt Steering Column-Lock Housings not Included
	68004247AA	1	U						[-LS9] Without Thatcham Security Equipment
3	06035434	2	J, T, U						SCREW AND WASHER, Pan Head
-4	06506707AA	3	J, T, U						NUT AND WASHER, Hex Lock Coned Washer, M8x1.25, Steering Column to Instrument Panel
5									LEVER, Tilt Column Release
	05057170AE	1	U						
		1	J, T						
6									SPRING, Tilt Assist
	05057180AA	2	U						
		2	J, T						
7	05057479AA	AR	J, T, U						NUT, Tilt Lever
8	06508440AA	1	J, T, U						SCREW, Tapping Round Head, M4X1.40X14.00, Steering Column Module to Lockhousing

COMPASS/PATRIOT (MK)

SERIES	LINE
H = HIGHLINE	T = JEEP - 2WD
L = LOWLINE	J = JEEP - 4WD
P = PREMIUM	U = JEEP - 4WD (RHD)

BODY
49 = HATCHBACK TYPE #2
74 = SPORT UTILITY 4-DR TYPE #4

ENGINE
ECE = 2.0L 4 Cyl DOHC DPF Diesel Engine
ED3 = 2.4L 4 Cyl DOHC 16V Dual VVT Engine
ECD = 2.0L 4 Cyl DOHC Diesel 16V Engine
ECN = 2.0L 4 Cyl DOHC 16V Dual VVT Engine

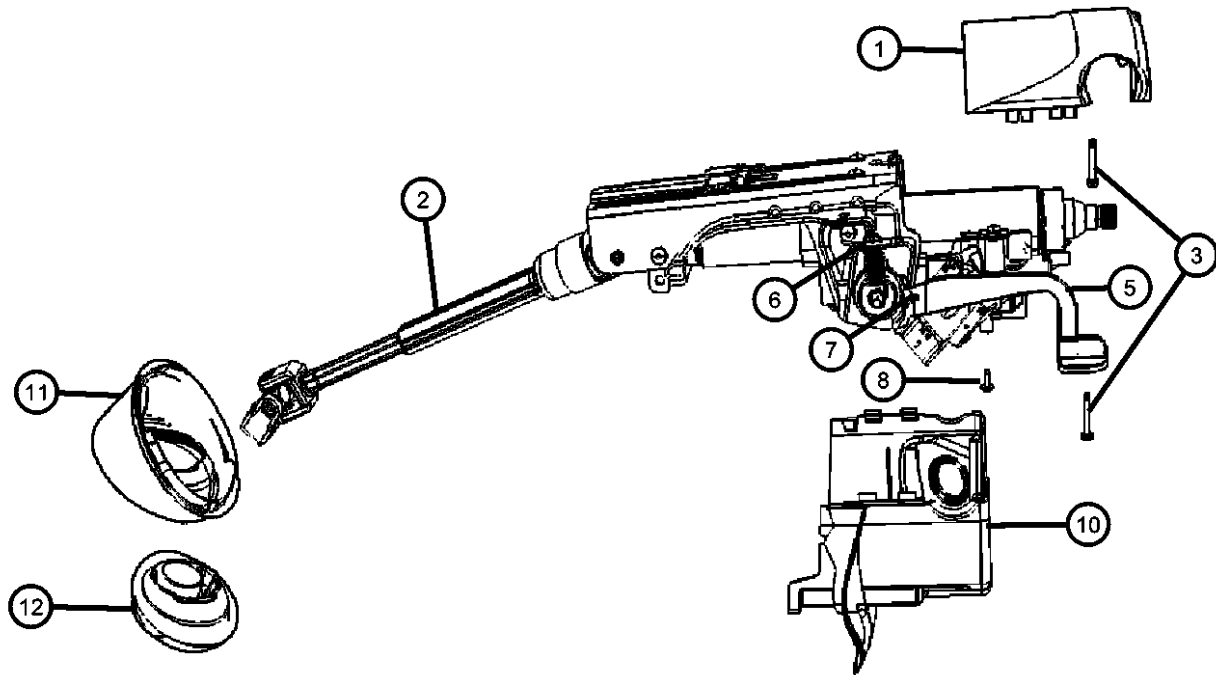
TRANSMISSION
DEF = 6-Speed Manual Aisin BG6 Trans
DD7 = 5-Speed Manual T355 Transmission
DAV = Continuously Variable Transaxle II
DAW = Cont.Var. w/Off-Rd Crawl Ratio Trans

AR = use ase required - = Non illustrated part

2008 MK

Steering Column
Figure 19-205

ITEM	PART NUMBER	QTY	LINE	SERIES	BODY	ENGINE	TRANS	TRIM	DESCRIPTION
-9	06508657AA	2	U						SCREW, Pan Head, M5x0.8x8.00, Cup to Lock Housing
10									SHROUD, Steering Column, Lower, Lower
	1CH70DK7AB	1	J, T, U						[KA]
	1CH70XDVAB	1	J, T, U						[DV]
	1DC66DK7AB	1	U						[KA] [LS9] Thatcham Security Equipment
	1DC66XDVAB	1	U						[DV] [LS9] Thatcham Security Equipment
11									SEAL, Steering Column Shaft Upper
	04664351AA	1	J, T						Upper
	04664355AA	1	U						Upper
12									SEAL, Steering Column Shaft Lower
	04664350AA	1	J, T						Lower
	04664356AB	1	U						Lower
-13	05057330AA	2	J, T						FASTENER, Steering Column Lock Housing
-14									HOUSING, Steering Column Lock
	05057297AH	1	U						
		1	J, T						



COMPASS/PATRIOT (MK)

SERIES	LINE	BODY	ENGINE	TRANSMISSION
H = HIGHLINE	T = JEEP - 2WD	49 = HATCHBACK TYPE #2	ECE = 2.0L 4 Cyl DOHC DPF Diesel Engine	DEF = 6-Speed Manual Aisin BG6 Trans
L = LOWLINE	J = JEEP - 4WD	74 = SPORT UTILITY 4-DR TYPE #4	ED3 = 2.4L 4 Cyl DOHC 16V Dual VVT Engine	DD7 = 5-Speed Manual T355 Transmission
P = PREMIUM	U = JEEP - 4WD (RHD)		ECD = 2.0L 4 Cyl DOHC Diesel 16V Engine	DAV = Continuously Variable Transaxle II
			ECN = 2.0L 4 Cyl DOHC 16V Dual VVT Engine	DAW = Cont.Var. w/Off-Rd Crawl Ratio Trans

AR = use ase required - = Non illustrated part

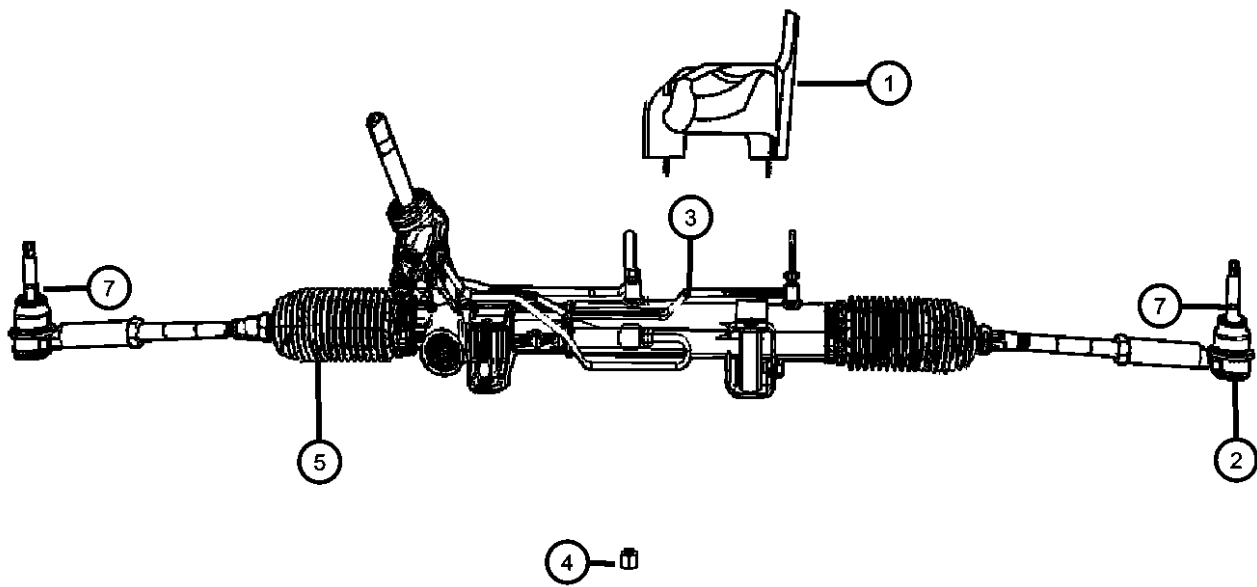
2008 MK

**Steering Gear - Left Hand Drive
Figure 19-305**

ITEM	PART NUMBER	QTY	LINE	SERIES	BODY	ENGINE	TRANS	TRIM	DESCRIPTION
------	-------------	-----	------	--------	------	--------	-------	------	-------------

NOTES: Sales Codes:
[SBA] = Power Rack and Pinion Steering
[SBP] = Performance Steering

1	05105829AB	1	J, T						SHIELD, Heat
2									TIE ROD END, Outer
	05183761AA	1	J, T						
		1	T						
3	05073824AA	2	J, T, U			ED3			BOLT
4	06503046	2	J, T, U						NUT, Hex Lock, M12 x 1.25
5									STEERING GEAR, Rack and pinion
	05090004AD	1	J, T						[WFS,WFJ + SBB]
	05105046AC	1	T						[SBA]
	05105085AD	1	J, T						[WPW,WPP,WPR + SBB]
		1	J, T						[SBP]
	05105213AD	1	J						[SBA]
-6	06508531AA	1	J, T, U						SCREW, Hex Flange Head, M10x1.50x39.00, Shaft to Steering Gear
7	06507629AA	2	J, T						NUT, Steering Gear Lock, Outer Tie Rod to Inner Tie Rod



COMPASS/PATRIOT (MK)

SERIES	LINE	BODY	ENGINE	TRANSMISSION
H = HIGHLINE	T = JEEP - 2WD	49 = HATCHBACK TYPE #2	ECE = 2.0L 4 Cyl DOHC DPF Diesel Engine	DEF = 6-Speed Manual Aisin BG6 Trans
L = LOWLINE	J = JEEP - 4WD	74 = SPORT UTILITY 4-DR TYPE #4	ED3 = 2.4L 4 Cyl DOHC 16V Dual VVT Engine	DD7 = 5-Speed Manual T355 Transmission
P = PREMIUM	U = JEEP - 4WD (RHD)		ECD = 2.0L 4 Cyl DOHC Diesel 16V Engine	DAV = Continuously Variable Transaxle II
			ECN = 2.0L 4 Cyl DOHC 16V Dual VVT Engine	DAW = Cont.Var. w/Off-Rd Crawl Ratio Trans

AR = use ase required - = Non illustrated part

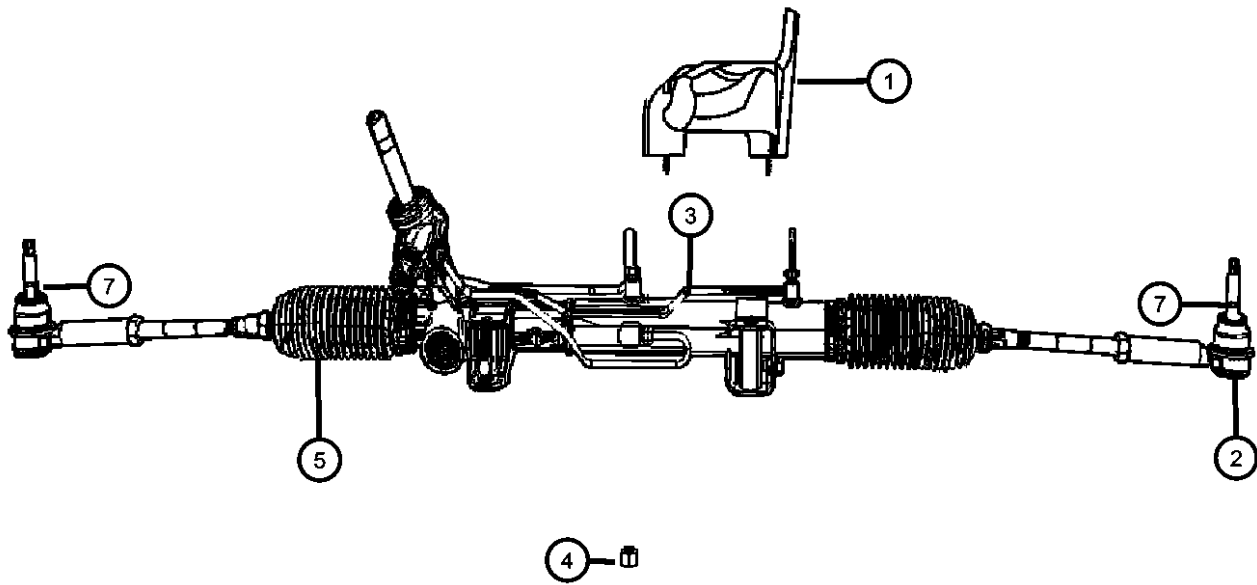
2008 MK

**Steering Gear - Right Hand Drive
Figure 19-307**

ITEM	PART NUMBER	QTY	LINE	SERIES	BODY	ENGINE	TRANS	TRIM	DESCRIPTION
------	-------------	-----	------	--------	------	--------	-------	------	-------------

NOTES: Sales Codes:
[SBB] = Firm Feel Power Steering

1	05105613AA	1	U						SHIELD, Heat
2	05183761AA	1	U						TIE ROD END, Outer
3	05073824AA	3	U						BOLT
4	06503046	2	J, T, U						NUT, Hex Lock, M12 x 1.25
5	05105084AC	1	U						STEERING GEAR, Rack and pinion, [SBB] Firm Feel Power Steering
-6	06508531AA	1	J, T, U						SCREW, Hex Flange Head, M10x1.50x39.00, Shaft to Steering Gear
7	06507629AA	2	U						NUT, Steering Gear Lock, Outer Tie Rod to Inner Tie Rod



COMPASS/PATRIOT (MK)

SERIES	LINE	BODY	ENGINE	TRANSMISSION
H = HIGHLINE	T = JEEP - 2WD	49 = HATCHBACK TYPE #2	ECE = 2.0L 4 Cyl DOHC DPF Diesel Engine	DEF = 6-Speed Manual Aisin BG6 Trans
L = LOWLINE	J = JEEP - 4WD	74 = SPORT UTILITY 4-DR TYPE #4	ED3 = 2.4L 4 Cyl DOHC 16V Dual VVT Engine	DD7 = 5-Speed Manual T355 Transmission
P = PREMIUM	U = JEEP - 4WD (RHD)		ECD = 2.0L 4 Cyl DOHC Diesel 16V Engine	DAV = Continuously Variable Transaxle II
			ECN = 2.0L 4 Cyl DOHC 16V Dual VVT Engine	DAW = Cont.Var. w/Off-Rd Crawl Ratio Trans

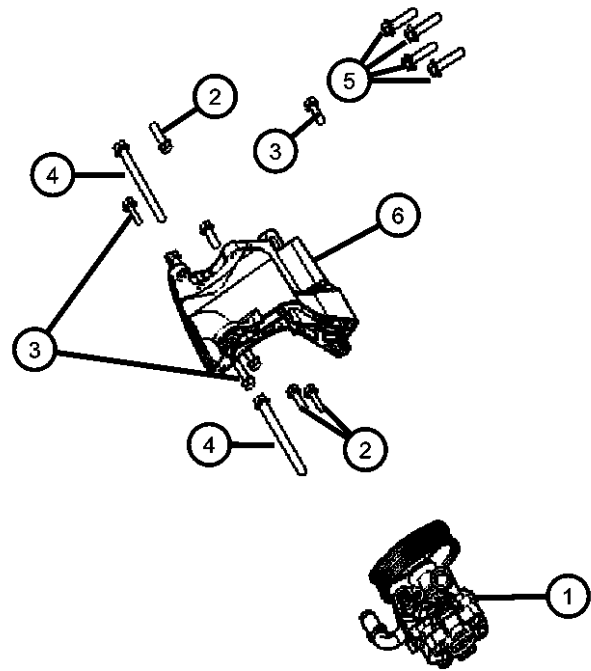
AR = use ase required - = Non illustrated part

2008 MK

**Power Steering Pump
Figure 19-505**

ITEM	PART NUMBER	QTY	LINE	SERIES	BODY	ENGINE	TRANS	TRIM	DESCRIPTION
1	05105048AB	1	J, T, U			ECN, ED3			PUMP, Power Steering Compass
		1	J, T, U			ECN, ED3			Patriot
2	06104198AA	3	J, T, U			ECD, ECE			SCREW, Hex Flange Head, M8X1.25X30.0
		2	J, T, U			ECN, ED3			
3	06105049AA	1	J, T, U			ECD, ECE, ECN, ED3			BOLT, Hex Flange Head, M8X1.25X25.00
4	06508279AA	2	J, T, U			ECN, ED3			SCREW, Hex Flange Head, M10X1.25X90.00
5	06508246AA	4	J, U						SCREW, Hex Flange Head, M10X1.25X40.00
6	04891593AA	1	J, T, U			ECN, ED3			BRACKET, Power Steering Pump

NOTES: Sales Codes;
 [ECD] = 2.0L 4 Cyl DOHC Diesel 16V Engine
 [ECE] = 2.0L 4 Cyl DOHC Diesel 16V Engine
 [ECN] = 2.0L 4 Cyl DOHC 16V Dual VVT Engine
 [ED3] = 2.4L 4 CYL DOHC 16V Dual VVT Engine

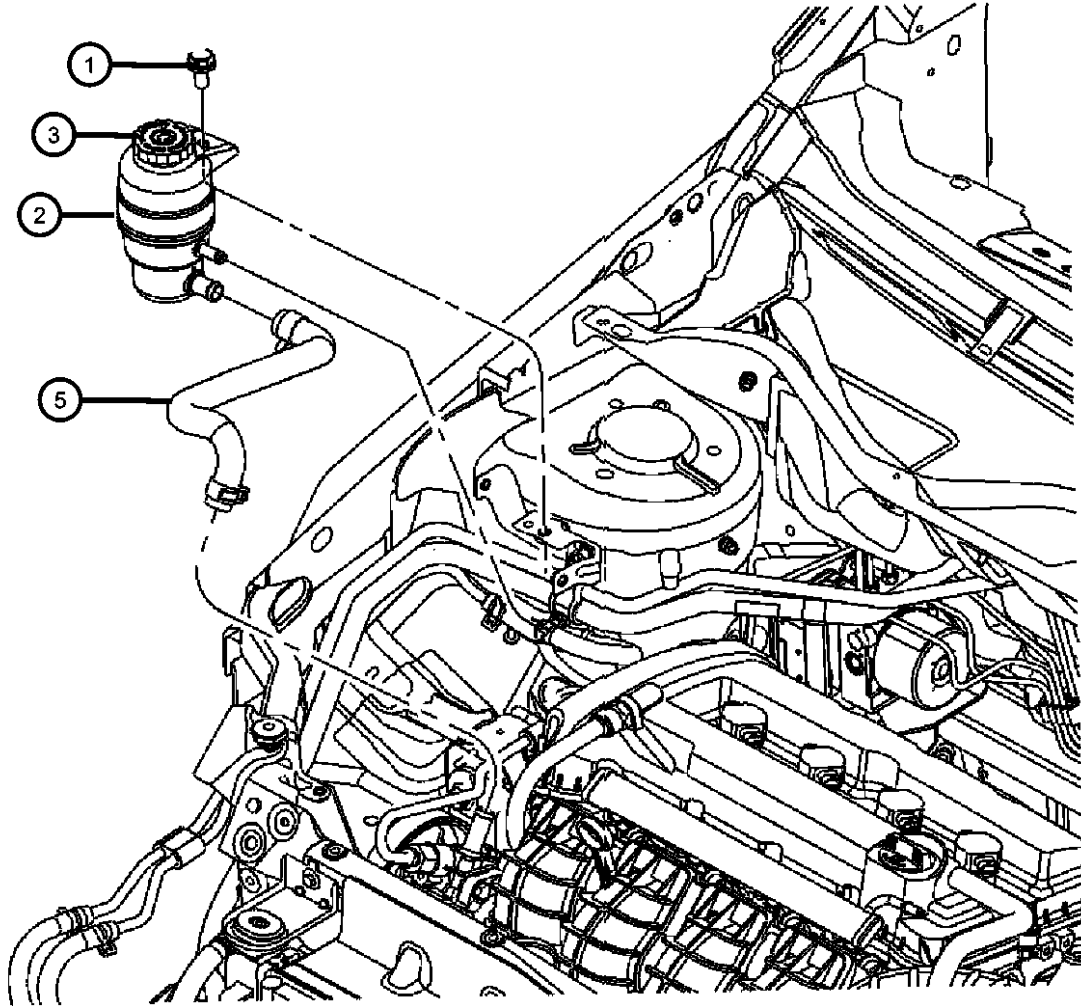


COMPASS/PATRIOT (MK)				
SERIES	LINE	BODY	ENGINE	TRANSMISSION
H = HIGHLINE	T = JEEP - 2WD	49 = HATCHBACK TYPE #2	ECE = 2.0L 4 Cyl DOHC DPF Diesel Engine	DEF = 6-Speed Manual Aisin BG6 Trans
L = LOWLINE	J = JEEP - 4WD	74 = SPORT UTILITY 4-DR TYPE #4	ED3 = 2.4L 4 Cyl DOHC 16V Dual VVT Engine	DD7 = 5-Speed Manual T355 Transmission
P = PREMIUM	U = JEEP - 4WD (RHD)		ECD = 2.0L 4 Cyl DOHC Diesel 16V Engine	DAV = Continuously Variable Transaxle II
			ECN = 2.0L 4 Cyl DOHC 16V Dual VVT Engine	DAW = Cont.Var. w/Off-Rd Crawl Ratio Trans

AR = use ase required - = Non illustrated part

**Reservoir Assembly
Figure 19-510**

ITEM	PART NUMBER	QTY	LINE	SERIES	BODY	ENGINE	TRANS	TRIM	DESCRIPTION
1	06105102AA	2	J, T, U			ECE			SCREW, M8x1.25x25
2	05105338AB	1	J, T, U						RESERVOIR, Power Steering Pump
3	52128513AA	AR	J, T, U						CAP, Power Steering Reservoir
-4	05105832AA	1	J, T, U						SHIELD, Power Steering Reservoir
5	05105092AB	1	U						HOSE, Power Steering Return



COMPASS/PATRIOT (MK)

SERIES LINE
H = HIGHLINE T = JEEP - 2WD
L = LOWLINE J = JEEP - 4WD
P = PREMIUM U = JEEP - 4WD (RHD)

BODY
49 = HATCHBACK TYPE #2
74 = SPORT UTILITY 4-DR TYPE #4

ENGINE TRANSMISSION
ECE = 2.0L 4 Cyl DOHC DPF Diesel Engine DEF = 6-Speed Manual Aisin BG6 Trans
ED3 = 2.4L 4 Cyl DOHC 16V Dual VVT Engine DD7 = 5-Speed Manual T355 Transmission
ECD = 2.0L 4 Cyl DOHC Diesel 16V Engine DAV = Continuously Variable Transaxle II
ECN = 2.0L 4 Cyl DOHC 16V Dual VVT Engine DAW = Cont.Var. w/Off-Rd Crawl Ratio Trans

AR = use ase required - = Non illustrated part

2008 MK

Group - 021DD7

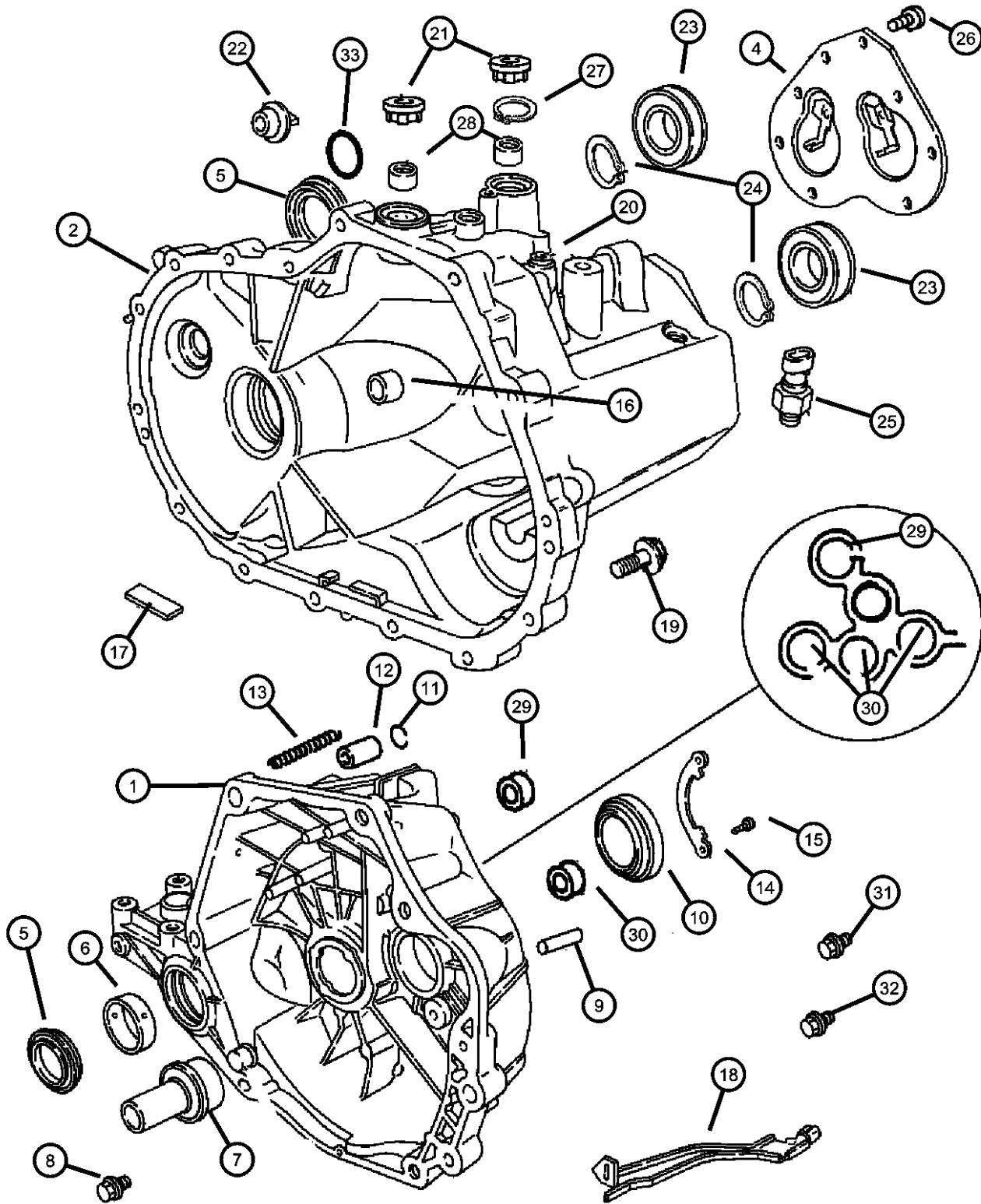
T355; 5-Speed; Manual Transaxle

Group - 021DD7 T355; 5-Speed; Manual Transaxle

Illustration Title	Group-Fig. No.
Manual Transaxle	
Transmission / Transaxle Assembly	Fig. 021DD7 - 105
Case, and Extension	
Case And Related Parts	Fig. 021DD7 - 204
Sensors, Switches And Vents	Fig. 021DD7 - 215
Gear Train	
Input Shaft, Counter Shaft And Reverse Shaft	Fig. 021DD7 - 606
Differential	
Differential	Fig. 021DD7 - 905
Fork and Rails	
Shift Forks And Rails.....	Fig. 021DD7 - 1005
Gearshift Controls and Related Parts	
Gear Shift Lever.....	Fig. 021DD7 - 1105
Gear Shift Boot, Knob and Bezel	Fig. 021DD7 - 1110
Gear Shift Cable And Bracket.....	Fig. 021DD7 - 1115
Mounting and Skid Plate	
Mounting Bolts.....	Fig. 021DD7 - 1215

021DD7-100 Manual Transaxle	021DD7-1000 Fork and Rails	021DD7-1100 Gearshift Controls and Related Parts	021DD7-1200 Mounting and Skid Plate
021DD7-200 Case, and Extension	021DD7-600 Gear Train	021DD7-900 Differential	

Case And Related Parts
Figure 021DD7-204



ITEM	PART NUMBER	QTY	LINE	SERIES	BODY	ENGINE	TRANS	TRIM	DESCRIPTION
1	05183430AC	1	J, U			ED3	DD7		HOUSING ASSEMBLY, Clutch & Differential
	05189988AB	1	T			ED3	DD7		
2	68026543AA	1	T			ED3	DD7		CASE, Transmission
		1	J, U			ED3	DD7		
-3	04761085	1	T			ED3	DD7		STUD, M12x1.75/M10x1.25x94.5
		1	J, U			ED3	DD7		
4	05189984AA	1	T			ED3	DD7		PLATE, Transaxle Case Rear
		1	J, U			ED3	DD7		
5	05189989AA	1	T			ED3	DD7		SEAL, Axle Drive Shaft
		1	J, U			ED3	DD7		
6	04567022	1	T			ED3	DD7		BEARING CUP, Differential
		1	J, U			ED3	DD7		
7	68001749AA	1	T			ED3	DD7		BEARING, Input Shaft
		1	J, U			ED3	DD7		
8	04348325	2	J, U			ED3	DD7		PLUG, Oil Fill
		2	T			ED3	DD7		Drain & Fill
9	04761099	1	T			ED3	DD7		PIN, Locating
		1	J, U			ED3	DD7		
10	05013634AA	1	T			ED3	DD7		BEARING, Input Shaft
		1	J, U			ED3	DD7		Rear Input Shaft Bearing
11	04761096	1	T			ED3	DD7		SNAP RING

COMPASS/PATRIOT (MK)

SERIES LINE
H = HIGHLINE T = JEEP - 2WD
L = LOWLINE J = JEEP - 4WD
P = PREMIUM U = JEEP - 4WD (RHD)

BODY
49 = HATCHBACK TYPE #2
74 = SPORT UTILITY 4-DR
TYPE #4

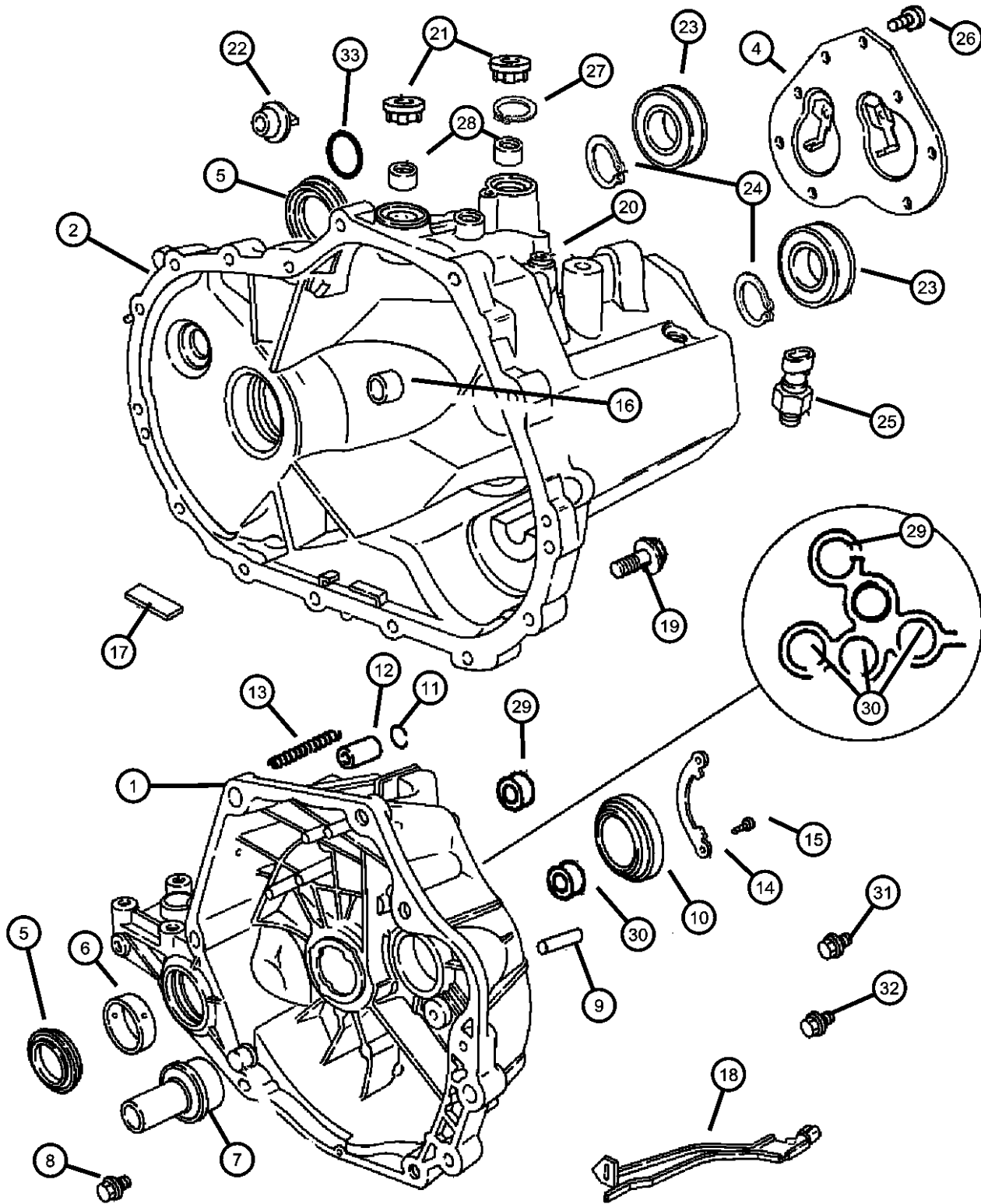
ENGINE
ECE = 2.0L 4 Cyl DOHC DPF Diesel Engine
ED3 = 2.4L 4 Cyl DOHC 16V Dual VVT Engine
ECD = 2.0L 4 Cyl DOHC Diesel 16V Engine
ECN = 2.0L 4 Cyl DOHC 16V Dual VVT Engine

TRANSMISSION
DEF = 6-Speed Manual Aisin BG6 Trans
DD7 = 5-Speed Manual T355 Transmission
DAV = Continuously Variable Transaxle II
DAW = Cont.Var. w/Off-Rd Crawl Ratio Trans

AR = use ase required - = Non illustrated part

2008 MK

Case And Related Parts
Figure 021DD7-204



ITEM	PART NUMBER	QTY	LINE	SERIES	BODY	ENGINE	TRANS	TRIM	DESCRIPTION
12		1	J, U			ED3	DD7		DETENT, Shift Rail
	05189998AB	1	T			ED3	DD7		
13	04471097	1	T			ED3	DD7		SPRING, Detent
14	04761097	1	T			ED3	DD7		RETAINER, Transmission Output Shaft Bearing
15	04761098	2	T			ED3	DD7		BOLT, Output Shaft Bearing
16		2	T			ED3	DD7		BUSHING, Shift Rail
	04761076	2	T			ED3	DD7		
		2	J, U			ED3	DD7		
17		1	T			ED3	DD7		MAGNET, Transmission
	04761078AB	1	J, U			ED3	DD7		
18		1	T			ED3	DD7		TROUGH, Lubrication
	04761087	1	J, U			ED3	DD7		
19		16	T			ED3	DD7		BOLT AND CONED WASHER, Hex Head, M8x45x17
	06100299	16	J, U			ED3	DD7		
20		1	T			ED3	DD7		VENT, Cap, Jiggle
	05189847AA	1	J, U			ED3	DD7		
21		2	T			ED3	DD7		SEAL, Shift Lever
	04761077	2	J, U			ED3	DD7		
22		2	T			ED3	DD7		PLUG, Oil Fill
	04348325	2	J, U			ED3	DD7		
23		1	T			ED3	DD7		BEARING, Input Shaft
	05013634AA	1	J, U			ED3	DD7		Rear Counter Shaft Bearing
		1	J, U			ED3	DD7		Rear Counter Shaft Bearing

COMPASS/PATRIOT (MK)

SERIES LINE
H = HIGHLINE T = JEEP - 2WD
L = LOWLINE J = JEEP - 4WD
P = PREMIUM U = JEEP - 4WD (RHD)

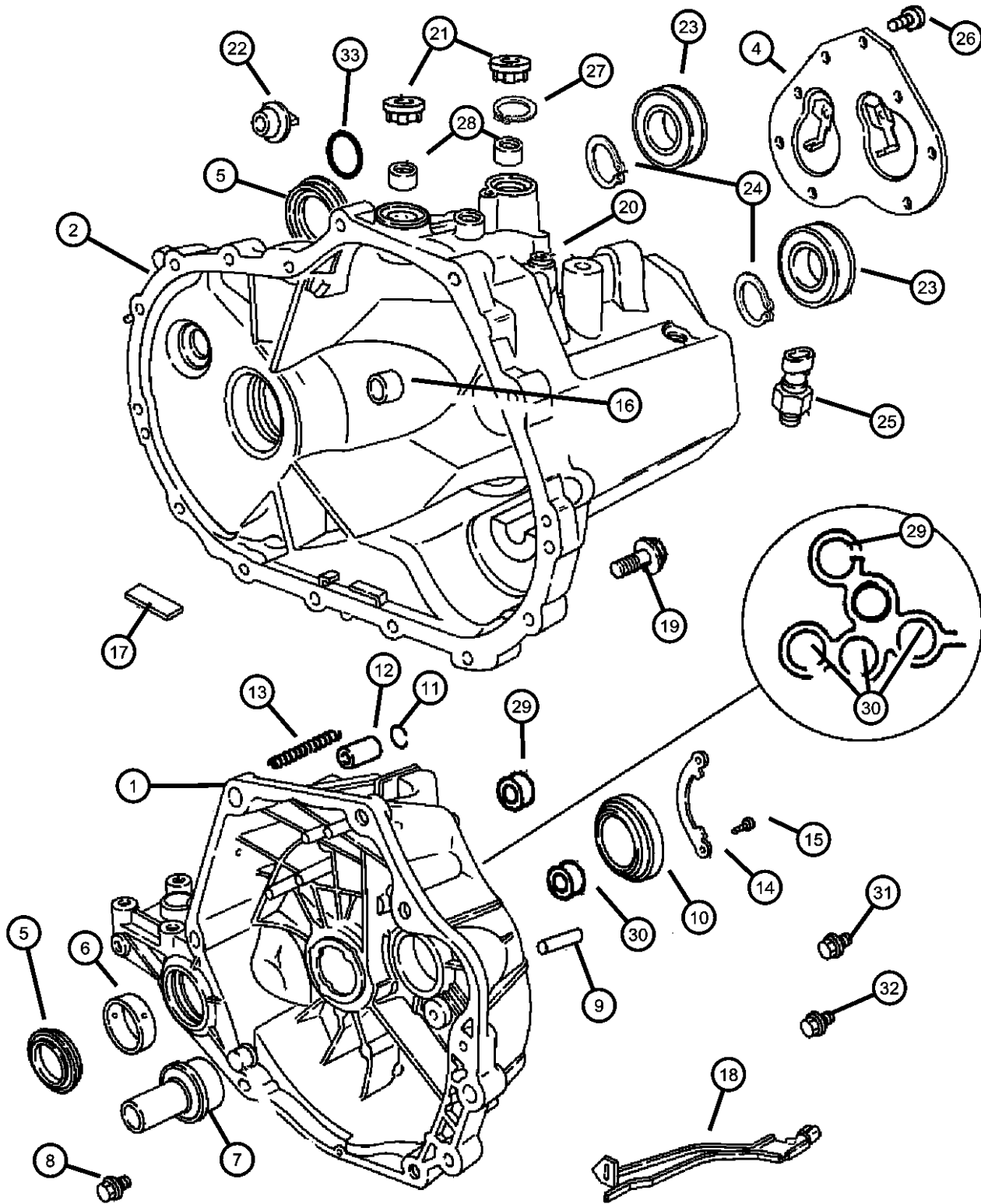
BODY
49 = HATCHBACK TYPE #2
74 = SPORT UTILITY 4-DR TYPE #4

ENGINE TRANSMISSION
ECE = 2.0L 4 Cyl DOHC DPF DEF = 6-Speed Manual Aisin BG6 Trans
Diesel Engine DD7 = 5-Speed Manual T355 Transmission
ED3 = 2.4L 4 Cyl DOHC 16V Dual VVT Engine
ECD = 2.0L 4 Cyl DOHC Diesel 16V Engine DAV = Continuously Variable Transaxle II
ECN = 2.0L 4 Cyl DOHC 16V Dual VVT Engine DAW = Cont.Var. w/Off-Rd Crawl Ratio Trans

AR = use ase required - = Non illustrated part

2008 MK

Case And Related Parts
Figure 021DD7-204



ITEM	PART NUMBER	QTY	LINE	SERIES	BODY	ENGINE	TRANS	TRIM	DESCRIPTION
24	04761096	1	T			ED3	DD7		SNAP RING
		1	J, U			ED3	DD7		
25	05163420AB	1	J, U			ED3	DD7		SWITCH, Back Up Lamp
		1	T			ED3	DD7		
26	04761082	1	T			ED3	DD7		BOLT, Case Plate
		1	J, U			ED3	DD7		
27	04762606	3	T			ED3	DD7		RETAINER, Shaft
		3	J, U			ED3	DD7		
28	04762602	1	T			ED3	DD7		BUSHING, Crossover Shaft
		1	J, U			ED3	DD7		
29	04761076	2	T			ED3	DD7		BUSHING, Shift Rail
		2	J, U			ED3	DD7		[15MM I.D.]
30	04762605	1	T			ED3	DD7		BUSHING, Shift Rail
		1	J, U			ED3	DD7		[15MM I.D.]
31	06102258AA	1	J, T, U			ECN, ED3			PLUG
32	04797323	1	T			ED3	DD7		PLUG, Transmission Drain
		1	J, U			ED3	DD7		
33		1							SHIM, See Differential Illustration, (NOT SERVICED)

COMPASS/PATRIOT (MK)

SERIES LINE
 H = HIGHLINE T = JEEP - 2WD
 L = LOWLINE J = JEEP - 4WD
 P = PREMIUM U = JEEP - 4WD (RHD)

BODY
 49 = HATCHBACK TYPE #2
 74 = SPORT UTILITY 4-DR
 TYPE #4

ENGINE
 ECE = 2.0L 4 Cyl DOHC DPF Diesel Engine
 ED3 = 2.4L 4 Cyl DOHC 16V Dual VVT Engine
 ECD = 2.0L 4 Cyl DOHC Diesel 16V Engine
 ECN = 2.0L 4 Cyl DOHC 16V Dual VVT Engine

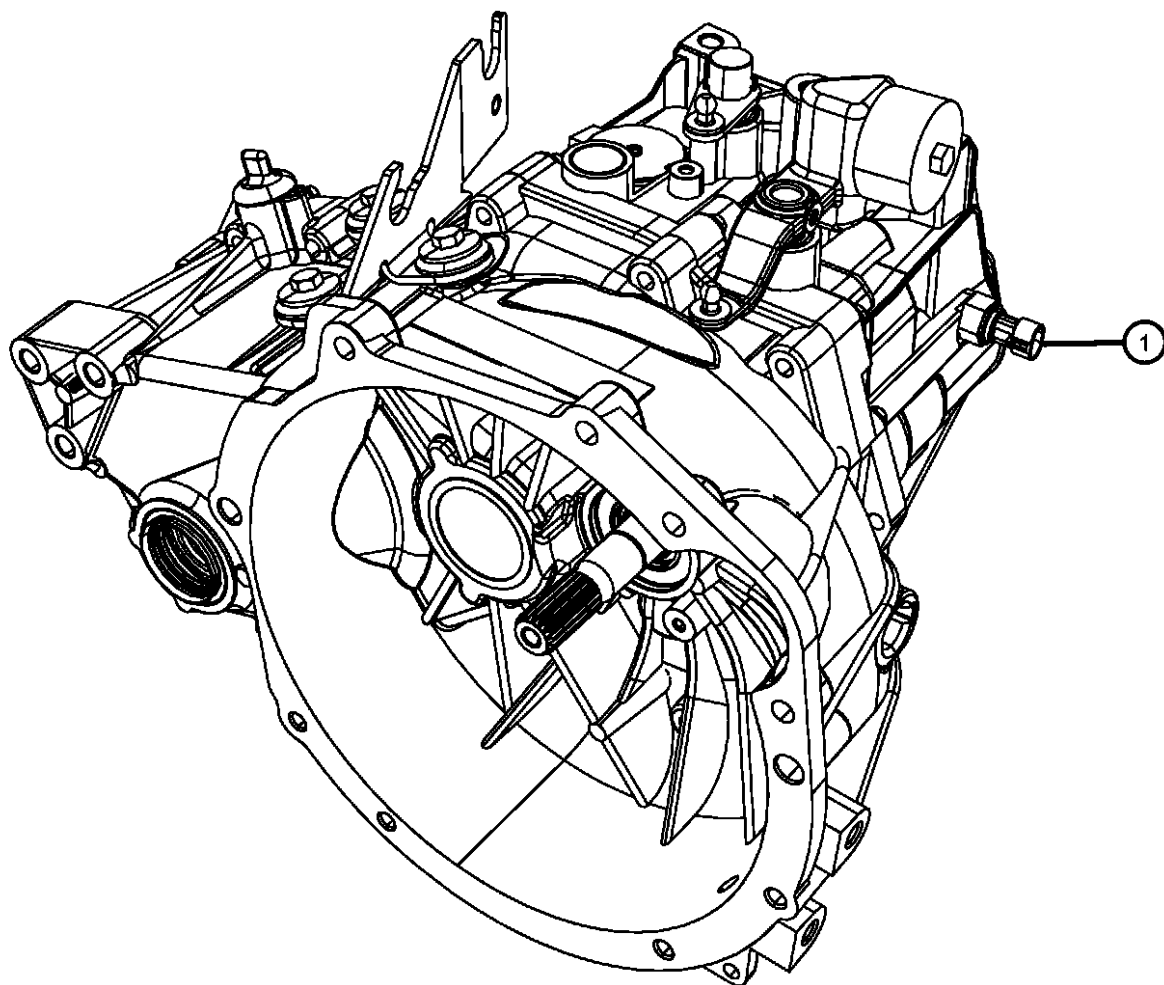
TRANSMISSION
 DEF = 6-Speed Manual Aisin BG6 Trans
 DD7 = 5-Speed Manual T355 Transmission
 DAV = Continuously Variable Transaxle II
 DAW = Cont.Var. w/Off-Rd Crawl Ratio Trans

AR = use ase required - = Non illustrated part

2008 MK

Sensors, Switches And Vents
Figure 021DD7-215

ITEM	PART NUMBER	QTY	LINE	SERIES	BODY	ENGINE	TRANS	TRIM	DESCRIPTION
1	05163420AB	1	T			ED3	DD7		SWITCH, Back Up Lamp
		1	J, U			ED3	DD7		
-2	05189847AA	1	T			ED3	DD7		VENT, Cap, Jiggle
		1	J, U			ED3	DD7		



COMPASS/PATRIOT (MK)

SERIES LINE

H = HIGHLINE T = JEEP - 2WD
L = LOWLINE J = JEEP - 4WD
P = PREMIUM U = JEEP - 4WD (RHD)

BODY

49 = HATCHBACK TYPE #2
74 = SPORT UTILITY 4-DR
TYPE #4

ENGINE

ECE = 2.0L 4 Cyl DOHC DPF Diesel Engine
ED3 = 2.4L 4 Cyl DOHC 16V Dual VVT Engine
ECD = 2.0L 4 Cyl DOHC Diesel 16V Engine
ECN = 2.0L 4 Cyl DOHC 16V Dual VVT Engine

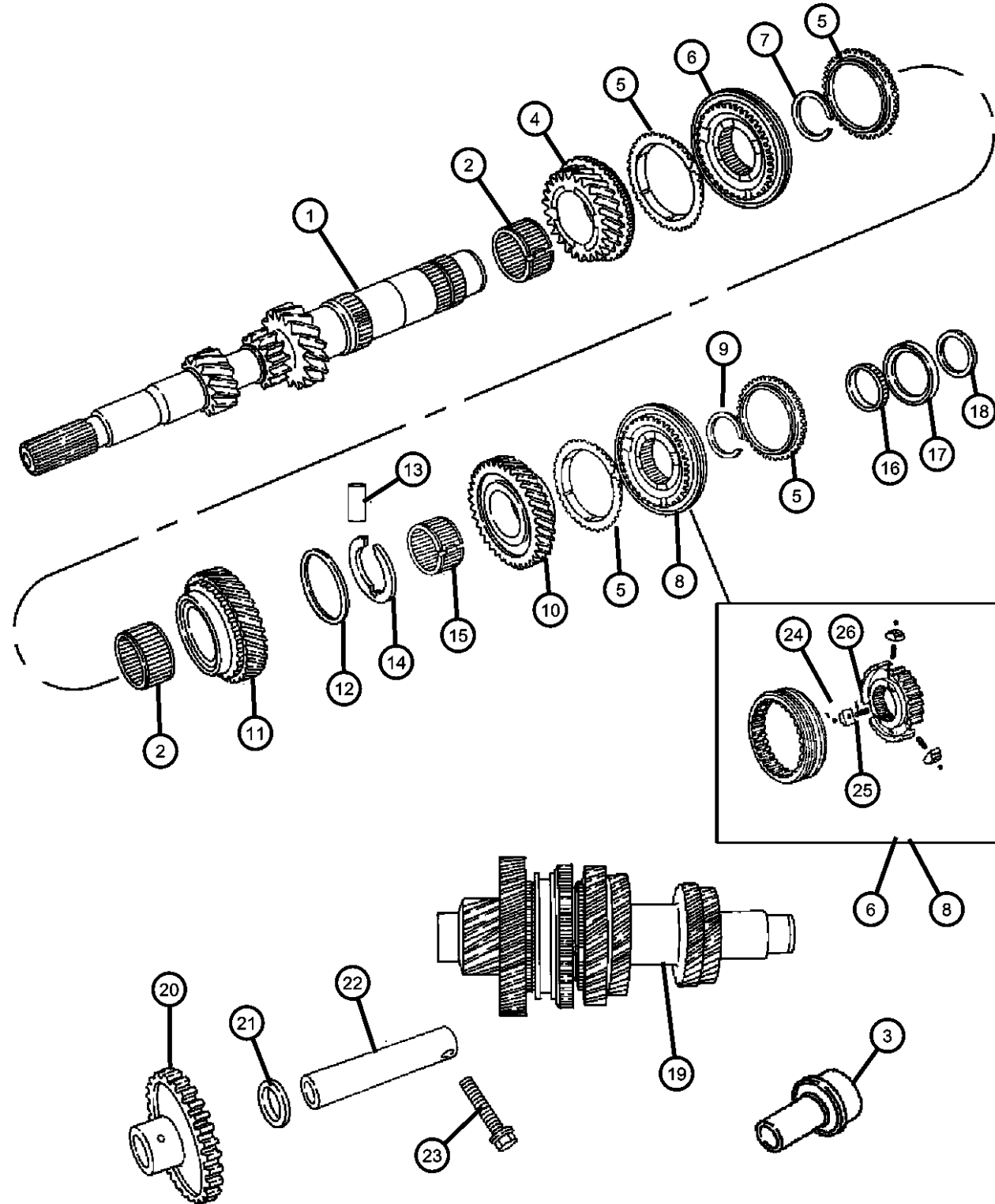
TRANSMISSION

DEF = 6-Speed Manual Aisin BG6 Trans
DD7 = 5-Speed Manual T355 Transmission
DAV = Continuously Variable Transaxle II
DAW = Cont.Var. w/Off-Rd Crawl Ratio Trans

AR = use ase required - = Non illustrated part

2008 MK

**Input Shaft, Counter Shaft And Reverse Shaft
Figure 021DD7-606**



ITEM	PART NUMBER	QTY	LINE	SERIES	BODY	ENGINE	TRANS	TRIM	DESCRIPTION
1	05191005AA	1	T			ED3	DD7		INPUT SHAFT PACKAGE, Transaxle
2	04762612	1	T			ED3	DD7		NEEDLE BEARING
3	68001749AA	1	T			ED3	DD7		BEARING, Input Shaft
4	05191010AA	1	T			ED3	DD7		GEAR, Third
5	05191014AA	2	T			ED3	DD7		RING
6	05191011AA	1	T			ED3	DD7		SYNCHRONIZER, Third and Fourth
7	05069148AA	1	T			ED3	DD7		RING
8	05191017AA	1	T			ED3	DD7		SYNCHRONIZER, Fifth
9	05069148AA	1	T			ED3	DD7		RING
10	68032737AA	1	J, U			ED3	DD7		GEAR, Fifth
11	05191015AB	1	T			ED3	DD7		GEAR, Fourth
12		1	J, U			ED3	DD7		RING, 4th Gear

COMPASS/PATRIOT (MK)

SERIES LINE
H = HIGHLINE T = JEEP - 2WD
L = LOWLINE J = JEEP - 4WD
P = PREMIUM U = JEEP - 4WD (RHD)

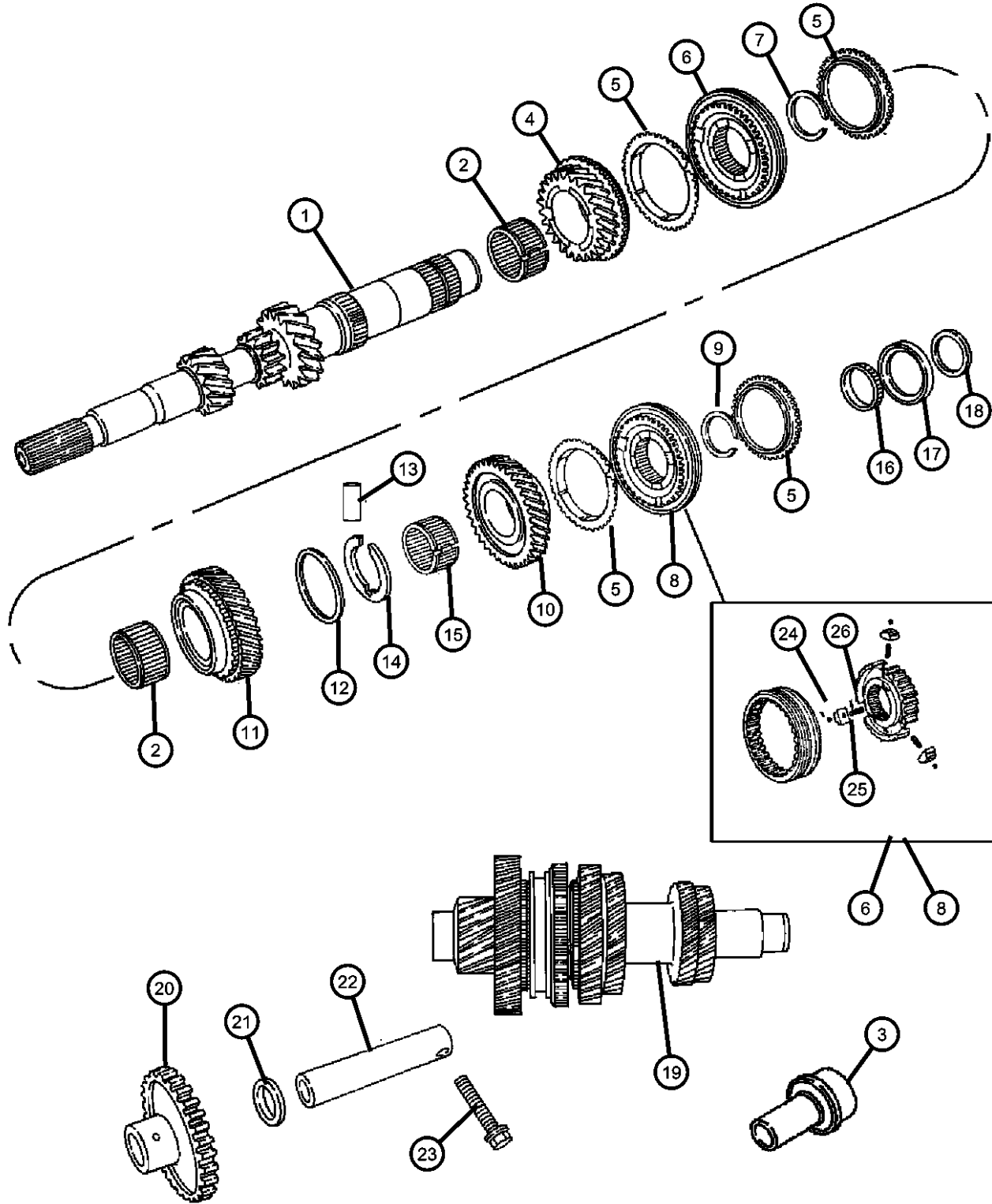
BODY
49 = HATCHBACK TYPE #2
74 = SPORT UTILITY 4-DR
TYPE #4

ENGINE TRANSMISSION
ECE = 2.0L 4 Cyl DOHC DPF Diesel Engine DEF = 6-Speed Manual Aisin BG6 Trans
ED3 = 2.4L 4 Cyl DOHC 16V Dual VVT Engine DD7 = 5-Speed Manual T355 Transmission
ECD = 2.0L 4 Cyl DOHC Diesel 16V Engine DAV = Continuously Variable Transaxle II
ECN = 2.0L 4 Cyl DOHC 16V Dual VVT Engine DAW = Cont.Var. w/Off-Rd Crawl Ratio Trans

AR = use ase required - = Non illustrated part

2008 MK

**Input Shaft, Counter Shaft And Reverse Shaft
Figure 021DD7-606**



ITEM	PART NUMBER	QTY	LINE	SERIES	BODY	ENGINE	TRANS	TRIM	DESCRIPTION
23									BOLT AND CONED WASHER, Hex Head, M8x45x17
	06100299	16	T			ED3	DD7		
		16	J, U			ED3	DD7		
24		16							BALL, Pivot, Serviced in Assembly, (NOT SERVICED)
25		16							KEY, Synchronizer, Serviced in Assembly, (NOT SERVICED)
26		16							SPRING, Synchronizer, Serviced in Assembly, (NOT SERVICED)

COMPASS/PATRIOT (MK)

SERIES LINE
H = HIGHLINE T = JEEP - 2WD
L = LOWLINE J = JEEP - 4WD
P = PREMIUM U = JEEP - 4WD (RHD)

BODY
49 = HATCHBACK TYPE #2
74 = SPORT UTILITY 4-DR
TYPE #4

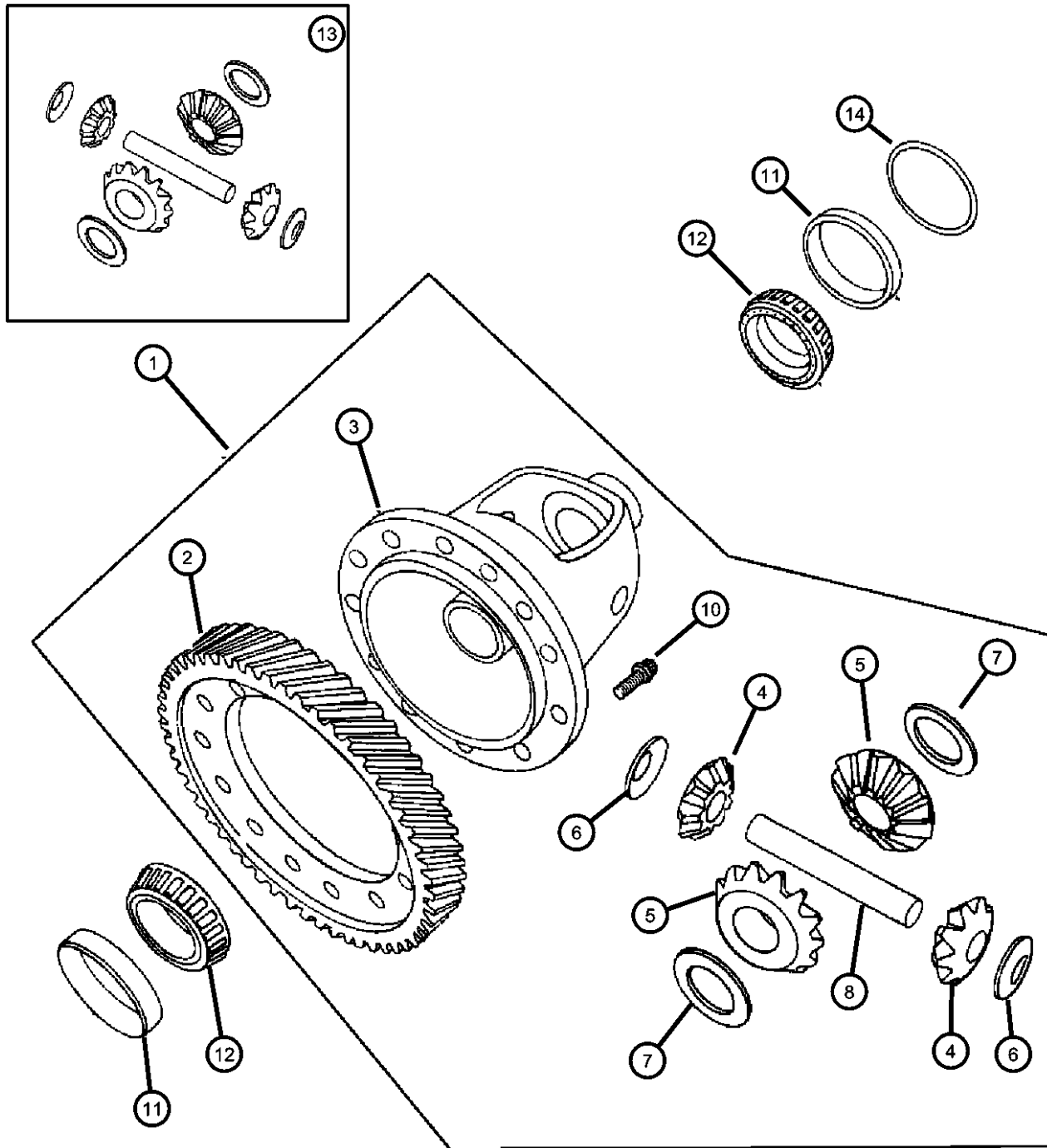
ENGINE
ECE = 2.0L 4 Cyl DOHC DPF Diesel Engine
ED3 = 2.4L 4 Cyl DOHC 16V Dual VVT Engine
ECD = 2.0L 4 Cyl DOHC Diesel 16V Engine
ECN = 2.0L 4 Cyl DOHC 16V Dual VVT Engine

TRANSMISSION
DEF = 6-Speed Manual Aisin BG6 Trans
DD7 = 5-Speed Manual T355 Transmission
DAV = Continuously Variable Transaxle II
DAW = Cont.Var. w/Off-Rd Crawl Ratio Trans

AR = use ase required - = Non illustrated part

2008 MK

**Differential
Figure 021DD7-905**



ITEM	PART NUMBER	QTY	LINE	SERIES	BODY	ENGINE	TRANS	TRIM	DESCRIPTION
	04567025AB	2	T			ED3	DD7		
		1	J, U			ED3	DD7		
13	05191034AA	1	T			ED3	DD7		GEAR PACKAGE, Differential
14	05222345	1	T			ED3	DD7		SHIM, Final Drive, .50mm
-15	05222346	1	T			ED3	DD7		SHIM, Final Drive, .54mm
-16	05222347	1	T			ED3	DD7		SHIM, Final Drive, .58mm
-17	05222348	1	T			ED3	DD7		SHIM, Final Drive, .62mm
-18	05222349	1	T			ED3	DD7		SHIM, Final Drive, .66mm
-19	05222350	1	T			ED3	DD7		SHIM, Final Drive, .70mm
-20	05222351	1	T			ED3	DD7		SHIM, Final Drive, .74mm
-21	05222352	1	T			ED3	DD7		SHIM, Final Drive, .78mm
-22	05222353	1	T			ED3	DD7		SHIM, Final Drive, .82mm
-23	05222354	1	T			ED3	DD7		SHIM, Final Drive, .86mm
-24	05222355	1	T			ED3	DD7		SHIM, Final Drive, .90mm
-25	05222356	1	T			ED3	DD7		SHIM, Final Drive, .94mm
-26	05222357	1	T			ED3	DD7		SHIM, Final Drive, .98mm
-27	05222358	1	T			ED3	DD7		SHIM, Final Drive, 1.02mm
-28	05222359	1	T			ED3	DD7		SHIM, Final Drive, 1.06mm
-29	05222360	1	T			ED3	DD7		SPACER, Final Drive, 1.10mm
-30	05222361	1	T			ED3	DD7		SPACER, Final Drive, 1.14mm
-31	05222362	1	T			ED3	DD7		SHIM, Final Drive, 1.18mm
-32	05222363	1	T			ED3	DD7		SHIM, Final Drive, 1.22mm
-33	05222364	1	T			ED3	DD7		SHIM, Final Drive, 1.26mm
-34	05222365	1	T			ED3	DD7		SHIM, Final Drive, 1.30mm
-35	05222366	1	T			ED3	DD7		SHIM, Final Drive, 1.34mm
-36	05222367	1	T			ED3	DD7		SHIM, Final Drive, 1.38mm
-37	05222369	1	T			ED3	DD7		SHIM, Final Drive, 1.46mm
-38	05222370	1	T			ED3	DD7		SPACER, Final Drive, 1.50mm
-39	05222371	1	T			ED3	DD7		SPACER, Final Drive, 1.54mm
-40	05222372	1	T			ED3	DD7		SPACER, Final Drive, 1.58mm

COMPASS/PATRIOT (MK)

SERIES LINE
H = HIGHLINE T = JEEP - 2WD
L = LOWLINE J = JEEP - 4WD
P = PREMIUM U = JEEP - 4WD (RHD)

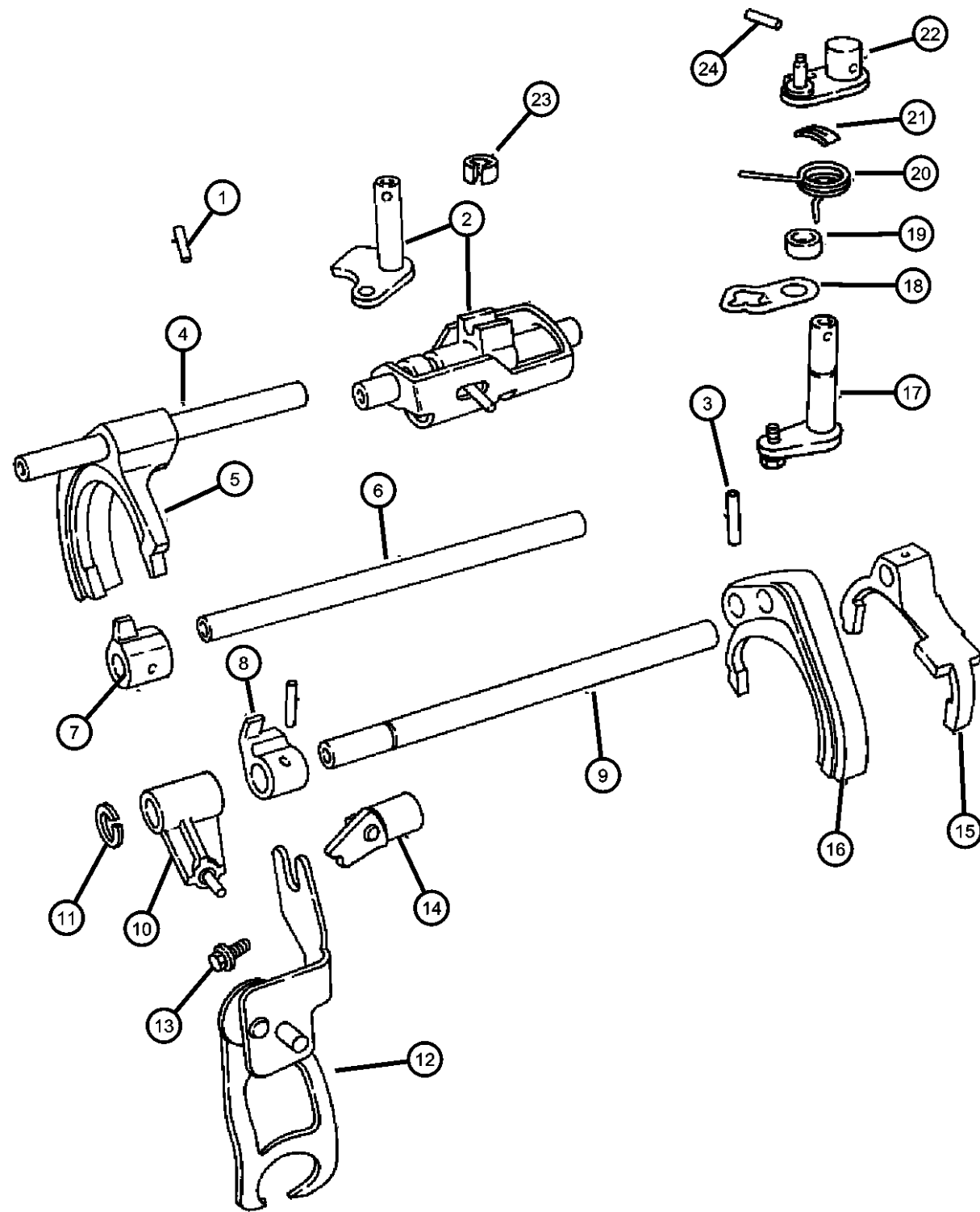
BODY
49 = HATCHBACK TYPE #2
74 = SPORT UTILITY 4-DR
TYPE #4

ENGINE TRANSMISSION
ECE = 2.0L 4 Cyl DOHC DPF DEF = 6-Speed Manual Aisin BG6
Diesel Engine Trans
ED3 = 2.4L 4 Cyl DOHC 16V DD7 = 5-Speed Manual T355
Dual VVT Engine Transmission
ECD = 2.0L 4 Cyl DOHC DAV = Continuously Variable
Diesel 16V Engine Transaxle II
ECN = 2.0L 4 Cyl DOHC 16V DAW = Cont.Var. w/Off-Rd Crawl
Dual VVT Engine Ratio Trans

AR = use ase required - = Non illustrated part

2008 MK

Shift Forks And Rails
Figure 021DD7-1005



ITEM	PART NUMBER	QTY	LINE	SERIES	BODY	ENGINE	TRANS	TRIM	DESCRIPTION
1									PIN, Shift Shaft
	04778249	1	J, U			ED3	DD7		
		1	T			ED3	DD7		
2									BLOCKER, Shift
	05191019AA	1	T			ED3	DD7		
		1	J, U			ED3	DD7		
3	05010082AB	1	T			ED3	DD7		PIN, Roll
4									RAIL, First and Second Shift
	04761176	1	T			ED3	DD7		Includes: Fork, Rail & Pin
		1	J, U			ED3	DD7		Includes: Fork, Rail & Pin
5									FORK, Transmission
	04796649AB	1	T			ED3	DD7		
		1	J, U			ED3	DD7		
6									RAIL, First and Second Shift
	04761176	1	T			ED3	DD7		[3Rd] & [4Th] Shift
		1	J, U			ED3	DD7		[3Rd] & [4Th] Shift
7									LUG, Third and Fourth Shift
	04761179	1	T			ED3	DD7		
		1	J, U			ED3	DD7		
8									LUG, Fifth and Reverse
	04761181	1	T			ED3	DD7		
		1	J, U			ED3	DD7		
9									RAIL, Fifth and Reverse Shift
	05191022AA	1	T			ED3	DD7		
		1	J, U			ED3	DD7		
10									ARM, Reverse Lever
	04761182	1	T			ED3	DD7		
		1	J, U			ED3	DD7		
11									SNAP RING
	06501862	1	T			ED3	DD7		
		1	J, U			ED3	DD7		
12									BRACKET, Reverse Shift Rod
	04761152	1	T			ED3	DD7		

COMPASS/PATRIOT (MK)

SERIES LINE
H = HIGHLINE T = JEEP - 2WD
L = LOWLINE J = JEEP - 4WD
P = PREMIUM U = JEEP - 4WD (RHD)

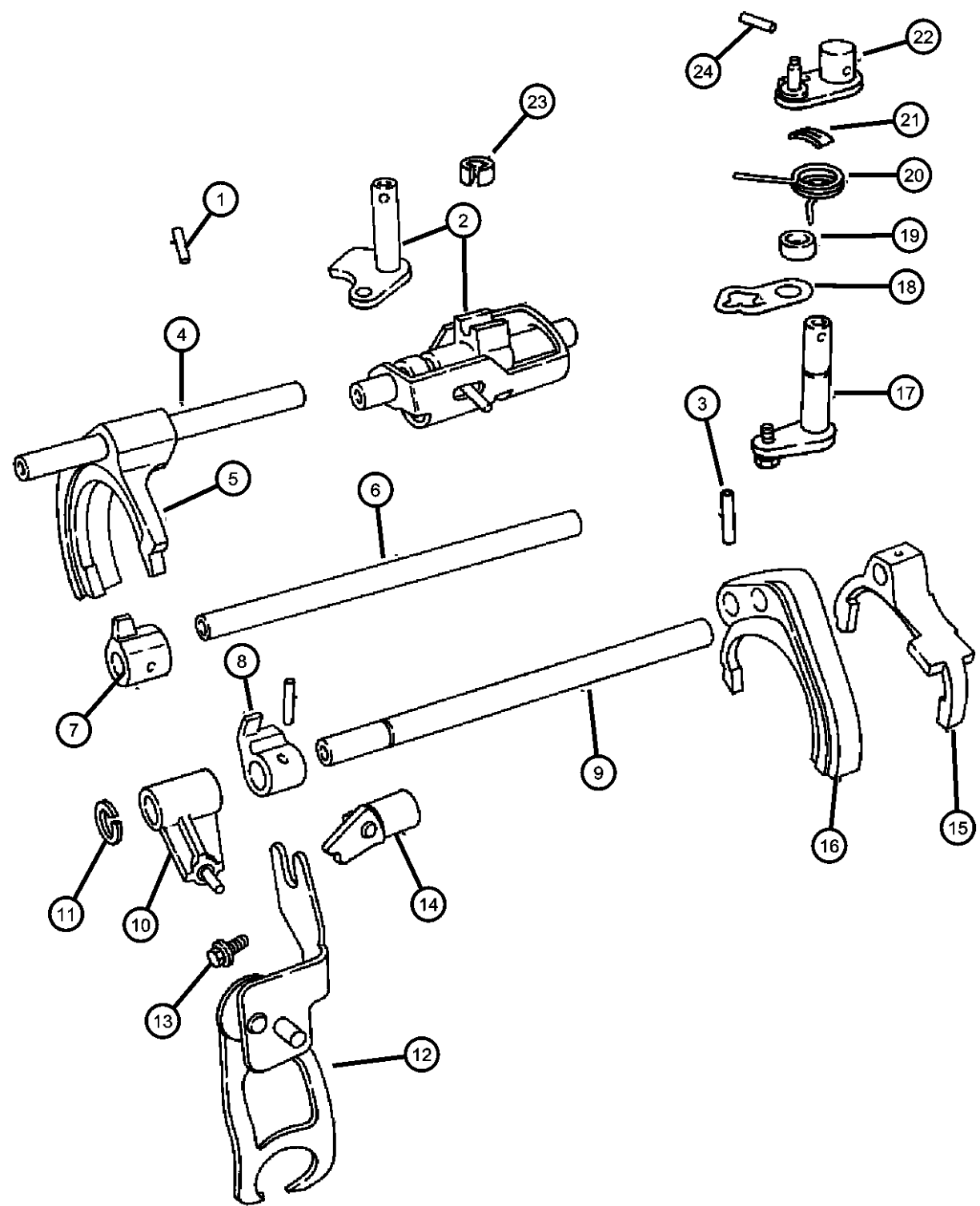
BODY
49 = HATCHBACK TYPE #2
74 = SPORT UTILITY 4-DR
TYPE #4

ENGINE TRANSMISSION
ECE = 2.0L 4 Cyl DOHC DPF DEF = 6-Speed Manual Aisin BG6
Diesel Engine Trans
ED3 = 2.4L 4 Cyl DOHC 16V DD7 = 5-Speed Manual T355
Dual VVT Engine Transmission
ECD = 2.0L 4 Cyl DOHC DAV = Continuously Variable
Diesel 16V Engine Transaxle II
ECN = 2.0L 4 Cyl DOHC 16V DAW = Cont.Var. w/Off-Rd Crawl
Dual VVT Engine Ratio Trans

AR = use ase required - = Non illustrated part

2008 MK

Shift Forks And Rails
Figure 021DD7-1005

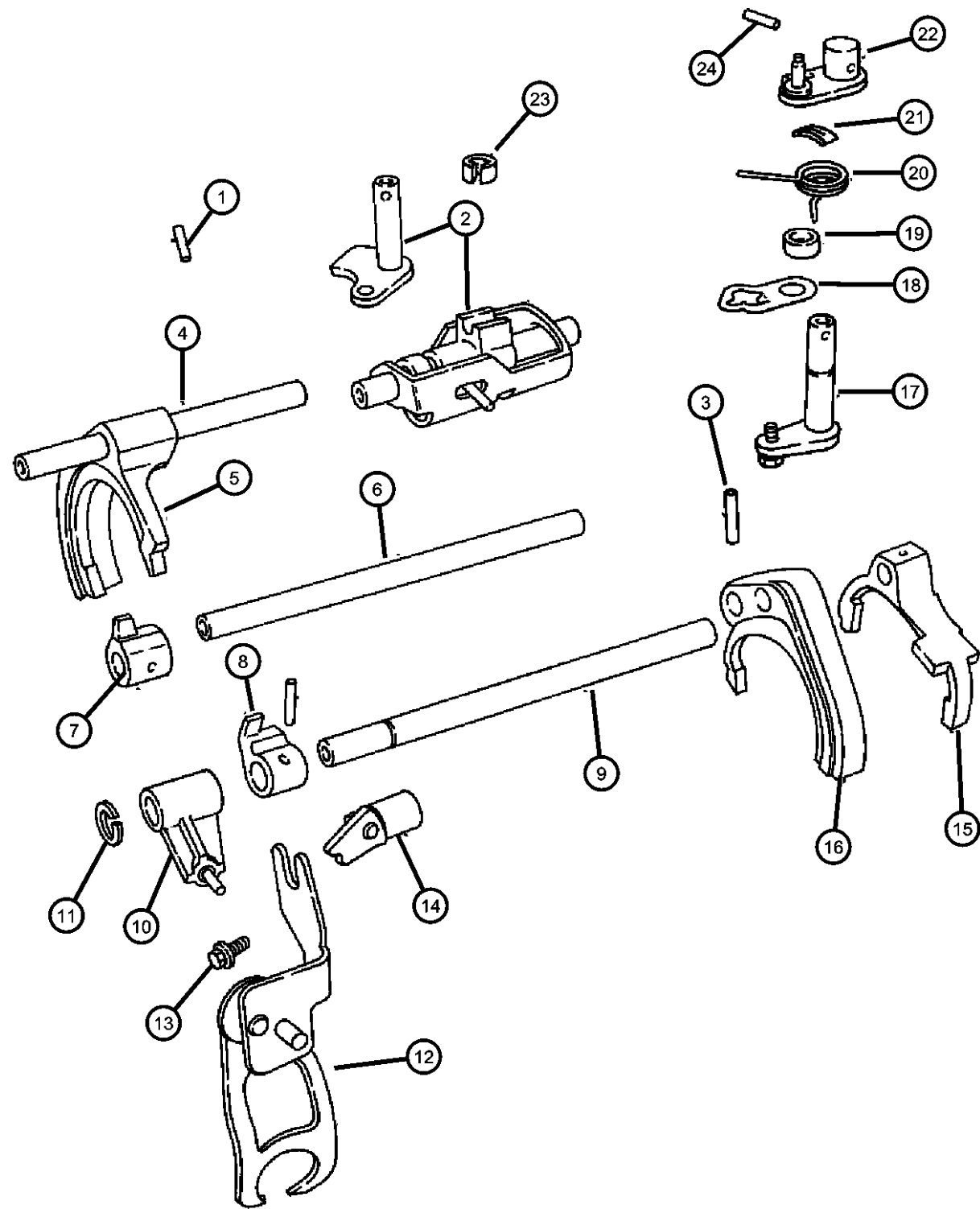


ITEM	PART NUMBER	QTY	LINE	SERIES	BODY	ENGINE	TRANS	TRIM	DESCRIPTION
13		1	J, U			ED3	DD7		SCREW, Reverse Bracket
	04761153	2	T			ED3	DD7		
		2	J, U			ED3	DD7		
14		1	T			ED3	DD7		CAM, Reverse Block
	04761154	1	T			ED3	DD7		
		1	J, U			ED3	DD7		
15		1	T			ED3	DD7		FORK, Fifth and Reverse
	05191024AA	1	T			ED3	DD7		
		1	J, U			ED3	DD7		
16		1	T			ED3	DD7		LUG, Third and Fourth Shift Includes:[3-4] Fork
	04761179	1	T			ED3	DD7		
		1	J, U			ED3	DD7		Includes:[3-4] Fork
17		1	T			ED3	DD7		LEVER, Crossover
	04761147	1	T			ED3	DD7		
		1	J, U			ED3	DD7		
18		1	T			ED3	DD7		PLATE, Crossover Stop
	04761148	1	T			ED3	DD7		
		1	J, U			ED3	DD7		
19		1	T			ED3	DD7		SPACER, Inner Crossover Lever
	04761151	1	T			ED3	DD7		
		1	J, U			ED3	DD7		
20		1	T			ED3	DD7		SPRING, Crossover Lever
	04761149	1	T			ED3	DD7		
		1	J, U			ED3	DD7		
21		1	T			ED3	DD7		RETAINER, Spring
	04761150	1	T			ED3	DD7		
		1	J, U			ED3	DD7		
22		1	T			ED3	DD7		LEVER, Crossover
	05189983AA	1	T			ED3	DD7		
		1	J, U			ED3	DD7		
23		1	T			ED3	DD7		CLIP, Detent Shaft

COMPASS/PATRIOT (MK)
 SERIES LINE BODY ENGINE TRANSMISSION
 H = HIGHLINE T = JEEP - 2WD 49 = HATCHBACK TYPE #2 ECE = 2.0L 4 Cyl DOHC DPF DEF = 6-Speed Manual Aisin BG6
 L = LOWLINE J = JEEP - 4WD 74 = SPORT UTILITY 4-DR Diesel Engine Trans
 P = PREMIUM U = JEEP - 4WD (RHD) TYPE #4 ED3 = 2.4L 4 Cyl DOHC 16V DD7 = 5-Speed Manual T355
 Dual VVT Engine Transmission
 ECD = 2.0L 4 Cyl DOHC DAV = Continuously Variable
 Diesel 16V Engine Transaxle II
 ECN = 2.0L 4 Cyl DOHC 16V DAW = Cont.Var. w/Off-Rd Crawl
 Dual VVT Engine Ratio Trans

AR = use ase required - = Non illustrated part

Shift Forks And Rails
Figure 021DD7-1005



ITEM	PART NUMBER	QTY	LINE	SERIES	BODY	ENGINE	TRANS	TRIM	DESCRIPTION
24	04761158	2	T			ED3	DD7		PIN, Shift Shaft
		2	J, U			ED3	DD7		
	04778249	1	T			ED3	DD7		
		1	J, U			ED3	DD7		

COMPASS/PATRIOT (MK)

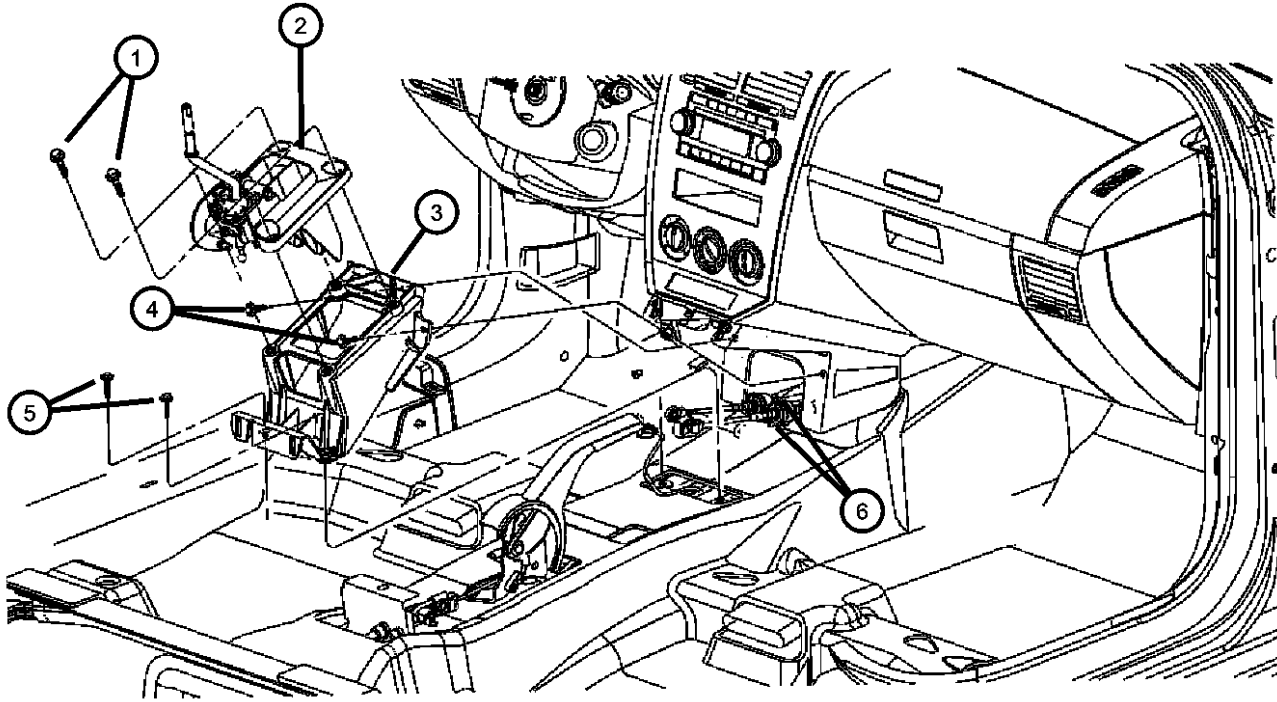
SERIES	LINE	BODY	ENGINE	TRANSMISSION
H = HIGHLINE	T = JEEP - 2WD	49 = HATCHBACK TYPE #2	ECE = 2.0L 4 Cyl DOHC DPF Diesel Engine	DEF = 6-Speed Manual Aisin BG6 Trans
L = LOWLINE	J = JEEP - 4WD	74 = SPORT UTILITY 4-DR TYPE #4	ED3 = 2.4L 4 Cyl DOHC 16V Dual VVT Engine	DD7 = 5-Speed Manual T355 Transmission
P = PREMIUM	U = JEEP - 4WD (RHD)		ECD = 2.0L 4 Cyl DOHC Diesel 16V Engine	DAV = Continuously Variable Transaxle II
			ECN = 2.0L 4 Cyl DOHC 16V Dual VVT Engine	DAW = Cont.Var. w/Off-Rd Crawl Ratio Trans

AR = use ase required - = Non illustrated part

2008 MK

**Gear Shift Lever
Figure 021DD7-1105**

ITEM	PART NUMBER	QTY	LINE	SERIES	BODY	ENGINE	TRANS	TRIM	DESCRIPTION
1	06104392AA	4	J, T, U				DD7, DEF		SCREW AND WASHER, Hex Head, M8x1.25x40
2	05106040AB	1	J, T, U				DD7		SHIFTER, Transmission
3	05291763AB	1	J, T, U				DD7, DEF		BRACKET, Gearshift
4	06105099AA	2	J, T, U						SCREW AND WASHER, Hex Head, M6X1.0X30.00
5	06105099AA	2	J, T, U						SCREW AND WASHER, Hex Head, M6X1.0X30.00
6	05062120AC	1	J, T, U				DD7		CABLE, Gearshift Control
-7	68018106AA	1	J, T, U				DD7		CLIP, Retainer



COMPASS/PATRIOT (MK)

SERIES LINE
H = HIGHLINE T = JEEP - 2WD
L = LOWLINE J = JEEP - 4WD
P = PREMIUM U = JEEP - 4WD (RHD)

BODY
49 = HATCHBACK TYPE #2
74 = SPORT UTILITY 4-DR TYPE #4

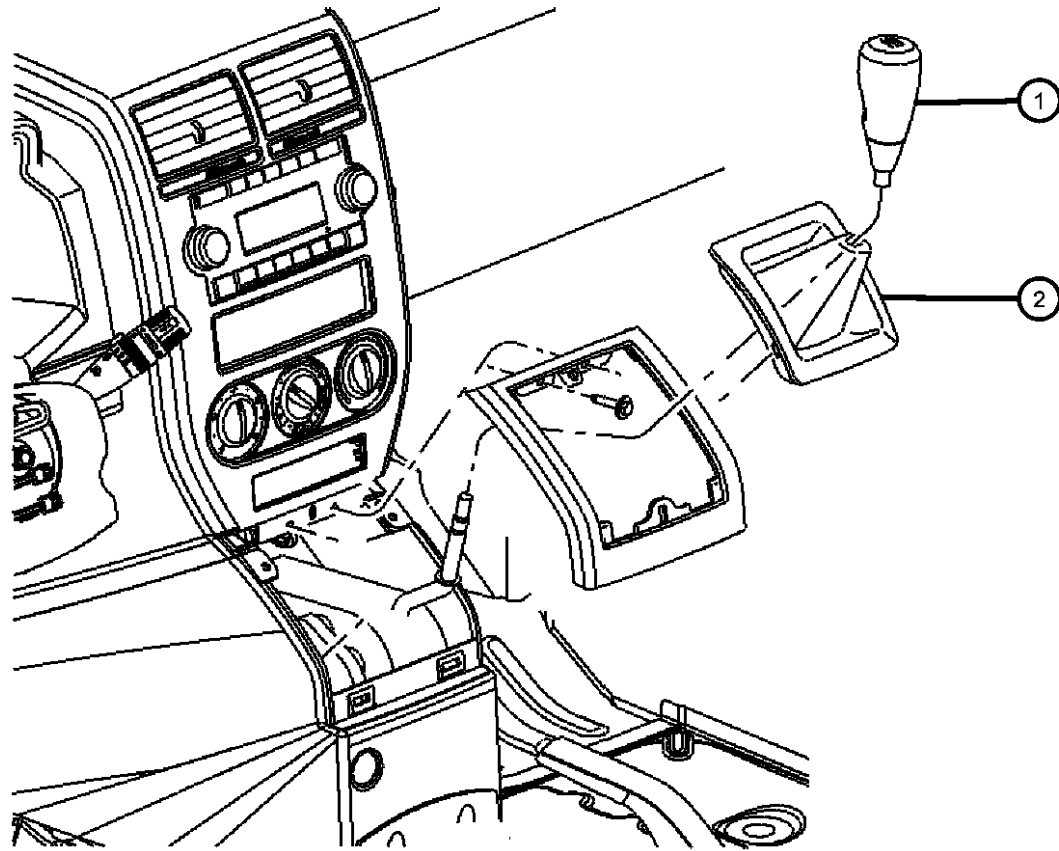
ENGINE TRANSMISSION
ECE = 2.0L 4 Cyl DOHC DPF Diesel Engine DEF = 6-Speed Manual Aisin BG6 Trans
ED3 = 2.4L 4 Cyl DOHC 16V Dual VVT Engine DD7 = 5-Speed Manual T355 Transmission
ECD = 2.0L 4 Cyl DOHC Diesel 16V Engine DAV = Continuously Variable Transaxle II
ECN = 2.0L 4 Cyl DOHC 16V Dual VVT Engine DAW = Cont.Var. w/Off-Rd Crawl Ratio Trans

AR = use ase required - = Non illustrated part

2008 MK

**Gear Shift Boot, Knob and Bezel
Figure 021DD7-1110**

ITEM	PART NUMBER	QTY	LINE	SERIES	BODY	ENGINE	TRANS	TRIM	DESCRIPTION
1	05273342AB	1	J, T, U				DD7		KNOB, Gearshift
2	05273434AC	1	J, T, U				DD7		BOOT, Gearshift



COMPASS/PATRIOT (MK)

SERIES LINE
H = HIGHLINE T = JEEP - 2WD
L = LOWLINE J = JEEP - 4WD
P = PREMIUM U = JEEP - 4WD (RHD)

BODY
49 = HATCHBACK TYPE #2
74 = SPORT UTILITY 4-DR
TYPE #4

ENGINE
ECE = 2.0L 4 Cyl DOHC DPF Diesel Engine
ED3 = 2.4L 4 Cyl DOHC 16V Dual VVT Engine
ECD = 2.0L 4 Cyl DOHC Diesel 16V Engine
ECN = 2.0L 4 Cyl DOHC 16V Dual VVT Engine

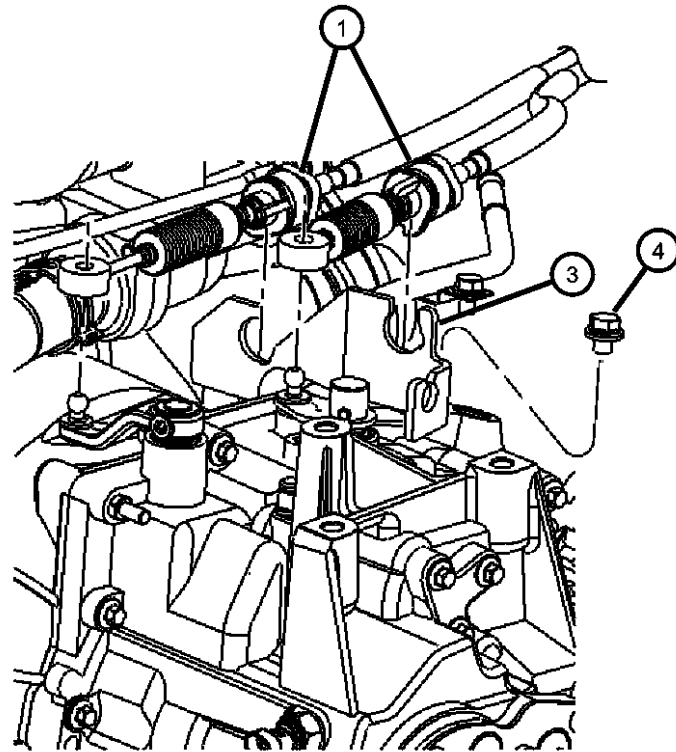
TRANSMISSION
DEF = 6-Speed Manual Aisin BG6 Trans
DD7 = 5-Speed Manual T355 Transmission
DAV = Continuously Variable Transaxle II
DAW = Cont.Var. w/Off-Rd Crawl Ratio Trans

AR = use ase required - = Non illustrated part

2008 MK

**Gear Shift Cable And Bracket
Figure 021DD7-1115**

ITEM	PART NUMBER	QTY	LINE	SERIES	BODY	ENGINE	TRANS	TRIM	DESCRIPTION
1	05062120AC	1	J, T, U				DD7		CABLE, Gearshift Control
-2	68018106AA	1	J, T, U				DD7		CLIP, Retainer
3									BRACKET, Transmission Control Cable
	05189848AA	1	T			ED3	DD7		
		1	J, U			ED3	DD7		
4									BOLT
	05189849AA	3	T			ED3	DD7		
		3	J, U			ED3	DD7		



COMPASS/PATRIOT (MK)

SERIES LINE

H = HIGHLINE T = JEEP - 2WD
L = LOWLINE J = JEEP - 4WD
P = PREMIUM U = JEEP - 4WD (RHD)

BODY

49 = HATCHBACK TYPE #2
74 = SPORT UTILITY 4-DR
TYPE #4

ENGINE

ECE = 2.0L 4 Cyl DOHC DPF Diesel Engine
ED3 = 2.4L 4 Cyl DOHC 16V Dual VVT Engine
ECD = 2.0L 4 Cyl DOHC Diesel 16V Engine
ECN = 2.0L 4 Cyl DOHC 16V Dual VVT Engine

TRANSMISSION

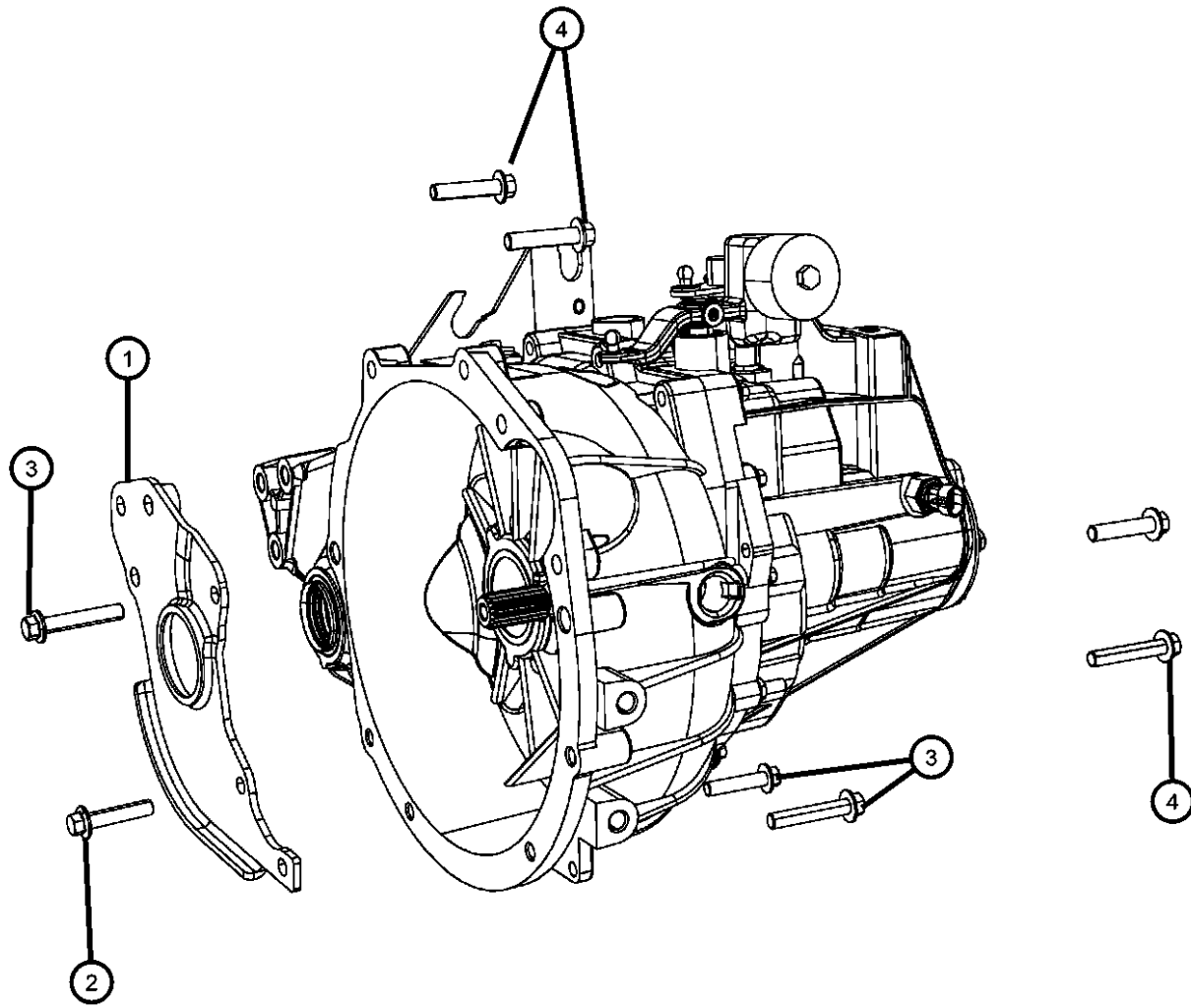
DEF = 6-Speed Manual Aisin BG6 Trans
DD7 = 5-Speed Manual T355 Transmission
DAV = Continuously Variable Transaxle II
DAW = Cont.Var. w/Off-Rd Crawl Ratio Trans

AR = use ase required - = Non illustrated part

2008 MK

**Mounting Bolts
Figure 021DD7-1215**

ITEM	PART NUMBER	QTY	LINE	SERIES	BODY	ENGINE	TRANS	TRIM	DESCRIPTION
1	05106051AA	1	T			ED3	DD7		REINFORCEMENT
2									BOLT, Hex Flange Head, [M10X1.25X45.00]
	06508882AA	4	T				DD7		
		6	J, U				DD7		
3	06508881AA	3	J, T, U				DD7		BOLT, Hex Flange Head, M10x1.25x55.00
4	06509052AA	1	J, T, U				DD7		BOLT, Hex Flange Head, [M10X1.25X60.00]



COMPASS/PATRIOT (MK)

SERIES	LINE	BODY	ENGINE	TRANSMISSION
H = HIGHLINE	T = JEEP - 2WD	49 = HATCHBACK TYPE #2	ECE = 2.0L 4 Cyl DOHC DPF Diesel Engine	DEF = 6-Speed Manual Aisin BG6 Trans
L = LOWLINE	J = JEEP - 4WD	74 = SPORT UTILITY 4-DR TYPE #4	ED3 = 2.4L 4 Cyl DOHC 16V Dual VVT Engine	DD7 = 5-Speed Manual T355 Transmission
P = PREMIUM	U = JEEP - 4WD (RHD)		ECD = 2.0L 4 Cyl DOHC Diesel 16V Engine	DAV = Continuously Variable Transaxle II
			ECN = 2.0L 4 Cyl DOHC 16V Dual VVT Engine	DAW = Cont.Var. w/Off-Rd Crawl Ratio Trans

AR = use ase required - = Non illustrated part

2008 MK

Group - 021DEF

BG6; 6-Speed; Manual Transaxle

Group - 021DEF BG6; 6-Speed; Manual Transaxle

Illustration Title

Group-Fig. No.

Manual Transaxle

Transmission / Transaxle Assembly Fig. 021DEF - 105

Gearshift Controls and Related Parts

Gear Shift Lever Fig. 021DEF - 1105

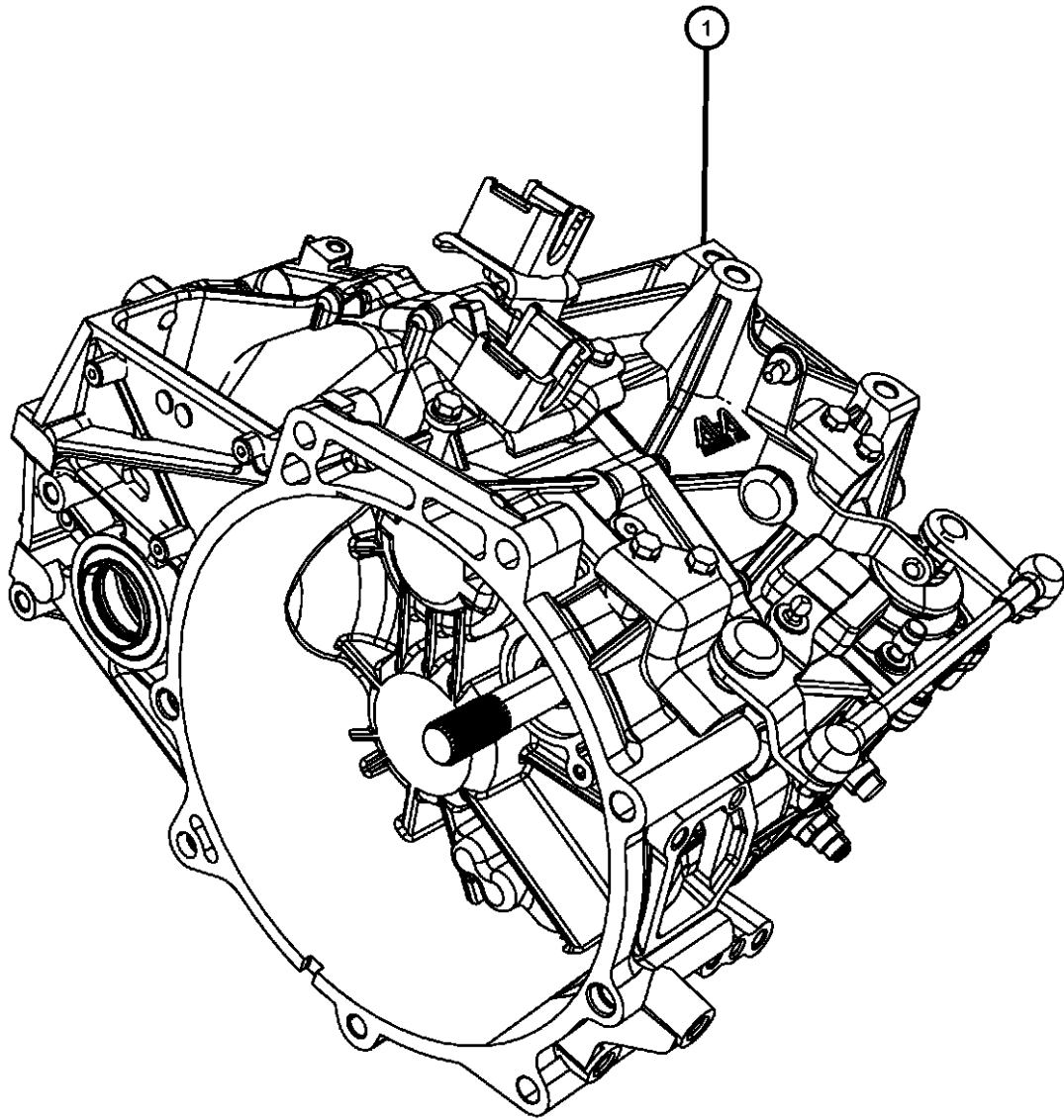
Gear Shift Boot, Knob and Bezel Fig. 021DEF - 1110

Gear Shift Cable And Bracket Fig. 021DEF - 1115

<p>021DEF-100 Manual Transaxle</p>	<p>021DEF-1100 Gearshift Controls and Related Parts</p>		
---	--	--	--

**Transmission / Transaxle Assembly
Figure 021DEF-105**

ITEM	PART NUMBER	QTY	LINE	SERIES	BODY	ENGINE	TRANS	TRIM	DESCRIPTION
1	05273278AD	1	J, U			ECD, ECE	DEF		TRANSMISSION, 6 speed



COMPASS/PATRIOT (MK)

SERIES	LINE
H = HIGHLINE	T = JEEP - 2WD
L = LOWLINE	J = JEEP - 4WD
P = PREMIUM	U = JEEP - 4WD (RHD)

BODY
49 = HATCHBACK TYPE #2
74 = SPORT UTILITY 4-DR TYPE #4

ENGINE
ECE = 2.0L 4 Cyl DOHC DPF Diesel Engine
ED3 = 2.4L 4 Cyl DOHC 16V Dual VVT Engine
ECD = 2.0L 4 Cyl DOHC Diesel 16V Engine
ECN = 2.0L 4 Cyl DOHC 16V Dual VVT Engine

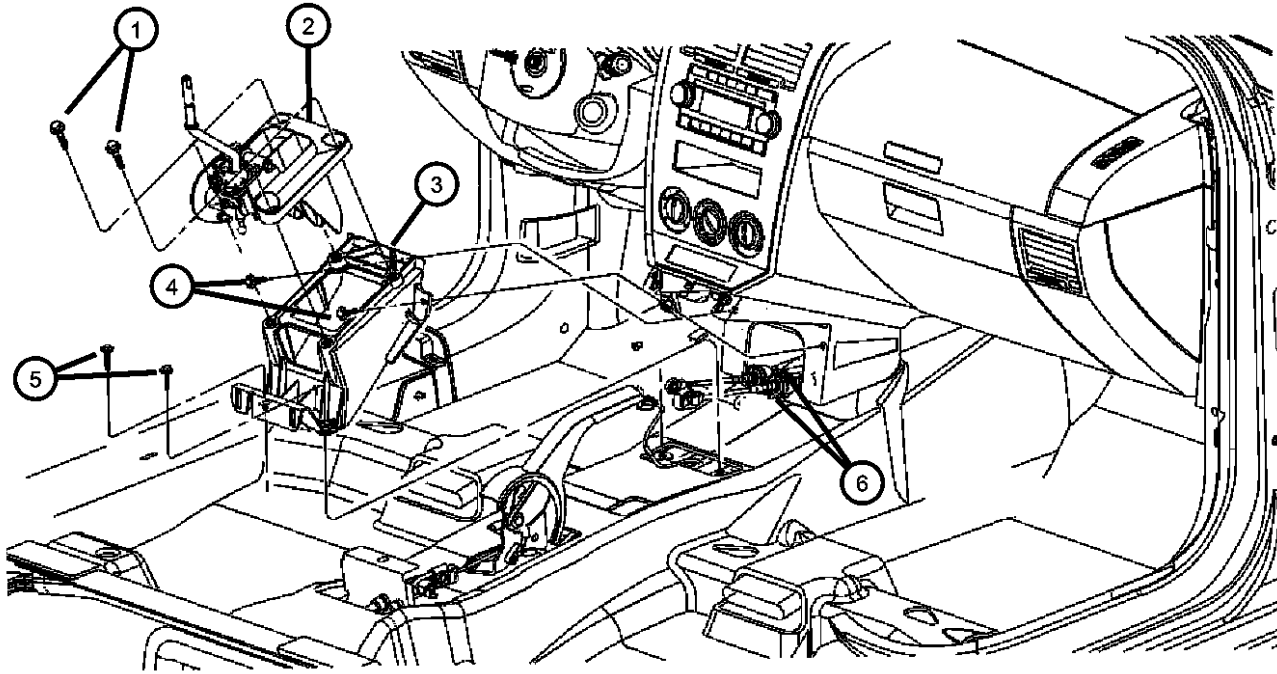
TRANSMISSION
DEF = 6-Speed Manual Aisin BG6 Trans
DD7 = 5-Speed Manual T355 Transmission
DAV = Continuously Variable Transaxle II
DAW = Cont.Var. w/Off-Rd Crawl Ratio Trans

AR = use ase required - = Non illustrated part

2008 MK

**Gear Shift Lever
Figure 021DEF-1105**

ITEM	PART NUMBER	QTY	LINE	SERIES	BODY	ENGINE	TRANS	TRIM	DESCRIPTION
1	06104392AA	4	J, T, U				DD7, DEF		SCREW AND WASHER, Hex Head, M8x1.25x40
2	05106041AB	1	J, T, U				DEF		SHIFTER, Transmission, Includes Knob and Boot
3	05291763AB	1	J, T, U				DD7, DEF		BRACKET, Gearshift
4	06105099AA	2	J, T, U						SCREW AND WASHER, Hex Head, M6X1.0X30.00
5	06105099AA	2	U, J, T						SCREW AND WASHER, Hex Head, M6X1.0X30.00
6	05062125AC	1	J, T, U				DEF		CABLE, Gear Selector
-7	68018106AA	4	J, T, U				DEF		CLIP, Retainer



COMPASS/PATRIOT (MK)

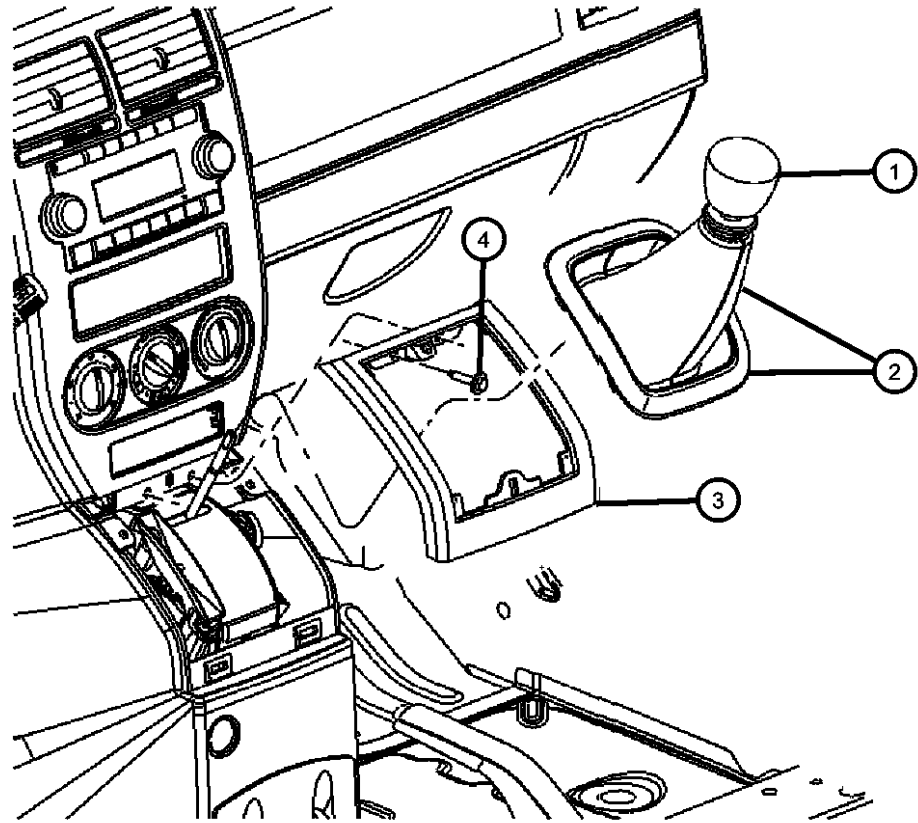
SERIES	LINE	BODY	ENGINE	TRANSMISSION
H = HIGHLINE	T = JEEP - 2WD	49 = HATCHBACK TYPE #2	ECE = 2.0L 4 Cyl DOHC DPF Diesel Engine	DEF = 6-Speed Manual Aisin BG6 Trans
L = LOWLINE	J = JEEP - 4WD	74 = SPORT UTILITY 4-DR TYPE #4	ED3 = 2.4L 4 Cyl DOHC 16V Dual VVT Engine	DD7 = 5-Speed Manual T355 Transmission
P = PREMIUM	U = JEEP - 4WD (RHD)		ECD = 2.0L 4 Cyl DOHC Diesel 16V Engine	DAV = Continuously Variable Transaxle II
			ECN = 2.0L 4 Cyl DOHC 16V Dual VVT Engine	DAW = Cont.Var. w/Off-Rd Crawl Ratio Trans

AR = use ase required - = Non illustrated part

2008 MK

Gear Shift Boot, Knob and Bezel
Figure 021DEF-1110

ITEM	PART NUMBER	QTY	LINE	SERIES	BODY	ENGINE	TRANS	TRIM	DESCRIPTION
1	05273462AB	1	J, T, U				DEF		KNOB, Gearshift
2	05105708AB	1	J, T, U				DEF		BOOT, Gearshift
3									BEZEL, Console Shifter
	0YZ99DSFAB	1	J, T, U						With [DA] Color Code
	0YZ99XZ2AB	1	J, T, U						With [DV] Color Code
4	06105099AA	2	J, T, U						SCREW AND WASHER, Hex Head, M6X1.0X30.00



COMPASS/PATRIOT (MK)

SERIES LINE
H = HIGHLINE T = JEEP - 2WD
L = LOWLINE J = JEEP - 4WD
P = PREMIUM U = JEEP - 4WD (RHD)

BODY
49 = HATCHBACK TYPE #2
74 = SPORT UTILITY 4-DR TYPE #4

ENGINE
ECE = 2.0L 4 Cyl DOHC DPF Diesel Engine
ED3 = 2.4L 4 Cyl DOHC 16V Dual VVT Engine
ECD = 2.0L 4 Cyl DOHC Diesel 16V Engine
ECN = 2.0L 4 Cyl DOHC 16V Dual VVT Engine

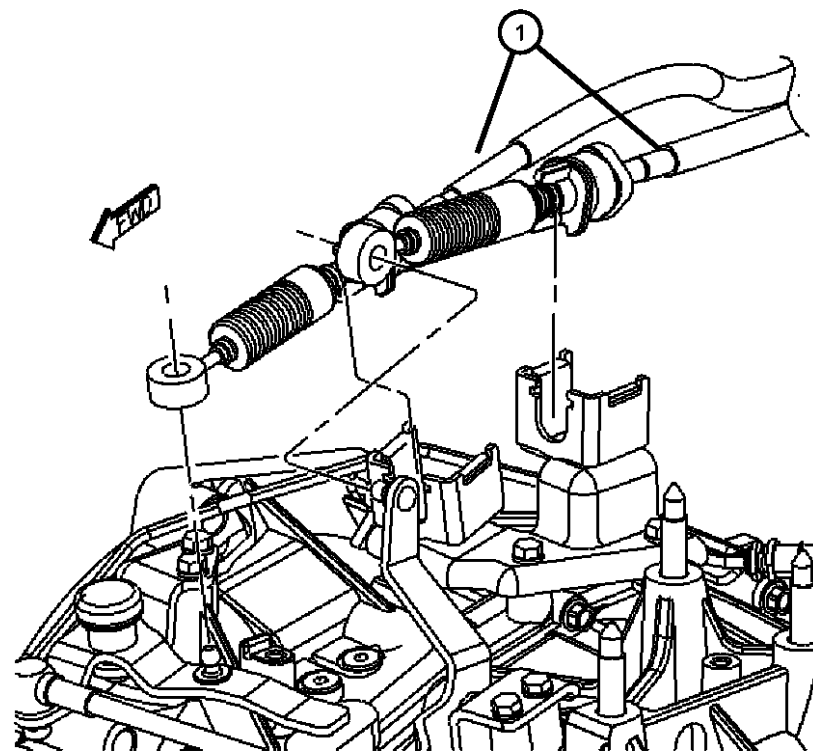
TRANSMISSION
DEF = 6-Speed Manual Aisin BG6 Trans
DD7 = 5-Speed Manual T355 Transmission
DAV = Continuously Variable Transaxle II
DAW = Cont.Var. w/Off-Rd Crawl Ratio Trans

AR = use ase required - = Non illustrated part

2008 MK

**Gear Shift Cable And Bracket
Figure 021DEF-1115**

ITEM	PART NUMBER	QTY	LINE	SERIES	BODY	ENGINE	TRANS	TRIM	DESCRIPTION
1	05062125AC	1	J, T, U				DEF		CABLE, Gear Selector
-2	68018106AA	4	J, T, U				DEF		CLIP, Retainer



COMPASS/PATRIOT (MK)

SERIES	LINE	BODY	ENGINE	TRANSMISSION
H = HIGHLINE	T = JEEP - 2WD	49 = HATCHBACK TYPE #2	ECE = 2.0L 4 Cyl DOHC DPF Diesel Engine	DEF = 6-Speed Manual Aisin BG6 Trans
L = LOWLINE	J = JEEP - 4WD	74 = SPORT UTILITY 4-DR TYPE #4	ED3 = 2.4L 4 Cyl DOHC 16V Dual VVT Engine	DD7 = 5-Speed Manual T355 Transmission
P = PREMIUM	U = JEEP - 4WD (RHD)		ECD = 2.0L 4 Cyl DOHC Diesel 16V Engine	DAV = Continuously Variable Transaxle II
			ECN = 2.0L 4 Cyl DOHC 16V Dual VVT Engine	DAW = Cont.Var. w/Off-Rd Crawl Ratio Trans

AR = use ase required - = Non illustrated part

2008 MK

Group - 021DAV

CVT2; Variable Speed; Automatic Transaxle

Group - 021DAV CVT2; Variable Speed; Automatic Transaxle

Illustration Title

Group-Fig. No.

Automatic Transmission / Transaxle and Torque Converter

Transmission / Transaxle Assembly	Fig. 021DAV - 105
Transmission Serviceable Parts	Fig. 021DAV - 150

Case, Extension, Oil Pan, and Indicator (Dipstick)

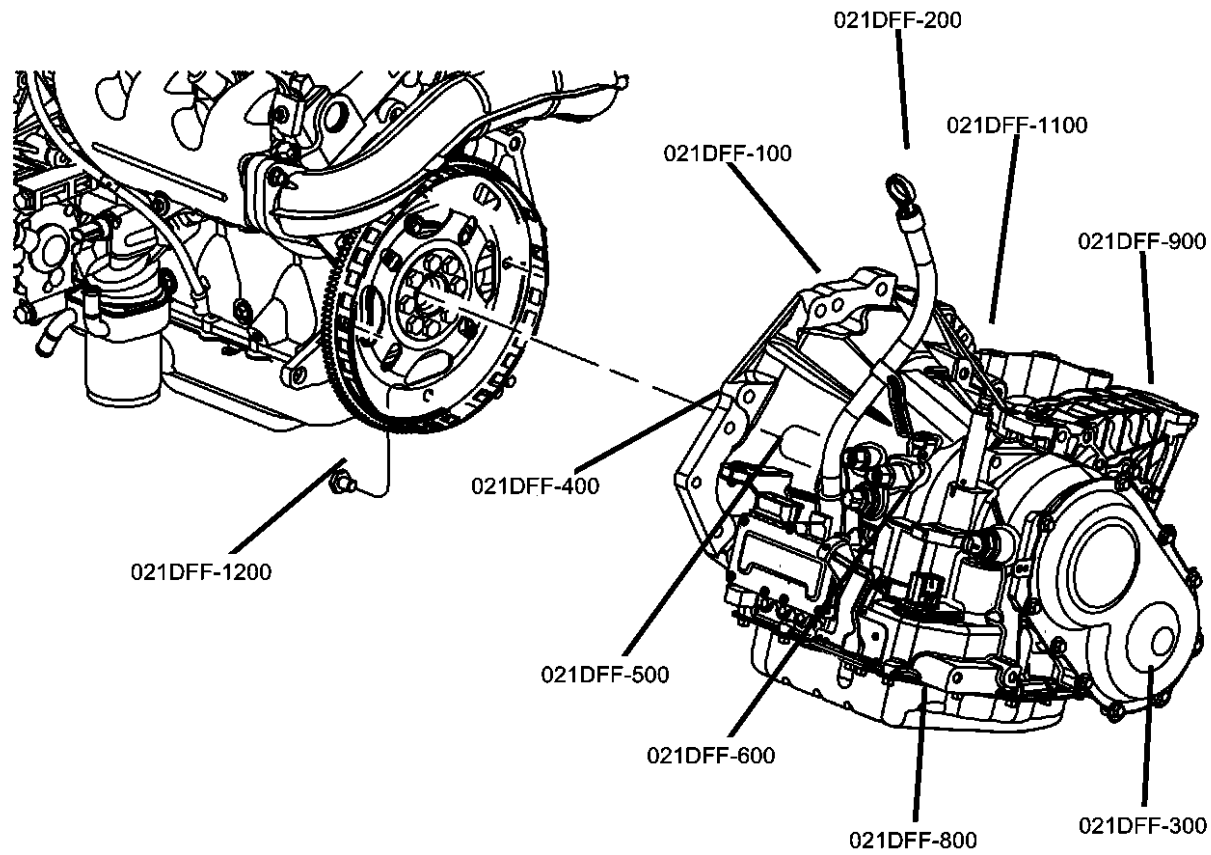
Oil Fill Tube And Related Parts	Fig. 021DAV - 225
Sensors, Vents And Quick Connectors	Fig. 021DAV - 240

Gearshift Controls and Related Parts

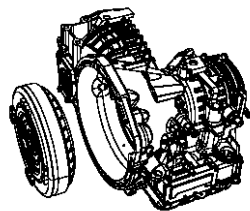
Gearshift Controls	Fig. 021DAV - 1105
Gearshift Lever, Cable and Bracket	Fig. 021DAV - 1115

Mounting and Skid Plate

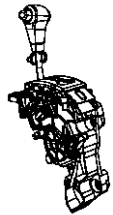
Mounting Bolts	Fig. 021DAV - 1215
----------------------	--------------------



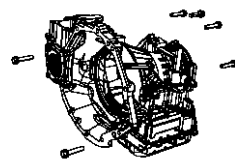
021DAV-100
Automatic Transmission /
Transaxle and Torque Converter



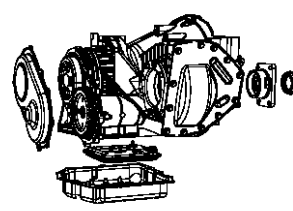
021DAV-1100
Gearshift Controls and Related
Parts



021DAV-1200
Mounting and Skid Plate



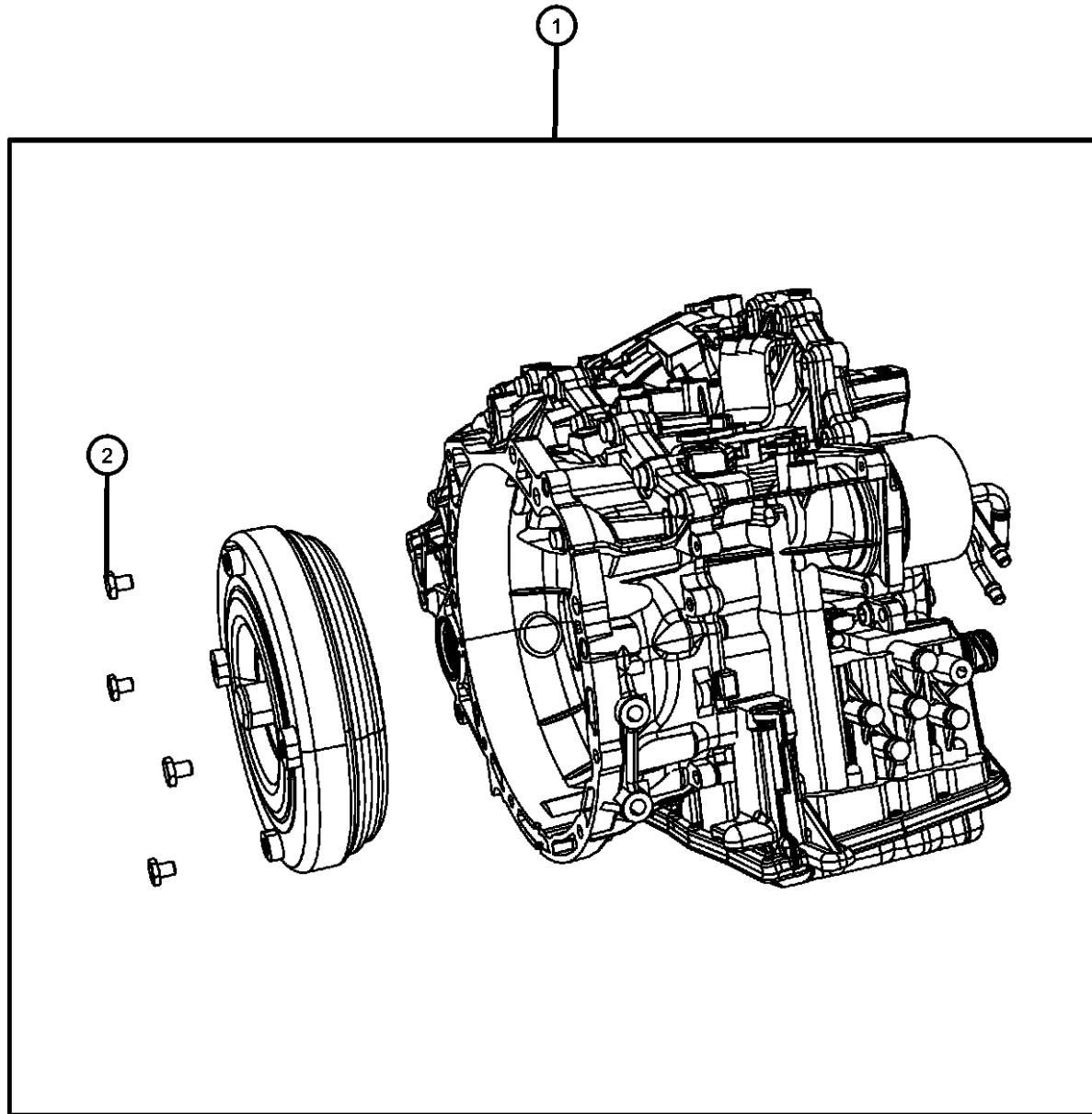
021DAV-200
Case, Extension, Oil Pan, and
Indicator (Dipstick)



**Transmission / Transaxle Assembly
Figure 021DAV-105**

ITEM	PART NUMBER	QTY	LINE	SERIES	BODY	ENGINE	TRANS	TRIM	DESCRIPTION
------	-------------	-----	------	--------	------	--------	-------	------	-------------

Internal Parts And Some External Parts Are Not Serviced For This Transmission. Serviceable Parts Can Be Found In Illustration 150



1									TRANSAXLE PACKAGE, WITH TORQUE CONVERTER
	68000676AE	1	J, T, U			ECN	DAV		
	68000750AC	1	T			ED3	DAV		
	68004937EA								Mopar CVT+4 Fluid Europe (1-Liter)
	68004942EA								Mopar CVT+4 Fluid Europe (4-Liters)
	05191184AA								Mopar CVT Fluid Quart
	05191185AA								Mopar CVT Fluid Gallon
	68000840AF	1	J, U			ED3	DAV		
	68004937EA								Mopar CVT+4 Fluid Europe (1-Liter)
	68004942EA								Mopar CVT+4 Fluid Europe (4-Liters)
	05191184AA								Mopar CVT Fluid Quart
	05191185AA								Mopar CVT Fluid Gallon
2	06508909AA	4	J, T, U				DAV, DAW		BOLT, Hex Head Lock, M10x1.25x11.00

COMPASS/PATRIOT (MK)

SERIES	LINE
H = HIGHLINE	T = JEEP - 2WD
L = LOWLINE	J = JEEP - 4WD
P = PREMIUM	U = JEEP - 4WD (RHD)

BODY
49 = HATCHBACK TYPE #2
74 = SPORT UTILITY 4-DR TYPE #4

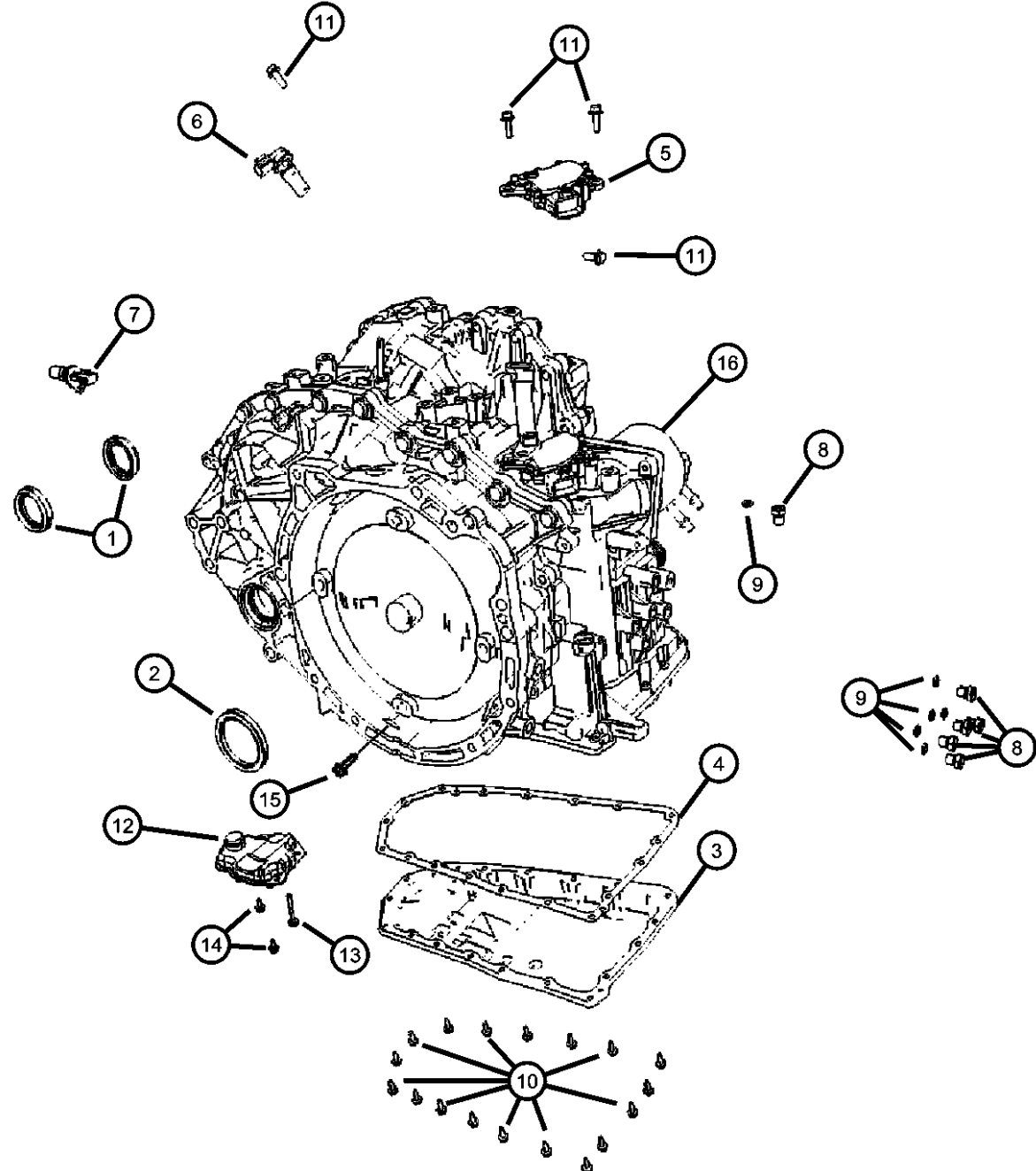
ENGINE
ECE = 2.0L 4 Cyl DOHC DPF Diesel Engine
ED3 = 2.4L 4 Cyl DOHC 16V Dual VVT Engine
ECD = 2.0L 4 Cyl DOHC Diesel 16V Engine
ECN = 2.0L 4 Cyl DOHC 16V Dual VVT Engine

TRANSMISSION
DEF = 6-Speed Manual Aisin BG6 Trans
DD7 = 5-Speed Manual T355 Transmission
DAV = Continuously Variable Transaxle II
DAW = Cont.Var. w/Off-Rd Crawl Ratio Trans

AR = use ase required - = Non illustrated part

2008 MK

**Transmission Serviceable Parts
Figure 021DAV-150**



ITEM	PART NUMBER	QTY	LINE	SERIES	BODY	ENGINE	TRANS	TRIM	DESCRIPTION
------	-------------	-----	------	--------	------	--------	-------	------	-------------

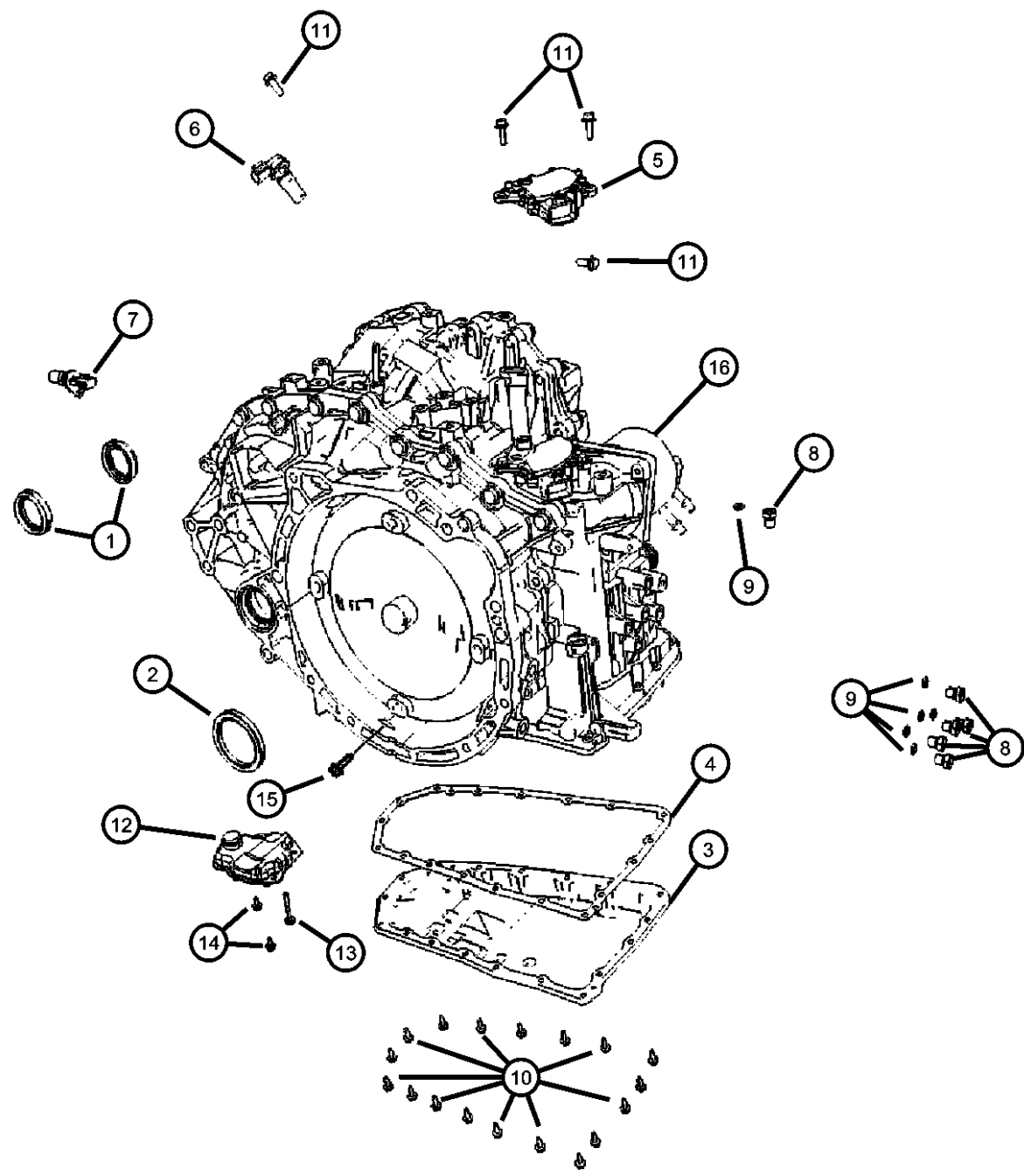
Internal Parts And Some External Parts Are Not Serviced For This Transmission.

1	05189835AA	1	J, T, U			ECN	DAV		SEAL Halfshaft Seal
		1	T			ED3	DAV		Halfshaft Seal
		1	J, U			ED3	DAV		Halfshaft Seal
2	05189836AA	1	J, T, U			ECN	DAV		SEAL, Torque Converter Hub
		1	T			ED3	DAV		
		1	J, U			ED3	DAV		
3	05189837AA	1	J, T, U			ECN	DAV		PAN, Transmission Oil
	68004937EA								Mopar CVT+4 Fluid Europe (4-Liters)
		1	T			ED3	DAV		
	68004937EA								Mopar CVT+4 Fluid Europe (4-Liters)
		1	J, U			ED3	DAV		
	68004937EA								Mopar CVT+4 Fluid Europe (4-Liters)
4	05189838AA	1	J, T, U			ECN	DAV		GASKET, Oil Pan
	68004937EA								Mopar CVT+4 Fluid Europe (4-Liters)
	05191185AA								Mopar CVT Fluid Gallon
	05191184AA								Mopar CVT Fluid Quart
		1	T			ED3	DAV		
	68004937EA								Mopar CVT+4 Fluid Europe (4-Liters)
	05191185AA								Mopar CVT Fluid Gallon
	05191184AA								Mopar CVT Fluid Quart
		1	J, U			ED3	DAV		
	68004937EA								Mopar CVT+4 Fluid Europe (4-Liters)
	05191185AA								Mopar CVT Fluid Gallon
	05191184AA								Mopar CVT Fluid Quart
5									SWITCH, Inhibitor, A/T NEUTRAL, SAFETY, BACK UP

COMPASS/PATRIOT (MK)				
SERIES	LINE	BODY	ENGINE	TRANSMISSION
H = HIGHLINE	T = JEEP - 2WD	49 = HATCHBACK TYPE #2	ECE = 2.0L 4 Cyl DOHC DPF Diesel Engine	DEF = 6-Speed Manual Aisin BG6 Trans
L = LOWLINE	J = JEEP - 4WD	74 = SPORT UTILITY 4-DR TYPE #4	ED3 = 2.4L 4 Cyl DOHC 16V Dual VVT Engine	DD7 = 5-Speed Manual T355 Transmission
P = PREMIUM	U = JEEP - 4WD (RHD)		ECD = 2.0L 4 Cyl DOHC Diesel 16V Engine	DAV = Continuously Variable Transaxle II
			ECN = 2.0L 4 Cyl DOHC 16V Dual VVT Engine	DAW = Cont.Var. w/Off-Rd Crawl Ratio Trans

AR = use ase required - = Non illustrated part

**Transmission Serviceable Parts
Figure 021DAV-150**



ITEM	PART NUMBER	QTY	LINE	SERIES	BODY	ENGINE	TRANS	TRIM	DESCRIPTION
	05189839AA	1	J, T, U			ECN	DAV		
		1	T			ED3	DAV		
		1	J, U			ED3	DAV		
6	05189840AA	1	J, T, U			ECN	DAV		SENSOR, Secondary revolution
		1	T			ED3	DAV		
		1	J, U			ED3	DAV		
7	05189841AA	1	J, T, U			ECN	DAV		SENSOR, Primary revolution
		1	T			ED3	DAV		
		1	J, U			ED3	DAV		
8	05189842AA	1	J, T, U			ECN	DAV		PLUG Test Ports
		1	T			ED3	DAV		Test Ports
		1	J, U			ED3	DAV		Test Ports
9	05189843AA	1	J, T, U			ECN	DAV		O RING, Plug Test Ports
		1	T			ED3	DAV		Test Ports
		1	J, U			ED3	DAV		Test Ports
10	05189844AA	1	J, T, U			ECN	DAV		BOLT, Oil Pan
		1	T			ED3	DAV		
		1	J, U			ED3	DAV		
11	05189845AA	1	J, T, U			ECN	DAV		BOLT, M6x1.0x20.00
		1	T			ED3	DAV		
		1	J, U			ED3	DAV		
12	05191890AA	1	T			ED3	DAV		FILTER, Transmission Oil
	68004937EA								Mopar CVT+4 Fluid Europe (4-Liters)
	05191184AA								Mopar CVT Fluid Quart
	05191185AA								Mopar CVT Fluid Gallon

COMPASS/PATRIOT (MK)
 SERIES LINE
 H = HIGHLINE T = JEEP - 2WD
 L = LOWLINE J = JEEP - 4WD
 P = PREMIUM U = JEEP - 4WD (RHD)

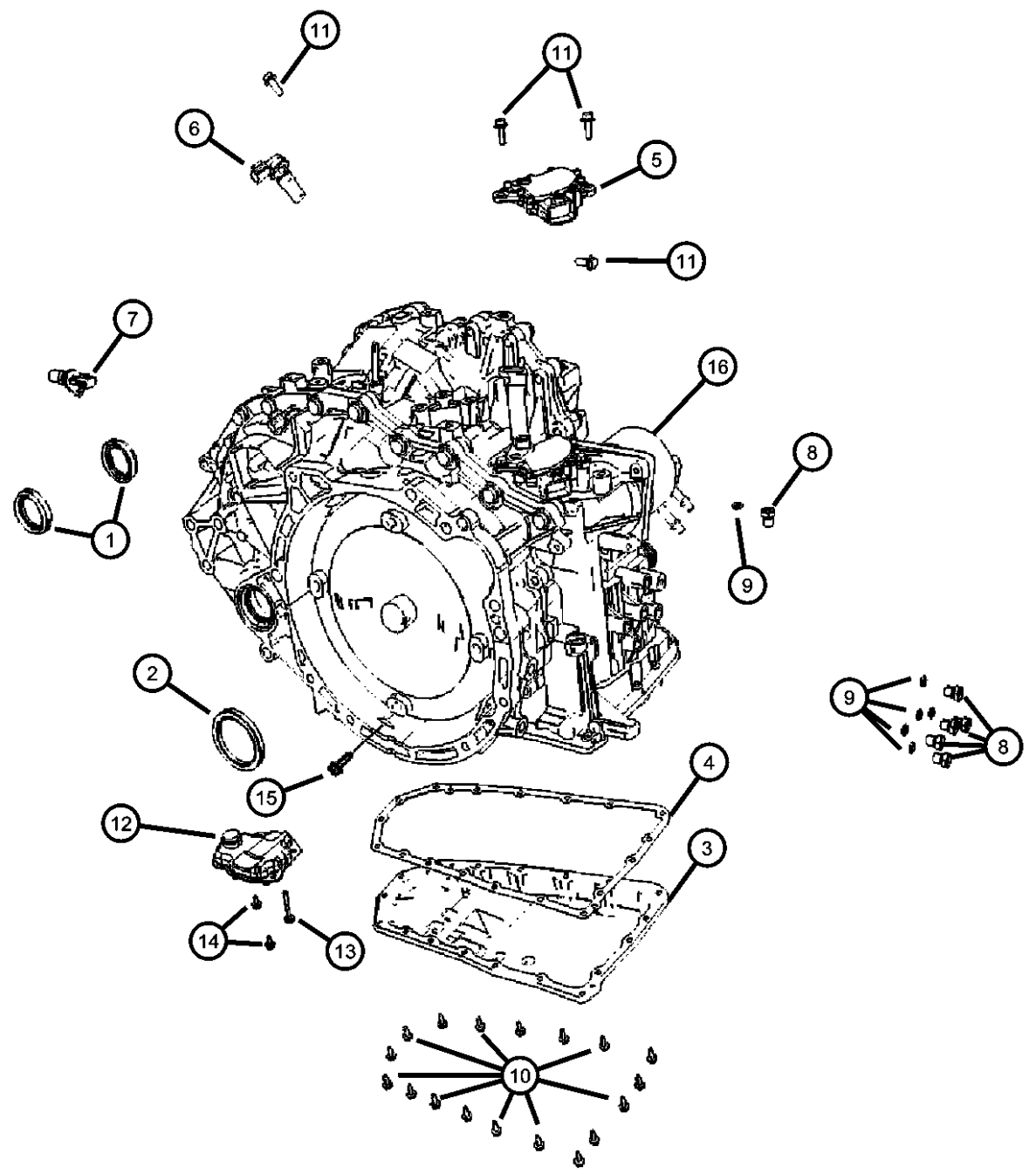
BODY
 49 = HATCHBACK TYPE #2
 74 = SPORT UTILITY 4-DR TYPE #4

ENGINE
 ECE = 2.0L 4 Cyl DOHC DPF Diesel Engine
 ED3 = 2.4L 4 Cyl DOHC 16V Dual VVT Engine
 ECD = 2.0L 4 Cyl DOHC Diesel 16V Engine
 ECN = 2.0L 4 Cyl DOHC 16V Dual VVT Engine

TRANSMISSION
 DEF = 6-Speed Manual Aisin BG6 Trans
 DD7 = 5-Speed Manual T355 Transmission
 DAV = Continuously Variable Transaxle II
 DAW = Cont.Var. w/Off-Rd Crawl Ratio Trans

AR = use ase required - = Non illustrated part

**Transmission Serviceable Parts
Figure 021DAV-150**



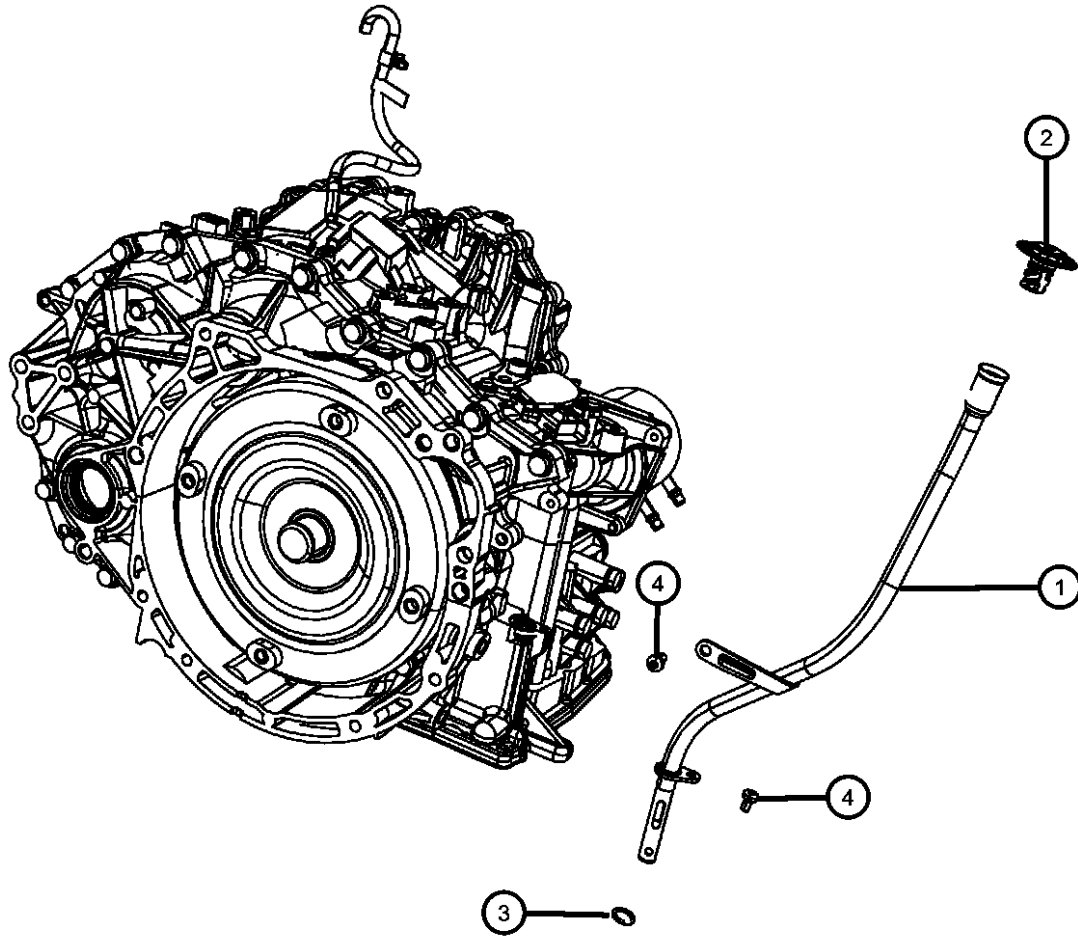
ITEM	PART NUMBER	QTY	LINE	SERIES	BODY	ENGINE	TRANS	TRIM	DESCRIPTION
	68004937EA	1	J, U			ED3	DAV		Mopar CVT+4 Fluid Europe (4-Liters)
	05191184AA								Mopar CVT Fluid Quart
	05191185AA								Mopar CVT Fluid Gallon
	68004937EA	1	J, T, U			ECN	DAV		Mopar CVT+4 Fluid Europe (4-Liters)
	05191184AA								Mopar CVT Fluid Quart
	05191185AA								Mopar CVT Fluid Gallon
13	05191892AA	1	T			ED3	DAV		BOLT, M6x1.0x44.00 Oil Filter
		1	J, U			ED3	DAV		Oil Filter
		1	J, T, U			ECN	DAV		Oil Filter
14	05191891AA	1	T			ED3	DAV		BOLT, M6x1.0x12.00 Oil Filter
		1	J, U			ED3	DAV		Oil Filter
		1	J, T, U			ECN	DAV		Oil Filter
15	06508909AA	4	J, T, U				DAV, DAW		BOLT, Hex Head Lock, M10x1.25x11.00, Flexplate To Torque Converter
16	68025160AA	1	J, T, U			ECN	DAV		COOLER, Transmission Oil
		1	T			ED3	DAV		
		1	J, U			ED3	DAV		

COMPASS/PATRIOT (MK)				
SERIES	LINE	BODY	ENGINE	TRANSMISSION
H = HIGHLINE	T = JEEP - 2WD	49 = HATCHBACK TYPE #2	ECE = 2.0L 4 Cyl DOHC DPF Diesel Engine	DEF = 6-Speed Manual Aisin BG6 Trans
L = LOWLINE	J = JEEP - 4WD	74 = SPORT UTILITY 4-DR TYPE #4	ED3 = 2.4L 4 Cyl DOHC 16V Dual VVT Engine	DD7 = 5-Speed Manual T355 Transmission
P = PREMIUM	U = JEEP - 4WD (RHD)		ECD = 2.0L 4 Cyl DOHC Diesel 16V Engine	DAV = Continuously Variable Transaxle II
			ECN = 2.0L 4 Cyl DOHC 16V Dual VVT Engine	DAW = Cont.Var. w/Off-Rd Crawl Ratio Trans

AR = use ase required - = Non illustrated part

**Oil Fill Tube And Related Parts
Figure 021DAV-225**

ITEM	PART NUMBER	QTY	LINE	SERIES	BODY	ENGINE	TRANS	TRIM	DESCRIPTION
Internal Parts And Some External Parts Are Not Serviced For This Transmission. Serviceable Parts Can Be Found In Illustration 150									
1	05273372AE	1	J, T, U				DAV, DAW		TUBE, Transmission Oil Filler
2	05105718AC	1	J, T, U				DAV, DAW		CAP, Oil Filler
3	06030608	1	J, T, U				DAV, DAW		SEAL, Oil Filler Tube
4	06104141AA	2	J, T, U				DAV, DAW		SCREW



COMPASS/PATRIOT (MK)

SERIES LINE
H = HIGHLINE T = JEEP - 2WD
L = LOWLINE J = JEEP - 4WD
P = PREMIUM U = JEEP - 4WD (RHD)

BODY
49 = HATCHBACK TYPE #2
74 = SPORT UTILITY 4-DR
TYPE #4

ENGINE TRANSMISSION
ECE = 2.0L 4 Cyl DOHC DPF Diesel Engine DEF = 6-Speed Manual Aisin BG6 Trans
ED3 = 2.4L 4 Cyl DOHC 16V Dual VVT Engine DD7 = 5-Speed Manual T355 Transmission
ECD = 2.0L 4 Cyl DOHC Diesel 16V Engine DAV = Continuously Variable Transaxle II
ECN = 2.0L 4 Cyl DOHC 16V Dual VVT Engine DAW = Cont.Var. w/Off-Rd Crawl Ratio Trans

AR = use ase required - = Non illustrated part

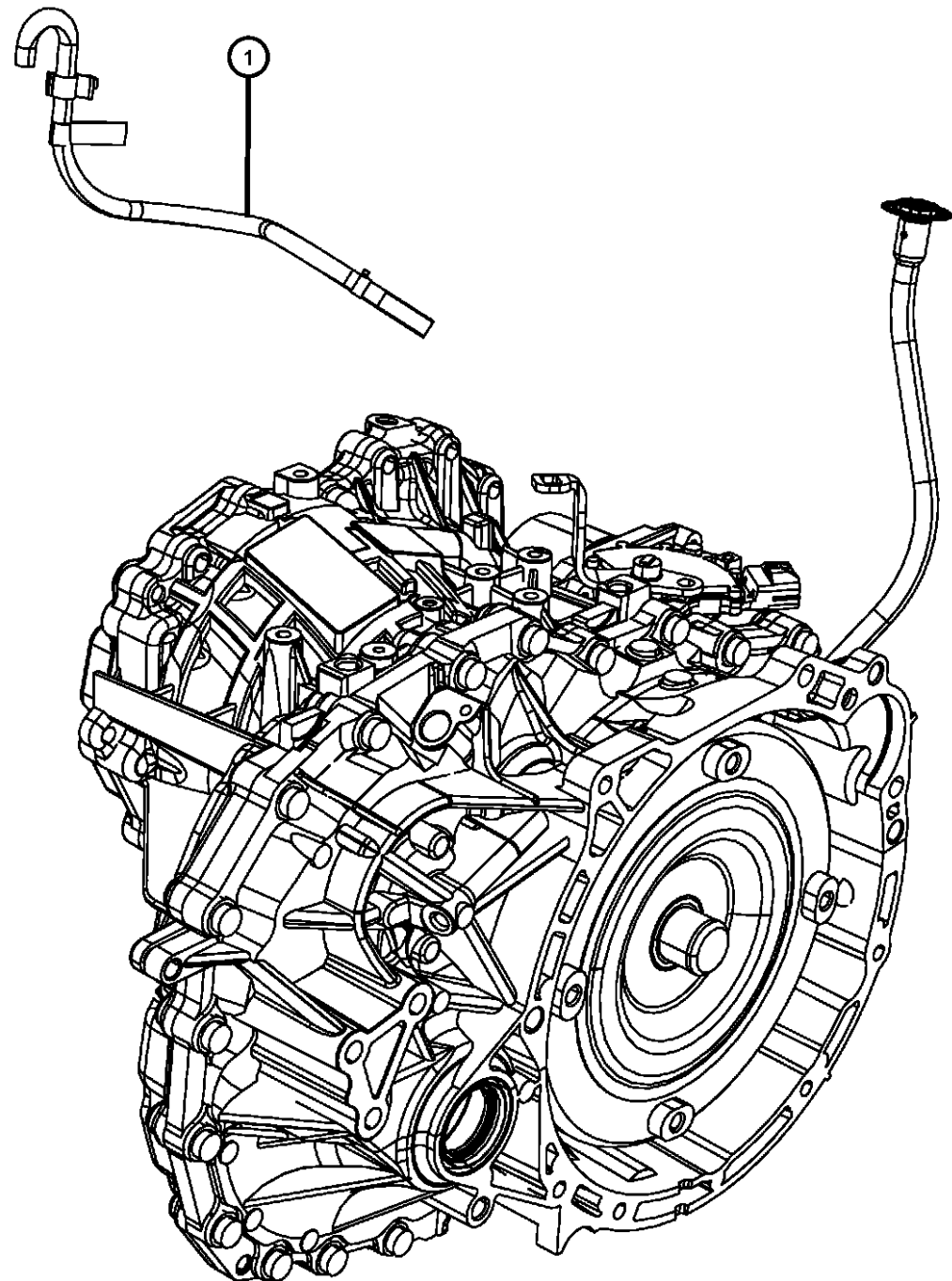
2008 MK

Sensors, Vents And Quick Connectors
Figure 021DAV-240

ITEM	PART NUMBER	QTY	LINE	SERIES	BODY	ENGINE	TRANS	TRIM	DESCRIPTION
------	-------------	-----	------	--------	------	--------	-------	------	-------------

Internal Parts And Some External Parts Are Not Serviced For This Transmission. Serviceable Parts Can Be Found In Illustration 150

1	05273459AA	1	J, T, U				DAV, DAW		VENT, Transmission
---	------------	---	---------	--	--	--	----------	--	--------------------



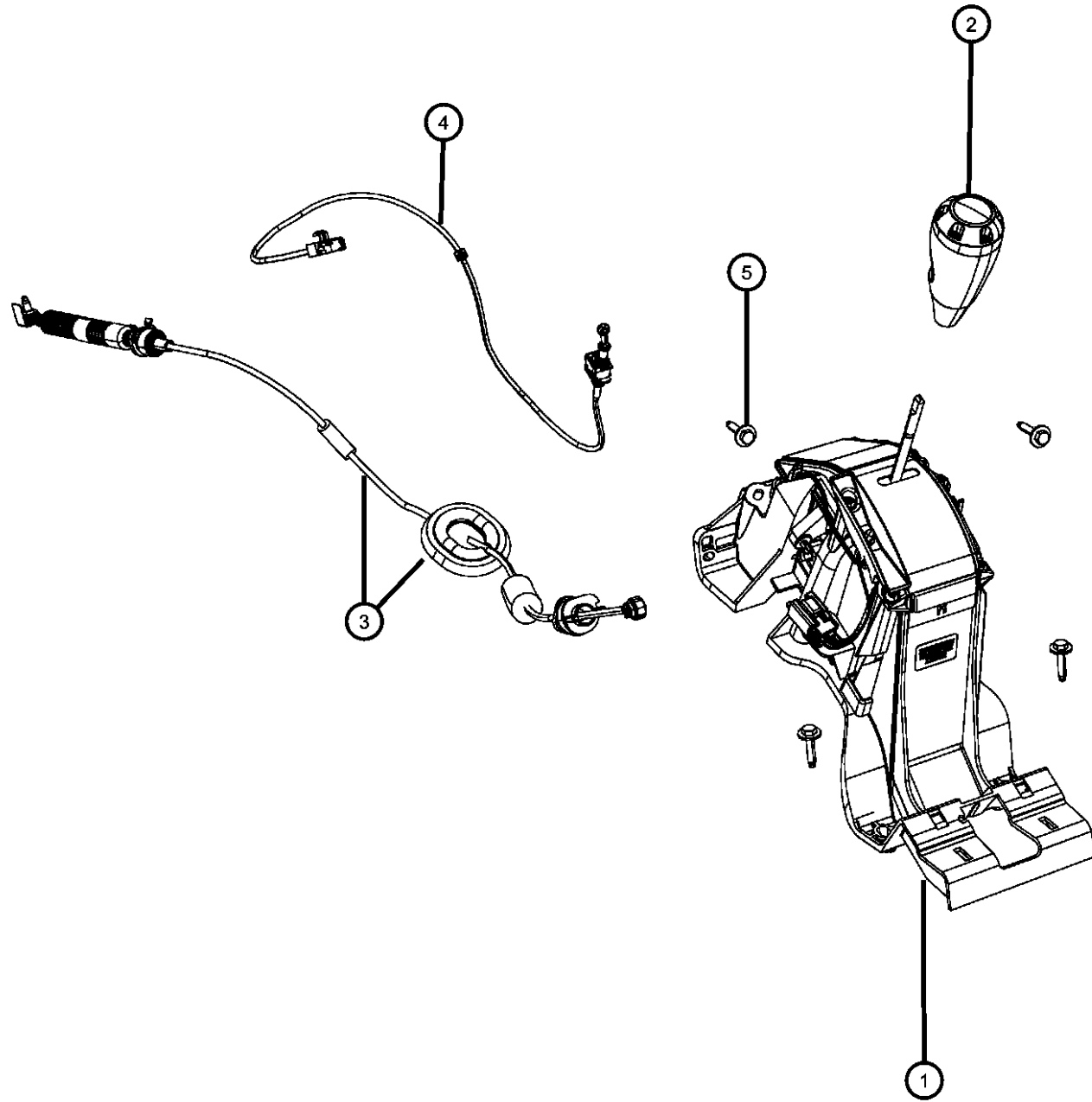
COMPASS/PATRIOT (MK)

SERIES	LINE	BODY	ENGINE	TRANSMISSION
H = HIGHLINE	T = JEEP - 2WD	49 = HATCHBACK TYPE #2	ECE = 2.0L 4 Cyl DOHC DPF Diesel Engine	DEF = 6-Speed Manual Aisin BG6 Trans
L = LOWLINE	J = JEEP - 4WD	74 = SPORT UTILITY 4-DR TYPE #4	ED3 = 2.4L 4 Cyl DOHC 16V Dual VVT Engine	DD7 = 5-Speed Manual T355 Transmission
P = PREMIUM	U = JEEP - 4WD (RHD)		ECD = 2.0L 4 Cyl DOHC Diesel 16V Engine	DAV = Continuously Variable Transaxle II
			ECN = 2.0L 4 Cyl DOHC 16V Dual VVT Engine	DAW = Cont.Var. w/Off-Rd Crawl Ratio Trans

AR = use ase required - = Non illustrated part

**Gearshift Controls
Figure 021DAV-1105**

ITEM	PART NUMBER	QTY	LINE	SERIES	BODY	ENGINE	TRANS	TRIM	DESCRIPTION
1	68021374AA	1	J, T, U				DAV, DAW		SHIFTER, Transmission With [DHD]
	68021388AA	1	J, T, U				DAV, DAW		Without [DHD]
2	05273370AB	1	J, T, U				DAV, DAW		KNOB, Gearshift
3	68024433AA	1	J, T, U				DAV, DAW		CABLE, Gear Selector
4	05273294AE	1	J, T				DAV, DAW		CABLE, Ignition Interlock
	05273375AE	1	U				DAV, DAW		
5	06105099AA	4	J, T, U						SCREW AND WASHER, Hex Head, M6X1.0X30.00



COMPASS/PATRIOT (MK)

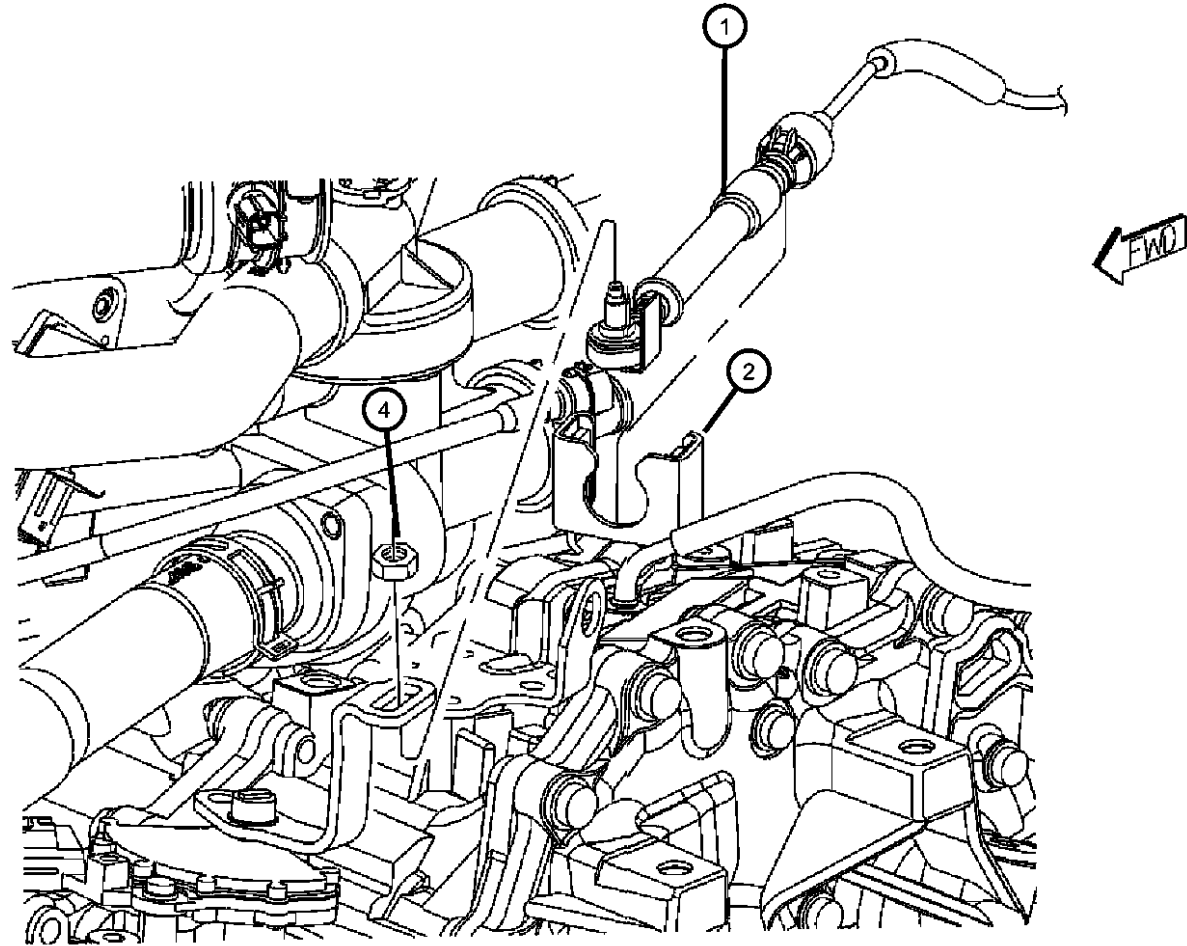
SERIES	LINE	BODY	ENGINE	TRANSMISSION
H = HIGHLINE	T = JEEP - 2WD	49 = HATCHBACK TYPE #2	ECE = 2.0L 4 Cyl DOHC DPF Diesel Engine	DEF = 6-Speed Manual Aisin BG6 Trans
L = LOWLINE	J = JEEP - 4WD	74 = SPORT UTILITY 4-DR TYPE #4	ED3 = 2.4L 4 Cyl DOHC 16V Dual VVT Engine	DD7 = 5-Speed Manual T355 Transmission
P = PREMIUM	U = JEEP - 4WD (RHD)		ECD = 2.0L 4 Cyl DOHC Diesel 16V Engine	DAV = Continuously Variable Transaxle II
			ECN = 2.0L 4 Cyl DOHC 16V Dual VVT Engine	DAW = Cont.Var. w/Off-Rd Crawl Ratio Trans

AR = use ase required - = Non illustrated part

2008 MK

Gearshift Lever, Cable and Bracket
Figure 021DAV-1115

ITEM	PART NUMBER	QTY	LINE	SERIES	BODY	ENGINE	TRANS	TRIM	DESCRIPTION
1	68024433AA	1	J, T, U				DAV, DAW		CABLE, Gear Selector
2	68024363AA	1	J, T, U				DAV, DAW		BRACKET, Shift Cable
-3	06104197AA	2	J, T, U				DAV, DAW		BOLT, Hex Flange Head, M8X1.25X25.00, For The Cable Bracket
4	06101809	1	J, T, U				DAV, DAW		NUT AND WASHER, Hex, M8x1.25



COMPASS/PATRIOT (MK)

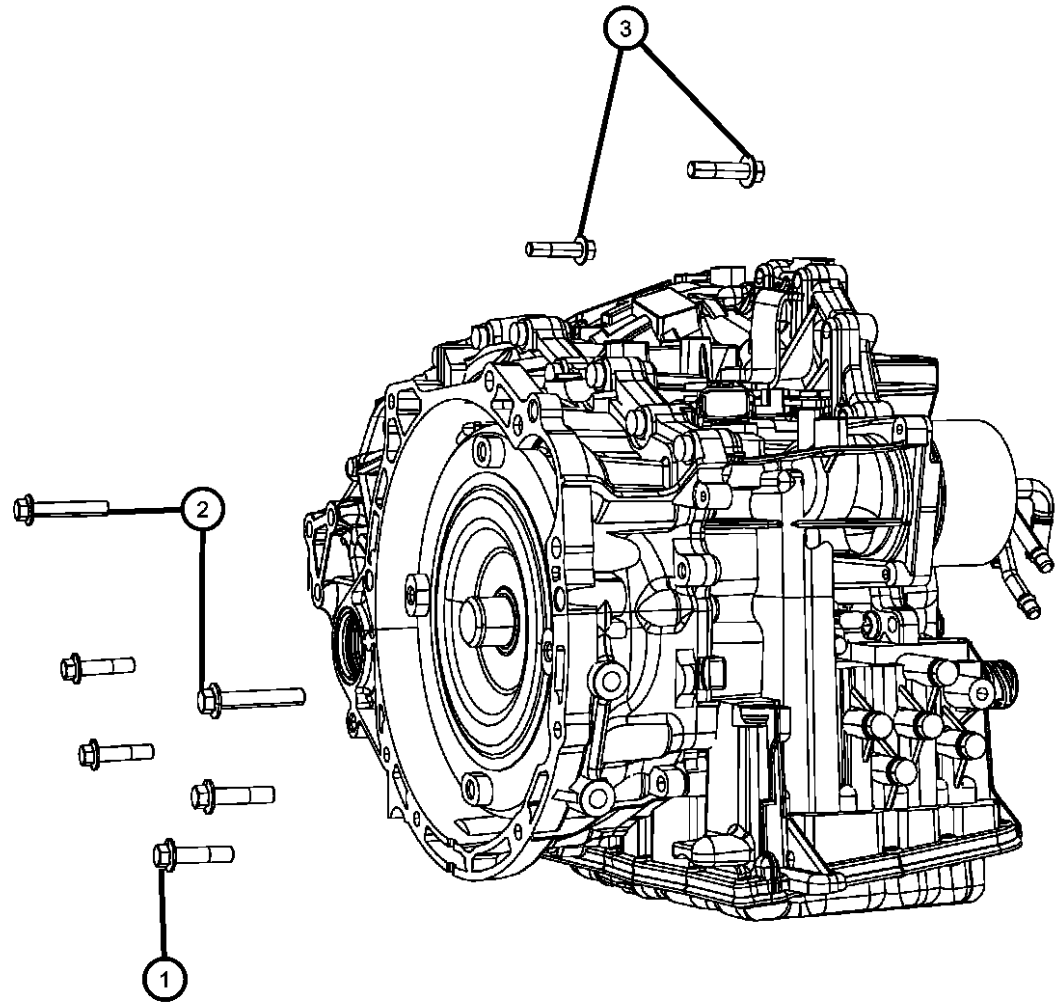
SERIES	LINE	BODY	ENGINE	TRANSMISSION
H = HIGHLINE	T = JEEP - 2WD	49 = HATCHBACK TYPE #2	ECE = 2.0L 4 Cyl DOHC DPF Diesel Engine	DEF = 6-Speed Manual Aisin BG6 Trans
L = LOWLINE	J = JEEP - 4WD	74 = SPORT UTILITY 4-DR TYPE #4	ED3 = 2.4L 4 Cyl DOHC 16V Dual VVT Engine	DD7 = 5-Speed Manual T355 Transmission
P = PREMIUM	U = JEEP - 4WD (RHD)		ECD = 2.0L 4 Cyl DOHC Diesel 16V Engine	DAV = Continuously Variable Transaxle II
			ECN = 2.0L 4 Cyl DOHC 16V Dual VVT Engine	DAW = Cont.Var. w/Off-Rd Crawl Ratio Trans

AR = use ase required - = Non illustrated part

2008 MK

**Mounting Bolts
Figure 021DAV-1215**

ITEM	PART NUMBER	QTY	LINE	SERIES	BODY	ENGINE	TRANS	TRIM	DESCRIPTION
1	06509154AA	4	J, T, U				DAV, DAW		BOLT, Hex Flange Head, M10x1.25x40.00
2	06508881AA	2	J, T, U				DAV, DAW		BOLT, Hex Flange Head, M10x1.25x55.00
3	06509154AA	2	J, T, U				DAV, DAW		BOLT, Hex Flange Head, M10x1.25x40.00



COMPASS/PATRIOT (MK)

SERIES	LINE	BODY	ENGINE	TRANSMISSION
H = HIGHLINE	T = JEEP - 2WD	49 = HATCHBACK TYPE #2	ECE = 2.0L 4 Cyl DOHC DPF Diesel Engine	DEF = 6-Speed Manual Aisin BG6 Trans
L = LOWLINE	J = JEEP - 4WD	74 = SPORT UTILITY 4-DR TYPE #4	ED3 = 2.4L 4 Cyl DOHC 16V Dual VVT Engine	DD7 = 5-Speed Manual T355 Transmission
P = PREMIUM	U = JEEP - 4WD (RHD)		ECD = 2.0L 4 Cyl DOHC Diesel 16V Engine	DAV = Continuously Variable Transaxle II
			ECN = 2.0L 4 Cyl DOHC 16V Dual VVT Engine	DAW = Cont.Var. w/Off-Rd Crawl Ratio Trans

AR = use ase required - = Non illustrated part

2008 MK

Group - 021DAW

CVT3; Variable Speed; Automatic Transaxle

Group - 021DAW CVT3; Variable Speed; Automatic Transaxle

Illustration Title

Group-Fig. No.

Automatic Transmission / Transaxle and Torque Converter

Transmission / Transaxle Assembly Fig. 021DAW - 105
 Transmission Serviceable Parts Fig. 021DAW - 150

Case, Extension, Oil Pan, and Indicator (Dipstick)

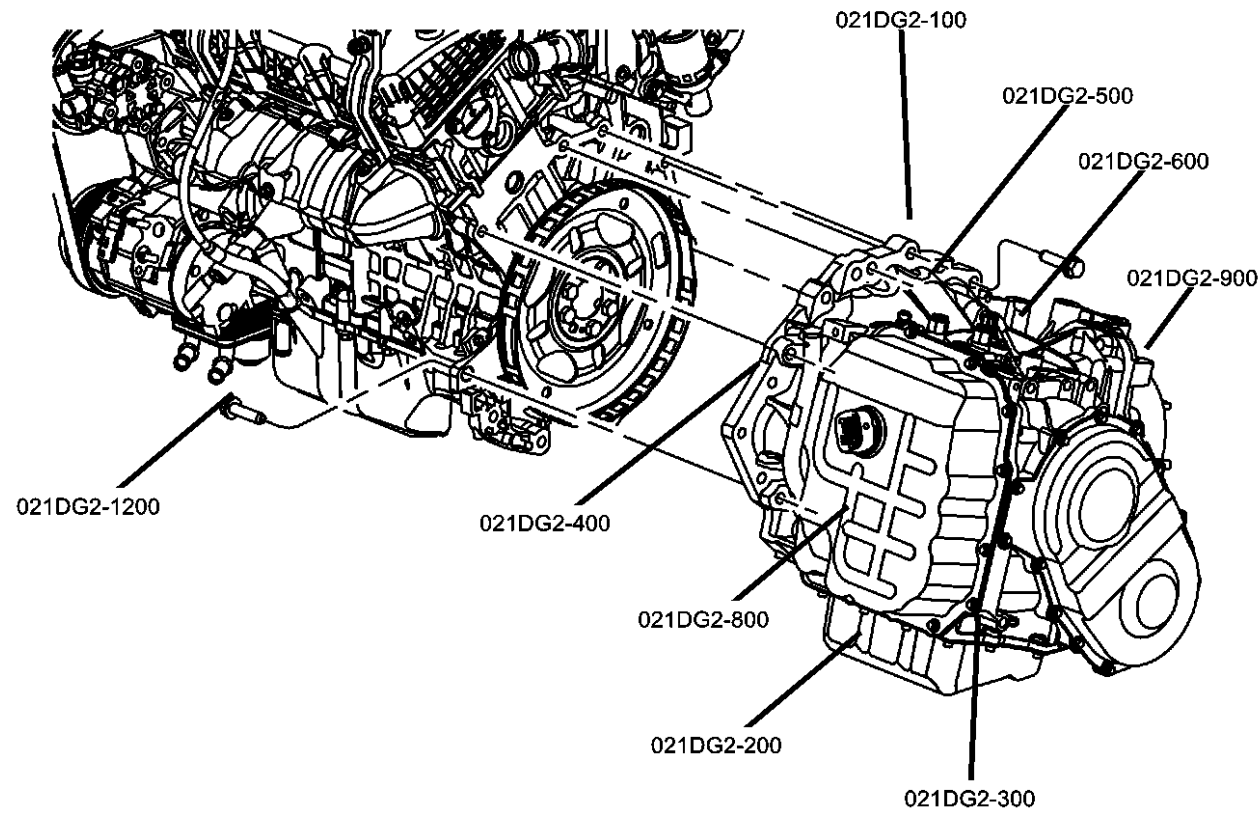
Oil Fill Tube And Related Parts Fig. 021DAW - 225
 Sensors, Vents And Quick Connectors Fig. 021DAW - 240

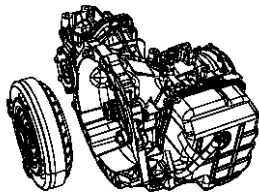
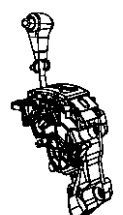
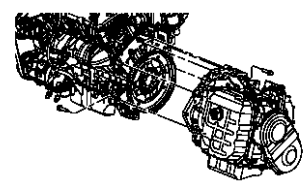
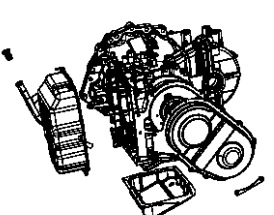
Gearshift Controls and Related Parts

Gearshift Controls Fig. 021DAW - 1105
 Gearshift Lever, Cable and Bracket Fig. 021DAW - 1115

Mounting and Skid Plate

Mounting Bolts Fig. 021DAW - 1215



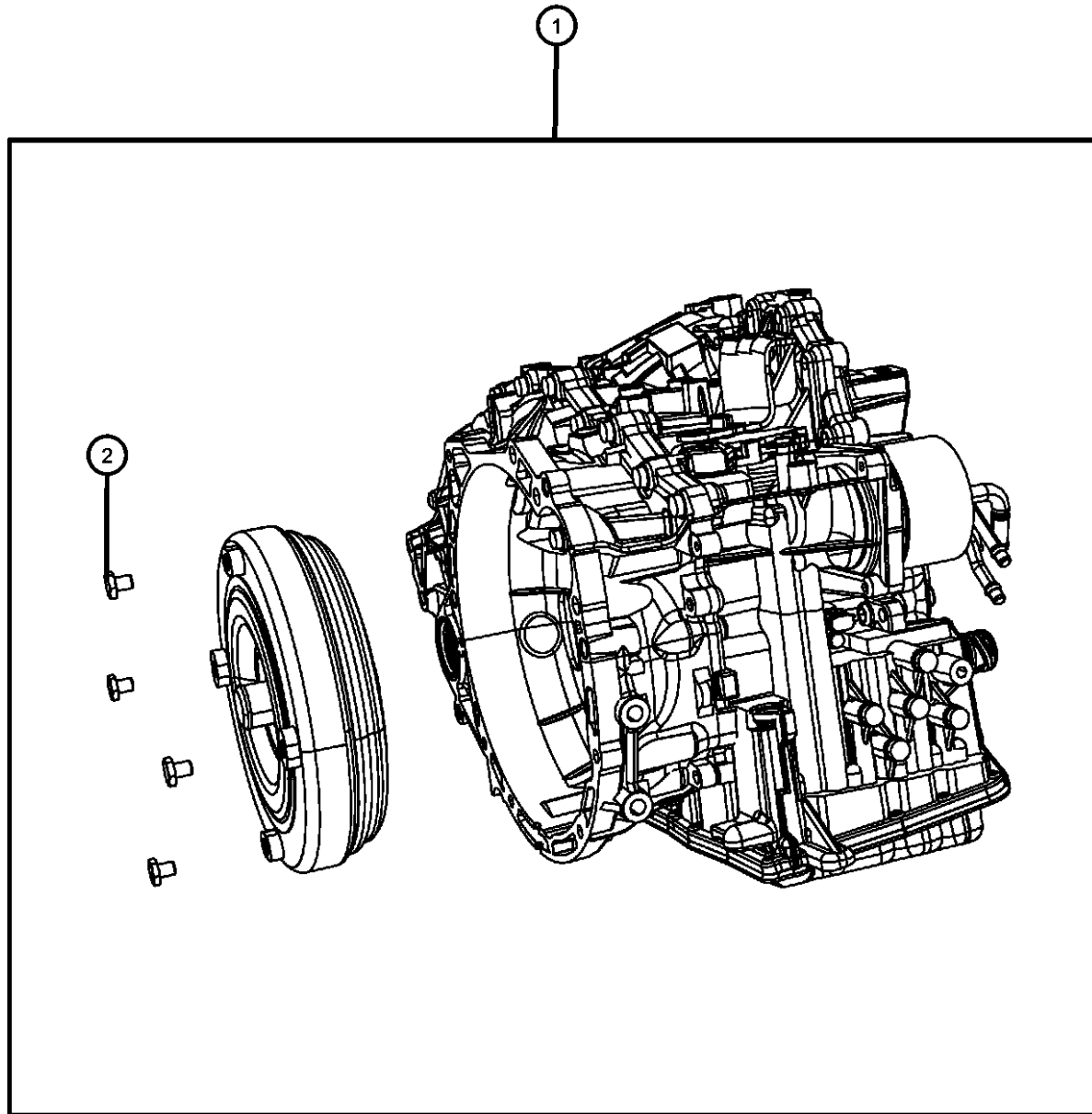
<p>021DAW-100 Automatic Transmission / Transaxle and Torque Converter</p> 	<p>021DAW-1100 Gearshift Controls and Related Parts</p> 	<p>021DAW-1200 Mounting and Skid Plate</p> 	<p>021DAW-200 Case, Extension, Oil Pan, and Indicator (Dipstick)</p> 
---	--	--	---

**Transmission / Transaxle Assembly
Figure 021DAW-105**

ITEM	PART NUMBER	QTY	LINE	SERIES	BODY	ENGINE	TRANS	TRIM	DESCRIPTION
------	-------------	-----	------	--------	------	--------	-------	------	-------------

Internal Parts And Some External Parts Are Not Serviced For This Transmission. Serviceable Parts Can Be Found In Illustration 150

1	68010997AA	1	J, T, U			ED3	DAW		TRANSAXLE PACKAGE, WITH TORQUE CONVERTER
2	06508909AA	4	J, T, U				DAV, DAW		BOLT, Hex Head Lock, M10x1.25x11.00



COMPASS/PATRIOT (MK)

SERIES	LINE
H = HIGHLINE	T = JEEP - 2WD
L = LOWLINE	J = JEEP - 4WD
P = PREMIUM	U = JEEP - 4WD (RHD)

BODY
49 = HATCHBACK TYPE #2
74 = SPORT UTILITY 4-DR TYPE #4

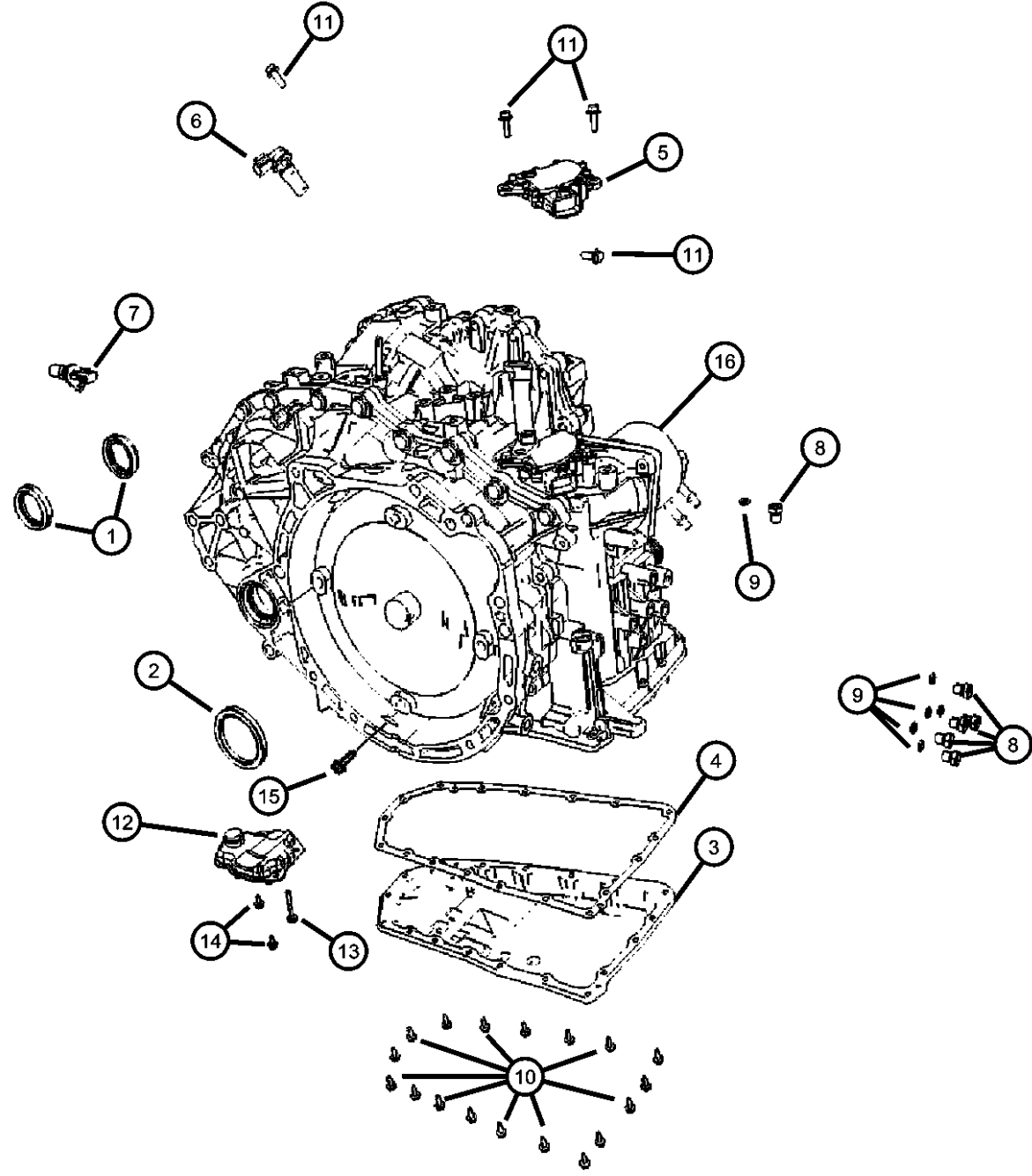
ENGINE
ECE = 2.0L 4 Cyl DOHC DPF Diesel Engine
ED3 = 2.4L 4 Cyl DOHC 16V Dual VVT Engine
ECD = 2.0L 4 Cyl DOHC Diesel 16V Engine
ECN = 2.0L 4 Cyl DOHC 16V Dual VVT Engine

TRANSMISSION
DEF = 6-Speed Manual Aisin BG6 Trans
DD7 = 5-Speed Manual T355 Transmission
DAV = Continuously Variable Transaxle II
DAW = Cont.Var. w/Off-Rd Crawl Ratio Trans

AR = use ase required - = Non illustrated part

2008 MK

**Transmission Serviceable Parts
Figure 021DAW-150**



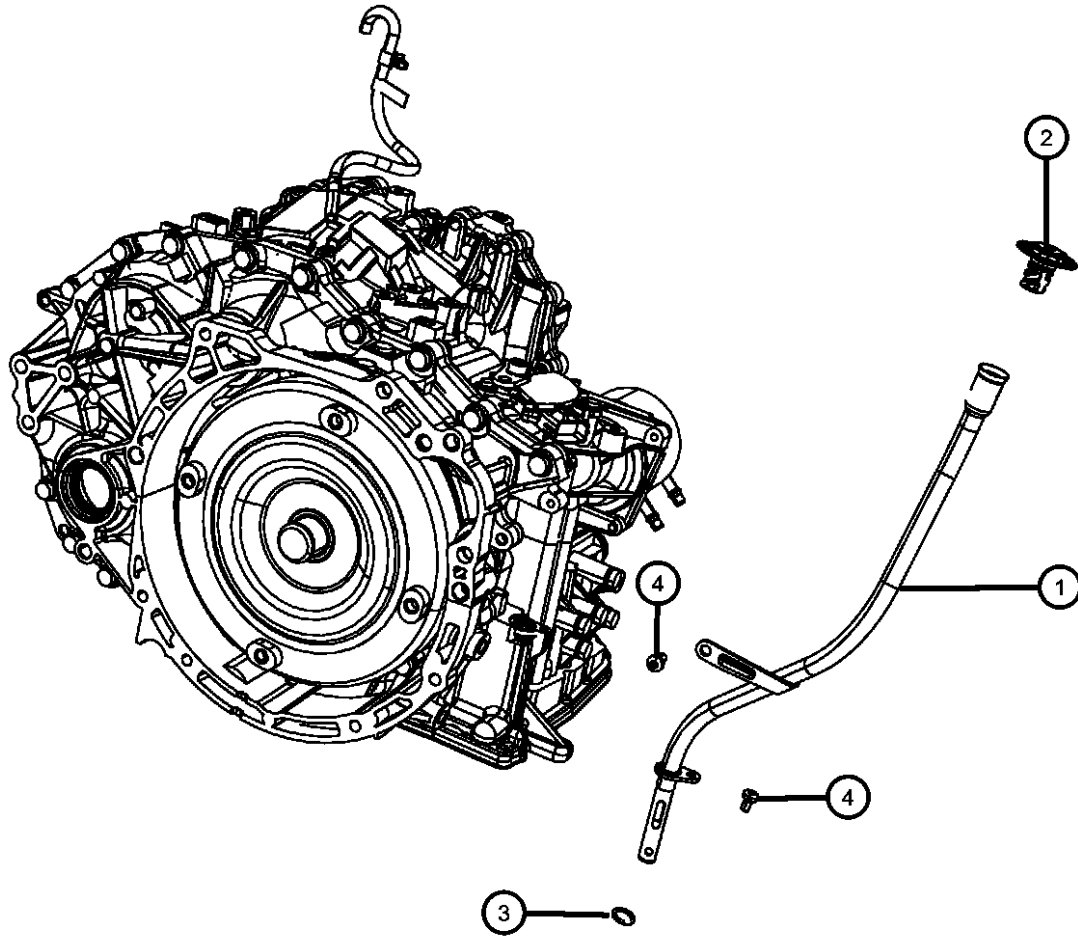
ITEM	PART NUMBER	QTY	LINE	SERIES	BODY	ENGINE	TRANS	TRIM	DESCRIPTION
Internal Parts And Some External Parts Are Not Serviced For This Transmission.									
1	05189835AA	1	J, U			ED3	DAV		SEAL, Halfshaft Seal
2	05189836AA	1	J, T, U			ED3	DAW		SEAL, Torque Converter Hub
3	05189837AA 68004937EA	1	J, T, U			ED3	DAW		PAN, Transmission Oil Mopar CVT+4 Fluid Europe (4-Liters)
4	05189838AA 68004937EA 05191185AA 05191184AA	1	J, T, U			ED3	DAW		GASKET, Oil Pan Mopar CVT+4 Fluid Europe (4-Liters) Mopar CVT Fluid Gallon Mopar CVT Fluid Quart
5	05189839AA	1	J, T, U			ED3	DAW		SWITCH, Inhibitor, A/T NEUTRAL, SAFETY, BACK UP
6	05189840AA	1	J, T, U			ED3	DAW		SENSOR, Secondary revolution
7	05189841AA	1	J, T, U			ED3	DAW		SENSOR, Primary revolution
8	05189842AA	1	J, U			ED3	DAV		PLUG, Test Ports
9	05189843AA	6	J, T, U			ED3	DAW		O RING, Plug, Test Ports
10	05189844AA	1	J, T, U			ED3	DAW		BOLT, Oil Pan
11	05189845AA	1	J, T, U			ED3	DAW		BOLT, M6x1.0x20.00
12	05191890AA 68004937EA 05191184AA 05191185AA	1	J, T, U			ED3	DAW		FILTER, Transmission Oil Mopar CVT+4 Fluid Europe (4-Liters) Mopar CVT Fluid Quart Mopar CVT Fluid Gallon
13	05191892AA	1	J, T, U			ED3	DAW		BOLT, M6x1.0x44.00, Oil Filter
14	05191891AA	1	J, T, U			ED3	DAW		BOLT, M6x1.0x12.00, Oil Filter
15	06508909AA	4	J, T, U				DAV, DAW		BOLT, Hex Head Lock, M10x1.25x11.00, Flexplate To Torque Converter
16	68025160AA	1	J, T, U			ED3	DAW		COOLER, Transmission Oil, Includes O-ring

COMPASS/PATRIOT (MK)		BODY		ENGINE		TRANSMISSION	
SERIES	LINE	49 = HATCHBACK TYPE #2		ECE = 2.0L 4 Cyl DOHC DPF Diesel Engine		DEF = 6-Speed Manual Aisin BG6 Trans	
H = HIGHLINE	T = JEEP - 2WD	74 = SPORT UTILITY 4-DR		ED3 = 2.4L 4 Cyl DOHC 16V Dual VVT Engine		DD7 = 5-Speed Manual T355 Transmission	
L = LOWLINE	J = JEEP - 4WD			ECD = 2.0L 4 Cyl DOHC Diesel 16V Engine		DAV = Continuously Variable Transaxle II	
P = PREMIUM	U = JEEP - 4WD (RHD)			ECN = 2.0L 4 Cyl DOHC 16V Dual VVT Engine		DAW = Cont.Var. w/Off-Rd Crawl Ratio Trans	

AR = use ase required - = Non illustrated part

**Oil Fill Tube And Related Parts
Figure 021DAW-225**

ITEM	PART NUMBER	QTY	LINE	SERIES	BODY	ENGINE	TRANS	TRIM	DESCRIPTION
Internal Parts And Some External Parts Are Not Serviced For This Transmission. Serviceable Parts Can Be Found In Illustration 150									
1	05273372AE	1	J, T, U				DAV, DAW		TUBE, Transmission Oil Filler
2	05105718AC	1	J, T, U				DAV, DAW		CAP, Oil Filler
3	06030608	1	J, T, U				DAV, DAW		SEAL, Oil Filler Tube
4	06104141AA	2	J, T, U				DAV, DAW		SCREW



COMPASS/PATRIOT (MK)

SERIES	LINE
H = HIGHLINE	T = JEEP - 2WD
L = LOWLINE	J = JEEP - 4WD
P = PREMIUM	U = JEEP - 4WD (RHD)

BODY
49 = HATCHBACK TYPE #2
74 = SPORT UTILITY 4-DR TYPE #4

ENGINE	TRANSMISSION
ECE = 2.0L 4 Cyl DOHC DPF Diesel Engine	DEF = 6-Speed Manual Aisin BG6 Trans
ED3 = 2.4L 4 Cyl DOHC 16V Dual VVT Engine	DD7 = 5-Speed Manual T355 Transmission
ECD = 2.0L 4 Cyl DOHC Diesel 16V Engine	DAV = Continuously Variable Transaxle II
ECN = 2.0L 4 Cyl DOHC 16V Dual VVT Engine	DAW = Cont.Var. w/Off-Rd Crawl Ratio Trans

AR = use ase required - = Non illustrated part

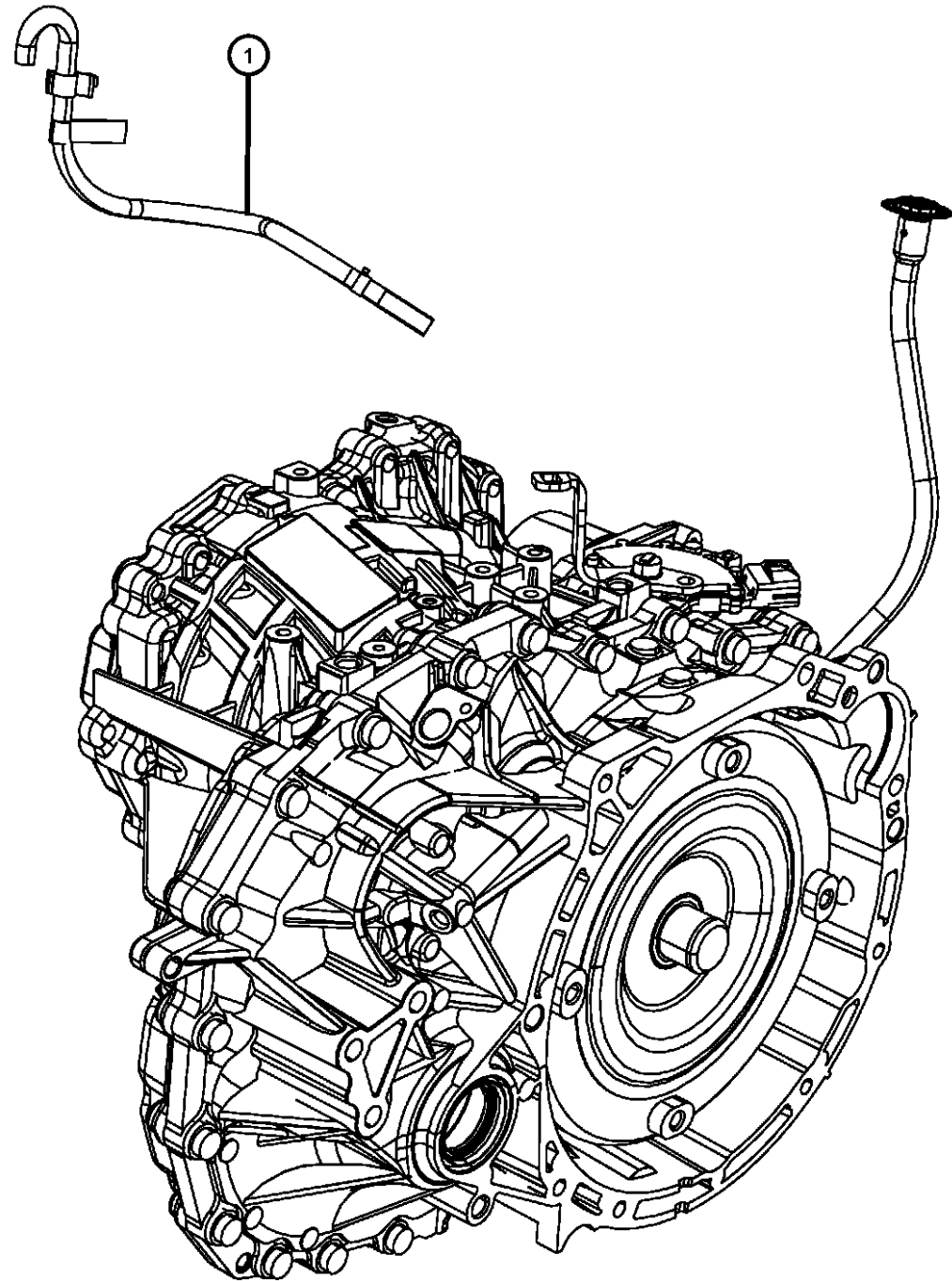
2008 MK

Sensors, Vents And Quick Connectors
Figure 021DAW-240

ITEM	PART NUMBER	QTY	LINE	SERIES	BODY	ENGINE	TRANS	TRIM	DESCRIPTION
------	-------------	-----	------	--------	------	--------	-------	------	-------------

Internal Parts And Some External Parts Are Not Serviced For This Transmission. Serviceable Parts Can Be Found In Illustration 150

1	05273459AA	1	J, T, U				DAV, DAW		VENT, Transmission
---	------------	---	---------	--	--	--	----------	--	--------------------



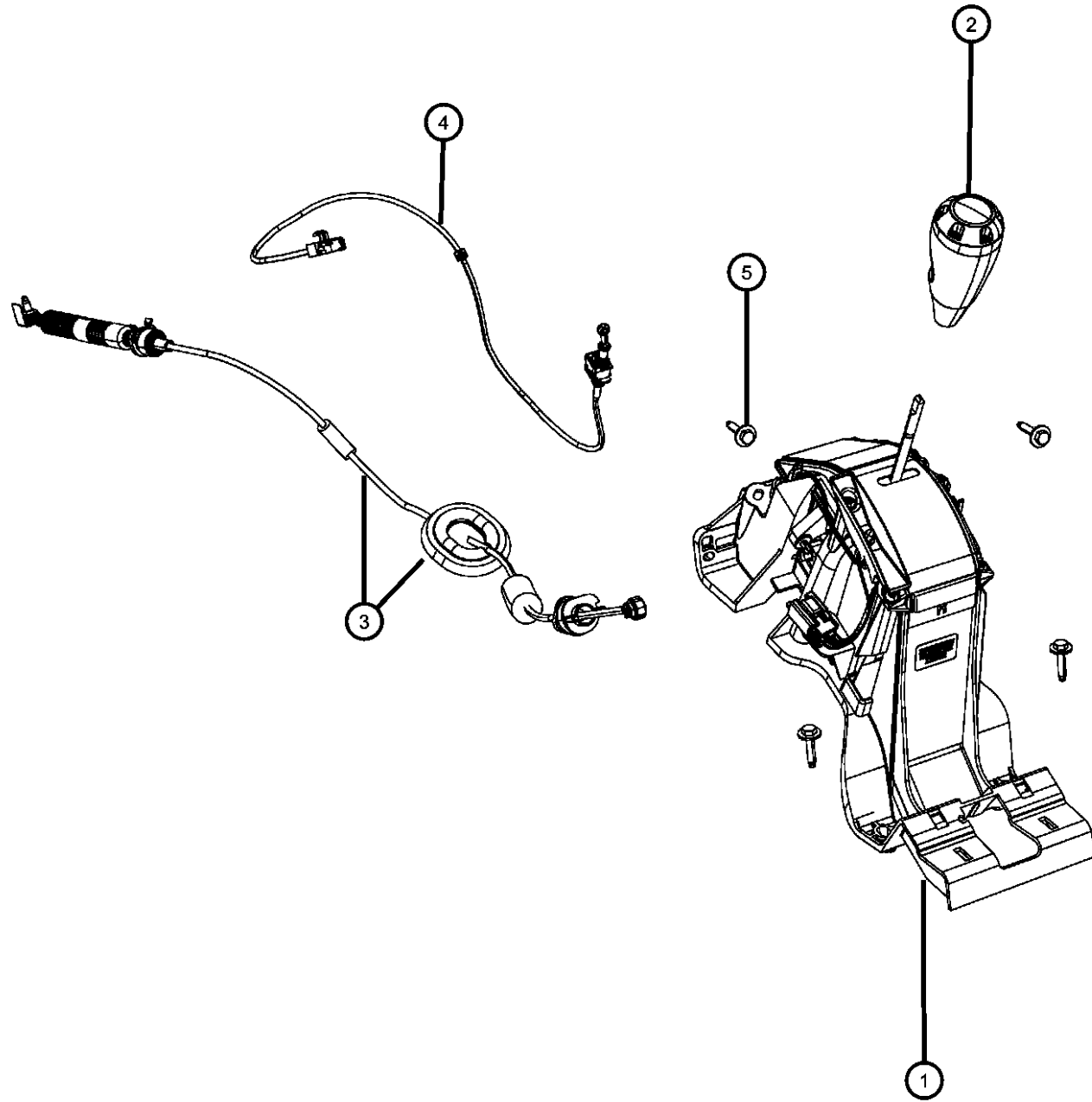
COMPASS/PATRIOT (MK)

SERIES	LINE	BODY	ENGINE	TRANSMISSION
H = HIGHLINE	T = JEEP - 2WD	49 = HATCHBACK TYPE #2	ECE = 2.0L 4 Cyl DOHC DPF Diesel Engine	DEF = 6-Speed Manual Aisin BG6 Trans
L = LOWLINE	J = JEEP - 4WD	74 = SPORT UTILITY 4-DR TYPE #4	ED3 = 2.4L 4 Cyl DOHC 16V Dual VVT Engine	DD7 = 5-Speed Manual T355 Transmission
P = PREMIUM	U = JEEP - 4WD (RHD)		ECD = 2.0L 4 Cyl DOHC Diesel 16V Engine	DAV = Continuously Variable Transaxle II
			ECN = 2.0L 4 Cyl DOHC 16V Dual VVT Engine	DAW = Cont.Var. w/Off-Rd Crawl Ratio Trans

AR = use ase required - = Non illustrated part

Gearshift Controls
Figure 021DAW-1105

ITEM	PART NUMBER	QTY	LINE	SERIES	BODY	ENGINE	TRANS	TRIM	DESCRIPTION
1	68021374AA	1	J, T, U				DAV, DAW		SHIFTER, Transmission With [DHD]
	68021388AA	1	J, T, U				DAV, DAW		Without [DHD]
2	05273370AB	1	J, T, U				DAV, DAW		KNOB, Gearshift
3	68024433AA	1	J, T, U				DAV, DAW		CABLE, Gear Selector
4	05273294AE	1	J, T				DAV, DAW		CABLE, Ignition Interlock
	05273375AE	1	U				DAV, DAW		
5	06105099AA	4	J, T, U						SCREW AND WASHER, Hex Head, M6X1.0X30.00



COMPASS/PATRIOT (MK)

SERIES LINE

H = HIGHLINE T = JEEP - 2WD
L = LOWLINE J = JEEP - 4WD
P = PREMIUM U = JEEP - 4WD (RHD)

BODY

49 = HATCHBACK TYPE #2
74 = SPORT UTILITY 4-DR
TYPE #4

ENGINE

ECE = 2.0L 4 Cyl DOHC DPF
Diesel Engine
ED3 = 2.4L 4 Cyl DOHC 16V
Dual VVT Engine
ECD = 2.0L 4 Cyl DOHC
Diesel 16V Engine
ECN = 2.0L 4 Cyl DOHC 16V
Dual VVT Engine

TRANSMISSION

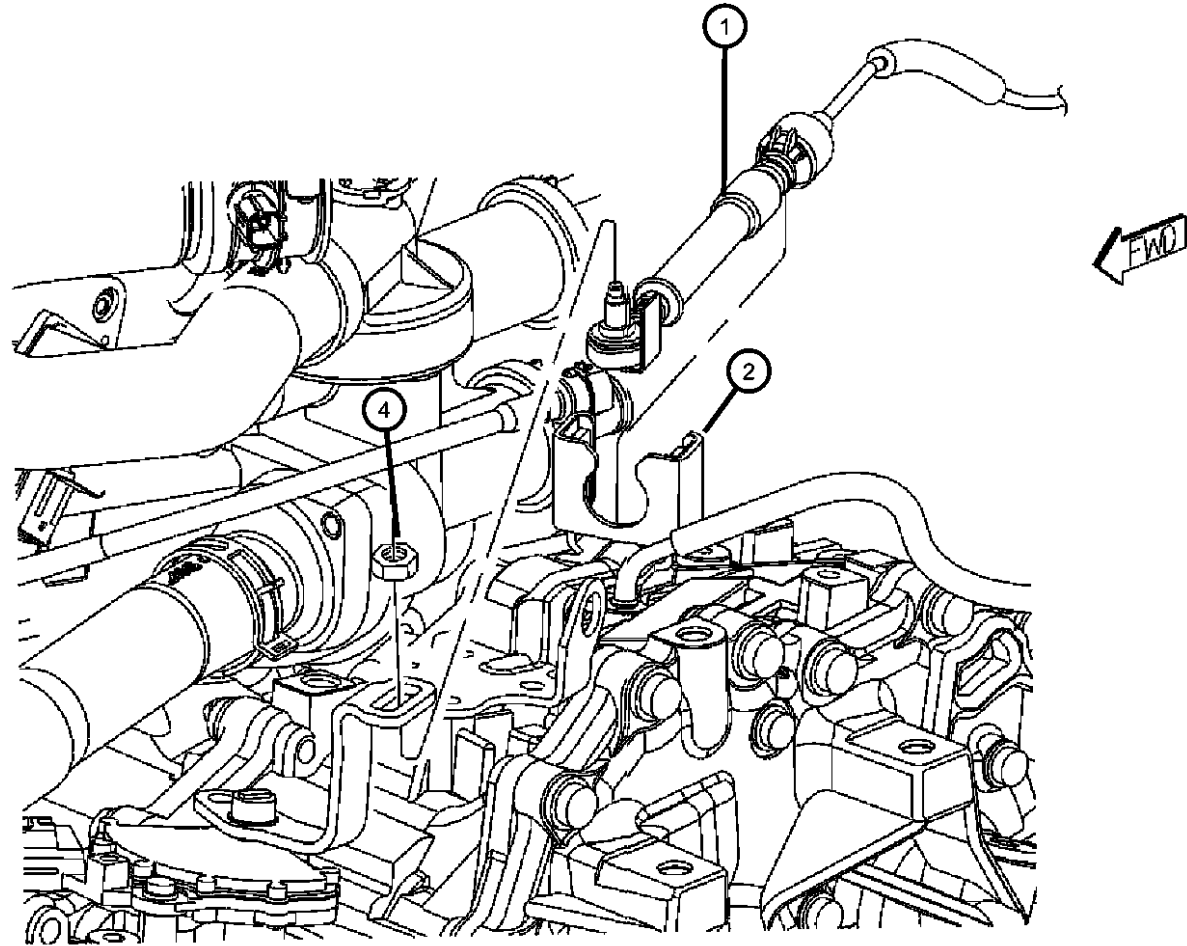
DEF = 6-Speed Manual Aisin BG6
Trans
DD7 = 5-Speed Manual T355
Transmission
DAV = Continuously Variable
Transaxle II
DAW = Cont.Var. w/Off-Rd Crawl
Ratio Trans

AR = use ase required - = Non illustrated part

2008 MK

**Gearshift Lever, Cable and Bracket
Figure 021DAW-1115**

ITEM	PART NUMBER	QTY	LINE	SERIES	BODY	ENGINE	TRANS	TRIM	DESCRIPTION
1	68024433AA	1	J, T, U				DAV, DAW		CABLE, Gear Selector
2	68024363AA	1	J, T, U				DAV, DAW		BRACKET, Shift Cable
-3	06104197AA	2	J, T, U				DAV, DAW		BOLT, Hex Flange Head, M8X1.25X25.00, For The Cable Bracket
4	06101809	1	J, T, U				DAV, DAW		NUT AND WASHER, Hex, M8x1.25



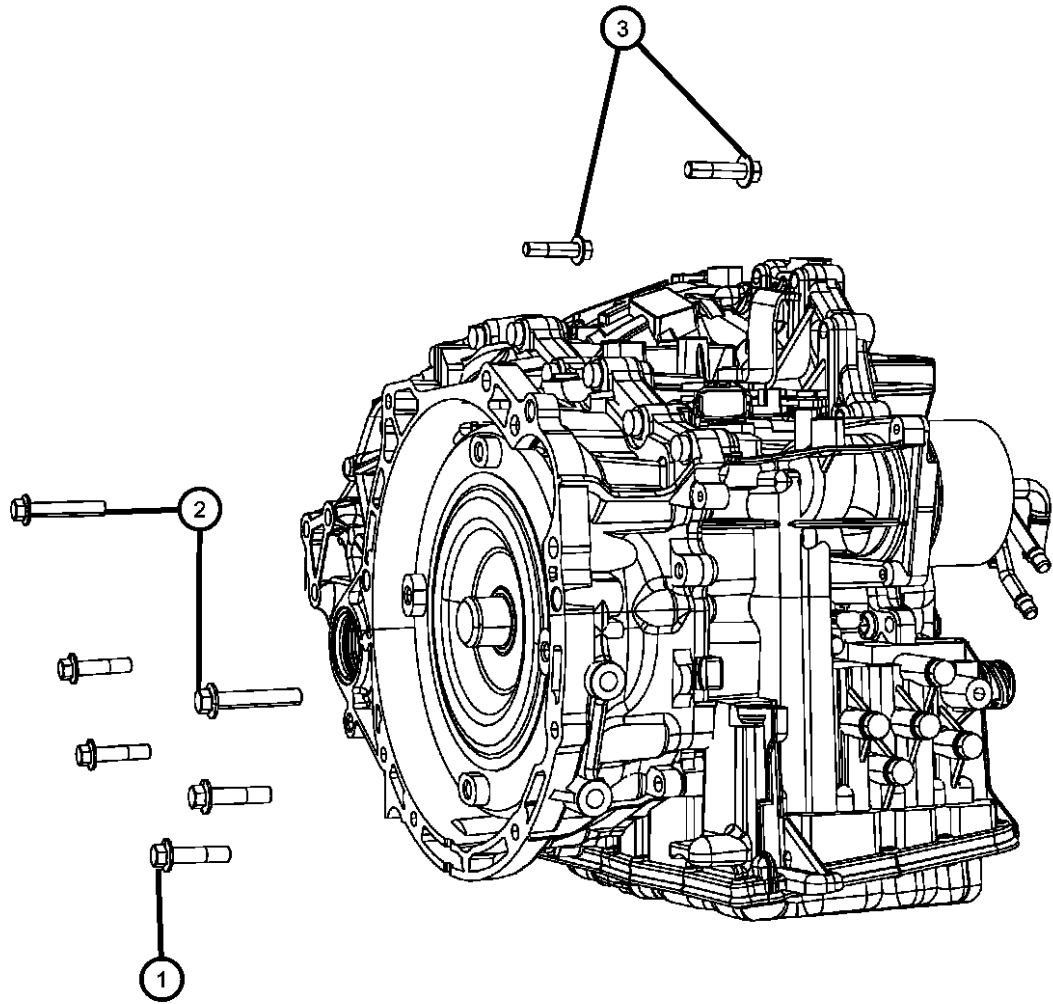
COMPASS/PATRIOT (MK)

SERIES	LINE	BODY	ENGINE	TRANSMISSION
H = HIGHLINE	T = JEEP - 2WD	49 = HATCHBACK TYPE #2	ECE = 2.0L 4 Cyl DOHC DPF Diesel Engine	DEF = 6-Speed Manual Aisin BG6 Trans
L = LOWLINE	J = JEEP - 4WD	74 = SPORT UTILITY 4-DR TYPE #4	ED3 = 2.4L 4 Cyl DOHC 16V Dual VVT Engine	DD7 = 5-Speed Manual T355 Transmission
P = PREMIUM	U = JEEP - 4WD (RHD)		ECD = 2.0L 4 Cyl DOHC Diesel 16V Engine	DAV = Continuously Variable Transaxle II
			ECN = 2.0L 4 Cyl DOHC 16V Dual VVT Engine	DAW = Cont.Var. w/Off-Rd Crawl Ratio Trans

AR = use ase required - = Non illustrated part

2008 MK

**Mounting Bolts
Figure 021DAW-1215**



ITEM	PART NUMBER	QTY	LINE	SERIES	BODY	ENGINE	TRANS	TRIM	DESCRIPTION
1	06509154AA	4	J, T, U				DAV, DAW		BOLT, Hex Flange Head, M10x1.25x40.00
2	06508881AA	2	J, T, U				DAV, DAW		BOLT, Hex Flange Head, M10x1.25x55.00
3	06509154AA	2	J, T, U				DAV, DAW		BOLT, Hex Flange Head, M10x1.25x40.00

COMPASS/PATRIOT (MK)

SERIES	LINE
H = HIGHLINE	T = JEEP - 2WD
L = LOWLINE	J = JEEP - 4WD
P = PREMIUM	U = JEEP - 4WD (RHD)

BODY
49 = HATCHBACK TYPE #2
74 = SPORT UTILITY 4-DR TYPE #4

ENGINE	TRANSMISSION
ECE = 2.0L 4 Cyl DOHC DPF Diesel Engine	DEF = 6-Speed Manual Aisin BG6 Trans
ED3 = 2.4L 4 Cyl DOHC 16V Dual VVT Engine	DD7 = 5-Speed Manual T355 Transmission
ECD = 2.0L 4 Cyl DOHC Diesel 16V Engine	DAV = Continuously Variable Transaxle II
ECN = 2.0L 4 Cyl DOHC 16V Dual VVT Engine	DAW = Cont.Var. w/Off-Rd Crawl Ratio Trans

AR = use ase required - = Non illustrated part

2008 MK

Group - 021514

Power Transfer Unit; Transfer Case

Group - 021514 Power Transfer Unit; Transfer Case


Illustration Title

Group-Fig. No.

Transfer Case Assembly

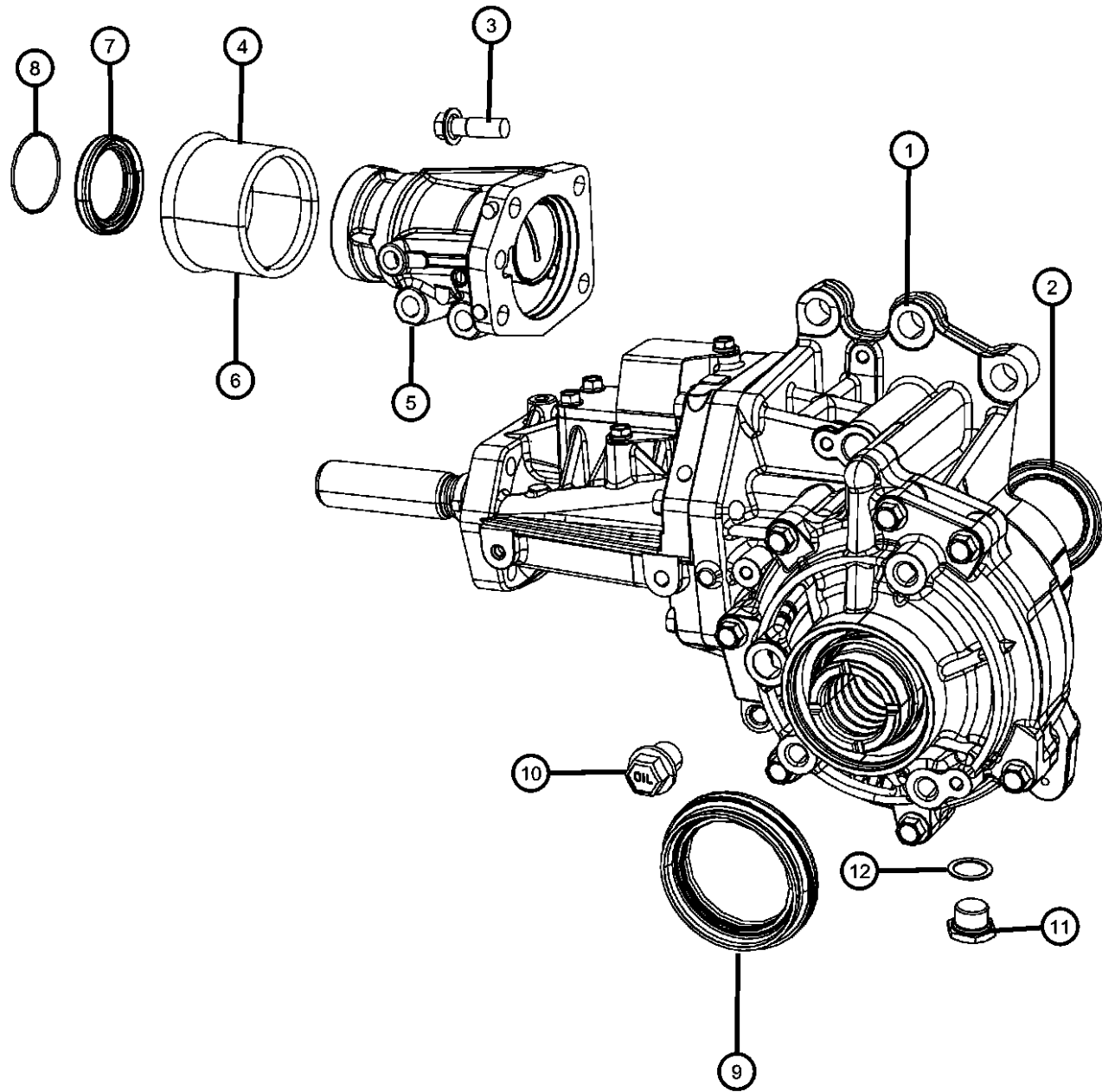
Power Transfer Unit And IdentificationFig. 021514 - 125

021590-100



021514-100 Transfer Case Assembly			
---	--	--	--

Power Transfer Unit And Identification
Figure 021514-125



ITEM	PART NUMBER	QTY	LINE	SERIES	BODY	ENGINE	TRANS	TRIM	DESCRIPTION
1	3200A067	1	J, U						POWER TRANSFER UNIT, See Note:
2	05105704AA	1	J, U						SEAL, Transfer Case
3	06105073AA	2	J, T, U						BOLT, Hex Head, M10x1.50x90
4	05273367AA	1	J, U						DAMPER, Transfer Case
5	68005250AA	1	J, U						EXTENSION HOUSING, PTU
6	68005258AA	1	J, U						GUARD, GUARD-DUST SEAL
7	68005260AA	1	J, U						SEAL, Extension
8	68005261AA	1	J, U						O-RING, Extension
9	68005263AA	1	J, U						SEAL, HALFSHAFT
10	68005264AA	1	J, U						PLUG, Oil Fill
11	68005265AA	1	J, U						PLUG, Oil Drain
12	68005267AA	1	J, U						O RING, Transfer Case

COMPASS/PATRIOT (MK)

SERIES LINE
H = HIGHLINE T = JEEP - 2WD
L = LOWLINE J = JEEP - 4WD
P = PREMIUM U = JEEP - 4WD (RHD)

BODY
49 = HATCHBACK TYPE #2
74 = SPORT UTILITY 4-DR
TYPE #4

ENGINE
ECE = 2.0L 4 Cyl DOHC DPF Diesel Engine
ED3 = 2.4L 4 Cyl DOHC 16V Dual VVT Engine
ECD = 2.0L 4 Cyl DOHC Diesel 16V Engine
ECN = 2.0L 4 Cyl DOHC 16V Dual VVT Engine

TRANSMISSION
DEF = 6-Speed Manual Aisin BG6 Trans
DD7 = 5-Speed Manual T355 Transmission
DAV = Continuously Variable Transaxle II
DAW = Cont.Var. w/Off-Rd Crawl Ratio Trans

AR = use ase required - = Non illustrated part

2008 MK

Group - 22

Wheels

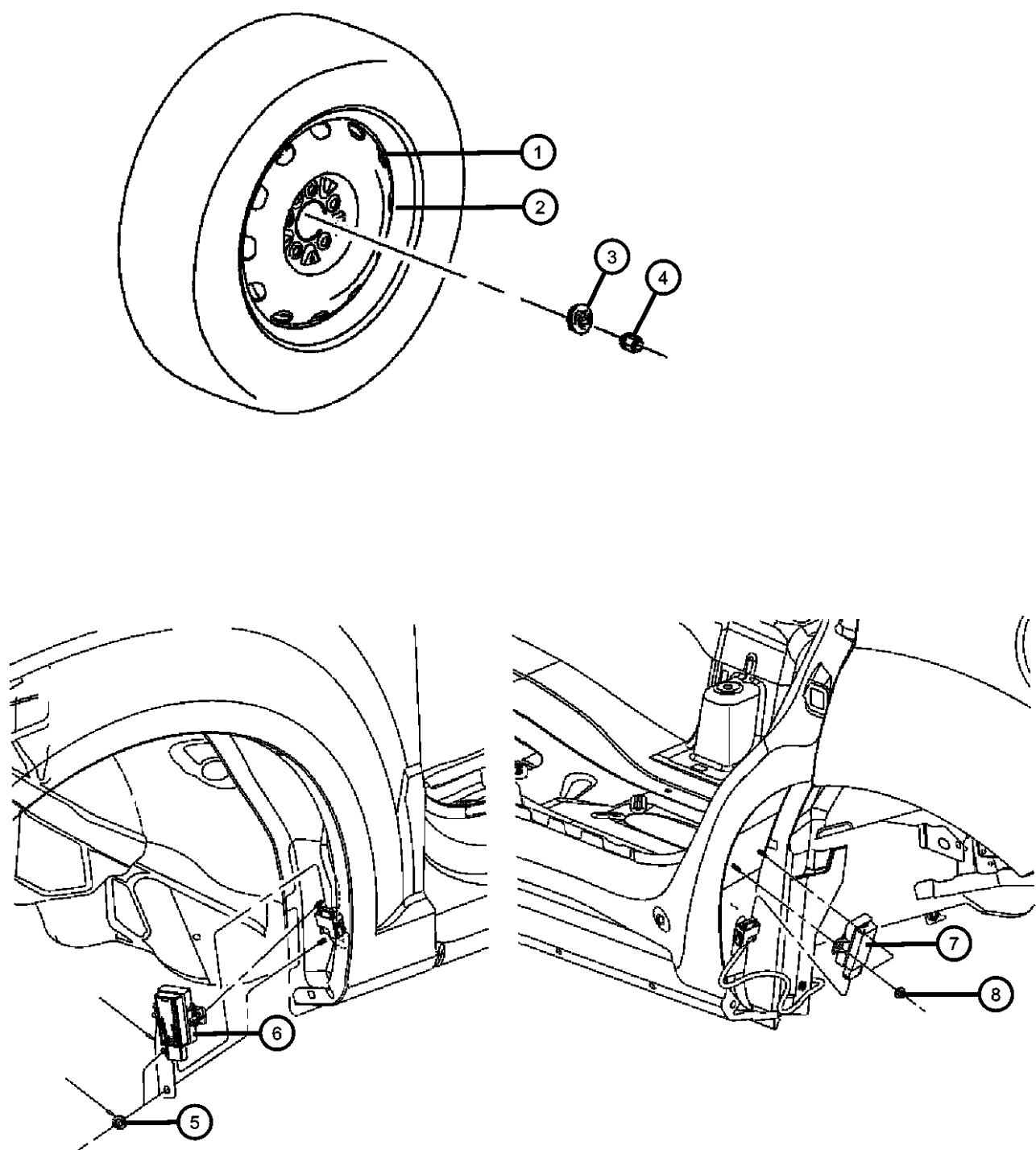
Group - 22 Wheels

Illustration Title	Group-Fig. No.
Wheels, Tires and Hardware	
Wheels and Hardware	Fig. 22 - 105
Wheel Covers and Center Caps	
Wheel Covers and Center Caps	Fig. 22 - 205
Jack Stowage	
Jack Assembly	Fig. 22 - 305
Wheel Spare	
Spare Tire Stowage	Fig. 22 - 405

022-100 Wheels, Tires and Hardware	022-200 Wheel Covers and Center Caps	022-300 Jack Stowage	022-400 Wheel Spare
--	--	--------------------------------	-------------------------------

Wheels and Hardware

Figure 22-105



ITEM	PART NUMBER	QTY	LINE	SERIES	BODY	ENGINE	TRANS	TRIM	DESCRIPTION
------	-------------	-----	------	--------	------	--------	-------	------	-------------

NOTE: Sales Codes:

- [TBB] = Full Size Spare Tire
- [TBC] = Compact Spare Tire
- [WDJ] = 16x6.5 Styled Steel Wheel
- [WFJ] = 17x6.5 Aluminum Wheel
- [WPP] = 18X8.0 Aluminum Chrome Clad Wheel
- [WPR] = 18x8.0 Aluminum Wheel
- [WPS] = 18x10.0 19x13.0 Aluminum Wheel
- [WPW] = 18X7.0 Aluminum Wheel
- [X88] = Tire and Wheel Parts Module

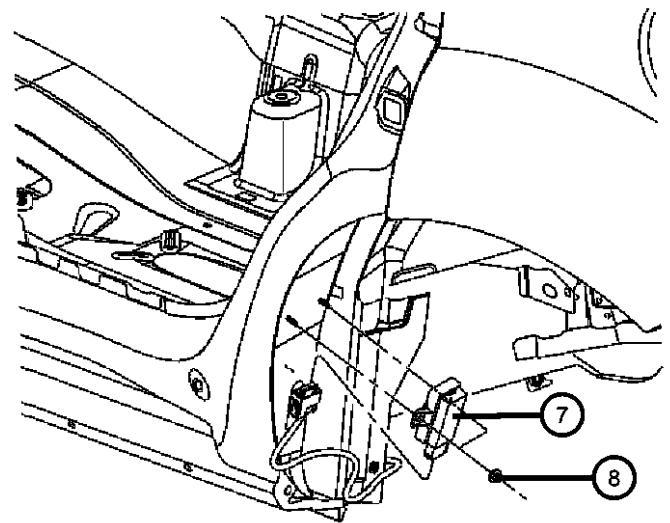
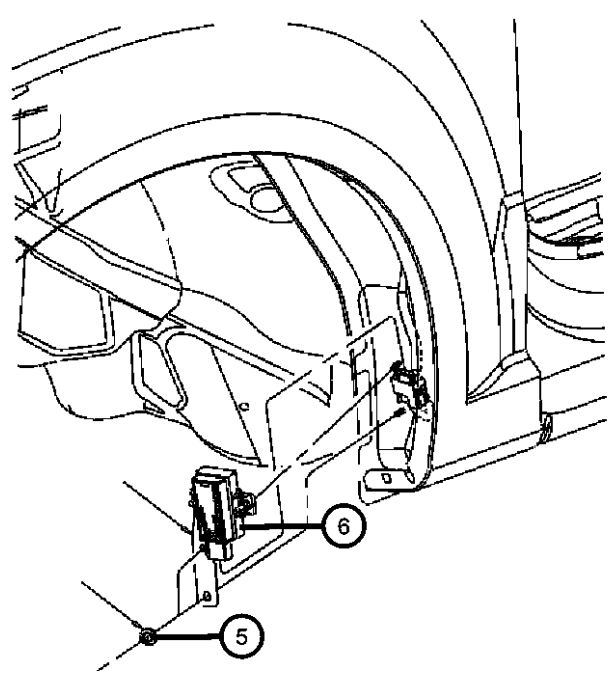
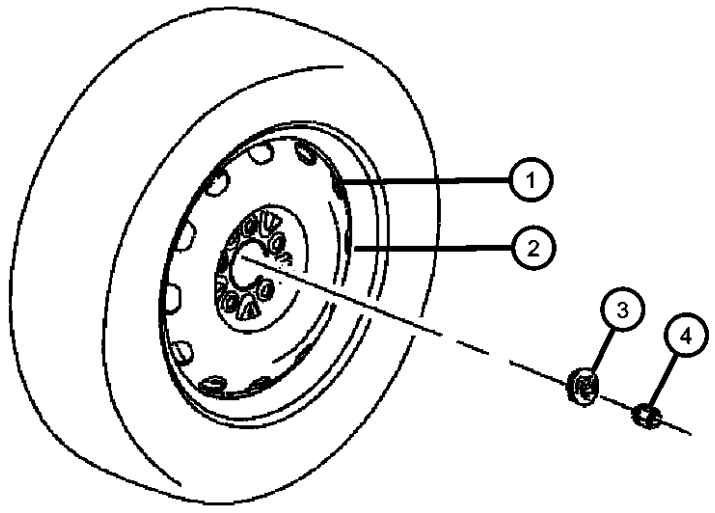
1	05105032AA	1	J, T, U		49				WHEEL, Steel
		1	J, T, U		74				[WFJ=WPS=WPW=WPP=WPR+TBB]
	05105079AA	1	J, T, U		74				[WFJ=WPS=WPW=WPP=WPR+TBC+X88]
	0YX87S4AAA	4	J, T, U		49				[WDJ+X88]
		4	J, T, U		74				[WDJ+X88]
	05105078AA	1	J, T, U		49				[WDJ+TBB]
		1	J, T, U		74				[WDJ+TBB]
		1	J, T, U		49				[TBC+X88]
2	1AR01PAKAA	4	J, T, U		49				WHEEL, Aluminum
	1CT67PAKAB	4	J, T, U		49				[WPW] 18x7.0 Aluminum Wheel
	05105473AA	4	J, T, U		49				[WFS + X88] 17X6.5 Aluminum Wheel
	0YX88CDMAB	4	J, T, U		49				[WPP] 18x8.0 Aluminum Chrome Clad Wheel
	0YX88MA8AB	4	J, T, U		49				[WFJ] 17x.605 Aluminum Wheel After 4/1/08
									[WFJ] 17x.605 Aluminum Wheel Up to 4/1/08
3	5HT59PAKAB	4	J, T, U		74				CAP, Wheel Center
	5HT59SZ0AB	4	J, T, U		49				[WPS] 18x10.0 19x13.0 Aluminum Wheel
		4	J, T, U		74				[WPP] 18x8.0 Aluminum Chrome Clad Wheel
	0YX93S4AAB	4	J, T, U		49				[WPP] 18x8.0 Aluminum Chrome Clad Wheel
		4	J, T, U		74				[WDJ] 16x6.5 Styled Steel Wheel
	52090402AA	4	J, T, U		49				[WDJ] 16x6.5 Styled Steel Wheel
									[WPW] 18x7.0 Aluminum Wheel

COMPASS/PATRIOT (MK)		BODY		ENGINE		TRANSMISSION	
SERIES	LINE	TYPE #4					
H = HIGHLINE	T = JEEP - 2WD	49 = HATCHBACK TYPE #2		ECE = 2.0L 4 Cyl DOHC DPF Diesel Engine	DEF = 6-Speed Manual Aisin BG6 Trans		
L = LOWLINE	J = JEEP - 4WD	74 = SPORT UTILITY 4-DR		ED3 = 2.4L 4 Cyl DOHC 16V Dual VVT Engine	DD7 = 5-Speed Manual T355 Transmission		
P = PREMIUM	U = JEEP - 4WD (RHD)			ECD = 2.0L 4 Cyl DOHC Diesel 16V Engine	DAV = Continuously Variable Transaxle II		
				ECN = 2.0L 4 Cyl DOHC 16V Dual VVT Engine	DAW = Cont.Var. w/Off-Rd Crawl Ratio Trans		

AR = use ase required - = Non illustrated part

**Wheels and Hardware
Figure 22-105**

ITEM	PART NUMBER	QTY	LINE	SERIES	BODY	ENGINE	TRANS	TRIM	DESCRIPTION	
-12		1	J, T, U		74				SENSOR PACKAGE, Tire Pressure, See Sensors Group 008	
	68001696AA	4	J, T, U		49					
		4	J, T, U		74					
-13		4	J, T, U		49				HARDWARE KIT, Mounting, See Sensors Group 008 Contains: 1-SL20120001, Nut, TPM Retaining, 1-SL122990001, Washer, Seal Support, 1-SL122140001, Cap, Valve Stem, Black, Euro, 1-SL120121001, Cap, Valve Stem, Grey, Domestic, 1-SL122988001, Seal, TPM to Wheel Rim, 1-SL122914001, Valve, Core TPM & Instruction Sheet Contains: 1-SL20120001, Nut, TPM Retaining, 1-SL122990001, Washer, Seal Support, 1-SL122140001, Cap, Valve Stem, Black, Euro, 1-SL120121001, Cap, Valve Stem, Grey, Domestic, 1-SL122988001, Seal, TPM to Wheel Rim, 1-SL122914001, Valve, Core TPM & Instruction Sheet Contains: 1-SL122914001, Valve Core, TPM, 1-SL120121001, Cap, Valve Stem, Grey, Domestic, 1-SL122140001, Cap, Valve Stem, Black, Euro Contains: 1-SL122914001, Valve Core, TPM, 1-SL120121001, Cap, Valve Stem, Grey, Domestic, 1-SL122140001, Cap, Valve Stem, Black, Euro	
	68001743AA	4	J, T, U		49					
		4	J, T, U		74					
		4	J, T, U		49					
	68001744AA	4	J, T, U		49					
		4	J, T, U		74					
-14										SENSOR PACKAGE, Tire Pressure, See Sensors Group 008



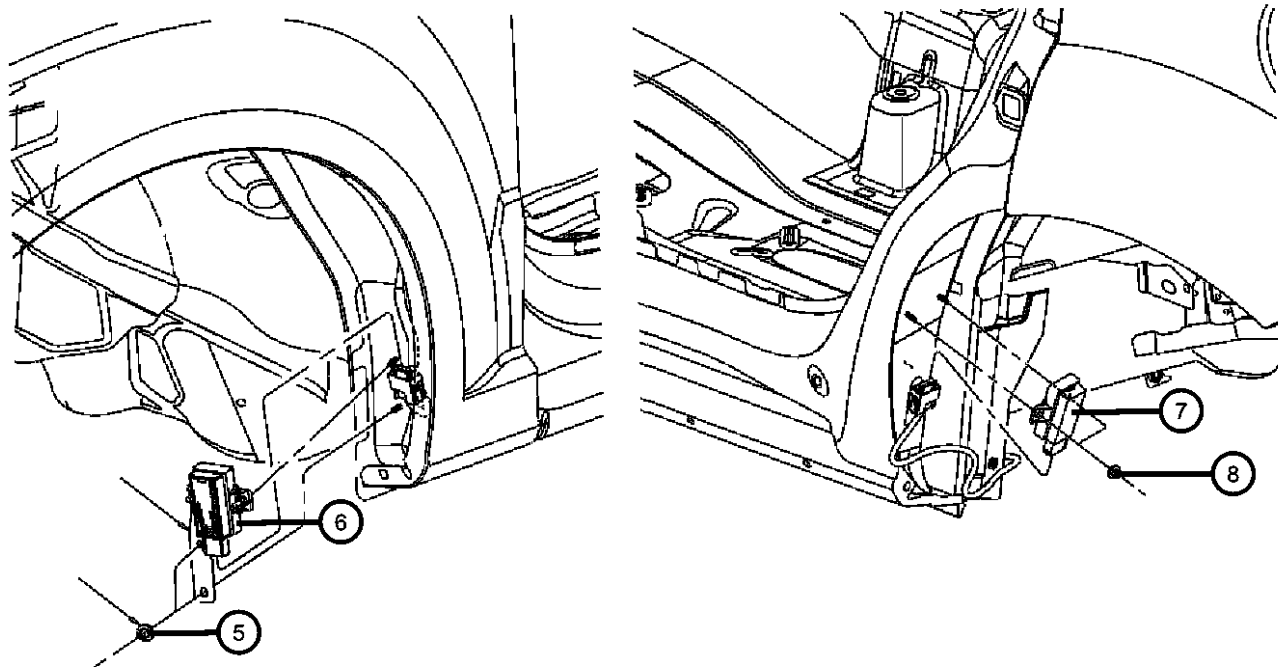
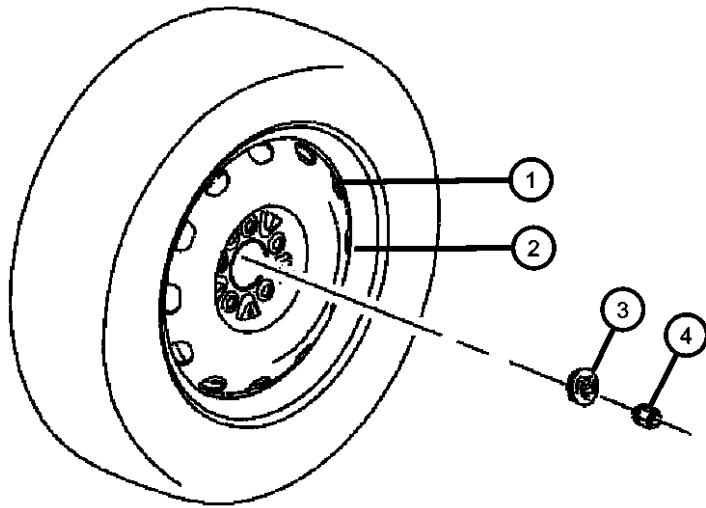
COMPASS/PATRIOT (MK)				
SERIES	LINE	BODY	ENGINE	TRANSMISSION
H = HIGHLINE	T = JEEP - 2WD	49 = HATCHBACK TYPE #2	ECE = 2.0L 4 Cyl DOHC DPF Diesel Engine	DEF = 6-Speed Manual Aisin BG6 Trans
L = LOWLINE	J = JEEP - 4WD	74 = SPORT UTILITY 4-DR TYPE #4	ED3 = 2.4L 4 Cyl DOHC 16V Dual VVT Engine	DD7 = 5-Speed Manual T355 Transmission
P = PREMIUM	U = JEEP - 4WD (RHD)		ECD = 2.0L 4 Cyl DOHC Diesel 16V Engine	DAV = Continuously Variable Transaxle II
			ECN = 2.0L 4 Cyl DOHC 16V Dual VVT Engine	DAW = Cont.Var. w/Off-Rd Crawl Ratio Trans

<< RETURN TO GROUP INDEX

Wheels and Hardware
Figure 22-105

ITEM	PART NUMBER	QTY	LINE	SERIES	BODY	ENGINE	TRANS	TRIM	DESCRIPTION
------	-------------	-----	------	--------	------	--------	-------	------	-------------

	68001698AA	4	J, T, U		49				
		4	J, T, U		74				



COMPASS/PATRIOT (MK)

SERIES	LINE
H = HIGHLINE	T = JEEP - 2WD
L = LOWLINE	J = JEEP - 4WD
P = PREMIUM	U = JEEP - 4WD (RHD)

BODY
49 = HATCHBACK TYPE #2
74 = SPORT UTILITY 4-DR TYPE #4

ENGINE	TRANSMISSION
ECE = 2.0L 4 Cyl DOHC DPF Diesel Engine	DEF = 6-Speed Manual Aisin BG6 Trans
ED3 = 2.4L 4 Cyl DOHC 16V Dual VVT Engine	DD7 = 5-Speed Manual T355 Transmission
ECD = 2.0L 4 Cyl DOHC Diesel 16V Engine	DAV = Continuously Variable Transaxle II
ECN = 2.0L 4 Cyl DOHC 16V Dual VVT Engine	DAW = Cont.Var. w/Off-Rd Crawl Ratio Trans

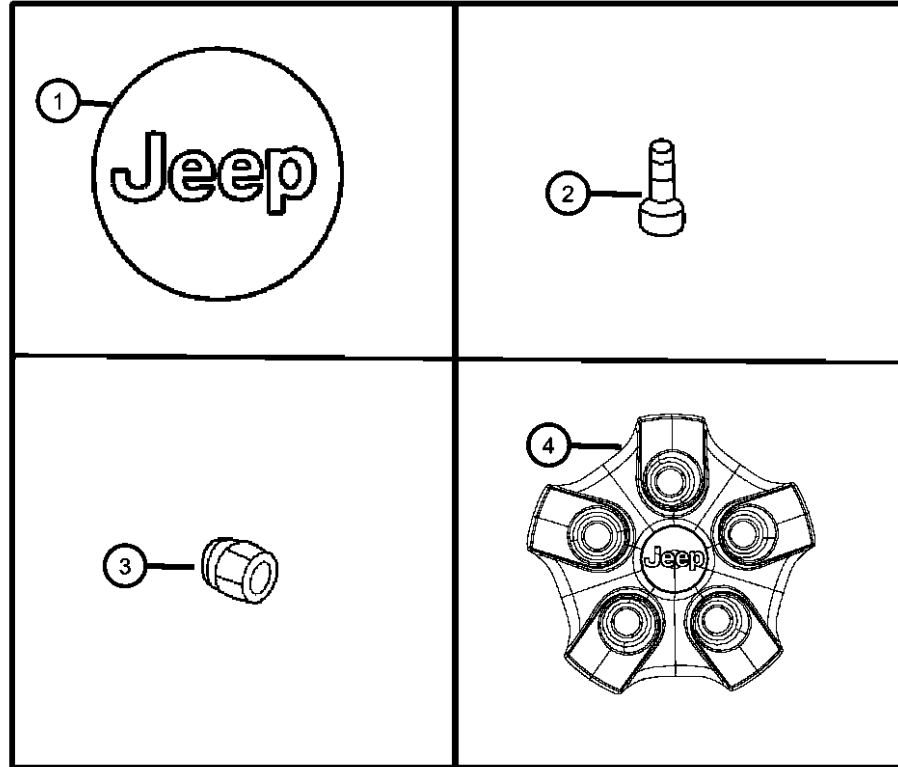
AR = use ase required - = Non illustrated part

2008 MK

Wheel Covers and Center Caps Figure 22-205

ITEM	PART NUMBER	QTY	LINE	SERIES	BODY	ENGINE	TRANS	TRIM	DESCRIPTION
------	-------------	-----	------	--------	------	--------	-------	------	-------------

NOTE: Sales Codes:
 [WDJ] = 16x6.5 Styled Steel Wheel
 [WFJ] = 17x6.5 Aluminum Wheel
 [WPP] = 18X8.0 Aluminum Chrome Clad Wheel
 [WPR] = 18x8.0 Aluminum Wheel
 [WPS] = 18x10.0 19x13.0 Aluminum Wheel
 [WPW] = 18X7.0 Aluminum Wheel
 [X88] = Tire & Wheel Parts Module



									CAP, Wheel Center
	52090402AA	4	J, T, U		49				[WPW] 18x7.0 Aluminum Wheel
		4	J, T, U		74				[WPW] 18x7.0 Aluminum Wheel
	5HT59MA8AB	4	J, T, U		49				[WFJ] 17x6.5 Aluminum Wheel
		4	J, T, U		74				[WFJ] 17x6.5 Aluminum Wheel
	5HT59PAKAB	4	J, T, U		49				[WPS] 18x10.0 19x13.0
		4	J, T, U		74				Aluminum Wheel
									[WPS] 18x10.0 19x13.0
	5HT59SZ0AB	4	J, T, U		49				Aluminum Wheel
		4	J, T, U		74				[WPP] 18x8.0 Aluminum Chrome
									Clad Wheel
		4	J, T, U		49				[WPP] 18x8.0 Aluminum Chrome
		4	J, T, U		74				Clad Wheel
									[WPR] 18x8.0 Aluminum Wheel
									[WPR] 18x8.0 Aluminum Wheel
2									STEM, Wheel Valve
	02073355	1	J, T, U		49				
		1	J, T, U		74				
3									NUT, Wheel, M12x1.5
	06502738	20	J, T, U		49				
		20	J, T, U		74				
4									CAP, Wheel Center
	0YX93S4AAB	4	J, T, U		49				[WDJ] 16x6.5 Styled Steel Wheel
		4	J, T, U		74				[WDJ] 16x6.5 Styled Steel Wheel

COMPASS/PATRIOT (MK)

SERIES LINE

H = HIGHLINE T = JEEP - 2WD
 L = LOWLINE J = JEEP - 4WD
 P = PREMIUM U = JEEP - 4WD (RHD)

BODY

49 = HATCHBACK TYPE #2
 74 = SPORT UTILITY 4-DR
 TYPE #4

ENGINE

ECE = 2.0L 4 Cyl DOHC DPF Diesel Engine
 ED3 = 2.4L 4 Cyl DOHC 16V Dual VVT Engine
 ECD = 2.0L 4 Cyl DOHC Diesel 16V Engine
 ECN = 2.0L 4 Cyl DOHC 16V Dual VVT Engine

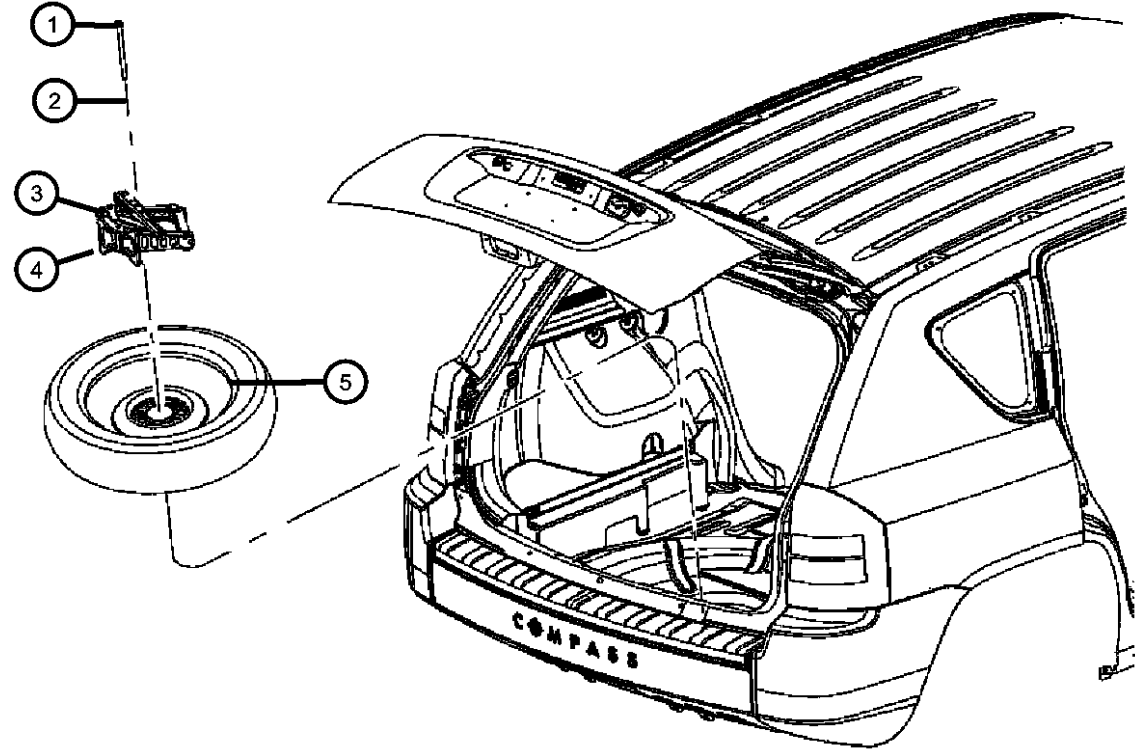
TRANSMISSION

DEF = 6-Speed Manual Aisin BG6 Trans
 DD7 = 5-Speed Manual T355 Transmission
 DAV = Continuously Variable Transaxle II
 DAW = Cont.Var. w/Off-Rd Crawl Ratio Trans

AR = use ase required - = Non illustrated part

2008 MK

Jack Assembly
Figure 22-305



ITEM	PART NUMBER	QTY	LINE	SERIES	BODY	ENGINE	TRANS	TRIM	DESCRIPTION
------	-------------	-----	------	--------	------	--------	-------	------	-------------

NOTES: Sales Codes:
[TBB] = Full Size Spare Tire
[TBC] = Compact Spare Tire

1	05105837AA	1	J, T, U		49				HOLD DOWN, Spare Tire Wheel to Floor
		1	J, T, U		74				Wheel to Floor
2	05105525AC	1	J, T, U		49				HOLD DOWN, Spare Tire Wheel to Floor (Handle)
		1	J, T, U		74				Wheel to Floor (Handle)
3	04772483AE	1	J, T, U		49				WRENCH, Wheel Lug Nut
		1	J, T, U		74				
4	05191333AB	1	J, T, U		49				JACK
		1	J, T, U		74				
5	05105078AA	1	J, T, U		49				WHEEL, Steel [TBB] Full Size Spare Tire
		1	J, T, U		74				[TBB] Full Size Spare Tire
	05105079AA	1	J, T, U		49				[TBC] Compact Spare Tire
		1	J, T, U		74				[TBC] Compact Spare Tire

COMPASS/PATRIOT (MK)

SERIES LINE
H = HIGHLINE T = JEEP - 2WD
L = LOWLINE J = JEEP - 4WD
P = PREMIUM U = JEEP - 4WD (RHD)

BODY
49 = HATCHBACK TYPE #2
74 = SPORT UTILITY 4-DR
TYPE #4

ENGINE TRANSMISSION
ECE = 2.0L 4 Cyl DOHC DPF Diesel Engine DEF = 6-Speed Manual Aisin BG6 Trans
ED3 = 2.4L 4 Cyl DOHC 16V Dual VVT Engine DD7 = 5-Speed Manual T355 Transmission
ECD = 2.0L 4 Cyl DOHC Diesel 16V Engine DAV = Continuously Variable Transaxle II
ECN = 2.0L 4 Cyl DOHC 16V Dual VVT Engine DAW = Cont.Var. w/Off-Rd Crawl Ratio Trans

AR = use ase required - = Non illustrated part

2008 MK

Group - 23

Wiper/Washers-Miscellaneous

Group - 23 Wiper/Washers-Miscellaneous

Illustration Title

Group-Fig. No.

Lock Cylinders and Keys

Keys and Transmitters	Fig. 23 - 105
Ignition Lock Cylinders	Fig. 23 - 110
Door Lock Cylinders	Fig. 23 - 115
LiftGate Lock Cylinder	Fig. 23 - 120
Fuel Locking Cylinder	Fig. 23 - 125

Windshield Wiper and Washer System

Front Wiper System	Fig. 23 - 205
Front Washer System	Fig. 23 - 210

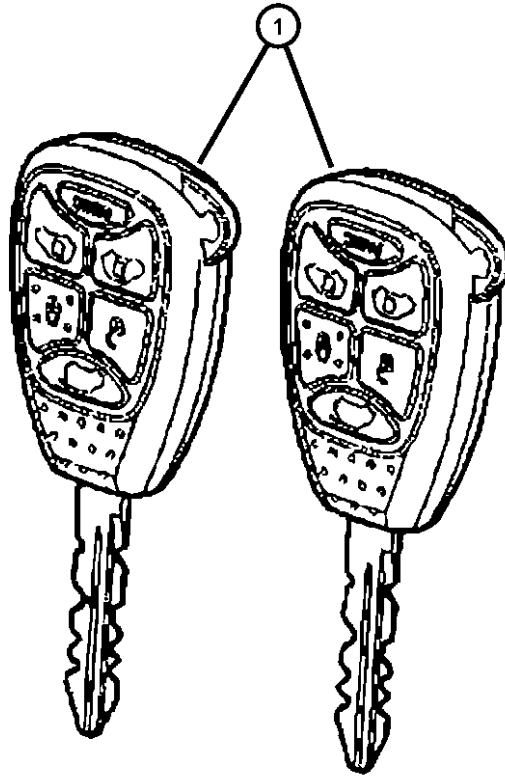
Rear Window Wiper and Washer

Rear Wiper System	Fig. 23 - 305
-------------------------	---------------

023-100 Lock Cylinders and Keys	023-200 Windshield Wiper and Washer System	023-300 Rear Window Wiper and Washer System	
---	--	---	--

Keys and Transmitters
Figure 23-105

ITEM	PART NUMBER	QTY	LINE	SERIES	BODY	ENGINE	TRANS	TRIM	DESCRIPTION
1	05143553AA	1	J, T, U		49				KEY, Master Jeep Sentry
-2									KEY, BLANK WITH TRANSMITTER
	68000603AA	1	J, T, U		49				
	68001699AA	1	J, T, U		49				BUX 2 Button
	68001701AA	1	J, T, U		49				Japan 2 Button



COMPASS/PATRIOT (MK)

SERIES LINE

H = HIGHLINE T = JEEP - 2WD
L = LOWLINE J = JEEP - 4WD
P = PREMIUM U = JEEP - 4WD (RHD)

BODY

49 = HATCHBACK TYPE #2
74 = SPORT UTILITY 4-DR
TYPE #4

ENGINE

ECE = 2.0L 4 Cyl DOHC DPF Diesel Engine
ED3 = 2.4L 4 Cyl DOHC 16V Dual VVT Engine
ECD = 2.0L 4 Cyl DOHC Diesel 16V Engine
ECN = 2.0L 4 Cyl DOHC 16V Dual VVT Engine

TRANSMISSION

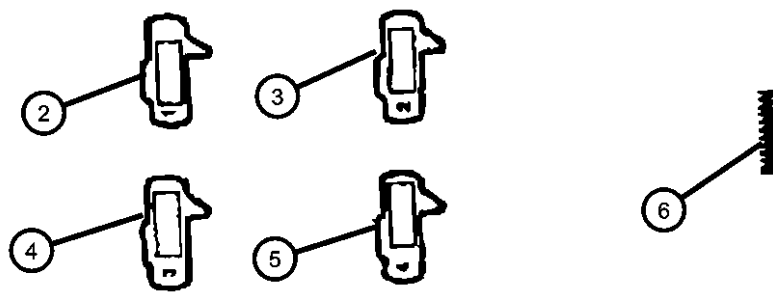
DEF = 6-Speed Manual Aisin BG6 Trans
DD7 = 5-Speed Manual T355 Transmission
DAV = Continuously Variable Transaxle II
DAW = Cont.Var. w/Off-Rd Crawl Ratio Trans

AR = use ase required - = Non illustrated part

2008 MK

Fuel Locking Cylinder Figure 23-125

ITEM	PART NUMBER	QTY	LINE	SERIES	BODY	ENGINE	TRANS	TRIM	DESCRIPTION
-1	68030940AA	1	J, T, U		49				CAP KIT, Fuel Tank Locking
2	05257132AB	1	J, T, U		49				TUMBLER, Number 1
3	05257133AB	1	J, T, U		49				TUMBLER, Number 2
4	05257134AB	1	J, T, U		49				TUMBLER, Number 3
5	05257135AB	1	J, T, U		49				TUMBLER, Number 4
6	04746873	1	J, T, U		49				SPRING, Lock Cylinder Tumbler



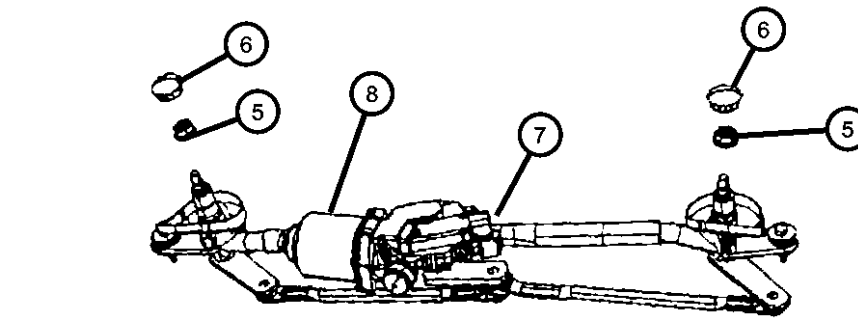
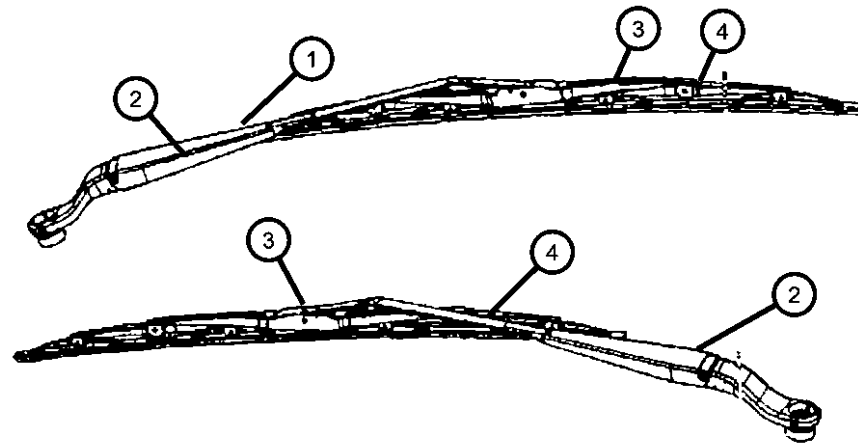
COMPASS/PATRIOT (MK)

SERIES	LINE	BODY	ENGINE	TRANSMISSION
H = HIGHLINE	T = JEEP - 2WD	49 = HATCHBACK TYPE #2	ECE = 2.0L 4 Cyl DOHC DPF Diesel Engine	DEF = 6-Speed Manual Aisin BG6 Trans
L = LOWLINE	J = JEEP - 4WD	74 = SPORT UTILITY 4-DR TYPE #4	ED3 = 2.4L 4 Cyl DOHC 16V Dual VVT Engine	DD7 = 5-Speed Manual T355 Transmission
P = PREMIUM	U = JEEP - 4WD (RHD)		ECD = 2.0L 4 Cyl DOHC Diesel 16V Engine	DAV = Continuously Variable Transaxle II
			ECN = 2.0L 4 Cyl DOHC 16V Dual VVT Engine	DAW = Cont.Var. w/Off-Rd Crawl Ratio Trans

AR = use ase required - = Non illustrated part

2008 MK

Front Wiper System
Figure 23-205



ITEM	PART NUMBER	QTY	LINE	SERIES	BODY	ENGINE	TRANS	TRIM	DESCRIPTION
	WBW00022AD								Mopar Alternative Winter Wiper Blades
	WBFLAT17AA								Mopar Alternative Flat Blade Set
	WB-BLU022AA								Mopar Alternative Color Wiper Blade (Blue)
	WBRED022AA								Mopar Alternative Color Wiper Blade (Red)
	WBYEL022AA								Mopar Alternative Color Wiper Blade (Yellow)
	WB-WHI022AA								Mopar Alternative Color Wiper Blade (White)
	WB-CAR022AA								Mopar Alternative Color Wiper Blade (Carbon Fiber)
	68003732AA	1	U		74				
	68003739AA	1	J, T		74				
	WB000021AE								Mopar V-Line Alternative Part
	WBW00021AE								Mopar Alternative Winter Wiper Blades
	WBFLAT07AA								Mopar Alternative Flat Blade Set
	68003744AA	1	U		49				
5									NUT, M8
	06104987AA	1	J, T, U		49				
		1	J, T, U		74				
6									CAP, Wiper Arm Nut
	04389440	2	J, T, U		49				
		2	J, T, U		74				
7									MOTOR AND LINKAGE, Windshield wiper
	04879432AC	1	J, T		74				
	04879433AC	1	U		74				
	05303827AD	1	J, T		49				
	05303828AD	1	U		49				
8									MOTOR, Windshield wiper
	68003729AA	1	J, T		74				
	68003734AA	1	U		74				
	68003740AA	1	U		49				

COMPASS/PATRIOT (MK)

SERIES LINE
H = HIGHLINE T = JEEP - 2WD
L = LOWLINE J = JEEP - 4WD
P = PREMIUM U = JEEP - 4WD (RHD)

BODY
49 = HATCHBACK TYPE #2
74 = SPORT UTILITY 4-DR TYPE #4

ENGINE
ECE = 2.0L 4 Cyl DOHC DPF Diesel Engine
ED3 = 2.4L 4 Cyl DOHC 16V Dual VVT Engine
ECD = 2.0L 4 Cyl DOHC Diesel 16V Engine
ECN = 2.0L 4 Cyl DOHC 16V Dual VVT Engine

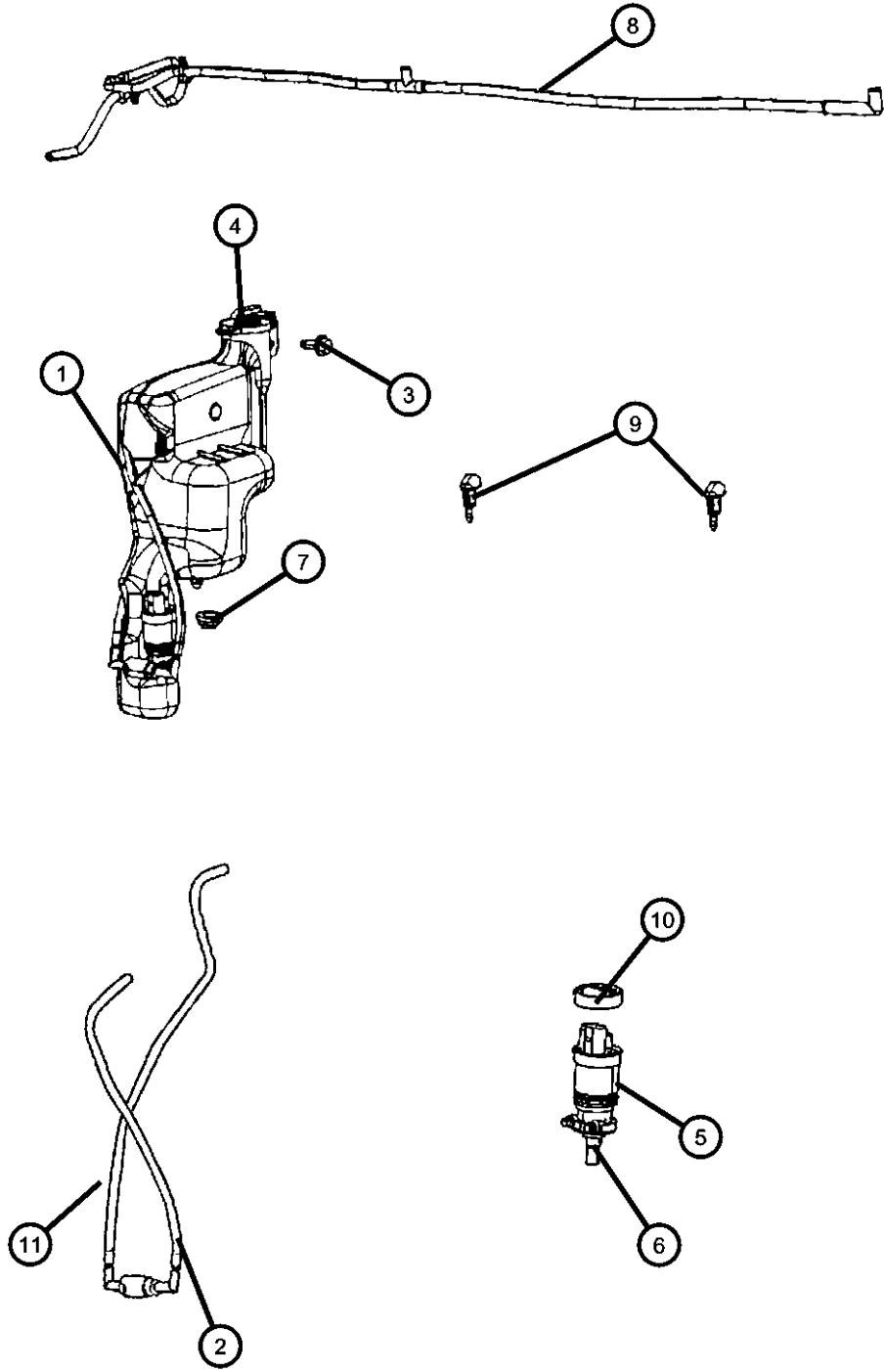
TRANSMISSION
DEF = 6-Speed Manual Aisin BG6 Trans
DD7 = 5-Speed Manual T355 Transmission
DAV = Continuously Variable Transaxle II
DAW = Cont.Var. w/Off-Rd Crawl Ratio Trans

AR = use ase required - = Non illustrated part

2008 MK

Front Washer System

Figure 23-210



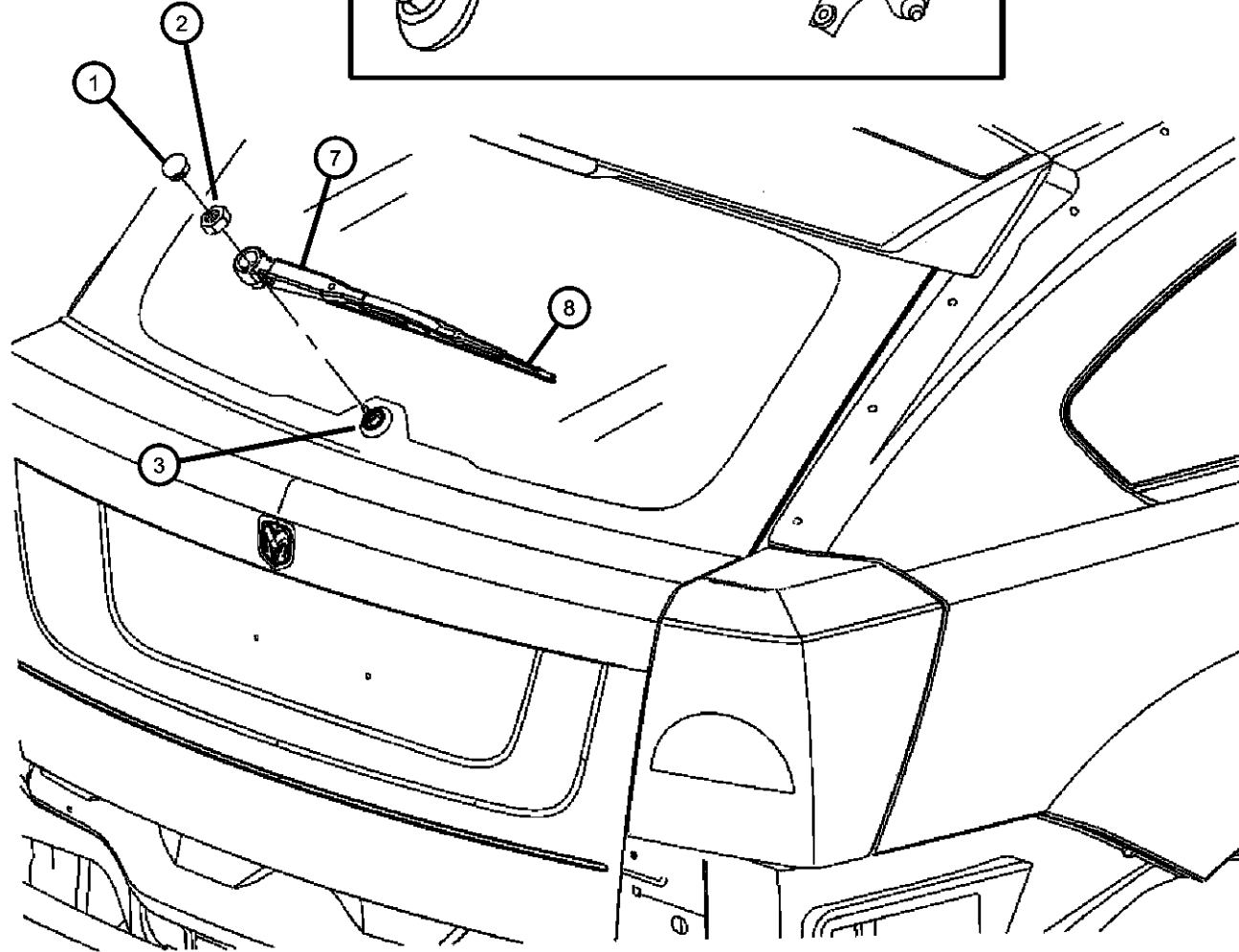
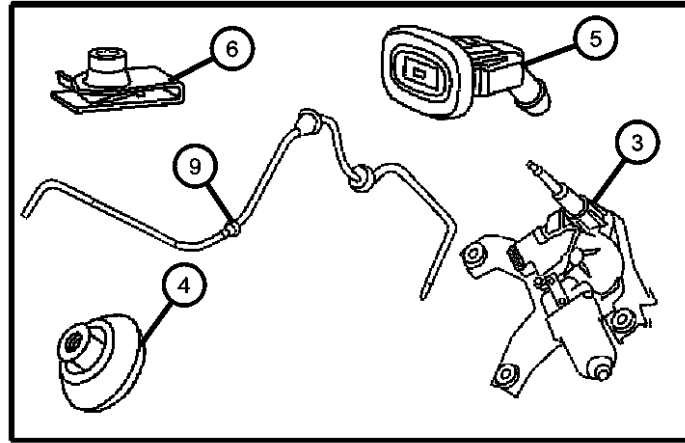
ITEM	PART NUMBER	QTY	LINE	SERIES	BODY	ENGINE	TRANS	TRIM	DESCRIPTION
1	05189350AA	1	J, T, U		49				RESERVOIR, Windshield Washer
		1	J, T, U		74				
2	05189353AA	1	J, T, U		49				HOSE, Washer Reservoir
3	06105102AA	2	J, T, U		49				SCREW, M8x1.25x25, Tapping, Hex Head
4	05189351AA	1	J, T, U		49				CAP, Washer Reservoir
5	05179153AC	1	J, T, U		49				PUMP, Windshield Washer, Dual Outlet
		1	J, T, U		74				
6	05152030AA	1	J, T, U		49				GROMMET, Windshield Washer Pump
7	05189352AA	1	J, T, U		49				GROMMET, Washer Reservoir
8	05303837AB	1	J, T, U		49				HOSE, Windshield Washer
9	05303833AA	2	J, T, U		49				NOZZLE, Windshield washer
10	05189355AA	1	J, T, U		49				RING, Locating, Windshield Washer Pump
11	05189353AA	1	J, T, U		49				HOSE, Washer Reservoir

COMPASS/PATRIOT (MK)

SERIES	LINE	BODY	ENGINE	TRANSMISSION
H = HIGHLINE	T = JEEP - 2WD	49 = HATCHBACK TYPE #2	ECE = 2.0L 4 Cyl DOHC DPF Diesel Engine	DEF = 6-Speed Manual Aisin BG6 Trans
L = LOWLINE	J = JEEP - 4WD	74 = SPORT UTILITY 4-DR TYPE #4	ED3 = 2.4L 4 Cyl DOHC 16V Dual VVT Engine	DD7 = 5-Speed Manual T355 Transmission
P = PREMIUM	U = JEEP - 4WD (RHD)		ECD = 2.0L 4 Cyl DOHC Diesel 16V Engine	DAV = Continuously Variable Transaxle II
			ECN = 2.0L 4 Cyl DOHC 16V Dual VVT Engine	DAW = Cont.Var. w/Off-Rd Crawl Ratio Trans

AR = use ase required - = Non illustrated part

Rear Wiper System
Figure 23-305



ITEM	PART NUMBER	QTY	LINE	SERIES	BODY	ENGINE	TRANS	TRIM	DESCRIPTION
1	04389440	2	J, T, U		49				CAP, Wiper Arm Nut
		2	J, T, U		74				
2	05097674AA	3	J, T, U		49, 74				NUT, Hex
3	05116146AE	1	J, T, U		49				MOTOR, Liftgate Wiper
		1	J, T, U		74				
4	05116200AA	1	J, T, U		49				GROMMET, Rear Wiper Motor
5	05303841AA	1	J, T, U		49				NOZZLE, Liftgate Washer, model 74 serviced in CHMSL lamp
6	06506035AA	2	J, T, U		49				NUT, U, M6x1.00
7	05183275AA	1	J, T, U		49				ARM, Rear Wiper
	68003728AA	1	J, T, U		74				
8	05183276AA	1	J, T, U		49				BLADE, Rear Wiper
	WBRW0011AB								Mopar V-Line Alternative Part
	68003723AA	1	J, T, U		74				
9	04879444AD	1	J, T, U		74				HOSE ASSY, Rear WINDOW WIPER WASHER
	05303839AE	1	J, T, U		49				

COMPASS/PATRIOT (MK)

SERIES

H = HIGHLINE
L = LOWLINE
P = PREMIUM

LINE

T = JEEP - 2WD
J = JEEP - 4WD
U = JEEP - 4WD (RHD)

BODY

49 = HATCHBACK TYPE #2
74 = SPORT UTILITY 4-DR TYPE #4

ENGINE

ECE = 2.0L 4 Cyl DOHC DPF Diesel Engine
ED3 = 2.4L 4 Cyl DOHC 16V Dual VVT Engine
ECD = 2.0L 4 Cyl DOHC Diesel 16V Engine
ECN = 2.0L 4 Cyl DOHC 16V Dual VVT Engine

TRANSMISSION

DEF = 6-Speed Manual Aisin BG6 Trans
DD7 = 5-Speed Manual T355 Transmission
DAV = Continuously Variable Transaxle II
DAW = Cont.Var. w/Off-Rd Crawl Ratio Trans

AR = use ase required - = Non illustrated part

2008 MK

Group - 24

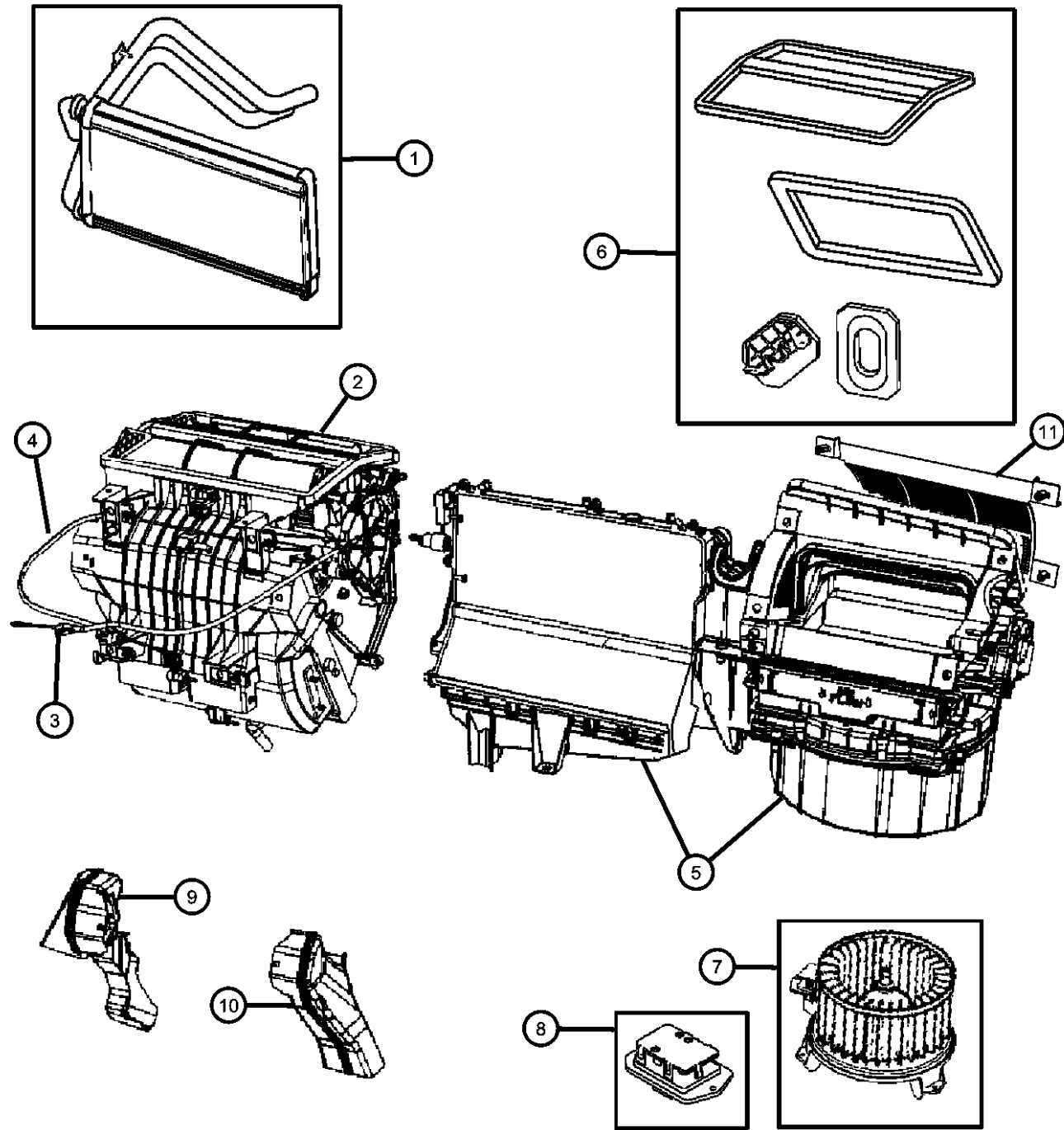
Air Conditioners and Heaters

Group - 24 Air Conditioners and Heaters

Illustration Title	Group-Fig. No.
Air Conditioner and Heater Units	
Heater Unit [LHD]	Fig. 24 - 105
Heater Unit [RHD]	Fig. 24 - 110
A/C and Heater Unit [LHD]	Fig. 24 - 120
A/C and Heater Unit [RHD]	Fig. 24 - 125
Air Conditioner and Heater Plumbing	
Heater Plumbing	Fig. 24 - 205
A/C Plumbing	Fig. 24 - 220
Air Conditioner and Heater Controls	
Heater Controls	Fig. 24 - 305
A/C and Heater Controls	Fig. 24 - 310
Air Conditioner Compressor and Mounting	
A/C Compressor	Fig. 24 - 405
A/C Compressor Mounting	Fig. 24 - 440
Air Ducts and Outlets	
Ducts and Outlets Front	Fig. 24 - 505

024-100 Air Conditioner and Heater Units	024-200 Air Conditioner and Heater Plumbing	024-300 Air Conditioner and Heater Controls	024-400 Air Conditioner Compressor and Mounting
024-500 Air Ducts and Outlets			

Heater Unit [LHD]
Figure 24-105



ITEM	PART NUMBER	QTY	LINE	SERIES	BODY	ENGINE	TRANS	TRIM	DESCRIPTION
1	05191347AB	1	J, T		49				CORE, Heater, Includes Pipe Clip and Screw
2	05191349AB	1	J, T		74				HOUSING, Distribution, Includes Defrost, Panel, Floor, and Air Mix Doors, Links, Levers, Cables
3	05191738AB	1	J, T		49				CABLE, Mode
4	05191741AB	1	J, T		49				CABLE, Temperature Control
5	05191801AC	1	J, T		49				HOUSING, Blower Motor, Includes Recirculation Door, Filter Case Door, Servo, coupler, Drain Tube
6	05191348AB	1	J, T		49				SEAL KIT, A/C And Heater Unit, Includes Case Foam, Evaporator Plate, Heater Pipe Packing, Mode Case Foam
7	05191345AA	1	J, T		49				MOTOR, Blower with Wheel, Includes Attaching Nuts
8	05191344AA	1	J, T		49				RESISTOR, Blower Motor, Includes Attaching Screws
9	05191353AA	1	J, T		49				DUCT, A/C And Heater
					74				Drivers Side
					74				Drivers Side

COMPASS/PATRIOT (MK)

SERIES LINE
H = HIGHLINE T = JEEP - 2WD
L = LOWLINE J = JEEP - 4WD
P = PREMIUM U = JEEP - 4WD (RHD)

BODY
49 = HATCHBACK TYPE #2
74 = SPORT UTILITY 4-DR TYPE #4

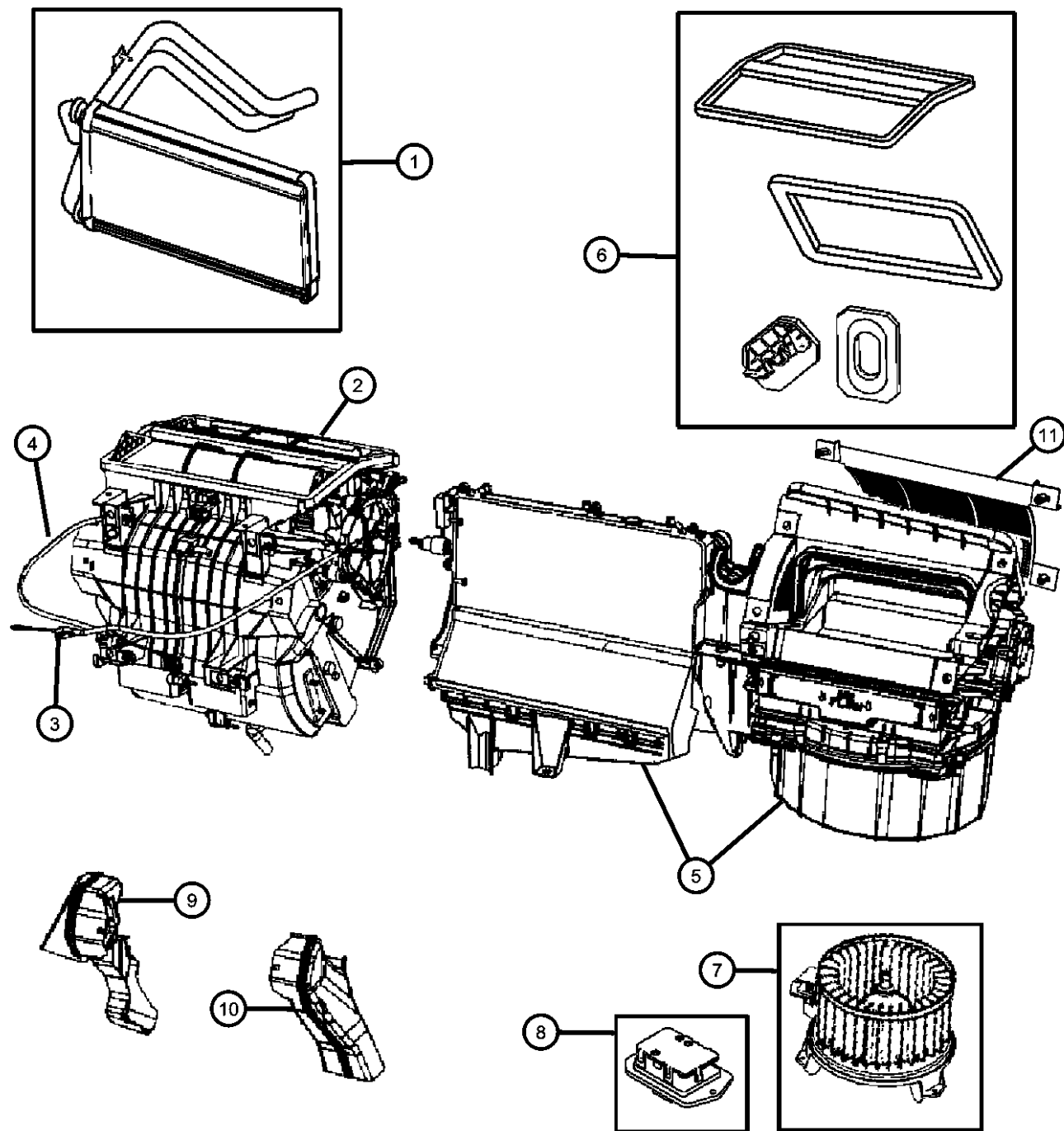
ENGINE
ECE = 2.0L 4 Cyl DOHC DPF Diesel Engine
ED3 = 2.4L 4 Cyl DOHC 16V Dual VVT Engine
ECD = 2.0L 4 Cyl DOHC Diesel 16V Engine
ECN = 2.0L 4 Cyl DOHC 16V Dual VVT Engine

TRANSMISSION
DEF = 6-Speed Manual Aisin BG6 Trans
DD7 = 5-Speed Manual T355 Transmission
DAV = Continuously Variable Transaxle II
DAW = Cont.Var. w/Off-Rd Crawl Ratio Trans

AR = use ase required - = Non illustrated part

2008 MK

Heater Unit [LHD]
Figure 24-105



ITEM	PART NUMBER	QTY	LINE	SERIES	BODY	ENGINE	TRANS	TRIM	DESCRIPTION
10	05191352AA	1	J, T		49				DUCT, A/C And Heater Passenger Side
		1	J, T		74				Passenger Side
11	68027841AA	1	J, T		74				SCREEN, Air Inlet
		1	J, T		49				

COMPASS/PATRIOT (MK)

SERIES LINE
H = HIGHLINE T = JEEP - 2WD
L = LOWLINE J = JEEP - 4WD
P = PREMIUM U = JEEP - 4WD (RHD)

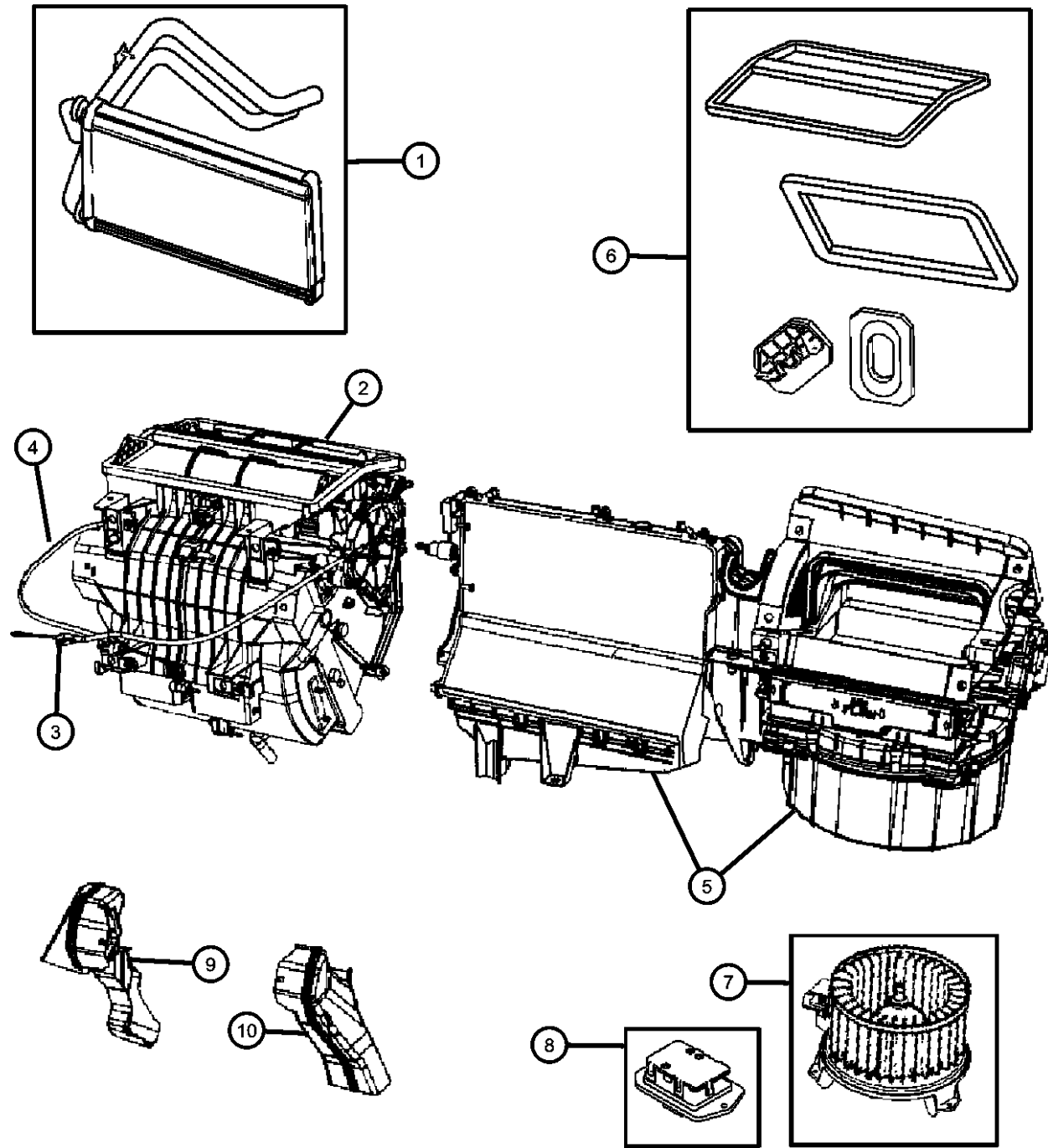
BODY
49 = HATCHBACK TYPE #2
74 = SPORT UTILITY 4-DR
TYPE #4

ENGINE TRANSMISSION
ECE = 2.0L 4 Cyl DOHC DPF DEF = 6-Speed Manual Aisin BG6
Diesel Engine Trans
ED3 = 2.4L 4 Cyl DOHC 16V DD7 = 5-Speed Manual T355
Dual VVT Engine Transmission
ECD = 2.0L 4 Cyl DOHC DAV = Continuously Variable
Diesel 16V Engine Transaxle II
ECN = 2.0L 4 Cyl DOHC 16V DAW = Cont.Var. w/Off-Rd Crawl
Dual VVT Engine Ratio Trans

AR = use ase required - = Non illustrated part

2008 MK

Heater Unit [RHD]
Figure 24-110



ITEM	PART NUMBER	QTY	LINE	SERIES	BODY	ENGINE	TRANS	TRIM	DESCRIPTION
1	68000469AB	1	U		49, 74				CORE, Heater, Includes Pipe Clip and Screw
2	05191349AB	1	U		49, 74				HOUSING, Distribution, Includes Defrost, Panel, Floor, and Air Mix Doors, Links, Levers, Cables
3	05191738AB	1	U		49, 74				CABLE, Mode
4	05191741AB	1	U		49, 74				CABLE, Temperature Control
5	05191740AB	1	U		49, 74				HOUSING, Blower Motor, Includes Recirculation Door, Filter Case Door, Servo, coupler, Drain Tube
6	68029649AA	1	U		49, 74	ECN, ED3			SEAL KIT, A/C And Heater Unit, Includes Case Foam, Evaporator Plate, Heater Pipe Packing, Mode Case Foam
7	05191743AA	1	U		49, 74				MOTOR, Blower with Wheel, Includes Attaching Nuts
8	05191739AA	1	U		49, 74				RESISTOR, Blower Motor, Includes Attaching Screws
9	05191736AA	1	U		49, 74				DUCT, A/C And Heater Drivers Side
10	05191737AA	1	U		49, 74				DUCT, A/C And Heater Passenger Side

COMPASS/PATRIOT (MK)

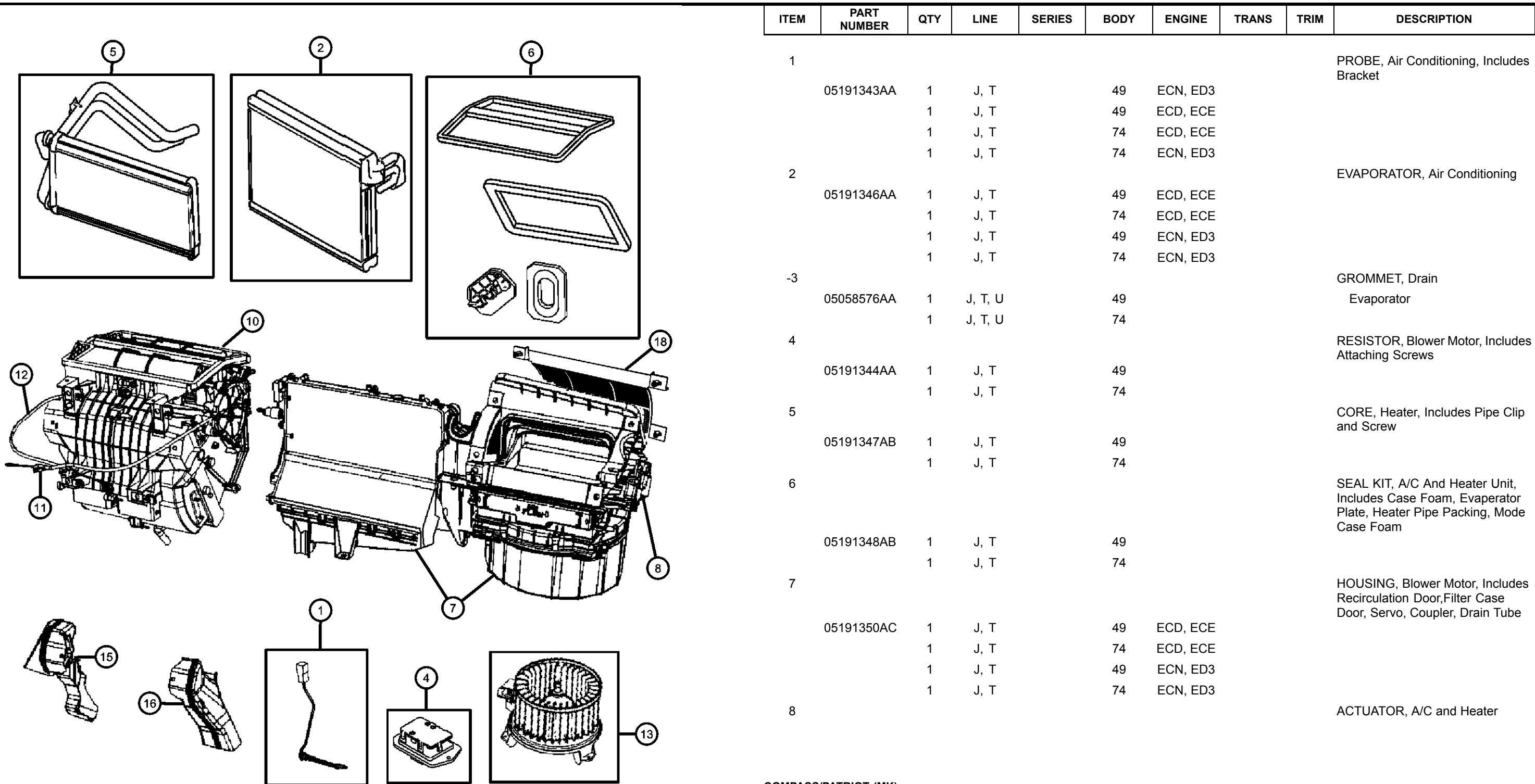
SERIES	LINE	BODY	ENGINE	TRANSMISSION
H = HIGHLINE	T = JEEP - 2WD	49 = HATCHBACK TYPE #2	ECE = 2.0L 4 Cyl DOHC DPF Diesel Engine	DEF = 6-Speed Manual Aisin BG6 Trans
L = LOWLINE	J = JEEP - 4WD	74 = SPORT UTILITY 4-DR TYPE #4	ED3 = 2.4L 4 Cyl DOHC 16V Dual VVT Engine	DD7 = 5-Speed Manual T355 Transmission
P = PREMIUM	U = JEEP - 4WD (RHD)		ECD = 2.0L 4 Cyl DOHC Diesel 16V Engine	DAV = Continuously Variable Transaxle II
			ECN = 2.0L 4 Cyl DOHC 16V Dual VVT Engine	DAW = Cont.Var. w/Off-Rd Crawl Ratio Trans

AR = use ase required - = Non illustrated part

2008 MK

A/C and Heater Unit [LHD]

Figure 24-120



ITEM	PART NUMBER	QTY	LINE	SERIES	BODY	ENGINE	TRANS	TRIM	DESCRIPTION
1	05191343AA	1	J, T		49	ECN, ED3			PROBE, Air Conditioning, Includes Bracket
		1	J, T		49	ECD, ECE			
		1	J, T		74	ECD, ECE			
		1	J, T		74	ECN, ED3			
2	05191346AA	1	J, T		49	ECD, ECE			EVAPORATOR, Air Conditioning
		1	J, T		74	ECD, ECE			
		1	J, T		49	ECN, ED3			
		1	J, T		74	ECN, ED3			
-3	05058576AA	1	J, T, U		49				GROMMET, Drain Evaporator
		1	J, T, U		74				
4	05191344AA	1	J, T		49				RESISTOR, Blower Motor, Includes Attaching Screws
		1	J, T		74				
5	05191347AB	1	J, T		49				CORE, Heater, Includes Pipe Clip and Screw
		1	J, T		74				
6	05191348AB	1	J, T		49				SEAL KIT, A/C And Heater Unit, Includes Case Foam, Evaporator Plate, Heater Pipe Packing, Mode Case Foam
		1	J, T		74				
7	05191350AC	1	J, T		49	ECD, ECE			HOUSING, Blower Motor, Includes Recirculation Door, Filter Case Door, Servo, Coupler, Drain Tube
		1	J, T		74	ECD, ECE			
		1	J, T		49	ECN, ED3			
		1	J, T		74	ECN, ED3			
8									ACTUATOR, A/C and Heater

COMPASS/PATRIOT (MK)

SERIES

LINE

BODY

ENGINE

TRANSMISSION

H = HIGHLINE
L = LOWLINE
P = PREMIUM

T = JEEP - 2WD
J = JEEP - 4WD
U = JEEP - 4WD (RHD)

49 = HATCHBACK TYPE #2
74 = SPORT UTILITY 4-DR
TYPE #4

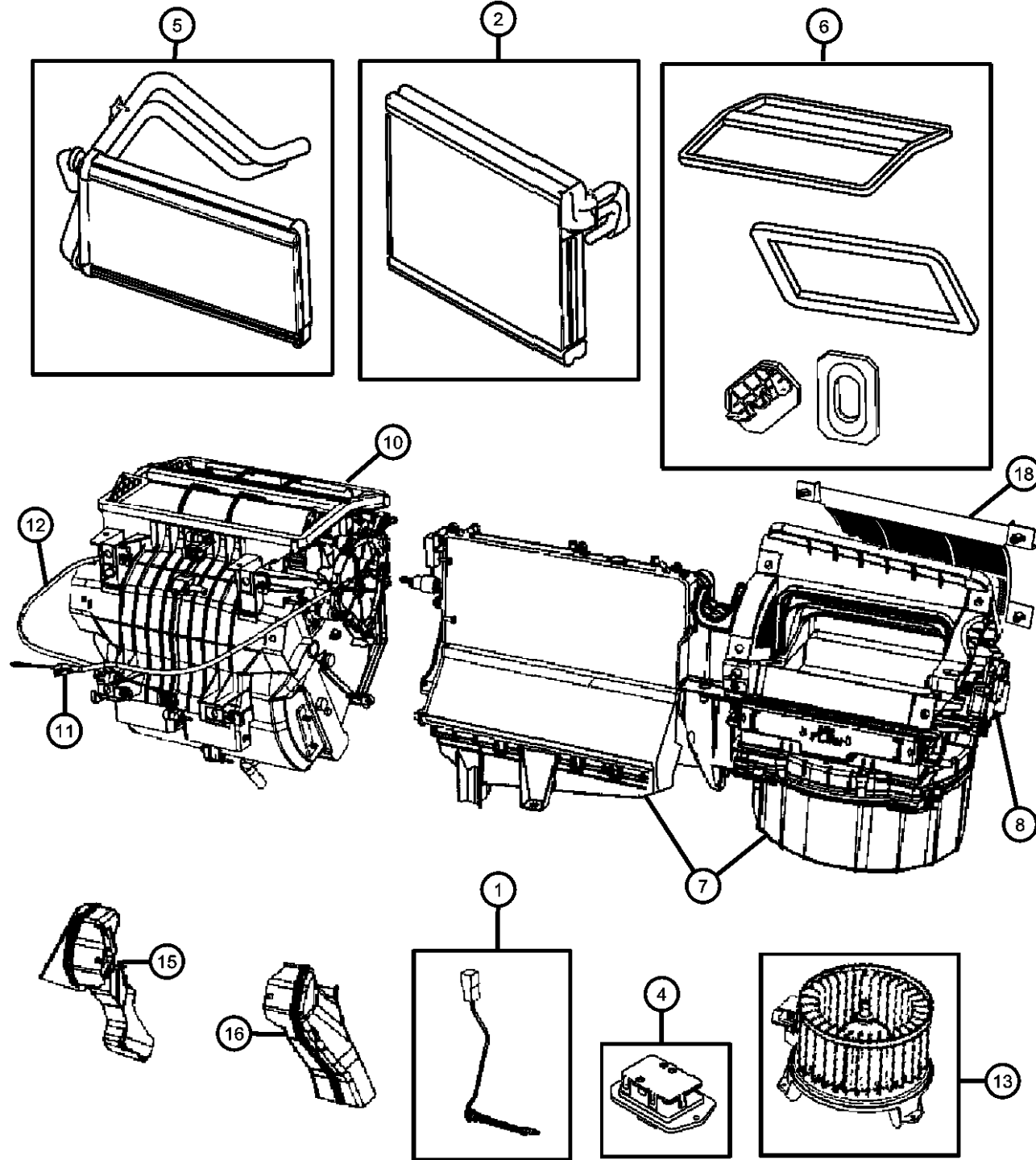
ECE = 2.0L 4 Cyl DOHC DPF Diesel Engine
ED3 = 2.4L 4 Cyl DOHC 16V Dual VVT Engine
ECD = 2.0L 4 Cyl DOHC Diesel 16V Engine
ECN = 2.0L 4 Cyl DOHC 16V Dual VVT Engine

DEF = 6-Speed Manual Aisin BG6 Trans
DD7 = 5-Speed Manual T355 Transmission
DAV = Continuously Variable Transaxle II
DAW = Cont.Var. w/Off-Rd Crawl Ratio Trans

AR = use ase required - = Non illustrated part

2008 MK

A/C and Heater Unit [LHD]
Figure 24-120



ITEM	PART NUMBER	QTY	LINE	SERIES	BODY	ENGINE	TRANS	TRIM	DESCRIPTION
	68000470AA	1	J, T		49				
		1	J, T		74				
-9	68018107AB	1	J, T		49				HOSE, Drain
		1	J, T		74				
10	05191349AB	1	J, T		49	ECN, ED3			HOUSING, Distribution, Includes Defrost, Panel, Floor, and Air Mix Doors, Links, Levers, Cables
		1	J, T		74	ECN, ED3			
	05191734AB	1	J, T		49	ECD, ECE			
		1	J, T		74	ECD, ECE			
11	05191738AB	1	J, T		49				CABLE, Mode
		1	J, T		74				
12	05191741AB	1	J, T		49				CABLE, Temperature Control
		1	J, T		74				
13	05191345AA	1	J, T		49				MOTOR, Blower with Wheel, Includes Attaching Nuts
		1	J, T		74				
-14	05191742AA	1	J, T		49	ECD, ECE			HEATER, Cab
		1	J, T		74	ECD, ECE			
15	05191353AA	1	J, T		49				DUCT, A/C And Heater Drivers Side
		1	J, T		74				Drivers Side
16	05191352AA	1	J, T		49				DUCT, A/C And Heater Passenger Side
		1	J, T		74				Passenger Side
-17	05058693AA	1	J, T, U		49				FILTER, A/C and Heater Unit

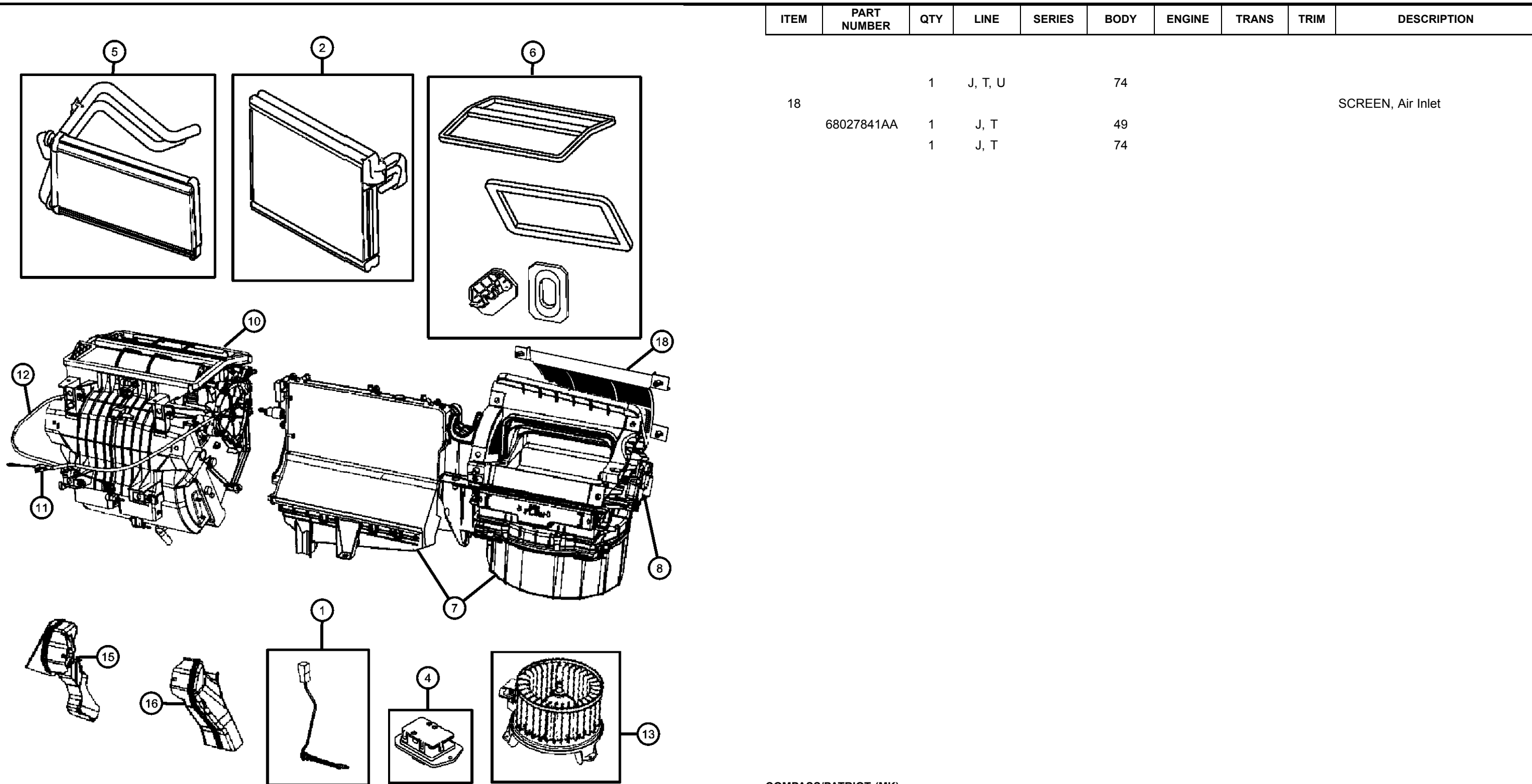
COMPASS/PATRIOT (MK)

SERIES	LINE	BODY	ENGINE	TRANSMISSION
H = HIGHLINE	T = JEEP - 2WD	49 = HATCHBACK TYPE #2	ECE = 2.0L 4 Cyl DOHC DPF Diesel Engine	DEF = 6-Speed Manual Aisin BG6 Trans
L = LOWLINE	J = JEEP - 4WD	74 = SPORT UTILITY 4-DR TYPE #4	ED3 = 2.4L 4 Cyl DOHC 16V Dual VVT Engine	DD7 = 5-Speed Manual T355 Transmission
P = PREMIUM	U = JEEP - 4WD (RHD)		ECD = 2.0L 4 Cyl DOHC Diesel 16V Engine	DAV = Continuously Variable Transaxle II
			ECN = 2.0L 4 Cyl DOHC 16V Dual VVT Engine	DAW = Cont.Var. w/Off-Rd Crawl Ratio Trans

AR = use ase required - = Non illustrated part

2008 MK

A/C and Heater Unit [LHD]
Figure 24-120



ITEM	PART NUMBER	QTY	LINE	SERIES	BODY	ENGINE	TRANS	TRIM	DESCRIPTION
18		1	J, T, U		74				SCREEN, Air Inlet
	68027841AA	1	J, T		49				
		1	J, T		74				

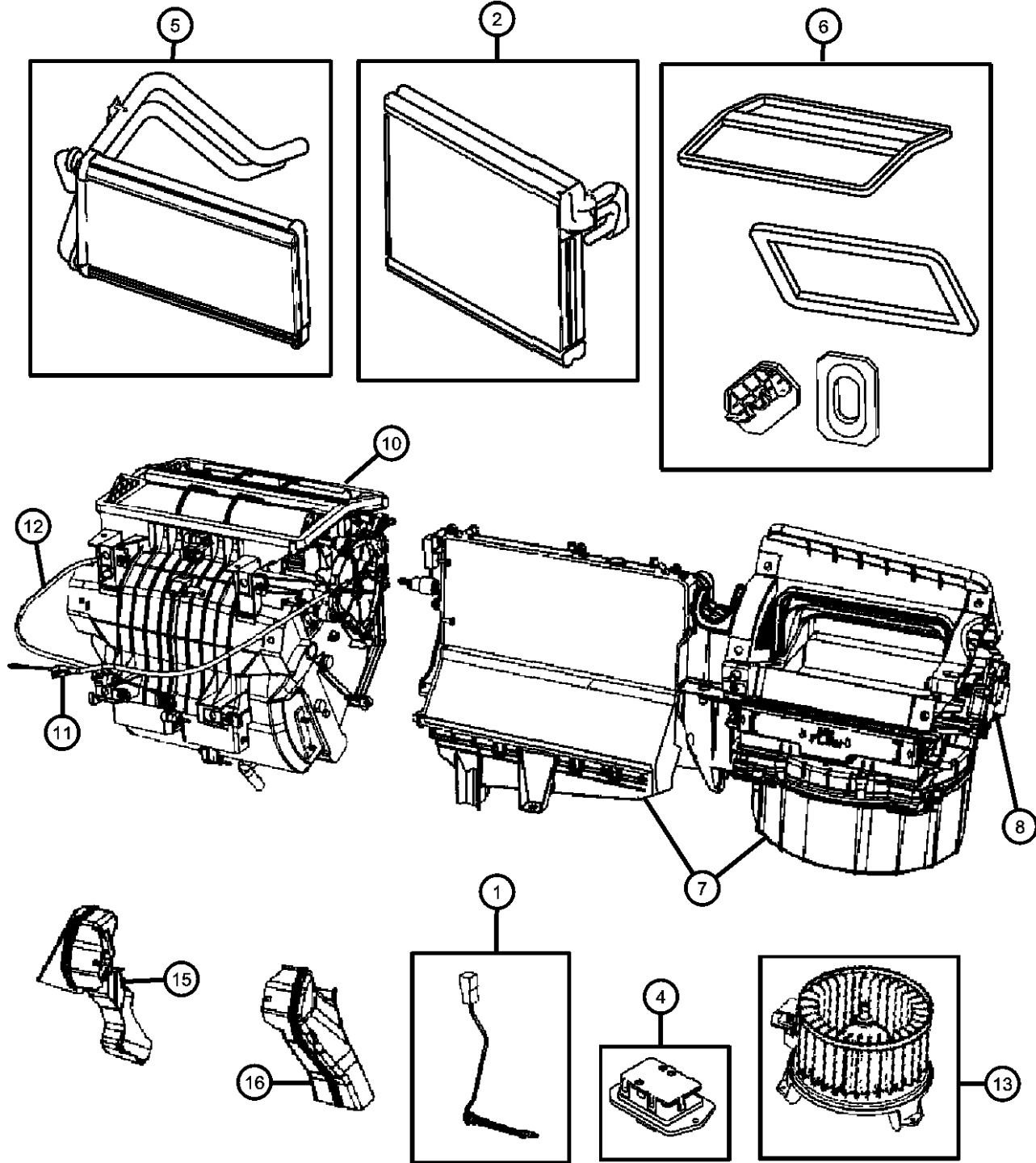
COMPASS/PATRIOT (MK)

SERIES	LINE	BODY	ENGINE	TRANSMISSION
H = HIGHLINE	T = JEEP - 2WD	49 = HATCHBACK TYPE #2	ECE = 2.0L 4 Cyl DOHC DPF Diesel Engine	DEF = 6-Speed Manual Aisin BG6 Trans
L = LOWLINE	J = JEEP - 4WD	74 = SPORT UTILITY 4-DR TYPE #4	ED3 = 2.4L 4 Cyl DOHC 16V Dual VVT Engine	DD7 = 5-Speed Manual T355 Transmission
P = PREMIUM	U = JEEP - 4WD (RHD)		ECD = 2.0L 4 Cyl DOHC Diesel 16V Engine	DAV = Continuously Variable Transaxle II
			ECN = 2.0L 4 Cyl DOHC 16V Dual VVT Engine	DAW = Cont.Var. w/Off-Rd Crawl Ratio Trans

AR = use ase required - = Non illustrated part

A/C and Heater Unit [RHD]
Figure 24-125

ITEM	PART NUMBER	QTY	LINE	SERIES	BODY	ENGINE	TRANS	TRIM	DESCRIPTION
1	05191343AA	1	U		49, 74	ECD, ECE			PROBE, Air Conditioning, Includes Bracket
		1	U		49, 74	ED3			
2	05191346AA	1	U		49, 74	ECD, ECE			EVAPORATOR, Air Conditioning
		1	U		49, 74	ED3			
-3	05058576AA	1	J, T, U		49				GROMMET, Drain
		1	J, T, U		74				Evaporator
4	05191739AA	1	U		49, 74				RESISTOR, Blower Motor, Includes Attaching Screws
5	68000469AB	1	U		49, 74				CORE, Heater, Includes Pipe Clip and Screw
6	68029649AA	1	U		49, 74	ED3			SEAL KIT, A/C And Heater Unit, Includes Case Foam, Evaporator Plate, Heater Pipe Packing, Mode Case Foam
7	05191735AB	1	U		49, 74	ECD, ECE			HOUSING, Blower Motor, Includes Recirculation Door, Filter Case Door, Servo, Coupler, Drain Tube
		1	U		49, 74	ED3			
8	68000470AA	1	U		49, 74				ACTUATOR, A/C and Heater
-9	68018107AB	1	U		49, 74				HOSE, Drain
10	05191349AB	1	U		49, 74				HOUSING, Distribution, Includes Defrost, Panel, Floor, and Air Mix Doors, Links, Levers, Cables
11	05191738AB	1	U		49, 74				CABLE, Mode
12	05191741AB	1	U		49, 74				CABLE, Temperature Control
13	05191743AA	1	U		49, 74				MOTOR, Blower with Wheel, Includes Attaching Nuts
-14	05191742AA	1	U		49, 74	ECD, ECE			HEATER, Cab
15	05191736AA	1	U		49, 74				DUCT, A/C And Heater Driver Side
16	05191737AA	1	U		49, 74				DUCT, A/C And Heater
-17	05058693AA	1	J, T, U		49				FILTER, A/C and Heater Unit
		1	J, T, U		74				

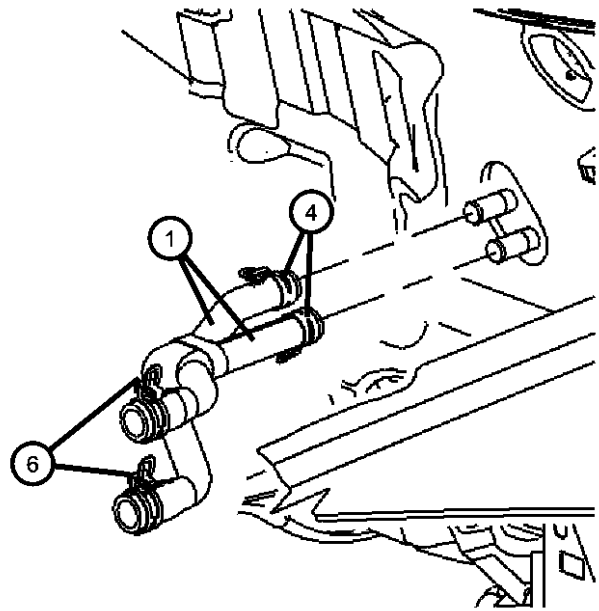
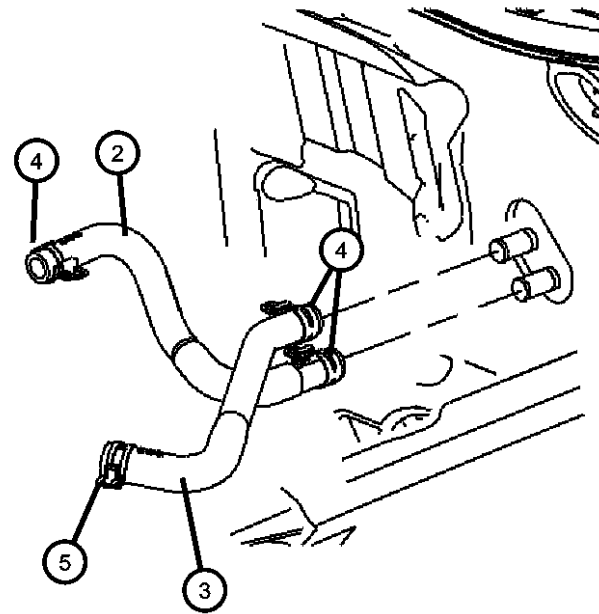


COMPASS/PATRIOT (MK)

SERIES	LINE	BODY	ENGINE	TRANSMISSION
H = HIGHLINE	T = JEEP - 2WD	49 = HATCHBACK TYPE #2	ECE = 2.0L 4 Cyl DOHC DPF Diesel Engine	DEF = 6-Speed Manual Aisin BG6 Trans
L = LOWLINE	J = JEEP - 4WD	74 = SPORT UTILITY 4-DR TYPE #4	ED3 = 2.4L 4 Cyl DOHC 16V Dual VVT Engine	DD7 = 5-Speed Manual T355 Transmission
P = PREMIUM	U = JEEP - 4WD (RHD)		ECD = 2.0L 4 Cyl DOHC Diesel 16V Engine	DAV = Continuously Variable Transaxle II
			ECN = 2.0L 4 Cyl DOHC 16V Dual VVT Engine	DAW = Cont.Var. w/Off-Rd Crawl Ratio Trans

AR = use ase required - = Non illustrated part

Heater Plumbing
Figure 24-205



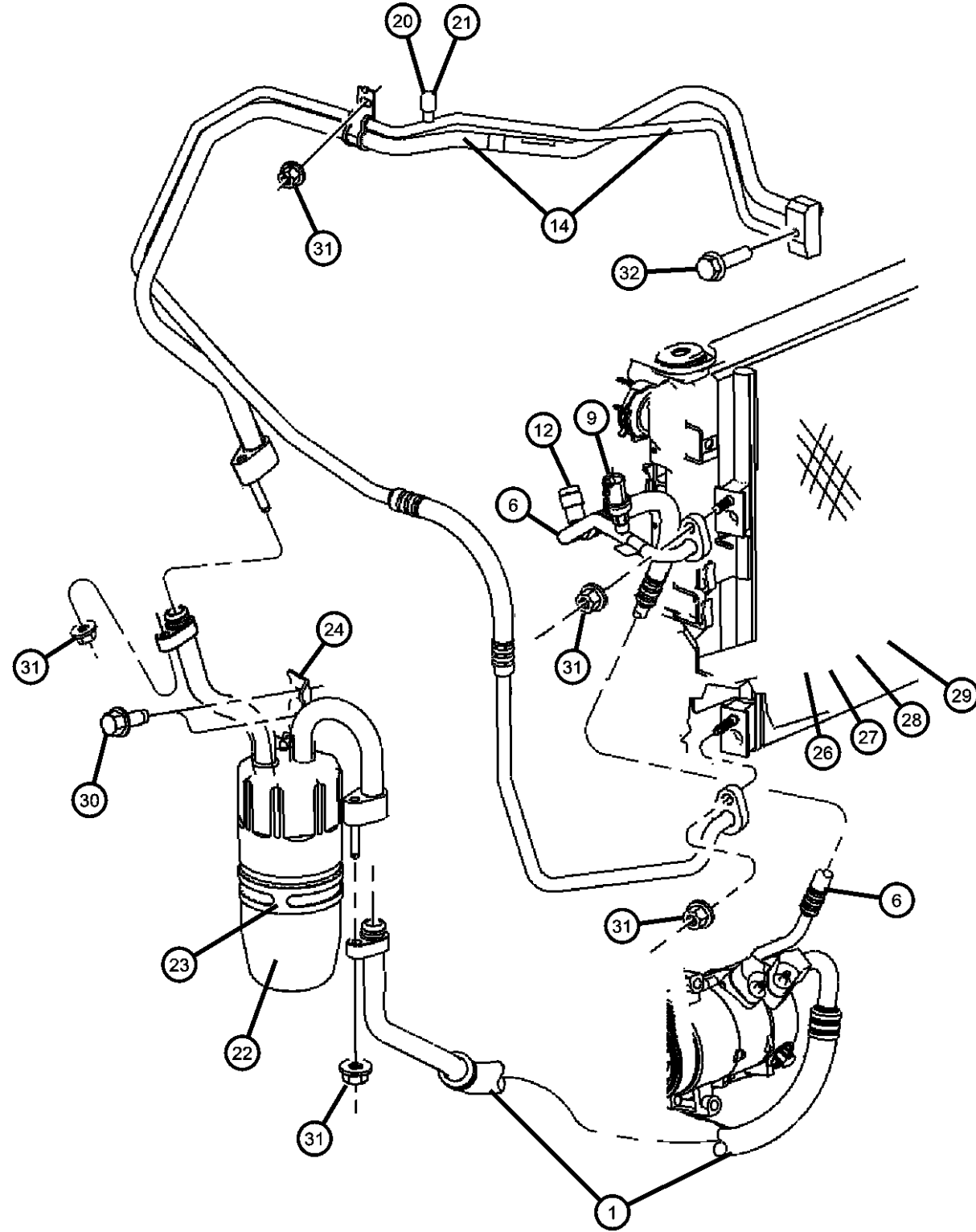
ITEM	PART NUMBER	QTY	LINE	SERIES	BODY	ENGINE	TRANS	TRIM	DESCRIPTION
Sales Code: [ED3] = [2.4L]DOHC Gas Engine [ECN] = [2.0L]DOHC Gas Engine [ECD] = [2.0L] DOHC Diesel Engine without Balance Shafts [ECE] = [2.0L] DOHC Diesel Engine with Balance Shafts [DAV] = Continuously Variable Transmission [DAW] = Continuously Variable Transmission with Off Road Crawl Ratio [DD7] = Five Speed Manual [DEF] = Six Speed Manual									
1									HOSE, Heater Supply and Return
	05058262AD	1	J, T, U		49	ECN, ED3			
		1	J, T, U		74	ECN, ED3			
	05058626AA	1	J, T, U		49	ECE			
		1	J, T, U		74	ECE			
2									HOSE, Heater Supply
	05058226AD	1	J, T, U		49	ECD			
		1	J, T, U		74	ECD			
3									HOSE, Heater Return
	05058303AD	1	J, T, U		49	ECD			
		1	J, T, U		74	ECD			
4									CLAMP, Hose, 24X15
	06502017	1	J, T, U		49	ECD			
		1	J, T, U		74	ECD			
5									CLAMP, Hose, 27X15
	06502018	1	J, T, U		49	ECD			
		1	J, T, U		74	ECD			
6									CLAMP, Hose, 29X15
	06502019	1	J, T, U		49	ECN, ED3			
		1	J, T, U		74	ECN, ED3			

COMPASS/PATRIOT (MK)

SERIES	LINE	BODY	ENGINE	TRANSMISSION
H = HIGHLINE	T = JEEP - 2WD	49 = HATCHBACK TYPE #2	ECE = 2.0L 4 Cyl DOHC DPF Diesel Engine	DEF = 6-Speed Manual Aisin BG6 Trans
L = LOWLINE	J = JEEP - 4WD	74 = SPORT UTILITY 4-DR TYPE #4	ED3 = 2.4L 4 Cyl DOHC 16V Dual VVT Engine	DD7 = 5-Speed Manual T355 Transmission
P = PREMIUM	U = JEEP - 4WD (RHD)		ECD = 2.0L 4 Cyl DOHC Diesel 16V Engine	DAV = Continuously Variable Transaxle II
			ECN = 2.0L 4 Cyl DOHC 16V Dual VVT Engine	DAW = Cont.Var. w/Off-Rd Crawl Ratio Trans

AR = use ase required - = Non illustrated part

**A/C Plumbing
Figure 24-220**



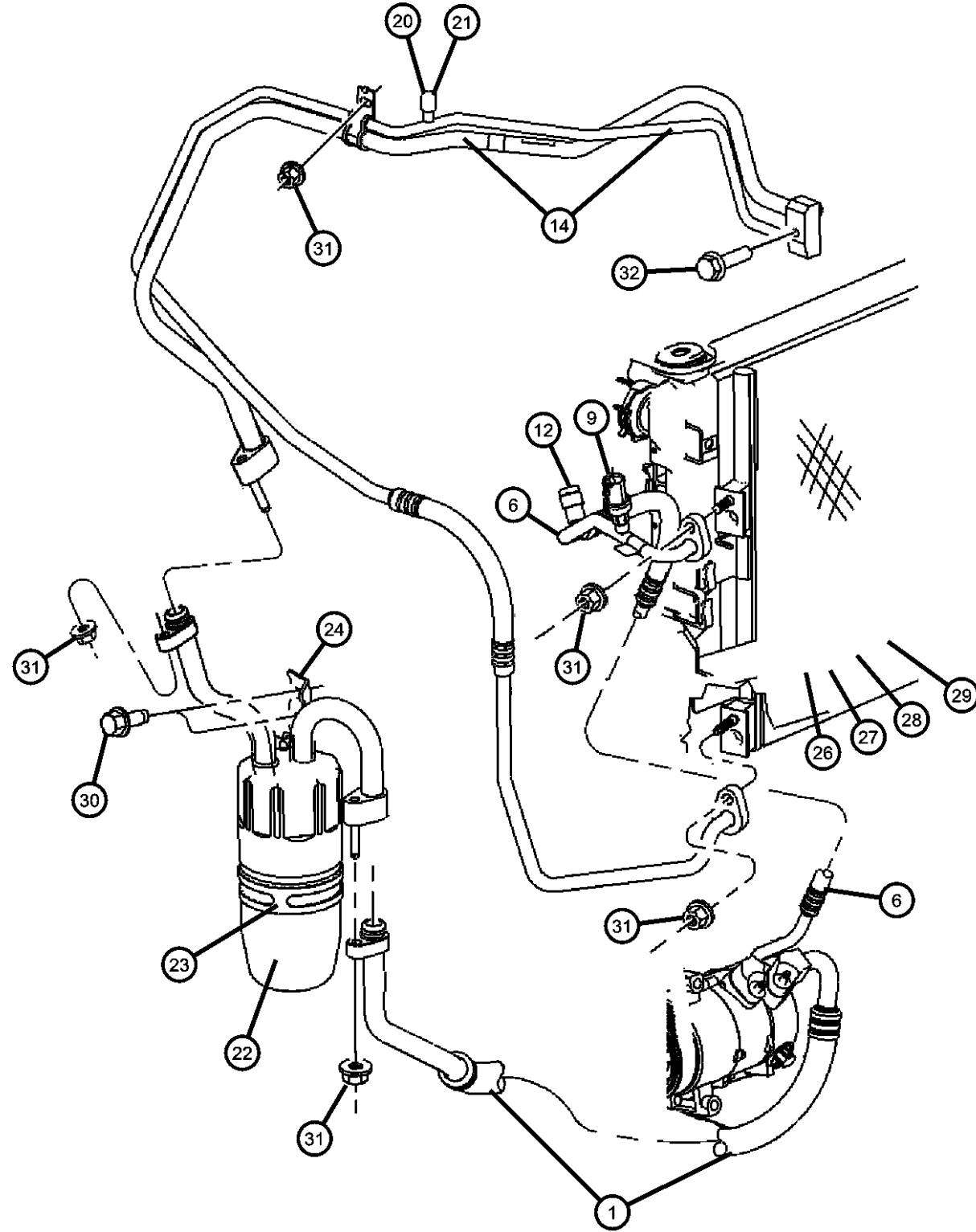
ITEM	PART NUMBER	QTY	LINE	SERIES	BODY	ENGINE	TRANS	TRIM	DESCRIPTION
------	-------------	-----	------	--------	------	--------	-------	------	-------------

Sales Code :
 [ED3] = [2.4L]DOHC Gas Engine
 [ECN] = [2.0L]DOHC Gas Engine
 [ECD] = [2.0L] DOHC Diesel Engine without Balance Shafts
 [ECE] = [2.0L] DOHC Diesel Engine with Balance Shafts
 [DAV] = Continuously Variable Transmission
 [DAW] = Continuously Variable Transmission with Off Road Crawl Ratio
 [DD7] = Five Speed Manual
 [DEF] = Six Speed Manual

1									LINE, A/C Suction
	05058151AB	1	J, T, U		49	ECN, ED3			
		1	J, T, U		74	ECN, ED3			
	05058230AB	1	J, T, U		49	ECD, ECE			
		1	J, T, U		74	ECD, ECE			
-2									O RING, A/C Line
	05189357AA	1	J, T, U		49	ECN, ED3			Accumulator End
		1	J, T, U		74	ECN, ED3			Accumulator End
		1	J, T, U		49	ECD, ECE			Accumulator End
		1	J, T, U		74	ECD, ECE			Accumulator End
-3									SEAL, Slim Line
	05189358AA	1	J, T, U		49	ECN, ED3			Drier End
		1	J, T, U		74	ECN, ED3			Drier End
		1	J, T, U		49	ECD, ECE			Drier End
		1	J, T, U		74	ECD, ECE			Drier End
-4									O RING, A/C Line
	05189359AA	1	J, T, U		49	ECN, ED3			Compressor End
		1	J, T, U		74	ECN, ED3			Compressor End
		1	J, T, U		49	ECD, ECE			Compressor End
		1	J, T, U		74	ECD, ECE			Compressor End
-5									SEAL, Slim Line
	05189360AA	1	J, T, U		49	ECN, ED3			Compressor End
		1	J, T, U		74	ECN, ED3			Compressor End
		1	J, T, U		49	ECD, ECE			Compressor End
		1	J, T, U		74	ECD, ECE			Compressor End
6									LINE, A/C Discharge

COMPASS/PATRIOT (MK)
 SERIES LINE BODY ENGINE TRANSMISSION
 H = HIGHLINE T = JEEP - 2WD 49 = HATCHBACK TYPE #2 ECE = 2.0L 4 Cyl DOHC DPF DEF = 6-Speed Manual Aisin BG6
 L = LOWLINE J = JEEP - 4WD 74 = SPORT UTILITY 4-DR Diesel Engine Trans
 P = PREMIUM U = JEEP - 4WD (RHD) TYPE #4 ED3 = 2.4L 4 Cyl DOHC 16V DD7 = 5-Speed Manual T355
 Dual VVT Engine Transmission
 ECD = 2.0L 4 Cyl DOHC DAW = Continuously Variable
 Diesel 16V Engine Transaxle II
 ECN = 2.0L 4 Cyl DOHC 16V DAW = Cont.Var. w/Off-Rd Crawl
 Dual VVT Engine Ratio Trans

**A/C Plumbing
Figure 24-220**



ITEM	PART NUMBER	QTY	LINE	SERIES	BODY	ENGINE	TRANS	TRIM	DESCRIPTION
	05058229AB	1	J, T, U		49	ECD, ECE			
	05058553AB	1	J, T, U		74	ECD, ECE			
	05058553AB	1	J, T, U		49	ECN, ED3			
		1	J, T, U		74	ECN, ED3			
-7	05189360AA	1	J, T, U		49	ECN, ED3			SEAL, Slim Line Compressor and Condenser End
		1	J, T, U		74	ECN, ED3			Compressor and Condenser End
	05189362AA	2	J, T, U		49	ECD			Compressor and Condenser End
		2	J, T, U		74	ECD			Compressor and Condenser End
-8	05189361AA	2	J, T, U		49	ECN, ED3			O RING, A/C Line Compressor and Condenser End
		2	J, T, U		74	ECN, ED3			Compressor and Condenser End
		2	J, T, U		49	ECD			Compressor and Condenser End
		2	J, T, U		74	ECD			Compressor and Condenser End
9	05174039AB	1	J, T, U		49	ECN, ED3			VALVE, A/C pressure Transducer
		1	J, T, U		74	ECN, ED3			
		1	J, T, U		49	ECD, ECE			
		1	J, T, U		74	ECD, ECE			
-10	05183358AA	1	J, T, U		49	ECN, ED3			O RING, A/C Line Transducer to Line
		1	J, T, U		74	ECN, ED3			Transducer to Line
		1	J, T, U		49	ECD, ECE			Transducer to Line
		1	J, T, U		74	ECD, ECE			Transducer to Line
-11	05003862AA	1	J, T, U		49	ECN, ED3			VALVE, A/C Discharge Line Check
		1	J, T, U		74	ECN, ED3			
		1	J, T, U		49	ECD, ECE			
		1	J, T, U		74	ECD, ECE			
12									CAP, A/C Charge Valve
	05161786AA	1	J, T, U		49	ECN, ED3			
		1	J, T, U		74	ECN, ED3			

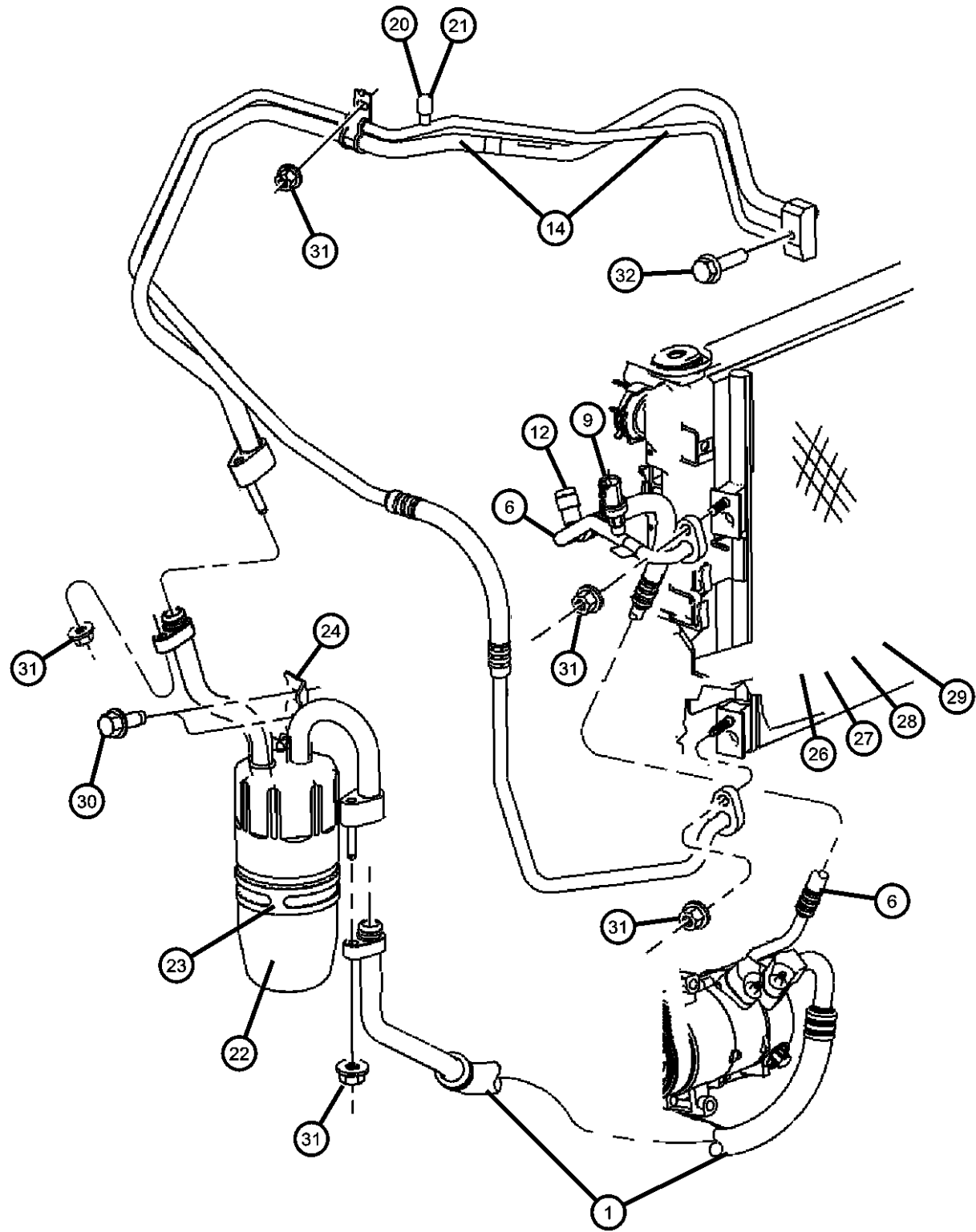
COMPASS/PATRIOT (MK)

SERIES	LINE	BODY	ENGINE	TRANSMISSION
H = HIGHLINE	T = JEEP - 2WD	49 = HATCHBACK TYPE #2	ECE = 2.0L 4 Cyl DOHC DPF Diesel Engine	DEF = 6-Speed Manual Aisin BG6 Trans
L = LOWLINE	J = JEEP - 4WD	74 = SPORT UTILITY 4-DR TYPE #4	ED3 = 2.4L 4 Cyl DOHC 16V Dual VVT Engine	DD7 = 5-Speed Manual T355 Transmission
P = PREMIUM	U = JEEP - 4WD (RHD)		ECD = 2.0L 4 Cyl DOHC Diesel 16V Engine	DAV = Continuously Variable Transaxle II
			ECN = 2.0L 4 Cyl DOHC 16V Dual VVT Engine	DAW = Cont.Var. w/Off-Rd Crawl Ratio Trans

AR = use ase required - = Non illustrated part

2008 MK

A/C Plumbing
Figure 24-220



ITEM	PART NUMBER	QTY	LINE	SERIES	BODY	ENGINE	TRANS	TRIM	DESCRIPTION
	05189364AA	1	J, T, U		49	ECD, ECE			
		1	J, T, U		74	ECD, ECE			
-13	05189365AA	1	J, T, U		49	ECN, ED3			VALVE CORE, A/C Line
		1	J, T, U		74	ECN, ED3			
		1	J, T, U		49	ECD, ECE			
		1	J, T, U		74	ECD, ECE			
14	05058152AE	1	J, T, U		49	ECN, ED3			LINE, A/C Suction And Liquid
		1	J, T, U		74	ECN, ED3			
	05058278AE	1	J, T, U		49, 74	ECD			
-15	05189361AA	2	J, T, U		49	ECN, ED3			O RING, A/C Line Condenser End
		2	J, T, U		74	ECN, ED3			Condenser End
		2	J, T, U		49	ECD			Condenser End
		2	J, T, U		74	ECD			Condenser End
-16	05189362AA	2	J, T, U		49	ECN, ED3			SEAL, Slim Line Condenser End
		2	J, T, U		74	ECN, ED3			Condenser End
		2	J, T, U		49	ECD			Condenser End
		2	J, T, U		74	ECD			Condenser End
-17	05096243AA	2	J, T, U		49	ECN, ED3			SEAL, A/C Line, Slim Line Evaporator End 1/2 inch Liquid
		2	J, T, U		74	ECN, ED3			Evaporator End 1/2 inch Liquid
		2	J, T, U		49	ECD			Evaporator End 1/2 inch Liquid
		2	J, T, U		74	ECD			Evaporator End 1/2 inch Liquid
-18	05096242AA	2	J, T, U		49	ECN, ED3			SEAL, A/C Line, Slim Line Evaporator End 3/4 inch Suction
		2	J, T, U		74	ECN, ED3			Evaporator End 3/4 inch Suction
		2	J, T, U		49	ECD			Evaporator End 3/4 inch Suction
		2	J, T, U		74	ECD			Evaporator End 3/4 inch Suction
-19									O RING, A/C Line

COMPASS/PATRIOT (MK)

SERIES

H = HIGHLINE
L = LOWLINE
P = PREMIUM

T = JEEP - 2WD
J = JEEP - 4WD
U = JEEP - 4WD (RHD)

BODY

49 = HATCHBACK TYPE #2
74 = SPORT UTILITY 4-DR TYPE #4

ENGINE

ECE = 2.0L 4 Cyl DOHC DPF Diesel Engine
ED3 = 2.4L 4 Cyl DOHC 16V Dual VVT Engine
ECD = 2.0L 4 Cyl DOHC Diesel 16V Engine
ECN = 2.0L 4 Cyl DOHC 16V Dual VVT Engine

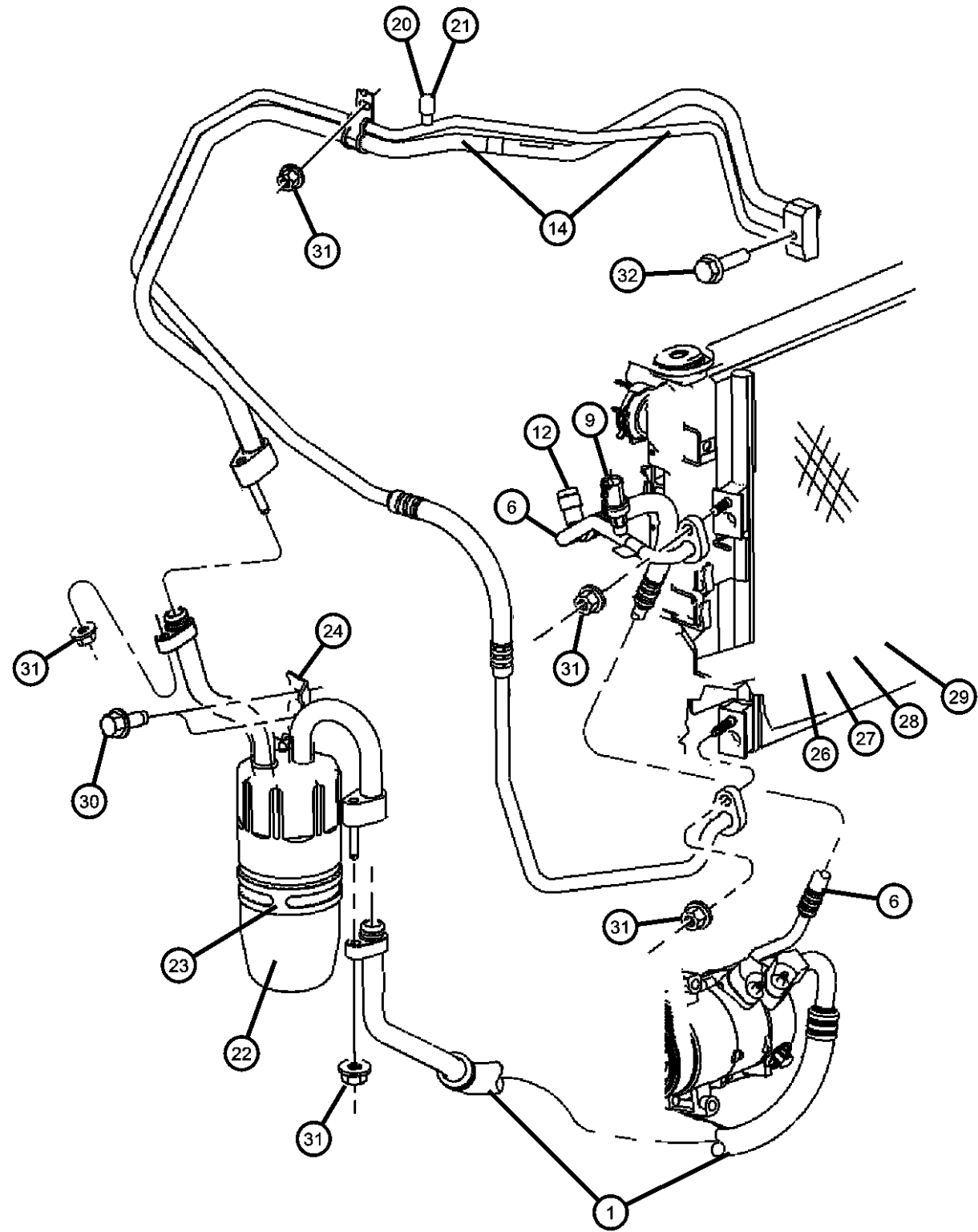
TRANSMISSION

DEF = 6-Speed Manual Aisin BG6 Trans
DD7 = 5-Speed Manual T355 Transmission
DAV = Continuously Variable Transaxle II
DAW = Cont.Var. w/Off-Rd Crawl Ratio Trans

AR = use ase required - = Non illustrated part

2008 MK

A/C Plumbing
Figure 24-220



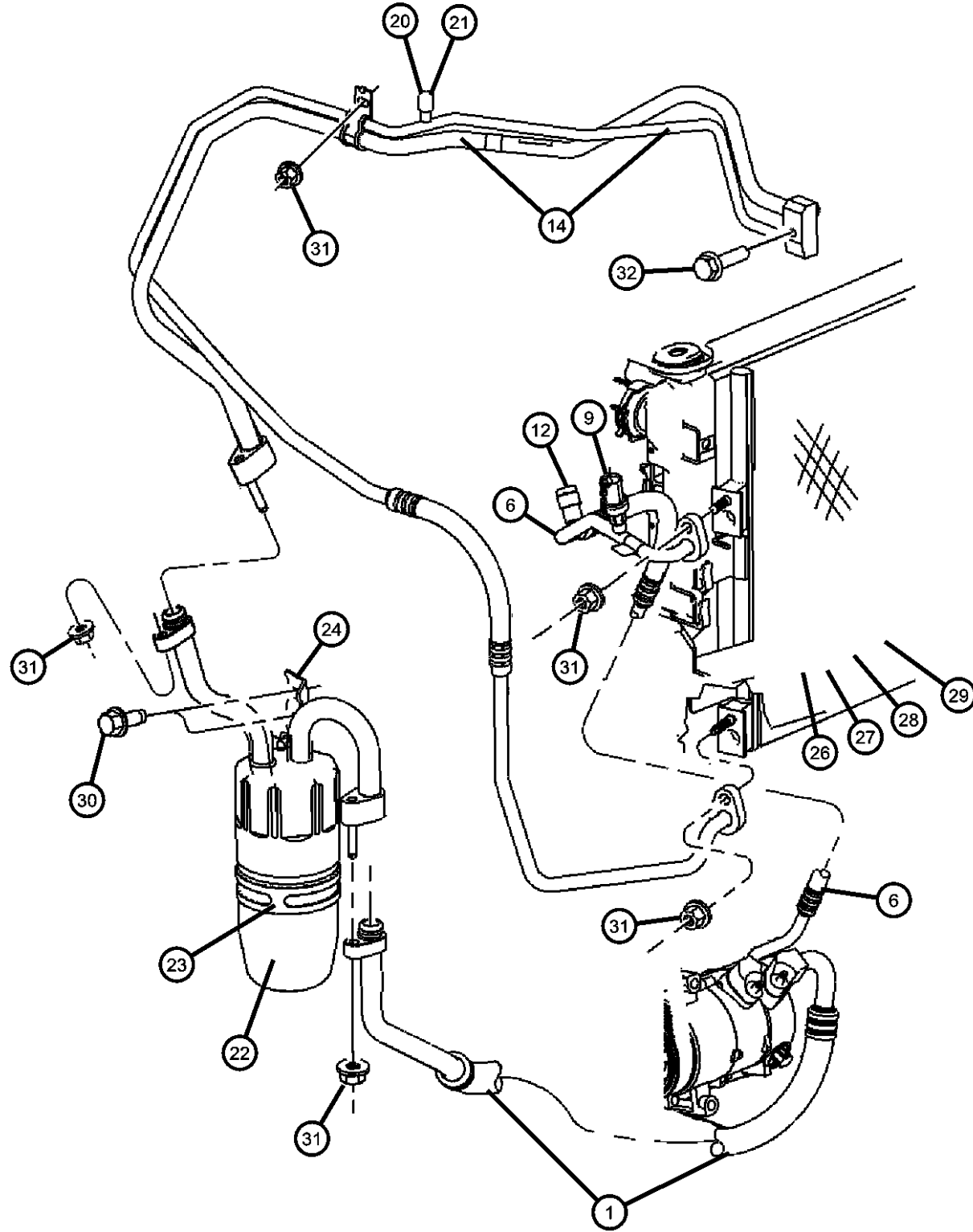
ITEM	PART NUMBER	QTY	LINE	SERIES	BODY	ENGINE	TRANS	TRIM	DESCRIPTION
	05189372AA	1	J, T, U		49	ECN, ED3			Suction Line to Accumulator
		1	J, T, U		74	ECN, ED3			Suction Line to Accumulator
		1	J, T, U		49	ECD			Suction Line to Accumulator
		1	J, T, U		74	ECD			Suction Line to Accumulator
20									VALVE CORE, A/C Line
	05189373AA	1	J, T, U		49	ECN, ED3			
		1	J, T, U		74	ECN, ED3			
		1	J, T, U		49	ECD			
		1	J, T, U		74	ECD			
21									CAP, A/C Charge Valve
	05058695AA	1	J, T, U		49				
		1	J, T, U		74				
22									ACCUMULATOR, Air Conditioning
	05189376AA	1	J, T, U		49				
		1	J, T, U		74				
23									BRACKET, Accumulator, Band
	05189378AA	1	J, T, U		49				
		1	J, T, U		74				
24									BRACKET, Accumulator
	05189377AB	1	J, T, U		49				
		1	J, T, U		74				
-25									SCREW, Accumulator Bracket
	05189379AB	1	J, T, U		49				
		1	J, T, U		74				
26									CONDENSER, Air Conditioning
	68004052AA	1	J, T, U		49	ECN, ED3			Manual Transmission [DD7,DEF]
		1	J, T, U		74	ECN, ED3			Manual Transmission [DD7,DEF]
27	05191287AB	1	J, T, U		49, 74	ECD, ECE			CONDENSER, Air Conditioning, Manual Transmission [DD7,DEF]
28	68004053AA	1	J, T, U		49, 74	ECN, ED3			COOLER, Condenser and Aux TOC, Automatic Transmission [DAV]
29									CONDENSER, Air Conditioning

COMPASS/PATRIOT (MK)

SERIES	LINE	BODY	ENGINE	TRANSMISSION
H = HIGHLINE	T = JEEP - 2WD	49 = HATCHBACK TYPE #2	ECE = 2.0L 4 Cyl DOHC DPF Diesel Engine	DEF = 6-Speed Manual Aisin BG6 Trans
L = LOWLINE	J = JEEP - 4WD	74 = SPORT UTILITY 4-DR TYPE #4	ED3 = 2.4L 4 Cyl DOHC 16V Dual VVT Engine	DD7 = 5-Speed Manual T355 Transmission
P = PREMIUM	U = JEEP - 4WD (RHD)		ECD = 2.0L 4 Cyl DOHC Diesel 16V Engine	DAV = Continuously Variable Transaxle II
			ECN = 2.0L 4 Cyl DOHC 16V Dual VVT Engine	DAW = Cont.Var. w/Off-Rd Crawl Ratio Trans

AR = use ase required - = Non illustrated part

A/C Plumbing
Figure 24-220



ITEM	PART NUMBER	QTY	LINE	SERIES	BODY	ENGINE	TRANS	TRIM	DESCRIPTION
	68004296AA	1	J, T, U		49	ECN, ED3			Automatic Transmission [DAW]
		1	J, T, U		74	ECN, ED3			Automatic Transmission [DAW]
30									SCREW AND WASHER, Hex Head, M8x1.25x40
	06104392AA	2	J, T, U		49				Accumulator Bracket to Rail
		2	J, T, U		74				Accumulator Bracket to Rail
31	06104709AA	4	J, T, U		49, 74				NUT, Hex Flange, M8x1.25
32	06104709AA	4							SCREW, Hex Head, M8x1.25x55, (NOT SERVICED)

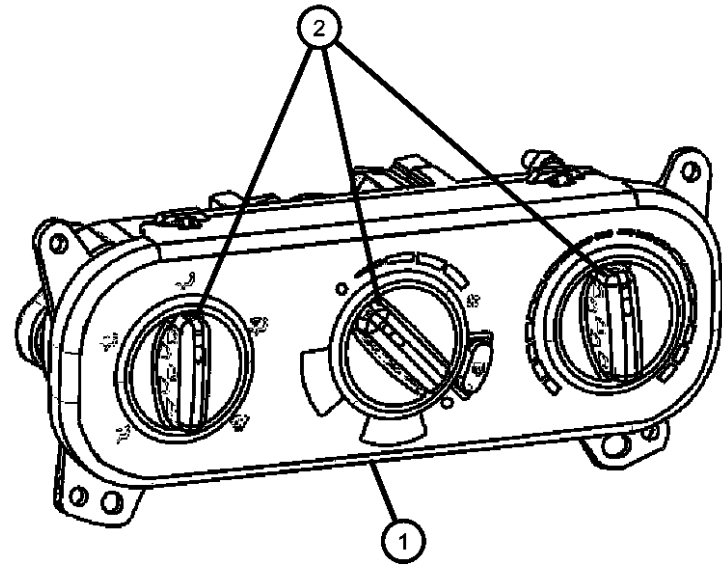
COMPASS/PATRIOT (MK)

SERIES	LINE	BODY	ENGINE	TRANSMISSION
H = HIGHLINE	T = JEEP - 2WD	49 = HATCHBACK TYPE #2	ECE = 2.0L 4 Cyl DOHC DPF Diesel Engine	DEF = 6-Speed Manual Aisin BG6 Trans
L = LOWLINE	J = JEEP - 4WD	74 = SPORT UTILITY 4-DR TYPE #4	ED3 = 2.4L 4 Cyl DOHC 16V Dual VVT Engine	DD7 = 5-Speed Manual T355 Transmission
P = PREMIUM	U = JEEP - 4WD (RHD)		ECD = 2.0L 4 Cyl DOHC Diesel 16V Engine	DAV = Continuously Variable Transaxle II
			ECN = 2.0L 4 Cyl DOHC 16V Dual VVT Engine	DAW = Cont.Var. w/Off-Rd Crawl Ratio Trans

AR = use ase required - = Non illustrated part

**Heater Controls
Figure 24-305**

ITEM	PART NUMBER	QTY	LINE	SERIES	BODY	ENGINE	TRANS	TRIM	DESCRIPTION
Sales Code: [HCA] = Heater Only									
1									CONTROL, Heater
	55111878AB	1	J, T, U		49				
		1	J, T, U		74				
2		1							KNOB, Heater Control, Only Served in Control, (NOT SERVICED)
-3									SCREW
	04749156AA	4	J, T, U		49				
		4	J, T, U		74				



COMPASS/PATRIOT (MK)

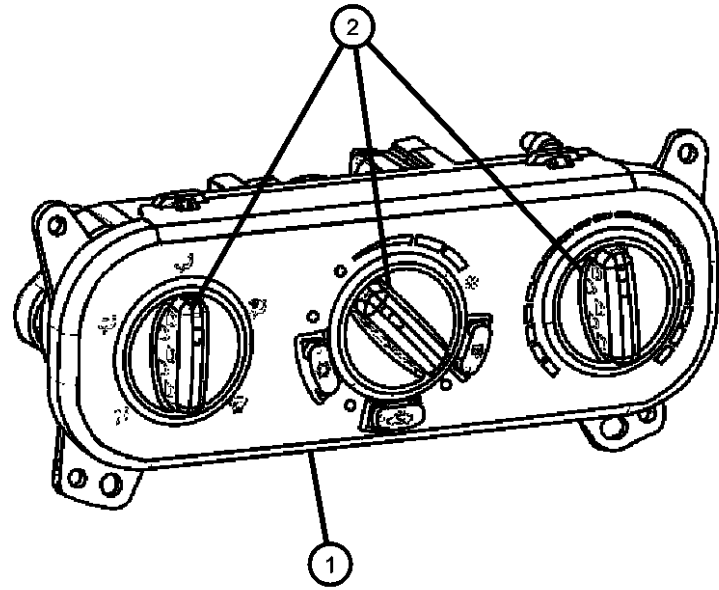
SERIES	LINE	BODY	ENGINE	TRANSMISSION
H = HIGHLINE	T = JEEP - 2WD	49 = HATCHBACK TYPE #2	ECE = 2.0L 4 Cyl DOHC DPF Diesel Engine	DEF = 6-Speed Manual Aisin BG6 Trans
L = LOWLINE	J = JEEP - 4WD	74 = SPORT UTILITY 4-DR TYPE #4	ED3 = 2.4L 4 Cyl DOHC 16V Dual VVT Engine	DD7 = 5-Speed Manual T355 Transmission
P = PREMIUM	U = JEEP - 4WD (RHD)		ECD = 2.0L 4 Cyl DOHC Diesel 16V Engine	DAV = Continuously Variable Transaxle II
			ECN = 2.0L 4 Cyl DOHC 16V Dual VVT Engine	DAW = Cont.Var. w/Off-Rd Crawl Ratio Trans

AR = use ase required - = Non illustrated part

2008 MK

A/C and Heater Controls
Figure 24-310

ITEM	PART NUMBER	QTY	LINE	SERIES	BODY	ENGINE	TRANS	TRIM	DESCRIPTION
Sales Code: [HAA] = Heater and Air Conditioning									
1									CONTROL, A/C And Heater
	55111874AB	1	J, T, U		49				
		1	J, T, U		74				
2		1							KNOB, Heater Control, Only Serviced in Control, (NOT SERVICED)
-3									SCREW
	04749156AA	4	J, T, U		49				
		4	J, T, U		74				



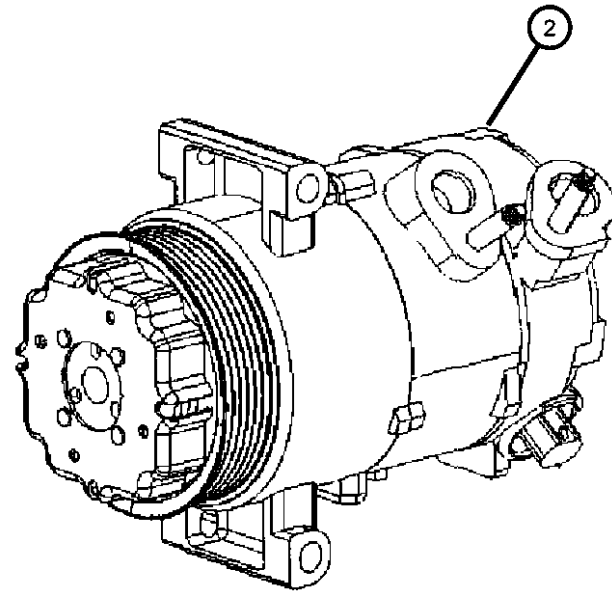
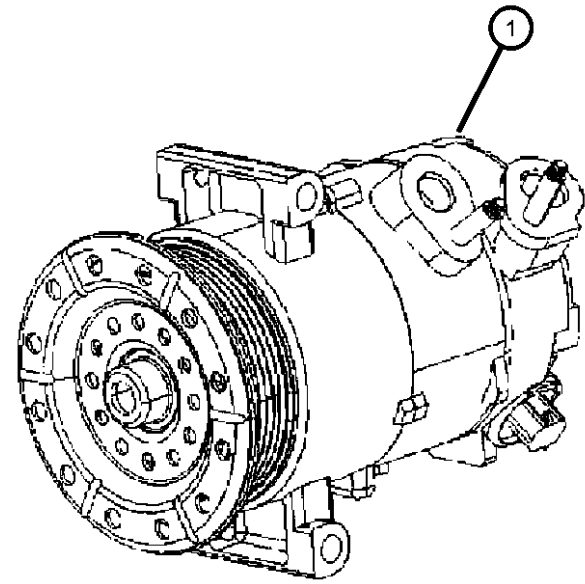
COMPASS/PATRIOT (MK)

SERIES	LINE	BODY	ENGINE	TRANSMISSION
H = HIGHLINE	T = JEEP - 2WD	49 = HATCHBACK TYPE #2	ECE = 2.0L 4 Cyl DOHC DPF Diesel Engine	DEF = 6-Speed Manual Aisin BG6 Trans
L = LOWLINE	J = JEEP - 4WD	74 = SPORT UTILITY 4-DR TYPE #4	ED3 = 2.4L 4 Cyl DOHC 16V Dual VVT Engine	DD7 = 5-Speed Manual T355 Transmission
P = PREMIUM	U = JEEP - 4WD (RHD)		ECD = 2.0L 4 Cyl DOHC Diesel 16V Engine	DAV = Continuously Variable Transaxle II
			ECN = 2.0L 4 Cyl DOHC 16V Dual VVT Engine	DAW = Cont.Var. w/Off-Rd Crawl Ratio Trans

AR = use ase required - = Non illustrated part

2008 MK

**A/C Compressor
Figure 24-405**



ITEM	PART NUMBER	QTY	LINE	SERIES	BODY	ENGINE	TRANS	TRIM	DESCRIPTION
------	-------------	-----	------	--------	------	--------	-------	------	-------------

Sales Codes:

[DAV] = Continuously Variable Transmission

[DAW] = Continuously Variable Transmission with Off Road Crawl Ratio

[DD7] = Five Speed Manual

[DEF] = Six Speed Manual

1	05058228AI	1	J, T, U		49	ECN, ED3			COMPRESSOR, Air Conditioning [DAV,DAW] No Servicable Components
		1	J, T, U		74	ECN, ED3			[DAV,DAW] No Servicable Components
	55111555AA	1	J, T, U		49	ECN, ED3			[DD7,DEF] No Servicable Components
		1	J, T, U		74	ECN, ED3			[DD7,DEF] No Servicable Components
2	55111423AF	1	J, T, U		49, 74	ECD, ECE			COMPRESSOR, Air Conditioning, No Servicable Components

COMPASS/PATRIOT (MK)

SERIES	LINE
H = HIGHLINE	T = JEEP - 2WD
L = LOWLINE	J = JEEP - 4WD
P = PREMIUM	U = JEEP - 4WD (RHD)

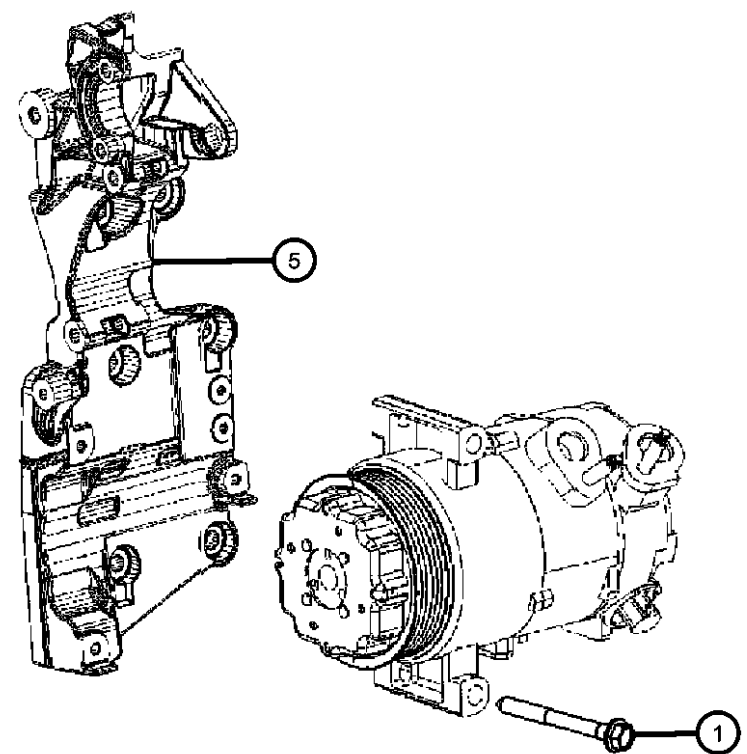
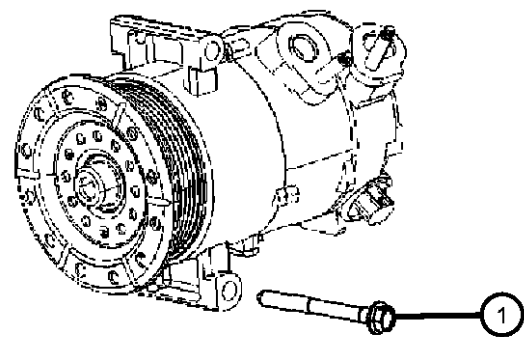
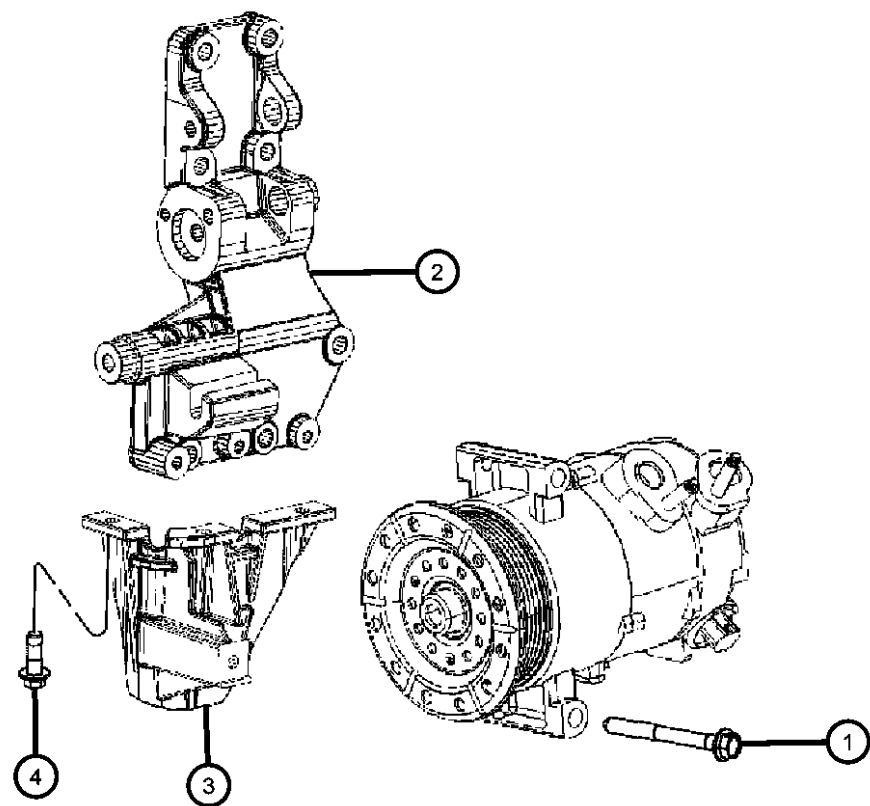
BODY
49 = HATCHBACK TYPE #2
74 = SPORT UTILITY 4-DR TYPE #4

ENGINE	TRANSMISSION
ECE = 2.0L 4 Cyl DOHC DPF Diesel Engine	DEF = 6-Speed Manual Aisin BG6 Trans
ED3 = 2.4L 4 Cyl DOHC 16V Dual VVT Engine	DD7 = 5-Speed Manual T355 Transmission
ECD = 2.0L 4 Cyl DOHC Diesel 16V Engine	DAV = Continuously Variable Transaxle II
ECN = 2.0L 4 Cyl DOHC 16V Dual VVT Engine	DAW = Cont.Var. w/Off-Rd Crawl Ratio Trans

AR = use ase required - = Non illustrated part

2008 MK

**A/C Compressor Mounting
Figure 24-440**



ITEM	PART NUMBER	QTY	LINE	SERIES	BODY	ENGINE	TRANS	TRIM	DESCRIPTION
1	06104035AA	3	J, T, U		49				BOLT, Hex Flange Head, M8X1.25X90.00
		3	J, T, U		74				Compressor Mounting
2	04891592AA	1	J, T, U		49	ECN, ED3			BRACKET, Accessory Mount
		1	J, T, U		74	ECN, ED3			Upper
	68000635AB	1	J, T, U		49	ECD			Upper
		1	J, T, U		74	ECD			Upper
3	04891594AA	1	J, T, U		49	ECN, ED3			BRACKET, A/C Compressor
		1	J, T, U		74	ECN, ED3			Lower
4	06104197AA	3	J, T, U		49	ECN, ED3			BOLT, Hex Flange Head, M8X1.25X25.00
		3	J, T, U		74	ECN, ED3			Lower Bracket
5	68000635AB	1	J, T, U		49	ECD			BRACKET, Accessory Mount
		1	J, T, U		74	ECD			

COMPASS/PATRIOT (MK)

SERIES LINE
H = HIGHLINE T = JEEP - 2WD
L = LOWLINE J = JEEP - 4WD
P = PREMIUM U = JEEP - 4WD (RHD)

BODY
49 = HATCHBACK TYPE #2
74 = SPORT UTILITY 4-DR TYPE #4

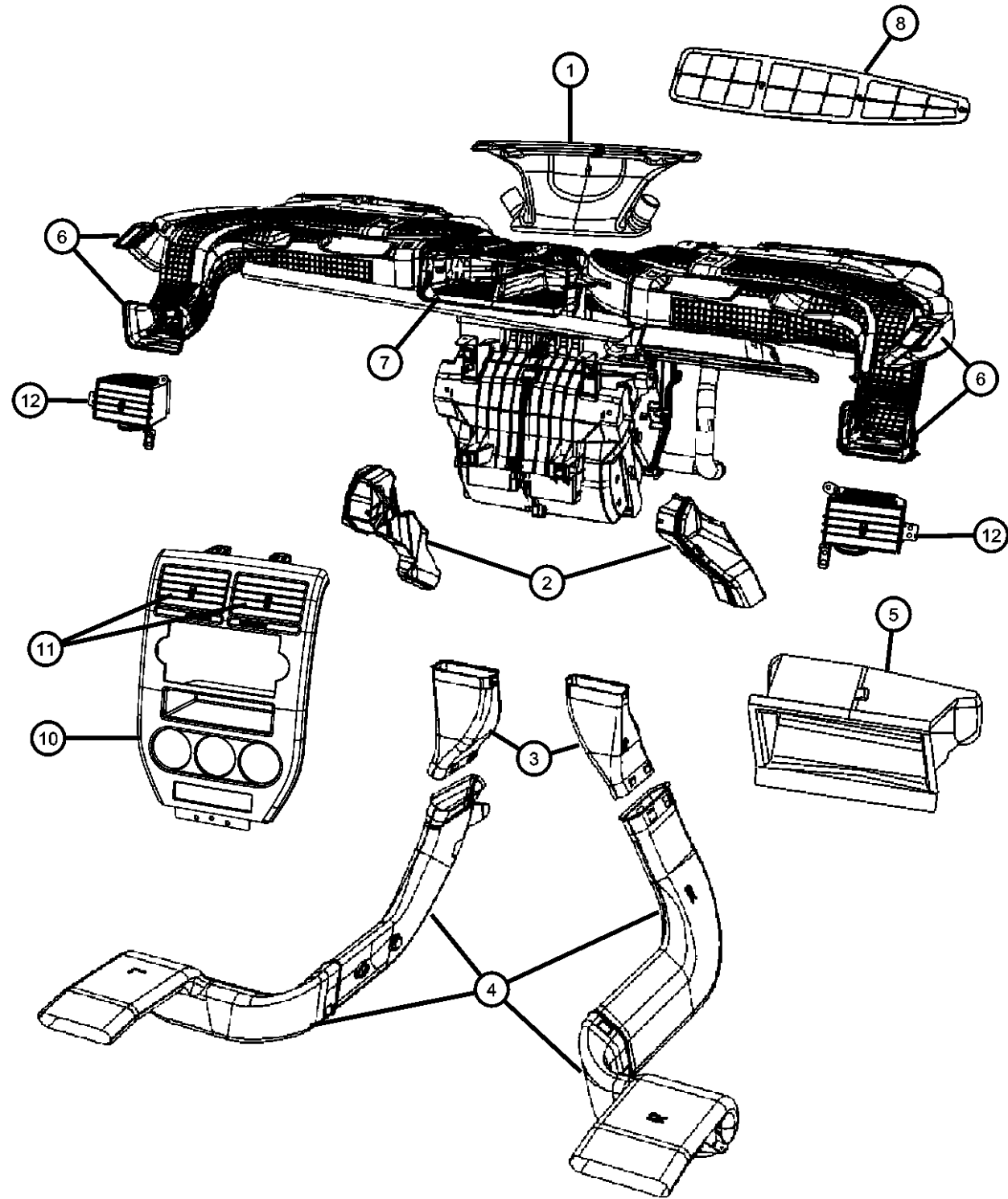
ENGINE
ECE = 2.0L 4 Cyl DOHC DPF Diesel Engine
ED3 = 2.4L 4 Cyl DOHC 16V Dual VVT Engine
ECD = 2.0L 4 Cyl DOHC Diesel 16V Engine
ECN = 2.0L 4 Cyl DOHC 16V Dual VVT Engine

TRANSMISSION
DEF = 6-Speed Manual Aisin BG6 Trans
DD7 = 5-Speed Manual T355 Transmission
DAV = Continuously Variable Transaxle II
DAW = Cont.Var. w/Off-Rd Crawl Ratio Trans

AR = use ase required - = Non illustrated part

2008 MK

**Ducts and Outlets Front
Figure 24-505**



ITEM	PART NUMBER	QTY	LINE	SERIES	BODY	ENGINE	TRANS	TRIM	DESCRIPTION
1	05058202AB	1	J, T, U		49				DUCT, Defroster
		1	J, T, U		74				
2	05191352AA	1	J, T		49				DUCT, A/C And Heater Right
		1	J, T		74				Right
	05191353AA	1	J, T		49				Left
		1	J, T		74				Left
	05191736AA	1	U		49, 74				Right
	05191737AA	1	U		49, 74				Left
3	05058417AA	1	J, T, U		49				DUCT, Instrument Panel Left
		1	J, T, U		74				Left
	05058420AA	1	J, T, U		49				Right
		1	J, T, U		74				Right
4	05058198AB	1	J, T, U		49				DUCT, Air to Rear Seat Right
		1	J, T, U		74				Right
	05058199AB	1	J, T, U		49				Left
		1	J, T, U		74				Left
5	05058297AC	1	J, T		49				DUCT, Air Inlet
		1	J, T		74				
6	05058206AA	1	J, T		49				DUCT, Demister Right
		1	J, T		74				Right
	05058207AA	1	J, T		49				Left
		1	J, T		74				Left
7	05058203AA	1	J, T		49				DUCT, Air Outlet Distribution Center
		1	J, T		74				Center
	05058323AA	1	J, T, U		49				SCREEN, Air Inlet

COMPASS/PATRIOT (MK)

SERIES LINE
H = HIGHLINE T = JEEP - 2WD
L = LOWLINE J = JEEP - 4WD
P = PREMIUM U = JEEP - 4WD (RHD)

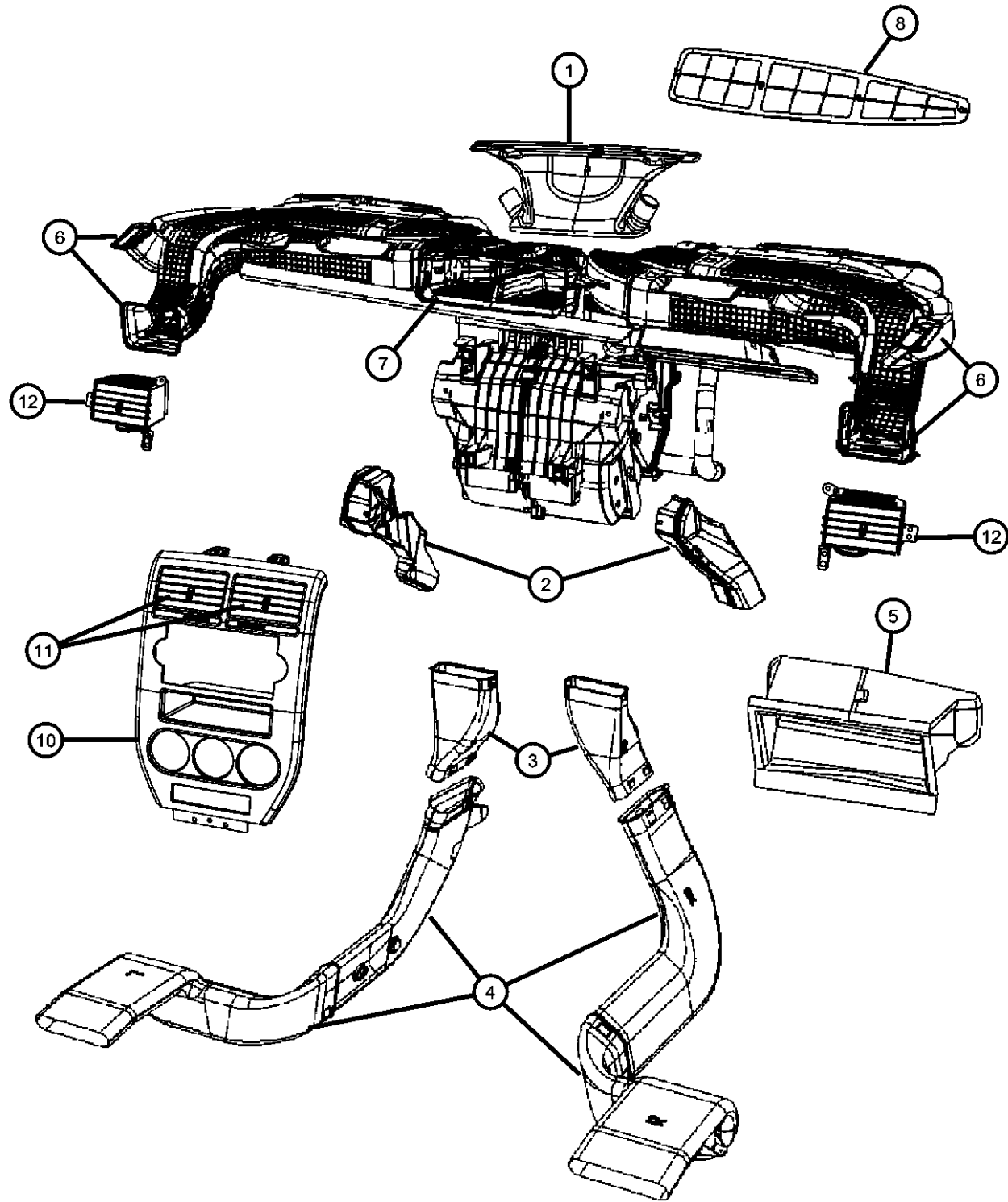
BODY
49 = HATCHBACK TYPE #2
74 = SPORT UTILITY 4-DR
TYPE #4

ENGINE
ECE = 2.0L 4 Cyl DOHC DPF Diesel Engine
ED3 = 2.4L 4 Cyl DOHC 16V Dual VVT Engine
ECD = 2.0L 4 Cyl DOHC Diesel 16V Engine
ECN = 2.0L 4 Cyl DOHC 16V Dual VVT Engine

TRANSMISSION
DEF = 6-Speed Manual Aisin BG6 Trans
DD7 = 5-Speed Manual T355 Transmission
DAV = Continuously Variable Transaxle II
DAW = Cont.Var. w/Off-Rd Crawl Ratio Trans

AR = use ase required - = Non illustrated part

Ducts and Outlets Front
Figure 24-505



ITEM	PART NUMBER	QTY	LINE	SERIES	BODY	ENGINE	TRANS	TRIM	DESCRIPTION
-9	06101946	2	J, T, U		49				SCREW, Tapping Hex Head, M4.2X1.70X20.00 Duct Mounting
		2	J, T, U		74				Duct Mounting
10	0YF381Z2AC	1	J, T, U		49				BEZEL, Instrument Panel, Center Without [REJ] Includes Center Outlets
	0YZ161Z2AC	1	J, T, U		74				Without [REJ] Includes Center Outlets
		1	J, T, U		49				With [REJ] Includes Center Outlets
		1	J, T, U		74				With [REJ] Includes Center Outlets
11		1							OUTLET, Air, Serviced with Center Bezel, (NOT SERVICED),
12	1CC701DVAB	1	J, T		49				OUTLET, Air Conditioning & Heater [DV], Right, Outer
		1	J, T		74				[DV], Right, Outer
		1	U		49, 74				[DV], Right, Outer
	1CC701K7AB	1	J, T		49				[KA], Right, Outer
		1	J, T		74				[KA], Right, Outer
		1	U		49, 74				[KA], Right, Outer
	1CC711DVAB	1	U		49, 74				[DV], Left, Outer
		1	J, T		49				[DV], Left, Outer
		1	J, T		74				[DV], Left, Outer
	1CC711K7AB	1	U		49, 74				[KA], Left, Outer
		1	J, T		49				[KA], Left, Outer
		1	J, T		74				[KA], Left, Outer

COMPASS/PATRIOT (MK)

SERIES LINE
 H = HIGHLINE T = JEEP - 2WD
 L = LOWLINE J = JEEP - 4WD
 P = PREMIUM U = JEEP - 4WD (RHD)

BODY
 49 = HATCHBACK TYPE #2
 74 = SPORT UTILITY 4-DR TYPE #4

ENGINE TRANSMISSION
 ECE = 2.0L 4 Cyl DOHC DPF Diesel Engine DEF = 6-Speed Manual Aisin BG6 Trans
 ED3 = 2.4L 4 Cyl DOHC 16V Dual VVT Engine DD7 = 5-Speed Manual T355 Transmission
 ECD = 2.0L 4 Cyl DOHC Diesel 16V Engine DAV = Continuously Variable Transaxle II
 ECN = 2.0L 4 Cyl DOHC 16V Dual VVT Engine DAW = Cont.Var. w/Off-Rd Crawl Ratio Trans

AR = use ase required - = Non illustrated part

Group - 25

Emission Controls

Group - 25 Emission Controls

Illustration Title

Group-Fig. No.

EGR System


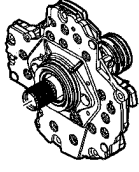
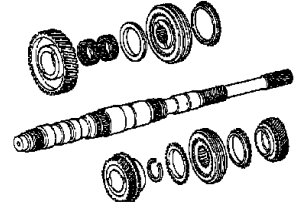
EGR Valve and RelatedFig. 25 - 205
 EGR Valve and RelatedFig. 25 - 210

Vacuum Canister/Leak Detection Pump

Vapor Canister and Leak Detection PumpFig. 25 - 305

Emission Harness

Emission Control Vacuum HarnessFig. 25 - 405

<p>025-200 EGR System</p> 	<p>025-300 Vacuum Canister/Leak Detection Pump</p> 	<p>025-400 Emission Harness</p> 	
--	---	---	--

**EGR Valve and Related
Figure 25-205**

ITEM	PART NUMBER	QTY	LINE	SERIES	BODY	ENGINE	TRANS	TRIM	DESCRIPTION
1	68001558AB	1	J, T, U		49	ECD			VALVE, EGR
		1	J, T, U		74	ECD			
2	68001601AA	1	J, T, U		49	ECD			GASKET
		1	J, T, U		74	ECD			
3	68001601AA	1	J, T, U		49	ECD			GASKET
		1	J, T, U		74	ECD			
4	68001559AA	1	J, T, U		74	ECD			GASKET
		1	J, T, U		49	ECD			
5	68001560AA	1	J, T, U		74	ECD			GASKET
		1	J, T, U		49	ECD			
6	68001588AA	2	J, T, U		49	ECD			TUBE
		2	J, T, U		74	ECD			
7	68001589AA	1	J, T, U		49	ECD			TUBE
		1	J, T, U		74	ECD			
8	68004326AA	1	J, T, U		49	ECD			SEAL
		1	J, T, U		74	ECD			
9	68001545AA	1	J, T, U		74	ECD			SEAL
		1	J, T, U		49	ECD			
10	68019951AA	1	J, T, U		49, 74	ECD			COOLER
11	68001585AA	1	J, T, U		49	ECD			BYPASS ASSEMBLY, Cooler
		1	J, T, U		74	ECD			
12	68001463AA	1	J, T, U		74	ECD			BRACKET

COMPASS/PATRIOT (MK)
 SERIES LINE
 H = HIGHLINE T = JEEP - 2WD
 L = LOWLINE J = JEEP - 4WD
 P = PREMIUM U = JEEP - 4WD (RHD)

BODY
 49 = HATCHBACK TYPE #2
 74 = SPORT UTILITY 4-DR TYPE #4

ENGINE
 ECE = 2.0L 4 Cyl DOHC DPF Diesel Engine
 ED3 = 2.4L 4 Cyl DOHC 16V Dual VVT Engine
 ECD = 2.0L 4 Cyl DOHC Diesel 16V Engine
 ECN = 2.0L 4 Cyl DOHC 16V Dual VVT Engine

TRANSMISSION
 DEF = 6-Speed Manual Aisin BG6 Trans
 DD7 = 5-Speed Manual T355 Transmission
 DAV = Continuously Variable Transaxle II
 DAW = Cont.Var. w/Off-Rd Crawl Ratio Trans

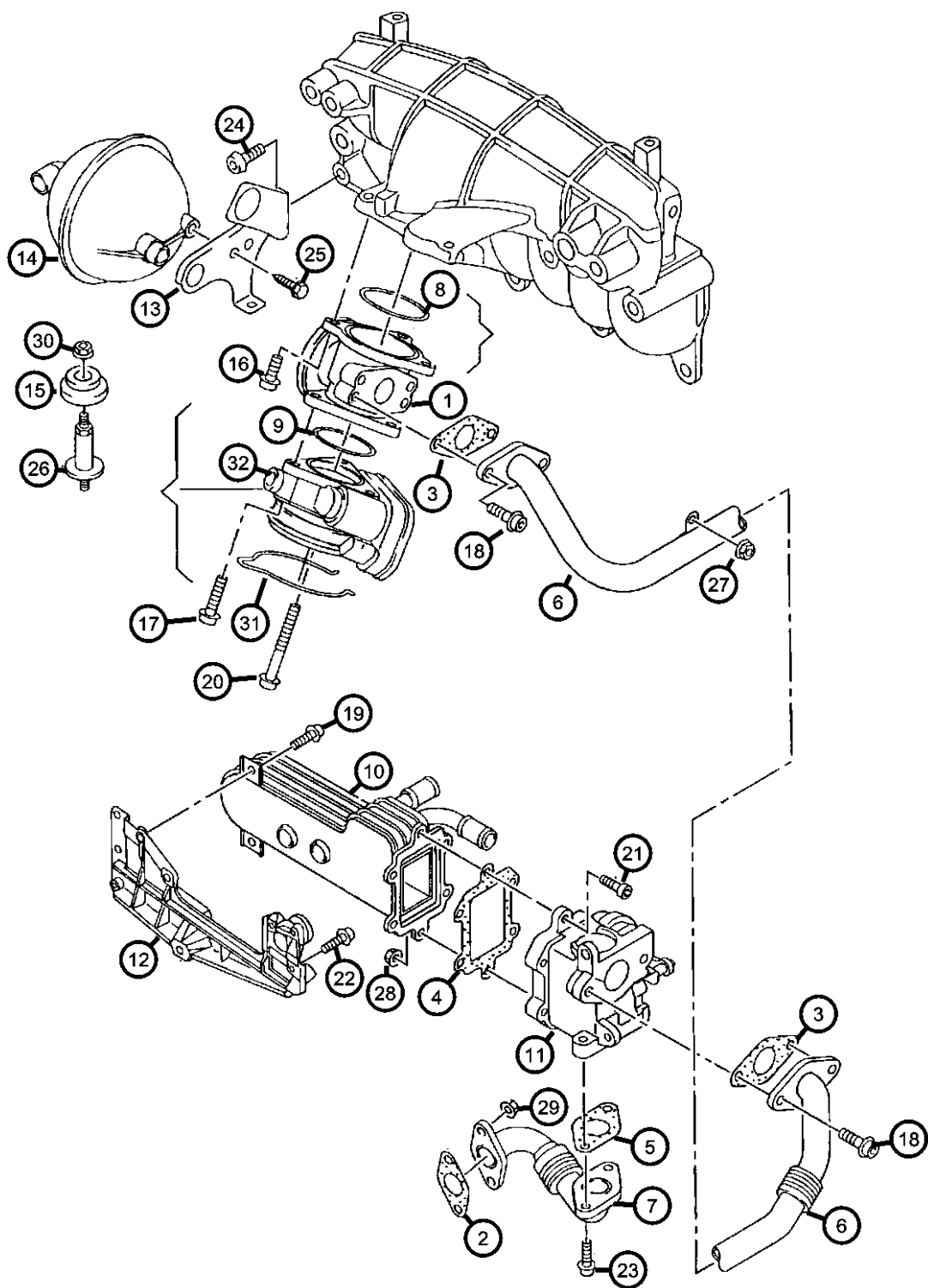
AR = use ase required - = Non illustrated part 2008 MK

**EGR Valve and Related
Figure 25-205**

ITEM	PART NUMBER	QTY	LINE	SERIES	BODY	ENGINE	TRANS	TRIM	DESCRIPTION
13		1	J, T, U		49	ECD			BRACKET
	68001137AA	1	J, T, U		49	ECD			
		1	J, T, U		74	ECD			
14		1	J, T, U		49	ECD			DAMPER
	68001301AA	1	J, T, U		49	ECD			
		1	J, T, U		74	ECD			
15		1	J, T, U		49	ECD			GROMMET
	68001553AA	1	J, T, U		49	ECD			
		1	J, T, U		74	ECD			
16	68001514AA	3	J, T, U		49, 74	ECD			BOLT, M6x20
17		1	J, T, U		49	ECD			BOLT, M6x45
	68001528AB	1	J, T, U		49	ECD			
		1	J, T, U		74	ECD			
18		1	J, T, U		49	ECD			BOLT, M8x20
	68021326AA	1	J, T, U		49	ECD			
		1	J, T, U		74	ECD			
19	68001514AA	4	J, T, U		49, 74	ECD			BOLT, M6x20
20		1	J, T, U		49	ECD			BOLT, M6x115x80
	68041368AA	1	J, T, U		49	ECD			
		1	J, T, U		74	ECD			
21	68001613AA	6	J, T, U		49, 74	ECD			BOLT, M6x20
22	68001514AA	4	J, T, U		49, 74	ECD			BOLT, M6x20
23		1	J, T, U		49	ECD			BOLT, M8x20
	68021326AA	1	J, T, U		49	ECD			
		1	J, T, U		74	ECD			
24	68001502AA	1	J, T, U		49, 74	ECD			BOLT, M6x16
25	68001520AB	1	J, T, U		49, 74	ECD			BOLT
26		1	J, T, U		74	ECD			BOLT
	68001520AB	1	J, T, U		74	ECD			
	68001549AA	1	J, T, U		49	ECD			NUT, Hex, M6

COMPASS/PATRIOT (MK)	BODY	ENGINE	TRANSMISSION
SERIES	LINE		
H = HIGHLINE	T = JEEP - 2WD	49 = HATCHBACK TYPE #2	ECE = 2.0L 4 Cyl DOHC DPF
L = LOWLINE	J = JEEP - 4WD	74 = SPORT UTILITY 4-DR	Diesel Engine
P = PREMIUM	U = JEEP - 4WD (RHD)	TYPE #4	ED3 = 2.4L 4 Cyl DOHC 16V
			Dual VVT Engine
			ECD = 2.0L 4 Cyl DOHC
			Diesel 16V Engine
			ECN = 2.0L 4 Cyl DOHC 16V
			Dual VVT Engine
			DEF = 6-Speed Manual Aisin BG6
			Trans
			DD7 = 5-Speed Manual T355
			Transmission
			DAV = Continuously Variable
			Transaxle II
			DAW = Cont.Var. w/Off-Rd Crawl
			Ratio Trans

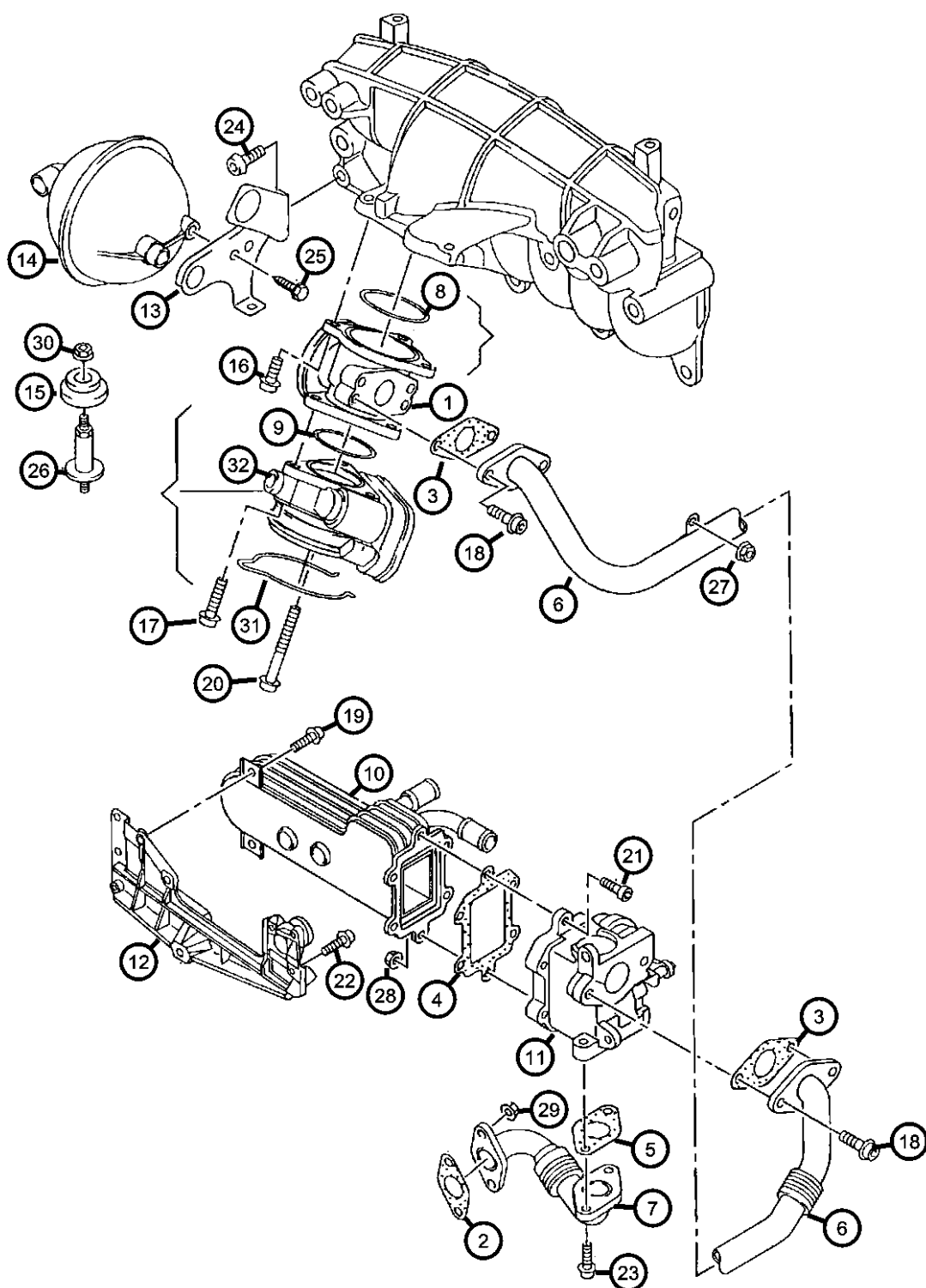
AR = use ase required - = Non illustrated part



EGR Valve and Related

Figure 25-205

ITEM	PART NUMBER	QTY	LINE	SERIES	BODY	ENGINE	TRANS	TRIM	DESCRIPTION
	68001615AA	1	J, T, U		74	ECD			
		1	J, T, U		49	ECD			
28	68019936AA	2	J, T, U		49, 74	ECD			NUT, Hex, M6
29	68041369AA	2	J, T, U		49, 74	ECD			NUT, Hex Flange Lock, M8
30									NUT, Hex, M6
	68001538AA	1	J, T, U		49	ECD			
		1	J, T, U		74	ECD			
31									CLIP
	68001605AA	1	J, T, U		49	ECD			
		1	J, T, U		74	ECD			
32									THROTTLE BODY
	68001556AA	1	J, T, U		49	ECD			
		1	J, T, U		74	ECD			



COMPASS/PATRIOT (MK)

SERIES LINE
 H = HIGHLINE T = JEEP - 2WD
 L = LOWLINE J = JEEP - 4WD
 P = PREMIUM U = JEEP - 4WD (RHD)

BODY
 49 = HATCHBACK TYPE #2
 74 = SPORT UTILITY 4-DR TYPE #4

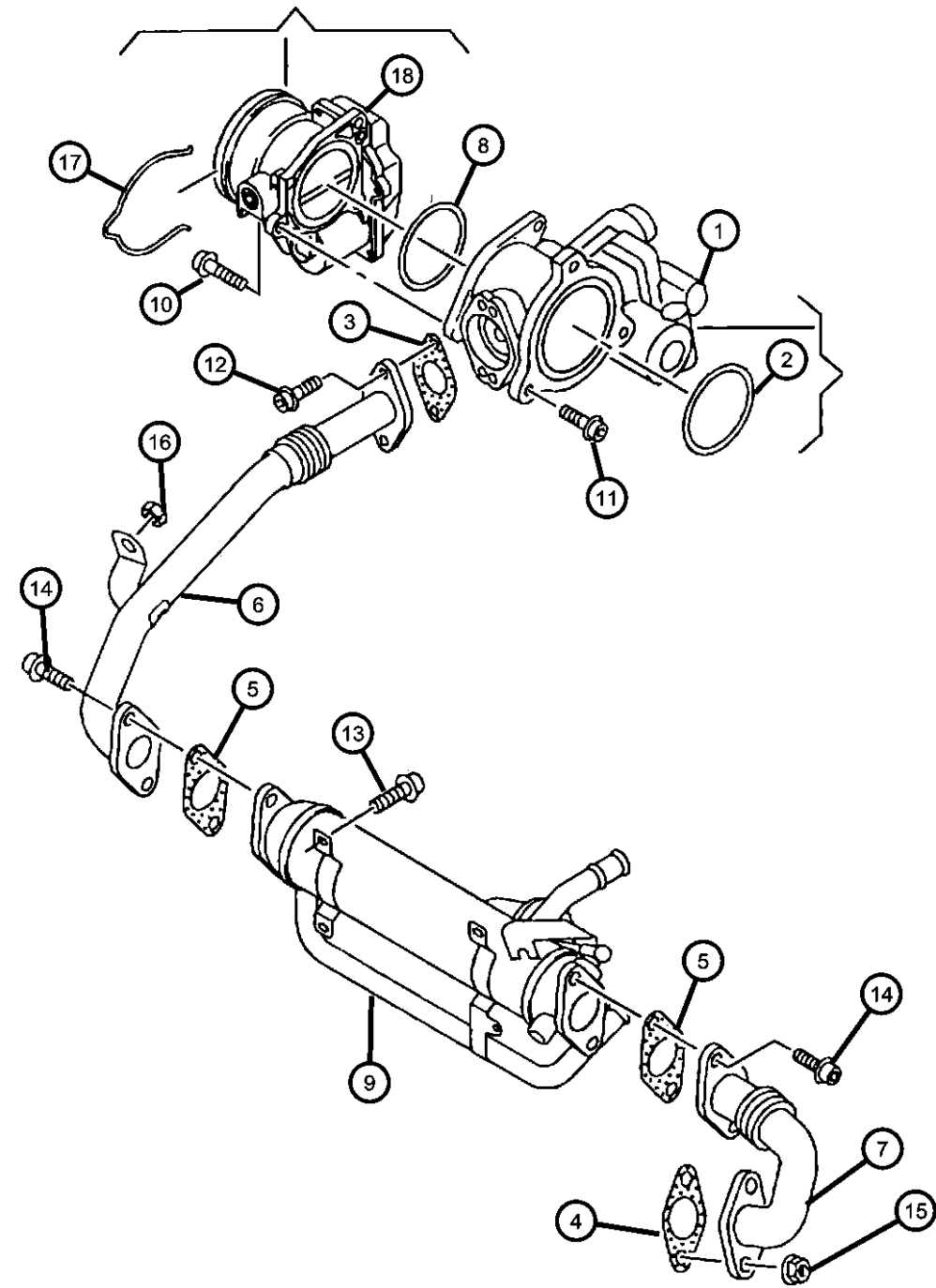
ENGINE
 ECE = 2.0L 4 Cyl DOHC DPF Diesel Engine
 ED3 = 2.4L 4 Cyl DOHC 16V Dual VVT Engine
 ECD = 2.0L 4 Cyl DOHC Diesel 16V Engine
 ECN = 2.0L 4 Cyl DOHC 16V Dual VVT Engine

TRANSMISSION
 DEF = 6-Speed Manual Aisin BG6 Trans
 DD7 = 5-Speed Manual T355 Transmission
 DAV = Continuously Variable Transaxle II
 DAW = Cont.Var. w/Off-Rd Crawl Ratio Trans

AR = use ase required - = Non illustrated part

2008 MK

EGR Valve and Related Figure 25-210



ITEM	PART NUMBER	QTY	LINE	SERIES	BODY	ENGINE	TRANS	TRIM	DESCRIPTION
1	68021528AA	1	J, T, U		49, 74	ECE			VALVE, EGR
2	68021532AA	1	J, T, U		49, 74	ECE			GASKET
3	68001601AA	2	J, T, U		49, 74	ECE			GASKET
4	68001560AA	1	J, T, U		49, 74	ECE			GASKET
5	68001601AA	1	J, T, U		49, 74	ECE			GASKET
6	68021531AA	1	J, T, U		49, 74	ECE			TUBE
7	68021530AA	1	J, T, U		49, 74	ECE			TUBE
8	68001545AA	1	J, T, U		49, 74	ECE			SEAL
9	68021529AA	1	J, T, U		49, 74	ECE			COOLER, EGR
10	68021304AA	3	J, T, U		49, 74	ECE			BOLT, M6x45
11	68021307AA	2	J, T, U		49, 74	ECE			BOLT, M6x20
12	68021326AA	4	J, T, U		49, 74	ECE			BOLT, M8x20
13	68021327AA	4	J, T, U		49, 74	ECE			BOLT, M6x12
14	68021318AA	4	J, T, U		49, 74	ECE			BOLT, M8x16
15	68041369AA	2	J, T, U		49, 74	ECE			NUT, Hex Flange Lock, M8
16	68001615AA	1	J, T, U		49, 74	ECE			NUT, Hex, M6
17	68041372AA	1	J, T, U		49, 74	ECE			CLIP, Throttle Body
18									THROTTLE BODY
	68034270AA	1	J, T, U		49	ECE			
		1	J, T, U		74	ECE			

COMPASS/PATRIOT (MK)

SERIES	LINE
H = HIGHLINE	T = JEEP - 2WD
L = LOWLINE	J = JEEP - 4WD
P = PREMIUM	U = JEEP - 4WD (RHD)

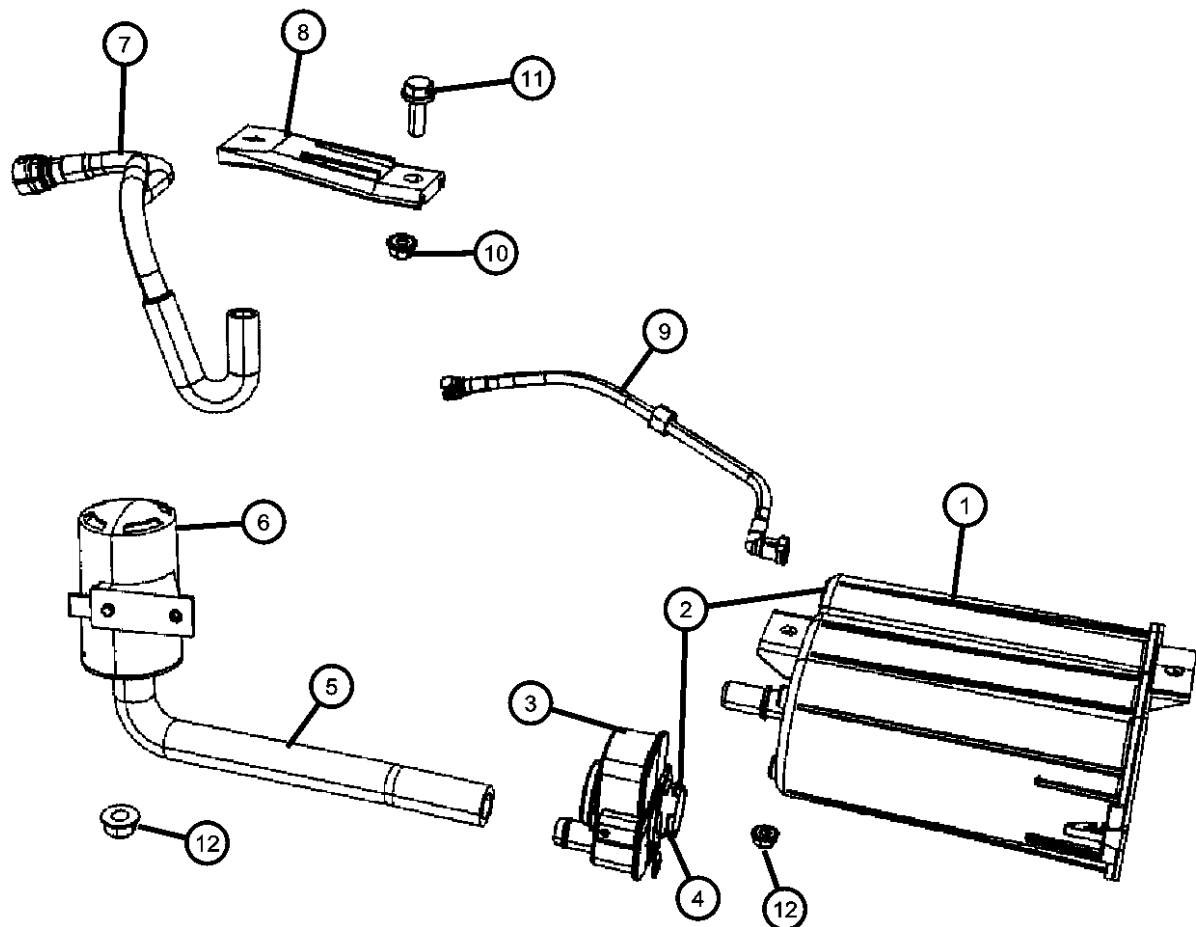
BODY
49 = HATCHBACK TYPE #2
74 = SPORT UTILITY 4-DR TYPE #4

ENGINE	TRANSMISSION
ECE = 2.0L 4 Cyl DOHC DPF Diesel Engine	DEF = 6-Speed Manual Aisin BG6 Trans
ED3 = 2.4L 4 Cyl DOHC 16V Dual VVT Engine	DD7 = 5-Speed Manual T355 Transmission
ECD = 2.0L 4 Cyl DOHC Diesel 16V Engine	DAV = Continuously Variable Transaxle II
ECN = 2.0L 4 Cyl DOHC 16V Dual VVT Engine	DAW = Cont.Var. w/Off-Rd Crawl Ratio Trans

AR = use ase required - = Non illustrated part

2008 MK

**Vapor Canister and Leak Detection Pump
Figure 25-305**



ITEM	PART NUMBER	QTY	LINE	SERIES	BODY	ENGINE	TRANS	TRIM	DESCRIPTION
1	05273389AC	1	T, U		49	ED3			CANISTER, Vapor [NA1]
		1	T, U		74	ED3			[NA1]
2	68018927AA	1	J, T, U		49	ECN, ED3			CANISTER PACKAGE, Vapor
		1	J, T, U		74	ECN, ED3			
		1	T		49, 74	ED3			[NA1]
3	04891685AA	1	J, T, U		49	ECN, ED3			DETECTOR, Evaporative System Integrity Module
		1	J, T, U		74	ECN, ED3			
		1	T		49, 74	ED3			[NA1]
4	52129436AA	1	J, T, U		49	ECN, ED3			SEAL, Vapor canister, Seal
		1	J, T, U		74	ECN, ED3			
		1	T		49, 74	ED3			[NA1]
5	05085118AB	1	J, T, U		49	ECN, ED3			HOSE, Canister to Vent Valve
		1	J, T, U		74	ECN, ED3			
		1	T		49, 74	ED3			[NA1]
6	05105947AA	1	J, T, U		49, 74	ECD, ECE			FILTER, Leak Detection Pump
	68012168AA	1	J, T, U		49	ECN, ED3			
		1	J, T, U		74	ECN, ED3			
7	05273337AB	1	J, T, U		49	ECD, ECE			HOSE, Fuel Tank Vent Line
		1	J, T, U		74	ECD, ECE			
8	05105672AC	1	J, T, U		49	ECN, ED3			BRACKET, Vapor Canister
		1	J, T, U		74	ECN, ED3			
		1	J, T, U		49	ED3			[NA1]
		1	J, T, U		74	ED3			[NA1]
9									HOSE, Canister to Chassis Tube

COMPASS/PATRIOT (MK)

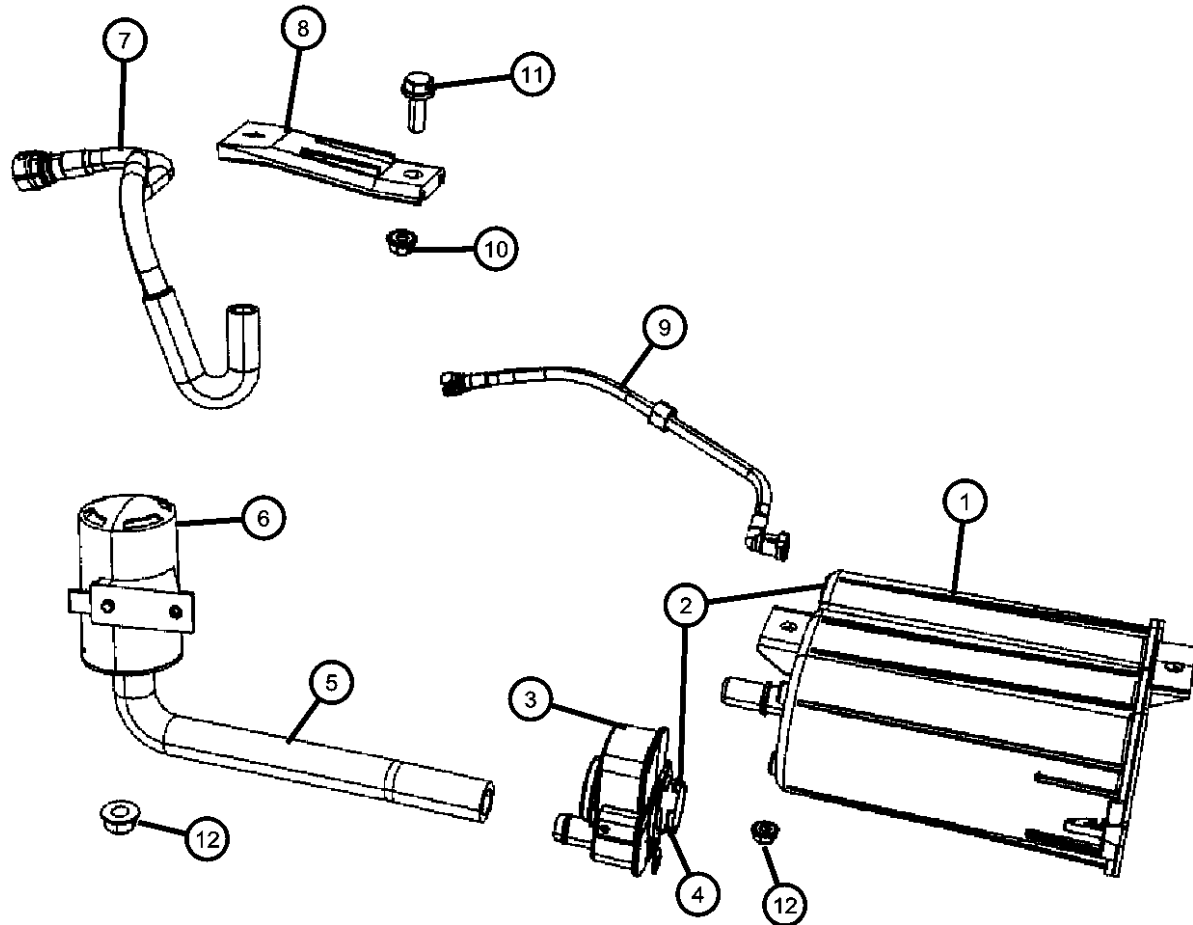
SERIES	LINE	BODY	ENGINE	TRANSMISSION
H = HIGHLINE	T = JEEP - 2WD	49 = HATCHBACK TYPE #2	ECE = 2.0L 4 Cyl DOHC DPF Diesel Engine	DEF = 6-Speed Manual Aisin BG6 Trans
L = LOWLINE	J = JEEP - 4WD	74 = SPORT UTILITY 4-DR TYPE #4	ED3 = 2.4L 4 Cyl DOHC 16V Dual VVT Engine	DD7 = 5-Speed Manual T355 Transmission
P = PREMIUM	U = JEEP - 4WD (RHD)		ECD = 2.0L 4 Cyl DOHC Diesel 16V Engine	DAV = Continuously Variable Transaxle II
			ECN = 2.0L 4 Cyl DOHC 16V Dual VVT Engine	DAW = Cont.Var. w/Off-Rd Crawl Ratio Trans

AR = use ase required - = Non illustrated part

2008 MK

<< RETURN TO GROUP INDEX

**Vapor Canister and Leak Detection Pump
Figure 25-305**



ITEM	PART NUMBER	QTY	LINE	SERIES	BODY	ENGINE	TRANS	TRIM	DESCRIPTION
	05273476AD	1	J, T, U		49	ECN, ED3			
		1	J, T, U		74	ECN, ED3			
10	06101445	1	J, T, U		49	ECN, ED3			NUT AND WASHER, Hex, M8x1.25
		1	J, T, U		74	ECN, ED3			
		1	J, T, U		49	ED3			[NA1]
		1	J, T, U		74	ED3			[NA1]
11		1	J, T, U						BOLT AND WASHER, Hex Head, M8X1.25X25.00
	06502847	1	J, T, U		49	ECN, ED3			
		1	J, T, U		74	ECN, ED3			
		1	J, T, U		49	ED3			[NA1]
		1	J, T, U		74	ED3			[NA1]
12		1	J, T, U						NUT, Hex
	05097674AA	1	J, T, U		49	ECD, ECE, ECN, ED3			
		1	J, T, U		74	ECD, ECE, ECN, ED3			

COMPASS/PATRIOT (MK)

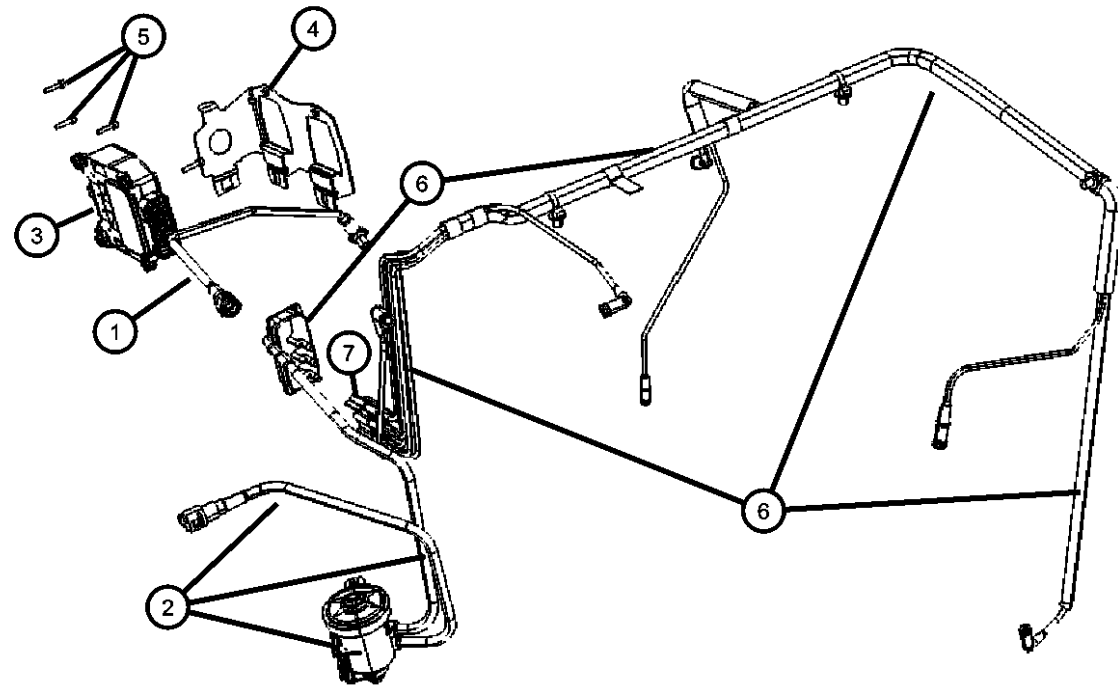
SERIES	LINE
H = HIGHLINE	T = JEEP - 2WD
L = LOWLINE	J = JEEP - 4WD
P = PREMIUM	U = JEEP - 4WD (RHD)

BODY
49 = HATCHBACK TYPE #2
74 = SPORT UTILITY 4-DR TYPE #4

ENGINE
ECE = 2.0L 4 Cyl DOHC DPF Diesel Engine
ED3 = 2.4L 4 Cyl DOHC 16V Dual VVT Engine
ECD = 2.0L 4 Cyl DOHC Diesel 16V Engine
ECN = 2.0L 4 Cyl DOHC 16V Dual VVT Engine

TRANSMISSION
DEF = 6-Speed Manual Aisin BG6 Trans
DD7 = 5-Speed Manual T355 Transmission
DAV = Continuously Variable Transaxle II
DAW = Cont.Var. w/Off-Rd Crawl Ratio Trans

**Emission Control Vacuum Harness
Figure 25-405**



ITEM	PART NUMBER	QTY	LINE	SERIES	BODY	ENGINE	TRANS	TRIM	DESCRIPTION
1									HOSE, Proportional Purge Solenoid
	05105798AB	1	J, T, U		49	ECN, ED3			
		1	T, U, J		74	ECN, ED3			
2									HARNESS, Vapor
	68003473AA	1	J, T, U		49	ECN, ED3			
		1	J, T, U		74	ECN, ED3			
3									VALVE, Vacuum
	05105711AA	1	J, T, U		49	ECD			
		1	J, T, U		74	ECD			
4									BRACKET, Vacuum Valve
	05273317AC	1	J, T, U		74	ECD			
		1	J, T, U		49	ECE			
		1	J, T, U		74	ECE			
		1	J, T, U		49	ECD			
5									SCREW AND WASHER, Vacuum Block Bracket to Valve Block, M4x0.70x20.00
	06508497AA	4	J, T, U		49	ECD			
		4	J, T, U		74	ECD			
6									HARNESS, Vacuum
	05273357AD	1	J, T, U		49	ECD			
		1	J, T, U		74	ECD			
7									ACTUATOR, Vacuum
	05105812AA	1	J, T, U		49	ECE			
		1	J, T, U		74	ECE			

COMPASS/PATRIOT (MK)

SERIES LINE
H = HIGHLINE T = JEEP - 2WD
L = LOWLINE J = JEEP - 4WD
P = PREMIUM U = JEEP - 4WD (RHD)

BODY
49 = HATCHBACK TYPE #2
74 = SPORT UTILITY 4-DR TYPE #4

ENGINE TRANSMISSION
ECE = 2.0L 4 Cyl DOHC DPF DEF = 6-Speed Manual Aisin BG6 Diesel Engine Trans
ED3 = 2.4L 4 Cyl DOHC 16V DD7 = 5-Speed Manual T355 Dual VVT Engine Transmission
ECD = 2.0L 4 Cyl DOHC DAV = Continuously Variable Diesel 16V Engine Transaxle II
ECN = 2.0L 4 Cyl DOHC 16V DAW = Cont.Var. w/Off-Rd Crawl Dual VVT Engine Ratio Trans

AR = use ase required - = Non illustrated part

2008 MK

Group - 26

Labels

Group - 26 Labels

Illustration Title

Group-Fig. No.

Interior

Instrument Panel Fig. 26 - 105
 Visor Fig. 26 - 110

Under Hood

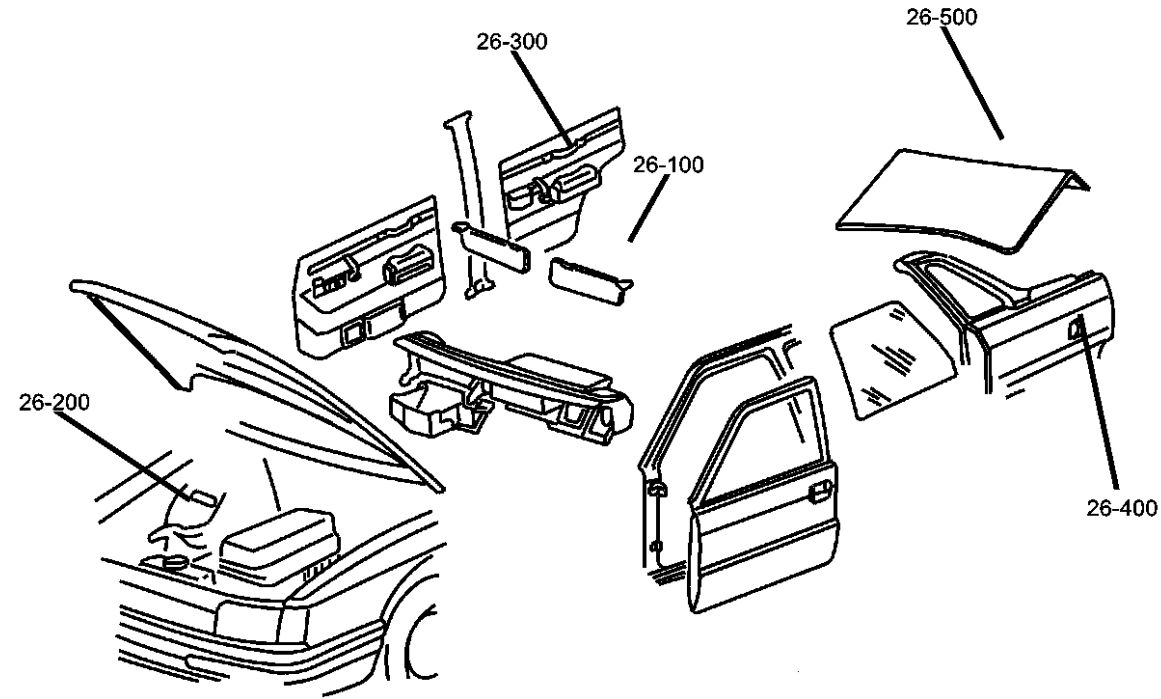
Hood Fig. 26 - 220

Doors

Door Labels Fig. 26 - 305

Trunk

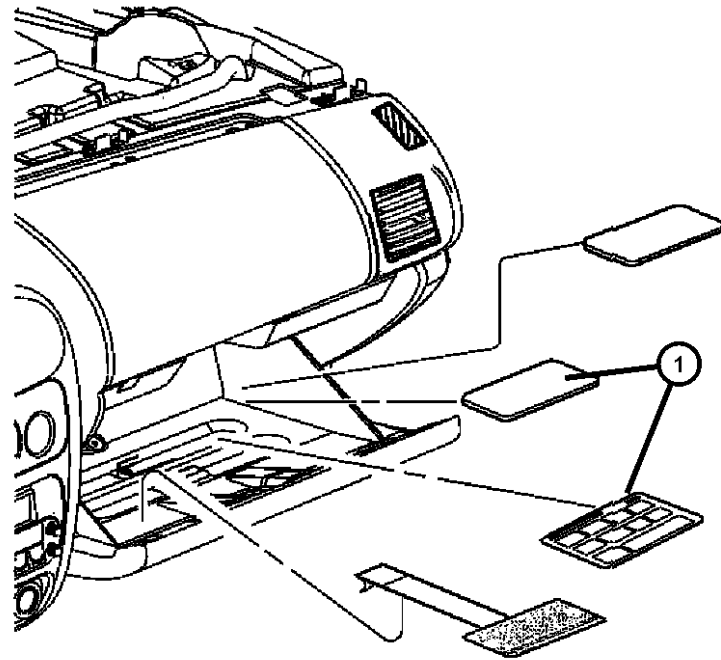
Rear Cargo and Storage Fig. 26 - 520



026-100 Interior	026-200 Under Hood	026-300 Doors	026-500 Trunk

**Instrument Panel
Figure 26-105**

ITEM	PART NUMBER	QTY	LINE	SERIES	BODY	ENGINE	TRANS	TRIM	DESCRIPTION
1									LABEL, Air Bag Warning
	05108001AB	1			49				Passenger Air Bag Deactivation
	05108002AB	1			49				Passenger Air Bag Deactivation French



COMPASS/PATRIOT (MK)

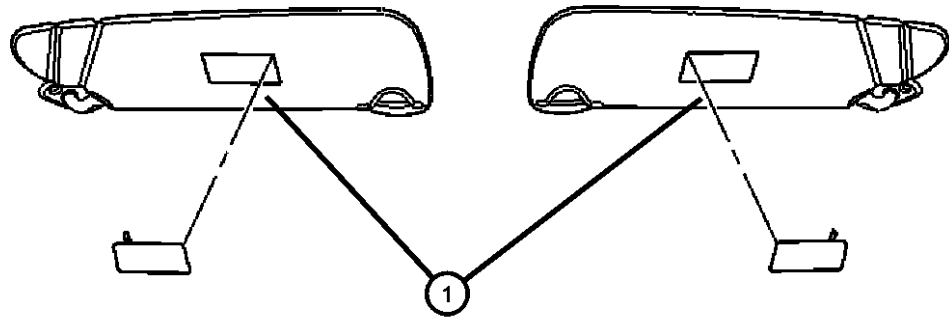
SERIES	LINE	BODY	ENGINE	TRANSMISSION
H = HIGHLINE	T = JEEP - 2WD	49 = HATCHBACK TYPE #2	ECE = 2.0L 4 Cyl DOHC DPF Diesel Engine	DEF = 6-Speed Manual Aisin BG6 Trans
L = LOWLINE	J = JEEP - 4WD	74 = SPORT UTILITY 4-DR TYPE #4	ED3 = 2.4L 4 Cyl DOHC 16V Dual VVT Engine	DD7 = 5-Speed Manual T355 Transmission
P = PREMIUM	U = JEEP - 4WD (RHD)		ECD = 2.0L 4 Cyl DOHC Diesel 16V Engine	DAV = Continuously Variable Transaxle II
			ECN = 2.0L 4 Cyl DOHC 16V Dual VVT Engine	DAW = Cont.Var. w/Off-Rd Crawl Ratio Trans

AR = use ase required - = Non illustrated part

2008 MK

Visor
Figure 26-110

ITEM	PART NUMBER	QTY	LINE	SERIES	BODY	ENGINE	TRANS	TRIM	DESCRIPTION
1									LABEL, Air Bag Warning, Visor
	05023541AA	2			49				Sun Visor English and Spanish
	05023543AA	2			49				Sun Visor English and Italian
	05023743AA	2			49				Sun Visor English and German
	05108000AA	2			49				English and French Stick on



COMPASS/PATRIOT (MK)

SERIES

H = HIGHLINE
L = LOWLINE
P = PREMIUM

LINE

T = JEEP - 2WD
J = JEEP - 4WD
U = JEEP - 4WD (RHD)

BODY

49 = HATCHBACK TYPE #2
74 = SPORT UTILITY 4-DR
TYPE #4

ENGINE

ECE = 2.0L 4 Cyl DOHC DPF Diesel Engine
ED3 = 2.4L 4 Cyl DOHC 16V Dual VVT Engine
ECD = 2.0L 4 Cyl DOHC Diesel 16V Engine
ECN = 2.0L 4 Cyl DOHC 16V Dual VVT Engine

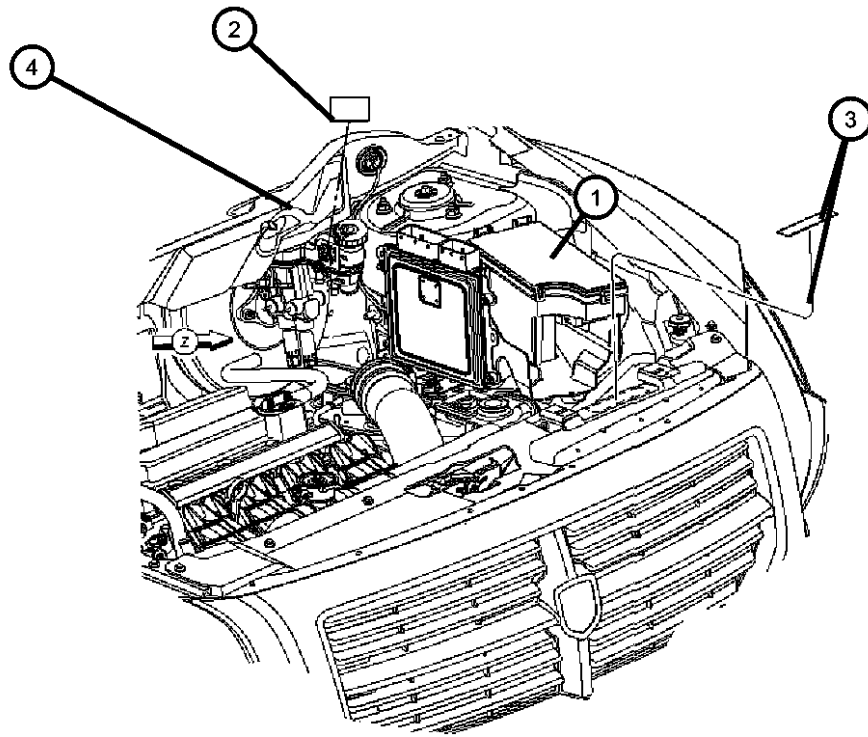
TRANSMISSION

DEF = 6-Speed Manual Aisin BG6 Trans
DD7 = 5-Speed Manual T355 Transmission
DAV = Continuously Variable Transaxle II
DAW = Cont.Var. w/Off-Rd Crawl Ratio Trans

AR = use ase required - = Non illustrated part

2008 MK

Hood
Figure 26-220



ITEM	PART NUMBER	QTY	LINE	SERIES	BODY	ENGINE	TRANS	TRIM	DESCRIPTION
------	-------------	-----	------	--------	------	--------	-------	------	-------------

NOTES: Sales Codes

[ECB] = 2.0L Four Cylinder SOHC 16V SMPI

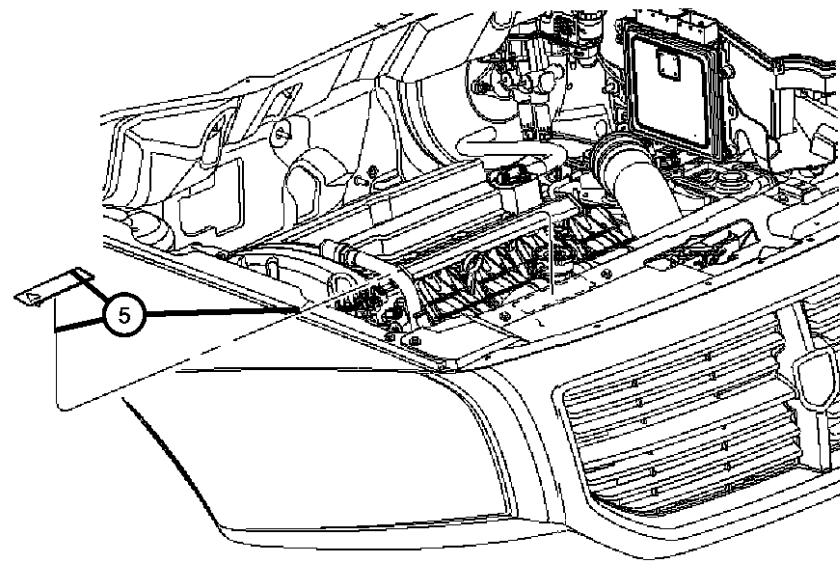
[ECH] = 2.0L Four Cylinder SOHC 16V Hi PerformanceI

[EDV] = 2.4L Four Cylinder DOHC 16V H. O. Turbo

[NA1] = Export

[NAS] = U.S. 50 State

1	04606799AA	1			49				LABEL, Battery
2	04606799AA	1							LABEL, Emission, (NOT SERVICED)
3									LABEL, A/C Spec.
	05058594AA	1			49				A/C Refrigerant Charge R-134 Mandarin/Arabic
	05058873AA	1			49, 74				CHINESE/ARABIC CAUTION LABEL
4									LABEL, Warning
	04721769AA	1			49				Brake Fluid Warning
	55352825AA	2			49				High Rollover Risk Warning English and French
5	04809615AA	1			49				LABEL, Fan Caution



COMPASS/PATRIOT (MK)

SERIES	LINE
H = HIGHLINE	T = JEEP - 2WD
L = LOWLINE	J = JEEP - 4WD
P = PREMIUM	U = JEEP - 4WD (RHD)

BODY
49 = HATCHBACK TYPE #2
74 = SPORT UTILITY 4-DR TYPE #4

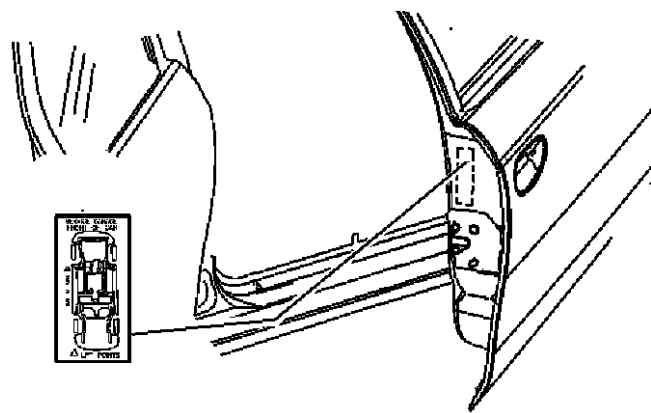
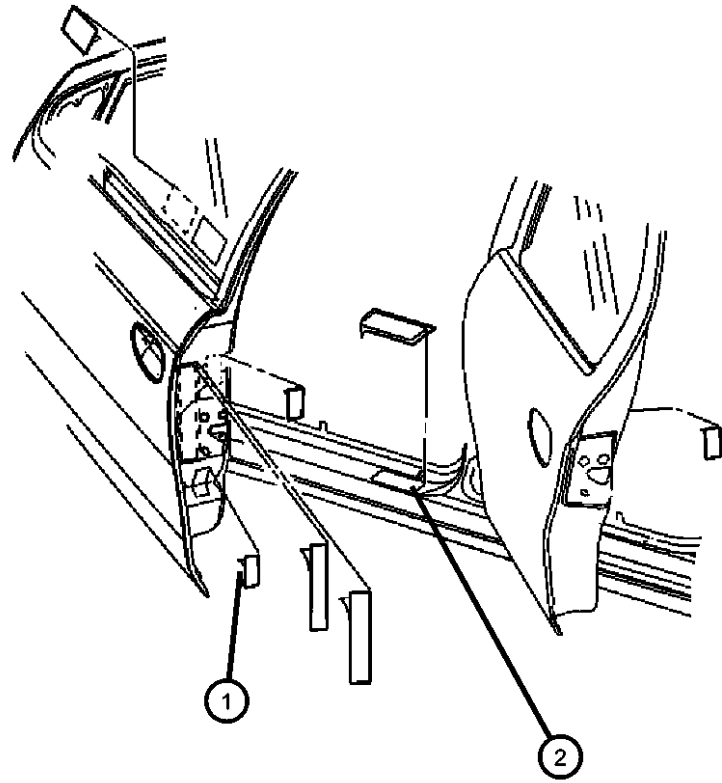
ENGINE	TRANSMISSION
ECE = 2.0L 4 Cyl DOHC DPF Diesel Engine	DEF = 6-Speed Manual Aisin BG6 Trans
ED3 = 2.4L 4 Cyl DOHC 16V Dual VVT Engine	DD7 = 5-Speed Manual T355 Transmission
ECD = 2.0L 4 Cyl DOHC Diesel 16V Engine	DAV = Continuously Variable Transaxle II
ECN = 2.0L 4 Cyl DOHC 16V Dual VVT Engine	DAW = Cont.Var. w/Off-Rd Crawl Ratio Trans

AR = use ase required - = Non illustrated part

2008 MK

**Door Labels
Figure 26-305**

ITEM	PART NUMBER	QTY	LINE	SERIES	BODY	ENGINE	TRANS	TRIM	DESCRIPTION
1	05140474AA	1							LABEL, Remote Start Warning.
2	05056245AA	1			49				LABEL, Tire Pressure



COMPASS/PATRIOT (MK)

SERIES LINE
H = HIGHLINE T = JEEP - 2WD
L = LOWLINE J = JEEP - 4WD
P = PREMIUM U = JEEP - 4WD (RHD)

BODY
49 = HATCHBACK TYPE #2
74 = SPORT UTILITY 4-DR
TYPE #4

ENGINE
ECE = 2.0L 4 Cyl DOHC DPF Diesel Engine
ED3 = 2.4L 4 Cyl DOHC 16V Dual VVT Engine
ECD = 2.0L 4 Cyl DOHC Diesel 16V Engine
ECN = 2.0L 4 Cyl DOHC 16V Dual VVT Engine

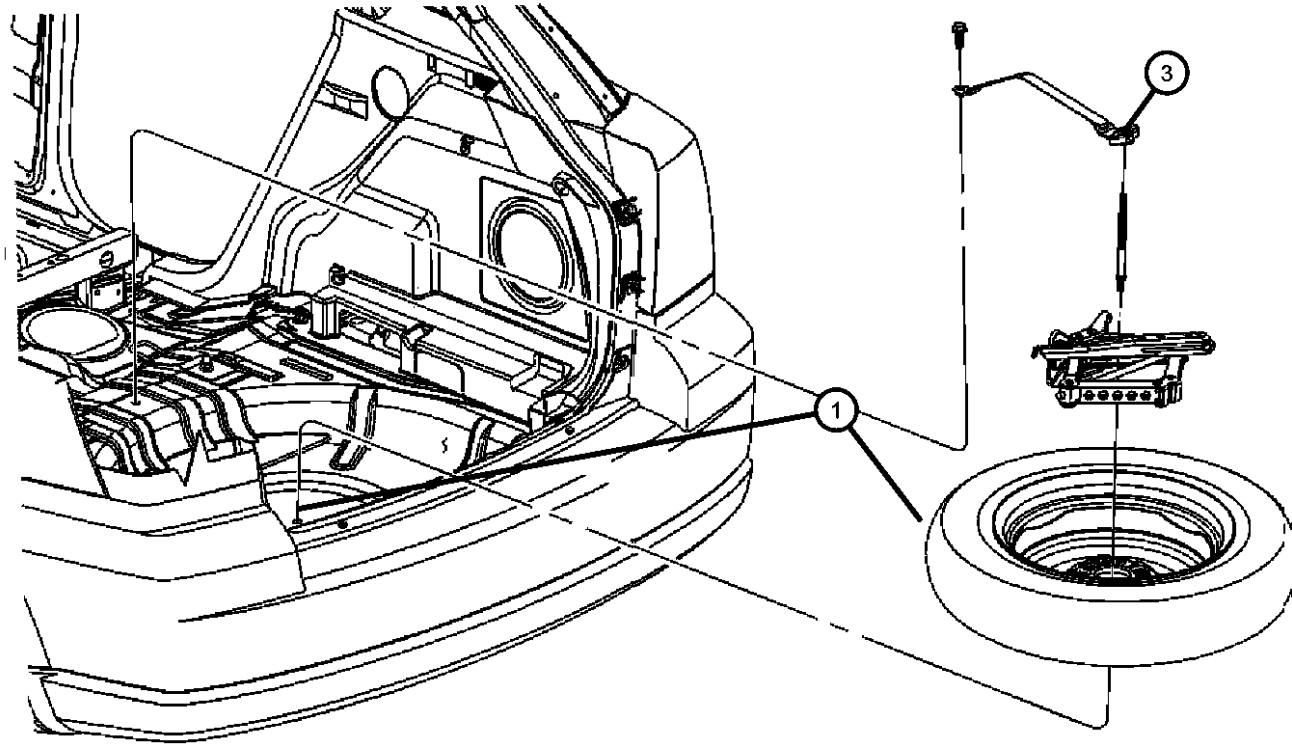
TRANSMISSION
DEF = 6-Speed Manual Aisin BG6 Trans
DD7 = 5-Speed Manual T355 Transmission
DAV = Continuously Variable Transaxle II
DAW = Cont.Var. w/Off-Rd Crawl Ratio Trans

AR = use ase required - = Non illustrated part

2008 MK

Rear Cargo and Storage
Figure 26-520

ITEM	PART NUMBER	QTY	LINE	SERIES	BODY	ENGINE	TRANS	TRIM	DESCRIPTION
1	04472491AC	1			49				LABEL, Tire Storage ABB=ABJ+TBC+X88
	05273515AB	1			49				X88+XLB+TBC Arabic Only
-2	05056245AA	1			49				LABEL, Tire Pressure, Certification Vehicle and Tire Blank
3									HOLD DOWN, Spare Tire, Handle/Floor
	05105525AC	1			49				Spare Wheel to Floor (handle)
	05105837AA	1			49				Spare Wheel to Floor



COMPASS/PATRIOT (MK)

SERIES	LINE	BODY	ENGINE	TRANSMISSION
H = HIGHLINE	T = JEEP - 2WD	49 = HATCHBACK TYPE #2	ECE = 2.0L 4 Cyl DOHC DPF Diesel Engine	DEF = 6-Speed Manual Aisin BG6 Trans
L = LOWLINE	J = JEEP - 4WD	74 = SPORT UTILITY 4-DR TYPE #4	ED3 = 2.4L 4 Cyl DOHC 16V Dual VVT Engine	DD7 = 5-Speed Manual T355 Transmission
P = PREMIUM	U = JEEP - 4WD (RHD)		ECD = 2.0L 4 Cyl DOHC Diesel 16V Engine	DAV = Continuously Variable Transaxle II
			ECN = 2.0L 4 Cyl DOHC 16V Dual VVT Engine	DAW = Cont.Var. w/Off-Rd Crawl Ratio Trans

AR = use ase required - = Non illustrated part

2008 MK

Group - 27

Glass

Group - 27 Glass

Illustration Title

Group-Fig. No.

Glass and Interior Rear View Mirror

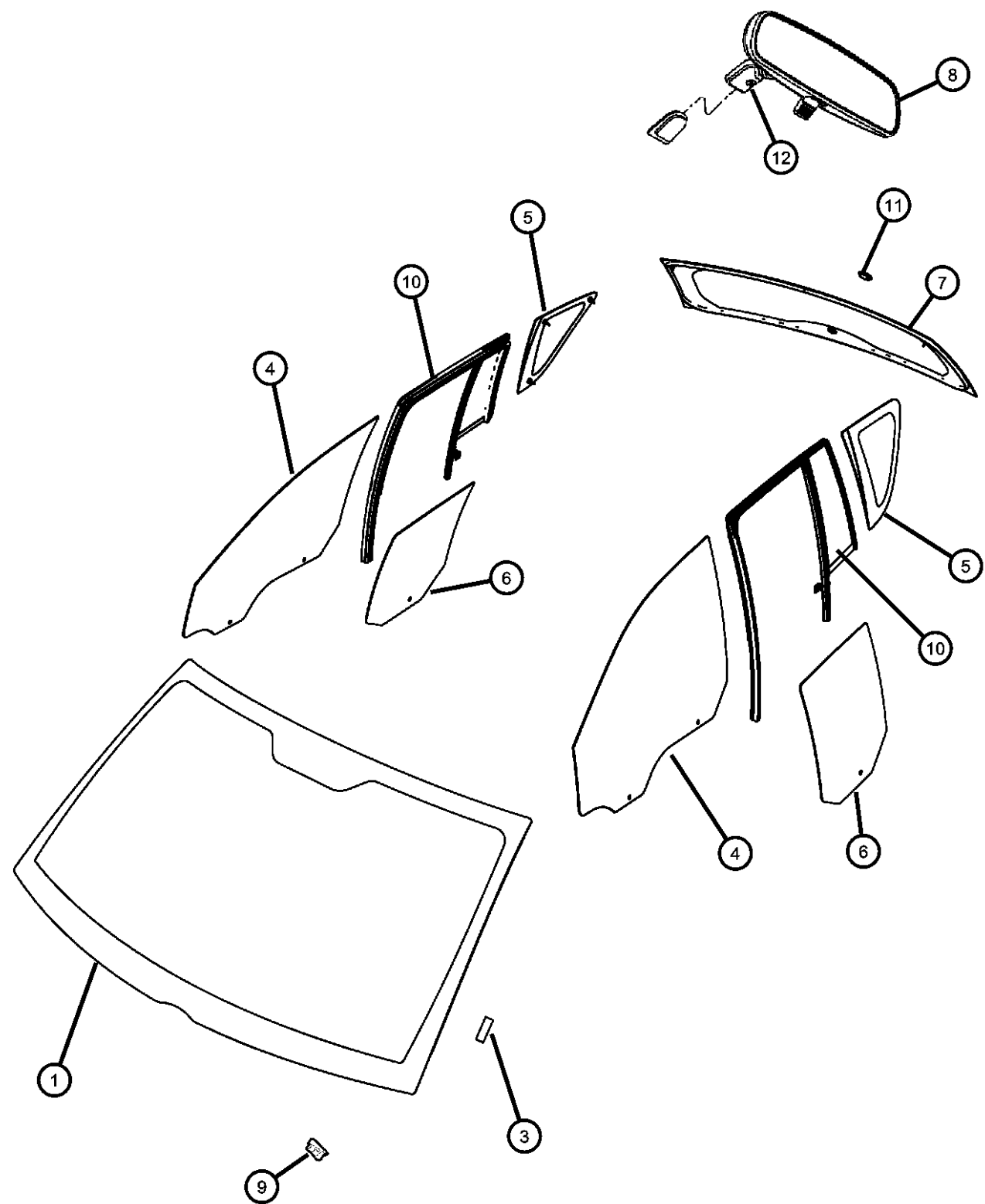
Glass, Glass Hardware & Interior Mirrors, CompassFig. 27 - 105

Glass, Glass Hardware & Interior Mirrors, PatriotFig. 27 - 110

027-100 Glass and Interior Rear View Mirror			
--	--	--	--

Glass, Glass Hardware & Interior Mirrors, Compass

Figure 27-105



ITEM	PART NUMBER	QTY	LINE	SERIES	BODY	ENGINE	TRANS	TRIM	DESCRIPTION
1	05074907AC	1	J, T, U		49				WINDSHIELD
-2	04864015	2	J, T, U		49				INSTALLATION PACKAGE, Windshield Glass
3	55276549AA	2	J, T, U		49				SPACER, Windshield
4	05074816AC	1	J, T, U		49				GLASS, Front Door Tint, [GAM], Right
	05074817AC	1	J, T, U		49				Tint, [GAM], Left
5	05191234AB	1	J, T, U		49				GLASS, Quarter Window Tint, [GAM], Right
	05191235AB	1	J, T, U		49				Tint, [GAM], Left
	05191250AB	1	J, T, U		49				Sunscreen, [GEG], Right
	05191251AB	1	J, T, U		49				Sunscreen, [GEG], Left
6	05074224AB	1	J, T, U		49				GLASS, Rear Door Sunscreen, [GEG], Right
	05074225AB	1	J, T, U		49				Sunscreen, [GEG], Left
	05074818AB	1	J, T, U		49				Tint, [GAM], Right
	05074819AB	1	J, T, U		49				Tint, [GAM], Left
7	05074912AF	1	J, T, U		49				BACKLITE Tint, [GAM]
	05074913AF	1	J, T, U		49				Sunscreen, [GEG]
8	04805332AD	1	J, T, U		49				MIRROR, Inside Rear View With Sales Code [GNA] Day/Night Mirror
	04805572AD	1	J, T, U		49				With Sales Code [GNK] Auto Dim Mirror
	05064017AD	1	J, T, U		49				With Sales Code [GNK] Auto Dim Mirror and [RSP] Hands Free Communication
9	04278662	6	J, T, U		49				SPACER
10	05074660AF	1	J, T, U		49				WEATHERSTRIP, Door Glass Run with Glass, Rear Door Tint, [GAM], Right
	05074661AF	1	J, T, U		49				Tint, [GAM], Left

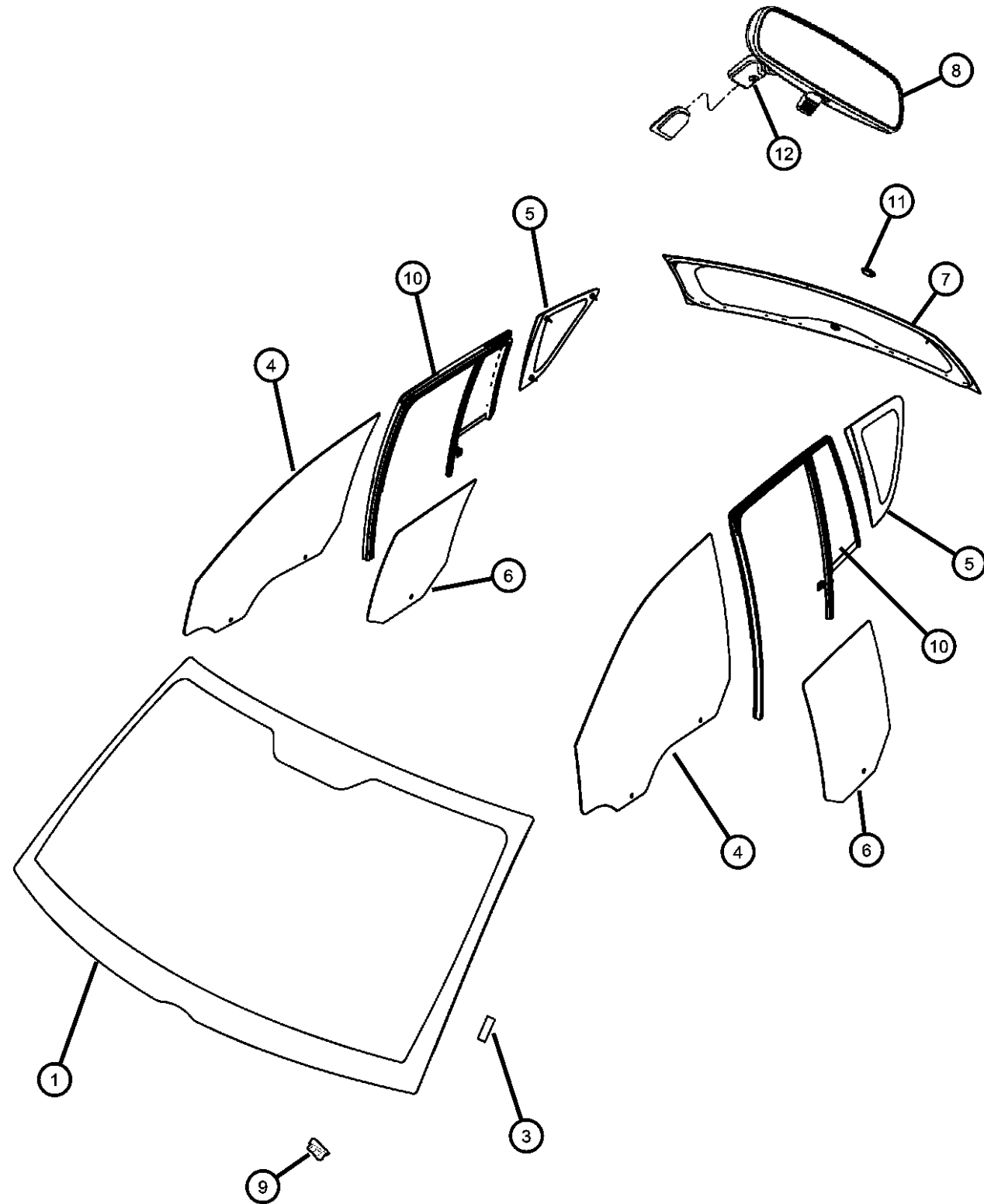
Sales Codes:
 [GNA] = Rear View Day/Night
 [GNK] = Rear View Auto Dim
 [RSP] = Uconnect Hands Free Communication

COMPASS/PATRIOT (MK)

SERIES	LINE	BODY	ENGINE	TRANSMISSION
H = HIGHLINE	T = JEEP - 2WD	49 = HATCHBACK TYPE #2	ECE = 2.0L 4 Cyl DOHC DPF Diesel Engine	DEF = 6-Speed Manual Aisin BG6 Trans
L = LOWLINE	J = JEEP - 4WD	74 = SPORT UTILITY 4-DR TYPE #4	ED3 = 2.4L 4 Cyl DOHC 16V Dual VVT Engine	DD7 = 5-Speed Manual T355 Transmission
P = PREMIUM	U = JEEP - 4WD (RHD)		ECD = 2.0L 4 Cyl DOHC Diesel 16V Engine	DAV = Continuously Variable Transaxle II
			ECN = 2.0L 4 Cyl DOHC 16V Dual VVT Engine	DAW = Cont.Var. w/Off-Rd Crawl Ratio Trans

AR = use ase required - = Non illustrated part

Glass, Glass Hardware & Interior Mirrors, Compass
Figure 27-105



ITEM	PART NUMBER	QTY	LINE	SERIES	BODY	ENGINE	TRANS	TRIM	DESCRIPTION
	05160064AF	1	J, T, U		49				Sunscreen, [GEG], Right
	05160065AF	1	J, T, U		49				Sunscreen, [GEG], Left
11	05116200AA	1	J, T, U		49				GROMMET, Rear Wiper Motor
12	06036548AA	1	J, T, U		49				SCREW, Tapping Pan Head, .190-24x.375

COMPASS/PATRIOT (MK)

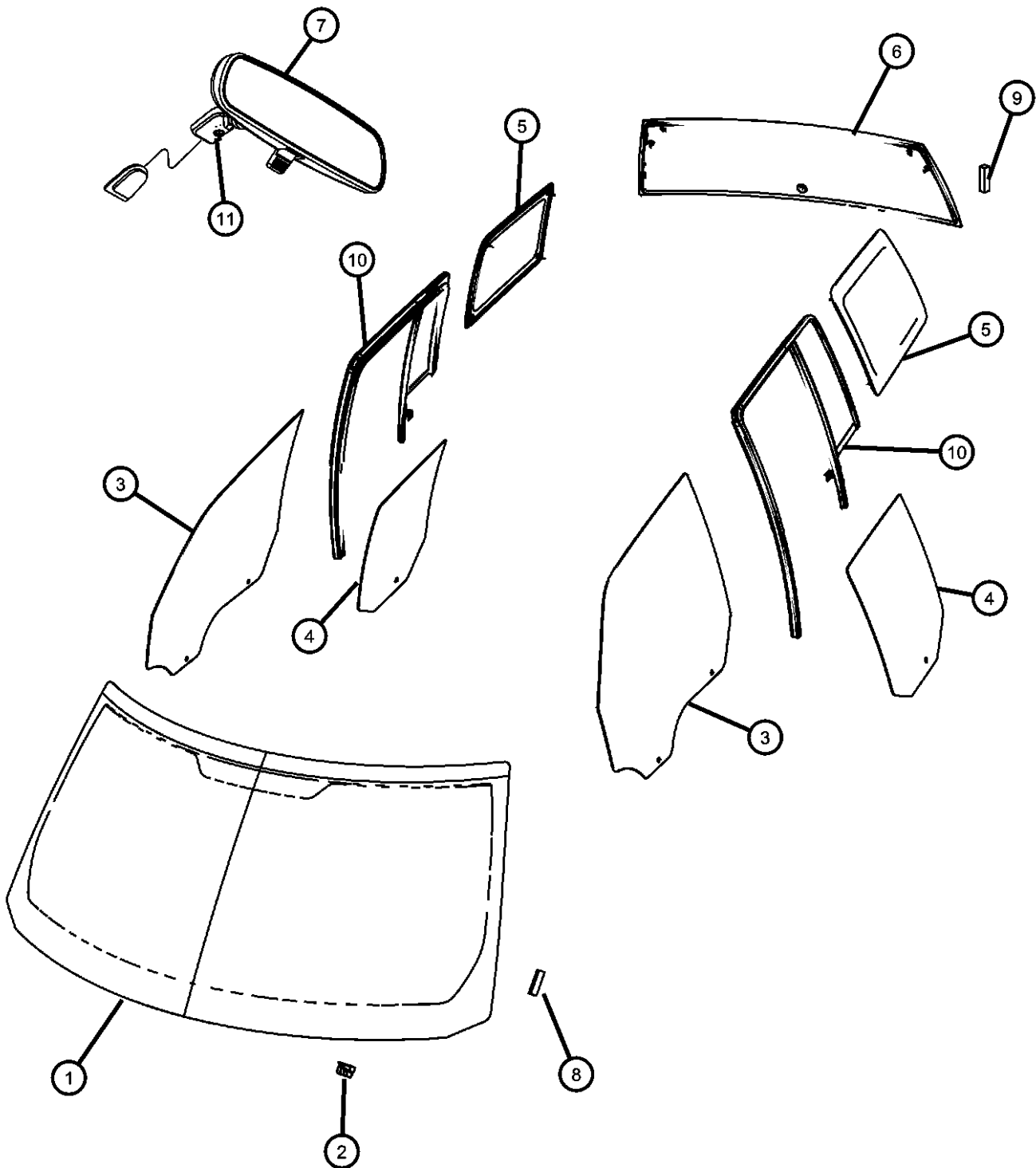
SERIES	LINE	BODY	ENGINE	TRANSMISSION
H = HIGHLINE	T = JEEP - 2WD	49 = HATCHBACK TYPE #2	ECE = 2.0L 4 Cyl DOHC DPF Diesel Engine	DEF = 6-Speed Manual Aisin BG6 Trans
L = LOWLINE	J = JEEP - 4WD	74 = SPORT UTILITY 4-DR TYPE #4	ED3 = 2.4L 4 Cyl DOHC 16V Dual VVT Engine	DD7 = 5-Speed Manual T355 Transmission
P = PREMIUM	U = JEEP - 4WD (RHD)		ECD = 2.0L 4 Cyl DOHC Diesel 16V Engine	DAV = Continuously Variable Transaxle II
			ECN = 2.0L 4 Cyl DOHC 16V Dual VVT Engine	DAW = Cont.Var. w/Off-Rd Crawl Ratio Trans

AR = use ase required - = Non illustrated part

2008 MK

Glass, Glass Hardware & Interior Mirrors, Patriot

Figure 27-110



ITEM	PART NUMBER	QTY	LINE	SERIES	BODY	ENGINE	TRANS	TRIM	DESCRIPTION
1	68003722AA	1	J, T, U		74				WINDSHIELD, Shipping Assembly - 30 Lite Glass
	DW01682GTN								Collision Replacement Glass
2	55276549AA	2	J, T, U		74				SPACER, Windshield
3									GLASS, Front Door
	05155448AA	1	J, T, U		74				Right
	DD11300GTN								Collision Replacement Glass
	05155449AA	1	J, T, U		74				Left
	DD11301GTN								Collision Replacement Glass
4									GLASS, Rear Door
	05155450AA	1	J, T, U		74				SolarTint, [GAM], Right
	DD11302GTN								Collision Replacement Glass
	05155451AA	1	J, T, U		74				SolarTint, [GAM], Left
	DD11303GTN								Collision Replacement Glass
	05155454AA	1	J, T, U		74				Privacy, [GEG], Right
	DD11302YPN								Collision Replacement Glass
	05155455AA	1	J, T, U		74				Privacy, [GEG], Left
	DD11303YPN								Collision Replacement Glass
5									GLASS, Quarter Window
	68003724AA	1	J, T, U		74				SolarTint, [GAM], Right
	DQ11036GTN								Collision Replacement Glass
	68003725AA	1	J, T, U		74				SolarTint, [GAM], Left
	DQ11037GTN								Collision Replacement Glass
	68003726AA	1	J, T, U		74				Privacy, [GEG], Right
	DQ11036YPN								Collision Replacement Glass
	68003727AA	1	J, T, U		74				Privacy, [GEG], Left
	DQ11037YPN								Collision Replacement Glass
6									BACKLITE
	05155452AC	1	J, T, U		74				Privacy, [GEG]
	05155453AC	1	J, T, U		74				SolarTint, [GAM]
7									MIRROR, Inside Rear View
	04805332AD	1	J, T, U		74				Day/Night [GNA]
	04805572AD	1	J, T, U		74				Auto Dim [GNK] Without Hands Free Communication [RSP]

COMPASS/PATRIOT (MK)

SERIES LINE
 H = HIGHLINE T = JEEP - 2WD
 L = LOWLINE J = JEEP - 4WD
 P = PREMIUM U = JEEP - 4WD (RHD)

BODY
 49 = HATCHBACK TYPE #2
 74 = SPORT UTILITY 4-DR TYPE #4

ENGINE
 ECE = 2.0L 4 Cyl DOHC DPF Diesel Engine
 ED3 = 2.4L 4 Cyl DOHC 16V Dual VVT Engine
 ECD = 2.0L 4 Cyl DOHC Diesel 16V Engine
 ECN = 2.0L 4 Cyl DOHC 16V Dual VVT Engine

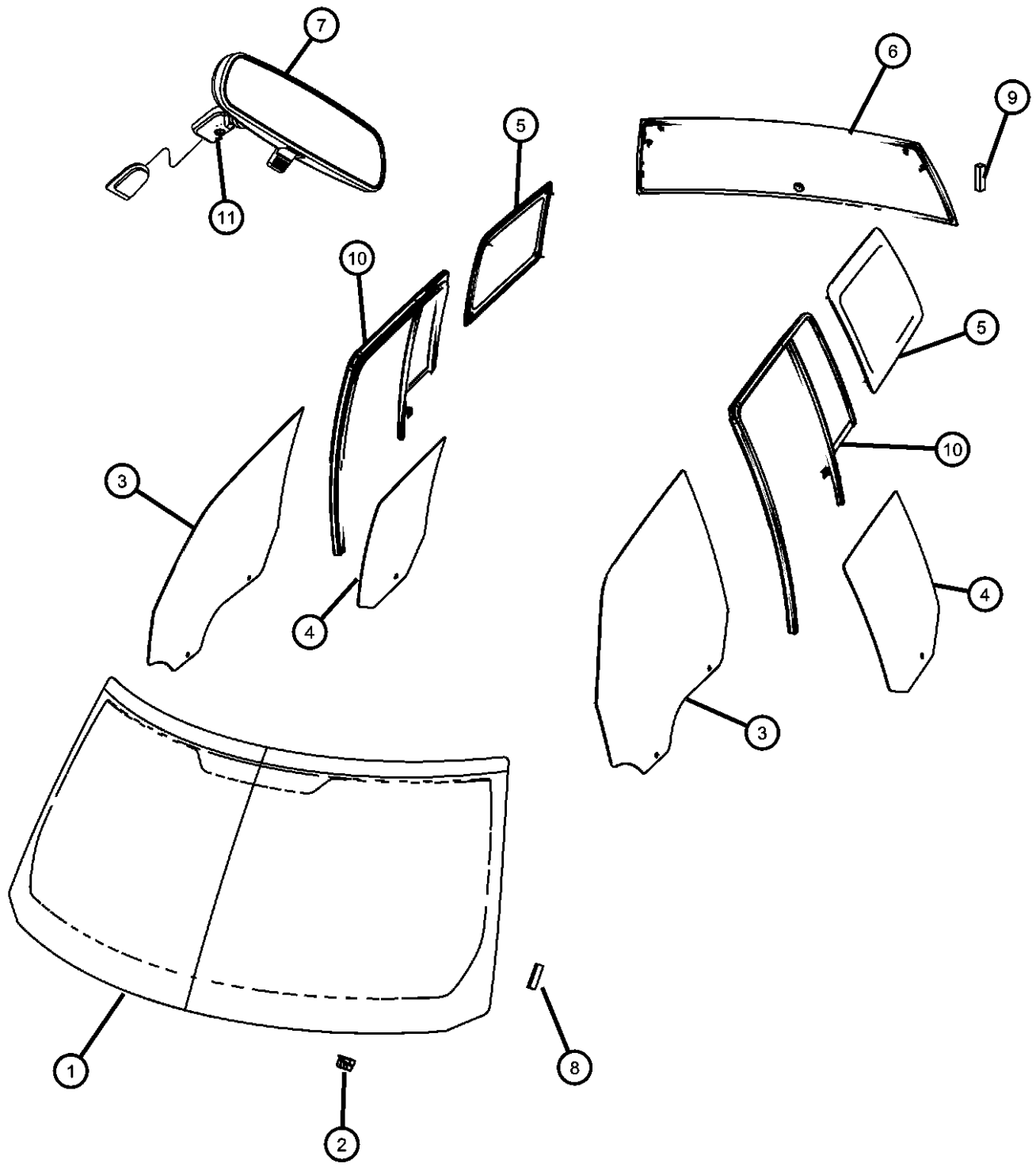
TRANSMISSION
 DEF = 6-Speed Manual Aisin BG6 Trans
 DD7 = 5-Speed Manual T355 Transmission
 DAV = Continuously Variable Transaxle II
 DAW = Cont.Var. w/Off-Rd Crawl Ratio Trans

AR = use ase required - = Non illustrated part

2008 MK

Glass, Glass Hardware & Interior Mirrors, Patriot
Figure 27-110

ITEM	PART NUMBER	QTY	LINE	SERIES	BODY	ENGINE	TRANS	TRIM	DESCRIPTION
	05064017AD	1	J, T, U		74				Auto Dim [GNK] With Hands Free Communication [RSP]
8	04278662	2	J, T, U		74				SPACER
9	04278662	2	J, T, U		74				SPACER
10									WEATHERSTRIP, Door Glass Run with Glass, Rear Door
	05067770AA	1	J, T, U		74				SolarTint, [GAM], Right
	05067771AA	1	J, T, U		74				SolarTint, [GAM], Left
	05067772AA	1	J, T, U		74				Privacy, [GEG], Right
	05067773AA	1	J, T, U		74				Privacy, [GEG], Left
11	06036548AA	1	J, T, U		74				SCREW, Tapping Pan Head, .190-24x.375



COMPASS/PATRIOT (MK)

SERIES	LINE	BODY	ENGINE	TRANSMISSION
H = HIGHLINE	T = JEEP - 2WD	49 = HATCHBACK TYPE #2	ECE = 2.0L 4 Cyl DOHC DPF Diesel Engine	DEF = 6-Speed Manual Aisin BG6 Trans
L = LOWLINE	J = JEEP - 4WD	74 = SPORT UTILITY 4-DR TYPE #4	ED3 = 2.4L 4 Cyl DOHC 16V Dual VVT Engine	DD7 = 5-Speed Manual T355 Transmission
P = PREMIUM	U = JEEP - 4WD (RHD)		ECD = 2.0L 4 Cyl DOHC Diesel 16V Engine	DAV = Continuously Variable Transaxle II
			ECN = 2.0L 4 Cyl DOHC 16V Dual VVT Engine	DAW = Cont.Var. w/Off-Rd Crawl Ratio Trans

AR = use ase required - = Non illustrated part

2008 MK

<< RETURN TO GROUP INDEX

Group - 30

Doors, Door Mirrors and Related Parts

Group - 30 Doors, Door Mirrors and Related Parts

Illustration Title

Group-Fig. No.

Front Door

Front Door, Shell and Hinges.....Fig. 30 - 105
 Front Door, Hardware Components.....Fig. 30 - 125

Rear Door

Rear Door, Shell and Hinges, Compass.....Fig. 30 - 205
 Rear Door, Shell and Hinges, Patriot.....Fig. 30 - 210
 Rear Door, Hardware Components, Compass.....Fig. 30 - 225
 Rear Door, Hardware Components, Patriot.....Fig. 30 - 230

Exterior Mirror

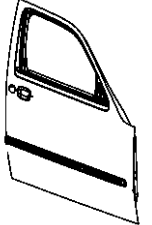
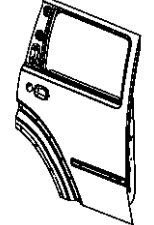
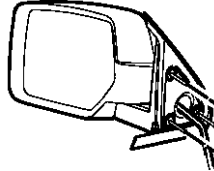
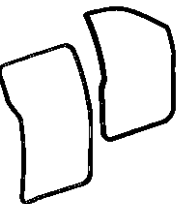
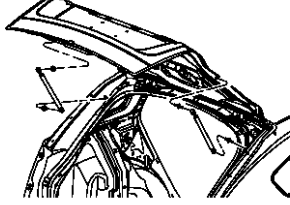
Mirror, Exterior.....Fig. 30 - 505

Weatherstrips and Seals

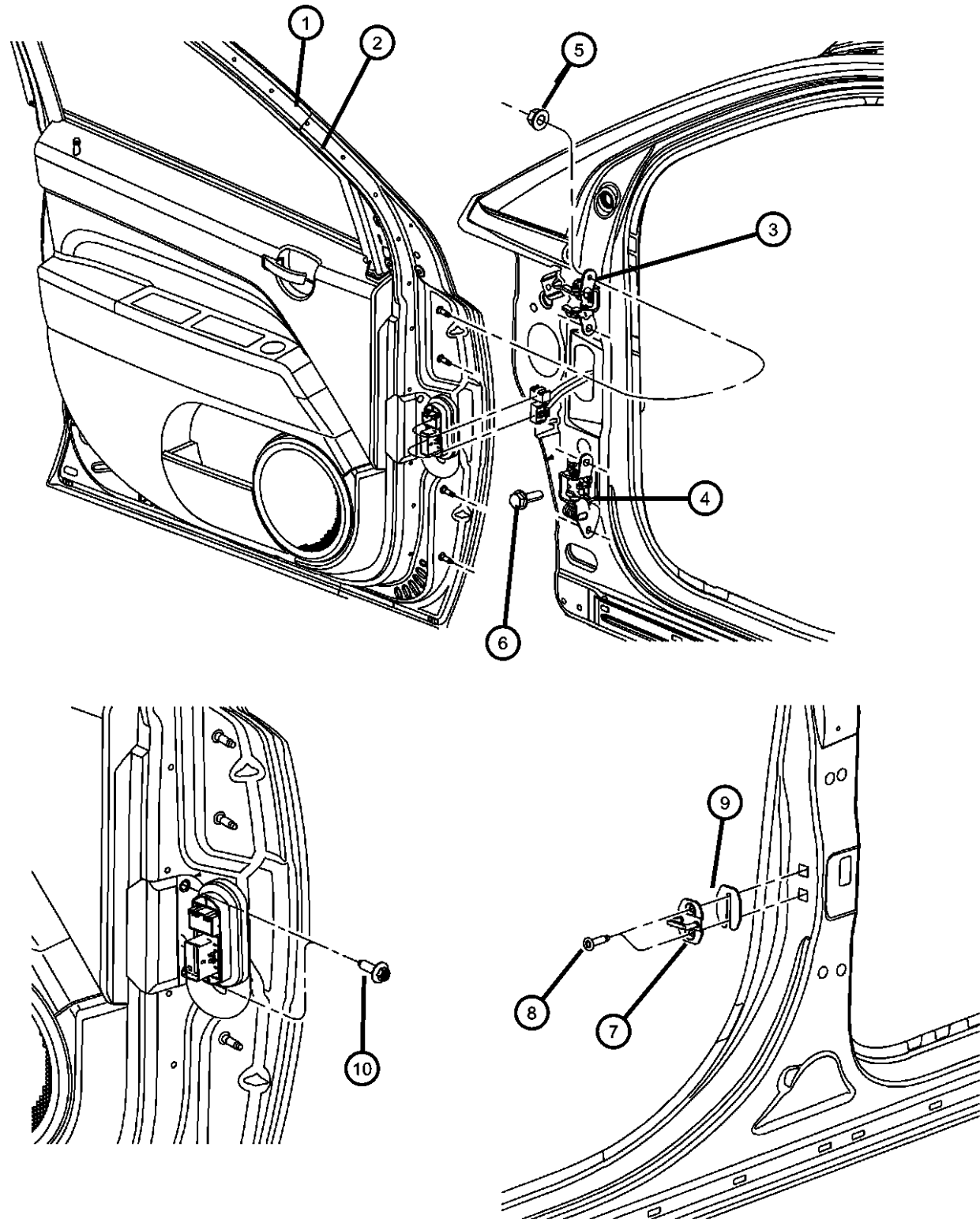
Weatherstrips, Front Door, Compass.....Fig. 30 - 605
 Weatherstrips, Front Door, Patriot.....Fig. 30 - 610
 Weatherstrips, Rear Door, Compass.....Fig. 30 - 625
 Weatherstrips, Rear Door, Patriot.....Fig. 30 - 630

Lift and Tail gates

Liftgate, Compass.....Fig. 30 - 705
 Liftgates, Patriot.....Fig. 30 - 710

<p>030-100 Front Door</p> 	<p>030-200 Rear Door</p> 	<p>030-500 Exterior Mirror</p> 	<p>030-600 Weatherstrips and Seals</p> 
<p>030-700 Lift and Tail gates</p> 			

Front Door, Shell and Hinges
Figure 30-105



ITEM	PART NUMBER	QTY	LINE	SERIES	BODY	ENGINE	TRANS	TRIM	DESCRIPTION
1	05067706AE	1	J, T, U		74				DOOR, Front, Complete Right
	05067707AE	1	J, T, U		74				Left
	05074944AB	1	J, T, U		49				Right
	05074945AB	1	J, T, U		49				Left
2	05067702AC	1	U, J, T		74				PANEL, Front Door Outer Right
	05067703AC	1	J, T, U		74				Left
	05074946AA	1	J, T, U		49				Right
	05074947AA	1	J, T, U		49				Left
3	05074256AB	1	J, T, U		49				HINGE, Door Right
		1	J, T, U		74				Right
	05074257AB	1	J, T, U		49				Left
4		1	J, T, U		74				Left
	05115712AE	1	J, T, U		49, 74				HINGE ASSY, Lower Door Right
	05115713AE	1	J, T, U		49, 74				Left
5	06101831	4	J, T, U		49				NUT, Hex Flange, M8x1.25 Hinge to Door
		4	T, U, J		74				Hinge to Door
6	06507742AA	8	J, T, U		49				SCREW AND WASHER, Hex Head, M8x1.25x33 To Door Hinge Pillar
		8	J, T, U		74				To Door Hinge Pillar
7	04589050AA	2	J, T, U		49				STRIKER, Door Latch
		2	J, T, U		74				
8	06508312AA	4	J, T, U		49				SCREW, Torx Head, M8X1.25X34
		4	J, T, U		74				
9	04520289	AR	J, T, U		49				SPACER, Door Latch Striker

COMPASS/PATRIOT (MK)

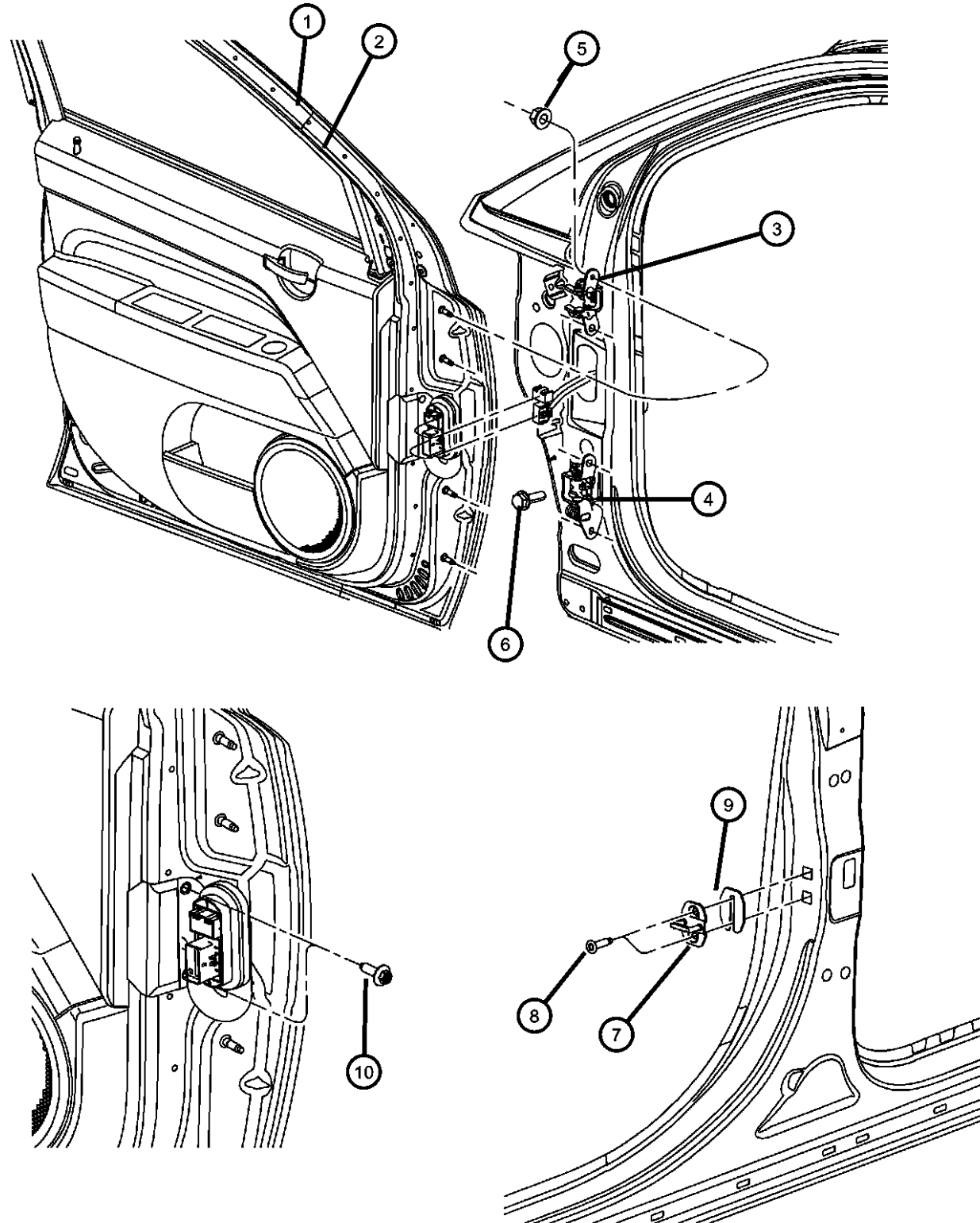
SERIES	LINE
H = HIGHLINE	T = JEEP - 2WD
L = LOWLINE	J = JEEP - 4WD
P = PREMIUM	U = JEEP - 4WD (RHD)

BODY
49 = HATCHBACK TYPE #2
74 = SPORT UTILITY 4-DR TYPE #4

ENGINE	TRANSMISSION
ECE = 2.0L 4 Cyl DOHC DPF Diesel Engine	DEF = 6-Speed Manual Aisin BG6 Trans
ED3 = 2.4L 4 Cyl DOHC 16V Dual VVT Engine	DD7 = 5-Speed Manual T355 Transmission
ECD = 2.0L 4 Cyl DOHC Diesel 16V Engine	DAV = Continuously Variable Transaxle II
ECN = 2.0L 4 Cyl DOHC 16V Dual VVT Engine	DAW = Cont.Var. w/Off-Rd Crawl Ratio Trans

AR = use ase required - = Non illustrated part

**Front Door, Shell and Hinges
Figure 30-105**



ITEM	PART NUMBER	QTY	LINE	SERIES	BODY	ENGINE	TRANS	TRIM	DESCRIPTION
		AR	J, T, U		74				
10									SCREW, Hex Head, M4.2x1.41
	06505087AA	8	J, T, U		49				
		8	J, T, U		74				

COMPASS/PATRIOT (MK)

SERIES	LINE
H = HIGHLINE	T = JEEP - 2WD
L = LOWLINE	J = JEEP - 4WD
P = PREMIUM	U = JEEP - 4WD (RHD)

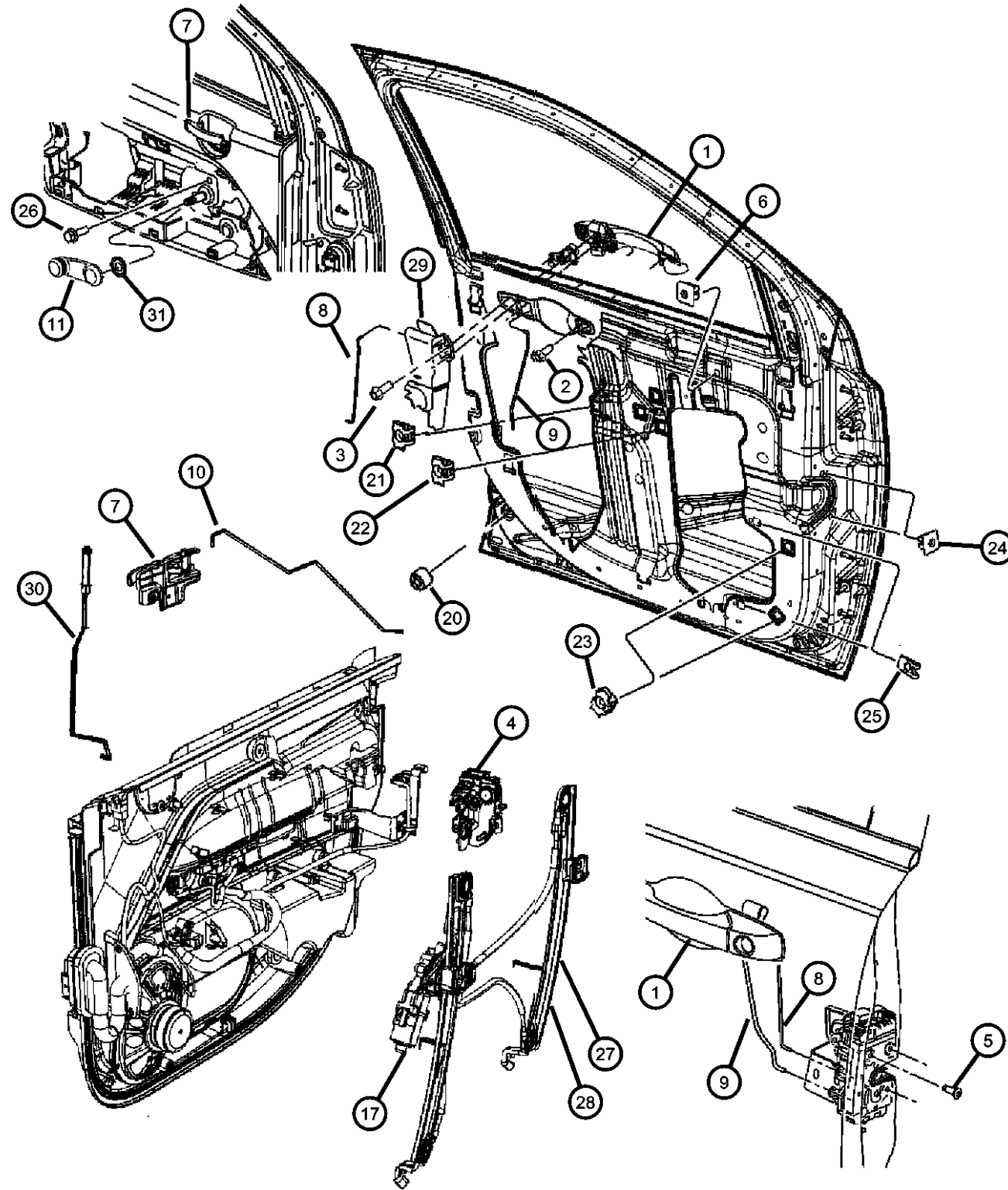
BODY
49 = HATCHBACK TYPE #2
74 = SPORT UTILITY 4-DR TYPE #4

ENGINE
ECE = 2.0L 4 Cyl DOHC DPF Diesel Engine
ED3 = 2.4L 4 Cyl DOHC 16V Dual VVT Engine
ECD = 2.0L 4 Cyl DOHC Diesel 16V Engine
ECN = 2.0L 4 Cyl DOHC 16V Dual VVT Engine

TRANSMISSION
DEF = 6-Speed Manual Aisin BG6 Trans
DD7 = 5-Speed Manual T355 Transmission
DAV = Continuously Variable Transaxle II
DAW = Cont.Var. w/Off-Rd Crawl Ratio Trans

AR = use ase required - = Non illustrated part

Front Door, Hardware Components
Figure 30-125

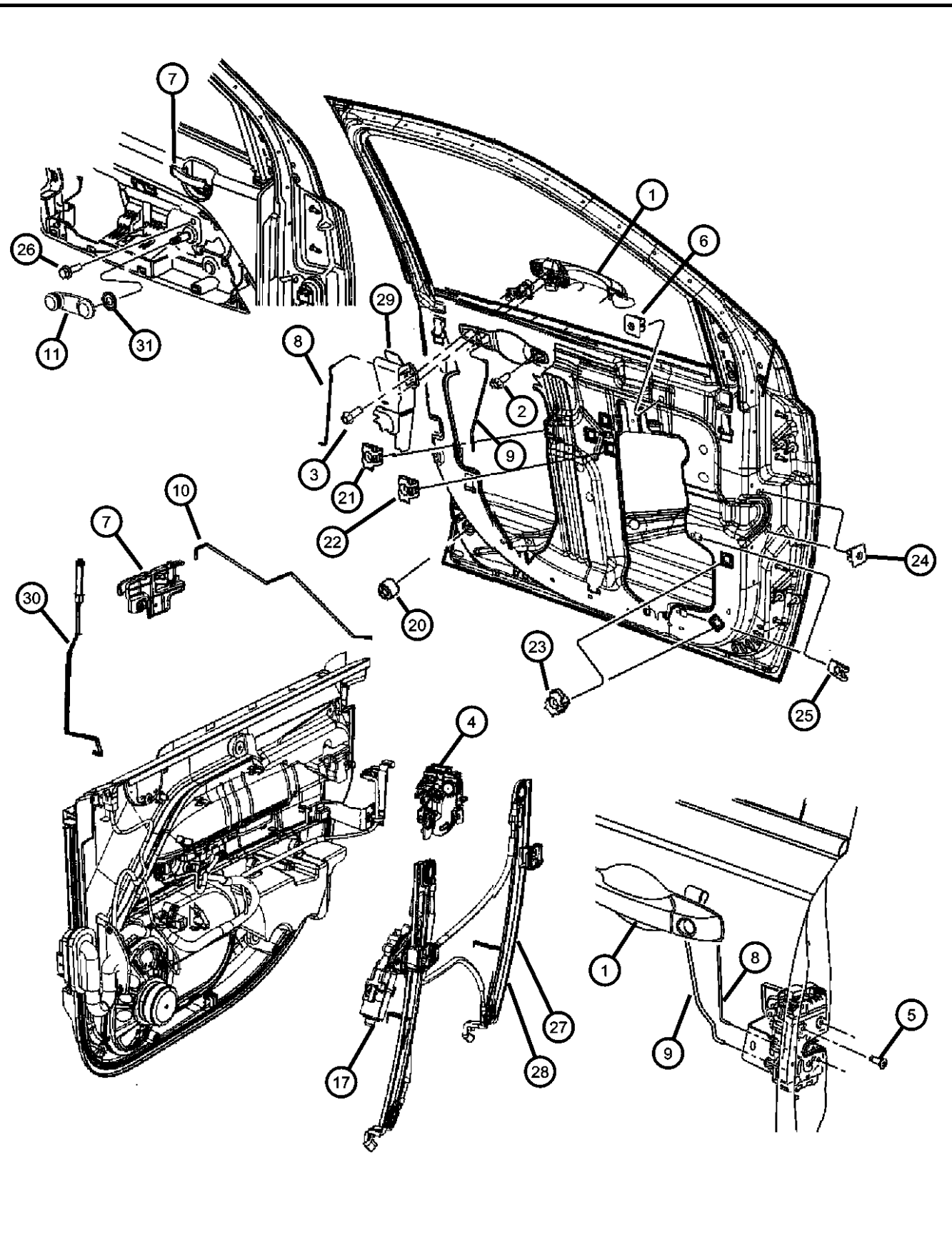


ITEM	PART NUMBER	QTY	LINE	SERIES	BODY	ENGINE	TRANS	TRIM	DESCRIPTION
1									HANDLE, Exterior Door
	04589297AD	1	U		49, 74				Export, With Thatcham, Left
	05074188AF	1	J, T, U		49, 74				With Key Cylinder Hole, Right
	05074189AF	1	J, T		49, 74				With Key Cylinder Hole, Left
	05074194AF	1	J, T, U		74				Without Key Cylinder Hole, Right
		1	J, T, U		49				Without Key Cylinder Hole, Right
	05074195AF	1	J, T, U		74				Without Key Cylinder Hole, Left
2									SCREW, Tapping
	06508074AA	6	J, T		49				
		6	J, T, U		74				
3	06102024	2	U		49, 74				SCREW, Hex Flange Head, M6x1.00x20.00
4									LATCH, Front Door
	04589095AF	1	U		49				Left
		1	U		74				Left
	04589096AF	1	U		49				Right
		1	U		74				Right
	04589409AE	1	J, T		49				With Power Locks [JPH], Left
		1	J, T		74				With Power Locks [JPH], Left
	04589410AE	1	J, T		49				With Manual Locks [JE8], Right
		1	J, T		74				With Manual Locks [JE8], Right
	04589411AE	1	J, T		49				With Manual Locks [JE8], Left
		1	J, T		74				With Manual Locks [JE8], Left
	04589416AE	1	J, T		49				With Power Locks [JPH], Right
		1	J, T		74				With Power Locks [JPH], Right
5									SCREW
	06508313AA	6	J, T, U		49				Latch to Door
		6	J, T, U		74				Latch to Door
6									NUT, Inside Remote Handle
	06508506AA	2	J, T, U		49				
		2	J, T, U		74				
7									HANDLE, Inside Remote Control
	1DC19SZ0AB	1	U		49				Left

COMPASS/PATRIOT (MK)		BODY	ENGINE	TRANSMISSION
SERIES	LINE			
H = HIGHLINE	T = JEEP - 2WD	49 = HATCHBACK TYPE #2	ECE = 2.0L 4 Cyl DOHC DPF Diesel Engine	DEF = 6-Speed Manual Aisin BG6 Trans
L = LOWLINE	J = JEEP - 4WD	74 = SPORT UTILITY 4-DR TYPE #4	ED3 = 2.4L 4 Cyl DOHC 16V Dual VVT Engine	DD7 = 5-Speed Manual T355 Transmission
P = PREMIUM	U = JEEP - 4WD (RHD)		ECD = 2.0L 4 Cyl DOHC Diesel 16V Engine	DAV = Continuously Variable Transaxle II
			ECN = 2.0L 4 Cyl DOHC 16V Dual VVT Engine	DAW = Cont.Var. w/Off-Rd Crawl Ratio Trans

AR = use ase required - = Non illustrated part

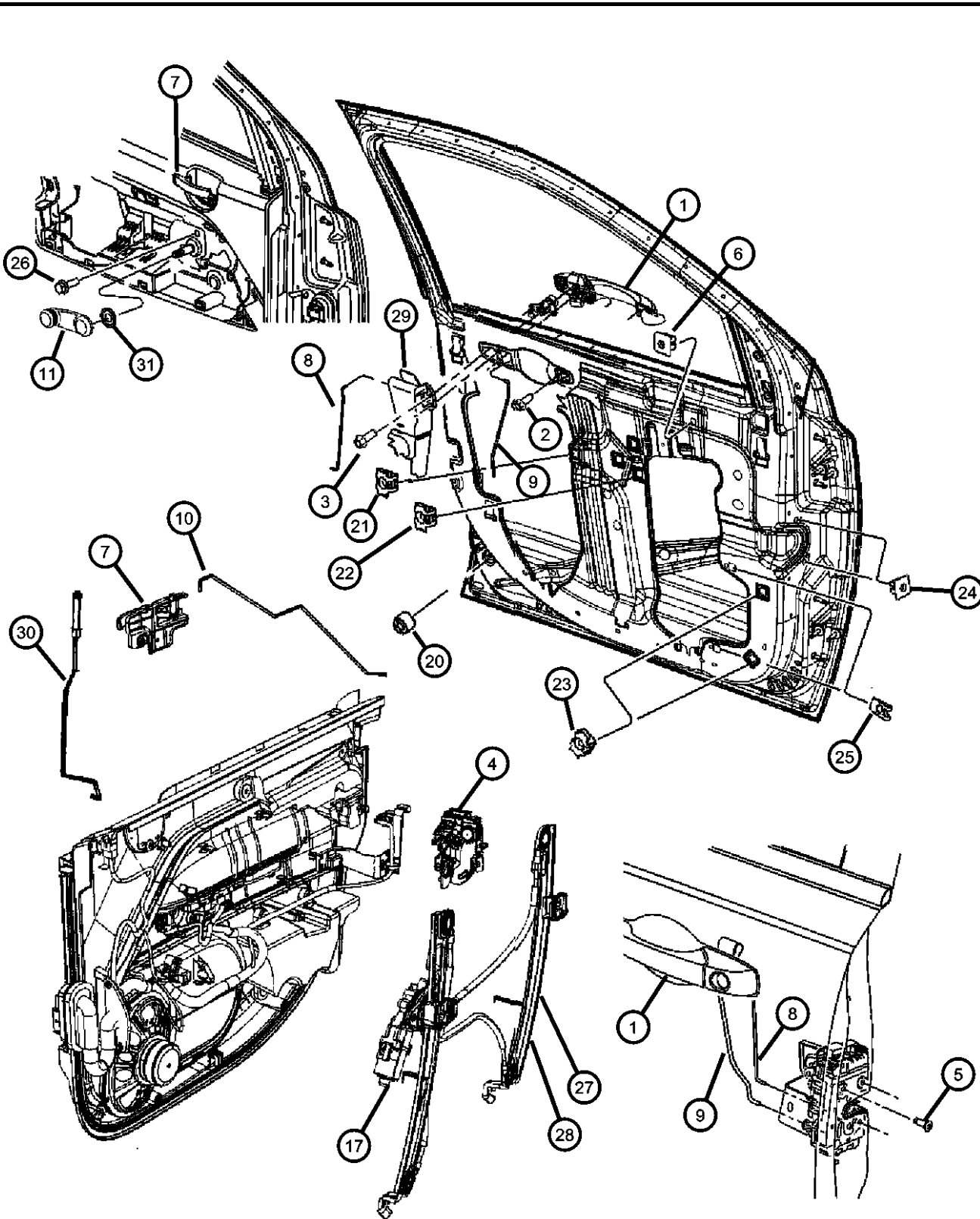
**Front Door, Hardware Components
Figure 30-125**



ITEM	PART NUMBER	QTY	LINE	SERIES	BODY	ENGINE	TRANS	TRIM	DESCRIPTION
		1	J, T		49				Left
		1	J, T		74				Left
		1	U		74				Left
	1DC18SZ0AB	1	U		49				Right
		1	J, T		49				Right
		1	J, T		74				Right
		1	U		74				Right
8									LINK, KEY CYLINDER TO LATCH, Front Door
	05115820AA	1	J, T, U		49				Right
	05115821AA	1	J, T, U		49				Left
	05160076AA	1	J, T, U		74				Right
	05160077AA	1	J, T, U		74				Left
9									LINK, Outside Handle To Latch, Front Door
	05115822AB	1	J, T		49				Right
	05115823AB	1	J, T		49				Left
	05116422AA	1	U		74				Right
	05116423AA	1	U		74				Left
	05155444AB	1	J, T		74				Right
	05155445AB	1	J, T		74				Left
	05160244AA	1	U		49				Right
	05160245AA	1	U		49				Left
10									LINK, Front Door Inside Remote Control to Latch
	05074172AA	1	J, T		49				Right
		1	U		49				Right
		1	J, T		74				Right
		1	U		74				Right
	05115865AA	1	J, T		74				Left
		1	U		49				Left
		1	J, T		49				Left
		1	U		74				Left
11									HANDLE, Window Regulator

COMPASS/PATRIOT (MK)							
SERIES	LINE	BODY	ENGINE	TRANSMISSION			
H = HIGHLINE	T = JEEP - 2WD	49 = HATCHBACK TYPE #2	ECE = 2.0L 4 Cyl DOHC DPF Diesel Engine	DEF = 6-Speed Manual Aisin BG6 Trans			
L = LOWLINE	J = JEEP - 4WD	74 = SPORT UTILITY 4-DR TYPE #4	ED3 = 2.4L 4 Cyl DOHC 16V Dual VVT Engine	DD7 = 5-Speed Manual T355 Transmission			
P = PREMIUM	U = JEEP - 4WD (RHD)		ECD = 2.0L 4 Cyl DOHC Diesel 16V Engine	DAV = Continuously Variable Transaxle II			
			ECN = 2.0L 4 Cyl DOHC 16V Dual VVT Engine	DAW = Cont.Var. w/Off-Rd Crawl Ratio Trans			

Front Door, Hardware Components
Figure 30-125



ITEM	PART NUMBER	QTY	LINE	SERIES	BODY	ENGINE	TRANS	TRIM	DESCRIPTION
	0FW80BDA	2	J, T, U		49				[DA]
		2	J, T, U		74				[DA]
	0FW80DKA	2	J, T, U		74				[KA]
		2	J, T, U		49				[KA]
-12									CLIP, Latch Link, Orange, Left, Power and Manual Latch
	04658445	1	J, T		49				
		1	J, T		74				
-13									CLIP, Latch Link, Red, Right, Power and Manual Latch
	04658674	1	J, T		74				
		1	J, T		49				
		1	U		74				
		1	U		49				
-14									CLIP, Latch Link, White, Left, Power and Manual Latch
	04658676	1	J, T		74				
		1	J, T		49				
		1	U		74				
-15									CLIP, Latch Link, Yellow, Right, Power and Manual Latch
	04589017AA	1	J, T		49				
		1	J, T		74				
		1	U		49				
		1	U		74				
-16									DRIVE, Manual Window Regulator
	68025462AA	1	J, T		74				Right
		1	T, J		49				Right
	68025463AA	1	T, J		74				Left
		1	J, T		49				Left
17									MOTOR, Window Regulator
	68002898AA	1	J, T		74				Right
		1	U		74				Right
		1	J, T		49				Right

COMPASS/PATRIOT (MK)

SERIES LINE
H = HIGHLINE T = JEEP - 2WD
L = LOWLINE J = JEEP - 4WD
P = PREMIUM U = JEEP - 4WD (RHD)

BODY
49 = HATCHBACK TYPE #2
74 = SPORT UTILITY 4-DR TYPE #4

ENGINE TRANSMISSION
ECE = 2.0L 4 Cyl DOHC DPF Diesel Engine DEF = 6-Speed Manual Aisin BG6 Trans
ED3 = 2.4L 4 Cyl DOHC 16V Dual VVT Engine DD7 = 5-Speed Manual T355 Transmission
ECD = 2.0L 4 Cyl DOHC Diesel 16V Engine DAV = Continuously Variable Transaxle II
ECN = 2.0L 4 Cyl DOHC 16V Dual VVT Engine DAW = Cont.Var. w/Off-Rd Crawl Ratio Trans

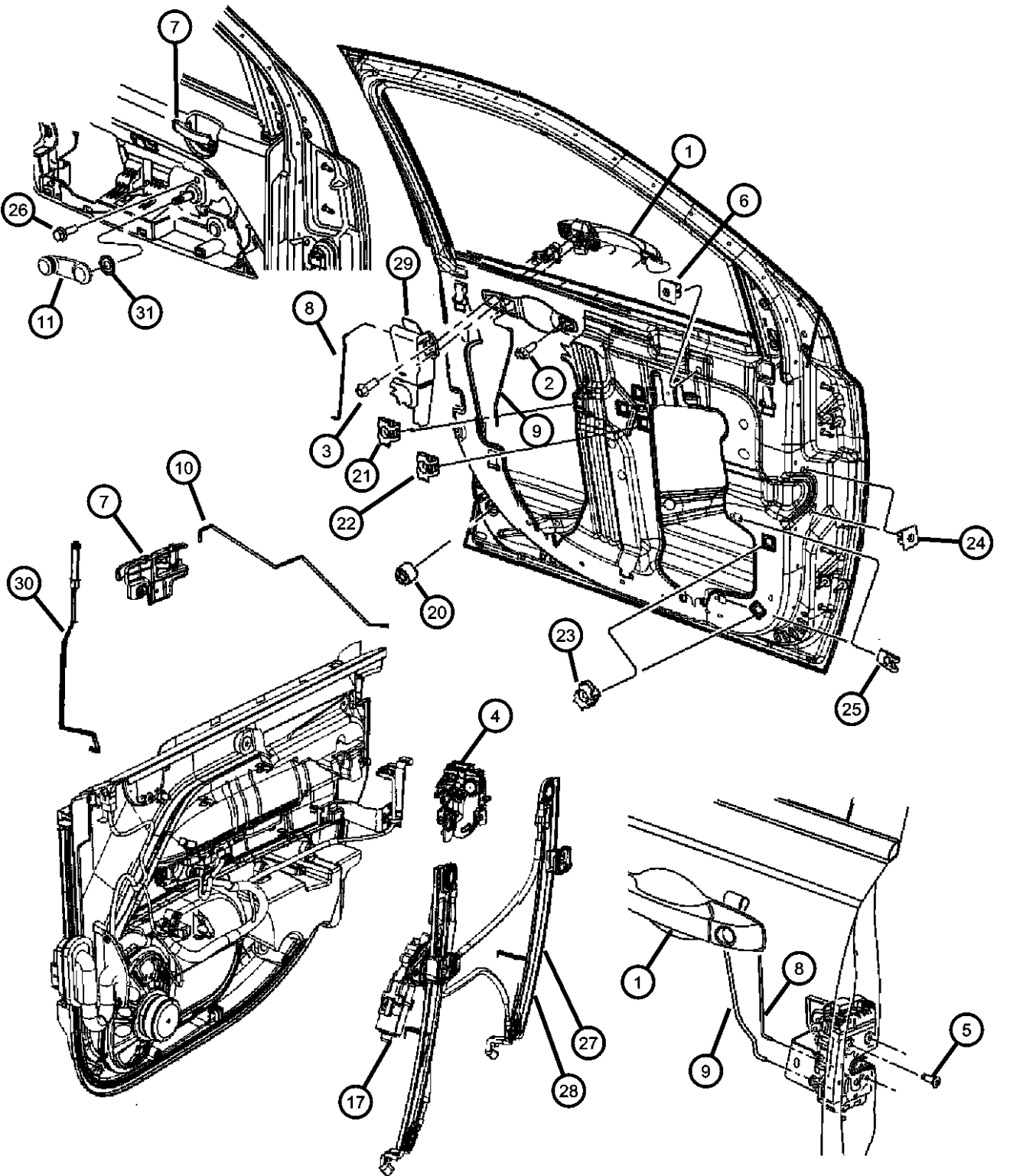
AR = use ase required - = Non illustrated part

2008 MK

**Front Door, Hardware Components
Figure 30-125**

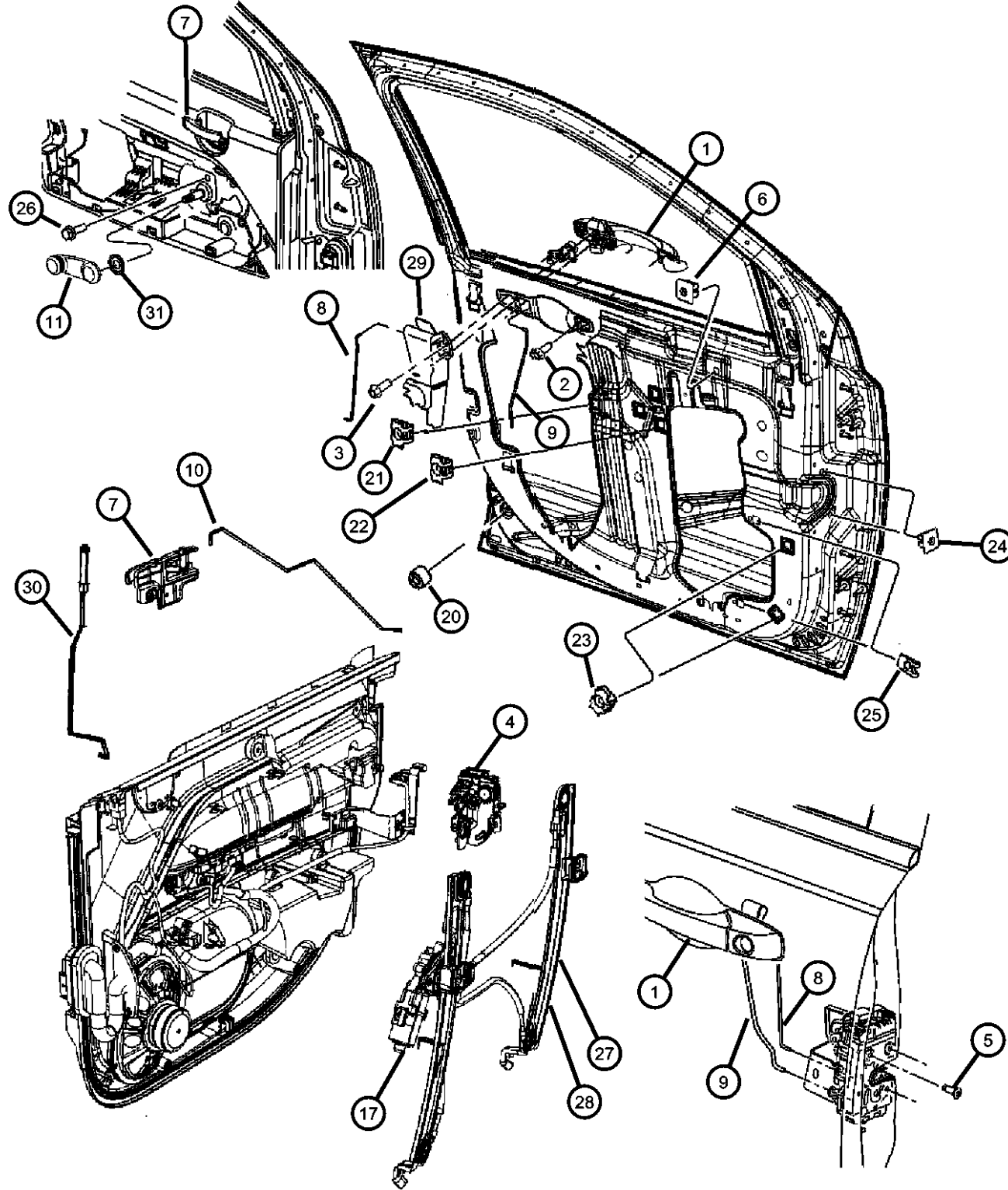
ITEM	PART NUMBER	QTY	LINE	SERIES	BODY	ENGINE	TRANS	TRIM	DESCRIPTION
	06105043AA	6	J, T, U		49				To Inner Panel
		6	J, T, U		74				To Inner Panel
27	68002896AA	1	J, T		49				REGULATOR Right
		1	U		49				Right
	68002897AA	1	J, T		49				Left
		1	U		49				Left
	68004422AA	1	J, T		74				Right
		1	U		74				Right
	68004423AA	1	J, T		74				Left
		1	U		74				Left
28	68025465AA	1	J, T		49				REGULATOR, Front Door Manual Left
	68025464AA	1	J, T		49				Right
	68025467AA	1	J, T		74				Left
	68025466AA	1	J, T		74				Right
29	05116429AD	1	U		74				SHIELD, Lock Cylinder
	05116503AA	1	U		49				
30	05028848AA	1	J, T		74				KNOB AND PUSH ROD, Door Latch Right
		1	U		74				Right
		1	J, T		49				Right
		1	U		49				Right
	05028849AA	1	J, T		74				Left
		1	U		74				Left
		1	J, T		49				Left
		1	U		49				Left
31	1CP82BDAAA	2	J, T, U		49				SPACER, Window Regulator [DA]
		2	J, T, U		74				[DA]
	1CP82DKAAA	2	J, T, U		74				[KA]

COMPASS/PATRIOT (MK)		BODY	ENGINE	TRANSMISSION
SERIES	LINE	49 = HATCHBACK TYPE #2	ECE = 2.0L 4 Cyl DOHC DPF Diesel Engine	DEF = 6-Speed Manual Aisin BG6 Trans
H = HIGHLINE	T = JEEP - 2WD	74 = SPORT UTILITY 4-DR TYPE #4	ED3 = 2.4L 4 Cyl DOHC 16V Dual VVT Engine	DD7 = 5-Speed Manual T355 Transmission
L = LOWLINE	J = JEEP - 4WD		ECD = 2.0L 4 Cyl DOHC Diesel 16V Engine	DAV = Continuously Variable Transaxle II
P = PREMIUM	U = JEEP - 4WD (RHD)		ECN = 2.0L 4 Cyl DOHC 16V Dual VVT Engine	DAW = Cont.Var. w/Off-Rd Crawl Ratio Trans



AR = use ase required - = Non illustrated part

Front Door, Hardware Components
Figure 30-125



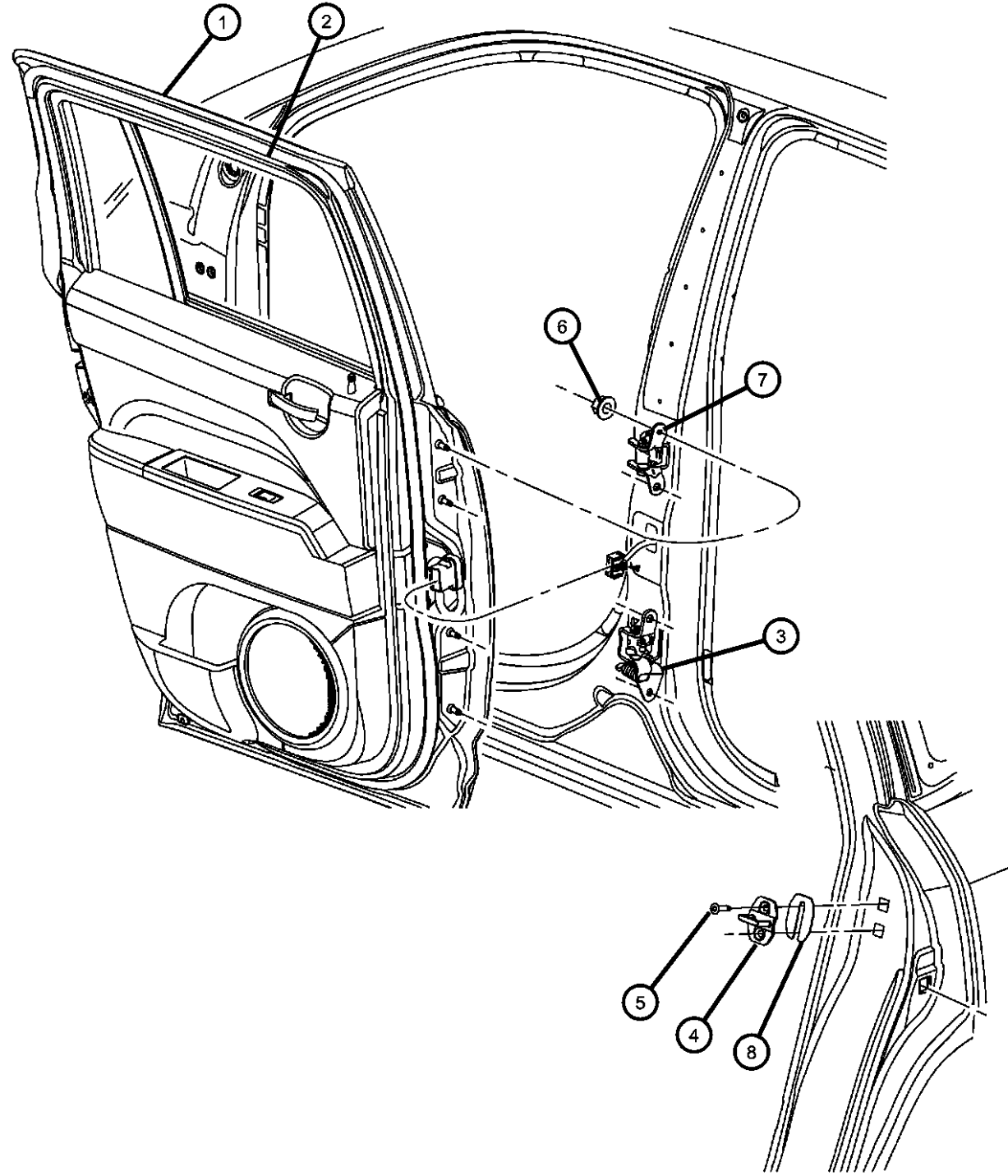
ITEM	PART NUMBER	QTY	LINE	SERIES	BODY	ENGINE	TRANS	TRIM	DESCRIPTION
-32		2	U, J, T		49				[KA] CLIP, Latch Link, Light Blue, Left, Power and Manual Latch
	06506804AA	1	U		74				
		1	U		49				
-33		1	J, T		74				CLIP, Latch Link, Tan, Left, Power and Manual Latch
	04724214	1	J, T		49				
		1	J, T		74				
-34		1	J, T		74				CLIP, Latch Link, Brown, Right, Power and Manual Latch
	04724215	1	J, T		49				
		1	J, T						

COMPASS/PATRIOT (MK)			
SERIES	LINE	BODY	ENGINE
H = HIGHLINE	T = JEEP - 2WD	49 = HATCHBACK TYPE #2	ECE = 2.0L 4 Cyl DOHC DPF Diesel Engine
L = LOWLINE	J = JEEP - 4WD	74 = SPORT UTILITY 4-DR TYPE #4	ED3 = 2.4L 4 Cyl DOHC 16V Dual VVT Engine
P = PREMIUM	U = JEEP - 4WD (RHD)		ECD = 2.0L 4 Cyl DOHC Diesel 16V Engine
			ECN = 2.0L 4 Cyl DOHC 16V Dual VVT Engine
			TRANSMISSION
			DEF = 6-Speed Manual Aisin BG6 Trans
			DD7 = 5-Speed Manual T355 Transmission
			DAV = Continuously Variable Transaxle II
			DAW = Cont.Var. w/Off-Rd Crawl Ratio Trans

AR = use ase required - = Non illustrated part

2008 MK

**Rear Door, Shell and Hinges, Compass
Figure 30-205**



ITEM	PART NUMBER	QTY	LINE	SERIES	BODY	ENGINE	TRANS	TRIM	DESCRIPTION
1	05074958AB	1	J, T, U		49				DOOR, Rear Right
	05074959AB	1	J, T, U		49				DOOR, Rear Left
2	05074960AB	1	J, T, U		49				PANEL, Rear Door Outer Right
	05074961AB	1	T, U, J		49				PANEL, Rear Door Outer Left
3	05115712AE	1	J, T, U		49, 74				HINGE ASSY, Lower Door Right
	05115713AE	1	J, T, U		49, 74				HINGE ASSY, Lower Door Left
	04589050AA	2	J, T, U		49				STRIKER, Door Latch
5	06508312AA	4	J, T, U		49				SCREW, Torx Head, M8X1.25X34
6	06101831	4	J, T, U		49				NUT, Hex Flange, M8x1.25
7	05074256AB	1	J, T, U		49				HINGE, Door Right
	05074257AB	1	J, T, U		49				HINGE, Door Left
	68038790AA	1	J, T, U		49				HINGE, Door Right, Export
	68038791AA	1	J, T, U		49				HINGE, Door Left, Export
	55075483	AR	J, T, U		49				SPACER, Door Latch Striker

COMPASS/PATRIOT (MK)

SERIES LINE

H = HIGHLINE T = JEEP - 2WD
L = LOWLINE J = JEEP - 4WD
P = PREMIUM U = JEEP - 4WD (RHD)

BODY

49 = HATCHBACK TYPE #2
74 = SPORT UTILITY 4-DR TYPE #4

ENGINE

ECE = 2.0L 4 Cyl DOHC DPF Diesel Engine
ED3 = 2.4L 4 Cyl DOHC 16V Dual VVT Engine
ECD = 2.0L 4 Cyl DOHC Diesel 16V Engine
ECN = 2.0L 4 Cyl DOHC 16V Dual VVT Engine

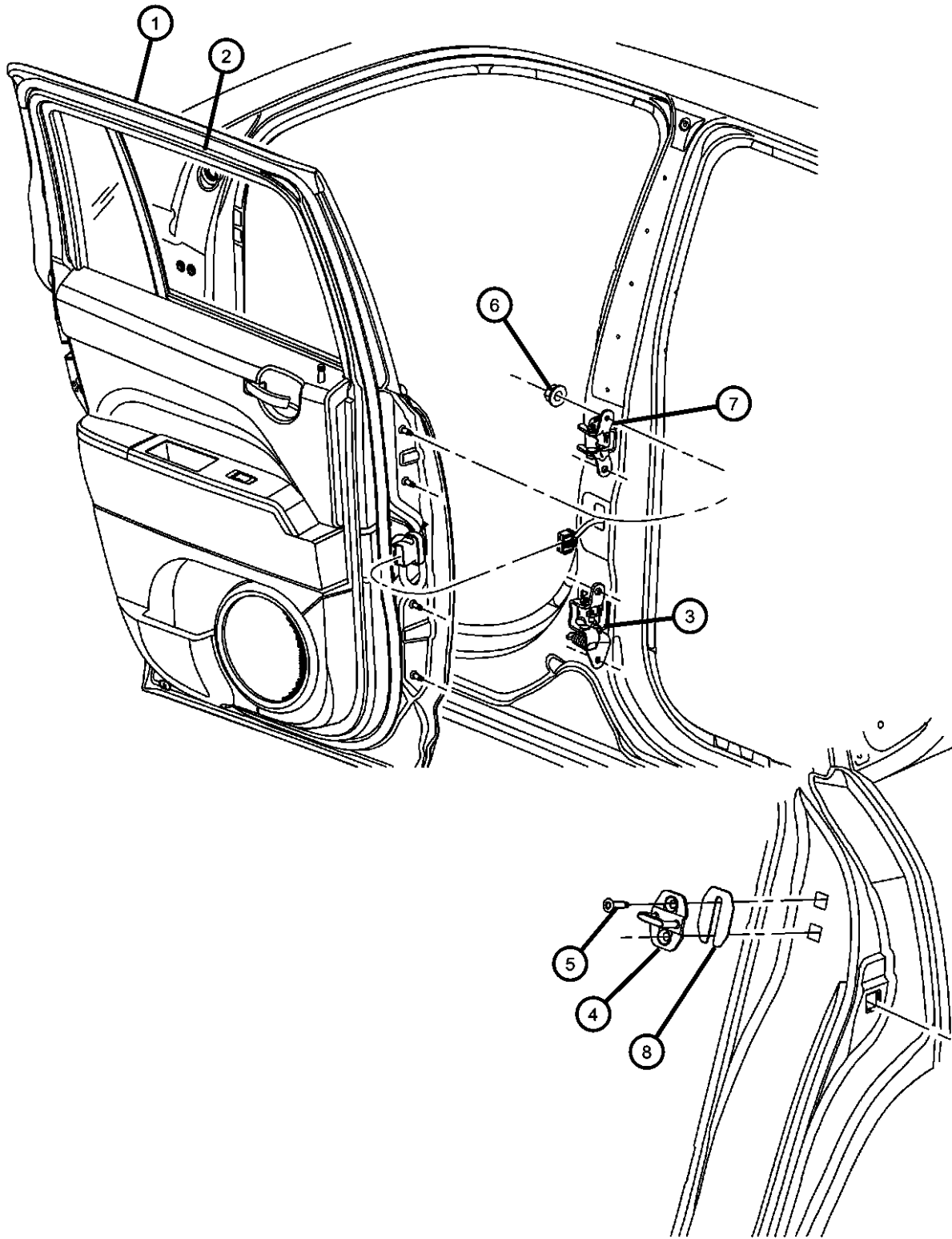
TRANSMISSION

DEF = 6-Speed Manual Aisin BG6 Trans
DD7 = 5-Speed Manual T355 Transmission
DAV = Continuously Variable Transaxle II
DAW = Cont.Var. w/Off-Rd Crawl Ratio Trans

AR = use ase required - = Non illustrated part

2008 MK

**Rear Door, Shell and Hinges, Patriot
Figure 30-210**



ITEM	PART NUMBER	QTY	LINE	SERIES	BODY	ENGINE	TRANS	TRIM	DESCRIPTION
1	05067712AC	1	J, T, U		74				DOOR, Rear Right
	05067713AC	1	J, T, U		74				Left
2	05067714AB	1	J, T, U		74				PANEL, Rear Door Outer Right
	05067715AB	1	J, T, U		74				Left
3	05115712AE	1	J, T, U		74				HINGE ASSY, Lower Door Right
	05115713AE	1	J, T, U		74				Left
4	04589050AA	2	J, T, U		74				STRIKER, Door Latch
5	06508312AA	4	J, T, U		74				SCREW, Torx Head, M8X1.25X34
6	06101831	4	J, T, U		74				NUT, Hex Flange, M8x1.25
7	05074256AB	1	J, T, U		74				HINGE, Door Right
	05074257AB	1	J, T, U		74				Left
8	55075483	AR	J, T, U		74				SPACER, Door Latch Striker

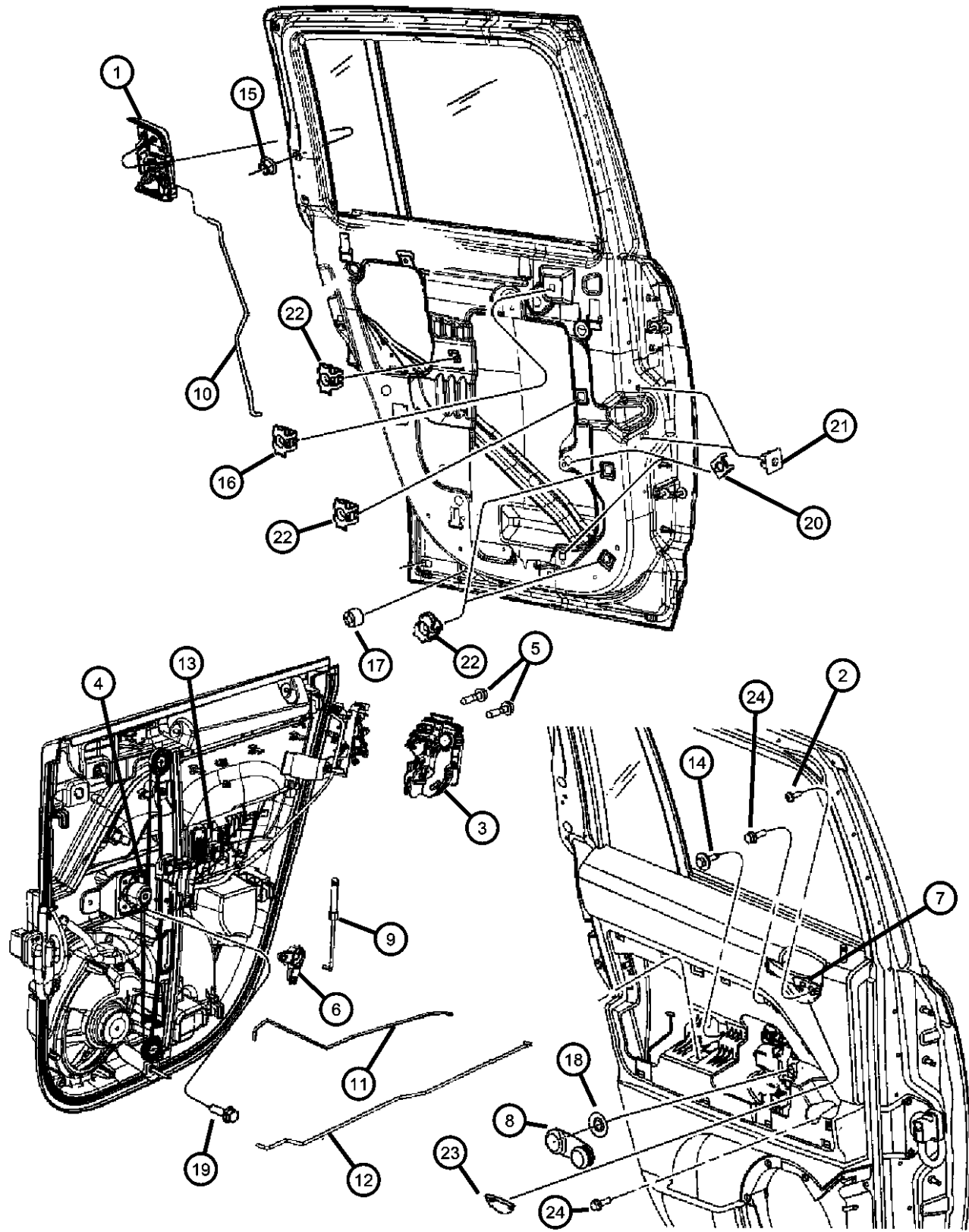
COMPASS/PATRIOT (MK)

SERIES	LINE	BODY	ENGINE	TRANSMISSION
H = HIGHLINE	T = JEEP - 2WD	49 = HATCHBACK TYPE #2	ECE = 2.0L 4 Cyl DOHC DPF Diesel Engine	DEF = 6-Speed Manual Aisin BG6 Trans
L = LOWLINE	J = JEEP - 4WD	74 = SPORT UTILITY 4-DR TYPE #4	ED3 = 2.4L 4 Cyl DOHC 16V Dual VVT Engine	DD7 = 5-Speed Manual T355 Transmission
P = PREMIUM	U = JEEP - 4WD (RHD)		ECD = 2.0L 4 Cyl DOHC Diesel 16V Engine	DAV = Continuously Variable Transaxle II
			ECN = 2.0L 4 Cyl DOHC 16V Dual VVT Engine	DAW = Cont.Var. w/Off-Rd Crawl Ratio Trans

AR = use ase required - = Non illustrated part

2008 MK

Rear Door, Hardware Components, Compass Figure 30-225



ITEM	PART NUMBER	QTY	LINE	SERIES	BODY	ENGINE	TRANS	TRIM	DESCRIPTION
	05028850AA	1	J, T		49				
		1	U		49				
10									LINK, Outside Handle To Latch, Rear Door
	05115824AB	1	J, T		49				Right
	05115825AB	1	J, T		49				Left
	05160246AA	1	U		49				Right
	05160247AA	1	U		49				Left
11									LINK, Inside handle To Latch, Rear Door
	05115866AA	1	J, T		49				Right
		1	U		49				Right
	05115867AA	1	J, T		49				Left
		1	U		49				Left
12									LINK AND SLEEVE, Rear Door Inside Remote to Latch
	05160018AA	1	U		49				
		1	J, T		49				
13									MOTOR, Window Regulator
	05179962AA	1	J, T		49				Right
		1	U		49				Right
	05179963AA	1	U		49				Left
		1	J, T		49				Left
14	06105099AA	2	J, T, U		49				SCREW AND WASHER, Hex Head, M6X1.0X30.00, Pull Cup Bracket to Door Panel
15	06102398AA	4	J, T, U		49				NUT, Hex
16	06508506AA	2	J, T, U		49				NUT/SPRING, Snap In, M4.8x1.59
17	05160047AB	4	J, T, U		49				BUMPER, Door
18									SPACER, Window Regulator
	1CP82BDAAA	2	J, T, U		49				[DA]
	1CP82DKAAA	2	J, T, U		49				[KA]
19	06105043AA	6	J, T, U		49				SCREW, Trim, Regulator Rail to Body
20	06508482AA	4	J, T, U		49				NUT/SPRING, U, M4.2x1.41x15.4, Speaker Attach

COMPASS/PATRIOT (MK)

SERIES	LINE
H = HIGHLINE	T = JEEP - 2WD
L = LOWLINE	J = JEEP - 4WD
P = PREMIUM	U = JEEP - 4WD (RHD)

BODY
49 = HATCHBACK TYPE #2
74 = SPORT UTILITY 4-DR TYPE #4

ENGINE
ECE = 2.0L 4 Cyl DOHC DPF Diesel Engine
ED3 = 2.4L 4 Cyl DOHC 16V Dual VVT Engine
ECD = 2.0L 4 Cyl DOHC Diesel 16V Engine
ECN = 2.0L 4 Cyl DOHC 16V Dual VVT Engine

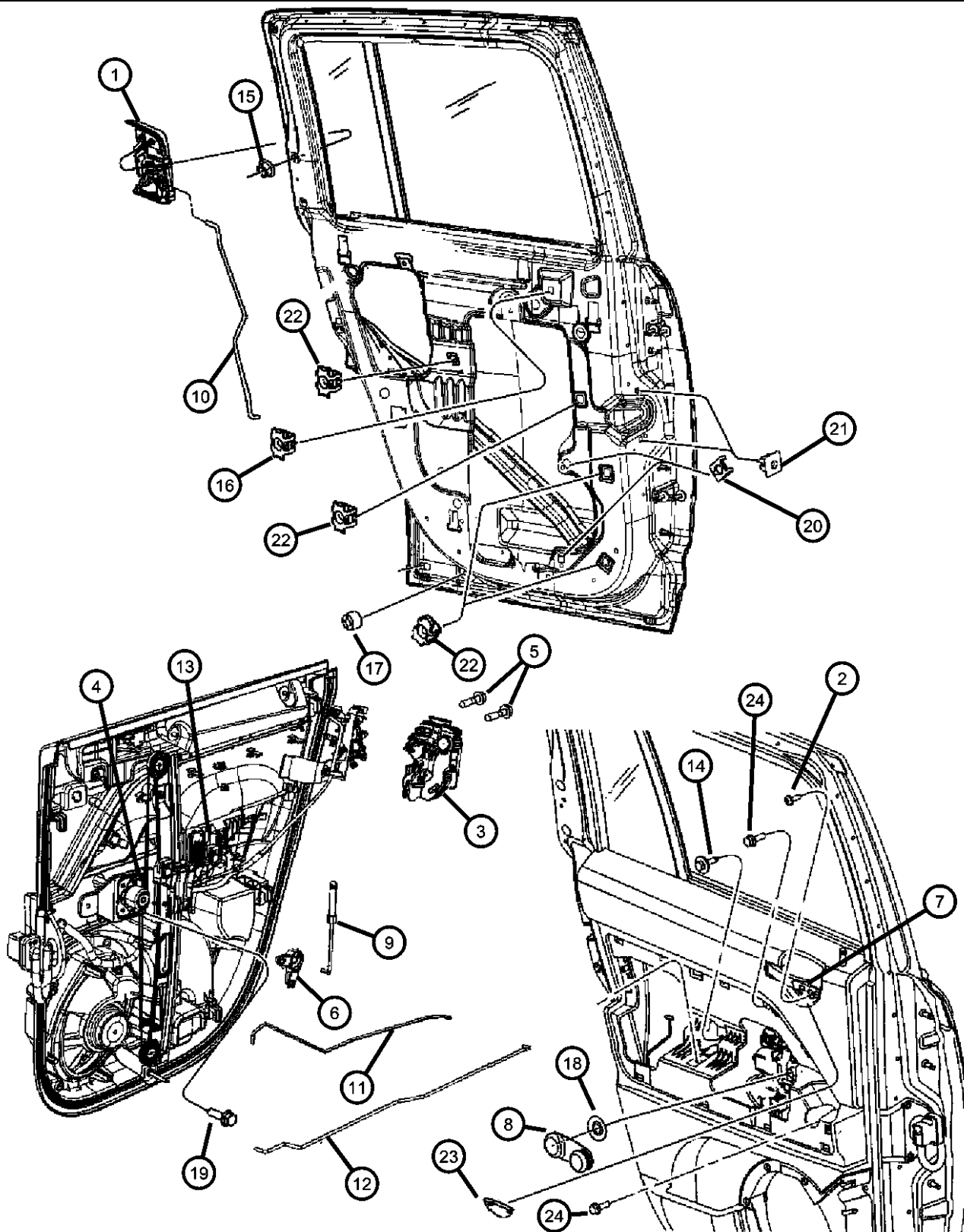
TRANSMISSION
DEF = 6-Speed Manual Aisin BG6 Trans
DD7 = 5-Speed Manual T355 Transmission
DAV = Continuously Variable Transaxle II
DAW = Cont.Var. w/Off-Rd Crawl Ratio Trans

AR = use ase required - = Non illustrated part

2008 MK

Rear Door, Hardware Components, Compass
Figure 30-225

ITEM	PART NUMBER	QTY	LINE	SERIES	BODY	ENGINE	TRANS	TRIM	DESCRIPTION
21	06508251AA	8	J, T, U		49				NUT, Snap In, M4.2 x 1.41
22									NUT, Snap In
	06506955AA	4	J, T, U		49				Door Trim to Body
		2	J, T, U		49				Pull Cup Bracket to Inner Panel
		2	J, T, U		49				Manual Window Regulator to Inner Panel
23									PLUG, Door Trim Panel
	1BH30DK7AB	1	J, T, U		49				[KA], Right
	1BH30XDVAB	1	J, T, U		49				[DA], Right
	1BH31DK7AB	1	J, T, U		49				[KA], Left
	1BH31XDVAB	1	J, T, U		49				[DA], Left
24	06104336AA	2	J, T, U		49, 74				SCREW, Hex Flange Head, M6X1.0x20.0, Regulator Rail to Rail



COMPASS/PATRIOT (MK)

SERIES	LINE
H = HIGHLINE	T = JEEP - 2WD
L = LOWLINE	J = JEEP - 4WD
P = PREMIUM	U = JEEP - 4WD (RHD)

BODY

49 = HATCHBACK TYPE #2
74 = SPORT UTILITY 4-DR TYPE #4

ENGINE

ECE = 2.0L 4 Cyl DOHC DPF Diesel Engine
ED3 = 2.4L 4 Cyl DOHC 16V Dual VVT Engine
ECD = 2.0L 4 Cyl DOHC Diesel 16V Engine
ECN = 2.0L 4 Cyl DOHC 16V Dual VVT Engine

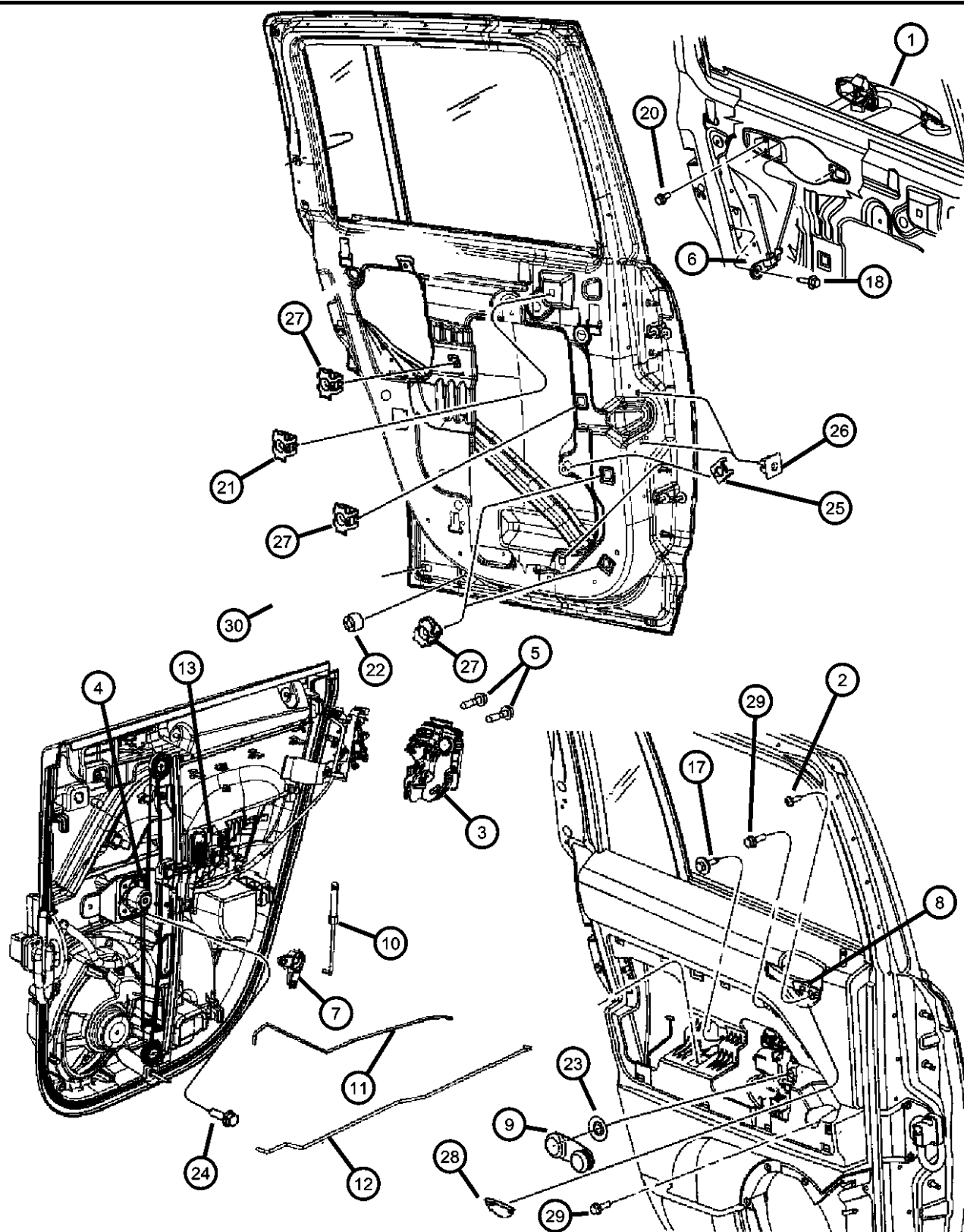
TRANSMISSION

DEF = 6-Speed Manual Aisin BG6 Trans
DD7 = 5-Speed Manual T355 Transmission
DAV = Continuously Variable Transaxle II
DAW = Cont.Var. w/Off-Rd Crawl Ratio Trans

AR = use ase required - = Non illustrated part

2008 MK

Rear Door, Hardware Components, Patriot
 Figure 30-230



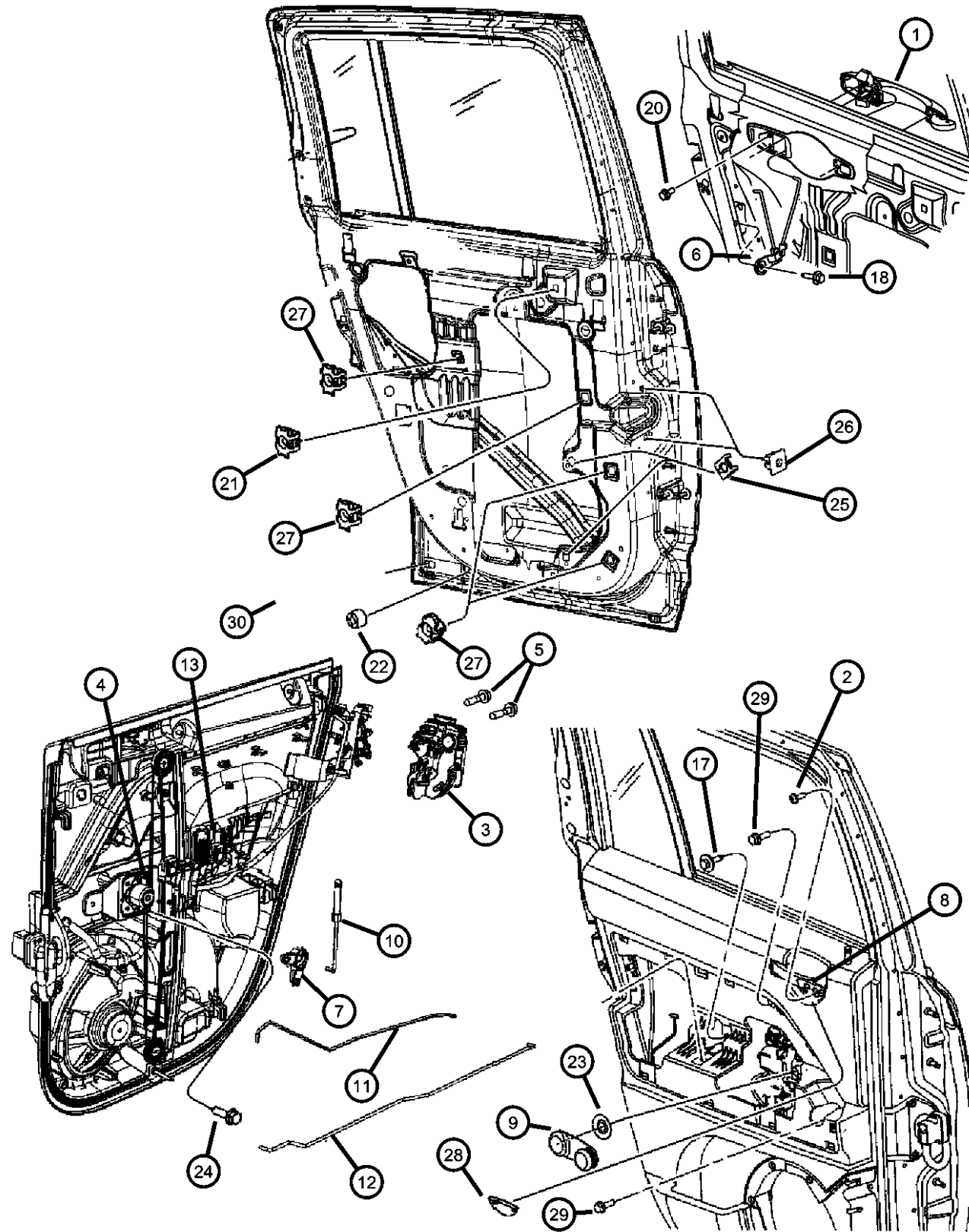
ITEM	PART NUMBER	QTY	LINE	SERIES	BODY	ENGINE	TRANS	TRIM	DESCRIPTION
1	05074194AF	1	J, T, U		74				HANDLE, Exterior Door Right
	05074195AF	1	J, T, U		74				Left
2	06104579AA	2	J, T, U		74				SCREW, Tapping
3	04589412AE	1	J, T		74				LATCH, Rear Door Manual Locks, Right
	04589413AE	1	J, T		74				Manual Locks, Left
	04589414AE	1	J, T		74				Power Locks, Right
	04589415AE	1	J, T		74				Power Locks, Left
	04589418AD	1	U		74				Right
	04589419AD	1	U		74				Left
	04589419AD	1	U		74				Left
4	05291802AA	1	J, T		74				REGULATOR, Rear Door Window Manual Locks, Right
	05291803AA	1	J, T		74				Manual Locks, Left
	68002892AA	1	J, T		74				Power Locks, Right
	68002892AA	1	U		74				Power Locks, Right
	68002893AA	1	J, T		74				Power Locks, Left
	68002893AA	1	U		74				Power Locks, Left
5	06508313AA	6	J, T, U		74				SCREW
6	05116396AB	1	U		74				BELLCRANK, Outside Door Handle Right
	05116397AB	1	U		74				Left
	05160082AB	1	J, T		74				Right
	05160083AB	1	J, T		74				Left
7	04589104AA	1	J, T		74				BELLCRANK, Outside Door Handle
	04589104AA	1	U		74				Handle
8	1DC18SZ0AB	1	J, T		74				HANDLE, Inside Remote Control Right
	1DC18SZ0AB	1	U		74				Right
	1DC19SZ0AB	1	J, T		74				Left
1DC19SZ0AB	1	U		74				Left	

COMPASS/PATRIOT (MK)

SERIES	LINE	BODY	ENGINE	TRANSMISSION
H = HIGHLINE	T = JEEP - 2WD	49 = HATCHBACK TYPE #2	ECE = 2.0L 4 Cyl DOHC DPF Diesel Engine	DEF = 6-Speed Manual Aisin BG6 Trans
L = LOWLINE	J = JEEP - 4WD	74 = SPORT UTILITY 4-DR TYPE #4	ED3 = 2.4L 4 Cyl DOHC 16V Dual VVT Engine	DD7 = 5-Speed Manual T355 Transmission
P = PREMIUM	U = JEEP - 4WD (RHD)		ECD = 2.0L 4 Cyl DOHC Diesel 16V Engine	DAV = Continuously Variable Transaxle II
			ECN = 2.0L 4 Cyl DOHC 16V Dual VVT Engine	DAW = Cont.Var. w/Off-Rd Crawl Ratio Trans

AR = use ase required - = Non illustrated part

Rear Door, Hardware Components, Patriot
Figure 30-230



ITEM	PART NUMBER	QTY	LINE	SERIES	BODY	ENGINE	TRANS	TRIM	DESCRIPTION	
9	0FW80BDA	2	J, T, U		74				HANDLE, Window Regulator [DA]	
	0FW80DKA	2	J, T, U		74				[KA]	
10	05028850AA	1	J, T		74				KNOB AND PUSH ROD, Door Latch	
		1	U		74					
11	05115866AA	1	J, T		74				LINK, Inside handle To Latch, Rear Door	
		1	U		74					Right
	05115867AA	1	J, T		74					Right
		1	U		74					Left
		1	U		74				Left	
12	05160018AA	1	J, T		74				LINK AND SLEEVE, Rear Door Inside Remote to Latch	
		1	U		74					Right
	05160019AA	1	J, T		74					Left
		1	U		74					Left
13	05179962AA	1	J, T		74				MOTOR, Window Regulator	
		1	U		74					Right
	05179963AA	1	J, T		74					Left
		1	U		74					Left
-14	04589017AA	1	J, T		74				CLIP, Latch Link, Yellow, Left Latch	
		1	U		74					
-15	04658674	1	J, T		74				CLIP, Latch Link, Red, Right Latch	
		1	U		74					
-16	04658676	1	J, T		74				CLIP, Latch Link, White, Right Latch	
		1	U		74					

COMPASS/PATRIOT (MK)

SERIES	LINE
H = HIGHLINE	T = JEEP - 2WD
L = LOWLINE	J = JEEP - 4WD
P = PREMIUM	U = JEEP - 4WD (RHD)

BODY
49 = HATCHBACK TYPE #2
74 = SPORT UTILITY 4-DR TYPE #4

ENGINE
ECE = 2.0L 4 Cyl DOHC DPF Diesel Engine
ED3 = 2.4L 4 Cyl DOHC 16V Dual VVT Engine
ECD = 2.0L 4 Cyl DOHC Diesel 16V Engine
ECN = 2.0L 4 Cyl DOHC 16V Dual VVT Engine

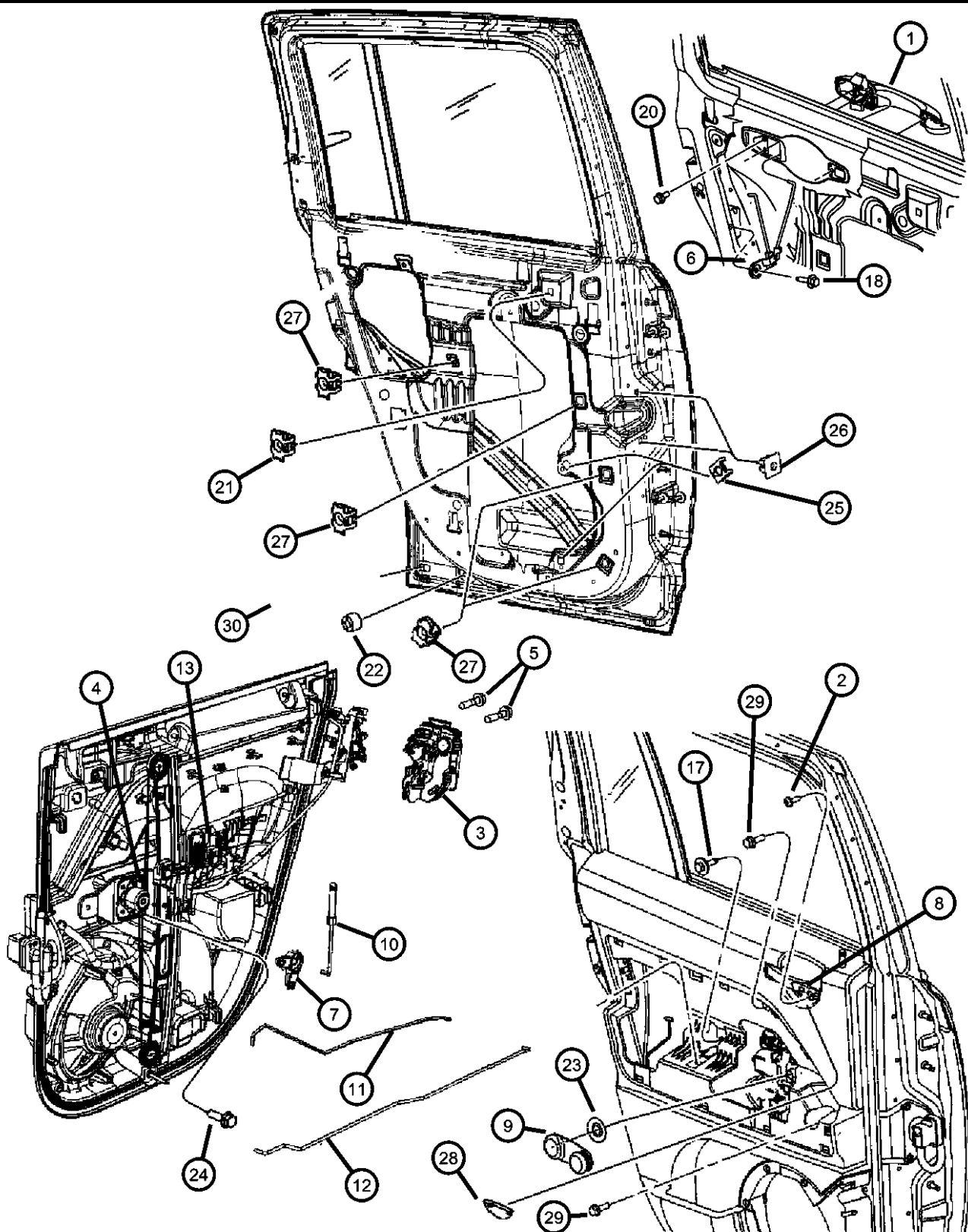
TRANSMISSION
DEF = 6-Speed Manual Aisin BG6 Trans
DD7 = 5-Speed Manual T355 Transmission
DAV = Continuously Variable Transaxle II
DAW = Cont.Var. w/Off-Rd Crawl Ratio Trans

AR = use ase required - = Non illustrated part

2008 MK

Rear Door, Hardware Components, Patriot

Figure 30-230



ITEM	PART NUMBER	QTY	LINE	SERIES	BODY	ENGINE	TRANS	TRIM	DESCRIPTION
17	06105099AA	2	J, T, U		74				SCREW AND WASHER, Hex Head, M6X1.0X30.00, Pull Cup Bracket to Door Panel
18	06509120AA	2	J, T, U		74				SCREW
-19									CLIP, Latch Link, Green, Left Latch
	04658675	1	J, T		74				
		1	U		74				
20	06508074AA	6	J, T, U		74				SCREW, Tapping
21	06508506AA	2	J, T, U		74				NUT/SPRING, Snap In, M4.8x1.59
22	05160047AB	2	J, T, U		74				BUMPER, Door
23									SPACER, Window Regulator [DA]
	1CP82BDAAA	2	J, T, U		74				
	1CP82DKAAA	2	J, T, U		74				[KA]
24	06105043AA	2	J, T		74				SCREW, Trim, Regulator Rail to Body
25	06508482AA	4	J, T, U		74				NUT/SPRING, U, M4.2x1.41x15.4, Speaker Attach
26	06508251AA	8	J, T, U		74				NUT, Snap In, M4.2 x 1.41
27									NUT, Snap In
	06506955AA	4	J, T, U		74				Door Trim to Body
		2	J, T, U		74				Pull Cup Bracket to Inner Panel
		2	J, T, U		74				Manual Window Regulator to Inner Panel
28									PLUG, Door Trim Panel [KA], Right
	1BH30DK7AB	1	J, T, U		74				[DA], Right
	1BH30XDVAB	1	J, T, U		74				[KA], Left
	1BH31DK7AB	1	J, T, U		74				[DA], Left
	1BH31XDVAB	1	J, T, U		74				[DA], Left
29	06104336AA	2	J, T, U		74				SCREW, Hex Flange Head, M6X1.0x20.0
30	06104336AA	2							PLUG, Body, 1.25x.50, (NOT SERVICED)
-31	04724214	1	J, T		74				CLIP, Latch Link, Tan, Left Latch
-32	04724215	1	J, T		74				CLIP, Latch Link, Brown, Right Latch

COMPASS/PATRIOT (MK)

SERIES LINE

H = HIGHLINE T = JEEP - 2WD

L = LOWLINE J = JEEP - 4WD

P = PREMIUM U = JEEP - 4WD (RHD)

BODY

49 = HATCHBACK TYPE #2

74 = SPORT UTILITY 4-DR

TYPE #4

ENGINE

ECE = 2.0L 4 Cyl DOHC DPF

Diesel Engine

ED3 = 2.4L 4 Cyl DOHC 16V

Dual VVT Engine

ECD = 2.0L 4 Cyl DOHC

Diesel 16V Engine

ECN = 2.0L 4 Cyl DOHC 16V

Dual VVT Engine

TRANSMISSION

DEF = 6-Speed Manual Aisin BG6

Trans

DD7 = 5-Speed Manual T355

Transmission

DAV = Continuously Variable

Transaxle II

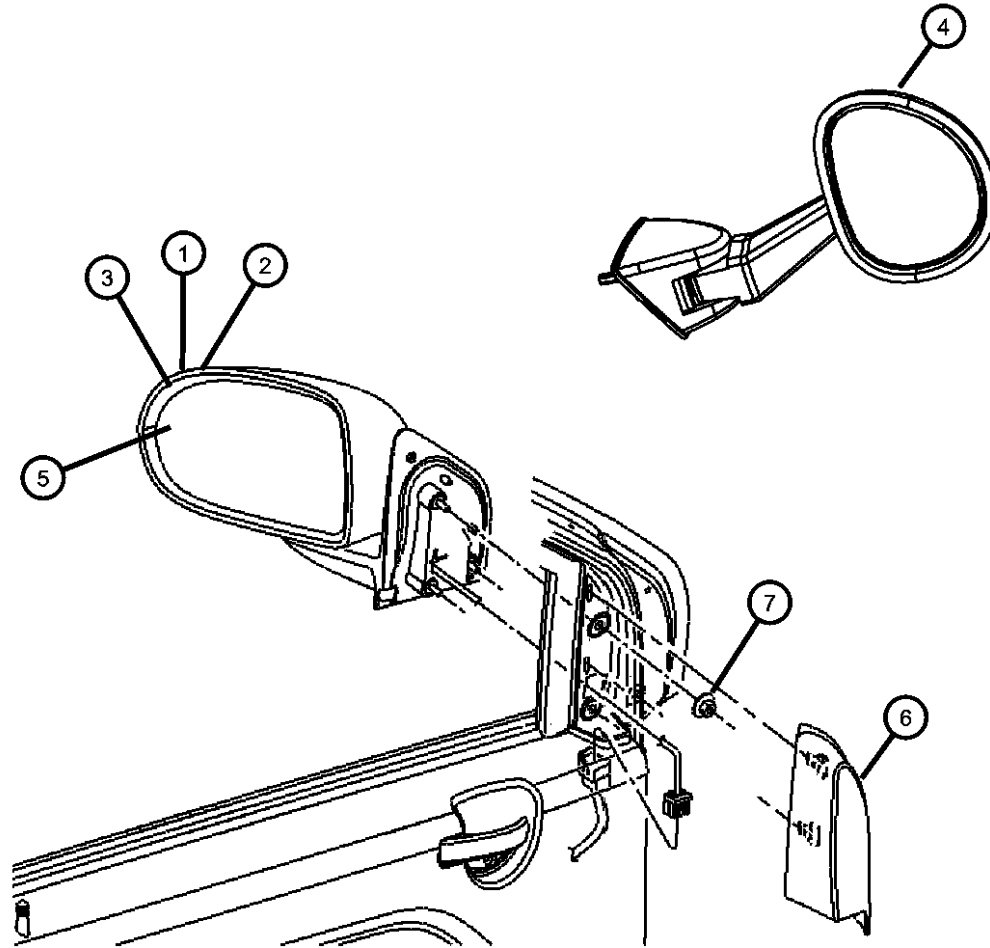
DAW = Cont.Var. w/Off-Rd Crawl

Ratio Trans

AR = use ase required - = Non illustrated part

2008 MK

Mirror, Exterior Figure 30-505

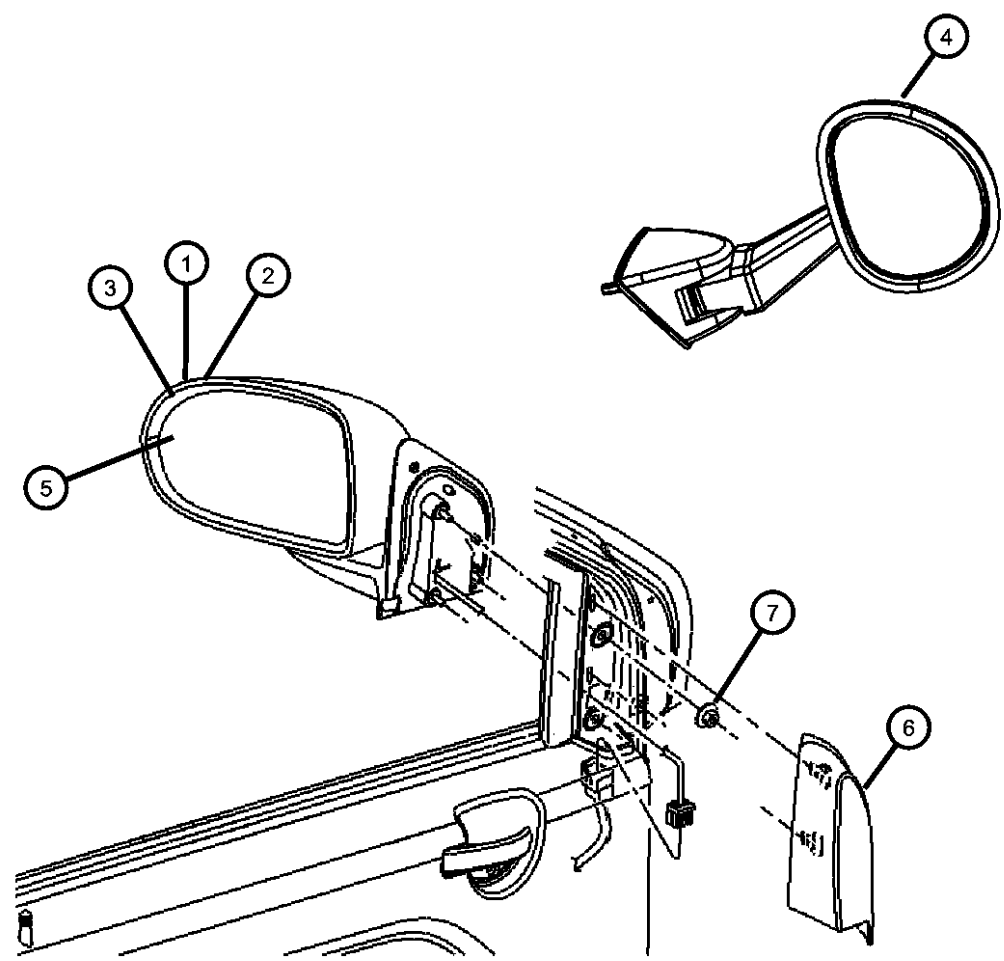


ITEM	PART NUMBER	QTY	LINE	SERIES	BODY	ENGINE	TRANS	TRIM	DESCRIPTION
Sales Code: [ABD]= With Middle East Equipment Group [GTN]= Power Mirror Fold-Away [GTP]= Manual Mirrors, Fold-Away [GTS]= Power Heated Mirrors, Fold-Away [GTU]= Power Folding Heated Mirrors									
1									MIRROR, Outside Rearview
	05115040AD	1	J, T, U		49				With Sales Code [GTP], Right
	05115041AD	1	J, T, U		49				With Sales Code [GTP], Left
	05115294AD	1	U		49				With Sales Code [GUL], Right Hand Drive, Right
	05115795AE	1	U		49				With Sales Code [GUL], Right Hand Drive, Left
	05155456AD	1	U, J, T		74				With Sales Code [GTP], Right
	05155457AD	1	J, T, U		74				With Sales Code [GTP], Left
	05155458AC	1	J, T, U		74				With Sales Code [GTN], Right
	05155459AC	1	J, T, U		74				With Sales Code [GTN], Left
	05155460AC	1	U		74				With Sales Code [GUL], Right Hand Drive, Right
	05155461AC	1	U		74				With Sales Code [GUL], Right Hand Drive, Left
	05155462AC	1	J, T, U		74				With Sales Code [GTS], Right
	05155463AC	1	J, T, U		74				With Sales Code [GTS], Left
	68044052AA	1	J, T, U		74				With Sales Code [GTN] and [ABD], Right
	68045050AA	1	J, T, U		49				With Sales Code [GTN] and [ABD], Right
2									MIRROR, Outside Rearview Electric Foldaway
	05115042AD	1	J, T, U		49				Right
	05115043AD	1	J, T, U		49				Left
3									MIRROR, Outside, Rearview, Electric, Heated
	05115046AD	1	J, T, U		49				Right
	05115047AD	1	U, J, T		49				Left
4									MIRROR, AUXILIARY FENDER MOUNTED
	05116435AA	1	U		74				
	05160309AA	1	U		49				

COMPASS/PATRIOT (MK)

SERIES	LINE	BODY	ENGINE	TRANSMISSION
H = HIGHLINE	T = JEEP - 2WD	49 = HATCHBACK TYPE #2	ECE = 2.0L 4 Cyl DOHC DPF Diesel Engine	DEF = 6-Speed Manual Aisin BG6 Trans
L = LOWLINE	J = JEEP - 4WD	74 = SPORT UTILITY 4-DR TYPE #4	ED3 = 2.4L 4 Cyl DOHC 16V Dual VVT Engine	DD7 = 5-Speed Manual T355 Transmission
P = PREMIUM	U = JEEP - 4WD (RHD)		ECD = 2.0L 4 Cyl DOHC Diesel 16V Engine	DAV = Continuously Variable Transaxle II
			ECN = 2.0L 4 Cyl DOHC 16V Dual VVT Engine	DAW = Cont.Var. w/Off-Rd Crawl Ratio Trans

Mirror, Exterior
Figure 30-505



ITEM	PART NUMBER	QTY	LINE	SERIES	BODY	ENGINE	TRANS	TRIM	DESCRIPTION
5	05116406AB	1	J, T, U		74				GLASS, Mirror Replacement With Sales Code [GTN] and [ABD], Right
	05160044AB	1	J, T, U		49				With Sales Code [GTN] and [ABD], Right
	68000018AA	1	J, T, U		49				With Sales Code [GTP], Right
	68000019AA	1	J, T, U		49				With Sales Code [GTN], Right
	68000019AA	1	J, T, U		49				With Sales Code [GTP], Left
	68000023AA	1	J, T, U		49				With Sales Code [GTN], Left
	68000024AA	1	J, T, U		49				With Sales Code [GTS], Left
	68000024AA	1	J, T, U		49				With Sales Code [GUL], Left
	68003714AA	1	J, T, U		74				With Sales Code [GTS], Right
	68003715AA	1	J, T, U		74				With Sales Code [GUL], Right
	68003720AA	1	J, T, U		74				With Sales Code [GTP], Right
	68003720AA	1	J, T, U		74				With Sales Code [GTP], Left
	68003720AA	1	J, T, U		74				With Sales Code [GUL], Right
	68003721AA	1	J, T, U		74				With Sales Code [GTS], Right
	68003721AA	1	J, T, U		74				With Sales Code [GTS], Left
	68003721AA	1	J, T, U		74				With Sales Code [GUL], Left
6	0ZX78DX9AC	1	J, T, U		49				BEZEL, Power Mirror Left
	0ZX79DX9AC	1	J, T, U		49				Right
	1CB00DK7AB	1	J, T, U		74				[KA], Right
	1CB00XDVAB	1	J, T, U		74				[DA], Right
	1CB01DK7AB	1	J, T, U		74				Left
	1CB01XDVAB	1	J, T, U		74				[DA], Left
7	06102398AA	6	J, T, U		49				NUT, Hex

COMPASS/PATRIOT (MK)

SERIES LINE
H = HIGHLINE T = JEEP - 2WD
L = LOWLINE J = JEEP - 4WD
P = PREMIUM U = JEEP - 4WD (RHD)

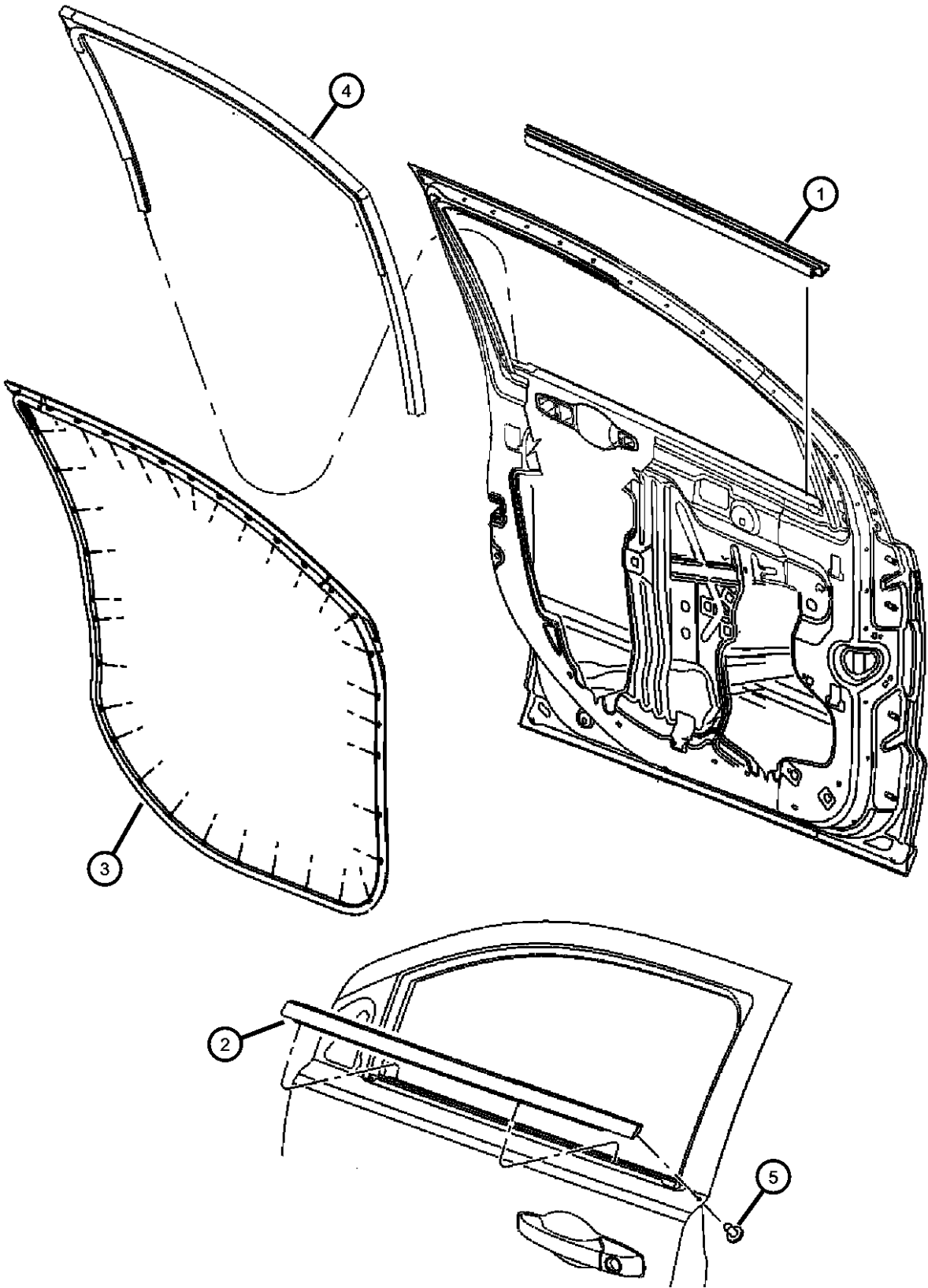
BODY
49 = HATCHBACK TYPE #2
74 = SPORT UTILITY 4-DR
TYPE #4

ENGINE TRANSMISSION
ECE = 2.0L 4 Cyl DOHC DPF Diesel Engine DEF = 6-Speed Manual Aisin BG6 Trans
ED3 = 2.4L 4 Cyl DOHC 16V Dual VVT Engine DD7 = 5-Speed Manual T355 Transmission
ECD = 2.0L 4 Cyl DOHC Diesel 16V Engine DAV = Continuously Variable Transaxle II
ECN = 2.0L 4 Cyl DOHC 16V Dual VVT Engine DAW = Cont.Var. w/Off-Rd Crawl Ratio Trans

AR = use ase required - = Non illustrated part

Weatherstrips, Front Door, Compass

Figure 30-605



ITEM	PART NUMBER	QTY	LINE	SERIES	BODY	ENGINE	TRANS	TRIM	DESCRIPTION
1	05074654AC	1	J, T, U		49				WEATHERSTRIP, Front Door Belt, Inner Right
	05074655AC	1	J, T, U		49				Left
2	05074714AE	1	J, T, U		49				WEATHERSTRIP, Front Door Belt, Outer Right
	05074715AE	1	J, T, U		49				Left
3	05074644AD	1	T, U, J		49				WEATHERSTRIP, Front Door Mounted Right
	05074645AD	1	J, T, U		49				Left
4	05074656AE	1	J, T, U		49				WEATHERSTRIP, Front Door Glass Run Right
	05074657AE	1	J, T, U		49				Left
5	06508584AA	2	J, T, U		49				SCREW, Tapping, M3.5x1.29x6.00

COMPASS/PATRIOT (MK)

SERIES LINE

H = HIGHLINE T = JEEP - 2WD
L = LOWLINE J = JEEP - 4WD
P = PREMIUM U = JEEP - 4WD (RHD)

BODY

49 = HATCHBACK TYPE #2
74 = SPORT UTILITY 4-DR
TYPE #4

ENGINE

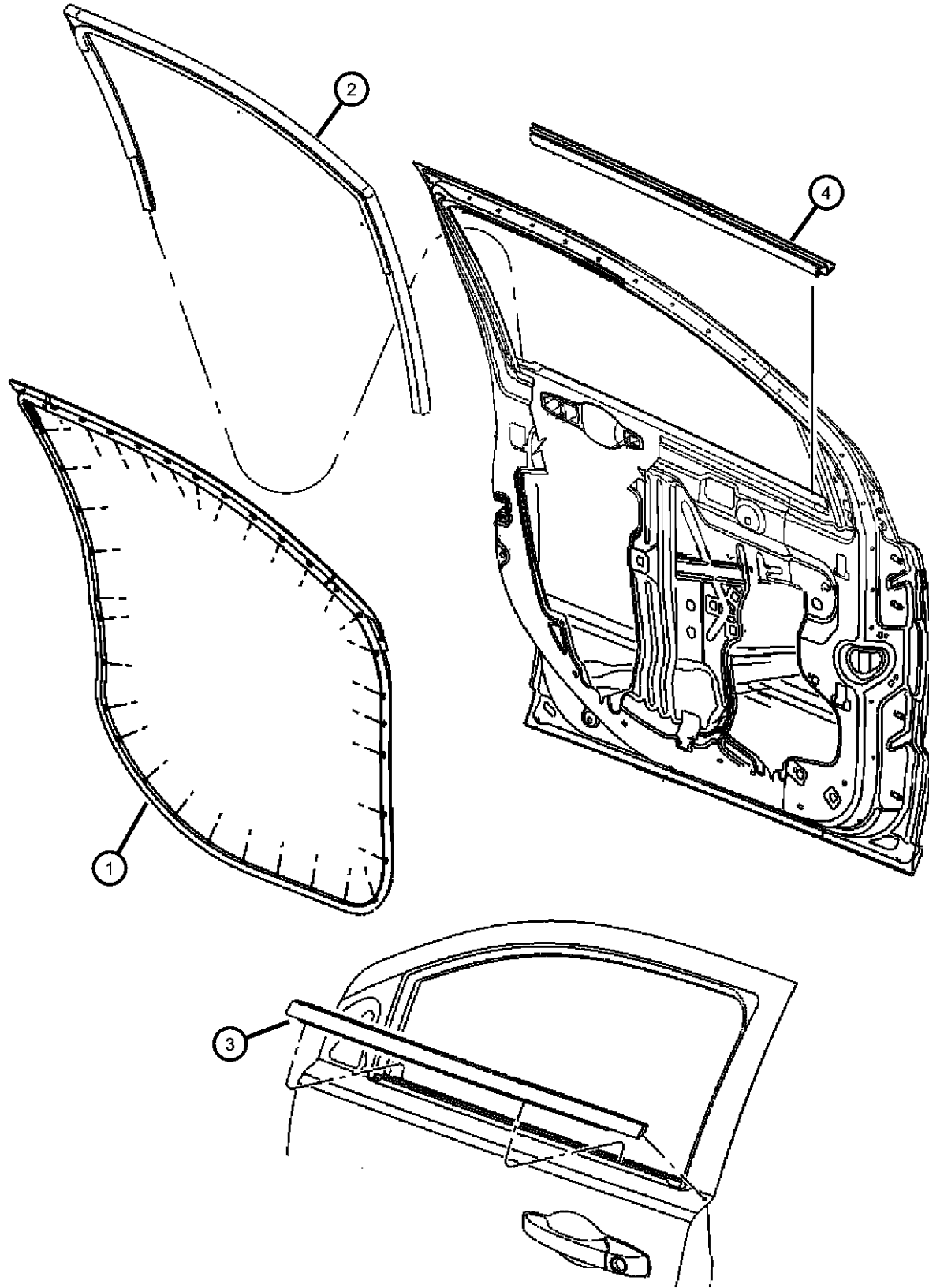
ECE = 2.0L 4 Cyl DOHC DPF Diesel Engine
ED3 = 2.4L 4 Cyl DOHC 16V Dual VVT Engine
ECD = 2.0L 4 Cyl DOHC Diesel 16V Engine
ECN = 2.0L 4 Cyl DOHC 16V Dual VVT Engine

TRANSMISSION

DEF = 6-Speed Manual Aisin BG6 Trans
DD7 = 5-Speed Manual T355 Transmission
DAV = Continuously Variable Transaxle II
DAW = Cont.Var. w/Off-Rd Crawl Ratio Trans

AR = use ase required - = Non illustrated part

**Weatherstrips, Front Door,Patriot
Figure 30-610**



ITEM	PART NUMBER	QTY	LINE	SERIES	BODY	ENGINE	TRANS	TRIM	DESCRIPTION
1									WEATHERSTRIP, Front Door Mounted
	05067766AC	1	J, T, U		74				Right
	05067767AC	1	J, T, U		74				Left
2									WEATHERSTRIP, Front Door Glass Run
	05067768AA	1	J, T, U		74				Right
	05067769AA	1	J, T, U		74				Left
3									WEATHERSTRIP, Front Door Belt Outer
	05067754AA	1	J, T, U		74				Right
	05067755AA	1	J, T, U		74				Left
4									WEATHERSTRIP, Front Door Belt Inner
	05067762AA	1	J, T, U		74				Right
	05067763AA	1	J, T, U		74				Left

COMPASS/PATRIOT (MK)

SERIES LINE
 H = HIGHLINE T = JEEP - 2WD
 L = LOWLINE J = JEEP - 4WD
 P = PREMIUM U = JEEP - 4WD (RHD)

BODY
 49 = HATCHBACK TYPE #2
 74 = SPORT UTILITY 4-DR TYPE #4

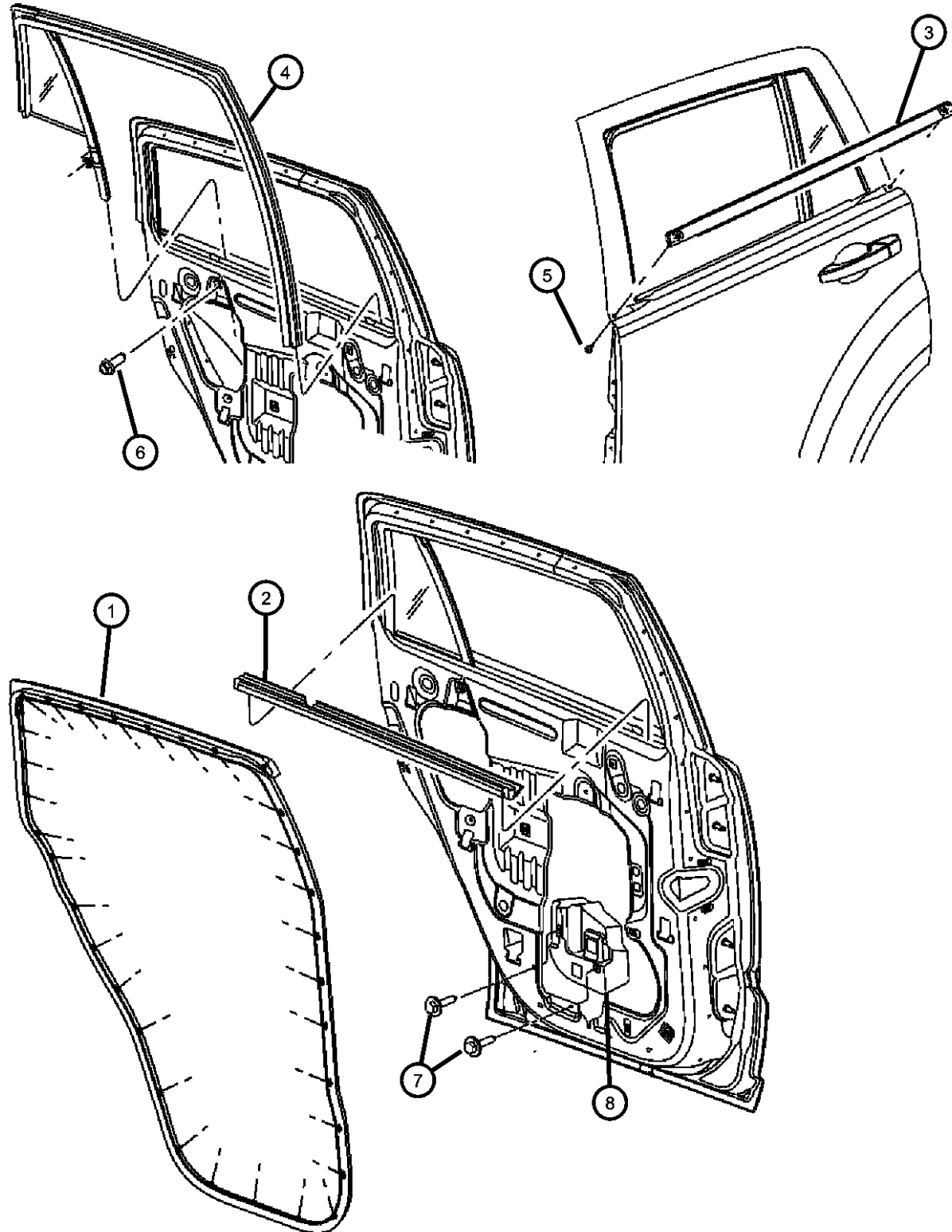
ENGINE
 ECE = 2.0L 4 Cyl DOHC DPF Diesel Engine
 ED3 = 2.4L 4 Cyl DOHC 16V Dual VVT Engine
 ECD = 2.0L 4 Cyl DOHC Diesel 16V Engine
 ECN = 2.0L 4 Cyl DOHC 16V Dual VVT Engine

TRANSMISSION
 DEF = 6-Speed Manual Aisin BG6 Trans
 DD7 = 5-Speed Manual T355 Transmission
 DAV = Continuously Variable Transaxle II
 DAW = Cont.Var. w/Off-Rd Crawl Ratio Trans

AR = use ase required - = Non illustrated part

2008 MK

**Weatherstrips, Rear Door, Compass
Figure 30-625**



ITEM	PART NUMBER	QTY	LINE	SERIES	BODY	ENGINE	TRANS	TRIM	DESCRIPTION
1	05074648AD	1	J, T, U		49				WEATHERSTRIP, Rear Door Mounted Right
	05074649AD	1	J, T, U		49				Left
2	05074658AC	1	J, T, U		49				WEATHERSTRIP, Rear Door Belt Inner Right
	05074659AC	1	J, T, U		49				Left
3	05074652AD	1	J, T, U		49				WEATHERSTRIP, Rear Door Belt Outer Right
	05074653AD	1	J, T, U		49				Left
4	05074660AE	1	J, T, U		49				WEATHERSTRIP, Door Glass Run with Glass, Rear Door Solar Tint [GAM], Right
	05074661AE	1	J, T, U		49				Solar Tint [GAM], Left
	05160064AE	1	J, T, U		49				Sunscreen [GEG], Right
	05160065AE	1	U, J, T		49				Sunscreen [GEG], Left
5	06508584AA	4	J, T, U		49				SCREW, Tapping, M3.5x1.29x6.00
6	06104336AA	2	J, T, U		49				SCREW, Hex Flange Head, M6X1.0x20.0
7	06104172AA	4	J, T, U		49				SCREW, Hex Flange Head, M5x0.8x12.0
8	05115692AB	1	J, T, U		49				FOAM BLOCK, Rear Door Right
	05115693AB	1	J, T, U		49				Left

COMPASS/PATRIOT (MK)

SERIES LINE

H = HIGHLINE T = JEEP - 2WD
 L = LOWLINE J = JEEP - 4WD
 P = PREMIUM U = JEEP - 4WD (RHD)

BODY

49 = HATCHBACK TYPE #2
 74 = SPORT UTILITY 4-DR TYPE #4

ENGINE

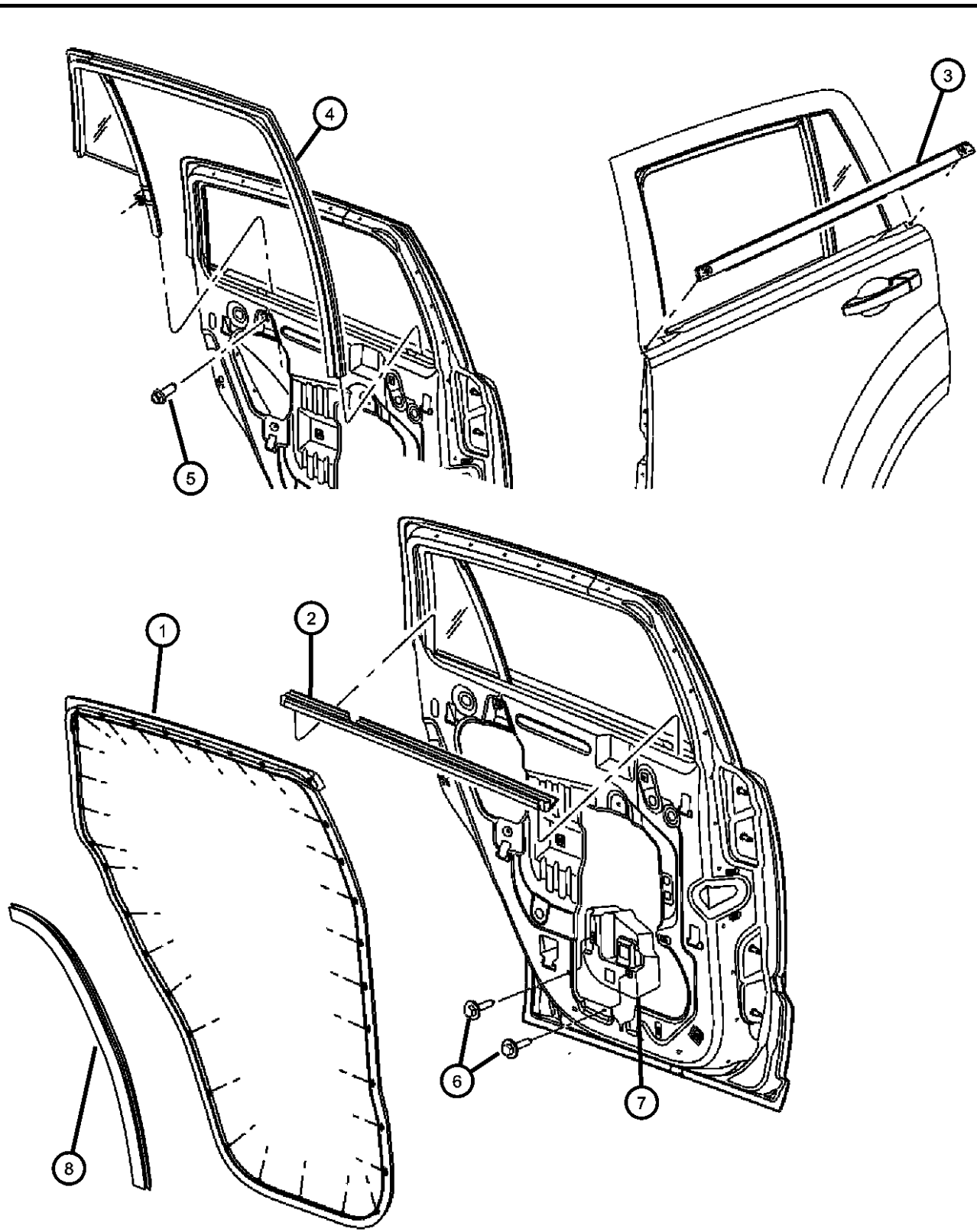
ECE = 2.0L 4 Cyl DOHC DPF Diesel Engine
 ED3 = 2.4L 4 Cyl DOHC 16V Dual VVT Engine
 ECD = 2.0L 4 Cyl DOHC Diesel 16V Engine
 ECN = 2.0L 4 Cyl DOHC 16V Dual VVT Engine

TRANSMISSION

DEF = 6-Speed Manual Aisin BG6 Trans
 DD7 = 5-Speed Manual T355 Transmission
 DAV = Continuously Variable Transaxle II
 DAW = Cont.Var. w/Off-Rd Crawl Ratio Trans

AR = use ase required - = Non illustrated part

Weatherstrips, Rear Door, Patriot
 Figure 30-630



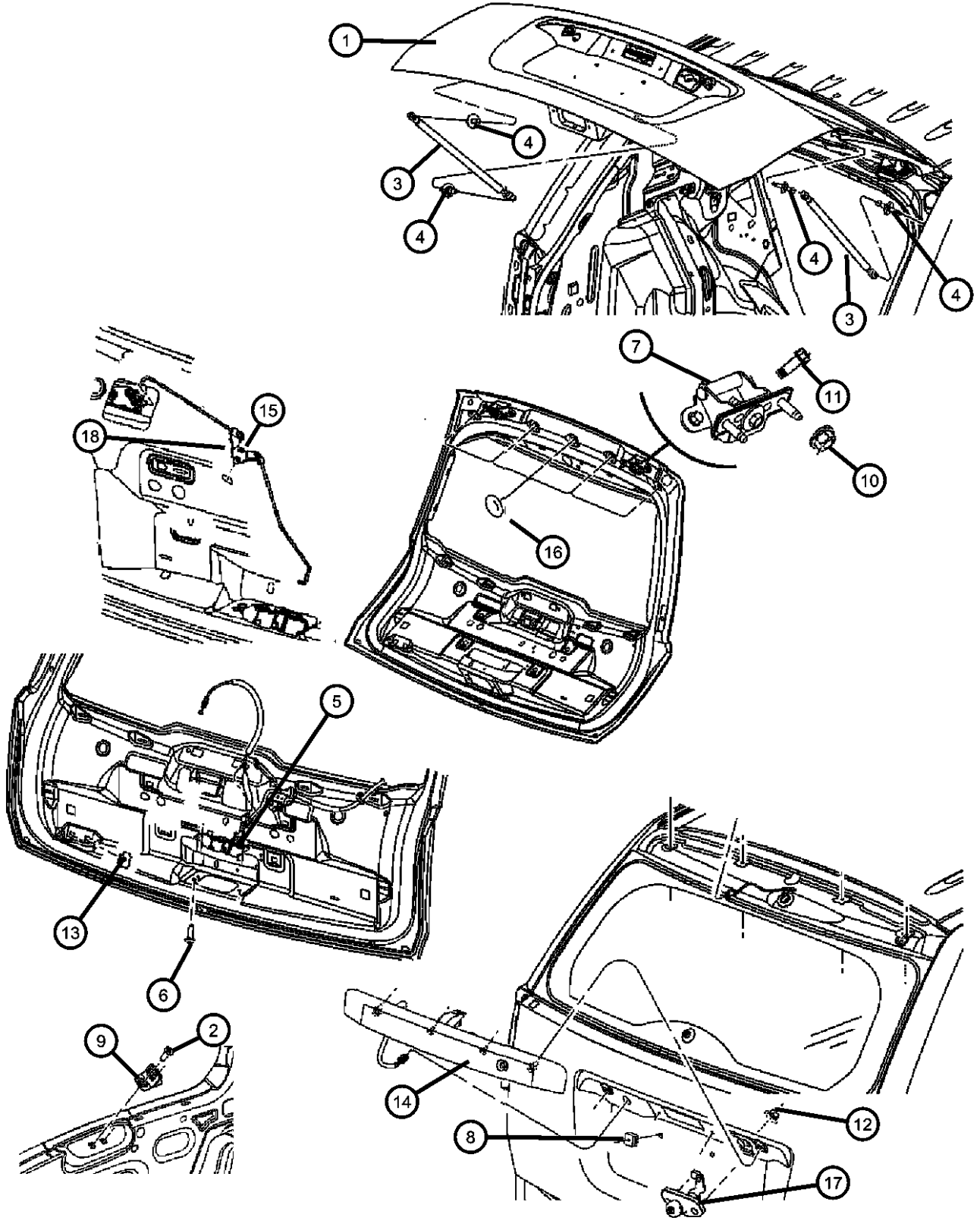
ITEM	PART NUMBER	QTY	LINE	SERIES	BODY	ENGINE	TRANS	TRIM	DESCRIPTION
1	05067764AC	1	J, T, U		74				WEATHERSTRIP, Rear Door Mounted Right
	05067765AC	1	J, T, U		74				WEATHERSTRIP, Rear Door Mounted Left
2	05067750AA	1	J, T, U		74				WEATHERSTRIP, Rear Door Belt Inner Right
	05067751AA	1	J, T, U		74				WEATHERSTRIP, Rear Door Belt Inner Left
3	05067752AB	1	J, T, U		74				WEATHERSTRIP, Rear Door Belt Outer Right
	05067753AB	1	T, U, J		74				WEATHERSTRIP, Rear Door Belt Outer Left
4	05067770AA	1	J, T, U		74				WEATHERSTRIP, Door Glass Run with Glass, Rear Door Solar Tint [GAM], Right
	05067771AA	1	J, T, U		74				WEATHERSTRIP, Door Glass Run with Glass, Rear Door Solar Tint [GAM], Left
	05067772AA	1	J, T, U		74				WEATHERSTRIP, Door Glass Run with Glass, Rear Door Sunscreen [GEG], Right
	05067773AA	1	J, T, U		74				WEATHERSTRIP, Door Glass Run with Glass, Rear Door Sunscreen [GEG], Left
5	06104336AA	2	J, T, U		74				SCREW, Hex Flange Head, M6X1.0x20.0
6	06104172AA	4	J, T, U		74				SCREW, Hex Flange Head, M5x0.8x12.0
7	05115692AB	1	J, T, U		74				FOAM BLOCK, Rear Door Right
	05115693AB	1	J, T, U		74				FOAM BLOCK, Rear Door Left
8	05067758AB	2	J, T, U		74				WEATHERSTRIP, Rear Wheelhouse Right & Left

COMPASS/PATRIOT (MK)	BODY	ENGINE	TRANSMISSION
SERIES LINE	49 = HATCHBACK TYPE #2 74 = SPORT UTILITY 4-DR TYPE #4	ECE = 2.0L 4 Cyl DOHC DPF Diesel Engine ED3 = 2.4L 4 Cyl DOHC 16V Dual VVT Engine ECD = 2.0L 4 Cyl DOHC Diesel 16V Engine ECN = 2.0L 4 Cyl DOHC 16V Dual VVT Engine	DEF = 6-Speed Manual Aisin BG6 Trans DD7 = 5-Speed Manual T355 Transmission DAV = Continuously Variable Transaxle II DAW = Cont.Var. w/Off-Rd Crawl Ratio Trans
H = HIGHLINE T = JEEP - 2WD L = LOWLINE J = JEEP - 4WD P = PREMIUM U = JEEP - 4WD (RHD)			

AR = use ase required - = Non illustrated part

2008 MK

**Liftgate, Compass
Figure 30-705**



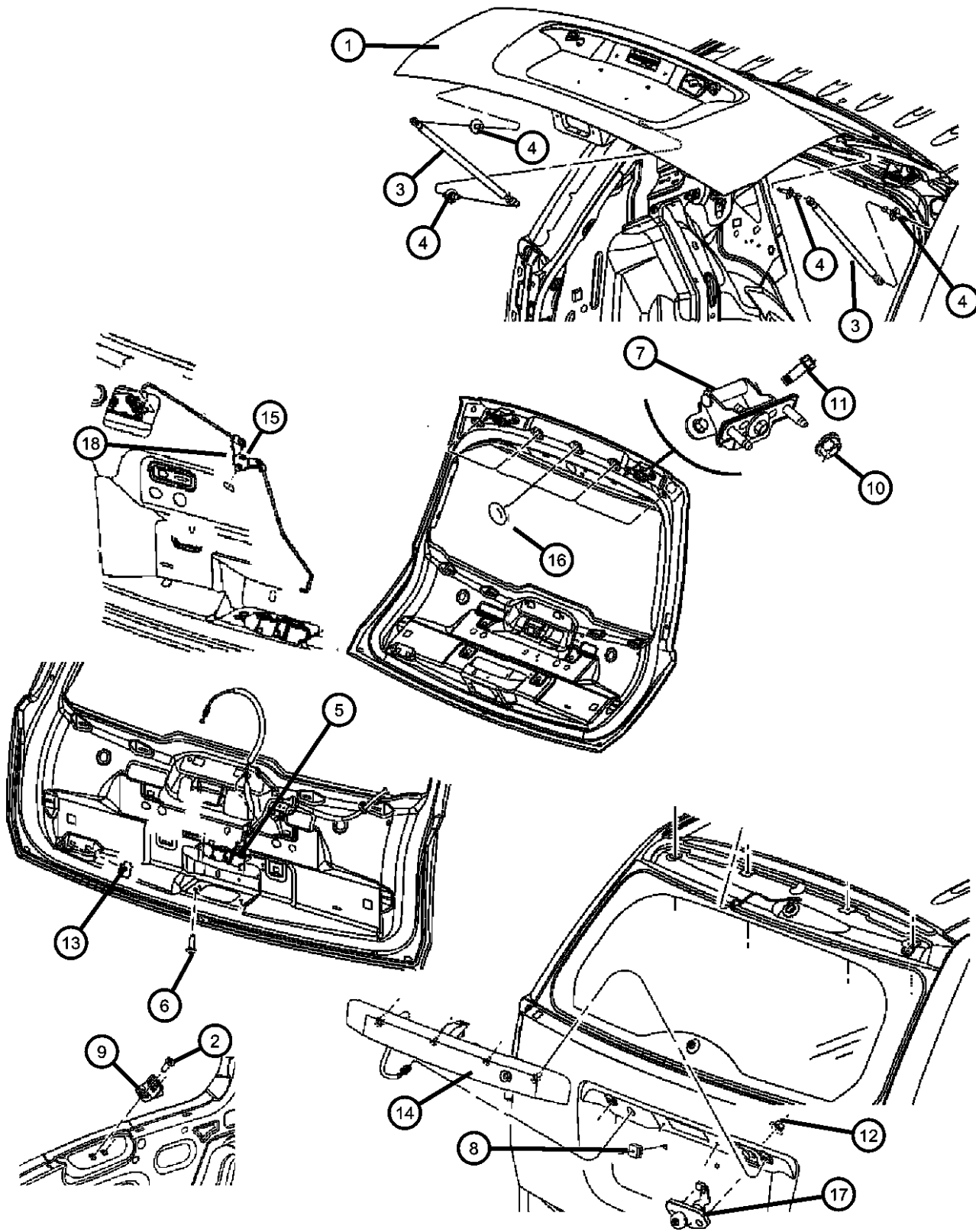
ITEM	PART NUMBER	QTY	LINE	SERIES	BODY	ENGINE	TRANS	TRIM	DESCRIPTION
1	05074972AF	1	J, T, U		49				LIFTGATE
2	06503533	2	J, T, U		49				SCREW, Flange Head, M8x1.25x26
3	05109514AB	2	J, T, U		49				PROP, Liftgate Without Sales Code [RFS]
	05115226AB	2	J, T, U		49				With Sales Code [RFS]
4	06508520AA	4	J, T, U		49				BALL STUD
5	04589111AE	1	J, T, U		49				LATCH, Liftgate With Sales Code [JE8] Manual Locks
	04589176AB	1	J, T, U		49				With Sales Code [JPH] Speed Sensitive Power Locks
6	06504212	3	J, T, U		49				SCREW, Large Round Washer Head Lock, M6x1.00x20.00
7	04589530AA	1	J, T, U		49				HINGE, Liftgate Right
	04589531AA	1	J, T, U		49				Left
8	04860786AB	2	J, T, U		49				NUT, Plastic Snap-in
9	04717707AA	1	J, T, U		49				STRIKER, Liftgate
10	06101831	4	J, T, U		49, 74				NUT, Hex Flange, M8x1.25
11	06104386AA	4	J, T, U		49				BOLT AND WASHER, Hex Head, M8X1.25X25.00
12	06104725AA	2	J, T, U		49				NUT AND WASHER, Hex, M6X1.00
13	06506955AA	2	J, T, U		49				NUT, Snap In
14	0ZH33AJCAF	1	J, T, U		49				BAR, Light Support [JC] , With Sales Code [MPN]
	0ZH33ARHAF	1	J, T, U		49				[RH] , With Sales Code [MPN]
	0ZH33AXRAF	1	J, T, U		49				[XR] , With Sales Code [MPN]
	0ZH33DB-MAF	1	J, T, U		49				[BM] , With Sales Code [MPN]
	0ZH33EGJAF	1	J, T, U		49				[GJ] , With Sales Code [MPN]
	0ZH33FQDAF	1	J, T, U		49				[QD] , With Sales Code [MPN]
	0ZH33SW1AF	1	J, T, U		49				[W1] , With Sales Code [MPN]
	0ZH33WS2AF	1	J, T, U		49				[S2] , With Sales Code [MPN]
	0ZH34RXFAF	1	J, T, U		49				With Sales Code [MPN] and Manual Locks [JE8]

COMPASS/PATRIOT (MK)

SERIES	LINE	BODY	ENGINE	TRANSMISSION
H = HIGHLINE	T = JEEP - 2WD	49 = HATCHBACK TYPE #2	ECE = 2.0L 4 Cyl DOHC DPF Diesel Engine	DEF = 6-Speed Manual Aisin BG6 Trans
L = LOWLINE	J = JEEP - 4WD	74 = SPORT UTILITY 4-DR TYPE #4	ED3 = 2.4L 4 Cyl DOHC 16V Dual VVT Engine	DD7 = 5-Speed Manual T355 Transmission
P = PREMIUM	U = JEEP - 4WD (RHD)		ECD = 2.0L 4 Cyl DOHC Diesel 16V Engine	DAV = Continuously Variable Transaxle II
			ECN = 2.0L 4 Cyl DOHC 16V Dual VVT Engine	DAW = Cont.Var. w/Off-Rd Crawl Ratio Trans

AR = use ase required - = Non illustrated part

Liftgate, Compass
Figure 30-705



ITEM	PART NUMBER	QTY	LINE	SERIES	BODY	ENGINE	TRANS	TRIM	DESCRIPTION
15	05115783AB	1	J, T, U		49				LINK, Key Cylinder to Actuator
16	05067670AA	5	J, T, U		49				PLUG
17	68000602AA	1	J, T, U		49				CYLINDER, Liftgate Lock
18	04717942AD	1	J, T, U		49				LEVER, Sliding Door, Door Lock

COMPASS/PATRIOT (MK)

SERIES	LINE
H = HIGHLINE	T = JEEP - 2WD
L = LOWLINE	J = JEEP - 4WD
P = PREMIUM	U = JEEP - 4WD (RHD)

BODY
49 = HATCHBACK TYPE #2
74 = SPORT UTILITY 4-DR TYPE #4

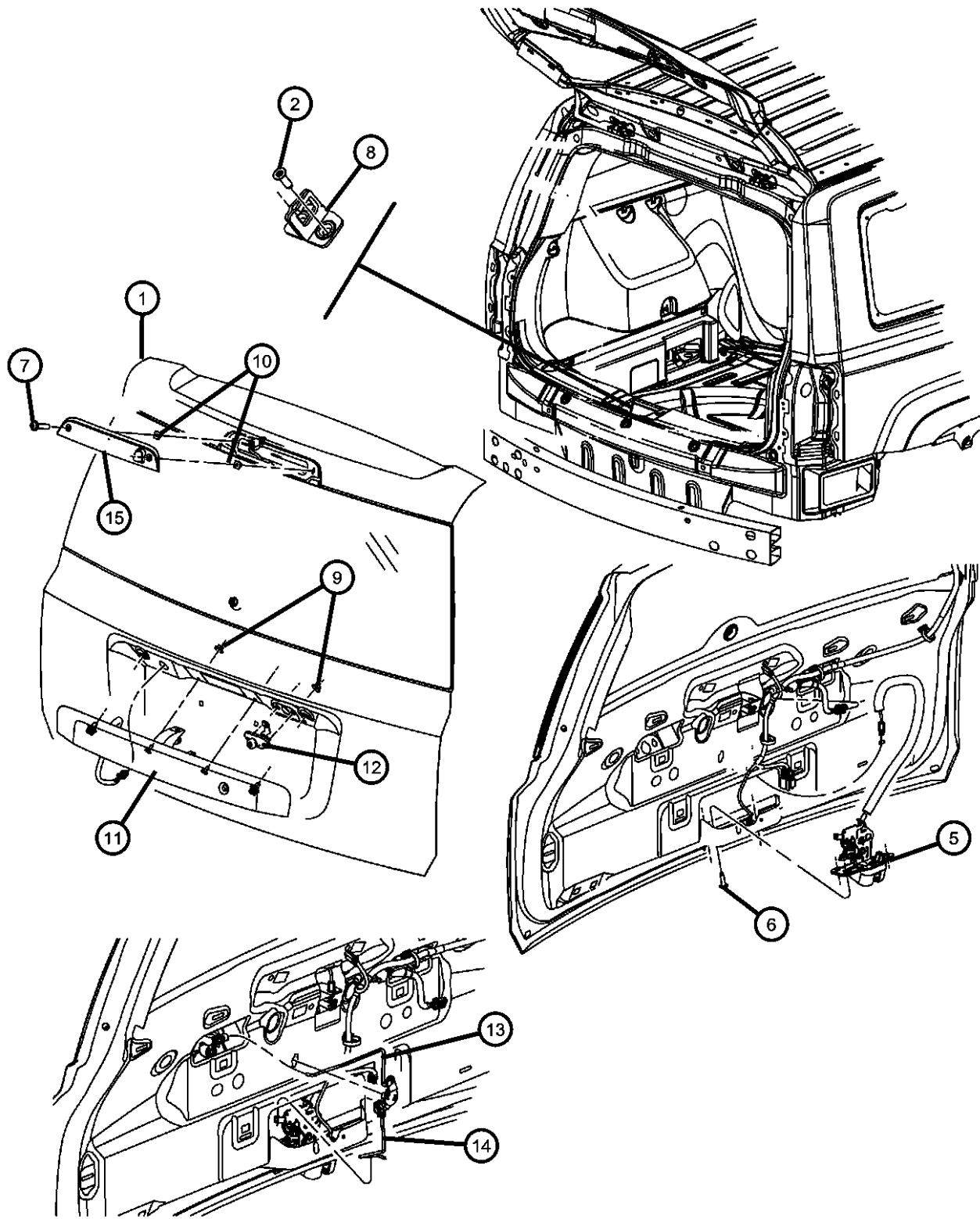
ENGINE
ECE = 2.0L 4 Cyl DOHC DPF Diesel Engine
ED3 = 2.4L 4 Cyl DOHC 16V Dual VVT Engine
ECD = 2.0L 4 Cyl DOHC Diesel 16V Engine
ECN = 2.0L 4 Cyl DOHC 16V Dual VVT Engine

TRANSMISSION
DEF = 6-Speed Manual Aisin BG6 Trans
DD7 = 5-Speed Manual T355 Transmission
DAV = Continuously Variable Transaxle II
DAW = Cont.Var. w/Off-Rd Crawl Ratio Trans

AR = use ase required - = Non illustrated part

2008 MK

Liftgates, Patriot
Figure 30-710



ITEM	PART NUMBER	QTY	LINE	SERIES	BODY	ENGINE	TRANS	TRIM	DESCRIPTION
1	05054349AC	1	J, T, U		74				LIFTGATE
2	06503533	2	J, T, U		74				SCREW, Flange Head, M8x1.25x26 PROP, Liftgate
-3	05054353AB	2	J, T, U		74				Without [RFS]
	05116369AB	2	J, T, U		74				With [RFS]
-4	06508520AA	4	J, T, U		49, 74				BALL STUD
5									LATCH, Liftgate
	04589131AC	1	J, T, U		74				With Sales Code [JPH] Speed Sensitive Power Locks
	04589181AB	1	J, T, U		74				With Sales Code [JE8] Manual Locks
6	06504212	3	J, T, U		74				SCREW, Large Round Washer Head Lock, M6x1.00x20.00
7	06104635AB	2	J, T, U		74				SCREW
8	04589234AA	1	J, T, U		74				STRIKER, Liftgate
9	06104725AA	2	J, T, U		49, 74				NUT AND WASHER, Hex, M6X1.00
10	06036718AA	2	J, T, U		74				NUT, Snap In
11									BAR, Light Support
	0ZH33AJCAF	1	J, T, U		74				[JC], With Sales Code [MPN]
	0ZH33ARHAF	1	J, T, U		74				[RH], With Sales Code [MPN]
	0ZH33AXRAF	1	J, T, U		74				[XR], With Sales Code [MPN]
	0ZH33DB-MAF	1	J, T, U		74				[BM], With Sales Code [MPN]
	0ZH33EGJAF	1	J, T, U		74				[GJ], With Sales Code [MPN]
	0ZH33FQDAF	1	J, T, U		74				[QD], With Sales Code [MPN]
	0ZH33SW1AF	1	J, T, U		74				[W1], With Sales Code [MPN]
	0ZH33WS2AF	1	J, T, U		74				[S2], With Sales Code [MPN]
	0ZH34RXFAF	1	J, T, U		74				With Sales Code [MPM] and Manual Locks [JE8]
12	68000602AA	1	J, T, U		74				CYLINDER, Liftgate Lock
13	05116351AC	1	J, T, U		74				LINK, Key Cylinder To Latch
14	05116500AA	1	J, T, U		74				LINK, Key Cylinder to Actuator
15	05116236AD	1	J, T, U		74				LAMP, Liftgate Chmsl

COMPASS/PATRIOT (MK)

SERIES

LINE

BODY

ENGINE

TRANSMISSION

H = HIGHLINE T = JEEP - 2WD

49 = HATCHBACK TYPE #2

ECE = 2.0L 4 Cyl DOHC DPF Diesel Engine DEF = 6-Speed Manual Aisin BG6 Trans

L = LOWLINE J = JEEP - 4WD

74 = SPORT UTILITY 4-DR TYPE #4

ED3 = 2.4L 4 Cyl DOHC 16V Dual VVT Engine DD7 = 5-Speed Manual T355 Transmission

P = PREMIUM U = JEEP - 4WD (RHD)

ECD = 2.0L 4 Cyl DOHC Diesel 16V Engine DAV = Continuously Variable Transaxle II

ECN = 2.0L 4 Cyl DOHC 16V Dual VVT Engine DAW = Cont.Var. w/Off-Rd Crawl Ratio Trans

AR = use ase required - = Non illustrated part

2008 MK

Group - 40

Exterior Ornamentation

Group - 40 Exterior Ornamentation

Illustration Title

Group-Fig. No.

Nameplates

Nameplates, Emblems & MedallionsFig. 40 - 105

Moldings and Ornamentation

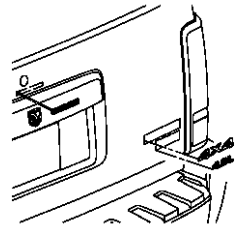
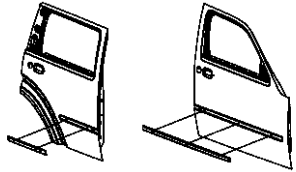
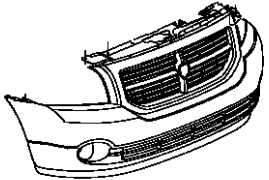
Exterior Ornamentation, Compass.....Fig. 40 - 205

Exterior Ornamentation, PatriotFig. 40 - 210

SpoilersFig. 40 - 245

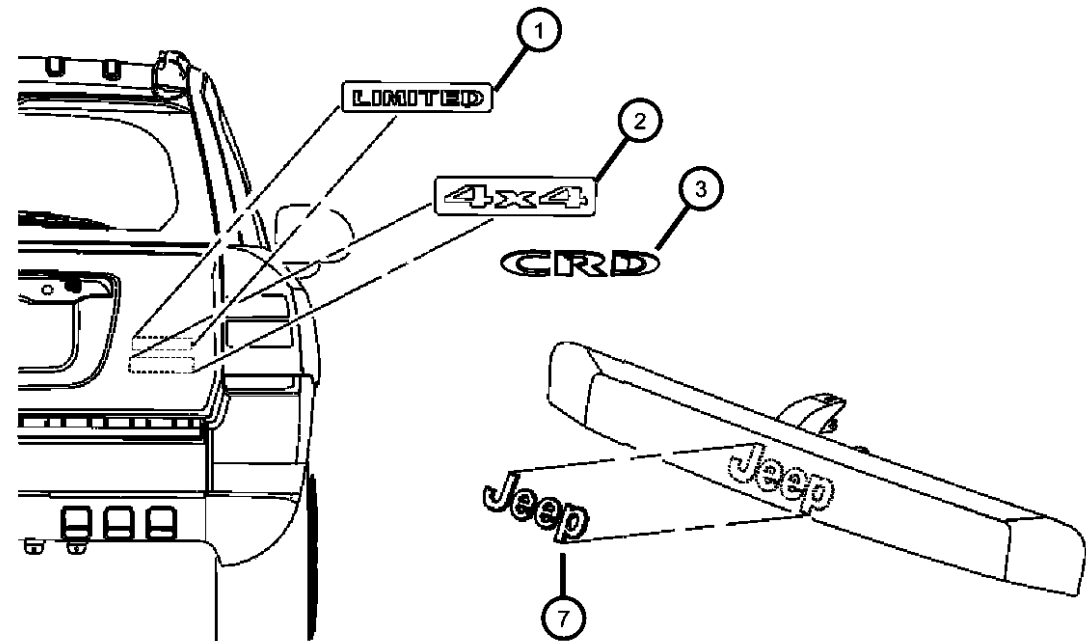
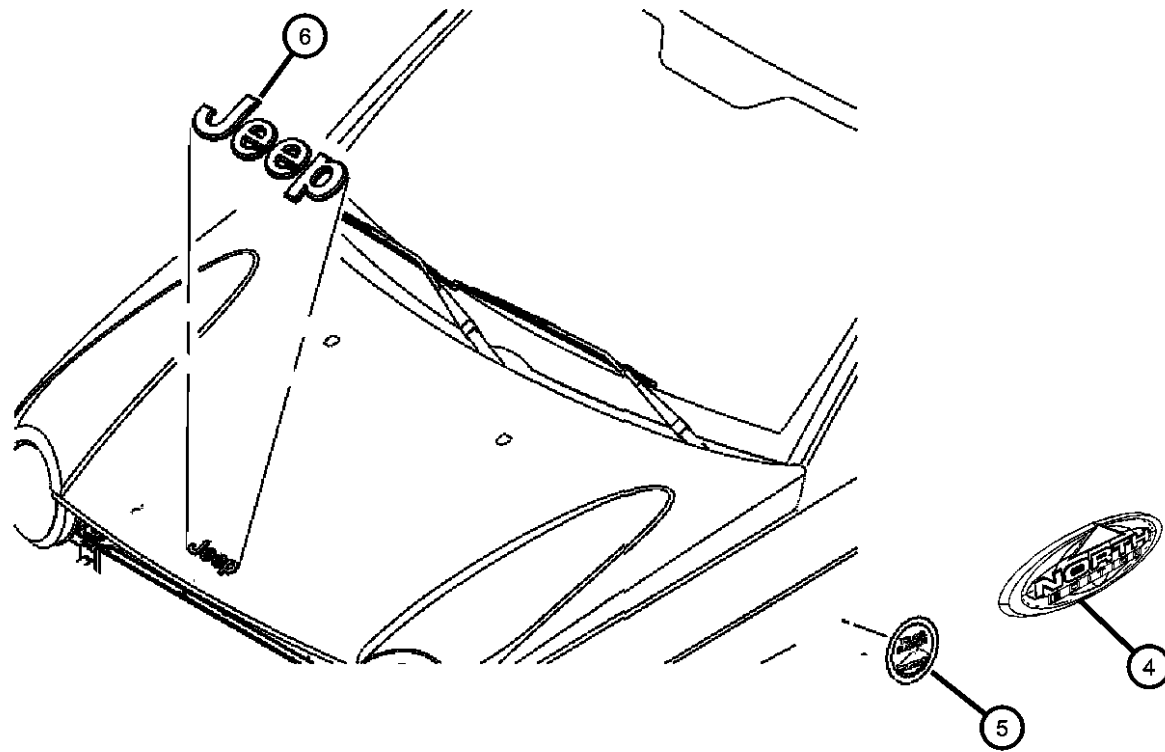
Grilles

GrillesFig. 40 - 405

<p>040-100 Nameplates</p> 	<p>040-200 Moldings and Ornamentation</p> 	<p>040-400 Grilles</p> 	
---	--	--	--

**Nameplates, Emblems & Medallions
Figure 40-105**

ITEM	PART NUMBER	QTY	LINE	SERIES	BODY	ENGINE	TRANS	TRIM	DESCRIPTION
1	55157090AC	1	J, T, U		49				NAMEPLATE, Liftgate
		1	J, T, U		74				
2	55157091AC	1	J, T, U		49				NAMEPLATE, Liftgate
3	55157095AC	1	J, T, U		49, 74				NAMEPLATE
4									NAMEPLATE
	05113554AA	2	J, T, U		49				NORTH
		2	J, T, U		74				NORTH
5									MEDALLION
	55157317AB	1	J, T, U		49				
		1	J, T, U		74				
6	05116491AA	1	J, T, U		49, 74				NAMEPLATE, Jeep, Hood
7									NAMEPLATE, Jeep, Lightbar
	55157088AC	1	J, T, U		49				
		1	J, T, U		74				



COMPASS/PATRIOT (MK)

SERIES LINE
 H = HIGHLINE T = JEEP - 2WD
 L = LOWLINE J = JEEP - 4WD
 P = PREMIUM U = JEEP - 4WD (RHD)

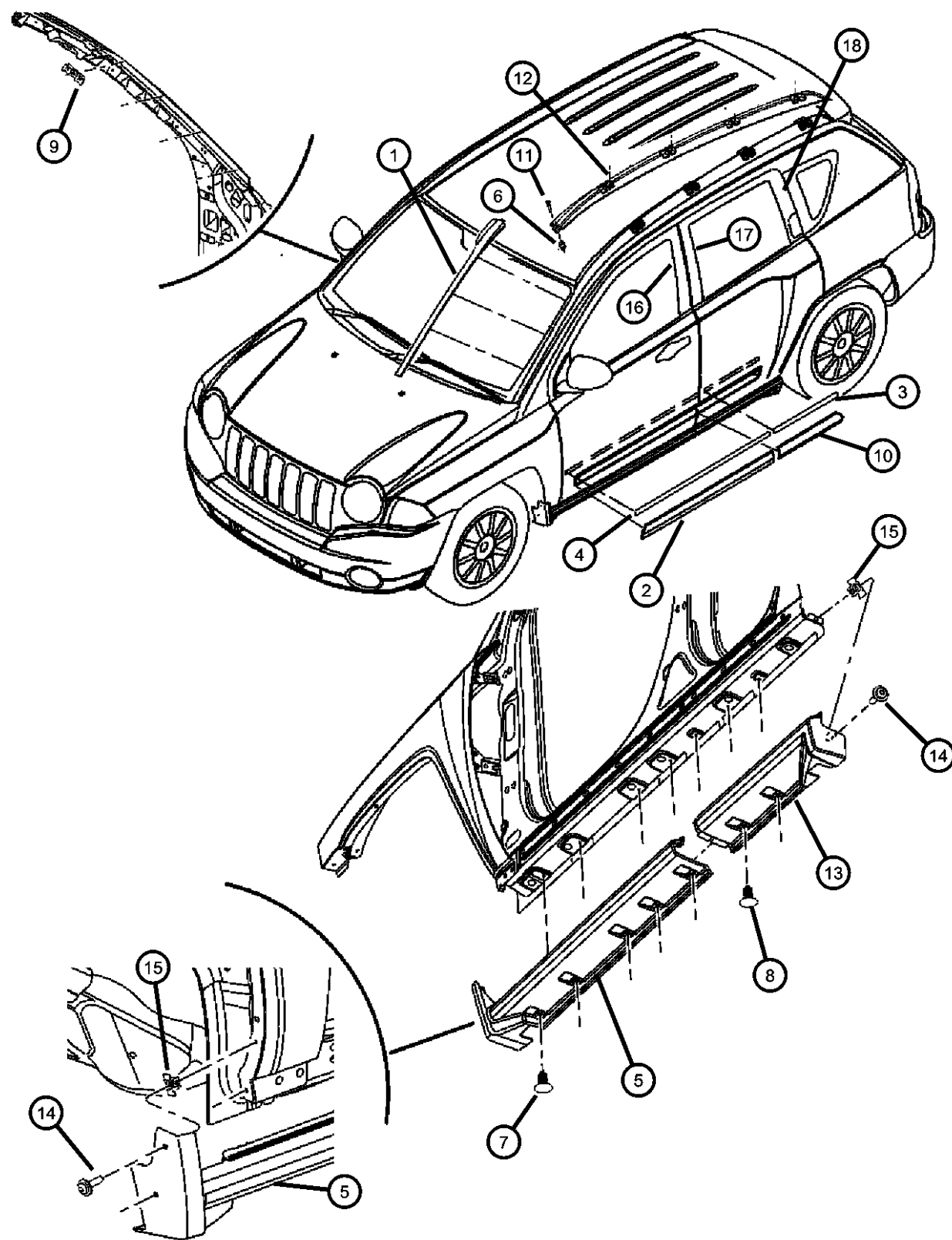
BODY
 49 = HATCHBACK TYPE #2
 74 = SPORT UTILITY 4-DR
 TYPE #4

ENGINE
 ECE = 2.0L 4 Cyl DOHC DPF Diesel Engine
 ED3 = 2.4L 4 Cyl DOHC 16V Dual VVT Engine
 ECD = 2.0L 4 Cyl DOHC Diesel 16V Engine
 ECN = 2.0L 4 Cyl DOHC 16V Dual VVT Engine

TRANSMISSION
 DEF = 6-Speed Manual Aisin BG6 Trans
 DD7 = 5-Speed Manual T355 Transmission
 DAV = Continuously Variable Transaxle II
 DAW = Cont.Var. w/Off-Rd Crawl Ratio Trans

AR = use ase required - = Non illustrated part

Exterior Ornamentation, Compass
Figure 40-205



ITEM	PART NUMBER	QTY	LINE	SERIES	BODY	ENGINE	TRANS	TRIM	DESCRIPTION
1	0YS48RXFAB	1	J, T, U		49				MOLDING, A-PILLAR Right
	0YS49RXFAB	1	J, T, U		49				Left
2	1CH94WS2AB	1	J, T, U		49				MOLDING, Front Door Right
	1CH95WS2AB	1	J, T, U		49				Left
3	0YZ51AJCAA	2	J, T, U		49				MOLDING, Rear Door [K3J], Right & Left
	0YZ51ARHAA	2	J, T, U		49				[K3R], Right & Left
	0YZ51AXRAA	2	J, T, U		49				[K3Y], Right & Left
	0YZ51DB- MAA	2	J, T, U		49				[K3D], Right & Left
	0YZ51DV6AA	2	J, T, U		49				[K3V], Right & Left
	0YZ51EGJAA	2	J, T, U		49				[K3G], Right & Left
	0YZ51FQDAA	2	J, T, U		49				[K3U], Right & Left
	0YZ51SW1AA	2	J, T, U		49				[K3W], Right & Left
	0YZ51WS2AA	2	J, T, U		49				[K3S], Right & Left
	4	0YW92AJ- CAA	2	J, T, U		49			
0YW92ARHAA		2	J, T, U		49				[K3R], Right & Left
0YW92AXRAA		2	J, T, U		49				[K3Y], Right & Left
0YW92DB- MAA		2	J, T, U		49				[K3D], Right & Left
0YW92DV6AA		2	J, T, U		49				[K3V], Right & Left
0YW92EG- JAA		2	J, T, U		49				[K3G], Right & Left
0YW92FQ- DAA		2	J, T, U		49				[K3U], Right & Left
0YW92SW1AA		2	J, T, U		49				[K3W], Right & Left
0YW92WS2AA		2	J, T, U		49				[K3S], Right & Left
5		05116126AA	1	J, T, U		49			
	05116127AA	1	J, T, U		49				Left
6	06506739AA	5	J, T, U		49			NUT, Rivet	
7	06502481	5	J, T, U		49			PIN, Push, M8.6x21.20	

COMPASS/PATRIOT (MK)

SERIES LINE

H = HIGHLINE T = JEEP - 2WD
L = LOWLINE J = JEEP - 4WD
P = PREMIUM U = JEEP - 4WD (RHD)

BODY

49 = HATCHBACK TYPE #2
74 = SPORT UTILITY 4-DR
TYPE #4

ENGINE

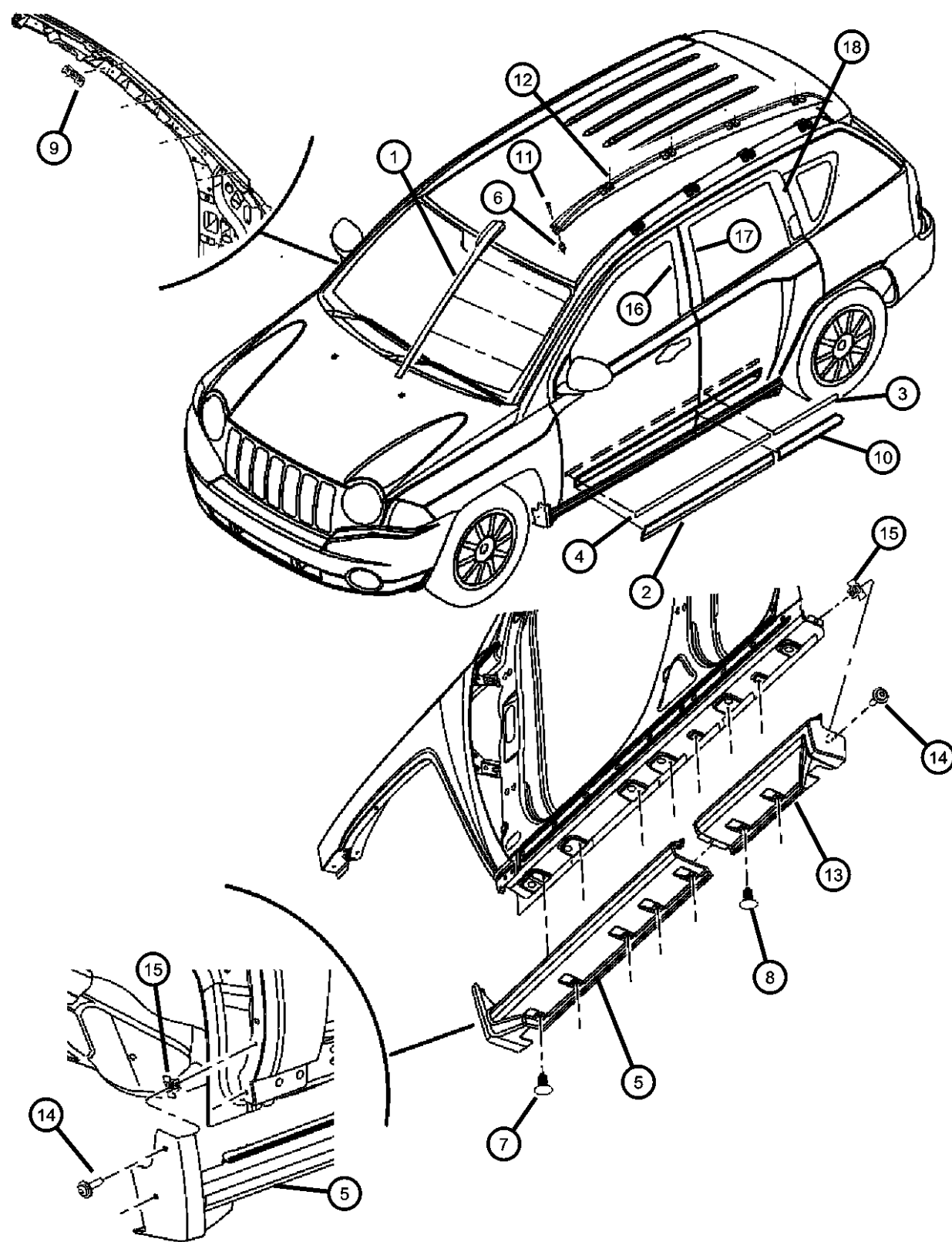
ECE = 2.0L 4 Cyl DOHC DPF Diesel Engine
ED3 = 2.4L 4 Cyl DOHC 16V Dual VVT Engine
ECD = 2.0L 4 Cyl DOHC Diesel 16V Engine
ECN = 2.0L 4 Cyl DOHC 16V Dual VVT Engine

TRANSMISSION

DEF = 6-Speed Manual Aisin BG6 Trans
DD7 = 5-Speed Manual T355 Transmission
DAV = Continuously Variable Transaxle II
DAW = Cont.Var. w/Off-Rd Crawl Ratio Trans

AR = use ase required - = Non illustrated part

Exterior Ornamentation, Compass
Figure 40-205



ITEM	PART NUMBER	QTY	LINE	SERIES	BODY	ENGINE	TRANS	TRIM	DESCRIPTION
8	06502481	2	J, T, U		49				PIN, Push, M8.6x21.20
9	05191598AA	8	J, T, U		49				CLIP, Repair
10	1CH92WS2AB	1	J, T, U		49				MOLDING, Rear Door Right
	1CH93WS2AB	1	J, T, U		49				Left
11	06508452AA	5	J, T, U		49				SCREW, Pan Head
12	05303806AB	1	J, T, U		49				SIDE RAIL, Roof Rack Right
	05303807AB	1	J, T, U		49				Left
13	05116128AA	1	J, T, U		49				MOLDING, Side Sill, Rear Right
	05116129AA	1	J, T, U		49				Left
14	06505628AA	2	J, T, U		49				SCREW AND WASHER, Tapping Hex Head, M4.2x1.41x20
15	06508251AA	1	J, T, U		49				NUT, Snap In, M4.2 x 1.41
16	05116388AA	1	J, T, U		49				TAPE, Front Door Right
	05116389AA	1	J, T, U		49				Left
17	05116386AA	1	J, T, U		49				TAPE, Black Out, B Pillar Right
	05116387AA	1	J, T, U		49				Left
18	05116390AA	1	J, T, U		49				TAPE, C Pillar Right
	05116391AA	1	J, T, U		49				Left

COMPASS/PATRIOT (MK)

SERIES

H = HIGHLINE
L = LOWLINE
P = PREMIUM

T = JEEP - 2WD
J = JEEP - 4WD
U = JEEP - 4WD (RHD)

BODY

49 = HATCHBACK TYPE #2
74 = SPORT UTILITY 4-DR
TYPE #4

ENGINE

ECE = 2.0L 4 Cyl DOHC DPF
Diesel Engine
ED3 = 2.4L 4 Cyl DOHC 16V
Dual VVT Engine
ECD = 2.0L 4 Cyl DOHC
Diesel 16V Engine
ECN = 2.0L 4 Cyl DOHC 16V
Dual VVT Engine

TRANSMISSION

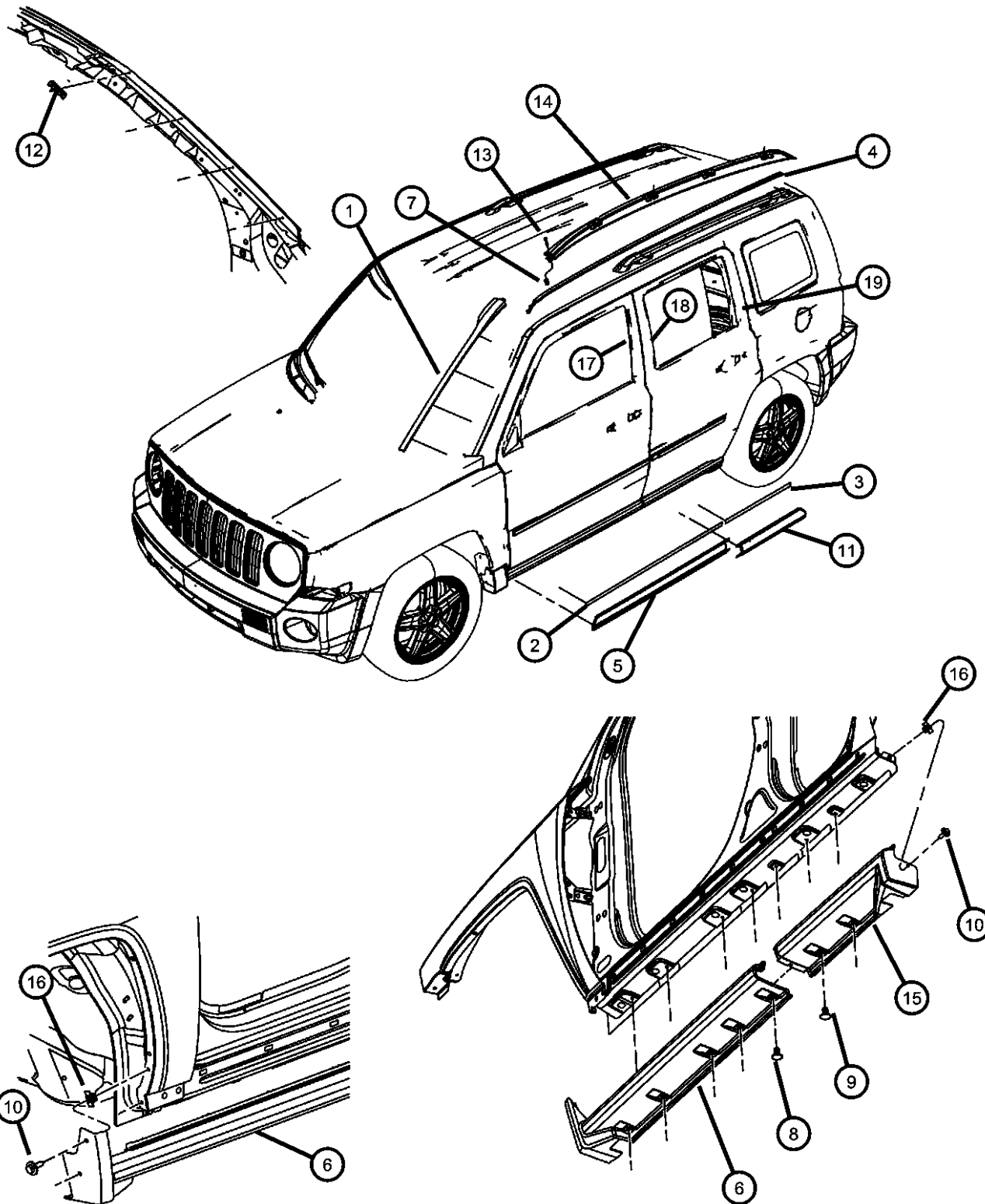
DEF = 6-Speed Manual Aisin BG6
Trans
DD7 = 5-Speed Manual T355
Transmission
DAV = Continuously Variable
Transaxle II
DAW = Cont.Var. w/Off-Rd Crawl
Ratio Trans

AR = use ase required - = Non illustrated part

2008 MK

**Exterior Ornamentation, Patriot
Figure 40-210**

ITEM	PART NUMBER	QTY	LINE	SERIES	BODY	ENGINE	TRANS	TRIM	DESCRIPTION
------	-------------	-----	------	--------	------	--------	-------	------	-------------



	05116390AA	1	J, T, U		74				Right
	05116391AA	1	J, T, U		74				Left

COMPASS/PATRIOT (MK)

SERIES LINE

H = HIGHLINE T = JEEP - 2WD

L = LOWLINE J = JEEP - 4WD

P = PREMIUM U = JEEP - 4WD (RHD)

BODY

49 = HATCHBACK TYPE #2

74 = SPORT UTILITY 4-DR

TYPE #4

ENGINE

ECE = 2.0L 4 Cyl DOHC DPF

Diesel Engine

ED3 = 2.4L 4 Cyl DOHC 16V

Dual VVT Engine

ECD = 2.0L 4 Cyl DOHC

Diesel 16V Engine

ECN = 2.0L 4 Cyl DOHC 16V

Dual VVT Engine

TRANSMISSION

DEF = 6-Speed Manual Aisin BG6

Trans

DD7 = 5-Speed Manual T355

Transmission

DAV = Continuously Variable

Transaxle II

DAW = Cont.Var. w/Off-Rd Crawl

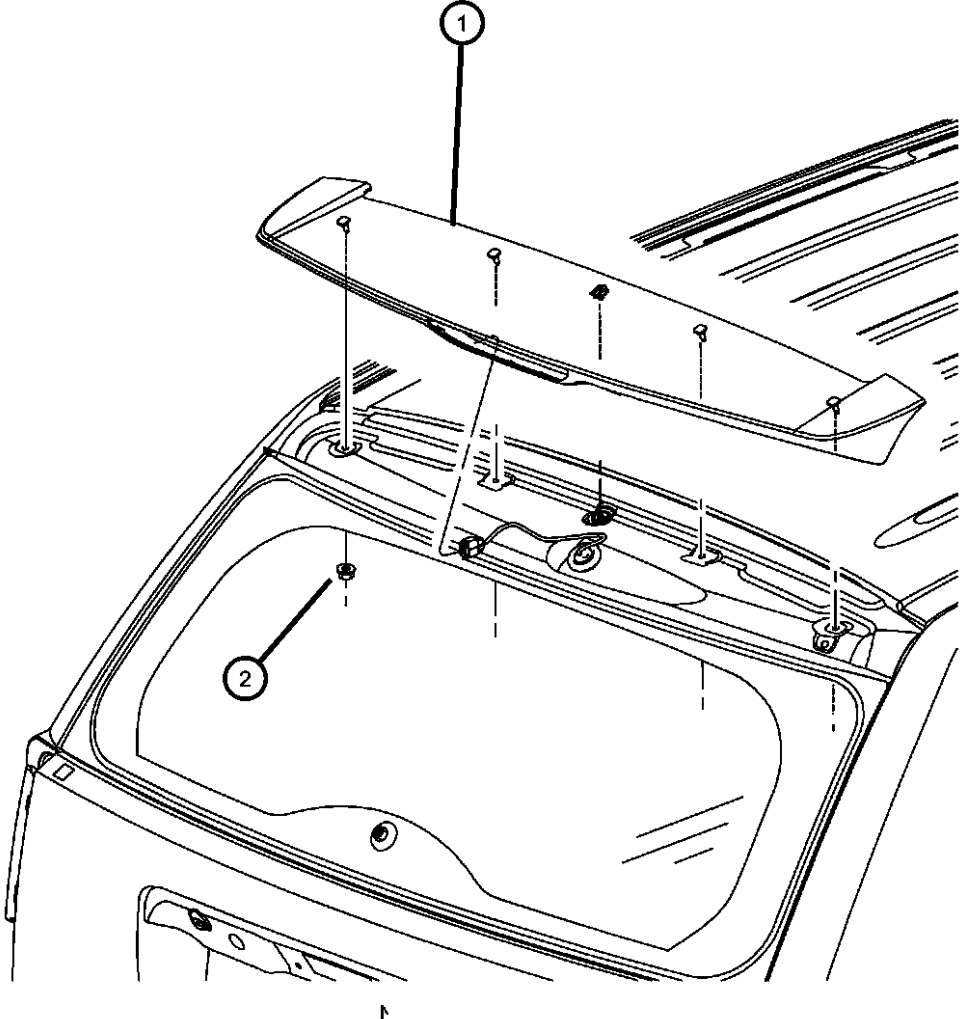
Ratio Trans

AR = use ase required - = Non illustrated part

2008 MK

Spoilers
Figure 40-245

ITEM	PART NUMBER	QTY	LINE	SERIES	BODY	ENGINE	TRANS	TRIM	DESCRIPTION
1	0ZM46RXFAC	1	J, T, U		49				SPOILER, Liftgate
2	06104725AA	4	J, T, U		49				NUT AND WASHER, Hex, M6X1.00

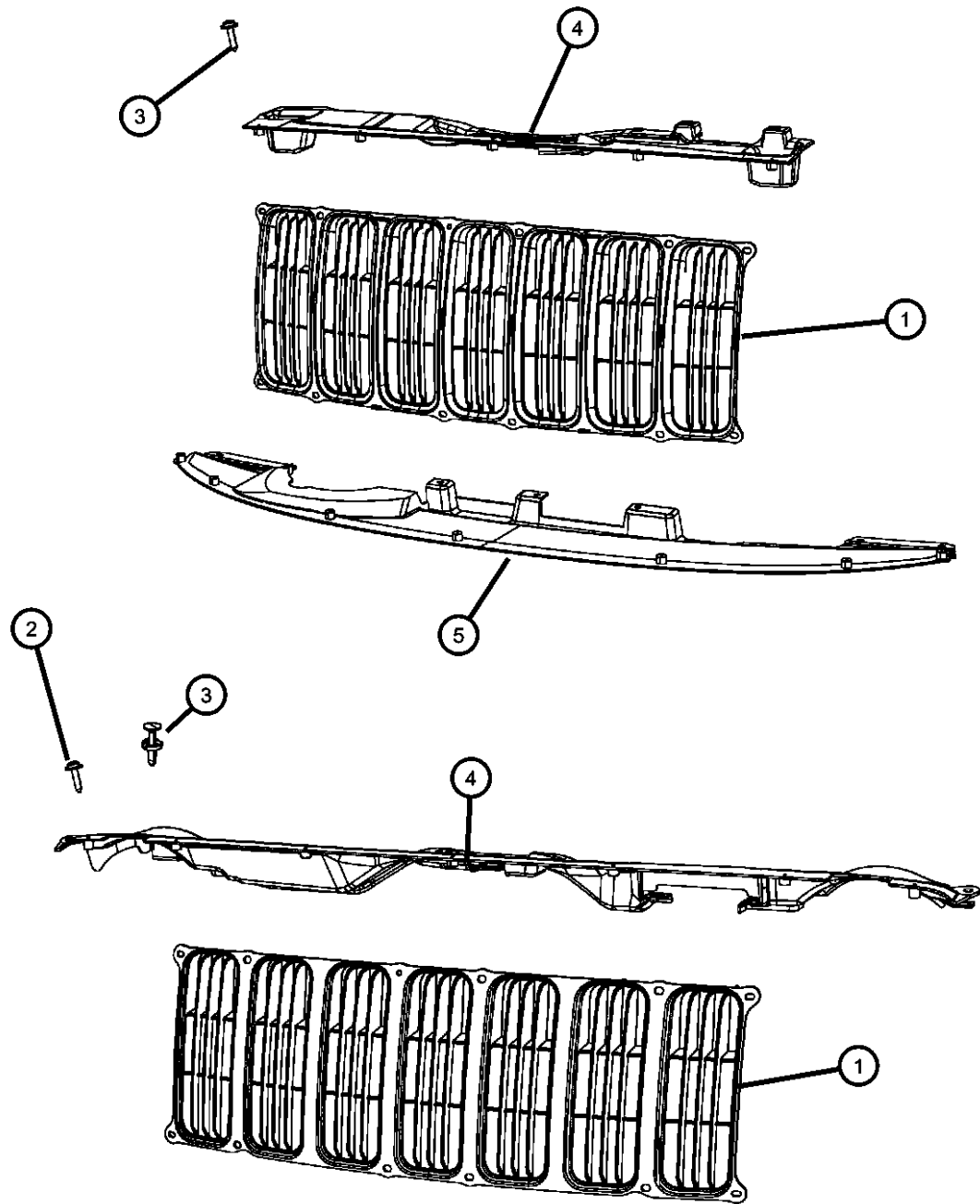


COMPASS/PATRIOT (MK)

SERIES	LINE	BODY	ENGINE	TRANSMISSION
H = HIGHLINE	T = JEEP - 2WD	49 = HATCHBACK TYPE #2	ECE = 2.0L 4 Cyl DOHC DPF Diesel Engine	DEF = 6-Speed Manual Aisin BG6 Trans
L = LOWLINE	J = JEEP - 4WD	74 = SPORT UTILITY 4-DR TYPE #4	ED3 = 2.4L 4 Cyl DOHC 16V Dual VVT Engine	DD7 = 5-Speed Manual T355 Transmission
P = PREMIUM	U = JEEP - 4WD (RHD)		ECD = 2.0L 4 Cyl DOHC Diesel 16V Engine	DAV = Continuously Variable Transaxle II
			ECN = 2.0L 4 Cyl DOHC 16V Dual VVT Engine	DAW = Cont.Var. w/Off-Rd Crawl Ratio Trans

AR = use ase required - = Non illustrated part

Grilles
Figure 40-405



ITEM	PART NUMBER	QTY	LINE	SERIES	BODY	ENGINE	TRANS	TRIM	DESCRIPTION
1	05116363AA	1	J, T, U		74				GRILLE, Radiator
	0YS24XXXAA	1	J, T, U		49				
2	05160260AA	5	J, T, U		49				PIN, Push
3	06105097AA	2	J, T, U		49				SCREW, M6x1x20
4	05116333AA	1	J, T, U		49				PANEL, Upper fascia
	05116364AA	1	J, T		74				
5	05116334AA	1	J, T, U		49				PANEL, Lower Fascia

COMPASS/PATRIOT (MK)				
SERIES	LINE	BODY	ENGINE	TRANSMISSION
H = HIGHLINE	T = JEEP - 2WD	49 = HATCHBACK TYPE #2	ECE = 2.0L 4 Cyl DOHC DPF Diesel Engine	DEF = 6-Speed Manual Aisin BG6 Trans
L = LOWLINE	J = JEEP - 4WD	74 = SPORT UTILITY 4-DR TYPE #4	ED3 = 2.4L 4 Cyl DOHC 16V Dual VVT Engine	DD7 = 5-Speed Manual T355 Transmission
P = PREMIUM	U = JEEP - 4WD (RHD)		ECD = 2.0L 4 Cyl DOHC Diesel 16V Engine	DAV = Continuously Variable Transaxle II
			ECN = 2.0L 4 Cyl DOHC 16V Dual VVT Engine	DAW = Cont.Var. w/Off-Rd Crawl Ratio Trans

AR = use ase required - = Non illustrated part

Group - 50
Interior Trim

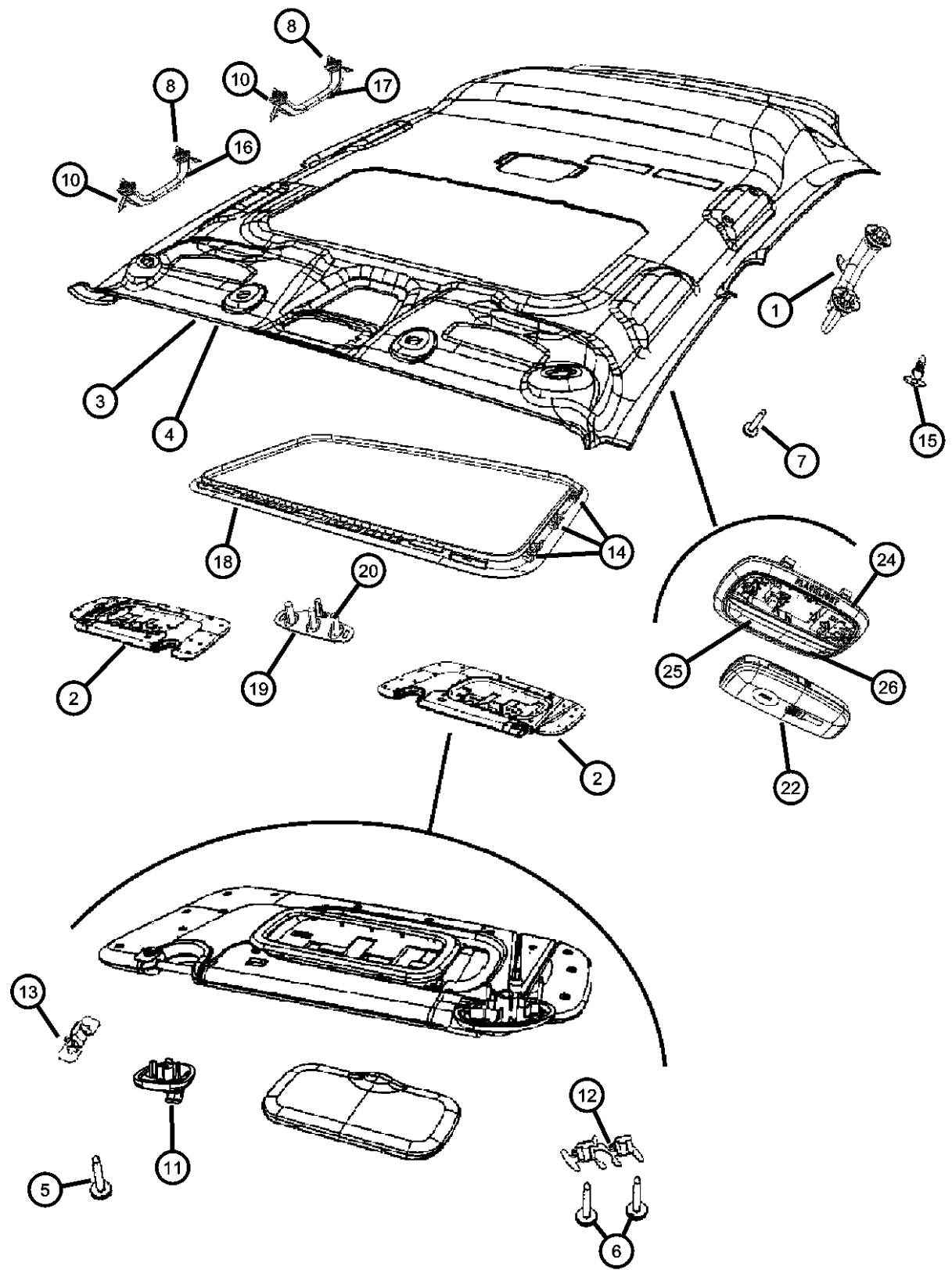
<p>050-100 Headliners-Visors-Assist Straps</p>	<p>050-1000 Rear Seats - Second Row - Adjusters, Recliners, Shields and Risers</p>	<p>050-1400 Lift Gate Panel and Scuff Plate</p>	<p>050-200 Panels-Moldings-Scuff Plates, Pillar, Cowl, 1/4 Panel Trim and Cargo Covers</p>
<p>050-300 Carpets, Floor Mats, Load Floor, and Silencers</p>	<p>050-400 Door Trim Panels-Front and Rear</p>	<p>050-500 Front Seats - First Row</p>	<p>050-600 Rear Seats - Second Row</p>
<p>050-900 Front Seats - Adjusters, Recliners, Shields and Risers</p>			

Group - 50 Interior Trim

Illustration Title	Group-Fig. No.
Headliners-Visors-Assist Straps	
Headliners and Visors	Fig. 50 - 105
Panels-Moldings-Scuff Plates, Pillar, Cowl, 1/4 Panel Trim and Cargo Covers	
Interior Moldings and Pillars	Fig. 50 - 205
Cowl Side Panel and Scuff Plates	Fig. 50 - 225
Quarter Trim Panel.....	Fig. 50 - 235
Carpets, Floor Mats, Load Floor, and Silencers	
Carpet, Complete	Fig. 50 - 305
Footrest	Fig. 50 - 345
Tonneau Cover	Fig. 50 - 350
Door Trim Panels-Front and Rear	
Front Door Trim Panels.....	Fig. 50 - 405
Rear Door Trim Panels	Fig. 50 - 415
Front Seats - First Row	
Front Seat - Bucket - Trim Code [AL]	Fig. 50 - 505
Front Seat - Bucket -Trim Code [D7]	Fig. 50 - 510
Front Seat - Bucket -Trim Code [E6].....	Fig. 50 - 530
Front Seat - Bucket -Trim Code [K6].....	Fig. 50 - 540
Rear Seats - Second Row	
Rear Seat - 60/40 - Trim Code [AL]	Fig. 50 - 640
Rear Seats - 60/40 - Trim Code [D7]	Fig. 50 - 645
Front Seats - Adjusters, Recliners, Shields and Risers	
Adjusters , Recliners and Shields - Driver Seat - Manual	Fig. 50 - 910
Adjusters , Recliners and Shields - Passenger Seat - Manual.....	Fig. 50 - 920
Rear Seats - Second Row - Adjusters, Recliners, Shields and Risers	
Rear Seat Attaching Parts.....	Fig. 50 - 1005
Lift Gate Panel and Scuff Plate	
Liftgate Panels and Scuff Plate	Fig. 50 - 1405

Headliners and Visors

Figure 50-105



ITEM	PART NUMBER	QTY	LINE	SERIES	BODY	ENGINE	TRANS	TRIM	DESCRIPTION
------	-------------	-----	------	--------	------	--------	-------	------	-------------

Sales Codes:
[GNK] = Rear View Auto Dim Mirror
[GWG]= Sunroof
[LCK]= Front Dome Lamp
[LDB]= Cargo Compartment Lamp
[LSC]= Security Alarm
[RSP]= Uconnect Hands Free Communcation
[XGD]= Garage Door Opener

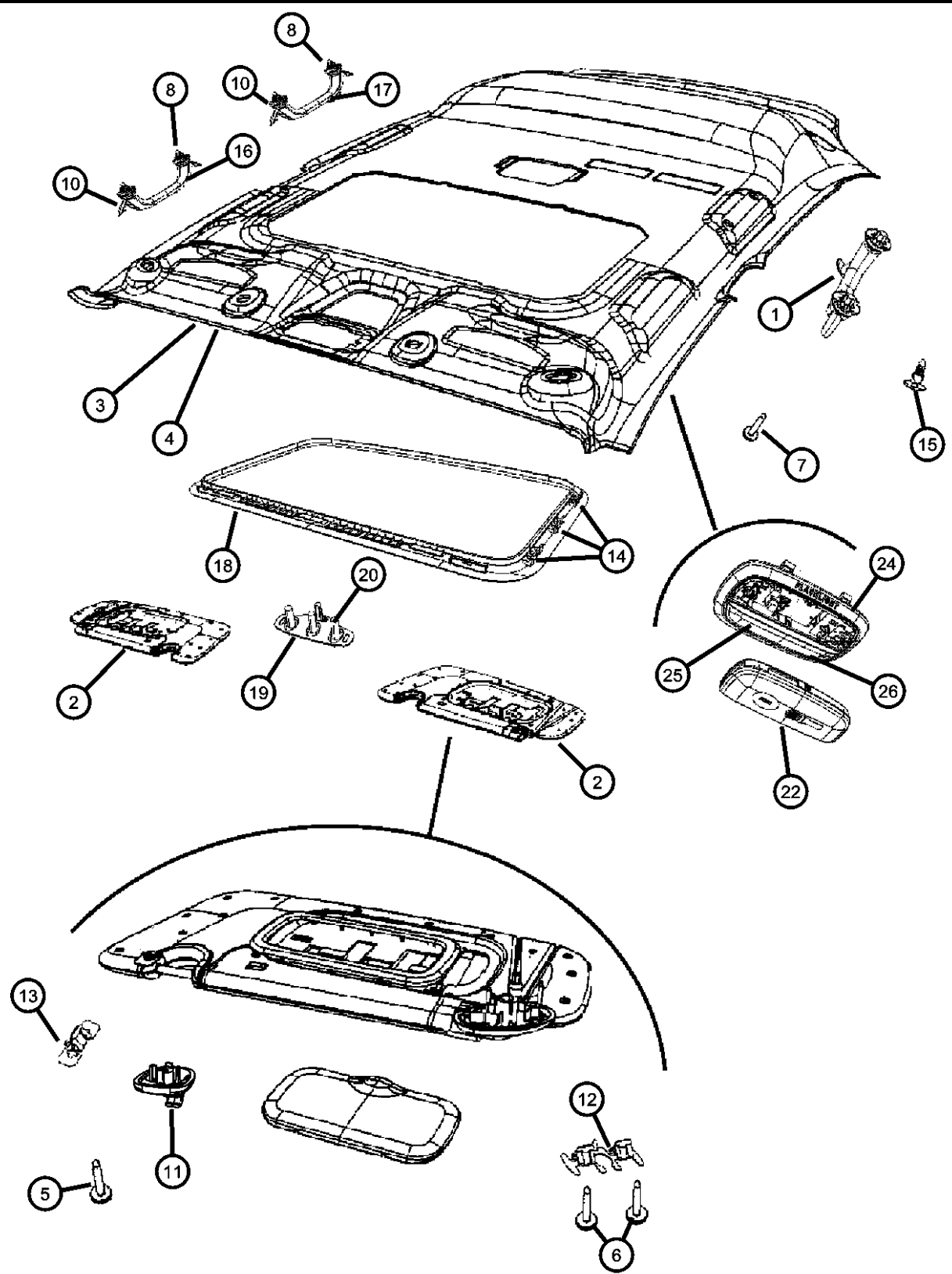
1									HOOK, Coat
	1GA29DW1AA	2	J, T, U		49			*00	
		1	J, T, U		74			*00	
2									VISOR
	0YD98DW1AA	1	J, T, U		74			*00	Right
	0YD99DW1AA	1	J, T, U		74			*00	Left
	1FA12DW1AA	1	J, T, U		49			*00	Right
	1FA13DW1AA	1	J, T, U		49			*00	Left
3									HEADLINER, With Sunroof
	1FA54DW1AC	1	J, T, U		49			*00	With [GWG] [LCD] [LCR] [CSR] [GNK] [LSC], without [XGD] or [RSP] or [LDB]
	1GA08DW1AB	1	J, T, U		74			*00	With [GWG] [LCD] [LCR] [CSR] [LSC], without [XGD] or [GNK] or [RSP] or [LDB] or [LCK]
	1GA09DW1AB	1	J, T, U		74			*00	With [GWG] [LCD] [LCR] [CSR] [GNK] [LSC], without [XGD] or [RSP] or [LDB] or [LCK]
	1KU63DW1AA	1	J, T, U		49			*00	With [GWG] [LCD] [LCR] [CS], without [XGD] or [RSP] or [LDB] or [LSC] or [GNK]
	1KU65DW1AA	1	J, T, U		49			*00	With [RSP] [XGD] [GWG] [LCD] [LCR] [CSR] [GNK], without [LDB] or [LSC]
	1KU66DW1AA	1	J, T, U		74			*00	With [GWG] [LCD] [LCR] [CS], without [XGD] or [RSP] or [LDB] or [LSC] or [GNK]
	1KV09DW1AA	1	J, T, U		49			*00	With [GWG] [LCD] [LCR] [CSR] [GNK], without [XGD] or [RSP] or [LDB] or LSC
	1LD94DW1AA	1	J, T, U		74			*00	With [GWG] [LCD] [LCR] [CSR] [GNK], without [XGD] or [RSP] or [LDB] or LSC

COMPASS/PATRIOT (MK)

SERIES	LINE	BODY	ENGINE	TRANSMISSION
H = HIGHLINE	T = JEEP - 2WD	49 = HATCHBACK TYPE #2	ECE = 2.0L 4 Cyl DOHC DPF Diesel Engine	DEF = 6-Speed Manual Aisin BG6 Trans
L = LOWLINE	J = JEEP - 4WD	74 = SPORT UTILITY 4-DR TYPE #4	ED3 = 2.4L 4 Cyl DOHC 16V Dual VVT Engine	DD7 = 5-Speed Manual T355 Transmission
P = PREMIUM	U = JEEP - 4WD (RHD)		ECD = 2.0L 4 Cyl DOHC Diesel 16V Engine	DAV = Continuously Variable Transaxle II
			ECN = 2.0L 4 Cyl DOHC 16V Dual VVT Engine	DAW = Cont.Var. w/Off-Rd Crawl Ratio Trans

AR = use ase required - = Non illustrated part

Headliners and Visors
Figure 50-105



ITEM	PART NUMBER	QTY	LINE	SERIES	BODY	ENGINE	TRANS	TRIM	DESCRIPTION
4	1KV06DW1AA	1	J, T, U		74			*00	With [GWG] [XGD] [LCD] [LCR] [CSR] [GNK], without [RSP] or [LDB] or [LSC]
		1	J, T, U		74			*00	With [RSP] [XGD] [GWG] [LCD] [LCR] [CSR] [GNK], without [LDB] or [LSC]
	1FA11DW1AB	1	J, T, U		49			*00	HEADLINER, Without Sunroof With [LBD], without [GWG] or [RSP] or [LCD] or [LCR] or [CSR] or [LSC] or [GNK]
	1GA02DW1AA	1	J, T, U		74			*00	With [LCD] [LCR] [CSR], without [LSC] [GWG] or [LDB] or [GNK] or [XGD] or [RSP] or [LCK]
	1GA06DW1AB	1	J, T, U		74			*00	Without [LCK]
	1FA46DW1AC	1	J, T, U		49			*00	With [LCD] [LCR] [CSR] [LSC], without [GWG] or [LDB] or [GNK] or [XGD] or [RSP]
	1GA01DW1AB	1	J, T, U		74			*00	With [LCK] [LBD]
		1	J, T, U		74			*00	With [LBD] [CSR]
		1	J, T, U		74			*00	With [LCD] [LCR] [CSR] [LSC], without [GWG] or [XGD] or [RSP] or [LBD] or [GNK]
	1GA07DW1AB	1	J, T, U		74			*00	With [LCD] [LCR] [CSR] [LSC] [GNK], without [XGD] or [GWG] or [RSP] or [LCK] or [LDB]
	1KT97DW1AA	1	J, T, U		49			*00	With [LCD] [LCR] [CSR], without [LSC] [GWG] or [LDB] or [GNK] or [XGD] or [RSP]
	1KV01DW1AA	1	J, T, U		74			*00	With [LCD] [LCR] [CSR], without [LSC] [GWG] or [LDB] or [GNK] or [XGD] or [RSP]
	1KV07DW1AA	1	J, T, U		74			*00	With [CSR] [LCD] [LCR] [GNK] [XGD] [RSP] [LCK], without [LSC] [GWG] [LDB]
	1LD96DW1AA	1	J, T, U		74			*00	With [LBD] [CSR], without [GWG] or [RSP] or [LCD] or [LCR] or [LSC] or [GNK]
5	05183404AA	1	J, T, U		74			*00	SCREW, Visor Support
		2	J, T, U		49			*00	
6	05183402AA	4	J, T, U		74			*00	SCREW, Visor

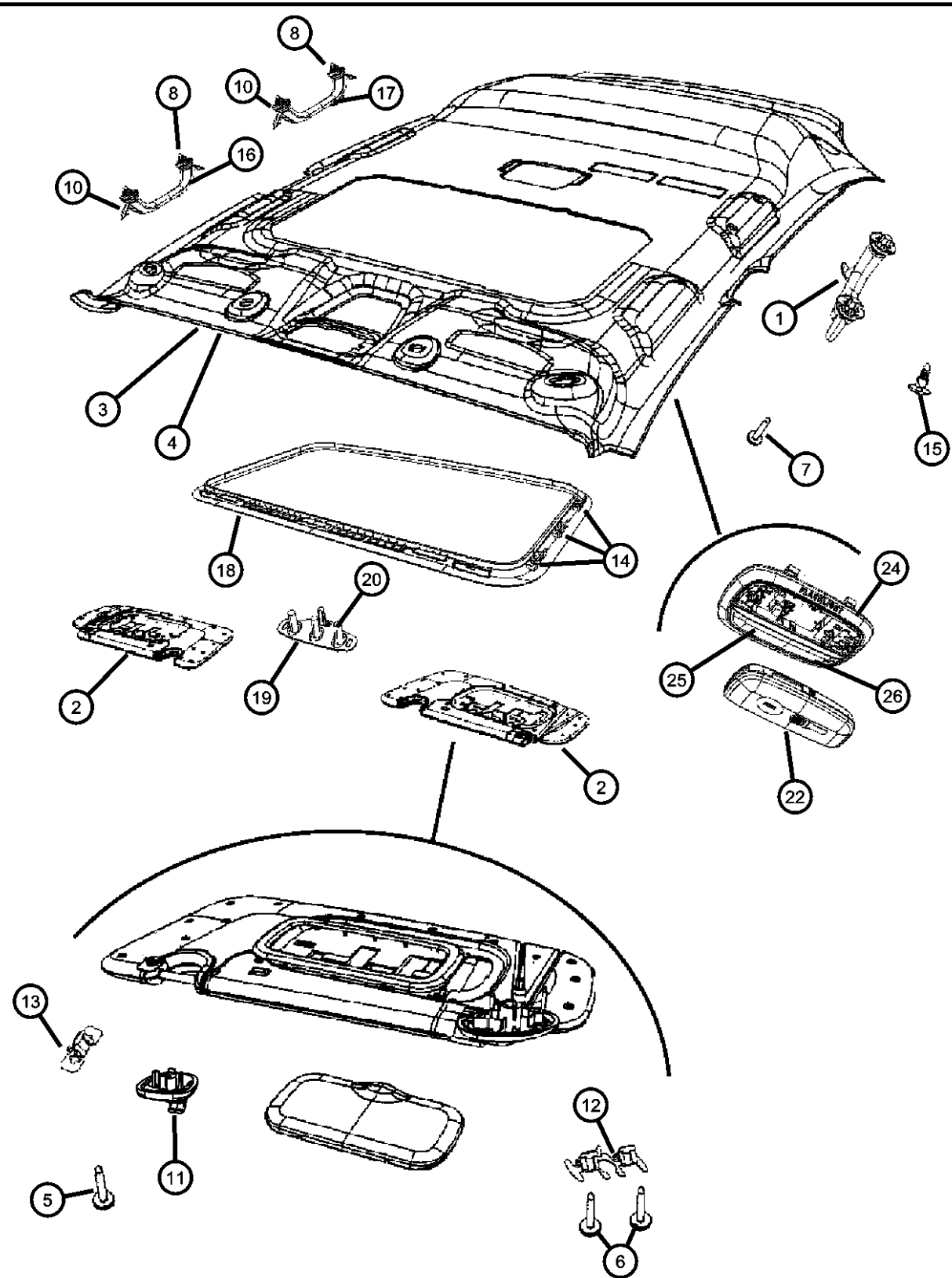
COMPASS/PATRIOT (MK)

SERIES	LINE	BODY	ENGINE	TRANSMISSION
H = HIGHLINE	T = JEEP - 2WD	49 = HATCHBACK TYPE #2	ECE = 2.0L 4 Cyl DOHC DPF Diesel Engine	DEF = 6-Speed Manual Aisin BG6 Trans
L = LOWLINE	J = JEEP - 4WD	74 = SPORT UTILITY 4-DR TYPE #4	ED3 = 2.4L 4 Cyl DOHC 16V Dual VVT Engine	DD7 = 5-Speed Manual T355 Transmission
P = PREMIUM	U = JEEP - 4WD (RHD)		ECD = 2.0L 4 Cyl DOHC Diesel 16V Engine	DAV = Continuously Variable Transaxle II
			ECN = 2.0L 4 Cyl DOHC 16V Dual VVT Engine	DAW = Cont.Var. w/Off-Rd Crawl Ratio Trans

AR = use ase required - = Non illustrated part

Headliners and Visors

Figure 50-105



ITEM	PART NUMBER	QTY	LINE	SERIES	BODY	ENGINE	TRANS	TRIM	DESCRIPTION
7		4	J, T, U		49			*O0	SCREW, Coat Hook attach
	00154932AA	2	J, T, U		74			*O0	
		2	J, T, U		49			*O0	
8		2	J, T, U		74			*O0	SCREW
	00154932AA	2	J, T, U		49			*O0	
-9		2	J, T, U		74			*O0	SCREW
	00154932AA	2	J, T, U		49			*O0	
10		8	J, T, U		74			*O0	SPACER, Grab Handle
	05023677AA	8	J, T, U		49			*O0	
11		8	J, T, U		49			*O0	RECEPTACLE, Visor
	1DR31DW1AA	2	J, T, U		74			*O0	
		2	J, T, U		49			*O0	
12		2	J, T, U		74			*O0	CLIP, Visor
	05183403AA	2	J, T, U		49			*O0	
13		2	J, T, U		74			*O0	CLIP, Used for Visor Support and Grab Handle
	05183405AA	1	J, T, U		74			*O0	
		4	J, T, U		49			*O0	
14		1	J, T, U		74			*O0	RETAINER, Holds the Trim Lace
	05183411AA	1	J, T, U		74			*O0	
		8	J, T, U		49			*O0	
15		2	J, T, U		74			*O0	PLUG, Rear of Headliner
	1DR34DW1AA	2	J, T, U		74			*O0	
	1GD79DW1AA	2	J, T, U		49			*O0	
16		2	J, T, U		74			*O0	HANDLE, Roof Grab, Front
	0QY62DW1AE	2	J, T, U		49			*O0	
		2	J, T, U		74			*O0	
17									HANDLE, Roof Grab, Rear

COMPASS/PATRIOT (MK)

SERIES LINE
H = HIGHLINE T = JEEP - 2WD
L = LOWLINE J = JEEP - 4WD
P = PREMIUM U = JEEP - 4WD (RHD)

BODY
49 = HATCHBACK TYPE #2
74 = SPORT UTILITY 4-DR TYPE #4

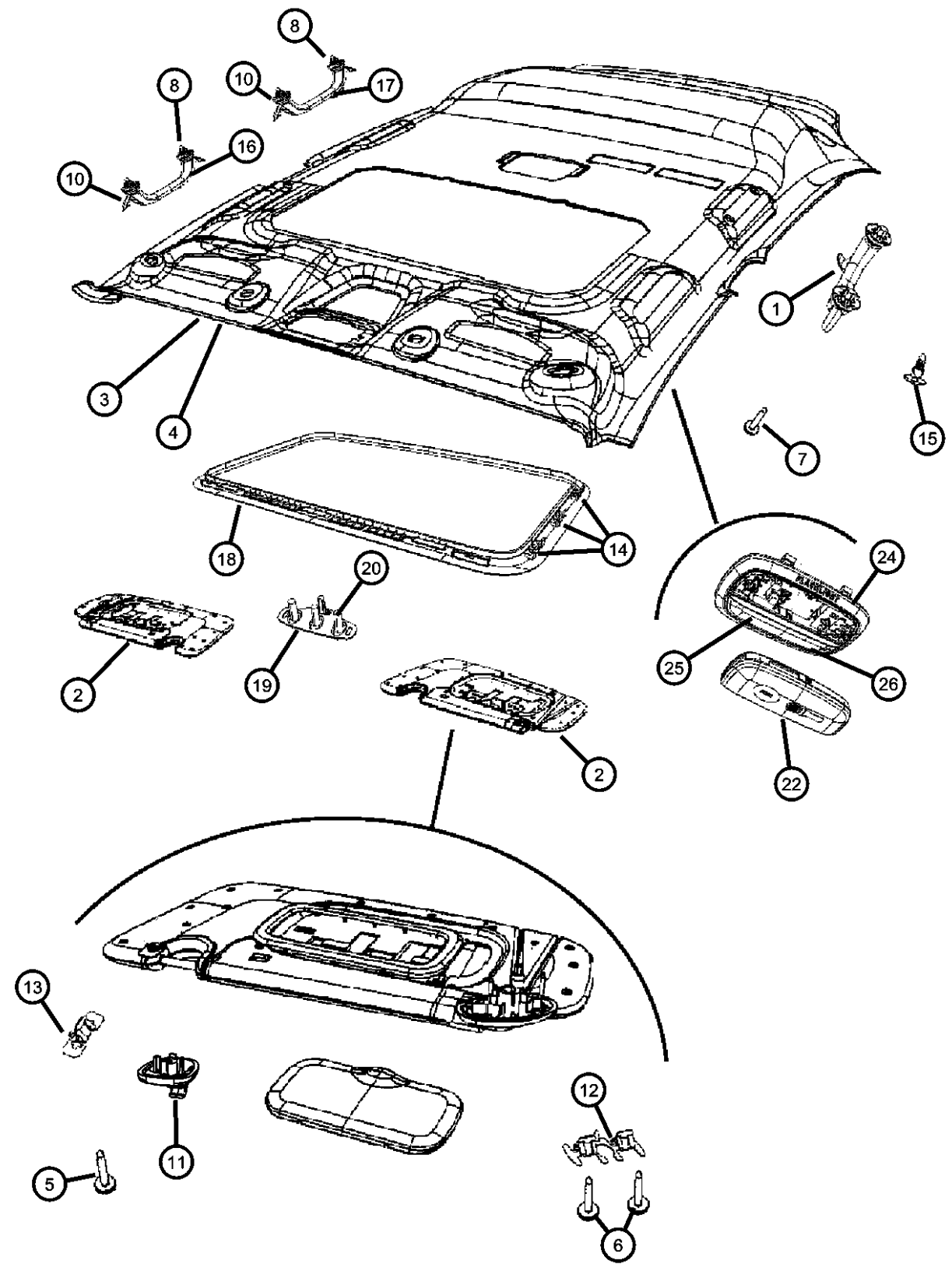
ENGINE
ECE = 2.0L 4 Cyl DOHC DPF Diesel Engine
ED3 = 2.4L 4 Cyl DOHC 16V Dual VVT Engine
ECD = 2.0L 4 Cyl DOHC Diesel 16V Engine
ECN = 2.0L 4 Cyl DOHC 16V Dual VVT Engine

TRANSMISSION
DEF = 6-Speed Manual Aisin BG6 Trans
DD7 = 5-Speed Manual T355 Transmission
DAV = Continuously Variable Transaxle II
DAW = Cont.Var. w/Off-Rd Crawl Ratio Trans

AR = use ase required - = Non illustrated part

2008 MK

Headliners and Visors
Figure 50-105



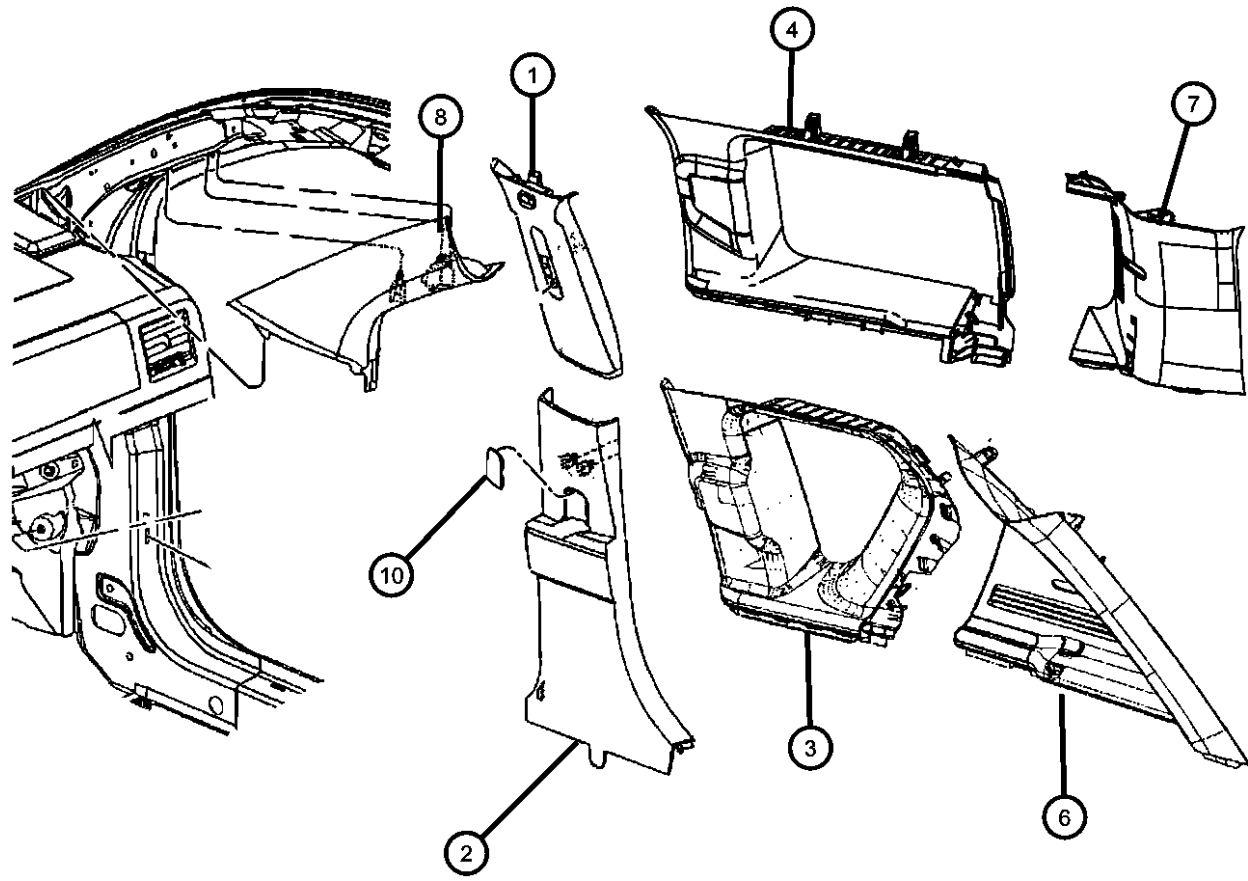
ITEM	PART NUMBER	QTY	LINE	SERIES	BODY	ENGINE	TRANS	TRIM	DESCRIPTION
	0QY66DW1AD	1	J, T, U		74			*00	Right
		1	J, T, U		49			*00	Right
	0QY67DW1AD	1	J, T, U		74			*00	Left
		1	J, T, U		49			*00	Left
18									TRIM LACE, Sunroof
	1DR59DW1AA	1	J, T, U		74			*00	
		1	J, T, U		49			*00	
19									BEZEL, Garage Door Opener
	1BW48DW1AA	1	J, T, U		74			*00	
		1	J, T, U		49			*00	
20									BUTTON, Garage Door Opener
	1BW49DX9AB	1	J, T, U		49			*00	
		1	J, T, U		74			*00	
-21									MODULE, Garage Door Opener
	56044968AA	1	J, T, U		74			*00	
		1	J, T, U		49			*00	
22									FLASHLIGHT
	05183459AA	1	J, T, U		74			*00	
		1	J, T, U		49			*00	
-23									BATTERY, Flashlight
	05183454AA	1	J, T, U		74			*00	
		1	J, T, U		49			*00	
24									LAMP, Dome
	05183445AA	1	J, T, U		74			*00	
		1	J, T, U		49			*00	
25									LENS, Dome Lamp
	05183449AA	1	J, T, U		74			*00	
		1	J, T, U		49			*00	
26									BULB
	05183471AA	1	J, T, U		74			*00	
		1	J, T, U		49			*00	

COMPASS/PATRIOT (MK)			BODY		ENGINE	TRANSMISSION
SERIES	LINE					
H = HIGHLINE	T = JEEP - 2WD		49 = HATCHBACK TYPE #2		ECE = 2.0L 4 Cyl DOHC DPF Diesel Engine	DEF = 6-Speed Manual Aisin BG6 Trans
L = LOWLINE	J = JEEP - 4WD		74 = SPORT UTILITY 4-DR TYPE #4		ED3 = 2.4L 4 Cyl DOHC 16V Dual VVT Engine	DD7 = 5-Speed Manual T355 Transmission
P = PREMIUM	U = JEEP - 4WD (RHD)				ECD = 2.0L 4 Cyl DOHC Diesel 16V Engine	DAV = Continuously Variable Transaxle II
					ECN = 2.0L 4 Cyl DOHC 16V Dual VVT Engine	DAW = Cont.Var. w/Off-Rd Crawl Ratio Trans

AR = use ase required - = Non illustrated part

Interior Moldings and Pillars
Figure 50-205

ITEM	PART NUMBER	QTY	LINE	SERIES	BODY	ENGINE	TRANS	TRIM	DESCRIPTION
									Sales Codes: [AGV]= With Flexible Seating Group [RFS]= 2 Articulating Liftgate Speakers
1	0YF58DW1AD	1	J, T, U		49			*O0	PANEL, B Pillar Upper Trim [DA] , Without [CJ4] or [CGS], Right
		1	J, T, U		49			*O0	[DV] , Without [CJ4] or [CGS], Right
		1	J, T, U		49			*O0	[KA] , Without [CJ4] or [CGS], Right
	0YF59DW1AD	1	J, T, U		49			*O0	[DA] , Without [CJ4] or [CGS], Left
		1	J, T, U		49			*O0	[DV] , Without [CJ4] or [CGS], Left
		1	J, T, U		49			*O0	[KA] , Without [CJ4] or [CGS], Left
	1AX74DW1AC	1	J, T, U		74			*O0	[DA] , Without [CJ4], Right
		1	J, T, U		74			*O0	[KA] , Without [CJ4], Right
		1	J, T, U		74			*O0	[DV] , Without [CJ4], Right
	1AX75DW1AC	1	J, T, U		74			*O0	[DA] , Without [CJ4], Left
		1	J, T, U		74			*O0	[KA] , Without [CJ4], Left
		1	J, T, U		74			*O0	[DV] , Without [CJ4], Left
	1ET04DW1AC	1	J, T, U		49			*O0	[DA] , With [CJ4] or [CGS], Right
		1	J, T, U		49			*O0	[DV] , With [CJ4] or [CGS], Right
		1	J, T, U		49			*O0	[KA] , With [CJ4] or [CGS], Right
	1ET04DW1AD	1	J, T, U		49			*O0	[DV] , With [CJ4], Right
		1	J, T, U		49			*O0	[KA] , With [CJ4], Right
	1ET05DW1AC	1	J, T, U		49			*O0	[DA] , With [CJ4] or [CGS], Left
		1	J, T, U		49			*O0	[DV] , With [CJ4] or [CGS], Left
		1	J, T, U		49			*O0	[KA] , With [CJ4] or [CGS], Left
	1ET05DW1AD	1	J, T, U		49			*O0	[DV] , With [CJ4], Left
		1	J, T, U		49			*O0	[KA] , With [CJ4], Left
	1EX68DW1AC	1	J, T, U		74			*O0	[DA] , With [CJ4], Right
		1	J, T, U		74			*O0	[KA] , With [CJ4], Right
		1	J, T, U		74			*O0	[DV] , With [CJ4], Right
	1EX69DW1AC	1	J, T, U		74			*O0	[DA] , With [CJ4], Left
		1	J, T, U		74			*O0	[KA] , With [CJ4], Left



COMPASS/PATRIOT (MK)

SERIES LINE
H = HIGHLINE T = JEEP - 2WD
L = LOWLINE J = JEEP - 4WD
P = PREMIUM U = JEEP - 4WD (RHD)

BODY
49 = HATCHBACK TYPE #2
74 = SPORT UTILITY 4-DR TYPE #4

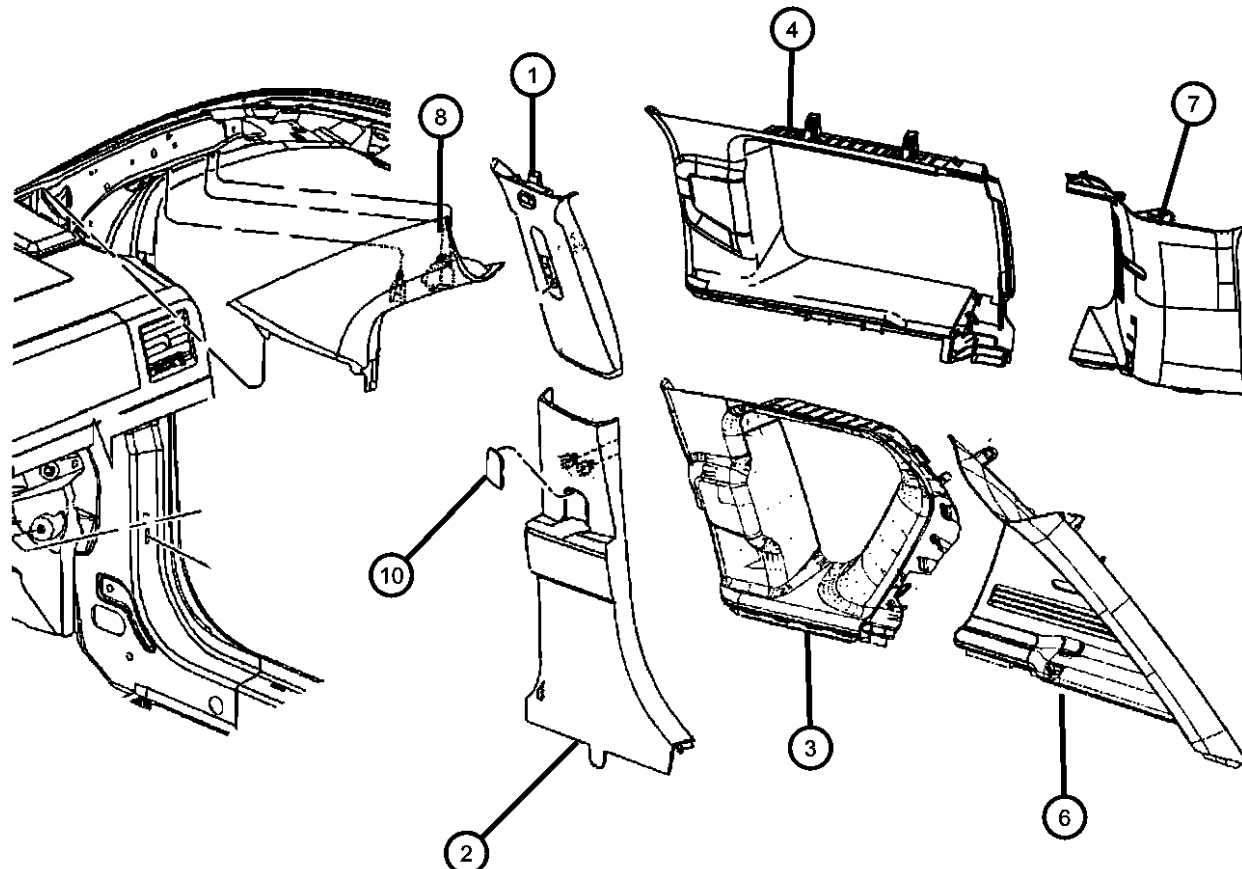
ENGINE TRANSMISSION
ECE = 2.0L 4 Cyl DOHC DPF Diesel Engine DEF = 6-Speed Manual Aisin BG6 Trans
ED3 = 2.4L 4 Cyl DOHC 16V Dual VVT Engine DD7 = 5-Speed Manual T355 Transmission
ECD = 2.0L 4 Cyl DOHC Diesel 16V Engine DAV = Continuously Variable Transaxle II
ECN = 2.0L 4 Cyl DOHC 16V Dual VVT Engine DAW = Cont.Var. w/Off-Rd Crawl Ratio Trans

AR = use ase required - = Non illustrated part

2008 MK

Interior Moldings and Pillars
Figure 50-205

ITEM	PART NUMBER	QTY	LINE	SERIES	BODY	ENGINE	TRANS	TRIM	DESCRIPTION
		1	J, T, U		74			*O0	[KA] , With [CJ4]
		1	J, T, U		49			*O0	[KA] , With [CJ4] or [CGS]
		1	J, T, U		49			*O0	[DA] , With [CJ4] or [CGS]
		1	J, T, U		74			*O0	[DV] , With [CJ4]
		1	J, T, U		49			*O0	[DV] , With [CJ4] or [CGS]
6									PANEL, D Pillar, 49 Body Style
	0YE52DW1AD	1	J, T, U		49			*O0	[DA], Right
		1	J, T, U		49			*O0	[KA], Right
		1	J, T, U		49			*O0	[DV], Right
	0YE53DW1AD	1	J, T, U		49			*O0	[DA], Left
		1	J, T, U		49			*O0	[KA], Left
		1	J, T, U		49			*O0	[DV], Left
7									PANEL, D Pillar, 74 Body Style
	1AX78DW1AB	1	J, T, U		74			*O0	[DA], Right
		1	J, T, U		74			*O0	[KA], Right
	1AX78DW1AC	1	J, T, U		74			*O0	[DV], Right
	1AX79DW1AB	1	J, T, U		74			*O0	[DA], Left
		1	J, T, U		74			*O0	[KA], Left
	1AX79DW1AC	1	J, T, U		74			*O0	[DV], Left
8									MOLDING, Windshield Garnish
	0YF54DW1AD	1	J, T, U		49			*O0	[DA], Right
		1	T, U, J		49			*O0	[KA], Right
		1	J, T, U		49			*O0	[DV], Right
	0YF55DW1AD	1	J, T, U		49			*O0	[DA], Left
		1	J, T, U		49			*O0	[KA], Left
		1	J, T, U		49			*O0	[DV], Left
	1AX70DW1AB	1	J, T, U		74			*O0	[DA], Right
		1	J, T, U		74			*O0	[KA], Right
	1AX71DW1AB	1	J, T, U		74			*O0	[DA], Left
		1	J, T, U		74			*O0	[KA], Left
-9									PLUG, A Pillar
	1MY12DW1AA	1	J, T, U		49			*O0	[DV]



COMPASS/PATRIOT (MK)

SERIES

H = HIGHLINE
L = LOWLINE
P = PREMIUM

T = JEEP - 2WD
J = JEEP - 4WD
U = JEEP - 4WD (RHD)

BODY

49 = HATCHBACK TYPE #2
74 = SPORT UTILITY 4-DR TYPE #4

ENGINE

ECE = 2.0L 4 Cyl DOHC DPF Diesel Engine
ED3 = 2.4L 4 Cyl DOHC 16V Dual VVT Engine
ECD = 2.0L 4 Cyl DOHC Diesel 16V Engine
ECN = 2.0L 4 Cyl DOHC 16V Dual VVT Engine

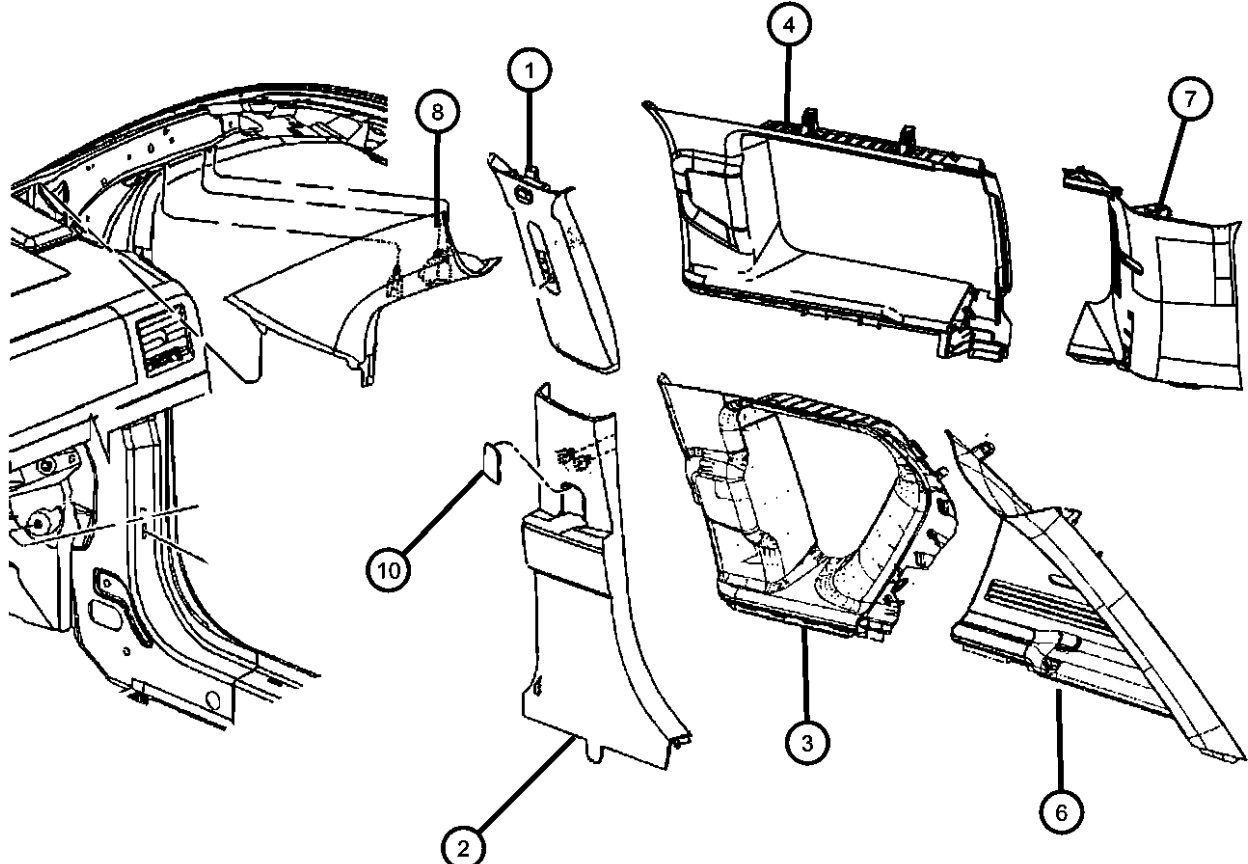
TRANSMISSION

DEF = 6-Speed Manual Aisin BG6 Trans
DD7 = 5-Speed Manual T355 Transmission
DAV = Continuously Variable Transaxle II
DAW = Cont.Var. w/Off-Rd Crawl Ratio Trans

AR = use ase required - = Non illustrated part

2008 MK

Interior Moldings and Pillars
Figure 50-205



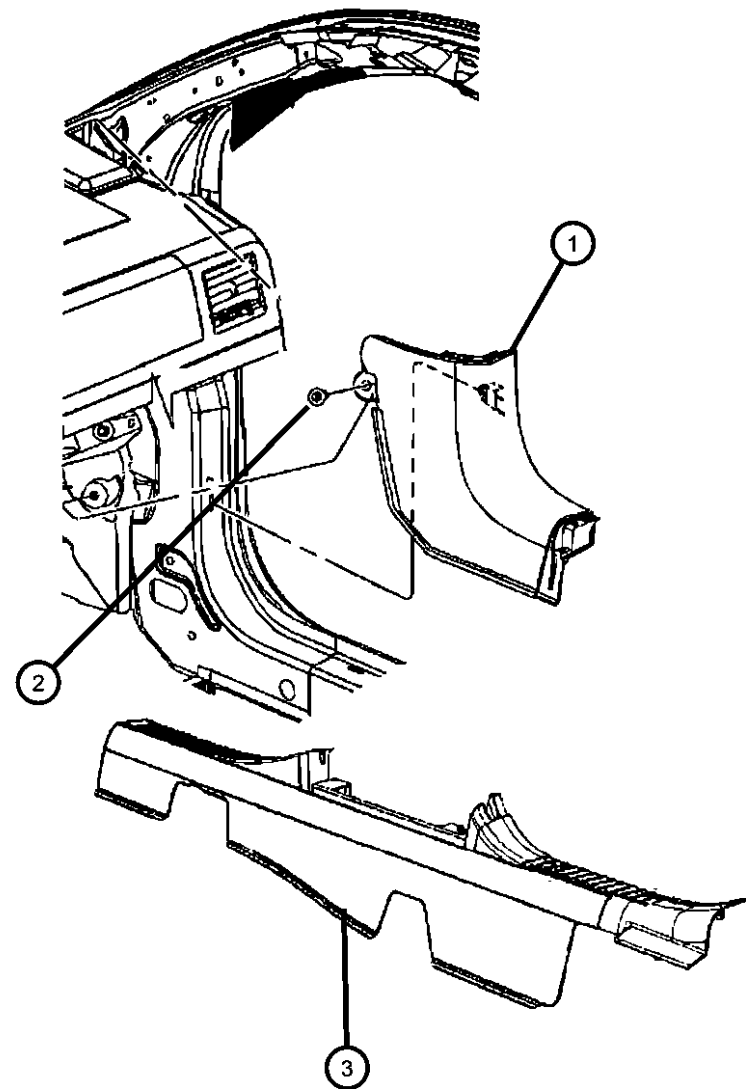
ITEM	PART NUMBER	QTY	LINE	SERIES	BODY	ENGINE	TRANS	TRIM	DESCRIPTION
10		1	J, T, U		49			*00	[KA] BEZEL, Seat Belt
	0YD78DK7AC	2	J, T, U		49			*00	[KA]
		2	J, T, U		74			*00	[KA]
	0YD78XDVAC	2	J, T, U		49			*00	[DA]
		2	J, T, U		74			*00	[DA]
		2	J, T, U		49			*00	[DV]
		2	J, T, U		74			*00	[DV]

COMPASS/PATRIOT (MK)

SERIES	LINE	BODY	ENGINE	TRANSMISSION
H = HIGHLINE	T = JEEP - 2WD	49 = HATCHBACK TYPE #2	ECE = 2.0L 4 Cyl DOHC DPF Diesel Engine	DEF = 6-Speed Manual Aisin BG6 Trans
L = LOWLINE	J = JEEP - 4WD	74 = SPORT UTILITY 4-DR TYPE #4	ED3 = 2.4L 4 Cyl DOHC 16V Dual VVT Engine	DD7 = 5-Speed Manual T355 Transmission
P = PREMIUM	U = JEEP - 4WD (RHD)		ECD = 2.0L 4 Cyl DOHC Diesel 16V Engine	DAV = Continuously Variable Transaxle II
			ECN = 2.0L 4 Cyl DOHC 16V Dual VVT Engine	DAW = Cont.Var. w/Off-Rd Crawl Ratio Trans

AR = use ase required - = Non illustrated part

Cowl Side Panel and Scuff Plates
Figure 50-225



ITEM	PART NUMBER	QTY	LINE	SERIES	BODY	ENGINE	TRANS	TRIM	DESCRIPTION
1									PANEL, Cowl
	0YF64DK7AC	1	J, T, U		49			*00	[KA], Right
		1	J, T, U		74			*00	[KA], Right
	0YF64XDVAC	1	J, T, U		49			*00	[DA], Right
		1	J, T, U		74			*00	[DA], Right
		1	J, T, U		49			*00	[DV], Right
		1	J, T, U		74			*00	[DV], Right
	0YF65DK7AC	1	J, T, U		49			*00	[KA], Left
		1	J, T, U		74			*00	[KA], Left
	0YF65XDVAC	1	J, T, U		49			*00	[DA], Left
		1	J, T, U		49			*00	[DV], Left
		1	J, T, U		74			*00	[DV], Left
	0YF65DK7AD	1	J, T, U		74			*00	Left
2									NUT
	06509109AA	2	J, T, U		49				
		2	J, T, U		74				
3									PLATE, Scuff
	0YF04DK7AC	1	J, T, U		49			*00	[KA], Right
		1	J, T, U		74			*00	[KA], Right
	0YF04XDVAC	1	J, T, U		49			*00	[DA], Right
		1	J, T, U		74			*00	[DA], Right
		1	J, T, U		74			*00	[DV], Right
	0YF04XDVAD	1	J, T, U		49			*00	[DV], Right
	0YF05DK7AC	1	J, T, U		49			*00	[KA], Left
		1	J, T, U		74			*00	[KA], Left
	0YF05XDVAC	1	J, T, U		49			*00	[DA], Left
		1	J, T, U		74			*00	[DA], Left
	0YF05XDVAD	1	J, T, U		49			*00	[DV], Left
		1	J, T, U		74			*00	[DV], Left

COMPASS/PATRIOT (MK)

SERIES	LINE
H = HIGHLINE	T = JEEP - 2WD
L = LOWLINE	J = JEEP - 4WD
P = PREMIUM	U = JEEP - 4WD (RHD)

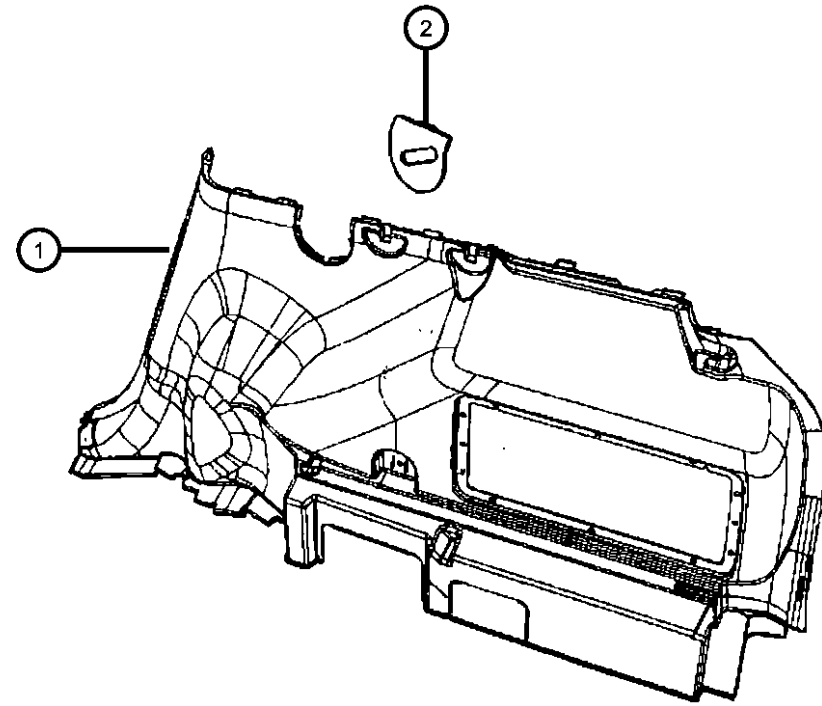
BODY
49 = HATCHBACK TYPE #2
74 = SPORT UTILITY 4-DR
TYPE #4

ENGINE	TRANSMISSION
ECE = 2.0L 4 Cyl DOHC DPF Diesel Engine	DEF = 6-Speed Manual Aisin BG6 Trans
ED3 = 2.4L 4 Cyl DOHC 16V Dual VVT Engine	DD7 = 5-Speed Manual T355 Transmission
ECD = 2.0L 4 Cyl DOHC Diesel 16V Engine	DAV = Continuously Variable Transaxle II
ECN = 2.0L 4 Cyl DOHC 16V Dual VVT Engine	DAW = Cont.Var. w/Off-Rd Crawl Ratio Trans

AR = use ase required - = Non illustrated part

2008 MK

Quarter Trim Panel
Figure 50-235



ITEM	PART NUMBER	QTY	LINE	SERIES	BODY	ENGINE	TRANS	TRIM	DESCRIPTION
1									PANEL, Quarter Trim
	0YF66DK7AG	1	J, T, U		49			*00	[KA] , Without [RF5], Right
	0YF66XDVAG	1	J, T, U		49			*00	[DV] , Without [RF5], Right
	0YF67DK7AG	1	J, T, U		49			*00	[KA], Left
	0YF67XDVAG	1	J, T, U		49			*00	[DV], Left
	1BE92DK7AG	1	J, T, U		49			*00	[KA] , With [RF5], Right
	1BE92XDVAG	1	J, T, U		49			*00	[DV] , With [RF5], Right
	1BP82DK7AF	1	J, T, U		74			*00	[KA] , Without [RF5], Right
	1BP82XDVAF	1	J, T, U		74			*00	[DV] , Without [RF5], Right
	1BP83DK7AF	1	J, T, U		74			*00	[KA], Left
	1BP83XDVAF	1	J, T, U		74			*00	[DV], Left
	1BP84DK7AF	1	J, T, U		74			*00	[KA] , With [RF5], Right
	1BP84XDVAF	1	J, T, U		74			*00	[DV] , With [RF5], Right
2									PLATE, Striker
	0YF68DK7AD	1	J, T, U		49			*00	[KA] , Without [AGV], Right
		1	J, T, U		74			*00	[KA] , Without [AGV], Right
	0YF68XDVAD	1	J, T, U		49			*00	[DA] , Without [AGV], Right
		1	J, T, U		74			*00	[DA] , Without [AGV], Right
		1	J, T, U		49			*00	[DV] , Without [AGV], Right
		1	J, T, U		74			*00	[DV] , Without [AGV], Right
	0YF69DK7AD	1	J, T, U		49			*00	[KA] , Without [AGV], Left
		1	J, T, U		74			*00	[KA] , Without [AGV], Left
	0YF69XDVAD	1	J, T, U		49			*00	[DA] , Without [AGV], Left
		1	J, T, U		74			*00	[DA] , Without [AGV], Left
		1	J, T, U		49			*00	[DV] , Without [AGV], Left
		1	J, T, U		74			*00	[DV] , Without [AGV], Left
	1BZ60DK7AD	1	J, T, U		49			*00	[KA] , With [AGV], Right
		1	J, T, U		74			*00	[KA] , With [AGV], Right
	1BZ60XDVAD	1	J, T, U		49			*00	[DA] , With [AGV], Right
		1	J, T, U		74			*00	[DA] , With [AGV], Right
		1	J, T, U		49			*00	[DV] , With [AGV], Right
		1	J, T, U		74			*00	[DV] , With [AGV], Right
	1BZ61DK7AD	1	J, T, U		49			*00	[KA] , With [AGV], Left

COMPASS/PATRIOT (MK)

SERIES

H = HIGHLINE
L = LOWLINE
P = PREMIUM

LINE

T = JEEP - 2WD
J = JEEP - 4WD
U = JEEP - 4WD (RHD)

BODY

49 = HATCHBACK TYPE #2
74 = SPORT UTILITY 4-DR TYPE #4

ENGINE

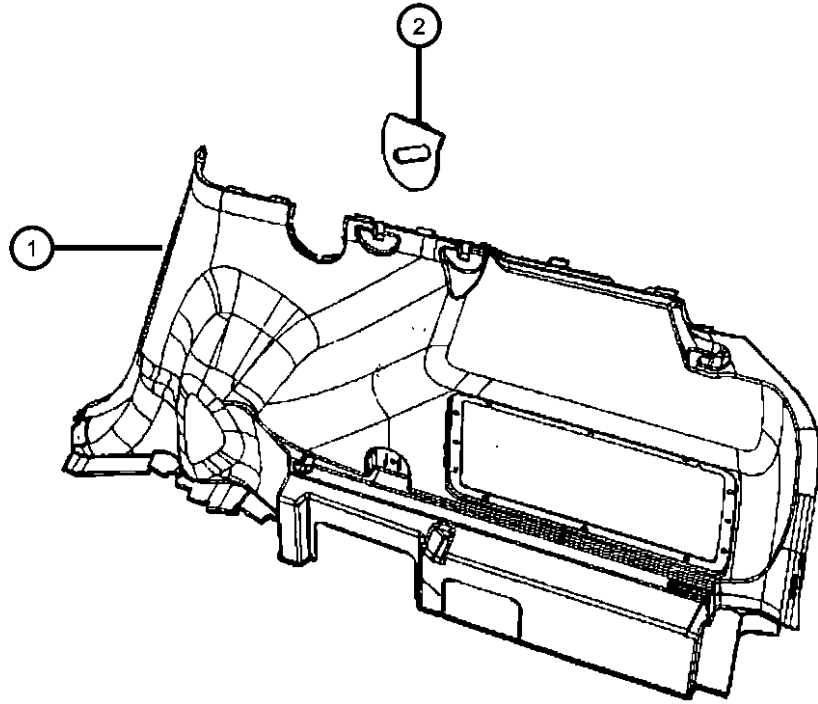
ECE = 2.0L 4 Cyl DOHC DPF Diesel Engine
ED3 = 2.4L 4 Cyl DOHC 16V Dual VVT Engine
ECD = 2.0L 4 Cyl DOHC Diesel 16V Engine
ECN = 2.0L 4 Cyl DOHC 16V Dual VVT Engine

TRANSMISSION

DEF = 6-Speed Manual Aisin BG6 Trans
DD7 = 5-Speed Manual T355 Transmission
DAV = Continuously Variable Transaxle II
DAW = Cont.Var. w/Off-Rd Crawl Ratio Trans

Quarter Trim Panel
Figure 50-235

ITEM	PART NUMBER	QTY	LINE	SERIES	BODY	ENGINE	TRANS	TRIM	DESCRIPTION
		1	J, T, U		74			*00	[KA] , With [AGV], Left
	1BZ61XDVAD	1	J, T, U		49			*00	[DA] , With [AGV], Left
		1	J, T, U		74			*00	[DA] , With [AGV], Left
		1	J, T, U		49			*00	[DV] , With [AGV], Left
		1	J, T, U		74			*00	[DV] , With [AGV], Left



COMPASS/PATRIOT (MK)

SERIES LINE
H = HIGHLINE T = JEEP - 2WD
L = LOWLINE J = JEEP - 4WD
P = PREMIUM U = JEEP - 4WD (RHD)

BODY
49 = HATCHBACK TYPE #2
74 = SPORT UTILITY 4-DR TYPE #4

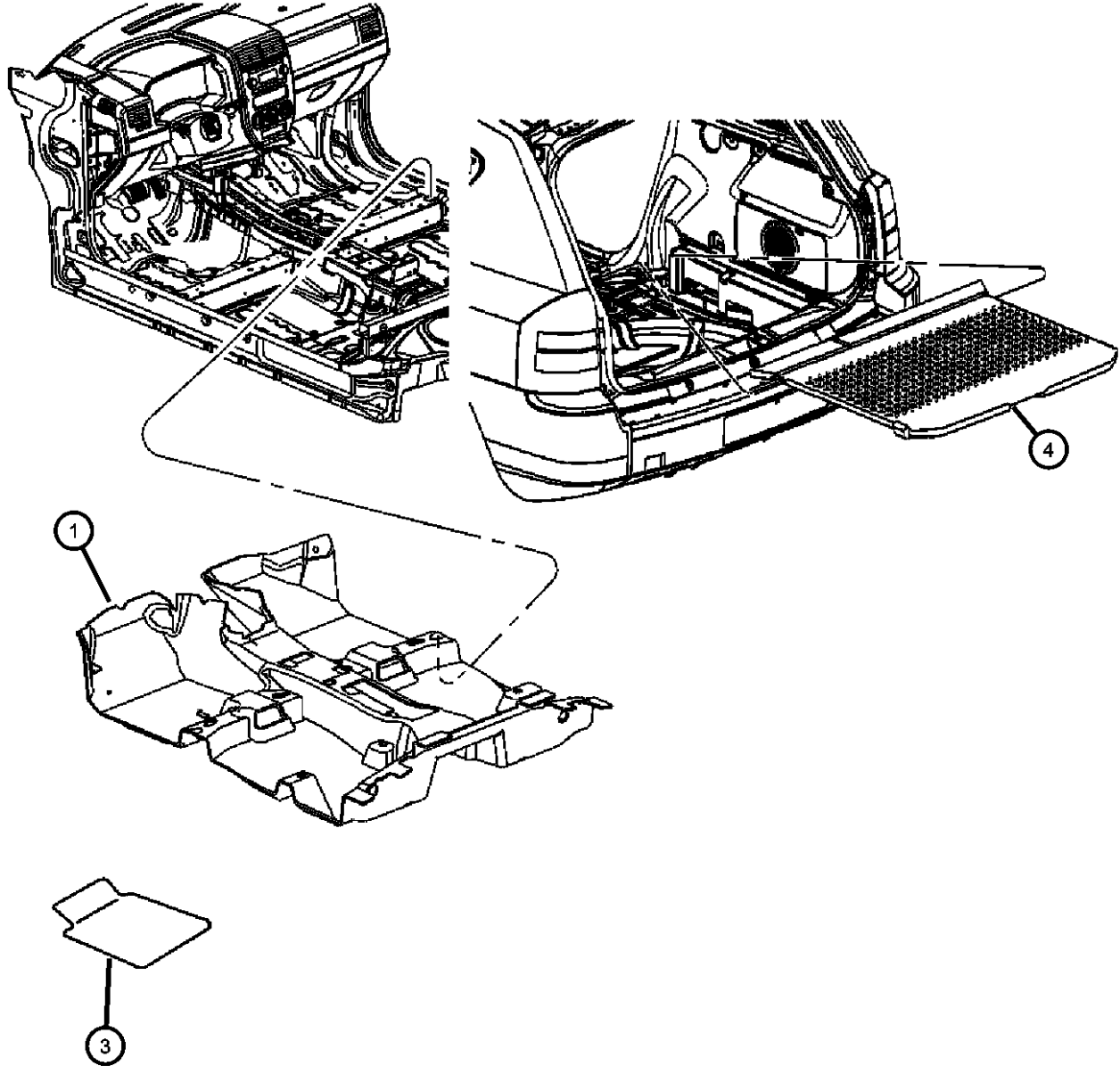
ENGINE
ECE = 2.0L 4 Cyl DOHC DPF Diesel Engine
ED3 = 2.4L 4 Cyl DOHC 16V Dual VVT Engine
ECD = 2.0L 4 Cyl DOHC Diesel 16V Engine
ECN = 2.0L 4 Cyl DOHC 16V Dual VVT Engine

TRANSMISSION
DEF = 6-Speed Manual Aisin BG6 Trans
DD7 = 5-Speed Manual T355 Transmission
DAV = Continuously Variable Transaxle II
DAW = Cont.Var. w/Off-Rd Crawl Ratio Trans

AR = use ase required - = Non illustrated part

2008 MK

Carpet, Complete
Figure 50-305



ITEM	PART NUMBER	QTY	LINE	SERIES	BODY	ENGINE	TRANS	TRIM	DESCRIPTION
1									CARPET, Floor
	1AR18DK7AC	1	J, T		49			*O0	[KA]
		1	J, T		74			*O0	[KA]
	1AR18XDVAC	1	J, T		49			*O0	[DA]
		1	J, T		74			*O0	[DA]
	1AR18XDVAD	1	J, T		49			*O0	[DV]
		1	J, T		74			*O0	[DV]
	1AR20XDVAC	1	U		49, 74			*O0	[DA]
		1	U		49, 74			*O0	[DV]
	1AR20DK7AD	1	U		49, 74			*O0	[KA]
-2									CLIP, Floor Mat Retention
	05086365AA	1	J, T		49			*O0	Driver Side
		1	J, T		74			*O0	Driver Side
3									MAT KIT, Floor - Complete
	82210118	1			49, 74				[KA]
	82210119	1			49, 74				[DA]
4									COVER, Rear Cargo Floor
	1BL86DK7AD	1	J, T, U		49			*O0	[KA]
		1	J, T, U		74			*O0	[KA]
	1BL86XDVAD	1	J, T, U		49			*O0	[DA]
		1	J, T, U		74			*O0	[DA]
	1BL86XDVAE	1	J, T, U		49			*O0	[DV]
		1	J, T, U		74			*O0	[DV]

COMPASS/PATRIOT (MK)

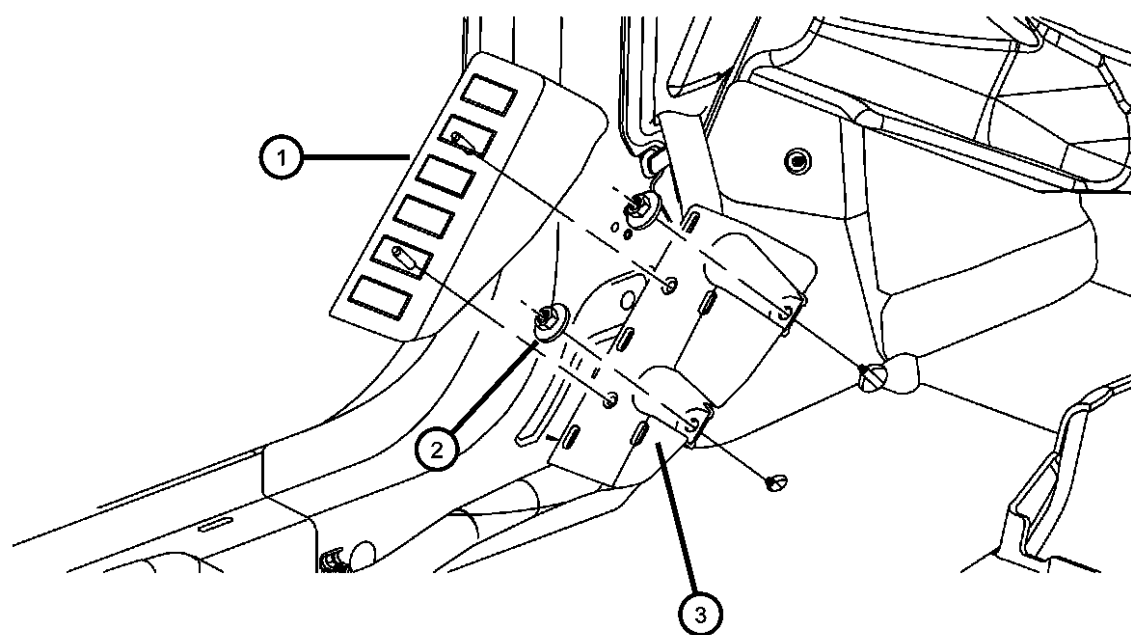
SERIES	LINE	BODY	ENGINE	TRANSMISSION
H = HIGHLINE	T = JEEP - 2WD	49 = HATCHBACK TYPE #2	ECE = 2.0L 4 Cyl DOHC DPF Diesel Engine	DEF = 6-Speed Manual Aisin BG6 Trans
L = LOWLINE	J = JEEP - 4WD	74 = SPORT UTILITY 4-DR TYPE #4	ED3 = 2.4L 4 Cyl DOHC 16V Dual VVT Engine	DD7 = 5-Speed Manual T355 Transmission
P = PREMIUM	U = JEEP - 4WD (RHD)		ECD = 2.0L 4 Cyl DOHC Diesel 16V Engine	DAV = Continuously Variable Transaxle II
			ECN = 2.0L 4 Cyl DOHC 16V Dual VVT Engine	DAW = Cont.Var. w/Off-Rd Crawl Ratio Trans

AR = use ase required - = Non illustrated part

2008 MK

Footrest
Figure 50-345

ITEM	PART NUMBER	QTY	LINE	SERIES	BODY	ENGINE	TRANS	TRIM	DESCRIPTION
1									SUPPORT, Footrest
	1BS63DK7AD	1	J, T		49			*O0	[KA]
		1	J, T		74			*O0	[KA]
	1BS63XDVAD	1	J, T		49			*O0	[DA]
		1	J, T		74			*O0	[DA]
		1	J, T		49			*O0	[DV]
		1	J, T		74			*O0	[DV]
2									SUPPORT, Footrest
	1DD62DK7AB	1	J, T		49			*O0	[KA]
		1	J, T		74			*O0	[KA]
	1DD62XDVAB	1	J, T		49			*O0	[DA]
		1	J, T		74			*O0	[DA]
		1	J, T		49			*O0	[DV]
		1	J, T		74			*O0	[DV]
3									NUT AND WASHER, Hex, M6x1.0
	06101444	2	J, T		49				
		2	J, T		74				



COMPASS/PATRIOT (MK)

SERIES LINE
 H = HIGHLINE T = JEEP - 2WD
 L = LOWLINE J = JEEP - 4WD
 P = PREMIUM U = JEEP - 4WD (RHD)

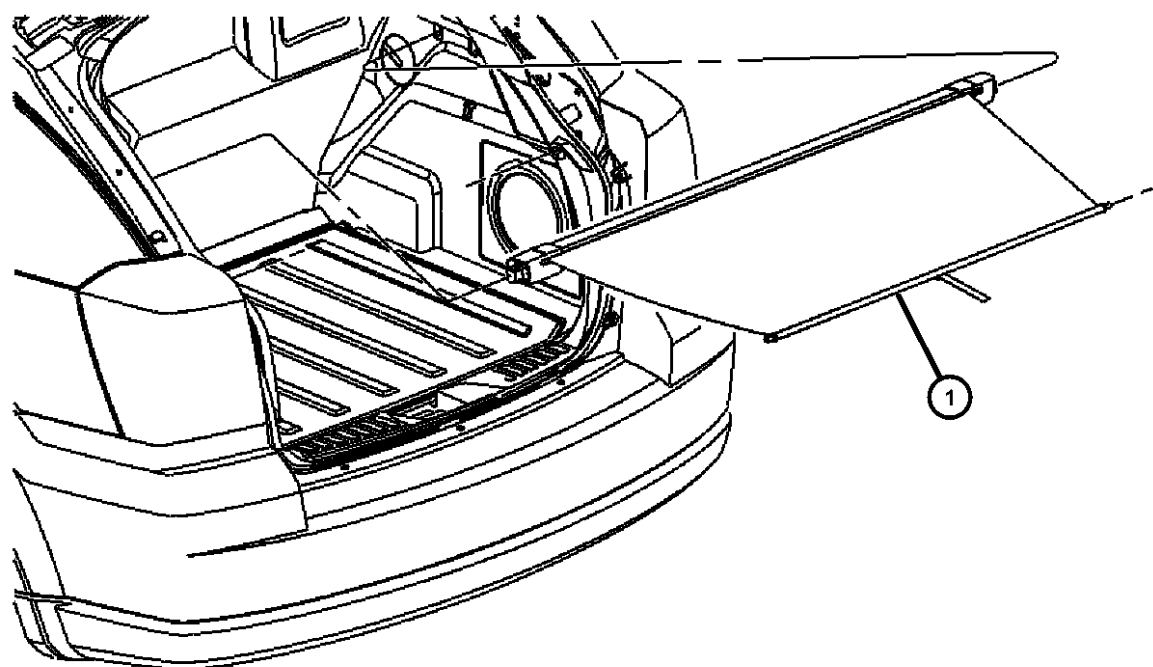
BODY
 49 = HATCHBACK TYPE #2
 74 = SPORT UTILITY 4-DR
 TYPE #4

ENGINE
 ECE = 2.0L 4 Cyl DOHC DPF Diesel Engine
 ED3 = 2.4L 4 Cyl DOHC 16V Dual VVT Engine
 ECD = 2.0L 4 Cyl DOHC Diesel 16V Engine
 ECN = 2.0L 4 Cyl DOHC 16V Dual VVT Engine

TRANSMISSION
 DEF = 6-Speed Manual Aisin BG6 Trans
 DD7 = 5-Speed Manual T355 Transmission
 DAV = Continuously Variable Transaxle II
 DAW = Cont.Var. w/Off-Rd Crawl Ratio Trans

**Tonneau Cover
Figure 50-350**

ITEM	PART NUMBER	QTY	LINE	SERIES	BODY	ENGINE	TRANS	TRIM	DESCRIPTION
1									COVER, Tonneau
	0YF75DK7AB	1	J, T, U		49			*00	[KA]
		1	J, T, U		74			*00	[KA]
	0YF75XDVAB	1	J, T, U		49			*00	[DA]
		1	J, T, U		74			*00	[DA]
		1	J, T, U		49			*00	[DV]
		1	J, T, U		74			*00	[DV]

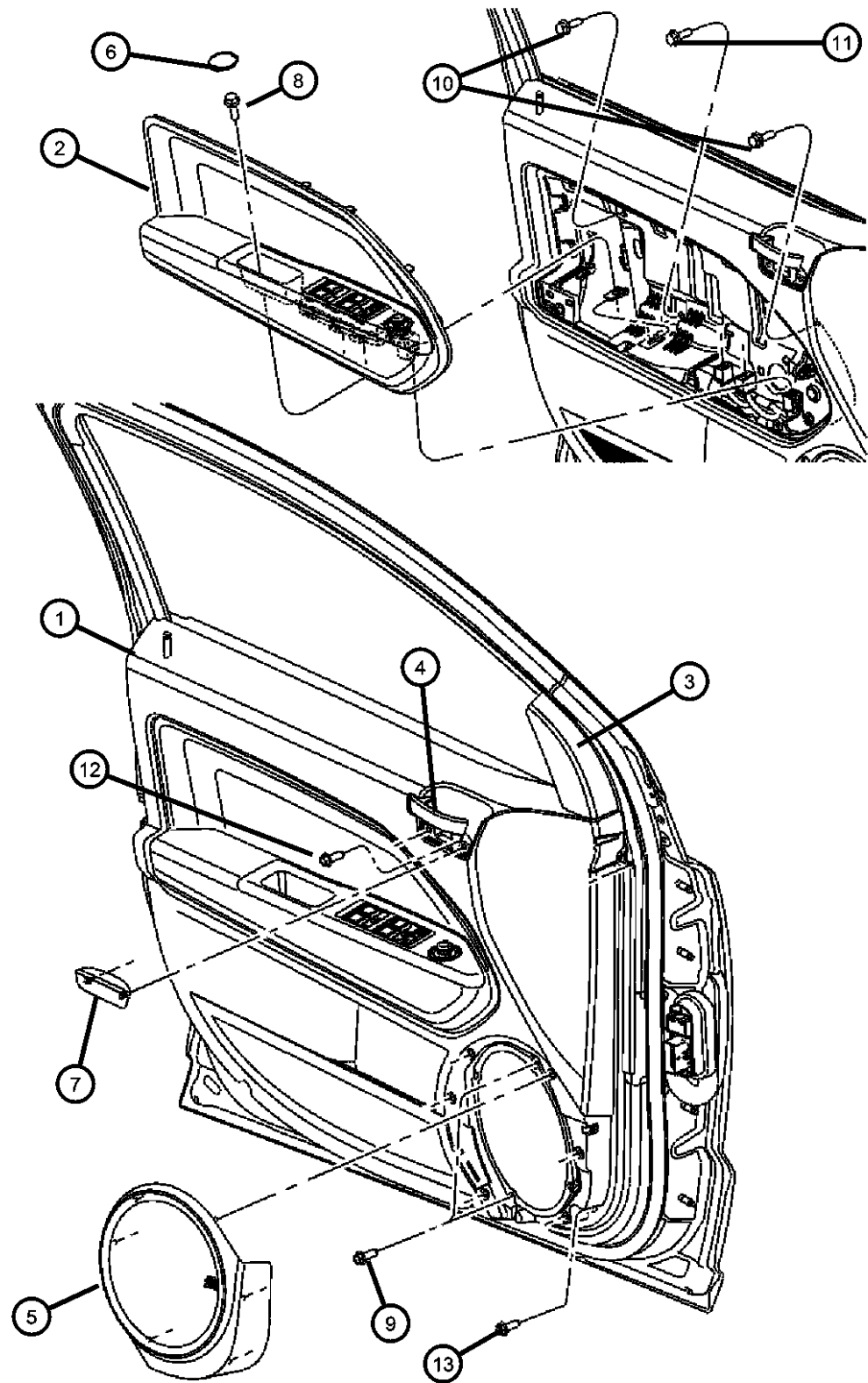


COMPASS/PATRIOT (MK)

SERIES	LINE	BODY	ENGINE	TRANSMISSION
H = HIGHLINE	T = JEEP - 2WD	49 = HATCHBACK TYPE #2	ECE = 2.0L 4 Cyl DOHC DPF Diesel Engine	DEF = 6-Speed Manual Aisin BG6 Trans
L = LOWLINE	J = JEEP - 4WD	74 = SPORT UTILITY 4-DR TYPE #4	ED3 = 2.4L 4 Cyl DOHC 16V Dual VVT Engine	DD7 = 5-Speed Manual T355 Transmission
P = PREMIUM	U = JEEP - 4WD (RHD)		ECD = 2.0L 4 Cyl DOHC Diesel 16V Engine	DAV = Continuously Variable Transaxle II
			ECN = 2.0L 4 Cyl DOHC 16V Dual VVT Engine	DAW = Cont.Var. w/Off-Rd Crawl Ratio Trans

AR = use ase required - = Non illustrated part

Front Door Trim Panels
Figure 50-405



ITEM	PART NUMBER	QTY	LINE	SERIES	BODY	ENGINE	TRANS	TRIM	DESCRIPTION
1									PANEL, Front Door Trim
	1FJ941DVAC	1	J, T		49			*AL	[DV], Right
		1	J, T		49			*B7	[DV], Right
		1	J, T		49			*K6	[DV], Right
		1	U		49			*AL	[DV], Right
		1	U		49			*K6	[DV], Right
	1FJ941KAAC	1	J, T		49			*AL	[KA], Right
		1	J, T		49			*K6	[KA], Right
		1	J, T		49			*B7	[KA], Right
		1	U		49			*AL	[KA], Right
		1	U		49			*K6	[KA], Right
	1FJ951DVAC	1	J, T		49			*AL	[DV], Left
		1	J, T		49			*B7	[DV], Left
		1	J, T		49			*K6	[DV], Left
		1	U		49			*AL	[DV], Left
		1	U		49			*K6	[DV], Left
	1FJ951KAAC	1	J, T		49			*K6	[KA], Left
		1	J, T		49			*B7	[KA], Left
		1	J, T		49			*AL	[KA], Left
		1	U		49			*K6	[KA], Left
		1	U		49			*AL	[KA], Left
	1FJ961DVAA	1	J, T		74			*E6	[DV], Right
		1	J, T		74			*AL	[DV], Right
		1	J, T		74			*K6	[DV], Right
		1	U		74			*AL	[DV], Right
		1	U		74			*K6	[DV], Right
	1FJ961KAAA	1	J, T		74			*E6	[KA], Right
		1	J, T		74			*AL	[KA], Right
		1	J, T		74			*K6	[KA], Right
		1	U		74			*AL	[KA], Right
		1	U		74			*K6	[KA], Right
	1FJ971DVAA	1	J, T		74			*E6	[DV], Left
		1	J, T		74			*AL	[DV], Left

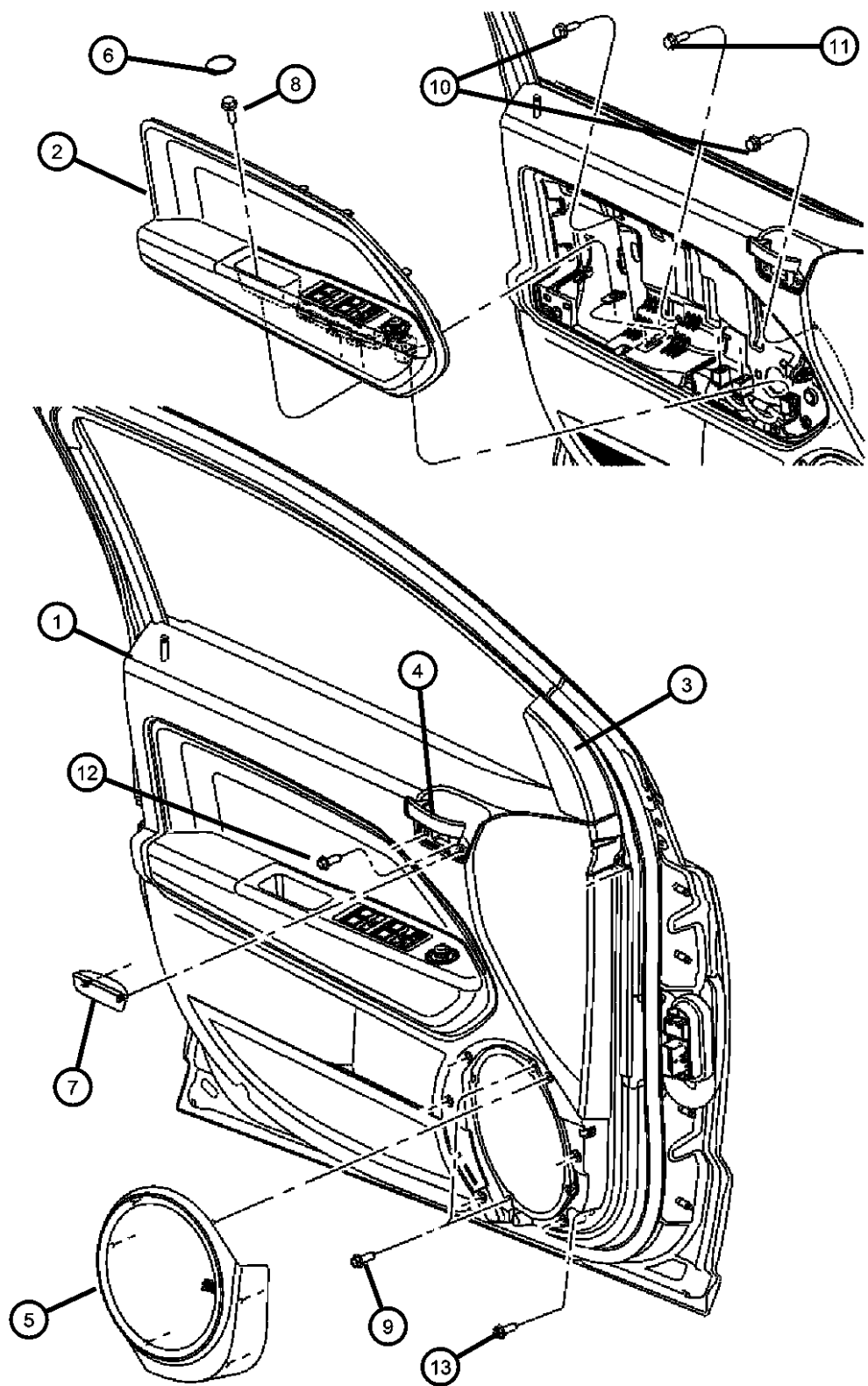
COMPASS/PATRIOT (MK)

SERIES	LINE	BODY	ENGINE	TRANSMISSION
H = HIGHLINE	T = JEEP - 2WD	49 = HATCHBACK TYPE #2	ECE = 2.0L 4 Cyl DOHC DPF Diesel Engine	DEF = 6-Speed Manual Aisin BG6 Trans
L = LOWLINE	J = JEEP - 4WD	74 = SPORT UTILITY 4-DR TYPE #4	ED3 = 2.4L 4 Cyl DOHC 16V Dual VVT Engine	DD7 = 5-Speed Manual T355 Transmission
P = PREMIUM	U = JEEP - 4WD (RHD)		ECD = 2.0L 4 Cyl DOHC Diesel 16V Engine	DAV = Continuously Variable Transaxle II
			ECN = 2.0L 4 Cyl DOHC 16V Dual VVT Engine	DAW = Cont.Var. w/Off-Rd Crawl Ratio Trans

AR = use ase required - = Non illustrated part

Front Door Trim Panels

Figure 50-405



ITEM	PART NUMBER	QTY	LINE	SERIES	BODY	ENGINE	TRANS	TRIM	DESCRIPTION
		1	J, T		74			*K6	[DV], Left
		1	U		74			*AL	[DV], Left
		1	U		74			*K6	[DV], Left
	1FJ971KAAA	1	J, T		74			*E6	[KA], Left
		1	J, T		74			*AL	[KA], Left
		1	J, T		74			*K6	[KA], Left
		1	U		74			*AL	[KA], Left
		1	U		74			*K6	[KA], Left
2									BOLSTER, Front Door
	1AA181DVAA	1	J, T		49			*B7	[DV], With [GTS], Right
		1	J, T		49			*K6	[DV], With [GTS], Right
		1	J, T		49			*AL	[DV], With [GTS], Right
		1	J, T		74			*K6	[DV], With [GTS], Right
		1	J, T		74			*AL	[DV], With [GTS], Right
		1	J, T		74			*E6	[DV], With [GTS], Right
	1AA182KAAA	1	J, T		49			*B7	[KA], With [GTS], Right
		1	J, T		49			*K6	[KA], With [GTS], Right
		1	J, T		49			*AL	[KA], With [GTS], Right
		1	J, T		74			*K6	[KA], With [GTS], Right
		1	J, T		74			*AL	[KA], With [GTS], Right
		1	J, T		74			*E6	[KA], With [GTS], Right
	1AA191DVAA	1	J, T		49			*B7	[DV], With [GTS], Left
		1	J, T		49			*K6	[DV], With [GTS], Left
		1	J, T		49			*AL	[DV], With [GTS], Left
		1	J, T		74			*K6	[DV], With [GTS], Left
		1	J, T		74			*AL	[DV], With [GTS], Left
		1	J, T		74			*E6	[DV], With [GTS], Left
	1AA192KAAA	1	J, T		49			*B7	[KA], With [GTS], Left
		1	J, T		49			*K6	[KA], With [GTS], Left
		1	J, T		49			*AL	[KA], With [GTS], Left
		1	J, T		74			*K6	[KA], With [GTS], Left
		1	J, T		74			*AL	[KA], With [GTS], Left

COMPASS/PATRIOT (MK)

SERIES

H = HIGHLINE
L = LOWLINE
P = PREMIUM

T = JEEP - 2WD

J = JEEP - 4WD

U = JEEP - 4WD (RHD)

BODY

49 = HATCHBACK TYPE #2
74 = SPORT UTILITY 4-DR
TYPE #4

ENGINE

ECE = 2.0L 4 Cyl DOHC DPF Diesel Engine
ED3 = 2.4L 4 Cyl DOHC 16V Dual VVT Engine
ECD = 2.0L 4 Cyl DOHC Diesel 16V Engine
ECN = 2.0L 4 Cyl DOHC 16V Dual VVT Engine

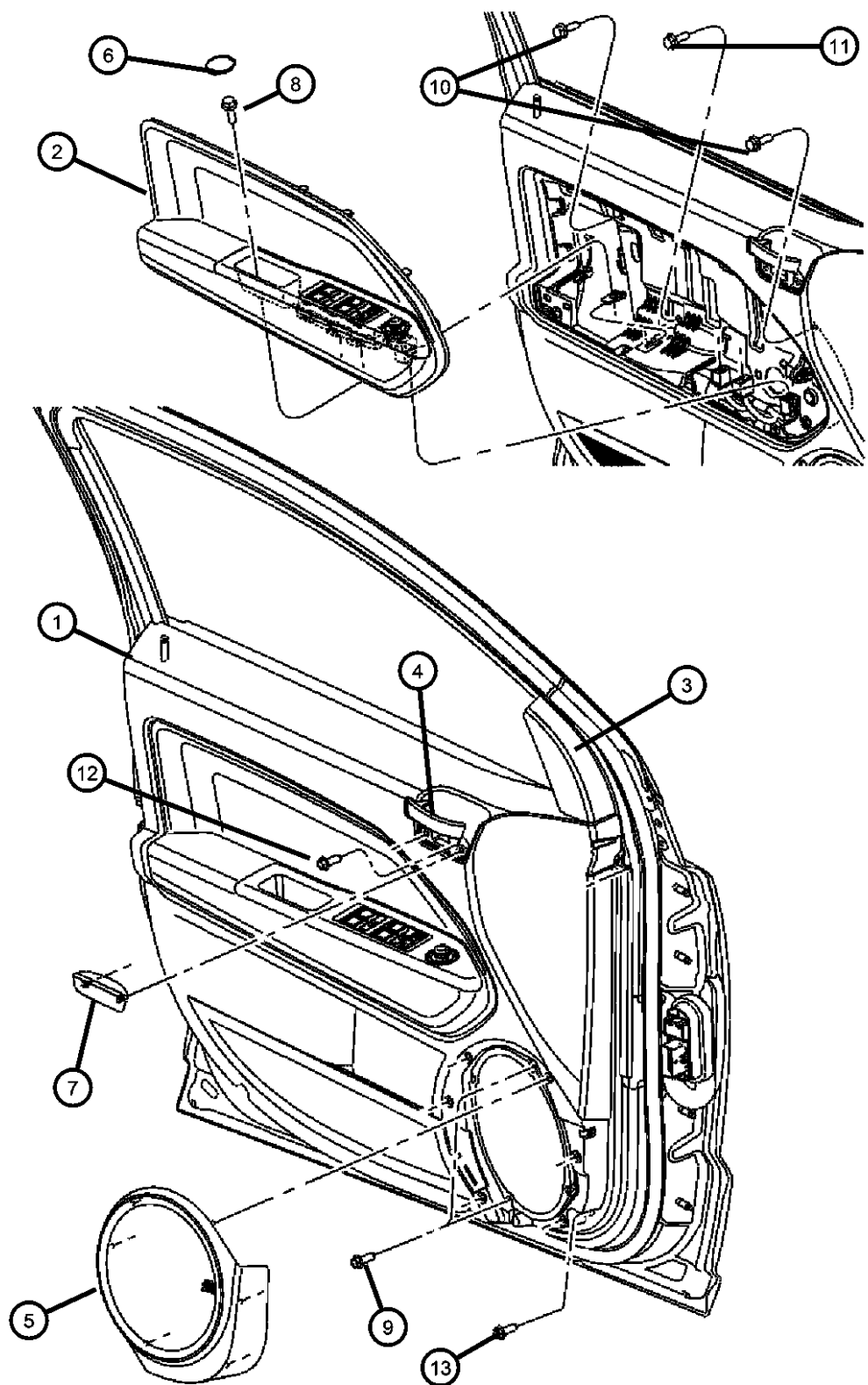
TRANSMISSION

DEF = 6-Speed Manual Aisin BG6 Trans
DD7 = 5-Speed Manual T355 Transmission
DAV = Continuously Variable Transaxle II
DAW = Cont.Var. w/Off-Rd Crawl Ratio Trans

AR = use ase required - = Non illustrated part

2008 MK

Front Door Trim Panels
Figure 50-405

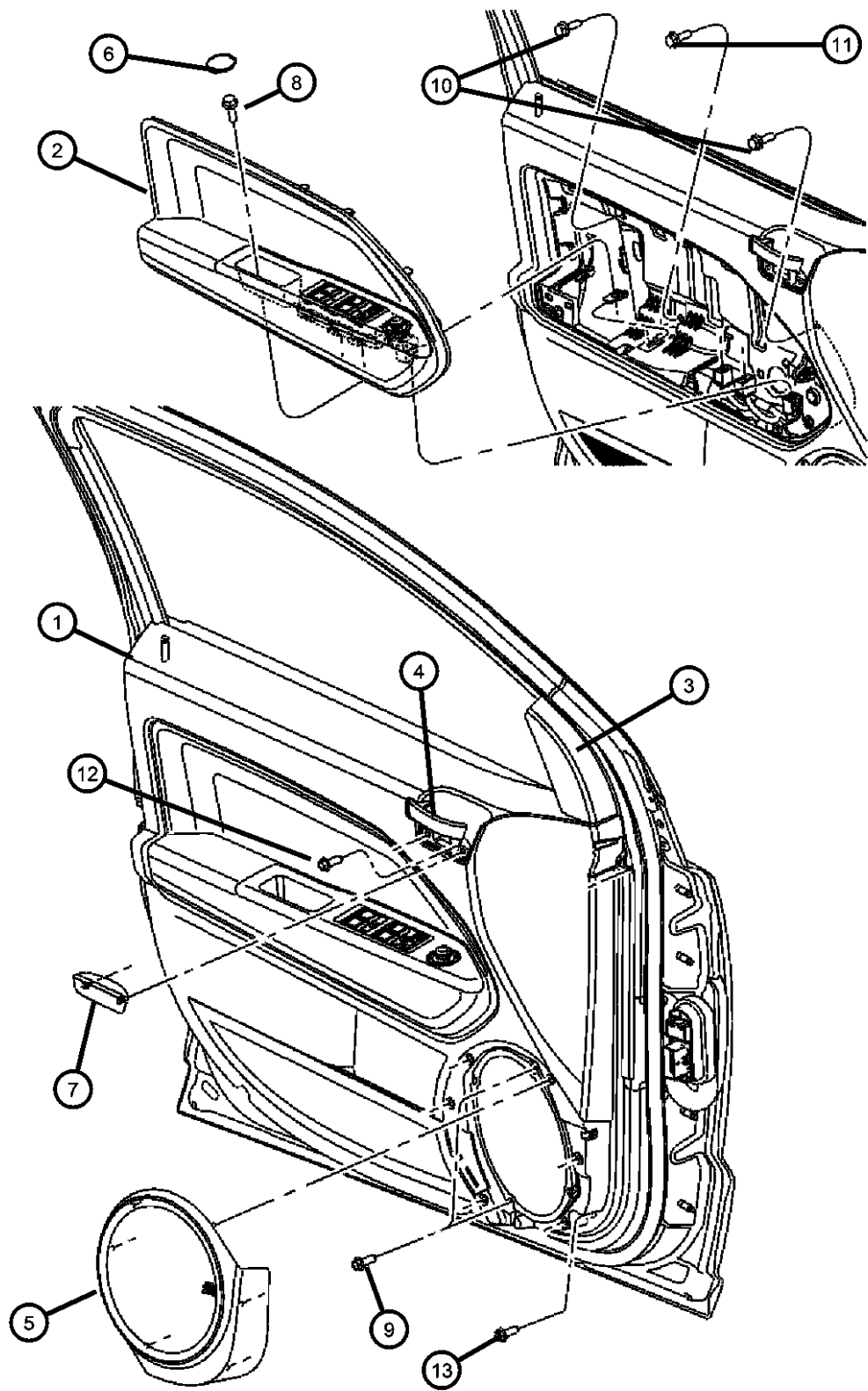


ITEM	PART NUMBER	QTY	LINE	SERIES	BODY	ENGINE	TRANS	TRIM	DESCRIPTION
	1AA22DKAAA	1	J, T		74			*E6	[KA] , With [GTS], Left
		1	J, T		49			*B7	[KA] , With [GTP], Right
		1	J, T		49			*K6	[KA] , With [GTP], Right
		1	J, T		49			*AL	[KA] , With [GTP], Right
		1	J, T		74			*K6	[KA] , With [GTP], Right
		1	J, T		74			*AL	[KA] , With [GTP], Right
	1AA22XDVAA	1	J, T		74			*E6	[KA] , With [GTP], Right
		1	J, T		49			*B7	[DV] , With [GTP], Right
		1	J, T		49			*K6	[DV] , With [GTP], Right
		1	J, T		49			*AL	[DV] , With [GTP], Right
		1	J, T		74			*K6	[DV] , With [GTP], Right
		1	J, T		74			*AL	[DV] , With [GTP], Right
	1AA23DKAAA	1	J, T		74			*E6	[DV] , With [GTP], Right
		1	J, T		49			*B7	[KA] , With [GTP], Left
		1	J, T		49			*K6	[KA] , With [GTP], Left
		1	J, T		49			*AL	[KA] , With [GTP], Left
		1	J, T		74			*K6	[KA] , With [GTP], Left
	1AA23XDVAA	1	J, T		74			*AL	[KA] , With [GTP], Left
		1	J, T		49			*B7	[DV] , With [GTP], Left
		1	J, T		49			*K6	[DV] , With [GTP], Left
		1	J, T		49			*AL	[DV] , With [GTP], Left
		1	J, T		74			*K6	[DV] , With [GTP], Left
		1	J, T		74			*AL	[DV] , With [GTP], Left
	1AX461DVAA	1	J, T		74			*E6	[DV] , With [GTP], Left
		1	U		49			*K6	[DV] , With [GUL], Right
		1	U		49			*AL	[DV] , With [GUL], Right
		1	U		74			*K6	[DV] , With [GUL], Right
		1	U		74			*AL	[DV] , With [GUL], Right
	1AX462KAAA	1	U		49			*K6	[KA] , With [GUL], Right
		1	U		49			*AL	[KA] , With [GUL], Right
		1	U		74			*K6	[KA] , With [GUL], Right
		1	U		74			*AL	[KA] , With [GUL], Right

COMPASS/PATRIOT (MK)
 SERIES LINE BODY ENGINE TRANSMISSION
 H = HIGHLINE T = JEEP - 2WD 49 = HATCHBACK TYPE #2 ECE = 2.0L 4 Cyl DOHC DPF DEF = 6-Speed Manual Aisin BG6
 L = LOWLINE J = JEEP - 4WD 74 = SPORT UTILITY 4-DR Diesel Engine Trans
 P = PREMIUM U = JEEP - 4WD (RHD) TYPE #4 ED3 = 2.4L 4 Cyl DOHC 16V DD7 = 5-Speed Manual T355
 Dual VVT Engine Transmission
 ECD = 2.0L 4 Cyl DOHC Diesel 16V Engine DAV = Continuously Variable
 ECN = 2.0L 4 Cyl DOHC 16V Diesel 16V Engine Transaxle II
 Dual VVT Engine DAW = Cont.Var. w/Off-Rd Crawl Ratio Trans

AR = use ase required - = Non illustrated part

Front Door Trim Panels
Figure 50-405



ITEM	PART NUMBER	QTY	LINE	SERIES	BODY	ENGINE	TRANS	TRIM	DESCRIPTION	
3	1AX471DVAA	1	U		49			*K6	[DV] , With [GUL], Left	
		1	U		49			*AL	[DV] , With [GUL], Left	
		1	U		74			*K6	[DV] , With [GUL], Left	
		1	U		74			*AL	[DV] , With [GUL], Left	
	1AX472KAAA	1	U		49			*K6	[KA] , With [GUL], Left	
		1	U		49			*AL	[KA] , With [GUL], Left	
		1	U		74			*K6	[KA] , With [GUL], Left	
		1	U		74			*AL	[KA] , With [GUL], Left	
										BEZEL, Power Mirror
	0ZX78DX9AC	1	J, T, U		49			*O0	Right	
	0ZX79DX9AC	1	J, T, U		49			*O0	Left	
1CB00DK7AB	1	J, T, U		74			*O0	[KA], Right		
1CB00XDVAB	1	J, T, U		74			*O0	[DA], Right		
	1	J, T, U		74			*O0	[DV], Right		
1CB01DK7AB	1	J, T, U		74			*O0	[KA], Left		
1CB01XDVAB	1	J, T, U		74			*O0	[DA], Left		
	1	J, T, U		74			*O0	[DV], Left		
4	HANDLE, Inside Remote Control									
	1DC18SZ0AB	1	J, T		74			*E6	[DV], Right	
		1	J, T		74			*E6	[KA], Right	
		1	U		49			*K6	[DV], Right	
		1	U		49			*K6	[KA], Right	
		1	U		49			*AL	[DV], Right	
		1	U		49			*AL	[KA], Right	
		1	J, T		49			*K6	[DV], Right	
		1	J, T		49			*K6	[KA], Right	
		1	J, T		49			*AL	[DV], Right	
		1	J, T		49			*AL	[KA], Right	
	1	J, T		49			*B7	[DV], Right		
	1	J, T		49			*B7	[KA], Right		
1DC19SZ0AB	1	U		74			*AL	[DV], Left		
	1	U		74			*AL	[KA], Left		

COMPASS/PATRIOT (MK)

SERIES	LINE
H = HIGHLINE	T = JEEP - 2WD
L = LOWLINE	J = JEEP - 4WD
P = PREMIUM	U = JEEP - 4WD (RHD)

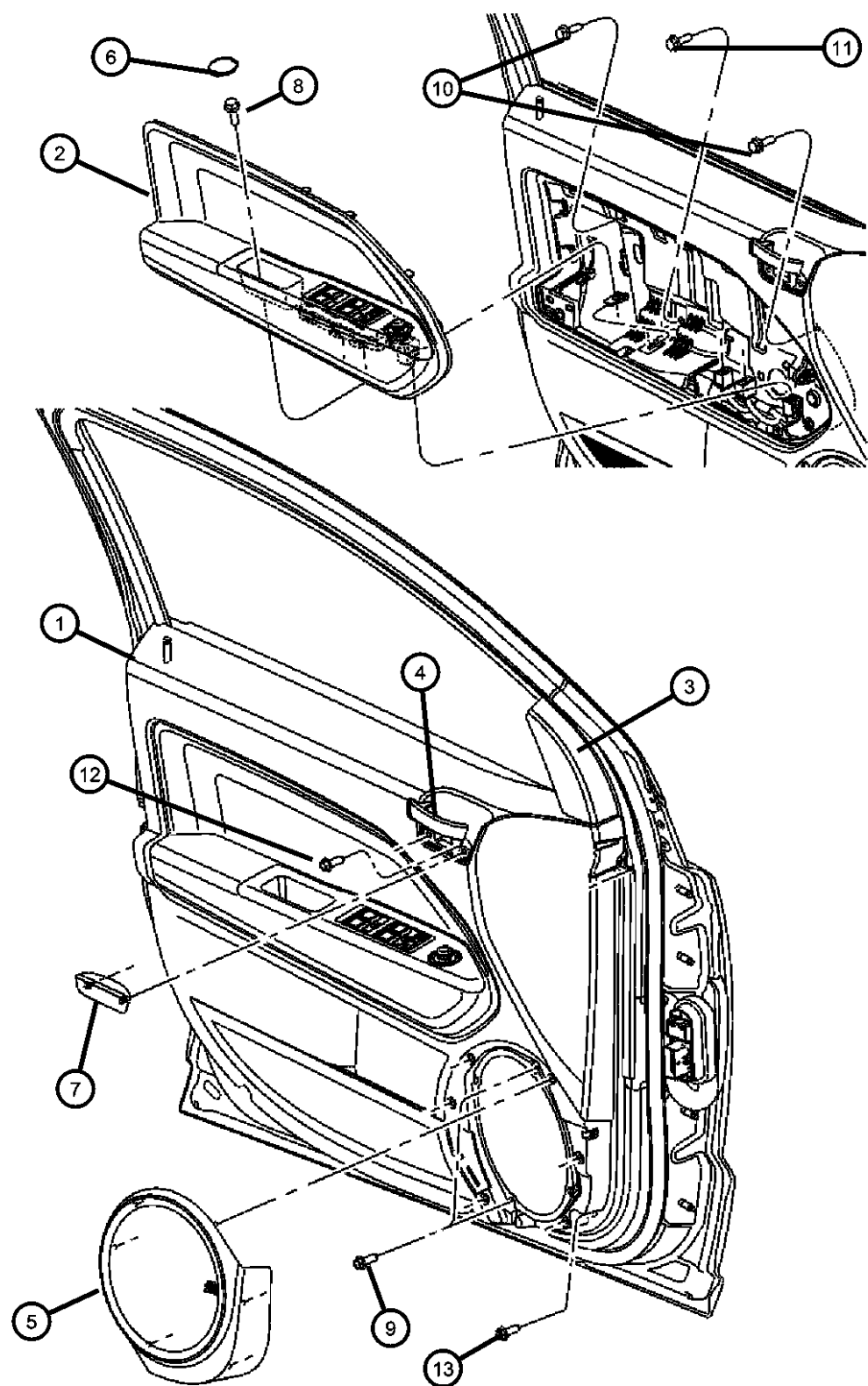
BODY
49 = HATCHBACK TYPE #2
74 = SPORT UTILITY 4-DR TYPE #4

ENGINE	TRANSMISSION
ECE = 2.0L 4 Cyl DOHC DPF Diesel Engine	DEF = 6-Speed Manual Aisin BG6 Trans
ED3 = 2.4L 4 Cyl DOHC 16V Dual VVT Engine	DD7 = 5-Speed Manual T355 Transmission
ECD = 2.0L 4 Cyl DOHC Diesel 16V Engine	DAV = Continuously Variable Transaxle II
ECN = 2.0L 4 Cyl DOHC 16V Dual VVT Engine	DAW = Cont.Var. w/Off-Rd Crawl Ratio Trans

AR = use ase required - = Non illustrated part

2008 MK

Front Door Trim Panels
Figure 50-405



ITEM	PART NUMBER	QTY	LINE	SERIES	BODY	ENGINE	TRANS	TRIM	DESCRIPTION
		1	J, T		74			*AL	[DV], Left
		1	J, T		74			*AL	[KA], Left
		1	J, T		74			*E6	[DV], Left
		1	J, T		74			*E6	[KA], Left
		1	J, T		49			*K6	[DV], Left
		1	J, T		49			*K6	[KA], Left
		1	U		49			*K6	[DV], Left
		1	U		49			*K6	[KA], Left
		1	U		49			*AL	[DV], Left
		1	U		49			*AL	[KA], Left
		1	J, T		49			*AL	[DV], Left
		1	J, T		49			*AL	[KA], Left
		1	J, T		49			*B7	[DV], Left
		1	J, T		49			*B7	[KA], Left
5									GRILLE, Speaker
	1AW72BDAAA	1	J, T, U		49			*00	[DA], Right
		1	J, T, U		74			*00	[DA], Right
	1AW72DKAAA	1	J, T, U		49			*00	[KA], Right
		1	J, T, U		74			*00	[KA], Right
	1AW72XDVAB	1	J, T, U		49			*00	[DV], Right
		1	J, T, U		74			*00	[DV], Right
	1AW73BDAAA	1	J, T, U		49			*00	[DA], Left
		1	J, T, U		74			*00	[DA], Left
	1AW73DKAAA	1	J, T, U		49			*00	[KA], Left
		1	J, T, U		74			*00	[KA], Left
	1AW73XD-VAA	1	J, T, U		49			*00	[DV], Left
		1	J, T, U		74			*00	[DV], Left
6									CAP, Screw Cover
	1DD78BDAAB	2	J, T, U		49			*00	[DA]
		2	J, T, U		49			*00	[KA]
		2	J, T, U		74			*00	[KA]
	1DD78DX9AB	2	J, T, U		49			*00	[DV]

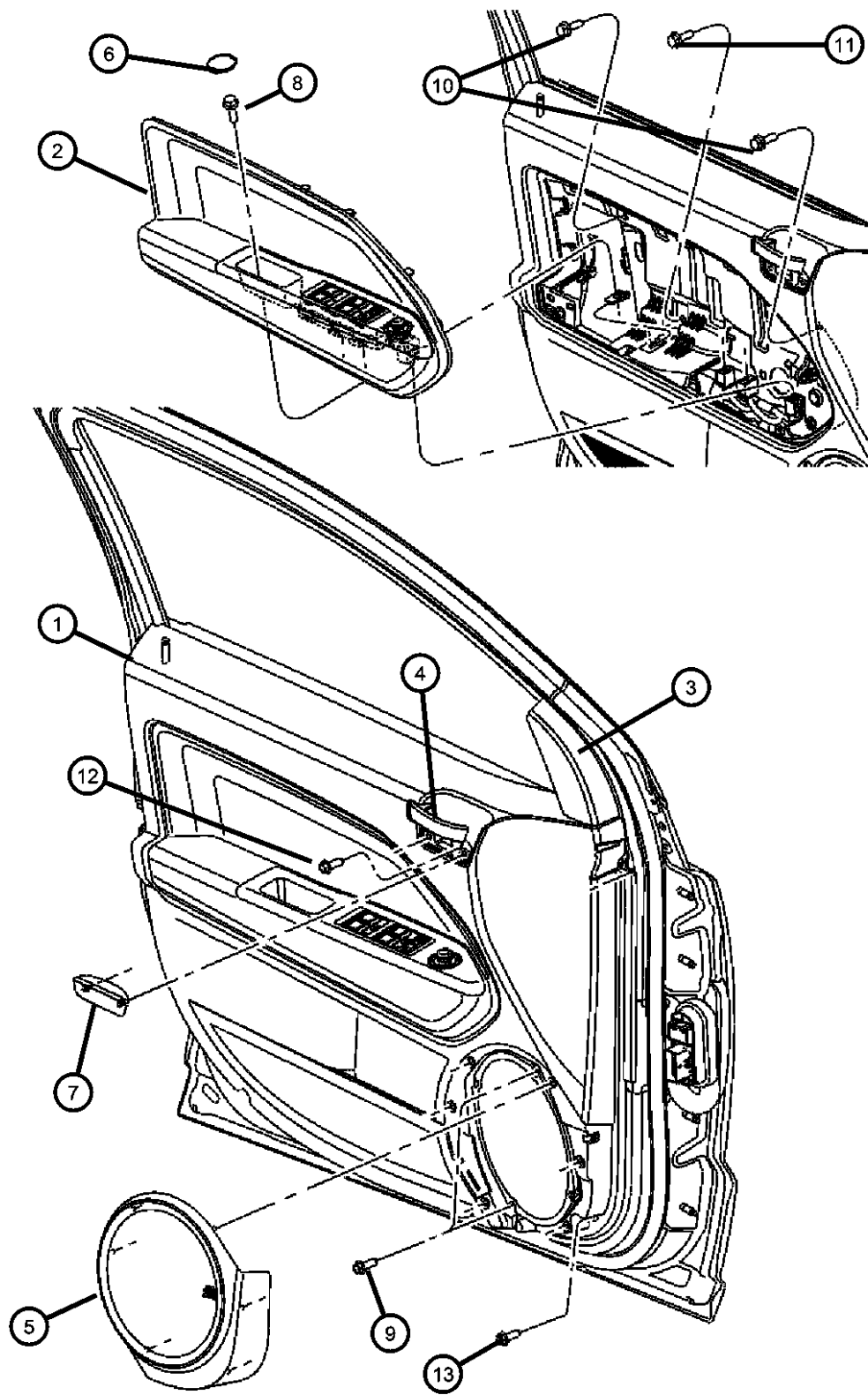
COMPASS/PATRIOT (MK)

SERIES	LINE	BODY	ENGINE	TRANSMISSION
H = HIGHLINE	T = JEEP - 2WD	49 = HATCHBACK TYPE #2	ECE = 2.0L 4 Cyl DOHC DPF Diesel Engine	DEF = 6-Speed Manual Aisin BG6 Trans
L = LOWLINE	J = JEEP - 4WD	74 = SPORT UTILITY 4-DR TYPE #4	ED3 = 2.4L 4 Cyl DOHC 16V Dual VVT Engine	DD7 = 5-Speed Manual T355 Transmission
P = PREMIUM	U = JEEP - 4WD (RHD)		ECD = 2.0L 4 Cyl DOHC Diesel 16V Engine	DAV = Continuously Variable Transaxle II
			ECN = 2.0L 4 Cyl DOHC 16V Dual VVT Engine	DAW = Cont.Var. w/Off-Rd Crawl Ratio Trans

AR = use ase required - = Non illustrated part

2008 MK

Front Door Trim Panels Figure 50-405



ITEM	PART NUMBER	QTY	LINE	SERIES	BODY	ENGINE	TRANS	TRIM	DESCRIPTION
7		2	J, T, U		74			*00	[DV]
									PLUG, Door Trim Panel, Inside Door Handle
	1BH30DK7AB	1	J, T, U		49			*00	[KA], Right
		1	J, T, U		74			*00	[KA], Right
	1BH30XDVAB	1	J, T, U		49			*00	[DA], Right
		1	J, T, U		74			*00	[DA], Right
		1	J, T, U		49			*00	[DV], Right
		1	J, T, U		74			*00	[DV], Right
	1BH31DK7AB	1	J, T, U		49			*00	[KA], Left
		1	J, T, U		74			*00	[KA], Left
	1BH31XDVAB	1	J, T, U		49			*00	[DA], Left
		1	J, T, U		74			*00	[DA], Left
		1	J, T, U		49			*00	[DV], Left
		1	J, T, U		74			*00	[DV], Left
8									SCREW, Tapping, Pull Cup to Door Panel
	06104579AA	2	J, T, U		49				
		2	J, T, U		74				
9									SCREW, Speaker to Inner Panel
	06105189AA	4	J, T, U		49				
		4	J, T, U		74				
10	06104336AA	1	J, T, U		49, 74	ECD, ECE			SCREW, Hex Flange Head, M6X1.0x20.0
11	06104336AA	1	J, T, U		49, 74	ECD, ECE			SCREW, Hex Flange Head, M6X1.0x20.0
12									SCREW, Tapping, Inside Door Handle
	06104579AA	2	J, T, U		49				
		2	J, T, U		74				
13	06104336AA	1	J, T, U		49, 74	ECD, ECE			SCREW, Hex Flange Head, M6X1.0x20.0

COMPASS/PATRIOT (MK)

SERIES LINE

H = HIGHLINE T = JEEP - 2WD
 L = LOWLINE J = JEEP - 4WD
 P = PREMIUM U = JEEP - 4WD (RHD)

BODY

49 = HATCHBACK TYPE #2
 74 = SPORT UTILITY 4-DR TYPE #4

ENGINE

ECE = 2.0L 4 Cyl DOHC DPF Diesel Engine
 ED3 = 2.4L 4 Cyl DOHC 16V Dual VVT Engine
 ECD = 2.0L 4 Cyl DOHC Diesel 16V Engine
 ECN = 2.0L 4 Cyl DOHC 16V Dual VVT Engine

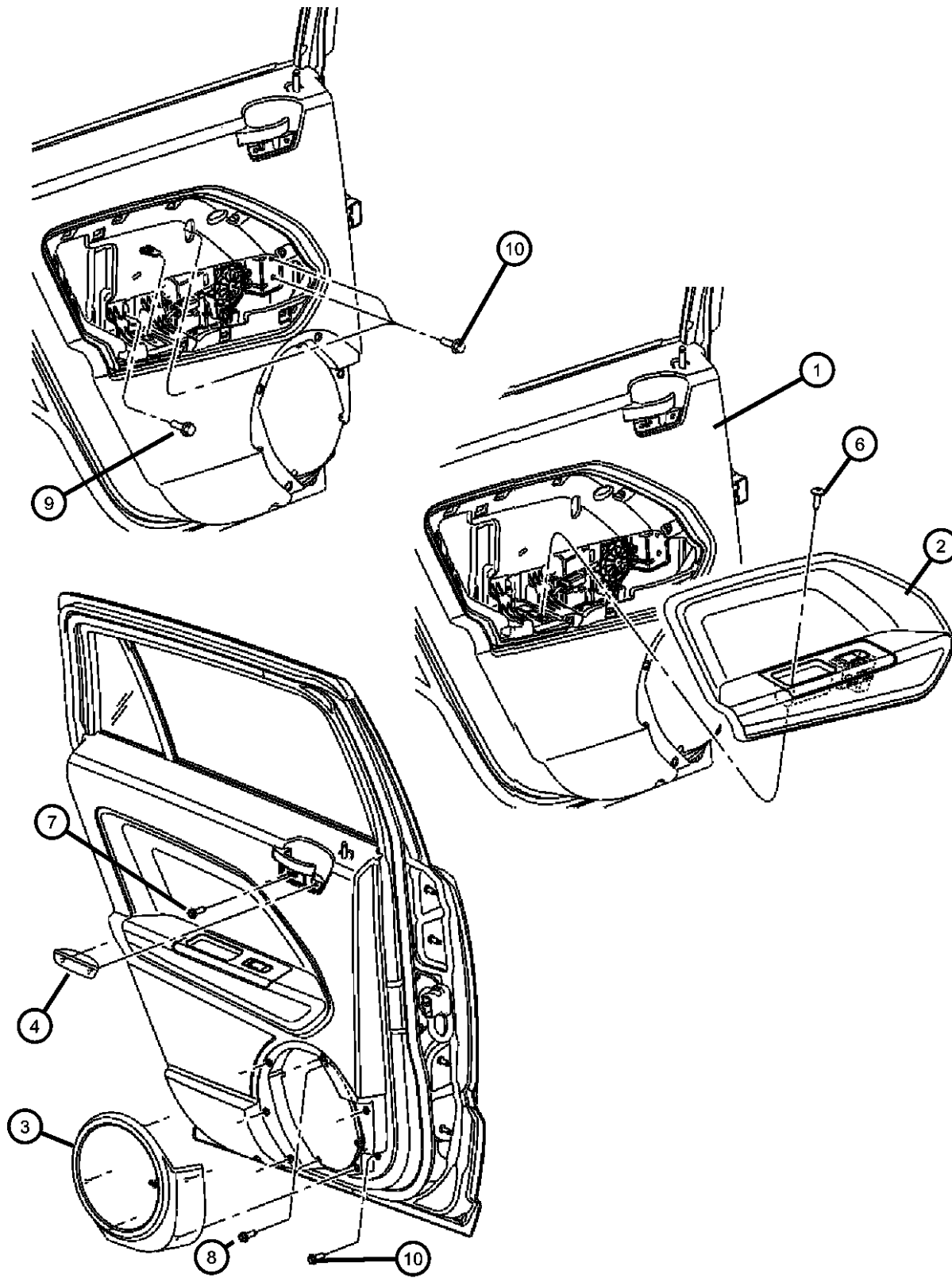
TRANSMISSION

DEF = 6-Speed Manual Aisin BG6 Trans
 DD7 = 5-Speed Manual T355 Transmission
 DAV = Continuously Variable Transaxle II
 DAW = Cont.Var. w/Off-Rd Crawl Ratio Trans

AR = use as required - = Non illustrated part

2008 MK

Rear Door Trim Panels
Figure 50-415



ITEM	PART NUMBER	QTY	LINE	SERIES	BODY	ENGINE	TRANS	TRIM	DESCRIPTION
		1	U		49			*K6	[DV] , With [JPD], Left
		1	U		49			*AL	[DV] , With [JPD], Left
		1	J, T		49			*B7	[DV] , With [JPD], Left
		1	J, T		49			*K6	[DV] , With [JPD], Left
		1	J, T		49			*AL	[DV] , With [JPD], Left
	1AA212KAAA	1	U		74			*K6	[KA] , With [JPD], Left
		1	U		74			*AL	[KA] , With [JPD], Left
		1	J, T		74			*K6	[KA] , With [JPD], Left
		1	J, T		74			*AL	[KA] , With [JPD], Left
		1	J, T		74			*E6	[KA] , With [JPD], Left
		1	U		49			*K6	[KA] , With [JPD], Left
		1	U		49			*AL	[KA] , With [JPD], Left
		1	J, T		49			*K6	[KA] , With [JPD], Left
		1	J, T		49			*AL	[KA] , With [JPD], Left
		1	J, T		49			*B7	[KA] , With [JPD], Left
	1AA24DKAAA	1	J, T		49			*K6	[KA] , With [JF8], Right
		1	J, T		49			*AL	[KA] , With [JF8], Right
		1	J, T		74			*K6	[KA] , With [JF8], Right
		1	J, T		74			*AL	[KA] , With [JF8], Right
		1	J, T		74			*E6	[KA] , With [JF8], Right
	1AA24XDVAA	1	J, T		49			*B7	[DV] , With [JF8], Right
		1	J, T		49			*K6	[DV] , With [JF8], Right
		1	J, T		49			*AL	[DV] , With [JF8], Right
		1	J, T		74			*K6	[DV] , With [JF8], Right
		1	J, T		74			*AL	[DV] , With [JF8], Right
	1AA24DKAAB	1	J, T		49			*E6	[DV] , With [JF8], Right
		1	J, T		49			*B7	[KA] , With [JF8], Right
	1AA25DKAAA	1	J, T		49			*B7	[KA] , With [JF8], Left
		1	J, T		49			*K6	[KA] , With [JF8], Left
		1	J, T		49			*AL	[KA] , With [JF8], Left
		1	J, T		74			*K6	[KA] , With [JF8], Left
		1	J, T		74			*AL	[KA] , With [JF8], Left

COMPASS/PATRIOT (MK)

SERIES LINE
H = HIGHLINE T = JEEP - 2WD
L = LOWLINE J = JEEP - 4WD
P = PREMIUM U = JEEP - 4WD (RHD)

BODY

49 = HATCHBACK TYPE #2
74 = SPORT UTILITY 4-DR
TYPE #4

ENGINE

ECE = 2.0L 4 Cyl DOHC DPF Diesel Engine
ED3 = 2.4L 4 Cyl DOHC 16V Dual VVT Engine
ECD = 2.0L 4 Cyl DOHC Diesel 16V Engine
ECN = 2.0L 4 Cyl DOHC 16V Dual VVT Engine

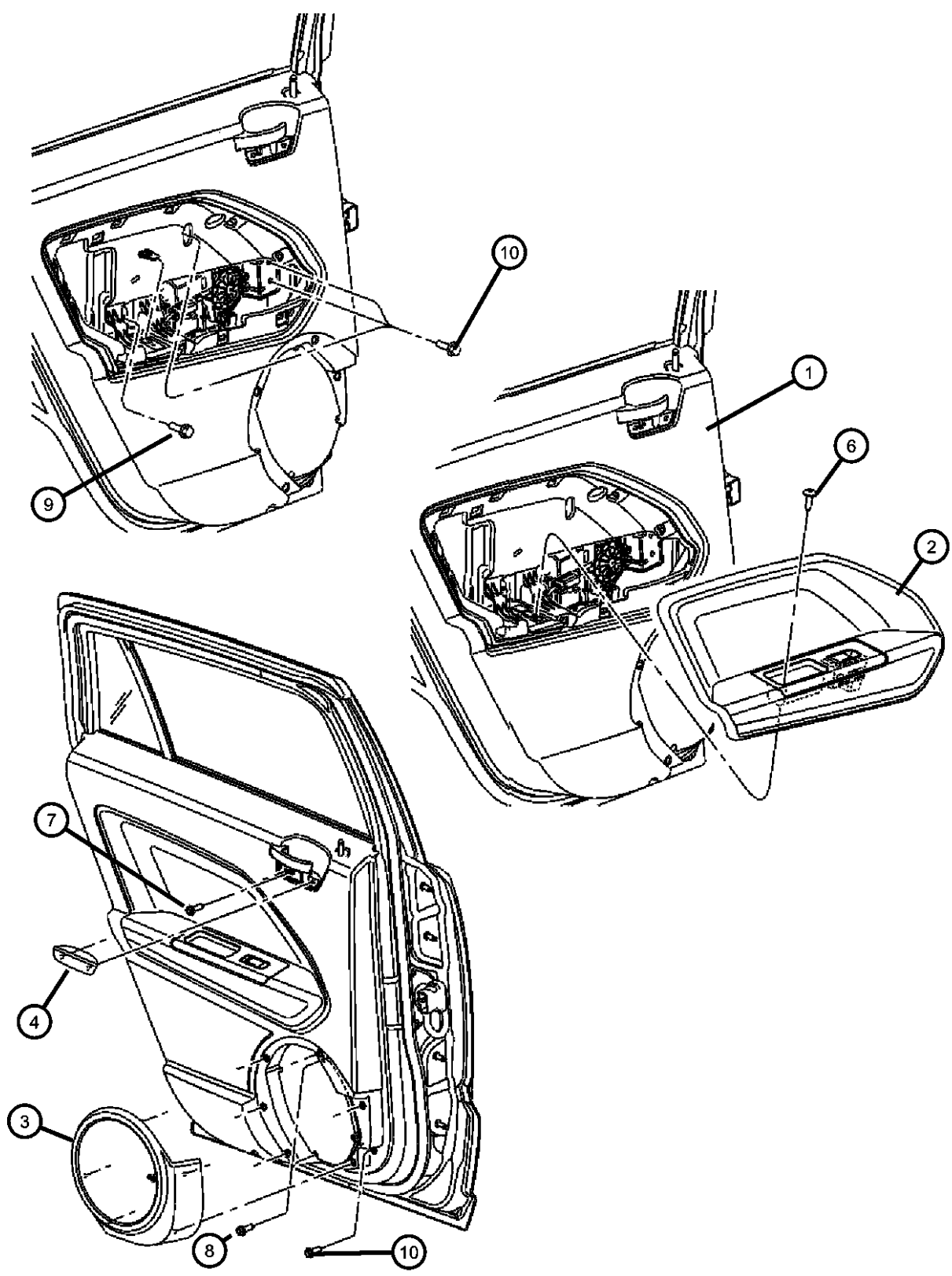
TRANSMISSION

DEF = 6-Speed Manual Aisin BG6 Trans
DD7 = 5-Speed Manual T355 Transmission
DAV = Continuously Variable Transaxle II
DAW = Cont.Var. w/Off-Rd Crawl Ratio Trans

AR = use ase required - = Non illustrated part

2008 MK

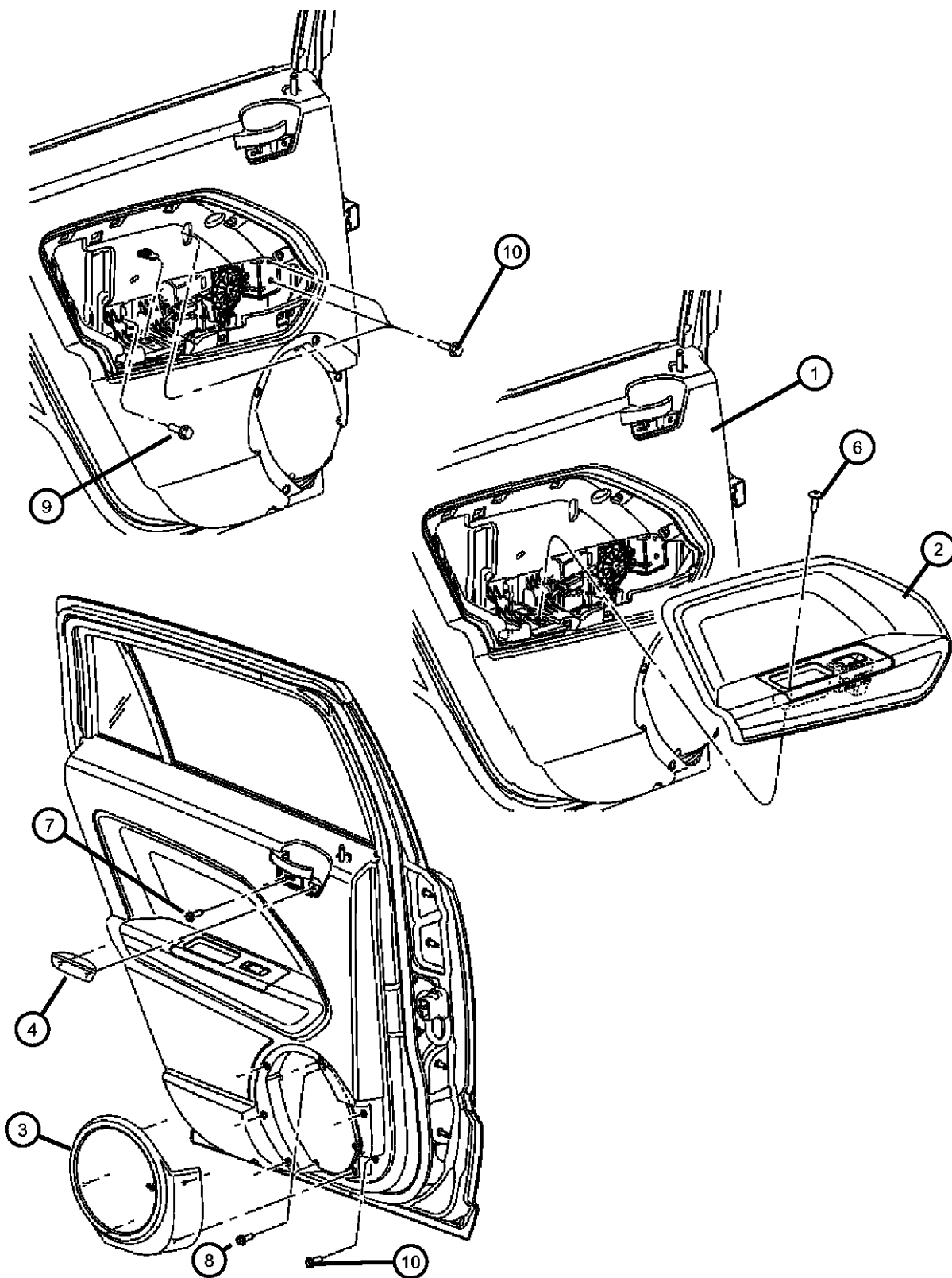
Rear Door Trim Panels
Figure 50-415



ITEM	PART NUMBER	QTY	LINE	SERIES	BODY	ENGINE	TRANS	TRIM	DESCRIPTION
		1	J, T		74			*E6	[KA], With [JF8], Left
	1AA25XDVAA	1	J, T		49			*B7	[DV], With [JF8], Left
		1	J, T		49			*K6	[DV], With [JF8], Left
		1	J, T		49			*AL	[DV], With [JF8], Left
		1	J, T		74			*K6	[DV], With [JF8], Left
		1	J, T		74			*AL	[DV], With [JF8], Left
		1	J, T		74			*E6	[DV], With [JF8], Left
3									GRILLE, Speaker
	1AW74DKAAB	1	J, T, U		49			*O0	[KA], Right
		1	J, T, U		74			*O0	[KA], Right
	1AW74XDVAB	1	J, T, U		49			*O0	[DV], Right
		1	J, T, U		74			*O0	[DV], Right
	1AW75DKAAB	1	J, T, U		49			*O0	[KA], Left
		1	J, T, U		74			*O0	[KA], Left
	1AW75XDVAB	1	J, T, U		49			*O0	[DV], Left
		1	J, T, U		74			*O0	[DV], Left
4									PLUG, Door Trim Panel, Inside Handle
	1BH30DK7AB	1	J, T, U		49			*O0	[KA], Right
	1BH30XDVAB	1	J, T, U		49			*O0	[DA], Right
	1BH31DK7AB	1	J, T, U		49			*O0	[KA], Left
	1BH31XDVAB	1	J, T, U		49			*O0	[DA], Left
-5									CAP, Screw Cover
	1DD78BDAAB	2	J, T, U		49			*O0	[DA]
		2	J, T, U		74			*O0	[DA]
	1DD78DKAAB	2	J, T, U		49			*O0	[KA]
		2	J, T, U		74			*O0	[KA]
6									SCREW, Tapping, Pull Cup to Door Trim Panel
	06104579AA	2	J, T, U		49				
		2	J, T, U		74				
7									SCREW, Tapping, Handle to Sheet Metal
	06104579AA	2	J, T, U		49				

COMPASS/PATRIOT (MK)
 SERIES LINE BODY ENGINE TRANSMISSION
 H = HIGHLINE T = JEEP - 2WD 49 = HATCHBACK TYPE #2 ECE = 2.0L 4 Cyl DOHC DPF DEF = 6-Speed Manual Aisin BG6
 L = LOWLINE J = JEEP - 4WD 74 = SPORT UTILITY 4-DR Diesel Engine Trans
 P = PREMIUM U = JEEP - 4WD (RHD) TYPE #4 ED3 = 2.4L 4 Cyl DOHC 16V DD7 = 5-Speed Manual T355
 Dual VVT Engine Transmission
 ECD = 2.0L 4 Cyl DOHC DAV = Continuously Variable
 Diesel 16V Engine Transaxle II
 ECN = 2.0L 4 Cyl DOHC 16V DAW = Cont.Var. w/Off-Rd Crawl
 Dual VVT Engine Ratio Trans

Rear Door Trim Panels
Figure 50-415



ITEM	PART NUMBER	QTY	LINE	SERIES	BODY	ENGINE	TRANS	TRIM	DESCRIPTION
		2	J, T, U		74				
8	06105189AA	4	J, T, U		49				SCREW, Speaker Grille
		4	J, T, U		74				
9	06104366AA	2	J, T, U		49, 74				SCREW AND WASHER, Hex Head, M6x1x20, Pull Cup Bracket to Inner Panel
10	06104336AA	1	J, T, U		49, 74	ECD, ECE			SCREW, Hex Flange Head, M6X1.0x20.0

COMPASS/PATRIOT (MK)

SERIES LINE

H = HIGHLINE T = JEEP - 2WD
L = LOWLINE J = JEEP - 4WD
P = PREMIUM U = JEEP - 4WD (RHD)

BODY

49 = HATCHBACK TYPE #2
74 = SPORT UTILITY 4-DR TYPE #4

ENGINE

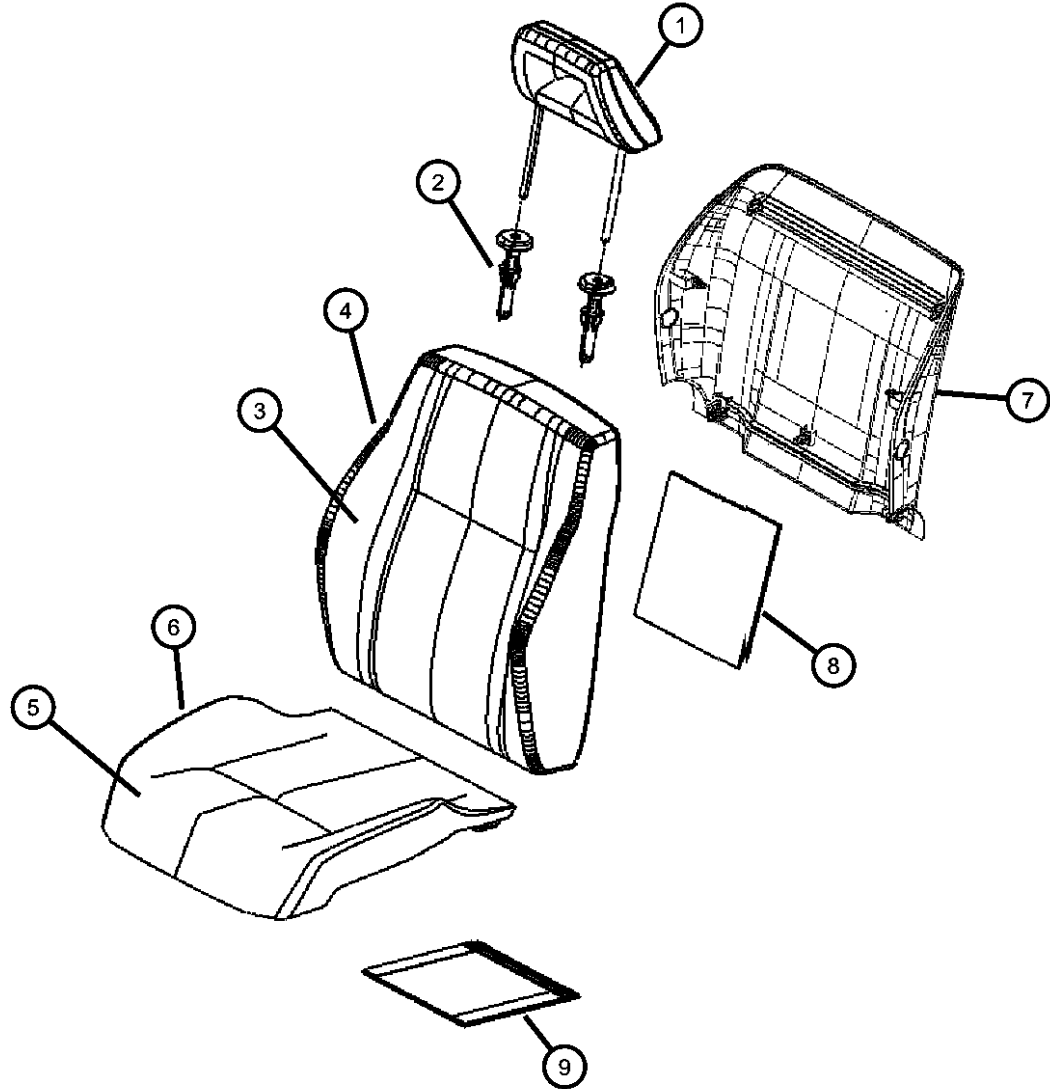
ECE = 2.0L 4 Cyl DOHC DPF Diesel Engine
ED3 = 2.4L 4 Cyl DOHC 16V Dual VVT Engine
ECD = 2.0L 4 Cyl DOHC Diesel 16V Engine
ECN = 2.0L 4 Cyl DOHC 16V Dual VVT Engine

TRANSMISSION

DEF = 6-Speed Manual Aisin BG6 Trans
DD7 = 5-Speed Manual T355 Transmission
DAV = Continuously Variable Transaxle II
DAW = Cont.Var. w/Off-Rd Crawl Ratio Trans

**Front Seat - Bucket - Trim Code [AL]
Figure 50-505**

ITEM	PART NUMBER	QTY	LINE	SERIES	BODY	ENGINE	TRANS	TRIM	DESCRIPTION
1									HEADREST
	1DQ211DAAA	2	J, T		49			*AL	[DA] , Mexico
		2	J		49, 74			*AL	[DA] , Export
		2	U		49, 74			*AL	[DA] , RHD
		1	J, T		74			*AL	[DA] , Mexico
		2	J, T		49			*AL	[DV] , Mexico
		2	J, T		74			*AL	[DV] , Mexico
		2	J		49, 74			*AL	[DV] , Export
		2	U		49, 74			*AL	[DV] , RHD
	1DQ211KAAA	2	J, T		49			*AL	[KA] , Mexico
		2	J, T		74			*AL	[KA] , Mexico
		2	J		49, 74			*AL	[KA] , Export
		2	U		49, 74			*AL	[KA] , RHD
2									SLEEVE, Headrest
	1DS911D1AA	2	J, T		49			*AL	[DV] , Mexico, Locking
		2	J, T		74			*AL	[DV] , Mexico, Locking
		5	U		49, 74			*AL	[DV] , Export, Locking
		2	J, T		49			*AL	[DV], Locking
		2	J, T		74			*AL	[DV], Locking
	1DS911KAAA	2	J, T		49			*AL	[KA] , Mexico, Locking
		2	J, T		74			*AL	[KA] , Mexico, Locking
		5	J		49, 74			*AL	[KA] , Export, Locking
		2	J, T		49			*AL	[KA], Locking
		2	J, T		74			*AL	[KA], Locking
	1DS941D1AA	2	J, T		49			*AL	[DV] , Mexico, Slave Cylinder
		2	J, T		74			*AL	[DV] , Mexico, Slave Cylinder
		5	U		49, 74			*AL	[DV] , Export, Slave Cylinder
		2	J, T		49			*AL	[DV], Slave Cylinder
		2	J, T		74			*AL	[DV], Slave Cylinder
	1DS941KAAA	2	J, T		49			*AL	[KA] , Mexico, Slave Cylinder
		2	J, T		74			*AL	[KA] , Mexico, Slave Cylinder
		5	J		49, 74			*AL	[KA] , Export, Slave Cylinder
		2	J, T		49			*AL	[KA], Slave Cylinder



COMPASS/PATRIOT (MK)

SERIES LINE
H = HIGHLINE T = JEEP - 2WD
L = LOWLINE J = JEEP - 4WD
P = PREMIUM U = JEEP - 4WD (RHD)

BODY
49 = HATCHBACK TYPE #2
74 = SPORT UTILITY 4-DR
TYPE #4

ENGINE
ECE = 2.0L 4 Cyl DOHC DPF Diesel Engine
ED3 = 2.4L 4 Cyl DOHC 16V Dual VVT Engine
ECD = 2.0L 4 Cyl DOHC Diesel 16V Engine
ECN = 2.0L 4 Cyl DOHC 16V Dual VVT Engine

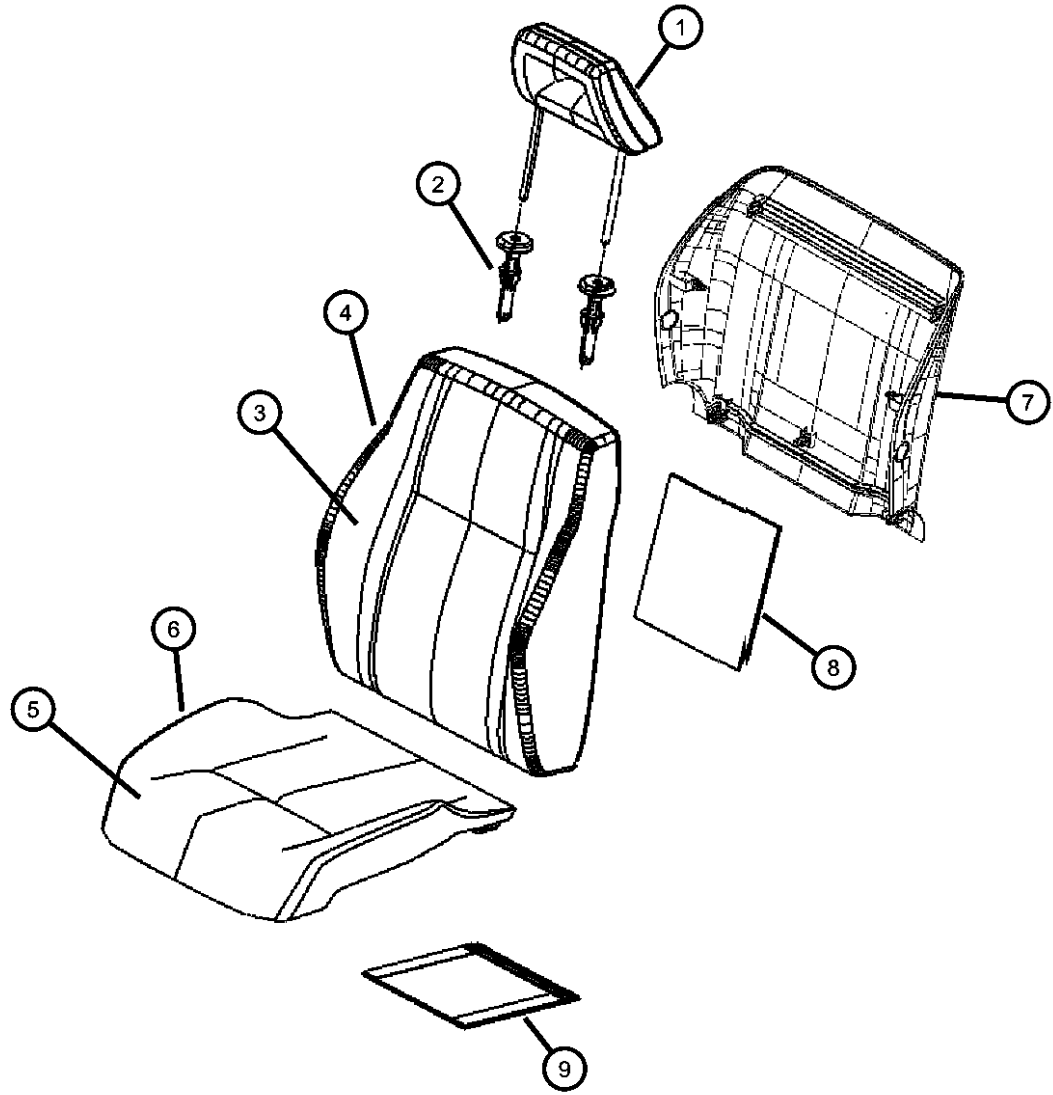
TRANSMISSION
DEF = 6-Speed Manual Aisin BG6 Trans
DD7 = 5-Speed Manual T355 Transmission
DAV = Continuously Variable Transaxle II
DAW = Cont.Var. w/Off-Rd Crawl Ratio Trans

AR = use ase required - = Non illustrated part

2008 MK

**Front Seat - Bucket - Trim Code [AL]
Figure 50-505**

ITEM	PART NUMBER	QTY	LINE	SERIES	BODY	ENGINE	TRANS	TRIM	DESCRIPTION
		2	J, T		74			*AL	[KA], Slave Cylinder
3									COVER, Front Seat Back
	1FA301DAAA	1	J, T		49			*AL	[DV], Mexico, Without [CJ1], Right
		1	J, T		74			*AL	[DV], Mexico, Without [CJ1], Right
		1	J, T		49			*AL	[DV], Without [CJ1], Right
		1	J, T		74			*AL	[DV], Without [CJ1], Right
		1	J		49, 74			*AL	[DV], Export, without [CJ1], Right
		1	U		49, 74			*AL	[DV], Export, RHD, without [CJ1], Right
	1FA301KAAA	1	J, T		49			*AL	[KA], Mexico, Without [CJ1], Right
		1	J, T		74			*AL	[KA], Mexico, Without [CJ1], Right
		1	J, T		49			*AL	[KA], Without [CJ1], Right
		1	J, T		74			*AL	[KA], Without [CJ1], Right
		1	J		49, 74			*AL	[KA], Export, without [CJ1], Right
		1	U		49, 74			*AL	[KA], Export, RHD, without [CJ1], Right
	1FA30XDVAA	1	J, T		49			*AL	[DA], Mexico, Without [CJ1], Right
		1	J, T		74			*AL	[DA], Mexico, Without [CJ1], Right
		1	J, T		49			*AL	[DA], Without [CJ1], Right
		1	J, T		74			*AL	[DA], Without [CJ1], Right
		1	J		49, 74			*AL	[DA], Export, without [CJ1], Right
		1	U		49, 74			*AL	[DA], Export, RHD, without [CJ1], Right
	1FA311DAAA	1	J, T		49			*AL	[DV], Mexico, Without [CJ1], Left
		1	J, T		74			*AL	[DV], Mexico, Without [CJ1], Left
		1	J, T		49			*AL	[DV], Without [CJ1], Left
		1	J, T		74			*AL	[DV], Without [CJ1], Left
		1	J		49, 74			*AL	[DV], Export, without [CJ1], Left
		1	U		49, 74			*AL	[DV], Export, RHD, without [CJ1], Left



COMPASS/PATRIOT (MK)

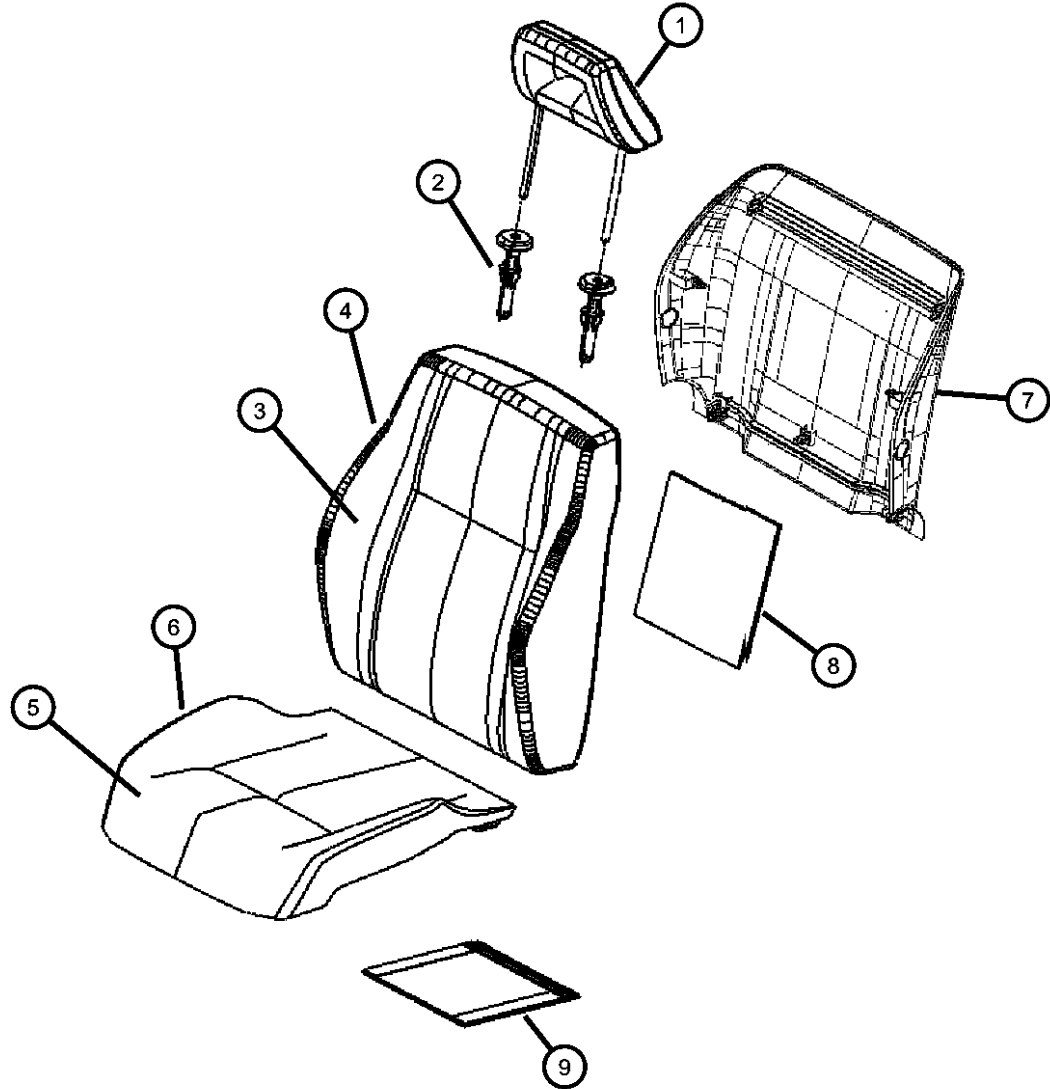
SERIES	LINE	BODY	ENGINE	TRANSMISSION
H = HIGHLINE	T = JEEP - 2WD	49 = HATCHBACK TYPE #2	ECE = 2.0L 4 Cyl DOHC DPF Diesel Engine	DEF = 6-Speed Manual Aisin BG6 Trans
L = LOWLINE	J = JEEP - 4WD	74 = SPORT UTILITY 4-DR TYPE #4	ED3 = 2.4L 4 Cyl DOHC 16V Dual VVT Engine	DD7 = 5-Speed Manual T355 Transmission
P = PREMIUM	U = JEEP - 4WD (RHD)		ECD = 2.0L 4 Cyl DOHC Diesel 16V Engine	DAV = Continuously Variable Transaxle II
			ECN = 2.0L 4 Cyl DOHC 16V Dual VVT Engine	DAW = Cont.Var. w/Off-Rd Crawl Ratio Trans

AR = use ase required - = Non illustrated part

2008 MK

**Front Seat - Bucket - Trim Code [AL]
Figure 50-505**

ITEM	PART NUMBER	QTY	LINE	SERIES	BODY	ENGINE	TRANS	TRIM	DESCRIPTION
	1FA311KAAA	1	J, T		49			*AL	[DA] , Export , without [CJ1], Left
		1	J, T		74			*AL	[DA] , Export , without [CJ1], Left
		1	J, T		49			*AL	[KA] , Without [CJ1], Left
		1	J, T		74			*AL	[KA] , Without [CJ1], Left
		1	J		49, 74			*AL	[KA] , Export , without [CJ1], Left
		1	U		49, 74			*AL	[KA] , Export , RHD , without [CJ1], Left
	1FA31XDVAA	1	J, T		49			*AL	[DA] , Mexico , Without [CJ1], Left
		1	J, T		74			*AL	[DA] , Mexico , Without [CJ1], Left
		1	J, T		49			*AL	[DA] , Without [CJ1], Left
		1	J, T		74			*AL	[DA] , Without [CJ1], Left
		1	J		49, 74			*AL	[DA] , Export , without [CJ1], Left
		1	U		49, 74			*AL	[DA] , Export , RHD , without [CJ1], Left
	1HK841DAAA	1	J		49, 74			*AL	[DV] , Export , with [CJ1], Right
		1	J, T		49			*AL	[DV] , With [CJ1], Right
		1	J, T		74			*AL	[DV] , With [CJ1], Right
	1HK841KAAA	1	J		49, 74			*AL	[KA] , Export , with [CJ1], Right
		1	J, T		49			*AL	[KA] , With [CJ1], Right
		1	J, T		74			*AL	[KA] , With [CJ1], Right
	1HK84XDVAA	1	J		49, 74			*AL	[DA] , Export , With [CJ1], Right
		1	J, T		49			*AL	[DA] , With [CJ1], Right
		1	J, T		74			*AL	[DA] , With [CJ1], Right
	1HK851DAAA	1	J		49, 74			*AL	[DV] , Export , with [CJ1], Left
		1	J, T		49			*AL	[DV] , With [CJ1], Left
		1	J, T		74			*AL	[DV] , With [CJ1], Left
	1HK851KAAA	1	J		49, 74			*AL	[KA] , Export , with [CJ1], Left
		1	J, T		49			*AL	[KA] , With [CJ1], Left
		1	J, T		74			*AL	[KA] , With [CJ1], Left
	1HK85XDVAA	1	J		49, 74			*AL	[DA] , Export , with [CJ1], Left
		1	J, T		49			*AL	[DA] , With [CJ1], Left
		1	J, T		74			*AL	[DA] , With [CJ1], Left



COMPASS/PATRIOT (MK)

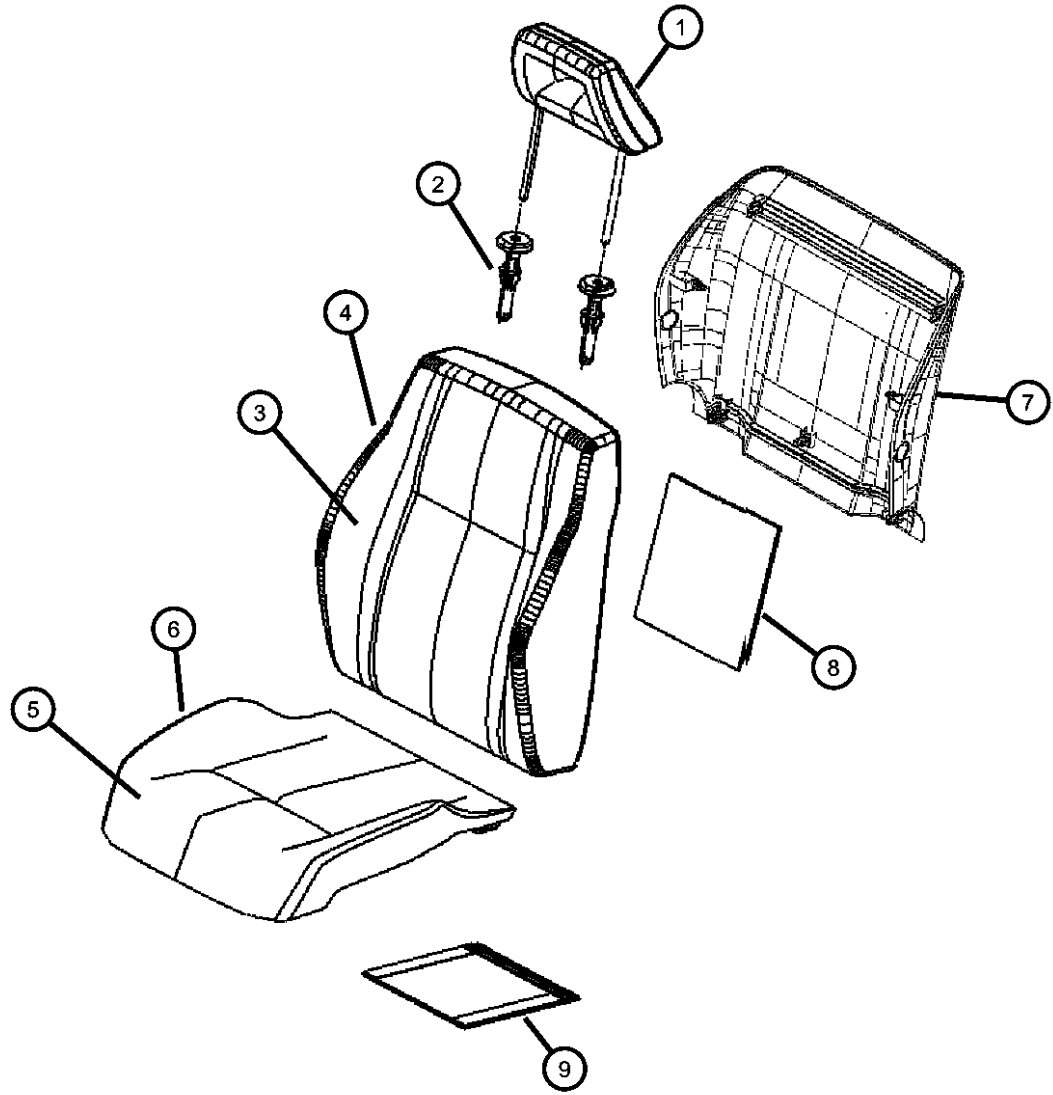
SERIES	LINE	BODY	ENGINE	TRANSMISSION
H = HIGHLINE	T = JEEP - 2WD	49 = HATCHBACK TYPE #2	ECE = 2.0L 4 Cyl DOHC DPF Diesel Engine	DEF = 6-Speed Manual Aisin BG6 Trans
L = LOWLINE	J = JEEP - 4WD	74 = SPORT UTILITY 4-DR TYPE #4	ED3 = 2.4L 4 Cyl DOHC 16V Dual VVT Engine	DD7 = 5-Speed Manual T355 Transmission
P = PREMIUM	U = JEEP - 4WD (RHD)		ECD = 2.0L 4 Cyl DOHC Diesel 16V Engine	DAV = Continuously Variable Transaxle II
			ECN = 2.0L 4 Cyl DOHC 16V Dual VVT Engine	DAW = Cont.Var. w/Off-Rd Crawl Ratio Trans

AR = use ase required - = Non illustrated part

2008 MK

**Front Seat - Bucket - Trim Code [AL]
Figure 50-505**

ITEM	PART NUMBER	QTY	LINE	SERIES	BODY	ENGINE	TRANS	TRIM	DESCRIPTION
	1HK861DAAA	1	U		49, 74			*AL	[DV] , Export , RHD , with [CJ1], Right
	1HK86DK7AA	1	U		49, 74			*AL	[KA] , Export , RHD , with [CJ1], Right
	1HK86XDVAA	1	U		49, 74			*AL	[DA] , Export , RHD , with [CJ1], Right
	1HK871DAAA	1	U		49, 74			*AL	[DV] , Export , RHD , with [CJ1], Left
	1HK87DK7AA	1	U		49, 74			*AL	[KA] , Export , RHD , with [CJ1], Left
	1HK87XDVAA	1	U		49, 74			*AL	[DA] , Export , RHD , with [CJ1], Left
	1HS68DK7AA	1	J, T		49			*AL	[KA] , With [CJ1] , Mexico, Right
		1	J, T		74			*AL	[KA] , With [CJ1] , Mexico, Right
	1HS68XDVAA	1	J, T		74			*AL	[DA] , With [CJ1] , Mexico, Right
		1	J, T		49			*AL	[DA] , With [CJ1] , Mexico, Right
	1HS69DK7AA	1	J, T		49			*AL	[KA] , With [CJ1] , Mexico, Left
		1	J, T		74			*AL	[KA] , With [CJ1] , Mexico, Left
	1HS69XDVAA	1	J, T		49			*AL	[DA] , With [CJ1] , Mexico, Left
		1	J, T		74			*AL	[DA] , With [CJ1] , Mexico, Left
									FOAM, Seat Back
4	68001645AA	1	U		49, 74			*AL	Left
	68001646AA	1	U		49, 74			*AL	Right
5									COVER, Front Seat Cushion
	1EX231DAAA	1	J, T		49			*AL	[DA] , Mexico
		1	J, T		74			*AL	[DA] , Mexico
		2	J		49, 74			*AL	[DA] , Export
		2	U		49, 74			*AL	[DA] , Export , RHD
		2	J, T		49			*AL	[DA]
		2	J, T		74			*AL	[DA]
		1	J, T		49			*AL	[DV] , Mexico
		1	J, T		74			*AL	[DV] , Mexico
		2	J		49, 74			*AL	[DV] , Export
		2	U		49, 74			*AL	[DV] , Export , RHD
		2	J, T		49			*AL	[DV]



COMPASS/PATRIOT (MK)

SERIES LINE
H = HIGHLINE T = JEEP - 2WD
L = LOWLINE J = JEEP - 4WD
P = PREMIUM U = JEEP - 4WD (RHD)

BODY
49 = HATCHBACK TYPE #2
74 = SPORT UTILITY 4-DR TYPE #4

ENGINE
ECE = 2.0L 4 Cyl DOHC DPF Diesel Engine
ED3 = 2.4L 4 Cyl DOHC 16V Dual VVT Engine
ECD = 2.0L 4 Cyl DOHC Diesel 16V Engine
ECN = 2.0L 4 Cyl DOHC 16V Dual VVT Engine

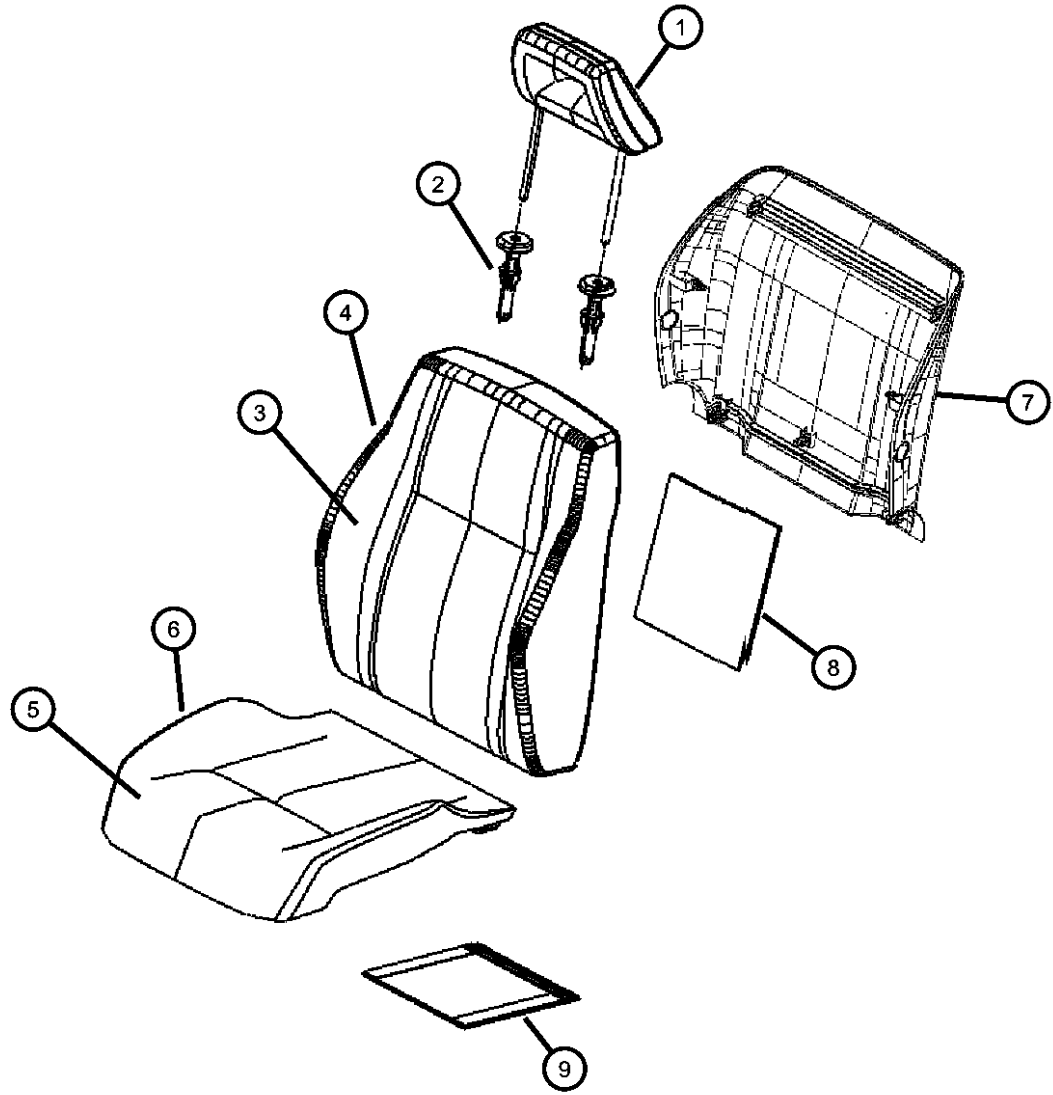
TRANSMISSION
DEF = 6-Speed Manual Aisin BG6 Trans
DD7 = 5-Speed Manual T355 Transmission
DAV = Continuously Variable Transaxle II
DAW = Cont.Var. w/Off-Rd Crawl Ratio Trans

AR = use ase required - = Non illustrated part

2008 MK

**Front Seat - Bucket - Trim Code [AL]
Figure 50-505**

ITEM	PART NUMBER	QTY	LINE	SERIES	BODY	ENGINE	TRANS	TRIM	DESCRIPTION
		2	J, T		74			*AL	[DV]
	1EX231KAAA	1	J, T		49			*AL	[KA] , Mexico
		1	J, T		74			*AL	[KA] , Mexico
		2	J		49, 74			*AL	[KA] , Export
		2	U		49, 74			*AL	[KA] , Export , RHD
		2	J, T		49			*AL	[KA]
		2	J, T		74			*AL	[KA]
6									FOAM, Seat Cushion
	68001647AA	2	J, T		49, 74			*AL	
		2	J, T		49, 74			*AL	Mexico
		2	U		49, 74			*AL	RHD, Right & Left
7									PANEL, Front Seat Back
	1DQ231DAAA	1	J, T		49			*AL	[DA] , Mexico
		1	J, T		74			*AL	[DA] , Mexico
		1	J, T		49			*AL	[DA]
		1	J, T		74			*AL	[DA]
		1	J		49, 74			*AL	[DA] , Export
		1	U		49, 74			*AL	[DA] , Export , RHD
		1	J, T		49			*AL	[DV] , Mexico
		1	J, T		74			*AL	[DV] , Mexico
		1	J, T		49			*AL	[DV]
		1	J, T		74			*AL	[DV]
		1	J		49, 74			*AL	[DV] , Export
		1	U		49, 74			*AL	[DV] , Export , RHD
	1DQ231KAAA	1	J, T		49			*AL	[KA] , Mexico
		1	J, T		74			*AL	[KA] , Mexico
		1	J, T		49			*AL	[KA]
		1	J, T		74			*AL	[KA]
		1	J		49, 74			*AL	[KA] , Export
		1	U		49, 74			*AL	[KA] , Export , RHD
	1DQ251DAAA	1	J, T		49			*AL	[DA] , Fold Flat , Mexico
		1	J, T		74			*AL	[DA] , Fold Flat , Mexico



COMPASS/PATRIOT (MK)

SERIES LINE
H = HIGHLINE T = JEEP - 2WD
L = LOWLINE J = JEEP - 4WD
P = PREMIUM U = JEEP - 4WD (RHD)

BODY
49 = HATCHBACK TYPE #2
74 = SPORT UTILITY 4-DR TYPE #4

ENGINE
ECE = 2.0L 4 Cyl DOHC DPF Diesel Engine
ED3 = 2.4L 4 Cyl DOHC 16V Dual VVT Engine
ECD = 2.0L 4 Cyl DOHC Diesel 16V Engine
ECN = 2.0L 4 Cyl DOHC 16V Dual VVT Engine

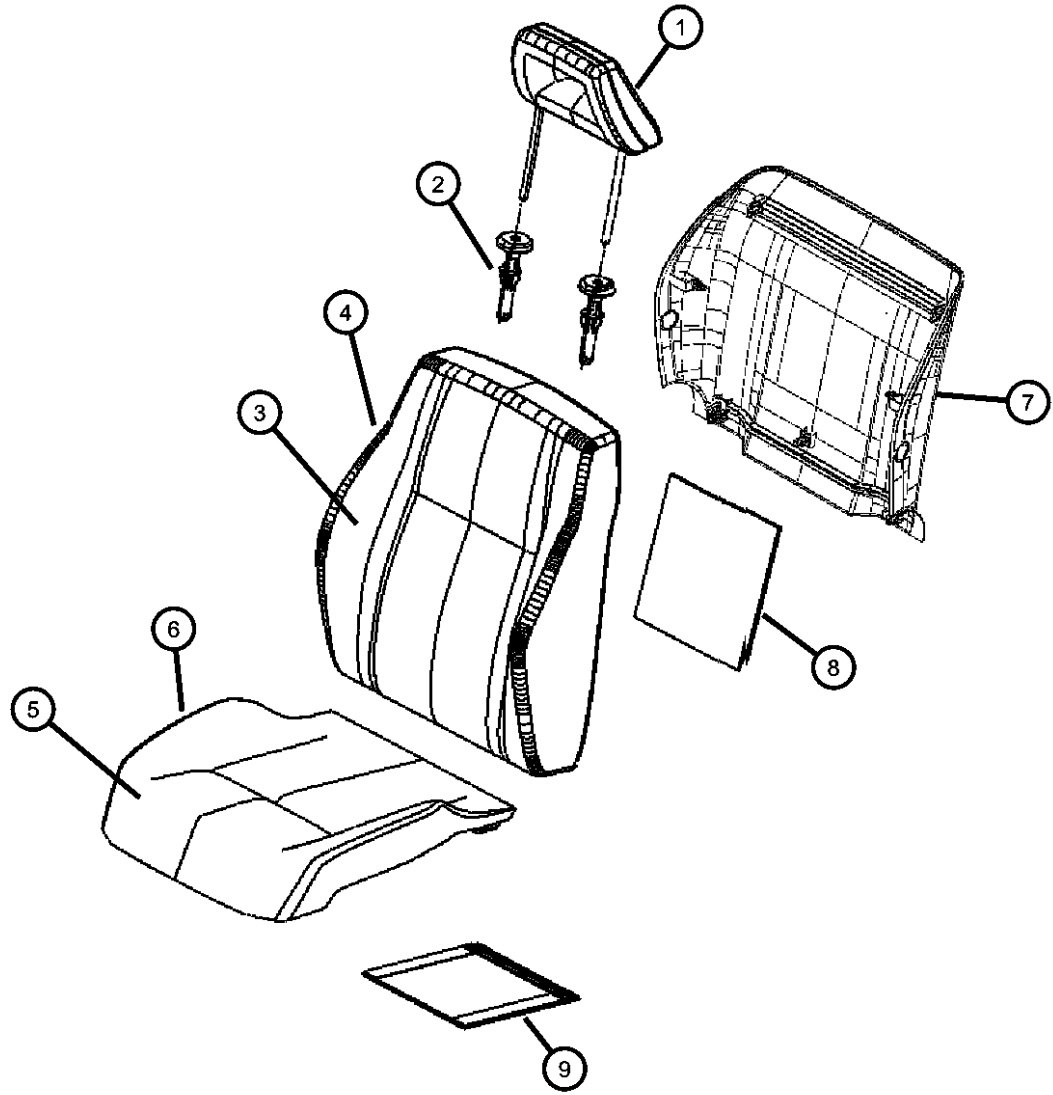
TRANSMISSION
DEF = 6-Speed Manual Aisin BG6 Trans
DD7 = 5-Speed Manual T355 Transmission
DAV = Continuously Variable Transaxle II
DAW = Cont.Var. w/Off-Rd Crawl Ratio Trans

AR = use ase required - = Non illustrated part

2008 MK

**Front Seat - Bucket - Trim Code [AL]
Figure 50-505**

ITEM	PART NUMBER	QTY	LINE	SERIES	BODY	ENGINE	TRANS	TRIM	DESCRIPTION
		1	J, T		49			*AL	[DA] , Fold Flat
		1	J, T		74			*AL	[DA] , Fold Flat
		1	J		49, 74			*AL	[DA] , Fold Flat , Export
		1	U		49, 74			*AL	[DA] , Fold Flat , Export , RHD
		1	J, T		49			*AL	[DV] , Fold Flat , Mexico
		1	J, T		74			*AL	[DV] , Fold Flat , Mexico
		1	J, T		49			*AL	[DV] , Fold Flat
		1	J, T		74			*AL	[DV] , Fold Flat
		1	J		49, 74			*AL	[DV] , Fold Flat , Export
		1	U		49, 74			*AL	[DV] , Fold Flat , Export , RHD
	1DQ251KAAA	1	J, T		49			*AL	[KA] , Fold Flat , Mexico
		1	J, T		74			*AL	[KA] , Fold Flat , Mexico
		1	J, T		49			*AL	[KA] , Fold Flat
		1	J, T		74			*AL	[KA] , Fold Flat
		1	J		49, 74			*AL	[KA] , Fold Flat , Export
		1	U		49, 74			*AL	[KA] , Fold Flat , Export , RHD
8									PAD, Heater, Back
	05183316AA	1	J, T		49, 74			*AL	Driver
		1	J, T		49, 74			*AL	Mexico, Driver
		1	U		49, 74			*AL	Export, Driver
	05183317AA	1	J, T		49, 74			*AL	Passenger
		1	J, T		49, 74			*AL	Mexico, Passenger
		1	U		49, 74			*AL	Export, Passenger
9									PAD, Heater, Cushion
	05183318AA	2	J, T		49, 74			*AL	
		2	J		49, 74			*AL	Export
		2	J, T		49, 74			*AL	Mexico
		2	U		49, 74			*AL	Export , RHD



COMPASS/PATRIOT (MK)

SERIES LINE
H = HIGHLINE T = JEEP - 2WD
L = LOWLINE J = JEEP - 4WD
P = PREMIUM U = JEEP - 4WD (RHD)

BODY
49 = HATCHBACK TYPE #2
74 = SPORT UTILITY 4-DR
TYPE #4

ENGINE
ECE = 2.0L 4 Cyl DOHC DPF Diesel Engine
ED3 = 2.4L 4 Cyl DOHC 16V Dual VVT Engine
ECD = 2.0L 4 Cyl DOHC Diesel 16V Engine
ECN = 2.0L 4 Cyl DOHC 16V Dual VVT Engine

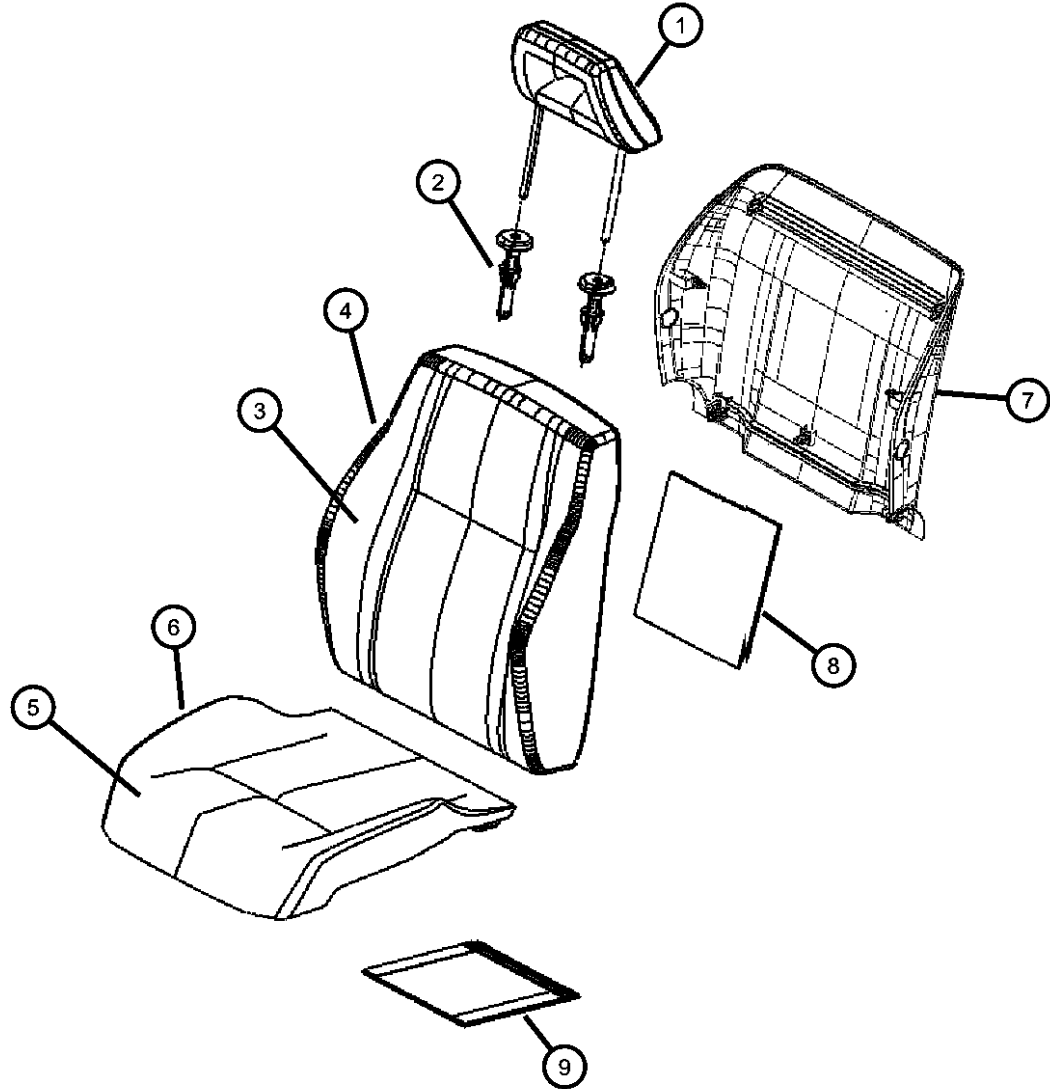
TRANSMISSION
DEF = 6-Speed Manual Aisin BG6 Trans
DD7 = 5-Speed Manual T355 Transmission
DAV = Continuously Variable Transaxle II
DAW = Cont.Var. w/Off-Rd Crawl Ratio Trans

AR = use ase required - = Non illustrated part

2008 MK

Front Seat - Bucket -Trim Code [D7]
Figure 50-510

ITEM	PART NUMBER	QTY	LINE	SERIES	BODY	ENGINE	TRANS	TRIM	DESCRIPTION
1									HEADREST
	1DQ211D5AA	1	J, T		49			*D7	[DA] , Mexico
		1	J, T		74			*D7	[DA] , Mexico
		2	J		49, 74			*D7	[DA] , Export
		1	J, T		49			*D7	[DA]
		1	J, T		74			*D7	[DA]
	1DQ211K2AA	1	J, T		49			*D7	[KA] , Mexico
		1	J, T		74			*D7	[KA] , Mexico
		2	J		49, 74			*D7	[KA] , Export
		1	J, T		49			*D7	[KA]
		1	J, T		74			*D7	[KA]
2									SLEEVE, Headrest
	1DS911DAAA	2	J, T		49			*D7	[DA], Locking
	1DS911KAAA	2	J, T		49			*D7	[KA], Locking
	1DS91BD5AA	1	J, T		49			*D7	[DA] , Mexico, Locking
		2	J		49, 74			*D7	[DA] , Export, Locking
		1	J, T		74			*D7	[DA], Locking
	1DS91DK2AA	1	J, T		74			*D7	[KA] , Mexico, Locking
		5	J, T		49			*D7	[KA] , Mexico, Locking
		5	J		49, 74			*D7	[KA] , Export, Locking
	1DS941DAAA	2	J, T		49			*D7	[DA], Slave Cylinder
	1DS941KAAA	2	J, T		49			*D7	[KA], Slave Cylinder
	1DS94BD5AA	1	J, T		49			*D7	[DA] , Mexico, Slave Cylinder
		1	J, T		74			*D7	[DA], Slave Cylinder
		1	J, T		74			*D7	[DA] , Mexico, Slave Cylinder
		1	J		49, 74			*D7	[DA] , Export, Slave Cylinder
	1DS94DK2AA	1	J, T		49			*D7	[KA] , Mexico, Slave Cylinder
		5	J		49, 74			*D7	[KA] , Export, Slave Cylinder
		1	J, T		74			*D7	[KA], Slave Cylinder
		5	J, T		74			*D7	[KA] , Mexico, Slave Cylinder
3									COVER, Front Seat Back
	1EX001D5AA	1	J, T		74			*D7	[DA]



COMPASS/PATRIOT (MK)

SERIES	LINE	BODY	ENGINE	TRANSMISSION
H = HIGHLINE	T = JEEP - 2WD	49 = HATCHBACK TYPE #2	ECE = 2.0L 4 Cyl DOHC DPF Diesel Engine	DEF = 6-Speed Manual Aisin BG6 Trans
L = LOWLINE	J = JEEP - 4WD	74 = SPORT UTILITY 4-DR TYPE #4	ED3 = 2.4L 4 Cyl DOHC 16V Dual VVT Engine	DD7 = 5-Speed Manual T355 Transmission
P = PREMIUM	U = JEEP - 4WD (RHD)		ECD = 2.0L 4 Cyl DOHC Diesel 16V Engine	DAV = Continuously Variable Transaxle II
			ECN = 2.0L 4 Cyl DOHC 16V Dual VVT Engine	DAW = Cont.Var. w/Off-Rd Crawl Ratio Trans

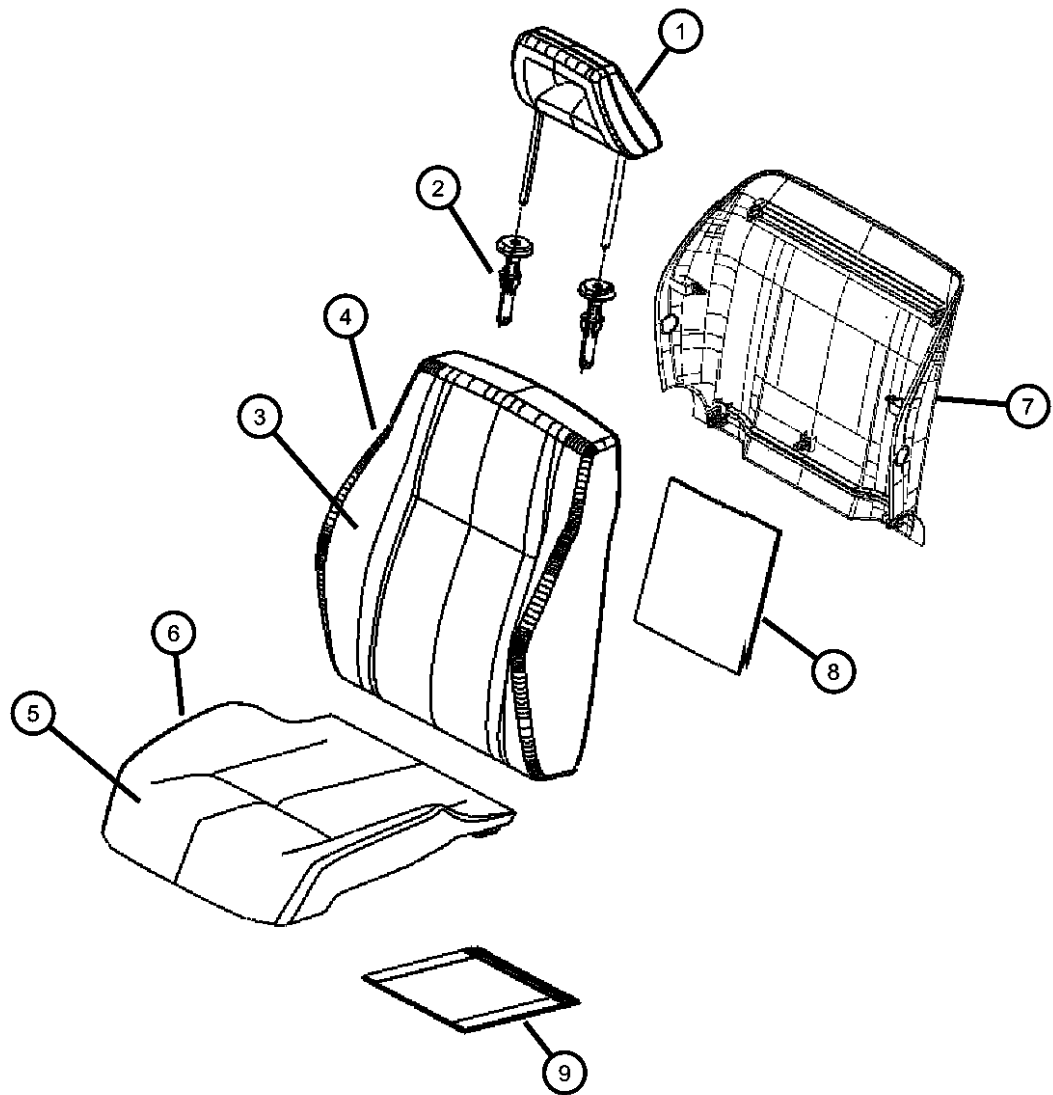
AR = use ase required - = Non illustrated part

2008 MK

Front Seat - Bucket -Trim Code [D7]

Figure 50-510

ITEM	PART NUMBER	QTY	LINE	SERIES	BODY	ENGINE	TRANS	TRIM	DESCRIPTION
		1	J, T		49			*D7	[DA] , Mexico , Without [CDH] or [CJ1]
		1	J, T		74			*D7	[DA] , Mexico , Without [CDH] or [CJ1]
		1	J, T		49			*D7	[DA]
		1	J		49, 74			*D7	[DA] , Export , Without [CMA] or [CJ1]
	1EX001K2AA	1	J, T		74			*D7	[KA]
		1	J, T		49			*D7	[KA] , Mexico , Without [CDH] or [CJ1]
		1	J, T		74			*D7	[KA] , Mexico , Without [CDH] or [CJ1]
		1	J, T		49			*D7	[KA]
		1	J		49, 74			*D7	[KA] , Export , Without [CMA] or [CJ1]
	1EX211D5AA	1	J, T		49			*D7	[DA] , With [CMA] , without [CJ1]
	1EZ061D5AA	1	J, T		49			*D7	[DA] , Mexico , With [CDH] , without [CJ1]
		1	J, T		74			*D7	[DA] , Mexico , With [CDH] , without [CJ1]
		1	J, T		74			*D7	[DA] , Without [CMA] or [CJ1]
		1	J, T		49			*D7	[DA] , Without [CMA] or [CJ1]
	1EZ061K2AA	1	J, T		49			*D7	[KA] , Mexico , With [CDH] , without [CJ1]
		1	J, T		74			*D7	[KA] , Mexico , With [CDH] , without [CJ1]
		1	J, T		74			*D7	[KA] , Without [CMA] or [CJ1]
		1	J, T		49			*D7	[KA] , Without [CMA] or [CJ1]
	1HS661D5AA	1	J, T		74			*D7	[DA] , With [CMA] , without [CJ1]
		1	J, T		49			*D7	[DA] , Mexico , With [CJ1] [CDH]
		1	J, T		74			*D7	[DA] , Mexico , With [CJ1] [CDH]
		1	J, T		49			*D7	[DA] , With [CMA] , without [CJ1]
	1HS661K2AA	1	J, T		74			*D7	[KA] , With [CMA] , without [CJ1]
		1	J, T		49			*D7	[KA] , Mexico , With [CJ1] [CDH]
		1	J, T		74			*D7	[KA] , Mexico , With [CJ1] [CDH]
		1	J, T		49			*D7	[KA] , With [CMA] , without [CJ1]
	1HS671D5AA	1	J, T		74			*D7	[DA] , With [CJ1]



COMPASS/PATRIOT (MK)

SERIES LINE
 H = HIGHLINE T = JEEP - 2WD
 L = LOWLINE J = JEEP - 4WD
 P = PREMIUM U = JEEP - 4WD (RHD)

BODY
 49 = HATCHBACK TYPE #2
 74 = SPORT UTILITY 4-DR TYPE #4

ENGINE
 ECE = 2.0L 4 Cyl DOHC DPF Diesel Engine
 ED3 = 2.4L 4 Cyl DOHC 16V Dual VVT Engine
 ECD = 2.0L 4 Cyl DOHC Diesel 16V Engine
 ECN = 2.0L 4 Cyl DOHC 16V Dual VVT Engine

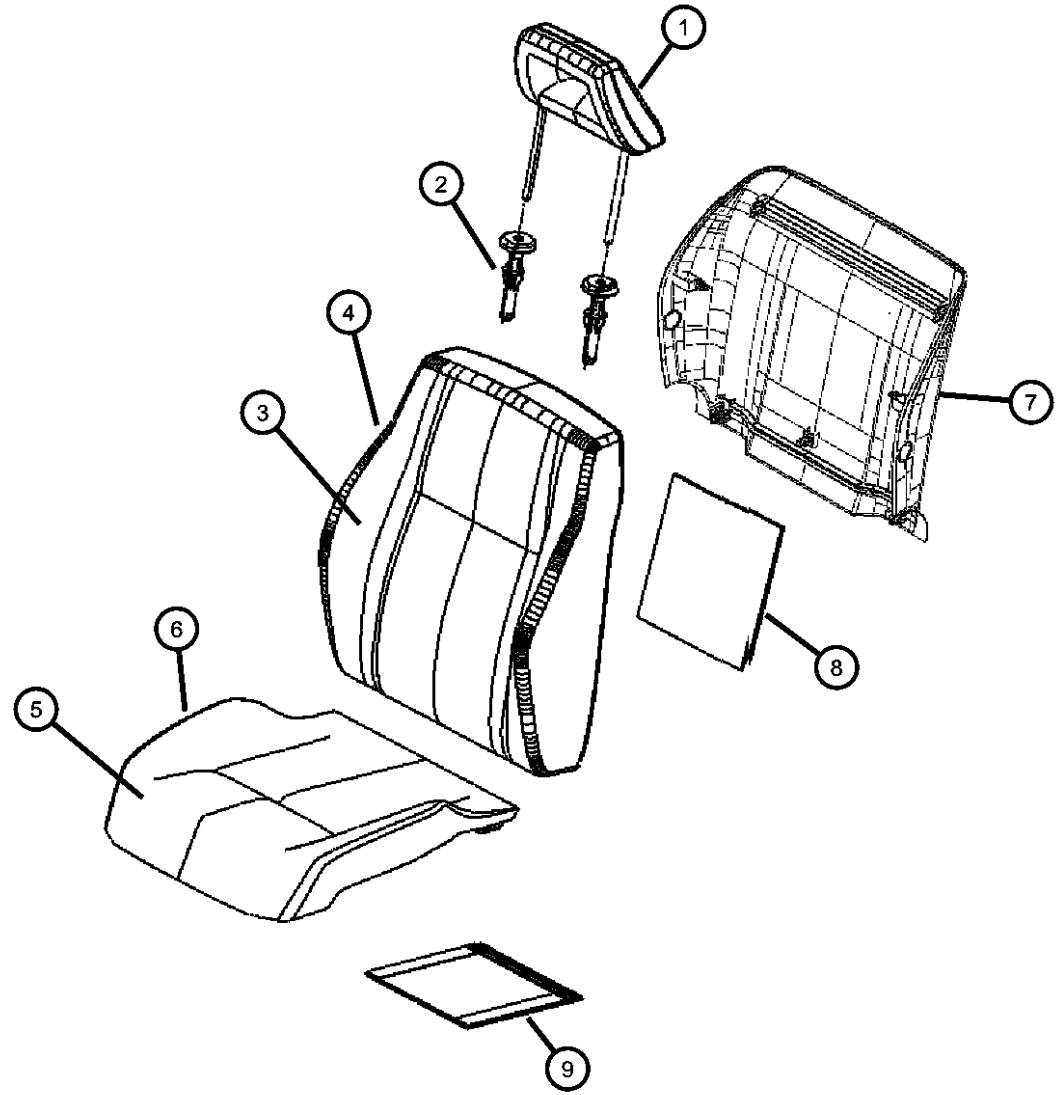
TRANSMISSION
 DEF = 6-Speed Manual Aisin BG6 Trans
 DD7 = 5-Speed Manual T355 Transmission
 DAV = Continuously Variable Transaxle II
 DAW = Cont.Var. w/Off-Rd Crawl Ratio Trans

AR = use ase required - = Non illustrated part

2008 MK

**Front Seat - Bucket -Trim Code [D7]
Figure 50-510**

ITEM	PART NUMBER	QTY	LINE	SERIES	BODY	ENGINE	TRANS	TRIM	DESCRIPTION
	1DQ231D5AA	2	J, T		74			*D7	[DA] , Mexico
		1	J, T		49			*D7	[DA] , Mexico
		1	J, T		49			*D7	[DA]
		1	J, T		74			*D7	[DA]
		1	J		49, 74			*D7	[DA] , Export
	1DQ231K2AA	2	J, T		49			*D7	[KA] , Mexico
		2	J, T		74			*D7	[KA] , Mexico
		1	J, T		49			*D7	[KA]
		1	J, T		74			*D7	[KA]
		1	J		49, 74			*D7	[KA] , Export
	1DQ251D5AA	1	J, T		49			*D7	[DA] , Mexico , Fold Flat
		1	J, T		74			*D7	[DA] , Mexico , Fold Flat
		1	J, T		49			*D7	[DA] , Fold Flat
		1	J, T		74			*D7	[DA] , Fold Flat
		1	J		49, 74			*D7	[DA] , Fold Flat , Export
	1DQ251K2AA	1	J, T		74			*D7	[KA] , Mexico , Fold Flat
		1	J, T		74			*D7	[KA] , Fold Flat
		1	J, T		49			*D7	[KA] , Fold Flat
		1	J		49, 74			*D7	[KA] , Fold Flat , Export
	1DQ25DK7AA	1	J, T		49			*D7	[KA] , Mexico , Fold Flat
8									PAD, Heater, Back
	05183316AA	1	J, T		49, 74			*D7	Passenger
		1	U		49, 74			*D7	Driver
	05183317AA	1	J, T		49, 74			*D7	Driver
		1	U		49, 74			*D7	Passenger
9									PAD, Heater, Cushion
	05183318AA	2	J, T		49, 74			*D7	
		2	U		49, 74			*D7	

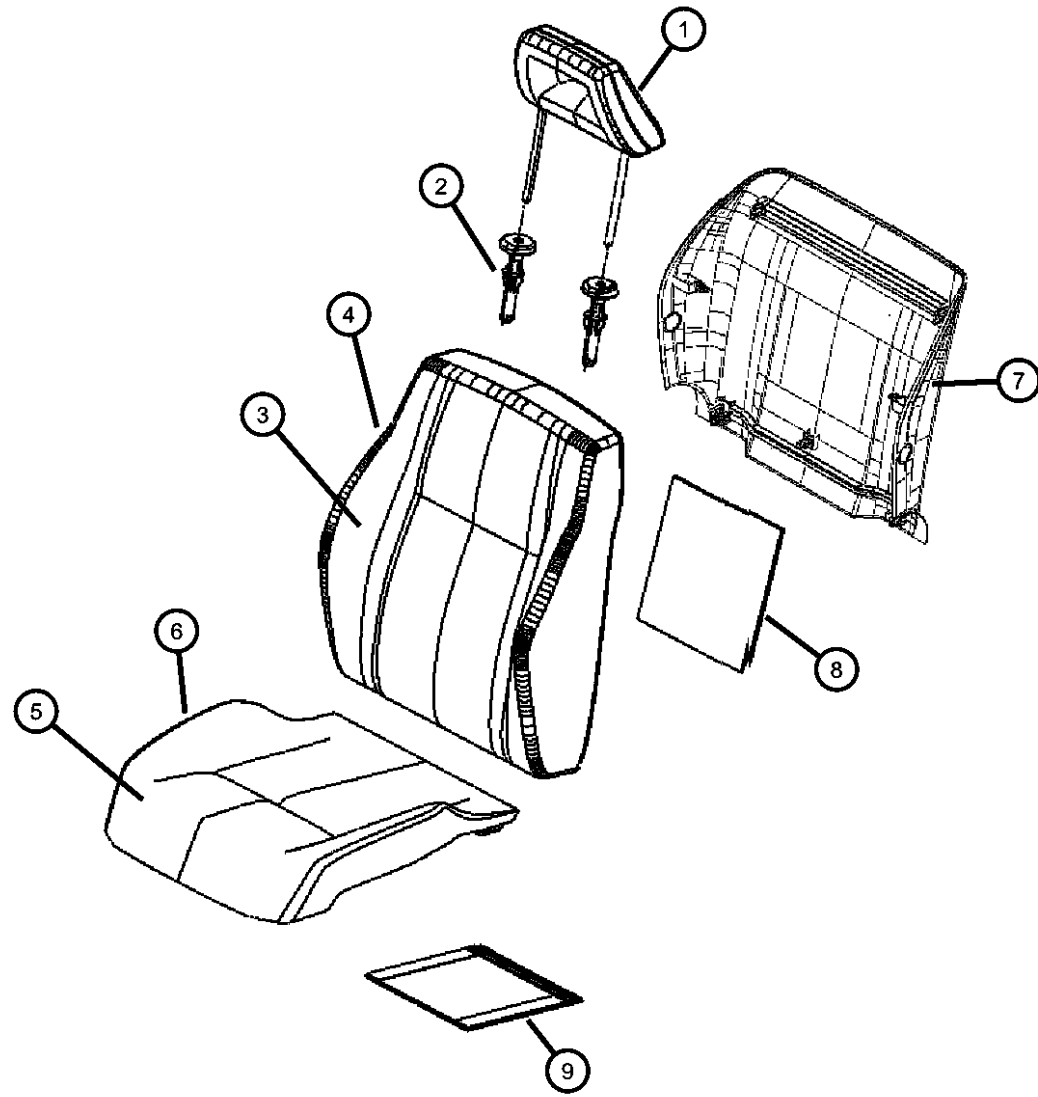


COMPASS/PATRIOT (MK)

SERIES	LINE	BODY	ENGINE	TRANSMISSION
H = HIGHLINE	T = JEEP - 2WD	49 = HATCHBACK TYPE #2	ECE = 2.0L 4 Cyl DOHC DPF Diesel Engine	DEF = 6-Speed Manual Aisin BG6 Trans
L = LOWLINE	J = JEEP - 4WD	74 = SPORT UTILITY 4-DR TYPE #4	ED3 = 2.4L 4 Cyl DOHC 16V Dual VVT Engine	DD7 = 5-Speed Manual T355 Transmission
P = PREMIUM	U = JEEP - 4WD (RHD)		ECD = 2.0L 4 Cyl DOHC Diesel 16V Engine	DAV = Continuously Variable Transaxle II
			ECN = 2.0L 4 Cyl DOHC 16V Dual VVT Engine	DAW = Cont.Var. w/Off-Rd Crawl Ratio Trans

AR = use ase required - = Non illustrated part

Front Seat - Bucket -Trim Code [K6] Figure 50-540



ITEM	PART NUMBER	QTY	LINE	SERIES	BODY	ENGINE	TRANS	TRIM	DESCRIPTION
4	1LH831K2AA	1	J, T		49			*K6	[KA] , With [CAX] [CDW] [CDH] [CMA] , without [CJ1] or [CDL]
		1	J, T		74			*K6	[KA] , With [CAX] [CDW] [CDH] [CMA] , without [CJ1] or [CDL]
		2	J, T		49			*K6	FOAM, Seat Back
	68001645AA	2	J, T		49, 74			*K6	Left
		1	J, T		49			*K6	Mexico, Left
		1	J, T		74			*K6	Export, Left
	68001646AA	1	J, T		49, 74			*K6	Export, Left
		1	J, T		49			*K6	Mexico, Right
		1	J, T		74			*K6	Export, Right
		1	J, T		74			*K6	Export, Right
		1	J, T		49			*K6	Right
		1	J, T		49			*K6	Right
5									COVER, Front Seat Cushion
	1HK201D5AA	2	J, T		74			*K6	[DA]
		2	J, T		49			*K6	[DA]
	1HK20BD5AA	1	J, T		49			*K6	[DA] , Mexico
		1	J, T		74			*K6	[DA] , Mexico
		1	J, T		49			*K6	[DA] , Export
		1	J, T		74			*K6	[DA] , Export
		1	U		49, 74			*K6	[DA] , Export , RHD
	1HK20DK2AA	2	J, T		74			*K6	[KA] , Mexico
		2	J, T		49			*K6	[KA] , Mexico
		1	J, T		49			*K6	[KA]
		1	J, T		74			*K6	[KA]
		1	J, T		49			*K6	[KA] , Export
		1	J, T		74			*K6	[KA] , Export
		1	U		49, 74			*K6	[KA] , Export , RHD
	1KP601K2AA	1	J, T		49			*K6	[KA] , Export , Without [CMA]
	1	J, T		74			*K6	[KA] , Export , Without [CMA]	
1KP60XDVAA	1	J, T		49			*K6	[DV] , Export , Without [CMA]	
	1	J, T		74			*K6	[DV] , Export , Without [CMA]	

COMPASS/PATRIOT (MK)

SERIES	LINE
H = HIGHLINE	T = JEEP - 2WD
L = LOWLINE	J = JEEP - 4WD
P = PREMIUM	U = JEEP - 4WD (RHD)

BODY
49 = HATCHBACK TYPE #2
74 = SPORT UTILITY 4-DR TYPE #4

ENGINE
ECE = 2.0L 4 Cyl DOHC DPF Diesel Engine
ED3 = 2.4L 4 Cyl DOHC 16V Dual VVT Engine
ECD = 2.0L 4 Cyl DOHC Diesel 16V Engine
ECN = 2.0L 4 Cyl DOHC 16V Dual VVT Engine

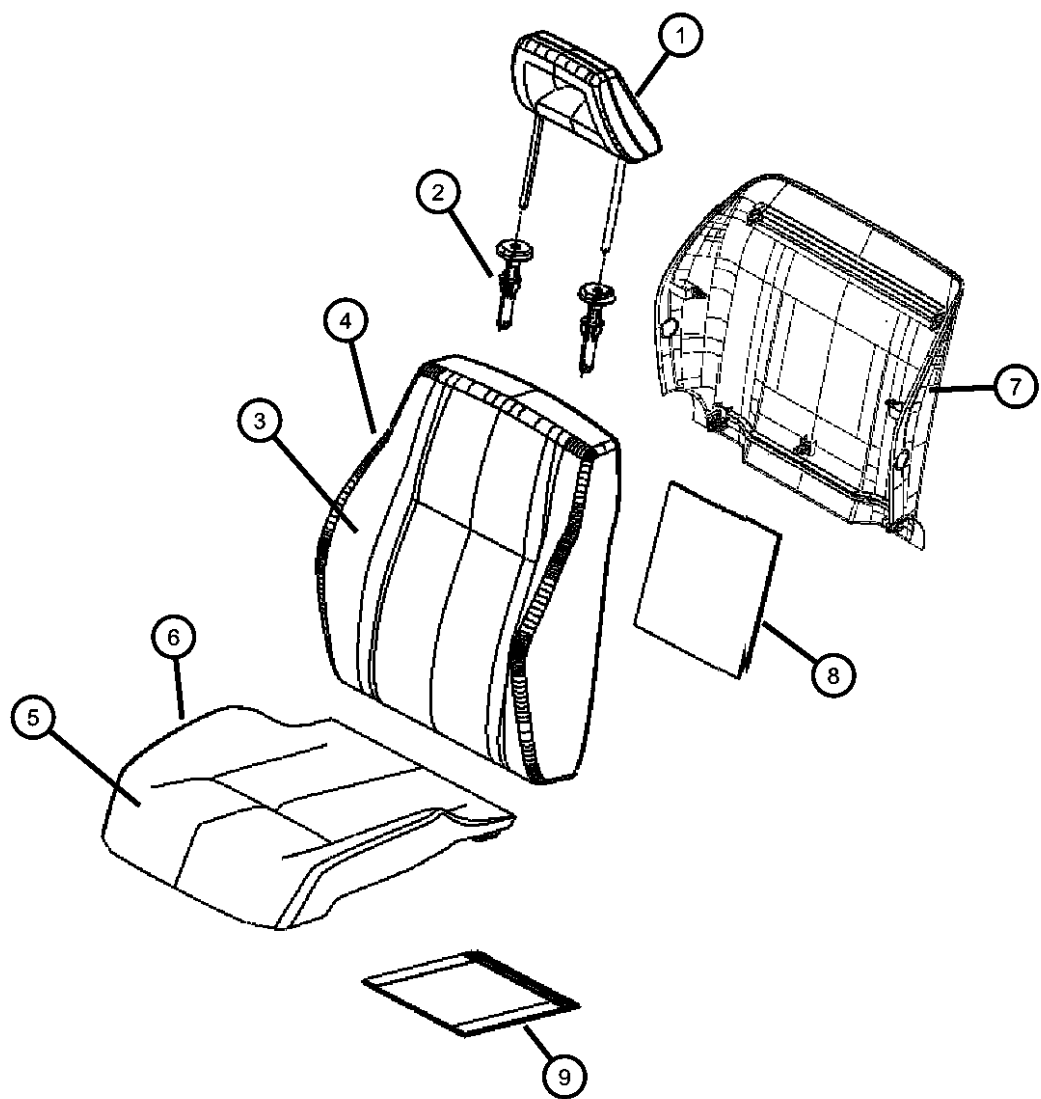
TRANSMISSION
DEF = 6-Speed Manual Aisin BG6 Trans
DD7 = 5-Speed Manual T355 Transmission
DAV = Continuously Variable Transaxle II
DAW = Cont.Var. w/Off-Rd Crawl Ratio Trans

AR = use ase required - = Non illustrated part

2008 MK

Front Seat - Bucket -Trim Code [K6]
Figure 50-540

ITEM	PART NUMBER	QTY	LINE	SERIES	BODY	ENGINE	TRANS	TRIM	DESCRIPTION
	1KP651K2AA	1	J, T		49			*K6	[KA] , Export , With [CMA]
		1	J, T		74			*K6	[KA] , Export , With [CMA]
	1KP65XDVAA	1	J, T		49			*K6	[DV] , Export , With [CMA]
		1	J, T		74			*K6	[DV] , Export , With [CMA]
	1LH781DVAA	2	J, T		49			*K6	[DV]
		2	J, T		49			*K6	[KA]
		2	J, T		74			*K6	[DV]
		2	J, T		74			*K6	[KA]
6									FOAM, Seat Cushion
	68001647AA	2	J, T		49			*K6	Right & Left
		2	U		49, 74			*K6	Export, Right & Left
7									PANEL, Seat Back
	05183352AA	1	J, T		49			*K6	
		1	J, T		49, 74			*K6	Mexico
		1	J, T		74			*K6	
8									PAD, Heater, Back
	05183316AA	1	J, T		49			*K6	Driver
	05183317AA	1	J, T		49			*K6	Passenger
		1	U		49, 74			*K6	Driver
		1	U		49, 74			*K6	Passenger
9									PAD, Heater, Cushion
	05183318AA	2	U		49, 74			*K6	
		2	J, T		74			*K6	
		2	J, T		49			*K6	
		2	J, T		49			*K6	Export
		2	J, T		74			*K6	Export



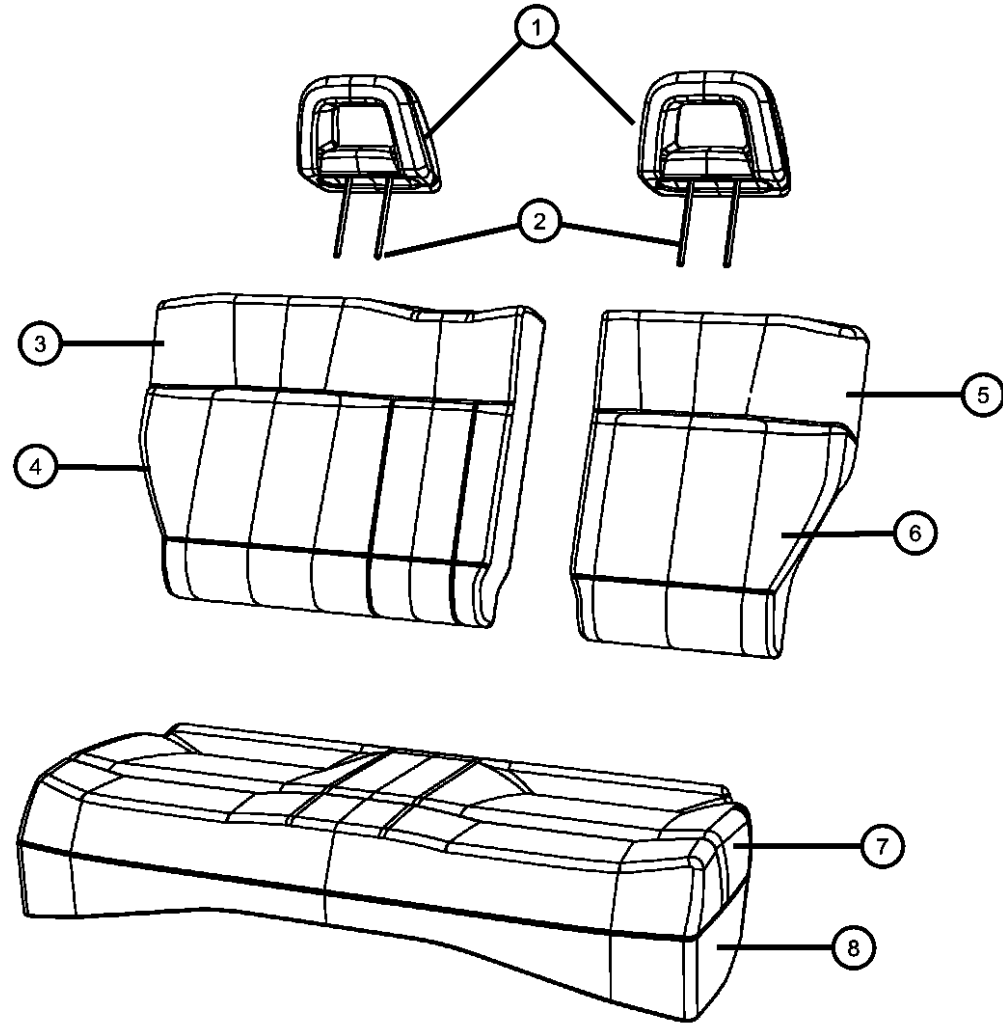
COMPASS/PATRIOT (MK)

SERIES	LINE	BODY	ENGINE	TRANSMISSION
H = HIGHLINE	T = JEEP - 2WD	49 = HATCHBACK TYPE #2	ECE = 2.0L 4 Cyl DOHC DPF Diesel Engine	DEF = 6-Speed Manual Aisin BG6 Trans
L = LOWLINE	J = JEEP - 4WD	74 = SPORT UTILITY 4-DR TYPE #4	ED3 = 2.4L 4 Cyl DOHC 16V Dual VVT Engine	DD7 = 5-Speed Manual T355 Transmission
P = PREMIUM	U = JEEP - 4WD (RHD)		ECD = 2.0L 4 Cyl DOHC Diesel 16V Engine	DAV = Continuously Variable Transaxle II
			ECN = 2.0L 4 Cyl DOHC 16V Dual VVT Engine	DAW = Cont.Var. w/Off-Rd Crawl Ratio Trans

AR = use ase required - = Non illustrated part

2008 MK

Rear Seat - 60/40 - Trim Code [AL]
Figure 50-640



ITEM	PART NUMBER	QTY	LINE	SERIES	BODY	ENGINE	TRANS	TRIM	DESCRIPTION
1									HEADREST, Rear
	1ER341DAAA	2	J, T		49			*AL	[DA] , Mexico
		2	J, T		74			*AL	[DA] , Mexico
		2	J		49, 74			*AL	[DA] , Export
		2	U		49, 74			*AL	[DA] , Export
		2	J, T		74			*AL	[DV] , Mexico
		2	J		49, 74			*AL	[DV] , Export
		2	U		49, 74			*AL	[DV] , Export
	1ER341DVAA	1	J, T		49			*AL	[DV] , Mexico
	1ER341KAAA	2	J, T		49			*AL	[KA] , Mexico
		2	J, T		74			*AL	[KA] , Mexico
		2	J		49, 74			*AL	[KA] , Export
		2	U		49, 74			*AL	[KA] , Export
2									SLEEVE, Headrest
	1DS911D1AA	2	J, T		74			*AL	[DV] , Mexico, Locking
		5	J		49, 74			*AL	[DV] , Export, Locking
		5	U		49, 74			*AL	[DV] , Export, Locking
		2	J, T		49			*AL	[DV], Locking
		2	J, T		74			*AL	[DV], Locking
	1DS911DVAA	1	J, T		49			*AL	[DV] , Mexico, Locking
	1DS911KAAA	2	J, T		49			*AL	[KA] , Mexico, Locking
		2	J, T		74			*AL	[KA] , Mexico, Locking
		5	J		49, 74			*AL	[KA] , Export, Locking
		5	U		49, 74			*AL	[KA] , Export, Locking
		2	J, T		49			*AL	[KA], Locking
		2	J, T		74			*AL	[KA], Locking
	1DS91BD5AA	5	J		49, 74			*AL	[DA] , Export, Locking
		5	U		49, 74			*AL	[DA] , Export, Locking
		2	J, T		74			*AL	[DA], Locking
		2	J, T		49			*AL	[DA], Locking
		1	J, T		49			*AL	[DA] , Mexico, Locking
		1	J, T		74			*AL	[DA] , Mexico, Locking
	1DS941D1AA	2	J, T		49			*AL	[DV] , Mexico, Slave Cylinder

COMPASS/PATRIOT (MK)

SERIES	LINE
H = HIGHLINE	T = JEEP - 2WD
L = LOWLINE	J = JEEP - 4WD
P = PREMIUM	U = JEEP - 4WD (RHD)

BODY
 49 = HATCHBACK TYPE #2
 74 = SPORT UTILITY 4-DR TYPE #4

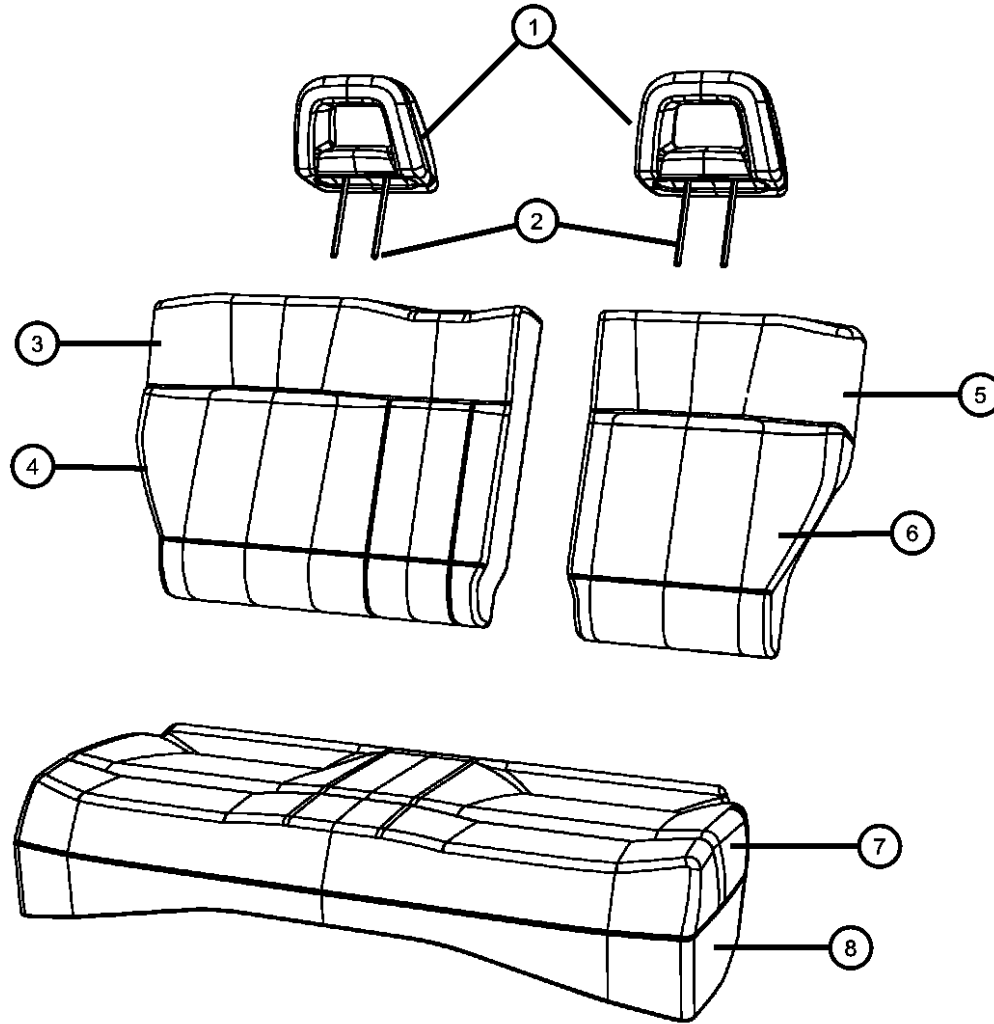
ENGINE
 ECE = 2.0L 4 Cyl DOHC DPF Diesel Engine
 ED3 = 2.4L 4 Cyl DOHC 16V Dual VVT Engine
 ECD = 2.0L 4 Cyl DOHC Diesel 16V Engine
 ECN = 2.0L 4 Cyl DOHC 16V Dual VVT Engine

TRANSMISSION
 DEF = 6-Speed Manual Aisin BG6 Trans
 DD7 = 5-Speed Manual T355 Transmission
 DAV = Continuously Variable Transaxle II
 DAW = Cont.Var. w/Off-Rd Crawl Ratio Trans

AR = use ase required - = Non illustrated part

2008 MK

Rear Seat - 60/40 - Trim Code [AL]
Figure 50-640



ITEM	PART NUMBER	QTY	LINE	SERIES	BODY	ENGINE	TRANS	TRIM	DESCRIPTION
		2	J, T		74			*AL	[DV] , Mexico, Slave Cylinder
		5	J		49, 74			*AL	[DV] , Export, Slave Cylinder
		5	U		49, 74			*AL	[DV] , Export, Slave Cylinder
		2	J, T		49			*AL	[DV], Slave Cylinder
		2	J, T		74			*AL	[DV], Slave Cylinder
	1DS941KAAA	2	J, T		49			*AL	[KA] , Mexico, Slave Cylinder
		2	J, T		74			*AL	[KA] , Mexico, Slave Cylinder
		5	J		49, 74			*AL	[KA] , Export, Slave Cylinder
		5	U		49, 74			*AL	[KA] , Export, Slave Cylinder
		2	J, T		49			*AL	[KA], Slave Cylinder
		2	J, T		74			*AL	[KA], Slave Cylinder
	1DS94BD5AA	2	J, T		74			*AL	[DA] , Mexico, Slave Cylinder
		5	J		49, 74			*AL	[DA] , Export, Slave Cylinder
		5	U		49, 74			*AL	[DA] , Export, Slave Cylinder
		1	J, T		49			*AL	[DV], Slave Cylinder
		1	J, T		74			*AL	[DV], Slave Cylinder
		1	J, T		49			*AL	[DA] , Mexico, Slave Cylinder
3									COVER, Rear Seat Back, 60% Side
	1FA321DAAA	1	J, T		49			*AL	[DA] , Mexico
		1	J, T		74			*AL	[DA] , Mexico
		1	J, T		49			*AL	[DA]
		1	J, T		74			*AL	[DA]
		1	J, T		49			*AL	[DV] , Mexico
		1	J, T		74			*AL	[DV] , Mexico
		1	J, T		49			*AL	[DV]
		1	J, T		74			*AL	[DV]
	1FA321KAAA	1	J, T		49			*AL	[KA] , Mexico
		1	J, T		74			*AL	[KA] , Mexico
		1	J, T		49			*AL	[KA]
		1	J, T		74			*AL	[KA]
4									FOAM, Seat Back, 60% Side
	68003298AA	1	J		49, 74			*AL	

COMPASS/PATRIOT (MK)

SERIES LINE

H = HIGHLINE T = JEEP - 2WD
L = LOWLINE J = JEEP - 4WD
P = PREMIUM U = JEEP - 4WD (RHD)

BODY

49 = HATCHBACK TYPE #2
74 = SPORT UTILITY 4-DR TYPE #4

ENGINE

ECE = 2.0L 4 Cyl DOHC DPF Diesel Engine
ED3 = 2.4L 4 Cyl DOHC 16V Dual VVT Engine
ECD = 2.0L 4 Cyl DOHC Diesel 16V Engine
ECN = 2.0L 4 Cyl DOHC 16V Dual VVT Engine

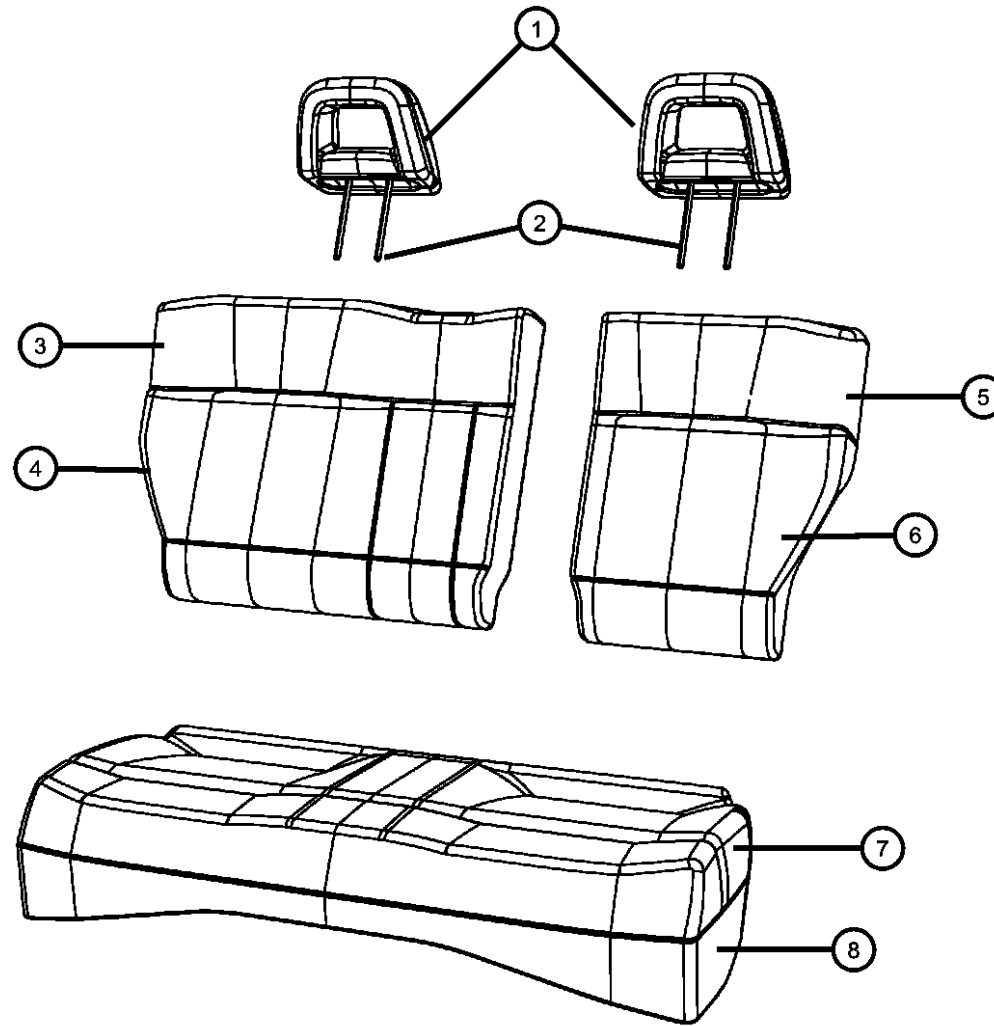
TRANSMISSION

DEF = 6-Speed Manual Aisin BG6 Trans
DD7 = 5-Speed Manual T355 Transmission
DAV = Continuously Variable Transaxle II
DAW = Cont.Var. w/Off-Rd Crawl Ratio Trans

AR = use ase required - = Non illustrated part

2008 MK

Rear Seat - 60/40 - Trim Code [AL]
Figure 50-640



ITEM	PART NUMBER	QTY	LINE	SERIES	BODY	ENGINE	TRANS	TRIM	DESCRIPTION
		1	U		49, 74			*AL	
		1	J, T		74			*AL	
		1	J, T		49			*AL	
5	68003300AA	1	J, T		49, 74			*AL	COVER, Rear Seat Back, 40% Side
	1FA331DAAA	1	J, T		49			*AL	[DA] ,Mexico
		1	J, T		74			*AL	[DA] ,Mexico
		1	J, T		49			*AL	[DA]
		1	J, T		74			*AL	[DA]
		1	J, T		49			*AL	[DV]
		1	J, T		74			*AL	[DV]
	1FA331DVAA	1	J, T		49			*AL	[DV] ,Mexico
		1	J, T		74			*AL	[DV] ,Mexico
	1FA331KAAA	1	J, T		49			*AL	[KA] ,Mexico
		1	J, T		74			*AL	[KA] ,Mexico
		1	J, T		49			*AL	[KA]
		1	J, T		74			*AL	[KA]
6	68003301AA	1	J, T		49			*AL	FOAM, Seat Back, 40% Side
		1	J, T		74			*AL	
7	1EX261DAAA	1	J, T		49			*AL	COVER, Rear Seat Cushion
		1	J, T		74			*AL	[DA] , Mexico
		1	J		49, 74			*AL	[DA] , Export
		1	J, T		49			*AL	[DA]
		1	J, T		74			*AL	[DA]
		1	J, T		49			*AL	[DV] , Mexico
		1	J, T		74			*AL	[DV] , Mexico
		1	J		49, 74			*AL	[DV] , Export
		1	J, T		74			*AL	[DV]
		1	J, T		49			*AL	[DV]
	1EX261KAAA	1	J, T		74			*AL	[KA] , Mexico

COMPASS/PATRIOT (MK)

SERIES LINE
H = HIGHLINE T = JEEP - 2WD
L = LOWLINE J = JEEP - 4WD
P = PREMIUM U = JEEP - 4WD (RHD)

BODY
49 = HATCHBACK TYPE #2
74 = SPORT UTILITY 4-DR TYPE #4

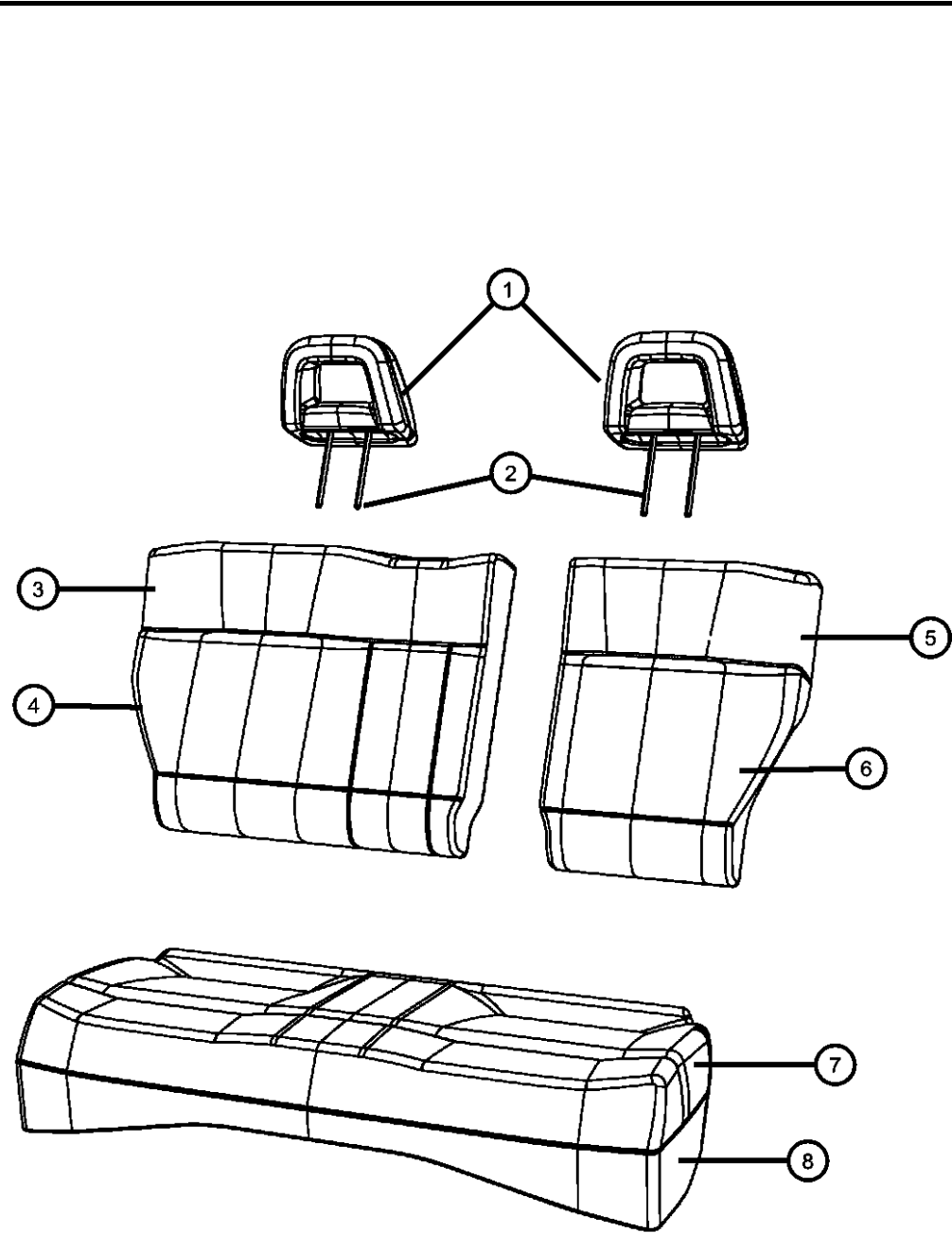
ENGINE TRANSMISSION
ECE = 2.0L 4 Cyl DOHC DPF Diesel Engine DEF = 6-Speed Manual Aisin BG6 Trans
ED3 = 2.4L 4 Cyl DOHC 16V Dual VVT Engine DD7 = 5-Speed Manual T355 Transmission
ECD = 2.0L 4 Cyl DOHC Diesel 16V Engine DAV = Continuously Variable Transaxle II
ECN = 2.0L 4 Cyl DOHC 16V Dual VVT Engine DAW = Cont.Var. w/Off-Rd Crawl Ratio Trans

AR = use ase required - = Non illustrated part

2008 MK

<< RETURN TO GROUP INDEX

Rear Seat - 60/40 - Trim Code [AL]
Figure 50-640



ITEM	PART NUMBER	QTY	LINE	SERIES	BODY	ENGINE	TRANS	TRIM	DESCRIPTION
		1	J		49, 74			*AL	[KA] , Export
		1	J, T		49			*AL	[KA]
		1	J, T		74			*AL	[KA]
		1	J, T		49			*AL	[KA] , Mexico
8									FOAM, Seat Cushion
	68001881AA	1	J		49, 74			*AL	Export
		1	U		49, 74			*AL	Export
		1	J, T		49			*AL	Mexico
	68024678AA	1	J, T		49, 74			*AL	

COMPASS/PATRIOT (MK)

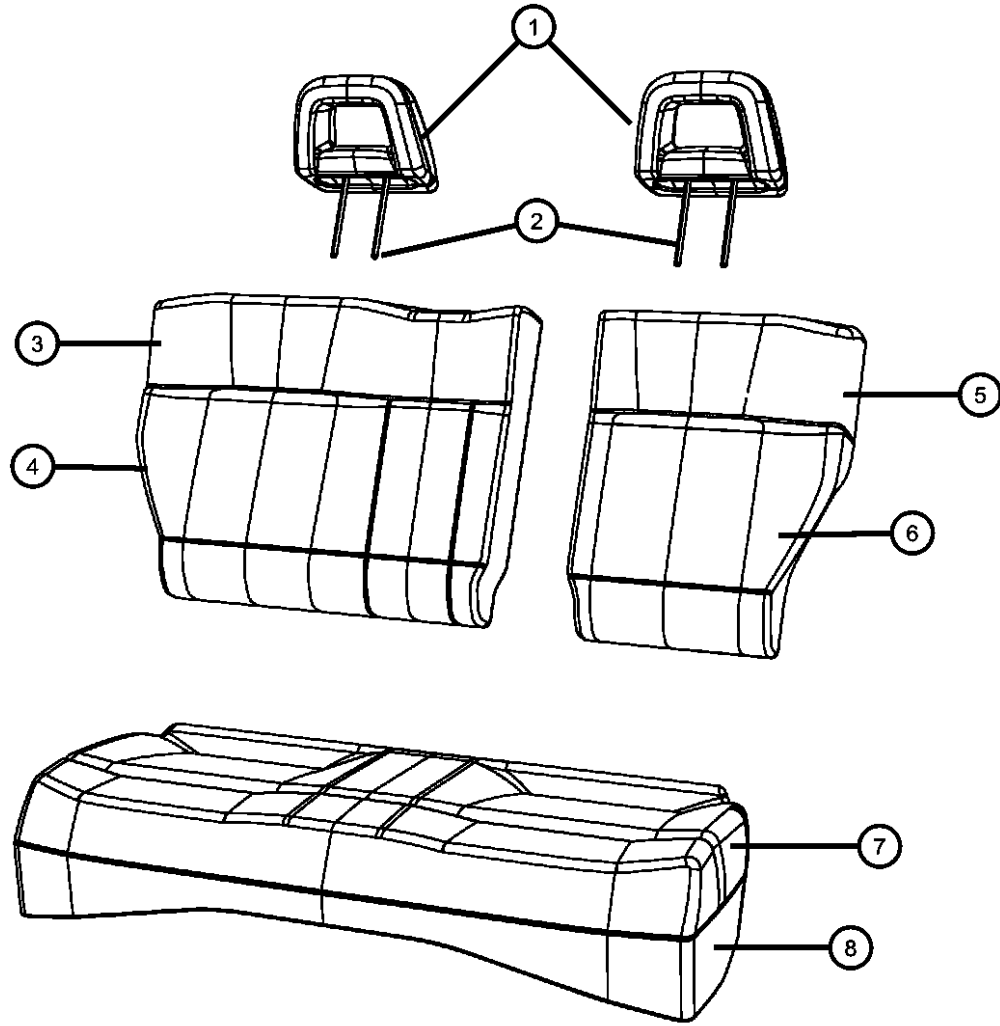
SERIES LINE
H = HIGHLINE T = JEEP - 2WD
L = LOWLINE J = JEEP - 4WD
P = PREMIUM U = JEEP - 4WD (RHD)

BODY
49 = HATCHBACK TYPE #2
74 = SPORT UTILITY 4-DR
TYPE #4

ENGINE
ECE = 2.0L 4 Cyl DOHC DPF
Diesel Engine
ED3 = 2.4L 4 Cyl DOHC 16V
Dual VVT Engine
ECD = 2.0L 4 Cyl DOHC
Diesel 16V Engine
ECN = 2.0L 4 Cyl DOHC 16V
Dual VVT Engine
TRANSMISSION
DEF = 6-Speed Manual Aisin BG6
Trans
DD7 = 5-Speed Manual T355
Transmission
DAV = Continuously Variable
Transaxle II
DAW = Cont.Var. w/Off-Rd Crawl
Ratio Trans

Rear Seats - 60/40 - Trim Code [D7]
Figure 50-645

ITEM	PART NUMBER	QTY	LINE	SERIES	BODY	ENGINE	TRANS	TRIM	DESCRIPTION
3									COVER, Rear Seat Back, 60% Side
	1EX281D5AA	1	J, T		49			*D7	[DA], Mexico, Without [CJ1]
		1	J, T		74			*D7	[DA], Mexico, Without [CJ1]
		1	J, T		49			*D7	[DA], With [CJ1]
		1	J, T		74			*D7	[DA], With [CJ1]
	1EX281K2AA	1	J, T		49			*D7	[KA], Mexico, Without [CJ1]
		1	J, T		74			*D7	[KA], Mexico, Without [CJ1]
		1	J, T		49			*D7	[KA], With [CJ1]
		1	J, T		74			*D7	[KA], With [CJ1]
	1EX301D5AA	1	J, T		49			*D7	[DA], Mexico, With [CJ1]
		1	J, T		74			*D7	[DA], Mexico, With [CJ1]
		1	J		49, 74			*D7	[DA], Export, With [CMA]
		1	J, T		49			*D7	[DA], With [CMA]
		1	J, T		74			*D7	[DA], With [CMA]
	1EX301K2AA	1	J, T		49			*D7	[KA], Mexico, With [CJ1]
		1	J, T		74			*D7	[KA], Mexico, With [CJ1]
		1	J		49, 74			*D7	[KA], Export, With [CMA]
		1	J, T		49			*D7	[KA], With [CMA]
		1	J, T		74			*D7	[KA], With [CMA]
	1EX361D5AA	1	J, T		49			*D7	[DA], Without [CJ1]
	1EX361K2AA	1	J, T		49			*D7	[KA], Without [CJ1]
	1EY981D5AA	1	J		49, 74			*D7	[DA], Export, Without [CMA]
	1EY981K2AA	1	J		49, 74			*D7	[KA], Export, Without [CMA]
4									FOAM, Seat Back, 60% Side
	68003298AA	1	J, T		49			*D7	
		1	J, T		74			*D7	
5									COVER, Rear Seat Back, 40% Side
	1EX291D5AA	1	J, T		49			*D7	[DA], Mexico, Without [CJ1]
		1	J, T		74			*D7	[DA], Mexico, Without [CJ1]
		1	J, T		49			*D7	[DA], With [CJ1]
		1	J, T		74			*D7	[DA], With [CJ1]



COMPASS/PATRIOT (MK)

SERIES

H = HIGHLINE
L = LOWLINE
P = PREMIUM

LINE

T = JEEP - 2WD
J = JEEP - 4WD
U = JEEP - 4WD (RHD)

BODY

49 = HATCHBACK TYPE #2
74 = SPORT UTILITY 4-DR TYPE #4

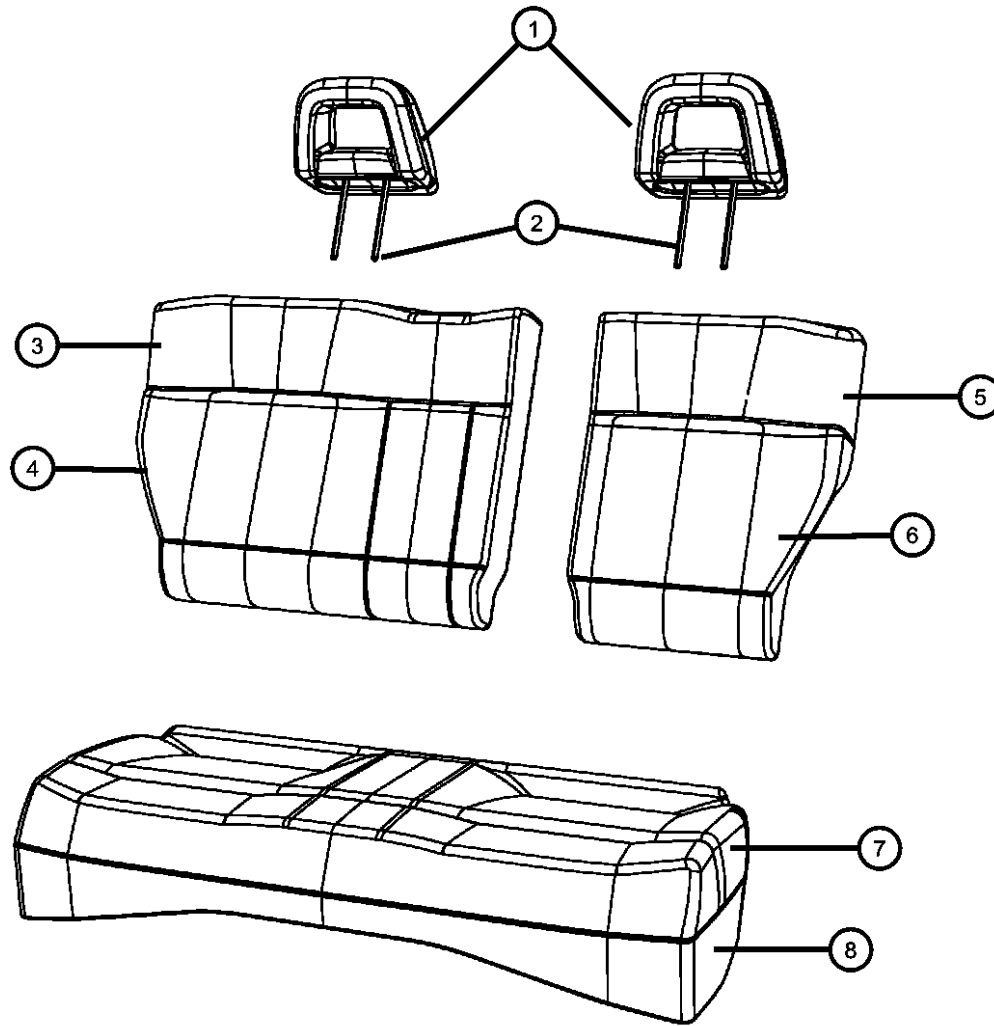
ENGINE

ECE = 2.0L 4 Cyl DOHC DPF Diesel Engine
ED3 = 2.4L 4 Cyl DOHC 16V Dual VVT Engine
ECD = 2.0L 4 Cyl DOHC Diesel 16V Engine
ECN = 2.0L 4 Cyl DOHC 16V Dual VVT Engine

TRANSMISSION

DEF = 6-Speed Manual Aisin BG6 Trans
DD7 = 5-Speed Manual T355 Transmission
DAV = Continuously Variable Transaxle II
DAW = Cont.Var. w/Off-Rd Crawl Ratio Trans

Rear Seats - 60/40 - Trim Code [D7]
Figure 50-645



ITEM	PART NUMBER	QTY	LINE	SERIES	BODY	ENGINE	TRANS	TRIM	DESCRIPTION
	1EX291K2AA	1	J, T		49			*D7	[KA] , With [CJ1]
		1	J, T		49			*D7	[KA] , Mexico , Without [CJ1]
	1EX311D5AA	1	J, T		49			*D7	[DA] , Mexico , With [CJ1]
		1	J, T		74			*D7	[DA] , Mexico , With [CJ1]
		1	J, T		49			*D7	[DA] , With [CMA]
		1	J, T		74			*D7	[DA] , With [CMA]
	1EX311K2AA	1	J		49, 74			*D7	[DA] , Export , With [CMA]
		1	J, T		49			*D7	[KA] , Mexico , With [CJ1]
		1	J		49, 74			*D7	[KA] , Export , With [CMA]
		1	J, T		49			*D7	[KA] , With [CMA]
	1EX331D5AA	1	J, T		49			*D7	[DA] , Without [CMA] or [CJ1]
	1EX331K2AA	1	J, T		49			*D7	[KA] , Without [CMA] or [CJ1]
	1EZ031D5AA	1	J		49, 74			*D7	[DA] , Export , Without [CMA]
	1EZ031K2AA	1	J		49, 74			*D7	[KA] , Export , Without [CMA]
	1HK491D5AA	1	J, T		49			*D7	[DA] , With [CMA] , without [CJ1]
	1HK491K2AA	1	J, T		49			*D7	[KA] , With [CMA] , without [CJ1]
		1	J, T		74			*D7	[KA] , With [CMA] , without [CJ1]
6									FOAM, Seat Back, 40% Side
	68003299AA	1	J		49, 74			*D7	Export
		1	J, T		49			*D7	Mexico
		1	J, T		74			*D7	Mexico
		1	J, T		49			*D7	
		1	J, T		74			*D7	
7									COVER, Rear Seat Cushion
	1EX251D5AA	1	J, T		49			*D7	[DA] , Mexico
		1	J, T		74			*D7	[DA] , Mexico
		1	J		49, 74			*D7	[DA] , Export
		1	J, T		49			*D7	[DA]
		1	J, T		74			*D7	[DA]
	1EX251K2AA	1	J, T		49			*D7	[KA] , Mexico
		1	J, T		74			*D7	[KA] , Mexico
		1	J		49, 74			*D7	[KA] , Export

COMPASS/PATRIOT (MK)

SERIES LINE

H = HIGHLINE T = JEEP - 2WD
L = LOWLINE J = JEEP - 4WD
P = PREMIUM U = JEEP - 4WD (RHD)

BODY

49 = HATCHBACK TYPE #2
74 = SPORT UTILITY 4-DR TYPE #4

ENGINE

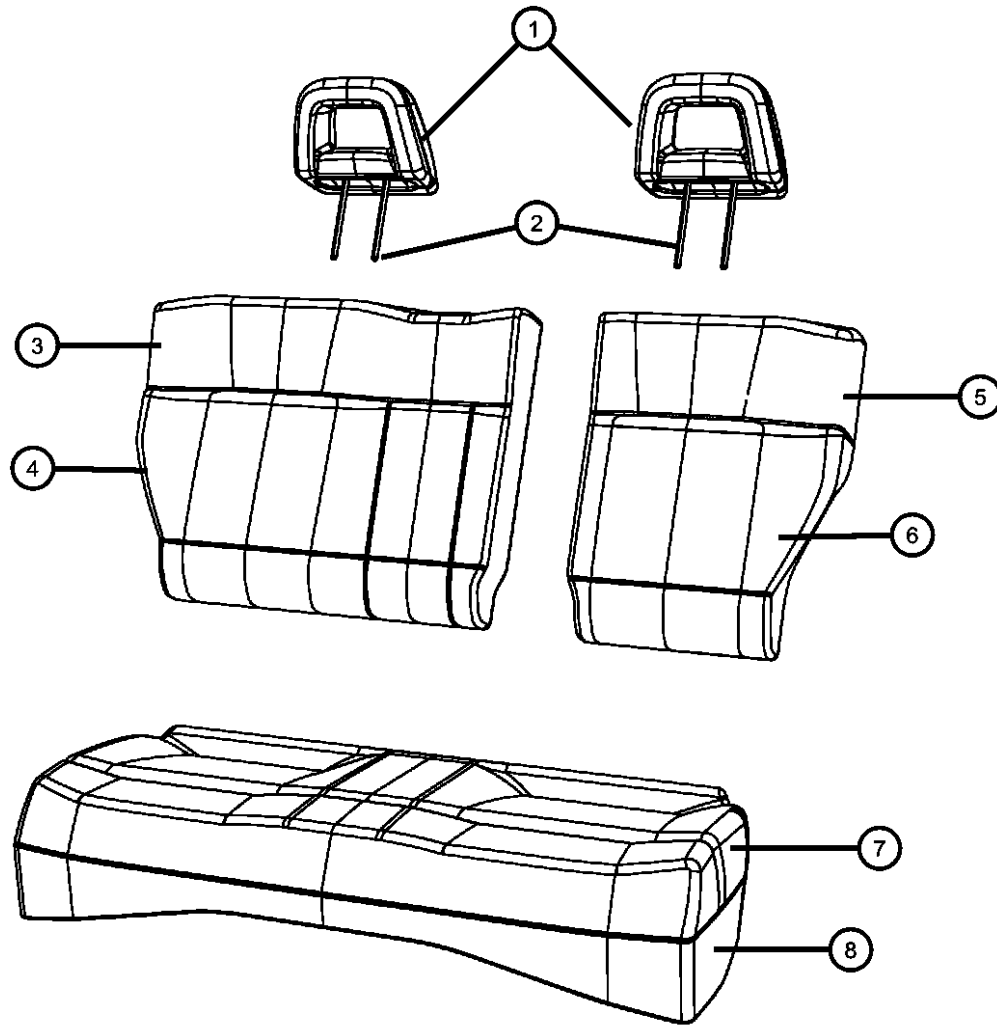
ECE = 2.0L 4 Cyl DOHC DPF Diesel Engine
ED3 = 2.4L 4 Cyl DOHC 16V Dual VVT Engine
ECD = 2.0L 4 Cyl DOHC Diesel 16V Engine
ECN = 2.0L 4 Cyl DOHC 16V Dual VVT Engine

TRANSMISSION

DEF = 6-Speed Manual Aisin BG6 Trans
DD7 = 5-Speed Manual T355 Transmission
DAV = Continuously Variable Transaxle II
DAW = Cont.Var. w/Off-Rd Crawl Ratio Trans

Rear Seats - 60/40 - Trim Code [D7]
Figure 50-645

ITEM	PART NUMBER	QTY	LINE	SERIES	BODY	ENGINE	TRANS	TRIM	DESCRIPTION
		1	J, T		49			*D7	[KA]
		1	J, T		74			*D7	[KA]
8									FOAM, Seat Cushion
	68001881AA	1	J, T		49			*D7	
		1	J, T		74			*D7	
		1	J, T		49			*D7	Mexico
		1	J, T		74			*D7	Mexico
		1	J		49, 74			*D7	Export



COMPASS/PATRIOT (MK)

SERIES LINE
H = HIGHLINE T = JEEP - 2WD
L = LOWLINE J = JEEP - 4WD
P = PREMIUM U = JEEP - 4WD (RHD)

BODY
49 = HATCHBACK TYPE #2
74 = SPORT UTILITY 4-DR TYPE #4

ENGINE
ECE = 2.0L 4 Cyl DOHC DPF Diesel Engine
ED3 = 2.4L 4 Cyl DOHC 16V Dual VVT Engine
ECD = 2.0L 4 Cyl DOHC Diesel 16V Engine
ECN = 2.0L 4 Cyl DOHC 16V Dual VVT Engine

TRANSMISSION
DEF = 6-Speed Manual Aisin BG6 Trans
DD7 = 5-Speed Manual T355 Transmission
DAV = Continuously Variable Transaxle II
DAW = Cont.Var. w/Off-Rd Crawl Ratio Trans

AR = use ase required - = Non illustrated part

2008 MK

Adjusters , Recliners and Shields - Driver Seat - Manual
Figure 50-910

	ITEM	PART NUMBER	QTY	LINE	SERIES	BODY	ENGINE	TRANS	TRIM	DESCRIPTION	
	1									FRAME, Front Seat Back	
		04610145AA	1	J, T		49			*E6		
			1	J, T		74			*E6		
			1	U		49, 74			*E6		
			1	J, T		49			*D7		
			1	J, T		74			*D7		
			1	U		49, 74			*D7		
			1	J, T		74			*K6		
		04610147AA	1	U		49, 74			*AL	Fold Flat	
			1	U		49, 74			*E6	Fold Flat	
			1	U		49, 74			*D7	Fold Flat	
		68002671AA	1	J, T		49			*AL		
			1	J, T		74			*AL		
	2										GROMMET, 4 Way
		1DR061D5AA	1	J, T		49				*K6	[DA]
	1DR061DAAA	1	J, T		49				*AL	[DA]	
		1	J, T		74				*AL	[DA]	
	1DR061K2AA	1	J, T		74				*K6	[KA]	
	1DR061KAAA	1	J, T		49				*AL	[KA]	
		1	J, T		74				*AL	[KA]	
3										HANDLE, Lumbar, 4 Way	
	1DQ641D5AA	1	J, T		49				*K6	[DA]	
		1	J, T		74				*K6	[DA]	
	1DQ641DAAA	1	J, T		49				*AL	[DA]	
		1	J, T		74				*AL	[DA]	
		1	U		49, 74				*AL	[DA]	
	1DQ641K2AA	1	J, T		49				*K6	[KA]	
		1	J, T		74				*K6	[KA]	
	1DQ641KAAA	1	J, T		49				*AL	[KA]	
		1	J, T		74				*AL	[KA]	
		1	U		49, 74				*AL	[KA]	
4										BUSHING	
	68001600AA	1	J, T, U			49	ECD				

COMPASS/PATRIOT (MK)

SERIES	LINE
H = HIGHLINE	T = JEEP - 2WD
L = LOWLINE	J = JEEP - 4WD
P = PREMIUM	U = JEEP - 4WD (RHD)

BODY
49 = HATCHBACK TYPE #2
74 = SPORT UTILITY 4-DR TYPE #4

ENGINE

ECE = 2.0L 4 Cyl DOHC DPF Diesel Engine
ED3 = 2.4L 4 Cyl DOHC 16V Dual VVT Engine
ECD = 2.0L 4 Cyl DOHC Diesel 16V Engine
ECN = 2.0L 4 Cyl DOHC 16V Dual VVT Engine

TRANSMISSION

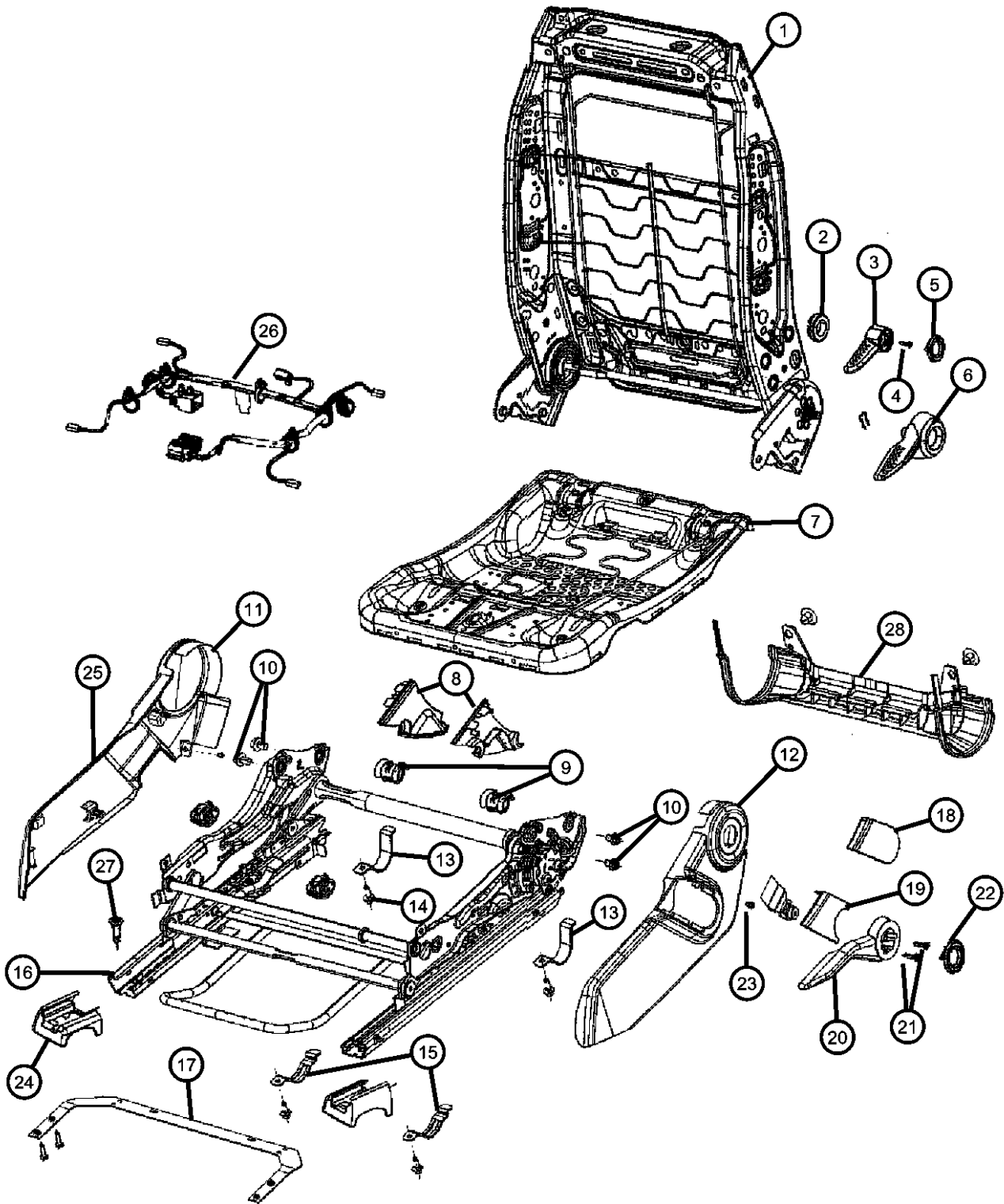
DEF = 6-Speed Manual Aisin BG6 Trans
DD7 = 5-Speed Manual T355 Transmission
DAV = Continuously Variable Transaxle II
DAW = Cont.Var. w/Off-Rd Crawl Ratio Trans

AR = use ase required - = Non illustrated part

2008 MK

Adjusters , Recliners and Shields - Driver Seat - Manual
Figure 50-910

ITEM	PART NUMBER	QTY	LINE	SERIES	BODY	ENGINE	TRANS	TRIM	DESCRIPTION
------	-------------	-----	------	--------	------	--------	-------	------	-------------



		1	J, T, U		74	ECD			
5	1DQ661DAAA	1	U		49, 74			*AL	CAP, 4 Way [DA]
		1	J, T		49			*AL	[DA]
		1	J, T		74			*AL	[DA]
	1DQ661KAAA	1	U		49, 74			*AL	[KA]
		1	J, T		49			*AL	[KA]
		1	J, T		74			*AL	[KA]
6	1DQ591D5AA	1	J, T		49			*D7	HANDLE, Recliner, 2 Way [DA]
		1	J, T		74			*D7	[DA]
		1	J, T		49			*K6	[DA]
		1	J, T		74			*K6	[DA]
	1DQ591DAAA	1	J, T		49			*E6	[DA]
		1	J, T		74			*E6	[DA]
		1	J, T		49			*AL	[DA]
		1	J, T		74			*AL	[DA]
	1DQ591K2AA	1	J, T		49			*K6	[KA]
		1	J, T		74			*K6	[KA]
		1	J, T		49			*D7	[KA]
		1	J, T		74			*D7	[KA]
	1DQ591KAAA	1	J		49, 74			*AL	[KA]
		1	J, T		74			*E6	[KA]
7	05183324AA	1	J, T		49, 74			*D7	FRAME, Seat cushion
		1	J, T		49			*K6	
		1	J, T		49, 74			*K6	Mexico
		1	J, T		49, 74			*D7	Mexico
		1	J, T		49, 74			*E6	
		1	J, T		49, 74			*E6	Mexico
		2	J		49, 74			*AL	Export
		2	J, T		49, 74			*AL	

COMPASS/PATRIOT (MK)

SERIES LINE

H = HIGHLINE T = JEEP - 2WD
L = LOWLINE J = JEEP - 4WD
P = PREMIUM U = JEEP - 4WD (RHD)

BODY

49 = HATCHBACK TYPE #2
74 = SPORT UTILITY 4-DR
TYPE #4

ENGINE

ECE = 2.0L 4 Cyl DOHC DPF Diesel Engine
ED3 = 2.4L 4 Cyl DOHC 16V Dual VVT Engine
ECD = 2.0L 4 Cyl DOHC Diesel 16V Engine
ECN = 2.0L 4 Cyl DOHC 16V Dual VVT Engine

TRANSMISSION

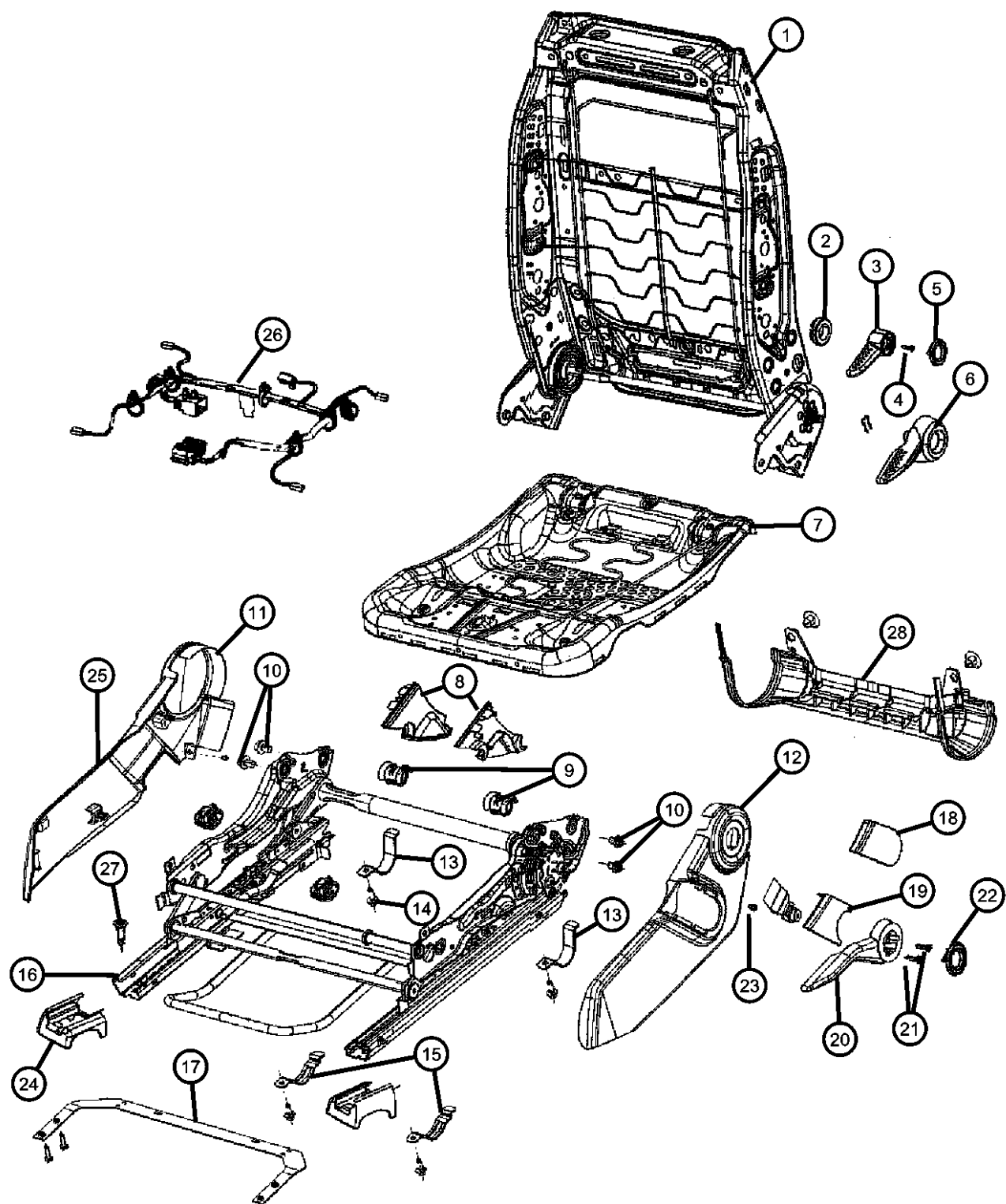
DEF = 6-Speed Manual Aisin BG6 Trans
DD7 = 5-Speed Manual T355 Transmission
DAV = Continuously Variable Transaxle II
DAW = Cont.Var. w/Off-Rd Crawl Ratio Trans

AR = use ase required - = Non illustrated part

2008 MK

Adjusters , Recliners and Shields - Driver Seat - Manual

Figure 50-910



ITEM	PART NUMBER	QTY	LINE	SERIES	BODY	ENGINE	TRANS	TRIM	DESCRIPTION
8	1DQ821D5AA	1	J, T		49			*D7	FLANGE, Return [DA] , Mexico, Right
		1	J, T		74			*D7	[DA] , Mexico, Right
		1	J, T		49			*K6	[DA] , Mexico, Right
		1	J, T		74			*K6	[DA] , Mexico, Right
		1	J, T		49			*K6	[DA] , Export, Right
		1	J, T		74			*K6	[DA] , Export, Right
		1	J		49, 74			*D7	[DA] , Export, Right
		1	J, T		74			*K6	[DA], Right
		1	J, T		49			*D7	[DA], Right
		1	J, T		74			*D7	[DA], Right
	1DQ821DAAA	1	J, T		49			*K6	[DA], Right
		1	J, T		74			*E6	[DA] , Mexico, Right
		1	J, T		49			*E6	[DA] , Mexico, Right
		1	J, T		49			*AL	[DA] , Mexico, Right
		1	J, T		74			*AL	[DA] , Mexico, Right
		1	J		49, 74			*AL	[DA] , Export, Right
		1	J, T		74			*E6	[DA], Right
		1	J, T		49			*AL	[DA], Right
		1	J, T		74			*AL	[DA], Right
		1	J, T		74			*K6	[DV] , Mexico, Right
1	J, T		49			*K6	[DV] , Export, Right		
1	J, T		74			*K6	[DV] , Export, Right		
1	J		49, 74			*AL	[DV] , Export, Right		
1	U		49, 74			*AL	[DV] , Export, Right		
1	J, T		49			*AL	[DV] , Mexico, Right		
1	J, T		74			*AL	[DV] , Mexico, Right		
1	J, T		49			*K6	[DV] , Mexico, Right		
2	J, T		49			*B7	[DV], Right		
1	J, T		74			*E6	[DV], Right		
1	J, T		49			*K6	[DV], Right		
1	J, T		74			*K6	[DV], Right		

COMPASS/PATRIOT (MK)

SERIES LINE
H = HIGHLINE T = JEEP - 2WD
L = LOWLINE J = JEEP - 4WD
P = PREMIUM U = JEEP - 4WD (RHD)

BODY
49 = HATCHBACK TYPE #2
74 = SPORT UTILITY 4-DR TYPE #4

ENGINE
ECE = 2.0L 4 Cyl DOHC DPF Diesel Engine
ED3 = 2.4L 4 Cyl DOHC 16V Dual VVT Engine
ECD = 2.0L 4 Cyl DOHC Diesel 16V Engine
ECN = 2.0L 4 Cyl DOHC 16V Dual VVT Engine

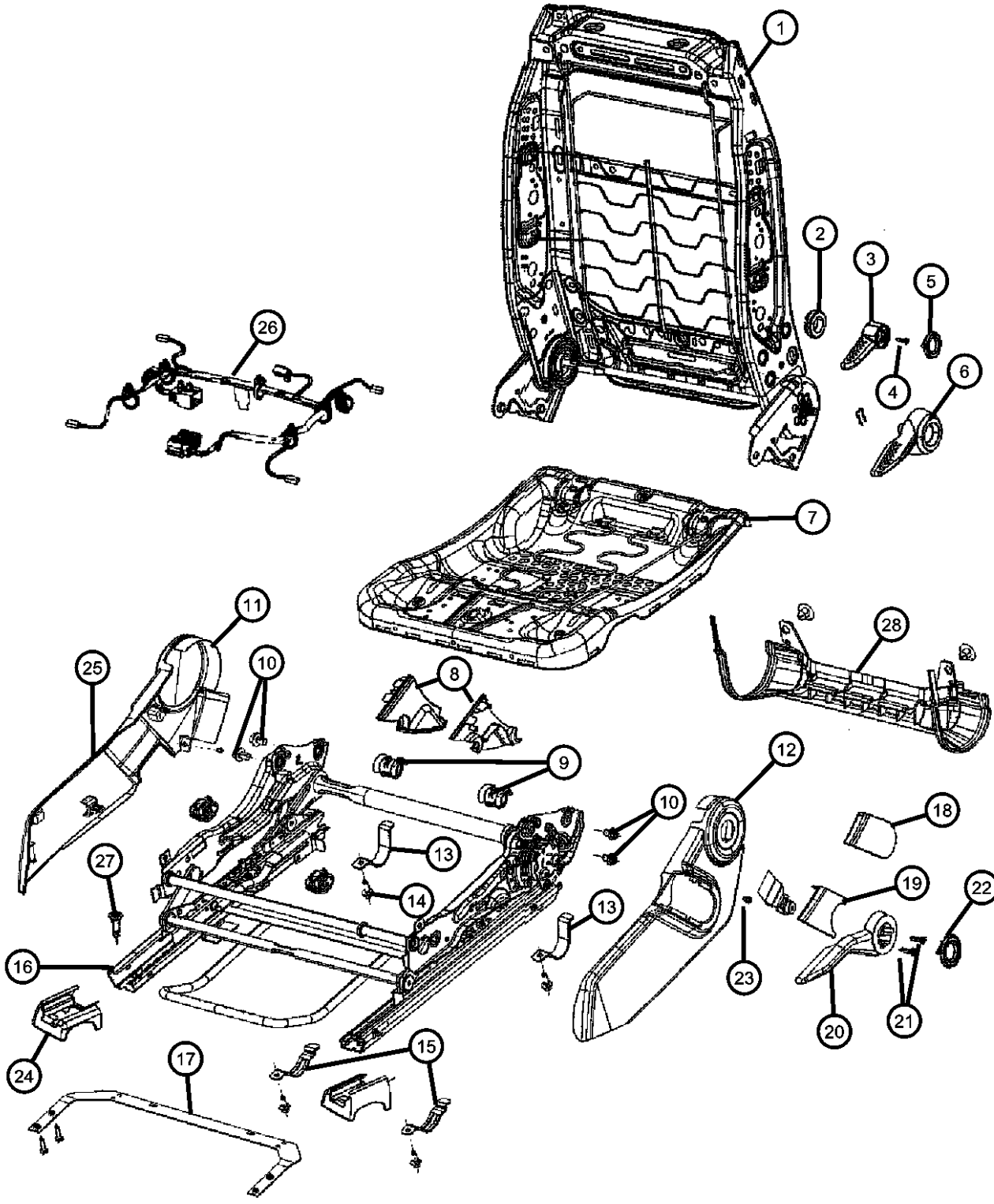
TRANSMISSION
DEF = 6-Speed Manual Aisin BG6 Trans
DD7 = 5-Speed Manual T355 Transmission
DAV = Continuously Variable Transaxle II
DAW = Cont.Var. w/Off-Rd Crawl Ratio Trans

AR = use ase required - = Non illustrated part

2008 MK

<< RETURN TO GROUP INDEX

Adjusters , Recliners and Shields - Driver Seat - Manual
Figure 50-910



ITEM	PART NUMBER	QTY	LINE	SERIES	BODY	ENGINE	TRANS	TRIM	DESCRIPTION
		1	J, T		49			*AL	[DV], Right
		1	J, T		74			*AL	[DV], Right
	1DQ821K2AA	1	J, T		49			*D7	[KA], Mexico, Right
		1	J, T		74			*D7	[KA], Mexico, Right
		1	J		49, 74			*D7	[KA], Export, Right
		1	J, T		74			*D7	[KA], Right
		1	J, T		49			*D7	[KA], Right
	1DQ821KAAA	1	J, T		49			*B7	[KA], Right
		1	J, T		49			*E6	[KA], Mexico, Right
		1	J, T		74			*E6	[KA], Mexico, Right
		1	J		49, 74			*AL	[KA], Export, Right
		1	U		49, 74			*AL	[KA], Export, Right
		1	J, T		74			*E6	[KA], Right
		1	J, T		49			*AL	[KA], Right
		1	J, T		74			*AL	[KA], Right
		1	J, T		49			*AL	[KA], Mexico, Right
	1DQ831D5AA	1	J, T		74			*AL	[KA], Mexico, Right
		1	J, T		49			*K6	[DA], Mexico, Left
		1	J, T		74			*K6	[DA], Mexico, Left
		1	J, T		49			*K6	[DA], Export, Left
		1	J, T		74			*K6	[DA], Export, Left
		1	J, T		49			*D7	[DA], Mexico, Left
		1	J, T		74			*D7	[DA], Mexico, Left
		1	J		49, 74			*D7	[DA], Export, Left
		1	J, T		49			*D7	[DA], Left
		1	J, T		74			*D7	[DA], Left
		1	J, T		49			*K6	[DA], Left
		1	J, T		74			*K6	[DA], Left
	1DQ831DAAA	1	J		49, 74			*AL	[DA], Export, Left
		1	U		49, 74			*AL	[DA], Export, Left
		1	J, T		49			*AL	[DA], Mexico, Left
		1	J, T		74			*AL	[DA], Mexico, Left

COMPASS/PATRIOT (MK)
 SERIES LINE BODY
 H = HIGHLINE T = JEEP - 2WD 49 = HATCHBACK TYPE #2
 L = LOWLINE J = JEEP - 4WD 74 = SPORT UTILITY 4-DR
 P = PREMIUM U = JEEP - 4WD (RHD) TYPE #4

ENGINE TRANSMISSION
 ECE = 2.0L 4 Cyl DOHC DPF Diesel Engine DEF = 6-Speed Manual Aisin BG6 Trans
 ED3 = 2.4L 4 Cyl DOHC 16V Dual VVT Engine DD7 = 5-Speed Manual T355 Transmission
 ECD = 2.0L 4 Cyl DOHC Diesel 16V Engine DAV = Continuously Variable Transaxle II
 ECN = 2.0L 4 Cyl DOHC 16V Dual VVT Engine DAW = Cont.Var. w/Off-Rd Crawl Ratio Trans

AR = use ase required - = Non illustrated part

Adjusters , Recliners and Shields - Driver Seat - Manual
Figure 50-910

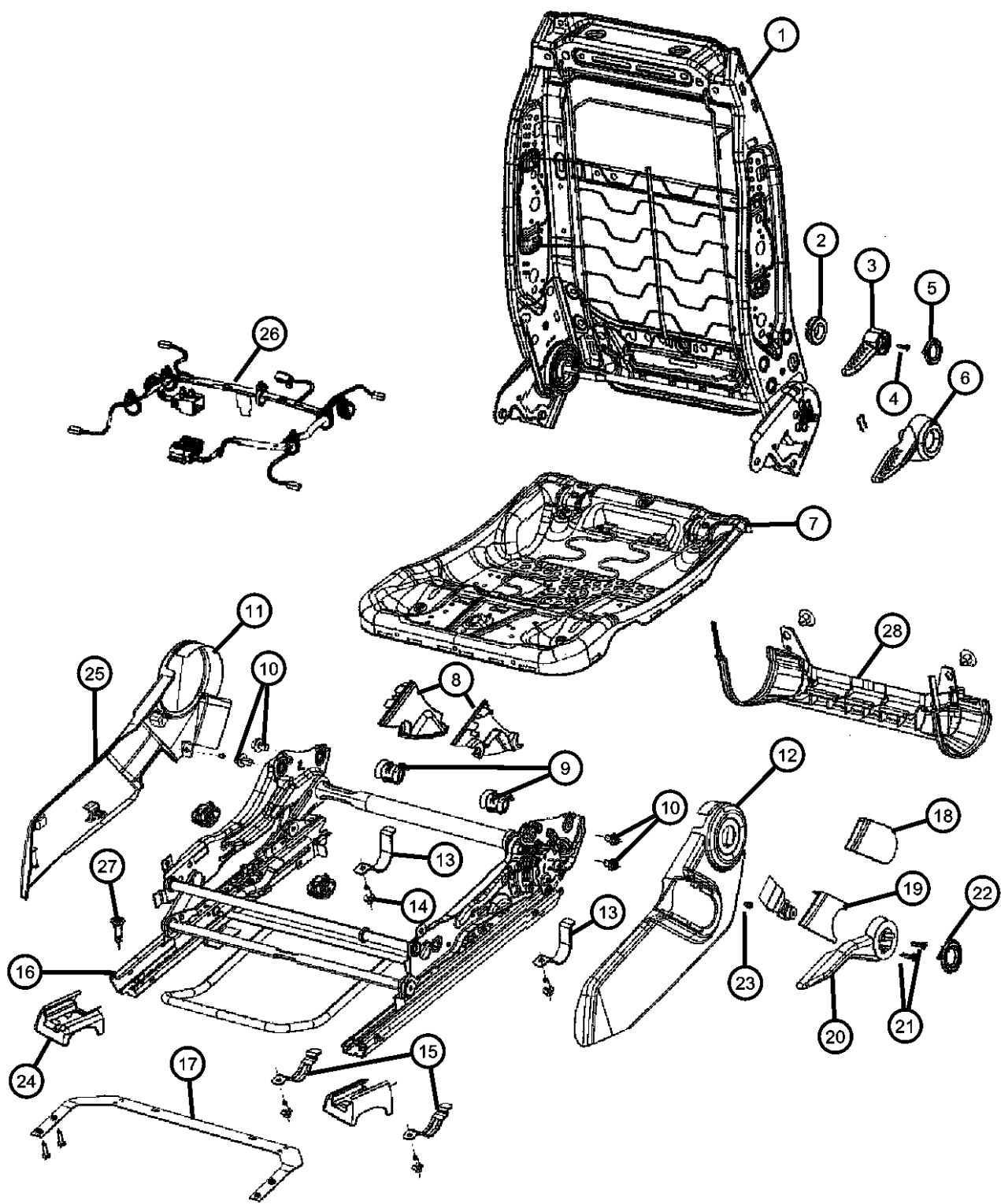
ITEM	PART NUMBER	QTY	LINE	SERIES	BODY	ENGINE	TRANS	TRIM	DESCRIPTION
		1	J, T		49			*AL	[DA], Left
		1	J, T		74			*AL	[DA], Left
		1	J, T		49			*AL	[DV], Mexico, Left
		1	J, T		74			*AL	[DV], Mexico, Left
		1	J, T		49			*K6	[DV], Mexico, Left
		1	J, T		74			*K6	[DV], Mexico, Left
		1	J, T		49			*K6	[DV], Export, Left
		1	J, T		74			*K6	[DV], Export, Left
		1	J		49, 74			*AL	[DV], Export, Left
		1	U		49, 74			*AL	[DV], Export, Left
		1	J, T		74			*E6	[DV], Left
		1	J, T		49			*K6	[DV], Left
		1	J, T		74			*K6	[DV], Left
		1	J, T		49			*AL	[DV], Left
		1	J, T		74			*AL	[DV], Left
		2	J, T		49			*B7	[DV], Left
	1DQ831K2AA	1	J, T		49			*D7	[KA], Mexico, Left
		1	J, T		74			*D7	[KA], Mexico, Left
		1	J, T		49			*K6	[KA], Export, Left
		1	J, T		74			*K6	[KA], Export, Left
		1	J, T		49			*K6	[KA], Mexico, Left
		1	J, T		74			*K6	[KA], Mexico, Left
		1	J, T		49			*D7	[KA], Left
		1	J, T		74			*D7	[KA], Left
		1	J, T		49			*K6	[KA], Left
		1	J, T		74			*K6	[KA], Left
		1	J		49, 74			*D7	[KA], Export, Left
	1DQ831KAAA	1	J, T		49			*E6	[KA], Mexico, Left
		1	J, T		49			*AL	[KA], Mexico, Left
		1	J, T		74			*AL	[KA], Mexico, Left
		1	J		49, 74			*AL	[KA], Export, Left
		1	U		49, 74			*AL	[KA], Export, Left

COMPASS/PATRIOT (MK)		BODY	ENGINE	TRANSMISSION
SERIES	LINE	49 = HATCHBACK TYPE #2	ECE = 2.0L 4 Cyl DOHC DPF Diesel Engine	DEF = 6-Speed Manual Aisin BG6 Trans
H = HIGHLINE	T = JEEP - 2WD	74 = SPORT UTILITY 4-DR TYPE #4	ED3 = 2.4L 4 Cyl DOHC 16V Dual VVT Engine	DD7 = 5-Speed Manual T355 Transmission
L = LOWLINE	J = JEEP - 4WD		ECD = 2.0L 4 Cyl DOHC Diesel 16V Engine	DAV = Continuously Variable Transaxle II
P = PREMIUM	U = JEEP - 4WD (RHD)		ECN = 2.0L 4 Cyl DOHC 16V Dual VVT Engine	DAW = Cont.Var. w/Off-Rd Crawl Ratio Trans

AR = use ase required - = Non illustrated part

<< RETURN TO GROUP INDEX

Adjusters , Recliners and Shields - Driver Seat - Manual
Figure 50-910



ITEM	PART NUMBER	QTY	LINE	SERIES	BODY	ENGINE	TRANS	TRIM	DESCRIPTION
9		1	J, T		74			*E6	[KA], Left
		1	J, T		49			*AL	[KA], Left
		1	J, T		74			*AL	[KA], Left
		2	J, T		49			*B7	[KA], Left
	05183369AA	2	J, T		49, 74			*D7	BRACKET
		2	J, T		49, 74			*D7	Mexico
		2	J, T		49, 74			*E6	
		2	J		49, 74			*D7	Export
		2	J, T		49, 74			*E6	Mexico
		4	J		49, 74			*AL	Export
		4	J, T		49, 74			*AL	Mexico
10		4	J, T		49, 74			*AL	
		4	J, T		49, 74			*AL	
11	06104264AA	2	J, T, U		49				BOLT, Hex Flange Head, M14X1.5X80.0
		2	J, T, U		74				
11	1DQ451D5AA	1	J, T		49			*D7	SHIELD, Driver Inboard
		1	J, T		74			*D7	[DA], Mexico
		1	J, T		49			*K6	[DA], Mexico
		1	J, T		74			*K6	[DA], Mexico
		1	U		49, 74			*K6	[DA], Export
		1	J, T		49			*D7	[DA]
		1	J, T		74			*D7	[DA]
		1	J, T		49			*K6	[DA]
	1DQ451DAAA	1	J, T		49			*E6	[DA], Mexico
		1	J, T		74			*E6	[DA], Mexico
		1	U		49, 74			*AL	[DA], Export
		1	J, T		74			*E6	[DA]
	1	J, T		49			*K6	[DV], Mexico	
	1	U		49, 74			*K6	[DV], Export	

COMPASS/PATRIOT (MK)

SERIES LINE
 H = HIGHLINE T = JEEP - 2WD
 L = LOWLINE J = JEEP - 4WD
 P = PREMIUM U = JEEP - 4WD (RHD)

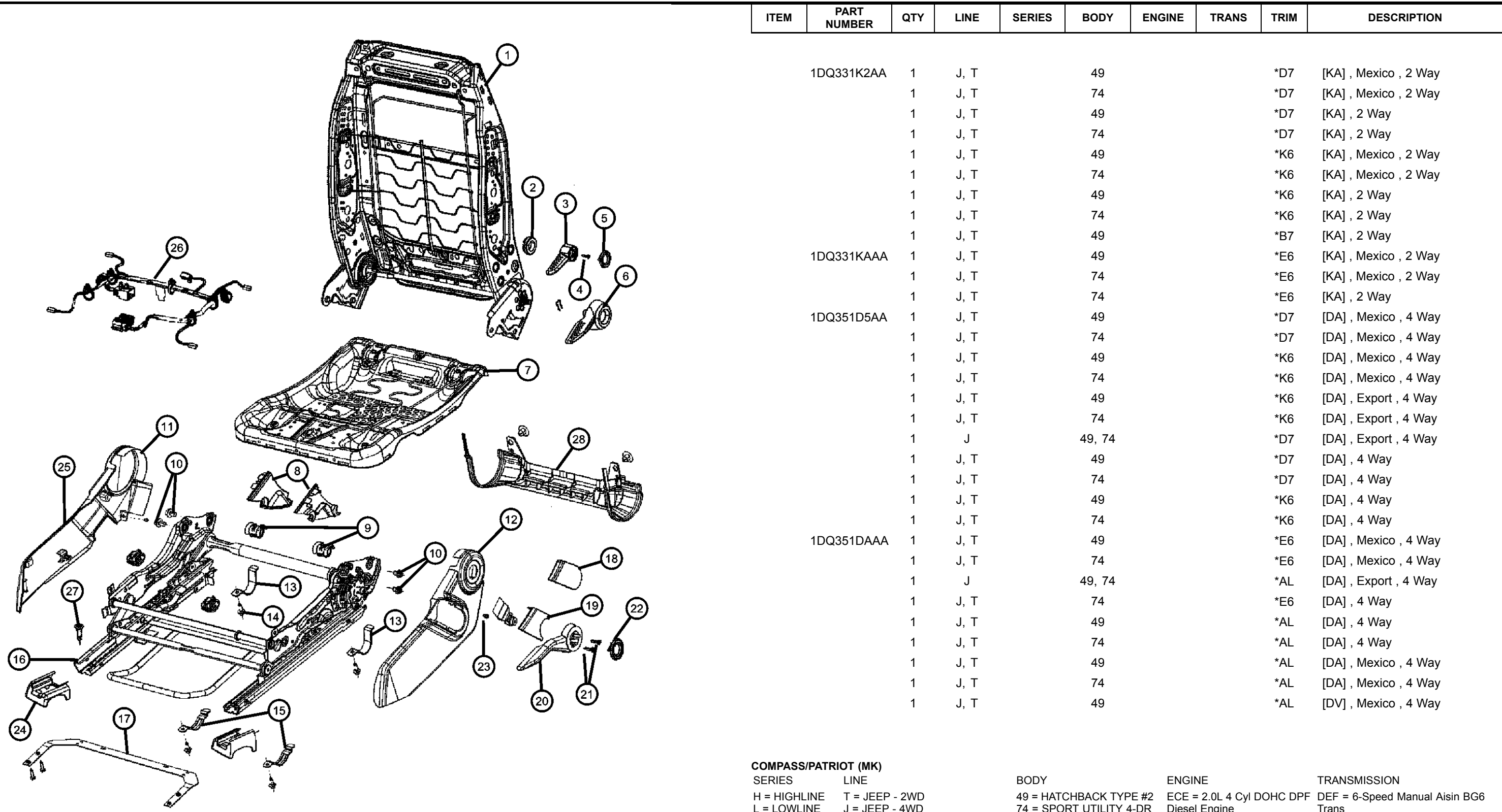
BODY
 49 = HATCHBACK TYPE #2
 74 = SPORT UTILITY 4-DR
 TYPE #4

ENGINE
 ECE = 2.0L 4 Cyl DOHC DPF Diesel Engine
 ED3 = 2.4L 4 Cyl DOHC 16V Dual VVT Engine
 ECD = 2.0L 4 Cyl DOHC Diesel 16V Engine
 ECN = 2.0L 4 Cyl DOHC 16V Dual VVT Engine

TRANSMISSION
 DEF = 6-Speed Manual Aisin BG6 Trans
 DD7 = 5-Speed Manual T355 Transmission
 DAV = Continuously Variable Transaxle II
 DAW = Cont.Var. w/Off-Rd Crawl Ratio Trans

AR = use ase required - = Non illustrated part

Adjusters , Recliners and Shields - Driver Seat - Manual
Figure 50-910



ITEM	PART NUMBER	QTY	LINE	SERIES	BODY	ENGINE	TRANS	TRIM	DESCRIPTION
	1DQ331K2AA	1	J, T		49			*D7	[KA] , Mexico , 2 Way
		1	J, T		74			*D7	[KA] , Mexico , 2 Way
		1	J, T		49			*D7	[KA] , 2 Way
		1	J, T		74			*D7	[KA] , 2 Way
		1	J, T		49			*K6	[KA] , Mexico , 2 Way
		1	J, T		74			*K6	[KA] , Mexico , 2 Way
		1	J, T		49			*K6	[KA] , 2 Way
		1	J, T		74			*K6	[KA] , 2 Way
	1DQ331KAAA	1	J, T		49			*B7	[KA] , 2 Way
		1	J, T		49			*E6	[KA] , Mexico , 2 Way
		1	J, T		74			*E6	[KA] , Mexico , 2 Way
		1	J, T		74			*E6	[KA] , 2 Way
	1DQ351D5AA	1	J, T		49			*D7	[DA] , Mexico , 4 Way
		1	J, T		74			*D7	[DA] , Mexico , 4 Way
		1	J, T		49			*K6	[DA] , Mexico , 4 Way
		1	J, T		74			*K6	[DA] , Mexico , 4 Way
		1	J, T		49			*K6	[DA] , Export , 4 Way
		1	J, T		74			*K6	[DA] , Export , 4 Way
		1	J		49, 74			*D7	[DA] , Export , 4 Way
		1	J, T		49			*D7	[DA] , 4 Way
		1	J, T		74			*D7	[DA] , 4 Way
		1	J, T		49			*K6	[DA] , 4 Way
		1	J, T		74			*K6	[DA] , 4 Way
	1DQ351DAAA	1	J, T		49			*E6	[DA] , Mexico , 4 Way
		1	J, T		74			*E6	[DA] , Mexico , 4 Way
		1	J		49, 74			*AL	[DA] , Export , 4 Way
		1	J, T		74			*E6	[DA] , 4 Way
		1	J, T		49			*AL	[DA] , 4 Way
		1	J, T		74			*AL	[DA] , 4 Way
		1	J, T		49			*AL	[DA] , Mexico , 4 Way
		1	J, T		74			*AL	[DA] , Mexico , 4 Way
		1	J, T		49			*AL	[DV] , Mexico , 4 Way

COMPASS/PATRIOT (MK)		BODY		ENGINE	TRANSMISSION
SERIES	LINE				
H = HIGHLINE	T = JEEP - 2WD	49 = HATCHBACK TYPE #2		ECE = 2.0L 4 Cyl DOHC DPF Diesel Engine	DEF = 6-Speed Manual Aisin BG6 Trans
L = LOWLINE	J = JEEP - 4WD	74 = SPORT UTILITY 4-DR TYPE #4		ED3 = 2.4L 4 Cyl DOHC 16V Dual VVT Engine	DD7 = 5-Speed Manual T355 Transmission
P = PREMIUM	U = JEEP - 4WD (RHD)			ECD = 2.0L 4 Cyl DOHC Diesel 16V Engine	DAV = Continuously Variable Transaxle II
				ECN = 2.0L 4 Cyl DOHC 16V Dual VVT Engine	DAW = Cont.Var. w/Off-Rd Crawl Ratio Trans

AR = use ase required - = Non illustrated part

2008 MK

Adjusters , Recliners and Shields - Driver Seat - Manual
Figure 50-910

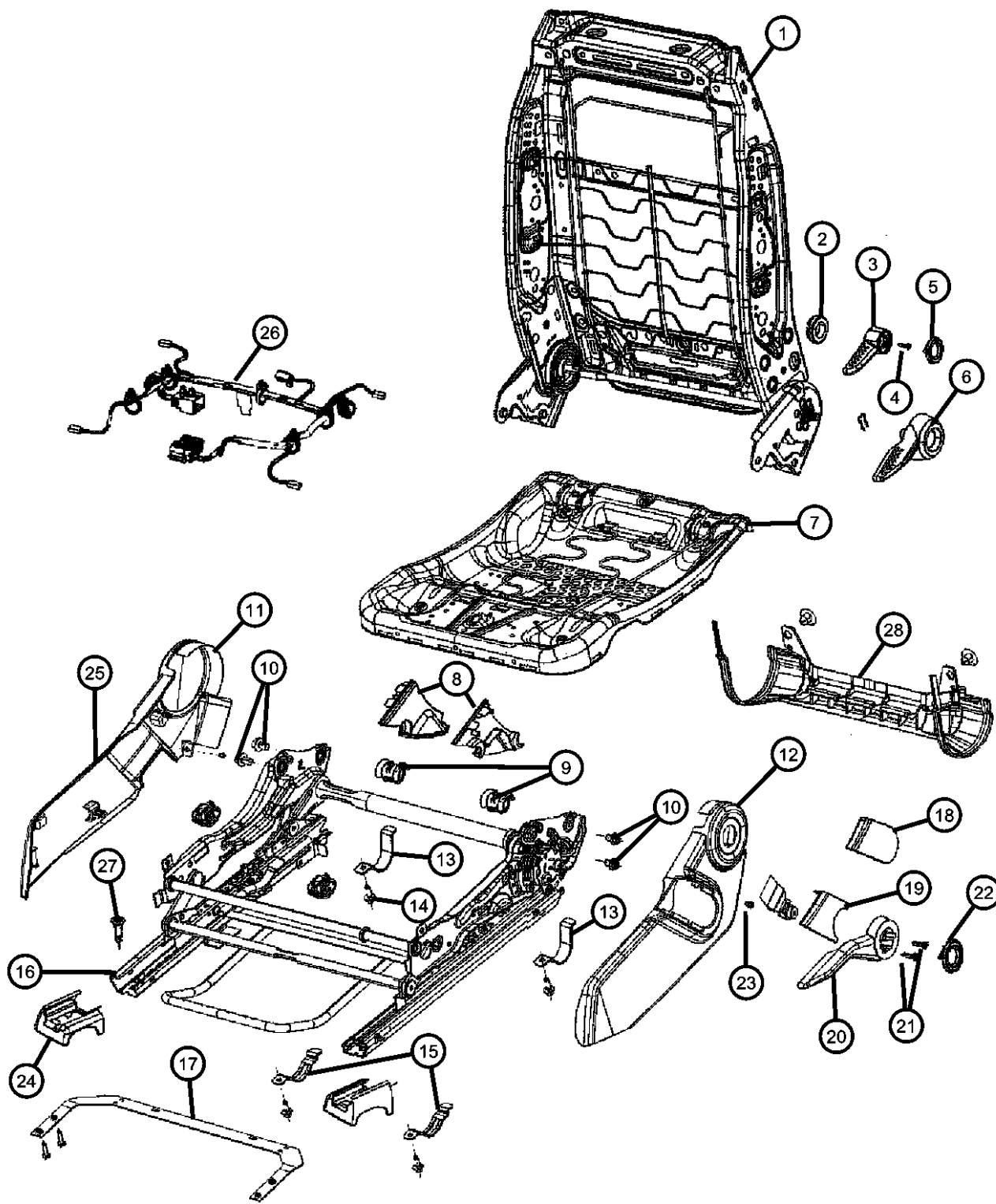
	ITEM	PART NUMBER	QTY	LINE	SERIES	BODY	ENGINE	TRANS	TRIM	DESCRIPTION	
	14	04761014	2	J, T		49, 74			*E6		
			2	J, T		49, 74			*E6	Mexico	
			4	U		49, 74			*AL	Export	
			2	J		49, 74			*D7	Export	
			2	J, T		49, 74			*K6	Mexico	
			4	J, T		49			*AL		
			4	J, T		74			*AL		
			4	J, T		49, 74			*AL	Mexico	
			4	J, T		49			*K6		
			4	J, T		74			*K6	Export	
			4	J		49, 74			*D7	Export	
			4	J, T		49, 74			*D7	Mexico	
			4	J, T		49, 74			*E6		
			4	J, T		49, 74			*E6	Mexico	
	4	J, T		49, 74			*D7				
	4	J, T		49, 74			*K6	Mexico			
	4	J, T		49			*K6				
	8	U		49, 74			*E6	Export			
	8	J		49, 74			*AL	Export			
	8	U		49, 74			*AL	Export			
	8	J, T		49			*AL	Mexico			
	8	J, T		74			*AL	Mexico			
	15	05183372AA	2	J, T		49, 74			*D7		
			2	J, T		49, 74			*D7	Mexico	
			2	J, T		49, 74			*E6		
			2	J, T		49, 74			*E6	Mexico	
		2	J, T		49			*K6			
		4	J, T		49, 74			*AL			
16		4	U		49, 74			*AL	Export		
COMPASS/PATRIOT (MK) SERIES LINE H = HIGHLINE T = JEEP - 2WD L = LOWLINE J = JEEP - 4WD P = PREMIUM U = JEEP - 4WD (RHD)											
			BODY 49 = HATCHBACK TYPE #2 74 = SPORT UTILITY 4-DR TYPE #4			ENGINE ECE = 2.0L 4 Cyl DOHC DPF Diesel Engine ED3 = 2.4L 4 Cyl DOHC 16V Dual VVT Engine ECD = 2.0L 4 Cyl DOHC Diesel 16V Engine ECN = 2.0L 4 Cyl DOHC 16V Dual VVT Engine			TRANSMISSION DEF = 6-Speed Manual Aisin BG6 Trans DD7 = 5-Speed Manual T355 Transmission DAV = Continuously Variable Transaxle II DAW = Cont.Var. w/Off-Rd Crawl Ratio Trans		
*AL = Export *E6 = Mexico *D7 = Export *K6 = Mexico *U = Export BOLT, Cushion To Adjuster CLAMP ADJUSTER, Manual Seat											

AR = use ase required - = Non illustrated part

2008 MK

<< RETURN TO GROUP INDEX

**Adjusters , Recliners and Shields - Driver Seat - Manual
Figure 50-910**



ITEM	PART NUMBER	QTY	LINE	SERIES	BODY	ENGINE	TRANS	TRIM	DESCRIPTION
		1	U		49, 74			*K6	[DV] , Export
		1	U		49, 74			*AL	[DV] , Export
	1DQ371K2AA	1	J, T		74			*K6	[KA] , Mexico
		1	J, T		49			*D7	[KA] , Mexico
		1	J, T		74			*D7	[KA] , Mexico
		1	J, T		49			*K6	[KA]
		1	J, T		74			*K6	[KA]
		1	J, T		49			*D7	[KA]
		1	J, T		74			*D7	[KA]
		1	J, T		49			*K6	[KA] , Mexico
		1	U		49, 74			*K6	[KA] , Export
	1DQ371KAAA	1	J, T		49			*E6	[KA] , Mexico
		1	J, T		74			*E6	[KA] , Mexico
		1	J, T		74			*E6	[KA]
		1	U		49, 74			*AL	[KA] , Export
		1	J, T		49			*B7	[KA]
	1DQ431DAAA	1	J, T		49			*AL	[DA] , Mexico
		1	J, T		74			*AL	[DA] , Mexico
19	1DQ431D5AA	1	J, T		74				COVER, Anchor, 4 Way
		1	J, T		49			*K6	[DA] , Mexico
		1	J, T		49			*K6	[DA] , Export
		1	J, T		49			*D7	[DA] , Mexico
		1	J, T		74			*D7	[DA] , Mexico
		1	J, T		49			*K6	[DA] , Mexico
		1	J, T		74			*K6	[DA] , Export
		1	J		49, 74			*D7	[DA] , Export
		1	J, T		49			*D7	[DA]
		1	J, T		74			*D7	[DA]
		1	J, T		49			*K6	[DA]
	1DQ431DAAA	1	J, T		74			*K6	[DA]
		1	J, T		49			*E6	[DA] , Mexico
		1	J, T		74			*E6	[DA] , Mexico

COMPASS/PATRIOT (MK)

SERIES	LINE	BODY	ENGINE	TRANSMISSION
H = HIGHLINE	T = JEEP - 2WD	49 = HATCHBACK TYPE #2	ECE = 2.0L 4 Cyl DOHC DPF Diesel Engine	DEF = 6-Speed Manual Aisin BG6 Trans
L = LOWLINE	J = JEEP - 4WD	74 = SPORT UTILITY 4-DR TYPE #4	ED3 = 2.4L 4 Cyl DOHC 16V Dual VVT Engine	DD7 = 5-Speed Manual T355 Transmission
P = PREMIUM	U = JEEP - 4WD (RHD)		ECD = 2.0L 4 Cyl DOHC Diesel 16V Engine	DAV = Continuously Variable Transaxle II
			ECN = 2.0L 4 Cyl DOHC 16V Dual VVT Engine	DAW = Cont.Var. w/Off-Rd Crawl Ratio Trans

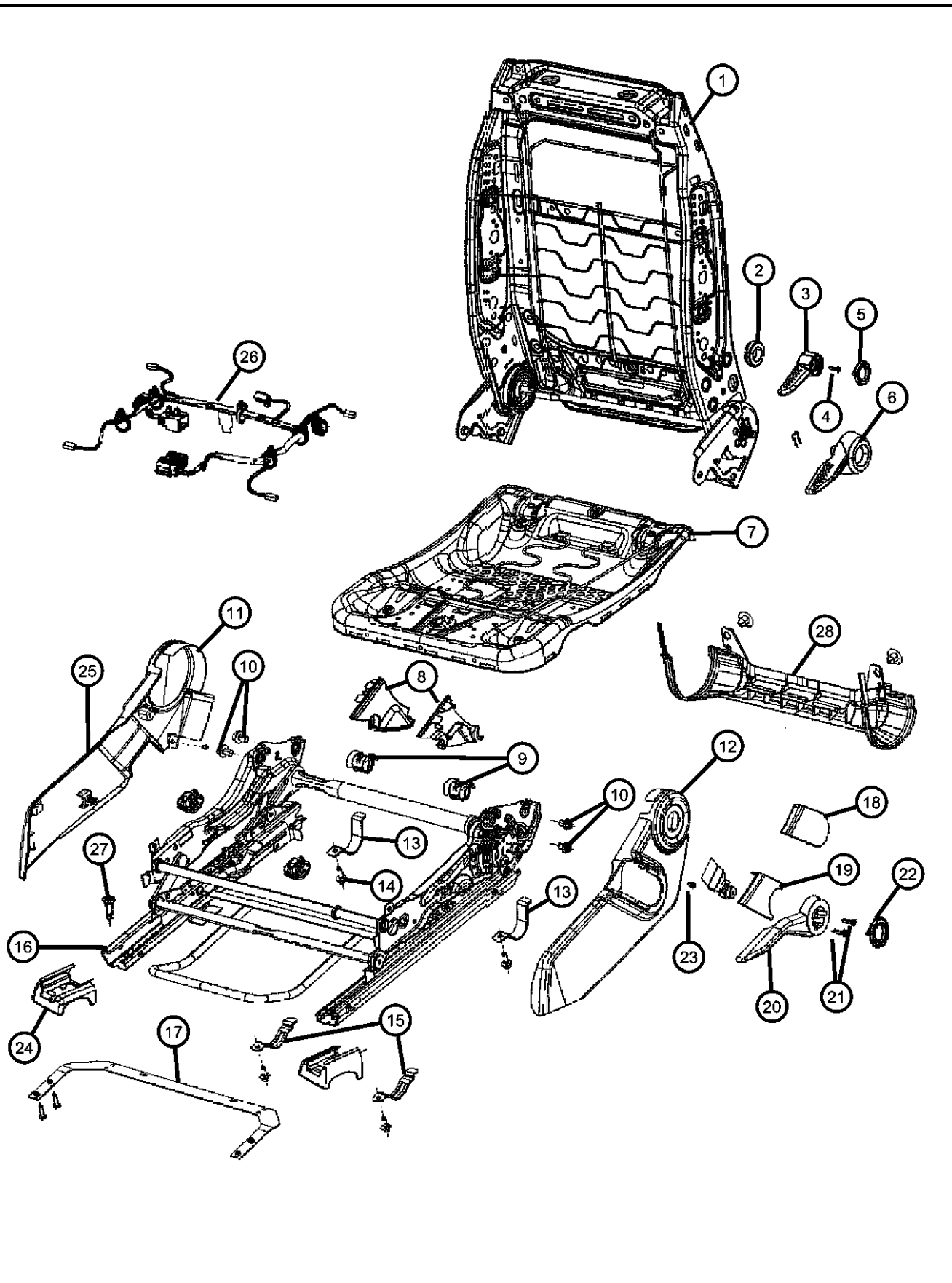
AR = use ase required - = Non illustrated part

2008 MK

<< RETURN TO GROUP INDEX

Adjusters , Recliners and Shields - Driver Seat - Manual

Figure 50-910



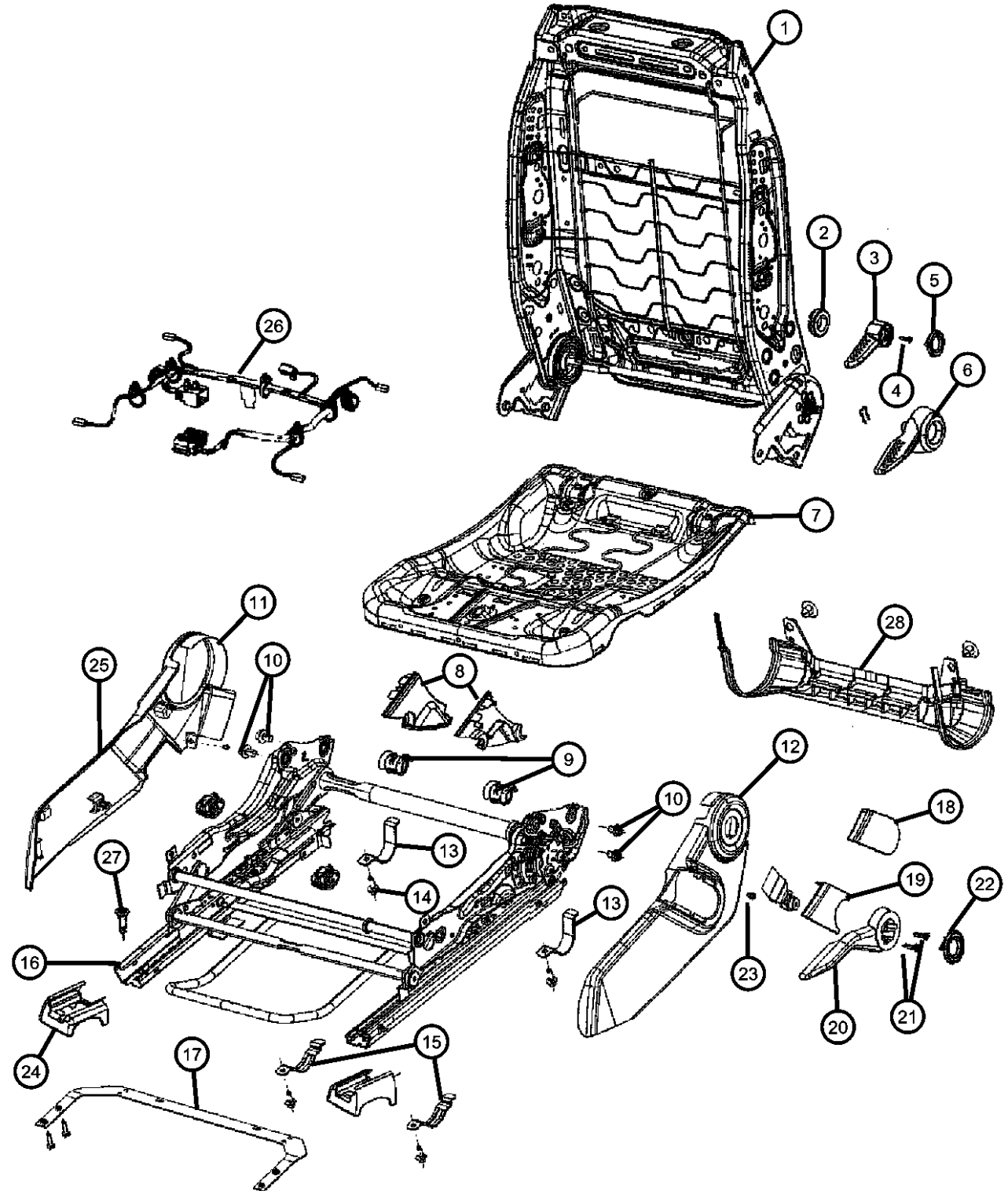
ITEM	PART NUMBER	QTY	LINE	SERIES	BODY	ENGINE	TRANS	TRIM	DESCRIPTION
	1DQ631K2AA	1	J, T		74			*AL	[DV]
		1	J, T		74			*E6	[DV]
		1	J, T		49			*D7	[KA] , Mexico
		1	J, T		74			*D7	[KA] , Mexico
		1	J, T		49			*K6	[KA] , Mexico
		1	J, T		74			*K6	[KA] , Export
		1	J		49, 74			*D7	[KA] , Export
		1	J, T		49			*D7	[KA]
		1	J, T		74			*D7	[KA]
		1	J, T		49			*K6	[KA]
		1	J, T		74			*K6	[KA]
		1	J, T		74			*K6	[KA] , Mexico
		1	J, T		49			*K6	[KA] , Export
	1DQ631KAAA	1	J, T		49			*E6	[KA] , Mexico
		1	J, T		74			*E6	[KA] , Mexico
		1	J, T		49			*AL	[KA] , Mexico
		1	J, T		74			*AL	[KA] , Mexico
		1	J		49, 74			*AL	[KA] , Export
		1	J, T		49			*AL	[KA]
		1	J, T		74			*AL	[KA]
		1	J, T		74			*E6	[KA]
21									SCREW, 4 Way
	05183367AA	3	J, T		49			*AL	
		2	U		49, 74			*AL	
		1	J, T		74			*E6	
		1	J, T		74			*D7	
		1	J, T		74			*K6	
		1	U		49, 74			*E6	
		2	J		49, 74			*AL	
		2	U		49, 74			*D7	
22									CAP, 4 Way
	1DQ651D5AA	1	J, T		74			*D7	[DA] , Mexico

COMPASS/PATRIOT (MK)

SERIES	LINE	BODY	ENGINE	TRANSMISSION
H = HIGHLINE	T = JEEP - 2WD	49 = HATCHBACK TYPE #2	ECE = 2.0L 4 Cyl DOHC DPF Diesel Engine	DEF = 6-Speed Manual Aisin BG6 Trans
L = LOWLINE	J = JEEP - 4WD	74 = SPORT UTILITY 4-DR TYPE #4	ED3 = 2.4L 4 Cyl DOHC 16V Dual VVT Engine	DD7 = 5-Speed Manual T355 Transmission
P = PREMIUM	U = JEEP - 4WD (RHD)		ECD = 2.0L 4 Cyl DOHC Diesel 16V Engine	DAV = Continuously Variable Transaxle II
			ECN = 2.0L 4 Cyl DOHC 16V Dual VVT Engine	DAW = Cont.Var. w/Off-Rd Crawl Ratio Trans

Adjusters , Recliners and Shields - Driver Seat - Manual
Figure 50-910

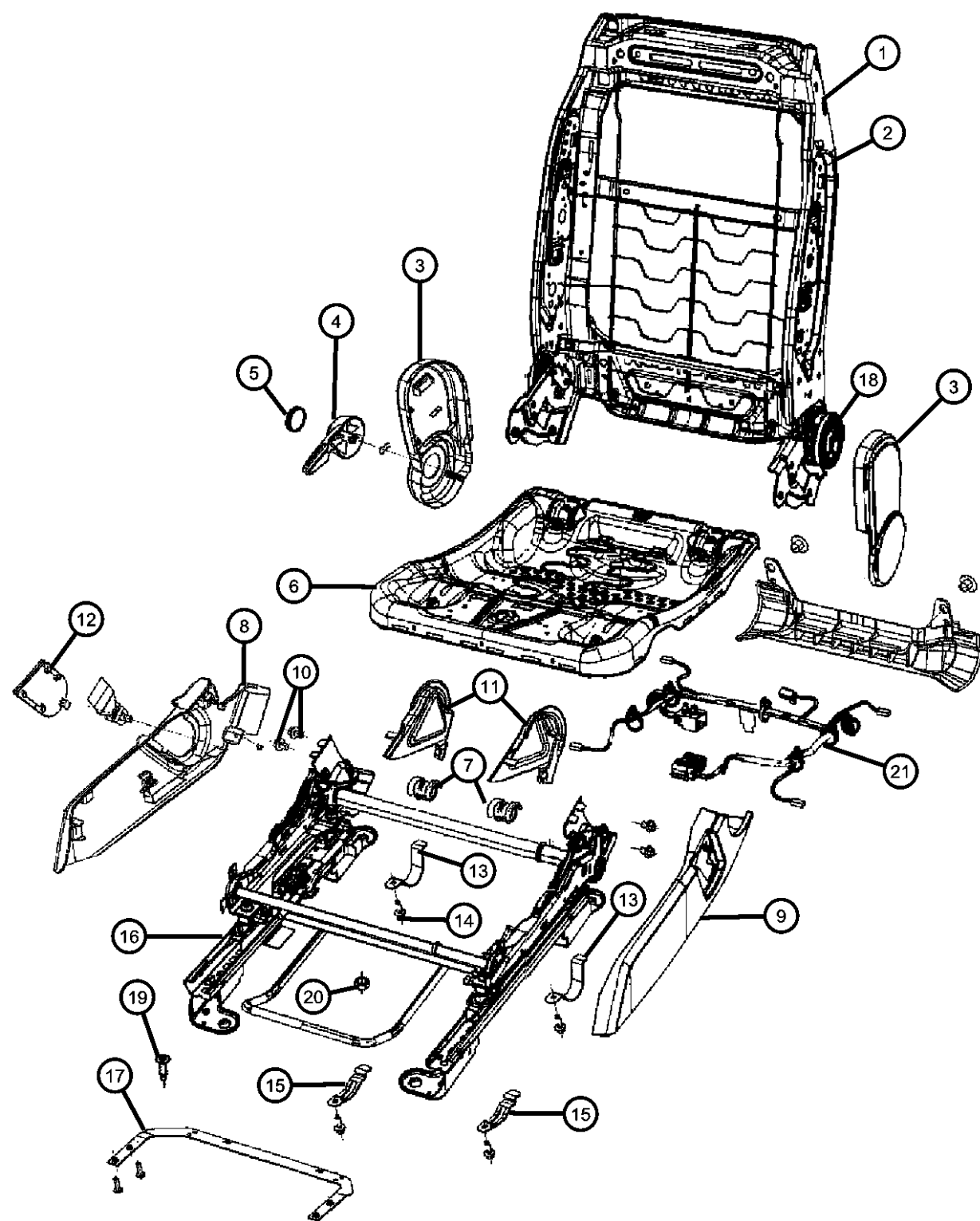
ITEM	PART NUMBER	QTY	LINE	SERIES	BODY	ENGINE	TRANS	TRIM	DESCRIPTION
	1ER35XDVAA	1	U		49, 74			*K6	[DA] , 2 Way
26	1ER35XDVAA	1							WIRING, Track Position Sensor, See 820 for more harnesses, (NOT SERVICED), SCREW
27	06102406AA	4	J, T, U		49				
		4	J, T, U		74				
28	68001883AA	1	U		49, 74			*E6	PLATE
		1	J		49, 74			*AL	
		1	U		49, 74			*D7	
-29	1FC73DK7AA	1	J, T		49			*K6	SHIELD, RISER [KA] , Mexico , 2 Way
		1	J, T		74			*E6	[KA] , 2 Way
		1	U		49, 74			*K6	[KA] , Export , 2 Way
		1	J, T		49			*B7	[KA] , 2 Way
	1FC73XDVAA	1	U		49, 74			*AL	[KA] , Export , 2 Way
		1	J, T		74			*E6	[DV] , 2 Way
		1	U		49, 74			*AL	[DV] , Export , 2 Way
		1	J, T		49			*K6	[DV] , Export , 2 Way
		1	J, T		49			*B7	[DV] , 2 Way
	1FC75DK7AA	1	J, T		49			*K6	[DV] , Mexico , 2 Way
		1	J, T		49			*K6	[KA] , 4 Way
		1	J, T		74			*K6	[KA] , 4 Way
		1	J, T		49			*AL	[KA] , Mexico , 4 Way
		1	J, T		74			*AL	[KA] , Mexico , 4 Way
		1	J, T		49			*AL	[KA] , 4 Way
		1	J, T		74			*AL	[KA] , 4 Way
	1FC75XDVAA	1	J, T		74			*E6	[KA] , 4 Way
		1	J, T		74			*E6	[DV] , 4 Way



COMPASS/PATRIOT (MK)
SERIES LINE BODY ENGINE TRANSMISSION
H = HIGHLINE T = JEEP - 2WD 49 = HATCHBACK TYPE #2 ECE = 2.0L 4 Cyl DOHC DPF DEF = 6-Speed Manual Aisin BG6
L = LOWLINE J = JEEP - 4WD 74 = SPORT UTILITY 4-DR Diesel Engine Trans
P = PREMIUM U = JEEP - 4WD (RHD) TYPE #4 ED3 = 2.4L 4 Cyl DOHC 16V DD7 = 5-Speed Manual T355
Dual VVT Engine Transmission
ECD = 2.0L 4 Cyl DOHC DAV = Continuously Variable
Diesel 16V Engine Transaxle II
ECN = 2.0L 4 Cyl DOHC 16V DAW = Cont.Var. w/Off-Rd Crawl
Dual VVT Engine Ratio Trans

AR = use ase required - = Non illustrated part

Adjusters , Recliners and Shields - Passenger Seat - Manual
Figure 50-920



ITEM	PART NUMBER	QTY	LINE	SERIES	BODY	ENGINE	TRANS	TRIM	DESCRIPTION	
1									FRAME, Front Seat Back	
		05183306AA	1	J, T		49, 74			*E6	
			1	J, T		49, 74			*E6	Mexico
			1	J, T		49, 74			*D7	
			1	J, T		49, 74			*D7	Mexico
		05183309AA	1	J, T		49, 74			*E6	Fold Flat , Mexico
			1	J, T		49			*K6	
			1	J, T		49, 74			*K6	Mexico
			1	U		49, 74			*D7	Export
			1	J, T		49, 74			*E6	Fold Flat
			1	J, T		49, 74			*D7	Fold Flat
			1	J, T		49			*K6	Fold Flat
			1	T, J		49, 74			*K6	Fold Flat , Mexico
			1	J, T		49, 74			*AL	Fold Flat
			1	J		49, 74			*AL	Fold Flat , Export
			1	J, T		49, 74			*D7	Fold Flat , Mexico
			1	J		49, 74			*D7	Fold Flat , Export
		1	J, T		49, 74			*AL	Fold Flat , Mexico	
		1	J, T		49			*K6	Fold Flat , Export	
		1	J, T		74			*K6	Fold Flat , Export	
2									PANEL, Seat Back	
		05183351AA	1	U		49, 74			*AL	Fold Flat , Export
			1	U		49, 74			*E6	Fold Flat , Export
			1	J, T		49			*AL	Fold Flat , Mexico
			1	J, T		74			*E6	Fold Flat
			1	J, T		74			*AL	Fold Flat , Mexico
			1	U		49, 74			*D7	Fold Flat , Export
			1	J, T		49			*E6	Fold Flat
		05183352AA	1	J, T		49, 74			*E6	Mexico
			1	J, T		49			*K6	
			1	J, T		49, 74			*K6	Mexico
			1	J, T		49, 74			*E6	
			1	J, T		74			*K6	

COMPASS/PATRIOT (MK)

SERIES	LINE
H = HIGHLINE	T = JEEP - 2WD
L = LOWLINE	J = JEEP - 4WD
P = PREMIUM	U = JEEP - 4WD (RHD)

BODY

49 = HATCHBACK TYPE #2
 74 = SPORT UTILITY 4-DR
 TYPE #4

ENGINE

ECE = 2.0L 4 Cyl DOHC DPF
 Diesel Engine
 ED3 = 2.4L 4 Cyl DOHC 16V
 Dual VVT Engine
 ECD = 2.0L 4 Cyl DOHC
 Diesel 16V Engine
 ECN = 2.0L 4 Cyl DOHC 16V
 Dual VVT Engine

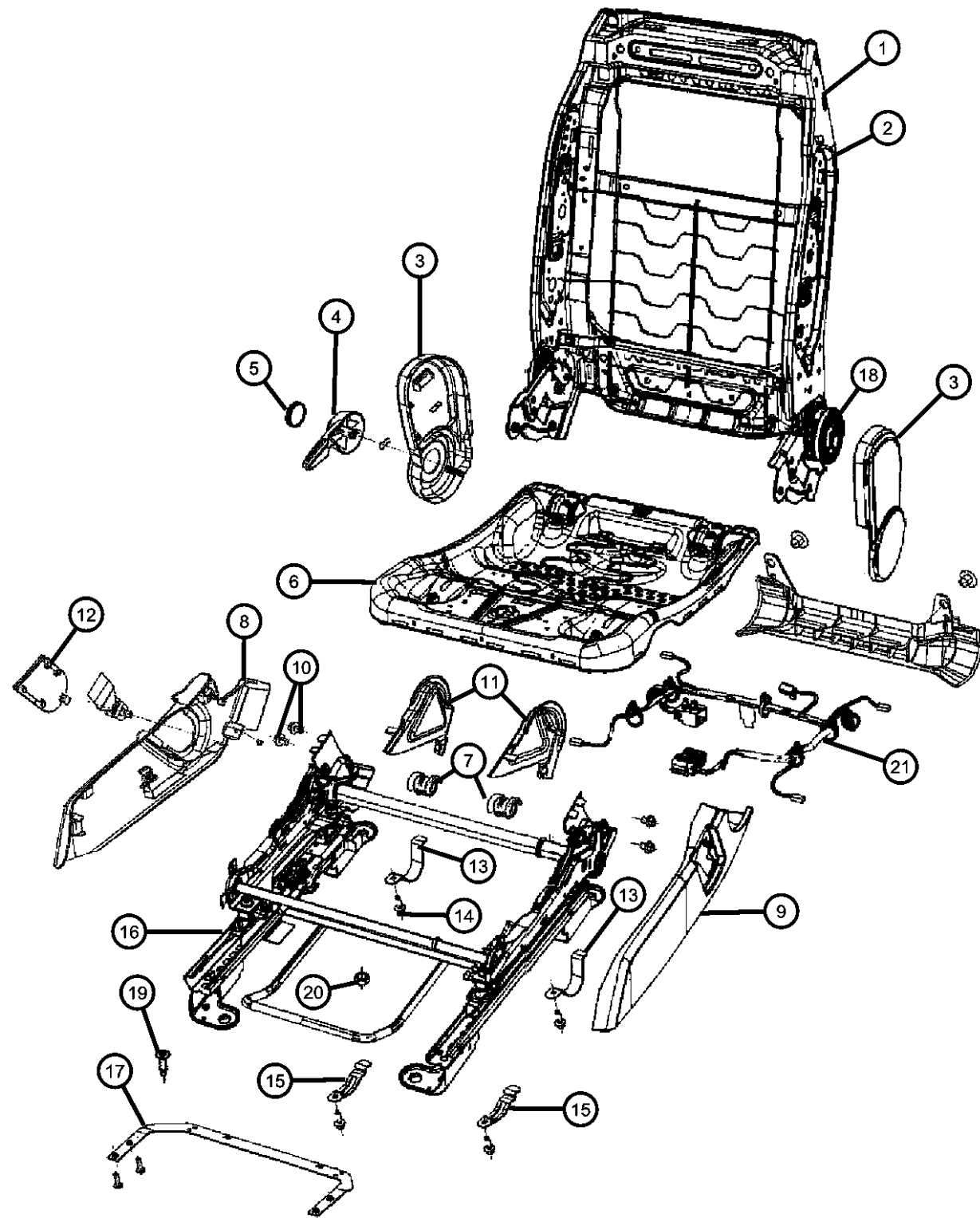
TRANSMISSION

DEF = 6-Speed Manual Aisin BG6
 Trans
 DD7 = 5-Speed Manual T355
 Transmission
 DAV = Continuously Variable
 Transaxle II
 DAW = Cont.Var. w/Off-Rd Crawl
 Ratio Trans

AR = use ase required - = Non illustrated part

2008 MK

Adjusters , Recliners and Shields - Passenger Seat - Manual Figure 50-920



ITEM	PART NUMBER	QTY	LINE	SERIES	BODY	ENGINE	TRANS	TRIM	DESCRIPTION
		2	U		49, 74			*E6	Export
		2	U		74, 49			*D7	Export
		1	U		49, 74			*AL	Export
		1	J, T		49			*AL	Mexico
		1	J, T		74			*AL	Mexico
3									SHIELD, Recliner
	1DQ521D5AA	1	J, T		49			*D7	[DA] , Mexico, Outboard
		1	J, T		74			*D7	[DA] , Mexico, Outboard
		1	J, T		49			*K6	[DA] , Mexico, Outboard
		1	J, T		74			*K6	[DA] , Mexico, Outboard
		1	J, T		49			*K6	[DA] , Export, Outboard
		1	J, T		74			*K6	[DA] , Export, Outboard
		1	J		49, 74			*D7	[DA] , Export, Outboard
		1	T, J		49			*K6	[DA], Outboard
		1	J, T		74			*K6	[DA], Outboard
		1	J, T		49			*D7	[DA], Outboard
		1	J, T		74			*D7	[DA], Outboard
	1DQ521DAAA	1	J, T		49			*E6	[DA] , Mexico, Outboard
		1	J, T		74			*E6	[DA] , Mexico, Outboard
		1	J, T		49			*AL	[DA] , Mexico, Outboard
		1	J, T		74			*AL	[DA] , Mexico, Outboard
		1	J		49, 74			*AL	[DA] , Export, Outboard
		1	J, T		49			*AL	[DA], Outboard
		1	J, T		74			*AL	[DA], Outboard
		1	J, T		74			*E6	[DA], Outboard
		1	J, T		49			*AL	[DV] , Mexico, Outboard
		1	J, T		74			*AL	[DV] , Mexico, Outboard
		1	J, T		49			*K6	[DV] , Mexico, Outboard
		1	J, T		74			*K6	[DV] , Mexico, Outboard
		1	J, T		49			*K6	[DV] , Export, Outboard
		1	J, T		74			*K6	[DV] , Export, Outboard
		1	J		49, 74			*AL	[DV] , Export, Outboard

COMPASS/PATRIOT (MK)

SERIES LINE
 H = HIGHLINE T = JEEP - 2WD
 L = LOWLINE J = JEEP - 4WD
 P = PREMIUM U = JEEP - 4WD (RHD)

BODY
 49 = HATCHBACK TYPE #2
 74 = SPORT UTILITY 4-DR
 TYPE #4

ENGINE
 ECE = 2.0L 4 Cyl DOHC DPF Diesel Engine
 ED3 = 2.4L 4 Cyl DOHC 16V Dual VVT Engine
 ECD = 2.0L 4 Cyl DOHC Diesel 16V Engine
 ECN = 2.0L 4 Cyl DOHC 16V Dual VVT Engine

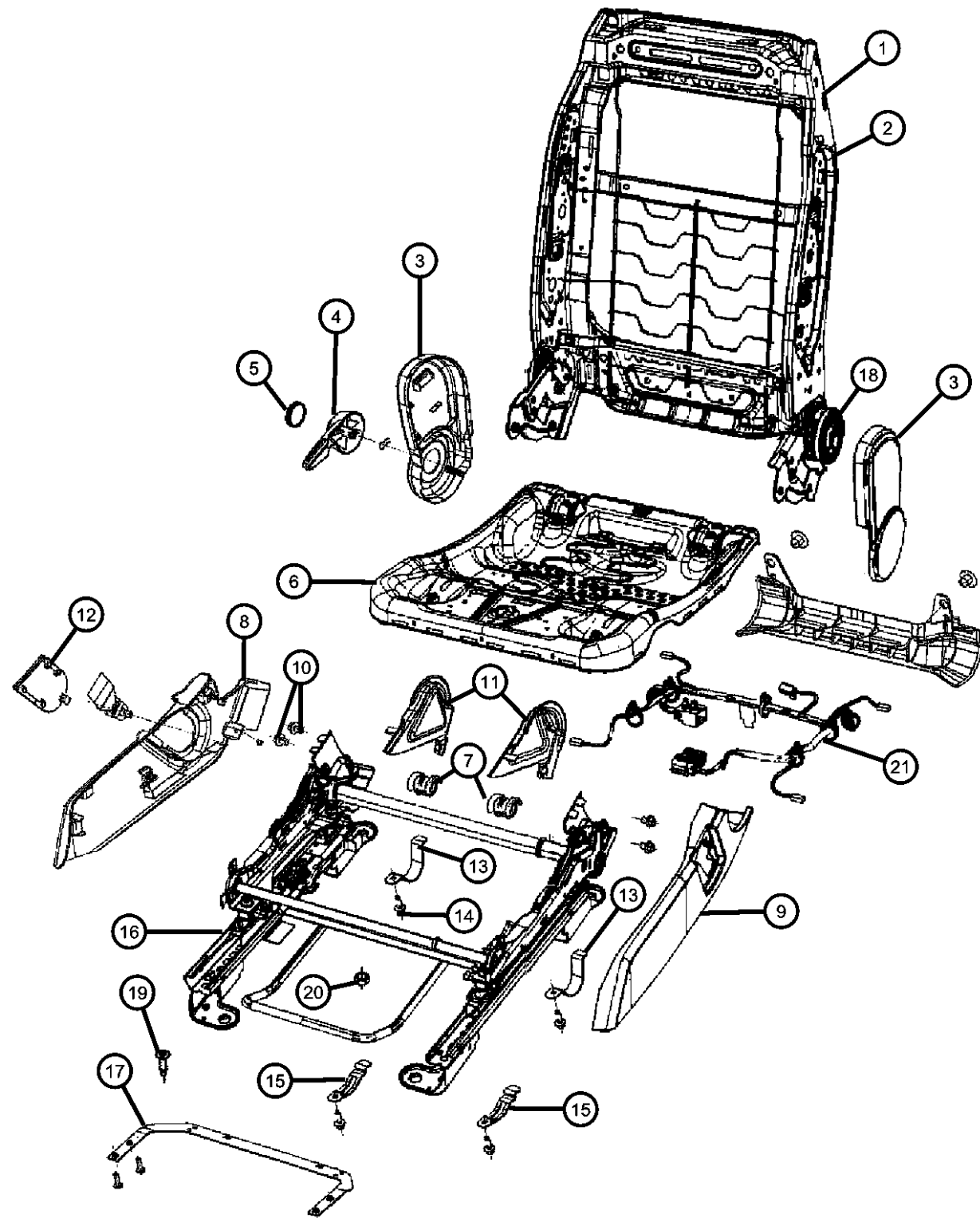
TRANSMISSION
 DEF = 6-Speed Manual Aisin BG6 Trans
 DD7 = 5-Speed Manual T355 Transmission
 DAV = Continuously Variable Transaxle II
 DAW = Cont.Var. w/Off-Rd Crawl Ratio Trans

AR = use ase required - = Non illustrated part

2008 MK

Adjusters , Recliners and Shields - Passenger Seat - Manual

Figure 50-920



ITEM	PART NUMBER	QTY	LINE	SERIES	BODY	ENGINE	TRANS	TRIM	DESCRIPTION
		1	J, T		49			*K6	[DV], Outboard
		1	J, T		74			*K6	[DV], Outboard
		1	J, T		49			*AL	[DV], Outboard
		1	J, T		74			*AL	[DV], Outboard
	1DQ521K2AA	1	J, T		49			*K6	[KA], Mexico, Outboard
		1	J, T		74			*K6	[KA], Mexico, Outboard
		1	J, T		49			*K6	[KA], Export, Outboard
		1	J, T		74			*K6	[KA], Export, Outboard
		1	J, T		49			*D7	[KA], Mexico, Outboard
		1	J, T		74			*D7	[KA], Mexico, Outboard
		1	J		49, 74			*D7	[KA], Export, Outboard
		1	J, T		49			*K6	[KA], Outboard
		1	J, T		74			*K6	[KA], Outboard
		1	J, T		49			*D7	[KA], Outboard
	1DQ521KAAA	1	J, T		49			*D7	[KA], Outboard
		1	T, J		49			*E6	[KA], Mexico, Outboard
		1	J, T		74			*E6	[KA], Mexico, Outboard
		1	J, T		49			*AL	[KA], Mexico, Outboard
		1	J, T		74			*AL	[KA], Mexico, Outboard
		1	J		49, 74			*AL	[KA], Export, Outboard
		1	J, T		74			*E6	[KA], Outboard
		1	J, T		49			*AL	[KA], Outboard
		1	J, T		74			*AL	[KA], Outboard
	1DQ561DVAA	1	J, T		49			*K6	[DV], Mexico, Inboard
		1	J, T		74			*K6	[DV], Mexico, Inboard
		1	J, T		49			*K6	[DV], Inboard
		1	J, T		74			*K6	[DV], Inboard
		1	J, T		49			*AL	[DV], Inboard
		1	J, T		74			*AL	[DV], Inboard
		1	U		49, 74			*K6	[DV], Export, Inboard
	1DQ56DK7AA	1	J, T		49			*D7	[KA], Mexico, Inboard
		1	J, T		74			*D7	[KA], Mexico, Inboard

COMPASS/PATRIOT (MK)

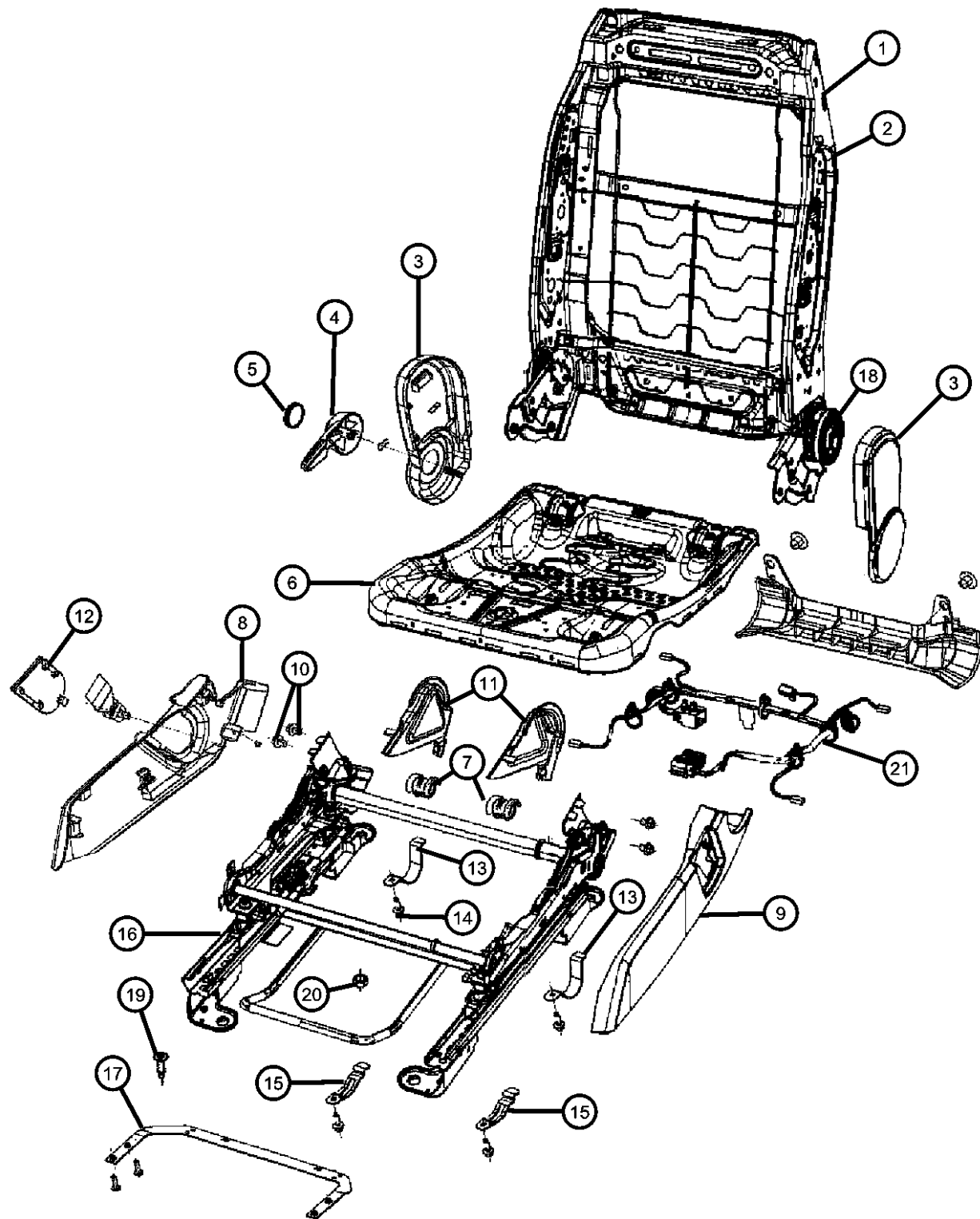
SERIES	LINE
H = HIGHLINE	T = JEEP - 2WD
L = LOWLINE	J = JEEP - 4WD
P = PREMIUM	U = JEEP - 4WD (RHD)

BODY
49 = HATCHBACK TYPE #2
74 = SPORT UTILITY 4-DR TYPE #4

ENGINE	TRANSMISSION
ECE = 2.0L 4 Cyl DOHC DPF Diesel Engine	DEF = 6-Speed Manual Aisin BG6 Trans
ED3 = 2.4L 4 Cyl DOHC 16V Dual VVT Engine	DD7 = 5-Speed Manual T355 Transmission
ECD = 2.0L 4 Cyl DOHC Diesel 16V Engine	DAV = Continuously Variable Transaxle II
ECN = 2.0L 4 Cyl DOHC 16V Dual VVT Engine	DAW = Cont.Var. w/Off-Rd Crawl Ratio Trans

AR = use ase required - = Non illustrated part

**Adjusters , Recliners and Shields - Passenger Seat - Manual
Figure 50-920**



ITEM	PART NUMBER	QTY	LINE	SERIES	BODY	ENGINE	TRANS	TRIM	DESCRIPTION
------	-------------	-----	------	--------	------	--------	-------	------	-------------

		1	J, T		49			*K6	[KA] , Mexico, Inboard
		1	J, T		74			*K6	[KA] , Mexico, Inboard
		1	J, T		49			*D7	[KA], Inboard
		1	J, T		74			*D7	[KA], Inboard
		1	J, T		49			*K6	[KA], Inboard
		1	J, T		74			*K6	[KA], Inboard
	1DQ56XD-VAA	1	J, T		49			*D7	[DA] , Mexico, Inboard
		1	J, T		74			*D7	[DA] , Mexico, Inboard
		1	J, T		49			*K6	[DA] , Mexico, Inboard
		1	J, T		74			*K6	[DA] , Mexico, Inboard
		1	J, T		49			*D7	[DA], Inboard
		1	J, T		74			*D7	[DA], Inboard
		1	J, T		49			*K6	[DA], Inboard
		1	J, T		74			*K6	[DA], Inboard
4		1	U		49, 74			*K6	[DA] , Export, Inboard HANDLE, Recliner
	1DQ591DAAA	1	J, T		74			*AL	[DA], Left
		1	J, T		74			*AL	[DV], Left
	1DQ591KAAA	1	J, T		74			*AL	[KA], Left
	1DQ601DAAA	1	J, T		74			*AL	[DV], Right
	1DQ601KAAA	1	J, T		74			*AL	[KA], Right
5									CAP
	1DQ661D5AA	1	J, T		49			*D7	[DA]
		1	J, T		74			*D7	[DA]
	1DQ661DAAA	1	J, T		49			*AL	[DA] , Mexico
		1	J, T		74			*AL	[DA] , Mexico
		1	J		49, 74			*AL	[DA] , Export
		1	J, T		49			*AL	[DA]
		1	J, T		74			*AL	[DA]
		1	J, T		74			*E6	[DA]
		1	J, T		49			*AL	[DV] , Mexico
		1	J, T		74			*AL	[DV] , Mexico

COMPASS/PATRIOT (MK)

SERIES

H = HIGHLINE
L = LOWLINE
P = PREMIUM

LINE

T = JEEP - 2WD
J = JEEP - 4WD
U = JEEP - 4WD (RHD)

BODY

49 = HATCHBACK TYPE #2
74 = SPORT UTILITY 4-DR
TYPE #4

ENGINE

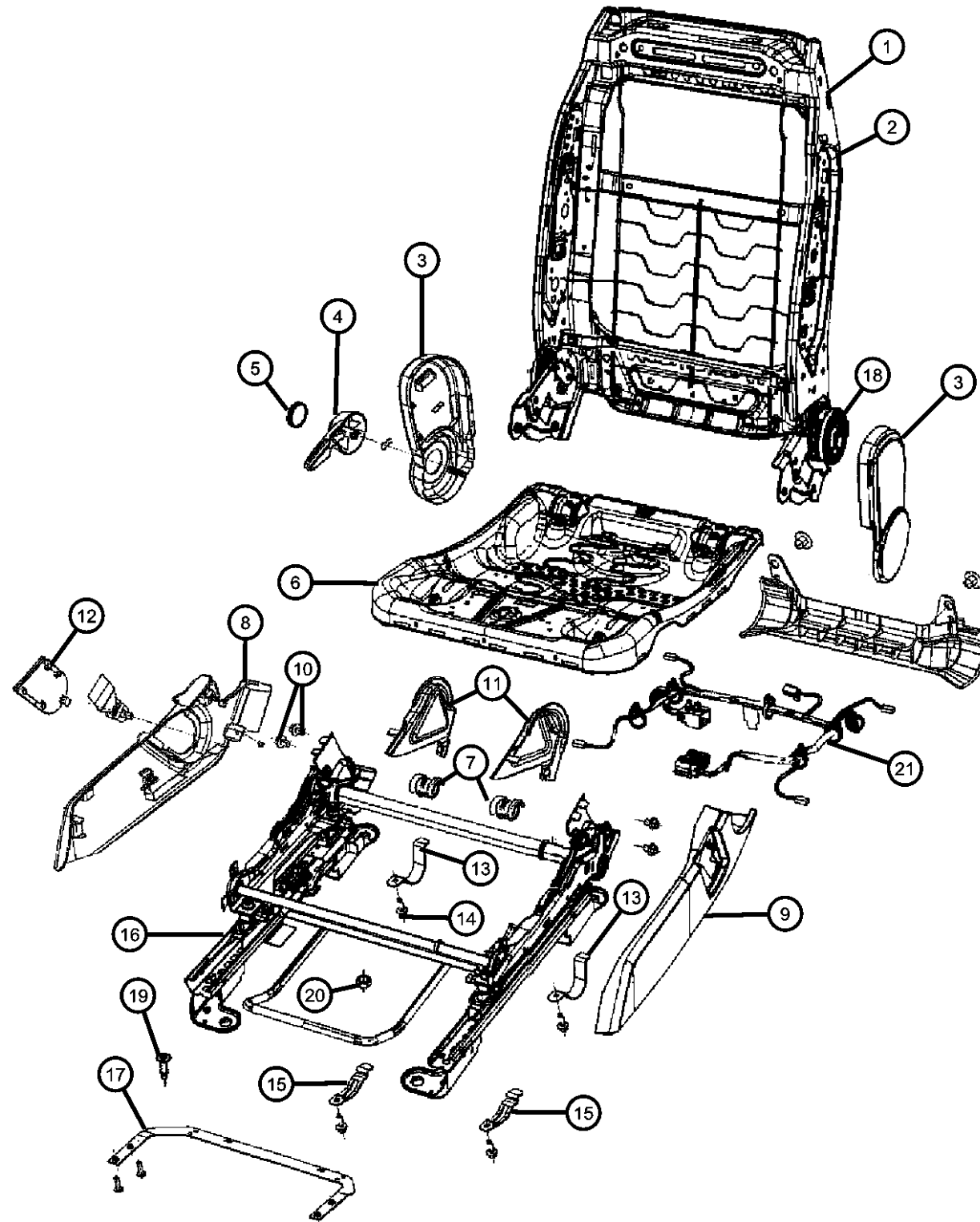
ECE = 2.0L 4 Cyl DOHC DPF
Diesel Engine
ED3 = 2.4L 4 Cyl DOHC 16V
Dual VVT Engine
ECD = 2.0L 4 Cyl DOHC
Diesel 16V Engine
ECN = 2.0L 4 Cyl DOHC 16V
Dual VVT Engine

TRANSMISSION

DEF = 6-Speed Manual Aisin BG6
Trans
DD7 = 5-Speed Manual T355
Transmission
DAV = Continuously Variable
Transaxle II
DAW = Cont.Var. w/Off-Rd Crawl
Ratio Trans

AR = use ase required - = Non illustrated part

**Adjusters , Recliners and Shields - Passenger Seat - Manual
Figure 50-920**



ITEM	PART NUMBER	QTY	LINE	SERIES	BODY	ENGINE	TRANS	TRIM	DESCRIPTION
------	-------------	-----	------	--------	------	--------	-------	------	-------------

		1	J, T		49			*AL	[DV]
		1	J, T		74			*AL	[DV]
		1	J, T		49			*B7	[DV]
		1	J, T		74			*E6	[DV]
		1	J		49, 74			*AL	[DV] , Export
	1DQ661K2AA	1	J, T		49			*D7	[KA]
		1	J, T		74			*D7	[KA]
	1DQ661KAAA	1	J, T		49			*AL	[KA] , Mexico
		1	J, T		74			*AL	[KA] , Mexico
		1	J		49, 74			*AL	[KA] , Export
		1	J, T		49			*AL	[KA]
		1	J, T		74			*AL	[KA]
		1	J, T		74			*E6	[KA]
		1	J, T		49			*B7	[KA]
6									FRAME, Seat cushion
	05183324AA	1	J, T		49, 74			*D7	Mexico
		1	J, T		49, 74			*E6	
		1	J, T		49, 74			*E6	Mexico
		1	J, T		49, 74			*D7	
		1	J, T		49			*K6	
		1	J, T		49, 74			*K6	Mexico
		1	J		49, 74			*D7	Export
		2	J, T		49, 74			*AL	
		2	J		49, 74			*AL	Export
		2	J, T		49, 74			*AL	Mexico
		2	J, T		49			*K6	
		2	J, T		49			*K6	Export
7									BRACKET
	05183369AA	2	J, T		49, 74			*E6	Mexico
		2	J, T		49			*K6	
		2	J, T		49, 74			*K6	Mexico
		2	J, T		49, 74			*E6	

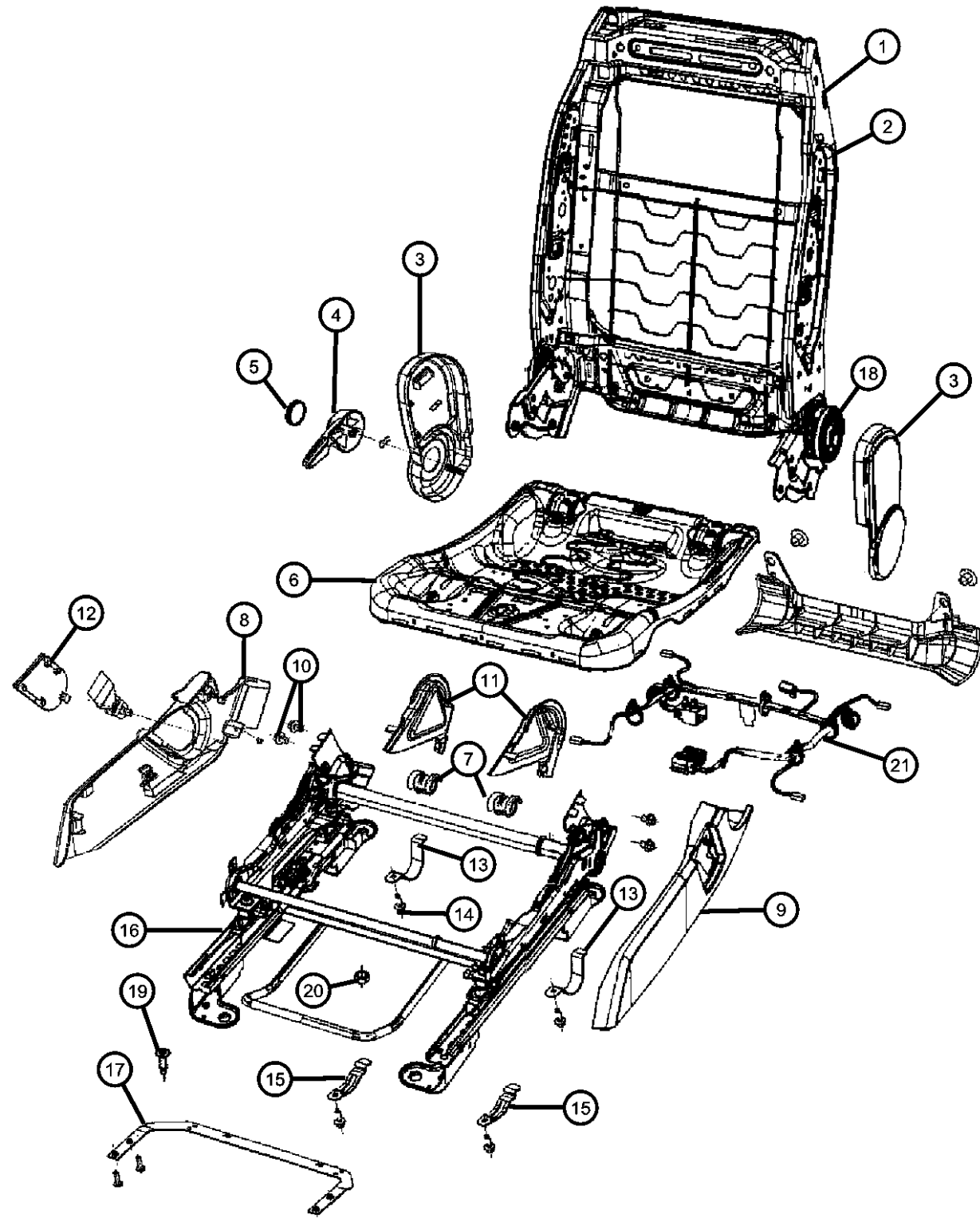
COMPASS/PATRIOT (MK)

SERIES	LINE	BODY	ENGINE	TRANSMISSION
H = HIGHLINE	T = JEEP - 2WD	49 = HATCHBACK TYPE #2	ECE = 2.0L 4 Cyl DOHC DPF Diesel Engine	DEF = 6-Speed Manual Aisin BG6 Trans
L = LOWLINE	J = JEEP - 4WD	74 = SPORT UTILITY 4-DR TYPE #4	ED3 = 2.4L 4 Cyl DOHC 16V Dual VVT Engine	DD7 = 5-Speed Manual T355 Transmission
P = PREMIUM	U = JEEP - 4WD (RHD)		ECD = 2.0L 4 Cyl DOHC Diesel 16V Engine	DAV = Continuously Variable Transaxle II
			ECN = 2.0L 4 Cyl DOHC 16V Dual VVT Engine	DAW = Cont.Var. w/Off-Rd Crawl Ratio Trans

AR = use ase required - = Non illustrated part

2008 MK

Adjusters , Recliners and Shields - Passenger Seat - Manual
Figure 50-920



ITEM	PART NUMBER	QTY	LINE	SERIES	BODY	ENGINE	TRANS	TRIM	DESCRIPTION
		4	J, T		49, 74			*AL	
		4	J		49, 74			*AL	Export
		4	J, T		49, 74			*D7	
		4	J		49, 74			*D7	Export
		4	J, T		49, 74			*AL	Mexico
		4	J, T		49			*K6	Export
		4	J, T		74			*K6	Export
8									SHIELD, Passenger Outboard
	1DQ301D5AA	1	J, T		74			*K6	[DA], Fold Flat, Mexico
		1	J, T		49			*K6	[DA], Export, Fold Flat
		1	J, T		49			*D7	[DA], Fold Flat, Mexico
		1	J, T		74			*D7	[DA], Fold Flat, Mexico
		1	J, T		49			*K6	[DA], Fold Flat, Mexico
		1	J, T		74			*K6	[DA], Export, Fold Flat
		1	J		49, 74			*D7	[DA], Export, Fold Flat
		1	J, T		74			*D7	[DA], Fold Flat
		1	J, T		49			*K6	[DA], Fold Flat
		1	J, T		74			*K6	[DA], Fold Flat
		1	J, T		49			*D7	[DA], Fold Flat
	1DQ301DAAA	1	J, T		49			*E6	[DA], Fold Flat, Mexico
		1	J, T		74			*E6	[DA], Fold Flat, Mexico
		1	J, T		49			*AL	[DA], Fold Flat, Mexico
		1	J, T		74			*AL	[DA], Fold Flat, Mexico
		1	J		49, 74			*AL	[DA], Export, Fold Flat
		1	J, T		49			*AL	[DA], Fold Flat
		1	J, T		74			*AL	[DA], Fold Flat
		1	J, T		74			*AL	[DA], Fold Flat
		1	J		49, 74			*AL	[DV], Export, Fold Flat
		1	J, T		49			*AL	[DV], Fold Flat, Mexico
		1	J, T		74			*AL	[DV], Fold Flat, Mexico
		1	J, T		49			*K6	[DV], Fold Flat, Mexico
		1	J, T		74			*K6	[DV], Fold Flat, Mexico

COMPASS/PATRIOT (MK)

SERIES LINE

H = HIGHLINE T = JEEP - 2WD
L = LOWLINE J = JEEP - 4WD
P = PREMIUM U = JEEP - 4WD (RHD)

BODY

49 = HATCHBACK TYPE #2
74 = SPORT UTILITY 4-DR TYPE #4

ENGINE

ECE = 2.0L 4 Cyl DOHC DPF Diesel Engine
ED3 = 2.4L 4 Cyl DOHC 16V Dual VVT Engine
ECD = 2.0L 4 Cyl DOHC Diesel 16V Engine
ECN = 2.0L 4 Cyl DOHC 16V Dual VVT Engine

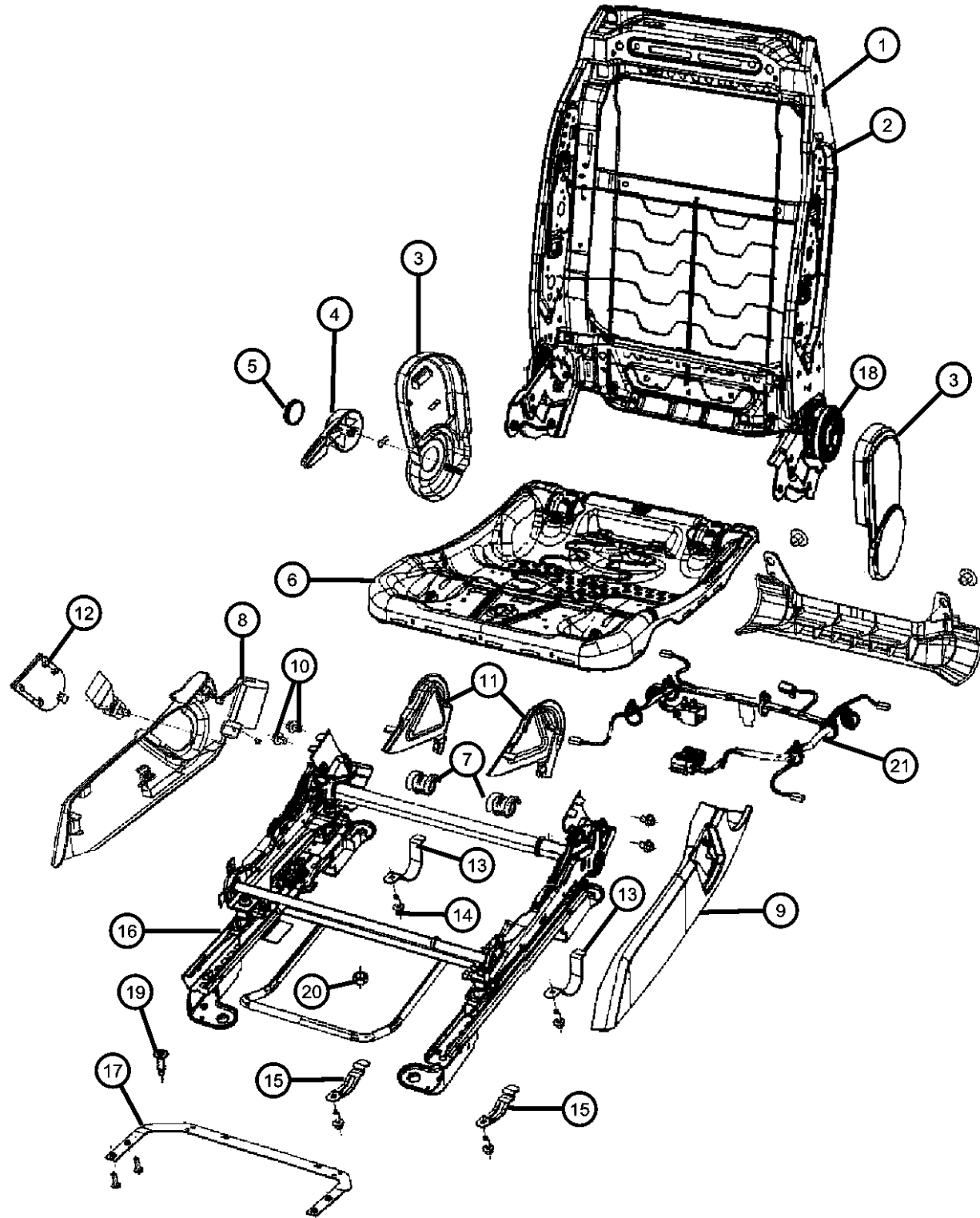
TRANSMISSION

DEF = 6-Speed Manual Aisin BG6 Trans
DD7 = 5-Speed Manual T355 Transmission
DAV = Continuously Variable Transaxle II
DAW = Cont.Var. w/Off-Rd Crawl Ratio Trans

AR = use ase required - = Non illustrated part

Adjusters , Recliners and Shields - Passenger Seat - Manual

Figure 50-920



ITEM	PART NUMBER	QTY	LINE	SERIES	BODY	ENGINE	TRANS	TRIM	DESCRIPTION
		1	T, J		49			*D7	[DA] , 2 Way
	1DQ441DAAA	1	J, T		49			*E6	[DA] , 2 Way , Mexico
		1	J, T		74			*E6	[DA] , 2 Way , Mexico
		1	J, T		74			*E6	[DA] , 2 Way
		1	J, T		74			*E6	[DV] , 2 Way
	1DQ441K2AA	1	J, T		49			*B7	[DV] , 2 Way
		1	J, T		74			*K6	[KA] , 2 Way , Mexico
		1	J, T		49			*K6	[KA] , 2 Way
		1	J, T		74			*K6	[KA] , 2 Way
		1	J, T		49			*D7	[KA] , 2 Way
		1	J, T		49			*D7	[KA] , 2 Way , Mexico
		1	J, T		74			*D7	[KA] , 2 Way , Mexico
		1	J, T		49			*K6	[KA] , 2 Way , Mexico
	1DQ441KAAA	1	J, T		49			*B7	[KA] , 2 Way
		1	J, T		49			*E6	[KA] , 2 Way , Mexico
		1	J, T		74			*E6	[KA] , 2 Way , Mexico
	1ER861D5AA	1	J, T		74			*E6	[KA] , 2 Way
		1	J, T		49			*D7	[DA] , Mexico , Fold Flat , 2 Way
		1	J, T		74			*D7	[DA] , Mexico , Fold Flat , 2 Way
		1	J, T		49			*K6	[DA] , Mexico , Fold Flat , 2 Way
		1	J, T		74			*K6	[DA] , Mexico , Fold Flat , 2 Way
		1	J, T		49			*K6	[DA] , Export , Fold Flat , 2 Way
		1	J, T		74			*K6	[DA] , Export , Fold Flat , 2 Way
		1	J, T		49			*K6	[DA] , 2 Way , Fold Flat
		1	J, T		74			*K6	[DA] , 2 Way , Fold Flat
		1	J		49, 74			*D7	[DA] , Export , Fold Flat , 2 Way
		1	J, T		49			*D7	[DA] , 2 Way , Fold Flat
		1	J, T		74			*D7	[DA] , 2 Way , Fold Flat
	1ER861DAAA	1	T, J		49			*E6	[DA] , 2 Way , Fold Flat , Mexico
		1	J, T		74			*E6	[DA] , 2 Way , Fold Flat , Mexico
		1	J, T		49			*AL	[DA] , 2 Way , Fold Flat , Mexico

COMPASS/PATRIOT (MK)
 SERIES LINE
 H = HIGHLINE T = JEEP - 2WD
 L = LOWLINE J = JEEP - 4WD
 P = PREMIUM U = JEEP - 4WD (RHD)

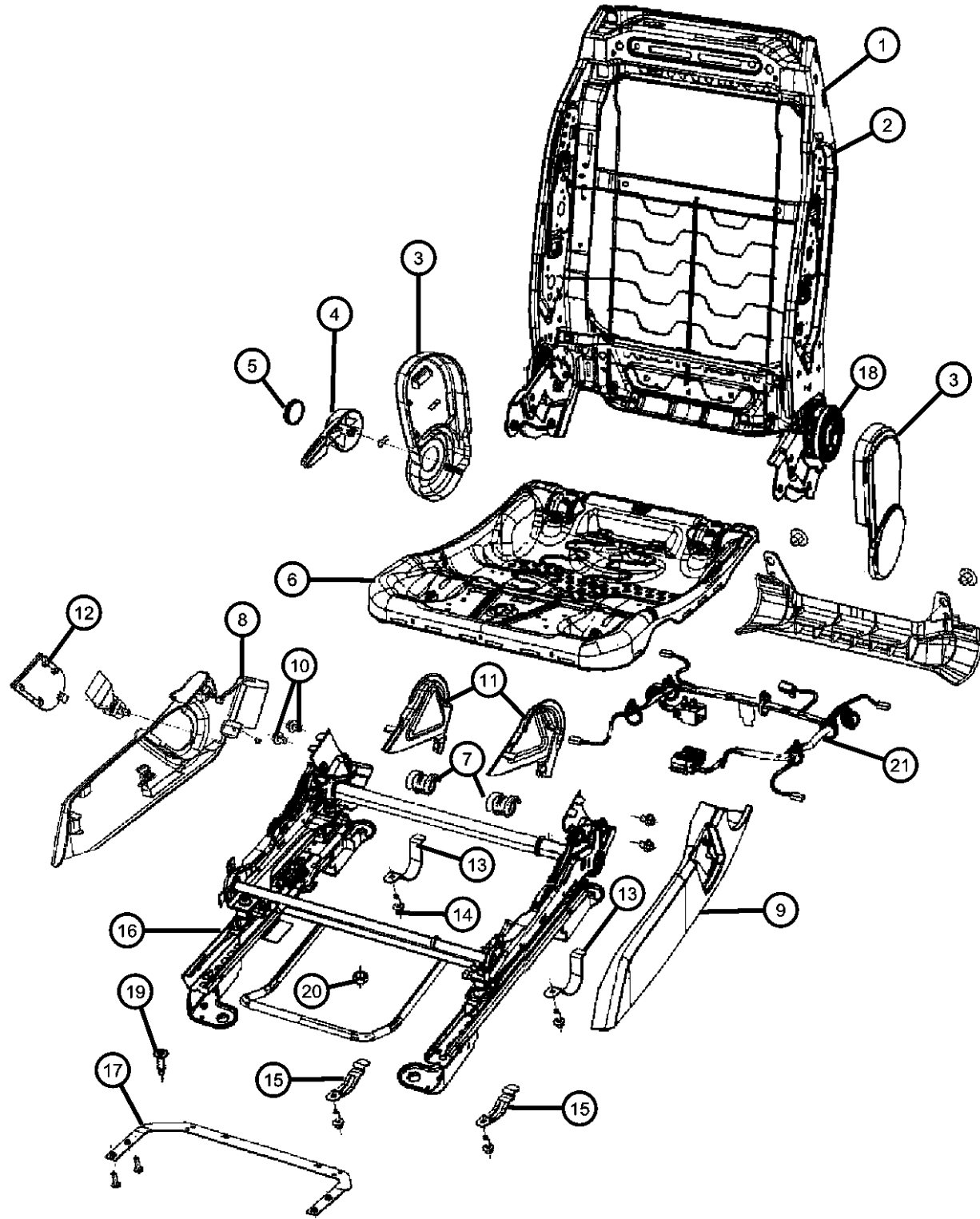
BODY
 49 = HATCHBACK TYPE #2
 74 = SPORT UTILITY 4-DR TYPE #4

ENGINE
 ECE = 2.0L 4 Cyl DOHC DPF Diesel Engine
 ED3 = 2.4L 4 Cyl DOHC 16V Dual VVT Engine
 ECD = 2.0L 4 Cyl DOHC Diesel 16V Engine
 ECN = 2.0L 4 Cyl DOHC 16V Dual VVT Engine

TRANSMISSION
 DEF = 6-Speed Manual Aisin BG6 Trans
 DD7 = 5-Speed Manual T355 Transmission
 DAV = Continuously Variable Transaxle II
 DAW = Cont.Var. w/Off-Rd Crawl Ratio Trans

AR = use ase required - = Non illustrated part

Adjusters , Recliners and Shields - Passenger Seat - Manual
Figure 50-920

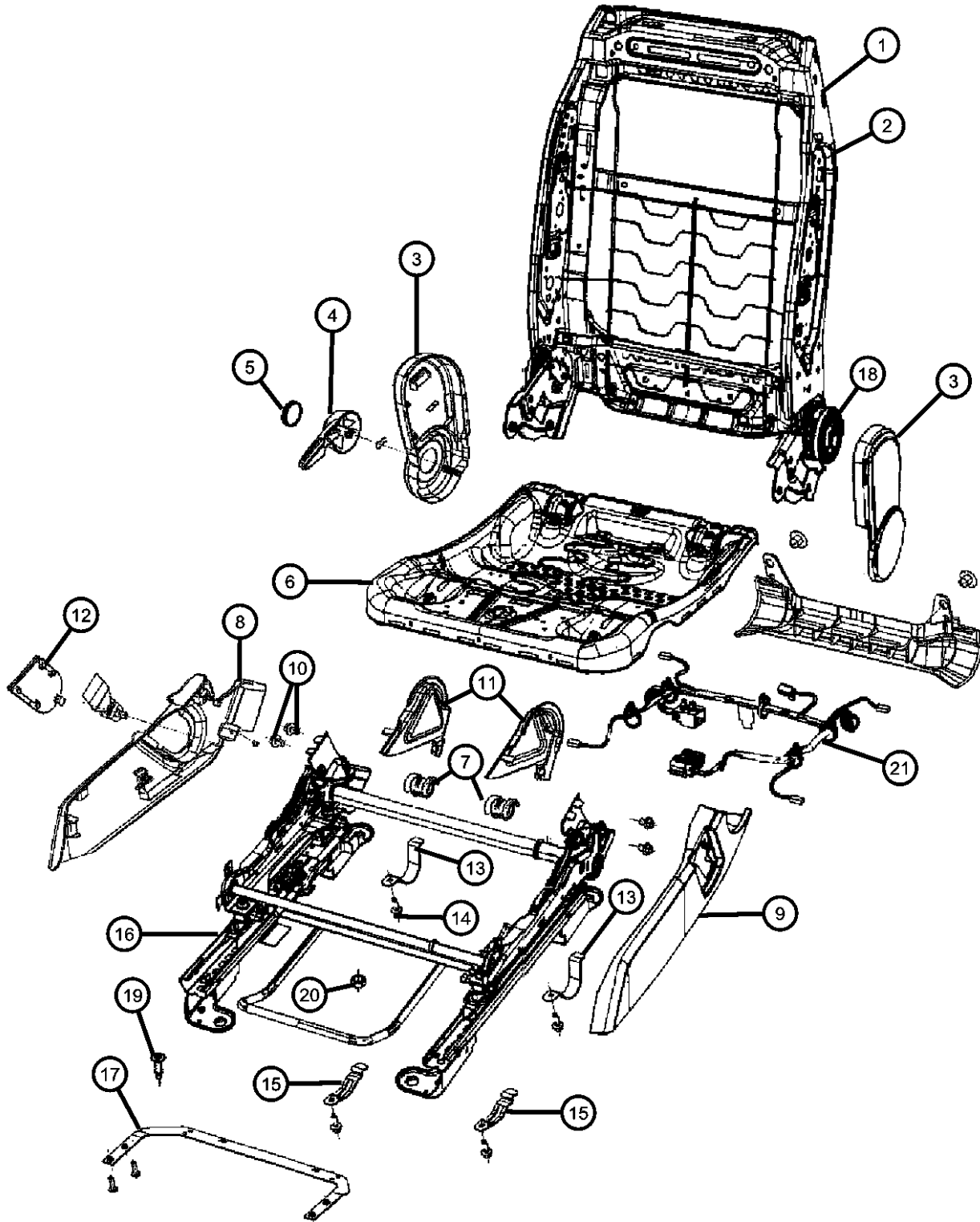


ITEM	PART NUMBER	QTY	LINE	SERIES	BODY	ENGINE	TRANS	TRIM	DESCRIPTION
		1	J, T		49			*D7	[DA] , Mexico , 4 Way
		1	J, T		74			*D7	[DA] , Mexico , 4 Way
		1	J, T		49			*K6	[DA] , Mexico , 4 Way
		1	J		49, 74			*D7	[DA] , Export , 4 Way
		1	J, T		49			*D7	[DA] , 4 Way
		1	J, T		74			*D7	[DA] , 4 Way
		1	J, T		49			*K6	[DA] , 4 Way
		1	J, T		74			*K6	[DA] , 4 Way
1ER871DAAA		1	J, T		49			*E6	[DA] , Mexico , 4 Way
		1	J, T		74			*E6	[DA] , Mexico , 4 Way
		1	J, T		49			*AL	[DA] , Mexico , 4 Way
		1	J, T		74			*AL	[DA] , Mexico , 4 Way
		1	J		49, 74			*AL	[DA] , Export , 4 Way
		1	J, T		74			*E6	[DA] , 4 Way
		1	J, T		49			*AL	[DA] , 4 Way
		1	J, T		74			*AL	[DA] , 4 Way
		1	J		49, 74			*AL	[DV] , Export , 4 Way
		1	J, T		49			*AL	[DV] , Mexico , 4 Way
		1	J, T		74			*AL	[DV] , Mexico , 4 Way
		1	J, T		49			*AL	[DV] , 4 Way
		1	J, T		74			*AL	[DV] , 4 Way
		1	J, T		74			*E6	[DV] , 4 Way
1ER871K2AA		1	J, T		49			*D7	[KA] , Mexico , 4 Way
		1	J, T		74			*D7	[KA] , Mexico , 4 Way
		1	J, T		74			*D7	[KA] , 4 Way
		1	J, T		49			*D7	[KA] , 4 Way
1ER871KAAA		1	J, T		74			*AL	[KA] , Mexico , 4 Way
		1	J		49, 74			*AL	[KA] , Export , 4 Way
		1	J, T		49			*AL	[KA] , 4 Way
		1	J, T		74			*AL	[KA] , 4 Way
		1	J, T		49			*E6	[KA] , Mexico , 4 Way
		1	J, T		74			*E6	[KA] , Mexico , 4 Way

COMPASS/PATRIOT (MK)
 SERIES LINE BODY ENGINE TRANSMISSION
 H = HIGHLINE T = JEEP - 2WD 49 = HATCHBACK TYPE #2 ECE = 2.0L 4 Cyl DOHC DPF DEF = 6-Speed Manual Aisin BG6
 L = LOWLINE J = JEEP - 4WD 74 = SPORT UTILITY 4-DR Diesel Engine Trans
 P = PREMIUM U = JEEP - 4WD (RHD) TYPE #4 ED3 = 2.4L 4 Cyl DOHC 16V DD7 = 5-Speed Manual T355
 Dual VVT Engine Transmission
 ECD = 2.0L 4 Cyl DOHC Diesel 16V Engine DAV = Continuously Variable
 Transaxle II
 ECN = 2.0L 4 Cyl DOHC 16V Dual VVT Engine DAW = Cont.Var. w/Off-Rd Crawl
 Ratio Trans

AR = use ase required - = Non illustrated part

Adjusters , Recliners and Shields - Passenger Seat - Manual
Figure 50-920

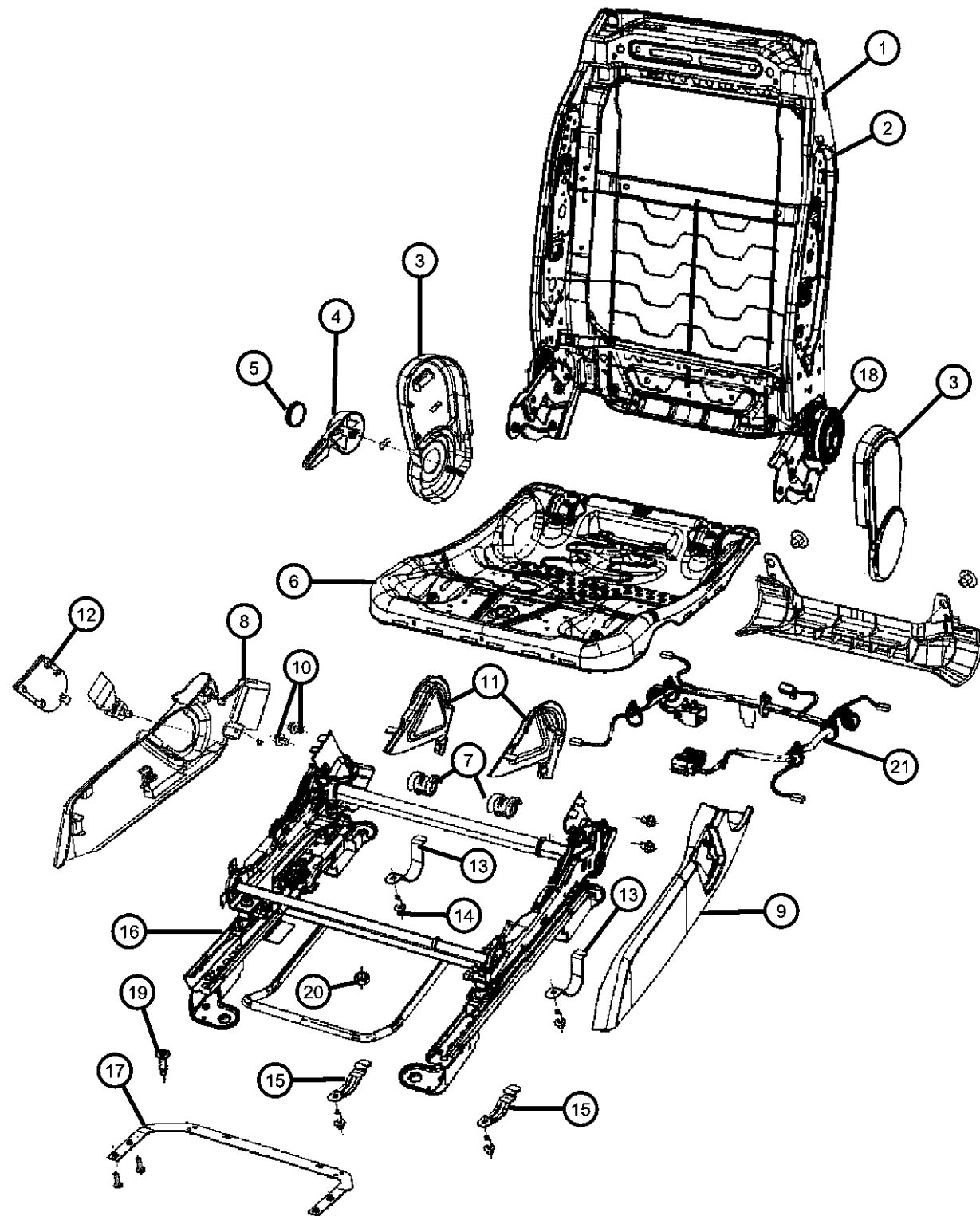


ITEM	PART NUMBER	QTY	LINE	SERIES	BODY	ENGINE	TRANS	TRIM	DESCRIPTION
10		1	J, T		49			*AL	[KA] , Mexico , 4 Way BOLT, Hex Flange Head, M14X1.5X80.0
	06104264AA	2	J, T, U		49				
11		2	J, T, U		74				SHIELD, FOLD FLAT
	1DQ461D5AA	1	J, T		49			*D7	[DA], Right
		1	J, T		74			*D7	[DA], Right
		1	J, T		49			*K6	[DA], Right
	1DQ461DAAA	1	J, T		74			*E6	[DA], Right
		1	J, T		49			*K6	[DV], Right
	1DQ461K2AA	1	J, T		49			*D7	[KA], Right
		1	J, T		74			*D7	[KA], Right
		1	J, T		49			*K6	[KA], Right
		1	J, T		74			*K6	[KA], Right
	1DQ461KAAA	1	J, T		74			*E6	[KA], Right
	1DQ471D5AA	1	T, J		49			*D7	[DA], Left
		1	J, T		74			*D7	[DA], Left
	1	J, T		49			*K6	[DA], Left	
	1	J, T		74			*K6	[DA], Left	
1DQ471DAAA	1	J, T		74			*E6	[DA], Left	
	1	J, T		49			*K6	[DV], Left	
	1	J, T		74			*K6	[DV], Left	
1DQ471K2AA	1	J, T		49			*D7	[KA], Left	
	1	J, T		74			*D7	[KA], Left	
	1	J, T		49			*K6	[KA], Left	
	1	J, T		74			*K6	[KA], Left	
1DQ471KAAA	1	J, T		74			*E6	[KA], Left	
12									COVER, Anchor
	1DQ361D5AA	1	J, T		49			*D7	[DA] , Mexico
		1	J, T		74			*D7	[DA] , Mexico
		1	J, T		49			*K6	[DA] , Export
		1	J, T		74			*K6	[DA] , Export

COMPASS/PATRIOT (MK)				
SERIES	LINE	BODY	ENGINE	TRANSMISSION
H = HIGHLINE	T = JEEP - 2WD	49 = HATCHBACK TYPE #2	ECE = 2.0L 4 Cyl DOHC DPF Diesel Engine	DEF = 6-Speed Manual Aisin BG6 Trans
L = LOWLINE	J = JEEP - 4WD	74 = SPORT UTILITY 4-DR TYPE #4	ED3 = 2.4L 4 Cyl DOHC 16V Dual VVT Engine	DD7 = 5-Speed Manual T355 Transmission
P = PREMIUM	U = JEEP - 4WD (RHD)		ECD = 2.0L 4 Cyl DOHC Diesel 16V Engine	DAV = Continuously Variable Transaxle II
			ECN = 2.0L 4 Cyl DOHC 16V Dual VVT Engine	DAW = Cont.Var. w/Off-Rd Crawl Ratio Trans

AR = use ase required - = Non illustrated part

Adjusters , Recliners and Shields - Passenger Seat - Manual
Figure 50-920



ITEM	PART NUMBER	QTY	LINE	SERIES	BODY	ENGINE	TRANS	TRIM	DESCRIPTION
		1	J, T		49			*K6	[DA], Mexico
		1	J, T		74			*K6	[DA], Mexico
		1	J		49, 74			*D7	[DA], Export
		1	J, T		49			*D7	[DA]
		1	J, T		74			*D7	[DA]
	1DQ361DAAA	1	J, T		49			*E6	[DA], Mexico
		1	J, T		74			*E6	[DA], Mexico
		1	J, T		49			*AL	[DA], Mexico
		1	J, T		74			*AL	[DA], Mexico
		1	J, T		49			*AL	[DA]
		1	J, T		74			*AL	[DA]
		2	J		49, 74			*AL	[DA], Export
		1	J, T		74			*E6	[DA]
		2	J		49, 74			*AL	[DV], Export
		1	J, T		49			*AL	[DV], Mexico
		1	J, T		74			*AL	[DV], Mexico
		1	J, T		49			*K6	[DV], Mexico
		1	J, T		74			*K6	[DV], Mexico
		1	J, T		49			*K6	[DV], Export
		1	J, T		74			*K6	[DV], Export
		1	J, T		49			*K6	[DV]
		1	J, T		74			*K6	[DV]
		1	J, T		49			*AL	[DV]
		1	J, T		74			*AL	[DV]
		1	J, T		74			*E6	[DV]
		1	J, T		49			*B7	[DV]
	1DQ361K2AA	1	J, T		49			*D7	[KA], Mexico
		1	J, T		74			*D7	[KA], Mexico
		1	J		49, 74			*D7	[KA], Export
		1	J, T		49			*D7	[KA]
		1	J, T		74			*D7	[KA]
	1DQ361KAAA	1	J, T		49			*AL	[KA], Mexico

COMPASS/PATRIOT (MK)

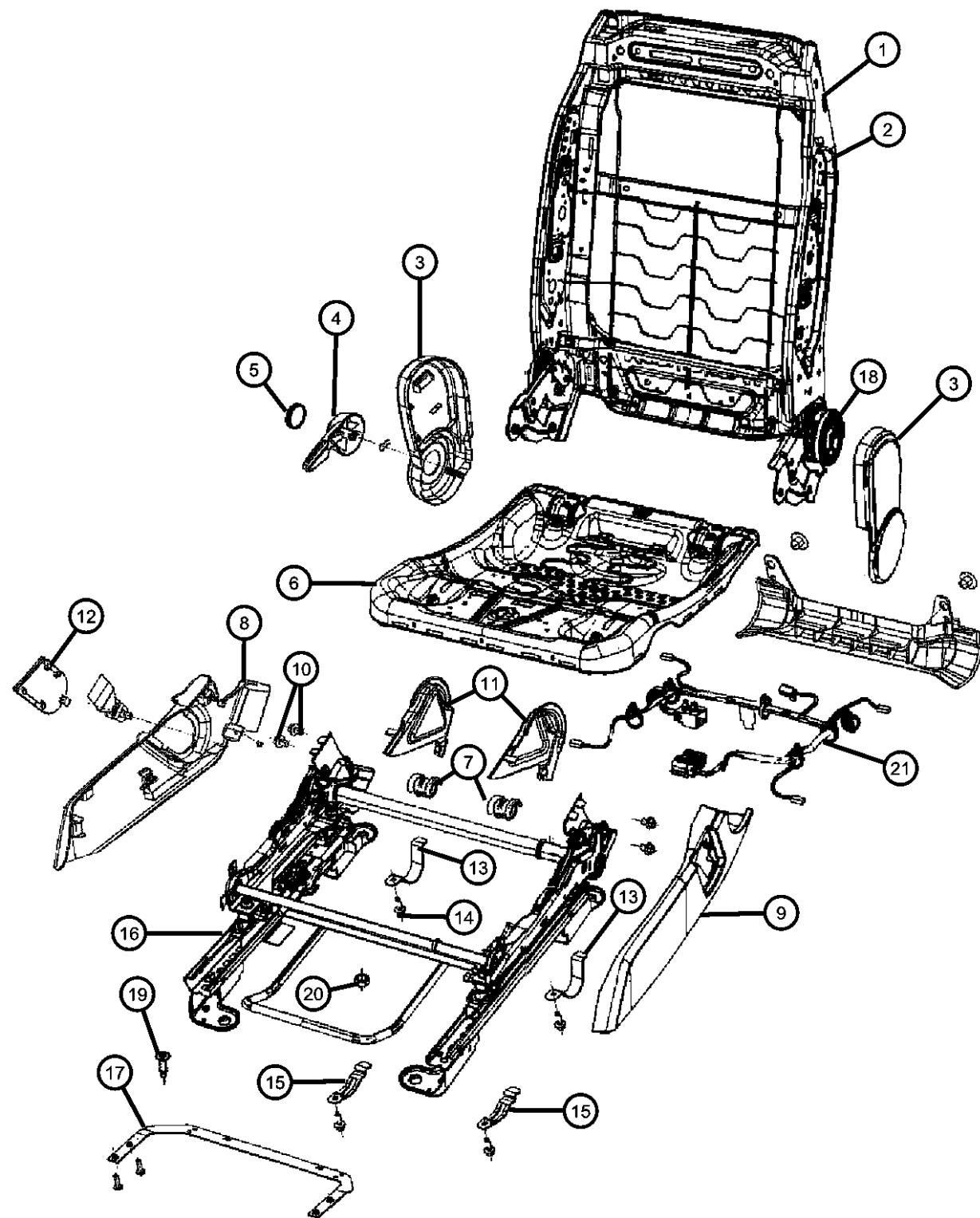
SERIES LINE
H = HIGHLINE T = JEEP - 2WD
L = LOWLINE J = JEEP - 4WD
P = PREMIUM U = JEEP - 4WD (RHD)

BODY
49 = HATCHBACK TYPE #2
74 = SPORT UTILITY 4-DR
TYPE #4

ENGINE TRANSMISSION
ECE = 2.0L 4 Cyl DOHC DPF Diesel Engine DEF = 6-Speed Manual Aisin BG6 Trans
ED3 = 2.4L 4 Cyl DOHC 16V Dual VVT Engine DD7 = 5-Speed Manual T355 Transmission
ECD = 2.0L 4 Cyl DOHC Diesel 16V Engine DAV = Continuously Variable Transaxle II
ECN = 2.0L 4 Cyl DOHC 16V Dual VVT Engine DAW = Cont.Var. w/Off-Rd Crawl Ratio Trans

AR = use ase required - = Non illustrated part

Adjusters , Recliners and Shields - Passenger Seat - Manual
Figure 50-920



ITEM	PART NUMBER	QTY	LINE	SERIES	BODY	ENGINE	TRANS	TRIM	DESCRIPTION
	06102406AA	4	J, T, U		49				
		4	J, T, U		74				
20	06104718AA	1	J, T, U		49, 74		DD7		NUT, Hex Flange Lock, M12X1.50
21	05183379AA	1	T, J		49, 74			*E6	WIRING, TPS and OCS Harness
		1	J, T		49, 74			*D7	
		1	J, T		74			*K6	
		1	J, T		49			*K6	

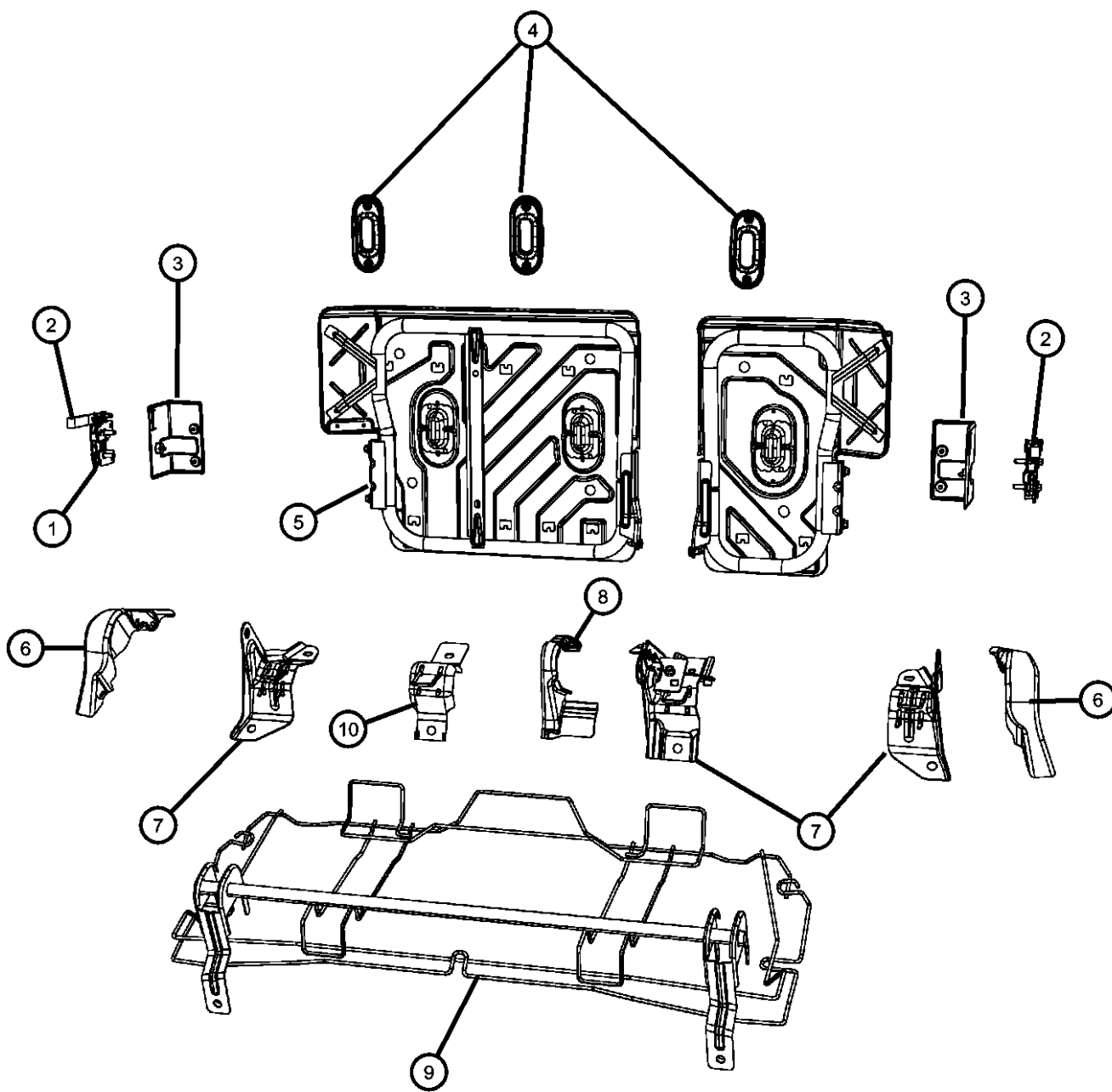
COMPASS/PATRIOT (MK)

SERIES	LINE	BODY	ENGINE	TRANSMISSION
H = HIGHLINE	T = JEEP - 2WD	49 = HATCHBACK TYPE #2	ECE = 2.0L 4 Cyl DOHC DPF Diesel Engine	DEF = 6-Speed Manual Aisin BG6 Trans
L = LOWLINE	J = JEEP - 4WD	74 = SPORT UTILITY 4-DR TYPE #4	ED3 = 2.4L 4 Cyl DOHC 16V Dual VVT Engine	DD7 = 5-Speed Manual T355 Transmission
P = PREMIUM	U = JEEP - 4WD (RHD)		ECD = 2.0L 4 Cyl DOHC Diesel 16V Engine	DAV = Continuously Variable Transaxle II
			ECN = 2.0L 4 Cyl DOHC 16V Dual VVT Engine	DAW = Cont.Var. w/Off-Rd Crawl Ratio Trans

AR = use ase required - = Non illustrated part

2008 MK

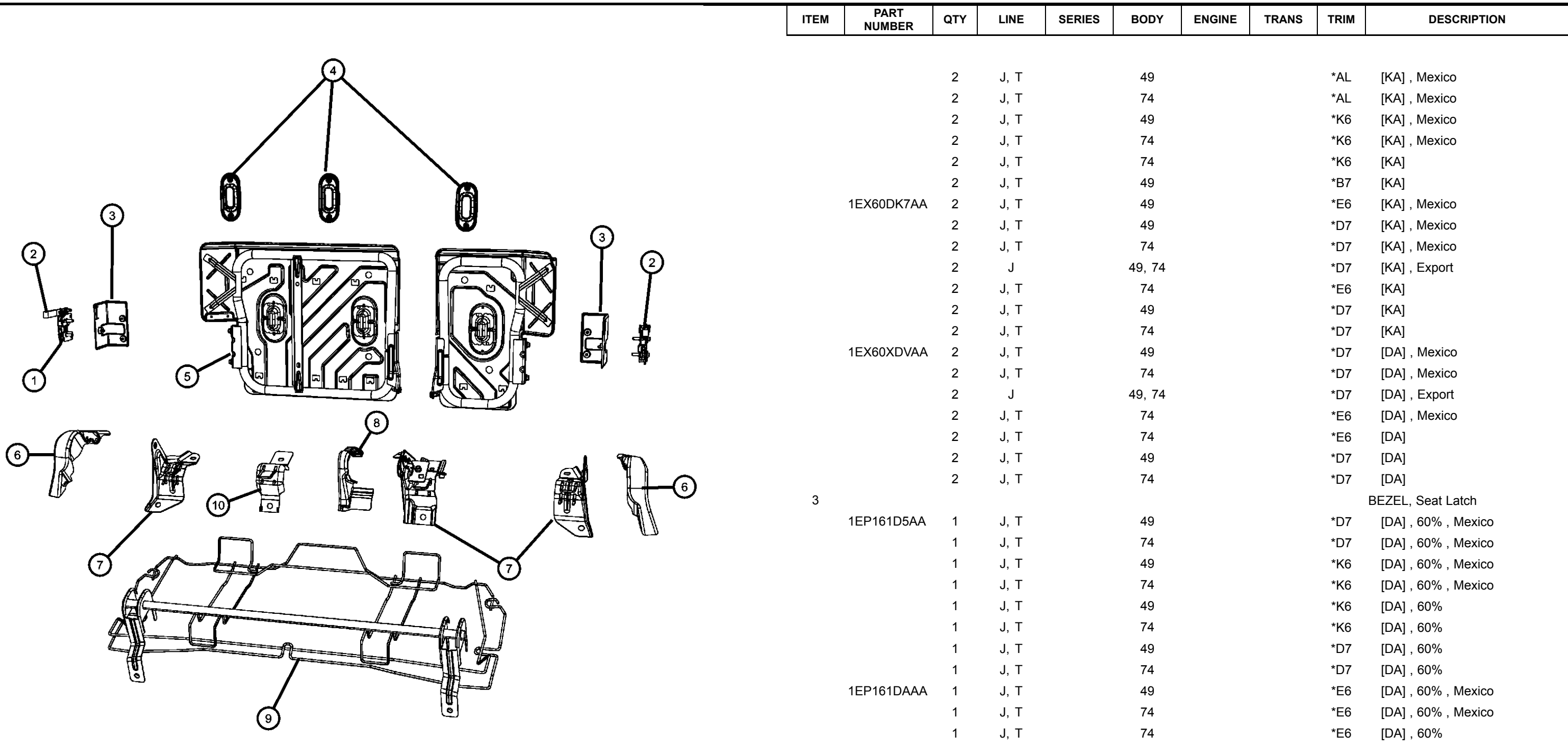
Rear Seat Attaching Parts
Figure 50-1005



ITEM	PART NUMBER	QTY	LINE	SERIES	BODY	ENGINE	TRANS	TRIM	DESCRIPTION
1									LATCH, Seat
	05139664AA	1	J, T		49, 74			*D7	40%
		1	J, T		49, 74			*D7	40%, Mexico
		1	J, T		49, 74			*E6	40%
		1	J, T		49, 74			*E6	40%, Mexico
		1	J, T		49			*K6	40%
		1	J, T		49, 74			*K6	40%, Mexico
	05139665AA	1	J		49, 74			*D7	40%, Export
		1	J, T		49, 74			*K6	60%, Mexico
		1	J, T		49			*K6	60%
		1	J, T		49, 74			*E6	60%
		1	J, T		49, 74			*E6	60%, Mexico
		1	J, T		49, 74			*D7	60%
		1	J, T		49, 74			*D7	60%, Mexico
		1	J, T		74			*K6	60%
		1	J		49, 74			*D7	60%, Export
2									STRAP, Seat, Include Cable
	1EX601DAAA	2	J, T		49			*AL	[DV], Mexico
		2	J, T		74			*K6	[DV], Mexico
		2	J, T		49			*K6	[DV], Export
		2	J, T		74			*K6	[DV], Export
		2	J, T		74			*K6	[DV], Export
		2	U		49, 74			*K6	[DV], Export
		2	J		49, 74			*AL	[DV], Export
		2	U		49, 74			*AL	[DV], Export
		2	J, T		49			*K6	[DV]
		2	J, T		74			*AL	[DV], Mexico
		2	J, T		49			*K6	[DV], Mexico
		2	J, T		74			*E6	[DV]
		2	J, T		49			*B7	[DV]
	1EX601KAAA	2	U		49, 74			*K6	[KA], Export
		2	J		49, 74			*AL	[KA], Export
		2	U		49, 74			*AL	[KA], Export
		2	J, T		49			*K6	[KA]

COMPASS/PATRIOT (MK)				
SERIES	LINE	BODY	ENGINE	TRANSMISSION
H = HIGHLINE	T = JEEP - 2WD	49 = HATCHBACK TYPE #2	ECE = 2.0L 4 Cyl DOHC DPF Diesel Engine	DEF = 6-Speed Manual Aisin BG6 Trans
L = LOWLINE	J = JEEP - 4WD	74 = SPORT UTILITY 4-DR TYPE #4	ED3 = 2.4L 4 Cyl DOHC 16V Dual VVT Engine	DD7 = 5-Speed Manual T355 Transmission
P = PREMIUM	U = JEEP - 4WD (RHD)		ECD = 2.0L 4 Cyl DOHC Diesel 16V Engine	DAV = Continuously Variable Transaxle II
			ECN = 2.0L 4 Cyl DOHC 16V Dual VVT Engine	DAW = Cont.Var. w/Off-Rd Crawl Ratio Trans

**Rear Seat Attaching Parts
Figure 50-1005**



ITEM	PART NUMBER	QTY	LINE	SERIES	BODY	ENGINE	TRANS	TRIM	DESCRIPTION
		2	J, T		49			*AL	[KA], Mexico
		2	J, T		74			*AL	[KA], Mexico
		2	J, T		49			*K6	[KA], Mexico
		2	J, T		74			*K6	[KA], Mexico
		2	J, T		74			*K6	[KA]
		2	J, T		49			*B7	[KA]
	1EX60DK7AA	2	J, T		49			*E6	[KA], Mexico
		2	J, T		49			*D7	[KA], Mexico
		2	J, T		74			*D7	[KA], Mexico
		2	J		49, 74			*D7	[KA], Export
		2	J, T		74			*E6	[KA]
		2	J, T		49			*D7	[KA]
	1EX60XDVAA	2	J, T		74			*D7	[KA]
		2	J, T		49			*D7	[DA], Mexico
		2	J, T		74			*D7	[DA], Mexico
		2	J		49, 74			*D7	[DA], Export
		2	J, T		74			*E6	[DA], Mexico
		2	J, T		74			*E6	[DA]
		2	J, T		49			*D7	[DA]
		2	J, T		74			*D7	[DA]
3									BEZEL, Seat Latch
	1EP161D5AA	1	J, T		49			*D7	[DA], 60%, Mexico
		1	J, T		74			*D7	[DA], 60%, Mexico
		1	J, T		49			*K6	[DA], 60%, Mexico
		1	J, T		74			*K6	[DA], 60%, Mexico
		1	J, T		49			*K6	[DA], 60%
		1	J, T		74			*K6	[DA], 60%
		1	J, T		49			*D7	[DA], 60%
		1	J, T		74			*D7	[DA], 60%
	1EP161DAAA	1	J, T		49			*E6	[DA], 60%, Mexico
		1	J, T		74			*E6	[DA], 60%, Mexico
		1	J, T		74			*E6	[DA], 60%

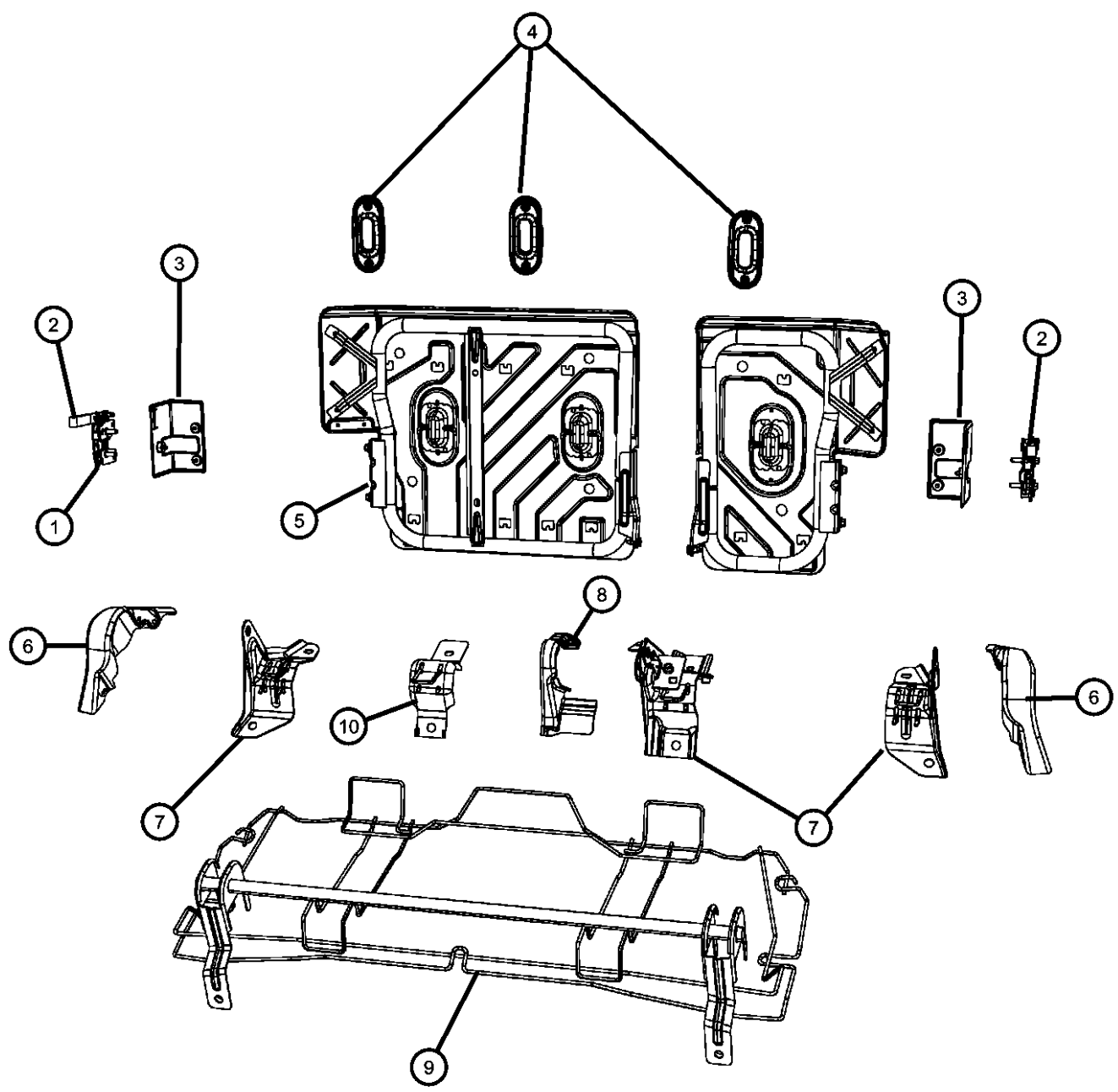
COMPASS/PATRIOT (MK)

SERIES	LINE	BODY	ENGINE	TRANSMISSION
H = HIGHLINE	T = JEEP - 2WD	49 = HATCHBACK TYPE #2	ECE = 2.0L 4 Cyl DOHC DPF Diesel Engine	DEF = 6-Speed Manual Aisin BG6 Trans
L = LOWLINE	J = JEEP - 4WD	74 = SPORT UTILITY 4-DR TYPE #4	ED3 = 2.4L 4 Cyl DOHC 16V Dual VVT Engine	DD7 = 5-Speed Manual T355 Transmission
P = PREMIUM	U = JEEP - 4WD (RHD)		ECD = 2.0L 4 Cyl DOHC Diesel 16V Engine	DAV = Continuously Variable Transaxle II
			ECN = 2.0L 4 Cyl DOHC 16V Dual VVT Engine	DAW = Cont.Var. w/Off-Rd Crawl Ratio Trans

<< RETURN TO GROUP INDEX

Rear Seat Attaching Parts
Figure 50-1005

ITEM	PART NUMBER	QTY	LINE	SERIES	BODY	ENGINE	TRANS	TRIM	DESCRIPTION
		1	J, T		74			*E6	[DV], 60%
		1	J, T		49			*B7	[DV], 60%
	1EP161K2AA	1	J, T		49			*D7	[KA], 60%, Mexico
		1	J, T		74			*D7	[KA], 60%, Mexico
		1	J, T		49			*K6	[KA], 60%, Mexico
		1	J, T		74			*K6	[KA], 60%, Mexico
		1	J, T		49			*K6	[KA], 60%
		1	J, T		74			*K6	[KA], 60%
		1	J, T		49			*D7	[KA], 60%
		1	J, T		74			*D7	[KA], 60%
	1EP161KAAA	1	J, T		49			*B7	[KA], 60%
		1	J, T		49			*E6	[KA], 60%, Mexico
		1	J, T		74			*E6	[KA], 60%, Mexico
		1	J, T		74			*E6	[KA], 60%
	1EP171D5AA	1	J, T		49			*D7	[DA], 40%, Mexico
		1	J, T		74			*D7	[DA], 40%, Mexico
		1	J, T		49			*K6	[DA], 40%, Mexico
		1	J, T		74			*K6	[DA], 40%, Mexico
		1	J, T		49			*K6	[DA], 40%
		1	J, T		74			*K6	[DA], 40%
		1	J, T		49			*D7	[DA], 40%
		1	J, T		74			*D7	[DA], 40%
	1EP171DAAA	1	J, T		49			*E6	[DA], 40%, Mexico
		1	J, T		74			*E6	[DA], 40%, Mexico
		1	J, T		74			*E6	[DA], 40%
		1	J, T		74			*E6	[DV], 40%
		1	J, T		49			*B7	[DV], 40%
	1EP171K2AA	1	J, T		49			*D7	[KA], 40%, Mexico
		1	J, T		74			*D7	[KA], 40%, Mexico
		1	J, T		49			*K6	[KA], 40%, Mexico
		1	J, T		74			*K6	[KA], 40%, Mexico
		1	J, T		49			*K6	[KA], 40%

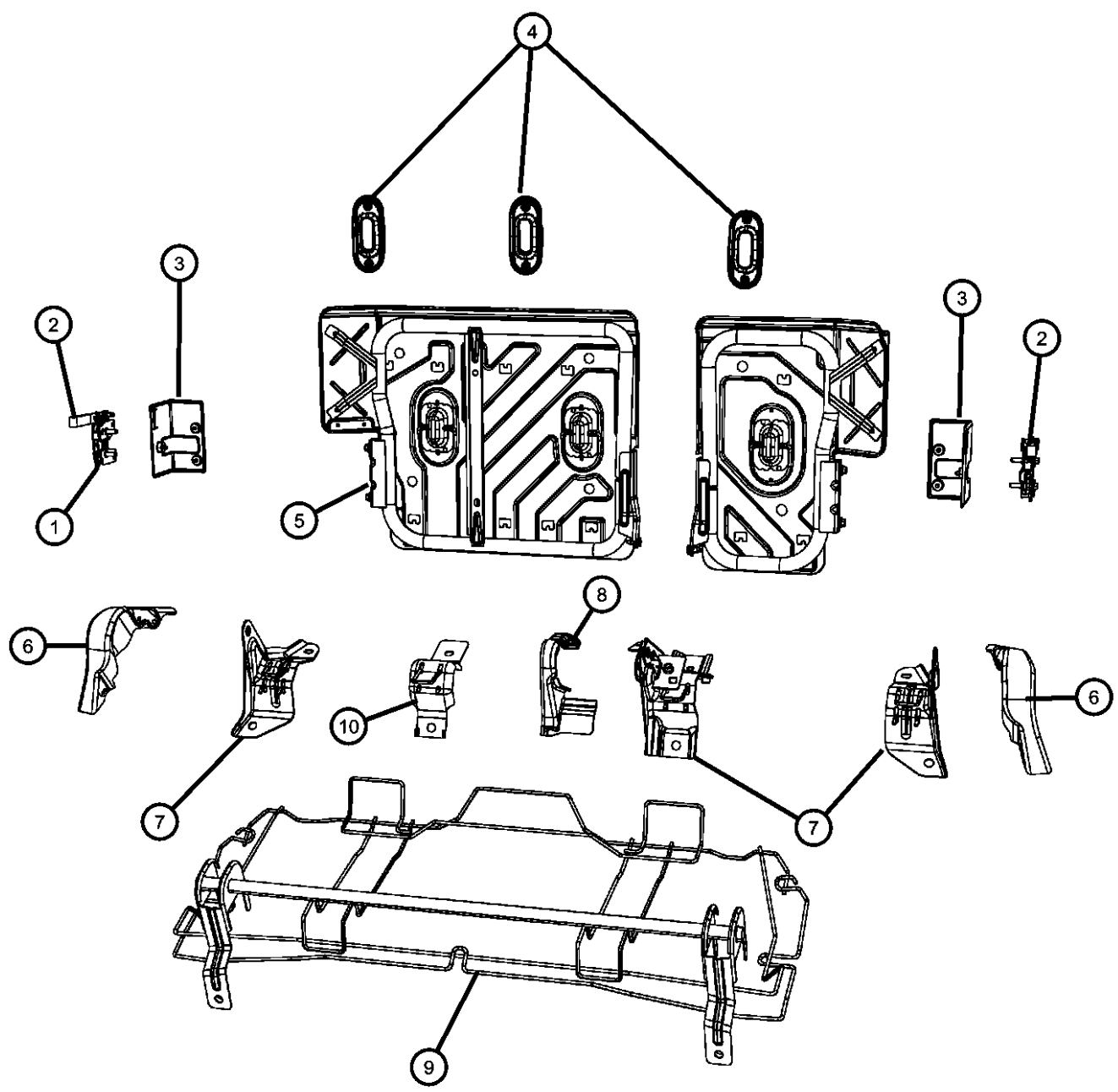


COMPASS/PATRIOT (MK)
 SERIES LINE BODY ENGINE TRANSMISSION
 H = HIGHLINE T = JEEP - 2WD 49 = HATCHBACK TYPE #2 ECE = 2.0L 4 Cyl DOHC DPF DEF = 6-Speed Manual Aisin BG6
 L = LOWLINE J = JEEP - 4WD 74 = SPORT UTILITY 4-DR Diesel Engine Trans
 P = PREMIUM U = JEEP - 4WD (RHD) TYPE #4 ED3 = 2.4L 4 Cyl DOHC 16V DD7 = 5-Speed Manual T355
 Dual VVT Engine Transmission
 ECD = 2.0L 4 Cyl DOHC Diesel 16V Engine DAV = Continuously Variable
 ECN = 2.0L 4 Cyl DOHC 16V Dual VVT Engine DAW = Cont.Var. w/Off-Rd Crawl
 Ratio Trans

AR = use ase required - = Non illustrated part

**Rear Seat Attaching Parts
Figure 50-1005**

ITEM	PART NUMBER	QTY	LINE	SERIES	BODY	ENGINE	TRANS	TRIM	DESCRIPTION
		1	J, T		74			*K6	[KA] , 40%
		1	J, T		49			*D7	[KA] , 40%
		1	J, T		74			*D7	[KA] , 40%
		1	J, T		49			*B7	[KA] , 40%
	1EP171KAAA	1	J, T		49			*E6	[KA] , 40% , Mexico
		1	J, T		74			*E6	[KA] , 40% , Mexico
		1	J, T		74			*E6	[KA] , 40%
4									BEZEL, TETHER
	0WT351D5AA	3	J, T		49			*D7	[DA]
		3	J, T		49			*K6	[DA]
	0WT351DAAA	3	J, T		49			*E6	[DA] , Mexico
		3	J, T		74			*E6	[DA] , Mexico
		3	J, T		49			*AL	[DA] , Mexico
		3	J, T		74			*AL	[DA] , Mexico
		3	J		49, 74			*AL	[DA] , Export
		3	U		49, 74			*AL	[DA] , Export
		3	J, T		74			*E6	[DA]
		3	J, T		49			*AL	[DA]
		3	J, T		74			*AL	[DA]
	0WT351DVAA	1	J, T		49			*AL	[DV] , Mexico
		1	J, T		74			*AL	[DV] , Mexico
		1	J, T		49			*K6	[DV] , Mexico
		1	J		49, 74			*AL	[DV] , Export
		1	U		49, 74			*AL	[DV] , Export
		1	J, T		49			*B7	[DV]
	0WT351K2AA	3	J, T		49			*K6	[KA] , Export
		3	J, T		49			*D7	[KA] , Mexico
		3	J, T		74			*D7	[KA] , Mexico
		3	J, T		49			*K6	[KA] , Mexico
		3	J, T		49			*K6	[KA]
		3	J, T		74			*K6	[KA]
		1	J, T		49			*D7	[KA] , Mexico



COMPASS/PATRIOT (MK)
 SERIES LINE
 H = HIGHLINE T = JEEP - 2WD
 L = LOWLINE J = JEEP - 4WD
 P = PREMIUM U = JEEP - 4WD (RHD)

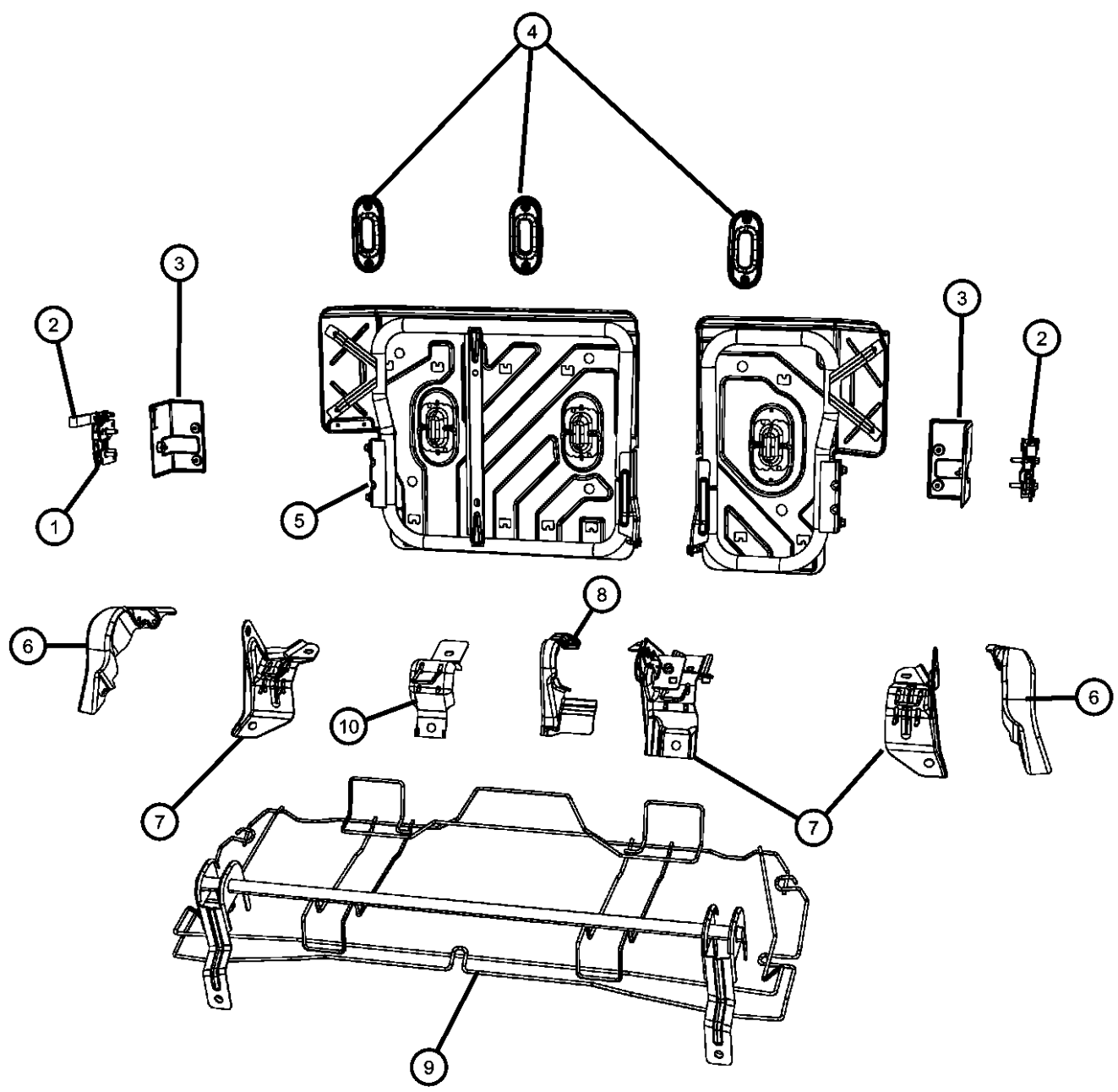
BODY
 49 = HATCHBACK TYPE #2
 74 = SPORT UTILITY 4-DR TYPE #4

ENGINE
 ECE = 2.0L 4 Cyl DOHC DPF Diesel Engine
 ED3 = 2.4L 4 Cyl DOHC 16V Dual VVT Engine
 ECD = 2.0L 4 Cyl DOHC Diesel 16V Engine
 ECN = 2.0L 4 Cyl DOHC 16V Dual VVT Engine

TRANSMISSION
 DEF = 6-Speed Manual Aisin BG6 Trans
 DD7 = 5-Speed Manual T355 Transmission
 DAV = Continuously Variable Transaxle II
 DAW = Cont.Var. w/Off-Rd Crawl Ratio Trans

AR = use ase required - = Non illustrated part

Rear Seat Attaching Parts
Figure 50-1005



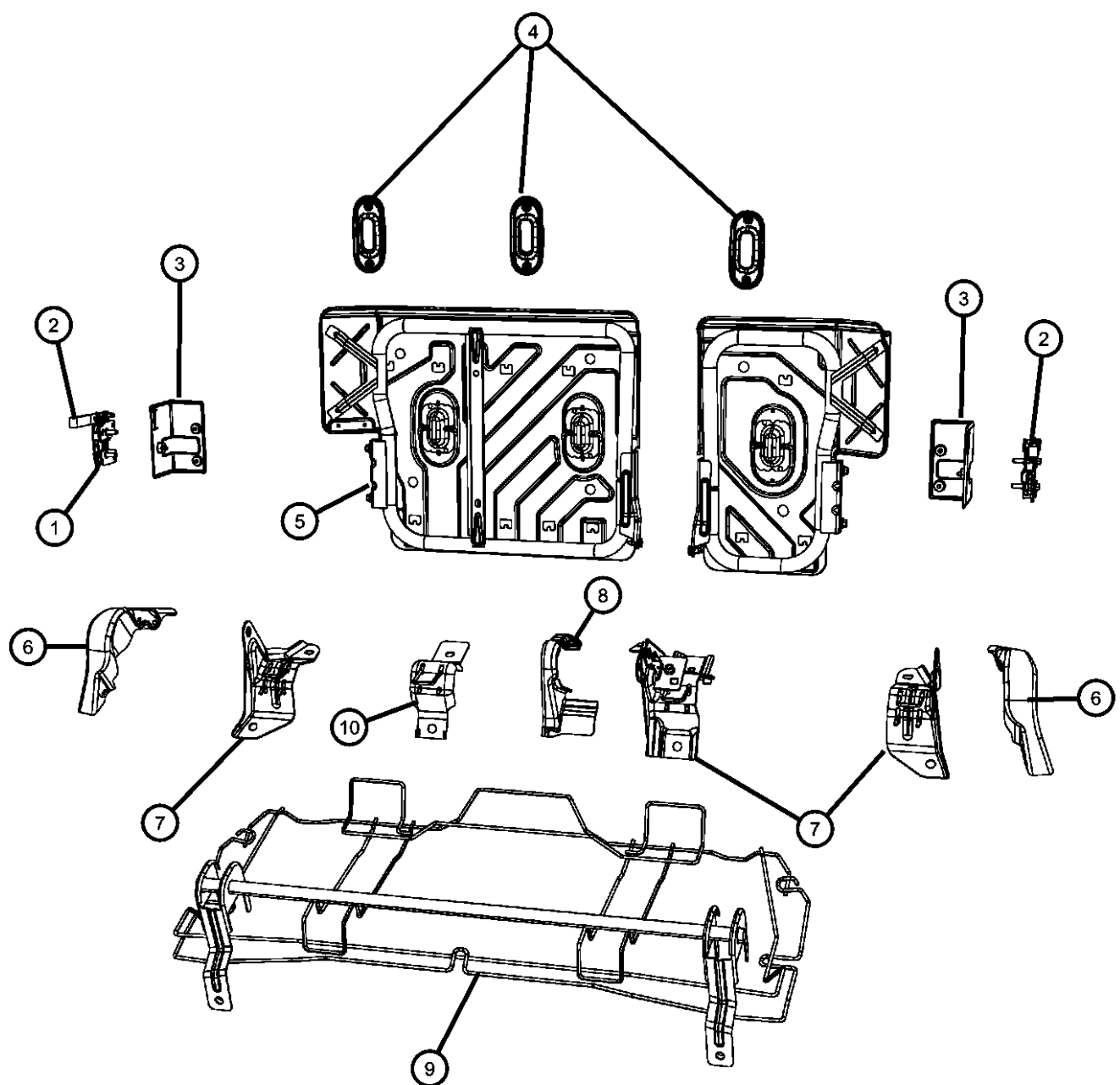
ITEM	PART NUMBER	QTY	LINE	SERIES	BODY	ENGINE	TRANS	TRIM	DESCRIPTION
		1	J, T		74			*D7	[KA] , Mexico
		1	J, T		49			*B7	[KA]
	0WT351KAAA	3	J, T		74			*E6	[KA]
		3	J, T		74			*AL	[KA] , Mexico
		3	J, T		49			*AL	[KA] , Mexico
		3	J, T		49			*AL	[KA]
		3	J, T		74			*AL	[KA]
		3	J		49, 74			*AL	[KA] , Export
	0WT35DK2AA	3	U		49, 74			*AL	[KA] , Export
5		3	J, T		49			*E6	[KA] , Mexico
	68001884AA	1	J, T		49			*E6	60%
		1	J, T		74			*E6	60%
		1	J, T		49			*E6	60% , Mexico
		1	J, T		74			*E6	60% , Mexico
		1	J, T		49			*D7	60%
		1	J, T		74			*D7	60%
		1	J, T		49			*D7	60% , Mexico
		1	J, T		74			*D7	60% , Mexico
	68001885AA	1	J		49, 74			*D7	60% , Export
		1	J, T		49			*E6	40%
		1	J, T		74			*E6	40%
		1	J, T		49			*E6	40% , Mexico
		1	J, T		74			*E6	40% , Mexico
		1	J, T		49			*D7	40%
		1	J, T		74			*D7	40%
		1	J, T		49			*D7	40% , Mexico
		1	J, T		74			*D7	40% , Mexico
	68001888AA	1	J		49, 74			*D7	40% , Export
		1	J, T		49, 74			*D7	60% , With [CAX]
		1	J, T		49, 74			*D7	60% , Mexico , With [CAX]
		1	J, T		49, 74			*K6	60% , Mexico , With [CAX]

COMPASS/PATRIOT (MK)
 SERIES LINE BODY ENGINE TRANSMISSION
 H = HIGHLINE T = JEEP - 2WD 49 = HATCHBACK TYPE #2 ECE = 2.0L 4 Cyl DOHC DPF DEF = 6-Speed Manual Aisin BG6
 L = LOWLINE J = JEEP - 4WD 74 = SPORT UTILITY 4-DR Diesel Engine Trans
 P = PREMIUM U = JEEP - 4WD (RHD) TYPE #4 ED3 = 2.4L 4 Cyl DOHC 16V DD7 = 5-Speed Manual T355
 Dual VVT Engine Transmission
 ECD = 2.0L 4 Cyl DOHC Diesel 16V Engine DAV = Continuously Variable
 ECN = 2.0L 4 Cyl DOHC 16V Dual VVT Engine DAW = Cont.Var. w/Off-Rd Crawl
 Ratio Trans

AR = use ase required - = Non illustrated part

Rear Seat Attaching Parts
Figure 50-1005

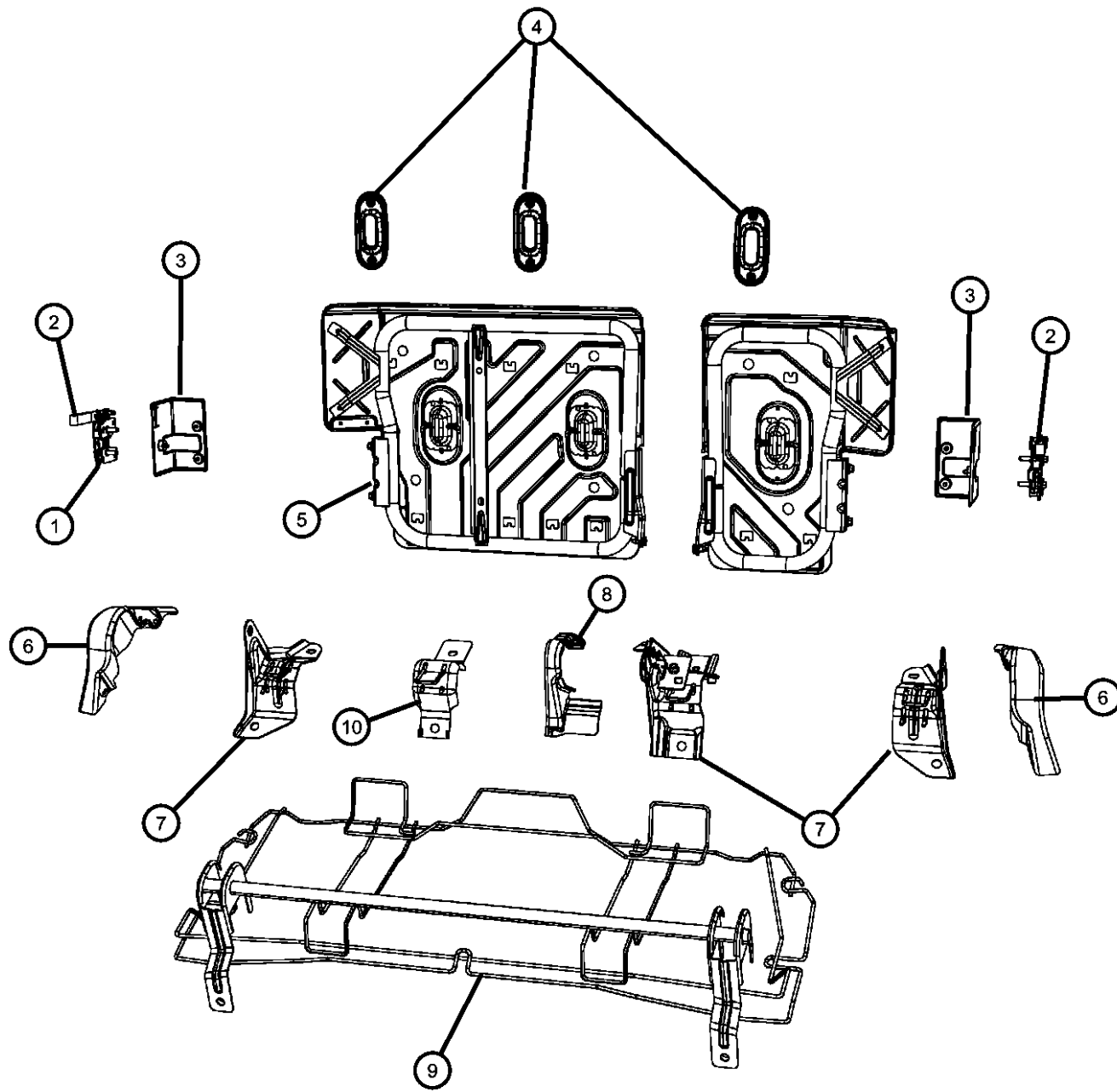
ITEM	PART NUMBER	QTY	LINE	SERIES	BODY	ENGINE	TRANS	TRIM	DESCRIPTION
		1	J, T		49			*AL	60% , With [CAX]
		1	J, T		74			*AL	60% , With [CAX]
		1	J, T		49			*K6	60% , With [CAX]
		1	J, T		74			*K6	60% , With [CAX]
		1	J, T		49			*E6	60% , Mexico , With [CAX]
		1	J, T		74			*E6	60% , Mexico , With [CAX]
		1	J, T		74			*E6	60% , With [CAX]
		1	J, T		49			*AL	60% , Mexico , With [CAX]
		1	J, T		74			*AL	60% , Mexico , With [CAX]
	68001889AA	1	J, T		49, 74			*K6	40% , Mexico , With [CAX]
		1	J, T		49, 74			*E6	40% ,With [CAX]
		1	J, T		49, 74			*E6	40% , Mexico , With [CAX]
		1	J, T		49, 74			*D7	40% ,With [CAX]
		1	J, T		49			*K6	40% ,With [CAX]
		1	J, T		74			*K6	40% ,With [CAX]
		1	J, T		49			*AL	40% ,With [CAX]
		1	J, T		74			*AL	40% ,With [CAX]
		1	J, T		49			*D7	40% , Mexico , With [CAX]
		1	J, T		74			*D7	40% , Mexico , With [CAX]
		1	J, T		49			*AL	40% , Mexico , With [CAX]
		1	J, T		74			*AL	40% , Mexico , With [CAX]
6		1							SHIELD, Seat, (NOT SERVICED),
7									BRACKET
	68001652AA	1	J, T		49			*K6	Right
		1	J, T		49, 74			*D7	Right
		1	J, T		49, 74			*D7	Mexico, Right
		1	J, T		49, 74			*E6	Right
		1	J, T		49, 74			*E6	Mexico, Right
		1	J, T		49, 74			*K6	Mexico, Right
		1	J, T		49, 74			*AL	Right
		1	J		49, 74			*AL	Export, Right
		1	J		49, 74			*D7	Export, Right



COMPASS/PATRIOT (MK)
 SERIES LINE BODY ENGINE TRANSMISSION
 H = HIGHLINE T = JEEP - 2WD 49 = HATCHBACK TYPE #2 ECE = 2.0L 4 Cyl DOHC DPF DEF = 6-Speed Manual Aisin BG6
 L = LOWLINE J = JEEP - 4WD 74 = SPORT UTILITY 4-DR Diesel Engine Trans
 P = PREMIUM U = JEEP - 4WD (RHD) TYPE #4 ED3 = 2.4L 4 Cyl DOHC 16V DD7 = 5-Speed Manual T355
 Dual VVT Engine Transmission
 ECD = 2.0L 4 Cyl DOHC DAV = Continuously Variable
 Diesel 16V Engine Transaxle II
 ECN = 2.0L 4 Cyl DOHC 16V DAW = Cont.Var. w/Off-Rd Crawl
 Dual VVT Engine Ratio Trans

AR = use ase required - = Non illustrated part

Rear Seat Attaching Parts
Figure 50-1005



ITEM	PART NUMBER	QTY	LINE	SERIES	BODY	ENGINE	TRANS	TRIM	DESCRIPTION
	68001738AA	1	J, T		49			*E6	Center
		1	J, T		49			*D7	Mexico, Center
		1	J, T		74			*D7	Mexico, Center
		1	U		49, 74			*E6	Export, Center
		1	J		49, 74			*AL	Export, Center
		1	J, T		74			*E6	Center
		1	J, T		49			*E6	Mexico, Center
		1	J, T		74			*E6	Mexico, Center
		1	J, T		49			*D7	Center
		1	J, T		74			*D7	Center
		1	J, T		49			*AL	Mexico, Center
		1	J, T		74			*AL	Mexico, Center
		1	U		49, 74			*AL	Export, Center
		1	J		49, 74			*D7	Export, Center
	68001739AA	1	J, T		49			*D7	Left
		1	J, T		74			*D7	Left
		1	J, T		49			*D7	Mexico, Left
		1	J		49, 74			*D7	Export, Left
		1	J, T		49			*E6	Left
		1	J, T		74			*E6	Left
		1	J, T		74			*E6	Mexico, Left
		1	U		49, 74			*E6	Export, Left
		1	J		49, 74			*AL	Export, Left
8									SHIELD, Seat
	1FN631D5AA	1	J, T		49			*K6	[DA] , Export
		1	J, T		49			*D7	[DA] , Mexico
		1	J, T		74			*D7	[DA] , Mexico
		1	J, T		49			*D7	[DA]
		1	J, T		74			*D7	[DA]
		1	J, T		49			*K6	[DA]
		1	J, T		74			*K6	[DA]
		1	J, T		74			*E6	[DV]

COMPASS/PATRIOT (MK)

SERIES LINE
 H = HIGHLINE T = JEEP - 2WD
 L = LOWLINE J = JEEP - 4WD
 P = PREMIUM U = JEEP - 4WD (RHD)

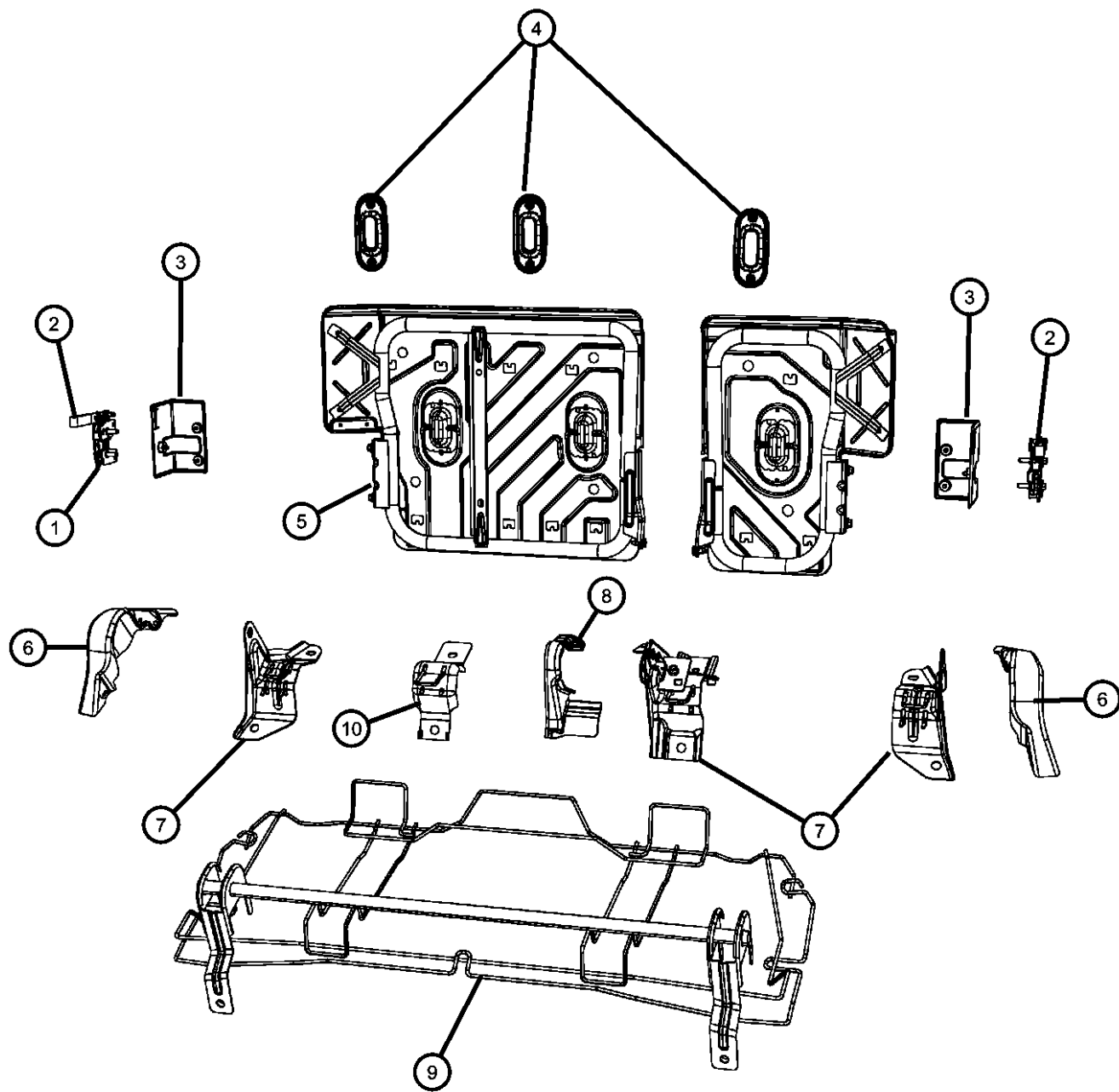
BODY
 49 = HATCHBACK TYPE #2
 74 = SPORT UTILITY 4-DR
 TYPE #4

ENGINE TRANSMISSION
 ECE = 2.0L 4 Cyl DOHC DPF DEF = 6-Speed Manual Aisin BG6
 Diesel Engine Trans
 ED3 = 2.4L 4 Cyl DOHC 16V DD7 = 5-Speed Manual T355
 Dual VVT Engine Transmission
 ECD = 2.0L 4 Cyl DOHC DAV = Continuously Variable
 Diesel 16V Engine Transaxle II
 ECN = 2.0L 4 Cyl DOHC 16V DAW = Cont.Var. w/Off-Rd Crawl
 Dual VVT Engine Ratio Trans

AR = use ase required - = Non illustrated part

2008 MK

Rear Seat Attaching Parts
Figure 50-1005



ITEM	PART NUMBER	QTY	LINE	SERIES	BODY	ENGINE	TRANS	TRIM	DESCRIPTION
9	68001882AA	1	J, T		49, 74			*D7	FRAME, Seat cushion
		1	J, T		49, 74			*E6	
		1	J, T		49			*K6	
		1	J, T		49, 74			*E6	Mexico
		1	J, T		49, 74			*D7	Mexico
		1	J, T		49, 74			*AL	
		1	J, T		49, 74			*K6	Mexico
		1	J, T		49, 74			*AL	Mexico
		1	U		49, 74			*AL	Export
10	04645999AA	1	J, T, U		49				BRACKET
		1	J, T, U		74				

COMPASS/PATRIOT (MK)

SERIES LINE
 H = HIGHLINE T = JEEP - 2WD
 L = LOWLINE J = JEEP - 4WD
 P = PREMIUM U = JEEP - 4WD (RHD)

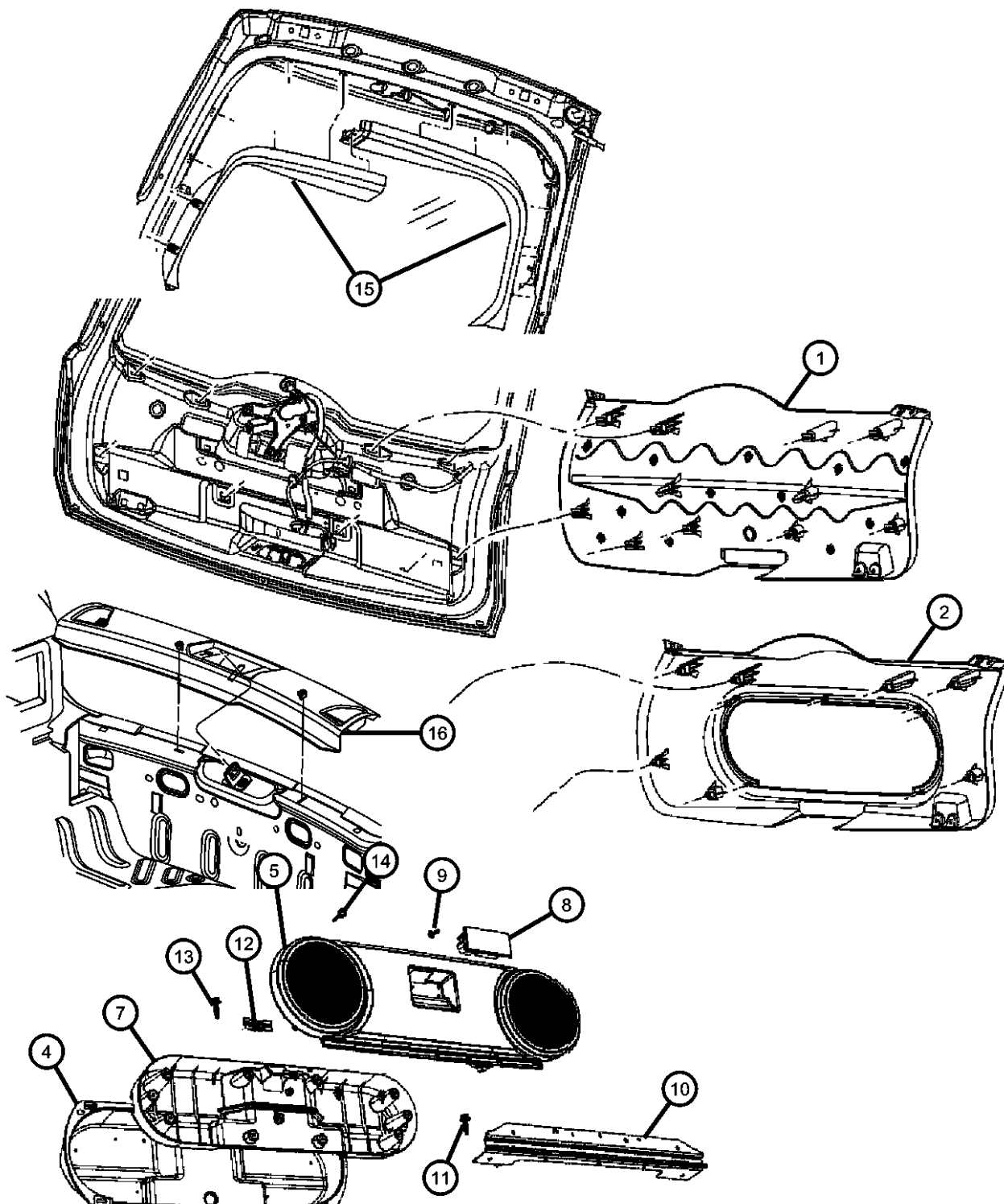
BODY
 49 = HATCHBACK TYPE #2
 74 = SPORT UTILITY 4-DR TYPE #4

ENGINE TRANSMISSION
 ECE = 2.0L 4 Cyl DOHC DPF DEF = 6-Speed Manual Aisin BG6
 Diesel Engine Trans
 ED3 = 2.4L 4 Cyl DOHC 16V DD7 = 5-Speed Manual T355
 Dual VVT Engine Transmission
 ECD = 2.0L 4 Cyl DOHC DAV = Continuously Variable
 Diesel 16V Engine Transaxle II
 ECN = 2.0L 4 Cyl DOHC 16V DAW = Cont.Var. w/Off-Rd Crawl
 Dual VVT Engine Ratio Trans

AR = use ase required - = Non illustrated part

2008 MK

Liftgate Panels and Scuff Plate
Figure 50-1405



ITEM	PART NUMBER	QTY	LINE	SERIES	BODY	ENGINE	TRANS	TRIM	DESCRIPTION
1									PANEL, Liftgate Trim, Without Speakers
	0YG70DK7AF	1	J, T, U		49			*00	[KA]
	0YG70XDVAF	1	J, T, U		49			*00	[DV]
	1AZ45DK7AD	1	J, T, U		74			*00	[KA]
	1AZ45XDVAD	1	J, T, U		74			*00	[DV]
2									PANEL, Liftgate Trim, With Speakers
	1AW62DK7AF	1	J, T, U		49			*00	[KA]
	1AW62XD- VAF	1	J, T, U		49			*00	[DV]
	1AZ48DK7AD	1	J, T, U		74			*00	[KA]
	1AZ48XDVAD	1	J, T, U		74			*00	[DV]
-3	68038959AA	7	J, T, U		49			*00	CLIP, Trim
4									PANEL, Speaker
	1DR91DKAAB	1	J, T, U		49			*00	[KA]
		1	J, T, U		74			*00	[KA]
	1DR91XDVAB	1	J, T, U		49			*00	[DV]
		1	J, T, U		74			*00	[DV]
5									PANEL, Speaker
	1DR92BDAAA	1	J, T, U		49			*00	[DV]
		1	J, T, U		74			*00	[DV]
	1DR92DKAAA	1	J, T, U		74			*00	[KA]
		1	J, T, U		49			*00	[KA]
-6	06506955AA	4	J, T, U		49				NUT, Snap In
		4	J, T, U		74				
7									PANEL, Speaker
	1DR93BDAAA	1	J, T, U		49			*00	[DV]
		1	J, T, U		74			*00	[DV]
	1DR93DKAAA	1	J, T, U		49			*00	[KA]
		1	J, T, U		74			*00	[KA]
8									HANDLE
	1DK62BDAAC	1	J, T, U		49			*00	[DA]

COMPASS/PATRIOT (MK)

SERIES LINE
H = HIGHLINE T = JEEP - 2WD
L = LOWLINE J = JEEP - 4WD
P = PREMIUM U = JEEP - 4WD (RHD)

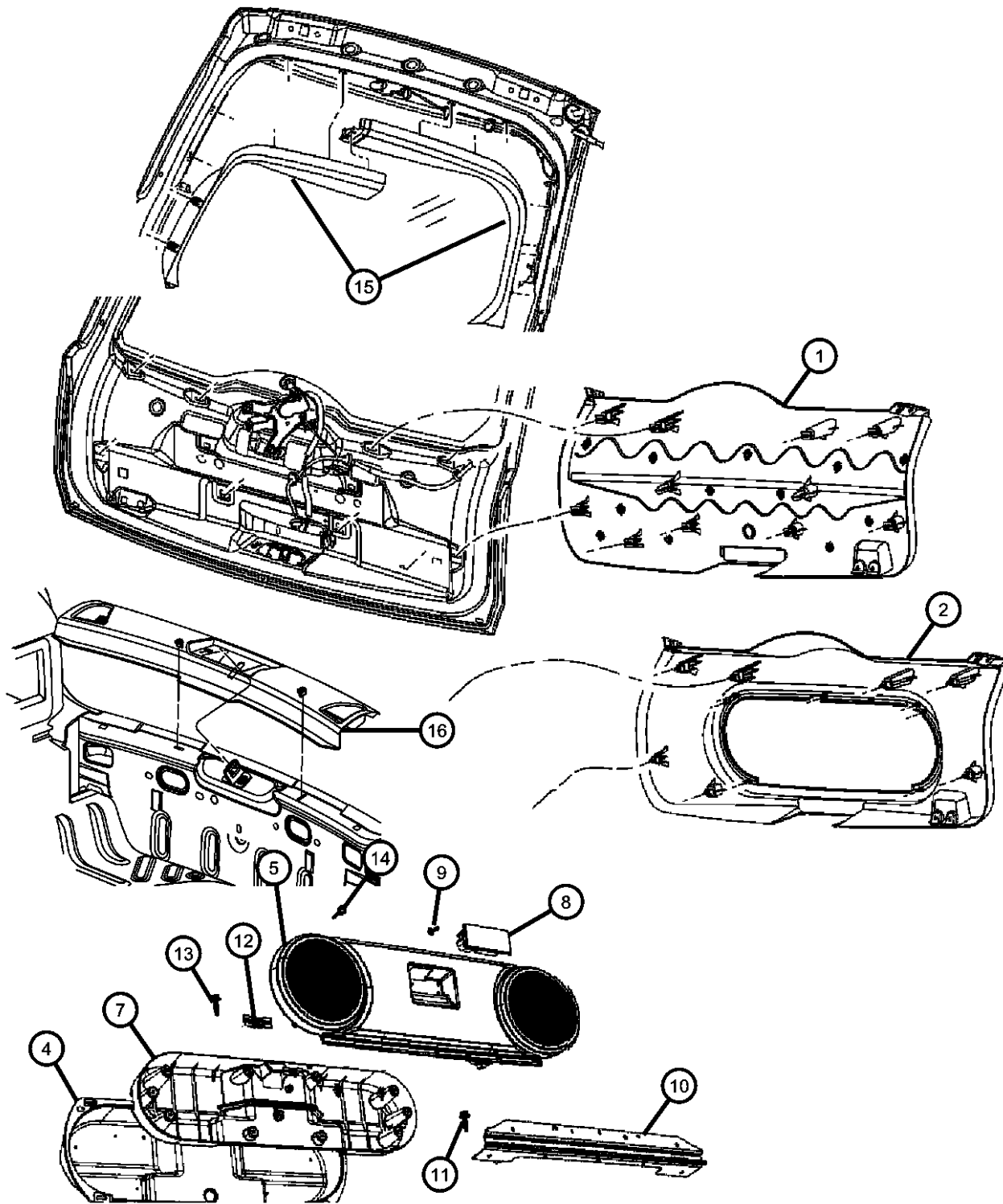
BODY
49 = HATCHBACK TYPE #2
74 = SPORT UTILITY 4-DR
TYPE #4

ENGINE
ECE = 2.0L 4 Cyl DOHC DPF Diesel Engine
ED3 = 2.4L 4 Cyl DOHC 16V Dual VVT Engine
ECD = 2.0L 4 Cyl DOHC Diesel 16V Engine
ECN = 2.0L 4 Cyl DOHC 16V Dual VVT Engine

TRANSMISSION
DEF = 6-Speed Manual Aisin BG6 Trans
DD7 = 5-Speed Manual T355 Transmission
DAV = Continuously Variable Transaxle II
DAW = Cont.Var. w/Off-Rd Crawl Ratio Trans

AR = use ase required - = Non illustrated part

Liftgate Panels and Scuff Plate
Figure 50-1405



ITEM	PART NUMBER	QTY	LINE	SERIES	BODY	ENGINE	TRANS	TRIM	DESCRIPTION
		1	J, T, U		74			*00	[DA]
	1DK62DKAAC	1	J, T, U		49			*00	[KA]
		1	J, T, U		74			*00	[KA]
9									SCREW
	05183413AA	3	J, T, U		49			*00	
		3	J, T, U		74			*00	
10									HINGE
	05183428AA	1	J, T, U		49			*00	
		1	J, T, U		74			*00	
11									SCREW
	05183414AA	10	J, T, U		74			*00	
		10	J, T, U		49			*00	
12									CLIP, Z-Axis
	05183416AA	4	J, T, U		49			*00	
		4	J, T, U		74			*00	
13									SCREW
	05183415AA	1	J, T, U		49			*00	
		1	J, T, U		74			*00	
14									BUMPER, Liftgate
	55055900AA	1	J, T, U		49			*00	
		1	J, T, U		74			*00	
15									PANEL, Liftgate Trim
	1AW64DX9AE	1	J, T, U		49			*00	[KA], Right
		1	J, T, U		49			*00	[DA], Right
	1AW65DX9AE	1	J, T, U		49			*00	[DA], Left
		1	J, T, U		49			*00	[KA], Left
	1AZ64DX9AD	1	J, T, U		74			*00	[DV], Right
		1	J, T, U		74			*00	[KA], Right
	1AZ65DX9AD	1	J, T, U		74			*00	[DV], Left
		1	J, T, U		74			*00	[KA], Left
16									PLATE, Rear Door Scuff
	0YF39DK7AD	1	J, T, U		49			*00	[KA]

COMPASS/PATRIOT (MK)

SERIES LINE
H = HIGHLINE T = JEEP - 2WD
L = LOWLINE J = JEEP - 4WD
P = PREMIUM U = JEEP - 4WD (RHD)

BODY
49 = HATCHBACK TYPE #2
74 = SPORT UTILITY 4-DR TYPE #4

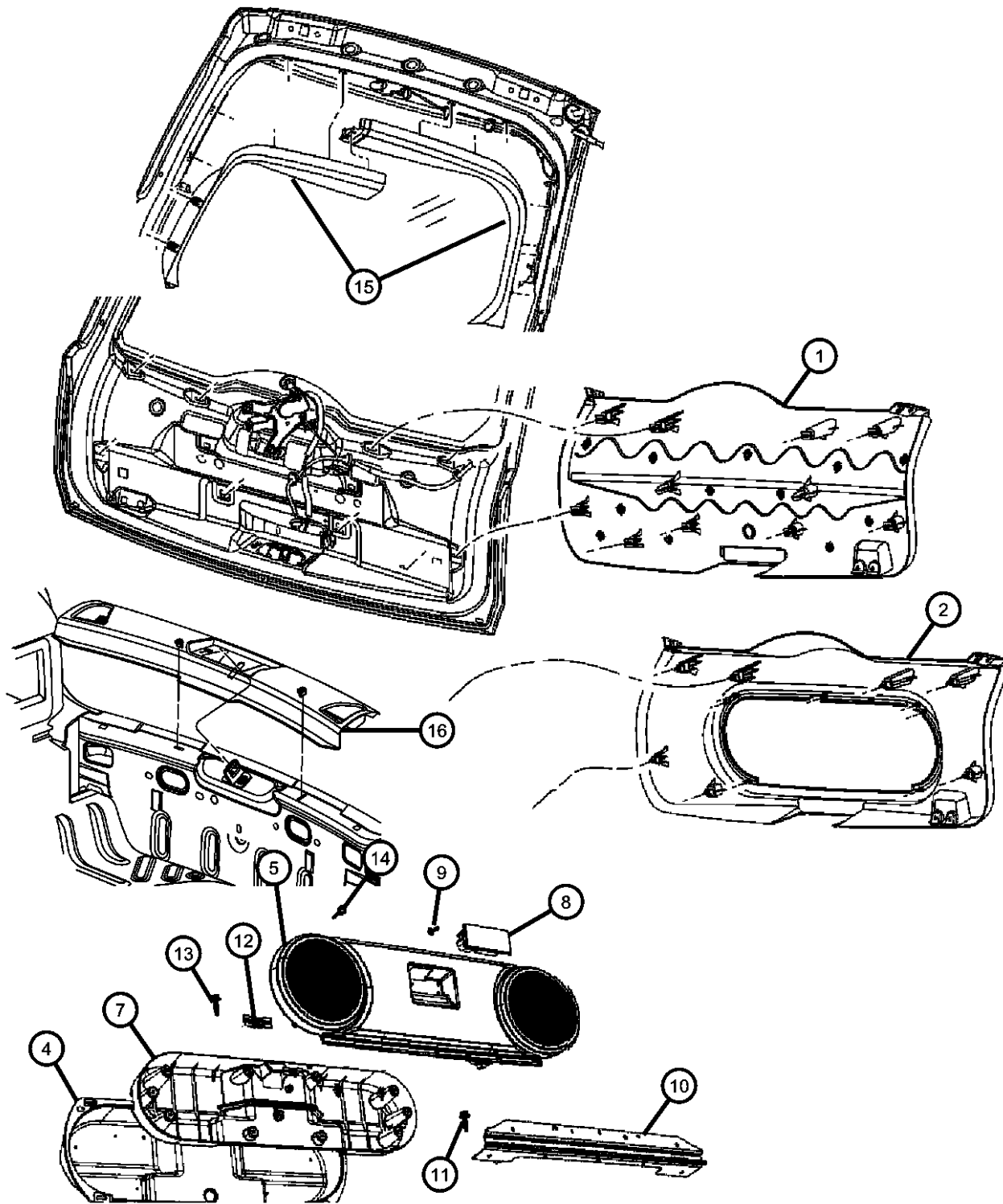
ENGINE TRANSMISSION
ECE = 2.0L 4 Cyl DOHC DPF DEF = 6-Speed Manual Aisin BG6
Diesel Engine Trans
ED3 = 2.4L 4 Cyl DOHC 16V DD7 = 5-Speed Manual T355
Dual VVT Engine Transmission
ECD = 2.0L 4 Cyl DOHC DAV = Continuously Variable
Diesel 16V Engine Transaxle II
ECN = 2.0L 4 Cyl DOHC 16V DAW = Cont.Var. w/Off-Rd Crawl
Dual VVT Engine Ratio Trans

AR = use ase required - = Non illustrated part

2008 MK

Liftgate Panels and Scuff Plate
Figure 50-1405

ITEM	PART NUMBER	QTY	LINE	SERIES	BODY	ENGINE	TRANS	TRIM	DESCRIPTION
	0YF39XDVAD	1	J, T, U		49			*00	[DA]
		1	J, T, U		49			*00	[DV]
	1BP85DK7AB	1	J, T, U		74			*00	[KA]
	1BP85XDVAB	1	J, T, U		74			*00	[DA]
		1	J, T, U		74			*00	[DV]



COMPASS/PATRIOT (MK)

SERIES LINE
H = HIGHLINE T = JEEP - 2WD
L = LOWLINE J = JEEP - 4WD
P = PREMIUM U = JEEP - 4WD (RHD)

BODY
49 = HATCHBACK TYPE #2
74 = SPORT UTILITY 4-DR
TYPE #4

ENGINE TRANSMISSION
ECE = 2.0L 4 Cyl DOHC DPF DEF = 6-Speed Manual Aisin BG6
Diesel Engine Trans
ED3 = 2.4L 4 Cyl DOHC 16V DD7 = 5-Speed Manual T355
Dual VVT Engine Transmission
ECD = 2.0L 4 Cyl DOHC DAV = Continuously Variable
Diesel 16V Engine Transaxle II
ECN = 2.0L 4 Cyl DOHC 16V DAW = Cont.Var. w/Off-Rd Crawl
Dual VVT Engine Ratio Trans

AR = use ase required - = Non illustrated part

2008 MK

Group - 60

Body Sheet Metal Except Doors

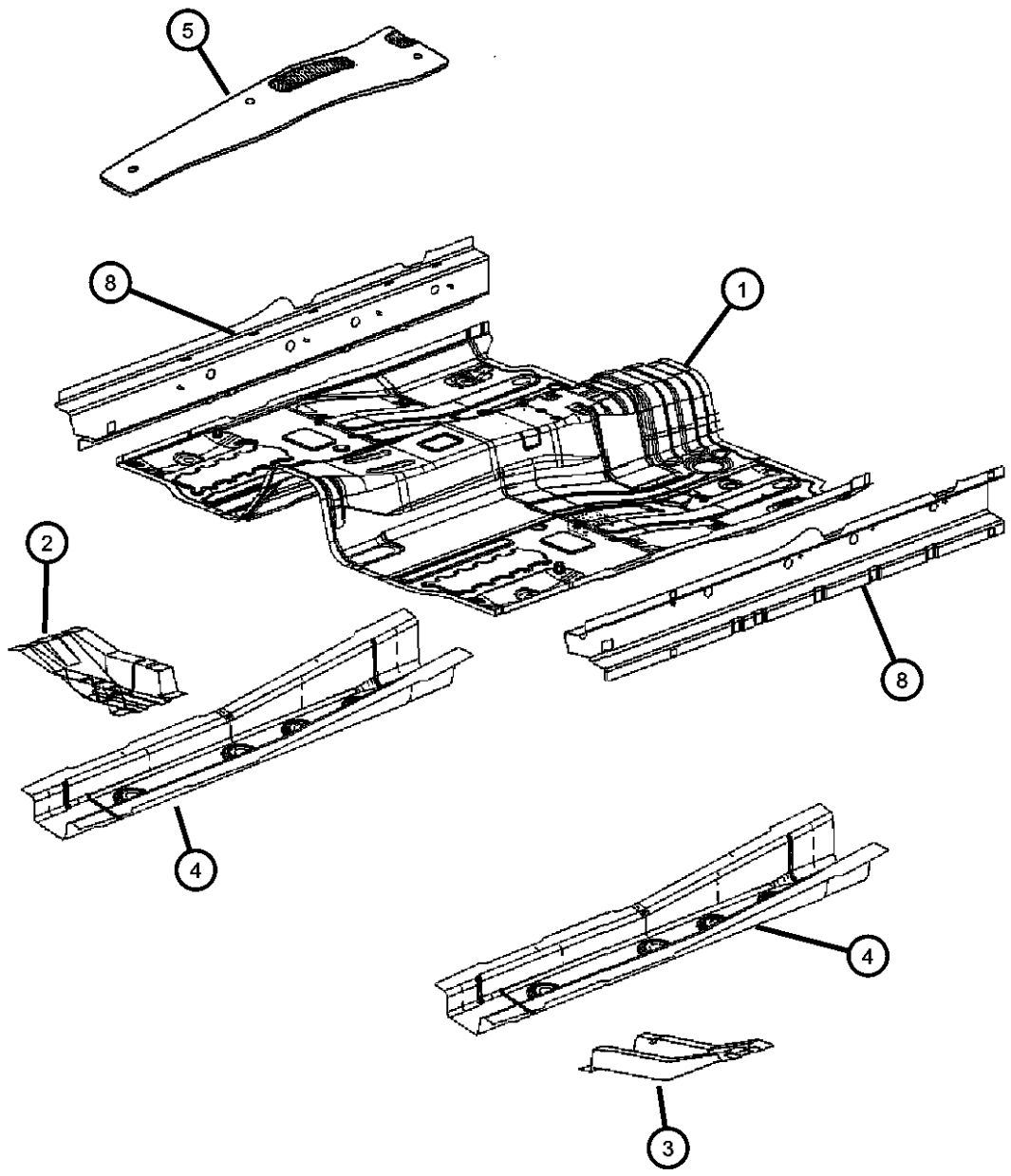
060-100 Floor Pans	060-1000 Sunroof	060-1300 Sport Bar or Luggage Rack	060-200 Plugs
060-300 Fenders	060-400 Hood and Hood Release	060-500 Cowl and Dash Panel	060-600 Aperture Panel and Pillar Supports
060-700 Pick-up Box and Fuel Filler Door	060-800 Body Structure Welds, Weatherstrips, Seals, Sealers and Adhesives	060-900 Roof	

Group - 60 Body Sheet Metal Except Doors

Illustration Title	Group-Fig. No.
Floor Pans	
Front Floor Pan.....	Fig. 60 - 105
Rear Floor Pan.....	Fig. 60 - 150
Underbody Shields and Skidplates.....	Fig. 60 - 180
Plugs	
Body Plugs and Exhauster.....	Fig. 60 - 205
Fenders	
Front Fender.....	Fig. 60 - 305
Fender Shields.....	Fig. 60 - 350
Hood and Hood Release	
Hood and Related Parts.....	Fig. 60 - 405
Cowl and Dash Panel	
Cowl, Dash Panel, & Related Parts.....	Fig. 60 - 505
Aperture Panel and Pillar Supports	
Front Aperture Panel.....	Fig. 60 - 605
Rear Aperture (Quarter) Panel, Compass.....	Fig. 60 - 650
Rear Aperture (Quarter) Panel, Patroit.....	Fig. 60 - 651
Pick-up Box and Fuel Filler Door	
Fuel Filler Door.....	Fig. 60 - 705
Body Structure Welds, Weatherstrips, Seals, Sealers and Adhesives	
Body Weatherstrips, Compass.....	Fig. 60 - 805
Body Weatherstrips, Patroit.....	Fig. 60 - 806
Roof	
Roof Panel.....	Fig. 60 - 905
Sunroof	
Sunroof Glass and Component Parts.....	Fig. 60 - 1005
Sport Bar or Luggage Rack	
Roof Rack, Compass.....	Fig. 60 - 1305
Roof Rack, Patroit.....	Fig. 60 - 1310

**Front Floor Pan
Figure 60-105**

ITEM	PART NUMBER	QTY	LINE	SERIES	BODY	ENGINE	TRANS	TRIM	DESCRIPTION
1	05183908AC	1	J, T, U		49, 74				PAN, Front Floor
2									REINFORCEMENT, Floor Pan
	05115444AA	1	J, T, U		49				
		1	J, T, U		74				
3									REINFORCEMENT, Floor Pan
	05115445AA	1	J, T, U		74				
		1	J, T, U		49				
4									SIDEMEMBER, Floor
	05115439AA	2	J, T, U		49				
		2	J, T, U		74				
5									SILENCER, Floor Pan
	04680624AA	1	J, T, U		49				Right
		1	J, T, U		74				Right
	04680625AA	1	J, T, U		49				Left
		1	J, T, U		74				Left
-6									NUT, Plastic
	06505670AA	4	J, T, U		49				
		4	J, T, U		74				
-7									CAP, Bolt Cover
	06504650	AR	J, T, U		49				
		AR	J, T, U		74				
8									PANEL, Sill
	05115050AA	1	J, T, U		49				Right
		1	J, T, U		74				Right
	05115051AA	1	J, T, U		49				Left
		1	J, T, U		74				Left



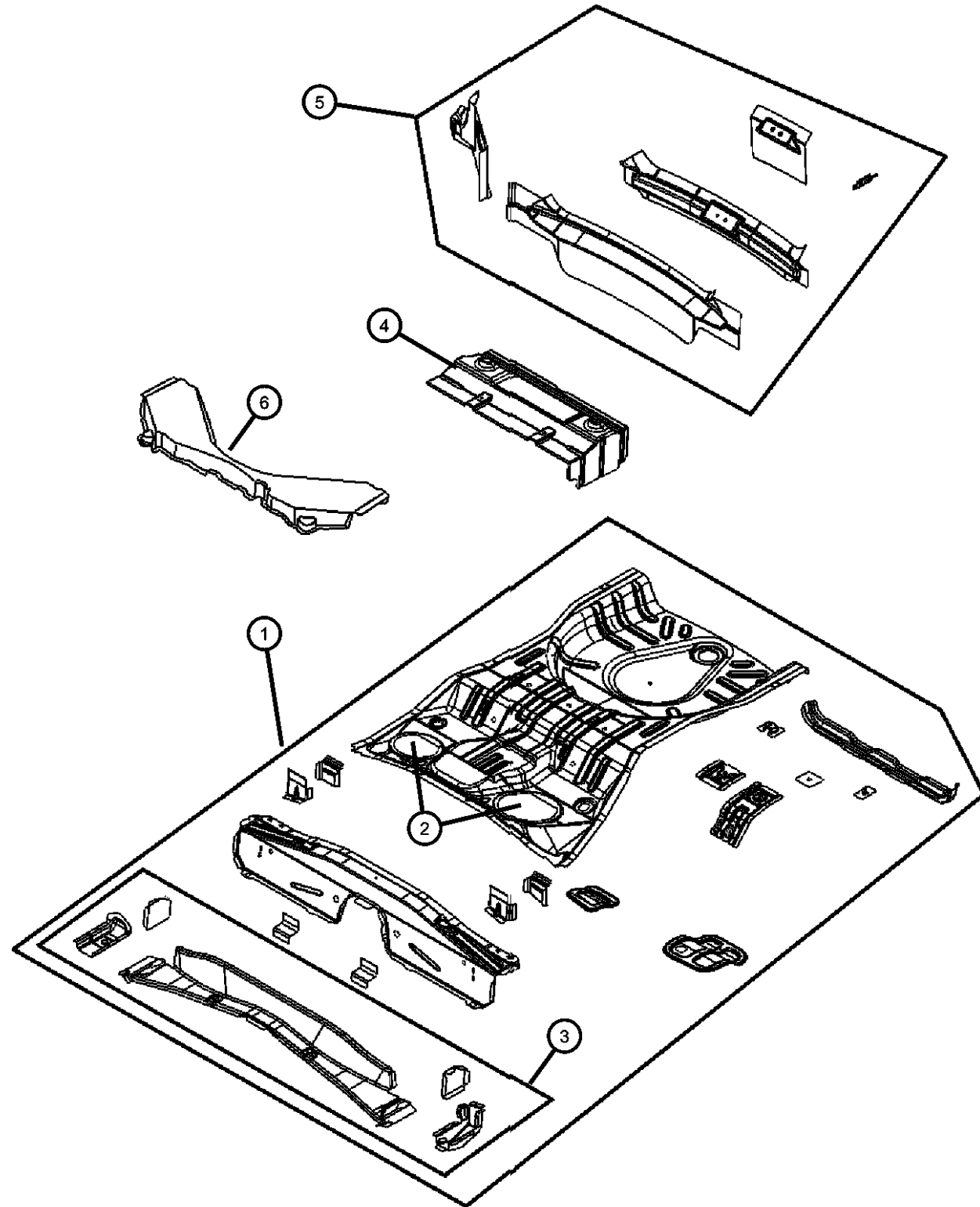
COMPASS/PATRIOT (MK)

SERIES	LINE	BODY	ENGINE	TRANSMISSION
H = HIGHLINE	T = JEEP - 2WD	49 = HATCHBACK TYPE #2	ECE = 2.0L 4 Cyl DOHC DPF Diesel Engine	DEF = 6-Speed Manual Aisin BG6 Trans
L = LOWLINE	J = JEEP - 4WD	74 = SPORT UTILITY 4-DR TYPE #4	ED3 = 2.4L 4 Cyl DOHC 16V Dual VVT Engine	DD7 = 5-Speed Manual T355 Transmission
P = PREMIUM	U = JEEP - 4WD (RHD)		ECD = 2.0L 4 Cyl DOHC Diesel 16V Engine	DAV = Continuously Variable Transaxle II
			ECN = 2.0L 4 Cyl DOHC 16V Dual VVT Engine	DAW = Cont.Var. w/Off-Rd Crawl Ratio Trans

AR = use ase required - = Non illustrated part

2008 MK

Rear Floor Pan
Figure 60-150



ITEM	PART NUMBER	QTY	LINE	SERIES	BODY	ENGINE	TRANS	TRIM	DESCRIPTION
1	05183909AA	1							PAN, Rear Floor
2	05160068AA	1	J, T, U		49				COVER, Fuel Pump Access Right
		1	J, T, U		74				Right
	05160069AA	1	J, T, U		49				Left
		1	J, T, U		74				Left
3	05115549AA	1	J, T, U		49				CROSSMEMBER, Rear Seat
		1	J, T, U		74				
4	04673702AB	1	J, T, U		49				SHIELD, Floor Pan
		1	J, T, U		74				
5	05074974AD	1	J, T, U		49				PANEL
	05160150AC	1	J, T, U		74				
6	05291785AB	1	J, T, U		49				SILENCER, Rear Shelf
		1	J, T, U		74				
-7	05115657AB	1	J, T, U		49				BEAM ASSY, Side Impact
		1	J, T, U		74				
-8	05291886AB	1	J, T, U		49, 74				SILENCER, Spare Tire Well
-9	05291885AB	1	J, T, U		49, 74				SILENCER, Mid Floor Underseat
-10	68025688AA	1	J, T, U		49				EXTENSION, Rear Rail Right
		1	J, T, U		74				Right
	68025689AA	1	J, T, U		49				Left
		1	J, T, U		74				Left

COMPASS/PATRIOT (MK)

SERIES LINE
H = HIGHLINE T = JEEP - 2WD
L = LOWLINE J = JEEP - 4WD
P = PREMIUM U = JEEP - 4WD (RHD)

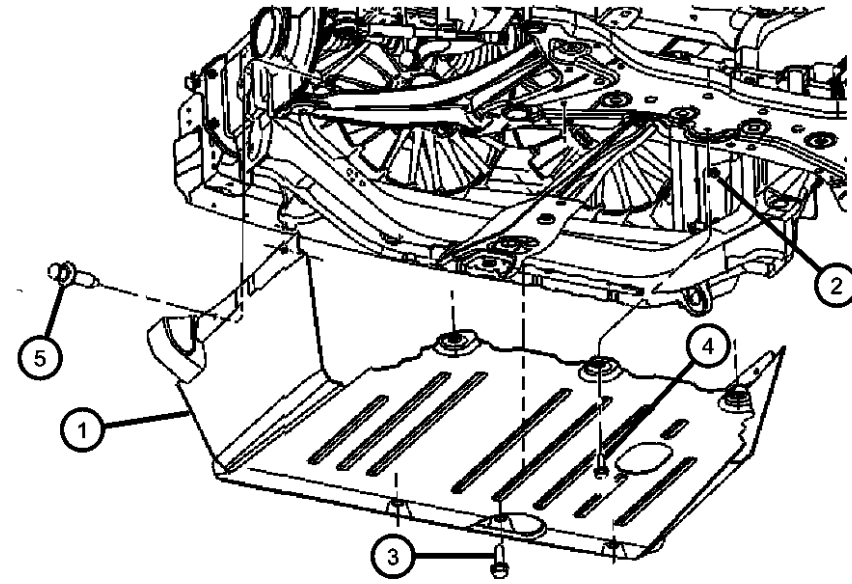
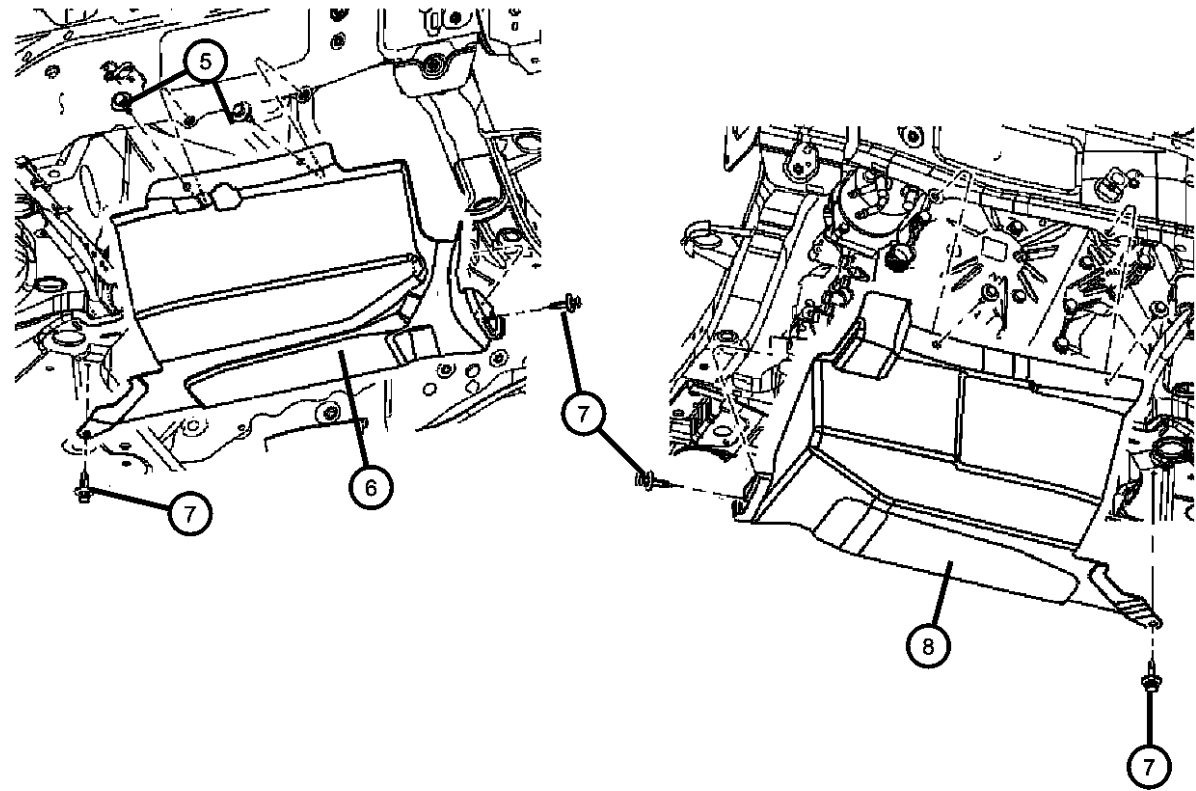
BODY
49 = HATCHBACK TYPE #2
74 = SPORT UTILITY 4-DR
TYPE #4

ENGINE TRANSMISSION
ECE = 2.0L 4 Cyl DOHC DPF DEF = 6-Speed Manual Aisin BG6
Diesel Engine Trans
ED3 = 2.4L 4 Cyl DOHC 16V DD7 = 5-Speed Manual T355
Dual VVT Engine Transmission
ECD = 2.0L 4 Cyl DOHC DAV = Continuously Variable
Diesel 16V Engine Transaxle II
ECN = 2.0L 4 Cyl DOHC 16V DAW = Cont.Var. w/Off-Rd Crawl
Dual VVT Engine Ratio Trans

AR = use ase required - = Non illustrated part

2008 MK

**Underbody Shields and Skidplates
Figure 60-180**



ITEM	PART NUMBER	QTY	LINE	SERIES	BODY	ENGINE	TRANS	TRIM	DESCRIPTION
1	05116372AC	1	J, T, U		74				BELLY PAN, Front, Patriot only , Compass see Accesory Shield RIVET
2	06104885AA	1	J, T, U		74				
		4	J, T, U		74				
3	06105098AA	3	J, T, U		74				SCREW AND WASHER, Hex Head, M6x1x25
		3	J, T, U		49				
4	06104366AA	2	J, T, U		49				SCREW AND WASHER, Hex Head, M6x1x20
		2	J, T, U		74				
5	05160260AA	2	J, T, U		74				PIN, Push
		2	J, T, U		49				
6	05116057AB	1	J, T, U		74				SHIELD, Accessory Drive
		1	J, T, U		49				
7	06502871	4	J, T, U		49				RETAINER
		4	J, T, U		74				
8	05116330AA	1	J, T, U		49				SHIELD, Transmission
		1	J, T, U		74				

COMPASS/PATRIOT (MK)

SERIES LINE
H = HIGHLINE T = JEEP - 2WD
L = LOWLINE J = JEEP - 4WD
P = PREMIUM U = JEEP - 4WD (RHD)

BODY
49 = HATCHBACK TYPE #2
74 = SPORT UTILITY 4-DR
TYPE #4

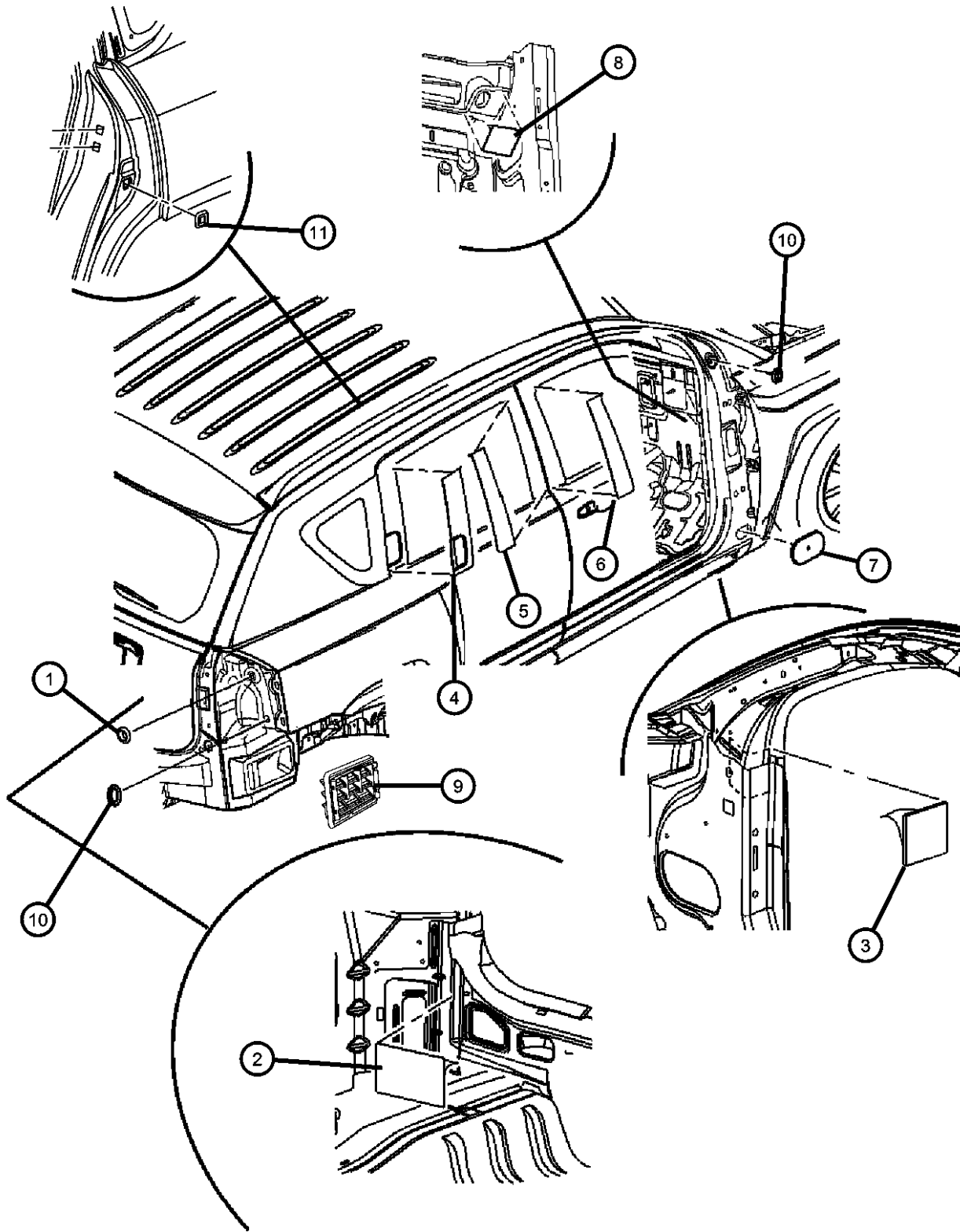
ENGINE
ECE = 2.0L 4 Cyl DOHC DPF
Diesel Engine
ED3 = 2.4L 4 Cyl DOHC 16V
Dual VVT Engine
ECD = 2.0L 4 Cyl DOHC
Diesel 16V Engine
ECN = 2.0L 4 Cyl DOHC 16V
Dual VVT Engine

TRANSMISSION
DEF = 6-Speed Manual Aisin BG6
Trans
DD7 = 5-Speed Manual T355
Transmission
DAV = Continuously Variable
Transaxle II
DAW = Cont.Var. w/Off-Rd Crawl
Ratio Trans

AR = use ase required - = Non illustrated part

2008 MK

**Body Plugs and Exhauster
Figure 60-205**



ITEM	PART NUMBER	QTY	LINE	SERIES	BODY	ENGINE	TRANS	TRIM	DESCRIPTION	
1	05160283AA	2	J, T, U		49				PLUG, Body, 19X25 PLASTIC	
		2	J, T, U		74					
2	05160288AA	2	J, T, U		49				TAPE, Sealing, Foil Back	
		2	J, T, U		74					
3	05160288AA	2	J, T, U		49				TAPE, Sealing, Foil Back	
		2	J, T, U		74					
4	05116390AA	1	J, T, U		49				TAPE, C Pillar Right	
		1	J, T, U		74					
		1	J, T, U		49					Left
		1	J, T, U		74					Left
5	05116386AA	1	J, T, U		49				TAPE, Black Out, B Pillar Right	
		1	J, T, U		74					
		1	J, T, U		49					Left
		1	J, T, U		74					Left
6	05116388AA	1	J, T, U		49				TAPE, Front Door Right	
		1	J, T, U		74					
		1	J, T, U		49					Left
		1	J, T, U		74					Left
7	05160307AA	2	J, T, U		74				PLUG, Body, Rubber	
		2	J, T, U		49					
8	05160288AA	2	J, T, U		49				TAPE, Sealing, Foil Back	
		2	J, T, U		74					
9	55394330AB	2	J, T, U		49				EXHAUSTER, Bodyside Aperture	
		2	J, T, U		74					

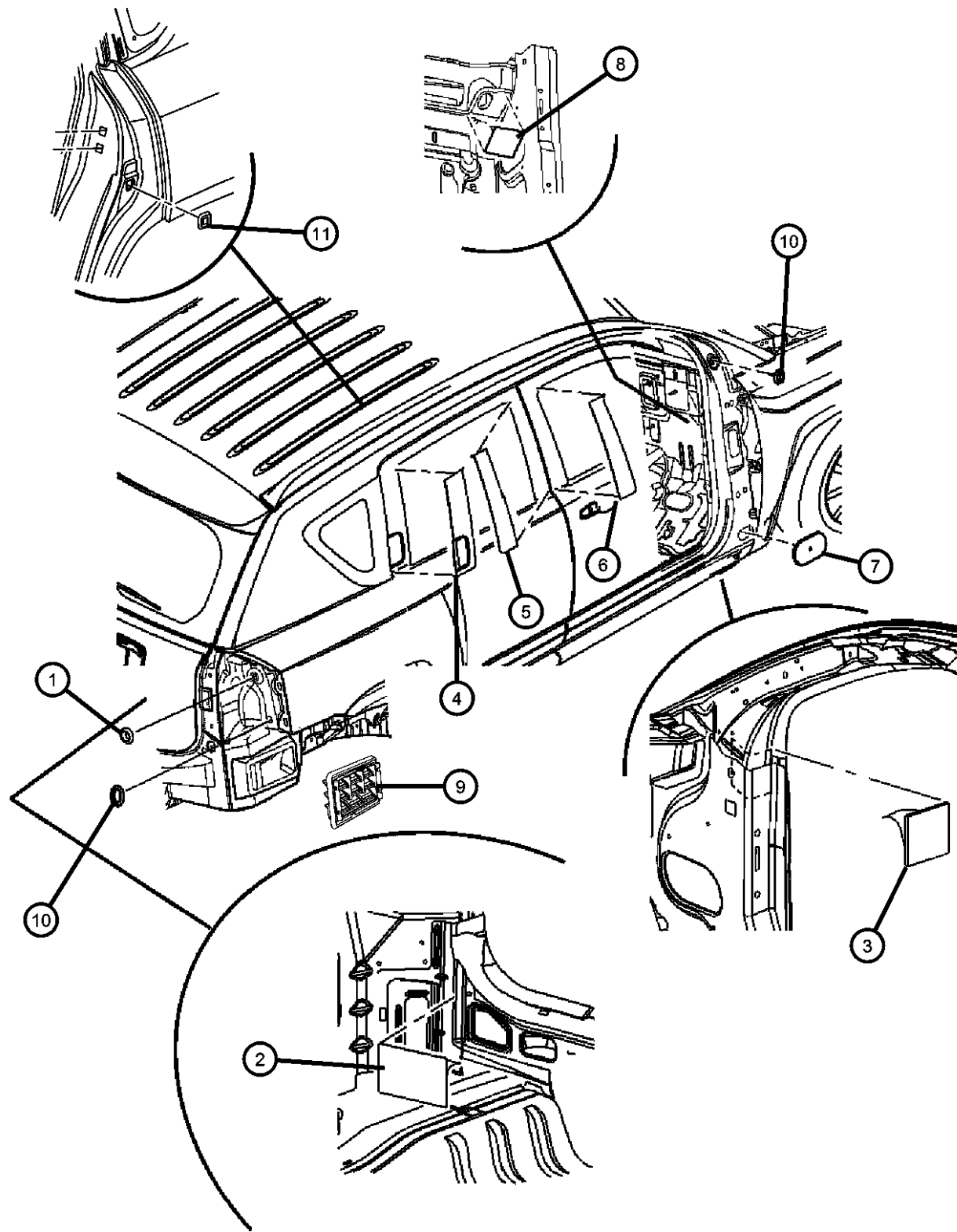
COMPASS/PATRIOT (MK)

SERIES	LINE	BODY	ENGINE	TRANSMISSION
H = HIGHLINE	T = JEEP - 2WD	49 = HATCHBACK TYPE #2	ECE = 2.0L 4 Cyl DOHC DPF Diesel Engine	DEF = 6-Speed Manual Aisin BG6 Trans
L = LOWLINE	J = JEEP - 4WD	74 = SPORT UTILITY 4-DR TYPE #4	ED3 = 2.4L 4 Cyl DOHC 16V Dual VVT Engine	DD7 = 5-Speed Manual T355 Transmission
P = PREMIUM	U = JEEP - 4WD (RHD)		ECD = 2.0L 4 Cyl DOHC Diesel 16V Engine	DAV = Continuously Variable Transaxle II
			ECN = 2.0L 4 Cyl DOHC 16V Dual VVT Engine	DAW = Cont.Var. w/Off-Rd Crawl Ratio Trans

AR = use ase required - = Non illustrated part

2008 MK

Body Plugs and Exhauster
Figure 60-205



ITEM	PART NUMBER	QTY	LINE	SERIES	BODY	ENGINE	TRANS	TRIM	DESCRIPTION
10	04780615AB	2	J, T, U		49				PLUG, Body, .75 Diameter
		2	J, T, U		74				
11	55136566AA	2	J, T, U		49				PLUG, Body
		2	J, T, U		74				

COMPASS/PATRIOT (MK)

SERIES LINE
H = HIGHLINE T = JEEP - 2WD
L = LOWLINE J = JEEP - 4WD
P = PREMIUM U = JEEP - 4WD (RHD)

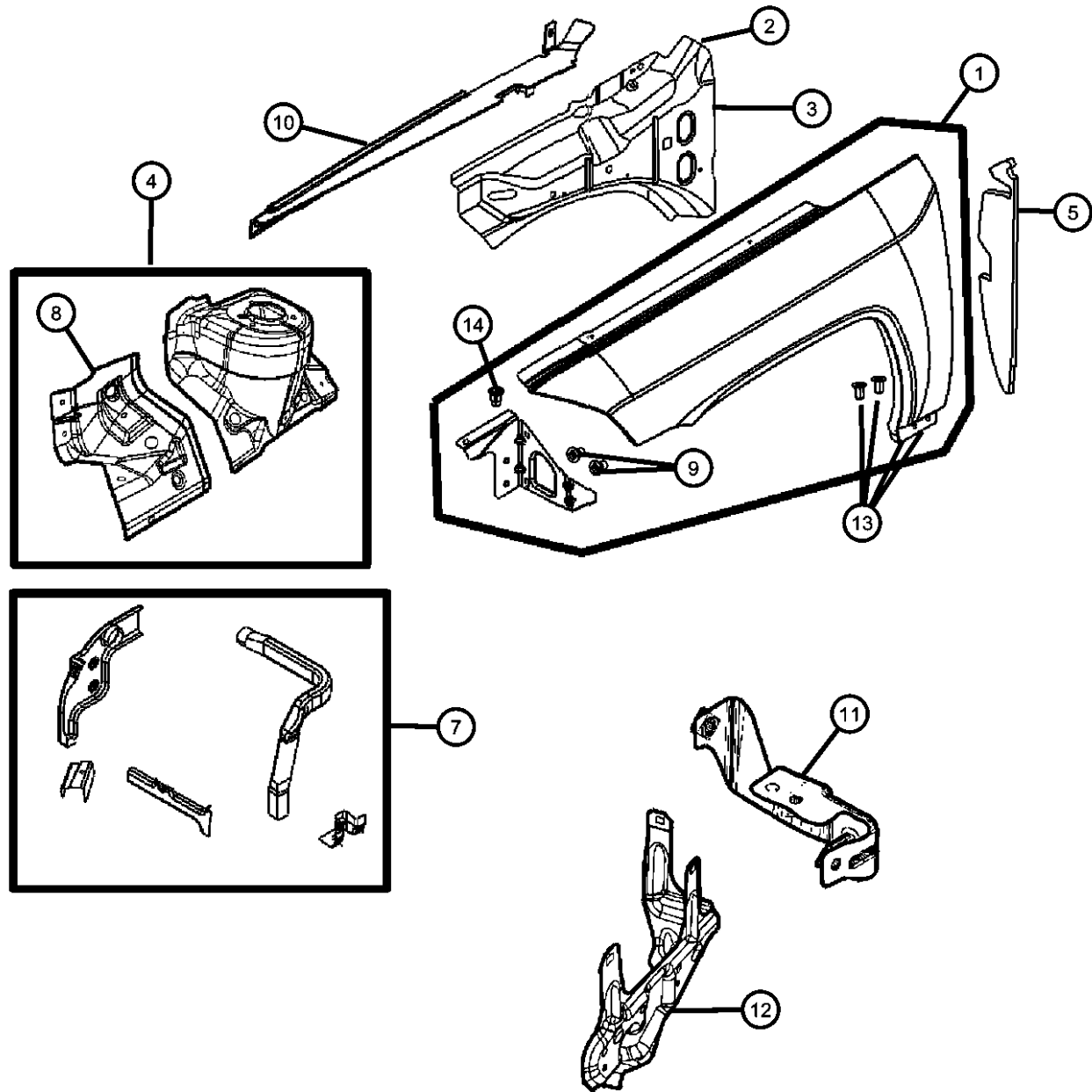
BODY
49 = HATCHBACK TYPE #2
74 = SPORT UTILITY 4-DR
TYPE #4

ENGINE TRANSMISSION
ECE = 2.0L 4 Cyl DOHC DPF Diesel Engine DEF = 6-Speed Manual Aisin BG6 Trans
ED3 = 2.4L 4 Cyl DOHC 16V Dual VVT Engine DD7 = 5-Speed Manual T355 Transmission
ECD = 2.0L 4 Cyl DOHC Diesel 16V Engine DAV = Continuously Variable Transaxle II
ECN = 2.0L 4 Cyl DOHC 16V Dual VVT Engine DAW = Cont.Var. w/Off-Rd Crawl Ratio Trans

AR = use ase required - = Non illustrated part

2008 MK

Front Fender
Figure 60-305



ITEM	PART NUMBER	QTY	LINE	SERIES	BODY	ENGINE	TRANS	TRIM	DESCRIPTION
1	05054316AA	1	J, T, U		74				FENDER, Front Right
	05054317AA	1	J, T, U		74				Left
	05054354AA	1	J, T, U		74				Export, Right
	05054355AA	1	J, T, U		74				Export, Left
	05115662AC	1	J, T, U		49				Right
	05115663AC	1	J, T, U		49				Left
	05160036AC	1	J, T, U		49				Export, Right
	05160037AC	1	J, T, U		49				Export, Left
2	68002032AA	1	J		49				BEAM, Inner Load Path Right
	68002033AA	1	J		49				Left
3	68019752AA	1	J, T, U		74				BEAM, Outer Load Path Right
	68019753AA	1	J, T, U		74				Left
4	68002058AB	1	J, T, U		49				WHEELHOUSE, Front Inner Right
	68002059AB	1	J, T, U		74				Right
	68002059AB	1	U, J, T		49				Left
	68002059AB	1	J, T, U		74				Left
5	05074924AD	2	J, T, U		49				SILENCER, Fender to Hinge Pillar
-6	05115766AC	1	J, T		49				SILENCER, Shock Tower Right
	05115766AC	1	J, T		74				Right
	05115767AC	1	J, T, U		49				Left
	05115767AC	1	J, T, U		74				Left
7	68001966AB	1	J, T, U		49				REINFORCEMENT, Fender Right
	68001967AB	1	J, T, U		49				Left
	68019180AA	1	J, T, U		74				Right
	68019181AA	1	J, T, U		74				Left
8	68002060AA	1	J		49				PANEL, Fender Side Shield Right

COMPASS/PATRIOT (MK)

SERIES LINE
H = HIGHLINE T = JEEP - 2WD
L = LOWLINE J = JEEP - 4WD
P = PREMIUM U = JEEP - 4WD (RHD)

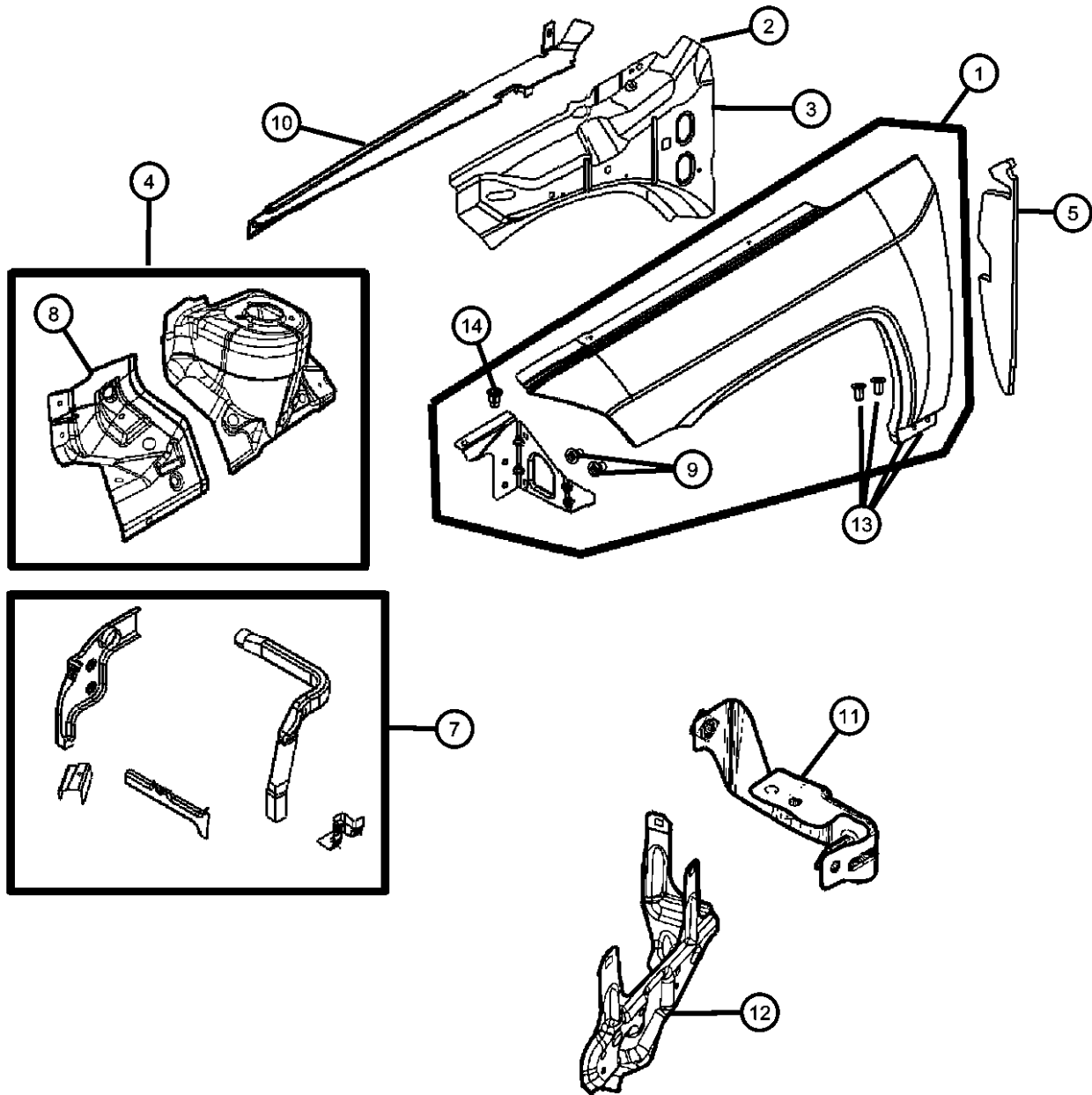
BODY
49 = HATCHBACK TYPE #2
74 = SPORT UTILITY 4-DR TYPE #4

ENGINE TRANSMISSION
ECE = 2.0L 4 Cyl DOHC DPF DEF = 6-Speed Manual Aisin BG6 Diesel Engine Trans
ED3 = 2.4L 4 Cyl DOHC 16V DD7 = 5-Speed Manual T355 Dual VVT Engine Transmission
ECD = 2.0L 4 Cyl DOHC DAV = Continuously Variable Diesel 16V Engine Transaxle II
ECN = 2.0L 4 Cyl DOHC 16V DAW = Cont.Var. w/Off-Rd Crawl Dual VVT Engine Ratio Trans

AR = use ase required - = Non illustrated part

2008 MK

Front Fender
Figure 60-305



ITEM	PART NUMBER	QTY	LINE	SERIES	BODY	ENGINE	TRANS	TRIM	DESCRIPTION
9	68002061AA	1	J		49				Left NUT, Square
	06506199AA	2	J, T, U		74				
		2	J, T, U		49				
10		2							PANEL, Cancelled , No longer available, (NOT SERVICED)
11									BRACKET, Power Steering Reservoir
	05115400AA	1	J, T, U		49				
		1	J, T, U		74				
12									BRACKET, Power Distribution Center
	05107070AA	1	J, T, U		49				
		1	J, T, U		74				
13									RIVET
	06104885AA	2	J, T, U		74				
		2	J, T, U		49				
14									NUT RIVET, Hex, M6X1.00
	06503245	2	J, T, U		49				
		2	J, T, U		74				

COMPASS/PATRIOT (MK)

SERIES

H = HIGHLINE
L = LOWLINE
P = PREMIUM

LINE

T = JEEP - 2WD
J = JEEP - 4WD
U = JEEP - 4WD (RHD)

BODY

49 = HATCHBACK TYPE #2
74 = SPORT UTILITY 4-DR TYPE #4

ENGINE

ECE = 2.0L 4 Cyl DOHC DPF Diesel Engine
ED3 = 2.4L 4 Cyl DOHC 16V Dual VVT Engine
ECD = 2.0L 4 Cyl DOHC Diesel 16V Engine
ECN = 2.0L 4 Cyl DOHC 16V Dual VVT Engine

TRANSMISSION

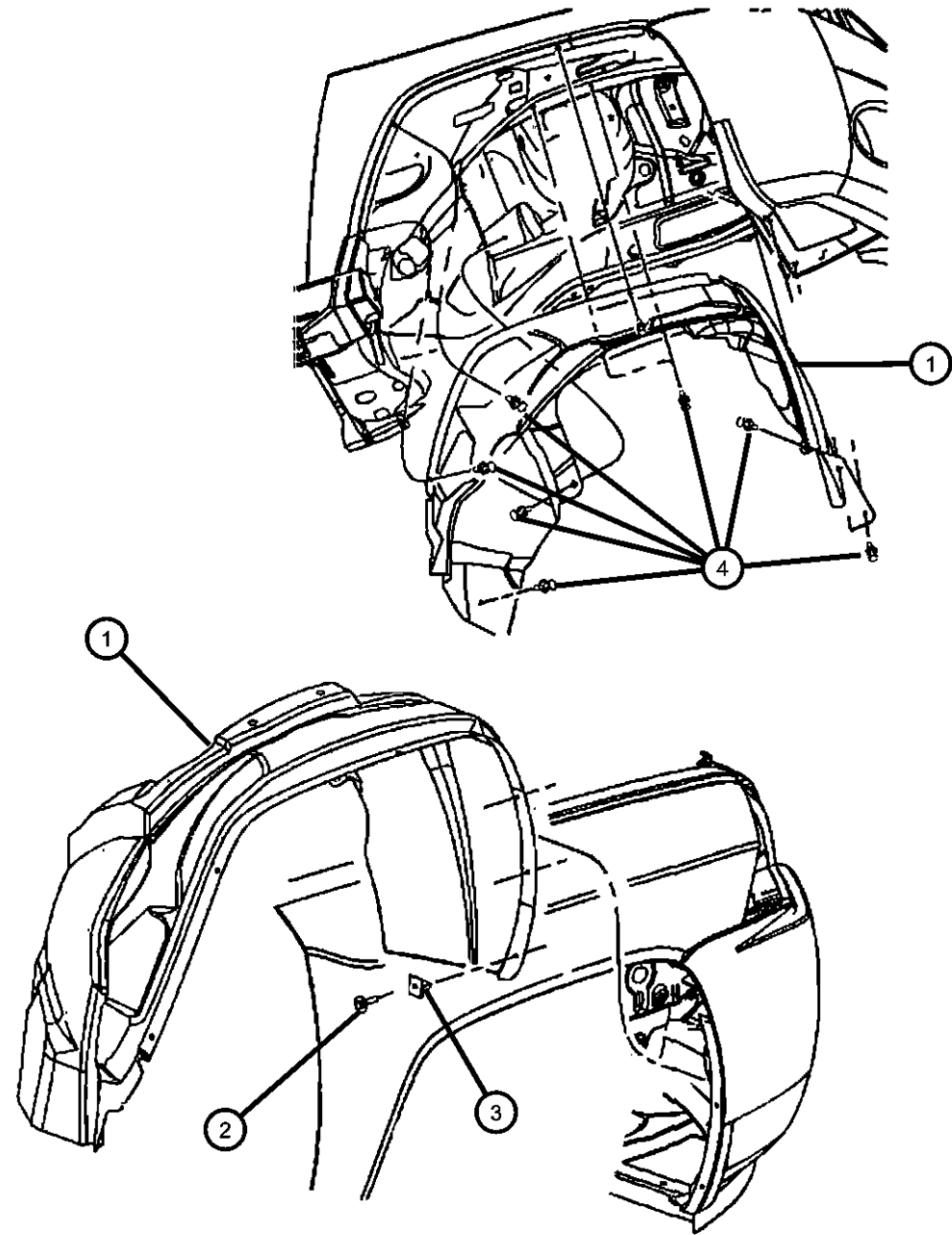
DEF = 6-Speed Manual Aisin BG6 Trans
DD7 = 5-Speed Manual T355 Transmission
DAV = Continuously Variable Transaxle II
DAW = Cont.Var. w/Off-Rd Crawl Ratio Trans

AR = use ase required - = Non illustrated part

2008 MK

Fender Shields
Figure 60-350

ITEM	PART NUMBER	QTY	LINE	SERIES	BODY	ENGINE	TRANS	TRIM	DESCRIPTION
1	05116244AC	1	J, T, U		74				SHIELD, Splash Right
	05116245AC	1	J, T, U		74				Left
	05303870AD	1	J, T, U		49				Right
	05303871AD	1	J, T, U		49				Left
2	06507238AA	2	J, T, U		74				SCREW, Hex Flange Head Tapping, M4.2x1.7x25
		2	J, T, U		49				
3	06035401	2	J, T, U		74				NUT, Snap In, .164-18
		2	J, T, U		49				
4	05160260AA	5	J, T, U		74				PIN, Push
		4	J, T, U		49				



COMPASS/PATRIOT (MK)

SERIES LINE

H = HIGHLINE T = JEEP - 2WD
L = LOWLINE J = JEEP - 4WD
P = PREMIUM U = JEEP - 4WD (RHD)

BODY

49 = HATCHBACK TYPE #2
74 = SPORT UTILITY 4-DR
TYPE #4

ENGINE

ECE = 2.0L 4 Cyl DOHC DPF
Diesel Engine
ED3 = 2.4L 4 Cyl DOHC 16V
Dual VVT Engine
ECD = 2.0L 4 Cyl DOHC
Diesel 16V Engine
ECN = 2.0L 4 Cyl DOHC 16V
Dual VVT Engine

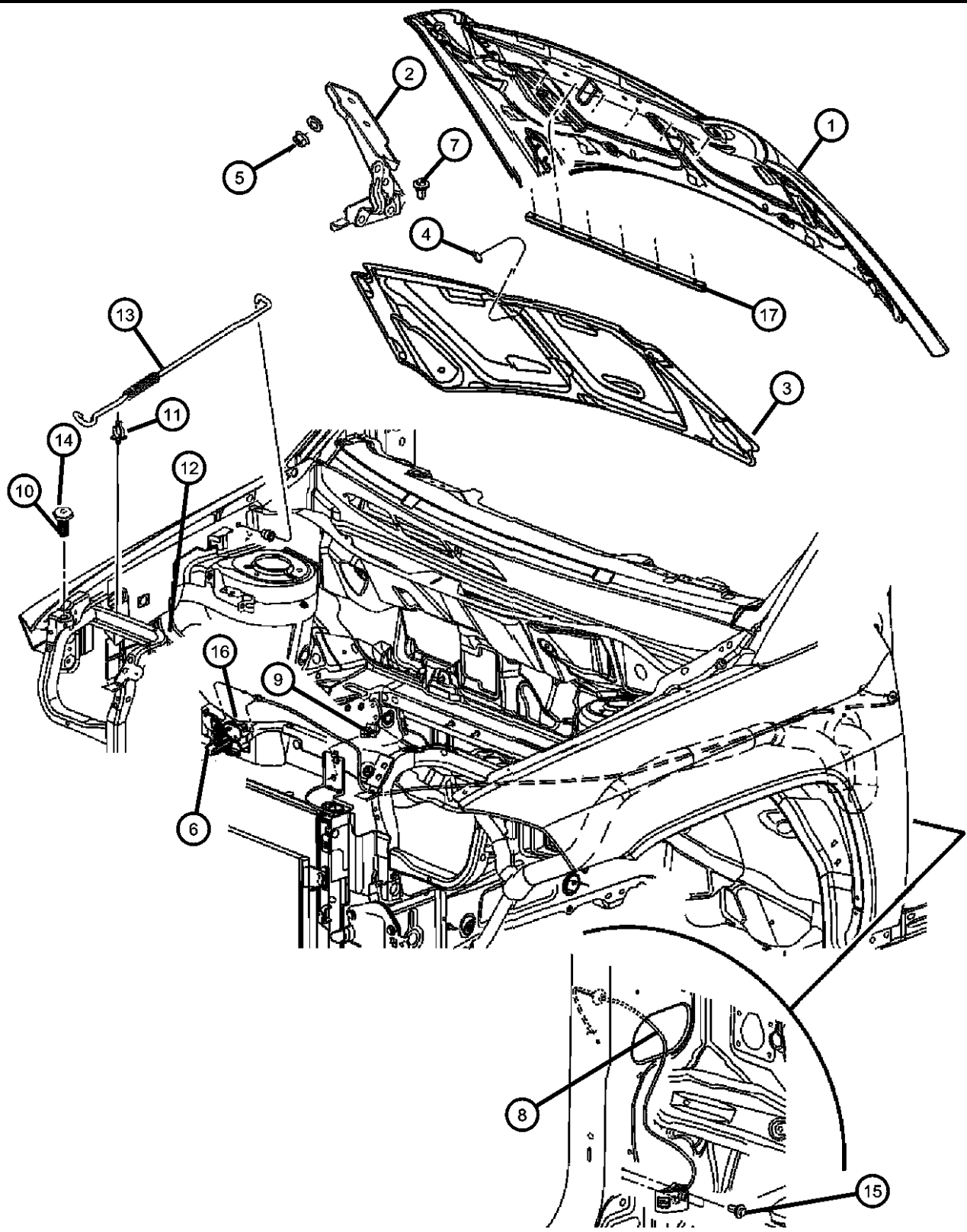
TRANSMISSION

DEF = 6-Speed Manual Aisin BG6
Trans
DD7 = 5-Speed Manual T355
Transmission
DAV = Continuously Variable
Transaxle II
DAW = Cont.Var. w/Off-Rd Crawl
Ratio Trans

AR = use ase required - = Non illustrated part

2008 MK

Hood and Related Parts
Figure 60-405



ITEM	PART NUMBER	QTY	LINE	SERIES	BODY	ENGINE	TRANS	TRIM	DESCRIPTION
1	05054330AC	1	J, T, U		74				HOOD
	05074926AE	1	J, T, U		49				
2	04589117AD	1	J, T, U		49				HINGE, Hood
	55399000AB	1	J, T, U		74				Left
	55399001AB	1	J, T, U		74				Right
	04589116AD	1	J, T, U		49				Left
									Right
3	05074934AB	1	J, T, U		49				SILENCER, Hood
	05116436AC	1	J, T, U		74				
4	04878883AA	2	J, T, U		49				PIN, Push
		2	J, T, U		74				
5	06104716AA	3	J, T, U		49, 74				NUT, Hex Flange Lock, M8X1.25
6	05160032AB	1	J, T, U		49				LATCH, Hood
		1	J, T, U		74				
7	06104386AA	6	J, T, U		49, 74				BOLT AND WASHER, Hex Head, M8X1.25X25.00
8	05074169AE	1	J, T, U		49				RELEASE, Hood Latch
		1	T, U, J		74				
9	04814094	1	J, T, U		49				CLIP, Hood Latch Release
		1	T, U, J		74				
10	04103165	2	J, T, U		49				BUMPER, Hood
		2	J, T, U		74				
11	05027550AC	1	J, T, U		49				CLIP, Prop Rod
		1	J, T, U		74				
12									BUSHING, Hood Prop Rod Pivot

COMPASS/PATRIOT (MK)
 SERIES LINE
 H = HIGHLINE T = JEEP - 2WD
 L = LOWLINE J = JEEP - 4WD
 P = PREMIUM U = JEEP - 4WD (RHD)

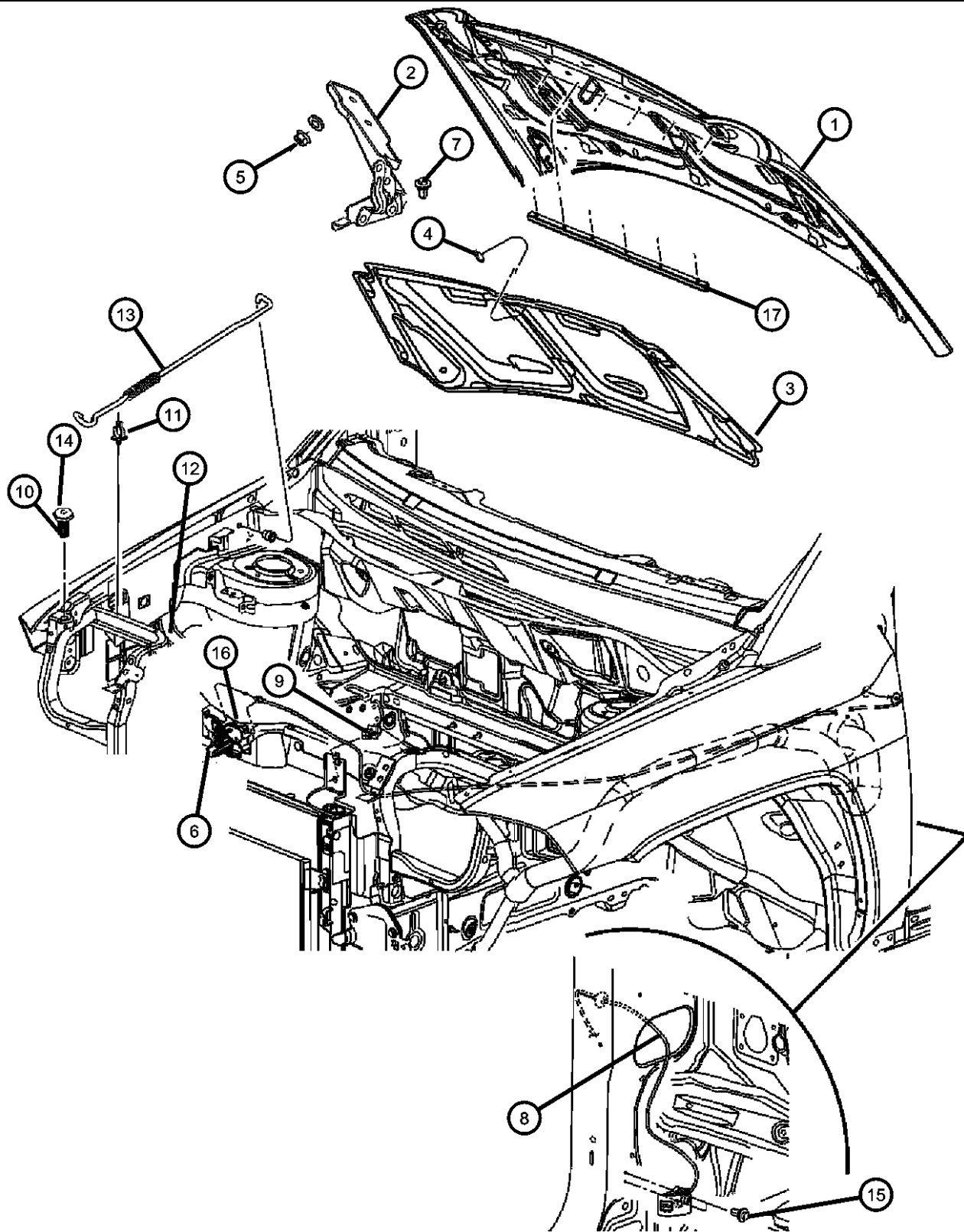
BODY
 49 = HATCHBACK TYPE #2
 74 = SPORT UTILITY 4-DR TYPE #4

ENGINE
 ECE = 2.0L 4 Cyl DOHC DPF Diesel Engine
 ED3 = 2.4L 4 Cyl DOHC 16V Dual VVT Engine
 ECD = 2.0L 4 Cyl DOHC Diesel 16V Engine
 ECN = 2.0L 4 Cyl DOHC 16V Dual VVT Engine

TRANSMISSION
 DEF = 6-Speed Manual Aisin BG6 Trans
 DD7 = 5-Speed Manual T355 Transmission
 DAV = Continuously Variable Transaxle II
 DAW = Cont.Var. w/Off-Rd Crawl Ratio Trans

AR = use ase required - = Non illustrated part

Hood and Related Parts
Figure 60-405



ITEM	PART NUMBER	QTY	LINE	SERIES	BODY	ENGINE	TRANS	TRIM	DESCRIPTION
	04716486	1	J, T, U		49				
		1	J, T, U		74				
13									PROP, Hood
	05160367AA	1	J, T, U		74				
	05160367AB	1	J, T, U		49				
14	05160047AB	4	J, T, U		49, 74				BUMPER, Door
15	05160047AB	4							SCREW, Hex Flange Head, M5x0.80x20.00, (NOT SERVICED)
16									REINFORCEMENT, Hood Release
	05074712AA	1	J, T, U		49				
		1	J, T, U		74				
17									WEATHERSTRIP, Hood to Radiator
	05067756AB	1	J, T, U		74				
	05115671AA	1	J, T, U		49				
-18	05116434AD	2	J, T, U		74				SILENCER, Fender Side

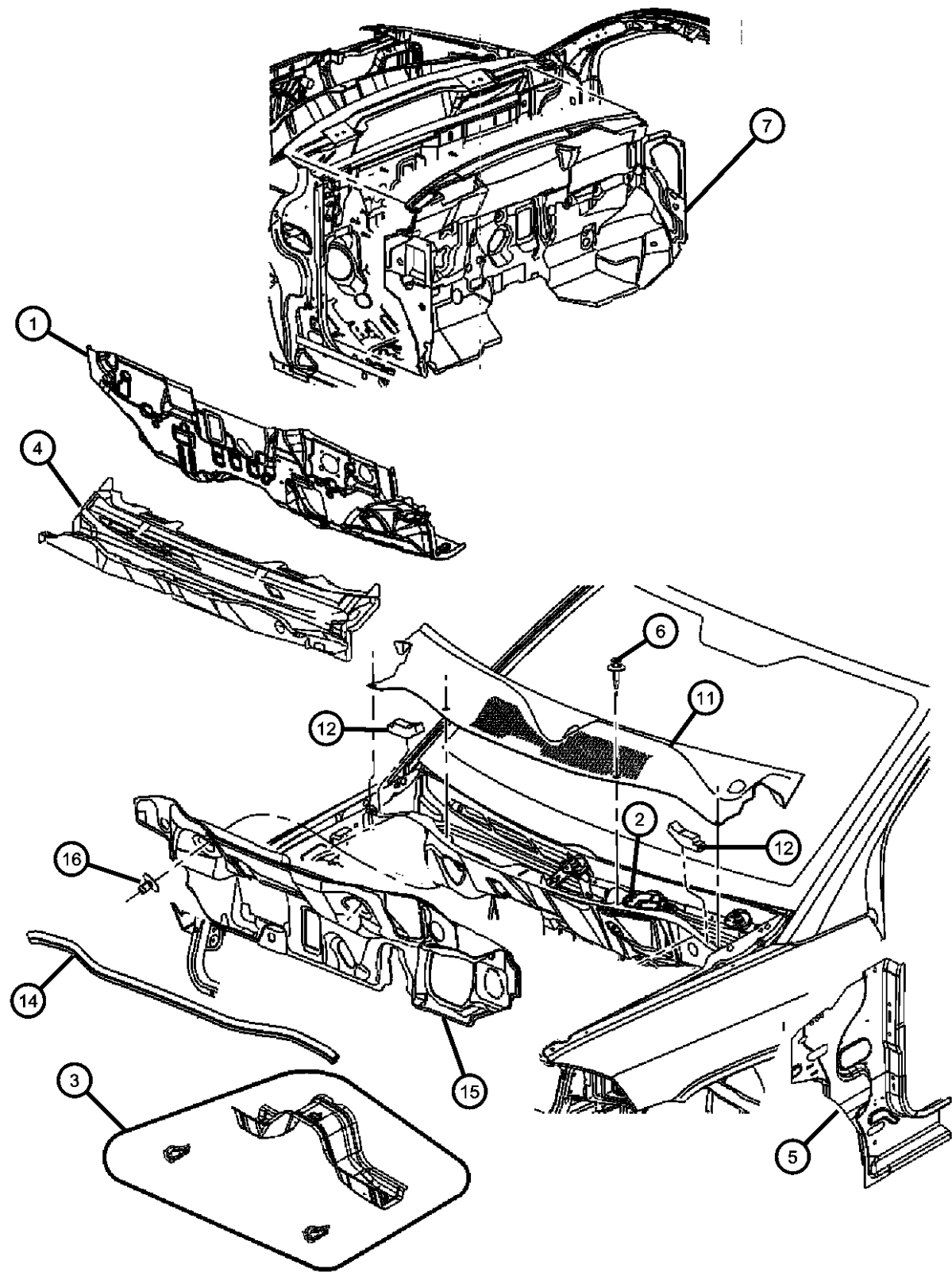
COMPASS/PATRIOT (MK)

SERIES	LINE	BODY	ENGINE	TRANSMISSION
H = HIGHLINE	T = JEEP - 2WD	49 = HATCHBACK TYPE #2	ECE = 2.0L 4 Cyl DOHC DPF Diesel Engine	DEF = 6-Speed Manual Aisin BG6 Trans
L = LOWLINE	J = JEEP - 4WD	74 = SPORT UTILITY 4-DR TYPE #4	ED3 = 2.4L 4 Cyl DOHC 16V Dual VVT Engine	DD7 = 5-Speed Manual T355 Transmission
P = PREMIUM	U = JEEP - 4WD (RHD)		ECD = 2.0L 4 Cyl DOHC Diesel 16V Engine	DAV = Continuously Variable Transaxle II
			ECN = 2.0L 4 Cyl DOHC 16V Dual VVT Engine	DAW = Cont.Var. w/Off-Rd Crawl Ratio Trans

AR = use ase required - = Non illustrated part

2008 MK

**Cowl, Dash Panel, & Related Parts
Figure 60-505**



ITEM	PART NUMBER	QTY	LINE	SERIES	BODY	ENGINE	TRANS	TRIM	DESCRIPTION	
1	05183758AE	1	U		49, 74				PANEL, Dash	
	05183759AE	1	J, T		49					
		1	J, T		74					
2	05155767AC	1	J, T		49				CROSSMEMBER, Dash, Upper	
		1	J, T		74					
3	05115450AA	1	J, T, U		49				CROSSMEMBER, Dash, Lower	
		1	J, T, U		74					
4	05115235AC	1	J, T		49				PANEL, Cowl	
	05115241AC	1	U		49					
	05160172AC	1	J, T		74					
	05160186AB	1	U		74					
5	05074998AD	1	J, T, U		49				PANEL, Cowl Side Right	
	05074999AD	1	J, T, U		49					Left
	05160192AB	1	J, T, U		74					Right
	05160193AB	1	J, T, U		74					Left
6	06502871	4	J, T, U		49				RETAINER	
		4	J, T, U		74					
7	05115816AC	1	J, T		49, 74				SILENCER, Dash Panel Lower	
	05115818AC	1	U		49, 74					
	05291809AC	1	J, T		49					With [ECN] [ED3]
	05291810AC	1	J, T		49					With [ECD] [ECE]
	05291811AC	1	J, T		74					With [ECN] [ED3]
	05291812AC	1	J, T		74					With [ECD] [ECE]
	05291813AC	1	U		74					With [ECN] [ED3]
05291816AB	1	U		74				With [ECD] [ECE]		
-8									NUT, Plastic	

COMPASS/PATRIOT (MK)

SERIES LINE
H = HIGHLINE T = JEEP - 2WD
L = LOWLINE J = JEEP - 4WD
P = PREMIUM U = JEEP - 4WD (RHD)

BODY
49 = HATCHBACK TYPE #2
74 = SPORT UTILITY 4-DR
TYPE #4

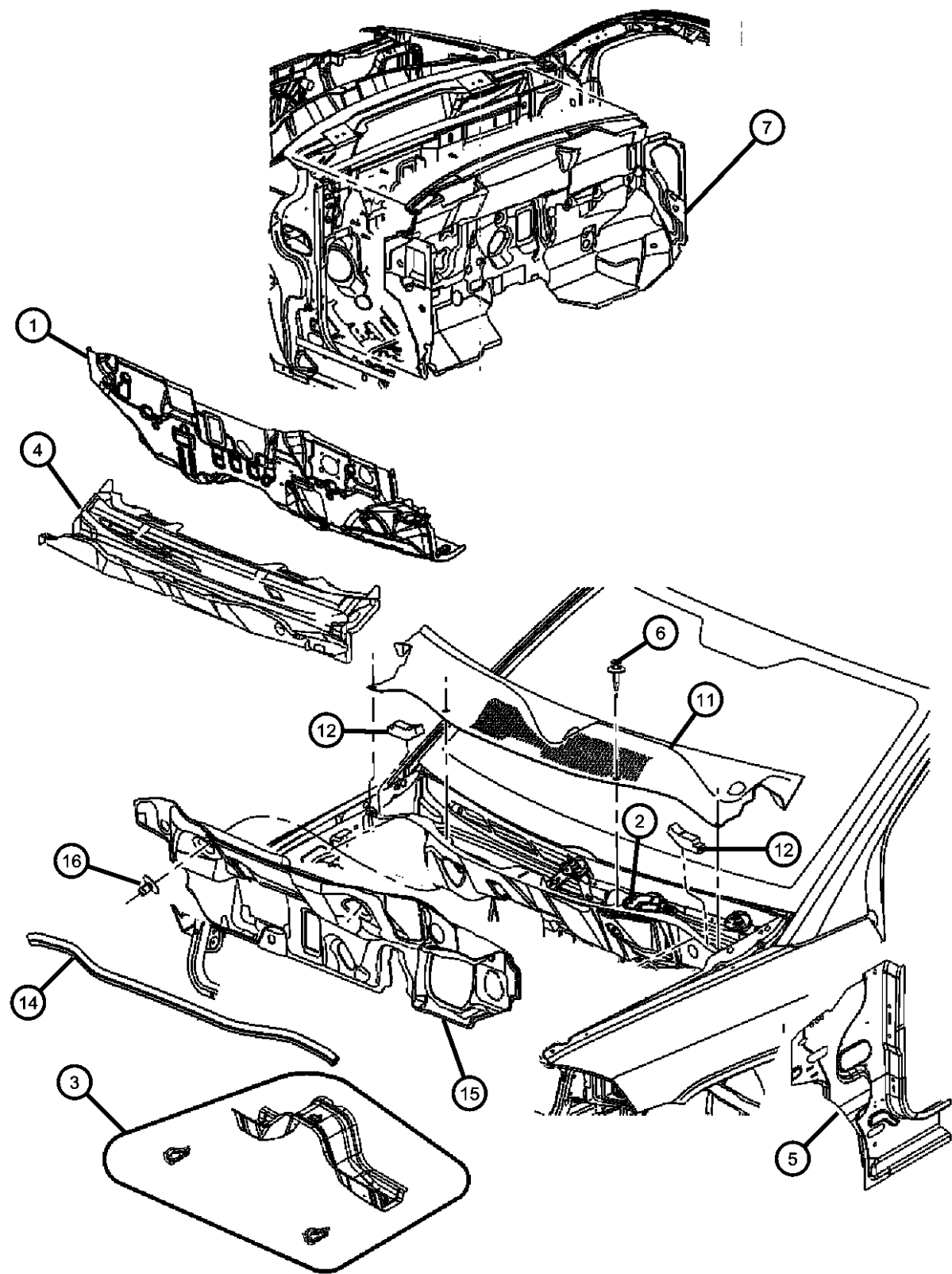
ENGINE
ECE = 2.0L 4 Cyl DOHC DPF
Diesel Engine
ED3 = 2.4L 4 Cyl DOHC 16V
Dual VVT Engine
ECD = 2.0L 4 Cyl DOHC
Diesel 16V Engine
ECN = 2.0L 4 Cyl DOHC 16V
Dual VVT Engine

TRANSMISSION
DEF = 6-Speed Manual Aisin BG6
Trans
DD7 = 5-Speed Manual T355
Transmission
DAV = Continuously Variable
Transaxle II
DAW = Cont.Var. w/Off-Rd Crawl
Ratio Trans

AR = use ase required - = Non illustrated part

2008 MK

**Cowl, Dash Panel, & Related Parts
Figure 60-505**



ITEM	PART NUMBER	QTY	LINE	SERIES	BODY	ENGINE	TRANS	TRIM	DESCRIPTION
	06505670AA	4	J, T, U		49				
		4	J, T, U		74				
-9									STUFFER
	04664367AA	1	J, T, U		49				
	05291794AB	1	J, T, U		74				
-10									BAFFLE, Air Inlet
	05116408AB	1	J, T		74				
	05116409AB	1	U		74				
11									SCREEN, Cowl Top
	04879446AD	1	J, T		74				
	04879447AD	1	U		74				
	05303964AD	1	J, T		49				
12									SEAL, HOOD HINGE TO BODY SIDE
	05160046AA	2	J, T, U		49				
		2	J, T, U		74				
-13									MUCKET, Cowl Panel Ledge, Seal
	05116420AA	1	U		49				
	05116421AA	1	J, T		49				
	05116526AA	1	U		74				
	05116527AA	1	J, T		74				
14									SEAL, Cowl Screen to Hood Inner Panel
	05030129AA	1	J, T, U		49				
	05067748AA	1	J, T, U		74				
15									SILENCER, Engine Side
	05115851AC	1	J, T		49				
		1	J, T		74				
16									CLIP, Silencer
	05160241AA	3	J, T, U		49				
		3	J, T, U		74				
-17									TAPE, Sealing, Foil Back
	05160288AA	2	J, T, U		49				

COMPASS/PATRIOT (MK)

SERIES LINE
H = HIGHLINE T = JEEP - 2WD
L = LOWLINE J = JEEP - 4WD
P = PREMIUM U = JEEP - 4WD (RHD)

BODY
49 = HATCHBACK TYPE #2
74 = SPORT UTILITY 4-DR TYPE #4

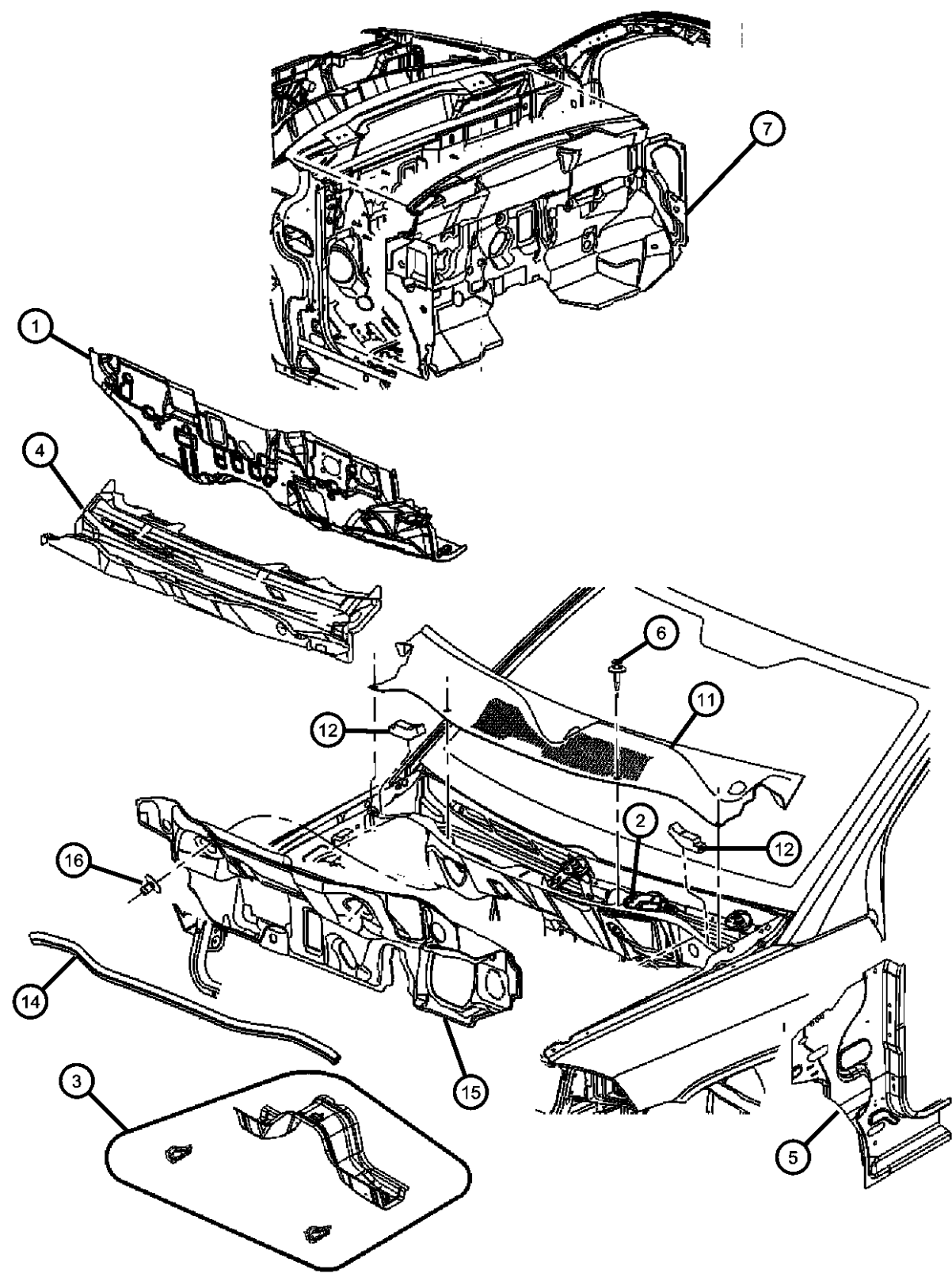
ENGINE TRANSMISSION
ECE = 2.0L 4 Cyl DOHC DPF Diesel Engine DEF = 6-Speed Manual Aisin BG6 Trans
ED3 = 2.4L 4 Cyl DOHC 16V Dual VVT Engine DD7 = 5-Speed Manual T355 Transmission
ECD = 2.0L 4 Cyl DOHC Diesel 16V Engine DAV = Continuously Variable Transaxle II
ECN = 2.0L 4 Cyl DOHC 16V Dual VVT Engine DAW = Cont.Var. w/Off-Rd Crawl Ratio Trans

AR = use ase required - = Non illustrated part

2008 MK

**Cowl, Dash Panel, & Related Parts
Figure 60-505**

ITEM	PART NUMBER	QTY	LINE	SERIES	BODY	ENGINE	TRANS	TRIM	DESCRIPTION
------	-------------	-----	------	--------	------	--------	-------	------	-------------



		2	J, T, U		74				
-18	05116454AA	1	J, T		49				SEAL, PLENUM

COMPASS/PATRIOT (MK)

SERIES	LINE
H = HIGHLINE	T = JEEP - 2WD
L = LOWLINE	J = JEEP - 4WD
P = PREMIUM	U = JEEP - 4WD (RHD)

BODY
49 = HATCHBACK TYPE #2
74 = SPORT UTILITY 4-DR TYPE #4

ENGINE
ECE = 2.0L 4 Cyl DOHC DPF Diesel Engine
ED3 = 2.4L 4 Cyl DOHC 16V Dual VVT Engine
ECD = 2.0L 4 Cyl DOHC Diesel 16V Engine
ECN = 2.0L 4 Cyl DOHC 16V Dual VVT Engine

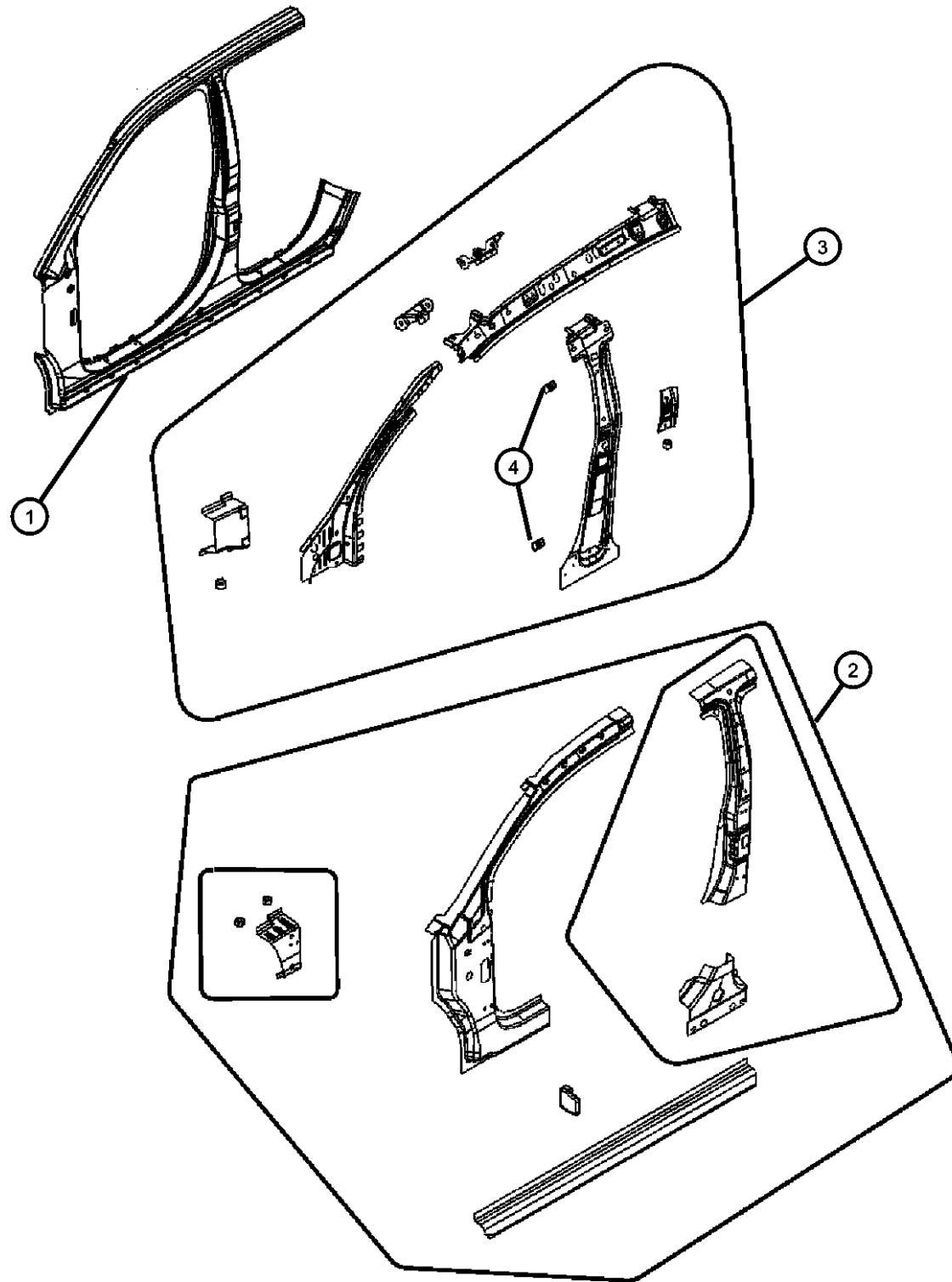
TRANSMISSION
DEF = 6-Speed Manual Aisin BG6 Trans
DD7 = 5-Speed Manual T355 Transmission
DAV = Continuously Variable Transaxle II
DAW = Cont.Var. w/Off-Rd Crawl Ratio Trans

AR = use ase required - = Non illustrated part

2008 MK

**Front Aperture Panel
Figure 60-605**

ITEM	PART NUMBER	QTY	LINE	SERIES	BODY	ENGINE	TRANS	TRIM	DESCRIPTION
1	68001970AD	1	J, T, U		49				PANEL PACKAGE, Body Side Aperture Front, Outer Skin Right
	68001971AD	1	J, T, U		49				Left
	68019176AA	1	J, T, U		74				Right
	68019177AA	1	J, T, U		74				Left
2	05115918AC	1	J, T, U		49				PANEL, Body Side Aperture Inner Right
	05115919AC	1	J, T, U		49				Left
	05160098AC	1	J, T, U		74				Right
	05160099AC	1	J, T, U		74				Left
3	68002030AB	1	J, T, U		49				REINFORCEMENT PACKAGE, Bode Side Aperture Front, C-Frame Right
	68002031AB	1	J, T, U		49				Left
	68019708AA	1	J, T, U		74				Right
	68019709AA	1	J, T, U		74				Left
4	06033150	2	J, T, U		49				NUT PLATE, .25-20
		2	J, T, U		74				



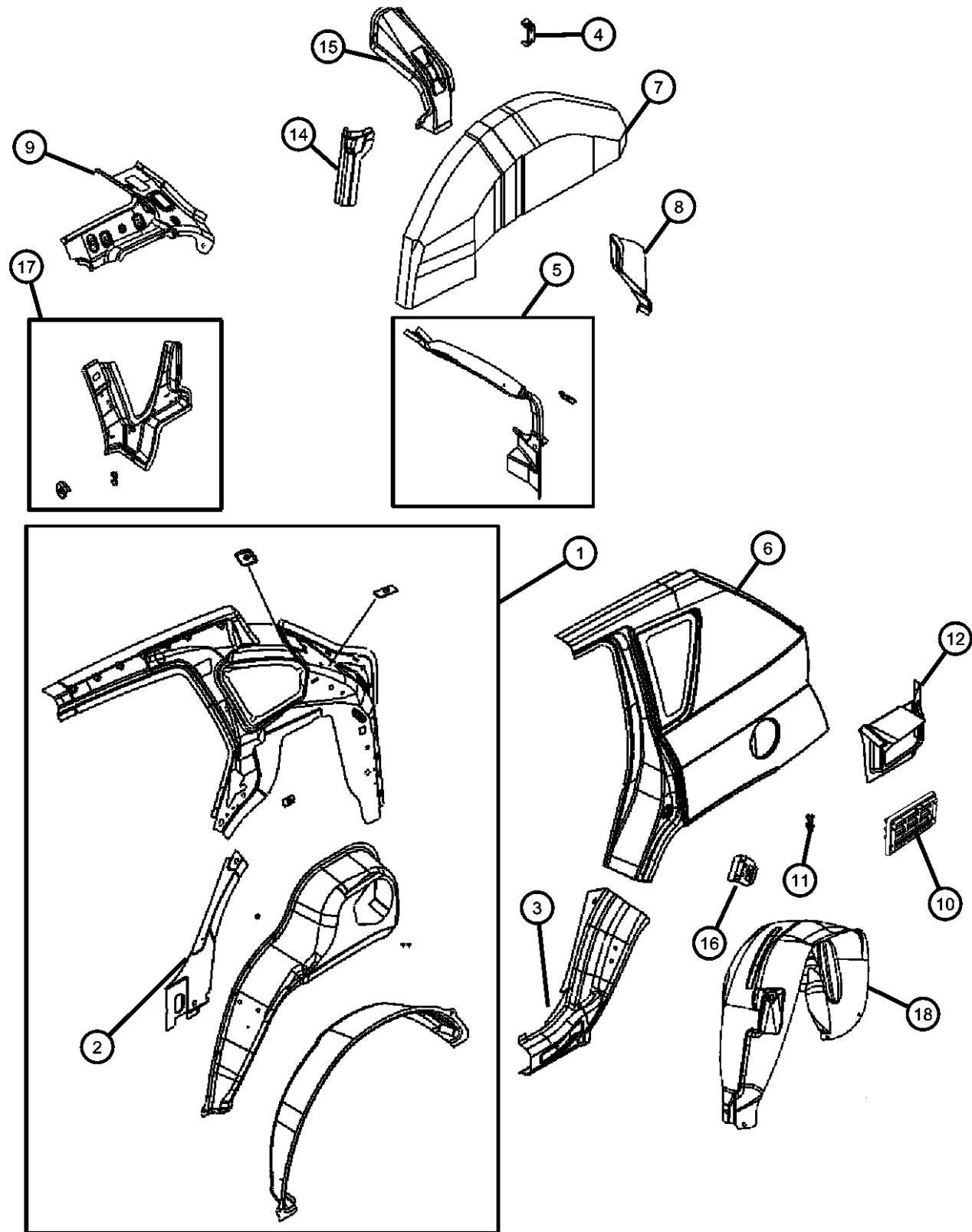
COMPASS/PATRIOT (MK)

SERIES	LINE	BODY	ENGINE	TRANSMISSION
H = HIGHLINE	T = JEEP - 2WD	49 = HATCHBACK TYPE #2	ECE = 2.0L 4 Cyl DOHC DPF Diesel Engine	DEF = 6-Speed Manual Aisin BG6 Trans
L = LOWLINE	J = JEEP - 4WD	74 = SPORT UTILITY 4-DR TYPE #4	ED3 = 2.4L 4 Cyl DOHC 16V Dual VVT Engine	DD7 = 5-Speed Manual T355 Transmission
P = PREMIUM	U = JEEP - 4WD (RHD)		ECD = 2.0L 4 Cyl DOHC Diesel 16V Engine	DAV = Continuously Variable Transaxle II
			ECN = 2.0L 4 Cyl DOHC 16V Dual VVT Engine	DAW = Cont.Var. w/Off-Rd Crawl Ratio Trans

AR = use ase required - = Non illustrated part

2008 MK

Rear Aperture (Quarter) Panel, Compass
Figure 60-650



ITEM	PART NUMBER	QTY	LINE	SERIES	BODY	ENGINE	TRANS	TRIM	DESCRIPTION
1	68001962AB	1	J, T, U		49				PANEL, Quarter Inner Right
	68001963AB	1	J, T, U		49				Left
2	05160004AA	1	J, T, U		49				PANEL, Quarter Inner Lower Front Right
	05160005AA	1	J, T, U		49				Left
3	05074872AA	1	J, T, U		49				REINFORCEMENT, Body Side Aperture Right
	05074873AA	1	J, T, U		49				Left
4	05115859AA	1	J, T, U		49				BRACKET, Wheelhouse
5	05074900AD	1	J, T, U		49				TROUGH, Liftgate Opening Right
	05074901AD	1	J, T, U		49				Left
6	68001972AD	1	J, T, U		49				PANEL PACKAGE, Body Side Aperture Rear Right
	68001973AD	1	J, T, U		49				Left
7	05115160AA	1	J, T, U		49				PANEL, Wheelhouse Inner Right
	05115161AA	1	J, T, U		49				Left
8	05074894AB	1	J, T, U		49				PANEL, Taillamp Mounting Right
	05074895AB	1	J, T, U		49				Left
9	05074860AA	1	J, T, U		49				REINFORCEMENT, D Pillar Upper Right
	05074861AA	1	J, T, U		49				Left
10	55394330AB	2	J, T, U		49				EXHAUSTER, Bodyside Aperture
11	05160001AB	2	J, T, U		49				PLATE, Striker
12	05074858AB	1	J, T, U		49				REINFORCEMENT, Quarter Inner Right
	05074859AB	1	J, T, U		49				Left
-13	04664367AA	1	J, T, U		49				STUFFER
14									PLATE, Wheelhouse

COMPASS/PATRIOT (MK)

SERIES LINE
H = HIGHLINE T = JEEP - 2WD
L = LOWLINE J = JEEP - 4WD
P = PREMIUM U = JEEP - 4WD (RHD)

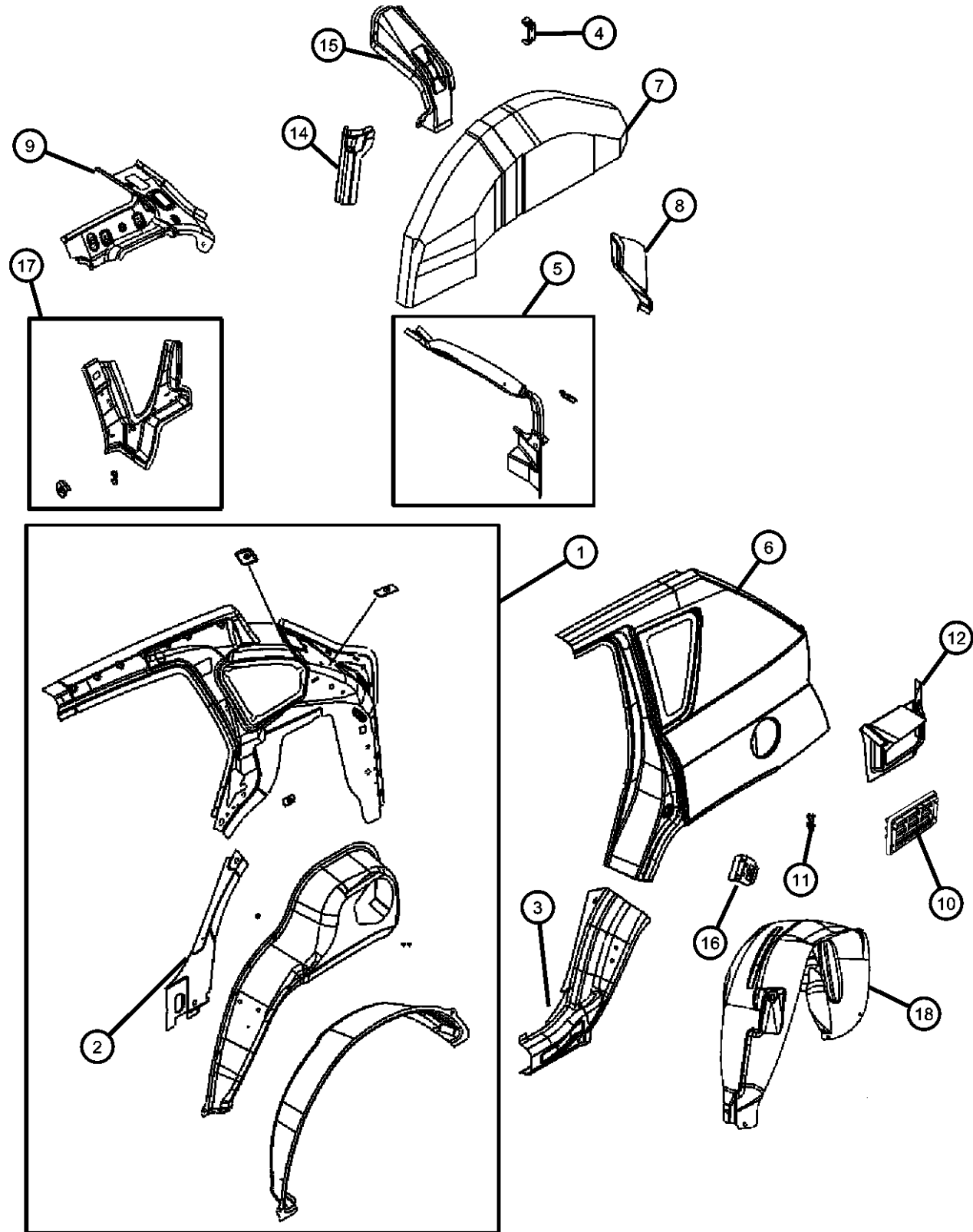
BODY
49 = HATCHBACK TYPE #2
74 = SPORT UTILITY 4-DR
TYPE #4

ENGINE TRANSMISSION
ECE = 2.0L 4 Cyl DOHC DPF DEF = 6-Speed Manual Aisin BG6
Diesel Engine Trans
ED3 = 2.4L 4 Cyl DOHC 16V DD7 = 5-Speed Manual T355
Dual VVT Engine Transmission
ECD = 2.0L 4 Cyl DOHC DAV = Continuously Variable
Diesel 16V Engine Transaxle II
ECN = 2.0L 4 Cyl DOHC 16V DAW = Cont.Var. w/Off-Rd Crawl
Dual VVT Engine Ratio Trans

AR = use ase required - = Non illustrated part

2008 MK

Rear Aperture (Quarter) Panel, Compass
Figure 60-650



ITEM	PART NUMBER	QTY	LINE	SERIES	BODY	ENGINE	TRANS	TRIM	DESCRIPTION
	05115210AB	1	J, T, U		49				Right
	05115211AB	1	J, T, U		49				Left
15									REINFORCEMENT, Wheelhouse Inner
	05115266AB	1	J, T, U		49				Right
	05115267AB	1	J, T, U		49				Left
16	05074092AA	2	J, T, U		49				RETAINER, Door Latch Striker
17									REINFORCEMENT, Quarter Panel Beltline
	05115788AB	1	J, T, U		49				Right
	05115789AB	1	J, T, U		49				Left
18									SHIELD, Wheelhouse
	05303948AA	1	J, T, U		49				Right
	05303949AA	1	J, T, U		49				Left

COMPASS/PATRIOT (MK)

SERIES LINE
H = HIGHLINE T = JEEP - 2WD
L = LOWLINE J = JEEP - 4WD
P = PREMIUM U = JEEP - 4WD (RHD)

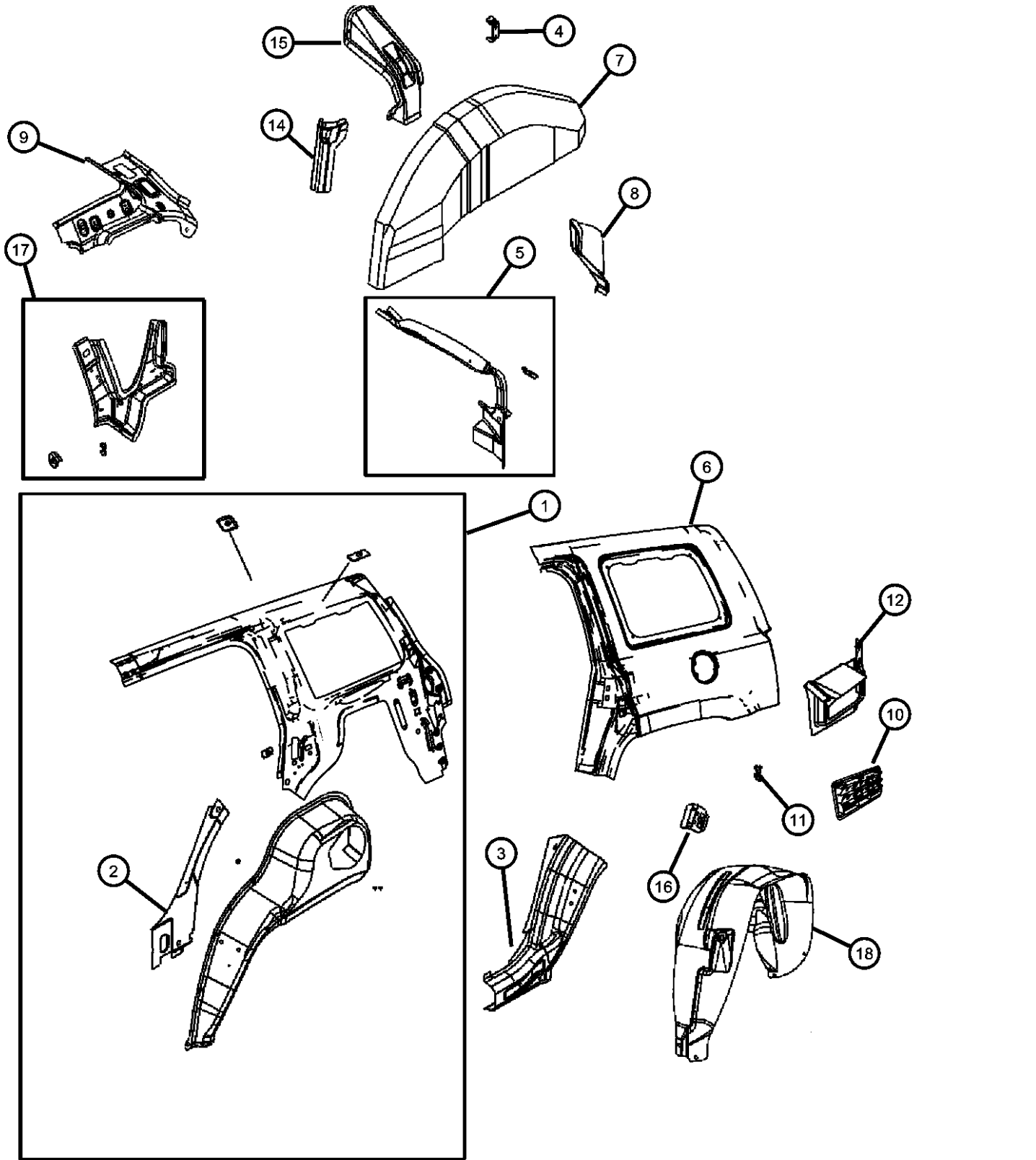
BODY
49 = HATCHBACK TYPE #2
74 = SPORT UTILITY 4-DR TYPE #4

ENGINE TRANSMISSION
ECE = 2.0L 4 Cyl DOHC DPF DEF = 6-Speed Manual Aisin BG6 Diesel Engine Trans
ED3 = 2.4L 4 Cyl DOHC 16V DD7 = 5-Speed Manual T355 Dual VVT Engine Transmission
ECD = 2.0L 4 Cyl DOHC DAV = Continuously Variable Diesel 16V Engine Transaxle II
ECN = 2.0L 4 Cyl DOHC 16V DAW = Cont.Var. w/Off-Rd Crawl Dual VVT Engine Ratio Trans

AR = use ase required - = Non illustrated part

2008 MK

Rear Aperture (Quarter) Panel, Patriot
Figure 60-651



ITEM	PART NUMBER	QTY	LINE	SERIES	BODY	ENGINE	TRANS	TRIM	DESCRIPTION
1	68001964AA	1	J, T, U		74				PANEL, Quarter Inner Right
	68001965AA	1	J, T, U		74				Left
2	05160004AA	1	J, T, U		74				PANEL, Quarter Inner Lower Front Right
	05160005AA	1	J, T, U		74				Left
3	05160126AA	1	J, T, U		74				REINFORCEMENT, Body Side Aperture Right
	05160127AA	1	J, T, U		74				Left
4	05115859AA	1	J, T, U		74				BRACKET, Wheelhouse
5	05160138AC	1	J, T, U		74				TROUGH, Liftgate Opening Right
	05160139AC	1	J, T, U		74				Left
6	68019178AA	1	J, T, U		74				PANEL PACKAGE, Body Side Aperture Rear Right
	68019179AA	1	J, T, U		74				Left
7	05115160AA	1	J, T, U		74				PANEL, Wheelhouse Inner Right
	05115161AA	1	J, T, U		74				Left
8	05160090AB	1	J, T, U		74				PANEL, Taillamp Mounting Right
	05160091AB	1	J, T, U		74				Left
9	05160136AB	1	J, T, U		74				REINFORCEMENT, D Pillar Upper Right
	05160137AB	1	J, T, U		74				Left
10	55394330AB	2	J, T, U		74				EXHAUSTER, Bodyside Aperture
11	05160001AB	2	J, T, U		74				PLATE, Striker
12	05160088AB	1	J, T, U		74				REINFORCEMENT, Quarter Inner Right
	05160089AB	1	J, T, U		74				Left
-13	05291794AB	1	J, T, U		74				STUFFER
14									PLATE, Wheelhouse

COMPASS/PATRIOT (MK)

SERIES LINE
H = HIGHLINE T = JEEP - 2WD
L = LOWLINE J = JEEP - 4WD
P = PREMIUM U = JEEP - 4WD (RHD)

BODY
49 = HATCHBACK TYPE #2
74 = SPORT UTILITY 4-DR TYPE #4

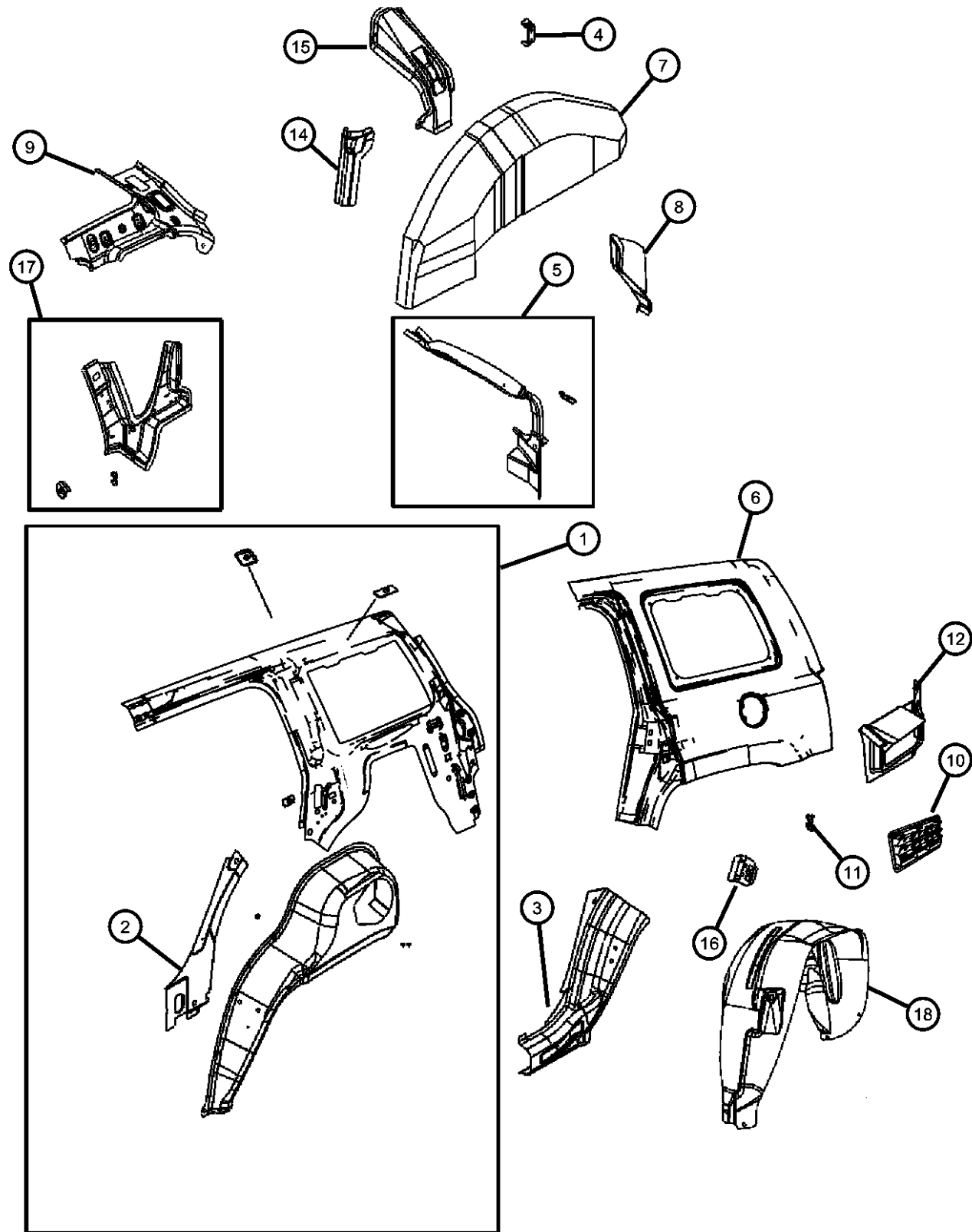
ENGINE
ECE = 2.0L 4 Cyl DOHC DPF Diesel Engine
ED3 = 2.4L 4 Cyl DOHC 16V Dual VVT Engine
ECD = 2.0L 4 Cyl DOHC Diesel 16V Engine
ECN = 2.0L 4 Cyl DOHC 16V Dual VVT Engine

TRANSMISSION
DEF = 6-Speed Manual Aisin BG6 Trans
DD7 = 5-Speed Manual T355 Transmission
DAV = Continuously Variable Transaxle II
DAW = Cont.Var. w/Off-Rd Crawl Ratio Trans

AR = use ase required - = Non illustrated part

2008 MK

Rear Aperture (Quarter) Panel, Patriot
Figure 60-651



ITEM	PART NUMBER	QTY	LINE	SERIES	BODY	ENGINE	TRANS	TRIM	DESCRIPTION
	05115210AB	1	J, T, U		74				Right
	05115211AB	1	J, T, U		74				Left
15									REINFORCEMENT, Wheelhouse Inner
	05115266AB	1	J, T, U		74				Right
	05115267AB	1	J, T, U		74				Left
16	05074092AA	2	J, T, U		74				RETAINER, Door Latch Striker
17									REINFORCEMENT, Quarter Panel Beltline
	05160144AB	1	J, T, U		74				Right
	05160145AB	1	J, T, U		74				Left
18									SHIELD, Wheelhouse
	05116242AC	1	J, T, U		74				Right
	05116243AC	1	J, T, U		74				Left

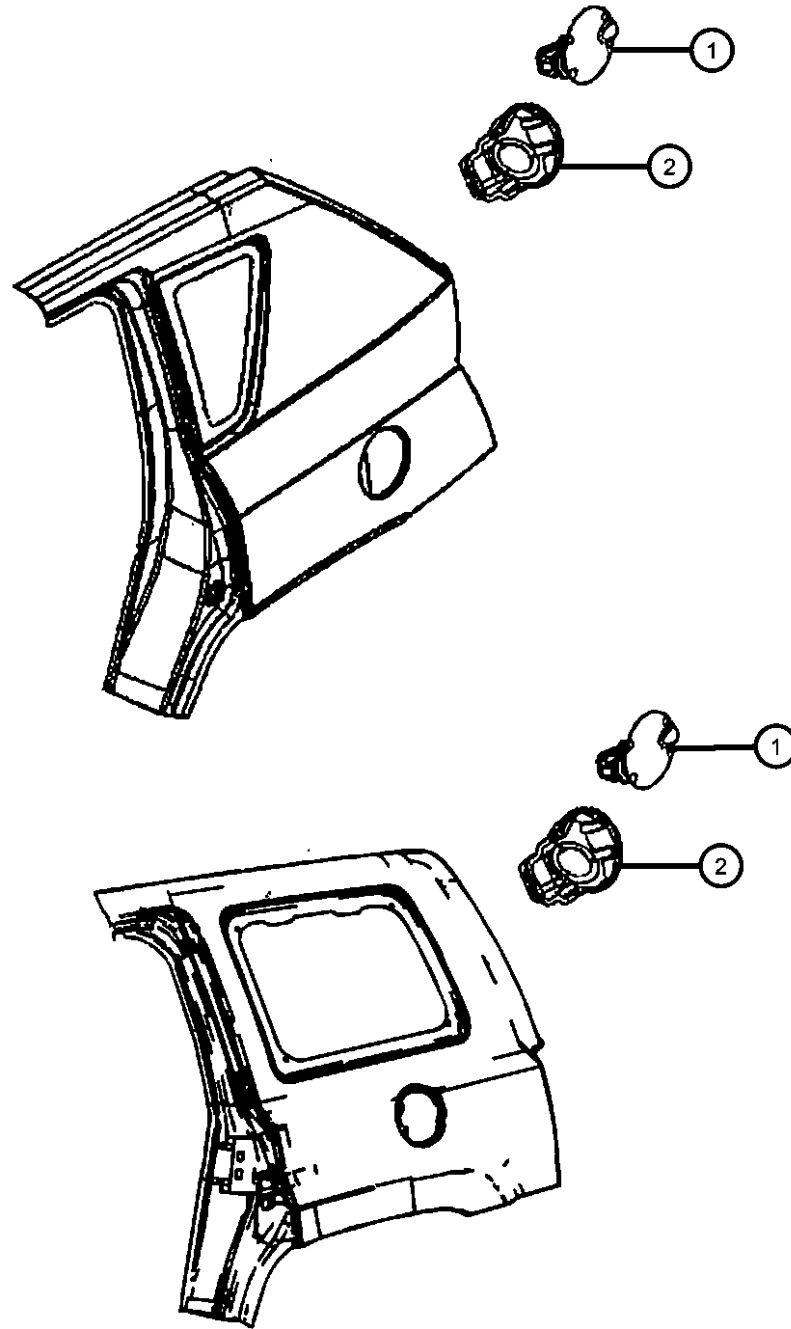
COMPASS/PATRIOT (MK)

SERIES	LINE	BODY	ENGINE	TRANSMISSION
H = HIGHLINE	T = JEEP - 2WD	49 = HATCHBACK TYPE #2	ECE = 2.0L 4 Cyl DOHC DPF Diesel Engine	DEF = 6-Speed Manual Aisin BG6 Trans
L = LOWLINE	J = JEEP - 4WD	74 = SPORT UTILITY 4-DR TYPE #4	ED3 = 2.4L 4 Cyl DOHC 16V Dual VVT Engine	DD7 = 5-Speed Manual T355 Transmission
P = PREMIUM	U = JEEP - 4WD (RHD)		ECD = 2.0L 4 Cyl DOHC Diesel 16V Engine	DAV = Continuously Variable Transaxle II
			ECN = 2.0L 4 Cyl DOHC 16V Dual VVT Engine	DAW = Cont.Var. w/Off-Rd Crawl Ratio Trans

AR = use ase required - = Non illustrated part

2008 MK

Fuel Filler Door
Figure 60-705



ITEM	PART NUMBER	QTY	LINE	SERIES	BODY	ENGINE	TRANS	TRIM	DESCRIPTION
1	05074083AB	1	J, T, U		49				HOUSING, Fuel Filler
	05160197AC	1	J, T, U		74				
2	05074082AB	1	J, T, U		49				DOOR, Fuel Fill
	05160097AD	1	J, T, U		74				

COMPASS/PATRIOT (MK)

SERIES LINE

H = HIGHLINE T = JEEP - 2WD
L = LOWLINE J = JEEP - 4WD
P = PREMIUM U = JEEP - 4WD (RHD)

BODY

49 = HATCHBACK TYPE #2
74 = SPORT UTILITY 4-DR
TYPE #4

ENGINE

ECE = 2.0L 4 Cyl DOHC DPF Diesel Engine
ED3 = 2.4L 4 Cyl DOHC 16V Dual VVT Engine
ECD = 2.0L 4 Cyl DOHC Diesel 16V Engine
ECN = 2.0L 4 Cyl DOHC 16V Dual VVT Engine

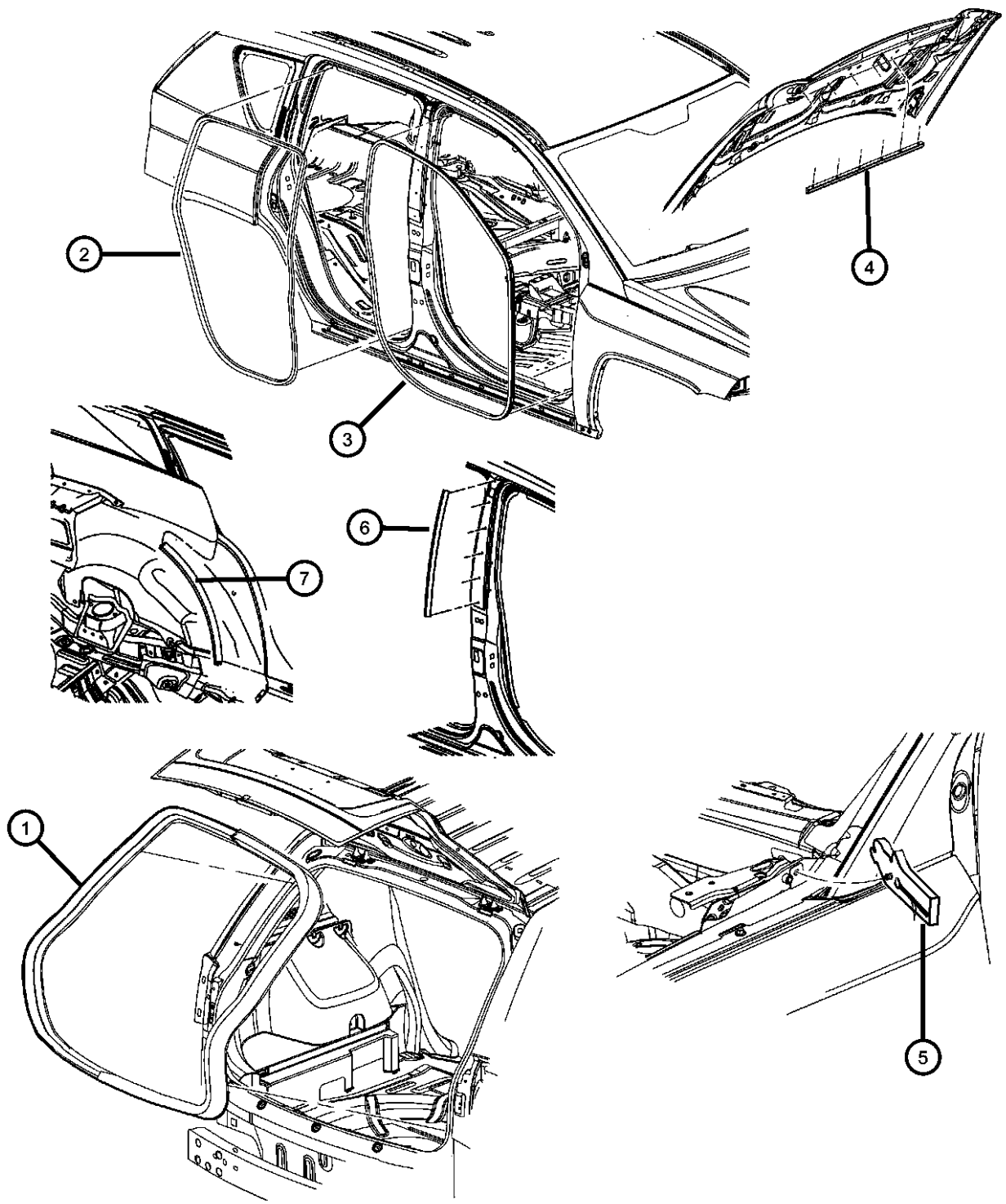
TRANSMISSION

DEF = 6-Speed Manual Aisin BG6 Trans
DD7 = 5-Speed Manual T355 Transmission
DAV = Continuously Variable Transaxle II
DAW = Cont.Var. w/Off-Rd Crawl Ratio Trans

AR = use ase required - = Non illustrated part

2008 MK

**Body Weatherstrips, Compass
Figure 60-805**



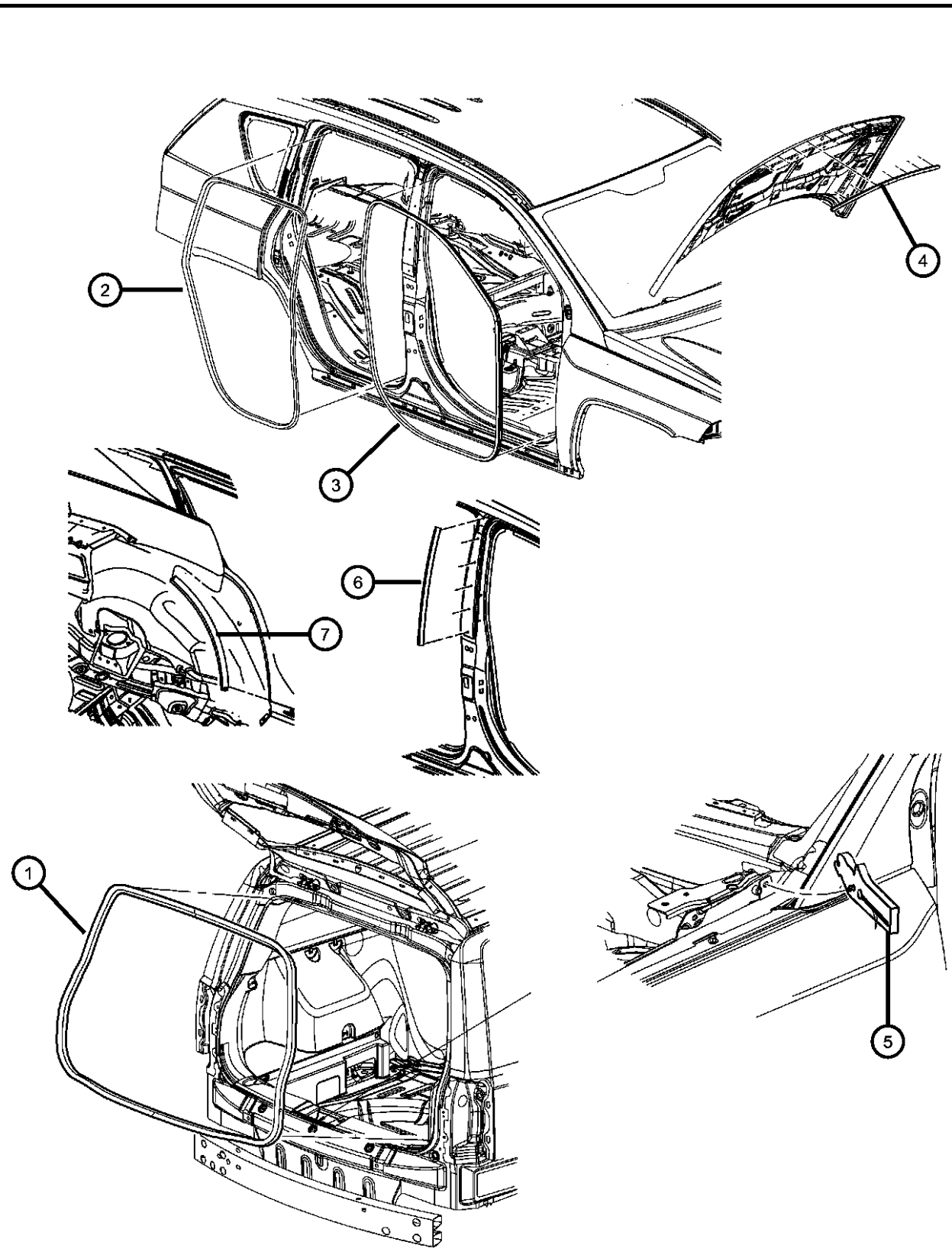
ITEM	PART NUMBER	QTY	LINE	SERIES	BODY	ENGINE	TRANS	TRIM	DESCRIPTION
1	05074641AE	1	J, T, U		49				WEATHERSTRIP, Liftgate Opening
2									WEATHERSTRIP, Rear Door Body Mounted Right
	05074646AD	1	J, T, U		49				Right
	05074647AD	1	J, T, U		49				Left
3									WEATHERSTRIP, Front Door Body Mounted Right
	05074642AD	1	J, T, U		49				Right
	05074643AD	1	J, T, U		49				Left
4	05115671AA	1	J, T, U		49				WEATHERSTRIP, Hood to Radiator
5									MUCKET, Cowl Panel Ledge, Seal
	05116420AA	1	U		49				
	05116421AA	1	J, T		49				
6	05115760AC	2	J, T, U		49				WEATHERSTRIP, B Pillar Cutline
7	05074766AB	2	J, T, U		49				WEATHERSTRIP, Wheelhouse, Rear

COMPASS/PATRIOT (MK)

SERIES	LINE	BODY	ENGINE	TRANSMISSION
H = HIGHLINE	T = JEEP - 2WD	49 = HATCHBACK TYPE #2	ECE = 2.0L 4 Cyl DOHC DPF Diesel Engine	DEF = 6-Speed Manual Aisin BG6 Trans
L = LOWLINE	J = JEEP - 4WD	74 = SPORT UTILITY 4-DR TYPE #4	ED3 = 2.4L 4 Cyl DOHC 16V Dual VVT Engine	DD7 = 5-Speed Manual T355 Transmission
P = PREMIUM	U = JEEP - 4WD (RHD)		ECD = 2.0L 4 Cyl DOHC Diesel 16V Engine	DAV = Continuously Variable Transaxle II
			ECN = 2.0L 4 Cyl DOHC 16V Dual VVT Engine	DAW = Cont.Var. w/Off-Rd Crawl Ratio Trans

AR = use ase required - = Non illustrated part

**Body Weatherstrips, Patriot
Figure 60-806**

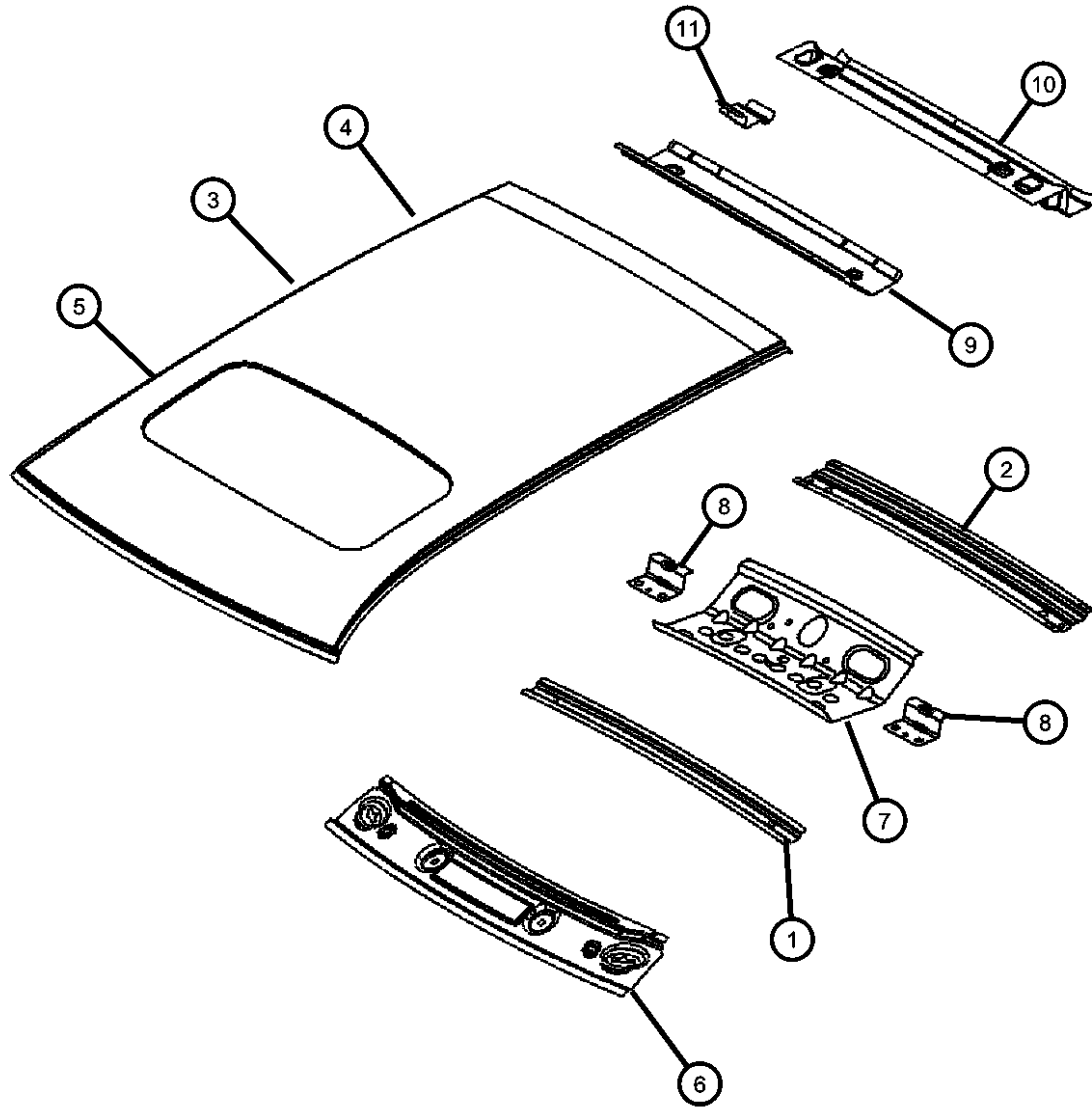


ITEM	PART NUMBER	QTY	LINE	SERIES	BODY	ENGINE	TRANS	TRIM	DESCRIPTION
1	05067749AB	1	J, T, U		74				WEATHERSTRIP, Liftgate Opening
2									WEATHERSTRIP, Rear Door Body Mounted Right
	05074646AD	1	J, T, U		74				Right
	05074647AD	1	J, T, U		74				Left
	05116400AC	1	J, T, U		74				With [AWP], Right
	05116401AC	1	J, T, U		74				With [AWP], Left
3									WEATHERSTRIP, Front Door Body Mounted Right
	05074642AD	1	J, T, U		74				Right
	05074643AD	1	J, T, U		74				Left
	05116398AC	1	J, T, U		74				With [AWP], Right
	05116399AC	1	J, T, U		74				With [AWP], Left
4	05067756AB	1	J, T, U		74				WEATHERSTRIP, Hood to Radiator
5									MUCKET, Cowl Panel Ledge, Seal
	05116526AA	1	U		74				
	05116527AA	1	J, T		74				
6	05115760AC	2	J, T, U		74				WEATHERSTRIP, B Pillar Cutline
7	05067758AB	2	J, T, U		74				WEATHERSTRIP, Rear Wheelhouse

COMPASS/PATRIOT (MK)		BODY	ENGINE	TRANSMISSION
SERIES	LINE	49 = HATCHBACK TYPE #2	ECE = 2.0L 4 Cyl DOHC DPF Diesel Engine	DEF = 6-Speed Manual Aisin BG6 Trans
H = HIGHLINE	T = JEEP - 2WD	74 = SPORT UTILITY 4-DR TYPE #4	ED3 = 2.4L 4 Cyl DOHC 16V Dual VVT Engine	DD7 = 5-Speed Manual T355 Transmission
L = LOWLINE	J = JEEP - 4WD		ECD = 2.0L 4 Cyl DOHC Diesel 16V Engine	DAV = Continuously Variable Transaxle II
P = PREMIUM	U = JEEP - 4WD (RHD)		ECN = 2.0L 4 Cyl DOHC 16V Dual VVT Engine	DAW = Cont.Var. w/Off-Rd Crawl Ratio Trans

AR = use ase required - = Non illustrated part

**Roof Panel
Figure 60-905**



ITEM	PART NUMBER	QTY	LINE	SERIES	BODY	ENGINE	TRANS	TRIM	DESCRIPTION
1	05074329AA	1	J, T, U		49				BOW, Roof
2	05115780AA	1	J, T, U		49				BOW, Roof
3	05160129AE	1	J, T, U		74				ROOF, Sunroof
4	05116453AE	1	J, T, U		74				ROOF, Outer
5	05074888AB	1	J, T, U		49				PANEL, Roof, Without Sunroof Opening
6	05116379AB	1	J, T, U		74				HEADER, Windshield
	05116392AA	1	J, T, U		49				
7	05115218AB	1	J, T, U		49				HEADER, Roof Lower Rear
	05160148AC	1	J, T, U		74				
8	05074630AA	2	J, T, U		49				REINFORCEMENT, Upper Header Hinge
9	05115218AB	1	J, T, U		49				HEADER, Roof Lower Rear
	05160148AC	1	J, T, U		74				
10	05115219AC	1	J, T, U		49				HEADER, Roof Upper Rear
	05160149AD	1	J, T, U		74				
11	05074630AA	2	J, T, U		49				REINFORCEMENT, Upper Header Hinge

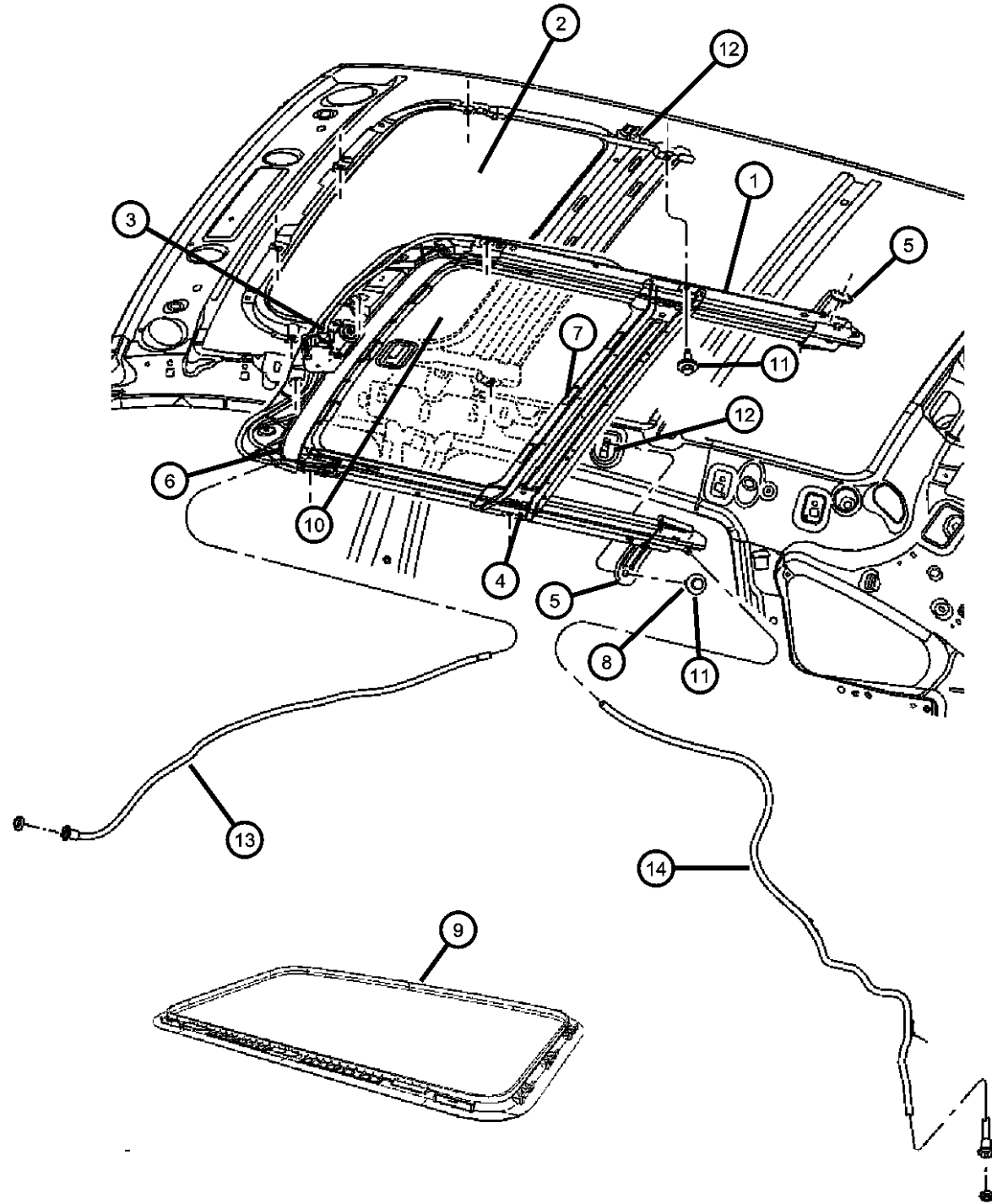
COMPASS/PATRIOT (MK)

SERIES	LINE	BODY	ENGINE	TRANSMISSION
H = HIGHLINE	T = JEEP - 2WD	49 = HATCHBACK TYPE #2	ECE = 2.0L 4 Cyl DOHC DPF Diesel Engine	DEF = 6-Speed Manual Aisin BG6 Trans
L = LOWLINE	J = JEEP - 4WD	74 = SPORT UTILITY 4-DR TYPE #4	ED3 = 2.4L 4 Cyl DOHC 16V Dual VVT Engine	DD7 = 5-Speed Manual T355 Transmission
P = PREMIUM	U = JEEP - 4WD (RHD)		ECD = 2.0L 4 Cyl DOHC Diesel 16V Engine	DAV = Continuously Variable Transaxle II
			ECN = 2.0L 4 Cyl DOHC 16V Dual VVT Engine	DAW = Cont.Var. w/Off-Rd Crawl Ratio Trans

AR = use ase required - = Non illustrated part

2008 MK

Sunroof Glass and Component Parts
Figure 60-1005



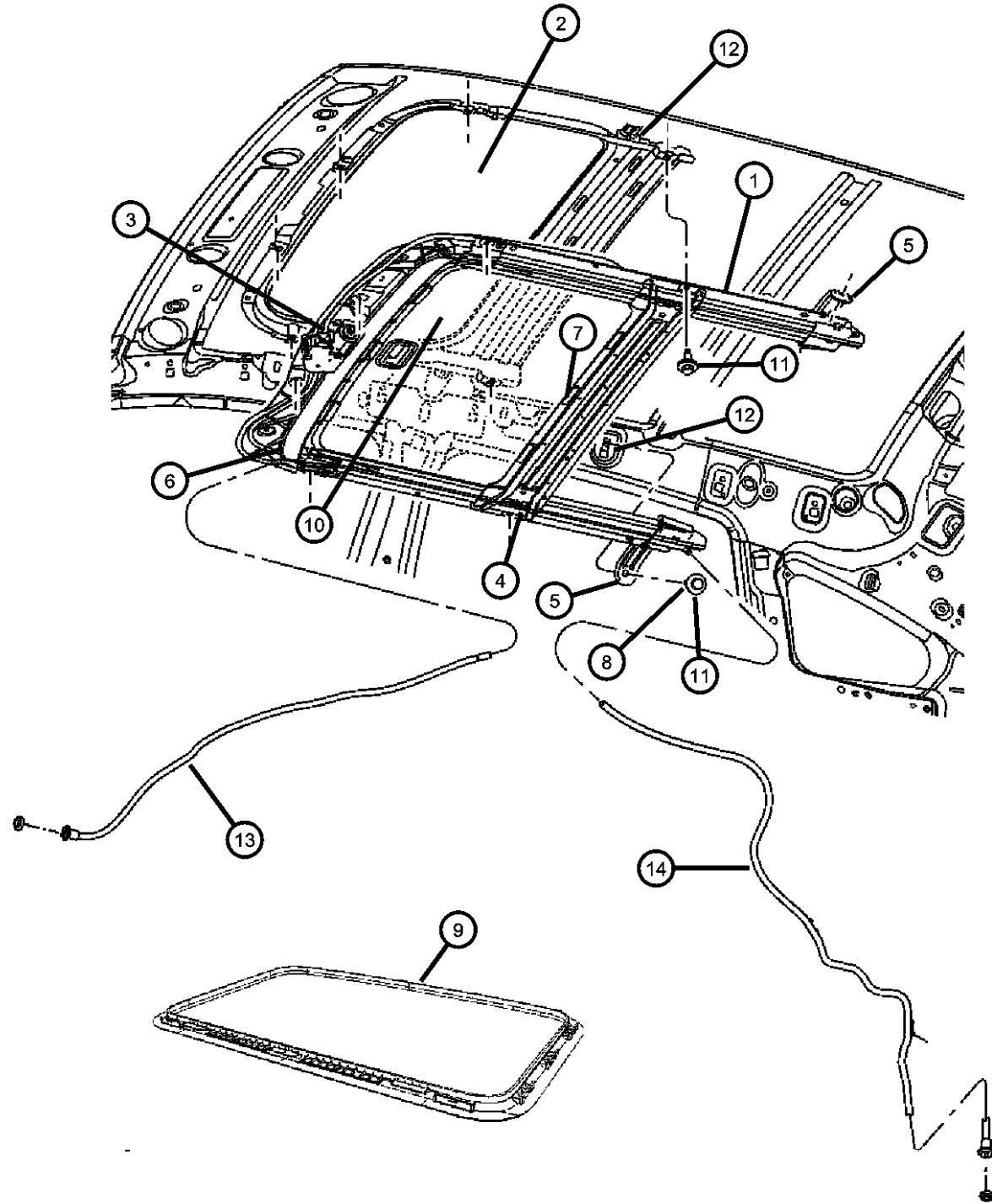
ITEM	PART NUMBER	QTY	LINE	SERIES	BODY	ENGINE	TRANS	TRIM	DESCRIPTION
1	05183170AC	1	J, T, U		49				FRAME, Sunroof
		1	J, T, U		74				
2	05183171AA	1	J, T, U		49				GLASS, Sunroof
	68003466AA	1	J, T, U		74				
3	05183174AA	1	J, T, U		49				MOTOR, Sunroof
		1	J, T, U		74				
4	05183176AA	1	J, T, U		49				CHANNEL, Sunroof Drain
		1	J, T, U		74				
5	05183177AA	1	J, T, U		49				BRACKET, Sunroof Frame
		1	J, T, U		74				
6	68019335AA	1	J, T, U		49				DEFLECTOR, Sunroof Wind
		1	J, T, U		74				
7	05183208AA	1	J, T, U		49				VELCRO STRIP
		6	J, T, U		74				
8	05183173AA	1	J, T, U		49				SCREW PACKAGE, Sunroof Glass Attach
		5	J, T, U		74				
9	05183172AB	1	J, T, U		49				SEAL, Sunroof Glass
		1	J, T, U		74				
10	1DP18DW1AA	1	J, T, U		49				SUNSHADE, Sunroof
		1	J, T, U		74				
11	06104366AA	2	J, T, U		49, 74				SCREW AND WASHER, Hex Head, M6x1x20
12									NUT, U, M6x1.00

COMPASS/PATRIOT (MK)

SERIES	LINE	BODY	ENGINE	TRANSMISSION
H = HIGHLINE	T = JEEP - 2WD	49 = HATCHBACK TYPE #2	ECE = 2.0L 4 Cyl DOHC DPF Diesel Engine	DEF = 6-Speed Manual Aisin BG6 Trans
L = LOWLINE	J = JEEP - 4WD	74 = SPORT UTILITY 4-DR TYPE #4	ED3 = 2.4L 4 Cyl DOHC 16V Dual VVT Engine	DD7 = 5-Speed Manual T355 Transmission
P = PREMIUM	U = JEEP - 4WD (RHD)		ECD = 2.0L 4 Cyl DOHC Diesel 16V Engine	DAV = Continuously Variable Transaxle II
			ECN = 2.0L 4 Cyl DOHC 16V Dual VVT Engine	DAW = Cont.Var. w/Off-Rd Crawl Ratio Trans

AR = use ase required - = Non illustrated part

**Sunroof Glass and Component Parts
Figure 60-1005**



ITEM	PART NUMBER	QTY	LINE	SERIES	BODY	ENGINE	TRANS	TRIM	DESCRIPTION
	06506035AA	2	J, T, U		49				
		2	J, T, U		74				
13	05115794AD	1	J, T, U		49				HOSE, Sunroof Drain, Clips serviced with Hose Front Left
	05160008AC	1	J, T, U		74				Front Left
	05160008AC	1	J, T, U		49				Front Right
	05160134AA	1	J, T, U		74				Front Right
	05160134AA	2	J, T, U		74				Rear
14	05160043AA	2	J		49				HOSE, Sunroof Drain, RearRear

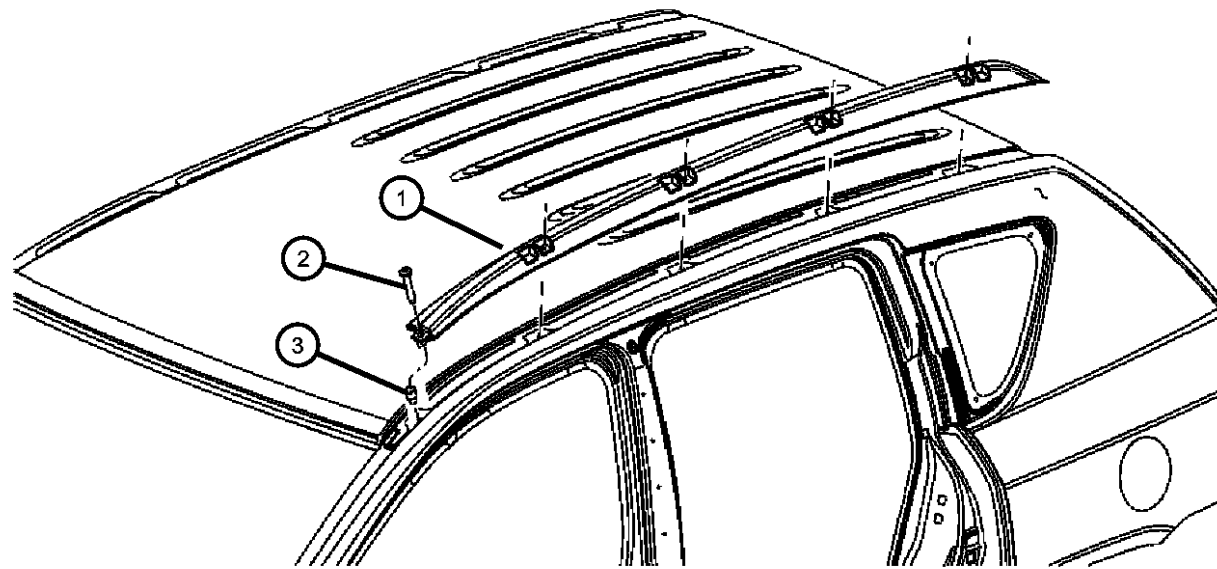
COMPASS/PATRIOT (MK)

SERIES	LINE	BODY	ENGINE	TRANSMISSION
H = HIGHLINE	T = JEEP - 2WD	49 = HATCHBACK TYPE #2	ECE = 2.0L 4 Cyl DOHC DPF Diesel Engine	DEF = 6-Speed Manual Aisin BG6 Trans
L = LOWLINE	J = JEEP - 4WD	74 = SPORT UTILITY 4-DR TYPE #4	ED3 = 2.4L 4 Cyl DOHC 16V Dual VVT Engine	DD7 = 5-Speed Manual T355 Transmission
P = PREMIUM	U = JEEP - 4WD (RHD)		ECD = 2.0L 4 Cyl DOHC Diesel 16V Engine	DAV = Continuously Variable Transaxle II
			ECN = 2.0L 4 Cyl DOHC 16V Dual VVT Engine	DAW = Cont.Var. w/Off-Rd Crawl Ratio Trans

AR = use ase required - = Non illustrated part

**Roof Rack, Compass
Figure 60-1305**

ITEM	PART NUMBER	QTY	LINE	SERIES	BODY	ENGINE	TRANS	TRIM	DESCRIPTION
1									SIDE RAIL, Roof Rack
	05303806AB	1	J, T, U		49				Right
	05303807AB	1	J, T, U		49				Left
2	06508452AA	5	J, T, U		49				SCREW, Pan Head
3	06506739AA	5	J, T, U		49				NUT, Rivet



COMPASS/PATRIOT (MK)

SERIES LINE

H = HIGHLINE T = JEEP - 2WD
L = LOWLINE J = JEEP - 4WD
P = PREMIUM U = JEEP - 4WD (RHD)

BODY

49 = HATCHBACK TYPE #2
74 = SPORT UTILITY 4-DR
TYPE #4

ENGINE

ECE = 2.0L 4 Cyl DOHC DPF Diesel Engine
ED3 = 2.4L 4 Cyl DOHC 16V Dual VVT Engine
ECD = 2.0L 4 Cyl DOHC Diesel 16V Engine
ECN = 2.0L 4 Cyl DOHC 16V Dual VVT Engine

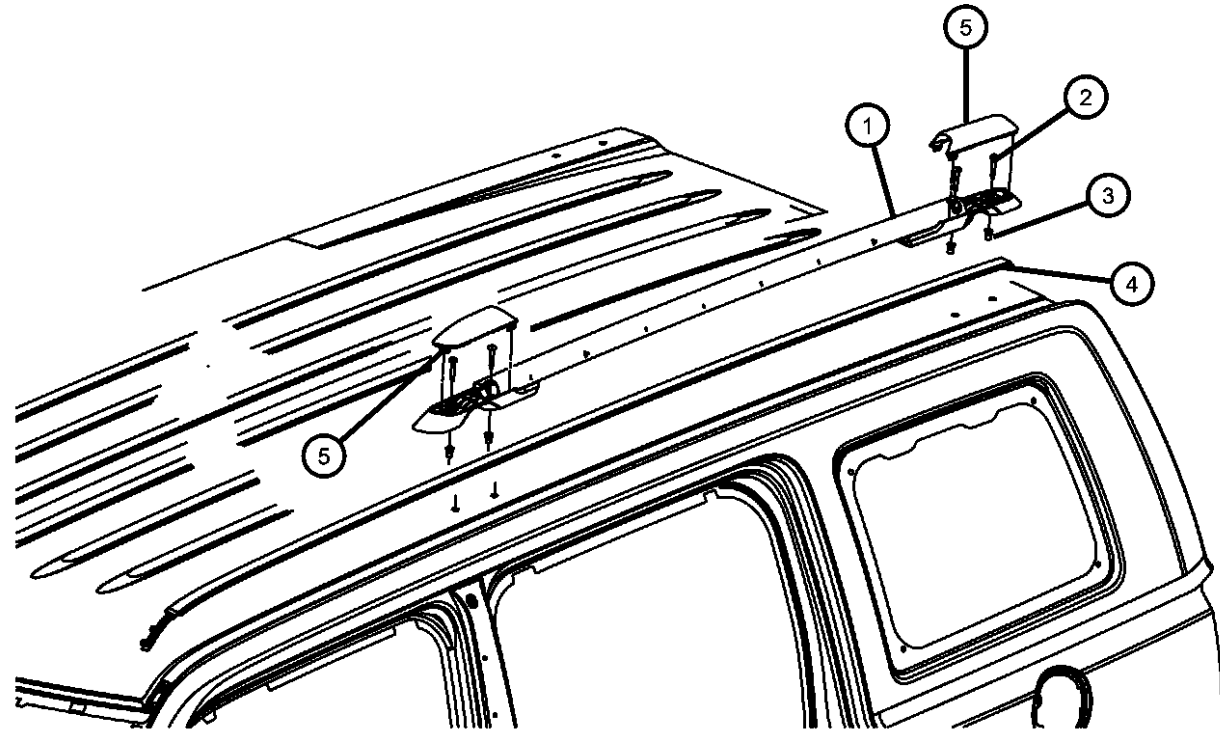
TRANSMISSION

DEF = 6-Speed Manual Aisin BG6 Trans
DD7 = 5-Speed Manual T355 Transmission
DAV = Continuously Variable Transaxle II
DAW = Cont.Var. w/Off-Rd Crawl Ratio Trans

AR = use ase required - = Non illustrated part

2008 MK

Roof Rack, Patriot
Figure 60-1310



ITEM	PART NUMBER	QTY	LINE	SERIES	BODY	ENGINE	TRANS	TRIM	DESCRIPTION
1	05116252AA	1	J, T, U		74				SIDE RAIL, Roof Rack With [MWE], Right
	05116253AA	1	J, T, U		74				With [MWE], Left
	05116370AA	1	J, T, U		74				With [MW1], Right
	05116371AA	1	J, T, U		74				With [MW1], Left
2	06508452AA	4	J, T, U		74				SCREW, Pan Head
3	06506739AA	4	J, T, U		74				NUT, Rivet
4	05116250AC	1	J, T, U		74				MOLDING, Roof Right
	05116251AC	1	J, T, U		74				Left
5	55394342AB	1	J, T, U		74				COVER, Luggage Rack Front, Right
	55394343AB	1	J, T, U		74				Front, Left
	55394344AB	1	J, T, U		74				Rear, Right
	55394345AB	1	J, T, U		74				Rear, Left
-6	05116469AA	1	J, T, U		49				RAIL, LUGG RACK CROSS

COMPASS/PATRIOT (MK)

SERIES LINE
H = HIGHLINE T = JEEP - 2WD
L = LOWLINE J = JEEP - 4WD
P = PREMIUM U = JEEP - 4WD (RHD)

BODY
49 = HATCHBACK TYPE #2
74 = SPORT UTILITY 4-DR
TYPE #4

ENGINE
ECE = 2.0L 4 Cyl DOHC DPF Diesel Engine
ED3 = 2.4L 4 Cyl DOHC 16V Dual VVT Engine
ECD = 2.0L 4 Cyl DOHC Diesel 16V Engine
ECN = 2.0L 4 Cyl DOHC 16V Dual VVT Engine

TRANSMISSION
DEF = 6-Speed Manual Aisin BG6 Trans
DD7 = 5-Speed Manual T355 Transmission
DAV = Continuously Variable Transaxle II
DAW = Cont.Var. w/Off-Rd Crawl Ratio Trans

AR = use ase required - = Non illustrated part

2008 MK