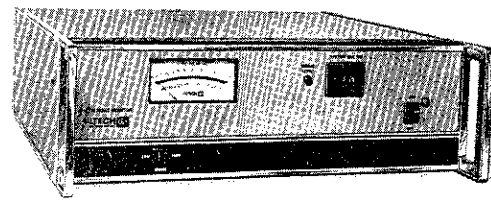
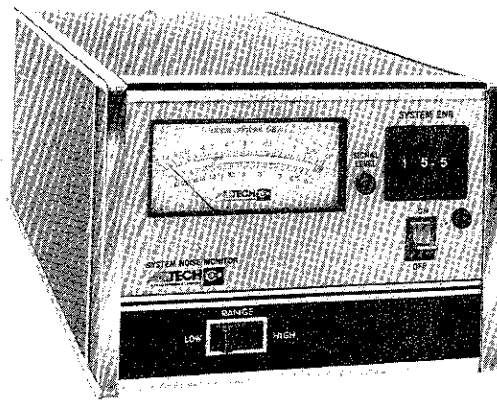


OPERATION AND SERVICE MANUAL

7310
7320

SYSTEM NOISE MONITORS



REVISION B

AITECH 
DIVISION CUTLER-HAMMER CONTROL

WARRANTY

Except for tubes, fuses, and batteries which carry no warranty, Cutler-Hammer, in connection with equipment sold, agrees to correct any defect in workmanship or material which may develop during the period of one year from the date of shipment under proper or normal use and not in excess of the original manufacturer's life expectancy ratings, by its option to repair or replace, FOB point of shipment, the defective part or parts, and such correction shall constitute a fulfillment of all Cutler-Hammer liabilities in respect to said apparatus:

July 1978

TABLE OF CONTENTS

	<u>Page</u>
Chapter I--General Information	
1-1. Introduction	1-1
1-3. General Description	1-1
1-7. Safety Precautions	1-1
1-10. Technical Specifications	1-1
1-12. Functional Description	1-5
1-13. General	1-5
1-15. The Noise Monitor in a Typical Application	1-5
1-17. Auxiliary Outputs	1-6
1-19. Options	1-6
1-21. Accessories	1-7
1-22. Noise Generators	1-7
1-23. Precision Attenuation	1-9
1-24. Test Equipment	1-10
Chapter II--Installation	
2-1. Introduction	2-1
2-3. Unpacking, Inspection and Damage Claims	2-1
2-5. Ancillary Items	2-1
2-7. Rack Mounting	2-1
2-9. Preparation for Use	2-1
2-11. Initial Checkout	2-2
2-14. General	2-2
2-16. Checkout Procedures	2-2
Chapter III--Operating Instructions	
3-1. General	3-1
3-3. Description of Operating Controls, Indicators and Connectors	3-1
3-5. Set-up Procedures	3-1
3-8. Interconnections	3-1
3-17. Excess Noise Ratio Setting	3-5
3-21. Establishing the Correct Signal Levels	3-5
3-27. Operation	3-7

	<u>Page</u>
3-31. Use of Auxiliary Outputs	3-9
3-33. Signal Monitor, J1, Pin 4	3-9
3-35. External Meter, J1, Pins 6 and 7	3-9
3-37. Recorder Output, J1, Pin 8	3-10
3-39. Manual Noise Figure (Temperature) Measurements	3-10

Chapter IV--Theory of Operation

4-1. Introduction	4-1
4-3. General Theory	4-1
4-4. Noise Figure Theory	4-1
4-6. Noise Figure Measurement	4-2
4-8. Operating Noise Figure and Temperature Measurement	4-4
4-11. Functional Description (Automatic Noise Measurement)	4-5
4-15. Circuit Descriptions	4-8
4-17. IF Amplifier	4-9
4-22. Square Law Detector	4-9
4-24. Variable Gain Amplifier	4-9
4-25. Synchronous Integrator and Meter Amplifier	4-9
4-26. AGC Amplifier	4-9
4-31. Timing Signal Generator	4-10
4-39. Power Supply Board	4-13
4-41. +12 Volt Regulator	4-14
4-42. -12 Volt Regulator	4-14
4-43. +28 Volt Noise Source Supply	4-14

Chapter V--Maintenance and Adjustments

5-1. General	5-1
5-3. Performance Verification	5-1
5-6. Minimum Operating Level	5-1
5-7. Noise Generator Power	5-2
5-8. Accuracy	5-2
5-10. Checks and Adjustments	5-3
5-13. Power Supply Adjustments	5-5
5-14. IF Adjustments	5-5
5-16. Preliminary	5-5
5-17. Procedure	5-6

	<u>Page</u>
5-18. Meter Adjustments	5-6
5-20. Auxiliary Output Adjustments	5-6
5-22. Signal Monitor	5-6
5-23. Recorder Output	5-7
5-24. Troubleshooting	5-7
5-26. General Information	5-7
5-27. Tools	5-7
5-28. Transistors	5-7
5-29. Integrated Circuits	5-8
5-30. Logic Family	5-8
5-31. Logic Circuits	5-8
5-32. Analog Gates	5-8
5-33. Operational Amplifiers	5-8
5-34. Printed Circuit Boards	5-8
5-37. Printed Circuit Board Connectors	5-8
5-38. Front Panel Lamps	5-13
5-39. ENR Thumbwheel Switch	5-14
5-40. Troubleshooting Procedures	5-14
5-44. Factory Service	5-14

Chapter VI--Spare Parts

6-1. General	6-1
6-2. Recommended Spare Parts	6-1
6-3. Replaceable Spare Parts	6-1

LIST OF ILLUSTRATIONS

<u>Figure</u>		<u>Page</u>
Frontis- piece		
1-1	System Noise Monitors	1-2
1-2	SNM, Models 7310 and Outline Dimensions	1-3
1-3	SNM, Models 7320 Outline Dimensions	1-3
1-4	Typical Noise Figure Measurement Set-up Using the AILTECH 7300 System Noise Monitors	1-5
1-5	Layout of J1	1-6
1-6	Typical Noise Sources Used with the 7300 SNM'S	1-8
1-7	Maximum ENR vs Frequency	1-9
1-8	AILTECH 32 Precision Attenuator (Cased Version)	1-10
3-1	7310/7320 SNM Control, Indicator, Connector Locations	3-3
3-2	Bench Measurement Set-ups	3-4
3-3	Typical "Operating" Measurement Set-up	3-4
3-4	Illustration of Sensitivity and Signal Level Range	3-6
3-5	Location of the Manual-Auto Controls	3-8
3-6	AILTECH Noise Figure Slide Rule	3-10
3-7	Nomograph for Determining Noise Figure or Temperature	3-11
4-1	Equivalent Noise Representation of a Noisy Network	4-3
4-2	Equivalent Representation of Noise Figure Measurement Set-up	4-3
4-3	Equivalent Representation of an Operating Noise Measurement	4-4
4-4	Functional Block Diagram	4-5
4-5	Timing Signal Generator Simplified Schematic and Timing Diagram	4-11
5-1	Set-up for Checking SNM Accuracy	5-3
5-2	Adjustment Locations	5-4
5-3	Plastic-Case Transistors	5-7
5-4	Integrated Circuit Case Styles	5-9
5-5	Integrated Circuits Functional Illustrations	5-11
5-6	3-Input NOR Gate Operation	5-12
5-7	Operation of the COS/MOS Bilateral Switch	5-12
5-8	Typical Applications of Operational Amplifiers	5-13
5-9	Pin Numbering Layout of a Typical AMP 87133 Connector	5-13
5-10	General Troubleshooting/Repair Flow Chart	5-15
5-11	IF Troubleshooting Chart	5-17
5-12	AGC Troubleshooting Chart	5-18

<u>Figure</u>		<u>Page</u>
5-13	Video-DC Troubleshooting Chart	5-19
5-14	Timing Generator Troubleshooting Chart	5-20
5-15	Power Supply Troubleshooting Chart	5-21
5-16	Power Supply, Parts Location and Schematic Diagrams	5-22
5-17	IF-Video Parts Location and Schematic Diagrams	5-25
5-18	Wiring Diagram	5-27

LIST OF TABLES

<u>Table</u>		<u>Page</u>
1-1	Technical Specifications	1-4
1-2	Applicable Noise Sources	1-7
1-3	Recommended Test Equipment	1-10
3-1	AILTECH 7310/7320 System Noise Monitors Controls, Indicators and Connectors	3-2
4-1	Functional Illustration — Timing and Gating	4-8
4-2	3-Input NOR Circuit Truth Table	4-13
5-1	Test Equipment Required for Performance Verification	5-1
5-2	Power Supply Checks and Adjustments	5-5

CHAPTER I

GENERAL

1-1. INTRODUCTION

1-2. This Instruction Manual is for the AILTECH 7310 and AILTECH 7320 System Noise Monitors (SNM), figure 1-1, and contains physical and functional descriptions, installation and inspection procedures, operating and maintenance instructions, and a parts list for each model. All schematics, electrical and assembly drawings are included, as are appendices for the available optional features. Unless otherwise stated, the information provided herein applies to both models.

1-3. GENERAL DESCRIPTION

1-4. The System Noise Monitors described in this Instruction Manual (7310 and 7320) are functionally identical. Each provides a readout of the Noise Figure of a unit under test (UUT) when connected in a valid measurement setup. The minimum test setup consists of a SNM, the UUT, and a solid state noise source of the AILTECH 7600 series. The 7310 and 7320 have optional meter scales which provide an Operating Noise Temperature readout in lieu of Noise Figure.

1-5. The 7310 and 7320 SNM's are referred to as analog units because the readout is by a meter with two ranges. Range selection is made by means of a front panel switch. AILTECH also manufactures the 7360 and 7370 which indicate Noise Figure by means of a three-digit LED display and are generally referred to as digital units.

1-6. The 7310 (Figure 1-2) is 7½ inches wide and is intended for bench-top use while the 7320 (Figure 1-3) is approximately 17 inches wide and is intended for rack mounting. The optional Rack Mount Angle Brackets (Option 11) must be attached for mounting in a standard 19 inch rack.

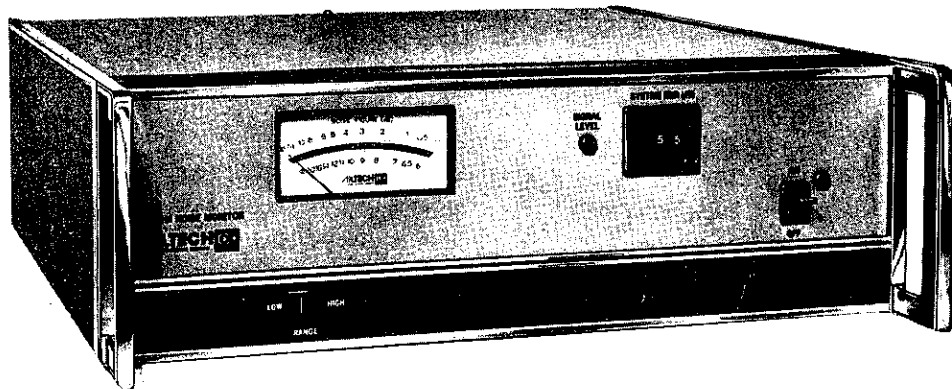
1-7. SAFETY PRECAUTIONS

1-8. The SNM's are a low power instrument but when the unit is opened for service, there is the possibility of contacting the A.C. line. The potential hazard is reduced by covering all exposed contact points with insulating material. These instruments should be serviced by technically qualified personnel only.

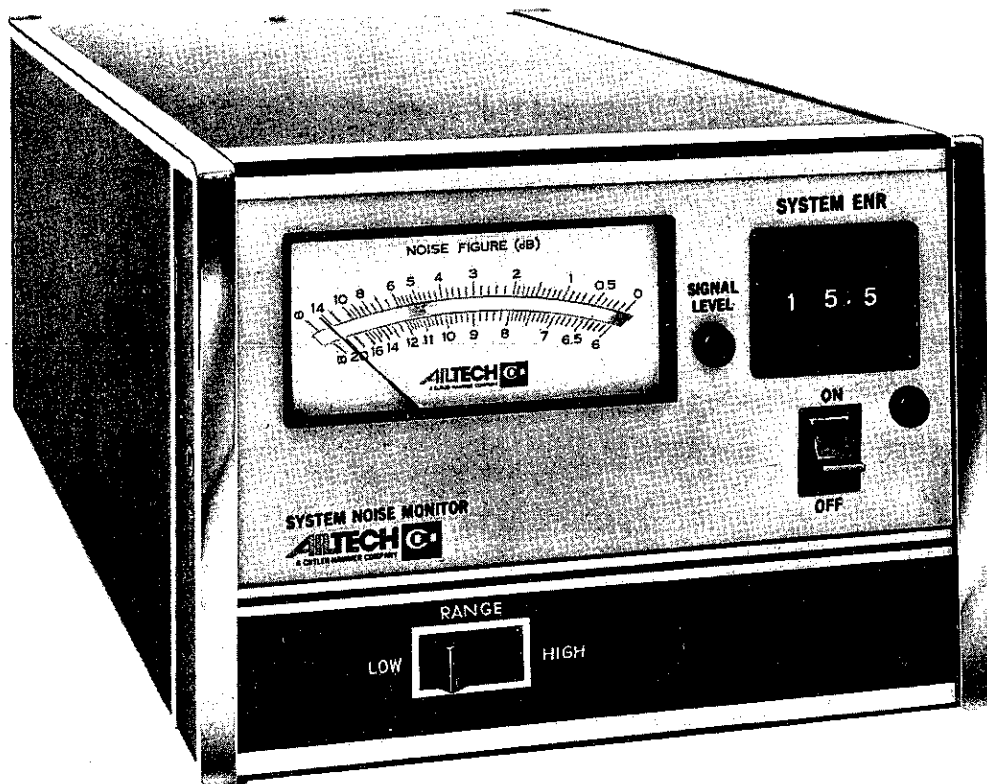
1-9. A standard three-wire, polarized line cord is supplied with the instrument and mates with an internationally accepted EMI/RFI line filter. The connector complies with all current and proposed domestic and international requirements for commercial test equipment.

1-10. TECHNICAL SPECIFICATIONS

1-11. A listing of technical specifications is provided in Table 1-1. Outline illustrations for both models are presented in Figure 1-2 and 1-3.



a) AILTECH 7320



b) AILTECH 7310

Figure 1-1. System Noise Monitors

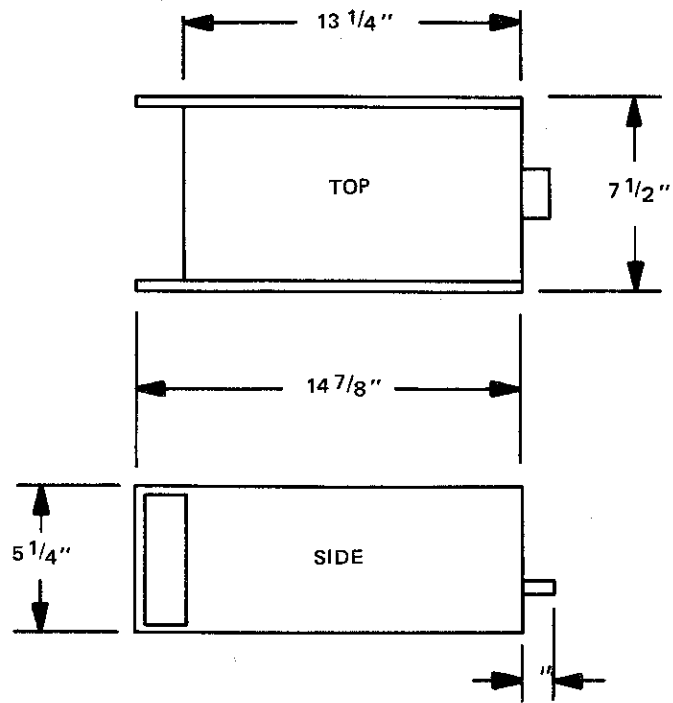


Figure 1-2. SNM, Models 7310 and Outline Dimensions

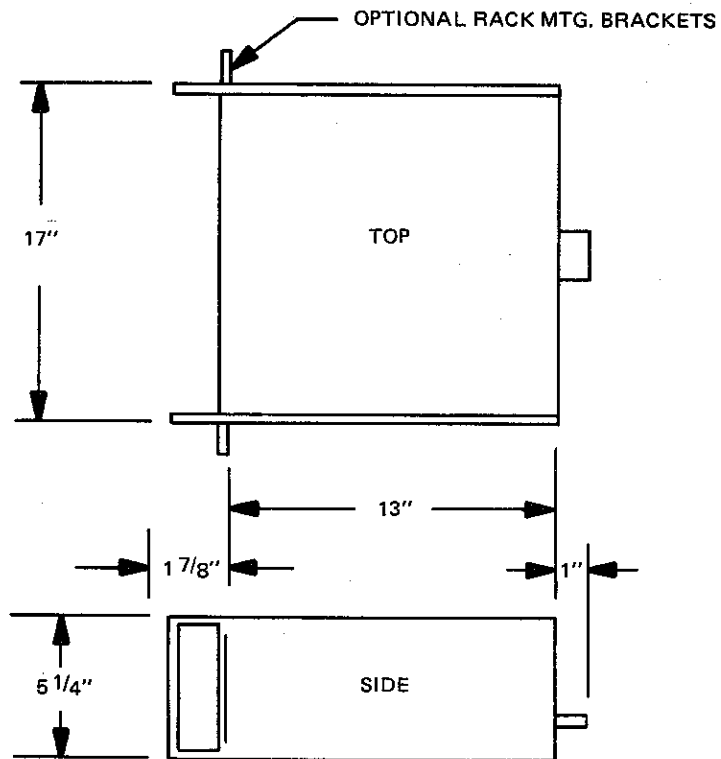


Figure 1-3. SNM, Models 7320 Outline Dimensions

TABLE 1-1. TECHNICAL SPECIFICATIONS

Input Frequency	10.7, 21.4, 30, 36, 45, 60 or 70 MHz (to be specified at time of order)
Bandwidth	10% of center frequency (nominal)
Minimum Operating Level (Note 1)	Less than -70 dBm
Signal Level Range (Note 2)	40 dB (minimum)
Input Impedance	50 ohms (nominal); 75 ohms, optional if specified at time of order.
Accuracy (Note 3)	Full scale to half scale: ±0.25 dB (Noise Figure) ±5% (Noise Temperature) Half scale to quarter scale: ±0.5 dB (Noise Figure) ±8% (Noise Temperature)
Meter Ranges	0 and 6 dB full scale (Noise Figure), 60 and 240 kelvins full scale (Noise Temperature). Extension to infinity on all scales.
Excess Noise Ratio Calibration Range	6 to 15.9 dB
Noise Generator Power	Sufficient to drive all AILTECH Series 76 Solid-State Noise Sources
Recorder Output	1 volt across 1K ohms nominal for full scale meter deflection.
Auxiliary Output Connector (Recorder, Signal Monitor and All Options)	Amphenol 57-20240-1, mates with Amphenol 57-30240 supplied with unit (see para. 1-17).
Input Power	115/230 VAC ±15%, 50-400 Hz, 10 Watts
Dimensions	
7310	5 1/4"H x 7 7/16"W x 13 1/4"D (less handles)(13.3 x 18.9 x 34.3 cm)
7320	5 1/4"H x 17"W x 13 1/4"D (less handles) (13.3 x 43.2 x 34.3 cm) See Figures 1-2 and 1-3.

TABLE 1-1. TECHNICAL SPECIFICATIONS (continued)

Weight

7310	10 lbs. Net (4.5 kg) 14 lbs. Shipped (6.3 kg)
7320	15 lbs. Net (6.8 kg) 19 lbs. Shipped (8.6 kg)

NOTES:

1. Lowest noise input level (noise source off), at which valid automatic measurements may be performed.
2. Range of noise levels (including Y-factor) over which valid measurements may be performed.
3. Accuracy in the automatic mode is defined as the maximum permissible deviation from a manual measurement made under the same conditions.

1-12. FUNCTIONAL DESCRIPTION

1-13. General

1-14. The System Noise Monitors are designed for both field and production applications where simplicity and high accuracy instrumentation are required. The SNM's are capable of providing fully automatic testing via a continuous indication of noise performance for a variety of components, assemblies and receivers. Simplified functional operation of the SNM's is described in the typical applications presented in the following paragraphs; a detailed functional description is provided in Section IV. All AILTECH solid state noise sources from 10 MHz to 18 GHz are usable with the SNM's described herein (see paragraph 1-23).

1-15. The System Noise Monitor in a Typical Application

1-16. In a typical measurement set-up for transistors, amplifiers, mixers, receivers, etc. such as that shown in Figure 1-4, the SNM furnishes modulated low level DC power to the noise source, which in turn provides alternating noise-on and noise-off periods to the unit under test (UUT).

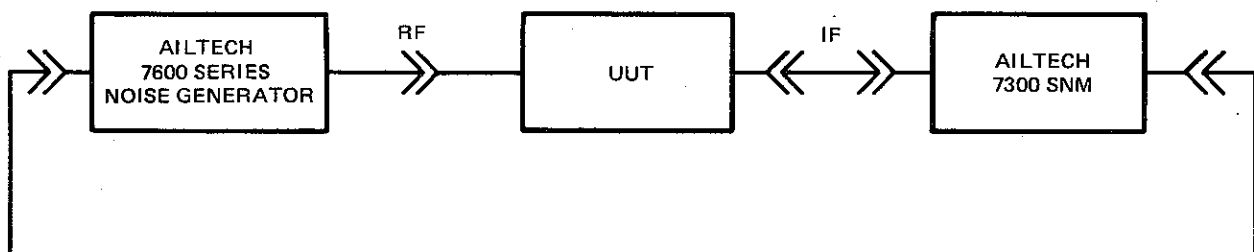


Figure 1-4. Typical Noise Figure Measurement Set-up Using the AILTECH 7300 System Noise Monitors

An intermediate frequency (IF) is derived either internal to the UUT in the case of a complete transceiver or externally by means of added downconverters. This signal, which consists of periods of IF noise from the UUT alone, alternating with periods of UUT noise plus that added by the noise source, is applied to the SNM input. The difference between the two detected levels derived from the IF signal is related to the noise performance of the UUT. This difference is synchronously detected and displayed directly as noise figure or noise temperature by the SNM.

1-17. AUXILIARY OUTPUTS

1-18. Several auxiliary outputs for remote monitoring or record keeping are available at J1, a multipin connector on the rear panel. The layout of J1 is shown in Figure 1-5. The outputs available are as follows:

- a. Alarm Relay. An optional (Option 03) variable threshold alarm relay, applicable to all models.
- b. Signal Monitor. A DC signal that varies from 0 to 6 volts (nominal) as the input IF level increases from the sensitivity limit to 50 dB above that limit. This is a non-linear output intended only to indicate signal level.
- c. External Meter. A meter with 100 microamps full-scale sensitivity connected across pins 6 and 7 of J1 will track the excursion of the SNM front-panel meter. When Option 12, 10 volt recorder output, is installed the External Meter Function is not available.
- d. Recorder Output. One volt into 1 K ohm for full scale deflection of the front panel meter.

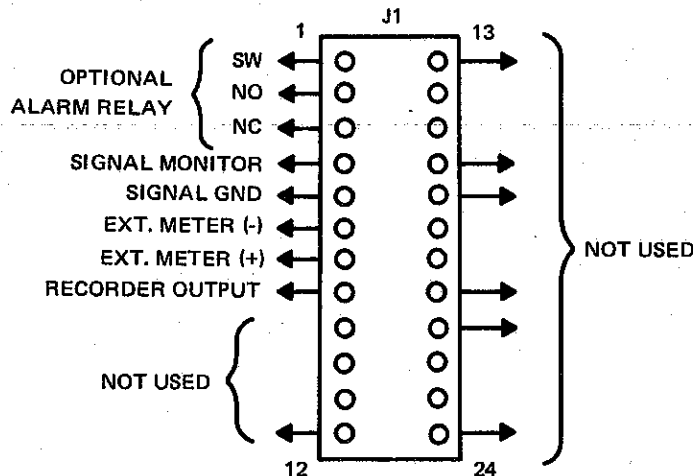


Figure 1-5. Layout of J1

1-19. OPTIONS

1-20. The following options are available for the 7300 System Noise Monitors and are listed here for reference and identification purposes. See the referenced appendices or documents for complete option descriptions.

- a. Option 02, Radar Noise Monitor. Applicable to the 7320 SNM only. Provides for continuous, on-line, noise performance monitoring of an operating radar without interfering with the radar operation. Option 02 is covered in a separate manual.

- b. Option 03, Alarm Indication. Applicable to both models. SPDT relay deenergizes when the measured noise figure degrades beyond a preset limit. The threshold is continuously variable from inside the unit. The relay contacts are available at J1 (see Figure 1-5). Refer to Appendix B.
- c. Option 06, Special Paint. Applicable to both models. Front panels can be painted in accordance to customer's specifications (with customer supplied paint).
- d. Option 07, High Sensitivity. Applicable to the 7320 SNM only. Improves the sensitivity to -100 dBm. Refer to Appendix C.
- e. Option 09, Broadband Mixer Input. Available on 7320 SNM only. Addition of a broadband, mixer with all ports (RF, LO, IF) available at the rear panel. The mixer cover 10 to 1,000 MHz. Refer to Appendix D.
- f. Option 10, Front Panel Controls for Manual Operation. Applicable to both models. The controls required for manual Y-factor measurement are moved to the front panel. Refer to Appendix E.
- g. Option 11, Rack Adaptor Brackets. Applicable to the 7320 SNM only. Permits mating the front panel with a standard 19 inch rack. See Appendix F.

1-21. ACCESSORIES

1-22. Noise Generators. A complete measurement setup requires a noise generator in addition to the SNM. All 7300 SNM's are designed to operate with solid-state noise sources of the 7600 series. Table 1-2 lists the applicable sources and Figure 1-6 illustrates some typical noise generators.

TABLE 1-2. APPLICABLE NOISE SOURCES

Part Number	07615	07616	07617	7650-X (1)	7660-X (1)
Frequency Range (GHz)	0.01-1.5	1-12.4	12.4-18	(2)	(2)
Excess Noise Ratio (dB)	15.5±0.5	15.5±0.5	15.5±1	see figure 1-7	see figure 1-7
Calibration Freq. (GHz)	0.03, 0.3, 1.0, 1.5	1,2,3,95, 8.2, 12.4	12.4,15,18,	3 points specified at time of order	
ENR Accuracy (3) (dB)	±0.3	±0.3	±0.25	±0.5(4)	±0.5(4)
VSWR (maximum)	1.2	1.2	1.3	4:1	4:1
Output Connector	N male	N male	OSM female	Type N-male	OSM-female

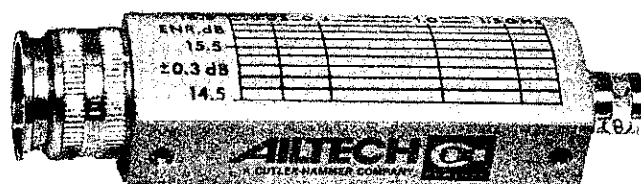
Table continued on page 1-8

TABLE 1-2. APPLICABLE NOISE SOURCES (Continued)

Part Number	07615	07616	07617	7650-X (1)	7660-X (1)
Input Connector	BNC female	BNC female	BNC female	BNC female	BNC female
Input Requirements	28 volts at less than 30 mA	28 volts at less than 30 mA	28 volts at less than 30 mA	28.0 V at 30 mA maximum	28.0 V at 30 mA maximum

NOTES:

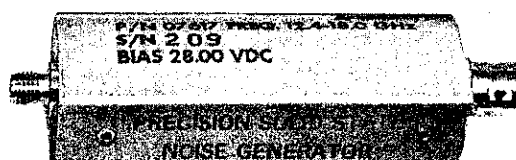
1. Last digit assigned to each specific noise source at time of order.
2. Up to 15% of the center frequency from 10 MHz to 18 GHz — wider bandwidths available.
3. Accuracy of the ENR data supplied at the calibration frequencies.
4. Higher accuracy available.



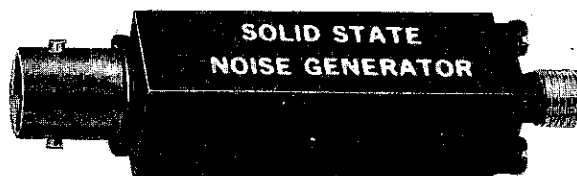
a) 07615 10 to 1500 MHz



b) 07616 1 to 12.4 GHz



c) 07617 12.4 to 18 GHz



d) 07660 Typical High Level System Noise Source

Figure 1-6. Typical Noise Sources Used With the 7300 SNM's

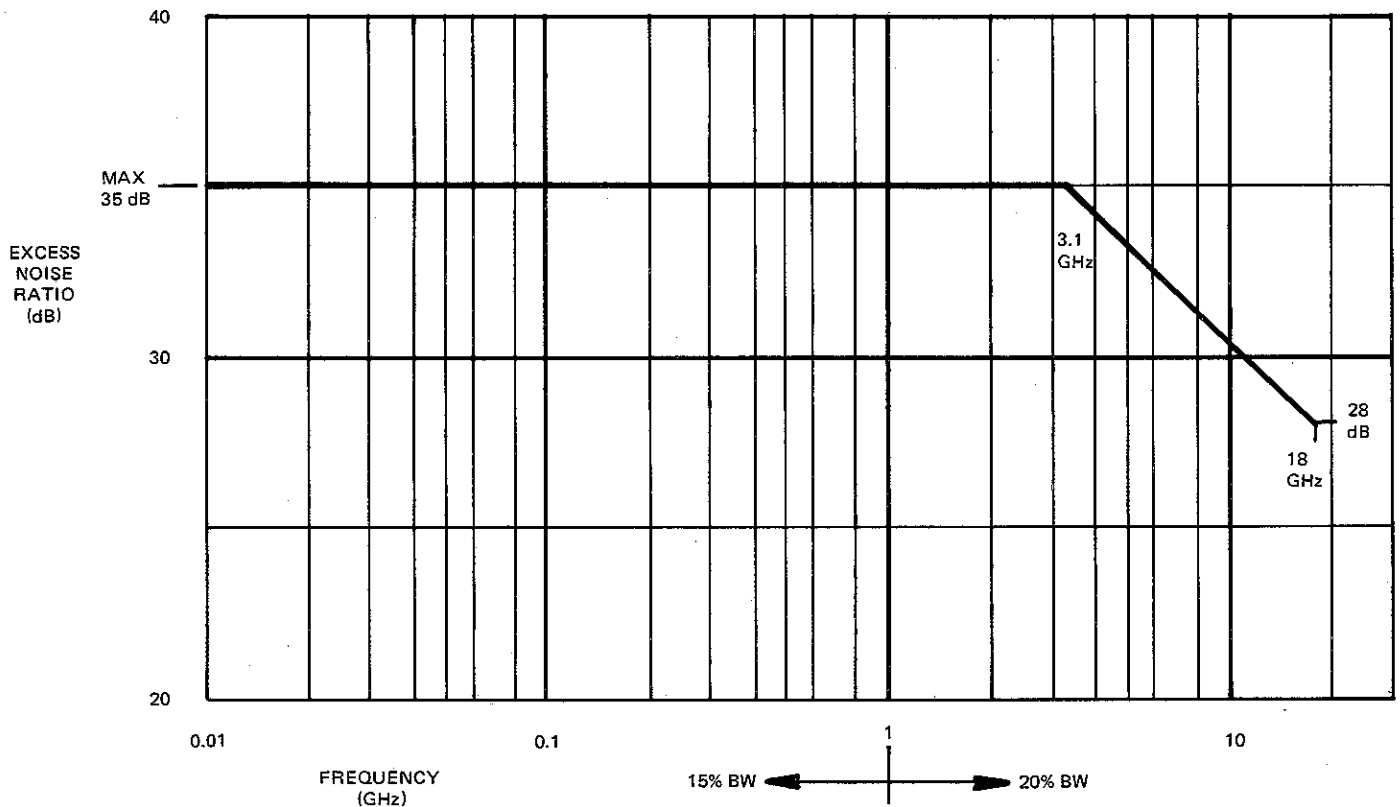


Figure 1-7. Maximum ENR vs Frequency

1-23. Precision Attenuation. The AILTECH 32 Series Precision Attenuators are tuned, continuously variable attenuators which provide an accurate means of measuring Y-factor. These instruments are necessary for routine, periodic recalibration of the 7300 System Noise Monitors. However, for critical applications where it is desired to improve precision by recalibrating on-line on a short term basis, the Precision Attenuator becomes a valuable adjunct to the measurement setup. These attenuators (see Figure 1-8) are available at common intermediate frequencies in rack mount, cased, and unmounted configurations.



Figure 1-8. AILTECH 32 Precision Attenuator (Cased Version)

1-24. TEST EQUIPMENT

1-25. Table 1-3 lists the test equipment recommended for use in testing, adjusting and servicing SNM's.

TABLE 1-3. RECOMMENDED TEST EQUIPMENT

Description	Specification	Recommended Model
Precision Attenuator	IF equal to 7300	AILTECH 32 Series
Signal Generator	Calibrated output from -100 to -30 dBm at 7300 IF	Boonton 512
Digital Multimeter	4½ digits	Systron-Donner 7004A
Vector Voltmeter	10 to 100 MHz	PRD 2020
Oscilloscope	200 MHz 3 dB BW	Tektronix 475
Noise Generator	Compatible with UUT and SNM	AILTECH 76 Series
Amplifier	Compatible with Noise Generator and SNM	(Simulates UUT).

CHAPTER II

INSTALLATION

2-1. INTRODUCTION

2-2. This chapter describes unpacking, inspection, preparation for use and initial checkout of the AILTECH 7300 Series System Noise Monitors.

2-3. UNPACKING, INSPECTION AND DAMAGE CLAIMS

2-4. No special instructions or precautions are necessary for unpacking the SNM; the instrument is ready for use immediately upon receipt. The following checks should be made to assure that no damage has occurred during shipment.

- a. Inspect the shipping container prior to acceptance from the carrier. Note any damage to the shipping container on the carrier's receipt.
- b. Inspect the instrument for damage. Check for dents, scratches, broken switches, connectors, etc.
- c. Remove the top and bottom covers and inspect for broken components or loose hardware.
- d. If damage is not apparent until after the instrument has been accepted, file a claim for concealed damage with the carrier within 15 days after receipt. All packaging material must be kept for inspection by the carrier's agent. A copy of the claim must be forwarded to AILTECH.

2-5. ANCILLARY ITEMS

2-6. Each SNM is accompanied by a mating line cord, a mating plug for the auxiliary output connector, and one instruction manual. Before discarding the shipping container, make certain these items are removed.

2-7. RACK MOUNTING

2-8. Rack Mounting Adapter Kit, Option 11 is required to secure the AILTECH 7320 in a standard 19 inch rack. The kit consists of two right angle brackets which bolt to the side of the unit. Complete assembly instructions are provided with the kit.

2-9. PREPARATION FOR USE

2-10. Prior to shipment from the factory, the internal mode switches of the System Noise Monitor are set for normal automatic noise figure (or temperature) measurements, and the line voltage switch on the rear panel is set to the value appropriate for the shipping destination. However, it is good practice to check these settings prior to operating the instrument as follows:

- a. Note the setting of the rear panel line voltage switch. Set it to 115 or 230 volts AC as required (see Figure 3-1).

- b. Check both line fuses, F1 and F2, and make certain they are the correct value for the line voltage selected:

230 VAC: F1, F2 = 1/8 Amp.

115 VAC: F1, F2 = 1/4 Amp.

- c. Remove the single Phillips-head screw holding the top cover in place, and remove the top cover.
- d. See Figure 3-5 for the location of the IF-Video board and for the locations of the MAN-AUTO and noise generator ON-OFF switches on the IF-Video board.
- e. Make certain that the MAN-AUTO switch is in the AUTO position and the noise generator ON-OFF switch is in the OFF position.

2-11. INITIAL CHECKOUT

2-12. This operational checkout is a preliminary test and is not intended to validate performance standards. (For complete Validation Procedure, refer to Chapter V.) Figure 3-1 and Table 3-1 locate and describe the function of the controls, indicators and connectors referenced below.

2-13. The equipment required for initial operational checkout is as follows:

- a. Oscilloscope — Tektronix 475 (or equivalent).
- b. Signal Generator — Boonton Model 102A (or equivalent).
- c. Digital Multimeter — Syston Donner 7004A.

2-14. General

2-15. Perform the procedures detailed under paragraph 2-10. Connect the line cord to the appropriate AC power source.

CAUTION

The 7300 System Noise Monitors are low power instruments, but routine precautions should be observed due to the possibility of contact with the applied AC line.

2-16. Checkout procedures

- a. With the power ON-OFF switch in the OFF position and the instrument in its normal operating orientation, note the reading of the front panel meter. If it indicates infinity (∞) proceed to step (b). If it does not indicate infinity, adjust the meter as follows:
 1. Locate the zero adjustment screw at the rear of the meter case, between and just below the terminals.
 2. Rotate the screw until the meter reads up-scale (lower noise figures).

3. Continue rotating the screw in the same direction until the needle again indicates infinity.
- b. Set the power ON-OFF switch to the ON position, allow a few minutes for stabilization, and note that:
 1. The red power indicator is illuminated.
 2. The green SIGNAL LEVEL indicator is not illuminated.
- c. Set the RANGE switch on the front panel to the HIGH position. Note that the meter still indicates infinity.
- d. Connect the output of the signal generator to the IF input. Set the output frequency to the center frequency of the SNM. Set the output level to rated sensitivity of the SNM:

-70 dBm for standard units

-100 dBm for units equipped with Option -07, High Sensitivity.

Note that the green SIGNAL LEVEL lamp is illuminated.

- e. Locate the MAN-AUTO* switch on the IF-Video board and set it to the MAN position. Note that the green SIGNAL LEVEL lamp extinguishes.
- f. Set the front panel RANGE switch to the LOW position. Adjust the signal generator output level for full-scale indication (0 dB or 60K). Adjust the internal MAN GAIN* control counterclockwise for a quarter-scale indication (6 dB or 240K).
- g. Set the front panel RANGE switch to the HIGH position. Note that the indication rises to approximately full-scale (± 2 dB).
- h. Connect the multimeter, set up to read +28 volts DC, to the BNC connector on the rear panel marked NOISE SOURCE. Note that the multimeter reads 0 ± 0.5 volts.
- i. Set the noise generator ON-OFF* switch on the IF video board to ON. Note that the multimeter reads $+28.00 \pm 0.05$ volts.
- j. Disconnect the multimeter. Set the noise generator ON-OFF and MAN-AUTO switches on the IF-Video board to OFF and AUTO respectively. Connect the oscilloscope to the NOISE SOURCE BNC connector on the rear panel. Note that the output is a rectangular, positive pulse, alternating between 0 and +28 volts, at about a 285 Hz rate).
- k. Disconnect the oscilloscope, and replace the top cover.

* These controls are on the front panel of those units equipped with Option 10.

NOTE

If the instrument fails any portion of the checkout procedure, it requires adjustment or repair. Refer to Chapter V for adjustment and troubleshooting instructions. If the unit is still under warranty, contact your local AILTECH representative.

CHAPTER III
OPERATING INSTRUCTIONS

3-1. GENERAL

3-2. This chapter provides a description of the SNM operating controls, indicators and connectors and typical SNM operating procedures.

3-3. DESCRIPTION OF OPERATING CONTROLS, INDICATORS AND CONNECTORS.

3-4. The front and rear panel controls, indicators and connectors for SNM Models 7310/7320 are listed in Table 3-1 and illustrated in Figure 3-1. The functions of the controls, indicators and connectors for Models 7310 and 7320 are identical.

3-5. SET-UP PROCEDURES

3-6. The AILTECH 7300 System Noise Monitors are normally applied to the continuous or periodic measurement of a single receiving system, or repeated measurements of similar types of devices (as on a production line test station). Therefore, some care should be exercised in setting up the measurement system to insure the validity of the indicated results.

3-7. There are three major factors to be considered in setting up the measurement system:

- a. Interconnections.
- b. Establishment of the correct Excess Noise Ratio (ENR) setting for the front panel thumbwheel switch on the SNM.
- c. Establishment of signal levels within the measurement range of the SNM.

3-8. Interconnections

3-9. In general, there are two types of set-ups for noise parameter measurements. For purposes of identification these will be referred to as "bench" and "operating" noise measurements.

3-10. Most true noise figure measurement are of the bench type. In this case, the setup will be as indicated in Figure 3-2.

3-11. If the noise source is a typical laboratory noise generator with an excess noise ratio (ENR) less than 16 dB — such as the AILTECH 7615, 7616, and 7617 Noise Generators — it can be connected directly to the input of the unit-under-test (UUT).

3-12. If the noise source is a high-level unit with an ENR greater than 16 dB — such as most units in the 7650, 7660 series — a calibrated attenuator sufficient to reduce the ENR to a value between 6 and 15.9 dB must be inserted between the noise source and the input of the UUT (effective ENR is the noise source ENR less the attenuation in dB).

3-13. Operating measurements are those made with the receiver connected in its normal operating environment. In most cases, this means the input connected to an antenna. Noise is injected into the system by means of a directional coupler (see Figure 3-3). This setup usually requires a high level noise source, such as the AILTECH 7650 or 7660.

TABLE 3-1. AILTECH 7310/7320 SYSTEM NOISE MONITORS CONTROLS, INDICATORS AND CONNECTORS

Key (Figure 3-1)	Title	Reference Designation	Function
1		DL1	Red indicator is illuminated when AC power is applied.
2	ON OFF	S1	Lever switch controls application of AC power.
3	SYSTEM ENR (dB)	S3	Thumbwheel switch calibrates SNM for selected excess noise ratio.
4	SIGNAL LEVEL	DL2	Green indicator is illuminated when the input IF level exceeds some arbitrary minimum.
5	NOISE FIGURE (dB)	MI	Indicates Noise Figure.
5a	NOISE TEMPERATURE—Kelvins	MI	Alternate meter scale indicates Operating Noise Temperature.
6	RANGE LOW/HIGH	S2	Rocker switch selects meter range.
7	Fuse	F1	Line fuse.
8	Fuse	F2	Line fuse.
9	LINE	S11	Slide switch selects primary AC input line voltage.
10	AC INPUT	—	Recessed plug for application of primary AC input.
11	Connector	J1	Multipin connector (Amphenol 57-20240-1, mate supplied) for auxiliary outputs (see paragraph 1-17).
12	IF INPUT	J8	BNC female connector for application of IF signal from unit under test.
13	NOISE SOURCE	J9	BNC female connector provides excitation for the AILTECH Series 7600 Noise Source.

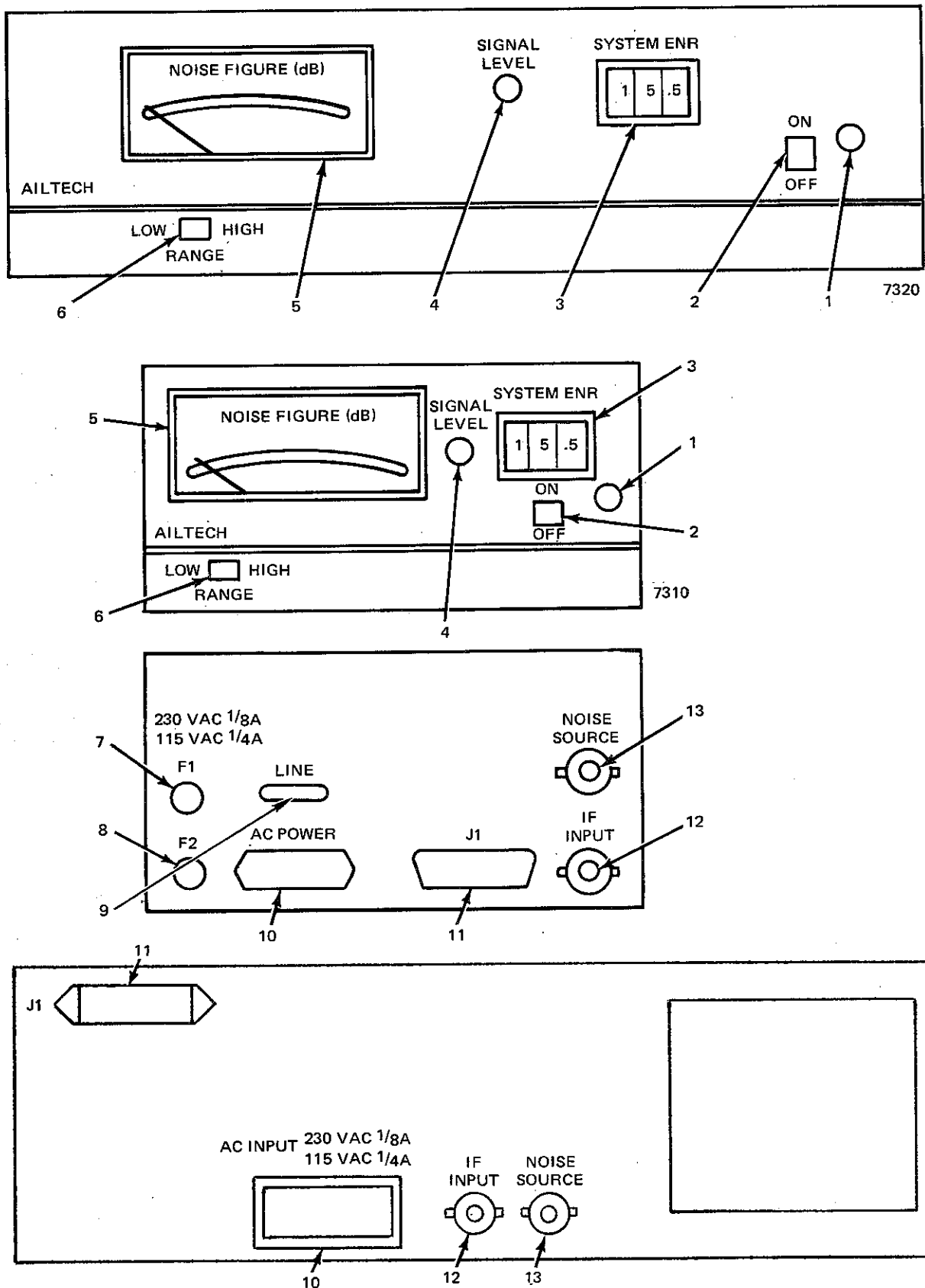
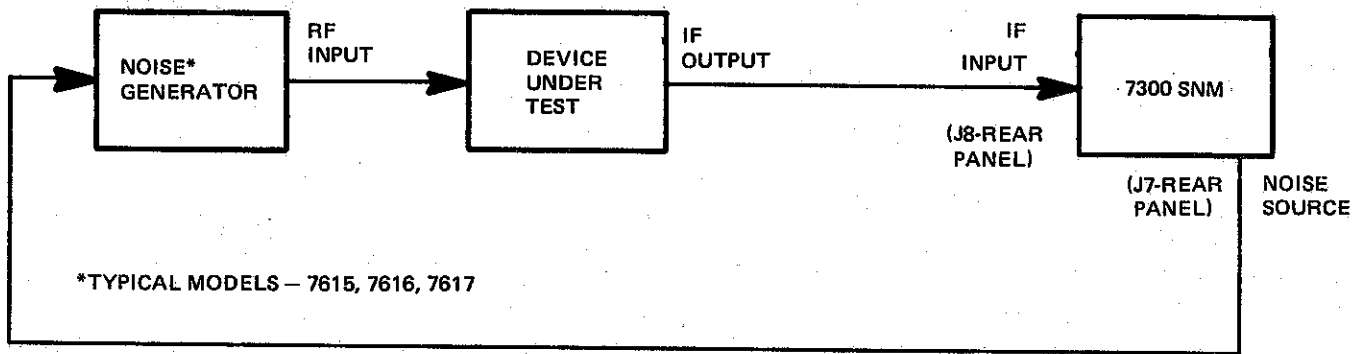
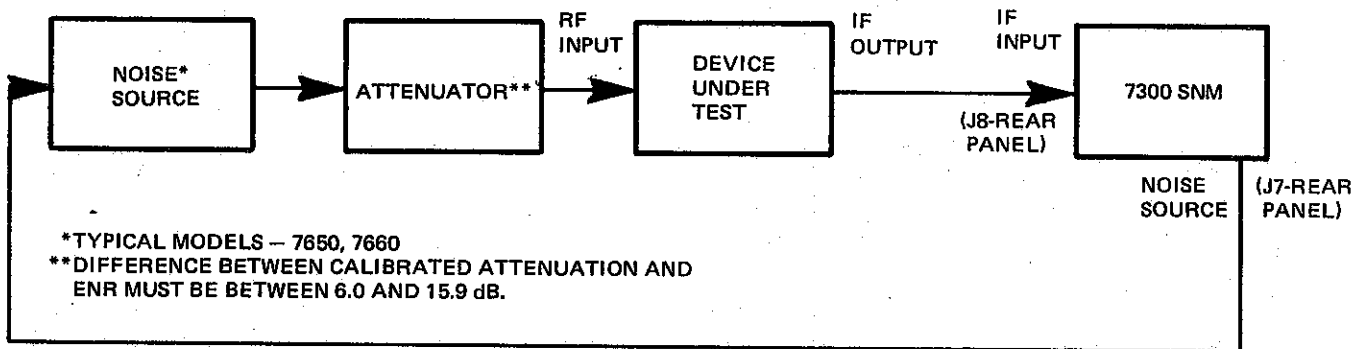


Figure 3-1. 7310/7320 SNM Control, Indicator, Connector Locations



(a) Set-up for Bench Measurements Using Noise Sources
With ENR's Between 6.0 and 15.9 dB



(b) Set-up for Bench Measurements Using High-Level Noise Sources

Figure 3-2. Bench Measurement Set-ups

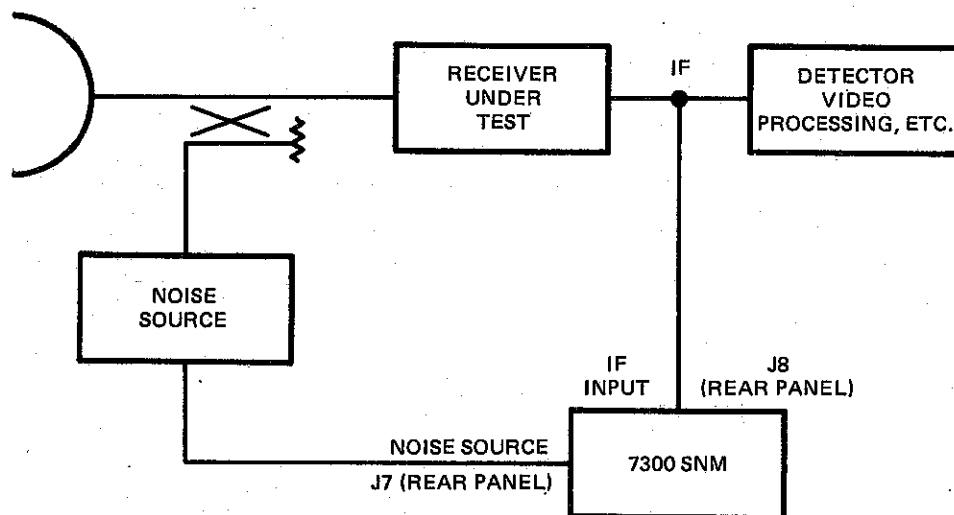


Figure 3-3. Typical "Operating" Measurement Set-up

3-14. The measurement performed by a setup such as that illustrated in Figure 3-3 is often called Operating Noise Figure. This is a noise figure measurement in which the cold noise temperature is that of the actual operating termination, but the results are displayed as though the termination was at the standard reference temperature, 290 kelvins. In general, this measurement will yield lower noise figure readings than a true noise figure measurement (assuming a quality antenna with an effective noise temperature less than 290K). This type of measurement is quite commonly made on radar receivers, and is sometimes called radar noise figure.

3-15. If the SNM readout is in noise temperature, then the measured parameter is Operating Noise Temperature. This parameter is often measured on high-sensitivity, long range receivers, such as satellite earth stations.

3-16. Other factors to be considered are:

- a. Frequency compatibility between the noise source and the RF input of the UUT (a matter of proper noise source selection).
- b. Frequency compatibility between the IF output of the UUT and the System Noise Monitor. This may require frequency conversion (see paragraph 1-19 for options which provide this feature).

3-17. Excess Noise Ratio Setting

3-18. The accuracy of the 7300 SNM depends upon accurate setting of the front panel ENR thumbwheel switch. Any error in this switch setting is translated directly — dB for dB — to the noise figure indication.

3-19. Laboratory or bench-type noise generators such as the AILTECH 7615, 7616, and 7617 (see Figure 1-6) have an ENR vs. frequency calibration chart attached or printed on the generator body and are accompanied by a record of calibration. System noise sources, such as the 7650 and 7660 are also accompanied by calibration records.

3-20. To determine the ENR thumbwheel settings:

- a. Locate the two frequencies on the noise source calibration record (or calibration chart) that straddle the RF input frequency of the UUT (assuming the input frequency does not coincide with a calibration point).
- b. Use straight line interpolation to determine the basic noise source ENR.
- c. If the set-up is as shown in Figure 3-2(a), adjust the ENR thumbwheel to the result in (b) to the nearest 0.1 dB.
- d. If the set-up is as shown in Figure 3-2(b), subtract the attenuation (in dB) from the ENR determined in (b). Adjust the ENR thumbwheel to the resulting difference to the nearest 0.1 dB.

3-21. Establishing the Correct Signal Levels

3-22. The basic sensitivity (low point of the valid signal level range) of the 7300 System Noise Monitors is better than -70 dBm. This is not the point at which the green Signal Level light comes on. This light is meant only as a gross indication that some signal is available from the UUT.

3-23. To determine sensitivity or low end of the signal level range a signal generator to provide low level signals at the SNM center frequency is required (a typical unit is the Boonton 102A).

- a. Make certain the SNM is in the AUTO mode (S101).
- b. Connect a signal generator tuned to the center frequency of the SNM to the IF Input.
- c. Gradually increase the signal generator output level from about -85 dBm until the green Signal Level light illuminates. Note the generator output level.
- d. Increase the generator output 5 dB above the point where the Signal Level light comes on. This is the sensitivity or lower end of the valid signal level range. Note that this level is less than -70 dBm, and record it for future reference.

NOTE

If a continuous indication of signal level is desired, see Paragraph 3-33.

3-24. The upper end of the valid signal level range will be 40 dB above the sensitivity as determined from paragraph 3-23 (d). All signals — both with the noise source on and the noise source off — must remain within this range. Figure 3-4 illustrates this range using typical levels.

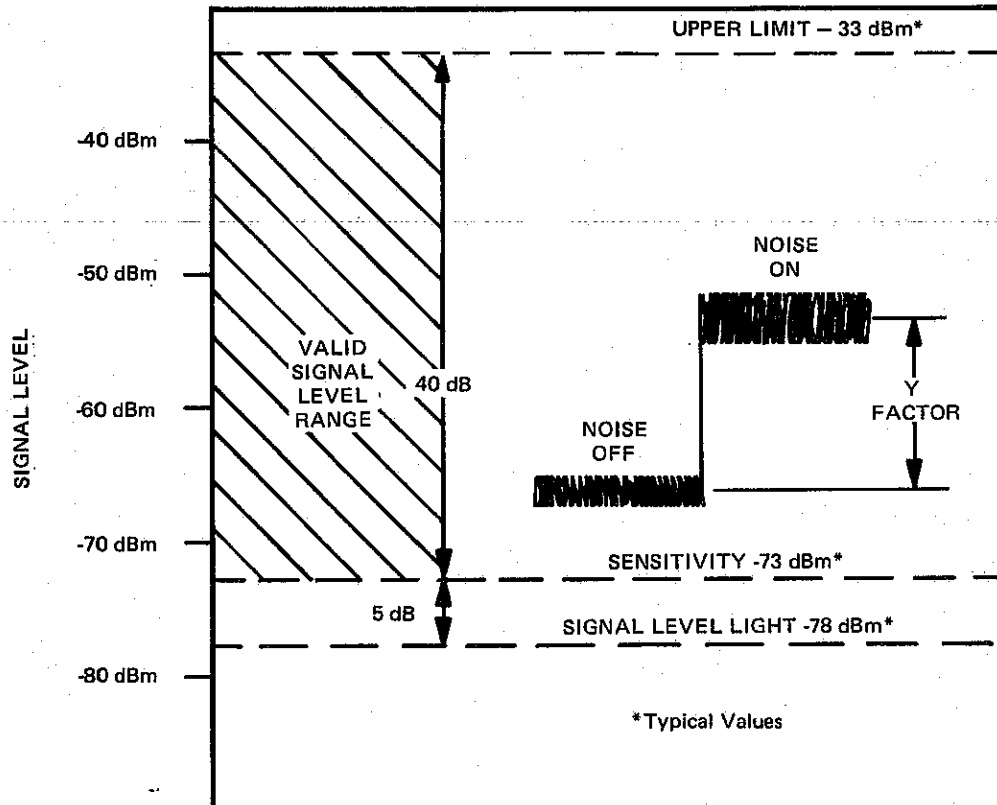


Figure 3-4. Illustration of Sensitivity and Signal Level Range

3-25. To insure that the UUT output is within the valid range, proceed as follows:

- a. Remove the top cover of the SNM and locate the following controls on the IF-Video board (see Figure 3-5). These controls are on the front panel of those units equipped with Option 10, Manual Front Panel Controls:

MAN-AUTO switch, S101

MANUAL GAIN control, R140

Noise Generator ON-OFF Switch, S102

- b. Connect a signal generator tuned to the SNM center frequency and set the output level as described in paragraph 3-23 (d).
- c. Set the following controls as indicated:
 1. Front panel RANGE switch to LOW
 2. MAN-AUTO switch S101 to MAN
 3. Noise Generator switch S102 to OFF
- d. Adjust manual GAIN control, R140, for a convenient on-scale reading at the upper 50% of the scale. Record the setting.
- e. Without disturbing the preceding settings, disconnect the signal generator and set up the measurement system in accordance with Figure 3-2 or 3-3 as required.
- f. If the noise figure indication with the control settings as above is higher (down-scale) than (d), additional gain is required between the UUT and the SNM input. Add gain as required (or see paragraph 1-19 for an option to provide better sensitivity) to bring the reading lower in noise figure or temperature than (d) and proceed to (h).
- g. If the indication is a lower noise figure than (d), or off-scale to the right, set Noise Generator switch S102 to ON.
- h. Add attenuation at the SNM input until the indication returns to (d). If the total attenuation required is greater than 40 dB, there is too much gain in the UUT, and fixed attenuation must be provided at the SNM input as part of the set-up.

3-26. After establishing the correct input levels, set MAN-AUTO switch S101 to AUTO and Noise generator switch S102 to OFF. Replace the top cover.

3-27. OPERATION

3-28. Once set-up is accomplished, the ENR switch correctly set, and the correct signal levels established, the System Noise Monitor will automatically indicate noise figure or noise temperature. No further operator activity is required other than setting the RANGE switch for optimum resolution as noted below.

3-29. The AILTECH 7310 and 7320 Analog System Noise Monitors have two noise figure ranges with 0 and 6 dB at full scale. Increasing noise figure causes the meter to read down-scale. If the UUT noise figure is less than 6 dB, set the front panel RANGE switch to the LOW position and read noise figure. If the noise figure is greater than 6 dB set the switch to the HIGH position and read the noise figure.

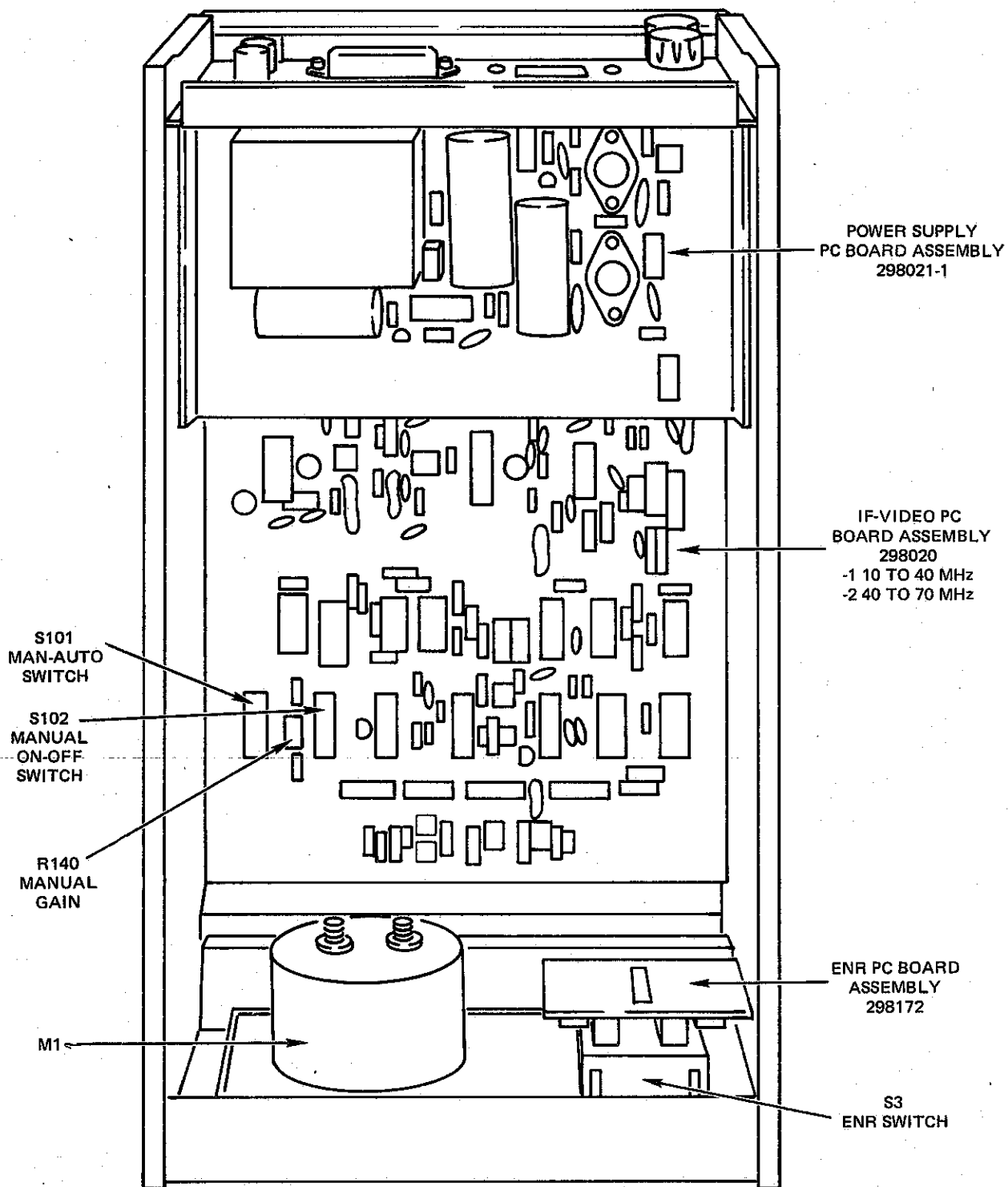


Figure 3-5. Location of the Manual-Auto Controls

3-30. Those System Noise Monitors with the symbol (T) in their part numbers are equipped with operating noise temperature scales. These also have two ranges, and the full-scale values are 60 and 240 kelvins.

3-31. USE OF AUXILIARY OUTPUTS

3-32. Paragraph 1-17 briefly described several auxiliary outputs available at J1 on the rear panel. These outputs may be used for monitoring signal level, for permanent records of noise figure (or temperature) variations with time, and for providing a readout at a remote location.

3-33. Signal Monitor, J1, Pin 4 (see Figure 1-5 for layout of J1). This output provides a DC signal that varies from near zero to approximately 6 volts as the input signal level increases by about 40 dB from the sensitivity limit. It is a non-linear, uncalibrated output; however, it can be very useful for insuring that the UUT output level remains in the valid range as established by paragraph 3-25. This can be accomplished as follows:

- a. Connect a voltmeter, 0 to +10 volts DC capability between J1-4(+) and J1-5 (-, GND).
- b. Proceed as indicated in Paragraph 3-23.
- c. Record the voltmeter indication upon completion of paragraph 3-23 (d). This indication corresponds to signal level at the low-limit of the valid range.
- d. Increase the signal level by 40 dB, less the expected Y-factor (see paragraph 3-34). Record the voltmeter indication which will represent the maximum permissible signal level.

3-34. When operating the SNM in the AUTO mode, the signal levels are valid as long as the voltmeter remains within the limits established in paragraph 3-33 (c) and (d).

NOTE

The expected Y-factor is a function of the noise figure of the UUT and the effective ENR. For noise figures less than 6 dB and ENR's greater than 14 dB, the expected Y-factor can be approximated by subtracting noise figure from ENR (both quantities in dB). For other situations it may be calculated from:

$$Y_{(dB)} = 10 \text{ Log} \left(\frac{\text{ENR}}{F} + 1 \right) \quad (3-1)$$

where ENR and F are expressed as power ratios.

It may also be determined from the ALLTECH Noise Figure Slide Rule, Figure 3-6, or the nomograph of Figure 3-7.

3-35. External Meter, J1, Pins 6 and 7. This feature provides for a readout of noise figure at a remote location. Any 100 microamp, 1K ohm full scale meter connected across the referenced pins (+ to pin 7; - to pin 6) will track the excursions of the front panel meter. A duplicate of the front panel meter complete with scaling is available for this purpose.

3-36. The external meter leads are ungrounded and should be twisted and shielded for runs of more than one foot.

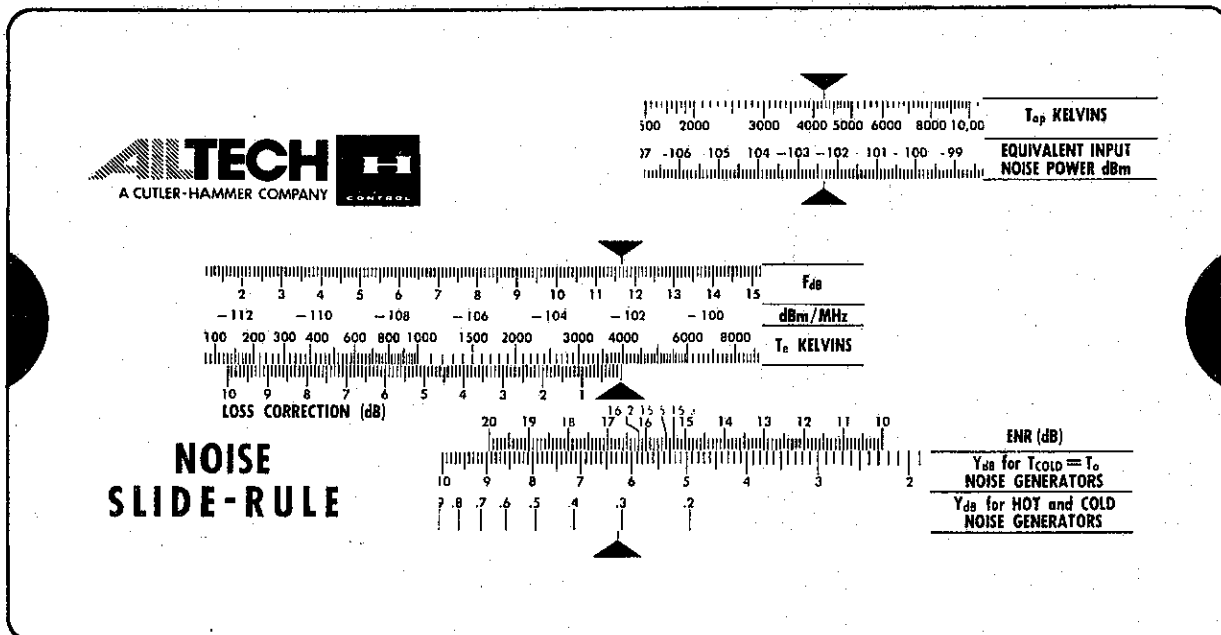


Figure 3-6. AILTECH Noise Figure Slide Rule

3-37. Recorder Output, J1, Pin 8. This output is a voltage referenced to ground (pin 5) that tracks the meter excursions. It will provide approximately 1 volt across 1K ohm for full scale deflection of the meter. This feature is necessary in evaluating noise performance excursions with time, investigating suspected intermittents in a receiver system, and providing hard copy for swept measurement systems.

3-38. The recording device will require calibration. This can be done in the Manual mode by applying a CW signal from a generator to the IF input, and marking the recorder position for various meter indications. This calibration will remain valid when the SNM is switched back to the Auto mode.

3-39. MANUAL NOISE FIGURE (TEMPERATURE) MEASUREMENTS

3-40. All AILTECH 7300 Series System Noise Monitors include a manual mode of operation. In this mode, the noise source can be turned on or off under operator control (rather than automatically switched), and the internal automatic control circuits are disabled. The instrument then provides a relative, uncalibrated indication of input power level.

3-41. The major feature of the manual noise parameter measurement is improved accuracy. The measurement method utilizes a substitution technique that eliminates potential errors due to the direct reading accuracy of the SNM.

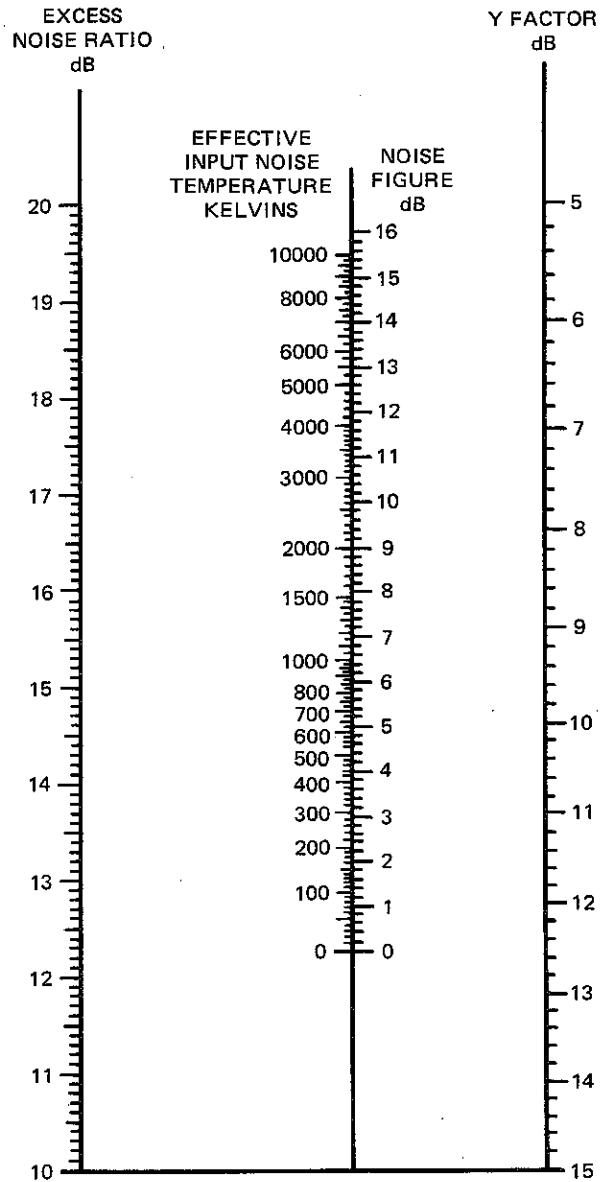


Figure 3-7. Nomograph for Determining Noise Figure or Temperature

3-42. The measurement is more time-consuming and difficult than the automatic measurement described earlier, and it requires additional equipment; however, it does provide a convenient means of checking the performance of the SNM and calibrating the unit.

3-43. The set-ups are the same as those described earlier, except that a Precision IF Attenuator is inserted just prior to the SNM IF input; however, it may be necessary to insert additional gain due to the attenuator insertion loss. A typical attenuator suitable for this purpose is the AILTECH 32 Series (see Figure 1-7).

3-44. The measurement procedure is as follows:

- a. Remove the top cover and locate MAN-AUTO switch S101, Noise generator ON-OFF switch S102, and Manual GAIN control R140 on the IF-Video Board (see Figure 3-5).

- b. Set MAN-AUTO switch S101 to MAN, and Noise Generator switch S102 to OFF.
- c. Set the Precision Attenuator to 0 dB, and adjust manual GAIN control R140 for a convenient reference indication on the upper 50% of the meter scale (preferably with the RANGE switch in LOW). If the signal level is too low to achieve this condition, the ENR thumbwheel switch may be set to a lower number. If the signal is still too low, switch to the HIGH range. Note the meter indication.
- d. Set Noise Generator ON-OFF switch S102 to ON. Note that the meter indication goes to the right.
- e. Increase the setting of the Precision Attenuator until the meter indication returns to the reference noted in (c). Record the attenuation change which is the Y-factor in dB.
- f. Noise Figure or Operating Noise Temperature may be calculated from Equations 3-2.

$$F_{(dB)} = ENR_{(dB)} - 10 \text{ Log } (Y-1) \quad (3-2a)$$

$$T_{op} = \frac{290 (ENR)}{Y-1} \quad (3-2b)$$

In both preceding equations the ENR is the actual effective value after decoupling or attenuation (if any) — not the setting of the thumbwheel switch. Note also that ENR must be expressed as a power ratio for use in (b). Y-factor is also expressed as a power ratio in both equations.

3-45. The noise parameters may also be calculated using the AILTECH Noise Figure Slide Rule, Figure 3-6 or the nomograph of Figure 3-7.

CHAPTER IV
THEORY OF OPERATION

4-1. INTRODUCTION

4-2. This chapter contains noise figure measurement general theory and associated mathematics, and an overall functional block diagram description of the SNM. Also included are detailed, individual circuit descriptions.

4-3. GENERAL THEORY

4-4. Noise Figure Theory

4-5. Noise Figure can be defined as the ratio of the noise power available at the output of a network, when the input termination is at the standard reference Temperature ($T_o = 290K$), to that which would be available at the output of an ideal noiseless network of otherwise identical characteristics. This can be expressed mathematically as:

$$F = \frac{N_o}{GN_i} \quad (4-1)$$

where:

F = Noise Figure Ratio

N = Noise Power (i = input, o = output)

G = Gain of network

By rearranging equation 4-1,

$$N_o = N_iFG \quad (4-2)$$

The noise power available at the input is that generated by the input termination and can be written as:

$$N_i = kT_oB \quad (4-3)$$

where:

k = Boltzmann's constant = 1.38×10^{-23} joules/K

B = bandwidth in Hz

T_o = standard reference temperature (290K)

NOTE

All temperatures in these equations are expressed as absolute temperatures (Kelvins) and are related to the Centigrade (Celsius) scale as follows:

$$K = ^\circ C + 273$$

Substituting in Equation 4-2,

$$N_o = kT_o BFG \quad (4-4)$$

Expansion of this relation yields:

$$N_o = [kT_o B + (F-1)kT_o B]G \quad (4-5)$$

Although Equation 4-5 expresses noise figure implicitly in terms of its effect on the network output, it is sometimes considered more basic than Equation 4-1 because:

- It can be used to show the effect of an input termination temperature differing from the reference temperature (T_o).
- It can be conveniently represented pictorially.
- It provides the basis for an indirect, but convenient method of measuring noise figure.

Figure 4-1 is a representation of Equation 4-5. Noise source A is the input termination while noise source B is a fictitious source representing network contribution to the noise output with reference to the input.

4-6. Noise Figure Measurement

4-7. Figure 4-1 can be modified as indicated in Figure 4-2. A switch has been added so that the original input termination (A) can be disconnected and the network input terminated in a second source (C) at temperature T_2 (the temperature of the noise generator).

The available output power of the network for this condition is:

$$N_o = [kT_2 B + kT_o B (F-1)]G \quad (4-6)$$

Dividing Equation 4-6 by Equation 4-4 yields:

$$\frac{N_{o2}}{N_{o1}} = \frac{T_2 + T_o (F-1)}{T_o F} \quad (4-7)$$

Adding -1 to both sides of the equation and rearranging terms yields:

$$F = \frac{\left(\frac{T_2}{T_o} \quad -1 \right)}{\left(\frac{N_{o2}}{N_{o1}} \quad -1 \right)} \quad (4-8)$$

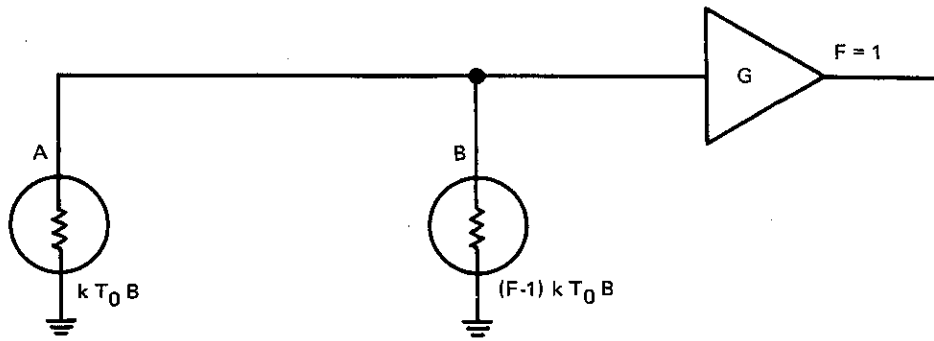


Figure 4-1. Equivalent Noise Representation of a Noisy Network

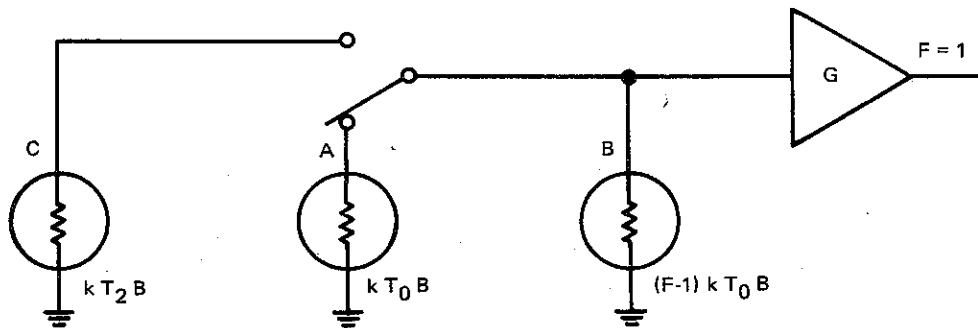


Figure 4-2. Equivalent Representation of Noise Figure Measurement Set-up

Equation 4-8 is the basic relation for determining noise figure. The numerator is called excess noise ratio and is usually expressed simply as ENR. It represents the relative increase in noise power at the network input when the switch is operated. If ENR is known, the ratio N_{O2}/N_{O1} (commonly called Y-factor) can be measured, and the noise figure computed from Equation 4-8. Note that it is not necessary to measure the absolute power levels at the network output, merely their ratio.

Therefore,

$$F = \frac{\text{ENR}}{Y-1} \quad (4-9a)$$

or, expressed in dB,

$$F_{(\text{dB})} = \text{ENR}_{(\text{dB})} - 10 \text{ Log } (Y-1) \quad (4-9b)$$

4-8. Operating Noise Figure and Temperature Measurement

4-9. In those applications where it is not possible to separate a standard termination from a termination with known ENR as in an operating radar system, a different measurement must be taken. Here, a front-end performance factor (operating noise figure or noise temperature) is measured. Since it is very difficult to separate system noise from the antenna or receiver input generated noise, the two are lumped together and measured. Figure 4-3 illustrates this technique.

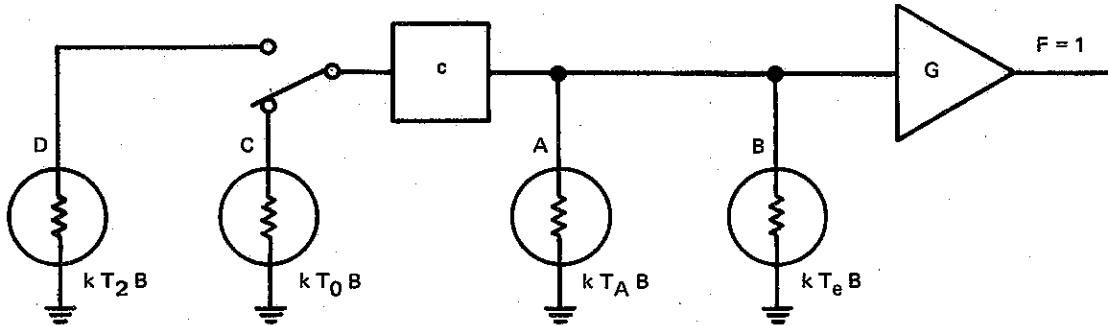


Figure 4-3. Equivalent Representation of an Operating Noise Measurement

4-10. The element marked "C" represents the directional coupler through which the noise is injected. T_e is the effective input noise temperature of the receiver and comparison with Figures 4-1 and 4-2 shows that it is related to noise figure by:

$$T_e = (F-1) T_o \quad (4-10)$$

T_A (Figure 4-3) represents the effective antenna temperature. The available output noise power from the network under operating conditions is given by:

$$N_o = k(cT_o + T_a + T_e)BG \quad (4-11)$$

When the reference noise source is energized (switch connected to D) the available output noise:

$$N_{o2} = k(cT_2 + T_a + T_e)BG \quad (4-12)$$

Dividing Equation 4-12 by Equation 4-11 yields:

$$\frac{N_{o2}}{N_{o1}} = \frac{cT_2 + T_a + T_e}{cT_o + T_a + T_e} \quad (4-13)$$

Adding -1 to both sides of the equation and rearranging terms,

$$Y-1 = c(T_2 - T_o)/cT_o + T_a + T_e \quad (4-14)$$

Where

$p = \text{constant}$

$N_1, N_2 = \text{Noise power available at the output of the UUT.}$

The difference between these voltages is indicated by the panel meter.

$$V_m = V_2 - V_1 \quad (4-19)$$

or

$$V_m = p(N_2 - N_1) \quad (4-20)$$

Rearranging terms

$$V_m = pN_1 \left(\frac{N_2}{N_1} - 1 \right) \quad (4-21)$$

From the previous discussions:

$$\frac{N_2}{N_1} = Y \quad (4-22)$$

Therefore,

$$V_m = pN_1 (Y-1) \quad (4-23)$$

From Equation 4-9a

$$V_m = pN_1 \left(\frac{\text{ENR}}{F} \right) \quad (4-24)$$

Equation 4-24 indicates that, if ENR is known and N_1 is constant (a condition satisfied by the gated AGC amplifier), the meter voltage is inversely proportional to the noise figure of the unit under test. This is a highly desirable result since lower noise figures read closer to full scale and thus greater resolution is achieved.

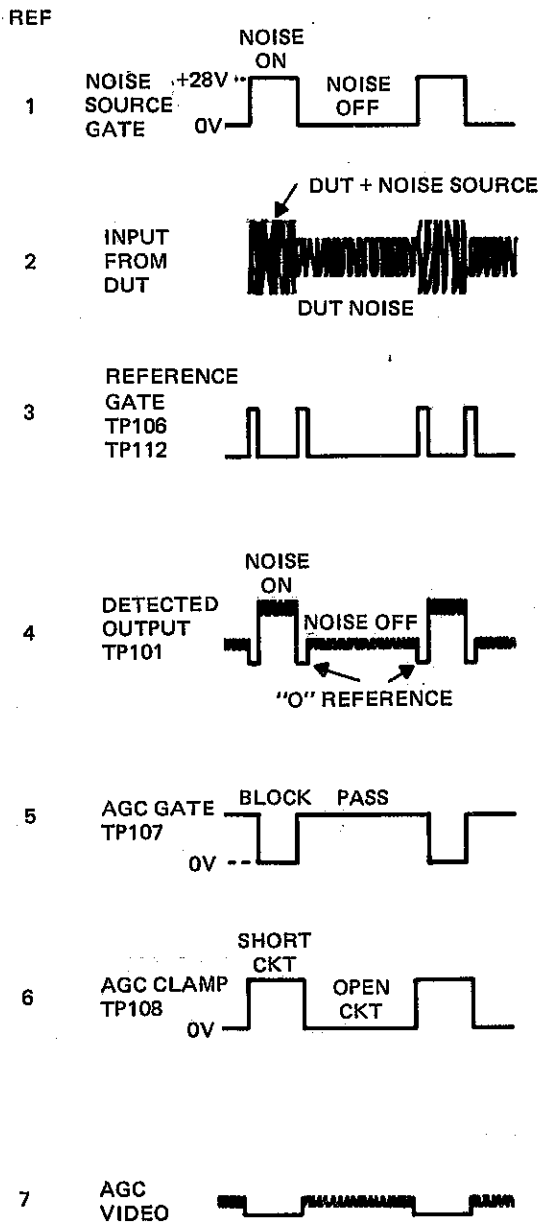
Also, from Equation 4-16:

$$Y-1 = \frac{cT_o (\text{ENR})}{T_{op}} \quad (4-25)$$

and

$$V_m = pN_1 \frac{c(\text{ENR})}{T_{op}} \quad (4-26)$$

4-14. Additional insight into the operation of the measuring circuits can be gained by reference to Table 4-1 which illustrates the effects of the various timing and gating signals. The waveforms in Table 4-1 are shown only to illustrate operation and should not be used for troubleshooting. Exact waveforms are provided in the Maintenance Chapter of this manual.



1. The basic timing oscillator generates a gate which drives the noise source on and off.
2. The input from the DUT is an IF signal consisting of periods of system noise plus added noise from the noise source alternating with periods of system noise alone.
3. The reference gate turns off the IF amplifier for a short period of time at the start of each noise on and noise off period. This establishes a "0 noise" reference eliminates any noise generator transients.
4. The detected output consists of a three-level signal made up of a zero noise reference period preceding each noise on and noise off period. A synchronous integrator converts this signal to D.C. proportional to the difference between the noise on and noise off levels. The video signal is also applied to the AGC circuit.
5. The AGC Gate signal applied to the series analog gates, passes only the zero reference and noise off signal.
6. The AGC Clamp establishes ground potential during the zero reference period. When the clamp releases at the start of the Noise Off time, the change in level equals the difference between zero reference and noise off.
7. Due to the action of the AGC Gate and the AGC Clamp only the Noise Off video is applied to the AGC amplifiers. This amplified signal is integrated, converted to D.C. and applied to the IF amplifier as a gain control voltage. The net result is that the noise off signal remains constant.

Table 4-1. Functional Illustration — Timing and Gating

4-15. CIRCUIT DESCRIPTIONS

4-16. The following paragraphs describe the operation of the circuits within the System Noise Monitor. The order in which each description is presented generally follows the primary signal path rather than by complete sub-assembly description. Reference is made to the schematic diagrams, Figures 5-16, 5-17.

4-17. IF Amplifier. Signals applied to the IF input are transformer coupled via T101 to the first IF amplifier, Z101. C154 is adjusted for best input match, and the center frequency of the input stage is set by C102. T101 also provides a 2:1 voltage step-up.

4-18. The gain of the entire IF amplifier is controlled by application of the AGC signal to Z101. In the manual mode of operation, the AGC signal is replaced by a DC voltage set by R140. The AGC input will typically be between +5 volts at threshold and +7 volts at the high input level limit.

4-19. Additional IF gain is provided by Z102. The gain control input is driven by the IF gate (Ref. 3, Table 4-1) to establish the zero noise reference. The IF gain of Z102 goes to zero when the gate signal goes positive. When MAN-AUTO switch S101 is set to the Manual mode, the narrow pulse pair is replaced by the output of the timing generator.

4-20. The output of Z102 is transformer coupled in a balanced configuration to the square-law detector. C114 tunes the output circuit to the SNM center frequency.

4-21. In a typical unit operating at the sensitivity limit, the overall IF gain will be about 35 dB. This will vary somewhat from unit to unit and at the various intermediate frequencies.

4-22. Square Law Detector. The detector, Z103, is a monolithic balanced modulator whose output contains a term proportional to the product of its two inputs. If the inputs are in parallel, then the output voltage is proportional to the square of the input voltage or the input power.

4-23. Since the input signal has three amplitudes — noise on, noise off, and zero reference — the detected output will be a three level signal with some low frequency noise on the noise on and noise off levels (see Table 4-1, Ref. 4).

4-24. Variable Gain Amplifier. From equations 4-24 and 4-26 it can be seen that the calibration of the SNM for various noise generators with different ENR's can be maintained by changing the gain (proportionality constant) by the differences in dB. In the SNM, the calibration for a specific ENR is established by the gain of the two-stage video amplifier cascade, made up of Z105A and B. Each stage consists of an operational amplifier, operating in the inverting feedback mode; thus, the gains are determined by the feedback resistor values. These resistor networks are contained in 14 lead DIP's and are selected by the front panel thumbwheel switch.

4-25. Synchronous Integrator and Meter Amplifier The three-level video signal is applied to the series-shunt switch combination made up of Z106C and D. Z106C is driven by the inverse of the AGC Clamp signal (Table 4-1, Ref. 6) clamping the output side of C140 to ground during the Noise-Off period. Z106D is a series switch driven by the inverse of the AGC Gate (Table 4-1, Ref. 5), and passes signals only during the Noise-on period. The clamping action of Z106C causes the amplitude of the video pulse at R122 to be equal to the difference between the Noise-On and Noise-Off signals. R122 and C131, in combination with Z107B form a non-inverting integrator with the meter in the feedback loop. R124 and R161 are calibration adjustments for the Low and High ranges respectively. R125 sets the voltage of the Recorder Output. Z117B is used in a similar manner to drive an external meter. A 100 microamp, 1K meter inserted between R166 and R165 will track the excursions of the front panel indicator.

4-26. AGC Amplifier. The video output of Z104, the Video Driver (TP101) is also applied to the AGC Amplifier. This circuit is comprised of a series of gates, clamps, and amplifiers designed to provide a DC output proportional to the Noise-Off detector level. The high-gain requirements of the circuitry are fulfilled by AC amplification to reduce DC drift problems.

4-27. Z108A is a series switch that permits only the Zero Noise Reference and Noise Off detector level to be applied to the first amplifier Z104B. Z108B clamps the input of Z104B to ground except during the Noise Off period. Z108C, Z108D, R131 and C134 make up a synchronous integrator similar to that described in 4-25 except that the DC level developed is proportional only to the Noise Off detector level.

4-28. The DC signal is chopped (converted to AC) by Z110A and B, amplified by Z109A, and compared to a similarly chopped reference signal in differential amplifier Z111A. The reference signal is developed by zener diode CR101 and the voltage divider made up of R129 and R130. Z110C and Z110D convert the reference to AC in synchronism with the AGC signal. Z109B provides equivalent amplification.

4-29. The output of Z111A is synchronously integrated by Z112C, Z112D, R137 and C137. CR102 protects the analog gates from excessive reverse voltage when the input IF is below the AGC threshold. Z111B provides additional DC amplification. The output at TP104 will vary from about 5 volts at threshold to about 7 volts at the upper signal level limit. The timing of the various gates and clamps is shown on the simplified schematic. The video signal is out of proportion and is shown for reference only.

4-30. Z113A provides the Signal Monitor output. Z113B drives the front panel Signal Level lamp via Q101.

4-31. Timing Signal Generator (Figure 4-5). This circuit, consisting of three integrated circuit packages, provides the timing signals for the various analog gates and switches and the modulation gate for the noise source. Waveforms are shown on the simplified schematic, Figure 4-5, for reference.

4-32. Z114A, Z114B, R146 and C138 make up a free-running oscillator which provides an asymmetrical rectangular signal at about 285 Hz. This signal is inverted by Z114C and is used to drive the series switches of the AGC and AGC reference DC to AC converters and the final AGC synchronous integrator (Z110B, Z110C and Z112D).

4-33. The output of Z114C is again inverted by Z114D. The signal is the gating input for the noise source modulator and is also used to drive the shunt clamps in the AGC and AGC reference DC to AC converters and the final AGC synchronous integrator (Z110A, Z110D and Z112C).

4-34. Z115A and Z115B make up a one-shot multivibrator driven alternately by the differentiated outputs of Z114C and Z114D. Z115A is a three-input NOR gate; therefore, its output is low at all times except when all three inputs are simultaneously low. This is illustrated by Table 4-2.

4-35. In the quiescent condition, the output of inverter Z115B is LOW because its input is returned through R149 to +12 volts. Thus, all three inputs of NOR-gate Z115A are LOW (R147 and R148 returned to ground), and its output is HIGH. When the positive going edge of the signal at Z114C output occurs, the input of Z115A is momentarily driven HIGH, causing its output to go LOW. This drop in voltage appears at the input to Z115B and the inverter output goes HIGH. Feedback to Z115A input causes the action to be regenerative, resulting in the output of Z115B being driven rapidly to +12 volts where it remains until C141 is charged to a sufficiently positive voltage for Z115B to start conducting. The regenerative action then reverses, and the output of Z115B is rapidly driven to zero. The time constant is such that the resulting pulse is about 100 microseconds wide. The entire sequence repeats on the positive going edge of the output from Z114D.

4-36. The overall result, after two inversions through Z114E and Z114F, is a positive pulse at the start of each Noise On and Noise Off period. This signal is used to gate the second IF amplifier (Z102) off, establishing the zero noise reference.

TABLE 4-2. 3-INPUT NOR CIRCUIT TRUTH TABLE

INPUTS			OUTPUT
A	B	C	
0	0	0	1*
0	0	1	0
0	1	0	0
0	1	1	0
1	0	0	0
1	0	1	0
1	1	0	0
1	1	1	0

*1 = HIGH OR TRUE
 0 = LOW OR FALSE

FOR CMOS LOGIC: 0 = 0 to +3.5 volts
 1 = 8 to +12 volts
 (+ 12 volts VDD)

4-37. The output of Z114D and the IF gate are also applied to NOR gate Z116A. This results in a positive pulse equal to the Noise-On period, less the zero noise reference time. This is used to control the series synchronous integrator switch (Z106D) in the meter circuit (see paragraph 4-25), and is applied to NOR gate Z116C connected as a simple inverter. The resulting signal at TP107 is the series AGC gate.

4-38. NOR gate Z115C is driven by the output of Z114C (TP105) and the IF gate. Its output is a positive signal equal to the Noise-Off period less the zero noise reference time. It is used to drive the shunt clamp in the meter circuit synchronous integrator (Z106C), and inverter Z116B. The output of the inverter (TP108) drives the shunt clamp in the AGC input stage (Z108B) and first synchronous integrator (Z108C).

4-39. Power Supply Board

4-40. The AILTECH 7310/7320 SNM require three different voltages: +12 VDC at 200 mA, -12 VDC at 150 mA, and +28 VDC at less than 20 mA. All voltages are derived from individual monolithic regulators and are protected by current-limiting circuits. Because of the simplicity and standard nature of the circuitry, partial schematics are not shown here. See Figure for a complete schematic diagram of the power supply.

4-41. +12 Volt Regulator. The +12 volt output from Z201 is set by resistors R204, R205, and R206. Resistor R205 adjusts the +12 volt supply used to set certain threshold levels on the IF Video Board. The short circuit current of the +12 volt supply is determined by resistor R201. Capacitor C203 is a compensation capacitor while capacitor C204 acts as a noise filter.

4-42. -12 Volt Regulator. The -12 volt supply is regulated by Z202. Resistor R207 and R208 determine the exact value of the regulated output, which may vary from -11.8 VDC to -12.2 VDC. The short circuit current for the -12 volt supply is determined by resistor R209. Capacitor C208 is the compensation capacitor, while capacitor C207 filters noise.

4-43. +28 Volt Noise Source Supply. The +28 VDC supply is regulated by Z203. A remote shut-down feature is designed into this supply to permit modulation by the 285 Hz clock on the IF Video Board. Transistor Q202 provides this capability. The 28-volt output can be precisely set by variable resistor R215. Resistor R212 provides short circuit protection. This supply is used exclusively to power the noise source.

In Equation 4-14, the term cT_o in the denominator represents the portion of noise coupled into the system from the noise source when it is deenergized. In most systems, the noise source is decoupled by at least 20 dB and therefore, the term represents an insignificant noise contribution and can be disregarded. Realizing that $(T_2 - T_o)/T_o$ is the ENR of the reference noise source ($T_a + T_e$) is the operating noise temperature (T_{op}), and the operating noise figure (F_o) is $(T_a + T_e)/T_o$, terms in Equation 4-14 can be rearranged to obtain:

$$F_{op} = cENR/Y-1 \quad (4-15a)$$

or

$$F_{op} \text{ (dB)} = ENR_{\text{(dB)}} - c_{\text{(dB)}} - 10 \text{ Log } (Y-1) \quad (4-15b)$$

This relation has the same basic form as Equation 4-9. The quantity $cENR$ represents the power available from the system noise source at the receiver input.

INPUT
FROM
DUT



Alternately,

$$T_{op} = \frac{cT_o \text{ (ENR)}}{Y-1} \quad (4-16)$$

4-11. FUNCTIONAL DESCRIPTION (AUTOMATIC NOISE MEASUREMENT)

4-12. The functional circuitry required to make a noise measurement is contained on the IF-Video Board while the Power Supply Board contains the regulated power supplies and the noise source modulator. See Figure 4-4 for an overall block diagram of the AILTECH System Noise Monitor.

4-13. A free-running multivibrator, operating at approximately 285 Hz modulates the DC power source for the Noise Generator, alternately energizing and deenergizing the unit. The resulting two noise levels are applied to the system under test. The IF output of the system will also be two levels of noise where the lower level represents the system noise when its input is normally terminated. The higher level is the system noise plus the generator noise. These signals are further amplified by the IF amplifier in the SNM and are then detected by a square law device providing two voltages proportional to the noise powers in the IF signal. A sample of this detected signal is supplied to an AGC amplifier that is gated to provide an output only during the time the noise generator is turned off. This output is used to control the gain of the IF amplifier, so that the noise-off signal is maintained at a constant level.

The above procedure may be described mathematically as follows:

The Noise-on voltage at the output of the square law detector is given by:

$$V_2 = pN_2 \quad (4-17)$$

The Noise-off voltage by:

$$V_1 = pN_1 \quad (4-18)$$

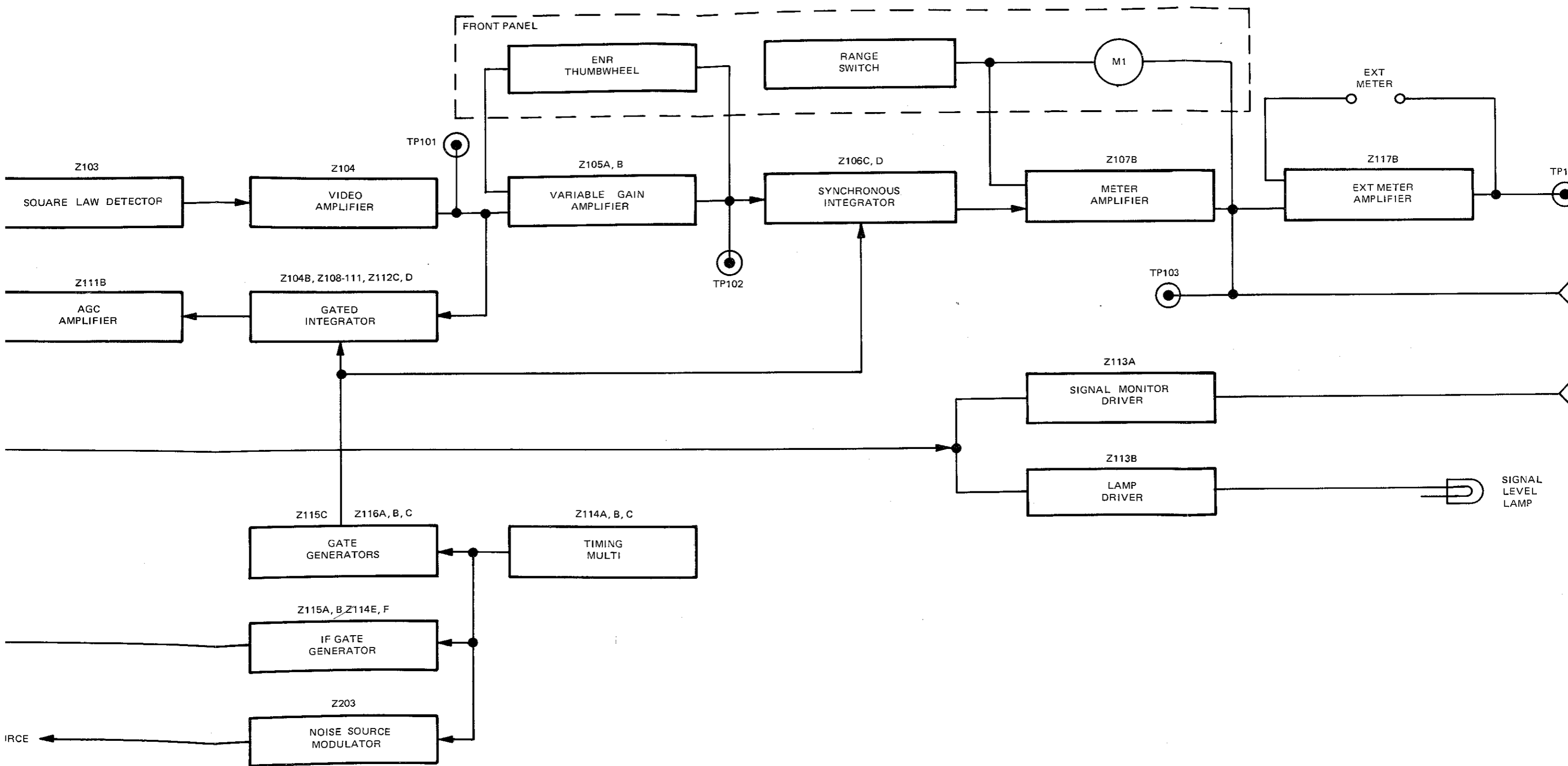
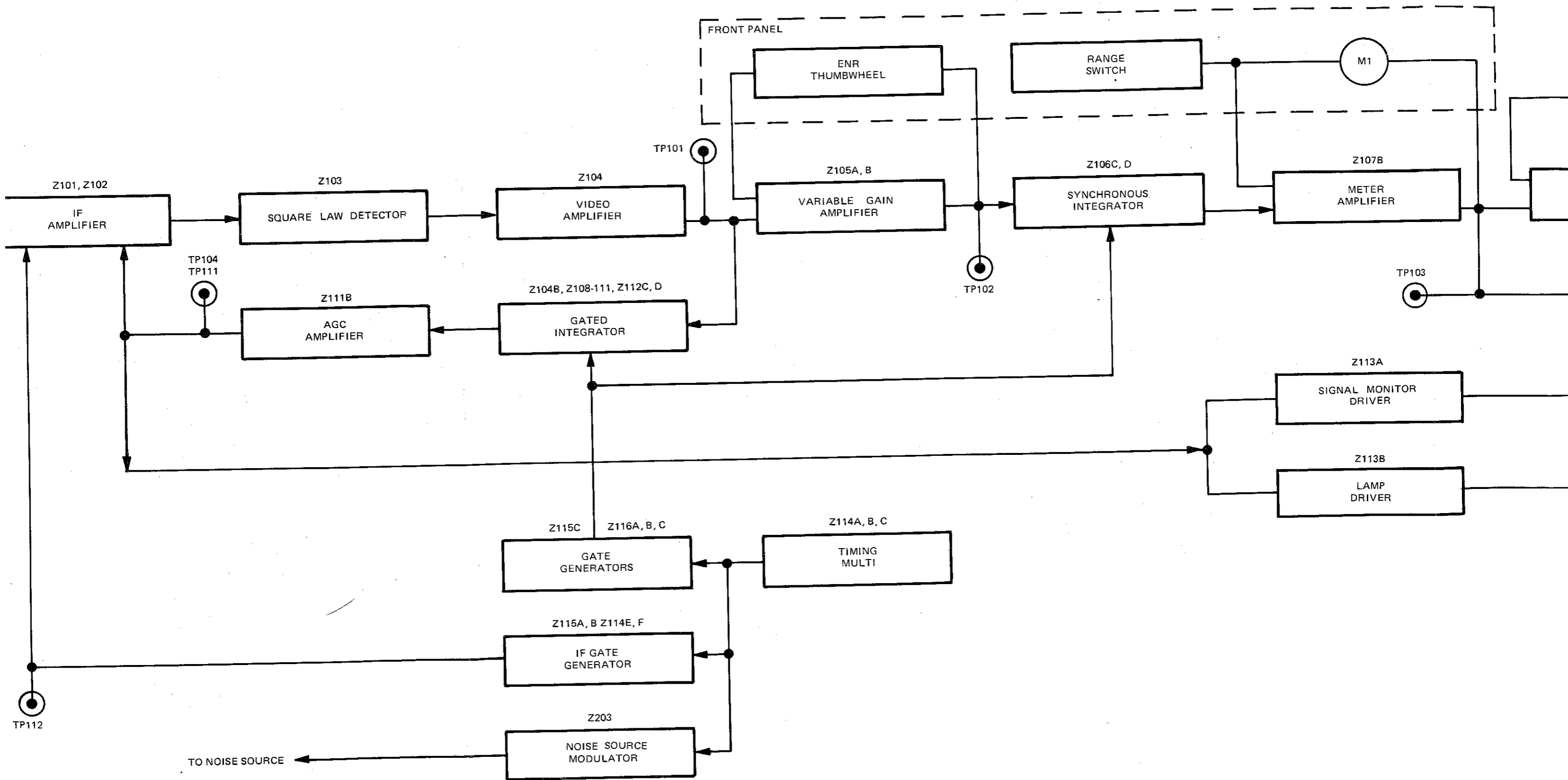


Figure 4-4. Functional Block



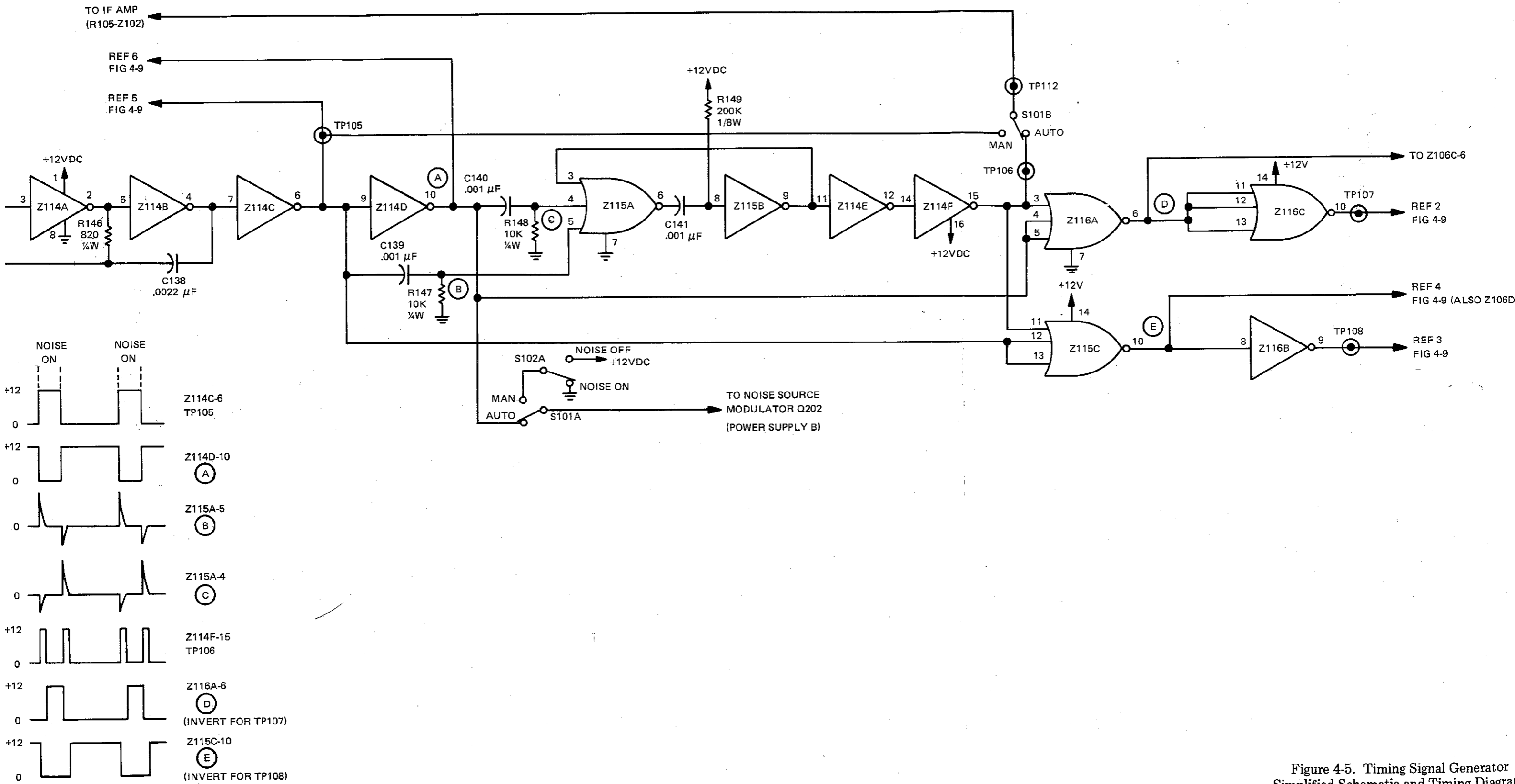


Figure 4-5. Timing Signal Generator Simplified Schematic and Timing Diagram