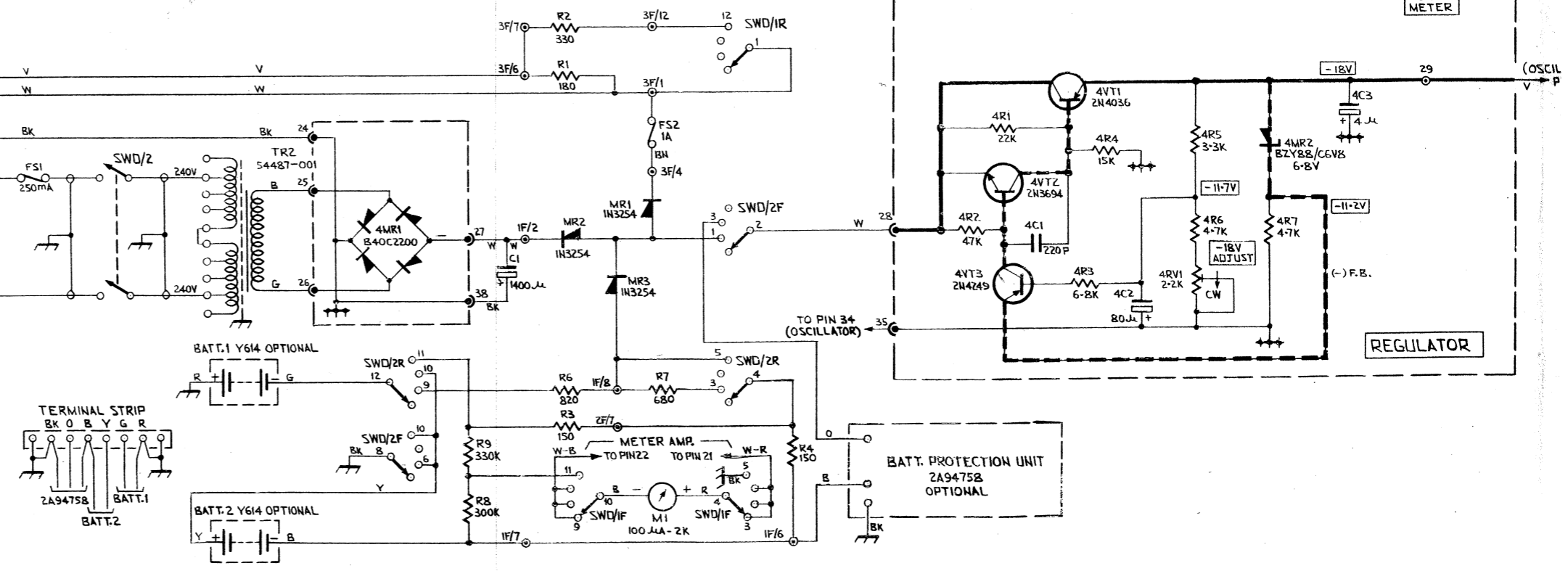
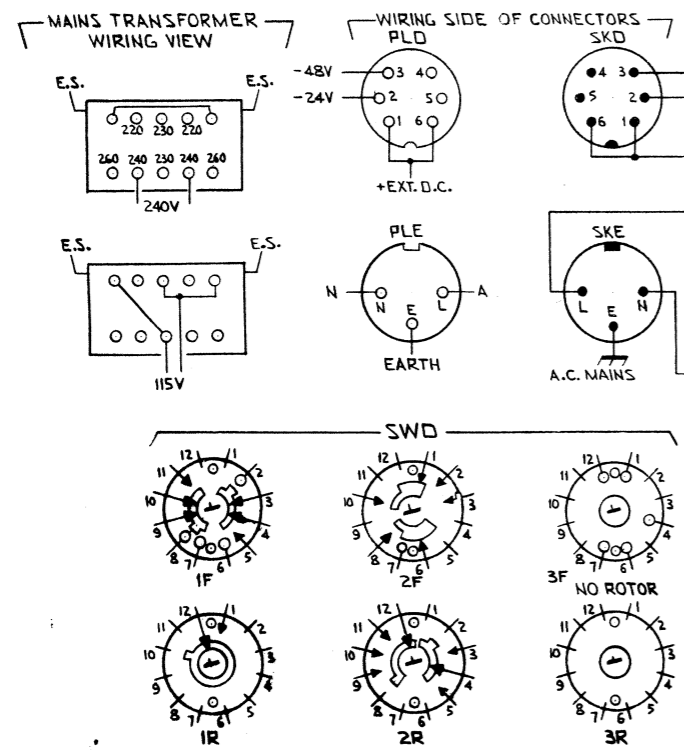


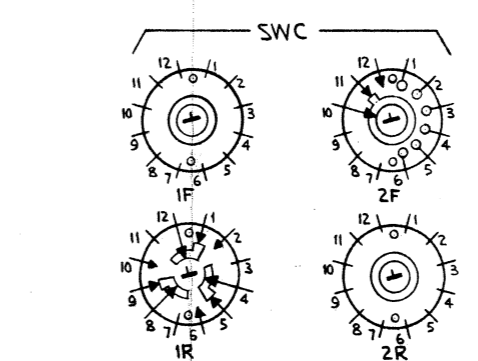
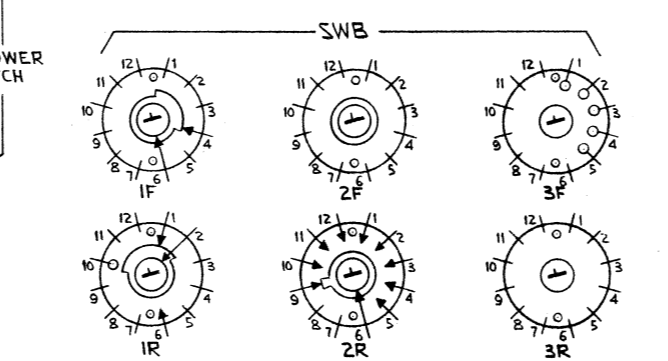
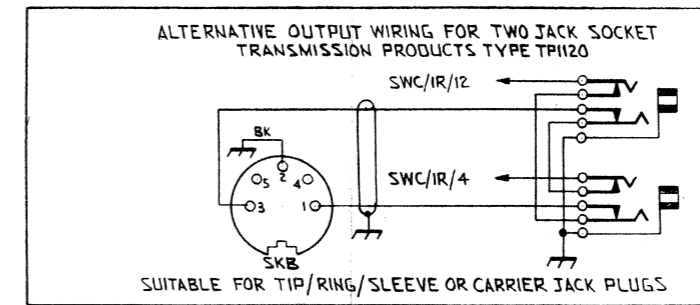
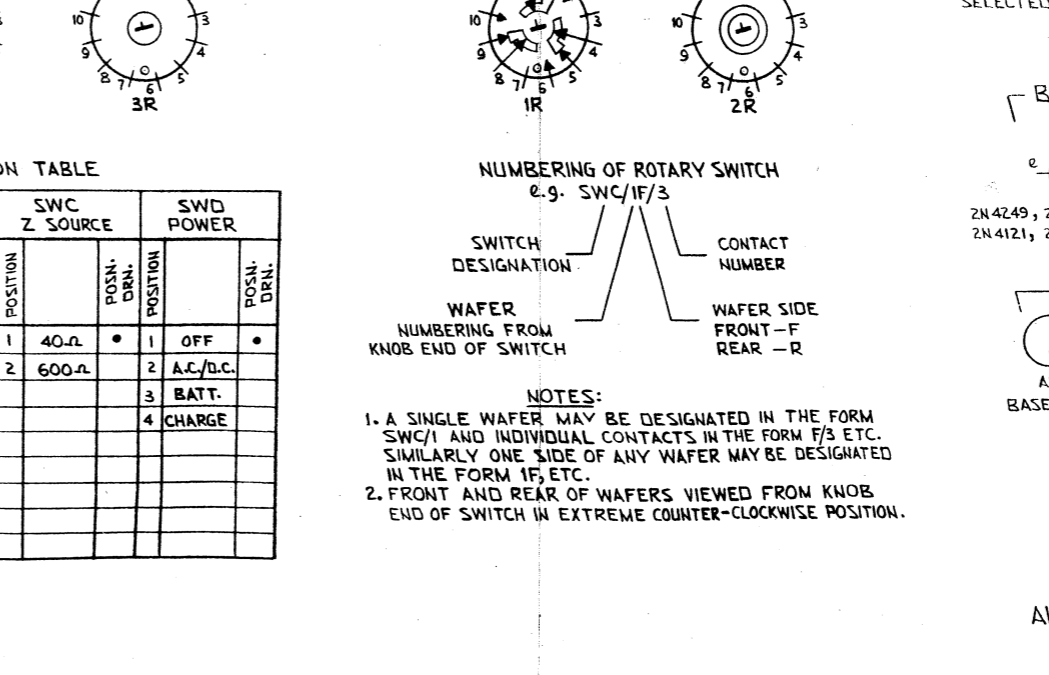
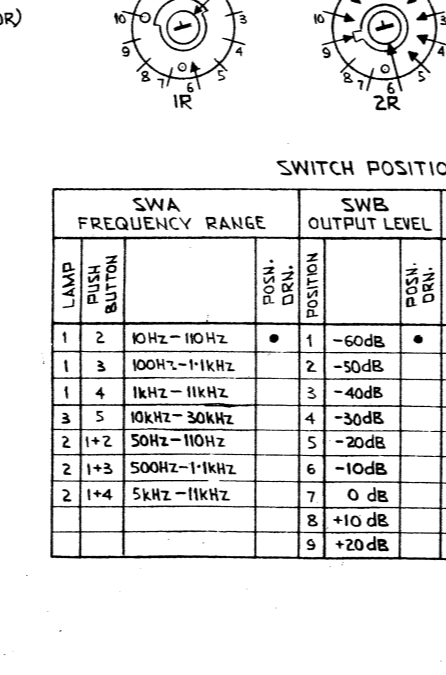
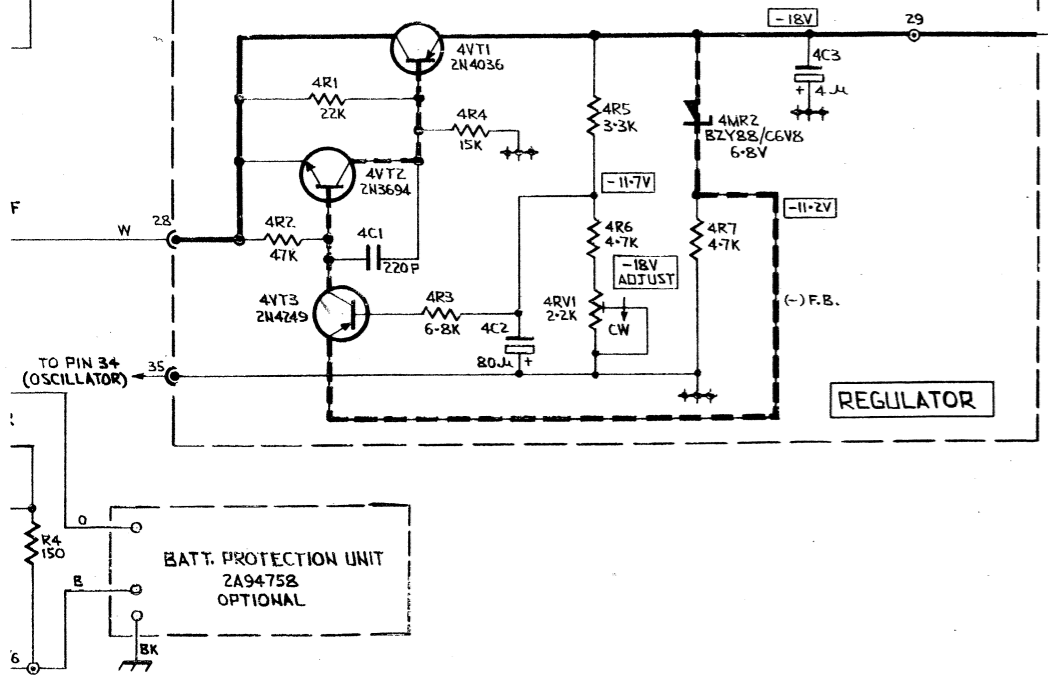
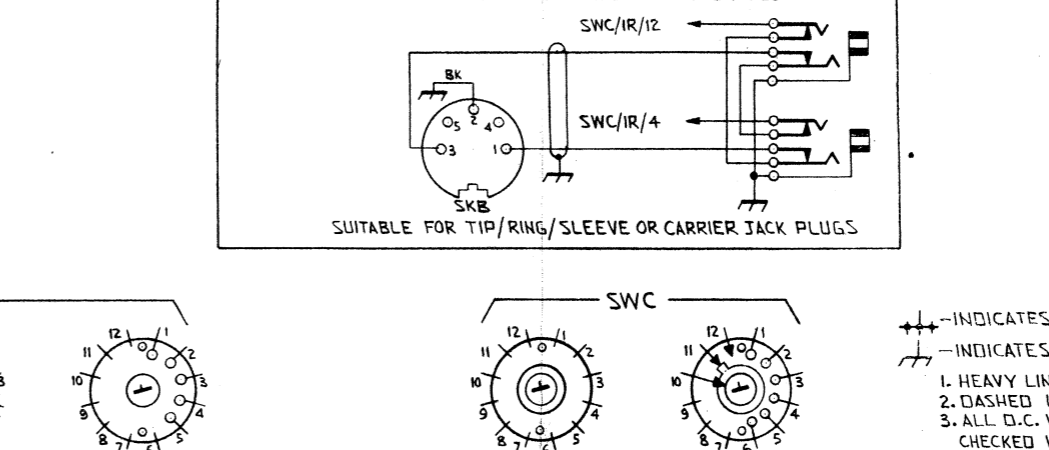
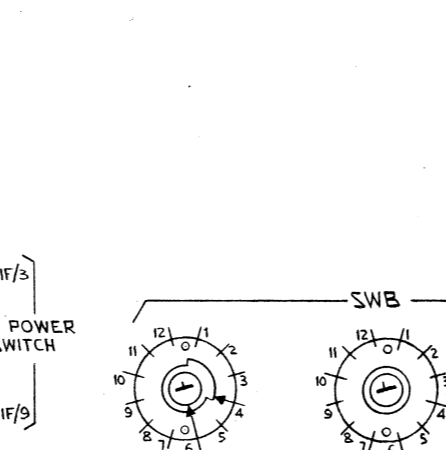
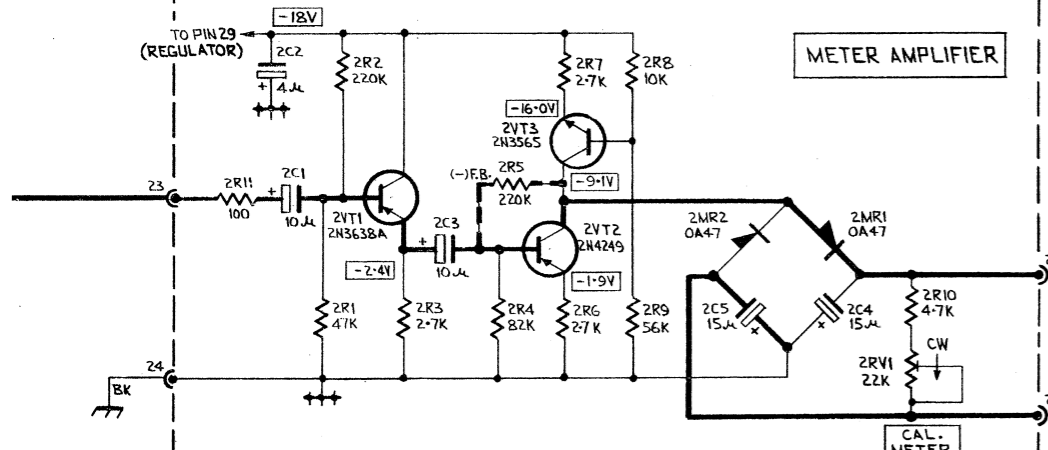
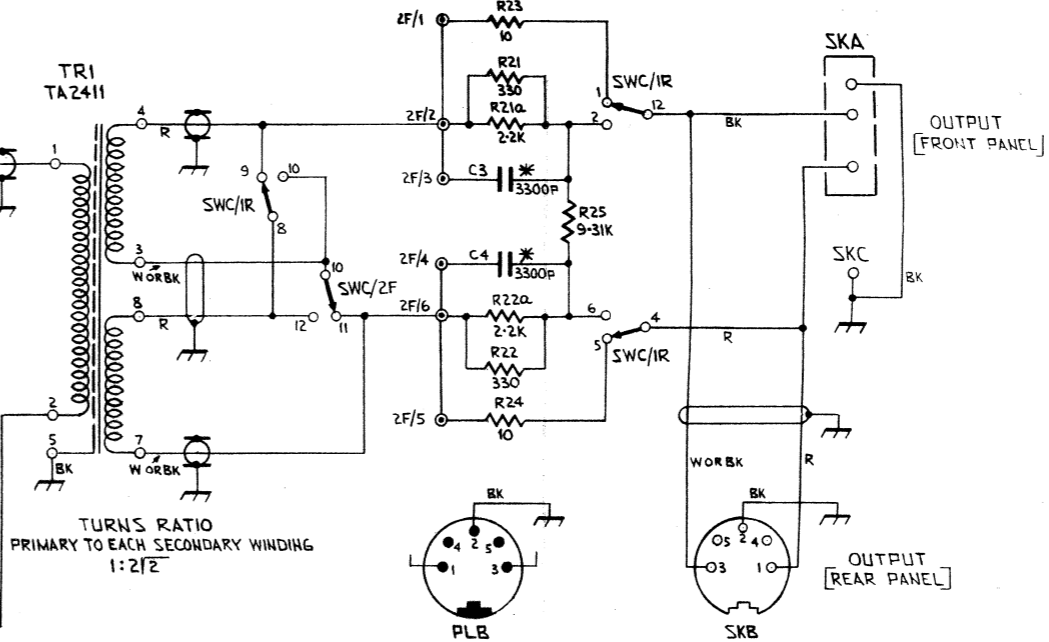
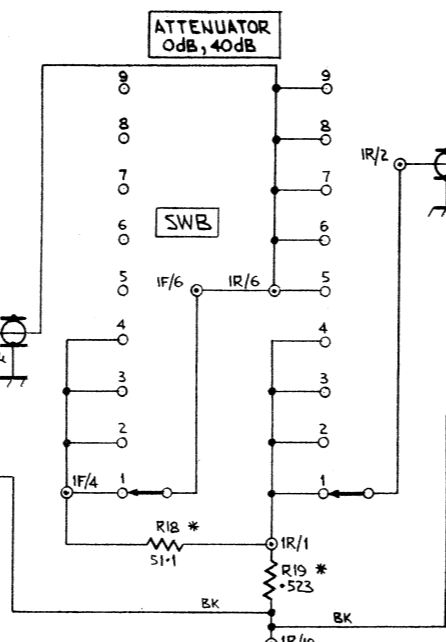
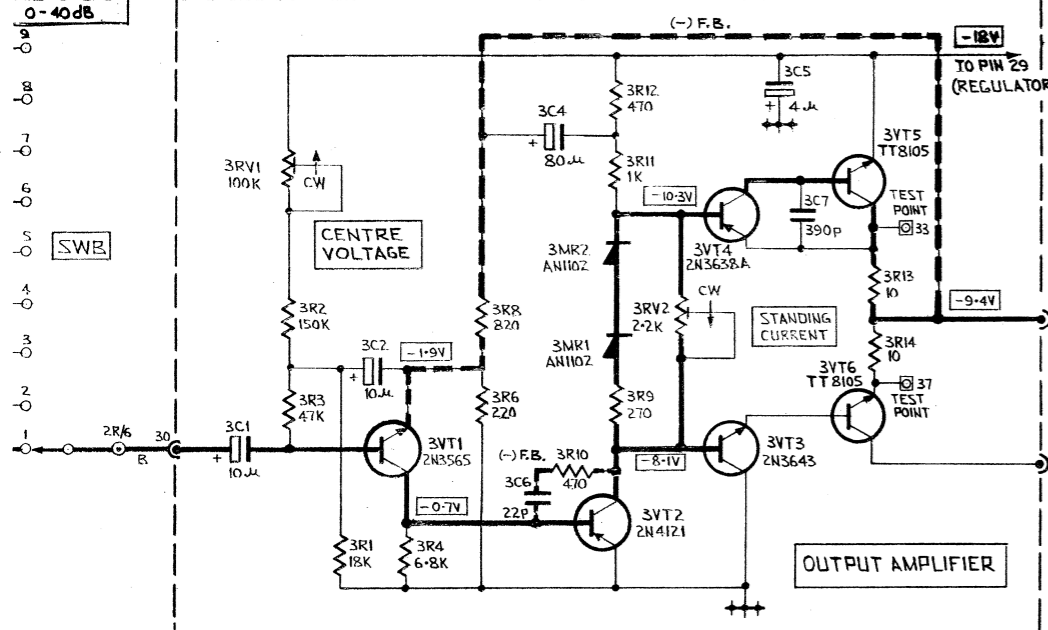
NUMBERING OF FREQUENCY RANGE SWITCH

116	126	136
115	125	135
114	124	134
113	123	133
112	122	132
111	121	131
SPREAD	X10	X100
SWA/1	SWA/2	SWA/3
		X1000
		SWA/4
		10KHz-30KHz
		SWA/5

VIEW FROM WIRING SIDE

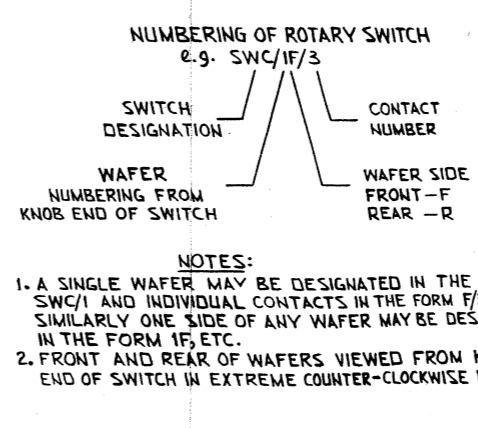


ATTENUATOR  
dB STEPS  
0-40dB

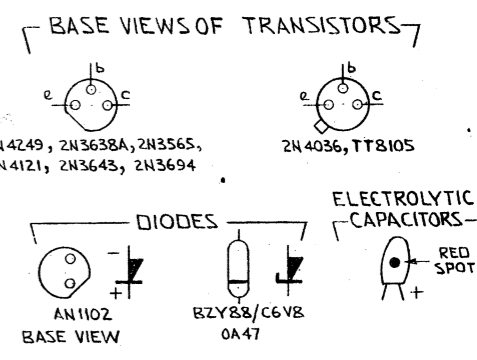


SWITCH POSITION TABLE

SWA FREQUENCY RANGE		SWB OUTPUT LEVEL		SWC Z SOURCE		SWD POWER		
LAMP	PUSH BUTTON	POSN. DRN.	POSITION	POSN. DRN.	POSITION	POSN. DRN.	POSITION	
1	2	10Hz-110Hz	1	-60dB	1	40Ω	1	OFF
1	3	100Hz-11kHz	2	-50dB	2	600Ω	2	A.C./D.C.
1	4	1kHz-11kHz	3	-40dB			3	BATT.
3	5	10kHz-30kHz	4	-30dB			4	CHARGE
2	1+2	50Hz-110Hz	5	-20dB				
2	1+3	500Hz-11kHz	6	-10dB				
2	1+4	5kHz-11kHz	7	0 dB				
			8	+10 dB				
			9	+20 dB				



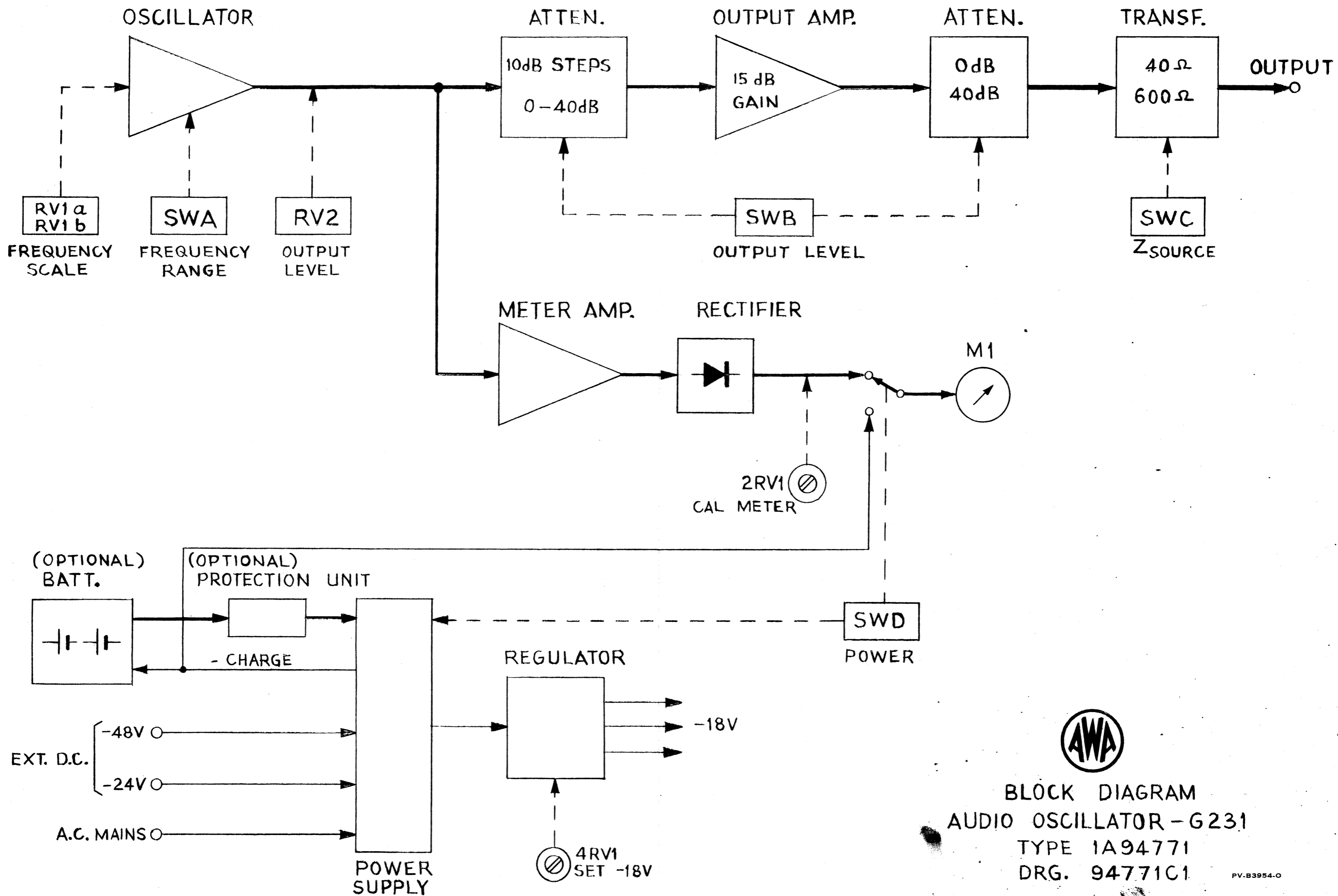
- NOTES:
- INDICATES COMMON EARTH ON PRINTED CIRCUIT BOARD
  - INDICATES CONNECTION TO CHASSIS
  - 1. HEAVY LINES SIGNIFY MAIN CIRCUIT PATHS.
  - 2. DASHED LINES SHOW FEEDBACK PATHS.
  - 3. ALL D.C. VOLTAGES SHOWN ON THIS CIRCUIT MAY BE CHECKED WITH AN AVO MODEL 8 MULTIMETER, SET TO 10V OR 25V F.S.D.
  - 4. RESISTORS IN OHMS K=1,000 M=1,000,000
  - 5. \* NOMINAL VALUE SHOWN, OPTIMUM VALUE SELECTED AT FACTORY.



- NOTES:
- 1. A SINGLE WAFER MAY BE DESIGNATED IN THE FORM SWC/1 AND INDIVIDUAL CONTACTS IN THE FORM F/3 ETC. SIMILARLY ONE SIDE OF ANY WAFER MAY BE DESIGNATED IN THE FORM 1F, ETC.
  - 2. FRONT AND REAR OF WAFERS VIEWED FROM KNOB END OF SWITCH IN EXTREME COUNTER-CLOCKWISE POSITION.

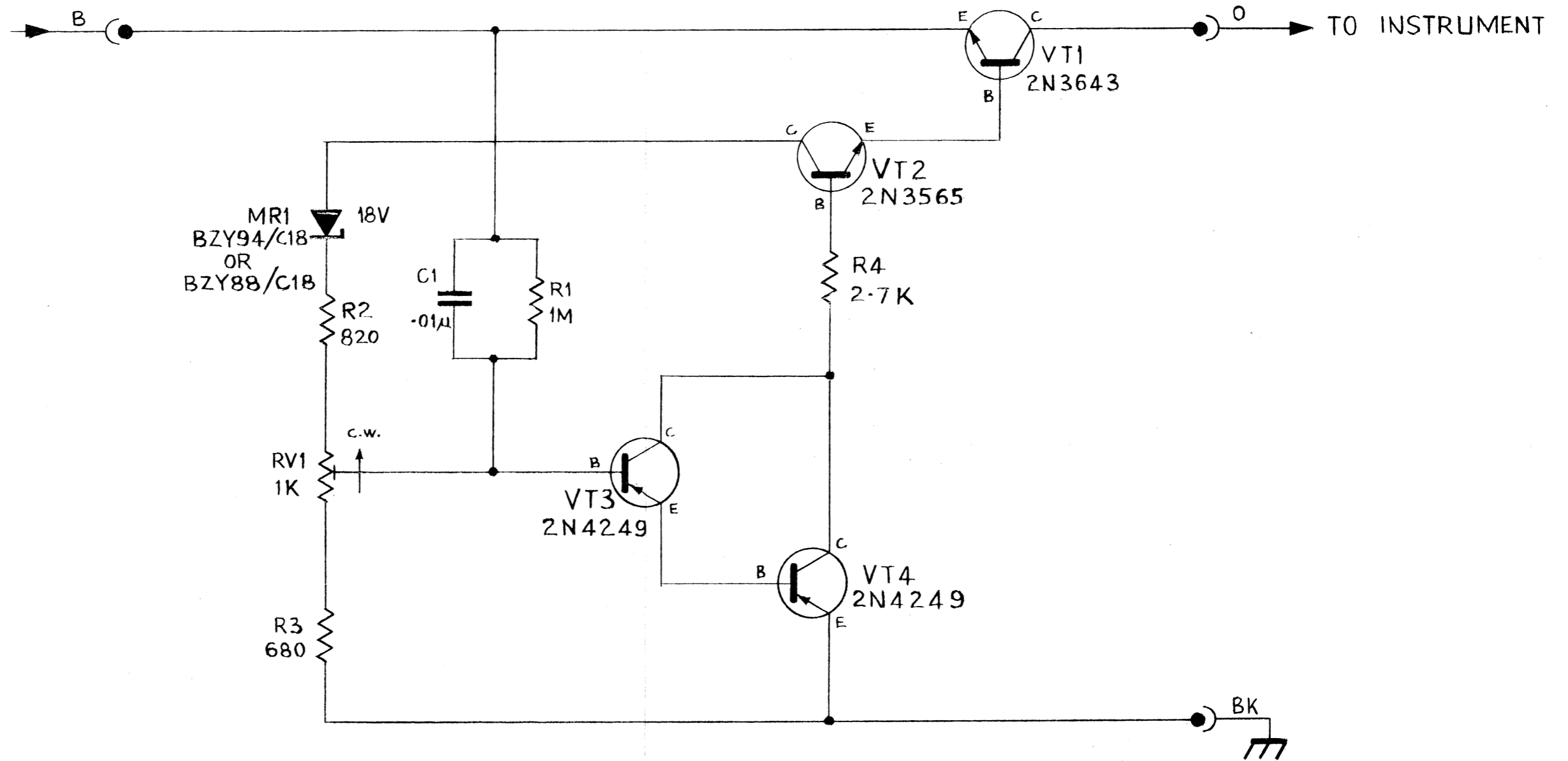


AUDIO OSCILLATOR G231  
TYPE IA94771  
ORG.94771H1



BLOCK DIAGRAM  
 AUDIO OSCILLATOR - G231  
 TYPE 1A94771  
 DRG. 94771C1

FROM  
BATTERY



NOTES: 1. ADJUST RV1 FOR CUT-OUT AT POINT O  
AS VOLTAGE AT B DROPS BELOW 21.5V.

2. WHILE UNIT IS CONDUCTING CURRENT  
BETWEEN B AND O,  
VT1,3,4 ARE SATURATED OR APPROACHING  
SATURATION.

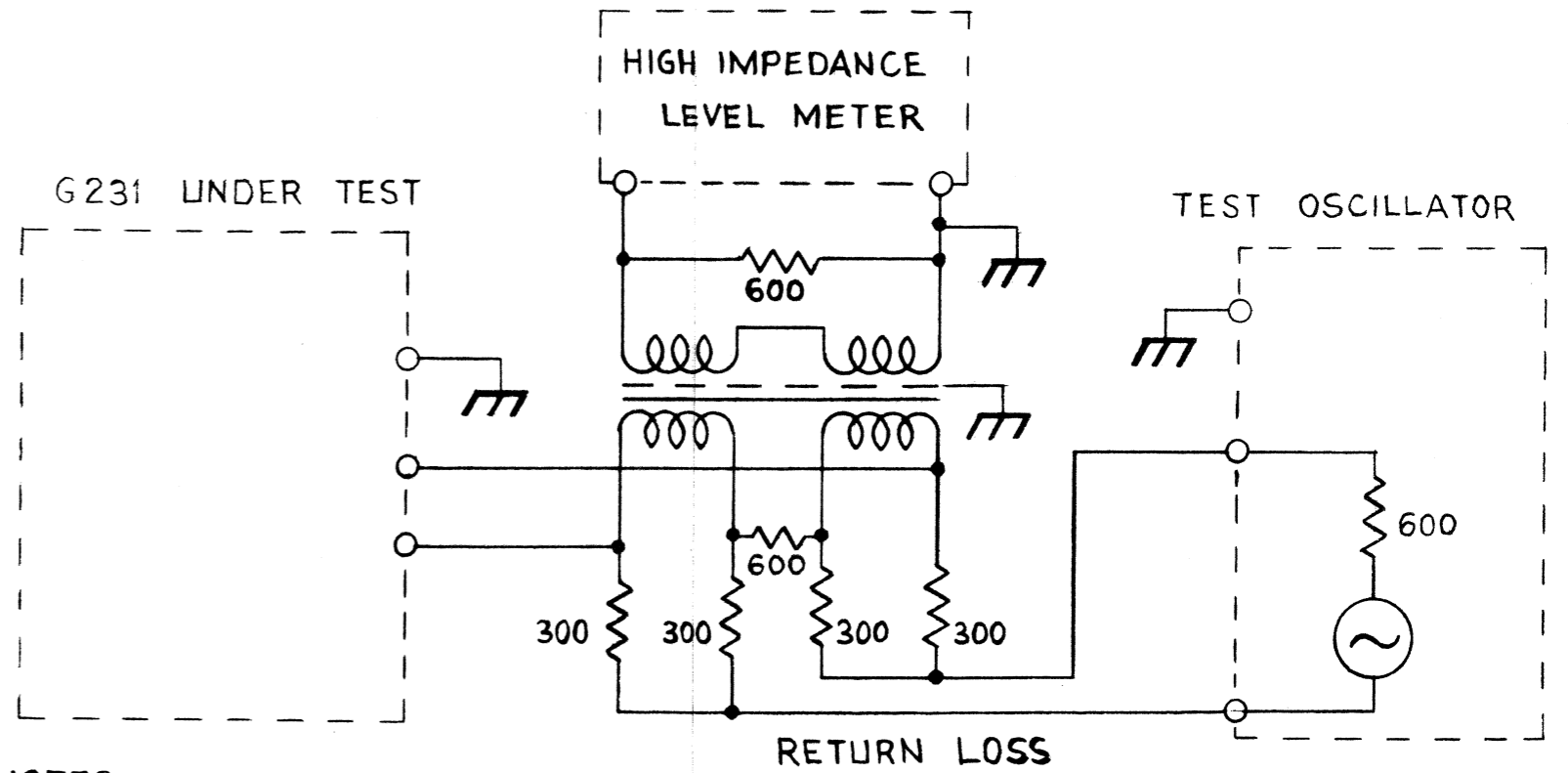
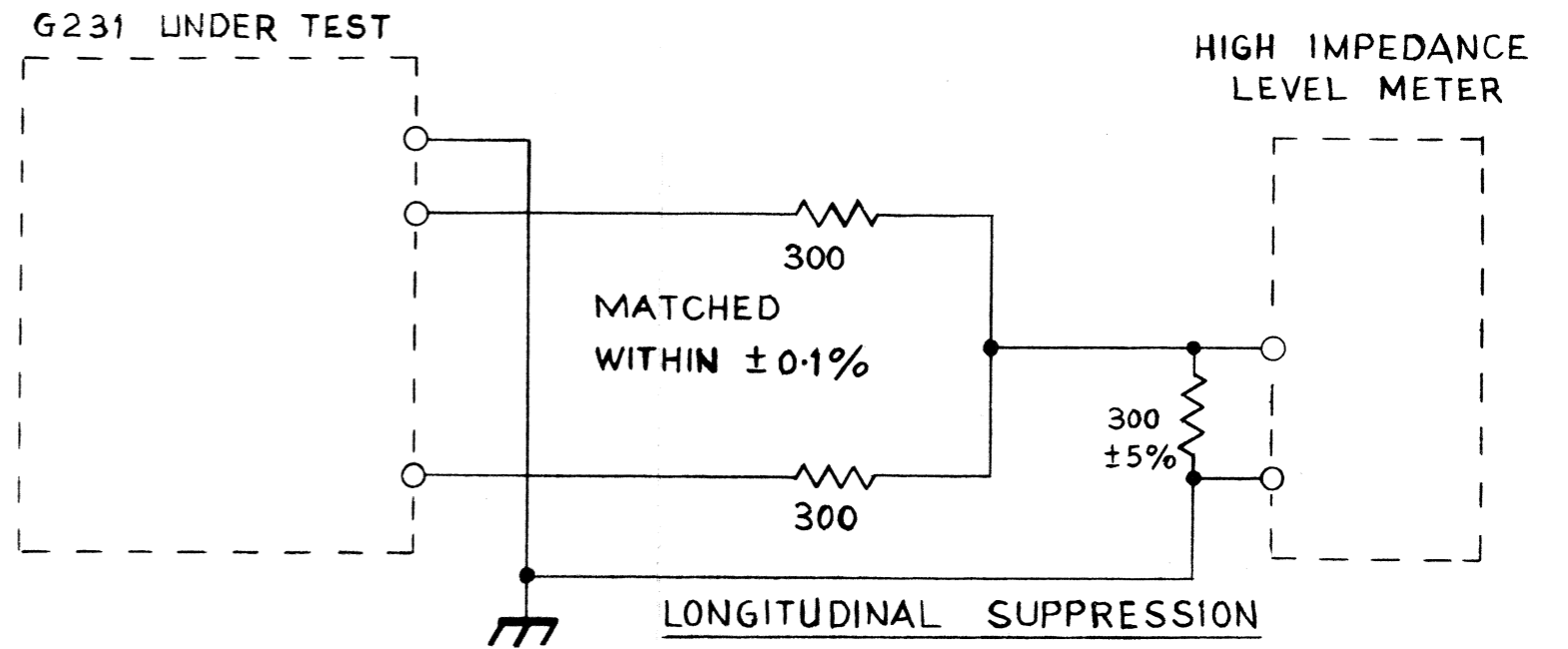
(VT1  $V_{CE}$  APPROX. 0.1V)



BATTERY PROTECTION UNIT

TYPE 2A-4A94758

DRG. 94758C2 PV-B3955.0



**NOTES:**

RESISTORS: — TOLERANCE  $\pm 1\%$ .

TRANSFORMER: —  $150\Omega + 150\Omega$  PRIMARY.

$150\Omega + 150\Omega$  SECONDARY.

10 Hz — 30 kHz.

TRIMAX: — TA37A IS SUITABLE.



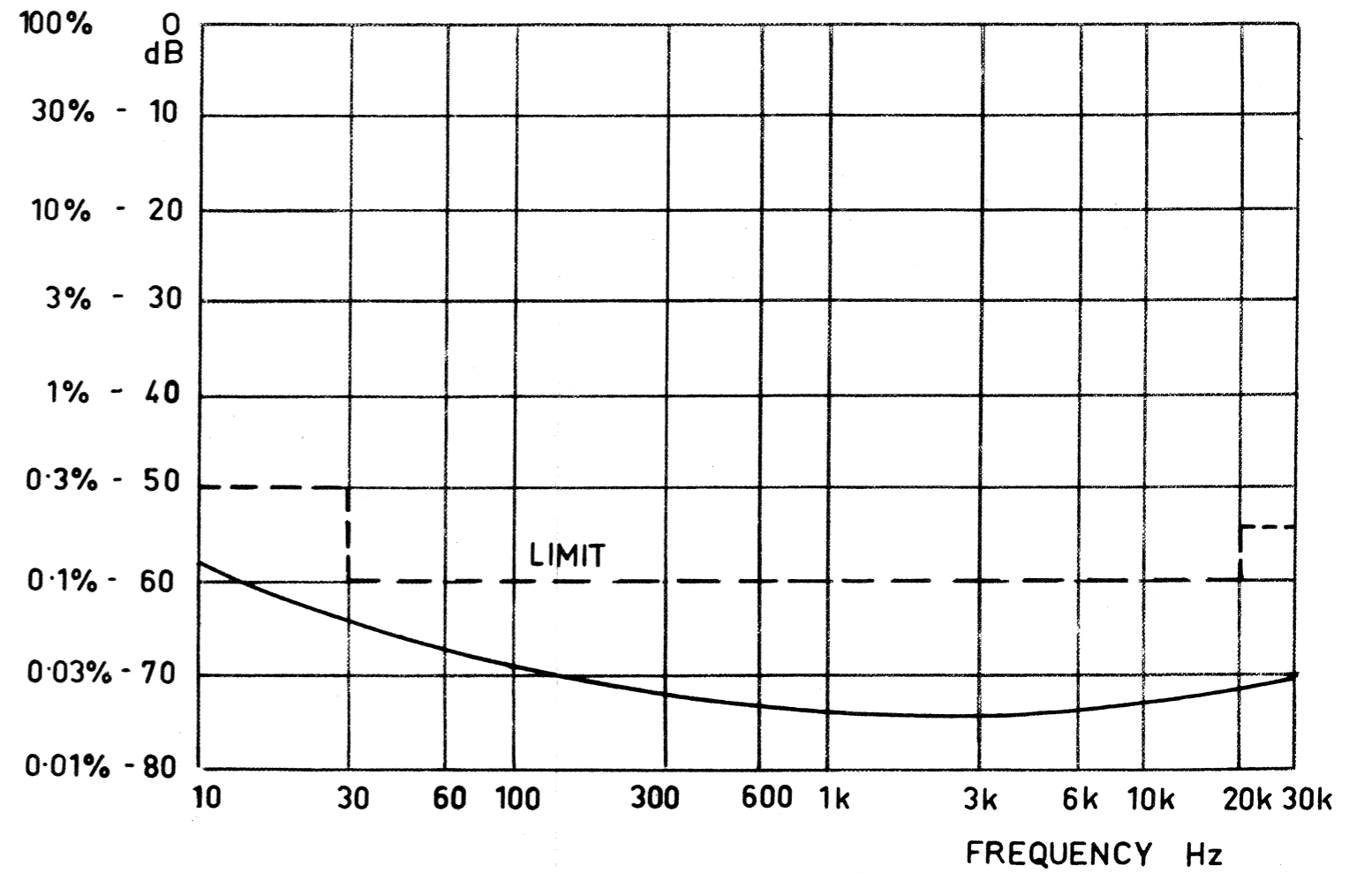
MEASUREMENT OF RETURN LOSS AND  
LONGITUDINAL SUPPRESSION  
AUDIO OSCILLATOR - G231

TYPE 1A94771

DRG. 94771D3

PV-B3956-0

DISTORTION



OUTPUT LEVEL 0 dBm  
INTO 600  $\Omega$



TOTAL HARMONIC DISTORTION  
TYPICAL CURVE  
AUDIO OSCILLATOR G231  
DRG.94771D4 PV-B3957.0