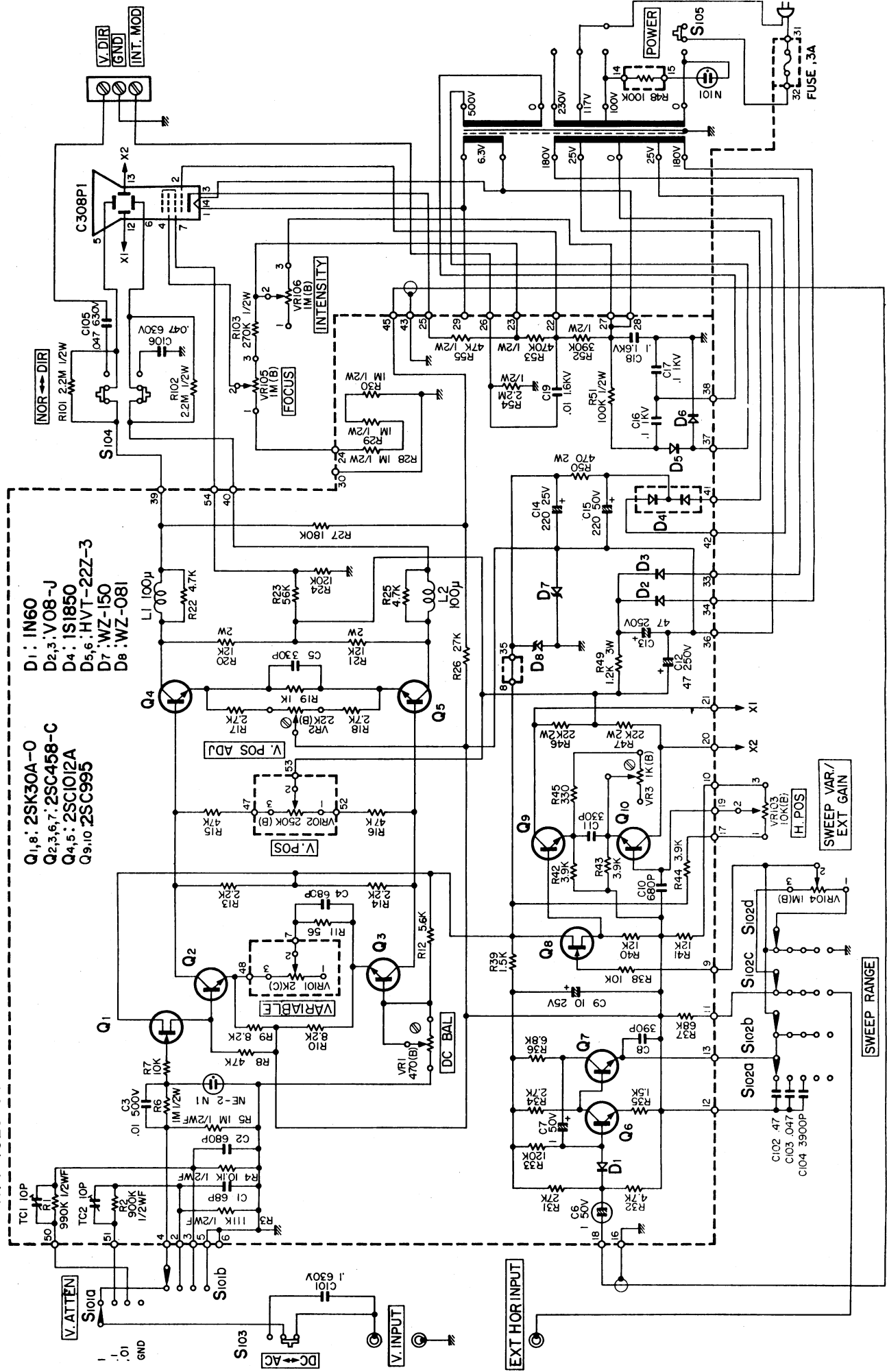


X74-1020-00



- Q1,8: 2SK30A-0
- Q2,3,6,7: 2SC458-C
- Q4,5: 2SC1012A
- Q9,10: 2SC995
- D1: 1N60
- D2,3: V08-J
- D4: 1S1850
- D5,6: HVT-22Z-3
- D7: WZ-150
- D8: WZ-081

MODEL 1403
488-122-9-087

Note: Resistors with no specified value are 1/4W, ±5%. Also, the circuit elements may be changed without notice.

P. C. BOARD

SCHEMATIC SYMBOL	DESCRIPTION	B & K PART No.
RESISTORS AND CONTROLS		
R20 }	12KΩ, 2W, ±5% Metal Film Resistor	011-002-5-123
R21 }		
R46 }	22KΩ, 2W, ±5% Metal Film Resistor	011-002-5-223
R47 }		
R49 }	1.2KΩ, 3W, ±5% Metal Film Resistor	011-003-5-122
R50 }	470Ω, 2W, ±5% Metal Film Resistor	011-002-5-471
VR1 }	470Ω, 0.15W, ±20% Trimpot	088-163-9-008
VR2 }	2.2KΩ, 0.15W, ±20% Trimpot	008-169-9-007
VR3 }	1KΩ, 0.15W, ±20% Trimpot	008-169-9-006
CAPACITORS		
C6 }	1MFD, 50V, Non-Polarlytic	034-006-9-001
C7 }	1MFD, 50V, Electrolytic Capacitor	022-086-9-004
C9 }	10MFD, 25V, Electrolytic Capacitor	022-086-9-005
C12 }	47MFD, 250V, Electrolytic Capacitor	021-042-9-001
C13 }		
C14 }	220MFD, 25V, Electrolytic Capacitor	022-086-9-003
C15 }	220MFD, 50V, Electrolytic Capacitor	022-073-9-006
C16 }	0.1MFD, 1000V Oil Capacitor	024-003-9-001
C17 }		
C18 }	0.1MFD, 1600V Oil Capacitor	024-005-9-001
TC1 }	Ceramic Trimmer Capacitor	028-027-9-001
TC2 }		

SCHEMATIC SYMBOL	DESCRIPTION	B & K PART No.
CHASSIS		
RESISTORS AND CONTROLS		
VR102 }	250KΩ, 0.1W, 20% Carbon Pot, V. POS	008-194-9-001
VR103 }	10KΩ, 0.1W, 20% Carbon Pot, H. POS	008-163-9-005
VR104 }	1MΩ, 0.1W, 20% Carbon Pot	
VR105 }	SWEEP VARI/EXT GAIN	008-194-9-002
VR106 }	1MΩ, 0.15W, 20% Carbon Pot	008-194-9-003
VR106 }	FOCUS INTENSITY	
CAPACITORS		
C101 }	0.1MFD, 630V, 20% Oil Capacitor	024-002-9-001
C105 }	0.047MFD, 630V, 20% Oil Capacitor	024-002-9-001
C106 }		
SWITCHES		
S101/VR101 }	Rotary Switch, V. ATTEN/VARIABLE	083-145-9-002
S102 }	Rotary Switch, SWEEP RANGE	083-145-9-001
S103 }		
S104 }	Slide Switch, AC/DC, POWER, NOR/DIR	084-022-9-002
S105 }		
MISCELLANEOUS		
	Bottom Plate	253-028-9-001
	Bracket, Handle	746-026-9-001
	Cable Assembly, Shielded	523-071-9-002
	Case	272-091-9-001
	CRT	230-006-9-001
	Foot, Rubber	381-054-9-001
	Front Panel Assembly	255-106-9-001
	Fuse, 0.5A, 3AG	191-251-3-102
	Graticule	380-177-9-004
	Handle, Carrying	746-018-9-001
	Instruction Manual	480-136-9-001
	Knob, Gray, SWEEP RANGE	751-099-9-001
	Knob, Gray, V. ATTEN	751-077-9-001
	Knob, Black, V. POS. H. POS	
	SWEEP VARI/EXT GAIN	751-099-9-002
	Knob, Black, VARIABLE	751-099-9-003
	Line Cord, 3-Wire, CSA Approved	420-013-9-001
	Neon Lamp, Pilot	401-014-9-001
	Transformer, Power	065-080-9-001

SCHEMATIC SYMBOL	DESCRIPTION	B & K PART No.
DIODES AND TRANSISTORS		
D1 }	Diode, 1N60	150-001-9-005
D2 }	Diode, V08-J	151-028-9-006
D3 }		
D4 }	Diode, 1S1850	151-028-9-002
D5 }	Diode, High Voltage, HVT-22Z3	151-046-9-001
D6 }		
D7 }	Diode, Zener, WZ-150	152-046-9-002
D8 }	Diode, Zener, WZ-081	152-046-9-001
Q8 }	Transistor, FET, 2SK30A-0	182-026-9-001
Q2 }		
Q3 }	Transistor, Silicon, NPN, 2SC458C	176-016-9-001
Q6 }		
Q7 }		
Q4 }	Transistor, Silicon, NPN, 2SC1012A	176-028-9-008
Q5 }		
Q9 }	Transistor, Silicon, NPN, 2SC995	176-043-9-001
Q10 }		
MISCELLANEOUS		
L1 }	100μH, ±10% Peaking Coil	041-057-9-001
L2 }		
N1 }	Neon Lamp	401-014-9-002

NOTE: Standard value resistors and capacitors are not listed. Values may be obtained from schematic diagram. Minimum charge \$2.00 per invoice. Orders will be shipped C.O.D. unless previous open account arrangements have been made or remittance accompanies order. Advance remittance must cover postage or express charges. Specify serial number when ordering replacement parts.