

MISCELLANEOUS

M-1	Meter—1 Ma. (Indicate all numbers and letters following ME13 on meter face) Cal. F/Alum. Panel.	320-003-9-002
D-1, 2 D-3, 4	} Silicon Diode 50 Volt P.I.V. 500 ma.....	112-500-0-501
SR-1 SR-2		
	} Silicon Diode 500 P.I.V. 500 ma.....	112-501-0-501
	Case with Handle.....	ASM-B-110
	Complete Printed Circuit Assembly, Less Tubes....	ASM-B-107
	3' Red Test Prod Lead.....	ASM-127
	Two Red and Two Black Test Leads (Alligator Clips)	ASM-128
	Transistor Test Socket w/Ring.....	749-030-9-001
	Transistor Test Clips.....	741-009-9-001
	Red Transistor Clip Insulator.....	346-006-9-001
	Black Transistor Clip Insulator.....	346-006-9-002
	Blue Transistor Clip Insulator.....	346-006-9-003
	Yellow Transistor Clip Insulator.....	346-006-9-004
	Rubber Feet for Case.....	381-008-9-001
	Red Test Jack (Banana)	774-001-9-001
	Black Test Jack (Banana)	774-001-9-002
	"Selector" Knob	751-002-9-001
	"RF-IF Tuning" Knob.....	ASM-B-109
	"PNP-NPN" Knob	751-002-9-002
	"VTVM and Level" Knobs.....	751-002-9-003
V-1 V-2	} 12AU7 Tubes	235-120-1-217
	6 Ft. Line Cord.....	420-001-9-007
	Carton and Fillers (503-015-9-001).....	500-089-9-001
	Instruction Manual	480-031-9-001
	Schematic and Parts List.....	488-029-9-001

(Prices Subject to Change Without Notice)

NOTE: Standard value resistors and capacitors are not listed.

Values can be obtained from schematic diagram.

Orders will be shipped C.O.D. unless previous open account arrangements have been made or remittance accompanies order. Advance remittance must cover postage or express charges.

Specify Serial Number When Ordering Replacement Parts

CAPACITORS

C-1 C-2 C-17	} 500 MFD @ 25V Tubular Pigtail Electrolytic Cap....	022-005-9-001
C-4 C-16		
C-11		
C-13	1.0 MFD @ 200V, ± 20% Paper Tubular Cap.....	026-201-7-105
C-14	11.4 —299.5 MMF Variable Dual Capacitor with Trimmer (R.F.-I.F. Tuning)	029-005-9-001
	10 MFD @ 175V Printed Circuit Mounting Electrolytic Cap.	021-002-9-001
	20 MFD @ 150V Pigtail Tubular Electrolytic Cap...	021-007-9-001

RESISTORS—CONTROLS

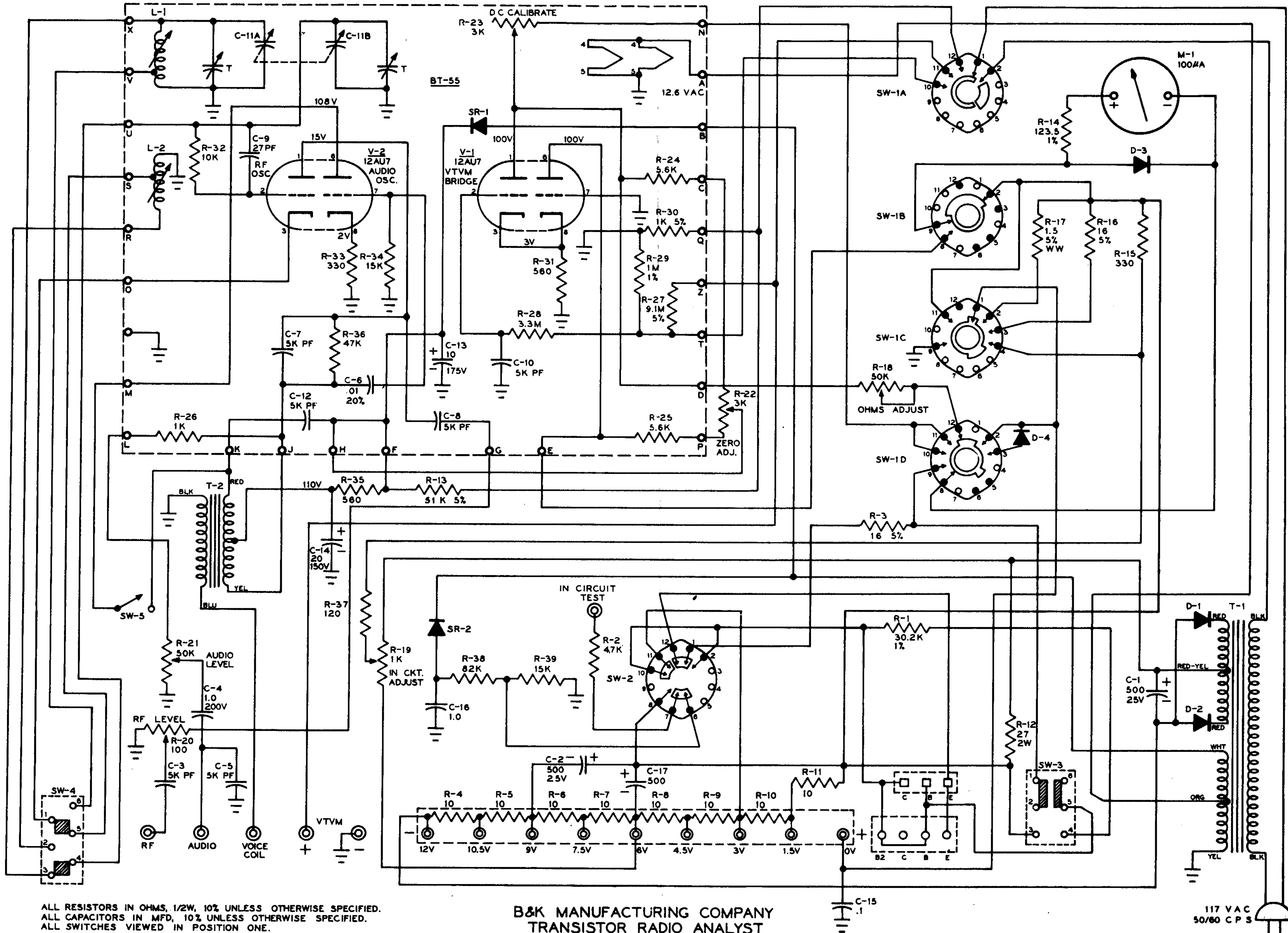
R-1	30.2K Ohm ½ Watt ± 1% Deposited Carbon Resistor.....	004-024-9-001
R-14	123.5 Ohm ½ Watt ± 1% Deposited Carbon Resistor.....	004-025-9-001
R-17	1.5 Ohm ½ Watt ± 5% W. W. Resistor.....	006-102-5-159
R-18	50K Ohms ¼ Watt Potentiometer (Ohms Adj.) ...	008-001-9-006
R-19 R-22	} Dual Control: 3K Ohm ¼ Watt Potentiometer (in Circuit Meter Set) and 1K Ohm ¼ Watt Potentiometer (VTVM Zero Adj.)	008-031-9-001
R-20 R-21		
SW-5	Dual Control with Switch, 100 Ohm ¼ Watt Potentiometer (RF Level), 50K Ohm ¼ Watt Potentiometer (Audio Level) and S.P. S.T. Modulation "On-Off" Switch.....	008-032-9-001
R-23	3K Ohm ¼ Watt Potentiometer (D.C. Cal.) (Internal)	008-039-9-001
R-29	1 Megohm ½ Watt ± 1% Deposited Carbon Resistor.....	002-102-3-105

SWITCHES

SW-1	"Selector" Switch	083-029-9-001
SW-2	"PNP-NPN" Switch	083-031-9-001
SW-3	"Leakage-Beta" Switch	084-001-9-002
SW-4	"RF-Off" Band Switch.....	084-001-9-003

TRANSFORMERS—COILS

T-1	Power Transformer	065-020-9-001
T-2	Aud.-Osc. Mod. Output Transformer.....	064-006-9-001
L-1	750 UH Low Band Osc. Coil, "A".....	041-002-9-001
L-2	115 UH High Band Osc. Coil, "B"	041-003-9-001



ALL RESISTORS IN OHMS, 1/2W, 10% UNLESS OTHERWISE SPECIFIED.
 ALL CAPACITORS IN MFD, 10% UNLESS OTHERWISE SPECIFIED.
 ALL SWITCHES VIEWED IN POSITION ONE.

B&K MANUFACTURING COMPANY
 TRANSISTOR RADIO ANALYST
 MODEL 960 PM-273C
 488-029-9-001

117 VAC
 50/60 CPS

K4XL's **BAMA**

This manual is provided **FREE OF CHARGE** from the "BoatAnchor Manual Archive" as a service to the Boatanchor community.

It was uploaded by someone who wanted to help you repair and maintain your equipment.

If you paid anyone other than BAMA for this manual, you paid someone who is making a profit from the free labor of others without asking their permission.

You may pass on copies of this manual to anyone who needs it. But do it without charge.

Thousands of files are available without charge from BAMA. Visit us at <http://bama.sbc.edu>