



## AVO INTERNATIONAL

Archcliffe Road  
Dover  
Kent CT17 9EN  
England

Tel: +44 (0) 1304 502100  
Fax:+44 (0) 1304 207342

510 Township Line Road  
Blue Bell  
PA 19422-2795  
U.S.A.

Tel: +1 (215) 646-9200  
Fax:+1 (215) 643-2670

4651 S. Westmoreland Road  
Dallas  
TX 75237-1017  
U.S.A.

Tel: +1 (800) 723-2861 (U.S.A.only)  
Tel: +1 (214) 330-3203 (International)  
Fax:+1 (214) 337-3038

### MEGGERSA

29, Allée de Villemomble  
93340 Le Raincy  
Paris  
France

Tel: +33 (1) 43.02.37.54  
Fax:+33 (1) 43.02.16.24

### Repair and Warranty

**New instruments are guaranteed for 1 year from the date of purchase by the User.**

Any unauthorized prior repair or adjustment will automatically invalidate the Warranty.

### Instrument Repair and Spare Parts

For service requirements for *MEGGER*® Instruments contact :-

**AVO INTERNATIONAL**  
Archcliffe Road  
Dover  
Kent, CT17 9EN  
England  
Tel: +44 (0) 1304 502243  
Fax:+44 (0) 1304 207342

or

**AVO INTERNATIONAL**  
510 Township Line Road  
Blue Bell  
PA 19422-2795  
U.S.A.  
Tel: +1 (215) 646-9200  
Fax:+1 (215) 643-7215

or an approved repair company.

This instrument is manufactured in the European Union. The Company reserves the right to change the specification or design without prior notice.

*MEGGER* is the registered Trade Mark of **AVO INTERNATIONAL LIMITED**.

This data uses the comma as the decimal marker to align with general European usage. Copyright © **AVO INTERNATIONAL LIMITED**.

# MEGGER® FlexiClamp 200

## User Guide



### SAFETY WARNINGS

- The section of wire under test **must** be clean, free of debris, and undamaged.
- Measurements beyond maximum selected range **must not** be taken.
- When taking measurements above 30 V RMS, extreme care **must** be taken, with the hand kept behind the hand guard.
- **Do not** use on uninsulated conductors at a voltage greater than 1000 V.
- **Do not** operate the instrument with the battery cover removed.
- **Do not** operate the instrument if any part of it is damaged.
- **Do not** operate the instrument in environments subject to high temperature, damp, humidity or excessive vibration.
- Safety Warnings **must** be read and understood before the instrument is used, and **observed** during use.

THE INSTRUMENT MUST ONLY BE USED BY TRAINED AND COMPETENT PERSONS

### Symbols used on the instrument



Caution: refer to accompanying notes.



Equipment protected throughout by Double Insulation (Class II)

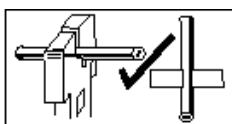
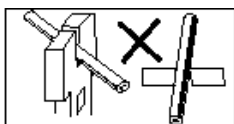


Equipment complies with relevant EU Directives

The *FlexiClamp 200* is a rugged lightweight clamp meter, for measuring a.c current to 40 Amps in 2 or 3 wire, round or flat cables without the need to break the circuit, separate the cores, or remove equipment covers. Current in single core cables can be measured to 199,9 Amps.

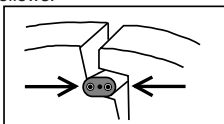
### Operation

1. Set the 2 position slide switch to select '**Single**' or '**Multi-wire**' cable.
2. Determine the cable **Type**, and set the rotary switch to the appropriate position. For single core cables select the single wire position.
3. Press the jaw opening lever to open the jaws. Fit the jaws **squarely** around the cable sheath and **in line** with the cable.



4. Align the cable in the shoulder slot between the jaws, and release the trigger to close the jaws on the cable.

5. When measuring the current in a flat cable, the cable must be positioned as follows:



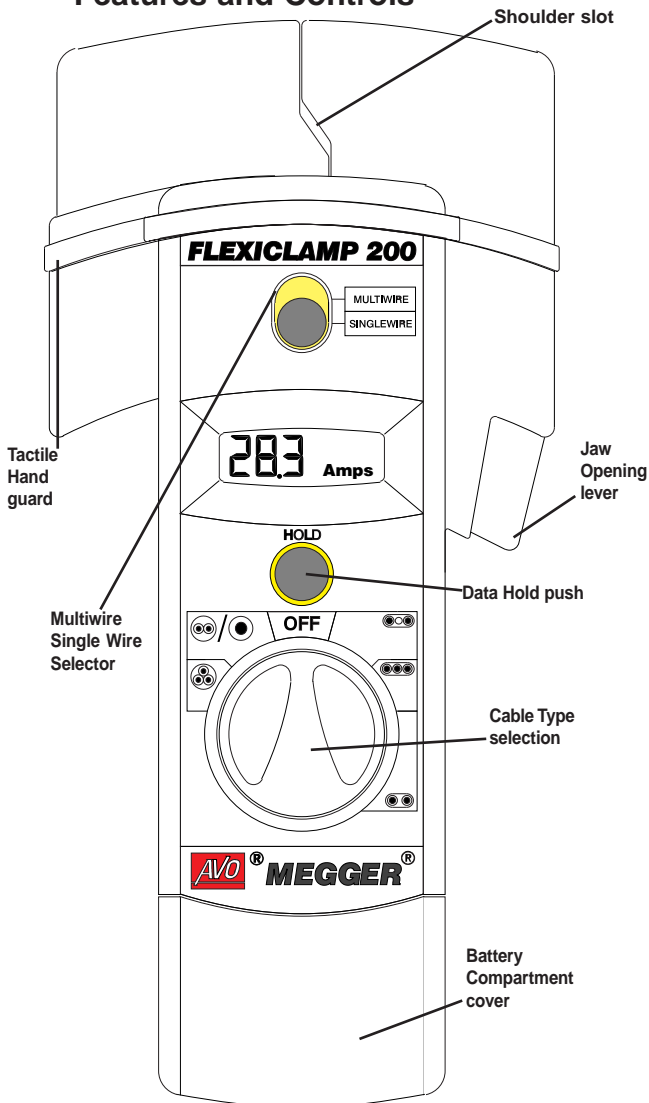
The proximity of other current carrying conductors may affect the reading. Keeping a minimum distance of 125mm (5") from these conductors will minimise this.

6. Read the current directly from the display. The 'Hold' button holds the reading on all ranges.

### Auto Shut Off

To conserve battery power, the **Auto Shut Off** turns off the instrument after approximately 3 minutes. The instrument can be switched back on by turning the rotary switch to **Off** and then **On** again.

## Features and Controls



## Specification

### Measuring Ranges:

Single wire mode	0 to 199,9 Amp
2-or-3-wire mode	0 to 40,0 Amp

**Resolution:** 0,1 Amp.

**Accuracy:** At 22°C (72°F) and rated frequency

Single wire	2% of reading ± 2 digits
2-or-3-wire mode	
Flat or Twin cable	5% of reading ± 2 digits.
Round Cable	12% of reading ± 2 digits.

Calibration at 12 month intervals is recommended

**Temperature Range:** -0° - 40°C (32°F - 104° F)

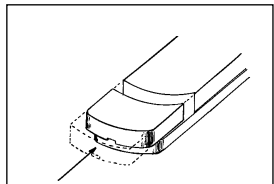
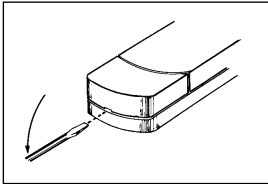
**Humidity Range:** 0% to 95% RH

**Power Supply:** 1 x PP3 - 9V battery (IEC 6LR61 type)

**Battery life:** Typically 50 hours continuous use or 20 weeks of normal daily use.

**Low Battery Indicator:** **Lo-BAt** when battery voltage falls below 7 V. Remove the battery if the instrument is likely to remain unused for an extended period of time.

**Battery Replacement:** The battery cover can be released by the insertion of a screw-driver (as shown below).Lever up and remove the battery cover. Replace the exhausted battery, and slide the cover on securely.



To replace **SLIDE** into position

**Safety:** The instruments meet the requirements for double insulation to IEC 1010-2-032, EN61010-2-032 to Category III\*, 1000 Volts on insulated cable. (\*Relates to transient overvoltage likely to be found in fixed installation wiring).

**E.M.C:** The instrument meets EN 50081-1 and EN 50082-1 (1992)

**Case Dimensions:** 110mm x 229mm x 45mm (4½"x 9"x 1¾")

**Max.Jaw Opening:** 25,4mm (1")

**Weight:** 315g (11oz) including batteries

**Cleaning:** Wipe disconnected instrument with a clean cloth dampened with soapy water or Isopropyl Alcohol (IPA).

## Accessories

Supplied	Part Number
User Guide	6172-215
Carrying pouch with belt loop	8101-101