

RELAY REPLACEMENT KIT

P/N 8570-100

FOR USE WITH

MODELS 8570/71/74

TERMALINE® LOAD RESISTOR

The following steps outline the replacement of, P/N 5-1515/1509, superseded interlock and motor relays. The replacement relays of kit P/N 8570-100 are direct substitutions of greater reliability.

- a. Disconnect all ac and RF power lines from the unit before attempting any disassembly.
- b. Disassemble the front panel as outlined in the regular instruction book.
- c. Set the front panel to the side preferably on a flat surface with the front, or lettered side, down.
- d. Position the new relay assembly as close as feasible to the relays being replaced. Usually slightly above works best.
- e. Make electrical connections, from relays being replaced, to the new relay assembly as follows. See Figure 1 and Figure 2.

Remove the quick disconnect terminal from:

Relay "A" pole "1" and reconnect to relay "C" pole "A"
Relay "A" pole "2" and reconnect to relay "C" pole "5"
Relay "A" pole "3" and reconnect to relay "C" pole "B"
Relay "A" pole "4" and reconnect to relay "C" pole "7"
Relay "A" pole "5" and reconnect to relay "C" pole "2"

Relay "B" pole "1" and reconnect to relay "D" pole "A"
Relay "B" pole "2" and reconnect to relay "D" pole "5"
Relay "B" pole "3" and reconnect to relay "D" pole "B"
Relay "B" pole "4" and reconnect to relay "D" pole "7"
Relay "B" pole "5" and reconnect to relay "D" pole "2"

- f. With all electrical connections to the replacement relay assembly complete, replace the green grounding wire, that goes to the power entry module, with the longer green wire, P/N 8570-103, supplied with kit.

g. Remove the screw and nut sets that secure relays "A" and "B" to the front panel. When free, discard relays "A" and "B". Position relay assembly "C" and "D" so that the holes in the mounting bracket line up with the holes in the front panel. Secure the relay assembly with #6-32 screws through the front panel.

h. Replace front panel to the unit to complete replacement.

FIGURE 1.

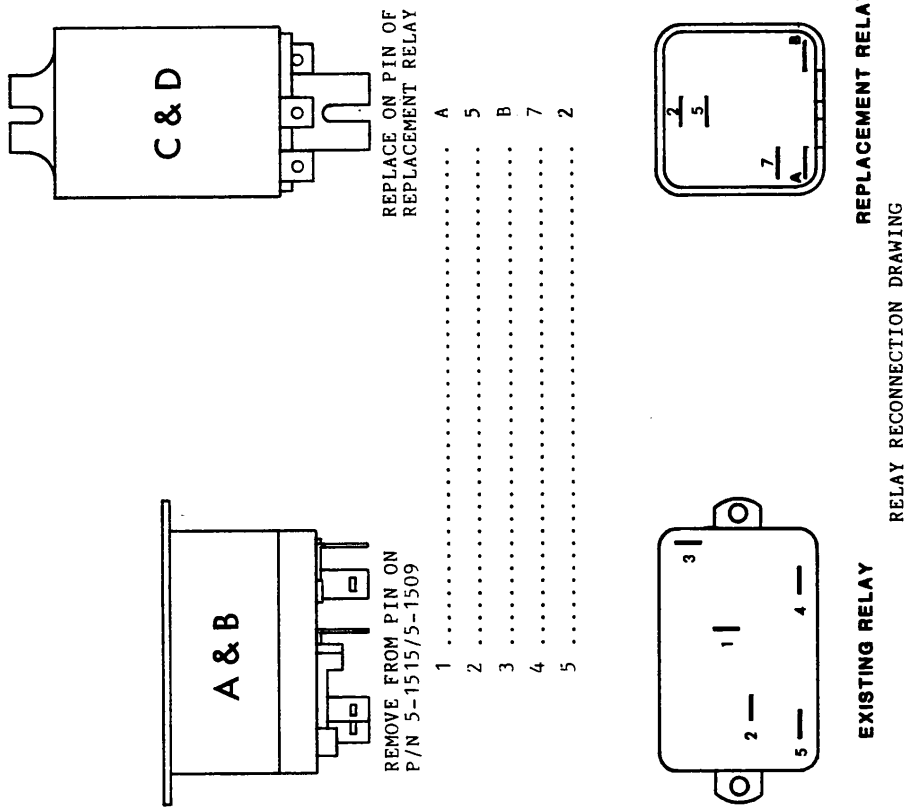
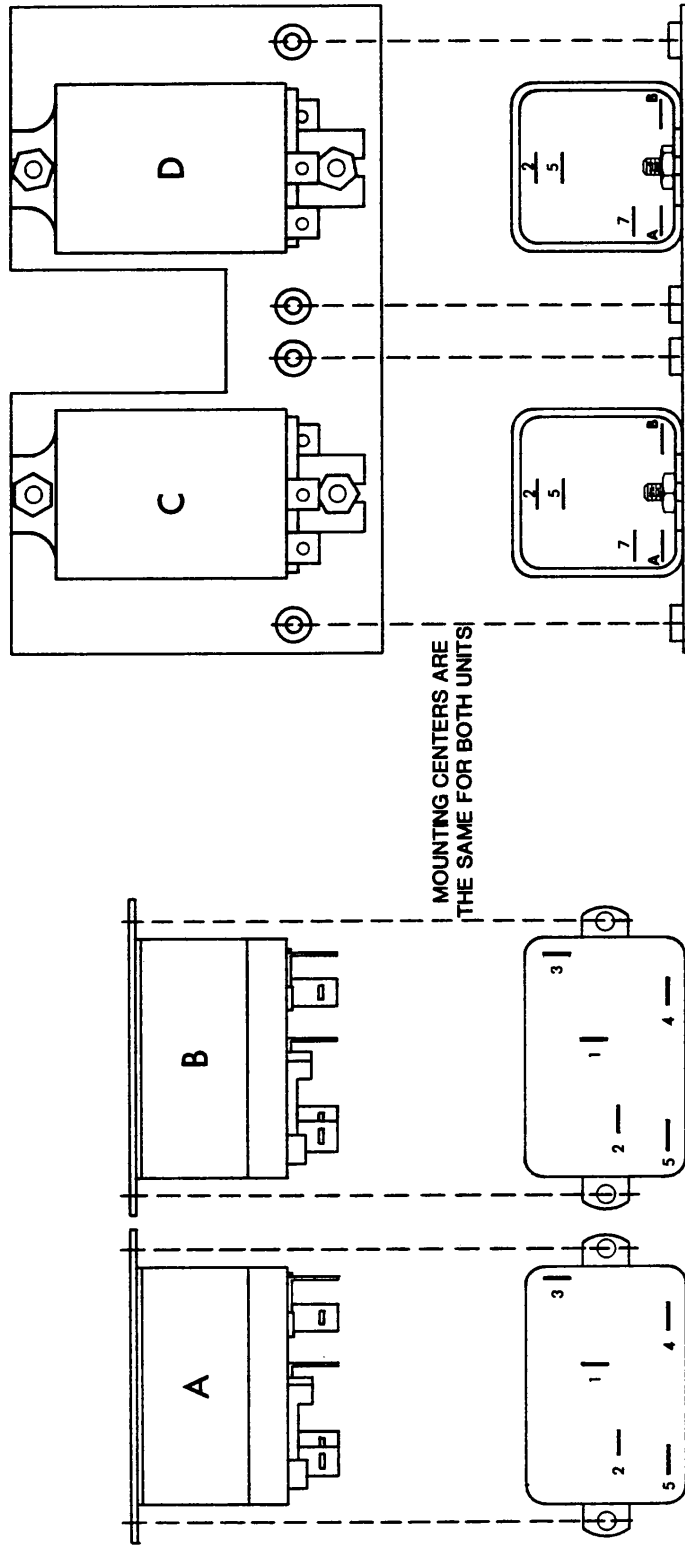


DIAGRAM A, MODEL 8570 SERIES RELAY RETROFIT

FIGURE 2.



(NEW)
REPLACEMENT RELAY KIT P/N 8570-100

(OLD)
RELAY TO BE REPLACED P/N 5-1515/1509

DIAGRAM B, MODEL 8570 SERIES RELAY RETROFIT