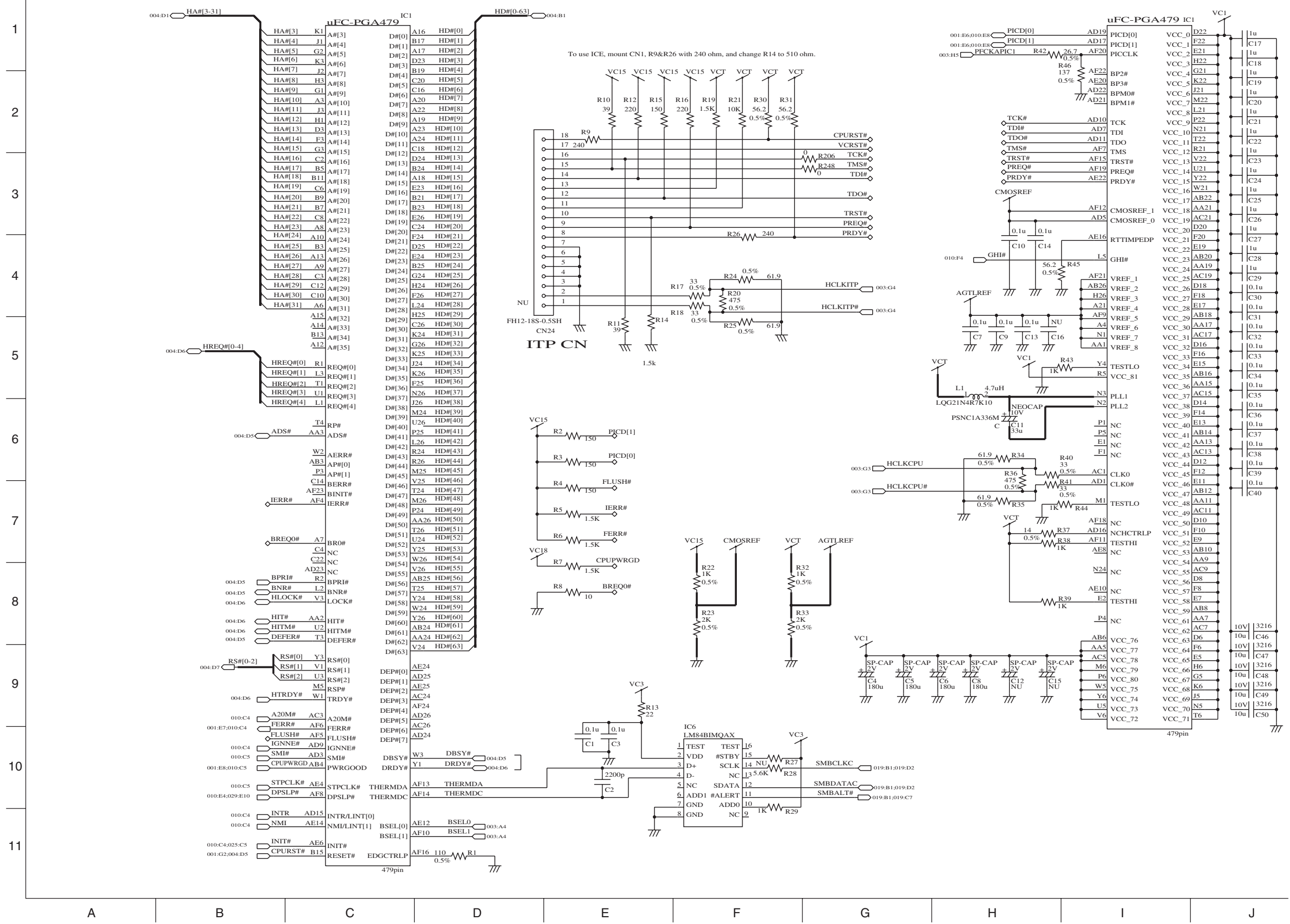
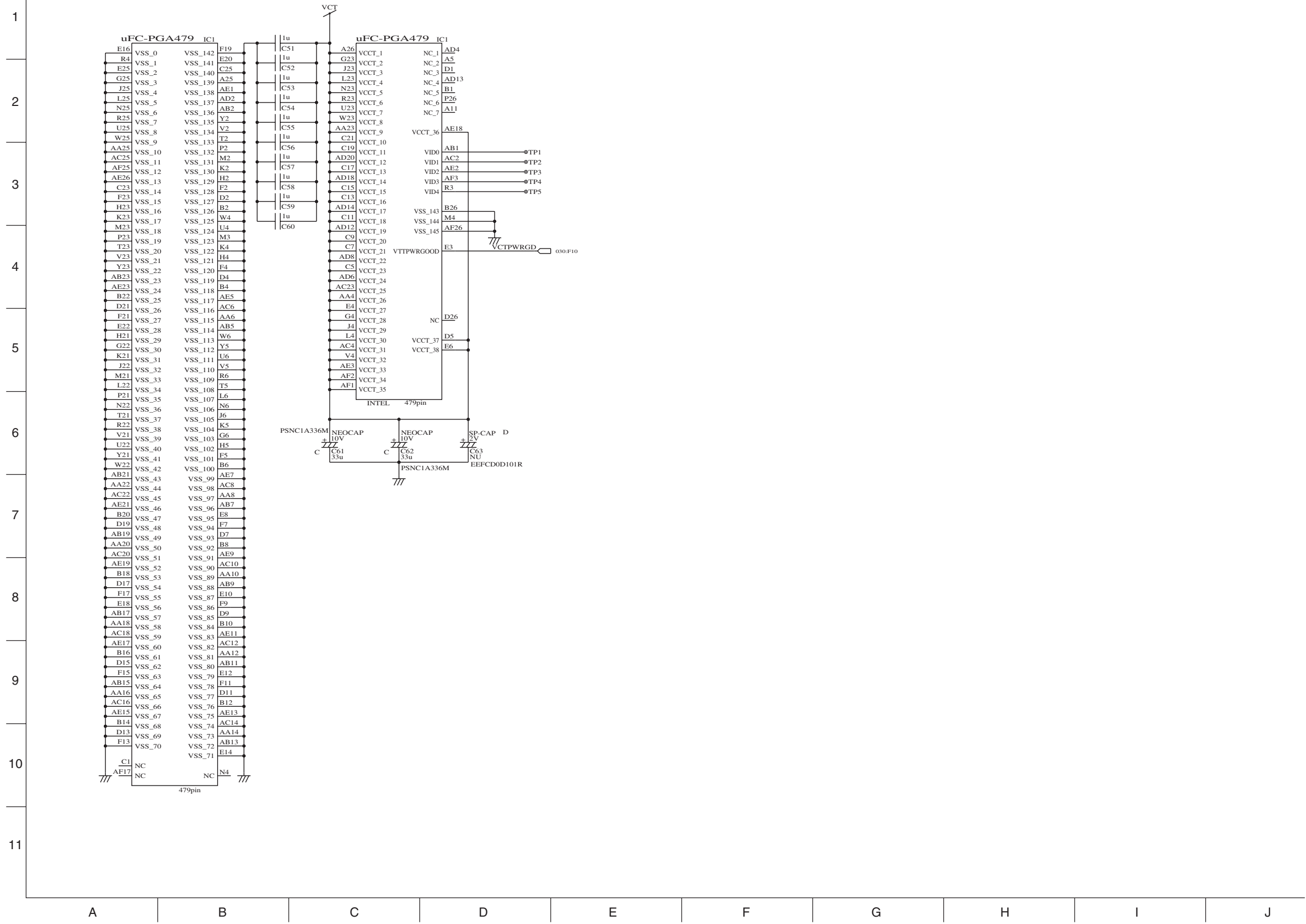


Schematic Diagrams

Main 1 CPU(1/2)

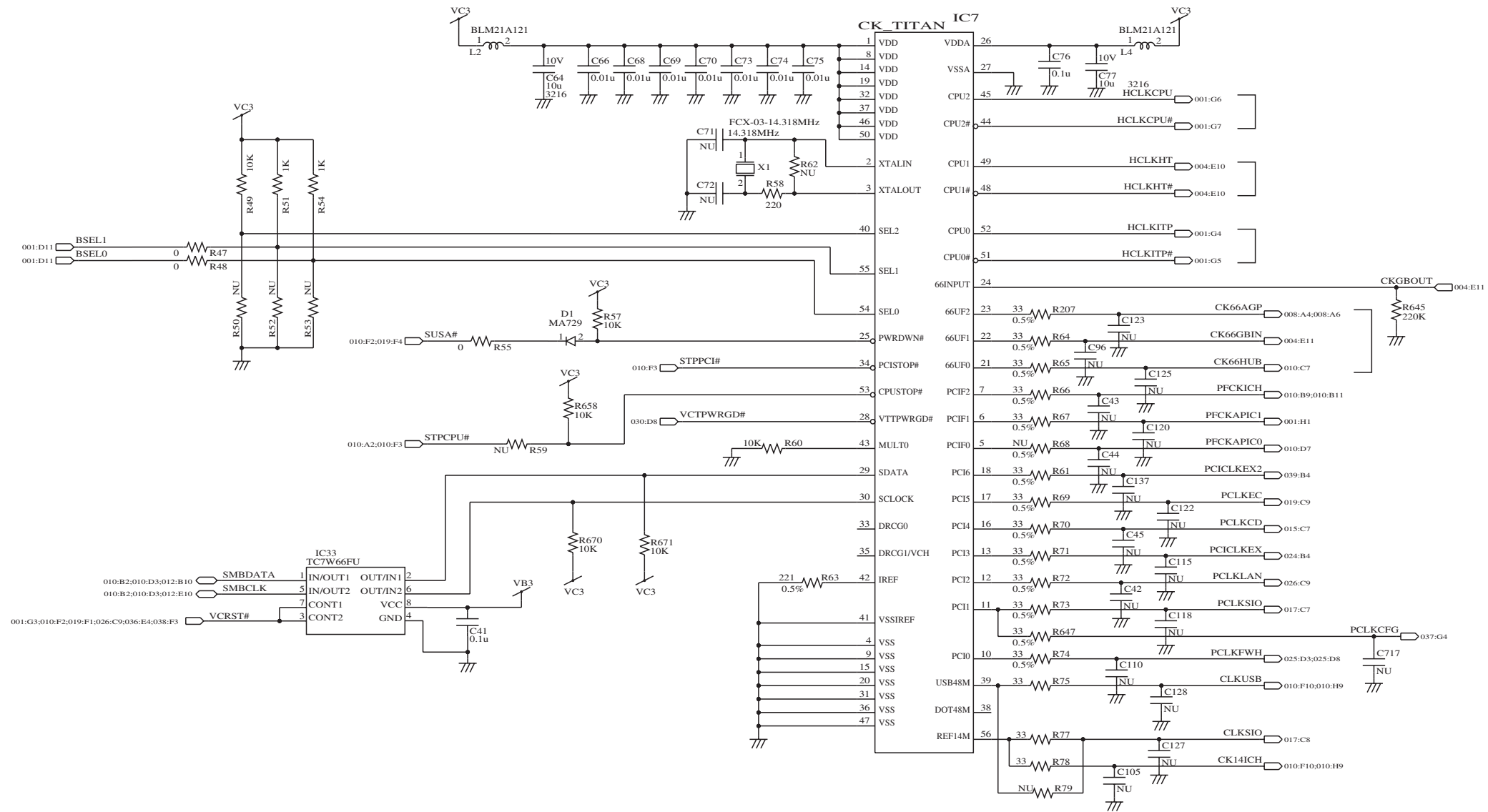


Main 2 CPU(2/2)



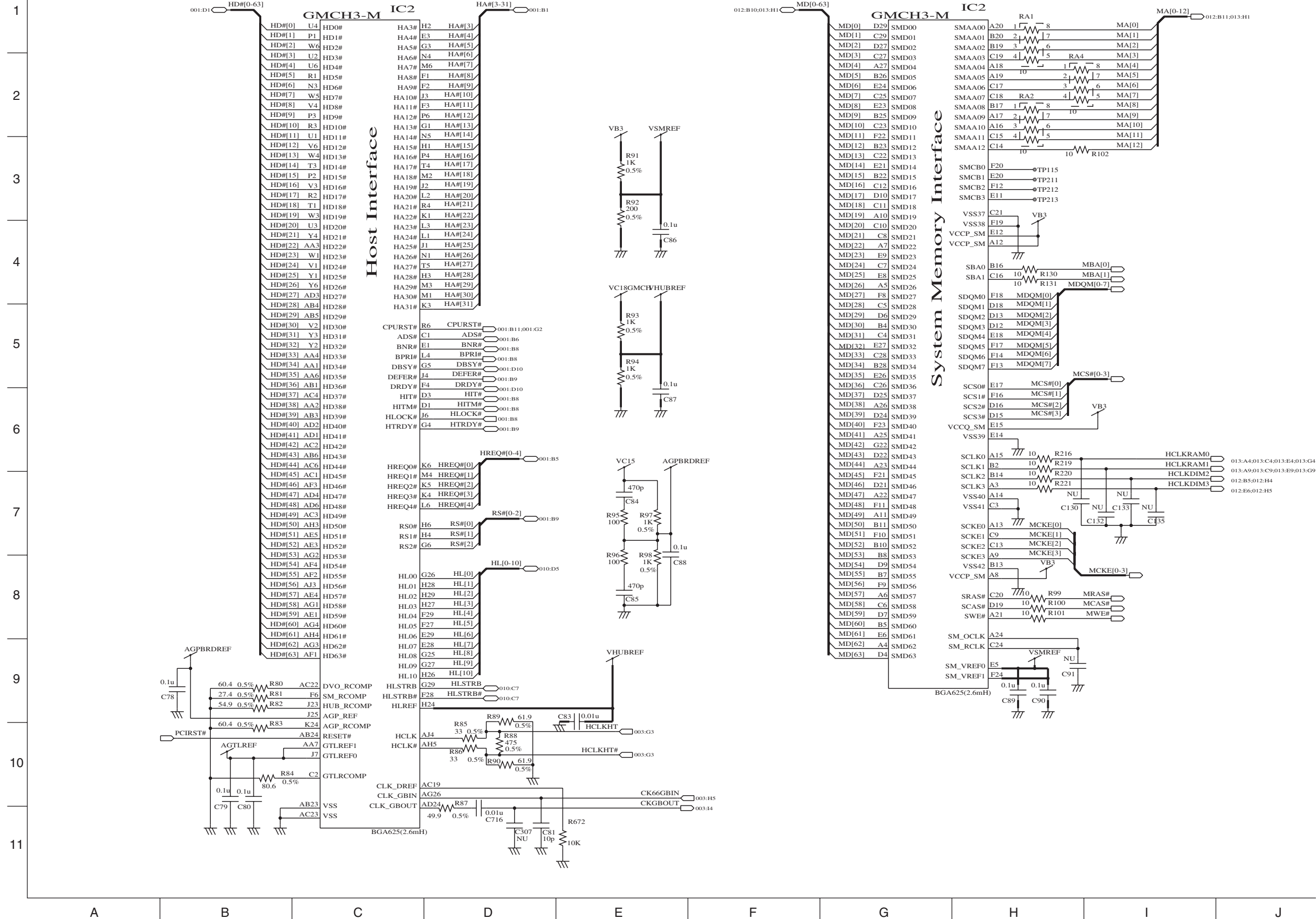
Main 3 CLOCK

1
2
3
4
5
6
7
8
9
10
11

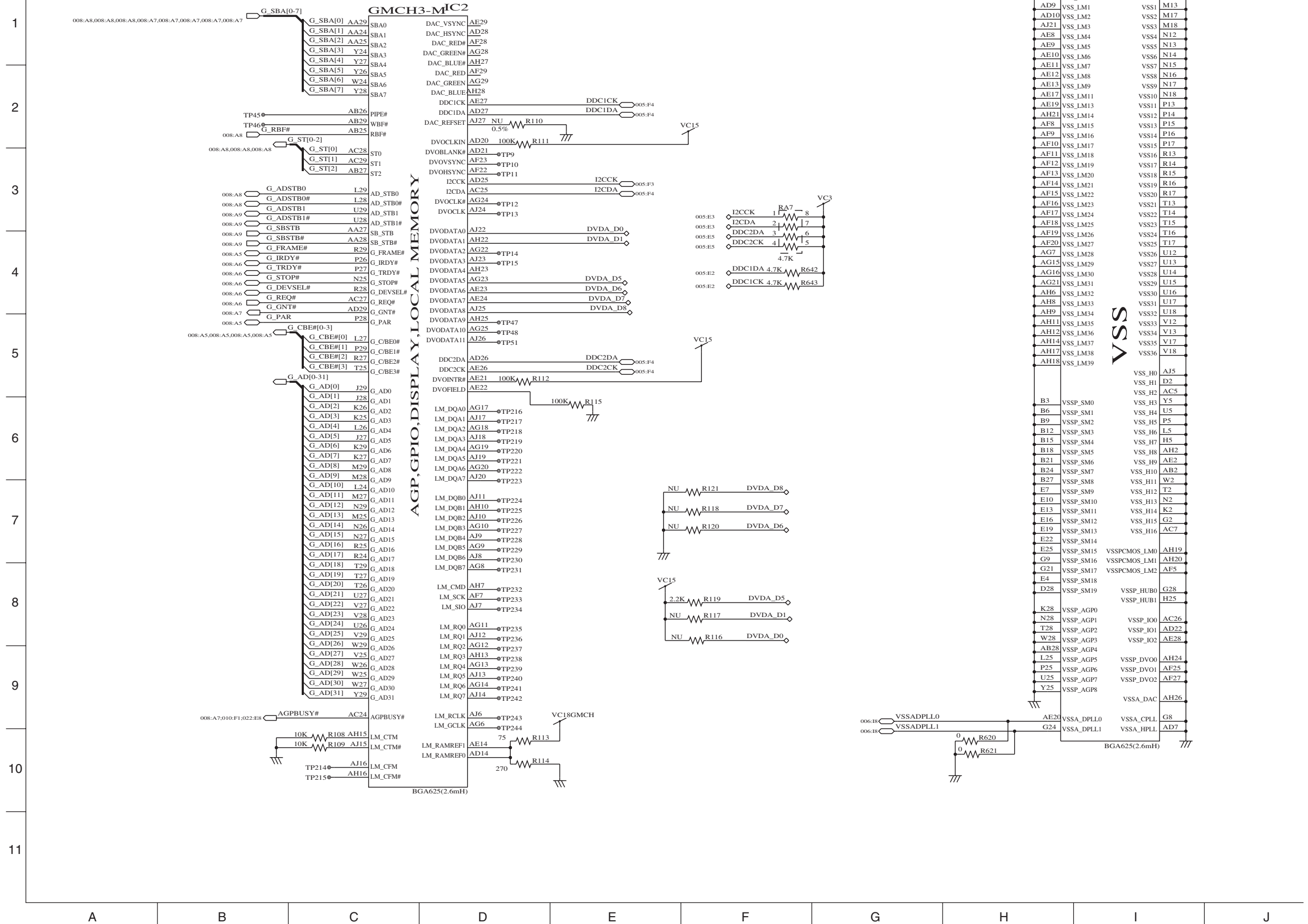


A B C D E F G H I J

Main 4 GMCH3(1/3)



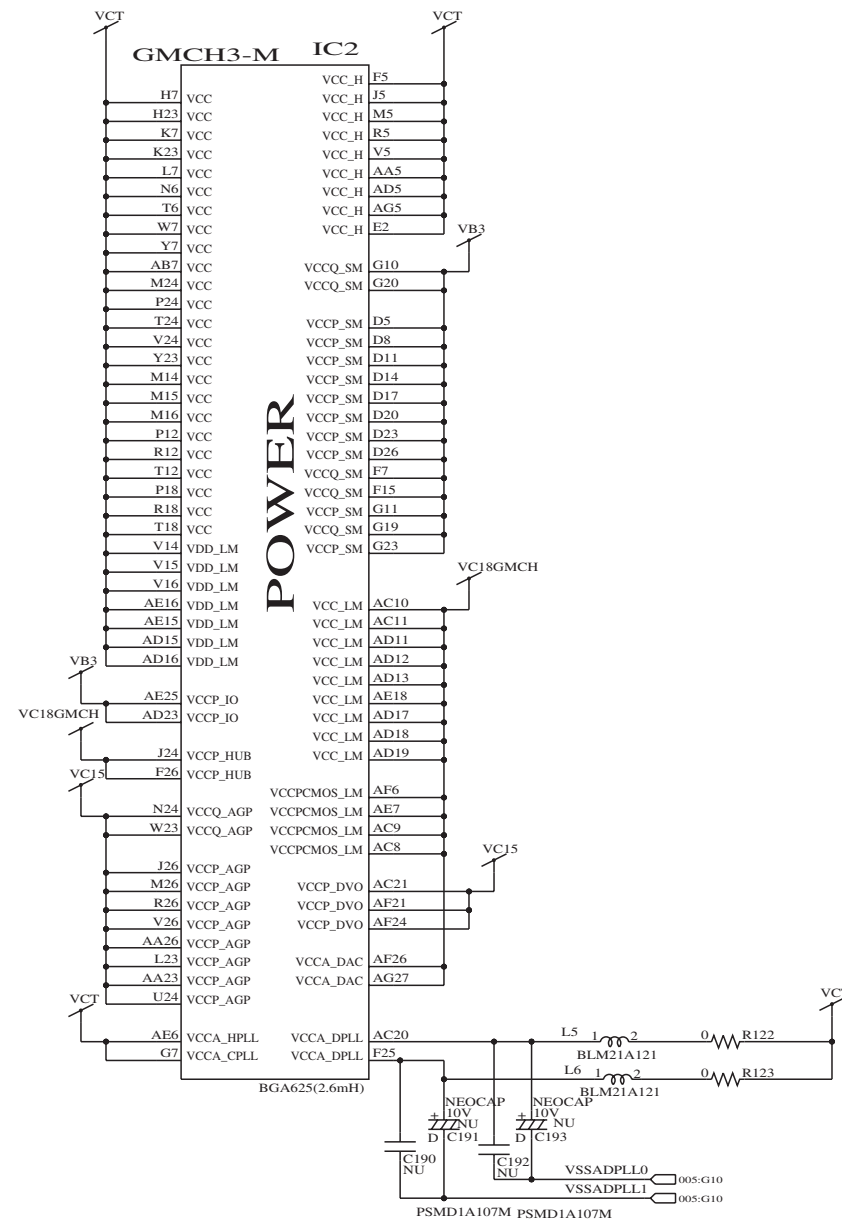
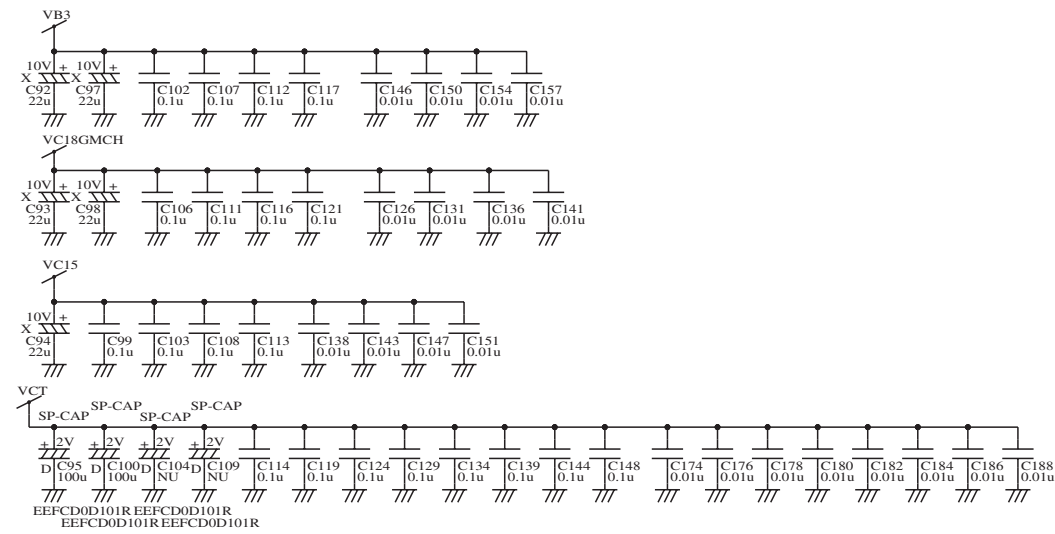
Main 5 GMCH3(2/3)



Main 6 GMCH3(3/3)

1
2
3
4
5
6
7
8
9
10
11

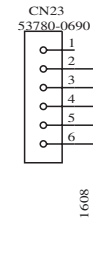
A B C D E F G H I J



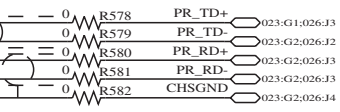
Main 7 RJ-11,45

1
2
3
4
5
6
7
8
9
10
11

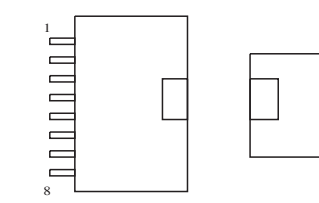
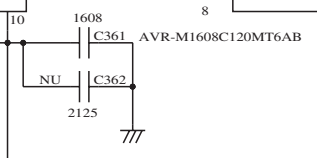
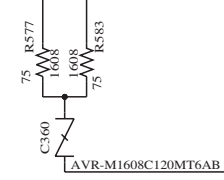
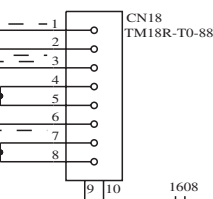
To mini-PCI2



1608
NU
C358



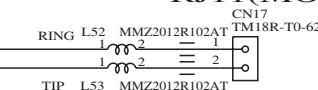
RJ45(LAN)



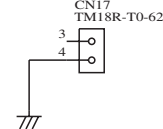
To mini-PCI



RJ11(MODEM)

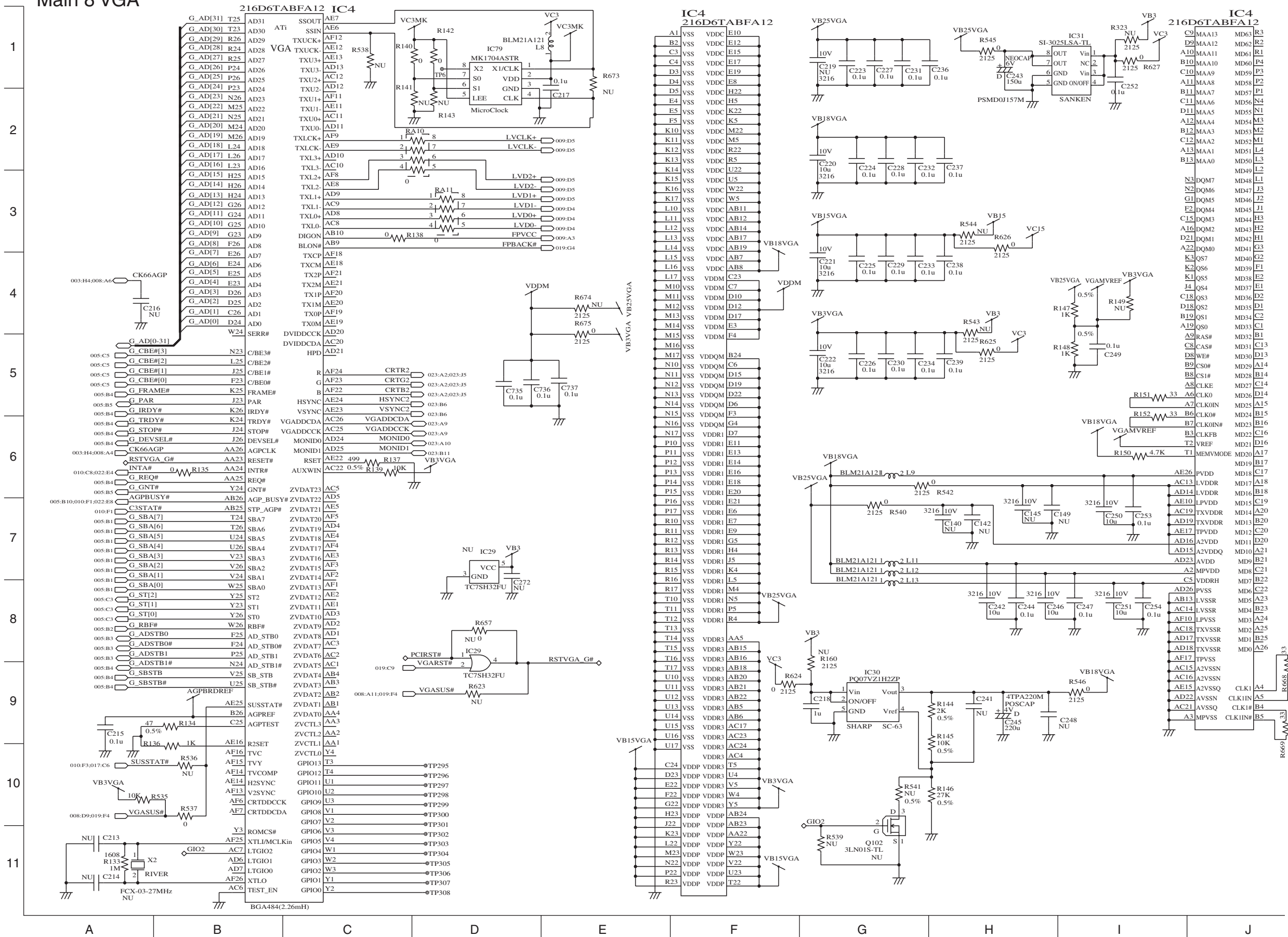


RJ11(MODEM)



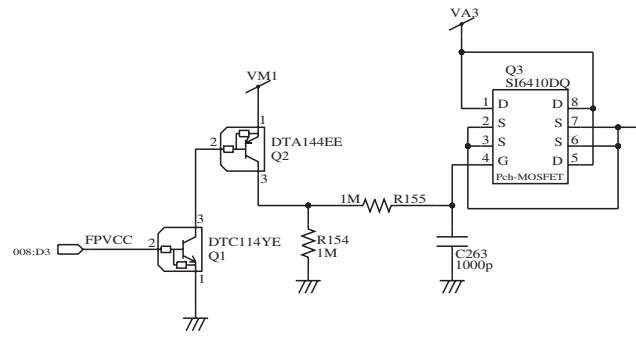
A B C D E F G H I J

Main 8 VGA



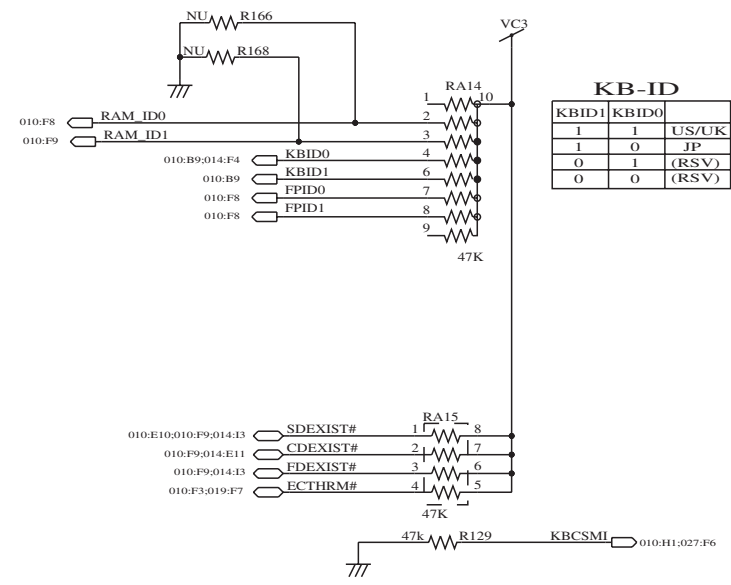
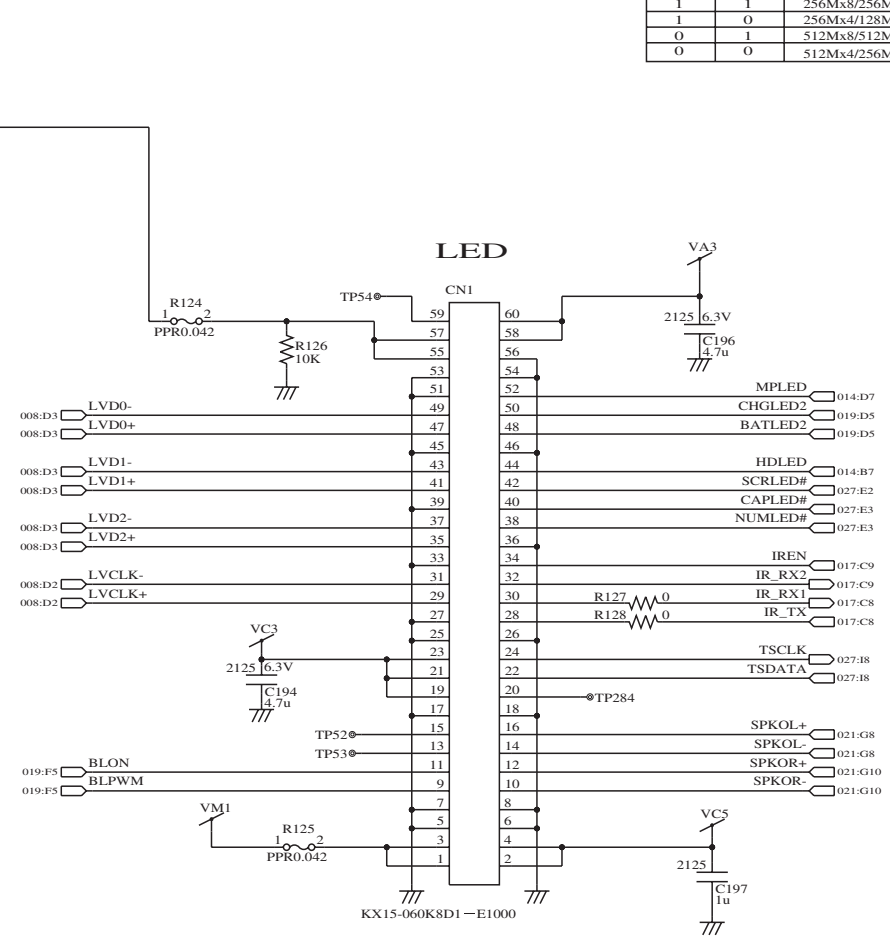
Main 9 LED CN

1
2
3
4
5
6
7
8
9
10
11



SDRAM TYPE

RAM_ID1	RAM_ID0	SizeXQ'ty/Total
1	1	256Mx8/256MB
1	0	256Mx4/128MB
0	1	512Mx8/512MB
0	0	512Mx4/256MB

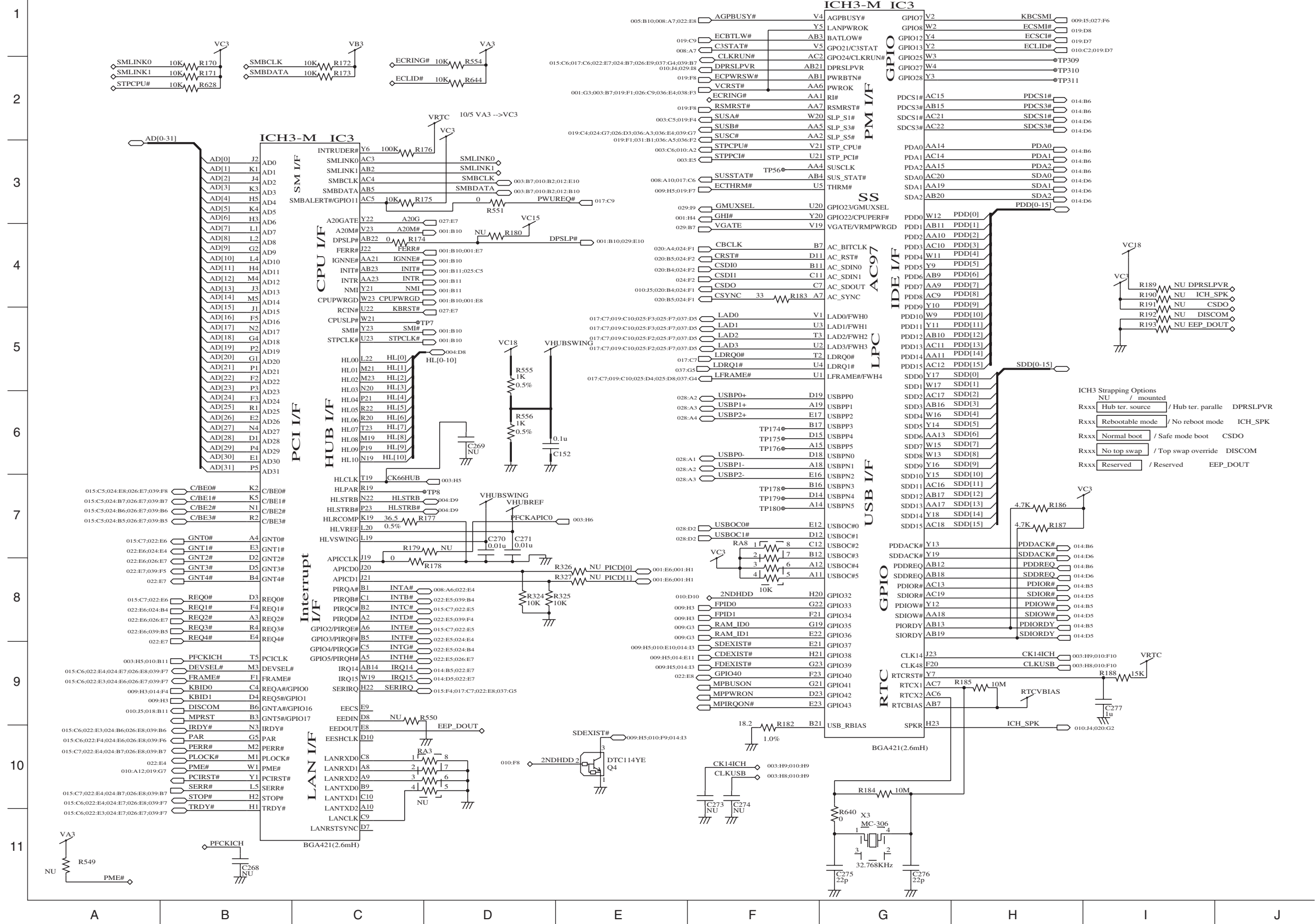


KB-ID

KBID1	KBID0	US/UK
1	1	US/UK
1	0	JP
0	1	(RSV)
0	0	(RSV)

A B C D E F G H I J

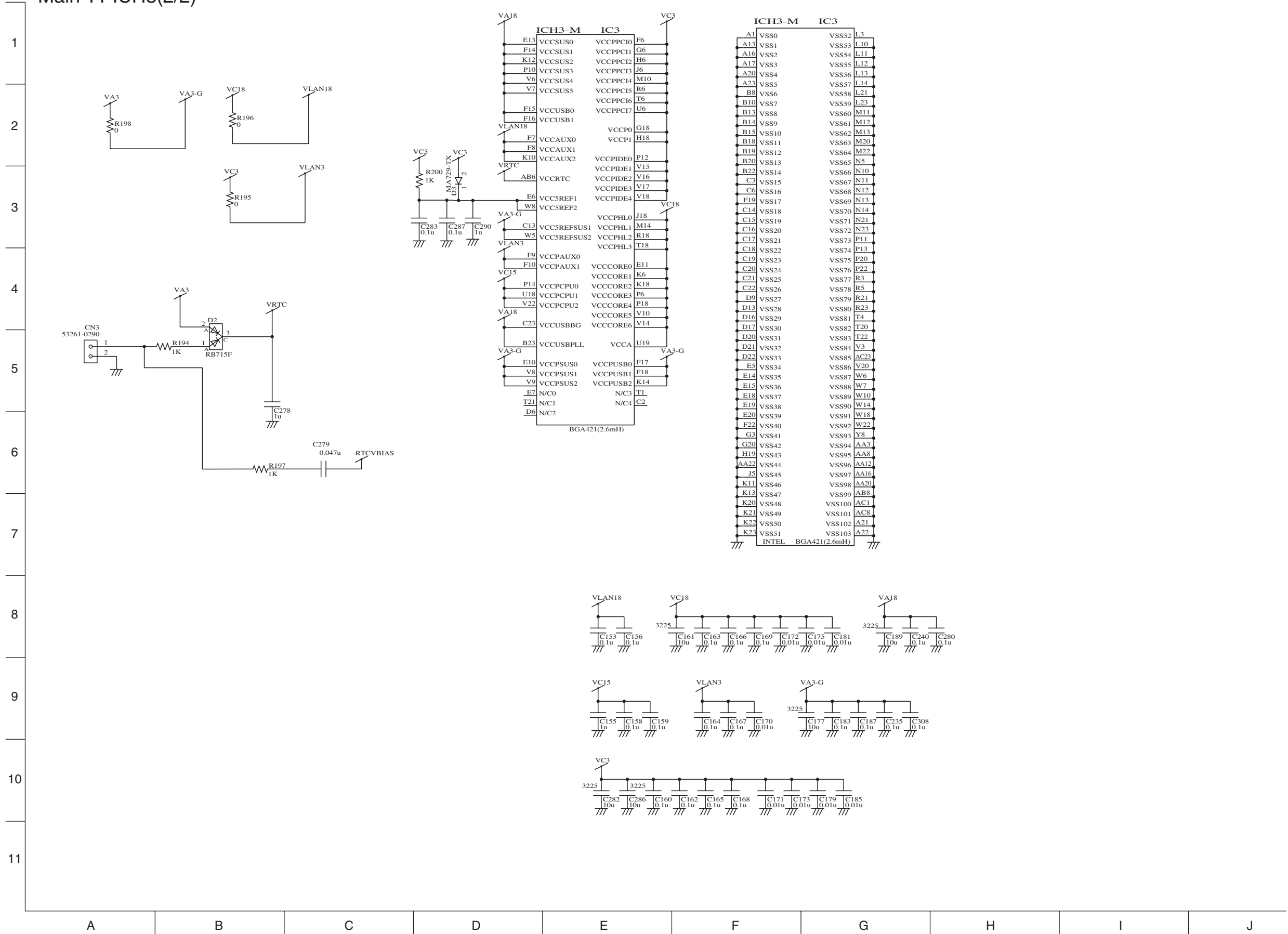
Main 10 ICH3(1/2)



ICH3 Strapping Options

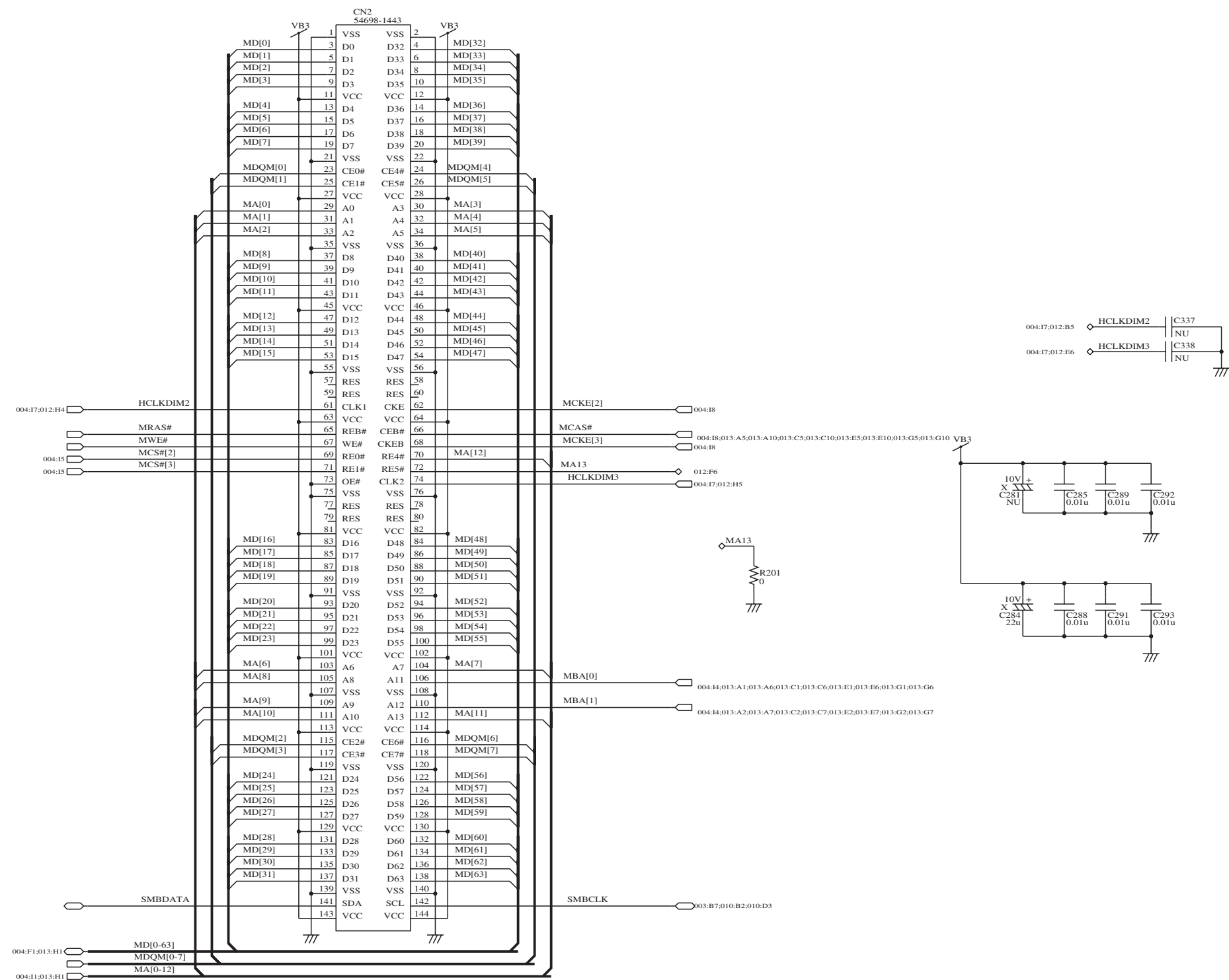
Hub ter. source / Hub ter. paralle
 Rebootable mode / No reboot mode
 Normal boot / Safe mode boot
 No top swap / Top swap override
 Reserved / Reserved

Main 11 ICH3(2/2)



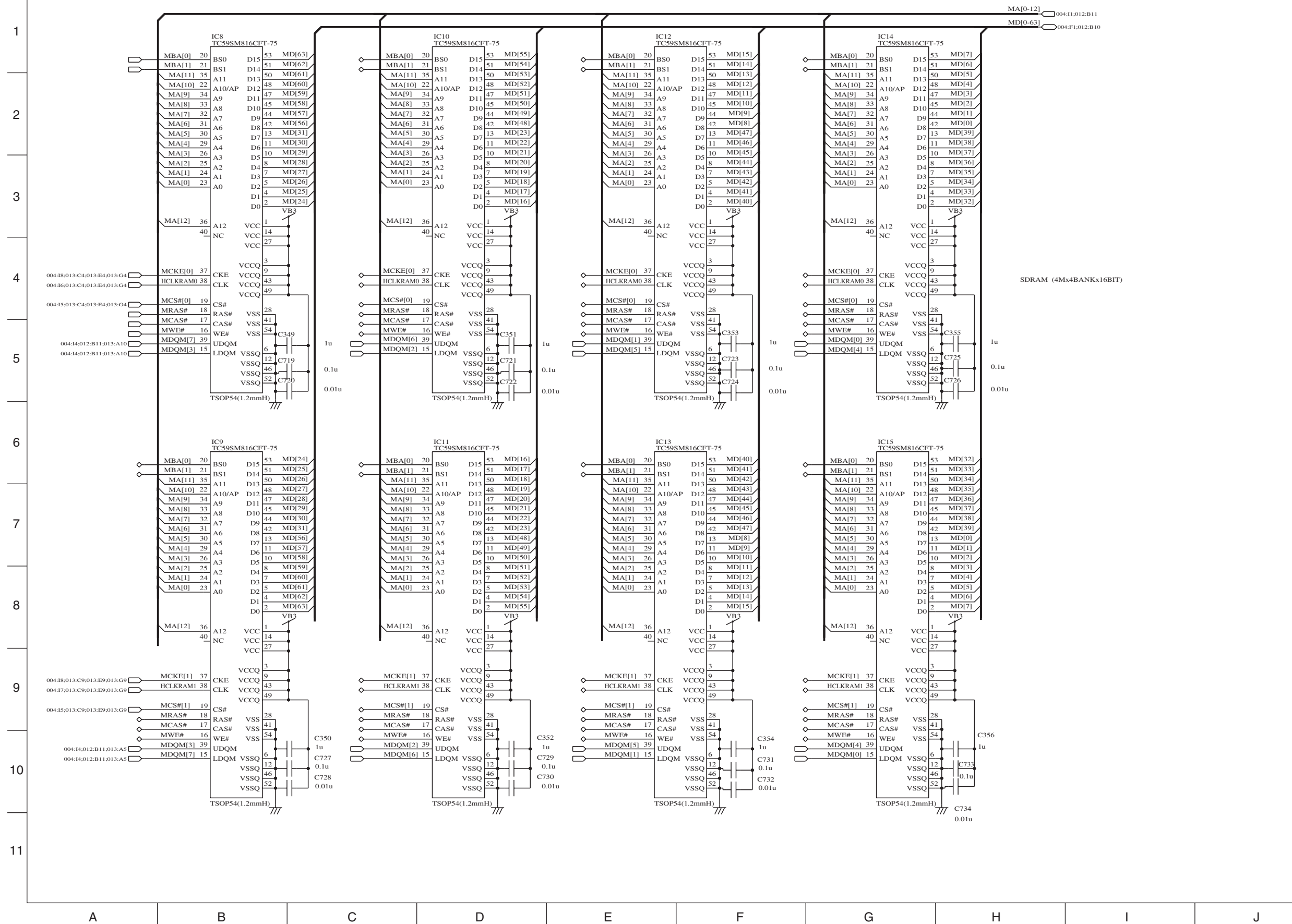
Main 12 SO DIMM

1
2
3
4
5
6
7
8
9
10
11



A B C D E F G H I J

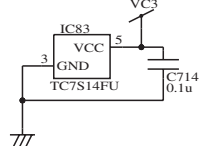
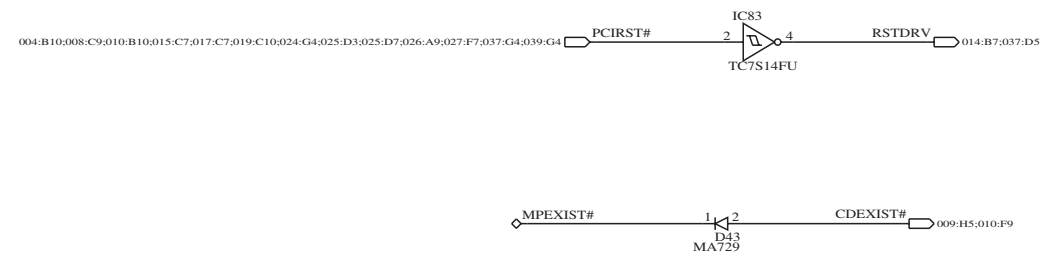
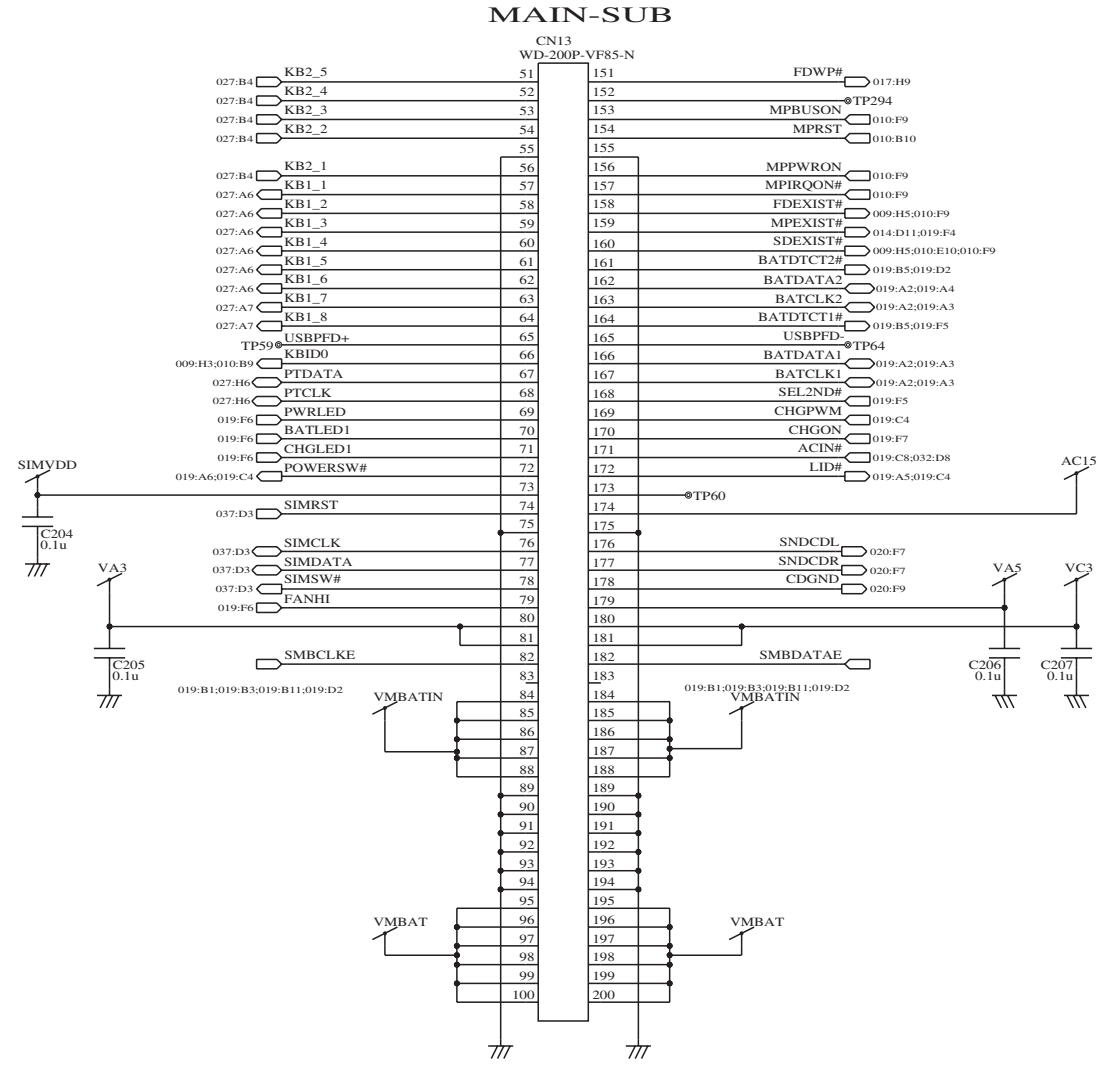
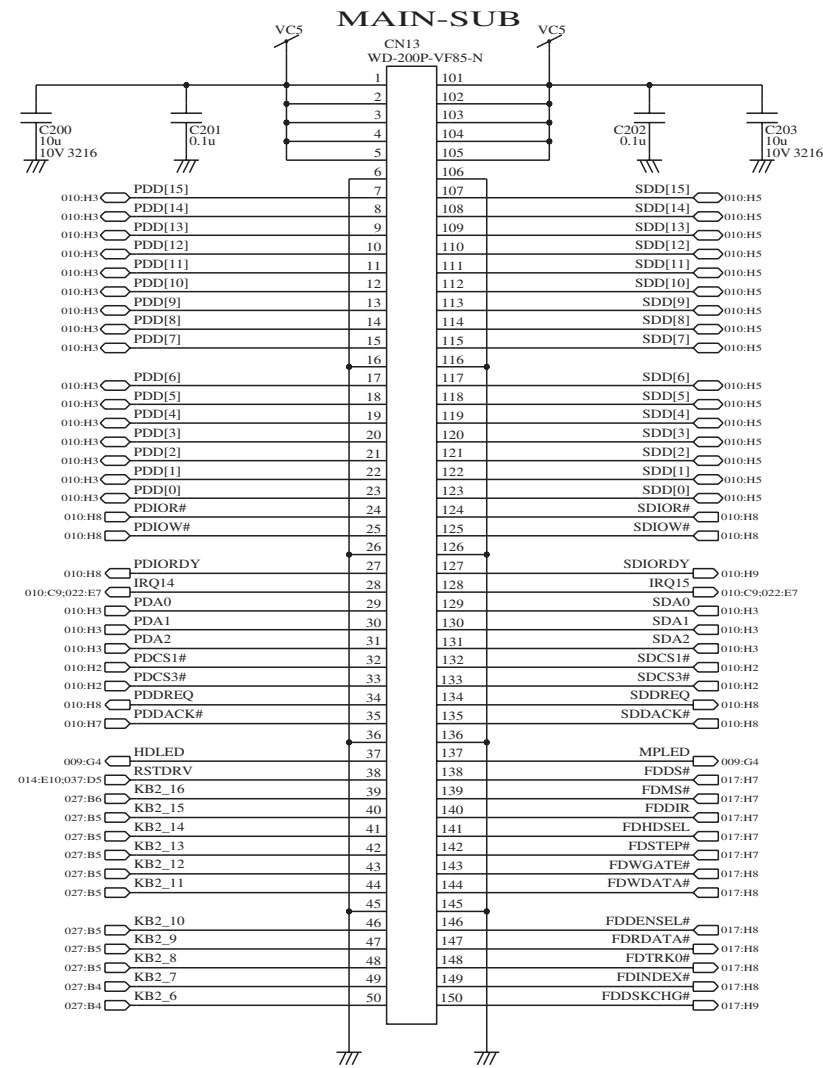
Main 13 ON BOARD MEMORY



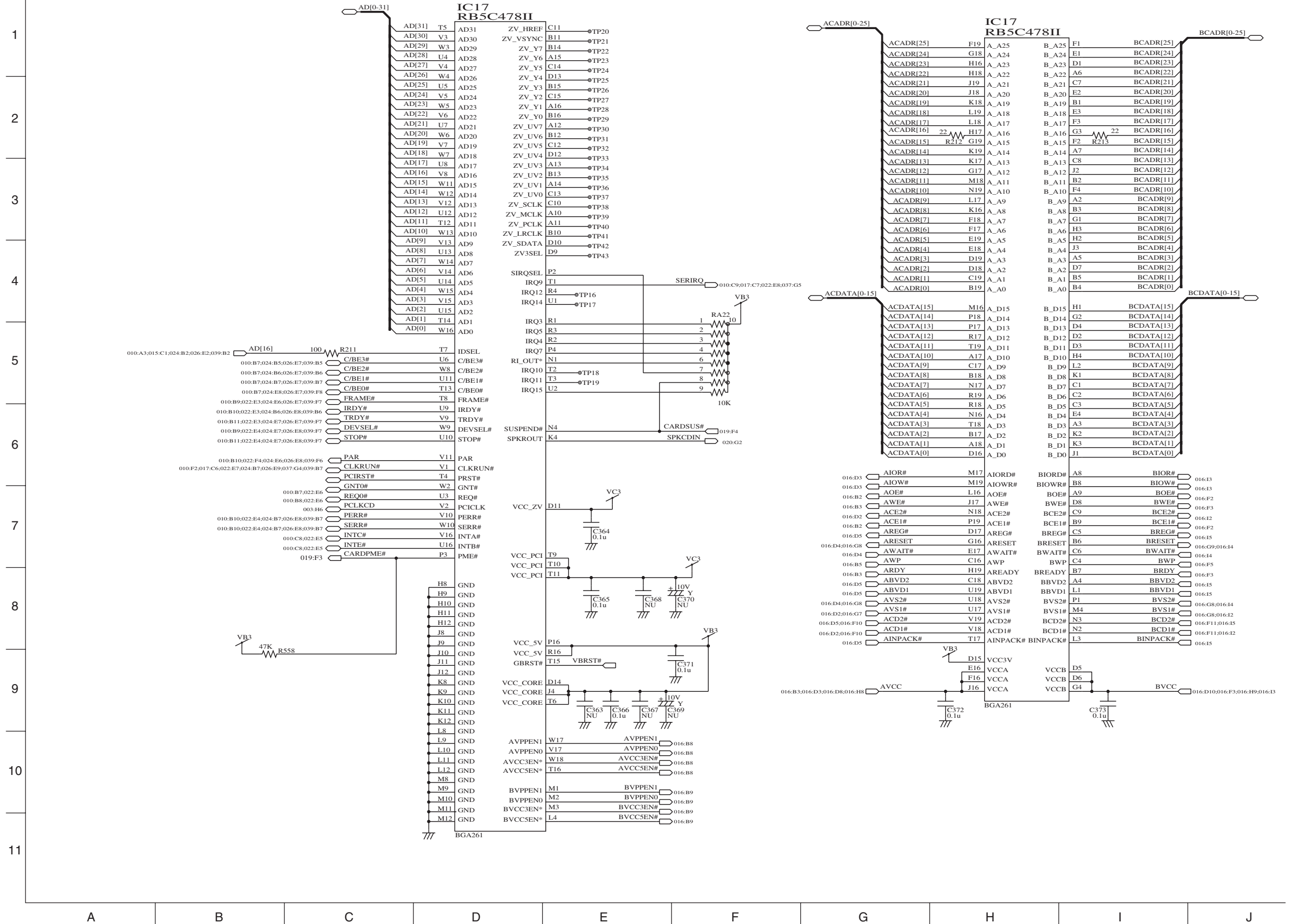
Main 14 SUB CN

1
2
3
4
5
6
7
8
9
10
11

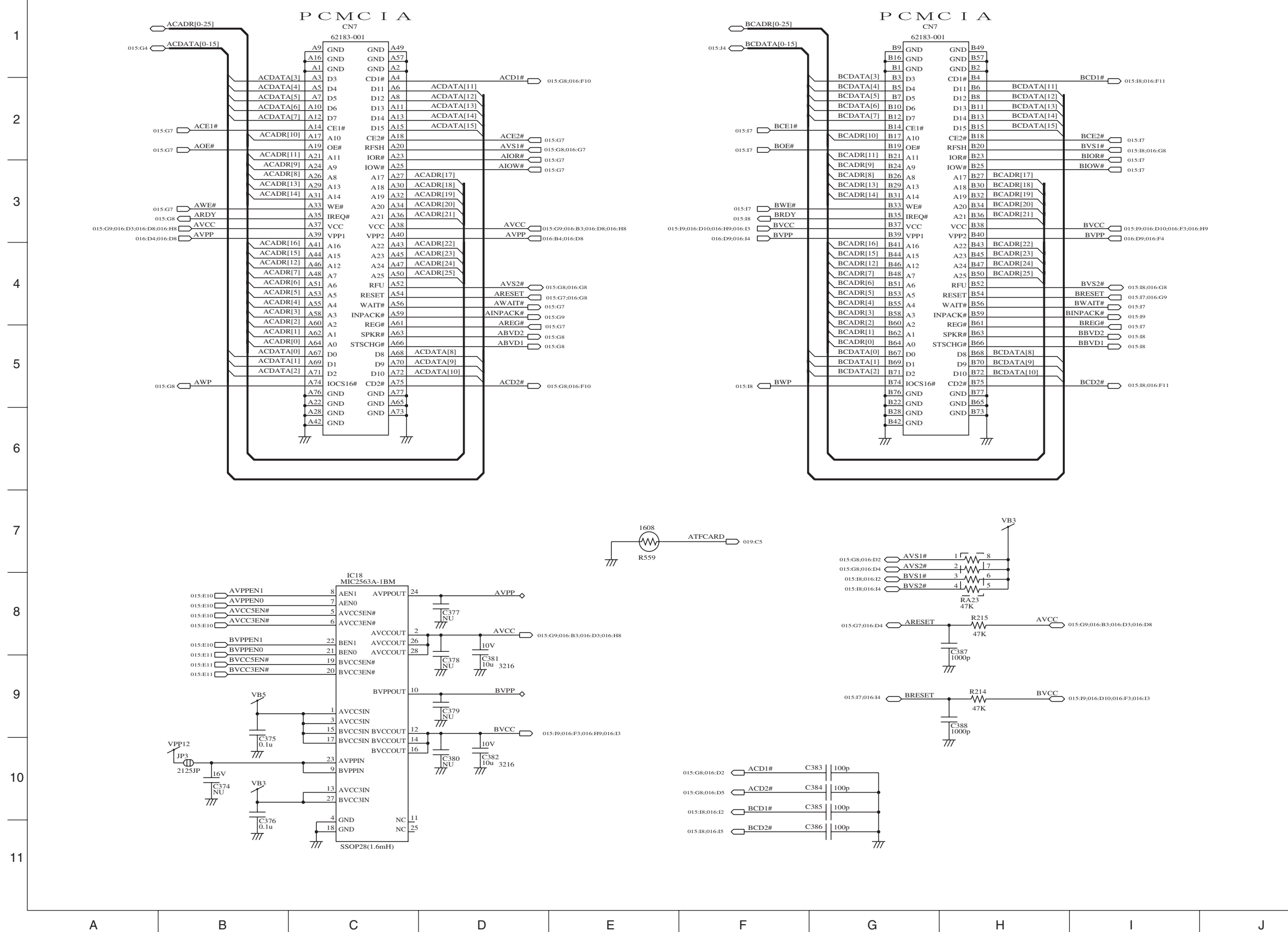
A B C D E F G H I J



Main 15 PCMCIA IC

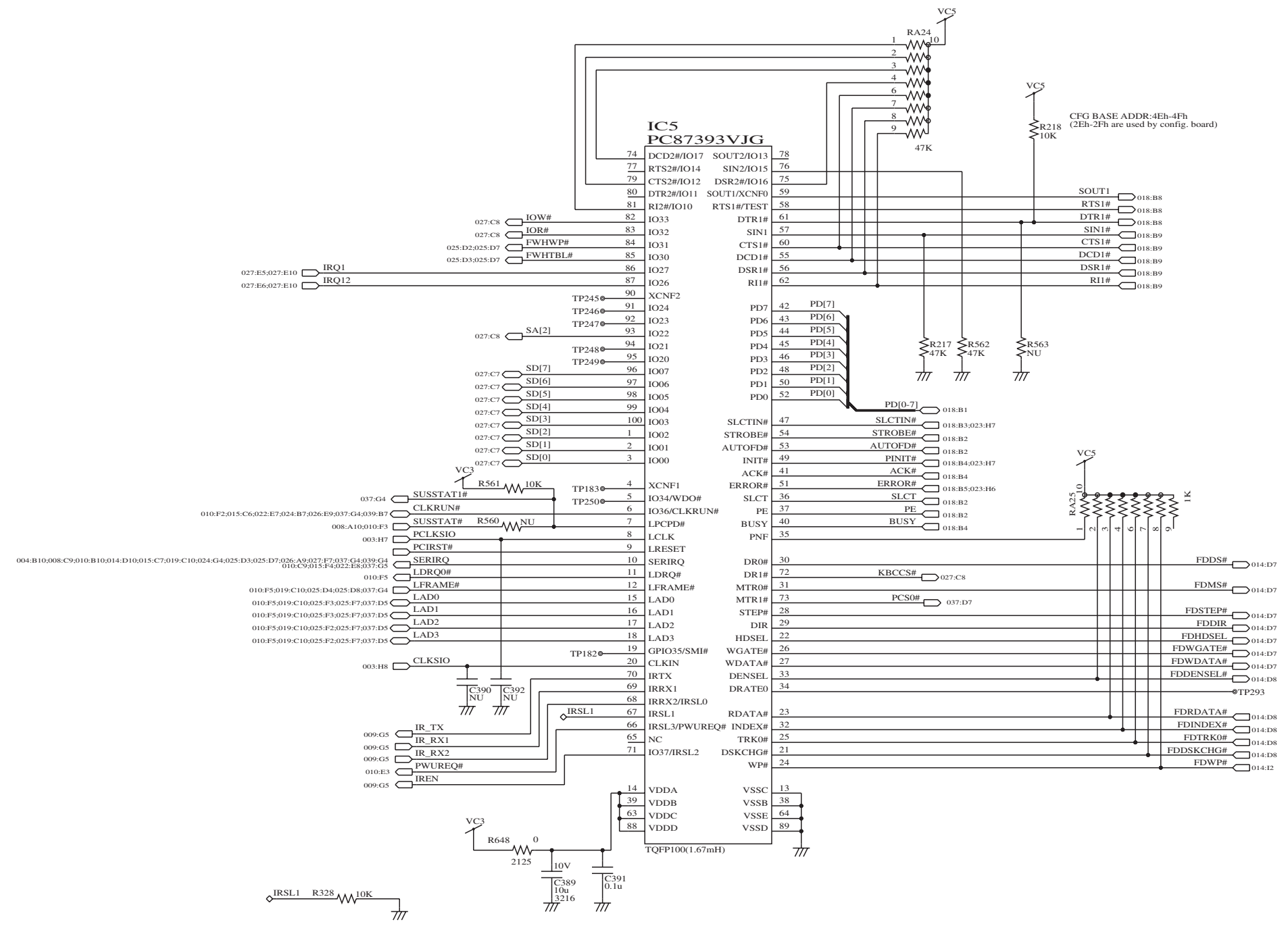


Main 16 PCMCIA I/F



Main 17 SUPER I/O, FDD I/F

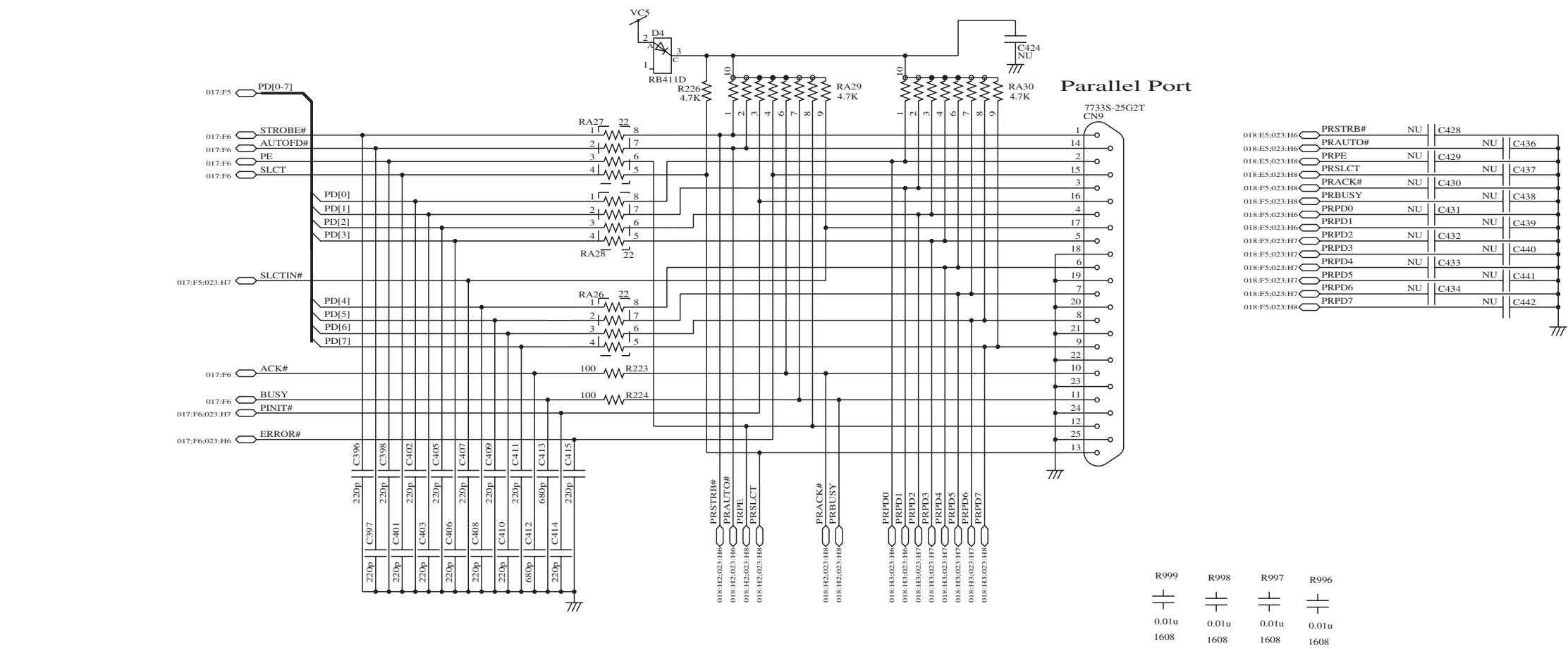
1
2
3
4
5
6
7
8
9
10
11



A B C D E F G H I J

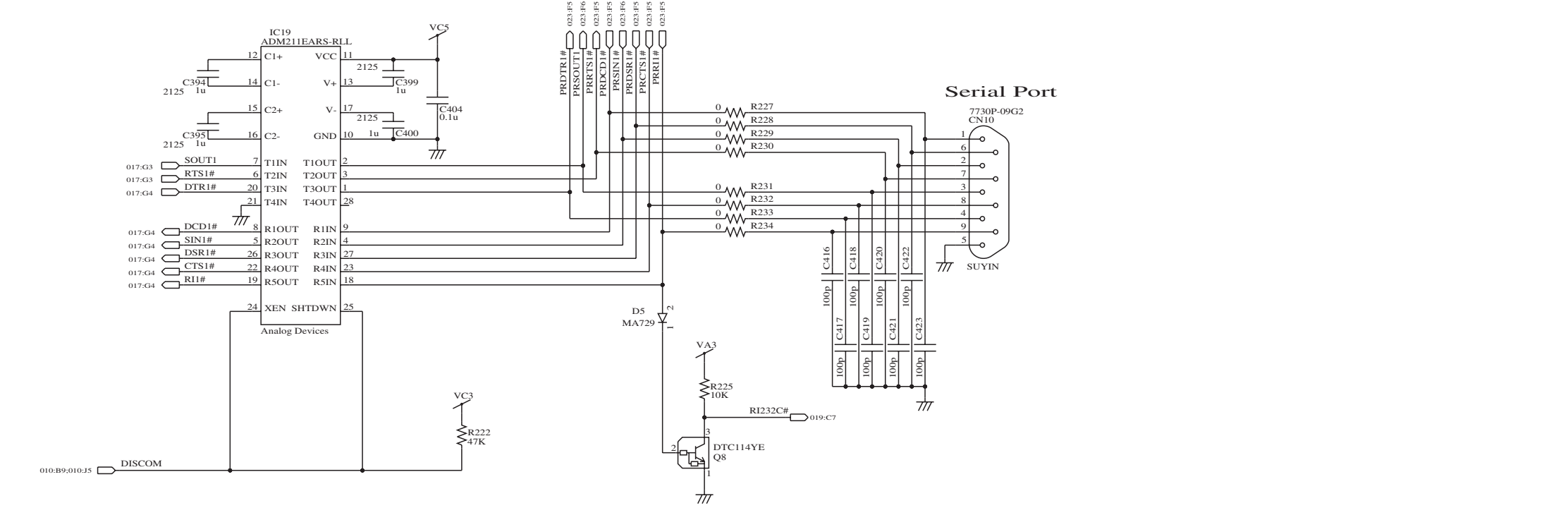
Main 18 PARA/SERI

1
2
3
4
5
6
7
8
9
10
11



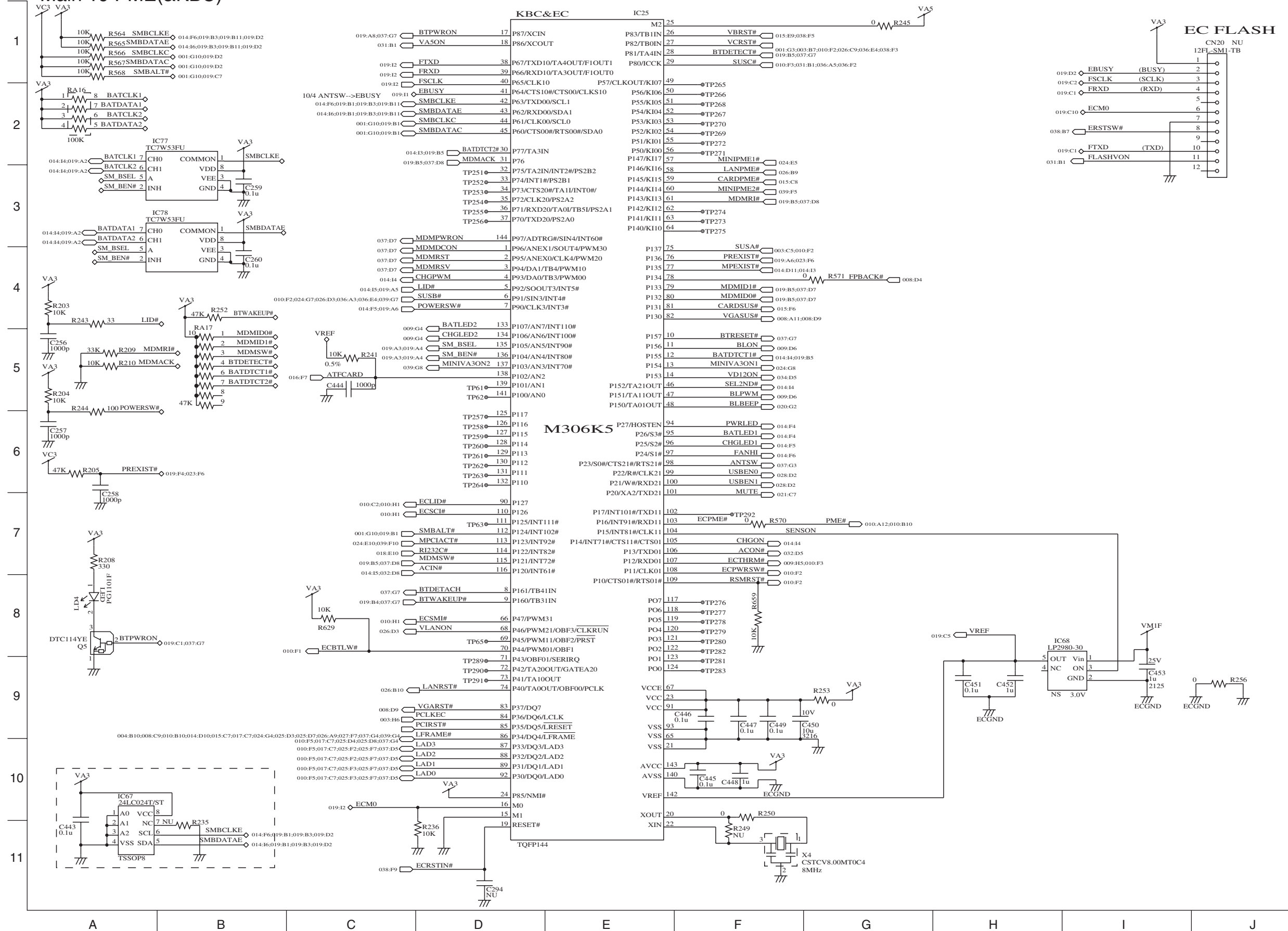
018-E5:023:H6	PRSTRB#	NU	C428	
018-E5:023:H6	PRAUTO#	NU	NU	C436
018-E5:023:H8	PRPE	NU	C429	
018-E5:023:H8	PRSLCT	NU	NU	C437
018-F5:023:H8	PRACK#	NU	C430	
018-F5:023:H8	PRBUSY	NU	NU	C438
018-F5:023:H8	PRPD0	NU	C431	
018-F5:023:H6	PRPD1	NU	NU	C439
018-F5:023:H6	PRPD2	NU	C432	
018-F5:023:H7	PRPD3	NU	NU	C440
018-F5:023:H7	PRPD4	NU	C433	
018-F5:023:H7	PRPD5	NU	NU	C441
018-F5:023:H7	PRPD6	NU	C434	
018-F5:023:H8	PRPD7	NU	NU	C442

R999	R998	R997	R996
0.01u	0.01u	0.01u	0.01u
1608	1608	1608	1608



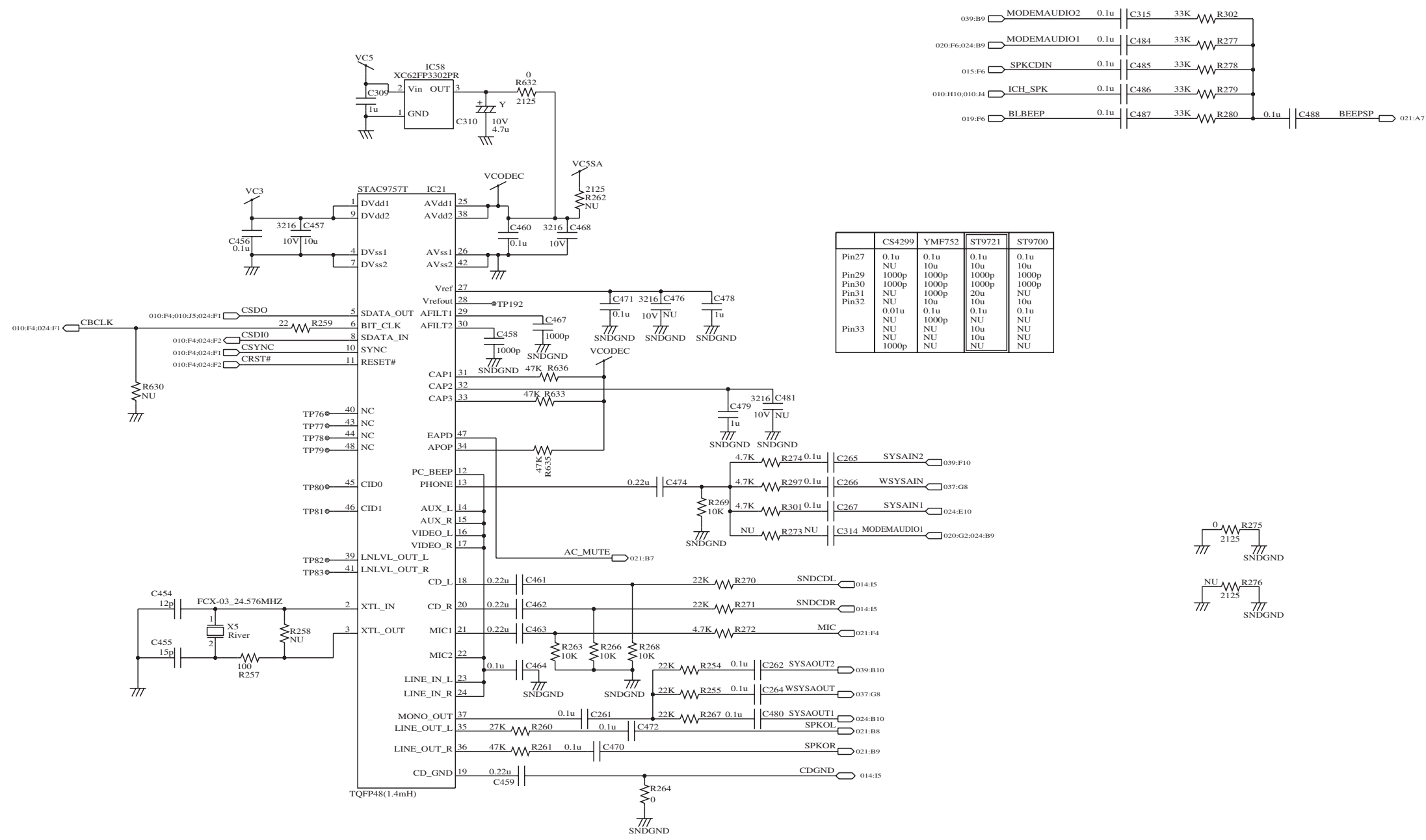
A B C D E F G H I J

Main 19 PME(&KBC)

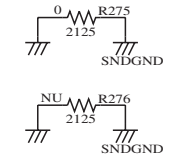
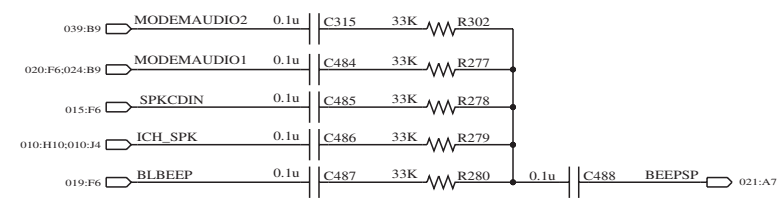


Main 20 SOUND IC

1
2
3
4
5
6
7
8
9
10
11



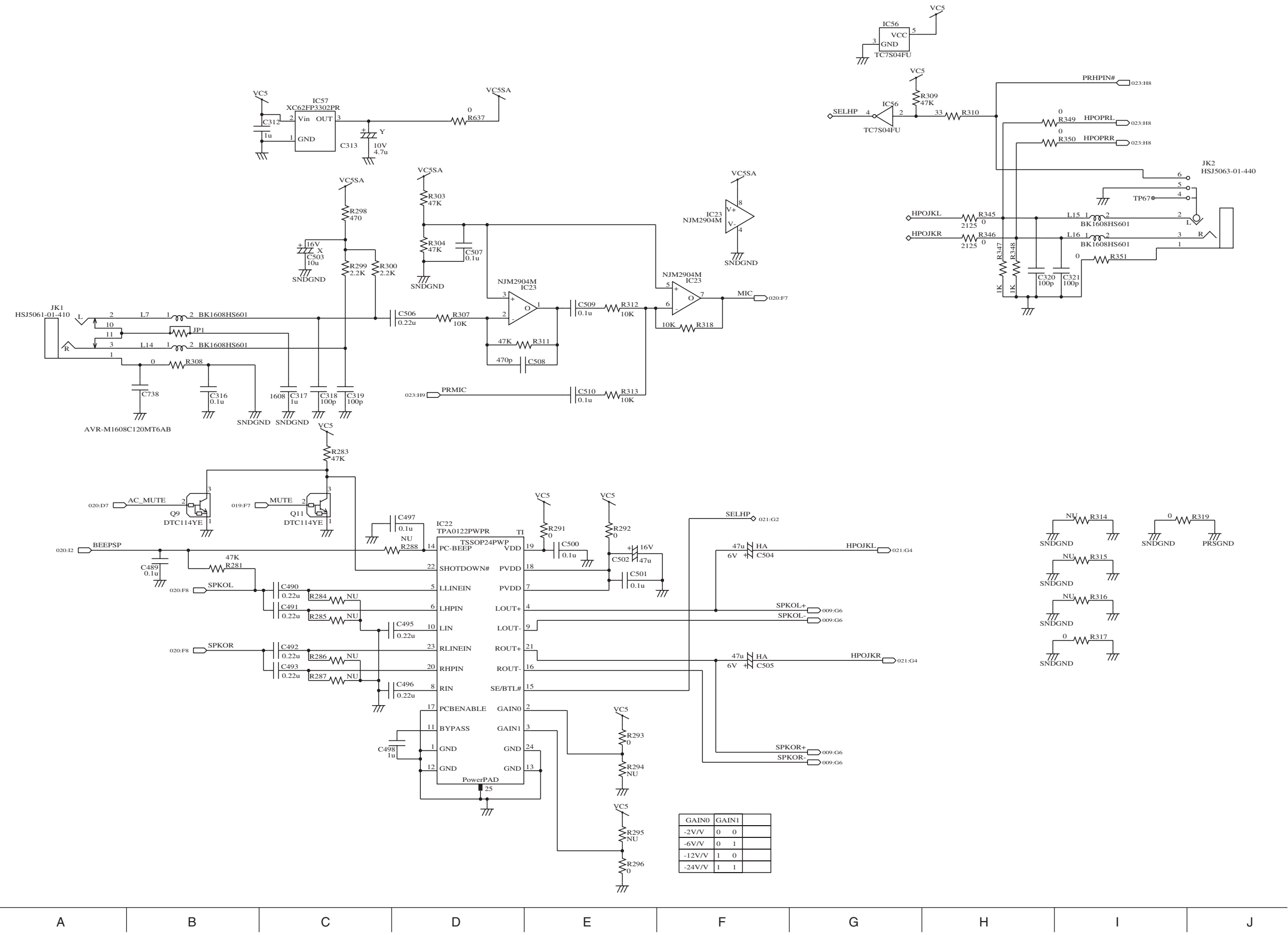
	CS4299	YMF752	ST9721	ST9700
Pin27	0.1u	0.1u	0.1u	0.1u
Pin29	NU	10u	10u	10u
Pin30	1000p	1000p	1000p	1000p
Pin31	NU	1000p	20u	NU
Pin32	NU	10u	10u	10u
Pin33	0.01u	0.1u	0.1u	0.1u
	NU	1000p	NU	NU
	NU	NU	10u	NU
	1000p	NU	10u	NU



A B C D E F G H I J

Main 21 SOUND(Amp)

1
2
3
4
5
6
7
8
9
10
11

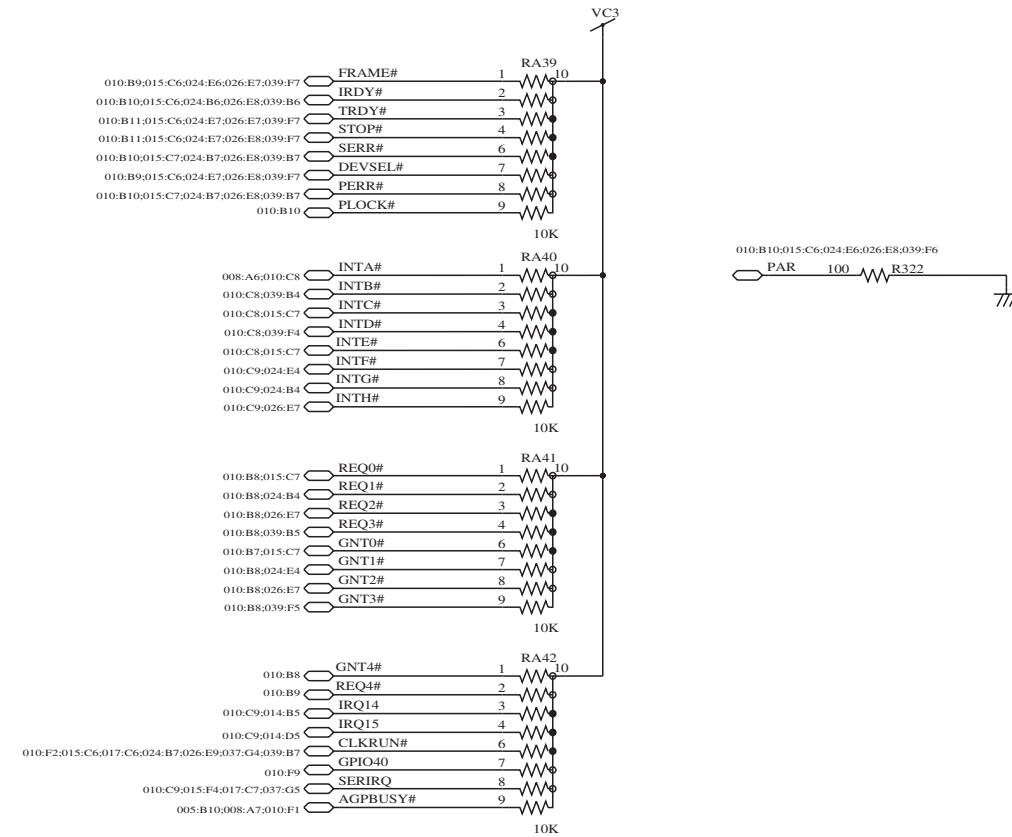


A B C D E F G H I J

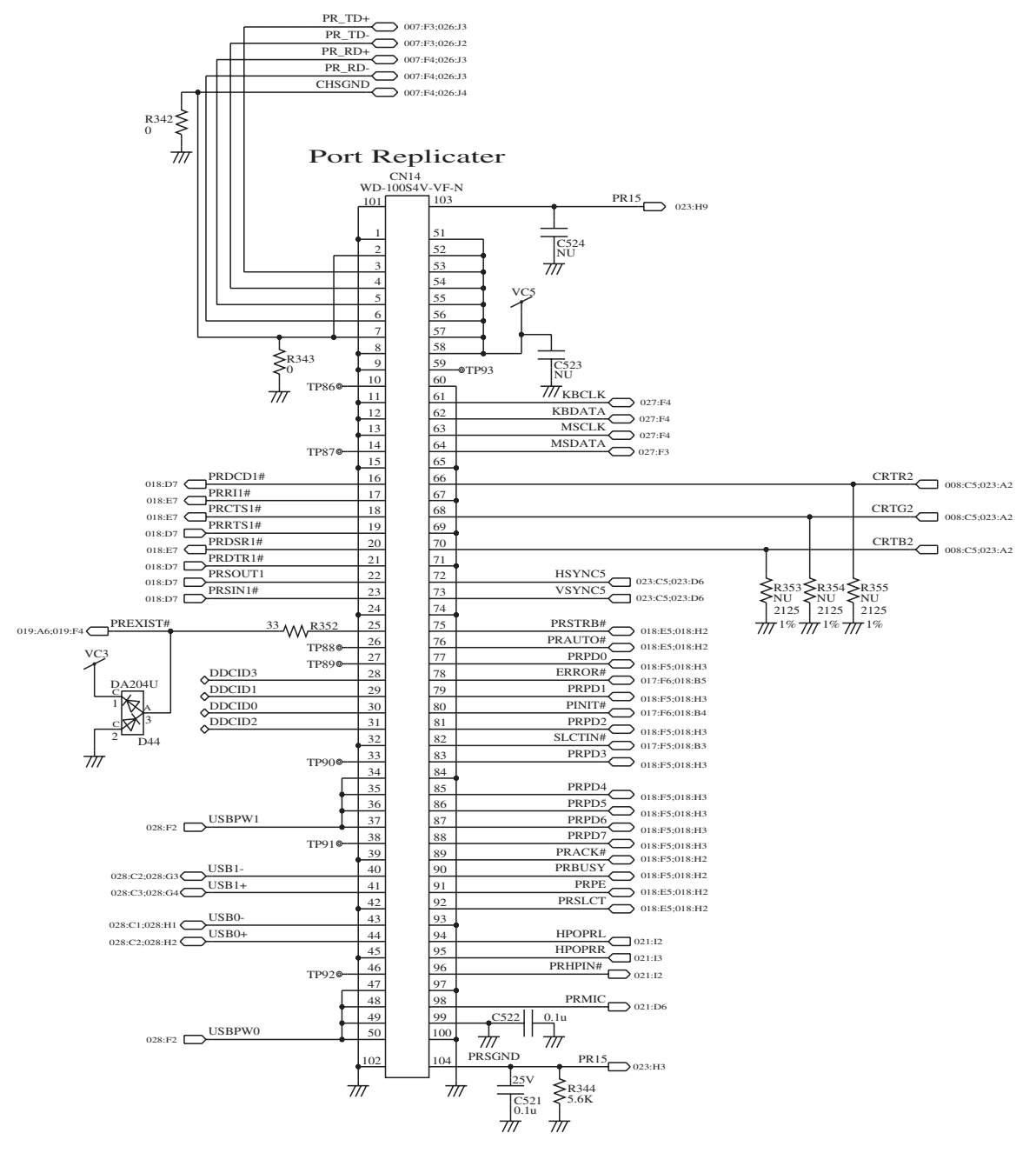
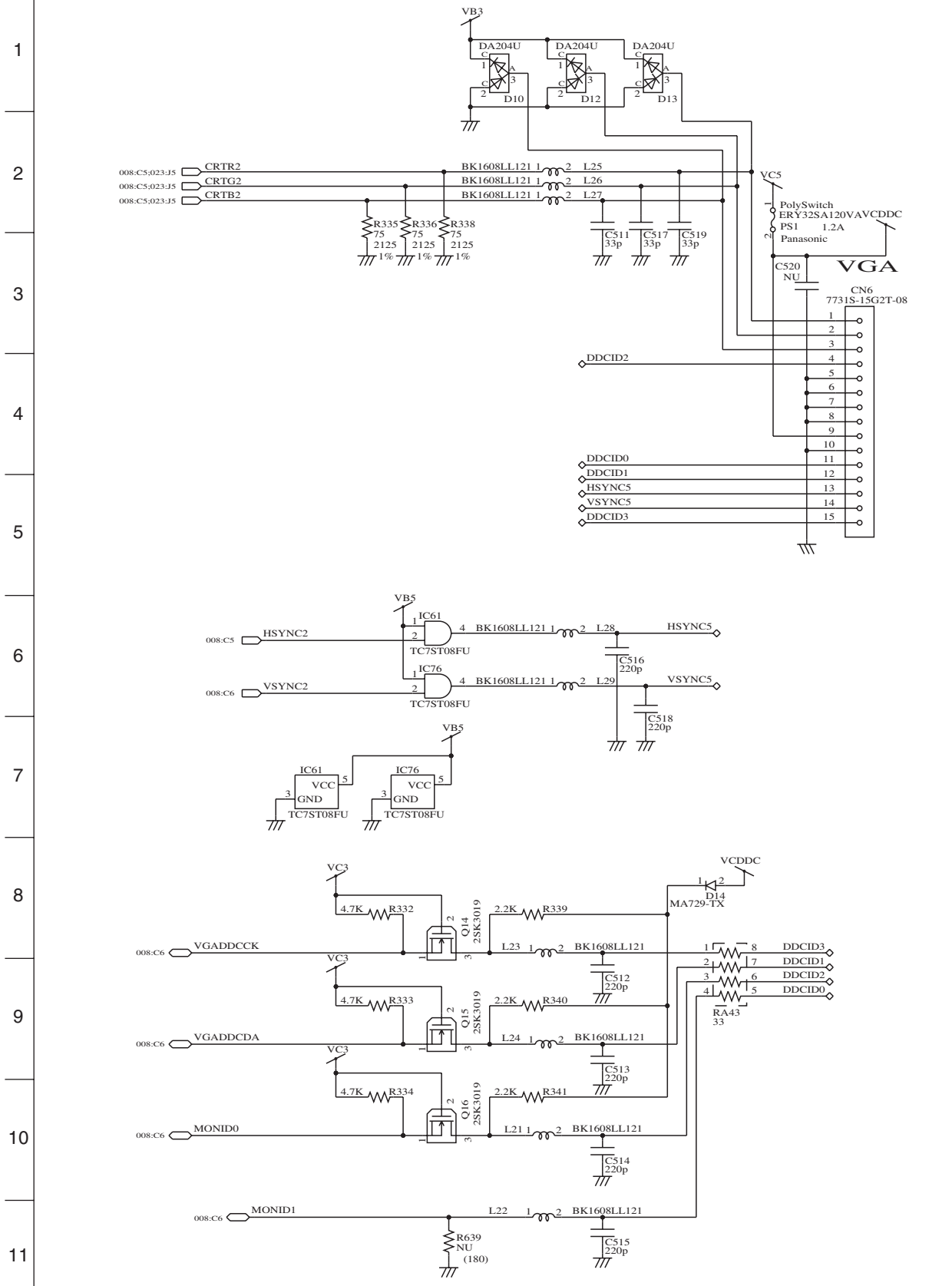
Main 22 RESISTORS

1
2
3
4
5
6
7
8
9
10
11

A B C D E F G H I J



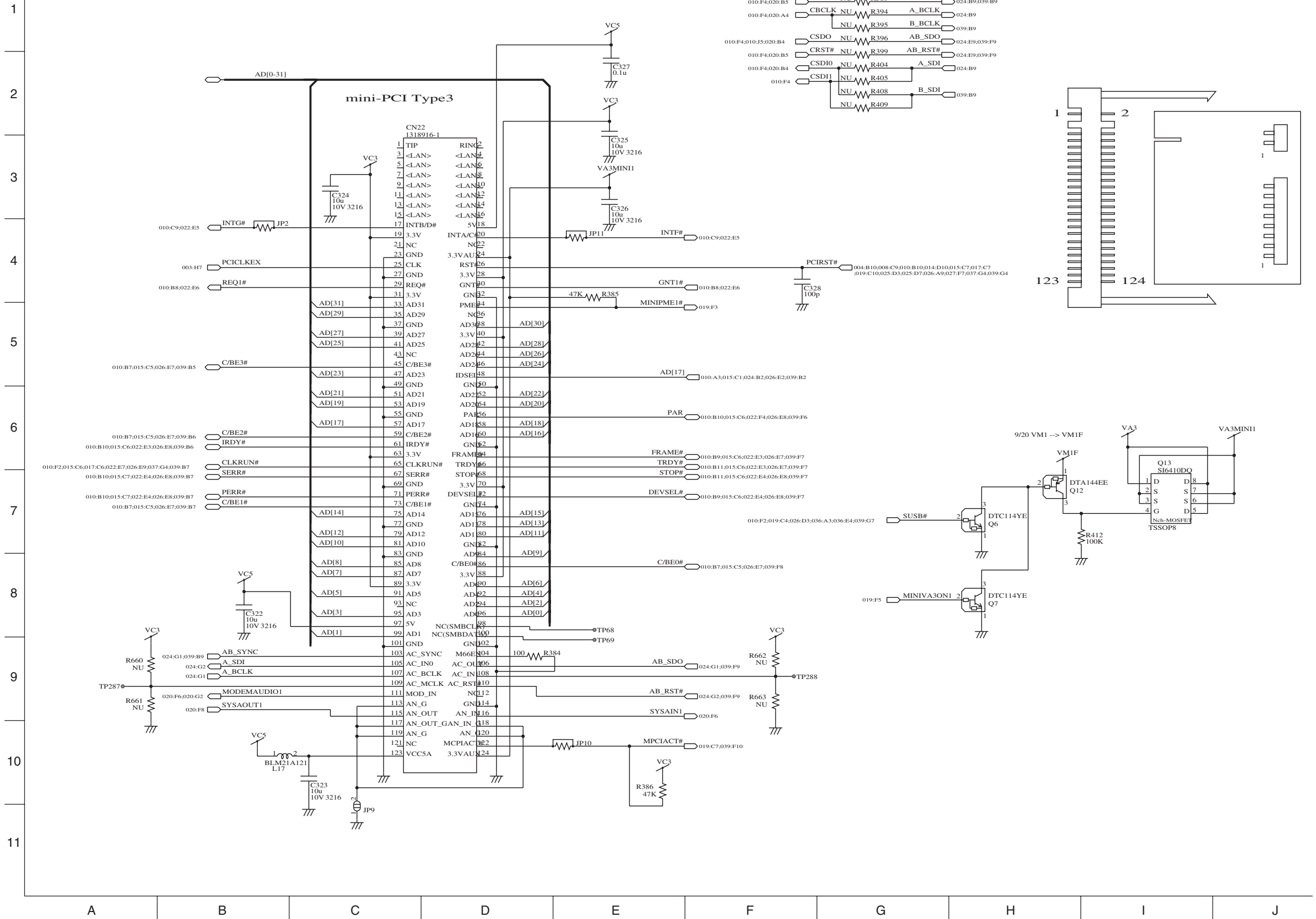
Main 23 CRT,EXTENTION CONN



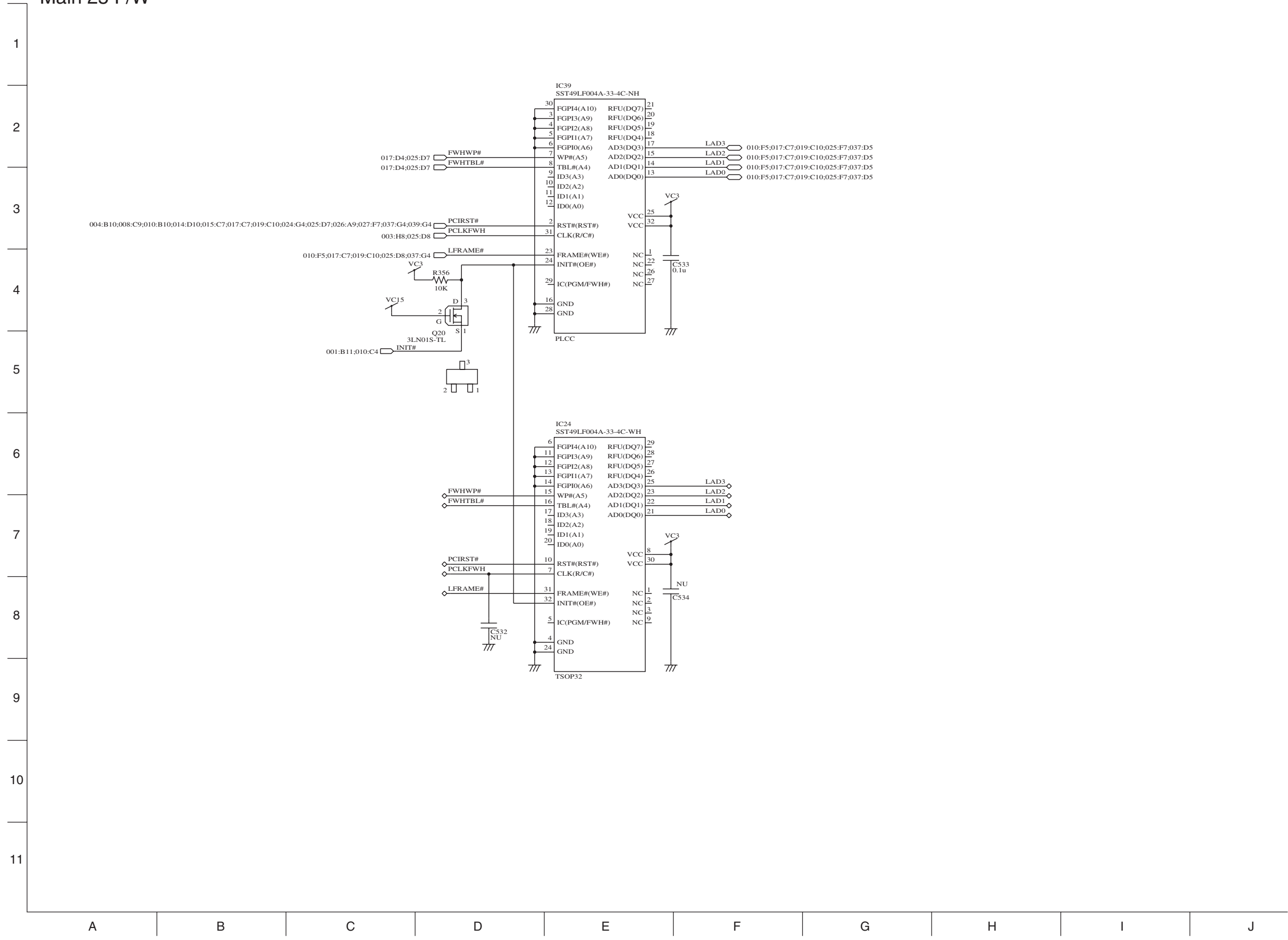
A B C D E F G H I J

1
2
3
4
5
6
7
8
9
10
11

Main 24 MINI-PCI CN1

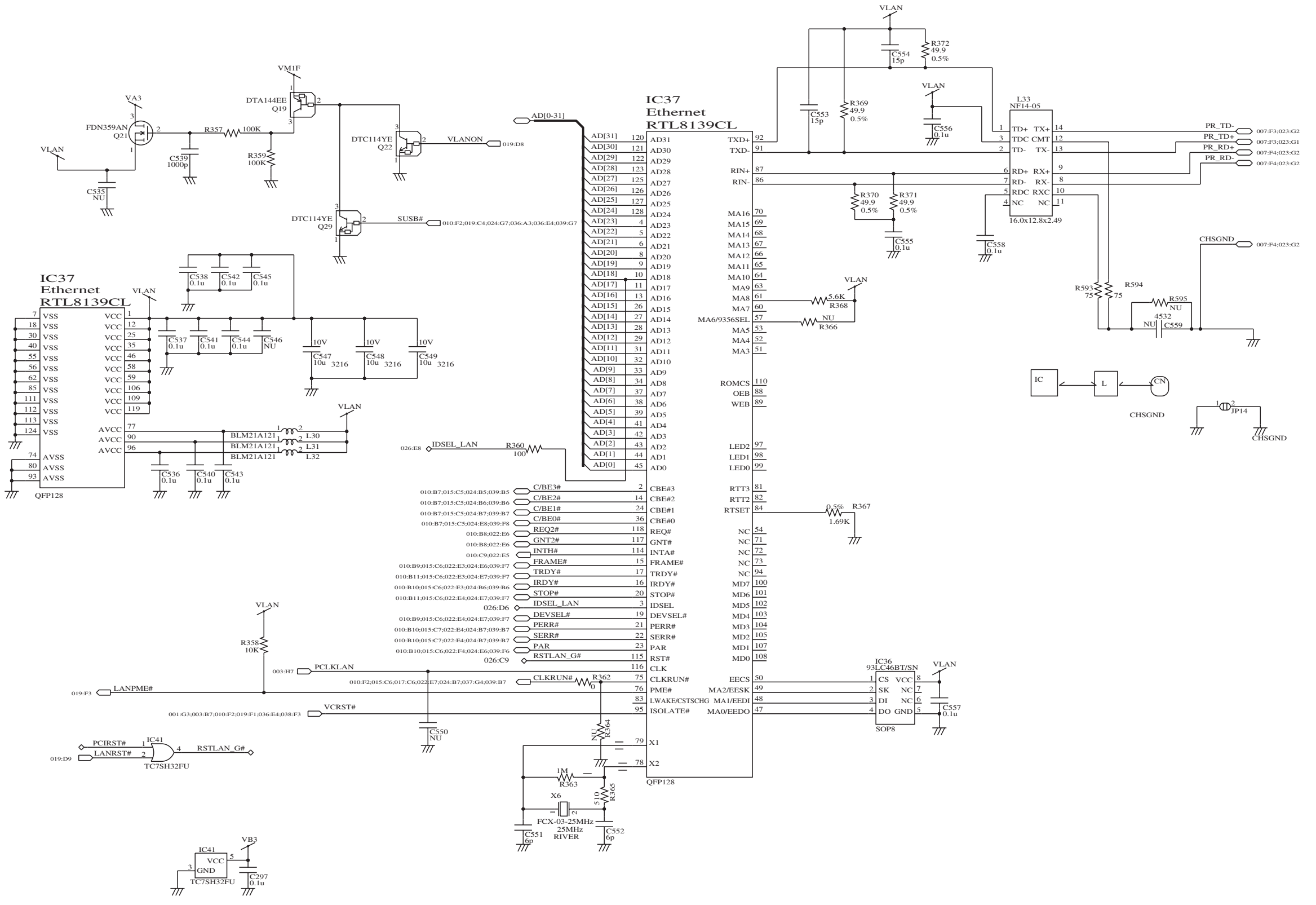


Main 25 F/W



Main 26 LAN

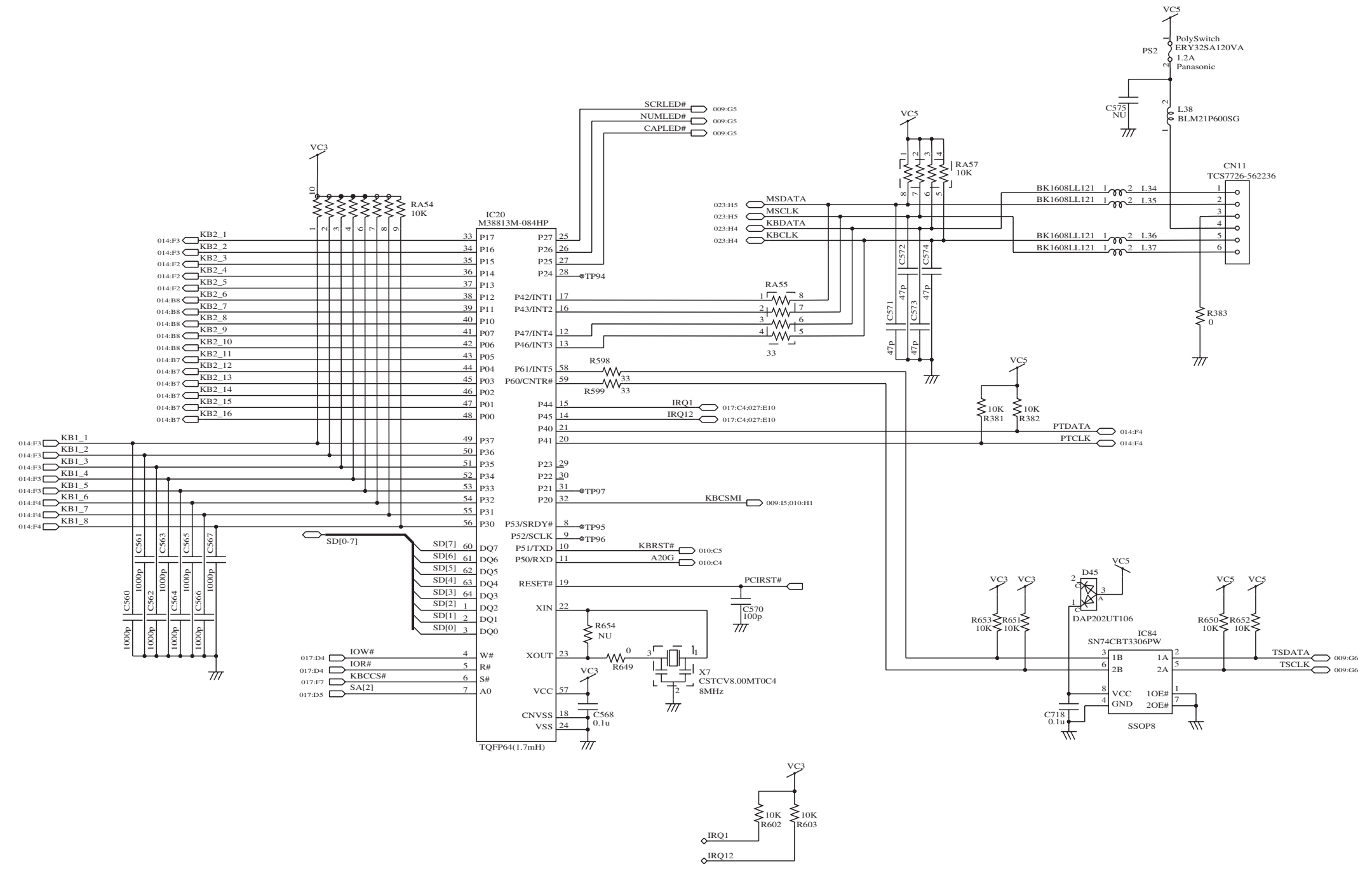
1
2
3
4
5
6
7
8
9
10
11



A B C D E F G H I J

Main 27 KBC,PS/2 CONN

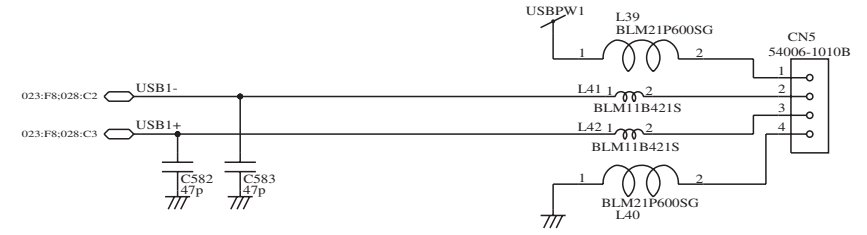
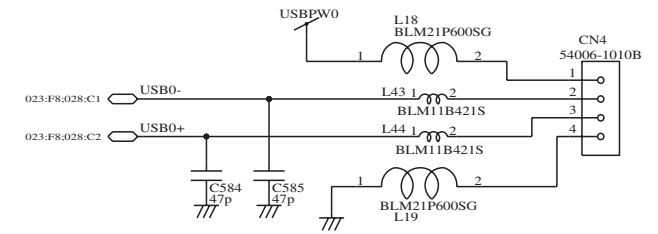
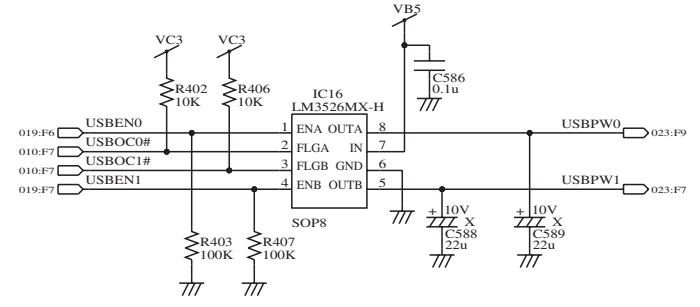
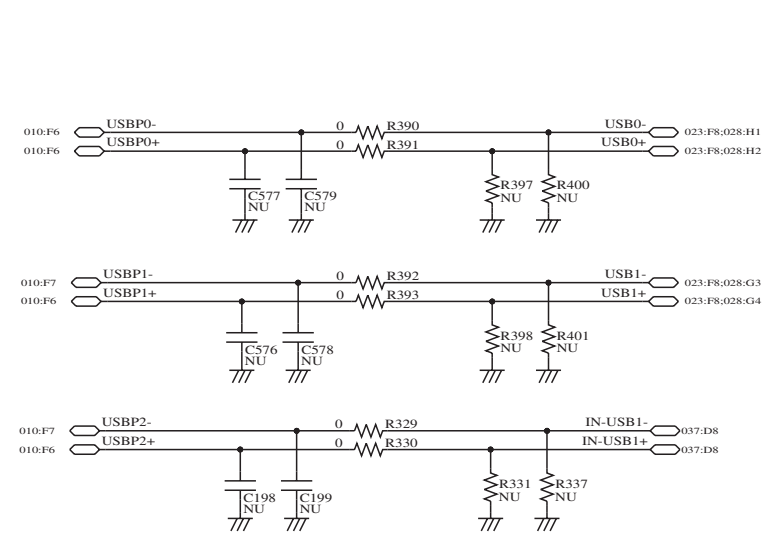
1
2
3
4
5
6
7
8
9
10
11



A B C D E F G H I J

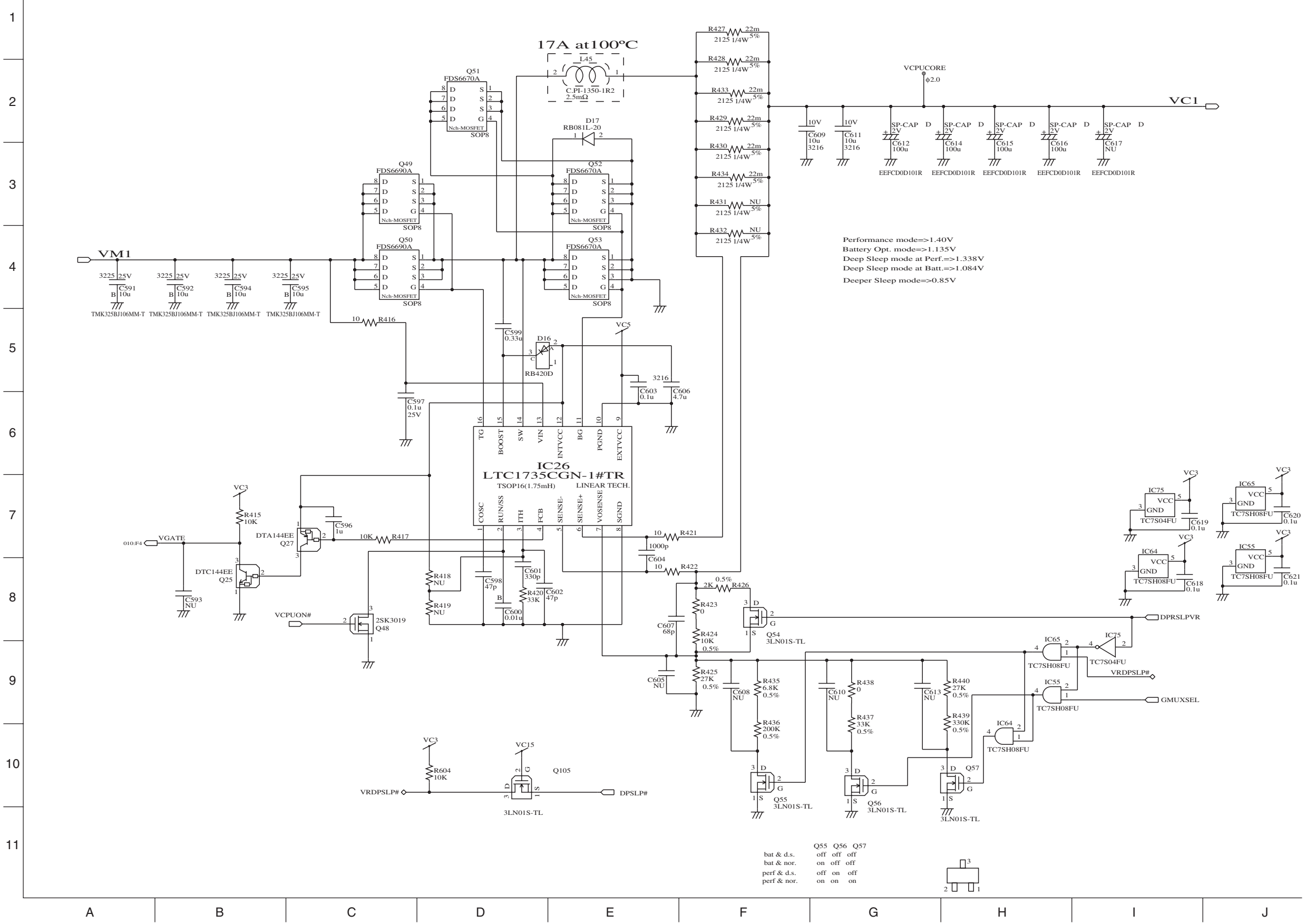
Main 28 USB

1
2
3
4
5
6
7
8
9
10
11



A B C D E F G H I J

Main 29 VC1



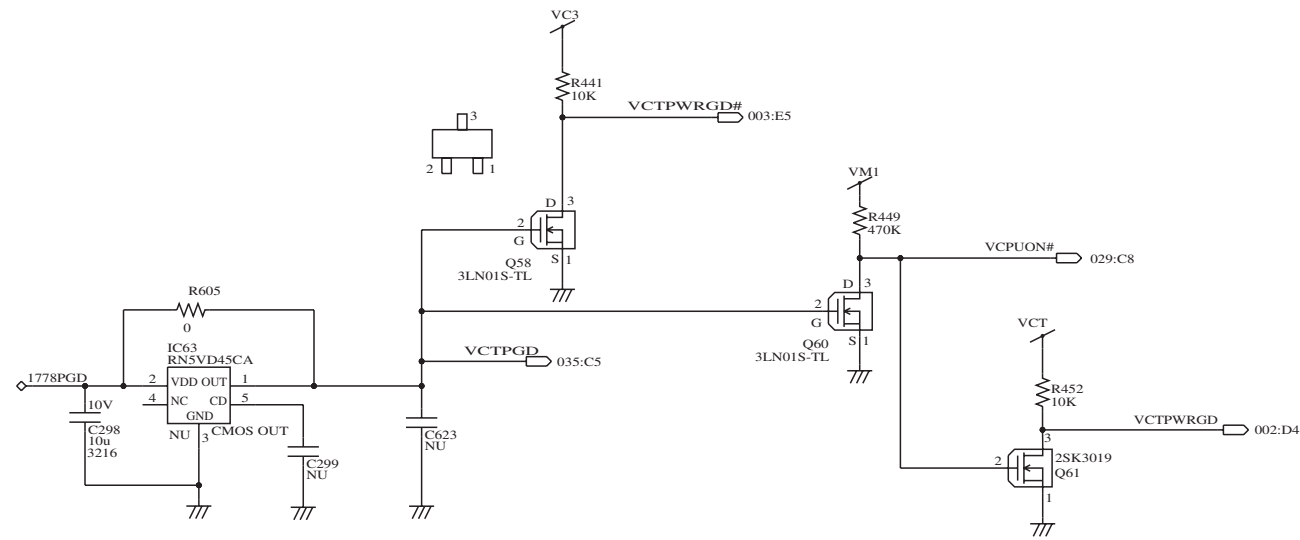
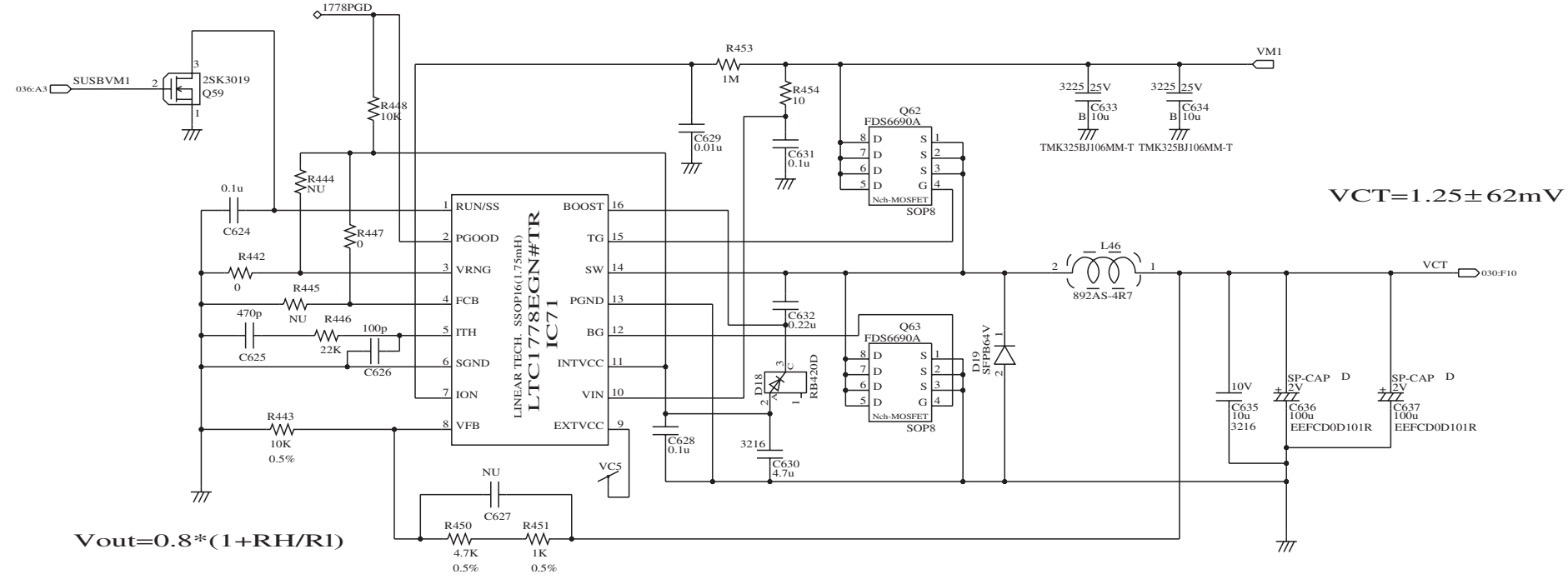
Performance mode=>1.40V
 Battery Opt. mode=>1.135V
 Deep Sleep mode at Perf.=>1.338V
 Deep Sleep mode at Batt.=>1.084V
 Deeper Sleep mode=>0.85V

	Q55	Q56	Q57
bat & d.s.	off	off	off
bat & nor.	on	off	off
perf & d.s.	off	on	off
perf & nor.	on	on	on



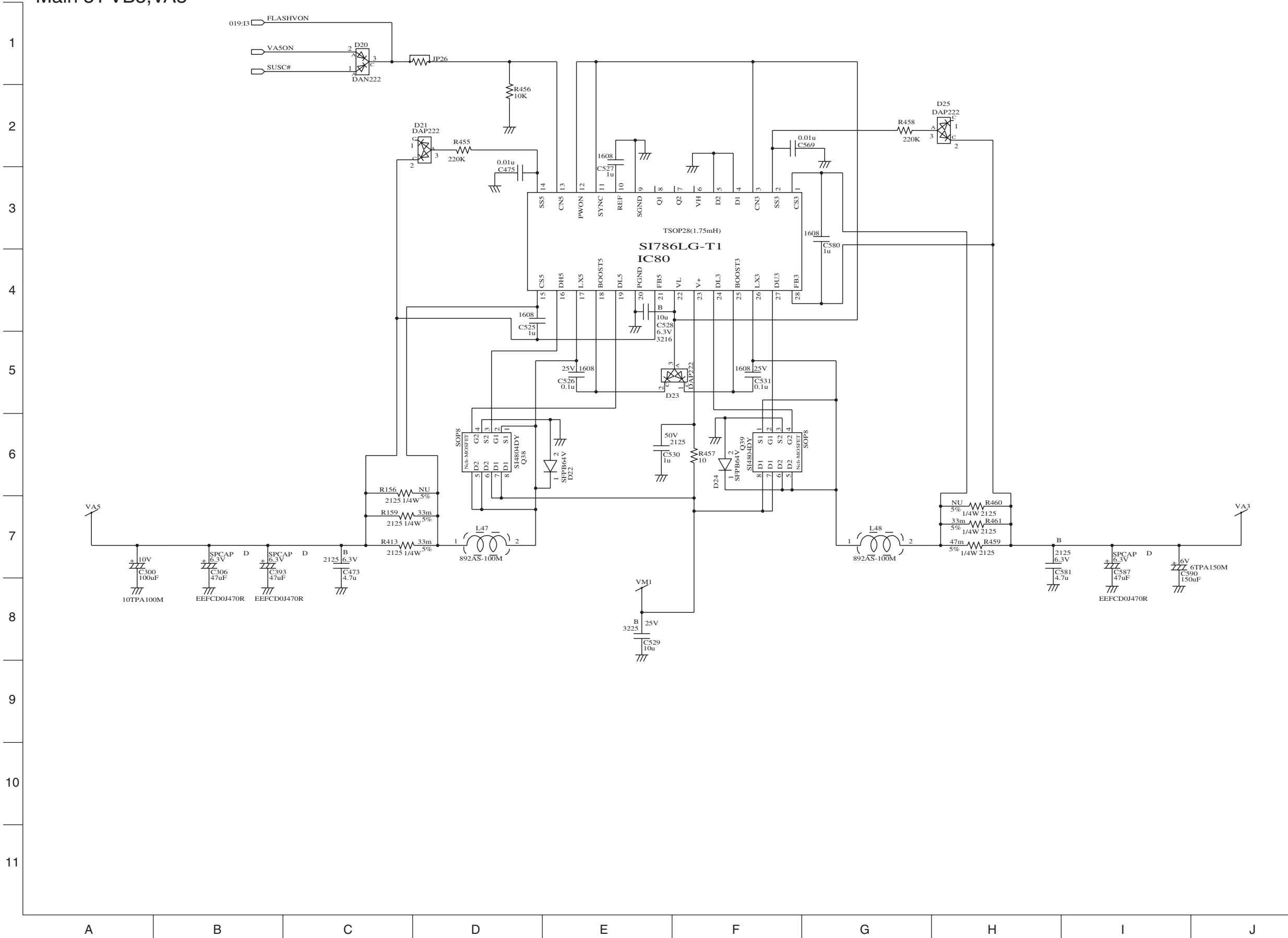
Main 30 VCT

1
2
3
4
5
6
7
8
9
10
11



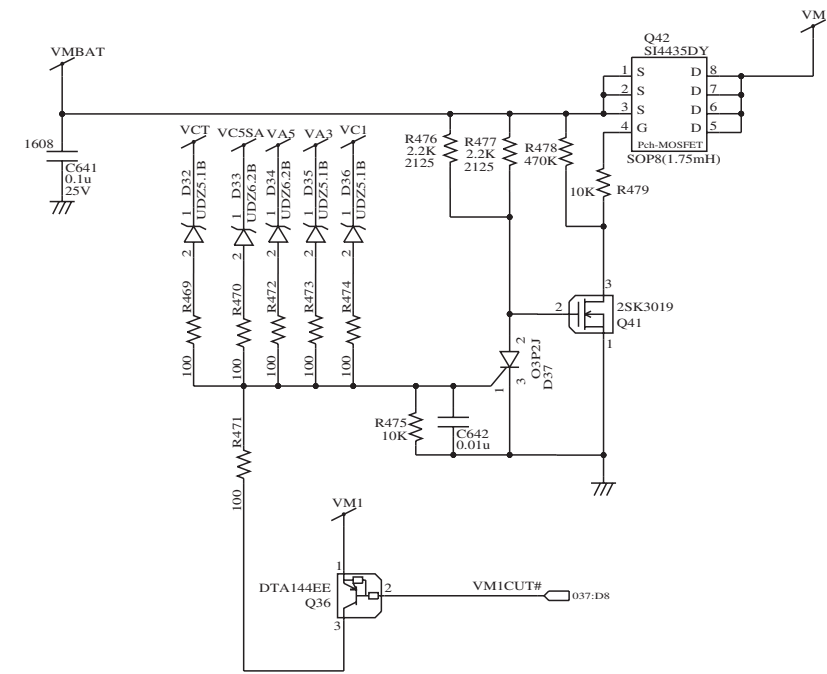
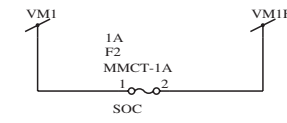
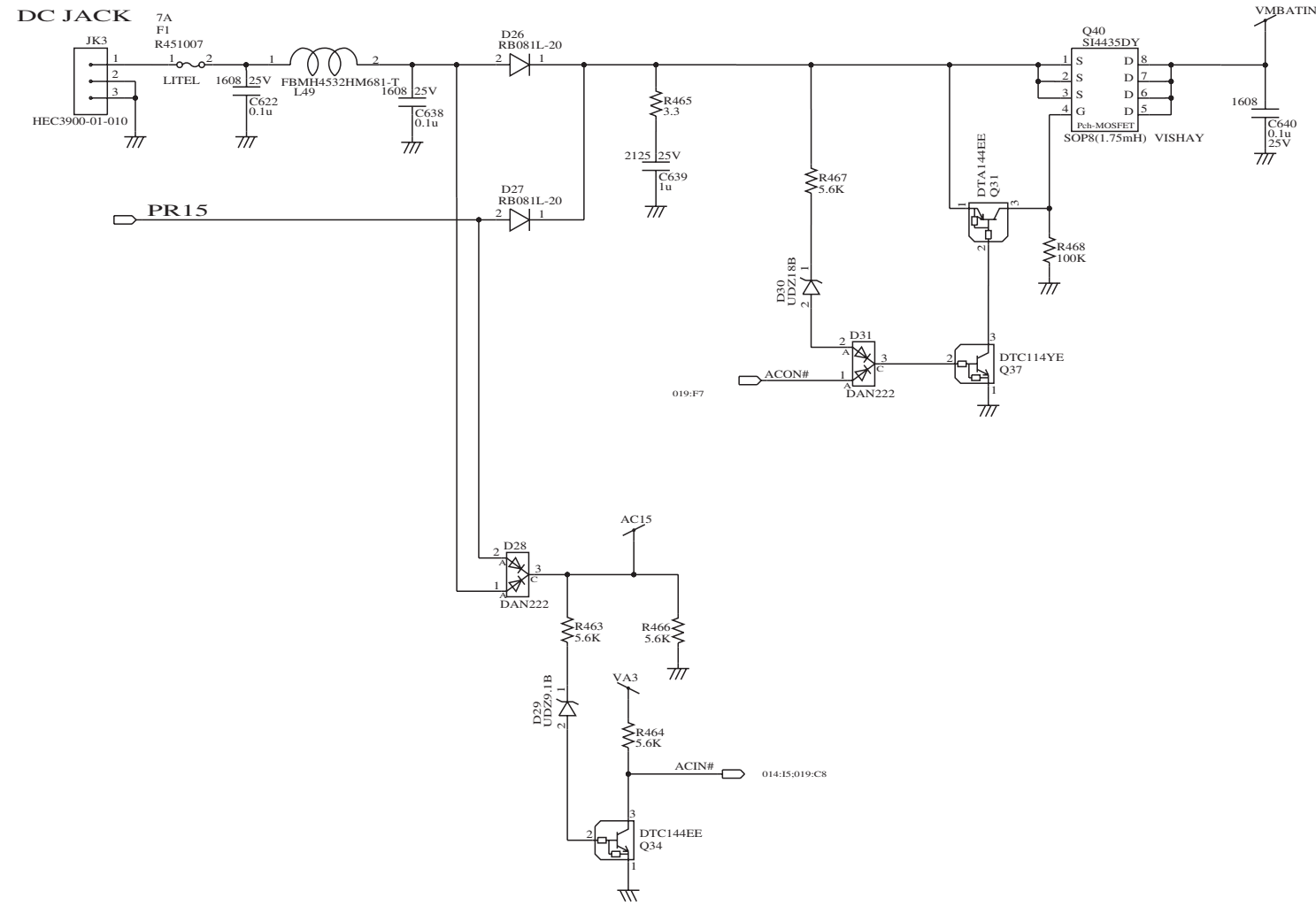
A B C D E F G H I J

Main 31 VB5,VA3



Main 32 VM1

1
2
3
4
5
6
7
8
9
10
11

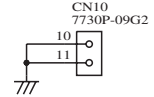


A B C D E F G H I J

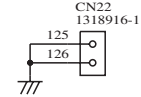
Main 33 CN-GND

1
2
3
4
5
6
7
8
9
10
11

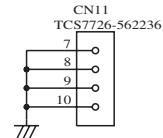
Serial Port



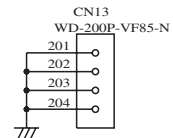
mini-PCI Type3



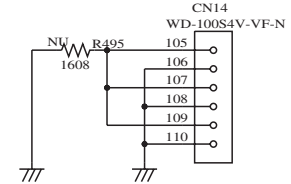
PS/2



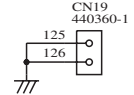
MAIN-SUB



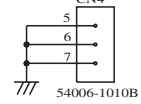
Port Replicator



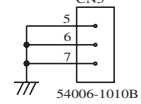
mini-PCI Type3



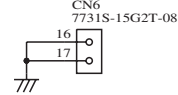
USB



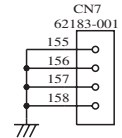
USB



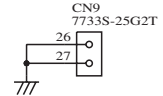
VGA



PCMCIA



Parallel Port

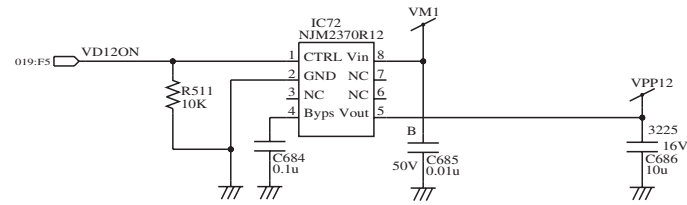


A B C D E F G H I J

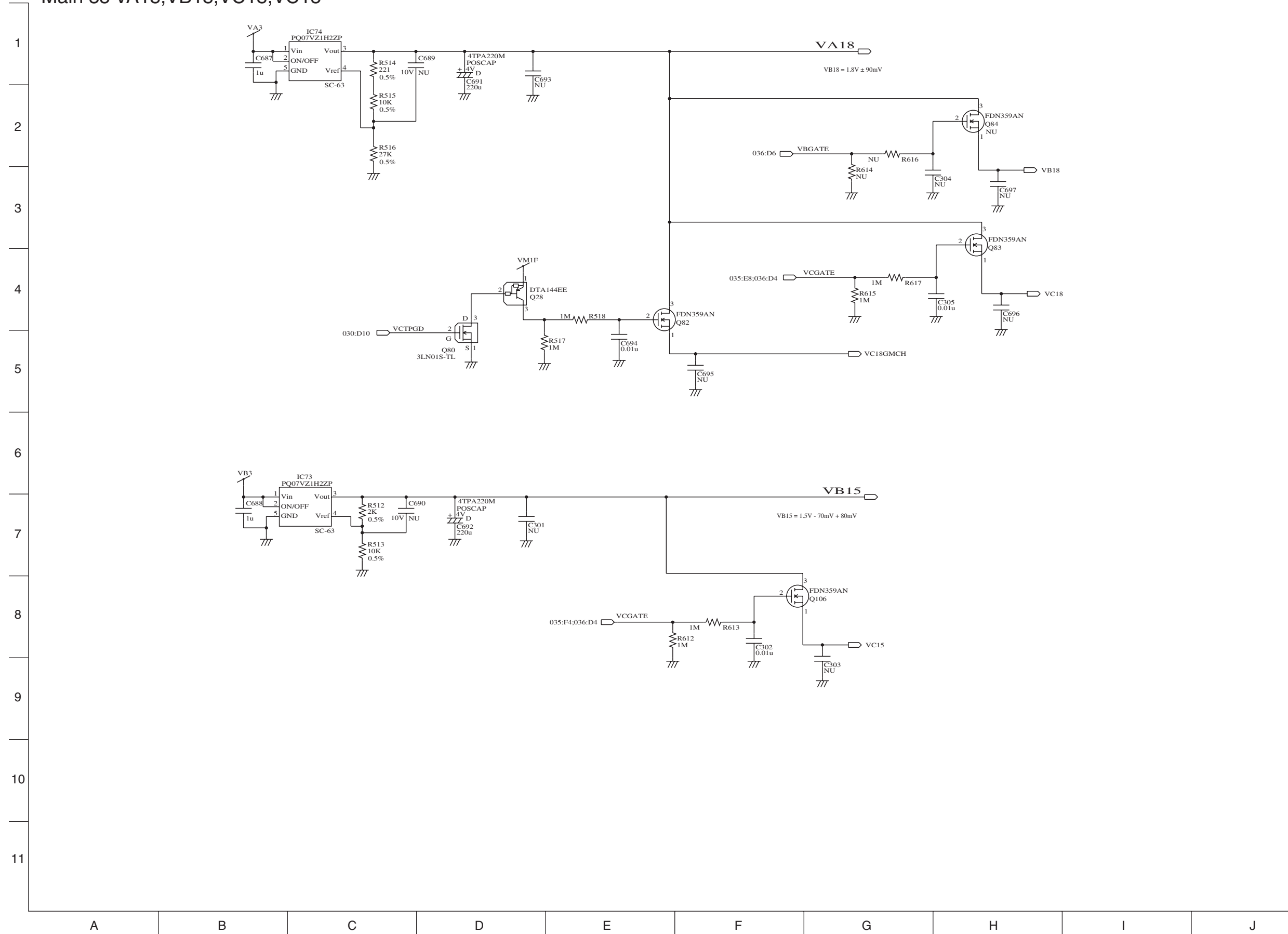
Main 34 12V

1
2
3
4
5
6
7
8
9
10
11

A B C D E F G H I J

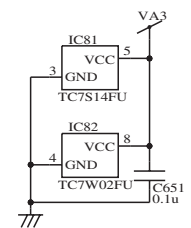
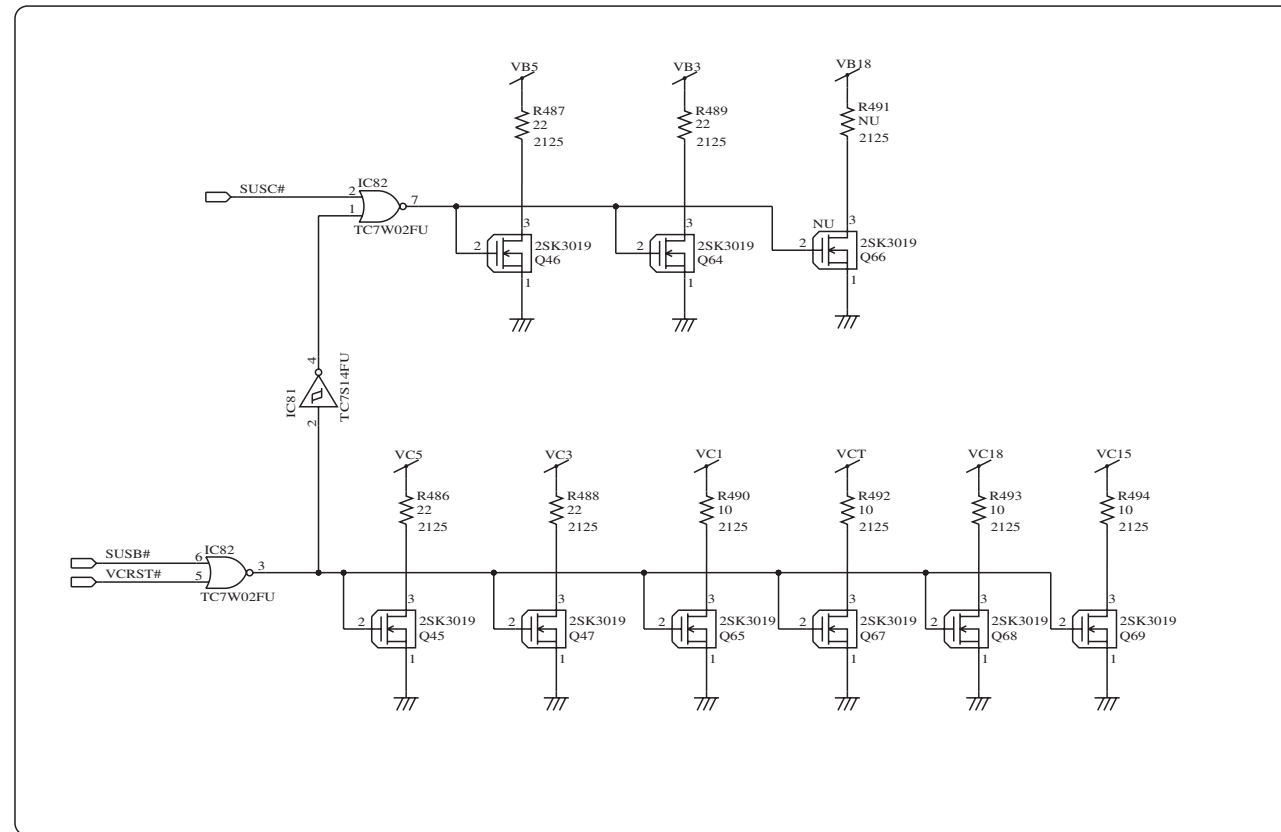
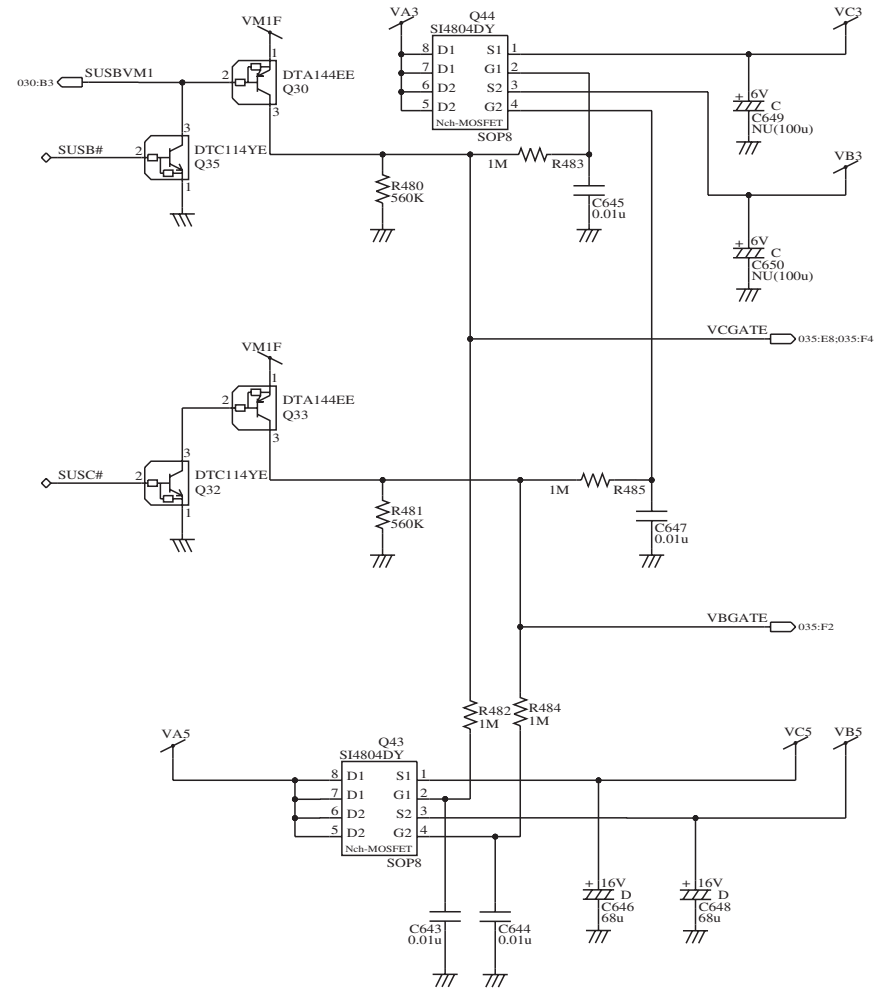


Main 35 VA18,VB18,VC18,VC15



Main 36 VC3,VB3,VB5,VC5

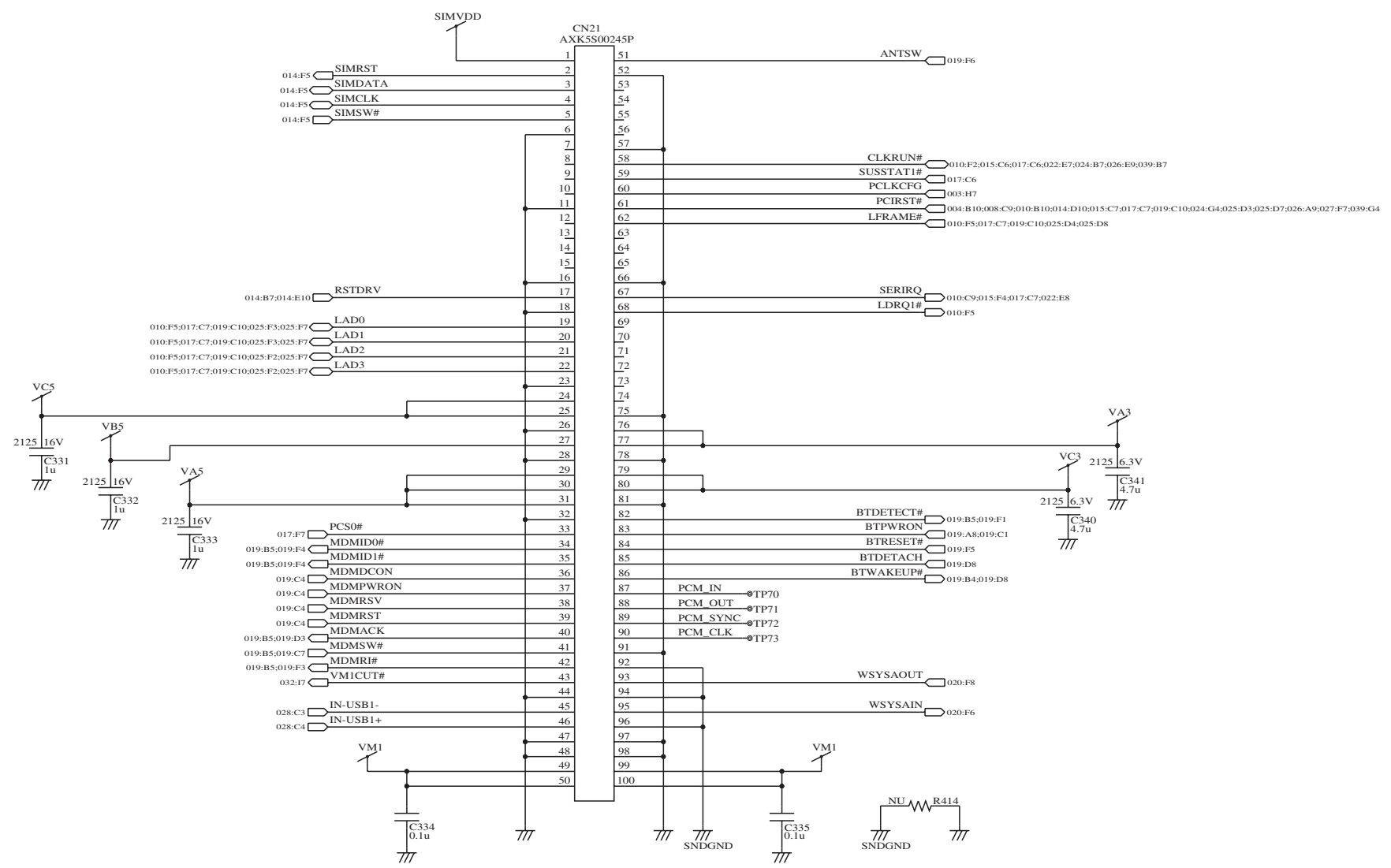
1
2
3
4
5
6
7
8
9
10
11



A B C D E F G H I J

Main 37 CONFIG CN

1
2
3
4
5
6
7
8
9
10
11

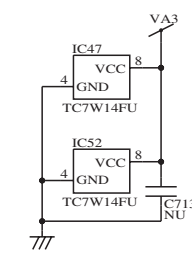
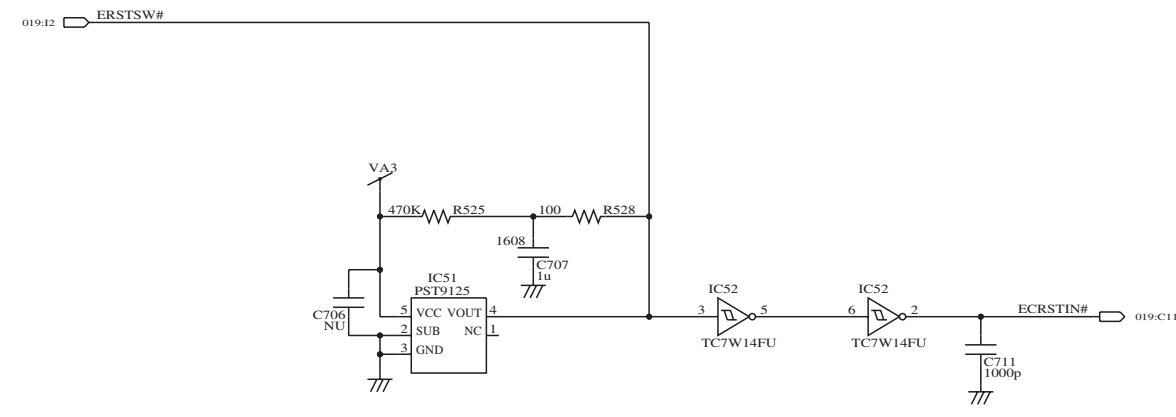
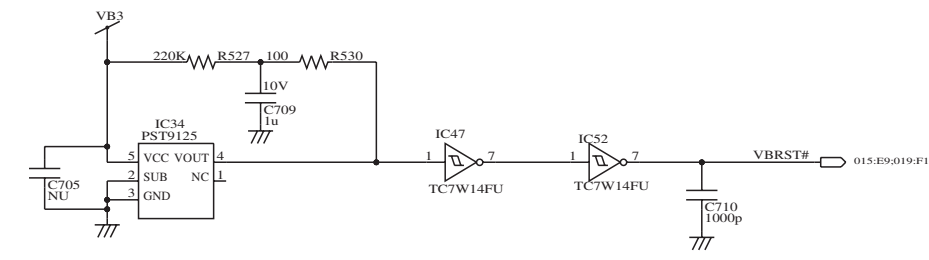


A B C D E F G H I J

Main 38 RESET

1
2
3
4
5
6
7
8
9
10
11

A B C D E F G H I J



Main 39 MINI-PCI CN2

