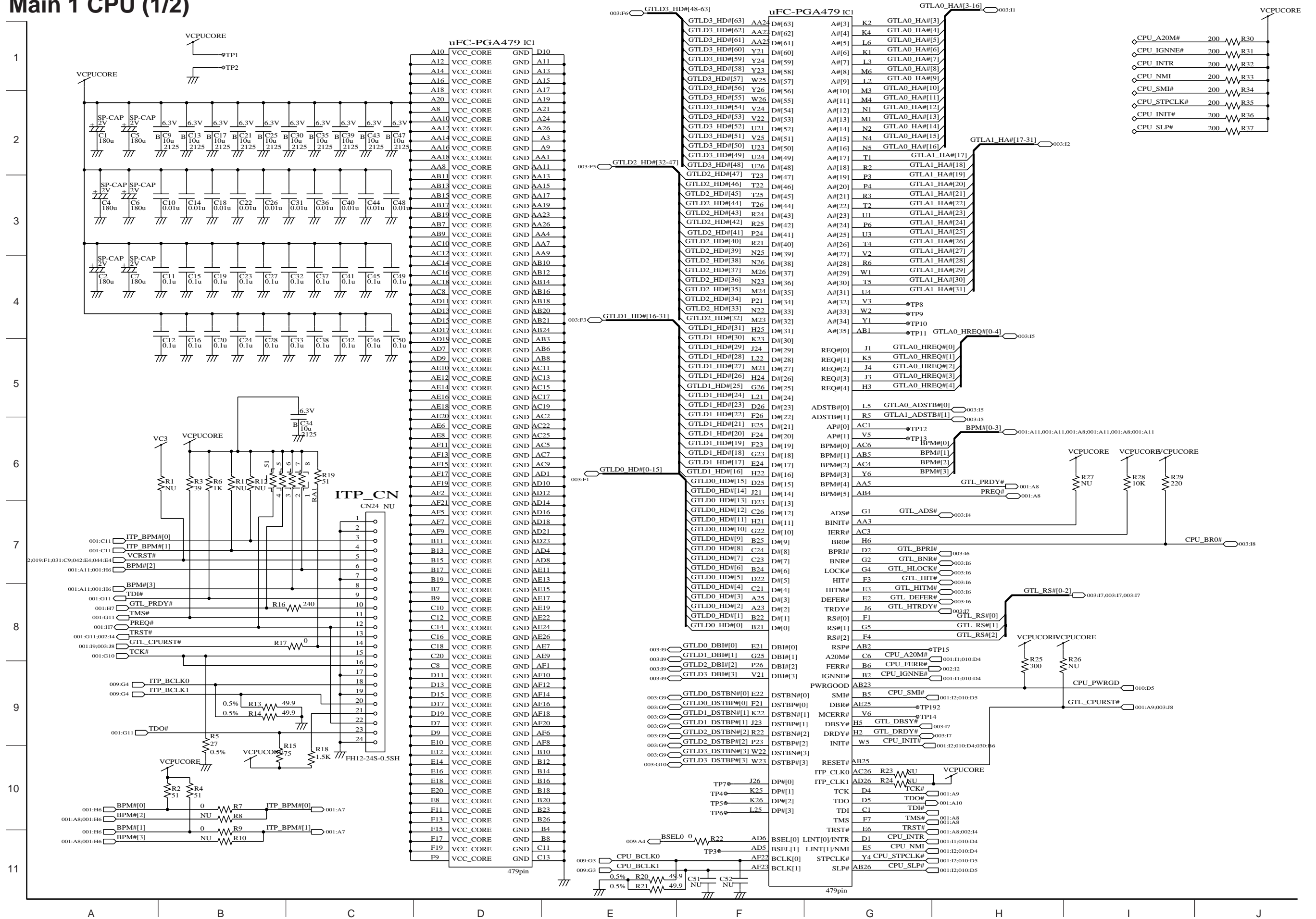


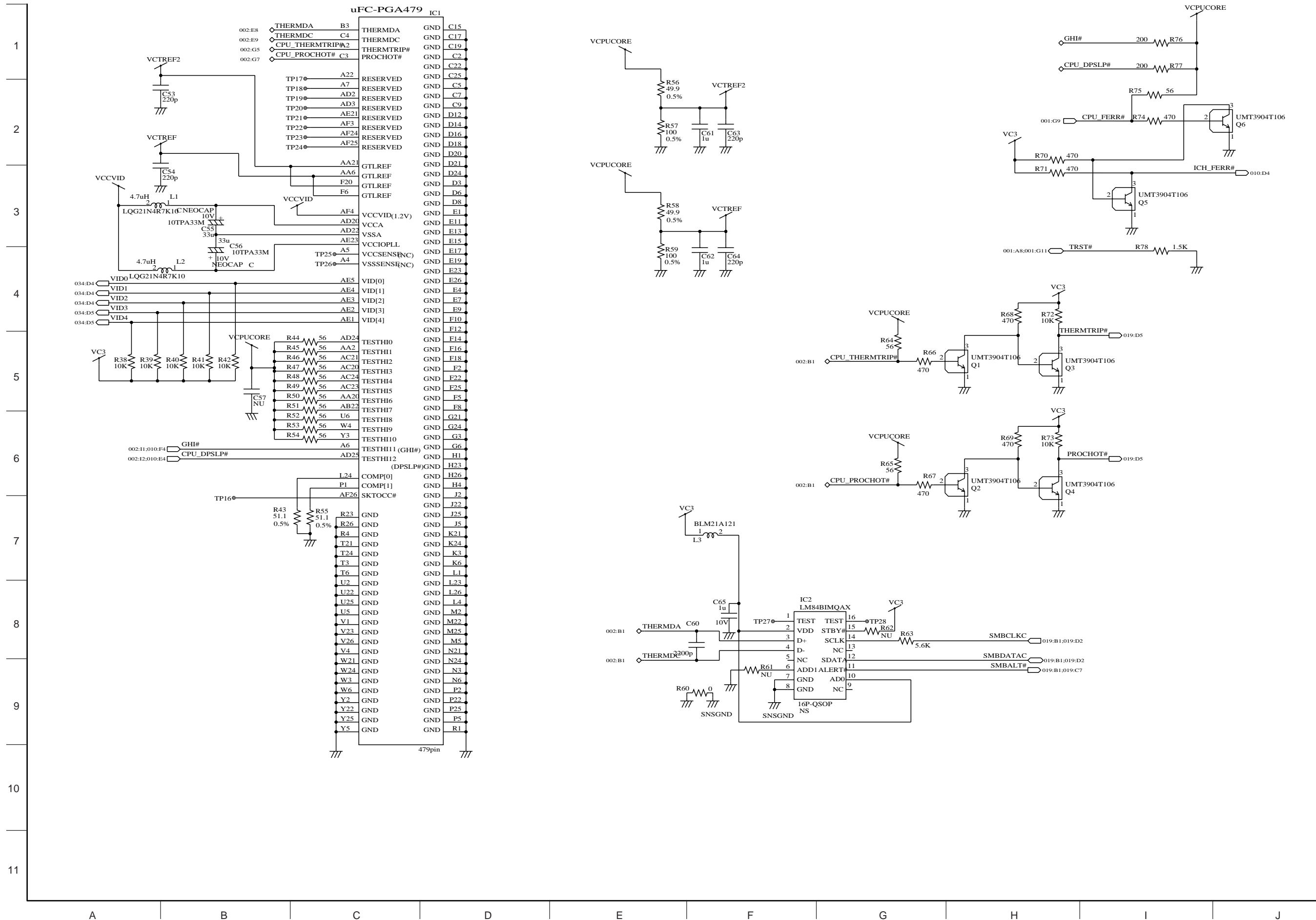
# CF-72VC/N3

## Schematic Diagrams

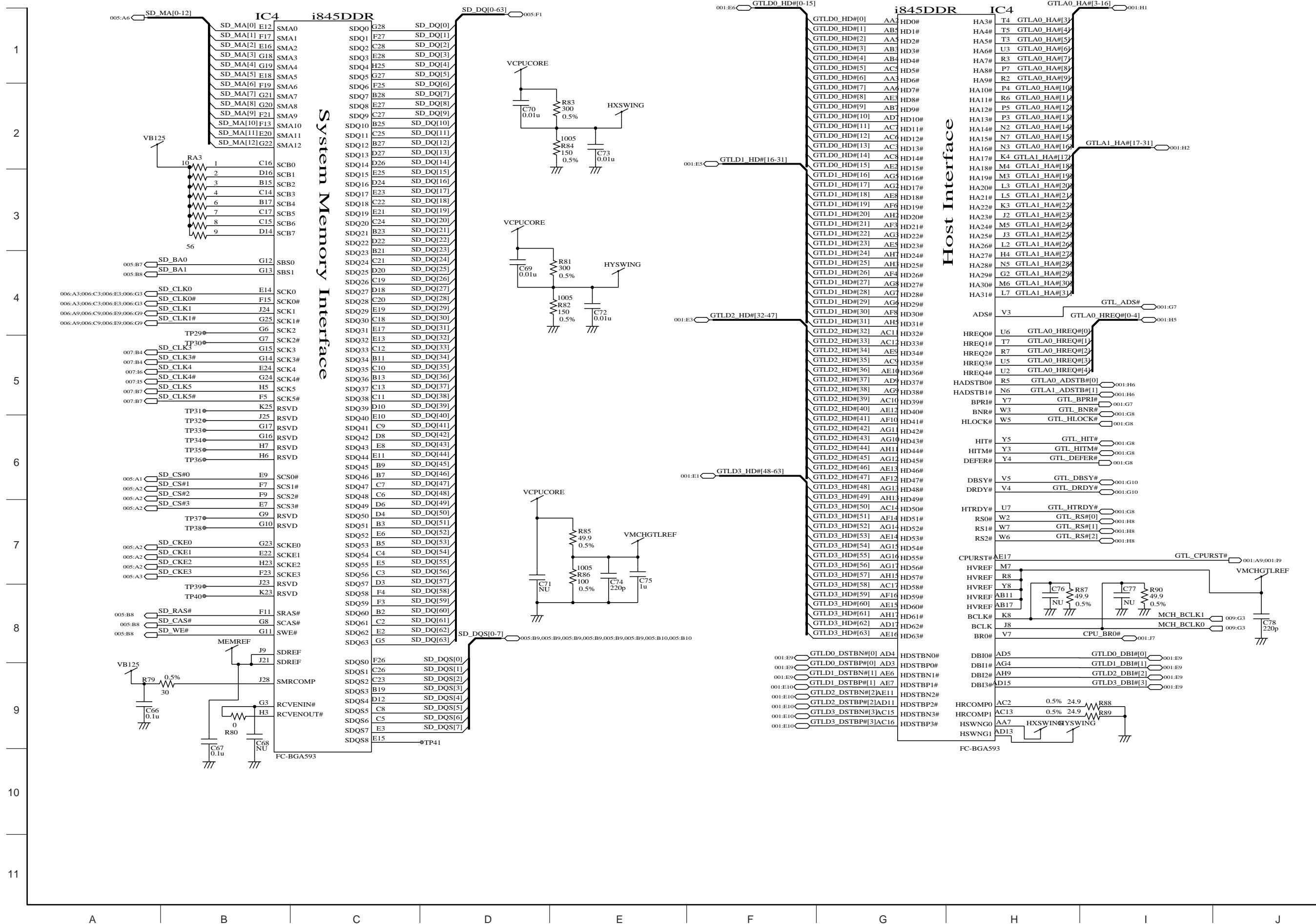
### Main 1 CPU (1/2)



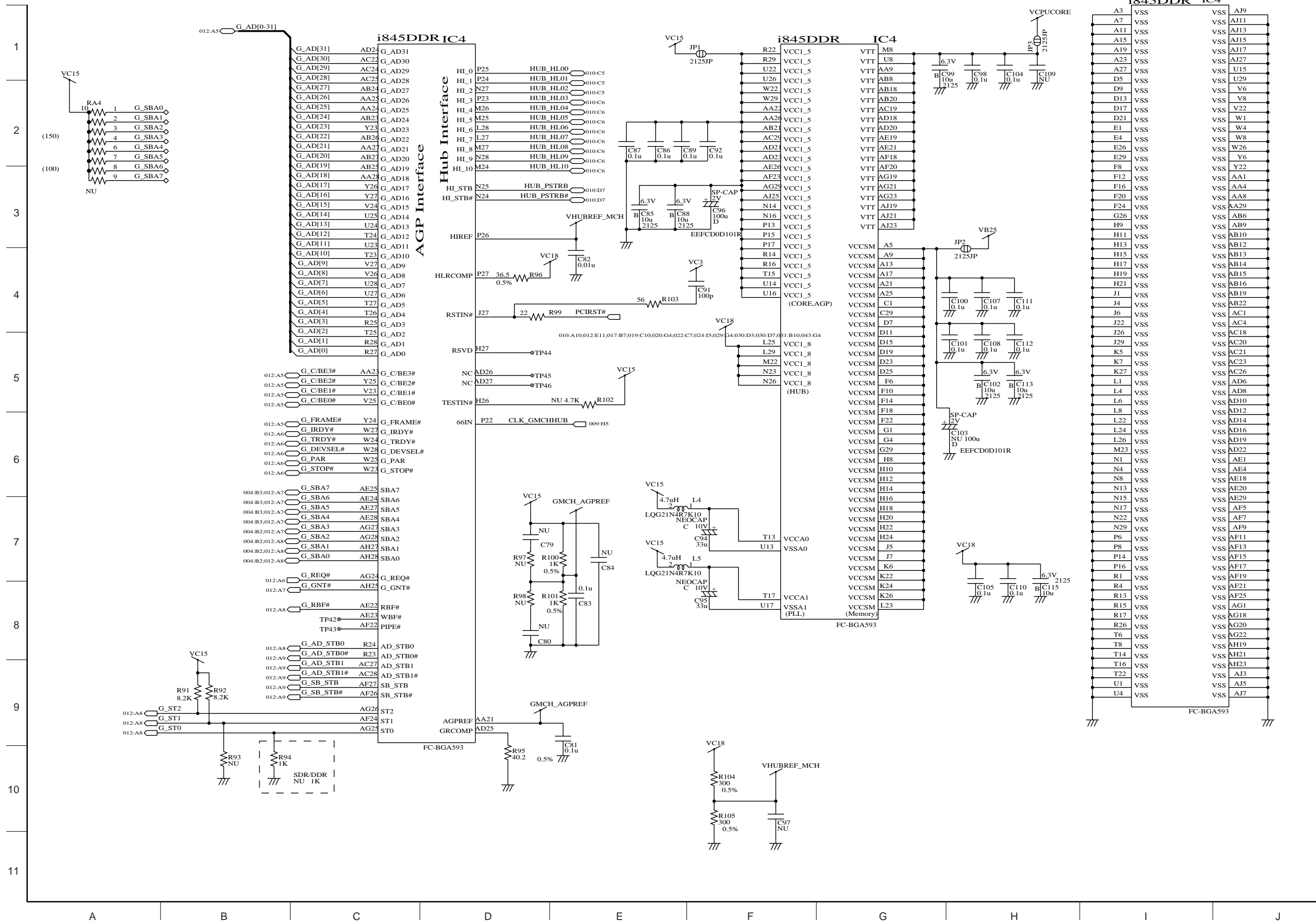
# Main 2 CPU (2/2)



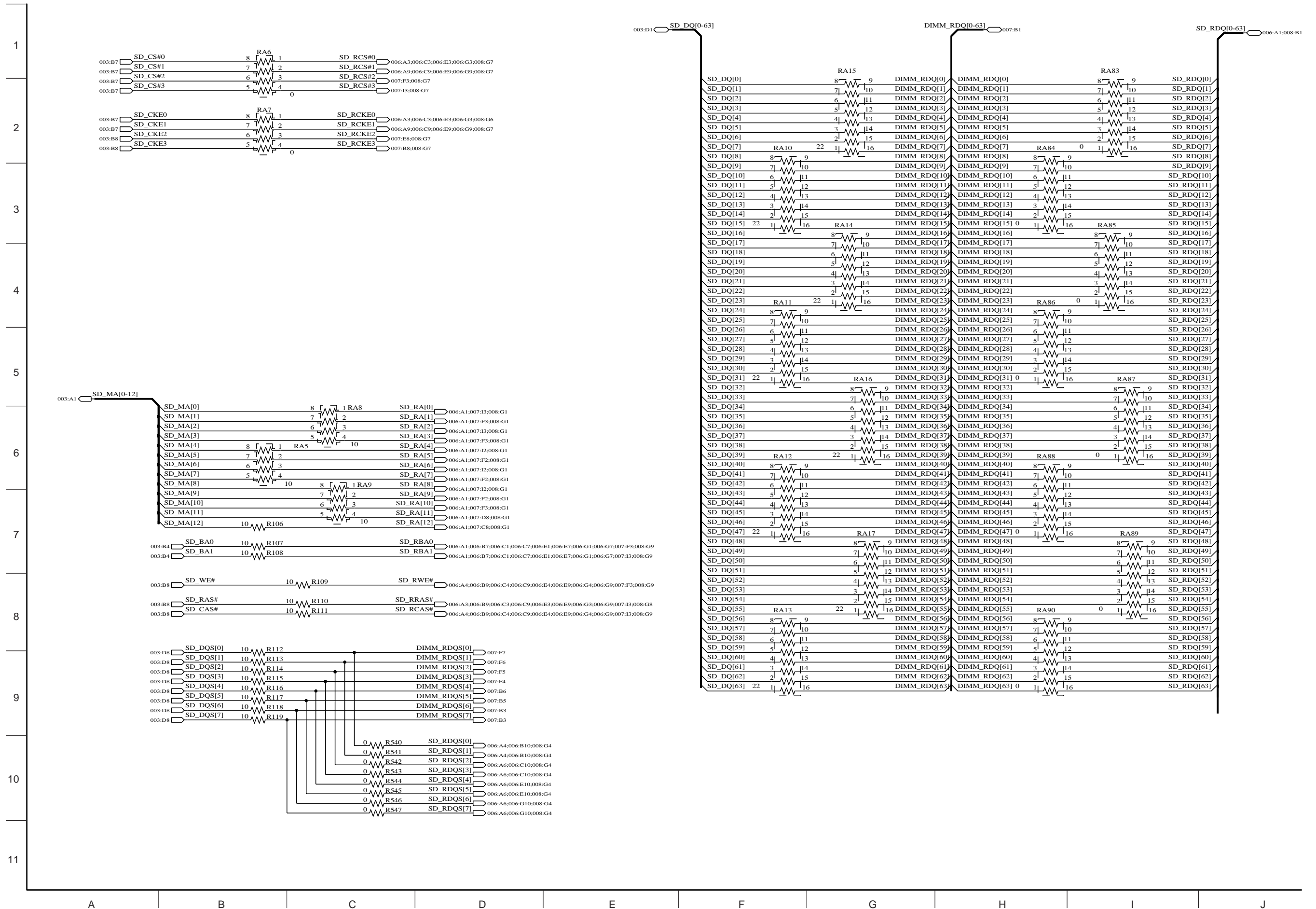
# Main 3 MCH-M (1/2)



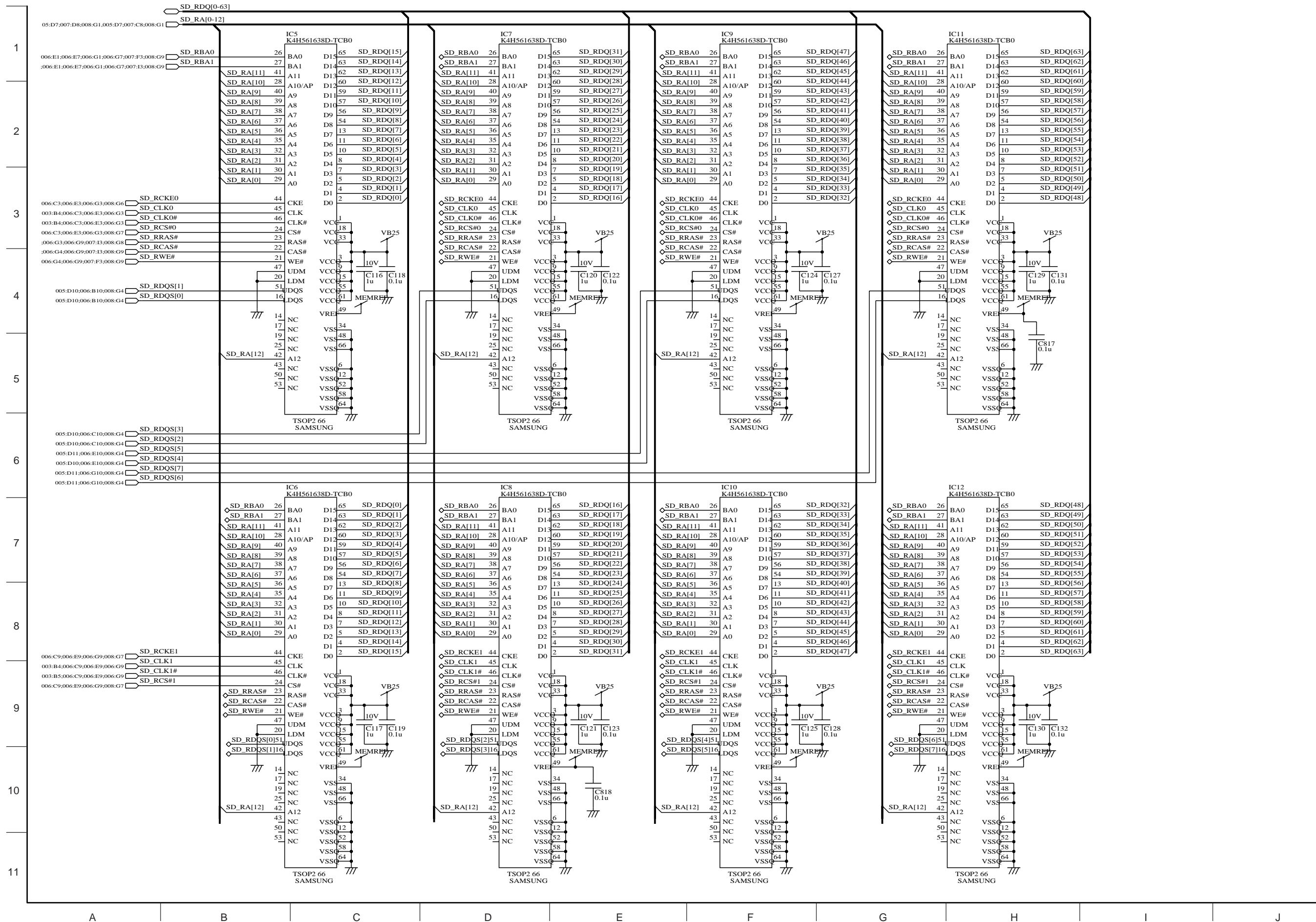
# Main 4 MCH-M (2/2)



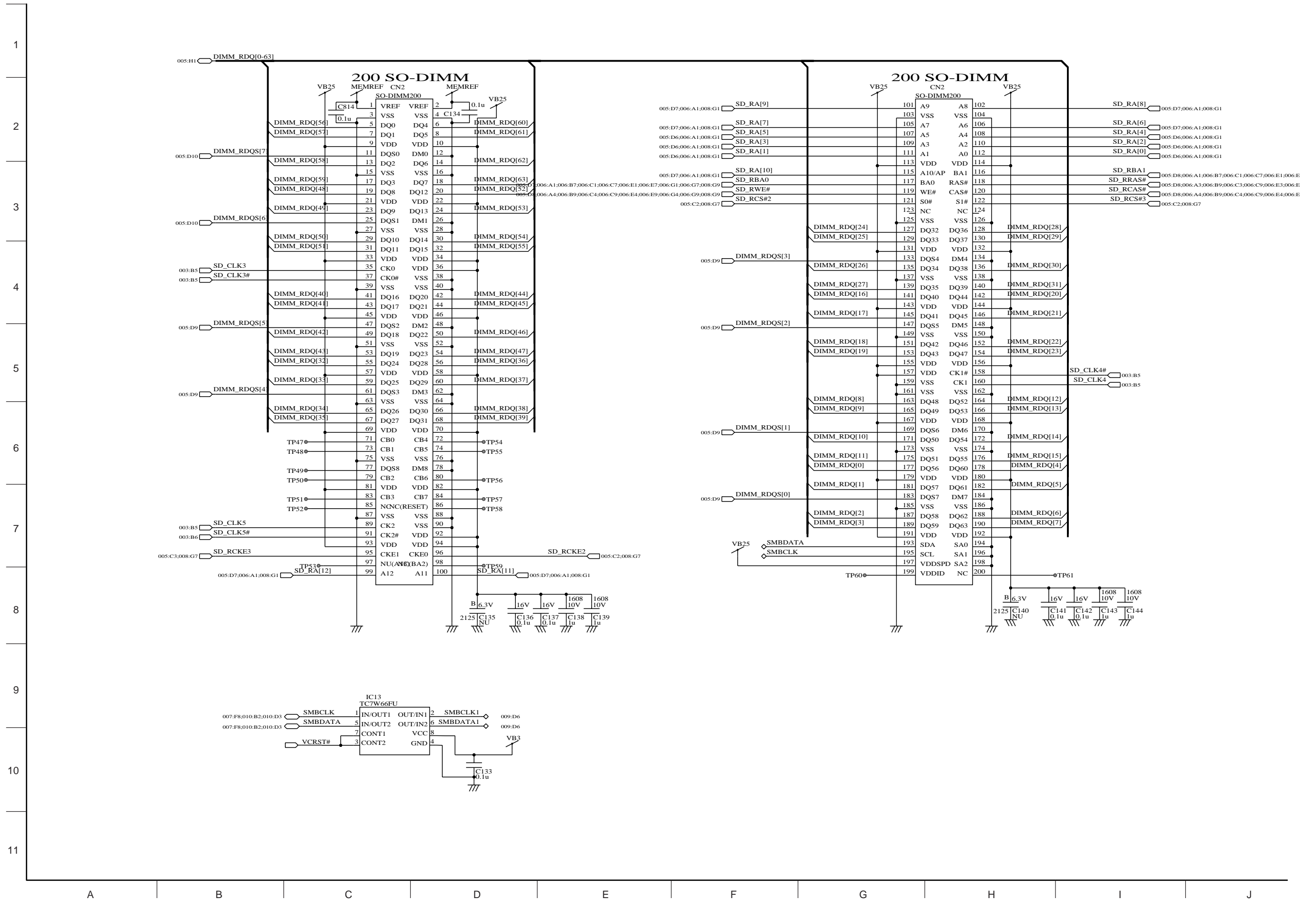
# Main 5 Resistors



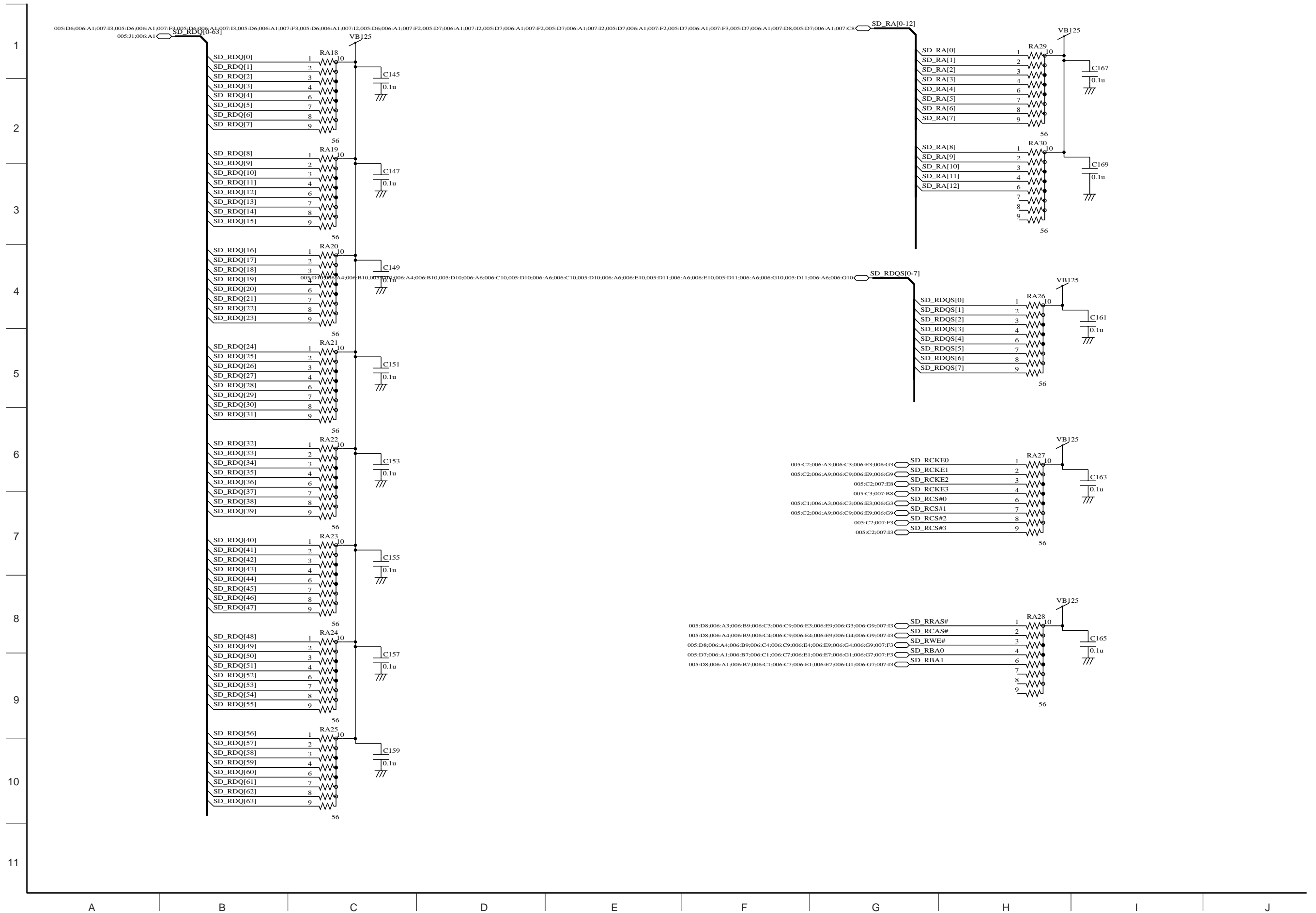
# Main 6 Memory (1/2)



# Main 7 Memory (2/2)

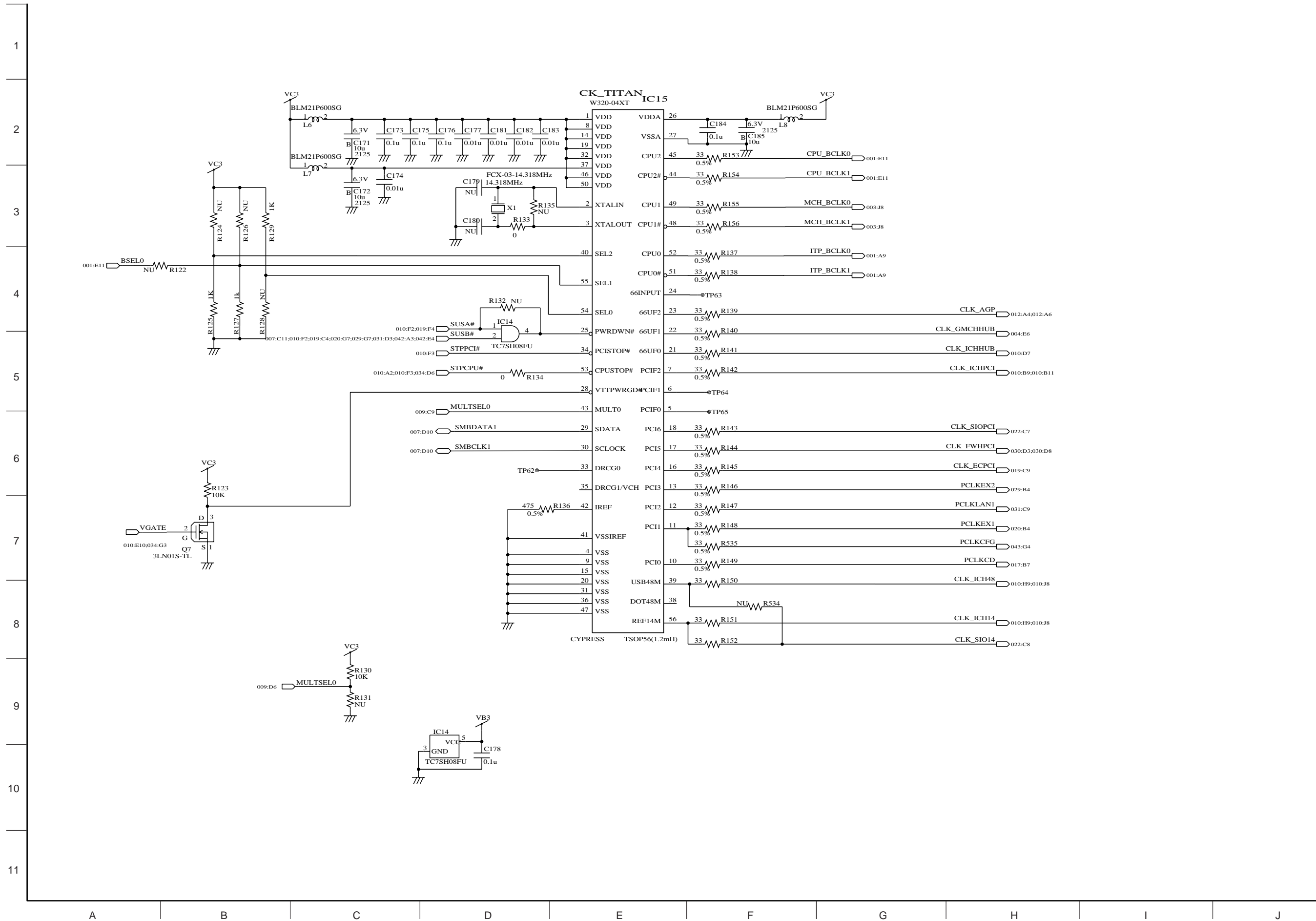


# Main 8 Memory Terminator

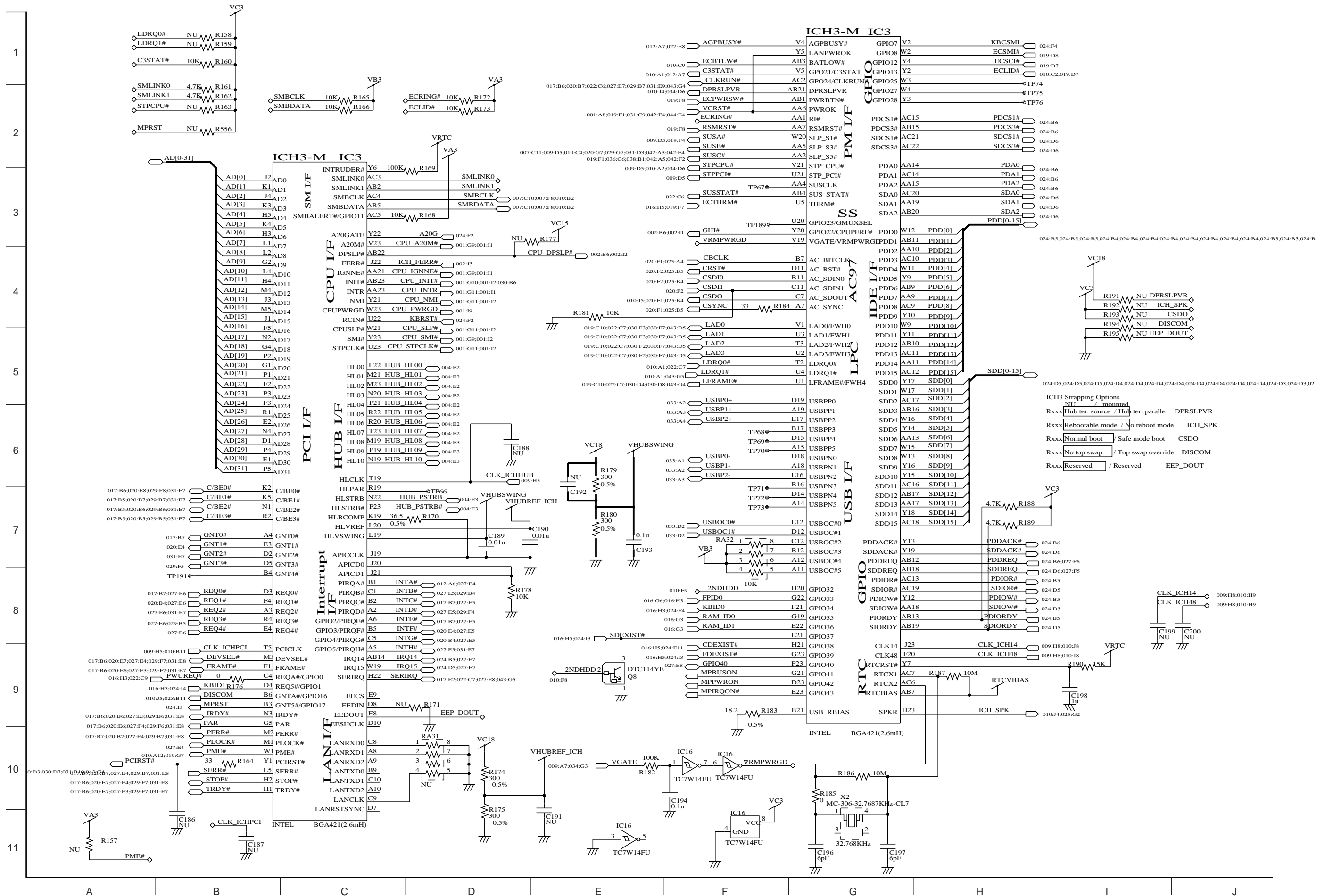




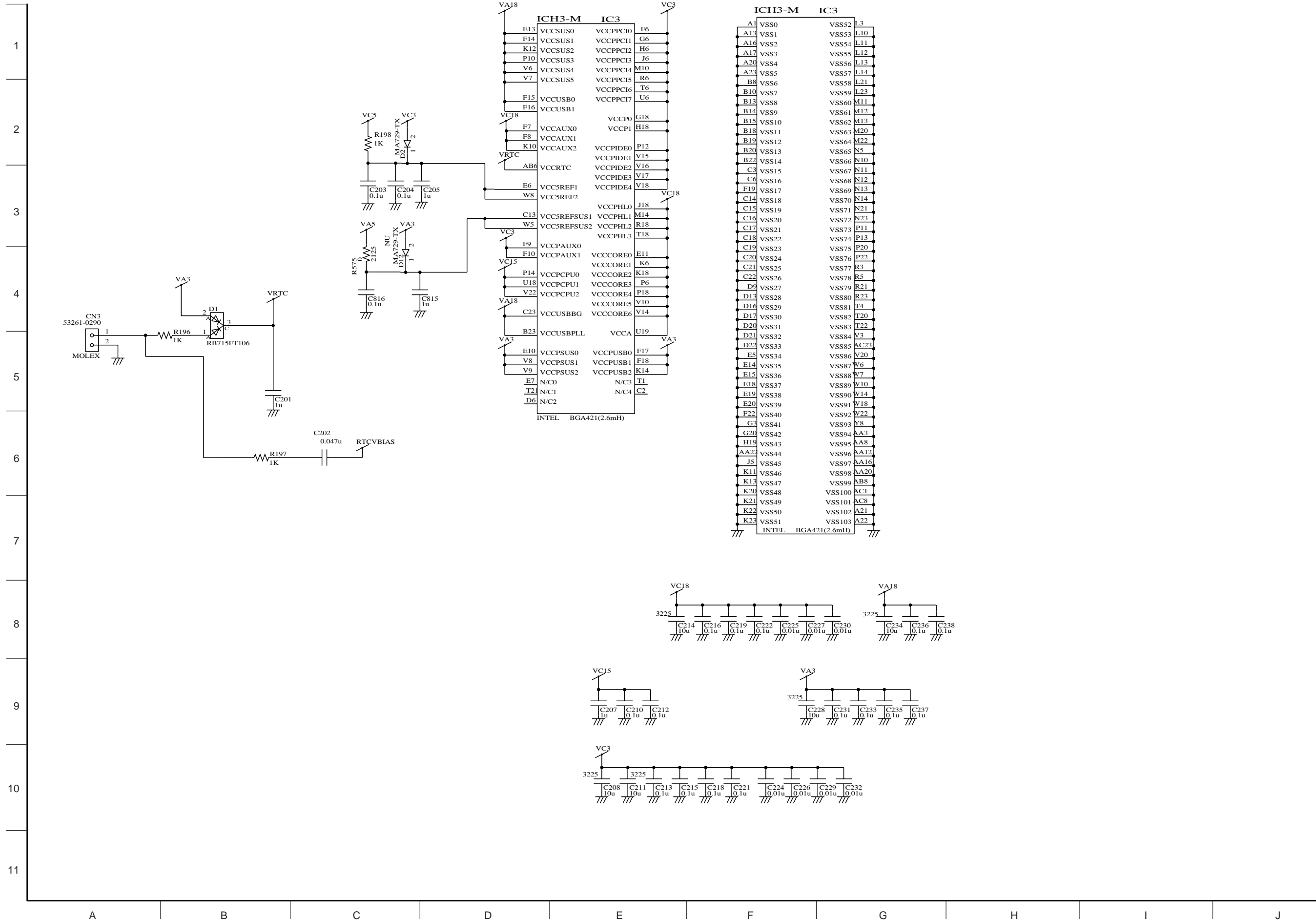
# Main 9 Clock



# Main 10 ICH3 (1/2)

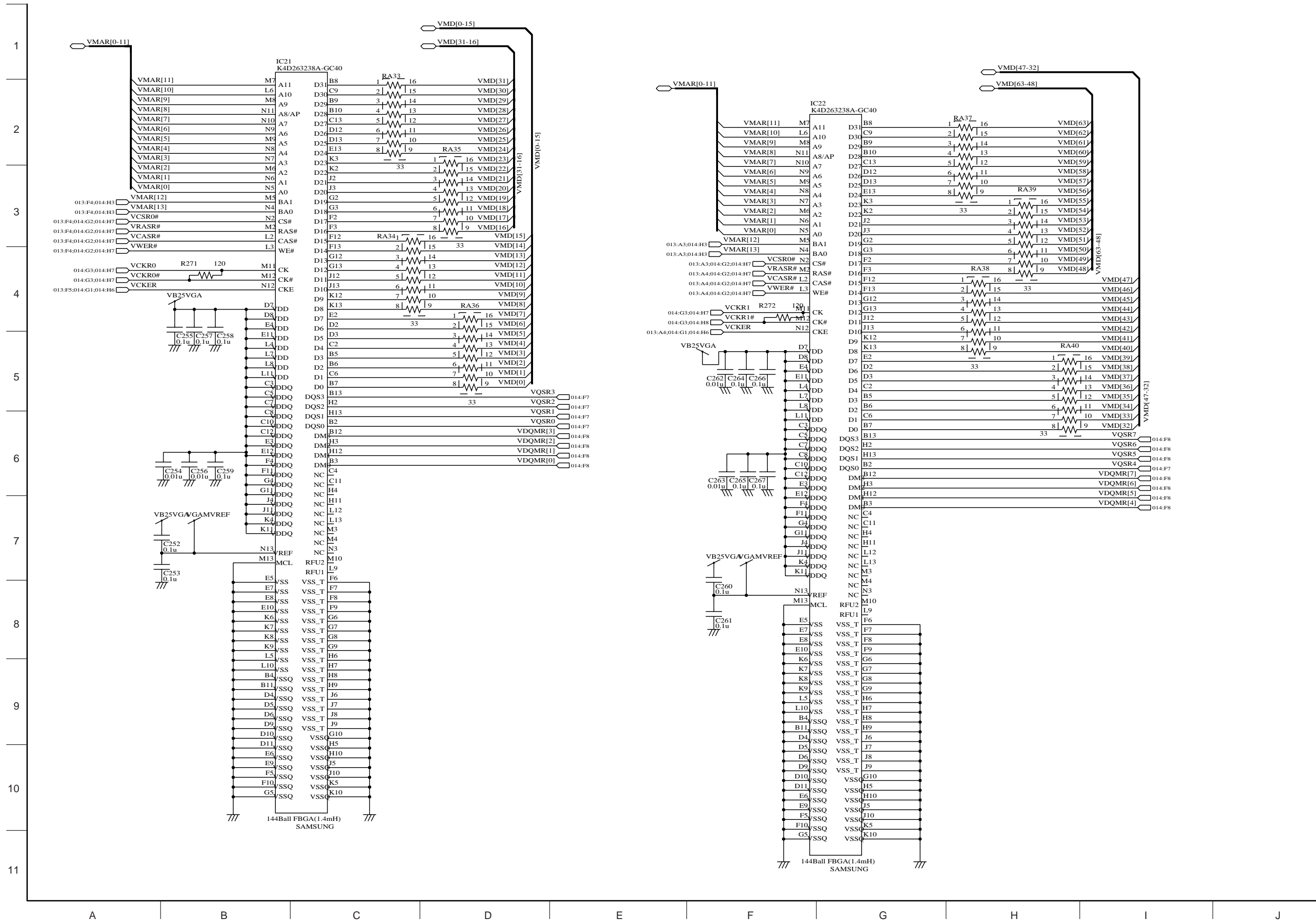


# Main 11 ICH3 (2/2)

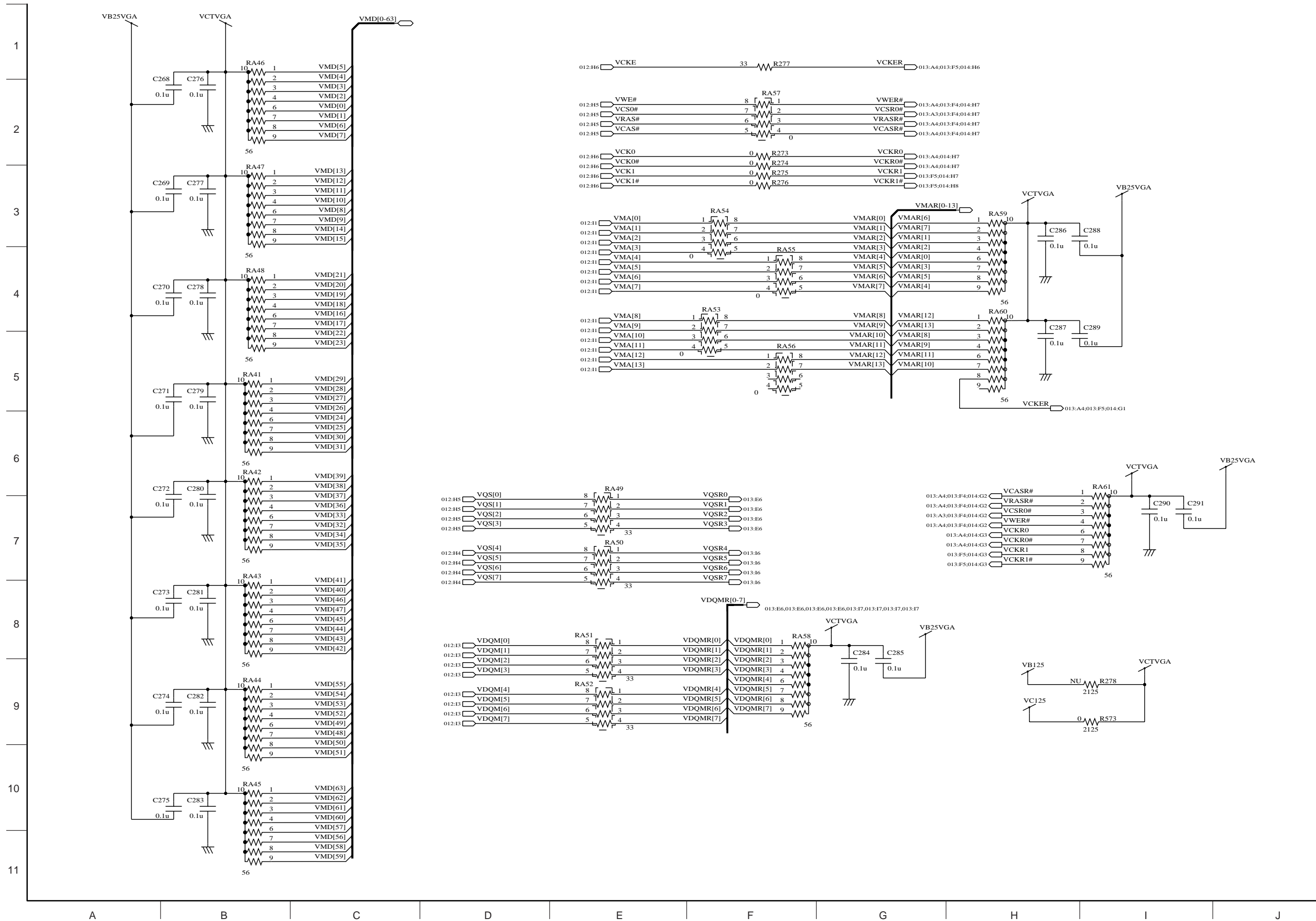




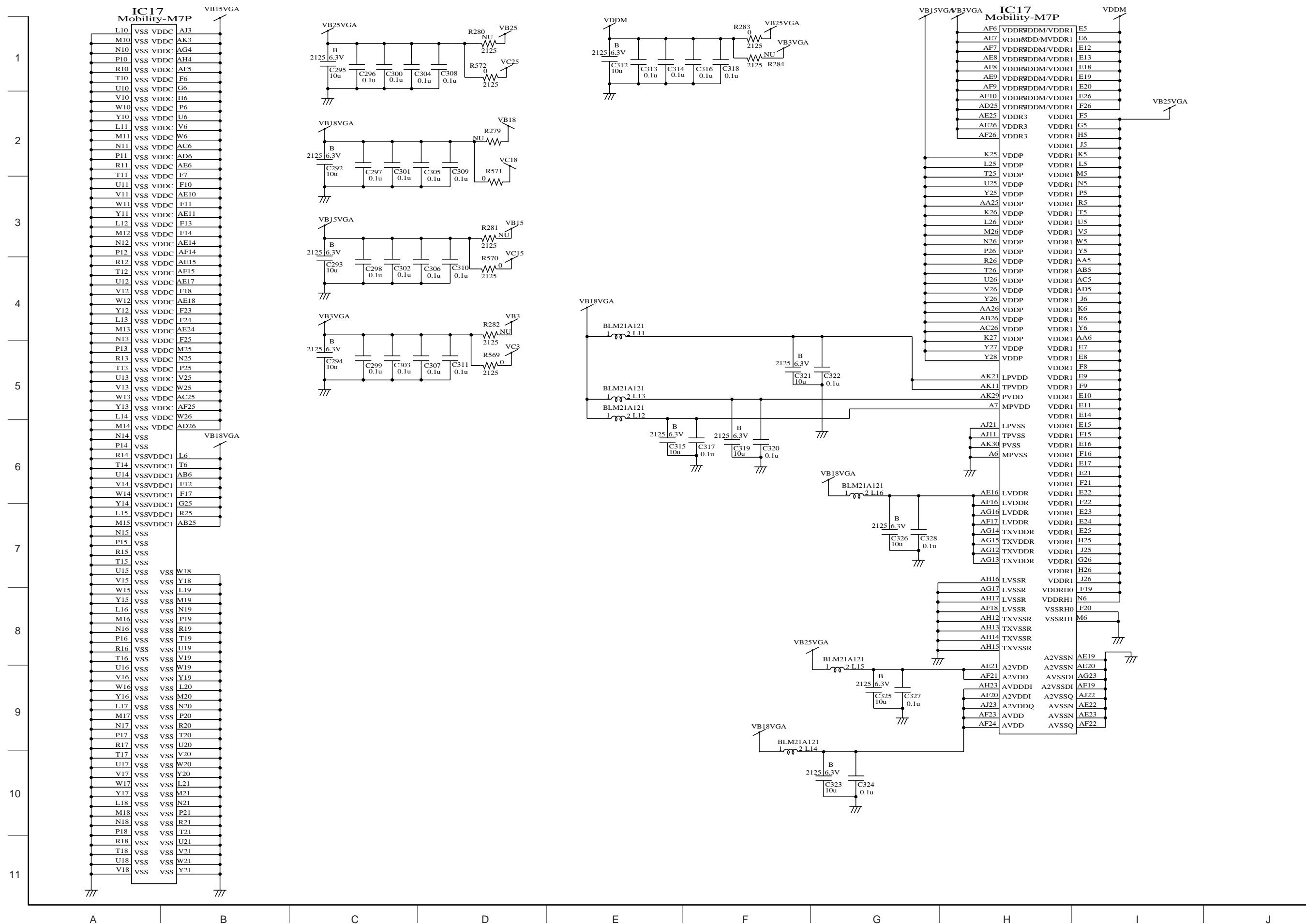
# Main 13 VGA, VRAM (2/4)



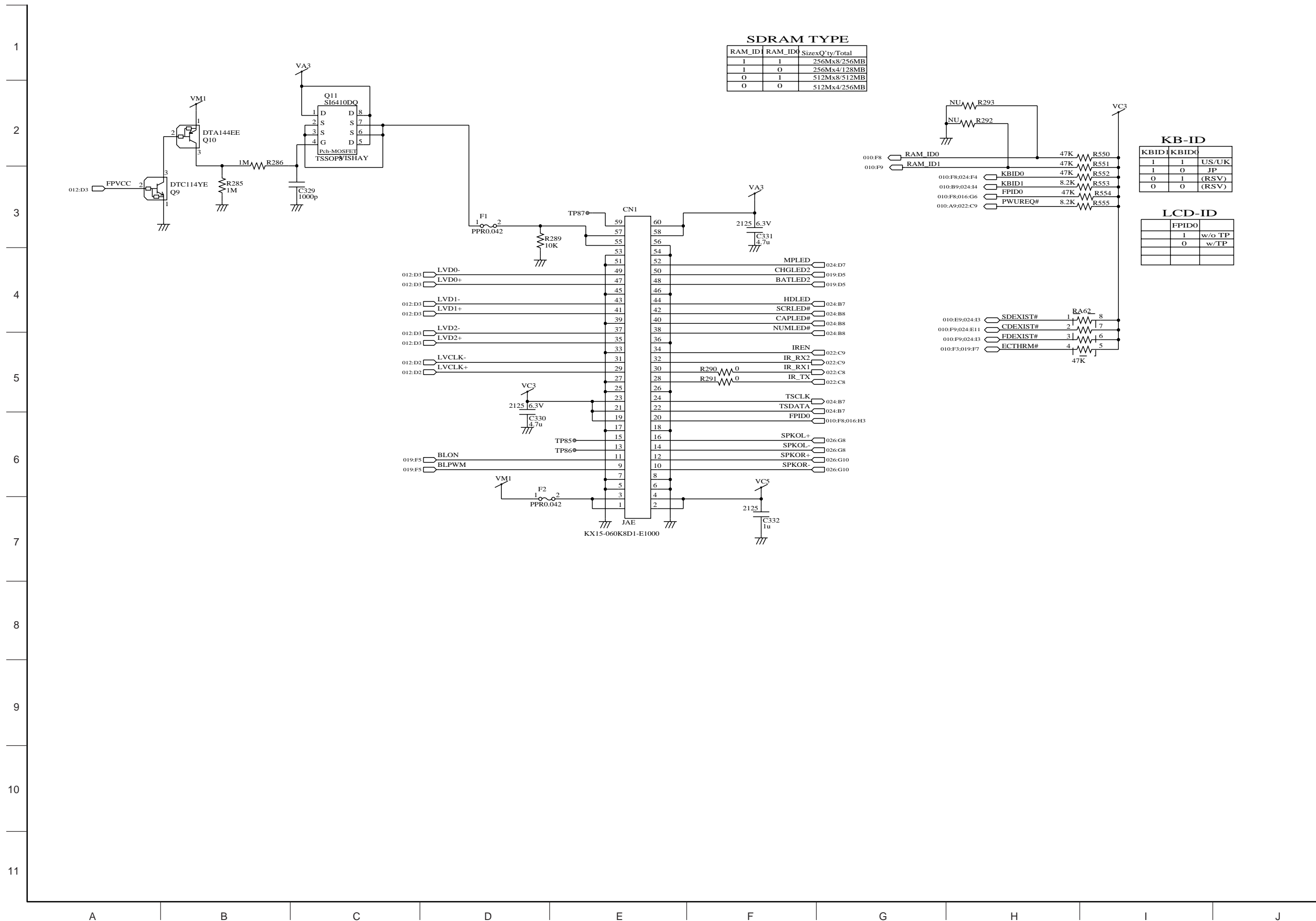
# Main 14 VGA, VRAM (3/4)



# Main 15 VGA, VRAM (4/4)



# Main 16 LED CN I/F



**SDRAM TYPE**

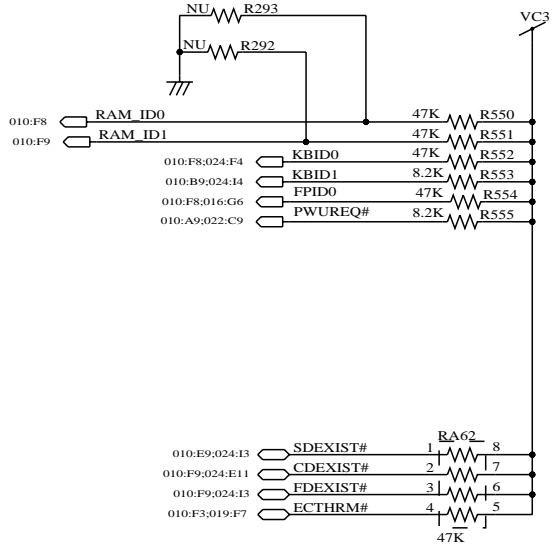
RAM_ID	RAM_ID0	SizeQ'ty/Total
1	1	256Mx8/256MB
1	0	256Mx4/128MB
0	1	512Mx8/512MB
0	0	512Mx4/256MB

**KB-ID**

KBID0	KBID1	
1	1	US/UK
1	0	JP
0	1	(RSV)
0	0	(RSV)

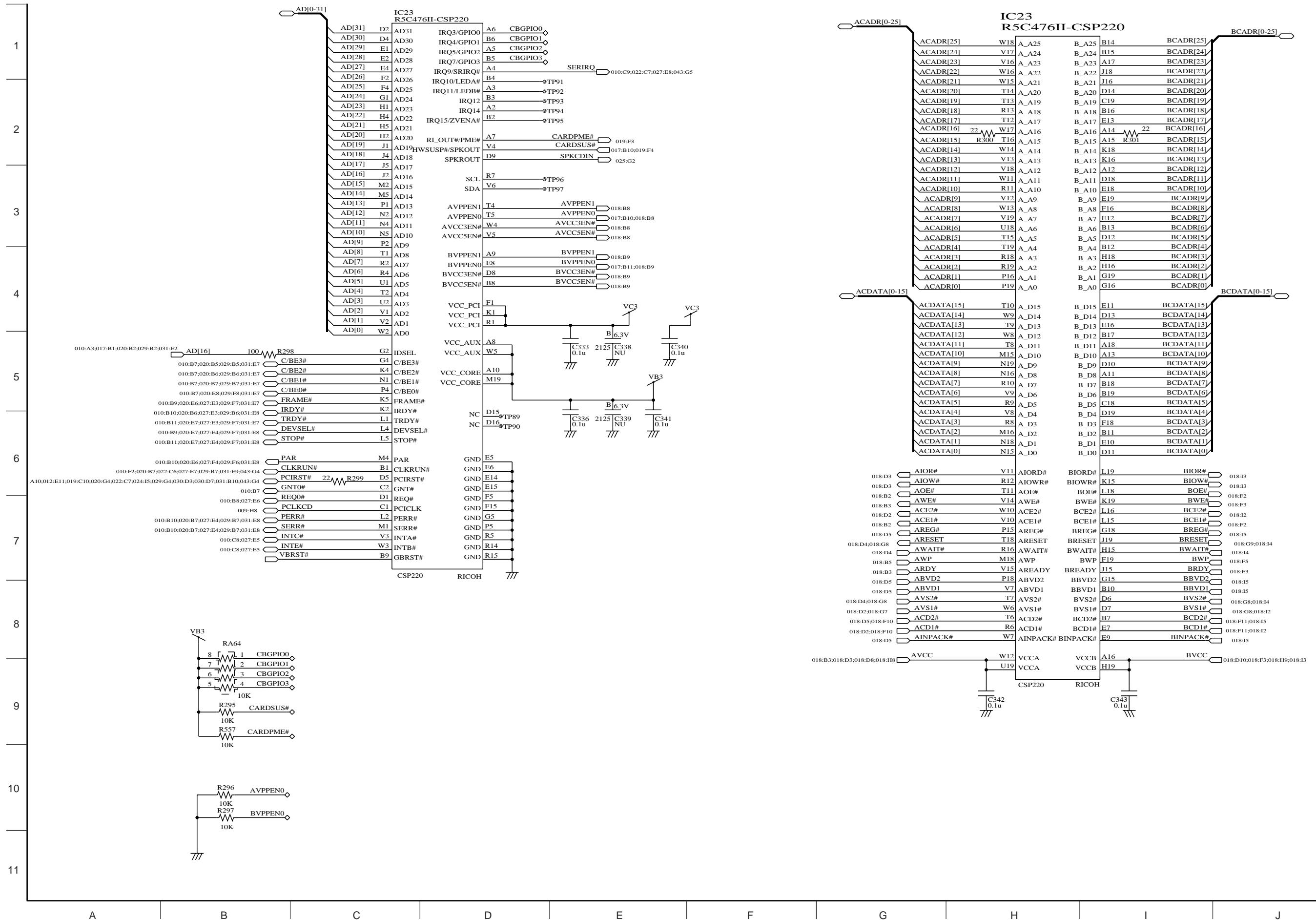
**LCD-ID**

FPID0	
1	w/o TP
0	w/TP

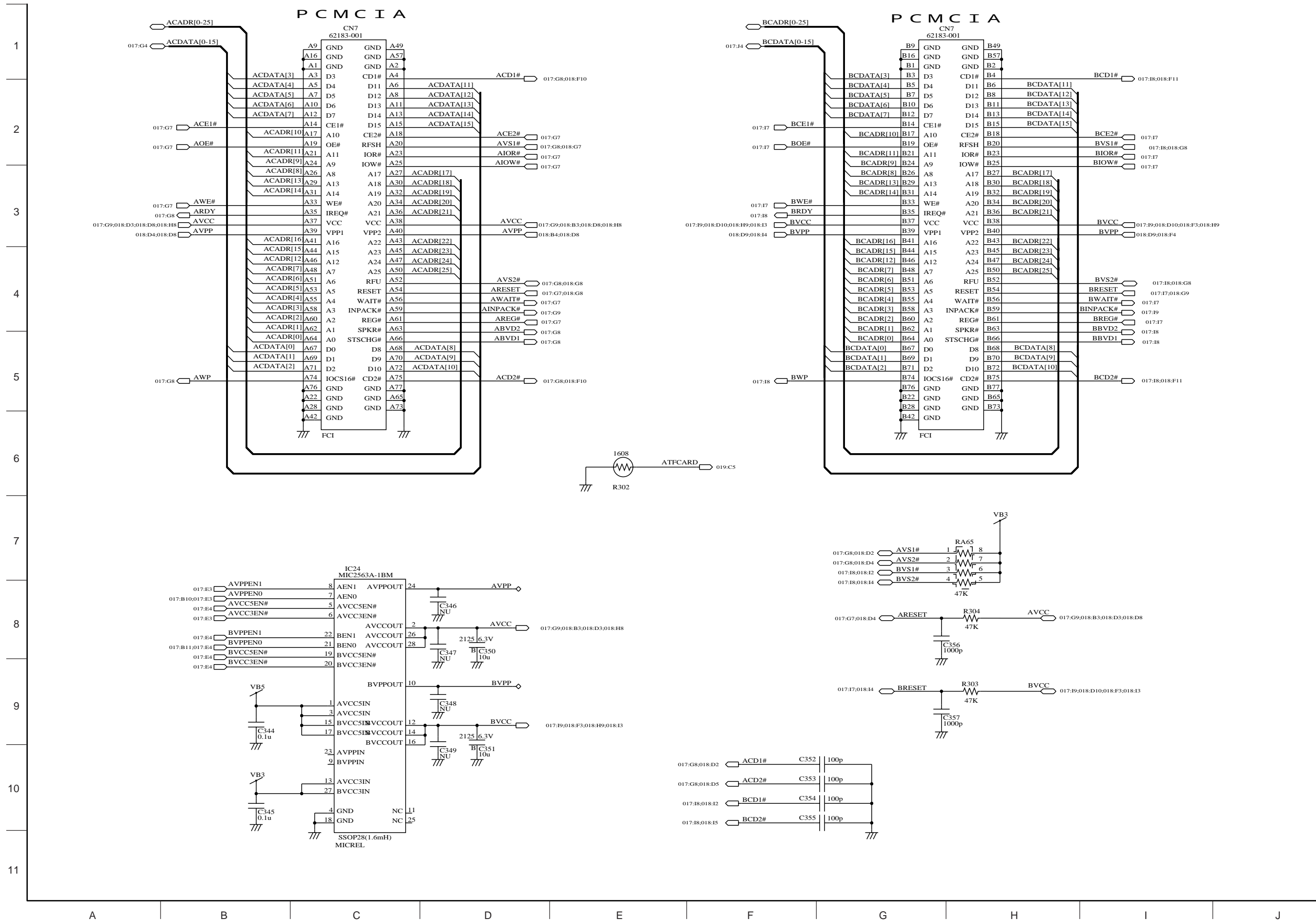




# Main 17 PCMCIA IC

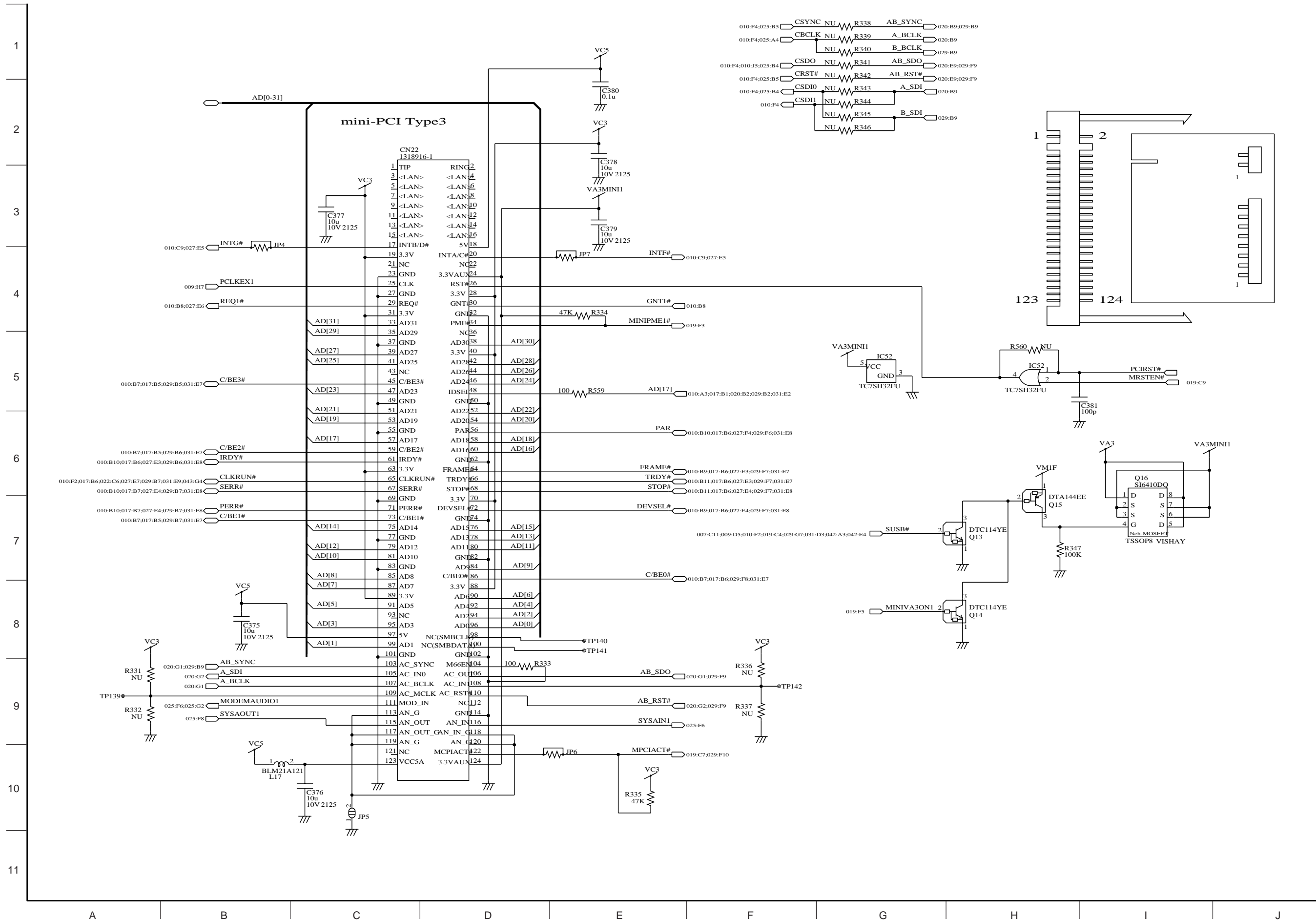


# Main 18 PCMCIA I/F

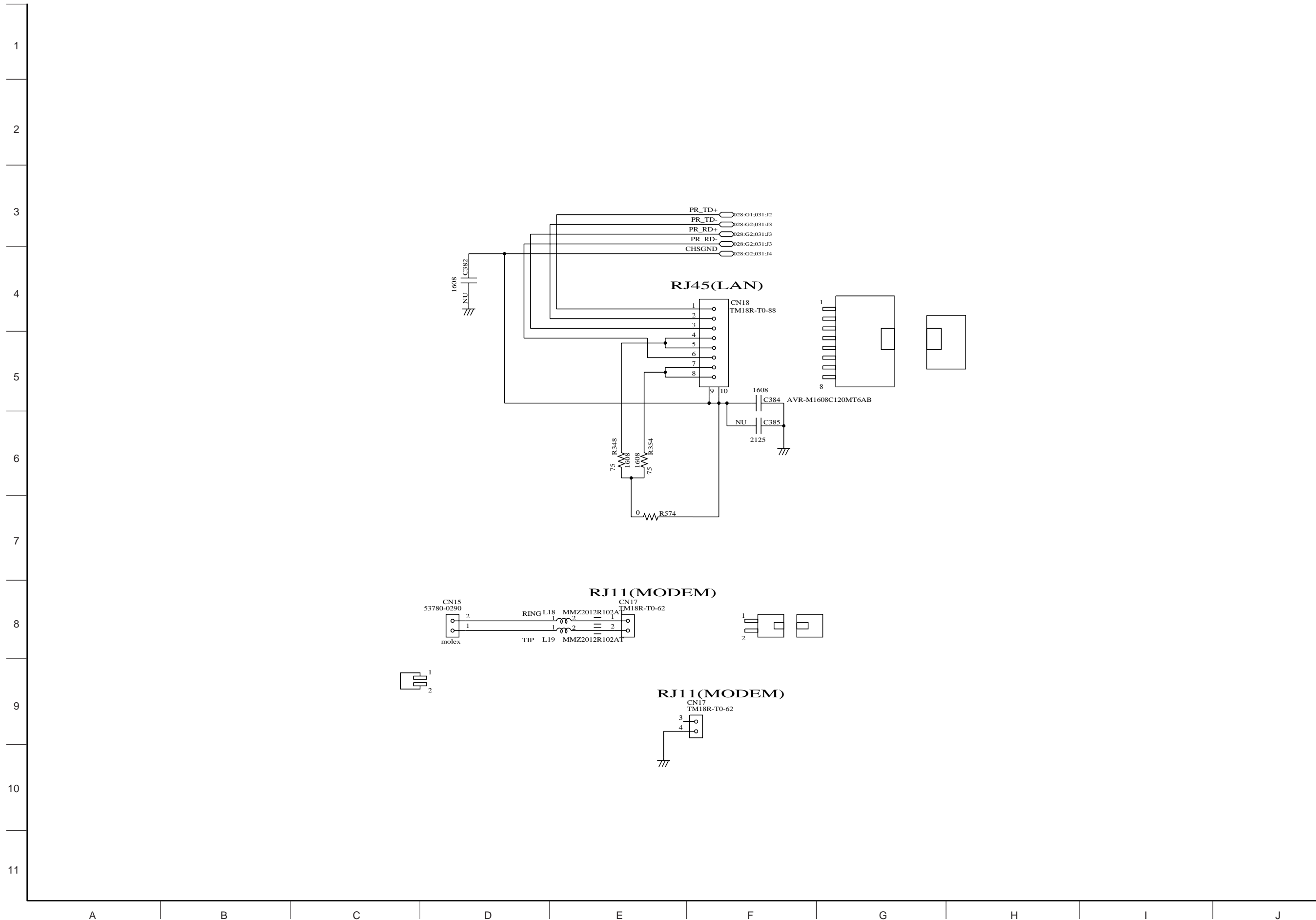




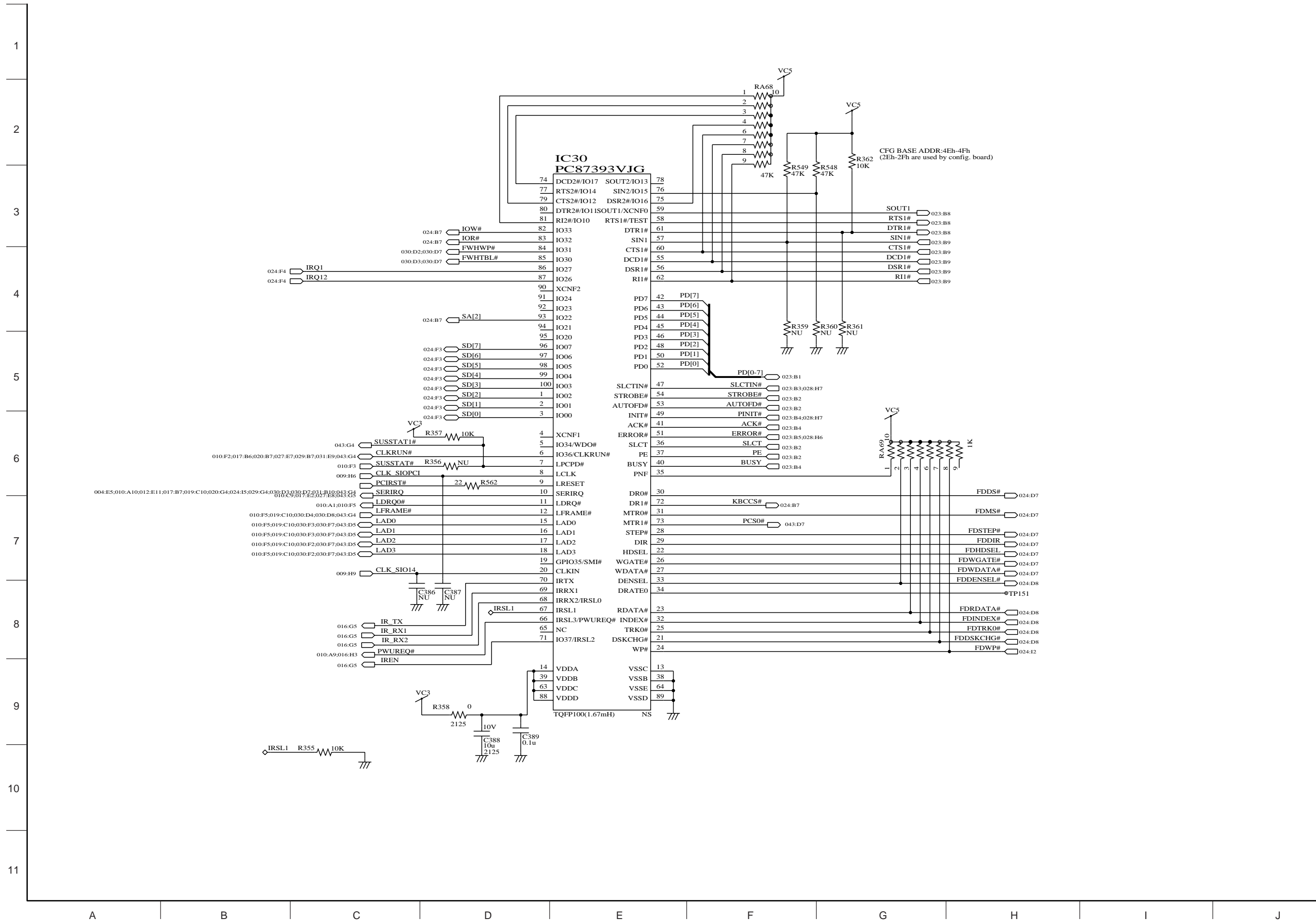
# Main 20 Mini-PCI



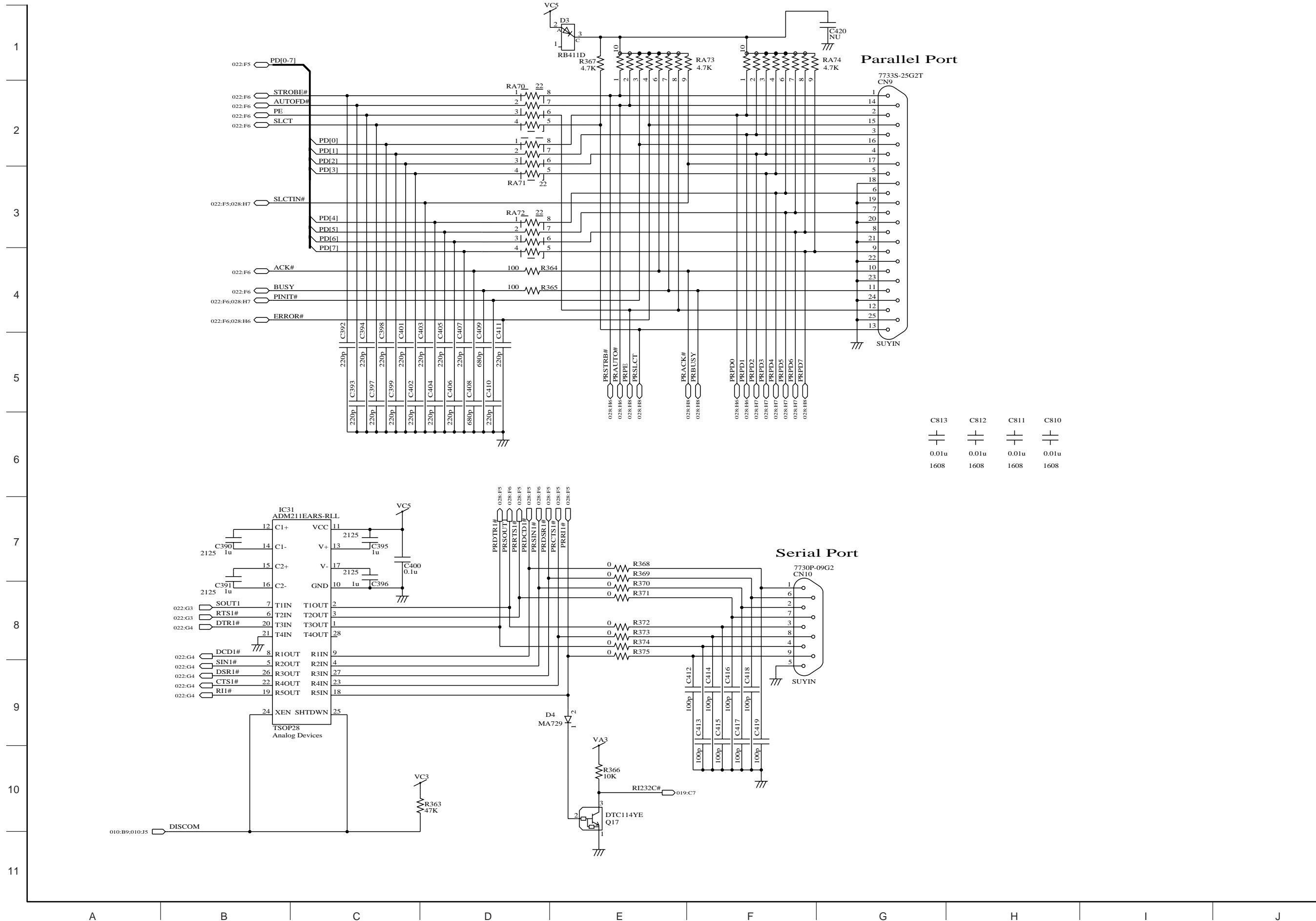
# Main 21 RJ11, RJ45



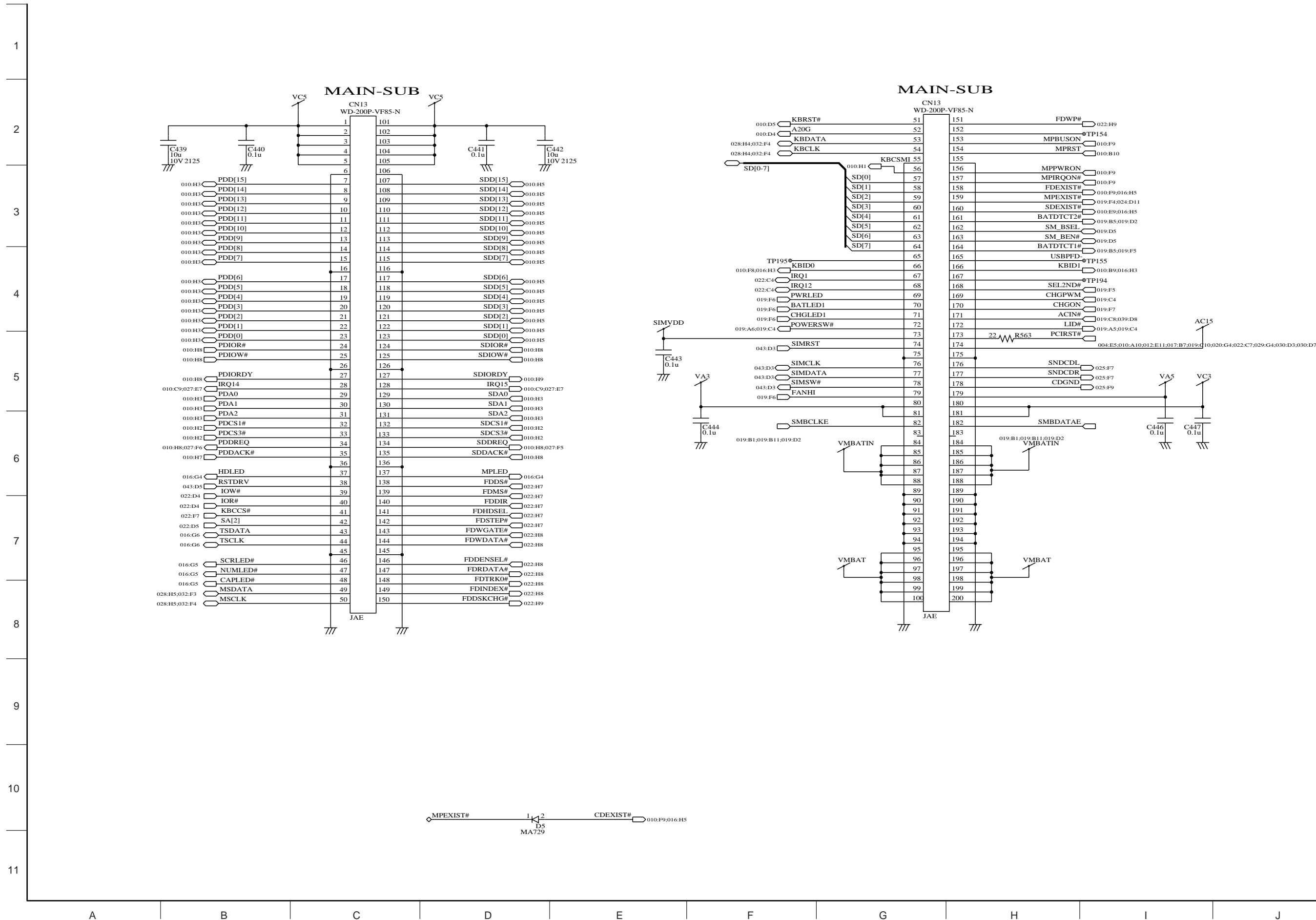
# Main 22 Super I/O



# Main 23 PARA/SERI

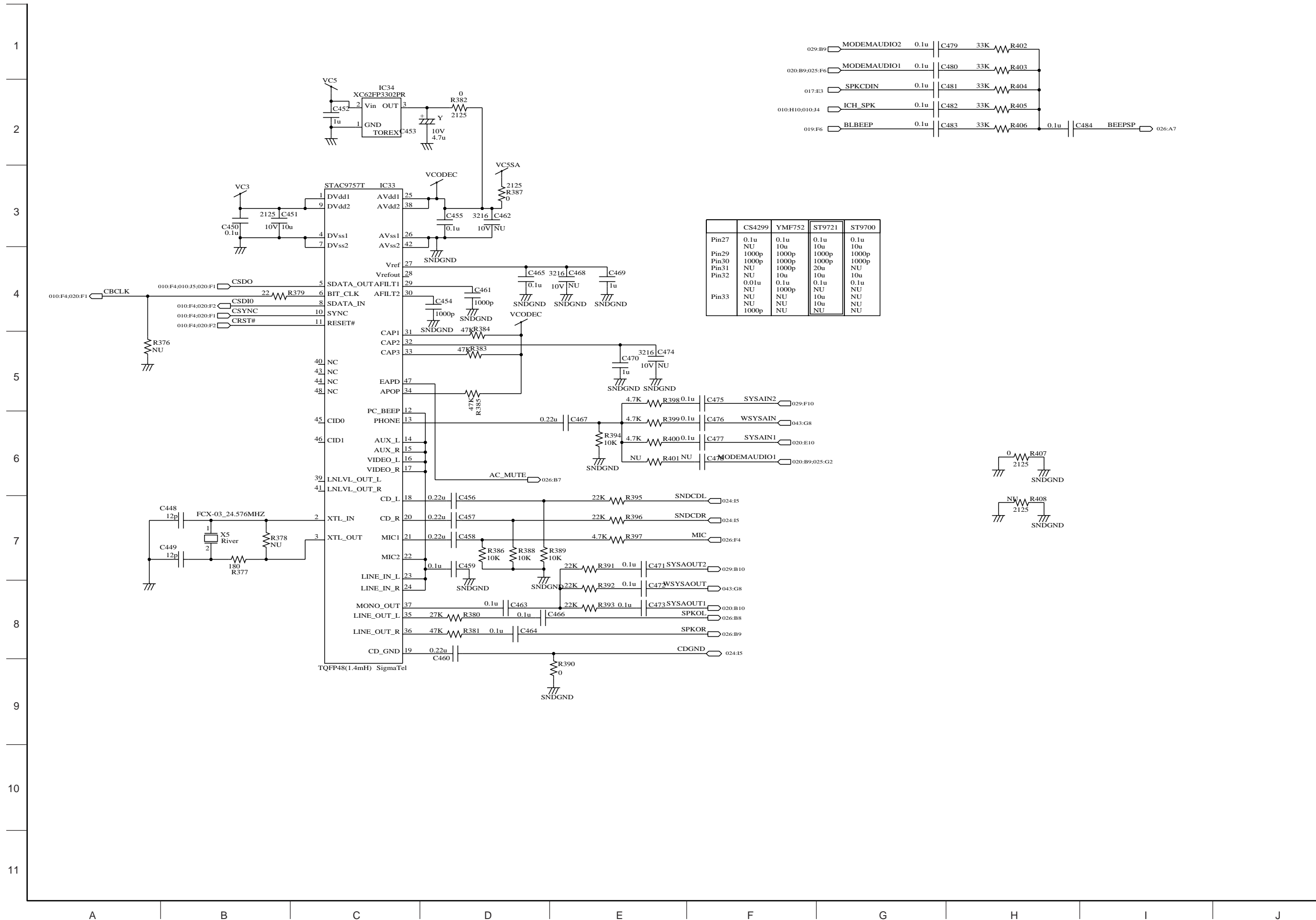


# Main 24 Main-Sub I/F

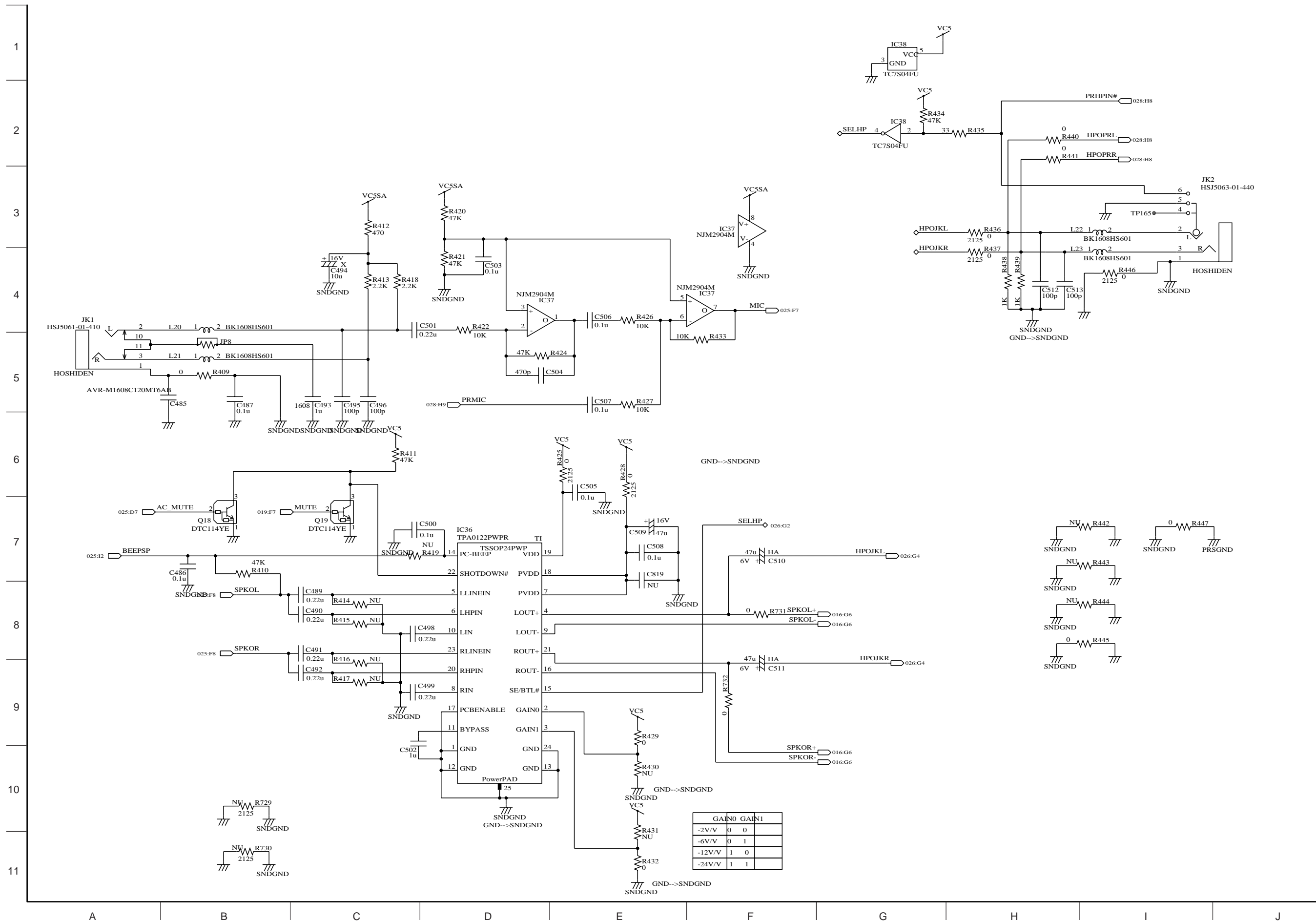




# Main 25 Sound IC

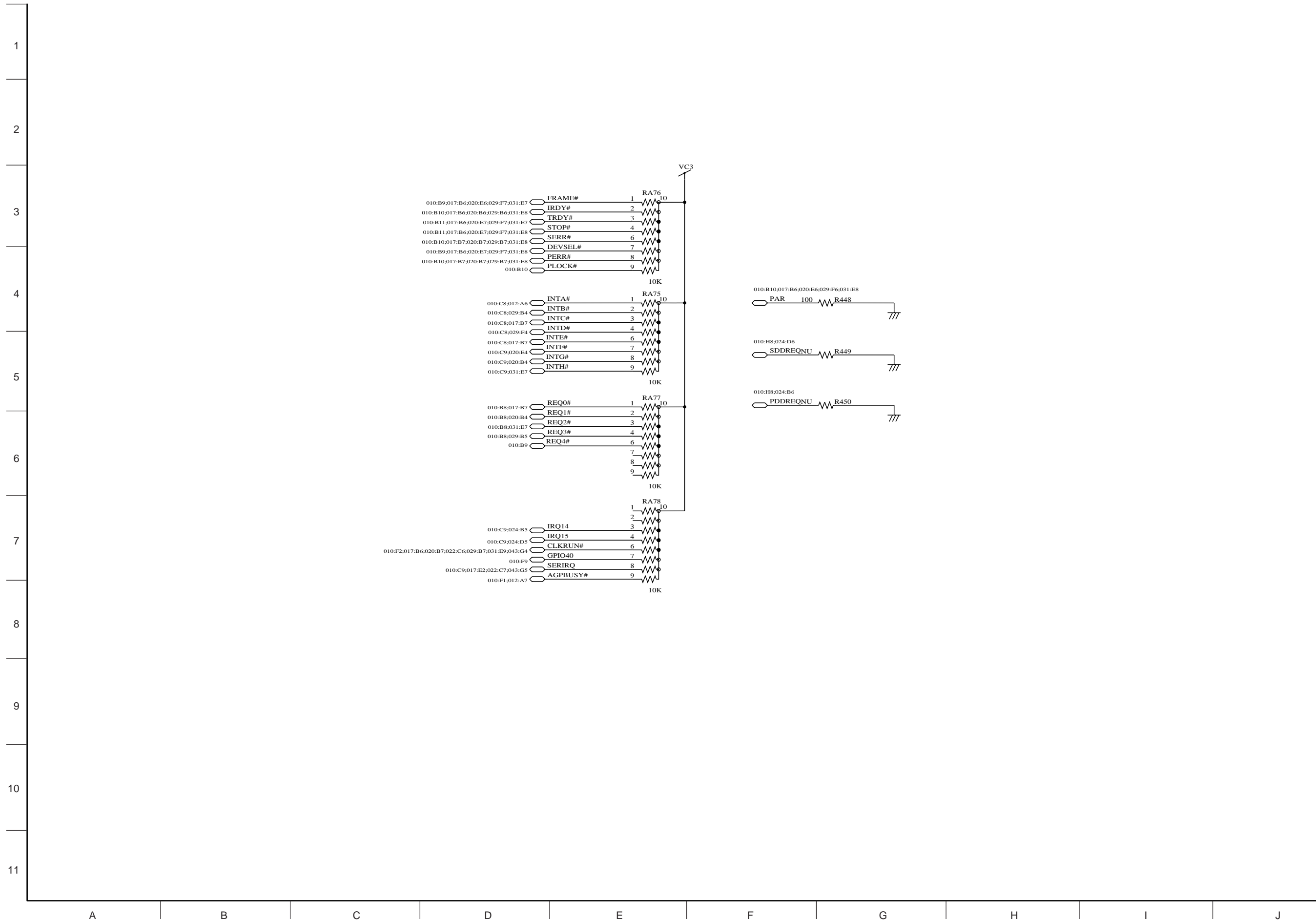


# Main 26 Sound (Amp)



	GAIN0	GAIN1
-2V/V	0	0
-6V/V	0	1
-12V/V	1	0
-24V/V	1	1

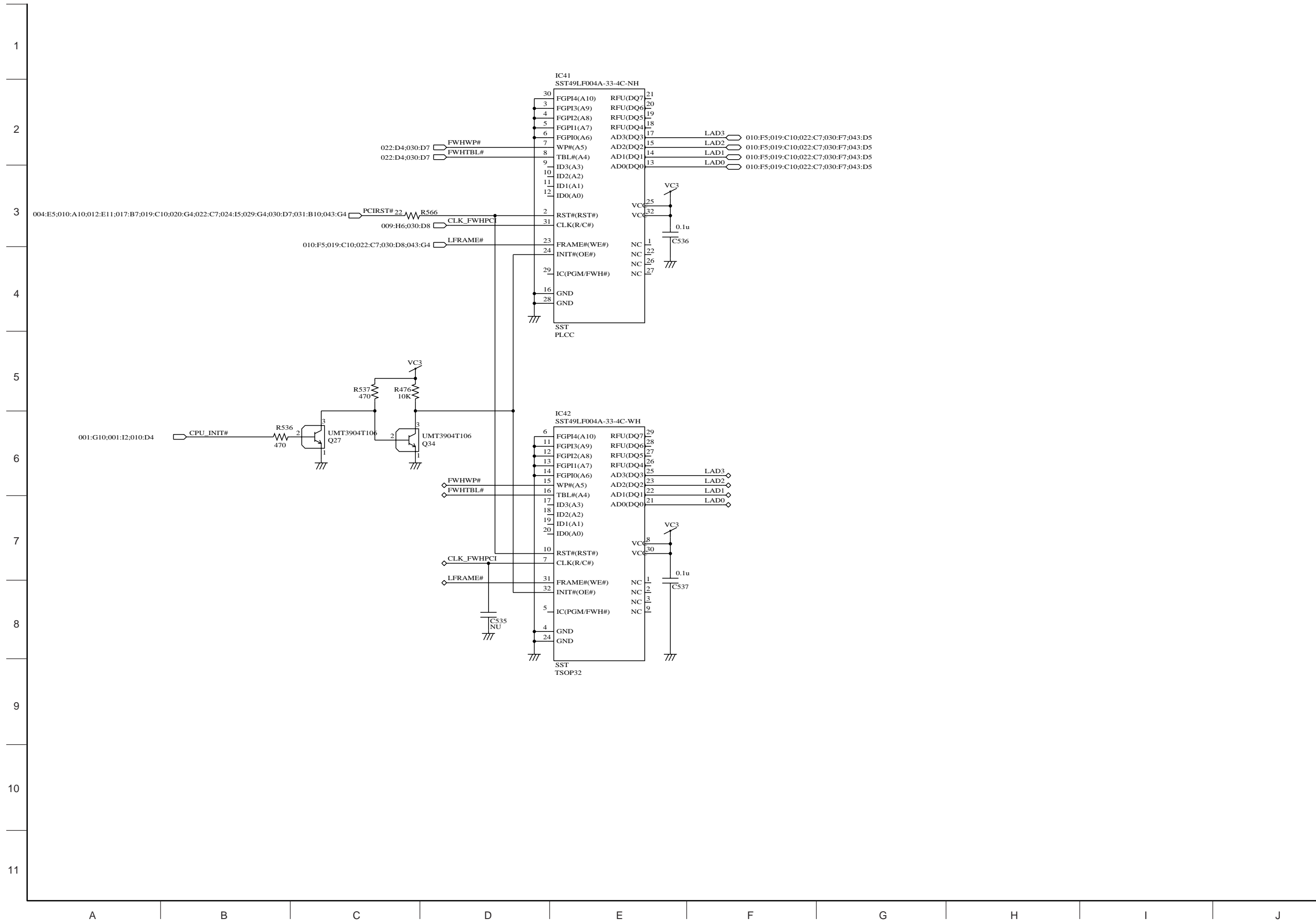
# Main 27 Resistors



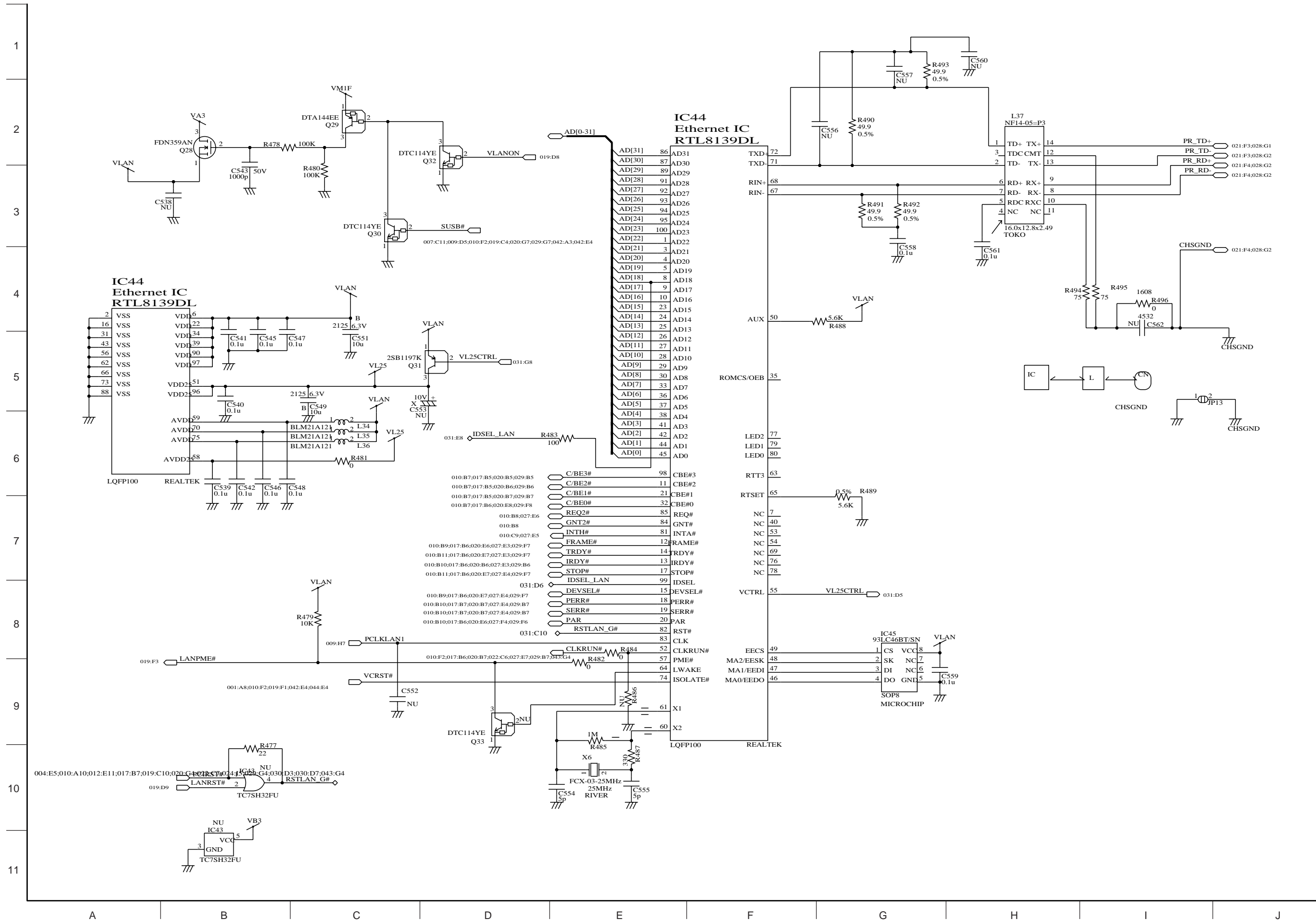




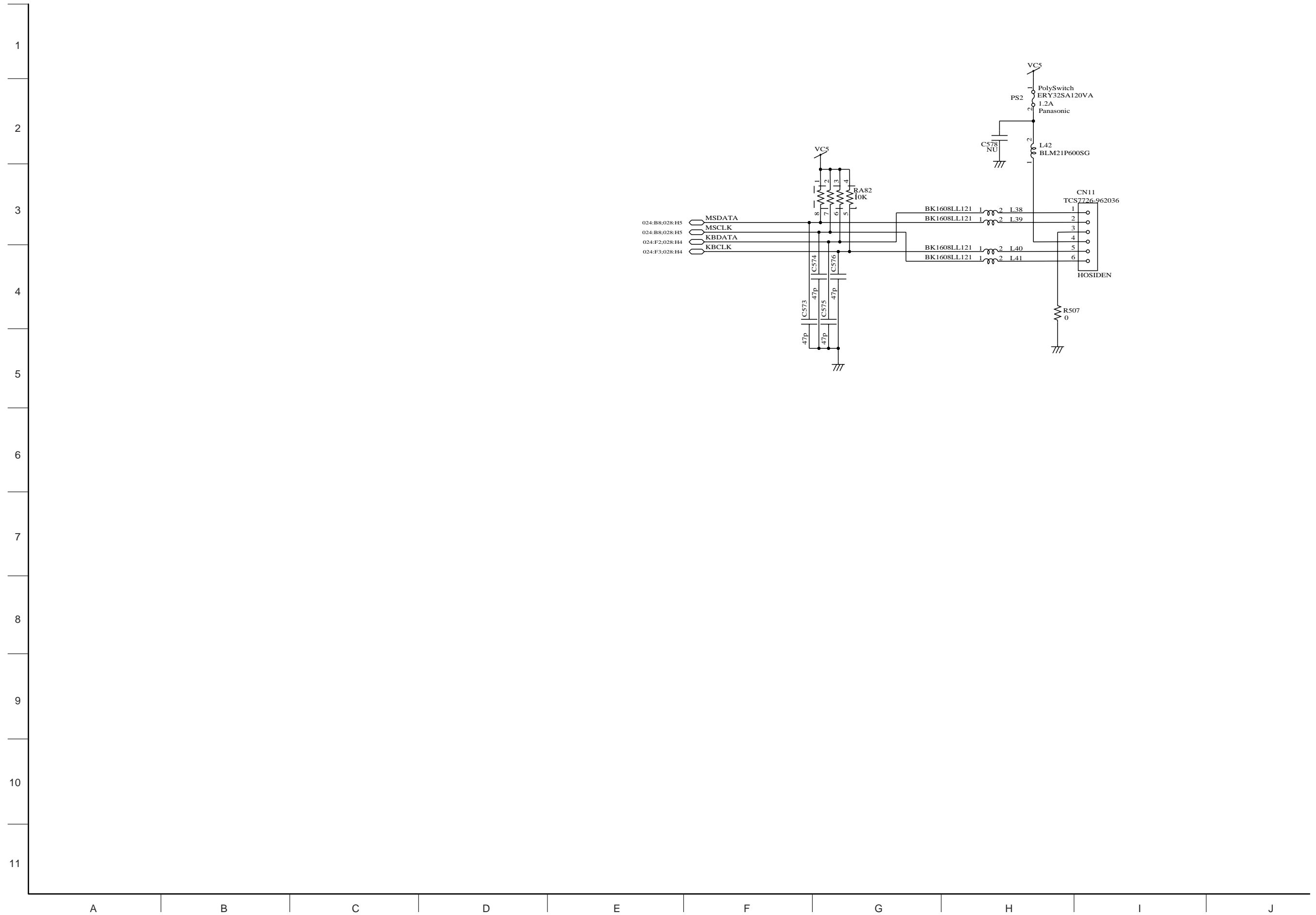
# Main 30 F/W



# Main 31 LAN

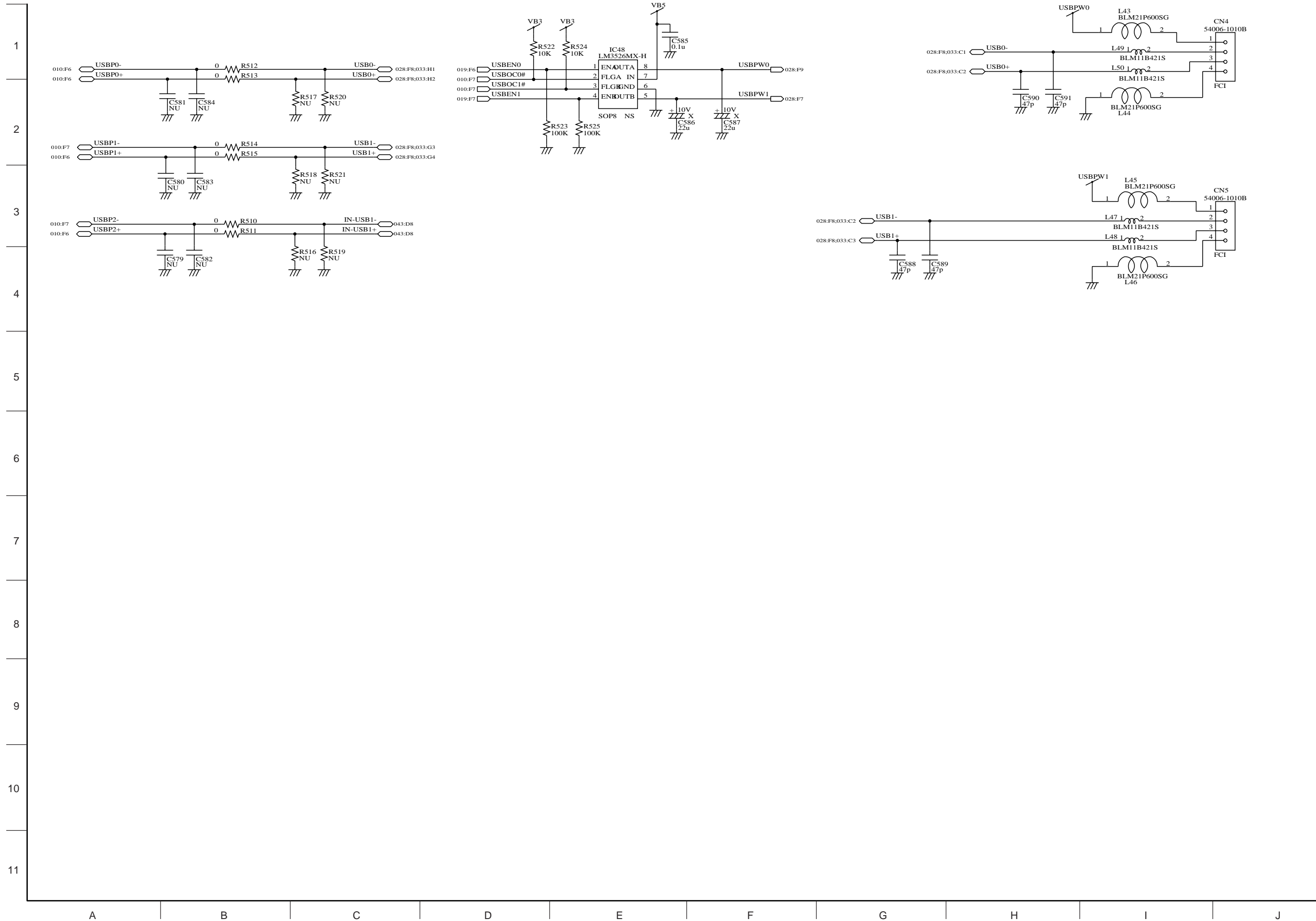


# Main 32 PS/2 CN

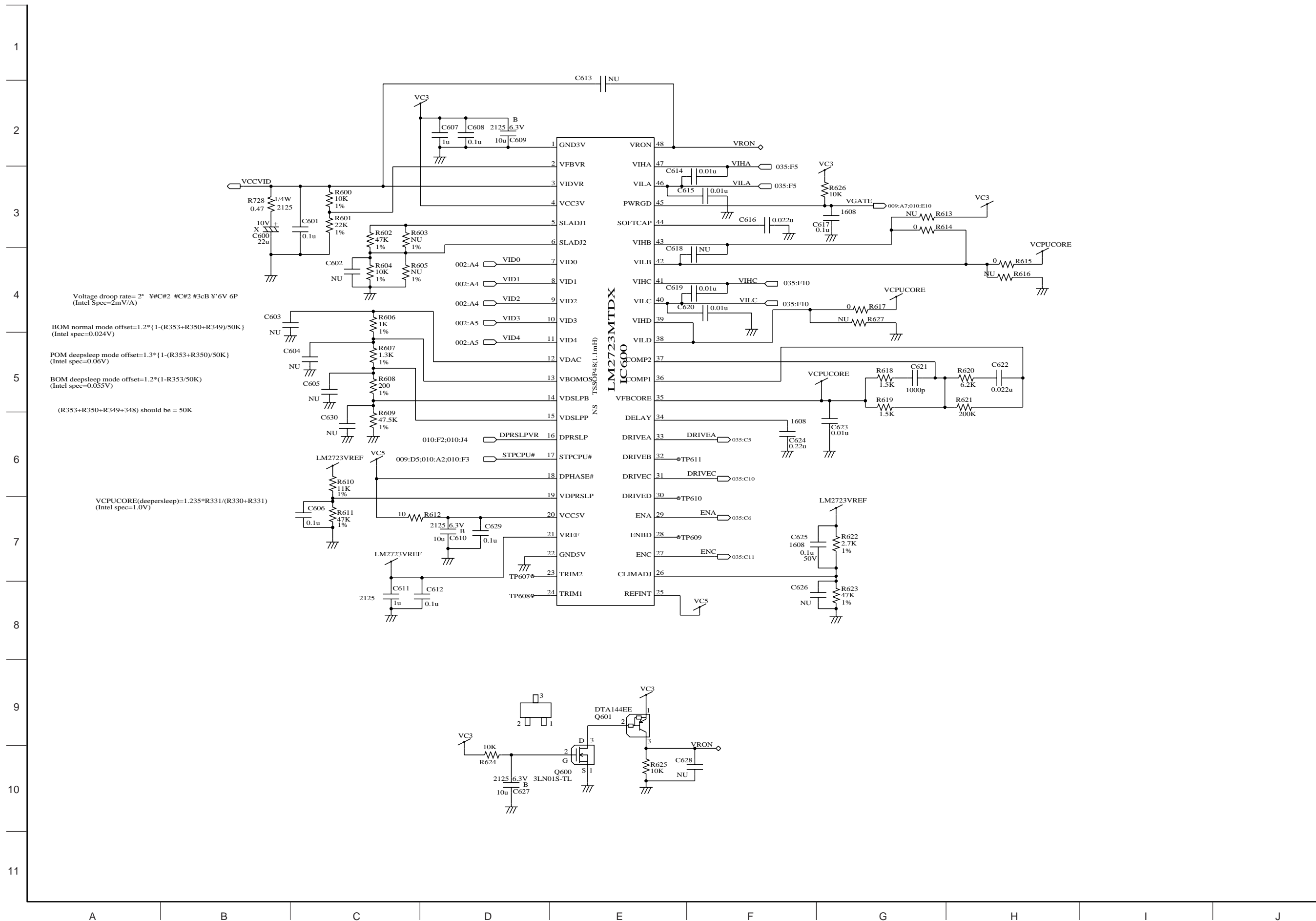




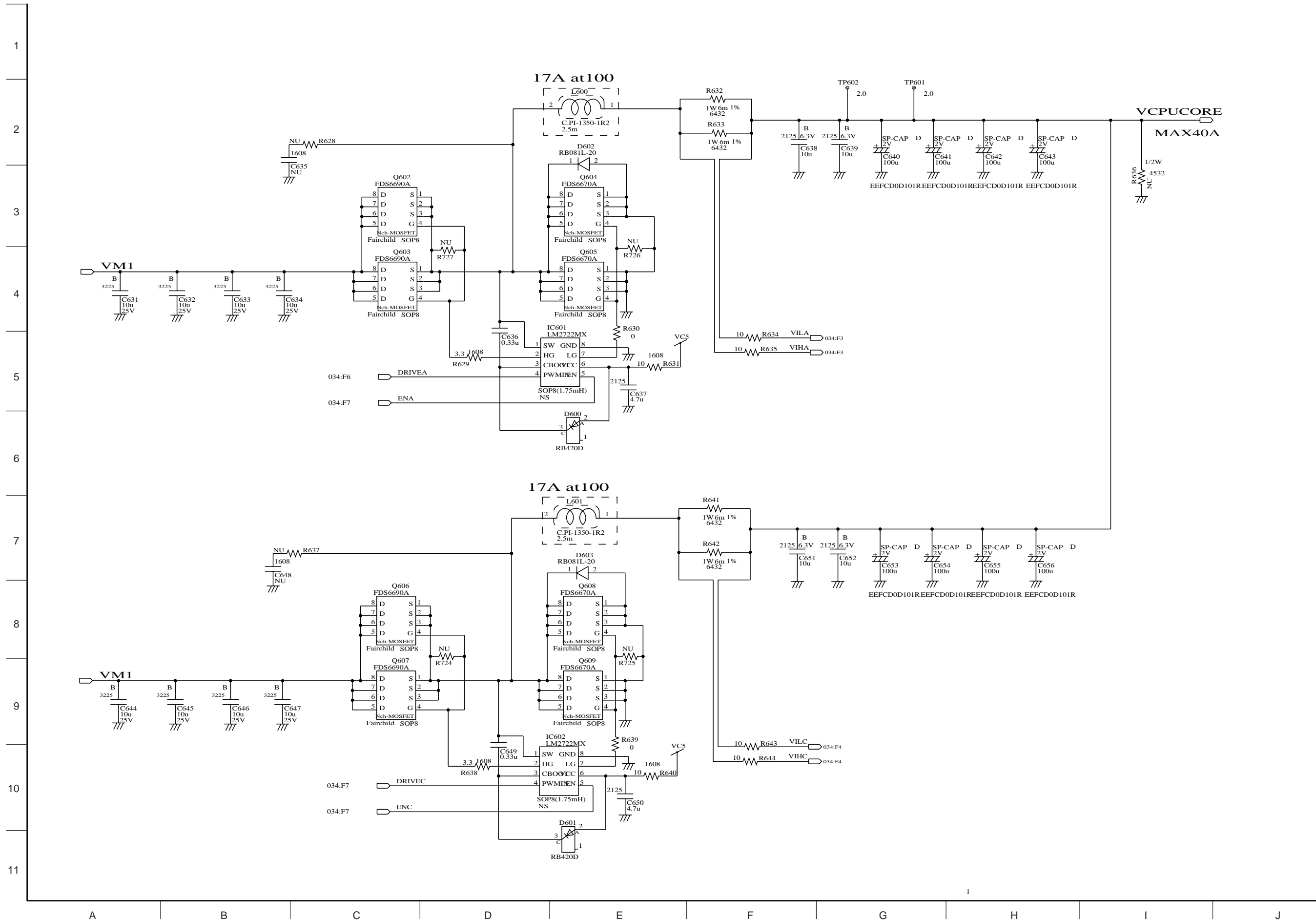
# Main 33 USB, FAN



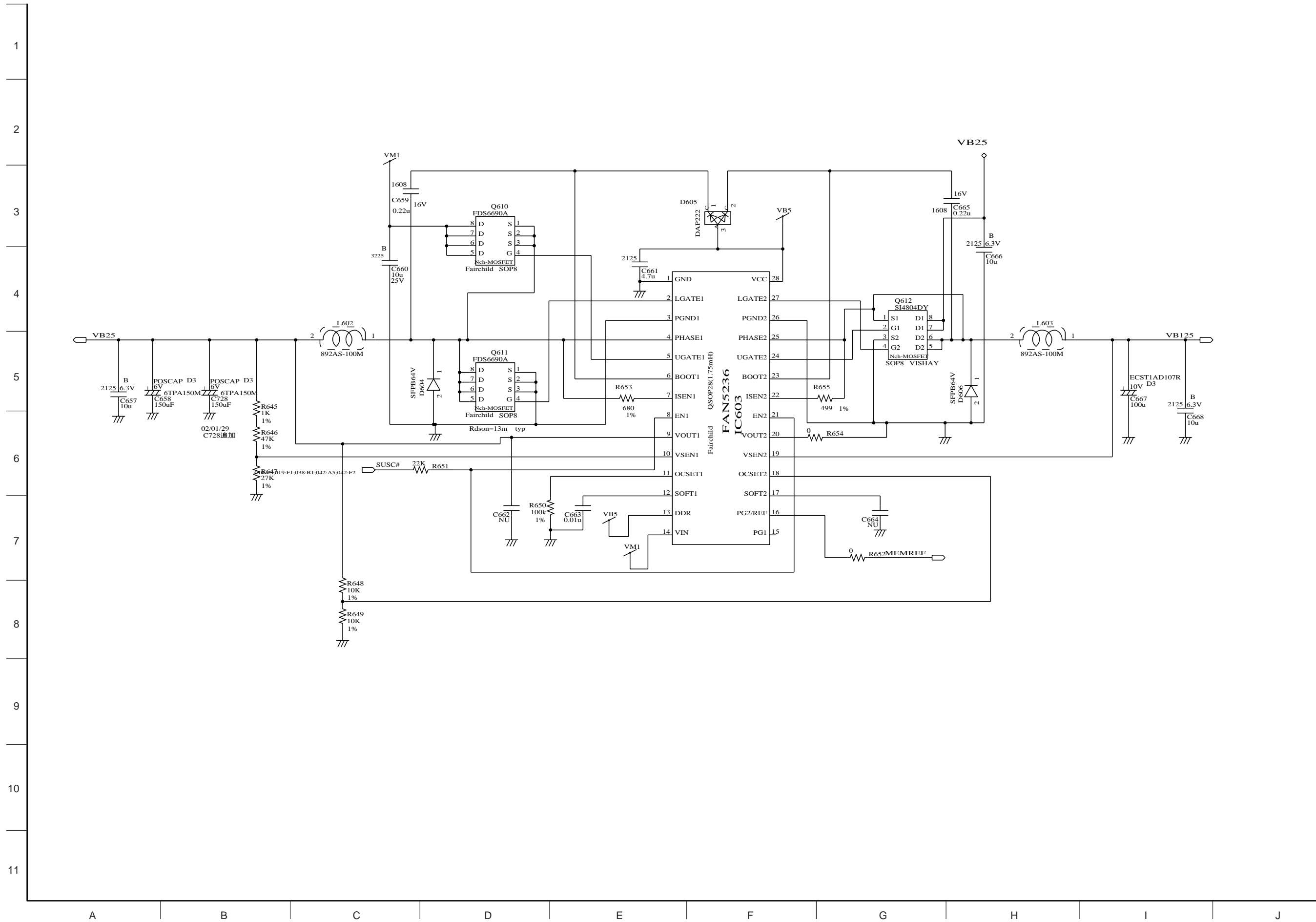
# Main 34 VCPU CORE (1/2)



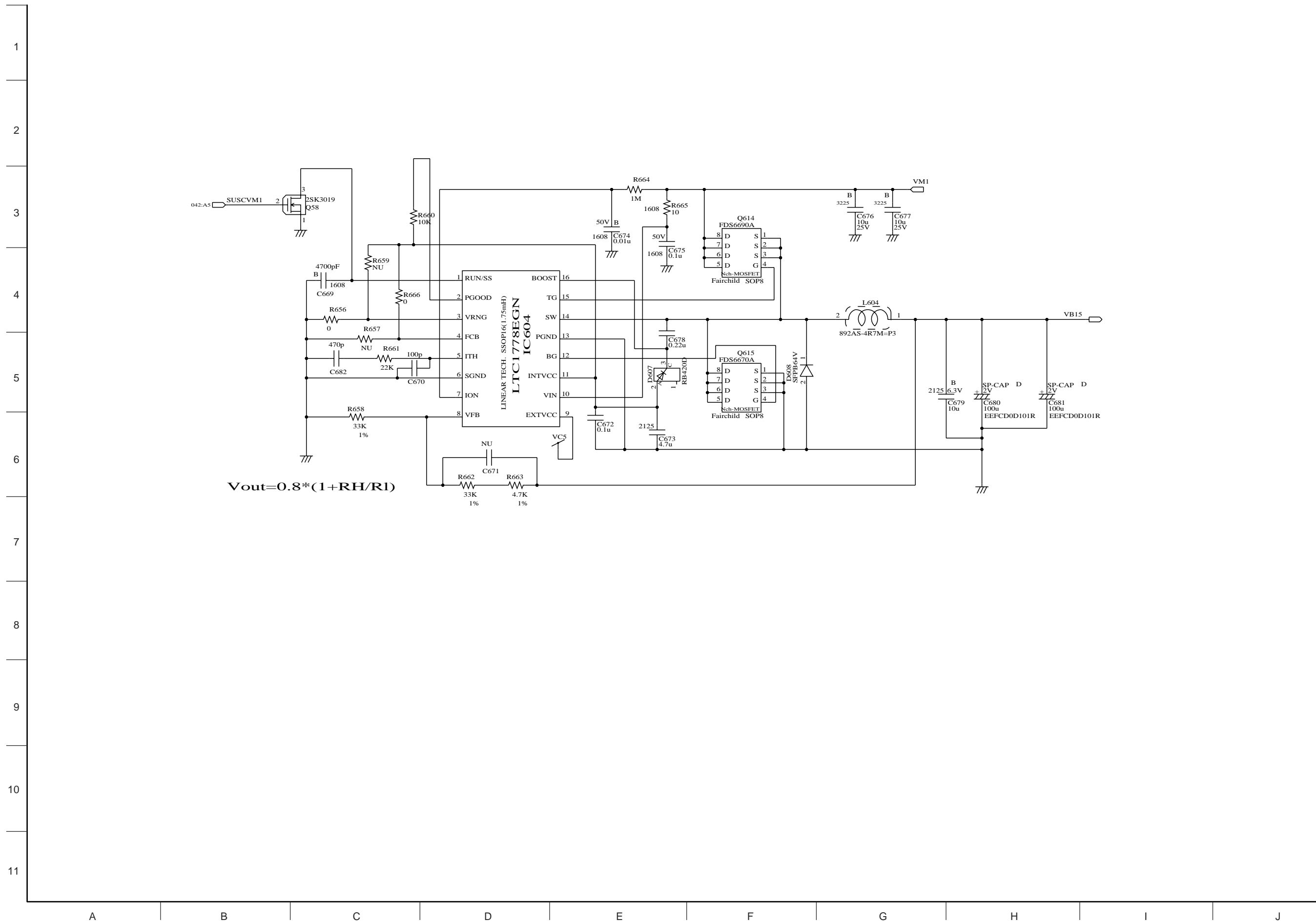
# Main 35 VCPU CORE (2/2)



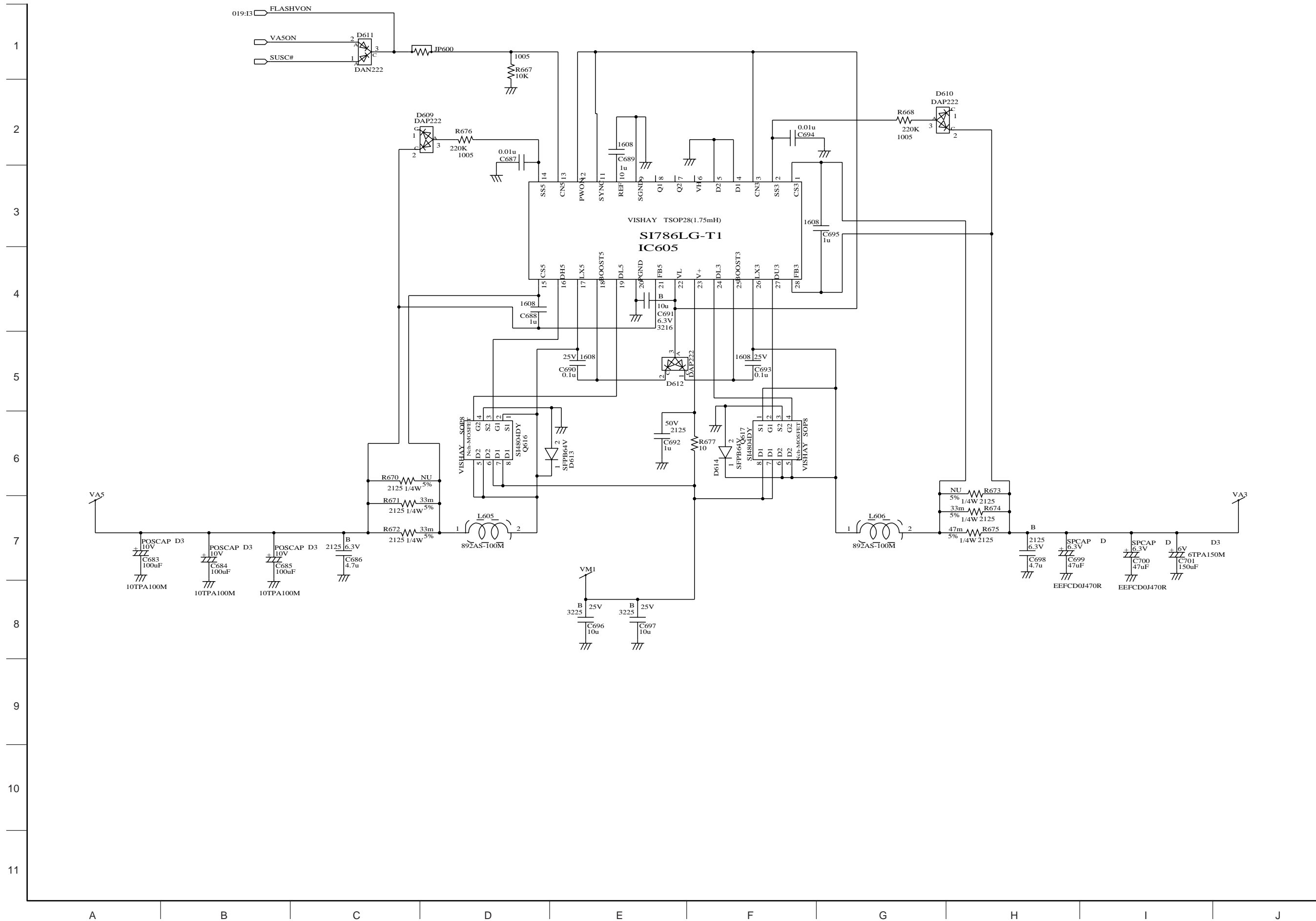
# Main 36 VB25, VB125



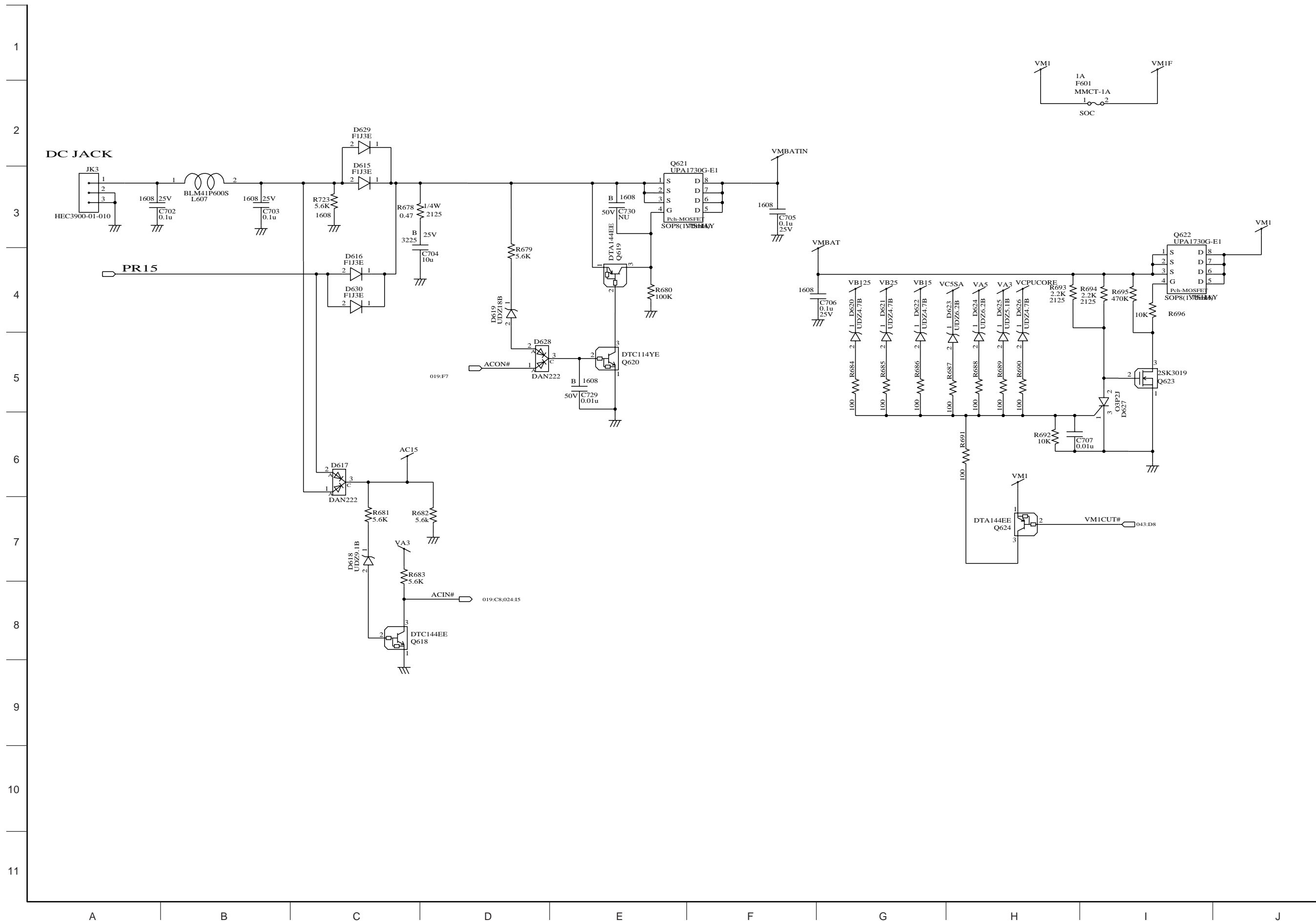
# Main 37 VB15



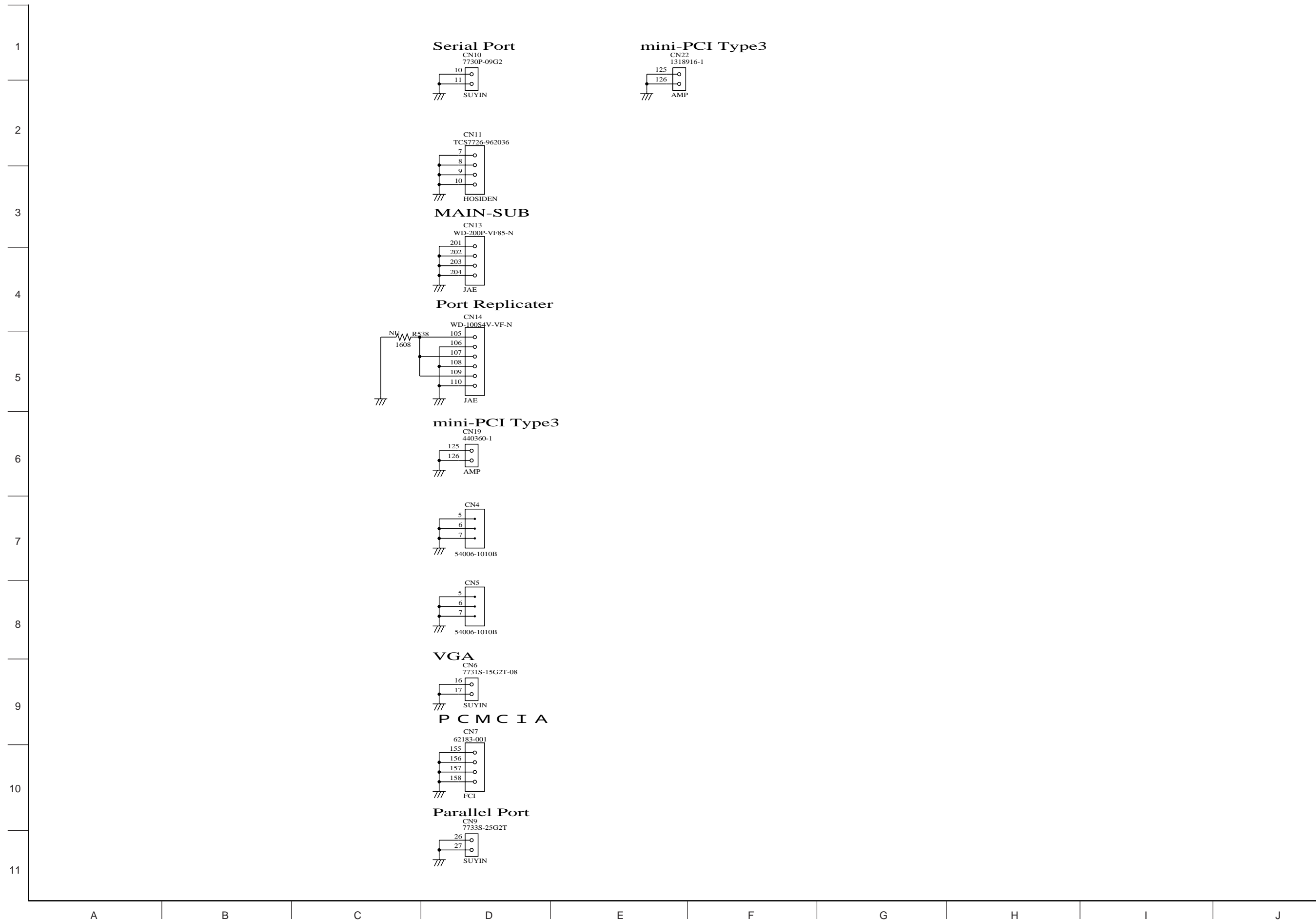
# Main 38 VA5, VA3



# Main 39 VM1

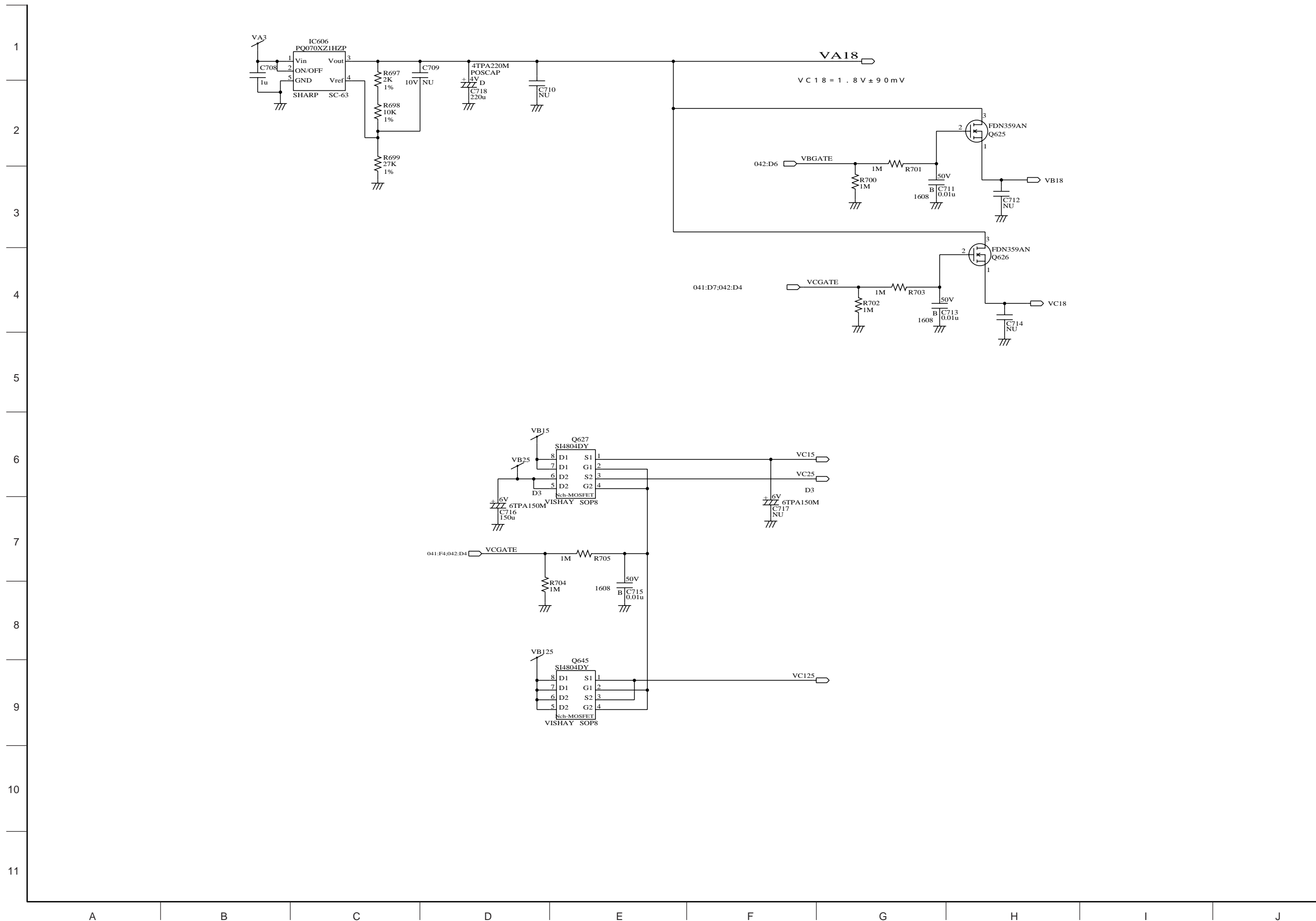


# Main 40 CN-GND

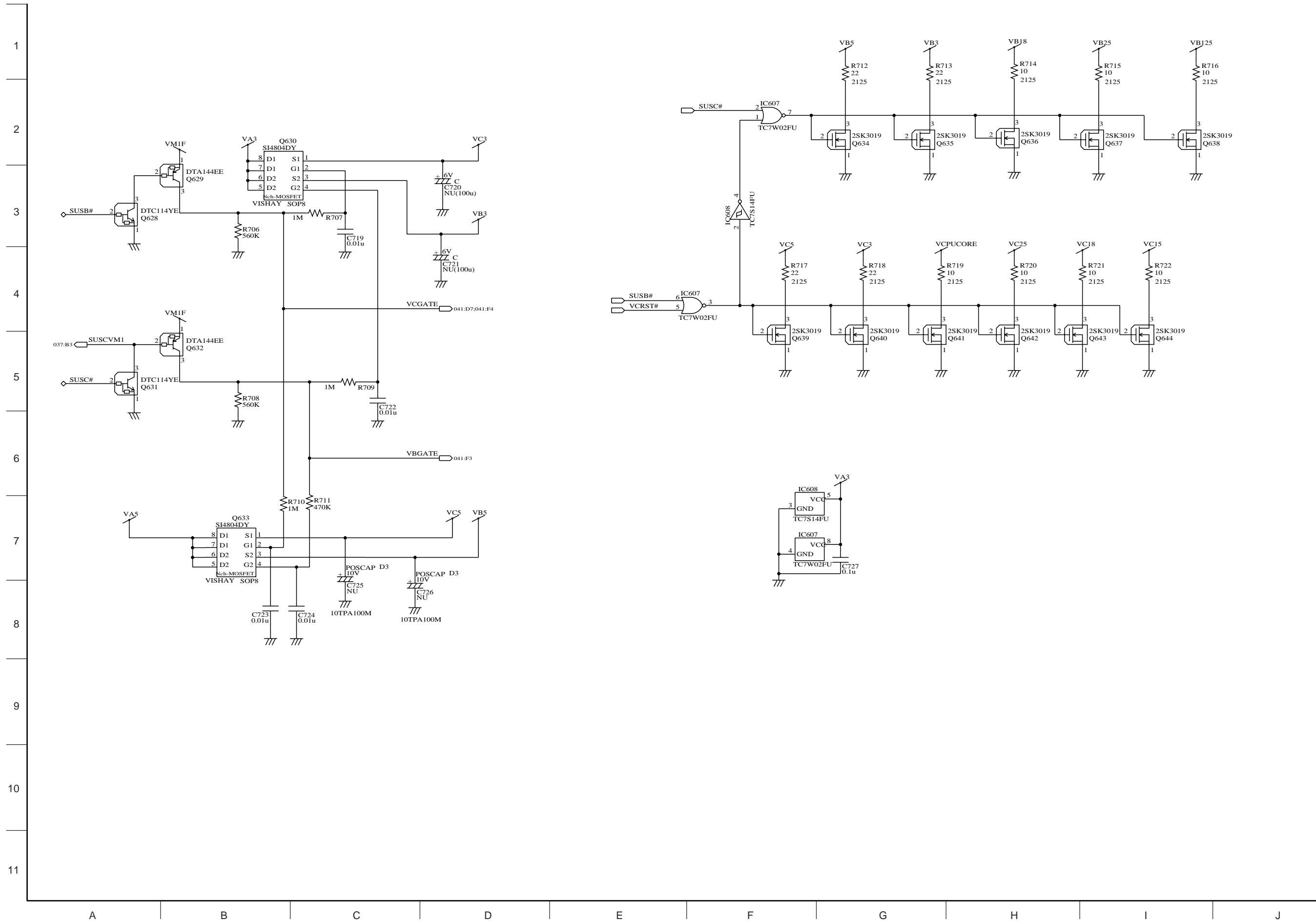




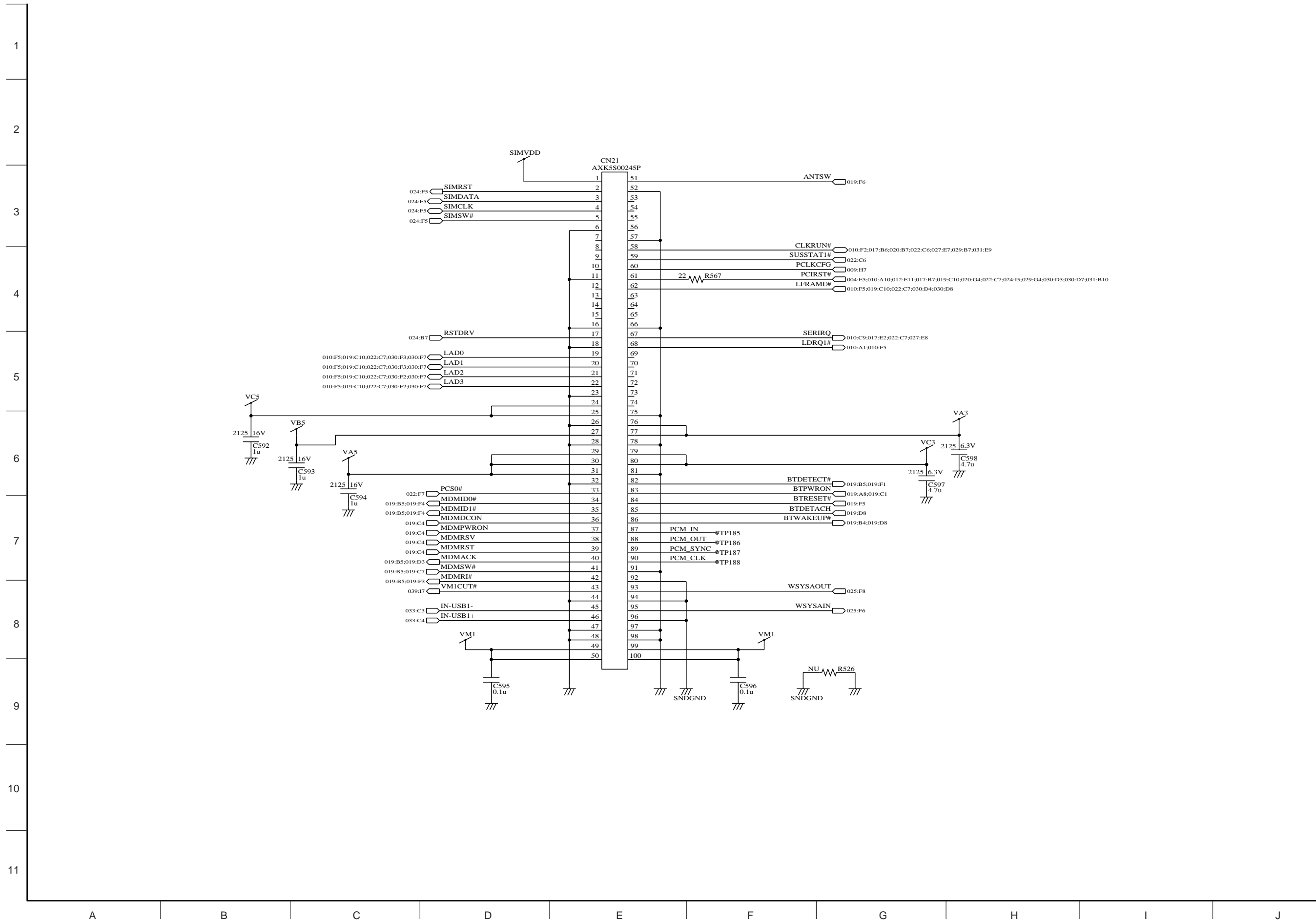
# Main 41 VA18, VB18, VC18, VC15



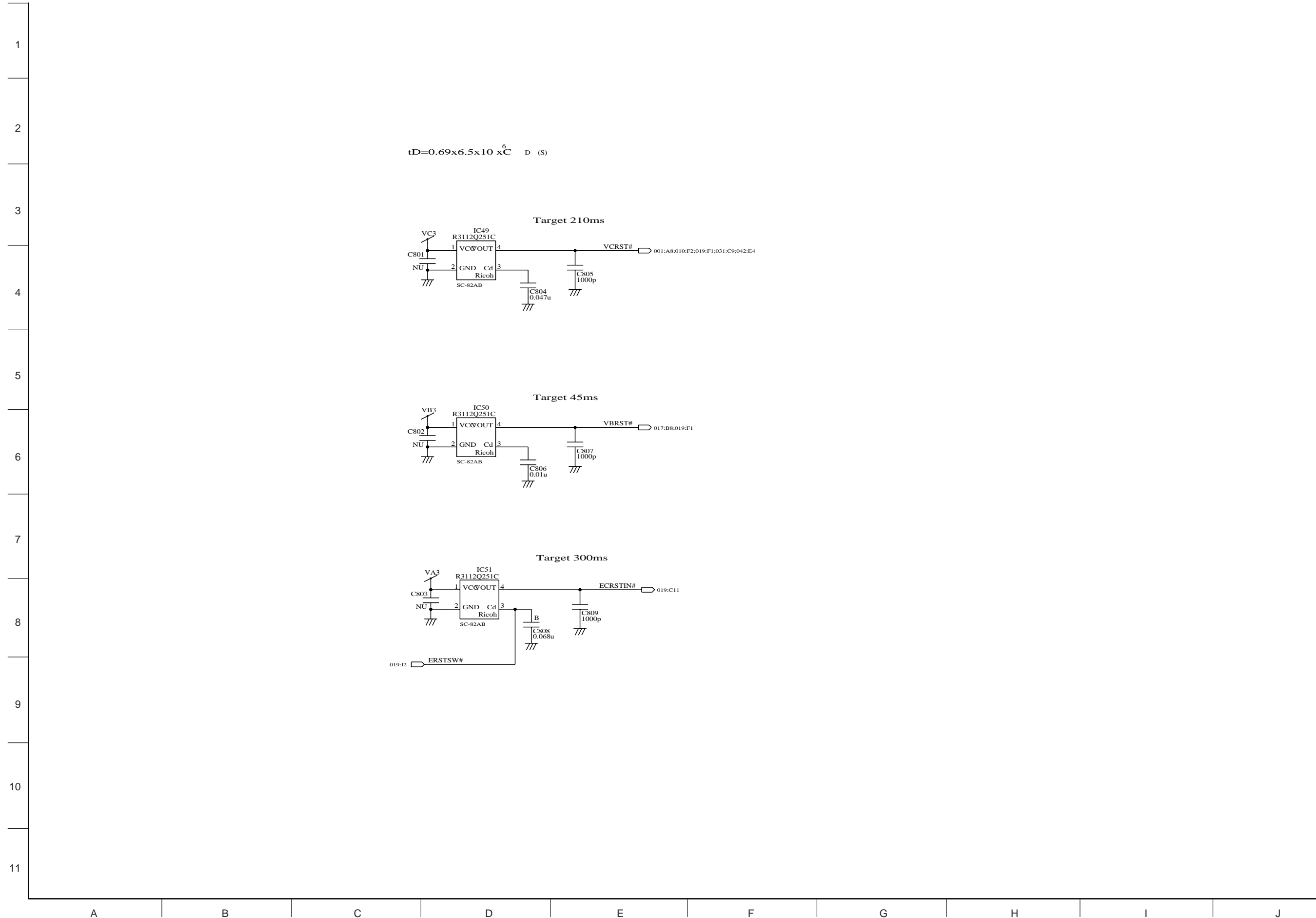
# Main 42 VC3, VB3, VB5, VC5



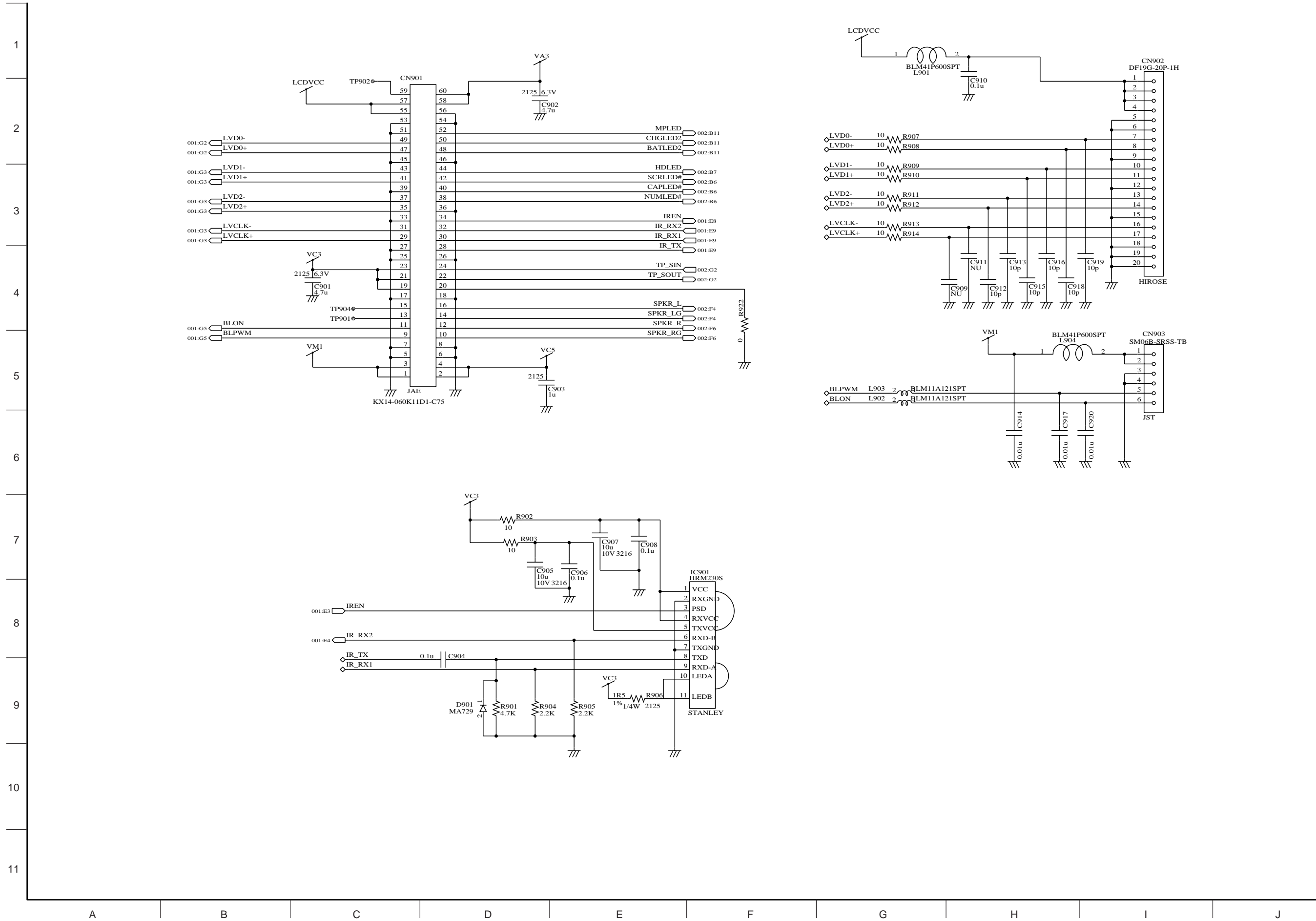
# Main 43 Config I/F



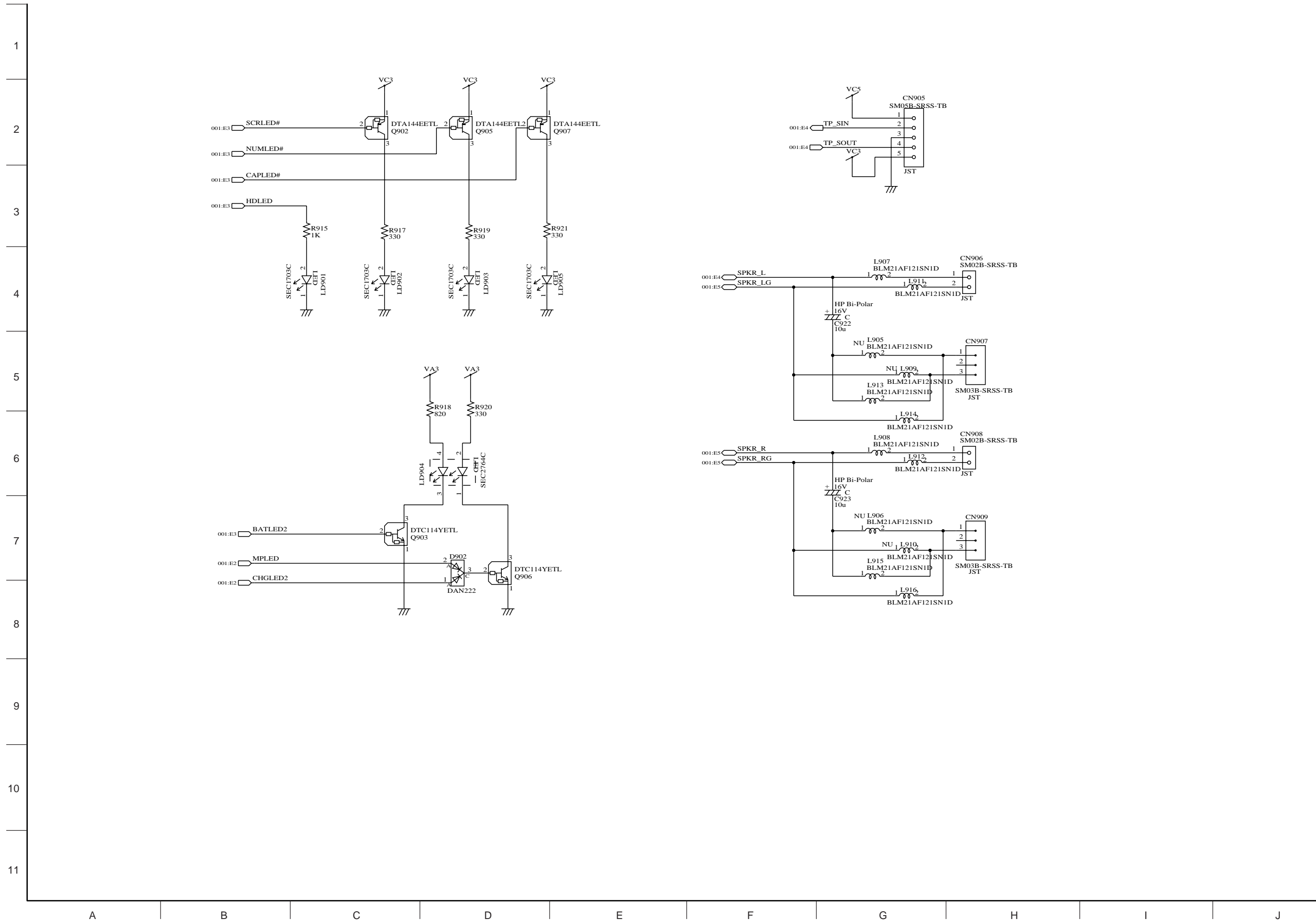
# Main 44 Reset



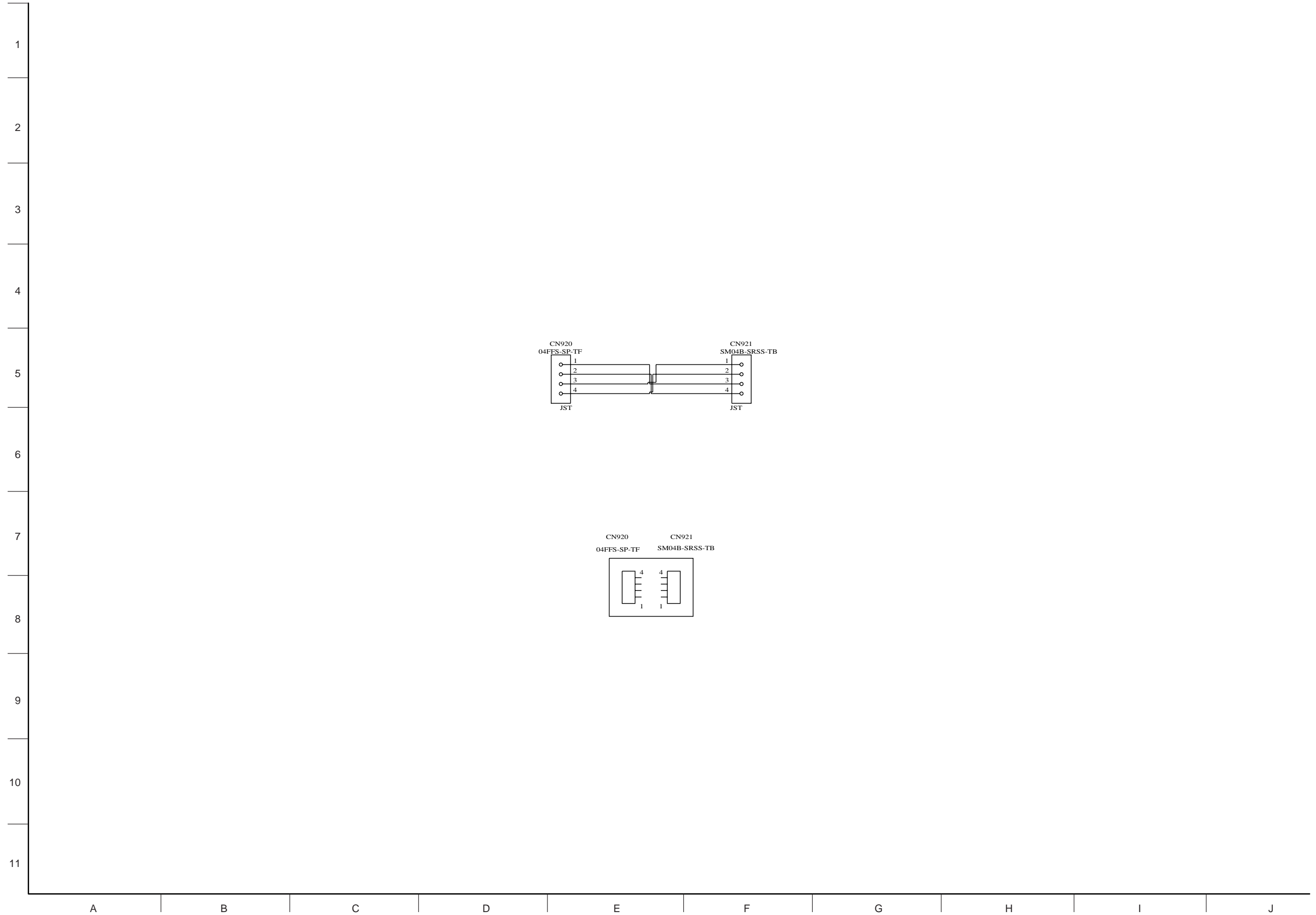
# LED 1 Main-LED CN, LCD CN, IrDA



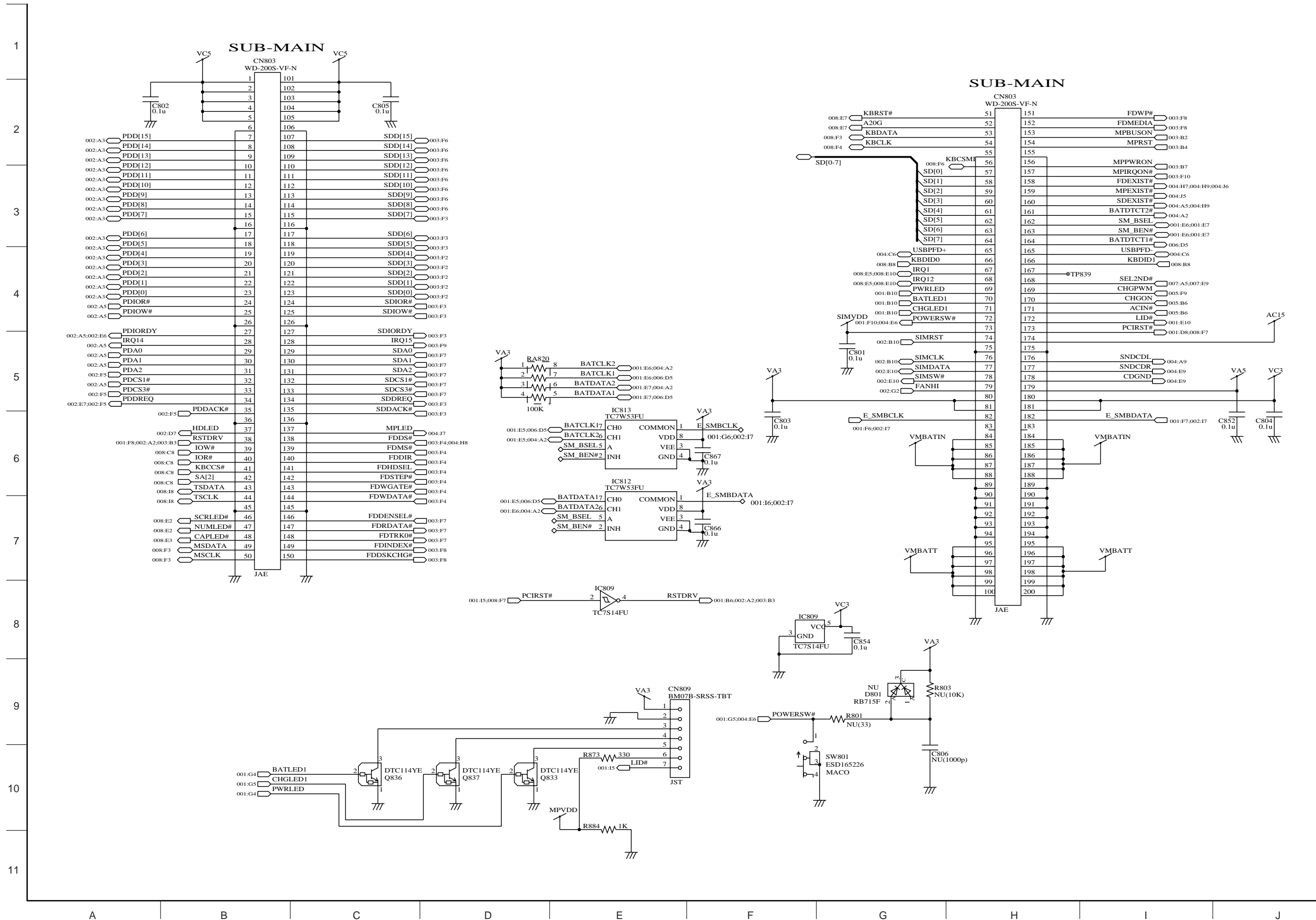
# LED 2 LED, Speaker



# TS13 CN

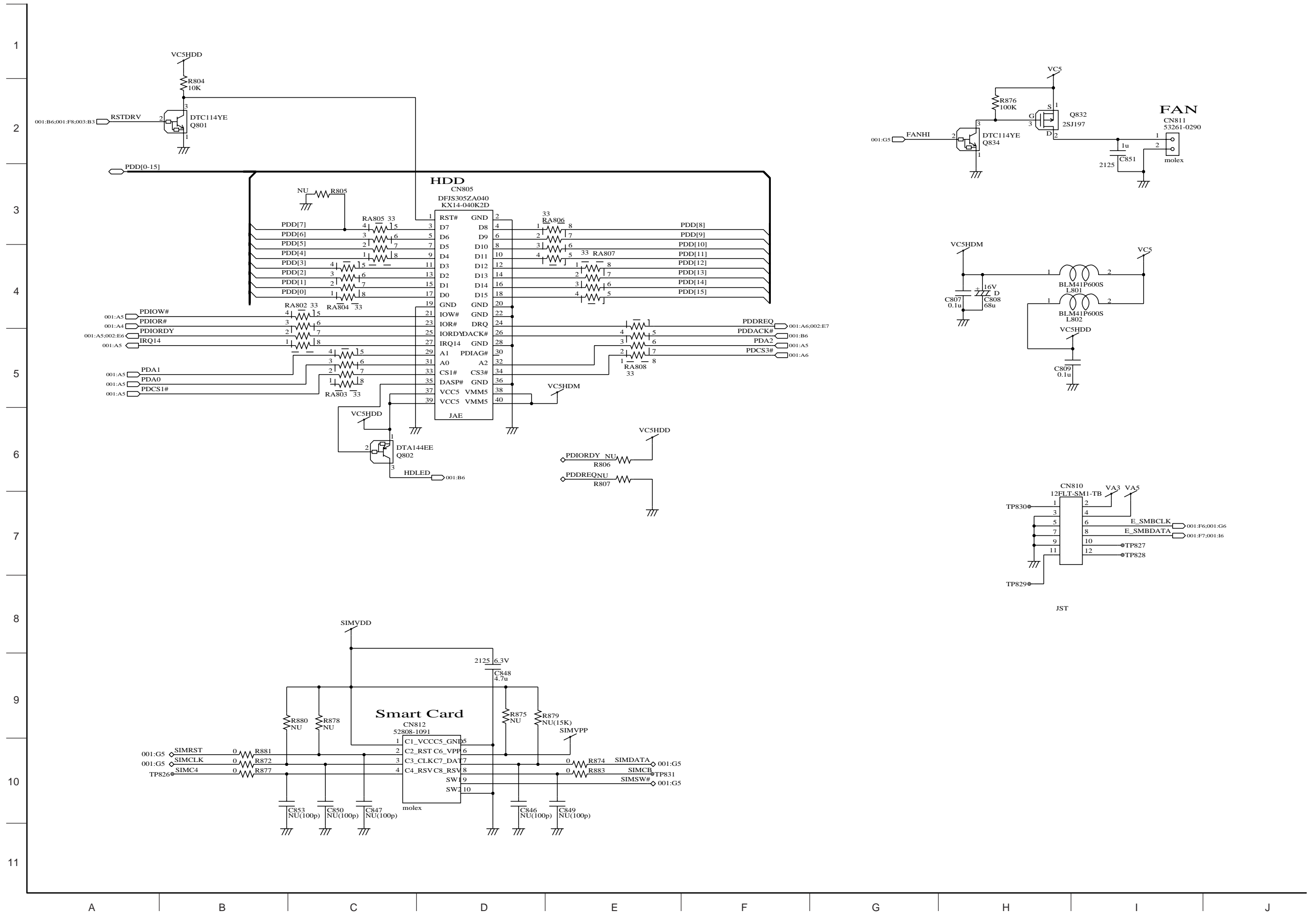


# Sub 1 Sub-Other Board CN

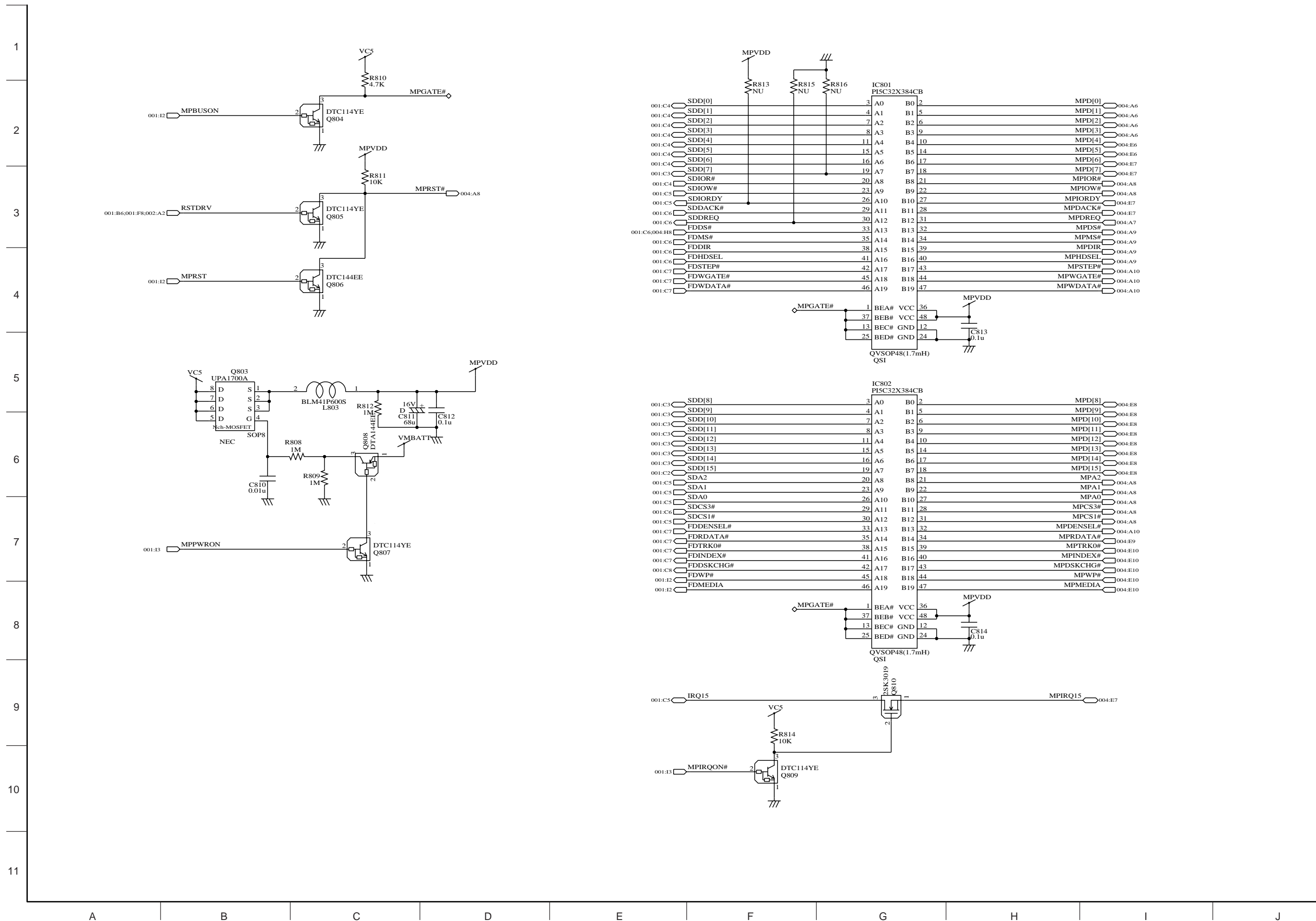




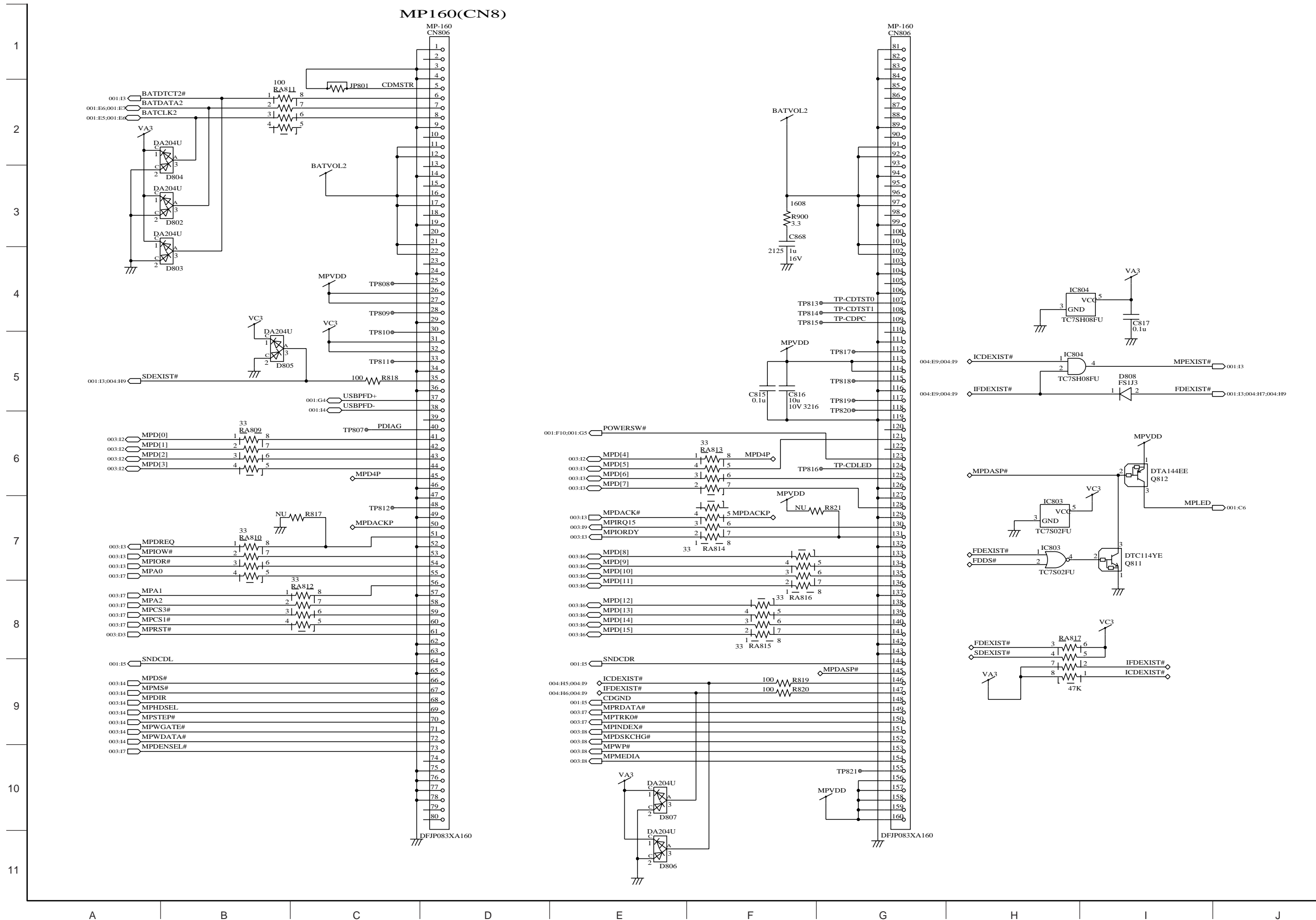
# Sub 2 HDD/Smart Card/Wireless Security CN



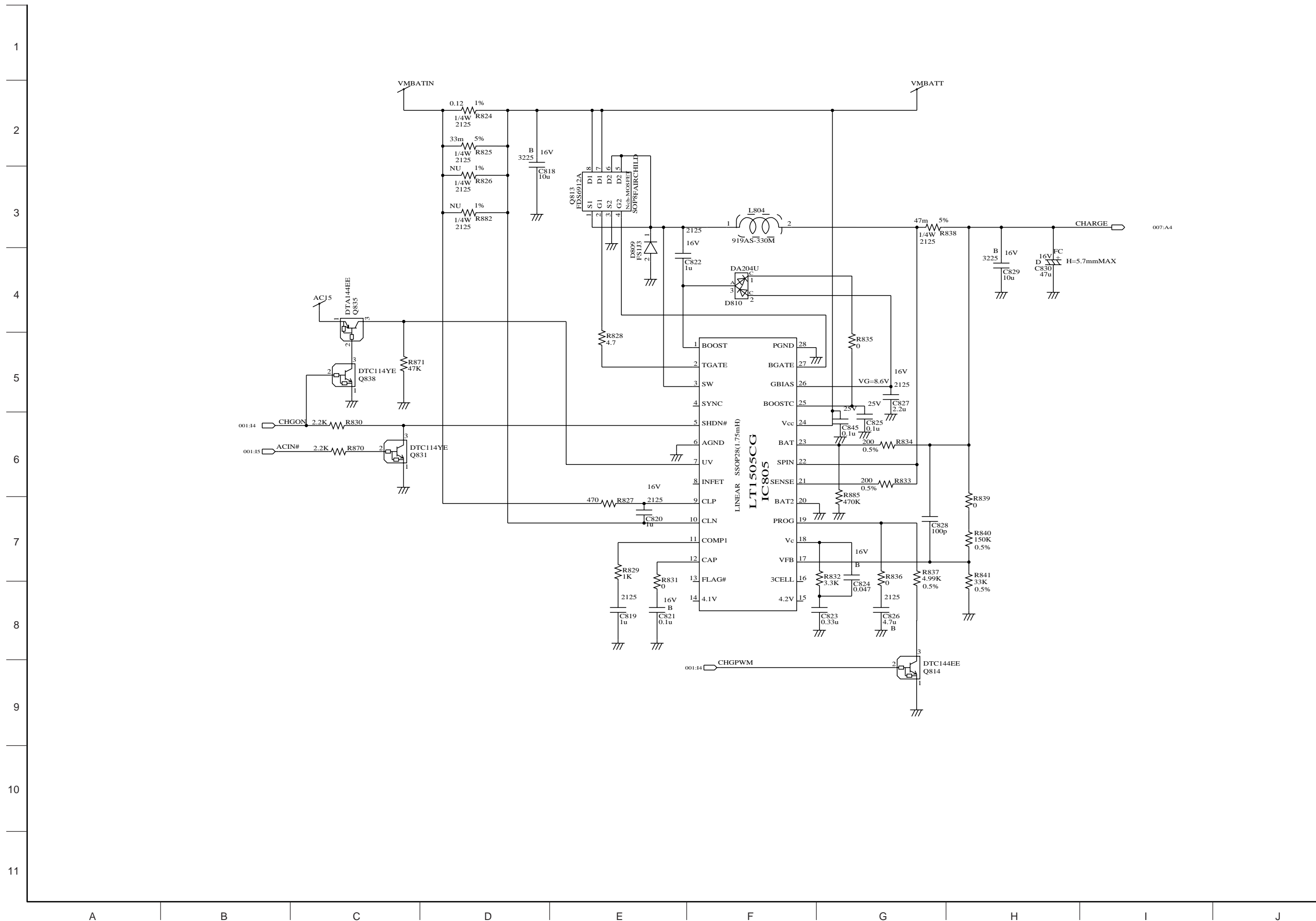
# Sub 3 MP BUS Buffer



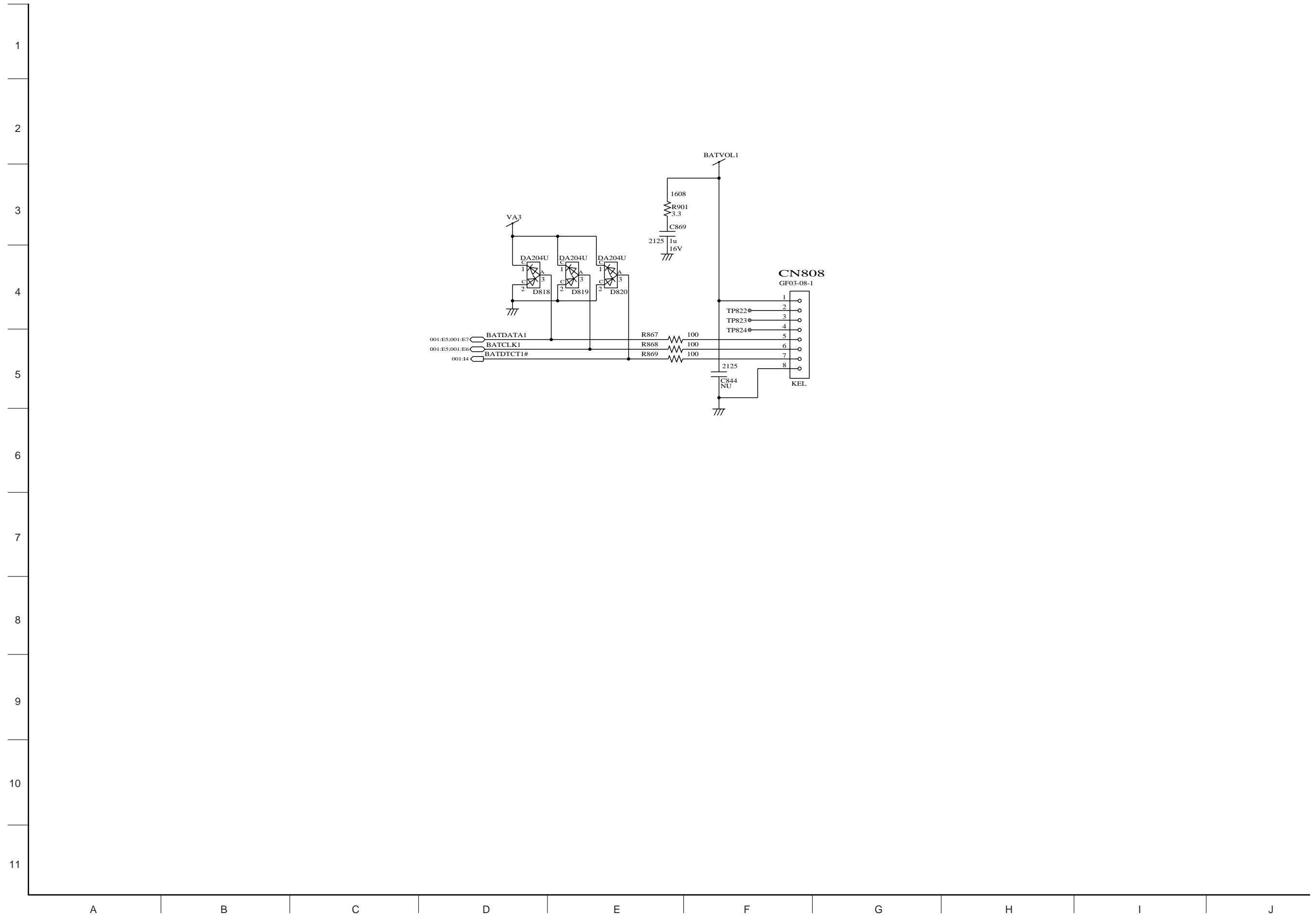
# Sub 4 MP CN



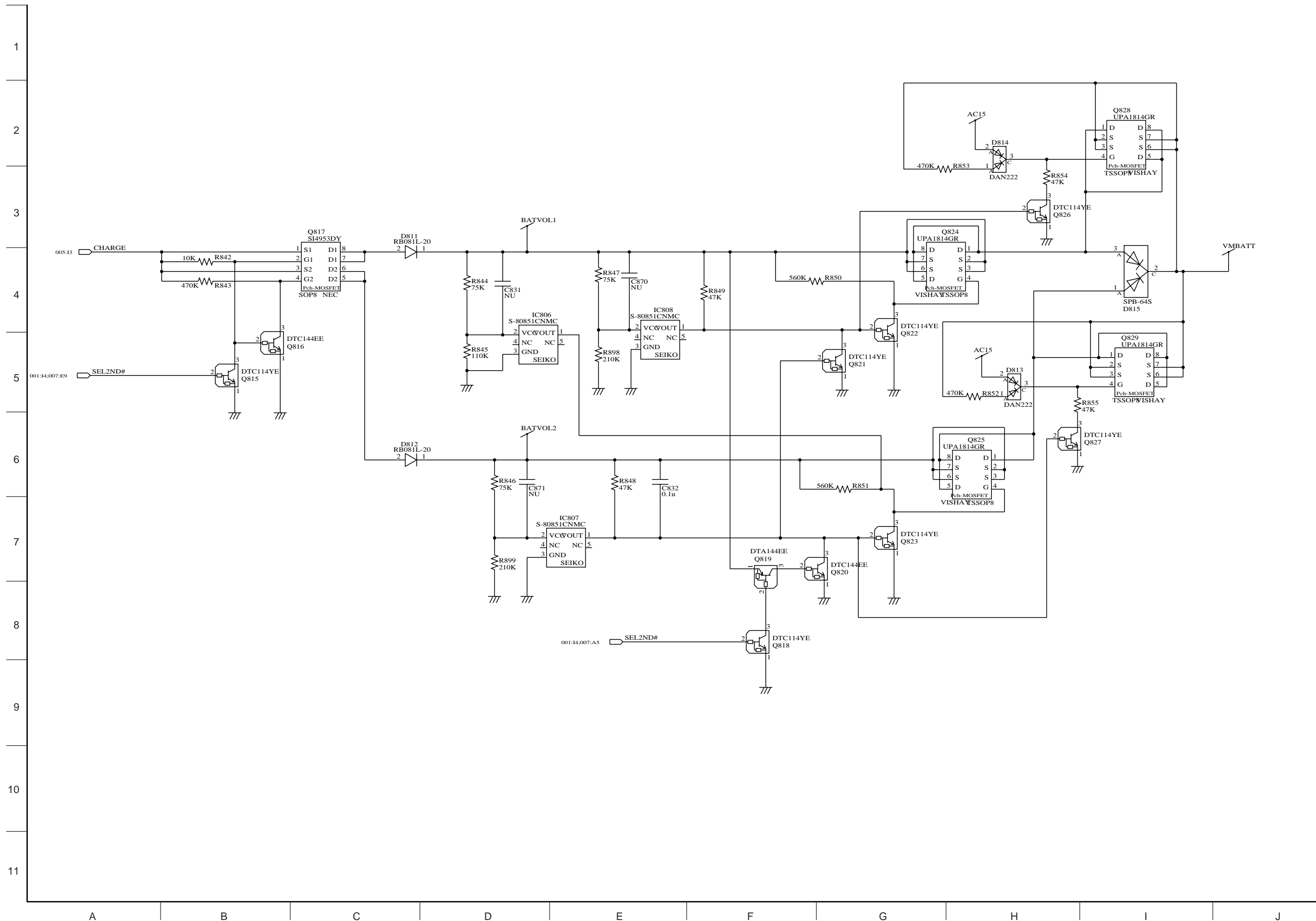
# Sub 5 Charger



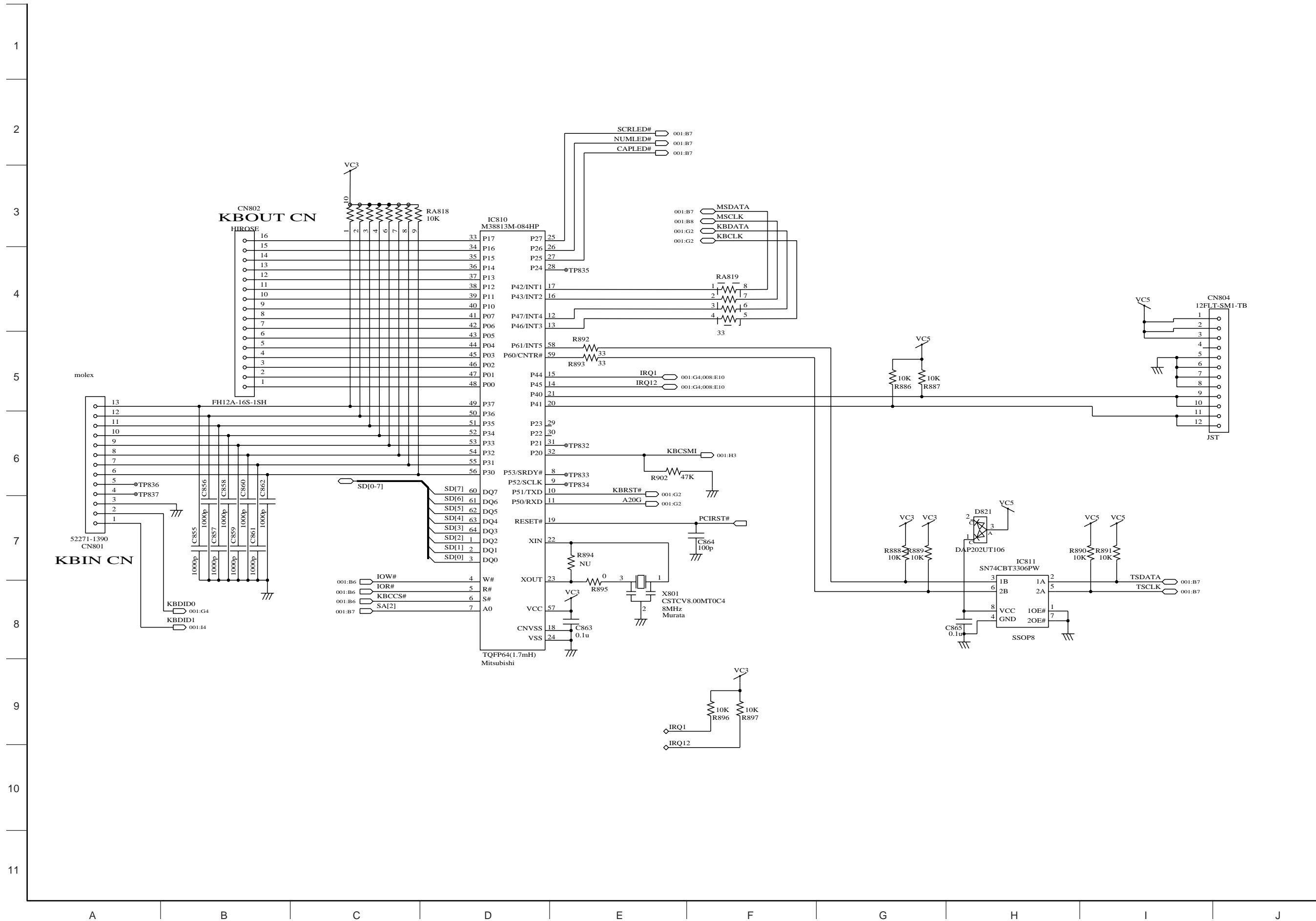
# Sub 6 Main Battery



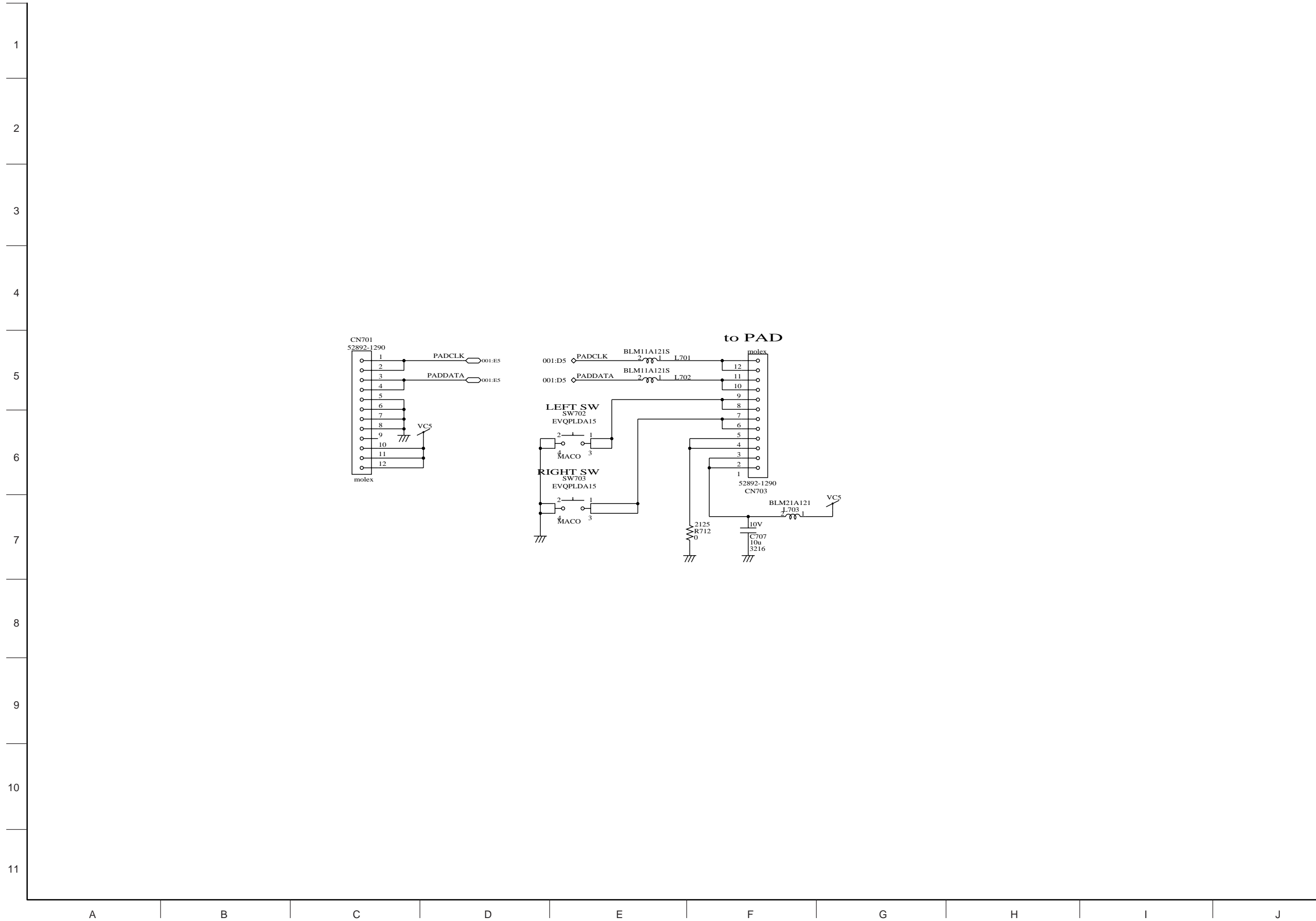
# Sub 7 Battery Selector



# Sub 8 Keyboard Controller



# PAD CN





# LID CN

