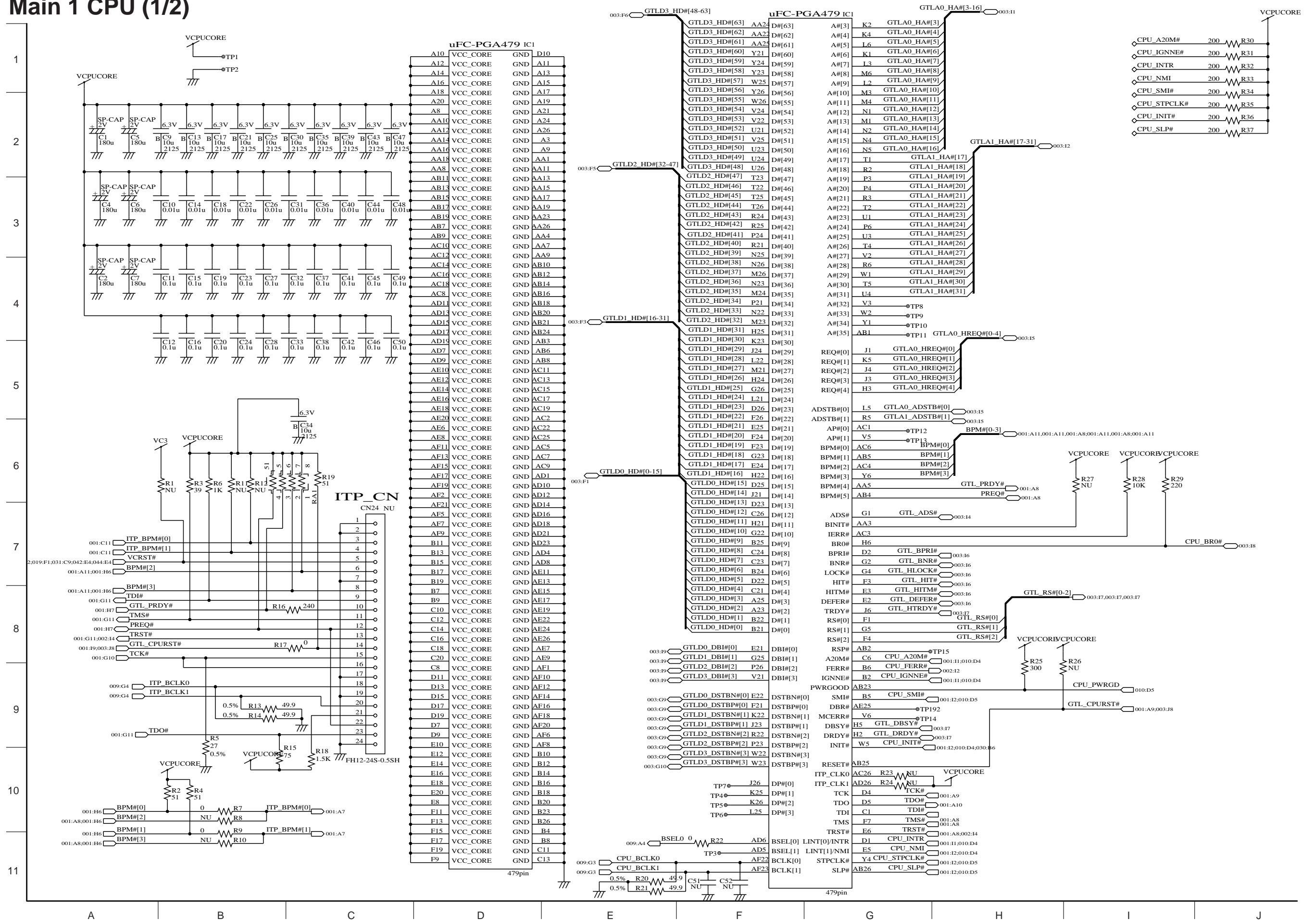
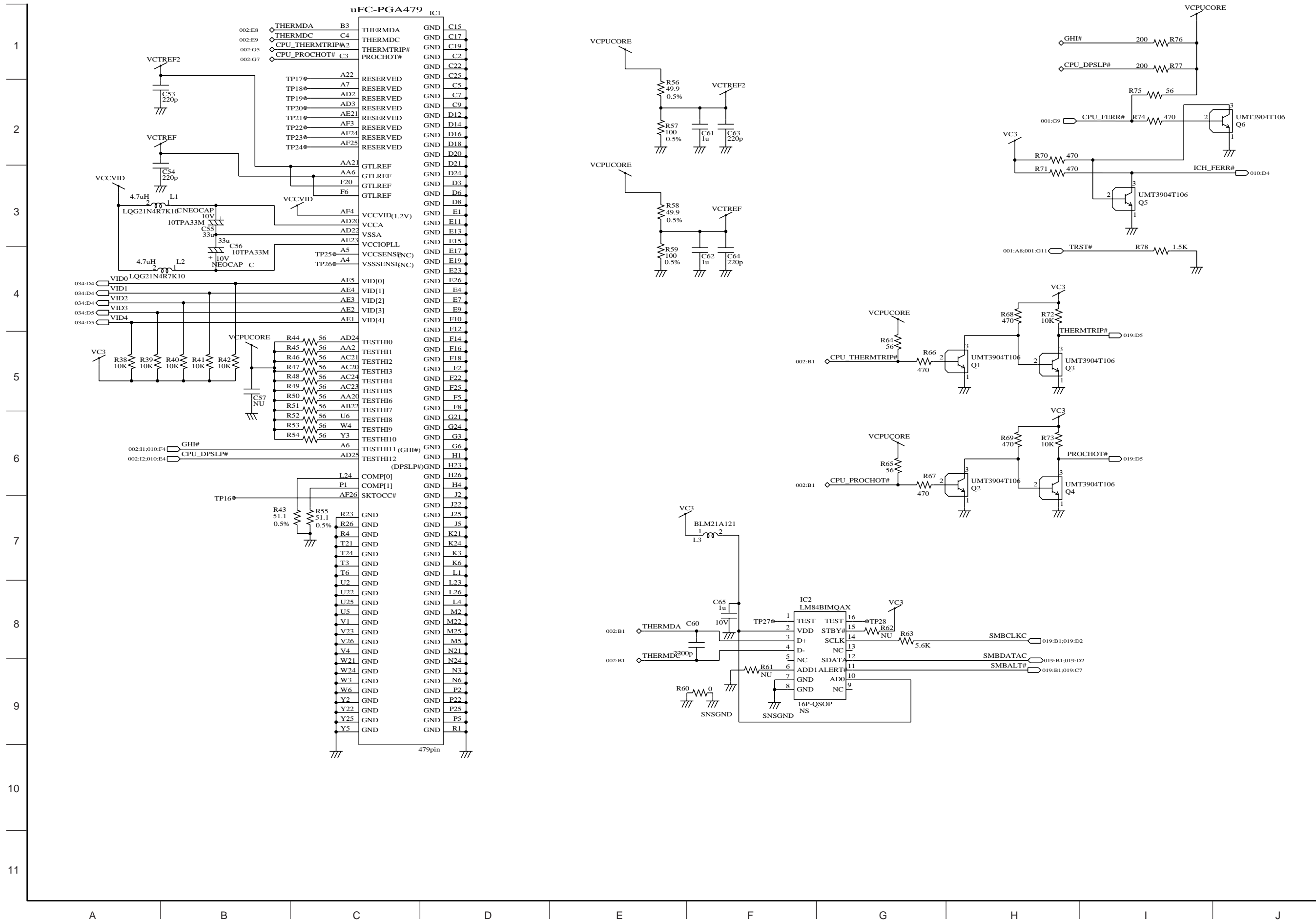


CF-72X Schematic Diagrams

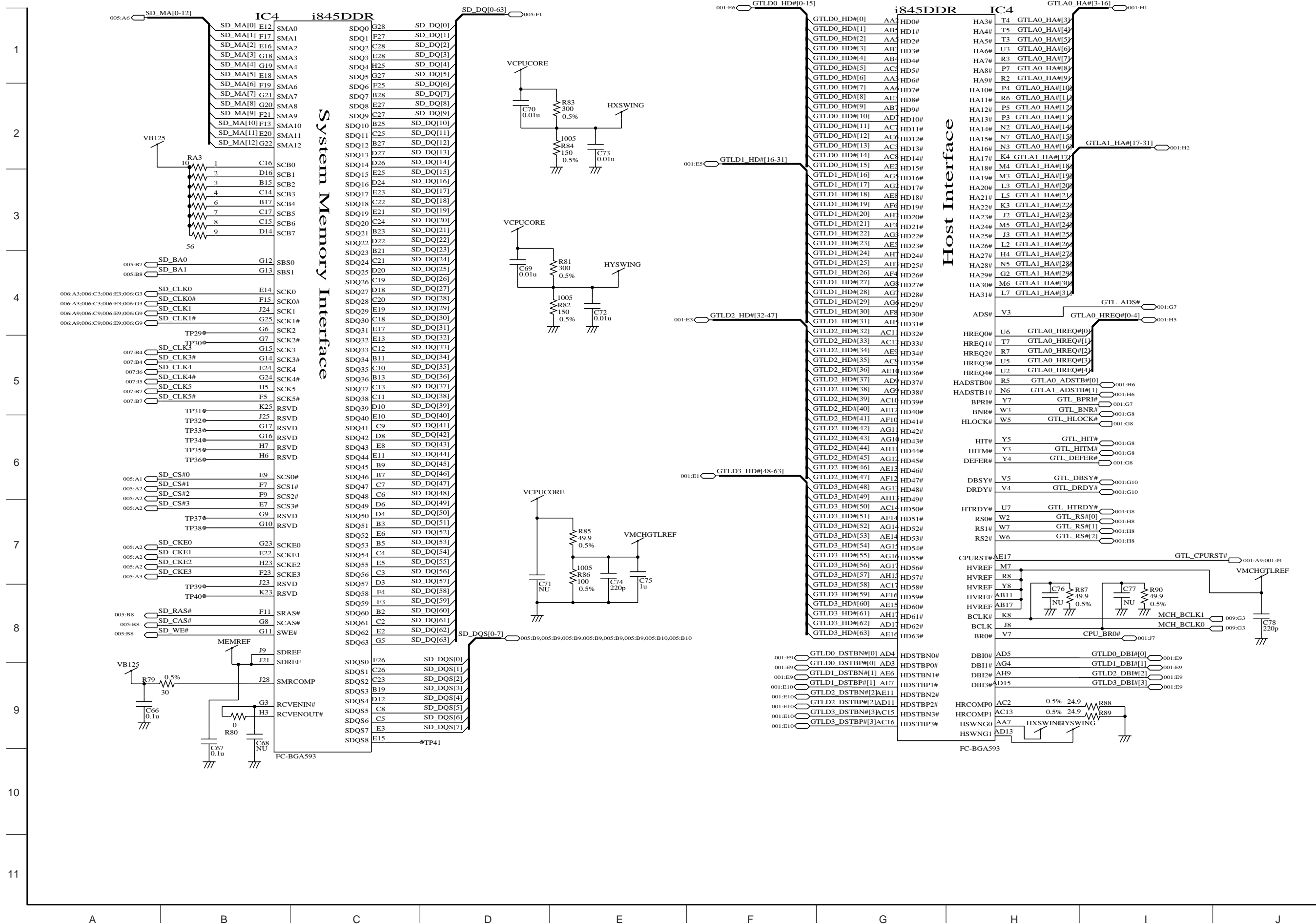
Main 1 CPU (1/2)



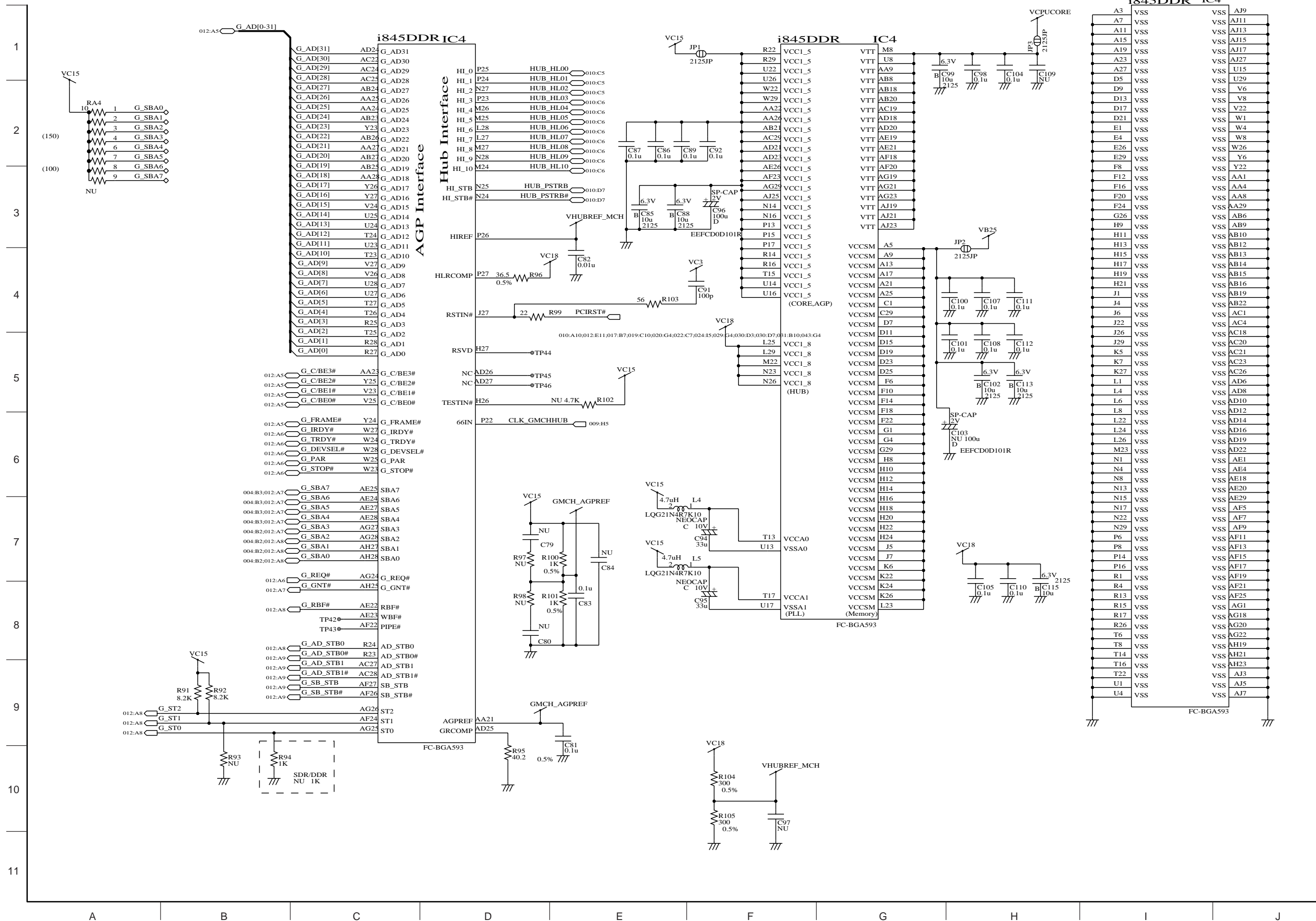
Main 2 CPU (2/2)



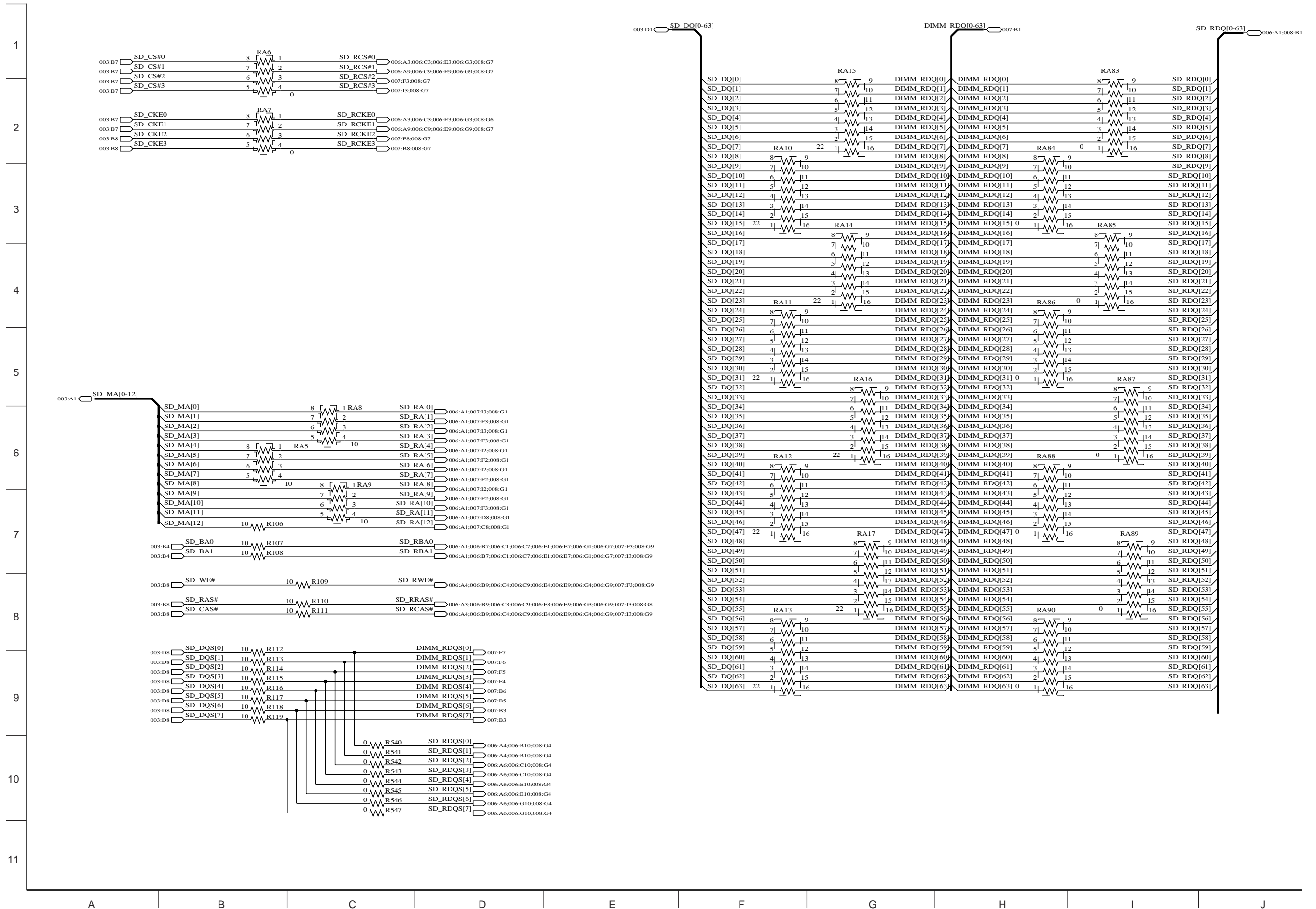
Main 3 MCH-M (1/2)



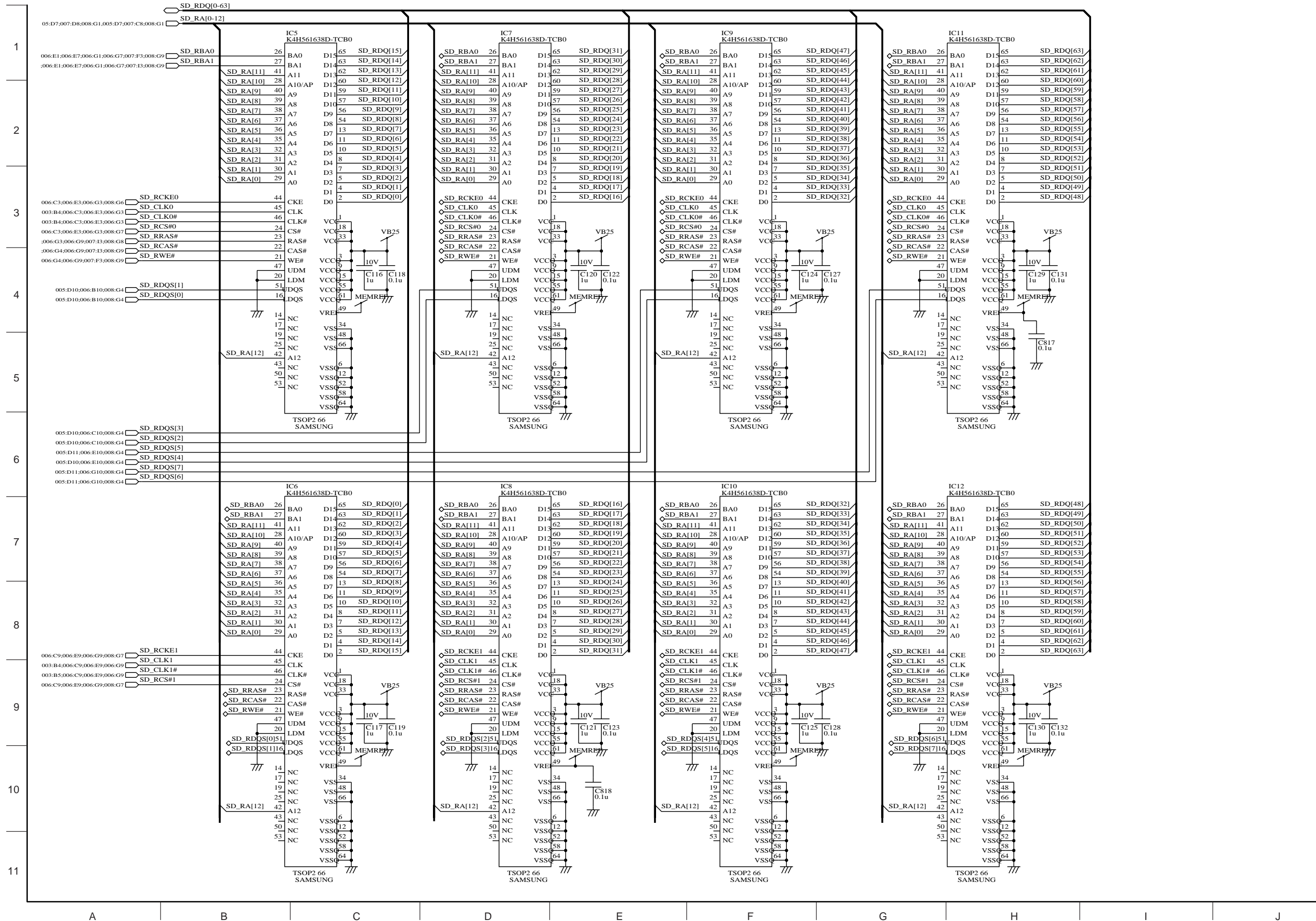
Main 4 MCH-M (2/2)



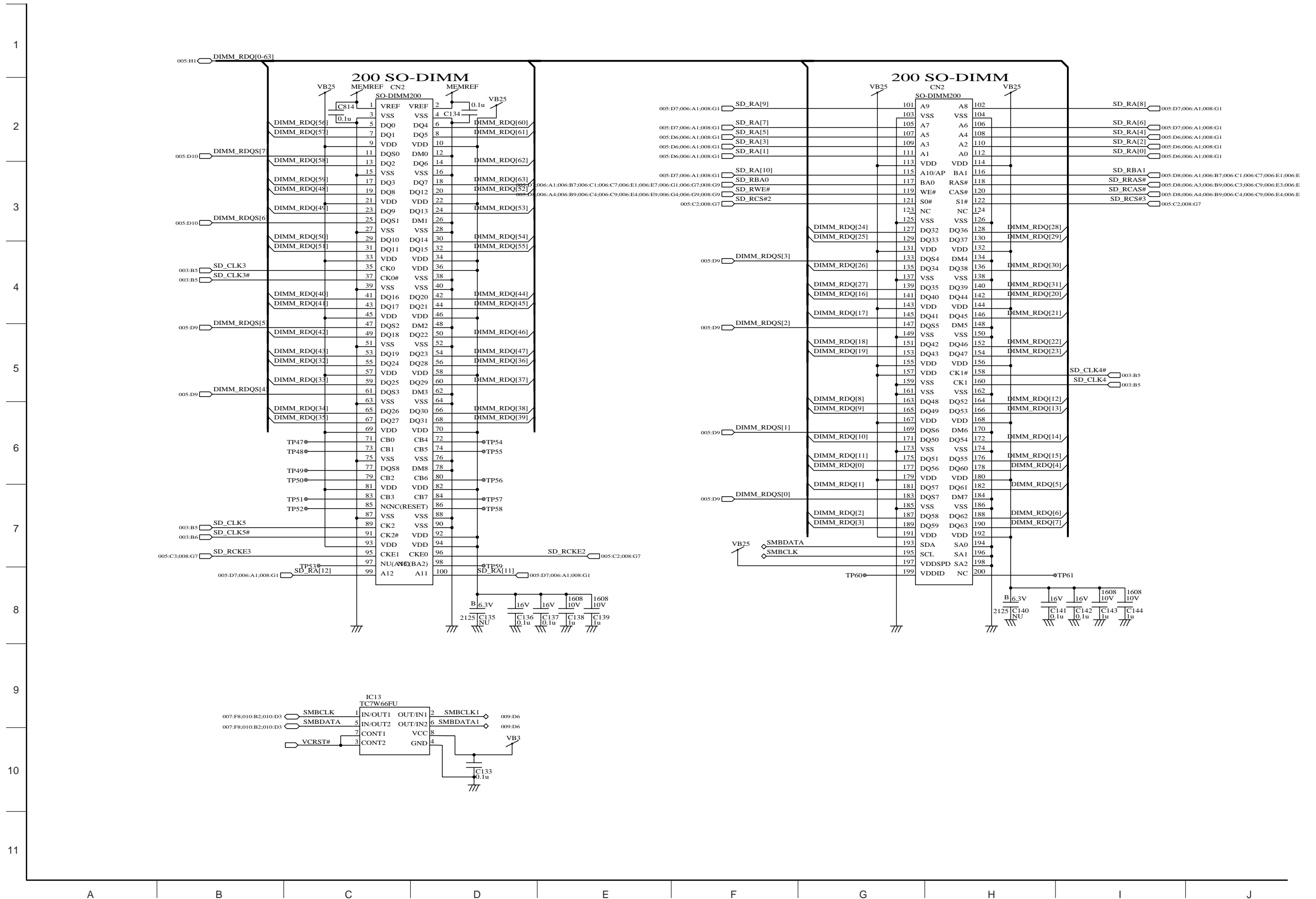
Main 5 Resistors



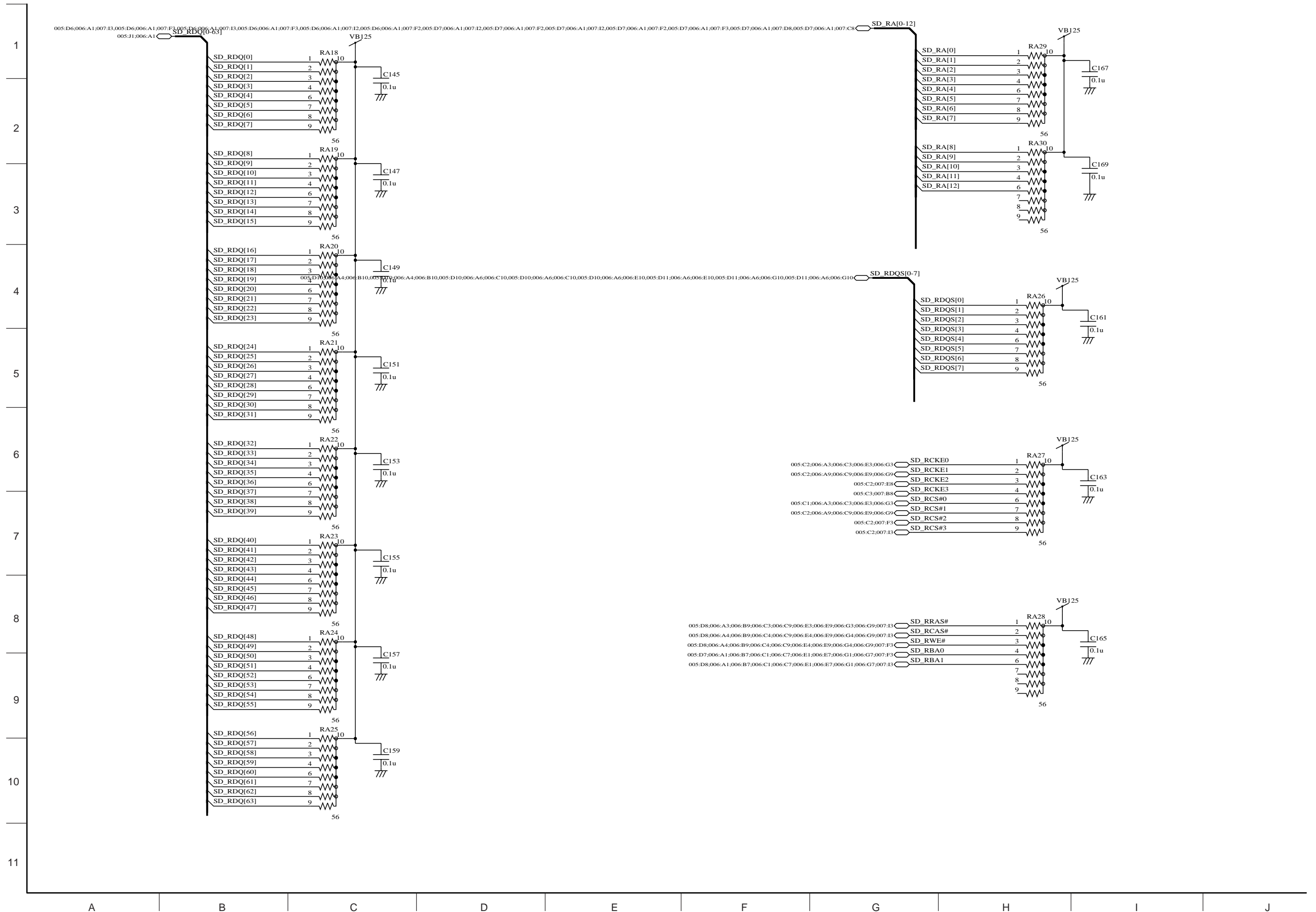
Main 6 Memory (1/2)



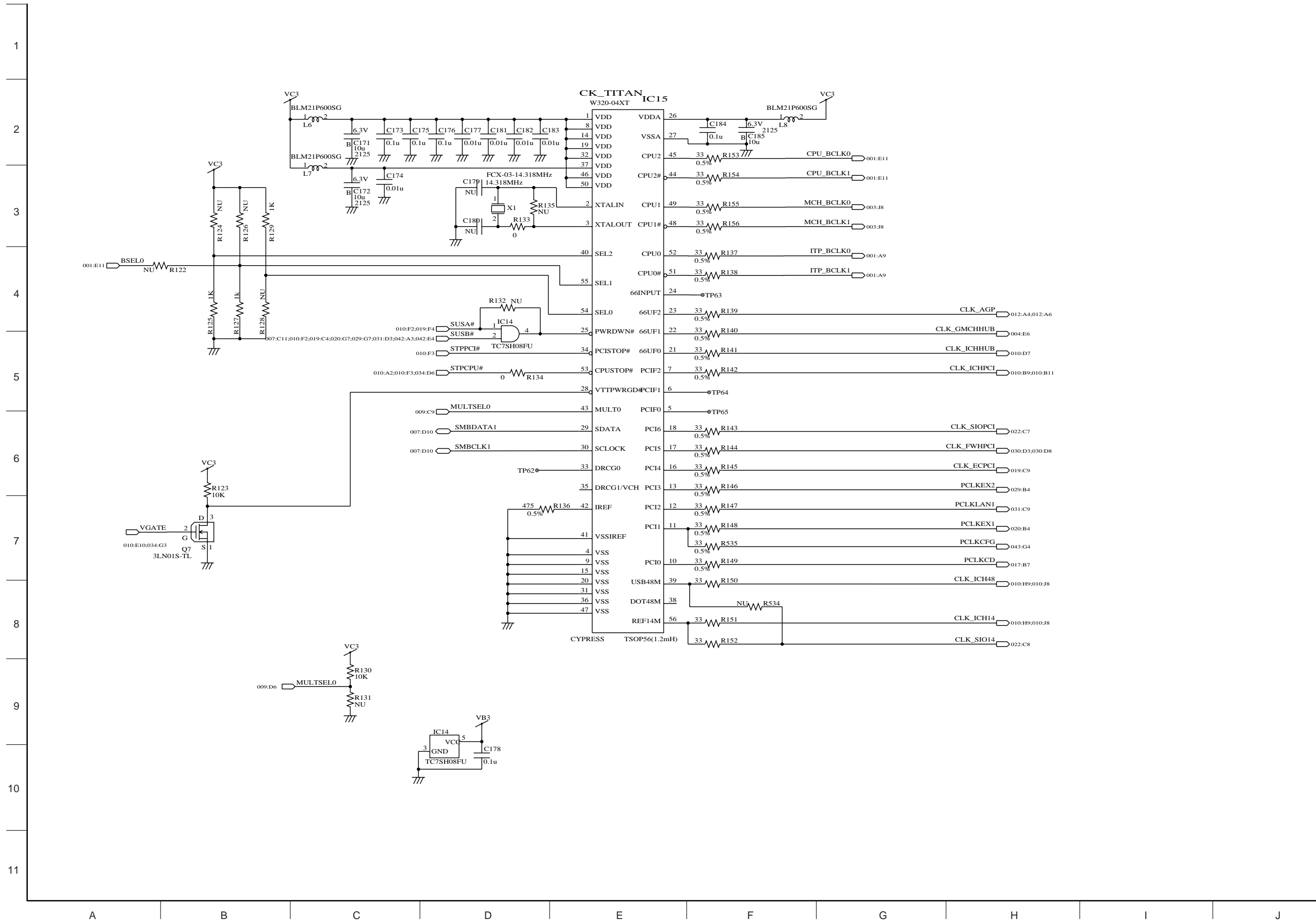
Main 7 Memory (2/2)



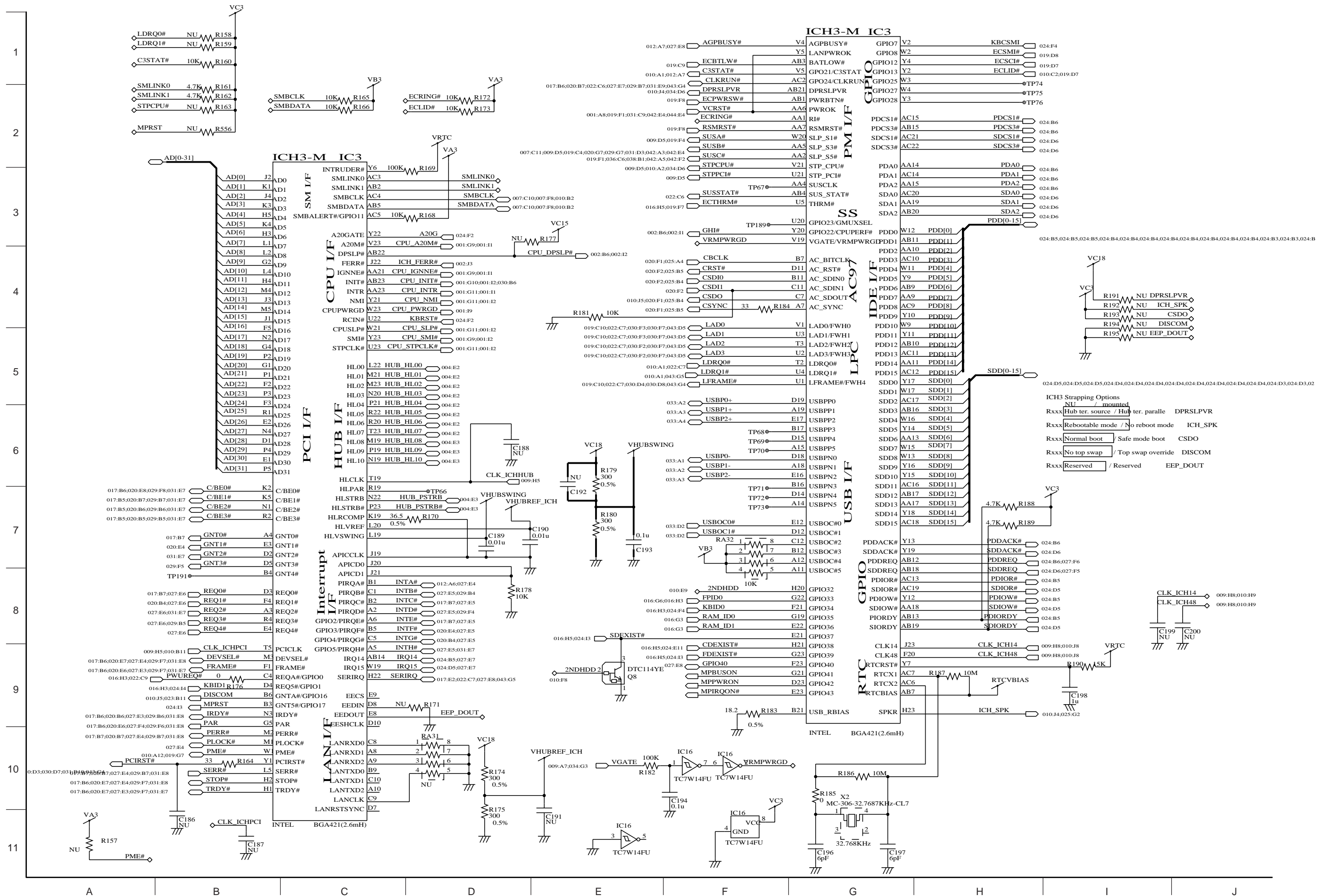
Main 8 Memory Terminator



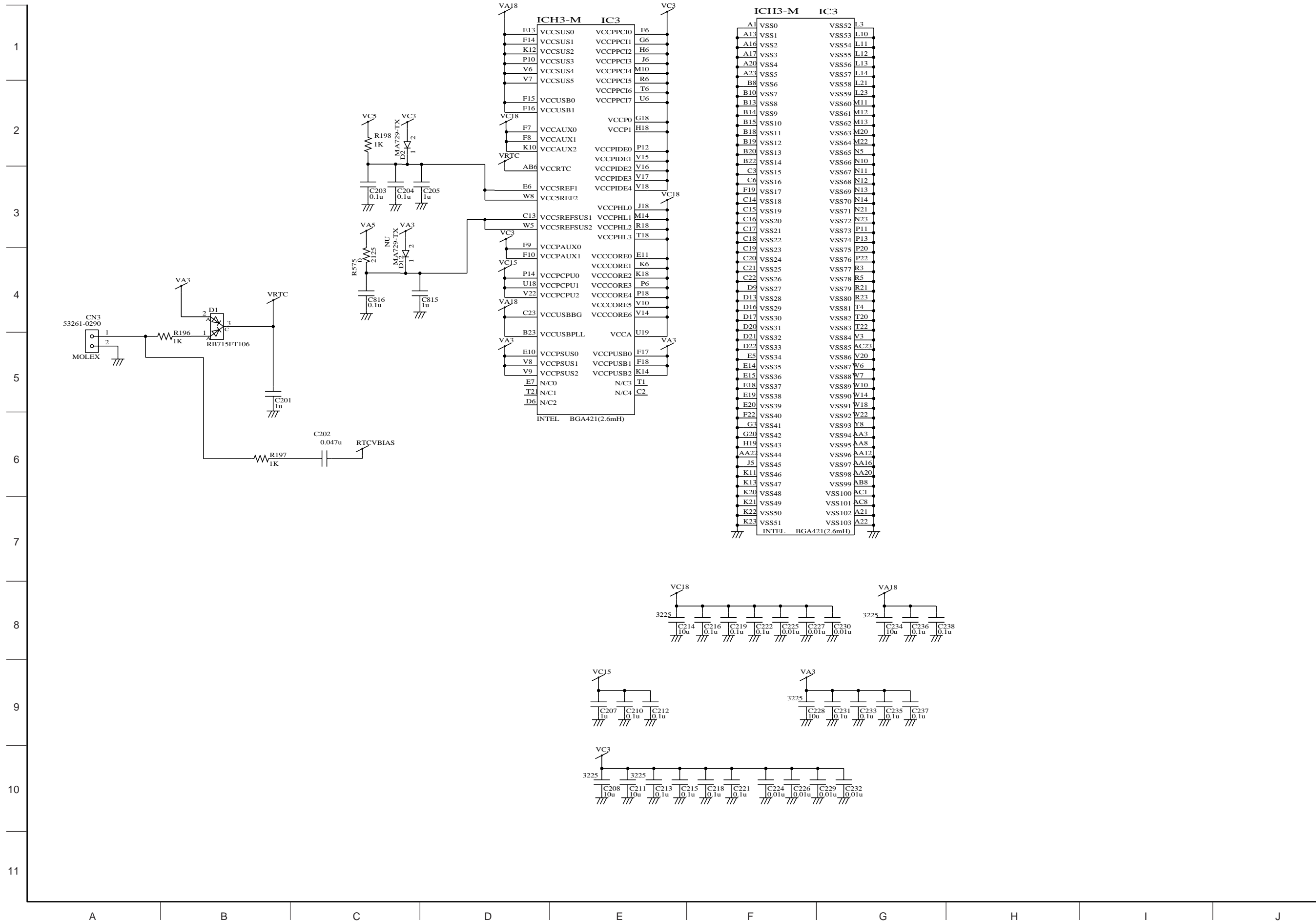
Main 9 Clock



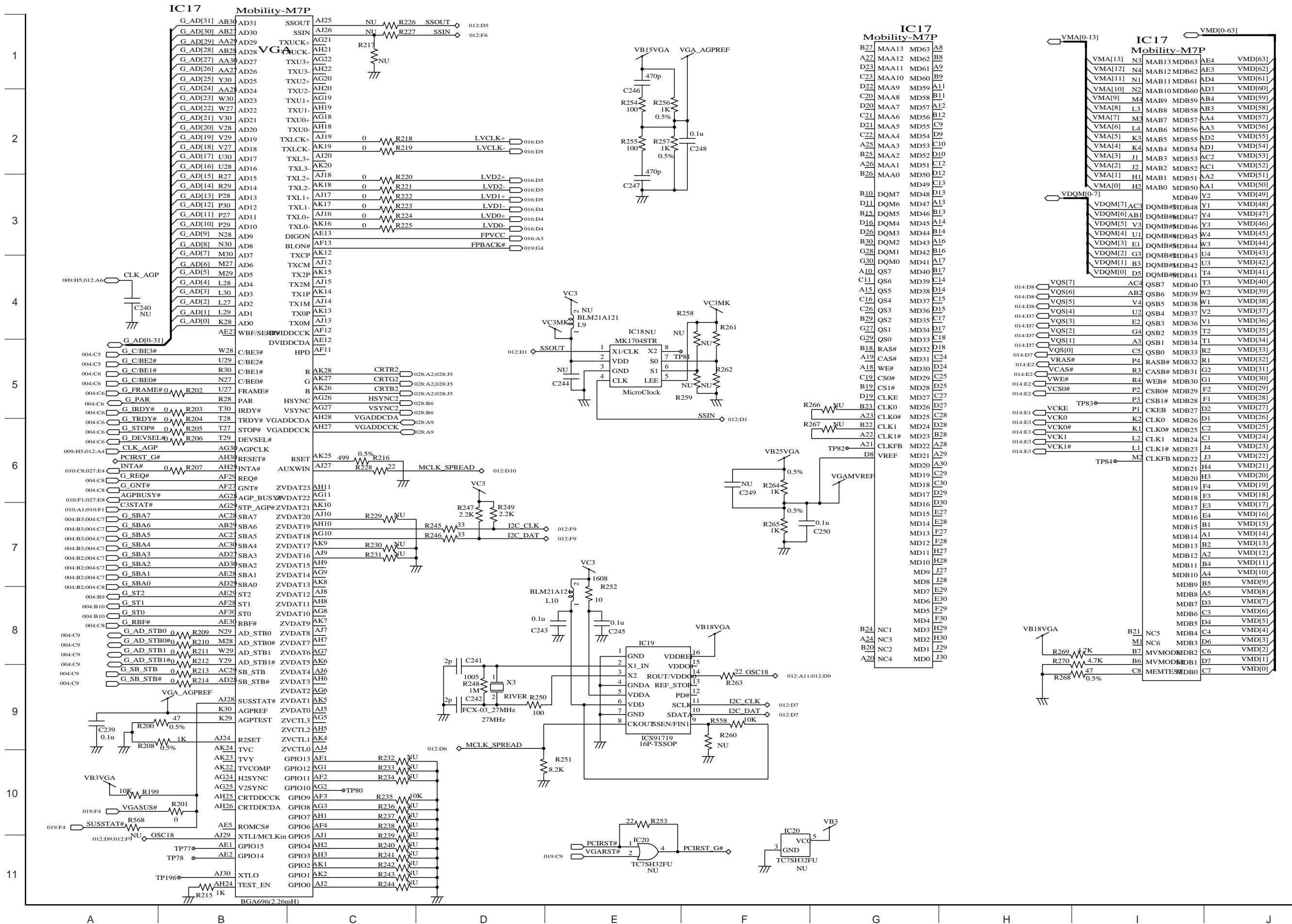
Main 10 ICH3 (1/2)



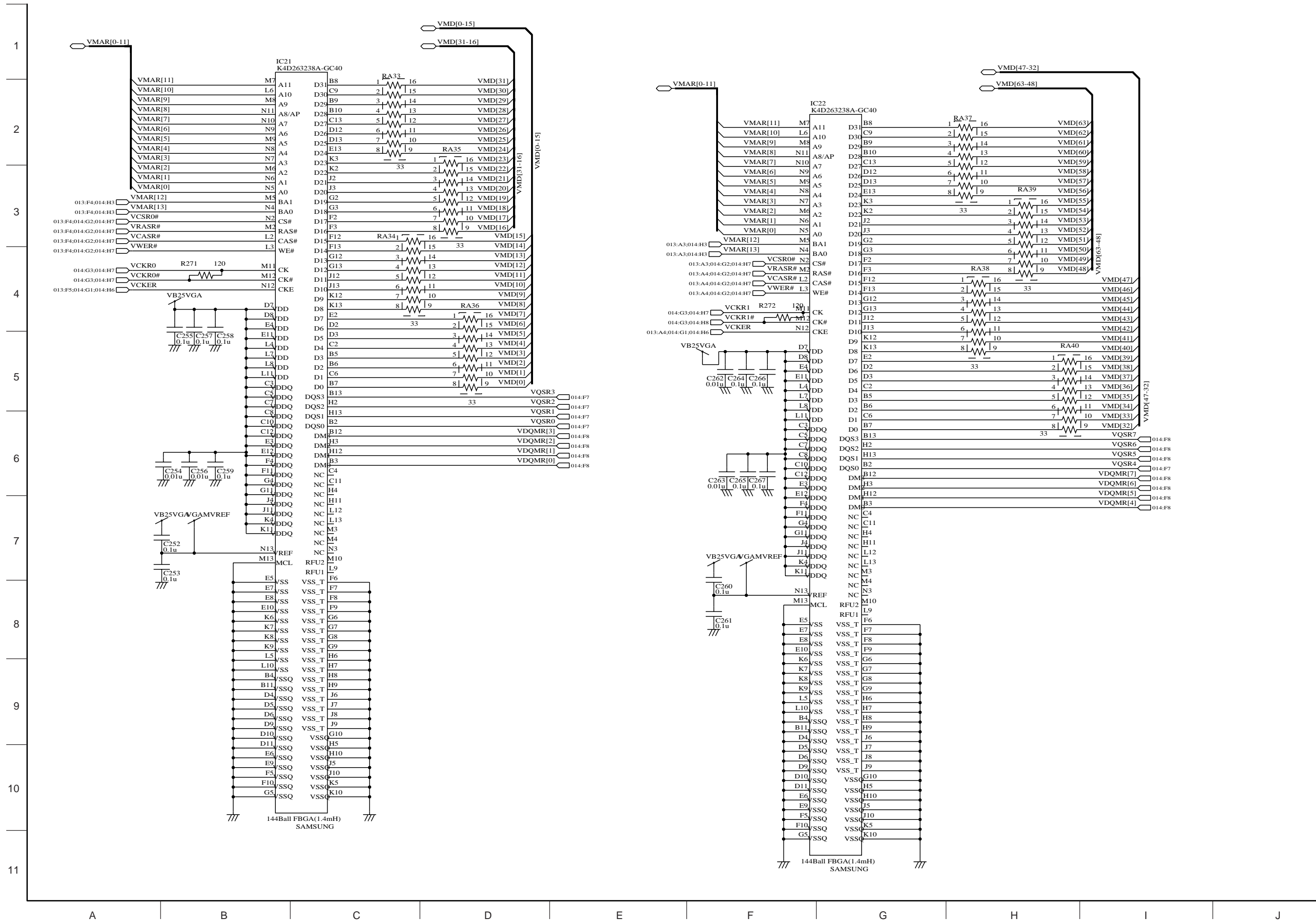
Main 11 ICH3 (2/2)



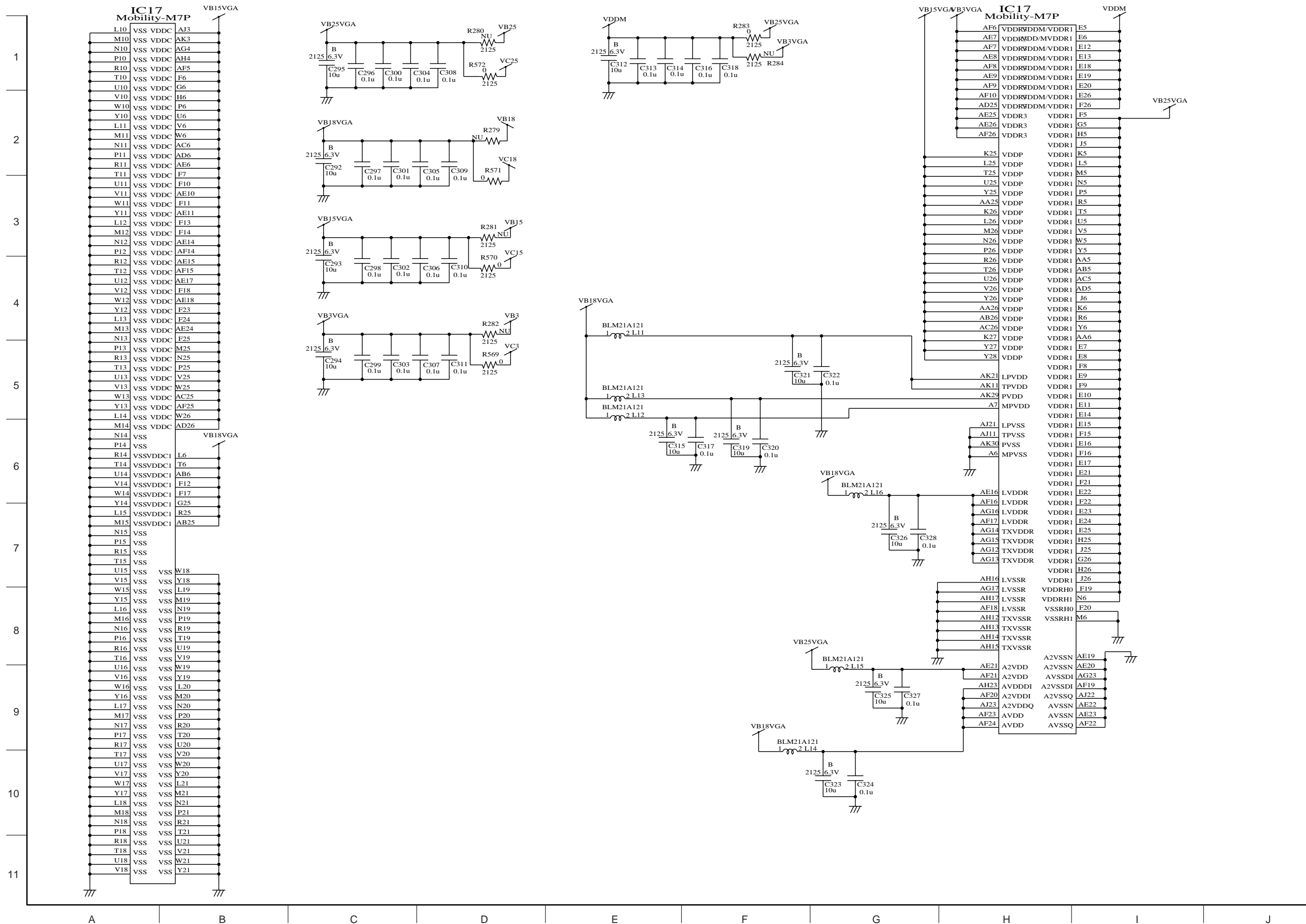
Main 12 VGA, VRAM (1/4)



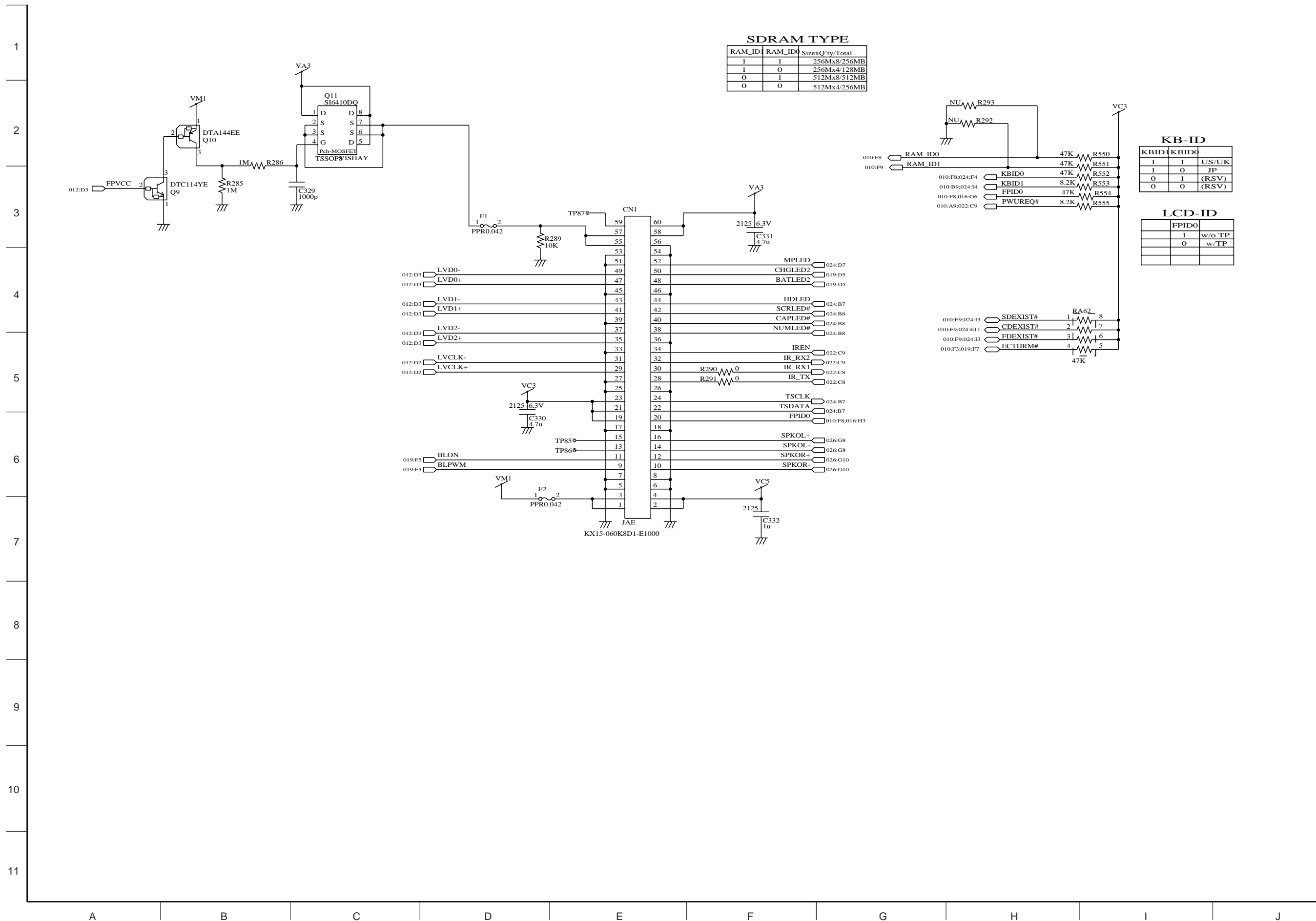
Main 13 VGA, VRAM (2/4)



Main 15 VGA, VRAM (4/4)



Main 16 LED CN I/F



SDRAM TYPE

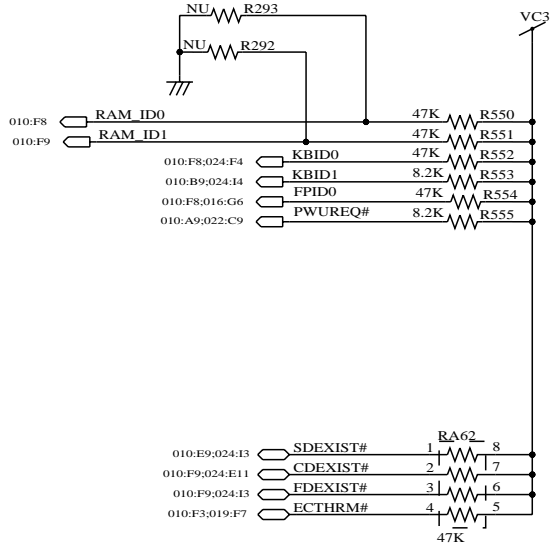
RAM_ID	RAM_ID0	SizeQ'ty/Total
1	1	256Mx8/256MB
1	0	256Mx4/128MB
0	1	512Mx8/512MB
0	0	512Mx4/256MB

KB-ID

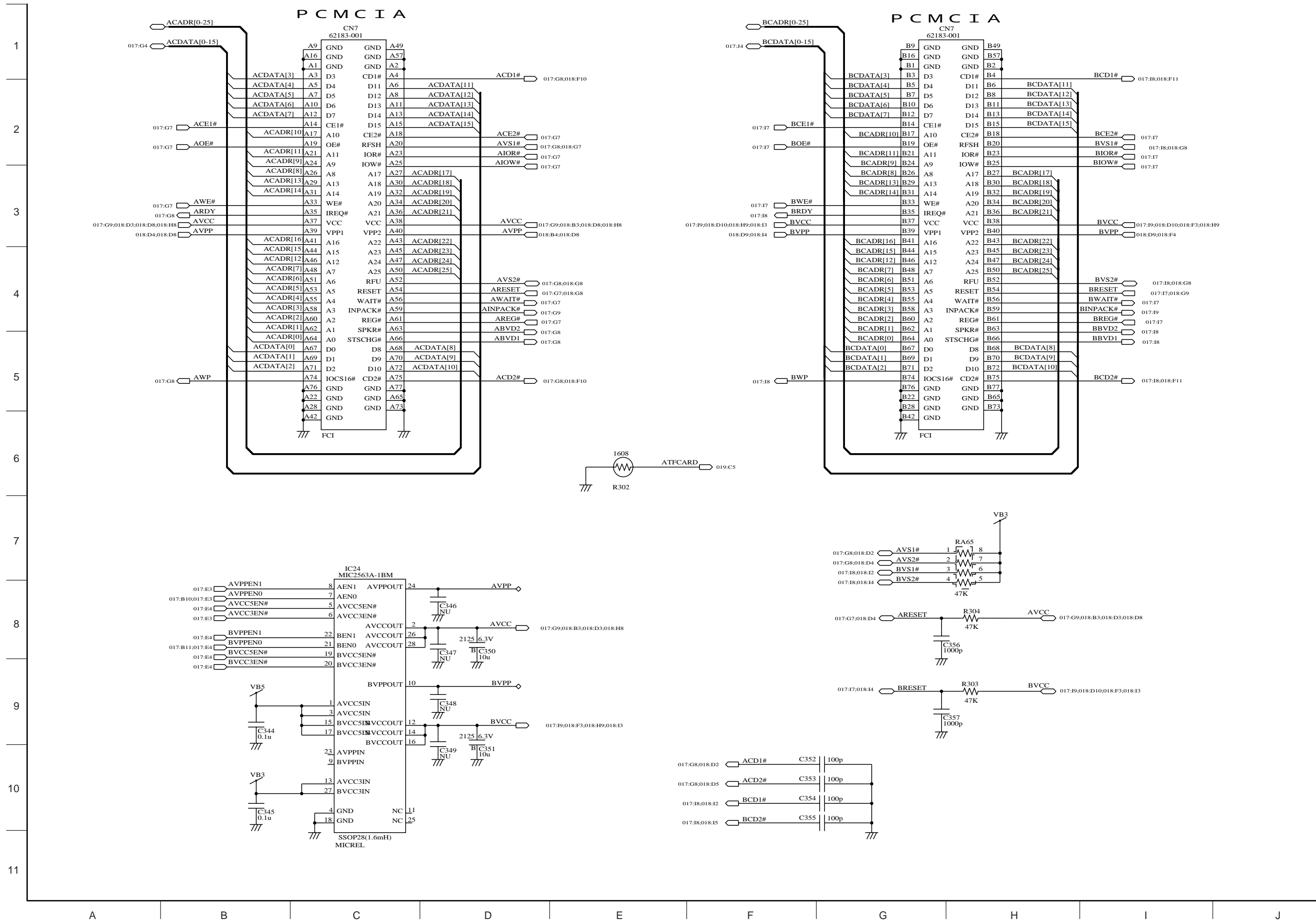
KBID0	KBID1	
1	1	US/UK
1	0	JP
0	1	(RSV)
0	0	(RSV)

LCD-ID

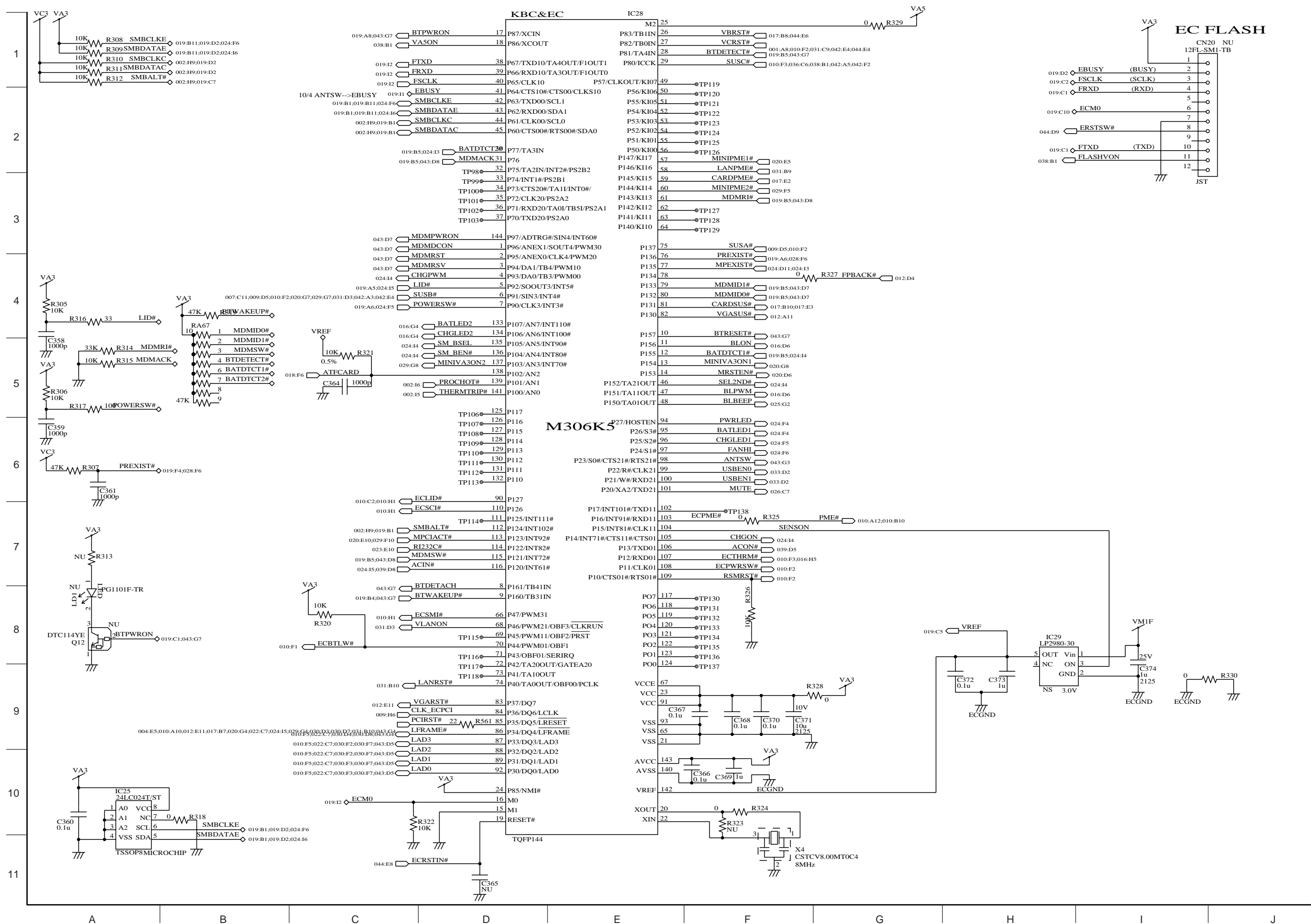
FPID0	
1	w/o TP
0	w/TP



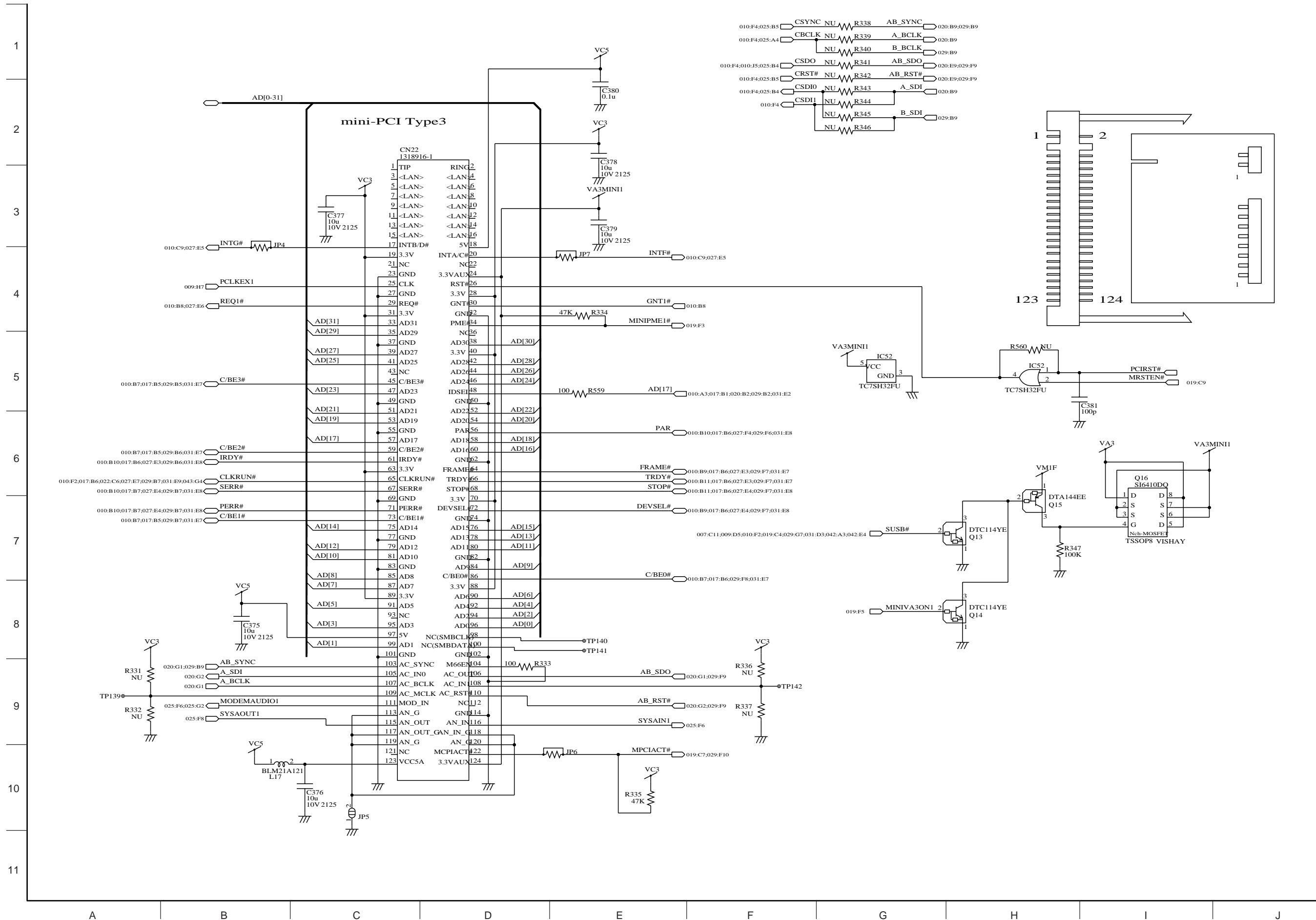
Main 18 PCMCIA I/F



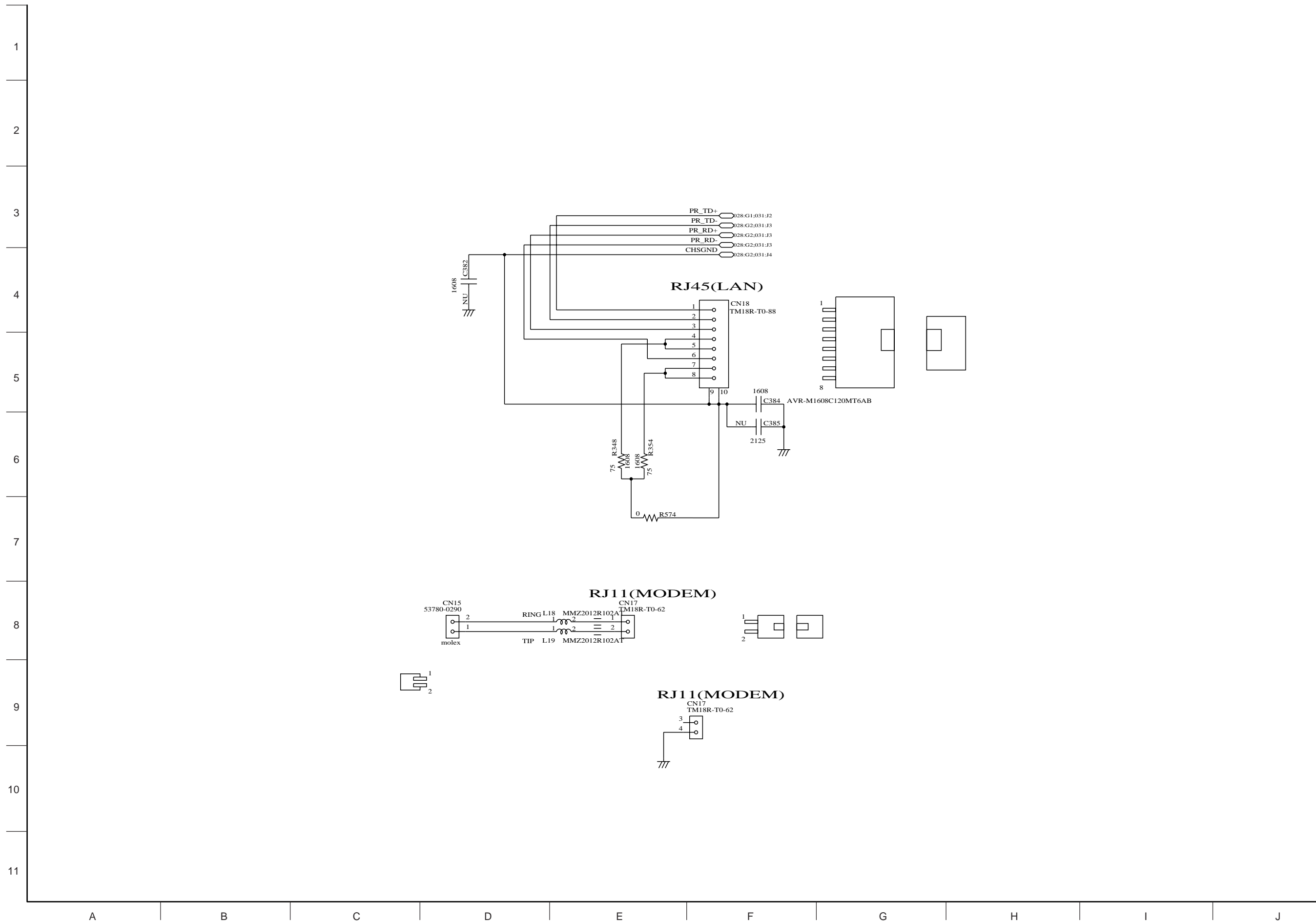
Main 19 PME



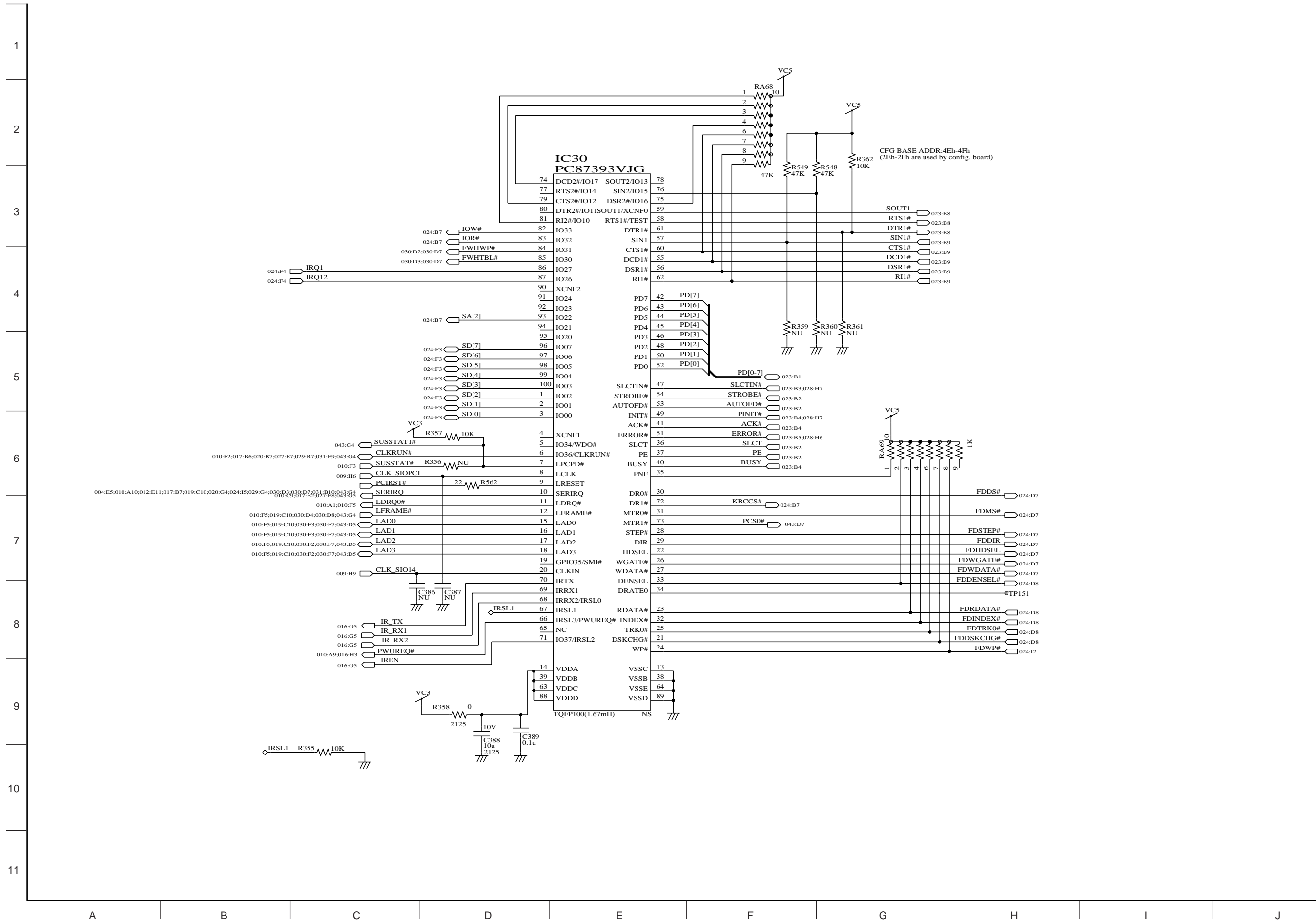
Main 20 Mini-PCI



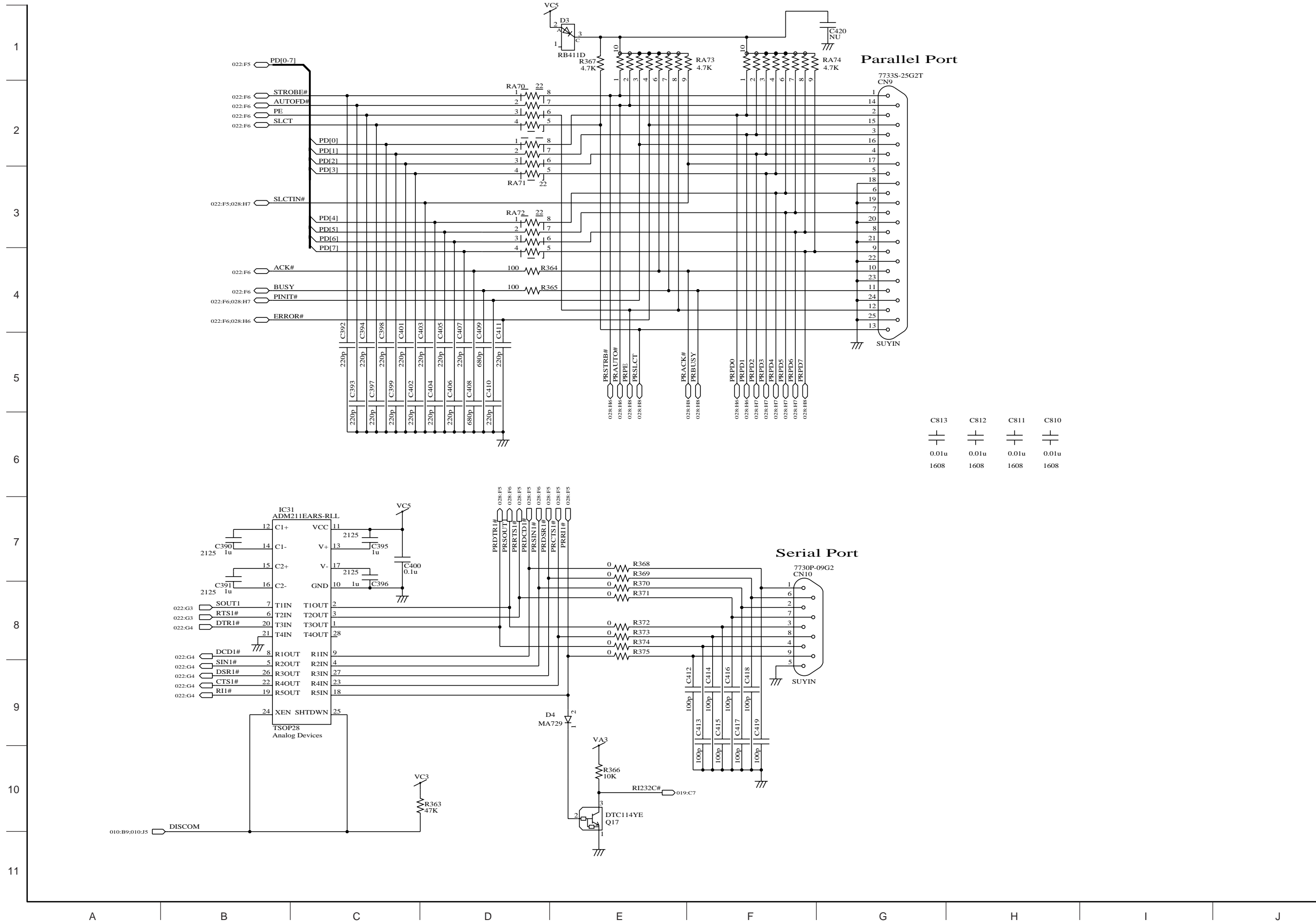
Main 21 RJ11, RJ45



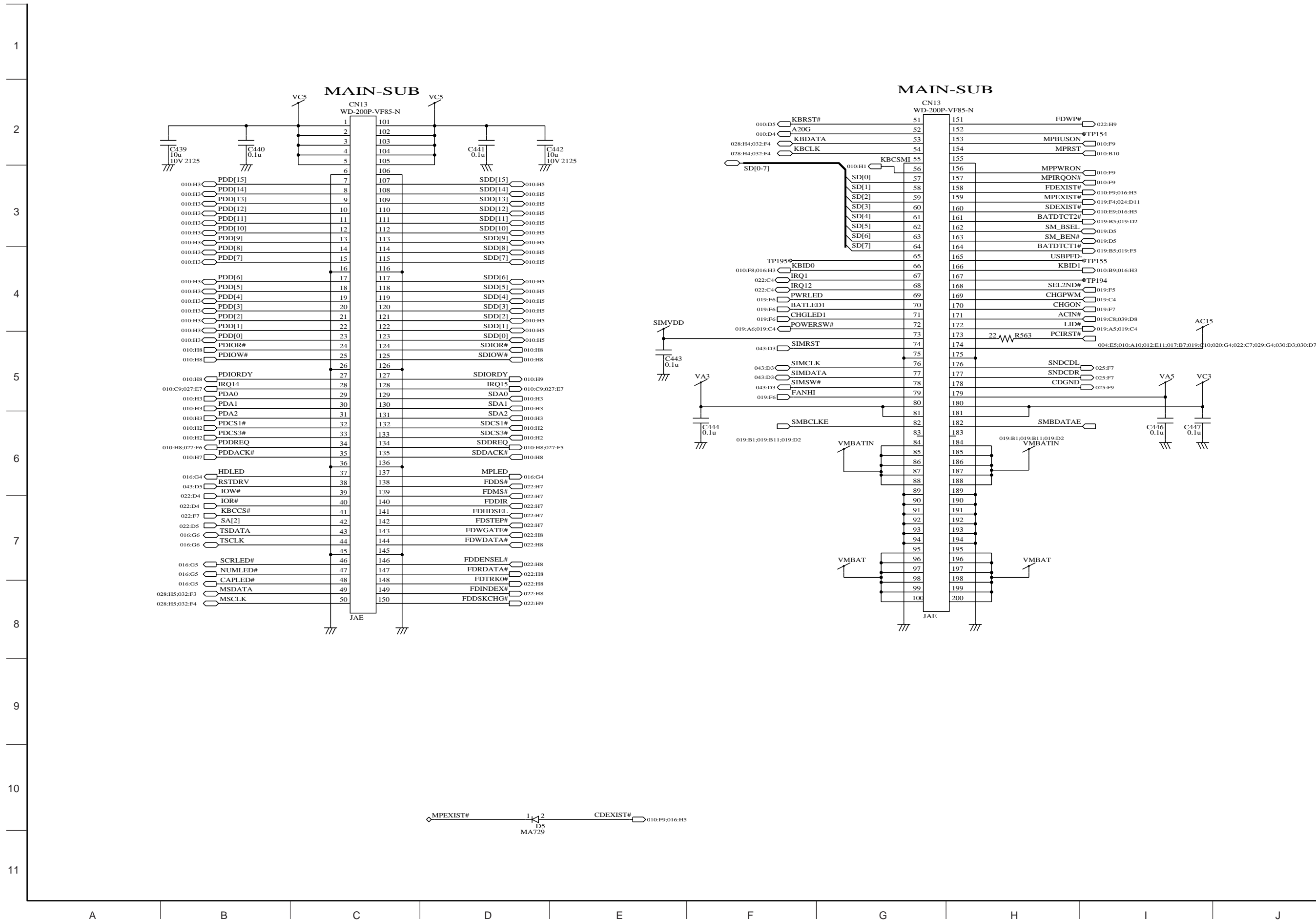
Main 22 Super I/O



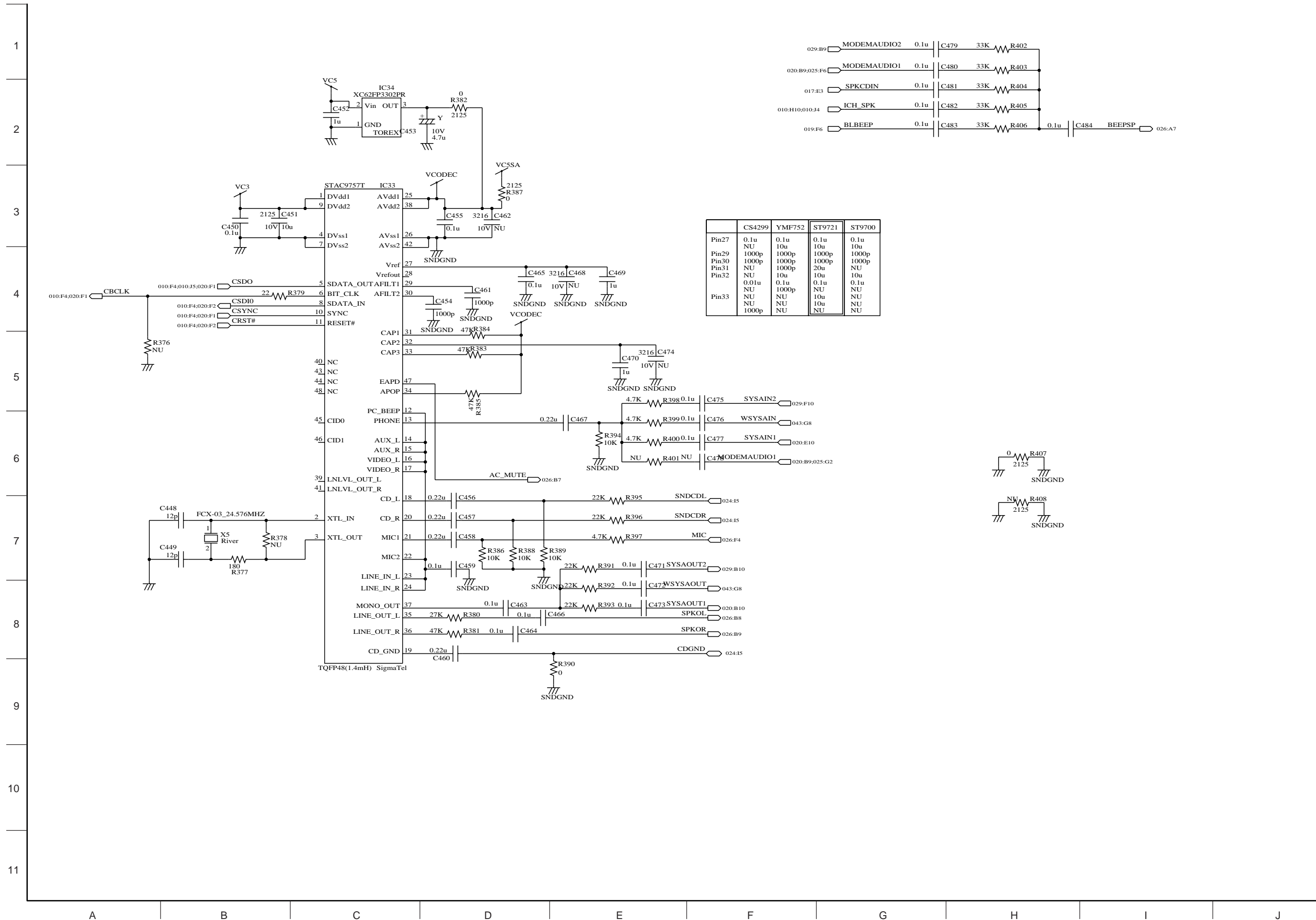
Main 23 PARA/SERI



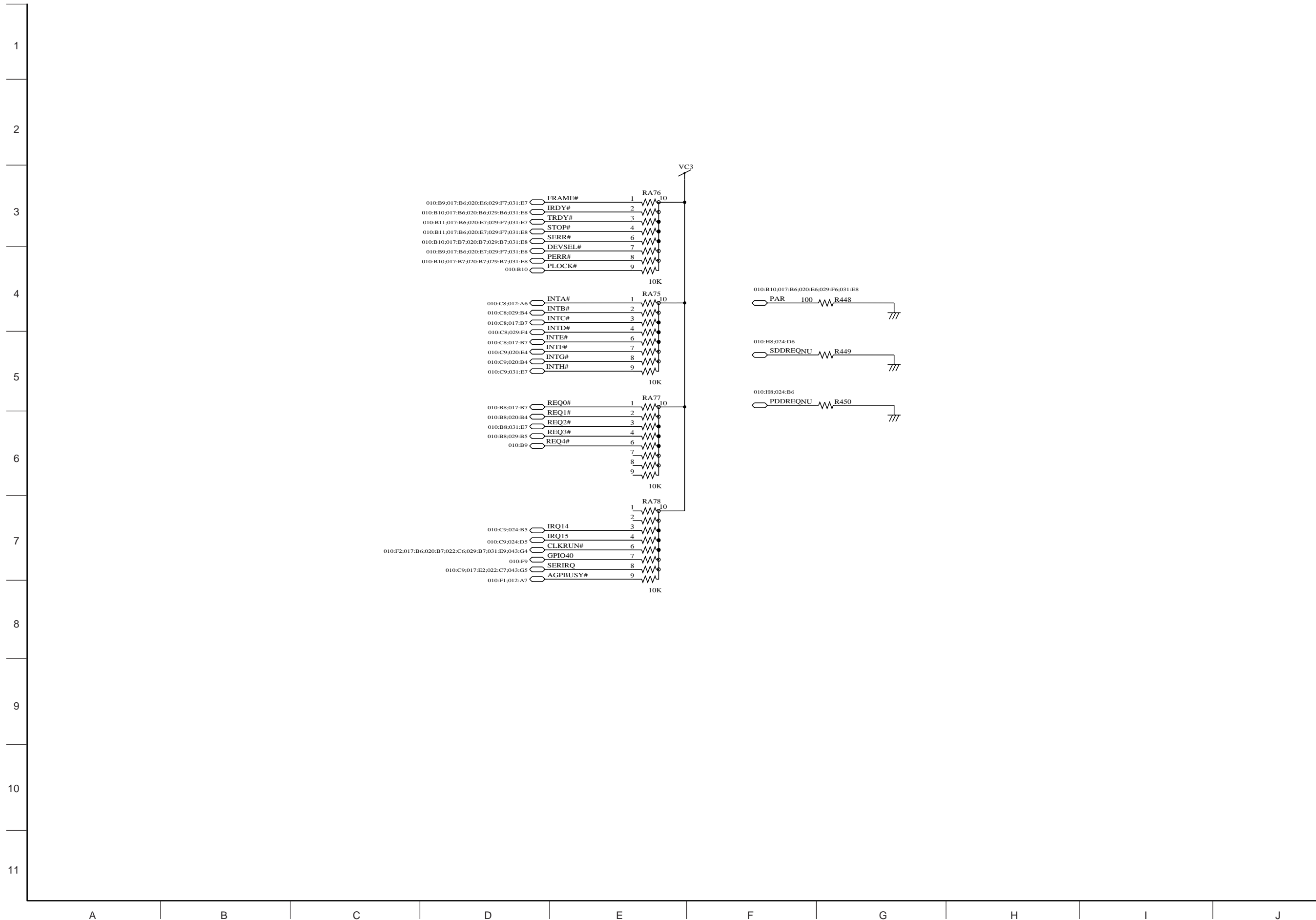
Main 24 Main-Sub I/F



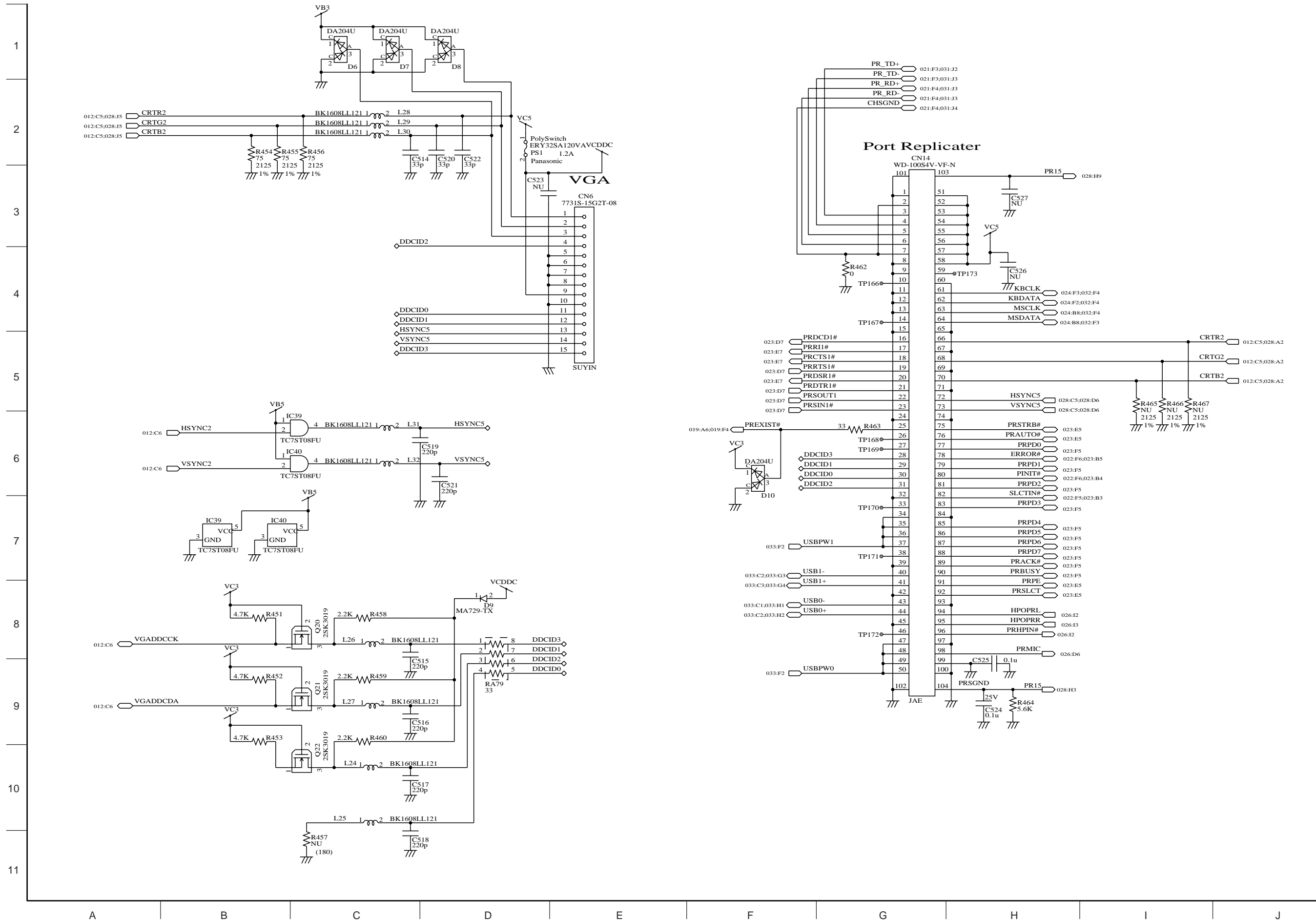
Main 25 Sound IC



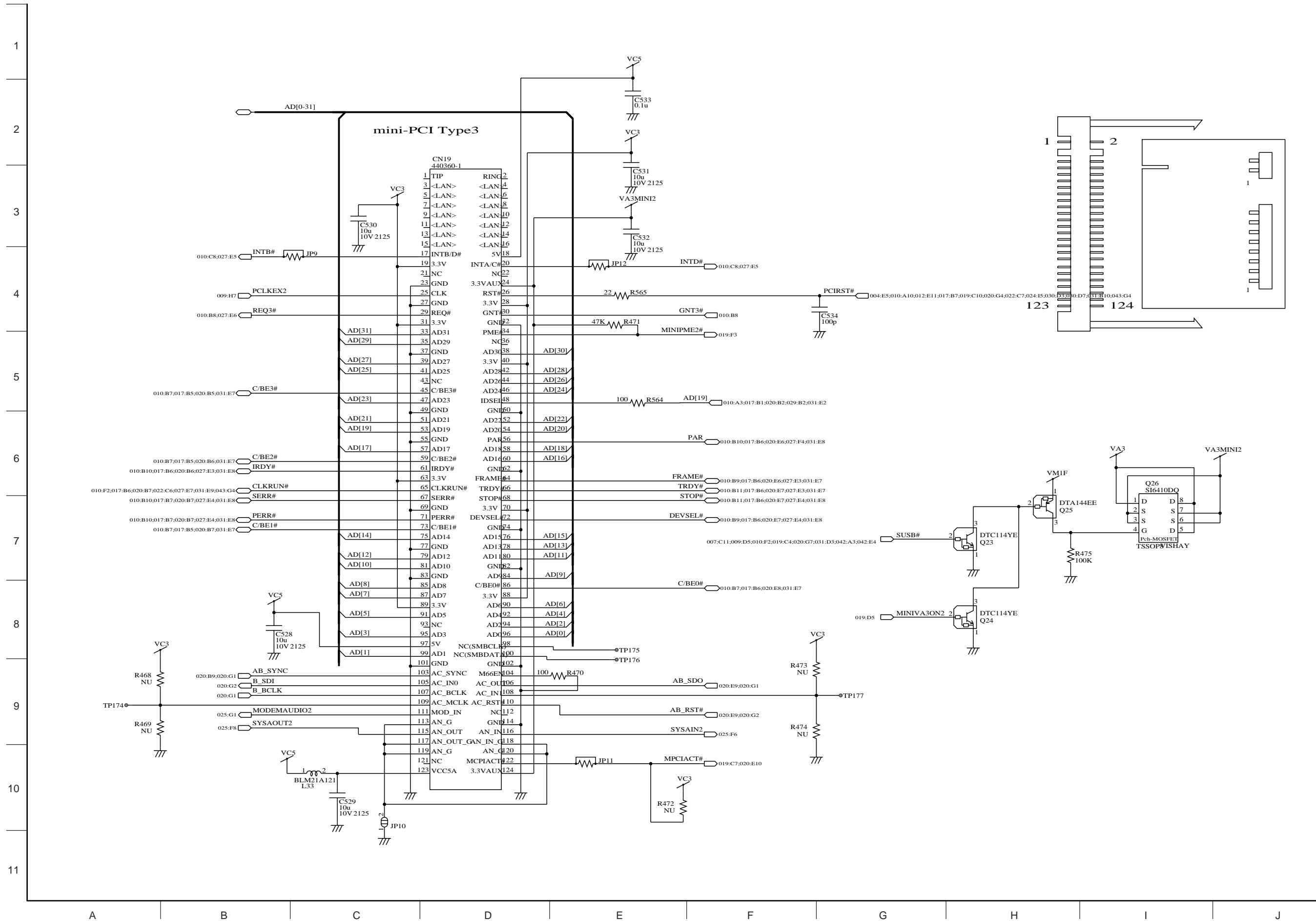
Main 27 Resistors



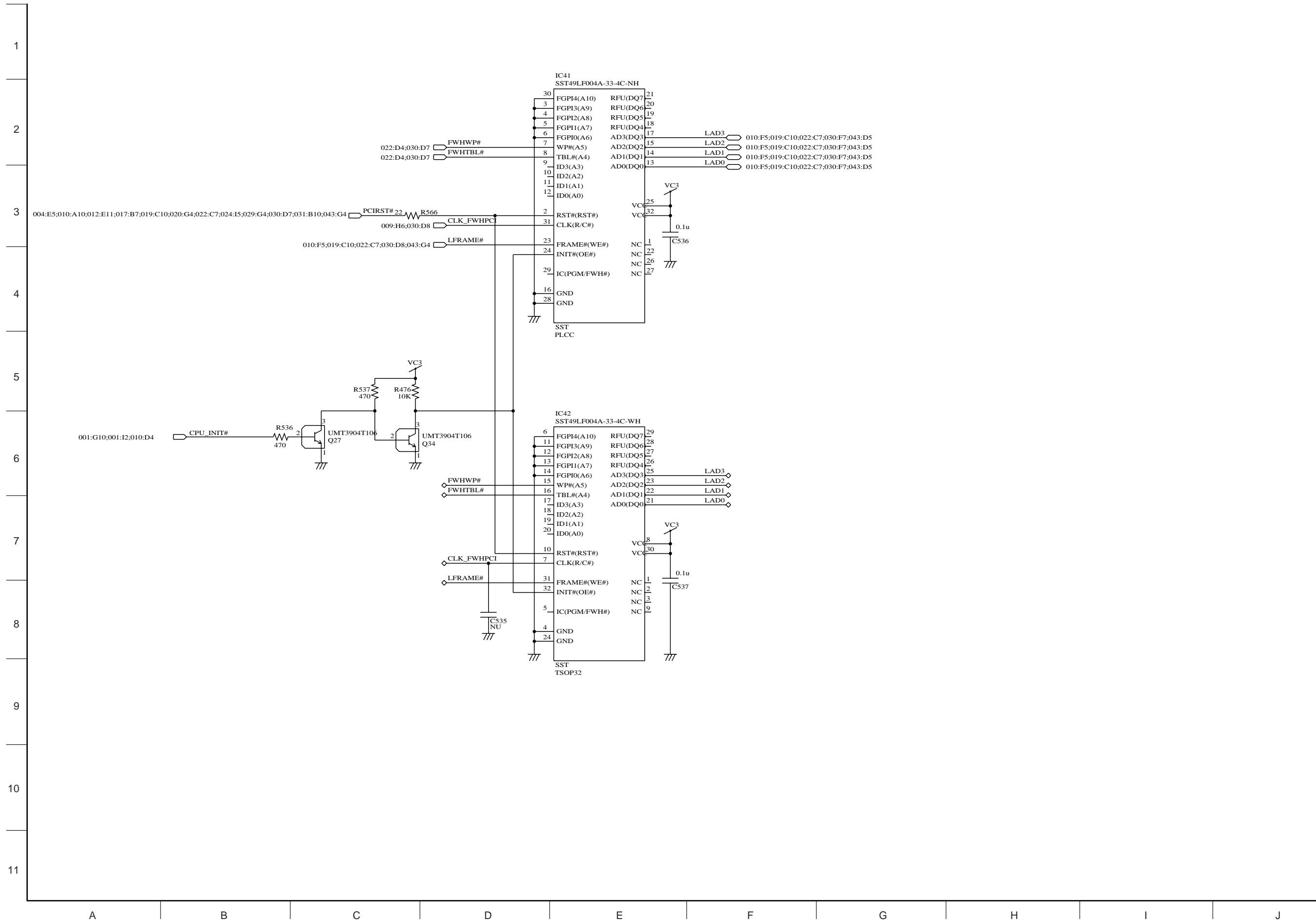
Main 28 CRT, Extension CN



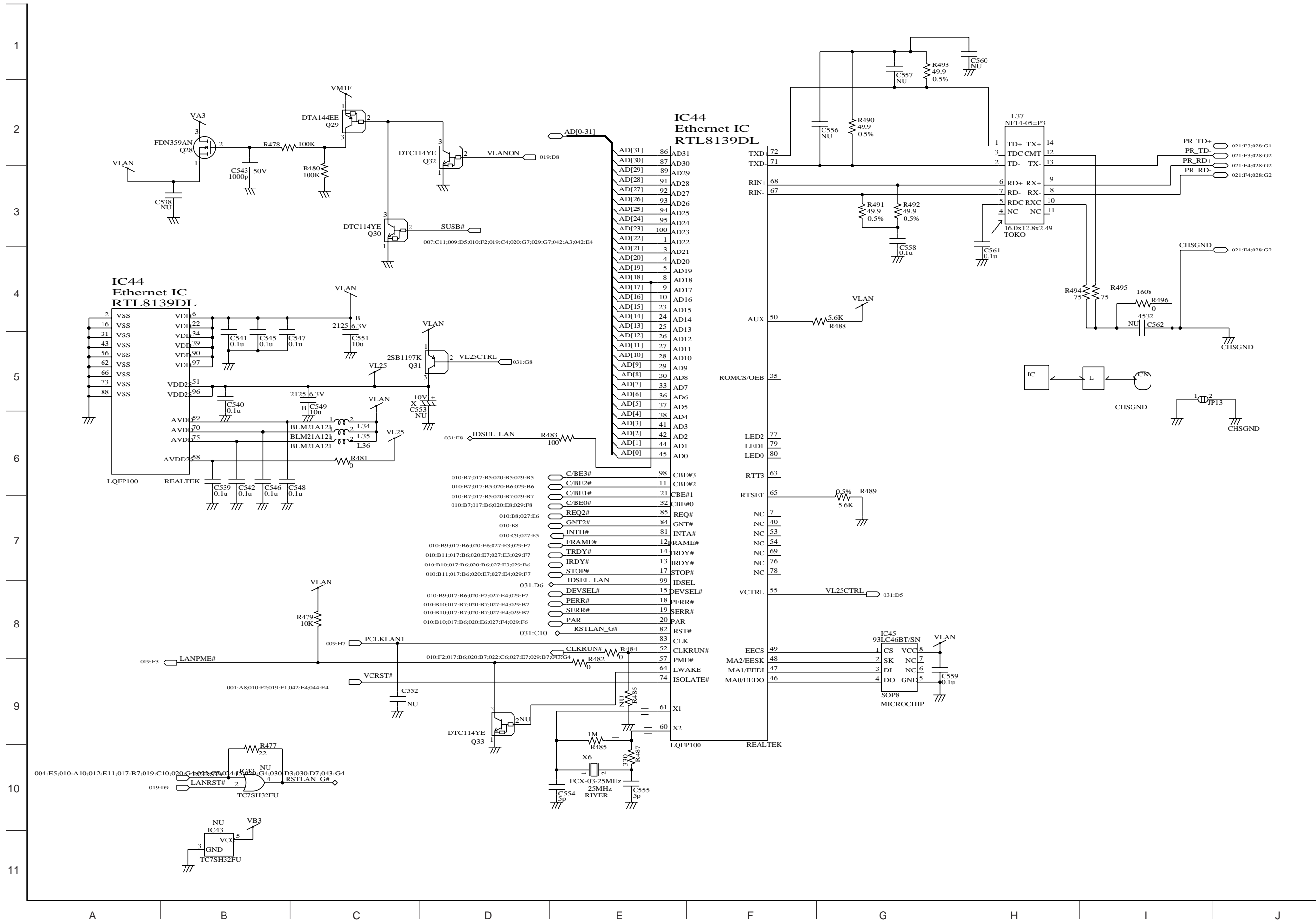
Main 29 Mini-PCI (Extension)



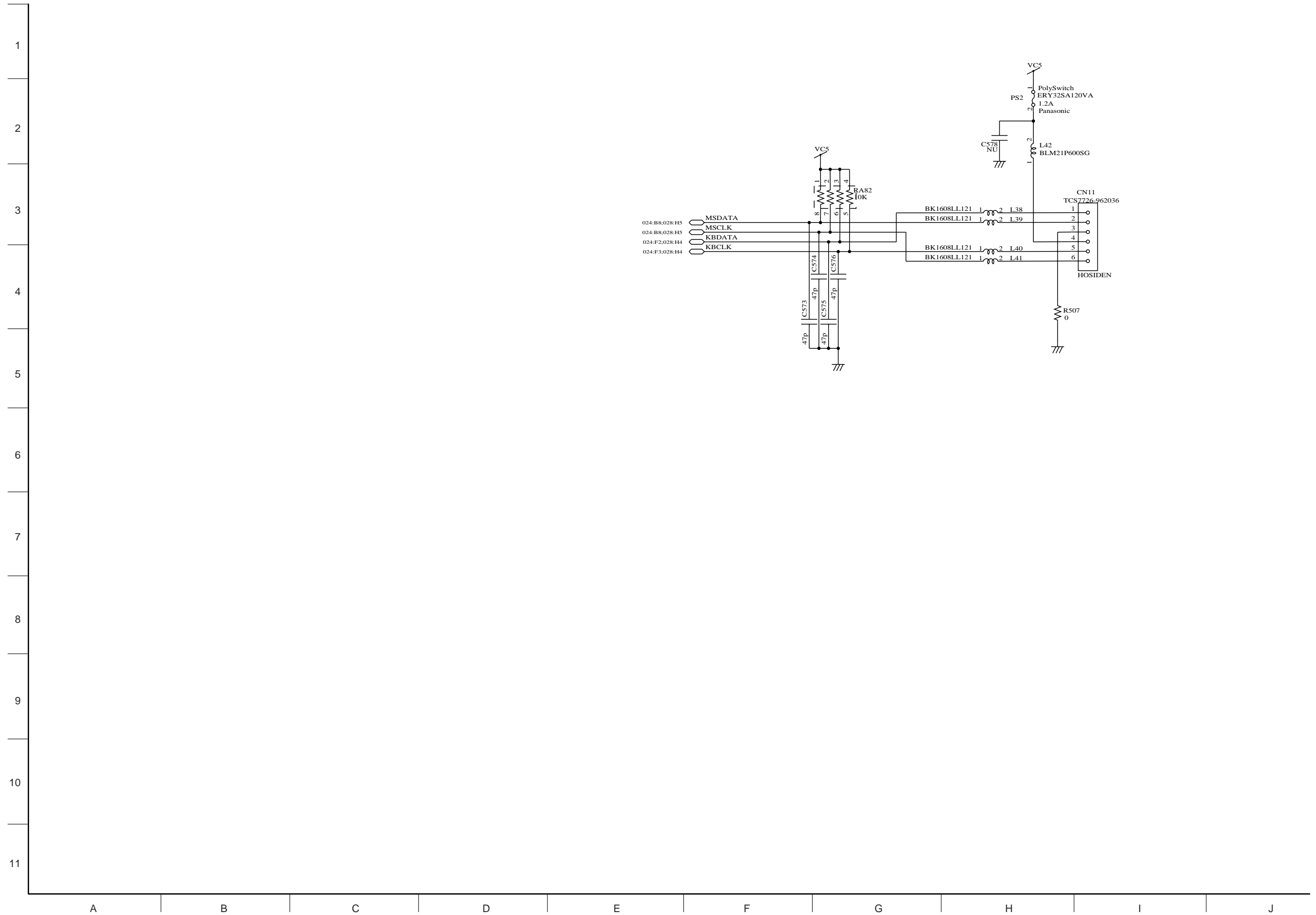
Main 30 F/W



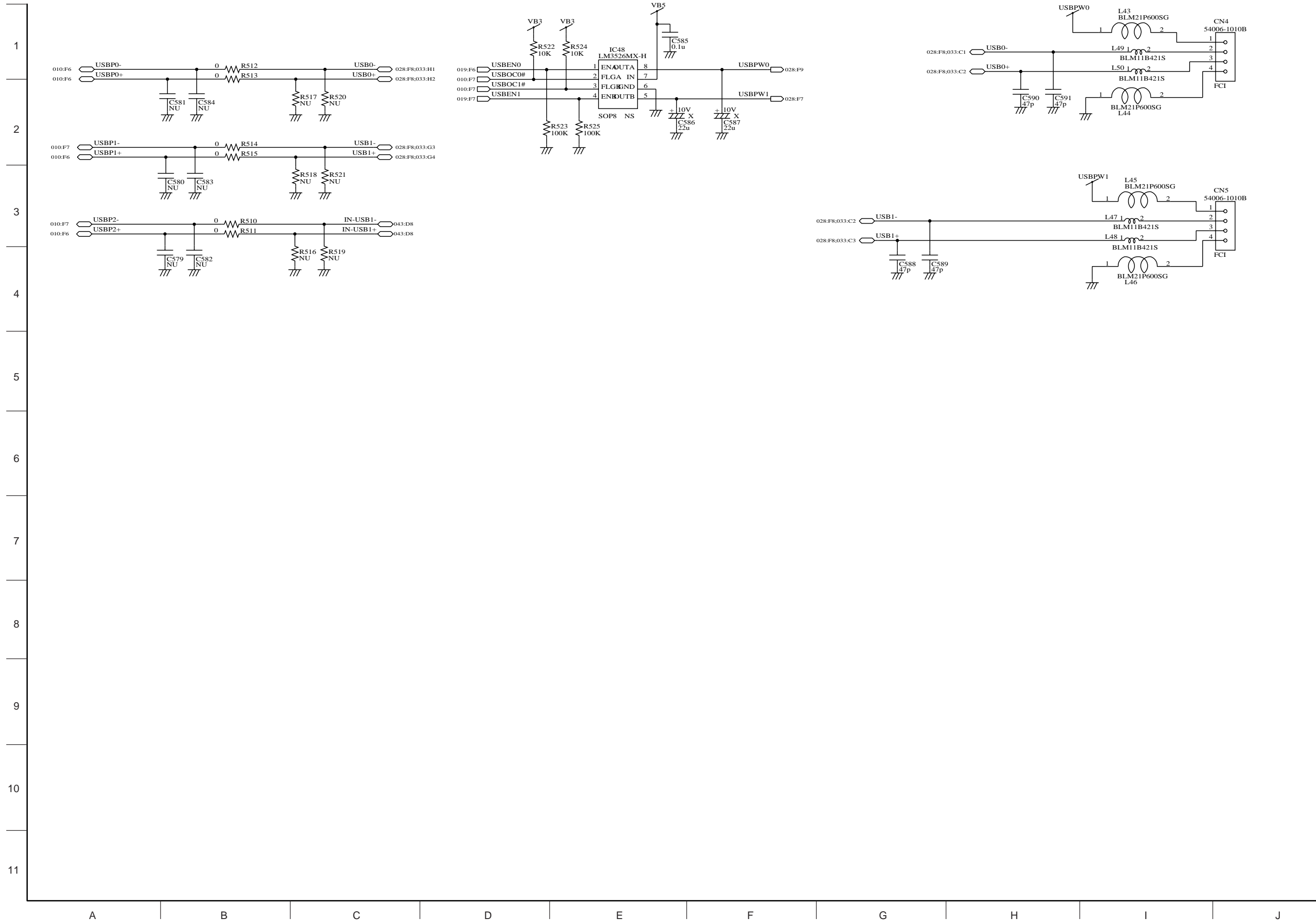
Main 31 LAN



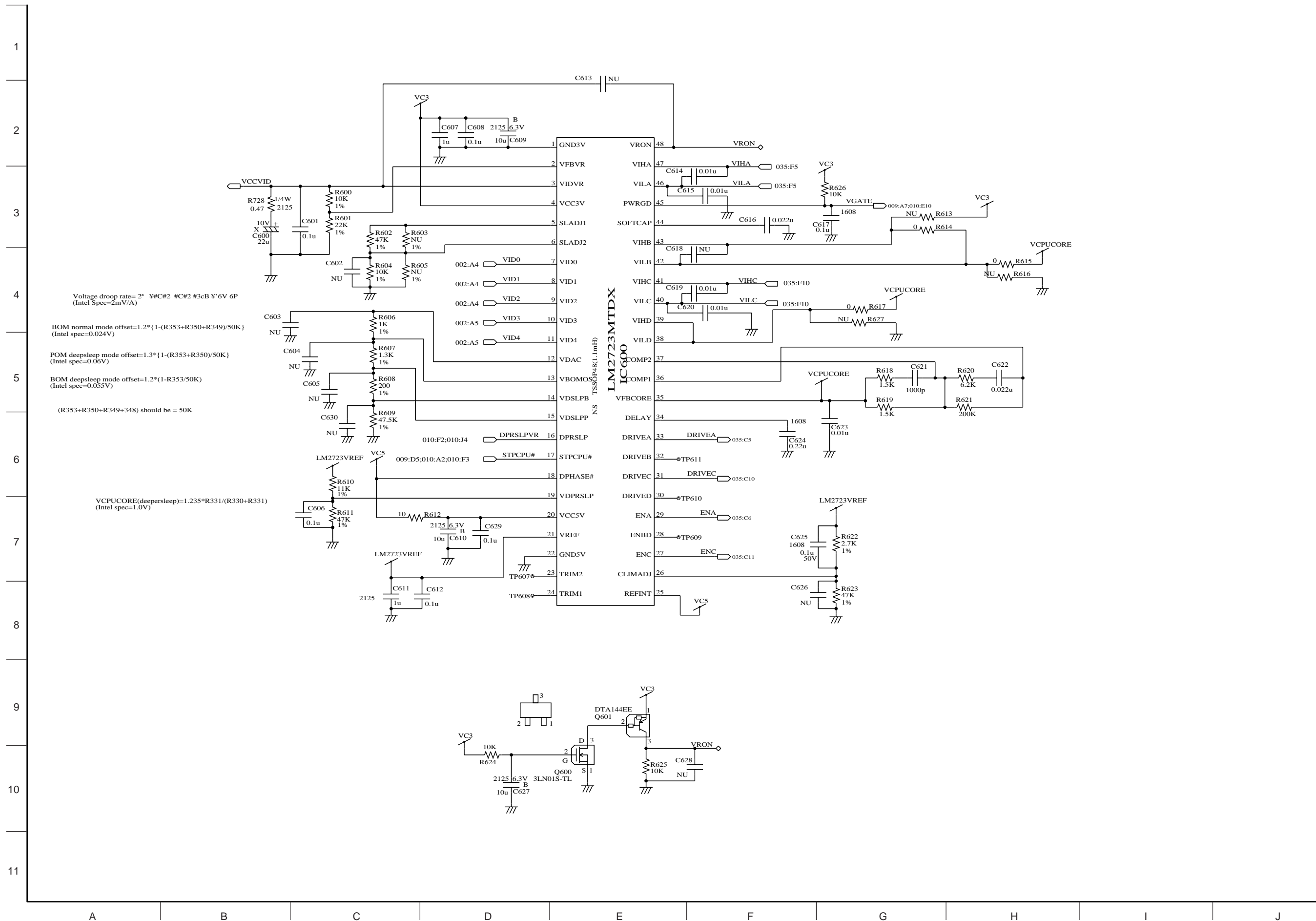
Main 32 PS/2 CN



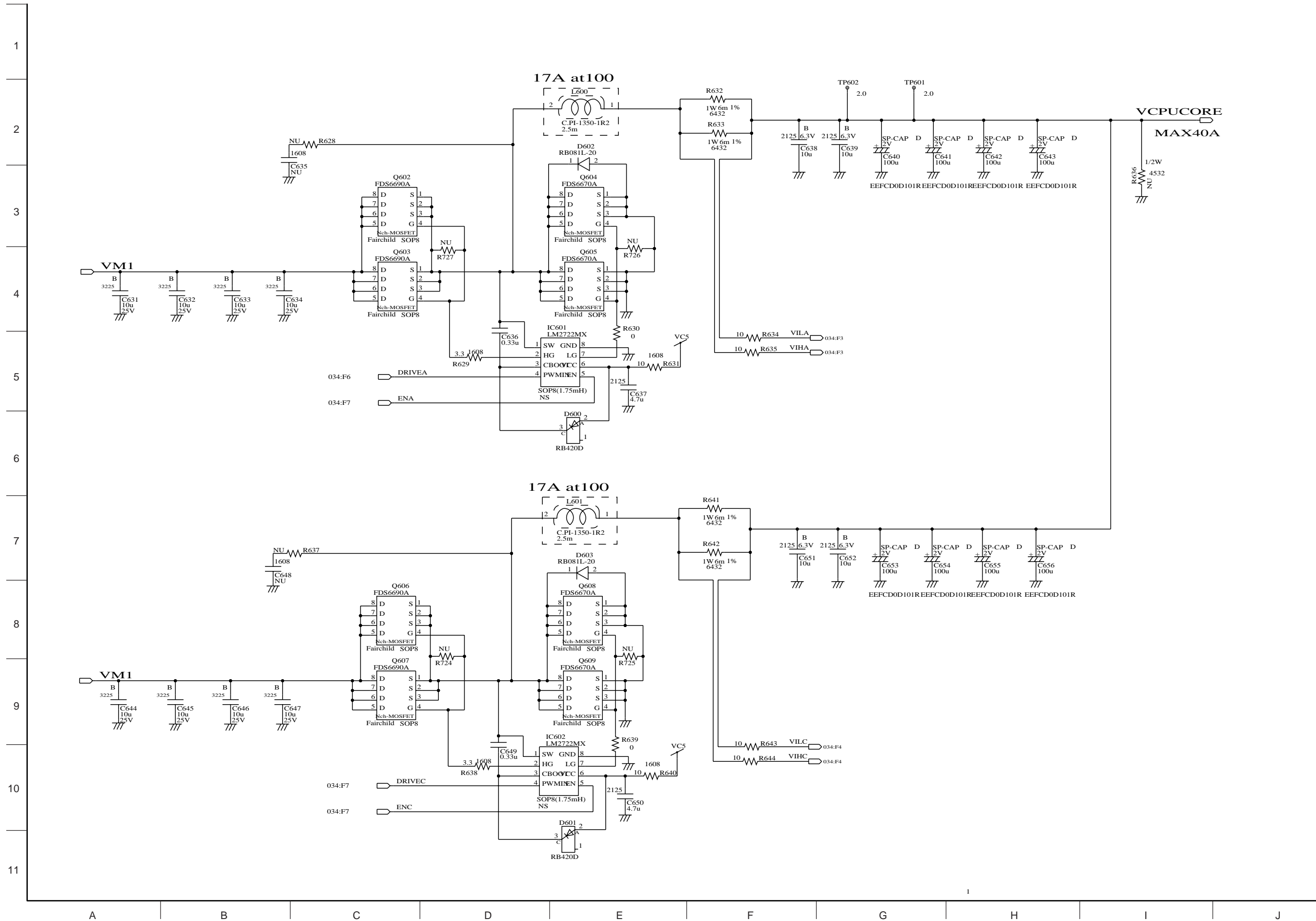
Main 33 USB, FAN



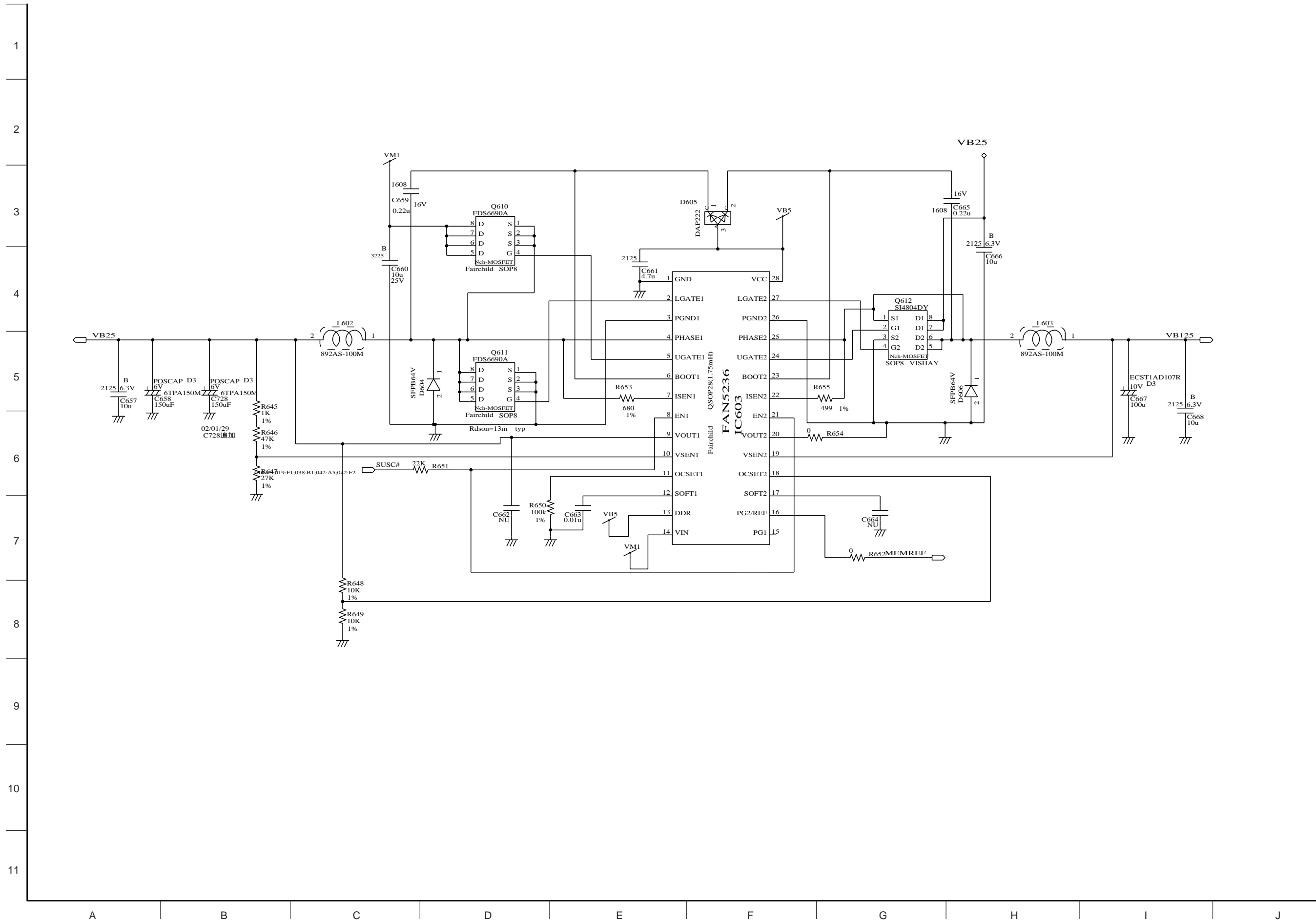
Main 34 VCPU CORE (1/2)



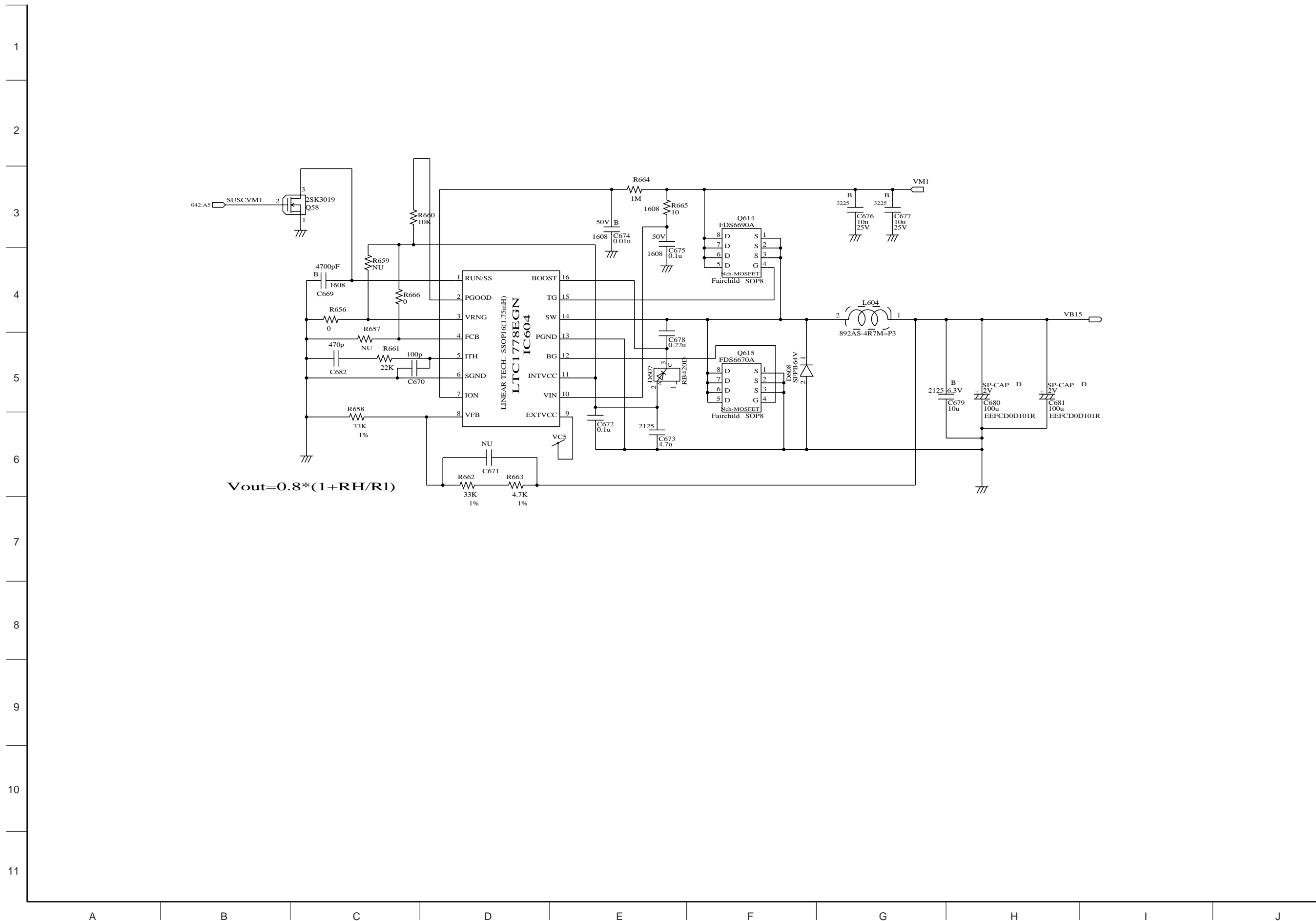
Main 35 VCPU CORE (2/2)



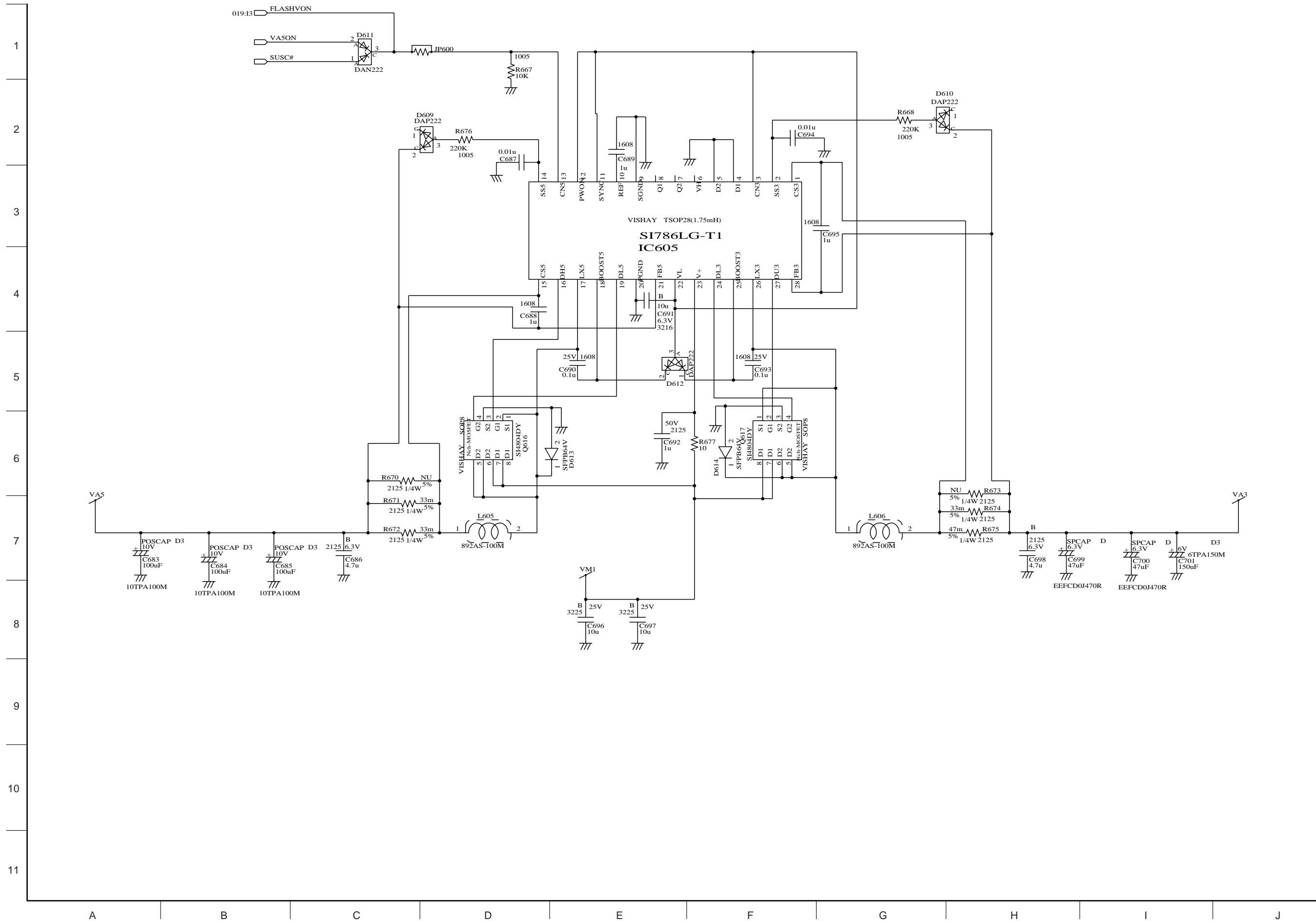
Main 36 VB25, VB125



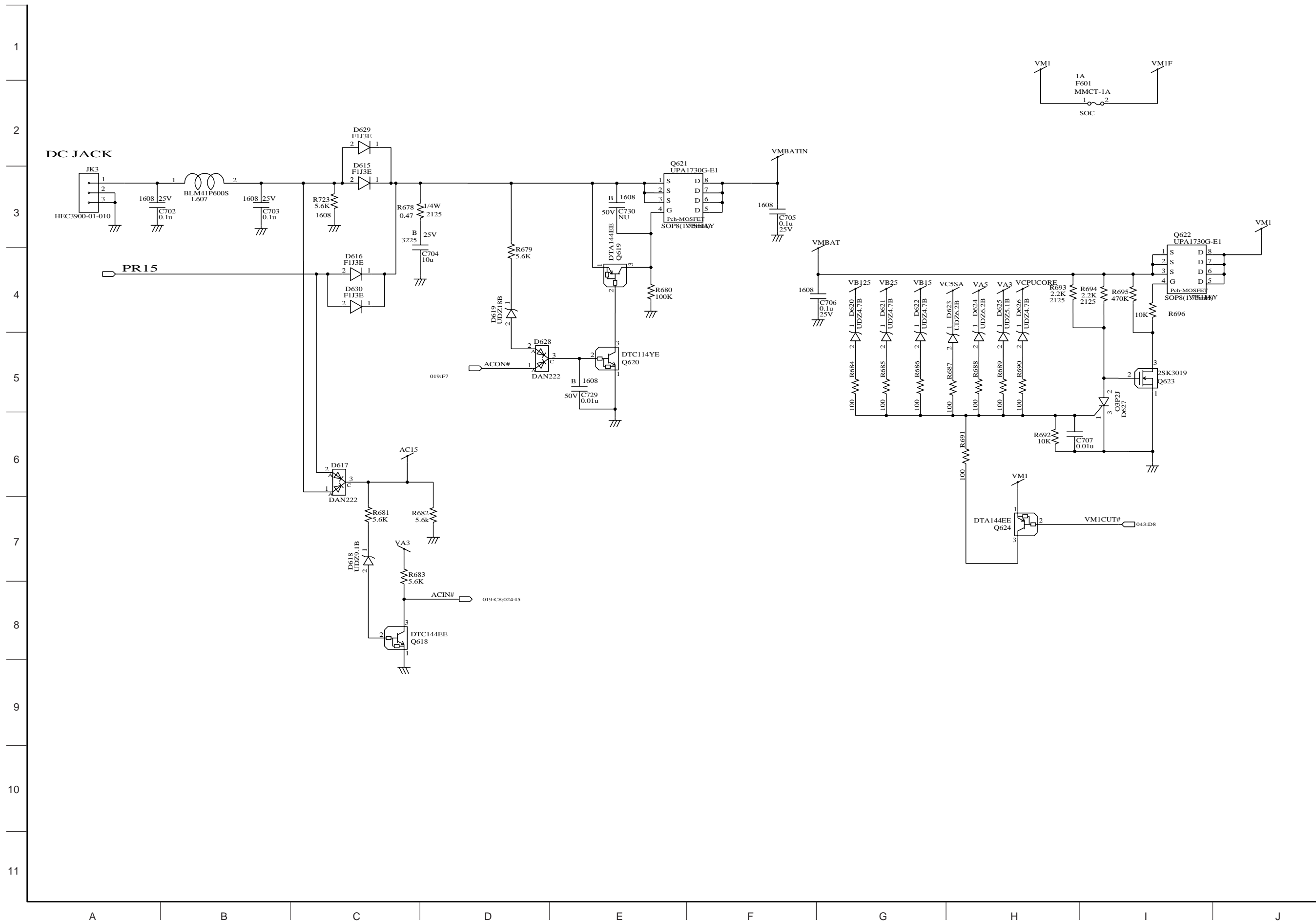
Main 37 VB15



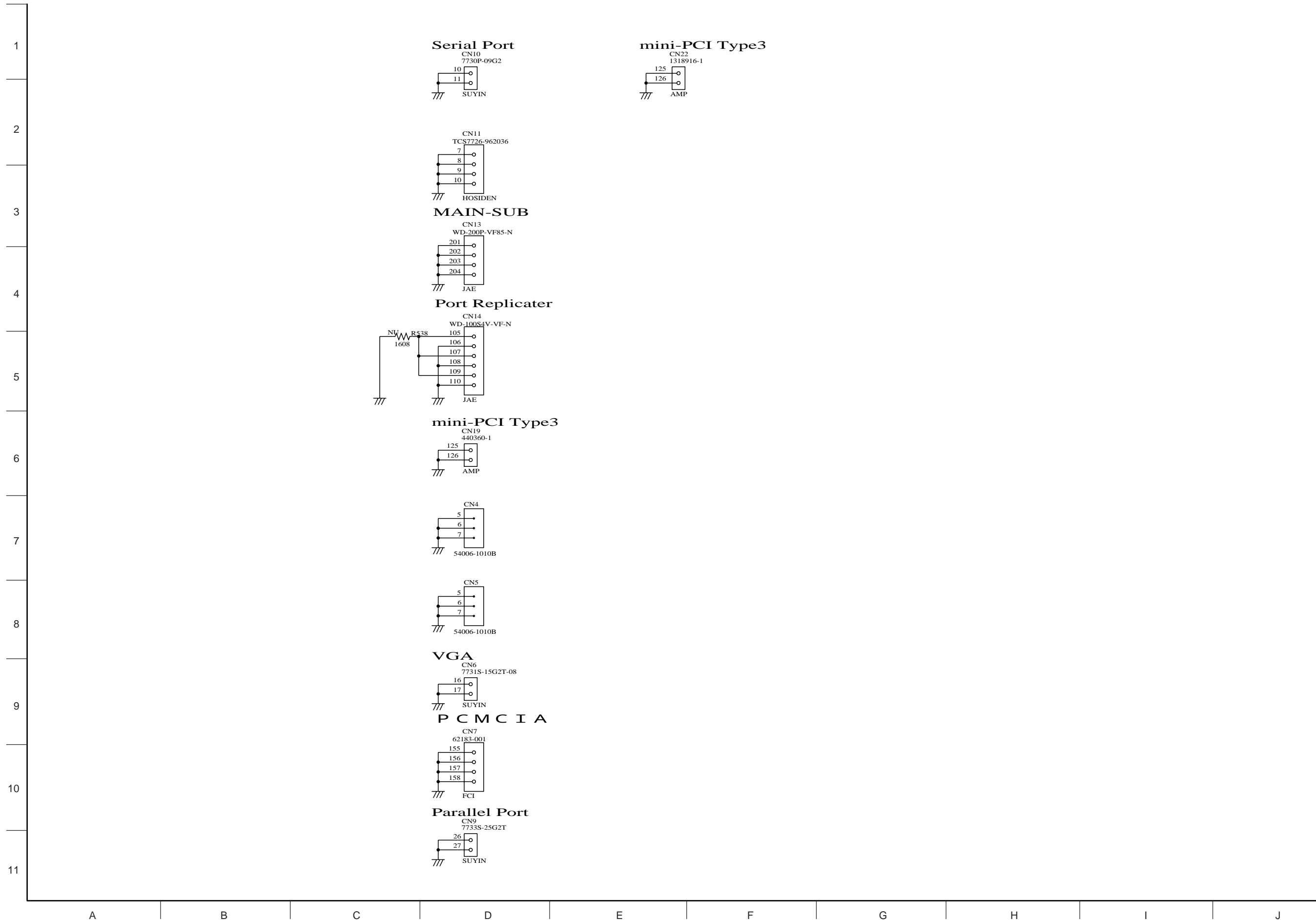
Main 38 VA5, VA3



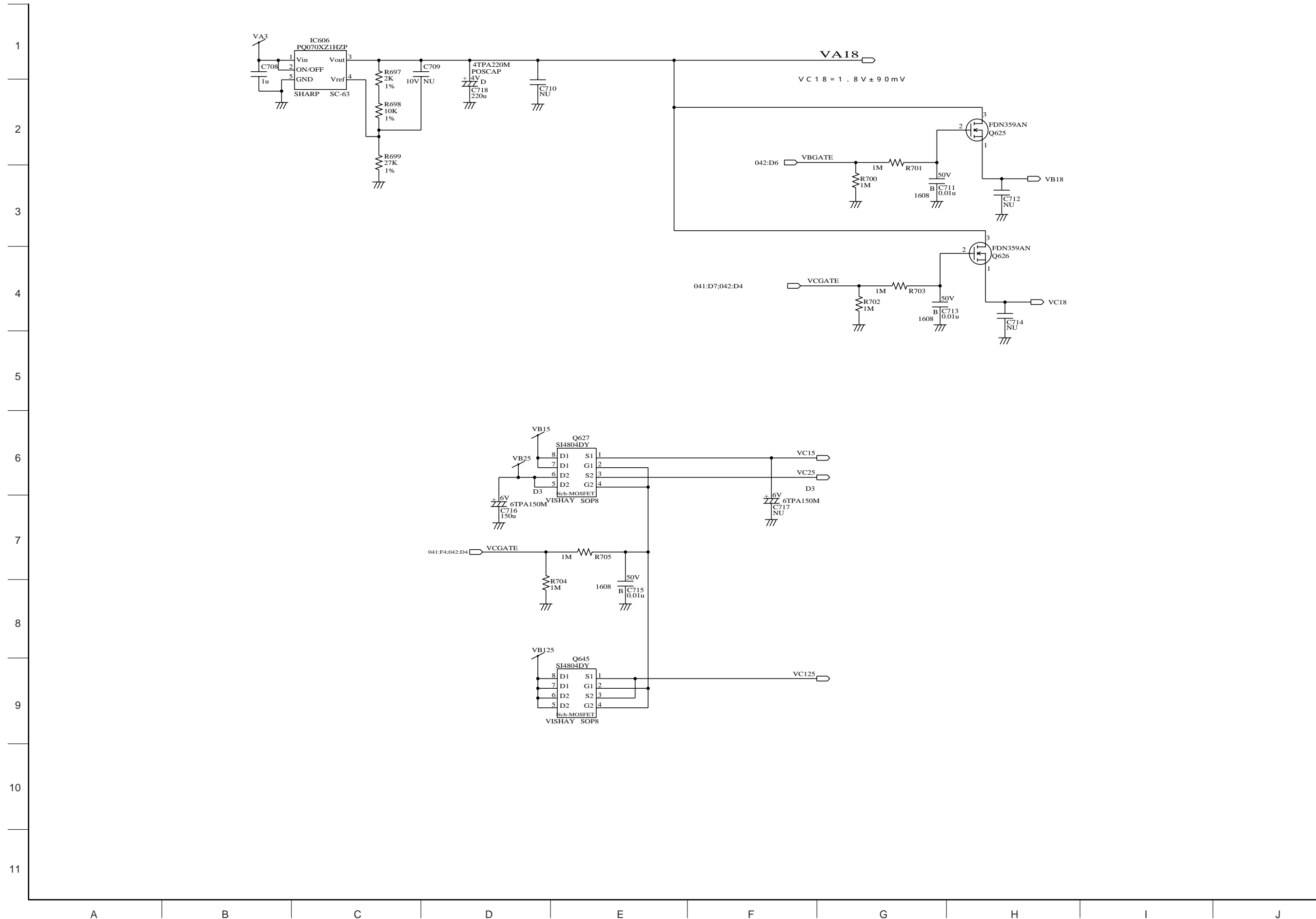
Main 39 VM1



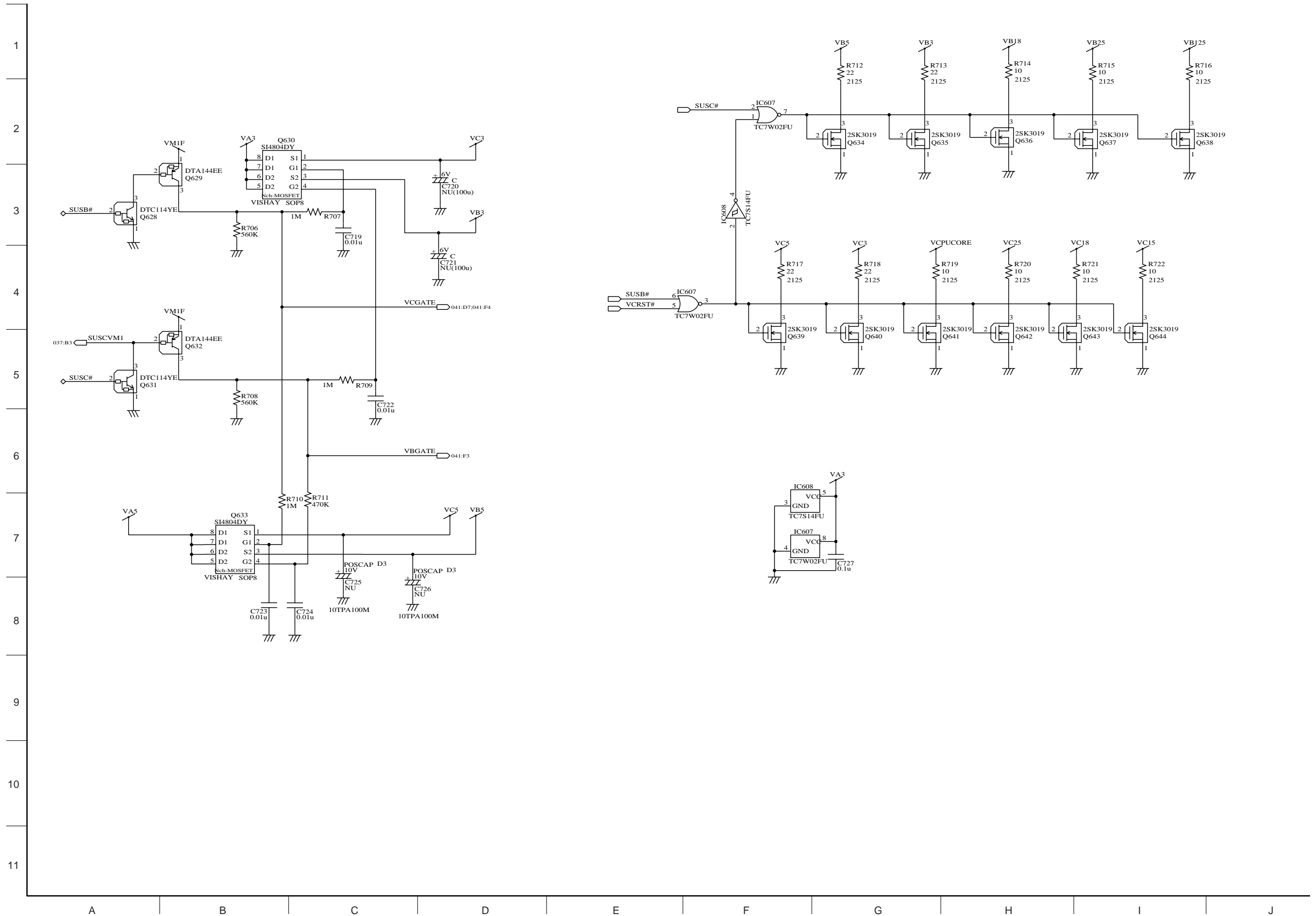
Main 40 CN-GND



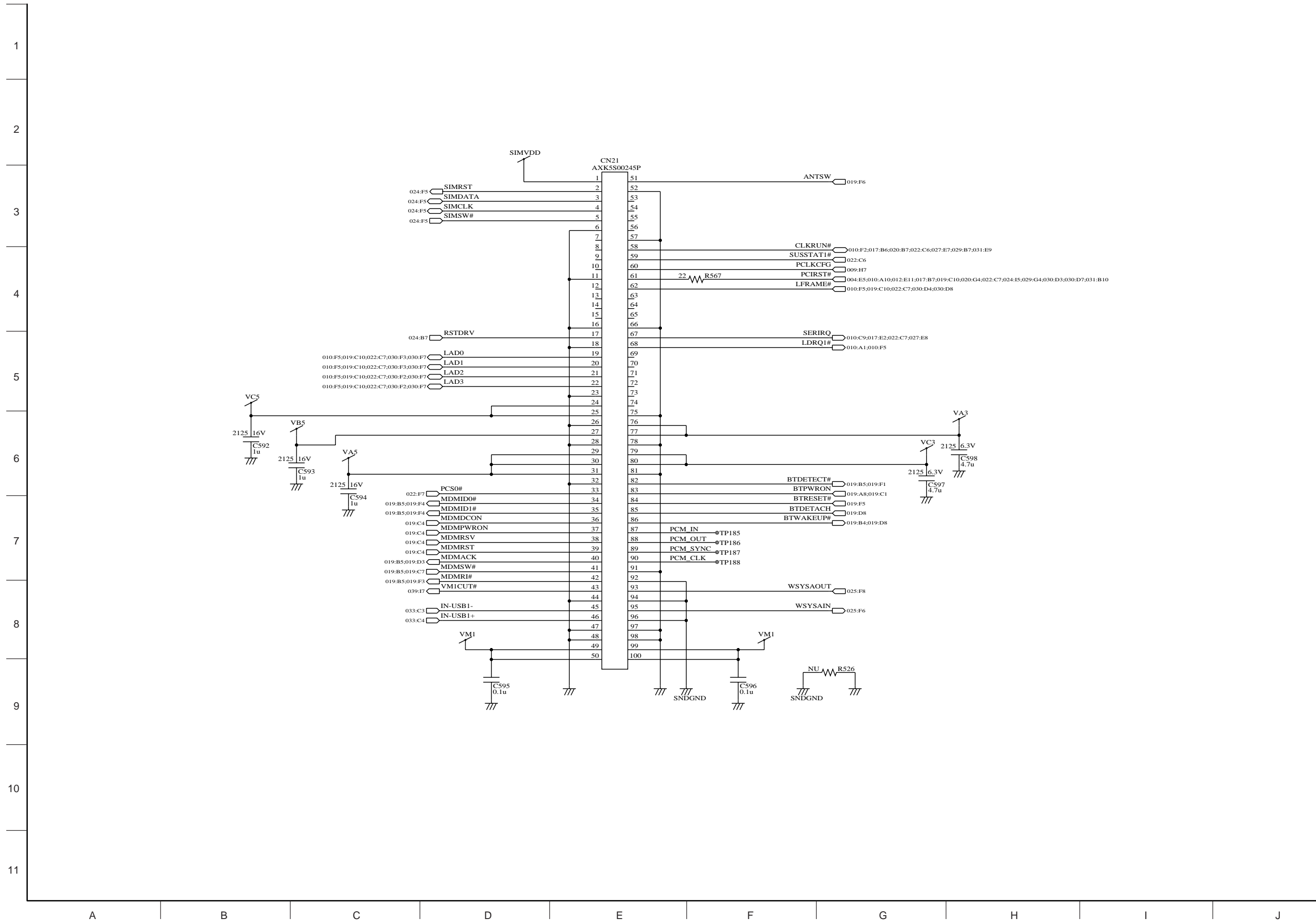
Main 41 VA18, VB18, VC18, VC15



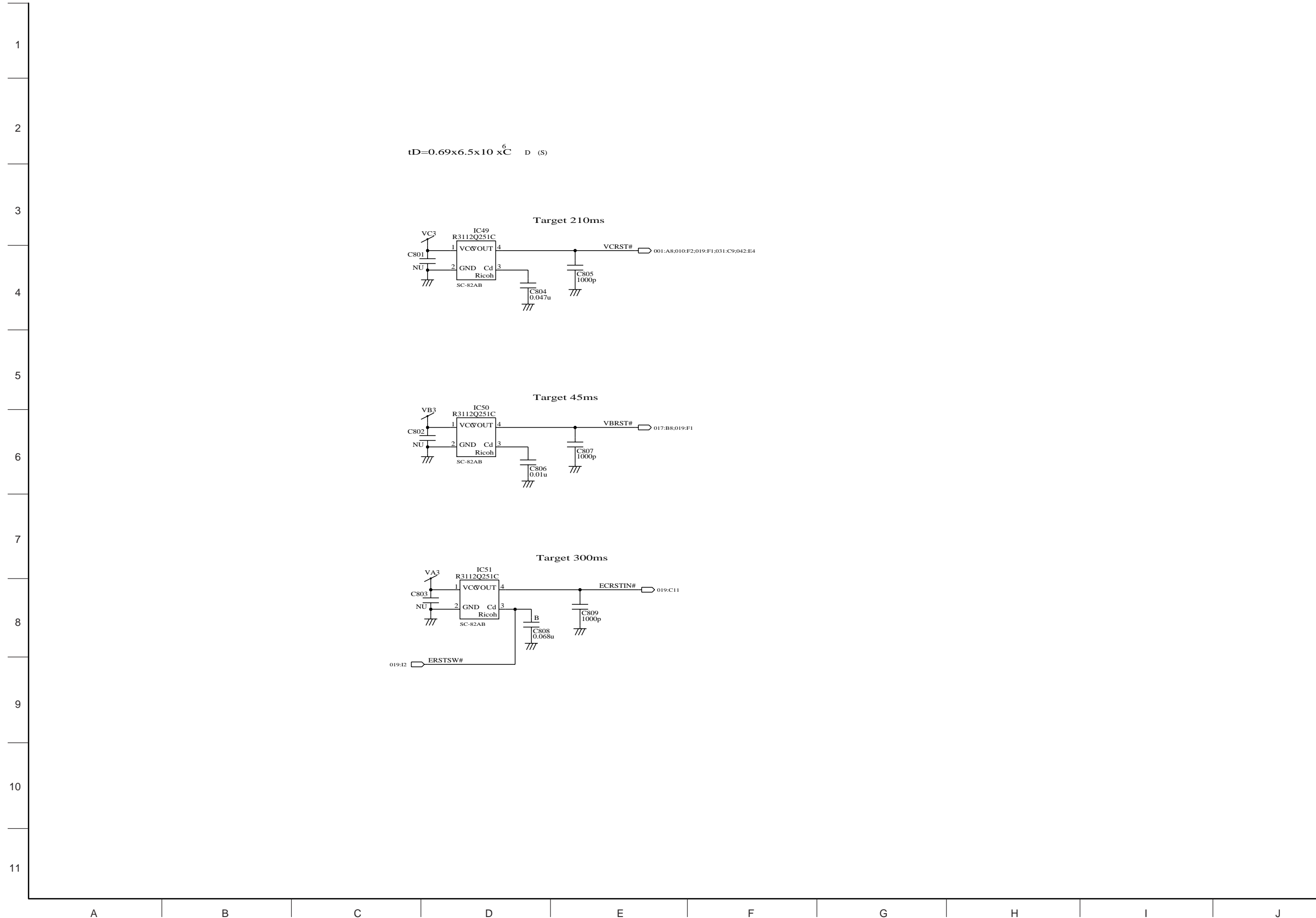
Main 42 VC3, VB3, VB5, VC5



Main 43 Config I/F

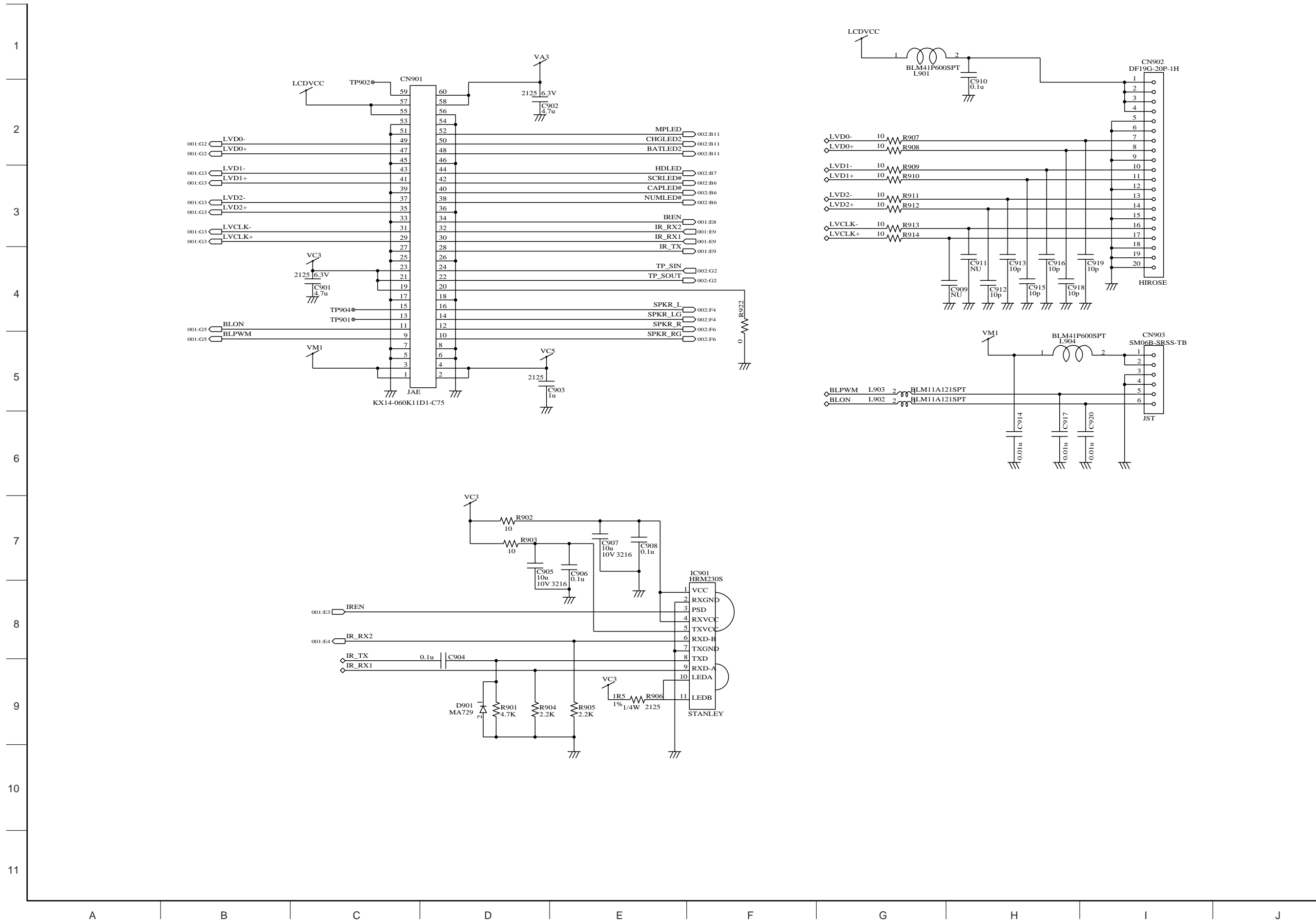


Main 44 Reset

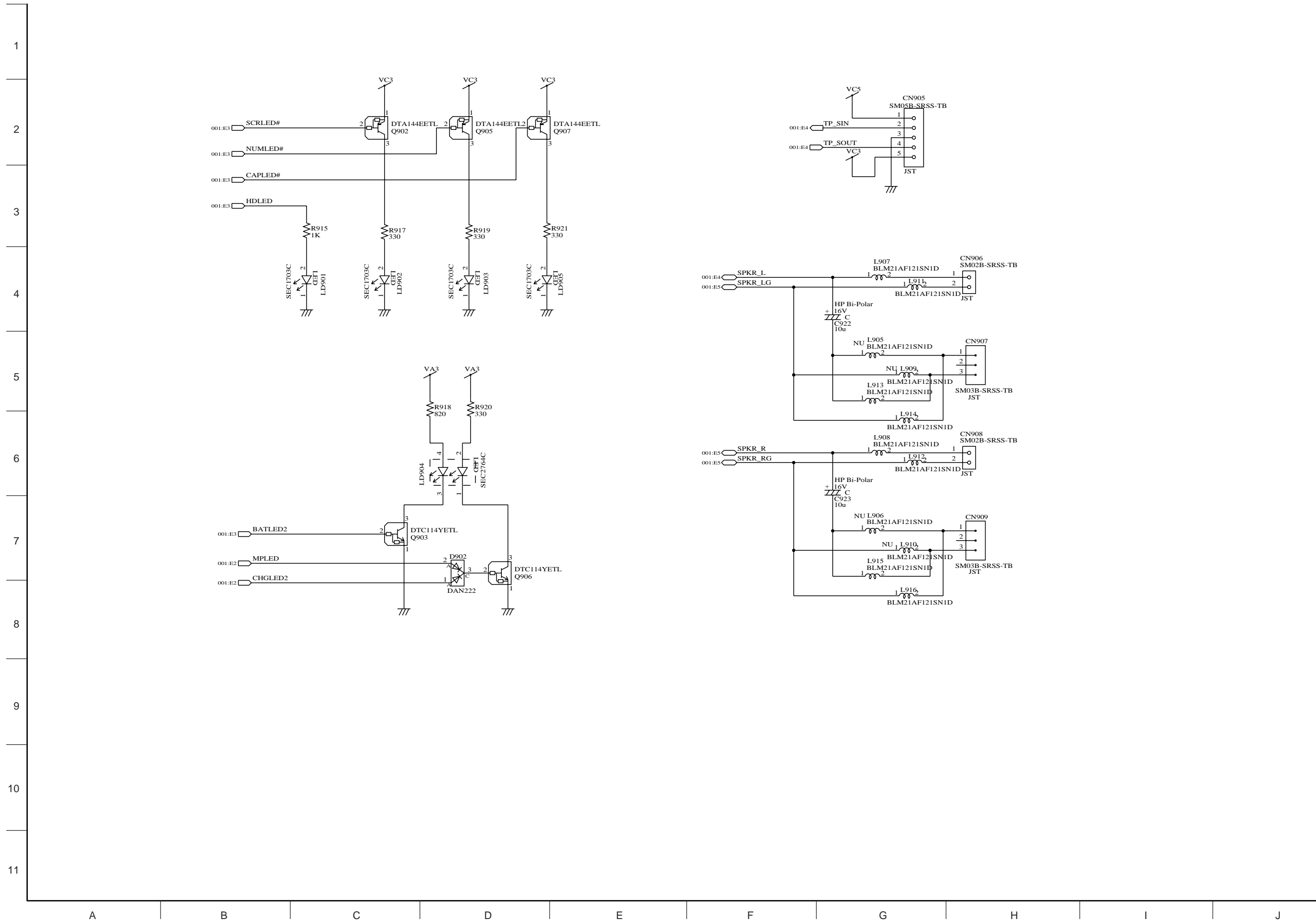


$$tD = 0.69 \times 6.5 \times 10^6 \times C \quad D \text{ (s)}$$

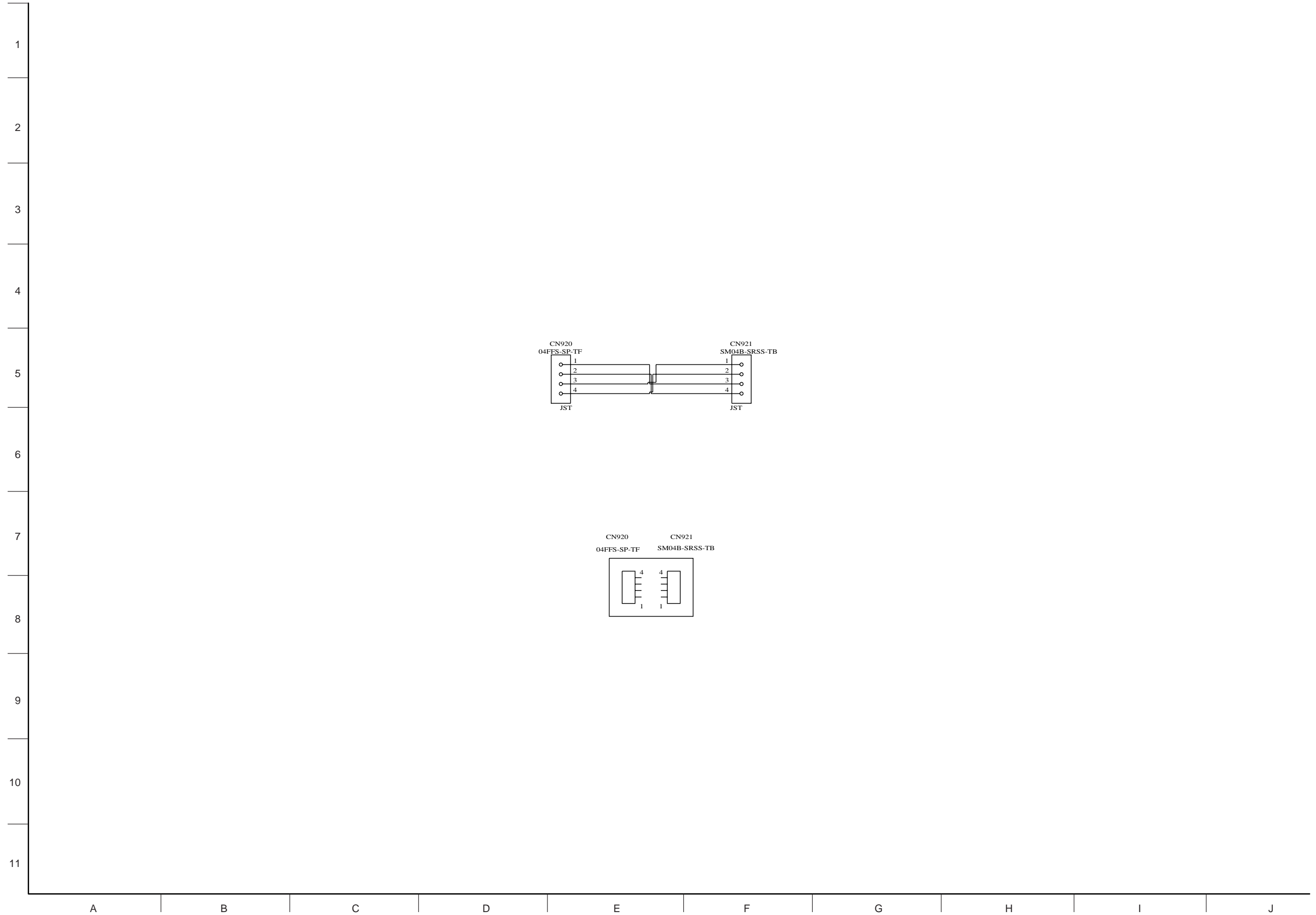
LED 1 Main-LED CN, LCD CN, IrDA



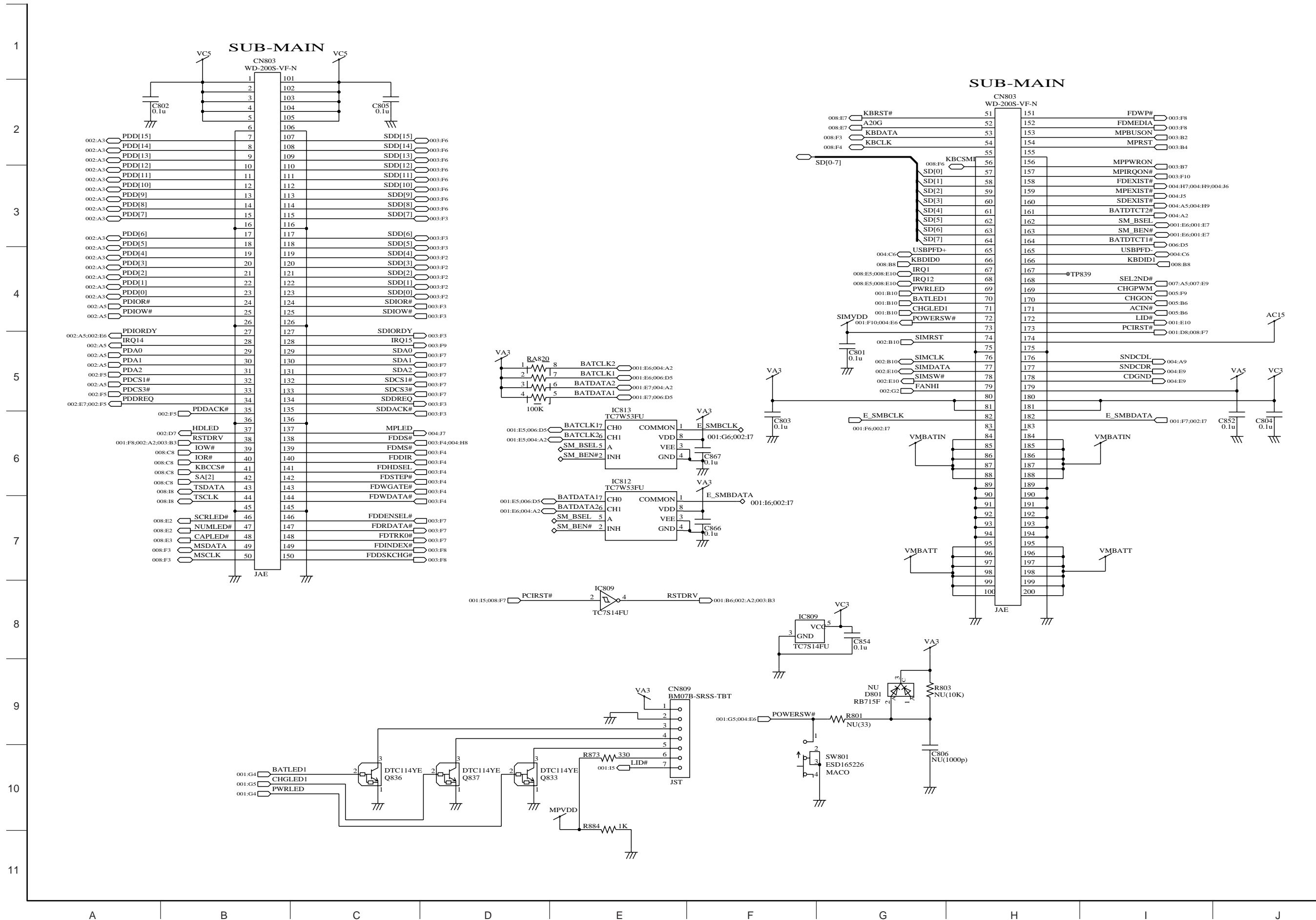
LED 2 LED, Speaker



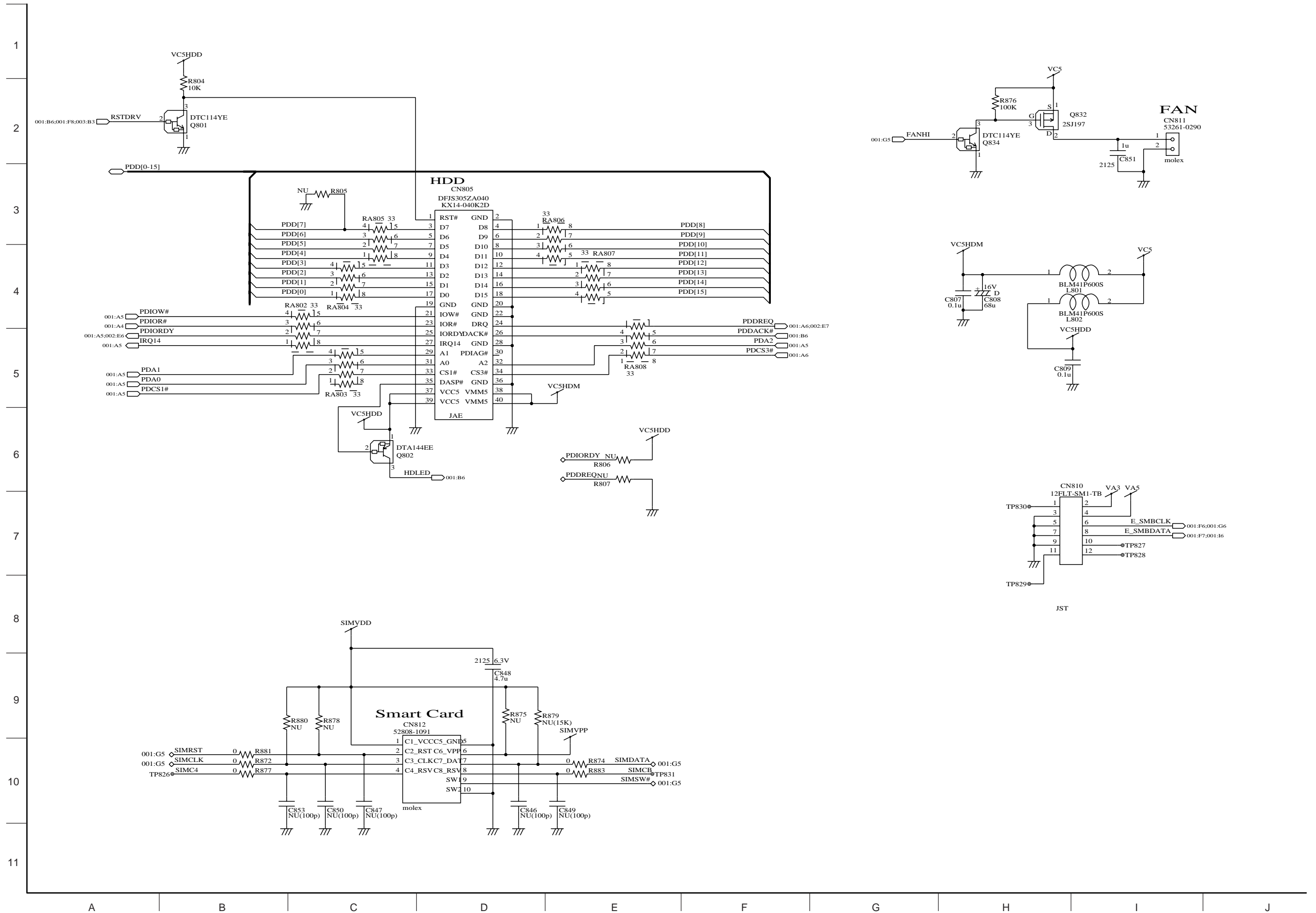
TS13 CN



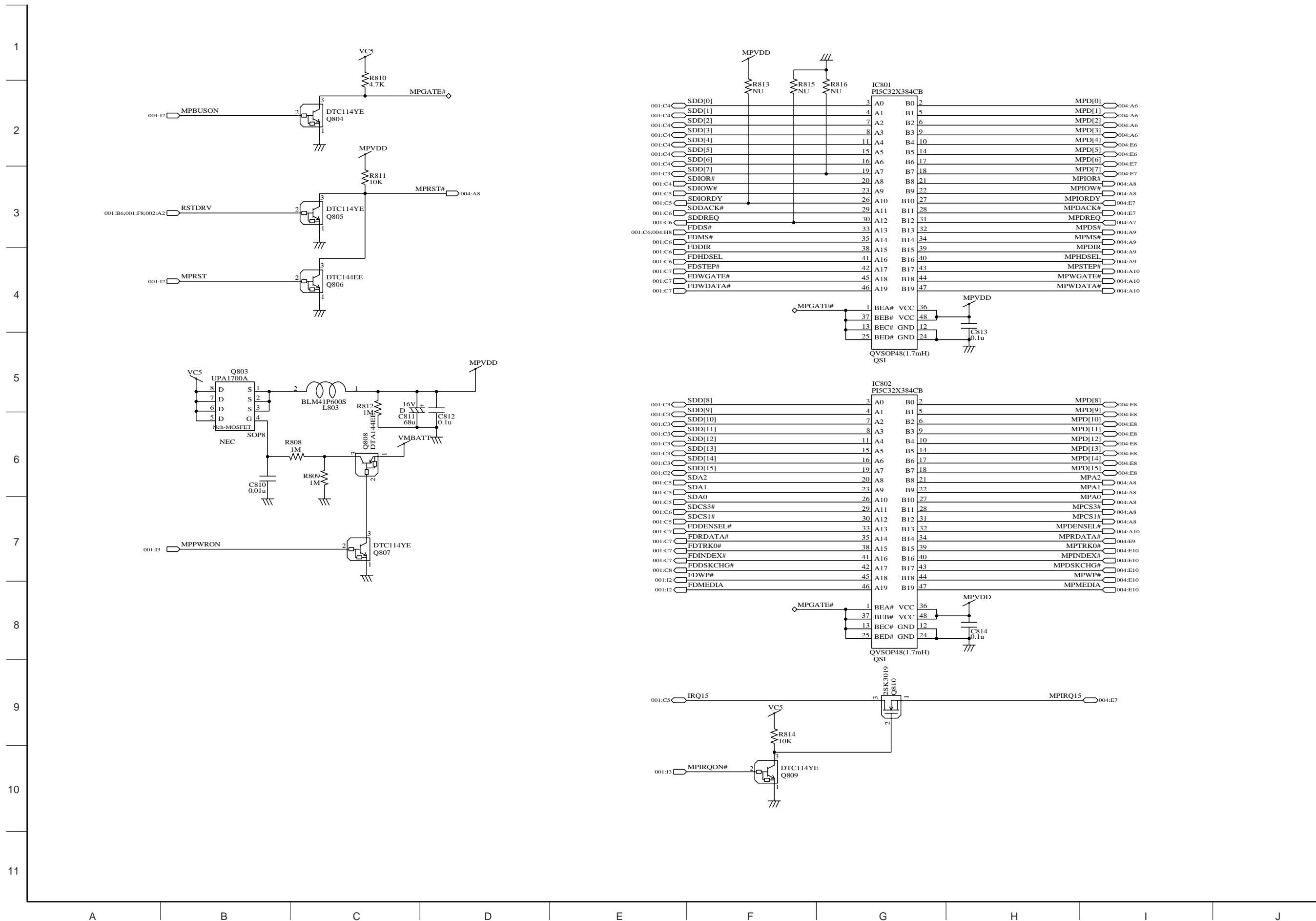
Sub 1 Sub-Other Board CN



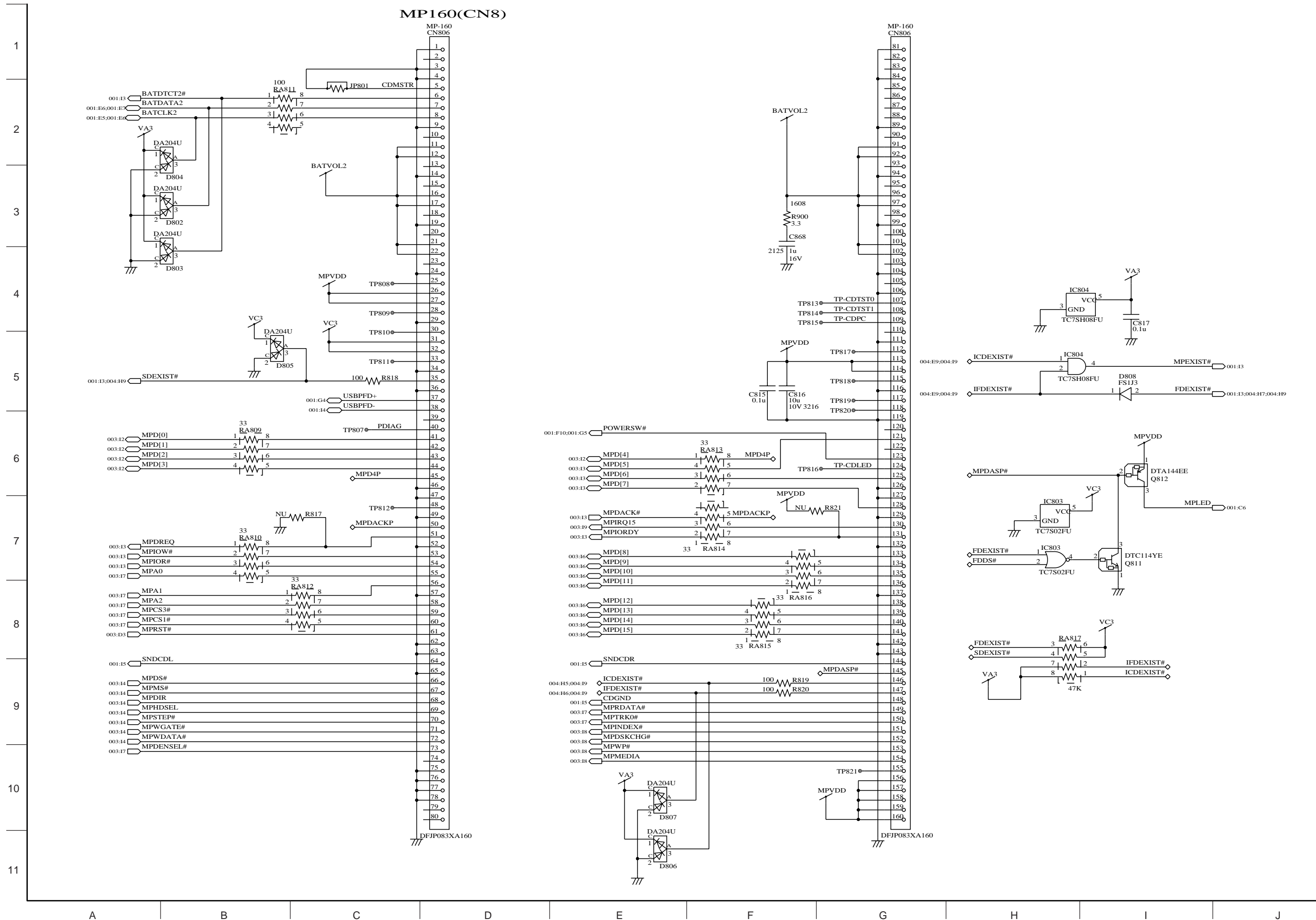
Sub 2 HDD/Smart Card/Wireless Security CN



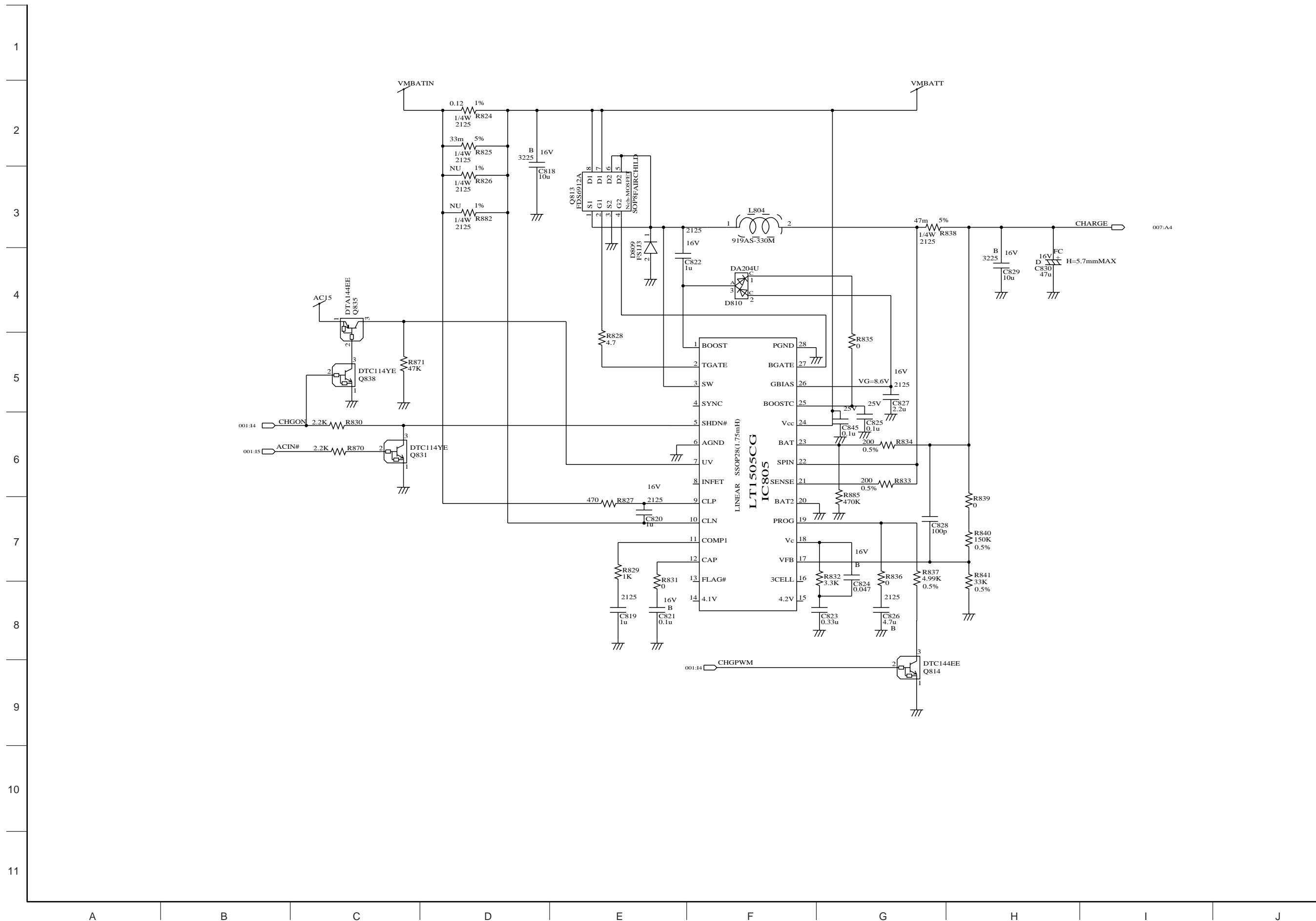
Sub 3 MP BUS Buffer



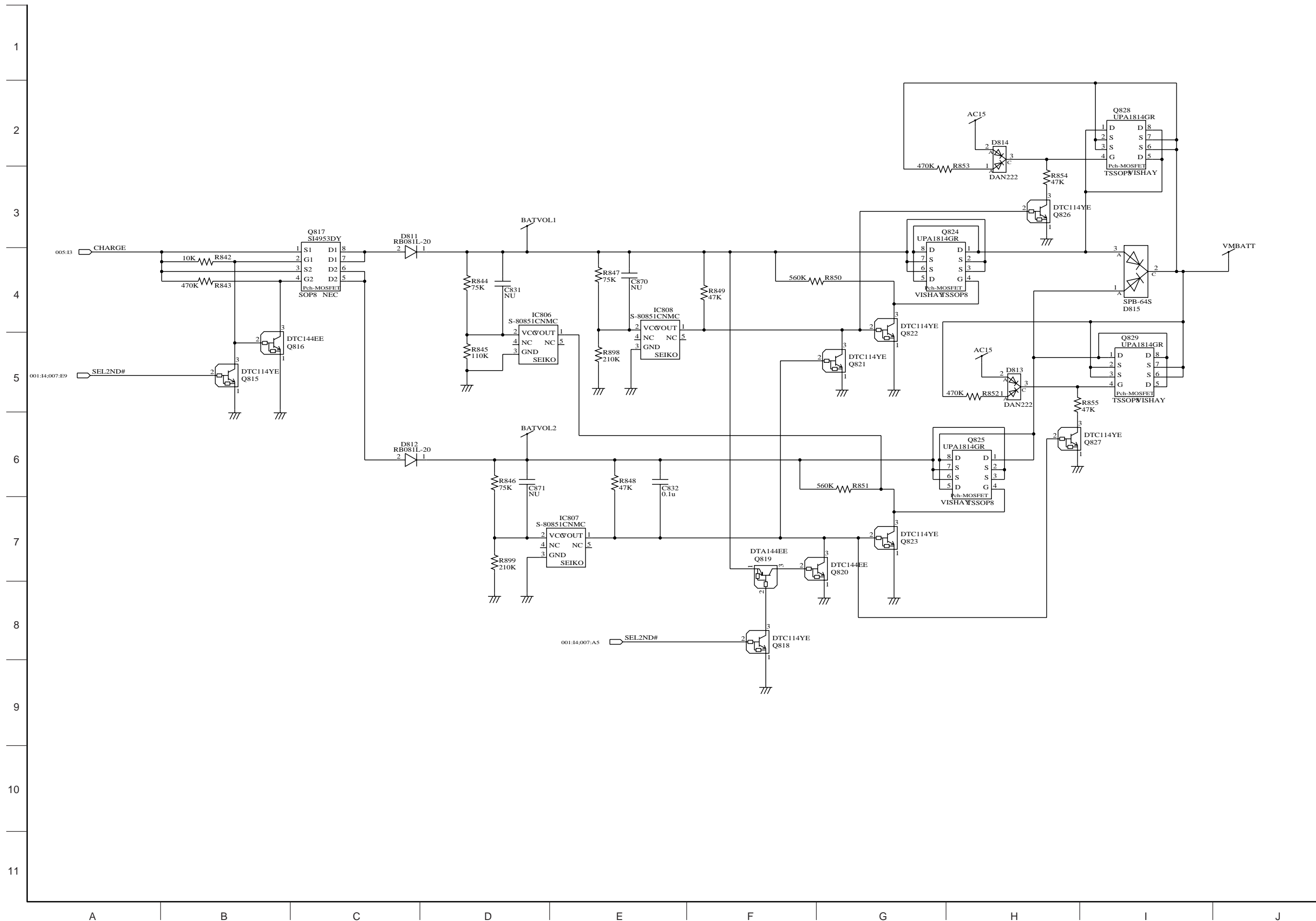
Sub 4 MP CN



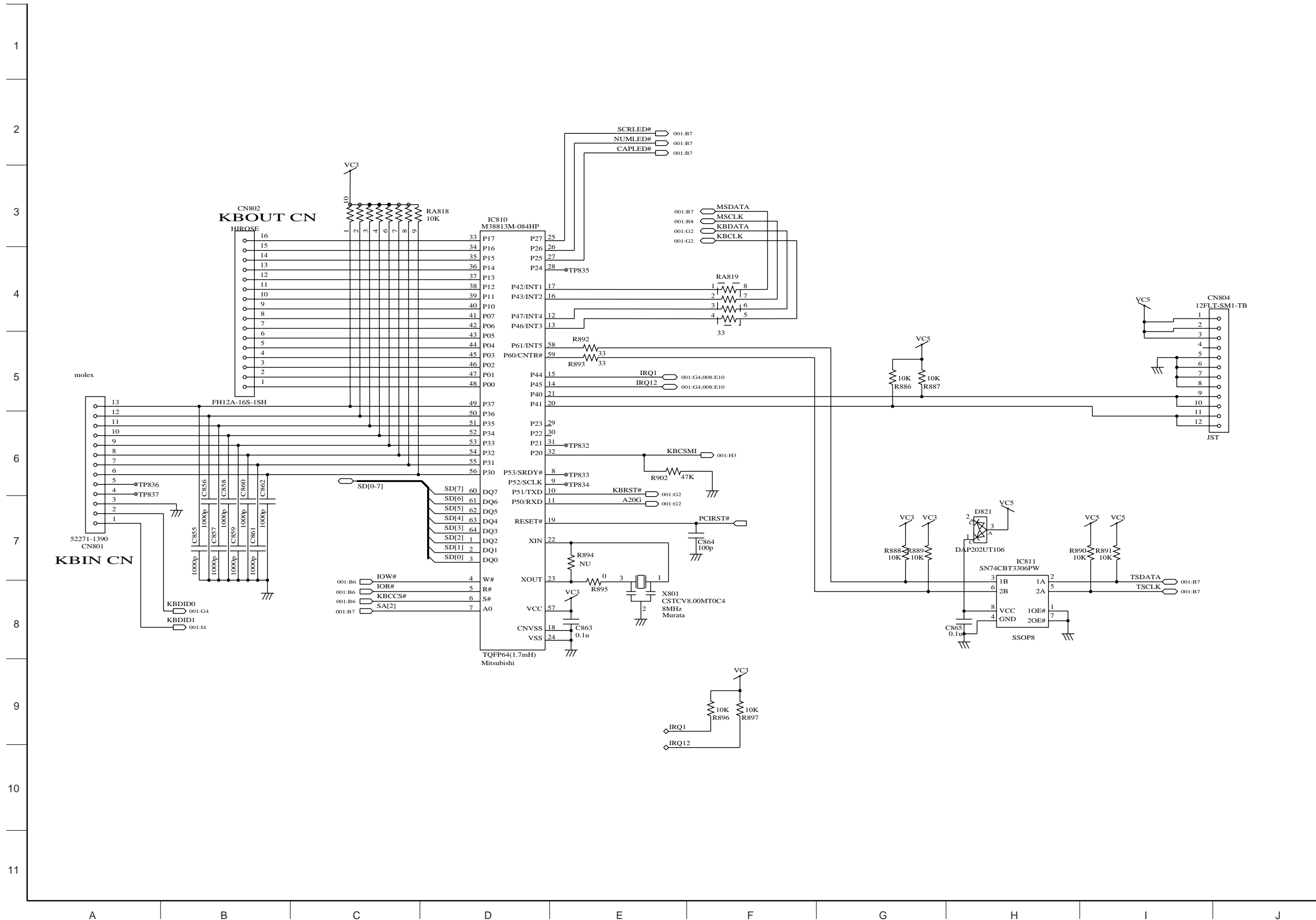
Sub 5 Charger



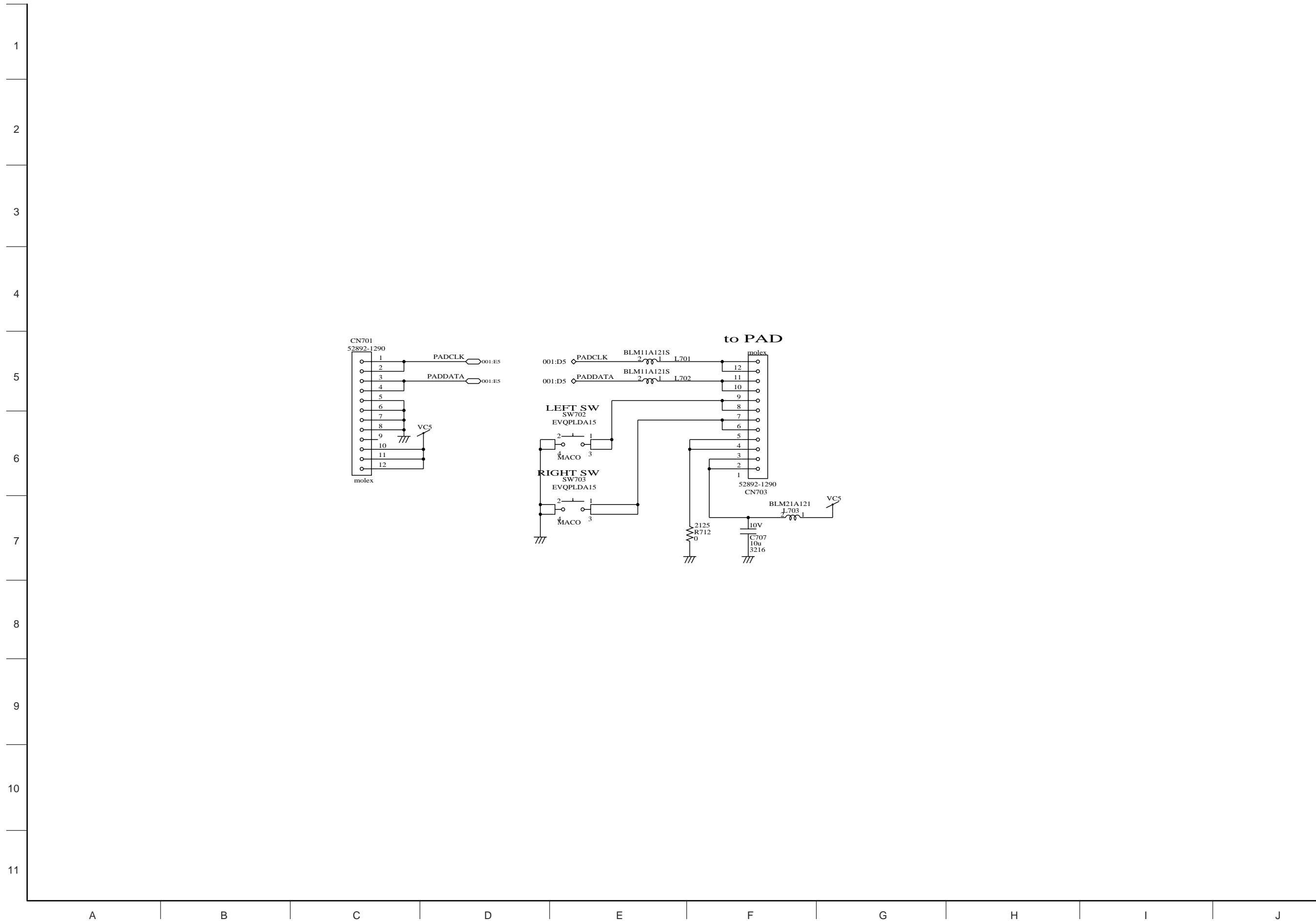
Sub 7 Battery Selector



Sub 8 Keyboard Controller



PAD CN



LID CN

