

Service Manual

Notebook Computer

Simplified

CF-72

TOUGHBOOK

This is the Service Manual for the following areas.

M...for U.S.A. and Canada

Model Number Reference

The following models are numbered in accordance with the types of CPU, LCD and HDD etc. featured by product.

Model No. CF-721 2 3 4 Z 5 6

1: CPU type

T: for Intel® Mobile Pentium® III Processor-M 1.06 GHz

2: LCD type

C: for 13.3" TFT Color with Touchscreen

3: HDD type / RAM size

J: 30 GB / 256 MB

4: Drive / Modem - LAN

U: DVD-ROM Drive / Floppy Disk Drive /Combo

5: Operation System

C: Microsoft® Windows NT®

D: Microsoft® Windows® 2000

E: Microsoft® Windows® 98

P: Dual OS (Microsoft® Windows NT® -- Microsoft® Windows® 2000)

6: Area

M: Refer to above area table

WARNING

This service information is designed for experienced repair technicians only and is not designed for use by the general public. It does not contain warnings or cautions to advise non-technical individuals of potential dangers in attempting to service a product. Products powered by electricity should be serviced or repaired only by experienced professional technicians. Any attempt to service or repair the product or products dealt with in this service information by anyone else could result in serious injury or death.

Panasonic®

© 2001 Matsushita Electric Industrial Co., Ltd. All rights reserved. Unauthorized copying and distribution is a violation of law.



WARNINGS

For U.K.

FOR YOUR SAFETY PLEASE READ THE FOLLOWING TEXT CAREFULLY

This appliance is supplied with a moulded three pin mains plug for your safety and convenience. A 3 amp fuse is fitted in this plug.

Should the fuse need to be replaced please ensure that the replacement fuse has a rating of 3 amps and that it is approved by ASTA or BSI to BS 1362.

Check for the ASTA mark  or the BSI mark  on the body of the fuse.

If the plug contains a removable fuse cover you must ensure that it is refitted when the fuse is replaced.

If you lose the fuse cover the plug must not be used until a replacement cover is obtained.

A replacement fuse cover can be purchased from your local Panasonic Dealer.

IF THE FITTED MOULDED PLUG IS UNSUITABLE FOR THE SOCKET OUTLET IN YOUR HOME THEN THE FUSE SHOULD BE REMOVED AND THE PLUG CUT OFF AND DISPOSED OF SAFELY. THERE IS A DANGER OF SEVERE ELECTRICAL SHOCK IF THE CUT OFF PLUG IS INSERTED INTO ANY 13 AMP SOCKET.

If a new plug is to be fitted please observe the wiring code as shown below.

If in any doubt please consult a qualified electrician.

Important

The wires in this mains lead are coloured in accordance with the following code:


Blue: Neutral

Brown: Live

As the colours of the wires in the mains lead of this apparatus may not correspond with the coloured markings identifying the terminals in your plug, proceed as follows:

The wire which is coloured Blue must be connected to the terminal which is marked with the letter N or coloured BLACK.

The wire which is coloured Brown must be connected to the terminal which is marked with the letter L or coloured RED.

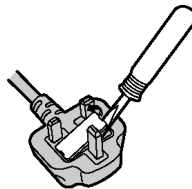
Under no circumstances should either of these wires be connected to the earth terminal of the three pin plug, marked with the letter E or the Earth Symbol .

The mains plug on this equipment must be used to disconnect the mains power.

Please ensure that a socket outlet is available near the equipment and shall be easily accessible.

How to replace the fuse

Open the fuse compartment with a screw-driver and replace the fuse.



Warnings

This equipment is not designed for connection to an IT power system.

(An IT system is a system having no direct connections between live parts and Earth; the exposed-conductive-parts of the electrical installation are earthed.)

An IT system is not permitted where the computer is directly connected to public supply systems in the U.K.)

Disconnect the mains plug from the supply socket when the computer is not in use.

This equipment is produced to BS800/1983.

LASER SAFETY INFORMATION

For U.S.A.

Class 1 LASER-Product

This product is certified to comply with DHHS Rules 21 CFR Subchapter J.

This product complies with European Standard EN60825 (or IEC Publication 825)

For all areas

This equipment is classified as a class 1 level LASER product and there is no hazardous LASER radiation.

Caution:

- (1) Use of controls or adjustments or performance of procedures other than those specified herein may result in hazardous radiation exposure.
- (2) The drive is designed to be incorporated into a computer-based system or unit which has an enclosing cover. It should never be used as a stand alone drive.

Danger:

The serviceman should not remove the cover of drive unit and should not service because the drive unit is a non-serviceable part.

Please check DANGER label on PD-drive unit.

- Unplug the AC power cord to the equipment before opening the top cover of the drive.
- When the power switch it on, do not place your eyes close to the front panel door to look into the interior of the unit.

LASER Specification

Class 1 level LASER Product

Wave Length:	DVD	658 ± 8 nm
	CD	775~815 nm

Laser safety information is appropriate only when drive with laser is installed.

LITHIUM BATTERY ⚠

• CAUTION

Danger of explosion if battery is incorrectly replaced.

Replace only with the same or equivalent type recommended by the equipment manufacture.

Discard used batteries according to the manufacturer's instructions.

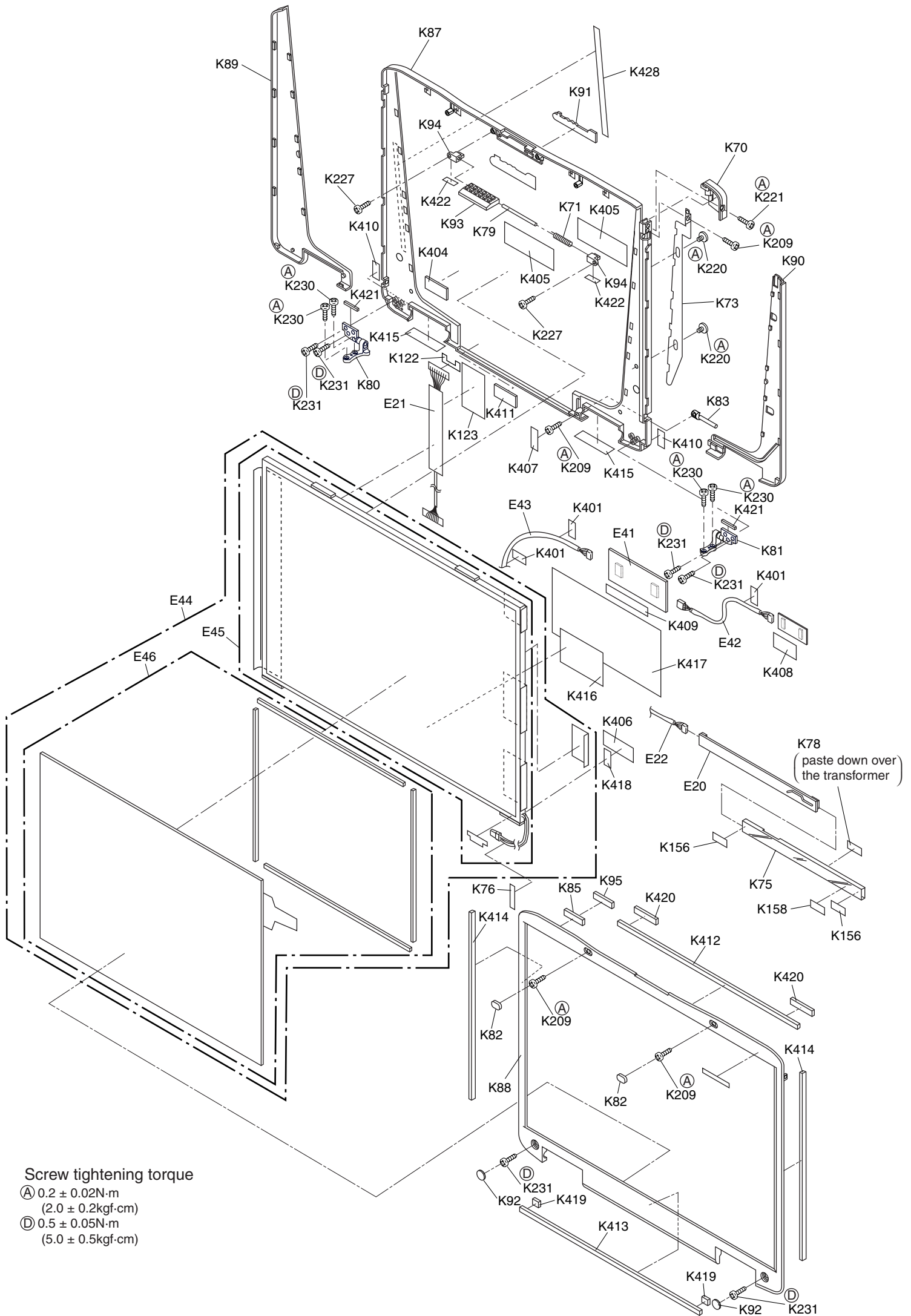
LITHIUMBATTERIES ⚠

Vorsicht!

Explosionsgefahr bei unsachgemäßem Austausch der Batterie. Ersatz nur durch denselben oder einen vom Hersteller empfohlenen ähnlichen Typ. Entsorgung gebrauchter Batterien nach Angaben des Herstellers.

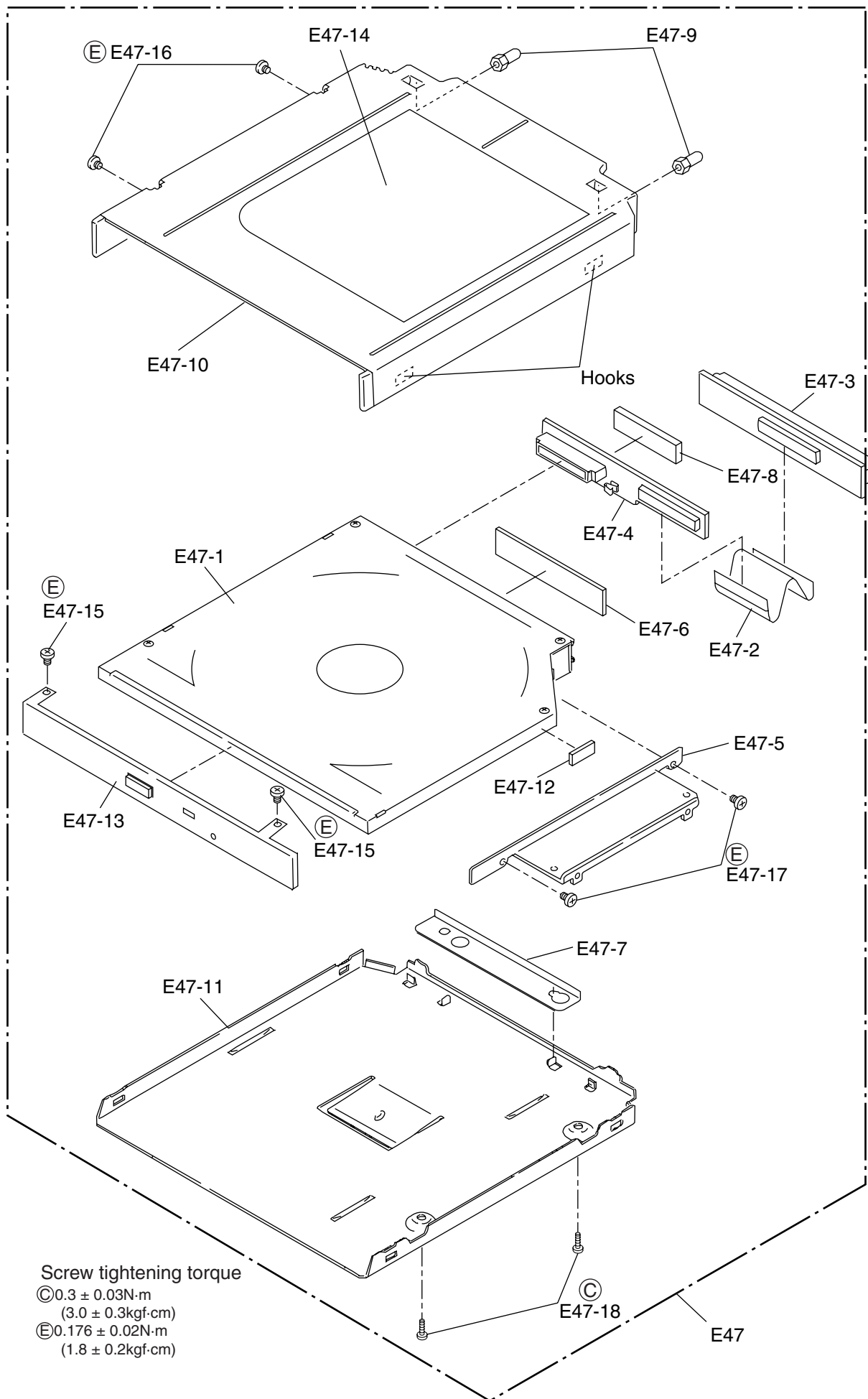
PILE AU LITHIUM ⚠

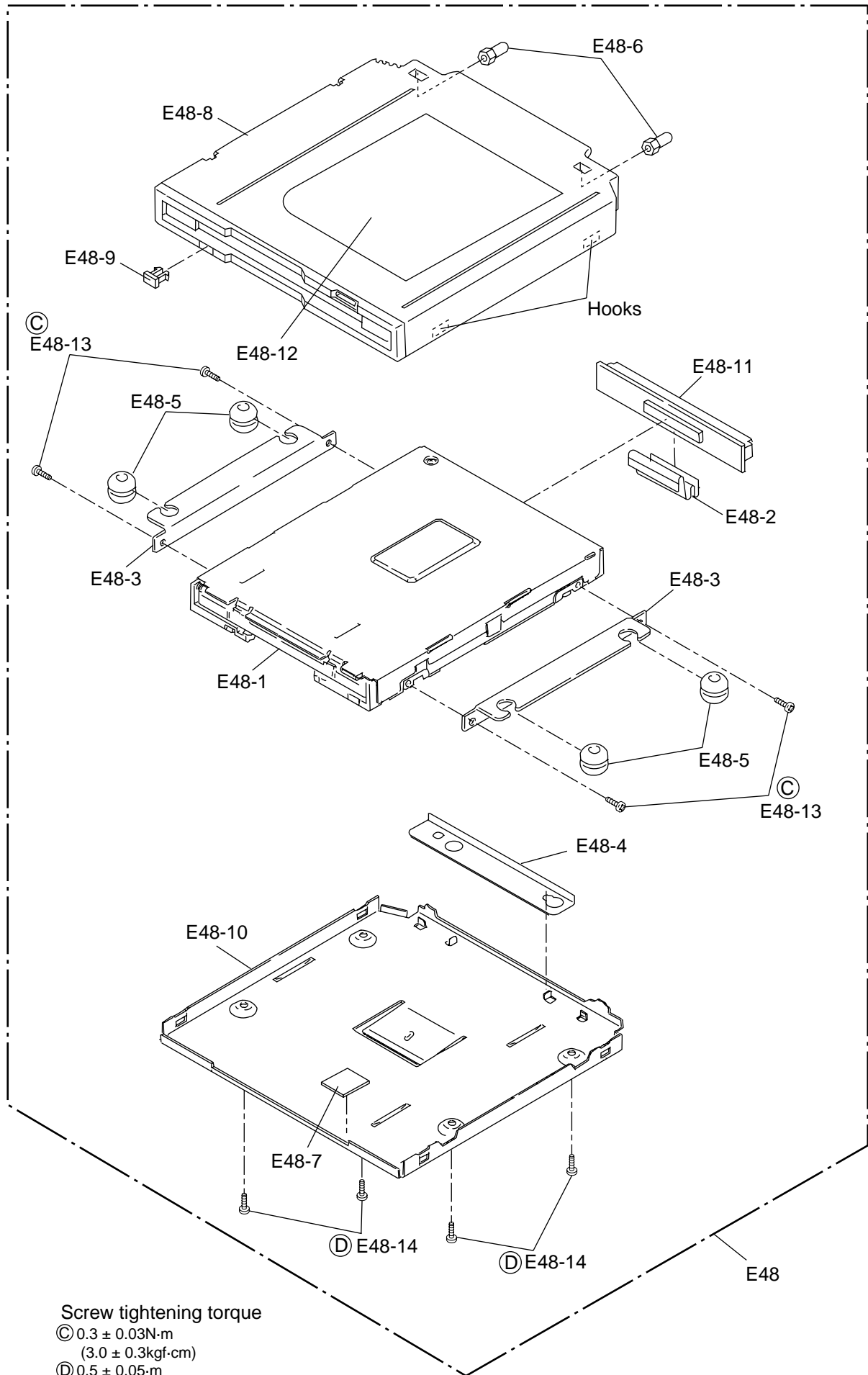
ATTENTION: IL Y A DANGER D'EXPLOSION S' IL Y A REMPLACEMENT INCORRECT DE LA PILE. REMPLACER UNIQUEMENT AVEC UNE PILE DU MÊME TYPE OU D'UN TYPE RECOMMANDÉ PAR LE CONSTRUCTEUR. METTRE AU RÉBUT LES PILES USAGÉES CONFORMÉMENT AUX INSTRUCTIONS DU FABRICANT.



Screw tightening torque

- Ⓐ $0.2 \pm 0.02\text{N}\cdot\text{m}$
($2.0 \pm 0.2\text{kgf}\cdot\text{cm}$)
- Ⓓ $0.5 \pm 0.05\text{N}\cdot\text{m}$
($5.0 \pm 0.5\text{kgf}\cdot\text{cm}$)








Screw tightening torque

- © $0.3 \pm 0.03\text{N}\cdot\text{m}$
($3.0 \pm 0.3\text{kgf}\cdot\text{cm}$)
- Ⓓ $0.5 \pm 0.05\text{N}\cdot\text{m}$
($5.0 \pm 0.5\text{kgf}\cdot\text{cm}$)

Replacement Parts List (CF-72TCJUZxM)

Note: Important Safety Notice

Components identified by  mark have special characteristics important for safety. When replacing any of these components, use only manufacturer's specified parts.

REF. NO. and AREA		PART NO.	DESCRIPTION	Q'TY
Main Block Unit				
E 1		DL3U11156BAA	PCB, MAIN	RTL 1
E 2		DL3U21156BAA	PCB, LED	RTL 1
E 3		DL3U11105BAA	PCB, SUB	RTL 1
E 4		DL3U21105BAA	PCB, PAD	RTL 1
E 5		DL3U31105BAA	PCB, LID	RTL 1
E 10		DL3U11054BAA	PCB, FPC, HDD	RTL 1
E 11		DFAS9001ZA	ASS'Y, SPEAKER 36	2
E 12		DFAS9002ZA	ASS'Y, SPEAKER 20	2
E 13		UDQFVEH01	FAN MOTOR	1
E 14		DFJS637ZA	CABLE, INDICATOR	1
E 15		DFJE12M030BB	FFC, PAD	1
E 16		DFJE12M109HB	FFC, PCB, PAD	1
E 20		DFWP0119XA	INVERTER	1
E 21		DFJS734YA	CABLE, LCD	1
E 22		DFJS636ZA	CABLE, INVERTER	1
E 23		N3CABQD00001	HDD	1
E 24		DFSX1A71UATG	KEYBOARD, US	1
E 25		DFWP0132ZA	CARD, MODEM, MINI PCI	1
E 26		DFJS638YA	CABLE, MODEM	1
E 28		C2GBC0000141	CPU	1
E 29		K1NBF4Z00001	CONNECTOR, PCMCIA	1
E 30		CR2032/S5J	BATTERY	1
E 31		N2EAEEC00001	TOUCH PAD	1
E 41		N5BDBA000001	PCB, CONTROL, TOUCH SCREEN	1
E 42		DFJS658ZA	TS EXTENTION CABLE	1
E 43		DFJS709ZA	TS CABLE	1
E 44		DFWV08A0044	ASS'Y, LCD / TOUCH SCREEN PANEL	1
E 45		DFWV08A0045	ASS'Y, LCD UNIT	1
E 46		DFWV84A0209	TOUCH SCREEN PANEL KIT	1
E 47		DL2BA1092FAA	DVD UNIT	1
E 47-1		DFWV78A0147	DRIVE, DVD	1
E 47-2		DFJE50N035BH	FPC	1
E 47-3		DL3U11130AAA	PCB, CONNECTOR(A)	RTL 1
E 47-4		DL3U21130AAA	PCB, CONNECTOR(B)	RTL 1
E 47-5		DFMD3064YA	PLATE, DVD	1
E 47-6		DFMX0501YA	INSULATION, PCB, DVD	1
E 47-7		DFMX0561YA	INSULATION SHEET, MP-CN	1
E 47-8		DFHG1161ZA	CONTROL, CONNECTOR	1
E 47-9		DFHE7007ZA	DVD KEY	2
E 47-10		DFKM0253XB-0	CAB, DVD TOP	1
E 47-11		DFGE0027YA	CHASSIS, DVD	1
E 47-12		DFHR7614ZA	SPACER, DVD	1
E 47-13		LMYP0445	BEZEL, DVD	1
E 47-14		DFGT0834ZA	RATING LABEL	1
E 47-15		JDLB0007ZA	SCREW	2
E 47-16		DFHM0177YA	SCREW	2

E 47-17		DFHE5067YA	SCREW	2
E 47-18		DFHE5086ZA	SCREW	2
E 48		DL1BA1132AAA	FDD UNIT	1
E 48-1		DFJG065ZA-T	DRIVE, FD	1
E 48-2		DFJE9071ZAH	FPC	1
E 48-3		DFMD2113ZA	PLATE, FDD	2
E 48-4		DFMX0561YA	INSULATION SHEET, MP-CN	1
E 48-5		DFDB0004XA	DUMPER	4
E 48-6		DFHM0176ZA	NUT, FDD	2
E 48-7		DFHE0118ZB	GASKET	1
E 48-8		DFKM0253YB-0	CABINET, FDD	1
E 48-9		DFGL0018ZC-3	LENS, LED	1
E 48-10		DFGE0027ZA	CHASSIS	1
E 48-11		DL3UP0982AAA	PCB, FDD	1
E 48-12	⚠	DFQT6234ZA	CAUTION LABEL	1
E 48-13		XYN26+J4FN	SCREW	4
E 48-14		XTB26+6GFN	SCREW	4
Accessories				
A 1	⚠	CF-AA1639AM1	AC ADAPTER	1
A 2	⚠	CGA-E/605A	BATTERY PACK	1
A 3	⚠	DFJA0047ZAKK	AC CABLE	1
A 4		DFJS535ZA	CABLE, MODEM	1
A 6	⚠	DFQX5280ZA	OPERATING INSTRUCTIONS	1
A 11		DFHR9039ZA-0	PEN	1
Packing Material				
P 1		DFPN9111YA	CUSHION	1
P 2		DFPK1060YA	CASE, PACKING	1
Mechanical Parts				
K 1		DFMD7688YA	ANGLE, JACK	1
K 2		DFMD7694ZA	HOLDER, PAD	1
K 3		DFMX0828ZA	INSULATOR PCB, LED	1
K 4		DFMX0829ZA	INSULATOR PCB, SUB	1
K 5		DFMX0830ZA	INSULATOR SUB PCB, 2	1
K 6		DFMX0848YA	INSULATOR PCB, PAD	1
K 8		DFMY0258ZA	SHEET 2, THERMAL, CPU	2
K 9		DFMY3088ZA	HEAT SPLEADER	1
K 10		DFMY3089ZA	ANGLE, HEAT, FAN	1
K 11		DFMZ0032ZA	SHEET INDICATOR	1
K 12		DFHG1363ZA-1	COVER,DUST, RJ11	1
K 13		DFHG1401ZA	RUBBER, WATERPROOF	1
K 14		DFHG1404ZB	CUSHION, PAD	1
K 15		DFMX0657ZA	SHEET, CABLE	1
K 16		DFHE0399ZA	GASKET, IO-2	1
K 17		DFHE0238ZA	GASKET, LED PCB	1
K 18		DFHE0401ZA	GASKET, B, PCB, LED	1
K 19		DFHE0403ZA	GASKET, CASE, PCB	1
K 20		DFHE0405ZA	GASKET, IO-1	3
K 21		DFHR7946ZA	SHEET,GUDE,MPI	1
K 22		DFHE0407ZA	GASKET, CABLE, LCD	1
K 23		DFHE0419ZA	GASKET, SHAFT, EMI	1
K 24		DFKM0365ZB	CHASSIS, TOUGH	1
K 25		DFKM8138YA-0	ASS'Y, PALMREST	1
K 26		DFKM8139YA-0	ASS'Y, COVER, CENTER	1
K 27		DFKF8128YA-0	ASS'Y, CASE, BOTTOM	1
K 27 -1		DFHG363ZA-0	RUBBER, FOOT	1

K 28		DFKF8129ZA-0	ASS'Y, COVER, BATTERY	1
K 28 -1		DFHG363ZA-0	RUBBER, FOOT	1
K 29		DFKH1010YB-0	ASS'Y, HANDLE	1
K 30		DFKE0538YA-0	COVER, L, HINGE	1
K 31		DFKE0539YA-0	COVER, R, HINGE	1
K 32		DFKE0540YA-0	CAB, L, EDGE, KB	1
K 33		DFKE0541YA-0	CAB, R, EDGE, KB	1
K 34		DFKE0542YA-0	COVER, L, PORT	1
K 35		DFKE0543YA-0	COVER, R, PORT	1
K 36		DFGX0252ZA-0	COVER, DIMM	1
K 37		DFBD0131ZA-0	KNOB, POWER	1
K 38		DFHR4070ZA	RING (20), SPEAKER	2
K 39		DFHR4071ZA	RING (36), SPEAKER	2
K 40		DFHR5850ZB	BLOCK, PCB	2
K 41		DFHR7855ZA	DUCT, FAN	1
K 42		DFHR7878YA	TAPE, PAD	1
K 43		DFHR7888ZA	CABLE SHEET, CABLE, LCD	1
K 44		DFHR8355ZA	CUSHION, SPEAKER	2
K 45		DFHR8359ZA	WATERPROOF CENTER	1
K 46		DFHR8363ZA	KB, WATERPROOF	1
K 48		DFHR7945ZA	SHEET,COVER,HDD	1
K 49		DFHG1405ZA	CUSHION, BGA, CPU	1
K 50		DFKE0570YA-0	COVER, SLOT, PARM	1
K 51		DFKF8127XB-0	ASS'Y, CASE, PCB	1
K 51 -1		DFHG1459ZA	FOOT PAD 2	2
K 51 -2		DFGX8006ZB-0	ASS'Y, SHUTTER, BUS	1
K 51 -3		XQN2+CJ4FN	SCREW	4
K 51 -4		DFGX8007ZA-0	ASS'Y, SHUTTER, CARD	1
K 52		DFHR7959ZA	SHEET,2,SLIDE,MP	1
K 70		DFKE0661ZA-0	COVER, N, ANTENNA	1
K 71		DFUD0031XA	LATCH, SPRING, LCD	1
K 73		DFKE0663YA	PLATE, PROTECTOR	1
K 74		DFMX0785ZA	SHEET, CABLE, INVERTER	1
K 75		DFMX0832YA	INVERTER, INSULATION	1
K 76		DFMX0833ZA	HOLDER, CABLE, INVERTER	1
K 78		DFMY0272ZA	SHEET, THERMAL, INVERTER	1
K 79		DFDF3136ZA	SHAFT, KNOB, LCD	1
K 80		DFBH1157ZA	HINGE-L	1
K 81		DFBH1158ZA	HINGE-R	1
K 82		DFHG1399XA-0	RUBBER, LEG, LCD	2
K 83		DFHE0395ZA	SHAFT, EMI, LCD	1
K 85		DFHE0418ZA	MAGNET, LID	1
K 86		DFHP7069ZA	TAPE, BOTH SIDES	1
K 87		DFKM0411ZA-0	REAR, LCD	1
K 88		DFKF0209WB-0	CABINET, FRONT, LCD	1
K 89		DFKE0659YA-0	PROTECTOR, L, EDGE	1
K 90		DFKE0660YA-0	PROTECTOR, R, EDGE	1
K 91		DFGB0062ZB-0	BADGE	1
K 92		DFGX0266ZA-0	SHEET, SCREW, LCD	2
K 93		DFBD0130YA-0	KNOB, LCD	1
K 94		DFHR5803XA	HOLDER, KNOB, LCD	2
K 95		DFHR5839ZA	SPACER, MAGNET	1
K 99		DFMD2131ZA	HOLDER, HDD	1
K 100		DFHG1397ZA	DUMPER, HDD	1
K 102		DFHR5802ZA	HOLDER, CN, HDD	1
K 103		DFHR7854ZA	COVER, HDD	1
K 104	⚠	DFGT0812ZA	LABEL, UNIT	1

K 107		DFMX0875ZA	SHEET, CABLE, PCI	1
K 108		DFHR5412ZA	CLAMP, MINI	1
K 109		DFMD2130YA	PLATE, CONFIG, IF	1
K 110		DFMD7686YA	ANGLE, PORT	1
K 111		DFHR5805ZA	GUIDE (MAIN), CN	1
K 112		DFHR5804ZA	GUIDE, CN, MP	1
K 114		DFHG1441ZA	CUSHION, CHASSIS, HDD	1
K 115		DFHG1447YA	CUSHION , 2, CN, HDD	1
K 116		DFHE0408ZA	GASKET, COVER, BATTERY	2
K 117		DFHR8368ZA	BALANCER 1, HDD	2
K 119		DFHG1440ZB	CENTER, CUSHION, PALMREST	1
K 120		DFHR8371ZA	CUSHION, SC, PALMREST	1
K 122		DFHR7912ZA	TAPE, CABLE, LCD	1
K 123		DFHE0438ZA	CLOTH, CN, LCD	1
K 133		DFHG1444ZB	CUSHION, UPPER, MP	3
K 134		DFHG1439ZA	CUSHION, PCB, SUB	2
K 135		DFHR7910ZB	SPASER, MINI PCI	2
K 136		DFHG1442ZB	CUSHION, CN, HDD	1
K 137		DFHE0462ZA	GASKET, 3, PALMREST	2
K 139		DFHE0461ZA	GASKET, 2, PALMREST	1
K 140		DFHG1450ZA	CUSHION, COVER, BATTERY	1
K 141		DFMD4031ZA	ANGLE, PALMREST	1
K 142		DFMX0657ZA	SHEET, PROTECTION, CABLE, LCD	1
K 143		DFMX0851ZA	CUSHION, FPC, KB	1
K 145		DFHE0460ZA	GASKET (2 X4X30)	2
K 147		DFGX0254ZA-0	SPACER, CN, BATT	1
K 148		DFGX0285ZA	COVER, PS2	1
K 149		DFHR5875ZA	CUSHION, L	1
K 150		DFHR5876ZA	SPACER, L	1
K 151		DFHR5877ZA	SPACER, DIMM	1
K 153		DFHR7913ZA	WATERPROOF, FPC, KB	1
K 154		DFHR7929ZA	SHEET, SLIDE, MP	2
K 155		DFHR8372ZB	SPACER, UNDER, MP	2
K 156		DFMX0880ZA	SHEET, 2, CABLE, LAMP	2
K 158		DFQT6077YA	LABEL, HIGH VOLTAGE	1
K 159		DFHR8380ZA	SHEET, CN, HDD	1
K 162		DFWV99A0057	HDD Mounting Kit for Support	1
K 401		DFMX0383WA	ISOLATION SHEET	4
K 402		DFMY3123ZA	PLATE3, CPU	1
K 403		DFHR3099YA	SPACER	2
K 404		DFMC0719ZA	GASKET, LCD CABLE	1
K 405		DFMX1003ZA	ISOLATION, T.S.	2
K 406		DFMX1004ZA	ISOLATION, INVERTER	1
K 407		DFMX1005ZA	ISOLATION2, INVERTER	1
K 408		DFHP7118ZA	TAPE, CONNECTOR PCB	1
K 409		DFHP7119ZA	TAPE, INVERTER PCB	1
K 410		DFHP7120ZA	TAPE, HINGE	2
K 411		DFHP7124ZA	TAPE	1
K 412		DFHR3240ZA	SHEET A, LCD FRONT	1
K 413		DFHR3241ZA	SHEET B, LCD FRONT	1
K 414		DFHR3242ZA	LCD FRONT SIDE	2
K 415		DFHR3246ZA	SHEET, HINGE	2
K 416		DFHR3248ZA	CUSSION, T.S.	1
K 417		DFHR3249ZA	SHEET, T.S.	1
K 418		DFHR3258ZA	TAPE, INVERTER	1
K 419		DFHR3263ZA	SHEET, UPPER, LCD FRONT	2

K 420		DFHR3264ZA	SHEET, UNDER, LCD FRONT	2
K 421		DFHR3265ZA	DUMPER, UNDER, T.S.	2
K 422		DFHR3266ZA	DUMPER, UPPER, T.S.	2
K 423		DFMC0728ZA	SHIELD1, MODEM	1
K 424		DFMC0729ZA	SHIELD2, MODEM	2
K 425		DFHR3261ZA	SHEET, MODEM	1
K 426		DFHR3262ZA	TAPE, MODEM	2
K 427		DFHR3275ZA	STOPPER, MINI PCI	2
K 428		DFHP7117ZA	EDGE PROTECTOR TAPE	1
K 429		DFQT9675ZAT	LABEL, ENERGY STAR	1
K 201		XYN2+J12FZ	SCREW	7
K 202		XYN2+J16FN	SCREW	2
K 203		XYN2+J6FN	SCREW	2
K 204		XTB2+16GFN	SCREW	4
K 205		XTB2+5GFN	SCREW	5
K 206		XTB26+20GFN	SCREW	2
K 207		DXHM0021ZA	SCREW	2
K 208		DFHE5020YB	SCREW	2
K 209		DFHE5025XA	SCREW	4
K 210		DXQT2+G5FUBN	SCREW	2
K 220		DXHM0025ZA	SCREW	2
K 221		DFHE5020XA	SCREW	1
K 222		DFHE5025XA	SCREW	4
K 223		XYN2+J4FN	SCREW	4
K 224		IKT0104AA	SCREW	6
K 225		DFHE5025XA	SCREW	3
K 226		XYN2+J6FN	SCREW	4
K 227		DFHE5119ZA	SCREW	2
K 228		DFHE5061ZA	SCREW	2
K 230		XYN2+J7FN	SCREW	6
K 231		DXSB26+6FNL	SCREW	6
K 251		DFHE5118YA	SCREW	2

Replacement Parts List (CF-72TCJUZxM)

REF. NO. and AREA	PART NO.	DESCRIPTION	Q'TY
Main PCB			
C 1 3 7 9 10 13 14 30 31 32 33 34 35 36 37 38 39 40 76 78 79 80 86 88 89 90 99 102 103 106 107 108 111 112 113 114 116 117 119 121 124 129 134 139 144 148 153 156 158 159 160 162 163 164 165 166 167 168 169 183 187 201 204 205 206 207 217 223 224 225 226 227 228 229 230 231 232 233 234 235 236 237 238 239 240 244 247 249 254 259 260 262 264 265 266 267 280 283 287 297 308 327 364 366 372 373 375 376 404 443 445 447 449 451 456 460 470 472 480 497 500 501 507 509 522 541 544 545 603 628 684 718 727 729 731 733 735 736 737	F1G1C104A031	CAPACITOR, 16V, 0.1 μ F	139
C 2	F1G1H222A412	CAPACITOR, 50V, 2200pF	1
C 4 8	EEFUD0D181R	CAPACITOR, 2V, 180 μ F	2
C 5 6	EEFUD0D181R	CAPACITOR, 2V, 180 μ F	2
C 11 61 62	DCS1AN336CE	CAPACITOR, 10V, 33 μ F	3
C 17 18 19 20 21 22 23 24 25 26 27 28 29 51 52 53 54 55 56 57 58 59 60 155 218 277 278 290 350 352 354 356 448 452 479 525 527 580 687 708 709	ICUV1A105ZFS	CAPACITOR, 10V, 1 μ F	41
C 41 87 152 202 215 252 253 261 315 316 347 365 371 391 446 464 471 484 485 486 487 488 489 510 533 536 537 538 540 542 543 555 556 557 558 568 586 618 619 620 621 651 714 719 721 723 725	F1G1C104A031	CAPACITOR, 16V, 0.1 μ F	47
C 46 47 48 49 50 200 203 220 221 222 242 246 251 298 381 382 450 457 547 609 611	DCUE1A106ZFL	CAPACITOR, 10V, 10 μ F	21
C 64 77 250 322 323 324 325 326 342 343 344 345 346 389 548 549 635	DCUE1A106ZFL	CAPACITOR, 10V, 10 μ F	17
C 66 68 69 70 73 75 151 720 722 724 726	DCUM1H103ZFL	CAPACITOR, 50V, 0.01 μ F	11
C 74 83 126 131 136 138 141 143 146 147 150 154 157 170 171 172 173 174 175 176 178 179 180 181 182 184 185 186 188 270 271 285 288 289 291 292 293 642 716 728 730 732 734	DCUM1H103ZFL	CAPACITOR, 50V, 0.01 μ F	43

C 81	DCUM1H100DCL	CAPACITOR, 50V, 10pF	1
C 84 85	ECUV1H471JCV	CAPACITOR, 50V, 470pF	2
C 92 93 94 97 98 284	ECST1AX226R	CAPACITOR, 10V, 22 µF	6
C 95 100 615 616	EEFCD0D101R	CAPACITOR, 2V, 100 µF	4
C 161 177 189 282 286	F1L0J106A004	CAPACITOR, 6.3V, 10 µF	5
C 194 196 340 341	DCUA0J475MBY	CAPACITOR, 6.3V, 4.7 µF	4
C 197 331 332 333 395	ECUV1C105ZFX	CAPACITOR, 16V, 1 µF	5
C 243	DCS0J157DE	CAPACITOR, 6.3V, 150 µF	1
C 245 692	DCS0GTA221M	CAPACITOR, 4V, 220 µF	2
C 256 257 258 263 444 539 604 712	F1G1H102A401	CAPACITOR, 50V, 1000pF	8
C 275 276	DCUM1H180JCL	CAPACITOR, 50V, 18pF	2
C 279	ECUV1E473ZFV	CAPACITOR, 25V, 0.047 µF	1
C 300	DCS1ATA101M	CAPACITOR, 10V, 100 µF	1
C 302 305	ECUV1H103KBV	CAPACITOR, 50V, 0.01 µF	2
C 306 393	EEFCD0J470R	CAPACITOR, 6.3V, 47 µF	2
C 309 312 317 349 351 353 355 478 498 596 688 707	ICUV1A105ZFS	CAPACITOR, 10V, 1 µF	12
C 310	ECST1AY475R	CAPACITOR, 10V, 4.7 µF	1
C 313	ECST1AY475R	CAPACITOR, 10V, 4.7 µF	1
C 318 319 320 321 348 383 384 385 386 416 417 418 419 420 421 422 423 626	DCUM1H101JCL	CAPACITOR, 50V, 100pF	18
C 328 570	DCUM1H101JCL	CAPACITOR, 50V, 100pF	2
C 334 335 521 526 531 622 631 641	ECUV1E104ZFV	CAPACITOR, 25V, 0.1 µF	8
C 360 361	D4ED1120A002	VARISTER	2
C 387 388 458 467 560 561 562 563 564 565 566 567 710 711	F1G1H102A401	CAPACITOR, 50V, 1000pF	14
C 394 399 400	ECUV1C105ZFX	CAPACITOR, 16V, 1 µF	3
C 396 397 398 401 402 403 405 406 407 408 409 410 411 414 415 516 518	F1G1H221A401	CAPACITOR, 50V, 220pF	17
C 412 413	DCUM1H681KBL	CAPACITOR, 50V, 680pF	2
C 453 639	DCUA1H105ZFY	CAPACITOR, 50V, 1 µF	2
C 454	F1G1H120A451	CAPACITOR, 50V, 12pF	1
C 455 553 554	F1G1H150A408	CAPACITOR, 50V, 15pF	3
C 459 461 462 463 474 490 491 492 493 495 496 632	ECUV1C224ZFV	CAPACITOR, 16V, 0.22 µF	12
C 473 581	DCUA0J475MBY	CAPACITOR, 6.3V, 4.7 µF	2
C 475 569 600 629 643 644 694	F1G1E103A062	CAPACITOR, 25V, 0.1 µF	7
C 502	ECST1CD476R	CAPACITOR, 16V, 47 µF	1
C 503	ECST1CX106R	CAPACITOR, 16V, 10 µF	1
C 504 505	EEVHA0J470R	CAPACITOR, 6.3V, 47 µF	2
C 506	ECUV1C224ZFV	CAPACITOR, 16V, 0.22 µF	1
C 508	F1G1H471A401	CAPACITOR, 50V, 470pF	1
C 511 517 519	DCUM1H330JCL	CAPACITOR, 50V, 33pF	3
C 512 513 514 515	F1G1H221A401	CAPACITOR, 50V, 220pF	4
C 528	DCUC0J106KBY	CAPACITOR, 6.3V, 10 µF	1
C 529 633 634	DCUE1C106MBY	CAPACITOR, 16V, 10 µF	3
C 530	DCUA1H105ZFY	CAPACITOR, 50V, 1 µF	1
C 551 552	F1G1H6R0A452	CAPACITOR, 50V, 6pF	2
C 571 572 573 574 598 602	DCUM1H470JCL	CAPACITOR, 50V, 47pF	6
C 582 583 584 585	DCUM1H470JCL	CAPACITOR, 50V, 47pF	4

C 587		EEFCD0J470R	CAPACITOR, 6.3V, 47µF	1
C 588 589		ECST1AX226R	CAPACITOR, 10V, 22 µF	2
C 590		DCS0JTA151M	CAPACITOR, 6.3V, 150 µF	1
C 591 592 594 595		DCUE1C106MBY	CAPACITOR, 16V, 10 µF	4
C 597 638 640		ECUV1E104ZFB	CAPACITOR, 25V, 0.1 µF	3
C 599		ECUV1C334ZFB	CAPACITOR, 16V, 0.33 µF	1
C 601		F1G1H331A401	CAPACITOR, 50V, 330pF	1
C 606		ICUV1C475ZFX	CAPACITOR, 16V, 4.7 µF	1
C 607		F1G1H680A410	CAPACITOR, 50V, 68pF	1
C 612 614 636 637		EEFCD0D101R	CAPACITOR, 2V, 100 µF	4
C 624		ECUV1C104KBV	CAPACITOR, 16V, 0.1 µF	1
C 625		ECUV1H471JCV	CAPACITOR, 50V, 470pF	1
C 630		ICUV1C475ZFX	CAPACITOR, 16V, 4.7 µF	1
C 645 647		F1G1E103A062	CAPACITOR, 25V, 0.1 µF	2
C 646 648		ECST1CD686R	CAPACITOR, 16V, 68 µF	2
C 685		ECUV1H103KBV	CAPACITOR, 50V, 0.01 µF	1
C 686		DCUE1C106ZFY	CAPACITOR, 16V, 10 µF	1
C 691		DCS0GTA221M	CAPACITOR, 4V, 220 µF	1
C 738		D4ED1120A002	VARISTER	1
CN 1		K1KA60A00106	CONNECTOR, FOR LED PCB	1
CN 2		K1MME4B00012	CONNECTOR, FOR SO-DIMM	1
CN 3		DFJP02C75YAJ	CONNECTOR, FOR RTC BUTTERY	1
CN 4 5		K1FB104B0017	CONNECTOR, FOR USB	2
CN 6		K1FB115E0004	CONNECTOR, FOR VGA	1
CN 7		K1MMF4A00001	CONNECTOR, FOR PCMCIA	1
CN 9		K1FB125E0002	CONNECTOR, FOR PARALLEL PORT	1
CN 10		K1FA109E0002	CONNECTOR, FOR SERIAL PORT	1
CN 11		IHC0722AA	CONNECTOR, FOR PS/2 MOUSE	1
CN 13		DFJP152ZA200	CONNECTOR, FOR SUB PCB	1
CN 14		DFJS553ZA100	CONNECTOR, FOR PORT REPLICATOR	1
CN 15		DFJP173ZA002	CONNECTOR, FOR MINI-PCI	1
CN 17		K2LB102B0016	CONNECTOR, FOR FOR RJ11(MODEM)	1
CN 18		K2LC108B0022	CONNECTOR, FOR RJ45(LAN)	1
CN 19		K1MMC4B00003	CONNECTOR, FOR MINI-PCI TYPE 3	1
CN 21		DFJS225ZA100	CONNECTOR, FOR CONFIG PCB	1
CN 22		K1MMC4B00002	CONNECTOR, FOR MINI-PCI TYPE 3	1
D 1 3 5 43		MA729-TX	DIODE	4
D 2		B0JDBE000002	DIODE	1
D 4		B0JCGC000003	DIODE	1
D 10 12 13		DEDDA204UT	DIODE	3
D 14		MA729-TX	DIODE	1
D 16 18		DEDRB420DT97	DIODE	2
D 17 26 27		DEDRB081L20	DIODE	3
D 19 22 24		DEDSFPB64V	DIODE	3
D 20 28 31		DAN222TL	DIODE	3
D 21 23 25		DAP222TL	DIODE	3
D 29		DEDUDZ9R1BT	DIODE	1
D 30		DEDUDZ18BT	DIODE	1
D 32 35		B0BC5R000002	DIODE	2
D 33 34		DEDUDZ6R2BT	DIODE	2
D 36		B0BC5R000002	DIODE	1
D 37		DED03P2JT1-D	DIODE	1
D 44		DEDDA204UT	DIODE	1
D 45		B0ADCJ000025	DIODE	1
F 1	⚠	XBAD4517R00L	FUSE (7A)	1
F 2	⚠	XBADMMCT010U	FUSE (1A)	1
IC 1		C2GBC0000141	CPU	1
IC 2		C1DB00000857	IC, CHIPSET, GMCH3	1
IC 3		C1DB00000858	IC, CHIPSET, ICH3	1
IC 4		C1DB00000859	IC, VGA	1
IC 5		C1DB00000743	IC, SUPER I/O	1
IC 6		C1DB00000578	IC, TEMP SENSOR	1
IC 7		C9ZB00000407	IC, PLL	1
IC 8 10 12 14		C3ABRG000006	IC, DRAM	4
IC 9 11 13 15		C3ABRG000006	IC, DRAM	4
IC 16		C0DBZH000004	IC, USB PW.CONTROL	1
IC 17		DARB5C4782BR	IC, PC CARD CONTROLLER	1
IC 18		DA2563A1SX2V	IC, PCMCIA POWER	1

IC 19		ADM211EARSRL	IC, SERIAL DRIVER	1
IC 20		DA38813M084M	IC, KB CONTROLLER	1
IC 21		C1BB00000670	IC, AC97 CODEC	1
IC 22		C1DB00000536	IC, SOUND AMP	1
IC 23		DAM2904MT1-P	IC, BIPOLAR LINEAR	1
IC 24		C3FBKC000076	IC	1
IC 25		C2CBHF000187	IC, KBC/EC	1
IC 26		C0DBAFH00006	IC, DC/AC CONTROLLER	1
IC 30		C0DBEZG00010	IC, RAGULATOR	1
IC 31		C0DBZFG00008	IC, LINEAR	1
IC 33		DA7W66UT12L0	IC, SWITCH	1
IC 34		DAPST9125NXT	IC, RESET	1
IC 36		93LC46BT/SN	IC, EEPROM	1
IC 37		C1DB00000860	IC, LAN CONTROLLER	1
IC 41		DA7SH32U85L0	IC, OR GATE	1
IC 45		DAPST9140NXT	IC, RESET	1
IC 47		DA7W14UT12L0	IC, INVERTER	1
IC 51		DAPST9125NXT	IC, RESET	1
IC 52		DA7W14UT12L0	IC, INVERTER	1
IC 55 64 65		DA7SH08U85L0	IC, AND GATE	3
IC 56 75		DA7S04UT85L0	IC, INVERTER	2
IC 57		XC62FP3302PR	IC, RAGULATOR	1
IC 58		XC62FP3302PR	IC, RAGULATOR	1
IC 61 76		DA7ST08U85L0	IC, AND GATE	2
IC 67		C3EBDC000036	IC, EEPROM	1
IC 68		DALP298030N	IC, BIPOLAR LINEAR	1
IC 71		C0DBAFH00011	IC, DC/AC CONTROLLER	1
IC 72		DAM2370R121P	IC, BIPOLAR LINEAR	1
IC 73 74		C0DBEZG00010	IC, RAGULATOR	2
IC 77 78		DA7W53UT12L0	IC, SELECTOR	2
IC 79		C0JAAZ002420	IC, PLL	1
IC 80		C0DBAZZ00039	IC, CONVERTER, DC/DC	1
IC 81 83		DA7S14UT85L0	IC, INVERTER	2
IC 82		DA7W02UT12L0	IC, NOR GATE	1
IC 84		C0JBAZ001410	IC, BUS SWITCH	1
JK 1		DFJJD5S08ZAH	JK, FOR MIC	1
JK 2		DFJJD8S09ZAH	JK, FOR HEADPHONE	1
JK 3		DFJJB3Z07ZAH	JK, DC IN	1
L 1		DDAZR4R7KT2L	FERRITE BEAD	1
L 2 4 6 9 17 30 31 32 51		DDB5Z005-L	FERRITE BEAD	9
L 5 8 11 12 13		DDB5Z005-L	FERRITE BEAD	5
L 7 14 15 16		DDB5Z021C-Y	FERRITE BEAD	4
L 18 19 38 39 40		DDB5Z031J-L	FERRITE BEAD	5
L 21 22 23 24 25 26 27 28 29 34 35 36 37		DDB5Z034B-Y	FERRITE BEAD	13
L 33		G5BZC0000006	FERRITE BEAD	1
L 41 42 43 44		DDB5Z032A-L	FERRITE BEAD	4
L 45		G1C1R2ZA0027	FERRITE BEAD	1
L 46		G1C4R7MA0012	FERRITE BEAD	1
L 47 48		DDAZZ100MT-T	FERRITE BEAD	2
L 49		DDB5Z039A-Y	FERRITE BEAD	1
L 52 53		J0JCC0000092	FERRITR BEAD	2
PS 1	⚠	ERY32SA120VA	POLY SW (1.2A)	1
PS 2	⚠	ERY32SA120VA	POLY SW (1.2A)	1
Q 1 4 9 11 17 18 32 35		DETC114YETL	TRANSISTOR	8
Q 2 24 27 30 33		DETA144EETL	TRANSISTOR	5
Q 3 13		DASI6410DQT1	TRANSISTOR	2
Q 6 7 8 22 29 37		DETC114YETL	TRANSISTOR	6
Q 12 19 28 31 36		DETA144EETL	TRANSISTOR	5
Q 14 15 16 41 46 64 67		2SK3019TL	TRANSISTOR	7
Q 20 54 55 56 57 80 105		DA3LN01STL	TRANSISTOR	7
Q 21		DAFDN359AN	TRANSISTOR	1
Q 25		DETC144EETL	TRANSISTOR	1
Q 26		DASI6410DQTI	TRANSISTOR	1
Q 34		DETC144EETL	TRANSISTOR	1
Q 38 39 43		B1DFED000012	TRANSISTOR	3
Q 40		DASI4435DYTA	TRANSISTOR	1

Q 42		DASI4435DYTA	TRANSISTOR	1
Q 44		B1DFED000012	TRANSISTOR	1
Q 45 47 48 59 61 65 68 69		2SK3019TL	TRANSISTOR	8
Q 49 50 62 63		DAFDS6690A	TRANSISTOR	4
Q 51 52 53		DAFDS6670A	TRANSISTOR	3
Q 58 60		DA3LN01STL	TRANSISTOR	2
Q 82 83 106		DAFDN359AN	TRANSISTOR	3
R 1		ERA3YED111V	RESISTOR, 1/16W, 110Ω	1
R 2 3 4		ERJ2GEJ151X	RESISTOR, 1/16W, 150Ω	3
R 5 6 7		ERJ2GEJ152X	RESISTOR, 1/16W, 1.5KΩ	3
R 8 102 130 131 216 219 220 221		ERJ2GEJ100X	RESISTOR, 1/16W, 10Ω	8
R 9 26		ERJ2GEJ241X	RESISTOR, 1/16W, 240Ω	2
R 10 11		ERJ2GEJ390X	RESISTOR, 1/16W, 39Ω	2
R 12 16		ERJ2GEJ221X	RESISTOR, 1/16W, 220Ω	2
R 13 212		ERJ2GEJ220X	RESISTOR, 1/16W, 22Ω	2
R 14 19		ERJ2GEJ152X	RESISTOR, 1/16W, 1.5KΩ	2
R 15		ERJ2GEJ151X	RESISTOR, 1/16W, 150Ω	1
R 17 18 61 64 70 72 74 647		ERA3YHD330V	RESISTOR, 1/16W, 33Ω	8
R 20		ERA3EED4750V	RESISTOR, 1/16W, 475Ω	1
R 21 108 109 126 172 173 175 218 313 318 328 358 402 406 415 417 535 554 561 602 603 659 676		ERJ2GEJ103X	RESISTOR, 1/16W, 10KΩ	23
R 22 32 91 97 98 147 148 451		ERA3YED102V	RESISTOR, 1/16W, 1KΩ	8
R 23 33 426 514		ERA3YED202V	RESISTOR, 1/16W, 2KΩ	4
R 24 25		ERA3EHD61R9V	RESISTOR, 1/16W, 61.9Ω	2
R 28 344 368 463 464 466 467		ERJ2GEJ562X	RESISTOR, 1/16W, 5.6KΩ	7
R 29 38 39 43 44 51 54 194 197 200		ERJ2GEJ102X	RESISTOR, 1/16W, 1KΩ	10
R 30 31		ERA3EHD56R2V	RESISTOR, 1/16W, 56.2Ω	2
R 34 35 89 90		ERA3EHD61R9V	RESISTOR, 1/16W, 61.9Ω	4
R 36 88		ERA3EED4750V	RESISTOR, 1/16W, 475Ω	2
R 37		ERA3EHD14R0V	RESISTOR, 1/16W, 14Ω	1
R 40 41 65 66 67 69 71 73 85 86 207		ERA3YHD330V	RESISTOR, 1/16W, 33Ω	11
R 42		ERA3EHD26R7V	RESISTOR, 1/16W, 26.7Ω	1
R 45		ERA3EHD56R2V	RESISTOR, 1/16W, 56.2Ω	1
R 46		ERA3EED1370V	RESISTOR, 1/16W, 137Ω	1
R 47 48 55 138 140 142 174 250 253 296 329 330 349 350 390 391 392 393 570 571 649		ERJ2GE0R00X	RESISTOR, 1/16W, 0Ω	21
R 49 57 60 139 170 171 203 204 210 225 236 263 266 268 269 307 312 356 381 382 456 475 479 511 564 565 566 567 568 604 628 629 644 658 670 671 672		ERJ2GEJ103X	RESISTOR, 1/16W, 10KΩ	37
R 58		ERJ2GEJ221X	RESISTOR, 1/16W, 220Ω	1
R 63		ERA3EED2210V	RESISTOR, 1/16W, 221Ω	1
R 75 77 78		ERJ3GEYJ330V	RESISTOR, 1/16W, 33Ω	3
R 80 83		ERA3EHD60R4V	RESISTOR, 1/16W, 60.4Ω	2
R 81		ERA3EHD27R4V	RESISTOR, 1/16W, 27.4Ω	1
R 82		ERA3EHD54R9V	RESISTOR, 1/16W, 54.9Ω	1
R 84		ERA3EHD80R6V	RESISTOR, 1/16W, 80.6Ω	1

R 87	ERA3EHD49R9V	RESISTOR, 1/16W, 49.9Ω	1
R 92	ERA3YED201V	RESISTOR, 1/16W, 200Ω	1
R 93 94 555 556	ERA3YED102V	RESISTOR, 1/16W, 1KΩ	4
R 95 96	ERJ3GEYJ101V	RESISTOR, 1/16W, 100Ω	2
R 99 100 101 421 422	ERJ2GEJ100X	RESISTOR, 1/16W, 10Ω	5
R 111 112 115 176 357 359 412 468	ERJ2GEJ104X	RESISTOR, 1/16W, 100KΩ	8
R 113 577 583 593 594	ERJ3GEYJ750V	RESISTOR, 1/16W, 75Ω	5
R 114	ERJ3GEYJ271V	RESISTOR, 1/16W, 270Ω	1
R 119 299 300	ERJ2GEJ222X	RESISTOR, 1/16W, 2.2KΩ	3
R 122 178 195 196 198 227 228 229 230 231 232 233 234 245 256 264 319 342 343 423 578 579 580 581 582 620 640	ERJ3GEY0R00V	RESISTOR, 1/16W, 0Ω	27
R 123 291 292 317 383 438 442 447 605 621 637	ERJ3GEY0R00V	RESISTOR, 1/16W, 0Ω	11
R 124 125	DBUPPR0042TW	FUSE RESISTOR (0.042A)	2
R 127 128 135 201 206 248 293 308 351 362 537 551 657	ERJ2GE0R00X	RESISTOR, 1/16W, 0Ω	13
R 129 205 252 261 303 304 311 385 386 558	ERJ2GEJ473X	RESISTOR, 1/16W, 47KΩ	10
R 133	ERJ3GEYJ105V	RESISTOR, 1/16W, 1MΩ	1
R 134	ERA3YHD470V	RESISTOR, 1/16W, 47Ω	1
R 136	ERJ3GEYJ102V	RESISTOR, 1/16W, 1KΩ	1
R 137	ERA3EED4990V	RESISTOR, 1/16W, 499Ω	1
R 144 512	ERA3YED202V	RESISTOR, 1/16W, 2KΩ	2
R 145 513	ERA3YED103V	RESISTOR, 1/16W, 10KΩ	2
R 146 425 440	ERA3YED273V	RESISTOR, 1/16W, 27KΩ	3
R 150 186 187 274 297 301 332 333 334 642 643	ERJ2GEJ472X	RESISTOR, 1/16W, 4.7KΩ	11
R 151 152 183 243 598 599	ERJ2GEJ330X	RESISTOR, 1/16W, 33Ω	6
R 154 155 453 482 484 517 518 615 617	ERJ2GEJ105X	RESISTOR, 1/16W, 1MΩ	9
R 159 413 461	DBJ14RR033VM	RESISTOR, 1/4W, 0.033Ω	3
R 177	ERA3EHD36R5V	RESISTOR, 1/16W, 36.5Ω	1
R 182	ERJ3EKF18R2V	RESISTOR, 1/16W, 18.2Ω	1
R 184 185	ERJ3GEYJ106V	RESISTOR, 1/16W, 10MΩ	2
R 188	ERJ2GEJ153X	RESISTOR, 1/16W, 15KΩ	1
R 209 420	ERJ2GEJ333X	RESISTOR, 1/16W, 33KΩ	2
R 211 223 224 257 360 474 523 528	ERJ2GEJ101X	RESISTOR, 1/16W, 100Ω	8
R 213 259	ERJ2GEJ220X	RESISTOR, 1/16W, 22Ω	2
R 214 215 217 222 281 283 309 524 562 633 635 636	ERJ2GEJ473X	RESISTOR, 1/16W, 47KΩ	12
R 226 272	ERJ2GEJ472X	RESISTOR, 1/16W, 4.7KΩ	2
R 241 424 443 515	ERA3YED103V	RESISTOR, 1/16W, 10KΩ	4
R 244 322 384 469 470 471 472 473 529 530	ERJ2GEJ101X	RESISTOR, 1/16W, 100Ω	10
R 254 255 267	ERJ2GEJ223X	RESISTOR, 1/16W, 22KΩ	3
R 260	ERJ2GEJ273X	RESISTOR, 1/16W, 27KΩ	1
R 270 271	ERJ2GEJ223X	RESISTOR, 1/16W, 22KΩ	2
R 275 345 346 542 627 648	ERJ6GEY0R00V	RESISTOR, 1/10W, 0Ω	6
R 277 278 279 280 302	ERJ2GEJ333X	RESISTOR, 1/16W, 33KΩ	5
R 298	ERJ2GEJ471X	RESISTOR, 1/16W, 470Ω	1

R 310 352 668 669	ERJ2GEJ330X	RESISTOR, 1/16W, 33Ω	4
R 324 325 452 650 651 652 653	ERJ3GEYJ103V	RESISTOR, 1/16W, 10KΩ	7
R 335 336 338	ERJ6ENF75R0V	RESISTOR, 1/10W, 75.0Ω	3
R 339 340 341	ERJ2GEJ222X	RESISTOR, 1/16W, 2.2KΩ	3
R 347 348	ERJ2GEJ102X	RESISTOR, 1/16W, 1KΩ	2
R 363 483 485 612 613	ERJ2GEJ105X	RESISTOR, 1/16W, 1MΩ	5
R 365	ERJ2GEJ511X	RESISTOR, 1/16W, 510Ω	1
R 367	ERA3EED1691V	RESISTOR, 1/16W, 1.69KΩ	1
R 369 370 371 372	ERA3EHD49R9V	RESISTOR, 1/16W, 49.9Ω	4
R 403 407 572	ERJ2GEJ104X	RESISTOR, 1/16W, 100KΩ	3
R 416 457	ERJ3GEYJ100V	RESISTOR, 1/16W, 10Ω	2
R 427 428 429 430 433 434	DBJ14RR022VM	RESISTOR, 1/4W, 0.022Ω	6
R 435	ERA3YED682V	RESISTOR, 1/16W, 6.8KΩ	1
R 436	ERA3YKD204V	RESISTOR, 1/16W, 200KΩ	1
R 437	ERA3YED333V	RESISTOR, 1/16W, 33KΩ	1
R 439	ERA3YKD334V	RESISTOR, 1/16W, 330KΩ	1
R 441 448	ERJ3GEYJ103V	RESISTOR, 1/16W, 10KΩ	2
R 446	ERJ3GEYJ223V	RESISTOR, 1/16W, 22KΩ	1
R 449	ERJ3GEYJ474V	RESISTOR, 1/16W, 470KΩ	1
R 450	ERA3YED472V	RESISTOR, 1/16W, 4.7KΩ	1
R 454	ERJ3GEYJ100V	RESISTOR, 1/16W, 10Ω	1
R 455 458 527 645	ERJ2GEJ224X	RESISTOR, 1/16W, 220KΩ	4
R 459	DBJ14RR047VM	THERMISTOR	1
R 465	ERJ2GEJ3R3X	RESISTOR, 1/16W, 3.3Ω	1
R 476 477	ERJ6GMYJ222V	RESISTOR, 1/10W, 2.2KΩ	2
R 478 526	ERJ2GEJ474X	RESISTOR, 1/16W, 470KΩ	2
R 480 481	ERJ2GEJ564X	RESISTOR, 1/16W, 560KΩ	2
R 486 488	ERJ6GMYJ220V	RESISTOR, 1/10W, 22Ω	2
R 487 489	ERJ6GMYJ220V	RESISTOR, 1/10W, 22Ω	2
R 490 493 494	ERJ6GMYJ100V	RESISTOR, 1/10W, 10Ω	3
R 492	ERJ6GMYJ100V	RESISTOR, 1/10W, 10Ω	1
R 516	ERA3YED273V	RESISTOR, 1/16W, 27KΩ	1
R 525	ERJ2GEJ474X	RESISTOR, 1/16W, 470KΩ	1
R 540 545 546 624 625 626 632 675	ERJ6GEY0R00V	RESISTOR, 1/10W, 0Ω	8
R 559	DBT10KC1513P	THERMISTOR, 10KΩ	1
RA 1 2 4	EXBV8V100JV	RESISTOR ARRAY, 10Ω	3
RA 7	EXBV8V472JV	RESISTOR ARRAY, 4.7KΩ	1
RA 8 57	EXBV8V103JV	RESISTOR ARRAY, 10KΩ	2
RA 10 11	EXBV8VR000V	RESISTOR ARRAY, 0Ω	2
RA 14	DEARA8AJ473M	RESISTOR ARRAY, 47KΩ	1
RA 15	EXBV8V473JV	RESISTOR ARRAY, 47KΩ	1
RA 16	EXBV8V104JV	RESISTOR ARRAY, 100KΩ	1
RA 17 24	DEARA8AJ473M	RESISTOR ARRAY, 47KΩ	2
RA 22 41 54	DEARA8AJ103M	RESISTOR ARRAY, 10KΩ	3
RA 23	EXBV8V473JV	RESISTOR ARRAY, 47KΩ	1
RA 25	DEARA8AJ102M	RESISTOR ARRAY, 1KΩ	1
RA 26 27 28	EXBV8V220JV	RESISTOR ARRAY, 22Ω	3
RA 29 30	DEARA8AJ472M	RESISTOR ARRAY, 4.1KΩ	2
RA 39 40 42	DEARA8AJ103M	RESISTOR ARRAY, 10KΩ	3
RA 43	EXBV8V330JV	RESISTOR ARRAY, 33Ω	1
RA 55	EXBV8V330JV	RESISTOR ARRAY, 33Ω	1
X 1	DECU14318L5U	OSCILLATOR (14.31818MHz)	1
X 2	H0J2705A0001	OSCILLATOR (27MHz)	1
X 3	DECU00032M1D	OSCILLATOR (32.768KHz)	1
X 4 7	H2D800400012	OSCILLATOR (8MHz)	2
X 5	DECU24576L3U	OSCILLATOR (24.576MHz)	1
X 6	DECU25000L3U	OSCILLATOR (25MHz)	1
LED PCB			
C 901 902	DCUA0J475MBY	CAPACITOR, 6.3V, 4.7 μF	2
C 903	ECUV1C105ZFX	CAPACITOR, 16V, 1 μF	1
C 904 906 908 910	F1G1C104A031	CAPACITOR, 16V, 0.1 μF	4
C 905 907	DCUE1A106ZFL	CAPACITOR, 10V, 10 μF	2

C 912 913 915 916 918 919	DCUM1H100DCL	CAPACITOR, 50V, 10pF	6
C 914 917 920	DCUM1H103ZFL	CAPACITOR, 50V, 0.01μF	3
C 922 923	EEVHP1C100R	CAPACITOR, 16V, 10μF	2
CN 901	K1KB60A00079	CONNECTOR, FOR LED	1
CN 902	K1KA20B00111	CONNECTOR, FOR LCD	1
CN 903	DFJP201ZA006	CONNECTOR, FOR INVERTER	1
CN 905	DFJP201ZA005	CONNECTOR, FOR TOUCH PANEL	1
CN 906 908	DFJP201ZA002	CONNECTOR, FOR SPERKER(LARGE)	2
CN 907 909	DFJP201ZA003	CONNECTOR, FOR SPERKER(SMALL)	2
CN 921	K1KA04B00137	CONNECTOR, FOR BTOW	1
D 901	MA729-TX	DIODE	1
D 902	DAN222TL	DIODE	1
IC 901	DEDHRM230S	IC, LUMINOUS ELEMENT	1
L 901 904	DDB5Z028C-L	FERRITE BEAD	2
L 902 903	DDB5Z024E-L	FERRITE BEAD	2
L 907 911 913 914 915	DDB5Z005-L	FERRITE BEAD	5
L 908 912 916	DDB5Z005-L	FERRITE BEAD	3
Q 902	DETA144EETL	TRANSIATOR	1
Q 903 906	DETC114YETL	TRANSIATOR	2
Q 905 907	DETA144EETL	TRANSISTOR	2
R 901	ERJ2GEJ472X	RESISTOR, 1/16W, 4.7KΩ	1
R 902 903 907 908 909 910 911 912 913 914	ERJ2GEJ100X	RESISTOR, 1/16W, 10Ω	10
R 904 905	ERJ2GEJ222X	RESISTOR, 1/16W, 2.2KΩ	2
R 906	DBJ8GF1R50VM	RESISTOR, 1/8W, 1.5Ω	1
R 915	ERJ2GEJ102X	RESISTOR, 1/16W, 1KΩ	1
R 917 920	ERJ2GEJ331X	RESISTOR, 1/16W, 330Ω	2
R 918	ERJ2GEJ821X	RESISTOR, 1/16W, 820Ω	1
R 919 921	ERJ2GEJ331X	RESISTOR, 1/16W, 330Ω	2
R 996 997 998 999	ECUV1H103KBV	CAPACITOR, 50V, 0.01μF	4
SUB PCB			
C 801 803 804 805 807 809 813 814 817 825 832 845 852	ECUV1E104ZFV	CAPACITOR, 25V, 0.1μF	13
C 808 811	ECST1CD686R	CAPACITOR, 16V, 68μF	2
C 810	ECUV1H103KBV	CAPACITOR, 50V, 0.01μF	1
C 812 815	ECUV1E104ZFV	CAPACITOR, 25V, 0.1μF	2
C 816	DCUE1A106ZFL	CAPACITOR, 10V, 10μF	1
C 818 829	DCUE1C106MBY	CAPACITOR, 16V, 10μF	2
C 819 820 822 851	ECUV1C105ZFX	CAPACITOR, 16V, 1μF	4
C 821	ECUV1C104KBV	CAPACITOR, 16V, 0.1μF	1
C 823	ECUV1C334ZFV	CAPACITOR, 16V, 0.33μF	1
C 824	ECUV1C473KBV	CAPACITOR, 16V, 0.047μF	1
C 826 848	DCUA0J475MBY	CAPACITOR, 6.3V, 4.7μF	2
C 827	DCUA1C225ZFY	CAPACITOR, 16V, 2.2μF	1
C 828	ECUV1H101JCV	CAPACITOR, 50V, 100pF	1
C 830	EEVFC1E330P	CAPACITOR, 25V, 33μF	1
CA 801 802	DEAAS221K50K	CAPACITOR ARRAY, 220PF	2
CN 801	DFJS13N24ZAJ	CONNECTOR, FOR KB IN	1
CN 802	DFJS209YA016	CONNECTOR, FOR KB OUT	1
CN 803	DFJS318ZA200	CONNECTOR, FOR SUB-MAIN	1
CN 804 810	DFJS243ZA012	CONNECTOR, FOR SUB-PAD	2
CN 805	DFJS305ZA040	CONNECTOR, FOR HDD	1
CN 806	DFJP160D58ZA	CONNECTOR, FOR MP160	1
CN 808	K1KA08A00242	CONNECTOR, FOR BATTERY	1
CN 809	K1KA07A00132	CONNECTOR, FOR SUB-LTD	1
CN 811	DFJP02C75YAJ	CONNECTOR, FOR FAN	1
CN 812	K1MN10A00043	CONNECTOR, FOR SMART CARD	1
D 802 803 804 818 819	DEDDA204UT	DIODE	5
D 805 806 807 810 820	DEDDA204UT	DIODE	5
D 808 809	DEDFS1J3TP	DIODE	2
D 811 812	DEDRB081L20	DIODE	2
D 813	DAN222TL	DIODE	1
D 814	DAN222TL	DIODE	1

D 815	DEDSPB64SVR	DIODE	1
IC 801 802	DA32X384CBT	IC, BUFFER	2
IC 803	DA7S02UT85L0	IC, NOR GATE	1
IC 804	DA7SH08U85L0	IC, AND GATE	1
IC 805	C1DB00000534	IC, CHARGE	1
IC 806 808	DAS80769SN1W	IC, VOLTAGE DETECTOR	2
IC 807	DAS80769SN1W	IC, VOLTAGE DETECTOR	1
L 801 802 803	DDB5Z028C-L	FERRITE BEAD	3
L 804	G1C330MA0022	POWER INDUCTOR	1
Q 801 804 805 807 809 811 818 823 827 831 838	DETC114YETL	TRANSISTOR	11
Q 802 808 812 819 835	DETA144EETL	TRANSISTOR	5
Q 803	DAUPA1700AE2	TRANSISTOR	1
Q 806 814 820	DETC144EETL	TRANSISTOR	3
Q 810	2SK3019TL	TRANSISTOR	1
Q 813	DAFDS6912A	TRANSISTOR	1
Q 815 821 822 826 833 834 836 837	DETC114YETL	TRANSISTOR	8
Q 816	DETC144EETL	TRANSISTOR	1
Q 817	DASI4953DYT1	TRANSISTOR	1
Q 824 825 828 829	DASI6415DQT1	TRANSISTOR	4
Q 832	2SJ197-T1	TRANSISTOR	1
R 804 811 814	ERJ3GEYJ103V	RESISTOR, 1/16W, 10K Ω	3
R 808 809	ERJ3GEYJ105V	RESISTOR, 1/16W, 1M Ω	2
R 810	ERJ3GEYJ472V	RESISTOR, 1/16W, 4.7K Ω	1
R 812	ERJ3GEYJ105V	RESISTOR, 1/16W, 1M Ω	1
R 818 819 820 869	ERJ3GEYJ101V	RESISTOR, 1/16W, 100 Ω	4
R 824	DBJ8GF0R12VM	RESISTOR, 1/8W, 0.12 Ω	1
R 825	DBJ14RR033VM	RESISTOR, 1/4W, 0.033 Ω	1
R 827	ERJ3GEYJ471V	RESISTOR, 1/16W, 470 Ω	1
R 828	ERJ3GEYJ4R7V	RESISTOR, 1/16W, 4.7 Ω	1
R 829 884	ERJ3GEYJ102V	RESISTOR, 1/16W, 1K Ω	2
R 830 870	ERJ3GEYJ222V	RESISTOR, 1/16W, 2.2K Ω	2
R 831 835 836 839 846 872 874 877 881 883	ERJ3GEY0R00V	RESISTOR, 1/16W, 0 Ω	10
R 832	ERJ3GEYJ332V	RESISTOR, 1/16W, 3.3K Ω	1
R 833	ERA3YED201V	RESISTOR, 1/16W, 200 Ω	1
R 834	ERA3YED201V	RESISTOR, 1/16W, 200 Ω	1
R 837	ERA3EED4991V	RESISTOR, 1/16W, 4.99K Ω	1
R 838	DBJ14RR047VM	RESISTOR, 1/4W, 0.047 Ω	1
R 840	ERA3YKD154V	RESISTOR, 1/16W, 150K Ω	1
R 841	ERA3YED333V	RESISTOR, 1/16W, 33K Ω	1
R 842	ERJ3GEYJ472V	RESISTOR, 1/16W, 4.7K Ω	1
R 843 853 885	ERJ3GEYJ474V	RESISTOR, 1/16W, 470K Ω	3
R 844 849 854 871	ERJ3GEYJ473V	RESISTOR, 1/16W, 47K Ω	4
R 845	ERJ3GEYJ204V	RESISTOR, 1/16W, 200K Ω	1
R 847	ERJ3GEY0R00V	RESISTOR, 1/16W, 0 Ω	1
R 848 855	ERJ3GEYJ473V	RESISTOR, 1/16W, 47K Ω	2
R 850 851	ERJ3GEYJ564V	RESISTOR, 1/4W, 560K Ω	2
R 852	ERJ3GEYJ474V	RESISTOR, 1/16W, 470K Ω	1
R 867 868	ERJ3GEYJ101V	RESISTOR, 1/16W, 100 Ω	2
R 876	ERJ3GEYJ104V	RESISTOR, 1/16W, 100K Ω	1
RA 801	DEARA8AJ103M	RESISTOR ARRAY, 10K Ω	1
RA 802 803 804 805 806 807 808 809 810 812	EXBV8VR000V	RESISTOR ARRAY, 0 Ω	10
RA 811	EXBV8V101JV	RESISTOR ARRAY, 100 Ω	1
RA 813 814 815 816	EXBV8VR000V	RESISTOR ARRAY, 0 Ω	4
RA 817	EXBV8V473JV	RESISTOR ARRAY, 47K Ω	1
SW 801	ESD165226	SW, SLIDE	1
PAD PCB			
C 707	DCUE1A106ZFL	CAPACITOR, 10V, 10 μ F	1
CN 701	DFJS514ZA012	CONNECTOR, FOR PAD-SUB	1
CN 703	DFJS514ZA012	CONNECTOR, FOR PAD	1
L 701 702	DDB5Z024E-L	FRRITE BEAD	2

L 703	DDB5Z005-L	FRRITE BEAD	1
R 712	ERJ6GEY0R00V	RESISTOR, 1/10W, 0Ω	1
SW 702	EVQPLDA15	SW, LEFT	1
SW 703	EVQPLDA15	SW, RIGHT	1
LID PCB			
CN 704	K1KA07B00041	CONNECTOR, FOR LID-SUB	1
LD 701 703	SEC1703C	LED	2
LD 702	SEC2764C	LED	1
R 701 873	ERJ3GEYJ331V	RESISTOR, 1/16W, 330Ω	2
R 702 703	ERJ3GEYJ121V	RESISTOR, 1/16W, 120Ω	2
SW 701	DFSE057ZA	SW, MAGNET	1