

Service Manual

Simplified

This is the Service Manual for the following areas.

M ...for U.S.A. and Canada
E ...for U.K.
G ...for Germany
F ...for France
S ...for Sweden
T ...for Italy
P ...for Spain

Notebook Computer

CF-72

TOUGHBOOK

Model Number Reference

The following models are numbered in accordance with the types of CPU, LCD and HDD etc. featured by product.

Model No. CF-72 1 2 3 4 Z 5 6

1: CPU type

V: Mobile Intel® Pentium® 4 Processor 1.6 GHz-M

2: LCD type

C: 13.3" TFT Color with Touchscreen

3: 13.3" TFT Color

3: HDD type / RAM size

J: 30 GB / 256 MB

4: Drive / Modem - LAN

P: CD-ROM Drive / Combo

U: Floppy Disk Drive / DVD-ROM Drive / Combo

W: Floppy Disk Drive / DVD-ROM & CD-R/RW Drive (Combo Drive) / Combo

5: Operation System

F: Multi-Language (Microsoft® Windows® 2000)

G: Multi-Language (Microsoft® Windows® XP Professional)

Q: Dual OS (Microsoft® Windows® 2000 Professional / Microsoft® Windows® XP Professional)

6: Area

M/E /G /F /S /T /P: Refer to above area table

WARNING

This service information is designed for experienced repair technicians only and is not designed for use by the general public. It does not contain warnings or cautions to advise non-technical individuals of potential dangers in attempting to service a product. Products powered by electricity should be serviced or repaired only by experienced professional technicians. Any attempt to service or repair the product or products dealt with in this service information by anyone else could result in serious injury or death.

Panasonic®

© 2002 Matsushita Electric Industrial Co., Ltd. All rights reserved. Unauthorized copying and distribution is a violation of law.

WARNINGS

For U.K.

This apparatus must be earthed for your safety.

To ensure safe operation the three-pin plug must be inserted only into a standard three-pin power point which is effectively earthed through the normal household wiring.

Extension cords used with the equipment must be three-core and be correctly wired to provide connection to earth. Wrongly wired extension cords are a major cause of fatalities.

The fact that the equipment operates satisfactorily does not imply that the power point is earthed and that the installation is completely safe.

For your safety, if you have any doubt about the effective earthing of the power point, consult a qualified electrician.

FOR YOUR SAFETY PLEASE READ THE FOLLOWING TEXT CAREFULLY

This appliance is supplied with a moulded three pin mains plug for your safety and convenience.

A 3 amp fuse is fitted in this plug.

Should the fuse need to be replaced please ensure that the replacement fuse has a rating of 3 amps and that it is approved by ASTA or BSI to BS 1362.

Check for the ASTA mark  or the BSI mark  on the body of the fuse.

If the plug contains a removable fuse cover you must ensure that it is refitted when the fuse is replaced.

If you lose the fuse cover the plug must not be used until a replacement cover is obtained.

A replacement fuse cover can be purchased from your local Panasonic Dealer.

IF THE FITTED MOULDED PLUG IS UNSUITABLE FOR THE SOCKET OUTLET IN YOUR HOME THEN THE FUSE SHOULD BE REMOVED AND THE PLUG CUT OFF AND DISPOSED OF SAFELY.

THERE IS A DANGER OF SEVERE ELECTRICAL SHOCK IF THE CUT OFF PLUG IS INSERTED INTO ANY 13 AMP SOCKET.

If a new plug is to be fitted please observe the wiring code as shown below.

If in any doubt please consult a qualified electrician.


Warning: THIS APPLIANCE MUST BE EARTHED.

Important

The wires in this mains lead are coloured in accordance with the following code:

Green-and-yellow:	Earth
Blue:	Neutral
Brown:	Live

As the colours of the wires in the mains lead of this apparatus may not correspond with the coloured markings identifying the terminals in your plug, proceed as follows:

The wire which is coloured GREEN-and-YELLOW must be connected to the terminal in the plug which is marked by the letter E or by the safety earth symbol  coloured GREEN or GREEN-and-YELLOW.

The wire which is coloured Blue must be connected to the terminal which is marked with the letter N or coloured BLACK.

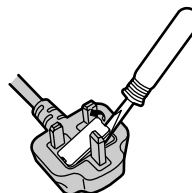
The wire which is coloured Brown must be connected to the terminal which is marked with the letter L or coloured RED.

The mains plug on this equipment must be used to disconnect the mains power.

Please ensure that a socket outlet is available near the equipment and shall be easily accessible.

How to replace the fuse

Open the fuse compartment with a screw-driver and replace the fuse.



Warnings

- This equipment is not designed for connection to an IT power system.
(An IT system is a system having no direct connections between live parts and Earth; the exposed-conductive-parts of the electrical installation are earthed.
An IT system is not permitted where the computer is directly connected to public supply systems in the U.K.)
- Disconnect the mains plug from the supply socket when the computer is not in use.

This equipment is produced to BS800/1983.

LASER SAFETY INFORMATION

For U.S.A.

Class 1 LASER-Product

This product is certified to comply with DHHS Rules 21 CFR Subchapter J.

This product complies with European Standard EN60825 (or IEC Publication 825)

For all areas

This equipment is classified as a class 1 level LASER product and there is no hazardous LASER radiation.

Caution:

- (1) Use of controls or adjustments or performance of procedures other than those specified herein may result in hazardous radiation exposure.
- (2) The drive is designed to be incorporated into a computer-based system or unit which has an enclosing cover. It should never be used as a stand alone drive.

Danger:

The serviceman should not remove the cover of drive unit and should not service because the drive unit is a non-serviceable part.

Please check DANGER label on PD-drive unit.

- Unplug the AC power cord to the equipment before opening the top cover of the drive.
- When the power switch it on, do not place your eyes close to the front panel door to look into the interior of the unit.

LASER Specification

Class 1 level LASER Product

Wave Length:	DVD	658 ± 8 nm
	CD	775~815 nm

Laser safety information is appropriate only when drive with laser is installed.

LITHIUM BATTERY ⚠

• CAUTION

Danger of explosion if battery is incorrectly replaced.

Replace only with the same or equivalent type recommended by the equipment manufacture.

Discard used batteries according to the manufacturer's instructions.

LITHIUMBATTERIES ⚠

Vorsicht!

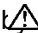
Explosionsgefahr bei unsachgemäßem Austausch der Batterie. Ersatz nur durch denselben oder einen vom Hersteller empfohlenen ähnlichen Typ. Entsorgung gebrauchter Batterien nach Angaben des Herstellers.

PILE AU LITHIUM ⚠


ATTENTION: IL Y A DANGER D'EXPLOSION S' IL Y A REMPLACEMENT INCORRECT DE LA PILE. REMPLACER UNIQUEMENT AVEC UNE PILE DU MÊME TYPE OU D'UN TYPE RECOMMANDÉ PAR LE CONSTRUCTEUR. METTRE AU RÉBUT LES PILES USAGÉES CONFORMÉMENT AUX INSTRUCTIONS DU FABRICANT.

Replacement Parts List

Note: Important Safety Notice

Components identified with  mark have special characteristics important for safety. When replacing any of these components, use only manufacturer's specified parts.

CF-72VCJxZxx /CF-72V3JxZxx

REF. NO. and	PART NO.	DESCRIPTION	Q'T
Main Block Unit			
E 1	DL3U11196AAA	PCB, MAIN (CF-72VCxxxxx)	RTL 1
E 1	DL3U11196BAA	PCB, MAIN (CF-72V3xxxxx)	RTL 1
E 2	DL3U21196AAA	PCB, LED (CF-72VCxxxxx)	RTL 1
E 2	DL3U21196BAA	PCB, LED (CF-72V3xxxxx)	RTL 1
E 3	DL3U11202AAA	PCB, SUB	RTL 1
E 4	DL3U21202AAA	PCB, PAD	RTL 1
E 5	DL3U31202AAA	PCB, LID	RTL 1
E 10	DL3U11054BAA	PCB, FPC, HDD	RTL 1
E 11	DFAS9001ZA	ASS'Y, SPEAKER 36	2
E 12	DFAS9002ZA	ASS'Y, SPEAKER 20	2
E 13	UDQFVEH01	FAN MOTOR	1
E 14	DFJS637ZA	CABLE, INDICATOR	1
E 15	DFJE12M030BB	FFC, PAD	1
E 16	DFJE12M109HB	FFC, PCB, PAD	1
E 19	L5BDD3Q00007	ASS'Y, LCD (CF-72V3xxxxx)	1
E 20	 N0GF1J000001	INVERTER	1
E 21	DFJS734XA	CABLE, LCD (CF-72VCxxxxx)	1
E 21	DFJS734WA	CABLE, LCD (CF-72V3xxxxx)	1
E 22	DFJS636ZA	CABLE, INVERTER	1
E 23	N3CABQD00004	HDD	1
E 24 (M)	DFSX1A71UATG	KEYBOARD	1
E 24 (E)	DFSX1A72UATG	KEYBOARD	1
E 24 (F)	DFSX1A74UATG	KEYBOARD	1
E 24 (G)	DFSX1A73UATG	KEYBOARD	1
E 24 (S)	DFSX1A76UATG	KEYBOARD	1
E 24 (T)	DFSX1A75UATG	KEYBOARD	1
E 24 (P)	DFSX1A95UATG	KEYBOARD	1
E 25	DFWP0132ZA	CARD, MODEM, MINI PCI	1
E 26	DFJS638YA	CABLE, MODEM	1
E 28	C2GAC0000103	CPU	1
E 29	K1NBF4Z00001	CONNECTOR, PCMCIA	1
E 30	CR2032/S5J	BATTERY	1
E 31	N2EAEEC00001	TOUCH PAD	1
E 41	N5BDBA000001	PCB, CONTROL, TOUCH SCREEN (CF-72VCxxxxx)	1
E 42	DFJS658ZA	TS EXTENSION CABLE (CF-72VCxxxxx)	1
E 43	DFJS709ZA	TS CABLE (CF-72VCxxxxx)	1
E 44	DFWV08A0047	ASS'Y, LCD / TOUCH SCREEN PANEL (CF-72VCxxxxx)	1
E 45	DFWV08A0045	ASS'Y, LCD UNIT (CF-72VCxxxxx)	1
E 46	DFWV84A0214	TOUCH SCREEN PANEL KIT (CF-72VCxxxxx)	1
E 950	DL3U31196AAA	PCB, TS13 (CF-72VCxxxxx)	RTL 1

Accessories				
A 1	△	CF-AA1653M1	AC ADAPTER	1
A 2	△	CGA-E/608A	BATTERY PACK	1
A 3 (M)	△	K2CG3DR00003	AC CABLE	1
A 3 (E,G,F,S,T,P)	△	* AC CABLE		1
A 4		DFJS535ZA	CABLE, MODEM	1
A 6 (M)	△	DFQX5321ZA	OPERATING INSTRUCTIONS	1
A 6 (E,G,F,S,T,P)	△	* OPERATING INSTRUCTION MANUAL		1
A 11		DFHR9039ZA-0	STYLUS (CF-72VCxxxxx)	1
A 15		DFHS9010ZA	CLOTH, LCD (CF-72VCxxxxx)	1
Note: About the parts which written " * " above, please order to Computer Products Europe (CPE) written below. Matsushita Electric (U.K.) Ltd. Computer Products Europe (CPE) TEL: +44-1222-736060 FAX: +44-1222-735500				
Packing Material				
P 1		DFPN9111YA	CUSHION	1
P 2		DFPK1060YA	CASE, PACKING	1
Mechanical Parts				
K 1		DFMD7688YA	ANGLE, JACK	1
K 2		DFMD7694ZA	HOLDER, PAD	1
K 3		DFMX0828ZA	INSULATOR PCB, LED	1
K 4		DFMX0829ZA	INSULATOR PCB, SUB	1
K 5		DFMX0830ZA	INSULATOR SUB PCB, 2	1
K 6		DFMX0848YA	INSULATOR PCB, PAD	1
K 8		DFMY0258ZA	SHEET 2, THERMAL, CPU	2
K 10		DFMY3089ZA	ANGLE, HEAT, FAN	1
K 11		DFMZ0032ZA	SHEET INDICATOR	1
K 12		DFHG1363YA-1	COVER, DUST, RJ11	1
K 13		DFHG1401ZA	RUBBER, WATERPROOF	1
K 14		DFHG1404ZB	CUSHION, PAD	1
K 15		DFMX0657ZA	SHEET, CABLE	1
K 16		DFHE0399ZA	GASKET, IO-2	1
K 17		DFHE0238ZA	GASKET, LED PCB	1
K 18		DFHE0401ZA	GASKET, B, PCB, LED	1
K 19		DFHE0403ZA	GASKET, CASE, PCB	1
K 20		DFHE0405ZA	GASKET, IO-1	3
K 21		DFHR7946ZA	SHEET, GUIDE, MPI	1
K 22		DFHE0407ZA	GASKET, CABLE, LCD	1
K 23		DFHE0419ZA	GASKET, SHAFT, EMI	1
K 24		DFKM0365WA	CHASSIS, TOUGH	1
K 25		DFKM8138YA-1	ASS'Y, PALM REST	1
K 26		DFKM8139WA-1	ASS'Y, COVER, CENTER	1
K 27		DFKF8128XA-0	ASS'Y, CASE, BOTTOM	1
K 27 -1		DFHG363ZA-0	RUBBER, FOOT (Small)	1
K 27 -2		DFHG312ZA-0	RUBBER, FOOT (Large)	1
K 28		DFKF8129ZA-0	ASS'Y, COVER, BATTERY	1
K 28 -1		DFHG363ZA-0	RUBBER, FOOT (Small)	1
K 28 -2		DFHG312ZA-0	RUBBER, FOOT (Large)	1
K 29		DFKH1010YB-0	ASS'Y, HANDLE	1
K 30		DFKE0538YA-0	COVER, L, HINGE	1

K 31	DFKE0539YA-0	COVER, R, HINGE	1
K 32	DFKE0540YA-1	CAB, L, EDGE, KB	1
K 33	DFKE0541YA-1	CAB, R, EDGE, KB	1
K 34	DFKE0542YA-0	COVER, L, PORT	1
K 35	DFKE0543YA-0	COVER, R, PORT	1
K 36	DFGX0252ZA-0	COVER, DIMM	1
K 37	DFBD0131ZA-0	KNOB, POWER	1
K 38	DFHR4070ZA	RING (20), SPEAKER	2
K 39	DFHR4071ZA	RING (36), SPEAKER	2
K 40	DFHR5850ZB	BLOCK, PCB	2
K 41	DFHR7855ZA	DUCT, FAN	1
K 42	DFHR7878YA	TAPE, PAD	1
K 43	DFHR7888ZA	CABLE SHEET, CABLE, LCD	1
K 44	DFHR8355ZA	CUSHION, SPEAKER	2
K 45	DFHR8359ZA	WATERPROOF CENTER	1
K 46	DFHR8363ZA	KB, WATERPROOF	1
K 48	DFHR7945ZA	SHEET, COVER, HDD	1
K 49	DFHG1405ZA	CUSHION, BGA, CPU	1
K 50	DFKE0570YA-1	COVER, SLOT, PALM	1
K 51	DFKF8127VA-0	ASS'Y, CASE, PCB	1
K 51 -1	DFHG1459ZA	FOOT PAD 2	2
K 51 -2	DFGX8006ZB-0	ASS'Y, SHUTTER, BUS	1
K 51 -3	XQN2+CJ4FN	SCREW	4
K 51 -4	DFGX8007ZA-0	ASS'Y, SHUTTER, CARD	1
K 52	DFHR7959ZA	SHEET,2,SLIDE,MP	1
K 70	DFKE0661ZA-0	COVER, N, ANTENNA (CF-72VCxxxxx)	1
K 70	DFKE0544ZA-0	COVER, N, ANTENNA (CF-72V3xxxxx)	1
K 71	DFUD0031XA	LATCH, SPRING, LCD (CF-72VCxxxxx)	1
K 71	DFUD0031YB	LATCH, SPRING, LCD (CF-72V3xxxxx)	1
K 72	DFMD3089ZB	ANGLE, INVERTER (CF-72V3xxxxx)	1
K 73	DFKE0663XA	PLATE, PROTECTOR (CF-72VCxxxxx)	1
K 73	DFME0121ZA	PLATE, PROTECTOR (CF-72V3xxxxx)	1
K 74	DFMX0785ZA	SHEET, CABLE, INVERTER (CF-72V3xxxxx)	1
K 75	DFMX0832YA	INVERTER, INSULATION (CF-72VCxxxxx)	1
K 75	DFMX0832ZA	INVERTER, INSULATION (CF-72V3xxxxx)	1
K 76	DFMX0833ZA	HOLDER, CABLE, INVERTER (CF-72VCxxxxx)	1
K 76	DFMX0833ZA	HOLDER, CABLE, INVERTER (CF-72V3xxxxx)	2
K 77	DFMX0876ZA	COVER, CABLE, LAMP (CF-72V3xxxxx)	1
K 78	DFMY0272ZA	SHEET, THERMAL, INVERTER	1
K 79	DFDF3136ZA	SHAFT, KNOB, LCD	1
K 80	DFBH1157ZA	HINGE-L (CF-72VCxxxxx)	1
K 80	DFBH1159ZA	HINGE-L (CF-72V3xxxxx)	1
K 81	DFBH1158ZA	HINGE-R (CF-72VCxxxxx)	1
K 81	DFBH1160ZA	HINGE-R (CF-72V3xxxxx)	1
K 82	DFHG1399XA-0	RUBBER, LEG, LCD	2
K 83	DFHE0395ZA	SHAFT, EMI, LCD	1
K 85	DFHE0418ZA	MAGNET, LID	1
K 86	DFHP7069ZA	TAPE, BOTH SIDES	1
K 87	DFKM0411YA-1	REAR, LCD (CF-72VCxxxxx)	1
K 87	DFKM0366YA-1	REAR, LCD (CF-72V3xxxxx)	1

K 88	DFKF0209WB-1	CABINET, FRONT, LCD (CF-72VCxxxxx)	1
K 88	DFKF0209XB-1	CABINET, FRONT, LCD (CF-72V3xxxxx)	1
K 89	DFKE0659YA-0	PROTECTOR, L, EDGE (CF-72VCxxxxx)	1
K 89	DFKE0536ZA-0	PROTECTOR, L, EDGE (CF-72V3xxxxx)	1
K 90	DFKE0660YA-0	PROTECTOR, R, EDGE (CF-72VCxxxxx)	1
K 90	DFKE0537ZA-0	PROTECTOR, R, EDGE (CF-72V3xxxxx)	1
K 91	DFGB0062ZB-0	BADGE	1
K 92	DFGX0266ZA-0	SHEET, SCREW, LCD	2
K 93	DFBD0130WA-0	KNOB, LCD (CF-72VCxxxxx)	1
K 93	DFBD0130XA-0	KNOB, LCD (CF-72V3xxxxx)	1
K 94	DFHR5803XA	HOLDER, KNOB, LCD	2
K 95	DFHR5839ZA	SPACER, MAGNET	1
K 98	DFHR8367ZA	DUMPER, LCD (CF-72V3xxxxx)	6
K 99	DFMD2131ZA	HOLDER, HDD	1
K 100	DFHG1397ZA	DUMPER, HDD	1
K 102	DFHR5802ZA	HOLDER, CN, HDD	1
K 103	DFHR9044ZA	COVER, HDD	1
K 104 (M)	△ DFGT0812YA	INFORMATION LABEL, UNIT	1
K 104 (E,G,F,S,T,P)	△ DFGT0811YA	INFORMATION LABEL, UNIT	1
K 107	DFMX0875ZA	SHEET, CABLE, PCI	1
K 108	DFHR5412ZA	CLAMP, MINI	1
K 109	DFMD2130YA	PLATE, CONFIG, IF	1
K 110	DFMD7686YA	ANGLE, PORT	1
K 111	DFHR5805ZA	GUIDE (MAIN), CN	1
K 112	DFHR5804ZA	GUIDE, CN, MP	1
K 114	DFHG1441ZA	CUSHION, CHASSIS, HDD	1
K 116	DFHE0408ZA	GASKET, COVER, BATTERY	2
K 117	DFHR8368ZA	BALANCER 1, HDD	2
K 119	DFHG1440ZB	CENTER, CUSHION, PALM REST	1
K 120	DFHR8371ZA	CUSHION, SC, PALM REST	1
K 122	DFHR7912ZA	TAPE, CABLE, LCD	1
K 123	DFHE0438ZA	CLOTH, CN, LCD	1
K 125	DFHR8375ZA	DUMPER, BOTTOM, LCD (CF-72V3xxxxx)	1
K 126	DFHR8374ZA	DUMPER, SIDE, LCD (CF-72V3xxxxx)	2
K 127	DFHR8373ZA	DUMPER, TOP, LCD (CF-72V3xxxxx)	2
K 128	DFHR8376ZA	TAPE, HOLD, LCD (CF-72V3xxxxx)	1
K 129	DFHE0437ZA	CLOTH 2,LCD CABLE (CF-72V3xxxxx)	1
K 130	DFHE0436ZA	CLOTH 1,LCD CABLE (CF-72V3xxxxx)	1
K 133	DFHG1444ZB	CUSHION, UPPER, MP	3
K 134	DFHG1439ZA	CUSHION, PCB, SUB	2
K 135	DFHR7910ZB	SPACER, MINI PCI	1
K 136	DFHG1442ZB	CUSHION, CN, HDD	1
K 137	DFHE0462ZA	GASKET, 3, PALM REST	2
K 139	DFHE0461ZA	GASKET, 2, PALM REST	1
K 140	DFHG1450ZA	CUSHION, COVER, BATTERY	1
K 141	DFMD4031ZA	ANGLE, PALM REST	1
K 142	DFMX0657ZA	SHEET, PROTECTION, CABLE, LCD	1
K 143	DFMX0851ZA	CUSHION, FPC, KB	1
K 145	DFHE0460ZA	GASKET (2 X4X30)	2
K 147	DFGX0254ZA-0	SPACER, CN, BATT	1

K 148	DFGX0285YA	COVER, PS2	1
K 149	DFHR5875ZA	CUSHION, L	1
K 150	DFHR5876ZA	SPACER, L	1
K 151	DFHR5877ZA	SPACER, DIMM	1
K 153	DFHR7913ZA	WATERPROOF, FPC, KB	1
K 154	DFHR7929ZA	SHEET, SLIDE, MP	2
K 155	DFHR8372ZB	SPACER, UNDER, MP	2
K 156	DFMX0880ZA	SHEET, 2, CABLE, LAMP (CF-72VCxxxxx)	1
K 156	DFMX0880ZA	SHEET, 2, CABLE, LAMP (CF-72V3xxxxx)	2
K 157	DFHR8377ZA	SPACER, HINGE (CF-72V3xxxxx)	1
K 158	DFQT6077YA	LABEL, HIGH VOLTAGE	1
K 159	DFHR8380ZA	SHEET, CN, HDD	1
K 162	DFWV99A0057	HDD Mounting Kit for Support	1
K 401	DFMX0383WA	ISOLATION SHEET	1
K 401	DFMX0383WA	ISOLATION SHEET (CF-72VCxxxxx)	3
K 403	DFHR3099YA	SPACER	2
K 404	DFMC0719ZA	GASKET, LCD CABLE (CF-72VCxxxxx)	1
K 405	DFMX1003ZA	ISOLATION, T.S. (CF-72VCxxxxx)	3
K 405	DFMX1003ZA	ISOLATION, T.S. (CF-72V3xxxxx)	1
K 406	DFMX1004ZA	ISOLATION, INVERTER (CF-72VCxxxxx)	1
K 407	DFMX1005ZA	ISOLATION2, INVERTER (CF-72VCxxxxx)	1
K 408	DFHP7118ZA	TAPE, CONNECTOR PCB (CF-72VCxxxxx)	1
K 409	DFHP7119ZA	TAPE, INVERTER PCB (CF-72VCxxxxx)	1
K 410	DFHP7120ZA	TAPE, HINGE (CF-72VCxxxxx)	2
K 411	DFHP7124ZA	TAPE (CF-72VCxxxxx)	1
K 412	DFHR3240ZA	SHEET A, LCD FRONT (CF-72VCxxxxx)	1
K 413	DFHR3241ZA	SHEET B, LCD FRONT (CF-72VCxxxxx)	1
K 414	DFHR3242ZA	LCD FRONT SIDE (CF-72VCxxxxx)	2
K 415	DFHR3246ZA	SHEET, HINGE (CF-72VCxxxxx)	2
K 416	DFHR3248ZA	CUSHION, T.S. (CF-72VCxxxxx)	1
K 417	DFHR3249ZA	SHEET, T.S. (CF-72VCxxxxx)	1
K 418	DFHR3258ZA	TAPE, INVERTER (CF-72VCxxxxx)	1
K 419	DFHR3263ZA	SHEET, UPPER, LCD FRONT (CF-72VCxxxxx)	2
K 420	DFHR3264ZA	SHEET, UNDER, LCD FRONT (CF-72VCxxxxx)	2
K 421	DFHR3265ZA	DUMPER, UNDER, T.S. (CF-72VCxxxxx)	2
K 422	DFHR3266ZA	DUMPER, UPPER, T.S. (CF-72VCxxxxx)	2
K 423	DFMC0728ZA	SHIELD1, MODEM	1
K 424	DFMC0729ZA	SHIELD2, MODEM	2
K 425	DFHR3261ZA	SHEET, MODEM	1
K 426	DFHR3262ZA	TAPE, MODEM	2
K 427	DFHR3275ZA	STOPPER, MINI PCI	2
K 428	DFHP7117ZA	EDGE PROTECTOR TAPE (CF-72VCxxxxx)	1
K 429 (M)	DFQT9675ZA	LABEL, ENERGY STAR	1
K 950	DFQT9731ZA	TOUGHOOK LABEL	1
K 951	DXQT2+D4FNM	SCREW	4
K 952	DFMY9018ZA	HEAT PIPE UNIT	1
K 953	DFMY3125ZA	CPU PLATE 4	1
K 954	DFMD7879ZA	ANGLE, PIPE	2
K 955	DFMY3130ZA	HEAT DIFFUSION PLATE	1
K 956	DFHE0185ZB	GASKET H	1

K 957	DFHR3340ZA	SHEET	1
K 958	DFHE6015ZA	SPACER	1
K 959	DFMY0308ZA	RUBBER, RADIATION	1
K 960	DFHR5885ZA	DUMPER SIDE 2, LCD (CF-72V3xxxxx)	2
K 961	DFMX0897YA	SHEET, PROTECTOR (CF-72V3xxxxx)	1
K 201	XYN2+J12FZ	SCREW	7
K 202	XYN2+J16FN	SCREW	2
K 203	XYN2+J6FN	SCREW	2
K 204	XTB2+16GFN	SCREW	4
K 205	XTB2+5GFN	SCREW	5
K 206	XTB26+20GFN	SCREW	2
K 207	DXHM0021ZA	SCREW	2
K 208	DFHE5020YB	SCREW	2
K 209	DFHE5025XA	SCREW	3
K 210	DXQT2+G5FUBN	SCREW	2
K 220	DXHM0025ZA	SCREW	2
K 221	DFHE5020XA	SCREW	1
K 222	DFHE5025XA	SCREW	3
K 223	XYN2+J4FN	SCREW	4
K 224	IKT0104AA	SCREW	6
K 225	DFHE5025XA	SCREW	5
K 226	XYN2+J6FN	SCREW	4
K 227	DFHE5119ZA	SCREW	2
K 228	DFHE5061ZA	SCREW, HDD	2
K 230	XYN2+J7FN	SCREW	6
K 231	DXSB26+6FNL	SCREW	6

CF-72VCJ(U/W)Zxx /CF-72V3J(U/W)Zxx

Floppy Disk Drive: CF-VFD721W

REF. NO. and AREA	PART NO.	DESCRIPTION	Q'TY
E 48-1	△ DFJG065ZA-T	DRIVE, FD	1
E 48-2	DFJE9071ZAH	FPC	1
E 48-3	DFMD2113ZA	PLATE, FDD	2
E 48-4	DFMX0561YA	INSULATION SHEET, MP-CN	1
E 48-5	DFDB0004XA	DUMPER	4
E 48-6	DFHM0176ZA	NUT, FDD	2
E 48-7	DFHE0118ZB	GASKET	1
E 48-8	DFKM0253YB-0	CABINET, FDD	1
E 48-9	DFGL0018ZC-3	LENS, LED	1
E 48-10	DFGE0027ZA	CHASSIS	1
E 48-11	DL3UP0982AAA	PCB, FDD	1
E 48-12	△ DFGT0906ZA	INFORMATION LABEL	1
E 48-13	XYN26+J4FN	SCREW	4
E 48-14	XTB26+6GFN	SCREW	4
FDD Connector PCB			
C402	ECUV1C104ZFV	CAPACITOR, 16V, 0.1μF	1
CN401	DFJS250YA160	CONNECTOR, MAIN PCB	1
CN402	DFJS013ZA026	CONNECTOR, FDD	1
IC401	DA7S04UT85L0	IC, INVERTER	1
R402	ERJ3GEYJ562V	RESISTOR, 1/16W, 5.6kΩ	1




CF-72VCJPZxx /CF-72V3JPZxx
CD-ROM Drive: CF-VCD711W

REF. NO and AREA	PART NO.	DESCRIPTION	Q'TY
Main Block Unit			
E1	DL3U11103AAA	PCB, CONNECTOR (A) RTL	1
E2	DL3U21103AAA	PCB, CONNECTOR (B) RTL	1
E3	DFJE50N035BH	FPC	1
E4	DFWV78A0069	DRIVE, CD-ROM	1
Mechanical Parts			
K1	DFKM0253XB-0	CABINET, TOP	1
K2	DFGE0027YA	CHASSIS	1
K3	DFMD3064YA	CLAMP, CD-ROM DRIVE	1
K4	DFMX0561YA	SHEET, INSULATION, CONNECTOR PCB	1
K5	DFHE7007ZA	CD KEY	2
K6	△ DFGT0671YA	RATING LABEL	1
K7	DFHG1161ZA	HOLDER, CONNECTOR	1
K8	DFMX0820ZA	INSULATION SHEET	1
K9	DFHG795ZA	SHEET, CABLE	1
K101	DFHE5067YA	SCREW	2
K102	DXQT2+D25FNM	SCREW	2
K103	DFHE5086ZA	SCREW	2
Connector (A) PCB			
CN101	DFJS250YA160	CONNECTOR, EXPANSION BUS	1
CN102	DFJS120ZA050	CONNECTOR, FOR CONNECTOR (B) PCB	1
Connector (B) PCB			
CN201	DFJS315XA050	CONNECTOR, FOR CD-ROM DRIVE	1
CN202	DFJS120ZA050	CONNECTOR, FOR CONNECTOR (A) PCB	1

CF-72VCJUZxx /CF-72V3JUZxx
DVD-ROM Drive: CF-VDD723M/Z

REF. NO. and AREA	PART NO.	DESCRIPTION	Q'TY
E 47-1 (M) \triangle	DFWV78A0153	DRIVE, DVD, Region code 1	1
E 47-1 (Z)--E,G,F,S,T,P \triangle	DFWV78A0154	DRIVE, DVD, Region code 2	1
E 47-2	DFJE50N035BH	FPC	1
E 47-3	DL3U11130AAA	PCB, CONNECTOR (A) RTL	1
E 47-4	DL3U21130AAA	PCB, CONNECTOR (B) RTL	1
E 47-5	DFMD3064YA	PLATE, DVD	1
E 47-6	DFMX0501YA	INSULATION, PCB, DVD	1
E 47-7	DFMX0561YA	INSULATION SHEET, MP-CN	1
E 47-8	DFHG1161ZA	CONTROL, CONNECTOR	1
E 47-9	DFHE7007ZA	DVD KEY	2
E 47-10	DFKM0253XB-0	CAB, DVD TOP	1
E 47-11	DFGE0027YA	CHASSIS, DVD	1
E 47-12	DFHR7614ZA	SPACER, DVD	1
E 47-13	LMYP0445	BEZEL, DVD	1
E 47-14 \triangle	DFGT0903ZA	RATING LABEL	1
E 47-15	JDLB0007ZA	SCREW	2
E 47-16	DFHM0177YA	SCREW	2
E 47-17	DXQT2+D25FNM	SCREW	2
E 47-18	DFHE5086ZA	SCREW	2
Connector (A) PCB			
CN101	DFJS250YA160	CONNECTOR	1
CN102	DFJS120ZA050	CONNECTOR	1
Connector (B) PCB			
CN201	DFJS315XA050	CONNECTOR	1
CN202	DFJS120ZA050	CONNECTOR	1
R201	ERJ3GEYJ102V	RESISTOR, 1/16W, 1K Ω	1

CF-72VCJWZxx /CF-72V3JWZxx
DVD-ROM & CD-R/RW Drive Pack: CF-VDR721M/Z

REF. NO and AREA	PART NO.	DESCRIPTION	Q'TY
Main Block Unit			
E1	DL3U11130AAA	PCB, CONNECTOR (A) RTL	1
E2	DFWV48C0590	PCB, CONNECTOR (B) RTL	1
E3	DFJE50N035BH	FPC	1
E4(M) 	DFWV78A0149	DRIVE, COMBO DRIVE	1
E4(Z)--E,G,F,S,T,P 	DFWV78A0150	DRIVE, COMBO DRIVE	1
E4-1	UJSJDYP0176	BEZEL, COMBO DRIVE	1
E4-2	JDLB0007ZA	SCREW, COMBO DRIVE	3
Mechanical Parts			
K1	DFKM0253WA-0	CABINET, TOP	1
K2	DFGE0027WA	CHASSIS	1
K3	DFMD3064XA	CD ANGLE	1
K4	DFMX0561YA	SHEET, INSULATION, CONNECTOR PCB	1
K5	DFHE7007ZA	SD/CD KEY	2
K6 	DFGT0891ZA	RATING LABEL	1
K7	DFUS0244XA	EARTH SPRING (A)	1
K9	DFMX0501YA	SHEET, INSULATION	1
K10	DFHR7614ZA	SHEET, DVD INSULATION	1
K101	DFHM0177YA	SCREW	2
K102	DXQT2+D25FNM	SCREW	2
K103	DFHE5086ZA	SCREW	2
CONNECTOR (A) PCB			
CN101	DFJS250YA160	CONNECTOR	1
CN102	DFJS120ZA050	CONNECTOR	1
CONNECTOR (B) PCB			
CN201	DFJS315XA050	CONNECTOR	1
CN202	DFJS120ZA050	CONNECTOR	1
R201	ERJ3GEYJ102V	RESISTOR, 1/16W, 1K Ω	1

Replacement Parts List

Note: Important Safety Notice

Components identified by Δ mark have special characteristics important for safety.
When replacing any of these components use only manufacturer's specified parts.

CF-72VCJxZxx /CF-72V3JxZxx

REF. NO and AREA	PART NO.	DESCRIPTION	Q'TY
Main PCB			
C1 2 4 5 6 7	EEFUD0D181R	CAPACITOR, 2V, 180 μ F	6
C9 13 17 21 25 30 34 35 39 43 47 85 88 99 102 113 115 171 172 185 292 293 294 295 312 315 319 321 323 325 326 350 351 371 375 376 377 378 379 388 439 442 451 528 529 530 531 532 549 551 609 610 627 638 639 651 652 657 666 668 679	F1J0J1060004	CAPACITOR, 6.3V, 10 μ F	61
C10 14 18 22 26 31 36 40 44 48 174 177 181 182 183 189 190 224 225 226 227 229 230 232 707	DCUM1H103ZFL	CAPACITOR, 50V, 0.01 μ F	25
C11 12 15 16 19 20 23 24 27 28 32 33 37 38 41 42 45 46 49 50 66 67 81 83 86 87 89 92 98 100 101 104 105 107 108 110 111 112 118 119 122 123 127 128 131 132 133 134 136 137 141 142 145 147 149 151 153 155 157 159 161 163 165 167 169 173 175 176 178 184 193 194 203 204 210 212 213 215 216 218 219 221 222 231 233 235 236 237 238 239 243 245 248 250 296 297 298 299 300 301 302 303 304 305 306 307 308 309 310 311 313 314 316 317 318 320 322 324 327 328 333 336 340 341 342 343 344	F1G1C104A031	CAPACITOR, 16V, 0.1 μ F	127

345 360 366 367 368 370 372 380 389 400 440 441 443 444 446 447 450 455 459 463 464 465 466 471 472 473 475 476 477 479 480 481 482 483 484 486 487 500 503 505 506 507 508 525 533 536 537 539 540 541 542 545 546 547 548 558 559 561 585 601 606 608 612 629 672 727 814 816 817 818	F1G1C104A031	CAPACITOR, 16V, 0.1 μ F	70
C53 54 63 64 74 78 392 393 394 397 398 399 401 402 403 404 405 406 407 410 411 515 516 517 518 519 521	F1G1H221A401	CAPACITOR, 50V, 220pF	27
C55 56 94 95	F4Z1A3300001	CAPACITOR, 10V, 33 μ F	4
C60	F1G1H222A401	CAPACITOR, 50V, 2200pF	1
C61 62 65 75 116 117 120 121 124 125 129 130 138 139 143 144 198 201 205 207 369 373 452 469 470 493 502 607 688 689 695 708 815	ICUV1A105ZFS	CAPACITOR, 10V, 1 μ F	33
C69 70 72 73 82 806	F1G1C103A046	CAPACITOR, 16V, 0.01 μ F	6
C91 352 353 354 355 381 412 413 414 415 416 417 418 419 495 496 512 513 534 670	DCUM1H101JCL	CAPACITOR, 50V, 100pF	20
C96 640 641 642 643 653 654 655 656 680 681	EEFCD0D101R	CAPACITOR, 2V, 100 μ F	11
C196 197 554 555	F1G1H5R00004	CAPACITOR, 50V, 5pF	4
C202	ECUV1C473KBV	CAPACITOR, 16V, 0.047 μ F	1
C208 211 214 228 234	F1L0J106A004	CAPACITOR, 6.3V, 10 μ F	5
C241 242	F1G1H2R00004	CAPACITOR, 50V, 2pF	2
C246 247 504	F1G1H471A401	CAPACITOR, 50V, 470pF	3
C329 356 357 358 359 361 364 454 461 543 805 807 809	F1G1H102A401	CAPACITOR, 50V, 1000pF	13
C330 331 597 598 686 698	F1J0J4750002	CAPACITOR, 6.3V, 4.7 μ F	6
C332 390 391 395 396 592 593 594	ECUV1C105ZFX	CAPACITOR, 16V, 1 μ F	8
C374 692	DCUA1H105ZFY	CAPACITOR, 50V, 1 μ F	1
C384 485	D4ED1120A002	VARISTOR	2
C408 409	DCUM1H681KBL	CAPACITOR, 50V, 680pF	2
C448 449	F1G1H120A451	CAPACITOR, 50V, 12pF	2

C453		ECST1AY475R	CAPACITOR, 10V, 4.7µF	1
C456 457 458 460 467 489 490 491 492 498 499 501 659 665 678		ECUV1C224ZFV	CAPACITOR, 16V, 0.22µF	15
C494		ECST1CX106R	CAPACITOR, 16V, 10µF	1
C509		ECST1CD476R	CAPACITOR, 16V, 47µF	1
C510 511		EEVHA0J470R	CAPACITOR, 6.3V, 47µF	2
C514 520 522		DCUM1H330JCL	CAPACITOR, 50V, 33pF	3
C524 595 596 690 693 702 703 705 706		ECUV1E104ZFV	CAPACITOR, 25V, 1µF	9
C573 574 575 576 588 589 590 591		DCUM1H470JCL	CAPACITOR, 50V, 47pF	8
C586 587 600		ECST1AX226R	CAPACITOR, 10V, 22µF	3
C611		ECJ2FB1A105K	CAPACITOR, 10V, 1µF	1
C614 615 619 620 623 663 687 694 719 722 723 724		F1G1E103A062	CAPACITOR, 25V, 0.01µF	12
C616 622		ECJ1VB1E223K	CAPACITOR, 25V, 0.022µF	2
C617		ECUV1C104KBV	CAPACITOR, 16V, 0.1µF	1
C621		ECUV1H102JCV	CAPACITOR, 50V, 1000pF	1
C624		ECJ1VB1A224K	CAPACITOR, 10V, 0.22µF	1
C625 675		ECJ1VF1H104Z	CAPACITOR, 50V, 0.1µF	2
C631 632 633 634 644 645 646 647 660 676 677 696 697 704		F1L1E106A017	CAPACITOR, 25V, 10µF	14
C636 649		ECUV1C334ZFV	CAPACITOR, 16V, 0.33µF	2
C637 650 661 673		ECJ2YF1A475Z	CAPACITOR, 10V, 4.7µF	4
C658 701 716 728		DCS0JTA151M	CAPACITOR, 6.3V, 150µF	4
C667		ECST1AD107R	CAPACITOR, 10V, 100µF	1
C669		ECUV1H472KBV	CAPACITOR, 50V, 4700pF	1
C674 729		DCUJ1H103KBL	CAPACITOR, 50V, 0.01µF	2
C682		ECUV1H471JCV	CAPACITOR, 50V, 470pF	1
C683 684 685		DCS1ATA101M	CAPACITOR, 10V, 100µF	3
C691		F1K0J1060017	CAPACITOR, 6.3V, 10µF	1
C699 700		EEFCD0J470R	CAPACITOR, 6.3V, 47µF	2
C711 713 715 810 811 812 813		ECUV1H103KBV	CAPACITOR, 50V, 0.01µF	7
C718		DCS0GTA221M	CAPACITOR, 4V, 220µF	1
C804		F1G1C473A004	CAPACITOR, 16V, 0.047µF	1
C808		ECJ0EB1A683K	CAPACITOR, 10V, 0.068µF	1
CN1		K1KA60A00106	CONNECTOR	1
CN2		K1MMZZB00001	CONNECTOR	1
CN3		DFJP02C75YAJ	CONNECTOR	1
CN4 5		K1FB104B0017	CONNECTOR	2
CN6		K1FB115E0004	CONNECTOR	1
CN7		K1MMF4A00001	CONNECTOR	1
CN9		K1FB125E0002	CONNECTOR	1
CN10		K1FA109E0002	CONNECTOR	1
CN11		IHC0722AA	CONNECTOR	1
CN13		DFJP152ZA200	CONNECTOR	1
CN14		DFJS553ZA100	CONNECTOR	1
CN15		DFJP173ZA002	CONNECTOR	1
CN17		K2LB102B0016	CONNECTOR	1

CN18	K2LC108B0022	CONNECTOR	1
CN19	K1MMC4B00003	CONNECTOR	1
CN21	DFJS225ZA100	CONNECTOR	1
CN22	K1MMC4B00002	CONNECTOR	1
D1	B0JDBE000002	DIODE	1
D2 4 5 9 12	MA729-TX	DIODE	5
D3	B0JCGC000003	DIODE	1
D6 7 8 10	DEDDA204UT	DIODE	4
D602 603	DEDRB081L20	DIODE	2
D600 601 607	DEDRB420DT97	DIODE	3
D604 606 608 613 614	DEDSFPB64V	DIODE	5
D605 609 610 612	DAP222TL	DIODE	4
D611 617 628	DAN222TL	DIODE	3
D615 616 629 630	DEDF1J3ETP	DIODE	4
D618	B0BC01200019	DIODE	1
D619	DEDUDZ18BT	DIODE	1
D620 621 622 625 626	B0BC5R000002	DIODE	5
D623 624	DEDUDZ6R2BT	DIODE	2
D627	DED03P2JT1-D	DIODE	1
F1 2	DBUPPR0042TW	FUSE, 2A	2
F601	XBADMMCT010U	FUSE, 1A	1
IC1	K3E479Z00001	IC, CPU SOCKET (IC1)	1
IC2	C1DB00000578	IC, TEMP SENSOR	1
IC3	C1DB00000908	IC, ICH3-M	1
IC4	C1DB00000920	IC, MCH-M	1
IC5 6 7 8 9 10 11 12	C3ABRG000017	IC, SDRAM	8
IC13	DA7W66UT12L0	IC, CMOS	1
IC14	DA7SH08U85L0	IC, AND GATE	1
IC15	C9ZB00000407	IC, PLL	1
IC16	DA7W14UT12L0	IC, INVERTER	1
IC17	C1DB00000907	IC, VGA CONTROLLER	1
IC19	C0ZBZ0000686	IC, SPREAD MODULATING CLOCK	1
IC23	C1DB00000479	IC, PCMCIA CONTROLLER	1
IC24	DA2563A1SX2V	BIPOLAR LOGIC	1
IC25	C3EBDC000036	IC, EEPROM	1
IC28	C2CBHF000187	IC, EC	1
IC29	DALP298030N	IC, BIPOLAR LINEAR	1
IC30	C1DB00000743	IC, SUPER I/O	1
IC31	ADM211EARSRL	IC, LSI	1
IC33	C1BB00000670	IC, AC97 CODEC	1
IC34	XC62FP3302PR	IC, BIPOLAR LINEAR	1
IC36	C1DB00000536	IC, SOUND AMP	1
IC37	NJM2904M-TE1	IC, OP AMP	1
IC38	DA7S04UT85L0	IC, INVERTER	1
IC39 40	DA7ST08U85L0	IC, AND GATE	2
IC42	C3FBKC000076	IC, FWH	1
IC44	C1DB00000902	IC, LAN	1
IC45	93LC46BT/SN	IC, EEPROM	1
IC48	C0DBZH000004	IC, USB POWER CONTROL	1
IC49 50 51	C0EBE0000221	IC, RESET	3
IC52	DA7SH32U85L0	IC, OR GATE	1
IC600	C0DBAFH00013	IC, POWER SUPPLY CONTROLLER	1
IC601 602	C0DBZZ000054	IC, MOS FET DRIVER	2
IC603	C0DBAZZ000058	IC, POWER CONTROL	1
IC604	C0DBAFH00011	IC, DC/DC CONVERTER	1
IC605	C0DBAZZ000039	IC, DC/DC CONVERTER	1
IC606	C0DBEZG00010	IC, REGULATOR	1
IC607	DA7W02UT12L0	IC, NOR GATE	1
IC608	DA7S14UT85L0	IC, CMOS	1

JK1		DFJJD5S08ZAH	JK, MIC	1
JK2		DFJJD8S09ZAH	JK, HEADPHONE	1
JK3		DFJJB3Z07ZAH	JK, DC IN	1
L1 2 4 5		DDAZR4R7KT2L	INDUCTOR	4
L3 10 11 12 13 14 15 16 17 33 34 35 36		DDB5Z005-L	INDUCTOR	13
L6 7 8 42 43 44 45 46		DDB5Z031J-L	INDUCTOR	8
L18 19		J0JCC0000092	FERRITE BEAD	2
L20 21 22 23		DDB5Z021C-Y	INDUCTOR	4
L24 25 26 27 28 29 30 31 32 38 39 40 41		DDB5Z034B-Y	FERRITE BEAD	13
L37		G5BZC0000006	PULSE TRANSFORMER	1
L47 48 49 50		DDB5Z032A-L	FERRITE BEAD	4
L600 601		G1C1R2ZA0027	COIL	2
L602 603 605 606		DDAZZ100MT-T	INDUCTOR	4
L604		G1C4R7MA0012	POWER INDUCTOR	1
L607		DDB5Z028C-L	INDUCTOR	1
PS1 2		ERY32SA120VA	POLY SW	2
Q1 2 3 4 5 6 27 34		DETU3904T106	TRANSISTOR	8
Q7 600		DA3LN01STL	TRANSISTOR	2
Q8 9 13 14 17 18 19 23 24 30 32 618 620 628 631		DETC114YETL	TRANSISTOR	15
Q10 15 25 29 601 619 624 629 632		DETA144EETL	TRANSISTOR	9
Q11 16 26		DASI6410DQT1	TRANSISTOR	3
Q20 21 22 58 623 634 635 636 637 638 639 640 641 642 643 644		2SK3019TL	TRANSISTOR	16
Q28 625 626		DAFDN359AN	TRANSISTOR	3
Q31		B1ADKD000004	TRANSISTOR	1
Q602 603 606 607 610 611 614		DAFDS6690A	TRANSISTOR	7
Q604 605 608 609 615		DAFDS6670A	TRANSISTOR	5
Q612 616 617 627 630 633 645		B1DFED000012	TRANSISTOR	7
Q621 622		B1DDGD000005	TRANSISTOR	2
R2 4 19		ERJ2GEJ510X	RESISTOR, 1/16W, 51Ω	3
R3		ERJ2GEJ390X	RESISTOR, 1/16W, 39Ω	1
R5		D0HA270ZA002	RESISTOR, 1/16W, 27Ω	1
R6 94 125 127 129 196 197 198 215 438 439		ERJ2GEJ102X	RESISTOR, 1/16W, 1KΩ	11

R7 9 17 22 60 80 133 134 176 185 201 202 203 204 205 206 207 209 210 211 212 213 214 218 219 220 221 222 223 224 225 290 291 318 324 325 327 328 368 369 370 371 372 373 374 375 409 429 432 440 441 481 482 484 510 511 512 513 514 515 540 541 542 543 544 545 546 547 571 614 615 617 630 639 652 654 656 666		ERJ2GE0R00X	RESISTOR, 1/16W, 0Ω	78
R13 14 20 21 56 58 85 87 90 490 491 492 493		D1BA49R9A003	RESISTOR, 1/16W, 49.9Ω	13
R15 494 495		ERJ2GEJ750X	RESISTOR, 1/16W, 75Ω	3
R16		ERJ2GEJ241X	RESISTOR, 1/16W, 240Ω	1
R18 78 618 619		ERJ2GEJ152X	RESISTOR, 1/16W, 1.5KΩ	4
R25		ERJ2GEJ301X	RESISTOR, 1/16W, 300Ω	1
R28 38 39 40 41 42 72 73 123 130 160 165 166 168 172 173 178 181 199 235 289 295 296 297 305 306 308 309 310 311 312 315 320 322 326 355 357 362 366 386 388 389 394 422 426 427 433 476 479 522 524 557 558 624 625 626 660 667 692 696		ERJ2GEJ103X	RESISTOR, 1/16W, 10KΩ	60
R29		ERJ2GEJ221X	RESISTOR, 1/16W, 220Ω	1
R30 31 32 33 34 35 36 37 76 77		ERJ2GEJ201X	RESISTOR, 1/16W, 200Ω	10
R43 55		D1BA51R1A003	RESISTOR, 1/16W, 51.1Ω	2
R44 45 46 47 48 49 50 51 52 53 54 64 65 75 103		ERJ2GEJ560X	RESISTOR, 1/16W, 56Ω	15
R57 59 86		D0HA101ZA001	RESISTOR, 1/16W, 100Ω	3
R63 464 488 679 681 682 683		ERJ2GEJ562X	RESISTOR, 1/16W, 5.6KΩ	7
R66 67 68 69 70 71 74 412 536 537		ERJ2GEJ471X	RESISTOR, 1/16W, 470Ω	10
R79		D0HA300ZA002	RESISTOR, 1/16W, 30Ω	1
R81 83 104 105 174 175 179 180		D0HA301ZA001	RESISTOR, 1/16W, 300Ω	8
R82 84		D0HA151ZA001	RESISTOR, 1/16W, 150Ω	2

R88 89		D1BA24R9A003	RESISTOR, 1/16W, 24.9Ω	2
R91 92 251 553 555		ERJ2GEJ822X	RESISTOR, 1/16W, 8.2KΩ	5
R95		D1BA40R2A003	RESISTOR, 1/16W, 40.2Ω	1
R96 170		D1BA36R5A003	RESISTOR, 1/16W, 36.5Ω	2
R99 228 253 263 299 300 301 379 477 561 562 563 565 566 567		ERJ2GEJ220X	RESISTOR, 1/16W, 22Ω	15
R100 101 208 256 257 264 265		D0HA102ZA001	RESISTOR, 1/16W, 1KΩ	7
R106 107 108 109 110 111 112 113 114 115 116 117 118 119 612 634 635 643 644		ERJ2GEJ100X	RESISTOR, 1/16W, 10Ω	19
R136		D1BA4750A004	RESISTOR,	1
R137 138 139 140 141 142 143 144 145 146 147 148 149 153 154 155 156 535		D0HA330ZA002	RESISTOR, 1/16W, 33Ω	18
R150 151 152 164 184 245 246 316 435 463		ERJ2GEJ330X	RESISTOR, 1/16W, 33Ω	10
R161 162 188 189 269 270 367 397 398 399 400 451 452 453		ERJ2GEJ472X	RESISTOR, 1/16W, 4.7KΩ	14
R169 182 347 475 478 480 523 525 680		ERJ2GEJ104X	RESISTOR, 1/16W, 100KΩ	9
R183		D1BA18R2A003	RESISTOR, 1/16W, 18.2Ω	1
R186 187		ERJ3GEYJ106V	RESISTOR, 1/16W, 10MΩ	2
R190		ERJ2GEJ153X	RESISTOR, 1/16W, 15KΩ	1
R200 268		D0HA470ZA002	RESISTOR, 1/16W, 47Ω	2
R216		D1BA4990A004	RESISTOR, 1/16W, 499Ω	1
R247 249 413 418 458 459 460		ERJ2GEJ222X	RESISTOR, 1/16W, 2.2KΩ	7
R248 285 286 485 664 700 701 702 703 704 705 707 709 710		ERJ2GEJ105X	RESISTOR, 1/16W, 1MΩ	14
R250 254 255 298 317 333 364 365 448 470 483 564 559 684 685 686 687 688 689 690 691		ERJ2GEJ101X	RESISTOR, 1/16W, 100Ω	21
R252 631 640 665 677		ERJ3GEYJ100V	RESISTOR, 1/16W, 10Ω	5

R283 358 382 387 407 425 428 436 437 446 569 570 572 573 575		ERJ6GEY0R00V	RESISTOR, 1/10W, 0Ω	15
R302		DBT10KC1513P	THERMISTOR	1
R303 304 307 319 334 335 363 381 383 384 385 410 411 420 421 424 434 471 548 549 550 551 552 554		ERJ2GEJ473X	RESISTOR, 1/16W, 47KΩ	24
R314 402 403 404 405 406		ERJ2GEJ333X	RESISTOR, 1/16W, 33KΩ	6
R321		D0HA103ZA001	RESISTOR, 1/16W, 10KΩ	1
R329 330 390 445 447 462 496 507 574 731 732		ERJ3GEY0R00V	RESISTOR, 1/16W, 0Ω	11
R348 354		ERJ3GEYJ750V	RESISTOR, 1/16W, 75Ω	2
R377		ERJ2GEJ181X	RESISTOR, 1/16W, 180Ω	1
R380		ERJ2GEJ273X	RESISTOR, 1/16W, 27KΩ	1
R391 392 393 395 396 651 661		ERJ2GEJ223X	RESISTOR, 1/16W, 22KΩ	7
R454 455 456		ERJ6ENF75R0V	RESISTOR, 1/10W, 75Ω	3
R487		ERJ2GEJ331X	RESISTOR, 1/16W, 330Ω	1
R489		D0HA562ZA001	RESISTOR, 1/16W, 5.6KΩ	1
R600 604 648 649 698		ERJ3EKF1002V	RESISTOR, 1/16W, 10KΩ	5
R601		ERJ3EKF2202V	RESISTOR, 1/16W, 22KΩ	1
R602 611 623 646		ERJ3EKF4702V	RESISTOR, 1/16W, 47KΩ	4
R606 645		ERJ3EKF1001V	RESISTOR, 1/16W, 1KΩ	2
R607		ERJ3EKF1301V	RESISTOR, 1/16W, 1.3KΩ	1
R608		ERJ3EKF2000V	RESISTOR, 1/16W, 200Ω	1
R609		ERJ3EKF4752V	RESISTOR, 1/16W, 47.5KΩ	1
R610		ERJ3EKF1102V	RESISTOR, 1/16W, 11KΩ	1
R620		ERJ2GEJ622X	RESISTOR, 1/16W, 6.2KΩ	1
R621		ERJ2GEJ204X	RESISTOR, 1/16W, 200KΩ	1
R622		ERJ3EKF2201V	RESISTOR, 1/16W, 2.2KΩ	1
R629 638		ERJ3GEYJ3R3V	RESISTOR, 1/16W, 3.3Ω	2
R632 633 641 642		ERJM1WSF6M0U	RESISTOR, 1W, 6MΩ	4
R647 699		ERJ3EKF2702V	RESISTOR, 1/16W, 27KΩ	2
R650		ERJ3EKF1003V	RESISTOR, 1/16W, 100KΩ	1
R653		ERJ3EKF6800V	RESISTOR, 1/16W, 680Ω	1
R655		ERJ3EKF4990V	RESISTOR, 1/16W, 499Ω	1
R658 662		ERJ3EKF3302V	RESISTOR, 1/16W, 33KΩ	2
R663		ERJ3EKF4701V	RESISTOR, 1/16W, 4.7KΩ	1
R668 676		ERJ2GEJ224X	RESISTOR, 1/16W, 220KΩ	2
R671 672 674		D1BDR0330001	RESISTOR, 1/8W, 0.033Ω	3
R675		DBJ14RR047VM	RESISTOR, 1/4W, 0.047Ω	1
R678 728		RL1220SR47F	RESISTOR, 1/4W, 0.47Ω	2
R693 694		ERJ6GEYJ222V	RESISTOR, 1/10W, 2.2KΩ	2
R695 711		ERJ2GEJ474X	RESISTOR, 1/16W, 470KΩ	2
R697		ERJ3EKF2001V	RESISTOR, 1/16W, 2KΩ	1
R706 708		ERJ2GEJ564X	RESISTOR, 1/16W, 560KΩ	2
R712 713 717 718		ERJ6GEYJ220V	RESISTOR, 1/10W, 22Ω	4

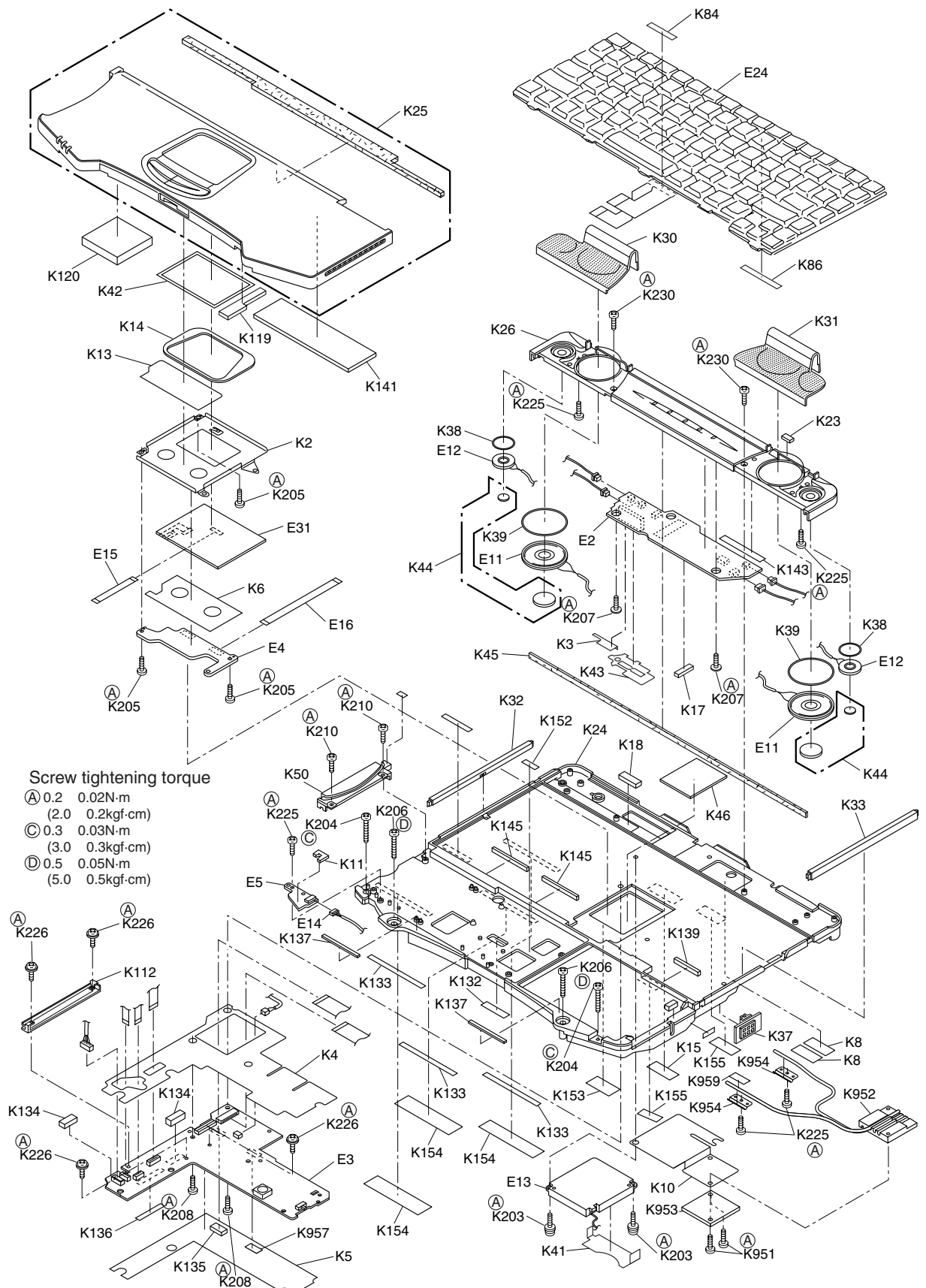
R714 715 716 719 720 721 722	ERJ6GEYJ100V	RESISTOR, 1/10W, 10Ω	7
R723	ERJ3GEYJ562V	RESISTOR, 1/16W, 5.6KΩ	1
RA1	D1H85104A024	RESISTOR ARRAY	1
RA3 18 19 20 21 22 23 24 25 26 27 28 29 30	D1HA56080001	RESISTOR ARRAY	14
RA5 8 9	D1H81004A024	RESISTOR ARRAY	3
RA6 7	D1H8R0040009	RESISTOR ARRAY	2
RA10 11 12 13 14 15 16 17	D1HG2208A001	RESISTOR ARRAY	8
RA32 64 82	D1H81034A024	RESISTOR ARRAY	3
RA62 65	D1H84734A024	RESISTOR ARRAY	2
RA67 68	DEARA8AJ473M	RESISTOR ARRAY	2
RA69	DEARA8AJ102M	RESISTOR ARRAY	1
RA70 71 72	D1H82204A024	RESISTOR ARRAY	3
RA73 74	DEARA8AJ472M	RESISTOR ARRAY	2
RA75 76 77 78	DEARA8AJ103M	RESISTOR ARRAY	4
RA79	D1H83304A024	RESISTOR ARRAY	1
RA83 84 85 86 87 88 89 90	D1HG0008A001	RESISTOR ARRAY	8
X1	DECU14318L5U	OSCILLATOR, 14.318MHz	1
X2	H0J327200051	OSCILLATOR, 32.7687KHz	1
X3	H0J2705A0001	OSCILLATOR, 27MHz	1
X4	H2D800400012	OSCILLATOR, 8MHz	1
X5	DECU24576L3U	OSCILLATOR, 24.576MHz	1
X6	DECU25000L3U	OSCILLATOR, 25MHz	1
LED PCB			
C901 902	F1J0J4750002	CAPACITOR, 6.3V, 4.7μF	2
C903	ECUV1C105ZFX	CAPACITOR, 16V, 1μF	1
C904 906 908 910	F1G1C104A031	CAPACITOR, 16V, 0.1μF	4
C905 907	DCUE1A106ZFL	CAPACITOR, 10V, 10μF	2
C912 913 915 916 918 919	DCUM1H100DCL	CAPACITOR, 50V, 10pF	6
C914 917 920	DCUM1H103ZFL	CAPACITOR, 50V, 0.01μF	3
C922 923	EEVHP1C100R	CAPACITOR, 16V, 10μF	2
CN901	K1KB60A00079	CONNECTOR	1
CN902	K1KA20B00111	CONNECTOR	1
CN903	DFJP201ZA006	CONNECTOR	1
CN905	DFJP201ZA005	CONNECTOR	1
CN906 908	DFJP201ZA002	CONNECTOR	2
CN907 909	DFJP201ZA003	CONNECTOR	2
D901	MA729-TX	DIODE	1
D902	DAN222TL	DIODE	1
IC901	DEDHRM230S	IC, IrDA	1
L901 904	DDB5Z028C-L	INDUCTOR	2
L902 903	DDB5Z024E-L	INDUCTOR	2
L907 908 911 912 913 914 915 916	DDB5Z005-L	INDUCTOR	8
LD901 902 903 905	SEC1703C	LED	4
LD904	SEC2764C	LED	1
Q902 905 907	DETA144EETL	TRANSISTOR	3
Q903 906	DETC114YETL	TRANSISTOR	2
R901	ERJ2GEJ472X	RESISTOR, 1/16W, 4.7KΩ	1

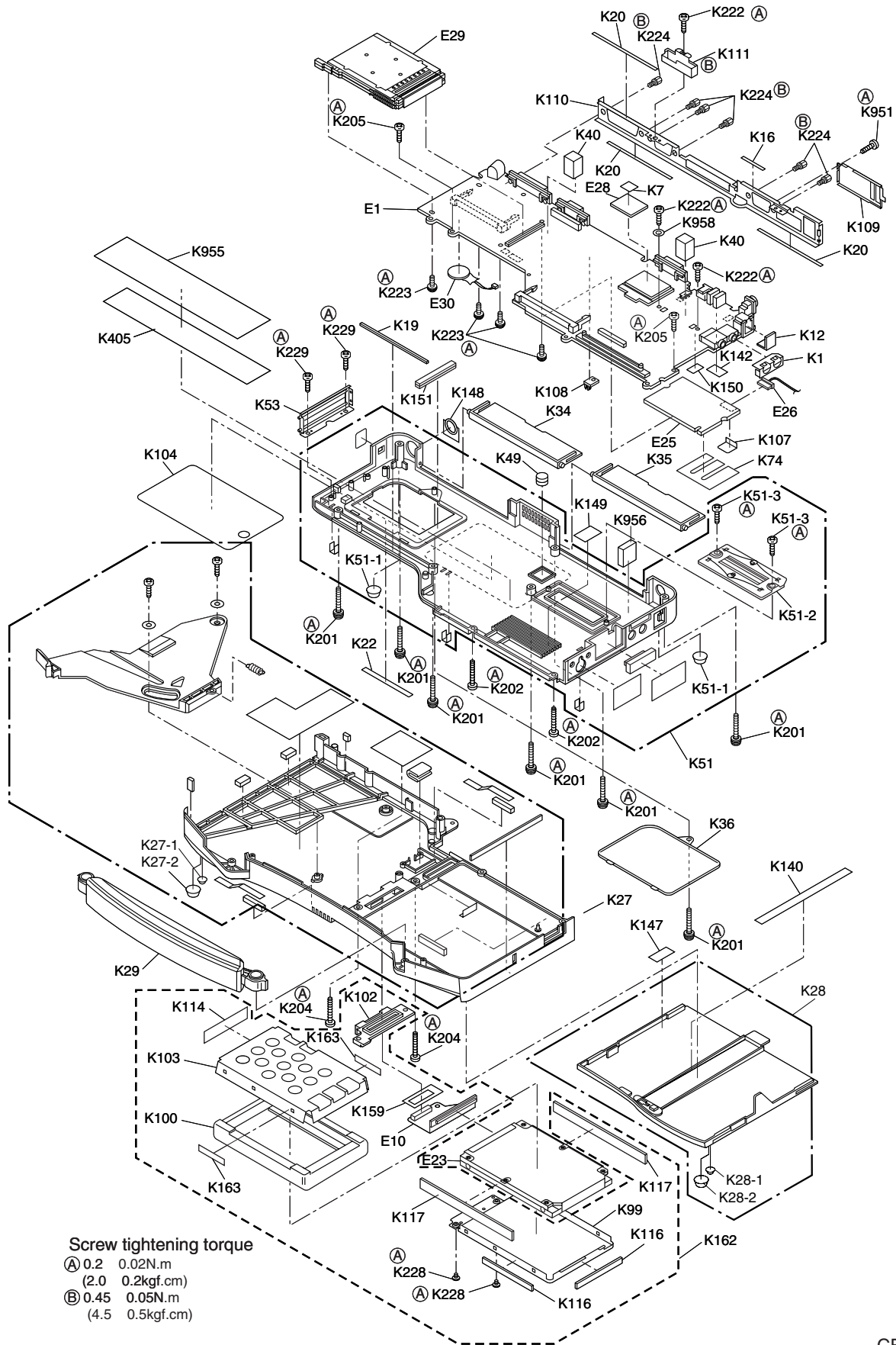
R902 903 907 908 909 910 911 912 913 914		ERJ2GEJ100X	RESISTOR, 1/16W, 10Ω	10
R904 905		ERJ2GEJ222X	RESISTOR, 1/16W, 2.2KΩ	2
R906		RL1220S1R5F	RESISTOR, 1/4W, 1.5Ω	1
R915		ERJ2GEJ102X	RESISTOR, 1/16W, 1KΩ	1
R917 919 920 921		ERJ2GEJ331X	RESISTOR, 1/16W, 330Ω	4
R918		ERJ2GEJ821X	RESISTOR, 1/16W, 820Ω	1
R922		ERJ2GE0R00X	RESISTOR, 1/16W, 0Ω (CF-72VCxxxxx)	1
TS13 PCB (CF-72VCxxxxx)				
CN920		K1MN04B00023	CONNECTOR	1
CN921		K1KA04B00137	CONNECTOR	1
SUB PCB				
C801 802 803 804 805 807 809 812 813 814 815 817 832 845 852		ECUV1E104ZFV	CAPACITOR, 50V, 0.1μF	15
C808 811		ECST1CD686R	CAPACITOR, 16V, 68μF	2
C810		ECUV1H103KBV	CAPACITOR, 50V, 0.01μF	1
C816		DCUE1A106ZFL	CAPACITOR, 10V, 10μF	1
C818 829		F1L1E106A017	CAPACITOR, 25V, 10μF	2
C819 820 822 851 868 869		ECUV1C105ZFX	CAPACITOR, 16V, 1μF	6
C821		ECUV1C104KBV	CAPACITOR, 16V, 0.1μF	1
C823		ECUV1C334ZFV	CAPACITOR, 16V, 0.33μF	1
C825		ECJ1VF1H104Z	CAPACITOR, 50V, 0.1μF	1
C826 848		F1J0J4750002	CAPACITOR, 6.3V, 4.7μF	2
C827		DCUA1C225ZFY	CAPACITOR, 16V, 2.2μF	1
C828 864		ECUV1H101JCV	CAPACITOR, 50V, 100pF	2
C830		EEVFC1C470P	CAPACITOR, 16V, 47μF	1
C854 863 865 866 867		ECUV1C104ZFV	CAPACITOR, 16V, 0.1μF	5
C855 856 857 858 859 860 861 862		ECUV1H102JCV	CAPACITOR, 50V, 1000pF	8
CN801		DFJS13N24ZAJ	CONNECTOR	1
CN802		DFJS209ZA016	CONNECTOR	1
CN803		DFJS318ZA200	CONNECTOR	1
CN804 810		DFJS243ZA012	CONNECTOR	2
CN805		DFJS305ZA040	CONNECTOR	1
CN806		DFJP160D58ZA	CONNECTOR	1
CN808		K1KA08A00242	CONNECTOR	1
CN809		K1KA07A00132	CONNECTOR	1
CN811		DFJP02C75YAJ	CONNECTOR	1
CN812		K1MN10A00043	CONNECTOR	1
CN824		ECUV1C473KBV	CONNECTOR	1
IC801 802		DA32X384CBT	IC, BUS BUFFER	2
IC803		DA7S02UT85L0	IC, NOR GATE	1
IC804		DA7SH08U85L0	IC, AND GATE	1
IC805		C1DB00000534	IC, CHARGER	1
IC806 807 808		C0EBK0000062	IC, BIPOLAR LINEAR	3
IC809		DA7S14UT85L0	IC, CMOS	1
IC810		DA38813M084M	IC, KEYBOARD CONTROLLER	1
IC811		DACBT3306PWT	IC, BUS SWITCH	1
IC812 813		DA7W53UT12L0	IC, CMOS	2
L801 802 803		DDB5Z028C-L	INDUCTOR	3

L804		G1C330MA0022	POWER INDUCTOR	1
Q801 804 805 807 809 811 815 818 821 822 823 826 827 831 833 834 836 837 838		DETC114YETL	TRANSISTOR	19
Q802 808 812 819 835		DETA144EETL	TRANSISTOR	5
Q803		DAUPA1700AE2	TRANSISTOR	1
Q806 814 816 820		DETC144EETL	TRANSISTOR	4
Q810		2SK3019TL	TRANSISTOR	1
Q813		DAFDS6912A	TRANSISTOR	1
Q817		DASI4953DYT1	TRANSISTOR	1
Q824 825 828 829		B1DDED000002	TRANSISTOR	4
Q832		2SJ197-T1	TRANSISTOR	1
D802 803 804 805 806 807 810 818 819 820		DEDDA204UT	DIODE	10
D808 809		DEDFS1J3TP	DIODE	2
D811 812		DEDRB081L20	DIODE	2
D813 814		DAN222TL	DIODE	2
D815		EA60QC04-FT	DIODE	1
D821		B0ADCJ000025	DIODE	1
R804 811 814 842 886 887 888 889 890 891896 897		ERJ3GEYJ103V	RESISTOR, 1/16W, 10K Ω	12
R808 809 812		ERJ3GEYJ105V	RESISTOR, 1/16W, 1M Ω	3
R810		ERJ3GEYJ472V	RESISTOR, 1/16W, 4.7K Ω	1
R818 819 820 867 868 869		ERJ3GEYJ101V	RESISTOR, 1/16W, 100 Ω	6
R824		DBJ8GF0R12VM	RESISTOR, 1/8W, 0.12 Ω	1
R825 826 838		DBJ14RR047VM	RESISTOR, 1/4W, 0.047 Ω	3
R827		ERJ3GEYJ471V	RESISTOR, 1/16W, 470 Ω	1
R828		ERJ3GEYJ4R7V	RESISTOR, 1/16W, 4.7 Ω	1
R829 884		ERJ3GEYJ102V	RESISTOR, 1/16W, 1K Ω	2
R830 870		ERJ3GEYJ222V	RESISTOR, 1/16W, 2.2K Ω	2
R831 835 836 839 872 874 877 881 883 895		ERJ3GEY0R00V	RESISTOR, 1/16W, 0 Ω	10
R832		ERJ3GEYJ332V	RESISTOR, 1/16W, 3.3K Ω	1
R833 834		ERA3YED201V	RESISTOR, 1/16W, 200 Ω	2
R837		ERA3EED4991V	RESISTOR, 1/16W, 4.99 Ω	1
R840		ERA3YKD154V	RESISTOR, 1/16W, 150K Ω	1
R841		ERA3YED333V	RESISTOR, 1/16W, 33K Ω	1
R843 852 853 885		ERJ3GEYJ474V	RESISTOR, 1/16W, 470K Ω	4
R844 846 847		ERJ3GEYJ753V	RESISTOR, 1/16W, 75K Ω	3
R845		ERJ3GEYJ114V	RESISTOR, 1/16W, 110K Ω	1
R848 849 854 855 871 902		ERJ3GEYJ473V	RESISTOR, 1/16W, 47K Ω	6
R850 851		ERJ3GEYJ564V	RESISTOR, 1/16W, 560K Ω	2
R873		ERJ3GEYJ331V	RESISTOR, 1/16W, 330 Ω	1
R876		ERJ3GEYJ104V	RESISTOR, 1/16W, 100K Ω	1
R892 893		ERJ3GEYJ330V	RESISTOR, 1/16W, 33 Ω	2

R898 899	ERJ3EKF2103V	RESISTOR, 1/16W, 210K Ω	2
R900 901	ERJ3GEYJ3R3V	RESISTOR, 1/16W, 3.3 Ω	2
RA802 803 804 805 806 807 808 809 810 812 813 814 815 816 819	EXBV8V330JV	RESISTOR ARRAY	15
RA811	EXBV8V101JV	RESISTOR ARRAY	1
RA817	EXBV8V473JV	RESISTOR ARRAY	1
RA818	DEARA8AJ103M	RESISTOR ARRAY	1
RA820	EXBV8V104JV	RESISTOR ARRAY	1
SW801	ESD165226	SW, SLIDE	1
X801	H2D800400012	OSCILLATOR, 8MHz	1
PAD PCB			
C707	DCUE1A106ZFL	CAPACITOR	1
CN701 703	DFJS514ZA012	CONNECTOR,	2
L701 702	DDB5Z024E-L	INDUCTOR	2
L703	DDB5Z005-L	INDUCTOR	1
R712	ERJ6GEY0R00V	RESISTOR, 1/10W, 0 Ω	1
SW702 703	EVQPLDA15	SW, RIGHT	2
LID PCB			
R701	ERJ3GEYJ331V	RESISTOR, 1/16W, 330 Ω	1
R702 703	ERJ3GEYJ121V	RESISTOR, 1/16W, 120 Ω	2
CN704	K1KA07B00041	CONNECTOR	1
SW701	DFSE057ZA	SW, MAGNET	1
LD701 703	SEC1703C	LED	2
LD702	SEC2764C	LED	1

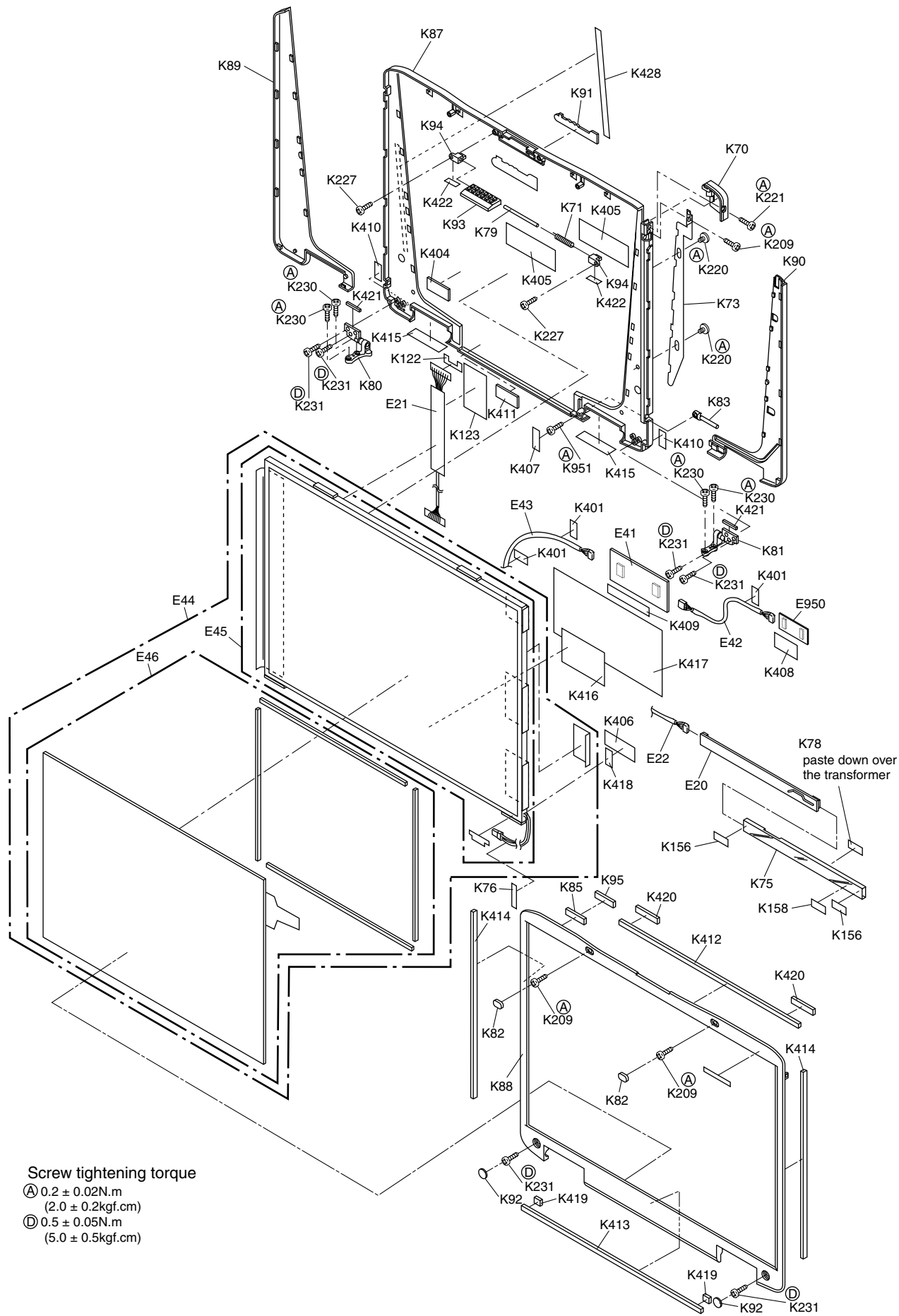
Exploded View





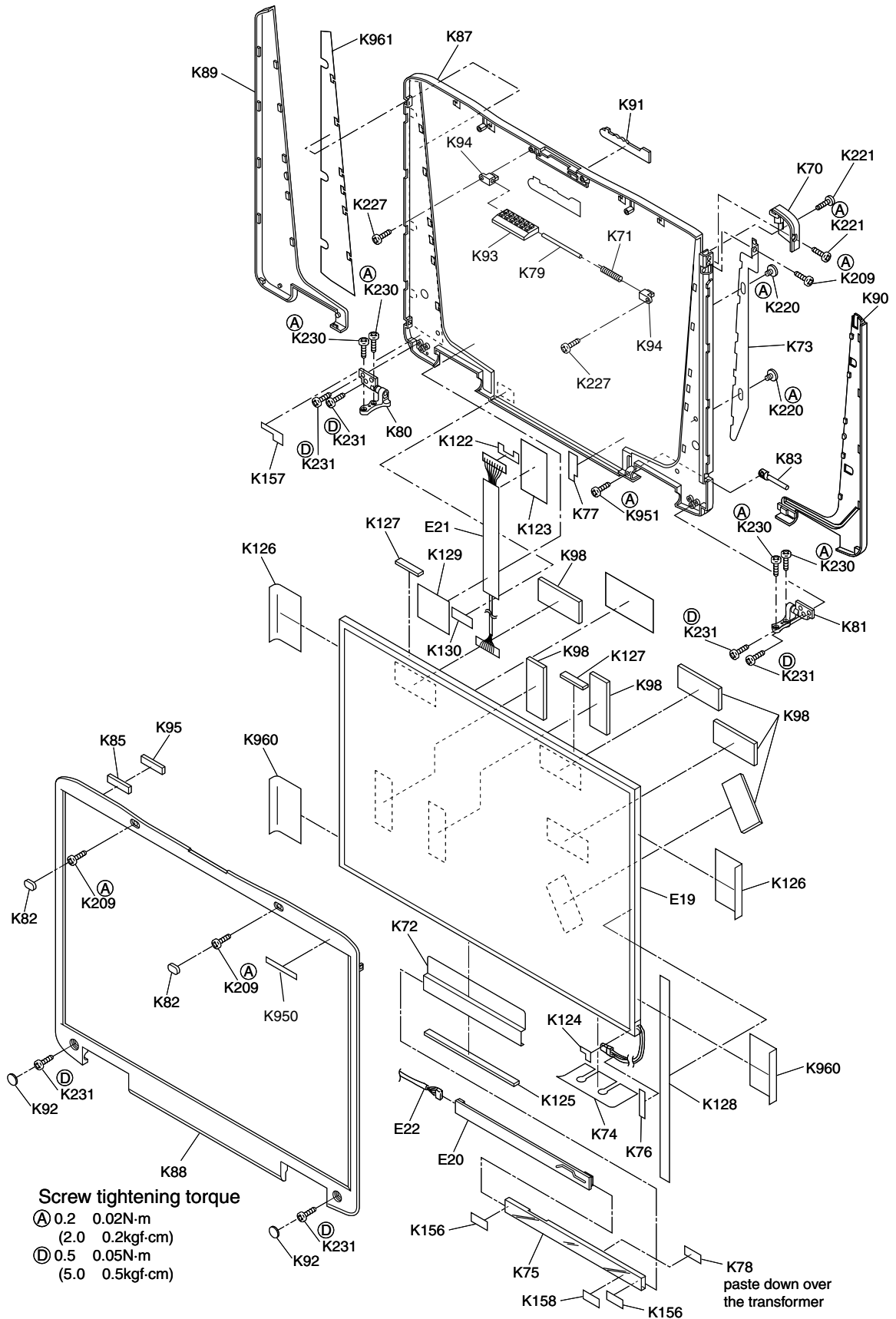
Screw tightening torque

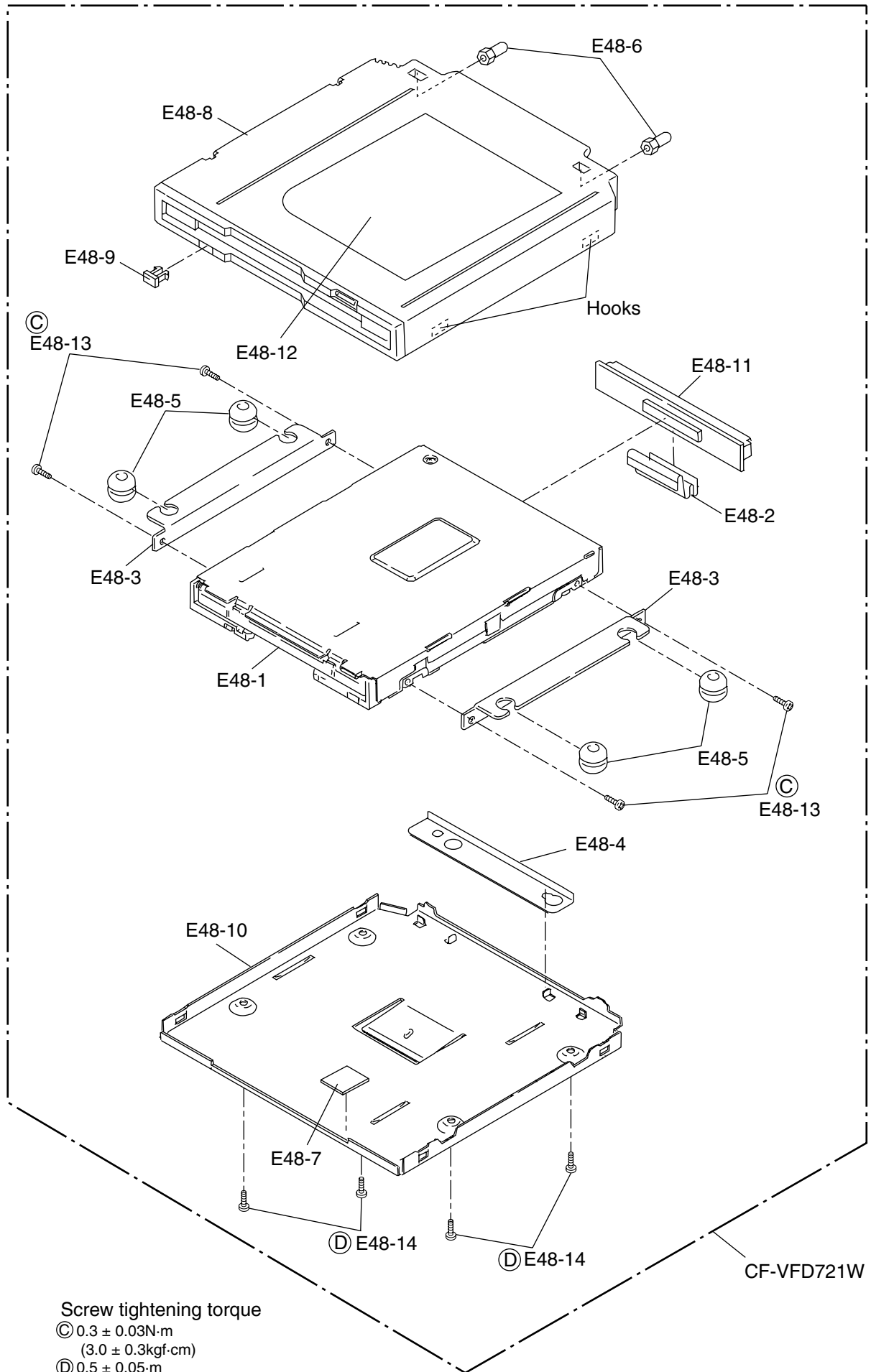
- Ⓐ 0.2 0.02N.m
(2.0 0.2kgf.cm)
- Ⓑ 0.45 0.05N.m
(4.5 0.5kgf.cm)



Screw tightening torque

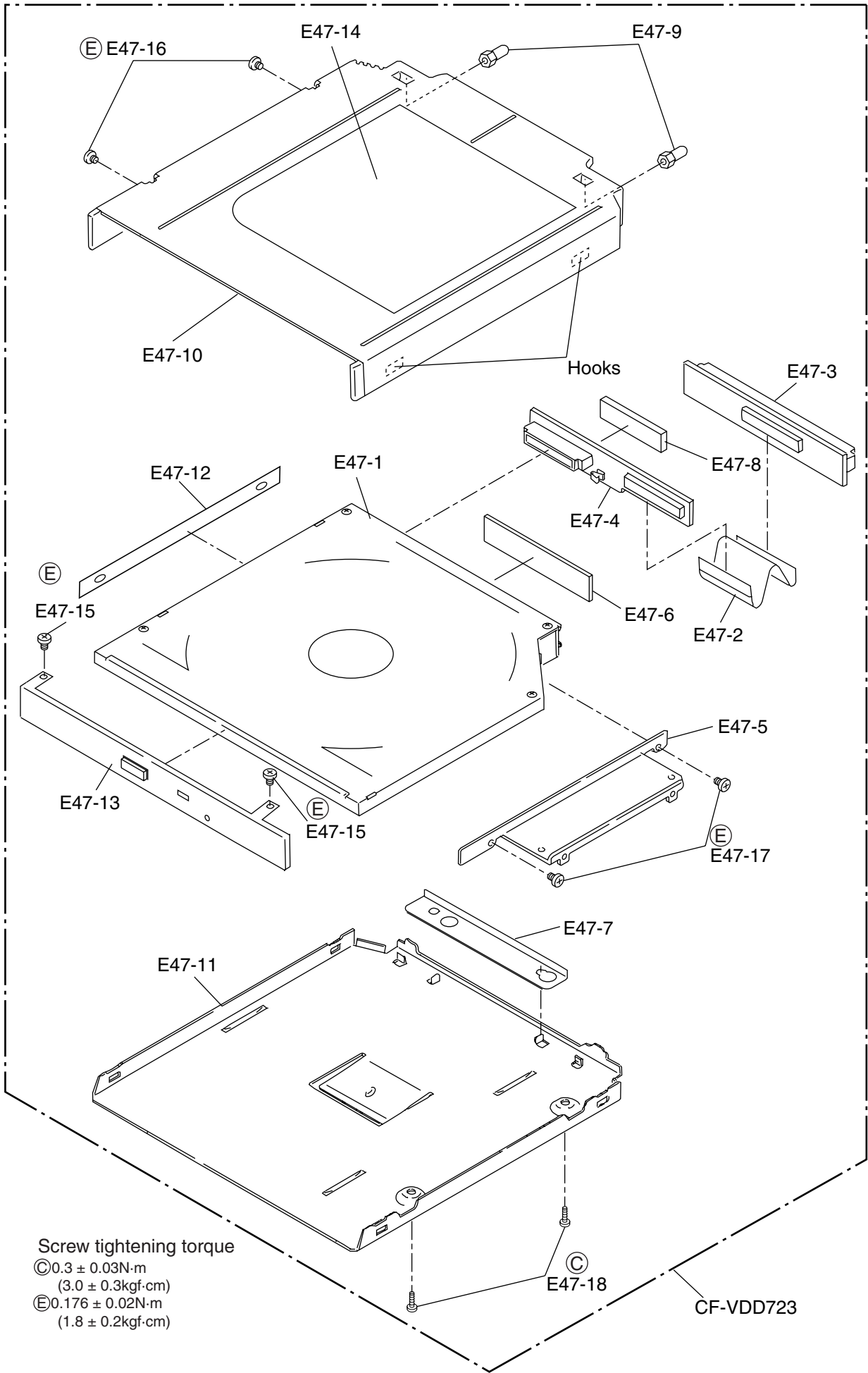
- Ⓐ $0.2 \pm 0.02\text{N.m}$
($2.0 \pm 0.2\text{kgf.cm}$)
- Ⓓ $0.5 \pm 0.05\text{N.m}$
($5.0 \pm 0.5\text{kgf.cm}$)





Screw tightening torque

- © $0.3 \pm 0.03\text{N}\cdot\text{m}$
($3.0 \pm 0.3\text{kgf}\cdot\text{cm}$)
- Ⓓ $0.5 \pm 0.05\text{N}\cdot\text{m}$
($5.0 \pm 0.5\text{kgf}\cdot\text{cm}$)



Screw tightening torque
 © $0.3 \pm 0.03\text{N}\cdot\text{m}$
 ($3.0 \pm 0.3\text{kgf}\cdot\text{cm}$)
 ① $0.176 \pm 0.02\text{N}\cdot\text{m}$
 ($1.8 \pm 0.2\text{kgf}\cdot\text{cm}$)

