

Service Manual

Simplified

This is the Service Manual for the following areas.

E ...for U.K.
G ...for Germany
F ...for France
S ...for Sweden
T ...for Italy
P ...for Spain

Notebook Computer

CF-72

TOUGHBOOK

Model Number Reference

The following models are numbered in accordance with the types of CPU, LCD and HDD etc. featured by product.

Model No. CF-721 2 3 4 D 5 6

1: CPU type

X: Mobile Intel® Pentium® 4 Processor 1.8 GHz-M

2: LCD type

3: 13.3" TFT Color

3: HDD type / RAM size

J: 30 GB / 256 MB

4: Drive / Modem - LAN

P: CD-ROM Drive / Combo

5: Operation System

D: Microsoft® Windows® 2000

F: Multi-Language (Microsoft® Windows® 2000)

G: Multi-Language (Microsoft® Windows® XP Professional)

K: Microsoft® Windows® XP Professional

Q: Dual OS (Microsoft® Windows® 2000 Professional / Microsoft® Windows® XP Professional)

6: Area

E /G /F /S /T /P: Refer to above area table

WARNING

This service information is designed for experienced repair technicians only and is not designed for use by the general public. It does not contain warnings or cautions to advise non-technical individuals of potential dangers in attempting to service a product. Products powered by electricity should be serviced or repaired only by experienced professional technicians. Any attempt to service or repair the product or products dealt with in this service information by anyone else could result in serious injury or death.

Panasonic®

© 2002 Matsushita Electric Industrial Co., Ltd. All rights reserved. Unauthorized copying and distribution is a violation of law.

Replacement Parts List Comparison Table

Note: Important Safety Notice

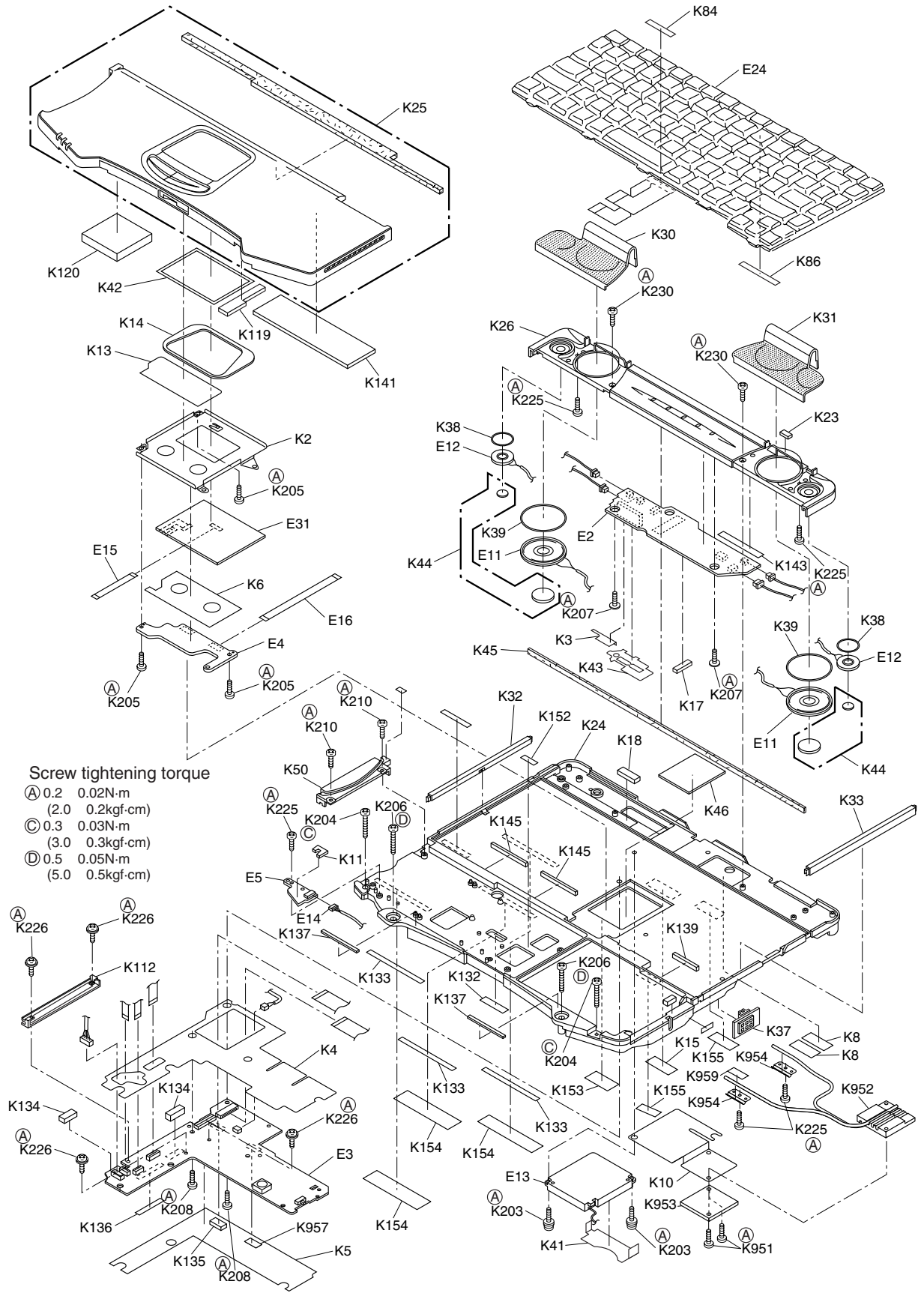
Components identified by Δ mark have special characteristics important for safety.

When replacing any of these components, use only manufacturer's specified parts.

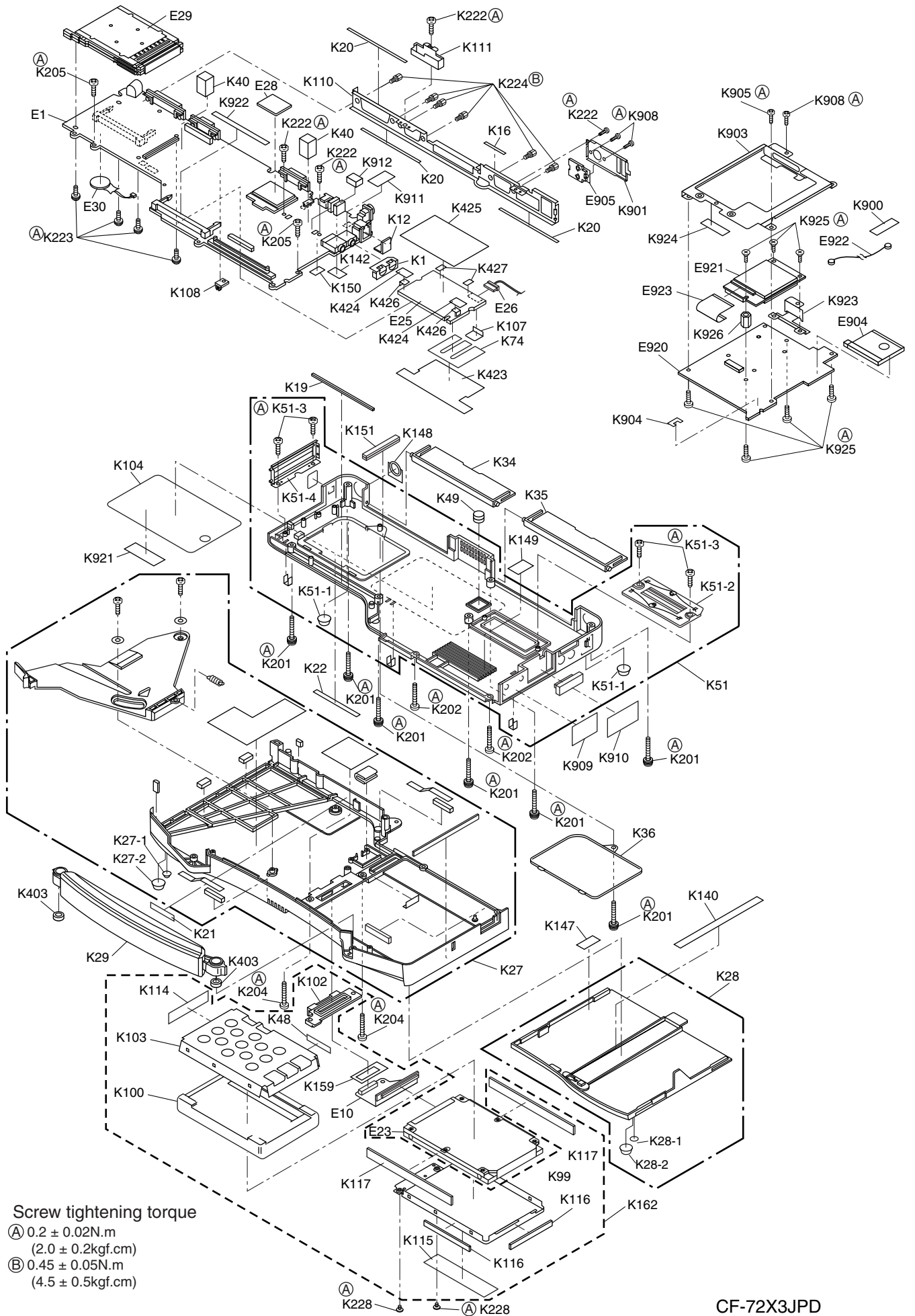
CF-72X3JPDxx

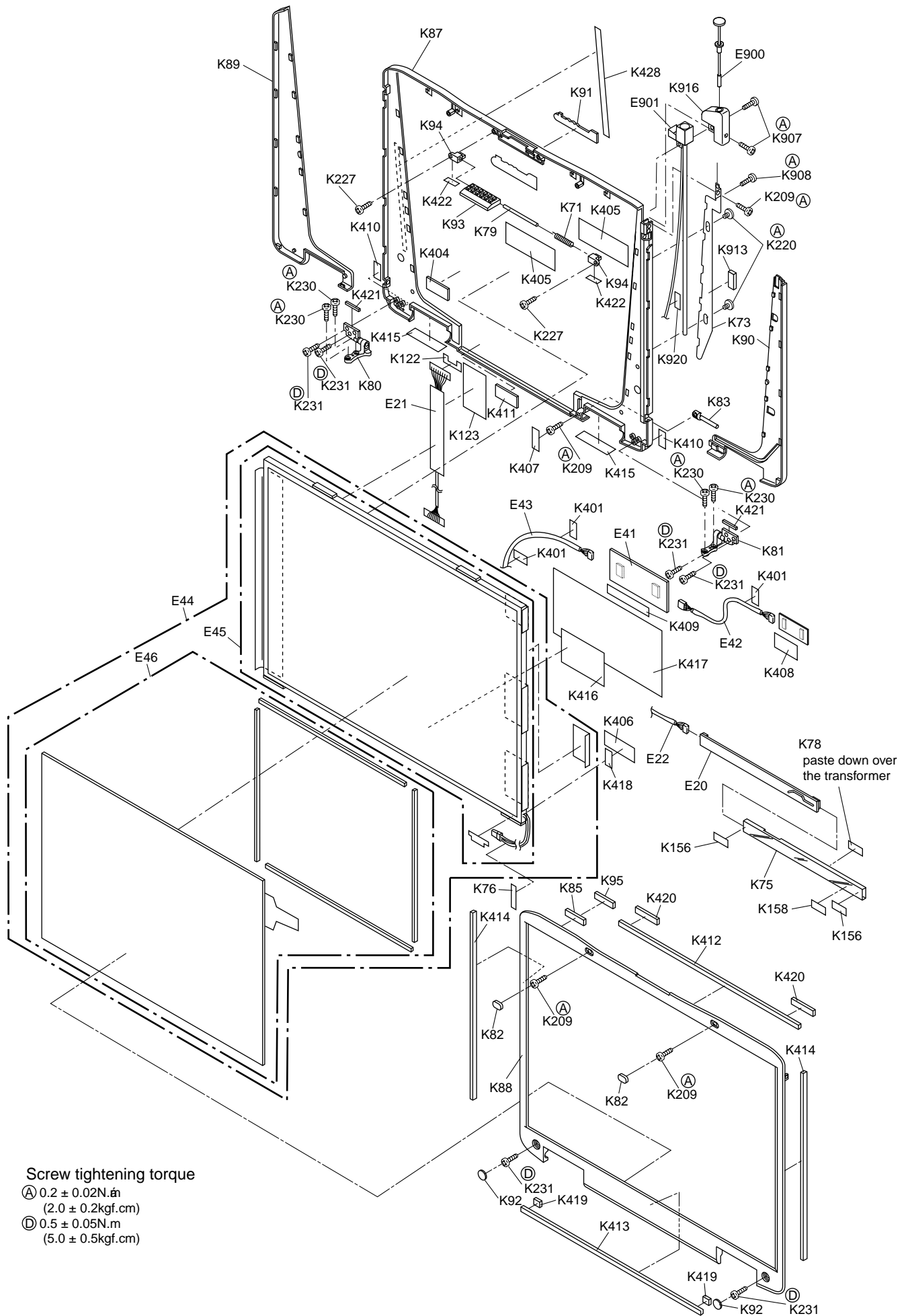
REF. NO. and AREA	PART NO.		DESCRIPTION	Q'T
	CF-72X3JPZxx	CF-72X3JPDxx		
Main Block Unit				
E900	-----	N1AA91000006	ANTENNA, ELEMENT	1
E901	-----	DL3MA0150AAA	ASS'Y, ANTENNA	1
E904	-----	K1YBZZ000015	SIM CARD HOLDER	1
E905	-----	K1SZZAZ0004	CONNECTOR	1
E920	-----	DL3UP1175EAA	PCB, WIRELESS	RTL 1
E921	-----	N5HZZ0000015	GPRS MODULE	1
E922	-----	DFJS808ZA	CABLE	1
E923	-----	DFJE40M20HB	FFC, GPRS	1
Mechanical Parts				
K51	DFKF8127VA-0	DFKF8127UA-0	ASS'Y, CASE, PCB	1
K70	DFKE0544ZA-0	-----	COVER, N, ANTENNA	0
K900	-----	DFMX0833ZA	HOLDER, INVERTER CABLE	3
K901	-----	DFMD2130WA	PLATE, CONFIG, LAN/WL	1
K903	-----	DFMD7691UA	ANGLE, GPRS	1
K904	-----	DFMZ0034ZA	LED INSULATOR	1
K905	-----	XTN2+6G	SCREW	1
K907	-----	DFHE5020XA	SCREW	2
K908	-----	DFHE5025XA	SCREW	5
K909	-----	DFGX0282ZA-0	WIRELESS INDICATOR	1
K910	-----	DFGX0292ZA	RIM IND DUMMY	1
K911	-----	DFHR8381ZA	JACK INSULATOR	1
K912	-----	DFHR8384ZA	SPACER, BUS	1
K913	-----	DFHG1457ZA	SPACER, CABLE	2
K916	-----	DFKE0545ZA-0	ANTENNA COVER C	1
K921	-----	DFQT9791ZA	CE LABEL	1
K922	-----	DFHE0527ZA	GASKET	1
K923	-----	DFMD7881ZA	ANGLE, GPRS	1
K924	-----	DFMX0960ZA	SHEET, FFC	1
K925	-----	DXQT2+D25FNM	SCREW	7
K926	-----	DFHE0621ZA	SPACER	1
K989	-----	DFHR5922ZA	SPACER	1

Exploded View



This page's exploded view is common to CF-72(V3/V3)JxZxx





Screw tightening torque

- Ⓐ $0.2 \pm 0.02 \text{N}\cdot\text{m}$
($2.0 \pm 0.2 \text{kgf}\cdot\text{cm}$)
- Ⓓ $0.5 \pm 0.05 \text{N}\cdot\text{m}$
($5.0 \pm 0.5 \text{kgf}\cdot\text{cm}$)