

Service Manual

Simplified

This is the Service Manual for the following areas.

M ...for U.S.A. and Canada
 E ...for U.K.
 G ...for Germany
 F ...for France
 S ...for Sweden
 T ...for Italy
 P ...for Spain

Notebook Computer

CF-72

TOUGHBOOK

Model Number Reference

The following models are numbered in accordance with the types of CPU, LCD and HDD etc. featured by product.

Model No. CF-721 2 3 4 Z 5 6

1: CPU type

X: Mobile Intel® Pentium® 4 Processor 1.8 GHz-M

2: LCD type

C: 13.3" TFT Color with Touchscreen

3: 13.3" TFT Color

3: HDD type / RAM size

J: 30 GB / 256 MB

4: Drive / Modem - LAN

P: CD-ROM Drive / Combo

U: Floppy Disk Drive / DVD-ROM Drive / Combo

W: Floppy Disk Drive / DVD-ROM & CD-R/RW Drive (Combo Drive) / Combo

5: Operation System

D: Microsoft® Windows® 2000

F: Multi-Language (Microsoft® Windows® 2000)

G: Multi-Language (Microsoft® Windows® XP Professional)

K: Microsoft® Windows® XP Professional

Q: Dual OS (Microsoft® Windows® 2000 Professional / Microsoft® Windows® XP Professional)

6: Area

M/E /G /F /S /T /P: Refer to above area table

WARNING

This service information is designed for experienced repair technicians only and is not designed for use by the general public. It does not contain warnings or cautions to advise non-technical individuals of potential dangers in attempting to service a product. Products powered by electricity should be serviced or repaired only by experienced professional technicians. Any attempt to service or repair the product or products dealt with in this service information by anyone else could result in serious injury or death.

Panasonic®

© 2002 Matsushita Electric Industrial Co., Ltd. All rights reserved. Unauthorized copying and distribution is a violation of law.

WARNINGS

For U.K.

This apparatus must be earthed for your safety.

To ensure safe operation the three-pin plug must be inserted only into a standard three-pin power point which is effectively earthed through the normal household wiring.

Extension cords used with the equipment must be three-core and be correctly wired to provide connection to earth. Wrongly wired extension cords are a major cause of fatalities.

The fact that the equipment operates satisfactorily does not imply that the power point is earthed and that the installation is completely safe.

For your safety, if you have any doubt about the effective earthing of the power point, consult a qualified electrician.

FOR YOUR SAFETY PLEASE READ THE FOLLOWING TEXT CAREFULLY

This appliance is supplied with a moulded three pin mains plug for your safety and convenience.

A 3 amp fuse is fitted in this plug.

Should the fuse need to be replaced please ensure that the replacement fuse has a rating of 3 amps and that it is approved by ASTA or BSI to BS 1362.

Check for the ASTA mark  or the BSI mark  on the body of the fuse.

If the plug contains a removable fuse cover you must ensure that it is refitted when the fuse is replaced.

If you lose the fuse cover the plug must not be used until a replacement cover is obtained.

A replacement fuse cover can be purchased from your local Panasonic Dealer.

IF THE FITTED MOULDED PLUG IS UNSUITABLE FOR THE SOCKET OUTLET IN YOUR HOME THEN THE FUSE SHOULD BE REMOVED AND THE PLUG CUT OFF AND DISPOSED OF SAFELY.

THERE IS A DANGER OF SEVERE ELECTRICAL SHOCK IF THE CUT OFF PLUG IS INSERTED INTO ANY 13 AMP SOCKET.

If a new plug is to be fitted please observe the wiring code as shown below.

If in any doubt please consult a qualified electrician.


Warning: THIS APPLIANCE MUST BE EARTHED.

Important

The wires in this mains lead are coloured in accordance with the following code:

Green-and-yellow:	Earth
Blue:	Neutral
Brown:	Live

As the colours of the wires in the mains lead of this apparatus may not correspond with the coloured markings identifying the terminals in your plug, proceed as follows:

The wire which is coloured GREEN-and-YELLOW must be connected to the terminal in the plug which is marked by the letter E or by the safety earth symbol  coloured GREEN or GREEN-and-YELLOW.

The wire which is coloured Blue must be connected to the terminal which is marked with the letter N or coloured BLACK.

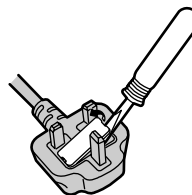
The wire which is coloured Brown must be connected to the terminal which is marked with the letter L or coloured RED.

The mains plug on this equipment must be used to disconnect the mains power.

Please ensure that a socket outlet is available near the equipment and shall be easily accessible.

How to replace the fuse

Open the fuse compartment with a screw-driver and replace the fuse.



Warnings

- This equipment is not designed for connection to an IT power system.
(An IT system is a system having no direct connections between live parts and Earth; the exposed-conductive-parts of the electrical installation are earthed.
An IT system is not permitted where the computer is directly connected to public supply systems in the U.K.)
- Disconnect the mains plug from the supply socket when the computer is not in use.

This equipment is produced to BS800/1983.

LASER SAFETY INFORMATION

For U.S.A.

Class 1 LASER-Product

This product is certified to comply with DHHS Rules 21 CFR Subchapter J.

This product complies with European Standard EN60825 (or IEC Publication 825)

For all areas

This equipment is classified as a class 1 level LASER product and there is no hazardous LASER radiation.

Caution:

- (1) Use of controls or adjustments or performance of procedures other than those specified herein may result in hazardous radiation exposure.
- (2) The drive is designed to be incorporated into a computer-based system or unit which has an enclosing cover. It should never be used as a stand alone drive.

Danger:

The serviceman should not remove the cover of drive unit and should not service because the drive unit is a non-serviceable part.

Please check DANGER label on PD-drive unit.

- Unplug the AC power cord to the equipment before opening the top cover of the drive.
- When the power switch it on, do not place your eyes close to the front panel door to look into the interior of the unit.

LASER Specification

Class 1 level LASER Product

Wave Length:	DVD	658 ± 8 nm
	CD	775~815 nm

Laser safety information is appropriate only when drive with laser is installed.

LITHIUM BATTERY ⚠

• CAUTION

Danger of explosion if battery is incorrectly replaced.

Replace only with the same or equivalent type recommended by the equipment manufacture.

Discard used batteries according to the manufacturer's instructions.

LITHIUMBATTERIES ⚠

Vorsicht!


Explosionsgefahr bei unsachgemäßem Austausch der Batterie. Ersatz nur durch denselben oder einen vom Hersteller empfohlenen ähnlichen Typ. Entsorgung gebrauchter Batterien nach Angaben des Herstellers.

PILE AU LITHIUM ⚠

ATTENTION: IL Y A DANGER D'EXPLOSION S' IL Y A REMPLACEMENT INCORRECT DE LA PILE. REMPLACER UNIQUEMENT AVEC UNE PILE DU MÊME TYPE OU D'UN TYPE RECOMMANDÉ PAR LE CONSTRUCTEUR. METTRE AU RÉBUT LES PILES USAGÉES CONFORMÉMENT AUX INSTRUCTIONS DU FABRICANT.








Replacement Parts List

Note: Important Safety Notice

Components identified by  mark have special characteristics important for safety.
When replacing any of these components, use only manufacturer's specified parts.

CF-72X(C/3)JxZxx

Main Block Unit, Accessories and Mechanical Parts

REF. NO and AREA	PART NO.	DESCRIPTION	RTL	Q'TY
Main Block Unit				
E 1	DL3U11196EAA	PCB, MAIN (CF-72XCxxxxx)	RTL	1
E 1	DL3U11196FAA	PCB, MAIN (CF-72X3xxxxx)	RTL	1
E 2	DL3U21196EAA	PCB, LED (CF-72XCxxxxx)	RTL	1
E 2	DL3U21196FAA	PCB, LED (CF-72X3xxxxx)	RTL	1
E 3	DL3U11202AAA	PCB, SUB	RTL	1
E 4	DL3U21202AAA	PCB, PAD	RTL	1
E 5	DL3U31202AAA	PCB, LID	RTL	1
E 10	DL3U11054BAA	PCB, FPC, HDD	RTL	1
E 11	DFAS9001ZA	ASS'Y, SPEAKER 36		2
E 12	DFAS9002ZA	ASS'Y, SPEAKER 20		2
E 13	UDQFVEH01	FAN MOTOR		1
E 14	DFJS637ZA	CABLE, INDICATOR		1
E 15	DFJE12M030BB	FFC, PAD		1
E 16	DFJE12M109HB	FFC, PCB, PAD		1
E 19	L5BDD3Q00007	ASS'Y, LCD (CF-72X3xxxxx)		1
E 20	 N0GF1J000001	INVERTER		1
E 21	DFJS734XA	CABLE, LCD (CF-72XCxxxxx)		1
E 21	DFJS734WA	CABLE, LCD (CF-72X3xxxxx)		1
E 22	DFJS636ZA	CABLE, INVERTER		1
E 23	N3CABQD00004	HDD		1
E 24 (M)	DFSX1A71UATG	KEYBOARD		1
E 24 (E)	DFSX1A72UATG	KEYBOARD		1
E 24 (F)	DFSX1A74UATG	KEYBOARD		1
E 24 (G)	DFSX1A73UATG	KEYBOARD		1
E 24 (S)	DFSX1A76UATG	KEYBOARD		1
E 24 (T)	DFSX1A75UATG	KEYBOARD		1
E 24 (P)	DFSX1A95UATG	KEYBOARD		1
E 25	DFWP0132ZA	CARD, MODEM, MINI PCI		1
E 26	DFJS638YA	CABLE, MODEM		1
E 28	C2GAC0000103	CPU		1
E 29	K1NBF4Z00001	CONNECTOR, PCMCIA		1
E 30	CR2032/S5J	BATTERY		1
E 31	N2EAEEC00001	TOUCH PAD		1
E 41	N5BDDBA000002	PCB, CONTROL, TOUCH SCREEN (CF-72XCxxxxx)		1
E 42	DFJS658ZA	TS EXTENSION CABLE (CF-72XCxxxxx)		1
E 43	DFJS709ZA	TS CABLE (CF-72XCxxxxx)		1
E 44	DFWV08A0047	ASS'Y, LCD / TOUCH SCREEN PANEL (CF-72XCxxxxx)		1
E 45	DFWV08A0045	ASS'Y, LCD UNIT (CF-72XCxxxxx)		1
E 46	DFWV84A0214	TOUCH SCREEN PANEL KIT (CF-72XCxxxxx)		1
E 950	DL3U31196AAA	PCB, TS13 (CF-72XCxxxxx)	RTL	1
Accessories				
A 1	 CF-AA1653M1	AC ADAPTER		1
A 2	 CGA-E/608A	BATTERY PACK		1
A 3 (M)	 K2CG3DR00003	AC CABLE		1
A 3 (E,G,F,S,T,P)	 * AC CABLE			1
A 4	DFJS535ZA	CABLE, MODEM		1
A 6 (M)	 DFQX5321ZB	OPERATING INSTRUCTIONS		1
A 6 (E,G,F,S,T,P)	 * OPERATING INSTRUCTION MANUAL			1
A 11	DFHR9039ZA-0	STYLUS (CF-72XCxxxxx)		1
A 15	DFHS9010ZA	CLOTH, LCD (CF-72XCxxxxx)		1

Note : About the parts which written " * " above, please order to Computer Products Europe (CPE) written below.
Matsushita Electric (U.K.) Ltd. Computer Products Europe (CPE) TEL : +44-1222-736060 FAX : +44-1222-



Packing Material			
P 1	DFPN9111YA	CUSHION	1
P 2	DFPK1060YA	CASE, PACKING	1
Mechanical Parts			
K 1	DFMD7688YA	ANGLE, JACK	1
K 2	DFMD7694ZA	HOLDER, PAD	1
K 3	DFMX0828ZA	INSULATOR PCB, LED	1
K 4	DFMX0829ZA	INSULATOR PCB, SUB	1
K 5	DFMX0830ZA	INSULATOR SUB PCB, 2	1
K 6	DFMX0848YA	INSULATOR PCB, PAD	1
K 8	DFMY0258YA	SHEET 2, THERMAL, CPU	2
K 10	DFMY3089ZA	ANGLE, HEAT, FAN	1
K 11	DFMZ0032ZA	SHEET INDICATOR	1
K 12	DFHG1363XA-1	COVER, DUST, RJ11	1
K 13	DFHG1401ZA	RUBBER, WATERPROOF	1
K 14	DFHG1404ZB	CUSHION, PAD	1
K 15	DFMX0657ZA	SHEET, CABLE	1
K 16	DFHE0399ZA	GASKET, IO-2	1
K 17	DFHE0238ZA	GASKET, LED PCB	1
K 18	DFHE0401ZA	GASKET, B, PCB, LED	1
K 19	DFHE0403ZA	GASKET, CASE, PCB	1
K 20	DFHE0405ZA	GASKET, IO-1	3
K 21	DFHR7946ZA	SHEET, GUIDE, MPI	1
K 22	DFHE0407ZA	GASKET, CABLE, LCD	1
K 23	DFHE0419ZA	GASKET, SHAFT, EMI	1
K 24	DFKM0365WA	CHASSIS, TOUGH	1
K 25	DFKM8138YA-1	ASS'Y, PALM REST	1
K 26	DFKM8139WA-1	ASS'Y, COVER, CENTER	1
K 27	DFKF8128WA-0	ASS'Y, CASE, BOTTOM	1
K 27-1	DFHG363ZA-0	RUBBER, FOOT (Small)	1
K 27-2	DFHG312ZA-0	RUBBER, FOOT (Large)	1
K 28	DFKF8129ZA-0	ASS'Y, COVER, BATTERY	1
K 28-1	DFHG363ZA-0	RUBBER, FOOT (Small)	1
K 28-2	DFHG312ZA-0	RUBBER, FOOT (Large)	1
K 29	DFKH1010YB-0	ASS'Y, HANDLE	1
K 30	DFKE0538YA-0	COVER, L, HINGE	1
K 31	DFKE0539YA-0	COVER, R, HINGE	1
K 32	DFKE0540YA-1	CAB, L, EDGE, KB	1
K 33	DFKE0541YA-1	CAB, R, EDGE, KB	1
K 34	DFKE0542YA-0	COVER, L, PORT	1
K 35	DFKE0543YA-0	COVER, R, PORT	1
K 36	DFGX0252ZA-0	COVER, DIMM	1
K 37	DFBD0131ZA-0	KNOB, POWER	1
K 38	DFHR4070ZA	RING (20), SPEAKER	2
K 39	DFHR4071ZA	RING (36), SPEAKER	2
K 40	DFHR5850YA	SPACER, BUS	2
K 41	DFHR7855ZA	DUCT, FAN	1
K 42	DFHR7878YA	TAPE, PAD	1
K 43	DFHR7888ZA	CABLE SHEET, CABLE, LCD	1
K 44	DFHR8355ZA	CUSHION, SPEAKER	2
K 45	DFHR8359ZA	WATERPROOF CENTER	1
K 46	DFHR8363ZA	KB, WATERPROOF	1
K 48	DFHR7945ZA	SHEET, COVER, HDD	1
K 49	DFHG1405ZA	CUSHION, BGA, CPU	1
K 50	DFKE0570YA-1	COVER, SLOT, PALM	1
K 51	DFKF8127VA-0	ASS'Y, CASE, PCB	1
K 51-1	DFHG1459ZA	FOOT PAD 2	2
K 51-2	DFGX8006ZB-0	ASS'Y, SHUTTER, BUS	1
K 51-3	XQN2+CJ4FN	SCREW	4
K 51-4	DFGX8007ZA-0	ASS'Y, SHUTTER, CARD	1
K 52	DFHR7959ZA	SHEET,2,SLIDE,MP	1
K 70	DFKE0661ZA-0	COVER, N, ANTENNA (CF-72XCxxxxx)	1
K 70	DFKE0544ZA-0	COVER, N, ANTENNA (CF-72X3xxxxx)	1
K 71	DFUD0031XA	LATCH, SPRING, LCD (CF-72XCxxxxx)	1
K 71	DFUD0031YB	LATCH, SPRING, LCD (CF-72X3xxxxx)	1

K 72	DFMD3089ZB	ANGLE, INVERTER (CF-72X3xxxxx)	1
K 73	DFKE0663XA	PLATE, PROTECTOR (CF-72XCxxxxx)	1
K 73	DFME0121ZA	PLATE, PROTECTOR (CF-72X3xxxxx)	1
K 74	DFMX0785ZA	SHEET, CABLE, INVERTER (CF-72X3xxxxx)	1
K 75	DFMX0832YA	INVERTER, INSULATION (CF-72XCxxxxx)	1
K 75	DFMX0832ZA	INVERTER, INSULATION (CF-72X3xxxxx)	1
K 76	DFMX0833ZA	HOLDER, CABLE, INVERTER (CF-72XCxxxxx)	1
K 76	DFMX0833ZA	HOLDER, CABLE, INVERTER (CF-72X3xxxxx)	2
K 77	DFMX0876ZA	COVER, CABLE, LAMP (CF-72X3xxxxx)	1
K 78	DFMY0272ZA	SHEET, THERMAL, INVERTER	1
K 79	DFDF3136ZA	SHAFT, KNOB, LCD	1
K 80	DFBH1157ZA	HINGE-L (CF-72XCxxxxx)	1
K 80	DFBH1159ZA	HINGE-L (CF-72X3xxxxx)	1
K 81	DFBH1158ZA	HINGE-R (CF-72XCxxxxx)	1
K 81	DFBH1160ZA	HINGE-R (CF-72X3xxxxx)	1
K 82	DFHG1399XA-0	RUBBER, LEG, LCD	2
K 83	DFHE0395ZA	SHAFT, EMI, LCD	1
K 85	DFHE0418ZA	MAGNET, LID	1
K 86 (M)	DFHP7069ZA	TAPE, BOTH SIDES	1
K 87	DFKM0411XA-1	REAR, LCD (CF-72XCxxxxx)	1
K 87	DFKM0366YA-1	REAR, LCD (CF-72X3xxxxx)	1
K 88	DFKF0209WB-1	CABINET, FRONT, LCD (CF-72XCxxxxx)	1
K 88	DFKF0209XB-1	CABINET, FRONT, LCD (CF-72X3xxxxx)	1
K 89	DFKE0659YA-0	PROTECTOR, L, EDGE (CF-72XCxxxxx)	1
K 89	DFKE0536ZA-0	PROTECTOR, L, EDGE (CF-72X3xxxxx)	1
K 90	DFKE0660YA-0	PROTECTOR, R, EDGE (CF-72XCxxxxx)	1
K 90	DFKE0537ZA-0	PROTECTOR, R, EDGE (CF-72X3xxxxx)	1
K 91	DFGB0062ZB-0	BADGE	1
K 92	DFGX0266ZA-0	SHEET, SCREW, LCD	2
K 93	DFBD0130WA-0	KNOB, LCD (CF-72XCxxxxx)	1
K 93	DFBD0130XA-0	KNOB, LCD (CF-72X3xxxxx)	1
K 94	DFHR5803XA	HOLDER, KNOB, LCD	2
K 95	DFHR5839ZA	SPACER, MAGNET	1
K 98	DFHR8367ZA	DUMPER, LCD (CF-72X3xxxxx)	6
K 99	DFMD2131ZA	HOLDER, HDD	1
K 100	DFHG1397ZA	DUMPER, HDD	1
K 102	DFHR5802ZA	HOLDER, CN, HDD	1
K 103	DFHR9044ZA	COVER, HDD	1
K 104 (M)	⚠️ DFGT0812YA	RATING LABEL	1
K 104 (E,G,F,S,T,P)	⚠️ DFGT0811WA	RATING LABEL	1
K 107	DFMX0875ZA	SHEET, CABLE, PCI	1
K 108	DFHR5412ZA	CLAMP, MINI	1
K 109	DFMD2130YA	PLATE, CONFIG, IF	1
K 110	DFMD7686YB	ANGLE, PORT	1
K 111	DFHR5805ZA	GUIDE (MAIN), CN	1
K 112	DFHR5804ZA	GUIDE, CN, MP	1
K 114	DFHG1441ZA	CUSHION, CHASSIS, HDD	1
K 116	DFHE0408ZA	GASKET, COVER, BATTERY	2
K 117	DFHR8368YA	BALANCER 1, HDD	2
K 119	DFHG1440ZB	CENTER, CUSHION, PALM REST	1
K 120	DFHR8371ZA	CUSHION, SC, PALM REST	1
K 122	DFHR7912ZA	TAPE, CABLE, LCD	1
K 123	DFHE0438ZA	CLOTH, CN, LCD	1
K 125	DFHR8375ZA	DUMPER, BOTTOM, LCD (CF-72X3xxxxx)	1
K 126	DFHR8374ZA	DUMPER, SIDE, LCD (CF-72X3xxxxx)	2
K 127	DFHR8373ZA	DUMPER, TOP, LCD (CF-72X3xxxxx)	2
K 128	DFHR8376ZA	TAPE, HOLD, LCD (CF-72X3xxxxx)	1
K 129	DFHE0437ZA	CLOTH 2,LCD CABLE (CF-72X3xxxxx)	1
K 130	DFHE0436ZA	CLOTH 1,LCD CABLE (CF-72X3xxxxx)	1
K 133	DFHG1444ZB	CUSHION, UPPER, MP	3
K 134	DFHG1439ZA	CUSHION, PCB, SUB	2
K 135	DFHR7910ZB	SPACER, MINI PCI	1
K 136	DFHG1442ZB	CUSHION, CN, HDD	1
K 137	DFHE0462ZA	GASKET, 3, PALM REST	2
K 139	DFHE0461ZA	GASKET, 2, PALM REST	1

K 140	DFHG1450ZA	CUSHION, COVER, BATTERY	1
K 141	DFMD4031ZA	ANGLE, PALM REST	1
K 142	DFMX0657ZA	SHEET, PROTECTION, CABLE, LCD	1
K 143	DFMX0851ZA	CUSHION, FPC, KB	1
K 145	DFHE0460ZA	GASKET (2 X4X30)	2
K 147	DFGX0254ZA-0	SPACER, CN, BATT	1
K 148	DFGX0285YA	COVER, PS2	1
K 149	DFHR5875ZA	CUSHION, L	1
K 150	DFHR5876ZA	SPACER, L	1
K 151	DFHR5877ZA	SPACER, DIMM	1
K 153	DFHR7913ZA	WATERPROOF, FPC, KB	1
K 154	DFHR7929ZA	SHEET, SLIDE, MP	2
K 155	DFHR8372ZB	SPACER, UNDER, MP	2
K 156	DFMX0880ZA	SHEET, 2, CABLE, LAMP (CF-72XCxxxxx)	1
K 156	DFMX0880ZA	SHEET, 2, CABLE, LAMP (CF-72X3xxxxx)	2
K 157	DFHR8377ZA	SPACER, HINGE (CF-72X3xxxxx)	1
K 158	DFQT6077YA	LABEL, HIGH VOLTAGE	1
K 159	DFHR8380ZA	SHEET, CN, HDD	1
K 162	DFVW99A0057	HDD Mounting Kit for Support	1
K 401	DFMX0383WA	ISOLATION SHEET	1
K 401	DFMX0383WA	ISOLATION SHEET (CF-72XCxxxxx)	3
K 403	DFHR3099YA	SPACER	2
K 404	DFMC0719ZA	GASKET, LCD CABLE (CF-72XCxxxxx)	1
K 405	DFMX1003ZA	ISOLATION, T.S. (CF-72XCxxxxx)	3
K 405	DFMX1003ZA	ISOLATION, T.S. (CF-72X3xxxxx)	1
K 406	DFMX1004ZA	ISOLATION, INVERTER (CF-72XCxxxxx)	1
K 407	DFMX1005ZA	ISOLATION2, INVERTER (CF-72XCxxxxx)	1
K 408	DFHP7118ZA	TAPE, CONNECTOR PCB (CF-72XCxxxxx)	1
K 409	DFHP7119ZA	TAPE, INVERTER PCB (CF-72XCxxxxx)	1
K 410	DFHP7120ZA	TAPE, HINGE (CF-72XCxxxxx)	2
K 411	DFHP7124ZA	TAPE (CF-72XCxxxxx)	1
K 412	DFHR3240ZA	SHEET A, LCD FRONT (CF-72XCxxxxx)	1
K 413	DFHR3241ZA	SHEET B, LCD FRONT (CF-72XCxxxxx)	1
K 414	DFHR3242ZA	LCD FRONT SIDE (CF-72XCxxxxx)	2
K 415	DFHR3246ZA	SHEET, HINGE (CF-72XCxxxxx)	2
K 416	DFHR3248ZA	CUSHION, T.S. (CF-72XCxxxxx)	1
K 417	DFHR3249ZA	SHEET, T.S. (CF-72XCxxxxx)	1
K 418	DFHR3258ZA	TAPE, INVERTER (CF-72XCxxxxx)	1
K 419	DFHR3263ZA	SHEET, UPPER, LCD FRONT (CF-72XCxxxxx)	2
K 420	DFHR3264ZA	SHEET, UNDER, LCD FRONT (CF-72XCxxxxx)	2
K 421	DFHR3265ZA	DUMPER, UNDER, T.S. (CF-72XCxxxxx)	2
K 422	DFHR3266ZA	DUMPER, UPPER, T.S. (CF-72XCxxxxx)	2
K 423	DFMC0728ZA	SHIELD1, MODEM	1
K 424	DFMC0729ZA	SHIELD2, MODEM	2
K 425	DFHR3261ZA	SHEET, MODEM	1
K 426	DFHR3262ZA	TAPE, MODEM	2
K 427	DFHR3275ZA	STOPPER, MINI PCI	1
K 428	DFHP7117ZA	EDGE PROTECTOR TAPE (CF-72XCxxxxx)	1
K 429 (M)	DFQT9675ZA	LABEL, ENERGY STAR	1
K 950	DFQT9731ZA	TOUGHOOK LABEL	1
K 951	DXQT2+D4FNM	SCREW	6
K 952	DFMY9018ZA	HEAT PIPE UNIT	1
K 953	DFMY3125ZA	CPU PLATE 4	1
K 954	DFMD7879ZA	ANGLE, PIPE	2
K 955	DFMY3130ZA	HEAT DIFFUSION PLATE	1
K 956	DFHE0185ZB	GASKET H	1
K 957	DFHR3340ZA	SHEET	1
K 958	DFHE6015ZA	SPACER	2
K 959	DFMY0308ZA	RUBBER, RADIATION	1
K 960	DFHR5885ZA	DUMPER SIDE 2, LCD (CF-72X3xxxxx)	2
K 961	DFMX0897YA	SHEET, PROTECTOR (CF-72X3xxxxx)	1
K 201	XYN2+J12FZ	SCREW	7
K 202	XYN2+J16FN	SCREW	2
K 203	XYN2+J6FN	SCREW	2
K 204	XTB2+16GFN	SCREW	4

K 205	XTB2+5GFN	SCREW	5
K 206	XTB26+20GFN	SCREW	2
K 207	DXHM0021ZA	SCREW	2
K 208	DFHE5020YB	SCREW	2
K 209	DFHE5025XA	SCREW	3
K 210	DXQT2+G5FUBN	SCREW	2
K 220	DXHM0025ZA	SCREW	2
K 221	DFHE5020XA	SCREW	1
K 222	DFHE5025XA	SCREW	4
K 223	XYN2+J4FN	SCREW	4
K 224	IKT0104AA	SCREW	6
K 225	DFHE5025XA	SCREW	5
K 226	XYN2+J6FN	SCREW	4
K 227	DFHE5119ZA	SCREW	2
K 228	DFHE5061ZA	SCREW	2
K 230	XYN2+J7FN	SCREW	6
K 231	DXSB26+6FNL	SCREW	6

CF-72XCJ(U/W)xx/CF-72X3J(U/W)xx
Floppy Disk Drive: CF-VFD721W

REF. NO and AREA	PART NO.	DESCRIPTION	Q'TY
E 48-1	 DFJG065ZA-T	DRIVE, FD	1
E 48-2	DFJE9071ZAH	FPC	1
E 48-3	DFMD2113ZA	PLATE, FDD	2
E 48-4	DFMX0561YA	INSULATION SHEET, MP-CN	1
E 48-5	DFDB0004XA	DUMPER	4
E 48-6	DFHM0176ZA	NUT, FDD	2
E 48-7	DFHE0118ZB	GASKET	1
E 48-8	DFKM0253YB-0	CABINET, FDD	1
E 48-9	DFGL0018ZC-3	LENS, LED	1
E 48-10	DFGE0027ZA	CHASSIS	1
E 48-11	DL3UP0982AAA	PCB, FDD	1
E 48-12	 DFGT0906ZA	INFORMATION LABEL	1
E 48-13	XYN26+J4FN	SCREW	4
E 48-14	XTB26+6GFN	SCREW	4
FDD Connector PCB			
C402	ECUV1C104ZV	CAPACITOR, 16 V, 0.1 μ F	1
CN401	DFJS250YA160	CONNECTOR, MAIN PCB	1
CN402	DFJS013ZA026	CONNECTOR, FDD	1
IC401	DA7S04UT85L0	IC, INVERTER	1
R402	ERJ3GEYJ562V	RESISTOR, 1/16W, 5.6 k Ω	1

CF-72XCJPZxx /CF-72X3JPZxx
CD-ROM Drive: CF-VCD711W

REF. NO and AREA	PART NO.	DESCRIPTION	RTL	Q'TY
Main Block Unit				
E1	DL3U11103AAA	PCB, CONNECTOR (A)	RTL	1
E2	DL3U21103AAA	PCB, CONNECTOR (B)	RTL	1
E3	DFJE50N035BH	FPC		1
E4	DFWV78A0069	DRIVE, CD-ROM		1
Mechanical Parts				
K1	DFKM0253XB-0	CABINET, TOP		1
K2	DFGE0027YA	CHASSIS		1
K3	DFMD3064YA	CLAMP, CD-ROM DRIVE		1
K4	DFMX0561YA	SHEET, INSULATION, CONNECTOR PCB		1
K5	DFHE7007ZA	CD KEY		2
K6	△DFGT0671YA	RATING LABEL		1
K7	DFHG1161ZA	HOLDER, CONNECTOR		1
K8	DFMX0820ZA	INSULATION SHEET		1
K9	DFHG795ZA	SHEET, CABLE		1
K101	DFHE5067YA	SCREW		2
K102	DXQT2+D25FNM	SCREW		2
K103	DFHE5086ZA	SCREW		2
Connector (A) PCB				
CN101	DFJS250YA160	CONNECTOR, EXPANSION BUS		1
CN102	DFJS120ZA050	CONNECTOR, FOR CONNECTOR (B) PCB		1
Connector (B) PCB				
CN201	DFJS315XA050	CONNECTOR, FOR CD-ROM DRIVE		1
CN202	DFJS120ZA050	CONNECTOR, FOR CONNECTOR (A) PCB		1

CF-72XCJUJxx/CF-72X3JUJxx
DVD-ROM Drive: CF-VDD725M/Z

REF. NO. and AREA	PART NO.	DESCRIPTION	Q'TY
E 47-1 (M) \triangle	DFWV78A0175	DRIVE, DVD, Region code 1	1
E 47-1 (Z) \triangle	DFWV78A0176	DRIVE, DVD, Region code 2	1
E 47-2	DFJE50N035BH	FPC	1
E 47-3	DL3U11130BAA	PCB, CONNECTOR (A) RTL	1
E 47-4	DL3U21130BAA	PCB, CONNECTOR (B) RTL	1
E 47-5	DFMD3064YA	PLATE, DVD	1
E 47-6	DFMX0501YA	INSULATION, PCB, DVD	1
E 47-7	DFMX0561YA	INSULATION SHEET, MP-CN	1
E 47-8	DFHG1161ZA	CONTROL, CONNECTOR	1
E 47-9	DFHE7007ZA	DVD KEY	2
E 47-10	DFKM0253XB-0	CAB, DVD TOP	1
E 47-11	DFGE0027YA	CHASSIS, DVD	1
E 47-12	DFHR7614ZA	SPACER, DVD	1
E 47-13	LMYP0445	BEZEL, DVD	1
E 47-14 \triangle	DFGT0903ZA	RATING LABEL	1
E 47-15	JDLB0007ZA	SCREW	2
E 47-16	DFHM0177YA	SCREW	2
E 47-17	DXQT2+D25FNM	SCREW	2
E 47-18	DFHE5086ZA	SCREW	2
Connector (A) PCB			
CN101	DFJS250YA160	CONNECTOR	1
CN102	DFJS120ZA050	CONNECTOR	1
Connector (B) PCB			
CN201	DFJS315XA050	CONNECTOR	1
CN202	DFJS120ZA050	CONNECTOR	1

CF-72XCJWZxx /CF-72X3JWZxx
DVD-ROM & CD-R/RW Drive Pack: CF-VDR721M/Z

REF. NO and AREA	PART NO.	DESCRIPTION	Q'TY
Main Block Unit			
E 1	DL3U11130AAA	PCB, CONNECTOR (A) RTL	1
E 2	DFWV48C0590	PCB, CONNECTOR (B) RTL	1
E 3	DFJE50N035BH	FPC	1
E4(M)	△DFWV78A0149	DRIVE, COMBO DRIVE	1
E4(Z)--E,G,F,S,T,P	△DFWV78A0150	DRIVE, COMBO DRIVE	1
E4-1	UJSJDYP0176	BEZEL, COMBO DRIVE	1
E4-2	JDLB0007ZA	SCREW, COMBO DRIVE	3
Mechanical Parts			
K1	DFKM0253WA-0	CABINET, TOP	1
K2	DFGE0027WA	CHASSIS	1
K3	DFMD3064XA	CD ANGLE	1
K4	DFMX0561YA	SHEET, INSULATION, CONNECTOR PCB	1
K5	DFHE7007ZA	SD/CD KEY	2
K6	△DFGT0891ZA	RATING LABEL	1
K7	DFUS0244XA	EARTH SPRING (A)	1
K9	DFMX0501YA	SHEET, INSULATION	1
K10	DFHR7614ZA	SHEET, DVD INSULATION	1
K101	DFHM0177YA	SCREW	2
K102	DXQT2+D25FNM	SCREW	2
K103	DFHE5086ZA	SCREW	2
Connector (A) PCB			
CN101	DFJS250YA160	CONNECTOR	1
CN102	DFJS120ZA050	CONNECTOR	1
Connector (B) PCB			
CN201	DFJS315XA050	CONNECTOR	1
CN202	DFJS120ZA050	CONNECTOR	1
R201	ERJ3GEYJ102V	RESISTOR, 1/16W, 1 kΩ	1

Replacement Parts List



Note: Important Safety Notice

Components identified by Δ mark have special characteristics important for safety.
When replacing any of these components use only manufacturer's specified parts.

CF-72X(C/3)JxZxx

REF. NO and AREA	PART NO.	DESCRIPTION	Q'TY
Main PCB			
C 1 2 4	EEFUD0D181R	CAPACITOR, 2V, 180 μ F	3
C 5 6 7	EEFUD0D181R	CAPACITOR, 2V, 180 μ F	3
C 9 13 17 21 25 30 35 39 43 47 88 99 102 113 115 292 293 294 295 312 315 321 323 325 326 375 377 388 439 442 451 549 609 610 638 639 657 668 679	F1J0J1060004	CAPACITOR, 6.3V, 10 μ F	39
C 10 14 18 22 26 31 36 40 44 48 174 177 181 182 183 707	DCUM1H103ZFL	CAPACITOR, 50V, 0.01 μ F	16
C 11 15 119 123 128 132 133 134 141 142 145 161 169 173 175 176 178 184 194 243 245 320 336 341 342 343 366 367 368 450 479 480 481 482 483 484 486 487 500 505 508 533 537 540 542 546 548 558 559 585 601 672 814 818	F1G1C104A031	CAPACITOR, 16V, 0.1 μ F	54
C 12 16 19 20 23 24 27 28 32 33 37 38 41 42 45 46 49 50 66 67 81 83 86 87 89 92 98 100 101 104 105 107 108 110 111 112 118 122 127 131 136 137 147 149 151 153 155 157 159 163 165 167 193 203 204 210 212 213 215 216 218 219 221 222 231 233 235 236 237 238 239 248 250 296 297 298 299 300 301 302 303 304 305 306 307 308 309 310 311 313 314 316 317 318 322 324 327 328 333 340 344 345 360 370 372 380 389 400 440 441 443 444 446 447 455 459 463 464 465 466 471 472 473 475 476 477 503 506 507 525 536 539 541 545 547 561 606 608 612 629 727 816 817	F1G1C104A031	CAPACITOR, 16V, 0.1 μ F	143
C 34 85 171 172 185 319 350 351 371 376 378 379 528 529 530 531 532 551 627 651 652 666	F1J0J1060004	CAPACITOR, 6.3V, 10 μ F	22
C 53 54 63 64 74 78 403 410 411	F1G1H221A401	CAPACITOR, 50V, 220pF	9
C 55 56	F4Z1A33000001	CAPACITOR, 10V, 33 μ F	2
C 60	F1G1H222A401	CAPACITOR, 50V, 2200pF	1
C 61 62 65 75 120 124 129 138 139 198 201 205 207 373 452 469 470 607 689 815	ICUV1A105ZFS	CAPACITOR, 10V, 1 μ F	20
C 69 70 72 73 82	F1G1C103A046	CAPACITOR, 16V, 0.01 μ F	5
C 91 381 412 413 414 415 416 417 418 419	DCUM1H101JCL	CAPACITOR, 50V, 100pF	10
C 94 95	F4Z1A33000001	CAPACITOR, 10V, 33 μ F	2
C 96 640 641 653 654 655 656 680 681	EEFCD0D101R	CAPACITOR, 2V, 100 μ F	9
C 116 117 121 125 130 143 144 369 493 502 688 695 708	ICUV1A105ZFS	CAPACITOR, 10V, 1 μ F	13
C 189 190 224 225 226 227 229 230 232	DCUM1H103ZFL	CAPACITOR, 50V, 0.01 μ F	9
C 196 197 554 555	F1G1H5R00004	CAPACITOR, 50V, 5pF	4
C 202	ECUV1C473KBV	CAPACITOR, 16V, 0.047 μ F	1
C 208 211 214 228 234	F1L0J106A004	CAPACITOR, 6.3V, 10 μ F	5
C 241 242	F1G1H2R00004	CAPACITOR, 50V, 2pF	2

C 246 247 504	F1G1H471A401	CAPACITOR, 50V, 470pF	3
C 329 356 357 361 364 454 461 543 805 807 809	F1G1H102A401	CAPACITOR, 50V, 1000pF	11
C 330 331 597 598 686 698	F1J0J4750002	CAPACITOR, 6.3V, 4.7µF	6
C 332 592 593 594	ECUV1C105ZFX	CAPACITOR, 16V, 1µF	4
C 352 353 354 355 495 496 512 513 534 670	DCUM1H101JCL	CAPACITOR, 50V, 100pF	10
C 358 359	F1G1H102A401	CAPACITOR, 50V, 1000pF	2
C 374	DCUA1H105ZFY	CAPACITOR, 50V, 1µF	1
C 384 485	D4ED1120A002	VARISTOR	2
C 390 391 395 396	ECUV1C105ZFX	CAPACITOR, 16V, 1µF	4
C 392 393 394 397 398 399 401 402 404 405 406 407 515 516 517 518 519 521	F1G1H221A401	CAPACITOR, 50V, 220pF	18
C 408 409	DCUM1H681KBL	CAPACITOR, 50V, 680pF	2
C 448 449	F1G1H120A451	CAPACITOR, 50V, 12pF	2
C 453	ECST1AY475R	CAPACITOR, 10V, 4.7µF	1
C 456 457 458 460 467 489 490 491 492 498 499 501 659 665 678	ECUV1C224ZFV	CAPACITOR, 16V, 0.22µF	15
C 494	ECST1CX106R	CAPACITOR, 16V, 10µF	1
C 509	ECST1CD476R	CAPACITOR, 16V, 47µF	1
C 510 511	EEVHA0J470R	CAPACITOR, 6.3V, 47µF	2
C 514 520 522	DCUM1H330JCL	CAPACITOR, 50V, 33pF	3
C 524 705	ECUV1E104ZFV	CAPACITOR, 25V, 0.1µF	2
C 573 574 575 576 588 589 590 591	DCUM1H470JCL	CAPACITOR, 50V, 47pF	8
C 586 587 600	ECST1AX226R	CAPACITOR, 10V, 22µF	3
C 595 596 690 693 702 703 706	ECUV1E104ZFV	CAPACITOR, 25V, 0.1µF	7
C 611	ECJ2FB1A105K	CAPACITOR, 10V, 1µF	1
C 614 615 619 620 623 663 723 724	F1G1E103A062	CAPACITOR, 25V, 0.01µF	8
C 616 622	ECJ1VB1E223K	CAPACITOR, 25V, 0.022µF	2
C 617	ECUV1C104KBV	CAPACITOR, 16V, 0.1µF	1
C 621	ECUV1H102JCV	CAPACITOR, 50V, 1000pF	1
C 624	ECJ1VB1A224K	CAPACITOR, 10V, 0.22µF	1
C 625	ECJ1VF1H104Z	CAPACITOR, 50V, 0.1µF	1
C 631 632 633 634 644 645 646 647 676 677 696 697	F1L1E106A017	CAPACITOR, 25V, 10µF	12
C 636	ECUV1C334ZFV	CAPACITOR, 16V, 0.33µF	1
C 637 650	ECJ2YF1A475Z	CAPACITOR, 10V, 4.7µF	2
C 642 643	EEFCD0D101R	CAPACITOR, 2V, 100µF	2
C 649	ECUV1C334ZFV	CAPACITOR, 16V, 0.33µF	1
C 658 716 728	DCS0JTA151M	CAPACITOR, 6.3V, 150µF	3
C 660 704	F1L1E106A017	CAPACITOR, 25V, 10µF	2
C 661 673	ECJ2YF1A475Z	CAPACITOR, 10V, 4.7µF	2
C 667	ECST1AD107R	CAPACITOR, 10V, 100µF	1
C 669	ECUV1H472KBV	CAPACITOR, 50V, 4700pF	1
C 674	DCUJ1H103KBL	CAPACITOR, 50V, 0.01µF	1
C 675	ECJ1VF1H104Z	CAPACITOR, 50V, 0.1µF	1
C 682	ECUV1H471JCV	CAPACITOR, 50V, 470pF	1
C 683 684 685	DCS1ATA101M	CAPACITOR, 10V, 100µF	3
C 687 694 719 722	F1G1E103A062	CAPACITOR, 25V, 0.01µF	4
C 691	F1K0J1060017	CAPACITOR, 6.3V, 10µF	1
C 692	DCUA1H105ZFY	CAPACITOR, 50V, 1µF	1
C 699 700	EEFCD0J470R	CAPACITOR, 6.3V, 47µF	2
C 701	DCS0JTA151M	CAPACITOR, 6.3V, 150µF	1
C 711 713 715 810 811 812 813	ECUV1H103KBV	CAPACITOR, 50V, 0.01µF	7
C 718	DCS0GTA221M	CAPACITOR, 4V, 220µF	1
C 729	DCUJ1H103KBL	CAPACITOR, 50V, 0.01µF	1
C 806	F1G1C103A046	CAPACITOR, 16V, 0.01µF	1
C 808	ECJ0EB1A683K	CAPACITOR, 10V, 0.068µF	1
CN 1	K1KA60A00106	CONNECTOR	1
CN 2	K1MMZZB00003	CONNECTOR, SO-DIMM	1
CN 3	DFJP02C75YAJ	CONNECTOR	1
CN 4 5	K1FB104B0017	CONNECTOR, USB	2
CN 6	K1FB115E0004	CONNECTOR, DSUB	1
CN 7	K1MMF4A00001	CARD BUS EJECTOR	1
CN 9	K1FB125E0002	CONNECTOR, DSUB, PARALLEL	1

CN 10		K1FA109E0002	CONNECTOR, DSUB, SERIAL	1
CN 11		IHC0722AA	CONNECTOR	1
CN 13		DFJP152ZA200	CONNECTOR	1
CN 14		DFJS553ZA100	CONNECTOR, DOCKING	1
CN 15		DFJP173ZA002	CONNECTOR	1
CN 17		K2LB102B0016	CONNECTOR, RJ11	1
CN 18		K2LC108B0022	CONNECTOR, RJ45	1
CN 19		K1MMC4B00003	CONNECTOR, MINI-PCI	1
CN 21		DFJS225ZA100	CONNECTOR	1
CN 22		K1MMC4B00002	CONNECTOR, MINI-PCI	1
CN 101		DFJS250YA160	CONNECTOR	1
CN 102 202		LJC0056	CONNECTOR	2
CN 201		K1KA50A00103	CONNECTOR	1
CN 501		K1KA40A00149	CONNECTOR	1
CN 502		DFJS44D59YAA	CONNECTOR, HDD	1
D 1		BOJDBE000002	DIODE	1
D 2 4 5 9 12		MA729-TX	DIODE	5
D 3		B0JCGC000003	DIODE	1
D 6 7 8		DEDDA204UT	DIODE	3
D 10		DEDDA204UT	DIODE	1
D 600 601		DEDRB420DT97	DIODE	2
D 602 603		DEDRB081L20	DIODE	2
D 604 606 608		DEDSFPB64V	DIODE	3
D 605 609 610 612		DAP222TL	DIODE	4
D 607		DEDRB420DT97	DIODE	1
D 611 628		DAN222TL	DIODE	2
D 613 614		DEDSFPB64V	DIODE	2
D 615 616 629 630		DEDF1J3ETP	DIODE	4
D 617		DAN222TL	DIODE	1
D 618		BOBC01200019	DIODE	1
D 619		DEDUDZ18BT	DIODE	1
D 620 621 622 625		UDZTE175.1B	DIODE	4
D 623 624		DEDUDZ6R2BT	DIODE	2
D 626		UDZTE175.1B	DIODE	1
D 627		DED03P2JT1-D	DIODE	1
F 1 2		DBUPPR0042TW	FUSE, 2A	2
F 601		XBADMMCT010U	FUSE, 1A	1
IC 1		C2GAC0000111	IC, CPU	1
IC 2		C1DB00000578	IC, TEMP SENSOR	1
IC 3		C1DB00000908	IC, ICH3-M	1
IC 4		C1DB00000920	IC, MCH-M	1
IC 5 7 9 11		C3ABRG000017	IC, SDRAM	4
IC 6 8 10 12		C3ABRG000017	IC, SDRAM	4
IC 13		DA7W66UT12L0	IC, CMOS	1
IC 14		DA7SH08U85L0	IC, AND GATE	1
IC 15		C9ZB00000407	IC, PLL	1
IC 16		DA7W14UT12L0	IC, INVERTER	1
IC 17		C1DB00000907	IC, LSI	1
IC 19		C0ZBZ0000686	IC, CLOCK GENERATOR	1
IC 23		C1DB00000479	IC, CARD BUS CONTROLLER	1
IC 24		DA2563A1SX2V	IC, BIPOLAR LOGIC	1
IC 25		C3EBDC000036	IC, EEPROM	1
IC 28		C2CBHF000243	IC, EC	1
IC 29		DALP298030N	IC, BIPOLAR LINEAR	1
IC 30		C1DB00000743	IC, SUPER I/O	1
IC 31		ADM211EARSRL	IC, LSI	1
IC 33		C1BB00000670	IC, AC97 CODEC	1
IC 34		XC62FP3302PR	IC, REGULATOR	1
IC 36		C1DB00000536	IC, SOUND AMP	1
IC 37		NJM2904M-TE1	IC, OP AMP	1
IC 38		DA7S04UT85L0	IC, INVERTER	1
IC 39 40		DA7ST08U85L0	IC, AND GATE	2
IC 42		C3FBKC000076	IC, FWH	1
IC 44		C1DB00000902	IC, LAN CONTROLLER	1
IC 45		93LC46BT/SN	IC, EEPROM	1

IC 48		C0DBZH00004	IC, USB POWER CONTROL	1
IC 49 50 51		C0EBE0000221	IC, RESET	3
IC 52		DA7SH32U85L0	IC, OR GATE	1
IC 600		C0DBAFH00013	IC, DC/DC CONTROLLER	1
IC 601 602		C0DBZZZ00054	IC, MOS FET DRIVER	2
IC 603		C0DBAZZ00058	IC, POWER CONTROL	1
IC 604		C0DBAFH00011	IC, DC/DC CONTROLLER	1
IC 605		C0DBAZZ00039	IC, DC/DC CONTROLLER	1
IC 606		C0DBEZG00010	IC, REGULATOR	1
IC 607		DA7W02UT12L0	IC, NOR GATE	1
IC 608		DA7S14UT85L0	IC, INVERTER	1
JK 1		DFJJD5S08ZAH	JK	1
JK 2		DFJJD8S09ZAH	JK	1
JK 3		DFJJB3Z07ZAH	JK	1
L 1 2 4 5		DDAZR4R7KT2L	INDUCTOR	4
L 3 10 13 17 33 34 35 36		DDB5Z005-L	INDUCTOR	8
L 6 7 8 42 43 44 45 46		DDB5Z031J-L	INDUCTOR	8
L 11 12 14 15 16		DDB5Z005-L	INDUCTOR	5
L 18 19		J0JCC0000092	INDUCTOR	2
L 20 21 22 23		DDB5Z021C-Y	INDUCTOR	4
L 24 25 26 27 28 29 30 31 32 38 39 40 41 47 48 49 50		DDB5Z034B-Y	INDUCTOR, FERRITE	17
L 37		G5BZC0000006	INDUCTOR, PULSE TRANSFORMER	1
L 600 601		G1C1R2ZA0027	INDUCTOR	2
L 602 603 605 606		DDAZZ100MT-T	INDUCTOR	4
L 604		G1C4R7MA0012	INDUCTOR	1
L 607		DDB5Z028C-L	INDUCTOR	1
PS 1 2		ERY32SA120VA	POLY SW	2
Q 1 2 3 4 27 34		DETU3904T106	TRANSISTOR	6
Q 5 6		DETU3904T106	TRANSISTOR	2
Q 7		DA3LN01STL	TRANSISTOR	1
Q 8 18 19 618		DETC114YETL	TRANSISTOR	4
Q 9 13 14 17 23 24 30 32 620 628 631		DETC114YETL	TRANSISTOR	11
Q 10 15 25 29 601 619 624 629 632		DETA144EETL	TRANSISTOR	9
Q 11 16 26		DASI6410DQT1	TRANSISTOR	3
Q 20 21 22 58 623 635 637 638 640 641 642		2SK3019TL	TRANSISTOR	11
Q 28 625 626		DAFDN359AN	TRANSISTOR	3
Q 31		B1ADKD000004	TRANSISTOR	1
Q 600		DA3LN01STL	TRANSISTOR	1
Q 602 603 606 607 610 611 614		DAFDS6690A	TRANSISTOR	7
Q 604 605 608 609 615		DAFDS6670A	TRANSISTOR	5
Q 612 616 617 627		B1DFED000012	TRANSISTOR	4
Q 621 622		B1DDGD000005	TRANSISTOR	2
Q 630 633 645		B1DFED000012	TRANSISTOR	3
Q 634 636 639 643 644		2SK3019TL	TRANSISTOR	5
R 2 4 19		ERJ2GEJ510X	RESISTER, 1/16W, 51Ω	3
R 3		ERJ2GEJ390X	RESISTER, 1/16W, 39Ω	1
R 5		D0HA270ZA002	RESISTER, 1/16W, 27Ω	1
R 6 94 198 215 438 439		ERJ2GEJ102X	RESISTER, 1/16W, 1kΩ	6
R 7 9 22 134 185 207 218 219 220 221 222 223 224 225 318 324 325 327 328 409 429 432 482 484 510 511 512 513 514 515 630 639 652 654 656 666		ERJ2GE0R00X	RESISTER, 1/16W, 0Ω	36
R 13 14 20 21 56 58 85 87 90		D1BA49R9A003	RESISTER, 1/16W, 49.9Ω	9
R 15 494 495		ERJ2GEJ750X	RESISTER, 1/16W, 75Ω	3
R 16		ERJ2GEJ241X	RESISTER, 1/16W, 240Ω	1
R 17 60 80 133 176 201 202 203 204 205 206 209 210 211 212 213 214 290 291 368 369 370 371 372 373 374 375 440 441 481 540 541 542 543 544 545 546 547 571 614 615 617		ERJ2GE0R00X	RESISTER, 1/16W, 0Ω	42
R 18 78 618 619		ERJ2GEJ152X	RESISTER, 1/16W, 1.5kΩ	4

R 25		ERJ2GEJ301X	RESISTER, 1/16W, 300Ω	1
R 28 72 73 160 165 166 168 172 173 178 181 199 305 306 308 309 310 311 312 315 357 366 394 426 427 433 558 626 667 696		ERJ2GEJ103X	RESISTER, 1/16W, 10kΩ	30
R 29		ERJ2GEJ221X	RESISTER, 1/16W, 220Ω	1
R 30 31 33 34 35 36 76 77		ERJ2GEJ201X	RESISTER, 1/16W, 200Ω	8
R 32 37		ERJ2GEJ201X	RESISTER, 1/16W, 200Ω	2
R 38 39 40 41 42 123 130 235 289 295 296 297 320 322 326 355 362 386 388 389 422 476 479 522 524 557 624 625 660 692		ERJ2GEJ103X	RESISTER, 1/16W, 10kΩ	30
R 43 55		D1BA51R1A003	RESISTER, 1/16W, 51.1Ω	2
R 44 45 46 47 48 49 50 51 52 53 54 75 103		ERJ2GEJ560X	RESISTER, 1/16W, 56Ω	13
R 57 59 86		D0HA101ZA001	RESISTER, 1/16W, 100Ω	3
R 63 464 679 681 682 683		ERJ2GEJ562X	RESISTER, 1/16W, 5.6kΩ	6
R 64 65		ERJ2GEJ560X	RESISTER, 1/16W, 56Ω	2
R 66 67 68 69 412 536 537		ERJ2GEJ471X	RESISTER, 1/16W, 470Ω	7
R 70 71 74		ERJ2GEJ471X	RESISTER, 1/16W, 470Ω	3
R 79		D0HA300ZA002	RESISTER, 1/16W, 30Ω	1
R 81 83 104 105 174 175 179 180		D0HA301ZA001	RESISTER, 1/16W, 300Ω	8
R 82 84		D0HA151ZA001	RESISTER, 1/16W, 150Ω	2
R 88 89		D1BA24R9A003	RESISTER, 1/16W, 24.9Ω	2
R 91 92 251 553 555		ERJ2GEJ822X	RESISTER, 1/16W, 8.2kΩ	5
R 95		D1BA40R2A003	RESISTER, 1/16W, 40.2Ω	1
R 96 170		D1BA36R5A003	RESISTER, 1/16W, 36.5Ω	2
R 99 228 379 561 563 566		ERJ2GEJ220X	RESISTER, 1/16W, 22Ω	6
R 100 101 208 256 257 264 265		D0HA102ZA001	RESISTER, 1/16W, 1kΩ	7
R 106 107 108 109 110 111 112 113 114 115 116 117 118 119 612 634 635 643 644		ERJ2GEJ100X	RESISTER, 1/16W, 10Ω	19
R 125 127 129 196 197		ERJ2GEJ102X	RESISTER, 1/16W, 1kΩ	5
R 136		D1BA4750A004	RESISTER, 1/16W, 4.7MΩ	1
R 137 138 139 140 141 142 143 144 145 146 147 148 149 153 154 155 156 535		D0HA330ZA002	RESISTER, 1/16W, 33Ω	18
R 150 151 152 164 184 245 246 316		ERJ2GEJ330X	RESISTER, 1/16W, 33Ω	8
R 161 162 188 189 397 398 399 400		ERJ2GEJ472X	RESISTER, 1/16W, 4.7kΩ	8
R 169 347 475 680		ERJ2GEJ104X	RESISTER, 1/16W, 100kΩ	4
R 182 478 480 523 525		ERJ2GEJ104X	RESISTER, 1/16W, 100kΩ	5
R 183		D1BA18R2A003	RESISTER, 1/16W, 18.2Ω	1
R 186 187		ERJ3GEYJ106V	RESISTER, 1/16W, 10MΩ	2
R 190		ERJ2GEJ153X	RESISTER, 1/16W, 15kΩ	1
R 200		D0HA470ZA002	RESISTER, 1/16W, 47Ω	1
R 216		D1BA4990A004	RESISTER, 1/16W, 499Ω	1
R 247 24		ERJ2GEJ222X	RESISTER, 1/16W, 2.2kΩ	2
R 248 700 701 702 703 707 709		ERJ2GEJ105X	RESISTER, 1/16W, 1MΩ	7
R 250 254 255 317 333 448 483 559 687 690 691		ERJ2GEJ101X	RESISTER, 1/16W, 100Ω	11
R 252 665 677		ERJ3GEYJ100V	RESISTER, 1/16W, 10Ω	3
R 253 263 299 300 301 477 562 565 567		ERJ2GEJ220X	RESISTER, 1/16W, 22Ω	9
R 268		D0HA470ZA002	RESISTER, 1/16W, 47Ω	1
R 269 270 367 451 452 453		ERJ2GEJ472X	RESISTER, 1/16W, 4.7kΩ	6
R 283 358 382 387 407 569 573 575		ERJ6GEY0R00V	RESISTER, 1/10W, 0Ω	8
R 285 286 485 664 704 705 710		ERJ2GEJ105X	RESISTER, 1/16W, 1MΩ	7
R 298 364 365 470 564 684 685 686 688 689		ERJ2GEJ101X	RESISTER, 1/16W, 100Ω	10
R 302		DBT10KC1513P	THERMISTOR	1
R 303 304 307 410 411 434 471 548 549		ERJ2GEJ473X	RESISTER, 1/16W, 47kΩ	9
R 314 402 403 404 405 406		ERJ2GEJ333X	RESISTER, 1/16W, 33kΩ	6
R 319 334 335 363 381 383 384 385 420 421 424 550 551 552 554		ERJ2GEJ473X	RESISTER, 1/16W, 47kΩ	15
R 321		D0HA103ZA001	RESISTER, 1/16W, 10kΩ	1
R 330 574		ERJ3GEY0R00V	RESISTER, 1/16W, 0Ω	2

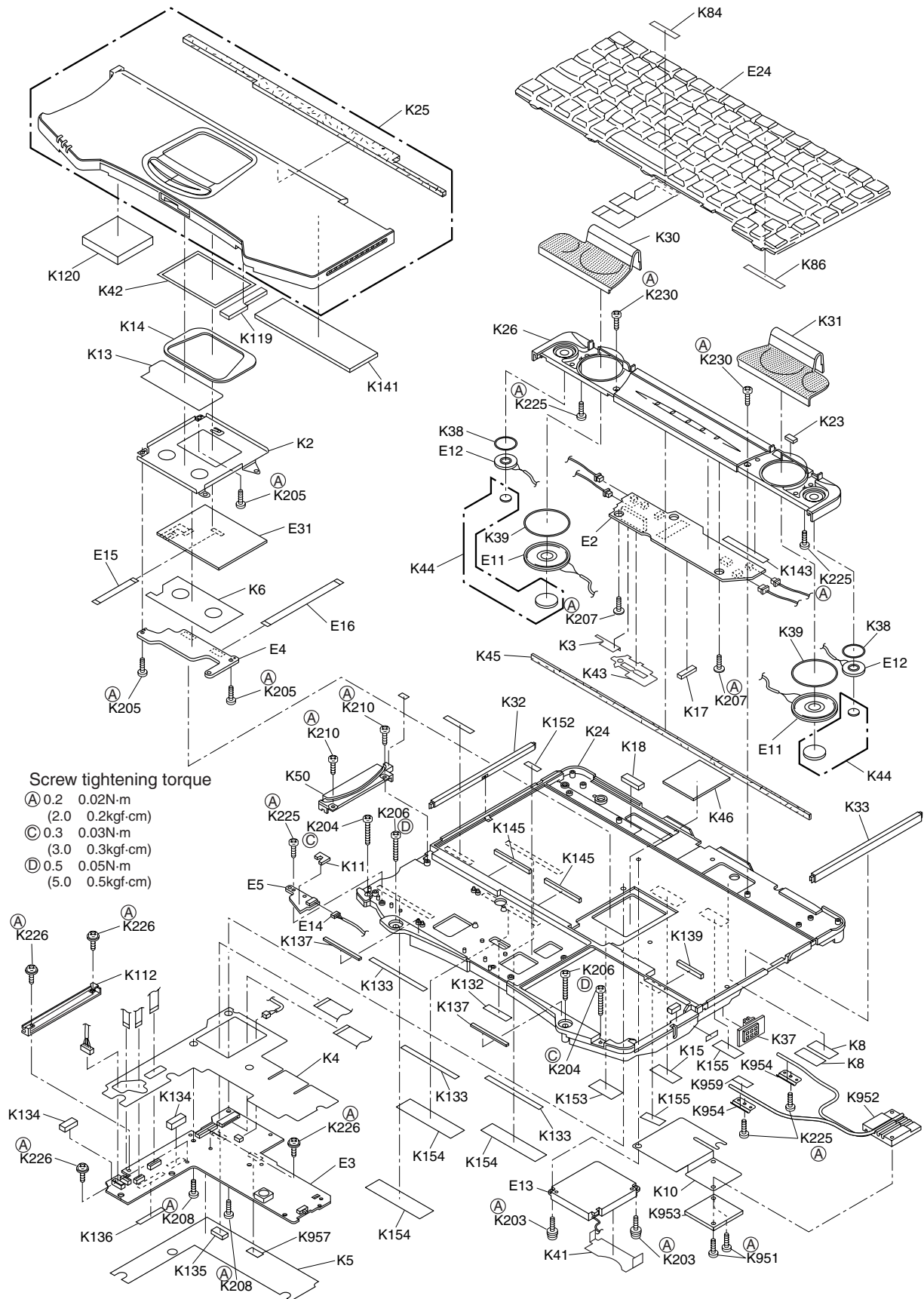
R 348 354		ERJ3GEYJ750V	RESISTER, 1/16W, 75Ω	2
R 377		ERJ2GEJ181X	RESISTER, 1/16W, 180Ω	1
R 380		ERJ2GEJ273X	RESISTER, 1/16W, 27kΩ	1
R 390 445 447 462 496 507 731 732		ERJ3GEY0R00V	RESISTER, 1/16W, 0Ω	8
R 391 392 393 395 396 651		ERJ2GEJ223X	RESISTER, 1/16W, 22kΩ	6
R 413 418 458 459 460		ERJ2GEJ222X	RESISTER, 1/16W, 2.2kΩ	5
R 425 428 436 437 446 570 572		ERJ6GEY0R00V	RESISTER, 1/10W, 0Ω	7
R 435 463		ERJ2GEJ330X	RESISTER, 1/16W, 33Ω	2
R 454 455 456		ERJ6ENF75R0V	RESISTER, 1/10W, 75Ω	3
R 487		ERJ2GEJ331X	RESISTER, 1/16W, 330Ω	1
R 488		ERJ2GEJ562X	RESISTER, 1/16W, 5.6kΩ	1
R 489		D0HA562ZA001	RESISTER, 1/16W, 5.6kΩ	1
R 490 491 492 493		D1BA49R9A003	RESISTER, 1/16W, 49.9Ω	4
R 600 648 649		ERJ3EKF1002V	RESISTER, 1/16W, 10kΩ	3
R 601		ERJ3EKF2202V	RESISTER, 1/16W, 22kΩ	1
R 602 646		ERJ3EKF4702V	RESISTER, 1/16W, 47kΩ	2
R 604 698		ERJ3EKF1002V	RESISTER, 1/16W, 10kΩ	2
R 606 645		ERJ3EKF1001V	RESISTER, 1/16W, 1kΩ	2
R 607		ERJ3EKF1301V	RESISTER, 1/16W, 1.3kΩ	1
R 608		ERJ3EKF2000V	RESISTER, 1/16W, 200Ω	1
R 609		ERJ3EKF4752V	RESISTER, 1/16W, 47.5kΩ	1
R 610		ERJ3EKF1102V	RESISTER, 1/16W, 11kΩ	1
R 611 623		ERJ3EKF4702V	RESISTER, 1/16W, 47kΩ	2
R 620		ERJ2GEJ622X	RESISTER, 1/16W, 6.2kΩ	1
R 621		ERJ2GEJ204X	RESISTER, 1/16W, 200kΩ	1
R 622		ERJ3EKF2201V	RESISTER, 1/16W, 2.2kΩ	1
R 629 638		ERJ3GEYJ3R3V	RESISTER, 1/16W, 3.3Ω	2
R 631 640		ERJ3GEYJ100V	RESISTER, 1/16W, 10Ω	2
R 632 633 641 642		ERJM1WSF6M0U	RESISTER, 1W, 6MΩ	4
R 647		ERJ3EKF2702V	RESISTER, 1/16W, 27kΩ	1
R 650		ERJ3EKF1003V	RESISTER, 1/16W, 100kΩ	1
R 653		ERJ3EKF6800V	RESISTER, 1/16W, 680Ω	1
R 655		ERJ3EKF4990V	RESISTER, 1/16W, 499Ω	1
R 658 662		ERJ3EKF3302V	RESISTER, 1/16W, 33kΩ	2
R 661		ERJ2GEJ223X	RESISTER, 1/16W, 22kΩ	1
R 663		ERJ3EKF4701V	RESISTER, 1/16W, 4.7kΩ	1
R 668 676		ERJ2GEJ224X	RESISTER, 1/16W, 220kΩ	2
R 671 672 674		D1BDR0330001	RESISTER, 1/8W, 0.033Ω	3
R 675		DBJ14RR047VM	RESISTER, 1/4W, 0.047Ω	1
R 678		RL1220SR47F	RESISTER, 1/8W, 0.47Ω	1
R 693 694		ERJ6GEYJ222V	RESISTER, 1/10W, 2.2kΩ	2
R 695		ERJ2GEJ474X	RESISTER, 1/16W, 470kΩ	1
R 697		ERJ3EKF2001V	RESISTER, 1/16W, 2kΩ	1
R 699		ERJ3EKF2702V	RESISTER, 1/16W, 27kΩ	1
R 706 708		ERJ2GEJ564X	RESISTER, 1/16W, 560kΩ	2
R 711		ERJ2GEJ474X	RESISTER, 1/16W, 470kΩ	1
R 712 713 717 718		ERJ6GEYJ220V	RESISTER, 1/10W, 22Ω	4
R 714 715 716 719 720 721 722		ERJ6GEYJ100V	RESISTER, 1/10W, 10Ω	7
R 723		ERJ3GEYJ562V	RESISTER, 1/16W, 5.6kΩ	1
R 728		RL1220SR47F	RESISTER, 1/4W, 0.47Ω	1
R 834		ERA3YED201V	RESISTER, 1/16W, 200Ω	1
RA 1		D1H85104A024	RESISTER ARRAY	1
RA 3 18 26 30		D1HA56080001	RESISTER ARRAY	4
RA 5 8 9		D1H81004A024	RESISTER ARRAY	3
RA 6 7		D1H8R0040009	RESISTER ARRAY	2
RA 10 11 12 13 14 15 16 17		D1HG2208A001	RESISTER ARRAY	8
RA 19 20 21 22 23 24 25 27 28 29		D1HA56080001	RESISTER ARRAY	10
RA 32 64		D1H81034A024	RESISTER ARRAY	2
RA 62 65		D1H84734A024	RESISTER ARRAY	2
RA 67 68		DEARA8AJ473M	RESISTER ARRAY	2
RA 69		DEARA8AJ102M	RESISTER ARRAY	1
RA 70 71 72		D1H82204A024	RESISTER ARRAY	3
RA 73 74		DEARA8AJ472M	RESISTER ARRAY	2
RA 75 76 77 78		DEARA8AJ103M	RESISTER ARRAY	4
RA 79		D1H83304A024	RESISTER ARRAY	1

RA 82		D1H81034A024	RESISTER ARRAY	1
RA 83 84 85 86 87 88 89 90		D1HG0008A001	RESISTER ARRAY	8
X 1		DECU14318L5U	OSCILLATOR, 14.31818MHz	1
X 2		H0J327200051	OSCILLATOR, 32.768kHz	1
X 3		H0J2705A0001	OSCILLATOR, 27MHz	1
X 4		H2D800400012	OSCILLATOR, 8MHz	1
X 5		DECU24576L3U	OSCILLATOR, 24.576MHz	1
X 6		DECU25000L3U	OSCILLATOR, 25MHz	1
LED PCB				
C 901 902		F1J0J4750002	CAPACITOR, 6.3V, 4.7µF	2
C 903		ECUV1C105ZFX	CAPACITOR, 16V, 1µF	1
C 904 906 908 910		F1G1C104A031	CAPACITOR, 16V, 0.1µF	4
C 905 907		DCUE1A106ZFL	CAPACITOR, 10V, 10µF	2
C 912 913 915 916 918 919		DCUM1H100DCL	CAPACITOR, 50V	6
C 914 917 920		DCUM1H103ZFL	CAPACITOR, 50V, 0.01µF	3
C 922 923		EEVHP1C100R	CAPACITOR, 16V, 10µF	2
CN 901		K1KB60A00079	CONNECTOR	1
CN 902		K1KA20B00111	CONNECTOR	1
CN 903		DFJP201ZA006	CONNECTOR	1
CN 905		DFJP201ZA005	CONNECTOR	1
CN 906 908		DFJP201ZA002	CONNECTOR	2
CN 907 909		DFJP201ZA003	CONNECTOR	2
D 901		MA729-TX	DIODE	1
D 902		DAN222TL	DIODE	1
IC 901		DEDHRM230S	IC, IRDA	1
L 901 904		DDB5Z028C-L	INDUCTOR	2
L 902 903		DDB5Z024E-L	INDUCTOR	2
L 907 908 911 912 913 914 915 916		DDB5Z005-L	INDUCTOR	8
LD 901 902 903 905		SEC1703C	LED	4
LD 904		SEC2764C	LED	1
Q 902		DETA144EETL	TRANSISTOR	1
Q 903 906		DETC114YETL	TRANSISTOR	2
Q 905 907		DETA144EETL	TRANSISTOR	2
R 901		ERJ2GEJ472X	RESISTER, 1/16W, 4.7kΩ	1
R 902 903 907 908 909 910 911 912 913 914		ERJ2GEJ100X	RESISTER, 1/16W, 10Ω	10
R 904 905		ERJ2GEJ222X	RESISTER, 1/16W, 2.2kΩ	2
R 906		RL1220S1R5F	RESISTER, 1/4W, 1.5Ω	1
R 915		ERJ2GEJ102X	RESISTER, 1/16W, 1kΩ	1
R 917 919 920 921		ERJ2GEJ331X	RESISTER, 1/16W, 330Ω	4
R 918		ERJ2GEJ821X	RESISTER, 1/16W, 820Ω	1
R 922		ERJ2GE0R00X	RESISTER, 1/16W, 0Ω (CF-72XCxxxxx)	1
TS13 PCB (CF-72XCxxxxx)				
CN 920		K1MN04B00023	CONNECTOR	1
CN 921		K1KA04B00137	CONNECTOR (CF-72XCxxxxx)	1
SUB PCB				
C 801 802 803 804 807 809 813 814 817 832 845 852		ECUV1E104ZFV	CAPACITOR, 25V, 0.1µF	12
C 805 812 815		ECUV1E104ZFV	CAPACITOR, 25V, 0.1µF	3
C 808 811		ECST1CD686R	CAPACITOR, 16V, 68µF	2
C 810		ECUV1H103KBV	CAPACITOR, 50V, 0.01µF	1
C 816		DCUE1A106ZFL	CAPACITOR, 10V, 10µF	1
C 818 829		F1L1E106A017	CAPACITOR, 25V, 10µF	2
C 819 820 822 851 868		ECUV1C105ZFX	CAPACITOR, 16V, 1µF	5
C 821		ECUV1C104KBV	CAPACITOR, 16V, 0.1µF	1
C 823		ECUV1C334ZFV	CAPACITOR, 16V, 0.33µF	1
C 824		ECUV1C473KBV	CAPACITOR, 16V, 0.047µF	1
C 825		ECJ1VF1H104Z	CAPACITOR, 50V, 0.1µF	1
C 826 848		F1J0J4750002	CAPACITOR, 6.3V, 4.7µF	2
C 827		DCUA1C225ZFY	CAPACITOR, 16V, 2.2µF	1
C 828 864		ECUV1H101JCV	CAPACITOR, 50V, 100pF	2
C 830		EEVFC1C470P	CAPACITOR, 16V, 47µF	1
C 854 863 865 866 867		ECUV1C104ZFV	CAPACITOR, 16V, 0.1µF	5
C 855 856 857 858 859 860 861 862		ECUV1H102JCV	CAPACITOR, 50V, 1000pF	8
C 869		ECUV1C105ZFX	CAPACITOR, 16V, 1µF	1
CN 801		DFJS13N24ZAJ	CONNECTOR	1

CN 802		DFJS209ZA016	CONNECTOR	1
CN 803		DFJS318ZA200	CONNECTOR	1
CN 804 810		DFJS243ZA012	CONNECTOR	2
CN 805		DFJS305ZA040	CONNECTOR	1
CN 806		DFJP160D58ZA	CONNECTOR	1
CN 808		K1KA08A00242	CONNECTOR	1
CN 809		K1KA07A00132	CONNECTOR	1
CN 811		DFJP02C75YAJ	CONNECTOR	1
CN 812		K1MN10A00043	CONNECTOR	1
D 802 803 804 806 807 818 819 820		DEDDA204UT	DIODE	8
D 805 810		DEDDA204UT	DIODE	2
D 808 809		DEDFS1J3TP	DIODE	2
D 811 812		DEDRB081L20	DIODE	2
D 813		DAN222TL	DIODE	1
D 814		DAN222TL	DIODE	1
D 815		EA60QC04-FT	DIODE	1
D 821		B0ADCJ000025	DIODE	1
IC 801 802		DA32X384CBT	IC, CMOS	2
IC 803		DA7S02UT85L0	IC, GATE	1
IC 804		DA7SH08U85L0	IC, CMOS	1
IC 805		C1DB00000534	IC, CHARGER	1
IC 806 808		C0EBK0000062	IC, VOLTAGE DETECTOR	2
IC 807		C0EBK0000062	IC, VOLTAGE DETECTOR	1
IC 809		DA7S14UT85L0	IC, INVERTER	1
IC 810		DA38813M084M	IC, KBC	1
IC 811		DACBT3306PWT	IC, BUS SW	1
IC 812 813		DA7W53UT12L0	IC, LOGIC	2
L 801 802 803		DDB5Z028C-L	INDUCTOR	3
L 804		G1C330MA0022	INDUCTOR	1
Q 801 804 805 807 811 818 823 827 831 838		DETC114YETL	TRANSISTOR	10
Q 802 808 812 819 835		DETA144EETL	TRANSISTOR	5
Q 803		DAUPA1700AE2	TRANSISTOR	1
Q 806 814 820		DETC144EETL	TRANSISTOR	3
Q 809 815 821 822 826 833 834 836 837		DETC114YETL	TRANSISTOR	9
Q 810		2SK3019TL	TRANSISTOR	1
Q 813		DAFDS6912A	TRANSISTOR	1
Q 816		DETC144EETL	TRANSISTOR	1
Q 817		DASI4953DYT1	TRANSISTOR	1
Q 824 825 828 829		B1DDED000002	TRANSISTOR	4
Q 832		2SJ197-T1	TRANSISTOR	1
R 804 811 814 890 891		ERJ3GEYJ103V	RESISTOR, 1/16W, 10kΩ	5
R 808 809		ERJ3GEYJ105V	RESISTOR, 1/16W, 1MΩ	2
R 810 842		ERJ3GEYJ472V	RESISTOR, 1/16W, 4.7kΩ	2
R 812		ERJ3GEYJ105V	RESISTOR, 1/16W, 1MΩ	1
R 818		ERJ3GEYJ101V	RESISTOR, 1/16W, 100Ω	1
R 819 820 867 868 869		ERJ3GEYJ101V	RESISTOR, 1/16W, 100Ω	5
R 824		DBJ8GF0R12VM	RESISTOR, 1/8W, 0.12Ω	1
R 825 826 838		DBJ14RR047VM	RESISTOR, 1/4W, 0.047Ω	3
R 827		ERJ3GEYJ471V	RESISTOR, 1/16W, 470Ω	1
R 828		ERJ3GEYJ4R7V	RESISTOR, 1/16W, 4.7Ω	1
R 829 884		ERJ3GEYJ102V	RESISTOR, 1/16W, 1kΩ	2
R 830 870		ERJ3GEYJ222V	RESISTOR, 1/16W, 2.2kΩ	2
R 831 835 836 839 872 874 877 881 883 895		ERJ3GEY0R00V	RESISTOR, 1/16W, 0Ω	10
R 832		ERJ3GEYJ332V	RESISTOR, 1/16W, 3.3kΩ	1
R 833		ERA3YED201V	RESISTOR, 1/16W, 200Ω	1
R 837		ERA3EED4991V	RESISTOR, 1/16W, 4.99Ω	1
R 840		ERA3YKD154V	RESISTOR, 1/16W, 150kΩ	1
R 841		ERA3YED333V	RESISTOR, 1/16W, 33kΩ	1
R 843 853 885		ERJ3GEYJ474V	RESISTOR, 1/16W, 470kΩ	3
R 844 847		ERJ3GEYJ753V	RESISTOR, 1/16W, 75kΩ	2
R 845		ERJ3GEYJ114V	RESISTOR, 1/16W, 110kΩ	1
R 846		ERJ3GEYJ753V	RESISTOR, 1/16W, 75kΩ	1
R 848 855		ERJ3GEYJ473V	RESISTOR, 1/16W, 47kΩ	2

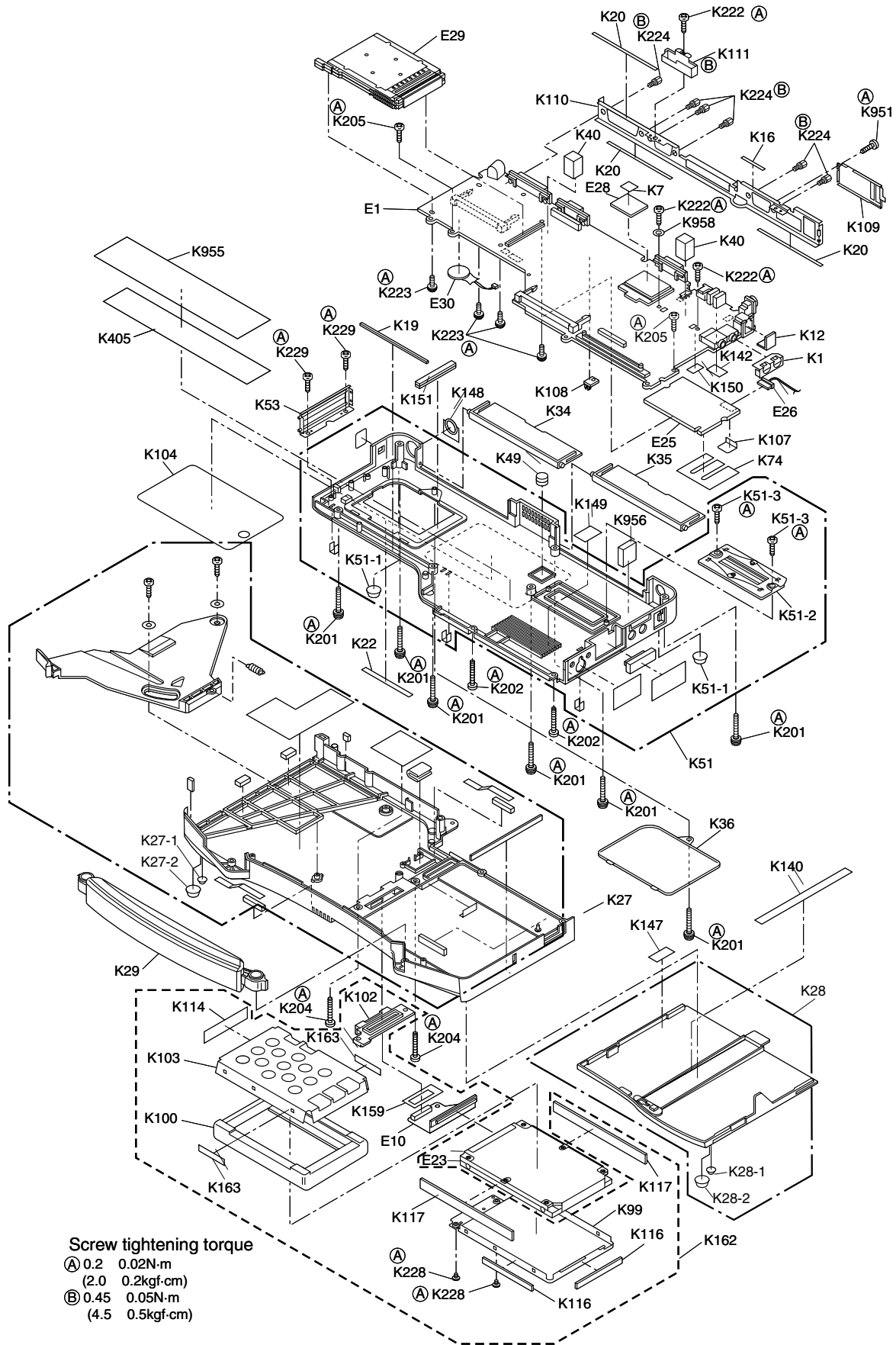
R 849 854 871 902		ERJ3GEYJ473V	RESISTOR, 1/16W, 47kΩ	4
R 850 851		ERJ3GEYJ564V	RESISTOR, 1/16W, 560kΩ	2
R 852		ERJ3GEYJ474V	RESISTOR, 1/16W, 470kΩ	1
R 873		ERJ3GEYJ331V	RESISTOR, 1/16W, 330Ω	1
R 876		ERJ3GEYJ104V	RESISTOR, 1/16W, 100kΩ	1
R 886 887 888 889 896 897		ERJ3GEYJ103V	RESISTOR, 1/16W, 10kΩ	6
R 892 893		ERJ3GEYJ330V	RESISTOR, 1/16W, 33Ω	2
R 898		ERJ3EKF2103V	RESISTOR, 1/16W, 210kΩ	1
R 899		ERJ3EKF2103V	RESISTOR, 1/16W, 210kΩ	1
R 900		ERJ3GEYJ3R3V	RESISTOR, 1/16W, 3.3Ω	1
R 901		ERJ3GEYJ3R3V	RESISTOR, 1/16W, 3.3Ω	1
RA 802 803 804 805 806 807 808 809 810 812 819		EXBV8V330JV	RESISTOR ARRAY	11
RA 811		EXBV8V101JV	RESISTOR ARRAY	1
RA 813 814 815 816		EXBV8V330JV	RESISTOR ARRAY	4
RA 817		EXBV8V473JV	RESISTOR ARRAY	1
RA 818		DEARA8AJ103M	RESISTOR ARRAY	1
RA 820		EXBV8V104JV	RESISTOR ARRAY	1
SW 801		ESD165226	SW	1
X 801		H2D800400012	OSCILLATOR	1
PAD PCB				
C 707		DCUE1A106ZFL	CAPACITOR, 10V, 10μF	1
CN 701 703		DFJS514ZA012	CONNECTOR, FFC, FPC	2
L 701 702		DDB5Z024E-L	INDUCTOR	2
L 703		DDB5Z005-L	INDUCTOR	1
R 712		ERJ6GEY0R00V	RESISTOR, 1/10W, 0Ω	1
SW 702 703		EVQPLDA15	SW	2
LED PCB				
CN 704		K1KA07B00041	CONNECTOR	1
LD 701 703		SEC1703C	LED	2
LD 702		SEC2764C	LED	1
R 701		ERJ3GEYJ331V	RESISTOR, 1/16W, 330Ω	1
R 702 703		ERJ3GEYJ121V	RESISTOR, 1/16W, 120Ω	2
SW 701		DFSE057ZA	SW	1

Exploded View



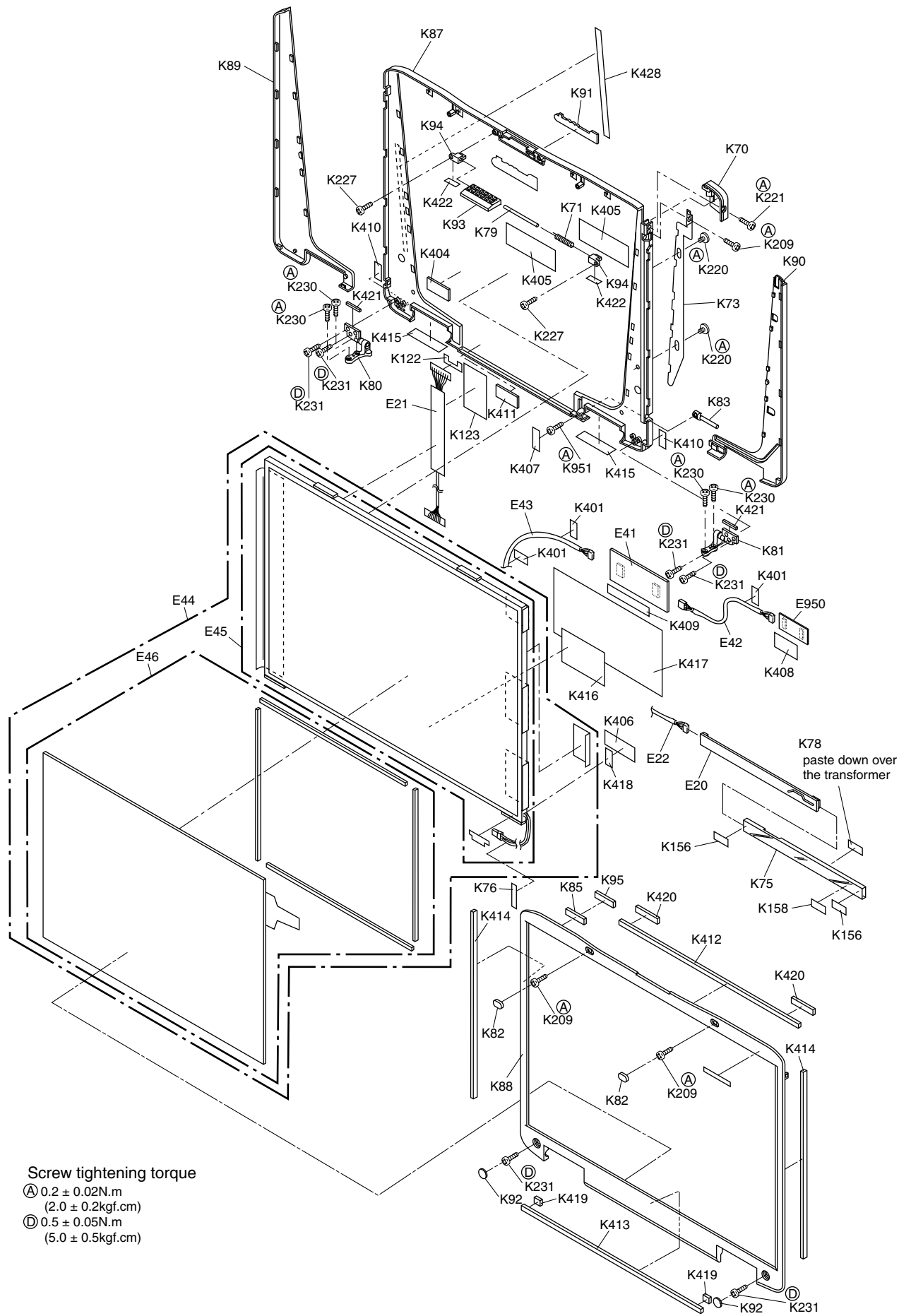
CF-72(XC/X3)JxZxx

This page's exploded view is common to CF-72(V3/V3)JxZxx



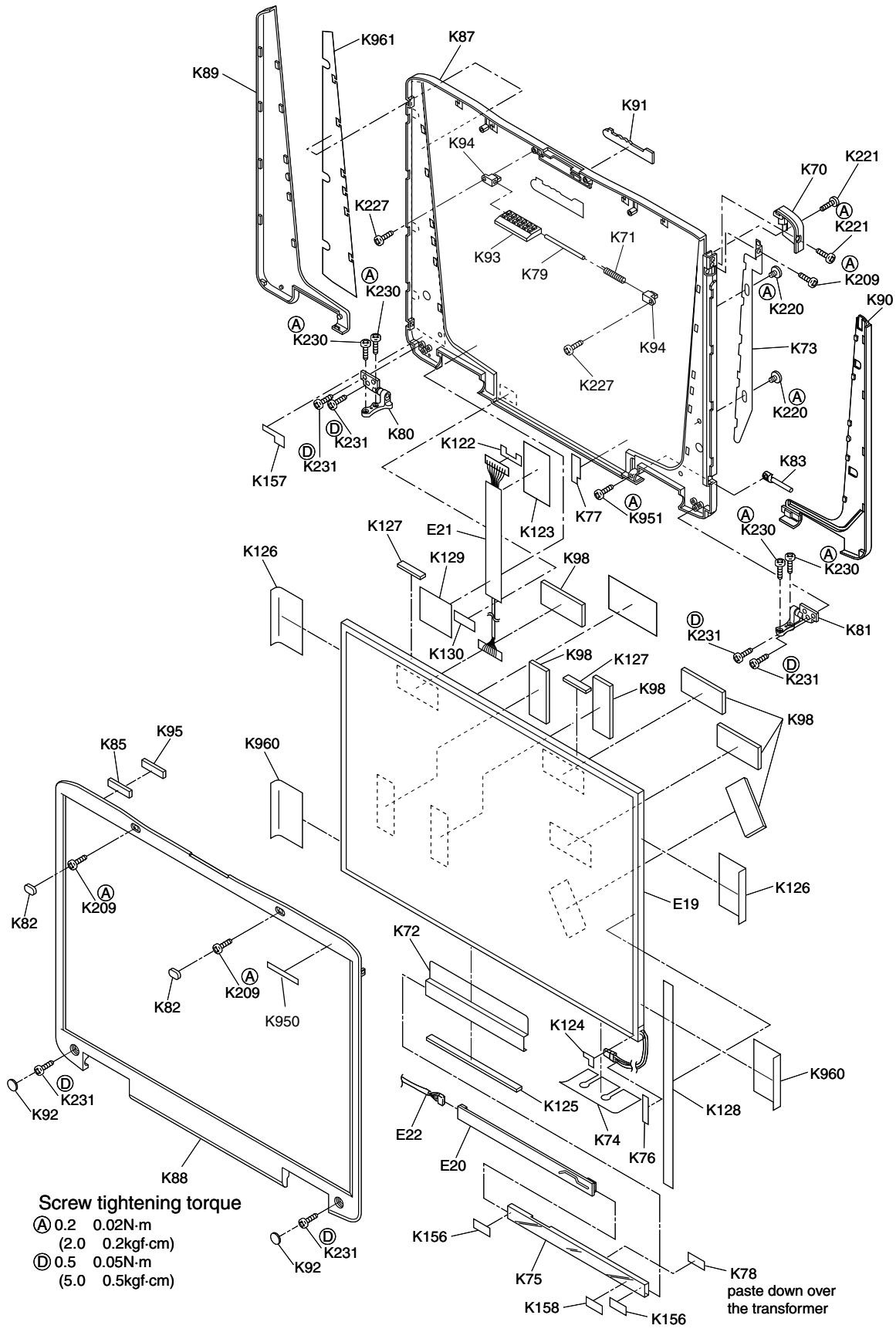
Screw tightening torque

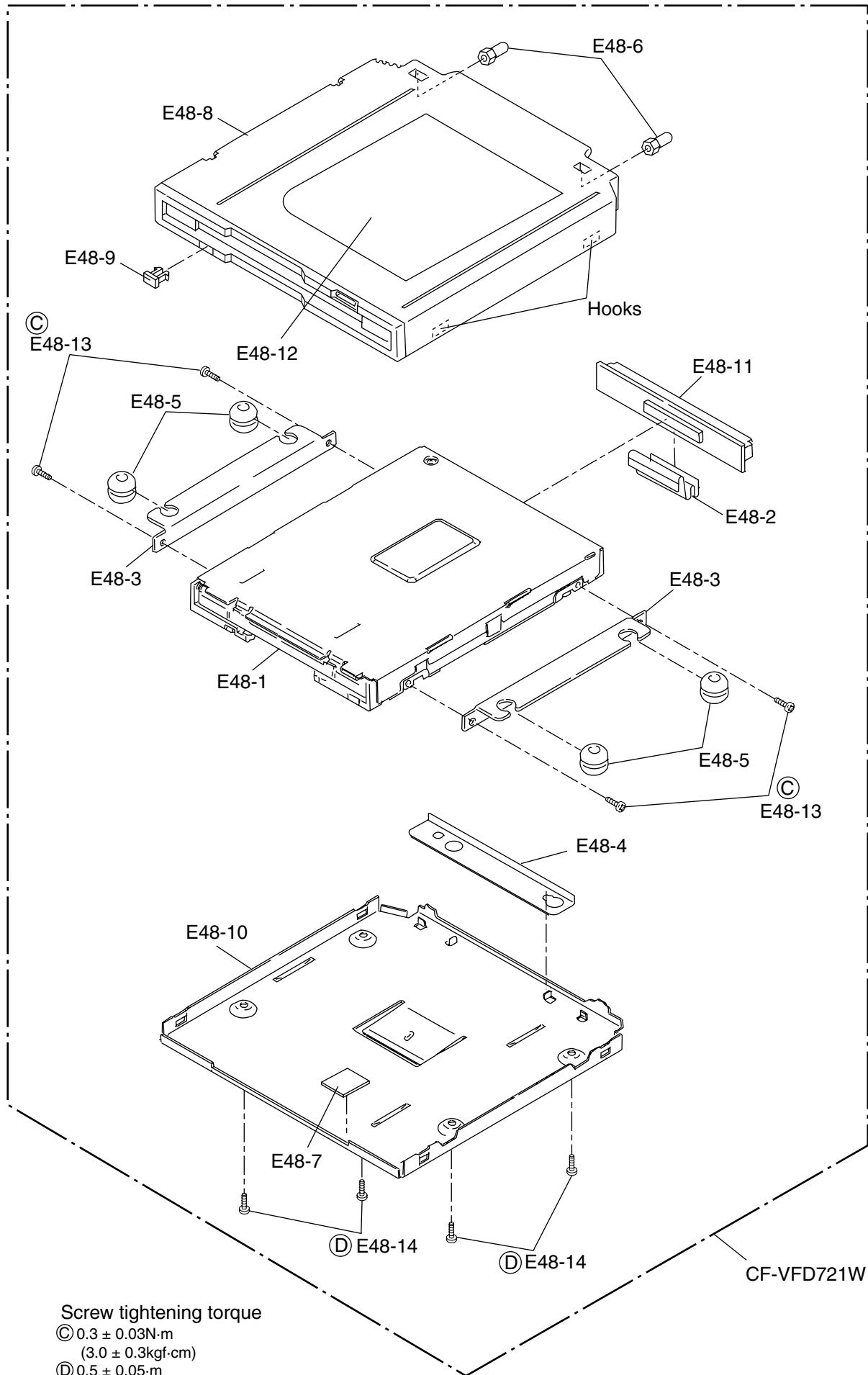
- Ⓐ 0.2 0.02N·m
(2.0 0.2kgf·cm)
- Ⓑ 0.45 0.05N·m
(4.5 0.5kgf·cm)



Screw tightening torque

- Ⓐ $0.2 \pm 0.02\text{N.m}$
($2.0 \pm 0.2\text{kgf.cm}$)
- Ⓓ $0.5 \pm 0.05\text{N.m}$
($5.0 \pm 0.5\text{kgf.cm}$)

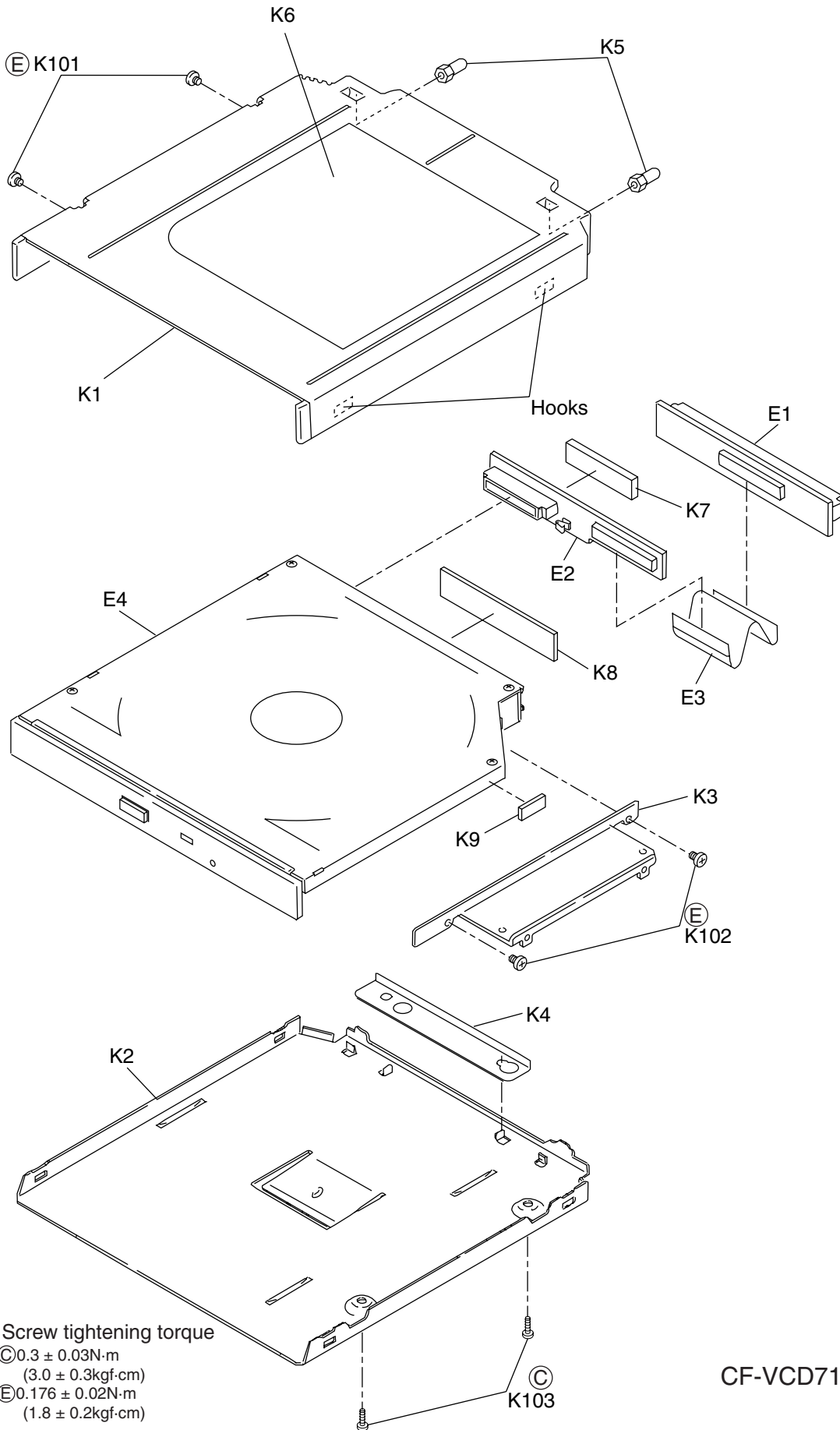




Screw tightening torque

- © $0.3 \pm 0.03\text{N}\cdot\text{m}$
($3.0 \pm 0.3\text{kgf}\cdot\text{cm}$)
- Ⓓ $0.5 \pm 0.05\text{N}\cdot\text{m}$
($5.0 \pm 0.5\text{kgf}\cdot\text{cm}$)

CF-VFD721W



Screw tightening torque
 © $0.3 \pm 0.03\text{N}\cdot\text{m}$
 ($3.0 \pm 0.3\text{kgf}\cdot\text{cm}$)
 E $0.176 \pm 0.02\text{N}\cdot\text{m}$
 ($1.8 \pm 0.2\text{kgf}\cdot\text{cm}$)

CF-VCD711W

