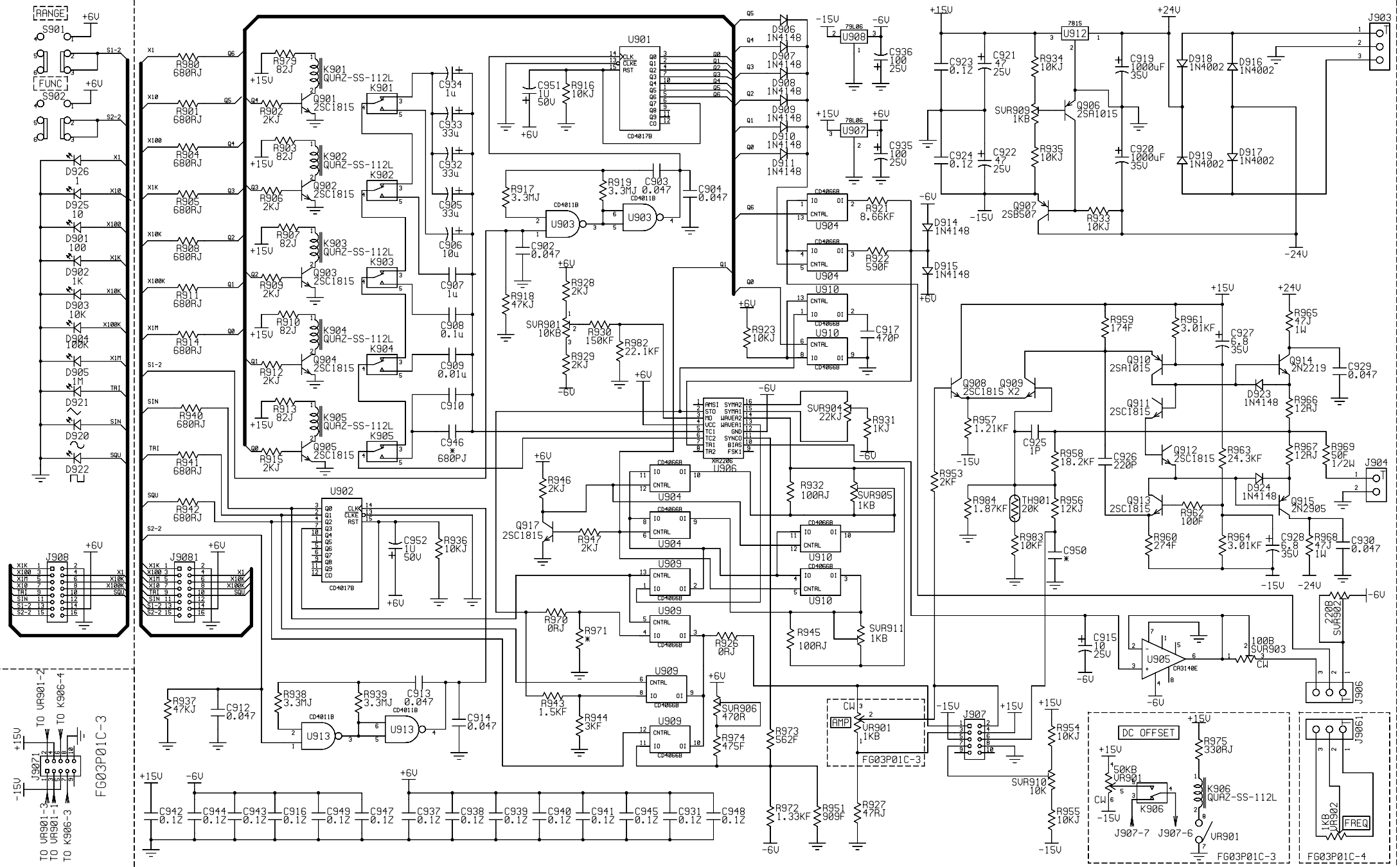


FG03P01C-2

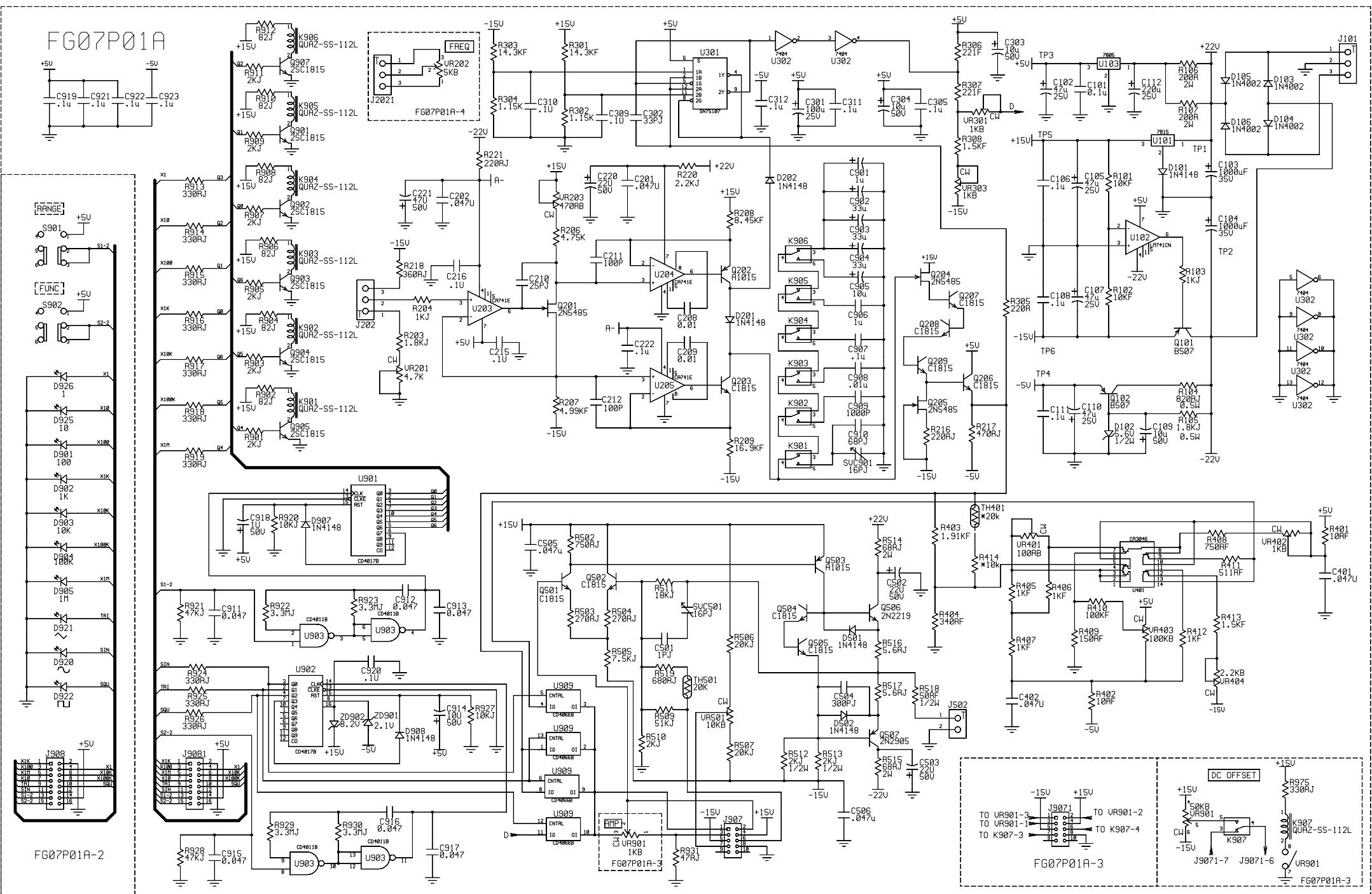
FG03P01C-1



The GOS-620FG has two parts, One is FG and the other is OS.  
 This circuit is FG, The circuit of OS is the same with GOS-620.

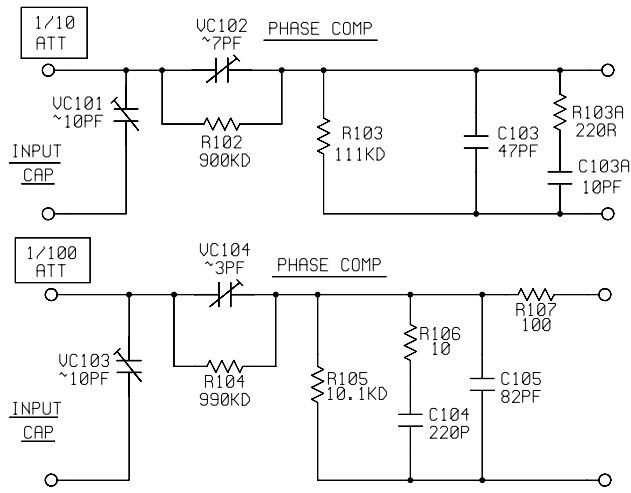
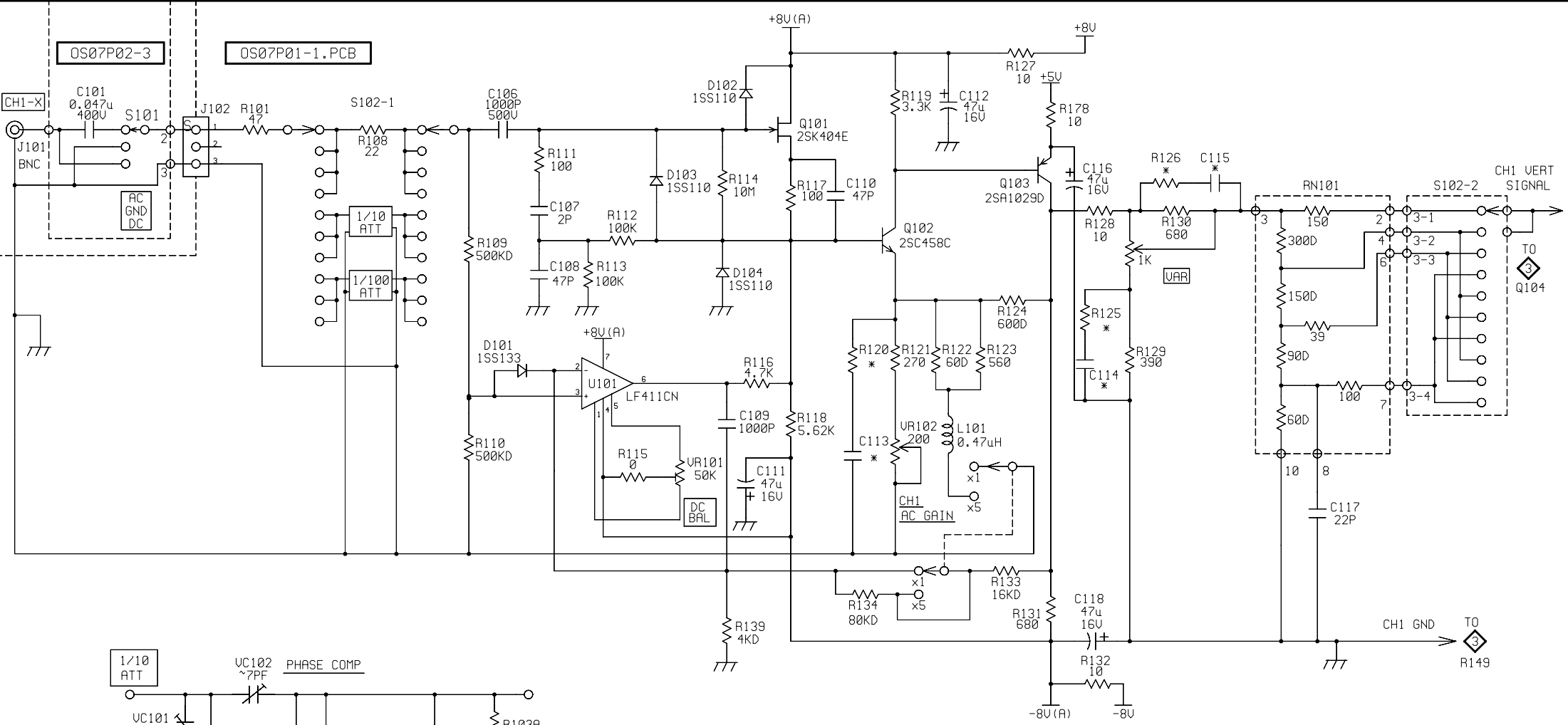
DRAWN BY	CHECKED BY	APPROVED BY	MODEL NO	GOS-620FG
			DESCRIPTION	FUNCTION
			DRAWING NO	FG03P01D

# FG07P01A



1. When TH401=20KF, R414=10KF, then R403=1.74KF.

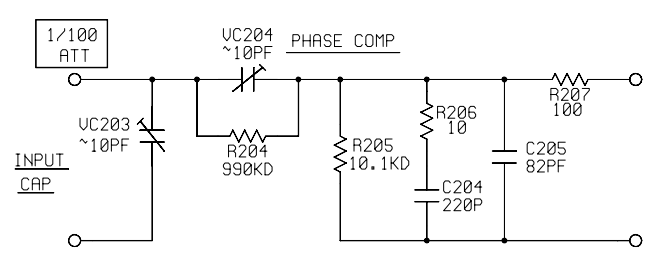
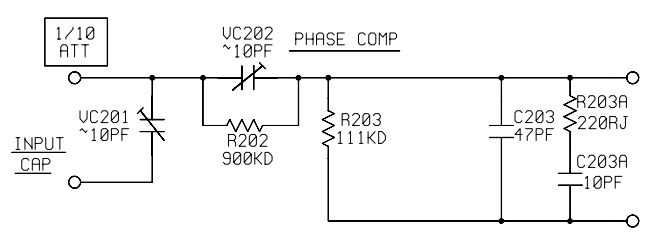
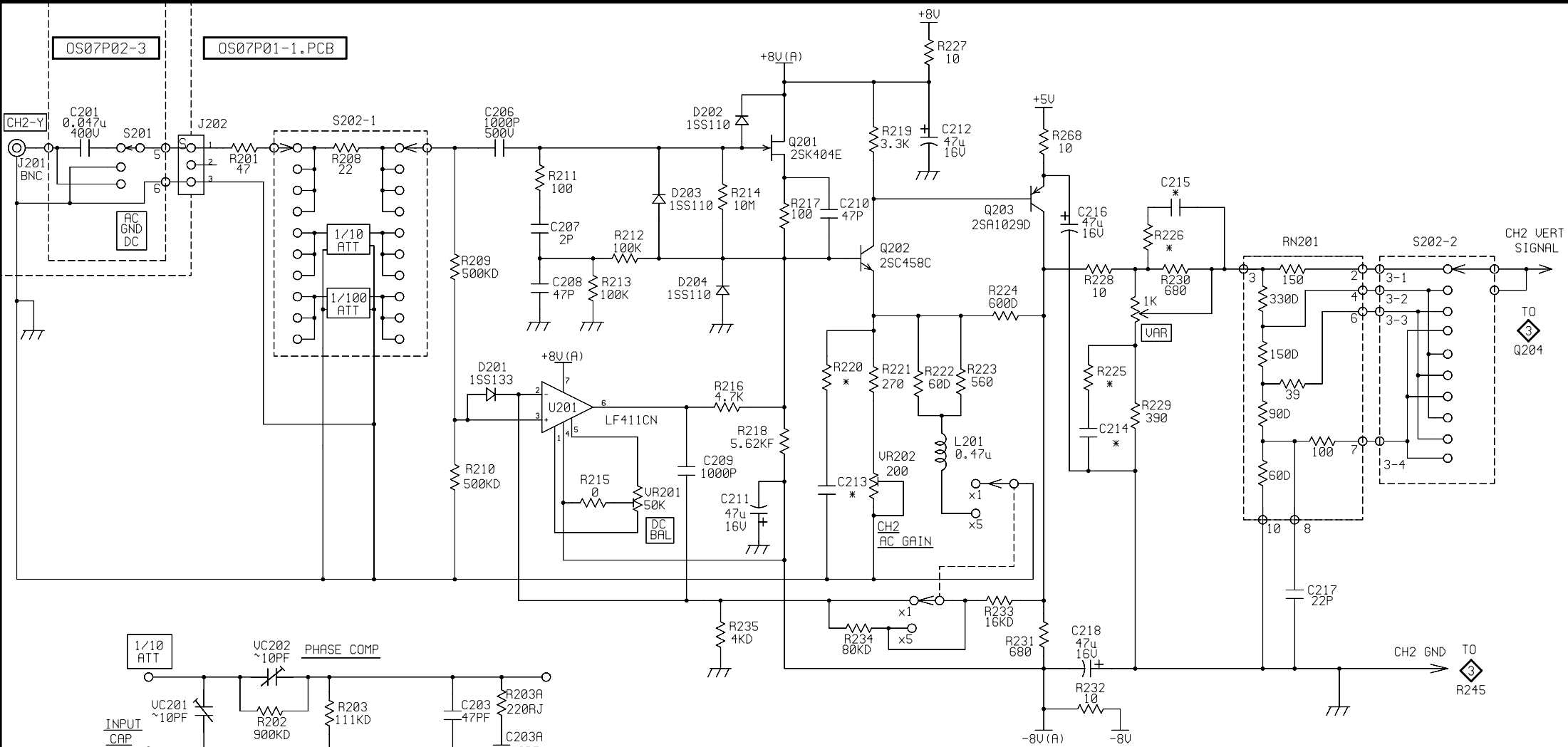
DRAWN BY	CHECKED BY	APPROVED BY	MODEL NO	GOS-620FG
			DESCRIPTION	FUNCTION
			DRAWING NO	FG07S01A



	GOS-620	GOS-630
R103A	--	220RJ
R106	10RJ	15RJ
R120	--	0R
C103A	--	15PJ
C103	47PF	10P
C113	--	5PD

OS07P01D-1.PCB

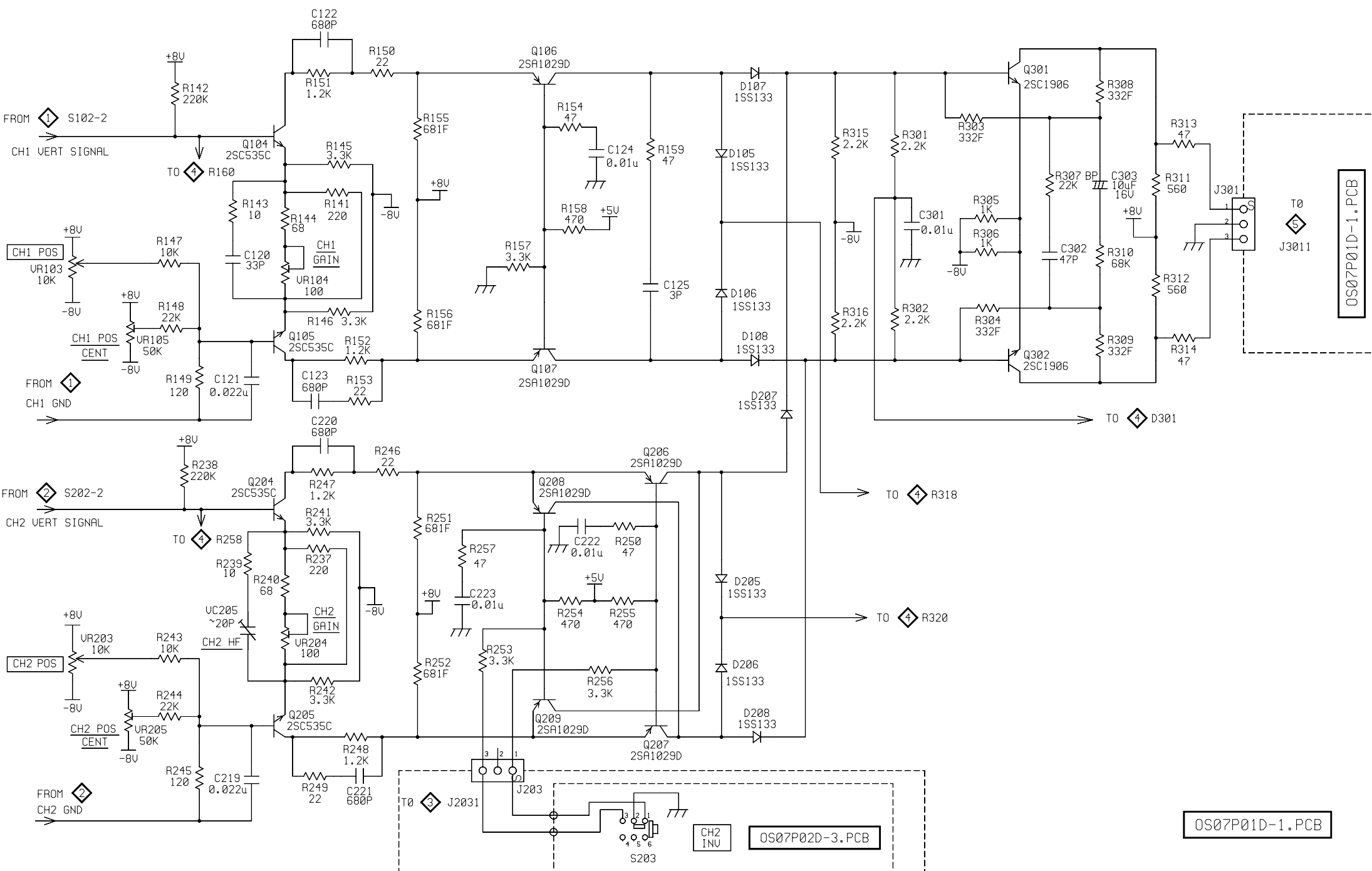
DRAWN BY	CHECKED BY	APPROVED BY	MODEL NO	GOS-620/630
			DESCRIPTION	CH1 INPUT
			DRAWING NO	OS07S01B.SCH



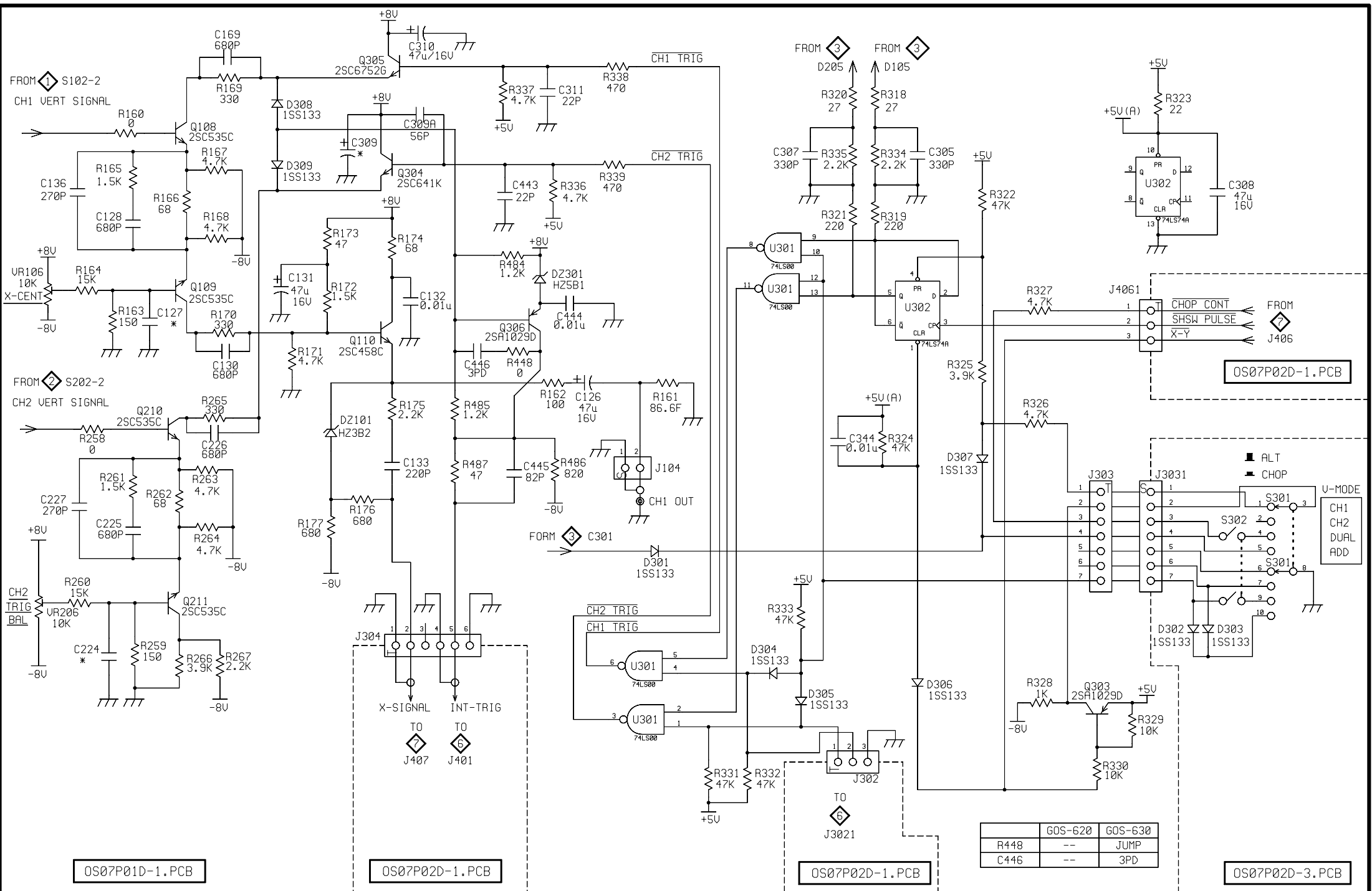
	GOS-620	GOS-630
R203A	--	220RJ
R206	10RJ	15RJ
R220	--	0R
C203A	--	15PJ
C203	47PF	10PF
C213	--	5PD

OS07P01D-1.PCB

DRAWN BY	CHECKED BY	APPROVED BY	MODEL NO	GOS-620/630
			DESCRIPTION	CH2 INPUT
			DRAWING NO	OS07S02B.SCH



DRAWN BY	CHECKED BY	APPROVED BY	MODEL NO	GOS-620/630
			DESCRIPTION	PREAMP&CH SW MULTI
			DRAWING NO	OS07S03B.SCH



OS07P01D-1.PCB

OS07P02D-1.PCB

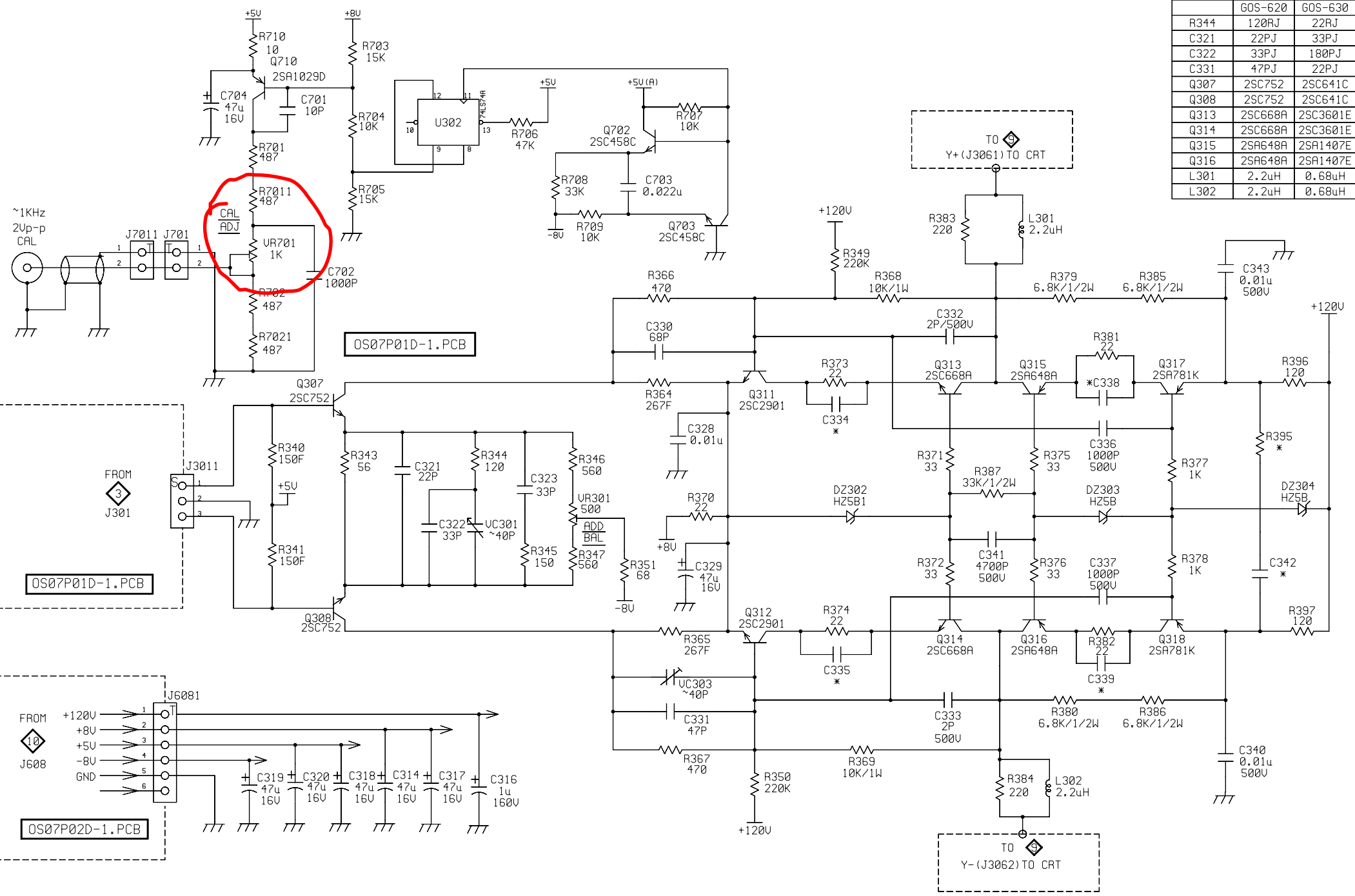
OS07P02D-1.PCB

OS07P02D-3.PCB

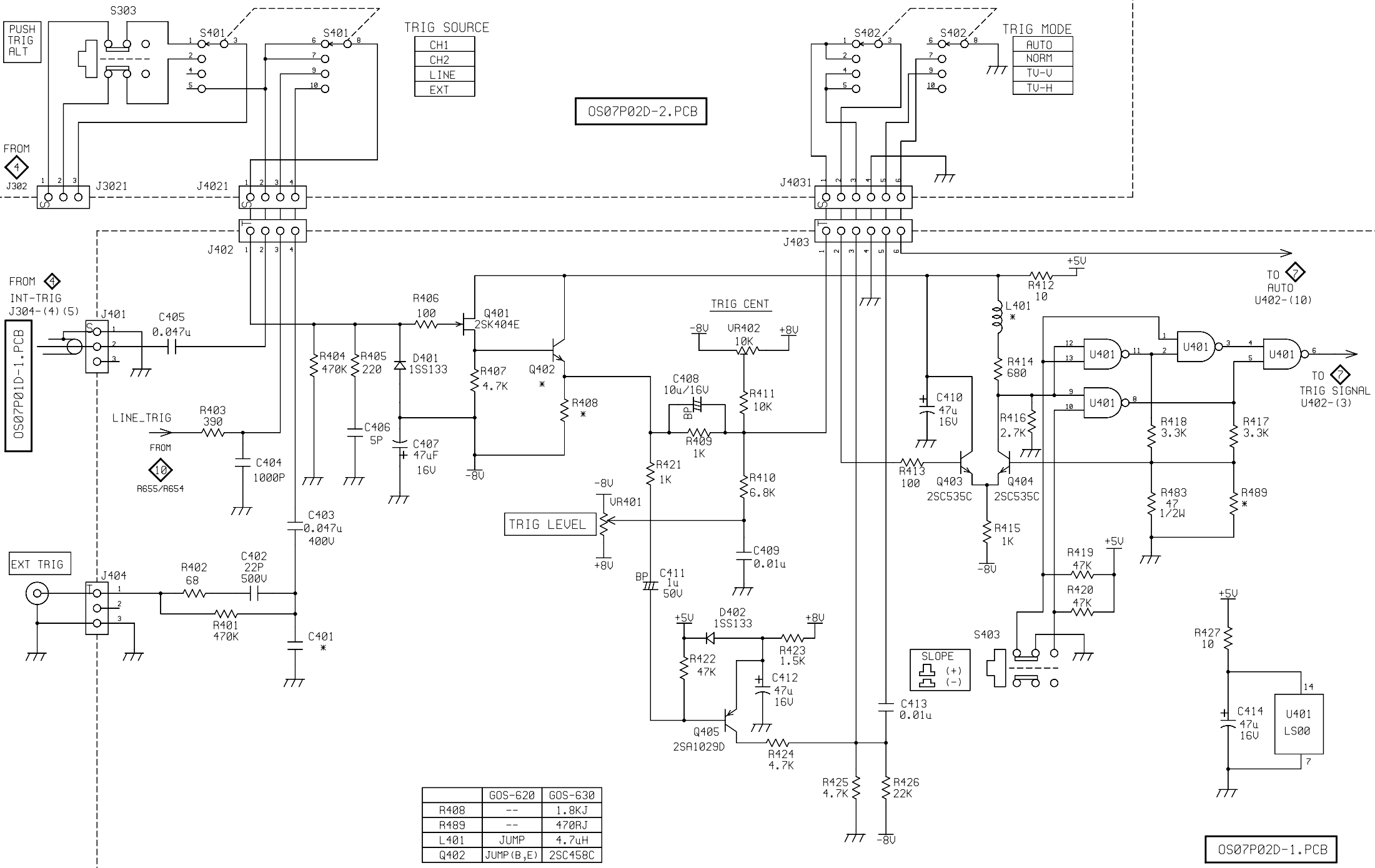
	GOS-620	GOS-630
R448	--	JUMP
C446	--	3PD

DRAWN BY	CHECKED BY	APPROVED BY	MODEL NO	GOS-620/630
			DESCRIPTION	TRIG PICKOFF
			DRAWING NO	OS07S04B.SCH

	GOS-620	GOS-630
R344	120RJ	22RJ
C321	22PJ	33PJ
C322	33PJ	180PJ
C331	47PJ	22PJ
Q307	2SC752	2SC641C
Q308	2SC752	2SC641C
Q313	2SC668A	2SC3601E
Q314	2SC668A	2SC3601E
Q315	2SA648A	2SA1407E
Q316	2SA648A	2SA1407E
L301	2.2uH	0.68uH
L302	2.2uH	0.68uH



DRAWN BY	CHECKED BY	APPROVED BY	MODEL NO	GOS-620/630
			DESCRIPTION	V-OUT&CAL
			DRAWING NO	OS07S05B.SCH



TRIG SOURCE

CH1
CH2
LINE
EXT

TRIG MODE

AUTO
NORM
TU-U
TU-H

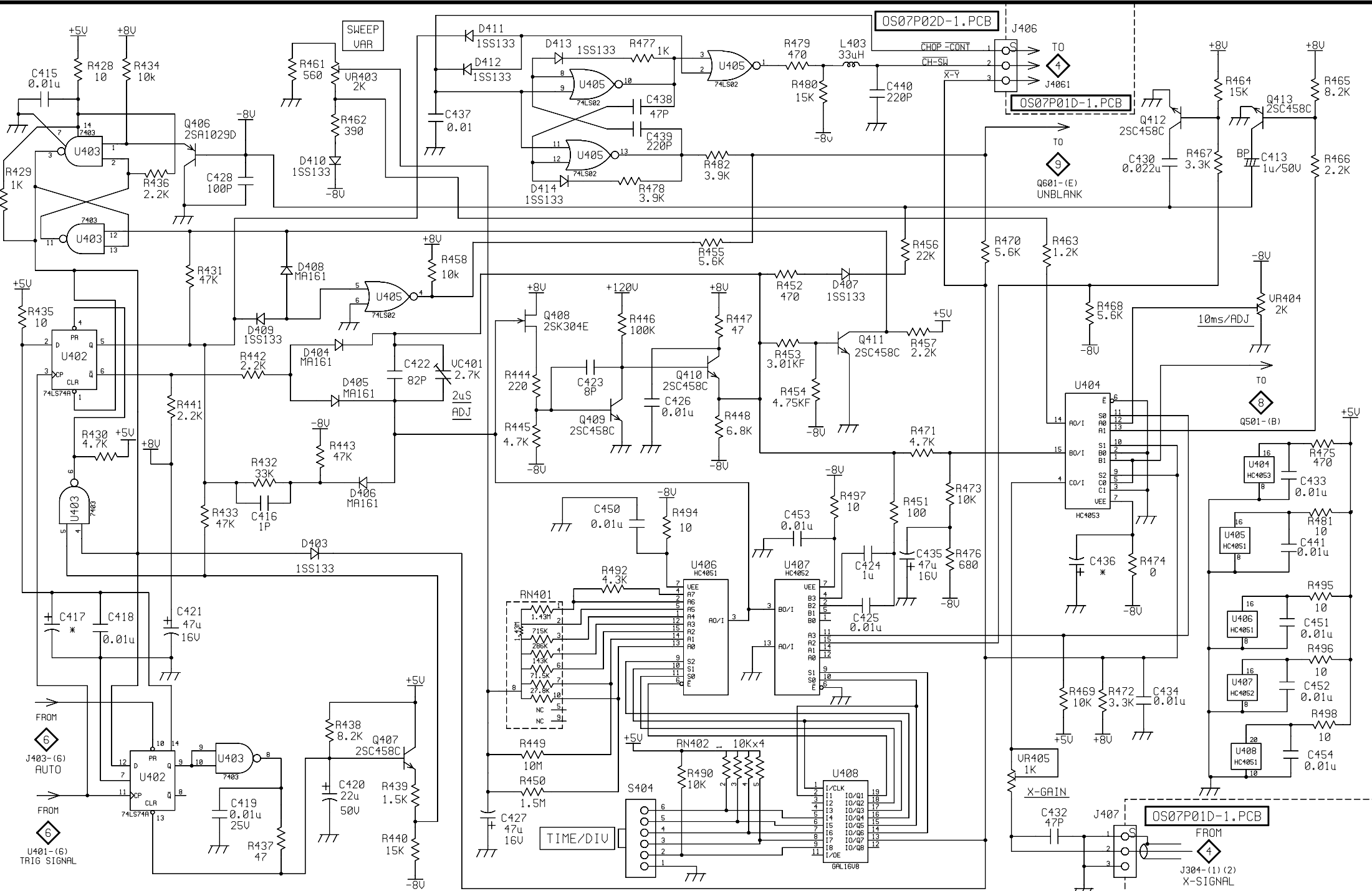
OS07P02D-2.PCB

OS07P02D-1.PCB

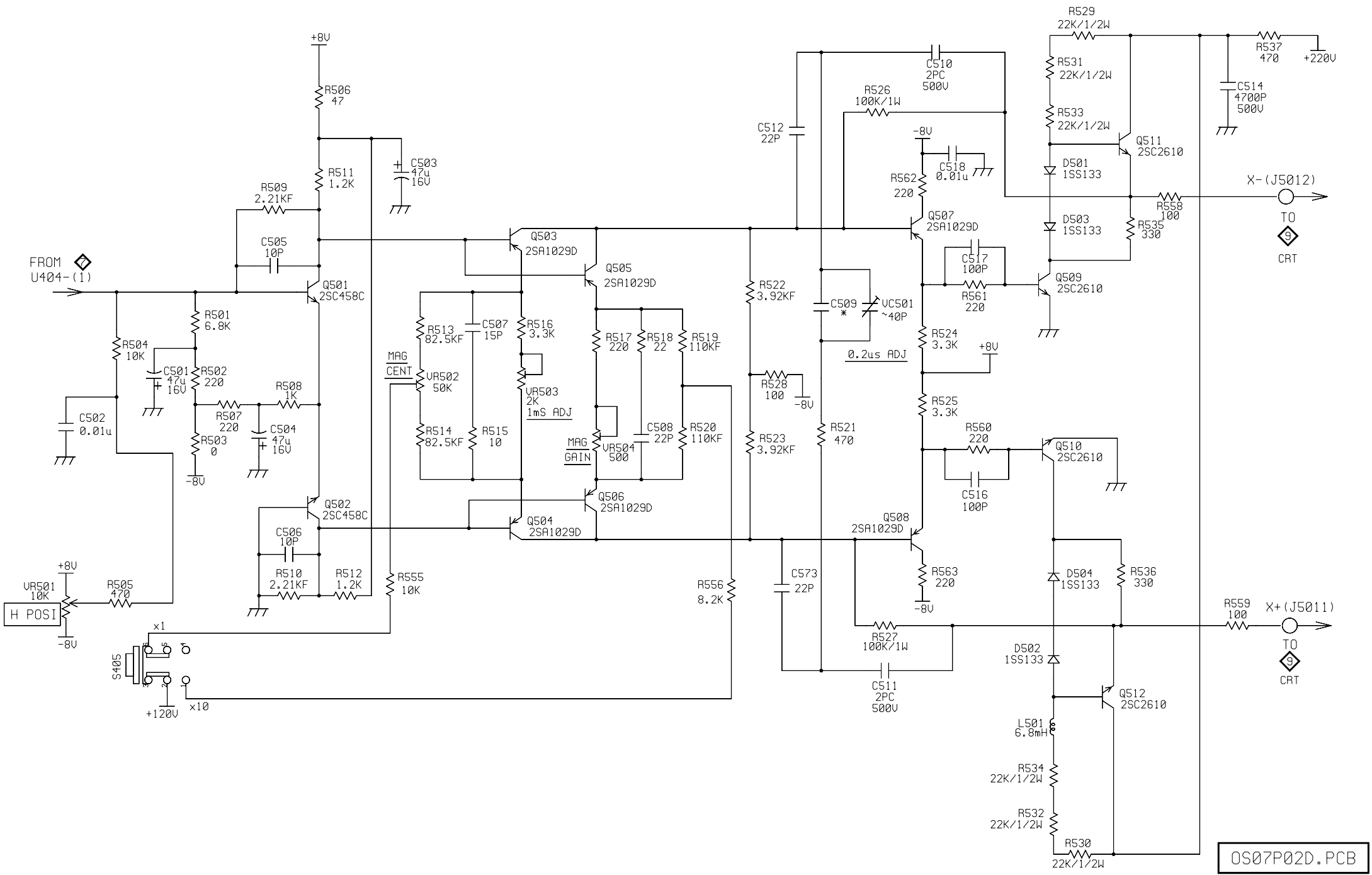
	GOS-620	GOS-630
R408	--	1.8KJ
R489	--	470RJ
L401	JUMP	4.7uH
Q402	JUMP (B,E)	2SC458C

DRAWN BY	CHECKED BY	APPROVED BY	MODEL NO	GOS-620/630
			DESCRIPTION	TRIG GEN
			DRAWING NO	OS07S06B.SCH



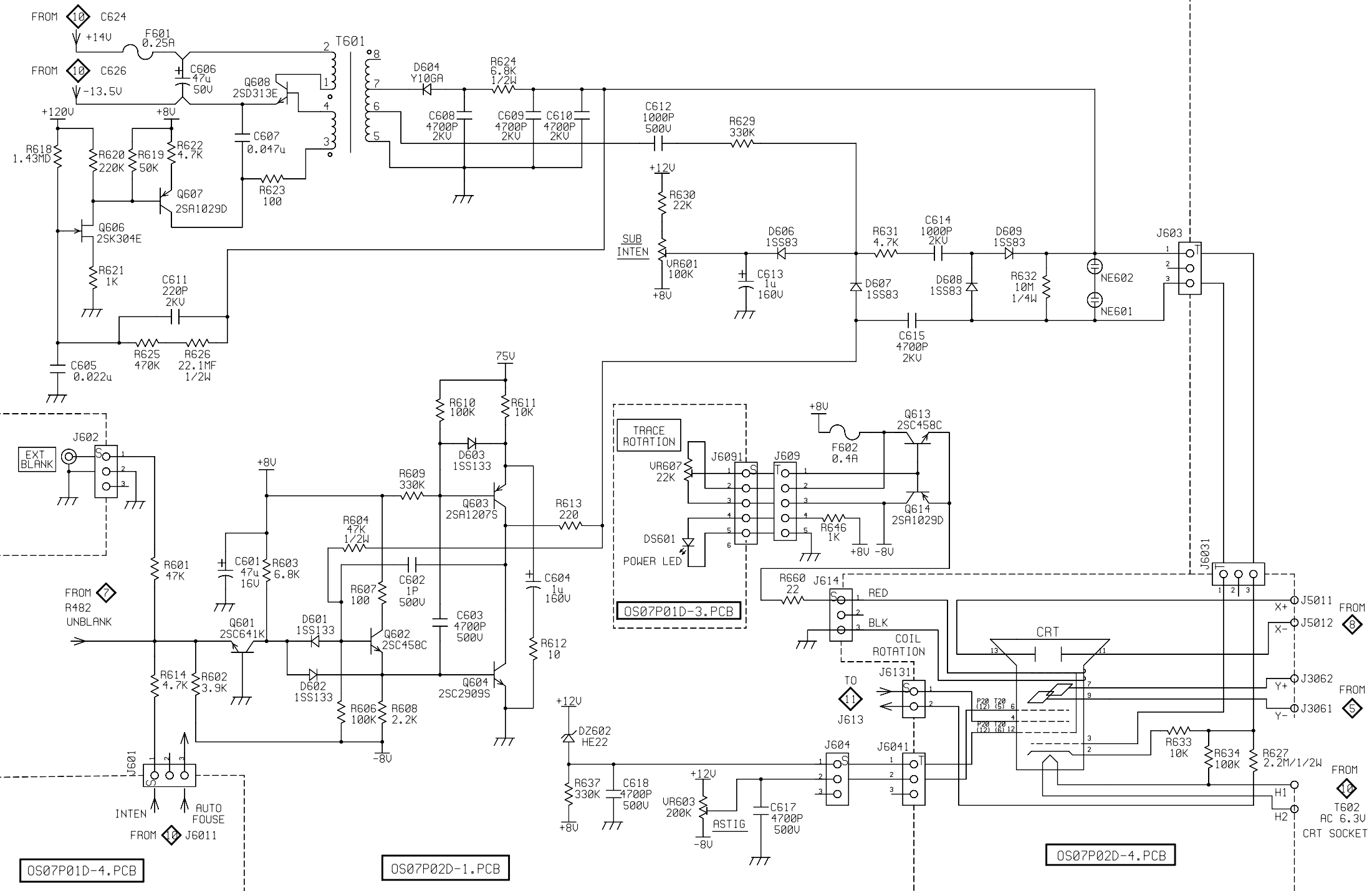


DRAWN BY	CHECKED BY	APPROVED BY	MODEL NO	GOS-620/630
			DESCRIPTION	SWEEP-GEN
			DRAWING NO	OS07S07B.SCH

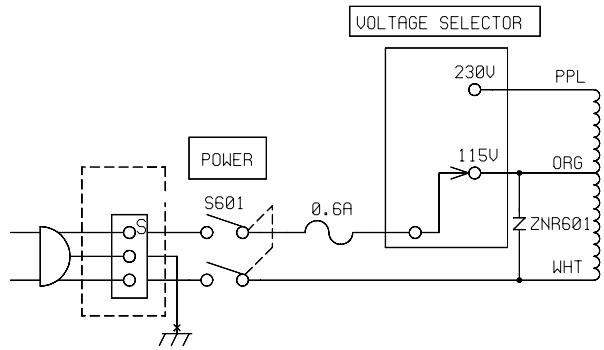


OS07P02D.PCB

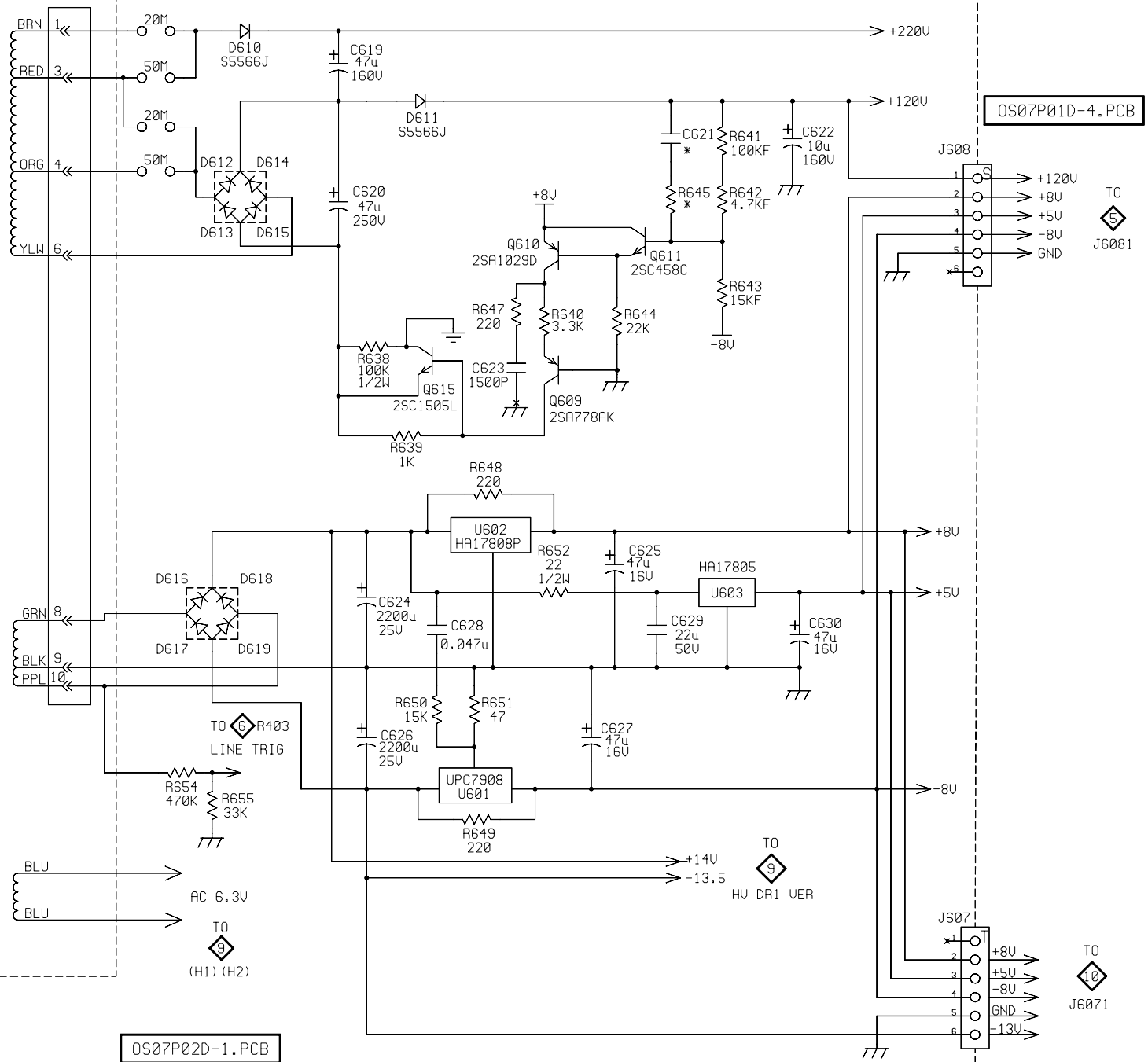
	DRAWN BY	CHECKED BY	APPROVED BY	MODEL NO	GOS-620/630
				DESCRIPTION	H-AMP
				DRAWING NO	OS07S08B.SCH



DRAWN BY	CHECKED BY	APPROVED BY	MODEL NO	GOS-620/630
			DESCRIPTION	H.U. Z-AMP
			DRAWING NO	OS07S09B.SCH



T602



OS07P01D-4.PCB

OS07P02D-1.PCB

OS07P01D-4.PCB

DRAWN BY	CHECKED BY	APPROVED BY	MODEL NO	GOS-620/630
			DESCRIPTION	POWER-SUPPLY
			DRAWING NO	OS07S10B.SCH