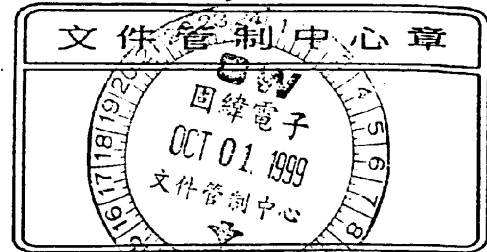


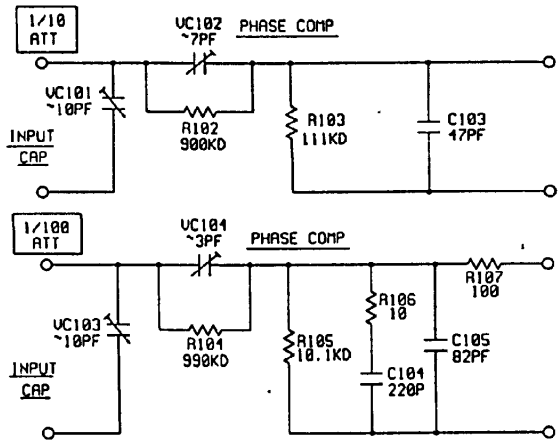
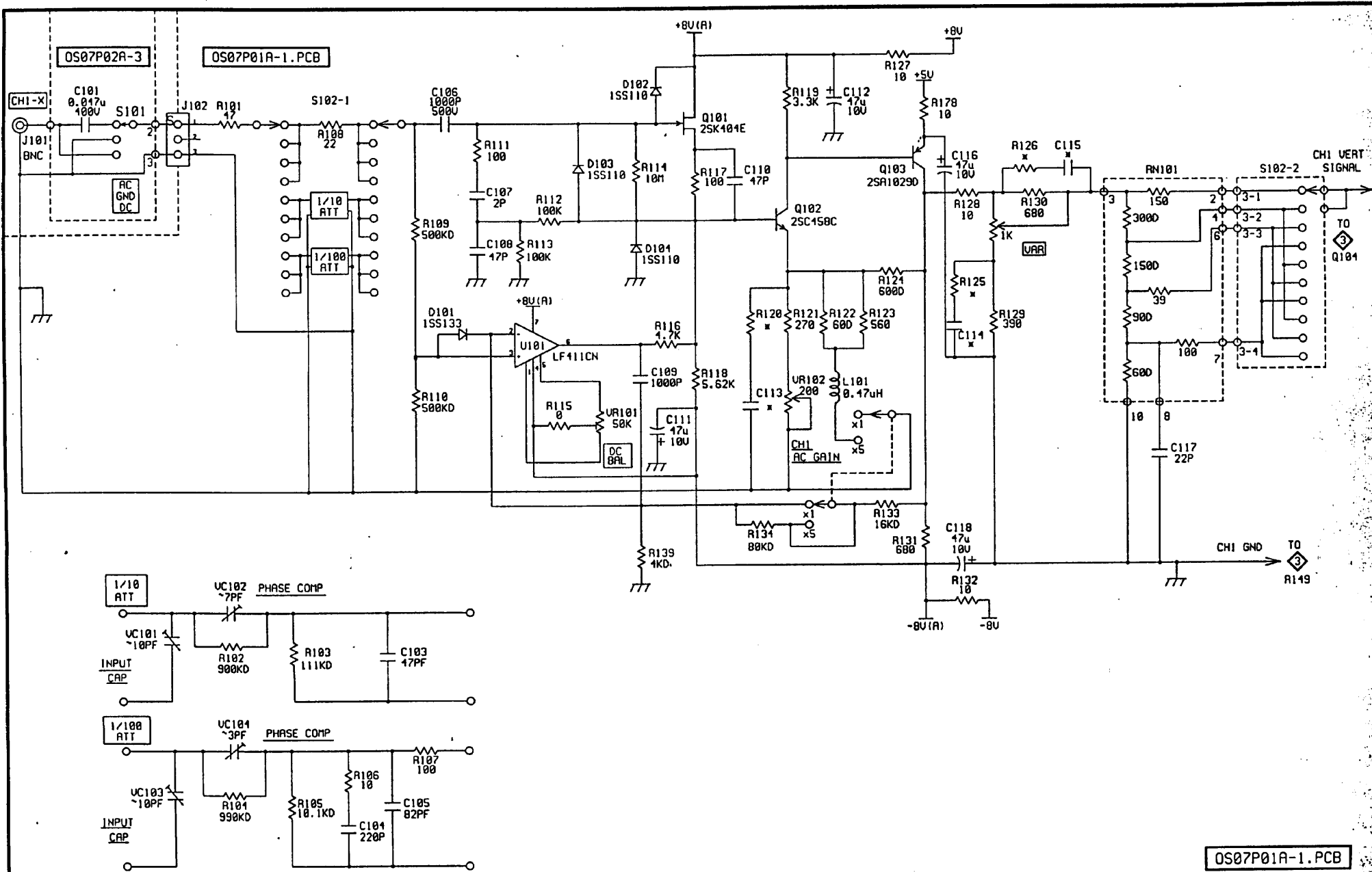
線 路 圖



適用機種: GOS-630

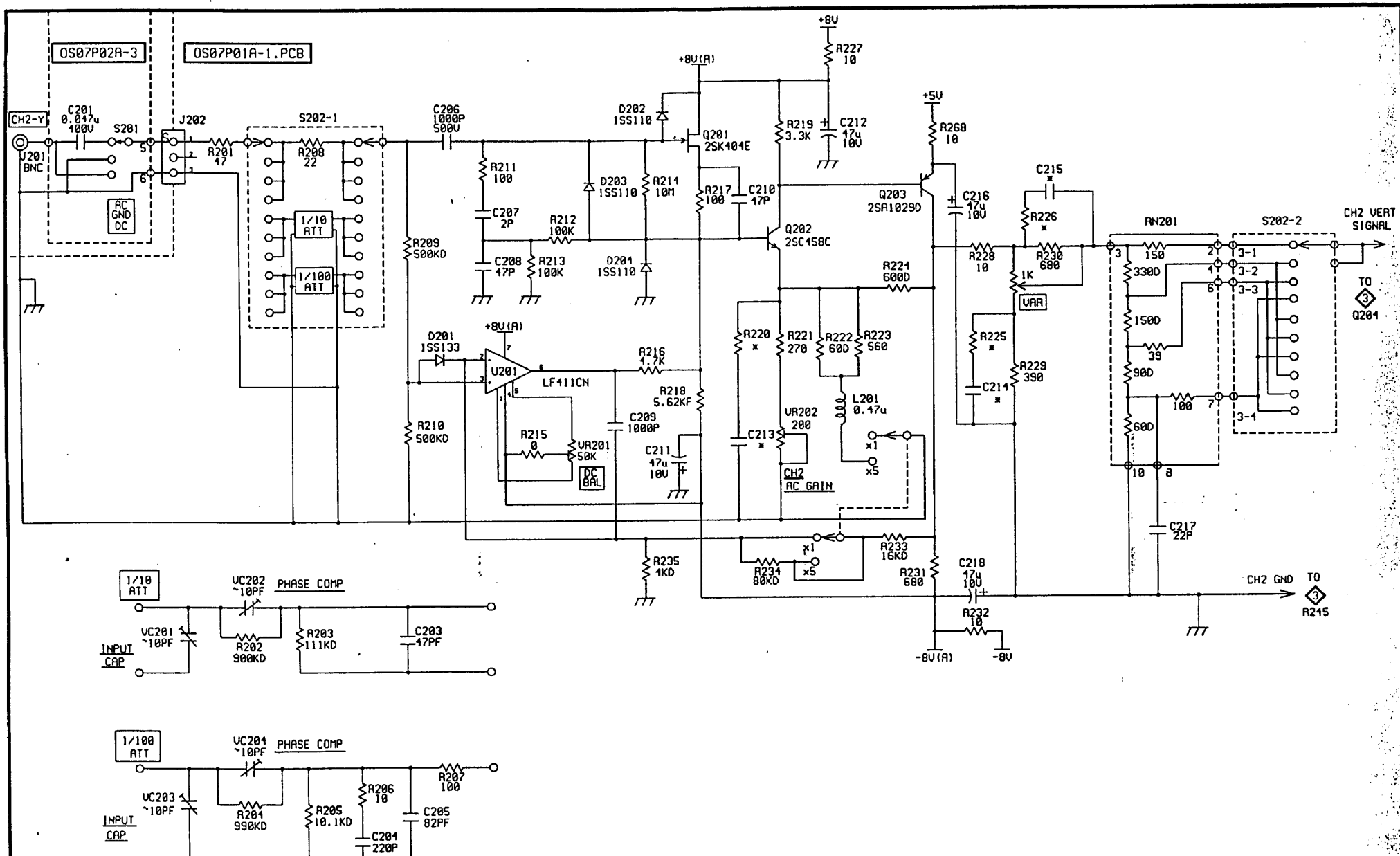
總頁數 共 10 頁

版本	發 行 / 變 更 說 明	ECR NO.	修訂日期
○	初版發行	<del>—</del>	87.2.18
A.	只有 10A 改 10B · 內容 變更 TS 電源 由 4 組 改 為 3 組。後 銘 哥 (P10)	<del>—</del>	87.11.10



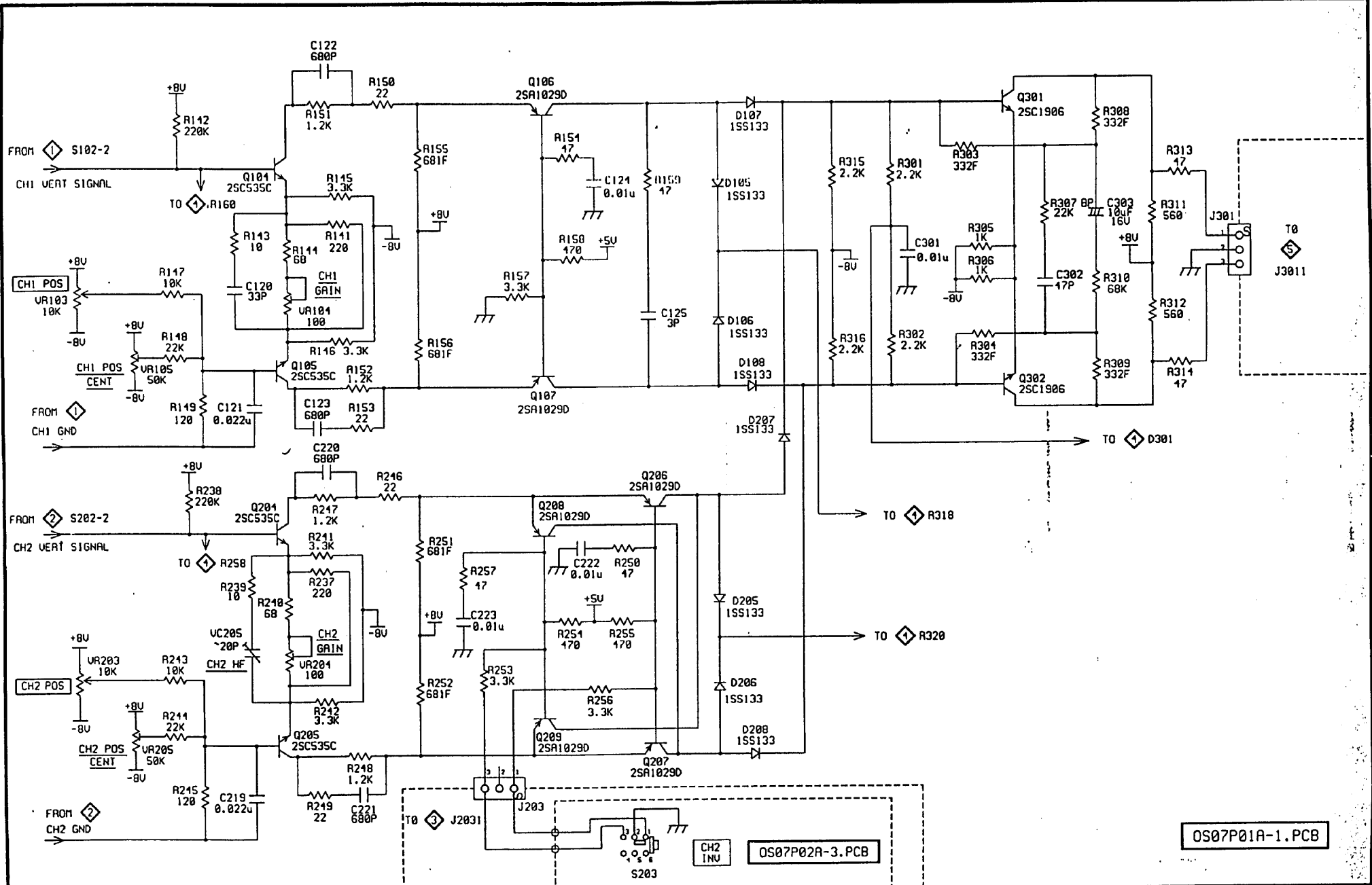
OS07P01A-1.PCB

DRAWN BY 謝惠明 98.1.20	CHECKED BY 張家駿 87.1.20	APPROVED BY 許登輝 87.1.20	MODEL NO GOS-620	DESCRIPTION CH1 INPUT
			DRAWING NO OS07S01A.SCH	



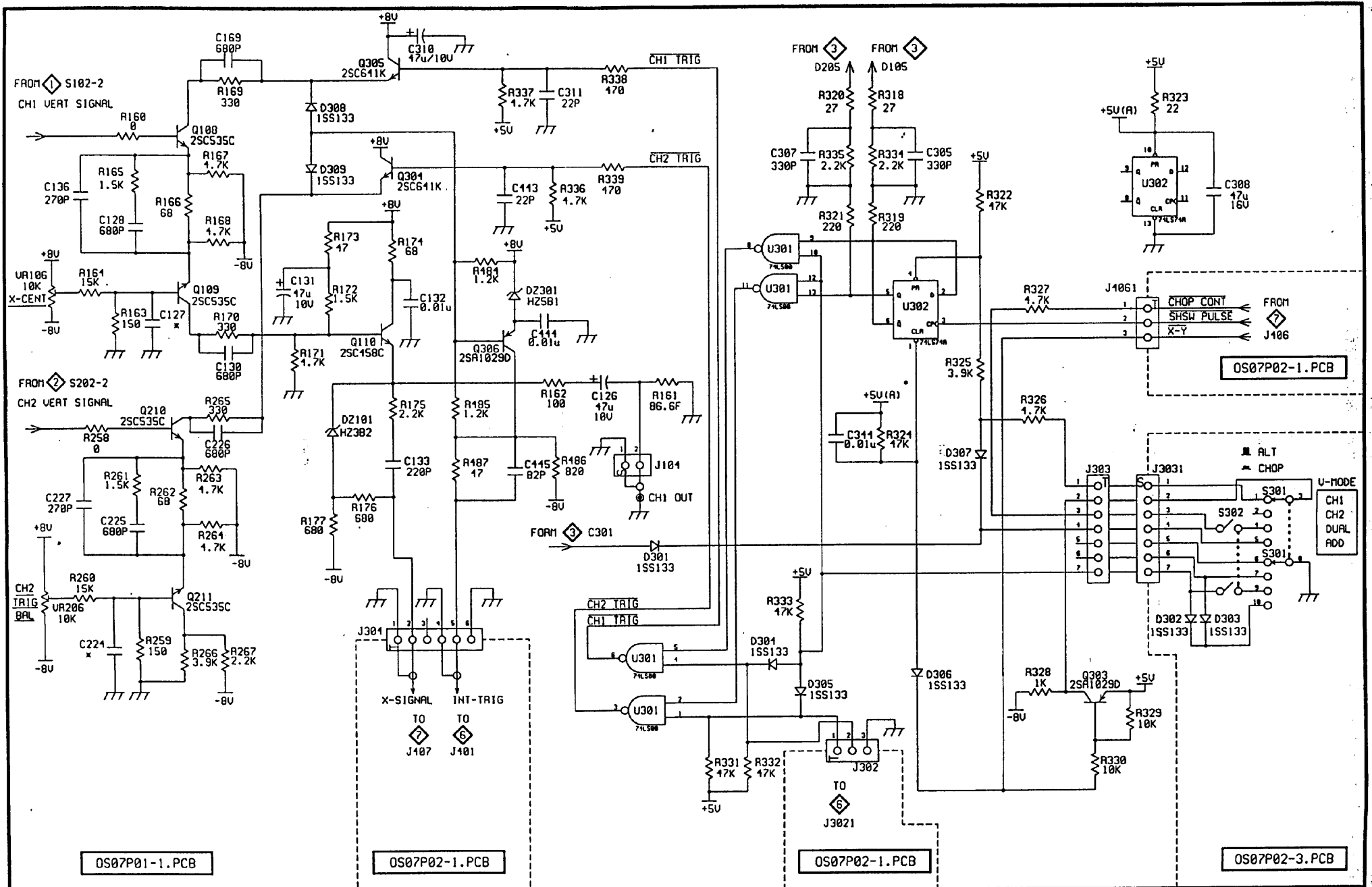
OS07P01A-1.PCB

DRAWN BY 謝明 98.1.20	CHECKED BY 87.1.20 家駿	APPROVED BY 87.1.20 孟海	MODEL NO GOS-620	DESCRIPTION CH2 INPUT
			DRAWING NO OS07S02A.SCH	

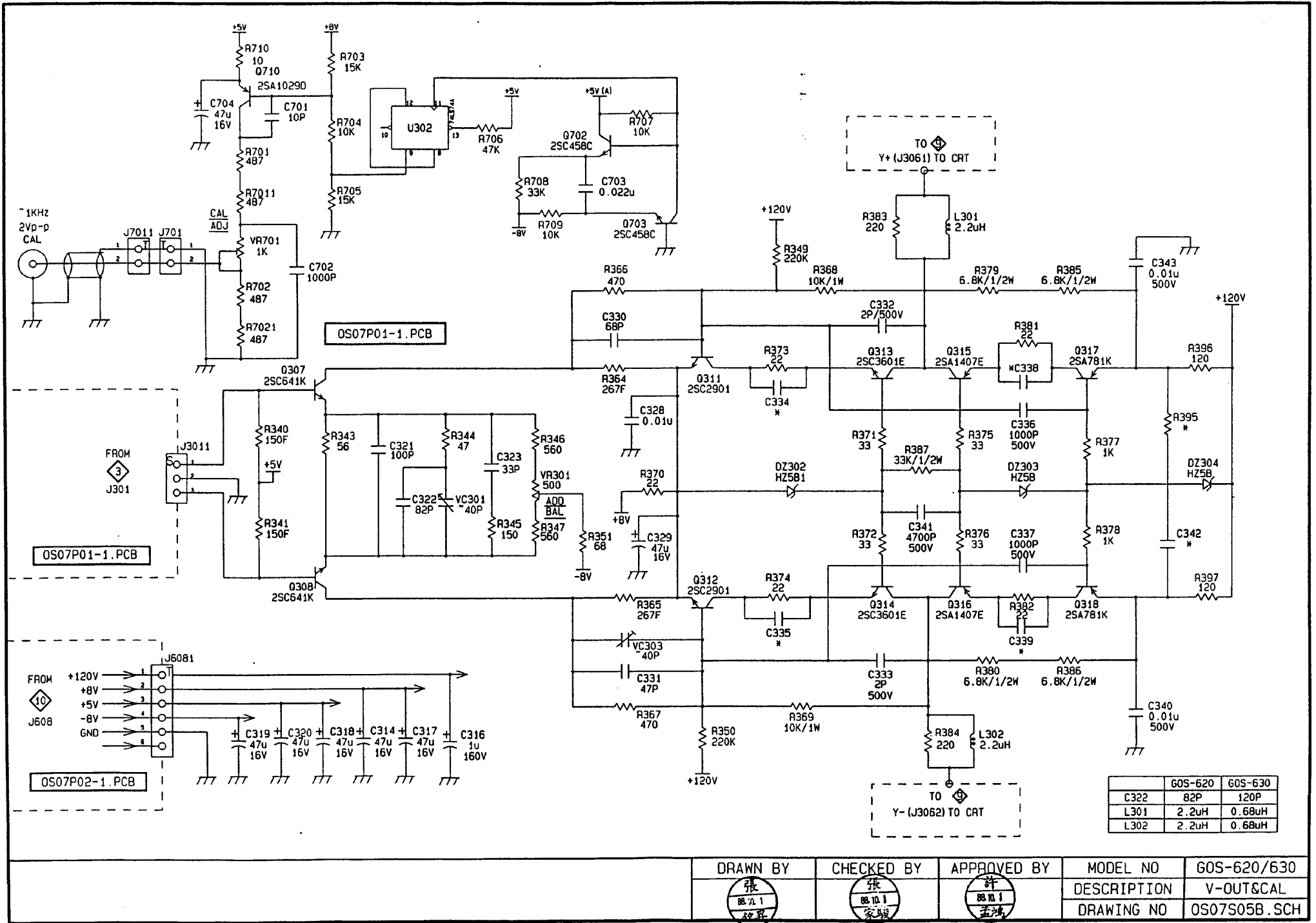


OS07P01A-1.PCB

DRAWN BY 謝惠明 9.1.70	CHECKED BY 家駿 8.1.70	APPROVED BY 孟鴻 8.1.70	MODEL NO GOS-620
			DESCRIPTION PREAMP&CH SW MULTI
			DRAWING NO OS07S03A.SCH

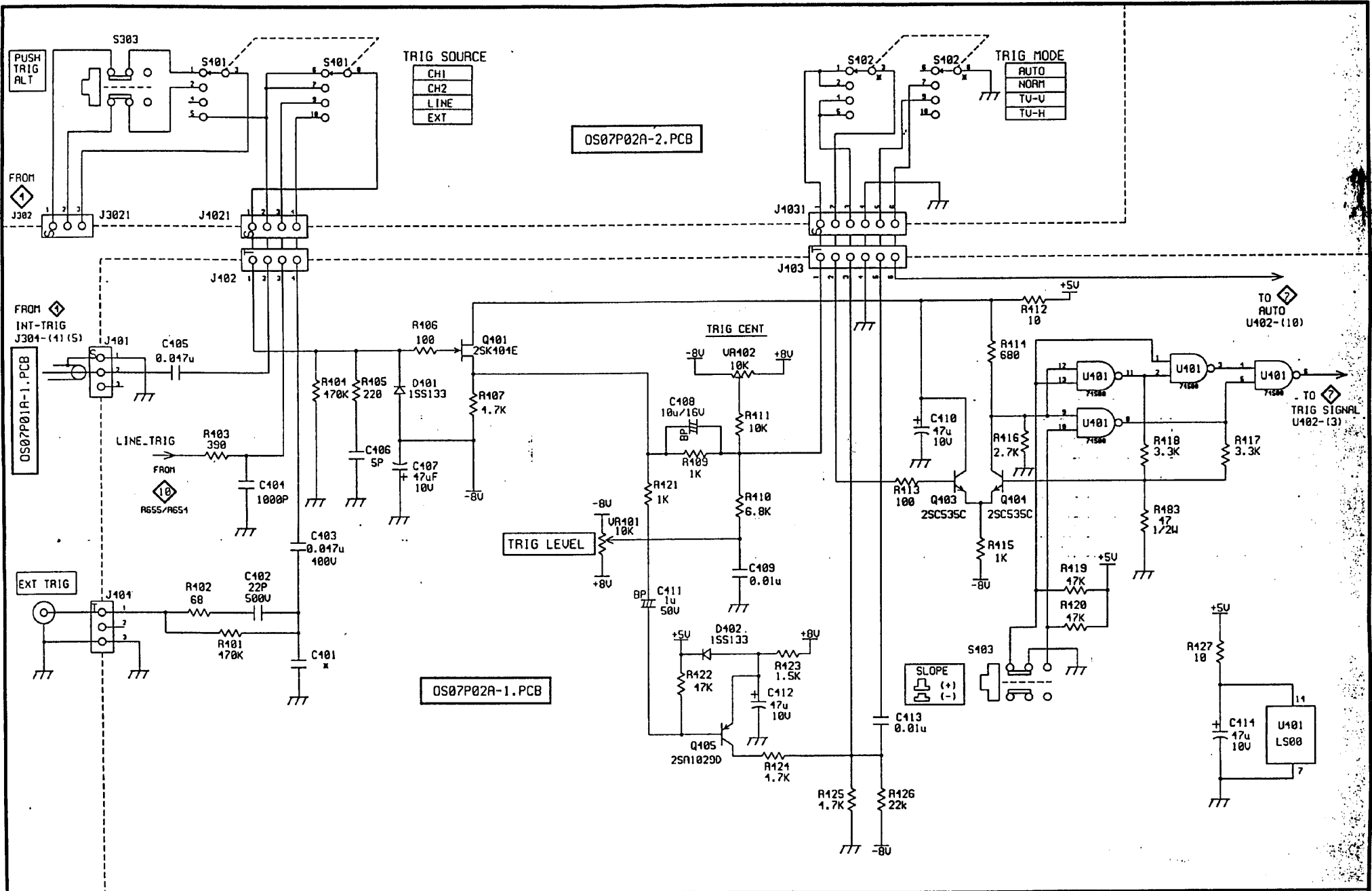


DRAWN BY 謝志明 98.1.20	CHECKED BY 張家 87.1.20	APPROVED BY 張家 87.1.20	MODEL NO GOS-620	DESCRIPTION TRIG PICKOFF
			DRAWING NO OS07S04A.SCH	



	GOS-620	GOS-630
C322	82P	120P
L301	2.2uH	0.68uH
L302	2.2uH	0.68uH

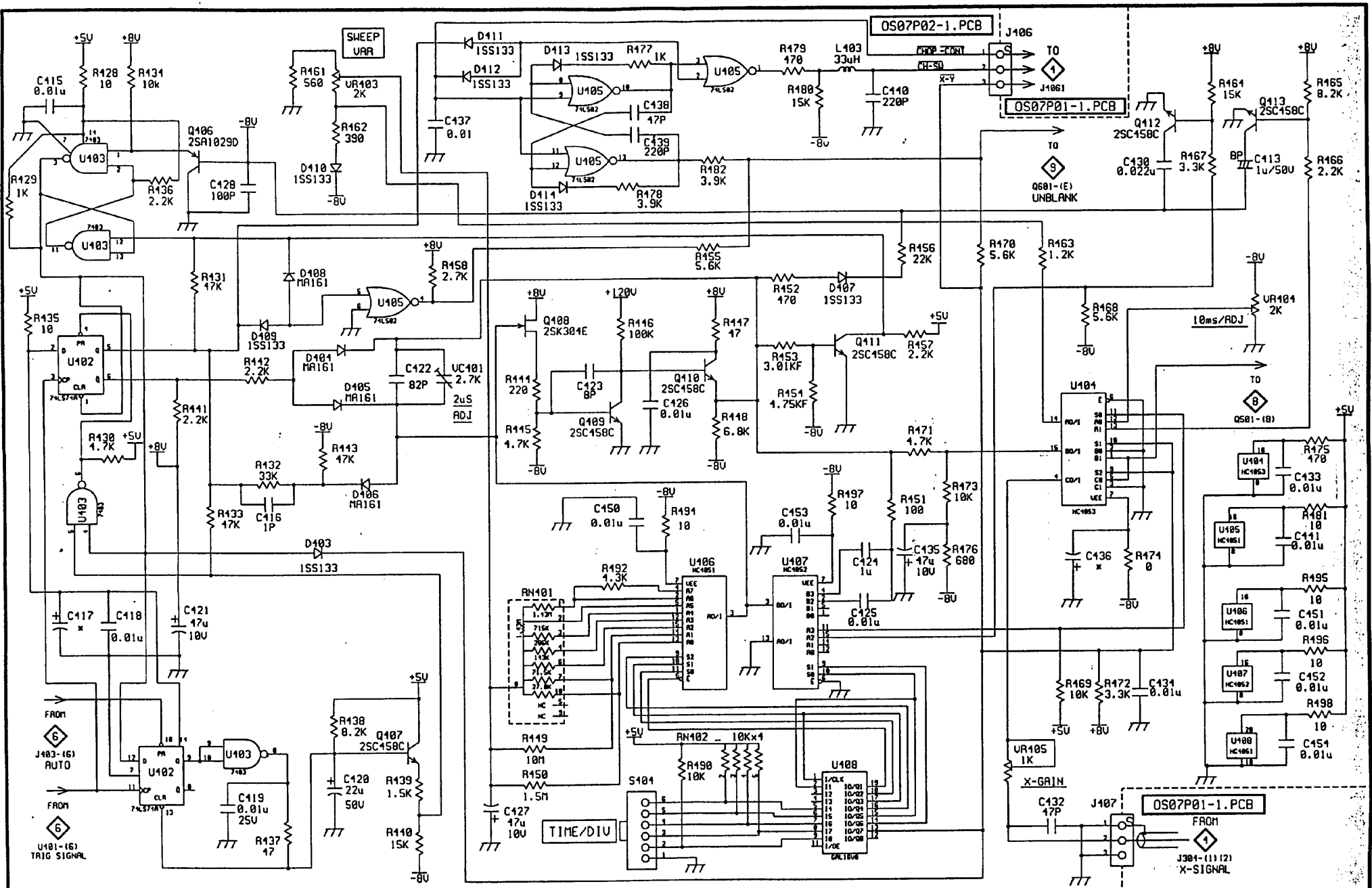
DRAWN BY	CHECKED BY	APPROVED BY	MODEL NO	GOS-620/630
張 88.10.1 啟	張 88.10.1 家	許 88.10.1 孟	DESCRIPTION	V-OUT&CAL
			DRAWING NO	OS07S05B.SCH



OS07P02A-2.PCB

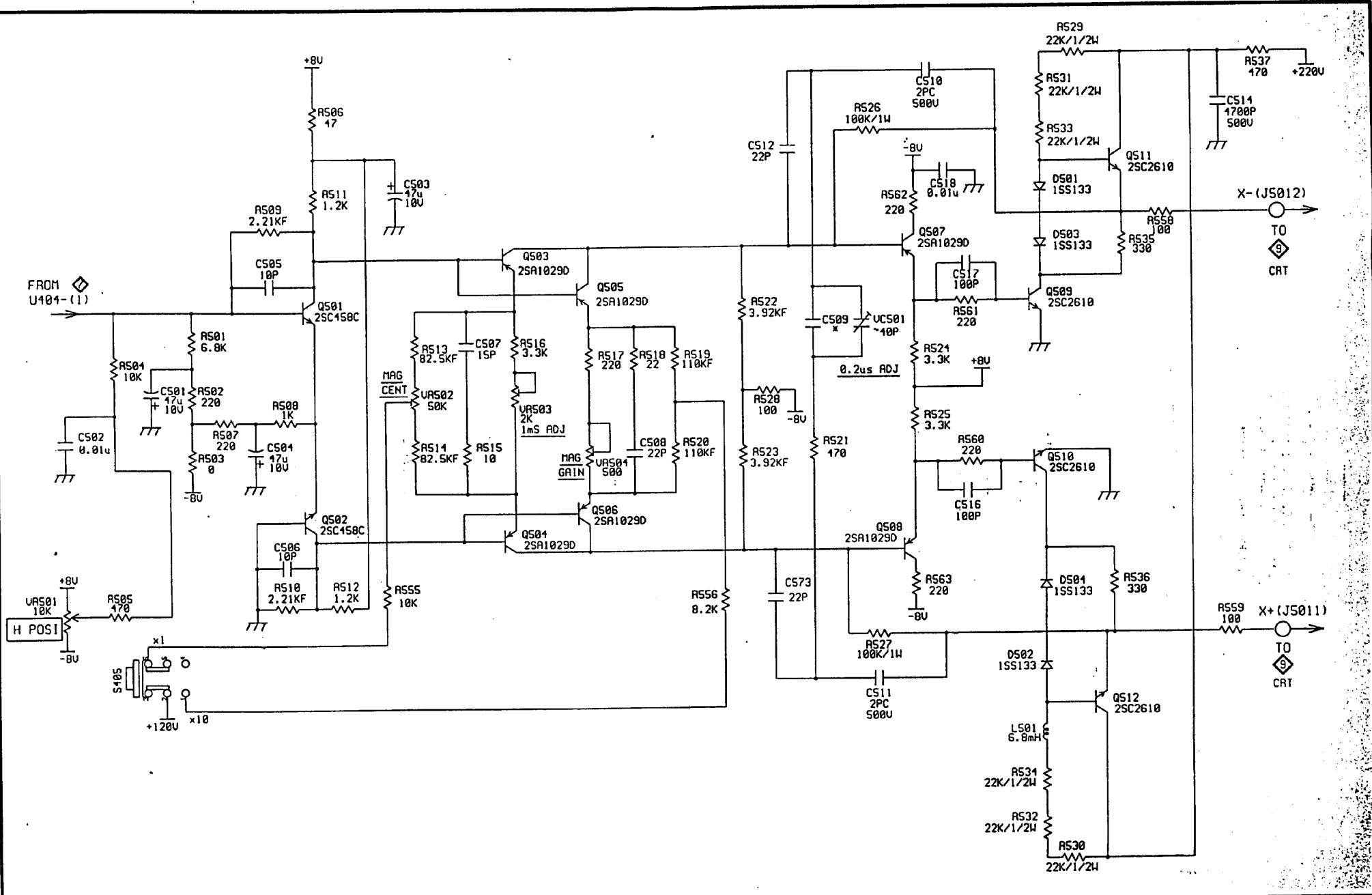
OS07P02A-1.PCB

DRAWN BY 謝英明 08.1.20	CHECKED BY 家駿 07.1.20	APPROVED BY 許 07.1.20	MODEL NO GOS-620
DESCRIPTION TRIG GEN			DRAWING NO OS07S06A.SCH

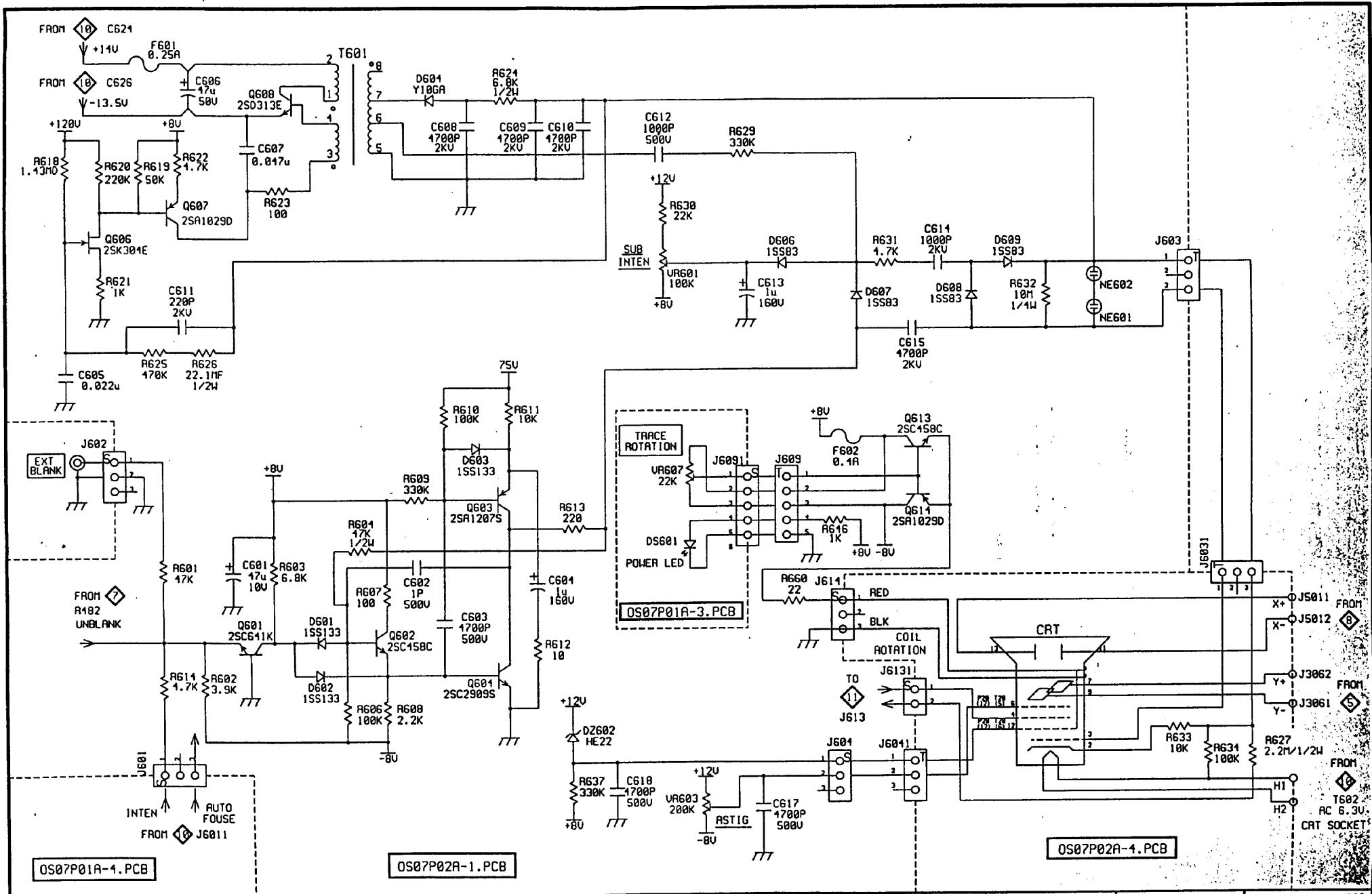


DRAWN BY	CHECKED BY	APPROVED BY	MODEL NO	GOS-620
謝惠明	張家駿	許家駿	DESCRIPTION	SWEEP-GEN
98.1.20	87.1.20	87.1.20	DRAWING NO	OS07S07A.SCH

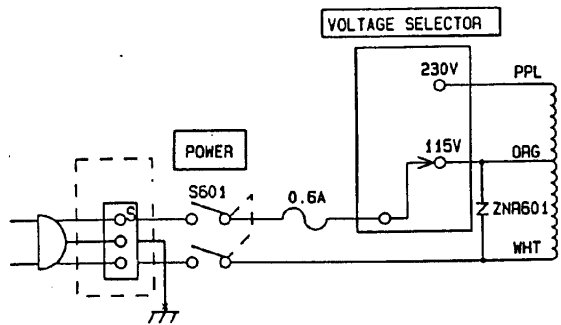




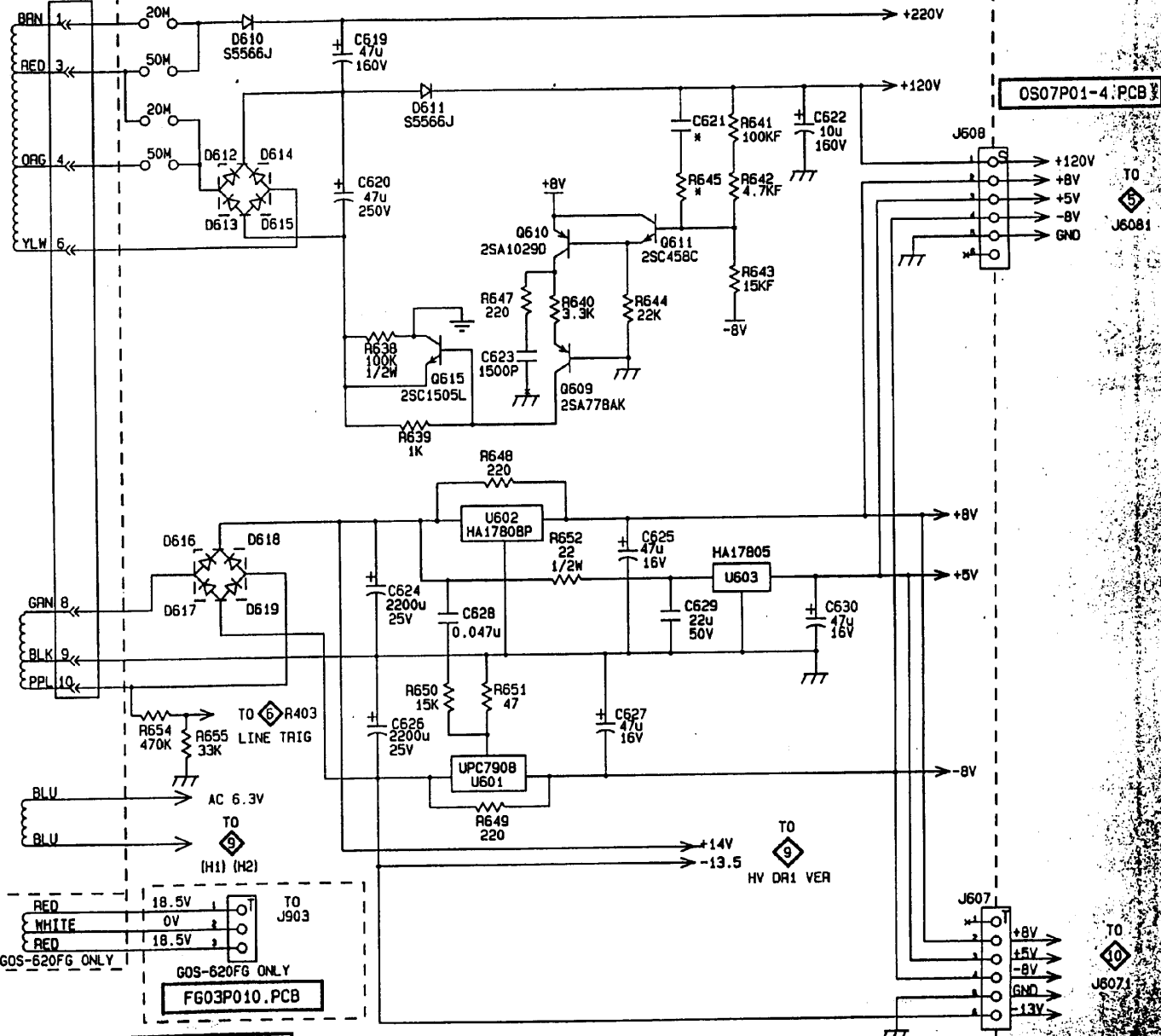
DRAWN BY 謝志明 98.1.20	CHECKED BY 張 87.1.20 家駿	APPROVED BY 許 87.1.20 孟鴻	MODEL NO GOS-620
DESCRIPTION H-AMP			DRAWING NO OS07S08A.SCH



DRAWN BY 謝志明 87.1.20	CHECKED BY 張家駒 87.1.20	APPROVED BY 張清 87.1.20	MODEL NO GOS-620	DESCRIPTION H·U·Z·AMP
DRAWING NO OS07S09A·SCH				



T602



OS07P01-4.PCB

OS07P02-1.PCB

OS07P01-4.PCB

DRAWN BY 5K 87.11.10	CHECKED BY 5K 87.11.10	APPROVED BY 5K 87.11.10	MODEL NO GOS-620	DESCRIPTION POWER SUPPLY
			DRAWING NO OS07S0703 SCH	

LEVEL	M	P	PARTNO	LOCATION	PARTDESC	QTY	EA	COMMENT
0.....	M		OGOSC6300TE7	<ST-ASSY>	GOS-630 (CONRAD 630)(TOSH CRT)(CE) .14 .230V		ST	
1.....	M		OGOSC6300T00		GOS-630 (CONRAD 630)(TOSH CRT)(CE) ASS'Y	1.00000	PS	
2.....	M	*	1040-6300T10		CONDAR 630 (T) INTERFACE & MECHANICAL ASS'Y	1.00000	PS	
3.....	M	*	1041-6300010		CONRAD 630 INTERFACE & MECHANICAL ASS'Y	1.00000	PS	
4.....			3004-OS02500	T602	TS GOS-620-PT WITH C. ,CB-FA-0099B	1.00000	PS	
4.....			3610-0100052		PS 42R343111200-H5 ,10A ,250V ,3P ,VS ,M (115/230V	1.00000	EA	
4.....			40WCJ1010217		OTRT-15#18-90mm-5/4-0 ,951024-2	1.00000	EA	GND-CASE
4.....			40WCJ1010247		MF00-07#26-320mm-8-0 ,T-10-0871	1.00000	PS	Z-AXIS
4.....			40WCJ1025329		WIRE C. JD-0102-5329(JD-89-0529-5)	1.00000	EA	CHI O/P
4.....			44BB-9010030		BB LB-011 LUMAUX ,2 PIN	2.00000	PS	
4.....			44GT-K110010		GT SR620GT1-0 GROUND TERMINAL	1.00000	PS	
4.....			5000-190G020		KNOB ,OS600KB3-0 ,19@ ,GRAY DIC650	2.00000	EA	
4.....			5003-100G020		KNOB OS622KB1-0 10@ GRAY #DIC650	5.00000	EA	
4.....			5003-100G030		KNOB OS622KB1-0 10@ GRAY #DIC582 (75%)	2.00000	EA	
4.....			5005-240G020		KNOB OS03M070 ,CURSOR 24@ #DIC650	1.00000	PS	
4.....			5008-100G050		KNOB V252KB1-0 ,10@ ,GRAY #DIC650	2.00000	EA	
4.....			5031-090G02A		KNOB OS03M08A ,SLIDE SW #DIC650	5.00000	PS	
4.....			5034-060G030		PUSH BUTTON OS601KB1-0 3.3*3.3 GRAY #DIC650	3.00000	PS	
4.....			5034-060G040		PUSH BUTTON OS601KB2-0 2.8*2.8 GRAY #DIC650	2.00000	PS	
4.....			5054-110G010		KNOB AG810KB1-0 ,GRAY #DIC650 (PUSH)	1.00000	PS	
4.....			51OS-6200010		NP OS07M010 ,MAIN NP	1.00000	PS	
4.....			51OS-6200050		NP OS07M050 ,REAR NP	1.00000	PS	
4.....			51OS-622G03B		NP OS03M10B ,GOS-622G (CE) POWER NP	1.00000	PS	
4.....			51VC-6300010		NP VC630NP1-0 ,630 MODEL NP	1.00000	PS	
4.....			5306-1000000		CABLE TIES CV-100 ,100*1.0 GT-100M,100*1.1	10.00000	PS	
4.....			5306-2500500		CABLE TIES ALT-250L ,250*5 m/m (YJ-368 PINGOOD)	1.00000	PS	
4.....			5312-0111500		WIRE SADDLE CH-10 ,PINGOOD	1.00000	PS	
4.....			5317-2560340		MOVABLE BOSHINGS US-1125 ,L=256mm ,D=0.9mm	1.00000	PS	
4.....			5320-0060350	CRT	鋼釘 CANOE CLIPS MB-1S-BLACK	1.00000	PS	
4.....			57FC-10B0060		PLASTIC WINDING HOUSING OS622FC1-0 BLACK	4.00000	PS	
4.....			57FC-30B0080		* RUBBER FOOT OS611FC1-0 ,BLACK	4.00000	PS	
4.....			57IL-28F0020		INSULATED PAD TE02M550 ,FOR POWER SW	1.00000	EA	
4.....			57IL-28F014B		INSULATED PAD OS07M06B PCB MYLAR	1.00000	PS	
4.....			57IL-28F016A		INSULATED PAD OS07M13A ,245*142*0.25T ,MYLAR	1.00000	PS	
4.....			57IL-28F017A		INSULATED PAD OS07M13A ,245*142*0.25T ,MYLAR	1.00000	PS	
4.....			57RB-30B0410		RUBBER OS611RB1-0 ,CRT	1.00000	PS	
4.....			57RB-30B0460		RUBBER OS03M460 ,FOR CRT (LEFT) ,BLACK	1.00000	PS	
4.....			57RB-30B0470		RUBBER OS03M460 ,FOR CRT (RIGHT) ,BLACK	1.00000	PS	
4.....			5806-0201010		LB BC-250-300	1.00000	PS	
4.....			593B-03006NT		SCREW FLAT ,+ ,3*6 ,S TYPE ,N	13.00000	PS	
4.....			594B-03006NT		SCREW WINDING ,+ ,3*6 ,S TYPE ,N	44.00000	PS	
4.....			594B-W4008NS		SCREW BMS 4*8m/m ISO ,N	1.00000	PS	
4.....			594B-W4016NS		SCREW BMS M4*16 ,ISO ,N (WITH P.S WASHER)	4.00000	PS	

4.....		62AS-220PP10		CA TE02M260 SPRING PLATE FOR KNOB(D SPRING SEF	1.00000	PS	
4.....		62OS-620FP1B		CA OS07M07B ,FRONT PLATE	1.00000	PS	
4.....		62OS-620HP30		CA OS07M100 ,PCB HOLDER (MIDDLE)	1.00000	PS	
4.....		62OS-620HP4A		CA OS07M11A ,PCB HOLDER (POWER SW)	1.00000	PS	
4.....		62OS-620SP20		CA 8400305A ,HV COVER SPTE #25 CODAKU-SHI-AEGI	1.00000	PS	
4.....		62OS-658HP2F		CA OS03M19F ,RIGHT HOLDER	1.00000	PS	
4.....		62OS-658HP3E		CA OS03M20E ,LEFT HOLDER	1.00000	PS	
4.....		62OS-658HP4F		CA OS03M21F MIDDLE HOLDER	1.00000	PS	
4.....		62OS-658RP1C		CA OS03M29C REAR PLATE	1.00000	PS	
4.....		62OS-658TS10		CA OS03M520 ,CAL TERMINAL	1.00000	PS	
4.....		63BH-AW10030		PC 8401613A ,INSU' ATION (1) FOCUS USE	1.00000	PS	
4.....		63BH-AW10040		PC 8401614B ,INSULATION (2) FOCUS USE	1.00000	PS	
4.....		63CC-BE1003A		PC OS03M47A ,CRT FILTER ,ACRYLIC BLUE	1.00000	PS	
4.....		63CR-AB10040		PC 8400329 ,VR JOINTER ,BLACK	2.00000	PS	
4.....		63FP-AG1037A		PC OS03M33A ,FRONT FRAME ,ABS	1.00000	PS	
4.....		63LK-AB1003B		PC OS611LK1-B ,STICK	2.00000	PS	
4.....		63LK-OB10010		PC OS03M530 ,LINK ,BLACK	1.00000	PS	
4.....		HTC0671	Q615	TRANSISTOR 2SC1505(L,K,M)	1.00000	PS	
3.....		2411-0602700		CRT 150BTB31A(IG) ,6" ,SQUARE ,TOSHIBA	1.00000	PS	
3.....		2901-8030001		COIL ROTATION ,80mH ,Q=5.8+-10% ,I-01-010A WITH C.	1.00000	PS	
3.....		40WCJ0010002		WIRE C. JD-5307-0002	1.00000	PS	CRT-CASE
3.....		57RB-30B001B		RUBBER 522-RB-1B ,BLACK	1.00000	PS	
3.....		57RB-30B049B		RUBBER OS07M12B ,FOR CRT ,69*27m/m	1.00000	PS	
3.....		57RG-21B007C		RUBBER OS03M34C ,CRT FRONT+UP ,125*25*5.5m/m (T)	1.00000	PS	
3.....		62OS-522SP20		CA 522-SP-2 ,SILICON STEEL PIPE	1.00000	PS	
3.....		62OS-620HP50		CA 8398474A ,CRT BAND (1) GIN CORD T 1.6	1.00000	PS	
3.....		62OS-658HP6A		CA OS03M23A ,CRT HOLDER (20MHz)	1.00000	PS	
2.....	M	13OS-6300010		PCB ASS'Y OS07P010 ,GOS-630 (T)	1.00000	PS	
3.....	M	13OST6300010		PCB ASS'Y OS07P010 ,GOS-630 (T) (INSERT)	1.00000	PS	
4.....	M*	1010T6200010		10m/m COMPONENT OS07P010 ,GOS-620 (T) (INSERT)	1.00000	PS	
5.....		2002-0BB0JTO	R160	RC 1/4W ,0RJ ,HT	1.00000	EA	
5.....		2002-10B0JTO	R178	RC 1/4W ,10RJ ,HT	1.00000	EA	
5.....		2002-10B0JTO	R268	RC 1/4W ,10RJ ,HT	1.00000	EA	
5.....		2003-68B2JTO	R379-380	RC 1/2W ,6.8KJ ,HT ,RD50SS	2.00000	PS	
5.....		2003-68B2JTO	R385-386	RC 1/2W ,6.8KJ ,HT ,RD50SS	2.00000	PS	
5.....		2003-68B2JTO	R616	RC 1/2W ,6.8KJ ,HT ,RD50SS	1.00000	PS	
5.....		2503T0290050	DZ101	ZENER 1/2W ,2.9-3.1V ,HZ3B2 ,HITACHI ,HT	1.00000	EA	
5.....		2503T0470050	DZ301-304	ZENER 1/2W ,4.6V-4.8V ,HZ5B1 ,HITACHI ,HT	4.00000	EA	
5.....		4270-06D0000		JUMP WIRE 0.6@ ,HT ,130(OD)*22.5(ID)*110.6(H)/ROLL	0.00560	KG	
5.....		RCE0723HA	R387	R CARBON ERD-S1TJ 333T(33K) HT	1.00000	EA	
5.....		RMS0043HA	R102	R METAL SN14K2ET-26 900 Kohm D HT	1.00000	EA	
5.....		RMS0043HA	R202	R METAL SN14K2ET-26 900 Kohm D HT	1.00000	EA	
5.....		RMS0044HA	R104	R METAL SN14K2ET-26 990 Kohm D HT	1.00000	EA	
5.....		RMS0044HA	R204	R METAL SN14K2ET-26 990 Kohm D HT	1.00000	EA	

4....	M *	1011T6300010		5m/m COMPONENT OS07P010 ,GOS-630 (T) (INSERT)	1.00000	PS	
5....		2002-10B0JT1	R127-128	RC 1/4W ,10RJ ,HT ,RD16S(S2)	2.00000	EA	
5....		2002-10B0JT1	R132	RC 1/4W ,10RJ ,HT ,RD16S(S2)	1.00000	EA	
5....		2002-10B0JT1	R143	RC 1/4W ,10RJ ,HT ,RD16S(S2)	1.00000	EA	
5....		2002-10B0JT1	R227-228	RC 1/4W ,10RJ ,HT ,RD16S(S2)	2.00000	EA	
5....		2002-10B0JT1	R232	RC 1/4W ,10RJ ,HT ,RD16S(S2)	1.00000	EA	
5....		2002-10B0JT1	R239	RC 1/4W ,10RJ ,HT ,RD16S(S2)	1.00000	EA	
5....		2002-10B0JT1	R710	RC 1/4W ,10RJ ,HT ,RD16S(S2)	1.00000	EA	
5....		2002-10B1JT1	R107	RC 1/4W ,100RJ ,HT ,RD16S(S2)	1.00000	EA	
5....		2002-10B1JT1	R111	RC 1/4W ,100RJ ,HT ,RD16S(S2)	1.00000	EA	
5....		2002-10B1JT1	R117	RC 1/4W ,100RJ ,HT ,RD16S(S2)	1.00000	EA	
5....		2002-10B1JT1	R162	RC 1/4W ,100RJ ,HT ,RD16S(S2)	1.00000	EA	
5....		2002-10B1JT1	R207	RC 1/4W ,100RJ ,HT ,RD16S(S2)	1.00000	EA	
5....		2002-10B1JT1	R211	RC 1/4W ,100RJ ,HT ,RD16S(S2)	1.00000	EA	
5....		2002-10B1JT1	R217	RC 1/4W ,100RJ ,HT ,RD16S(S2)	1.00000	EA	
5....		2002-10B2JT1	R305-306	RC 1/4W ,1KJ ,HT ,RD16S(S2)	2.00000	EA	
5....		2002-10B2JT1	R328	RC 1/4W ,1KJ ,HT ,RD16S(S2)	1.00000	EA	
5....		2002-10B2JT1	R377-378	RC 1/4W ,1KJ ,HT ,RD16S(S2)	2.00000	EA	
5....		2002-10B3JT1	R147	RC 1/4W ,10KJ ,HT ,RD16S(S2)	1.00000	EA	
5....		2002-10B3JT1	R243	RC 1/4W ,10KJ ,HT ,RD16S(S2)	1.00000	EA	
5....		2002-10B3JT1	R329-330	RC 1/4W ,10KJ ,HT ,RD16S(S2)	2.00000	EA	
5....		2002-10B3JT1	R704	RC 1/4W ,10KJ ,HT ,RD16S(S2)	1.00000	EA	
5....		2002-10B3JT1	R707	RC 1/4W ,10KJ ,HT ,RD16S(S2)	1.00000	EA	
5....		2002-10B3JT1	R709	RC 1/4W ,10KJ ,HT ,RD16S(S2)	1.00000	EA	
5....		2002-10B4JT1	R112	RC 1/4W ,100KJ ,HT ,RD16S(S2)	1.00000	EA	
5....		2002-10B4JT1	R113	RC 1/4W ,100KJ ,HT ,RD16S(S2)	1.00000	EA	
5....		2002-10B4JT1	R212-213	RC 1/4W ,100KJ ,HT ,RD16S(S2)	2.00000	EA	
5....		2002-12B1JT1	R149	RC 1/4W ,120RJ ,HT ,RD16S(S2)	1.00000	EA	
5....		2002-12B1JT1	R245	RC 1/4W ,120RJ ,HT ,RD16S(S2)	1.00000	EA	
5....		2002-12B2JT1	R151-152	RC 1/4W ,1.2KJ ,HT ,RD16S(S2)	2.00000	EA	
5....		2002-12B2JT1	R247-248	RC 1/4W ,1.2KJ ,HT ,RD16S(S2)	2.00000	EA	
5....		2002-12B2JT1	R484-485	RC 1/4W ,1.2KJ ,HT ,RD16S(S2)	2.00000	EA	
5....		2002-15B0JT1	R106	RC 1/4W ,15RJ ,HT ,RD16S(S2)	1.00000	EA	
5....		2002-15B0JT1	R206	RC 1/4W ,15RJ ,HT ,RD16S(S2)	1.00000	EA	
5....		2002-15B1JT1	R163	RC 1/4W ,150RJ ,HT ,RD16S(S2)	1.00000	EA	
5....		2002-15B1JT1	R259	RC 1/4W ,150RJ ,HT ,RD16S(S2)	1.00000	EA	
5....		2002-15B1JT1	R345	RC 1/4W ,150RJ ,HT ,RD16S(S2)	1.00000	EA	
5....		2002-15B2JT1	R165	RC 1/4W ,1.5KJ ,HT ,RD16S(S2)	1.00000	EA	
5....		2002-15B2JT1	R172	RC 1/4W ,1.5KJ ,HT ,RD16S(S2)	1.00000	EA	
5....		2002-15B2JT1	R261	RC 1/4W ,1.5KJ ,HT ,RD16S(S2)	1.00000	EA	
5....		2002-15B3JT1	R164	RC 1/4W ,15KJ ,HT ,RD16S(S2)	1.00000	EA	
5....		2002-15B3JT1	R260	RC 1/4W ,15KJ ,HT ,RD16S(S2)	1.00000	EA	
5....		2002-15B3JT1	R703	RC 1/4W ,15KJ ,HT ,RD16S(S2)	1.00000	EA	
5....		2002-15B3JT1	R705	RC 1/4W ,15KJ ,HT ,RD16S(S2)	1.00000	EA	

5....		2002-22B0JT1	R108	RC 1/4W ,22RJ ,HT ,RD16S(S2)	1.00000	EA	
5....		2002-22B0JT1	R150	RC 1/4W ,22RJ ,HT ,RD16S(S2)	1.00000	EA	
5....		2002-22B0JT1	R153	RC 1/4W ,22RJ ,HT ,RD16S(S2)	1.00000	EA	
5....		2002-22B0JT1	R208	RC 1/4W ,22RJ ,HT ,RD16S(S2)	1.00000	EA	
5....		2002-22B0JT1	R246	RC 1/4W ,22RJ ,HT ,RD16S(S2)	1.00000	EA	
5....		2002-22B0JT1	R249	RC 1/4W ,22RJ ,HT ,RD16S(S2)	1.00000	EA	
5....		2002-22B0JT1	R323	RC 1/4W ,22RJ ,HT ,RD16S(S2)	1.00000	EA	
5....		2002-22B0JT1	R370	RC 1/4W ,22RJ ,HT ,RD16S(S2)	1.00000	EA	
5....		2002-22B0JT1	R373-374	RC 1/4W ,22RJ ,HT ,RD16S(S2)	2.00000	EA	
5....		2002-22B0JT1	R381-382	RC 1/4W ,22RJ ,HT ,RD16S(S2)	2.00000	EA	
5....		2002-22B1JT1	R103A	RC 1/4W ,220RJ ,HT ,RD16S(S2)	1.00000	EA	
5....		2002-22B1JT1	R141	RC 1/4W ,220RJ ,HT ,RD16S(S2)	1.00000	EA	
5....		2002-22B1JT1	R203A	RC 1/4W ,220RJ ,HT ,RD16S(S2)	1.00000	EA	
5....		2002-22B1JT1	R237	RC 1/4W ,220RJ ,HT ,RD16S(S2)	1.00000	EA	
5....		2002-22B1JT1	R319	RC 1/4W ,220RJ ,HT ,RD16S(S2)	1.00000	EA	
5....		2002-22B1JT1	R321	RC 1/4W ,220RJ ,HT ,RD16S(S2)	1.00000	EA	
5....		2002-22B1JT1	R383-384	RC 1/4W ,220RJ ,HT ,RD16S(S2)	2.00000	EA	
5....		2002-22B2JT1	R267	RC 1/4W ,2.2KJ ,HT ,RD16S(S2)	1.00000	EA	
5....		2002-22B2JT1	R301-302	RC 1/4W ,2.2KJ ,HT ,RD16S(S2)	2.00000	EA	
5....		2002-22B2JT1	R315-316	RC 1/4W ,2.2KJ ,HT ,RD16S(S2)	2.00000	EA	
5....		2002-22B2JT1	R334-335	RC 1/4W ,2.2KJ ,HT ,RD16S(S2)	2.00000	EA	
5....		2002-22B3JT1	R148	RC 1/4W ,22KJ ,HT ,RD16S(S2)	1.00000	EA	
5....		2002-22B3JT1	R244	RC 1/4W ,22KJ ,HT ,RD16S(S2)	1.00000	EA	
5....		2002-22B3JT1	R307	RC 1/4W ,22KJ ,HT ,RD16S(S2)	1.00000	EA	
5....		2002-22B4JT1	R142	RC 1/4W ,220KJ ,HT ,RD16S(S2)	1.00000	EA	
5....		2002-22B4JT1	R238	RC 1/4W ,220KJ ,HT ,RD16S(S2)	1.00000	EA	
5....		2002-22B4JT1	R349-350	RC 1/4W ,220KJ ,HT ,RD16S(S2)	2.00000	EA	
5....		2002-27B0JT1	R318	RC 1/4W ,27RJ ,HT ,RD16S(S2)	1.00000	EA	
5....		2002-27B0JT1	R320	RC 1/4W ,27RJ ,HT ,RD16S(S2)	1.00000	EA	
5....		2002-27B1JT1	R121	RC 1/4W ,270RJ ,HT ,RD16S(S2)	1.00000	EA	
5....		2002-27B1JT1	R221	RC 1/4W ,270RJ ,HT ,RD16S(S2)	1.00000	EA	
5....		2002-33B0JT1	R371-372	RC 1/4W ,33RJ ,HT ,RD16S(S2)	2.00000	EA	
5....		2002-33B0JT1	R375-376	RC 1/4W ,33RJ ,HT ,RD16S(S2)	2.00000	EA	
5....		2002-33B1JT1	R169-170	RC 1/4W ,330RJ ,HT ,RD16S(S2)	2.00000	EA	
5....		2002-33B1JT1	R265	RC 1/4W ,330RJ ,HT ,RD16S(S2)	1.00000	EA	
5....		2002-33B2JT1	R119	RC 1/4W ,3.3KJ ,HT ,RD16S(S2)	1.00000	EA	
5....		2002-33B2JT1	R145-146	RC 1/4W ,3.3KJ ,HT ,RD16S(S2)	2.00000	EA	
5....		2002-33B2JT1	R157	RC 1/4W ,3.3KJ ,HT ,RD16S(S2)	1.00000	EA	
5....		2002-33B2JT1	R219	RC 1/4W ,3.3KJ ,HT ,RD16S(S2)	1.00000	EA	
5....		2002-33B2JT1	R241-242	RC 1/4W ,3.3KJ ,HT ,RD16S(S2)	2.00000	EA	
5....		2002-33B2JT1	R253	RC 1/4W ,3.3KJ ,HT ,RD16S(S2)	1.00000	EA	
5....		2002-33B2JT1	R256	RC 1/4W ,3.3KJ ,HT ,RD16S(S2)	1.00000	EA	
5....		2002-33B2JT1	R656	RC 1/4W ,3.3KJ ,HT ,RD16S(S2)	1.00000	EA	
5....		2002-33B3JT1	R708	RC 1/4W ,33KJ ,HT ,RD16S(S2)	1.00000	EA	

5....		2002-39B1JT1	R129	RC 1/4W ,390RJ ,HT ,RD16S(S2)	1.00000	EA	
5....		2002-39B1JT1	R229	RC 1/4W ,390RJ ,HT ,RD16S(S2)	1.00000	EA	
5....		2002-39B2JT1	R266	RC 1/4W ,3.9KJ ,HT ,RD16S(S2)	1.00000	EA	
5....		2002-39B2JT1	R325	RC 1/4W ,3.9KJ ,HT ,RD16S(S2)	1.00000	EA	
5....		2002-47B0JT1	R101	RC 1/4W ,47RJ ,HT ,RD16S(S2)	1.00000	EA	
5....		2002-47B0JT1	R154	RC 1/4W ,47RJ ,HT ,RD16S(S2)	1.00000	EA	
5....		2002-47B0JT1	R159	RC 1/4W ,47RJ ,HT ,RD16S(S2)	1.00000	EA	
5....		2002-47B0JT1	R173	RC 1/4W ,47RJ ,HT ,RD16S(S2)	1.00000	EA	
5....		2002-47B0JT1	R201	RC 1/4W ,47RJ ,HT ,RD16S(S2)	1.00000	EA	
5....		2002-47B0JT1	R250	RC 1/4W ,47RJ ,HT ,RD16S(S2)	1.00000	EA	
5....		2002-47B0JT1	R257	RC 1/4W ,47RJ ,HT ,RD16S(S2)	1.00000	EA	
5....		2002-47B0JT1	R313-314	RC 1/4W ,47RJ ,HT ,RD16S(S2)	1.00000	EA	
5....		2002-47B0JT1	R344	RC 1/4W ,47RJ ,HT ,RD16S(S2)	2.00000	EA	
5....		2002-47B0JT1	R487	RC 1/4W ,47RJ ,HT ,RD16S(S2)	1.00000	EA	
5....		2002-47B1JT1	R158	RC 1/4W ,470RJ ,HT ,RD16S(S2)	1.00000	EA	
5....		2002-47B1JT1	R254-255	RC 1/4W ,470RJ ,HT ,RD16S(S2)	2.00000	EA	
5....		2002-47B1JT1	R338-339	RC 1/4W ,470RJ ,HT ,RD16S(S2)	2.00000	EA	
5....		2002-47B1JT1	R366-367	RC 1/4W ,470RJ ,HT ,RD16S(S2)	2.00000	EA	
5....		2002-47B2JT1	R116	RC 1/4W ,4.7KJ ,HT ,RD16S(S2)	1.00000	EA	
5....		2002-47B2JT1	R167-168	RC 1/4W ,4.7KJ ,HT ,RD16S(S2)	2.00000	EA	
5....		2002-47B2JT1	R171	RC 1/4W ,4.7KJ ,HT ,RD16S(S2)	1.00000	EA	
5....		2002-47B2JT1	R216	RC 1/4W ,4.7KJ ,HT ,RD16S(S2)	1.00000	EA	
5....		2002-47B2JT1	R263-264	RC 1/4W ,4.7KJ ,HT ,RD16S(S2)	2.00000	EA	
5....		2002-47B2JT1	R326-327	RC 1/4W ,4.7KJ ,HT ,RD16S(S2)	2.00000	EA	
5....		2002-47B2JT1	R336-337	RC 1/4W ,4.7KJ ,HT ,RD16S(S2)	2.00000	EA	
5....		2002-47B3JT1	R322	RC 1/4W ,47KJ ,HT ,RD16S(S2)	1.00000	EA	
5....		2002-47B3JT1	R324	RC 1/4W ,47KJ ,HT ,RD16S(S2)	1.00000	EA	
5....		2002-47B3JT1	R331	RC 1/4W ,47KJ ,HT ,RD16S(S2)	1.00000	EA	
5....		2002-47B3JT1	R332	RC 1/4W ,47KJ ,HT ,RD16S(S2)	1.00000	EA	
5....		2002-47B3JT1	R333	RC 1/4W ,47KJ ,HT ,RD16S(S2)	1.00000	EA	
5....		2002-47B3JT1	R706	RC 1/4W ,47KJ ,HT ,RD16S(S2)	1.00000	EA	
5....		2002-47B4JT1	R628	RC 1/4W ,470KJ ,HT ,RD16S(S2)	1.00000	EA	
5....		2002-56B0JT1	R343	RC 1/4W ,56RJ ,HT ,RD16S(S2)	1.00000	EA	
5....		2002-56B1JT1	R123	RC 1/4W ,560RJ ,HT ,RD16S(S2)	1.00000	EA	
5....		2002-56B1JT1	R223	RC 1/4W ,560RJ ,HT ,RD16S(S2)	1.00000	EA	
5....		2002-56B1JT1	R311-312	RC 1/4W ,560RJ ,HT ,RD16S(S2)	2.00000	EA	
5....		2002-56B1JT1	R346-347	RC 1/4W ,560RJ ,HT ,RD16S(S2)	2.00000	EA	
5....		2002-68B0JT1	R144	RC 1/4W ,68RJ ,HT ,RD16S(S2)	1.00000	EA	
5....		2002-68B0JT1	R166	RC 1/4W ,68RJ ,HT ,RD16S(S2)	1.00000	EA	
5....		2002-68B0JT1	R174	RC 1/4W ,68RJ ,HT ,RD16S(S2)	1.00000	EA	
5....		2002-68B0JT1	R240	RC 1/4W ,68RJ ,HT ,RD16S(S2)	1.00000	EA	
5....		2002-68B0JT1	R262	RC 1/4W ,68RJ ,HT ,RD16S(S2)	1.00000	EA	
5....		2002-68B0JT1	R351	RC 1/4W ,68RJ ,HT ,RD16S(S2)	1.00000	EA	
5....		2002-68B1JT1	R130-131	RC 1/4W ,680RJ ,HT ,RD16S(S2)	2.00000	EA	



5....		2002-68B1JT1	R176-177	RC 1/4W .680RJ ,HT ,RD16S(S2)	2.00000	EA	
5....		2002-68B1JT1	R230-231	RC 1/4W .680RJ ,HT ,RD16S(S2)	2.00000	EA	
5....		2002-68B3JT1	R310	RC 1/4W .68KJ ,HT ,RD16S(S2)	1.00000	EA	
5....		2002-82B1JT1	R486	RC 1/4W .820RJ ,HT ,RD16S(S2)	1.00000	EA	
5....		2002-82B1JT1	R670	RC 1/4W .820RJ ,HT ,RD16S(S2)	1.00000	EA	
5....		2012-4870FT1	R701-702	RM 1/4W 487RF ,HT ,SN14K2C	2.00000	EA	
5....		2012-4870FT1	R7011	RM 1/4W 487RF ,HT ,SN14K2C	1.00000	EA	
5....		2012-4870FT1	R7021	RM 1/4W 487RF ,HT ,SN14K2C	1.00000	EA	
5....		35OS-07P01D0		PCB OS07P01D ,1 ,CEM-3	1.00000	PS	
5....		4270-06D0000		JUMP WIRE 0.6@ ,HT ,130(OD)*22.5(ID)*110.6(H)/ROLL	0.06400	KG	
5....		4270-06D0000	R115	JUMP WIRE 0.6@ ,HT ,130(OD)*22.5(ID)*110.6(H)/ROLL	0.00001	KG	
5....		4270-06D0000	R120	JUMP WIRE 0.6@ ,HT ,130(OD)*22.5(ID)*110.6(H)/ROLL	0.00100	KG	
5....		4270-06D0000	R139	JUMP WIRE 0.6@ ,HT ,130(OD)*22.5(ID)*110.6(H)/ROLL	0.00001	KG	
5....		4270-06D0000	R215	JUMP WIRE 0.6@ ,HT ,130(OD)*22.5(ID)*110.6(H)/ROLL	0.00001	KG	
5....		4270-06D0000	R220	JUMP WIRE 0.6@ ,HT ,130(OD)*22.5(ID)*110.6(H)/ROLL	0.00100	KG	
5....		4270-06D0000	R258	JUMP WIRE 0.6@ ,HT ,130(OD)*22.5(ID)*110.6(H)/ROLL	0.00001	KG	
5....		4270-06D0000	R354-355	JUMP WIRE 0.6@ ,HT ,130(OD)*22.5(ID)*110.6(H)/ROLL	0.00002	KG	
5....		HDS0437HB	D101	DIODE 1SS133 T-77 HT	1.00000	EA	
5....		HDS0437HB	D105-108	DIODE 1SS133 T-77 HT	4.00000	EA	
5....		HDS0437HB	D201	DIODE 1SS133 T-77 HT	1.00000	EA	
5....		HDS0437HB	D205-208	DIODE 1SS133 T-77 HT	4.00000	EA	
5....		HDS0437HB	D301	DIODE 1SS133 T-77 HT	1.00000	EA	
5....		HDS0437HB	D304-309	DIODE 1SS133 T-77 HT	6.00000	EA	
5....		HDS0477HB	D102-104	DIODE 1SS110 T-D	3.00000	EA	
5....		HDS0477HB	D202-204	DIODE 1SS110 T-D	3.00000	EA	
5....		RME1062HB	R340-341	R METAL ERO-S2TKF(SN14)1500(150)	2.00000	EA	
5....		RME1065HB	R364-365	R METAL ERO-S2TKF(SN14)2670(267)	2.00000	EA	
5....		RME1066HB	R303-304	R METAL ERO-S2TKF(SN14)3320(332)	2.00000	EA	
5....		RME1066HB	R308-309	R METAL ERO-S2TKF(SN14)3320(332)	2.00000	EA	
5....		RME1070HB	R155-156	R METAL ERO-S2TKF(SN14)6810(681)	2.00000	EA	
5....		RME1070HB	R251-252	R METAL ERO-S2TKF(SN14)6810(681)	2.00000	EA	
5....		RME1081HB	R118	R METAL ERO-S2TKF(SN14)5621(5.62K)	1.00000	EA	
5....		RME1081HB	R218	R METAL ERO-S2TKF(SN14)5621(5.62K)	1.00000	EA	
5....		RME1107HB	R161	R METAL ERO-S2TKF 86R6(86.6) HT	1.00000	EA	
5....		RME1145HB	R122	R METAL ERO-S2TKD60R0(60.0) HT	1.00000	EA	
5....		RME1145HB	R222	R METAL ERO-S2TKD60R0(60.0) HT	1.00000	EA	
5....		RME1154HB	R124	R METAL ERO-S2TKD 6000(600) HT	1.00000	EA	
5....		RME1154HB	R224	R METAL ERO-S2TKD 6000(600) HT	1.00000	EA	
5....		RME1155HB	R136	R METAL ERO-S2TKD 4001(4.00K) HT	1.00000	EA	
5....		RME1155HB	R235	R METAL ERO-S2TKD 4001(4.00K) HT	1.00000	EA	
5....		RME1156HB	R105	R METAL ERO-S2TKD 1012(10.1K) HT	1.00000	EA	
5....		RME1156HB	R205	R METAL ERO-S2TKD 1012(10.1K) HT	1.00000	EA	
5....		RME1157HB	R133	R METAL ERO-S2TKD 1602(16.0) HT	1.00000	EA	
5....		RME1157HB	R233	R METAL ERO-S2TKD 1602(16.0) HT	1.00000	EA	

5....		RME1162HB	R134	R METAL ERO-S2TKD 8002(80.0K) HT	1.00000	EA	
5....		RME1162HB	R234	R METAL ERO-S2TKD 8002(80.0K) HT	1.00000	EA	
5....		RME1163HB	R103	R METAL ERO-S2TKD 1113(111K) HT	1.00000	EA	
5....		RME1163HB	R203	R METAL ERO-S2TKD 1113(111K) HT	1.00000	EA	
5....		RME1168HB	R109-110	R METAL ERO-S2TKD 5003(500K) HT	2.00000	EA	
5....		RME1168HB	R209-210	R METAL ERO-S2TKD 5003(500K) HT	2.00000	EA	
3.....	M*	13OSV6300010		PCB ASS'Y OS07P010 ,GOS-630 (MULTIPLE INSERT)	1.00000	PS	
4.....	M*	1014D6300010		DIF-MULTIPLE INSERT COMPONENT OS07P010 ,GOS-63	1.00000	PS	
5....	M	1014V6300010		MULTIPLE INSERT COMPONENT OS07P010 ,GOS-630	1.00000	PS	
6...		2204-50103Z0	C124	CSC 50V ,0.01UZ ,8@ ,VT	1.00000	EA	
6...		2204-50103Z0	C132	CSC 50V ,0.01UZ ,8@ ,VT	1.00000	EA	
6...		2204-50103Z0	C222-223	CSC 50V ,0.01UZ ,8@ ,VT	2.00000	EA	
6...		2204-50103Z0	C301	CSC 50V ,0.01UZ ,8@ ,VT	1.00000	EA	
6...		2204-50103Z0	C328	CSC 50V ,0.01UZ ,8@ ,VT	1.00000	EA	
6...		2204-50103Z0	C344	CSC 50V ,0.01UZ ,8@ ,VT	1.00000	EA	
6...		2204-50221J0	C104	CSC 50V ,220PJ ,VT	1.00000	EA	
6...		2204-50221J0	C204	CSC 50V ,220PJ ,VT	1.00000	EA	
6...		2204-50331J0	C305	CSC 50V ,330PJ ,VT	1.00000	EA	
6...		2204-50331J0	C307	CSC 50V ,330PJ ,VT	1.00000	EA	
6...		2204-50681K0	C122-123	CSC 50V ,680PK ,VT	2.00000	EA	
6...		2204-50681K0	C128-130	CSC 50V ,680PK ,VT	3.00000	EA	
6...		2204-50681K0	C220-221	CSC 50V ,680PK ,VT	2.00000	EA	
6...		2204-50681K0	C225-226	CSC 50V ,680PK ,VT	2.00000	EA	
6...		2204-5A102K0	C336-337	CSC 500V ,1000PK ,Y5P ,VT	2.00000	EA	
6...		2204-5A102P0	C106	CSC 500V ,1000PP ,VT	1.00000	PS	
6...		2204-5A102P0	C206	CSC 500V ,1000PP ,VT	1.00000	PS	
6...		2204-5A103Z0	C340	CSC 500V ,0.01UZ ,Z5V ,VT (GW-M)	1.00000	EA	
6...		2204-5A103Z0	C343	CSC 500V ,0.01UZ ,Z5V ,VT (GW-M)	1.00000	EA	
6...		2214-50020C0	C107	CSN 50V ,2PC ,VT	1.00000	PS	
6...		2214-50020C0	C207	CSN 50V ,2PC ,VT	1.00000	PS	
6...		2214-50030C0	C125	CSN 50V ,3PC ,VT	1.00000	PS	
6...		2214-50030D0	C446	CSN 50V 3PD ,VT	1.00000	EA	
6...		2214-50050D0	C113	CSN 50V ,5PD ,+/-0.5P ,VT	1.00000	EA	
6...		2214-50050D0	C213	CSN 50V ,5PD ,+/-0.5P ,VT	1.00000	EA	
6...		2214-50100D0	C701	CSN 50V ,10PD ,VT	1.00000	EA	
6...		2214-50100J0	C103	CSN 50V ,10PJ ,VT	1.00000	EA	
6...		2214-50100J0	C203	CSN 50V ,10PJ ,VT	1.00000	EA	
6...		2214-50121J0	C322	CSN 50V ,120PJ ,NPO ,VT	1.00000	EA	
6...		2214-50150J0	C103A	CSN 50V ,15PJ ,6@ ,VT	1.00000	EA	
6...		2214-50150J0	C203A	CSN 50V ,15PJ ,6@ ,VT	1.00000	EA	
6...		2214-50220J0	C117	CSN 50V ,22PJ ,6@ ,VT	1.00000	EA	
6...		2214-50220J0	C217	CSN 50V ,22PJ ,6@ ,VT	1.00000	EA	
6...		2214-50330J0	C120	CSN 50V , 33PJ , 6@ VT	1.00000	EA	
6...		2214-50330J0	C321	CSN 50V , 33PJ , 6@ VT	1.00000	EA	

6...	2214-50330J0	C323	CSN 50V , 33PJ , 6@ ,VT	1.00000	EA
6...	2214-50470J0	C108	CSN 50V ,47PJ ,7.6@ ,VT	1.00000	EA
6...	2214-50470J0	C110	CSN 50V ,47PJ ,7.6@ ,VT	1.00000	EA
6...	2214-50470J0	C208	CSN 50V ,47PJ ,7.6@ ,VT	1.00000	EA
6...	2214-50470J0	C210	CSN 50V ,47PJ ,7.6@ ,VT	1.00000	EA
6...	2214-50470J0	C302	CSN 50V ,47PJ ,7.6@ ,VT	1.00000	EA
6...	2214-50470J0	C331	CSN 50V ,47PJ ,7.6@ ,VT	1.00000	EA
6...	2214-50560J0	C309A	CSN 50V ,56PJ ,6@ ,VT	1.00000	EA
6...	2214-50560J0	C311	CSN 50V ,56PJ ,6@ ,VT	1.00000	EA
6...	2214-50560J0	C443	CSN 50V ,56PJ ,6@ ,VT	1.00000	EA
6...	2214-50680J0	C330	CSN 50V ,68PJ ,6@ ,VT	1.00000	EA
6...	2214-50820J0	C105	CSN 50V ,82PJ ,VT	1.00000	EA
6...	2214-50820J0	C205	CSN 50V ,82PJ ,VT	1.00000	EA
6...	2214-50820J0	C445	CSN 50V ,82PJ ,VT	1.00000	EA
6...	2214-5A020C0	C332-333	CSN 500V ,2PC ,VT	2.00000	PS
6...	2224-50102J0	C109	CSM 50V , 1000PJ(LDs-1H-102-J)V.T	1.00000	EA
6...	2224-50102J0	C209	CSM 50V , 1000PJ(LDs-1H-102-J)V.T	1.00000	EA
6...	2224-50102J0	C702	CSM 50V , 1000PJ(LDs-1H-102-J)V.T	1.00000	EA
6...	2224-50103J0	C444	CSM 50V 0.01UJ LDs-1H-103-J (VT)	1.00000	EA
6...	2224-50223J0	C121	CSM 50V , 0.022UJ(LDs-1H-223-J) ,VT	1.00000	EA
6...	2224-50223J0	C219	CSM 50V , 0.022UJ(LDs-1H-223-J) ,VT	1.00000	EA
6...	2224-50223J0	C703	CSM 50V , 0.022UJ(LDs-1H-223-J) ,VT	1.00000	EA
6...	2244-10476Z0	C111-112	CSE1 10V ,47UZ ,VT	2.00000	PS
6...	2244-10476Z0	C116	CSE1 10V ,47UZ ,VT	1.00000	PS
6...	2244-10476Z0	C118	CSE1 10V ,47UZ ,VT	1.00000	PS
6...	2244-10476Z0	C126	CSE1 10V ,47UZ ,VT	1.00000	PS
6...	2244-10476Z0	C131	CSE1 10V ,47UZ ,VT	1.00000	PS
6...	2244-10476Z0	C134-135	CSE1 10V ,47UZ ,VT	2.00000	PS
6...	2244-10476Z0	C211-212	CSE1 10V ,47UZ ,VT	2.00000	PS
6...	2244-10476Z0	C216	CSE1 10V ,47UZ ,VT	1.00000	PS
6...	2244-10476Z0	C218	CSE1 10V ,47UZ ,VT	1.00000	PS
6...	2244-10476Z0	C306	CSE1 10V ,47UZ ,VT	1.00000	PS
6...	2244-10476Z0	C308	CSE1 10V ,47UZ ,VT	1.00000	PS
6...	2244-10476Z0	C310	CSE1 10V ,47UZ ,VT	1.00000	PS
6...	2244-10476Z0	C317-320	CSE1 10V ,47UZ ,VT	4.00000	PS
6...	2244-10476Z0	C329	CSE1 10V ,47UZ ,VT	1.00000	PS
6...	2244-10476Z0	C704	CSE1 10V ,47UZ ,VT	1.00000	PS
6...	2244-16106M2	C303	CSE1 16V ,10UM ,5@ ,BP VT	1.00000	PS
6...	2602-190600V	Q301-302	TR 2SC 1906 ,HITACHI VT	2.00000	PS
6...	2602-458C00V	Q102	TR 2SC 458C ,VT ,HITACHI	1.00000	PS
6...	2602-458C00V	Q110	TR 2SC 458C ,VT ,HITACHI	1.00000	PS
6...	2602-458C00V	Q202	TR 2SC 458C ,VT ,HITACHI	1.00000	PS
6...	2602-458C00V	Q702-703	TR 2SC 458C ,VT ,HITACHI	2.00000	PS
6...	2602-535C00V	Q104-105	TR 2SC 535C ,VT ,HITACHI	2.00000	PS

6...		2602-535C00V	Q108-109	TR 2SC 535C ,VT ,HITACHI	2.00000	PS	
6...		2602-535C00V	Q204-205	TR 2SC 535C ,VT ,HITACHI	2.00000	PS	
6...		2602-535C00V	Q210-211	TR 2SC 535C ,VT ,HITACHI	2.00000	PS	
6...		2602-752GTM0	Q304-305	TR 2SC752(G)-TM-O, TOSH	2.00000	EA	
6...		2710-74LS00P	U301	IC HD74LS00P ,HITACHI	1.00000	PS	
6...		271074LS74AP	U302	IC HD74LS74AP ,HITACHI	1.00000	PS	
6...		40WA-B3BXHA	J102	WAFER B3B-XH-A	1.00000	EA	
6...		40WA-B3BXHA	J202-203	WAFER B3B-XH-A	2.00000	EA	
6...		40WA-B3BXHA	J302	WAFER B3B-XH-A	1.00000	EA	
6...		40WA-B3BXHA	J4061	WAFER B3B-XH-A	1.00000	EA	
6...		HTA0224	Q103	TRANSISTOR 2SA1029 D	1.00000	EA	
6...		HTA0224	Q106-107	TRANSISTOR 2SA1029 D	2.00000	EA	
6...		HTA0224	Q203	TRANSISTOR 2SA1029 D	1.00000	EA	
6...		HTA0224	Q206-209	TRANSISTOR 2SA1029 D	4.00000	EA	
6...		HTA0224	Q303	TRANSISTOR 2SA1029 D	1.00000	EA	
6...		HTA0224	Q306	TRANSISTOR 2SA1029 D	1.00000	EA	
6...		HTA0224	Q701	TRANSISTOR 2SA1029 D	1.00000	EA	
6...		HTC0192VT	Q307-308	TRANSISTOR 2SC641K-C TZ VT(停產98年3月)	2.00000	EA	
6...		HTC0721VT	Q311-312	TRANSISTOR 2SC2901-T VT	2.00000	EA	
5....		40WA-B2BXHA	J104	WAFER B2B-XH-A	1.00000	EA	
5....		40WA-B2BXHA	J701	WAFER B2B-XH-A	1.00000	EA	
5....		40WA-B6BXHA	J304	WAFER B6B-XH-A	1.00000	EA	
5....		40WA-B6BXHA	J6081	WAFER B6B-XH-A	1.00000	EA	
4.....		2661-404E-00	Q101	FET 2SK404E-SPA-AC ,HITACHI	1.00000	EA	
4.....		2661-404E-00	Q201	FET 2SK404E-SPA-AC ,HITACHI	1.00000	EA	
4.....	P	HTA0099	Q317-318	TRANSISTOR 2SA781K (停產SEPT98)	2.00000	EA	
3.....		2002-12B1J3A	R396-397	RC 1/4W ,120RJ ,VERT	2.00000	PS	
3.....		2062L6000FA9	RN101	RN M-5616 (ATT USE) ,USI	1.00000	PS	
3.....		2062L6000FA9	RN201	RN M-5616 (ATT USE) ,USI	1.00000	PS	
3.....		2100-101BM08	VR104	SVR 6-M ,100RB ,H ,WW635HC	1.00000	PS	
3.....		2100-101BM08	VR204	SVR 6-M ,100RB ,H ,WW635HC	1.00000	PS	
3.....		2100-102BM12	VR701	SVR 6-M ,1KB ,H ,WW635HC	1.00000	PS	
3.....		2100-103BM07	VR106	SVR 6-M ,10KB ,H ,WW635HC	1.00000	PS	
3.....		2100-103BM07	VR206	SVR 6-M ,10KB ,H ,WW635HC	1.00000	PS	
3.....		2100-201BM05	VR102	SVR 6-M ,200RB ,H ,WW635HC	1.00000	PS	
3.....		2100-201BM05	VR202	SVR 6-M ,200RB ,H ,WW635HC	1.00000	PS	
3.....		2100-223BM02	VR607	SVR 8-M ,22KB ,H ,TM8KV2-6US-B22K ,NOBLE	1.00000	PS	ROTATION
3.....		2100-501BM04	VR301	SVR 6-M ,500RB ,H ,WW635HC	1.00000	PS	
3.....		2100-503BM05	VR105	SVR 6-M ,50KB ,H ,WW635HC	1.00000	PS	
3.....		2100-503BM05	VR205	SVR 6-M ,50KB ,H ,WW635HC	1.00000	PS	
3.....		2201-5A47220	C341	CSC 500V 4700PZ. Z5V	1.00000	EA	
3.....		2241-1B105Z0	C316	CSE1 160V ,1UZ ,8@	1.00000	EA	
3.....		22G1-1M00100	SG701	CSG 1500V AG15PC 152FS-K4U (SG5-152FPCB WANROC)	1.00000	EA	
3.....		2506-2211700	ZNR601	ZNR 14K 221(220V) ,17m/m ,MATS	1.00000	EA	

3.....	2600-1407E00	Q315-316	TR 2SA 1407E,SANYO (HD PART# HX8502966A)	2.00000	EA	
3.....	2602-3601E00	Q313-314	TR 2SC 3601E,SANYO (HD PART# HX8502966B)	2.00000	EA	
3.....	2900-47C112A	L101	COIL 0.47uH +/-20 ,1150mA ,Q>=45 ,ELE-H R47 MA	1.00000	PS	
3.....	2900-47C112A	L201	COIL 0.47uH +/-20 ,1150mA ,Q>=45 ,ELE-H R47 MA	1.00000	PS	
3.....	2900-68C450Q	L301-302	COIL 0.68UH ,Q>45 ,VERT ,1206R68M	2.00000	PS	
3.....	3111-05D0190	DS601	LED GREEN, LT0321-21, 3@	1.00000	EA	
3.....	3202-1120010	S601	SW PUSH SY15-22-1(U98D1)/T DPST ,PCB TYPE 4P*1 PP	1.00000	PS	
3.....	40WA-B7BXHA	J303	WAFER B7B-XH-A	1.00000	EA	
3.....	40WCJ0233-CA	J6071	WIRE C. 0233-CA	1.00000	EA	
3.....	40WCJ0236-DD	J6011	WIRE C. 0236-DD	1.00000	EA	
3.....	40WCJ0244-GC	J613	WIER C. 0244-GC	1.00000	EA	
3.....	40WCJ0251-MA	J301	WIRE C. 0251-MA	1.00000	EA	TO J3011
3.....	40WCJ1010165	J702	MF00-07#24-550-9-0 T-10-0477	1.00000	EA	CAL
3.....	40WCJ1010227	L	OT00-15#20-220mm-1-0 ,T-10-0795	1.00000	EA	LIFE
3.....	40WCJ1010228	N	OT00-15#20-220mm-6-0 ,T-10-0795	1.00000	EA	NEUTRAL
3.....	40WCJ1010245		OT00-15#20-220mm-3-0 ,T-10-0870	1.00000	PS	TO 120V
3.....	40WCJ1025330	J7011	WIRE C. JD-0102-5330(JD-89-0529-4)	1.00000	EA	& J7012 TO J7
3.....	40WCJ1030039	J3061-3062	WIRE C. JD-0103-0039 (N)(JD-89-0529-11)	1.00000	EA	Y+Y-
3.....	40WCJ1050062	J6091	XHCN-07#26-250mm-68888-0	1.00000	PS	
3.....	40WCJ3010002	S	OT00-15#20-221-0-0 (T-10-0551)	1.00000	EA	S
3.....	4214-1000908		LW 24 ,UL1007 ,0 0 ,90mm ,10 5 ,M ,T-10-0872	5.00000	PS	GND
3.....	4214-1550401		LW 24 ,UL1007 ,5 5 ,40m/m ,5 5 ,S	1.00000	EA	A-a
3.....	4214-1990503	J101	LW 24 UL1007 ,9 9 ,50m/m ,5 5 ,M	1.00000	EA	CH1 BNC
3.....	4214-1990503	J201	LW 24 UL1007 ,9 9 ,50m/m ,5 5 ,M	1.00000	EA	CH2 BNC
3.....	44BB-9010030		BB LB-011 LUMAUX ,2 PIN	2.00000	PS	
3.....	51OS-6200030		NP OS07M030 ,SLIDE NP (3 STEP)	2.00000	PS	
3.....	51OS-658G050		SLIDE NP OS03M320	1.00000	PS	
3.....	5201-A000030	1	HEAT SINK 840547-59 ,AL ,U TYPE	2.00000	PS	
3.....	5306-1000000		CABLE TIES CV-100 ,100*1.0 GT-100M,100*1.1	6.00000	PS	
3.....	62OS-620HP20		CA OS07M090 ,PCB HOLDER (LOWER)	1.00000	PS	
3.....	63EF-ZF10090		LED HOLDER LED3-12	1.00000	EA	
3.....	CVE0059	VC101	C SVC ECR-HA010A41	1.00000	EA	
3.....	CVE0059	VC103	C SVC ECR-HA010A41	1.00000	EA	
3.....	CVE0059	VC201	C SVC ECR-HA010A41	1.00000	EA	
3.....	CVE0059	VC203	C SVC ECR-HA010A41	1.00000	EA	
3.....	CVE0060	VC205	C SVC ECR-HA020A41	1.00000	EA	
3.....	CVE0062	VC301	C SVC ECR-HA040E41	1.00000	EA	
3.....	CVE0062	VC303	C SVC ECR-HA040E41	1.00000	EA	
3.....	CVE0064	VC104	C SVC ECR-HA003A41	1.00000	EA	
3.....	CVE0064	VC204	C SVC ECR-HA003A41	1.00000	EA	
3.....	CVE0065	VC102	C SVC ECR-HA007A41	1.00000	EA	
3.....	CVE0065	VC202	C SVC ECR-HA007A41	1.00000	EA	
3.....	HX8348452	VR103	RV CARBON EVH-CCAK20B14 (10K)	1.00000	EA	CH1 POS
3.....	HX8348452	VR203	RV CARBON EVH-CCAK20B14 (10K)	1.00000	EA	CH2 POS

3.....		HX8348452	VR604	RV CARBON EVH-CCAK20B14 (10K)	1.00000	EA	INTEN
3.....		HX8397023A	U101	IC LF411CN	1.00000	EA	
3.....		HX8397023A	U201	IC LF411CN	1.00000	EA	
3.....		HX8398872A	S101	ROTARY SWITCH ADR-255S	1.00000	EA	
3.....		HX8398872A	S201	ROTARY SWITCH ADR-255S	1.00000	EA	
3.....		RMR3724	R368-369	R MEATL RSF1BL15 10 Kohm	2.00000	EA	
3.....		RMV0008	R617	R METAL 15MJ ,VR37 ,PHILIPS	1.00000	EA	
3.....		RNE0057	VR101	RV METAL EVN 49C00YB54(50K)	1.00000	EA	
3.....		RNE0057	VR201	RV METAL EVN 49C00YB54(50K)	1.00000	EA	
3.....		RNE0059	VR606	RV CARBON EVN-NDG K20 B26 2 Mohm	1.00000	EA	FOCUS
3.....		RSE0434	R114	R SOLID ERC14G 10 Mohm	1.00000	EA	
3.....		RSE0434	R214	R SOLID ERC14G 10 Mohm	1.00000	EA	
3.....		XCI0020		SPACER DL CBS-12N	1.00000	EA	
2.....	M	13OS-6300020		PCB ASS'Y OS07P020 ,GOS-630(T)	1.00000	PS	
3.....	M	13OST6300020		PCB ASS'Y OS07P020 ,GOS-630(T) INSERT	1.00000	PS	
4.....	M*	1010T6200020		10m/m COMPONENT OS07P020 ,GOS-620 (T) (INSERT)	1.00000	PS	
5....		2003-10B4JT0	R638	RC 1/2W ,100KJ ,HT ,RD50SS	1.00000	PS	
5....		2003-22B0JT0	R652	RC 1/2W ,22RJ ,HT ,RD50SS	1.00000	PS	
5....		2003-22B3JT0	R529-534	RC 1/2W ,22KJ ,HT ,RD50SS	6.00000	PS	
5....		2003-47B0JT0	R483	RC 1/2W ,47RJ ,HT ,RD50SS	1.00000	PS	
5....		2003-68B2JT0	R624	RC 1/2W ,6.8KJ ,HT ,RD50SS	1.00000	PS	
5....		2502-1SS83H0	D606-609	DIODE 1SS83 HITACHI ,HT	4.00000	EA	
5....		2503T2140050	ZD602	ZENER 1/2W ,20.9-21.9V ,HT ,HZ22T-D ,HITACHI	1.00000	PS	
5....		4270-06D0000		JUMP WIRE 0.6@ ,HT ,130(OD)*22.5(ID)*110.6(H)/ROLL	0.00820	KG	
5....		HDM0051HA	D404-406	DIODE MA161TA5 HT	3.00000	EA	
5....		HDM0051HA	D408	DIODE MA161TA5 HT	1.00000	EA	
5....		HDS0476HA	D610-611	DIODE S5566J (TPA3)	2.00000	EA	
5....		RCE0725HA	R604	R CARBON ERD-S1TJ 473T(47K) HT	1.00000	EA	
5....		RCE0736HA	R450	R CARBON ERD-S1TJ 155T(1.5M) HT	1.00000	EA	
5....		RCE0738HA	R627	R CARBON ERD-S1TJ 225T(2.2M) HT	1.00000	EA	
5....		RMS0023HA	R618	R METAL SN14K2ET-26 1.43 Mohm	1.00000	EA	
4.....	M*	1011T6300020		5m/m COMPONENT OS07P020 ,GOS-630 (T) INSERT	1.00000	PS	
5....		2002-10B0JT1	R412	RC 1/4W ,10RJ ,HT ,RD16S(S2)	1.00000	EA	
5....		2002-10B0JT1	R427-428	RC 1/4W ,10RJ ,HT ,RD16S(S2)	2.00000	EA	
5....		2002-10B0JT1	R435	RC 1/4W ,10RJ ,HT ,RD16S(S2)	1.00000	EA	
5....		2002-10B0JT1	R481	RC 1/4W ,10RJ ,HT ,RD16S(S2)	1.00000	EA	
5....		2002-10B0JT1	R494-498	RC 1/4W ,10RJ ,HT ,RD16S(S2)	5.00000	EA	
5....		2002-10B0JT1	R515	RC 1/4W ,10RJ ,HT ,RD16S(S2)	1.00000	EA	
5....		2002-10B0JT1	R612	RC 1/4W ,10RJ ,HT ,RD16S(S2)	1.00000	EA	
5....		2002-10B1JT1	R406	RC 1/4W ,100RJ ,HT ,RD16S(S2)	1.00000	EA	
5....		2002-10B1JT1	R413	RC 1/4W ,100RJ ,HT ,RD16S(S2)	1.00000	EA	
5....		2002-10B1JT1	R451	RC 1/4W ,100RJ ,HT ,RD16S(S2)	1.00000	EA	
5....		2002-10B1JT1	R528	RC 1/4W ,100RJ ,HT ,RD16S(S2)	1.00000	EA	
5....		2002-10B1JT1	R558-559	RC 1/4W ,100RJ ,HT ,RD16S(S2)	2.00000	EA	

5....		2002-10B1JT1	R607	RC 1/4W ,100RJ ,HT ,RD16S(S2)	1.00000	EA	
5....		2002-10B1JT1	R623	RC 1/4W ,100RJ ,HT ,RD16S(S2)	1.00000	EA	
5....		2002-10B2JT1	R409	RC 1/4W ,1KJ ,HT ,RD16S(S2)	1.00000	EA	
5....		2002-10B2JT1	R415	RC 1/4W ,1KJ ,HT ,RD16S(S2)	1.00000	EA	
5....		2002-10B2JT1	R421	RC 1/4W ,1KJ ,HT ,RD16S(S2)	1.00000	EA	
5....		2002-10B2JT1	R429	RC 1/4W ,1KJ ,HT ,RD16S(S2)	1.00000	EA	
5....		2002-10B2JT1	R477	RC 1/4W ,1KJ ,HT ,RD16S(S2)	1.00000	EA	
5....		2002-10B2JT1	R508	RC 1/4W ,1KJ ,HT ,RD16S(S2)	1.00000	EA	
5....		2002-10B2JT1	R621	RC 1/4W ,1KJ ,HT ,RD16S(S2)	1.00000	EA	
5....		2002-10B2JT1	R646	RC 1/4W ,1KJ ,HT ,RD16S(S2)	1.00000	EA	
5....		2002-10B3JT1	R411	RC 1/4W ,10KJ ,HT ,RD16S(S2)	1.00000	EA	
5....		2002-10B3JT1	R434	RC 1/4W ,10KJ ,HT ,RD16S(S2)	1.00000	EA	
5....		2002-10B3JT1	R469	RC 1/4W ,10KJ ,HT ,RD16S(S2)	1.00000	EA	
5....		2002-10B3JT1	R473	RC 1/4W ,10KJ ,HT ,RD16S(S2)	1.00000	EA	
5....		2002-10B3JT1	R490	RC 1/4W ,10KJ ,HT ,RD16S(S2)	1.00000	EA	
5....		2002-10B3JT1	R504	RC 1/4W ,10KJ ,HT ,RD16S(S2)	1.00000	EA	
5....		2002-10B3JT1	R555	RC 1/4W ,10KJ ,HT ,RD16S(S2)	1.00000	EA	
5....		2002-10B3JT1	R611	RC 1/4W ,10KJ ,HT ,RD16S(S2)	1.00000	EA	
5....		2002-10B3JT1	R633	RC 1/4W ,10KJ ,HT ,RD16S(S2)	1.00000	EA	
5....		2002-10B4JT1	R446	RC 1/4W ,100KJ ,HT ,RD16S(S2)	1.00000	EA	
5....		2002-10B4JT1	R606	RC 1/4W ,100KJ ,HT ,RD16S(S2)	1.00000	EA	
5....		2002-10B4JT1	R610	RC 1/4W ,100KJ ,HT ,RD16S(S2)	1.00000	EA	
5....		2002-10B4JT1	R634	RC 1/4W ,100KJ ,HT ,RD16S(S2)	1.00000	EA	
5....		2002-12B2JT1	R463	RC 1/4W ,1.2KJ ,HT ,RD16S(S2)	1.00000	EA	
5....		2002-12B2JT1	R511-512	RC 1/4W ,1.2KJ ,HT ,RD16S(S2)	2.00000	EA	
5....		2002-15B2JT1	R423	RC 1/4W ,1.5KJ ,HT ,RD16S(S2)	1.00000	EA	
5....		2002-15B2JT1	R439	RC 1/4W ,1.5KJ ,HT ,RD16S(S2)	1.00000	EA	
5....		2002-15B3JT1	R440	RC 1/4W ,15KJ ,HT ,RD16S(S2)	1.00000	EA	
5....		2002-15B3JT1	R464	RC 1/4W ,15KJ ,HT ,RD16S(S2)	1.00000	EA	
5....		2002-15B3JT1	R480	RC 1/4W ,15KJ ,HT ,RD16S(S2)	1.00000	EA	
5....		2002-15B3JT1	R650	RC 1/4W ,15KJ ,HT ,RD16S(S2)	1.00000	EA	
5....		2002-18B2JT1	R408	RC 1/4W ,1.8KJ ,HT ,RD16S(S2)	1.00000	EA	
5....		2002-22B0JT1	R518	RC 1/4W ,22RJ ,HT ,RD16S(S2)	1.00000	EA	
5....		2002-22B0JT1	R660	RC 1/4W ,22RJ ,HT ,RD16S(S2)	1.00000	EA	
5....		2002-22B1JT1	R405	RC 1/4W ,220RJ ,HT ,RD16S(S2)	1.00000	EA	
5....		2002-22B1JT1	R444	RC 1/4W ,220RJ ,HT ,RD16S(S2)	1.00000	EA	
5....		2002-22B1JT1	R502	RC 1/4W ,220RJ ,HT ,RD16S(S2)	1.00000	EA	
5....		2002-22B1JT1	R507	RC 1/4W ,220RJ ,HT ,RD16S(S2)	1.00000	EA	
5....		2002-22B1JT1	R517	RC 1/4W ,220RJ ,HT ,RD16S(S2)	1.00000	EA	
5....		2002-22B1JT1	R560-563	RC 1/4W ,220RJ ,HT ,RD16S(S2)	4.00000	EA	
5....		2002-22B1JT1	R613	RC 1/4W ,220RJ ,HT ,RD16S(S2)	1.00000	EA	
5....		2002-22B1JT1	R647	RC 1/4W ,220RJ ,HT ,RD16S(S2)	1.00000	EA	
5....		2002-22B1JT1	R648-649	RC 1/4W ,220RJ ,HT ,RD16S(S2)	2.00000	EA	
5....		2002-22B2JT1	R436	RC 1/4W ,2.2KJ ,HT ,RD16S(S2)	1.00000	EA	

5....		2002-22B2JT1	R441-442	RC 1/4W 2.2KJ ,HT ,RD16S(S2)	2.00000	EA	
5....		2002-22B2JT1	R457	RC 1/4W 2.2KJ ,HT ,RD16S(S2)	1.00000	EA	
5....		2002-22B2JT1	R466	RC 1/4W 2.2KJ ,HT ,RD16S(S2)	1.00000	EA	
5....		2002-22B2JT1	R608	RC 1/4W 2.2KJ ,HT ,RD16S(S2)	1.00000	EA	
5....		2002-22B3JT1	R426	RC 1/4W 2.2KJ ,HT ,RD16S(S2)	1.00000	EA	
5....		2002-22B3JT1	R456	RC 1/4W 2.2KJ ,HT ,RD16S(S2)	1.00000	EA	
5....		2002-22B3JT1	R630	RC 1/4W 2.2KJ ,HT ,RD16S(S2)	1.00000	EA	
5....		2002-22B3JT1	R644	RC 1/4W 2.2KJ ,HT ,RD16S(S2)	1.00000	EA	
5....		2002-22B4JT1	R620	RC 1/4W 2.20KJ ,HT ,RD16S(S2)	1.00000	EA	
5....		2002-27B2JT1	R416	RC 1/4W 2.7KJ ,HT ,RD16S(S2)	1.00000	EA	
5....		2002-27B2JT1	R458	RC 1/4W 2.7KJ ,HT ,RD16S(S2)	1.00000	EA	
5....		2002-33B1JT1	R535-536	RC 1/4W 3.30RJ ,HT ,RD16S(S2)	2.00000	EA	
5....		2002-33B2JT1	R417-418	RC 1/4W 3.3KJ ,HT ,RD16S(S2)	2.00000	EA	
5....		2002-33B2JT1	R432	RC 1/4W 3.3KJ ,HT ,RD16S(S2)	1.00000	EA	
5....		2002-33B2JT1	R467	RC 1/4W 3.3KJ ,HT ,RD16S(S2)	1.00000	EA	
5....		2002-33B2JT1	R472	RC 1/4W 3.3KJ ,HT ,RD16S(S2)	1.00000	EA	
5....		2002-33B2JT1	R516	RC 1/4W 3.3KJ ,HT ,RD16S(S2)	1.00000	EA	
5....		2002-33B2JT1	R524-525	RC 1/4W 3.3KJ ,HT ,RD16S(S2)	2.00000	EA	
5....		2002-33B2JT1	R640	RC 1/4W 3.3KJ ,HT ,RD16S(S2)	1.00000	EA	
5....		2002-33B3JT1	R655	RC 1/4W 3.3KJ ,HT ,RD16S(S2)	1.00000	EA	
5....		2002-33B4JT1	R609	RC 1/4W 3.30KJ ,HT ,RD16S(S2)	1.00000	EA	
5....		2002-33B4JT1	R629	RC 1/4W 3.30KJ ,HT ,RD16S(S2)	1.00000	EA	
5....		2002-33B4JT1	R637	RC 1/4W 3.30KJ ,HT ,RD16S(S2)	1.00000	EA	
5....		2002-39B1JT1	R403	RC 1/4W 3.90RJ ,HT ,RD16S(S2)	1.00000	EA	
5....		2002-39B1JT1	R462	RC 1/4W 3.90RJ ,HT ,RD16S(S2)	1.00000	EA	
5....		2002-39B2JT1	R478	RC 1/4W 3.9KJ ,HT ,RD16S(S2)	1.00000	EA	
5....		2002-39B2JT1	R482	RC 1/4W 3.9KJ ,HT ,RD16S(S2)	1.00000	EA	
5....		2002-39B2JT1	R602	RC 1/4W 3.9KJ ,HT ,RD16S(S2)	1.00000	EA	
5....		2002-47B0JT1	R437	RC 1/4W 4.7RJ ,HT ,RD16S(S2)	1.00000	EA	
5....		2002-47B0JT1	R447	RC 1/4W 4.7RJ ,HT ,RD16S(S2)	1.00000	EA	
5....		2002-47B0JT1	R506	RC 1/4W 4.7RJ ,HT ,RD16S(S2)	1.00000	EA	
5....		2002-47B0JT1	R651	RC 1/4W 4.7RJ ,HT ,RD16S(S2)	1.00000	EA	
5....		2002-47B1JT1	R452	RC 1/4W 4.70RJ ,HT ,RD16S(S2)	1.00000	EA	
5....		2002-47B1JT1	R475	RC 1/4W 4.70RJ ,HT ,RD16S(S2)	1.00000	EA	
5....		2002-47B1JT1	R479	RC 1/4W 4.70RJ ,HT ,RD16S(S2)	1.00000	EA	
5....		2002-47B1JT1	R489	RC 1/4W 4.70RJ ,HT ,RD16S(S2)	1.00000	EA	
5....		2002-47B1JT1	R505	RC 1/4W 4.70RJ ,HT ,RD16S(S2)	1.00000	EA	
5....		2002-47B1JT1	R521	RC 1/4W 4.70RJ ,HT ,RD16S(S2)	1.00000	EA	
5....		2002-47B2JT1	R407	RC 1/4W 4.7KJ ,HT ,RD16S(S2)	1.00000	EA	
5....		2002-47B2JT1	R424-425	RC 1/4W 4.7KJ ,HT ,RD16S(S2)	2.00000	EA	
5....		2002-47B2JT1	R430	RC 1/4W 4.7KJ ,HT ,RD16S(S2)	1.00000	EA	
5....		2002-47B2JT1	R445	RC 1/4W 4.7KJ ,HT ,RD16S(S2)	1.00000	EA	
5....		2002-47B2JT1	R471	RC 1/4W 4.7KJ ,HT ,RD16S(S2)	1.00000	EA	
5....		2002-47B2JT1	R614	RC 1/4W 4.7KJ ,HT ,RD16S(S2)	1.00000	EA	



5....		2002-47B2JT1	R619	RC 1/4W ,4.7KJ ,HT ,RD16S(S2)	1.00000	EA
5....		2002-47B2JT1	R622	RC 1/4W ,4.7KJ ,HT ,RD16S(S2)	1.00000	EA
5....		2002-47B2JT1	R631	RC 1/4W ,4.7KJ ,HT ,RD16S(S2)	1.00000	EA
5....		2002-47B2JT1	R642	RC 1/4W ,4.7KJ ,HT ,RD16S(S2)	1.00000	EA
5....		2002-47B3JT1	R419-420	RC 1/4W ,47KJ ,HT RD16S(S2)	2.00000	EA
5....		2002-47B3JT1	R422	RC 1/4W ,47KJ ,HT RD16S(S2)	1.00000	EA
5....		2002-47B3JT1	R431	RC 1/4W ,47KJ ,HT RD16S(S2)	1.00000	EA
5....		2002-47B3JT1	R433	RC 1/4W ,47KJ ,HT RD16S(S2)	1.00000	EA
5....		2002-47B3JT1	R443	RC 1/4W ,47KJ ,HT RD16S(S2)	1.00000	EA
5....		2002-47B3JT1	R601	RC 1/4W ,47KJ ,HT RD16S(S2)	1.00000	EA
5....		2002-47B4JT1	R401	RC 1/4W ,470KJ ,HT ,RD16S(S2)	1.00000	EA
5....		2002-47B4JT1	R404	RC 1/4W ,470KJ ,HT ,RD16S(S2)	1.00000	EA
5....		2002-47B4JT1	R625	RC 1/4W ,470KJ ,HT ,RD16S(S2)	1.00000	EA
5....		2002-47B4JT1	R654	RC 1/4W ,470KJ ,HT ,RD16S(S2)	1.00000	EA
5....		2002-56B1JT1	R461	RC 1/4W ,560RJ ,HT ,RD16S(S2)	1.00000	EA
5....		2002-56B2JT1	R455	RC 1/4W ,5.6KJ ,HT ,RD16S(S2)	1.00000	EA
5....		2002-56B2JT1	R468	RC 1/4W ,5.6KJ ,HT ,RD16S(S2)	1.00000	EA
5....		2002-56B2JT1	R470	RC 1/4W ,5.6KJ ,HT ,RD16S(S2)	1.00000	EA
5....		2002-68B0JT1	R402	RC 1/4W ,68RJ ,HT ,RD16S(S2)	1.00000	EA
5....		2002-68B1JT1	R414	RC 1/4W ,680RJ ,HT ,RD16S(S2)	1.00000	EA
5....		2002-68B1JT1	R476	RC 1/4W ,680RJ ,HT ,RD16S(S2)	1.00000	EA
5....		2002-68B2JT1	R410	RC 1/4W ,6.8KJ ,HT ,RD16S(S2)	1.00000	EA
5....		2002-68B2JT1	R448	RC 1/4W ,6.8KJ ,HT ,RD16S(S2)	1.00000	EA
5....		2002-68B2JT1	R501	RC 1/4W ,6.8KJ ,HT ,RD16S(S2)	1.00000	EA
5....		2002-68B2JT1	R603	RC 1/4W ,6.8KJ ,HT ,RD16S(S2)	1.00000	EA
5....		2002-82B2JT1	R438	RC 1/4W ,8.2KJ ,HT ,RD16S(S2)	1.00000	EA
5....		2002-82B2JT1	R465	RC 1/4W ,8.2KJ ,HT ,RD16S(S2)	1.00000	EA
5....		2002-82B2JT1	R556	RC 1/4W ,8.2KJ ,HT ,RD16S(S2)	1.00000	EA
5....		35OS-07P02D0		PCB OS07P02D ,1 ,CEM-1	1.00000	PS
5....		4270-06D0000		JUMP WIRE 0.6@ ,HT ,130(OD)*22.5(ID)*110.6(H)/ROLL	0.08300	KG
5....		4270-06D0000	R474	JUMP WIRE 0.6@ ,HT ,130(OD)*22.5(ID)*110.6(H)/ROLL	0.00001	KG
5....		4270-06D0000	R503	JUMP WIRE 0.6@ ,HT ,130(OD)*22.5(ID)*110.6(H)/ROLL	0.00001	KG
5....		4270-06D0000	R661	JUMP WIRE 0.6@ ,HT ,130(OD)*22.5(ID)*110.6(H)/ROLL	0.00001	KG
5....		HDS0437HB	D302-303	DIODE 1SS133 T-77 HT	2.00000	EA
5....		HDS0437HB	D401-403	DIODE 1SS133 T-77 HT	3.00000	EA
5....		HDS0437HB	D407	DIODE 1SS133 T-77 HT	1.00000	EA
5....		HDS0437HB	D409-414	DIODE 1SS133 T-77 HT	6.00000	EA
5....		HDS0437HB	D501-504	DIODE 1SS133 T-77 HT	4.00000	EA
5....		HDS0437HB	D601-603	DIODE 1SS133 T-77 HT	3.00000	EA
5....		RME1076HB	R509	R METAL ERO-S2TKF(SN14)2211(2.21K)	1.00000	EA
5....		RME1076HB	R510	R METAL ERO-S2TKF(SN14)2211(2.21K)	1.00000	EA
5....		RME1079HB	R522-523	R METAL ERO-S2TKF(SN14)3921(3.92K)	2.00000	EA
5....		RME1080HB	R454	R METAL ERO-S2TKF (SN14)4751 (4.75KF) ,HT	1.00000	EA
5....		RME1086HB	R643	R METAL ERO-S2TKF(SN14)1502(15.0K)	1.00000	EA

5....		RME1095HB	R513-514	R METAL ERO-S2TKF(SN14)8252(82.5K)	2.00000	EA
5....		RME1096HB	R641	R METAL ERO-S2TKF(SN14)1003(100K)	1.00000	EA
5....		RME1195HB	R519-520	R METAL ERO-S2TKF 1103(110K) HT	2.00000	EA
5....		RME1243HB	R453	R METAL ERO-S2TKF (3.01KF) ,HT	1.00000	EA
3.....	M *	13OSV6300020		PCB ASS'Y OS07P020 ,GOS-630(MULTIPLE INSERT)	1.00000	PS
4.....	M *	1014D6300020		DIF-MULTIPLE INSERT COMPONENT OS07P020 GOS-630	1.00000	PS
5....	M	1014V6300020		MULTIPLE INSERT COMPONENT OS07P020 GOS-630	1.00000	PS
6...		2204-50102Z0	C404	CSC 50V ,1000PZ ,VT	1.00000	EA
6...		2204-50103Z0	C345	CSC 50V ,0.01UZ ,8@ ,VT	1.00000	EA
6...		2204-50103Z0	C348	CSC 50V ,0.01UZ ,8@ ,VT	1.00000	EA
6...		2204-50103Z0	C409	CSC 50V ,0.01UZ ,8@ ,VT	1.00000	EA
6...		2204-50103Z0	C415	CSC 50V ,0.01UZ ,8@ ,VT	1.00000	EA
6...		2204-50103Z0	C418-419	CSC 50V ,0.01UZ ,8@ ,VT	2.00000	EA
6...		2204-50103Z0	C426	CSC 50V ,0.01UZ ,8@ ,VT	1.00000	EA
6...		2204-50103Z0	C433-434	CSC 50V ,0.01UZ ,8@ ,VT	2.00000	EA
6...		2204-50103Z0	C437	CSC 50V ,0.01UZ ,8@ ,VT	1.00000	EA
6...		2204-50103Z0	C441	CSC 50V ,0.01UZ ,8@ ,VT	1.00000	EA
6...		2204-50103Z0	C450-454	CSC 50V ,0.01UZ ,8@ ,VT	5.00000	EA
6...		2204-50103Z0	C502	CSC 50V ,0.01UZ ,8@ ,VT	1.00000	EA
6...		2204-50103Z0	C518	CSC 50V ,0.01UZ ,8@ ,VT	1.00000	EA
6...		2204-5A102P0	C612	CSC 500V ,1000PP ,VT	1.00000	PS
6...		2214-50010C0	C416	CSN 50V ,1PC ,VT	1.00000	PS
6...		2214-50050C0	C406	CSN 50V ,5PC ,VT ,CCC45CH1H050CY	1.00000	PS
6...		2214-50080D0	C423	CSN 50V ,8PD ,+/-0.5P ,6@ ,VT	1.00000	EA
6...		2214-50100D0	C505-506	CSN 50V ,10PD ,VT	2.00000	EA
6...		2214-50101J0	C428	CSN 50V ,100PJ ,VT	1.00000	EA
6...		2214-50101J0	C516-517	CSN 50V ,100PJ ,VT	2.00000	EA
6...		2214-50150J0	C507	CSN 50V ,15PJ ,6@ ,VT	1.00000	EA
6...		2214-50220J0	C508	CSN 50V ,22PJ ,6@ ,VT	1.00000	EA
6...		2214-50220J0	C512-513	CSN 50V ,22PJ ,6@ ,VT	2.00000	EA
6...		2214-50221J0	C439-440	CSN 50V ,220PJ ,6@ ,VT	2.00000	EA
6...		2214-50470J0	C432	CSN 50V ,47PJ ,7.6@ ,VT	1.00000	EA
6...		2214-50470J0	C438	CSN 50V ,47PJ ,7.6@ ,VT	1.00000	EA
6...		2214-50820J0	C422	CSN 50V ,82PJ ,VT	1.00000	EA
6...		2214-5A010C8	C602	CSN 500V ,1PC ,VT (TJ TYPE)	1.00000	PS
6...		2214-5A020C0	C510-511	CSN 500V ,2PC ,VT	2.00000	PS
6...		2214-5A220J0	C402	CSN 500V ,22PJ ,NPO ,VT	1.00000	PS
6...		2224-50103J0	C413	CSM 50V 0.01UJ LDs-1H-103-J (VT)	1.00000	EA
6...		2224-50152J0	C623	CSM 50V ,1500PJ (LDs1H-152-J) ,VT	1.00000	EA
6...		2224-50223J0	C430	CSM 50V ,0.022UJ(LDs-1H-223-J) ,VT	1.00000	EA
6...		2224-50223J0	C605	CSM 50V ,0.022UJ(LDs-1H-223-J) ,VT	1.00000	EA
6...		2224-50473J0	C405	CSM 50V ,0.047UJ (LDs-1H-473-J) ,VT	1.00000	EA
6...		2224-50473J0	C607	CSM 50V ,0.047UJ (LDs-1H-473-J) ,VT	1.00000	EA
6...		2224-50473J0	C628	CSM 50V ,0.047UJ (LDs-1H-473-J) ,VT	1.00000	EA

6...	2244-10476Z0	C407	CSE1 10V ,47UZ ,VT	1.00000	PS
6...	2244-10476Z0	C410	CSE1 10V ,47UZ ,VT	1.00000	PS
6...	2244-10476Z0	C412	CSE1 10V ,47UZ ,VT	1.00000	PS
6...	2244-10476Z0	C414	CSE1 10V ,47UZ ,VT	1.00000	PS
6...	2244-10476Z0	C421	CSE1 10V ,47UZ ,VT	1.00000	PS
6...	2244-10476Z0	C427	CSE1 10V ,47UZ ,VT	1.00000	PS
6...	2244-10476Z0	C435	CSE1 10V ,47UZ ,VT	1.00000	PS
6...	2244-10476Z0	C501	CSE1 10V ,47UZ ,VT	1.00000	PS
6...	2244-10476Z0	C503-504	CSE1 10V ,47UZ ,VT	2.00000	PS
6...	2244-10476Z0	C601	CSE1 10V ,47UZ ,VT	1.00000	PS
6...	2244-10476Z0	C625	CSE1 10V ,47UZ ,VT	1.00000	PS
6...	2244-10476Z0	C627	CSE1 10V ,47UZ ,VT	1.00000	PS
6...	2244-10476Z0	C629	CSE1 10V ,47UZ ,VT	1.00000	PS
6...	2244-10476Z0	C630	CSE1 10V ,47UZ ,VT	1.00000	PS
6...	2244-16106M2	C408	CSE1 16V ,10UM ,5@ ,BP VT	1.00000	PS
6...	2244-50226Z0	C420	CSE1 50V ,22UZ ,5@ ,VT	1.00000	PS
6...	2244-50226Z0	C429	CSE1 50V ,22UZ ,5@ ,VT	1.00000	PS
6...	2244-50476Z0	C606	CSE1 50V ,47UZ ,VT	1.00000	EA
6...	2600-1207S0V	Q603	TR 2SA 1207S AA ,VT ,SANYO	1.00000	PS
6...	2602-458C00V	Q407	TR 2SC 458C ,VT ,HITACHI	1.00000	PS
6...	2602-458C00V	Q409-413	TR 2SC 458C ,VT ,HITACHI	5.00000	PS
6...	2602-458C00V	Q501-502	TR 2SC 458C ,VT ,HITACHI	2.00000	PS
6...	2602-458C00V	Q602	TR 2SC 458C ,VT ,HITACHI	1.00000	PS
6...	2602-458C00V	Q611	TR 2SC 458C ,VT ,HITACHI	1.00000	PS
6...	2602-458C00V	Q613	TR 2SC 458C ,VT ,HITACHI	1.00000	PS
6...	2602-535C00V	Q403-404	TR 2SC 535C ,VT ,HITACHI	2.00000	PS
6...	2602-752GTM0	Q601	TR 2SC752(G)-TM-O, TOSH	1.00000	EA
6...	270314051BCP	U406	IC MC 14051BCP ,MOTOROLA	1.00000	EA
6...	270314053BCP	U404	IC MC14053BCP ,MOTO	1.00000	EA
6...	2707-FFFF001	U407	IC TC74HC4052AP ,TOSHIBA	1.00000	EA
6...	2710-74LS00P	U401	IC HD74LS00P ,HITACHI	1.00000	PS
6...	2710-74LS02P	U405	IC HD74LS02P ,HITACHI	1.00000	PS
6...	2710-74LS03P	U403	IC HD74LS03P ,HITACHI	1.00000	PS
6...	271074LS74AP	U402	IC HD74LS74AP ,HITACHI	1.00000	PS
6...	40WA-B3BXHA	J306	WAFER B3B-XH-A	1.00000	EA
6...	40WA-B3BXHA	J404	WAFER B3B-XH-A	1.00000	EA
6...	40WA-B3BXHA	J601	WAFER B3B-XH-A	1.00000	EA
6...	40WA-B3BXHA	J5021	WAFER B3B-XH-A	1.00000	EA
6...	40WA-B3BXHA	J6041	WAFER B3B-XH-A	1.00000	EA
6...	40WA-B3BXHA	J6131	WAFER B3B-XH-A	1.00000	EA
6...	40WA-B4BXHA	J402	WAFER B4B-XH-A	1.00000	EA
6...	40WA-B5BXHA	J609	WAFER B5B-XH-A	1.00000	EA
6...	HTA0104VT	Q609	TRANSISTOR 2SA778AK TZ VT	1.00000	EA
6...	HTA0224	Q405-406	TRANSISTOR 2SA1029 D	2.00000	EA

6...	HTA0224	Q503-508	TRANSISTOR 2SA1029 D	6.00000	EA
6...	HTA0224	Q607	TRANSISTOR 2SA1029 D	1.00000	EA
6...	HTA0224	Q610	TRANSISTOR 2SA1029 D	1.00000	EA
6...	HTA0224	Q614	TRANSISTOR 2SA1029 D	1.00000	EA
6...	HTC0148	Q402	TRANSISTOR 2SC458C	1.00000	EA
6...	HTC0722VT	Q604	TRANSISTOR 2SC2909S AA VT	1.00000	EA
5....	40WA-B2BXHA	J614	WAFER B2B-XH-A	1.00000	EA
5....	40WA-B6BXHA	J403	WAFER B6B-XH-A	1.00000	EA
5....	40WA-B6BXHA	J607	WAFER B6B-XH-A	1.00000	EA
3.....	2061-10B3J50	RN402	RN 1/8W 10KJ*4(5PIN) 250PPM RKC1/8B4J ,KOA	1.00000	EA
3.....	2062L2864FA9	RN401	RN M-5617 (TIME USE) ,USI	1.00000	PS
3.....	2092-47B1JTO	R537	RF 1/4W ,470RJ ,HT ,RF25S	1.00000	PS
3.....	2100-102BM12	VR405	SVR 6-M ,1KB ,H ,WW635HC	1.00000	PS
3.....	2100-103BM07	VR402	SVR 6-M ,10KB ,H ,WW635HC	1.00000	PS
3.....	2100-104BM05	VR601	SVR 6-M ,100KB ,H ,WW635HC	1.00000	PS
3.....	2100-202BM07	VR404	SVR 6-M ,2KB ,H ,WW635HC	1.00000	PS
3.....	2100-202BM07	VR503	SVR 6-M ,2KB ,H ,WW635HC	1.00000	PS
3.....	2100-204BM02	VR603	SVR 6-M ,200KB ,H ,WW635HC	1.00000	PS
3.....	2100-501BM04	VR504	SVR 6-M ,500RB ,H ,WW635HC	1.00000	PS
3.....	2100-503BM05	VR502	SVR 6-M ,50KB ,H ,WW635HC	1.00000	PS
3.....	2110-103BC04	VR401	VR 10KB ,16@ ,RK163111R691 (RKDA10R691)	1.00000	EA
3.....	2110-202BC13	VR403	VR 2KB ,V16L4(7*5)(PH2D)N20KC-B2K-3T(C.C)	1.00000	PS
3.....	2201-2K102K0	C614	CSC 2KV ,1000PK	1.00000	PS
3.....	2201-2K221K0	C611	CSC 2KV 220PK(PB0707B221K2KV)	1.00000	PS
3.....	2201-2K472Z0	C608-610	CSC 2KV ,4700PZ	3.00000	PS
3.....	2201-2K472Z0	C615	CSC 2KV ,4700PZ	1.00000	PS
3.....	2201-5A472Z0	C514	CSC 500V 4700PZ, Z5V	1.00000	EA
3.....	2201-5A472Z0	C603	CSC 500V 4700PZ, Z5V	1.00000	EA
3.....	2201-5A472Z0	C617-618	CSC 500V 4700PZ, Z5V	2.00000	EA
3.....	2241-1B105Z0	C604	CSE1 160V ,1UZ ,8@	1.00000	EA
3.....	2241-1B105Z0	C613	CSE1 160V ,1UZ ,8@	1.00000	EA
3.....	2241-25228Z0	C624	CSE1 25V ,2200UZ ,13@*26m/m	1.00000	EA
3.....	2241-25228Z0	C626	CSE1 25V ,2200UZ ,13@*26m/m	1.00000	EA
3.....	2241-2A107M0	C619	CSE1 200V ,100UZ	1.00000	PS
3.....	2241-2B476M0	C620	CSE1 250V ,47UM 13@*26m/m SKR	1.00000	EA
3.....	2241-50105M3	C411	CSE1 50V ,1UM ,4*7 ,BP	1.00000	PS
3.....	2241-50105M3	C431	CSE1 50V ,1UM ,4*7 ,BP	1.00000	PS
3.....	2244-1B106Z0	C622	CSE1 160V ,10UZ ,@8	1.00000	PS
3.....	2501-N4004T0	D612-619	DIODE 1N4004E ,G.I HT	8.00000	EA
3.....	2501-R0260H0	D604	DIODE FR02-60 ,HT	1.00000	PS
3.....	2603-313E-00	Q608	TR 2SD 313E ,SANY	1.00000	EA
3.....	2661-404E-00	Q401	FET 2SK404E-SPA-AC ,HITACHI	1.00000	EA
3.....	2743-16V8A21	U408	IC 16V8A/B/D-21 ,GOS-620 V3.0 (SUM 9BF5) ,WITH LB	1.00000	PS
3.....	2900-330371A	L403	COIL 33uH +/-10% ,370mA ,Q>=55 ,ELE-H 330 KA	1.00000	PS

3.....		2900-47D10MQ	L401	COIL 4.7uH ,Q<=0.01 ,GFG-813-017	1.00000	EA	
3.....		2900-682500A	L501	COIL 6800uH +/-5% ,50mA ,Q>=100 ,FL-7H 682J	1.00000	PS	
3.....		3153-0062000	NE601-602	NEON LAMP NEZ 6*18m/m	2.00000	EA	
3.....		3200-11P0010	S404	SW ENCODER SDB161PH20F-1-5-24PC ,24 DETENTS	1.00000	PS	
3.....		3202-1110740	S403	SW PUSH SPPJ32 ,3P*2	1.00000	EA	
3.....		3202-1110740	S405	SW PUSH SPPJ32 ,3P*2	1.00000	EA	
3.....		3202-1121270	S203	SW PUSH, SPEA12MC01-GW, 6P*1 PP	1.00000	EA	
3.....		3202-1121270	S302-303	SW PUSH, SPEA12MC01-GW, 6P*1 PP	2.00000	EA	
3.....		3204-0320010	S101	SW SLIDE SS001-P223BDmS-SB11 ,2P3T	1.00000	PS	
3.....		3204-0320010	S201	SW SLIDE SS001-P223BDmS-SB11 ,2P3T	1.00000	PS	
3.....		3204-0420280	S301	SW SLIDE SS001-P224ONM-SB11, 2P4T	1.00000	EA	
3.....		3204-0420280	S401-402	SW SLIDE SS001-P224ONM-SB11, 2P4T	2.00000	EA	
3.....		3613-14D003N		CRT SOCKET 14P ,D ,3" ,N (HITACHI 1339)	1.00000	EA	
3.....		37FT-4164251	F601	FUSE T 5.0*20 0.25A 250V B/S/V/R S504+PT	1.00000	PS	
3.....		40WA-01T1R3B	J602	WAFER RT-01T-1.3B (KRD-0549-2)	1.00000	EA	
3.....		40WA-B10BXH	J605	WAFER B10B-XH-A	1.00000	EA	
3.....		40WA-B3BXHA	J6031	WAFER B3B-XH-A	1.00000	EA	
3.....		40WCJ0245-GD	J603	WIRE C. 0245-GD	1.00000	EA	
3.....		40WCJ1030174	J4041	XH00-07#26-170mm-7B9-1 ,JFE	1.00000	EA	EXT
3.....		40WCJ1030207	J5011	XH00-07#26-241-1B2-0	1.00000	EA	X+X-
3.....		40WCJ1030217	J406	CNXH-07#26-250mm-488-0 ,951117-2 (T-10-0782)	1.00000	EA	
3.....		40WCJ1030218	J3021	XHCN-07#26-280mm-388-0 (T-10-0777)	1.00000	EA	
3.....		40WCJ1030218	Q615	XHCN-07#26-280mm-388-0 (T-10-0777)	1.00000	EA	TO Q615
3.....		40WCJ1030219	J604	XHCN-07#26-320mm-588-0 (T-10-0777)	1.00000	EA	
3.....		40WCJ1030246	J1021-1022	XH00-07#24-65mm-109-1 229633-P	1.00000	PS	
3.....		40WCJ1030246	J2021-2022	XH00-07#24-65mm-109-1 229633-P	1.00000	PS	
3.....		40WCJ1030246	J2031-2032	XH00-07#24-65mm-109-1 229633-P	1.00000	PS	
3.....		40WCJ1040051	J4021	WIRE C. JD-0104-0051(JD-T-10-0040)	1.00000	EA	
3.....		40WCJ1060126	J4031	XHCN-07#26-80mm-788888-0 ,951117-5 (T-10-0785)	1.00000	EA	
3.....		40WCJ1060128	J608	XHCN-07#26-360mm-588888-0 (T-10-0774)	1.00000	EA	
3.....		40WCJ1060134	J401	XHCN-65#26-340mm-09B02B-2 ,JD-87-0521	1.00000	PS	&J407
3.....		40WCJ1070051	J3031	XHCN-07#26-230mm-2888888-0 ,T-10-0874	1.00000	PS	
3.....		44BB-9010030		BB LB-011 LUMAUX ,2 PIN	1.00000	PS	
3.....		51OS-658G050		SLIDE N/P OS03M320	2.00000	PS	
3.....		5207-AF0002A		HS HS-GSP-13A ,MB-210	3.00000	EA	
3.....		5306-1000000		CABLE TIES CV-100 ,100*1.0 GT-100M,100*1.1	10.00000	PS	增加 CABLE TIE
3.....		57IL-21G0040		RUBBER RB-220-1 ,GRAY	1.00000	EA	
3.....		57IL-21W0010		INSULATED PAD 3.5@*6@*3.5 ,WHITE FOR TO-220(603S	1.00000	EA	FOR Q608
3.....		62OS-620HP1C		CA OS07M08C ,PCB HOLDER	1.00000	PS	
3.....		62OS-620SP10		CA 3180079A ,HV CASE SPTE #25 CODAKU-SHI-AEGI	1.00000	PS	
3.....		CQE0049	C424	C POLYEISTEL ECQ-E1105JN(JNB) TYPE-1	1.00000	EA	
3.....		CQE0050	C425	C POLYEISTEL ECQ-E1103JN(JNB) TYPE-1	1.00000	EA	
3.....		CQM0431	C101	C POLYESTER KMH-473K400 (400V 0-047MF)	1.00000	EA	
3.....		CQM0431	C201	C POLYESTER KMH-473K400 (400V 0-047MF)	1.00000	EA	

3.....		CQM0431	C403	C POLYESTER KMH-473K400 (400V 0-047MF)	1.00000	EA
3.....		CVE0062	VC401	C SVC ECR-HA040E41	1.00000	EA
3.....		CVE0062	VC501	C SVC ECR-HA040E41	1.00000	EA
3.....		EFZ0013	F602	IC PROTECTOR ICP-F10 (0.4A)	1.00000	EA
3.....		HTC0649	Q509-512	TRANSISTOR 2SC2610	4.00000	EA
3.....		HTK0081	Q408	TRANSISTOR 2SK304E	1.00000	EA
3.....		HTK0081	Q606	TRANSISTOR 2SK304E	1.00000	EA
3.....		HX3180008	T601	H.V. TRANSFORMER	1.00000	EA
3.....		HX8348452	VR501	RV CARBON EVH-CCAK20B14 (10K)	1.00000	EA
3.....		IPM0021	U601	IC UPC7908HF/UPC7908AHF NEC	1.00000	EA
3.....		IPN0003	U602	IC NJM7808FA JRC	1.00000	EA
3.....		IPN0004	U603	IC NJM 7805 FA (JRC)	1.00000	EA
3.....		RCE0425	R639	R CARBON ERD-25UJ 102 (1.0K)	1.00000	EA
3.....		RMR3779	R526-527	R METAL RSF1BL15 100 Kohm	2.00000	EA
3.....		RMV0004	R626	R METAL 22.1MF ,VR37 ,PHILIPS	1.00000	EA
3.....		RSE0434	R449	R SOLID ERC14G 10 Mohm	1.00000	EA
3.....		RSE0434	R632	R SOLID ERC14G 10 Mohm	1.00000	EA
2.....		37FT-1124311		FUSE T5.0*20 0.315A 250V SEMKO/VDE ,179120	1.00000	EA
1.....	M	*1050-6300010		CONRAD 630 PACKING ASS'Y	1.00000	PS
2.....		5813-150208A		LB VC630LB1-A ,630 BARCODE (NO:129640)	1.00000	PS
2.....		593B-05014NP		SCREW FLAT ,+ ,5*14 ,P TYPE ,N ,TE02M600 (HANDLE)	2.00000	PS
2.....		62OS-658LO1B		CA OS03M30B ,BOTTOM COVER	1.00000	PS
2.....		62OS-658UP10		CA OS03M310 ,TOP COVER	1.00000	PS
2.....		63HD-AG10070		PC OS03M370 ,HANDLE	1.00000	PS
2.....		80VC-630CN1A		CARTON VC630CN1-A ,CONRAD 630	1.00000	PS
2.....		81OS-658PE10		PE OS03M580 ,FOR HANDLE	1.00000	PS
2.....		81PF-658PF1B		POLYFOAM OS03M42B	1.00000	PS
2.....		81PF-658PF2A		POLYFOAM OS03M43A	1.00000	PS
2.....		82VC-63000M0		MANUAL VOLTcraft 630	1.00000	PS
2.....		8322-8570200		DESICCANT 20G	1.00000	PS
2.....		84EB-2501250		PE BAG TK000PE1-0 ,250*125m/m	1.00000	PS
2.....		84PB-3001950		PACKING BAG PB-06 ,300*195m/m	1.00000	PS
2.....		84PB-6604800		PACKING BAG PB-11 ,660*480m/m	1.00000	PS
1.....		4345-4078040		LING CORD 14 ,B+G(RIGHT ,LS-136 ,6 ,6FT ,VDE 2 ,G	1.00000	EA
1.....		5801-0201980		LB GW-M ,SER NO: (NO GW)	1.00000	PS

OCUMMULATIV LEAD TIME: 13 5 DAYS

EARLIEST OF D ER STARTS: 08> 18>99