

TYPE 1390-B RANDOM-NOISE GENERATOR

Rotary switch sections are shown as viewed from the pencil end of the shaft. The first digit of the contact number refers to the section. The section nearest the pencil is 1, the next section back is 2, etc. The next two digits refer to the contact. Contact 0 is the first position clockwise from a star screw (usually the screw above the bearing key), and the other contacts are numbered sequentially (02, 03, 04, etc), proceeding clockwise around the section. A suffix F or R indicates that the contact is on the front or rear of the section, respectively.

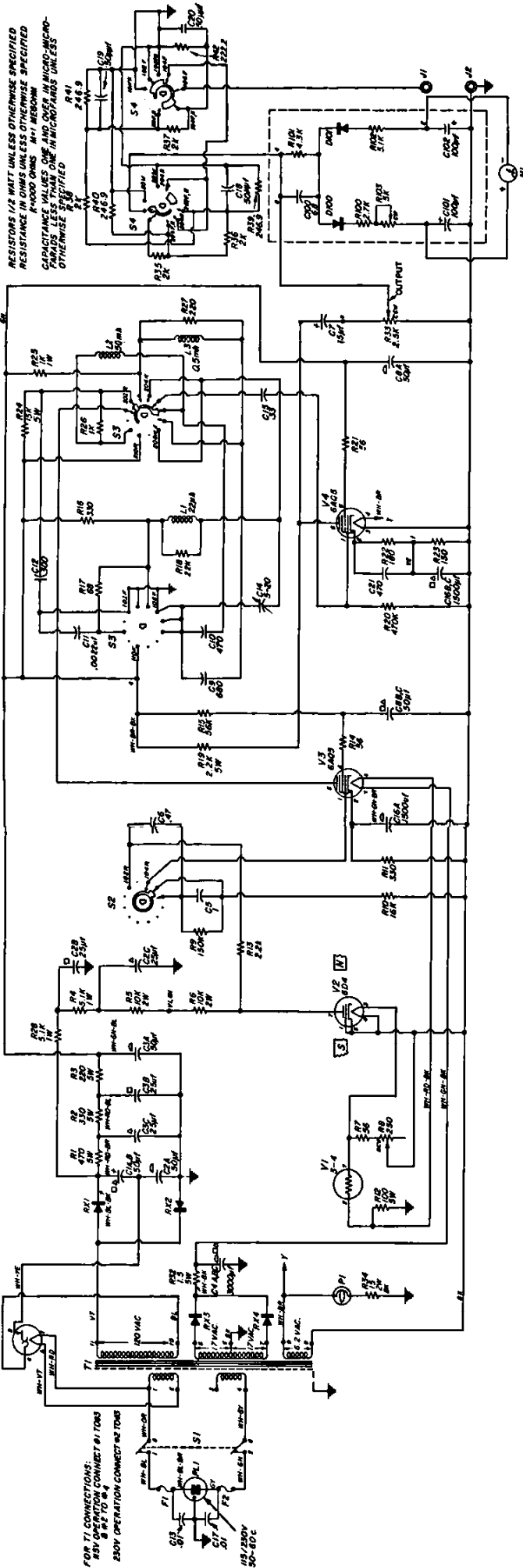
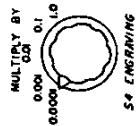


Figure 12. Schematic Wiring Diagram.