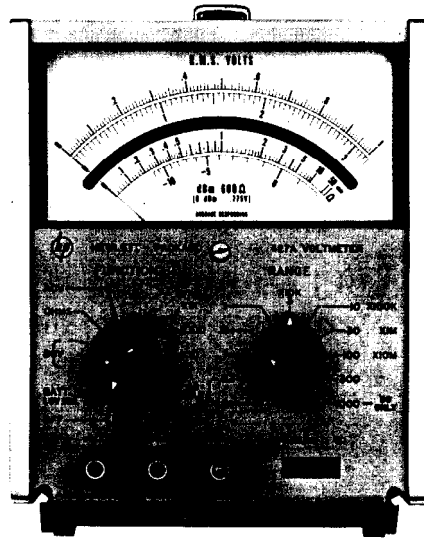


OPERATING AND SERVICE MANUAL

# VOLTMETER 427A



HEWLETT  PACKARD

HP 427A



## **CERTIFICATION**

*The Hewlett-Packard Company certifies that this instrument was thoroughly tested and inspected and found to meet its published specifications when it was shipped from the factory. The Hewlett-Packard Company further certifies that its calibration measurements are traceable to the U.S. National Bureau of Standards to the extent allowed by the Bureau's calibration facility.*

## **WARRANTY AND ASSISTANCE**

All Hewlett-Packard products are warranted against defects in materials and workmanship. This warranty applies for one year from the date of delivery, or, in the case of certain major components listed in the operating manual, for the specified period. We will repair or replace products which prove to be defective during the warranty period provided they are returned to Hewlett-Packard. No other warranty is expressed or implied. We are not liable for consequential damages.

Service contracts or customer assistance agreements are available for Hewlett-Packard products that require maintenance and repair on-site.

For any assistance, contact your nearest Hewlett-Packard Sales and Service Office. Addresses are provided at the back of this manual.



# **OPERATING AND SERVICE MANUAL**

-hp- Part No. 00427-90004

## **MODEL 427A VOLTMETER**

Serials Prefixed: 947-

Appendix C, Manual Backdating Changes,  
adapts manual to serials prefixed 550-, 621-, 731-

Copyright Hewlett-Packard Company 1969  
P.O. Box 301, Loveland, Colorado, 80537 U.S.A.

Printed: JAN 1970

**TABLE OF CONTENTS**

<table border="0"> <tr> <td style="text-align: right;">Section</td> <td></td> <td style="text-align: right;">Page</td> </tr> <tr> <td>I</td> <td>GENERAL INFORMATION . . . . .</td> <td style="text-align: right;">1-1</td> </tr> <tr> <td></td> <td>1-1. Description . . . . .</td> <td style="text-align: right;">1-1</td> </tr> <tr> <td></td> <td>1-5. Battery . . . . .</td> <td style="text-align: right;">1-1</td> </tr> <tr> <td></td> <td>1-7. Instrument and Manual     Identification . . . . .</td> <td style="text-align: right; vertical-align: bottom;">1-1</td> </tr> <tr> <td></td> <td>1-10. Available Accessories . . . . .</td> <td style="text-align: right;">1-1</td> </tr> <tr> <td></td> <td>1-12. Cables and Adapters . . . . .</td> <td style="text-align: right;">1-1</td> </tr> <tr> <td></td> <td>1-13. Probes . . . . .</td> <td style="text-align: right;">1-1</td> </tr> <tr> <td style="text-align: right;">Section</td> <td></td> <td style="text-align: right;">Page</td> </tr> <tr> <td>II</td> <td>INSTALLATION . . . . .</td> <td style="text-align: right;">2-1</td> </tr> <tr> <td></td> <td>2-1. Introduction . . . . .</td> <td style="text-align: right;">2-1</td> </tr> <tr> <td></td> <td>2-3. Initial Inspection . . . . .</td> <td style="text-align: right;">2-1</td> </tr> <tr> <td></td> <td>2-5. Power Requirements . . . . .</td> <td style="text-align: right;">2-1</td> </tr> <tr> <td></td> <td>2-7. Grounding Requirements . . . . .</td> <td style="text-align: right;">2-1</td> </tr> <tr> <td></td> <td>2-10. Installation . . . . .</td> <td style="text-align: right;">2-1</td> </tr> <tr> <td></td> <td>2-12. Bench Mounting . . . . .</td> <td style="text-align: right;">2-1</td> </tr> <tr> <td></td> <td>2-14. Rack Mounting . . . . .</td> <td style="text-align: right;">2-1</td> </tr> <tr> <td></td> <td>2-16. Combination Mounting . . . . .</td> <td style="text-align: right;">2-1</td> </tr> <tr> <td></td> <td>2-18. Repackaging for Shipment . . . . .</td> <td style="text-align: right;">2-1</td> </tr> <tr> <td style="text-align: right;">Section</td> <td></td> <td style="text-align: right;">Page</td> </tr> <tr> <td>III</td> <td>OPERATING INSTRUCTIONS . . . . .</td> <td style="text-align: right;">3-1</td> </tr> <tr> <td></td> <td>3-1. Introduction . . . . .</td> <td style="text-align: right;">3-1</td> </tr> <tr> <td></td> <td>3-3. Front and Rear Panel     Description . . . . .</td> <td style="text-align: right; vertical-align: bottom;">3-1</td> </tr> <tr> <td></td> <td>3-5. Operating Instructions . . . . .</td> <td style="text-align: right;">3-1</td> </tr> <tr> <td></td> <td>3-6. Mechanical Zero Adjustment . . . . .</td> <td style="text-align: right;">3-1</td> </tr> <tr> <td></td> <td>3-8. Turn-On Procedure . . . . .</td> <td style="text-align: right;">3-1</td> </tr> <tr> <td></td> <td>3-11. DC Measurements . . . . .</td> <td style="text-align: right;">3-1</td> </tr> <tr> <td></td> <td>3-12. Resistance Measurements . . . . .</td> <td style="text-align: right;">3-1</td> </tr> <tr> <td></td> <td>3-13. AC Measurements . . . . .</td> <td style="text-align: right;">3-2</td> </tr> <tr> <td></td> <td>3-16. DB Measurements . . . . .</td> <td style="text-align: right;">3-2</td> </tr> <tr> <td style="text-align: right;">Section</td> <td></td> <td style="text-align: right;">Page</td> </tr> <tr> <td>IV</td> <td>THEORY OF OPERATION . . . . .</td> <td style="text-align: right;">4-1</td> </tr> <tr> <td></td> <td>4-1. General . . . . .</td> <td style="text-align: right;">4-1</td> </tr> <tr> <td></td> <td>4-5. DC Operation . . . . .</td> <td style="text-align: right;">4-1</td> </tr> <tr> <td></td> <td>4-7. Ohms Operation . . . . .</td> <td style="text-align: right;">4-1</td> </tr> <tr> <td></td> <td>4-9. AC Operation . . . . .</td> <td style="text-align: right;">4-1</td> </tr> <tr> <td></td> <td>4-12. Circuit Descriptions . . . . .</td> <td style="text-align: right;">4-2</td> </tr> <tr> <td></td> <td>4-13. DC Amplifier (A1) . . . . .</td> <td style="text-align: right;">4-2</td> </tr> <tr> <td></td> <td>4-16. DC Offset (A2) . . . . .</td> <td style="text-align: right;">4-2</td> </tr> <tr> <td></td> <td>4-19. AC Metering Circuit (A2) . . . . .</td> <td style="text-align: right;">4-3</td> </tr> <tr> <td></td> <td>4-23. Battery Regulator A1 . . . . .</td> <td style="text-align: right;">4-3</td> </tr> <tr> <td style="text-align: right;">Section</td> <td></td> <td style="text-align: right;">Page</td> </tr> <tr> <td>V</td> <td>MAINTENANCE . . . . .</td> <td style="text-align: right;">5-1</td> </tr> <tr> <td></td> <td>5-1. Introduction . . . . .</td> <td style="text-align: right;">5-1</td> </tr> <tr> <td></td> <td>5-3. Required Equipment . . . . .</td> <td style="text-align: right;">5-1</td> </tr> <tr> <td></td> <td>5-5. Performance Checks . . . . .</td> <td style="text-align: right;">5-1</td> </tr> </table>	Section		Page	I	GENERAL INFORMATION . . . . .	1-1		1-1. Description . . . . .	1-1		1-5. Battery . . . . .	1-1		1-7. Instrument and Manual Identification . . . . .	1-1		1-10. Available Accessories . . . . .	1-1		1-12. Cables and Adapters . . . . .	1-1		1-13. Probes . . . . .	1-1	Section		Page	II	INSTALLATION . . . . .	2-1		2-1. Introduction . . . . .	2-1		2-3. Initial Inspection . . . . .	2-1		2-5. Power Requirements . . . . .	2-1		2-7. Grounding Requirements . . . . .	2-1		2-10. Installation . . . . .	2-1		2-12. Bench Mounting . . . . .	2-1		2-14. Rack Mounting . . . . .	2-1		2-16. Combination Mounting . . . . .	2-1		2-18. Repackaging for Shipment . . . . .	2-1	Section		Page	III	OPERATING INSTRUCTIONS . . . . .	3-1		3-1. Introduction . . . . .	3-1		3-3. Front and Rear Panel Description . . . . .	3-1		3-5. Operating Instructions . . . . .	3-1		3-6. Mechanical Zero Adjustment . . . . .	3-1		3-8. Turn-On Procedure . . . . .	3-1		3-11. DC Measurements . . . . .	3-1		3-12. Resistance Measurements . . . . .	3-1		3-13. AC Measurements . . . . .	3-2		3-16. DB Measurements . . . . .	3-2	Section		Page	IV	THEORY OF OPERATION . . . . .	4-1		4-1. General . . . . .	4-1		4-5. DC Operation . . . . .	4-1		4-7. Ohms Operation . . . . .	4-1		4-9. AC Operation . . . . .	4-1		4-12. Circuit Descriptions . . . . .	4-2		4-13. DC Amplifier (A1) . . . . .	4-2		4-16. DC Offset (A2) . . . . .	4-2		4-19. AC Metering Circuit (A2) . . . . .	4-3		4-23. Battery Regulator A1 . . . . .	4-3	Section		Page	V	MAINTENANCE . . . . .	5-1		5-1. Introduction . . . . .	5-1		5-3. Required Equipment . . . . .	5-1		5-5. Performance Checks . . . . .	5-1	<table border="0"> <tr> <td style="text-align: right;">Section</td> <td></td> <td style="text-align: right;">Page</td> </tr> <tr> <td>V</td> <td>MAINTENANCE (Cont'd)</td> <td></td> </tr> <tr> <td></td> <td>5-7. AC Accuracy and Frequency     Response Check . . . . .</td> <td style="text-align: right; vertical-align: bottom;">5-1</td> </tr> <tr> <td></td> <td>5-14. Resistance Accuracy Check . . . . .</td> <td style="text-align: right;">5-2</td> </tr> <tr> <td></td> <td>5-16. DC Accuracy . . . . .</td> <td style="text-align: right;">5-2</td> </tr> <tr> <td></td> <td>5-18. AC Rejection Check . . . . .</td> <td style="text-align: right;">5-3</td> </tr> <tr> <td></td> <td>5-20. Input Impedance Check . . . . .</td> <td style="text-align: right;">5-3</td> </tr> <tr> <td></td> <td>5-25. Adjustment and Calibration     Procedures . . . . .</td> <td style="text-align: right; vertical-align: bottom;">5-4</td> </tr> <tr> <td></td> <td>5-27. Cover Removal . . . . .</td> <td style="text-align: right;">5-4</td> </tr> <tr> <td></td> <td>5-30. Amplifier Balance and Zero     Offset Adjustment . . . . .</td> <td style="text-align: right; vertical-align: bottom;">5-5</td> </tr> <tr> <td></td> <td>5-31. Regulator Adjust . . . . .</td> <td style="text-align: right;">5-5</td> </tr> <tr> <td></td> <td>5-32. AC Calibration . . . . .</td> <td style="text-align: right;">5-5</td> </tr> <tr> <td></td> <td>5-36. Resistance Infinity Adjustment . . . . .</td> <td style="text-align: right;">5-6</td> </tr> <tr> <td></td> <td>5-38. DC Calibration . . . . .</td> <td style="text-align: right;">5-6</td> </tr> <tr> <td></td> <td>5-40. Alternate Performance Checks     and Calibration Procedures . . . . .</td> <td style="text-align: right; vertical-align: bottom;">5-6</td> </tr> <tr> <td></td> <td>5-42. AC Circuits . . . . .</td> <td style="text-align: right;">5-6</td> </tr> <tr> <td></td> <td>5-45. Resistance Circuits . . . . .</td> <td style="text-align: right;">5-6</td> </tr> <tr> <td></td> <td>5-47. DC Circuits . . . . .</td> <td style="text-align: right;">5-7</td> </tr> <tr> <td></td> <td>5-50. AC Rejection . . . . .</td> <td style="text-align: right;">5-7</td> </tr> <tr> <td></td> <td>5-52. Input Impedance Check . . . . .</td> <td style="text-align: right;">5-7</td> </tr> <tr> <td></td> <td>5-54. Battery Replacement . . . . .</td> <td style="text-align: right;">5-7</td> </tr> <tr> <td></td> <td>5-56. Troubleshooting . . . . .</td> <td style="text-align: right;">5-7</td> </tr> <tr> <td></td> <td>5-60. Power Supply . . . . .</td> <td style="text-align: right;">5-8</td> </tr> <tr> <td></td> <td>5-63. DC Amplifier . . . . .</td> <td style="text-align: right;">5-8</td> </tr> <tr> <td></td> <td>5-67. AC Metering Circuit . . . . .</td> <td style="text-align: right;">5-8</td> </tr> <tr> <td></td> <td>5-71. Adjustment of Factory Selected     Components . . . . .</td> <td style="text-align: right; vertical-align: bottom;">5-8</td> </tr> <tr> <td></td> <td>5-73. A1R19* . . . . .</td> <td style="text-align: right;">5-8</td> </tr> <tr> <td></td> <td>5-75. A2C2* . . . . .</td> <td style="text-align: right;">5-9</td> </tr> <tr> <td></td> <td>5-77. A2R14* . . . . .</td> <td style="text-align: right;">5-9</td> </tr> <tr> <td></td> <td>5-80. A2R16* . . . . .</td> <td style="text-align: right;">5-9</td> </tr> <tr> <td></td> <td>5-82. Etched Circuit Board Repair . . . . .</td> <td style="text-align: right;">5-9</td> </tr> <tr> <td style="text-align: right;">Section</td> <td></td> <td style="text-align: right;">Page</td> </tr> <tr> <td>VI</td> <td>CIRCUIT DIAGRAMS . . . . .</td> <td style="text-align: right;">6-1</td> </tr> <tr> <td></td> <td>6-1. Introduction . . . . .</td> <td style="text-align: right;">6-1</td> </tr> <tr> <td style="text-align: right;">Section</td> <td></td> <td style="text-align: right;">Page</td> </tr> <tr> <td>VII</td> <td>REPLACEABLE PARTS . . . . .</td> <td style="text-align: right;">7-1</td> </tr> <tr> <td></td> <td>7-1. Introduction . . . . .</td> <td style="text-align: right;">7-1</td> </tr> <tr> <td></td> <td>7-4. Ordering Information . . . . .</td> <td style="text-align: right;">7-1</td> </tr> <tr> <td></td> <td>7-6. Non-Listed Parts . . . . .</td> <td style="text-align: right;">7-1</td> </tr> <tr> <td style="text-align: right;">Appendix</td> <td></td> <td></td> </tr> <tr> <td></td> <td>A CODE LIST OF MANUFACTURERS</td> <td></td> </tr> <tr> <td></td> <td>B SALES AND SERVICE OFFICES</td> <td></td> </tr> <tr> <td></td> <td>C MANUAL BACKDATING CHANGES</td> <td></td> </tr> </table>	Section		Page	V	MAINTENANCE (Cont'd)			5-7. AC Accuracy and Frequency Response Check . . . . .	5-1		5-14. Resistance Accuracy Check . . . . .	5-2		5-16. DC Accuracy . . . . .	5-2		5-18. AC Rejection Check . . . . .	5-3		5-20. Input Impedance Check . . . . .	5-3		5-25. Adjustment and Calibration Procedures . . . . .	5-4		5-27. Cover Removal . . . . .	5-4		5-30. Amplifier Balance and Zero Offset Adjustment . . . . .	5-5		5-31. Regulator Adjust . . . . .	5-5		5-32. AC Calibration . . . . .	5-5		5-36. Resistance Infinity Adjustment . . . . .	5-6		5-38. DC Calibration . . . . .	5-6		5-40. Alternate Performance Checks and Calibration Procedures . . . . .	5-6		5-42. AC Circuits . . . . .	5-6		5-45. Resistance Circuits . . . . .	5-6		5-47. DC Circuits . . . . .	5-7		5-50. AC Rejection . . . . .	5-7		5-52. Input Impedance Check . . . . .	5-7		5-54. Battery Replacement . . . . .	5-7		5-56. Troubleshooting . . . . .	5-7		5-60. Power Supply . . . . .	5-8		5-63. DC Amplifier . . . . .	5-8		5-67. AC Metering Circuit . . . . .	5-8		5-71. Adjustment of Factory Selected Components . . . . .	5-8		5-73. A1R19* . . . . .	5-8		5-75. A2C2* . . . . .	5-9		5-77. A2R14* . . . . .	5-9		5-80. A2R16* . . . . .	5-9		5-82. Etched Circuit Board Repair . . . . .	5-9	Section		Page	VI	CIRCUIT DIAGRAMS . . . . .	6-1		6-1. Introduction . . . . .	6-1	Section		Page	VII	REPLACEABLE PARTS . . . . .	7-1		7-1. Introduction . . . . .	7-1		7-4. Ordering Information . . . . .	7-1		7-6. Non-Listed Parts . . . . .	7-1	Appendix				A CODE LIST OF MANUFACTURERS			B SALES AND SERVICE OFFICES			C MANUAL BACKDATING CHANGES	
Section		Page																																																																																																																																																																																																																																																																										
I	GENERAL INFORMATION . . . . .	1-1																																																																																																																																																																																																																																																																										
	1-1. Description . . . . .	1-1																																																																																																																																																																																																																																																																										
	1-5. Battery . . . . .	1-1																																																																																																																																																																																																																																																																										
	1-7. Instrument and Manual Identification . . . . .	1-1																																																																																																																																																																																																																																																																										
	1-10. Available Accessories . . . . .	1-1																																																																																																																																																																																																																																																																										
	1-12. Cables and Adapters . . . . .	1-1																																																																																																																																																																																																																																																																										
	1-13. Probes . . . . .	1-1																																																																																																																																																																																																																																																																										
Section		Page																																																																																																																																																																																																																																																																										
II	INSTALLATION . . . . .	2-1																																																																																																																																																																																																																																																																										
	2-1. Introduction . . . . .	2-1																																																																																																																																																																																																																																																																										
	2-3. Initial Inspection . . . . .	2-1																																																																																																																																																																																																																																																																										
	2-5. Power Requirements . . . . .	2-1																																																																																																																																																																																																																																																																										
	2-7. Grounding Requirements . . . . .	2-1																																																																																																																																																																																																																																																																										
	2-10. Installation . . . . .	2-1																																																																																																																																																																																																																																																																										
	2-12. Bench Mounting . . . . .	2-1																																																																																																																																																																																																																																																																										
	2-14. Rack Mounting . . . . .	2-1																																																																																																																																																																																																																																																																										
	2-16. Combination Mounting . . . . .	2-1																																																																																																																																																																																																																																																																										
	2-18. Repackaging for Shipment . . . . .	2-1																																																																																																																																																																																																																																																																										
Section		Page																																																																																																																																																																																																																																																																										
III	OPERATING INSTRUCTIONS . . . . .	3-1																																																																																																																																																																																																																																																																										
	3-1. Introduction . . . . .	3-1																																																																																																																																																																																																																																																																										
	3-3. Front and Rear Panel Description . . . . .	3-1																																																																																																																																																																																																																																																																										
	3-5. Operating Instructions . . . . .	3-1																																																																																																																																																																																																																																																																										
	3-6. Mechanical Zero Adjustment . . . . .	3-1																																																																																																																																																																																																																																																																										
	3-8. Turn-On Procedure . . . . .	3-1																																																																																																																																																																																																																																																																										
	3-11. DC Measurements . . . . .	3-1																																																																																																																																																																																																																																																																										
	3-12. Resistance Measurements . . . . .	3-1																																																																																																																																																																																																																																																																										
	3-13. AC Measurements . . . . .	3-2																																																																																																																																																																																																																																																																										
	3-16. DB Measurements . . . . .	3-2																																																																																																																																																																																																																																																																										
Section		Page																																																																																																																																																																																																																																																																										
IV	THEORY OF OPERATION . . . . .	4-1																																																																																																																																																																																																																																																																										
	4-1. General . . . . .	4-1																																																																																																																																																																																																																																																																										
	4-5. DC Operation . . . . .	4-1																																																																																																																																																																																																																																																																										
	4-7. Ohms Operation . . . . .	4-1																																																																																																																																																																																																																																																																										
	4-9. AC Operation . . . . .	4-1																																																																																																																																																																																																																																																																										
	4-12. Circuit Descriptions . . . . .	4-2																																																																																																																																																																																																																																																																										
	4-13. DC Amplifier (A1) . . . . .	4-2																																																																																																																																																																																																																																																																										
	4-16. DC Offset (A2) . . . . .	4-2																																																																																																																																																																																																																																																																										
	4-19. AC Metering Circuit (A2) . . . . .	4-3																																																																																																																																																																																																																																																																										
	4-23. Battery Regulator A1 . . . . .	4-3																																																																																																																																																																																																																																																																										
Section		Page																																																																																																																																																																																																																																																																										
V	MAINTENANCE . . . . .	5-1																																																																																																																																																																																																																																																																										
	5-1. Introduction . . . . .	5-1																																																																																																																																																																																																																																																																										
	5-3. Required Equipment . . . . .	5-1																																																																																																																																																																																																																																																																										
	5-5. Performance Checks . . . . .	5-1																																																																																																																																																																																																																																																																										
Section		Page																																																																																																																																																																																																																																																																										
V	MAINTENANCE (Cont'd)																																																																																																																																																																																																																																																																											
	5-7. AC Accuracy and Frequency Response Check . . . . .	5-1																																																																																																																																																																																																																																																																										
	5-14. Resistance Accuracy Check . . . . .	5-2																																																																																																																																																																																																																																																																										
	5-16. DC Accuracy . . . . .	5-2																																																																																																																																																																																																																																																																										
	5-18. AC Rejection Check . . . . .	5-3																																																																																																																																																																																																																																																																										
	5-20. Input Impedance Check . . . . .	5-3																																																																																																																																																																																																																																																																										
	5-25. Adjustment and Calibration Procedures . . . . .	5-4																																																																																																																																																																																																																																																																										
	5-27. Cover Removal . . . . .	5-4																																																																																																																																																																																																																																																																										
	5-30. Amplifier Balance and Zero Offset Adjustment . . . . .	5-5																																																																																																																																																																																																																																																																										
	5-31. Regulator Adjust . . . . .	5-5																																																																																																																																																																																																																																																																										
	5-32. AC Calibration . . . . .	5-5																																																																																																																																																																																																																																																																										
	5-36. Resistance Infinity Adjustment . . . . .	5-6																																																																																																																																																																																																																																																																										
	5-38. DC Calibration . . . . .	5-6																																																																																																																																																																																																																																																																										
	5-40. Alternate Performance Checks and Calibration Procedures . . . . .	5-6																																																																																																																																																																																																																																																																										
	5-42. AC Circuits . . . . .	5-6																																																																																																																																																																																																																																																																										
	5-45. Resistance Circuits . . . . .	5-6																																																																																																																																																																																																																																																																										
	5-47. DC Circuits . . . . .	5-7																																																																																																																																																																																																																																																																										
	5-50. AC Rejection . . . . .	5-7																																																																																																																																																																																																																																																																										
	5-52. Input Impedance Check . . . . .	5-7																																																																																																																																																																																																																																																																										
	5-54. Battery Replacement . . . . .	5-7																																																																																																																																																																																																																																																																										
	5-56. Troubleshooting . . . . .	5-7																																																																																																																																																																																																																																																																										
	5-60. Power Supply . . . . .	5-8																																																																																																																																																																																																																																																																										
	5-63. DC Amplifier . . . . .	5-8																																																																																																																																																																																																																																																																										
	5-67. AC Metering Circuit . . . . .	5-8																																																																																																																																																																																																																																																																										
	5-71. Adjustment of Factory Selected Components . . . . .	5-8																																																																																																																																																																																																																																																																										
	5-73. A1R19* . . . . .	5-8																																																																																																																																																																																																																																																																										
	5-75. A2C2* . . . . .	5-9																																																																																																																																																																																																																																																																										
	5-77. A2R14* . . . . .	5-9																																																																																																																																																																																																																																																																										
	5-80. A2R16* . . . . .	5-9																																																																																																																																																																																																																																																																										
	5-82. Etched Circuit Board Repair . . . . .	5-9																																																																																																																																																																																																																																																																										
Section		Page																																																																																																																																																																																																																																																																										
VI	CIRCUIT DIAGRAMS . . . . .	6-1																																																																																																																																																																																																																																																																										
	6-1. Introduction . . . . .	6-1																																																																																																																																																																																																																																																																										
Section		Page																																																																																																																																																																																																																																																																										
VII	REPLACEABLE PARTS . . . . .	7-1																																																																																																																																																																																																																																																																										
	7-1. Introduction . . . . .	7-1																																																																																																																																																																																																																																																																										
	7-4. Ordering Information . . . . .	7-1																																																																																																																																																																																																																																																																										
	7-6. Non-Listed Parts . . . . .	7-1																																																																																																																																																																																																																																																																										
Appendix																																																																																																																																																																																																																																																																												
	A CODE LIST OF MANUFACTURERS																																																																																																																																																																																																																																																																											
	B SALES AND SERVICE OFFICES																																																																																																																																																																																																																																																																											
	C MANUAL BACKDATING CHANGES																																																																																																																																																																																																																																																																											

**LIST OF TABLES**

<table border="0"> <tr> <td style="text-align: right;">Number</td> <td></td> <td style="text-align: right;">Page</td> </tr> <tr> <td>1-1.</td> <td>Specifications . . . . .</td> <td style="text-align: right;">1-0</td> </tr> <tr> <td>3-1.</td> <td>Effects of Harmonic Distortion . . . . .</td> <td style="text-align: right;">3-2</td> </tr> <tr> <td>3-2.</td> <td>DB Range Identification . . . . .</td> <td style="text-align: right;">3-2</td> </tr> <tr> <td>5-1.</td> <td>Required Test Equipment . . . . .</td> <td style="text-align: right;">5-0</td> </tr> <tr> <td>5-2.</td> <td>Resistance Accuracy Check . . . . .</td> <td style="text-align: right;">5-2</td> </tr> </table>	Number		Page	1-1.	Specifications . . . . .	1-0	3-1.	Effects of Harmonic Distortion . . . . .	3-2	3-2.	DB Range Identification . . . . .	3-2	5-1.	Required Test Equipment . . . . .	5-0	5-2.	Resistance Accuracy Check . . . . .	5-2	<table border="0"> <tr> <td style="text-align: right;">Number</td> <td></td> <td style="text-align: right;">Page</td> </tr> <tr> <td>5-3.</td> <td>1% Resistors . . . . .</td> <td style="text-align: right;">5-7</td> </tr> <tr> <td>5-4.</td> <td>Troubleshooting . . . . .</td> <td style="text-align: right;">5-7</td> </tr> <tr> <td>5-5.</td> <td>Power Supply Voltages . . . . .</td> <td style="text-align: right;">5-8</td> </tr> <tr> <td>5-6.</td> <td>AC Metering Circuit Voltages . . . . .</td> <td style="text-align: right;">5-8</td> </tr> <tr> <td>7-1.</td> <td>Replaceable Parts . . . . .</td> <td style="text-align: right;">7-1</td> </tr> </table>	Number		Page	5-3.	1% Resistors . . . . .	5-7	5-4.	Troubleshooting . . . . .	5-7	5-5.	Power Supply Voltages . . . . .	5-8	5-6.	AC Metering Circuit Voltages . . . . .	5-8	7-1.	Replaceable Parts . . . . .	7-1
Number		Page																																			
1-1.	Specifications . . . . .	1-0																																			
3-1.	Effects of Harmonic Distortion . . . . .	3-2																																			
3-2.	DB Range Identification . . . . .	3-2																																			
5-1.	Required Test Equipment . . . . .	5-0																																			
5-2.	Resistance Accuracy Check . . . . .	5-2																																			
Number		Page																																			
5-3.	1% Resistors . . . . .	5-7																																			
5-4.	Troubleshooting . . . . .	5-7																																			
5-5.	Power Supply Voltages . . . . .	5-8																																			
5-6.	AC Metering Circuit Voltages . . . . .	5-8																																			
7-1.	Replaceable Parts . . . . .	7-1																																			

## LIST OF ILLUSTRATIONS

Number		Page	Number		Page
1-1.	Model 427A Voltmeter . . . . .	1-0	5-2.	Resistance Accuracy Check . . . . .	5-2
1-2.	11096A High Frequency Probe . . . . .	1-1	5-3.	DC Accuracy and Linearity Check. . . . .	5-2
3-1.	Location of Front Panel Controls and Indicators. . . . .	3-0	5-4.	AC Rejection Check . . . . .	5-3
3-2.	Impedance Correction Graph . . . . .	3-3	5-5.	Input Impedance Check . . . . .	5-4
4-1.	Simplified Block Diagram . . . . .	4-0	5-6.	Location of Internal Adjustments . . . . .	5-5
4-2.	DC Operation. . . . .	4-1	5-7.	Battery Replacement. . . . .	5-7
4-3.	Ohms Operation . . . . .	4-2	6-1.	Location of Switch Components . . . . .	6-2
4-4.	AC Operation . . . . .	4-2	6-2.	Component Location . . . . .	6-3
4-5.	DC Offset Circuit. . . . .	4-3	6-3.	Schematic Diagram . . . . .	6-3
5-1.	AC Accuracy and Frequency Response Check. . . . .	5-0	7-1.	Location of Mechanical Parts . . . . .	7-0



Figure 1-1. Model 427A Voltmeter

Table 1-1. Specifications

<u>DC VOLTMETER</u>		<u>AC VOLTMETER (Cont'd)</u>																									
Voltage Ranges: $\pm 100$ mV to $\pm 1000$ V full scale in a 1, 3, 10 sequence (9 ranges).		Input Impedance: 10 megohms shunted by 40 pF on 10 mV to 1 V ranges; 20 pf on 3 V to 300 V ranges.																									
Accuracy: $\pm 2\%$ of full scale on any range ( $0^{\circ}\text{C}$ to $50^{\circ}\text{C}$ ).		Response: Responds to the average value of the input; calibrated in rms volts for a sine wave input.																									
Input Resistance: 10 megohms on all ranges.		Overload: 300 V/rms momentarily, 1 V range and below. 425 V/rms maximum above 1 V range.																									
AC Rejection: Superimposed peak ac voltages (60 Hz and above) 100 times greater than full scale affects reading less than 1%. Maximum 450 volts peak.		<u>OHMMETER</u>																									
Overload: 1200 Vdc on any range.		Resistance Ranges: 10 ohms center scale to 10 megohms center scale (7 ranges).																									
<u>AC VOLTMETER</u>		Accuracy: $\pm 5\%$ of reading at midscale ( $0^{\circ}\text{C}$ to $+50^{\circ}\text{C}$ ).																									
Voltage Ranges: 10 mV to 300 V rms full scale in a 1, 3, 10 sequence (10 ranges).		Polarity: Common terminal negative.																									
Frequency Range: 10 Hz to 1 MHz.		Source Current:																									
Accuracy: ( $0^{\circ}\text{C}$ to $50^{\circ}\text{C}$ ).		<table border="1"> <thead> <tr> <th>RANGE</th> <th>OPEN CIRCUIT VOLTAGE</th> <th>SHORT CIRCUIT CURRENT</th> </tr> </thead> <tbody> <tr> <td>X10</td> <td>0.1 V</td> <td>10 mA</td> </tr> <tr> <td>X100</td> <td>0.1 V</td> <td>1 mA</td> </tr> <tr> <td>X1K</td> <td>1 V</td> <td>1 mA</td> </tr> <tr> <td>X10K</td> <td>1 V</td> <td>100 <math>\mu\text{A}</math></td> </tr> <tr> <td>X100K</td> <td>1 V</td> <td>10 <math>\mu\text{A}</math></td> </tr> <tr> <td>X1M</td> <td>1 V</td> <td>1 <math>\mu\text{A}</math></td> </tr> <tr> <td>X10M</td> <td>1 V</td> <td>0.1 <math>\mu\text{A}</math></td> </tr> </tbody> </table>		RANGE	OPEN CIRCUIT VOLTAGE	SHORT CIRCUIT CURRENT	X10	0.1 V	10 mA	X100	0.1 V	1 mA	X1K	1 V	1 mA	X10K	1 V	100 $\mu\text{A}$	X100K	1 V	10 $\mu\text{A}$	X1M	1 V	1 $\mu\text{A}$	X10M	1 V	0.1 $\mu\text{A}$
RANGE	OPEN CIRCUIT VOLTAGE	SHORT CIRCUIT CURRENT																									
X10	0.1 V	10 mA																									
X100	0.1 V	1 mA																									
X1K	1 V	1 mA																									
X10K	1 V	100 $\mu\text{A}$																									
X100K	1 V	10 $\mu\text{A}$																									
X1M	1 V	1 $\mu\text{A}$																									
X10M	1 V	0.1 $\mu\text{A}$																									
<table border="1"> <thead> <tr> <th>RANGE</th> <th><math>\pm 2\%</math> OF FULL SCALE</th> </tr> </thead> <tbody> <tr> <td>0.01 V - 30 V</td> <td>10 Hz - 1 MHz</td> </tr> <tr> <td>100 V - 300 V</td> <td>10 Hz - 100 KHz</td> </tr> </tbody> </table>		RANGE	$\pm 2\%$ OF FULL SCALE	0.01 V - 30 V	10 Hz - 1 MHz	100 V - 300 V	10 Hz - 100 KHz	<u>GENERAL</u>																			
RANGE	$\pm 2\%$ OF FULL SCALE																										
0.01 V - 30 V	10 Hz - 1 MHz																										
100 V - 300 V	10 Hz - 100 KHz																										
Frequency Response:		Floating Input: May be operated up to 500 Vdc above ground. (Ohms input open in any function except ohms--volts input open when instrument is in off position.)																									
		Power: 22-1/2 volt dry cell battery. (Eveready No. 763 or RCA VS102.)																									
Frequency response 10 mV to 30 V ranges.		Option 01: Battery operation and ac line operation (selectable on rear panel). 115 or 230 V $\pm 20\%$ , 50 Hz to 400Hz, 1/2 W.																									

## SECTION II INSTALLATION

### 2-1. INTRODUCTION.

2-2. This section contains information and instructions necessary for installation and shipping of Model 427A Voltmeter. Included are initial inspection procedures, power and grounding requirements, installation, and instructions for repackaging for shipment.

### 2-3. INITIAL INSPECTION.

2-4. This instrument was carefully inspected both mechanically and electrically before shipment. It should be physically free of marks or scratches and in perfect electrical order upon receipt. To confirm this, the instrument should be inspected for physical damage in transit. Also, test the electrical performance of the instrument using the procedure outlined in Paragraph 5-5. If there is damage or deficiency, see the warranty on the inside front cover of this manual.

### 2-5. POWER REQUIREMENTS.

2-6. The Model 427A uses a 22.5 volt dry cell battery for its primary power source. However, if Option 01 is included, the Model 427A can be operated from any source of 115 or 230 volts ( $\pm 20\%$ ) at 50 to 400 Hz. With the instrument disconnected from the ac power source, move the slide switch (located on the rear panel) until the desired line voltage appears. Power dissipation is less than 1/2 watt maximum.

### 2-7. GROUNDING REQUIREMENTS.

2-8. To protect operating personnel, the National Electrical Manufacturers' Association (NEMA) recommends that the instrument panel and cabinet be grounded. The Option 01 427A is equipped with a three-conductor power cable which, when plugged into an appropriate receptacle, grounds the instrument. The offset pin on the power cable three-prong connector is the ground wire.

2-9. To preserve the protection feature when operating the instrument from a two-contact outlet, use a three-prong to two-prong adapter and connect the pigtail on the adapter to ground.

### 2-10. INSTALLATION.

2-11. The Model 427A is fully transistorized; therefore, no special cooling is required. However, the instrument should not be operated where the ambient temperature exceeds  $+55^{\circ}\text{C}$  ( $131^{\circ}\text{F}$ ). For additional information, address inquiries to your local -hp- Sales and Service Office. (See Appendix B for office locations.)

### 2-12. BENCH MOUNTING.

2-13. Model 427A is shipped with plastic feet and tilt stand in place, ready for use as a bench instrument.

### 2-14. RACK MOUNTING.

2-15. Model 427A may be rack mounted by using an Adapter Frame (-hp- Part No. 5060-0797). The adapter frame is a rack frame that accepts any combination of submodular units. It can be rack mounted only.

### 2-16. COMBINATION MOUNTING.

2-17. The Model 427A may be mounted in combination with other submodular units by using a Combining Case (-hp- Model 1051A). If the 427A is equipped with a carrying handle, it will be necessary to remove the top cover on 427A before inserting it into the Combining Case. The Combining Case is a full-module unit which accepts various combinations of submodular units. Being a full-module unit itself, it can be bench or rack mounted and is analogous to any full-module instrument.

### 2-18. REPACKAGING FOR SHIPMENT.

2-19. The following paragraphs contain a general guide for repackaging of the instrument for shipment. Refer to Paragraph 2-20 if the original container is to be used; 2-21 if it is not.

#### NOTE

If the instrument is to be shipped to Hewlett-Packard for service or repair, attach a tag to the instrument identifying the owner and indicating the service or repair to be accomplished; include the model number and full serial number of the instrument. In any correspondence, identify the instrument by model number, serial number, and serial number prefix.

2-20. If original container is to be used, proceed as follows:

- a. Place instrument in original container. If original container is not available, a suitable container can be purchased from your nearest -hp- Sales and Service Office.
- b. Ensure that container is well sealed with strong tape or metal bands.

2-21. If original container is not to be used, proceed as follows:

- a. Wrap instrument in heavy paper or plastic before placing in an inner container.
- b. Place packing material around all sides of instrument and protect panel face with cardboard strips.
- c. Place instrument and inner container in a heavy carton or wooden box and seal with strong tape or metal bands.
- d. Mark shipping container with "DELICATE INSTRUMENT," "FRAGILE" etc.

## SECTION I

### GENERAL INFORMATION

#### 1-1. DESCRIPTION.

1-2. The Hewlett-Packard Model 427A is a versatile, compact, self-contained voltmeter. It is capable of making dc measurements from 1 mV to 1000 volts, ac measurements from 0.3 mV to 300 volts at frequencies from 10 Hz to 1 MHz, and resistance measurements from 0.2 ohms to 500 megohms. With the 01 option, the Model 427A may be powered either by a 115 or 230 volt line or by an internal 22-1/2 volt dry cell battery.

1-3. The use of solid state components throughout gives the Model 427A both ruggedness and reliability. Battery operation makes the instrument ideal for field use or isolation from common mode ground loops.

1-4. Figure 1-1 shows the Model 427A, and Table 1-1 contains a list of the Model 427A Specifications.

#### 1-5. BATTERY.

1-6. The battery used in the Model 427A is a 22-1/2 volt dry cell, Eveready No. 763 or an RCA VS102. Typical battery life is more than 300 hours continuous operation or 700 hours intermittent operation.

#### 1-7. INSTRUMENT AND MANUAL IDENTIFICATION.

1-8. Hewlett-Packard uses a two-section eight-digit serial number (000-00000). If the first three digits (prefix) of the serial number on your instrument do not agree with those on the title page of this manual,

change sheets supplied with the manual will define differences between your instrument and the Model 427A described in this manual.

1-9. If a letter prefixes the serial number, the instrument was manufactured outside the United States.

#### 1-10. AVAILABLE ACCESSORIES.

1-11. The following accessories are available to increase the test capabilities of the Model 427A.

#### 1-12. CABLES AND ADAPTERS.

- hp- 11001A 45" test lead, dual banana to BNC male
- hp- 11002A 5' test lead-dual banana to alligator clips
- hp- 11003A 5' test lead-dual banana to pencil probe and alligator clip
- hp- 10111A shielded BNC female to banana plug adapter

#### 1-13. PROBES.

- hp- Model 11074A 10:1 Voltage Divider Probe extends the voltage range of Model 427A by a factor of 10.
- hp- Model 11039A 1000:1 Capacitive Voltage Divider for measuring voltages up to 24 KV.
- hp- Model 11096A High Frequency Probe extends the frequency range of the 427A to 500 MHz. The voltage range is 0.25V to 30V.

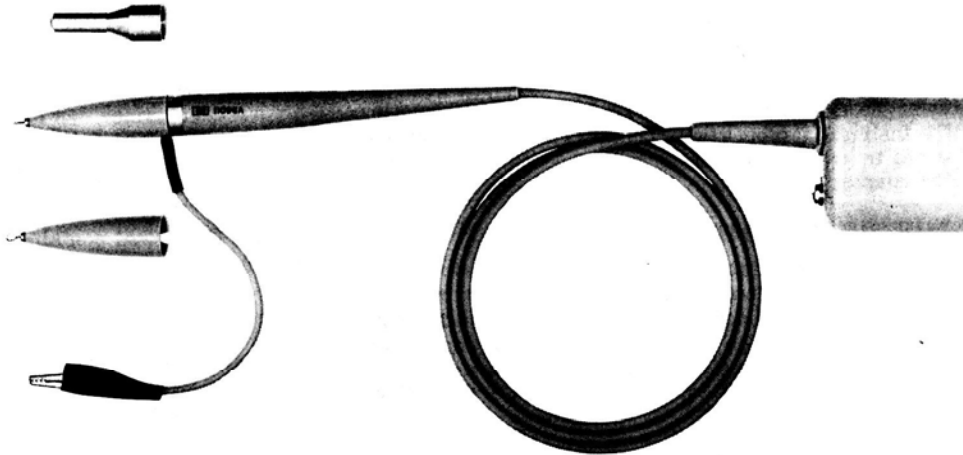
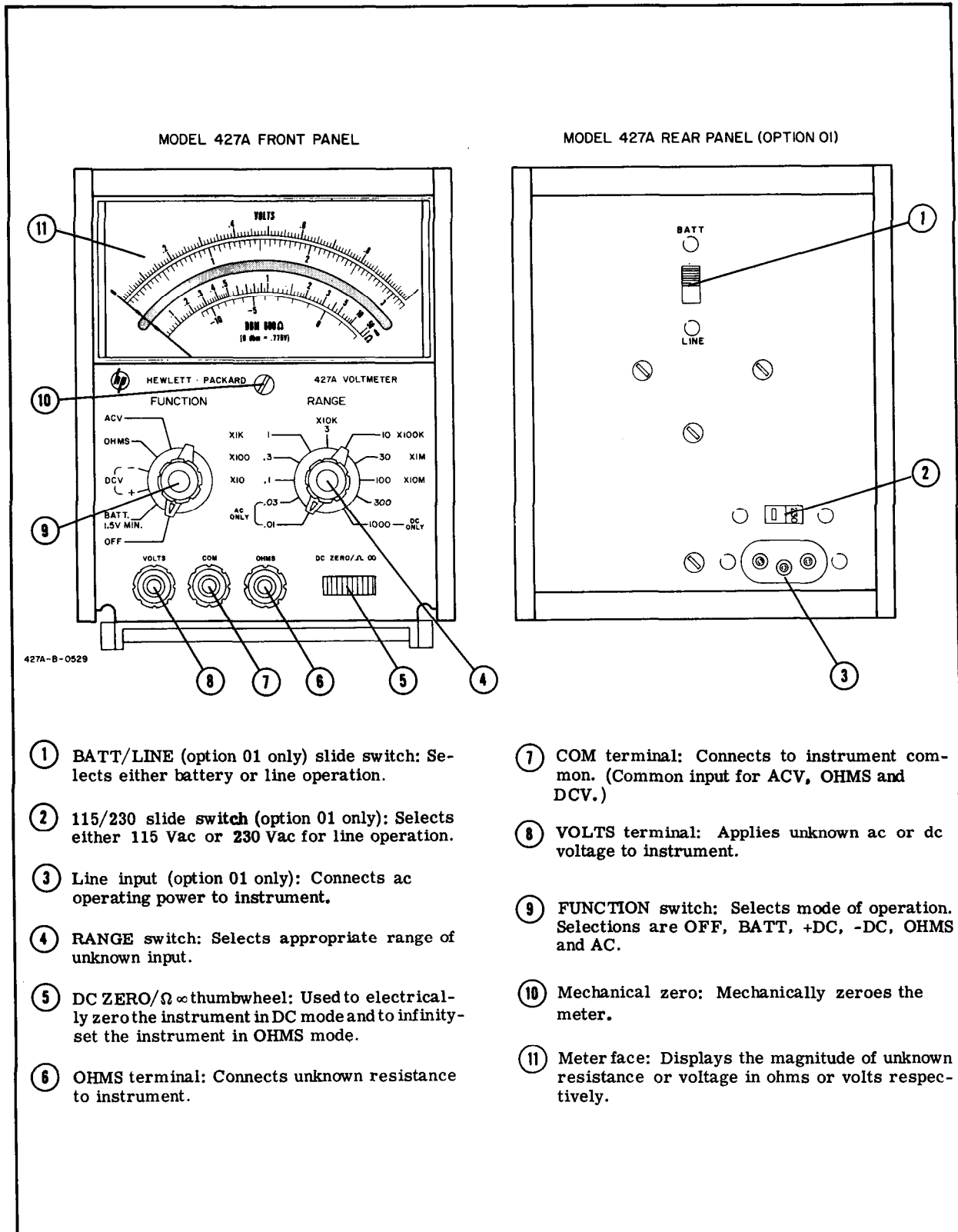


Figure 1-2. 11096A High Frequency Probe





- ① BATT/LINE (option 01 only) slide switch: Selects either battery or line operation.
- ② 115/230 slide switch (option 01 only): Selects either 115 Vac or 230 Vac for line operation.
- ③ Line input (option 01 only): Connects ac operating power to instrument.
- ④ RANGE switch: Selects appropriate range of unknown input.
- ⑤ DC ZERO/∞ thumbwheel: Used to electrically zero the instrument in DC mode and to infinity-set the instrument in OHMS mode.
- ⑥ OHMS terminal: Connects unknown resistance to instrument.
- ⑦ COM terminal: Connects to instrument common. (Common input for ACV, OHMS and DCV.)
- ⑧ VOLTS terminal: Applies unknown ac or dc voltage to instrument.
- ⑨ FUNCTION switch: Selects mode of operation. Selections are OFF, BATT, +DC, -DC, OHMS and AC.
- ⑩ Mechanical zero: Mechanically zeroes the meter.
- ⑪ Meter face: Displays the magnitude of unknown resistance or voltage in ohms or volts respectively.

Figure 3-1. Location of Front Panel Controls and Indicators

## SECTION III

### OPERATING INSTRUCTIONS

#### 3-1. INTRODUCTION.

3-2. The Model 427A may be operated as a dc voltmeter, ac voltmeter, ohmmeter or dB meter. This section contains operating instructions for each mode of operation.

#### 3-3. FRONT AND REAR PANEL DESCRIPTION.

3-4. Figure 3-1 shows the location of all the Model 427A controls and indicators and explains the function of each. The Option 01 rear panel is shown. The standard rear panel is blank.

#### 3-5. OPERATING INSTRUCTIONS.

##### NOTE

To obtain maximum battery life, set the FUNCTION switch of OFF when the instrument is not in use.

#### 3-6. MECHANICAL ZERO ADJUSTMENT.

3-7. Before any measurements are made, complete the Mechanical Zero Adjustment in the following steps.

- a. Be sure instrument has been off for at least one minute.
- b. Rotate Mechanical Zero Adjustment screw CLOCKWISE until meter pointer is to the left of zero and moving upscale toward zero.
- c. Continue to rotate adjustment screw clockwise. STOP when needle is exactly on zero. If needle overshoots, repeat step b.
- d. When pointer is exactly over zero, rotate adjustment screw slightly COUNTERCLOCKWISE to relieve tension on suspension. If the pointer moves to the left, repeat whole procedure, but make the counterclockwise rotation less.

#### 3-8. TURN-ON PROCEDURE.

#### 3-9. STANDARD INSTRUMENT.

- a. Rotate the FUNCTION Switch to BATT/1.5 MIN position.
- b. The meter should read 1.5 or higher on the 0-3 scale on any range, indicating that the battery voltage is 15 volts or higher. If the reading is below 1.5, replace the battery according to the steps in Paragraph 5-54.

#### 3-10. OPTION 01 INSTRUMENT.

- a. Select either battery or line operation with the rear panel BATT/LINE slide switch. If battery operation is selected, check the battery according to Paragraph 3-9.
- b. If line operation is selected, set the 115/230 slide switch to indicate the proper line voltage.
- c. Rotate the FUNCTION switch to the desired function. During line operation, the BATT/1.5 MIN check position displays the output of the Option 01 power supply. The reading should be 1.5 or higher on the 0-3 scale on any range, indicating a power supply output of 15 volts or more. This serves as a convenient check of the Option 01 power supply.

#### 3-11. DC MEASUREMENTS.

- a. Rotate the FUNCTION switch to +DCV or -DCV depending on the polarity of the input.
- b. Short the VOLTS input to the COM input, rotate RANGE to 0.1, and adjust the DC ZERO/ $\Omega\infty$  thumbwheel for zero meter deflection.
- c. Remove shorting connection. If there is a zero offset with COM and VOLTS open, refer to Paragraph 4-16 and Paragraph 5-30.
- d. Select approximate range of input with RANGE switch.



DO NOT APPLY MORE THAN  
1200 VDC TO ANY DC RANGE.

- e. Connect input across VOLTS and COM terminals and read magnitude of input on meter.

#### 3-12. RESISTANCE MEASUREMENTS.



DAMAGE TO 427A INPUT CIRCUIT  
MAY RESULT IF DC OR AC VOLTAGE IS APPLIED TO  
OHMS TERMINAL.

- a. Rotate the FUNCTION switch to OHMS.
- b. Select the approximate range with the RANGE switch; and with the input terminals open, adjust the DC ZERO/ $\Omega\infty$  thumbwheel for an  $\infty$  indication on the ohms scale. (Pointer should rest on the mark just to the left of  $\infty$ ).

- c. Connect the unknown resistance across the OHMS and COM terminals. Read the resistance value on the ohms scale.

NOTE

For best accuracy, select an ohms range that will place the meter pointer near the center of the scale.

3-13. AC MEASUREMENTS.

3-14. The Model 427A responds to the average value of the ac input and is calibrated in rms volts for a sine wave input. Since the average value and the rms value of a non-sinusoidal signal are different, any distortion on the input will affect the accuracy of the reading. Table 3-1 shows the effect of harmonic distortion on a reading.

NOTE

The following table is universal in application since these errors are inherent in all average-responding voltmeters. The error shown above may vary with the phase relationship between the harmonic and fundamental.

Table 3-1. Effects of Harmonic Distortion

INPUT VOLTAGE CHARACTERISTICS	TRUE RMS VALUE	METER INDICATION
Fundamental = 100	100	100
Fundamental + 10% second harmonic	100.5	100
Fundamental + 20% second harmonic	102	100 - 102
Fundamental + 50% second harmonic	112	100 - 110
Fundamental + 10% third harmonic	100.5	96 - 104
Fundamental + 20% third harmonic	102	94 - 108
Fundamental + 50% third harmonic	112	90 - 116

3-15. Use the following steps to make an ac measurement.

- a. Rotate FUNCTION switch to ACV.

NOTE

With the input shorted, there may be a zero offset of about two minor divisions. This is caused by the bias current through the meter bridge and does not affect the accuracy of ac measurements as the meter moves upscale.

- b. Rotate RANGE switch to approximate range of input voltage.



DO NOT APPLY MORE THAN 425V RMS WHEN THE INSTRUMENT IS ON RANGES ABOVE 3, OR MORE THAN 300V RMS ON RANGES BELOW 3.

- c. Connect the signal to be measured to the VOLTS and COM terminals and read the magnitude on the voltage scale.

3-16. DB MEASUREMENTS.

- a. Making a dB or dBm measurement is essentially the same as making an ac voltage measurement. Follow the steps in Paragraph 3-13, but read the magnitude on the dB scale.
- b. The 1 volt position of the RANGE switch is the 0 dBm range. Each position above 1 volt is a 10 dB increase, and each position below 1 volt is a 10 dB decrease. Table 3-2 lists the dB value of each range.

Table 3-2. DB Range Identification

RANGE	DB	RANGE	DB
300	+50	1	0
100	+40	0.3	-10
30	+30	0.1	-20
10	+20	0.03	-30
3	+10	0.01	-40

- c. A given dB reading is equal to the algebraic sum of the range and the meter reading. For example, if the meter reading were -6 and the instrument were on the 10 volt (+20 dB) range, the final reading would be 20 dB - 6 dB = 14 dB.
- d. The 427A meter is calibrated in dBm. 0 dBm is equivalent to 0.775 volt dropped across a 600Ω load. Consequently, any dBm measurements must be made across a total impedance of 600Ω. Measurements across other impedances will be in dB, not dBm.
- e. To convert a dB reading to dBm, use the Impedance Correction Graph (Figure 3-2). For example, to convert a +30 dB reading made across a 50Ω load to dBm, locate the 50Ω load impedance on the bottom of the graph. Follow the impedance line to the heavy black line and read the meter correction at that point. The correction for 50Ω is +10.5 dBm, and the corrected reading is +40.5 dBm.

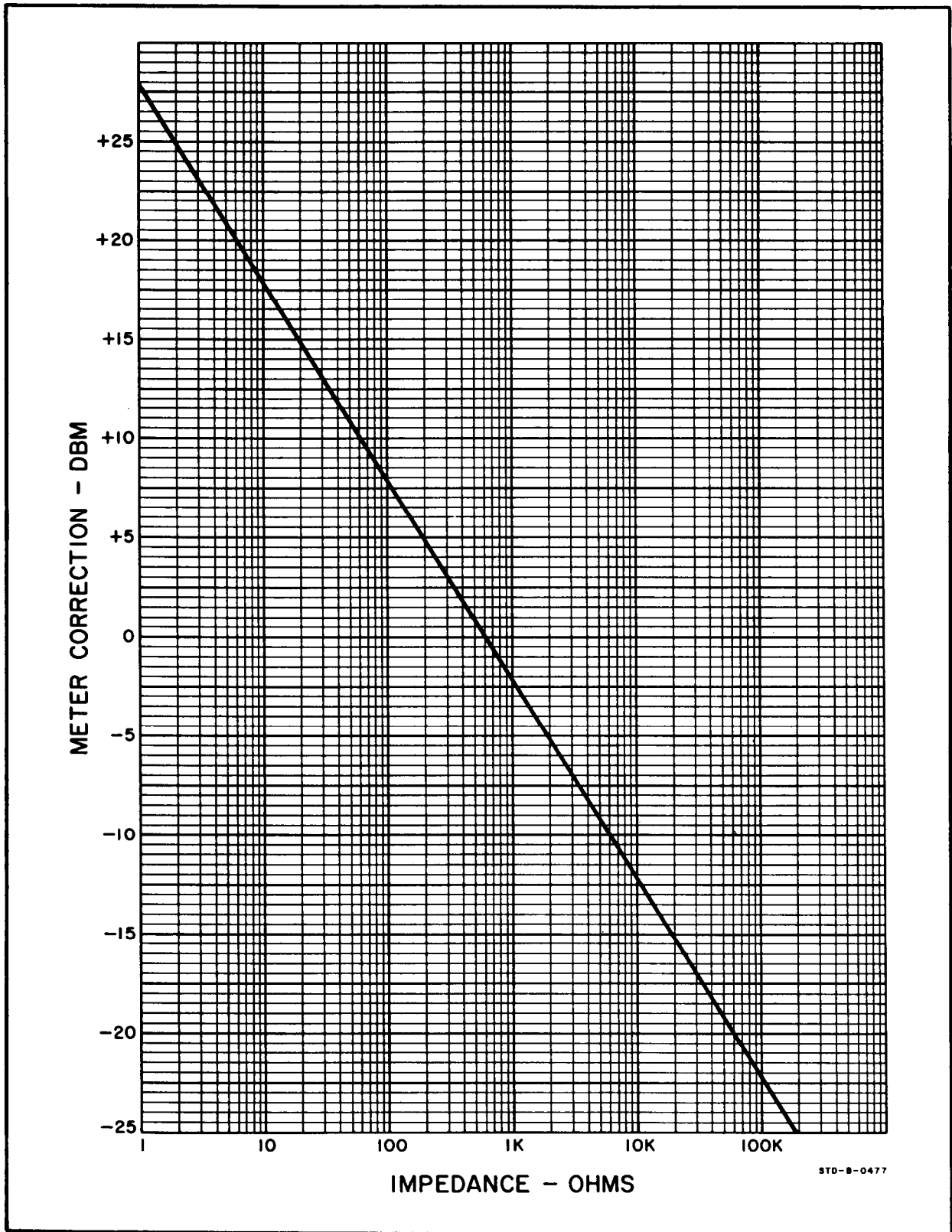


Figure 3-2. Impedance Correction Graph

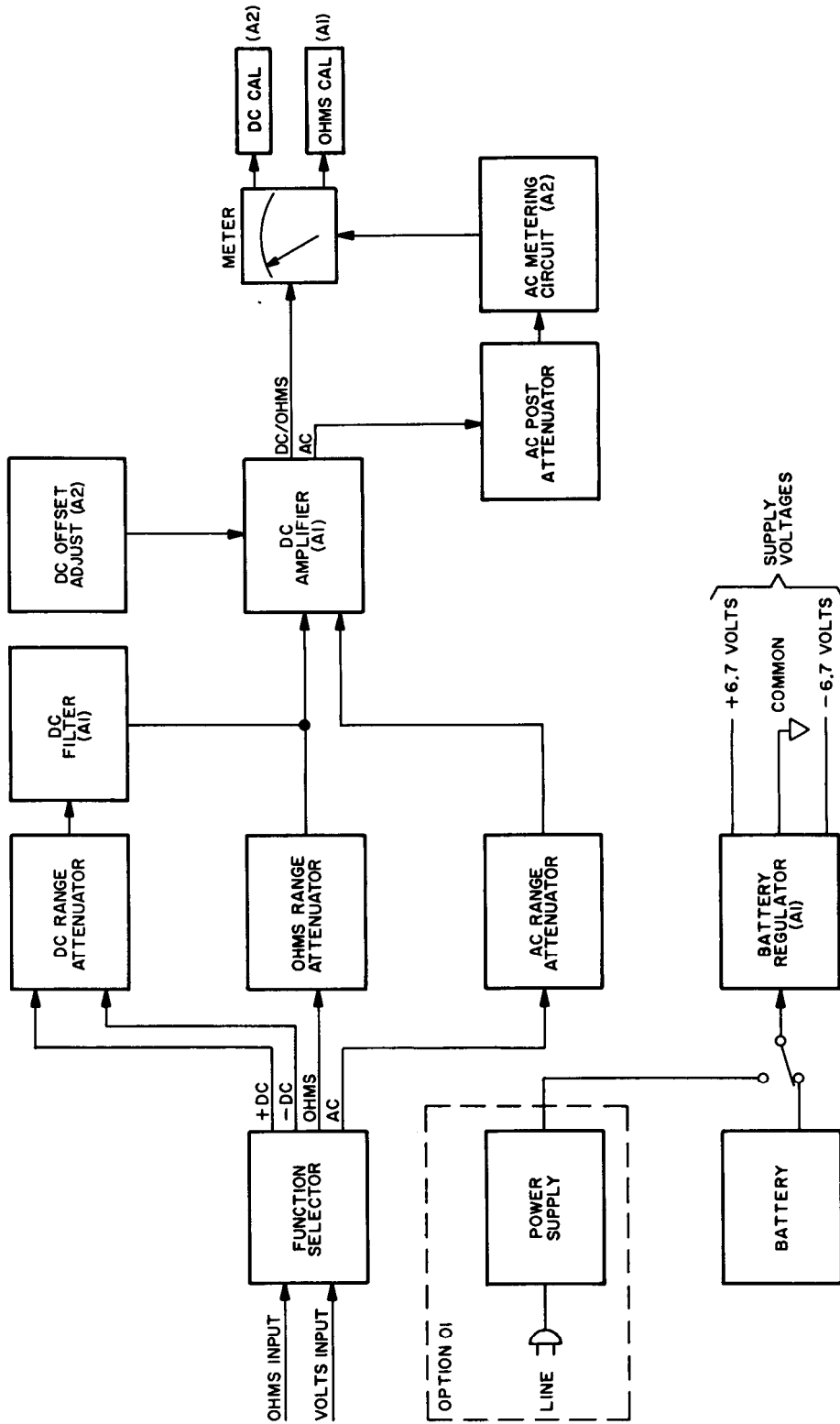


Figure 4-1. Simplified Block Diagram

## SECTION IV THEORY OF OPERATION

### 4-1. GENERAL.

4-2. The Model 427A measures ac voltage, dc voltage, and resistance. It is battery operated, but with Option 01, can be powered by line voltage. Figure 4-1 shows a simplified block diagram of the 427A.

4-3. The Battery Regulator (A1) regulates the battery output and provides +6.7 and -6.7 volt bias supply to the amplifiers. The 427A uses two amplifiers, the DC Amplifier (A1) and the AC Metering Circuit (A2). The former is a high input impedance unity gain amplifier used to amplify dc and resistance inputs. It also serves as a preamplifier for ac signals. The AC Metering Circuit amplifies ac signals from the preamplifier, converts them to dc signals proportional to the average ac, and connects them to the meter. The meter is calibrated to display the rms value of the ac input.

4-4. The DC Offset Adjust (A2) compensates for leakage current from the dc amplifier, and DC CAL and OHMS CAL are resistive circuits used for calibration.

### 4-5. DC OPERATION.

4-6. Figure 4-2 shows the Model 427A in the DC Mode of Operation. The dc input is first applied to the DC Range Attenuator where it is attenuated by 10dB for each step of the attenuator. The dc signal from the attenuator goes to the DC Filter, and the filter rejects any ac superimposed noise that may be present on the input. The dc output of the filter goes to the DC Amplifier (A1) and then to the meter. The DC Amplifier matches the high impedance of the attenuator to the low impedance of the meter. The DC CAL circuits

are resistive circuits in series with the meter used to adjust the meter current to calibrate the lower ranges.

### 4-7. OHMS OPERATION.

4-8. Figure 4-3 is a block diagram of the Model 427A in the OHMS Mode of Operation. With the input open,  $R_a$  and  $R_b$  form a voltage divider. The voltage across  $R_b$  causes full scale current to flow through the meter. The OHMS CAL circuit adjusts the meter current for an indication of  $\infty$  with the input open. When  $R_x$  is equal to the parallel combination of  $R_a$  and  $R_b$ , the total resistance from the OHMS terminal to ground will be half the parallel combination of  $R_a$  and  $R_b$ , the voltage into the amplifier will be halved, and the meter indication will be half scale. The Model 427A is designed so that the full RANGE setting will be displayed in the center of the scale. For example, 10  $\Omega$  on the X10 range is a center scale reading.

### 4-9. AC OPERATION.

4-10. Figure 4-4 shows a block diagram of the 427A in the AC Mode of Operation. The input signal goes to the AC Range Attenuator. On the 1 volt range and below, the signal is not affected by the AC Range Attenuator; but on all the higher ranges, the signal is attenuated by 50 dB. Capacitor C3 adjusts the frequency response of the attenuator with a 3 volt 100 KHz input. The signal from the AC Range Attenuator goes through the DC Amplifier to the AC Post Attenuator where it is attenuated by 10 dB for each step of the RANGE selector. The DC Amplifier matches the low impedance of the Post Attenuator to the high impedance of the Range Attenuator, acting as a preamplifier.

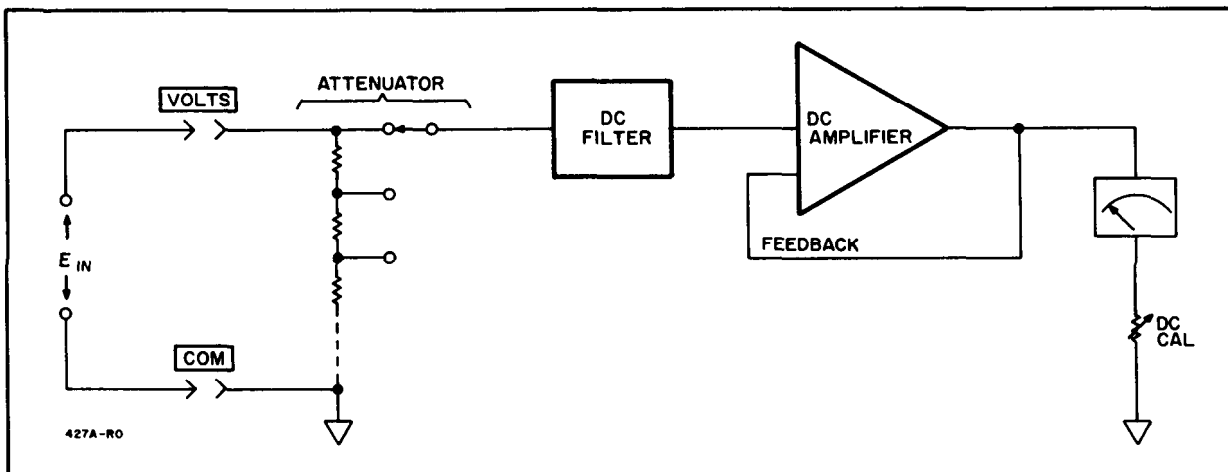


Figure 4-2. DC Operation

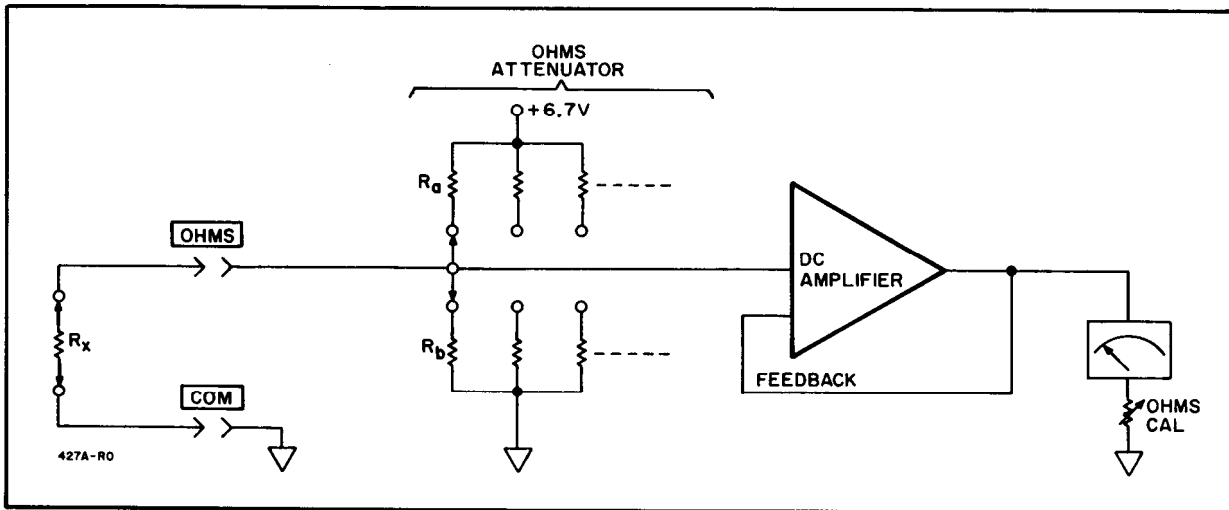


Figure 4-3. Ohms Operation

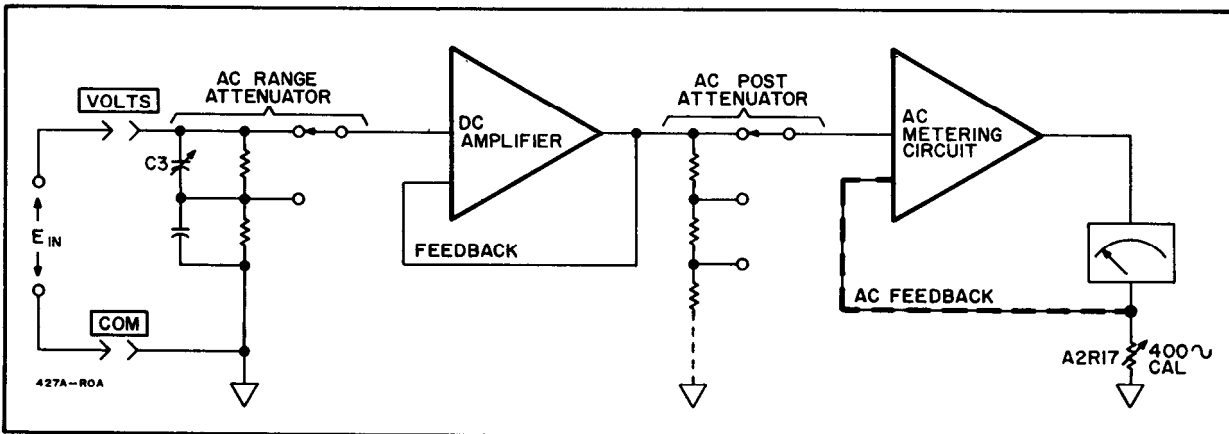


Figure 4-4. AC Operation

4-11. The AC Metering Circuit contains both a feedback stabilized ac amplifier and an averaging meter circuit. The meter circuit converts the ac signal to a dc voltage proportional to the average of the ac amplifier output. A2R17 adjusts the current through the meter so that the scale reading is in rms volts.

#### 4-12. CIRCUIT DESCRIPTIONS.

##### 4-13. DC AMPLIFIER (A1).

4-14. Figure 6-3 is the schematic diagram of the Model 427A. The input to the DC Amplifier (A1) is applied through Pin 2 to the impedance converter A1Q6. A field effect transistor is used as the impedance converter because of its characteristically high input impedance. Transistors A1Q7 and A1Q9 make up a two-stage amplifier, with A1Q9 as an emitter follower output stage. The signal from the emitter of A1Q9 is fed back to the base of A1Q7 for gain stabilization.

4-15. A1Q8 acts as a constant current source for A1Q6. The constant current from A1Q8 assures linearity in A1Q6 and helps minimize drift.

##### 4-16. DC OFFSET (A2).

4-17. The gate leakage from A1Q6 ( $I_{GSS}$ ) amounts to a fraction of a nanoamp. This current is insignificant with the input shorted; but with the input open, it flows through the DC Range Attenuator resistance of  $10\text{ M}\Omega$  resulting in a few millivolts deflection on the lower ranges. Consequently, the meter indications with the input open and with the input shorted can be different. When measuring across a low impedance,  $I_{GSS}$  flows mostly through the low impedance; and this difference does not effect the measurement. Unless  $I_{GSS}$  is compensated for, it will effect measurements made across high impedances ( $>1\text{ M}\Omega$ ).

4-18. The DC Offset Circuit (A2) (see Figure 4-5) compensates for the leakage from A1Q6. A positive voltage tapped from A2R7 reverse biases A2CR1. The reverse leakage current from A2CR1 ( $I_R$ ) meets an extremely high resistance at the gate of A1Q6 and passes through the much lower resistance of the attenuator, in a direction opposite to that of  $I_{GSS}$ . By adjusting A2R7,  $I_R$  can be set so that it and  $I_{GSS}$  cancel each other. The net voltage drop across the attenuator

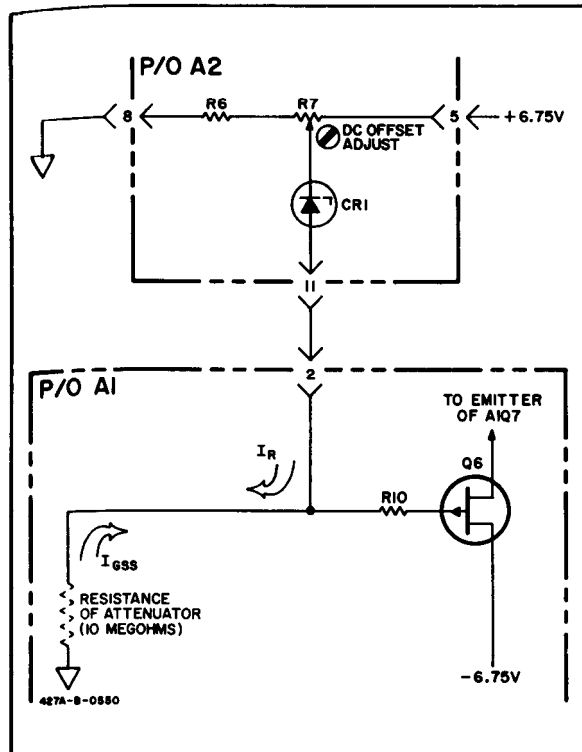


Figure 4-5. DC Offset Circuit

would then be zero. An alternative method of minimizing the effects of  $I_{GSS}$  would be to zero the instrument with the impedance of the measurement source connected to the input terminals rather than with the input shorted. A2CR1 has a temperature characteristic quite similar to that of A1Q6. Therefore,

both  $I_{GSS}$  and  $I_R$  change by approximately the same amount with temperature and the amount of additional error at higher temperatures is lessened.

#### 4-19. AC METERING CIRCUIT (A2).

4-20. Figure 6-3 contains the schematic of the AC Metering Circuit. The ac input from the ac post attenuator is applied through A2C1 to the base of A2Q1. A2Q2 is an emitter follower that provides impedance matching to common emitter output stage A2Q3. Capacitor A2C4 provides an ac feedback path for gain stabilization.

4-21. The output from the collector of A2Q3 is rectified by A2CR3 and A2CR4 and applied to the meter movement.

4-22. Resistor A2R17 is used to calibrate the amplifier at low frequency and is adjusted for full scale meter deflection with a 10 mV, 400 Hz input. Capacitor A2C3 is used to calibrate the amplifier at high frequency. With a 10 mV, 1 MHz input, A2C3 is adjusted for full scale.

#### 4-23. BATTERY REGULATOR A1 (See Figure 6-3).

4-24. The Battery Regulator regulates the dc voltage from the 22.5 volt battery or from the optional power supply. The voltage drop across A1CR2 and the emitter-base junction of A1Q3 provides the -6.7 volt reference for the power supply and the -6.7 volt output. A1Q5 senses changes in the +6.7 volt output and controls A1Q2, the positive series regulator. A1Q1 is a current source for A1Q5, and diodes A1CR3, CR4, and CR5 provide temperature stabilization. Transistor A1Q4 provides a current shunt for A1CR2 to keep its voltage constant under heavy current loads.



Table 5-1. Required Test Equipment

INSTRUMENT TYPE	REQUIRED CHARACTERISTICS	USE	RECOMMENDED MODEL
DC Voltage* Standard	Range: 0-300 V Accuracy: $\pm 0.2\%$	Performance Checks	-hp- Model 738BR Voltmeter Calibrator
Test Oscillator*	Frequency Range: 10 Hz to 1 MHz Output: 0 to 3 Vac	Performance Checks	-hp- Model 652A Oscillator
Variable Line Transformer	Frequency Range: 50 to 60 Hz Voltage Range: 0 to 120 V	Performance Checks	Powerstat Type 116B
Decade Resistor	Range: 10 $\Omega$ to 10 M $\Omega$ Accuracy: $\pm 0.5\%$	Performance Checks	General Radio Model 1432Z Decade Resistor
DC Voltmeter	Range: 0-50 Vdc Accuracy: $\pm 2\%$	Troubleshooting	-hp- Model 427A Voltmeter
AC Voltmeter	Range: 0-50 Vac Accuracy: $\pm 2\%$	Troubleshooting	-hp- Model 427A Voltmeter
Resistors	100 k $\Omega$ $\pm .1\%$ 1 M $\Omega$ $\pm .1\%$	Performance Checks	-hp- Part No. 0811-0460 -hp- Part No. 0811-0473

\* Contained in -hp- E02-738BR VTVM Calibration System

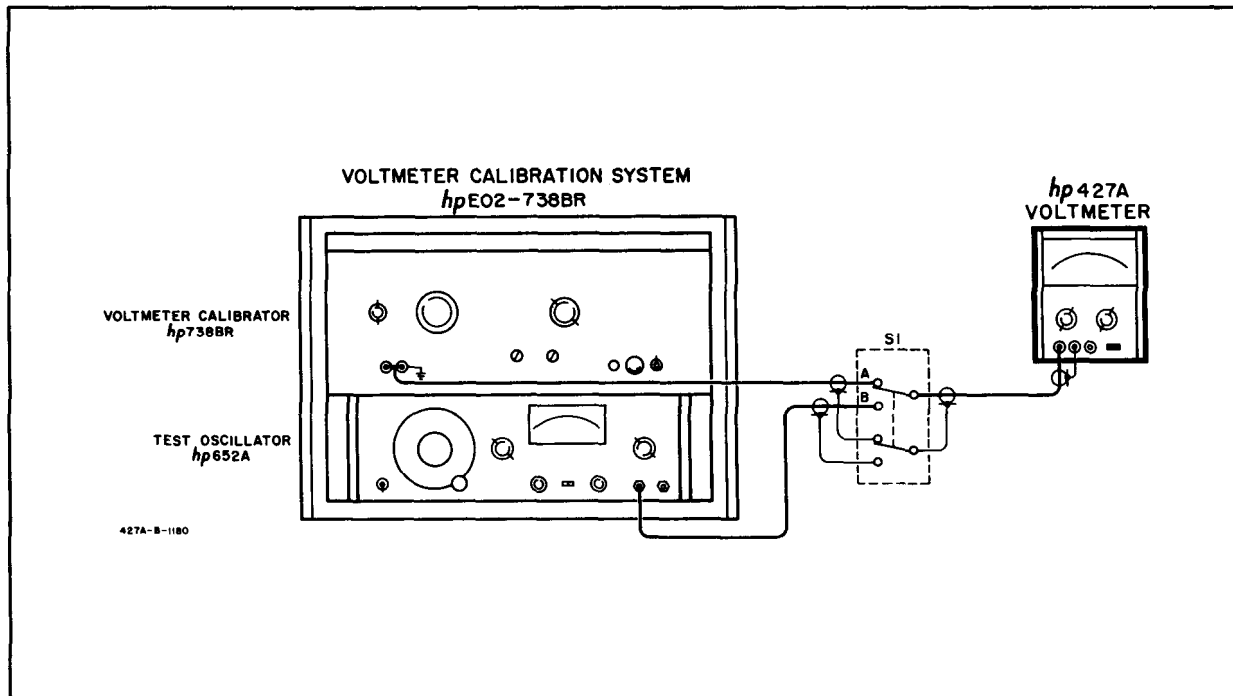


Figure 5-1. AC Accuracy and Frequency Response Check

## SECTION V MAINTENANCE

### 5-1. INTRODUCTION.

5-2. This section contains information necessary to maintain the Model 427A. The following paragraphs describe the Performance Checks, the Calibration Procedures, and the Troubleshooting Procedures.

### 5-3. REQUIRED EQUIPMENT.

5-4. Table 5-1 is a list of the equipment needed to properly maintain the Model 427A. If the recommended model is not available, use any substitute that meets the required characteristics.

### 5-5. PERFORMANCE CHECKS.

5-6. The Performance Checks are "in cabinet" tests that compare the Model 427A with its specifications. These procedures can be used both for incoming inspection and periodic inspection. A Performance Check Test Card is provided at the end of this section for recording the performance of the Model 427A during the performance checks. The card can be removed from the manual and used as a permanent record of the incoming inspection or of a routine performance check. If the Model 427A does not meet its specifications, refer to the Adjustment and Calibration Procedures, Paragraph 5-25.

### 5-7. AC ACCURACY AND FREQUENCY RESPONSE CHECK.

5-8. The AC Accuracy and Frequency Response Check requires a test oscillator that is flat within  $\pm 0.5\%$  from 10 Hz to 1 MHz. The absolute value of the applied voltage must be accurate within  $\pm 0.2\%$ . The -hp- Model 738BR Voltmeter Calibrator produces a 400 Hz signal that is within less than  $0.2\%$  of the indicated output. The -hp- Model 652A Test Oscillator can be adjusted to within less than  $0.25\%$  of a desired reference from 10 Hz to 10 MHz.

#### NOTE

Before beginning the Performance Checks, be sure to adjust the mechanical meter zero according to the steps in Paragraph 3-6.

### 5-9. AC ACCURACY CHECK.

5-10. Connect the test oscillator, and the voltmeter calibrator as shown in Figure 5-1.

- a. Set the voltmeter calibrator for an output of 0.01 volts at 400 Hz.
- b. Set S1 in Figure 5-1 to position A.
- c. Set the Model 427A FUNCTION to ACV and the range to 0.01.
- d. The 427A should read 0.01 volts rms  $\pm 2\%$  (2 minor scale division).

- e. Repeat steps a through d for each ac RANGE selection through 300 V by setting the voltmeter calibrator output to the full scale value for each range. The Model 427A indication should not vary from the known input by more than  $2\%$  on any range.  $2\%$  corresponds to 2 minor divisions on the 0-1 scale and  $1\frac{1}{2}$  minor divisions on the 0-3 scale.

- f. Set the Model 427A to the 1 volt range and apply 0.9, 0.8, 0.7, 0.6, 0.5, 0.3, 0.2 and 0.1 volt signals. In each case the reading should be within two minor divisions of the known input signal.

- g. Set the Model 427A to the 3 volt range and apply 2.5, 2, 1.5, 1, and 0.5 volt signals. In each case the reading should be within  $1\frac{1}{2}$  minor divisions of the known input signal.

### 5-11. FREQUENCY RESPONSE CHECK.

5-12. The frequency range of the -hp- Model 652A is 10 Hz to 10 MHz. The set level indication mentioned in the following steps is used to re-establish the proper amplitude each time the frequency is changed.

- a. Set S1 in Figure 5-1 to position B. Set the Model 427A RANGE to 0.01.
- b. Set the test oscillator to 400 Hz and adjust the output for a 0.95 indication on the 427A 0-1 scale.
- c. Set test oscillator to expand, and adjust the set level control (REF SET) for convenient meter indication.
- d. Record set level indication for use as a reference in steps e and f.
- e. Change the oscillator frequency to 10 Hz and reset the oscillator amplitude to the set level indication established in step c. DO NOT re-adjust the set level control on the oscillator. The 427A indication should not vary by more than  $\pm 2$  minor scale divisions ( $\pm 2\%$ ).
- f. Repeat step e for 100 Hz, 1 kHz, 10 kHz, 100 kHz, 500 kHz and 1 MHz. In each case the 427A indication should not vary by more than  $\pm 2$  minor scale divisions ( $\pm 2\%$ ).

5-13. Repeat Paragraph 5-11 with the 427A RANGE set to 3 volts, and test oscillator output set to give 3 V reading on 427A in step b. The 427A reading should not vary by more than  $\pm 2\%$  ( $\pm 1\frac{1}{2}$  small scale divisions).

5-14. RESISTANCE ACCURACY CHECK.

5-15. To check the resistance accuracy, precision resistances are needed. Figure 5-2 shows the resistance accuracy check using a General Radio Model 1432Z Decade Resistor. The resistance used should be accurate to within  $\pm 0.5\%$  and should have a range of 10 ohms to 10 M ohms.

- a. With the input open, set the Model 427A FUNCTION to OHMS and the RANGE to X10. Adjust the DC ZERO/ $\Omega\infty$  adjustment for an indication of  $\infty$  on the meter face. (The needle should rest on the mark just to the left of  $\infty$ ).
- b. Connect the decade resistor and the Model 427A as shown in Figure 5-2, and set the decade for 10  $\Omega$ .
- c. The 427A meter should read within  $\pm 5\%$  of the known resistance (- one small scale division, + one-half small division).
- d. Repeat steps a through c using the RANGE and decade resistor settings listed in Table 5-2.

————— NOTE —————

The DC ZERO/ $\Omega\infty$  adjustment need only be made on the X10 and X1K ranges.

Table 5-2. Resistance Accuracy Check

RANGE	DECADE
X100	100 $\Omega$
X1K	1000 $\Omega$
X10K	10 K $\Omega$
X100K	100 K $\Omega$
X1M	1 M $\Omega$
X10M	10 M $\Omega$

5-16. DC ACCURACY.

5-17. The DC Accuracy Check requires a dc voltage standard that is accurate to within  $\pm 0.2\%$  of its indicated output from 0.1 volt to 300 V. The -hp- Model 738BR Voltmeter Calibrator is accurate to within  $\pm 0.1\%$  of the indicated output. Figure 5-3 shows the test setup for the DC Accuracy Check.

- a. Set the Model 427A FUNCTION to +DCV and the RANGE to 0.1.

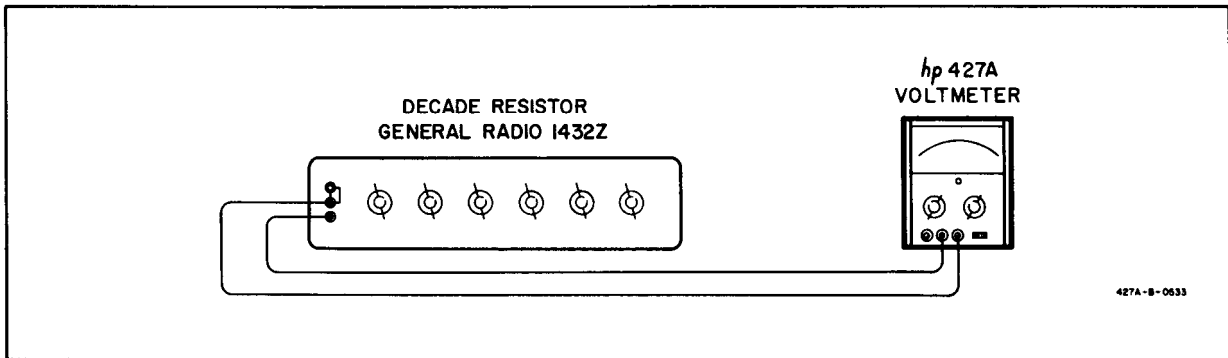


Figure 5-2. Resistance Accuracy Check

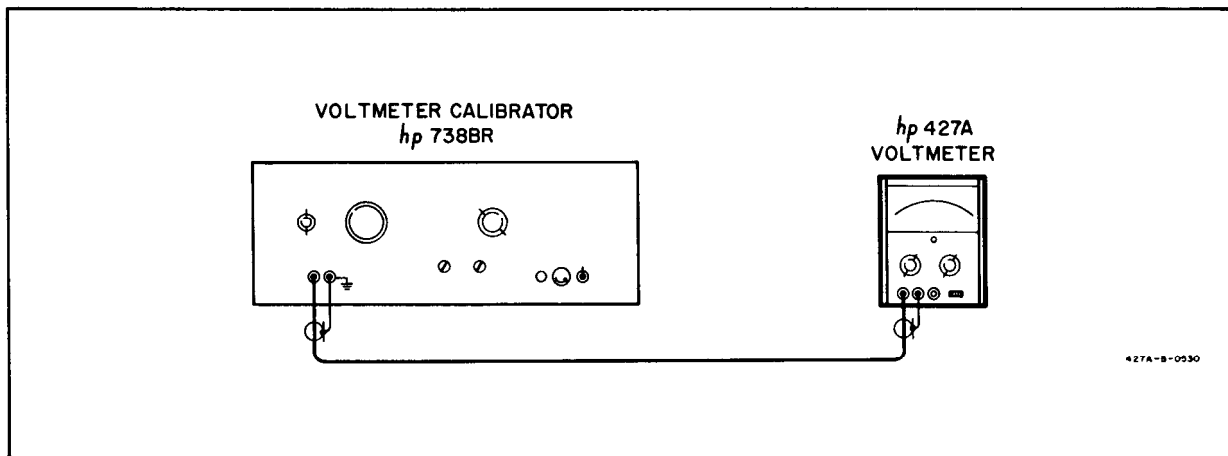


Figure 5-3. DC Accuracy and Linearity Check

- b. Adjust the DC ZERO/ $\Omega\infty$  for zero. This adjustment need only be made on the 0.1 volt range.
- c. Connect the voltmeter calibrator and the Model 427A as shown in Figure 5-3.
- d. Set the voltmeter calibrator output to 0.1 volts dc. The Model 427A should read 0.1 volt  $\pm 2\%$ .
- e. Repeat steps a through e for each RANGE selection to 300 V by setting the voltmeter calibrator output to the full scale value for each range. The Model 427A indication should not vary from the known input by more than  $\pm 2\%$  on any range. 2% corresponds to 2 minor divisions on the 0-1 scale and 1-1/2 minor division on the 0-3 scale.
- f. Set the dc RANGE to 1000 V and the voltmeter calibrator to 300 V. The Model 427A should read 300 V  $\pm 2\%$  of full scale on the 1000 volt range.
- g. Set the Model 427A to the 1 volt range and apply 0.9, 0.8, 0.7, 0.6, 0.5, 0.4, 0.3, 0.2, and 0.1 volt dc signals from the voltmeter calibrator. In each case the reading should be within two minor divisions of the known input voltage.
- h. Set the Model 427A to the 3 volt range and apply 2.5, 2, 1.5, 1, and 0.5 volt dc signals. In each case the reading should be within 1/2 minor division on the 0-3 scale.
- i. Repeat steps a through f with the FUNCTION set to -DCV and the voltmeter calibrator set for a negative output. The test results should be the same.

#### 5-18. AC REJECTION CHECK.

5-19. A peak ac superimposed noise signal 100 times the full scale input should affect the Model 427A reading less than 1%. Figure 5-4 shows the test setup using a variable line transformer as a noise generator. A 7.07 volt rms output from the variable line transformer corresponds to a 10 volt peak noise signal. The 10 volt noise signal will be applied to the 0.1 volt dc range.

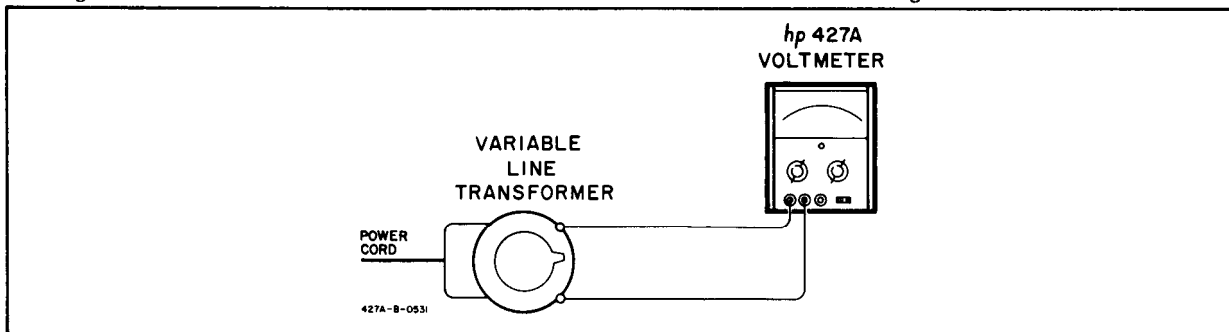


Figure 5-4. AC Rejection Check

- a. Set the 427A FUNCTION to +DCV and short the input. Set the RANGE to 0.1 and adjust the DC ZERO/ $\Omega\infty$  for 0 meter indication.
- b. Switch the FUNCTION to ACV and the RANGE to 10. Connect the variable line transformer and the Model 427A as shown in Figure 5-4.
- c. Adjust the transformer output for a reading of 7.07 volts rms on the 427A.
- d. Switch the 427A FUNCTION to +DCV and the RANGE to 0.1.
- e. The meter reading should be  $0 \pm 1\%$  (1 minor scale division).

#### NOTE

The meter may move upscale momentarily and then return to zero. This indicates the charging of the DC Filter capacitors and is normal.

- f. Repeat steps a through e using the 1 volt dc range and 70.7 volt rms signal from the transformer.

#### 5-20. INPUT IMPEDANCE CHECK.

#### 5-21. INPUT RESISTANCE CHECK.

5-22. Figure 5-5 shows the setup for the input resistance check. A  $1\text{ M}\Omega$  resistor is connected in series with the input, and the voltage drop across the input resistance will be:

$$E_R = E_{\text{applied}} \left( \frac{R_{\text{in}}}{R_{\text{series}} + R_{\text{in}}} \right)$$

With 1 volt applied,  $E_R$  will be 0.91 volt if the input resistance is  $10\text{ M}\Omega$ .  $E_R$  varies directly with changes in  $R_{\text{in}}$ .

- a. Connect the Model 427A and the voltmeter calibrator to position A illustrated in Figure 5-5. Set the Model 427A FUNCTION to +DCV and RANGE to 1 V.
- b. Set the voltmeter calibrator for +1 V output.
- c. Connect the voltmeter calibrator to position B shown in Figure 5-5.

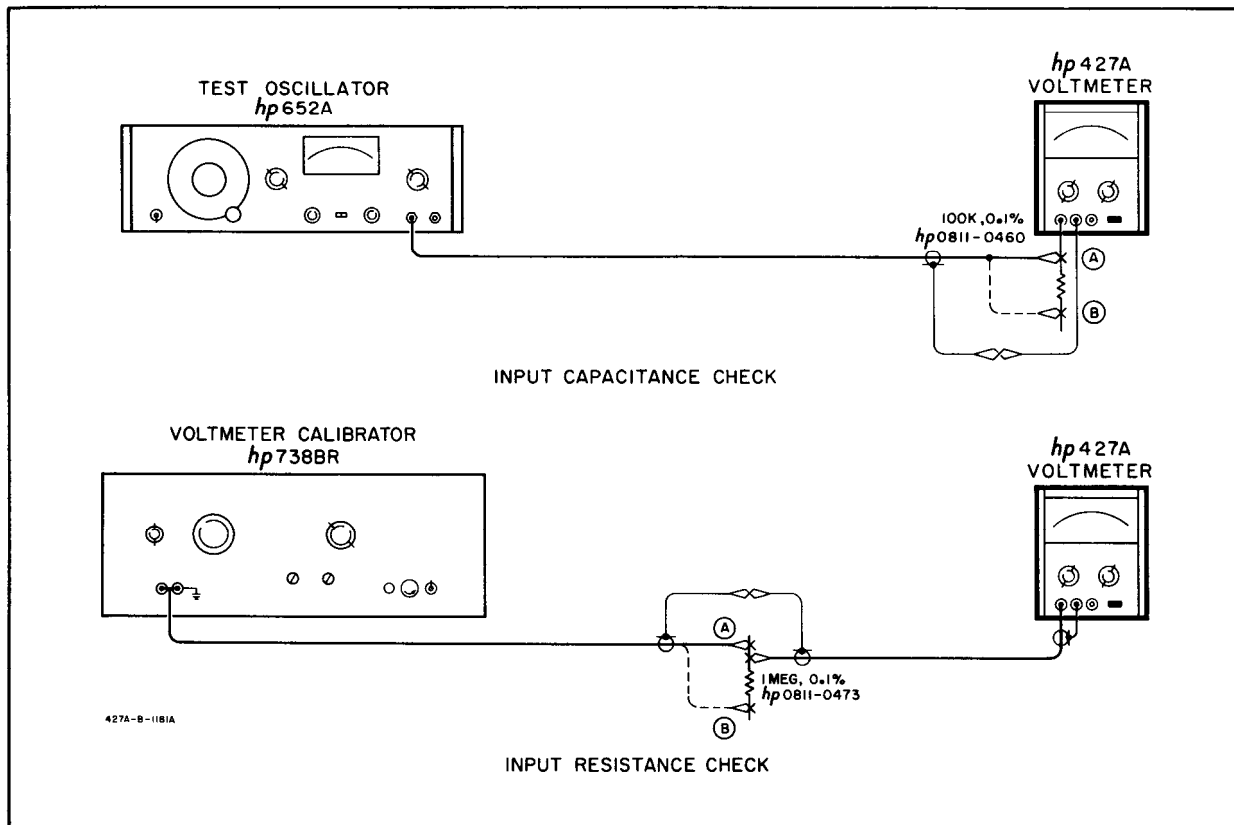


Figure 5-5. Input Impedance Check

- d. The voltmeter reading should drop to 0.91, indicating an input resistance of 10 M $\Omega$ . The input resistance may vary slightly, and a tolerance of  $\pm 2\%$  should be allowed.

### 5-23. INPUT CAPACITANCE CHECK.

5-24. The 10 M $\Omega$  input resistance is shunted with 40 pF on the 0.01 through 1 volt ac ranges and with 20 pF on the 3 through 300 volt ac ranges. For this input capacitance check a 100 k $\Omega$  resistor is placed in series with the meter input. At a known frequency, the reactance of the shunt capacitance will be equal to 100 k $\Omega$ . At this point the voltage across the input resistance and shunt capacitance will be equal to 0.707 times the input voltage. The input capacitance may be checked by finding the frequency at which the displayed voltage drops to 0.707 times the input. As input capacitance decreases, the roll off frequency increases, and vice versa.

- Connect oscillator and Model 427A to position A of the input capacitance check (Figure 5-5), and set the Model 427A FUNCTION to ACV and RANGE to 1 V.
- Set the oscillator frequency to 60 Hz and adjust the amplitude for a full scale display on the Model 427A.
- Connect the oscillator to position B and increase the frequency until the meter display

drops to 0.707. The frequency at this point should be about 40 kHz. The input capacitance is nominally specified at 40 pF and may vary from instrument to instrument. A frequency variation of  $\pm 10\%$  is acceptable.

- Repeat steps a through c using the 3 volt range of the 427A. Increase the frequency in step c until the reading drops to 2.1 volts. This should occur at about 80 kHz. This verifies input capacitance of 20 pF on 3 volt range and above.

### 5-25. ADJUSTMENT AND CALIBRATION PROCEDURES.

5-26. The following adjustment and calibration procedures should be used only if it has been determined through the performance checks in Paragraphs 5-5 through 5-24 that the Model 427A is not performing within its specifications. The location of the internal adjustments is shown in Figures 5-6 and 6-2.

#### 5-27. COVER REMOVAL.

5-28. To remove the top or bottom covers, remove the Phillips screws securing the cover, slide the cover about 1 inch to the rear, and lift it off. To replace the cover, reverse the removal procedure.

5-29. To remove a side cover, remove the four Phillips screws and lift it off.

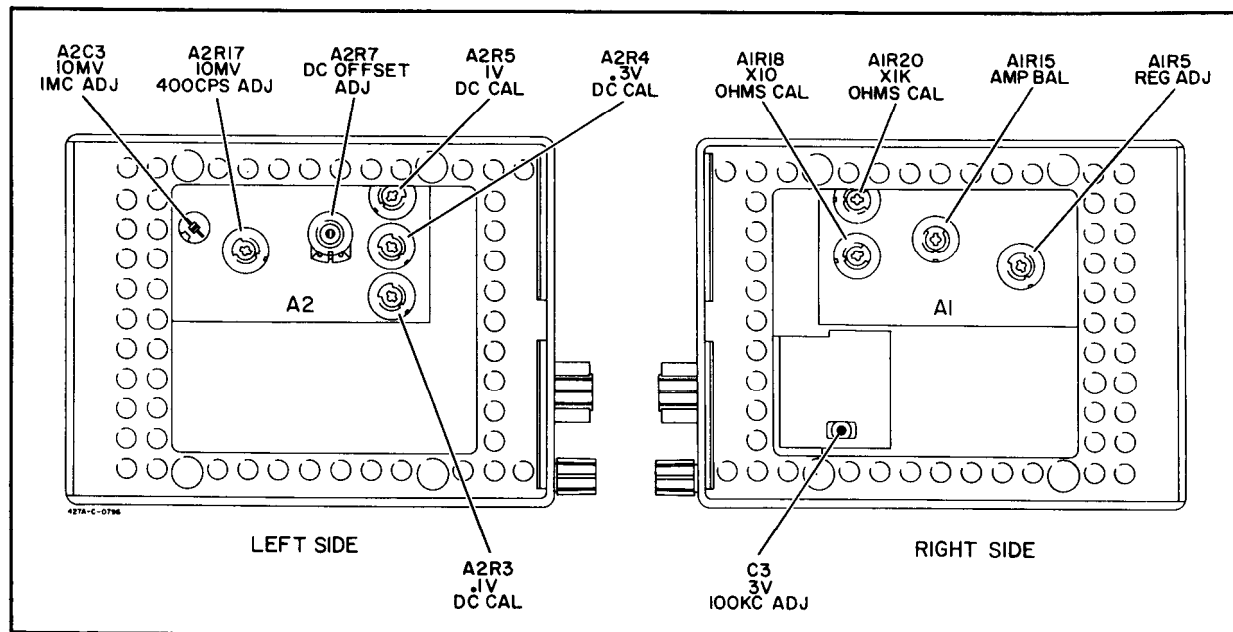


Figure 5-6. Location of Internal Adjustments

## NOTE

Before beginning the calibration, be sure to adjust the mechanical meter zero according to the steps in Paragraph 3-6.

5-30. AMPLIFIER BALANCE AND ZERO OFFSET ADJUSTMENT.

- Short VOLTS and COM terminals; set FUNCTION to either +DCV or -DCV.
- Set DC ZERO/ $\Omega\infty$  for zero deflection.
- Remove shorting connection from VOLTS and COM terminals. If meter deflects, adjust A2R7 OFF ADJ for zero deflection. Short VOLTS and COM terminals and recheck zero adjustment. Repeat steps b and c if necessary.
- Set the FUNCTION to +DCV and turn DC ZERO/ $\Omega\infty$  fully to the right. Set Range to 0.1. Record position of indicator.
- Turn FUNCTION to -DCV and rotate DC ZERO/ $\Omega\infty$  fully to the left. Note meter indication.
- Repeat steps d and e and adjust A1R15 AMP BAL until the meter indication in both steps is the same.

## NOTE

If the range of adjustment A1R15 is insufficient, refer to Paragraph 5-74.

5-31. REGULATOR ADJUST.

- Complete Amplifier Balance and Offset adjustment (Paragraph 5-30).

- Short VOLTS to COM and OHMS to COM. Set FUNCTION to +DCV. Meter should be zeroed within 2 minor divisions upscale.
- Switch FUNCTION to OHMS. If meter deflects, adjust A1R5 REG ADJ for zero deflection. This may affect +DCV zero setting, so rotate FUNCTION back and forth between OHMS and +DCV, and adjust A1R5 until meter reading is the same in both positions.

5-32. AC CALIBRATION.

5-33. Three adjustments must be made to calibrate the ac circuits in the Model 427A. First, A2R17 adjusts the absolute amplitude calibration with a 10 mV 400 Hz input. Then A2C3 is adjusted with a 10 mV 1 MHz input to calibrate the high frequency response. Finally the frequency response of the AC Range Attenuator is set by adjusting C3 with a 3 V 100 kHz signal applied to the input.

5-34. LOW FREQUENCY CALIBRATION.

- Connect the Model 427A as shown in Figure 5-1, and set S1 to position A.
- Set the voltmeter calibrator output to 400 Hz at 0.01 volt rms, and set the 427A RANGE to 0.01 and FUNCTION to ACV.
- Adjust A2R17 400 CPS ADJ for exactly 0.01 volt indication on the 427A. If the range of adjustment A2R17 is insufficient, refer to Paragraph 5-81.

5-35. HIGH FREQUENCY CALIBRATION.

- Connect the Model 427A as shown in Figure 5-1.

Set S1 to position B. Set 427A RANGE to 0.01 and FUNCTION to ACV.

- b. Set the oscillator to 400 Hz and adjust the output for exactly a 0.01 volt indication on the 427A.
- c. Adjust the set level control (REF SET) on Test Oscillator for a convenient meter indication. Record set level indication for use as a reference in step d.
- d. Adjust oscillator frequency to 1 MHz and adjust the amplitude vernier to the set level indication established in step c. DO NOT readjust the set level control.
- e. Adjust A2C3 1 MC ADJ for exactly a 0.01 volt indication on the Model 427A. If the range of adjustment A2C3 is insufficient, refer to Paragraph 5-76.
- f. Rotate 427A RANGE switch to 3, set S1 to position A. Adjust the voltmeter calibrator for an output of 3 V at 400 Hz and record indication on 427A meter.
- g. Change S1 to position B. Set the oscillator to 400 Hz, and adjust amplitude for 427A meter indication recorded in step f.
- h. Adjust the set level control (REF SET) for a convenient reference.
- i. Increase oscillator frequency to 100 kHz, and readjust oscillator amplitude to set level reference established in step h.
- j. Adjust C3 3 V 100 kHz ADJ for exactly a 3 volt indication on the 427A.

#### 5-36. RESISTANCE INFINITY ADJUSTMENT.

5-37. The resistance calibration is affected by the amplifier balance, zero offset, and regulator adjustments. Perform the steps in Paragraph 5-30 and 5-31 before making the resistance infinity adjustment.

- a. Set FUNCTION to OHMS and RANGE to X10.
- b. Short OHMS to COM and adjust the DC ZERO/ $\Omega_{\infty}$  for zero indication. Open the input and adjust A1R18 X10 OHMS CAL for an  $\infty$  indication. The indicator should rest on the mark just to the left of  $\infty$ .
- c. Change RANGE to X1K, short OHMS to COM and adjust DC ZERO/ $\Omega_{\infty}$  for zero indication. Open the input and adjust A1R20 X1K OHMS CAL for an  $\infty$  indication.

#### 5-38. DC CALIBRATION.

5-39. A dc voltage standard is needed to calibrate the dc ranges. A2R3, A2R4, and A2R5 are adjusted for

full scale inputs on the 0.1, 0.3, and 1 volt ranges respectively. The 3 volt through 1000 volt ranges are calibrated by A2R5 and require no special calibration. Use the test setup in Figure 5-3.

- a. Set FUNCTION to +DCV and RANGE to 0.1. Set the voltmeter calibrator output to +0.1 volt.
- b. Adjust A2R3 0.1 V DC CAL for full scale on the 0-1 scale.
- c. Rotate RANGE to 0.3, and change the calibrator output to +0.3 volt.
- d. Adjust A2R4 0.3 V DC CAL for 3 on the 0-3 scale.
- e. Rotate RANGE to 1 and change the calibrator output to 1 volt.
- f. Adjust A2R5 1 V DC CAL for full scale on the 0-1 scale.

#### 5-40. ALTERNATE PERFORMANCE CHECKS AND CALIBRATION PROCEDURES.

5-41. The following alternate procedures should be used only if the equipment in Table 5-1 is not available. In each alternate procedure use an instrument of the specified accuracy. If a less accurate instrument is used, the calibration or test may not be within the Model 427A specifications. To guarantee a specific accuracy, use a standard at least four times more accurate than the Model 427A.

#### 5-42. AC CIRCUITS.

5-43. Any test oscillator with low distortion (<2%) may be used as an ac voltage standard. If the distortion level is too high, the calibration may be wrong, as the 427A is an average responding rms calibrated meter. (The effects of harmonic distortion are discussed in more detail in Section III, Paragraphs 3-14 and 3-15.)

5-44. Monitor the oscillator output with a recently calibrated rms voltmeter known to be four times as accurate as the Model 427A over the same band of frequencies. The rms voltmeter serves as a reference. Each time the oscillator frequency is changed, readjust the output for the reference. The Model 427A ac calibration is based on a 400 Hz absolute reference, so always start the ac calibration or performance checks at 400 Hz.

#### 5-45. RESISTANCE CIRCUITS.

5-46. If a decade resistor is not available, a selection of precision resistors may be used. The resistors should be at least 1% resistors and the values selected should correspond to the RANGE settings. The -hp- part numbers for 1% resistors for each range are given in Table 5-3.

Table 5-3. 1% Resistors

RESISTOR ( $\pm 1\%$ )	-hp- PART NO.
10 $\Omega$	0757-0984
100 $\Omega$	0757-0198
1k $\Omega$	0757-0159
10k $\Omega$	0757-0839
100k $\Omega$	0757-0367
1M $\Omega$	0698-3583
10M $\Omega$	0698-3592

5-47. DC CIRCUITS.

5-48. A precision dc voltage source is required for dc calibration and performance checks. Since the 427A is only calibrated on the 1 volt, 0.3 volt and 0.1 volt ranges, only three different voltages are needed.

5-49. A mercury battery has good short term stability. Connect a series voltage divider with a variable output across the battery and monitor the output with a recently calibrated dc voltmeter known to be four times as accurate as the Model 427A. Use this output to calibrate the 0.1, 0.3, and 1 volt ranges.

5-50. AC REJECTION.

5-51. To check AC Rejection on 0.1 volt range an oscillator with output of 10 volt peak-to-peak into 10 Mohms may be used. If the -hp- Model 738BR Voltmeter Calibrator is available a 400 Hz 10 volt peak-to-peak output may also be used to check the AC Rejection of Model 427A.

5-52. INPUT IMPEDANCE CHECK.

5-53. Measure the resistance between the VOLTS and COM terminals directly with the Model 427A Function Switch at +DCV or -DCV using an accurate ohmmeter. Another Model 427A could be used for this purpose. If an L-C meter or capacitance bridge is available, measure the input capacitance between the VOLTS and COM terminals directly. Be sure the Model 427A FUNCTION switch is in the ACV position.

5-54. BATTERY REPLACEMENT.

5-55. Figure 5-7 shows the battery holder and the battery connections. Turn the twist-lock fastener 1/4 turn counterclockwise, tilt the battery and holder toward the rear of the instrument, and lift out. Replace the battery with an Eveready 763 or RCA VS102, 22 1/2 volt dry cell

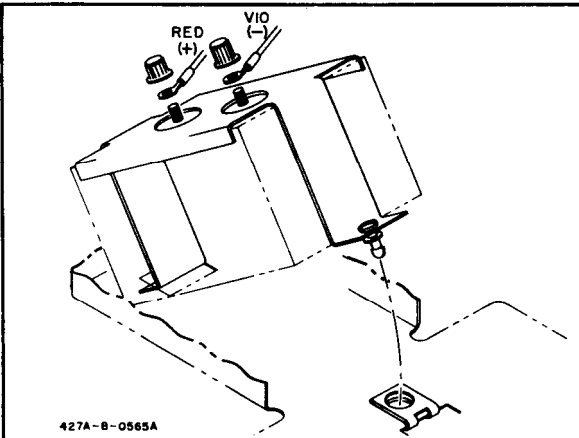


Figure 5-7. Battery Replacement

01791-3

5-56. TROUBLESHOOTING.

5-57. When the Model 427A operates improperly, first adjust and calibrate it according to the procedures in Paragraph 5-25. If calibration is impossible, then proceed with the troubleshooting steps.

5-58. Check the instrument for obvious evidence of trouble, such as loose or broken wires or broken connectors. Check the printed circuit boards for cracks and separations, and ensure that all connectors and pins are clean and tight.

5-59. Isolate the trouble to a particular circuit using the troubleshooting table (Table 5-4) and the Theory of Operation (Section IV). Then refer to the Troubleshooting steps for that circuit in the following paragraphs.

Table 5-4. Troubleshooting

SYMPTOM	PROBABLE TROUBLE AREA
Battery ok, no response to input.	Power Supply. (See Paragraph 5-60.)
All +DCV ranges pegged with no input. ACV and OHMS ok.	DC offset circuit. Check A2CR1. Then check A1Q6.
Nonlinear tracking on voltage ranges.	DC Amplifier. Check A1Q8 and associated circuit. Check value of range resistors. Check A1R14 and A1Q9.
Constant upscale deflection on lower +DCV ranges; voltage at TP1 low.	DC Amplifier. (See Paragraph 5-63.)
Meter pegs on +DCV and OHMS ranges.	DC Amplifier; check A1Q6, A1Q8, and A1Q9. (See Paragraph 5-65.)
OHMS range always reads near zero, DCV and ACV ok.	Range resistor ( $R_a$ in Figure 4-3) open. Check R19 through R25 on S1. Range resistors ( $R_b$ in Figure 4-3) shorted. Check R12 through R18 on S1. Check Power Supply.
OHMS always reads $\infty$ . DCV and ACV ok.	Either one of R19 through R25 ( $R_a$ ) shorted or one of R12 through R18 open.
Intermittent operation.	Power supply, check A1-Q4 (See Paragraph 5-60.)
Zero-offset in ACV FUNCTION greater than 2%.	AC Metering Circuit (See Paragraph 5-67.)
Meter pegs full scale on any AC range.	AC Metering Circuit, check A2CR3 and A2CR4 (See Paragraph 5-67.)

5-7



5-60. POWER SUPPLY.

5-61. Check at A1 pin 7 for +6.4 to +7 volts and A1 pin 9 for -6.4 to -7 volts. If there is no output, check A1Q4 first. If the power supply has been overloaded, A1Q4 may be bad. Minimum battery voltage is 15.5 volts.

5-62. Measure the dc voltages at the check points given in Table 5-5. All measurements are made with reference to circuit ground.

Table 5-5. Power Supply Voltages

NOTE	
The voltages listed in this table are nominal. A tolerance of $\pm 10\%$ should be allowed except for minimum voltages listed.	
CHECK POINT	VOLTAGE
Emitter A1Q1	+15V (+8V min)
Collector A1Q1	+7.3V
Base A1Q1	+14.8V (7.8V min)
Emitter A1Q2	+6.7V (+6.4V min)
Collector A1Q2	+15V (8.6V min)
Emitter A1Q3	-0.5V
Collector A1Q3	-0.2V
Collector A1Q4	-6.7V ( $\pm 6.4V$ min)
Base A1Q5	+0.5V
Across A1CR2	+6.2V

5-63. DC AMPLIFIER.

5-64. To make an operational check of the DC Amplifier, set the RANGE switch to 1 and the FUNCTION switch to +DCV. Connect a 1 volt source to the VOLTS and COM terminals and monitor the voltage at A1 pin 8. Since the DC Amplifier is a unity gain amplifier, the voltage should be +1.07  $\pm 0.07$  volts dc. If this reading is correct, the DC Amplifier is operating properly. If it is incorrect, proceed with the following troubleshooting procedures.

5-65. Check at the collector of A1Q9 for +3.5 Vdc, and check for +3.0 Vdc at A1TP1. If the voltage at the collector of A1Q9 is quite high (6 or 7 volts) and the voltage at A1TP1 is +3.0 Vdc, A1Q9 is probably open. If the collector voltage is low and the test point voltage is correct, A1Q8 is probably shorted. If both voltages are incorrect, A1Q7 or A1Q8 is probably bad.

5-66. If the collector voltage on A1Q9 is correct and the voltage at A1TP1 is slightly higher than normal, A1Q6 is probably bad.

## NOTE

If A1Q6 is replaced and the meter remains pegged or indicates upscale and cannot be adjusted, check the value of factory selected component A1R19\*. See Paragraph 5-71 and 5-73.

5-8.

5-67. AC METERING CIRCUIT.

5-68. To check the AC Metering Circuit, set the RANGE to 0.01 and the FUNCTION to ACV. Connect a 10 mV rms source to the VOLTS and COM terminals and monitor the signal at A2 pin 0. The signal at A2 pin 0 should be 10.7 mV rms  $\pm 0.7$  mV. If the measured signal is incorrect, the trouble is in either the DC Amplifier or the AC Post Attenuator.

5-69. Monitor the signal at the collector of A2Q3. The signal should be 0.28 V rms  $\pm 0.04$  V. If the measured signal is correct, the AC Metering Circuit is functioning properly. If not, proceed with the following troubleshooting procedures.

5-70. Check for dc voltage levels listed in Table 5-6. If a given reading is wrong, the trouble is probably in that component or its associated circuit. If A2CR3 or A2CR4 are replaced and the zero offset in ACV FUNCTION is greater than 2%, check the value of factory selected component A2R14\*. See Paragraph 5-72 and 5-71.

Table 5-6. AC Metering Circuit Voltages

NOTE	
The voltages listed in this table are nominal. A tolerance of $\pm 10\%$ should be allowed.	
CHECK POINT	VOLTAGE
A2TP1	+2.8 V
A2Q1 Collector	+2.8 V
A2Q2 Emitter	+2.2 V
A2Q3 Collector	-0.5 V

5-71. ADJUSTMENT OF FACTORY SELECTED COMPONENTS.

5-72. Certain components within the Model 427A are individually selected in order to compensate for slightly varying circuit parameters. These components are denoted by an asterisk (\*) on the schematic, and the optimum or average value is shown. The following paragraphs describe the function of each factory selected component and give instructions for their selection. Normally these components do not need to be changed unless another associated component is changed. For example, replacement of a transistor may require the changing of an associated factory selected component.

5-73. A1R19\*.

5-74. A1R19\* adjusts the range of the AMP BAL resistor A1R15. If the AMP BAL A1R15 cannot be adjusted properly after replacing transistor A1Q6, A1R19\* may need to be changed. Use the following steps to select A1R19\*.

- Set RANGE to 0.3.
- Set DC ZERO/ $\Omega\infty$  adjustment to center and A1R15 to its center.

01791-3

- c. Select the FUNCTION (+DCV or -DCV) which will produce an upscale deflection.
- d. If the FUNCTION selected is -DCV, increase the value of A1R19\*; if +DCV is selected, decrease A1R19\*. The value range of A1R19\* is 0 to 1850Ω.

#### 5-75. A2C2\*.

5-76. A2C2\* adjusts the range of the high frequency calibration capacitor A2C3 1 MC ADJ. If during the high frequency calibration (Paragraph 5-35) A2C3 cannot be adjusted for the proper reading, the value of A2C2\* should be changed. If the reading is consistently high, change the value of A2C2\* to 47 pF. If the reading is consistently low, remove A2C2\*.

#### 5-77. A2R14\*.

5-78. A2R14\* is factory selected to improve upscale meter tracking and correct any non-linearity of diodes A2CR3 and A2CR4. If diode A2CR3 or A2CR4 are replaced, A2R14\* may need to be changed. Use the procedure outlined in the following paragraph to select A2R14\*.

5-79. If a zero-offset greater than 2% (two minor divisions on the 0-1 scale) exists in ACV FUNCTION replace A2R14\* with a smaller value of resistance. The correct value for A2R14\* is the largest value of resistance that adjusts the zero-offset to less than 2%. Tracking error could result if the zero-offset indication is reduced below 1%. The nominal value for A2R14\* is 91 ohms (-hp- Part No. 0683-9105). The recommended replacement value for A2R14\* is either a 47 ohm (-hp- Part No. 0683-4705) or 68 ohm (-hp- Part No. 0683-6805) 1/4 W, 5% resistor.

#### 5-80. A2R16\*.

5-81. A2R16\* adjusts the range of the low frequency Calibration Resistor A2R17 400 CPS ADJ. If the AC Metering Circuit is functioning properly and the 400 CPS ADJ cannot be adjusted for the proper indication, during low frequency calibration (Paragraph 5-34), A2R16\* may need to be changed. If the reading is consistently low, change A2R16\* to 56.2 ohms (-hp- Part No. 0757-0395).

### 5-82. ETCHED CIRCUIT BOARD REPAIR.

5-83. The Model 427A uses plated-through double-sided etched circuit boards. To prevent damage to the circuit board and components, observe the following rules when soldering:

- a. Wear clean, lint free cotton or rubber gloves when handling the circuit boards. Avoid touching the board or components with bare fingers as skin oils can cause leakage paths.
- b. Use a low-heat (25 to 50 watts) small-tip soldering iron, and a small diameter rosin core solder.
- c. To remove a component, clip a heat sink (long nose pliers, commercial heat sink tweezers etc.) on the component lead as close to the component as possible. Place the soldering iron directly on the component lead and pull up on the lead. If a component is obviously damaged or faulty, clip the leads close to the components and then remove the leads from the board.



EXCESSIVE OR PROLONGED HEAT  
CAN LIFT THE CIRCUIT FOIL FROM  
THE BOARD OR CAUSE DAMAGE  
TO COMPONENTS.

- d. Clean the component lead holes by heating the solder in the hole, quickly removing the soldering iron, and inserting a pointed, non-metallic object such as a toothpick.
- e. To mount a new component, shape the leads and insert them in the holes. Clip a heat sink on the component, heat with the soldering iron, and add solder as necessary to obtain a good electrical connection.
- f. Clip excess leads off after soldering and clean excess flux from the connection and adjoining area, using type TF Freon (-hp- Part No. 8500-0232).

Model 427A

PERFORMANCE CHECK TEST CARD

Hewlett-Packard Model 427A Voltmeter Serial No. _____		Tests performed by _____ Date _____	
DESCRIPTION		CHECK	
1. AC ACCURACY CHECK:		±2% of full scale	<input type="text"/>
2. FREQUENCY RESPONSE CHECK:		±2% 10 Hz to 1 MHz	
		10 Hz	<input type="text"/>
		100 Hz	<input type="text"/>
		1 kHz	<input type="text"/>
		10 kHz	<input type="text"/>
		100 kHz	<input type="text"/>
		500 kHz	<input type="text"/>
		1 MHz	<input type="text"/>
3. RESISTANCE ACCURACY CHECK.		±5% of reading at midscale	
		<u>Range</u>	<u>Reading</u>
		X10	<input type="text"/>
		X100	<input type="text"/>
		X1K	<input type="text"/>
		X10K	<input type="text"/>
		X100K	<input type="text"/>
		X1M	<input type="text"/>
	X10M	<input type="text"/>	
4. DC ACCURACY CHECK:		±2% of full scale	<input type="text"/>
5. AC REJECTION CHECK:		100 times full scale input, < 1% change	<input type="text"/>
6. INPUT RESISTANCE CHECK:		10 MΩ all ranges	<input type="text"/>
7. INPUT CAPACITANCE CHECK:		40 pF .01 - 1 volt Range	<input type="text"/>
		20 pF 3 - 300 volt Range	<input type="text"/>

## SECTION VI CIRCUIT DIAGRAMS

### 6-1. INTRODUCTION.

6-2. This section contains the schematic diagram of the Model 427A and the circuit diagrams. Figure 6-1 shows the layout of both the FUNCTION and RANGE switches. The switches are viewed from the bottom

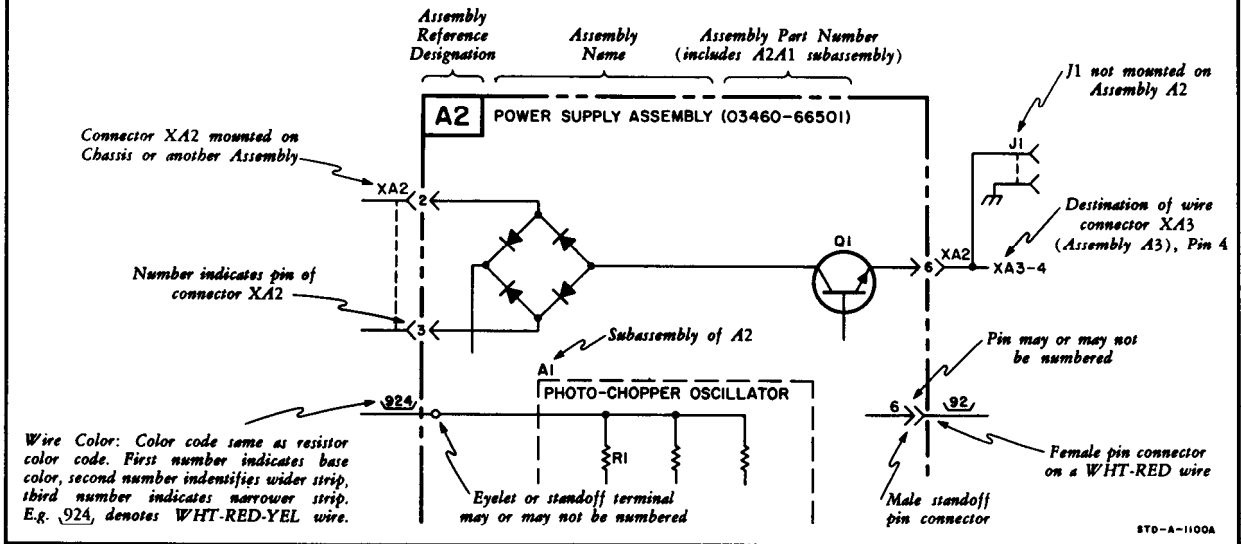
with the switches flattened out. The front of the instrument is at the bottom of the page.

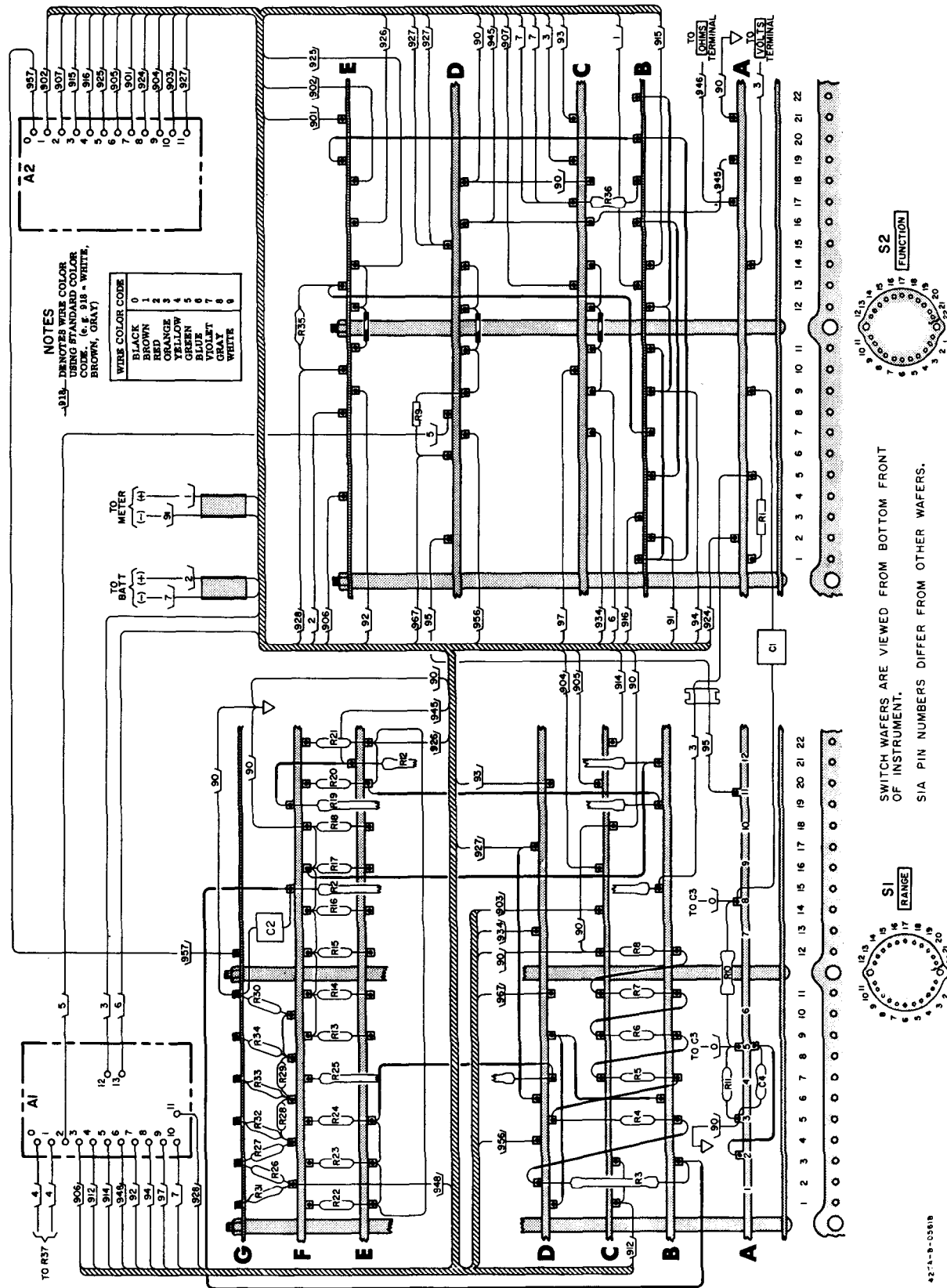
6-3. Figure 6-2 shows the layout of the two circuit boards and the bottom view of the instrument. Figure 6-3 is the schematic diagram of the Model 427A.

### REFERENCE DESIGNATIONS

PARTIAL REFERENCE DESIGNATIONS ARE SHOWN: PREFIX WITH ASSEMBLY OR SUBASSEMBLY DESIGNATION(S) OR BOTH FOR COMPLETE DESIGNATION.

ASSEMBLY	SUBASSEMBLY	COMPONENT	COMPLETE DESIGNATION
A2	NONE	Q1	A2Q1
A2	A1	R1	A2A1R1
NONE	NONE	J1	J1





SWITCH WAFERS ARE VIEWED FROM BOTTOM FRONT OF INSTRUMENT.  
 S1A PIN NUMBERS DIFFER FROM OTHER WAFERS.

Figure 6-1. Location of Switch Components

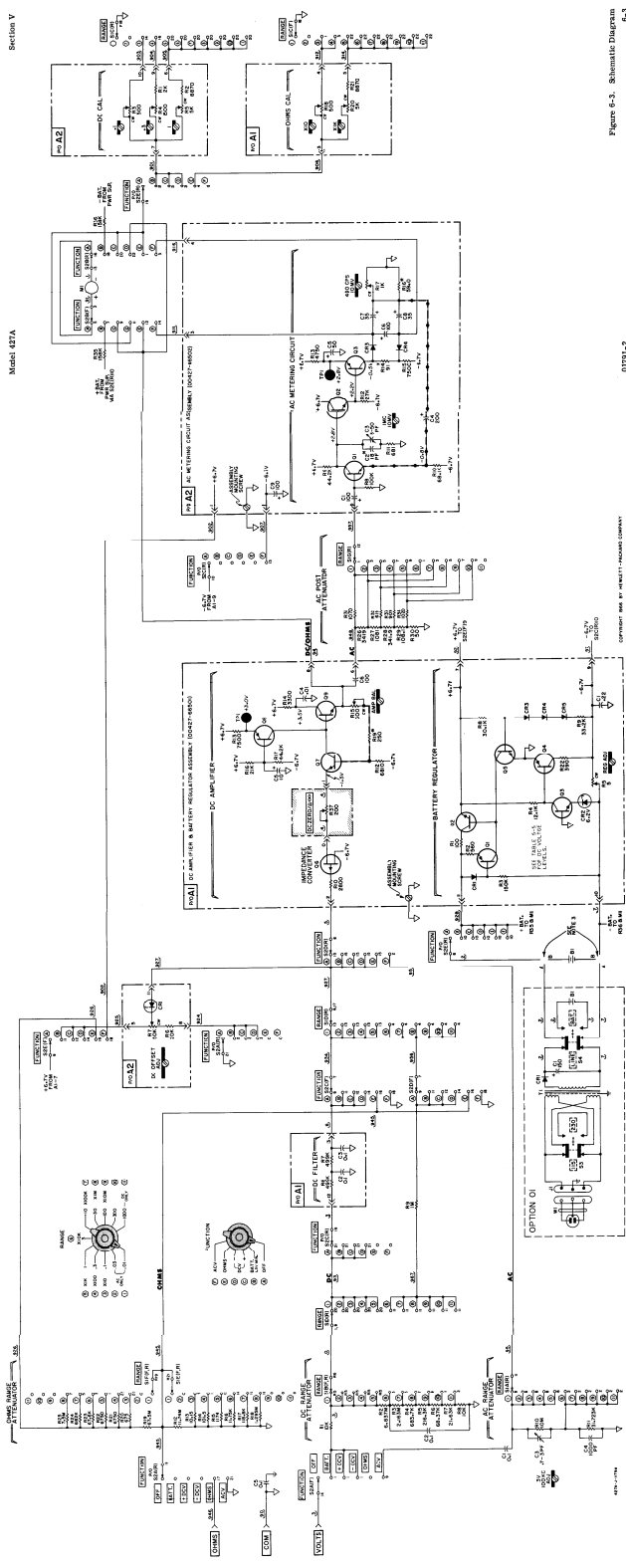



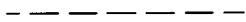









Figure 6-3. Schematic Diagram 6-3

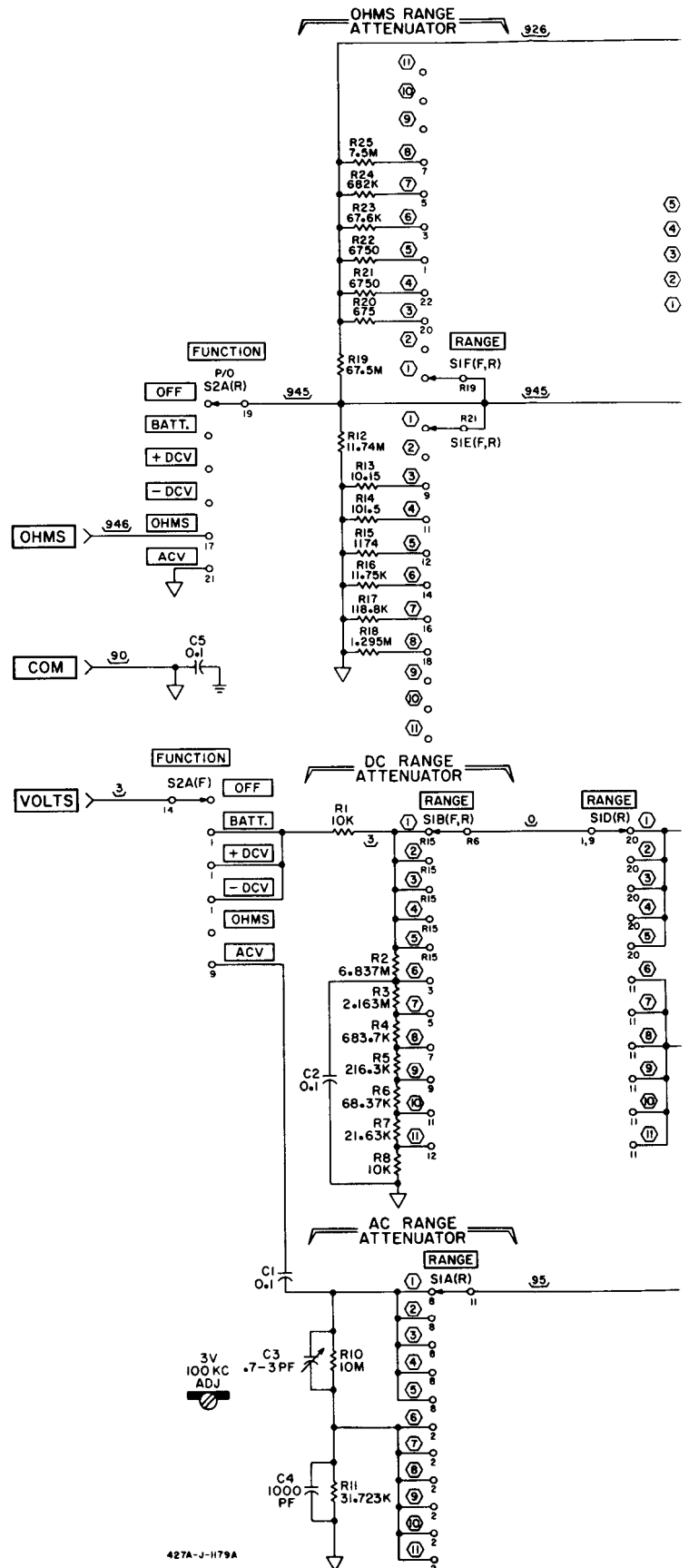
0793-2

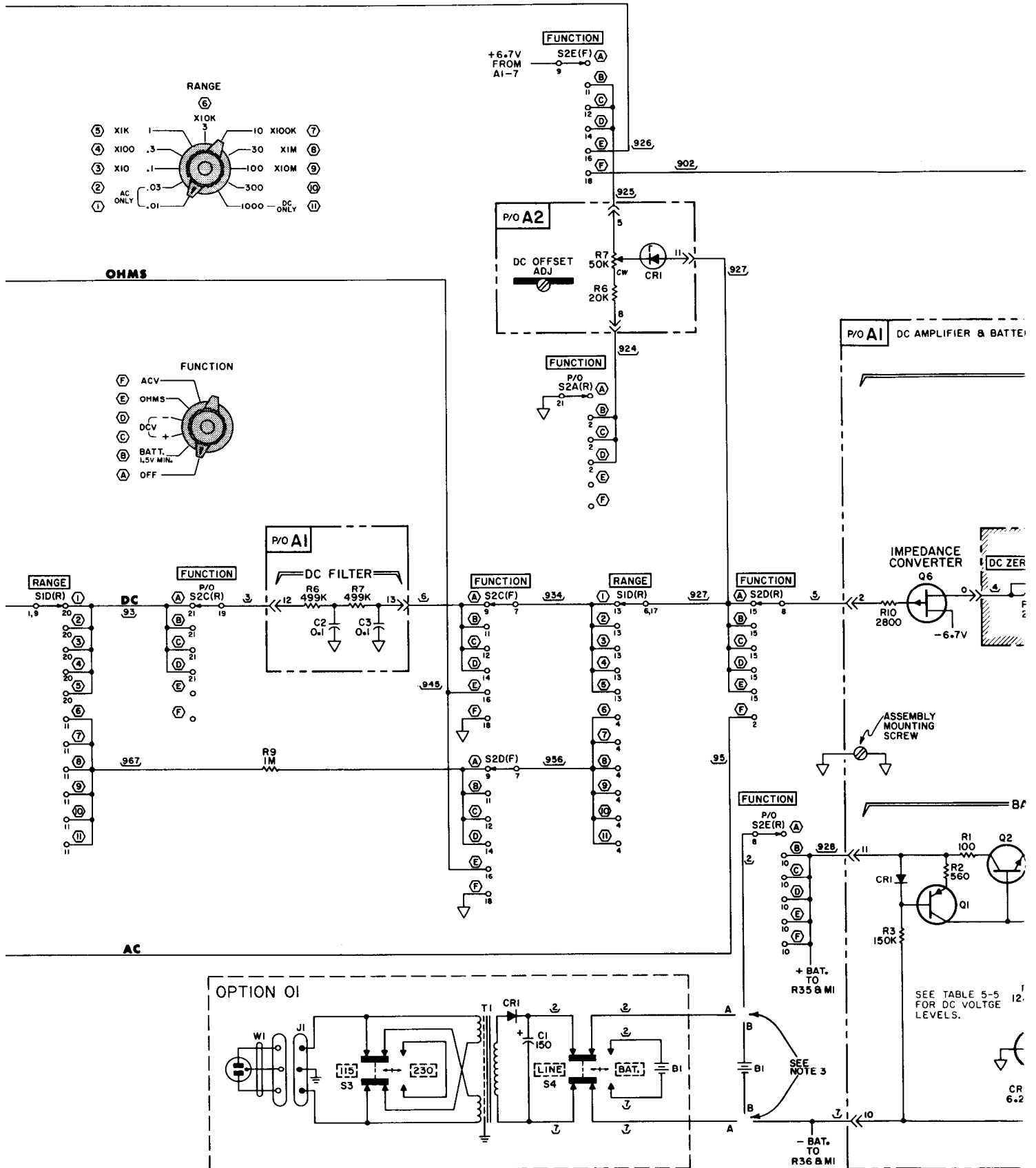
COPYRIGHT 1967 BY HONEYWELL INFORMATION SYSTEMS

- SYMBOLS:**
- 1. PARTIAL REFERENCE TO THE SCHEMATIC: REFERS TO THE SCHEMATIC OF THE COMPONENT IDENTIFIED BY THE REFERENCE NUMBER.
  - 2. COMPONENT VALUE: VALUE OF THE COMPONENT IDENTIFIED BY THE REFERENCE NUMBER.
  - 3. COMPONENT VALUE: VALUE OF THE COMPONENT IDENTIFIED BY THE REFERENCE NUMBER.
  - 4. COMPONENT VALUE: VALUE OF THE COMPONENT IDENTIFIED BY THE REFERENCE NUMBER.
  - 5. COMPONENT VALUE: VALUE OF THE COMPONENT IDENTIFIED BY THE REFERENCE NUMBER.
  - 6. COMPONENT VALUE: VALUE OF THE COMPONENT IDENTIFIED BY THE REFERENCE NUMBER.
  - 7. COMPONENT VALUE: VALUE OF THE COMPONENT IDENTIFIED BY THE REFERENCE NUMBER.
  - 8. COMPONENT VALUE: VALUE OF THE COMPONENT IDENTIFIED BY THE REFERENCE NUMBER.
  - 9. COMPONENT VALUE: VALUE OF THE COMPONENT IDENTIFIED BY THE REFERENCE NUMBER.
  - 10. COMPONENT VALUE: VALUE OF THE COMPONENT IDENTIFIED BY THE REFERENCE NUMBER.

### SCHEMATIC NOTES

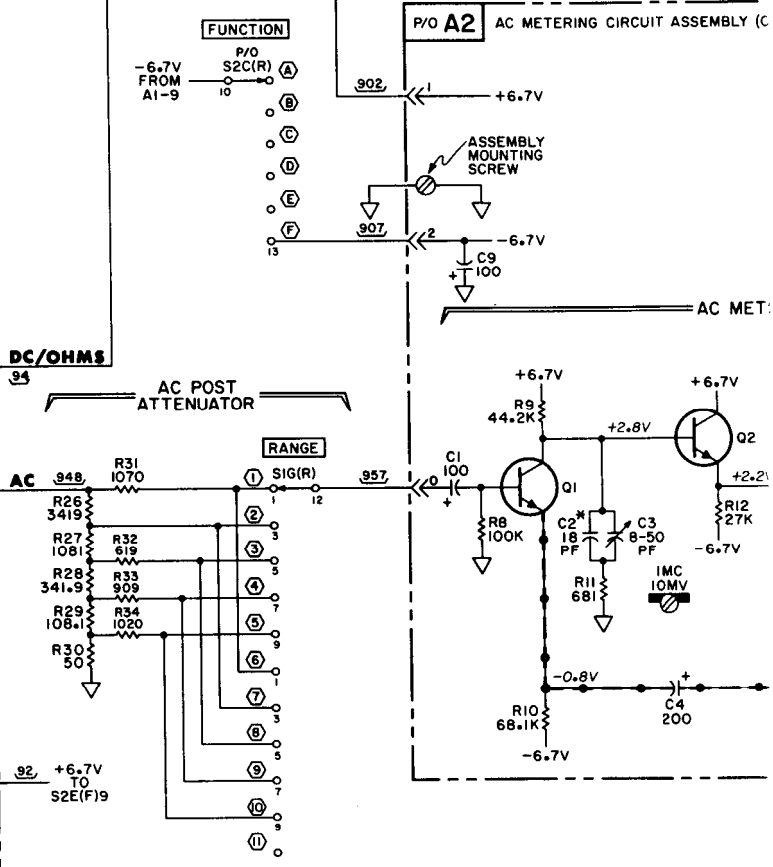
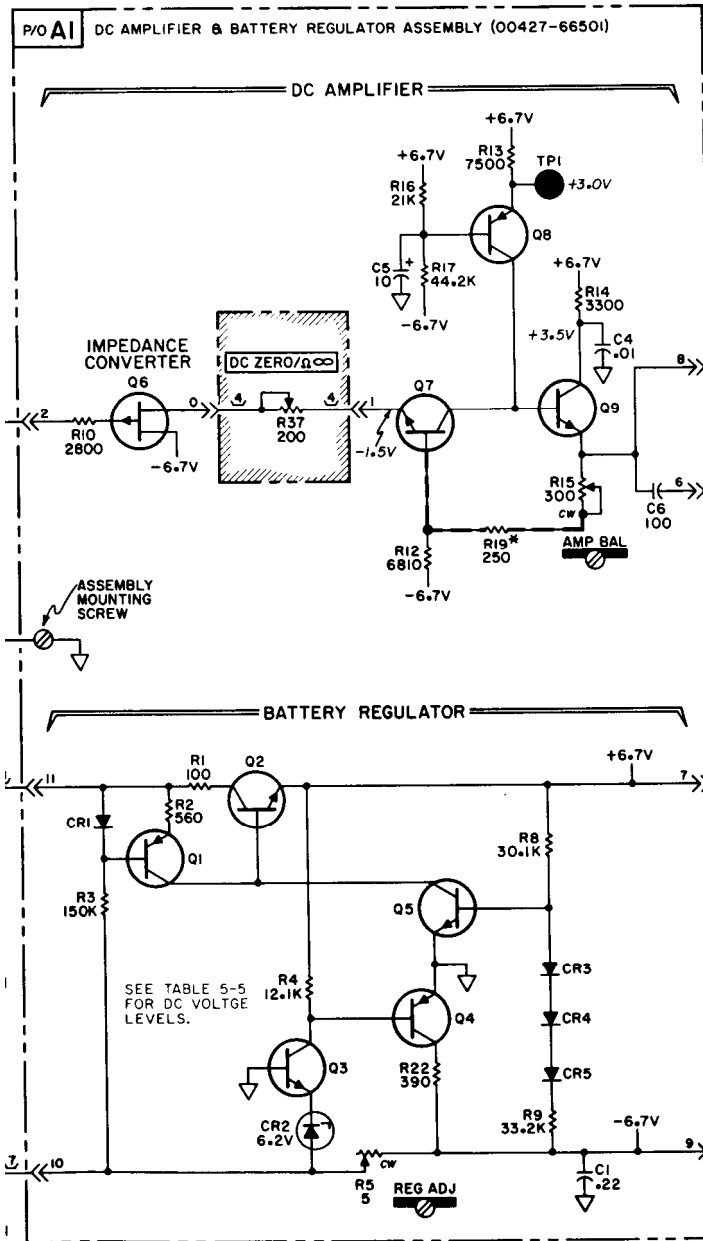
1. PARTIAL REFERENCE DESIGNATIONS ARE SHOWN. PREFIX WITH ASSEMBLY OR SUBASSEMBLY DESIGNATION(S) OR BOTH FOR COMPLETE DESIGNATION.
2. COMPONENT VALUES ARE SHOWN AS FOLLOWS UNLESS OTHERWISE NOTED.  
 RESISTANCE IN OHMS  
 CAPACITANCE IN MICROFARADS
3. CONNECTED TO "A" IN OPTION 01 INSTRUMENT; CONNECTED TO "B" IN STANDARD INSTRUMENT.
4.  DENOTES ASSEMBLY.  
 DENOTES OPTION 01.  
 DENOTES MAIN SIGNAL PATH.  
 DENOTES DC FEEDBACK PATH.  
 DENOTES AC FEEDBACK PATH.
5.  DENOTES POWER LINE GROUND; VOLTMETER CHASSIS.  
 DENOTES SIGNAL GROUND; CIRCUIT GROUND.
6.  DENOTES FRONT PANEL MARKING.  
 DENOTES REAR PANEL MARKING.
7.  DENOTES SCREWDRIVER ADJUST.
8. \* AVERAGE VALUE SHOWN, OPTIMUM VALUE SELECTED AT FACTORY.
9.  DENOTES COMPONENTS NOT MOUNTED ON ASSEMBLY.
10. 924 DENOTES WIRE COLOR: COLOR CODE SAME AS RESISTOR COLOR CODE. FIRST NUMBER IDENTIFIES BASE COLOR, SECOND NUMBER IDENTIFIES WIDER STRIP, THIRD NUMBER IDENTIFIES NARROWER STRIP. (e. g. 924 = WHITE, RED, YELLOW.)







+BA  
FRO  
PWR S  
VIA S2E



COPYRIGHT 1966 BY HEWLETT-PACKARD COMPANY

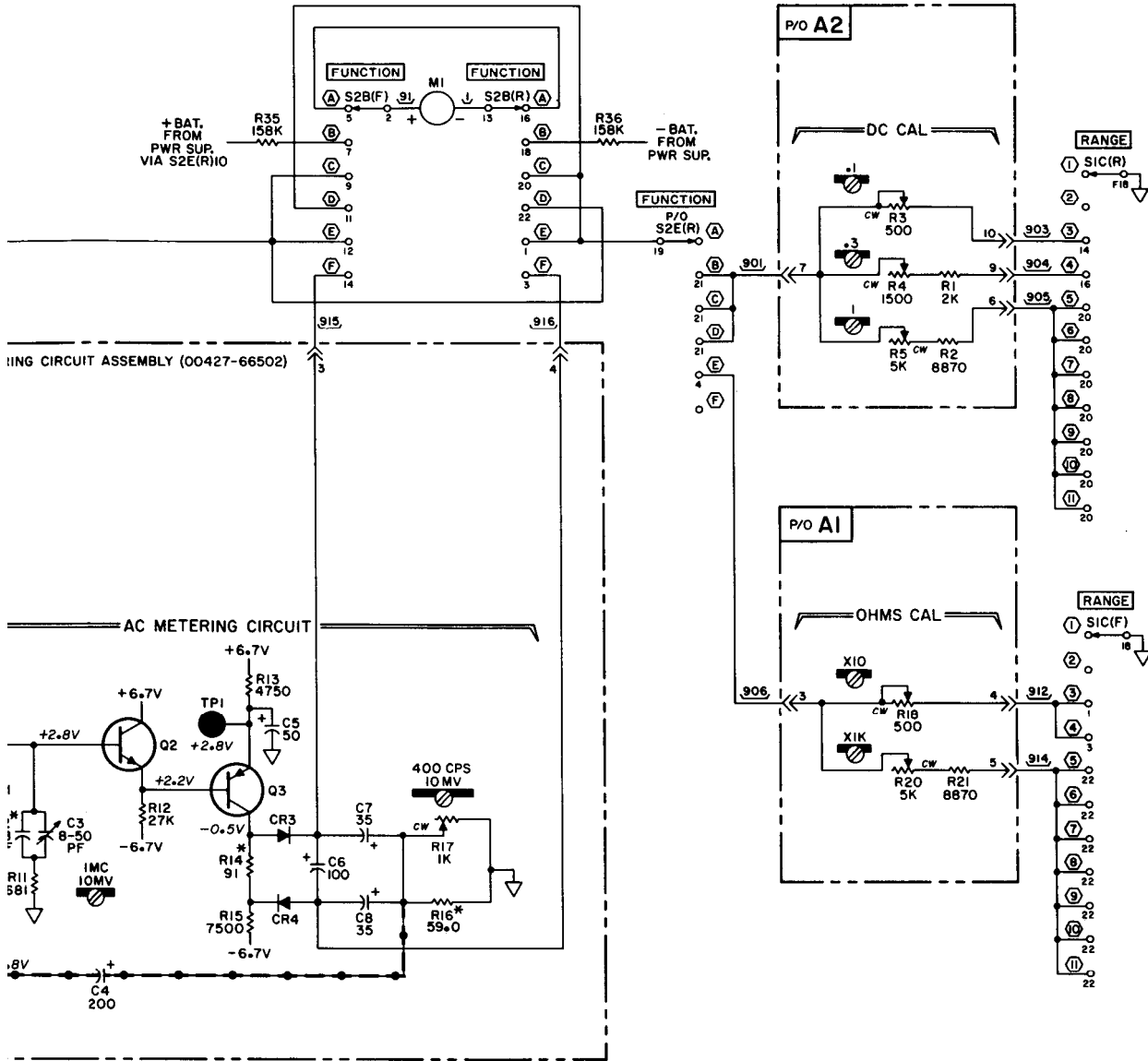


Figure 6-3. Schematic Diagram

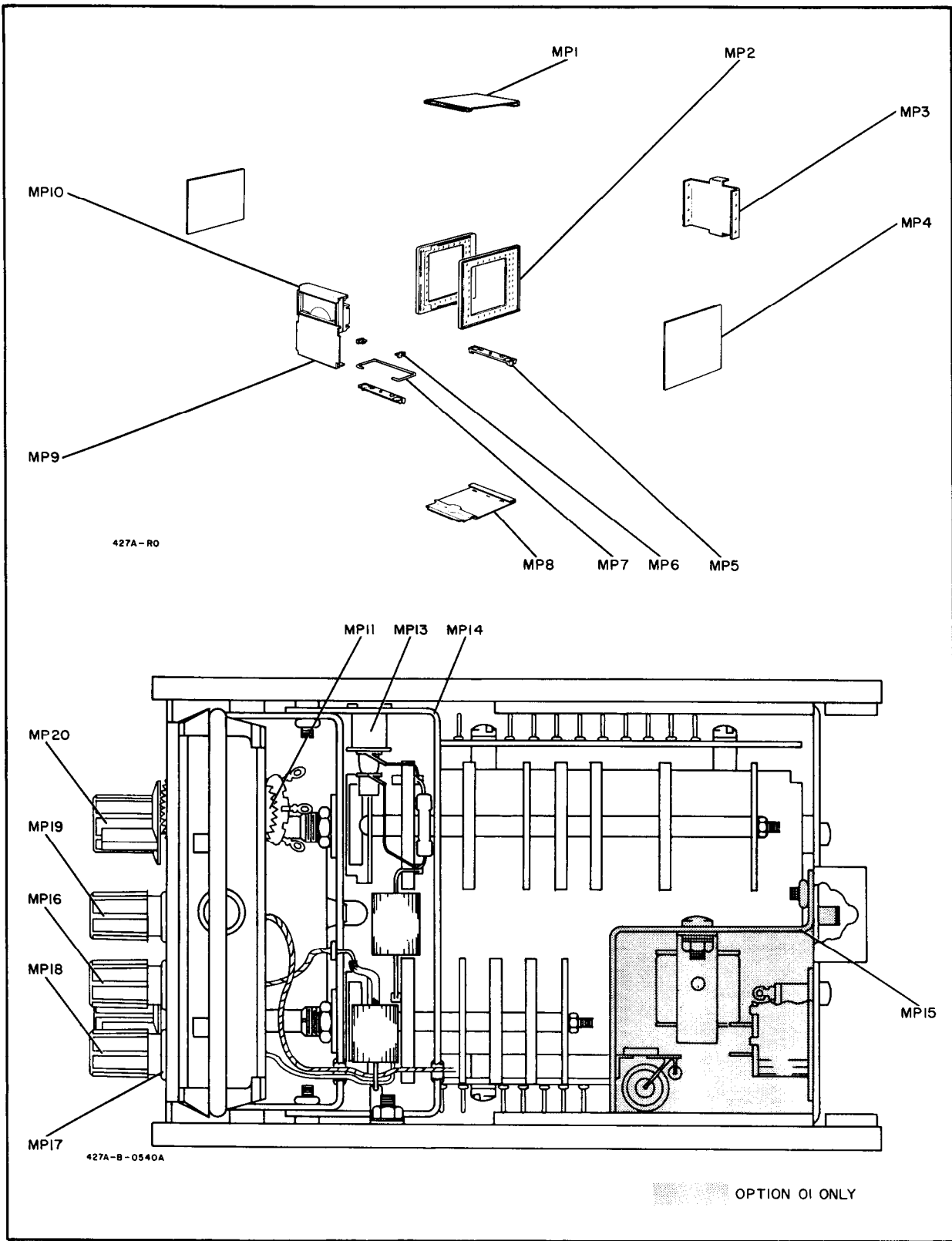


Figure 7-1. Location of Mechanical Parts

## SECTION VII REPLACEABLE PARTS

### 7-1. INTRODUCTION.

7-2. This section contains information for ordering replacement parts. Table 7-1 lists parts in alphanumeric order of their reference designators and indicates the description, -hp- part number of each part, together with any applicable notes, and provides the following:

- a. Total quantity used in the instrument (TQ column).
- b. Description of the part. (See list of abbreviations below.)
- c. Typical manufacturer of the part in a five-digit code. (See Appendix A for list of manufacturers.)
- d. Manufacturer's part number.

7-3. Miscellaneous parts are listed at the end of Table 7-1. Each factory selected component is keyed to paragraph describing the selection of the component value.

### 7-4. ORDERING INFORMATION.

7-5. To obtain replacement parts, address order or inquiry to your local Hewlett-Packard Field Office. (See Appendix B for list of office locations.) Identify parts by their Hewlett-Packard part numbers.

### 7-6. NON-LISTED PARTS.

7-7. To obtain a part that is not listed, include:

- a. Instrument model number.
- b. Instrument serial number.
- c. Description of the part.
- d. Function and location of the part.

#### DESIGNATORS

A	= assembly	F	= fuse	MP	= mechanical part	TC	= thermocouple
B	= motor	FL	= filter	P	= plug	V	= vacuum tube, neon bulb, photocell, etc.
BT	= battery	HR	= heater	Q	= transistor	W	= cable
C	= capacitor	IC	= integrated circuit	QCR	= transistor-diode	X	= socket
CR	= diode	J	= jack	R	= resistor	XDS	= lampholder
DL	= delay line	K	= relay	RT	= thermistor	XF	= fuseholder
DS	= lamp	L	= inductor	S	= switch	Z	= network
E	= misc electronic part	M	= meter	T	= transformer		

#### ABBREVIATIONS

Ag	= silver	ID	= inside diameter	ns	= nanosecond (s) = 10 <sup>-9</sup> seconds	sl	= slide
Al	= aluminum	imp	= impregnated	nsr	= not separately replaceable	SPDT	= single-pole double-throw
A	= ampere (s)	incd	= incandescent			SPST	= single-pole single-throw
Au	= gold	ins	= insulation (ed)	Ω	= ohm (s)	Ta	= tantalum
C	= capacitor	kΩ	= kilohm (s) = 10 <sup>+3</sup> ohms	obd	= order by description	TC	= temperature coefficient
cer	= ceramic	kHz	= kilohertz = 10 <sup>+3</sup> hertz	OD	= outside diameter	TiO <sub>2</sub>	= titanium dioxide
coef	= coefficient	L	= inductor	p	= peak	tog	= toggle
com	= common	lin	= linear taper	pc	= printed circuit	tol	= tolerance
comp	= composition	log	= logarithmic taper	pF	= picofarad (s) = 10 <sup>-12</sup> farads	trim	= trimmer
conn	= connection	m	= milli = 10 <sup>-3</sup>	piV	= peak inverse voltage	TSTR	= transistor
dep	= deposited	mA	= milliamperes (s) = 10 <sup>-3</sup> amperes	p/o	= part of	V	= volt (s)
DPDT	= double-pole double-throw	MHz	= megahertz = 10 <sup>+6</sup> hertz	pos	= position (s)	vacw	= alternating current working voltage
DPST	= double-pole single-throw	MΩ	= megohm-(s) = 10 <sup>+6</sup> ohms	pot	= potentiometer	var	= variable
elect	= electrolytic	met film	= metal film	p-p	= peak-to-peak	vdcw	= direct current working voltage
encap	= encapsulated	mfr	= manufacturer	ppm	= parts per million	W	= watt (s)
F	= farad (s)	mtg	= mounting	prec	= precision (temperature coefficient, long term stability, and/or tolerance)	w/	= with
FET	= field effect transistor	mV	= millivolt (s) = 10 <sup>-3</sup> volts	R	= resistor	wiv	= working inverse voltage
fxd	= fixed	μ	= micro = 10 <sup>-6</sup>	Rh	= rhodium	w/o	= without
GaAs	= gallium arsenide	μV	= microvolt (s) = 10 <sup>-6</sup> volts	rms	= root-mean-square	ww	= wirewound
GHz	= gigahertz = 10 <sup>+9</sup> hertz	my	= Mylar (R)	rot	= rotary	*	= optimum value selected at factory, average value shown (part may be omitted)
gd	= guard (ed)	nA	= nanoampere (s) = 10 <sup>-9</sup> amperes	Se	= selenium	**	= no standard type number assigned (selected or special type)
Ge	= germanium	NC	= normally closed	sect	= section (s)		
grd	= ground (ed)	Ne	= neon	Si	= silicon		
H	= henry (ies)	NO	= normally open				
Hg	= mercury	NPO	= negative positive zero (zero temperature coefficient)				
Hz	= hertz (cycle (s) per second)						

\*\*\*

(R) Dupont de Nemours

Table 7-1 Replaceable Parts (Cont'd)

REFERENCE DESIGNATOR	-hp- PART NO.	TQ	DESCRIPTION	MFR.	MFR. PART NO.
A1	00427-66501	1	Assembly: board DC Amplifier includes C1 thru C6                      Q1 thru Q9 CR1 thru CR5                    R1 thru R21	-hp-	
A1C1	0160-0170	1	C: fxd cer 0.22 $\mu$ F +80% -20% 25 vdcw	56289	5C9A            obd
A1C2, A1C3	0160-0168	2	C: fxd 0.1 $\mu$ F $\pm$ 10% 200 vdcw	56289	192P10492
A1C4	0150-0093	1	C: fxd 0.01 $\mu$ F +80% -20% 100 vdcw	91418	TA                    obd
A1C5	0180-0224	1	C: fxd Al elect 10 $\mu$ F +75% -10% 15 vdcw	56289	30D106G015BA4
A1C6	0180-1800	1	C: fxd Al elect 100 $\mu$ F +100% -10% 6 vdcw	56289	Non-polar 30D type obd
A1CR1	1901-0025	1	Diode: Si 100 mA at +1V 100 piv 12 pF	-hp-	
A1CR2	1902-0568	1	Diode: breakdown 6.2 V $\pm$ 5%	12954	DZ50801U
A1CR3 thru A1CR5	1910-0022	5	Diode: Ge HD1872	03877	obd
A1Q1	1850-0111	2	TSTR: Ge PNP 2N404A	01295	2N404A
A1Q2	1854-0087	1	TSTR: Si NPN 2N3417	24446	2N3417
A1Q3	1854-0033	2	TSTR: Si NPN 2N3391	24446	2N3391
A1Q4	1850-0111	1	TSTR: Ge PNP 2N404A	01295	2N404A
A1Q5	1854-0033	1	TSTR: Si NPN 2N3391	24446	2N3391
A1Q6	1855-0023	1	TSTR: FET SU527	17856	SU527
A1Q7	1854-0057	4	TSTR: Si 2N3855A	24446	2N3855A
A1Q8	1853-0036	2	TSTR: Si PNP 2N3906	07263	obd
A1Q9	1854-0057	1	TSTR: Si 2N3855A	24446	2N3855A
A1R1	0757-0198	1	R: fxd prec met flm 100 ohms $\pm$ 1% 1/2 W	75042	CEC T-O            obd
A1R2	0684-5611	1	R: fxd comp 560 ohms $\pm$ 10% 1/4 W	01121	CB5611
A1R3	0684-1541	1	R: fxd comp 150K $\pm$ 10% 1/4 W	01121	CB1541
A1R4	0757-0444	1	R: fxd prec met flm 12.1K $\pm$ 1% 1/8 W	75042	CEA T-O            obd
A1R5	2100-1735	1	R: var ww 5 ohms $\pm$ 10% 1-1/2 W	11236	110                    obd
A1R6, A1R7	0698-4972	2	R: fxd prec met flm 499K $\pm$ 1% 1/2 W	75042	CEC T-O            obd
A1R8	0757-0453	1	R: fxd prec met flm 30.1K $\pm$ 1% 1/8 W	75042	CEC T-O            obd
A1R9	0757-0454	1	R: fxd prec met flm 33.2K $\pm$ 1% 1/8 W	75042	CEA T-O            obd
A1R10	0698-4199	1	R: fxd prec met flm 2800 ohms $\pm$ 1% 1/4 W	19701	MF6C T-O            obd
A1R11			Not assigned		
A1R12	0757-0439	1	R: fxd prec met flm 6810 ohms $\pm$ 1% 1/8 W	75042	CEA T-O            obd
A1R13	0757-0440	2	R: fxd prec met flm 7500 ohms $\pm$ 1% 1/8 W	75042	CEA T-O            obd
A1R14	0684-3321	1	R: fxd comp 3300 ohms $\pm$ 10% 1/4 W	01121	CB3321
A1R15	2100-0394	1	R: var ww 300 ohms $\pm$ 20% 1-1/2 W	71450	110                    obd
A1R16	0698-4205	1	R: fxd prec met flm 21K $\pm$ 1% 1/8 W	75042	CEA T-O            obd
A1R17	0698-4207	1	R: fxd prec met flm 44.2K $\pm$ 1% 1/8 W	75042	CEA T-O            obd
A1R18	2100-0328	2	R: var ww 500 ohms $\pm$ 10% 1-1/2 W	71450	110                    obd
A1R19*	0757-0408	1	R: fxd prec met flm 250 ohms $\pm$ 1% 1/8 W (See Paragraph 5-73)	75042	CEA T-O            obd
A1R20	2100-0205	2	R: var ww 5000 ohms $\pm$ 10% 1-1/2 W	-hp-	
A1R21	0698-4202	1	R: fxd prec met flm 8870 ohms $\pm$ 1% 1/8 W	75042	CEA T-O            obd
A1R22	0684-3911	1	R: fxd comp 390 ohms $\pm$ 10% 1/4 W	01121	CB3911
A2	00427-66502	1	Assembly: board AC Metering Circuit includes C1 thru C9                      Q1 thru Q3 CR1 thru CR4                    R1 thru R17	-hp-	
A2C1	0180-0039	3	C: fxd elect 100 $\mu$ F 12 vdcw	56289	30D107G012DC4M1
A2C2*	0160-0356	1	C: fxd mica 18 pF $\pm$ 5% 300 vdcw (See Paragraph 5-75)	04062	obd
A2C3	0130-0017	1	C: var cer 8-50 pF	72982	557-019-U2PO-34R
A2C4	0180-0060	1	C: fxd elect 200 $\mu$ F +100% -10% 3 vdcw	56289	30D207G003DC4
A2C5	0180-0033	1	C: fxd elect 50 $\mu$ F +100% -10% 6 vdcw	56289	30D506G006CB4M1
A2C6	0180-0039	1	C: fxd elect 100 $\mu$ F 12 vdcw	56289	30D107G012DC4M1

Table 7-1. Replaceable Parts (Cont'd)

REFERENCE DESIGNATOR	-hp- PART NO.	TQ	DESCRIPTION	MFR.	MFR. PART NO.
A2C7, A2C8 A2C9	0180-0064 0180-0039	2	C: fxd elect 35 $\mu$ F $\pm$ 100% -10% 6 vdcw C: fxd elect 100 $\mu$ F 12 vdcw	56289 56289	30D356G006BB4 30D107G012DC4M1
A2CR1 A2CR2 A2CR3, A2CR4	1902-0571 1910-0022	1	Diode: zener 14 V Not assigned Diode: Ge HD1872	04713 03877	SZ10939-224 obd
A2Q1, A2Q2 A2Q3	1854-0057 1853-0023		TSTR: Si 2N3855A TSTR: Si NPN 2N3703	24446 01295	2N3855A obd
A2R1 A2R2 A2R3 A2R4 A2R5	0757-0283 0698-4202 2100-0328 2100-0291 2100-0205	1 1 1 1	R: fxd prec met flm 2000 ohms $\pm$ 1% 1/8 W R: fxd prec met flm 8870 ohms $\pm$ 1% 1/8 W R: var ww 500 ohms $\pm$ 10% 1-1/2 W R: var ww 1500 ohms $\pm$ 20% 1-1/2 W R: var prec ww 5000 ohms $\pm$ 10% 1-1/2 W	75042 75042 71450 71450 -hp-	CEA T-O CEA T-O 110 110 obd
A2R6 A2R7 A2R8 A2R9 A2R10	0757-0449 2100-0094 0757-0465 0698-4207 0757-0461	1 1 1 1 1	R: fxd prec met flm 20K $\pm$ 1% 1/8 W R: var pot comp lin 50K $\pm$ 30% 1/10 W R: fxd prec met flm 100K $\pm$ 1% 1/8 W R: fxd prec met flm 44.2K $\pm$ 1% 1/8 W R: fxd prec met flm 68.1K $\pm$ 1% 1/8 W	75042 71450 75042 75042 75042	CEA T-O UPE 70RE -hp- CEA T-O CEA T-O CEA T-O obd obd obd obd
A2R11 A2R12 A2R13 A2R14*	0757-0419 0684-2731 0757-0437 0683-9105	1 1 1 1	R: fxd prec met flm 681 ohms $\pm$ 1% 1/8 W R: fxd comp 27K $\pm$ 10% 1/4 W R: fxd prec met flm 4750 ohms $\pm$ 1% 1/8 W R: fxd comp 91 ohms $\pm$ 5% 1/4 W (See Paragraph 5-77)	75042 01121 75042 01121	CEA T-O CB2731 CEA T-O CB9105 obd obd obd
A2R15	0757-0440		R: fxd prec met flm 7500 ohms $\pm$ 1% 1/8 W	75042	CEA T-O obd
A2R16*	0698-4386	1	R: fxd prec met flm 59.0 ohms $\pm$ 1% 1/8 W (See Paragraph 5-80)	75042	CEA T-O obd
A2R17	2100-2069	1	R: var ww 1000 ohms $\pm$ 20% 1-1/2 W	11236	110
B1	1420-0030	1	Battery: 22-1/2 V dry cell	83740	No. 763 obd
C1, C2 C3 C4 C5	0170-0022 0132-0003 0140-0152 0170-0022	3 1 1	C: fxd my 0.1 $\mu$ F $\pm$ 20% 600 vdcw C: var trimmer 0.7 to 3 pF C: fxd mica 1000 pF $\pm$ 5% 300 vdcw C: fxd my 0.1 $\mu$ F $\pm$ 20% 600 vdcw	84411 72982 04062 000LH	HEW-27 535-016-4R DM16F102J HEW-17 obd
J1 J2			See Option 01 See MP16 and MP18		
M1	1120-0903	1	Meter: 100 $\mu$ A	-hp-	
R1 R2 R3 R4 R5	0684-1031 0698-4217 0730-0113 0698-4214 0698-4212	1 1 1 1 1	R: fxd comp 10K $\pm$ 10% 1/4 W R: fxd prec carbon flm 6.837 meg $\pm$ 1% 2 W R: fxd prec carbon flm 2.163 meg $\pm$ 1% 1 W R: fxd prec met flm 683.7K $\pm$ 0.5% 1/4 W R: fxd prec met flm 216.3K $\pm$ 0.5% 1/4 W	01121 91637 91637 75042 75042	CB1031 DC2 DC1 CEB T-O CEB T-O obd obd obd obd
R6 R7 R8 R9 R10	0698-4209 0698-4206 0698-4203 0684-1051 0698-4128	1 1 1 1 1	R: fxd prec met flm 68.37K $\pm$ 0.5% 1/4 W R: fxd prec met flm 21.63K $\pm$ 0.5% 1/4 W R: fxd prec met flm 10K $\pm$ 0.5% 1/4 W R: fxd comp 1 meg $\pm$ 10% 1/4 W R: fxd prec met flm 10 meg $\pm$ 0.25% 1/2 W	75042 75042 75042 01121 03888	CEB T-O CEB T-O CEB T-O CB1051 PME 70 obd obd obd obd
R11 R12 R13 R14 R15	0698-4129 0698-4219 0698-4189 0698-4191 0698-4198	1 1 1 1 1	R: fxd prec met flm 31.723K $\pm$ 0.1% 1/4 W R: fxd prec carbon flm 11.74 meg $\pm$ 1% 1 W R: fxd prec met flm 10.15 ohms $\pm$ 1% 1/4W R: fxd prec met flm 101.5 ohms $\pm$ 1% 1/4W R: fxd prec met flm 1174 ohms $\pm$ 1% 1/4 W	75042 91637 19701 19701 19701	CEB T-3 DC1 MF6C T-O MF5C T-O MF6C T-O obd obd obd obd
R16 R17 R18	0698-4204 0698-4210 0698-4215	1 1 1	R: fxd prec met flm 11.75K $\pm$ 1% 1/4 W R: fxd prec met flm 118.8K $\pm$ 1% 1/4 W R: fxd prec met flm 1.295 meg $\pm$ 1% 1/2W	19701 19701 75042	MF6C T-O MF6C T-O CEC obd obd obd

Table 7-1. Replaceable Parts (Cont'd)

REFERENCE DESIGNATOR	-hp- PART NO.	TQ	DESCRIPTION	MFR.	MFR. PART NO.
R19	0698-4220	1	R: fxd prec carbon flm 67.5 meg $\pm 1\%$ 2 W	91637	DC2 obd
R20	0698-4194	1	R: fxd prec met flm 675 ohms $\pm 0.5\%$ 1/4 W	75042	CEB T-O obd
R21, R22	0698-4201	2	R: fxd prec met flm 6750 ohms $\pm 0.5\%$ 1/4 W	75042	CEB T-O obd
R23	0698-4208	1	R: fxd prec met flm 67.6K $\pm 0.5\%$ 1/4 W	75042	CEB T-O obd
R24	0698-4213	1	R: fxd prec met flm 682K $\pm 0.5\%$ 1/4 W	75042	CEB T-O obd
R25	0730-0131	1	R: fxd prec carbon flm 7.5 meg $\pm 1\%$ 1 W	91637	DC-1 obd
R26	0698-4200	1	R: fxd prec met flm 3419 ohms $\pm 0.25\%$ 1/8 W	75042	CEA T-O obd
R27	0698-4197	1	R: fxd prec met flm 1081 ohms $\pm 0.25\%$ 1/8 W	75042	CEA T-O obd
R28	0698-4193	1	R: fxd prec met flm 341.9 ohms $\pm 0.25\%$ 1/8 W	75042	CEA T-O obd
R29	0698-4192	1	R: fxd prec met flm 108.1 ohms $\pm 0.25\%$ 1/8 W	75042	CEA T-O obd
R30	0698-4190	1	R: fxd prec met flm 50 ohms $\pm 0.25\%$ 1/8 W	75042	CEA T-O obd
R31	0698-4196	1	R: fxd prec met flm 1070 ohms $\pm 1\%$ 1/8 W	75042	CEA T-O obd
R32	0757-0418	1	R: fxd prec met flm 619 ohms $\pm 1\%$ 1/8 W	75042	CEA T-O obd
R33	0757-0422	1	R: fxd prec met flm 909 ohms $\pm 1\%$ 1/8 W	75042	CEA T-O obd
R34	0698-4195	1	R: fxd prec met flm 1020 ohms $\pm 1\%$ 1/8 W	75042	CEA T-O obd
R35, R36	0698-4211	2	R: fxd prec met flm 158K $\pm 1\%$ 1/8 W	75042	CEA T-O obd
R37	2100-1990	1	R: var ww 200 ohms $\pm 20\%$ DC ZERO/ $\Omega\infty$	71450	Type 118 obd
S1	00427-61902	1	Switch: RANGE	-hp-	
S2	00427-61901	1	Switch: FUNCTION	-hp-	
	00427-69501		Conversion Kit (to Option 01)	-hp-	
<u>OPTION 01</u>					
C1	0180-1802	1	C: fxd Al elect 150 $\mu$ F $+100\%$ $-10\%$ 40 vdcw	56289	obd
CR1	1901-0025	1	Diode: S1 100 mA at +1 V 100 piv 12 pF	-hp-	
J1	1251-2357	1	Connector: ac power cord receptacle	82389	AC-3 obd
S3	3101-1234	1	Switch: slide DPDT 115/230	42190	4633 obd
S4	3101-0011	1	Switch: slide DPDT LINE/BATT	42190	4603 obd
T1	9100-1328	1	Transformer: ac power	-hp-	
W1	8120-1348	1	Power cord	70903	KH-7041
MECHANICAL PARTS					
SEE FIGURE 7-1					
MP1	5060-5918	1	Cover: top (with handle)	-hp-	
MP2	5060-0702	2	Assembly: frame 6 x 8 sm	-hp-	
MP3	00427-00204	1	Panel: rear (Option 01 only)	-hp-	
MP3	00427-00202	1	Panel: rear	-hp-	
MP4	5000-0702	2	Cover: side 6 x 8 sm	-hp-	
MP5	5060-0727	2	Assembly: foot third module	-hp-	
MP6	5040-0700	2	Hinge	-hp-	
MP7	1490-0031	1	Stand: tilt third module stainless steel rod	91260	obd
MP8	5000-0710	1	Cover: bottom 5 x 8 sm	-hp-	
MP9	00427-00204	1	Panel: front	-hp-	
MP10	5020-5388	1	Meter trim: third module	-hp-	
MP11	0370-0311	1	Thumbwheel: DC ZERO/ $\Omega\infty$	-hp-	
MP12			Not assigned		
MP13	1750A-64A	1	Holder: trimmer capacitor (used with C3)	-hp-	
MP14	00427-00601	1	Shield: switch	-hp-	

## CODE LIST OF MANUFACTURERS

The following code numbers are from the Federal Supply Code for Manufacturers Cataloging Handbooks H4-1 (Name to Code) and H4-2 (Code to Name) and their latest supplements. The date of revision and the date of the supplements used appear at the bottom of each page. Alphabetical codes have been arbitrarily assigned to suppliers not appearing in the H4 Handbooks.

Code No.	Manufacturer	Address	Code No.	Manufacturer	Address	Code No.	Manufacturer	Address
00000	U. S. A. Common	Any supplier of U. S.	05245	Components Corp.	Chicago, Ill.	09145	Tech. Ind. Inc. Atohm Elect.	Burbank, Calif.
00136	McCoy Electronics	Mount Holly Springs, Pa.	05277	Westinghouse Electric Corp.		09250	Electro Assemblies, Inc.	Chicago, Ill.
00213	Sage Electronics Corp.	Rochester, N. Y.		Semi-Conductor Dept.	Youngwood, Pa.	09353	C & K Components Inc.	Newton, Mass.
00287	Cemco Inc.	Danielson, Conn.	05347	Ulftronix, Inc.	San Mateo, Calif.	09569	Mallory Battery Co. of	
00334	Humidial	Colton, Calif.	05397	Union Carbide Corp., Elect. Div.			Canada, Ltd.	Toronto, Ontario, Canada
00348	Microtron Co., Inc.	Valley Stream, N. Y.			New York, N. Y.	09922	Burndy Corp.	Norwalk, Conn.
00373	Garlock Inc.	Cherry Hill, N. J.	05574	Viking Ind. Inc.	Canoga Park, Calif.	10214	General Transistor Western Corp.	
00656	Aerovox Corp.	New Bedford, Mass.	05593	Icore Electro-Plastics Inc.	Sunnyvale, Calif.			Los Angeles, Calif.
00779	Amp. Inc.	Harrisburg, Pa.	05616	Cosmo Plastic		10411	Ti-Tal, Inc.	Berkeley, Calif.
00781	Aircraft Radio Corp.	Boonton, N. J.		(c/o Electrical Spec. Co.)	Cleveland, Ohio	10646	Carborundum Co.	Niagara Falls, N. Y.
00809	Cloven Ltd.	Whitby, Ontario Canada	05624	Barber Colman Co.	Rockford, Ill.	11236	CTS of Berne, Inc.	Berne, Ind.
00815	Northern Engineering Laboratories, Inc.	Burlington, Wis.	05728	Tiffen Optical Co.		11237	Chicago Telephone of California, Inc.	
					Roslyn Heights, Long Island, N. Y.			So. Pasadena, Calif.
00853	Sangamo Electric Co., Pickens Div.	Pickens, S. C.	05729	Metro-Tel Corp.	Westbury, N. Y.	11242	Bay State Electronics Corp.	Waltham, Mass.
			05783	Stewart Engineering Co.	Santa Cruz, Calif.	11312	Teledyne Inc., Microwave Div.	Palo Alto, Calif.
00866	Goe Engineering Co.	City of Industry, Cal.	05820	Wakefield Engineering Inc.	Wakefield, Mass.	11314	National Seal	Downey, Calif.
00891	Carl E. Holmes Corp.	Los Angeles, Calif.	06004	Bassick Co., Div. of Stewart Warner Corp.		11453	Precision Connector Corp.	Jamaica, N. Y.
00929	Microlab Inc.	Livingston, N. J.			Bridgeport, Conn.	11534	Duncan Electronics Inc.	Costa Mesa, Calif.
01002	General Electric Co., Capacitor Dept.		06090	Raychem Corp.	Redwood City, Calif.	11711	General Instrument Corp., Semiconductor	
			06175	Bausch and Lomb Optical Co.	Rochester, N. Y.		Div., Products Group	Newark, N. J.
01009	Alden Products Co.	Hudson Falls, N. Y.	06402	E. T. A. Products Co. of America	Chicago, Ill.	11717	Imperial Electronic, Inc.	Buena Park, Calif.
01121	Allen Bradley Co.	Brockton, Mass.	06540	Amatom Electronic Hardware Co., Inc.		11870	Melabs, Inc.	Palo Alto, Calif.
01255	Liton Industries, Inc.	Beverly Hills, Calif.			New Rochelle, N. Y.	12040	National Semiconductor	Danbury, Conn.
01281	TRW Semiconductors, Inc.	Lawndale, Calif.	06555	Beede Electrical Instrument Co., Inc.		12136	Philadelphia Handle Co.	Camden, N. J.
01295	Texas Instruments, Inc., Transistor Products Div.	Dallas, Texas			Penacook, N. H.	12361	Grove Mfg. Co., Inc.	Shady Grove, Pa.
01349	The Alliance Mfg. Co.	Alliance, Ohio	06666	General Devices Co., Inc.	Indianapolis, Ind.	12574	Gulton Ind. Inc. Data System Div.	Albuquerque, N. M.
01538	Small Parts Inc.	Los Angeles, Calif.	06751	Components Inc., Ariz. Div.	Phoenix, Ariz.			Dover, N. H.
01589	Pacific Relays, Inc.	Van Nuys, Calif.	06812	Torrington Mfg. Co., West Div.		12697	Clarostat Mfg. Co.	W. Haven, Conn.
01670	Gudebrod Bros. Silk Co.	New York, N. Y.			Van Nuys, Calif.	12728	Elmar Filter Corp.	Tokyo, Japan
01930	Amerock Corp.	Rockford, Ill.	06980	Varian Assoc. Eimac Div.	San Carlos, Calif.	12859	Nippon Electric Co., Ltd.	Clark, N. J.
01961	Pulse Engineering Co.	Santa Clara, Calif.	07088	Kelvin Electric Co.	Van Nuys, Calif.	12881	Metex Electronics Corp.	Newport Beach, Calif.
02114	Ferrocube Corp. of America	Saugerties, N. Y.	07126	Digitan Co.	Pasadena, Calif.	12930	Delta Semiconductor Inc.	Scottsdale, Arizona
02116	Wheelock Signals, Inc.	Long Branch, N. J.	07137	Transistor Electronics Corp.	Minneapolis, Minn.	12954	Dickson Electronics Corp.	Wichita, Kansas
02286	Cole Rubber and Plastics Inc.	Sunnyvale, Calif.	07138	Westinghouse Electric Corp. Electronic Tube Div.	Elmira, N. Y.	13019	Airco Supply Co., Inc.	Dallas, Texas
02660	Amphenol-Borg Electronics Corp.	Broadview, Ill.	07149	Filmohm Corp.	New York, N. Y.	13103	Thermolloy	Hanover, Germany
02735	Radio Corp. of America, Semiconductor and Materials Div.	Somerville, N. J.	07233	Cinch-Graphix Co.	City of Industry, Calif.	13396	Telefunken (GmbH)	Kansas City, Kansas
			07256	Silicon Transistor Corp.	Carle Place, N. Y.	13835	Midland-Wright Div. of Pacific Industries, Inc.	Newbury Park, Calif.
02771	Vocaline Co. of America, Inc.	Old Saybrook, Conn.	07261	Avnet Corp.	Culver City, Calif.	14099	Sem-Tech	Santa Monica, Calif.
			07263	Fairchild Camera & Inst. Corp. Semiconductor Div.	Mountain View, Calif.	14193	Calif. Resistor Corp.	Conshohocken, Pa.
02777	Hopkins Engineering Co.	San Fernando, Calif.	07322	Minnesota Rubber Co.	Minneapolis, Minn.	14433	ITT Semiconductor, A Div. of Int. Telephone & Telegraph Corp.	West Palm Beach, Fla.
02875	Hudson Tool & Die Co.	Newark, N. J.	07387	Birtcher Corp., The	Monterey Park, Calif.	14493	Hewlett-Packard Company	Loveland, Colo.
03508	G. E. Semiconductor Prod. Dept.	Syracuse, N. Y.	07397	Sylvania Elect. Prod. Inc., Mt. View Operations	Mountain View, Calif.	14655	Cornell Dublier Electric Corp.	Newark, N. J.
03705	Apex Machine & Tool Co.	Dayton, Ohio	07700	Technical Wire Products Inc.	Cranford, N. J.	14674	Corning Glass Works	Corning, N. Y.
03797	Eldema Corp.	Compton, Calif.	07829	Bodine Elect. Co.	Chicago, Ill.	14752	Electro Cube Inc.	San Gabriel, Calif.
03818	Parker Seal Co.	Los Angeles, Calif.	07910	Continental Device Corp.	Hawthorne, Calif.	14960	Williams Mfg. Co.	San Jose, Calif.
03877	Transitron Electric Corp.	Wakefield, Mass.	07933	Raytheon Mfg. Co., Semiconductor Div.	Mountain View, Calif.	15106	The Sphere Co., Inc.	Little Falls, N. J.
03888	Pyrofilm Resistor Co., Inc.	Cedar Knolls, N. J.	07980	Hewlett-Packard Co., Boonton Radio Div.	Rockaway, N. J.	15203	Webster Electronics Co.	New York, N. Y.
03954	Singer Co., Diehl Div. Findene Plant	Somerville, N. J.			Los Angeles, Calif.	15287	Scionics Corp.	Northridge, Calif.
04009	Arrow, Hart and Hegeman Elect. Co.	Hartford, Conn.	08145	U. S. Engineering Co.	Los Angeles, Calif.	15291	Adjustable Bushing Co.	N. Hollywood, Calif.
			08289	Blinn, Delbert Co.	Pomona, Calif.	15558	Micron Electronics	Garden City, Long Island, N. Y.
04013	Taurus Corp.	Lambertville, N. J.	08358	Burgess Battery Co.	Niagara Falls, Ontario, Canada	15566	Amprobe Inst. Corp.	Lynbrook, N. Y.
04062	Arco Electronic Inc.	Great Neck, N. Y.			Los Angeles, Calif.	15631	Cabletronics	Costa Mesa, Calif.
04217	Essex Wire	Los Angeles, Calif.	08524	Deutsch Fastener Corp.	Los Angeles, Calif.	15772	Twentieth Century Coil Spring Co.	Santa Clara, Calif.
04222	Hi-Q Division of Aerovox	Myrtle Beach, S. C.	08664	Bristol Co., The	Waterbury, Conn.			Framingham, Mass.
04354	Precision Paper Tube Co.	Wheeling, Ill.	08717	Sloan Company	Sun Valley, Calif.	15801	Fenwal Elect. Inc.	Mt. View, Calif.
04404	Dymec Division of Hewlett-Packard Co.	Palo Alto, Calif.	08718	ITT Cannon Electric Inc., Phoenix Div.	Phoenix, Arizona	16037	Spruce Pine Mica Co.	Spruce Pine, N. C.
04651	Sylvania Electric Products, Microwave Device Div.	Mountain View, Calif.			Phoenix, Arizona	16179	Omni-Spectra Inc.	Farmington, Mich.
04673	Dakota Engr. Inc.	Culver City, Calif.	08727	National Radio Lab. Inc.	Lowell, Mass.	16352	Computer Diode Corp.	Loti, N. J.
04713	Motorola, Inc., Semiconductor Prod. Div.	Phoenix, Arizona	08792	CBS Electronics Semiconductor Operations, Div. of C. B. S. Inc.		16585	Boots Aircraft Nut Corp.	Pasadena, Calif.
04732	Filltron Co., Inc. Western Div.	Culver City, Calif.	08806	General Electric Co. Mini. Lamp Dept.	Cleveland, Ohio	16688	Ideal Prec. Meter Co., Inc. De Jur Meter Div.	Brooklyn, N. Y.
04773	Automatic Electric Co.	Northlake, Ill.			Indianapolis, Ind.	16758	Delco Radio Div. of G. M. Corp.	Kokoma, Ind.
04796	Sequoia Wire Co.	Redwood City, Calif.	08984	Mel-Rain	Costa Mesa, Calif.	17109	Thermonetics Inc.	Canoga Park, Calif.
04811	Precision Coil Spring Co.	El Monte, Calif.	09026	Babcock Relays Div.	Houston, Texas	17474	Tranex Company	Mountain View, Calif.
04870	P. M. Motor Company	Westchester, Ill.	09134	Texas Capacitor Co.		17554	Components Inc.	Biddeford, Me.
04919	Component Mfg. Service Co.	W. Bridgewater, Mass.				17675	Hamlin Metal Products Corp.	Akron, Ohio
05006	Twentieth Century Plastics, Inc.	Los Angeles, Calif.				17745	Angstrom Prec. Inc.	No. Hollywood, Calif.
						17856	Siliconix Inc.	Sunnyvale, Calif.

00015-48

Revised October, 1969

From: FSC. Handbook Supplements



## CODE LIST OF MANUFACTURERS (Continued)

Code No.	Manufacturer	Address	Code No.	Manufacturer	Address	Code No.	Manufacturer	Address
17670	McGraw-Edison Co.	Manchester, N. H.	62119	Universal Electric Co.	Owosso, Mich.	73899	JFD Electronics Corp.	Brooklyn, N. Y.
18042	Power Design Pacific Inc.	Palo Alto, Calif.	63743	Ward-Leonard Electric Co.	Mt. Vernon, N. Y.	73905	Jennings Radio Mfg. Corp.	San Jose, Calif.
18083	Clevite Corp., Semiconductor Div.	Palo Alto, Calif.	64959	Western Electric Co., Inc.	New York, N. Y.	73957	Groov-Pin Corp.	Ridgefield, N. J.
18324	Signetics Corp.	Palo Alto, Calif.	65092	Weston Inst. Inc. Weston-Newark	Newark, N. J.	74276	Signalite Inc.	Neptune, N. J.
18476	Ty-Car Mfg. Co., Inc.	Sunnyvale, Calif.	66295	Witteck Mfg. Co.	Chicago, Ill.	74455	J. H. Wynn, and Sons	Winchester, Mass.
18486	TRW Elect. Comp. Div.	Holliston, Mass.	66346	Minnesota Mining & Mfg. Co. Revere Mincom Div.	St. Paul, Minn.	74861	Industrial Condenser Corp.	Chicago, Ill.
18583	Curtis Instrument, Inc.	Des Plaines, Ill.	70276	Allen Mfg. Co.	Hartford, Conn.	74868	R. F. Products Division of Amphenol-Borg Electronics Corp.	Danbury, Conn.
18612	Curtis Instrument, Inc.	Des Plaines, Ill.	70309	Allied Control	New York, N. Y.	74970	E. F. Johnson Co.	Waseca, Minn.
18612	Vishay Instruments Inc.	Malvern, Pa.	70318	Allmetal Screw Product Co., Inc.	Garden City, N. Y.	75042	International Resistance Co.	Philadelphia, Pa.
18873	E. I. DuPont and Co., Inc.	Wilmington, Del.	70417	Amplex, Div. of Chrysler Corp.	Detroit, Mich.	75263	Keystone Carbon Co., Inc.	St. Marys, Pa.
18911	Durant Mfg. Co.	Milwaukee, Wis.	70485	Atlantic India Rubber Works, Inc.	Chicago, Ill.	75378	CTS Knights Inc.	Sandwich, Ill.
19315	The Bendix Corp., Navigation & Control Div.	Teterboro, N. J.	70563	Amperite Co., Inc.	Union City, N. J.	75382	Kulka Electric Corporation	Mt. Vernon, N. Y.
19500	Thomas A. Edison Industries, Div. of McGraw-Edison Co.	West Orange, N. J.	70674	ADC Products Inc.	Minneapolis, Minn.	75818	Lenz Electric Mfg. Co.	Chicago, Ill.
19589	Concoa	Baldwin Park, Calif.	70903	Belden Mfg. Co.	Chicago, Ill.	75915	Littlefuse, Inc.	Des Plaines, Ill.
19644	LRC Electronics	Horseheads, N. Y.	70998	Bird Electronic Corp.	Cleveland, Ohio	76005	Lord Mfg. Co.	Errie, Pa.
19701	Electra Mfg. Co.	Independence, Kansas	71002	Birnback Radio Co.	New York, N. Y.	76210	C. W. Marwedel	San Francisco, Calif.
20183	General Atomics Corp.	Philadelphia, Pa.	71034	Bliley Electric Co., Inc.	Erie, Pa.	76433	General Instrument Corp., Micamold Division	Newark, N. J.
21226	Execulone, Inc.	Long Island City, N. Y.	71041	Boston Gear Works Div. of Murray Co. of Texas	Quincy, Mass.	76487	James Millen Mfg. Co., Inc.	Malden, Mass.
21335	Falnit Bearing Co., The	New Britain, Conn.	71218	Bud Radio, Inc.	Willoughby, Ohio	76493	J. W. Miller Co.	Los Angeles, Calif.
21520	Fansteel Metallurgical Corp.	N. Chicago, Ill.	71279	Cambridge Thermionics Corp.	Cambridge, Mass.	76530	Cinch-Monadnock, Div. of United Carr Fastener Corp.	San Leandro, Calif.
23042	Texscan Corp.	Indianapolis, Ind.	71286	Camloc Fastener Corp.	Paramus, N. Y.	76545	Mueller Electric Co.	Cleveland, Ohio
23783	British Radio Electronics Ltd.	Washington, D. C.	71313	Cardwell Condenser Corp.	Lindenhurst L. I., N. Y.	76703	National Union	Newark, N. J.
24455	G. E. Lamp Division	Nela Park, Cleveland, Ohio	71400	Bussmann Mfg. Div. of McGraw-Edison Co.	St. Louis, Mo.	76854	Oak Manufacturing Co.	Crystal Lake, Ill.
24655	General Radio Co.	West Concord, Mass.	71436	Chicago Condenser Corp.	Chicago, Ill.	77068	The Bendix Corp., Electrodynamics Div.	N. Hollywood, Calif.
24681	Memcor Inc., Comp. Div.	Huntington, Ind.	71447	Calif. Spring Co., Inc.	Pico-Rivera, Calif.	77075	Pacific Metals Co.	San Francisco, Calif.
24796	Parefco Inc.	San Juan Capistrano, Calif.	71450	CTS Corp.	Elkhart, Ind.	77221	Panostran Instrument and Electronic Co.	South Pasadena, Calif.
26365	Gries Reproducer Corp.	New Rochelle, N. Y.	71468	ITT Cannon Electric Inc.	Los Angeles, Calif.	77252	Philadelphia Steel and Wire Corp.	Philadelphia, Pa.
26462	Grobet File Co. of America, Inc.	Carlstadt, N. J.	71471	Cinema, Div. Aerovox Corp.	Burbank, Calif.	77342	American Machine & Foundry Co. Potter & Brumfield Div.	Princeton, Ind.
26851	Compac/Hollister Co.	Hollister, Calif.	71482	C. P. Clare & Co.	Chicago, Ill.	77630	TRW Electronic Components Div.	Camden, N. J.
26992	Hamilton Watch Co.	Lancaster, Pa.	71590	Centrab Div. of Globe Union Inc.	Milwaukee, Wis.	77638	General Instrument Corp., Rectifier Div.	Brooklyn, N. Y.
27251	Specialities Mfg. Co., Inc.	Stratford, Conn.	71616	Commercial Plastics Co.	Chicago, Ill.	77764	Resistance Products Co.	Harrisburg, Pa.
28480	Hewlett-Packard Co.	Palo Alto, Calif.	71700	Cornish Wire Co., The	New York, N. Y.	77969	Rubbercraft Corp. of Calif.	Torrance, Calif.
28520	Heyman Mfg. Co.	Kenilworth, N. J.	71707	Coto Coil Co., Inc.	Providence, R. I.	78189	Shakeproof Division of Illinois Tool Works	Elgin, Ill.
30817	Instrument Specialties Co., Inc.	Little Falls, N. J.	71744	Chicago Miniature Lamp Works	Chicago, Ill.	78277	Sigma	So. Braintree, Mass.
33173	G. E. Receiving Tube Dept.	Owensboro, Ky.	71785	Chic Mfg. Co., Howard B. Jones Div.	Chicago, Ill.	78283	Signal Indicator Corp.	New York, N. Y.
35434	Lectrohm Inc.	Chicago, Ill.	71984	Dow Corning Corp.	Midland, Mich.	78290	Struthers-Dunn Inc.	Pitman, N. J.
36196	Stanwyck Coil Products Ltd.	Hawkesbury, Ontario, Canada	72136	Electro Motive Mfg. Co., Inc.	Williamantic, Conn.	78424	Speciality Leather Prod. Co.	Newark, N. J.
36287	Cunningham, W. H. & Hill, Ltd.	Toronto Ontario, Canada	72619	Dialight Corp.	Brooklyn, N. Y.	78452	Thompson-Bremer & Co.	Chicago, Ill.
37942	P. R. Mallory & Co. Inc.	Indianapolis, Ind.	72656	Indiana General Corp., Electronics Div.	Keasby, N. J.	78471	Tilley Mfg. Co.	San Francisco, Calif.
39543	Mechanical Industries Prod. Co.	Akron, Ohio	72699	General Instrument Corp., Cap. Div.	Newark, N. J.	78488	Stackpole Carbon Co.	St. Marys, Pa.
40820	Miniature Precision Bearings, Inc.	Keene, N. H.	72765	Drake Mfg. Co.	Harwood Heights, Ill.	78493	Standard Thomson Corp.	Waltham, Mass.
42190	Muter Co.	Chicago, Ill.	72825	Hugh H. Eby Inc.	Philadelphia, Pa.	78553	Tinnerman Products, Inc.	Cleveland, Ohio
43990	C. A. Norgren Co.	Englewood, Colo.	72928	Gudeman Co.	Chicago, Ill.	78790	Transformer Engineers	San Gabriel, Calif.
44655	Ohmite Mfg. Co.	Skokie, Ill.	72962	Elastic Stop Nut Corp.	Union, N. J.	78947	Ucinite Co.	Newtonville, Mass.
46384	Penn Eng. & Mfg. Corp.	Doylestown, Pa.	72964	Robert M. Hadley Co.	Los Angeles, Calif.	79136	Waldes Kohinor Inc.	Long Island City, N. Y.
47904	Polaroid Corp.	Cambridge, Mass.	72982	Erie Technological Products, Inc.	Erie, Pa.	79142	Veeder Root, Inc.	Hartford, Conn.
48620	Precision Thermometer & Inst. Co.	Southampton, Pa.	73061	Hansen Mfg. Co., Inc.	Princeton, Ind.	79251	Wenco Mfg. Co.	Chicago, Ill.
49956	Microwave & Power Tube Div.	Waltham, Mass.	73076	H. M. Harper Co.	Chicago, Ill.	79727	Continental-Wirt Electronics Corp.	Philadelphia, Pa.
52090	Rowan Controller Co.	Westminster, Md.	73138	Helipot Div. of Beckman Inst., Inc.	Fullerton, Calif.	79963	Zierick Mfg. Corp.	New Rochelle, N. Y.
52983	Sanborn Company	Waltham, Mass.	73293	Hughes Products Division of Hughes Aircraft Co.	Newport Beach, Calif.	80031	Mecco Division of Sessions Clock Co.	Toledo, Ohio
54294	Shallcross Mfg. Co.	Selma, N. C.	73445	Amperex Elect. Co.	Hicksville, L. I., N. Y.	80033	Prestole Corp.	Morristown, N. J.
55026	Simpson Electric Co.	Chicago, Ill.	73506	Dradley Semiconductor Corp.	New Haven, Conn.	80120	Schnitzer Alloy Products Co.	Elizabeth, N. J.
55933	Sonotone Corp.	Elmsford, N. Y.	73559	Carling Electric, Inc.	Hartford, Conn.	80131	Electronic Industries Association. Any brand Tube meeting EIA Standards-Washington, DC.	Washington, DC.
55938	Raytheon Co. Commercial Apparatus & Systems Div.	So. Norwalk, Conn.	73586	Circle F Mfg. Co.	Trenton, N. J.	80207	Unimax Switch, Div. Maxon Electronics Corp.	Wallingford, Conn.
56137	Spaulding Fibre Co., Inc.	Tonawanda, N. Y.	73734	Federal Screw Products Inc.	Chicago, Ill.	80223	United Transformer Corp.	New York, N. Y.
56289	Sprague Electric Co.	North Adams, Mass.	73743	Fischer Special Mfg. Co.	Cincinnati, Ohio	80248	Oxford Electric Corp.	Chicago, Ill.
59446	Telex Corp.	Tulsa, Okla.	73793	General Industries Co., The	Elyria, Ohio	80294	Bourns Inc.	Riverside, Calif.
59730	Thomas & Betts Co.	Elizabeth, N. J.	73846	Goshen Stamping & Tool Co.	Goshen, Ind.	80411	Acro Div. of Robertshaw Controls Co.	Columbus, Ohio
60741	Triplett Electrical Inst. Co.	Bluffton, Ohio						
61775	Union Switch and Signal, Div. of Westinghouse Air Brake Co.	Pittsburgh, Pa.						



## SALES &amp; SERVICE OFFICES

## UNITED STATES

## ALABAMA

P.O. Box 4207  
2003 Byrd Spring Road S.W.  
Montevallo 35802  
Tel: (205) 881-4591  
TWX: 810-726-2204

## ARIZONA

3009 North Scottsdale Road  
Scottsdale 85251  
Tel: (602) 945-7601  
TWX: 910-950-1282

5737 East Broadway  
Tucson 85716  
Tel: (602) 298-2313  
TWX: 910-952-1162

## CALIFORNIA

1430 East Orangethorpe Ave.  
Fullerton 92631  
Tel: (714) 870-1000

3939 Lankershim Boulevard  
North Hollywood 91604  
Tel: (213) 877-1282  
TWX: 910-499-2170

1101 Embarcadero Road  
Palo Alto 94303  
Tel: (415) 327-4500  
TWX: 910-373-1280

2591 Carlsbad Avenue  
Sacramento 95821  
Tel: (916) 482-1463  
TWX: 910-367-2092

1055 Shafter Street  
San Diego 92106  
Tel: (714) 223-8103  
TWX: 910-335-2000

## COLORADO

7965 East Prentice  
Englewood 80110  
Tel: (303) 771-3455  
TWX: 910-935-0705

## CONNECTICUT

508 Tolland Street  
East Hartford 06108  
Tel: (203) 289-9394  
TWX: 810-425-3416

111 East Avenue  
Newark 06851  
Tel: (203) 853-1251  
TWX: 710-468-3750

## DELAWARE

3941 Kennett Pike  
Wilmington 19807  
Tel: (302) 659-6161  
TWX: 510-666-2214

## FLORIDA

P.O. Box 545  
Suite 106  
9999 N.E. 2nd Avenue  
Miami Shores 33153  
Tel: (305) 754-4565  
TWX: 810-848-7262

P.O. Box 20007  
Herndon Station 32814  
621 Commonwealth Avenue  
Orlando  
Tel: (305) 841-3970  
TWX: 810-850-0113

P.O. Box 8128  
Madrada Beach 33708  
410 150th Avenue  
St. Petersburg  
Tel: (813) 391-0211  
TWX: 810-863-0366

## GEORGIA

P.O. Box 28234  
450 Interstate North  
Atlanta 30328  
Tel: (404) 436-6181  
TWX: 810-766-4890

## ILLINOIS

5500 Howard Street  
Skokie 60076  
Tel: (312) 677-0400  
TWX: 910-223-3613

## INDIANA

3839 Meadows Drive  
Indianapolis 46205  
Tel: (317) 546-4891  
TWX: 810-341-3263

## LOUISIANA

P.O. Box 856  
1942 Williams Boulevard  
Kenner 70062  
Tel: (504) 721-6201  
TWX: 810-955-5524

## MARYLAND

6707 Whitestone Road  
Baltimore 21207  
Tel: (301) 944-5400  
TWX: 710-862-0850

P.O. Box 1648  
2 Choke Cherry Road  
Rockville 20850  
Tel: (301) 948-6370  
TWX: 710-828-9684

## MASSACHUSETTS

32 Hartwell Ave.  
Lexington 02173  
Tel: (617) 861-8960  
TWX: 710-326-6904

## MICHIGAN

24315 Northwestern Highway  
Southfield 48075  
Tel: (313) 353-9100  
TWX: 810-232-1532

## MINNESOTA

2459 University Avenue  
St. Paul 55114  
Tel: (612) 845-9461  
TWX: 910-563-3734

## MISSOURI

11131 Colorado Ave.  
Kansas City 64137  
Tel: (816) 763-8000  
TWX: 910-771-2087

2812 South Brentwood Blvd.  
St. Louis 63144  
Tel: (314) 962-5000  
TWX: 910-760-1670

## NEW JERSEY

W. 120 Century Road  
Paramus 07652  
Tel: (201) 265-5000  
TWX: 710-990-4951

1060 N. Kings Highway  
Cherry Hill 08034  
Tel: (609) 667-4000  
TWX: 710-892-4945

## NEW MEXICO

P.O. Box 8366  
6501 Lomas Boulevard N.E.  
Albuquerque 87108  
Tel: (505) 255-5586  
TWX: 910-989-1865

156 Wyatt Drive  
Las Cruces 88001  
Tel: (505) 526-2485  
TWX: 910-983-0550

## NEW YORK

1702 Central Avenue  
Albany 12205  
Tel: (518) 869-8462  
TWX: 710-441-8270

1219 Campville Road  
Endicott 13760  
Tel: (607) 754-0050  
TWX: 510-252-0890

82 Washington Street  
Peppkeepsie 12601  
Tel: (914) 454-7330  
TWX: 510-248-0012

39 Saginaw Drive  
Rochester 14623  
Tel: (716) 473-9500  
TWX: 510-253-5981

1025 Northern Boulevard  
Roslyn, Long Island 11576  
Tel: (516) 869-8400  
TWX: 510-223-0811

3858 East Molloy Road  
Syracuse 13211  
Tel: (315) 454-2486  
TWX: 710-541-0482

## NORTH CAROLINA

P.O. Box 5188  
1923 North Main Street  
High Point 27262  
Tel: (919) 865-8101  
TWX: 510-926-1516

## OHIO

25575 Center Ridge Road  
Cleveland 44145  
Tel: (216) 835-0300  
TWX: 810-427-9129

3460 South Dixie Drive  
Dayton 45439  
Tel: (513) 298-0351  
TWX: 810-459-1925

## OKLAHOMA

2919 United Founders Boule:ard  
Oklahoma City 73112  
Tel: (405) 848-2801  
TWX: 910-836-6862

## OREGON

WestHills Mall, Suite 158  
4475 S.W. Scholls Ferry Road  
Portland 97225  
Tel: (503) 292-9171  
TWX: 910-484-6103

## PENNSYLVANIA

2500 Moss Side Boulevard  
Monroeville 15146  
Tel: (412) 271-0724  
TWX: 710-797-3650

1021 8th Avenue  
King of Prussia Industrial Park  
King of Prussia 19406  
Tel: (215) 265-7000  
TWX: 510-660-2670

## RHODE ISLAND

873 Waterman Ave.  
East Providence 02914  
Tel: (401) 434-5535  
TWX: 710-381-7573

## TEXAS

P.O. Box 1270  
201 E. Arapaho Rd.  
Richardson 75080  
Tel: (214) 231-6101  
TWX: 910-867-4723

6300 Westpark Drive  
Houston 77027  
Tel: (713) 781-6000  
TWX: 910-881-2645

231 Billy Mitchell Road  
San Antonio 78226  
Tel: (512) 434-4171  
TWX: 910-871-1170

## UTAH

2890 South Main Street  
Salt Lake City 84115  
Tel: (801) 487-0715  
TWX: 910-925-5681

## VERMONT (Feb. 70)

Kennedy Drive  
South Burlington 05401  
Tel: (802) 658-4455  
TWX: 910-858-4712

## VIRGINIA

P.O. Box 6514  
2111 Spencer Road  
Richmond 23230  
Tel: (703) 282-5455  
TWX: 910-956-0157

## WASHINGTON

433-108th N.E.  
Bellevue 98004  
Tel: (206) 454-3971  
TWX: 910-443-2303

## \*WEST VIRGINIA

Charleston  
Tel: (304) 768-1232

## FOR U.S. AREAS NOT LISTED:

Contact the regional office nearest you: Atlanta, Georgia . . . North Hollywood, California . . . Paramus, New Jersey . . . Skokie, Illinois. Their complete addresses are listed above.

\*Service Only

## CANADA

**ALBERTA**  
Hewlett-Packard (Canada) Ltd.  
11745 Jasper Ave.  
Edmonton  
Tel: (403) 482-5561  
TWX: 610-831-2431

**BRITISH COLUMBIA**  
Hewlett-Packard (Canada) Ltd.  
1037 West Broadway  
Vancouver 12  
Tel: (604) 731-5301  
TWX: 610-922-5059

**MANITOBA**  
Hewlett-Packard (Canada) Ltd.  
511 Bradford Ct.  
St. James  
Tel: (204) 786-7581  
TWX: 610-671-3531

**NOVA SCOTIA**  
Hewlett-Packard (Canada) Ltd.  
2745 Dutch Village Rd.  
Suite 203  
Halifax  
Tel: (902) 455-0511  
TWX: 610-271-4482

**ONTARIO**  
Hewlett-Packard (Canada) Ltd.  
880 Lady Ellen Place  
Ottawa 3  
Tel: (613) 722-4223  
TWX: 610-562-1952

**QUEBEC**  
Hewlett-Packard (Canada) Ltd.  
275 Hymus Boulevard  
Pointe Claire  
Tel: (514) 697-4232  
TWX: 610-422-3022  
Telex: 01-20607

## FOR CANADIAN AREAS NOT LISTED:

Contact Hewlett-Packard (Canada) Ltd. in Pointe Claire, at the complete address listed above.

## CENTRAL AND SOUTH AMERICA

**ARGENTINA**  
Hewlett-Packard Argentina  
S.A.C.e.I.  
Lavalle 1171 - 3°  
Buenos Aires  
Tel: 35-0436, 35-0627, 35-0431  
Telex: 012-1009  
Cable: HEWPACKARG

**BRAZIL**  
Hewlett-Packard Do Brasil  
I.e.C. Ltda.  
Rua Coronel Oscar Porto, 691  
Sao Paulo - S, SP  
Tel: 71-1503  
Cable: HEWPACK Sao Paulo

Hewlett-Packard Do Brasil  
I.e.C. Ltda.  
Avenida Franklin Roosevelt 84-  
grupo 203  
Rio de Janeiro, ZC-39, CB  
Tel: 232-9733  
Cable: HEWPACK Rio de Janeiro

**CHILE**  
Héctor Calcagni y Cia, Ltda.  
Bustos, 1932-3er Piso  
Casilla 13942  
Santiago  
Tel: 4-2396  
Cable: Calcagni Santiago

**COLOMBIA**  
Instrumentacion  
Henrik A. Langebaek & Kirr  
Ltda.  
Carrera 7 No. 48-59  
Apartado Aereo 6287  
Bogota, 1 D.E.  
Tel: 45-78-06, 45-55-46  
Cable: AARIS Bogota  
Telex: 044-400

**COSTA RICA**  
Lic. Alfredo Gallegos Gardián  
Apartado 3243  
San José  
Tel: 21-86-13  
Cable: GALGUR San José

**ECUADOR**  
Laboratorios de Radio-Ingenieria  
Calle Guayaquil 1246  
Post Office Box 3199  
Quito  
Tel: 12496  
Cable: HORVATH Quito

**EL SALVADOR**  
Electrónica  
Apartado Postal 1589  
27 Avenida Norte 1133  
San Salvador  
Tel: 25-74-50  
Cable: ELECTRONICA  
San Salvador

**GUATEMALA**  
Olander Associates Latin America  
Apartado Postal 1226  
Ruta 4, 6-53, Zona 4  
Guatemala City  
Tel: 63958  
Cable: OLALA Guatemala City

**JAMAICA**  
General Engineering Services,  
Ltd.  
27 Dunrobin Ave.  
Kingstons  
Tel: 42857  
Cable: GENSERV

**MEXICO**  
Hewlett-Packard Mexicana, S.A.  
de C.V.  
Naras 439  
Col. del Valle  
Mexico 12, D.F.  
Tel: 5-75-46-49

**NICARAGUA**  
Roberto Terán G.  
Apartado Postal 689  
Edificio Terán  
Managua  
Tel: 3451, 3452  
Cable: ROTERAN Managua

**PANAMA**  
Electrónica Balboa, S.A.  
P.O. Box 4929  
Ave. Manuel Espinosa No. 13-50  
Bldg. Alina  
Panama City  
Tel: 30833  
Cable: ELECTRON Panama City

**PERU**  
Fernando Ezeta B.  
Avenida Petit Thouars 4719  
Miraflores  
Casilla 3061  
Lima  
Tel: 45-2335  
Cable: FEPERU Lima

**PUERTO RICO**  
Sira Juan Electronics, Inc.  
P.O. Box 5167  
Ponce de Leon 154  
Pda. 3-Pta. de Tierra  
San Juan 00906  
Tel: (809) 725-3342  
Cable: SATRONICS San Juan  
Telex: SATRON 3450 332

**URUGUAY**  
Pablo Ferrando S.A.  
Comercial e Industrial  
Avenida Italia 2877  
Casilla de Correo 370  
Montevideo  
Tel: 40-3102  
Cable: RADIUM Montevideo

**VENEZUELA**  
Hewlett-Packard De Venezuela  
C.A.  
Apartado 50933  
Caracas  
Tel: 71.88.05, 71.88.69, 71.99.30  
Cable: HEWPACK Caracas

## FOR AREAS NOT LISTED,

CONTACT:  
Hewlett-Packard  
INTERCONTINENTAL  
3200 Hillview Ave.  
Palo Alto, California 94304  
Tel: (415) 326-7000  
TWX: 910-373-1267  
Cable: HEWPACK Palo Alto  
Telex: 034-8461

Table 7-1. Replaceable Parts (Cont'd)

REFERENCE DESIGNATOR	-hp- PART NO.		TQ	DESCRIPTION	MFR.	MFR. PART NO.
MP15	00427-05501		1	Shield: can (Option 01 only)	-hp-	
MP16	1510-0009		1	Assembly: binding post black COM w/o solder turret brass, P/O J2	-hp-	
MP17	0340-0099		3	Insulator: binding post single grey plastic 0.500" OD x 0.200" ID x 0.090" thick with anti-rotation boss, P/O J2	-hp-	
MP18	1510-0008		1	Assembly: binding post VOLTS red w/o solder turret brass, P/O J2	-hp-	
MP19	1510-0037		1	Assembly: binding post OHMS blue w/o solder turret brass, P/O J2	-hp-	
MP20	0370-0077		2	Knob: skirted bar 5/8" diameter black for 1/4" diameter shaft	-hp-	
MP21	00427-06401		1	Holder: battery	-hp-	
MP22	00427-90004		1	Manual: operating and service	-hp-	

## EUROPE

**AUSTRIA**  
Unilabor GmbH  
Wissenschaftliche Instrumente  
Rummelhardtgasse 6/3  
P.O. Box 33  
Vienna A-1095  
Tel: 42 61 81  
Cable: LABORINSTRUMENT  
Vienna  
Telex: 75 762

**BELGIUM**  
Hewlett-Packard Benelux S.A.  
348 Boulevard du Souverain  
Brussels 16  
Tel: 72 22 40  
Cable: PALOBEN Brussels  
Telex: 23 494

**DENMARK**  
Hewlett-Packard A/S  
Langebjerg 6  
2850 Nærum  
Tel: (01) 80 40 40  
Cable: HEWPACK AS  
Telex: 66 40

**FINLAND**  
Hewlett-Packard Oy  
Gydenintie 3  
Helsinki 20  
Tel: 57 35 38  
Cable: HEWPAKOV-Helsinki  
Telex: 12-1563

**FRANCE**  
Hewlett-Packard France  
Quartier de Courtabouef  
Boite Postale No. 6  
91 Orsay  
Tel: 920 88 01  
Cable: HEWPACK Orsay  
Telex: 60048

Hewlett-Packard France  
4 Quai des Etoiles  
69 Lyon 5ème  
Tel: 42 63 45  
Cable: HEWPACK Lyon  
Telex: 31617

**GERMANY**  
Hewlett-Packard Vertriebs-GmbH  
Lietzenburgerstrasse 30  
1 Berlin W 30  
Tel: 24 60 65/66  
Telex: 18 34 05

Hewlett-Packard Vertriebs-GmbH  
Herrenbergerstrasse 110  
703 Böblingen, Württemberg  
Tel: 07031-6671  
Cable: HEPAAG Böblingen  
Telex: 72 65 739

Hewlett-Packard Vertriebs-GmbH  
Achenbachstrasse 15  
4 Biberach/1  
Tel: 6282-75628  
Cable: HEI-NAMI

Hewlett-Packard Vertriebs-GmbH  
Berliner Strasse 117  
6 Nieder-Eschbach/Frankfurt 56  
Tel: (0611) 50 10 64  
Cable: HEWPACKSA Frankfurt  
Telex: 41 32 49

Hewlett-Packard Vertriebs-GmbH  
Belm Strohhaus 26  
2 Hamburg 1  
Tel: 24 05 51/52  
Cable: HEWPACKSA Hamburg  
Telex: 21 53 32

Hewlett-Packard Vertriebs-GmbH  
Roginfriedstrasse 13  
8 München 9  
Tel: 0811 69 59 71/75  
Cable: HEWPACKSA München  
Telex: 52 49 85

**GREECE**  
Kostas Karayannis  
18, Ermou Street  
Athens 126  
Tel: 230303 232947  
Cable: RAKAR Athens  
Telex: 21 59 62 RKAR GR

**IRELAND**  
Hewlett-Packard Ltd.  
224 Bath Road  
Slough, Bucks, England  
Tel: Slough 753-33341  
Cable: HEWPIE Slough  
Telex: 84413

**ITALY**  
Hewlett-Packard Italiana S.p.A.  
Via Amerigo Vespucci 2  
20124 Milano  
Tel: 6251 (10 lines)  
Cable: HEWPACKIT Milan  
Telex: 32046

Hewlett-Packard Italiana S.p.A.  
Palazzo Italia  
00144 Rome - Eur  
Tel: 591 2544  
Cable: HEWPACKIT Rome  
Telex: 61514

**NETHERLANDS**  
Hewlett-Packard Benelux, N.V.  
Weerdestein 117  
Amsterdam, Z 11  
Tel: 42 77 37  
Cable: PALOBEN Amsterdam  
Telex: 13 216

**NORWAY**  
Hewlett-Packard Norge A/S  
Box 149  
Nesveien 13  
Nasium  
Tel: 53 83 60  
Cable: HEWPACK Oslo  
Telex: 6621

**PORTUGAL**  
Telectra  
Rua Rodrigo da Fonseca 103  
P.O. Box 2531  
Lisbon 1  
Tel: 68 60 72  
Cable: TELETRACT Lisbon  
Telex: 1598

**SPAIN**  
Atajo Ingenieros  
Ganduxer 76  
Barcelona 6  
Tel: 211-44-66  
Atajo Ingenieros  
Enrique Larreta 12  
Madrid, 16  
Tel: 235 43 44  
Cable: TELEATAIO Madrid  
Telex: 2 72 49

**SWEDEN**  
Hewlett-Packard (Sverige) AB  
Hagakergatan 9C  
S 431 04 Malmö 4  
Tel: 031 - 27 68 00

Hewlett-Packard (Sverige) AB  
Svetsarvägen 7  
S171 20 Selma 1  
Tel: (08) 98 12 50  
Cable: MEASUREMENTS  
Stockholm  
Telex: 10721

**SWITZERLAND**  
Hewlett Packard (Schweiz) AG  
Zürcherstrasse 20  
8952 Schlieren  
Zürich  
Tel: (051) 98 18 21/24  
Cable: HEWPAKAG Zurich  
Telex: 53933

Hewlett Packard (Schweiz) A.G.  
Rue du Bois-du-Lan 7  
1217 Meyrin-Geneva  
Tel: (022) 41 54 00  
Cable: HEWPAKSA Geneva  
Telex: 2 24 86

**TURKEY**  
Telekom Engineering Bureau  
P.O. Box 376 - Galata  
Istanbul  
Tel: 49 40 40  
Cable: TELEMIATION Istanbul

**UNITED KINGDOM**  
Hewlett-Packard Ltd.  
224 Bath Road  
Slough, Bucks  
Tel: Slough 33341  
Cable: HEWPIE Slough  
Telex: 84413

**YUGOSLAVIA**  
Belram S.A.  
83 avenue des Mimosas  
Brussels 15, Belgium  
Tel: 34 33 32, 34 26 19  
Cable: BELRAMEL Brussels  
Telex: 21790

**FOR AREAS NOT LISTED, CONTACT:**  
Hewlett-Packard S.A.  
Rue du Bois-du-Lan 7  
1217 Meyrin-Geneva  
Tel: (022) 41 54 00  
Cable: HEWPAKSA Geneva  
Telex: 2.24.86

## AFRICA, ASIA, AUSTRALIA

**ANGOLA**  
Telectra Empresa Técnica  
de Equipamentos Eléctricos  
SAR  
Rua de Barbosa Rodrigues  
42-1\*  
Box 6487  
Luanda  
Cable: TELECTRA Luanda

**AUSTRALIA**  
Hewlett-Packard Australia  
Pty. Ltd.  
22-26 Weir Street  
Glen Iris, 3146  
Victoria  
Tel: 20.1371 (4 lines)  
Cable: HEWPAORD Melbourne  
Telex: 31024

Hewlett-Packard Australia  
Pty. Ltd.  
61 Alexander Street  
Crows Nest 2065  
New South Wales  
Tel: 43 7866  
Cable: HEWPAORD Sydney  
Telex: 21561

Hewlett-Packard Australia  
Pty. Ltd.  
97 Churchill Road  
Prospect 5082  
South Australia  
Tel: 65.2366  
Cable: HEWPAORD Adelaide

Hewlett Packard Australia  
Pty. Ltd.  
2nd Floor, Suite 13  
Casablanca Buildings  
196 Adelaide Terrace  
Perth, W.A. 6000  
Tel: 21-3330

**CEYLON**  
United Electricals Ltd.  
P.O. Box 681  
Yahala Building  
Staples Street  
Colombo 2  
Tel: 5496  
Cable: HOTPOINT Colombo

**CYPRUS**  
Kypronics  
19-19D Hommer Avenue  
P.O. Box 752  
Nicosia  
Tel: 6282-75628  
Cable: HEI-NAMI

**ETHIOPIA**  
African Salespower & Agency  
Private Ltd., Co.  
P. O. Box 718  
58/59 Cunningham St.  
Addis Ababa  
Tel: 12285  
Cable: ASACO Addisababa

**HONG KONG**  
Schmidt & Co. (Hong Kong) Ltd.  
P. O. Box 297  
1511, Prince's Building  
10, Chater Road  
Hong Kong  
Tel: 240168, 232735  
Cable: SCHMIDTDCO Hong Kong

**INDIA**  
The Scientific Instrument  
Co., Ltd.  
6, Tej Bahadur Sapru Road  
Allahabad 1  
Tel: 2451  
Cable: SICO Allahabad

The Scientific Instrument  
Co., Ltd.  
12/5 Dickenson Road  
Bangalore -1  
Cable: SICO Bangalore  
The Scientific Instrument  
Co., Ltd.  
240, Dr. Dadabhai Naoroji Road  
Bombay 1  
Tel: 26-2642  
Cable: SICO Bombay

The Scientific Instrument  
Co., Ltd.  
11, Esplanade East  
Calcutta 1  
Tel: 23-4129  
Cable: SICO Calcutta  
The Scientific Instrument  
Co., Ltd.  
30, Mount Road  
Madras 2  
Tel: 86339  
Cable: SICO Madras

The Scientific Instrument  
Co., Ltd.  
17, Kamalnayan Society  
P.O. Navajivan  
Ahmedabad 14  
Cable: SICO, Ahmedabad

The Scientific Instrument Co. Ltd.  
5-8-525 Mahatma Gandhi Road  
Hyderabad-1 (A-P) India  
Cable: SICO Hyderabad

The Scientific Instrument Co., Ltd.  
B-7, Ajmeri Gate Extn.  
New Delhi 1  
Tel: 27-1053  
Cable: SICO New Delhi

**INDONESIA**  
Bah Bolon Trading Coy. N.V.  
Djaloh Merdeka 29  
Bandung  
Tel: 4915 51560  
Cable: ILMU  
Telex: 809

**IRAN**  
Telecom, Ltd.  
P. O. Box 1812  
240 Kh. Saba Shomali  
Tehran  
Tel: 43850, 48111  
Cable: BASCOM Teheran

**ISRAEL**  
Electronics & Engineering  
Div. of Motorola Israel Ltd.  
17 Aminadav Street  
Tel-Aviv  
Tel: 36941 (3 lines)  
Cable: BASTEL Tel-Aviv  
Telex: Basteil Tv 033-569

**JAPAN**  
Yokogawa-Hewlett-Packard Ltd.  
Nisei Ibaragi Bldg.  
2-2-8 Kasuga  
Ibaragi-Shi  
Osaka  
Tel: 23-1641

Yokogawa-Hewlett-Packard Ltd.  
Ito Building  
No. 59, Kotori-cho  
Nakamura-ku, Nagoya City  
Tel: 551-0215

Yokogawa-Hewlett-Packard Ltd.  
Ohashi Building  
59 Yoyogi 1-chrome  
Shibuya-ku, Tokyo  
Tel: 370-2281/7  
Telex: 232-2024YHP  
Cable: YHPMARKET TOK 23-724

**KENYA**  
R. J. Tibury Ltd.  
P. O. Box 2754  
Suite 517/518  
Hotel Ambassador  
Nairobi  
Tel: 25670, 68206, 58196  
Cable: ARJAYTEE Nairobi

**KOREA**  
American Trading Co., Korea, Ltd.  
P.O. Box 1103  
Dae Kyung Bldg.  
107 Sejong Ro  
Chongro Ku  
Seoul  
Tel: 75-5841 (4 lines)  
Cable: AMTRACO Seout

**LEBANON**  
Constantin E. Macridis  
Clémenceau Street  
P.O. Box 7213  
Beirut  
Tel: 220846  
Cable: ELECTRONUCLEAR Beirut

**MALAYSIA**  
MECOMB Malaysia Ltd.  
2 Lorong 13/6A  
Section 13  
Petaling Jaya, Selangor  
Cable: MECOMB Kuala Lumpur

**MOZAMBIQUE**  
A. N. Goncalves, LDA.  
4.1 Apt. 14 Av. D. Luis  
P.O. Box 107  
Lourenco Marques  
Cable: NEGON

**NEW ZEALAND**  
Hewlett-Packard (N.Z.) Ltd.  
32-34 Kent Terrace  
P.O. Box 9443  
Wellington, N.Z.  
Tel: 59-559  
Cable: HEWPACK Wellington

**PAKISTAN (EAST)**  
Mushko & Company, Ltd.  
Zirat Chambers  
31, Jinnah Avenue  
Dacca  
Tel: 280058  
Cable: NEWDEAL Dacca

**PAKISTAN (WEST)**  
Mushko & Company, Ltd.  
Oosman Chambers  
Victoria Road  
Karachi 3  
Tel: 511027, 512927  
Cable: COOPERATOR Karachi

**PHILIPPINES**  
Electromex Inc.  
2129 Pasong Tamo  
Makati, Rizal  
P.O. Box 4326  
Manila  
Tel: 88-91-71 or 88-83-76  
Cable: ELEMEX Manila

**SINGAPORE**  
Mechanical and Combustion  
Engineering Company Ltd.  
9, Jalan Kilang  
Singapore, 3  
Tel: 642361-3  
Cable: MECOMB Singapore

**SOUTH AFRICA**  
Hewlett Packard South Africa  
(Pty.), Ltd.  
Hilt House  
43 Somerset Rd.  
Cape Town  
Tel: 3-6019  
Cable: HEWPACK Cape Town  
Telex: 7038CT

Hewlett Packard South Africa  
(Pty.), Ltd.  
P.O. Box 31716  
30 De Beer Street  
Braamfontein, Johannesburg  
Tel: 724-4172 724-4195  
Telex: 0226 JH  
Cable: HEWPAK Johannesburg

**TAIWAN REP. OF CHINA**  
Hwa Sheng Electronic Co., Ltd.  
P. O. Box 1558  
Room 404  
Chia Hsin Building  
No. 96 Chung Shan  
North Road, Sec. 2  
Taipei  
Tel: 555211 Ext. 532-539  
545936, 546076, 548661  
Cable: VICTRONIX Taipei

**TANZANIA**  
R. J. Tibury Ltd.  
P.O. Box 2754  
Suite 517/518  
Hotel Ambassador  
Nairobi  
Tel: 25670, 68203, 68206, 58196  
Cable: ARJAYTEE Nairobi

**THAILAND**  
The International  
Engineering Co., Ltd.  
P. O. Box 39  
614 Sukhumvit Road  
Bangkok  
Tel: 910722 (7 lines)  
Telex: INTENCO BK 226  
Cable: GYSOM BANGKOK

**UGANDA**  
R. J. Tibury Ltd.  
P.O. Box 2754  
Suite 517/518  
Hotel Ambassador  
Nairobi  
Tel: 25670, 68203, 68206, 58196  
Cable: ARJAYTEE Nairobi

**VIETNAM**  
Peninsular Trading Inc.  
P.O. Box H-3  
216 Hien-Vuong  
Saigon  
Tel: 20.805  
Cable: PENINSULA Saigon

**ZAMBIA**  
R. J. Tibury (Zambia) Ltd.  
P.O. Box 2792  
Lusaka  
Zambia, Central Africa

**FOR AREAS NOT LISTED, CONTACT:**  
Hewlett-Packard  
INTERCONTINENTAL  
3200 Hillview Ave.  
Palo Alto, California 94304  
Tel: (415) 326-7000  
TWX: 910-373-1267  
Cable: HEWPAK Palo Alto  
Telex: 034-8461

# **MANUAL BACKDATING CHANGES**

MODEL 427A

VOLTMETER

Manual Serial Prefixed: 947-  
-hp- Part No. 00427-90004

This manual backdating sheet makes this manual applicable to earlier instruments. Instrument-component values that differ from those in the manual, yet are not listed in the backdating sheet, should be replaced using the part number given in the manual.

Instrument Serial Prefix	Make Manual Changes	Instrument Serial Prefix	Make Manual Changes
731- and below	Change 1 thru 3		
550- and below	Change 2 and 3		
621- and below	Change 3		

**CHANGE 1**

Page 7-4: Replaceable Parts OPTION 01:

- Change J1 to -hp- Part No. 1251-0148.
- Change S3 to -hp- Part No. 3101-0033.
- Change W1 to -hp- Part No. 8120-0078.
- Change MP3 to -hp- Part No. 00427-00203.

**CHANGE 2**

Table 7-1, Replaceable Parts:

- Change MP9, front panel, to -hp- Part No. 00427-00201.
- Add MP12, bracket, DC ZERO/ $\Omega$  $\infty$ adjust, -hp- Part No. 00427-01201.

**CHANGE 3**

Schematic Diagram and Replaceable Parts:

- Remove resistor A1R22 (390  $\Omega$ ) from collector of A1Q4.

**NOTE**

A Printed Circuit Board 00427-66501 with revision c or beyond has A1R22 added in collector circuit of A1Q4. Resistor A1R22 was added to reduce power dissipation in A1Q4 during overload.

# **MANUAL CHANGES**

MODEL 427A

VOLTMETER

Manual Serial Prefixed 947-  
-hp- Part No. 00427-90004

Instrument Serial Number	Make Manual Changes	Instrument Serial Number	Make Manual Changes
ALL	ERRATA		

## ERRATA

Section VII, Replaceable Parts:

Delete A2R21 and A2R22.

Change -hp- Part No. of MP3 Panel: rear (Option 01 only) from 00427-00204 to 00427-00205.

