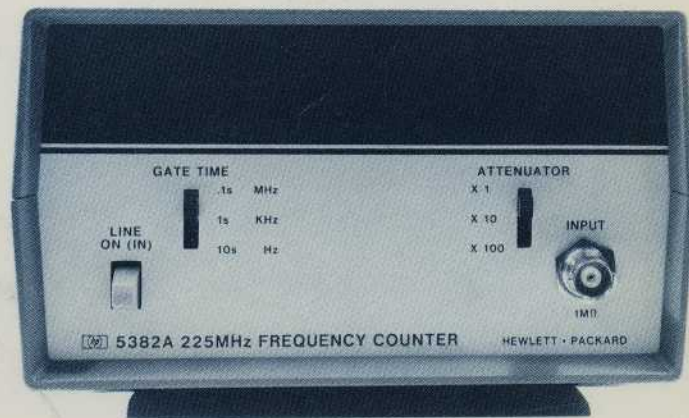


# FREQUENCY COUNTER

## 5382A



HEWLETT  PACKARD

**<http://www.aa4df.com>**

**<http://www.aa4df.net>**

**POB 37091**

**Tallahassee, FL 32315-7091**

**<http://www.aa4df.com> / <http://www.aa4df.net> have created and provide this scanned manual with permission of Agilent Technologies, Inc.**

**This document is the complete manual in reduced size for internet download. The very high resolution manuals we provide are scanned at 300/600 dpi and consequently are often too large for many users to transfer effectively. This smaller, faster “bench resolution” scan, however, has been found to be suitable for most purposes.**

**We carry many PDF manuals on our website, and would appreciate your checking us out! In regard to any and all AA4DF scans provided to Agilent for download from their site, Agilent’s policies concerning use and distribution of them are your only concern. AA4DF does not claim any form of copyright on this scan. We do request that you investigate Agilent’s policies before considering distribution of it in any form.**

**-Dave Miller, AA4DF  
and  
Jill Bryant**

## CERTIFICATION

*The Hewlett-Packard Company certifies that this instrument was thoroughly tested and inspected and found to meet its published specifications when it was shipped from the factory. The Hewlett-Packard Company further certifies that its calibration measurements are traceable to the U.S. National Bureau of Standards to the extent allowed by the Bureau's calibration facility.*

## WARRANTY AND ASSISTANCE

This Hewlett-Packard product is warranted against defects in materials and workmanship. This warranty applies for one year from the date of delivery, or, in the case of certain major components listed in the manual, for the specified period. We will repair or replace products which prove to be defective during the warranty period provided they are returned to Hewlett-Packard. No other warranty is expressed or implied. We are not liable for consequential damages.

Service contracts or customer assistance agreements are available for Hewlett-Packard products that require maintenance and repair on-site.

For any assistance, contact your nearest Hewlett-Packard Sales and Service Office.

# FREQUENCY COUNTER

## 5382A

### OPERATING AND SERVICE MANUAL

**SERIAL PREFIX: 1408A**

This manual applies directly to HP Model 5382A Frequency Counters having serial number prefix 1408A.

#### NEWER INSTRUMENTS

This manual, with enclosed "Manual Changes" sheet, applies to HP Model 5382A Frequency Counters having serial number prefixes as listed on the "Manual Changes" sheet.

Copyright      HEWLETT-PACKARD COMPANY      1974  
5301 STEVENS CREEK BLVD., SANTA CLARA, CALIF. 95050

Printed: MAY 1974

MANUAL PART NUMBER 05382-90001  
MICROFICHE PART NUMBER 05382-90002

PRINTED IN U.S.A.

HEWLETT  PACKARD

## TABLE OF CONTENTS

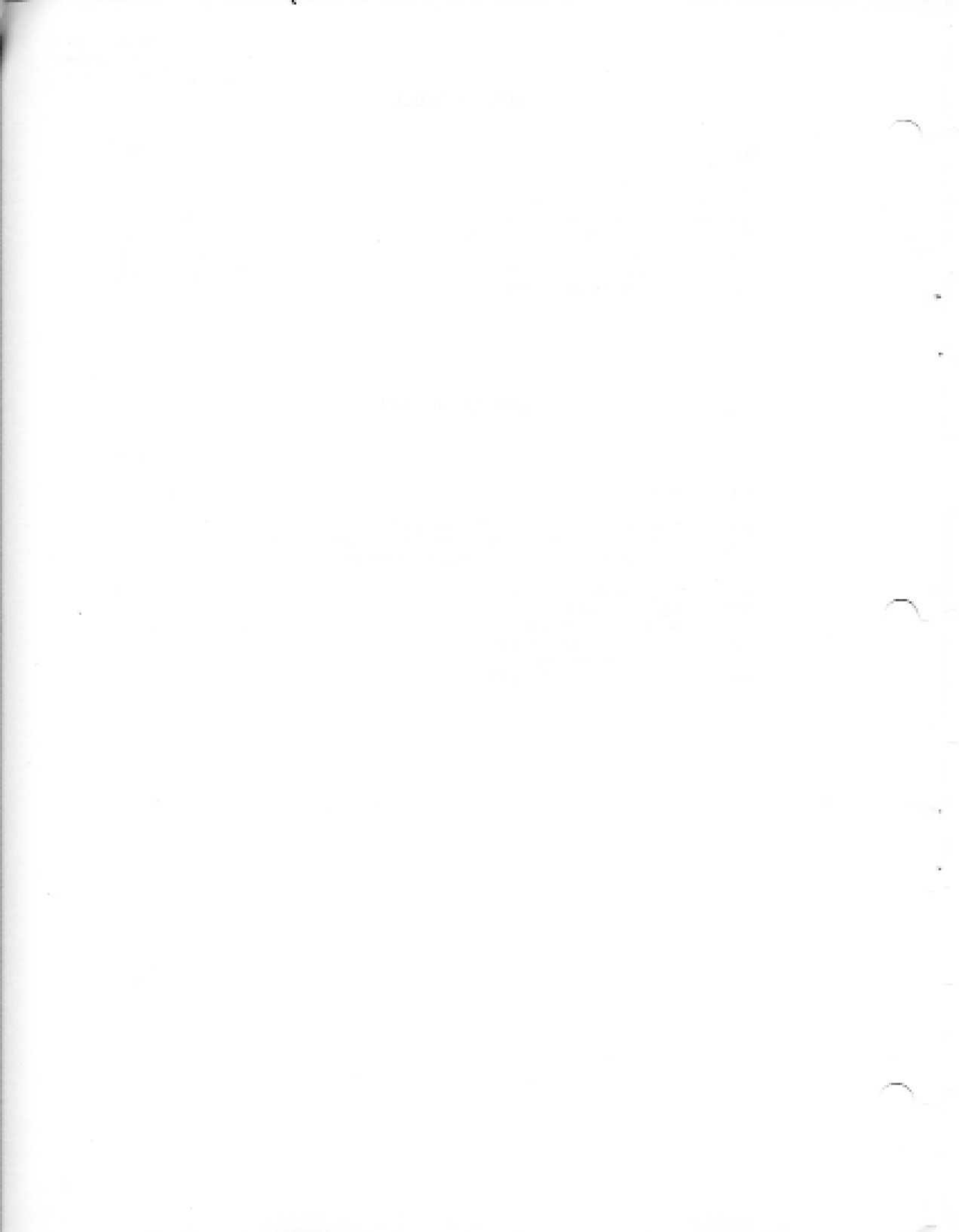
Section	Title	Page
I	GENERAL INFORMATION .....	1-1
	1-1. Introduction .....	1-1
	1-3. Instrument Description .....	1-1
	1-5. Instrument Identification .....	1-1
	1-8. Specifications .....	1-2
II	INSTALLATION AND OPERATION .....	2-1
	2-1. Introduction .....	2-1
	2-3. Unpacking and Inspection .....	2-1
	2-5. Storage and Shipment .....	2-1
	2-8. Line Voltage Selection .....	2-1
	2-11. Operation .....	2-2
	2-13. Cable and Termination Requirements .....	2-2
	2-15. Ratio Measurements (Standard Counter Only) .....	2-2
	2-18. Optimizing Noise Rejection .....	2-2
III	MAINTENANCE .....	3-1
	3-1. Introduction .....	3-1
	3-3. Theory of Circuit Operation .....	3-1
	3-5. Input Circuits .....	3-2
	3-7. Decade Counter, Latch, and Multiplexer Circuits .....	3-2
	3-9. Time Base Oscillator and Divider .....	3-2
	3-14. Display Scanner .....	3-2
	3-17. Display Blanking Circuits .....	3-3
	3-20. Reset and Transfer Control Circuits .....	3-3
	3-22. Recommended Test Equipment .....	3-3
	3-24. In-Cabinet Performance Check .....	3-4
	3-26. Instrument Access .....	3-4
	3-28. Preventive Maintenance .....	3-6
	3-30. General Repair .....	3-7
	3-34. Adjustments .....	3-7
	3-36. Amplifier Balance Adjustment .....	3-7
	3-38. Oscillator Adjustment (Standard Unit) .....	3-7
	3-40. Oscillator Adjustment (Option 001 Unit) .....	3-8
	3-42. Troubleshooting .....	3-8
	3-45. Replaceable Parts .....	3-8
	3-47. Ordering Information .....	3-10
	3-49. Schematic Diagram .....	3-10

## LIST OF TABLES

Table	Title	Page
1-1.	Specifications .....	1-1
3-1.	Recommended Test Equipment .....	3-4
3-2.	In-Cabinet Performance Check .....	3-5
3-3.	Replaceable Parts .....	3-12
3-4.	Manufacturers Code List .....	3-15
3-5.	Major Signal Definitions .....	3-17

## LIST OF FIGURES

Figure	Title	Page
1-1.	Model 5382A Frequency Counter .....	1-1
2-1.	Power Cord Connector for 240-Volt Operation .....	2-1
2-2.	Front-Panel Operating Controls, Connectors, and Indicators .....	2-3
2-3.	Rear-Panel Operating Controls and Connectors .....	2-4
3-1.	Simplified Block Diagram .....	3-1
3-2.	Troubleshooting Flow Chart .....	3-9
3-3.	Schematic Diagram Notes .....	3-16
3-4.	Instrument Timing Diagram .....	3-18
3-5.	Component Locators .....	3-19
3-6.	Overall Schematic Diagram .....	3-21



## SECTION I GENERAL INFORMATION

### 1-1. INTRODUCTION

1-2. This section of the manual gives a description of the instrument, information on instrument identification and available options, and complete specifications.

### 1-3. INSTRUMENT DESCRIPTION

1-4. The HP Model 5382A Frequency Counter (see Figure 1-1) is a direct-counting frequency counter that has a range of 10 Hz to 225 MHz. Eight display digits are provided. Front-panel controls allow a selection of gate times and attenuation factors of the input signal. A rear-panel connector and associated selector switch allow connection of an external time base oscillator. This feature also allows ratio measurements to be made by the counter. When the optional temperature compensated crystal oscillator is included (Option 001), the switch is not provided and the connector allows external use of the 10 MHz time base oscillator. Refer to Table 1-1 for all counter specifications.

### 1-5. INSTRUMENT IDENTIFICATION

1-6. Hewlett-Packard uses a 2-section, 10-character serial number (0000A00000) mounted on the rear panel to identify the instrument. The first four digits are the serial prefix and the last five digits refer to the specific instrument. The alphabetical character identifies the country of manufacture. If the serial prefix on your instrument differs from that listed on the title page of this manual, there are differences between the manual and your instrument. Any lower serial prefixes are documented separately in this manual, and higher serial prefixes are covered by a manual change sheet included with the manual.

1-7. The printed circuit boards within the instrument are identified by a 2-section, 10-digit part number (e.g., 05382-60001) and a 4-digit series number (e.g., "SERIES 1404"). The series number identifies the electrical characteristics of the complete printed-circuit assembly. A replacement circuit-board assembly may have a different series number than the assembly originally supplied with the instrument. Therefore, when troubleshooting a circuit-board assembly, ensure that the series number on the schematic diagram matches the series number on the board assembly. If the series number on the assembly is lower than the number on the schematic diagram in Section III, refer to backdating information in this manual for change information. If the series number on the assembly is higher than the number on the schematic diagram, the change information is provided in a manual change sheet which is available from the nearest Hewlett-Packard Sales and Service Office.



Figure 1-1. Model 5382A Frequency Counter



**1-8. SPECIFICATIONS**

1-9. Table 1-1 lists all specifications of the frequency counter.

**Table 1-1. Specifications**

<b>Frequency Range:</b> 10 Hz to 225 MHz		
<b>Display:</b> 8 Digit (LEDs)		
<b>Input Impedance:</b> 1 MΩ, <40 pf		
<b>Sensitivity:</b> 25 mV (rms sinewave) 30 Hz to 10 MHz 50 mV (rms sinewave) 10 Hz to 225 MHz		
<b>Input Attenuator:</b> Three Position (x1, x10, x100)		
<b>Maximum Input Levels:</b>		
	DC to 40 Hz	200 V (dc + Peak ac)
ATTENUATOR "x1"	40 Hz to 100 kHz	250 V rms
	100 kHz to 5 MHz	2.5 x 10 <sup>7</sup> V Hz
	>5 MHz	5 V rms
	DC to 40 Hz	200 V (dc + Peak ac)
ATTENUATOR "x10"	40 Hz to 1 MHz	250 V rms
	1 MHz to 50 MHz	2.5 x 10 <sup>8</sup> V Hz
	50 MHz to 225 MHz	5 V rms
	50 MHz to 225 MHz	5 V rms
<b>Accuracy:</b> ±1 Count ± Time Base Accuracy		
<b>Gate Times:</b> Manually Selected .1 second, 1 second, 10 seconds		
<b>Resolution:</b> 10 Hz at 0.1 second gate time 1 Hz at 1 second gate time 0.1 Hz at 10 second gate time		
<b>Time Base: Internal</b>		
Frequency: 10 MHz Crystal		
Aging: <0.3 ppm/Month		
Temperature: ±2.5 ppm 0°C to 40°C		
Line Voltage: ±0.5 ppm for 10% line variation		
<b>External Input</b>		
Frequency Range: 100 kHz to 10 MHz		
Sensitivity: 250 mV rms		
1 KΩ input impedance		
Maximum Input: 25 V rms dc to 10 MHz		
<b>Operating Temperature:</b> 0°C to 40°C		
<b>Power Requirements:</b> 100, 120, 220, and 240 V rms (48 Hz to 440 Hz) (+5%—15%) 20 VA max.		
<b>Weight:</b> Net: 4.75 lb (2,2 kg) Shipping: 6 lb (2,8 kg)		
<b>Dimensions:</b> 3.5 in. H x 6.25 in. W x 9.75 in. D (89 mm x 160 mm x 248 mm)		
<b>OPTION 001</b>		
Temperature Compensated Crystal Oscillator Frequency: 10 MHz		
Aging: <1 part in 10 <sup>7</sup> /Month		
Temperature: ±1 ppm 0°C to 40°C		
Line Voltage: 1 part in 10 <sup>7</sup> for 10% change		
External input replaced with Oscillator Monitor Output on Option 001		

## SECTION II

### INSTALLATION AND OPERATION

#### 2-1. INTRODUCTION

2-2. This section of the manual provides information about unpacking, inspecting, storing, and shipping the frequency counter and gives instructions for operating the counter. Descriptions of all controls, connectors, and indicators are included.

#### 2-3. UNPACKING AND INSPECTION

2-4. If the shipping carton is damaged, ask that the carrier's agent be present when the instrument is unpacked. Inspect the instrument for damage such as scratches, dents, broken switches, etc. If the instrument is damaged or fails to meet performance tests, notify the carrier and the nearest Hewlett-Packard Sales and Service Office immediately. Performance check procedures are located in Section III, and Sales and Service Offices are listed at the back of this manual. Retain the shipping carton and the padding material for the carrier's inspection. The Sales and Service Office will arrange for the repair or replacement of the instrument without waiting for the claim against the carrier to be settled.

#### 2-5. STORAGE AND SHIPMENT

2-6. **PACKAGING.** To protect valuable electronic equipment during storage or shipment, always use the best packaging methods available. Your Hewlett-Packard Sales and Service Office can provide packaging material such as that used for original factory packaging. Contract packaging companies in many cities can provide dependable custom packaging on short notice.

2-7. **ENVIRONMENT.** Conditions during storage and shipment should normally be limited as follows:

- a. Maximum altitude: 25,000 ft.
- b. Minimum temperature:  $-40^{\circ}\text{F}$  ( $-40^{\circ}\text{C}$ ).
- c. Maximum temperature:  $+131^{\circ}\text{F}$  ( $+55^{\circ}\text{C}$ ).

#### 2-8. LINE VOLTAGE SELECTION

2-9. The counter is supplied from the factory with the **LINE VOLTAGE SELECTOR** switches set for 120-volt, 60 Hz operation. If any other supply voltage is to be used, change the rear-panel switch settings as follows:

- a. Using a small screwdriver, a pencil, or other suitable tool, set the **LINE VOLTAGE SELECTOR** switches on the counter's rear panel to the positions shown next to the desired voltage marking on the rear panel.
- b. Ensure that the correct fuse is installed. Use a Listed, 0.250 ampere, slow-blow fuse for 100-volt or 120-volt operation or a Listed, 0.125 ampere, slow-blow fuse for 220-volt or 240-volt operation.

2-10. If the counter is to be used in the USA with a 240-volt, 60 Hz power source, use a power cord with a Listed connector of the type shown in Figure 2-1.

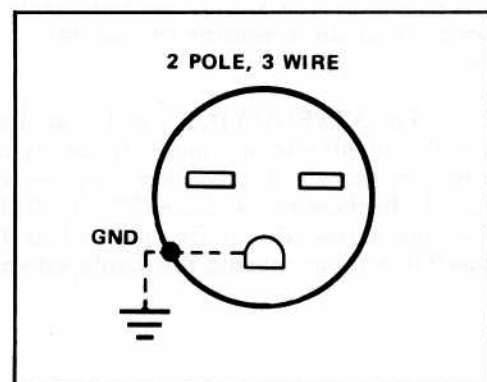


Figure 2-1. Power Cord Connector for 240-Volt Operation

## 2-11. OPERATION

2-12. Figures 2-2 and 2-3 describe the operation of each panel control, connector, and indicator. The following paragraphs describe proper cable and cable termination use, how to make ratio measurements with the counter, and how to optimize noise rejection with the ATTENUATOR.

### 2-13. Cable and Termination Requirements

2-14. To prevent miscounting due to noise, shielded cables should be used to make measurements. More specifically, a coaxial cable with a 50-ohm characteristic impedance and BNC connectors at each end are recommended for most measurements. At higher frequencies the 50-ohm cable becomes an important factor. Whenever the measured source has a 50-ohm output impedance (this is the case with most test oscillators), a 50-ohm feedthrough termination should be used. On the other hand, in cases where minimal source loading is desirable, the 50-ohm feedthrough termination should be omitted from the circuit. At frequencies up to approximately 10 MHz, and at all but the lowest signal levels, a 10:1 divider probe can be used to further reduce source loading.

### 2-15. Ratio Measurements (Standard Counter Only)

2-16. The standard counter will measure the ratio between the frequencies of two signals if one of the signals is applied to the rear-panel OSCILLATOR-EXT IN connector and the other signal is applied to the front-panel INPUT connector. (The Option 001 counter does not have an external oscillator input connector.) Be sure to refer to Table 1-1 for signal level and frequency limits. The displayed value represents the ratio of one frequency to the other as shown by the following formula:

$$\frac{\text{freq at INPUT}}{\text{freq at OSCILLATOR-EXT IN}} = \frac{\text{Display Value}}{\chi}$$

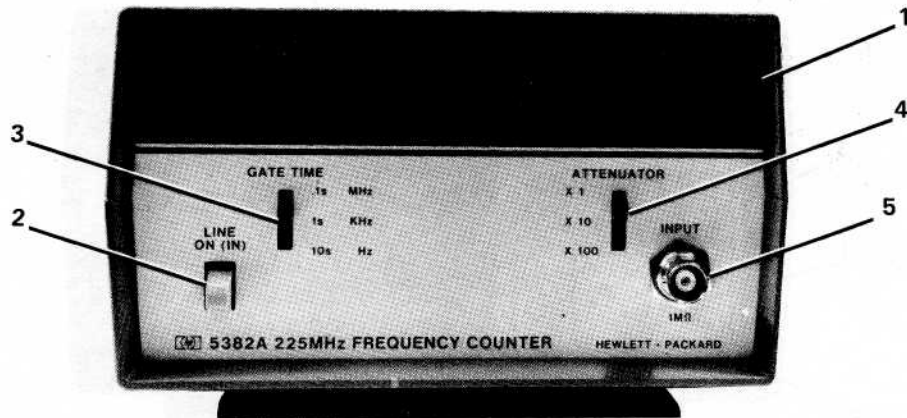
where  $\chi = 10$  if GATE TIME is .1s  
 $10^4$  if GATE TIME is 1s  
 $10^7$  if GATE TIME is 10s

2-17. Note that in the above formula the term " $\chi$ " changes by a factor of 1000 ( $10^3$ ) for each change in GATE TIME setting. GATE TIME, itself, changes " $\chi$ " by a factor of 10, and the decimal point in the display shifts two places ( $10^2$ ) for a total of  $10^3$ . Note, also, that actual measurement time increases as the frequency applied to the OSCILLATOR-EXT IN connector decreases. If the frequency applied to the OSCILLATOR-EXT IN connector is 1 MHz, for example, and GATE TIME is set to 1s, actual measurement time will be 10 seconds.

### 2-18. Optimizing Noise Rejection

2-19. A measured signal may have a large harmonic content or noise from other sources. The presence of either can cause inaccurate or unstable displays from the counter. Measurement errors from these sources can be minimized or eliminated by proper use of the ATTENUATOR switch.

2-20. The ATTENUATOR should usually be set to "X100", then reduced, one step at a time, until a stable display is obtained. If the signal contains a high percentage of amplitude modulation, however, the above procedure may cause counting of only a portion of the cycles of the carrier signal. In these cases, the ATTENUATOR should be set to "X1" (be sure that the input amplitude does not exceed the limits specified in Table 1-1), then increased to "X10" or "X100" if this is possible without causing the displayed value to change or become unstable.



5382-A-1

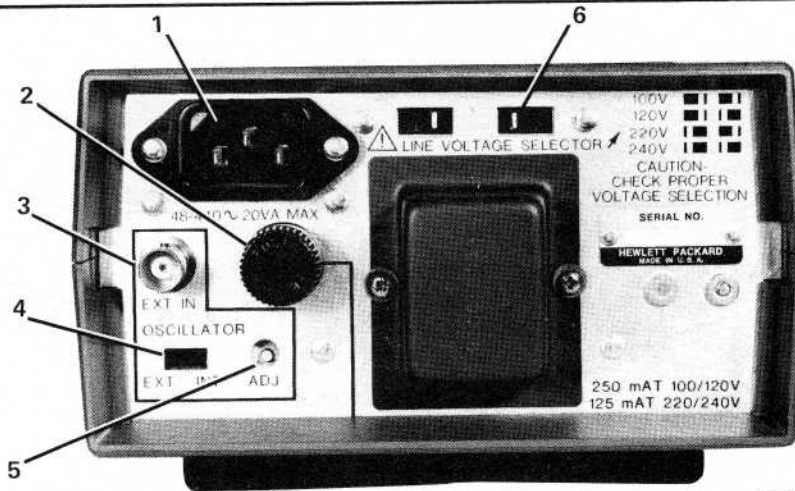
1. **Display:** Eight digits of LED (light-emitting diode) display are provided on the front panel. A decimal point illuminates in the proper position according to the setting of the GATE TIME switch, and an over-range indicator in the upper, left corner of the display illuminates when the counter overflows.
2. **LINE switch:** The ac power LINE switch is a push-on, push-off type; in the on position, the pushbutton is set further into the front panel.
3. **GATE TIME switch:** Gate time (measurement time) can be set at 0.1-second, 1-second, or 10 seconds with the GATE TIME switch. These positions give resolutions of 10 Hz, 1 Hz, and 0.1 Hz, respectively. If the GATE TIME switch is set to 1s, for example, it will take one second to make a measurement and the measured value will be displayed in 1 Hz increments. Manual resetting of the counter circuits occurs whenever the GATE TIME switch position is changed. Set the GATE TIME switch to provide the best compromise between measurement speed and resolution of the displayed value.
4. **ATTENUATOR switch:** The three-position attenuator switch provides for attenuation of input signals by factors of 10 and 100. The input signal is not attenuated when the switch is set to the "X1" position. The attenuator is used to extend the range of input signal levels that can be measured by the counter and to optimize noise rejection. Maximum sensitivity of the counter ranges from 25 millivolts rms with the attenuator set to "X1" to 2.5 volts rms with the attenuator set to "X100". If the amplitude of a measured signal is unknown or if signal noise causes the display to be unstable, set the ATTENUATOR to "X10" or "X100", then reduce the attenuation, if necessary, until a stable display is observed.

**CAUTION**

**BE SURE THAT THE MAXIMUM ALLOWABLE INPUT VOLTAGES AS GIVEN IN TABLE 1-1, SPECIFICATIONS, ARE NOT EXCEEDED. DAMAGE TO THE COUNTER MAY OTHERWISE RESULT.**

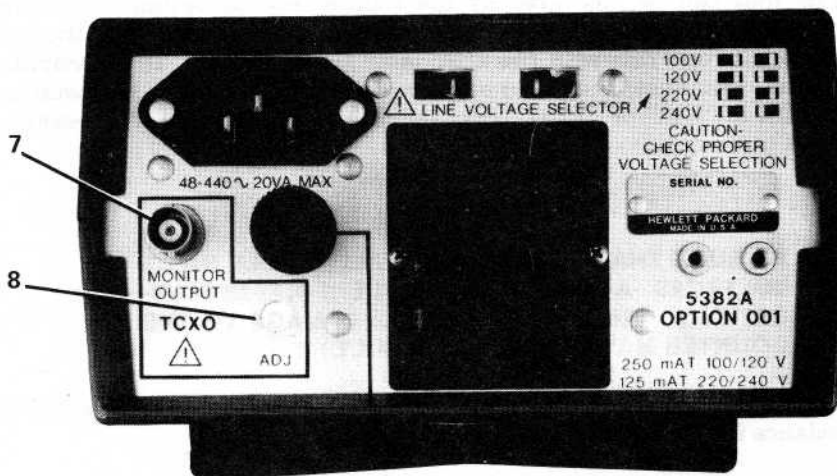
5. **INPUT connector:** Connect the signal to be measured to the BNC-type INPUT jack. Input impedance is 1.0 megohm.

Figure 2-2. Front Panel Operating Controls, Connectors, and Indicators



5382-A-2

1. Power connector: Connect the source of ac power to the rear-panel power connector.
2. Fuse: A Listed, 0.250 ampere, slow-blow fuse is required for 100-volt or 120-volt operation; a Listed, 0.125 ampere, slow-blow fuse is required for 220-volt or 240-volt operation.
3. OSCILLATOR-EXT IN connector: An external oscillator can be used in place of the counter's internal time base oscillator. Connect the signal to the OSCILLATOR-EXT IN connector and set the OSCILLATOR-EXT/INT switch to EXT. See Table 1-1 for oscillator signal requirements.
4. OSCILLATOR-EXT/INT switch: Set the EXT/INT switch to correspond with the source of the time base oscillator signal (see item 3, above).
5. OSCILLATOR-ADJ control: The ADJ control is used to set the frequency of the internal time base oscillator. Refer to the *Adjustments* paragraphs in Section III for information.
6. LINE VOLTAGE SELECTOR switches: Set the switches to correspond with the voltage of the ac power source. (Refer to Paragraph 2-8 for instructions.)



5382-A-3

7. MONITOR OUTPUT connector: Use this connector to monitor the 10 MHz time base oscillator.
8. ADJ control: Same as 5, above.

Figure 2-3. Rear-Panel Operating Controls and Connectors

## SECTION III MAINTENANCE

### 3-1. INTRODUCTION

3-2. This section of the manual provides all information necessary to service the counter. The following topics are included:

- a. Theory of circuit operation.
- b. In-cabinet performance checks.
- c. Instrument access instructions.
- d. Preventive maintenance.
- e. General repair information.
- f. Adjustment procedures.
- g. Troubleshooting instructions.
- h. Replaceable parts lists.
- i. A schematic diagram with support information.

### 3-3. THEORY OF CIRCUIT OPERATION

3-4. The input limiter, the input amplifier, and the Schmitt trigger circuits (see the block diagram of Figure 3-1) condition the measured input signals and ensure that subsequent digital circuits receive pulses with uniform rise and fall times. When the time base circuits open the main gate, these pulses pass through the main gate and are accumulated in the decade counter circuits. After the gate time elapses and the main gate closes, the counted data is stored in the data latches. The multiplexer circuits supply this stored data, one digit at a time, to the LED display. The display scan circuits synchronize the multiplexer circuits with the display enable lines, and this ensures that the proper BCD data digit is placed on the multiplexed data lines when the associated LED display digit is enabled.

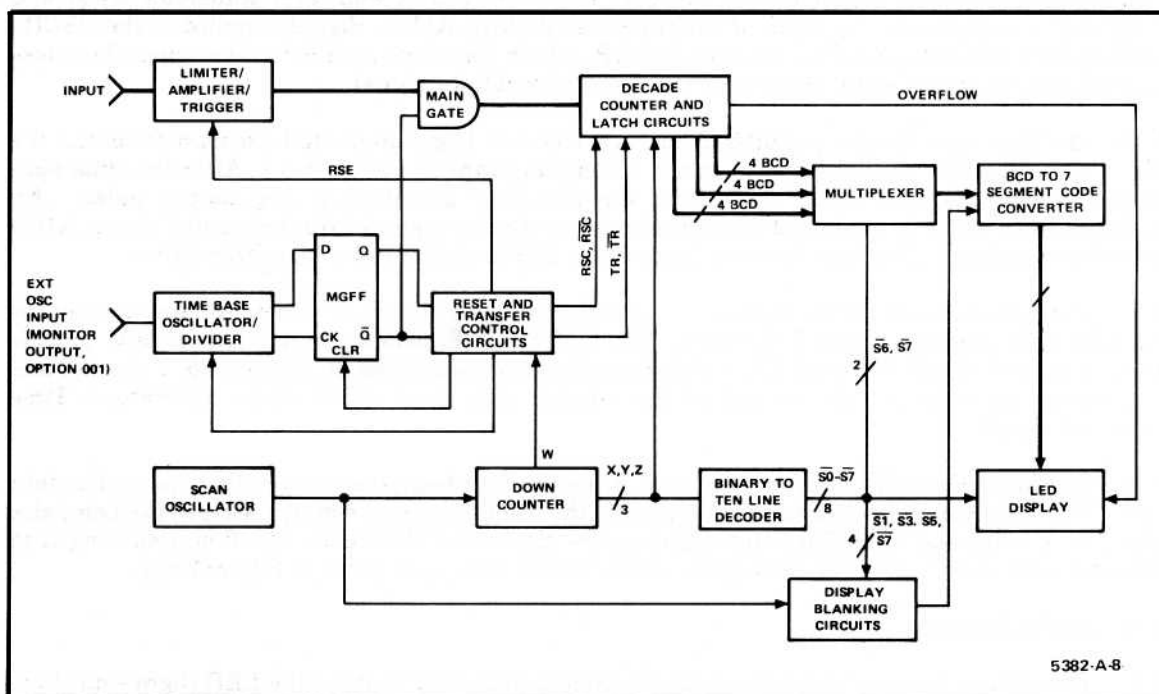


Figure 3-1. Simplified Block Diagram

### 3-5. Input Circuits

3-6. Input signals pass first through the attenuator. Diodes A1CR9 and A1CR10 limit the input signal amplitude to a safe level for the subsequent circuits. Resistors A1R46 and A1R48 limit the current drawn by the diodes from high-voltage sources and, thus, reduce loading of these sources. Transistors A1Q13, A1Q14, and A1Q15 form a unity gain buffer amplifier that has a high input impedance, which reduces source loading, and a low output impedance to drive amplifier A1U16B. Amplifier A1U16B provides an approximate voltage gain of five and is direct coupled to A1U16C which functions as a Schmitt trigger. The balance adjustment, A1R42, provides control of the dc bias voltage applied to A1U16B to allow sensitivity to be optimized. The Schmitt trigger output passes through amplifier A1U16D and then through the main gate/level translator, A1Q9, A1Q10, A1Q11. The main gate flip-flop, A1U5A, controls the conduction of transistor A1Q11 which, in turn, controls the passage of input pulses through the level translator, A1Q9 and A1Q10.

### 3-7. Decade Counter, Latch, and Multiplexer Circuits

3-8. After the measured input signal passes through the main gate/level translator (A1Q9, A1Q10, and A1Q11) it is accumulated in the decade counter circuits. Counter A1U11 counts the least-significant decimal digit, counter A1U15 counts the next-significant digit, and counter A1U14 counts the six, most-significant digits. After the main gate closes, the TR (Transfer) and TR signals transfer the accumulated data from the counter circuits into storage latches A1U9, A1U20, and the latches that are part of A1U14 (refer to timing diagram of Figure 3-4). The stored data is then supplied to the display, one 4-bit BCD digit at a time, as controlled by the X, Y, Z, S6, and S7 signal lines from the display scanner. Circuits within A1U14 control the multiplexing operation for the six, most-significant digits; the X, Y, and Z lines provide the address code. Separate gates within integrated circuits A1U8 and A1U14 gate the two, least-significant digits onto the data lines in response to the S6 and S7 signals. (When the S6 or S7 signal line is low, the X, Y, and Z lines provide a binary 110 or 111 to A1U14. Either of these codes causes all data output lines from A1U14 to go high, which allows the outputs of the two, least-significant decade counters to control the data lines.)

### 3-9. Time Base Oscillator and Divider

3-10. The time base oscillator consists of integrated circuit A1U1C and associated components. The 10 MHz oscillator signal passes through amplifier A1U1A and level translator A1Q1 and A1Q2 and is supplied to the input of the time base divider, A1U4. Signals applied to the OSCILLATOR EXT IN jack pass first through A1U1B, which functions as a Schmitt trigger, then pass through A1U1A in the same manner as the internal oscillator signal.

3-11. The time base divider provides Time Base Out and Log signals that are used to control the main gate flip-flop, A1U5A. (Refer to the timing diagram of Figure 3-4.) After the time base divider resets, the first input pulse from the oscillator generates a Log output pulse. An additional Log pulse is generated as each successive divider stage within integrated circuit A1U4 provides an output. (The time between Log pulses, therefore, increases logarithmically.)

3-12. Integrated circuit A1U4 divides the 10 MHz oscillator signal by a factor determined by the three-bit code present at pins 7, 8, and 9. The GATE TIME switch changes this code to provide division factors of  $10^6$ ,  $10^7$ , and  $10^8$ , which correspond to gate times of 0.1 second, 1 second, and 10 seconds, respectively. At the end of the selected gate time, circuit A1U4 generates a Time Base Out signal.

3-13. The Main Gate flip-flop, A1U5A, sets when the first Log pulse occurs; this opens the main gate. The Main Gate flip-flop remains set until the Time Base Out signal goes low; the Log pulse that occurs when the Time Base Out signal is low clocks the Main Gate flip-flop, returning it to the reset state and closing the main gate. (Refer to the timing diagram of Figure 3-4.)

### 3-14. Display Scanner

3-15. The display scanner consists of all the circuits necessary to drive the LED (light-emitting-diode) displays. An oscillator with a frequency of approximately 8 kHz (A1U3B) supplies the

input to a four-bit down-counter (A1U12). The four outputs of the counter supply a continuously cycling binary code that is used both for display scanning and counter timing.

3-16. Integrated circuit A1U17 decodes the three most significant outputs (the X, Y, and Z lines) from the four-bit counter and supplies outputs on eight separate lines, one drive line for each of the eight display digits. The X, Y, and Z lines also are used as the address lines to A1U14, where they control the multiplexing of data. This synchronizes the data output with the sequential enabling of the display digits. Integrated circuit A2U1 converts the four data bits from BCD to the seven-segment code required to drive the display. Data is supplied from circuit A2U1 to all eight display positions simultaneously, and the  $\overline{S_0}$  through  $\overline{S_7}$  lines enable only the single display position that corresponds to the data on the data lines at a given time. Transistors A2Q1 through A2Q8 provide sufficient current to drive the LED displays.

### 3-17. Display Blanking Circuits

3-18. Leading zeros in the display, except the first digit to the left of the decimal point, are automatically blanked by the display blanking circuits. Trailing zeros are not blanked. Blanking occurs only when a BCD "zero" is on the multiplexed data lines and the RBI signal to A2U1 is low. When these conditions are fulfilled, the display digit being strobed is blanked and the RBO signal from A2U1 goes low.

3-19. At the beginning of each display scan cycle, the  $\overline{S_5}$  signal goes low, which causes the RBI signal (the output of A1U3A) to go low. Therefore, if the most-significant display digit (which is strobed by the  $\overline{S_5}$  signal) is a zero, the zero will be blanked. As the scan cycle progresses ( $\overline{S_4}$  goes low,  $\overline{S_3}$  goes low, etc.), each less-significant display digit is blanked until one of the following conditions occurs: 1) the  $\overline{OF}$  signal goes low indicating a counter overflow, 2) the data on the multiplexed data lines changes to a number other than zero, or 3) the scan cycle progresses to the digit immediately to the left of the decimal point. In any of these circumstances, the RBO signal will go high, and the high level will be stored in the Blanking Storage latch, A1U6B. The high Q output of the Blanking Storage latch forces the RBI signal to go high, which prevents further blanking until the start of the next scan cycle (when  $\overline{S_5}$  goes low).

### 3-20. Reset and Transfer Control Circuits

3-21. The reset and transfer control circuits control the sequencing of the counter. (Refer to the timing diagram of Figure 3-4.) When the main gate closes at the end of a measurement and the Z signal line from the display scanner subsequently goes low, the Reset Enable latch (A1U6A) sets. The high Q output (pin 5) holds the time base divider IC (A1U4) in a reset condition, and the low  $\overline{Q}$  output (pin 6) allows the W signal to control the output of gate A1U2A (when the  $\overline{Q}$  output is high, the output of A1U2A is always high.) The W,  $\overline{S_1}$ ,  $\overline{S_2}$ , and  $\overline{S_7}$  signals cause the following sequence of events to occur. (Because the  $\overline{S_1}$ ,  $\overline{S_2}$ , and  $\overline{S_7}$  signals are gated with W the signal, the described events occur during the middle of the  $\overline{S_1}$ ,  $\overline{S_2}$ , and  $\overline{S_7}$  signals which ensures that these signal lines are stable.) First, when the  $\overline{S_2}$  and W signals are low, the TR and  $\overline{TR}$  signals are generated and used to transfer data from the decade counters to the storage latches. When the  $\overline{S_1}$  and W signals are low, the RSC and  $\overline{RSC}$  signals are generated and used to reset the decade counters. The RSC signal also passes through level translator A1Q8, emerging as the RSE signal, which is applied to amplifier A1U16A. The output of A1U16A presets the Schmitt trigger in the input circuit between each measurement. When the  $\overline{S_7}$  and W signals are low, the Reset Enable latch resets and a new measurement cycle begins.

### 3-22. RECOMMENDED TEST EQUIPMENT

3-23. Test equipment recommended for maintaining the counter is listed in Table 3-1. Equipment with equivalent characteristics may be substituted for the recommended equipment.



**Table 3-1. Recommended Test Equipment**

Instrument Type	Required Characteristics	Recommended Instrument
Electronic Counter	10 MHz frequency measurements and high stability time base.	HP 5326C-011
VHF Oscillator	Range: 225 MHz	HP 3200B
Test Oscillator	Range: 10 Hz to 10 MHz. Output: 2.5 Vrms.	HP 651B
RF Millivoltmeter	Frequency: 20 MHz to 225 MHz. Range: 25 mV rms to 50 mV rms.	HP 411A or HP 3406A
50-Ohm Feed-Thru	50-Ohm termination, male-to-female BNC connectors.	HP 11048A
Logic Probe	Logic level measurements.	HP 10525T
Oscilloscope	10 MHz measurements.	HP 180A/1801A/1820A

### 3-24. IN-CABINET PERFORMANCE CHECK

3-25. Use the performance check in Table 3-2 to verify proper operation of all circuits within the counter. The check should be used when improper operation or nonconformance to specifications is suspected.

### 3-26. INSTRUMENT ACCESS

3-27. Most maintenance operations require that the top and bottom covers be removed from the counter. Remove the covers according to the following procedure.

#### **WARNING**

**DISCONNECT THE AC POWER CORD FROM THE COUNTER PRIOR TO REMOVING COVERS. EXPOSED TERMINALS WITHIN THE COUNTER (INCLUDING SEVERAL POINTS ON THE PRINTED-CIRCUIT BOARDS) CAN SUPPLY SUFFICIENT ENERGY TO CAUSE INJURY OR DEATH.**

- a. Position the instrument upside down and remove the four machine screws from the bottom of the instrument.
- b. Lift the bottom cover from the instrument, then remove the printed circuit boards (with the front and rear panels attached) by pulling the boards straight out of the top cover.
- c. Reassemble in reverse order of disassembly; ensure that the standoff spacers on top cover are aligned with the corresponding holes on the main circuit board.

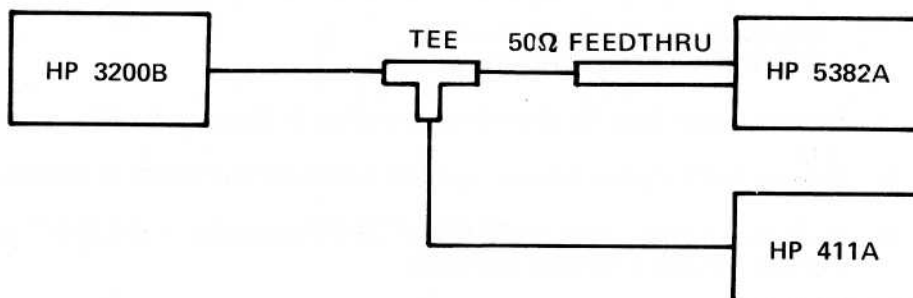
**Table 3-2. In-Cabinet Performance Check**

**1. SENSITIVITY**

Obtain the following test equipment:

- HP 411A RF Millivoltmeter
- HP 651B Test Oscillator
- HP 3200B UHF Oscillator
- HP 11048A 50-Ohm Feed-Thru

- a. Set the counter's ATTENUATOR switch to X1.
- b. Connect the test equipment to the counter as shown below.



- c. Set the 3200B to provide a 225 MHz output at 50 mV rms as indicated on the 411A.
- d. Counter's display should indicate 225 MHz and displayed value should be stable.
- e. Set the 3200B to provide a 10 MHz output at 25 mV rms as indicated on the 411A.
- f. Counter's display should indicate 10 MHz and displayed value should be stable.
- g. Remove 3200B and 411A, and connect the 50Ω output of the 651B to the counter. Use a 50-ohm feed-thru at the counter's INPUT connector.
- h. Set the 651B to provide an output of 10 Hz at 50 mV rms.
- i. Counter's display should indicate 10 Hz and displayed value should be stable.
- j. Set the 651B to provide an output of 30 Hz at 25 mV rms.
- k. Counter's display should indicate 30 Hz and displayed value should be stable.

**2. EXTERNAL OSCILLATOR INPUT (STANDARD UNIT ONLY)**

Obtain the following test equipment:

- HP 651B Test Oscillator
- HP 11048A 50-Ohm Feed-Thru

- a. Set the counter's ATTENUATOR switch to X1, GATE TIME switch to .1s, and OSCILLATOR-EXT/INT switch to EXT.
- b. Connect the 50Ω output of the 651B to the counter's rear-panel OSCILLATOR-EXT IN connector through a Tee connector and a 50-ohm feed-thru termination.

**Table 3-2. In-Cabinet Performance Check (Continued)**

- c. Connect a cable between the unused end of the Tee connector and the counter's front-panel INPUT connector.
- d. Set the 651B for an output of 10 MHz at 250 mV rms. The counter's display should be 010.00000 ±1 count.
- e. Set the 651B for an output of 100 kHz at 250 mV rms. The counter's display should be 010.00000 ±1 count.

**3. OSCILLATOR OUTPUT (OPTION 001 ONLY)**

Obtain the following test equipment:

HP 5326C-011 Electronic Counter  
HP 11048A 50-Ohm Feed-Thru

- a. Remove covers from the counter as described in Paragraph 3-26.
- b. Connect counter to ac power and allow 1-hour for the TCXO to stabilize.
- c. Connect the rear-panel MONITOR OUTPUT connector to the 5326C-011 input jack through a 50-ohm feed-thru.
- d. Set the 5326C-011 FUNCTION switch to FREQUENCY and the TIME BASE switch to 10S.
- e. At 25°C ambient temperature, the 5326C-011 display should be the frequency that is printed on the TCXO (for example, 10 MHz "+4.4 Hz"). If necessary, refer to the adjustment procedures in this section of the manual.

**4. DISPLAY**

Obtain the following test equipment:

HP 651B Test Oscillator  
HP 11048A 50-Ohm Feed-Thru

- a. With no signal applied, set the front-panel GATE TIME switch to each of its three settings. The decimal point should move to give the following displays:
  - 000.00000 for .1s gate time,
  - 00000.000 for 1s gate time,
  - 0000000.0 for 10s gate time,
- b. Connect the 651B to the counter's INPUT connector. Use the 50-ohm feed-through at the counter-end of the cable.
- c. Adjust the 651B frequency and the counter GATE TIME switch until an eight has been observed in each of the eight display positions. This ensures that each display segment is operative.

**3-28. PREVENTIVE MAINTENANCE**

3-29. Periodically, perform the In-Cabinet Performance Check of Table 3-2 to verify proper operation of the counter. Additionally, whenever the covers are removed, check for broken or burned components, damaged wires, excess dust, etc.

### 3-30. GENERAL REPAIR

3-31. The following paragraphs provide general repair information for the counter.

3-32. COMPONENT REPLACEMENT. When replacing a circuit board component, use a low heat soldering iron. Heat must be used sparingly as damage to the circuit foil may otherwise occur. Mounting holes may be cleaned with a toothpick while heat is applied. After component removal and replacement, clean connections with a suitable cleaning solution.

3-33. INTEGRATED CIRCUIT REPLACEMENT. Two methods are recommended for removing integrated circuits:

- a. Solder Gobbler. Solder is removed from board by a soldering iron with a hollow tip that is connected to a vacuum source. The IC is removed intact, so it may be reinstalled if it is later proven not to be defective.
- b. Clip Out. This method is used when an IC is proven defective. Clip leads close to case, apply heat, and remove leads with long-nose pliers. Clean board holes with a toothpick and cleaning solution.

### 3-34. ADJUSTMENTS

3-35. The counter requires two circuit adjustments: 1) the input amplifier balance adjustment and 2) the time base oscillator adjustment. Perform the adjustments according to the following procedures.

#### 3-36. Amplifier Balance Adjustment

3-37. Adjust the input amplifier balance as follows:

- a. Remove top and bottom covers from the counter as described in Paragraph 3-26. Be sure to observe WARNING note in Paragraph 3-26.
- b. Connect the oscilloscope to A1U11, pin 5, on the A1 Main Board Assembly.
- c. Connect the test oscillator 50 $\Omega$  output to the front-panel INPUT connector (use a 50-Ohm feed-through at the INPUT connector), and set the test oscillator to provide an output of approximately 30 mV rms at a frequency of 1 MHz.
- d. Connect ac power to the counter. Be sure to observe the WARNING note in Paragraph 3-26.
- e. Adjust potentiometer A1R42 until the oscilloscope shows that the signal at A1U11, pin 5 has a 50 percent duty cycle.
- f. Remove ac power from the counter, remove test equipment, and install the counter in the top and bottom covers.

#### 3-38. Oscillator Adjustment (Standard Unit)

3-39. Set the time base oscillator frequency as follows:

- a. Connect ac power to the counter, depress the front-panel LINE switch, and allow 5 minutes for the oscillator to stabilize.
- b. Connect the rear-panel oscillator output jack on the 5326C-011 (or equivalent, stable, 10 MHz source) to the counter's INPUT connector.

- c. Set the counter's GATE TIME switch to 1s and adjust the rear-panel OSCILLATOR ADJ. control until the counter display indicates exactly 10 MHz. Note that the actual display is in kilohertz (10000.000).
- d. Remove ac power and disconnect test equipment.

### **3-40. Oscillator Adjustment (Option 001 Unit)**

3-41. Set the time base oscillator as follows:

- a. Remove the top and bottom covers from the counter as described in Paragraph 3-26. Be sure to observe WARNING note in Paragraph 3-26.
- b. Connect ac power to the counter and allow 1-hour for the TCXO to stabilize.
- c. Connect the rear-panel MONITOR OUTPUT connector to the 5326C-011 input jack.
- d. Set the 5326C-011 FUNCTION switch to FREQUENCY and the TIME BASE switch to 10s.
- e. At 25°C ambient temperature, adjust the rear-panel oscillator ADJ control until the frequency displayed by the 5326C-011 is the same as the frequency printed on the TCXO (for example, 10 MHz, "+4.4 Hz").
- f. Remove ac power from the counter, disconnect test equipment, and install the counter in the top and bottom covers.

### **3-42. TROUBLESHOOTING**

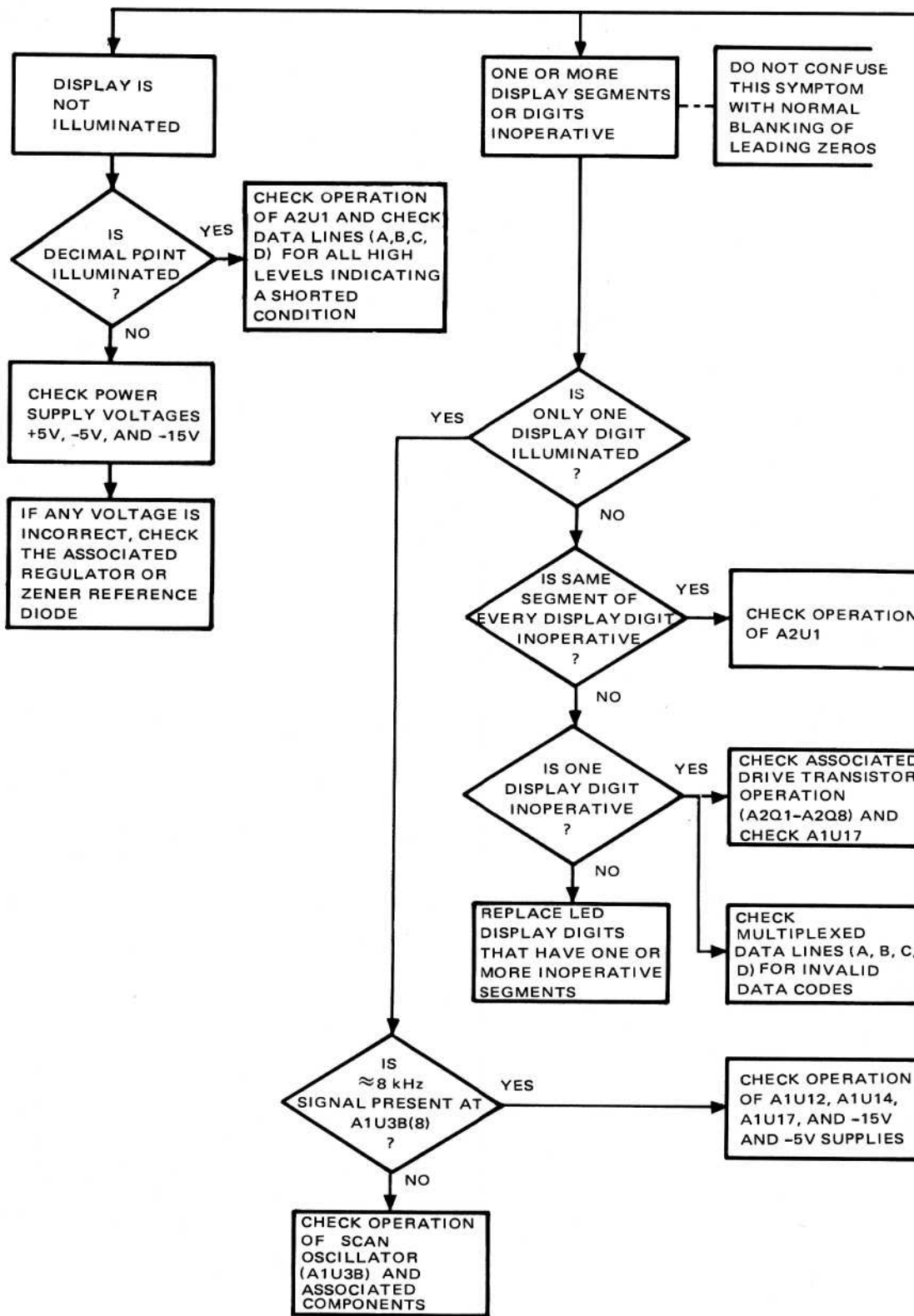
3-43. Malfunctions of the counter circuits produce several symptoms of trouble. The troubleshooting flowchart of Figure 3-2 lists these symptoms and provides a sequential test to isolate the trouble to a component or small group of components. To troubleshoot the counter, find the observed symptom at the top of the flowchart and perform the indicated circuit checks.

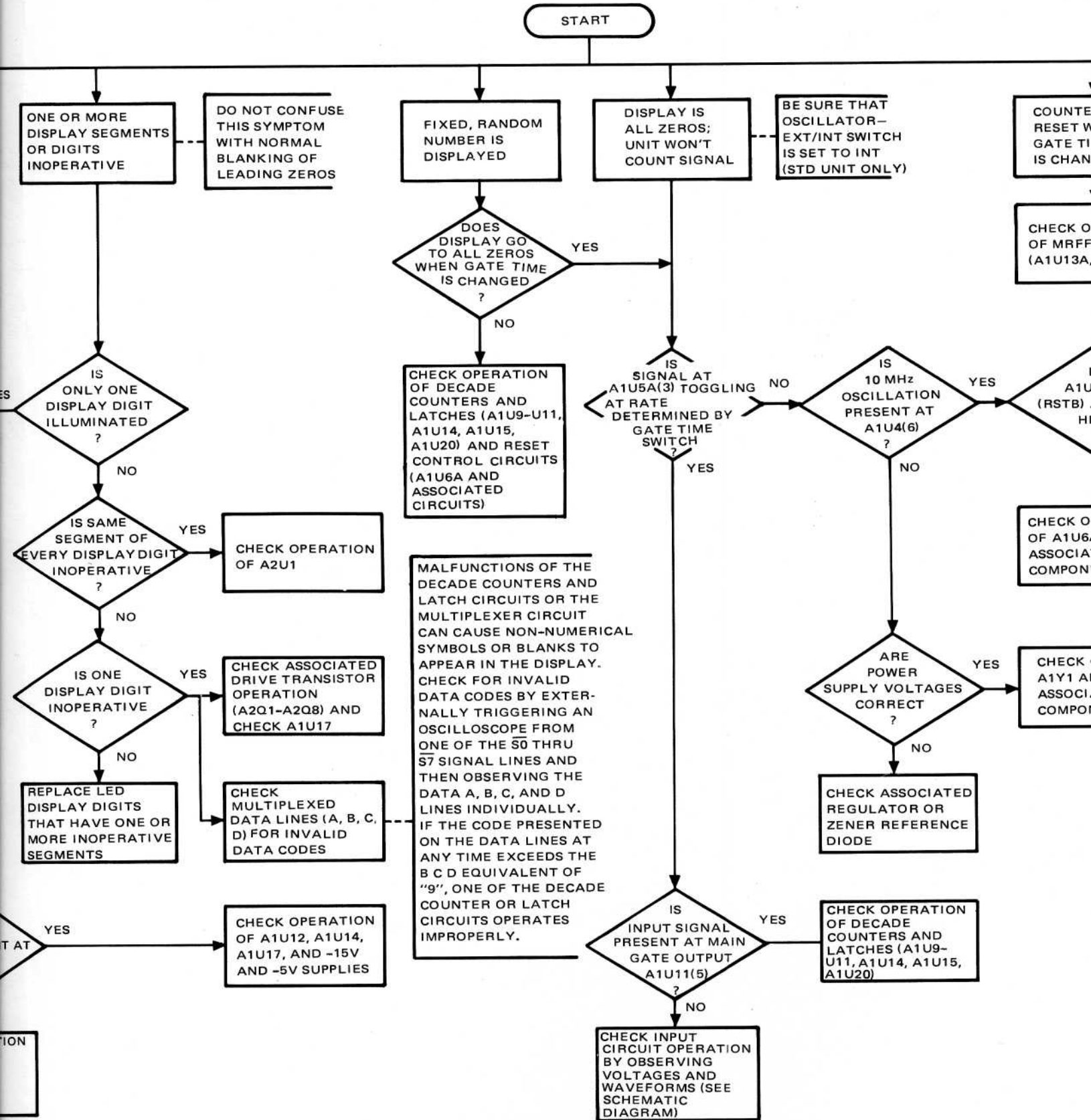
3-44. Additional information in the form of a timing diagram, Figure 3-4, and waveform illustrations (with the schematic diagram) is provided to aid troubleshooting.

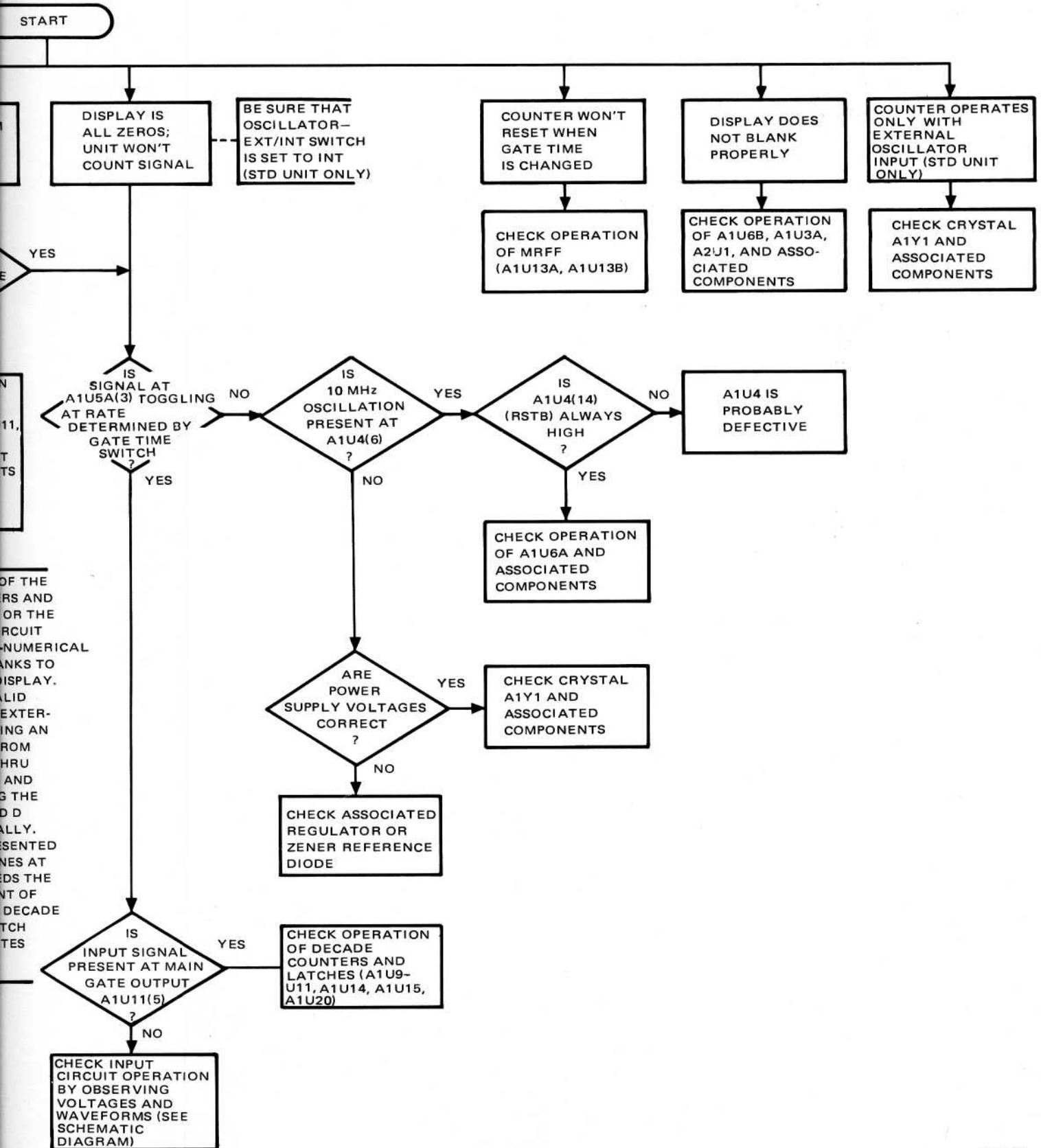
### **3-45. REPLACEABLE PARTS**

3-46. Table 3-3 lists parts used in the counter in alphanumeric order of their reference designations and provides the following information for each part. Miscellaneous parts are listed at the end of Table 3-3.

- a. Hewlett-Packard part number.
- b. Description of part (see abbreviations below).
- c. Total quantity used in the instrument (shown only after the first entry for a given part).
- d. Typical manufacturer of the part in a five-digit code (see list of manufacturers in Table 3-4).
- e. Manufacturer's part number.







5382-B-1

Figure 3-2. Troubleshooting Flow Chart



### 3-47. ORDERING INFORMATION

3-48. To obtain replacement parts, address order to your local Hewlett-Packard Sales and Service Office (see lists at the back of this manual for addresses). Identify parts by their Hewlett-Packard part number. To obtain a part that is not listed, include:

- a. Instrument model number.
- b. Instrument serial number.
- c. Description of the part.
- d. Function and location of the part.

### 3-49. SCHEMATIC DIAGRAM

3-50. Figure 3-3 defines the symbols and reference designation arrangement used on the schematic diagram of Figure 3-6. Additional information in the form of a timing diagram, Figure 3-4, a signal mnemonic definition list, Table 3-5, and component locator illustrations, Figure 3-5, precede the schematic diagram of Figure 3-6.

REFERENCE DESIGNATIONS							
A	= assembly	F	= miscellaneous electrical part	P	= electrical connector (movable portion); plug	U	= integrated circuit; microcircuit
AT	= attenuator; isolator; termination	F	= fuse	Q	= transistor; SCR; triode thyristor	V	= electron tube
B	= fan; motor	FL	= filter	R	= resistor	VR	= voltage regulator; breakdown diode
BT	= battery	H	= hardware	RT	= thermistor	W	= cable; transmission path; wire
C	= capacitor	HY	= circulator	S	= switch	X	= socket
CP	= coupler	J	= electrical connector (stationary portion); jack	T	= transformer	Y	= crystal unit-piezoelectric
CR	= diode; diode thyristor; varactor	K	= relay	TR	= terminal board	Z	= tuned cavity; tuned circuit
DC	= directional coupler	L	= coil; inductor	TC	= thermocouple		
DL	= delay line	M	= meter	TP	= test point		
DS	= annunciator; signaling device (audible or visual); lamp; LED	MP	= miscellaneous mechanical part				

ABBREVIATIONS							
A	= ampere	avg	= average	CHAN	= channel	dc	= direct current
ac	= alternating current	AWG	= American wire gauge	cm	= centimeter	deg	= degree (temperature interval or difference)
ACCESS	= accessory	BAL	= balance	CMO	= cabinet mount only	°	= degree (plane angle)
ADJ	= adjustment	BCD	= binary coded decimal	COAX	= coaxial	°C	= degree Celsius (centigrade)
A/D	= analog-to-digital	BD	= board	COEF	= coefficient	°F	= degree Fahrenheit
AF	= audio frequency	BE CU	= beryllium copper	COM	= common	°K	= degree Kelvin
AFC	= automatic frequency control	BFO	= beat frequency oscillator	COMP	= composition	DEPC	= deposited carbon
AGC	= automatic gain control	BH	= binder head	COMPI	= complete	DET	= detector
AL	= aluminum	BKDN	= breakdown	CONN	= connector	diam	= diameter
ALC	= automatic level control	BP	= bandpass	CP	= cadmium plate	DIA	= diameter (used in parts list)
AM	= amplitude modulation	BPF	= bandpass filter	CRT	= cathode-ray tube		
AMPL	= amplifier	BRS	= brass	CTL	= complementary transistor logic	DIFF	= differential
APC	= automatic phase control	BWO	= backward-wave oscillator	CW	= continuous wave	AMPI	= differential amplifier
ASSY	= assembly	CAL	= calibrate	cw	= clockwise	div	= division
AUX	= auxiliary	CER	= ceramic	cm	= centimeter	DPI/T	= double-pole, double-throw
				D/A	= digital-to-analog	DR	= drive
				dB	= decibel		
				dBm	= decibel referred to 1 mW		

### ABBREVIATIONS

DSB = double sideband	MFR = manufacturer	PIV = peak inverse voltage	TFT = thin-film transistor
DTL = diode transistor logic	mg = milligram	pk = peak	TGL = toggle
DVM = digital voltmeter	MHz = megahertz	PL = phase lock	THD = thread
ECL = emitter coupled logic	mH = millihenry	PLO = phase lock oscillator	THRU = through
EMF = electromotive force	mho = mho	PM = phase modulation	TI = titanium
EDP = electronic data processing	MIN = minimum	PNP = positive-negative-positive	TOI = tolerance
ELECT = electrolytic	min = minute (time)	P/O = part of	TRIM = trimmer
ENCAP = encapsulated	... = minute (plane angle)	POLY = polystyrene	TSTR = transistor
EXT = external	MINAT = miniature	PORC = porcelain	TTL = transistor-transistor logic
F = farad	mm = millimeter	POS = positive; position(s)	TV = television
FET = field-effect transistor	MOI = modulator	POS (used in parts list)	TVI = television interference
F/F = flip-flop	MOM = momentary	POSN = position	TWT = traveling wave tube
FH = flat head	MOS = metal-oxide semiconductor	POT = potentiometer	U = micro (10 <sup>-6</sup> ) (used in parts list)
FIL, H = fillister head	ms = millisecond	p-p = peak-to-peak	UF = microfarad (used in parts list)
FM = frequency modulation	MTG = mounting	PP = peak-to-peak (used in parts list)	UHF = ultrahigh frequency
FP = front panel	MTR = meter (indicating device)	PPM = pulse-position modulation	UNREG = unregulated
FREQ = frequency	mV = millivolt	PREAMPL. = preamplifier	V = volt
FXD = fixed	mVac = millivolt, ac	PRF = pulse-repetition frequency	VA = voltampere
g = gram	mVdc = millivolt, dc	PRR = pulse repetition rate	Vac = volts, ac
GE = germanium	mVpk = millivolt, peak	ps = picosecond	VAR = variable
GHz = gigahertz	mV p-p = millivolt, peak-to-peak	PT = point	VCO = voltage-controlled oscillator
GI = glass	mVrms = millivolt, rms	PTM = pulse-time modulation	Vdc = volts, dc
GND = ground(ed)	mW = milliwatt	PWM = pulse-width modulation	VDCW = volts, dc, working (used in parts list)
H = henry	MUX = multiplex	PWV = peak working voltage	V(F) = volts, filtered
h = hour	MY = mylar	RC = resistance	VFO = variable-frequency oscillator
HET = heterodyne	μA = microampere	RECT = rectifier	VHF = very-high frequency
HEX = hexagonal	μF = microfarad	REF = reference	Vpk = volts, peak
HD = head	μH = microhenry	REG = regulated	Vp-p = volts, peak-to-peak
HDW = hardware	μho = micromho	REPI = replaceable	Vrms = volts, rms
HF = high frequency	μs = microsecond	RF = radio frequency	VSWR = voltage standing wave ratio
HG = mercury	μV = microvolt	RFI = radio frequency interference	VTO = voltage-tuned oscillator
HI = high	μVac = microvolt, ac	RH = round head, right hand	VTVM = vacuum-tube voltmeter
HP = Hewlett-Packard	μVdc = microvolt, dc	RLC = resistance-inductance-capacitance	V(X) = volts, switched
HPF = high pass filter	μVpk = microvolt, peak	RMO = rack mount only	W = watt
HR = hour (used in parts list)	μVrms = microvolt, rms	rms = root-mean-square	W = with
HV = high voltage	μW = microwatt	RND = round	WIV = working inverse voltage
Hz = Hertz	nA = nanoampere	ROM = read-only memory	WW = wirewound
IC = integrated circuit	NC = no connection	R&P = rack and panel	W/O = without
ID = inside diameter	N C = normally closed	RWV = reverse working voltage	YIG = yttrium-iron-garnet
IF = intermediate frequency	NE = neon	S = scattering parameter	Zo = characteristic impedance
IMPG = impregnated	NEG = negative	S = second (time)	
in = inch	nF = nanofarad	S = second (plane angle)	
INCD = incandescent	NI PI = nickel plate	S-B = slow-blow (fuse) (used in parts list)	
INCL = include(s)	N/O = normally open	SCR = silicon controlled rectifier; screw	
INP = input	NOM = nominal	SE = selenium	
INS = insulation	NORM = normal	SECT = sections	
INT = internal	NPN = negative-positive-negative	SEMICON = semiconductor	
kg = kilogram	NPO = negative-positive zero (zero temperature coefficient)	SHF = superhigh frequency	
kHz = kilohertz	NRFR = not recommended for field replacement	SI = silicon	
kΩ = kilohm	NSR = not separately replaceable	SIL = silver	
kV = kilovolt	ns = nanosecond	SL = slide	
lb = pound	nW = nanowatt	SNR = signal-to-noise ratio	
LC = inductance-capacitance	OBJD = order by description	SPIOT = single-pole, double-throw	
LED = light-emitting diode	OD = outside diameter	SPG = spring	
LF = low frequency	OH = oval head	SR = split ring	
LG = long	OP AMPL. = operational amplifier	SPST = single-pole, single-throw	
LH = left hand	OPT = option	SSB = single sideband	
LJM = limit	OSC = oscillator	SST = stainless steel	
LJN = linear taper (used in parts list)	OX = oxide	STL = steel	
lin = linear	oz = ounce	SQ = square	
LK = lock washer	Ω = ohm	SWR = standing-wave ratio	
WASH = lock washer	P = peak (used in parts list)	SYNC = synchronize	
LO = low; local oscillator	PAM = pulse-amplitude modulation	T = timed (slow-blow fuse)	
LOG = logarithmic taper (used in parts list)	PC = printed circuit	TA = tantalum	
log = logarithmic	PCM = pulse-code modulation; pulse-count modulation	TC = temperature compensating	
L.PF = low pass filter	PDM = pulse-duration modulation	TD = time delay	
LV = low voltage	pF = picofarad	TERM = terminal	
m = meter (distance)	PH BRZ = phosphor bronze		
mA = milliamperes	PHL = Phillips		
MAX = maximum	PIN = positive-intrinsic-negative		
MΩ = megohm			
MEG = meg (10 <sup>6</sup> ) (used in parts list)			
MET FILM = metal film			
MET OX = metal oxide			
MF = medium frequency; microfarad (used in parts list)			

**NOTE**  
All abbreviations in the parts list will be in upper case.

### MULTIPLIERS

Abbreviation	Prefix	Multiple
T	tera	10 <sup>12</sup>
G	giga	10 <sup>9</sup>
M	mega	10 <sup>6</sup>
k	kilo	10 <sup>3</sup>
da	deka	10
d	deci	10 <sup>-1</sup>
c	centi	10 <sup>-2</sup>
m	milli	10 <sup>-3</sup>
μ	micro	10 <sup>-6</sup>
n	nano	10 <sup>-9</sup>
p	pico	10 <sup>-12</sup>
f	femto	10 <sup>-15</sup>
a	atto	10 <sup>-18</sup>

Table 3-3. Replaceable Parts

Reference Designation	HP Part Number	Qty	Description	Mfr Code	Mfr Part Number
A1	05382-60001 *	1	BOARD ASSY, MAIN	28480	05382-60001
C1	0180-0480	2	CAPACITOR-FXD; .00F+75-10% 25VDC AL	56289	360X452G025AA2A
C2	0180-0480		CAPACITOR-FXD; .00F+75-10% 25VDC AL	56289	360X452G025AA2A
C3	0180-0058	1	CAPACITOR-FXD; .50UF+75-10% 25VDC AL	56289	300506 G025CC2
C4	0180-0106	5	CAPACITOR-FXD; .60UF+-20% 6VDC TA-SOLID	56289	150D606X0006B2
C5	0180-1701	6	CAPACITOR-FXD; .6.8UF+-20% 6VDC TA-SOLID	56289	150D685X0006A2
C6 **	0121-0059	1	CAPACITOR; VAR; TRMR; CER; 2/BPF	73899	DV11PR8A
C7 **	0160-2265	1	CAPACITOR-FXD 22PF+-5% 500WVDC	28480	0160-2265
C8 **	0180-1701		CAPACITOR-FXD; .6.8UF+-20% 6VDC TA-SOLID	56289	150D685X0006A2
C9 **	0160-3060	1	CAPACITOR-FXD .1UF+-20% 25WVDC	28480	0160-3060
C10**	0160-2146	1	CAPACITOR-FXD .02UF+80-20% 100WVDC	28480	0160-2146
C11	0180-1735	1	CAPACITOR-FXD; .22UF+-10% 35VDC TA	56289	150D224X9035A2
C12	0180-0106		CAPACITOR-FXD; .60UF+-20% 6VDC TA-SOLID	56289	150D606X0006B2
C13	0180-1701		CAPACITOR-FXD; .6.8UF+-20% 6VDC TA-SOLID	56289	150D685X0006A2
C14	0160-3879	10	CAPACITOR-FXD .01UF+-20% 100WVDC	28480	0160-3879
C15	0150-0075	5	CAPACITOR-FXD .0047UF+100-20% 500WVDC	28480	0150-0075
C16	0160-3879		CAPACITOR-FXD .01UF+-20% 100WVDC	28480	0160-3879
C17	0150-0075		CAPACITOR-FXD .0047UF+100-20% 500WVDC	28480	0150-0075
C18	0160-3879		CAPACITOR-FXD .01UF+-20% 100WVDC	28480	0160-3879
C19	0160-3879		CAPACITOR-FXD .01UF+-20% 100WVDC	28480	0160-3879
C20	0160-3879		CAPACITOR-FXD .01UF+-20% 100WVDC	28480	0160-3879
C21	0150-0075		CAPACITOR-FXD .0047UF+100-20% 500WVDC	28480	0150-0075
C22	0160-3879		CAPACITOR-FXD .01UF+-20% 100WVDC	28480	0160-3879
C23	0160-3875	1	CAPACITOR-FXD 22PF+-5% 200WVDC	28480	0160-3875
C24	0160-3879		CAPACITOR-FXD .01UF+-20% 100WVDC	28480	0160-3879
C25	0180-1701		CAPACITOR-FXD; .6.8UF+-20% 6VDC TA-SOLID	56289	150D685X0006A2
C26	0160-3879		CAPACITOR-FXD .01UF+-20% 100WVDC	28480	0160-3879
C27	0150-0075		CAPACITOR-FXD .0047UF+100-20% 500WVDC	28480	0150-0075
C28	0160-3879		CAPACITOR-FXD .01UF+-20% 100WVDC	28480	0160-3879
C29	0160-3879		CAPACITOR-FXD .01UF+-20% 100WVDC	28480	0160-3879
C30	0180-0106		CAPACITOR-FXD; .60UF+-20% 6VDC TA-SOLID	56289	150D606X0006B2
C31	0180-0106		CAPACITOR-FXD; .60UF+-20% 6VDC TA-SOLID	56289	150D606X0006B2
C32	0180-1701		CAPACITOR-FXD; .6.8UF+-20% 6VDC TA-SOLID	56289	150D685X0006A2
C33	0150-0093	2	CAPACITOR-FXD .01UF+80-20% 100WVDC	28480	0150-0093
C34	0150-0093		CAPACITOR-FXD .01UF+80-20% 100WVDC	28480	0150-0093
C35	0180-1701		CAPACITOR-FXD; .6.8UF+-20% 6VDC TA-SOLID	56289	150D685X0006A2
C36	0150-0075		CAPACITOR-FXD .0047UF+100-20% 500WVDC	28480	0150-0075
CR1	1906-0028	1	DIODE; MULT; FULL WAVE BRIDGE RECTIFIER	04713	MDA922-3
CR2	1902-0551	2	DIODE; ZENER; 6.19V VZ; 1W MAX PD	04713	SZ 11213-80
CR3	1901-0028	1	DIODE-PWR RECT 400V 750MA	04713	SR1358-9
CR4	1902-0202	1	DIODE; ZENER; 15V VZ; 1W MAX PD	04713	SZ11213-191
CR5	1902-0551	1	DIODE; ZENER; 6.19V VZ; 1W MAX PD	04713	SZ 11213-80
CR6**	1901-0040	6	DIODE-SWITCHING 2NS 30V 50MA	28480	1901-0040
CR7**	1901-0040		DIODE-SWITCHING 2NS 30V 50MA	28480	1901-0040
CR8	1901-0040		DIODE-SWITCHING 2NS 30V 50MA	28480	1901-0040
CR9	1901-0040		DIODE-SWITCHING 2NS 30V 50MA	28480	1901-0040
CR10	1901-0040		DIODE-SWITCHING 2NS 30V 50MA	28480	1901-0040
L1	9100-1788	4	COIL; FXD; NON-MOLDED RF CHOKE; .75UH	02114	VK200-20/48
L2	9100-1788		COIL; FXD; NON-MOLDED RF CHOKE; .75UH	02114	VK200-20/48
L3	9100-1788		COIL; FXD; NON-MOLDED RF CHOKE; .75UH	02114	VK200-20/48
L4	9100-1788		COIL; FXD; NON-MOLDED RF CHOKE; .75UH	02114	VK200-20/48
L5	9100-2269	2	COIL; FXD; MOLDED RF CHOKE; 27UH 13%	24226	10/272
L6	9100-2269		COIL; FXD; MOLDED RF CHOKE; 27UH 13%	24226	10/272
Q1 **	1853-0015	2	TRANSISTOR PNP SI CHIP PD=200MW	28480	1853-0015
Q2 **	1853-0015		TRANSISTOR PNP SI CHIP PD=200MW	28480	1853-0015
Q3	1853-0036	1	TRANSISTOR PNP SI CHIP PD=310MW	28480	1853-0036
Q4	1854-0092	5	TRANSISTOR NPN SI PD=200MW FT=600MHZ	28480	1854-0092
Q5	1854-0092		TRANSISTOR NPN SI PD=200MW FT=600MHZ	28480	1854-0092
Q6	1854-0092		TRANSISTOR NPN SI PD=200MW FT=600MHZ	28480	1854-0092
Q7	1854-0092		TRANSISTOR NPN SI PD=200MW FT=600MHZ	28480	1854-0092
Q8	1854-0215	1	TRANSISTOR NPN SI PD=310MW FT=300MHZ	04713	SPS 3611
Q9	1854-0345	3	TRANSISTOR NPN 2N5179 SI PD=200MW	04713	2N5179
Q10	1854-0345		TRANSISTOR NPN 2N5179 SI PD=200MW	04713	2N5179
Q11	1854-0345		TRANSISTOR NPN 2N5179 SI PD=200MW	04713	2N5179
Q12	1854-0071	1	TRANSISTOR NPN SI PD=300MW FT=200MHZ	28480	1854-0071
Q13	1854-0092		TRANSISTOR NPN SI PD=200MW FT=600MHZ	28480	1854-0092
Q14	1855-0081	2	TRANSISTOR; J-FET N-CHAN, D-MODE SI	01295	2N5245
Q15	1855-0081		TRANSISTOR; J-FET N-CHAN, D-MODE SI	01295	2N5245
R1	0761-0022	1	RESISTOR 620 OHM 5% 1W MO TUBULAR	24546	FP32-1-T00-621-J
R2 **	0683-3905	2	RESISTOR 39 OHM 5% .25W CC TUBULAR	01121	C83905
R3 **	0683-5115	9	RESISTOR 510 OHM 5% .25W CC TUBULAR	01121	C85115
R4 **	0683-5115		RESISTOR 510 OHM 5% .25W CC TUBULAR	01121	C85115
R5 **	0683-2415	1	RESISTOR 240 OHM 5% .25W CC TUBULAR	01121	C82415

\*OPTION 001 05382-60003  
\*\*THESE PARTS NOT IN OPTION 001

See introduction to this section for ordering information

Table 3-3. Replaceable Parts (Continued)

Reference Designation	HP Part Number	Qty	Description	Mfr Code	Mfr Part Number
R6 **	0683-5115	4	RESISTOR 510 OHM 5% .25W CC TUBULAR	01121	C85115
R7 **	0683-1025		RESISTOR 1K 5% .25W CC TUBULAR	01121	C81025
R8 **	0683-5115		RESISTOR 510 OHM 5% .25W CC TUBULAR	01121	C85115
R9 **	0683-2035		RESISTOR 20K 5% .25W CC TUBULAR	01121	C82035
R10**	0683-5105	1	RESISTOR 51 OHM 5% .25W CC TUBULAR	01121	C85105
R11**	0683-7515	1	RESISTOR 750 OHM 5% .25W CC TUBULAR	01121	C87515
R12**	0683-2035		RESISTOR 20K 5% .25W CC TUBULAR	01121	C82035
R13**	0683-1025	2	RESISTOR 1K 5% .25W CC TUBULAR	01121	C81025
R14**	0683-1025		RESISTOR 1K 5% .25W CC TUBULAR	01121	C81025
R15	0683-5125		RESISTOR 5.1K 5% .25W CC TUBULAR	01121	C85125
R16	0683-2015		2	RESISTOR 200 OHM 5% .25W CC TUBULAR	01121
R17	0683-5125	2	RESISTOR 5.1K 5% .25W CC TUBULAR	01121	C85125
R18	0683-1035		RESISTOR 10K 5% .25W CC TUBULAR	01121	C81035
R19	0683-3905	1	RESISTOR 39 OHM 5% .25W CC TUBULAR	01121	C83905
R20	1810-0080		RESISTOR-MULTIPLE 500Ω(7)	28480	1810-0080
R21	0683-5115	2	RESISTOR 510 OHM 5% .25W CC TUBULAR	01121	C85115
R22	0683-1035		RESISTOR 10K 5% .25W CC TUBULAR	01121	C81035
R23	1810-0055		RESISTOR-MULTIPLE 10K (8)	28480	1810-0055
R24	0683-1025		RESISTOR 1K 5% .25W CC TUBULAR	01121	C81025
R25	0683-3925	2	RESISTOR 3.9K 5% .25W CC TUBULAR	01121	C83925
R26	0683-2015	3	RESISTOR 200 OHM 5% .25W CC TUBULAR	01121	C82015
R27	0683-3925		RESISTOR 3.9K 5% .25W CC TUBULAR	01121	C83925
R28	0698-5176		RESISTOR 510 OHM 5% .125W CC TUBULAR	01121	885115
R29	0698-5176		RESISTOR 510 OHM 5% .125W CC TUBULAR	01121	885115
R30	0698-5174	4	RESISTOR 200 OHM 5% .125W CC TUBULAR	01121	882015
R31	0698-4130	1	RESISTOR 39 OHM 5% .125W CC TUBULAR	01121	883905
R32	0698-3374		RESISTOR 20 OHM 5% .125W CC TUBULAR	01121	882005
R33	0698-3374	2	RESISTOR 20 OHM 5% .125W CC TUBULAR	01121	882005
R34	0698-5562		RESISTOR 120 OHM 5% .125W CC TUBULAR	01121	881215
R35	0698-5174		RESISTOR 200 OHM 5% .125W CC TUBULAR	01121	882015
R36	0698-5174	1	RESISTOR 200 OHM 5% .125W CC TUBULAR	01121	882015
R37	0698-5562		RESISTOR 120 OHM 5% .125W CC TUBULAR	01121	881215
R38	0698-5176		RESISTOR 510 OHM 5% .125W CC TUBULAR	01121	885115
R39	0674-3315		RESISTOR 330 OHM 5% .125W CC TUBULAR	01121	883315
R40	0698-5174	1	RESISTOR 200 OHM 5% .125W CC TUBULAR	01121	882015
R41	0698-5562	1	RESISTOR 120 OHM 5% .125W CC TUBULAR	01121	881215
R42	2100-3210		RESISTOR; VAR; TRMR; 10KOHM 10% C	32997	3385P-1-103
R43	0683-3935	1	RESISTOR 39K 5% .25W CC TUBULAR	01121	C83935
R44	0683-5115		RESISTOR 510 OHM 5% .25W CC TUBULAR	01121	C85115
R45	0683-5115		RESISTOR 510 OHM 5% .25W CC TUBULAR	01121	C85115
R46	0683-3345	1	RESISTOR 330K 5% .25W CC TUBULAR	01121	C83345
R47	0698-6283	1	RESISTOR 10 OHM 5% .125W CC TUBULAR	01121	881005
R48	0683-1005	1	RESISTOR 10 OHM 5% .25W CC TUBULAR	01121	C81005
R49	0683-5115		RESISTOR 510 OHM 5% .25W CC TUBULAR	01121	C85115
R50	0683-5115	1	RESISTOR 510 OHM 5% .25W CC TUBULAR	01121	C85115
R51	1810-0055		RESISTOR-MULTIPLE 10K (8)	28480	1810-0055
S1 **	3101-1667	1	SWITCH; SL; SPDT NS; .5A 125VAC	28480	3101-1667
S2	3101-0680	1	SWITCH; PB 1-STA MODULE 4PDT	28480	3101-0680
U1 **	1820-1224	1	IC;DGTL;LINE RECEIVER	04713	MC10216P
U2	1820-0661	1	IC;DGTL;GATE	01295	SN7432N
U3	1820-0537	1	IC;DGTL;SCHMITT TRIGGER	01295	SN7413N
U4	1820-0633	1	IC;M.O.S.; TIME BASE	28480	1820-0633
U5	1820-0817	1	IC;DGTL;FLIP-FLOP	04713	MC10131P
U6	1820-0077	1	IC;DGTL;FLIP-FLOP	01295	SN7474N
U7	1820-0681	1	IC;DGTL;GATE	01295	SN74500N
U8	1820-0269	2	IC;DGTL;GATE	01295	SN7403N
U9	1820-0301	2	IC;DGTL;LATCH	01295	SN7475N
U10	1820-1052	1	IC;DGTL;TRANSLATOR (LOGIC LEVEL)	04713	MC10125L
U11	1820-1019	1	IC;DGTL;COUNTER	28480	1820-1019
U12	1820-0233	1	IC;DGTL;COUNTER	01295	SN74193N
U13	1820-0328	1	IC;DGTL;GATE	01295	SN7402N
U14	1820-0634	1	IC;M.O.S.;6-DECADE COUNTER	28480	1820-0634
U15	1820-0751	1	IC;DGTL;COUNTER	01295	SN74196N
U16	1820-0920	1	IC;DGTL;LINE RECEIVER	04713	MC1692L
U17	1820-0214	1	IC;DGTL;DECODER/DECODER DRVR/DATA DISTR	01295	SN7442N
U18	1820-0174	1	IC;DGTL;INVERTER	01295	SN7404N
U19	1820-0269	1	IC;DGTL;GATE	01295	SN7403N
U20	1820-0301	1	IC;DGTL;LATCH	01295	SN7475N
U21	1826-0122	1	IC;LIN;VOLTAGE REGULATOR	07263	7805JC
U22	1826-0215	1	IC;LIN;VOLTAGE REGULATOR	04713	MC7905.2CP
V1 **	0410-0405	1	CRYSTAL;QUARTZ 10 MHZ	28480	0410-0405
A2	05382-60002	1	BOARD ASSY, DISPLAY	28480	05382-60002

\*OPTION 001 05382-60003  
\*\*THESE PARTS NOT IN OPTION 001

See introduction to this section for ordering information

Table 3-3. Replaceable Parts (Continued)

Reference Designation	HP Part Number	Qty	Description	Mfr Code	Mfr Part Number
A2	05382-60002	1	BOARD ASSY, DISPLAY	28480	05382-60002
C1	0180-0106	1	CAPACITOR-FXD; 60UF+-20% 6VDC TA-SOLID	56289	150D606X000682
C2	0140-0149	1	CAPACITOR-FXD 470PF+-5% 300MVDC	72136	DM15F471J0300WV1CR
C3	0160-0182	1	CAPACITOR-FXD 47PF+-5% 300MVDC	28480	0160-0182
C4	0160-2254	1	CAPACITOR-FXD 7.5PF+-25PF 500MVDC	28480	0160-2254
C5	0160-4182	1	CAPACITOR-FXD .01UF+-20% 200MVDC	72982	8121-M200-X7R-103M
CR1	1901-0040	8	DIODE-SWITCHING 2NS 30V 50MA	28480	1901-0040
DS1	1990-0452	8	DISPLAY NUM SEG 1 CHAR .3 IN HIGH	28480	1990-0452
DS2	1990-0452	8	DISPLAY NUM SEG 1 CHAR .3 IN HIGH	28480	1990-0452
DS3	1990-0452	8	DISPLAY NUM SEG 1 CHAR .3 IN HIGH	28480	1990-0452
DS4	1990-0452	8	DISPLAY NUM SEG 1 CHAR .3 IN HIGH	28480	1990-0452
DS5	1990-0452	8	DISPLAY NUM SEG 1 CHAR .3 IN HIGH	28480	1990-0452
DS6	1990-0452	8	DISPLAY NUM SEG 1 CHAR .3 IN HIGH	28480	1990-0452
DS7	1990-0452	8	DISPLAY NUM SEG 1 CHAR .3 IN HIGH	28480	1990-0452
DS8	1990-0452	8	DISPLAY NUM SEG 1 CHAR .3 IN HIGH	28480	1990-0452
J1	1250-1163	1	CONNECTOR-COAX; BNC; 50 OHM FEMALE	28480	1250-1163
	1251-3768	26	POST (F) CONNECT	28480	1251-3768
	0510-0076	3	NUT; SH MET 6-32 .63; STL; CD PL	78553	C8599-632-248
L1	9100-1620	1	COIL; FXD; MOLDED RF CHOKER; 15UH 10%	24226	15/152
Q1	1853-0318	8	TRANSISTOR PNP SI CHIP PD=500MW	28480	1853-0318
Q2	1853-0318	8	TRANSISTOR PNP SI CHIP PD=500MW	28480	1853-0318
Q3	1853-0318	8	TRANSISTOR PNP SI CHIP PD=500MW	28480	1853-0318
Q4	1853-0318	8	TRANSISTOR PNP SI CHIP PD=500MW	28480	1853-0318
Q5	1853-0318	8	TRANSISTOR PNP SI CHIP PD=500MW	28480	1853-0318
Q6	1853-0318	8	TRANSISTOR PNP SI CHIP PD=500MW	28480	1853-0318
Q7	1853-0318	8	TRANSISTOR PNP SI CHIP PD=500MW	28480	1853-0318
Q8	1853-0318	8	TRANSISTOR PNP SI CHIP PD=500MW	28480	1853-0318
R1	0683-4705	13	RESISTOR 47 OHM 5% .25W CC TUBULAR	01121	C84705
R2	0683-4705	13	RESISTOR 47 OHM 5% .25W CC TUBULAR	01121	C84705
R3	0683-4705	13	RESISTOR 47 OHM 5% .25W CC TUBULAR	01121	C84705
R4	0683-4705	13	RESISTOR 47 OHM 5% .25W CC TUBULAR	01121	C84705
R5	0683-4705	13	RESISTOR 47 OHM 5% .25W CC TUBULAR	01121	C84705
R6	0683-4705	13	RESISTOR 47 OHM 5% .25W CC TUBULAR	01121	C84705
R7	0683-4705	13	RESISTOR 47 OHM 5% .25W CC TUBULAR	01121	C84705
R8	0683-4705	13	RESISTOR 47 OHM 5% .25W CC TUBULAR	01121	C84705
R9	0683-4705	13	RESISTOR 47 OHM 5% .25W CC TUBULAR	01121	C84705
R10	0683-4705	13	RESISTOR 47 OHM 5% .25W CC TUBULAR	01121	C84705
R11	0683-4705	8	RESISTOR 47 OHM 5% .25W CC TUBULAR	01121	C84705
R12	0683-4715	8	RESISTOR 470 OHM 5% .25W CC TUBULAR	01121	C84715
R13	0683-4715	8	RESISTOR 470 OHM 5% .25W CC TUBULAR	01121	C84715
R14	0683-4715	8	RESISTOR 470 OHM 5% .25W CC TUBULAR	01121	C84715
R15	0683-4715	8	RESISTOR 470 OHM 5% .25W CC TUBULAR	01121	C84715
R16	0683-4715	8	RESISTOR 470 OHM 5% .25W CC TUBULAR	01121	C84715
R17	0683-4715	8	RESISTOR 470 OHM 5% .25W CC TUBULAR	01121	C84715
R18	0683-4715	8	RESISTOR 470 OHM 5% .25W CC TUBULAR	01121	C84715
R19	0683-4715	8	RESISTOR 470 OHM 5% .25W CC TUBULAR	01121	C84715
R20	1810-0041	1	CIRCUIT; PSIV; NON-RPRABLE IN	28480	1810-0041
R21	0683-9125	1	RESISTOR 9.1K 5% .25W CC TUBULAR	01121	C89125
R22	0683-9135	1	RESISTOR 91K 5% .25W CC TUBULAR	01121	C89135
R23	0683-9145	1	RESISTOR 910K 5% .25W CC TUBULAR	01121	C89145
R24	0683-4705	1	RESISTOR 47 OHM 5% .25W CC TUBULAR	01121	C84705
R25	0683-4705	1	RESISTOR 47 OHM 5% .25W CC TUBULAR	01121	C84705
S1	3101-1598	2	SWITCH; SL; DP3T NS; 1A 125VAC	28480	3101-1598
S2	3101-1598	2	SWITCH; SL; DP3T NS; 1A 125VAC	28480	3101-1598
U1	1820-1037	1	IC; DGTL; DECODER/DECODER DRVR/DATA DISTR	01295	SN7446AN



Digitally signed by  
<http://www.aa4df.com>

Table 3-3. Replaceable Parts (Continued)

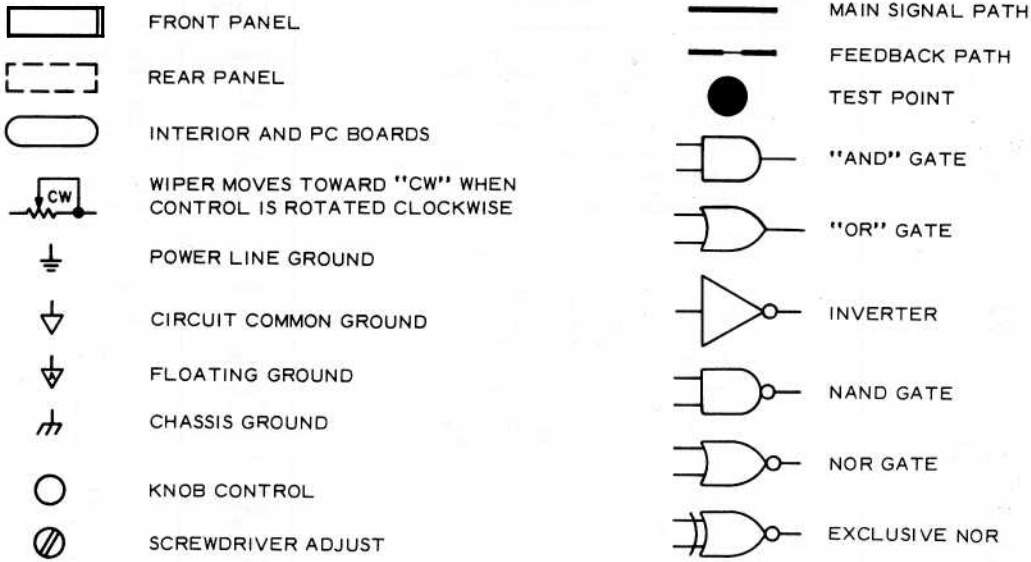
Reference Designation	HP Part Number	Qty	Description	Mfr Code	Mfr Part Number
C1A	0160-3043	2	CAPACITOR-FXD .005UF/.005UF+-20%	28480	0160-3043
C1B	0160-3043		CAPACITOR-FXD .005UF/.005UF+-20%	28480	0160-3043
F1	2110-0018	1	FUSE 25A 125V SLO-BLO	75915	313-250
J1	1251-2357	1	CONNECTOR; AC PWR; HP-9 MALE FLANGE	28480	1251-2357
S2	3101-1609	1	SWITCH; SL; 2-DPDT NS; 3A 125VAC	82389	11E-1036
T1	9100-3039	1	TRANSFORMER, POWER	28480	9100-3039
W1	8120-1348	1	CABLE; UNSHLD 3-COND 18AWG	28480	8120-1348
XF1	2110-0464	1	FUSEHOLDER; EXTR POST? BAY CAP; 20A	75915	345002-010
XF2	2110-0465	1	FUSEHOLDER; CAP- FOR 3-AG FUSES	75915	345002-020
MISCELLANEOUS PARTS					
	0340-0765	1	INSULATOR; XSTR; .002 THK	28480	0340-0765
	0360-0001	1	TERMINAL, SLDR LUG, 6 SCR, .141/.086 ID	78452	920
	0360-0353	2	TERMINAL, SLDR LUG, 6 SCR, .144/.144 ID	79963	176
	0370-0914	1	BEZEL-PUSHBUTTON KNOB, JADE GREY	28480	0370-0914
	0370-2486	1	PUSHBUTTON (SOLID GRAY)	28480	0370-2486
	0510-0002	2	PRESS-IN NUT; 6-32; .062 LG; .056 MIN	28480	0510-0002
	0510-0076		NUT; SH MET 6-32 .63; STL; CD PL	78553	C8599-632-248
	1250-0083	1	CONNECTOR-COAX; BNC; 50 OHM FEMALE	24931	28JR-130-1
	2950-0054	1	NUT; HEX 1/2-28 .125 X .625; BRS; NI PL	28480	2950-0054
	5040-7032	1	FOOT	28480	5040-7032
	05301-40001	1	FOOT	28480	05301-40001
	05381-20003	1	COVER, TOP	28480	05382-20003
	05381-20004	1	COVER, BOTTOM	28480	05381-20004
	05381-20005	4	STANDOFF	28480	05381-20005
	05382-00001	1	PANEL, FRONT	28480	05382-00001
	05382-00002	1	PANEL, REAR	28480	05382-00002
	05382-90001	1	MANUAL	28480	05382-90001
OPTION 001 PARTS					
C37***	0150-0050	1	CAPACITOR-FXD .001 UF 1000V	28480	0150-0050
CR11***	1901-0040	2	DIODE-SWITCHING 30V 50MA	28480	1901-0040
CR12***	1901-0040		DIODE-SWITCHING 30V 50MA	28480	1901-0040
O16***	1853-0015	1	TRANSISTOR-PNP SI 2N3640	07263	2N3640
R68***	0683-5115	1	RESISTOR-FXD 510 OHM .25W	01121	CB 5115
R69***	0683-1025	1	RESISTOR-FXD 1K OHM .25W	01121	CB 1025
R70***	0761-0035	1	RESISTOR-FXD 150 OHM 1W	24546	FP-32
U23***	0960-0394		OSCILLATOR-CRYSTAL TCXO	28480	0960-0394

\*\*\*THESE PARTS ADDED IN OPTION 001

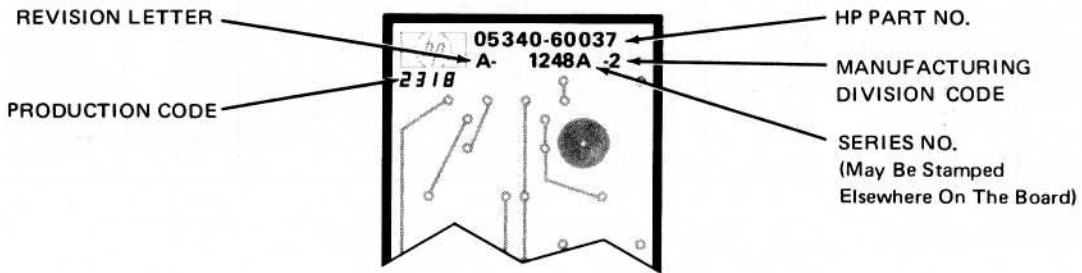
Table 3-4. Manufacturers Code List

MFR NO.	MANUFACTURER NAME	ADDRESS	ZIP CODE
01121	Allen Bradley Co.	Milwaukee, Wi.	53212
01295	Texas Instr. Inc. Simicond Cmpnt. Div.	Dallas, Tx.	75231
02114	Ferrocube Corp.	Saugerties, N.Y.	12477
04713	Motorola Semiconductor Products	Phoenix, Az.	85008
07263	Fairchild Semiconductor Div.	Mountain View, Ca.	94040
24226	Gowanda Electronics Corp.	Gowanda, N.Y.	14070
24546	Corning Glass Works	Bradford, Pa.	16701
24931	Specialty Connector Co., Inc.	Indianapolis, In.	46227
28480	Hewlett-Packard Co., Corporate Hq.	Palo Alto, Ca.	94304
32997	Bourns Inc. Trimptot Prod. Div.	Riverside, Ca.	92507
56289	Sprague Electric Co.	North Adams, Ma.	01247
72136	Electro Motive Mfg. Co., Inc.	Willimantic, Ct.	06226
72982	Erie Technological Products, Inc.	Erie, Pa.	16512
73899	J. F. D. Electronics Corp.	Brooklyn, N.Y.	11219
75915	Littlefuse, Inc.	Des Plaines, Il.	60016
78452	Everlock Chicago Inc.	Chicago, Il.	60622
78553	Tinnerman Products Inc.	Cleveland, Oh.	44129
79963	Zierick Mfg. Co.	Mt. Kisco, N.Y.	10549
82389	Switchcraft Inc.	Chicago, Il.	60630

### SYMBOLS



### PRINTED CIRCUIT BOARD IDENTIFICATION



### REFERENCE DESIGNATIONS

REFERENCE DESIGNATIONS WITHIN ASSEMBLIES ARE ABBREVIATED. ADD ASSEMBLY NUMBER TO ABBREVIATION FOR COMPLETE DESCRIPTION. JACKS ARE THE STATIONARY CONNECTORS AND PLUGS ARE THE MORE MOVEABLE OF TWO CONNECTORS.

ASSEMBLY	ABBREVIATION	COMPLETE DESCRIPTION
A25	C1	A25C1
A25A1	CR1	A25A1CR1
NO PREFIX	J3	J3

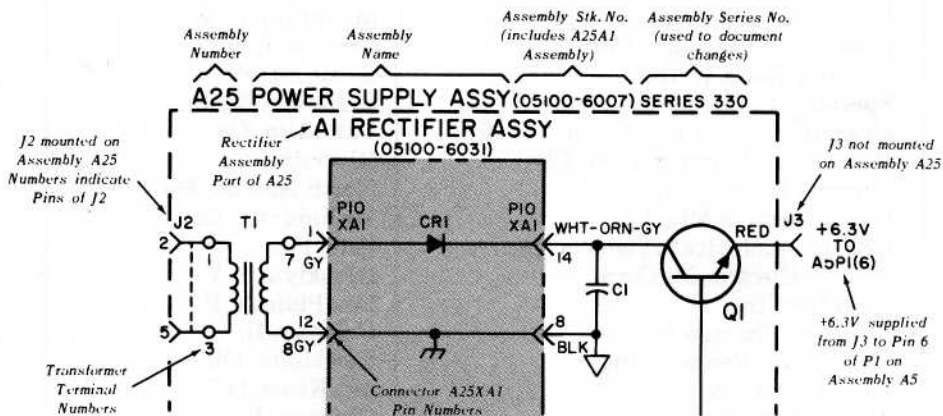
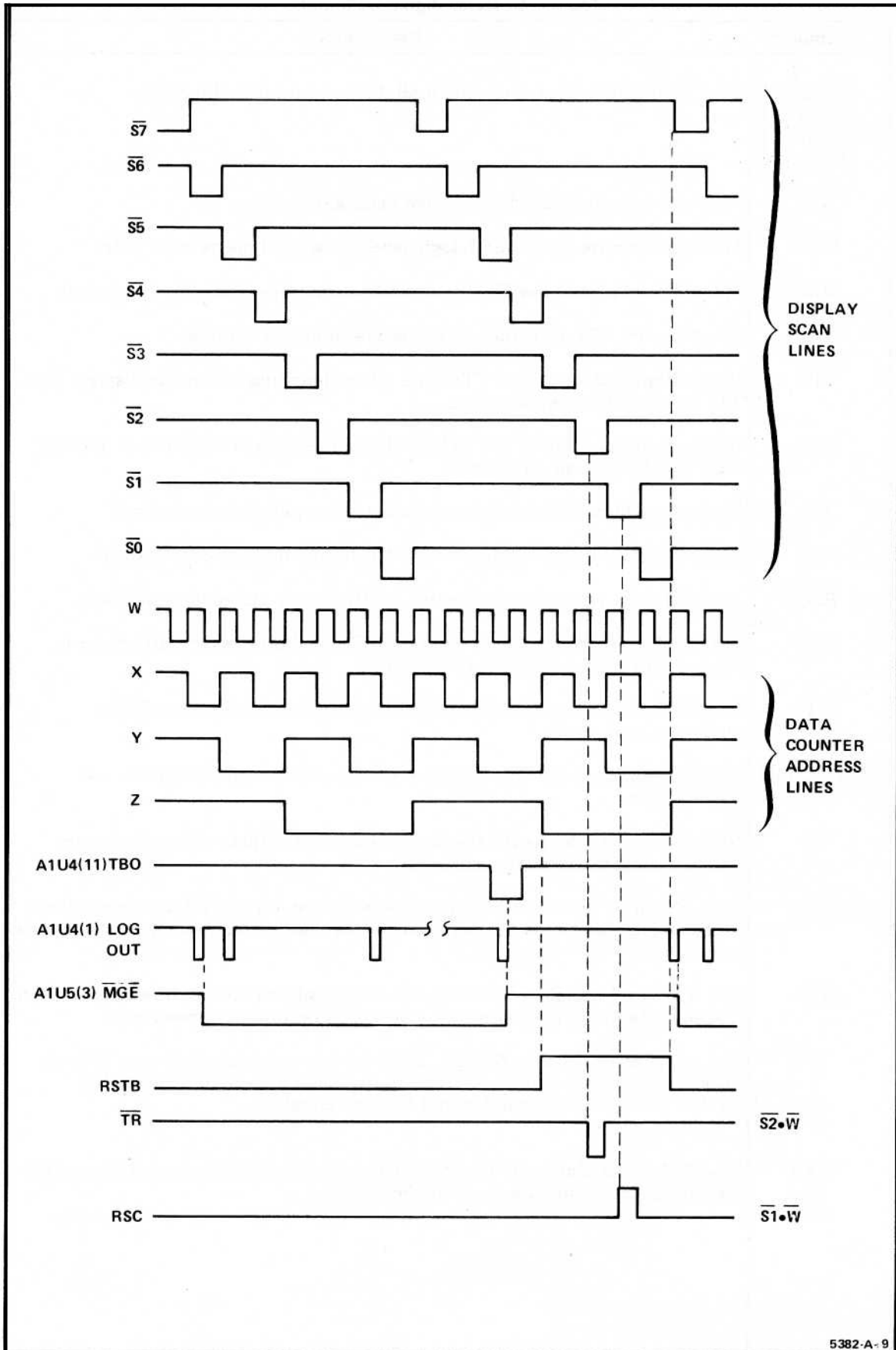


Figure 3-3. Schematic Diagram Notes

Table 3-5. Major Signal Definitions

Mnemonic	Description
DATA A ) DATA B ) DATA C ) DATA D )	Four BCD signal lines upon which all display data is multiplexed.
$\overline{MG}$	Input to reset enable latch; low when main gate is open.
$\overline{MGE}$	Main gate control signal (ECL logic levels); low level opens main gate.
$\overline{MRS}$	Manual reset signal; low TTL level resets counter (generated by RS signal).
$\overline{OF}$	Overflow; low TTL level indicates overflow of decade counters.
RBI	Ripple Blanking Input; low TTL level allows blanking of zeros in display; high TTL level inhibits zero blanking.
RBO	Ripple Blanking Output; low TTL level when zeros are blanked from display; high TTL level at all other times.
RS	Momentary high TTL level resets counter when gate time is changed.
RSC	High TTL level resets six-decade counter during automatic reset cycle.
$\overline{RSC}$	Low TTL level resets decade counter A1U15 during automatic reset cycle.
RSE	High ECL level resets decade counter A1U11 and presets Schmitt trigger in input circuit during automatic reset cycle.
RSTB	High TTL level resets time base divider and main gate flip-flop during automatic reset cycle.
$\overline{S0}$ THRU $\overline{S7}$	Eight continuously cycling display scan lines; each scan line strobes one display digit.
TE	High ECL level inhibits the two least-significant outputs of decade counter A1U11 during the measurement cycle.
TR	High TTL level transfers data from the two, least-significant decade counters to the storage latches at the beginning of the reset cycle; also, clears the manual reset latch.
$\overline{TR}$	Low TTL level transfers data from the six-decade counter to the storage latches that are internal to the counter IC. Occurs at beginning of reset cycle.
W ) X ) Y ) Z )	Outputs of down-counter A1U12. X,Y,Z used as output multiplexing address lines by six-decade counter A1U14 and as inputs to 4-to-10 line decoder, A1U17. W is used as timing signal for reset circuits.
$\overline{.1s}$ ) $\overline{1s}$ ) 10s )	Low TTL levels illuminate the LED display decimal points. 1s and .1s control division factor of the time base divider, A1U4.

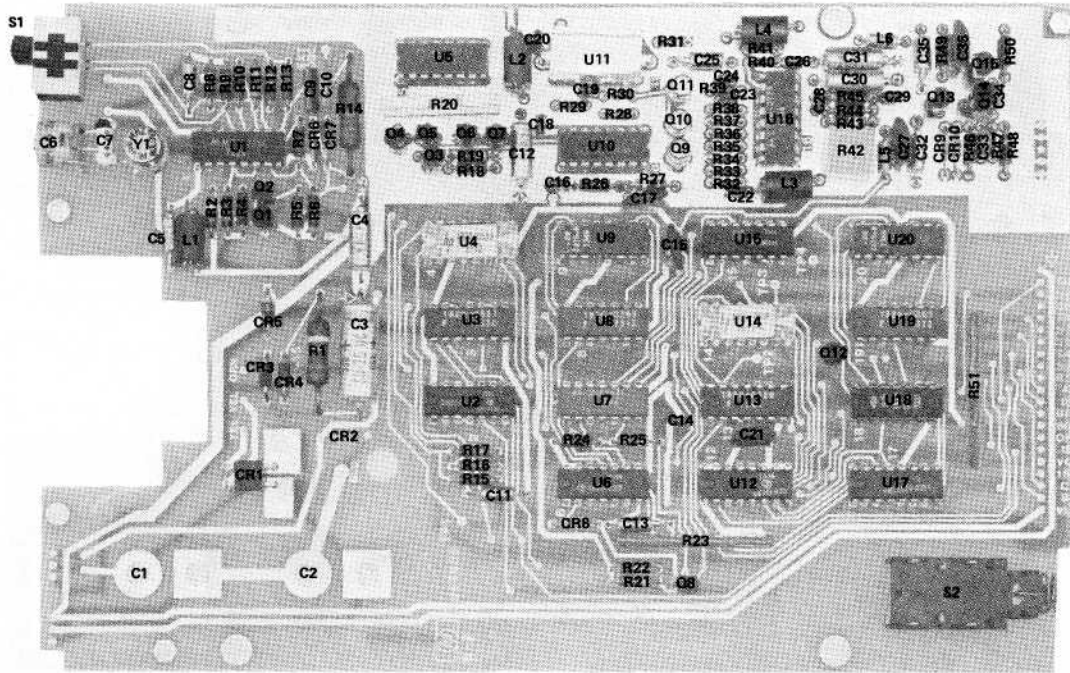




5382-A-9

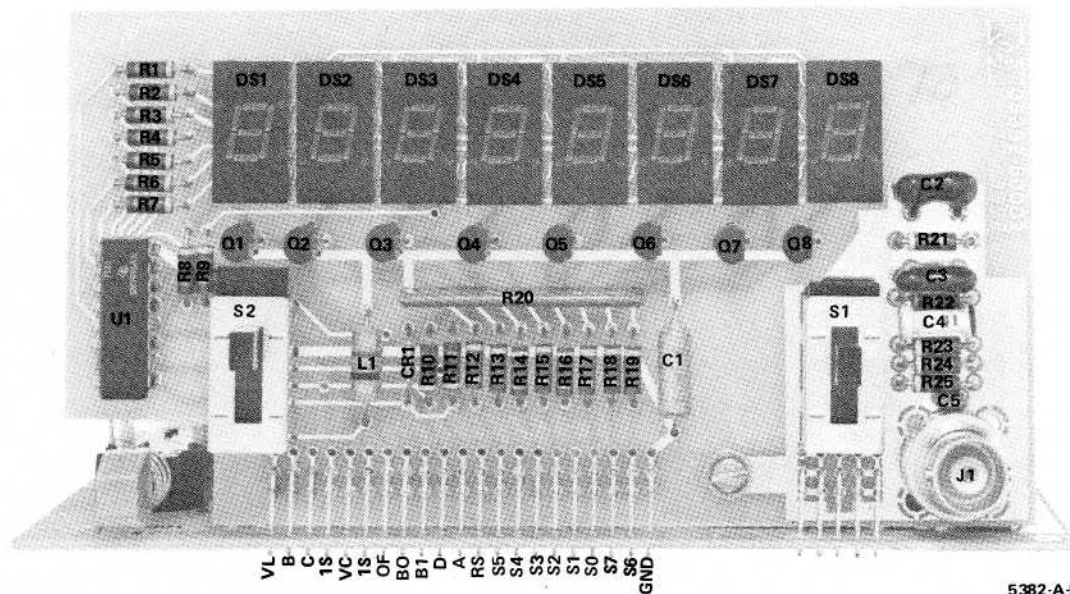
Figure 3-4. Instrument Timing Diagram

A1



5382-A-7

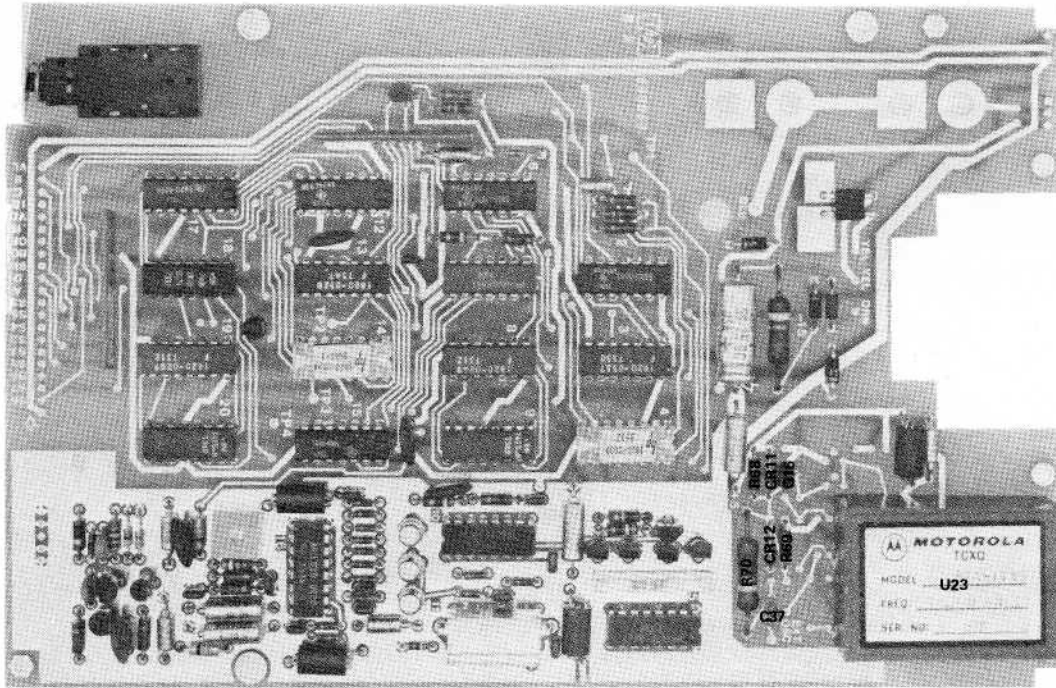
A2



5382-A-5

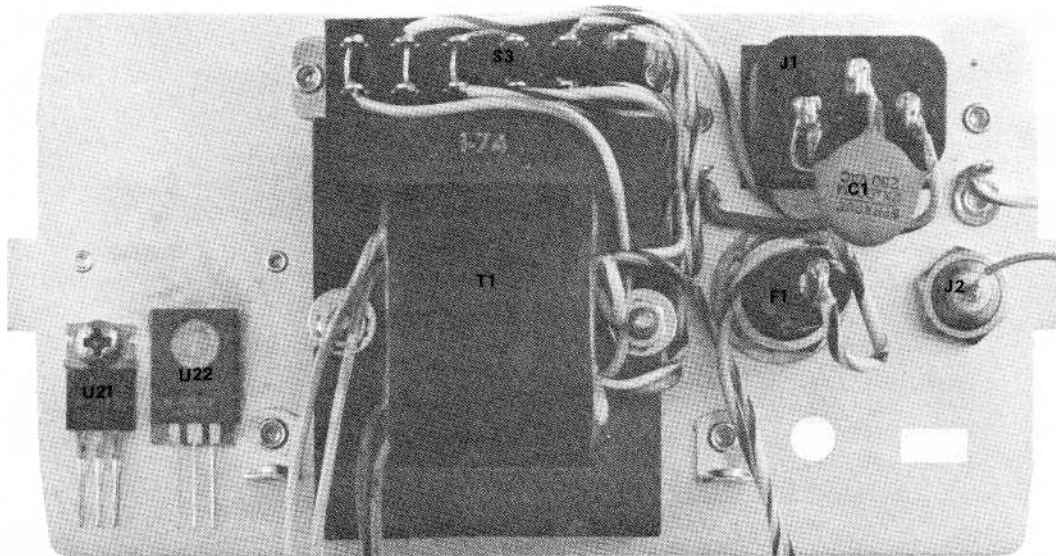
Figure 3-5. Component Locators

A1 (OPTION 001)



5382-A-6

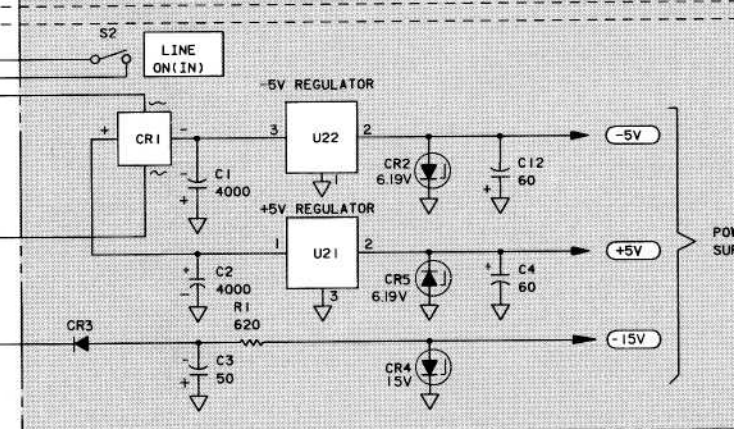
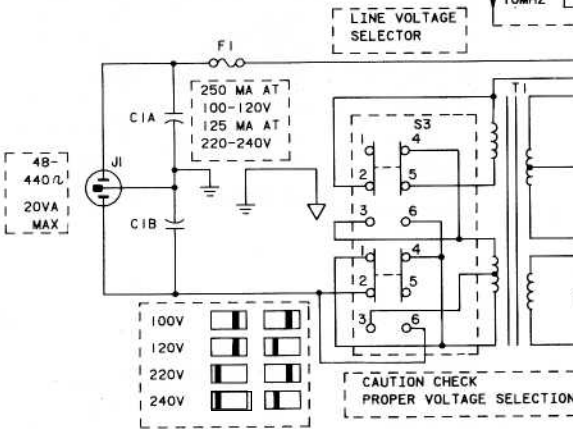
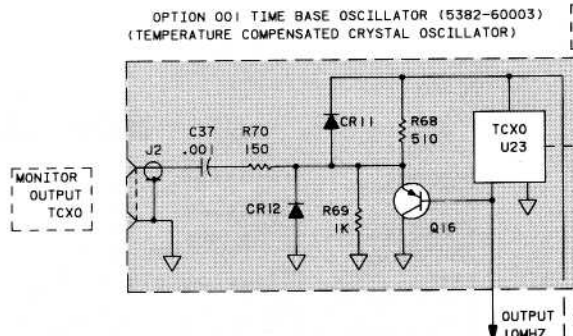
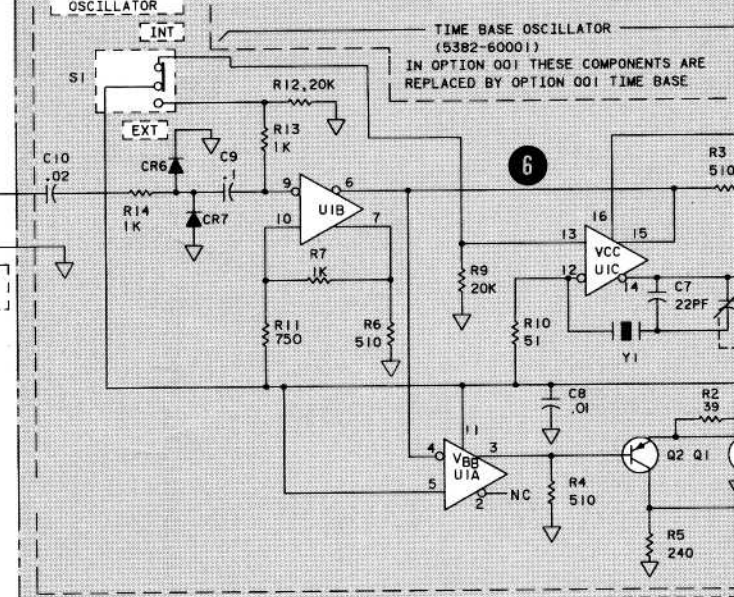
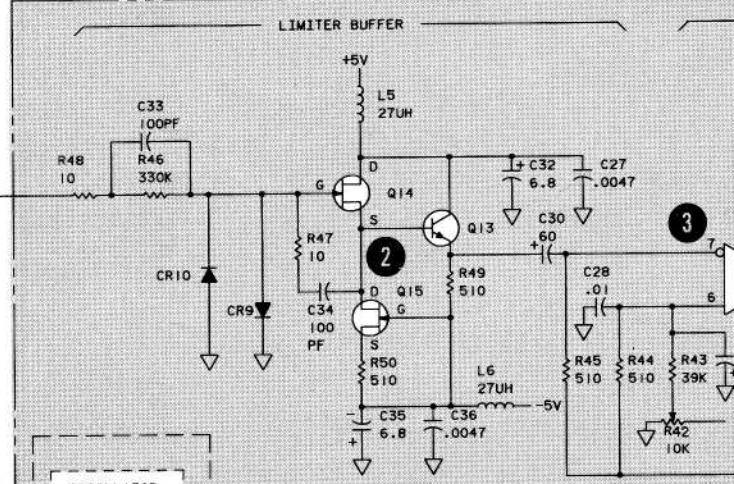
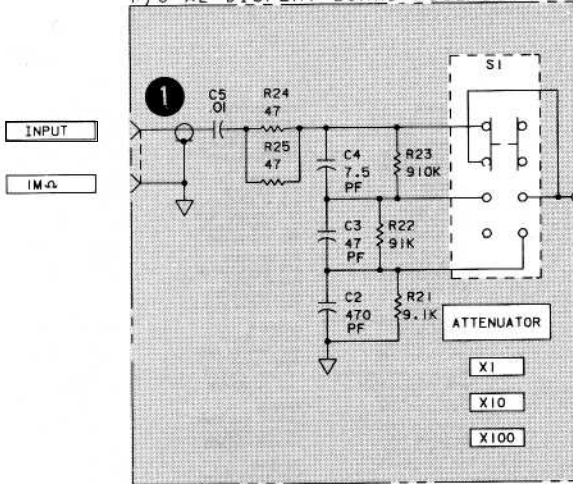
REAR PANEL



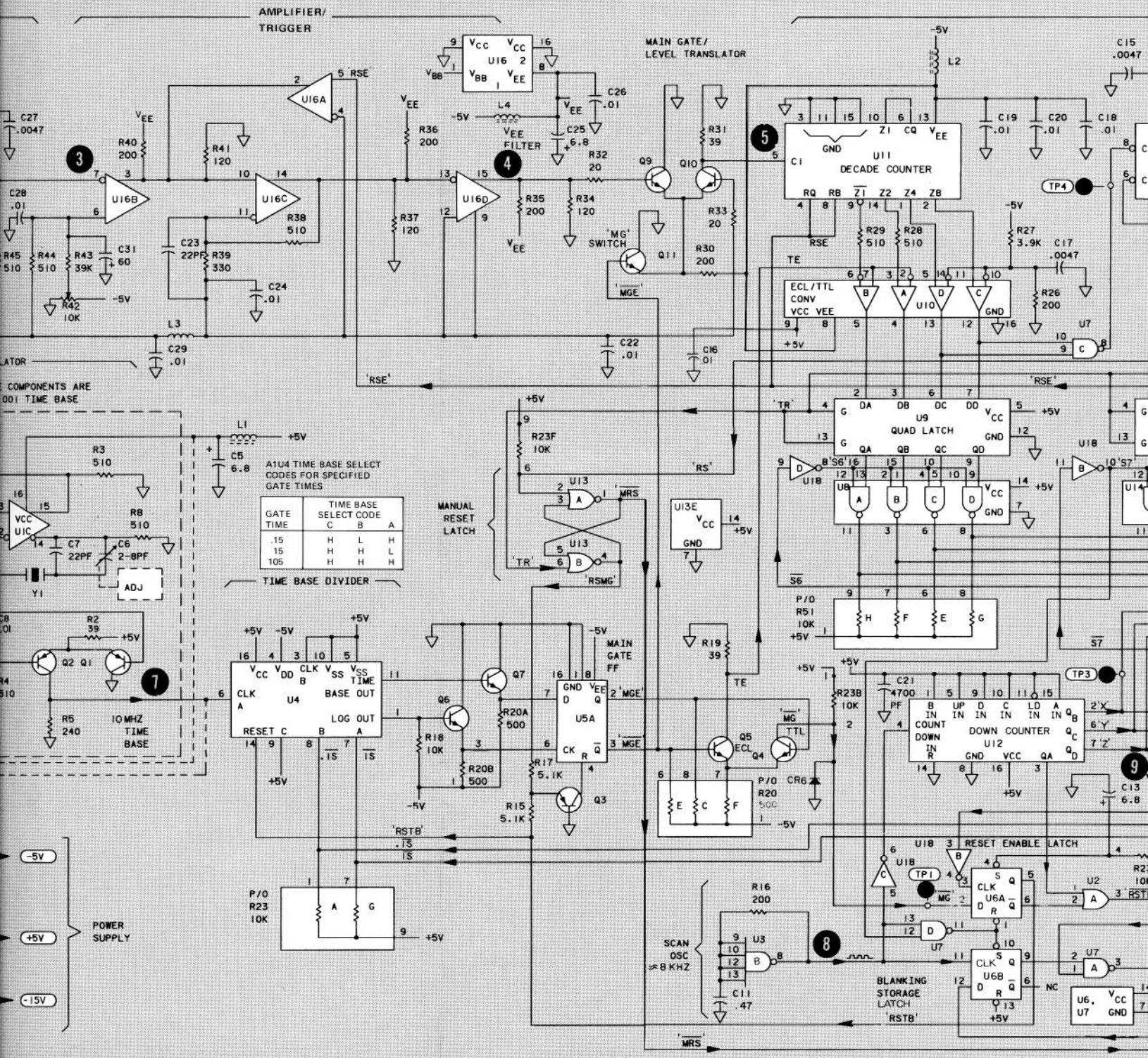
5382-A-4

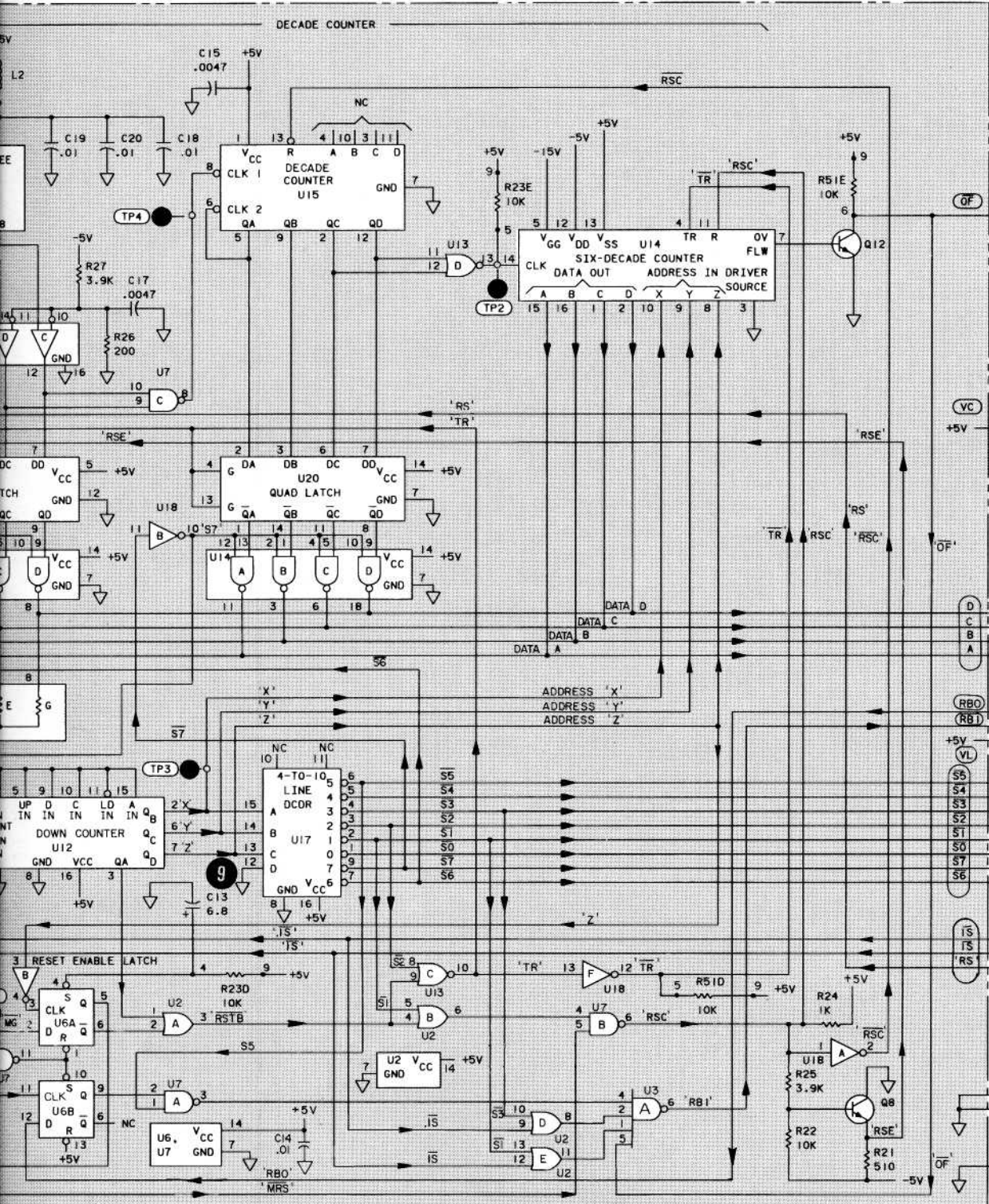
Figure 3-5. Component Locators (Continued)

P/O A2 DISPLAY BOARD ASSEMBLY

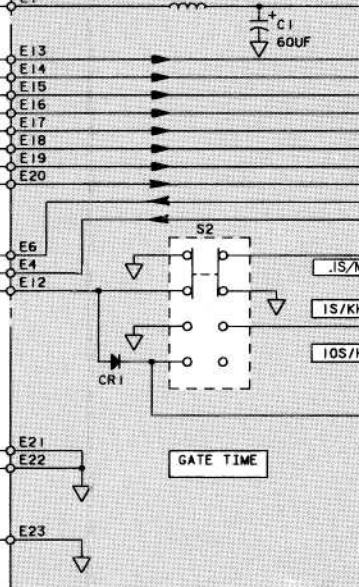
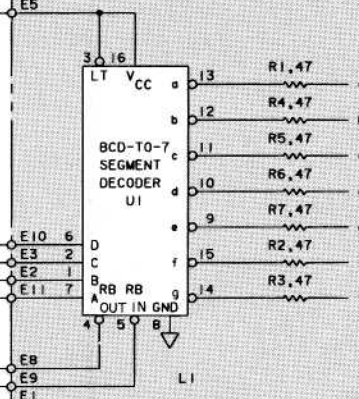


AI MAIN BOARD ASSEMBLY (05382-60001, SERIES 1408; 05382-60003, SERIES 1408)





A2U1 BCD INPUTS				A2U1			
2 <sup>3</sup>	2 <sup>2</sup>	2 <sup>1</sup>	2 <sup>0</sup>	A	B	L	L
L	L	L	L	L	L	L	L
L	L	L	H	L	L	L	L
L	L	L	H	L	L	L	L
L	L	H	L	L	L	L	L
L	L	H	L	L	L	L	L
L	L	H	H	L	L	L	L
L	H	L	L	L	L	L	L
L	H	L	L	L	L	L	L
L	H	L	H	L	L	L	L
L	H	H	L	L	L	L	L
L	H	H	L	L	L	L	L
L	H	H	H	L	L	L	L
H	L	L	L	L	L	L	L
H	L	L	L	L	L	L	L
H	L	L	H	L	L	L	L
H	L	H	L	L	L	L	L
H	L	H	L	L	L	L	L
H	L	H	H	L	L	L	L
H	H	L	L	L	L	L	L
H	H	L	L	L	L	L	L
H	H	L	H	L	L	L	L
H	H	L	H	L	L	L	L
H	H	H	L	L	L	L	L
H	H	H	L	L	L	L	L
H	H	H	H	L	L	L	L
H	H	H	H	L	L	L	L

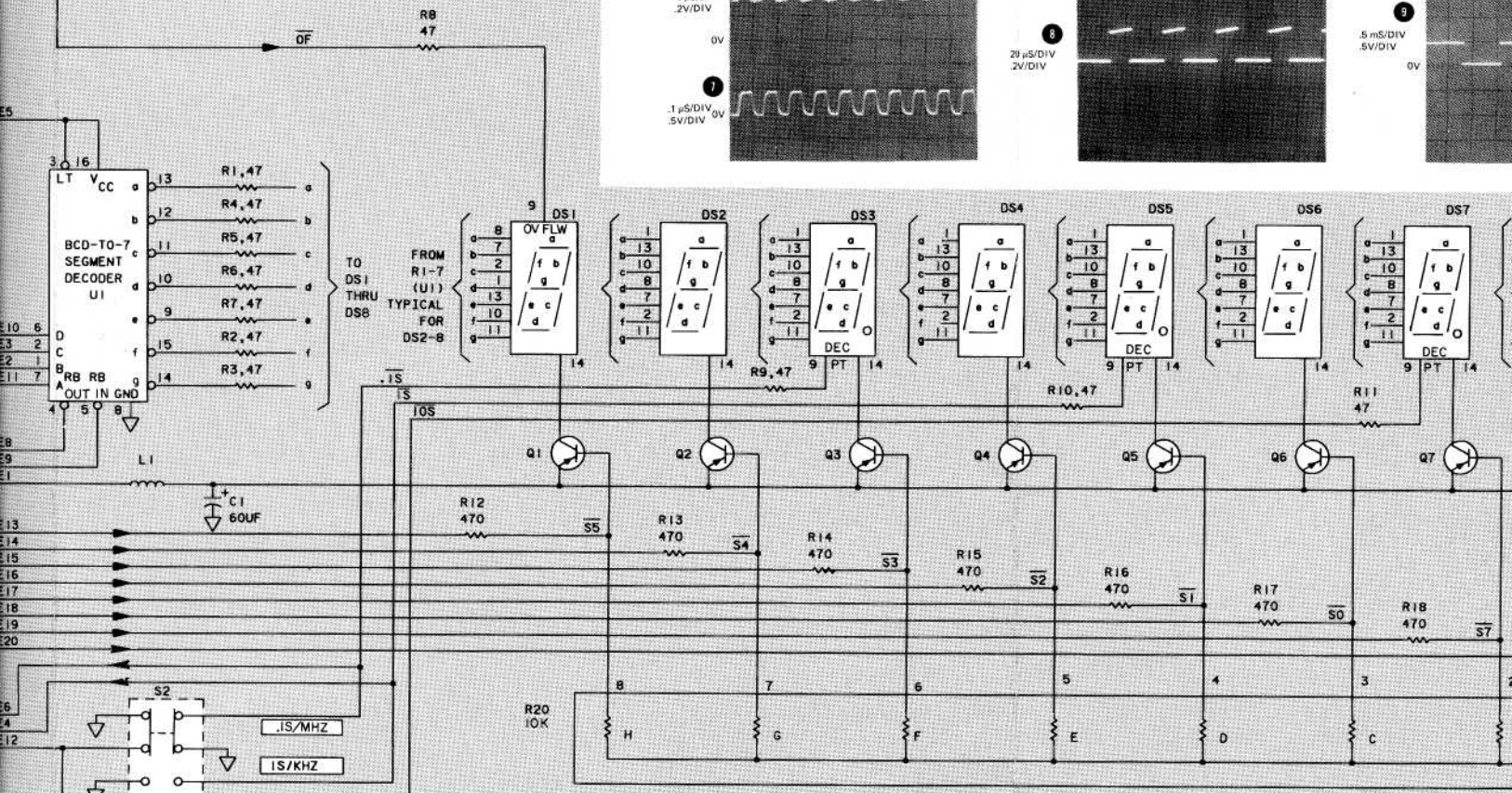
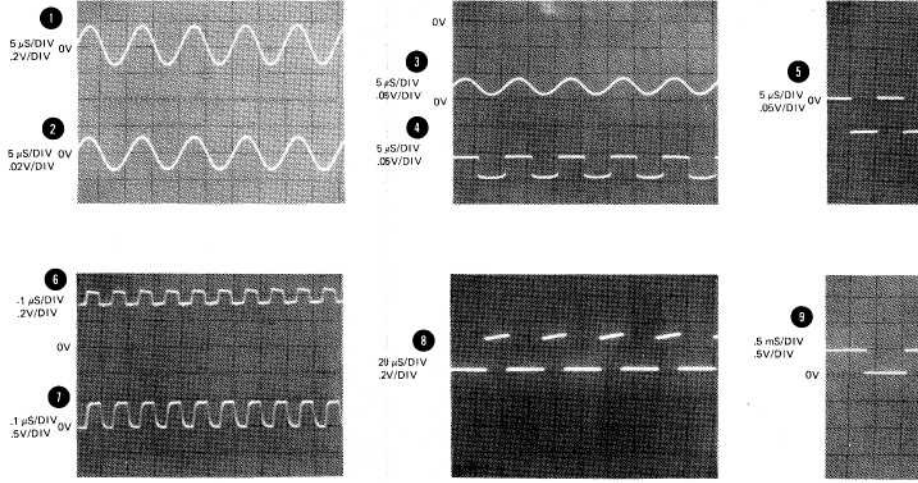


GATE TIME

P/O A2 DISPLAY BOARD ASSEMBLY (05382-60002, SERIES 1408)

ALL WAVEFORMS TAKEN WITH A 1.75V PEAK-TO-PEAK, 100 kHz INPUT SIGNAL, DC COUPLED THROUGH A 10:1 DIVIDER PROBE. OTHER OSCILLOSCOPE SETTINGS ARE GIVEN WITH EACH WAVEFORM.

A2U1 BCD INPUTS				A2U1 SEGMENT OUTPUTS							DECIMAL VALUE
2 <sup>3</sup>	2 <sup>2</sup>	2 <sup>1</sup>	2 <sup>0</sup>	A	B	C	D	E	F	G	
L	L	L	L	L	L	L	L	L	L	H	0
L	L	L	H	L	L	L	L	L	H	H	1
L	L	L	L	L	L	L	L	L	L	L	2
L	L	L	H	L	L	L	L	L	L	L	3
L	L	H	L	L	L	L	L	L	H	L	4
L	L	H	H	L	L	L	L	L	L	L	5
L	H	L	L	L	L	L	L	L	L	L	6
L	H	H	L	L	L	L	L	L	L	L	7
L	H	H	H	L	L	L	L	L	L	L	8
H	L	L	L	L	L	L	L	L	L	L	9

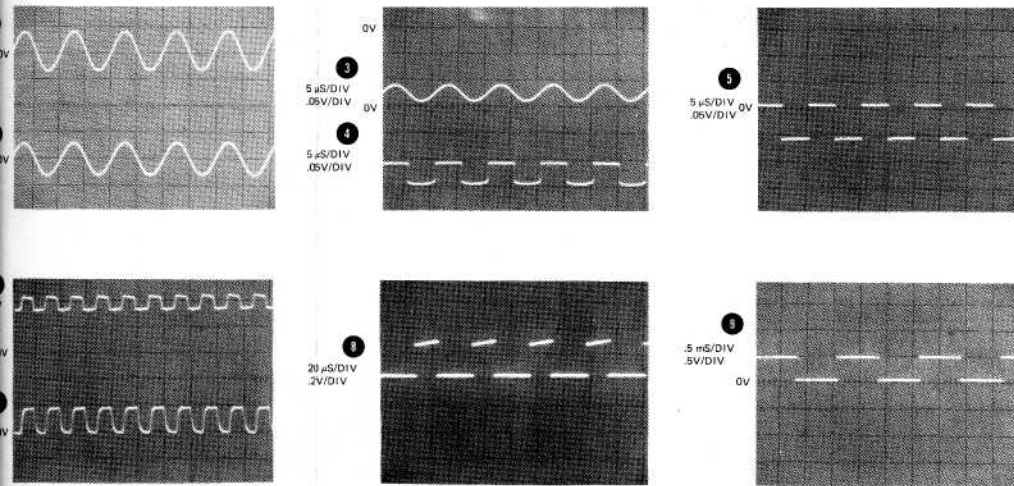


A1U17 BCD INPUTS				A1U17 DECIMAL OUTPUTS							
2 <sup>3</sup>	2 <sup>2</sup>	2 <sup>1</sup>	2 <sup>0</sup>	0	1	2	3	4	5	6	7
L	L	L	L	L	H	H	H	H	H	H	H
L	L	L	H	L	L	L	L	L	L	L	L
L	L	L	L	L	L	L	L	L	L	L	L
L	L	L	H	L	L	L	L	L	L	L	L
L	L	H	L	L	L	L	L	L	L	L	L
L	L	H	H	L	L	L	L	L	L	L	L
L	H	L	L	L	L	L	L	L	L	L	L
L	H	H	L	L	L	L	L	L	L	L	L
L	H	H	H	L	L	L	L	L	L	L	L
H	L	L	L	L	L	L	L	L	L	L	L

GATE TIME

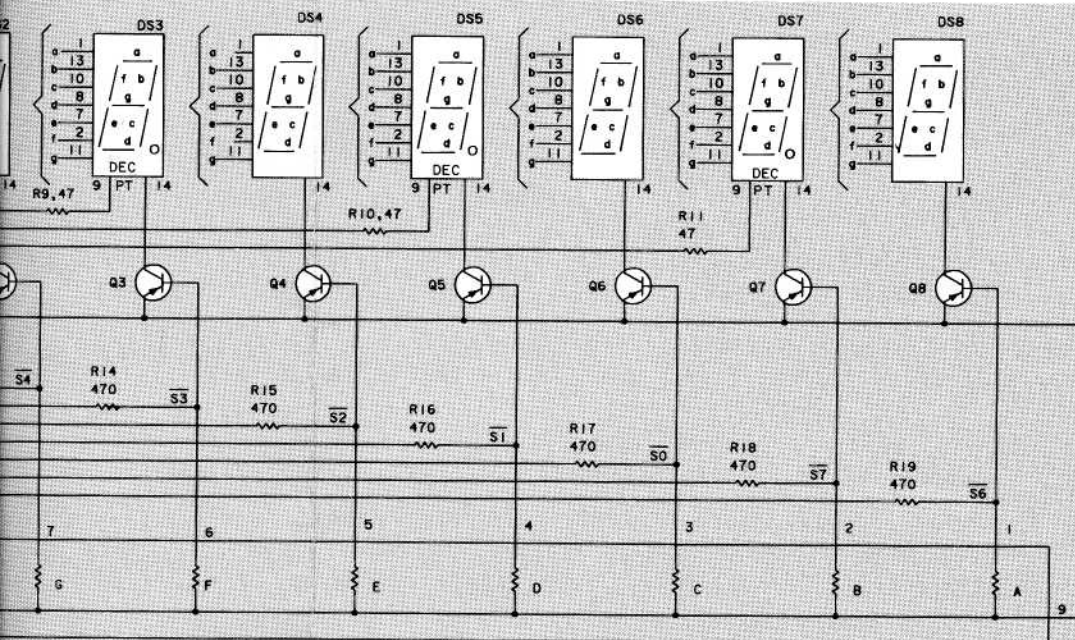
BOARD ASSEMBLY (05302-60002, SERIES 1408)

ALL WAVEFORMS TAKEN WITH A 1.75V PEAK-TO-PEAK, 100 kHz INPUT SIGNAL, DC COUPLED THROUGH A 10:1 DIVIDER PROBE. OTHER OSCILLOSCOPE SETTINGS ARE GIVEN WITH EACH WAVEFORM.



NOTES

1. REFERENCE DESIGNATIONS WITHIN THIS ASSEMBLY ARE ABBREVIATED. ADD ASSEMBLY NUMBER TO ABBREVIATION FOR COMPLETE DESCRIPTION.
2. UNLESS OTHERWISE INDICATED: RESISTANCE IN OHMS; CAPACITANCE IN MICROFARADS; INDUCTANCE IN MICROHENRIES
3. ASTERISK (\*) INDICATES SELECTED COMPONENT, AVERAGE VALUES SHOWN



DECIMAL OUTPUTS						
2	3	4	5	6	7	
H	H	H	H	H	H	H
H	H	H	H	H	H	H
H	H	H	H	H	H	H
H	L	H	H	H	H	H
H	H	L	H	H	H	H
H	H	H	L	H	H	H
H	H	H	H	L	H	H
H	H	H	H	H	L	H

5382-J-1

Figure 3-6. Overall Schematic Diagram



Figure 3-6  
**OVERALL SCHEMATIC DIAGRAM**

(See Page 3-21)

# HEWLETT · PACKARD

## ELECTRONIC INSTRUMENTATION SALES AND SERVICE

### EUROPE, AFRICA, ASIA, AUSTRALIA

#### EUROPE

**AUSTRIA**  
Hewlett-Packard Ges.m.b.H  
Handelskai 52/3  
P.O. Box 7  
A-1205 Vienna  
Tel: (0222) 33 66 06 to 09  
Cable: HEWPAK Vienna  
Telex: 75923 hewpak a

**BELGIUM**  
Hewlett-Packard Benelux  
S.A./N.V.  
Avenue de Col-Vert, 1,  
(Groenkaaglaan)  
B-1170 Brussels  
Tel: (02) 72 22 40  
Cable: PALOBEN Brussels  
Telex: 23 494 ploben bru

**DENMARK**  
Hewlett-Packard A/S  
Datavej 38  
DK-3460 Birkerød  
Tel: (01) 81 66 40  
Cable: HEWPAK AS  
Telex: 166 40 hp as  
Hewlett-Packard A/S  
Torvet 9  
DK-8600 Silkeborg  
Tel: (06) 82-71-66  
Telex: 166 40 hp as  
Cable: HEWPAK AS

**FINLAND**  
Hewlett-Packard Oy  
Bulevardi 26  
P.O. Box 12185  
SF-00120 Helsinki 12  
Tel: (90) 13730  
Cable: HEWPAK OY Helsinki  
Telex: 12-15363 hel

**FRANCE**  
Hewlett-Packard France  
Quartier de Courbeboeuf  
Boite Postale No. 6  
F-91401 Orsay  
Tel: (1) 907 78 25  
Cable: HEWPAK Orsay  
Telex: 60048

**GERMANY FEDERAL REPUBLIC**  
Hewlett-Packard GmbH  
Vertriebszentrale Frankfurt  
Bernerstrasse 117  
Postfach 560 140  
D-6000 Frankfurt 56  
Tel: (0611) 50 04-1  
Cable: HEWPAKSA Frankfurt  
Telex: 41 32 49 fra  
Hewlett-Packard GmbH  
Vertriebsbüro Böblingen  
Herrenbergerstrasse 11,  
D-7030 Böblingen, Württemberg  
Tel: (07031) 66 72 87  
Cable: HEPAK Böblingen  
Telex: 72 65 739 bbe  
Hewlett-Packard GmbH  
Vertriebsbüro Düsseldorf  
Vogelsanger Weg 38  
D-4000 Düsseldorf  
Tel: (0211) 63 80 31-35  
Telex: 85/86 533 hpp d  
Hewlett-Packard GmbH  
Vertriebsbüro Hamburg  
Wendenstr. 23  
D-2000 Hamburg 1  
Tel: (0411) 24 13 93  
Cable: HEWPAKSA Hamburg  
Telex: 21 63 032 hphh d  
Hewlett-Packard GmbH  
Vertriebsbüro Hannover  
Mellendorfer Strasse 3  
D-3000 Hannover - Knefeld  
Tel: (0511) 55 06 26

**IRELAND**  
Hewlett-Packard Ltd.  
224 Bath Road  
GB-Slough, SL1 4 DS, Bucks  
Tel: Slough (0753) 33341  
Cable: HEWPIE Slough  
Telex: 848413

**ITALY**  
Hewlett-Packard Italiana S.p.A.  
Via Amerigo Vespucci 2  
I-20124 Milan  
Tel: (2) 6251 (10 lines)  
Cable: HEWPAKIT Milan  
Telex: 32046  
Hewlett-Packard Italiana S.p.A.  
Piazza Marconi, 25  
I-00144 Rome - Eur  
Tel: (6) 5912544/5, 5015947  
Cable: HEWPAKIT Rome  
Telex: 61514

**NETHERLANDS**  
Hewlett-Packard Benelux/N.V.  
Weerdesteijn 117  
P.O. Box 7825  
NL-Amsterdam, 21011  
Tel: (020) 42 77 71; 44 29 66  
Cable: PALOBEN Amsterdam  
Telex: 13 216 hepa nl  
Hewlett-Packard Norge A/S  
The Grafons  
Stamford New Road  
Altrincham, Cheshire, England  
Tel: (061) 828-8626  
Telex: 668068

**PORTUGAL**  
Hewlett-Packard Italiana S.p.A.  
Via Amerigo Vespucci 2  
I-20124 Milan  
Tel: (2) 6251 (10 lines)  
Cable: HEWPAKIT Milan  
Telex: 32046  
Hewlett-Packard Italiana S.p.A.  
Piazza Marconi, 25  
I-00144 Rome - Eur  
Tel: (6) 5912544/5, 5015947  
Cable: HEWPAKIT Rome  
Telex: 61514

**SPAIN**  
Hewlett-Packard Española, S.A.  
Jeréz No 8  
E-Madrid 16  
Tel: 458 26 00  
Telex: 23515 hpe  
Hewlett-Packard Española, S.A.  
Milanésado 21-23  
E-Barcelona 17  
Tel: (3) 203 62 00  
Telex: 52803 hpe e

**SWEDEN**  
Hewlett-Packard Sverige AB  
Enghälsvägen 1-3  
Fack  
S-161 20 Bromma 20  
Tel: (08) 98 12 50  
Cable: MEASUREMENTS  
Stockholm  
Telex: 10721  
Hewlett-Packard Sverige AB  
Hagakersgatan 9C  
S-431 41 Mölndal  
Tel: (031) 27 68 00/01  
Telex: Via Bromma

**SWITZERLAND**  
Hewlett-Packard (Schweiz) AG  
Zürcherstrasse 20  
P.O. Box 64  
CH-8952 Schlieren Zurich  
Tel: (01) 98 18 21/24  
Cable: HPAG CH  
Telex: 53933 hpag ch  
Hewlett-Packard (Schweiz) AG  
9, Chemin Louis-Pictet  
CH-1214 Vernier - Geneva  
Tel: (022) 41 4950  
Cable: HEWPAKSA Geneva  
Telex: 27 333 hpsa ch

**TURKEY**  
Telekom Engineering Bureau  
Saglik Sok. No. 15/1  
Ayaspaşa-Beyoğlu  
P.O. Box 437 Beyoğlu  
TR-Istanbul  
Tel: 49 40 40  
Cable: TELEMAN Istanbul

**UNITED KINGDOM**  
Hewlett-Packard Ltd.  
224 Bath Road  
GB-Slough, SL1 4 DS, Bucks  
Tel: Slough (0753) 33341  
Cable: HEWPIE Slough  
Telex: 848413  
Hewlett-Packard Ltd.  
"The Grafons"  
Stamford New Road  
GB-Altrincham, Cheshire  
Tel: (061) 828-8626  
Telex: 668068  
Hewlett-Packard Ltd's registered  
address for V.A.T. purposes  
only  
70, Finsbury Pavement  
London, EC2A1SX  
Registered No: 690597

**SOCIALIST COUNTRIES PLEASE CONTACT:**  
Hewlett-Packard Ges.m.b.H.  
Handelskai 52/3  
P.O. Box 7  
A-1205 Vienna  
Ph: (0222) 33 66 06 to 09  
Cable: HEWPAK Vienna  
Telex: 75923 hewpak a

**ALL OTHER EUROPEAN COUNTRIES CONTACT:**  
Hewlett-Packard S.A.  
Rue du Bois-du-Lan 7  
P.O. Box 85  
CH-1217 Meyrin 2 Geneva  
Switzerland  
Tel: (022) 41 54 00  
Cable: HEWPAKSA Geneva  
Telex: 2 24 86

#### AFRICA, ASIA, AUSTRALIA

**ANGOLA**  
Telectra-Empresa Tecnica  
de Equipamentos Electricos  
SARL  
Rua de Barbosa, Rodrigues,  
42-1, D1  
P.O. Box 6487  
Luanda  
Cable: TELECTRA Luanda

**AUSTRALIA**  
Hewlett-Packard Australia  
Pty. Ltd.  
22-26 Weir Street  
Glen Iris, 3146  
Victoria  
Tel: 20-1371 (6 lines)  
Cable: HEWPAK Melbourne  
Telex: 31 024  
Hewlett-Packard Australia  
Pty. Ltd.  
31 Bridge Street  
Pymble  
New South Wales, 2073  
Tel: 449 6566  
Telex: 21561  
Cable: HEWPAK Sydney  
Hewlett-Packard Australia  
Pty. Ltd.  
97 Churchill Road  
Prospect 5082  
South Australia  
Tel: 44 8151  
Cable: HEWPAK Adelaide  
Hewlett-Packard Australia  
Pty. Ltd.  
1st Floor, Suite 12/13  
Casabanda Buildings  
196 Adelaide Terrace  
Perth, W.A. 6000  
Tel: 25-6800  
Cable: HEWPAK Perth  
Hewlett-Packard Australia  
Pty. Ltd.  
10 Woolley Street  
P.O. Box 191  
Blickans A.C.T. 2602  
Tel: 49-8194  
Cable: HEWPAK Canberra ACT  
Hewlett-Packard Australia  
Pty. Ltd.  
2nd Floor, 49 Gregory Terrace  
Brisbane, Queensland, 4000  
Tel: 29 1544

**CEYLON**  
United Electronics Ltd.  
P.O. Box 681  
Colombo 2  
Tel: 28696  
Cable: HOTPOINT Colombo

**CYPRUS**  
Kyptronics  
19 Gregorios & Xenopoulos Road  
P.O. Box 1152  
Cy-Nicosia  
Tel: 45628/29  
Cable: KYPRONICS PANDEHIS

**ETHIOPIA**  
African Salespower & Agency  
Private Ltd., Co.  
P.O. Box 718  
58/59 Cunningham St.  
Addis Ababa  
Tel: 12285  
Cable: ASACO Adlaba

**HONG KONG**  
Schmidt & Co. (Hong Kong) Ltd.  
P.O. Box 297  
1511, Prince's Building  
15th Floor  
10, Chater Road  
Hong Kong  
Tel: 240156, 232735  
Telex: KXK476 SCHMCO  
Cable: SCHMIDTCO Hong Kong

**INDIA**  
Blue Star Ltd.  
Kasturi Buildings  
Jamshedji Tala Rd  
Bombay 400 020  
Tel: 29 50 21  
Telex: 3751  
Cable: BLUEFROST  
Blue Star Ltd.  
Sahas  
414/2 Vir Savarkar Marg  
Prabhadevi  
Bombay 400 025  
Tel: 45 73 01  
Telex: 3751  
Cable: BLUESTAR  
Blue Star Ltd.  
14/40 Civil Lines  
Kamapur 208 001  
Tel: 6 88 82  
Cable: BLUESTAR  
Blue Star Ltd.  
7 Mare Street  
P.O. Box 506  
Calcutta 700 001  
Tel: 23-0131  
Telex: 655  
Cable: BLUESTAR  
Blue Star Ltd.  
Blue Star House,  
34 Ring Road  
Lajpat Nagar  
New Delhi 110 024  
Tel: 62 32 76  
Telex: 463  
Cable: BLUESTAR  
Blue Star Ltd.  
Blue Star House  
11/11A Nagrath Road  
Bangalore 560 025  
Tel: 51473  
Telex: 430  
Cable: BLUESTAR

**INDONESIA**  
Blue Star Ltd.  
23/24 Second Line Beach  
Madras 600 001  
Tel: 2 39 55  
Telex: 375  
Cable: BLUESTAR  
Blue Star Ltd.  
18 Kaiser Bungalow  
Dindli Road  
Jamshepur 831 001  
Tel: 38 04  
Cable: BLUESTAR  
Telex: 240  
INDONESIA  
Bah Bolon Trading Coy. N.V.  
Djaloh Merdeka 29  
Bandung  
Tel: 4915; 51560  
Cable: ILMU  
Telex: 08-809

**IRAN**  
Multicorp International Ltd.  
Avenue Soraya 130  
P.O. Box 1212  
IR-Teheran  
Tel: 83 10 35-39  
Cable: MULTICORP Tehran  
Telex: 2893 MCI TN

**ISRAEL**  
Electronics & Engineering  
Div. of Motorola Israel Ltd.  
17 Amnadvav Street  
Tel-Aviv  
Tel: 36941 (3 lines)  
Cable: BASTEL Tel-Aviv  
Telex: 33569

**JAPAN**  
Yokogawa-Hewlett-Packard Ltd.  
Ohashi Building  
1-59-1 Yoyogi  
Shibuya-ku, Tokyo  
Tel: 03-370-2281/92  
Telex: 232-2024YHP  
Cable: YHPMARKET TOK 23-724  
Yokogawa-Hewlett-Packard Ltd.  
Nisei Ibaragi Bldg.  
2-2-8 Kasuga  
Ibaragi-Shi  
Osaka  
Tel: (0726) 23-1641  
Telex: 5332-385 YHP OSAKA  
Yokogawa-Hewlett-Packard Ltd.  
Nakano Building  
No. 24 Kamisazama-cho  
Nakamura-ku, Nagoya City  
Tel: (052) 571-5171  
Yokogawa-Hewlett-Packard Ltd.  
Nittō Bldg.  
2-4-2 Shinohara-Kita  
Kohoku-ku  
Yokohama 222  
Tel: 045-632-1504  
Telex: 382-3204 YHP YOK

**KENYA**  
Kenya Kinetics  
P.O. Box 18311  
Nairobi, Kenya  
Tel: 57726  
Cable: PROTON

**KOREA**  
American Trading Company  
Korea,  
I.P.O. Box 1103  
Dae Kyung Bldg., 8th Floor  
107 Sejong-Ro  
Chongro-Ku, Seoul  
Tel: (4 lines) 73-8924-7  
Cable: AMTRACO Seoul

**LEBANON**  
Consolidated E. Macridis  
P.O. Box 7213  
RI-Beirut  
Tel: 220846  
Cable: ELECTRONUCLEAR Beirut

**MALAYSIA**  
MECOMB Malaysia Ltd.  
2 Lorong 13/6A  
Section 13  
Petaling Jaya, Selangor  
Cable: MECOMB Kuala Lumpur

**MOZAMBIQUE**  
A.N. Goncalves, Lda.  
162, Av. D. Luis  
P.O. Box 107  
Lourenço Marques  
Tel: 27091; 27114  
Telex: 6-203 Negon Mo  
Cable: NEGON

**NEW ZEALAND**  
Hewlett-Packard (N.Z.) Ltd.  
94-96 Dixon Street  
P.O. Box 9443  
Courtenay Place,  
Wellington  
Tel: 59-559  
Telex: 38958  
Cable: HEWPAK Wellington  
Hewlett-Packard (N.Z.) Ltd.  
Pakuranga Professional Centre  
267 Pakuranga Highway  
Box 51092  
Pakuranga  
Tel: 569-651  
Cable: HEWPAK Auckland

**NIGERIA**  
TEIL (Mascon Division)  
25 Morson Street, Suru-Lere,  
P.O. Box 5707  
Lagos  
Tel: 34545  
Cable: THEITEI Lagos

**PAKISTAN**  
Mushko & Company, Ltd.  
Osman Chambers  
Abdullah Haroon Road  
Karachi 3  
Tel: 511027; 512927  
Cable: COOPERATOR Karachi  
Mushko & Company, Ltd.  
38B, Satellite Town  
Rawalpindi  
Tel: 41924  
Cable: FEMUS Rawalpindi

**PHILIPPINES**  
Electromex, Inc.  
6th Floor, Amalgamated  
Development Corp. Bldg.  
Ayala Avenue, Makati, Rizal  
C.C.P.O. Box 1028  
Makati, Rizal  
Tel: 86-18-87, 87-76-77,  
87-86-88, 87-18-45, 88-91-71,  
83-81-12, 83-82-12  
Cable: ELEMEX Manila

**SINGAPORE**  
Mechanical and Combustion  
Engineering Company Ltd.  
10/12, Jalan Kilang  
Red Hill Industrial Estate  
Singapore, 3  
Tel: 647151 (7 lines)  
Cable: MECOMB Singapore  
Hewlett-Packard Far East  
Area Office  
P.O. Box 87  
Alexandra Post Office  
Singapore 3  
Tel: 633022  
Cable: HEWPAK SINGAPORE

**SOUTH AFRICA**  
Hewlett-Packard South Africa  
(Pty.), Ltd.  
P.O. Box 31716  
Braamfontein Transvaal  
Miltoner  
30 De Beer Street  
Johannesburg  
Tel: 725-2080, 725-2030  
Telex: 0226 JH  
Cable: HEWPAK Johannesburg  
Hewlett-Packard South Africa  
(Pty.), Ltd.  
Breuel House  
Bree Street  
Cape Town  
Tel: 2-6941/2/3  
Cable: HEWPAK Cape Town  
Telex: 0006 CT  
Hewlett-Packard South Africa  
(Pty.), Ltd.  
641 Ridge Road, Durban  
P.O. Box 99  
Overport, Natal  
Tel: 86-6102  
Telex: 567954  
Cable: HEWPAK

**TAIWAN**  
Hewlett-Packard Taiwan  
59 Chung Shiao West Road  
Sec. 1  
Overseas Insurance  
Corp. Bldg. 7th Floor  
Taipei  
Tel: 389160, 1, 2, 375121,  
Ext. 240-249  
Cable: TP824 HEWPAK  
Cable: HEWPAK Taipei

**THAILAND**  
UNIMESA Co., Ltd.  
Chongkoinoi Building  
56 Surinwongse Road  
Bangkok  
Tel: 37556, 31300, 31307,  
37540  
Cable: UNIMESA Bangkok

**UGANDA**  
Uganda Tele-Electric Co., Ltd.  
P.O. Box 4449  
Kampala  
Tel: 57279  
Cable: COMCO Kampala

**VIETNAM**  
Peninsular Trading Inc.  
P.O. Box H-3  
216 Hien-Vuong  
Saigon  
Tel: 20-805, 93398  
Cable: PENTRA, SAIGON 242

**ZAMBIA**  
R. J. Tibury (Zambia) Ltd.  
P.O. Box 2792  
Lusaka  
Zambia, Central Africa  
Tel: 73793  
Cable: ARIAYTEE, Lusaka

**MEDITERRANEAN AND MIDDLE EAST COUNTRIES NOT SHOWN PLEASE CONTACT:**  
Hewlett-Packard  
Co-ordination Office for  
Mediterranean and Middle  
East Operations  
Piazza Marconi 25  
I-00144 Rome-Eur, Italy  
Tel: (6) 59 40 29  
Cable: HEWPAKIT Rome  
Telex: 81514  
OTHER AREAS NOT LISTED, CONTACT:  
Hewlett-Packard  
Export Trade Company  
3200 Hillview Ave.  
Palo Alto, California 94304  
Tel: (415) 326-7000  
(Feb. 7, 1993-1501)  
TWX: 910-373-1267  
Cable: HEWPAK Palo Alto  
Telex: 034-8300, 034-8493



MANUAL PART NUMBER 05382-90001  
MICROFICHE PART NUMBER 05382-90002

PRINTED IN U.S.A.