

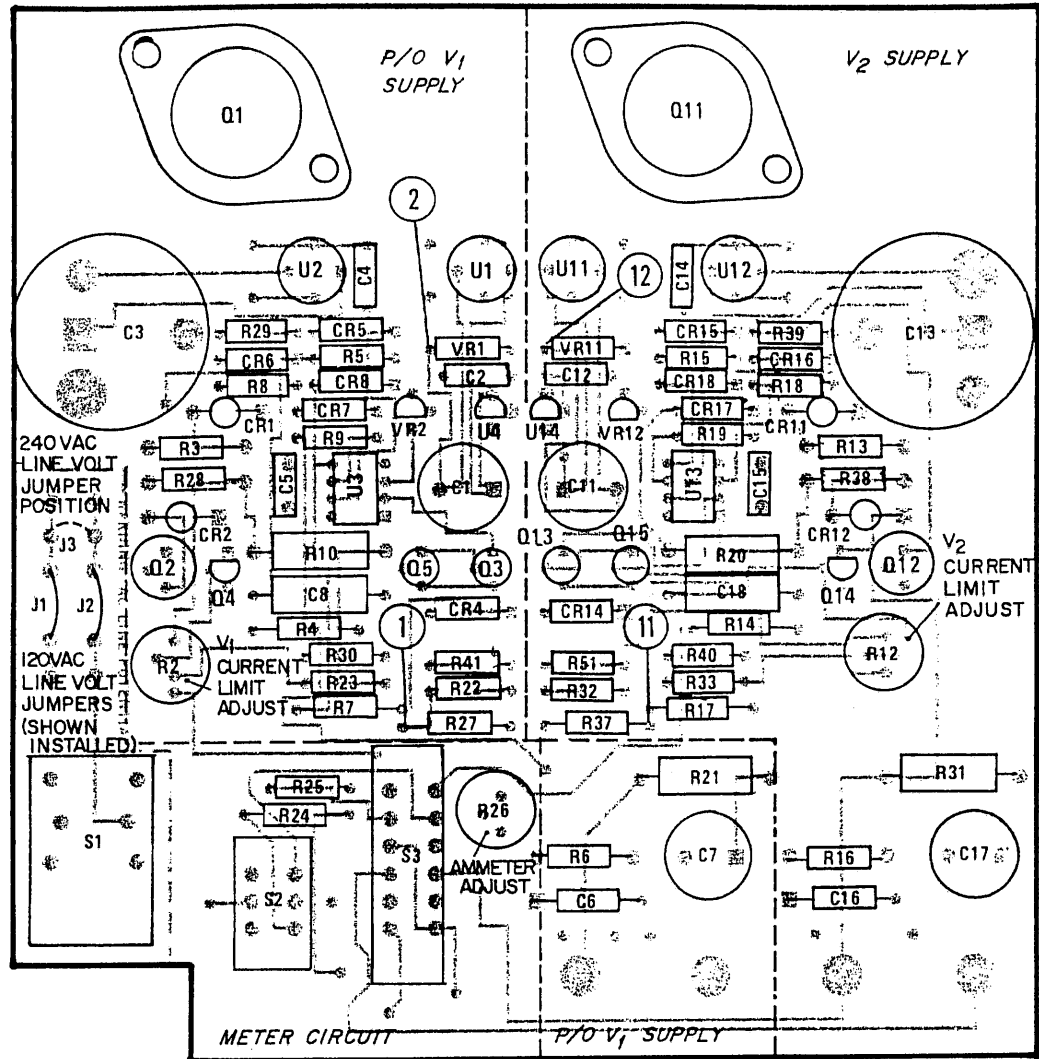
SECTION VII CIRCUIT DIAGRAMS

7-1 COMPONENT LOCATION DIAGRAM

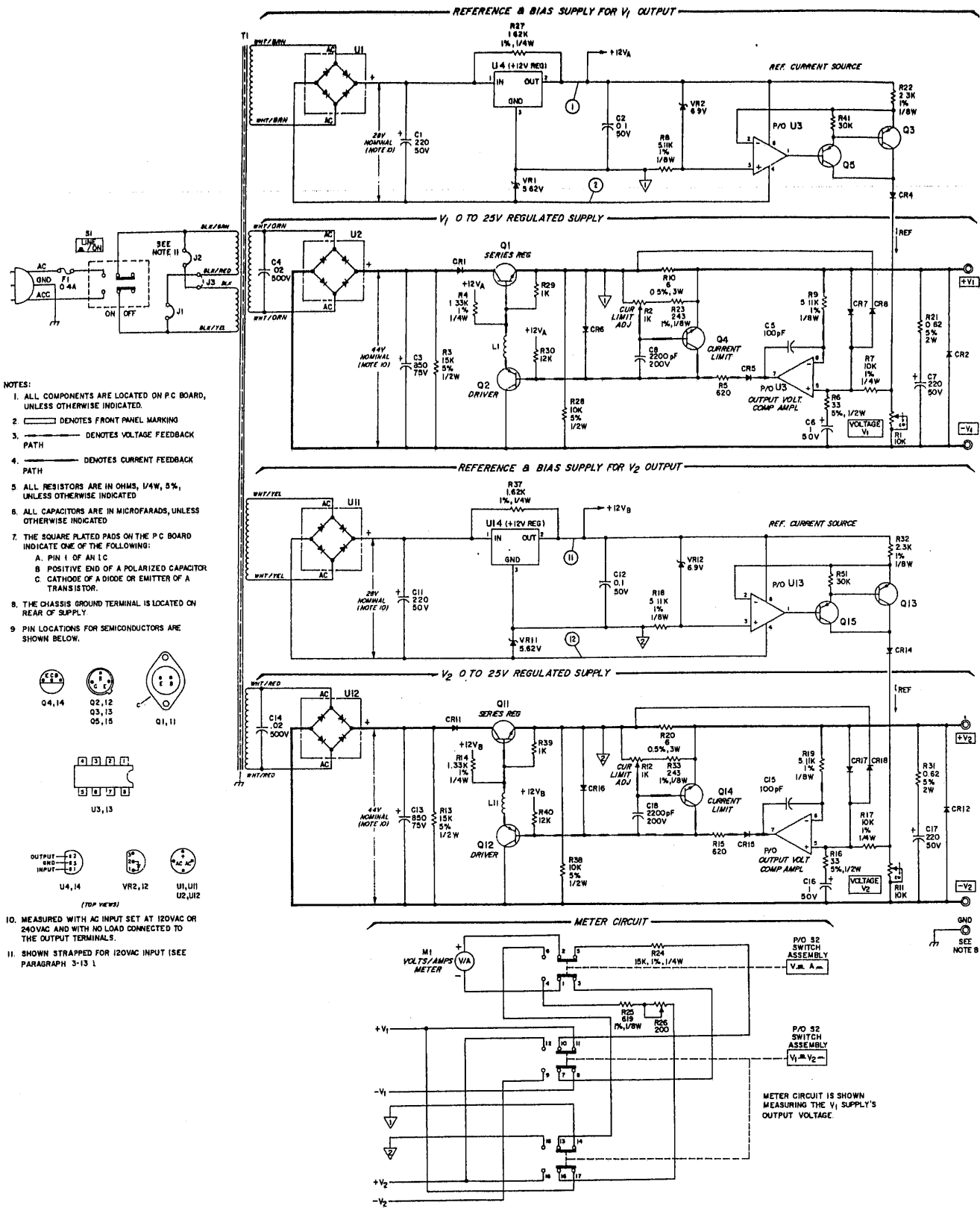
7-2 The component location diagram for power supply Model 6234A is given below. The illustration shows the physical locations and reference designations of parts mounted on the printed circuit card.

7-3 SCHEMATIC DIAGRAM

7-4 Figure 7-1 is a schematic diagram of the 6234A. The test points (circled numbers) shown on the schematic correspond to those on the component location diagram and in the troubleshooting procedure in Section V.



Model 6234A, Component Locations



- NOTES:**
1. ALL COMPONENTS ARE LOCATED ON P.C BOARD, UNLESS OTHERWISE INDICATED.
 2. DENOTES FRONT PANEL MARKING
 3. DENOTES VOLTAGE FEEDBACK PATH
 4. DENOTES CURRENT FEEDBACK PATH
 5. ALL RESISTORS ARE IN OHMS, 1/4W, 5%, UNLESS OTHERWISE INDICATED
 6. ALL CAPACITORS ARE IN MICROFARADS, UNLESS OTHERWISE INDICATED
 7. THE SQUARE PLATED PADS ON THE P.C BOARD INDICATE ONE OF THE FOLLOWING:
 - A. PIN 1 OF AN IC
 - B. POSITIVE END OF A POLARIZED CAPACITOR
 - C. CATHODE OF A DIODE OR EMITTER OF A TRANSISTOR.
 8. THE CHASSIS GROUND TERMINAL IS LOCATED ON REAR OF SUPPLY.
 9. PIN LOCATIONS FOR SEMICONDUCTORS ARE SHOWN BELOW.
- (TOP VIEWS)**
- U4, U1, U2, U12
 VR2, VR1
 Q4, Q2, Q3, Q5, Q1, Q11
 U3, U13
 U4, U14
 VR2, VR1
 U1, U11, U2, U12

10. MEASURED WITH AC INPUT SET AT 120VAC OR 240VAC AND WITH NO LOAD CONNECTED TO THE OUTPUT TERMINALS.
11. SHOWN STRAPPED FOR 120VAC INPUT (SEE PARAGRAPH 3-13 I)

Figure 7-1. Model 6234A, Schematic Diagram