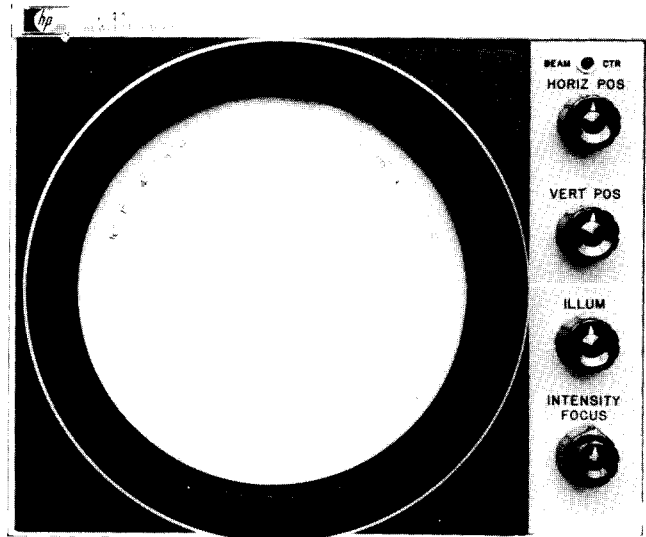


POLAR DISPLAY

8414A



**HEWLETT
PACKARD**

CERTIFICATION

Hewlett-Packard Company certifies that this product met its published specifications at the time of shipment from the factory. Hewlett-Packard further certifies that its calibration measurements are traceable to the United States National Bureau of Standards, to the extent allowed by the Bureau's calibration facility, and to the calibration facilities of other International Standards Organization members.

WARRANTY

This Hewlett-Packard instrument product is warranted against defects in material and workmanship for a period of one year from date of shipment. During the warranty period, Hewlett-Packard Company will, at its option, either repair or replace products which prove to be defective.

For warranty service or repair, this product must be returned to a service facility designated by HP. Buyer shall prepay shipping charges to HP and HP shall pay shipping charges to return the product to Buyer. However, Buyer shall pay all shipping charges, duties, and taxes for products returned to HP from another country.

HP warrants that its software and firmware designated by HP for use with an instrument will execute its programming instructions when properly installed on that instrument. HP does not warrant that the operation of the instrument, or software, or firmware will be uninterrupted or error free.

LIMITATION OF WARRANTY

The foregoing warranty shall not apply to defects resulting from improper or inadequate maintenance by Buyer, Buyer-supplied software or interfacing, unauthorized modification or misuse, operation outside of the environmental specifications for the product, or improper site preparation or maintenance.

NO OTHER WARRANTY IS EXPRESSED OR IMPLIED. HP SPECIFICALLY DISCLAIMS THE IMPLIED WARRANTIES OF MERCHANTABILITY AND FITNESS FOR A PARTICULAR PURPOSE.

EXCLUSIVE REMEDIES

THE REMEDIES PROVIDED HEREIN ARE BUYER'S SOLE AND EXCLUSIVE REMEDIES. HP SHALL NOT BE LIABLE FOR ANY DIRECT, INDIRECT, SPECIAL, INCIDENTAL, OR CONSEQUENTIAL DAMAGES, WHETHER BASED ON CONTRACT, TORT, OR ANY OTHER LEGAL THEORY.

ASSISTANCE

Product maintenance agreements and other customer assistance agreements are available for Hewlett-Packard products.

For any assistance, contact your nearest Hewlett-Packard Sales and Service Office. Addresses are provided at the back of this manual.

8414A POLAR DISPLAY

SERIAL NUMBERS

This manual applies directly to instruments with serial numbers prefixed 981 and 1144A.

With changes described in Section VII, this manual also applies to instruments with serial numbers prefixed 936 and 940.

For additional important information concerning serial numbers, see INSTRUMENTS COVERED BY MANUAL in Section I.

This manual does not apply to serial numbers prefixed 933 and below.

Copyright HEWLETT-PACKARD COMPANY 1970
1501 PAGE MILL ROAD, PALO ALTO, CALIFORNIA, U. S. A.

MANUAL PART NO. 08414-90016
Microfiche Part No. 08414-90013

Printed SEPT. 1973



**HEWLETT
PACKARD**

TABLE OF CONTENTS

Section	Page	Section	Page
I GENERAL INFORMATION	1-1	IV PERFORMANCE TESTS	4-1
1-1. Description	1-1	4-1. Introduction	4-1
1-4. Equipment Supplied	1-2	4-4. Equipment Required	4-1
1-6. Instruments Covered by Manual .	1-2	4-6. Test Record	4-1
1-10. Options	1-2	4-8. Accuracy Test	4-3
II INSTALLATION	2-1	4-9. Horizontal and Vertical Output Tests	4-4
2-1. Initial Inspection	2-1	4-10. Marker and Blanking Input Tests	4-4
2-3. Repackaging for Shipment . . .	2-1	V ADJUSTMENT PROCEDURES	5-1
2-4. Using Original Packaging . . .	2-1	5-1. Introduction	5-1
2-8. Using Other Packaging	2-1	5-5. Factory Selected Components .	5-1
2-10. Preparation for Use	2-1	5-7. Equipment Required	5-1
2-11. Installation	2-1	5-9. Trace Alignment and Vertical Gain Adjustment	5-4
2-13. Power Requirements	2-1	5-10. Phase, Recorder Gain and Pattern Shape Adjustments .	5-6
III OPERATION	3-1	5-11. Astigmatism Adjustment	5-8
3-1. Introduction	3-1	5-12. Illumination Adjustment	5-8
3-3. Panel Features	3-1	5-13. Intensity Adjustment	5-9
3-5. Measurement Procedures	3-1	5-14. Manual Beam Centering Zero Adjustment	5-10
3-7. Operating Information	3-1	5-15. Phase Zero Adjustment	5-12
3-8. Polar Display of Reflection Coefficient and Phase Angle .	3-1	VI REPLACEABLE PARTS	6-1
3-10. High Resolution Display of Reflection Coefficient Meas- urements	3-1	6-1. Introduction	6-1
3-12. Polar Display of Return Loss .	3-3	6-3. Ordering Information	6-1
3-15. Polar Display of Transmission Measurements	3-3	VII MANUAL CHANGES	7-1
3-20. Scattering Parameters Measure- ment	3-4	7-1. Introduction	7-1
3-22. Polar Display of Normalized Impedance and Admittance .	3-4	VIII SERVICE	8-1
3-24. Alternate Smith Chart Over- lays	3-5	8-1. Introduction	8-1
3-29. Marking Frequency on the Display	3-5	8-3. Principles of Operation	8-1
3-31. Display Blanking	3-5	8-5. Troubleshooting	8-1
3-33. Increased Accuracy for Reflec- tion Measurements by Min- imizing Directivity Errors .	3-5	8-7. Recommended Test Equipment .	8-1
3-36. H26-8414A Polar Display	3-7	8-9. Repair	8-1
		8-10. Part Location Aids	8-1
		8-12. Circuit Board Repair	8-1
		8-15. Component Replacement	8-1
		8-17. Transistor Replacement	8-2
		8-19. Diode Replacement	8-2
		8-21. Schematic Diagrams	8-3

LIST OF ILLUSTRATIONS

Figure	Title	Page	Figure	Title	Page
1-1.	Model 8414A Polar Display	1-0	8-6.	Conversion of Typical Time-Amplitude Graph to Polar Graph	8-8
3-1.	Model 8414A Front and Rear Panel Features	3-2	8-7.	Polar Vector of Test Signal	8-8
3-2.	Return Loss Overlay	3-3	8-8.	Horizontal and Vertical Vectors Required to Deflect CRT Beam	8-9
3-3.	Typical Smith Chart Display of Normalized Impedance	3-4	8-9.	Vector Graph of a Typical Test Signal	8-9
3-4.	Smith Chart Plot of Admittance Point	3-5	8-10.	Simplified Overall Block Diagram	8-9
3-5.	CRT Overlays	3-6	8-11.	Test Point Locations	8-11
3-6.	Measured Reflection Coefficient	3-7	8-12.	Detailed Block Diagram	8-11
3-7.	Locus of Measured Reflection when Load is Moved	3-7	8-13.	Phase Shifter and Phase Detectors, Component Identification	8-13
3-8.	Locus of Measured Reflection with Directivity Cancelled	3-7	8-14.	Phase Shifter and Phase Detectors, Schematic Diagram	8-13
3-9.	Reflection Coefficient Measurement	3-8	8-15.	Low Pass Filters and Horizontal and Vertical Drivers, Component Identification	8-15
3-10.	Transmission Measurement	3-10	8-16.	Low Pass Filters and Horizontal and Vertical Drivers, Schematic Diagram	8-15
3-11.	Typical Polar Displays During Initial Calibration Adjustment	3-11	8-17.	Intensity Modulator, Component Identification	8-17
3-12.	Model 8414A-H26 Polar Display and Automatic System Interface Block Diagram	3-12	8-18.	Intensity Modulator, Schematic Diagram	8-17
4-1.	Performance Test Equipment Setup	4-2	8-19.	CRT High and Low Voltage Supplies and +150 Volt Supply, Component Identification	8-19
5-1.	Setup for Trace Alignment and Vertical Gain Adjustment	5-5	8-20.	CRT High and Low Voltage Supplies and +150 Volt Supply, Schematic Diagram	8-19
5-2.	Setup for Phase, Recorder Gain and Pattern Shape Adjustments	5-7	8-21.	Mainframe Plug-In Connector Detail for H26-8414A	8-20
5-3.	Setup for Manual Beam Centering Zero Adjustment	5-11	8-22.	Mainframe Plug-In Connector Detail for Standard 8414A	8-21
5-4.	Setup for Phase Zero Adjustment	5-13	8-23.	Interconnection Diagram	8-21
6-1.	Cabinet Parts	6-11	8-24.	Location of Adjustments, Chassis-mounted Parts and Major Assemblies	8-23
8-1.	Examples of Diode and Transistor Marking Methods	8-3			
8-2.	General Information on Schematic Diagrams	8-5			
8-3.	Schematic Diagram Notes	8-6			
8-4.	Setup for Troubleshooting	8-7			
8-5.	Phase and Amplitude Relationship of Typical Reference and Test Signals	8-8			

LIST OF TABLES

Table	Title	Page	Table	Title	Page
1-1.	Specifications	1-1	6-3.	Parts List Indexed by HP Part Number	6-12
4-1.	Recommended Test Equipment	4-1	6-4.	Code List of Manufacturers	6-15
4-2.	Performance Test Record	4-5	8-1.	Recommended Test Equipment	8-0
5-1.	Recommended Test Equipment	5-2	8-2.	Printed Circuit Soldering Equipment	8-2
5-2.	Adjustment Controls and Functions	5-3	8-3.	Ohmmeters Used for Transistor Testing	8-4
6-1.	Reference Designations and Abbreviations	6-1	8-4.	Out-of-Circuit Transistor Testing	8-5
6-2.	Parts List Indexed by Reference Designation	6-2	8-5.	Intensity Modulator DC Voltage Measurements	8-16

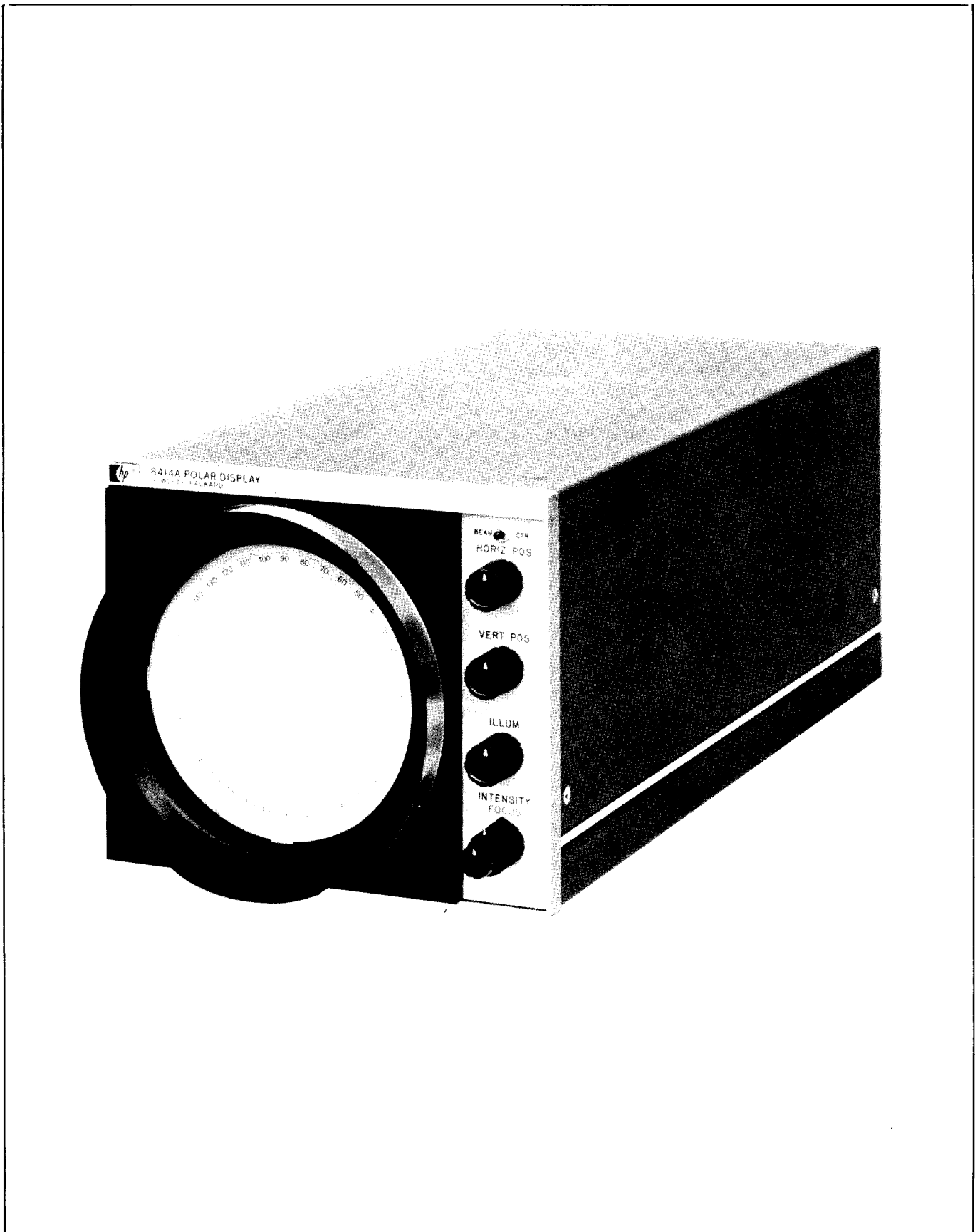


Figure 1-1. Model 8414A Polar Display

SECTION I GENERAL INFORMATION

1-1. DESCRIPTION.

1-2. The Hewlett-Packard Model 8414A Polar Display (Figure 1-1) is a plug-in display unit for Hewlett-Packard Model 8410A and Model 8407A Network Analyzers. It displays, in polar form on a five-inch CRT, the relative phase and magnitude of the signals applied to the Network Analyzer.

1-3. The CRT's internal graticule has five circular magnitude divisions and 36 radial ten-degree phase divisions. Full scale magnitude calibration is determined by controls on the Network Analyzer. The internal graticule, augmented by a set of snap-on overlays, allows the display to be read directly in reflection coefficient, impedance or return loss for maximum convenience in viewing and photo-

graphing displays. An additional convenience for photographing displays is provided by panel-controlled, internal graticule illumination eliminating the need for an ultraviolet light source in the camera. A beam centering pushbutton, in conjunction with continuous action positioning controls, permits easy initial calibration and accuracy-improving offset adjustments. Rear-panel blanking and marker inputs accept externally-generated signals for between sweep display blanking and for frequency marking by beam brightening. The horizontal and vertical components of the polar display are available at separate rear-panel outputs for driving external displays such as X-Y graphic recorders. The polar display is fully transistorized, except for the CRT, and is powered by the Network Analyzer mainframe. Complete specifications are given in Table 1-1.

Table 1-1. Specifications

<p>Range: Normalized polar coordinate display; magnitude calibration 20 percent of full scale per division. Scale factor is a function of gain setting on Network Analyzer. Maximum scale factor 10, minimum 0.0316. Phase is calibrated in ten-degree increments over 360-degree range.</p> <p>Accuracy: Error circle on CRT less than 3 mm radius.</p> <p>Output: Two dc outputs provide horizontal and vertical components of polar quantity. For full scale deflection output is nominally ± 2.5 volts, source impedance less than 100 ohms, minimum bandwidth (3 dB) 10 kHz.</p> <p>Drift: CRT, $< \pm 0.2$ mm/$^{\circ}$C; auxiliary outputs, $< \pm 10$ mV/$^{\circ}$C.</p> <p>Beam Center: Pressing BEAM CTR pushbutton simulates zero signal input to test channel and allows convenient beam position adjustment for reference.</p> <p>CRT: Five-inch, 5-kV post accelerator tube with P-2 phosphor and internal polar graticule.</p>	<p>Marker Input (rear panel): Accepts frequency marker output pulse from HP 8690-series or 690-series Sweep Oscillators, -5 volts peak. Trace is brightened for duration of marker pulse.</p> <p>Blanking Input (rear panel): Accepts -4 volt blanking pulse from HP 8690-series and 690-series Sweep Oscillators to blank retrace during sweep operation.</p> <p>Background Illumination: Controls intensity of CRT background illumination for photography. Eliminates need for ultraviolet light source in oscilloscope camera when photographing internal graticule.</p> <p>Power: Additional 35 watts supplied by Network Analyzer.</p> <p>Weight: Net, 11 lb (4,9 kg).</p> <p>Dimensions: 6 in. high, 15-9/16 in. deep, 7-9/32 in. wide (15,2 x 39, 5 x 18, 6 cm), excluding front panel knobs.</p>
--	---

1-4. EQUIPMENT SUPPLIED.

1-5. The Polar Display has 16 chart overlays provided as accessories, 12 Smith Chart and four return loss overlays. These overlays are plastic sheets that snap onto the face of the CRT. Three different Smith Chart scale factors are used and four different styles of each scale are supplied for different applications (refer to Figure 3-5).

1-6. INSTRUMENTS COVERED BY MANUAL

1-7. This instrument has a two-part serial number. The first four digits and the letter comprise the serial number prefix. The last five digits form the sequential suffix that is unique to each instrument. The contents of this manual apply directly to instruments having the same serial number prefix(es) as listed under SERIAL NUMBERS on the title page.

1-8. An instrument manufactured after the printing of this manual may have a serial prefix that is not listed on the title page. This unlisted serial prefix indicates that the instrument is different from those documented in this manual. The manual for this instrument is supplied with a yellow Manual Changes supplement that contains "change information" that documents the differences.

1-9. For information concerning a serial number prefix not listed on the title page or in the Manual Changes supplement, contact your nearest Hewlett-Packard office.

1-10. OPTION

1-11. The Option H26 modification to the standard 8414A Polar Display allows computerized control of magnitude and phase data in the 8542A series Automatic Network Analyzer systems. See Figure 3-12 for further information.

SAFETY CONSIDERATIONS

GENERAL

This product and related documentation must be reviewed for familiarization with safety markings and instructions before operation. This product has been designed and tested in accordance with international standards.

SAFETY SYMBOLS



Instruction manual symbol: the product will be marked with this symbol when it is necessary for the user to refer to the instruction manual (refer to Table of Contents).



Indicates hazardous voltages.



Indicates earth (ground) terminal.

WARNING

The **WARNING** sign denotes a hazard. It calls attention to a procedure, practice, or the like, which, if not correctly performed or adhered to, could result in personal injury. Do not proceed beyond a **WARNING** sign until the indicated conditions are fully understood and met.

CAUTION

The **CAUTION** sign denotes a hazard. It calls attention to an operating procedure, practice, or the like, which, if not correctly performed or adhered to, could result in damage to or destruction of part or all of the product. Do not proceed beyond a **CAUTION** sign until the indicated conditions are fully understood and met.

SAFETY EARTH GROUND

This is a Safety Class I product (provided with a protective earthing terminal). An uninterruptible safety earth ground must be provided from the main power source to the product input wiring terminals, power cord, or supplied power cord set. Whenever it is likely that the protection has been impaired, the product must be made inoperative and be secured against any unintended operation.

BEFORE APPLYING POWER

Verify that the product is configured to match the available main power source per the input power configuration instructions provided in this manual.

If this product is to be energized via an autotransformer make sure the common terminal is connected to the neutral (grounded side of mains supply).

SERVICING

WARNING

Any servicing, adjustment, maintenance, or repair of this product must be performed only by qualified personnel.

Adjustments described in this manual may be performed with power supplied to the product while protective covers are removed. Energy available at many points may, if contacted, result in personal injury.

Capacitors inside this product may still be charged even when disconnected from its power source.

To avoid a fire hazard, only fuses with the required current rating and of the specified type (normal blow, time delay, etc.) are to be used for replacement.

SECTION II INSTALLATION

2-1. INITIAL INSPECTION.

2-2. Inspect the instrument for shipping damage as soon as it is unpacked. Check for broken knobs and connectors; inspect cabinet and panel surfaces for dents and scratches. Check electrical performance using procedures in Section IV. If the instrument is damaged in any way, or fails to operate properly, notify the carrier and your nearest Hewlett-Packard Sales and Service Office. In the event of mechanical damage, the packing material and carton should be held for carrier's inspection. For assistance of any kind, including instruments under warranty, contact the nearest Hewlett-Packard Sales Office.

2-3. REPACKAGING FOR SHIPMENT.

2-4. Using Original Packaging.

2-5. The same type containers and materials used in factory packaging can be obtained through any Hewlett-Packard office.

2-6. If the Model 8414A is being returned to Hewlett-Packard for servicing, attach a tag indicating the type of service required, return address, model number and full serial number. Also, mark the container FRAGILE to assure careful handling.

2-7. In any correspondence refer to the instrument by model number and full serial number.

2-8. Using Other Packaging.

2-9. The following general instructions should be used when repackaging with commercially-available materials:

a. Wrap the 8414A in heavy paper or plastic. (If shipping to a Hewlett-Packard service office or center, attach a tag indicating the type of service required, the return address, model number and full serial number.)

b. Use a strong shipping container. A double-wall carton made of 350 pound test material is adequate.

c. Use enough shock-absorbing material (three to four inch layer) around all sides of the instrument to provide firm cushion and prevent movement inside the container. Protect the control panel with cardboard.

d. Seal the shipping container securely, and mark it FRAGILE to assure careful handling.

e. In any correspondence refer to the instrument by model number and full serial number.

2-10. PREPARATION FOR USE.

2-11. Installation.

2-12. Instructions for installing the Polar Display in the Network Analyzer mainframe are in the Network Analyzer Operating and Service manual.

2-13. Power Requirements.

2-14. The Polar Display obtains power from the Network Analyzer mainframe through the rear connector, when it is properly installed.

SECTION III OPERATION

3-1. INTRODUCTION.

3-2. Signals from the Network Analyzer containing phase and amplitude information are fed to the 8414A through a rear-panel connector. These signals are resolved into vertical and horizontal deflection signals and applied to the CRT, where they are displayed in polar form. Signals from the horizontal and vertical amplifiers are available at rear-panel output connectors for use with an external X-Y recorder or oscilloscope. Controls on the front panel provide centering, focus and intensity adjustments for the CRT display.

CAUTION

MECHANICAL SHOCK. Do not bump or jar the Polar Display as misalignment of the CRT gun may result.

MAGNETIC FIELDS. Do not place the Polar Display near a sweep generator containing a BWO which has an unshielded magnet or the CRT will be permanently magnetized, causing poor focus. Separate the 8414A from any magnetic source by at least two feet.

3-3. PANEL FEATURES.

3-4. Front and rear panel controls, connectors and indicators are described in Figure 3-1. In this figure the numbers on the illustrations match the description numbers.

3-5. MEASUREMENT PROCEDURES.

3-6. General measurement procedures are given in Figures 3-9 and 3-10. Measurement procedures using a specific transducer are given in the Operating and Service Manual or Operating Note for the particular transducer.

3-7. OPERATING INFORMATION.

3-8. Polar Display of Reflection Coefficient and Phase Angle.

3-9. If the device under test has an impedance of 50 ohms at all frequencies in the range being

swept, the display of its complex reflection coefficient is a dot at the center of the graticule. If the device does not have an impedance of 50 ohms at all frequencies the display of complex reflection coefficient is an irregular pattern which represents at each point:

- a. A specific frequency.
- b. A reflection coefficient magnitude, and
- c. Phase angle — The angle between the incident voltage and reflected voltage at the plane of measurement.

The magnitude of the reflection coefficient of the device under test may be read on the concentric circles, using the scale reflection coefficient $\Gamma = 0.2/\text{division}$, with zero at the center and 1.0 at the outer circle. The phase angle may be read directly in degrees by drawing a radial line through the point on the display that represents the frequency of interest and reading the angle off the outside ring of the graticule.

3-10. High Resolution Display of Reflection Coefficient Measurements.

3-11. A device under test which is close to 50-ohms impedance produces a spot in the center of the CRT. This center section of the CRT may be expanded to give high resolution so that slight mismatch may be observed. To obtain higher resolution, add additional gain to the test channel by setting the Network Analyzer test channel gain¹ controls to a higher value. For instance, adding 14 dB gives full scale calibration of 0.2 and adding 20 dB gives full scale calibration of 0.1. Since initially the system was calibrated for a reflection coefficient of 1.0, determine the *change* in test channel gain¹ required to expand the full scale calibration to a desired reflection coefficient by:

$$-20 \log_{10} |\Gamma|$$

(which is equivalent to the Return Loss of the desired full scale reflection coefficient calibration).

¹Display reference for 8407A.

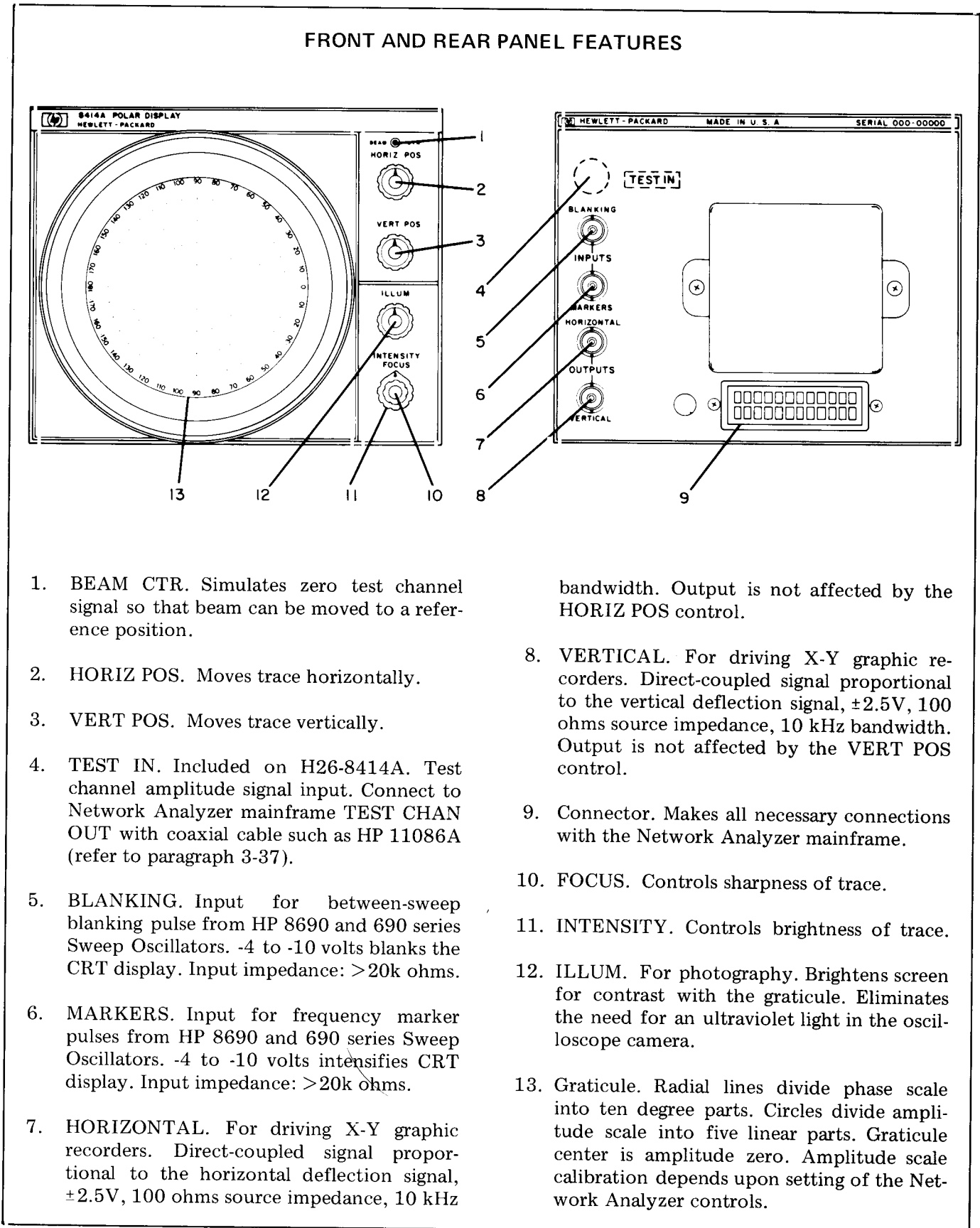


Figure 3-1. Model 8414A Front and Rear Panel Features

3-12. Polar Display of Return Loss.

3-13. With the Network Analyzer test channel gain¹ set to the calibration value, giving an indication of $\Gamma = 1.0$ full scale, a Return Loss overlay, such as the one shown in Figure 3-2 may be used on the CRT to convert reflection coefficient magnitude to return loss. The Return Loss overlay has concentric circles calibrated in dB, with zero at the outer circle, 1-dB increments to 10 dB, and an inner circle representing 20 dB. For return loss measurements of greater than 10 dB, resolution can be improved by changing the full scale calibration. To obtain higher resolution, add additional gain to the test channel by setting the Network Analyzer test channel gain¹ controls to a higher value. The outer or 0 dB circle will then equal the *change* in test channel gain¹. The total return loss is the sum of the change in test channel gain¹ plus the value indicated on the return loss overlay. For example, if the initial display indicated a return loss greater than 10 dB and a 12 dB increase in Network Analyzer test channel gain¹ moved the display indication to mid-point between the 0 and 1 dB graticule circles, the total return loss would be 12 dB plus 0.5 dB or 12.5 dB.

3-14. Four return-loss overlays are furnished with the Polar Display, two for viewing and two with parallax correction for photographing. There is a clear overlay and an opaque overlay for viewing, a

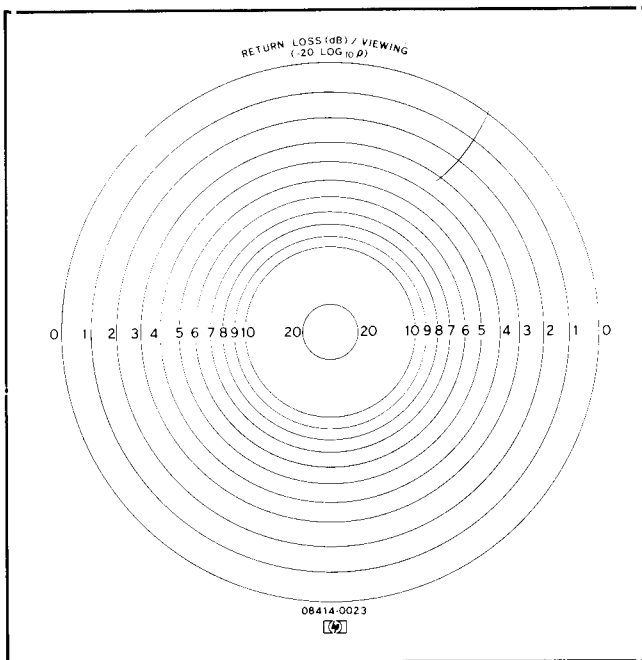


Figure 3-2. Return Loss Overlay

clear and an opaque overlay for photographing. The opaque overlays mask the internal graticule so only the overlay lines are visible.

3-15. Polar Display of Transmission Measurements.

3-16. A polar display of transmission measurements in dB or in transmission coefficient (τ) and phase angle can be obtained using the test setup and procedures in Figure 3-10. During calibration the display's outer ring is calibrated for a gain of one (0 dB) or $\tau = 1$. Phase angle for all transmission measurements may be read directly in degrees by drawing a radial line through the point on the display that represents the frequency of interest and reading the angle off the outside ring of the graticule.

3-17. Transmission Measurements of Attenuation or Gain in Transmission Coefficient (τ). If the unit under test is a passive device, producing attenuation of the test signal, the transmission coefficient magnitude can be determined in the same manner as reflection coefficient; i.e., the magnitude of the transmission coefficient may be read on the concentric circles, using the scale $\tau = 0.2/\text{division}$, with zero at the center and 1.0 at the outer circle. For high attenuation measurements, resolution can be improved by changing the full scale calibration. To obtain higher resolution, add additional gain to the test channel by setting the Network Analyzer test channel gain¹ controls to a higher value. For instance, adding 14 dB gives full scale calibration of 0.2 and adding 20 dB gives full scale calibration of 0.1. If the device under test is an active device, producing gain of the test signal, the full scale calibration must be increased by setting the Network Analyzer test channel gain¹ controls to a lower value. For instance, removing 6 dB gives full scale calibration of two, removing 14 dB gives full scale calibration of five, and removing 20 dB gives full scale calibration of ten.

3-18. Transmission Measurements of Attenuation or Gain in dB. During calibration the display's outer ring is calibrated for 0 dB. The attenuation or gain of the device under test may be determined by noting the Network Analyzer's test channel gain¹ setting and changing the test channel gain¹ to return the display to the outer circle. The difference in test channel gain¹ settings is the magnitude of the attenuation or gain.

¹Display reference for 8407A

3-19. Another way to determine attenuation or gain is to install a Return Loss overlay on the CRT. The Return Loss overlay has concentric circles in 1-dB increments to 10 dB. For attenuation of 10 dB or less, attenuation can be read directly from the overlay. For attenuation of greater than 10 dB, or for gain measurements, use a combination of change in Network Analyzer test channel gain and the Return Loss overlay. For example, if the initial display indicated an attenuation greater than 10 dB and a 12 dB increase in Network Analyzer test channel gain¹ moved the display indication to mid-point between the 0 and 1 dB graticule circles, the total attenuation would be 12 dB plus 0.5 dB or 12.5 dB.

3-20. Scattering Parameters Measurement.

3-21. Measurement of scattering or s-parameters is possible using the Polar Display. With two swept tests for transmission and two for reflection, a complete set of s-parameters for any two-port device may be derived. The four parameters that must be obtained are:

- a. S_{11} , input reflection coefficient with the output port terminated by a matched load.
- b. S_{22} , output reflection coefficient with the input terminated by a matched load.
- c. S_{21} , forward transmission coefficient with the output port terminated in a matched load.

- d. S_{12} , reverse transmission coefficient with the input port terminated in a matched load.

The input reflection coefficient (S_{11}) and the output reflection coefficient (S_{22}) may be obtained using the procedure and setup in Figure 3-9. The transmission coefficients (S_{21} and S_{12}) may be obtained using the procedure outlined in Figure 3-10. Paragraph 3-17 describes how to read attenuation or gain in transmission coefficient.

3-22. Polar Display of Normalized Impedance and Admittance.

3-23. With the Network Analyzer test channel gain¹ set to the calibrated value, giving an indication of $\Gamma = 1.0$ full scale, a Smith Chart overlay may be used on the CRT to convert the reflection coefficient and phase angle directly to impedance or admittance. The standard Smith Chart overlay contains a horizontal line through the center representing the resistance component of the load impedance. The center of the resistance line is 1.0 corresponding to the normalized 50-ohm point. Circles passing through the horizontal resistance line are constant resistance lines. Numbers along the outer circle of the Smith Chart represent the reactive component of the impedance. Inductive reactance is read in the upper half of the graph and capacitive reactance is read in the lower half of the graph. Lines of constant reactance originate from a point at the center right edge of the graph and extend to points along the outer circle. Figure 3-3 shows a spot on the graph representing a normalized impedance $Z_n = 0.6 - j0.4$. The real part (0.6) is found by following the resistance circle up to the horizontal line through the center of the Smith Chart overlay. The real part is read from the resistance scale where the resistance circle crosses the horizontal line. The imaginary part (-j0.4) is found by following the reactance circle to the outer edge of the Smith Chart overlay. To determine the actual impedance multiply each part of the normalized impedance by Z_0 (50 ohms). In this case the actual impedance is $(50 \times 0.6) - j(50 \times 0.4)$ or $30 - j20$ ohms. To obtain the corresponding admittance value for a given impedance value, draw an admittance circle as shown in Figure 3-4, using the 1.0 point on the resistance line for the center, and the impedance point as the circle radius. Draw a diameter line from the impedance point, through the 1.0 resistance point (center) to the opposite side of the admittance circle. The admittance point is where the diameter line intersects the admittance circle opposite the impedance point. The normal-

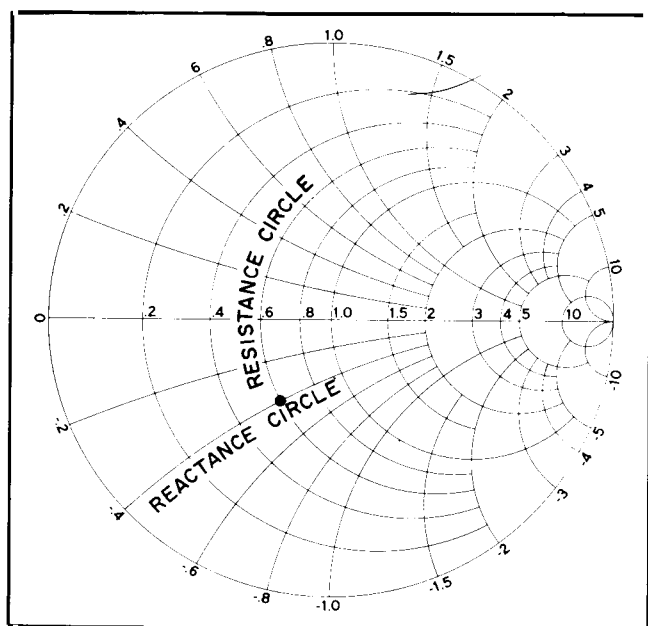


Figure 3-3. Typical Smith Chart Display of Normalized Impedance

¹Display reference for 8407A

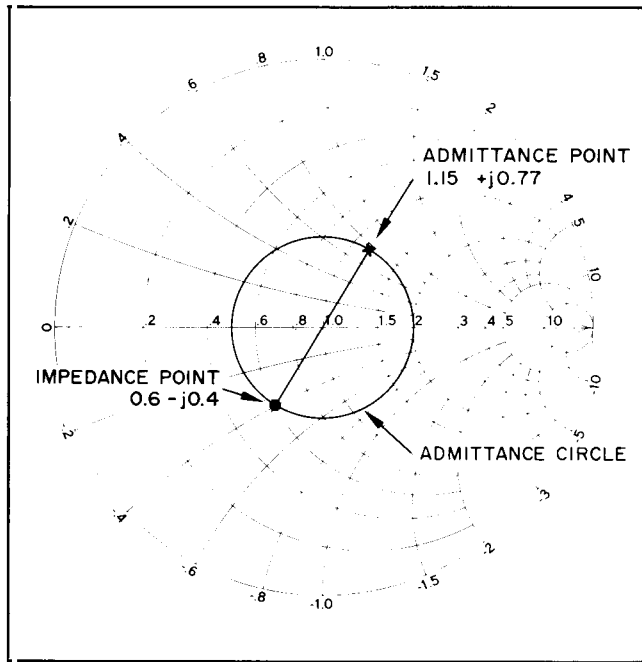


Figure 3-4. Smith Chart Plot of Admittance Point

ized admittance may be read directly from the graph. In Figure 3-4 the normalized admittance value is $1.15 + j0.77$.

3-24. Alternate Smith Chart Overlays.

3-25. Twelve different Smith Chart overlay graphs are furnished with the Polar Display. There are three graph styles in the Smith Chart overlays; a standard graph, an expanded graph and a compressed graph (refer to Figure 3-5). There are four overlays for each of the graph styles, two for viewing and two with parallax correction for photographing. There is a clear overlay and an opaque overlay for viewing, a clear and an opaque overlay for photographing. The opaque overlays mask the internal graticule so only the overlay lines are visible.

3-26. **Standard Smith Chart Overlay.** When a standard Smith Chart overlay is installed on the face of the CRT, the standard calibration of the Polar Display provides the correct scaling factor for the Smith Chart. Scaling factors for the expanded and compressed chart overlays are computed from the standard calibration of the Polar Display. Adjustment of the test channel gain for the expanded and compressed graphs is explained in the following paragraphs.

3-27. **Expanded Smith Chart Overlay.** The expanded Smith Chart enlarges the center of the standard Smith Chart to full scale so that the region close to 50 ohms can be analyzed in detail. When the expanded Smith Chart is installed on the CRT, the gain of the Network Analyzer test channel amplifier must be increased by 14 dB to match the scale of the overlay. This is accomplished by first noting the calibration setting of the test channel gain¹ controls on the Network Analyzer for the standard Smith Chart. This calibration value is added to 14 dB and the total value is set at the test channel gain¹ controls.

3-28. **Compressed Smith Chart Overlay.** The compressed Smith Chart overlay provides a display in the negative-real impedance region. When the compressed Smith Chart overlay is installed on the CRT, the gain of the Network Analyzer test-channel amplifier must be decreased by 10 dB to match the scale of the overlay. This is accomplished by first noting the calibration setting of the test channel gain¹ controls on the Network Analyzer for the standard Smith Chart. Ten dB is then subtracted from this calibration value and the resultant number is set at the test channel gain controls¹.

3-29. Marking Frequency on the Display.

3-30. A rear-panel marker INPUT connector accepts dc frequency-marker pulses from the Sweep Oscillator. Markers appear on the trace as bright spots. This allows measurements to be made at specific frequencies on a broadband display.

3-31. Display Blanking.

3-32. Blanking pulses from HP 690 and 8690 series Sweep Oscillators may be applied to a rear-panel blanking input connector blanking the CRT during sweeper retrace. A blanking signal is also obtained from the 8410A Network Analyzer mainframe. The 8410A Network Analyzer automatically produces a blanking signal whenever it is not tuned to its input signals. This blanking signal is fed internally to the 8414A. The 8407A mainframe does not produce this second form of blanking.

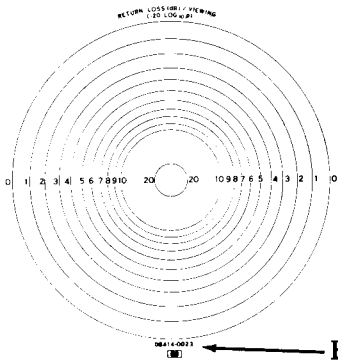
3-33. Increased Accuracy for Reflection Measurements by Minimizing Directivity Errors.

3-34. Directivity errors become significant in the measurement of small reflection coefficients, but the error can be calibrated out at single frequen-

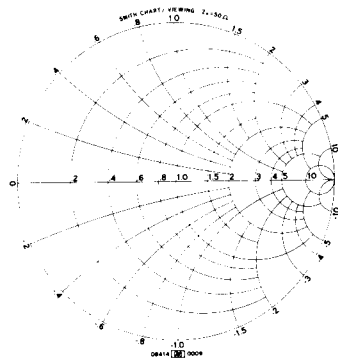
¹Display reference for 8407A

CLEAR OVERLAYS

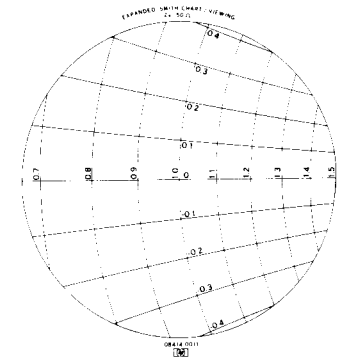
Internal graticule lines will show through overlay.



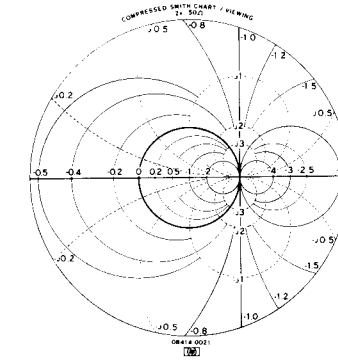
Return Loss/
Viewing



Standard
Smith Chart/
Viewing



Expanded
Smith Chart/
Viewing



Compressed
Smith Chart/
Viewing

Note

There is a photographic overlay similar to each overlay above. The photographic overlays correct for parallax.

OPAQUE OVERLAYS

Internal graticule lines are masked so only the overlay lines are visible.

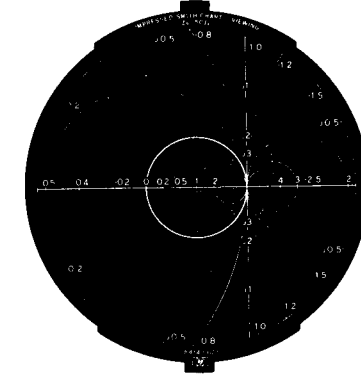
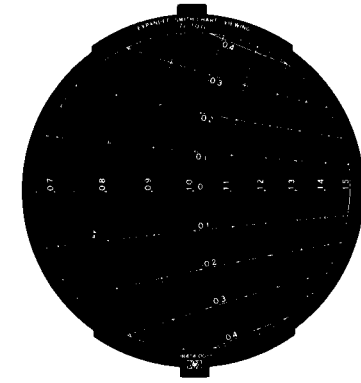


Figure 3-5. CRT Overlays

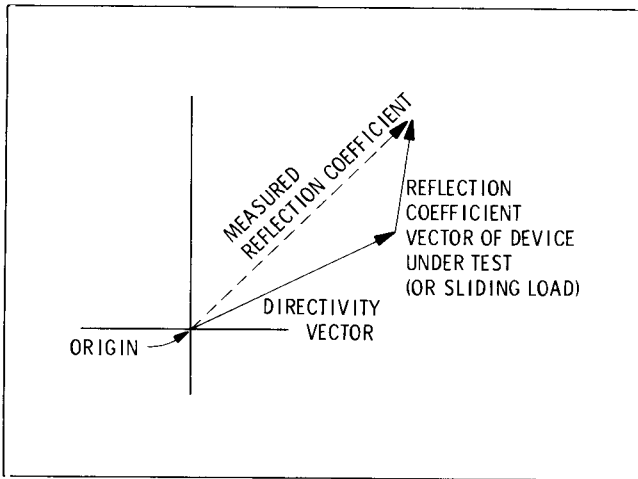


Figure 3-6. Measured Reflection Coefficient

cies. The measured reflection is the vector sum of the directivity vector plus the reflection coefficient of the device under test, or a sliding load (see Figure 3-6). The error can be calibrated out with a sliding load. Figure 3-7 depicts the sliding load in one position at a single frequency. As the sliding load is moved, the magnitude of its reflection coefficient remains constant but the phase of the coefficient changes. As the load is moved its reflection coefficient indication rotates in a circle of constant magnitude about the directivity vector. The center of this circle is the tip of the directivity vector. When the magnitude of the directivity vector is zero, the locus circle is centered about the origin as shown in Figure 3-8. When the location of the center of the circle is known, the directivity vector can be subtracted from the measured reflection. The

resultant is the reflection coefficient of the device under test.

3-35. The vector subtraction can be performed directly with the horizontal and vertical controls on the 8414A Polar Display. Increase the Network Analyzer test channel gain¹ so full scale reflection on the polar display is suitable for the component you wish to measure. Attach a sliding load such as the HP 905A in place of the device under test. Slide the load and adjust the horizontal and vertical controls until the circle rotates about the center of the CRT. The effect of directivity is now cancelled for this frequency and this test channel gain¹ on the Network Analyzer. Remove the sliding load and connect the device under test. The 8414A display is now the reflection coefficient of the device under test.

3-36. H26-8414A POLAR DISPLAY.

3-37. The H26 modification to the standard 8414A Polar Display controls the display of magnitude and phase data in the Hewlett-Packard 8542 series Automatic Network Analyzer systems. The H26-8414A contains circuits to achieve compatibility with the automatic system. The H26-8414A is also compatible with the standard Network Analyzer except for the test channel amplitude signal. For the standard Network Analyzer and 8414A the test channel amplitude signal is fed to the 8414A through a 24-contact rear-panel connector. For the H26-8414A the test channel amplitude signal input is through a rear-panel BNC connector (TEST IN). To use the H26-8414A in a standard Network Analyzer mainframe connect the Network Analyzer rear-panel test output to the H26-8414A TEST IN. See Figure 3-12 on page 3-12.

¹Display reference for 8407A

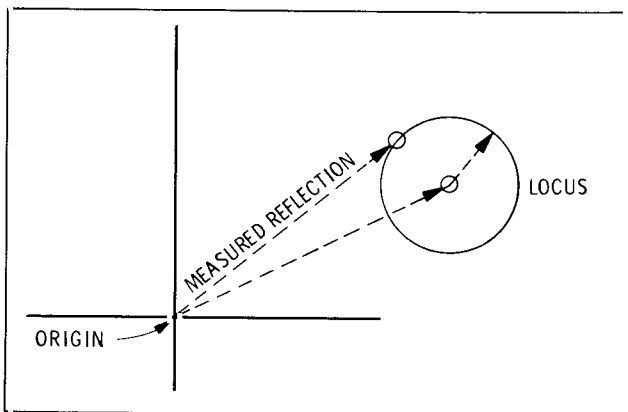


Figure 3-7. Locus of Measured Reflection when Load is Moved

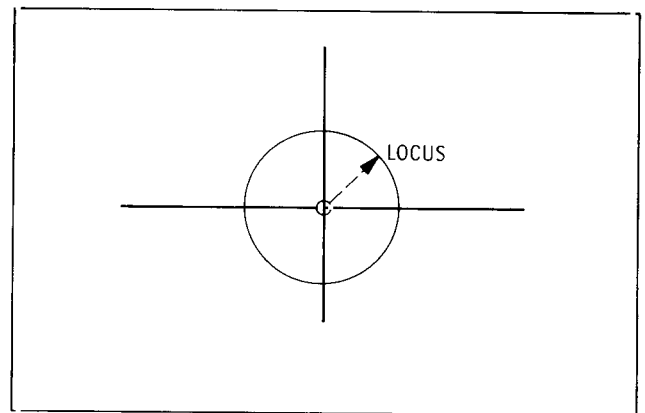


Figure 3-8. Locus of Measured Reflection with Directivity Cancelled

REFLECTION COEFFICIENT MEASUREMENT

CAUTION

MECHANICAL SHOCK. Do not bump or jar the Polar Display as misalignment of the CRT gun may result.

MAGNETIC FIELDS. Do not place the Polar Display near a sweep generator containing a BWO which has an unshielded magnet or the CRT will be permanently magnetized, causing poor focus. Separate the 8414A from any magnetic source by at least two feet.

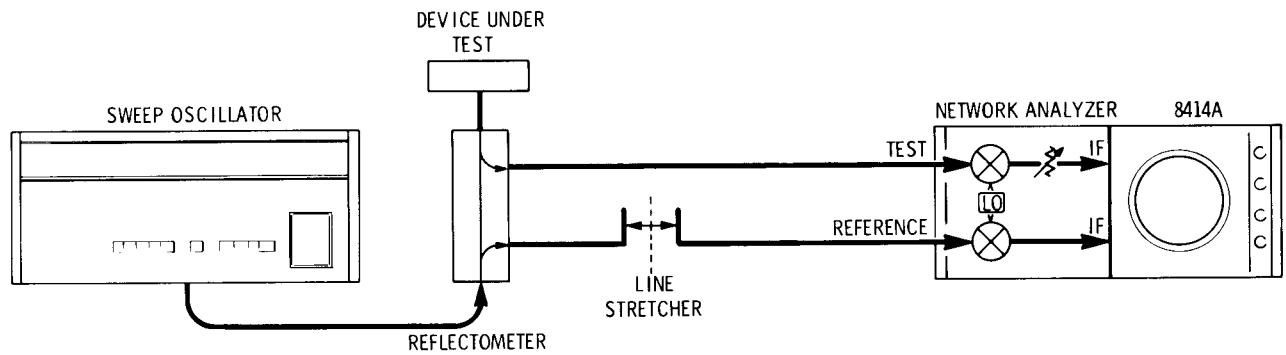


Figure 3-9. Reflection Coefficient Measurement (Sheet 1 of 2)

REFLECTION COEFFICIENT MEASUREMENT

CALIBRATION

1. Connect equipment as shown in setup.
2. Connect a coaxial short such as the HP 11565A to the reflectometer unknown port.
3. Phase lock the Network Analyzer over the desired frequency band.
4. Push and hold the 8414A BEAM CTR push-button and adjust HORIZ POS and VERT POS controls to place the dot in the center of the graticule. To bring the dot onto the display rotate each positioning control about five turns counterclockwise or until a slight increase in resistance to movement is encountered. Then turn each control about two and one-half turns clockwise.

NOTE

If an input signal does not deflect the CRT beam, S1, the TEST-NORMAL switch, may be in the TEST position. Refer to Figure 8-24 (last foldout) for location of S1 and set S1 to NORMAL.

5. Obtain equal reference and test channel electrical lengths by adjusting the Line

Stretcher to collapse the trace to a dot or smallest cluster.

6. Adjust the Network Analyzer phase vernier, test channel gain¹ and amplitude vernier controls to place the dot or cluster for a reference indication of $\Gamma = 1 \angle 180^\circ$ (see Figure 3-11, Display B).

MEASUREMENT

1. Remove the coaxial short and connect the device under test to the reflectometer unknown port.
2. Read the reflection coefficient, magnitude and phase (or impedance using a Smith Chart overlay) from the display.

NOTE

For small reflection coefficients the 8414A resolution can be improved by increasing the Network Analyzer test channel gain¹. For example, increasing the test channel gain¹ by 20 dB changes the full scale calibration from 1.0 to 0.1 at the outer circle (see paragraph 3-10). For increased accuracy by minimizing directivity errors, see paragraph 3-33.

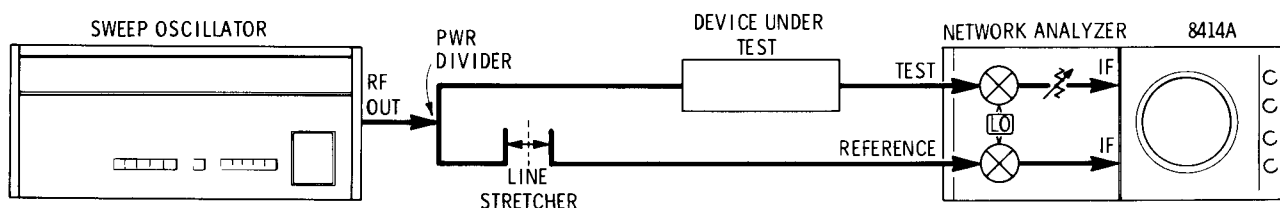
¹Display reference for 8407A.

TRANSMISSION MEASUREMENT

CAUTION

MECHANICAL SHOCK. Do not bump or jar the Polar Display as misalignment of the CRT gun may result.

MAGNETIC FIELDS. Do not place the Polar Display near a sweep generator containing a BWO which has an unshielded magnet or the CRT will be permanently magnetized, causing poor focus. Separate the 8414A from any magnetic source by at least two feet.



CALIBRATION

1. Connect equipment as shown in setup without the device under test.
2. Phase lock the Network Analyzer over the desired frequency band.
3. Push and hold the 8414A BEAM CTR push-button and adjust HORIZ POS and VERT POS controls to place the dot in the center of the Polar Display. To bring the dot onto the display rotate each positioning control about five turns counterclockwise or until a slight increase in resistance to movement is encountered. Then turn each control about two and one-half turns clockwise.

NOTE

If an input signal does not deflect the CRT beam, S1, the TEST-NORMAL switch, may be in the TEST position. Refer to Figure 8-24 (last foldout) for location of S1 and set S1 to NORMAL.

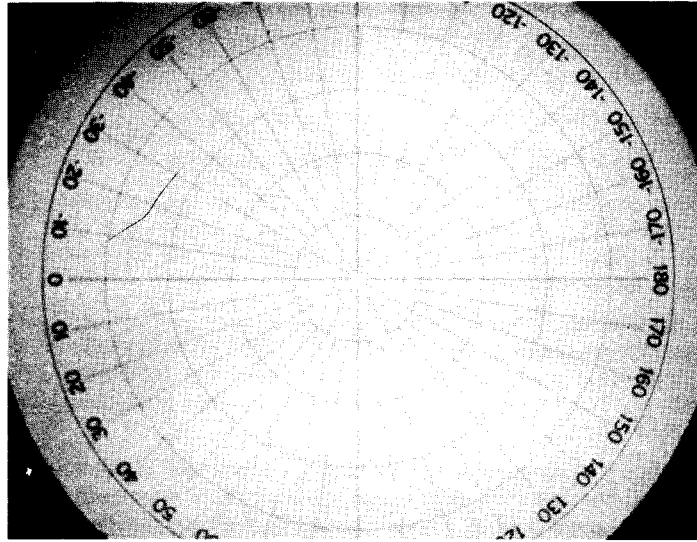
4. Obtain equal reference and test channel electrical lengths by adjusting the Line Stretcher to collapse the trace to a dot or smallest cluster.
5. Adjust the Network Analyzer phase vernier, test channel gain and amplitude vernier controls to place the dot or cluster for a reference indication of $\tau = 1 \angle 0^\circ$.

MEASUREMENT

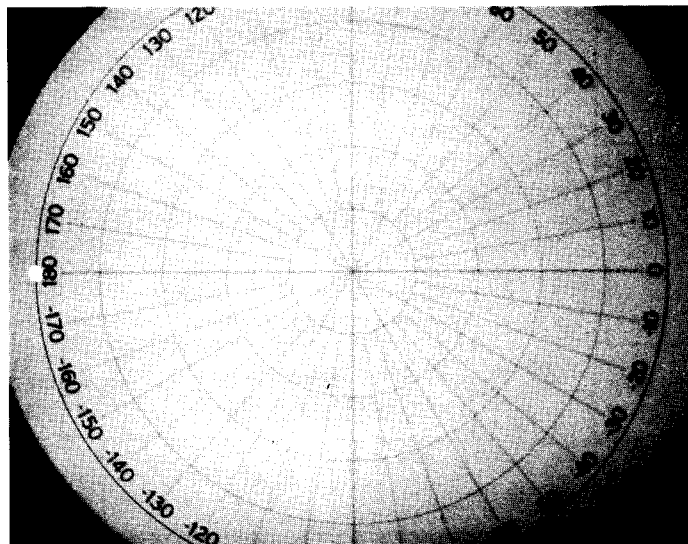
1. Insert the device under test.
2. Note the Network Analyzer test channel gain¹ setting. This is the calibrated gain setting. Adjust the test channel gain controls¹ to locate the CRT display on the outside ring. The difference in test channel gain¹ settings is the magnitude of the transmission gain or loss of the device under test.

¹Display reference for 8407A.

Figure 3-10. Transmission Measurement



Display A. Polar Display with BEAM CTR Pushbutton Depressed, Showing Beam Correctly Centered with HORIZ POS and VERT POS Controls.



Display B. Swept Polar Display Correctly Calibrated for $\Gamma = 1.0 \angle +180^\circ$ (Reflectometer Shorted at UNKNOWN port).

Figure 3-11. Typical Polar Displays During Initial Calibration Adjustment

The H26 modification to the standard 8414A Polar Display allows computerized control of magnitude and phase data in the 8542A series Automatic Network Analyzer systems. The H26-8414A contains additional circuits as follows to achieve compatibility with the automatic system.

- a. Automatic beam centering; programmable via 8419B
 - b. Manual offset adjusts for zeroing vertical/horizontal outputs
 - c. Corrected or real-time data display control; programmable via 8419B.
- a. The automatic beam centering circuit permits the display spot to be centered on the screen by nulling the test channel signal under program control. A +5-volt control signal from the 8419B activates the auto beam center circuit, producing the same result as depression of the manual beam center switch on the front panel. Refer to the block diagram .
 - b. The dc offset adjustments allow zeroing of the vertical and horizontal buffer amplifier outputs when in the beam centering mode. Manual adjustment of vertical and horizontal potentiometers reduces the output voltages at the rear panel BNC connectors to zero when a 0-volt test channel input or beam center signal is applied. The front panel vertical and horizontal position controls can then be used to center the beam spot as desired.
 - c. The corrected/real-time display circuit contains a relay switch actuated by a ground-level control signal from the 8419B. With the relay set in the manual position, vertical and horizontal data outputs are displayed on the screen in real time. With the relay set to the auto position, vertical and horizontal data outputs are routed through the 8419B to the computer and returned as corrected data for display.

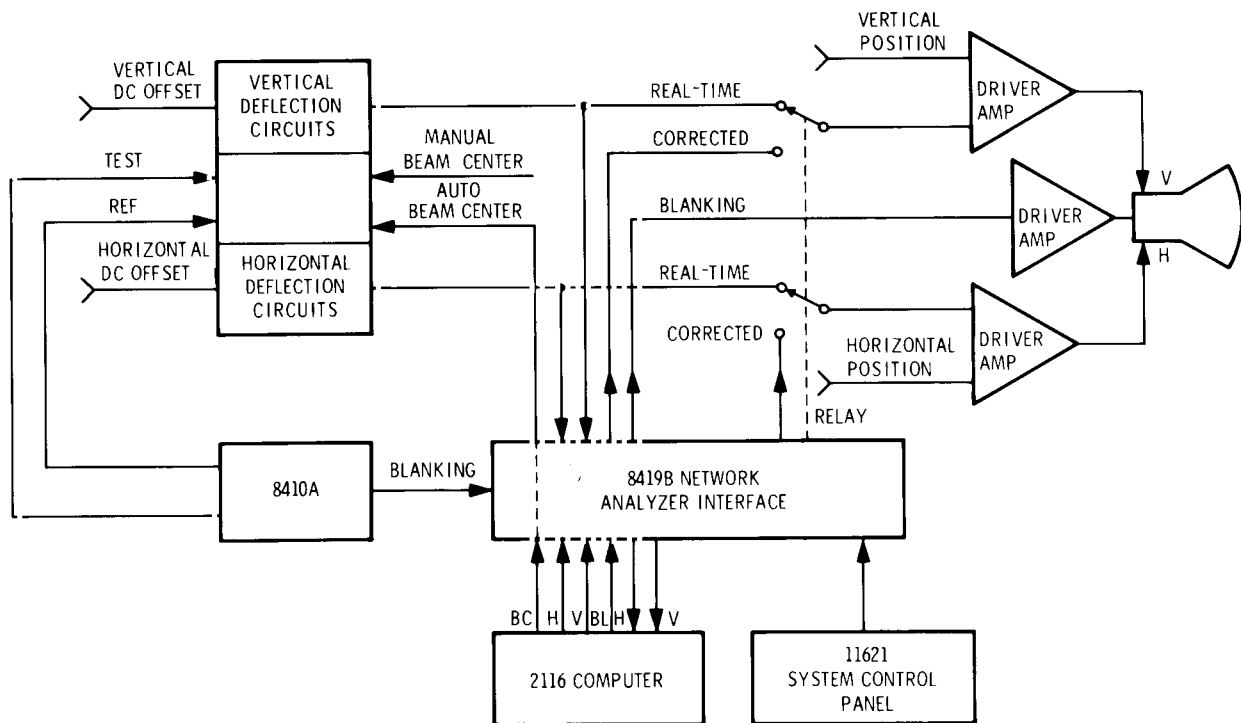


Figure 3-12. Model 8414A-H26 Polar Display and Automatic System Interface Block Diagram

SECTION IV

PERFORMANCE TESTS

4-1. INTRODUCTION

4-2. This section provides instructions for performance testing the 8414A. If the serial prefix of your instrument is different from that listed on the title page of this manual, there are differences between your instrument and the instrument described in this manual. See Paragraphs 1-7 and 1-8.

4-3. Figure 4-1 is the equipment setup for all performance tests. The procedures in Paragraphs 4-8 through 4-10 check the 8414A performance for incoming inspection and periodic evaluation. The tests can be performed without access to the instrument interior. The specifications in Table 1-1 are the performance standards. Before starting the

performance tests, allow 30 minutes warm-up time for the 8414A and Network Analyzer.

4-4. EQUIPMENT REQUIRED.

4-5. The test instruments and accessories required to make the performance tests are listed in Table 4-1. Test instruments other than the ones listed can be used provided their performance equals or exceeds the Critical Specifications listed.

4-6. TEST RECORD.

4-7. Table 4-2 is a performance test record. This table may be used during the test to record the test values obtained, and it provides a permanent record of the test values for use at a later time during calibration or periodic evaluation.

Table 4-1. Recommended Test Equipment

Item	Critical Specifications	Recommended HP Model
Oscillator	Frequency Range: 280 (± 50) kHz Output Level: variable from 0 to 3.0 Vrms Output Impedance: 50 to 600 ohms	200CD, 651A
DC Power Supply	Output: -5 Vdc	6213A
Oscilloscope	Vertical: Minimum bandwidth: 5 MHz Minimum sensitivity: 10 mV/cm Input: dc and ac Horizontal: Range: 1 μ sec/cm to 5 μ sec/cm	180A with 1801A and 1821A
Network Analyzer	No Substitute may be used.	8410A with 8411A or 8407A
Sweep Oscillator	Frequency Range: any frequency within the operating range of the Network Analyzer.	8690A with RF unit as required (see Note 1)
20-dB Attenuator	Impedance: 50 ohms nominal Attenuation: 20 dB ± 8 dB SWR: 1.3 max (280 kHz) Connector: BNC	8491A with N to BNC adapters (see Note 2)

¹For 8407A Network Analyzers, Model 8601A Sweep Oscillator may be used.

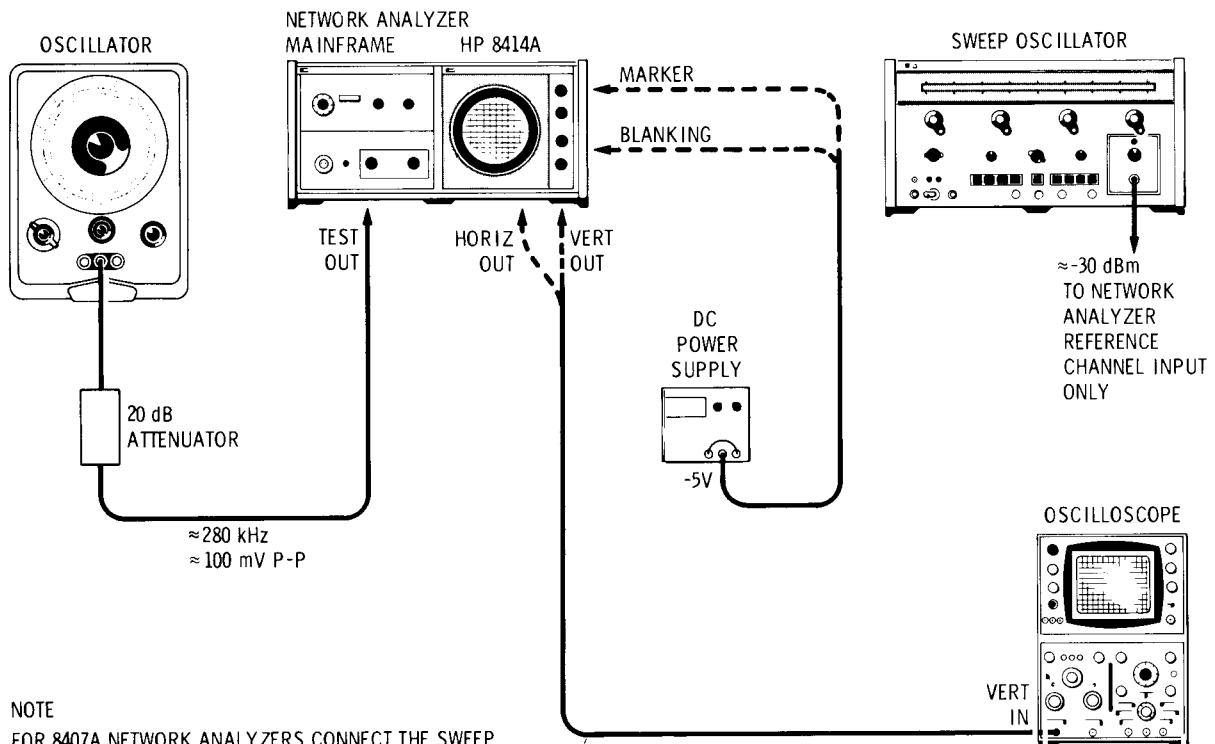
²Oscilloscope 10:1 divider probe, such as HP Model 10003A may be used in place of 20-dB attenuator.

PERFORMANCE TEST

OPERATING PRECAUTIONS

MECHANICAL SHOCK. Do not bump or jar the Polar Display as misalignment of the CRT gun may result.

MAGNETIC FIELDS. Do not place the Polar Display near a sweep generator containing a BWO which has an unshielded magnet or the CRT will be permanently magnetized, causing poor focus. Separate the 8414A from any magnetic source by at least two feet.



NOTE
FOR 8407A NETWORK ANALYZERS CONNECT THE SWEEP OSCILLATOR VTO OUTPUT TO THE 8407A VTO INPUT.

EQUIPMENT

20 dB ATTENUATOR	HP 8491A
OSCILLATOR	HP 200CD
NETWORK ANALYZER	HP 8410A/8411A OR HP 8407A
SWEEP OSCILLATOR	HP 8690-SERIES WITH RF UNIT AS REQUIRED
OSCILLOSCOPE	HP 180A/1801A/1821A
DC POWER SUPPLY	HP 721A

Figure 4-1. Performance Test Equipment Setup

PERFORMANCE TEST

4-8. ACCURACY TEST.**SPECIFICATION:**

Error circle on CRT less than 3mm radius.

DESCRIPTION:

A CW signal is applied to the Network Analyzer to provide a reference channel input signal to the 8414A. A 280 kHz signal is applied to the 8414A amplitude channel through the Network Analyzer test channel output connector. By adjusting the frequency difference between these two signals, a circle can be displayed on the 8414A. The radius of this circle is adjusted to the radius of the outer graticule circle by adjusting the amplitude of the 280 kHz signal. The trace must be less than 3 mm from the outer graticule circle around the entire circle.

PROCEDURE:

- a. Connect equipment as shown in Figure 4-1.
- b. Set the sweep oscillator for single-frequency operation at any frequency within the frequency range of the Network Analyzer.
- c. Set the Network Analyzer to phase lock to the applied signal and adjust the sweep oscillator RF amplitude for a Network Analyzer reference channel level meter indication in the middle of the operate region.
- d. Press and hold the 8414A BEAM CTR pushbutton and adjust the HORIZ and VERT POS controls to locate the dot in the center of the Polar Display's CRT. To bring the dot onto the display, rotate each positioning control about 5 turns counterclockwise or until a slight increase in resistance to movement is encountered. Then turn each control about 2½ turns clockwise.
- e. Set the Network Analyzer test channel gain controls for 00 dB. For 8407A Network Analyzers set display reference controls to bottom position.
- f. Adjust the oscillator connected to the Network Analyzer test channel output as follows:
 - 1) Adjust the frequency to obtain the best circle. The best circle will occur when the trace has a slight flicker.
 - 2) Adjust the output amplitude to obtain a circle whose radius is equal to the radius of the CRT's outer graticule circle.

NOTE

It may be necessary to adjust the HORIZ and VERT POS controls to locate the average of the trace over the outer graticule circle.

- g. The trace must be less than 3 mm from the outer graticule circle around the entire circle (3 mm is about the center of the numbers on the CRT's graticule).

PERFORMANCE TEST

4-9. HORIZONTAL AND VERTICAL OUTPUT TESTS (Rear Panel)

SPECIFICATION:

Bandwidth of rear-panel horizontal and vertical outputs at 3-dB points, 10 kHz minimum.

DESCRIPTION:

The rear-panel HORIZONTAL and VERTICAL output amplitude is observed on an oscilloscope, the test channel input frequency is varied, and the upper and lower frequencies at which the output amplitude decreases 3 dB is determined. The difference between the upper and lower 3 dB points must be greater than 10 kHz.

PROCEDURE:

- a. If equipment was altered from paragraph 4-8, repeat procedures in Paragraph 4-8 to obtain a trace on the CRT's outer graticule circle.
 - b. Connect oscilloscope to 8414A rear-panel VERTICAL output and note peak-to-peak amplitude.
 - c. Increase frequency of the oscillator connected to the Network Analyzer test channel output connector, until the oscilloscope presentation decreases to 0.707 of the amplitude noted in step b. Note the oscillator frequency.
 - d. Decrease the oscillator frequency through 278 kHz until the oscilloscope presentation is again 0.707 of the amplitude noted in step b. Note the oscillator frequency.
 - e. The difference in frequency noted in steps c and d must be greater than 10 kHz.
 - f. Return the oscillator frequency to 280 kHz, connect oscilloscope to the 8414A rear-panel HORIZONTAL output and note the peak-to-peak amplitude.
 - g. Repeat steps c through e.
-

4-10. MARKER AND BLANKING INPUT TESTS (Rear Panel)

SPECIFICATION:

- 5 volt marker input intensifies the CRT display.
- 5 volt blanking input blanks the CRT display.

DESCRIPTION:

—5 volts dc is applied to the rear-panel MARKER input. The intensity of the CRT trace should increase. —5 volts is connected to the rear-panel BLANKING input. The CRT trace should be blanked.

PERFORMANCE TEST

PROCEDURE:

a. If equipment was altered from previous test, repeat procedures in Paragraph 4-8 to obtain a trace on the CRT's outer graticule circle.

b. Adjust the power supply to -5 volts. Apply -5 volts to MARKER input connector on Polar Display and -5 volt return to chassis ground. Connect and disconnect -5 volts several times. Intensity of CRT trace should brighten when -5 volts is applied.

c. Disconnect -5 volts from MARKER input connector and connect it to BLANKING input connector. The trace should be blanked.

Table 4-2. Performance Test Record

Hewlett-Packard Model 8414A		Date: _____
Polar Display		Test Performed by: _____
Serial No. _____		
Para Number	Specification Tested	Measured
4-8	Error circle on CRT less than 3 mm radius.	Max. Error _____
4-9	Horizontal and Vertical output minimum bandwidth (3 dB) 10 kHz.	Horiz. Bandwidth _____ Vert. Bandwidth _____
4-10	-5V marker input intensifies CRT display.	_____
	-5V blanking input blanks CRT display.	_____

SECTION V

ADJUSTMENT PROCEDURES

5-1. INTRODUCTION.

5-2. This section provides instructions for adjusting the 8414A. If the serial prefix of your instrument is different from that listed on the title page of this manual, there are differences between your instrument and the instrument described in this manual. See paragraphs 1-7 and 1-8.

5-3. Paragraphs 5-9 through 5-15 contain the complete adjustment procedures for the 8414A. Adjustments in paragraphs 5-9 and 5-10 interact and should be performed sequentially. Adjustments in paragraphs 5-11 through 5-15 do not interact and need not be performed sequentially. These procedures should not be performed as part of routine maintenance but should be used only after replacement of a part or component, or when the performance test shows that the specifications of Table 1-1 cannot be met. Before attempting any adjustment, allow 30 minutes warm-up time for the 8414A and Network Analyzer.

5-4. The location of all adjustment controls is shown in Figure 8-24 (last foldout). Table 5-2 lists the adjustment controls and the function of each control.

5-5. FACTORY SELECTED COMPONENTS.

5-6. A2C51 is the only factory-selected component. It is selected (see paragraph 5-15) to obtain the proper phase balance between the reference and test channels; however the Network Analyzer mainframe phase vernier control has sufficient range to obtain the proper phase balance for most applications.

5-7. EQUIPMENT REQUIRED.

5-8. The test instruments and accessories required to perform the adjustment procedures are listed in Table 5-1. Test instruments other than the ones listed can be used provided their performance equals or exceeds the Critical Specifications listed.

Table 5-1. Recommended Test Equipment

Item	Critical Specifications	Recommended HP Model
Oscillator	Frequency Range: 280 (± 50) kHz and 1 (± 0.1) kHz Output Level: Variable from 0 to 3.0 Vrms Output Impedance: 50 to 600 ohms	200 CD, 651A
DC Power Supply	Output: -5 Vdc	6231A
Oscilloscope (Dual Trace)	Vertical: Minimum bandwidth 5 MHz Minimum Sensitivity 10 mV/cm Input: dc and ac Horizontal: Range: 1 μ sec/cm to 5 μ sec/cm	180A with 1801A and 1821A
Network Analyzer	No substitute may be used	8410A with 8411A or 8407A
Transducer	Frequency Range: Same as Sweep Oscillator	8740A, 8741A, 8742A, 8743A or 8745A (see Note 1)
Sweep Oscillator	Frequency Range: Any frequency within the operating range of the Network Analyzer	8690A with RF unit as required (see Note 2)
20-dB Attenuator	Impedance: 50 ohms nominal Attenuation: 20 dB ± 3 dB SWR: 1.3 max (1 kHz and 280 kHz) Connector: BNC	8419A with N to BNC adapters (see Note 3)
Termination	Impedance: 50 ohms $\pm 10\%$ at 278 kHz Connector: Male BNC	10100A or HP Part No. 1250-0839 with adapter 1250-0831.

¹For 8407A Network Analyzers use HP Model 11561A or BNC Tee

²For 8407A Network Analyzers Model 8601A Sweep Oscillator may be used

³Oscilloscope 10:1 divider probe, such as HP Model 10003A may be used in place of 20 dB attenuator.

Table 5-2. Adjustment Controls and Functions

Control	Function Affected
Phase Adjust A2R21.	Adjust phase shift of -90° phase shifter.
Recorder Gain Adjust A2R37.	Adjusts horizontal and vertical amplitude balance by adjusting gain of vertical buffer amplifier.
CRT Gain Adj A2R57	Adjust horizontal and vertical deflection balance by adjusting gain of vertical deflection driver.
Intensity Limit A3R20.	Sets brightness range of INTENSITY control.
Pattern Shape A3R10.	Provides grid accelerator voltage for pattern shaping.
Illumination Limit A3R9.	Adjusts uniformity of illumination from flood gun.
Astigmatism A3R11.	Adjusts uniformity of focus.
Trace Align R5.	Calibration of trace to CRT graticule.
Manual Beam Centering Horiz Zero Adj A1R32.	Sets horizontal output voltage to zero when the BEAM CTR pushbutton is pressed.
Manual Beam Centering Vert Zero Adj A1R33.	Sets vertical output voltage to zero when the BEAM CTR pushbutton is pressed.
NOTES	
<ol style="list-style-type: none"> 1. A2C51 is selected to obtain $0 \pm 5^\circ$ phase balance between reference and test channels. 2. Adjustment locations are shown on the last foldout. 	

ADJUSTMENT PROCEDURE

CAUTION

MECHANICAL SHOCK. Do not bump or jar the Polar Display as misalignment of the CRT gun may result.

MAGNETIC FIELDS. Do not place the Polar Display near a sweep generator containing a BWO which has an unshielded magnet or the CRT will be permanently magnetized, causing poor focus. Separate the 8414A from any magnetic source by at least two feet.

5-9. TRACE ALIGNMENT AND VERTICAL GAIN ADJUSTMENT.

DESCRIPTION:

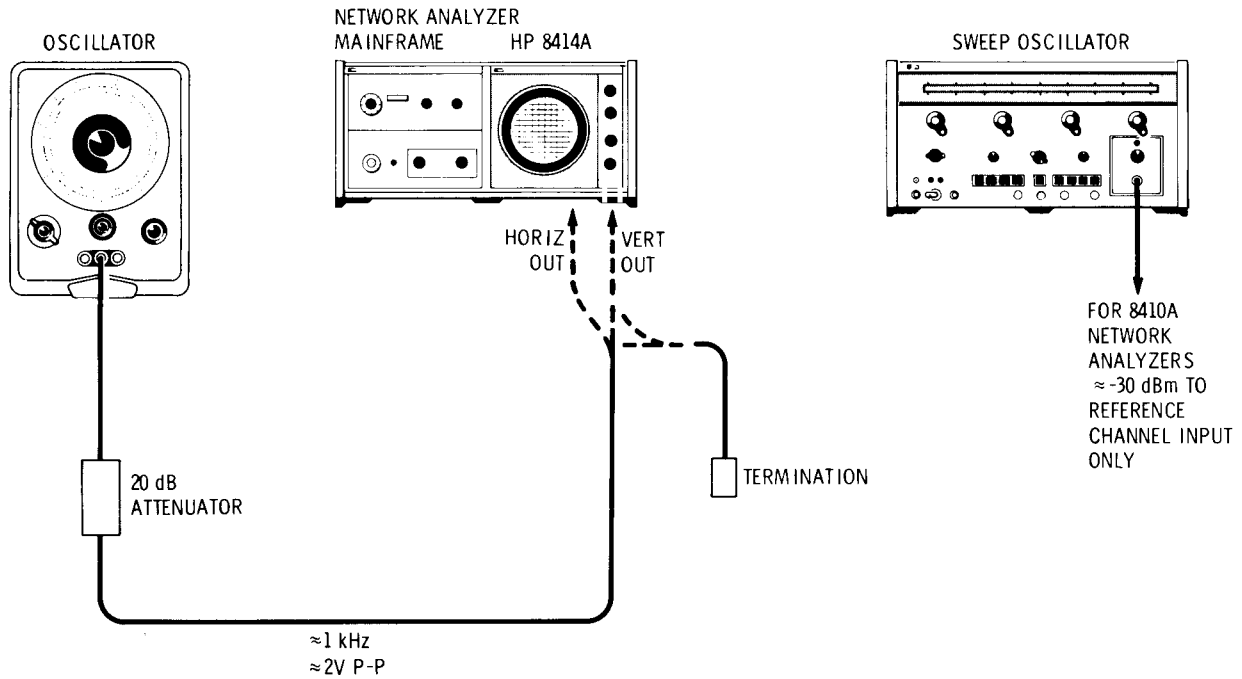
For 8410A Network Analyzers a CW signal is applied to the Network Analyzer and a phase locked condition is set up so that the Network Analyzer unblanks the 8414A display. 8407A Network Analyzers unblank the 8414A display without an input signal. Function switch S1 is switched to the TEST position which isolates the deflection circuits from the input circuits so that only signals applied to the 8414A rear-panel HORIZONTAL and VERTICAL outputs will be displayed on the CRT. A 1.0 kHz deflection signal is applied to the 8414A HORIZONTAL output to display a horizontal trace on the CRT. The TRACE ALIGN control is adjusted to align the trace with the horizontal graticule line.

The vertical amplifier gain is matched to the horizontal amplifier gain by applying the 1.0 kHz signal to the VERTICAL output and adjusting the vertical gain control (CRT Gain Adj) for a vertical trace equal to the magnitude of the horizontal trace.

PROCEDURE:

- a. Remove top covers from both the Network Analyzer and the 8414A. All adjustments should be made with the 8414A installed in the mainframe.
- b. Connect equipment as shown in Figure 5-1.
- c. Set the sweep oscillator for single frequency operation at any frequency within the frequency range of the Network Analyzer.
- d. Set the Network Analyzer to phase lock to the applied signal and adjust the sweep oscillator RF amplitude for a Network Analyzer reference channel level meter indication in the middle of the operate region.
- e. Set the 8414A function switch A2S1 to the TEST position.
- f. Terminate the 8414A rear-panel VERTICAL output connector with a 50-ohm load.
- g. Adjust front-panel VERT POS and HORIZ POS controls to locate dot in center of the CRT.
- h. Adjust front-panel INTENSITY control for medium beam intensity on CRT. Adjust front-panel FOCUS control for a small round dot on CRT.
- i. Connect oscillator set for 1.0 kHz to the rear-panel HORIZONTAL output. Adjust oscillator signal level for a 10-cm deflection on CRT (diameter of outer graticule circle).
- j. Adjust R5 (Trace Align control) and VERT POS control to superimpose the trace on the horizontal graticule line.

ADJUSTMENT PROCEDURE



NOTE
SWEEP OSCILLATOR NOT REQUIRED FOR 8407A NETWORK ANALYZERS

EQUIPMENT

OSCILLATOR	HP 200CD
NETWORK ANALYZER	HP 8410A/8411A OR HP 8407A
SWEEP OSCILLATOR	HP 8690-SERIES WITH RF UNIT AS REQUIRED
20 dB ATTENUATOR	HP 8491A
TERMINATION	HP 10100A OR HP PART NO. 1250-0839 WITH ADAPTER 1250-0831

Figure 5-1. Setup for Trace Alignment and Vertical Gain Adjustment

- k. Without changing oscillator signal level, connect the oscillator to the VERTICAL output and terminate the HORIZONTAL output.
- m. Adjust A2R57 (CRT Gain Adj) for a 10-cm vertical deflection.
- n. Disconnect the oscillator and termination from VERTICAL and HORIZONTAL outputs and set function switch S1 to NORMAL position.

ADJUSTMENT PROCEDURE

5-10. PHASE, RECORDER GAIN, AND PATTERN SHAPE ADJUSTMENTS.

DESCRIPTION:

A CW signal is applied to the Network Analyzer to provide a reference channel input signal to the 8414A and for 8410A Network Analyzers so that the Network Analyzer unblanks the 8414A display. A 280-kHz signal is applied to the 8414A amplitude channel through the Network Analyzer test channel output connector. These two signals cause a circle to be displayed on the 8414A. The radius of this circle is adjusted to the radius of the outer graticule circle by adjusting the amplitude of the 280-kHz signal. The 8414A PHASE ADJUST control, RECORDER GAIN ADJUST control and PATTERN SHAPE control are adjusted for the best circle.

PROCEDURE:

NOTE

Perform paragraph 5-9, TRACE ALIGNMENT AND VERTICAL GAIN ADJUSTMENT before performing this adjustment.

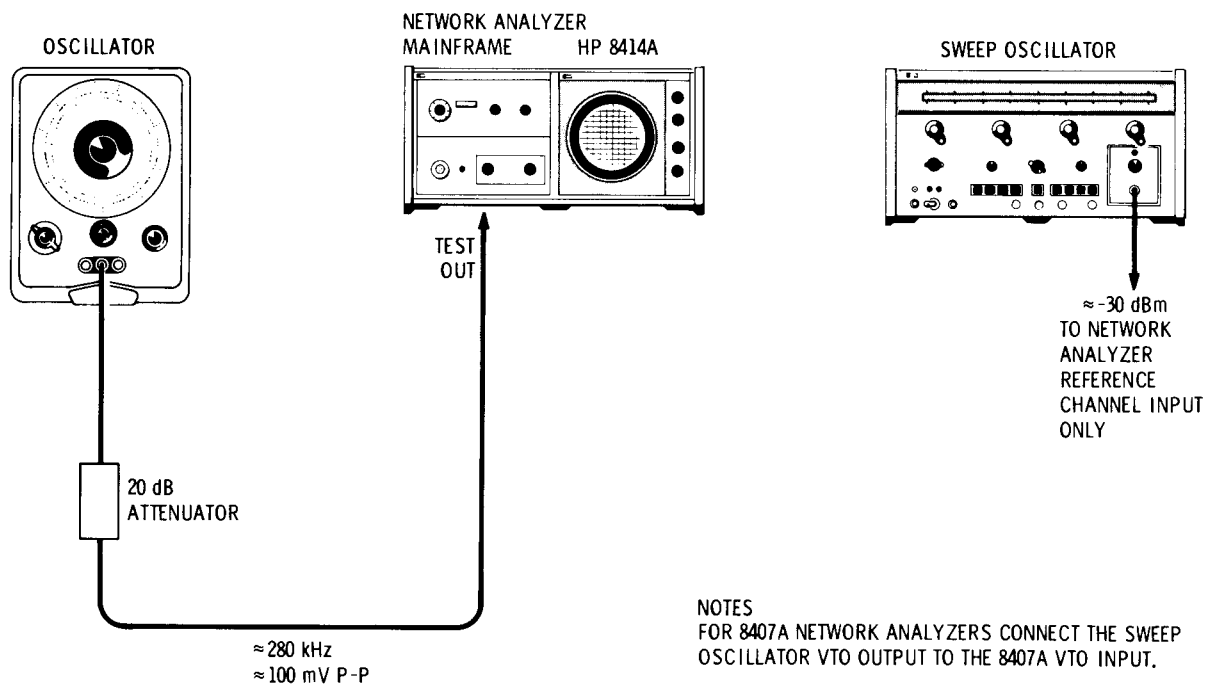
- a. Connect equipment as shown in Figure 5-2.
- b. Set the sweep oscillator for single frequency operation at any frequency within the frequency range of the Network Analyzer.
- c. Set the Network Analyzer to phase lock to the applied signal and adjust the sweep oscillator RF amplitude for a Network Analyzer reference channel level meter indication in the middle of the operate region.
- d. Press and hold the 8414A BEAM CTR pushbutton and adjust the HORIZ POS and VERT POS controls to locate the dot in the center of the Polar Display.
- e. Set the Network Analyzer test channel gain controls for *minimum* gain. For 8407A Network Analyzers set display reference control switches down.
- f. Adjust the oscillator connected to the Network Analyzer test channel output as follows:
 1. Adjust the frequency to obtain the best circle (slight flicker in 8414A display).
 2. Adjust the output amplitude to obtain a circle whose radius is equal to the radius of the CRT's outer graticule circle.

NOTE

It may be necessary to adjust the HORIZ POS and VERT POS controls to locate the average of the trace over the outer graticule circle.

- g. Adjust A2R21 (Phase Adjust), A1R37 (Recorder Gain Adjust) and A3R20 (Pattern Shape) for the best circle. The trace must be less than 3 mm from the outer graticule circle around the entire circle.

ADJUSTMENT PROCEDURE



EQUIPMENT

OSCILLATOR	HP 200 CD
NETWORK ANALYZER	HP 8410A/8411A OR HP 8407A
SWEEP OSCILLATOR	HP 8690-SERIES WITH RF UNIT AS REQUIRED
20 dB ATTENUATOR	HP 8491A

Figure 5-2. Setup for Phase, Recorder Gain, and Pattern Shape Adjustments

ADJUSTMENT PROCEDURE

5-11. ASTIGMATISM ADJUSTMENT.

DESCRIPTION:

Without changing the equipment from the previous setup, the Astigmatism control and FOCUS are adjusted with and without the BEAM CTR pushbutton pressed for the sharpest focus at both the center and the outside edge of the CRT.

EQUIPMENT SETUP:

Same as Figure 5-2.

PROCEDURE:

- a. If equipment was altered from Paragraph 5-10, repeat procedure in Paragraph 5-10.
 - b. Adjust front-panel FOCUS control and A3R11 (Astigmatism control) alternately, with and without the BEAM CTR pushbutton pressed, until sharp focus is obtained at both the center and outside edge of the CRT.
-

5-12. ILLUMINATION ADJUSTMENT.

DESCRIPTION:

Without changing the equipment from the previous setup, the front-panel ILLUMINATION control is adjusted for maximum CRT illumination and the Illumination Limit control is adjusted for the brightest possible *uniform* illumination.

EQUIPMENT SETUP:

Same as Figure 5-2.

PROCEDURE:

- a. If equipment was altered from previous test, repeat procedures in Paragraph 5-10.
 - b. Shield the face of the CRT from ambient light (oscilloscope viewing hood, HP Model 10175A/B may be used).
 - c. Turn front-panel ILLUMINATION control fully clockwise.
 - d. Adjust A3R9 (Illumination Limit control) until brightest possible *uniform* illumination is obtained on the CRT.
-

ADJUSTMENT PROCEDURE

5-13. INTENSITY ADJUSTMENT.

DESCRIPTION:

A spot is obtained in the center of the CRT, the front-panel INTENSITY control is set to mid-range and the Intensity Limit control is adjusted to make the spot just visible.

EQUIPMENT SETUP:

Same as Figure 5-2.

PROCEDURE:

- a. Disconnect oscillator from the Network Analyzer test channel output connector.
- b. Set the 8414A front-panel INTENSITY control to mid-range (12 o'clock position).
- c. Adjust A3R10 (Intensity Limit control) until the spot is just visible.

ADJUSTMENT PROCEDURE

5-14. MANUAL BEAM CENTERING ZERO ADJUSTMENT.

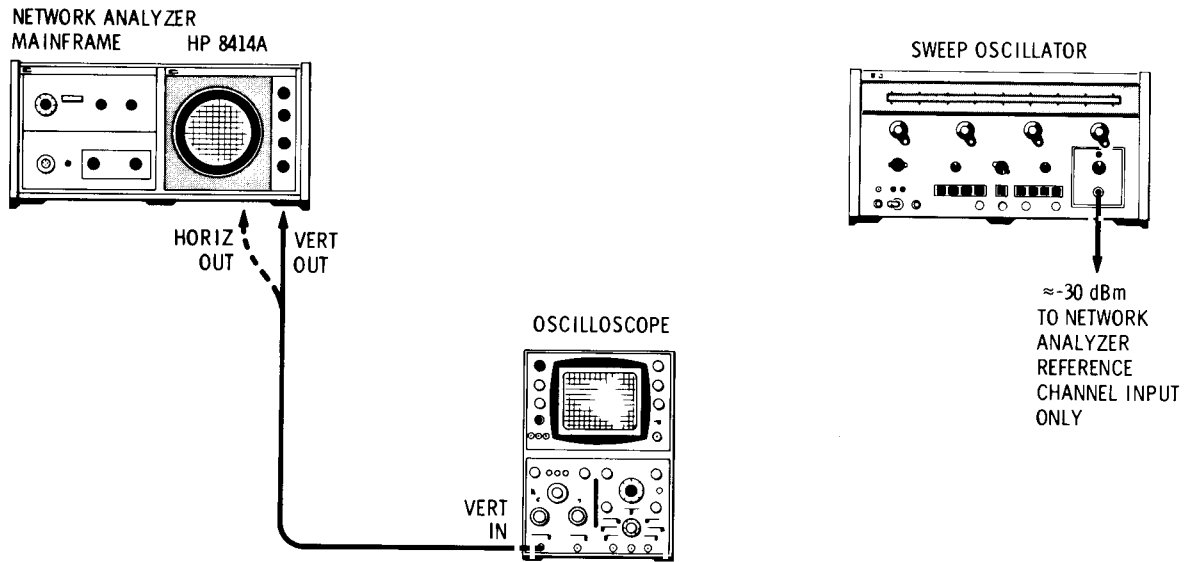
DESCRIPTION:

A dc coupled oscilloscope is connected to the 8414A HORIZONTAL and VERTICAL output connectors. The 8414A BEAM CTR pushbutton is pressed and the horizontal and vertical Manual Beam Centering Zero Adj controls are adjusted for 0 ± 10 mV.

PROCEDURE:

- a. Connect equipment as shown in Figure 5-3.
- b. Connect the oscilloscope vertical input to the 8414A rear-panel HORIZONTAL output connector, dc couple and dc balance the oscilloscope.
- c. Press and hold the 8414A BEAM CTR pushbutton and adjust A1R32 (Manual Beam Centering Horiz Zero Adj) for 0 ± 10 mVdc.
- d. Connect the oscilloscope vertical input to the 8414A VERTICAL output connector, press and hold the 8414A BEAM CTR pushbutton and adjust A1R33 (Manual Beam Centering Vert Zero Adj) for 0 ± 10 mV.

ADJUSTMENT PROCEDURE



NOTE
FOR 8407A NETWORK ANALYZERS CONNECT THE SWEEP OSCILLATOR VTO OUTPUT TO THE 8407A VTO INPUT

EQUIPMENT

NETWORK ANALYZER	HP 8410A/8411A OR HP 8407A
SWEEP OSCILLATOR	HP 8690-SERIES WITH RF UNIT AS REQUIRED
OSCILLOSCOPE	HP 180A/1801A/1821A

Figure 5-3. Setup for Manual Beam Centering Zero Adjustment

ADJUSTMENT PROCEDURE

5-15. PHASE ZERO ADJUSTMENT (Select A2C51).

DESCRIPTION:

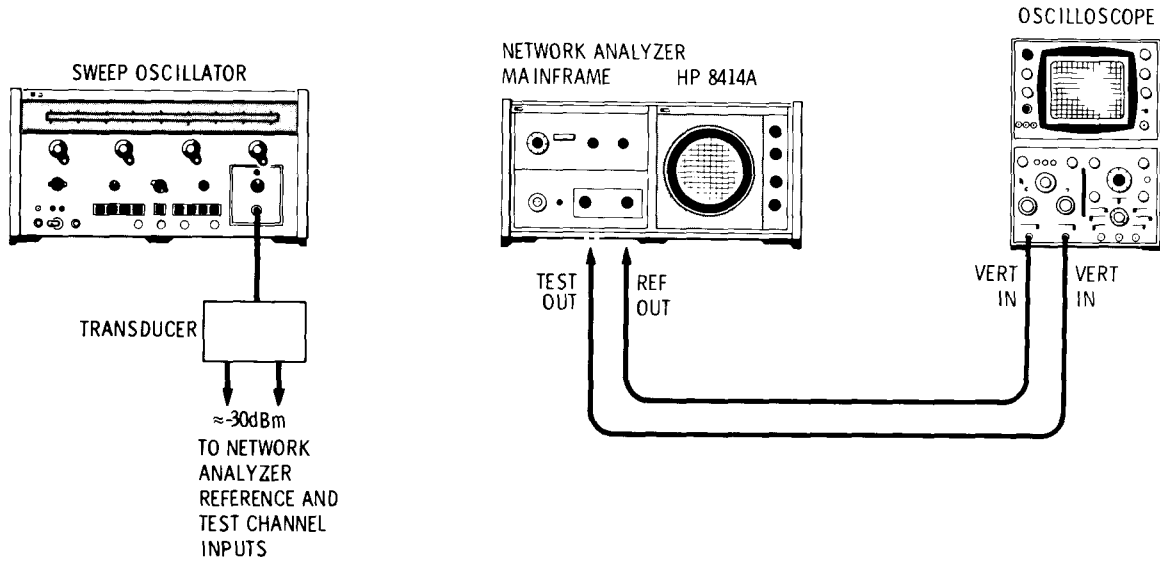
The Network Analyzer mainframe phase vernier control has sufficient range to set the 8414A for a zero phase reference for most applications; however, in some applications it is desirable to adjust the 8414A phase indication close to zero with the input signals in-phase. This can be accomplished by selecting a value for A2C51 that produces the desired indication. Normal single-frequency test and reference channel signals are applied to the Network Analyzer. The mainframe 278-kHz test and reference channel output signals, which are also the 8414A input signals, are connected to a dual trace oscilloscope. The Network Analyzer phase vernier control is adjusted to superimpose the two signals on the oscilloscope and A2C51 is selected for a 0 ± 5 degree indication on the Polar Display.

PROCEDURE:

- a. Connect equipment as shown in Figure 5-4.
- b. Set the sweep oscillator for single-frequency operation and adjust the Network Analyzer to phase lock to the applied signal.
- c. Connect the oscilloscope vertical inputs to the Network Analyzer rear-panel reference and test channel outputs.
- d. Adjust the Network Analyzer phase vernier, test channel gain¹ and amplitude vernier controls to obtain two sine waves on the oscilloscope exactly superimposed on one another. To ensure oscilloscope and oscilloscope cables give a true in-phase indication, reverse the oscilloscope cables at the Network Analyzer. The two sine waves should still be superimposed on one another.
- e. Select a value for A2C51 to obtain a 0 ± 5 degree 8414A indication. Typical range of values for A2C51 is 150 pF to 250 pF.

¹Display reference for 8407A

ADJUSTMENT PROCEDURE



NOTE
FOR 8407A NETWORK ANALYZERS CONNECT THE SWEEP
OSCILLATOR VTO OUTPUT TO THE 8407A VTO INPUT.

EQUIPMENT

NETWORK ANALYZER	HP 8410A/8411A OR HP 8407A
SWEEP OSCILLATOR	HP 8690-SERIES WITH RF UNIT AS REQUIRED
OSCILLOSCOPE	HP 180A/1801A/1821A

Figure 5-4. Setup for Phase Zero Adjustment (Select A2C51)

SECTION VI REPLACEABLE PARTS

6-1. INTRODUCTION.

6-2. This section contains information for ordering replacement parts. Table 6-2 lists parts in alphabetical order of their reference designators and indicates the description and HP stock number of each part, together with any applicable notes. Miscellaneous parts are listed at the end of Table 6-2. Table 6-3 lists parts in alpha-numerical order of their HP stock number and provides the following information on each part.

- a. Description.
- b. Manufacturer of the part in a five-digit code; see list of manufacturers in Table 6-4.

- c. Manufacturer's part number.
- d. Total quantity used (TQ column).

6-3. ORDERING INFORMATION.

6-4. To obtain replacement parts, address order or inquiry to your local Hewlett-Packard Field Office. Identify parts by their Hewlett-Packard stock numbers.

6-5. To obtain a part that is not listed, include:

- a. Instrument model number.
- b. Instrument serial number.
- c. Description of the part.
- d. Function and location of the part.

Table 6-1. Reference Designations and Abbreviations

REFERENCE DESIGNATORS			
<p>A = assembly B = motor BT = battery C = capacitor CP = coupler CR = diode DL = delay line DS = device signaling (lamp) E = misc electronic part</p>	<p>F = fuse FL = Filter J = jack K = relay L = inductor LS = loud speaker M = meter MK = microphone MP = mechanical part</p>	<p>P = plug Q = transistor R = resistor RT = thermistor S = switch T = transformer TB = terminal board TP = test point U = integrated circuit</p>	<p>V = vacuum tube, neon bulb, photocell, etc. VR = voltage regulator W = cable X = socket Y = crystal Z = tuned cavity, network</p>
ABBREVIATIONS			
<p>A = amperes AFC = automatic frequency control AMPL = amplifier BFO = beat frequency oscillator BE CU = beryllium copper BH = binder head BP = bandpass BRS = brass BWO = backward wave oscillator CCW = counterclockwise CER = ceramic CMO = cabinet mount only COEF = coefficient COM = common COMP = composition COMPL = complete CONN = connector CP = cadmium plate CRT = cathode-ray tube CW = clockwise DEPC = deposited carbon drive DR = drive ELECT = electrolytic ENCAP = encapsulated EXT = external F = farads FH = flat head FIL H = Fillister head FXD = fixed G = giga (10⁹) GE = germanium GL = glass GRD = ground(ed)</p>	<p>H = henries HDW = hardware HEX = hexagonal HG = mercury HR = hour(s) Hz = Hertz IF = intermediate freq IMPG = impregnated INCD = incandescent INCL = include(s) INS = insulation(ed) INT = internal K = kilo = 1000 LH = left hand LIN = linear taper LK WASH = lock washer LOG = logarithmic taper LPF = low pass filter M = milli = 10⁻³ MEG = meg = 10⁶ MET FLM = metal film MET OX = metallic oxide MFR = manufacturer MHZ = mega Hertz MINAT = miniature MOM = momentary MOS = metalized substrate MTG = mounting MY = "mylar" N = nano (10⁻⁹) N/C = normally closed NE = neon NI PL = nickel plate</p>	<p>N/O = normally open NOM = nominal NPO = negative positive zero (zero temperature coefficient) NPN = negative-positive-negative NRFR = not recommended for field replacement NSR = not separately replaceable OBD = order by description OH = oval head OX = oxide P = peak PC = printed circuit PF = picofarads = 10⁻¹² farads PH BRZ = phosphor bronze PHL = Phillips PIV = peak inverse voltage PNP = positive-negative-positive P/O = part of POLY = polystyrene PORC = porcelain POS = position(s) POT = potentiometer PP = peak-to-peak PT = point PWV = peak working voltage RECT = rectifier RF = radio frequency RH = round head or right hand</p>	<p>RMO = rack mount only RMS = root-mean square RWV = reverse working voltage S-B = slow-blow SCR = screw SE = selenium SECT = section(s) SEMICON = semiconductor SI = silicon SIL = silver SL = slide SPG = spring SPL = special SST = Stainless steel SR = split ring STL = steel TA = tantalum TD = time delay TGL = toggle THD = thread TI = titanium TOL = tolerance TRIM = trimmer TWT = traveling wave tube μ = micro = 10⁻⁶ VAR = variable VDCW = dc working volts W/ = with W = watts WIV = working inverse voltage WW = wirewound W/O = without</p>

Table 6-2. Parts List Indexed by Reference Designation

Reference Designation	Part No.	Description #	Note
A1	08414-6029	ASSY:Z-AXIS MOD & INTERCONNECTION (STANDARD)	
A1	08414-61003	ASSY:Z-AXIS MOD & INTERCONNECTION (OPT H26)	
A1C1	0180-0269	C:FXD ELECT 1.0 UF +50-10% 150VDCW	
A1C2	0150-0121	C:FXD CER 0.1 UF +80-20% 50VDCW	
A1CR1	1901-0040	DIODE:SILICON 30MA 30WV	
A1CR2	1902-0041	DIODE:BREAKDOWN 5.11V 5%	
A1CR3	1901-0C40	DIODE:SILICON 30MA 30WV	
A1CR4	1901-0C40	DIODE:SILICON 30MA 30WV	
A1CR5	1901-0C40	DIODE:SILICON 30MA 30WV	
A1CR6	1901-0025	DIODE:SILICON 100MA/1V	
A1CR7	1901-0025	DIODE:SILICON 100MA/1V	
A1CR8	1901-0025	DIODE:SILICON 100MA/1V	
A1J1		NOT ASSIGNED	
A1J2	1251-1378	CONNECTOR:PC 9 CONTACTS	
A1J3		NOT ASSIGNED	
A1K1	0490-0739	RELAY:DPDT 2A INSTALLED IN H26-8414A ONLY	
A1L1	9100-1630	COIL/CHOKE 51.0 UH 5%	
A1Q1	1853-0020	Q:SI PNP(SELECTED FROM 2N3702)	
A1Q2	1854-0071	Q:SI NPN(SELECTED FROM 2N3704)	
A1Q3	1854-0232	Q:SI NPN(SELECTED FROM 2N3440)	
A1Q4	1853-0020	Q:SI PNP(SELECTED FROM 2N3702)	
A1Q5	1854-0C71	Q:SI NPN(SELECTED FROM 2N3704)	
A1Q6	1854-0232	Q:SI NPN(SELECTED FROM 2N3440)	
A1Q7	1854-0232	Q:SI NPN(SELECTED FROM 2N3440)	
A1Q8	1854-0C71	Q:SI NPN(SELECTED FROM 2N3704) INSTALLED IN H26-8414A ONLY	
A1Q9	1853-0051	Q:SI PNP INSTALLED IN H26-8414A ONLY	
A1Q10	1853-0051	Q:SI PNP INSTALLED IN H26-8414A ONLY	
A1Q11	1854-0071	Q:SI NPN(SELECTED FROM 2N3704) INSTALLED IN H26-8414A ONLY	
A1R1	0698-3157	R:FXD MET FLM 19.6K 1% 1/8W	
A1R2	0698-3157	R:FXD MET FLM 19.6K 1% 1/8W	
A1R3	0698-3157	R:FXD MET FLM 19.6K 1% 1/8W	
A1R4	0698-0083	R:FXD MET FLM 1.96K OHM 1% 1/8W	
A1R5	0757-0290	R:FXD MET FLM 6.19K OHM 1% 1/8W	
A1R6	0757-0438	R:FXD MET FLM 5.11K 1% 1/8W	
A1R7	0757-0280	R:FXD MET FLM 1K OHM 1% 1/8W	
A1R8	0698-3157	R:FXD MET FLM 19.6K 1% 1/8W	
A1R9	0757-0280	R:FXD MET FLM 1K OHM 1% 1/8W	
A1R10	0757-0442	R:FXD MET FLM 10.0K 1% 1/8W	

See introduction to this section for ordering information

Table 6-2. Parts List Indexed by Reference Designation (Cont)

Reference Designation	Part No.	Description #	Note
A1R11	0757-0442	R:FXD MET FLM 10.0K 1% 1/8W	
A1R12	0698-3154	R:FXD MET FLM 4.22K OHM 1% 1/8W	
A1R13	0698-3153	R:FXD MET FLM 3.83K 1% 1/8W	
A1R14	0698-3159	R:FXD MET FLM 26.1K OHM 1% 1/8W	
A1R15	0757-0853	R:FXD MET FLM 51.1K OHM 1% 1/2W	
A1R16	0698-0083	R:FXD MET FLM 1.96K OHM 1% 1/8W	
A1R17	0698-0083	R:FXD MET FLM 1.96K OHM 1% 1/8W	
A1R18	0698-0083	R:FXD MET FLM 1.96K OHM 1% 1/8W	
A1R19	0698-0083	R:FXD MET FLM 1.96K OHM 1% 1/8W	
A1R20	0698-0083	R:FXD MET FLM 1.96K OHM 1% 1/8W	
A1R21	0698-0083	R:FXD MET FLM 1.96K OHM 1% 1/8W	
A1R22	0698-3157	R:FXD MET FLM 19.6K 1% 1/8W	
A1R23	0698-3157	R:FXD MET FLM 19.6K 1% 1/8W	
A1R24	0698-3157	R:FXD MET FLM 19.6K 1% 1/8W	
A1R25		NOT ASSIGNED	
A1R26	0698-0083	R:FXD MET FLM 1.96K OHM 1% 1/8W	
A1R27	0698-0083	R:FXD MET FLM 1.96K OHM 1% 1/8W	
A1R28	0698-0083	R:FXD MET FLM 1.96K OHM 1% 1/8W	
A1R29	0698-0083	R:FXD MET FLM 1.96K OHM 1% 1/8W	
A1R30	0757-0123	R:FXD MET FLM 34.8K OHM 1% 1/8W FACTORY SELECTED PART	
A1R31	0757-0123	R:FXD MET FLM 34.8K OHM 1% 1/8W FACTORY SELECTED PART	
A1R32	2100-1770	R:VAR WW 100 OHM 5% TYPE H 1W	
A1R33	2100-1770	R:VAR WW 100 OHM 5% TYPE H 1W	
A1R34	0698-0083	R:FXD MET FLM 1.96K OHM 1% 1/8W	
A1R35	0698-3156	R:FXD MET FLM 14.7K OHM 1% 1/8W	
A1R36	0698-0083	R:FXD MET FLM 2.61K OHM 1% 1/8W	
A1R37	0757-0279	R:FXD MET FLM 3.16K OHM 1% 1/8W	
A1R38	0757-0439	R:FXD MET FLM 6.81K OHM 1% 1/8W	
A1R39	0698-3157	R:FXD MET FLM 19.6K 1% 1/8W	
A1R40	0698-3157	R:FXD MET FLM 19.6K 1% 1/8W	
A1R41	0698-3154	R:FXD MET FLM 4.22K OHM 1% 1/8W	
A1XA1		NOT ASSIGNED	
A1XA2	1251-0498	CONNECTOR:PC 22 CONTACTS	
A1XA3	1251-0498	CONNECTOR:PC 22 CONTACTS	
A2	08414-6028	ASSY:COORDINATE CONVERTER	
A2C1	0160-2917	C:FXD CER 0.05 UF +80-20% 100VDCW	
A2C2	0160-0168	C:FXD MY 0.1 UF 10% 200VDCW	
A2C3	0160-2930	C:FXD CER 0.01 UF +80-20% 100VDCW	
A2C4	0160-2917	C:FXD CER 0.05 UF +80-20% 100VDCW	
A2C5	0160-2917	C:FXD CER 0.05 UF +80-20% 100VDCW	
A2C6		NOT ASSIGNED	
A2C7	0160-2917	C:FXD CER 0.05 UF +80-20% 100VDCW	
A2C8	0160-2930	C:FXD CER 0.01 UF +80-20% 100VDCW	
A2C9	0160-2917	C:FXD CER 0.05 UF +80-20% 100VDCW	
A2C10	0140-0196	C:FXD MICA 150 PF 5%	

See introduction to this section for ordering information

Table 6-2. Parts List Indexed by Reference Designation (Cont)

Reference Designation	Part No.	Description #	Note
A2C11	0160-2917	C:FXD CER 0.05 UF +80-20% 100VDCW	
A2C12	0160-2917	C:FXD CER 0.05 UF +80-20% 100VDCW	
A2C13	0160-2930	C:FXD CER 0.01 UF +80-20% 100VDCW	
A2C14	0160-2204	C:FXD MICA 100PF 5%	
A2C15	0160-0939	C: FXD MICA 430 PF 5% 300 VDCW	
A2C16	0160-0939	C: FXD MICA 430 PF 5% 300 VDCW	
A2C17	0160-2210	C:FXD MICA 470 PF 5%	
A2C18	0160-2208	C:FXD MICA 330 PF 5% 300VDCW	
A2C19	0180-0116	C:FXD ELECT 6.8 UF 10% 35VDCW	
A2C20	0180-0116	C:FXD ELECT 6.8 UF 10% 35VDCW	
A2C21	0140-0157	C:FXD MICA 1857 PF 1%	
A2C22	0140-0157	C:FXD MICA 1857 PF 1%	
A2C23	0180-0116	C:FXD ELECT 6.8 UF 10% 35VDCW	
A2C24	0180-0116	C:FXD ELECT 6.8 UF 10% 35VDCW	
A2C25	0160-2208	C:FXD MICA 330 PF 5% 300VDCW	
A2C26	0140-0157	C:FXD MICA 1857 PF 1%	
A2C27	0150-0C82	C:FXD CER 8200 PF 500VDCW	
A2C28	0160-2917	C:FXD CER 0.05 UF +80-20% 100VDCW	
A2C29	0160-2917	C:FXD CER 0.05 UF +80-20% 100VDCW	
A2C30	0160-2917	C:FXD CER 0.05 UF +80-20% 100VDCW	
A2C31	0160-2930	C:FXD CER 0.01 UF +80-20% 100VDCW	
A2C32	0160-2930	C:FXD CER 0.01 UF +80-20% 100VDCW	
A2C33	0160-2917	C:FXD CER 0.05 UF +80-20% 100VDCW	
A2C34	0160-2917	C:FXD CER 0.05 UF +80-20% 100VDCW	
A2C35	0160-2930	C:FXD CER 0.01 UF +80-20% 100VDCW	
A2C36	0160-2204	C:FXD MICA 100PF 5%	
A2C37	0160-0939	C: FXD MICA 430 PF 5% 300 VDCW	
A2C38	0160-0939	C: FXD MICA 430 PF 5% 300 VDCW	
A2C39	0160-2210	C:FXD MICA 470 PF 5%	
A2C40	0160-2208	C:FXD MICA 330 PF 5% 300VDCW	
A2C41	0180-0116	C:FXD ELECT 6.8 UF 10% 35VDCW	
A2C42	0180-0116	C:FXD ELECT 6.8 UF 10% 35VDCW	
A2C43	0140-0157	C:FXD MICA 1857 PF 1%	
A2C44	0140-0157	C:FXD MICA 1857 PF 1%	
A2C45	0180-0116	C:FXD ELECT 6.8 UF 10% 35VDCW	
A2C46	0180-0116	C:FXD ELECT 6.8 UF 10% 35VDCW	
A2C47	0160-2208	C:FXD MICA 330 PF 5% 300VDCW	
A2C48	0140-0157	C:FXD MICA 1857 PF 1%	
A2C49	0150-0C82	C:FXD CER 8200 PF 500VDCW	
A2C50	0160-2917	C:FXD CER 0.05 UF +80-20% 100VDCW	
A2C51	0140-0198	C:FXD MICA 200 PF 5% FACTORY SELECTED PART	
A2CR1	1901-0040	DIODE:SILICON 30MA 30WV	
A2CR2	1901-0040	DIODE:SILICON 30MA 30WV	
A2CR3	1901-0040	DIODE:SILICON 30MA 30WV	
A2CR4		NOT ASSIGNED	
A2CR5	1902-0025	DIODE,BREAKDOWN:10.0V 5% 400 Mw	

See introduction to this section for ordering information

Table 6-2. Parts List Indexed by Reference Designation (Cont)

Reference Designation	Part No.	Description #	Note
A2CR6	1901-0040	DIODE:SILICON 30MA 30WV	
A2CR7	1901-0040	DIODE:SILICON 30MA 30WV	
A2J1	1250-0835	CONNECTOR:RF PC MOUNT	
A2L1	9100-1664	COIL/CHOKE 3000 UH 5%	
A2L2	9100-1641	COIL:MOLDED CHOKE 240.0 UH	
A2L3	9100-1641	COIL:MOLDED CHOKE 240.0 UH	
A2L4	9100-1641	COIL:MOLDED CHOKE 240.0 UH	
A2L5	9100-1641	COIL:MOLDED CHOKE 240.0 UH	
A2L6	9100-1641	COIL:MOLDED CHOKE 240.0 UH	
A2L7	9100-1664	COIL/CHOKE 3000 UH 5%	
A2L8	9100-1641	COIL:MOLDED CHOKE 240.0 UH	
A2L9	9100-1641	COIL:MOLDED CHOKE 240.0 UH	
A2L10	9100-1641	COIL:MOLDED CHOKE 240.0 UH	
A2L11	9100-1641	COIL:MOLDED CHOKE 240.0 UH	
A2Q1	1853-0020	Q: SI PNP(SELECTED FROM 2N3702)	
A2Q2	1854-0C71	Q: SI NPN(SELECTED FROM 2N3704)	
A2Q3	1853-0C20	Q: SI PNP(SELECTED FROM 2N3702)	
A2Q4	1854-0C71	Q: SI NPN(SELECTED FROM 2N3704)	
A2Q5	1854-0C71	Q: SI NPN(SELECTED FROM 2N3704)	
A2Q6	1854-0C71	Q: SI NPN(SELECTED FROM 2N3704)	
A2Q7	1854-0475	Q: SI NPN	
A2Q8	1854-0475	Q: SI NPN	
A2Q9	1853-0020	Q: SI PNP(SELECTED FROM 2N3702)	
A2Q10	1854-0C71	Q: SI NPN(SELECTED FROM 2N3704)	
A2Q11	1854-0475	Q: SI NPN	
A2Q12	1854-0475	Q: SI NPN	
A2Q13	1853-0020	Q: SI PNP(SELECTED FROM 2N3702)	
A2Q14	1854-0C71	Q: SI NPN(SELECTED FROM 2N3704)	
A2Q15	1853-0C20	Q: SI PNP(SELECTED FROM 2N3702)	
A2Q16	1854-0232	Q: SI NPN(SELECTED FROM 2N3440)	
A2Q17	1853-0020	Q: SI PNP(SELECTED FROM 2N3702)	
A2Q18	1854-0232	Q: SI NPN(SELECTED FROM 2N3440)	
A2Q19	1853-0020	Q: SI PNP(SELECTED FROM 2N3702)	
A2Q20	1854-0C71	Q: SI NPN(SELECTED FROM 2N3704)	
A2Q21	1854-0C71	Q: SI NPN(SELECTED FROM 2N3704)	
A2Q22	1854-0475	Q: SI NPN	
A2Q23	1854-0221	Q: SI NPN(REPLACEABLE BY 2N4044)	
A2Q24	1853-0C20	Q: SI PNP(SELECTED FROM 2N3702)	
A2Q25	1854-0C71	Q: SI NPN(SELECTED FROM 2N3704)	
A2Q26	1854-0221	Q: SI NPN(REPLACEABLE BY 2N4044)	
A2Q27	1854-0475	Q: SI NPN	
A2Q28	1853-0020	Q: SI PNP(SELECTED FROM 2N3702)	
A2Q29	1854-0C71	Q: SI NPN(SELECTED FROM 2N3704)	
A2Q30	1853-0020	Q: SI PNP(SELECTED FROM 2N3702)	
A2Q31	1853-0020	Q: SI PNP(SELECTED FROM 2N3702)	

See introduction to this section for ordering information

Table 6-2. Parts List Indexed by Reference Designation (Cont)

Reference Designation	Part No.	Description #	Note
A2Q32	1854-0232	Q: SI NPN(SELECTED FROM 2N3440)	
A2Q33	1854-0232	Q: SI NPN(SELECTED FROM 2N3440)	
A2R1	0757-0442	R: FXD MET FLM 10.0K 1% 1/8W	
A2R2	0757-0438	R: FXD MET FLM 5.11K 1% 1/8W	
A2R3	0757-0443	R: FXD MET FLM 11.0K OHM 1% 1/8W	
A2R4	0757-0443	R: FXD MET FLM 11.0K OHM 1% 1/8W	
A2R5	0698-3440	R: FXD MET FLM 196 OHM 1% 1/8W	
A2R6	0698-3157	R: FXD MET FLM 19.6K 1% 1/8W	
A2R7	0757-0460	R: FXD MET FLM 61.9K OHM 1% 1/8W	
A2R8	0698-3136	R: FXD MET FLM 17.8K OHM 1% 1/8W	
A2R9	0757-0123	R: FXD MET FLM 34.8K OHM 1% 1/8W	
A2R10	0757-0416	R: FXD MET FLM 511 OHM 1% 1/8W	
A2R11	0757-0444	R: FXD MET FLM 12.1K OHM 1% 1/8W	
A2R12	0757-0442	R: FXD MET FLM 10.0K 1% 1/8W	
A2R13	0757-0442	R: FXD MET FLM 10.0K 1% 1/8W	
A2R14	0757-0460	R: FXD MET FLM 61.9K OHM 1% 1/8W	
A2R15	0757-0421	R: FXD MET FLM 825 OHM 1% 1/8W	
A2R16	0698-3157	R: FXD MET FLM 19.6K 1% 1/8W	
A2R17	0698-0084	R: FXD MET FLM 2.15K 1% 1/8W	
A2R18	0698-0083	R: FXD MET FLM 1.96K OHM 1% 1/8W	
A2R19	0698-3440	R: FXD MET FLM 196 OHM 1% 1/8W	
A2R20	0698-0C84	R: FXD MET FLM 2.15K 1% 1/8W FACTORY SELECTED PART	
A2R21	2100-1759	R: VAR WW 2K OHM 5% TYPE V 1W	
A2R22	0757-0460	R: FXD MET FLM 61.9K OHM 1% 1/8W	
A2R23	0757-0421	R: FXD MET FLM 825 OHM 1% 1/8W	
A2R24	0698-3157	R: FXD MET FLM 19.6K 1% 1/8W	
A2R25	0698-3440	R: FXD MET FLM 196 OHM 1% 1/8W	
A2R26	0698-0083	R: FXD MET FLM 1.96K OHM 1% 1/8W	
A2R27	0698-0083	R: FXD MET FLM 1.96K OHM 1% 1/8W	
A2R28	0757-0442	R: FXD MET FLM 10.0K 1% 1/8W	
A2R29	0757-0442	R: FXD MET FLM 10.0K 1% 1/8W	
A2R30	0698-3445	R: FXD MET FLM 348 OHM 1% 1/8W	
A2R31	0757-0458	R: FXD MET FLM 51.1K OHM 1% 1/8W	
A2R32	0757-0465	R: FXD MET FLM 100K 1% 1/8W	
A2R33	0757-0424	R: FXD MET FLM 1.10K OHM 1% 1/8W	
A2R34	0757-0440	R: FXD MET FLM 7.50K 1% 1/8W	
A2R35	0698-3450	R: FXD MET FLM 42.2K OHM 1% 1/8W	
A2R36	0698-3156	R: FXD MET FLM 14.7K OHM 1% 1/8W	
A2R37	2100-1760	R: VAR WW 5K OHM 5% TYPE V 1W	
A2R38	0698-3154	R: FXD MET FLM 4.22K OHM 1% 1/8W	
A2R39	0757-0442	R: FXD MET FLM 10.0K 1% 1/8W	
A2R40	0757-0442	R: FXD MET FLM 10.0K 1% 1/8W	
A2R41	0698-3151	R: FXD MET FLM 2.87K OHM 1% 1/8W	
A2R42	0757-0458	R: FXD MET FLM 51.1K OHM 1% 1/8W	
A2R43	0757-0465	R: FXD MET FLM 100K 1% 1/8W	
A2R44	0698-3491	R: FXD MET FLM 1K OHM 0.1% 1/8W	

See introduction to this section for ordering information

Table 6-2. Parts List Indexed by Reference Designation (Cont)

Reference Designation	Part No.	Description #	Note
A2R45	0698-3491	R:FXD MET FLM 1K OHM 0.1% 1/8W	
A2R46	0698-3445	R:FXD MET FLM 348 OHM 1% 1/8W	
A2R47	0757-0440	R:FXD MET FLM 7.50K 1% 1/8W	
A2R48	0698-3450	R:FXD MET FLM 42.2K OHM 1% 1/8W	
A2R49	0698-0C83	R:FXD MET FLM 1.96K OHM 1% 1/8W	
A2R50	0698-3154	R:FXD MET FLM 4.22K OHM 1% 1/8W	
A2R51	0757-0442	R:FXD MET FLM 10.0K 1% 1/8W	
A2R52	0757-0465	R:FXD MET FLM 100K 1% 1/8W	
A2R53	0698-3157	R:FXD MET FLM 19.6K 1% 1/8W	
A2R54	0698-3440	R:FXD MET FLM 196 OHM 1% 1/8W	
A2R55	0757-0853	R:FXD MET FLM 51.1K OHM 1% 1/2W	
A2R56	0757-0438	R:FXD MET FLM 5.11K 1% 1/8W	
A2R57	2100-1760	R:VAR WW 5K OHM 5% TYPE V 1W	
A2R58	0757-0279	R:FXD MET FLM 3.16K OHM 1% 1/8W	
A2R59	0757-0853	R:FXD MET FLM 51.1K OHM 1% 1/2W	
A2R60	0757-0465	R:FXD MET FLM 100K 1% 1/8W	
A2R61	0698-3157	R:FXD MET FLM 19.6K 1% 1/8W	
A2R62	0698-3440	R:FXD MET FLM 196 OHM 1% 1/8W	
A2R63	0757-0421	R:FXD MET FLM 825 OHM 1% 1/8W	
A2R64	0698-0C83	R:FXD MET FLM 1.96K OHM 1% 1/8W	
A2R65	0698-0083	R:FXD MET FLM 1.96K OHM 1% 1/8W	
A2R66	0757-0421	R:FXD MET FLM 825 OHM 1% 1/8W	
A2R67	0698-3440	R:FXD MET FLM 196 OHM 1% 1/8W	
A2R68	0698-0083	R:FXD MET FLM 1.96K OHM 1% 1/8W	
A2R69	0698-3154	R:FXD MET FLM 4.22K OHM 1% 1/8W	
A2R70	0698-3154	R:FXD MET FLM 4.22K OHM 1% 1/8W	
A2R71	0698-3440	R:FXD MET FLM 196 OHM 1% 1/8W	
A2R72	0757-0460	R:FXD MET FLM 61.9K OHM 1% 1/8W	
A2R73	0698-3157	R:FXD MET FLM 19.6K 1% 1/8W	
A2R74	0698-0083	R:FXD MET FLM 1.96K OHM 1% 1/8W	
A2R75	0698-0083	R:FXD MET FLM 1.96K OHM 1% 1/8W	
A2R76	0757-0442	R:FXD MET FLM 10.0K 1% 1/8W	
A2R77	0757-0442	R:FXD MET FLM 10.0K 1% 1/8W	
A2R78	0698-3445	R:FXD MET FLM 348 OHM 1% 1/8W	
A2R79	0757-0458	R:FXD MET FLM 51.1K OHM 1% 1/8W	
A2R80	0757-0465	R:FXD MET FLM 100K 1% 1/8W	
A2R81	0757-0424	R:FXD MET FLM 1.10K OHM 1% 1/8W	
A2R82	0757-0440	R:FXD MET FLM 7.50K 1% 1/8W	
A2R83	0698-3450	R:FXD MET FLM 42.2K OHM 1% 1/8W	
A2R84	0757-0447	R:FXD MET FLM 16.2K OHM 1% 1/8W	
A2R85	0698-3154	R:FXD MET FLM 4.22K OHM 1% 1/8W	
A2R86	0757-0442	R:FXD MET FLM 10.0K 1% 1/8W	
A2R87	0757-0442	R:FXD MET FLM 10.0K 1% 1/8W	
A2R88	0698-3151	R:FXD MET FLM 2.87K OHM 1% 1/8W	
A2R89	0757-0458	R:FXD MET FLM 51.1K OHM 1% 1/8W	
A2R90	0757-0465	R:FXD MET FLM 100K 1% 1/8W	
A2R91	0698-3491	R:FXD MET FLM 1K OHM 0.1% 1/8W	
A2R92	0698-3491	R:FXD MET FLM 1K OHM 0.1% 1/8W	
A2R93	0698-3445	R:FXD MET FLM 348 OHM 1% 1/8W	

See introduction to this section for ordering information

Table 6-2. Parts List Indexed by Reference Designation (Cont)

Reference Designation	Part No.	Description #	Note
A2R94	0757-0440	R:FXD MET FLM 7.50K 1% 1/8W	
A2R95	0698-3450	R:FXD MET FLM 42.2K OHM 1% 1/8W	
A2R96	0698-0C83	R:FXD MET FLM 1.96K OHM 1% 1/8W	
A2R97	0698-3154	R:FXD MET FLM 4.22K OHM 1% 1/8W	
A2R98	0757-0442	R:FXD MET FLM 10.0K 1% 1/8W	
A2R99	0757-0465	R:FXD MET FLM 100K 1% 1/8W	
A2R100	0698-3157	R:FXD MET FLM 19.6K 1% 1/8W	
A2R101	0698-3440	R:FXD MET FLM 196 OHM 1% 1/8W	
A2R102	0757-C853	R:FXD MET FLM 51.1K OHM 1% 1/2W	
A2R103	0757-0290	R:FXD MET FLM 6.19K OHM 1% 1/8W	
A2R104	0757-0279	R:FXD MET FLM 3.16K OHM 1% 1/8W	
A2R105	0757-0853	R:FXD MET FLM 51.1K OHM 1% 1/2W	
A2R106	0757-0465	R:FXD MET FLM 100K 1% 1/8W	
A2R107	0698-3157	R:FXD MET FLM 19.6K 1% 1/8W	
A2R108	0698-3440	R:FXD MET FLM 196 OHM 1% 1/8W	
A2R109	0757-0421	R:FXD MET FLM 825 OHM 1% 1/8W	
A2R110	0757-0421	R:FXD MET FLM 825 OHM 1% 1/8W	
A2R111	0757-0442	R:FXD MET FLM 10.0K 1% 1/8W	
A2R112	0757-0442	R:FXD MET FLM 10.0K 1% 1/8W	
A2S1	3101-0973	SWITCH:SLIDE DPDT 0.5A 125V AC/DC	
A2A1	1901-0557	DIODE:MULTIPLE	
A2A2	1901-0557	DIODE:MULTIPLE	
A3	08414-6003	ASSY:POWER SUPPLY	
A3C1	0180-0361	C:FXD ELECT 10 UF +50-10% 350VDCW	
A3C2	0160-0168	C:FXD MY 0.1 UF 10% 200VDCW	
A3C3	0170-0018	C:FXD MY 1UF 5% 200VDCW	
A3C4	0180-0013	C:FXD ELECT 100UF 100VDCW	
A3C5	0150-0121	C:FXD CER 0.1 UF +80-20% 50VDCW	
A3C6	0160-2054	C:FXD MY 0.015 UF 10% 3000VDCW	
A3C7	0160-2054	C:FXD MY 0.015 UF 10% 3000VDCW	
A3C8	0160-0151	C:FXD CER 4700 PF +80-20% 400VDCW	
	5040-0401	SUPPORT:CAPACITOR	
A3C9	0160-2054	C:FXD MY 0.015 UF 10% 3000VDCW	
A3CR1	1901-0029	DIODE:SILICON 600 PIV	
A3CR2	1901-0C33	DIODE:SILICON 100MA 180WV	
A3CR3	1902-3428	DIODE BREAKDOWN:SILICON 100V 5%	
A3CR4	1902-3119	DIODE:BREAKDOWN 6.49V 2%	
A3CR5	1901-0050	DIODE:SILICON 75V	
A3CR6	1901-0632	DIODE:SILICON	
A3CR7	1901-0632	DIODE:SILICON	
A3L1	9140-0051	COIL:FXD 400 UHY	
A3Q1	1854-0232	Q:SI NPN(SELECTED FROM 2N3440)	

See introduction to this section for ordering information

Table 6-2. Parts List Indexed by Reference Designation (Cont)

Reference Designation	Part No.	Description #	Note
A3Q2	1854-0232	Q:SI NPN(SELECTED FROM 2N3440)	
A3R1	0698-3639	R:FXD MET OX 1.2K OHM 5% 2W	
A3R2	0757-0367	R:FXD MET FLM 100K OHM 1% 1/2W	
A3R3	0757-0853	R:FXD MET FLM 51.1K OHM 1% 1/2W	
A3R4	0698-3422	R:FXD MET FLM 42.2K OHM 1% 1/2W	
A3R5	0698-0C83	R:FXD MET FLM 1.96K OHM 1% 1/8W	
A3R6	0757-0401	R:FXD MET FLM 100 OHM 1% 1/8W	
A3R7	0757-0196	R:FXD MET FLM 6.19K OHM 1% 1/2W	
A3R8	0698-3440	R:FXD MET FLM 196 OHM 1% 1/8W	
A3R9	2100-1910	R:VAR 100K OHM 20% 3/4W	
A3R10	2100-1910	R:VAR 100K OHM 20% 3/4W	
A3R11	2100-1569	R:VAR 1 MEGOHM 20% 3/4W	
A3R12	0836-0002	R:FXD CARBON 20 MEGOHM 10% 1W	
A3R13	0686-2055	R:FXD COMP 2 MEGOHM 5% 1/2W	
A3R14	0687-1031	R:FXD COMP 10K OHM 10% 1/2W	
A3R15		NOT ASSIGNED	
A3R16	0686-1055	R:FXD COMP 1 MEGOHM 5% 1/2W	
A3R17	0836-0002	R:FXD CARBON 20 MEGOHM 10% 1W	
A3R18	0757-0442	R:FXD MET FLM 10.0K 1% 1/8W	
A3R19	0698-3453	R:FXD MET FLM 196K OHM 1% 1/8W	
A3R20	2100-0942	R:VAR FLM 50K OHM 20% 3/4W	
A3R21	0761-0021	R:FXD MET OX 1000 OHM 5% 1W	
A3R22	0761-0021	R:FXD MET OX 1000 OHM 5% 1W	
A3R23	0761-0021	R:FXD MET OX 1000 OHM 5% 1W	
A3A1	08414-6004	ASSY:+ 5100 V STAND OFF	
A3A1C1	0160-0151	C:FXD CER 4700 PF +80-20% 4000VDCW	
A3A1C2	0150-0036	C:FXD CER 470 PF 20% 6KV	
A3A1C3	0150-0036	C:FXD CER 470 PF 20% 6KV	
A3A1CR1	1901-0632	DIODE:SILICON	
A3A1CR2	1901-0632	DIODE:SILICON	
A3A1R1	0698-3456	R:FXD MET FLM 287K OHM 1% 1/8W	
A4	08414-6030	ASSY:PLUG-IN CONNECTION	
A4J1		NOT SEPARATELY REPLACEABLE	
A4J2	1250-0835	CONNECTOR:RF PC MOUNT	
A4P1		NOT SEPARATELY REPLACEABLE	
J1	1250-0083	CONNECTOR:BNC	
J2	1250-0C83	CONNECTOR:BNC	
J3	1250-0C83	CONNECTOR:BNC	
J4	1250-0C83	CONNECTOR:BNC	
J5	1251-1016	CONNECTOR:2 PIN	
J5	0340-0C05	INSULATOR:BUSHING CERAMIC	
J5	0520-0118	SCREW:NYLON RD HD SLOT DR 2-56"	
J6	1250-0C83	CONNECTOR:BNC(INSTALLED IN H26-8414A ONLY)	
	5040-0702	WASHER:INSULATING (2 EA.)	
L1	5060-0409	COIL:ALIGNMENT	
P1 THRU P3 P4		NOT ASSIGNED	
	1251-1017	CONNECTOR:2 PIN, MATES W/1251-1016	

See introduction to this section for ordering information

Table 6-2. Parts List Indexed by Reference Designation (Cont)

Reference Designation	Part No.	Description #	Note
Q1	1854-0072	Q: SI NPN	
Q1	0340-0162	INSULATOR:TRANSISTOR	
Q2	1854-0072	Q: SI NPN	
Q2	0340-0162	INSULATOR:TRANSISTOR	
Q3	1854-0237	Q: SI NPN	
Q3	0340-0162	INSULATOR:TRANSISTOR	
R1	2100-2415	R: VAR COMP 1K OHM 20% LIN 1/2W	
R2	2100-2415	R: VAR COMP 1K OHM 20% LIN 1/2W	
R3	2100-2708	R: VAR COMP 5K-5 MEGOHM 20-30% LIN 1W	
R4	2100-1808	R: VAR 100 OHM 20% LIN 1/2W	
R5	2100-0150	R: VAR GANGED 2X10K OHM 20% LIN 1/4W	
S1	3101-0044	SWITCH:PUSHBUTTON SPST NO	
T1	9100-2421	TRANSFORMER	
T2	9100-2422	TRANSFORMER	
V1	08414-6016	ELECTRON TUBE:CRT	
W1	08414-6014	CABLE ASSY:TEST CHANNEL INPUT	
W1	08410-61007	CABLE ASSY:TEST CHANNEL INPUT (FOR H26-8414A ONLY)	
W1	08410-6020	CABLE ASSY:FOR H26-8414A ONLY	
W2	00140-61606	CABLE:CRT	
		MISCELLANEOUS	
	1200-0408	COVER PLATE:CRT SOCKET	
	1200-0037	SOCKET:CRT TUBE	
	08414-0009	STANDARD SMITH CHART SET:VIEWING	
	08414-0021	COMPRESSED SMITH CHART SET:VIEWING	
	08414-0022	COMPRESSED SMITH CHART SET:PHOTO	
	08414-0024	RETURN LOSS:PHOTO	
	08414-0023	RETURN LOSS:VIEWING	
	08414-0010	STANDARD SMITH CHART SET:PHOTO	
	08414-0011	EXPANDED SMITH CHART SET:VIEWING	
	08414-0012	EXPANDED SMITH CHART SET:PHOTOGRAPHIC	
	5040-0421	INSULATOR(FOR R3B FOCUS	
	0340-0005	INSULATOR:BUSHING CERAMIC	
	0370-0004	KNCB:ROUND BLK 5/8 DIA	
	0370-0107	KNCB:POINTER BLK 5/8 DIA	
	0370-0134	KNCB:ROUND FOR 0.125" DIA SHAFT	
	0520-0118	SCREW:NYLON RD HD SLOT DR 2-56"	

See introduction to this section for ordering information

Table 6-2. Parts List Indexed by Reference Designation (Cont)

Reference Designation	Part No.	Description #	Note
<p>Figure 6-1. Cabinet Parts</p> <p>CABINET PARTS</p>			
1	08414-2014	CRT BEZEL	
1	2370-0013	SCREW:SST FLAT HD PHL DR 6-32 X 3/8	
2	4320-0062	EXTRUSION,RUBBER	
3	7120-1254	TRADEMARK	
4	7120-1574	PLATE:IDENTIFICATION(POLAR DISPLAY)	
5	5020-3281	TRIM,NAMEPLATE	
5	2210-0001	SCREW:MACHINE SST FH 4-40X3/16	
6	5060-0239	TOP COVER ASSY:PLUG-IN	
6	2370-0003	SCREW:SST FLAT HD 6-32 X 0.500	
7	08414-0001	COVER:REAR CRT	
7	2370-0001	SCREW:SST FLAT HD 6-32 X 0.250	
8	08414-0005	PANEL:REAR	
9	08414-0003	PANEL:FRONT	
10	5020-3288	PIN,EXTRACTOR	
11	5000-3339	COVER,PLUG-IN BOTTOM	
11	2370-0003	SCREW:SST FLAT HD 6-32 X 0.500	
12	5040-0274	FOOT,PLUG-IN	

See introduction to this section for ordering information

Table 6-3. Parts List Indexed by HP Part Number

Part No.	Description #	Mfr.	Mfr. Part No.	TQ
0140-0157	C:FXD MICA 1857 PF 1%	28480	0140-0157	6
0140-0196	C:FXD MICA 150 PF 5%	28480	0140-0196	1
0140-0198	C:FXD MICA 200 PF 5%	72136	RDM15F201J3C	1
0150-0036	C:FXD CER 470 PF 20% 6KV	91418	6KV470 20%	2
0150-0082	C:FXD CER 8200 PF 50VDCW	C4222	TYPE D1-4	2
0150-0121	C:FXD CER 0.1 UF +80-20% 50VDCW	56289	5C50BIS-CML	2
0160-0151	C:FXD CER 4700 PF +80-20% 4000VDCW	71590	DA045-040CD	2
0160-0168	C:FXD MY 0.1 UF 10% 200VDCW	28480	0160-0168	2
0160-0939	C: FXD MICA 430 PF 5% 300 VDCW	28480	0160-0939	4
0160-2054	C:FXD MY 0.015 UF 10% 3000VDCW	71436	PMS153-3MS	3
0160-2204	C:FXD MICA 100PF 5%	72136	RDM15F101J3C	2
0160-2208	C:FXD MICA 330 PF 5% 300VDCW	28480	0160-2208	4
0160-2210	C:FXD MICA 470 PF 5%	28480	0160-2210	2
0160-2917	C:FXD CER 0.05 UF +80-20% 100VDCW	84411	TYPE TA	13
0160-2930	C:FXD CER 0.01 UF +80-20% 100VDCW	91418	TA	6
0170-0018	C:FXD MY 1UF 5% 200VDCW	84411	TYPE 621M 10552	1
0180-0013	C:FXD ELECT 100UF 100VDCW	56289	D33067	1
0180-0116	C:FXD ELECT 6.8 UF 10% 35VDCW	28480	0180-0116	8
0180-0269	C:FXD ELECT 1.0 UF +50-10% 150VDCW	56289	30D105F150BA2-DSM	1
0180-0361	C:FXD ELECT 10 UF +50-10% 350VDCW	28480	0180-0361	1
0340-0005	INSULATOR:BUSHING CERAMIC	28480	0340-0005	2
0340-0162	INSULATOR:TRANSISTOR	28480	0340-0162	3
0370-0084	KNOB:ROUND BLK 5/8 DIA	28480	0370-0084	1
0370-0107	KNCB:PGINTER BLK 5/8 DIA	28480	0370-0107	1
0370-0134	KNCB:ROUND FOR 0.125" DIA SHAFT	28480	0370-0134	1
0490-0739	RELAY:DPDT 2A	77342	HP11D-24V	1
0520-0118	SCREW:NYLON RD HD SLOT DR 2-56"	28480	0520-0118	2
0686-1055	R:FXD COMP 1 MEGOHM 5% 1/2W	01121	EB 1055	1
0686-2055	R:FXD COMP 2 MEGOHM 5% 1/2W	01121	EB 2055	1
0687-1031	R:FXD COMP 10K OHM 10% 1/2W	01121	EB 1031	1
0698-0083	R:FXD MET FLM 1.96K OHM 1% 1/8W	14674	C4	23
0698-0084	R:FXD MET FLM 2.15K 1% 1/8W	14674	C4	2
0698-0085	R:FXD MET FLM 2.61K OHM 1% 1/8W	14674	C4	1
0698-3136	R:FXD MET FLM 17.8K OHM 1% 1/8W	14674	C4	1
0698-3151	R:FXD MET FLM 2.87K OHM 1% 1/8W	28480	0698-3151	2
0698-3153	R:FXD MET FLM 3.83K 1% 1/8W	91637	MFF-1/10-32	1
0698-3154	R:FXD MET FLM 4.22K OHM 1% 1/8W	28480	0698-3154	8
0698-3156	R:FXD MET FLM 14.7K OHM 1% 1/8W	14674	C4	2
0698-3157	R:FXD MET FLM 19.6K 1% 1/8W	14674	C4	17
0698-3159	R:FXD MET FLM 26.1K OHM 1% 1/8W	75042	CEA	1
0698-3422	R:FXD MET FLM 42.2K OHM 1% 1/2W	91637	MFF-1/2-10	1
0698-3440	R:FXD MET FLM 196 OHM 1% 1/8W	91637	MF-1/10-32	10
0698-3445	R:FXD MET FLM 348 OHM 1% 1/8W	14674	C4	4
0698-3450	R:FXD MET FLM 42.2K OHM 1% 1/8W	28480	0698-3450	4
0698-3453	R:FXD MET FLM 196K OHM 1% 1/8W	28480	0698-3453	1
0698-3456	R:FXD MET FLM 287K OHM 1% 1/8W	28480	0698-3456	1
0698-3491	R:FXD MET FLM 1K OHM 0.1% 1/8W	28480	0698-3491	4
0698-3639	R:FXD MET OX 1.2K OHM 5% 2W	28480	0698-3639	1
0757-0123	R:FXD MET FLM 34.8K OHM 1% 1/8W	91637	MF-1/10-32	3
0757-0196	R:FXD MET FLM 6.19K OHM 1% 1/2W	14674	C4	1
0757-0279	R:FXD MET FLM 3.16K OHM 1% 1/8W	14674	C4	3
0757-0280	R:FXD MET FLM 1K OHM 1% 1/8W	14674	C4	2
0757-0290	R:FXD MET FLM 6.19K OHM 1% 1/8W	28480	0757-0290	2
0757-0367	R:FXD MET FLM 100K OHM 1% 1/2W	28480	0757-0367	1

See introduction to this section for ordering information

Table 6-3. Parts List Indexed by HP Part Number (Cont)

Part No.	Description #	Mfr.	Mfr. Part No.	TQ
0757-0401	R:FXD MET FLM 100 OHM 1% 1/8W	14674	C4	1
0757-0416	R:FXD MET FLM 511 OHM 1% 1/8W	14674	C4	1
0757-0421	R:FXD MET FLM 825 OHM 1% 1/8W	28480	0757-0421	6
0757-0424	R:FXD MET FLM 1.10K OHM 1% 1/8W	28480	0757-0424	2
0757-0438	R:FXD MET FLM 5.11K 1% 1/8W	14674	C4	3
0757-0439	R:FXD MET FLM 6.81K OHM 1% 1/8W	28480	0757-0439	1
0757-0440	R:FXD MET FLM 7.50K 1% 1/8W	14674	C4	4
0757-0442	R:FXD MET FLM 10.0K 1% 1/8W	14674	C4	18
0757-0443	R:FXD MET FLM 11.0K OHM 1% 1/8W	91637	MF-1/10-32	2
0757-0444	R:FXD MET FLM 12.1K OHM 1% 1/8W	28480	0757-0444	1
0757-0447	R:FXD MET FLM 16.2K OHM 1% 1/8W	28480	0757-0447	1
0757-0458	R:FXD MET FLM 51.1K OHM 1% 1/8W	91637	MF-1/10-32	4
0757-0460	R:FXD MET FLM 61.9K OHM 1% 1/8W	28480	0757-0460	4
0757-0465	R:FXD MET FLM 100K 1% 1/8W	14674	C4	8
0757-0853	R:FXD MET FLM 51.1K OHM 1% 1/2W	28480	0757-0853	6
0761-0021	R:FXD MET OX 1000 OHM 5% 1W	14674	C-32 OBD	3
0836-0002	R:FXD CARBON 20 MEGOHM 10% 1W	28480	0836-0002	2
1200-0037	SOCKET:CRT TUBE	72825	97097	1
1200-0085	COVER PLATE:CRT SOCKET	72825	9709-1	1
1250-0083	CNNECTOR:BNC	28480	1250-0083	5
1250-0835	CONNECTOR:RF PC MOUNT	98291	50-051-0000	2
1251-0498	CONNECTOR:PC 22 CONTACTS	28480	1251-0498	2
1251-1016	CONNECTOR:2 PIN	81312	JF2P-2S-AB	1
1251-1017	CONNECTOR:2 PIN, MATES W/1251-1016	81312	JF2P-2S-AB	1
1251-1378	CONNECTOR:PC 9 CONTACTS	C2660	64-17	1
1853-0020	Q:SI PNP(SELECTED FROM 2N3702)	28480	1853-0020	13
1853-0051	Q:SI PNP	02735	2N4037	2
1854-0071	Q:SI NPN(SELECTED FROM 2N3704)	28480	1854-0071	14
1854-0072	Q:SI NPN	02735	2N3054	2
1854-0221	Q:SI NPN(REPLACEABLE BY 2N4044)	28480	1854-0221	8
1854-0232	Q:SI NPN(SELECTED FROM 2N3440)	28480	1854-0232	9
1854-0237	Q:SI NPN	04713	2N3738	1
1901-0025	DIODE:SILICON 100MA/1V	07263	FD 2387	3
1901-0029	DIODE:SILICON 600 PIV	28480	1901-0029	1
1901-0033	DIODE:SILICON 100MA 180WV	07263	FD3369	1
1901-0040	DIODE:SILICON 30MA 30WV	07263	FDG1088	9
1901-0050	DIODE:SILICON 75V	14433	S270	1
1901-0473	DIODE ASSY:SILICON 50 MA 7500PIV	28480	1901-0473	4
1901-0557	DIODE:MULTIPLE	28480	1901-0557	2
1902-0025	DIODE,BREAKDOWN:10.0V 5% 400 MW	28480	1902-0025	1
1902-0041	DIODE:BREAKDOWN 5.11V 5%	04713	SZ10939-98	1
1902-3119	DIODE:BREAKDOWN 6.49V 2%	04713	SZ10939-129	1
1902-3428	DIODE BREAKDOWN:SILICON 100V 5%	28480	1902-3428	1
2100-0150	R:VAR GANGED 2X10K OHM 20% LIN 1/4W	28480	2100-0150	1
2100-0942	R:VAR FLM 50K OHM 20% 3/4W	28480	2100-0942	1
2100-1759	R:VAR WW 2K OHM 5% TYPE V 1W	28480	2100-1759	1
2100-1760	R:VAR WW 5K OHM 5% TYPE V 1W	28480	2100-1760	2
2100-1770	R:VAR WW 100 OHM 5% TYPE H 1W	28480	2100-1770	2
2100-1808	R:VAR 100 OHM 20% LIN 1/2W	28480	2100-1808	1
2100-1910	R:VAR 100K OHM 20% 3/4W	28480	2100-1910	2
2100-1969	R:VAR 1 MEGOHM 20% 3/4W	28480	2100-1969	1
2100-2415	R:VAR COMP 1K OHM 20% LIN 1/2W	28480	2100-2415	2
2100-2708	R:VAR COMP 5K-5 MEGOHM 20-30% LIN 1W	28480	2100-2708	1
2210-0001	SCREW:MACHINE SST FH 4-40X3/16	97934	OMD	1

See introduction to this section for ordering information

Table 6-3. Parts List Indexed by HP Part Number (Cont)

Part No.	Description #	Mfr.	Mfr. Part No.	TQ
2370-0001	SCREW:SST FLAT HD 6-32 X 0.250	28480	2370-0001	1
2370-0003	SCREW:SST FLAT HD 6-32 X 0.500	28480	2370-0003	2
2370-0013	SCREW:SST FLAT HD PHL DR 6-32 X 3/8	28480	2370-0013	1
3101-0044	SWITCH:PUSHBUTTON SPST NO	81073	39- N.O.	1
3101-0973	SWITCH:SLIDE DPDT 0.5A 125V AC/DC	79727	G126-0018	1
432C-0062	EXTRUSION,RUBBER	28480	4320-0062	1
5000-3339	COVER,PLUG-IN BOTTOM	28480	5000-3339	1
5020-3281	TRIM,NAMEPLATE	28480	5020-3281	1
5020-3288	PIN,EXTRACTOR	28480	5020-3288	1
5040-0274	FOOT,PLUG-IN	28480	5040-0274	1
5040-0401	SUPPORT:CAPACITOR	28480	5040-0401	1
5040-0421	INSULATOR(FOR R3B FOCUS	28480	5040-0421	1
5060-0239	TOP COVER ASSY:PLUG-IN	28480	5060-0239	1
5060-0409	COIL:ALIGNMENT	28480	5060-0409	1
7120-1254	TRADEMARK	28480	7120-1254	1
7120-1574	PLATE:IDENTIFICATION(POLAR DISPLAY)	28480	7120-1574	1
9100-1630	COIL/CHOKE 51.0 UH 5%	28480	9100-1630	1
9100-1641	COIL:MOLDED CHOKE 240.0 UH	28480	9100-1641	9
9100-1664	COIL/CHOKE 3000 UH 5%	28480	9100-1664	2
9100-2421	TRANSFORMER	28480	9100-2421	1
9100-2422	TRANSFORMER	28480	9100-2422	1
9140-0051	COIL:FXD 400 UHY	28480	9140-0051	1
00140-61606	CABLE:CRT	28480	00140-61606	1
0841C-61007	CABLE ASSY:TEST CHANNEL INPUT	28480	08410-61007	1
08414-0001	COVER:REAR CRT	28480	08414-0001	1
08414-0003	PANEL:FRONT	28480	08414-0003	1
08414-0005	PANEL:REAR	28480	08414-0005	1
08414-0009	STANDARD SMITH CHART SET:VIEWING	28480	08414-0009	1
08414-0010	STANDARD SMITH CHART SET:PHOTO	28480	08414-0010	1
08414-0011	EXPANDED SMITH CHART SET:VIEWING	28480	08414-0011	1
08414-0012	EXPANDED SMITH CHART SET:PHOTOGRAPHIC	28480	08414-0012	1
08414-0021	COMPRESSED SMITH CHART SET:VIEWING	28480	08414-0021	1
08414-0022	COMPRESSED SMITH CHART SET:PHOTO	28480	08414-0022	1
08414-0023	RETURN LOSS:VIEWING	28480	08414-0023	1
08414-0024	RETURN LOSS:PHOTO	28480	08414-0024	1
08414-2014	CRT BEZEL	28480	08414-2014	1
08414-6003	ASSY:POWER SUPPLY	28480	08414-6003	1
08414-6004	ASSY:+ 5100 V STAND OFF	28480	08414-6004	1
08414-6014	CABLE ASSY:TEST CHANNEL INPUT	28480	08414-6014	1
08414-6016	ELECTRON TUBE:CRT	28480	08414-6016	1
08414-6028	ASSY:COORDINATE CONVERTER	28480	08414-6028	1
08414-6029	ASSY:Z-AXIS MOD & INTERCONNECTION	28480	08414-6029	1
08414-6030	ASSY:PLUG-IN CONNECTION	28480	08414-6030	1

See introduction to this section for ordering information

Table 6-4. Code List of Manufacturers

The following code numbers are from the Federal Supply Code for Manufacturers Cataloging Handbooks H4-1 (Name to Code) and H4-2 (Code to Name) and their latest supplements. The date of revision and the date of the supplements used appear at the bottom of each page. Alphabetical codes have been arbitrarily assigned to suppliers not appearing in the H4 Handbooks.

Code No.	Manufacturer	Address	Code No.	Manufacturer	Address
00000	U.S.A Common	Any supplier of U.S.	05347	Ultronix, Inc.	San Mateo, Cal.
00136	McCoy Electronics	Mount Holly Springs, Pa.	05397	Union Carbine Corp., Elect. Div.	New York, N.Y.
00213	Sage Electronics Corp.	Rochester, N.Y.	05574	Viking Ind. Inc.	Canoga Park, Cal.
00287	Cemco, Inc.	Danielson, Conn	05593	Icore Electro-Plastics Inc.	Sunnyvale, Cal.
00334	Humidial	Colton, Calif.	05616	Cosmo Plastic (c/o Electrical Spec. Co.)	Cleveland, Ohio
00348	Mictron, Co., Inc.	Valley Stream, N.Y.	05624	Barber Colman Co.	Rockford, Ill.
00373	Garlock Inc.	Cherry Hill, N.J.	05728	Tiffen Optical Co.	Roslyn Heights, Long Island, N.Y.
00656	Aerovox Corp.	New Bedford, Mass.	05729	Metro-Tel Corp.	Westbury, N.Y.
00779	Amp. Inc.	Harrisburg, Pa.	05783	Stewart Engineering Co.	Santa Cruz, Cal.
00781	Aircraft Radio Corp.	Boonton, N.J.	05820	Wakefield Engineering Inc.	Wakefield, Mass.
00809	Croven, Ltd.	Whitby, Ontario, Canada	06004	Bassick Co., Div. of Stewart Warner Corp.	Bridgeport, Conn.
00815	Northern Engineering Laboratories, Inc.	Burlington, Wis.	06090	Raychem Corp.	Redwood City, Cal.
00853	Sangamo Electric Co., Pickens Div.	Pickens, S.C.	06175	Bausch and Lomb Optical Co.	Rochester, N.Y.
00866	Goe Engineering Co.	City of Industry, Cal.	06402	E.T.A. Products Co. of America	Chicago, Ill.
00891	Carl E. Holmes Corp.	Los Angeles, Cal.	06540	Amatom Electronic Hardware Co., Inc.	New Rochelle, N.Y.
00929	Microlab Inc.	Livingston, N.J.	06555	Beede Electrical Instrument Co., Inc.	Penacook, N.H.
01002	General Electric Co., Capacitor Dept.	Hudson Falls, N.Y.	06666	General Devices Co., Inc.	Indianapolis, Ind.
01009	Alden Products Co.	Brockton, Mass.	06751	Components Inc., Ariz. Div.	Phoenix, Arizona
01121	Allen Bradley Co.	Milwaukee, Wis.	06812	Torrington Mfg. Co., West Div.	Van Nuys, Cal.
01255	Litton Industries, Inc.	Beverly Hills, Cal.	06980	Varian Assoc. Etmac Div.	San Carlos, Cal.
01281	TRW Semiconductors, Inc.	Lawndale, Cal.	07088	Kelvin Electric Co.	Van Nuys, Cal.
01295	Texas Instruments, Inc., Transistor Products Div.	Dallas, Texas	07126	Digitran Co.	Pasadena, Cal.
01349	The Alliance Mfg. Co.	Alliance, Ohio	07137	Transistor Electronics Corp.	Minneapolis, Minn.
01538	Small Parts Inc.	Los Angeles, Cal.	07138	Westinghouse Electric Corp., Electronic Tube Div.	Elmira, N.Y.
01589	Pacific Relays, Inc.	Van Nuys, Cal.	07149	Filmohm Corp.	New York, N.Y.
01670	Gudebrod Bros. Silk Co.	New York, N.Y.	07233	Cinch-Graphik Co.	City of Industry, Cal.
01930	Amerock Corp.	Rockford, Ill	07256	Silicon Transistor Corp.	Carle Place, N.Y.
01960	Pulse Engineering Co.	Santa Clara, Cal.	07261	Avnet Corp.	Culver City, Cal.
02114	Ferroxcube Corp. of America	Saugerties, N.Y.	07263	Fairchild Camera & Inst. Corp., Semiconductor Div.	Mountain View, Cal.
02116	Wheelock Signals, Inc.	Long Branch, N.J.	07322	Minnesota Rubber Co.	Minneapolis, Minn.
02286	Cole Rubber and Plastics Inc.	Sunnyvale, Cal.	07387	Birtcher Corp, The	Monterey Park, Cal.
02660	Amphenol-Borg Electronics Corp.	Broadview, Ill.	07397	Sylvania Elect. Prod. Inc., Mt. View Operations	Mountain View, Cal.
02735	Radio Corp. of America, Semiconductor and Materials Division	Somerville, N.J.	07700	Technical Wire Products Inc.	Cranford, N.J.
02771	Vocaline Co. of America, Inc.	Old Saybrook, Conn.	07829	Bodine Elect. Co.	Chicago, Ill.
02777	Hopkins Engineering Co.	San Fernando, Cal.	07910	Continental Device Corp.	Hawthorne, Cal.
02875	Hudson Tool & Die	Newark, N.J.	07933	Raytheon Mfg. Co., Semiconductor Div.	Mountain View, Cal.
03508	G.E. Semiconductor Prod. Dept.	Syracuse, N.Y.	07980	Hewlett-Packard Co., Boonton Radio Div.	Rockaway, N.J.
03705	Apex Machine & Tool Co.	Dayton, Ohio	08145	U.S. Engineering Co.	Los Angeles, Cal.
03797	Eldema Corp.	Compton, Calif.	08289	Blinn, Delbert Co.	Pomona, Cal.
03818	Parker Seal Co.	Los Angeles, Cal.	08358	Burgess Battery Co.	Niagara Falls, Ontario, Canada
03877	Transitron Electric Corp.	Wakefield, Mass.	08524	Deutsch Fastener Corp.	Los Angeles, Cal.
03888	Pyrofilm Resistor Co., Inc.	Cedar Knolls, N.J.	08664	Bristol Co., The	Waterbury, Conn.
03954	Singer Co., Diehl Div., FINDERNE Plant	Sumerville, N.J.	08717	Sloan Company	Sun Valley, Cal.
04009	Arrow, Hart and Hegeman Elect. Co.	Hartford, Conn.	08718	ITT Cannon Electric Inc., Phoenix Div.	Phoenix, Arizona
04013	Tarus Corp.	Lambertville, N.J.	08727	National Radio Lab. Inc.	Paramus, N.J.
04062	Arco Electronic Inc.	Great Neck, N.Y.	08792	CBS Electronics Semiconductor Operations, Div. of CBS Inc.	Lowell, Mass.
04217	Essex Wire	Los Angeles, Cal.	08806	General Electric Co., Miniature Lamp Dept.	Cleveland, Ohio
04222	Hi-Q Division of Aerovox	Myrtle Beach, S.C.	08984	Mel-Rain	Indianapolis, Ind.
04354	Precision Paper Tube Co.	Wheeling, Ill.	09026	Babcock Relays Div.	Costa Mesa, Cal.
04404	Dymec Division of Hewlett-Packard Co.	Palo Alto, Cal.	09134	Texas Capacitor Co.	Houston, Texas
04651	Sylvania Electric Products, Microwave Device Div.	Mountain View, Cal.	09145	Tech. Ind. Inc. Atohm Elect.	Burbank, Cal.
04673	Dakota Engr. Inc.	Culver City, Cal.	09250	Electro Assemblies, Inc.	Chicago, Ill.
04713	Motorola Inc, Semiconductor Prod. Div.	Phoenix, Arizona	09353	C & K Components Inc.	Newton, Mass.
04732	Filtron Co., Inc. Western Div.	Culver City, Cal.	09569	Mallory Battery Co. of Canada, Ltd.	Toronto, Ontario, Canada
04773	Automatic Electric Co.	Northlake, Ill.	09922	Burndy Corp.	Norwalk, Conn.
04796	Sequoia Wire Co.	Redwood City, Cal.	10214	General Transistor Western Corp.	Los Angeles, Cal.
04811	Precision Coil Spring Co.	El Monte, Cal.			
04870	P. M. Motor Company	Westchester, Ill.			
04919	Component Mfg. Service Co.	W. Bridgewater, Mass.			
05006	Twentieth Century Plastics, Inc.	Los Angeles, Cal.			
05277	Westinghouse Electric Corp. Semiconductor Dept.	Youngwood, Pa.			

Table 6-4. Code List of Manufacturers (Cont)

Code No.	Manufacturer	Address	Code No.	Manufacturer	Address
10411	Ti-Tal, Inc.	Berkeley, Cal.	19589	Concoa	Baldwin Park, Cal.
10646	Carborundum Co.	Niagara Falls, N.Y.	19644	LR Electronics	Horseheads, N.Y.
11236	CTS of Berne, Inc.	Berne, Ind.	19701	Electra Mfg. Co.	Independence, Kansas
11237	Chicago Telephone of California, Inc.	So. Pasadena, Cal.	20183	General Atronics Corp.	Philadelphia, Pa.
11242	Bay State Electronics Corp.	Waltham, Mass.	21226	Executone, Inc.	Long Island City, N.Y.
11312	Teledyne Inc., Microwave Div.	Palo Alto, Cal.	21355	Fafnir Bearing Co., The	New Britain, Conn.
11314	National Seal	Downey, Cal.	21520	Fansteel Metallurgical Corp.	N. Chicago, Ill.
11453	Precision Connector Corp.	Jamaica, N.Y.	23042	Texscan Corp.	Indianapolis, Ind.
11534	Duncan Electronics Inc.	Costa Mesa, Cal.	23783	British Radio Electronics Ltd.	Washington, D.C.
11711	General Instrument Corp., Semiconductor Division, Products Group	Newark, N.J.	24455	G.E. Lamp Division	Nela Park, Cleveland, Ohio
11717	Imperial Electronic, Inc.	Buena Park, Cal.	24655	General Radio Co.	West Concord, Mass.
11870	Melabs, Inc.	Palo Alto, Cal.	24681	Memcor Inc., Comp. Div.	Huntington, Ind.
12136	Philadelphia Handle Co.	Camden, N.J.	26365	Gries Reproducer Corp.	New Rochelle, N.Y.
12361	Grove Mfg. Co., Inc.	Shady Grove, Pa.	26462	Grobert File Co. of America, Inc.	Carlstadt, N.J.
12574	Gulton Ind. Inc., Data System Div.	Albuquerque, N.M.	26851	Compac/Hollister Co.	Hollister, Cal.
12697	Clarostat Mfg. Co.	Dover, N.H.	26992	Hamilton Watch Co.	Lancaster, Pa.
12728	Elmar Filter Corp.	W. Haven, Conn.	28480	Hewlett-Packard Co.	Palo Alto, Cal.
12859	Nippon Electric Co., Ltd.	Tokyo, Japan	28520	Heyman Mfg. Co.	Kenilworth, N.J.
12881	Metex Electronics Corp.	Clark, N.J.	30817	Instrument Specialties Co., Inc.	Little Falls, N.J.
12930	Delta Semiconductor Inc.	Newport Beach, Cal.	33173	G.E. Receiving Tube Dept.	Owensboro, Ky.
12954	Dickson Electronics Corp.	Scottsdale, Arizona	35434	Lectrohm Inc.	Chicago, Ill.
13019	Airco Supply Co., Inc.	Wichita, Kansas	36196	Stanwyck Coil Products, Ltd.	Hawkesbury, Ontario, Canada
13103	Thermolloy	Dallas, Texas	36287	Cunningham, W.H. & Hill, Ltd.	Toronto, Ontario, Canada
13396	Telefunken (GmbH)	Hanover, Germany	37942	P.R. Mallory & Co., Inc.	Indianapolis, Ind.
13835	Midland-Wright Div. of Pacific Industries, Inc.	Kansas City, Kansas	39543	Mechanical Industries Prod. Co.	Akron, Ohio
14099	Sem-Tech	Newbury Park, Cal.	40920	Miniature Precision Bearings, Inc.	Keene, N.H.
14193	Calif. Resistor Corp.	Santa Monica, Cal.	42190	Muter Co.	Chicago, Ill.
14298	American Components, Inc.	Conshohocken, Pa.	43990	C.A. Norgren Co.	Englewood, Colo.
14433	ITT Semiconductor, A Div. of Int. Telephone & Telegraph Corporation	West Palm Beach, Fla.	44655	Ohmite Mfg. Co.	Skokie, Ill.
14493	Hewlett-Packard Company	Loveland, Colo.	46384	Penn Eng. & Mfg. Corp.	Doylestown, Pa.
14655	Cornell Dublier Electric Corp.	Newark, N.J.	47904	Polaroid Corp.	Cambridge, Mass.
14674	Corning Glass Works	Corning, N.Y.	48620	Precision Thermometer & Inst. Co.	Southampton, Pa.
14752	Electro Cube Inc.	San Gabriel, Cal.	49956	Microwave & Power Tube Div.	Waltham, Mass.
14960	Williams Mfg. Co.	San Jose, Cal.	52090	Rowan Controller Co.	Westminster, Md.
15106	The Sphere Co., Inc.	Little Falls, N.J.	52983	Sanborn Company	Waltham, Mass.
15203	Webster Electronics Co.	New York, N.Y.	54294	Shallcross Mfg. Co.	Selma, N.C.
15287	Scionics Corp.	Northridge, Cal.	55026	Simpson Electric Co.	Chicago, Ill.
15291	Adjustable Bushing Co.	N. Hollywood, Cal.	55933	Sonotone Corp.	Elmsford, N.Y.
15558	Micron Electronics	Garden City, Long Island, N.Y.	55938	Raytheon Co. Commercial Apparatus & System Div.	So. Norwalk, Conn.
15566	Amprobe Inst. Corp.	Lynbrook, N.Y.	56137	Spaulding Fibre Co., Inc.	Tonawanda, N.Y.
15631	Cabletronics	Costa Mesa, Cal.	56289	Sprague Electric Co.	North Adams, Mass.
15772	Twentieth Century Coil Spring Co.	Santa Clara, Cal.	59446	Telex Corp.	Tulsa, Okla.
15801	Fenwal Elect. Inc.	Framingham, Mass.	59730	Thomas & Betts Co.	Elizabeth, N.J.
15818	Amelco Inc.	Mountain View, Cal.	60741	Triplett Electrical Inst. Co.	Bluffton, Ohio
16037	Spruce Pine Mica Co.	Spruce Pine, N.C.	61775	Union Switch and Signal, Div. of Westinghouse Air Brake Co.	Pittsburgh, Pa.
16179	Omni-Spectra Inc.	Detroit, Ill.	62119	Universal Electric Co.	Owosso, Mich.
16352	Computer Diode Corp.	Lodi, N.J.	63743	Ward-Leonard Electric Co.	Mt. Vernon, N.Y.
16585	Boots Aircraft Nut Corp.	Pasadena, Cal.	64959	Western Electric Co., Inc.	New York, N.Y.
16688	Ideal Prec. Meter Co., Inc., De Jur Meter Div.	Brooklyn, N.Y.	65092	Weston Inst. Inc. Weston-Newark	Newark, N.J.
16758	Delco Radio Div. of G.M. Corp.	Kokoma, Ind.	66295	Witteck Mfg. Co.	Chicago, Ill.
17109	Thermonetics Inc.	Canoga Park, Cal.	66346	Minnesota Mining & Mfg. Co. Revere Mincom Div.	St. Paul, Minn.
17474	Tranex Company	Mountain View, Cal.	70276	Allen Mfg. Co.	Hartford, Conn.
17675	Hamlin Metal Products Corp.	Akron, Ohio	70309	Allied Control	New York, N.Y.
17745	Angstrom Prec. Inc.	No. Hollywood, Cal.	70318	Allmetal Screw Product Co., Inc.	Garden City, N.Y.
17856	Siliconix Inc.	Sunnyvale, Cal.	70417	Amplex, Div. of Chrysler Corp.	Detroit, Mich.
17870	McGraw-Edison Co.	Manchester, N.H.	70485	Atlantic India Rubber Works, Inc.	Chicago, Ill.
18042	Power Design Pacific Inc.	Palo Alto, Cal.	70563	Amperite Co., Inc.	Union City, N.J.
18083	Clevite Corp., Semiconductor Div.	Palo Alto, Cal.	70674	ADC Products Inc.	Minneapolis, Minn.
18324	Signetics Corp.	Sunnyvale, Cal.	70903	Belden Mfg. Co.	Chicago, Ill.
18476	Ty-Car Mfg. Co., Inc.	Holliston, Mass.	70998	Bird Electric Corp.	Cleveland, Ohio
18486	TRW Elect. Comp. Div.	Des Plaines, Ill.	71002	Birnbach Radio Co.	New York, N.Y.
18583	Curtis Instrument, Inc.	Mt. Kisco, N.Y.	71034	Bliley Electric Co., Inc.	Erie, Pa.
18612	Vishay Instruments Inc.	Malvern, Pa.	71041	Boston Gear Works Div. of Murray Co. of Texas	Quincey, Mass.
18873	E.I. DuPont and Co., Inc.	Wilmington, Del.	71218	Bud Radio, Inc.	Willoughby, Ohio
18911	Durant Mfg. Co.	Milwaukee, Wis.	71279	Cambridge Thermionics Corp.	Cambridge, Mass.
19315	The Bendix Corp., Navigation & Control Div.	Teterboro, N.J.	71286	Camloc Fastener Corp.	Paramus, N.J.
19500	Thomas A. Edison Industries, Div. of McGraw-Edison Co.	West Orange, N.J.	71313	Cardwell Condenser Corp.	Lindenhurst, L.I., N.Y.
			71400	Bussmann Mfg. Div. of McGraw-Edison Co.	St. Louis, Mo.

Table 6-4. Code List of Manufacturers (Cont)

Code No.	Manufacturer	Address	Code No.	Manufacturer	Address
71436	Chicago Condenser Corp.	Chicago, Ill.	77764	Resistance Products Co.	Harrisburg, Pa.
71447	Calif. Spring Co., Inc.	Pico-Rivera, Cal.	77969	Rubbercraft Corp. of Calif.	Torrance, Cal.
71450	CTS Corp.	Elkhart, Ind.	78189	Shakeproof Division of Illinois Tool Works	Elgin, Ill.
71468	ITT Cannon Electric Inc.	Los Angeles, Cal.	78277	Sigma	So. Braintree, Mass.
71471	Cinema, Div. Aerovox Corp.	Burbank, Cal.	78283	Signal Indicator Corp.	New York, N.Y.
71482	C.P. Clare & Co.	Chicago, Ill.	78290	Struthers-Dunn Inc.	Pitman, N.J.
71590	Centralab Div. of Globe Union Inc.	Milwaukee, Wis.	78452	Thompson-Bremer & Co.	Chicago, Ill.
71616	Commercial Plastics Co.	Chicago, Ill.	78471	Tilley Mfg. Co.	San Francisco, Cal.
71700	Cornish Wire Co., The	New York, N.Y.	78488	Stackpole Carbon Co.	St. Marys, Pa.
71707	Coto Coil Co., Inc.	Providence, R.I.	78493	Standard Thomson Corp.	Waltham, Mass.
71744	Chicago Miniature Lamp Works	Chicago, Ill.	78553	Tinnerman Products, Inc.	Cleveland, Ohio
71785	Cinch Mfg. Co., Howard B. Jones Div.	Chicago, Ill.	78790	Transformer Engineers	San Gabriel, Cal.
71984	Dow Corning Corp.	Midland, Mich.	78947	Ucinite Co.	Newtonville, Mass.
72136	Electro Motive Mfg. Co., Inc.	Willimantic, Conn.	79136	Waldes Kohinoor Inc.	Long Island City, N.Y.
72619	Dialight Corp.	Brooklyn, N.Y.	79142	Veeder Root, Inc.	Hartford, Conn.
72656	Indiana General Corp., Electronics Div.	Keasby, N.J.	79251	Wenco Mfg. Co.	Chicago, Ill.
72699	General Instrument Corp., Cap. Div.	Newark, N.J.	79727	Continental-Wirt Electronics Corp.	Philadelphia, Pa.
72765	Drake Mfg. Co.	Harwood Heights, Ill.	79963	Zierick Mfg. Corp.	New Rochelle, N.Y.
72825	Hugh H. Eby Inc.	Philadelphia, Pa.	80031	Mepeco Division of Sessions Clock Co.	Morristown, N.J.
72928	Gudeman Co.	Chicago, Ill.	80033	Prestole Corp.	Toledo, Ohio
72962	Elastic Stop Nut Corp.	Union, N.J.	80120	Schnitzer Alloy Products Co.	Elizabeth, N.J.
72964	Robert M. Hadley Co.	Los Angeles, Cal.	80131	Electronic Industries Association, Any Brand Tube meeting EIA Standards-Washington, D.C.	
72982	Erie Technological Products, Inc.	Erie, Pa.	80207	Unimax Switch, Div. Maxon Electronics Corp.	Wallingford, Conn.
73061	Hansen Mfg. Co., Inc.	Princeton, Ind.	80223	United Transformer Corp.	New York, N.Y.
73076	H.M. Harper Co.	Chicago, Ill.	80248	Oxford Electric Corp.	Chicago, Ill.
73138	Helipot Div. of Beckman Inst. Inc.	Fullerton, Cal.	80294	Bourns Inc.	Riverside, Cal.
73293	Hughes Products Division of Hughes Aircraft Co.	Newport Beach, Cal.	80411	Arco Div. of Robertshaw Controls Co.	Columbus, Ohio
73445	Amperex Elect. Co.	Hicksville, L.I., N.Y.	80486	All Star Products Inc.	Defiance, Ohio
73506	Bradley Semiconductor Corp.	New Haven, Conn.	80509	Avery Label Co.	Monrovia, Cal.
73559	Carling Electric, Inc.	Hartford, Conn.	80583	Hammarlund Co., Inc.	Mars Hill, N.C.
73586	Circle F Mfg. Co.	Trenton, N.J.	80640	Stevens, Arnold, Co., Inc.	Boston, Mass.
73682	George K. Garrett Co., Div. MSL Industries Inc.	Philadelphia, Pa.	80813	Dimco Gray Co.	Dayton, Ohio
73734	Federal Screw Products Inc.	Chicago, Ill.	81030	International Instruments Inc.	Orange, Conn.
73743	Fischer Special Mfg. Co.	Cincinnati, Ohio	81073	Grayhill Co.	LaGrange, Ill.
73793	General Industries Co., The	Elyria, Ohio	81095	Triad Transformer Corp.	Venice, Cal.
73846	Goshen Stamping & Tool Co.	Goshen, Ind.	81312	Winchester Elec. Div. Litton Ind., Inc.	Oakville, Conn.
73899	JFD Electronics Corp.	Brooklyn, N.Y.	81349	Military Specification	
73905	Jennings Radio Mfg. Corp.	San Jose, Cal.	81483	International Rectifier Corp.	El Sugundo, Cal.
73957	Groove-Pin Corp.	Ridgefield, N.J.	81541	Airpax Electronics, Inc.	Cambridge, Maryland
74276	Signalite Inc.	Neptune, N.J.	81860	Barry Controls, Div. Barry Wright Corp.	Watertown, Mass.
74455	J.H. Winns, and Sons	Winchester, Mass.	82042	Carter Precision Electric Co.	Skokie, Ill.
74861	Industrial Condenser Corp.	Chicago, Ill.	82047	Sperti Faraday Inc., Copper Hewitt Electric Div.	Hoboken, N.J.
74868	R.F. Products Division of Amphenol-Borg Electronics Corp.	Danbury, Conn.	82116	Electric Regulator Corp.	Norwalk, Conn.
74970	E.F. Johnson Co.	Waseca, Minn.	82142	Jeffers Electronics Division of Speer Carbon Co.	Du Bois, Pa.
75042	International Resistance Co.	Philadelphia, Pa.	82170	Fairchild Camera & Inst. Corp., Space & Defense Systems Div.	Paramus, N.J.
75263	Keystone Carbon Co., Inc.	St. Marys, Pa.	82209	Magurie Industries, Inc.	Greenwich, Conn.
75378	CTS Knights Inc.	Sandwich, Ill.	82219	Sylvania Electric Prod. Inc., Electronic Tube Division	Emporium, Pa.
75382	Kulka Electric Corporation	Mt. Vernon, N.Y.	82376	Astron Corp.	East Newark, Harrison, N.J.
75818	Lenz Electric Mfg. Co.	Chicago, Ill.	82389	Switchcraft, Inc.	Chicago, Ill.
75915	Littlefuse, Inc.	Des Plaines, Ill.	82647	Metals & Controls Inc., Spencer Products	Attleboro, Mass.
76005	Lord Mfg. Co.	Erie, Pa.	82768	Phillips-Advance Control Co.	Joliet, Ill.
76210	C.W. Marwedel	San Francisco, Cal.	82866	Research Products Corp.	Madison, Wis.
76433	General Instrument Corp., Micamold Division	Newark, N.J.	82877	Rolltron Mfg. Co., Inc.	Woodstock, N.Y.
76487	James Millen Mfg. Co., Inc.	Malden, Mass.	82893	Vector Electronic Co.	Glendale, Cal.
76493	J.W. Miller Co.	Los Angeles, Cal.	83058	Carr Fastener Co.	Cambridge, Mass.
76530	Cinch-Monadnock, Div. of United Carr Fastener Corp.	San Leandro, Cal.	83086	New Hampshire Ball Bearing, Inc.	Peterborough, N.H.
76545	Mueller Electric Co.	Cleveland, Ohio	83125	General Instrument Corp., Capacitor Div.	Darlington, S.C.
76703	National Union	Newark, N.J.	83148	ITT Wire and Cable Div.	Los Angeles, Cal.
76854	Oak Manufacturing Co.	Crystal Lake, Ill.	83186	Victory Eng. Corp.	Springfield, N.J.
77068	The Bendix Corp., Electrodynamics Div.	N. Hollywood, Cal.	83298	Bendix Corp., Red Bank Div.	Red Bank, N.J.
77075	Pacific Metals Co.	San Francisco, Cal.	83315	Hubbell Corp.	Mundelein, Ill.
77221	Phanostran Instrument and Electronic Co.	So. Pasadena, Cal.	83324	Rosan Inc.	Newport Beach, Cal.
77252	Philadelphia Steel and Wire Corp.	Philadelphia, Pa.	83330	Smith, Herman H., Inc.	Brooklyn, N.Y.
77342	American Machine & Foundry Co. Potter & Brumfield Div.	Princeton, Ind.	83332	Tech Labs	Palisades Park, N.J.
77630	TRW Electronic Components Div.	Camden, N.J.	83385	Central Screw Co.	Chicago, Ill.
77638	General Instrument Corp., Rectifier Div.	Brooklyn, N.Y.			

00015-46
Revised: October 1969

From: Handbook Supplements
H4-1 Dated AUGUST 1966

Table 6-4. Code List of Manufacturers (Cont)

Code No.	Manufacturer	Address	Code No.	Manufacturer	Address
83501	Gavitt Wire and Cable Co., Div. of Amerace Corp.	Brookfield, Mass.	94144	Raytheon Co., Comp. Div., Ind. Comp. Operations	Quincy, Mass.
83594	Burroughs Corp Electronic Tube Div.	Plainfield, N.J.	94148	Scientific Electronics Products, Inc.	Loveland, Colo.
83740	Union Carbide Corp. Consumer Prod. Div.	New York, N.Y.	94154	Wagner Elect. Corp., Tung-Sol Div.	Newark, N.J.
83777	Model Eng. and Mfg., Inc.	Huntington, Ind.	94197	Curtiss-Wright Corp. Electronics Div.	East Patterson, N.J.
83821	Loyd Scruggs Co.	Festus, Mo.	94222	South Chester Corp.	Chester, Pa.
83942	Aeronautical Inst. & Radio Co.	Lodi, N.J.	94330	Wire Cloth Products, Inc.	Bellwood, Ill.
84171	Arco Electronics Inc.	Great Neck, N.Y.	94375	Automatic Metal Products Co.	Brooklyn, N.Y.
84396	A.J. Glesener Co., Inc.	San Francisco, Cal.	94682	Worcester Pressed Aluminum Corp.	Worcester, Mass.
84411	TRW Capacitor Div.	Ogallala, Neb.	94696	Magnecraft Electric Co.	Chicago, Ill.
84970	Sarkes Tarzian, Inc.	Bloomington, Ind.	95023	George A. Philbrick Researchers, Inc.	Boston, Mass.
85454	Boonton Molding Company	Boonton, N.J.	95236	Allies Products Corp.	Dania, Fla.
85471	A.B. Boyd Co.	San Francisco, Cal.	95238	Continental Connector Corp.	Woodside, N.Y.
85474	R.M. Bracamonte & Co.	San Francisco, Cal.	95263	Leecraft Mfg. Co., Inc.	Long Island, N.Y.
85660	Koiled Kords, Inc.	Hamden, Conn.	95265	National Coil Co.	Sheridan, Wyo.
85911	Seamless Rubber Co.	Chicago, Ill.	95275	Vitramon, Inc.	Bridgeport, Conn.
86174	Fafnir Bearing Co.	Los Angeles, Calif.	95348	Gordos Corp.	Bloomfield, N.J.
86197	Clifton Precision Products Co., Inc.	Clifton Heights, Pa.	95354	Methode Mfg. Co.	Rolling Meadows, Ill.
86579	Precision Rubber Products Corp.	Dayton, Ohio	95566	Arnold Engineering Co.	Marengo, Ill.
86684	Radio Corp. of America, Electronic Comp. & Devices Div.	Harrison, N.J.	95712	Dage Electric Co., Inc.	Franklin, Ind.
86928	Seastrom Mfg. Co.	Glendale, Cal.	95984	Siemon Mfg. Co.	Wayne, Ill.
87034	Marco Industries	Anaheim, Cal.	95987	Weckesser Co.	Chicago, Ill.
87216	Philco Corporation (Lansdale Division)	Lansdale, Pa.	96067	Microwave Assoc., West Inc.	Sunnyvale, Cal.
87473	Western Fibrous Glass Products Co.	San Francisco, Cal.	96095	Hi-Q Div. of Aerovox Corp.	Olean, N.Y.
87664	Van Waters & Rogers Inc.	San Francisco, Cal.	96256	Thordarson-Meissner Inc.	Mt. Carmel, Ill.
87930	Tower Mfg. Corp.	Providence, R.I.	96296	Solar Manufacturing Co.	Los Angeles, Cal.
88140	Cutler-Hammer, Inc.	Lincoln, Ill.	96396	Microswitch, Div. of Minn.-Honeywell	Freeport, Ill.
88220	Gould-National Batteries, Inc.	St. Paul, Minn.	96330	Carlton Screw Co.	Chicago, Ill.
88698	General Mills, Inc.	Buffalo, N.Y.	96341	Microwave Associates, Inc.	Burlington, Mass.
89231	Graybar Electric Co.	Oakland, Cal.	96501	Excel Transformer Co.	Oakland, Cal.
89473	G.E. Distributing Corp.	Schenectady, N.Y.	96508	Xcelite Inc.	Orchard Park, N.Y.
89665	United Transformer Co.	Chicago, Ill.	96733	San Fernando Elect. Mfg. Co.	San Fernando, Cal.
90030	United Shoe Machinery Corp.	Beverly, Mass.	96881	Thomson Ind. Inc.	Long Island, N.Y.
90179	U S Rubber Co., Consumer Ind. & Plastics Prod. Div.	Passaic, N.J.	97464	Industrial Retaining Ring Co.	Irvington, N.J.
90763	United Carr Fastener Corp	Chicago, Ill.	97539	Automatic & Precision Mfg.	Englewood, N.J.
90970	Bearing Engineering Co.	San Francisco, Cal.	97979	Reon Resistor Corp.	Yonkers, N.Y.
91146	ITT Cannon Elect. Inc., Salem Div.	Salem, Mass.	97983	Litton System Inc., Adler-Westrex Commun. Div.	New Rochelle, N.Y.
91260	Connor Spring Mfg. Co.	San Francisco, Cal.	98141	R-Tronics, Inc.	Jamaica, N.Y.
91345	Miller Dial & Nameplate Co.	El Monte, Cal.	98159	Rubber Teck, Inc.	Gardena, Cal.
91418	Radio Materials Co.	Chicago, Ill.	98220	Hewlett-Packard Co., Moseley Div.	Pasadena, Cal.
91506	Augat Inc.	Attleboro, Mass.	98278	Microdot, Inc.	So. Pasadena, Cal.
91637	Dale Electronics, Inc.	Columbus, Nebr.	98291	Sealectro Corp.	Mamaronech, N.Y.
91662	Elco Corp.	Willow Grove, Pa.	98376	Zero Mfg. Co.	Burbank, Cal.
91737	Gremer Mfg. Co., Inc.	Wakefield, Mass.	98410	Etc Inc.	Cleveland, Ohio
91827	K F Development Co.	Redwood City, Cal.	98731	General Mills Inc., Electronics Div.	Minneapolis, Minn.
91886	Malco Mfg. Co., Inc.	Chicago, Ill.	98734	Paeco Div. of Hewlett-Packard Co.	Palo Alto, Cal.
91929	Honeywell Inc., Micro Switch Div.	Freeport, Ill.	98821	North Hills Electronics, Inc.	Glen Cove, N.Y.
91961	Nahm-Bros, Spring Co.	Oakland, Cal.	98978	International Electronic Research Corp.	Burbank, Cal.
92180	Tru-Connector Corp.	Peabody, Mass.	99109	Columbia Technical Corp.	New York, N.Y.
92367	Elgeet Optical Co., Inc.	Rochester, N.Y.	99313	Varian Associates	Palo Alto, Cal
92607	Tensolite Insulated Wire Co., Inc.	Tarrytown, N.Y.	99378	Atlee Corp.	Winchester, Mass.
92702	IMC Magnetics Corp.	Westbury, Long Island, N.Y.	99515	Marshall Ind., Capacitor Div.	Monrovia, Cal.
92966	Hudson Lamp Co.	Kearney, N.J.	99707	Control Switch Division, Controls Co. of America	El Segundo, Cal.
93332	Sylvania Electric Prod. Inc., Semiconductor Div.	Woburn, Mass.	99800	Delevan Electronics Corp.	East Aurora, N.Y.
93369	Robbins & Myers Inc.	Palisades Park, N.J.	99848	Wilco Corporation	Indianapolis, Ind.
93410	Stemco Controls, Div. of Essex Wire Corp.	Mansfield, Ohio	99928	Branson Corp.	Whippany, N.J.
93632	Waters Mfg. Co.	Culver City, Cal.	99934	Rembrandt, Inc.	Boston, Mass.
93929	G.V. Controls	Livingston, N.J.	99942	Hoffman Electronics Corp., Semiconductor Div.	El Monte, Cal.
94137	General Cable Corp.	Bayonne, N.J.	99957	Technology Instrument Corp. of Calif.	Newbury Park, Cal.

The following HP Vendors have no number assigned in the latest supplement to the Federal Supply Code for Manufacturers Handbook.

0000F	Malco Tool and Die	Los Angeles, Calif.	000MM	Rubber Eng. & Development	Hayward, Cal.
0000Z	Willow Leather Products Corp.	Newark, N.J.	000NN	A "N" D Mfg. Co.	San Jose, Cal.
000AB	ETA	England	000QQ	Cooltron	Oakland, Cal.
000BB	Precision Instrument Components Co.	Van Nuys, Cal.	000WW	California Eastern Lab	Burlington, Cal.
000CS	Hewlett-Packard Co., Colorado Springs	Colorado Springs, Colorado	000YY	S.K. Smith Co.	Los Angeles, Cal.

00015-45
Revised: October 1969

From: Handbook Supplements
H4-1 Dated AUGUST 1966

SECTION VII MANUAL CHANGES

7-1. INTRODUCTION

7-2. This section contains information for adapting this manual to instruments for which the content does not apply directly. In addition, information about recommended modifications for improvements to the instruments is provided.

7-3. MANUAL CHANGES

7-4. To adapt this manual to your instrument, refer to Table 7-1 and make all of the manual changes listed opposite your instrument serial number.

7-5. If your instrument and serial number is not listed on the title page of this manual or in Table

7-1 below, it may be documented in a yellow MANUAL CHANGES supplement. For additional important information concerning serial number coverage refer to INSTRUMENTS COVERED BY MANUAL in Section I.

7-6. Some schematic diagrams may contain a “dagger” symbol near components which have changes or have been added during the life of the instrument. The “dagger” refers to Table 7-2, Summary of Changes by Component. Information from this table in conjunction with information from Table 7-1 may be used to determine if the change applies to the instrument being serviced.

Table 7-1. Manual Changes by Serial Number

Serial Prefix or Number	Make Manual Changes	Serial Prefix or Number	Make Manual Changes
936-	A, B		
940-	B		

► NEW ITEM

CHANGE A

Page 6-4, Table 6-2:

Change A2C14 and A2C36 to HP Part No. 0160-2204, C: FXD MICA 100PF 5%.

Page 6-5, Table 6-2:

Change A2L1 and A2L7 to HP Part No. 9100-1664, COIL/CHOKE 3000 UH 5%.

Page 8-13, Figure 8-14:

Change A2C14 and A2C36 to 100 pF.
Change A2L1 and A2L7 to 3 mH.

CHANGE B

Page 6-3, Table 6-2:

Delete A1R42 through A1R44.

Page 8-17, Figure 8-18:

Delete A1R42 through A1R44.

Table 7-2. Summary of Changes by Component

CHANGES	A1	A2	A3	A4	Chassis (No Prefix)
A		C14 ② C36 L1, 7			
B	R42-44	Q7, 8, 11, ① 12, 22, 23, 26, 27			
<p>¹Replace with new part.</p> <p>²Replace with original part.</p>					

Table 8-1. Recommended Test Equipment

Item	Critical Specifications	Recommended HP Model
Oscillator	Frequency Range: 280 (± 50) kHz and 1 (± 0.1) kHz Output Level: variable from 0 to 3.0 Vrms Output Impedance: 50 to 600 ohms	200CD, 651A
DC Power Supply	Output: -5 Vdc	6213A
Oscilloscope	Vertical: Minimum bandwidth 5 MHz Minimum sensitivity 10 mV/cm Input: dc and ac Horizontal: Range: 1 μ sec/cm to 5 μ sec/cm	180A with 1801A and 1821A
Network Analyzer	No Substitute May be Used.	8410A with 8411A or 8407A
Sweep Oscillator	Frequency Range: Any frequency within the operating range of the Network Analyzer.	8690A with RF unit as required (see Note 1)
20-dB Attenuator	Impedance: 50 ohms nominal Attenuation: 20 dB \pm 3 dB SWR: 1.3 max (1 kHz and 280 kHz) Connector: BNC	8491A with N to BNC adapters (see Note 2)
Transducer	Frequency Range: Same as Sweep Oscillator	8740A, 8741A, 8742A, 8743A or 8745A (see Note 3)
Service Cable (supplied with 8410A or 8407A)	No Substitute May be Used	HP Part No. 08410-6032
High Voltage DCVM	Range: 0 to 6 kV Accuracy: $\pm 10\%$ of reading Input Impedance: $\geq 12G$ ohms	410B with 11044A voltage divider probe.

¹For 8407A Network Analyzers Model 8601A Sweep Oscillator may be used.

²Oscilloscope 10:1 divider probe, such as HP Model 10003A may be used in place of 20-dB attenuator.

³For 8407A Network Analyzers use HP Model 11561A or BNC Tee.

SECTION VIII SERVICE

8-1. INTRODUCTION.

8-2. This section contains principles of operation, circuit descriptions, troubleshooting procedures, schematic diagrams and repair procedures.

8-3. PRINCIPLES OF OPERATION.

8-4. A description of the simplified block diagram and general principles of operation are presented on the first foldout. A detailed block diagram description is presented on the back of the foldout preceding the diagram. Schematic circuit descriptions are given on the back of the foldout preceding each schematic diagram.

8-5. TROUBLESHOOTING.

8-6. An equipment setup and preliminary instructions for all troubleshooting procedures are given in Figure 8-4. Troubleshooting procedures for the block diagram and each schematic are on the back of the foldout preceding the block diagram and each schematic.

8-7. RECOMMENDED TEST EQUIPMENT.

8-8. The test instruments and accessories required for troubleshooting are listed in Table 8-1. Test instruments other than those listed can be used provided their performance equals or exceeds the Critical Specifications listed.

8-9. REPAIR.

8-10. Part Location Aids.

8-11. The locations of adjustments, chassis-mounted parts and major assemblies are shown on the last foldout. The locations of individual components mounted on a printed circuit board are shown opposite the related schematic diagram. The part reference designator may be found from the schematic diagram, then located on the board.

8-12. Circuit Board Repair.

8-13. The printed circuit boards in the 8414A are of the plated-through type consisting of metallic

conductors bonded to both sides of insulating material. Soldering can be done from either side of the board with equally good results. Table 8-2 lists required tools and materials. Following are recommendations and precautions pertinent to printed circuit repair work.

a. Avoid unnecessary component substitution; it can result in damage to the circuit board and adjacent components.

b. Do not use a high-power soldering iron. Excessive heat may lift a conductor or damage the board.

c. Use a suction device (Table 8-2) or wooden toothpick to remove solder from component mounting holes. *Do not use a sharp metal object such as an awl or twist drill for this purpose. Sharp objects may damage the plated-through conductor.*

d. After soldering, remove excess flux from the soldered area and apply a protective coating to prevent contamination and corrosion. See Table 8-2 for recommendations.

8-14. A broken or burned section of conductor can be repaired by bridging the damaged section with a length of tinned copper wire. Allow adequate overlap and remove any varnish from the conductor before soldering wire into place.

8-15. Component Replacement.

8-16. A general procedure for replacing a component is as follows:

a. Remove defective component from circuit board.

b. Remove solder from mounting holes using a suction desoldering aid (Table 8-2) or wooden toothpick.

c. Shape leads or replacement component to match mounting hole spacing.

d. Insert component leads into mounting holes and position component as original was posi-

Table 8-2. Printed Circuit Soldering Equipment

Item	Use	Specification	Item Recommended
Soldering Tool	Soldering Unsoldering	Wattage Ratings: 37.5 Tip Temp: 750 – 800° F Tip Size: 1/8" OD	Ungar #776 Handle with Ungar #1237 Heating Unit
Soldering Tip general pur- pose	Soldering Unsoldering	Shape: chisel Size: 1/8"	Ungar #PL113
De-soldering aid	Unsoldering multiconnec- tion components (e.g., sockets)	Suction device to remove molten solder from connection	Soldapullt by the Edsyn Company, Arleta, California
Resin (flux) solvent	Remove excess flux from soldered area before appli- cation of protective coating	Must not dissolve etched circuit base board material or conductor bonding agent	Freon Acetone Lacquer Thinner Isopropyl Alcohol (100% dry)
Solder	Component Replacement Circuit Board repair Wiring	Resin (flux) core, high tin content (60/40 tin/lead), 18 gauge (SWG) preferred	
Protective Coating	Contamination, corrosion protection after soldering	Good electrical insulation, corrosion-prevention prop- erties	GE DR1— FILM 88, General Electric Co., Silicone Products Dept., Waterford, New York

tioned. *Do not force leads of replacement component into mounting holes.* Sharp lead ends may damage plated-through conductor.

Note

Axial lead components, such as resistors and tubular capacitors, can be replaced without unsoldering. Clip leads near body of defective component, remove component and straighten leads left in board. Wrap leads of replacement component one turn around original leads. Solder wrapped connection and clip off excess lead.

8-17. Transistor Replacement.

8-18. A general procedure for replacing a transistor is as follows:

- a. Do not apply excessive heat. See Table 8-2 for soldering tool specifications.

- b. Use a heat sink such as pliers or hemostat between transistor body and hot soldering iron.

- c. When installing a replacement transistor, ensure sufficient lead length to dissipate heat of soldering by maintaining about the same length of exposed lead as used for original transistor.

8-19. Diode Replacement.

8-20. Solid state diodes are in many physical forms. This sometimes results in confusion as to which lead or connection is for the cathode (negative) or anode (positive), since not all diodes are marked with the standard symbols. Figure 8-1 shows examples of some diode marking methods. If doubt exists as to polarity, an ohmmeter may be used to determine the proper connection. It is necessary to know the polarity of the ohms lead with respect to the common lead for the ohmmeter used. Ohms lead polarities for some common ohmmeters are shown in Table 8-3. When the ohm-

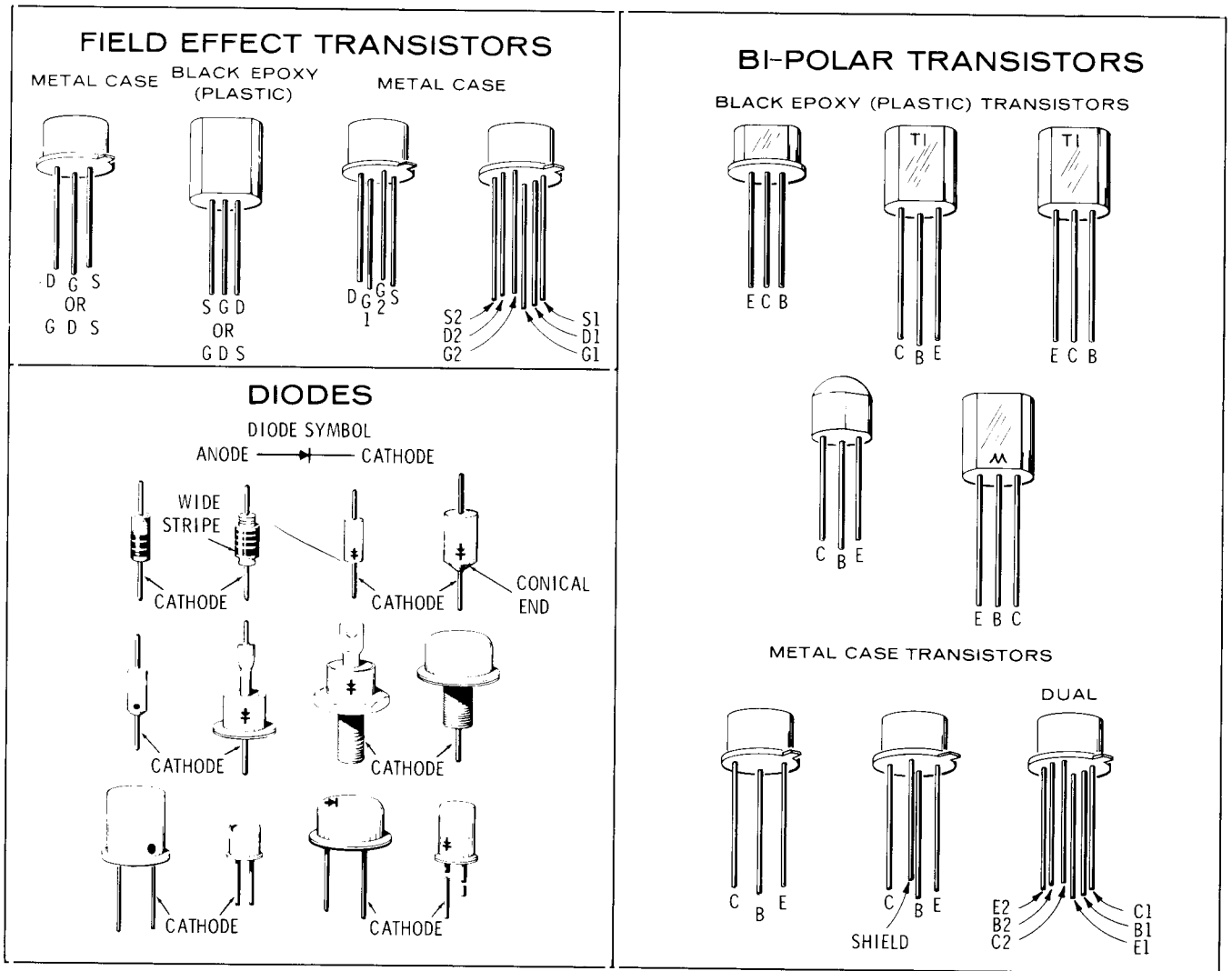


Figure 8-1. Examples of Diode and Transistor Marking Methods

meter indicates the least diode resistance, the cathode of the diode is connected to the ohmmeter lead which is negative with respect to the other lead.

Note

Diode replacement instructions are the same as those for transistor replacement.

8-21. SCHEMATIC DIAGRAMS.

8-22. The schematic diagrams in this section represent the circuits electrically. They are not wiring diagrams, though wire colors are given where practical.

8-23. The circuits are arranged according to signal flow; consequently, some switch and circuit assemblies may be shown in part on more than one diagram. If so, the reference designation is preceded by P/O, for "Part of", and is followed by a notation of the number of parts into which the assembly has been divided.

8-24. The large numbers in the lower right corners of the schematics are the schematic numbers. These numbers are used to cross reference connections between schematics.

8-25. Some of the general information obtainable from the schematics is shown in Figure 8-2. Notes

Table 8-3. Ohmmeters Used for Transistor Testing

Ohmmeter	Range(s)	Open Circuit Voltages	Short Circuit Current	Lead	
				Color	Polarity
HP 412A HP 427A	R x 1K R x 10K R x 100K R x 1M R x 10M	1.0V 1.0V 1.0V 1.0V 1.0V	1 mA 100 μ A 10 μ A 1 μ A 0.1 μ A	Red Black	+ —
HP 410C	R x 1K R x 10K R x 100K R x 1M R x 10M	1.3V 1.3V 1.3V 1.3V 1.3V	0.57 mA 57 μ A 5.7 μ A 0.5 μ A 0.05 μ A	Red Black	+ —
HP 410B	R x 100 R x 1K R x 10K R x 100K R x 1M	1.1V 1.1V 1.1V 1.1V 1.1V	1.1 mA 110 μ A 11 μ A 1.1 μ A 0.11 μ A	Black Red	+ —
Simpson 260	R x 100	1.5V	1 mA	Red Black	+ —
Simpson 269	R x 1K	1.5V	0.82 mA	Black Red	+ —
Triplet 630	R x 100 R x 1K	1.5V 1.5V	3.25 mA 325 μ A	Varies with Serial Number	
Triplet 310	R x 10 R x 100	1.5V 1.5V	750 μ A 75 μ A		

and explanations of symbols pertaining to all the diagrams are contained in Figure 8-3. Notes about specific components, circuits or conditions are given on the diagram to which they apply.

8-26. As an aid to finding components and assemblies in the set of diagrams, each diagram has a box labelled "Reference Designations" that contains all the reference designations appearing on the diagram.

Table 8-4. Out-of-Circuit Transistor Testing

Transistor Type		Connect Ohmmeter		Measure Resistance (Ohms)
		Positive Lead to	Negative Lead to	
PNP Germanium	Small Signal	emitter	base*	200–250
		emitter	collector	10K–100K
	Power	emitter	base*	30–50
		emitter	collector	several hundred
PNP Silicon	Small Signal	emitter	base*	10K–100K
		emitter	collector	Very high (might read open)
NPN Silicon	Small Signal	base	emitter	1K–3K
		collector	emitter	Very high (might read open)
	Power	base	emitter	200–1000
		collector	emitter	High, often greater than 1M

*To test for transistor action, add collector-base short. Measured resistance should decrease

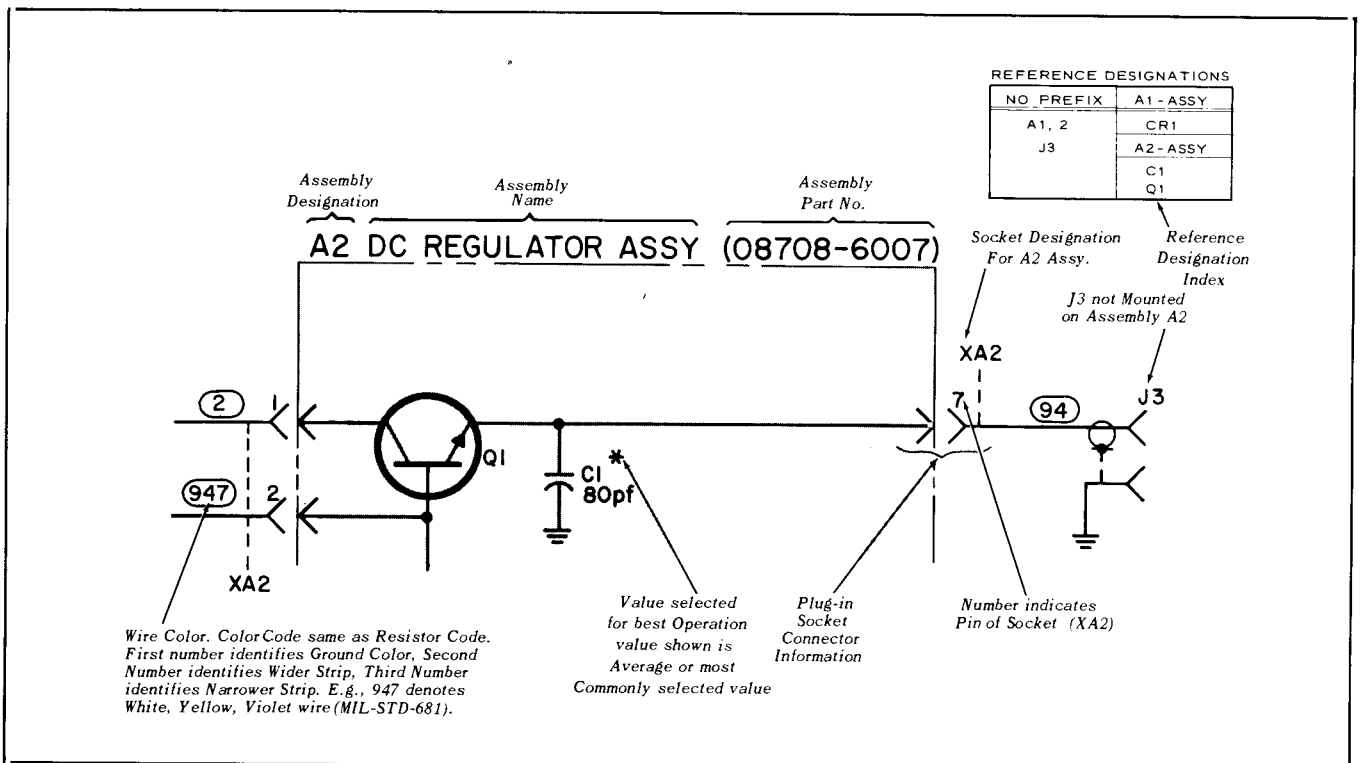


Figure 8-2. General Information on Schematic Diagrams

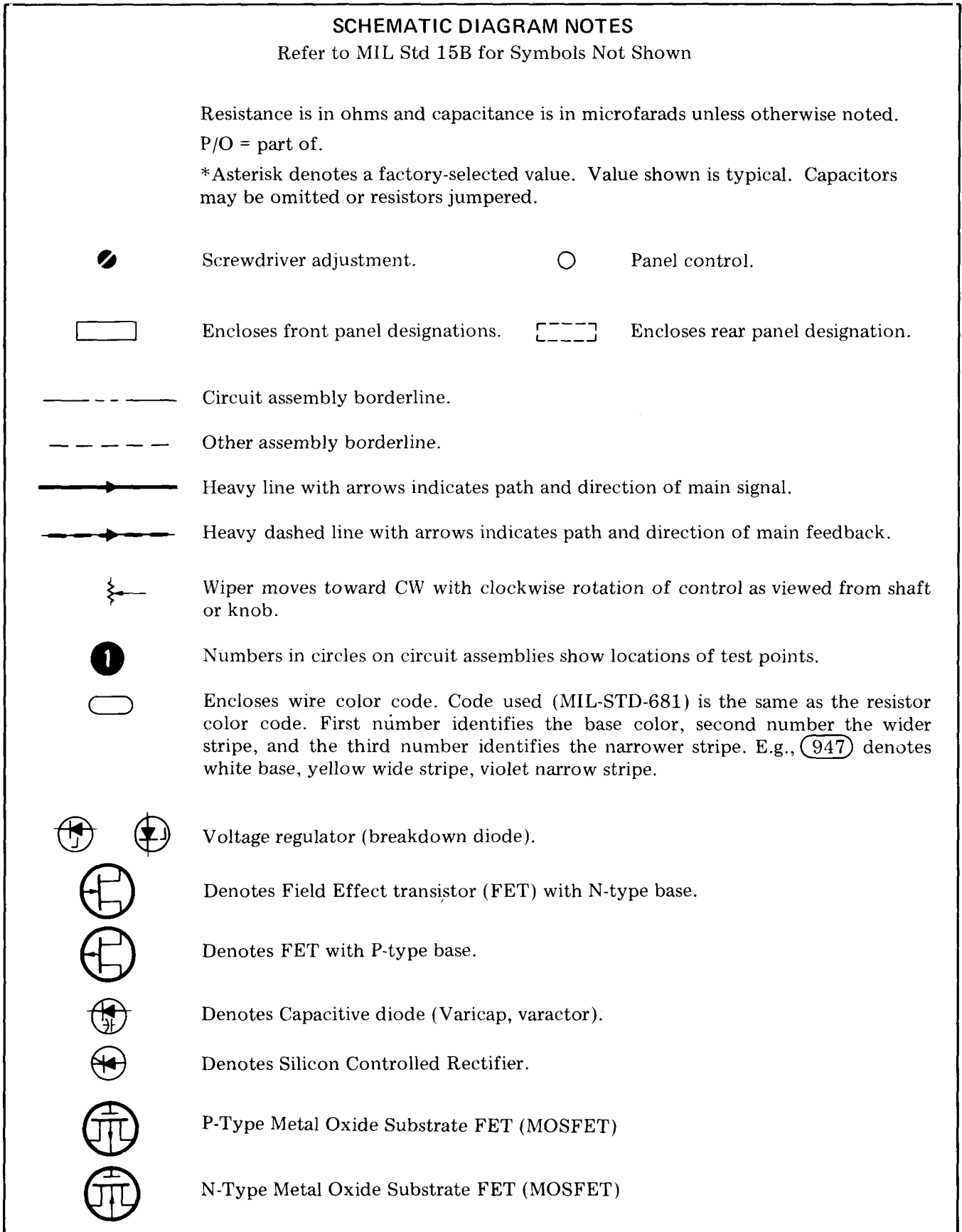


Figure 8-3. Schematic Diagram Notes

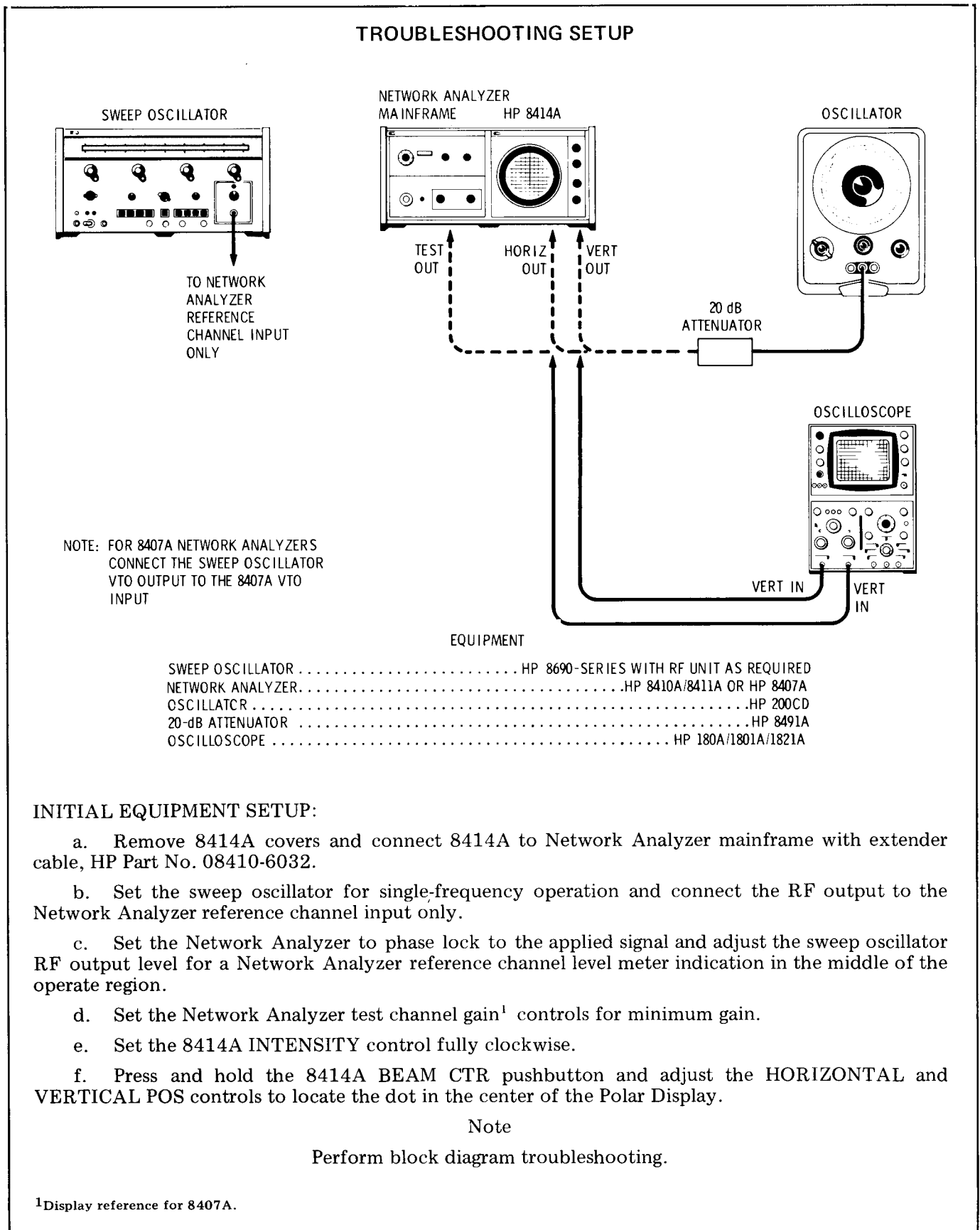


Figure 8-4. Setup for Troubleshooting

HOW TWO SINE WAVES ARE CONVERTED TO A POLAR DISPLAY

The Model 8414A Polar Display provides a polar plot of the relative magnitude and phase of the signals applied to the Network Analyzer. Two signals from the Network Analyzer mainframe, a test signal and a phase reference signal, are applied to the 8414A. The phase reference signal alternately gates on two bridge detectors a $\sin \phi$ detector and a $\cos \phi$ detector. The test signal divides into two signals. One of these signals is shifted in phase by 180 degrees and fed to the $\cos \phi$ detector. The other signal is shifted in phase by -90 degrees and fed to the $\sin \phi$ detector. Each detector produces an output proportional to the test signal amplitude and phase relationship between the test signal and phase reference signal. The detector output signals are converted to deflection signals which are applied to the CRT, producing a polar display.

An understanding of the signal processing may be obtained by discussing the trigonometric relationship between signals. Begin by assuming two sine-wave signals, a reference signal, and a test signal which leads the reference signal by some phase angle ϕ . (See figure 8-5.) For this discussion we will assume that the angle ϕ is approximately 45 degrees; however, it may be any angle.

The sine-wave relationship in Figure 8-5 may be converted to a polar relationship as shown in Figure 8-6 by laying out the 360 degrees in a circle and projecting the amplitude. The reference and

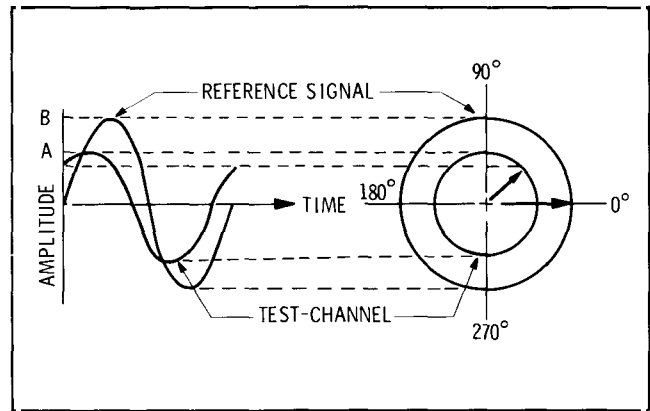


Figure 8-6. Conversion of Typical Time-Amplitude Graph to Polar Graph

test signal vectors are shown on the polar graph at zero time.

Note that the reference signal starts at zero and the test signal leads it by an angle ϕ . As time progresses, the two polar vectors rotate in the counter-clockwise direction. Since both the reference and the test signals are at the same frequency, their vectors rotate at the same rate, always separated by an angle ϕ ; therefore, angle ϕ or phase is measured with respect to the reference signal.

The Polar Display must resolve the vector of the test signal shown in Figure 8-7 into a similar form

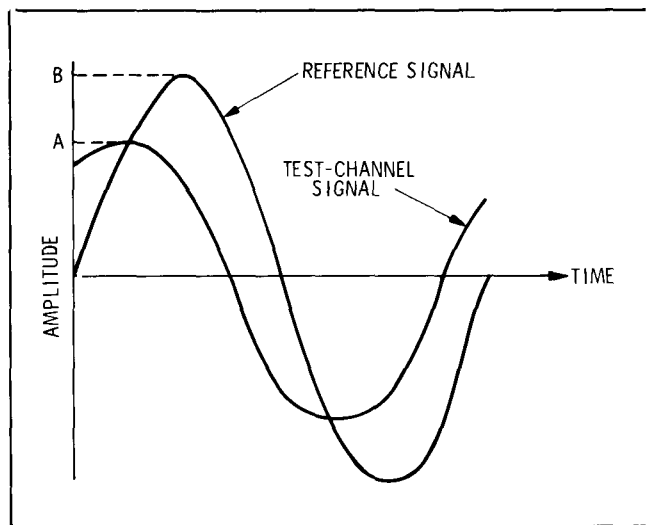


Figure 8-5. Phase and Amplitude Relationship of Typical Reference and Test Signals

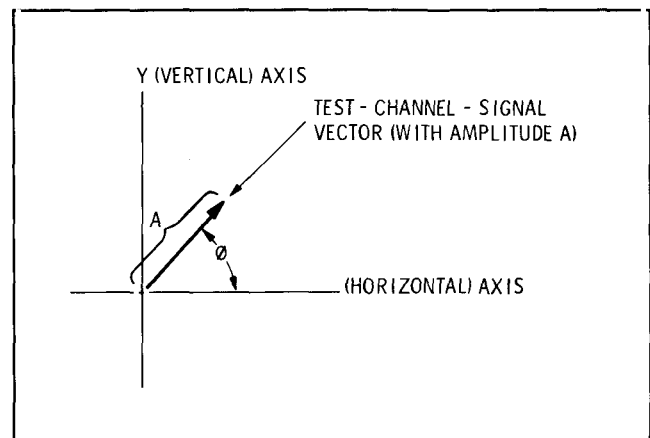


Figure 8-7. Polar Vector of Test Signal

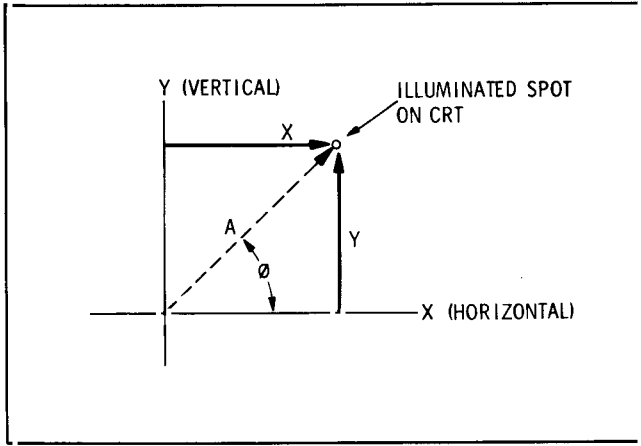


Figure 8-8. Horizontal and Vertical Vectors Required to Deflect CRT Beam

that can be displayed on the CRT. This is done by producing an illuminated spot on the CRT where the arrowhead of the vector would appear. (See Figure 8-8.) This can be interpreted into amplitude (A) and phase (φ) by the use of the built-in polar graph on the face of the CRT.

To produce the illuminated spot on the CRT, the amplitude and phase of the polar signal must be resolved into X (horizontal) and Y (vertical) rectangular components as shown in Figure 8-8. These X and Y signals are applied to the horizontal and vertical deflection plates producing a spot on the CRT representing the arrowhead of the vector.

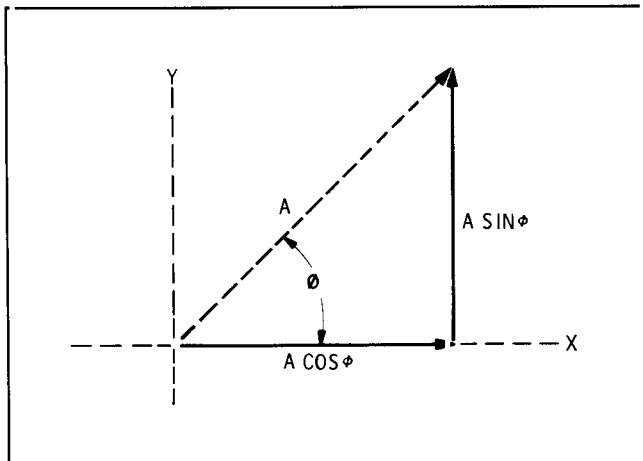


Figure 8-9. Vector Graph of a Typical Test Signal

Conversion from the two signals applied to the input of the Polar Display to the rectangular X-Y signal is accomplished by a 90 degree phase-shifter and two phase-detector circuits. To understand the operation of these circuits a brief discussion of the trigonometry used is presented. Figure 8-9 shows a vector diagram in the form of a right triangle of the signals discussed. From trigonometric relationships in a right triangle:

$$\cos \phi = \frac{\text{Adjacent Side}}{\text{Hypotenuse}} = \frac{\text{X Component}}{A};$$

therefore;

$$\text{X Component} = A \cos \phi.$$

Also,

$$\sin \phi = \frac{\text{Opposite Side}}{\text{Hypotenuse}} = \frac{\text{Y Component}}{A}$$

therefore,

$$\text{Y Component} = A \sin \phi.$$

The sin φ detector circuit produces a voltage with the value of A sin φ. This voltage is amplified and applied to the Y-axis or vertical deflection plates. The cos φ detector similarly produces a voltage that corresponds to the value of A cos φ which is amplified and applied to the X-axis or horizontal deflection plates.

The foregoing discussion explains the method of developing a spot on the CRT that represents the behavior of a device under test at one frequency. During swept-frequency operation, the device under test reacts differently as the frequency is changed. This causes a continuous trace to be produced on the CRT. This trace may be interpreted as follows. Amplitude is proportional to distance from the center of the CRT, phase can be read directly from the built-in graticule and frequency is indicated by marker pips superimposed on the trace through the intensity-modulator circuit. Marker signals applied to this circuit from a Sweep Oscillator cause a bright pip on the trace. In this manner specific frequencies may be located on the CRT display.

SIMPLIFIED BLOCK DIAGRAM DESCRIPTION

Test-Channel Amplitude and Phase Reference Signal Inputs.

A 278-kHz test-channel amplitude signal and a 278-kHz phase-reference signal are obtained from the Network Analyzer mainframe. The test-channel signal passes through a preamplifier and divides into two signal paths. One signal is shifted by 90 degrees and fed to the sine ϕ detector. The other signal is fed to a cosine ϕ detector. The 278-kHz phase-reference signal is fed to a phase splitter-limiter which produces two signals 180 degrees apart. These two signals are fed to both the sine ϕ detector and the cosine ϕ detector.

Sin ϕ and Cos ϕ Detectors.

The sine ϕ and cosine ϕ detectors are balanced modulator phase detectors. The signals from the phase splitter-limiter turn the detectors on one at a time during alternate half cycles of the turn-on signal. Any signal appearing at a detector's input when it is turned on will be passed through the detector and the detector's output capacitor will charge to the average of the signal passed through the detector. When the input signal is in-phase with the turn-on signal the detector's output is maximum positive. When the input signal is 180 degrees out of phase with the turn-on signal the detector's output is maximum negative. When the input signal is exactly ± 90 degrees with respect to the turn-on signal the average of the detector's output signal is zero. Therefore, a detector's output can vary from a maximum positive (zero degree phase difference) to a maximum negative (180 degree phase difference) and back to a maximum positive (360 degree phase difference). The magnitude of the maximum positive and negative detector output voltages is directly proportional to the amplitude of the input signal. Because the signal to the sine ϕ detector is shifted -90 degrees, the output of the sine ϕ detector is equal to the amplitude of its input signal times the sine of the angle between the reference and test channel input signals ($A \sin \phi$), and the

output of the cosine ϕ detector is equal to the amplitude of its input signal times the cosine of the angle between the reference and test channel input signals ($A \cos \phi$).

Vertical and Horizontal Deflection Amplifiers.

The sine ϕ detector's output is amplified and fed to the CRT's vertical deflection plates. The signals applied to the deflection plates produce a polar display of the relative magnitude and phase of the signals applied to the Network Analyzer.

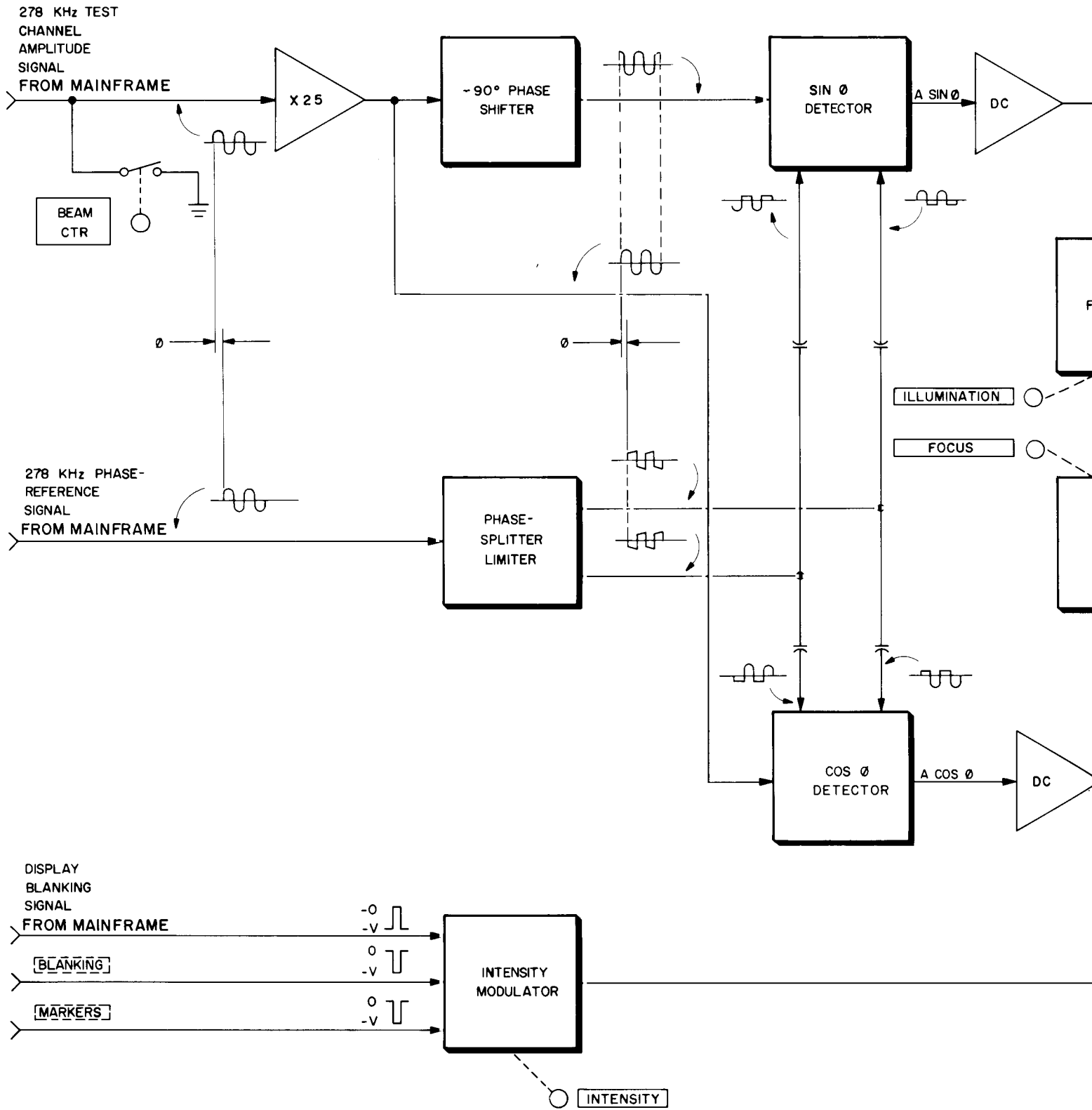
Intensity Modulator.

The Intensity Modulator controls the CRT grid to cathode bias. Intensity Modulator input signals cause the CRT's electron beam to be turned off for blanking or intensified for frequency markers.

There are three signal inputs to the intensity modulator: one from the Network Analyzer mainframe which unblanks the CRT (8410A Network Analyzers unblank the CRT only when the Network Analyzer is phase locked); the second, a rear-panel connector which may be connected to the sweep oscillator blanking output to blank the display during sweep retrace; the third, another rear-panel connector which may be connected to a sweep oscillator frequency marker output to display frequency marks on the display by brightening the display at the point which represents the frequency of interest.

Power Supplies.

The 8414A obtains power from the Network Analyzer mainframe through the rear connector. The mainframe furnishes +20 volts and -20 volts regulated which is used for low voltage stages and which provides primary power for the 8414A high voltage power supply. The mainframe also furnishes 175 Vac which provides primary power for the low voltage (250 Vdc) and filament supply.



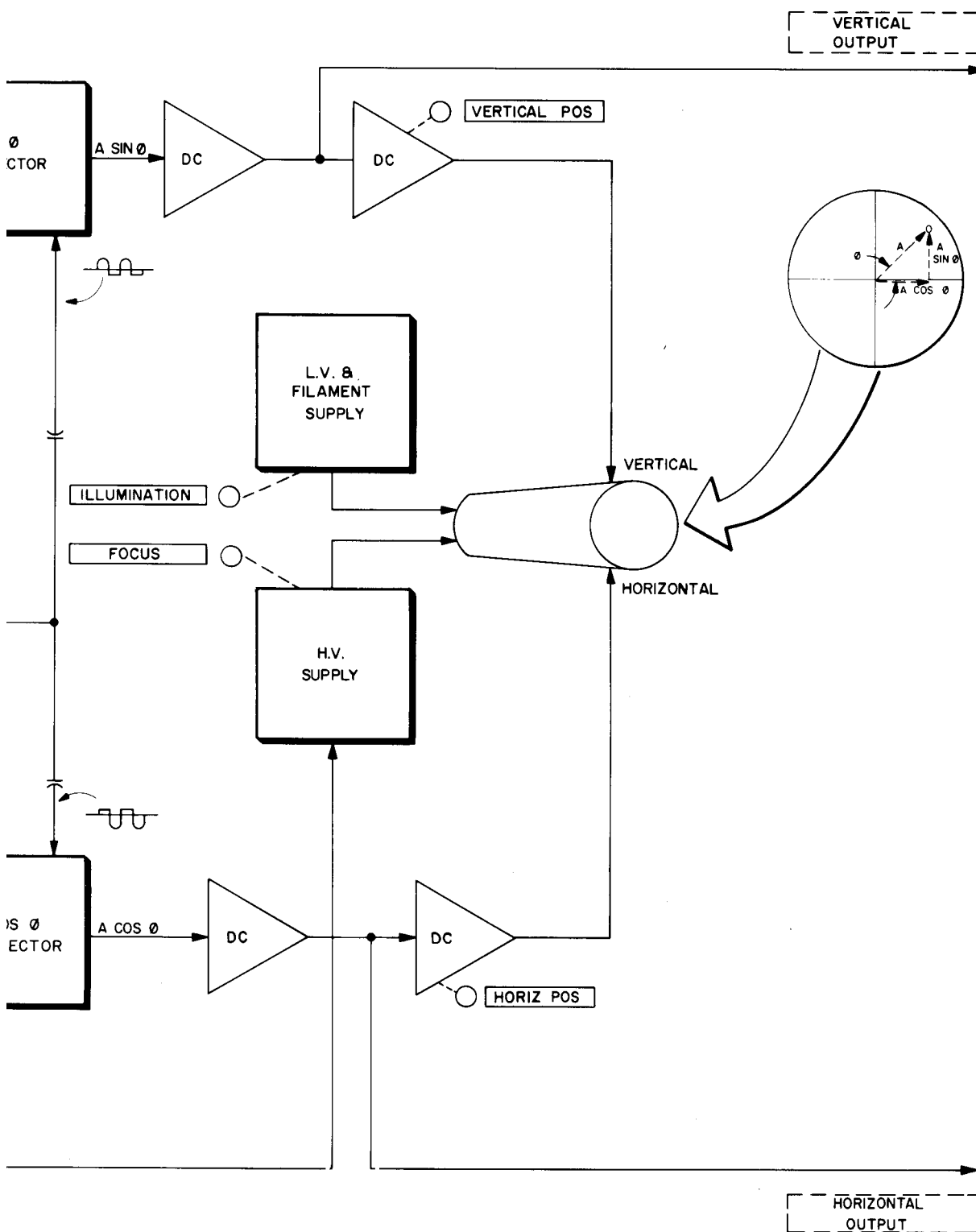


Figure 8-10. Simplified Overall Block Diagram

DETAILED BLOCK DIAGRAM DESCRIPTION

HORIZONTAL AND VERTICAL AMPLIFIERS

Test Channel Amplitude Input

The test channel signal is applied to the Polar Display Unit from either the Network Analyzer mainframe for the standard 8414A or from a rear panel BNC connector for the H26-8414A. The amplitude of this signal and phase relationship with respect to the phase reference signal contains the information that is displayed on the CRT.

Switch, Beam Center

The test channel input signal is grounded when the Beam Center pushbutton is pressed or for the H26-8414A when the Auto Beam Centering circuit is activated. With the input signal grounded there is no vertical or horizontal deflection voltage to the CRT, the CRT display is a dot and the front-panel centering controls may be used to locate the dot in the center of the CRT.

Preamplifier

The preamplifier is a feedback-pair amplifier with a voltage gain of about 25. At the output of the preamplifier the test channel signal path divides into two branches. The signal in one branch is fed through a -90 degree phase shifter and driver to the sine detector. The signal in the other branch is fed through a driver to the cosine detector.

Phase Shifter

The phase shifter retards the phase of one output of the preamplifier 90 degrees. The test channel input signal is then two signals separated in phase by 90 degrees or sine and cosine signals.

Drivers

The sine detector driver and cosine detector driver isolate the sine and cosine detectors preventing interaction with the -90 degree phase shifter and preamplifier. The gain through each driver is about unity.

Phase Splitter-Limiter

The phase splitter-limiter amplifies the phase reference signal from the mainframe. Its two output signals are limited to about 5V p-p and fed to the $\sin \phi$ and $\cos \phi$ detectors. These signals turn the detectors on one at a time.

$\sin \phi$ and $\cos \phi$ Detectors

The sine ϕ and cosine ϕ detectors are balanced modulator phase detectors. The signals from the phase splitter-limiter turn the detectors on one at a time during alternate half cycles of the turn-on signal. When the turn-on signal from the phase splitter limiter causes the voltage at A2TP6 to be positive and A2TP7 to be negative the cosine ϕ detector is turned on. During the next half cycle of the turn-on signal the sine ϕ detector is turned on. Any signal appearing at the input, A2TP3 or TP15, when a detector is turned on will be passed through the detector and the detector's output capacitor will charge to the average of the signal passed through the detector. When the input signal (A2TP3 or TP15) is in-phase with the turn-on signal the detector's output is maximum positive. When the input signal is 180 degrees out of phase with the turn-on signal the detector's output is maximum negative. When the input signal is exactly ± 90 degrees with respect to the turn-on signal the average of the detector's output signal is zero. Therefore, a detector's output can vary from a maximum positive (0 degrees phase difference) to a maximum negative (180 degrees phase difference) and back to a maximum positive (360 degrees phase difference). The magnitude of the maximum positive and negative detector output voltages is directly proportional to the amplitude of the input signal. Because the signal to the sine ϕ detector is shifted -90 degrees, the output of the sine ϕ detector is equal to the amplitude of the signal at A2TP14 times the sine of the angle between the reference and test channel input signals ($A \sin \phi$), and the output of the cosine ϕ detector is equal to the amplitude of the signal at A2TP14 times the cosine of the angle between the reference and test channel input signals ($A \cos \phi$).

Buffer Amplifiers

The Buffer Amplifiers are differential amplifiers with a voltage gain of about ten. Phase shift through these amplifiers is negligible.

Low Pass Filter

The low pass filters filter out frequencies above 10 kHz with a capacitor to ground and a feedback loop which couples high frequency signals from the output back to the input 180 degrees out of phase. The low frequency voltage gain through these filters is about two.

S1

Switch S1, in the test position, opens the signal path from the filter output so that an external voltage can be applied at the rear-panel horizontal and vertical output connectors for troubleshooting the deflection circuits.

Vertical and Horizontal Deflection Drivers

The deflection drivers are differential amplifiers with push-pull outputs. Both output voltages of each driver are at about +55 Vdc with no input signal applied. A 1V change at either driver's input should provide about a 10V change in each of its outputs, one output going 10V more positive the other 10V less positive. The front-panel horizontal and vertical centering controls vary a dc bias to the associated driver producing the same effect as an input signal.

Intensity Modulator Inputs

The Intensity Modulator controls the CRT grid to cathode bias. Intensity Modulator input signals cause the CRT's electron beam to be turned off for blanking or intensified for frequency markers.

There are three signal inputs to the intensity modulator: one from the Network Analyzer mainframe which unblanks the CRT (8410A Network Analyzers unblank the CRT only when the Network Analyzer is phase locked); the second, a rear-panel connector which may be connected to the sweep oscillator blanking output to blank the display during sweep retrace; the third, another rear-panel connector which may be connected to a sweep oscillator frequency marker output to display frequency marks on the display by brightening the display at the point which represents the frequency of interest.

Switches

Switch A1Q2 is turned off by an unblanking signal from the Network Analyzer. Although the output of A1Q2 at A1TP8 is always a negative voltage, when A1Q2 is turned off its output appears positive-going to the following stage and the CRT is unblanked. Switch A1Q1 is normally off. When a positive blanking pulse is applied to its input, Q1 conducts. A1Q2 turns on, the voltage at A1TP8

goes more negative, and the CRT is blanked. A negative marker pulse to switch A1Q4 turns Q4 on. Its output voltage at A1TP8 approaches ground and appears as a positive-going input signal to the following stage. This signal is more positive than the unblanking signal, therefore, the CRT's electron beam is intensified.

Differential Amplifier

A1Q3 and Q6 form a differential amplifier. The amplifier gain varies with position of the intensity control; however, with the intensity control set for normal intensity (about -3.6V at A1TP5) and the intensity limit set for about +110V at A1TP2 the amplifier gain is about seven or eight. For example, if the voltage at A1TP8 changes from -5V (Q2 and Q4 off) to -0.1V (Q2 off Q4 on), a change of about 5V, the output at A1TP3 should change from about +70 to about +105V, a change of about 35V.

Emitter Follower

The output of emitter follower (A1Q7) should be about +65V for a blanked condition, about +70V for an unblanked condition, and about +105V for a marker condition.

CRT, CRT Power Supplies

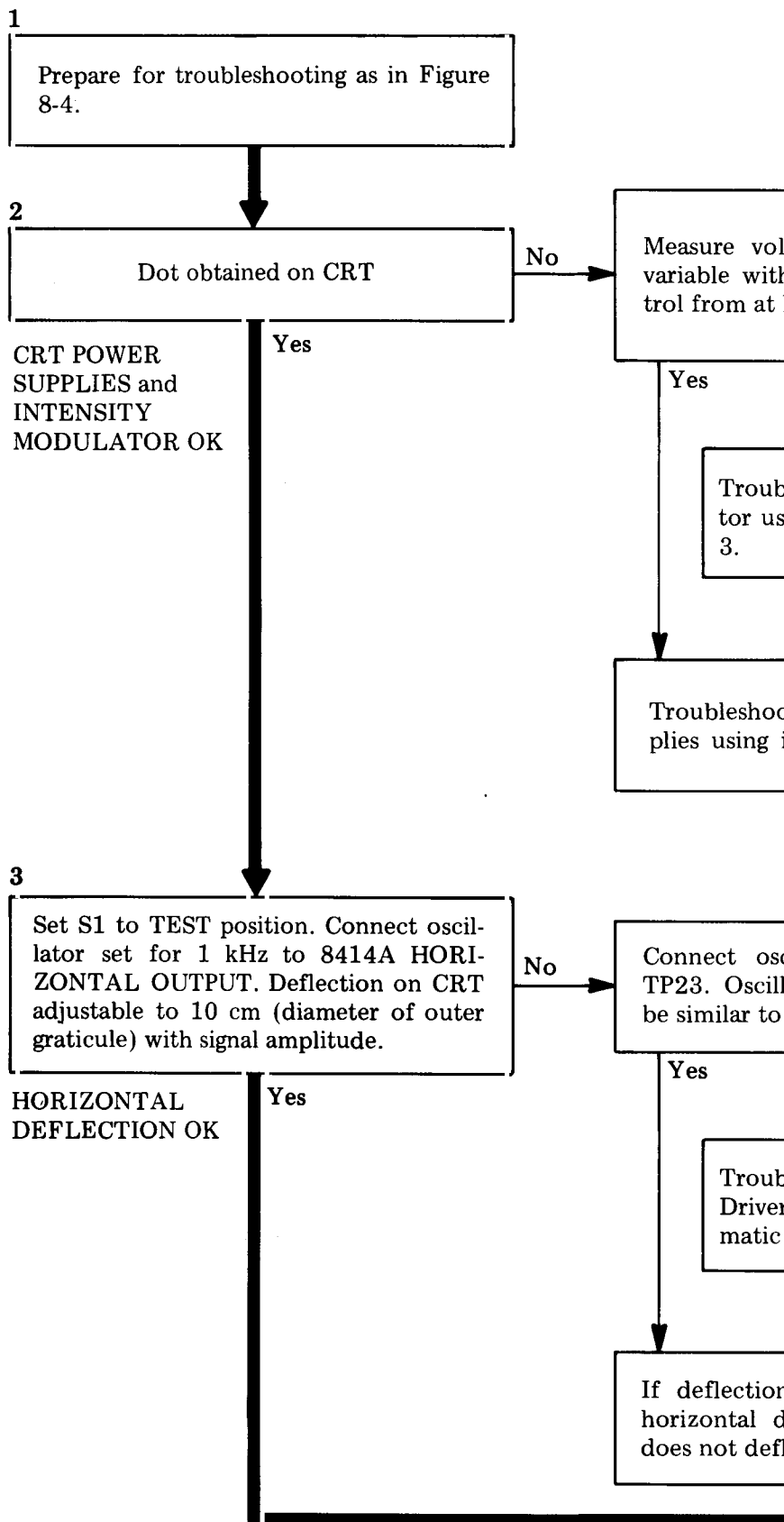
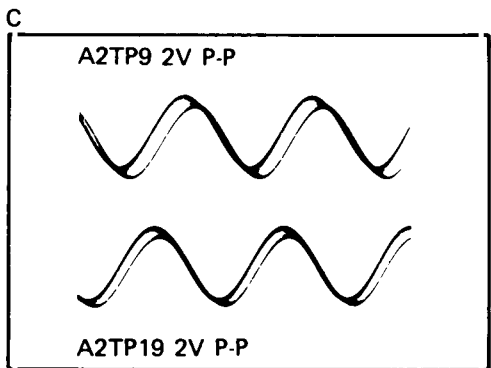
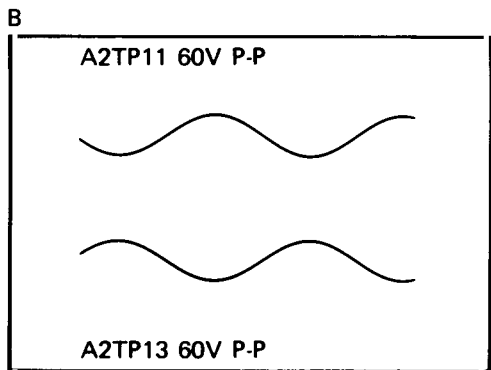
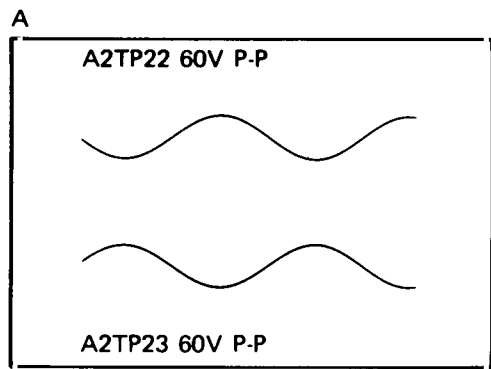
+150V Power Supply. The +150V power supply is a regulated supply. Its output provides collector voltage for the deflection drivers.

High Voltage Oscillator. The high voltage oscillator is a free-running multivibrator whose frequency, 20 kHz \pm 2 kHz, is determined by the L and C of T1's primary winding.

CRT Cathode Supply. One of T1's secondary windings supplies power to both the CRT's cathode supply and anode supply. The cathode supply consists of a half wave rectifier and pi section filter. Its output voltage is about -2450 Vdc. In addition to providing dc bias to the CRT cathode, the cathode supply's output voltage is used in a voltage divider to +150V to provide about -2000 Vdc to the focus control.

CRT Anode Supply. The anode supply consists of a voltage doubler and pi section filter. Its output voltage is about +5100 Vdc.

Grid Supply. The grid supply consists of a wave rectifier. Its output voltage is about 100 Vdc with the CRT unblanked. With zero input from the intensity modulator, the grid supply is referenced to ground; however, an input voltage from the intensity modulator becomes the reference voltage for the grid supply. A change in intensity modulator output voltage causes the supply voltage to change, which changes the electron beam's grid to cathode bias and intensity modulates the beam.



TP1. Voltage is
d intensity con-
o +80Vdc.

No

Intensity Modula-
tion on Schematic

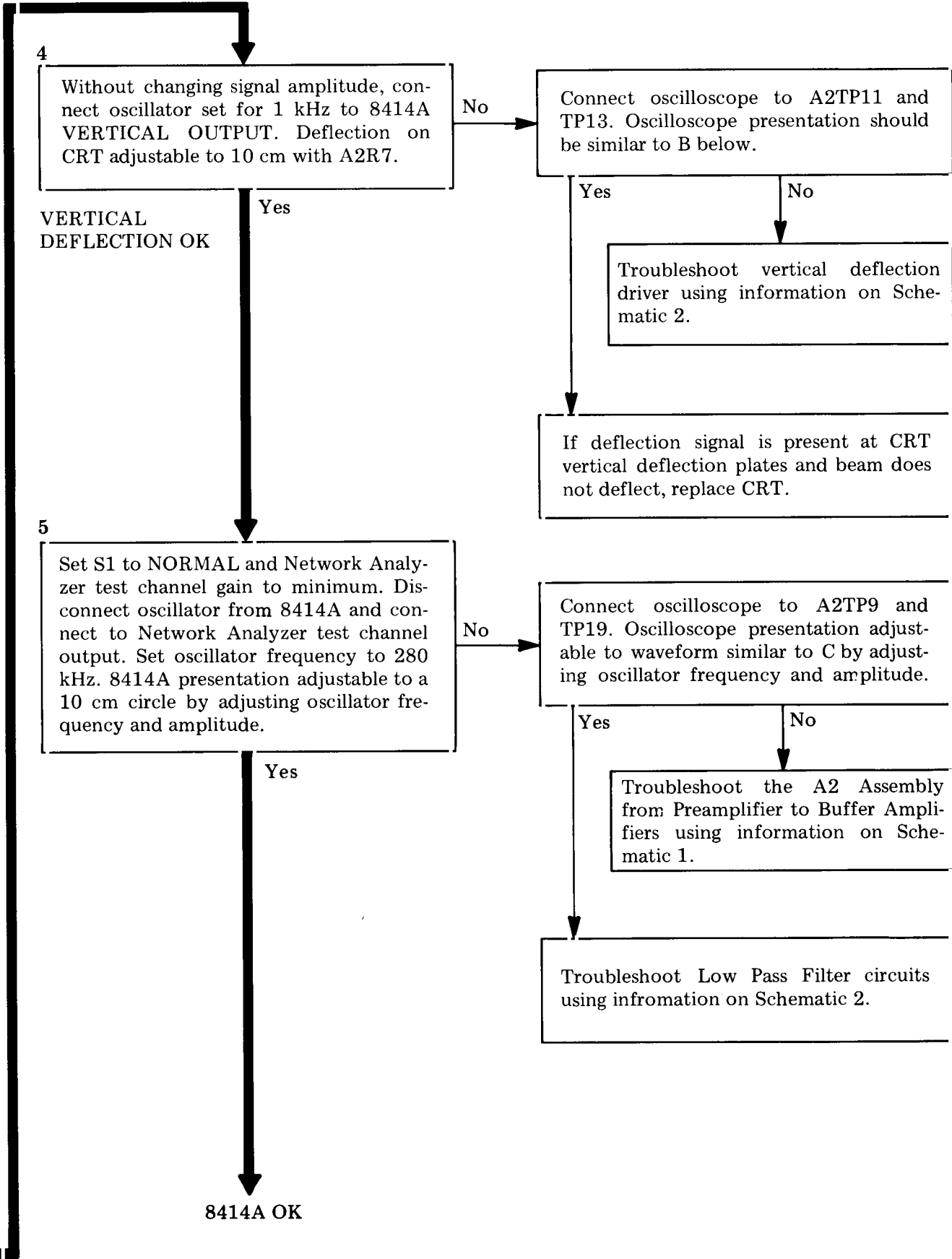
CRT Power Sup-
on Schematic 4.

o A2TP22 and
sentation should

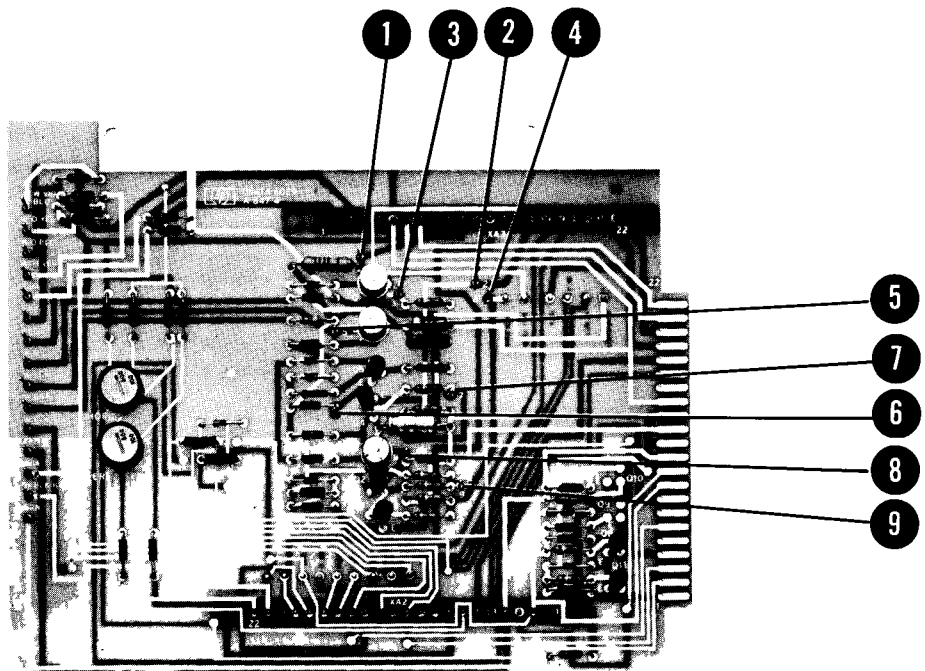
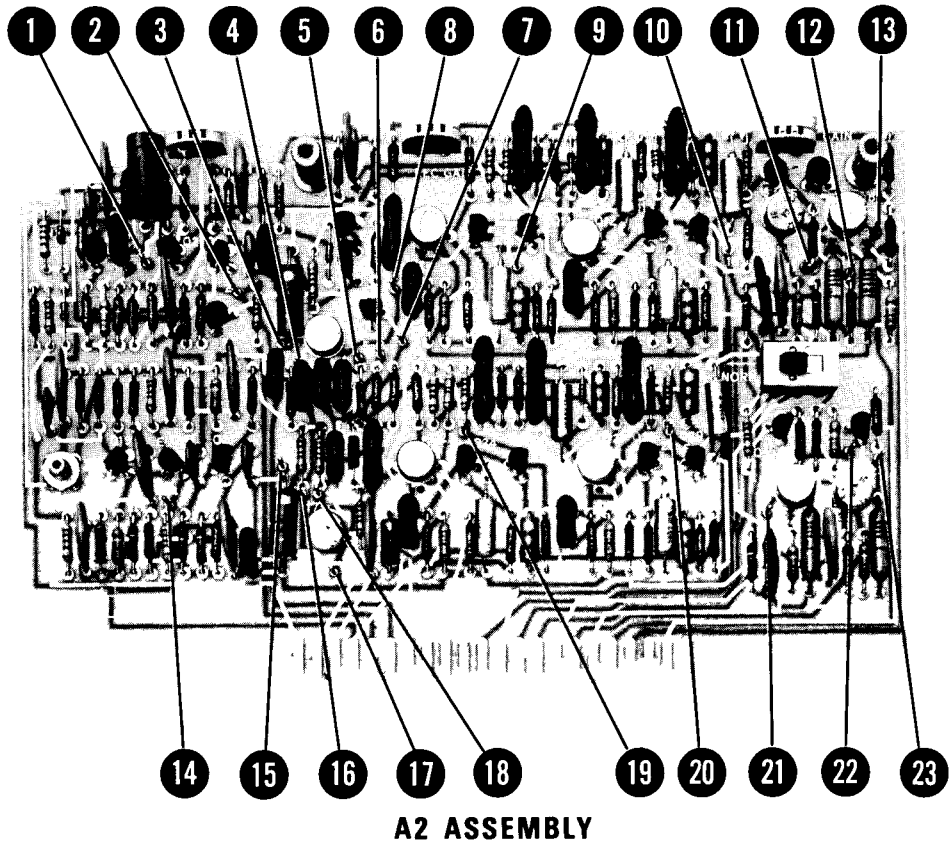
No

izortal Deflection
rmation on Sche-

present at CRT
lates and beam
CRT.



8414A OK

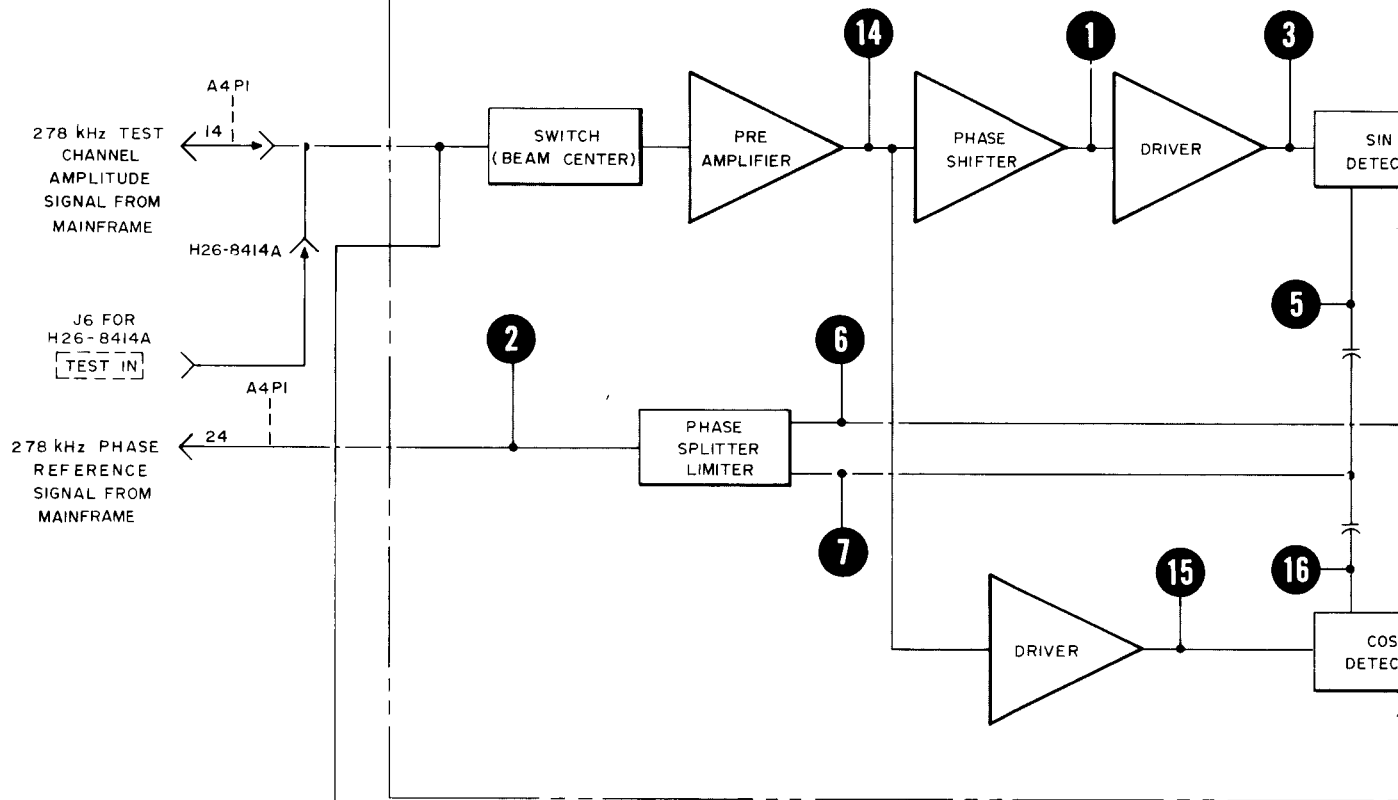


A1 ASSEMBLY

Figure 8-11. Test Point Locations

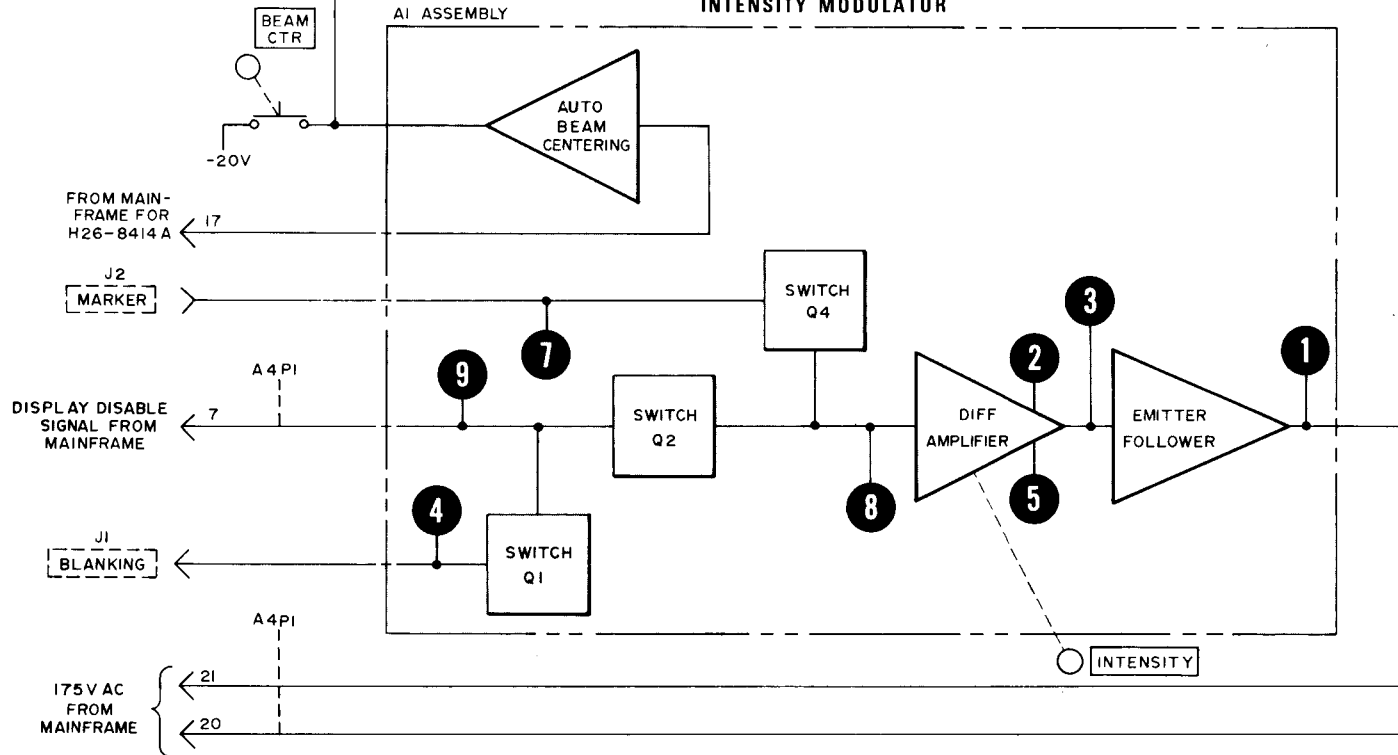
HORIZONTAL AND VERTICAL

A2 ASSEMBLY

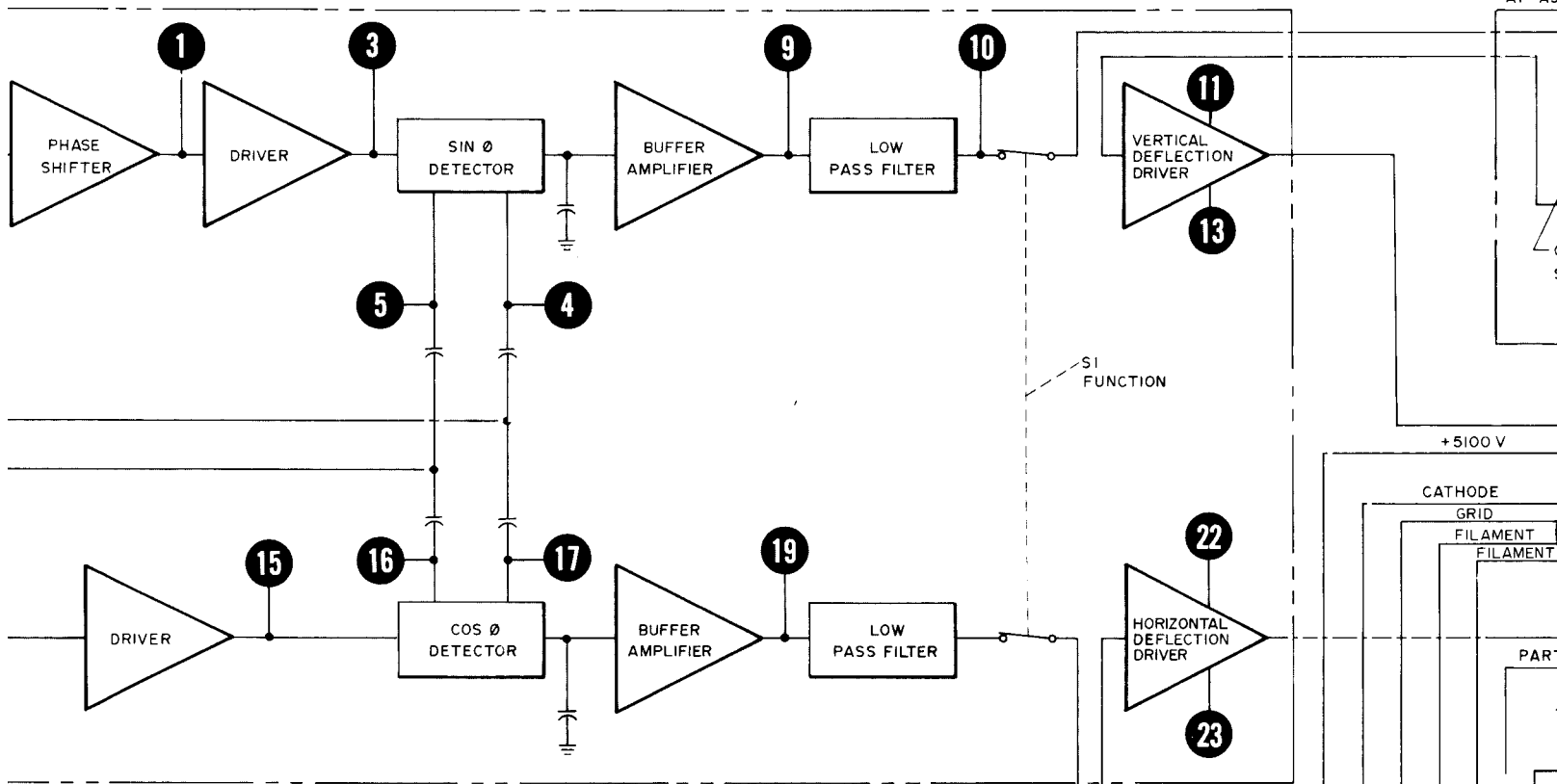


INTENSITY MODULATOR

A1 ASSEMBLY

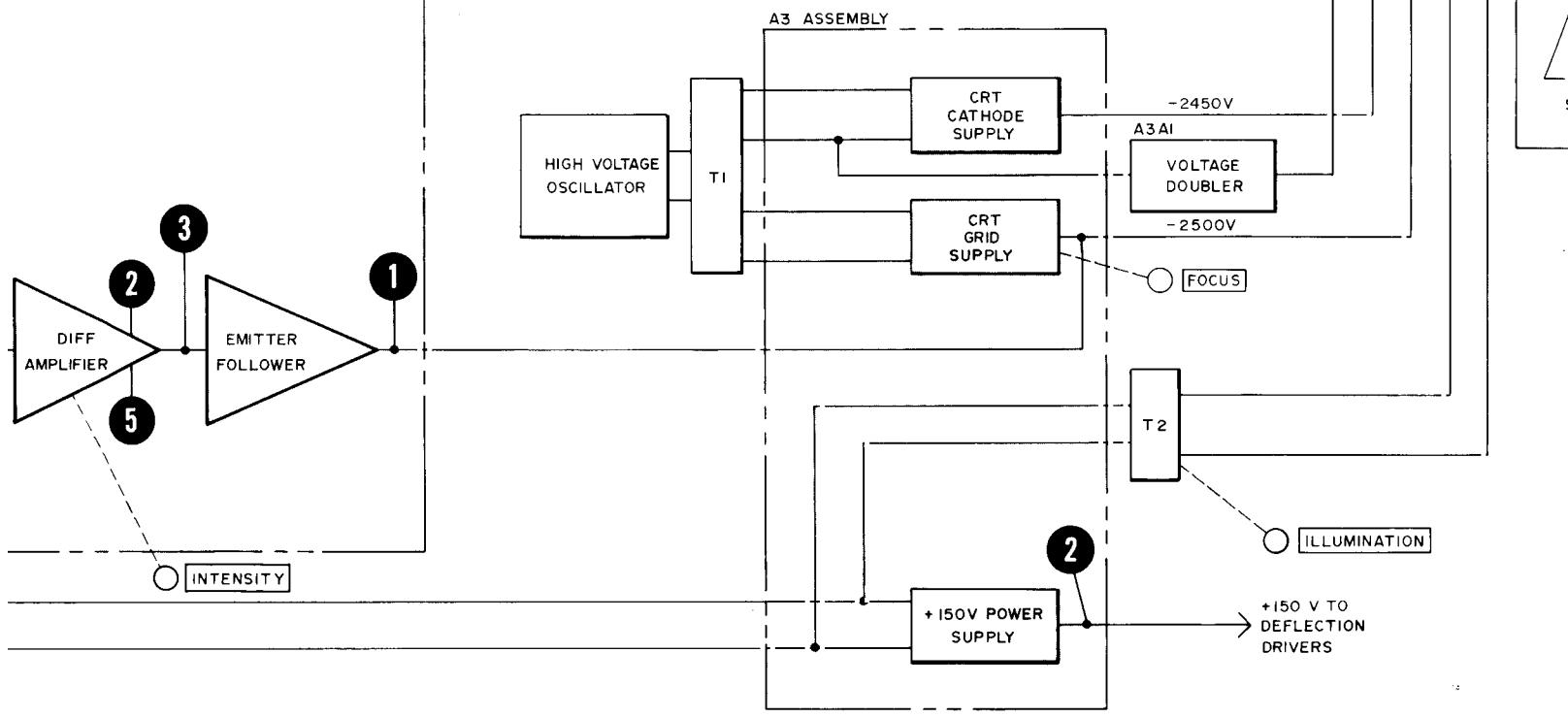


HORIZONTAL AND VERTICAL AMPLIFIERS



FOR

CRT POWER SUPPLIES



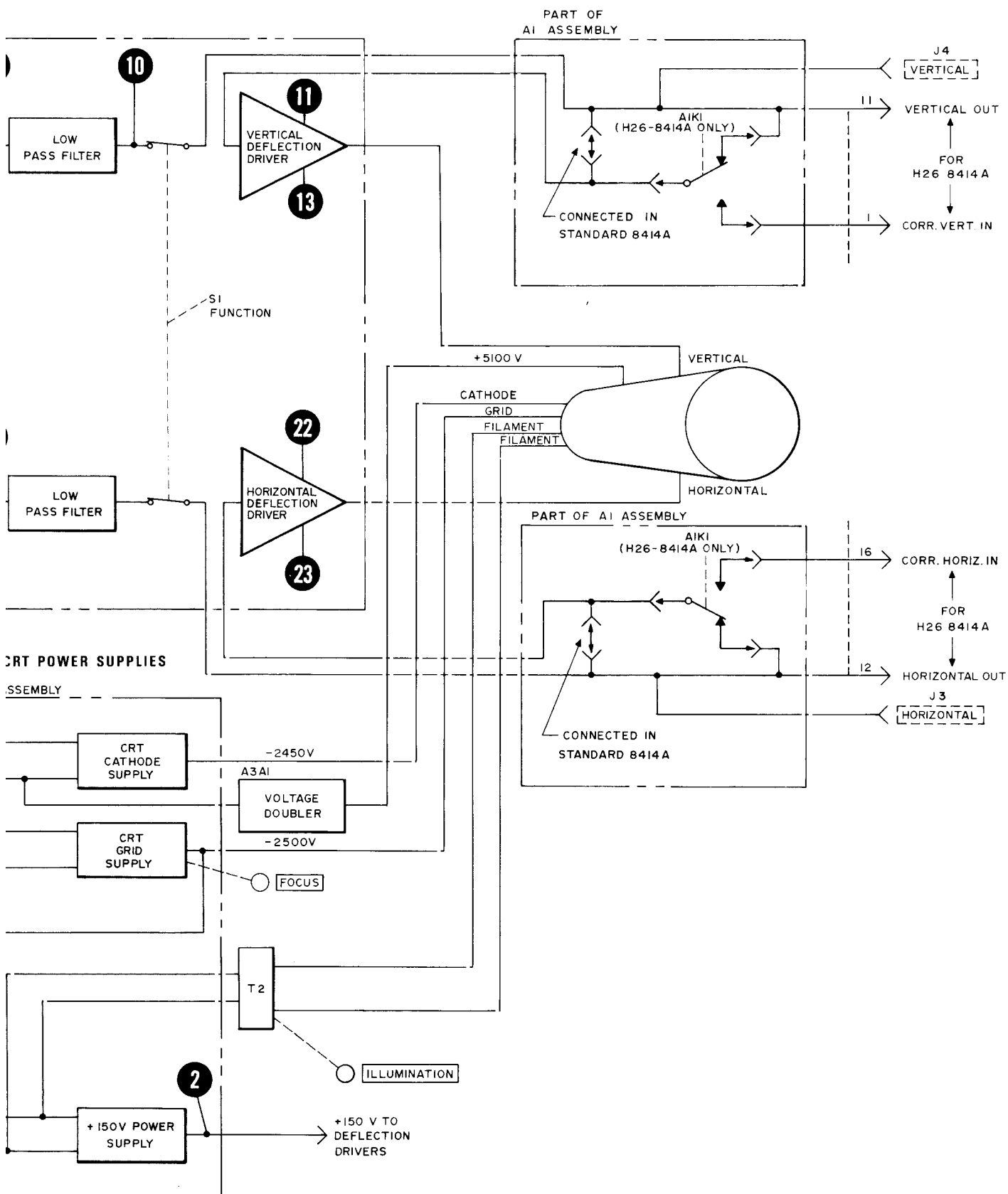
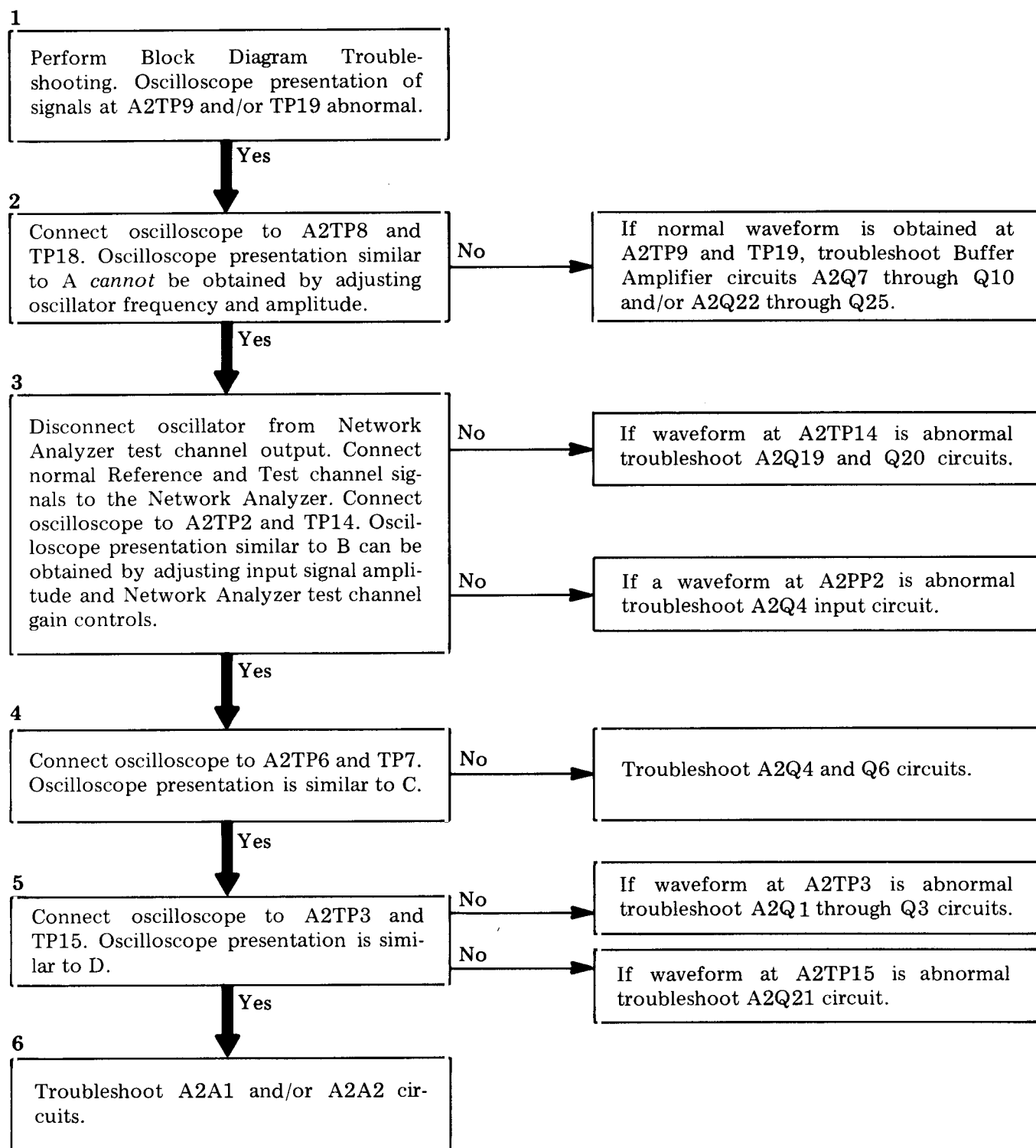
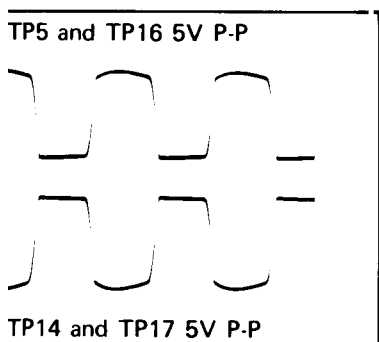
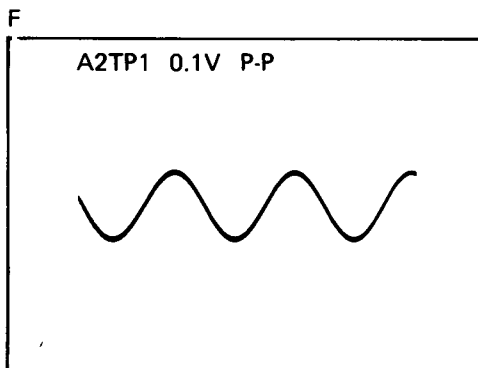
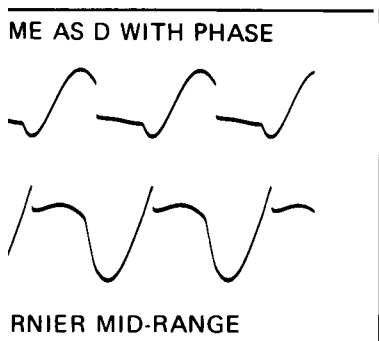
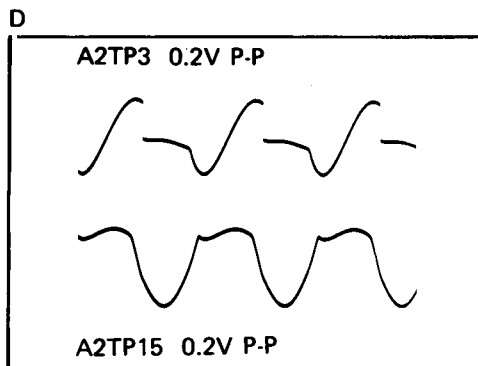
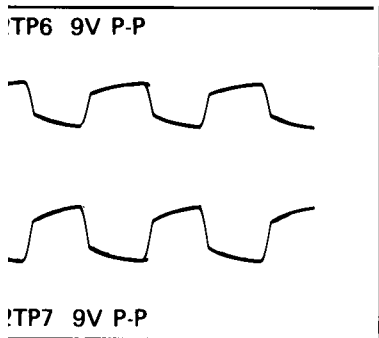
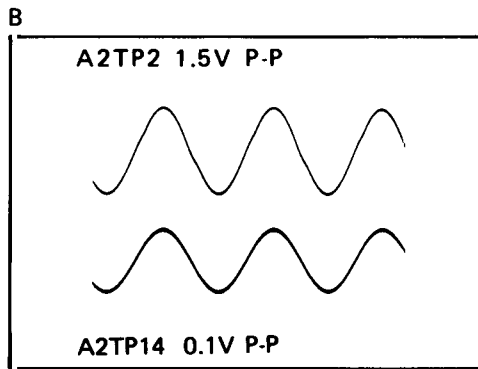
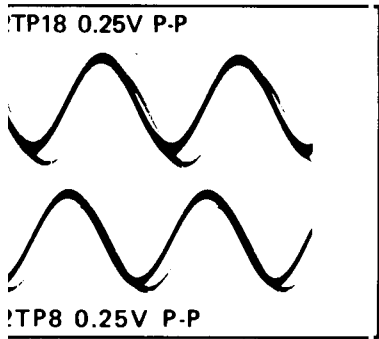


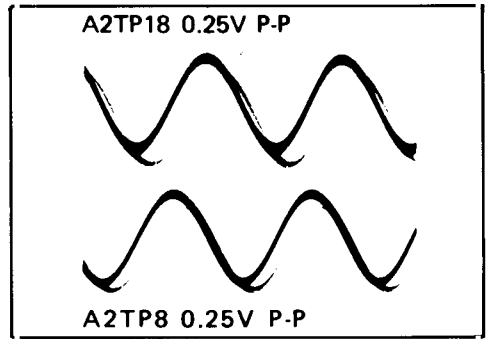
Figure 8-12. Detailed Block Diagram

Schematic 1 TROUBLESHOOTING

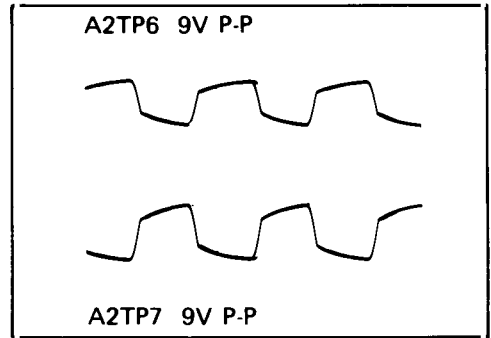




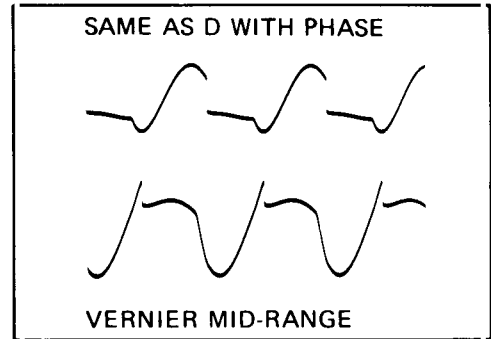
A



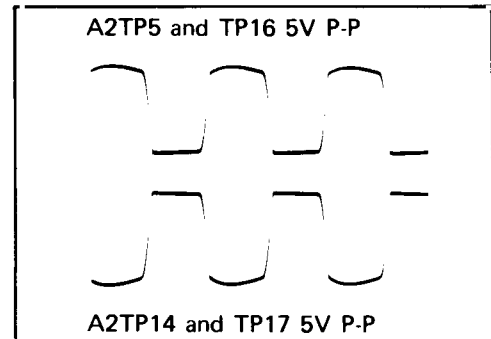
C



E



G



SCHEMATIC 1. CIRCUIT DESCRIPTION

TEST CHANNEL AMPLITUDE

Input

The test channel signal is applied to the Polar Display Unit from either the Network Analyzer mainframe for the standard 8414A or from a rear-panel BNC connector for the H26-8414A.

Switch, Beam Center

The test channel input is fed to switch A2CR1, CR2, which grounds the input when the beam center pushbutton is pressed, or for the H26-8414A, when the Auto Beam Centering circuit is activated. During non-beam center operation a positive voltage is applied to the junction of CR1 and CR2, CR1 is biased on, CR2 is biased off and the input signal is applied to the preamplifier at A2Q19. When the beam center pushbutton is pressed or, for the H26-8414A, when the Auto Beam Centering circuit is activated the voltage at the junction of CR1 and CR2 is negative, CR2 is biased on, and the input signal is grounded through CR2.

Preamplifier

The preamplifier, A2Q19-Q20, is a feedback-pair amplifier with a voltage gain of about 25. The output of the preamplifier divides into two signal paths.

-90 Degree Phase Shifter

The -90 Degree Phase Shifter A2Q1 shifts the phase of one output of the preamplifier -90 degrees. The test channel signal is then two signals separated in phase by 90 degrees or sine and cosine signals.

Drivers

The sine detector's driver A2Q2, Q3 and the cosine detector's driver A2Q21 prevent the detectors from loading the phase shifter and preamplifier output circuits. The gain through each driver is about unity.

Phase Splitter-Limiter

The phase splitter-limiter, A2Q4, Q6, amplifies the phase reference signal from the mainframe. Its two output signals are 180 degrees apart and limited to

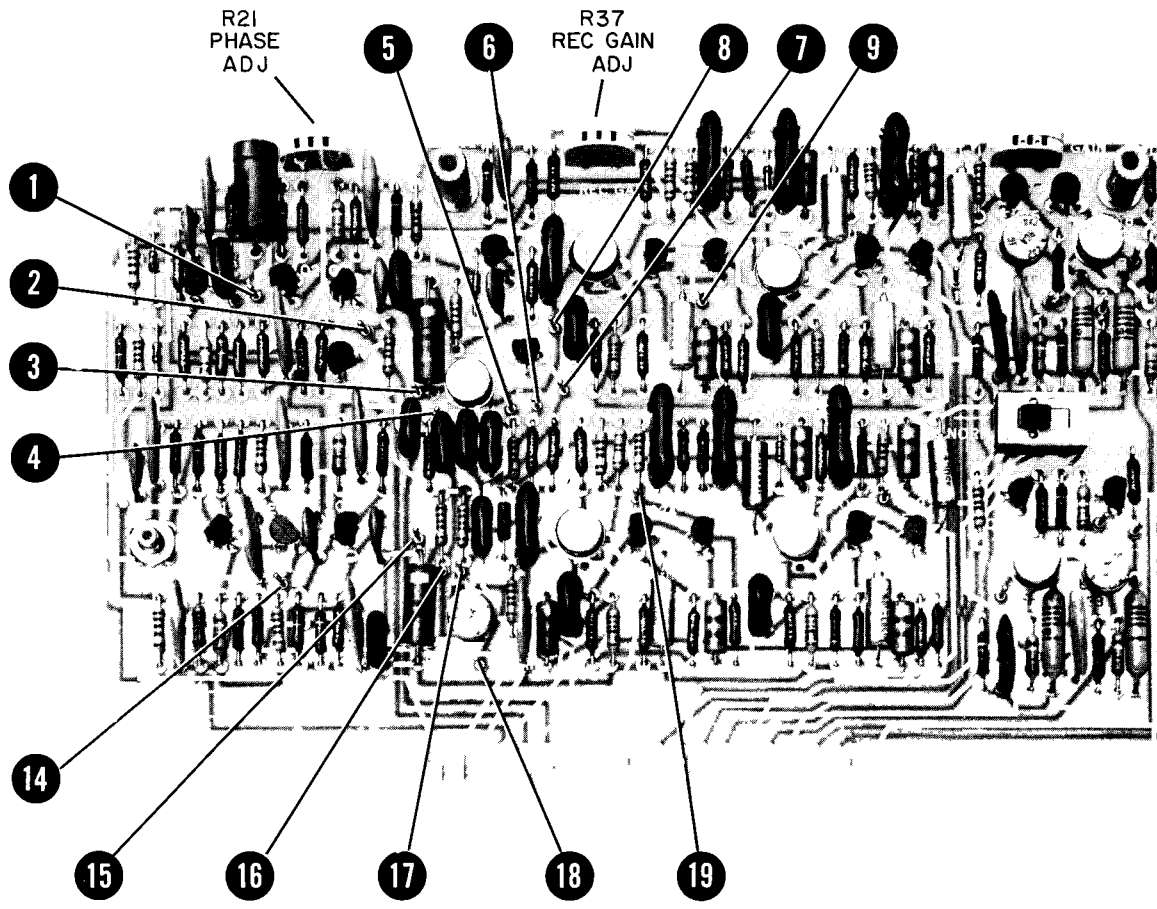
about 5V p-p. These two signals are fed to the Sin ϕ and Cos ϕ Detectors and turn the detectors on one at a time.

Sin ϕ and Cos ϕ Detectors

The Sin ϕ and Cos ϕ Detectors, A2A1 and A2A2, are balanced modulator phase detectors. The signals from the phase splitter-limiter turn the detectors on one at a time during alternate half cycles of the turn-on signal. When the turn-on signal from the phase splitter limiter causes the voltage at A2TP6 to be positive and A2TP7 to be negative, the Cos ϕ detector is turned on. During the next half cycle of the turn-on signal the Sin ϕ detector is turned on. Any signal appearing at the input, A1TP3 or TP15, when a detector is turned on will be passed through the detector and the detector's output capacitor will charge to the average of the signal passed through the detector. When the input signal (A2TP3 or TP15) is in-phase with the turn-on signal the detector's output is maximum positive. When the input signal is 180 degrees out of phase with the turn-on signal the detector's output is maximum negative. When the input signal is exactly ± 90 degrees with respect to the turn-on signal the average of the detector's output signal is zero. Therefore, a detector's output can vary from a maximum positive (zero degree phase difference) to a maximum negative (180 degrees phase difference) and back to a maximum positive (360 degrees phase difference). The magnitude of the maximum positive and negative detector output voltages is directly proportional to the amplitude of the input signal. Because the signal to the Sin ϕ detector is shifted -90 degrees, the output of the Sin ϕ detector is equal to the amplitude of the signal at A2TP14 times the sine of the angle between the reference and test channel input signals ($A \sin \phi$), and the output of the Cos ϕ detector is equal to the amplitude of the signal at A2TP14 times the cosine of the angle between the reference and test channel input signals ($A \cos \phi$).

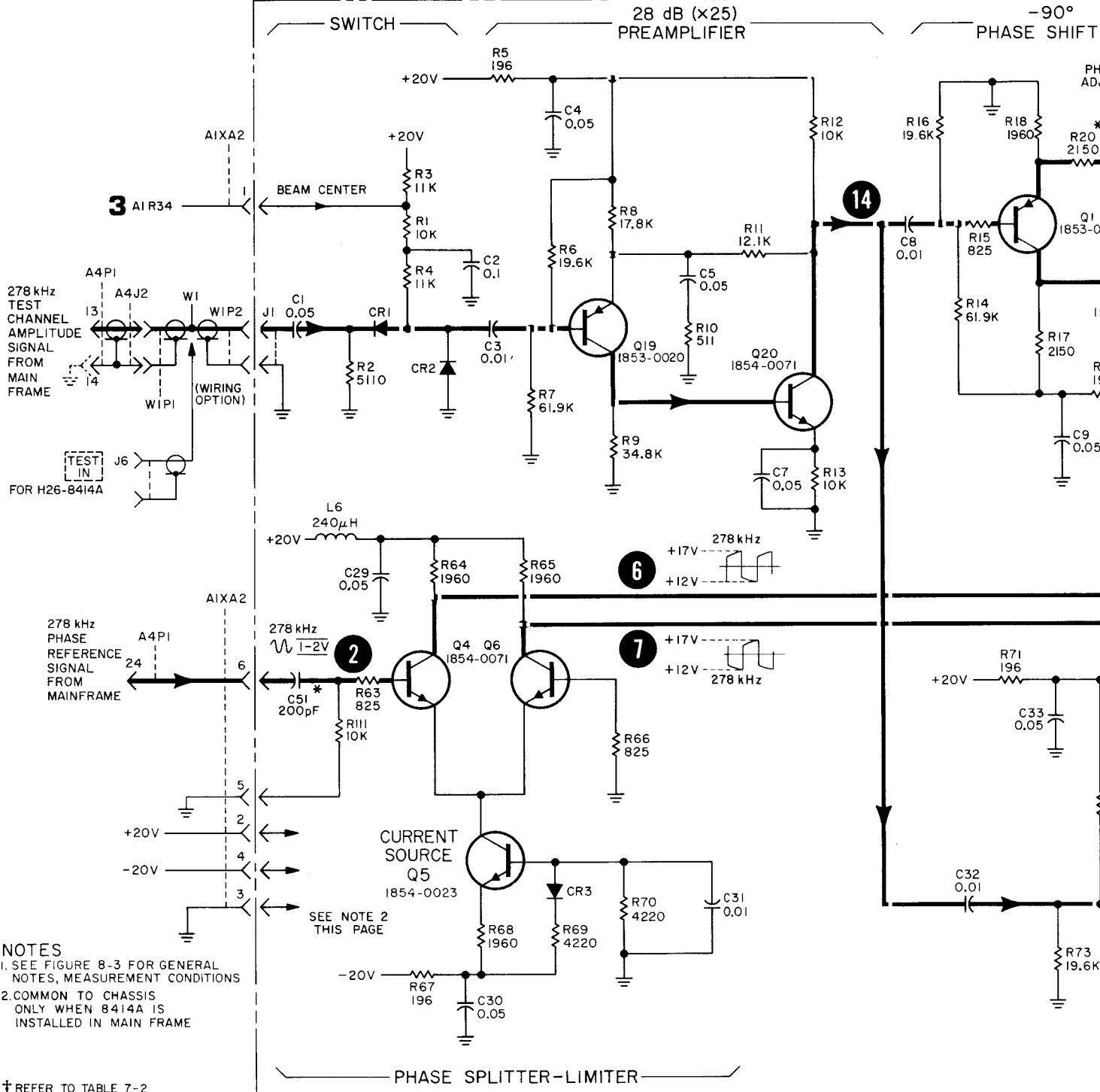
Buffer Amplifiers

A2Q7 through Q10 and A2Q22 through Q25 are differential amplifiers with voltage gains of about ten. Phase shift through these amplifiers is negligible. An adjustable bias voltage is provided (A2R32, R33) to set the rear-panel horizontal and vertical output voltages to zero with no test channel input signal (Beam Center pressed).



- R4 CR2 R21
- CR1 R15 R22
- Q1 C8 R10 C9 R17 C2
- Q2 R9 R23 R21
- Q3 R24 R27 C11 R25 R69
- C13 C14 R67 R67 R67 R68 R68 R32
- R70 CR3 Q5 R36 R38
- C31 Q6 R66 C17 Q7 Q8 Q9 Q10
- R14 R1 CR1 R18 R16 R22 R109 R26 R20 R63 Q4
- R111 L1 R76 A2A1 Q6 C18 R31 R30 R33 C19 L2 R34 R35
- C3 C1 R2 R7 R9 R10 R13 C7 R110 C34 R75 C51* R29 R37 C16 C15 R28 R64 R65 R80 R85 R84
- J1 Q19 C5 Q20 C32 Q21 C35 R76 R77 C38 CR5 C39 Q22 Q23 Q24 Q25
- R3 C4 R8 R6 R5 R11 R12 R71 R74 C33 C36 L7 A2A2 R112 C29 L6 L40 R79 R78 R81 C41 R82 L8 R83
- L3 C20
- C42 L9

Figure 8-13. Phase Shifter and Phase Detectors, Component Identification



- NOTES**
- SEE FIGURE 8-3 FOR GENERAL NOTES, MEASUREMENT CONDITIONS
 - COMMON TO CHASSIS ONLY WHEN 8414A IS INSTALLED IN MAIN FRAME

† REFER TO TABLE 7-2
REFERENCE DESIGNATIONS

NO PREFIX	A1 ASSY	A2 ASSY	A4 ASSY	W1 ASSY
J1 W1	XA2	CI-5, 7-11, 13-20, 29-33, 35-42, 51 CR1-5 J1 L1-3, 7-9 Q1-10, 19-25 R1-38, 63-85, 109-112	J1 PI	PI, 2

REFERENCE DESIGNATIONS WITHIN OUTLINED (---) ASSEMBLIES ARE ABBREVIATED. FULL DESIGNATION INCLUDES ASSEMBLY NUMBER. e.g. R1 OF ASSEMBLY A1 IS A1R1. DESIGNATIONS OF OTHER COMPONENTS ARE COMPLETE AS SHOWN.

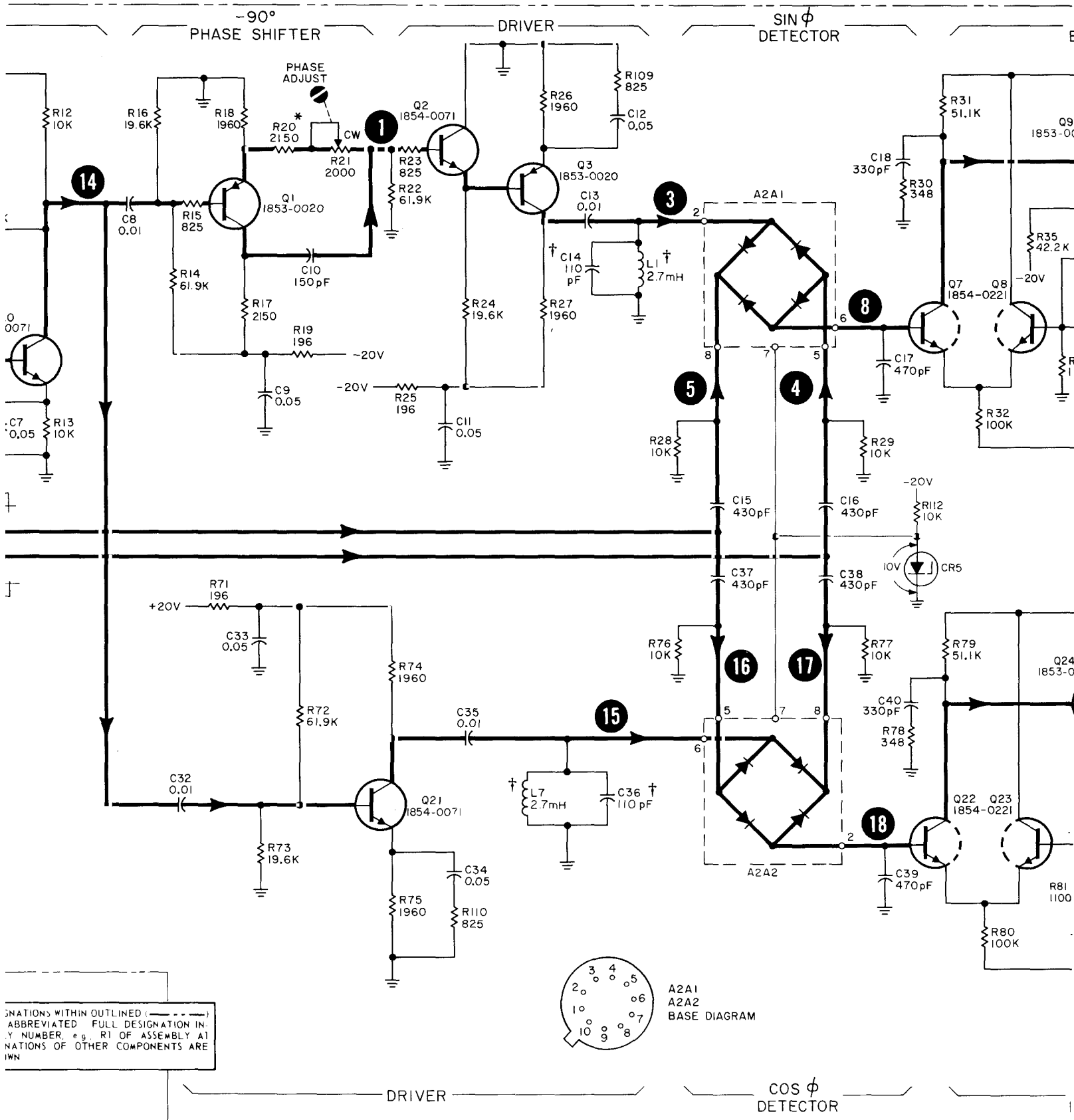


Fig.

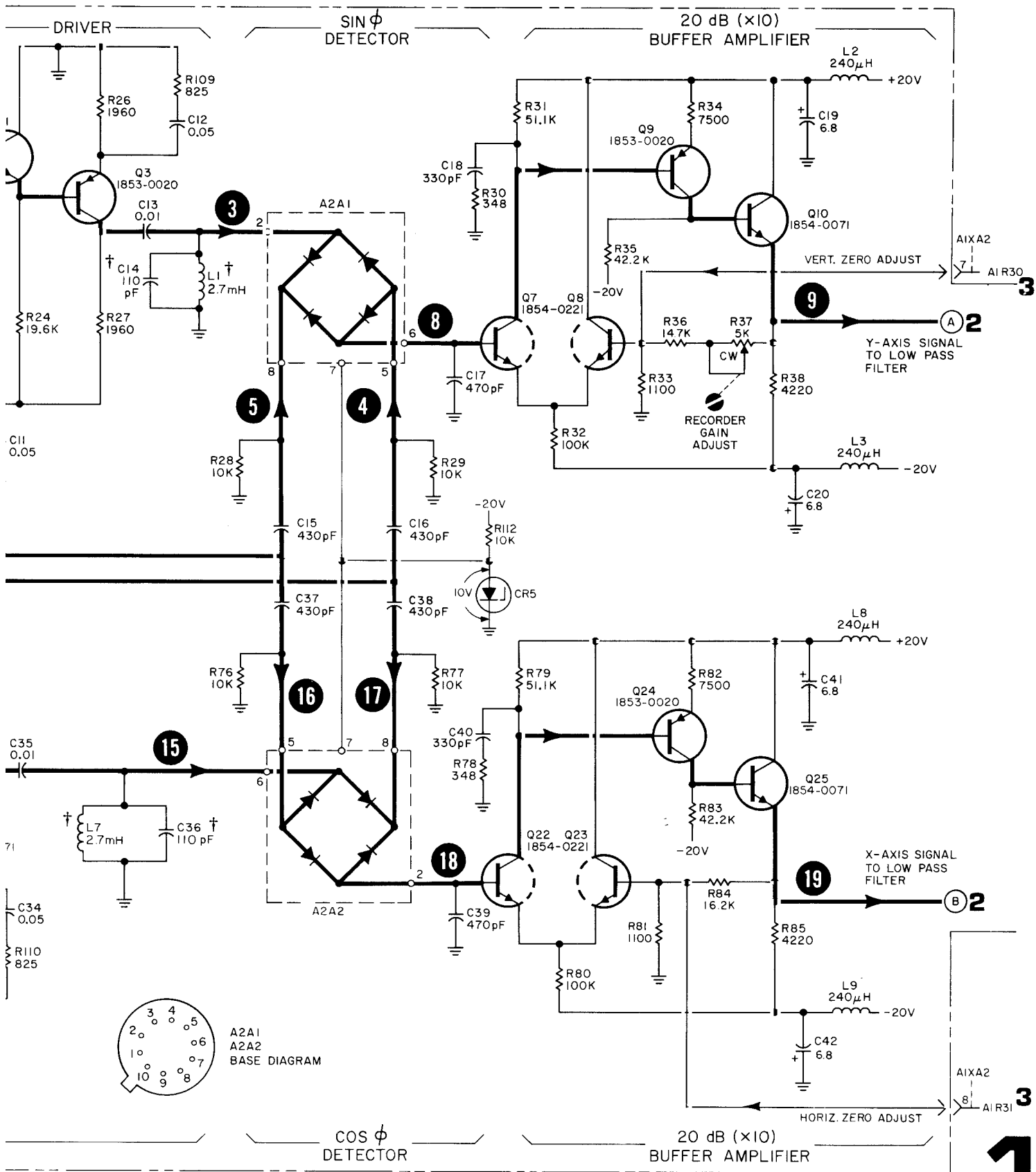
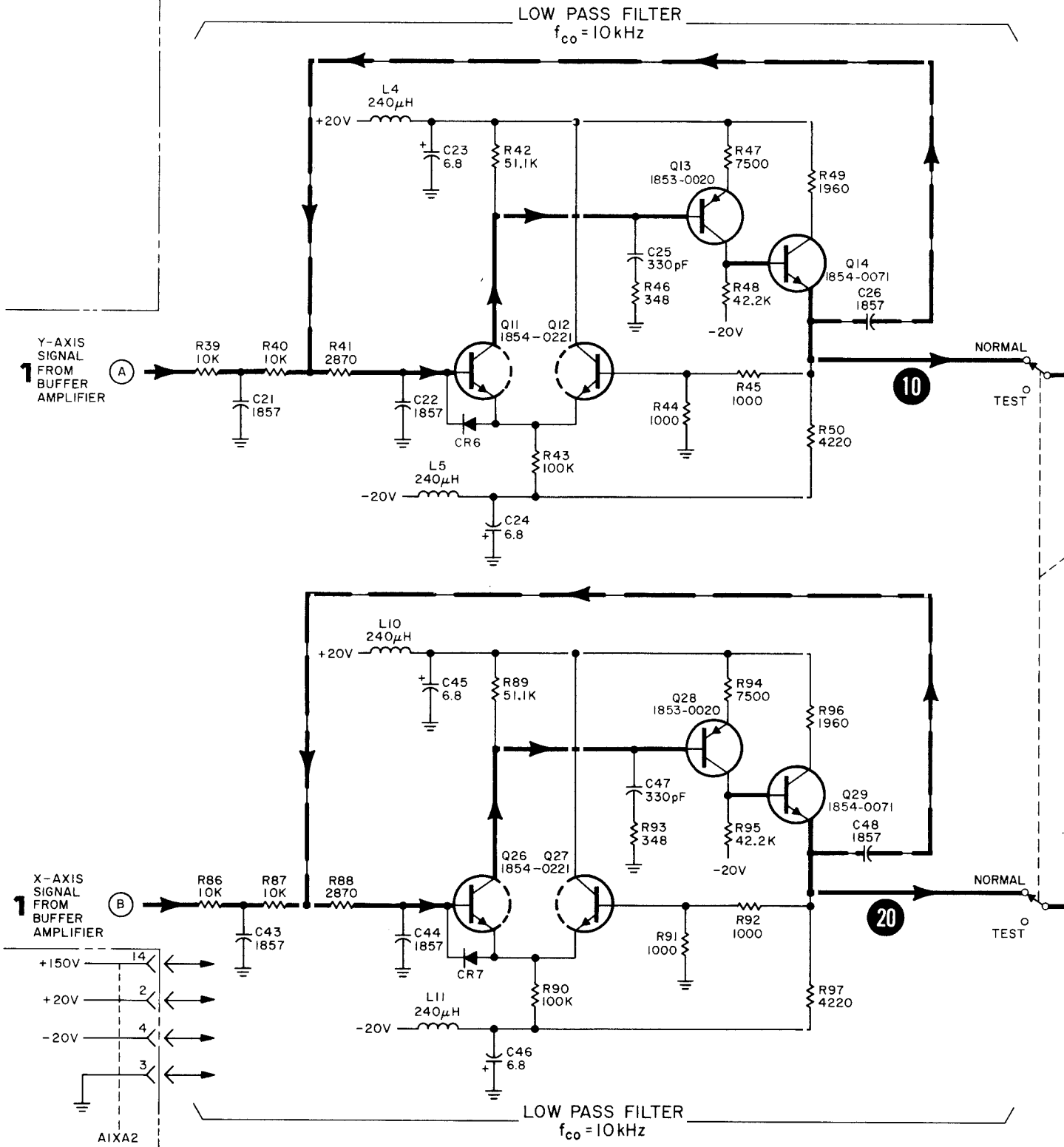
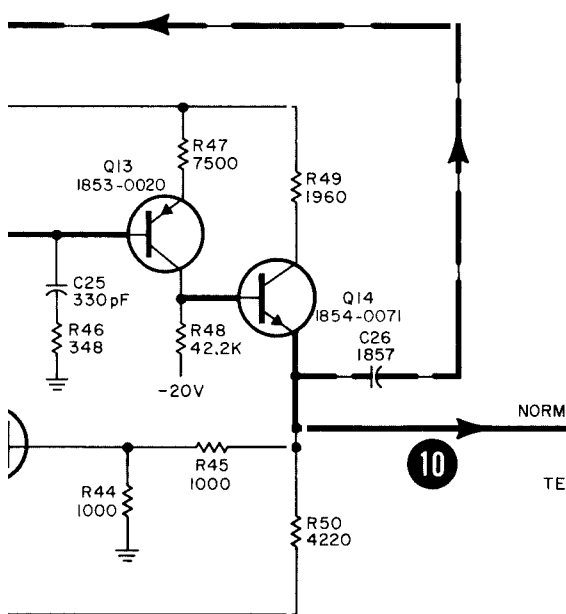


Figure 8-14. Phase Shifter and Phase Detectors, Schematic Diagram

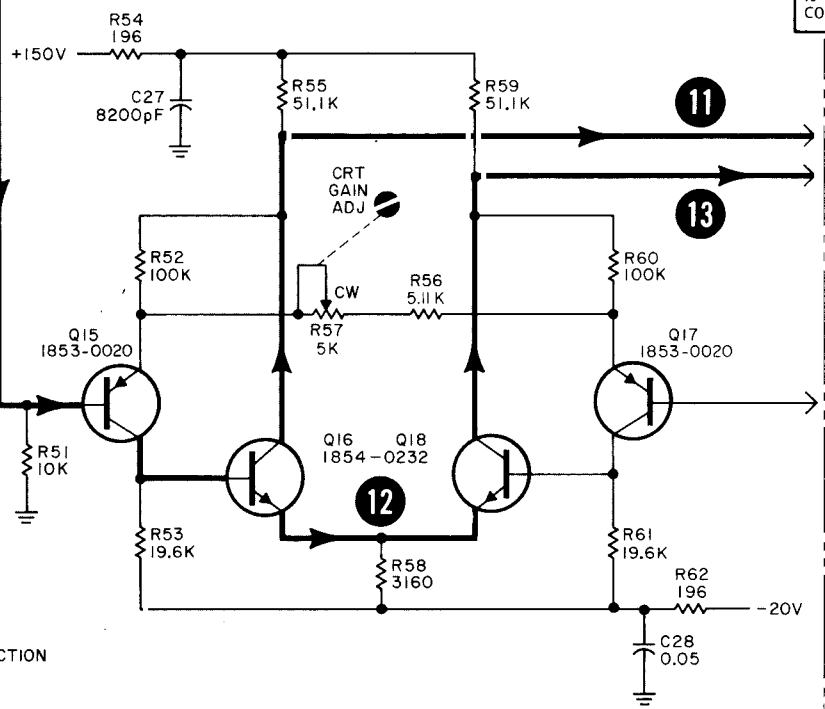


S FILTER
0 kHz



3
(TO A1K1)
AIXA2 --- 11 --- 12

VERTICAL DEFLECTION DRIVER

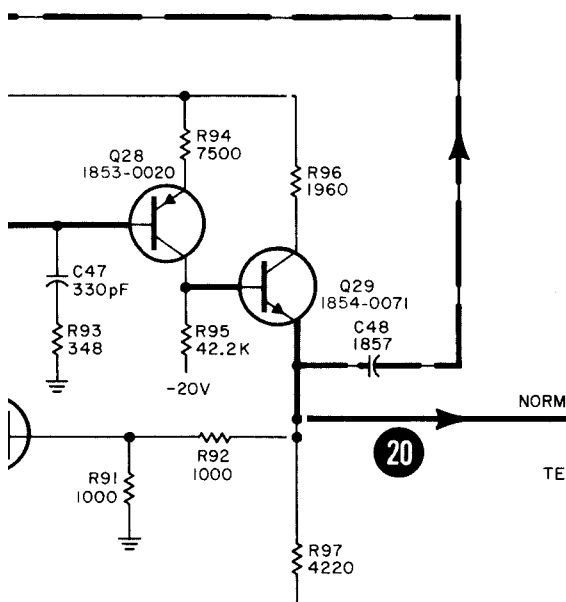


REFERENCE DE
ASSEMBLIES AN
CLUDES ASSE
IS A1R1 DE
COMPLETE AS

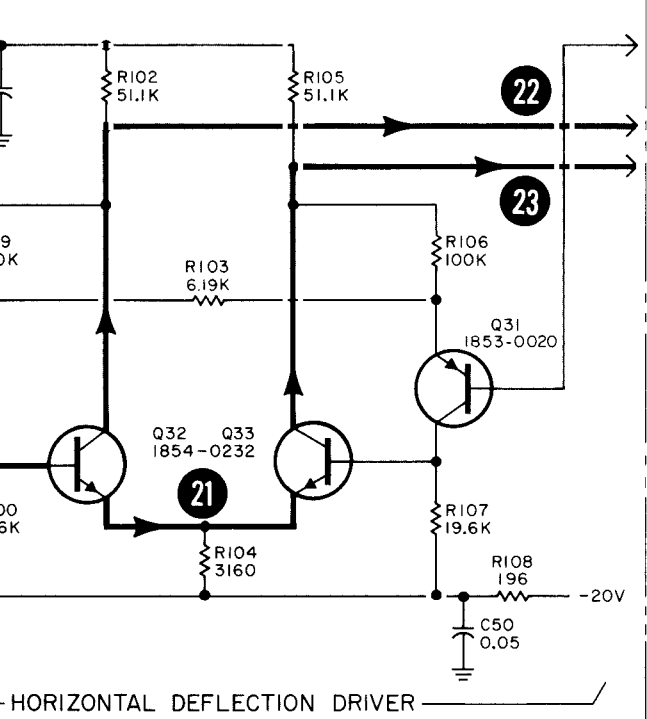
AIXA2 --- 19 --- 8

18 --- 9

22



S1
FUNCTION



21

17 --- 4

16 --- 5

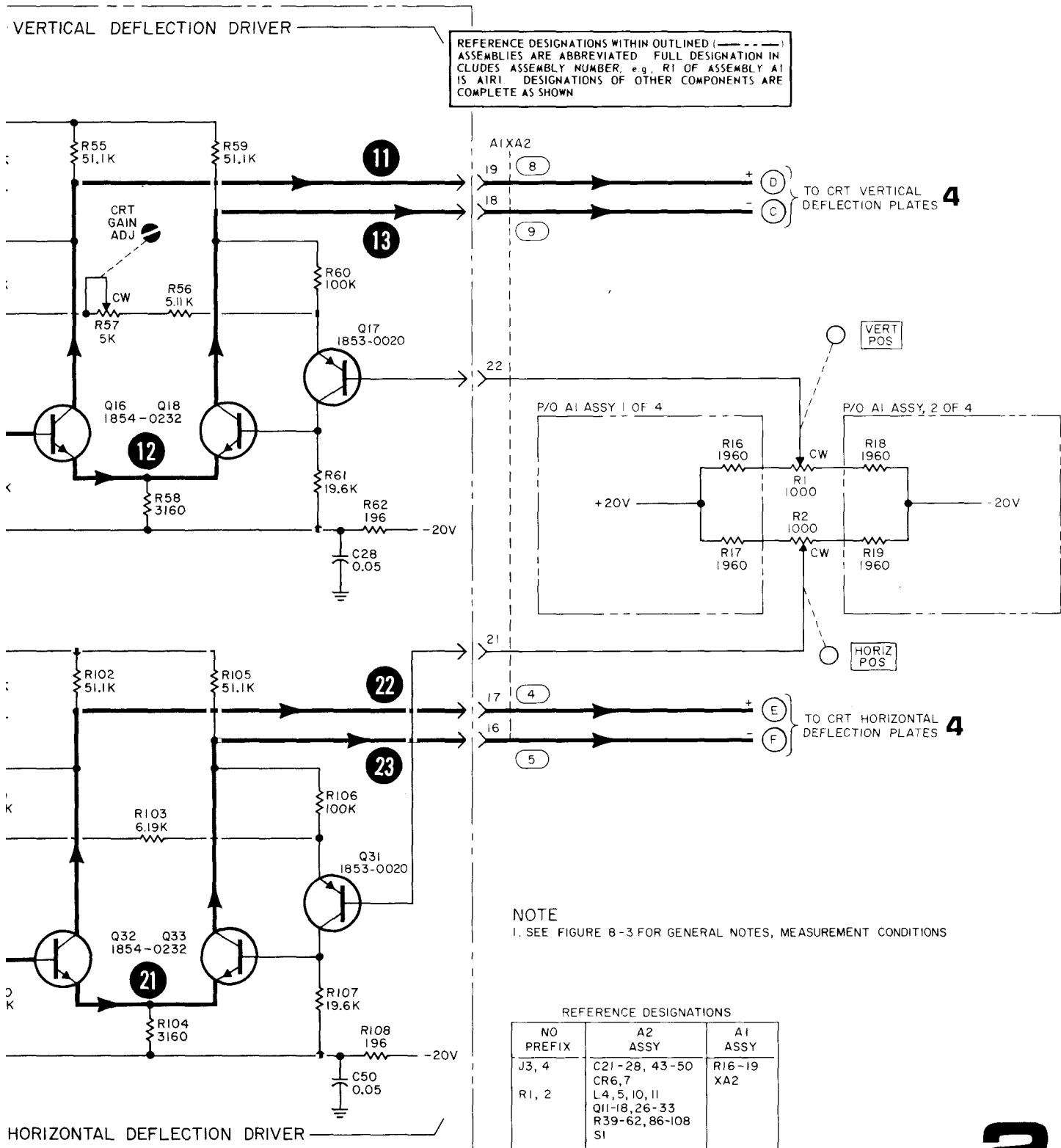
NO
I. SE

PR
J3,
R1,

SS FILTER
10 kHz

HORIZONTAL DEFLECTION DRIVER

AIXA2 --- 15 --- 13
(TO A1K1)
3



2

Figure 8-16. Low Pass Filters and Horizontal and Vertical Drivers, Schematic Diagram

Schematic 3 TROUBLESHOOTING

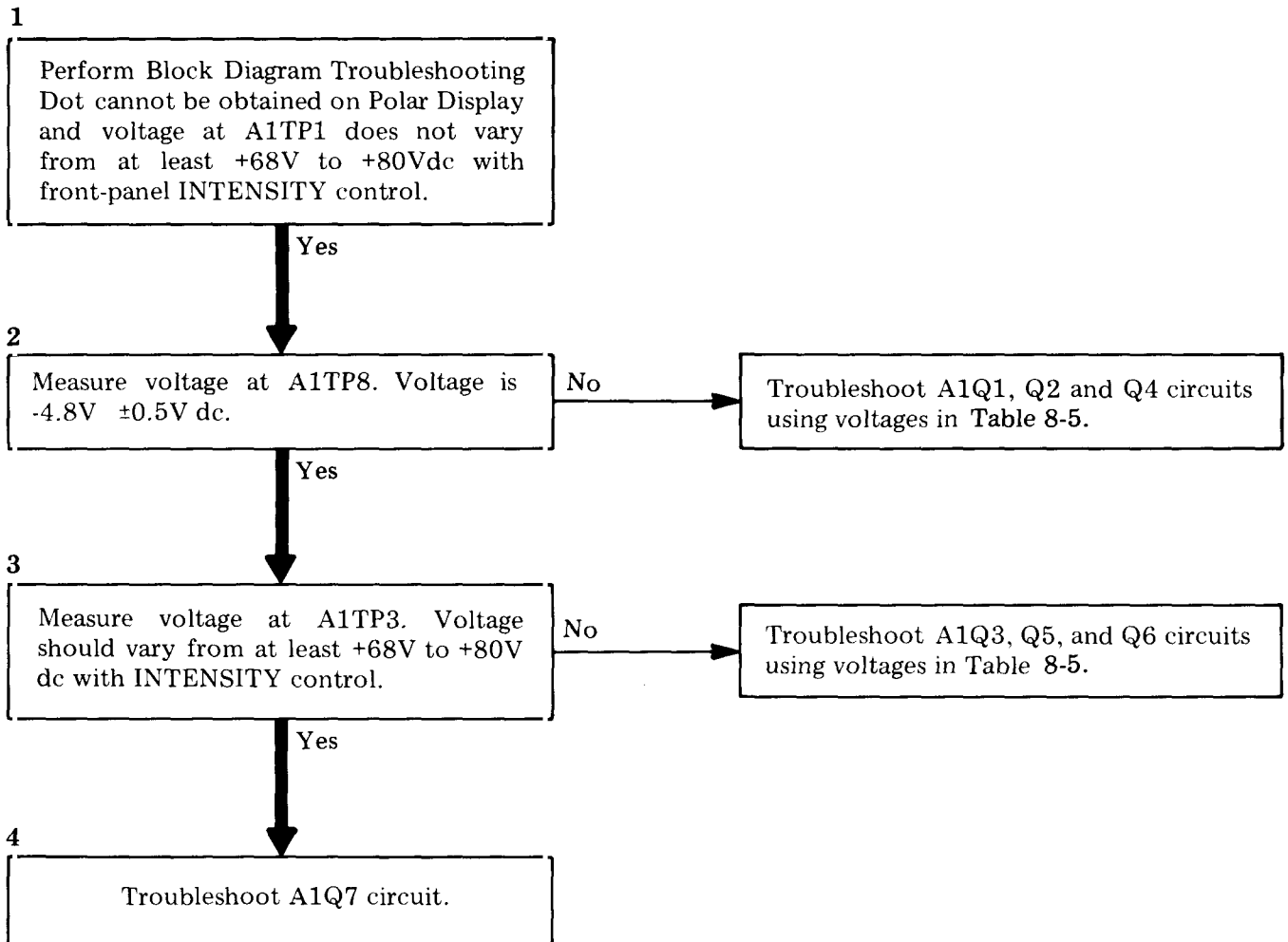


Table 8-5. Intensity Modulator DC Voltage Measurements

Condition ¹	Voltage Measurement Point								
	A1TP2	A1TP5	A1TP9	A1TP8	A1Q2B	A1Q2E	A1Q3E	A1Q6E	A1TP1 and A1TP3
I (8410A only)	+110V ²	-3.6V ³	-3 ±1V	-14 ±1V	-13.5 ±1V	-14 ±1V	-6.5 ±0.5V	-4.2 ±0.5V	$\frac{+65V \pm 3V}{\text{none}^4}$
II	+110V ²	-3.6V ³	-18 ±2V	-4.8 ±0.5V	-18 ±2V	-15 ±1V	-5.5 ±0.5V	-4.2 ±0.1V	$\frac{+70 \pm 3V}{+65 \text{ to } +85V^4}$
III	+110V	-3.4 ±0.2V	-18 ±2V	-0.7 ±0.1V	-18 ±2V	-15 ±1V	-0.6 ±0.1V	-3.5 ±0.1V	$\frac{+108 \pm 4V}{+102 \text{ to } +108V^4}$
IV	+110V	-3.5 ±0.1V	-18 ±2V	-13.5 ±1V	-13 ±1V	-13.5 ±1V	-7 ±1V	-4.2 ±0.1V	$\frac{+65 \pm 3V}{\text{none}^4}$

¹I. No RF signal to 8410A Network Analyzer (No unblanking signal) Does not apply for 8407A Network Analyzer.

II. Unblanking signal from Network Analyzer (Network Analyzer phase locked for 8410A).

III. Unblanking signal from Network Analyzer and -5V applied to J2 MARKER INPUT.

IV. Unblanking signal from Network Analyzer and -5V applied to J1 BLANKING INPUT.

²Adjust R20 Intensity Limit control for +110V at A1TP2.

³Adjust front-panel INTENSITY control for -3.6V at A1TP5 (INTENSITY control will vary voltage from about -2.5V to -4.8 Vdc).

⁴Amount voltage will vary with front-panel INTENSITY control.

SCHEMATIC 3. CIRCUIT DESCRIPTION

Inputs

The Intensity Modulator controls the CRT grid to cathode bias. Intensity Modulator input signals cause the CRT's electron beam to be turned off for blanking or intensified for frequency markers. There are three signal inputs to the intensity modulator: one from the Network Analyzer mainframe which unblanks the CRT (8410A Network Analyzers unblank the CRT only when the Network Analyzer is phase locked); the second, a rear-panel connector, which may be connected to the sweep oscillator blanking output to blank the display during sweep retrace; the third, another rear-panel connector, which may be connected to the sweep oscillator frequency marker output to display frequency marks on the display by brightening the display at the point which represents the frequency of interest.

Switches

Switch A1Q2 is turned off when the Network Analyzer is phase locked. Although the output of A1Q2 at A1TP8 is always a negative voltage, when A1Q2 is turned off its output appears positive-going to the following stage and the CRT is unblanked.

Switch A1Q1 is normally off. When a positive blanking pulse is applied to its input, A1Q1 con-

ducts which turns A1Q2 on. The voltage at A1TP8 goes more negative and the CRT is blanked.

A negative marker pulse turns switch A1Q4 on, its output voltage at A1TP8 approaches ground and appears as a positive-going input signal to the following stage. This signal is more positive than the unblanking signal; therefore, the CRT's electron beam is intensified.

Differential Amplifier

A1Q3 and Q6 form a differential amplifier. The amplifier gain varies with position of the front-panel intensity control; however, with the intensity control set for normal intensity (about -3.6V at A1TP5) and the intensity limit set for about +110V at A1TP2, the amplifier gain is about seven or eight. For example, if the voltage at A1TP8 changes from -5V (Q2 and Q4 off) to -0.1V (Q2 off Q4 on), a change of about 5V, the output at A1TP3 should change from about +70 to about +105V, a change of about 35V.

Emitter Follower

The output of emitter follower A1Q7 at A1TP7 should be about +65V for a blanked condition, about +70V for an unblanked condition, and about +105V for a marker condition.

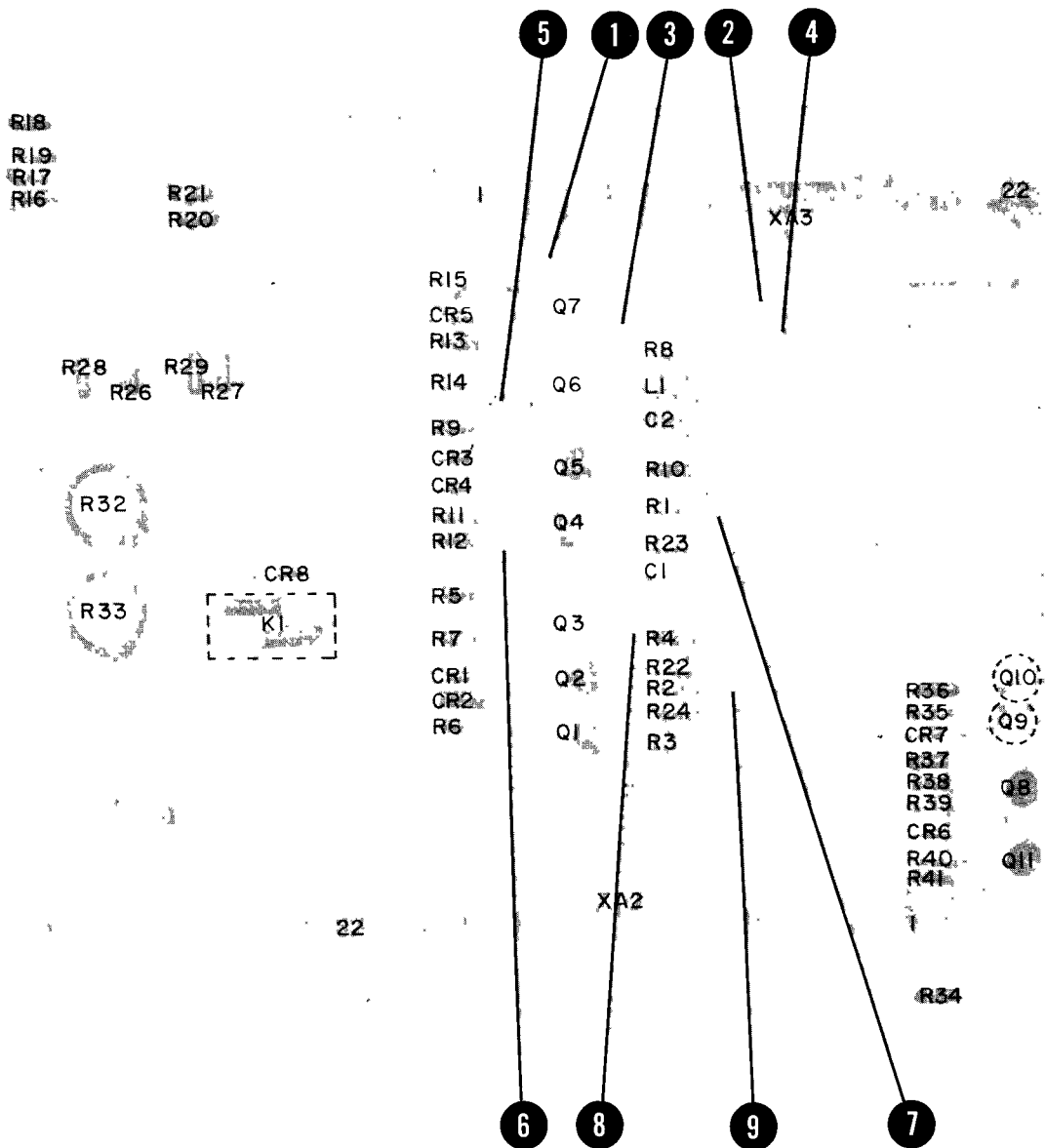
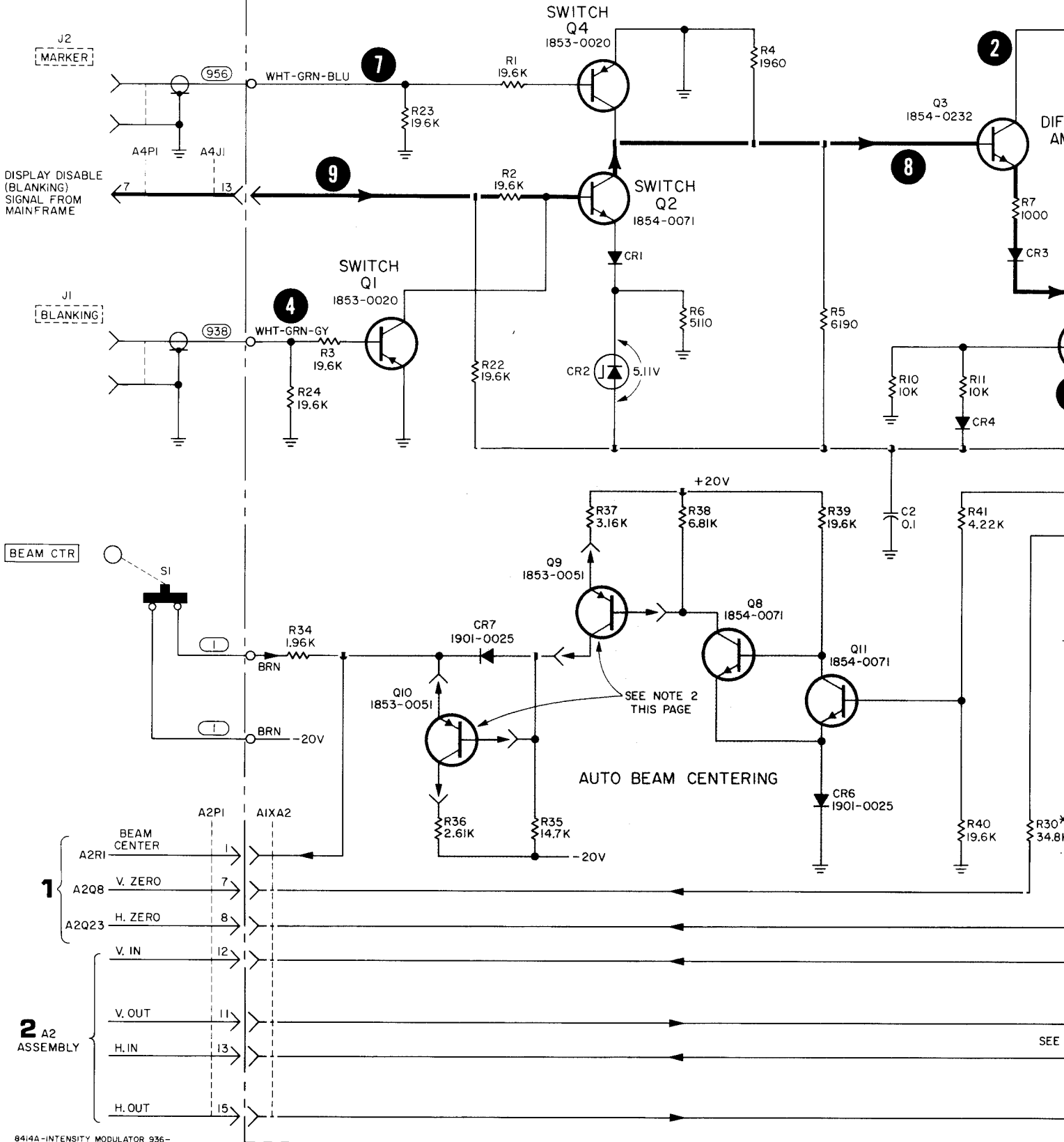
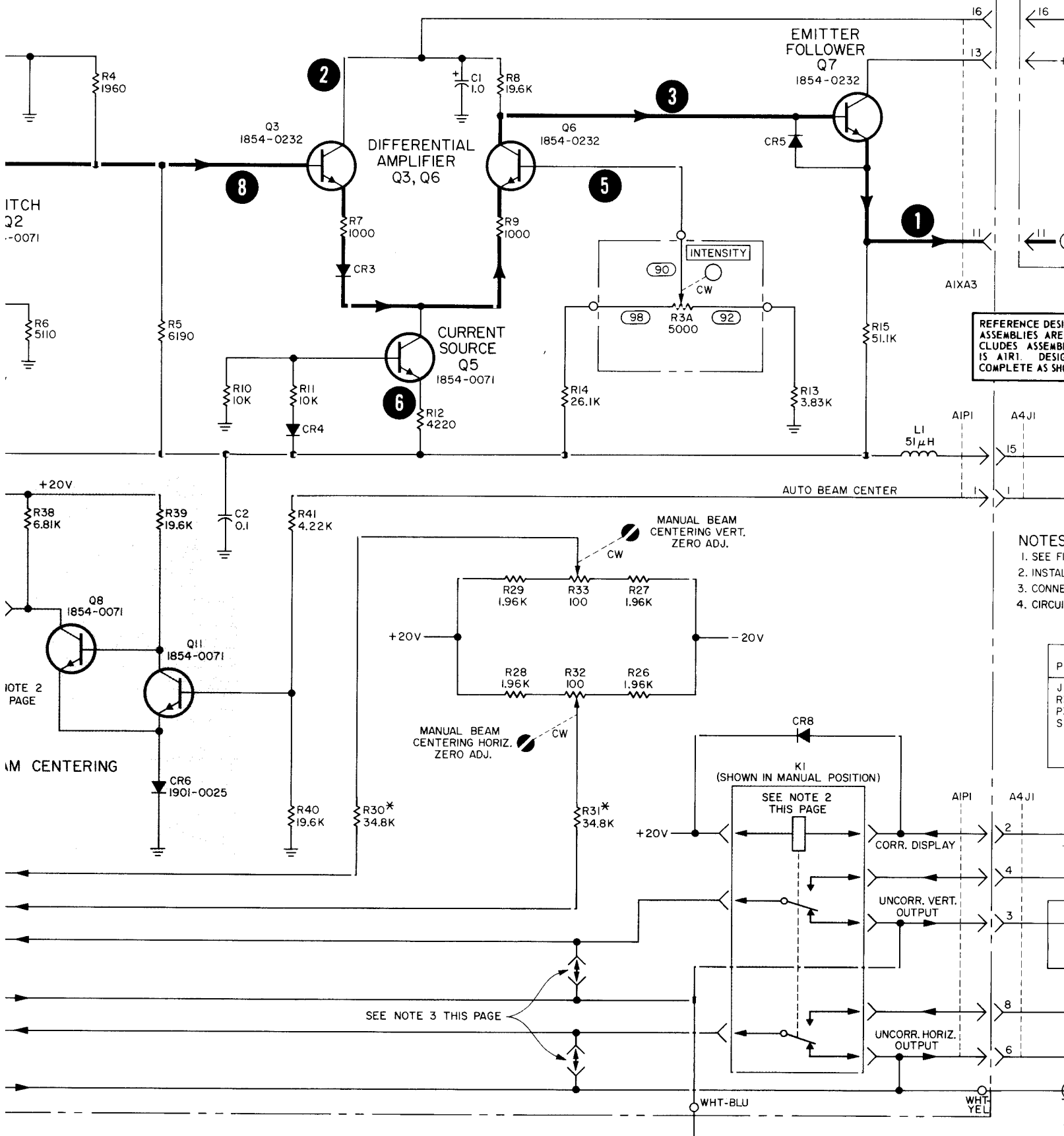


Figure 8-17. Intensity Modulator, Component Identification





REFERENCE DESI
ASSEMBLIES ARE
CLUDES ASSEMB
IS AIR1. DESIG
COMPLETE AS SHC

- NOTES
1. SEE FI
 2. INSTAL
 3. CONNE
 4. CIRCU

PA
JI
R3
P3
SI

ITCH
Q2
-0071

NOTE 2
PAGE

AM CENTERING

SEE NOTE 3 THIS PAGE

WHT-BLU

WHT-YEL

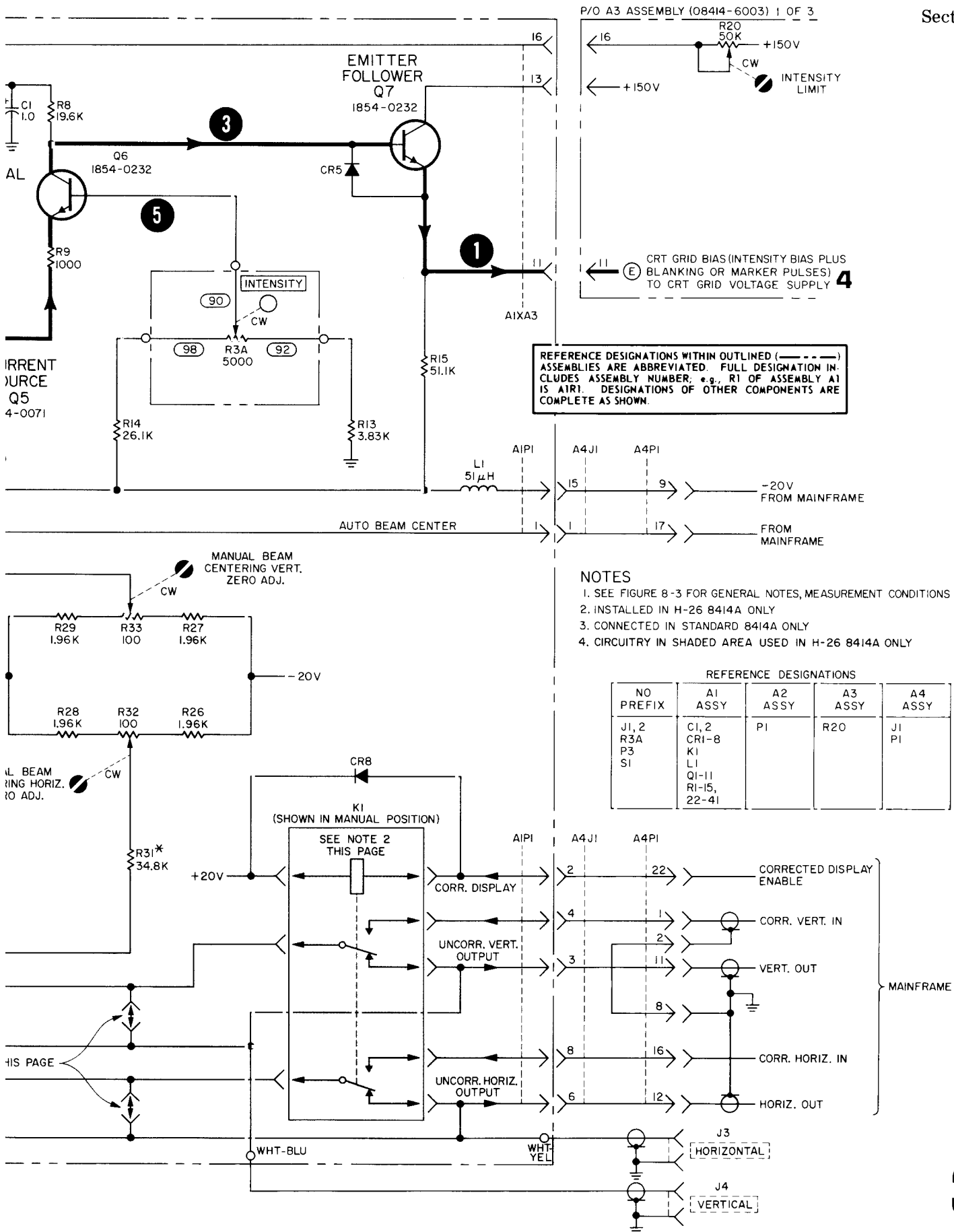
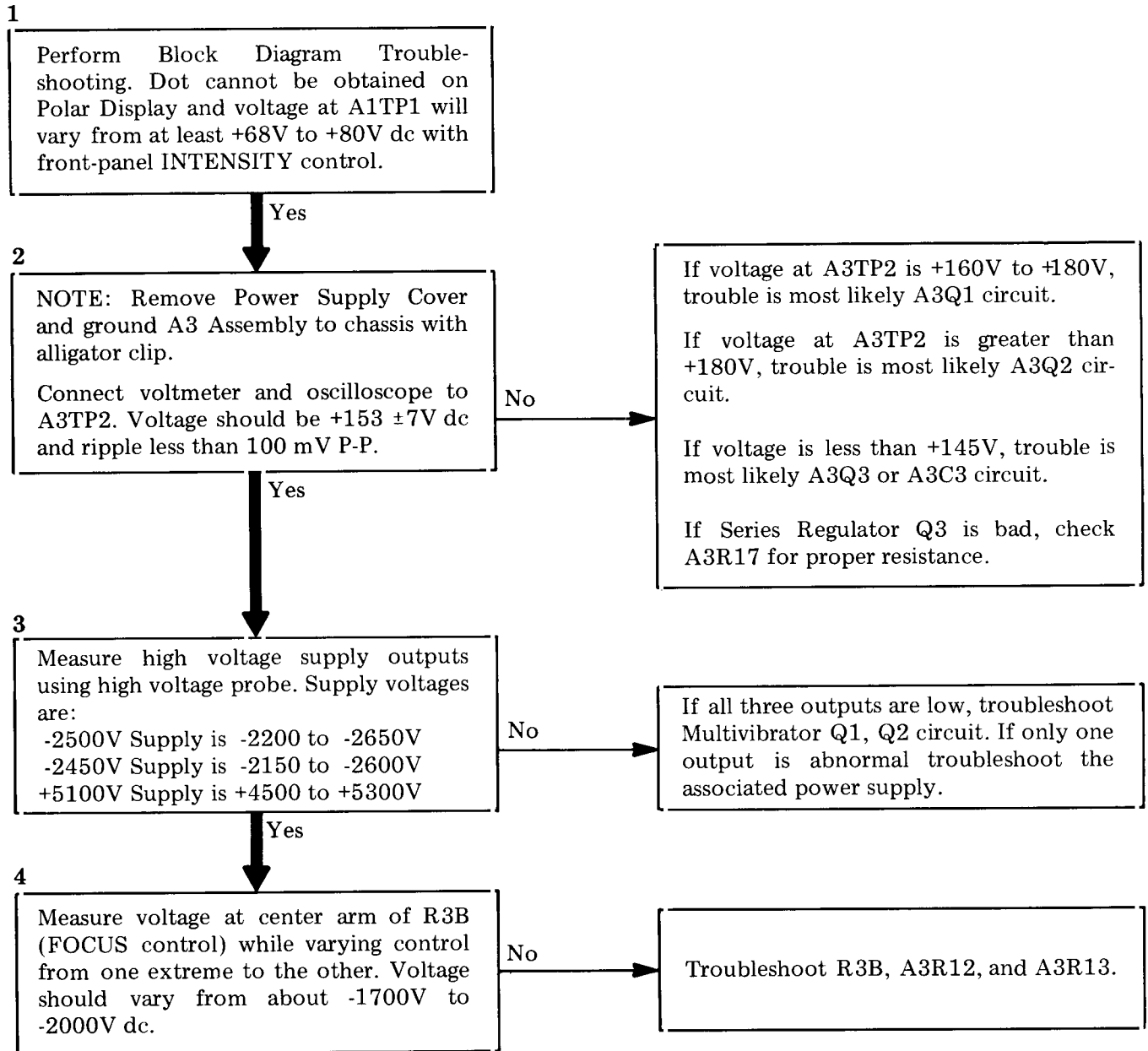


Figure 8-18. Intensity Modulator, Schematic Diagram

Schematic 4 TROUBLESHOOTING



SCHEMATIC 4. CIRCUIT DESCRIPTION

CRT, CRT POWER SUPPLIES

+150V Power Supply. The +150V power supply is a regulated supply. Reference Amplifier, A3Q2 senses a change in output voltage, amplifies that change and inverts the polarity of the change. The output of the reference amplifier changes the conduction of Driver A3Q1, which changes the conduction of Series Regulator A3Q3. The series regulator acts as a variable resistor whose resistance varies inversely with collector current; i.e., if the series regulator's base voltage goes in a negative direction, its collector current decreases, dropping more voltage across the regulator, decreasing output voltage.

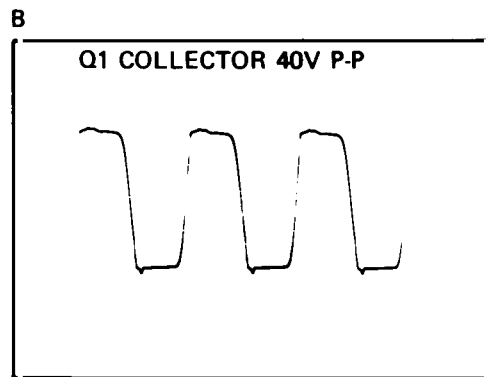
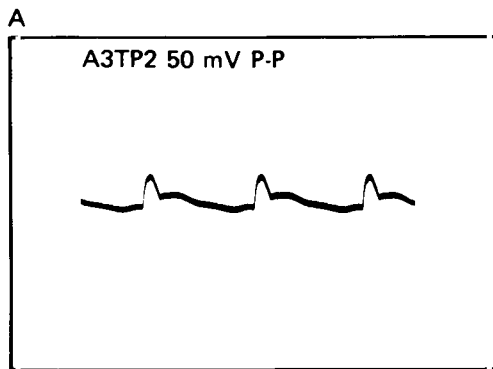
High Voltage Oscillator. High Voltage Oscillator Q1, Q2 is a free-running multivibrator whose frequency, 20 kHz \pm 2 kHz, is determined by the L and C of T1's primary.

CRT Cathode Supply. One of T1's secondary windings supplies power to the CRT's cathode

supply and anode supply. The cathode supply consists of a half-wave rectifier and pi section filter. Its output voltage is about -2450 Vdc. In addition to providing dc bias to the CRT cathode, the cathode supply's output voltage is used in a voltage divider to +150V to provide about -2000 Vdc to the front-panel focus control.

CRT Anode Supply. The anode supply consists of a voltage doubler and pi section filter. Its output voltage is about +5100 Vdc.

CRT Grid Supply. The grid supply consists of a half-wave rectifier or peak detector. Its output voltage is about -2500 Vdc with the CRT unblanked. With no input from the intensity modulator, the grid supply is referenced to ground; however, an input voltage from the intensity modulator becomes the reference voltage for the grid supply. A change in this input voltage causes the grid supply's output voltage to change, which changes the CRT's grid to cathode bias.



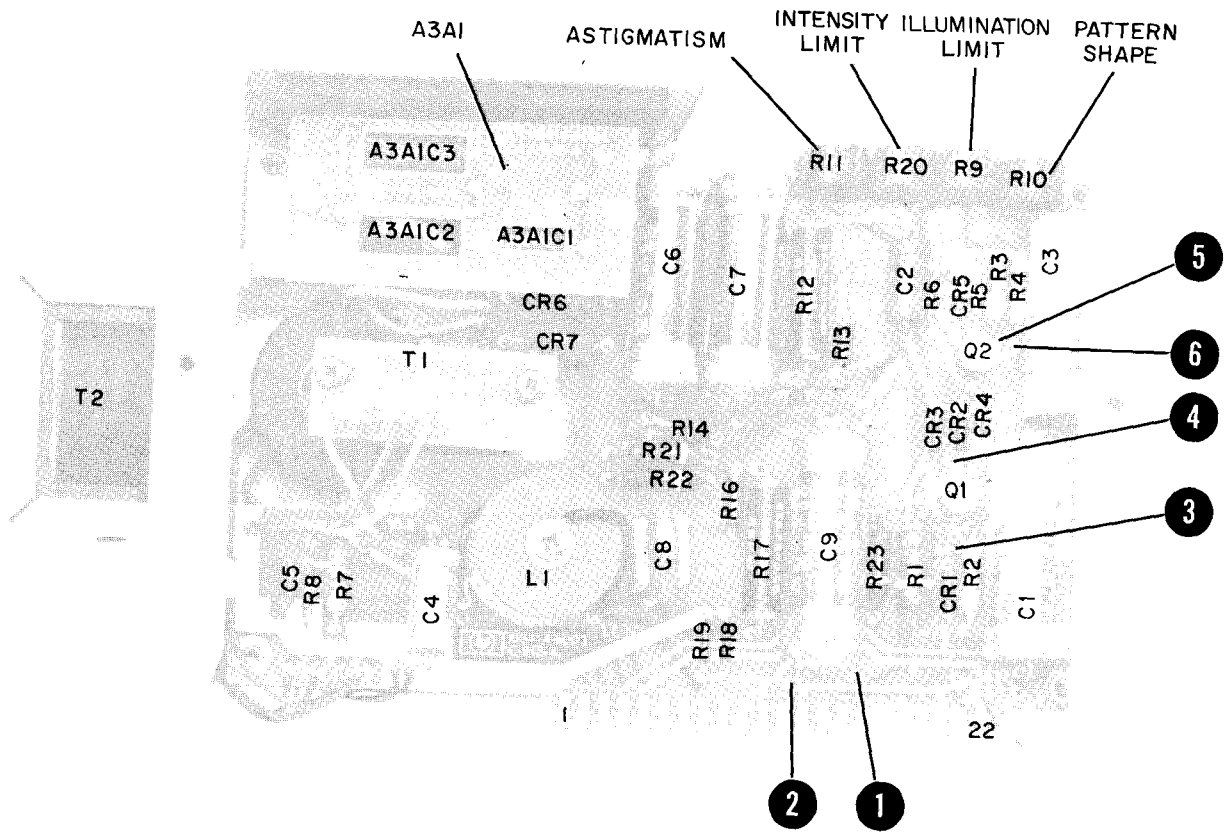


Figure 8-19. CRT High and Low Voltage Supplies and +150 Volt Supply, Component Identification

REFERENCE DESIGNATIONS

NO PREFIX	A3 ASSY	A3A1 ASSY	A1 ASSY
P1, 2, 4	C1-9	C1-3	J1, 2
Q1-3	CR1-7	CR1, 2	R20, 21
R3-5	L1	R1	XA3
T1, 2	Q1-2		
V1	R1-14, 16-19		
W2	21-23		
L1			

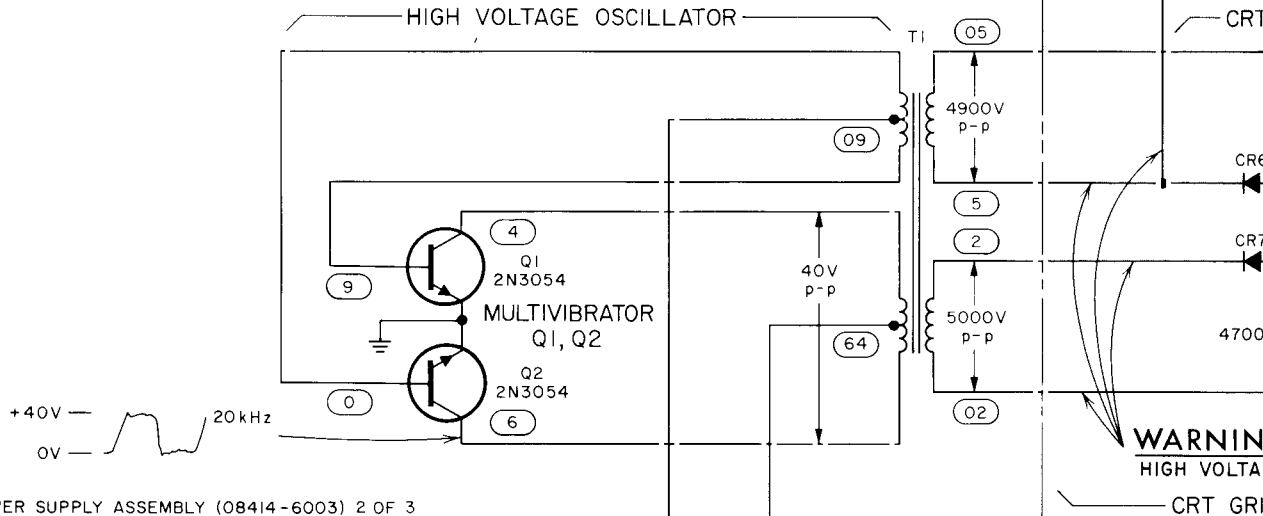
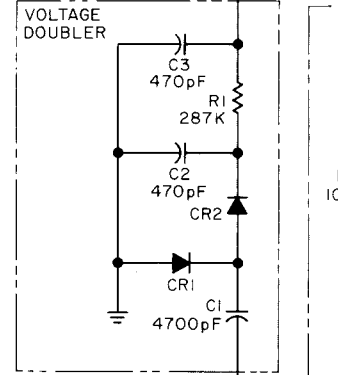
DELETED: A3R15

NOTES

1. SEE FIGURE 8-3 FOR GENERAL NOTES, MEASUREMENT CONDITIONS
2. COMMON TO CHASSIS ONLY WHEN 8414A INSTALLED IN MAINFRAME

REFERENCE DESIGNATIONS WITHIN OUTLINED (-----) ASSEMBLIES ARE ABBREVIATED. FULL DESIGNATION INCLUDES ASSEMBLY NUMBER. e.g., R1 OF ASSEMBLY A1 IS A1R1. DESIGNATIONS OF OTHER COMPONENTS ARE COMPLETE AS SHOWN.

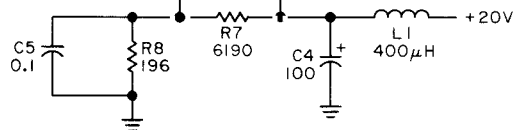
A3A1 CRT ANODE SUPPLY ASSEMBLY (08414-6004)



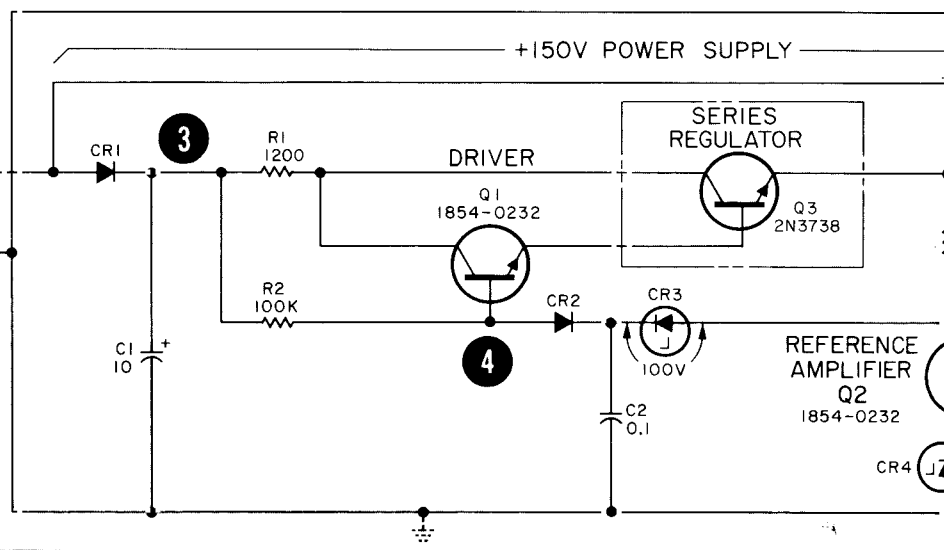
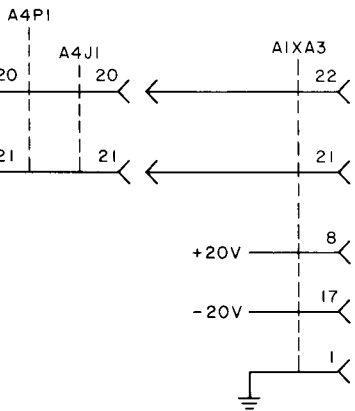
P/O A3 POWER SUPPLY ASSEMBLY (08414-6003) 2 OF 3

CRT GRID BIAS (INTENSITY PLUS BLANKING OR MARKERS) FROM AIR15

3 E



175VAC FROM MAINFRAME



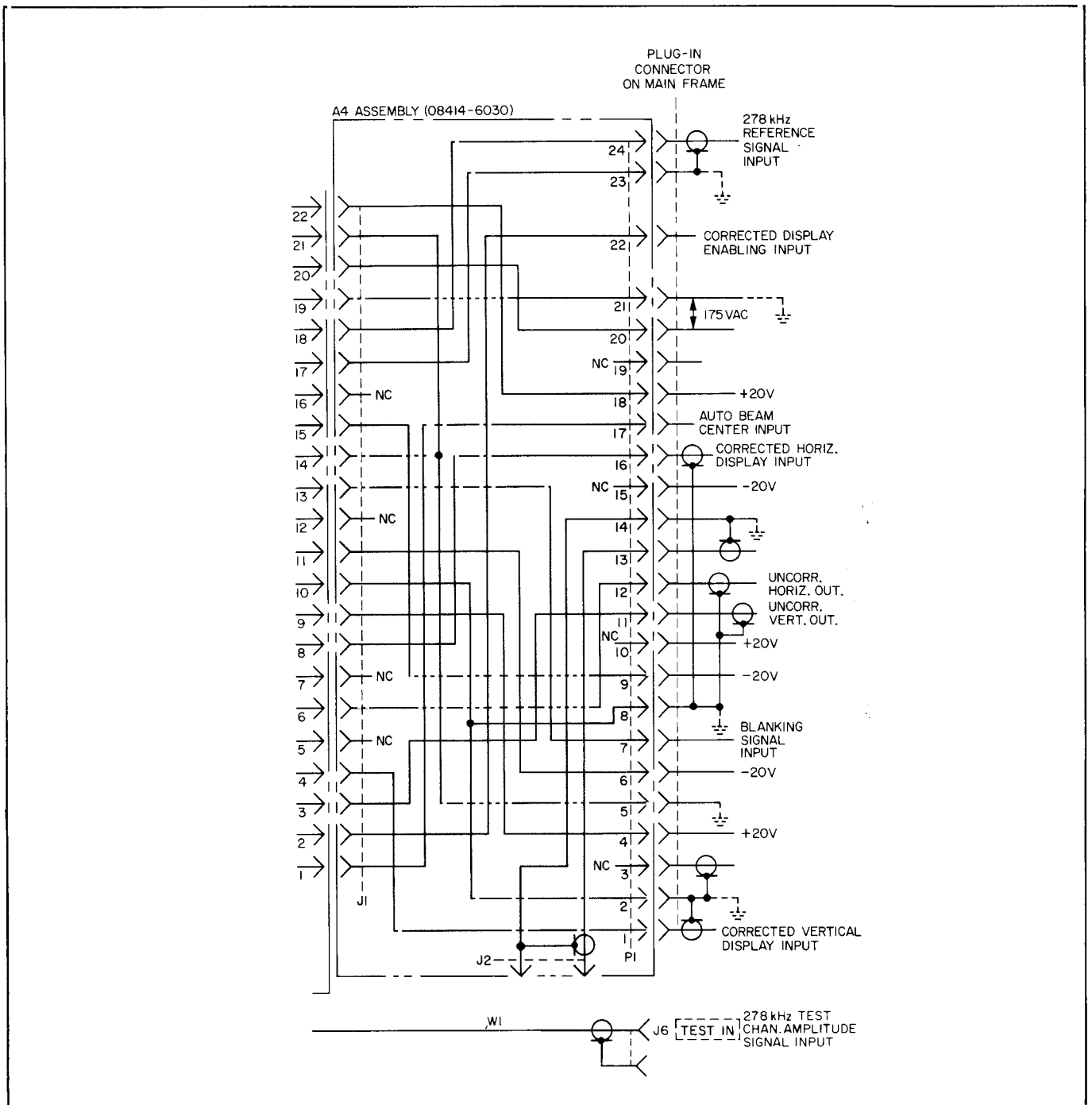


Figure 8-21. Mainframe Plug-In Connector Detail for H26-8414A

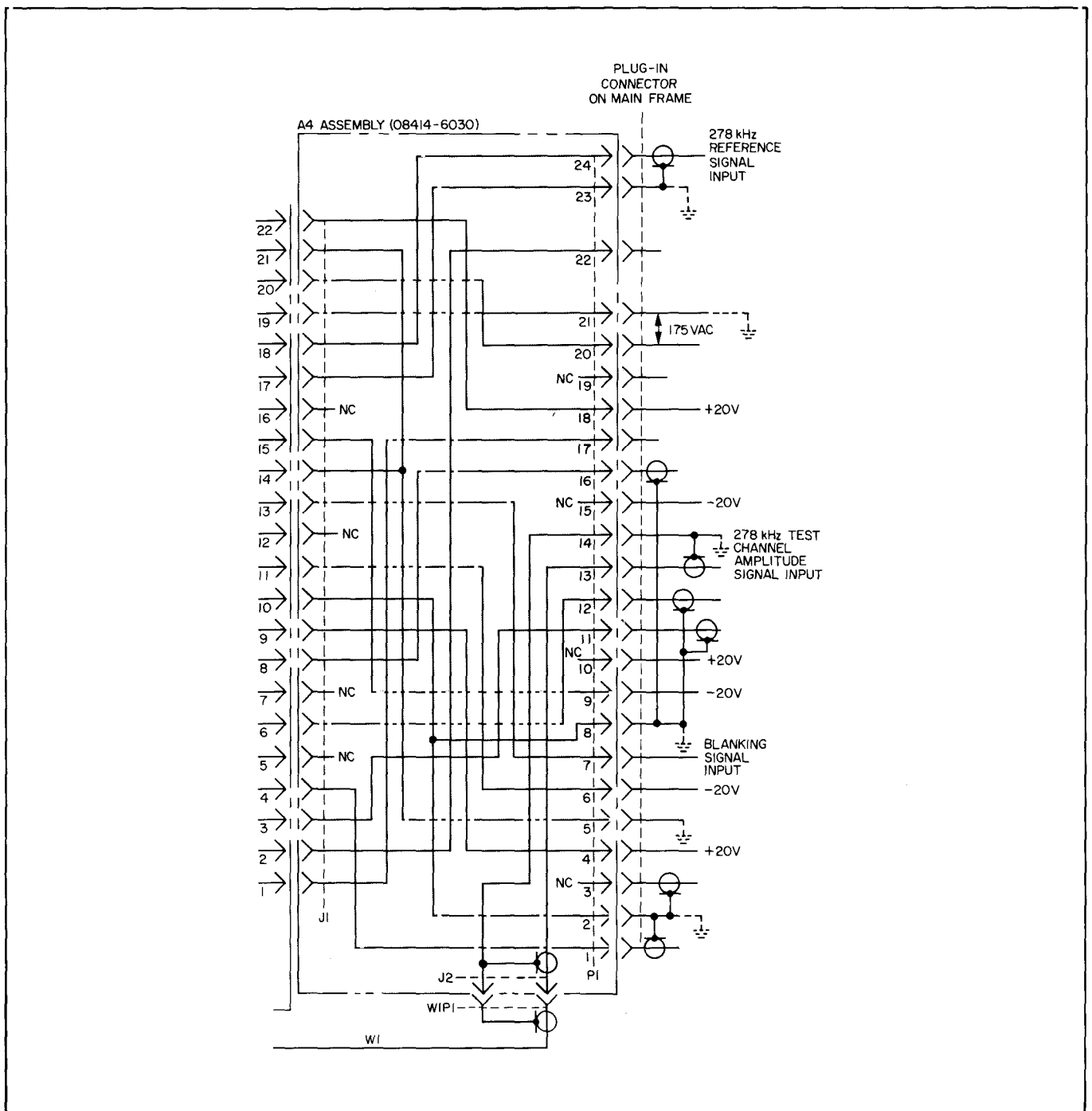
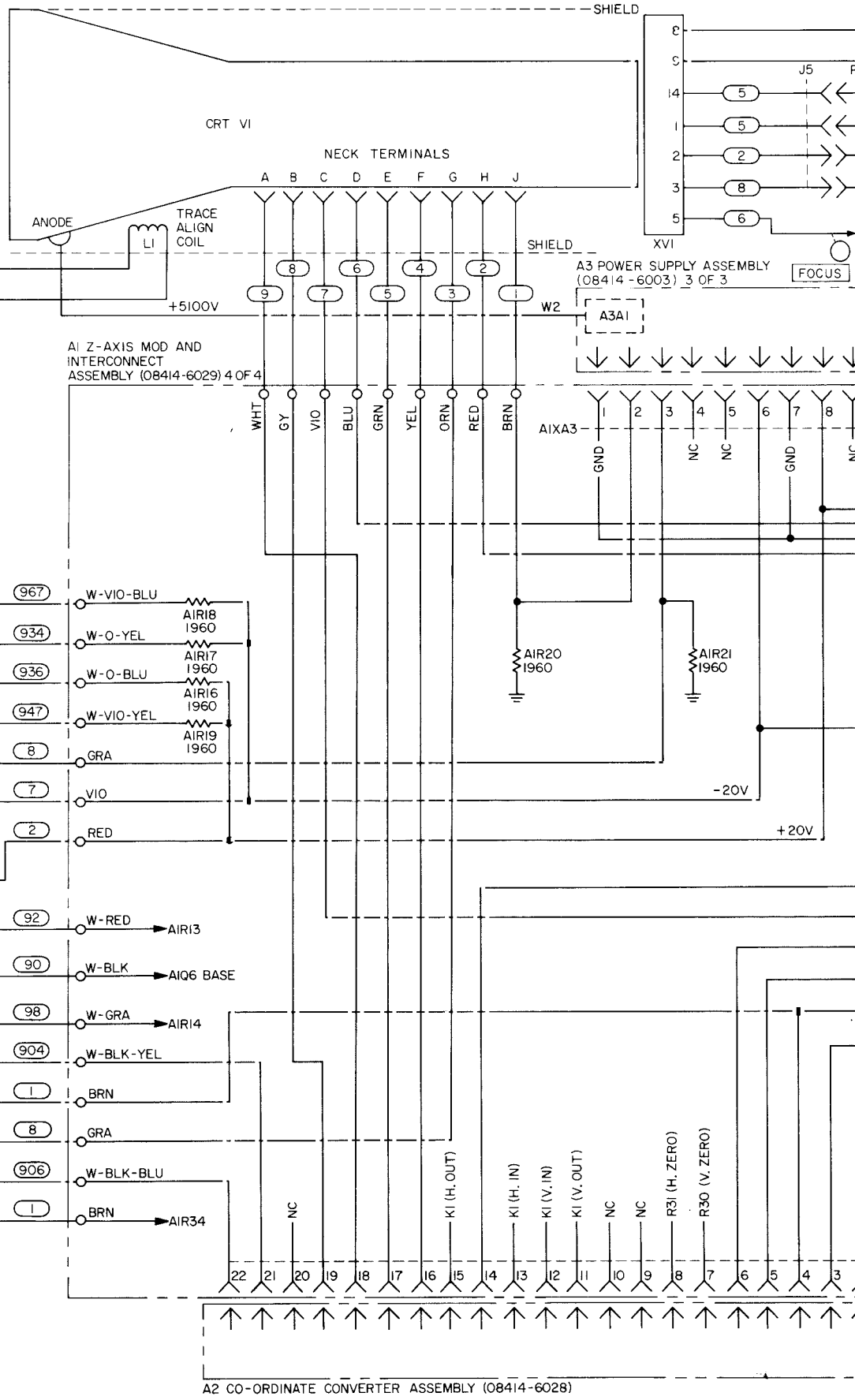


Figure 8-22. Mainframe Plug-In Connector Detail for Standard 8414A

REFERENCE DESIGNATIONS

NO PREFIX	A1 ASSY	A2 ASSY	A4 ASSY
A3		J1	J1, 2
J1-6	R16-21		PI
L1	XA2, 3		
P4			
RI-5			
SI			
T1			
VI			
WI, 2			
WIP2			
XVI			



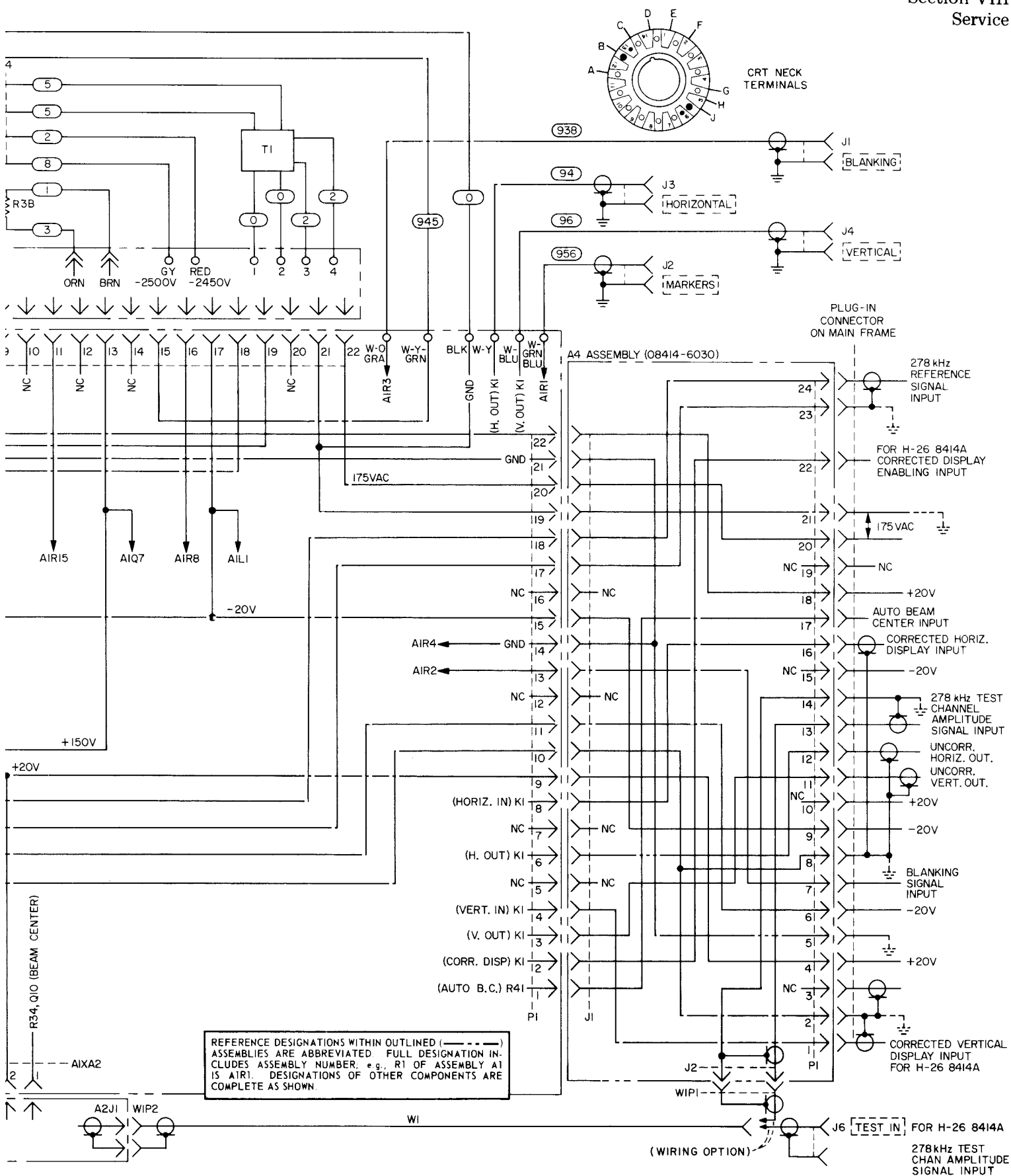
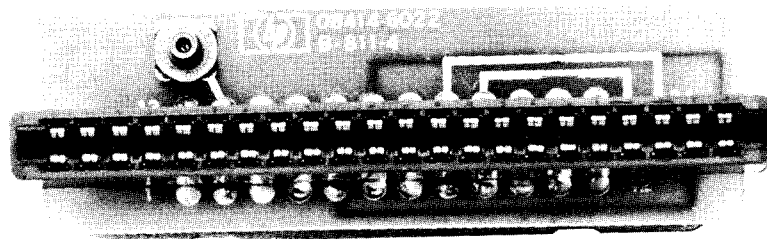
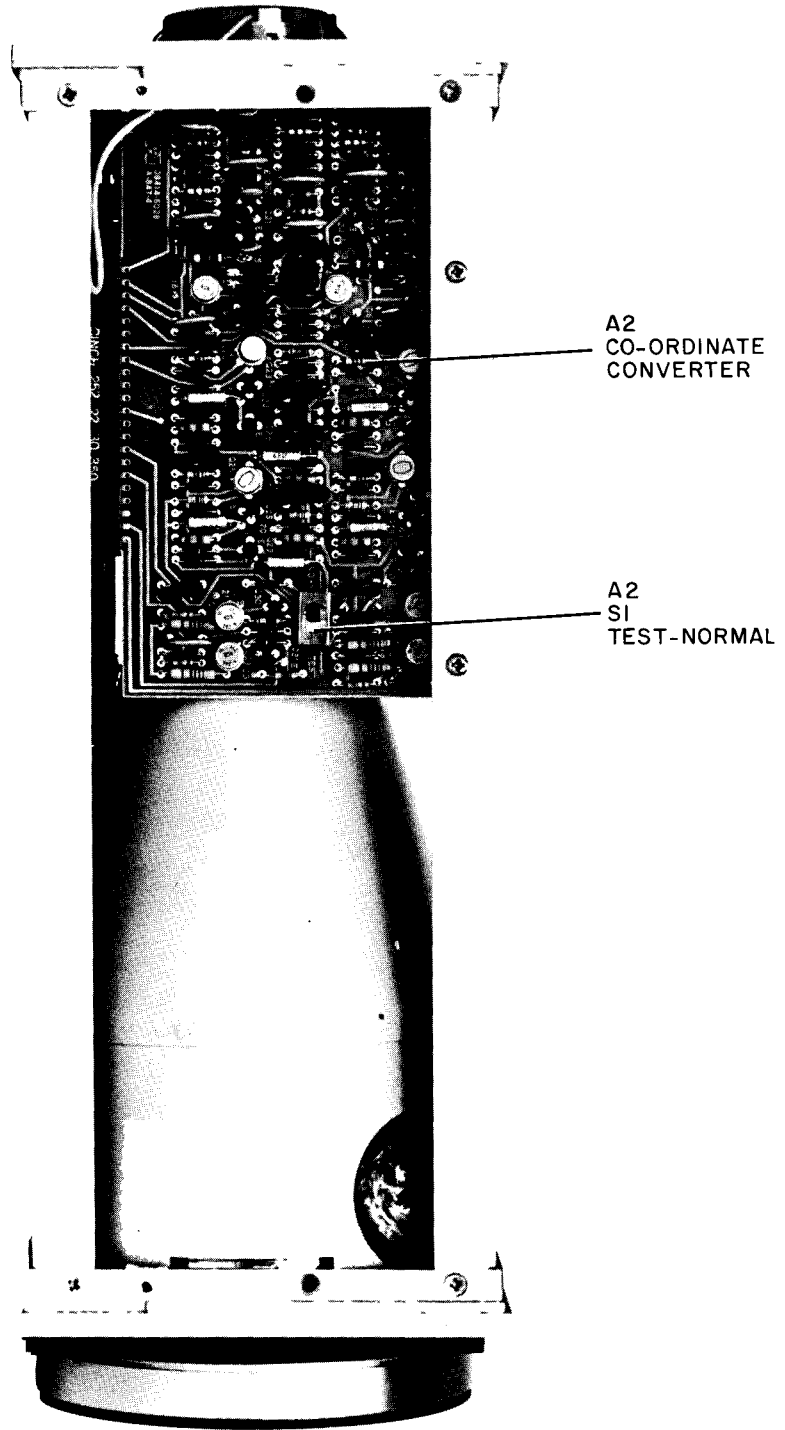


Figure 8-23. Interconnection Diagram



A4 ASSEMBLY

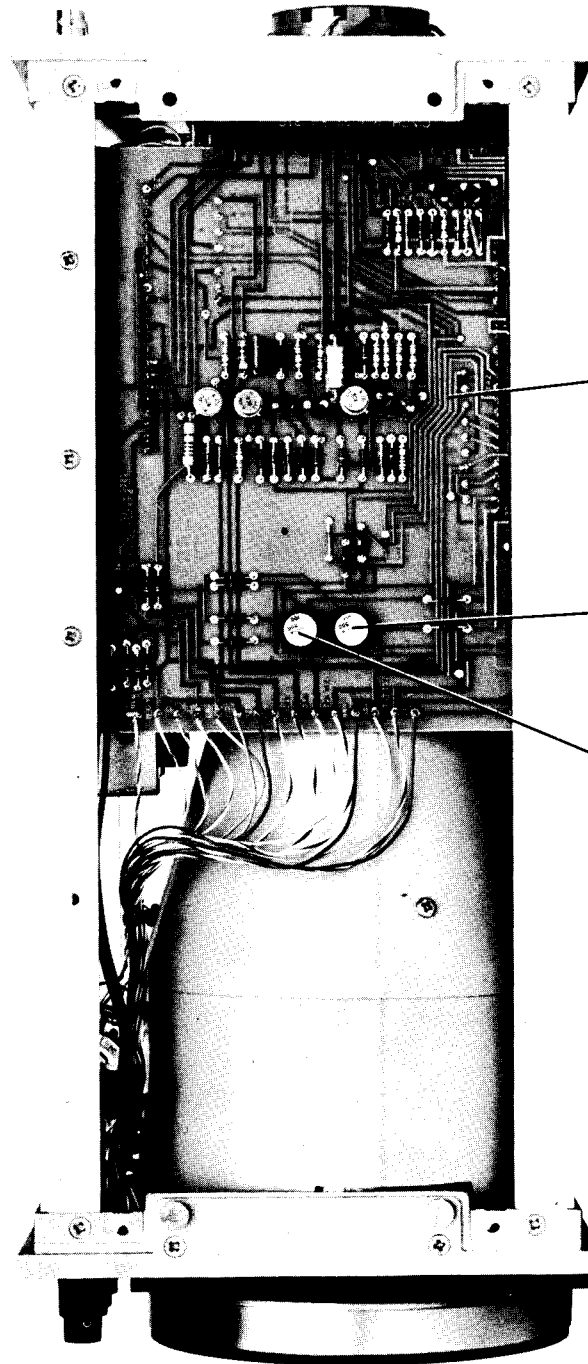
Model 8414A



A2
CO-ORDINATE
CONVERTER

A2
SI
TEST-NORMAL

LEFT SIDE

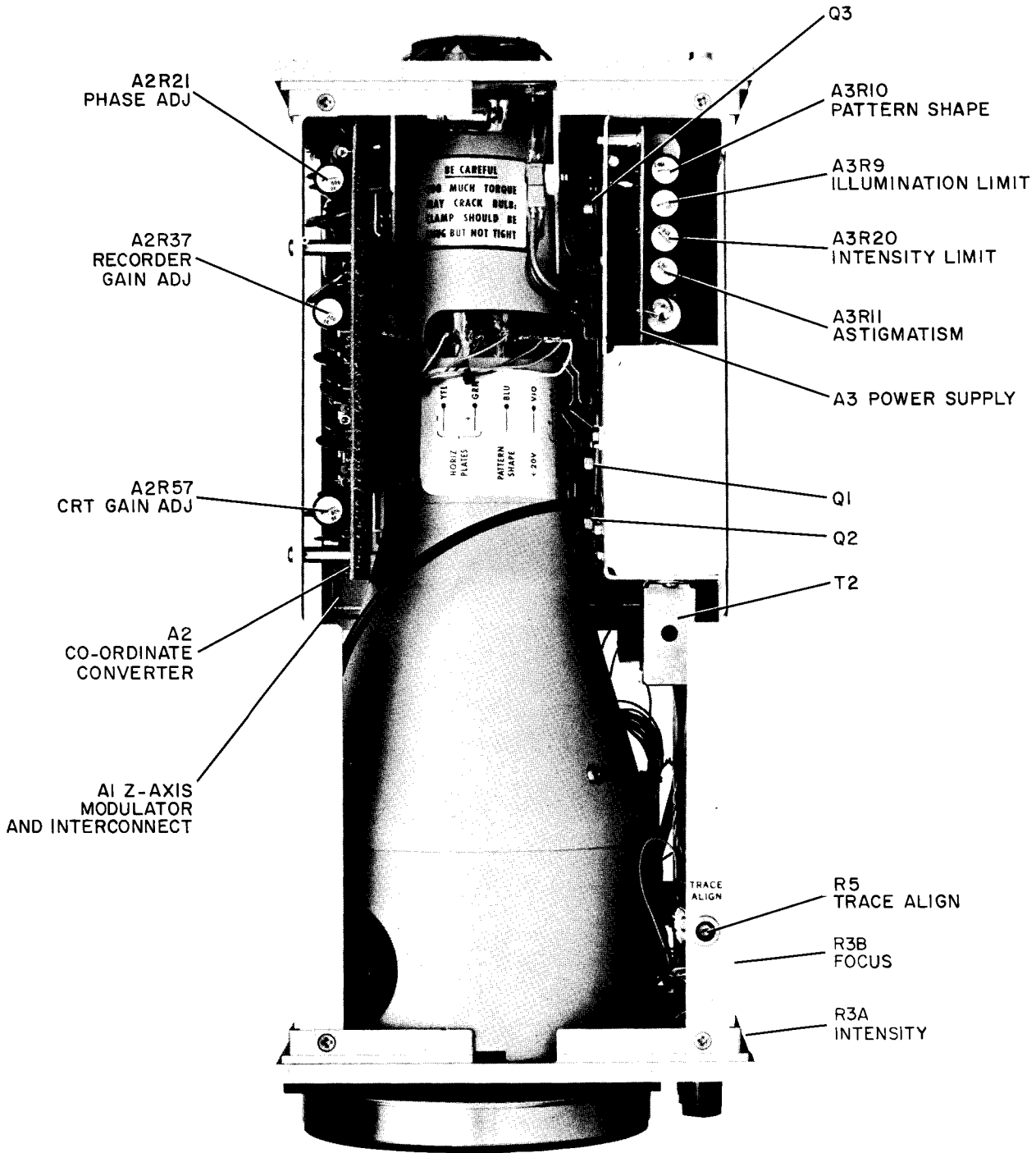


AI Z-AXIS
MODULATOR AND
INTERCONNECT

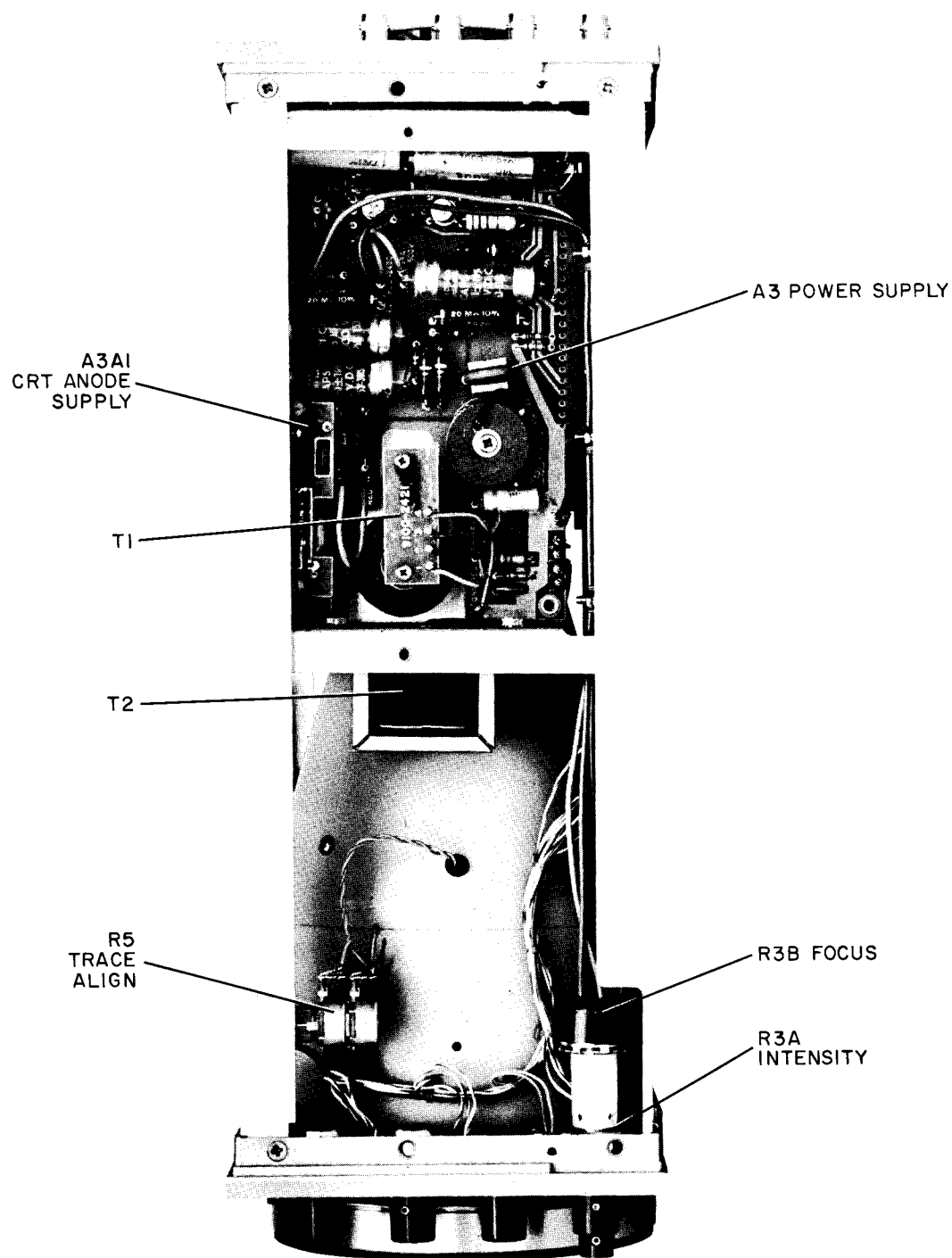
AIR33 MANUAL BEAM
CENTERING VERT
ZERO ADJ

AIR32 MANUAL BEAM
CENTERING HORIZ
ZERO ADJ

BOTTOM



TOP



RIGHT SIDE

Figure 8-24. Location of Adjustments, Chassis-mounted Parts and Major Assemblies



K4XL's **BAMA**

This manual is provided **FREE OF CHARGE** from the "BoatAnchor Manual Archive" as a service to the Boatanchor community.

It was uploaded by someone who wanted to help you repair and maintain your equipment.

If you paid anyone other than BAMA for this manual, you paid someone who is making a profit from the free labor of others without asking their permission.

You may pass on copies of this manual to anyone who needs it. But do it without charge.

Thousands of files are available without charge from BAMA. Visit us at <http://bama.sbc.edu>