

# Manual Supplement

Manual Title: 8920A/8921A  
Part Number: 487157  
Print Date: October 1978  
Revision/Date:

Supplement Issue: **8**  
Issue Date: 6/99  
Page Count: 4

---

---

This supplement contains information necessary to ensure the accuracy of the above manual. Enter the corrections in the manual if either one of the following conditions exist:

1. The revision letter stamped on the indicated PCA is equal to or higher than that given with each change.
2. No revision letter is indicated at the beginning of the change.

## Change #1

On page 1-4, replace everything on the page with the following:

AC + DC (add to AC specification. Assume 100 Hz if AC component is negligible.) :

Accuracy:

Above 2 mV                    +/- (10 digits or 0.5 dB)  
 Below 2 mV                    +/- (100 digits or 5 dB)

Temperature Coefficient (0 to 18 degree C/28 to 50 degree C):

Above 2 mV                    +/- (2 digits/degree C or 0.1 dB/degree C)  
 Below 2 mV                    +/- (20 digits/degree C or 1 dB/degree C)

## Change #2

On page 4-20, replace Table 4-12 with the following:

**Table 4-12. R19/R34, R66/R76 Resistive Values (mF, ±1%, 1/8W)**

VALUE	VALUE	VALUE	VALUE
499 K	34.8 K	68.1 K	24.3 K
332 K	32.4 K	57.6 K	22.6 K
169 K	30.1 K	48.7 K	21.5 K
115 K	28.0 K	43.2 K	20.5 K
86.6 K	26.1 K	38. K	19.1 K

## Change #3

On page 4-2, add the following to the bottom of Table 4-1:

EQUIPMENT NONMENCLATURE	REQUIREMENT	RECOMMENDED EQUIPMENT
Input Filter	500 Hz	Figure A.
Input Filter	50 kHz	Figure B.

### INPUT FILTERS

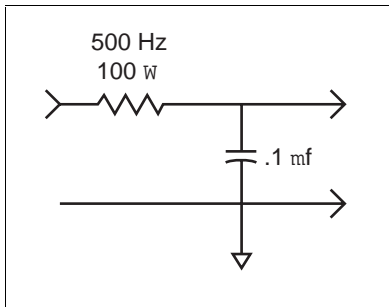


Figure A.

8920\_21\_fig\_a.eps

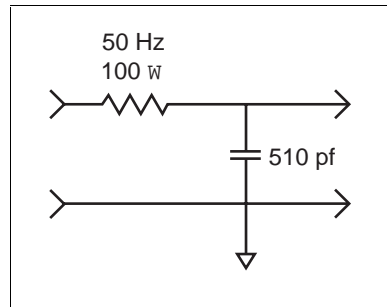


Figure B.

8920\_21\_fig\_b.eps

## Change #4

On page 4-14, paragraph 4-39, step 3, line 2,

Change: ...reading stops decreasing...  
To: ...reading stops increasing...

## Change #5

On pages 5-20 and 5-21, Table 5-5,

Change: R17|RESISTOR/DUAL FET SET|476788|89536|476788|1| |1  
To: R17|RESISTOR/DUAL FET SET(WITH Q9)|476788|89536|476788|1| |1  
Change: R46|RESISTOR/DUAL FET SET|476788|89536|476788|REF| |2  
To: R46|RESISTOR/DUAL FET SET(WITH Q37)|476788|89536|476788|REF| |2

On page 5-23, at the end of flagnote 3, add:

Dual Fet Sets R17 and Q9, and R46 and Q37 cannot be intermixed.

## Change #6

On page 603-8, Table 603-4:

Delete: Steps 5, 6 and 7

On pages 603-6 thru 603-8:

Delete: "MEASURE BETWEEN HIGH TERMINAL - LOW TERMINAL" in all places but the first entry under step 1.

## Change #7

On page 604-4, change step 5 to read as follows: (the example does not change)

5. While still monitoring TP501 change the applied input to 200 mV at 500 Hz and adjust R512 for a reading of -10V +/-OFFSET of step 4 +/-0.001V. The UUT should still be at the 200 mV range.

## Change #8

On page 4-7, Table 4-5, under the UUT DISPLAY column:

Change: 1.000 +/-30 counts  
To: 1.000 +/-15 counts  
Change: +/- 6 counts  
To: +/-12 counts

## Change #9

On page 1-5, add the following specification:

PROTECTION CLASS      Class 1 (As defined in IEC 348.)

## Change #10

On page 4-4, Table 4-3, change the first entry under INPUT LEVEL and DISPLAY,

From:	1.9 mV	1.000
To:	1.0 mV	1.900

## Change #11

On page 4-5,

Change:	2-d. Note that the UUT's display reads the same error as noted in step 1-f +/-38 digits. 2-e. Note that the UUT's display reads 0.1900 +/-4 digits.
To:	2-d. Make no adjustments. Allow 1.000 +/-40 digits. 2-e. Allow 0.180 to 0.188 after settling.

On page 4-7, Table 4-5,

Change:	UUT DISPLAY +/-6 COUNTS
To:	UUT DISPLAY

## Change #12

On page 4-12, Table 4-7, change step 23,

From:	Increase the input to 206 mV and check.....
To:	Increase the input to 25.6 mV and check.....

## Change #13

On page 603-1, paragraph 603-6, add new steps 4 and 5 as follows, and renumber old steps 4 and 5 as step 6 and 7.

4. Connect ground wire (P403) to J403 on the A1 Main PCB Assembly.
5. Place the rubber foot on the AC shield near the screws as shown in Figure 603-1.

On page 603-2, replace Figure 603-1 with:

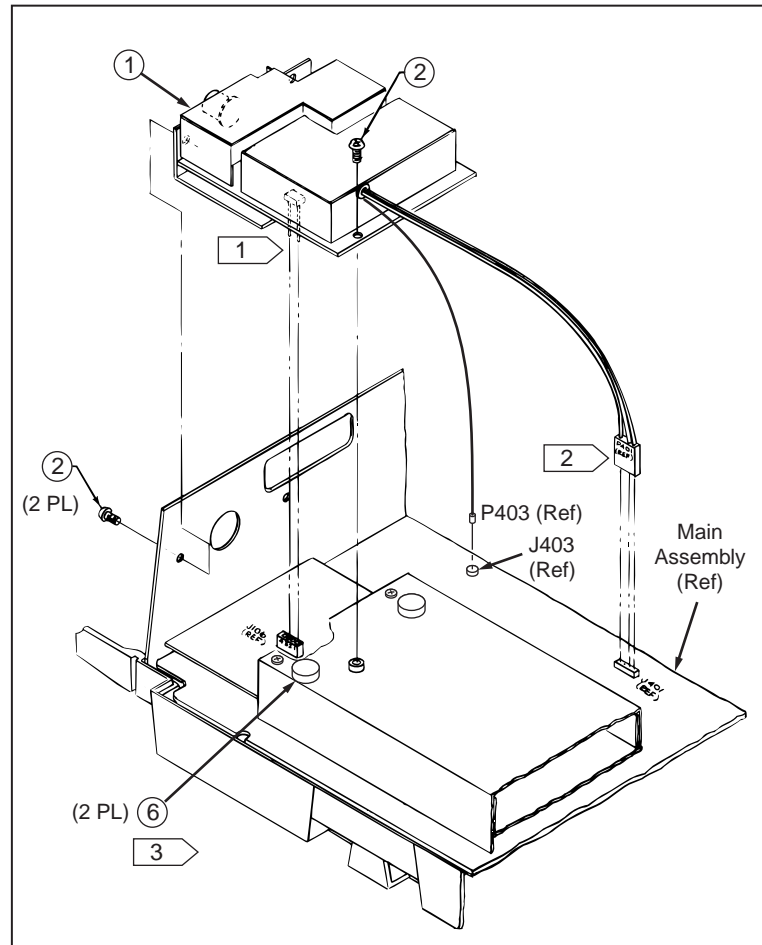


Figure 603-1

8922\_fig603\_1.eps

## Change #14

On page 604-4, change step 3,

From: Apply 20.0 mV, 500 Hz to the 8920A and select its HOLD RANGE...

To: Apply 20.0 mV, 500 Hz to the 8920A and select its HOLD RANGE (200 mV range)...

## Change #15

On page 1-5, Table 1-3, add:

### Electromagnetic Compatibility

8920A: For field strengths between 2 V/m and 3 V/m, add 15 mV to all specifications.

8921A: For field strengths between 0.5 V/m and 3 V/m, add 400 mV to all specifications.