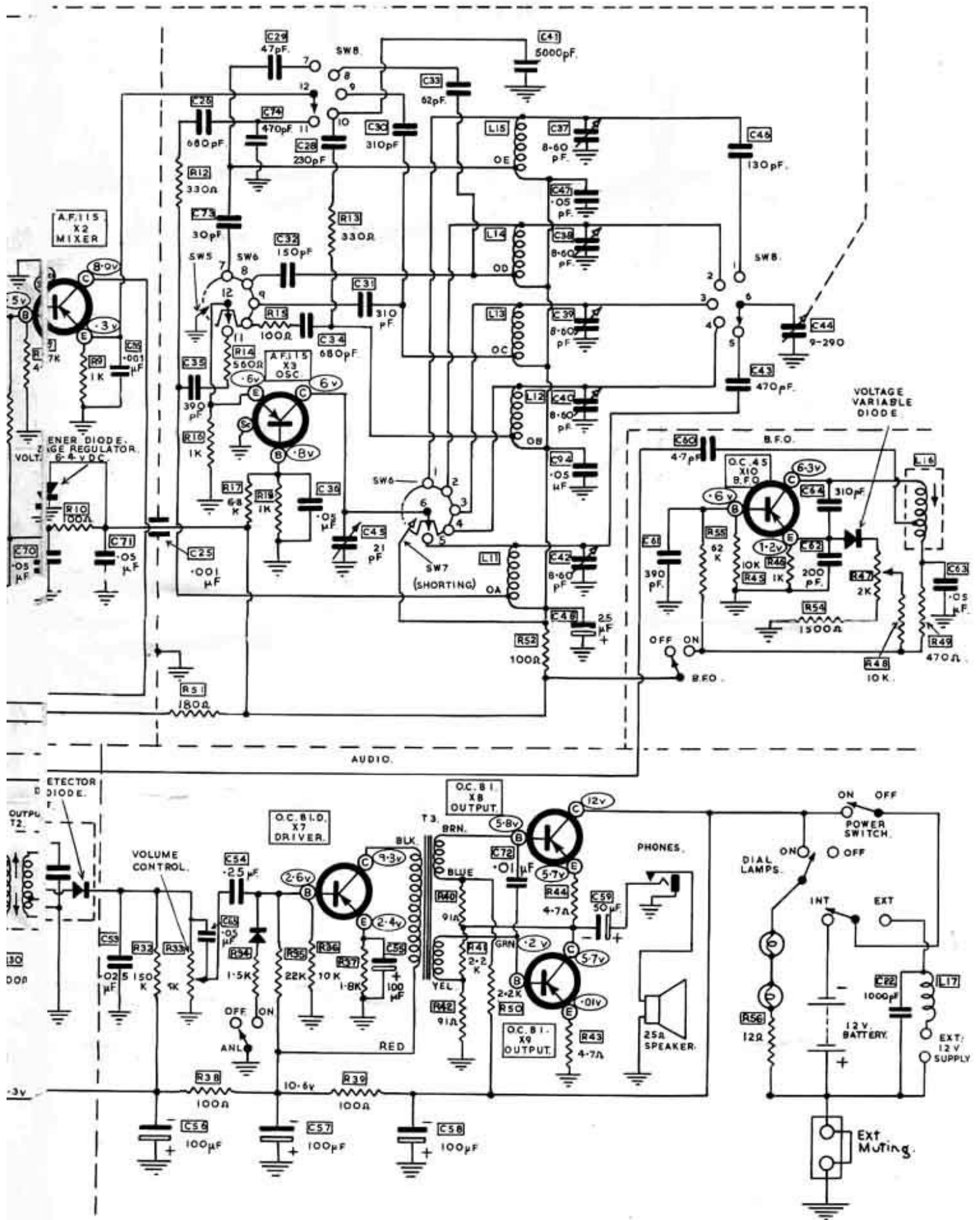
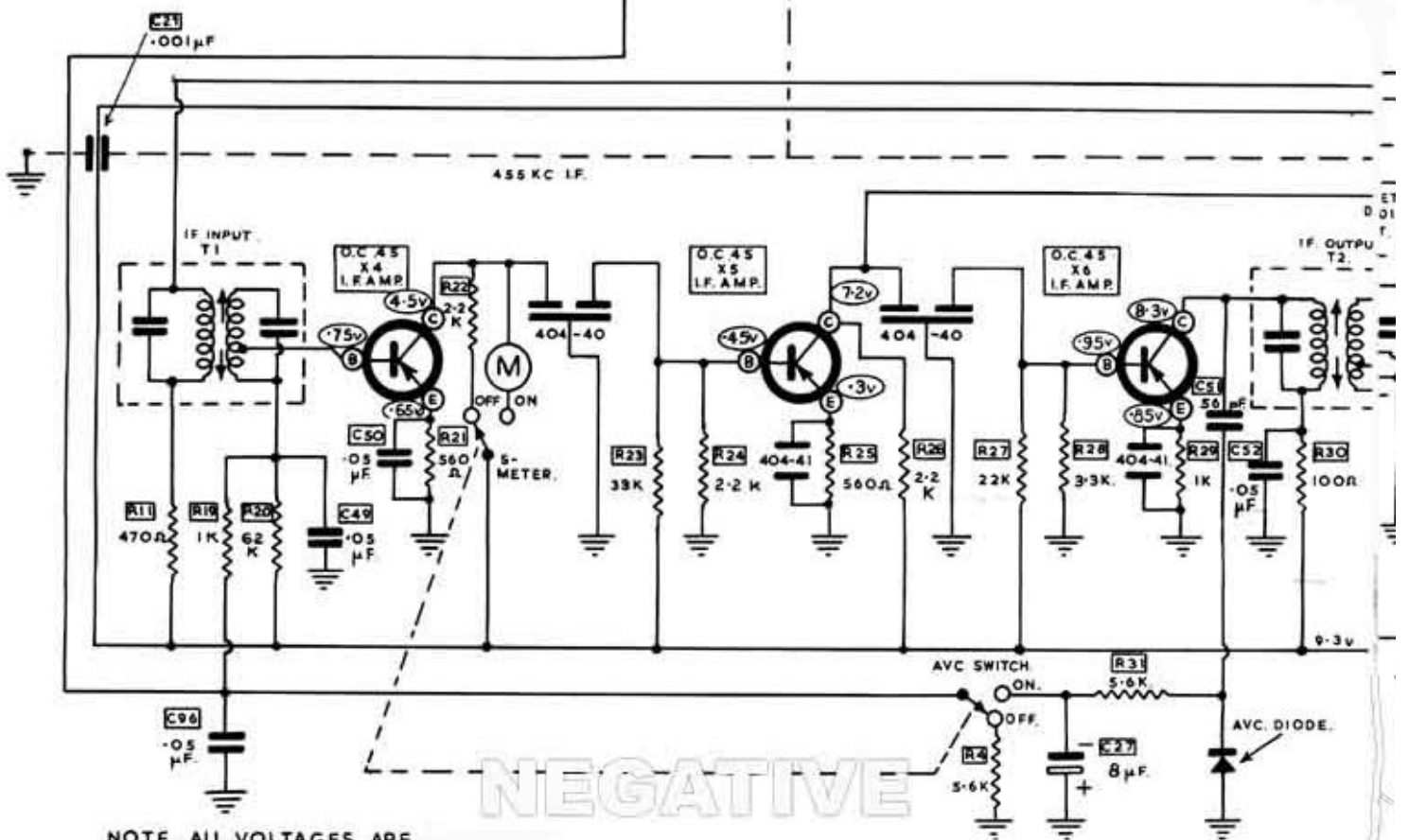
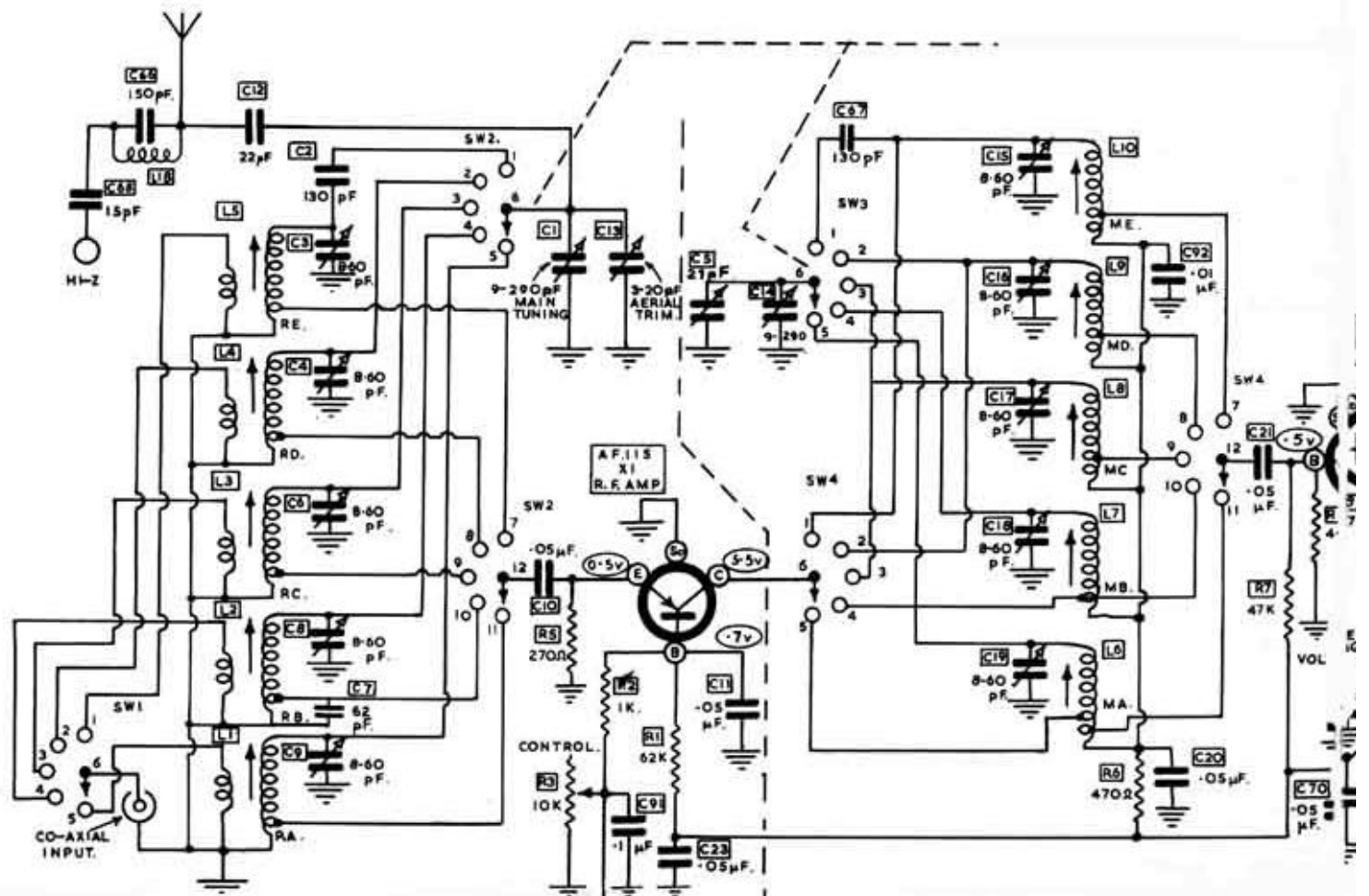


A-THKIT MODEL GC-IU



CIRCUIT DIAGRAM.



NOTE. ALL VOLTAGES ARE IN RESPECT TO CHASSIS.

NEGATIVE

THE GC-1U CIRCUIT