

**Models 172A, 173A
Instruction Manual**

**Contains Operating and Servicing Information for the
Models 172A, 173A Digital Multimeter**

ROOF

**Publication Date: August 1978
Keithley Instruments, Inc.
Instrument Division
Cleveland, Ohio, U.S.A.
Document Number: 29662, Rev. B**

INSTRUCTION MANUAL
Digital Multimeter
Models 172A, 173A

INSTRUCTION MANUAL
Digital Multimeter
MODELS 172A/173A

COPYRIGHT 1978, KEITHLEY INSTRUMENTS, INC.
PRINTED APRIL, 1981, CLEVELAND, OHIO, U.S.A.
DOCUMENT NO. 29662, REV. B

CONTENTS

Section	Page
CONTENTS	
ILLUSTRATIONS	
1. GENERAL INFORMATION	1-1
1-1. INTRODUCTION	1-1
1-2. FEATURES	1-1
1-3. WARRANTY INFORMATION	1-1
1-4. CHANGE NOTICE	1-1
1-5. OPTIONAL MODEL 1728 RECHARGEABLE BATTERY PACK	1-1
1-6. OPTIONAL MODEL 1722 DIGITAL INTERFACE	1-1
1-7. OPTIONAL MODEL 1723 IEEE STANDARD 488 BUS INTERFACE	1-1
SPECIFICATIONS	1-2
2. INITIAL PREPARATION	2-1
2-1. GENERAL	2-1
2-2. INSPECTION	2-1
2-3. PREPARATION FOR USE	2-1
3. OPERATING INSTRUCTIONS	3-1
3-1. GENERAL	3-1
3-2. HOW TO SELECT POWER	3-1
3-3. HOW TO SELECT FUNCTION	3-2
3-4. HOW TO SELECT RANGE	3-3
3-5. HOW TO MEASURE VOLTAGE	3-4
3-6. HOW TO MEASURE CURRENT. (MODEL 172A ONLY)	3-5
3-7. HOW TO MEASURE CURRENT. (MODEL 173A ONLY)	3-6
3-8. HOW TO MEASURE RESISTANCE	3-7
3-9. FURTHER MEASUREMENT CONSIDERATIONS	3-8
3-10. HOW TO USE MODEL 172A/173A OFF-GROUND	3-11
3-11. HOW TO USE OPTIONAL PROBES AND SHUNTS	3-12
3-12. HOW TO USE THE MODEL 1722 DIGITAL INTERFACE	3-13
3-13. COMMENTS RELATIVE TO THE MODEL 172A/173A SPECIFICATIONS	3-25
3-14. MODEL 1728 OPERATING TIPS	3-25
4. ACCESSORIES	4-1
4-1. GENERAL	4-1
4-2. POWER OPTIONS	4-1
4-3. ISOLATED DIGITAL OUTPUT	4-1
4-4. RACK MOUNTING	4-1
4-5. PROBE AND SHUNTS	4-4
4-6. CABLES AND CONNECTORS	4-5
4-7. MISCELLANEOUS	4-5
5. THEORY OF OPERATION	5-1
5-1. GENERAL	5-1
5-2. OVERALL OPERATION	5-1
5-3. INPUT SIGNAL CONDITIONING	5-1
5-4. A/D CONVERTER AND DIGITAL CIRCUITS (SCHEMATIC 29145E, SHEET 2)	5-15
5-5. DISPLAY BOARD, SCHEMATIC 27404D	5-21
5-6. POWER SUPPLY, SCHEMATIC 29145E	5-21
5-7. MODEL 1728 RECHARGEABLE BATTERY PACK, SCHEMATIC 26758C	5-23
5-8. MODEL 1722 DIGITAL INTERFACE	5-25

INSTRUCTION MANUAL

Digital Multimeter
Models 172A, 173A

CONTENTS (CON'T)

Section	Page
6. MAINTENANCE.	6-1
6-1. GENERAL.	6-1
6-2. REQUIRED TEST EQUIPMENT.	6-1
6-3. PERFORMANCE VERIFICATION	6-1
6-4. CALIBRATION REQUIREMENTS	6-7
6-5. PREPARATION FOR CALIBRATION.	6-8
6-6. CALIBRATION PROCEDURE.	6-9
6-7. TROUBLESHOOTING AND REPAIR	6-15
6-8. FUSE REPLACEMENT	6-21/22
7. REPLACEABLE PARTS.	7-1
7-1. GENERAL.	7-1
7-2. ORDERING INFORMATION	7-1
7-3. FACTORY SERVICE.	7-1
7-4. REPLACEABLE PARTS LIST	7-1
7-5. CROSS REFERENCE OF MANUFACTURERS	7-2
7-6. COVERS AND PANELS.	7-2
7-7. COMPONENT DESIGNATIONS FOR PC-446.	7-2
7-8. SCHEMATICS	7-2
7-9. COMPONENT LAYOUTS.	7-2
7-10. SPARE PARTS KIT.	7-5

ILLUSTRATIONS

FIGURE NO.	TITLE	PAGE
1-1	Model 173A Front Panel	1-3
1-2	Bottom View Showing Line Cord.	1-4
1-3	Tilt Bail Positions.	1-5
1-4	Dimensional Data	1-6
2-1	Rear Panel Showing Current Fuse.	2-2
2-2	Model 1728 Rechargeable Battery Pack	2-4
2-3	Installation of Battery Pack	2-5
3-1	Front Panel Pushbutton Selection	3-3
3-2	Typical Model 172A Current Display (DCmA).	3-5
3-3	Typical Model 173A Current Display (ACmA).	3-6
3-4	Typical 2 WIRE Resistance Measurement.	3-7
3-5	Typical 4 WIRE Resistance Measurement.	3-9
3-6	Semiconductor Diode and Transistor Testing	3-10
3-7	Use of Multimeter Off Ground	3-11
3-8	Model 1722 Digital Output Interface.	3-14
3-9	Installation of Model 1722	3-15
3-10	Connector Pin Identification For P1006 and P1101	3-17
3-11	Card-Edge Connectors (Model 1727 Cable Set).	3-17
3-12	Location of Jumpers and Pull-Ups on Model 1722	3-18
4-1	Model 1010 Single Rack Mounting Kit.	4-2
4-2	Model 1017 Dual Rack Mounting Kit	4-4
5-1	Overall Block Diagram of Model 172A/173A	5-2
5-2	Simplified Block Diagram of Signal Conditioning Circuits	5-2
5-3	Simplified Schematic of DC Attenuator.	5-6
5-4	Simplified Schematic of AC/DC Converter.	5-7
5-5	Simplified Schematic of 173A I/V Converter	5-8
5-6	Simplified Schematic of Model 172A I/V Converter	5-8
5-7	Simplified Ohms Converter, Two-Wire Ohms Configuration	5-10
5-8	Four-Wire Ohms Measuring Technique	5-10
5-9	Simplified Schematic of Clamp.	5-12
5-10	Simplified Schematic of Active Filter.	5-12
5-11	Simplified Block Diagram of A/D Converter.	5-14
5-12	A/D Converter System Timing	5-15
5-13	Simplified Schematic of A/D Buffer	5-16
5-14	Simplified Schematic of the A/D Converter.	5-17
5-15	Simplified Schematic of 669 kHz Oscillator	5-19
5-16	Simplified Schematic of Reference Supply	5-20
5-17	Digital Display Multiplex Scheme	5-22
5-18	Model 1722 Block Diagram	5-24
6-1	Location of Calibration Adjustments.	6-10
6-2	Location of Connectors and Test Points	6-14
7-1	Top and Bottom Cover Assembly	7-3

SECTION 1. GENERAL INFORMATION.

1-1. INTRODUCTION. The Models 172A and 173A Digital Multimeters are wide-range, general-purpose measuring instruments, capable of measuring ac/dc voltage, ac/dc current and resistance. (See Table 1-1 for Specifications, Page 1-2).

1-2. FEATURES.

- a. Automatic Ranging and Polarity.
- b. Manual Range Selection and Range Hold.
- c. HI and LO Ohms Capability.
- d. Line Operation.
- e. Optional Battery Operation, Model 1728.
- f. Floating Capability to $\pm 1400V$ peak.
- g. Optional Isolated Digital Interface, Model 1722/1723.

1-3. WARRANTY INFORMATION. The warranty is stated on the inside front cover of the manual. If there is a need for service, contact your Keithley representative or authorized repair facility as given in our catalog.


1-4. CHANGE NOTICE. Improvements or changes to the instrument not incorporated into the manual will be explained on a change notice sheet attached to the inside back cover of the manual.

1-5. OPTIONAL MODEL 1728 RECHARGEABLE BATTERY PACK. The Model 1728 is an accessory battery pack which enables either line or battery operation. The Model 1728 has built-in recharging circuitry. The Model 1728 is field-installed on the Model 172A/173A chassis.

1-6. OPTIONAL MODEL 1722 DIGITAL INTERFACE. The Model 1722 is a field-installable digital output option. It provides isolated open-collector BCD outputs and control lines.

1-7. OPTIONAL MODEL 1723 IEEE STANDARD 488 BUS INTERFACE. The Model 1723 is a field-installable digital interface option that provides logic and control functions necessary to make the Model 172A or 173A bus compatible in accordance with the IEEE Standard 488-1975. Refer to the Instruction Manual for Model 1723 for operation and service instructions for this option.

IMPORTANT

The  Symbol can be found in various places in this Instruction Manual. Carefully read the associated *CAUTION* statements with regard to proper use and handling of the instrument. Damage to the instrument may occur if these precautions are ignored.


The  symbol can be found in various places in this Instruction Manual. This symbol indicates those areas on the instrument which are potential shock hazards. Carefully read the associated *WARNING* statements with regard to proper use and handling of the instrument. Serious personal injury may result if these precautions are ignored.

TABLE 1-1.
SPECIFICATIONS

As an Auto/Manual Ranging DC Voltmeter

RANGE	MAXIMUM READING	ACCURACY [± (% of rdg + digits)]			TEMPERATURE COEFFICIENT (0°-20°C and 30°-55°C) ± (% of rdg + digits)/°C	INPUT RESISTANCE	MAX. ALLOWABLE INPUT
		(24h, 25° ± 1°C) (6 months, 20°-30°C)	(1 year, 20°-30°C)	(1 year, 20°-30°C)			
300mV	299.99	0.009% + 1d	0.013% + 1d	0.015% + 1d	0.0010% + 0.1d	>1000MΩ	1200V peak*
3 V	2.9999	0.006% + 1d	0.013% + 1d	0.015% + 1d	0.0010% + 0.1d	>1000MΩ	1200V peak*
30 V	29.999	0.009% + 1d	0.013% + 1d	0.015% + 1d	0.0015% + 0.1d	0MΩ	1200V peak
300 V	299.99	0.009% + 1d	0.013% + 1d	0.015% + 1d	0.0015% + 0.1d	10MΩ	1200V peak
1200 V	1200.0	0.009% + 1d	0.013% + 1d	0.015% + 1d	0.0035% + 0.1d	10MΩ	1200V peak

NOTE: rdg means reading.

*Overload on manual range not to exceed 600 volts continuous or 1200V for 3 seconds.

NORMAL MODE REJECTION RATIO: Greater than 80dB over 1 digit at 50 and 60Hz, 70dB 50Hz to 10kHz.

COMMON MODE REJECTION RATIO (1kΩ unbalance): Greater than 120dB at dc and 50Hz to 10kHz.

ON RANGE RESPONSE TIME: Less than 0.8 second to within 0.1% of final reading.

As an Auto/Manual Ranging AC Voltmeter

RANGE	MAXIMUM READING	Accuracy (0.3% to 100% of Range: 1 year, 20°-30°C) ± (% of rdg + digits)		TEMPERATURE COEFFICIENT (0°-20°C & 30°-55°C) ± (% of rdg + digits)/°C	
		(50Hz to 20kHz) (20Hz to 50Hz & 20kHz to 100kHz)	(20Hz to 50Hz & 20kHz to 100kHz)	(50Hz to 20kHz) (20Hz to 50Hz & 20kHz to 100kHz)	(20Hz to 50Hz & 20kHz to 100kHz)
300mV	299.99	0.20% + 6d***	1.0% + 20d	0.15% + 0.5d	0.05% + 0.5d
3 V	2.9999	0.20% + 6d	1.0% + 20d	0.15% + 0.5d	0.05% + 0.5d
30 V	29.999	0.20% + 6d	1.0% + 20d	0.15% + 0.5d	0.05% + 0.5d
300 V	299.99	0.20% + 6d	1.0% + 20d	0.15% + 0.5d	0.05% + 0.5d
1000 V	1000.0	0.25% + 6d*	1.0% + 20d**	0.20% + 0.5d*	0.05% + 0.5d**

Average responding calibrated in rms of a sine wave.

* 50Hz - 10kHz.

** 20Hz-50Hz & 10kHz-20kHz

***With input shorted, display reads approximately 0.2 mV.

MAXIMUM ALLOWABLE INPUT: 1000V rms sine or dc, 2 X 10⁷V²/Hz.

ON RANGE RESPONSE TIME: Less than 1.3 second to within 0.05% of final reading.

COMMON MODE REJECTION RATIO (1kΩ unbalance, Lo driven): Greater than 100dB at dc and 50 to 60Hz, decreasing to 70dB at 10kHz.

INPUT IMPEDANCE: 2 megohms shunted by less than 50 picofarads.

As an Auto/Manual Ranging Ohmmeter

RANGE	MAXIMUM READING	ACCURACY (1 year, 20°-30°C) ± (% of rdg + digits)		MAXIMUM VOLTAGE ACROSS UNKNOWN ON RANGE*		ALLOWABLE 4-TERMINAL LEAD RESISTANCE	TEMPERATURE COEFFICIENT (0°-20°C and 30°-55°C) ± (% of rdg + digits)/°C	
		Hi - mode - LO	Lo - mode - HI	Hi - mode - LO	Lo - mode - HI		Hi - mode - LO	Lo - mode - HI
300 Ω	299.99	—	0.035% + 1d	—	0.3V	100Ω	—	0.003% + 0.1d
3kΩ	2.9999	0.035% + 1d	0.035% + 1d	0.3V	0.3V	1000Ω	0.003% + 0.1d	0.003% + 0.1d
30kΩ	29.999	0.035% + 1d	0.035% + 1d	3V	0.3V	1000Ω	0.003% + 0.1d	0.003% + 0.1d
300kΩ	299.99	0.035% + 1d	0.045% + 1d	3V	0.3V	1000Ω	0.003% + 0.1d	0.004% + 0.1d
3MΩ	2.9999	0.05% + 1d	0.15% + 1d	3V	0.3V	1000Ω	0.004% + 0.1d	0.02% + 0.1d
30MΩ	29.999	0.18% + 1d	0.8% + 1d	3V	0.3V	1000Ω	0.02% + 0.1d	0.15% + 0.1d
300MΩ	299.99	1.5% + 1d	—	3V	—	1000Ω	0.15% + 0.1d	—

*Maximum open-circuit voltage, 5 volts.

CONFIGURATION: 4-terminal or 2-terminal, switch selected.

MAXIMUM ALLOWABLE INPUT: 360V peak, 250V rms or dc.

ON RANGE RESPONSE TIME: Hi ohms below 10MΩ: less than 0.9 second to within 0.01% of final reading. 10MΩ to 100MΩ and Lo ohms: less than 2.2 seconds to within 0.01% of final reading.

As an Auto/Manual Ranging AC and DC Ammeter
(Model 172A only)

RANGE	MAXIMUM READING	DC ACCURACY (1 year, 20°-30°C) ± (% of rdg + digits)		AC ACCURACY (1 year, 20°-30°C) 50Hz-5kHz ± (% of rdg + digits)		INPUT RESISTANCE	FUSE PROTECTION
		± (% of rdg + digits)	± (% of rdg + digits)	± (% of rdg + digits)	± (% of rdg + digits)		
300mA	299.99	0.25% + 2d	0.5% + 18d	1.3Ω	2A, 250V	1kΩ	3A, 250V
2 A*	2.0000	0.25% + 2d	0.5% + 18d	1.3Ω	2A, 250V	10 Ω	3A, 250V

*Self-heating effects of currents greater than 1 ampere can double % of reading accuracy.

TEMPERATURE COEFFICIENT (0°-20°C and 30°-55°C):

.DC: ± (0.005% of reading + 0.2 digits) /°C.

.AC: ± (0.03% of reading + 1 digit) /°C.

(Model 173A only)

RANGE	MAXIMUM READING	DC ACCURACY (1 year, 20°-30°C) ± (% of rdg + digits)		AC ACCURACY (1 year, 20°-30°C) 50Hz-5kHz ± (% of rdg + digits)		INPUT RESISTANCE	FUSE PROTECTION
		± (% of rdg + digits)	± (% of rdg + digits)	± (% of rdg + digits)	± (% of rdg + digits)		
300μA	299.99	0.1% + 2d	0.3% + 18d	100 Ω	3A, 250V	1kΩ	3A, 250V
3mA	2.9999	0.1% + 2d	0.3% + 18d	10 Ω	3A, 250V	10 Ω	3A, 250V
30mA	29.999	0.1% + 2d	0.3% + 18d	1.3 Ω	3A, 250V	1.3 Ω	3A, 250V
300mA	299.99	0.1% + 2d	0.3% + 18d	0.4 Ω	3A, 250V	0.4 Ω	3A, 250V
3 A*	2.9999	0.1% + 2d	0.3% + 18d	—	—	—	—

ON RANGE RESPONSE TIME:

.DC: less than 0.8 second to within 0.01% of final reading.

.AC: less than 1.3 second to within 0.05% of final reading.

GENERAL

ZERO STABILITY: Autozeroed to within accuracy specifications, 0°C-55°C.
DISPLAY: Five .43 inch LED digits, appropriate decimal position, function and polarity indication.

CONVERSION PERIOD: 320 milliseconds.

ISOLATION: Input LO to power line ground, greater than 1000 megohms shunted by approximately 300 picofarads. Maximum input between LO and power line ground, 1400 volts peak.

POLARITY: Automatic, minus indicated, plus implied.

RANGING: Automatic or manual. Upranges at 30000, downranges at 2599.
OVERLOAD INDICATION: Blinks at and above ±1200V dc, 1000V ac. Blanks last four digits above 29999 counts on all other ranges.

SELF TEST: Allows self-test of functional operation on 30 volt ac and dc ranges, 30kΩ ranges and 3mA ac and dc ranges.

WARMUP: 1 hour to rated accuracy.

ENVIRONMENTAL LIMITS (without batteries installed):

Operating: 0°C to 55°C, 0% to 80% relative humidity up to 35°C.

Storage: -25°C to +65°C.

POWER: 105 - 125 or 210 - 250 volts (switch selected), 50Hz - 60Hz; 20VA, 90 - 110 volts available. Optional rechargeable battery pack.

CONNECTORS: Input: Banana jacks.

DIMENSIONS, WEIGHT: 85mm high x 235mm wide x 275mm deep (3 1/2 in. x 9 1/4 in. x 10 3/4 in.) Net weight, exclusive of batteries, 2.3 kg (5 lbs.)

Model 172A Autoranging Digital Multimeter.

Model 173A Autoranging Digital Multimeter.

Model 172A/1728 Autoranging Digital Multimeter

with Rechargeable Battery Pack.

Model 172A/1722 Autoranging Digital Multimeter

with Digital Interface.

ACCESSORIES AVAILABLE:

Model 1881 Clip-On Test Lead Set.

Model 1882 RF Probe.

Model 1728 Rechargeable Battery Pack*.

Model 1883 Universal Test Lead Kit.

Model 1727 Mating Output Connector Set

to Model 1722 Digital Interface with ribbon cables attached.

1727-03 (3 ft.).

1727-10 (10 ft.).

Model 1851 50-Ampere Shunt.

Model 1723 IEEE Standard 488 Bus Interface*.

Model 1722 Digital Interface*.

Model 1010 Single Rack Mounting Kit.

Model 1017 Dual Rack Mounting Kit.

Model 1684 Hard Shell Carrying Case.

Model 1600 High Voltage Probe.

Model 1685 Clamp-on AC Current Probe.

Model 1725A Maintenance Kit.

Model 750 Printer with Model 7501-1722 Printer Input Interface.

*NOTE: Models 1722, 1723 and 1728 can only be installed and used one at a time.

Model 173A/1728 Autoranging Digital Multimeter

with Rechargeable Battery Pack.

Model 173A/1722 Autoranging Digital Multimeter

with Digital Interface.

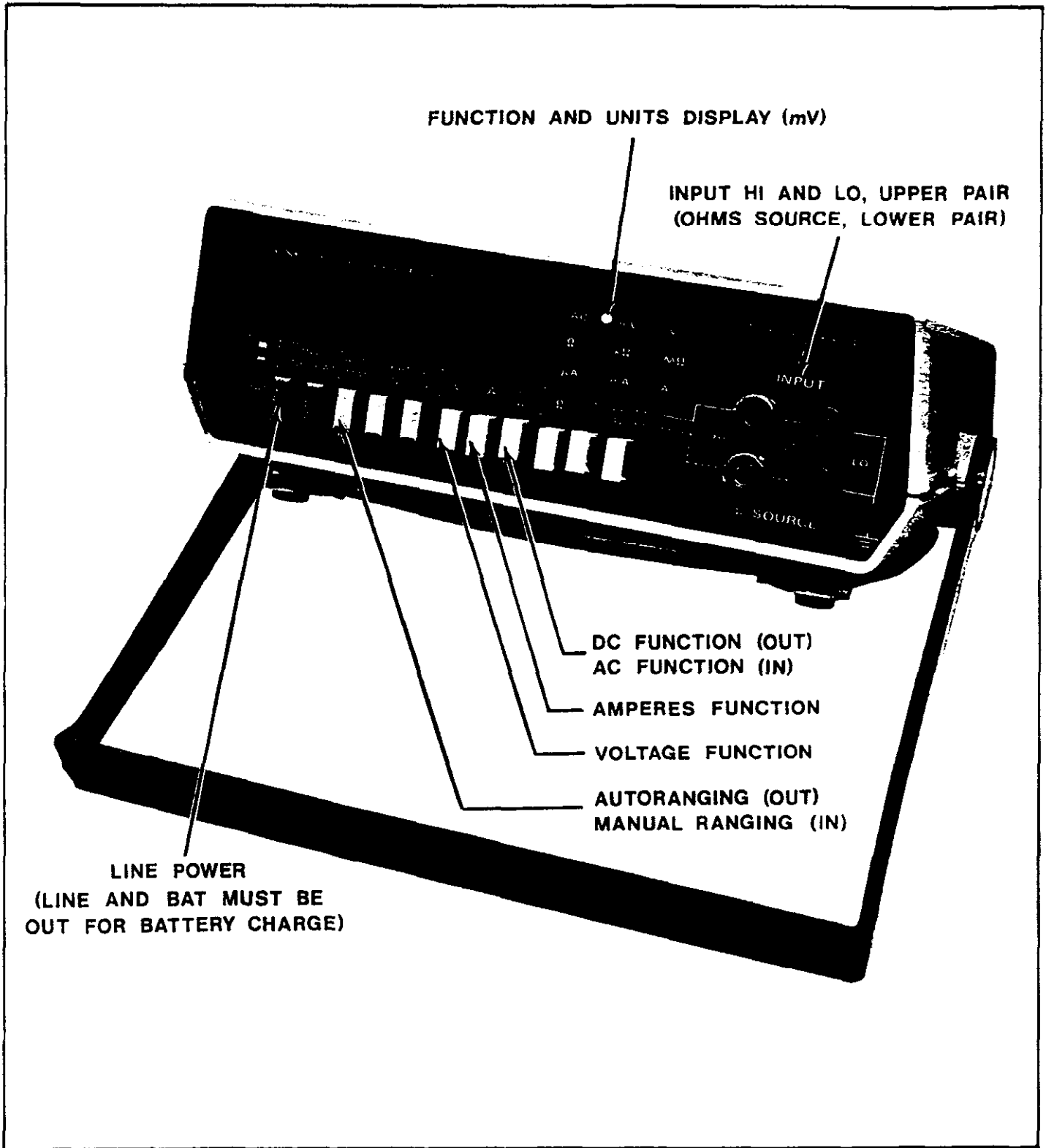
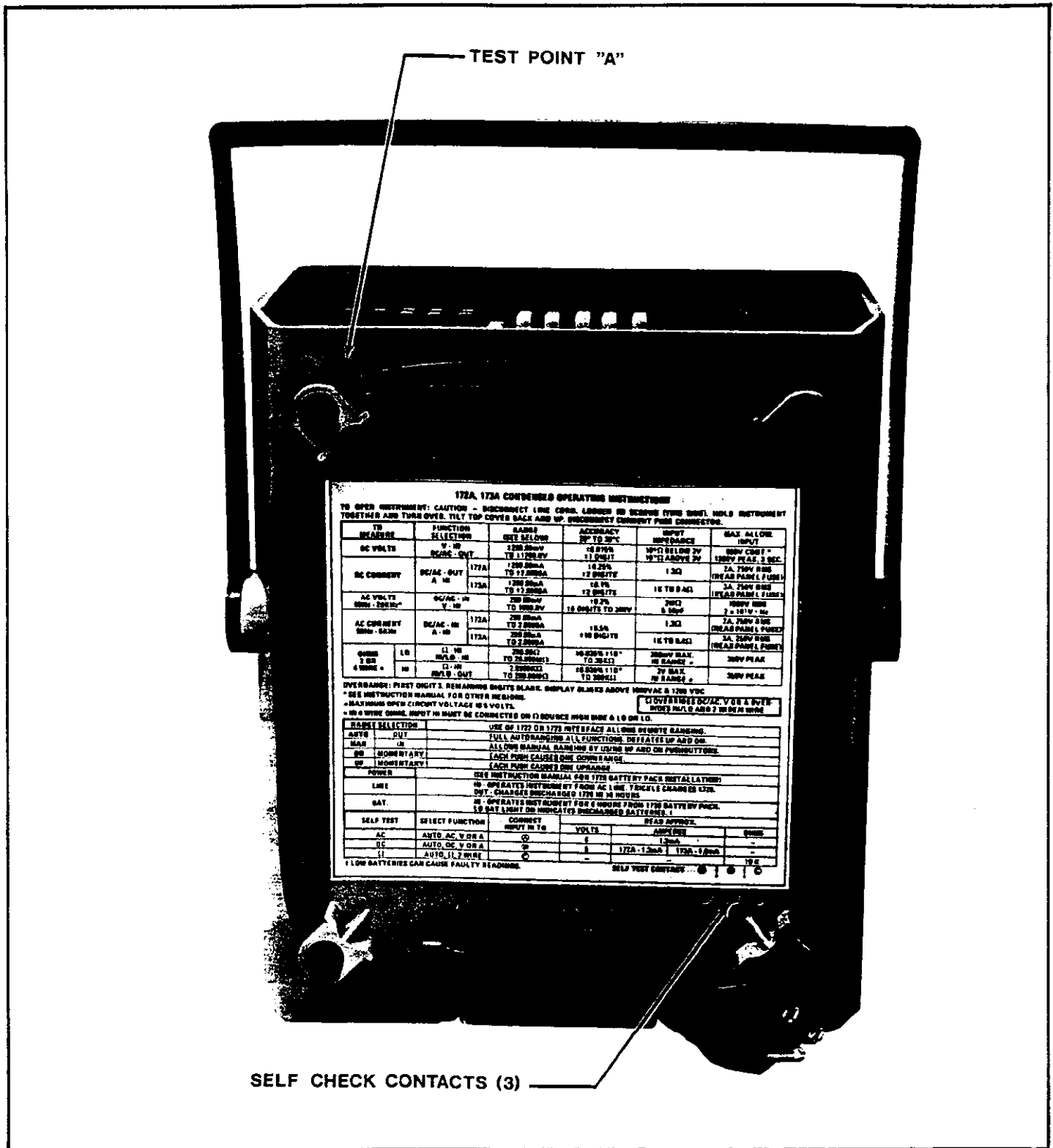


FIGURE 1-1. Model 173A Front Panel.



172A, 173A CONDENSED OPERATING INSTRUCTIONS

TO OPER INSTRUMENT: CAUTION - DISCONNECT LINE CORD. LOCKER OR SECURE INSTR. HOLD INSTRUMENT TOGETHER AND TURN OVER. TILT TOP COVER BACK AND UP. DISCONNECT CURRENT FUSE CONNECTOR.

TO MEASURE	FUNCTION SELECTION	RANGE SET BELOW	ACCURACY UP TO 5%	INPUT IMPEDANCE	MAX. ALLOW. INPUT
DC VOLTS	V - DC	1200 200mV TO 11700.0V	-0.075% TO 0.01%	10MΩ BELOW 2V 1MΩ ABOVE 2V	800V CONT. 1200V PEAK 2 SEC.
DC CURRENT	DC/AC - I _{DC} A - DC	172A 1200 200mA TO 117000.0A 173A 1200 200mA TO 117000.0A	-0.25% TO 0.01%	1.2Ω	1A. 750V RMS (READ PANEL FUSE) 10A. 750V RMS (READ PANEL FUSE)
AC VOLTS RMS - 50/60Hz	AC/AC - V _{RMS} V - AC	200 200mV TO 11700.0V	-0.2% TO 0.01%	2MΩ 5.0MΩ	100V RMS 2 x 10 ³ V - 10
AC CURRENT RMS - 50/60Hz	DC/AC - I _{RMS} A - AC	172A 200 200mA TO 2.00000A 173A 200 200mA TO 2.00000A	-0.5% TO 0.01%	1.2Ω	1A. 750V RMS (READ PANEL FUSE) 10A. 750V RMS (READ PANEL FUSE)
OHMS	Ω - OHMS	200 200Ω TO 2.00000MΩ	-0.5% TO 0.01%	10 TO 10MΩ	100V PEAK
4 WIRE - 1/2 IN	Ω - 4 WIRE	200 200Ω TO 2.00000MΩ	-0.5% TO 0.01%	10 TO 10MΩ	100V PEAK

OVERRANGE: FIRST DIGIT 1. REMAINING DIGITS BLANK. DISPLAY BLINKS ABOVE 1000V AC & 1200 VDC

SEE INSTRUCTION MANUAL FOR OTHER FEATURES.

MAXIMUM OPEN CIRCUIT VOLTAGE 1000 VOLTS.

NO 4 WIRE OHMS INPUT IS TO BE CONNECTED ON 12 SOURCE WITH BARE & 1.0 OHM L.D.

12 OVERRANGE DC/AC V OH & 0VDC WHEN PAUSE AND 2 1000Ω OHMS

MODE SELECTION	USE OF 1722 OR 1723 INTERFACE ALLOWS REMOTE RANGING.
ON/OFF	FULL AUTO RANGING ALL FUNCTIONS. DEFEATS UP AND DN.
ON	ALLSOME MANUAL RANGING BY USING UP AND DN FUNCTIONS.
ON	MOMENTARY EACH PUSH CAUSES ONE UP/DOWN.
ON	MOMENTARY EACH PUSH CAUSES ONE UP/DOWN.
POWER	SEE INSTRUCTION MANUAL FOR 1723 BATTERY PACK INSTALLATION.
LINE	NO - OPERATES INSTRUMENT FROM AC LINE. VEHICLE CHARGES 12V. CHARGES DISCHARGES 1723 IN 10 HOURS.
BAT.	NO - OPERATES INSTRUMENT FROM 1723 BATTERY PACK. 1.2 BAT LIGHT ON INDICATES DEPLETED BATTERIES.

SELF TEST	SELECT FUNCTION	CONNECT INPUT IN	VOLTS	RESISTANCE	OHMS
AC	AUTO AC V OR A	Ω	0	1.2MΩ	-
DC	AUTO DC V OR A	Ω	0	1.2MΩ - 1.2MΩ	1.2MΩ - 1.2MΩ
Ω	AUTO Ω 1.2 WIRE	Ω	0	-	10 Ω

LOW BATTERIES CAN CAUSE FAULTY READINGS.

SELF TEST CONTINUES: [Symbol] [Symbol] [Symbol]

FIGURE 1-2. Bottom View Showing Line Cord.

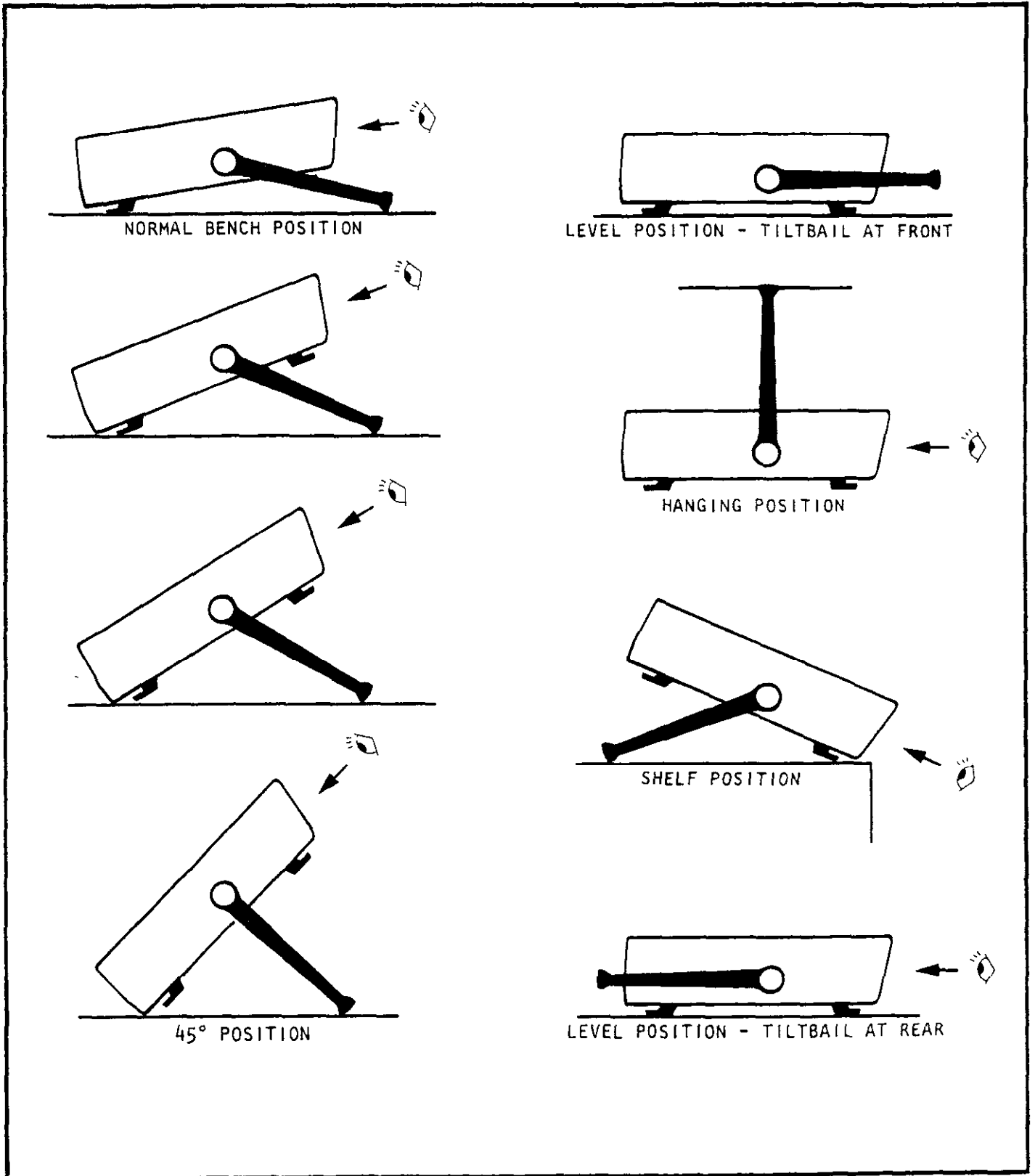


FIGURE 1-3. Tilt Bail Positions.

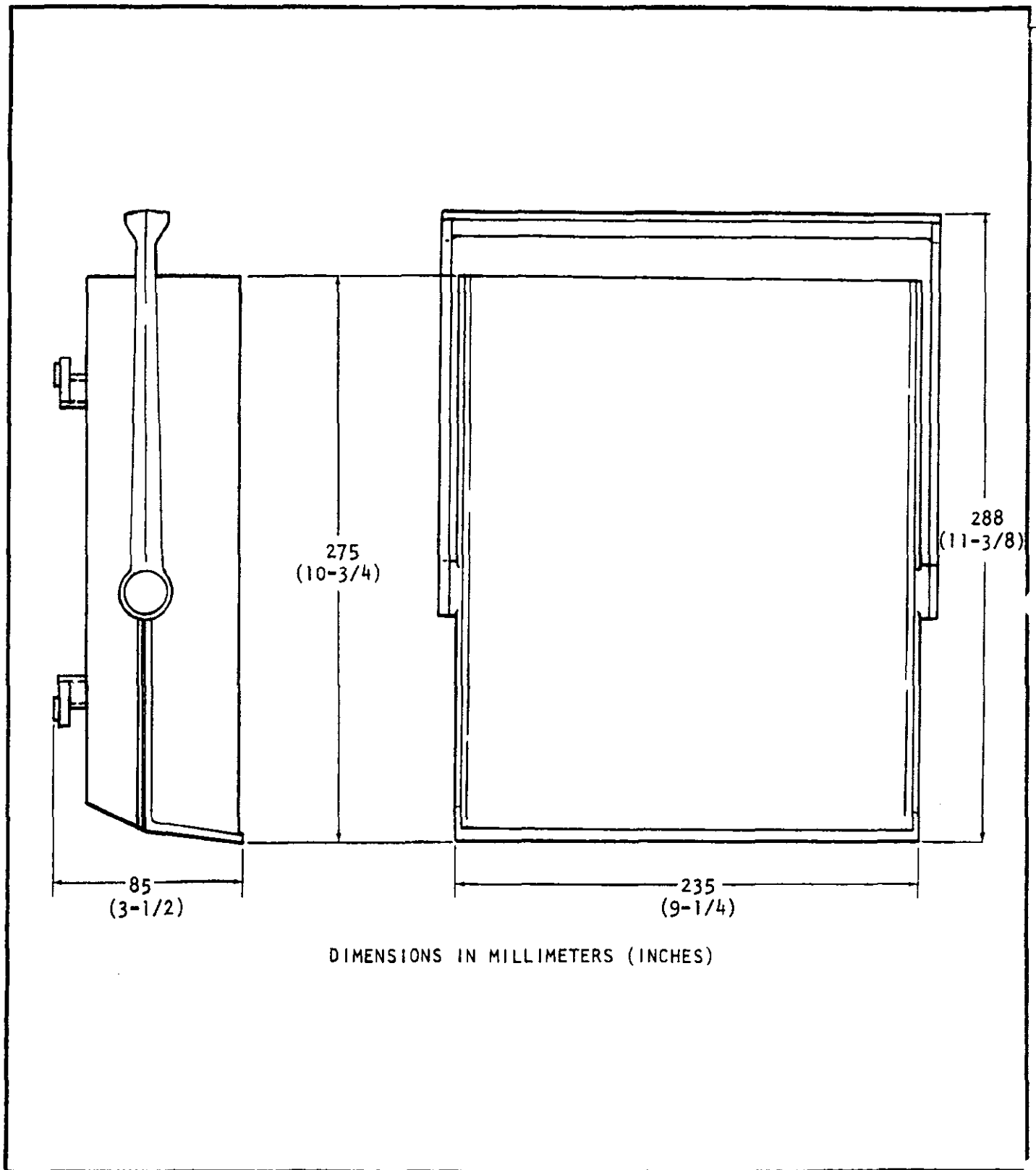


FIGURE 1-4. Dimensional Data

SECTION 2. INITIAL PREPARATION.


2-1. GENERAL. This section provides information needed for incoming inspection and preparation for use.

2-2. INSPECTION. The Model 172A/173A was carefully inspected both mechanically and electrically before shipment. Upon receiving the instrument, check for any obvious damages which may have occurred during transit. Report any damages to the shipping agent. To verify the electrical specifications, follow the procedures given in Section 6.

2-3. PREPARATION FOR USE. The Model 172A/173A is shipped ready-to-use. The instrument can be powered from line voltage or from rechargeable nickel-cadmium batteries (when the optional Model 1728 Rechargeable Battery Pack is installed).


a. Line Power. The Model 172A/173A has an attached three-wire line cord which mates with third-wire grounded receptacles (NEMA 5-15P). The permanently installed line cord is stored by wrapping the cord around the base of the instrument as shown in Figure 4.

CAUTION

 This instrument has an internal line power selector switch that must be set to 234V position for operation above 125 volts rms, 50-60 Hz.

1. How to set the Internal Line Voltage Switch (S601). The Model 172A/173A has a two position slide switch located on the main circuit board. For operation above 125 volts, the switch setting and fuse must be changed. The top cover must be removed to gain access to the circuit board as described in MAINTENANCE section.

WARNING

 Disconnect the line cord before removing the top cover of the instrument. Line voltage is present at various points on the circuit board and represents a SHOCK HAZARD.

NOTE

Optional line voltage range is available when wiring modifications are made to transformer T601 as shown on schematic 29145E.

TABLE 2-1.
Summary of Standard and Optional Line Voltages.

Standard	Optional
105 to 125 V rms 210 to 250 V rms	90 - 105 V rms - Transformer wiring must be modified.

FUSE F501

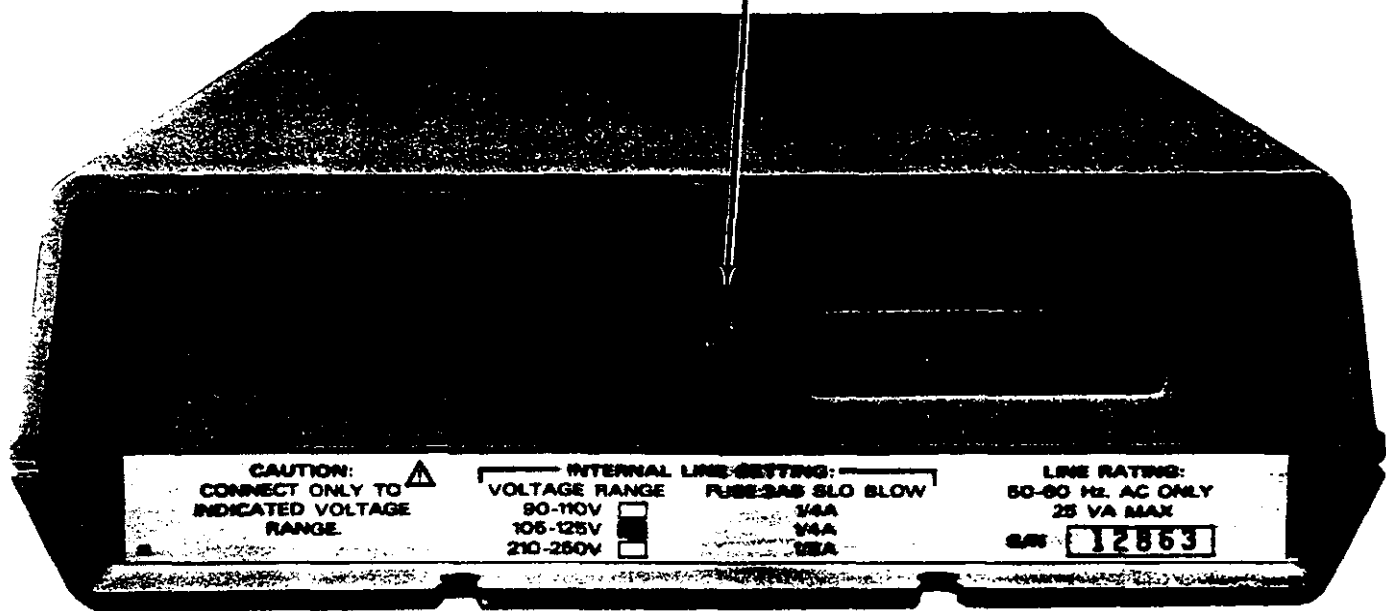



FIGURE 2-1. Rear Panel Showing Current Fuse.


2. Line Fuse Requirement. The Model 172A/173A uses a single line fuse to protect the line-operated power supply. The fuse is a 3 AB or 3 AG, slow-blow type. Replace with 1/4 ampere for 117 volts operation or 1/8 ampere for 234 volts.

IMPORTANT


 Replace fuse with correct rating, otherwise, damage to the instrument could result.

3. How to Replace the Line Fuse. The fuse is installed on the main circuit board as shown in Figure 6-2 (Page 6-14). The top cover must be removed to gain access to the circuit board as described in Section 6. Use Keithley FU-17 (1/4A) for 117 V; FU-20 (1/8A) for 234V.

WARNING

 Disconnect the line cord before removing the top cover of the instrument. Line voltage is present at various points on the circuit board and represent a SHOCK HAZARD.

CAUTION

 The fuse installed on the rear panel of the Model 172A/173A is used only for current range protection. This fuse is not a line voltage protection fuse.

b. Battery Power. To operate the Model 172A/173A from batteries, the Model 1728 Rechargeable Battery Pack must be installed. The Model 1728 can be either field or factory-installed (at the time the Model 172A/173A is purchased).

NOTE

The Model 1728 Rechargeable Battery Pack can be installed by the user within the Model 172A/173A at any time. However, if the Model 1722 Digital Output is already installed, the Model 1728 cannot be used simultaneously.

1. How to Install the Model 1728 Rechargeable Battery Pack. The batteries furnished with the Model 1728 are already installed in the battery pack. The battery pack includes 7 rechargeable "C" cells (1.2V, 2 AMP Hr) and two 19.2 volt packs (sixteen 1.2V-cells per pack). See Figure 2-3.

a) Check the fuses on the Battery Pack. Three fuses are used. All are 1 ampere, 3AB or 3 AG, Slo-Blo types, Keithley Part No. FU-10.

b) Check for proper installation of batteries in the Battery Pack. If replacement battery cells are to be installed, be certain to observe the proper polarity of the individual cells as shown in Figure 2-3.

c) To install the Battery Pack, turn the instrument over so that the bottom cover faces up. Loosen four slotted screws on the bottom cover. The screws are captive, that is they cannot be removed completely. Turn over the instrument with the top cover facing up, taking care to hold the top and bottom covers together. Carefully, remove the top cover to gain access to the printed circuit board. There is a connection between the top cover and the main circuit board which must be temporarily removed in order to free the top cover. Check to see that the four insulating spacers are in position on the circuit board as shown in Figure 2-3. Plug the two 5-wire connectors (J401, J402) into the mating receptacles (P401, P402) taking care to orient the connectors as shown. Place the Model 1728 in position on the spacers with the pack oriented as shown in Figure 2-3. Replace the connector from the top cover to the circuit board. Replace the top cover. Turn over the instrument with the bottom cover facing up and tighten down the four slotted-head screws.

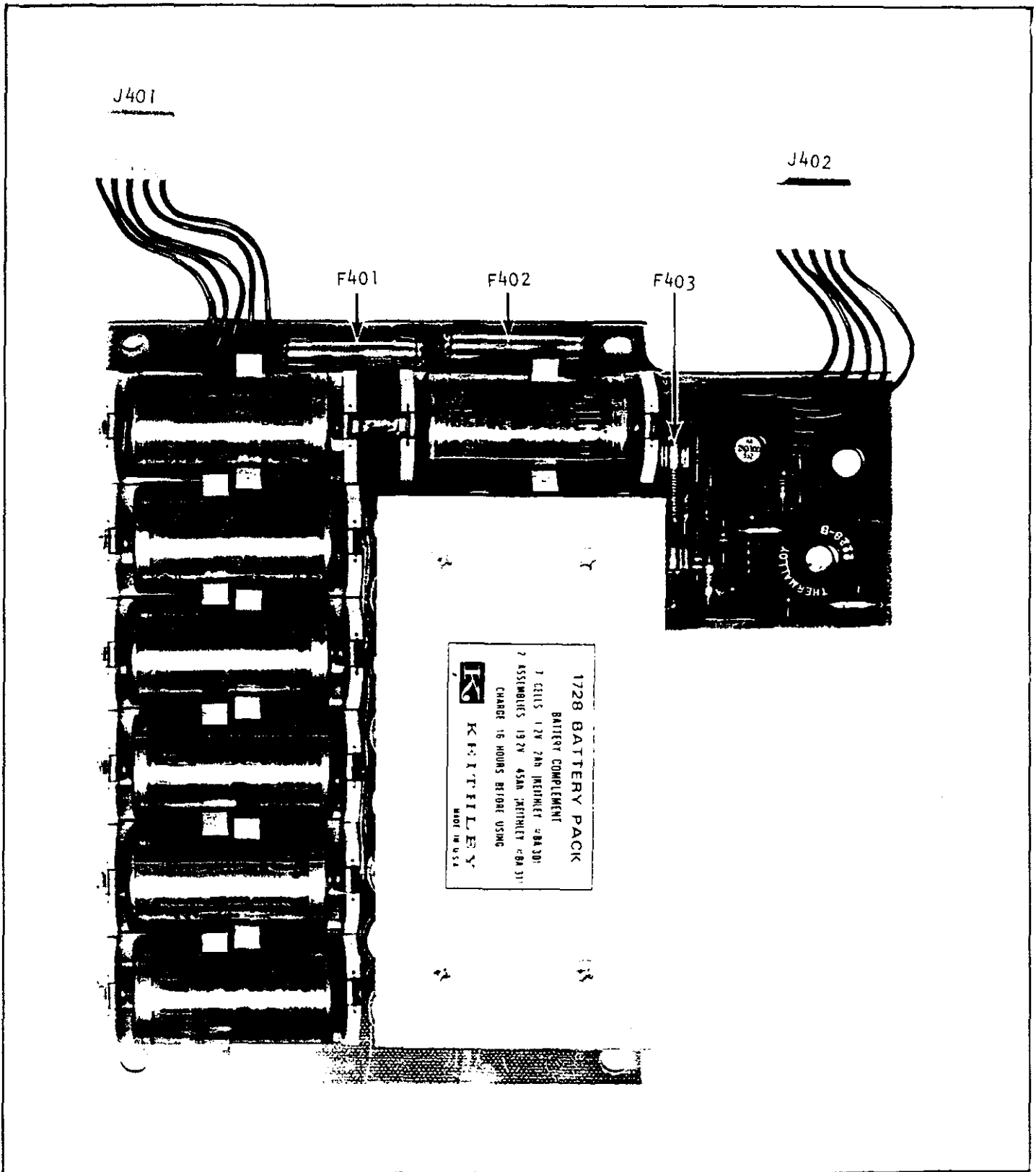


FIGURE 2-2. Model 1728 Rechargeable Battery Pack.

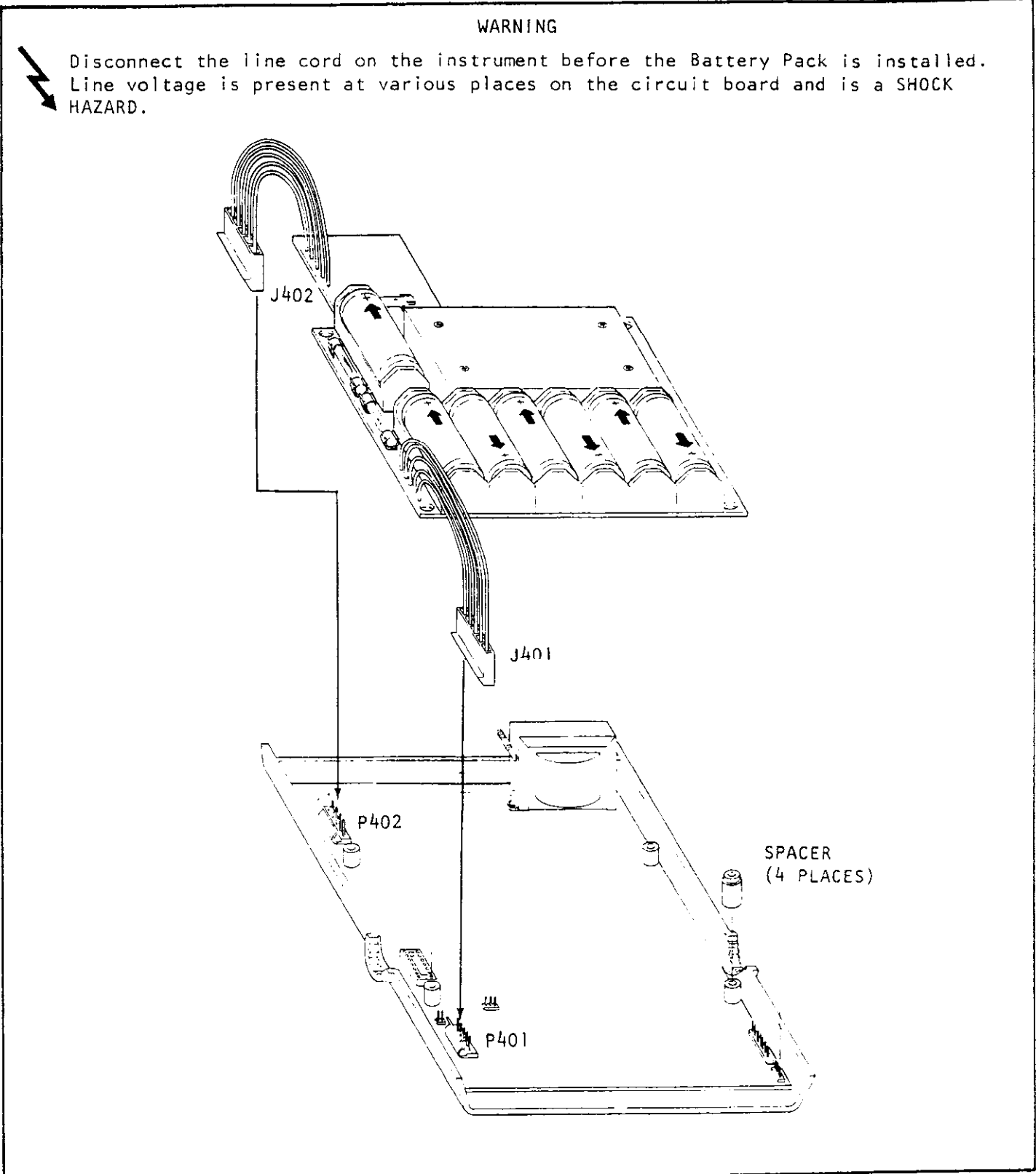


FIGURE 2-3. Installation of Battery Pack.

TABLE 2-2.
Summary of Batteries Used in the Model 1728

Description	Quantity	Voltage	Keithley Part No.
1.2V "C" cell (2 AMP-HR)	7	8.4V	BA-30
+19.2V pack (16-1.2V cells)	1	+19.2V	BA-31
-19.2V pack (16-1.2V cells)	1	-19.2V	BA-31

CAUTION



The Model 1728 is shipped from the factory in an uncharged condition. Therefore, the pack should be installed in the Model 172A/173A and charged prior to use.

2. How to Check Batteries.

a) The Model 172A/173A has a built-in LO BAT indicator to permit easy determination of battery condition. The Model 172A/173A also has an individual test point on the bottom panel usually needed only for troubleshooting purposes (See Figure 1-2).

b) The LO BAT indicator will be lighted when the Battery Pack goes below normal operating voltage. When the indicator turns on, the Model 172A/173A should be switched to LINE or OFF to permit recharging of the Pack.

c) The test point may be checked at any time using the Model 172A/173A or other measuring instruments. The voltages are summarized in Table 2-3.

IMPORTANT

The instrument must be operated in BAT mode in order to obtain a valid battery condition at test point "A". This will ensure that the batteries are supplying power to the instrument. If the voltage is measured when the Model 172A/173A is operated in the LINE mode, a different reading may be observed since the batteries are being charged.

TABLE 2-3.
Summary of Battery Voltage Levels (BAT mode)

Test Point	Acceptable Battery Levels		Recharge If Below	Battery Tested
	Range	Normal		
"A"	19V → +20.5V	+19.2	19V	BT402

3. How to Charge the Batteries. The Model 1728 provides built-in recharging circuitry. The Model 172A/173A must be connected to line voltage. Recharging occurs at the most rapid rate when the Model 172A/173A is set to OFF. Typically, the recharge time is 2.5 hours per hour of discharge. After the batteries have been fully charged, either turn the instrument on with the LINE switch (trickle charge condition) or disconnect the line cord to prevent overcharging of the batteries.

CAUTION



Overcharging the batteries will raise the internal temperature of the battery pack and may shorten the life of the batteries.

SECTION 3. OPERATING INSTRUCTIONS

3-1. GENERAL. This section provides information needed to operate the Model 172A/173A for measurement of voltage, current and resistance.

3-2. HOW TO SELECT POWER. The Model 172A/173A may be powered from line voltage or rechargeable nickel-cadmium batteries (when the Model 1728 is installed). The Model 172A/173A has a built-in line-voltage power supply and power cord.

NOTE

The accessory Model 1728 Rechargeable Battery Pack may be ordered at the time of purchase of the Model 172A/173A or may be purchased and field-installed at a later time if so desired. The Model 1728 features plug-in wiring and, as a result, no modifications need to be made to the Model 172A/173A chassis,

a. How to Operate from Line Power. The Model 172A/173A can be powered from line voltage over four ranges from a minimum of 90 V rms to a maximum of 250 V rms. Table 3-1 summarizes the line voltages permitted.

1. Set the internal line voltage switch to either 117V or 234V.
2. Plug the line cord into source of line power.
3. Depress LINE pushbutton.

NOTE

Power on will be indicated by a lighted display with one or more digits and measurement unit showing.

TABLE 3-1.
How to Set Line Voltage

Range Desired	Switch S001	Transformer Modification*
90-105V	117V	Yes *
105-125V	117V	No
210-250V	234V	No

*For this range, the leads must be rewired. See Schematic 29145E Sheet 3.

b. How to Operate from Battery Power.

1. Install the Model 1728 Rechargeable Battery Pack. (See Section 2, page 2-3.)
2. Depress BAT pushbutton.
3. If LO BAT indicator is lighted, the battery pack must be charged a minimum of 16 hours to provide fully charged operation of the Model 172A/173A.

NOTE

To charge the Model 1728, release both LINE and BAT pushbuttons and connect the line cord to line power. If it is desired to use the Model 172A/173A immediately, depress LINE. The Model 172A/173A will be useable for measurements although the battery charging rate is decreased considerably.

4. If the LO BAT indicator is not lighted in BAT mode, the model 172A/173A may be used for measurements.

NOTE

The Model 1728 is shipped from the factory in uncharged condition. Therefore the Model 1728 should be installed and charged prior to use. After the Model 1728 has been charged for at least 16 hours, the Model 172A/173A can be powered continuously for at least 6 hours.

TABLE 3-2.
Summary of Operation in LINE and BAT Modes

Button Depressed	Condition of Instrument		
	Line Power Connected 1728 not installed	Line Power Connected 1728 installed	Line Power Not Connected 1728 installed
LINE	ON	ON Battery trickle charged.	OFF
BAT	OFF	ON Batteryslowly discharged.	ON
NEITHER LINE NOR BAT	OFF	OFF Battery charged at maximum rate.	OFF

3-3. HOW TO SELECT FUNCTION. Function is selected by means of four pushbuttons: DC/AC, V, A and Ω .

a. V. This pushbutton must be used with DC/AC to select either DC voltage or AC Voltage.

1. DC Voltage. Depress V. Release DC/AC.
2. AC Voltage. Depress V. Depress DC/AC.

b. A. This pushbutton must be used with DC/AC to select either DC current or AC current.

1. DC Current. Depress A. Release DC/AC.
2. AC Current. Depress A. Depress DC/AC.

c. DC/AC. This pushbutton selects whether the selected voltage or current function will be AC or DC. When depressed, AC is selected.

d. Ω . Depress Ω to measure resistance.

NOTE

V, A, and Ω pushbuttons are interlocked so that only one pushbutton is depressed at a time. However, it is possible to have all pushbuttons out which disconnects the input HI and LO terminals and no measurement can be made. (The volts or millivolts indicator will be lighted in this instance.) Ω overrides DC/AC. V or A overrides HI/LO and 2 WIRE/4 WIRE.

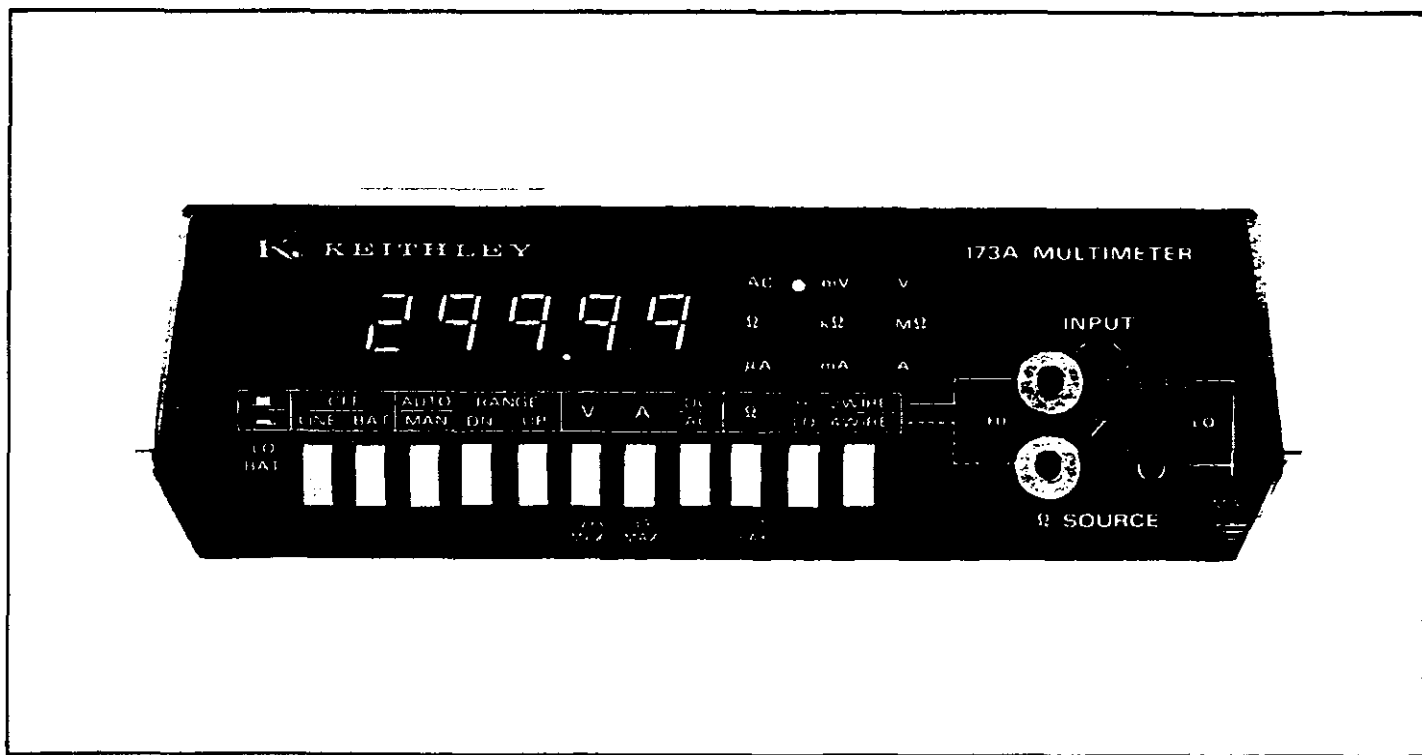


FIGURE 3-1. Front Panel Pushbutton Selection.

3-4. HOW TO SELECT RANGE. The Model 172A/173A provides automatic or manual ranging. The AUTO/MAN pushbutton determines the ranging mode, where AUTO = fully automatic ranging.

a. AUTO. When released, the Model 172A/173A automatically selects the appropriate range in accord with the following rules.

1. When the display exceeds 29999 the Model 172A/173A upranges (that is, it changes to less sensitivity and the decimal point moves appropriately).
2. When the display reaches 02599 the Model 172A/173A downranges (that is, it changes to greater sensitivity and the decimal point moves appropriately).

b. MAN. When depressed, the range is placed to hold. The user can cause the Model 172A/173A to uprange or downrange by using the UP RANGE and DN RANGE pushbuttons.

1. When DN RANGE is momentarily depressed, the Model 172A/173A will downrange one decade of sensitivity. Each time the pushbutton is depressed and released, one downrange will occur until most sensitive range is obtained.
2. When UP RANGE is momentarily depressed, the Model 172A/173A will uprange one decade of sensitivity. Each time the pushbutton is depressed and released, one uprange will occur until least sensitive range is obtained.

3-5. HOW TO MEASURE VOLTAGE. The Model 172A/173A measures ac and dc voltage in five ranges: 0.3V, 3V, 30V, 300V and 1200V DC (1000VAC).

CAUTION



Maximum input voltage depends on the range selected. Table 3-3 gives the maximum allowable continuous input for each range on AC and DC. Do not exceed these voltages or damage to the instrument will occur.

TABLE 3-3.

Maximum Allowable Continuous Input

Range	AC Voltage (ACV)	DC Voltage (DCV)
0.3V	1000V rms	1200V peak*
3 V	1000V rms	1200V peak*
30 V	1000V rms	1200V peak
300 V	1000V rms	1200V peak
1000 V	1000V rms	1200V peak

*Overload on manual range not to exceed 600 volts continuous or 1200V for 3 seconds.

a. DC Voltage. The Model 172A/173A detects dc voltages from ± 10 microvolts/digit to ± 1200 volts (1200.0 display). The maximum display is 29999. When the display exceeds 29999, a 3 remains lighted, but all other digits are blanked. The display blinks above 1199.9 volts on the highest range.

1. Set to DC Volts.
2. Set to AUTO.

3. Connect the Signal to be measured between HI and LO terminals. (The terminals are designed to accept banana style plugs, such as Keithley part no. BG-5 or accessory test leads such as Model 1681 Clip-On Test Leads.)

4. Observe the displayed digits, polarity sign, decimal point location, and measurement unit (mV or V). If no polarity sign is indicated, a positive polarity is implied.

b. AC Voltage. The Model 172A/173A detects ac voltages from 10 microvolts rms to 1000 volts (1000.0 display). The maximum display is 29999. When the display exceeds 29999, a 3 remains lighted, but all other digits are blanked. The display blinks above 999.9 volts on the highest range.

1. Set to AC Volts. (The AC indicator should be lighted.)
2. Set to AUTO.

3. Connect the signals to be measured between HI and LO terminals. (The terminals are designed to accept banana style plugs, such as Keithley part no. BG-5 or accessory test leads such as Model 1681 Clip-On Test Leads.)

4. Observe the displayed digits, decimal point location, and measurement unit (mV or V).

Digital Multimeter
Models 172A, 173A

3-6. HOW TO MEASURE CURRENT. (MODEL 172A ONLY). The Model 172A measures ac and dc current in two ranges: 0.3A, and 2A. The current is limited by the current fuse even though the DMM is capable of displaying 2.9999A.

CAUTION



The Model 172A is protected by a 2 ampere fuse on all ranges. If the fuse is blown, a replacement Keithley Part No. FU-13 should be installed in the rear panel fuse holder. (See Figure 2-1).

a. DC Current. The Model 172A detects dc currents from ± 10 microamperes/digit to ± 2 amperes. When the input exceeds 2 amperes, the current fuse will blow. When using the MAN mode it is possible to select 30A, 300A & 3000A Ranges, but 2A Max is still the limit.

1. Set to DC Amperes.
2. Set to AUTO.
3. Connect the signal to be measured at the HI terminal.

4. Observe the displayed digits, polarity sign, decimal point location, and measurement unit (mA, or A). If no polarity sign is indicated, a positive polarity is implied.

b. AC Current. The Model 172A DMM detects ac currents from 10 microamperes rms/digit to 2 amperes rms. When the input exceeds 2 amperes, the current fuse will blow.

1. Set to AC Amperes. (The AC indicator should be lighted).
2. Set to Auto.
3. Connect the signal to be measured at the HI terminal.
4. Observe the displayed digits, decimal point location and measurement unit (AC mA or AC A).

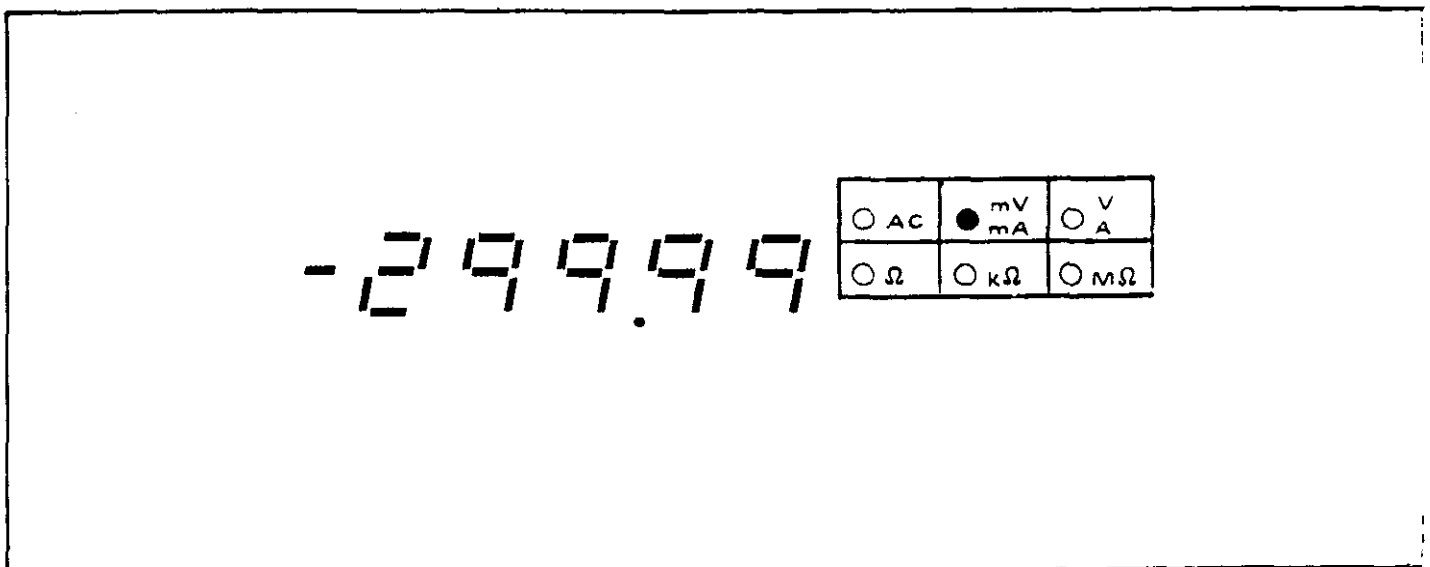



FIGURE 3-2. Typical Model 172A Current Display (DCmA).

3-7. HOW TO MEASURE CURRENT. (MODEL 173A ONLY.) The Model 173A measures ac and dc current in five ranges: 0.3mA, 3mA, 30mA, 0.3A, and 3A.

CAUTION

 The Model 173A DMM is protected by a 3 ampere fuse on all ranges. If the fuse is blown, a replacement Keithley Part No. FU-2 should be installed in the rear panel fuse holder. (See Figure 2-1).

a. DC Current. The Model 173A DMM detects dc currents from ± 10 nanoamperes to ± 3 amperes. The maximum display is 29999. When the display exceeds 29999, a 3 remains lighted, but all other digits are blanked.

1. Set to DC Amperes.
2. Set to AUTO.
3. Connect the signal to be measured at the HI terminal.
4. Observe the displayed digits, polarity sign, decimal point location, and measurement unit (μA , mA, or A). If no polarity sign is indicated, a positive polarity is implied.

b. AC Current. The Model 173A DMM detects ac currents from 10 nanoamperes rms/digit to 3 amperes rms. The maximum display is 29999. When the display exceeds 29999, a 3 remains lighted, but all other digits are blanked.

1. Set to AC Amperes. (The AC indicator should be lighted.)
2. Set to AUTO.
3. Connect the signal to be measured at the HI terminal.
4. Observe the displayed digits, decimal point location, and measurement unit (AC μA , AC ma, or AC A).

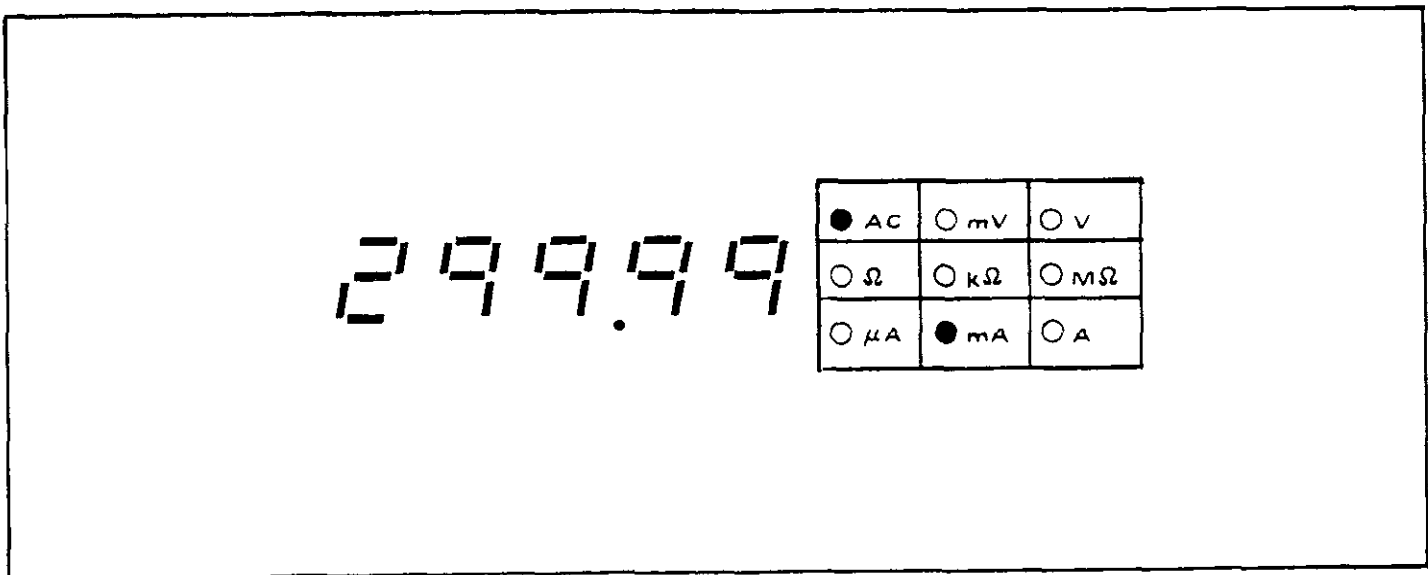


FIGURE 3-3. Typical Model 173A Current Display (ACmA).

3-8. HOW TO MEASURE RESISTANCE. The Model 172A/173A measures resistance from 10 milli-ohms/digit to 300 megohms. The maximum display is 29999. When the display exceeds 29999, a 3 remains lighted, but all other digits are blanked.

a. HI Ohms Measurement. When the HI/LO pushbutton is released (set to HI), the voltage developed across the resistance under test at full range is 3 volts. The Model 172A/173A measures from 100 m Ω to 300 megohms in HI mode.

1. Set to HI Ohms.
2. Set to 2 WIRE.

NOTE

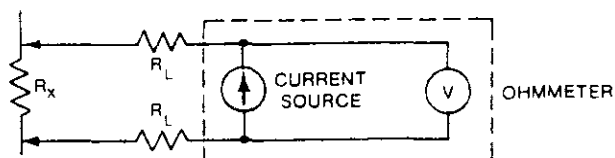
When the Model 172A/173A is set to 2 WIRE, the lower set of HI and LO input terminals is not connected. When set to 4 WIRE, the higher set of HI and LO input terminals is used as "voltage sensing" terminals. See Section 3-9 for more detailed information.

3. Set to AUTO.
4. Connect the resistance under test between the upper set of HI and LO terminals.
5. Observe the displayed digits, decimal point location, and measurement unit (Ω , K Ω , or M Ω).

b. LO Ohms Measurement. When the HI/LO pushbutton is depressed (set to LO), the voltage developed across the resistance under test at full range is 300 millivolts. The Model 172A/173A measures from 10 m Ω to 30 megohms in LO mode.

1. Set to LO Ohms.
2. Set to 2 WIRE.
3. Set to AUTO.
4. Connect the resistance under test between the upper set of HI and LO terminals.
5. Observe the displayed digits, decimal point location, and measurement unit (Ω , K Ω , or M Ω).

This illustration is typical of a 2-terminal ohmmeter design.



When measuring resistance less than 1000 ohms it may be necessary to use the 4-wire mode to eliminate the measuring error of the test leads. For example a pair of 10ft leads made from 18 AWG copper wire has 0.14 ohms resistance.

FIGURE 3-4. Typical 2 WIRE Resistance Measurement.

3-9. FURTHER MEASUREMENT CONSIDERATIONS.

a. DC Voltage Measurements.

1. Overloads. When the display exceeds $\pm 1200.0V$ DC all digits blink to indicate an overload condition.

2. Input Resistance. Input resistance is 1,000 M Ω on the 300mV and 3V ranges; 10 M Ω on the 30V, 300V, and 3000V ranges. The effects of circuit loading should be considered when evaluating total accuracy of measurement. (See Accuracy.)

3. Accuracy. The Model 172A/173A accuracy is specified in terms of % of reading and a % of range. For a full range reading of 299.99 mV DC the accuracy of measurement would be $\pm (0.03 \text{ mV} + 0.01 \text{ mV})$ or $\pm 0.04 \text{ mV}$. Measurements from relatively high source resistances could cause an additional reading error. The amount of error due to loading can be determined by the following relationship:

$$\% \text{ error} = 100 \times R_s \div (R_s + R_I)$$

where R_s = source resistance in ohms

R_I = input resistance of Model 172A/173A in ohms

4. Self-Test Feature. The Model 172A/173A has a bottom cover voltage contact for functional check in DC Volts. To use this feature, connect the input HI terminal to circled B contact. Verify a display of approximately 5 volts dc with V depressed. To check dc current, depress A and verify a display of 1.3 mA (172A); 1 mA (173A).

b. AC Voltage Measurements

1. Overloads. When the display exceeds 1000.0 V AC (rms) all digits blink to indicate an overload condition.

2. Input Impedance. The input impedance is 2 megohms shunted by less than 50 picofarads. The effects of circuit loading should be considered when evaluating the total accuracy of measurement. (See Accuracy.)

3. AC-to-DC Conversion. The Model 172A/173A operates as an average-reading voltmeter, calibrated in terms of the root-mean-square (rms) of a sine wave. The calibration is exact for sinusoidal waveforms in the specified frequency range.

4. Frequency Response. The frequency range given in the specifications is the minimum and maximum frequencies which accuracy is valid.

5. Accuracy. 172A/173A accuracy is specified in terms of % of reading and so many digits. Measurements from relatively high source impedance could cause an additional reading error. The amount of error due to loading can be determined by the following relationship:

$$\% \text{ error} = 100 \times \frac{Z_s}{Z_s + Z_{in}}$$

where Z_s = source impedance

Z_{in} = effective input impedance of Model 172A/173A

6. Self-Test Feature. The Model 172A/173A has a bottom cover voltage contact for functional check in AC volts. To use this feature, connect the input HI terminal to circled A contact. Verify a display of approximately 6 volts ac. To check ac current, depress A and verify a display of 1.2 mA.

NOTE

AC Self-test features are operable on line power only.

c. Current Measurements.

1. Overloads. Fuses are as follows: Model 172A: 2A Model 173A: 3A

2. Shunt Resistance. The Model 173A develops approximately 300 millivolts across the input terminals at full range. The 172A has 1.3 Ω on all ranges.

For example, on the 300 milli-ampere range the shunt resistor is 1.3 ohm, which results in a voltage drop of $0.3 \times 1.3 = 390$ millivolts at full range.

3. Accuracy. 172A/173A accuracy is specified in terms of a % of reading and so many digits. An additional reading error should be considered if the source resistance is not greater than 1000 times the shunt resistor. The amount of error can be determined by the following relationship:

$$\% \text{ error} = \frac{100 \times R_{in}}{R_s + R_{in}}$$

where R_{in} = shunt resistance of the Model 172A/173A
 R_s = source resistance.

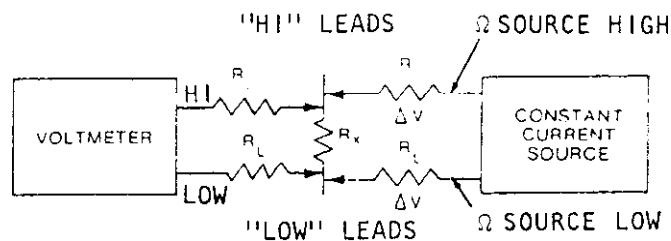
d. Resistance Measurements.

1. Maximum Allowable Voltage Input. The maximum input should not exceed 250V rms sine wave or $\pm 250V$ dc.

2. Polarity of Ohms. The Model 172A/173A provides a positive voltage at the HI terminal.

3. Maximum Open-Circuit Voltage. When the HI and LO terminals are open in either HI or LO ohms, the maximum voltage developed between HI and LO is +5 volts.

This illustration is typical of a 4-terminal measuring technique using a separate Voltmeter and Current Source. The Model 172A/173A combines these features.



When using the 4-WIRE method, connect one pair of "current" leads to Ω SOURCE input. Connect a second pair of "voltage" leads to HI and LO. Then set to 4 WIRE.

Care should be taken to connect "current" leads and "voltage" leads properly. The LO terminal and Ω Source low must always connect to the same side of the unknown resistance.

FIGURE 3-5. Typical 4 WIRE Resistance Measurement.

4. Four-terminal Measurements. The 4-WIRE mode connects the lower set of Ω SOURCE terminals to the DMM ohmmeter source. As shown in Figure 3-5 the lower terminals are the current carrying terminals while the upper terminals are the voltage sensing terminals. This arrangement eliminates the error due to voltage drop across the current-carrying leads.

5. Semiconductor Diode and Transistor Testing. The Model 172A/173A can be used to test diodes and transistors to determine the relative condition of the device. For semiconductor diodes, the voltage applied must be sufficient to cause conduction in the forward direction. The "HI OHMS" mode provides a voltage up to 3 volts at a current upto 1 milliampere. Since the HI terminal is positive with respect to LO terminal, connections should be made as shown in Figure 3-6 to cause forward conduction of diodes. Since the maximum current is available on the 3 K Ω range, depress AUTO/MAN (Set to MAN) and manually range to the 3 K Ω range (down-range).

6. Self-Test Feature. The Model 172A/173A has a bottom cover voltage contact for functional check in OHMS. To use this feature, place the DMM in OHMS and 2-WIRE mode. Connect input HI terminal to circled C contact. Verify a display of approximately 10 kilohms.

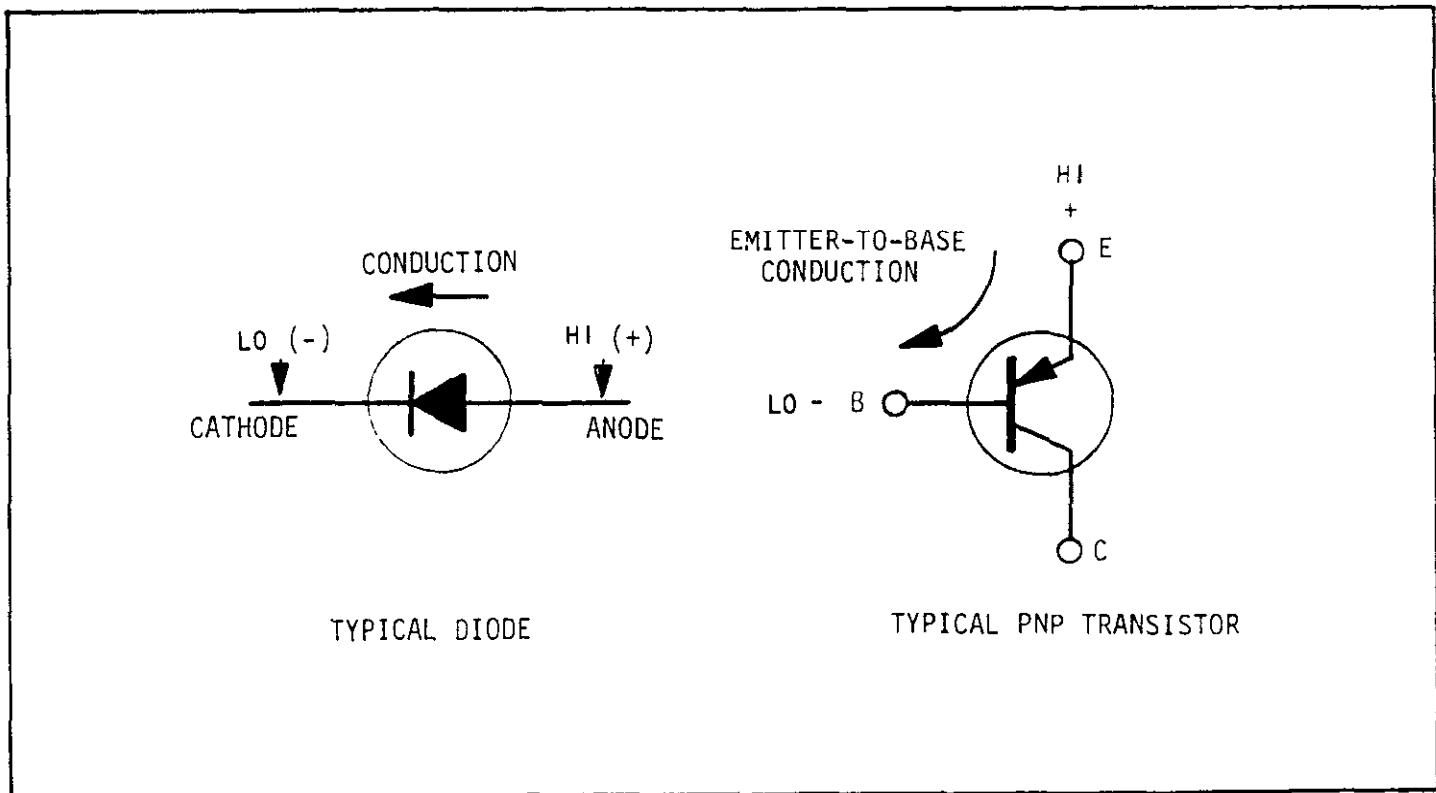


FIGURE 3-6. Semiconductor Diode and Transistor Testing.

Digital Multimeter
Models 172A, 173A

3-10. HOW TO USE MODEL 172A/173A OFF-GROUND. The "LO" terminal can be operated off ground at potentials of up to ±1400V. Isolation from the "LO" terminal to power line ground is specified at 1000MΩ, or 10⁹Ω (shunted by 300pF). Typically, the isolation resistance from LO to GND is two decades greater than 10⁹Ω (10¹¹ Ω). Because of this excellent isolation, operating the Model 172A/173A off ground results in very little loading (from LO to GND) of a floating source. At 1000V above ground, the Model 172A/173A will require, typically, only 10nA from the source. The excellent isolation also accounts for the high common-mode rejection ratio of the Model 172A/173A. Even with the "HI" terminal driven and a source resistance of 1kΩ, 1000 VDC (from HI to GND) will produce typically only 10μV DC error. This error voltage is determined directly from the ratio of the source resistance to the "isolation" resistance (See Figure 3-7).

$$I = \frac{1000V}{10^{11}\Omega} = 10^{-8}A \qquad V_{\text{across } 1k} = I \times 1k\Omega = 10^{-8} \times 10^3 = 10\mu VDC$$

The "isolation" capacitance from LO to GND is important when AC common-mode signals are present. In the Model 172A/173A this capacitance is specified at 300pF. At a frequency of 60Hz, 300 picofarads has a reactance of approximately 10MΩ. With the HI terminal driven and a source impedance of 1kΩ, a 1000V p-p, 60 Hz, common-mode signal will produce a voltage of only 100mV p-p across the input terminals. This 100mV p-p signal will be further rejected by the input filter and A-D converter so that the total rejection at the digital display is at least 120 dB (HI driven, 1kΩ source impedance). For DC voltage measurements, rejection is much greater than specified when the Model 172A/173A LO terminal is driven, rather than the HI terminal. Where there is a need for even greater isolation from LO to power line ground, or where there is a need to float at potentials greater than 1400 volts above power line ground the Model 1728 Battery Pack should be used.

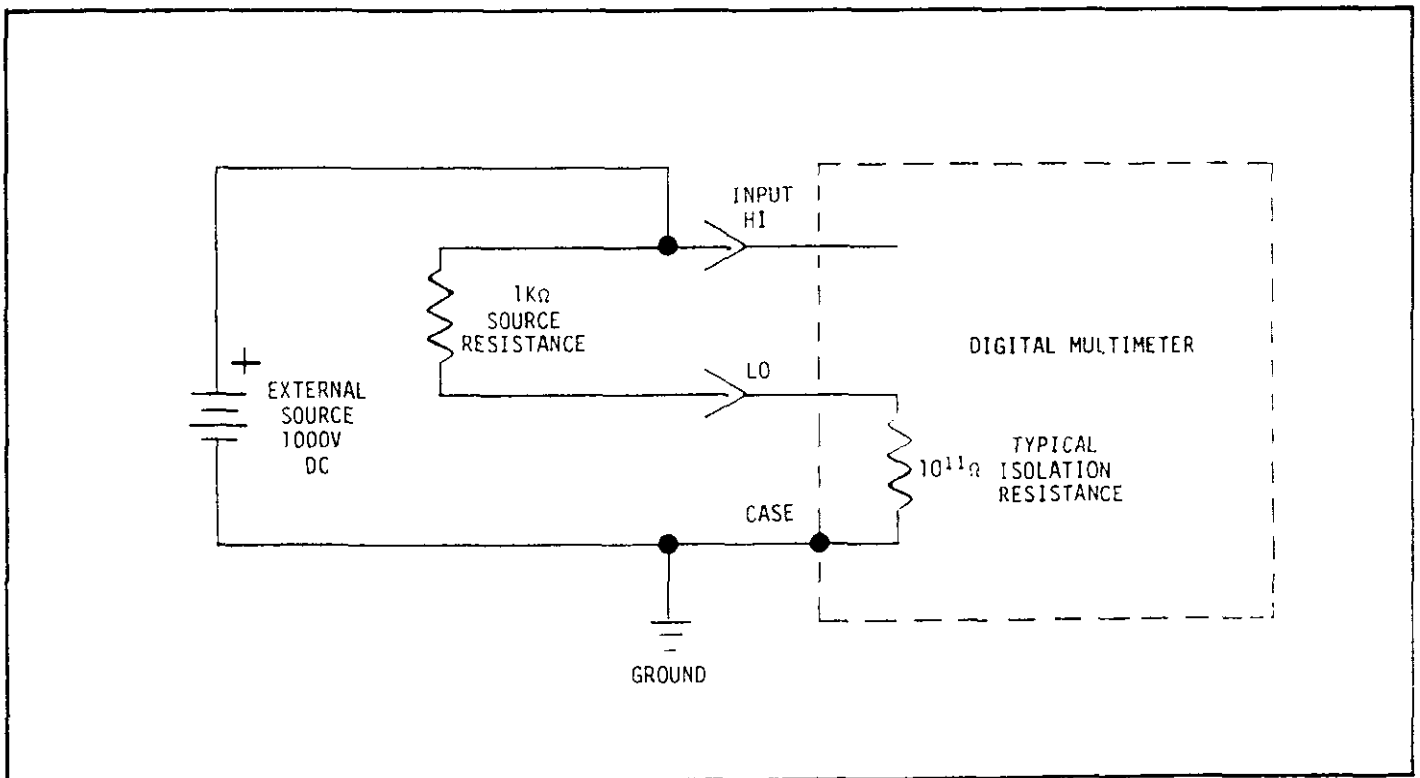


FIGURE 3-7. Use of Multimeter Off Ground.

3-11. HOW TO USE OPTIONAL PROBES AND SHUNTS.

a. Model 1600 High Voltage Probe. Set the Model 172A/173A to DC volts and 30 volt range. The input resistance on the 30 volt range is 10 megohms so that no shunt resistor is needed. The Model 1682 has a 1000:1 division ratio. For maximum safety review the instructions furnished with the Model 1600 probe above 30kV, switch to the 300V range.

CAUTION



The alligator clip (ground) must be connected to the source low so that high voltage is not applied between low and ground. Severe damage to the instrument will occur if the alligator clip is not connected.

b. Model 1682 RF Probe. Set the Model 172A/173A to DC volts and 30 volt range. The Model 1682 has a 1Vdc output corresponding to 1 V rms input over the range 100 kHz to 100 MHz.

IMPORTANT

For use on the 3 volt range the banana plug adapter (with 10 megohm resistor) should be used since the Model 172A/173A input resistance is >1000 megohms on the 3 volt and 0.3 volt ranges.

c. Model 1685 Clamp-On AC Current Probe. Set the Model 172A/173A to AC volts and 0.3 volt range. The Model 1685 provides a 0.1 volt rms output corresponding to a 1 ampere rms input. Review the instructions furnished with the Model 1685 to achieve best possible accuracy.

d. Model 1651 Current Shunt. Set the Model 172A/173A to AC or DC volts (as appropriate) and 0.3 volt range. Connect the voltage leads to the Model 172A/173A input terminals. Connect separate leads (not furnished) between the source and the Model 1651 hex-head bolts. The Model 1651 shunt resistance is 0.001 ohm which produces a sensitivity of 1 millivolt per ampere.

3-12 HOW TO USE THE MODEL 1722 DIGITAL INTERFACE.

a. General. The Model 1722 provides binary coded decimal outputs (8421) and range control lines. Outputs are open-collector positive true unless otherwise specified. This accessory is available either "factory installed" or "field-installable". The Model 1722 consists of a two-layer circuit with card-edge and mating output connectors.

b. Installation.

1. Disconnect the Model 172A/173A line cord from line voltage.
2. Turn the instrument over so that the bottom cover faces up.
3. Loosen four slotted screws on the bottom cover. The screws are captive, that is, they cannot be removed completely.
4. Turn over the instrument with the top cover facing up, taking care to hold the top and bottom covers together.
5. Carefully remove the top cover to gain access to the printed circuit board. There is one connection between the top cover and the main circuit board which must be temporarily removed in order to free the top cover.
6. Remove the Model 1728 Rechargeable Battery Pack (if installed). Carefully disconnect connectors from the mother board.

NOTE

The Models 1722 and 1728 cannot be installed on the Model 172A/173A chassis at the same time.

7. Check to see that the four insulating spacers are in position on the circuit board as shown in Figure 3-9.
8. Place the Model 1722 on the spacers as shown in Figure 3-9.
9. Lift up the Model 1722 slightly to gain access to the Model 172A/173A mother board, and plug in connectors J1003, J1002, and J1001 (in order given).
10. Connect ground return wire from the Model 1722 to the extra lug on transformer T101.
11. Replace the connections to the top cover.
12. Reinstall the top cover.
13. Turn the instrument over and tighten the four screws.

c. Connector Terminations. The Model 1722 uses two card-edge connectors P1006 (40-pin) and P1101 (26-pin). Ribbon cable style of mating connectors may be used with these cardedge connectors as shown in Table 3-5.

TABLE 3-5.
Summary of Mating Connectors

	Manufacturer	Crimped Ribbon-Cable Style
P1101	3M	3462-0000
P1006	3M	3464-0000

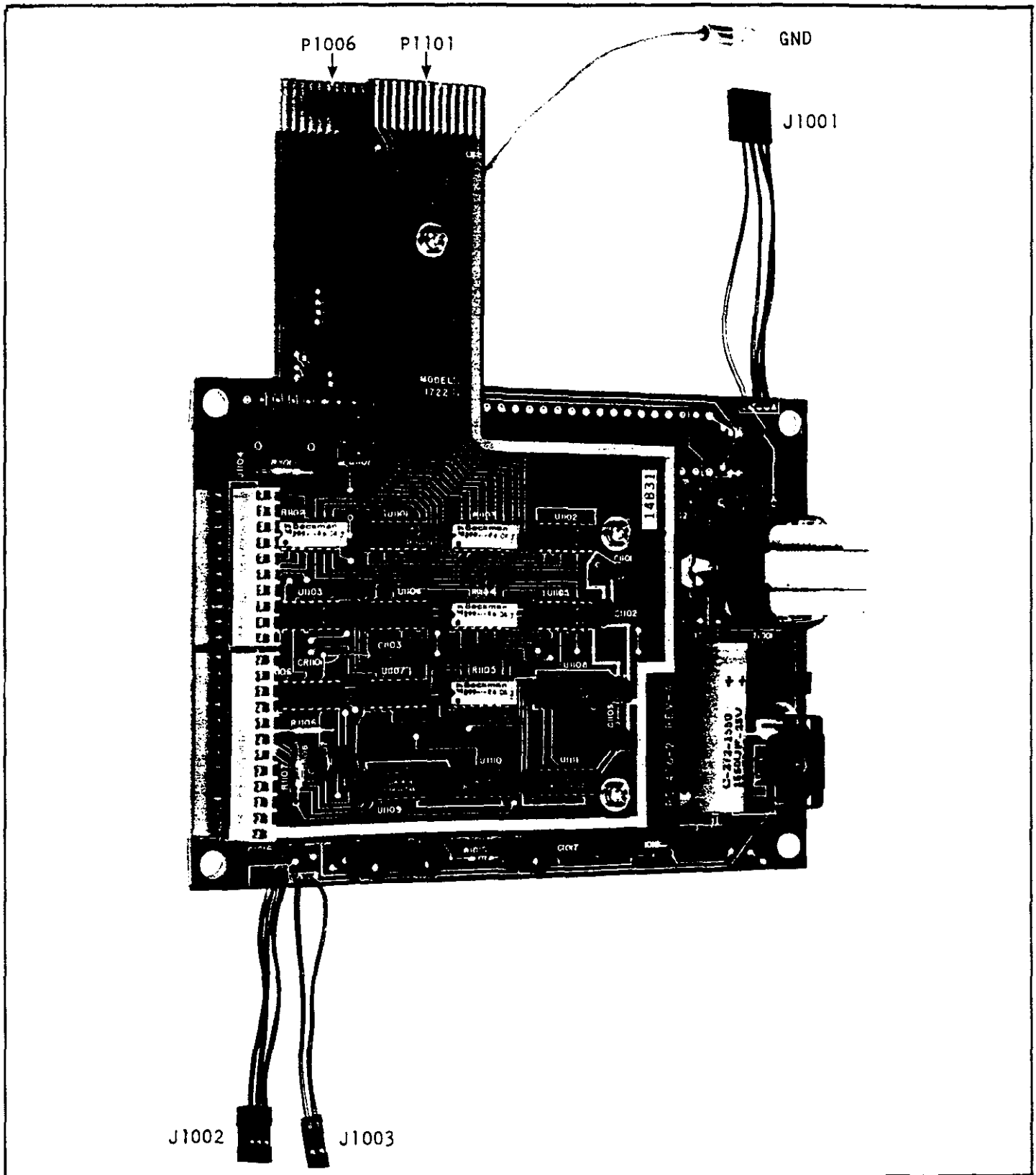


FIGURE 3-8. Model 1722 Digital Output Interface.

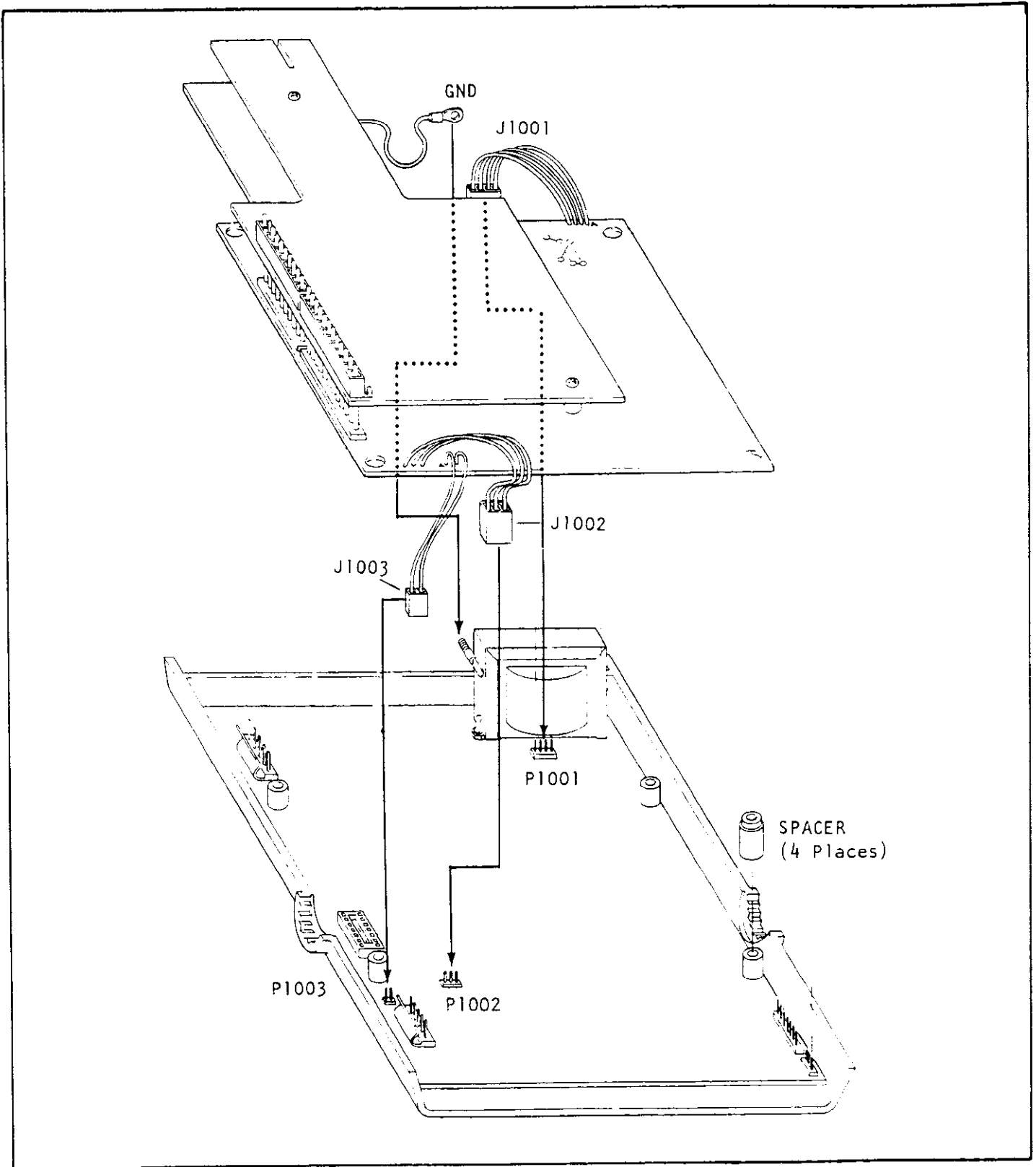


FIGURE 3-9. Installation of Model 1722.

TABLE 3-6.
Summary of Digital Output at P1006

Pin No.	Signal	Pin No.	Signal
1	CASE GND	21	10^4-2
2	COMMON	22	10^3-2
3	COMMON	23	10^4-1
4	COMMON	24	10^3-1
5	COMMON	25	10^2-8
6	PRINTER HOLD	26	10^1-8
7	AUTOMODE	27	10^2-4
8	VEXT	28	10^1-4
9	R8	29	10^2-1
10	VOLTS	30	10^1-2
11	R4	31	10^2-1
12	AMPS	32	10^1-1
13	R2	33	10^0-8
14	AC	34	FLAG
15	R1	35	10^3-4
16	OHMS	36	FLAG
17	10^4-8	37	10^0-2
18	10^3-8	38	OVERFLOW
19	10^4-4	39	10^0-1
20	10^3-4	40	POLARITY

TABLE 3-7.
Summary of Remote Commands at P1101

Pin No.	Command	Pin No.	Command
1	CASE GND*	14	RANGE STROBE
2	COMMON	15	R4
3	COMMON	16	POLARITY STROBE
4	AUTORANGED STROBE	17	R8
5	TRIGGER MODE	18	10^4 STROBE
6	AUTOMODE STROBE	19	TRIGGER
7	HOLD	20	10^3 STROBE
8	OVERFLOW STROBE	21	FLAG RESET
9	LOAD RANGE	22	10^2 STROBE
10	FLAG/FLAG STROBE	23	TRIGGER MODE DISABLE
11	R1	24	10^1 STROBE
12	FUNCTION STROBE	25	AUTORANGED
13	R2	26	10^0 STROBE

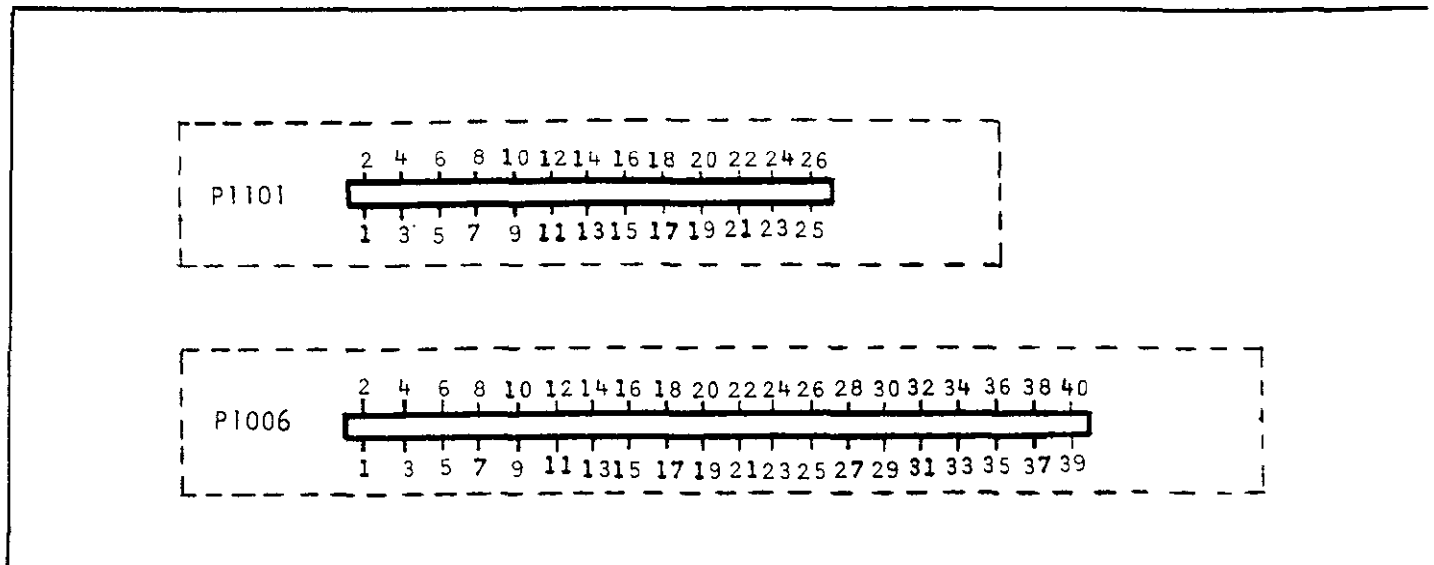


FIGURE 3-10. Connector Pin Identification for P1006 and P1101.

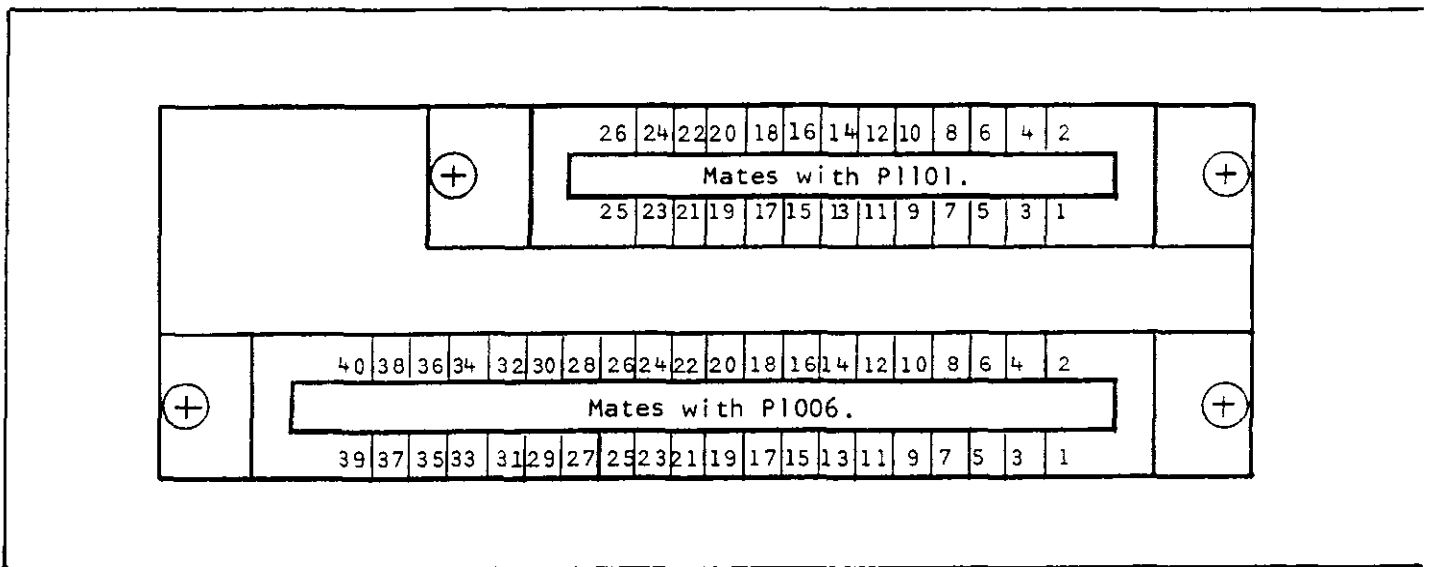


FIGURE 3-11. Card-Edge Connectors (Model 1727 Cable Set).

d. How to Select Vext Using Internal Jumper. The Model 1722 may be wired for use with internal or external voltage references and internal pull-up resistors. (See Figure 3-9).

1. Jumper A. When this jumper is installed, the pull-up resistors are connected to the external reference Vext (pin 8, P1006).

2. Jumper B. When this jumper is installed, the pull-up resistors are connected to the internal reference (+5V).

3. Jumper C. When this jumper is installed, Vext is connected to internal +5V reference. The pull-up resistors are not connected in this instance. The +5 volt reference is rated at 40 mA maximum.

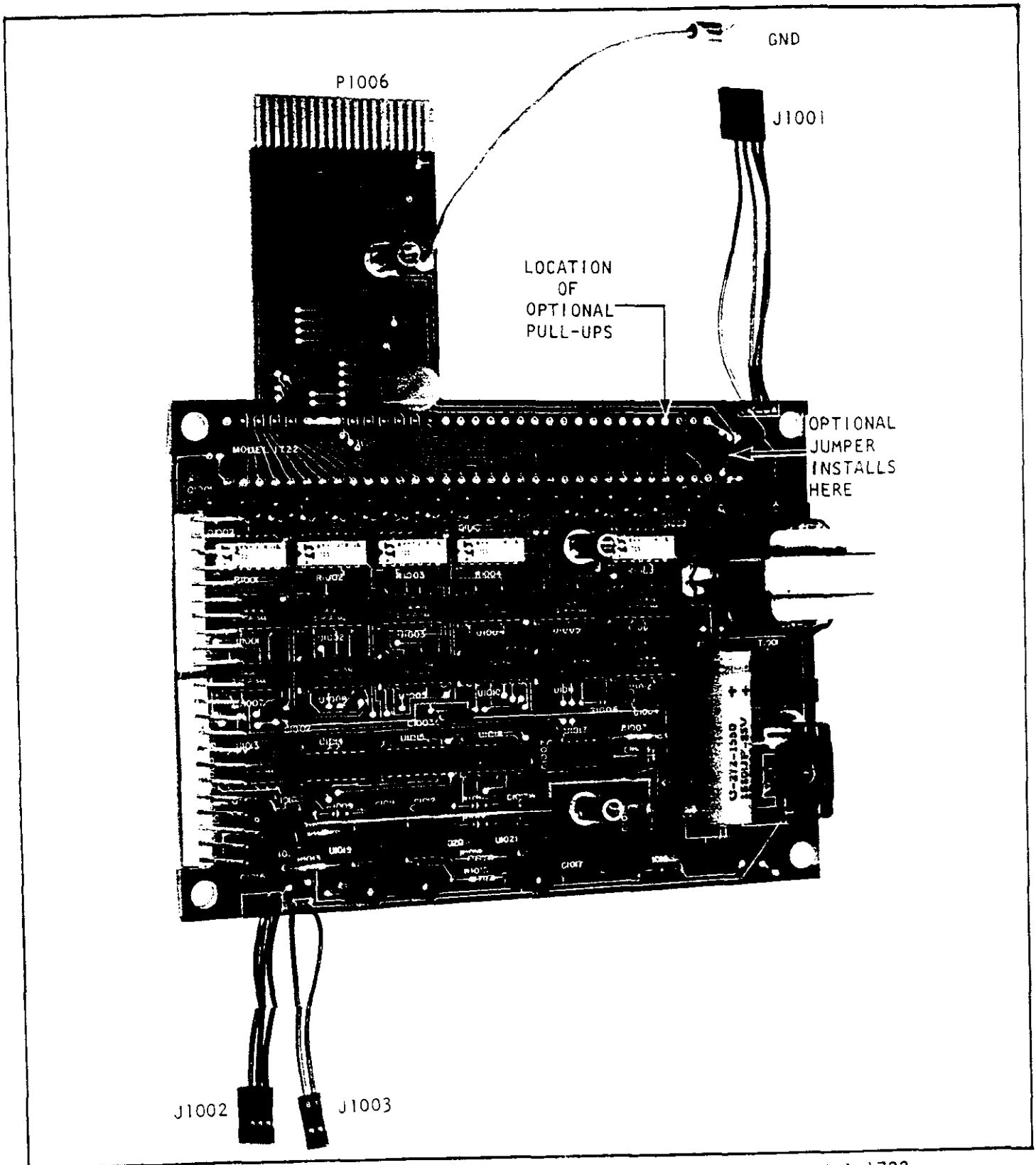


FIGURE 3-12. Location of Jumpers and Pull-Ups on Model 1722.

TABLE 3-8.
Digital Output Lines Grouped By Function

Name	P1006 Pin No.	P1101 Pin No.	Name	P1006 Pin No.	P1101 Pin No.
10 ⁰ STROBE	--	26	FUNCTION STROBE		12
10 ⁰ -1	39		-VOLTS	10	
10 ⁰ -2	37		-AMPS	12	
10 ⁰ -4	35		-AC	14	
10 ⁰ -8	33		-OHMS	16	
10 ¹ STROBE	--	24	OVERFLOW STROBE		8
10 ¹ -1	32		-OVERFLOW	38	
10 ¹ -2	30		AUTOMODE STROBE		6
10 ¹ -4	28		-AUTOMODE	7	
10 ¹ -8	26		AUTORANGED STROBE		4
			-AUTORANGED		25
10 ² STROBE	--	22	PRINTER HOLD	6	
10 ² -1	31		TRIGGER MODE		5
10 ² -2	29		HOLD		7
10 ² -4	27		LOAD RANGE		9
10 ² -8	25		R1		11
10 ³ STROBE	--	20	R2		13
10 ³ -1	24		R4		15
10 ³ -2	22		R8		17
10 ³ -4	20		TRIGGER		19
10 ³ -8	18		FLAG RESET		21
10 ⁴ STROBE	--	18	TRIGGER MODE DISABLE		23
10 ⁴ -1	23		COMMON	2,3,4,5	2,3
10 ⁴ -2	21		CASE	1	1
10 ⁴ -4	19		FLAG/FLAG STROBE	--	10
10 ⁴ -8	17		FLAG	36	
POLARITY STROBE	--	16	FLAG	34	
RANGE STROBE	--	14	VEXT	8	
-R1	15				
-R2	13				
-R4	11				
-R8	9				

TABLE 3-9.
General Characteristics of Model 1722 Digital Interface.

DIGITAL OUTPUTS:

Logic: BCD (8421) Open-collector positive true unless otherwise specified.
Data: 4 full digits, 1 partial digit (0, 1, 2, 3) and exponential range code.

Function: 4-bit code (Ω , AC VOLTS, AMPS)

Polarity: HIGH \equiv +.

Overflow: LOW \equiv > 29999.

Autorange: LOW \equiv range change.

Automode: HIGH \equiv autorange mode.

FLAG (FLAG): HIGH (logic "0") \equiv no output change occurring.

Logic Levels: HIGH \equiv open collector to output L0. LOW \equiv closure to output L0. Output device (2N5134) greater than 20V breakdown, <0.5V at 5mA sink (3TTL loads). Internal pull-up resistors may be installed on these open collector outputs. 4.7K minimum value is recommended when using internal 5 volt power supply.

OUTPUT TIMING: Data is updated typically every 320 msec (non-trigger mode). Update time is typically 1.2 msec. Data will appear at an output only if its respective strobe is active. The FLAG will go low (Logic "0") typically 2 msec before update and go high typically 100 μ sec after update. Data can be expected to be unchanging so long as the flag is high. If FLAG RESET is activated, the FLAG will reset (go to Logic "0") until the end of the next data update.

REMOTE CONTROLS:

Strobe: Strobe lines permit word serializing in 4-bit increments or multiples thereof. HIGH inhibits controlled output lines from conduction, LOW enables conduction.

Range In: 4-bit exponential code.

Load Range: Low enables remote ranging as set by Range code.

Hold: LOW inhibits display update, output update and autorange (A/D continues conversions).

Printer Hold: Same as hold but grouped with outputs for convenience in interfacing printer.

Trigger Mode: LOW enables TRIGGER control.

Trigger Mode Disable: LOW disables TRIGGER.

Trigger: LOW to HIGH transition initiates a new A/D conversion.

Flag Reset: LOW sets FLAG (FLAG) to LOW (HIGH).

Control Logic Levels & Source Requirements: HIGH \equiv either an open circuit or a voltage between +2.4V and 5V referred to output L0. LOW \equiv closure to output L0 within 0.8V while sinking +1.6 milliamperes (1TTL load). When TRIGGER MODE, HOLD and LOAD RANGE code bits are all HIGH (inactive) the 172A/173A is under front panel control. These REMOTE CONTROL inputs have priority and will override any front panel setting once activated.

ISOLATION: All digital outputs and remote controls are isolated from 172A/173A analog input by $10^9 \Omega$ and 500pF, 1200 VDC, 1000V rms AC maximum. All digital outputs and remote controls are isolated from chassis ground by $10^6 \Omega$ and 0.01 μ F; 250V rms maximum.

e. Detailed Explanation of Model 1722.

- TRIGGER MODE AND TRIGGER:** When TRIGGER MODE is active (Low), output data and display will not be updated. TRIGGER MODE enables TRIGGER. Conversion starts within 1.6 milliseconds after TRIGGER. Integration starts 120 milliseconds after start of conversion.
(See Schematic 28248E)
- HOLD:** If either HOLD or PRINTER HOLD is low the output data and the display will not be updated and the FLAG will stay at HIGH (unless reset by FLAG RESET).
- LOAD RANGE:** When LOAD RANGE is low the 172A/173A will go to the range as set by the RANGE IN code (Table 3-10) at the beginning of the next conversion. As long as LOAD RANGE is held low, each instrument will remain on its programmed range overriding front panel UPRANGE, DOWNRANGE and AUTORANGE. RANGE IN codes programmed outside the limits of Table 3-10 will result in the nearest valid range to that programmed. LOAD RANGE will always cause a DMM range change. However, the display and output data will be held (not updated) during TRIGGER MODE or HOLD.
- REMOTE CONTROLS:** Referring to timing schematic 28249D, it is possible to just miss a REMOTE CONTROL update prior to data output. This can be misleading, especially in the case of HOLD. A HOLD just missed (unknown to the user), just before data begins to change, could result in erroneous data. To check if this occurred, it is suggested that the FLAG be examined no sooner than 10 usec after activation of the HOLD bit. If flag is low wait until it goes to HIGH before expecting the HOLD bit to have been accepted. Other REMOTE CONTROL bits such as TRIGGER MODE and TRIGGER, LOAD RANGE and the RANGE IN code can be kept active for longer than an output data update time, i.e. >3.2 msec to insure proper REMOTE CONTROL acceptance.
- TRIGGER MODE DISABLE:** When in TRIGGER MODE and triggering into an autoranging condition, normal operation will give an output for each range encountered during the autorange. However, if this is undesirable the AUTORANGED output bit can be tied to TRIGGER MODE DISABLE and FLAG RESET. This will prevent the FLAG from being set and ignore further triggering until the final range is reached.
(See Schematic 28249D)

V_{ext} : Internal jumpers (user installed) select internal or external voltage reference for user-installed pullup resistors for all open-collector outputs, or applies internal +5V to V_{ext} (maximum external current load on internal +5V is 40mA). Minimum pull-up resistor recommended is 4.7K.

LINE GROUND: One pin on each output connector.

GROUNDS: 4 pins for digital outputs, 2 pins for remote control.

CONNECTORS: One 40-pin card edge and one 26-pin card edge.

ENVIRONMENT:

Installed in a 172A/173A: Operating 0°C to 55°C, humidity 80% @ 35°C.

Storage: -25° to +65°C

f. Modifications to Model 172A/173A Specifications. When operating a 172A/173A with a 1722 in TRIGGER MODE, only the accuracy specifications for the top two ohms ranges change as follows:

HI Ω 300M Ω Range: From 1% of reading to 1.5% of reading.

HI Ω 30M Ω Range: From 0.15% of reading to 0.2% of reading.

LO Ω 30M Ω Range: From 0.5% of reading to 1% of reading.

LO Ω 3M Ω Range: From 0.1% of reading to 0.15% of reading.

Also when operating in TRIGGER MODE, repeatability of readings may be up to:

0.5% on 300M Ω HI Ω and 30M Ω LO Ω ranges, and

0.05% on 30M Ω HI Ω and 3M Ω LO Ω ranges.

Accuracy of all other ohms ranges and all other functions is not affected by the Model 1722 when operating in TRIGGER MODE.

TABLE 3-10
MODEL 1722 RANGE & FUNCTION CODING FOR MODEL 172A

FUNCTION	OUTPUT FUNCTION CODE (1)	RANGE	OUTPUT RANGE CODE (1)	(EXP)	INPUT RANGE CODE (1) (3)
	V A AC Ω		R ₈ R ₄ R ₂ R ₁		R ₈ R ₄ R ₂ R ₁
DC VOLTS	1 0 0 0	300 mV	0 1 0 1	5	1 1 1 1
		3.0V	0 1 1 0	6	1 0 1 0
		30 V	0 1 1 1	7	1 0 0 0
		300 V	1 0 0 0	8	0 1 1 1
		1200 V	1 0 0 1	9	0 1 1 0
AC VOLTS	1 0 1 0	300 mV	0 1 0 1	5	1 1 1 1
		3 V	0 1 1 0	6	1 0 1 0
		30 V	0 1 1 1	7	1 0 0 0
		300 V	1 0 0 0	8	0 1 1 1
		1000 V	1 0 0 1	9	0 1 1 0
DC AMPS	1 0 0 0 ⁽²⁾	300 mA	0 1 0 1	5	1 1 1 1
		2 A	0 1 1 0	6	1 0 1 0
AC AMPS	1 0 1 0 ⁽²⁾	300 mA	0 1 0 1	5	1 1 1 1
		2 A	0 1 1 0	6	1 0 1 0
LOW Ω	0 0 0 1	300 Ω	0 0 1 0	2	1 1 1 1
		3 k Ω	0 0 1 1	3	1 1 0 0
		30 k Ω	0 1 0 0	4	1 0 1 1
		300 k Ω	0 1 0 1	5	1 0 1 0
		3 M Ω	0 1 1 0	6	1 0 0 1
		30 M Ω	0 1 1 1	7	1 0 0 0
HI Ω	0 0 1 0	3 k Ω	0 0 1 1	3	1 1 1 1
		30 k Ω	0 1 0 0	4	1 1 0 0
		300 k Ω	0 1 0 1	5	1 0 1 1
		3 M Ω	0 1 1 0	6	1 0 1 0
		30 M Ω	0 1 1 1	7	1 0 0 1
		300 M Ω	1 0 0 0	8	1 0 0 0

(1) Coding in this table is defined to be HIGH (POSITIVE) TRUE. "1" = HIGH and "0" = LOW. Refer to output and remote control logic levels for definitions of HIGH & LOW.

(2) Function code for Model 172A current is volts.

(3) Note that except for AUTORANGE CODE, INPUT & RANGE CODE is the compliment of the OUTPUT RANGE CODE, i.e. the INPUT RANGE CODE is the LOW TRUE BCD code of (EXP).

TABLE 3-11
MODEL 1722 RANGE & FUNCTION CODING FOR MODEL 173A
(Same as Table 3-10 except as follows)

FUNCTION	OUTPUT FUNCTION CODE (1)	RANGE	OUTPUT RANGE CODE (1)	(EXP)	INPUT RANGE CODE (1) (3)
	V A AC Ω		R ₈ R ₄ R ₂ R ₁		R ₈ R ₄ R ₂ R ₁
DC AMPS	0 1 0 0	300 μA	0 1 0 1	5	1 1 1 1 AUTORANGE
		3 mA	0 1 1 0	6	1 0 1 0
		30 mA	0 1 1 1	7	1 0 0 1
		300 mA	1 0 0 0	8	1 0 0 0
		3 A	1 0 0 1	9	0 1 1 1
AC AMPS	0 1 1 0	300 μA	0 1 0 1	5	0 1 1 0
		3 mA	0 1 1 0	6	1 0 1 0
		30 mA	0 1 1 1	7	1 0 0 1
		300 mA	1 0 0 0	8	1 0 0 0
		3 A	1 0 0 1	9	0 1 1 1

3-13. COMMENTS RELATIVE TO THE MODEL 172A/173A SPECIFICATIONS. Above 1 ampere there is decrease in accuracy. This decrease in accuracy is due to self heating and the temperature coefficient of the resistors that are used in these currents. This degradation in accuracy will not exceed those values that are listed in the specification sheet. However, prolonged operation at the high currents (for instance, 2 amperes on the Model 172A, or 3 amperes on the Model 173A) may give temporary zero shifts because of the thermals which are generated due to the self heating of the devices.

3-14. MODEL 1728 OPERATING TIPS. Although the manufacturers of the nickel cadmium batteries used in the 1728 claim that their cells can be charged at a C/10 rate indefinitely, once a cell is fully charged, the energy fed to the cell is converted to heat, which increases the temperature of the cell. If cells are overcharged at C/10 rate for extended periods of time (weeks), this may cause cell degradation. Keithley recommends that the 1728 not be overcharged for extended periods to maximize useful battery life. Trickle charging should have no effect on useful battery life. Nickel Cadmium batteries also exhibit a memory effect. If the 1728 is only used to operate the instrument for relatively short periods of time (1 or 2 hours) the 1728 may not be able to provide the full operating time of 6 hours.

Do not operate the Multimeter in BAT mode after the LO BAT indicator is lighted. The discharge characteristic of Nickel Cadmium batteries is such that it maintains a fairly constant 1.2V through most of its discharge cycle. At the end of the discharge curve the cell voltage drops fairly rapidly to zero volts. After a given cell in the battery pack drops to zero it is reverse charged by the rest of the cells in series with it. Although the cells used in the 1728 are guaranteed by the manufacturer to withstand reverse charge for 10% of their discharge time, it is not a good practice to continually reverse charge cells, as more rapid cell degradation may occur.

The cells used in the 1728 should give a minimum of 250 discharge/charge cycles and typically 500 discharge/charge cycles. Thus, based on daily useage (5 day week, one per day) the battery pack should give a minimum of one year operation and typically two years. Longer life should be expected for less frequent useage.

TABLE 3-12

Summary of Fuses and Miscellaneous Replaceable Parts

ITEM	WHERE USED	KEITHLEY PART NO.
Fuse, 3 AB/3 AG, 1/4 A, Slo-Blo	117V Line Volts	FU-17
Fuse, 3 AB/3 AG, 1/8 A, Slo-Blo	234V Line Volts	FU-20
Fuse, 3 AB/3 AG, 1 A, Slo-Blo	Model 1728	FU-10
Fuse, 3 AB/3 AG, 2 A Quick	Model 172A Amperes	FU-13
Fuse, 3 AB/3 AG, 3 A Quick	Model 173A Amperes	FU-2
Top Cover (less metalcal)	-	28969C
Bottom Cover (less metalcal)	-	28968B
Handle (less insert)	-	25729D
. . . Insert	-	26090A
Rubber Foot	-	FE-10

SECTION 4. ACCESSORIES

4-1. **GENERAL.** This section describes the various accessories and options available for use with the Model 172A/173A Digital Multimeter.

4-2. **POWER OPTIONS.** The Model 172A/173A can be powered by line voltage (105-125V standard) or rechargeable Battery Pack (Model 1728). Other line voltage ranges are available as described in Section 2. The Model 1728 is available factory-installed or field-installable.

4-3. **ISOLATED DIGITAL OUTPUT.** The Model 1722 Digital Output Interface is available factory-installed or field-installable. Complete specifications are given in Section 3 (paragraph 3-12.)

IMPORTANT

The Model 1722, 1723 and 1728 cannot be installed and used at the same time since these options occupy the same location on the Model 172A/173A chassis.

4-4. **RACK MOUNTING.** The Model 172A/173A can be rack mounted in a full rack (19 inch width) in either a single or dual mounting configuration.

MODEL 1010 SINGLE RACK MOUNTING KIT




Description:

The Model 1010 is a single rack mounting kit with overall dimensions 5-1/4 in. (133 mm) high and 19 in. (483 mm) wide. The hardware included in this kit includes a 19 inch wide panel and other miscellaneous hardware.

Application:

The Model 1010 adapts one Keithley Style "K" instrument for Standard 5-1/4 in. (133 mm) x 19 in. (483 mm) rack mounting with 11 in. (280 mm) depth behind the front panel. For dual rack mounting of Style "K" instruments the Model 1017 Dual Rack Mounting Kit must be used.

Parts List:

Item No.	Description	Qty Req'd	Keithley Part No.	Illustration
1	Front Panel	1	265950	
2	Support Plate (Shelf)	1	26599C	
3	Bracket, Left Side	1	26600B	
4	Bracket, Right Side	1	26601B	
5	Slotted Screw, #6-32 x 2-1/4 in.	2	--	
6	Flat Washer, #6	2	--	
7	Phillips Screw, #8-32 x 1/2 in.	10	--	

Assembly Instructions:

1. Using two Phillips Screws (Item 7) attach Support Plate (Item 2) to Front Panel (Item 1).
2. Using four Phillips Screws (Item 7), attach left and right side Brackets (Items 3 and 4) to Front Panel (Item 1).
3. Using four Phillips Screws (Item 7), secure left and right side Brackets to Support Plate (Item 2).
4. Assembly of rack hardware is complete except for mounting of Instrument.
5. Rotate "handle" of Instrument so that handle is toward rear of Instrument. (Handle can be removed completely if desired by separating top and bottom covers.)
6. Remove two Slotted Screws (1-1/4 in. long) used to hold top and bottom covers together near front feet.
7. Position Instrument so that holes in bottom of Instrument align with two front holes on Support Plate.
8. Using two Slotted Screws (Item 5) and two Flat Washers (Item 6), secure Instrument to Support Plate.

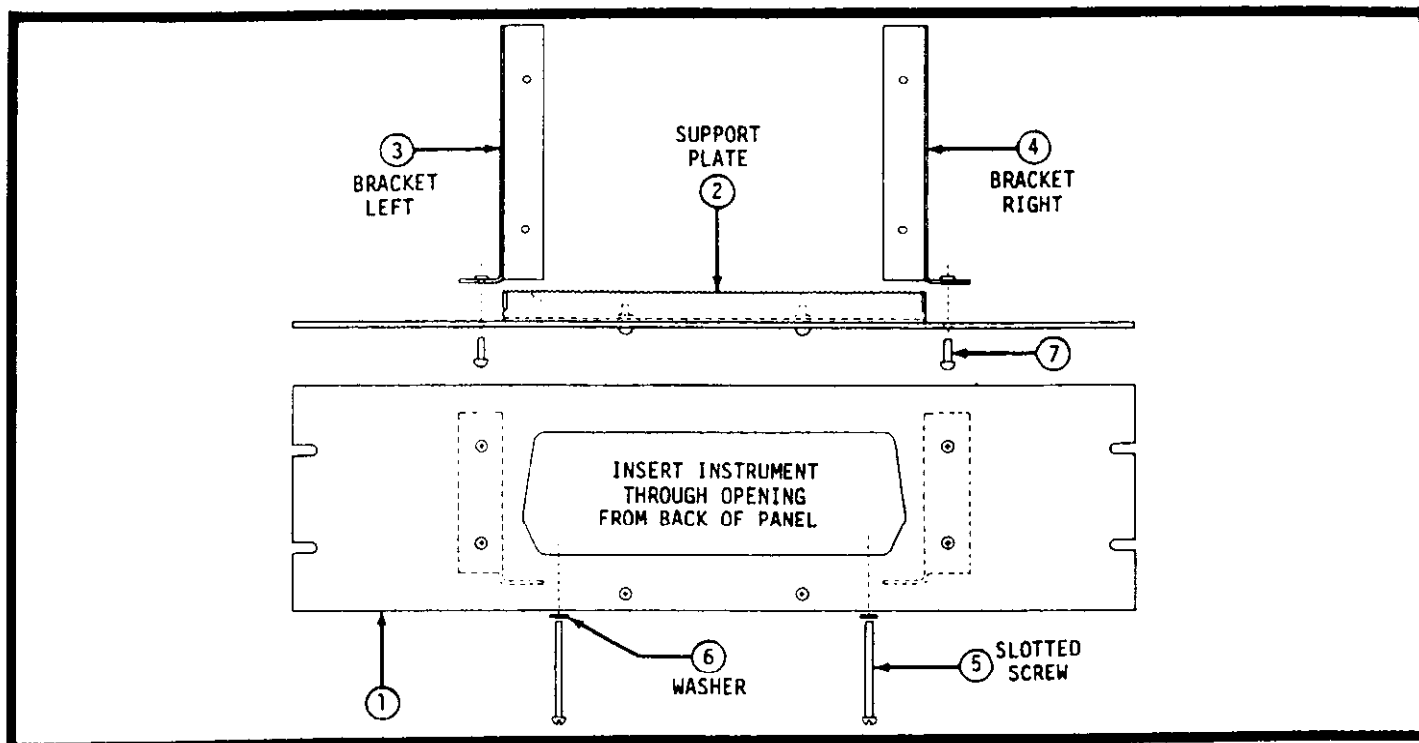


FIGURE 4-1. Model 1010 Single Rack Mounting Kit.

MODEL 1017 DUAL RACK MOUNTING KIT






Description:

The Model 1017 is a single/dual mounting kit with overall dimensions 5-1/4 in. (133 mm) high and 19 in. (483 mm) wide. The hardware included in this kit includes a 19 inch wide panel, and other miscellaneous hardware.

Application:

The Model 1017 adapts two Keithley Style "K" instruments for Standard 5-1/4 in. (133 mm) x 19 in. (483 mm) rack mounting with 11 in. (280 mm) depth behind the front panel.

Parts List:

Item No.	Description	Qty Req'd	Keithley Part No.	Illustration
1	Front Panel	1	280920	
2	Support Plate (Shelf)	1	28094C	
3	Bracket, Left Side	1	28096B	
4	Bracket, Right Side	1	28097B	
5	Slotted Screw, #6-32 x 2-1/4 in.	4	--	
6	Flat Washer, #6	4	--	
7	Phillips Screw, #8-32 x 1/2 in.	4	--	
	Blank Cover Plate	1	28098B	
8	Hole Plug	2	HP-20	
9	Kep Nut, #8	5	--	

Assembly Instructions: (See Figure 4-2, page 4-4.)

- Using four Phillips screws (Item 7) attach left and right hand Side Plates (Items 3 and 4) to the Support Plate (Item 2).
- Using three Kep Nuts (Item 9) attach the Support Plate (Item 2) to Front Panel (Item 1).
- Fasten the Side Plates to the Front Panel using two additional Kep Nuts (Item 9).
- Assembly of rack hardware is complete except for mounting of the instrument(s).
- The plastic tilt bail/handle on each instrument must be removed before mounting. The top and bottom covers of the instrument must be disassembled in order to remove the handle. Loosen four screws on the bottom cover of the instrument, lift off the top cover, and remove handle. Replace the top cover and tighten the four screws on the bottom cover.
- Remove two Slotted Screws (1-1/4 in. long) used to hold top and bottom covers together near the front feet on each instrument. These screws are captive and a needle-nose pliers should be used to pull the screw out after it is loosened with a screwdriver.
- Position the Instrument so that holes in the bottom of the Instrument align with the two front holes in the Support Plate.
- Using two Slotted screws (Item 5) and two Flat Washers (Item 6) secure the Instrument to the Support Plate.

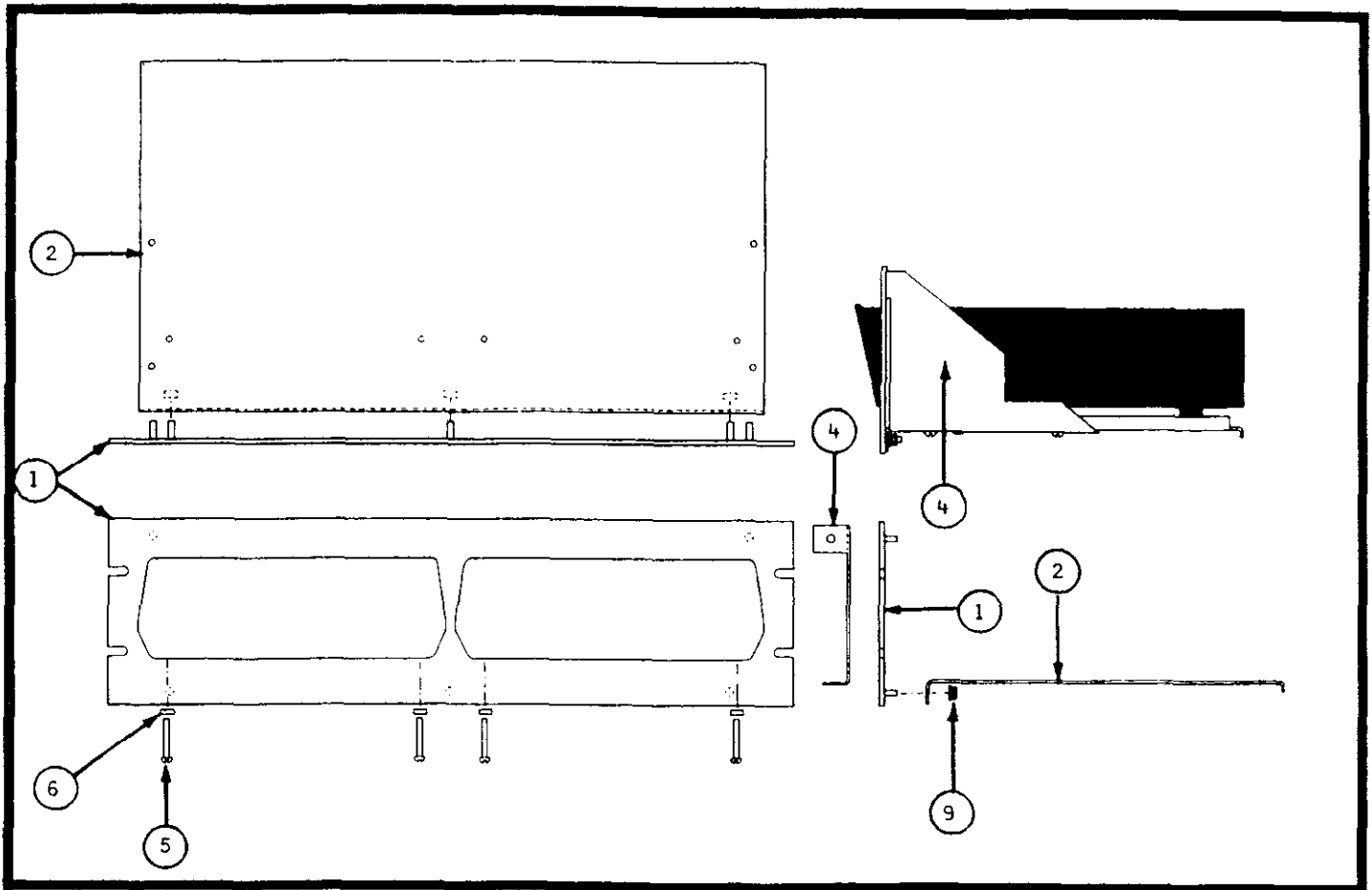


FIGURE 4-2, Model 1017 Dual Rack Mounting Kit.

4-5. PROBE AND SHUNTS. The following probes and shunts extend the capabilities of the Model 172A/173A.

MODEL 1600 HIGH VOLTAGE PROBE

Description: The Model 1600 is a divider probe for measurement of high voltage up to 40 kilovolts dc. The probe is optimized for use with a dc voltmeter having 10 megohms input resistance.

MODEL 1682 RF PROBE

Description: The Model 1682 is an RF probe for measurement up to 100 MHz. The Model 1682 is optimized for use with a dc voltmeter having 10 Megohms input resistance.

MODEL 1685 CLAMP-ON AC CURRENT PROBE

Description: The Model 1685 is a clamp-on current probe for measurement of ac current up to 200 amperes. The Model 1685 is used with an AC voltmeter and provides an output of 0.1 volt rms per ampere.

MODEL 1651 CURRENT SHUNT

Description: The Model 1651 is a 0.001 ohm shunt for use with an AC or DC voltmeter having at least 100 microvolts resolution. The shunt is rated at up to 50 amperes.

4-6. CABLES AND CONNECTORS. The following cables and connection Kits enable effective use of the Model 172A/173A.

MODEL 1683 UNIVERSAL TEST LEAD KIT

Description: The Model 1683 is a set of flexible test leads, 40 in. (1m) in length, with interchangeable screw-on adapters.

MODEL 1681 CLIP-ON TEST LEAD KIT

Description: The Model 1681 is a set of test leads, 48 in. (1,2m) in length, terminated by a banana plug and spring-action clip-on probe.

MODEL 1727 DIGITAL OUTPUT CABLE SET

Description: The Model 1727 is a cable set consisting of 26- and 40- conductor ribbon cable terminated by mating card-edge connectors to the model 1722. The Model 1727-3 is 3 feet long (1 m), and the Model 1727-10 is ten feet long (3,1 m).

MODEL 7004 SHIELDED CABLE

Description: The Model 7004 cable is a shielded cable, 42 inches (1,1 m) long and is terminated by 2 tinned leads plus shield. Two banana plug adapters are furnished for use with Models 172A/173A.

Application: The Model 7004 cable is useful when making low-level voltage connections to the Model 702/7029 Low-Voltage Scanner, both analog INPUT and OUTPUT. The shield may be connected to the GUARD terminal.

4-7. MISCELLANEOUS.

MODEL 1725A MAINTENANCE KIT

Description: The Model 1725A contains a specially punched calibration cover for accessibility to adjustment controls on the Model 172A/173A chassis. The kit also contains test leads and a copy of this manual.

MODEL 702/7029 LOW-VOLTAGE SCANNER

Description: The Model 702/7029 is a ten-channel low-voltage scanner. The 702/7029 can be used for manual, scan, or remote scanning operation.

CHANNELS: 10 channels per scanner mainframe (multiple scanner mainframes may be connected for up to 100 channels).

CONTROL MODES (FRONT PANEL SELECTABLE):

All-Off: No Channel selected.

Manual: Channel selected by front panel switch.

Scan: Channels sequentially selected at a rate determined by front panel control. Initial channel may be preset.

Remote: Channel randomly selected using 4-line BCD code, or sequentially selected at remote clock rate

SCAN RATE: Variable from nominally 0.1 to 10 seconds per channel by front panel control. Scan rate using remote clock is limited only by relay closure time.

DISPLAY: Single digit front panel LED display identifies channel selected.

DIGITAL INPUT AND DIGITAL OUTPUT: TTL interface lines provide for remote channel selection, clock, and control of All-Off mode. Output data includes present channel address, mainframe identification, clock, and relay ready. The (digital) Common may be floated up to ± 30 volts peak with respect to (chassis) Ground.

ENVIRONMENT: 0°C-50°C, 0% to 80% relative humidity up to 35°C.

POWER: 90-125 or 200-250 volts (switch selected), 50-60Hz, 15 watts.

CONNECTORS:

Digital Input, Digital Output (rear): 26-pin 3M Part No. 3429-1002.

Common, Ground (rear): Binding posts.

Scanner Plug-in Card (rear): Internal connector mates with plug-in card edge.

Analog Inputs, Output, and Guard (rear): Clamp-type barrier strips for use with # 14 to 22 AWG wire.

Scanner Mainframe: Card edge mates with Scanner Mainframe internal connector.

SIGNAL INPUTS: 10 channels per card.

SWITCHING CONFIGURATION: Guarded, 2-pole, break before make.

RELAY CLOSURE TIME: Less than 5 milliseconds.

EXPECTED LIFE: 10^6 closures per channel

SIGNAL LEVEL: 10 volts peak, 10 milliamperes peak with a resistive load for expected life. Absolute maximum peak instantaneous ratings: 200 volts, 100 milliamperes, or 2 volt-amperes with a resistive load.

THERMAL OFFSET (LABORATORY ENVIRONMENT): Less than 3 microvolts from input to output when copper wires are used.

SIGNAL PATH RESISTANCE: Initially less than 0.5 ohm per pole; less than 2 ohms at end of life

ISOLATION: Guarded interchannel resistance is nominally 10^{12} ohms at room temperature, and guaranteed greater than 10^{10} ohms at environmental extremes. Unguarded capacitance is less than 10 picofarads between any two signal terminals

GUARDING: Guard surrounds all analog signal paths. Each 10-channel scanner plug-in card in multi-scanner systems may have a separate guard voltage.

MAXIMUM LEVELS: 200 volts peak between signal line pairs or from signal lines to guard or Mainframe (digital) Common. 100 volts peak between guard and Mainframe (digital) Common.

DIMENSIONS, WEIGHT: Style M 3-1/2 in. half-rack, overall bench size 4 in. high x 8-3/4 in. wide x 15-1/4 in. deep (100 x 220 x 385 mm). Net weight 8 pounds (3.5 kg).

ACCESSORIES SUPPLIED: Model 7021-2 System Interconnect Cable.

ACCESSORIES AVAILABLE:

Model 7021-2 System Interconnect Cable: 2 foot (0.6m) cable interconnects scanners for multiple-scanner operation (n-1 used for interconnecting n scanners), 40 foot (12m) maximum recommended total system cable length (extra)

MODEL 750 PRINTER WITH MODEL 7501-1722 PRINTER INTERFACE

Description: The Model 750 is an 18-column printer which is plug-to-plug compatible with the Model 172A/173A.

COLUMNS: 18 (see Drum Diagram).

DECIMAL POINT: 13 decimal points; 9 are floating and print to right of number (columns 6 through 10, 12 through 15).

FRONT PANEL CONTROLS: Power; Run; Manual Print; Paper Feed; Print Interval.

PRINT RATE: Print Interval control provides intervals from 1 sec./line to 10 sec./line, continuously adjustable. In the External position, up to 2 1/2 print commands/sec. are accepted.

DATA INPUT: Parallel BCD (8421) high true (low true with removal of jumper). Floating decimal points are low true only.

Compatible Logic: TTL, DTL or open collector; inputs are 2 TTL loads (floating decimal points, 1 TTL load).

CONTROL INPUTS: External Print; Red Print; Motor Off; Remote Standby; Continuous Print; Inhibit.

Compatible Logic: TTL, DTL or open collector; inputs are 2 TTL loads (External Print and Continuous Print, 3 TTL loads). Inputs are low true, except External Print requires low-to-high transition.

CONTROL OUTPUT: Printer-in-Cycle (PIC); End-of-Print Data Hold; Manual Print; Print Twice.

Output Logic: TTL; can drive 8 TTL loads (PIC, 4 TTL loads). Outputs are high true; except End-of-Print is 3ms pulse. Printer-in-Cycle and Data Hold are low true

INPUT/OUTPUT (I/O) CONNECTIONS: Two 50-pin recessed card-edge connectors; I/O A for data input, columns 1 through 10; I/O B for accessories and/or additional data, columns 11 through 18 (see Drum Diagram).

ISOLATION: Input Lo to chassis ground greater than 10^7 ohms. Lo may be floated up to 350 volts peak with respect to chassis ground.

PAPER: 2 1/4 in. fan-fold or roll.

RIBBON: Black/red, 1/2 in. wide

ENVIRONMENT: 0°C to 50°C, 0% to 80% relative humidity at up to 35°C.

POWER: 90-110, 105-125, 200-240 volts (switch selected), 50-60 Hz, 30 watts (40 watts with accessories).

DIMENSIONS, WEIGHT: Style O, 7 in. half-rack, overall bench size 7 1/2 in. high x 8 1/2 in. wide x 15 1/4 in. deep (190 x 220 x 390 mm). Net Weight, 16 pounds (7 kg)

ACCESSORIES FURNISHED: One ribbon (installed), one pack fanfold paper.

SECTION 5. THEORY OF OPERATION.

5-1. GENERAL. This section contains circuit descriptions for the Model 172A/173A, Model 1728 Battery Pack option and Model 1722 Digital Interface option. (It should be noted that the Theory of Operation for the Model 1723, IEEE Standard 488 Bus Interface option is provided under separate cover, see Model 1723 Instruction Manual.) The descriptions contained in this section are broken down into the following major categories.

- a. Overall Operation.
- b. Input Signal Conditioning.
- c. A/D Converter and Digital Circuits.
- d. Display Board.
- e. Power Supply.
- f. Battery Pack (Model 1728).
- g. Digital Interface (Model 1722).

5-2. OVERALL OPERATION. The overall signal flow of the Model 172A/173A DMM is shown in Figure 5-1.

a. Input Signal Conditioning. An input to the DMM (a resistance, a dc voltage or current, or an ac voltage or current) is applied to the appropriate signal conditioning circuit. The output from the signal conditioning circuit is a filtered dc voltage in the range of either 0 to ± 3 volts or 0 to ± 300 millivolts, which is directly proportional to the input signal within the measurement range.

b. A/D Converter and Digital Circuits. The A/D converter changes the voltage out of the signal conditioning circuitry into digital pulses by the charge balance technique, and these pulses are accumulated by the digital circuitry during the measurement conversion period. At the end of this period, the digital circuitry uses the total count to determine the correct polarity and value of the digitized input signal, which is then displayed with the appropriate polarity, range, decimal point location and function on the LED display. The A/D converter auto calibrates and autozeros itself, as well as the signal conditioning circuitry, to obtain a high measurement accuracy.

c. Digital Interface Options. The display information of the Model 172A/173A can also be made available as an output by using either the Model 1722 Digital Interface or the Model 1723 IEEE Standard 488 Bus Interface. Both of these optically isolated options can also be used to program range, trigger a conversion, or hold the reading of the Model 172A/173A.

d. Power Supply. The power supply furnishes regulated dc voltages for all of the DMM circuitry, and receives its power from either the ac line or the optional Model 1728 Rechargeable Battery Pack.

5-3. INPUT SIGNAL CONDITIONING. Most of the input signal conditioning circuitry is contained on the main printed circuit board (mother board) PC-466 and shown on schematic 29145E (Sheet 1). These circuits consist of input switching, an ohms converter, a dc attenuator, an ac/dc converter, a clamp and an active filter. The current to voltage (I/V) converter circuitry is located on the current board PC-406 for the Model 173A and mounted on a shield for Model 172A. Both circuits are shown on Schematic 27478D.

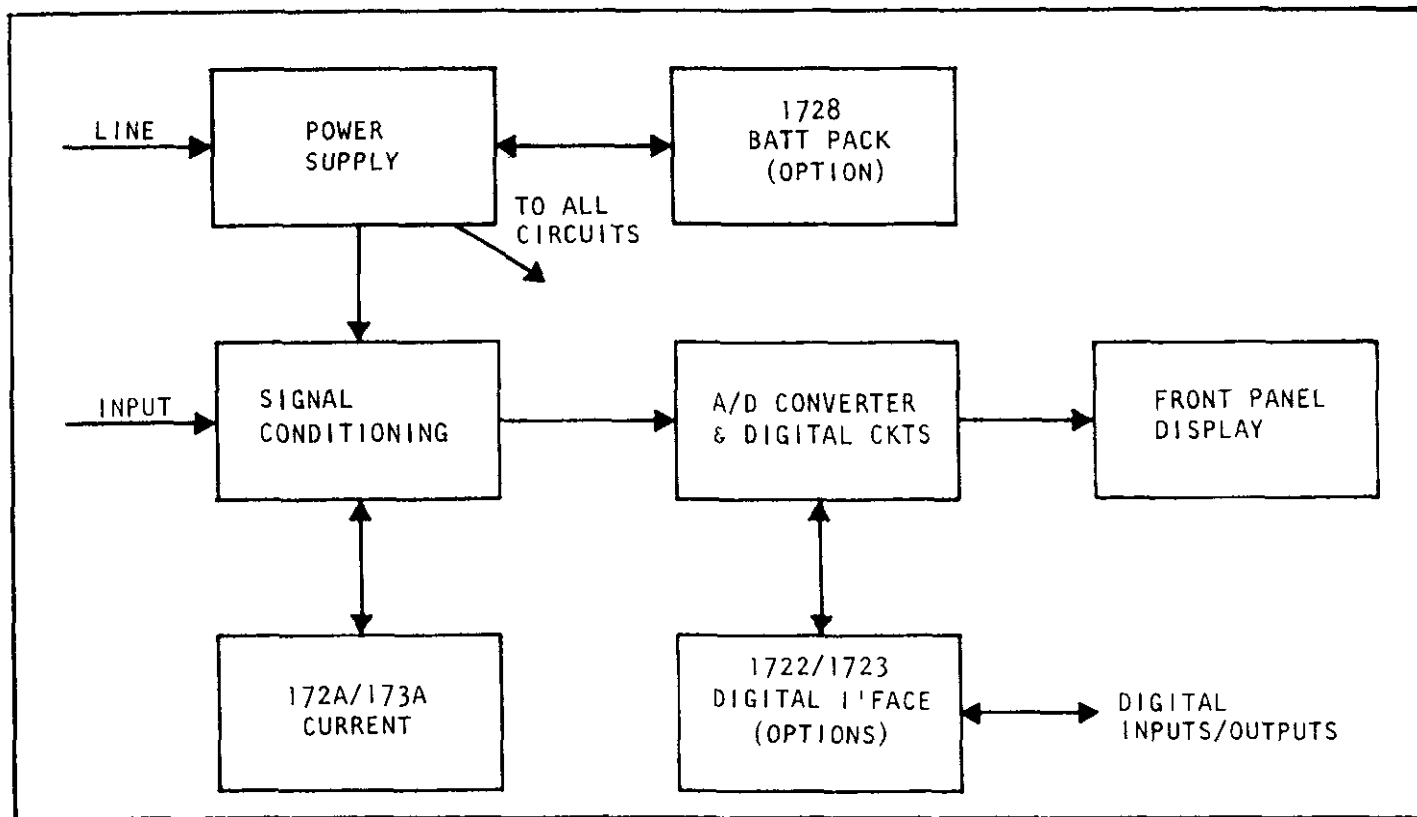


FIGURE 5-1. Overall Block Diagram of Model 172A/173A.

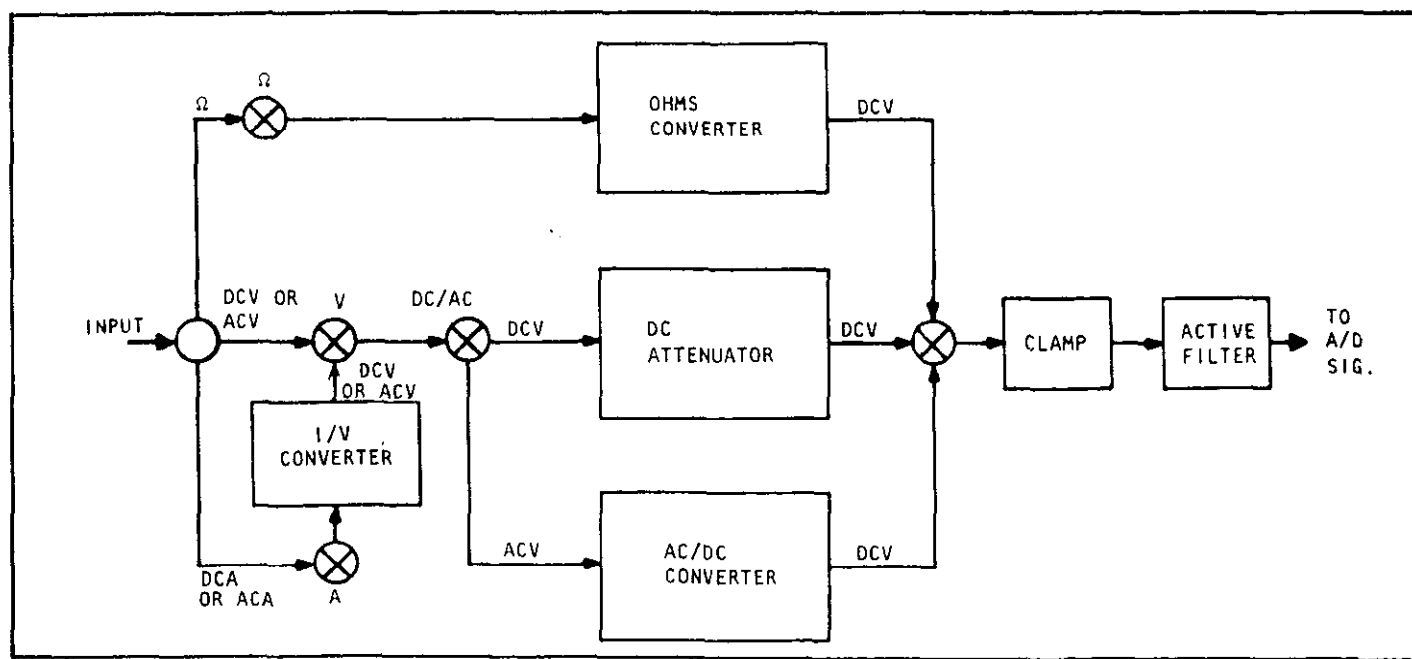


FIGURE 5-2. Simplified Block Diagram of Signal Conditioning Circuits.

a. Overall Operation. Signal routing in the signal conditioning circuitry is essentially as shown in the simplified block diagram (Figure 5-2). Front panel switching selects the applicable path for the input signal. For example, an ac current input would be routed through switch "A" to the I/V converter. The ac voltage output from the I/V converter would be routed through the "V" switch and the "DC/AC" switch to the AC/DC converter, and the dc voltage output of this circuit would then be routed to the AD converter through the clamp and active filter. The required switching and signal conditioning for an ohms or voltage input can also be readily determined from the diagram, and is left to the user. The front panel switching and signal conditioning circuits will be described in greater detail in the following paragraphs.

b. Switching. Front panel pushbutton switches control power, function and ranging for the Model 172A/173A. A summary of the switching is given in Table 5-1. Additional information on function selection and range selection switching is given in Paragraphs 5-3i and 3j, respectively.

TABLE 5-1.
Summary of Pushbutton Switching.

SWITCH	STYLE	SETTING	REMARKS
LINE	Push-Push	In (On)	DMM is powered by ac line power. Battery pack (if installed) has a trickle charge. DMM is disconnected from line power. Battery pack (if installed) is charged at maximum rate if line cord is connected to power.
LINE	Push-Push	Out (Off)	
BAT	Push-Push	In (On)	DMM is powered by internal Battery Pack. DMM is disconnected from Battery Pack.
BAT	Push-Push	Out (Off)	
NOTE			
Interlock prevents both LINE and BAT push-buttons IN at the same time. Both push-buttons must be set to OUT before either can be set to IN. Push-Push means that a single depression will place the pushbutton to IN, a second depression will release the pushbutton to OUT.			
AUTO/MAN	Push-Push	In	DMM is set to MAN (Manual Mode). To change range, depress either DN RANGE or UP RANGE. See also REMOTE PROGRAMMING OPTION.
AUTO/MAN	Push-Push	Out	DMM is set to AUTO (Automatic Ranging Mode.) DMM range is set automatically.
DN Range	Momentary	In	Momentary depression causes the DMM to down range one decade to greater sensitivity. Operable only when AUTO/MAN is IN.
UP Range	Momentary	In	Momentary depression causes the DMM to up range one decade to lesser sensitivity. Operable only when AUTO/MAN is IN.

TABLE 5-1. (CON'T)
Summary of Pushbutton Switching.

SWITCH	STYLE	SETTING	REMARKS
V	*Interlock	In	DMM is set to V mode. Overrides A and Ω functions due to interlocked pushbuttons.
A	*Interlock	In	DMM is set to A mode. Overrides V and Ω functions due to interlocked pushbuttons.
Ω	*Interlock	In	DMM is set to Ω mode. Overrides V and A functions due to interlocked pushbuttons, also overrides DC/AC switch.
			*NOTE
			If V, A, and Ω pushbuttons are OUT simultaneously, no function will be selected, the input terminals will be open-circuited, and the DMM will display V. The displayed reading is meaningless.
DC/AC	Push-Push	In	DMM is set to measure AC (either V or A). Not functional when set to Ω .
DC/AC	Push-Push	Out	DMM is set to measure DC (either V or A).
HI/LO**	Push-Push	In	DMM is set to low ohms function.
HI/LO**	Push-Push	Out	DMM is set to high ohms function.
2 WIRE/4 WIRE**	Push-Push	In	DMM is set for 4-WIRE ohms measurements. Upper pair of terminals are used for voltage sensing. Lower pair of terminals are used for ohms source. Lower pair of terminals are useable only in 4-WIRE Ω mode and are open circuited for all other conditions.
2 WIRE/4 WIRE**	Push-Push	Out	DMM is set for conventional 2-WIRE ohms measurements. Upper pair of terminals must be used. Lower pair of terminals are open-circuited.
			**NOTE
			Only functional when set to Ω .

1) The dc attenuator is shown on the simplified schematic (Figure 5-3). On the 300mV and 3V ranges, K202 is de-energized as shown and no attenuation occurs. Above ± 3 volts, K202 will energize. This means that the output on the 30V and 300V ranges will be 1/100 of the input as derived from the following equation.

$$\frac{100K}{150K + 9.75M + 100K} = \frac{1}{100}$$

2) For 1200 volt range, switch Q206 will also be on, which makes the output 1/1000 of the input. Thus, for all dc ranges, a full scale dc voltage input will result in either a ± 3 volt or ± 300 millivolt output from the attenuator, and the A/D converter gain (buffer) will be X1 or X10 accordingly. Table 5-2 lists the respective gains for dc voltage (and ac voltage) ranges.

TABLE 5-2.
Gain Chart For AC/DC Voltage.

RANGE	ATTENUATION	A/D GAIN	RANGE CONTROL LINES	
			RLD	H
300 mV	± 1	X10	+8 V	-12 V
3 V	± 1	X1	+8 V	-12 V
30 V	± 100	X10	0 V	-12 V
300 V	± 100	X1	0 V	-12 V
1000 V	± 1000	X1	0 V	+8 V

d. AC/DC Converter.

1) The basic transfer function of the AC/DC converter is as shown on the simplified schematic (Figure 5-4). The resistor values were selected so the $1V_{ACrms} \text{ in} = -1V_{DC} \text{ out}$. Above 3 volts, feedback resistance (R_f) is reduced to keep the output always less than $-3V_{DC}$. The dc output is a half-wave rectified sine wave, and the converter is average responding, calibrated to the rms value of a sine wave.

2) C_1 blocks dc inputs, and the dc offset voltage of the amplifier is autozeroed out. C_4 , R and C provide some output filtering, along with the active filter (to be described later.)

3) In actual circuit operation (as shown on Schematic 29145E, Sheet 1) feedback resistance of U201 is controlled by K201 and K101. With both relays de-energized as shown, the overall gain of the ac/dc converter is unity (i.e. $1V_{ACrms} \text{ input} = -1V_{DC} \text{ output}$). With only K201 energized, gain is ± 100 , and with both relays energized gain is ± 1000 . The relays are controlled by the relay drivers shown in the lower left corner of the schematic. The relay drivers are, in turn, controlled by signals from the RLD and H lines from LSI circuit U901. See Table 5-2 for gain chart of the ac voltage ranges.

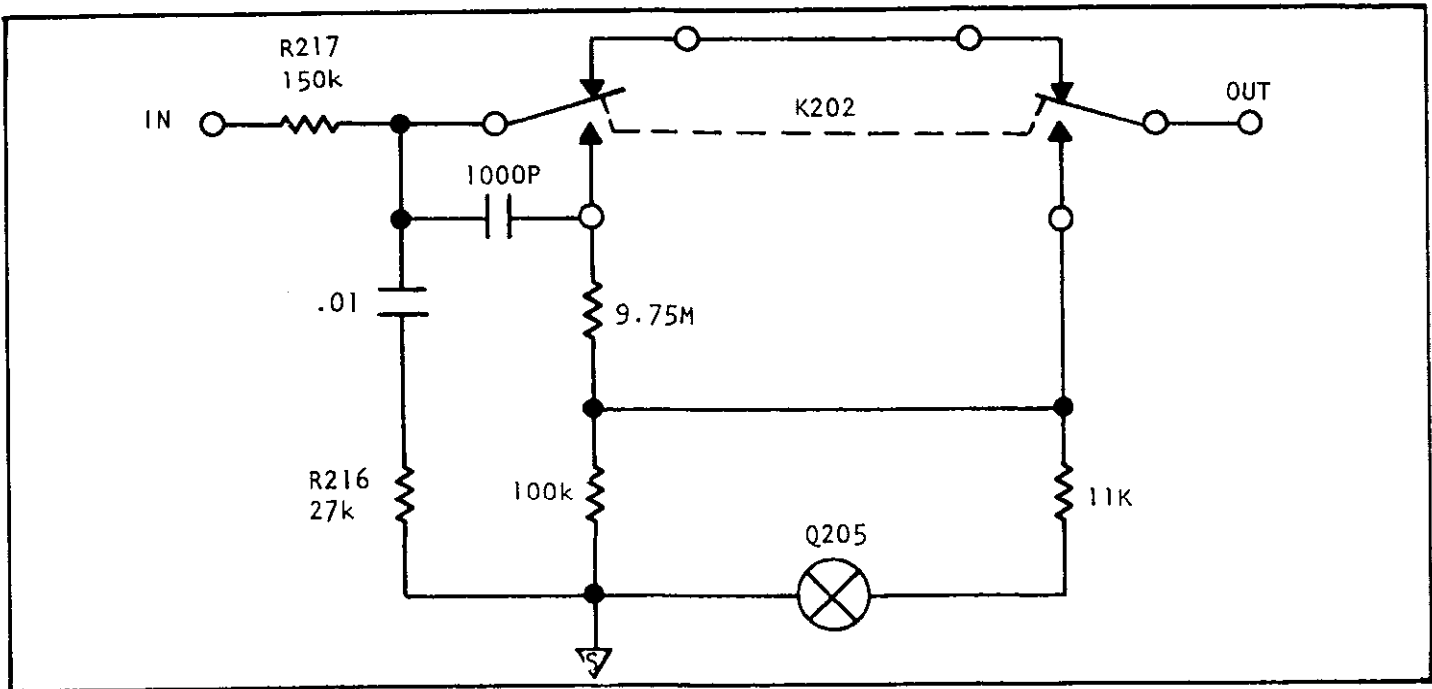


FIGURE 5-3. Simplified Schematic of DC Attenuator.

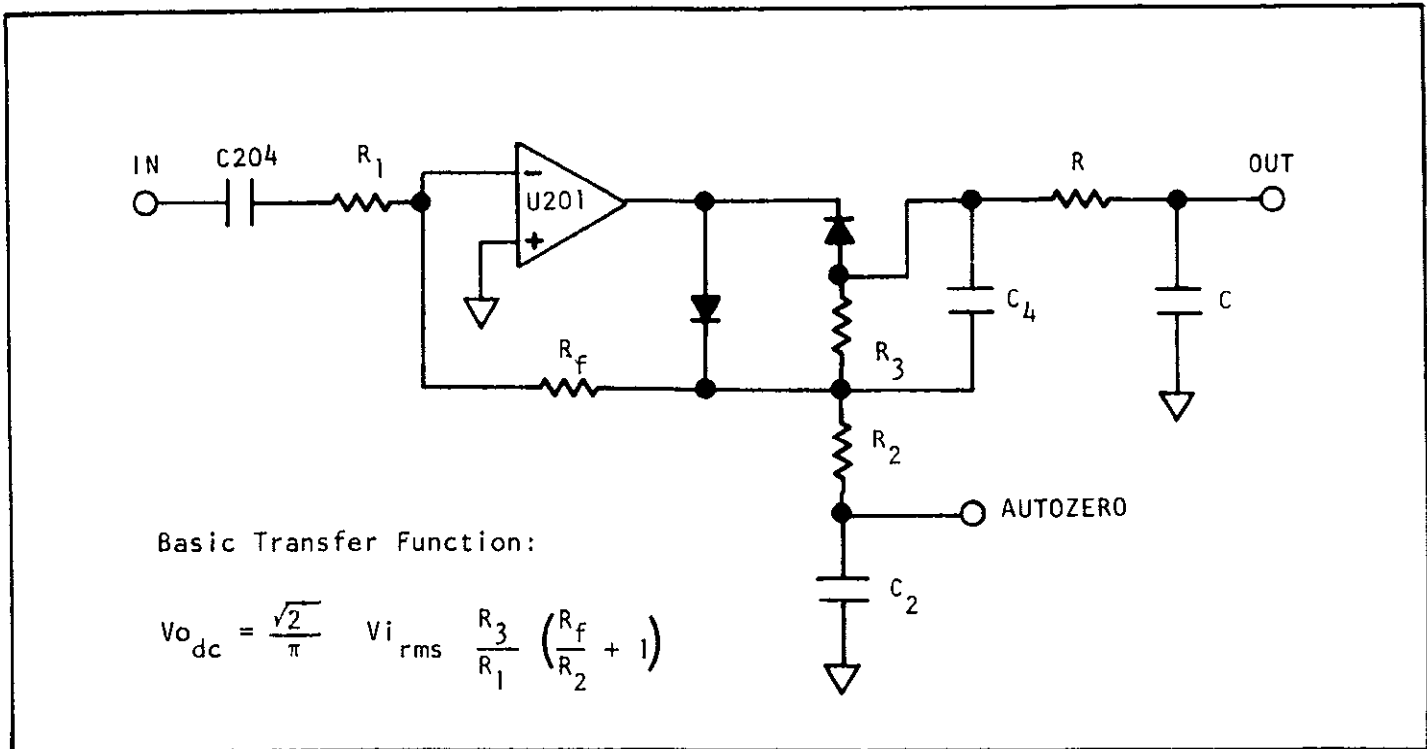


FIGURE 5-4. Simplified Schematic of AC/DC Converter.

e. Current-to-Voltage (I/V) Converter.

1) Model 173A I/V Converter. The converter is shown on the simplified schematic (Figure 5-5). An input current is converted to a voltage directly proportional to the input current by measuring the voltage drop across a resistance placed in series with the current. This is accomplished by closing the appropriate range relay (K501 through K505) to give an output voltage between 0 and 300 millivolts. For example: Consider that K503 is closed. The current will now flow through $9\Omega + 0.9\Omega + 0.1\Omega = 10\Omega$, and $30mA = 300mV$. Since a dc current is converted to a dc voltage and an ac current is converted to an ac voltage, the output of the I/V converter is routed through either the DC attenuator circuit or the AC/DC converter before being applied to the A/D converter. Signal routing is controlled by the DC/AC pushbutton and the gains employed are the same as those given in Table 5-2 for the 300mV range. Input protection for the I/V converter consists of a 3 ampere medium acting fuse (F501) and a diode bridge (CR50). The fuse is rear panel accessible. CR501 limits the voltage to 2 diode drops in either positive or negative polarity. Unity gain buffer amplifier U501 guards the center connections of the diodes so that less than one digit error is introduced on the 300 μ A range, which has 10 nanoampere sensitivity. Refer to Schematic 27478D for the remainder of this discussion. Range control lines (A, B and C from LSI chip U^o01) autorange the Model 173A current function. The lines are decoded by the BCD to decimal decoder U502 (See Table 5-3). The output from U502 turns on the applicable relay driver transistor to energize its range relay. Diodes are used to block the range lines when -12V is applied and input dividers are used to drop +8V to +5 volts for application to U502. Spike suppression diodes are used across the relay coils to prevent damage to the relay drivers. Potentiometers R506, R509 and R512 provide adjustments for calibrating the I/V converter. With the exception of the fuse, all of the I/V converter circuitry is physically located on current PC-406 and shown on Component Layout diagram 27884C in Section 7.

TABLE 5-3.
173A Current Ranging.

RANGE ACA & DCA	RANGE RESISTANCE	RELAY OPERATED	RANGE LINE LEVELS		
			A	B	C
300 A	1K	K501	+8V	-12V	+8V
3mA	100 Ω	K502	+8V	-12V	-12V
3 A	10 Ω	K503	-12V	+8V	+8V
300mA	1 Ω	K504	-12V	+8V	-12V
3 A	0.1 Ω	K505	-12V	-12V	+8V

2) Model 172A I/V Converter. This current converter (shown in Figure 5-6) consists of a 1 ohm resistor (R154) and a 2A protection fuse (F501). The input current passes through the resistor developing an output voltage from 0 to 2 volts. For example: a 475mA input will produce an output voltage of 475mV. Since an ac current input will produce an ac voltage and a dc input will produce a dc voltage, the output of the I/V converter is routed through either the DC attenuator or the AC/DC converter before being applied to the A/D converter. Routing is controlled by the position of the DC/AC pushbutton, and the gains used are the same as those given in Table 5-2 for the 300mV (300 μ A)

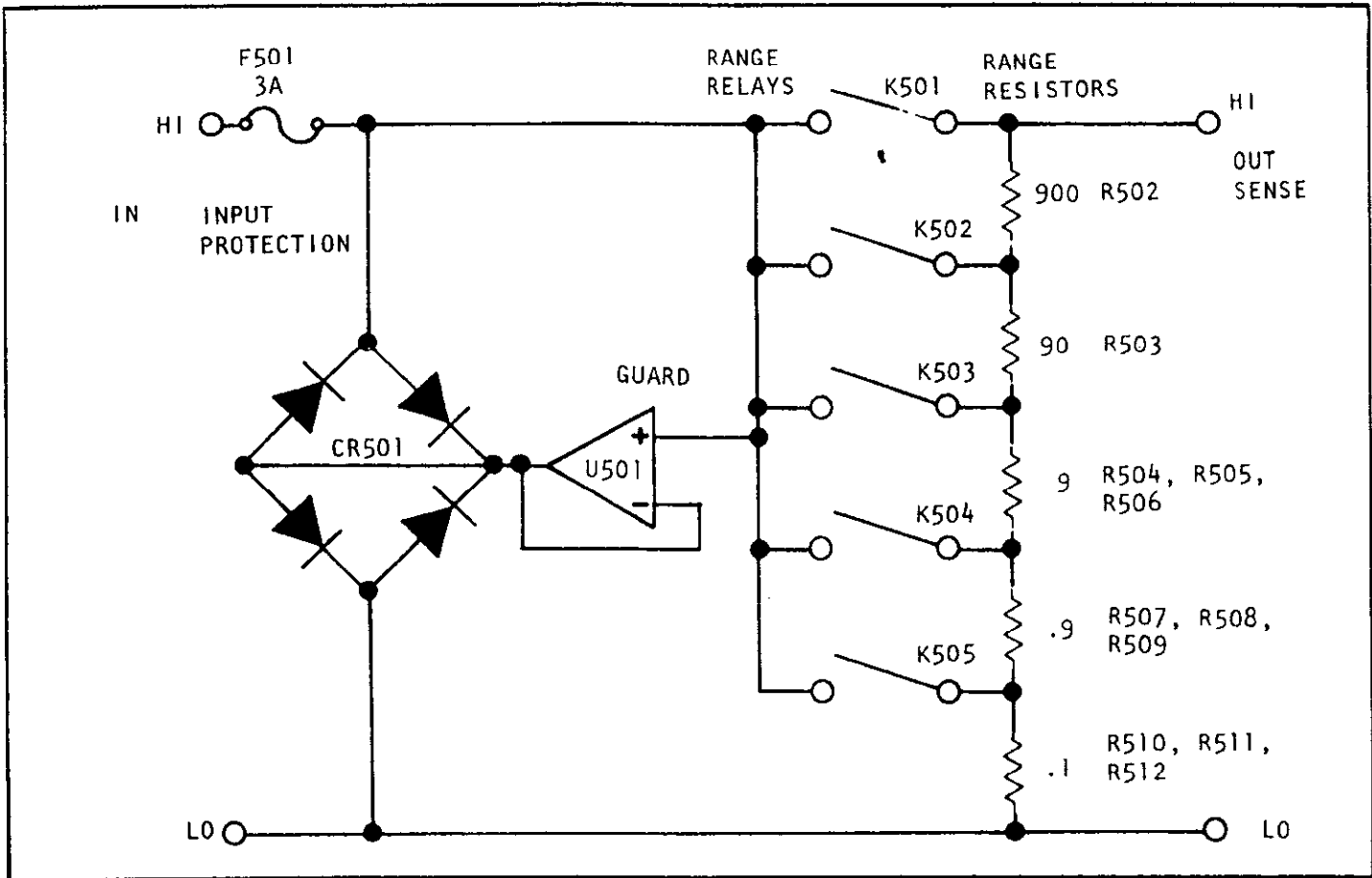


FIGURE 5-5. Simplified Schematic of 173A I/V Converter.

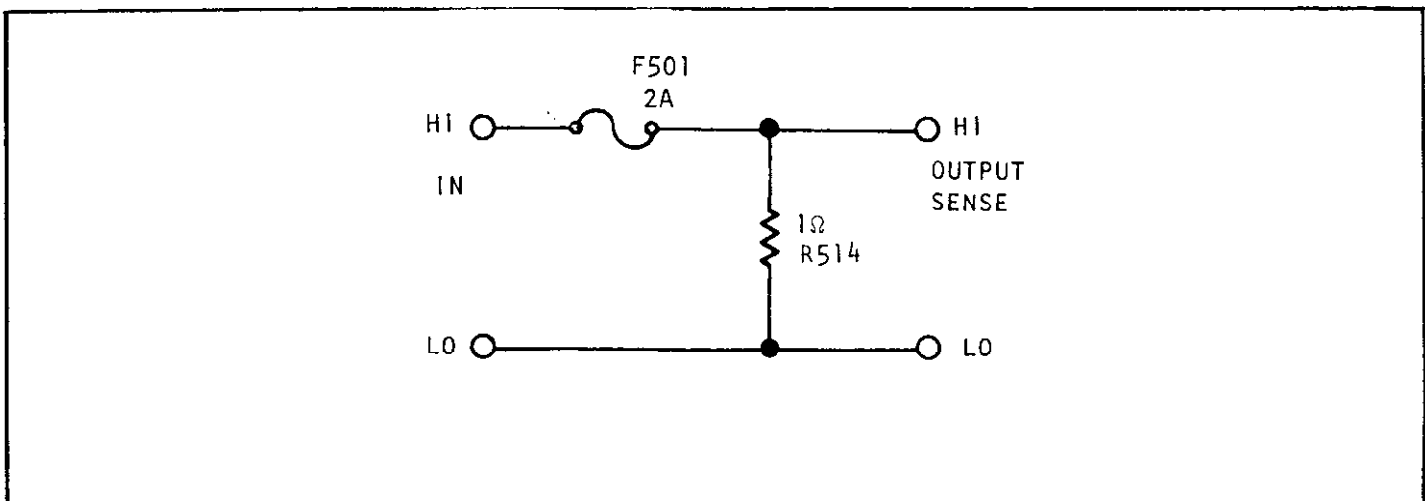


FIGURE 5-6. Simplified Schematic of Model 172A I/V Converter.

and 3V (2A) ranges. F501 is accessible from the rear panel and R514 is mounted on a shield above the display board. The circuit is shown at the bottom of Schematic 27478D, which also contains the I/V converter for the Model 173A.

f. Ohms Converter.

1) The ohms converter circuit basically consists of a current generator and summing amplifier. Simplified operation for the two wire ohms configuration is shown in Figure 5-7.

2) The current is generated by applying either 3.34 or .334 volts (Ohms Cal. Voltage) from buffer amplifier U101 to the Range resistors. The unknown resistances (R_x) is placed in the feedback loop of the summing amplifier (U202) to force the current through the unknown resistor. Thus, the output signal to the A/D converter for an on range measurement can be determined by the equation $-V_{\text{adc}} = I \cdot R_x$. The current flowing through R_x is determined by the equation $I = \frac{V_{\text{Ohms CAL.}}}{R_{\text{Range}}}$.

Six decade currents are generated by the six combinations of the three range resistors and two levels of ohms cal voltage. Example: $\frac{.334V}{334K} = 1\mu A$. This current is used on 300K Ω LO Ω range and 3M HI Ω range (3V max.)

3) See Table 5-4 for ohms ranges. High ohms puts the A/D converter on the 3 Volt range, allowing 6 resistance ranges which can turn on semiconductor junctions for on scale readings. Low ohms puts the A/D converter on the 300mV range, allowing 6 resistance ranges which do not turn on semiconductor junctions for on scale readings.

4) There are time and temperature drifts associated with amplifiers U101 and U202. These effects are compensated for by the A/D converter. The reference used to calibrate the A/D converter in Ω function is the output of U101. Therefore, any drift in U101 is compensated for every conversion cycle. The negative input of U202 is what "auto-zero" 1 is calibrated to every conversion cycle. Therefore, ohms current stability is a function only of the stability of the Range resistor. The lead drop in the high terminal of the ohms source amplifier is compensated for by connecting it to "auto-zero" 2 when in the ohms mode. "Auto-zero" 2 is the zero for the input signal. In 2-wire ohms the leads connect at the front panel binding post. Therefore, a 4-terminal ohms system exists up to the front panel terminals. See A/D converter discussion for a more thorough explanation of error correction.

5) The ohms converter circuit has been further simplified and redrawn to show the 4-Wire ohms configuration in Figure 5-8.

a. As previously described, the circuit measures a resistor by putting a constant current through R_x and measuring the voltage drop across R_x , which is accomplished by putting R_x in the feedback of a summing amplifier (Ω AMP) whose input is a reference (Ω Vref) voltage through an input resistor ($R\Omega$).

b. AZ-1, ACAL, AZ-2, & A/D Signal are the 4 A/D inputs. This A/D operation compensates for time & temperature variation of Ω VRef and Ω Amp, as well as compensating for lead resistance. The A/D looks at each of these inputs in the time sequence as follows:

1) AZ-1 looks at Ω AMP input for 40 ms and stores this zero level.

2) ACAL looks at Ω VREF for 40 ms and calibrates itself to the difference between AZ-1 and ACAL. Thus, it is calibrated to the voltage across $R\Omega$. Since $R\Omega$ is a fixed stable resistor the value of I is now known. Since I flows through R_x the calibration is fixed.

3) AZ-2 looks at the voltage at the top of R_x for 40 ms. This is defined as the zero level for signal measurement and is stored in A/D.

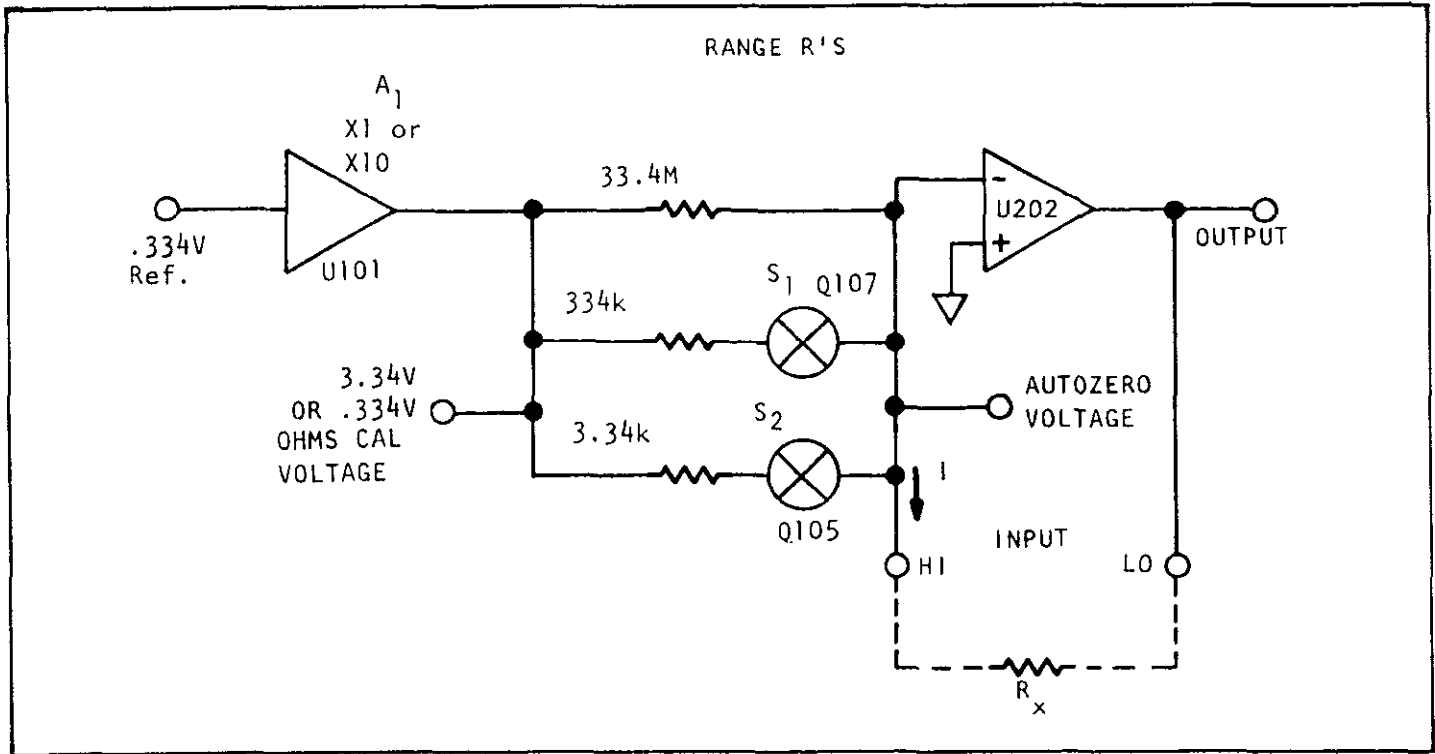


FIGURE 5-7. Simplified Ohms Converter, Two-Wire Ohms Configuration.

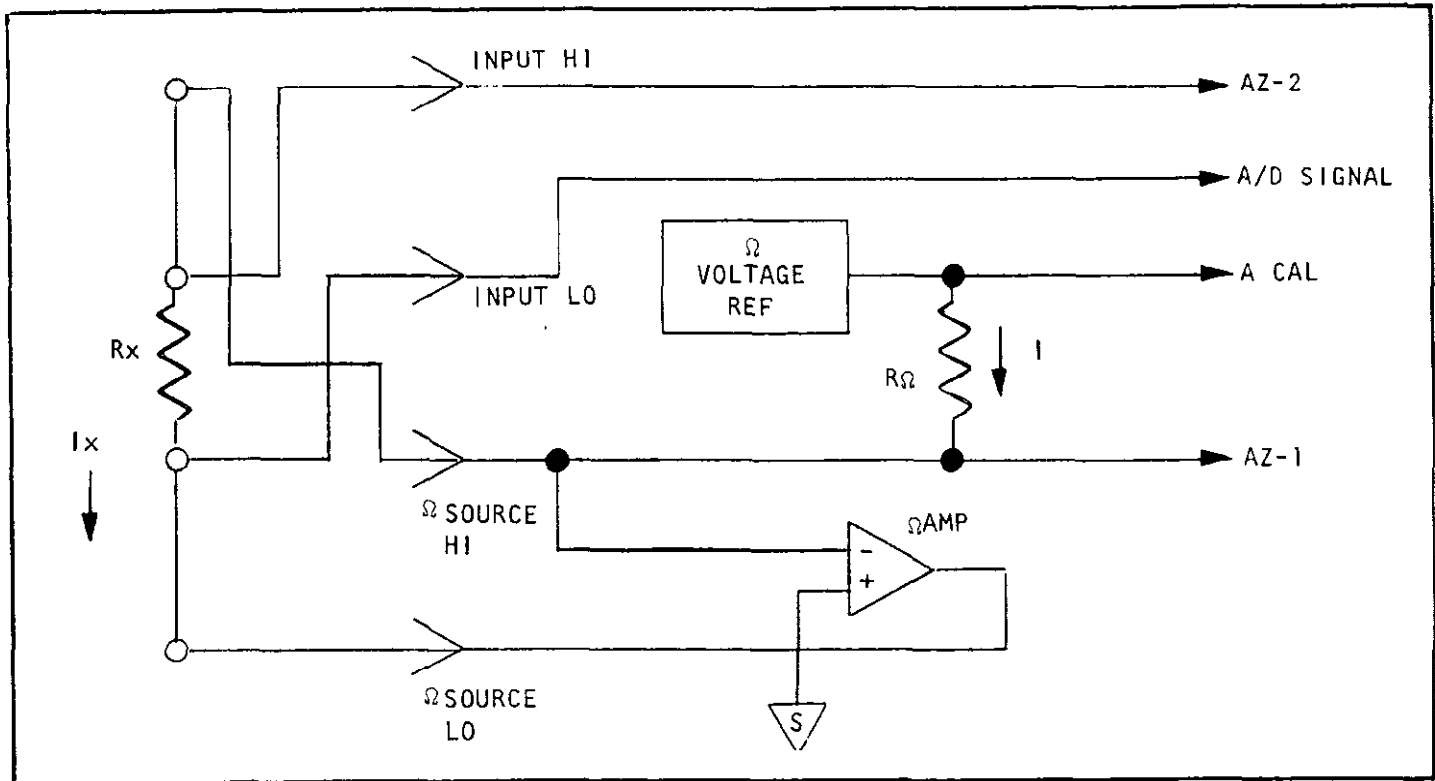


FIGURE 5-8. Four-Wire Ohms Measuring Technique.

4) A/D Signal looks at the bottom of Rx for 200 milliseconds. The A/D thus measure the difference between A/D Signal and AZ-2 without polarity sign. The voltage across Rx is displayed.

c. The measurement is essentially a ratio measurement between the voltage across Rx and the voltage across RΩ.

d. Note that the voltage at the top of Rx is essentially at signal L0 of the instrument (± ΩAMP offset and lead resistance drop) and the voltage at the bottom of Rx is negative. Thus, the high impedance terminal is guarded and relative fast response is achieved at high resistance values.

5) Refer to sheet 1 of Schematic 29145E for the remainder of the ohms converter circuit discussion. The ohms switching FET Q110 is driven by the C-line, Q105 is driven from the A-line and Q107 is driven from the B-line. These lines are also used and decoded to operate the Model 173A autoranging current. When on, Q110 switches the gain of U101 from one to ten. Q105 and Q107 switch-in the range resistors. Each resistor consists of an adjustment potentiometer, a fixed resistor and the on resistance of a FET (no FET for 33.4MΩ). Amplifier U202 is a FET input amplifier. This amplifier is overload protected by Q106 base emitter junction connected to signal ground, and Q108 base emitter junction connected through Q109 clamp transistor. Thus, the input swing is clamped. Very large voltage excursions on the output side of U202 are allowed (by action of Q205 and CR205. Under normal operating conditions Q205 is operated in the saturated mode. However, under overload conditions, Q205 becomes a current source with its collector to emitter breakdown handling large voltage excursions when signals are positive with respect to the ohms source high. Conversely, if signals are negative with respect to ohms source high, CR205 reverse biases, cutting off that portion of the circuit. All of these high voltages will cause current to flow through R205 (120KΩ) which is connected to the +15 volt supply. The maximum limitation of 250 volts rms is a function of the power rating of R205 (a 1/2-watt resistor), and Q205's 400 volt breakdown.

TABLE 5-4.
OHMS RANGES

RANGE		RANGE R	REF V ₁	OHMS CURRENT	RANGE LINES		
HIΩ	LOΩ				A	B	C
3K	300Ω	3.34K	3.34V	1 mA	+8V	-12V	+8V
30K	3K	3.34K	.334V	100μA	+8V	-12V	-12V
300K	30K	334 K	3.34V	10μA	-12V	+8V	+8V
3M	300K	334 K	.334V	1μA	-12V	+8V	-12V
30M	3M	33.4M	3.34V	100nA	-12V	-12V	+3V
300M	30M	33.4M	.334V	10nA	-12V	-12V	-12V

g. Clamp Circuit (Figure 5-9).

1) The clamp prevents damage to the input circuitry of the A/D converter and the active filter by limiting the maximum input voltage to approximately plus and minus 5 volts. It also functions in conjunction with the 150 Kohm resistor (R217) and 0.01μf capacitor (C209) in the dc attenuator to eliminate any relay arcing whenever high voltage inputs are applied to the instrument during range switching. Low leakage FETS are used to minimize leakage current.

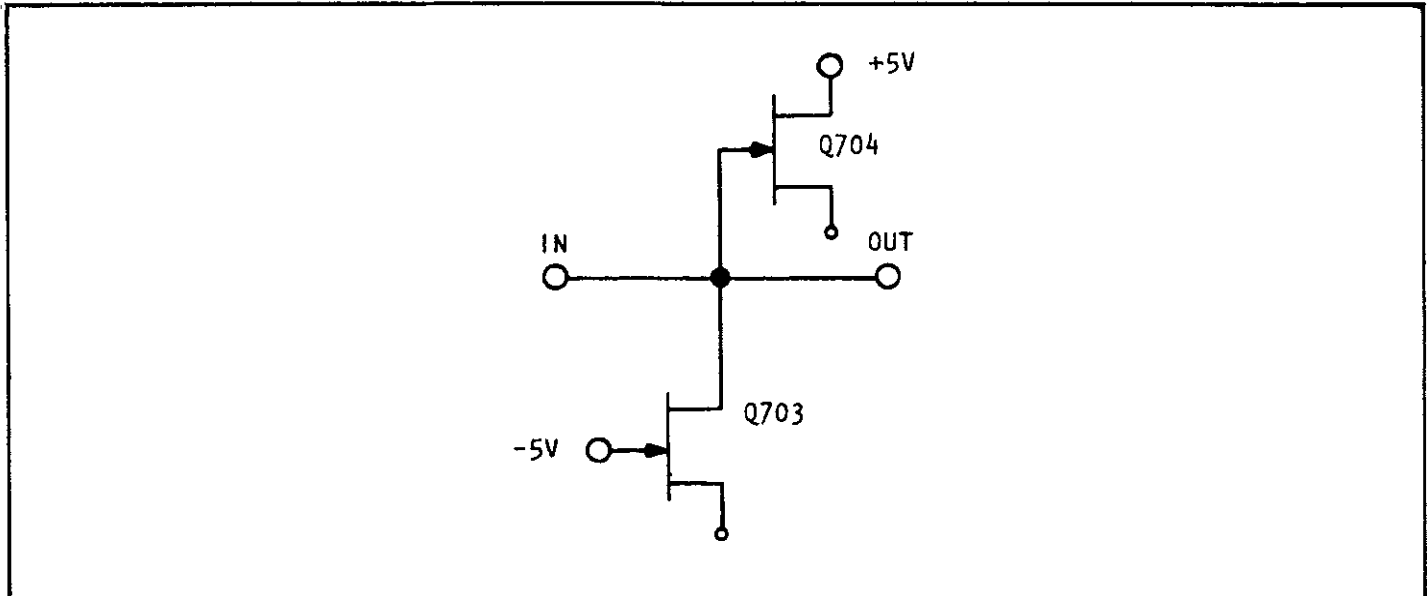


FIGURE 5-9. Simplified Schematic of Clamp.

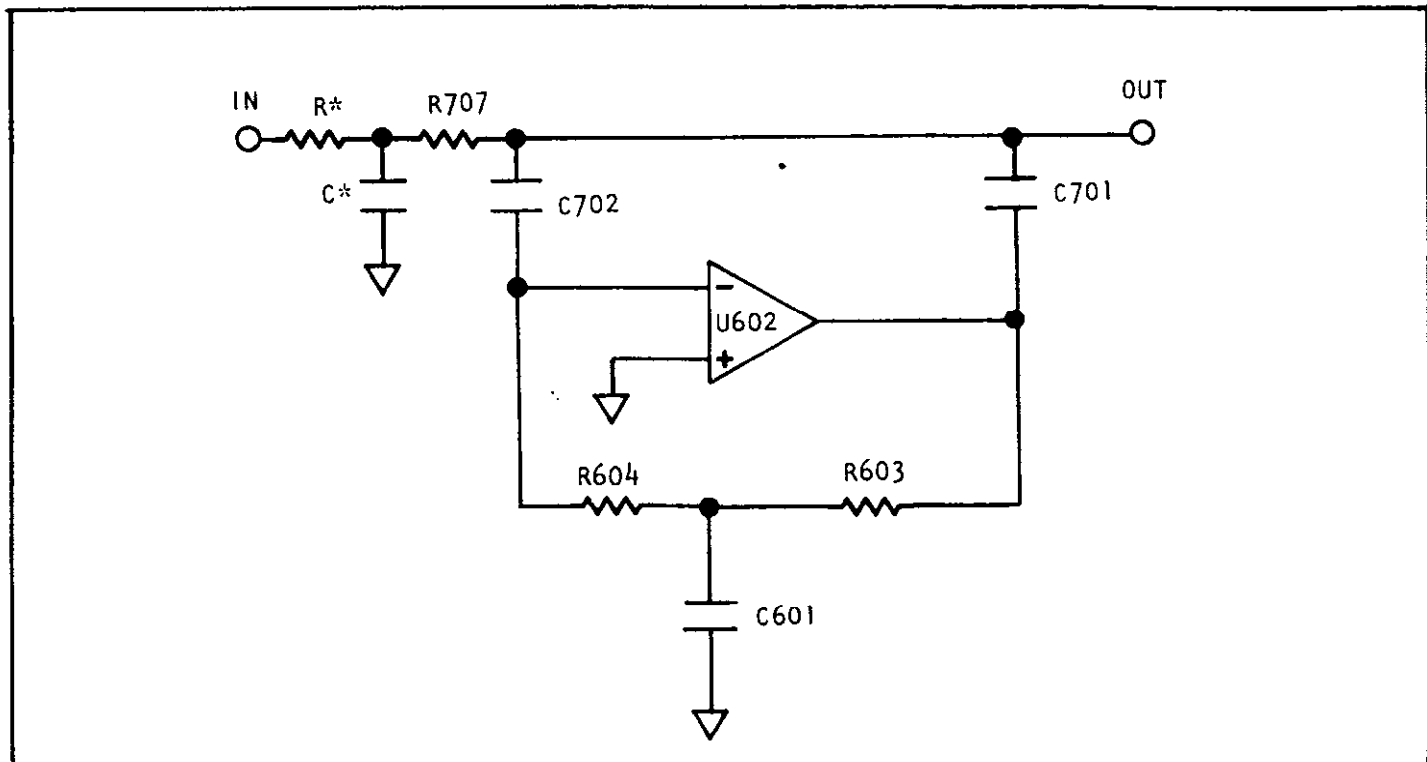


FIGURE 5-10. Simplified Schematic of Active Filter.

2) As shown on Sheet 1 of Schematic 29145E, the -5volts is supplied to Q703 by zener diode VR701 and resistor R710, which is connected to -15 volts.

h. Active Filter (Figure 5-10).

1) The DC filter is used in front of the A/D converter on all functions. The component values used in the circuit provide 250:1 attenuation to 50 Hz on dc volts, and 1700:1 filtering on ac volts output at 50 Hz. Minimum rise time is achieved without overshoot by having the following component relationships: $C702 = C701$, $R604 = R603$, $R^* + R707 = 1.5 (R603)$ and $C702 = 1.5 (C601)$. The filter requires an input resistance of $200K\Omega$, $49.9K\Omega$ of which is R707. The other $150K\Omega$ comes from various sources, dependent upon range and function, as given in Table 5-5. The $200K\Omega$ is also maintained so that the effect of A/D converter input current is autozeroed out (see A/D converter discussion, Paragraph 5-4). The filter does not contribute any dc offsets to the signal path. They are blocked by C702 and C701. C903 (not shown) provides frequency compensation for U602.

TABLE 5-5.
Active Filter Input Components.

FUNCTION	RANGE	FIGURE 5-10	
		C*	R*
DCV	300mV, 3V		R217
	30V, 300V		R213, R209, R215B, R208
	1200V		R213, R209, 214, R215B, R215C, R208, Q206
ACV	ALL	C102	R106
Ω	ALL		R704

i. Range Selection. Ranging is accomplished by RSA & RSB lines going to LSI circuit U901. They are controlled by the front panel switches AUTO/MAN, DN & UP, according to Table 5-6. RSA & RSB are edge sensitive, causing range changes when their levels are changed. This causes one uprange or one downrange per button push.

TABLE 5-6.
Range Selection.

Range Switches			Range Lines		ACTION
AUTO/MAN	DN	UP	RSA	RSB	
OUT	X	X	0V	+8V	AUTORANGE
IN	OUT	OUT	0V	0V	HOLDRANGE
IN	IN	OUT	+8V	0V	DOWNRANGE
IN	OUT	IN	+8V	+8V	UPRANGE
X = DON'T CARE					

j. Function Switching.

TABLE 5-7.
Function Selection.

FUNCTION	V	FUNCTION SWITCHES			HI/LO	Ω	FUNCTION LINES (U901)	
		DC/AC	A	Ω			AC/DC	V1
DCV *	IN	OUT	OUT	OUT	X	+8V	+8V	+8V
DCI	IN	OUT	IN	OUT	X	+8V	+8V	+8V (172A) 0V (173A)
ACV	OUT	IN	OUT	OUT	X	+8V	0V	+8V
ACI	OUT	IN	IN	OUT	X	+8V	0V	+8V (172A) 0V (173A)
HI Ω	OUT	OUT	X	IN	OUT	0V	0V	+8V
LO Ω	OUT	OUT	X	IN	IN	0V	+8V	+8V
X \equiv DON'T CARE								

Function selection is accomplished by connecting function lines Ω , AC/DC, & V1 according to Table 5-7. The function lines are level sensitive.

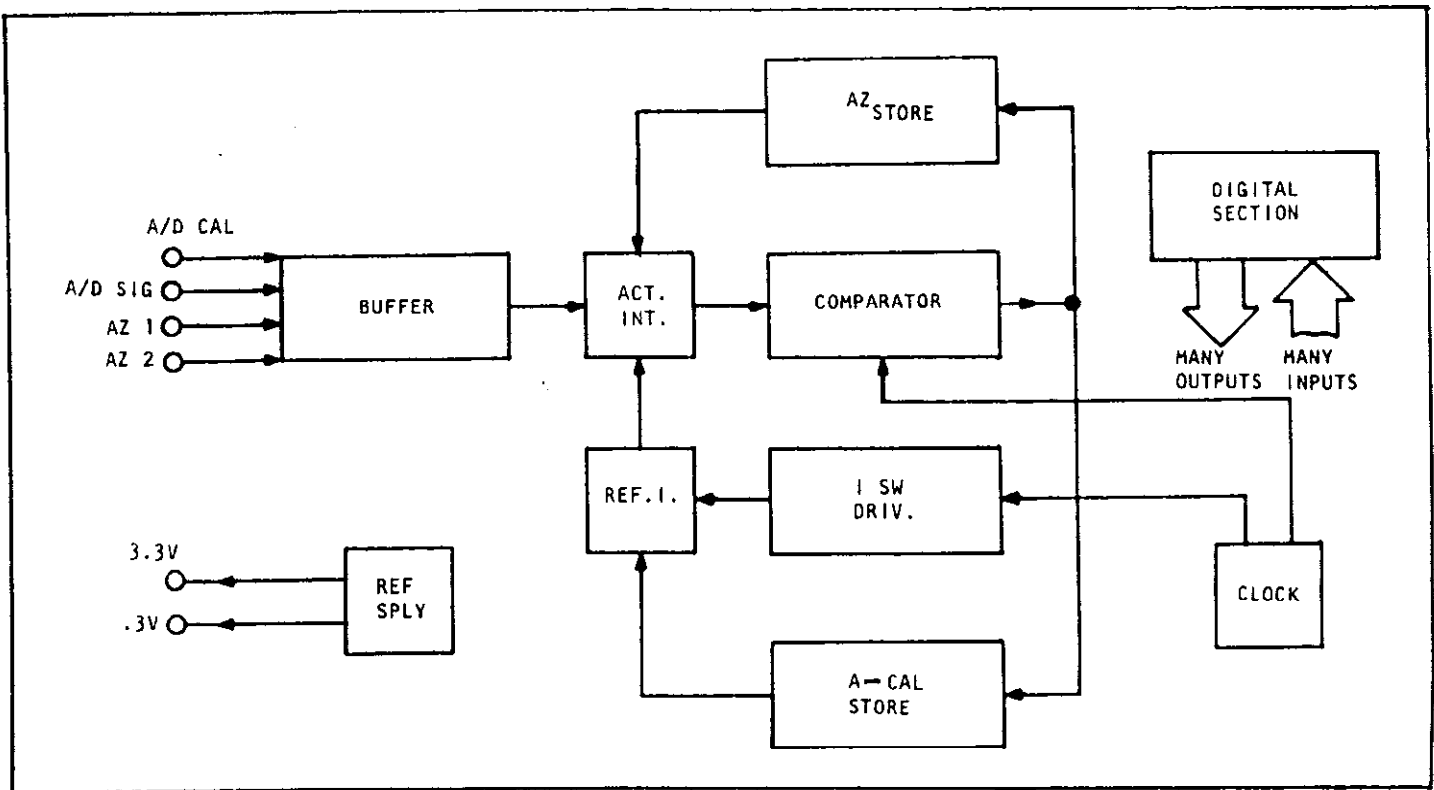


FIGURE 5-12. Simplified Block Diagram of A/D Converter.

5-4. A/D CONVERTER AND DIGITAL CIRCUITS. (Schematic 29145E, Sheet 2).

a. Introduction. A simplified block diagram of the A/D Converter and Digital Circuits is shown in Figure 5-11. The A/D converter generates a digital pulse train which over a specified time period is directly proportional to the dc voltage applied. It has the capability to measure its own offsets and gain errors as well as those of circuitry in front of it (i.e., ac/dc converter, dc attenuator and ohms converter). The converter then cancels the effect of these errors by storing appropriate correction voltages in auto-zero and auto-calibrate storage. A conversion cycle consists of four different operating modes, as shown in Figure 5-12. During each mode, a different input is connected to the A/D buffer. The difference voltage between ACAL and AZ-1 is the calibration voltage, while the difference between signal integrate and AZ-2 is the measured voltage. The converter uses the charge balancing conversion technique, and polarity detection is accomplished digitally. Almost all of the digital tasks are handled by a custom large scale integration (LSI) circuit. Note: details of the operation of the LSI chip will not be given in the A/D converter discussion. However, various of its outputs which are necessary for the operation of the remainder of the A/D converter will be referred to when necessary.

b. Charge-Balancing Technique. The charge-balancing converter of the Model 172A/173A is built around an active integrating circuit and a comparator circuit which at first glance may appear similar to a dual-slope converter. However, its operation is quite different. In the charge balance converter, the net charge for an integrating cycle (charge/discharge cycle) is zero, and the digital output from the converter is a function of the number of integrating cycles that occur during the measurement conversion period (signal integrate). The number of integrating cycles in turn, depend upon the level of the input signal. In the Model 172A/173A, the input to the A/D converter is offset to handle bipolar input signals and the number of integrating cycles (output counts) increases as the input voltage increases in the positive direction. For example: on the 3VDC range, a -3 volt input would produce zero counts, zero volts (30,000 counts) and +3V (60,000 counts). It can be seen from the example that a minus sign would have to be displayed from 0 to 30,000 counts and that 30,000 counts would have to be subtracted in order to display zero with a zero volt input. Both of these tasks are handled by the digital circuits.

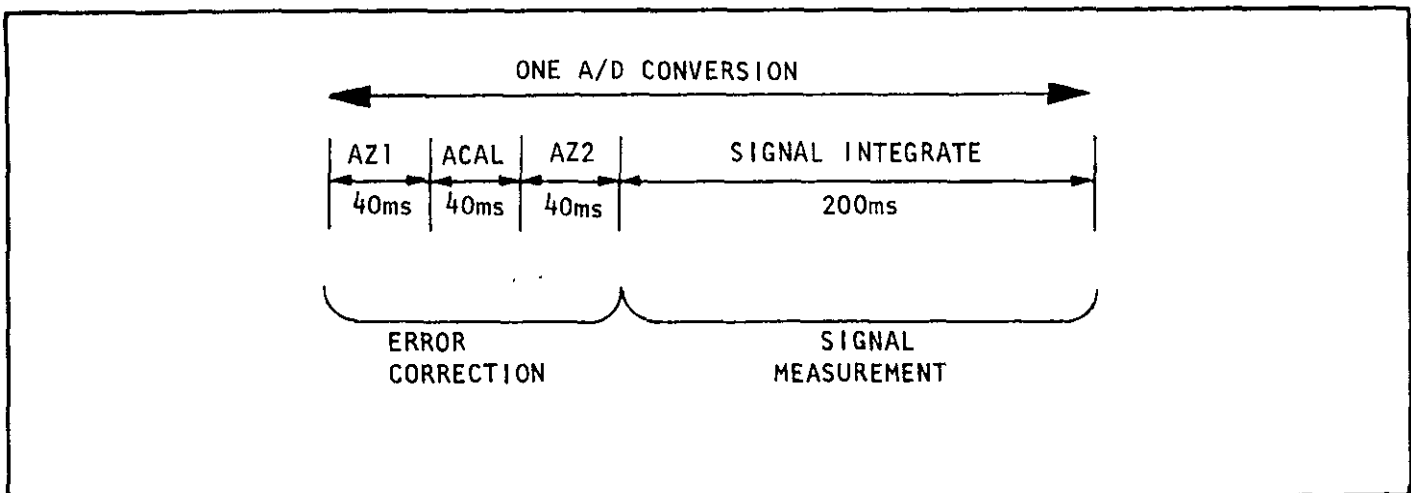


FIGURE 5-12. A/D Converter System Timing.

c. Basic Operation of the A/D Converter. The four basic operating modes of the A/D converter are described as follows:

1) AZ-1. The buffer input is connected to reference low (signal L0 in V and A functions), or summing junction of the ohms amplifier in Ω function. The switching rate for zero input is forced into the current switch drivers. The comparator output applies a dc correction voltage to auto-zero storage. This voltage is stored and applied to the active integrator forming a negative feedback loop which quickly stabilizes.

2) Auto-Calibrate. In this mode, the buffer input is connected to the reference (3.3444 Vdc in V and A functions, or the ohms reference in Ω). Auto-zero storage continues to apply AZ-1 correction voltage to the active integrator. The current switch drivers are forced to switch at the appropriate rate for reference input, and a dc correction voltage from the comparator is applied to auto-cal storage. This correction voltage is stored and continually applied to the reference current source which changes the reference current removed from the active integrator, completing another negative feedback loop.

3) AZ-2. The same procedure as AZ-1 is followed, with the exception that the buffer is connected to input L0 (zero circuit for dc V and A functions, ac/dc converter for ac V and A, or input HI for Ω).

4) Signal Integrate. The buffer is connected to signal input (dc attenuator output for dc V and A, ac/dc converter output in ac V and A, or input L0 in Ω). AZ-2 and ACAL voltages are still applied, which provide compensation for zero and gain errors. The A/D conversion is now made, and displayed during the next conversion cycle.

d. A/D Buffer. The buffer (shown in Simplified Schematic, Figure 5-13) performs two functions. It has four multiplexing JFET switches (S1 through S4) that connect the necessary inputs to the A/D converter to provide the four basic modes of operation. The driving signals (Z1, Z2, R and NS) for the multiplexing switches come from LSI circuit U901. The second function of the buffer is to provide two gains (x1 and x10) which give 3V and 0.3V ranges, respectively. Buffer gain during AZ-1 and ACAL is x1 for V, A and every other Ω range. Buffer gain during AZ-2 is the same as signal integrate, which is x10 on 300mV, 30V, L0 Ω , 300mA on 172A and all current ranges of 173A. A gain of x1 is used elsewhere. LSI chip U901 controls S5 and S6 (Q702 and Q701) via the G10 line.

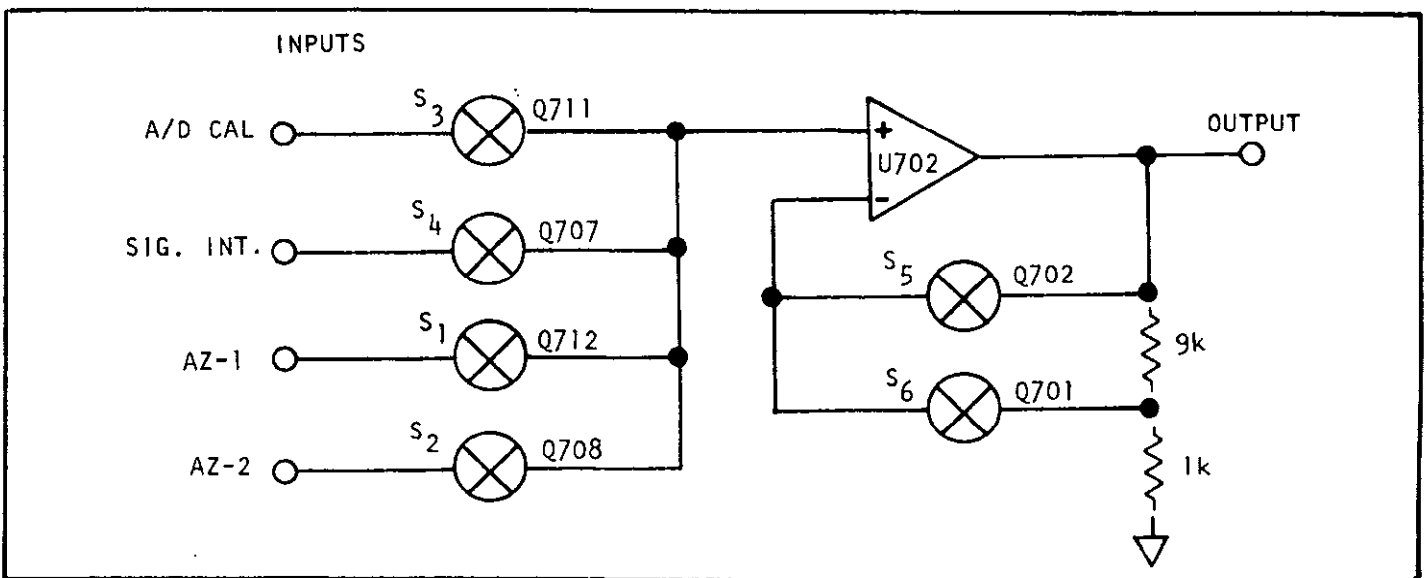


FIGURE 5-13. Simplified Schematic of A/D Buffer.

2) Charge balance A/D conversion is used. With this conversion method, the resulting output pulse train has the property that its average frequency over a given time period is proportional to the average of the input voltage over the same time period. Thus, the digital output is a representation of the true integral of the analog input over any specified sampling time. The basic converter consists of the active integrator, comparator, current switch driver, reference current switch and the reference current source. For this description, assume that the charge on the integrating capacitor (c_i) is such that the output of U604 is initially at some positive level. As the input signal current (i_{in}) is integrated by the capacitor, the output of U605 ramps negative and eventually becomes more negative than the comparator threshold. The comparator output goes to logic zero, which is inverted to logic 1 by the inverter and applied to the "D" input of the flip flop. At the next positive going edge of the Clock, this "one" is latched by the flip flop and appears as the set output QR, and the \bar{Q} output of the flip flop turns on the current switch. The reference current I_r is forced to flow out of the integrating capacitor, discharging it, and the output of U604 crosses the comparator threshold in the positive direction. This results in a logic 0 at the "D" input of the flip flop and the next positive going edge of the CLOCK signal resets the flip flop, which terminates the pulse on the QR line and turns off the current switch. The converter will remain in this state until the next time that the integrator voltage crosses the threshold of the comparator in the negative direction. For relative large values of the input, the time required for the capacitor to be recharged to the point where the comparator threshold is exceeded will be relatively short and the integration cycle (charging - discharging cycle) described will occur at a high frequency. Conversely, with lower values of input current, the charging time of the integrator will be longer and the events described will occur at a lower rate. Thus, the repetition rate of current pulses (and digital output pulses) is a function of input current. It should be noted that the current switch driver circuitry shown has been greatly simplified for this discussion. In actual operation, the current pulse is limited in time to one-half of the output pulse on the QR line, and is turned on and off by a 90° out of phase clock which centers the current pulse on the digital output pulse to eliminate edge problems. Since the amount of current removed from the integrating capacitor during each discharge cycle is equal to the product of I_r and one-half clock period, the current pulses are uniform in size. The total charge removed from the capacitor in any given time period is equal to the total charge that flowed in (within a resolution of one discharge increment). The uniformity of size of the reference current pulse guarantees that the total number of such pulses is proportional to the time-integral of the input current.

3) The auto-zero correction is always applied to the active integrator, but during AZ-1 and AZ-2, the switch S_2 is closed which allows correction of the auto-zero signal. The rest of the time it is stored on capacitor C_a . The correction signal is generated by forced switching of the current source at the "zero" input rate. Since the input is offset, this equates to a midscale current input. The correction signal is the dc level developed at the output of the comparator by R_f and filtered by C_f . Auto-zero correction is supplied as negative feedback to the integrator input. Auto-zero correction can be considered as a contribution to input current since it affects the charge portion of the integration cycle.

4) The auto-calibrate correction is continually applied to the reference current circuit. S_C is closed during Auto-Cal to update the correction voltage, and is stored on capacitor C_C . Auto-Calibrate correction is generated similarly to auto-zero correction, with the exception that forced current switching is done at the full-scale current input rate. Auto-calibrate correction varies I_R and thus, sets the amount of charge removed from C_i during the discharge cycle since the source "on" time is fixed at one-half the clock period.

5) In the reference current circuit, the base of Q_R is referenced to ground and the emitter resistor R_2 connects to a negative voltage ($-V$). The current through R_F (I) is approximately equal to $I_R + I_C$ (neglecting base current of Q_R). Since I is constant, I_R will vary inversely with respect to a change of I_C .

6) The reference current switch consists of two diodes, and is controlled by the current switch driver circuitry. Reference current is removed from the summing junction of the active integrator when D_1 is conducting. When \bar{Q} of the D flip flop is high, D_2 conducts cutting off D_1 . The Q output of the flip flop is the digital pulse train proportional to the output. The circuitry which forces predetermined switching rates during AZ-1, AZ-2 and ACAL is not shown.

f. Oscillator. The oscillator (shown in Figure 5-15) is crystal controlled and operates at approximately 669 kHz. It is divided down 2:1 to produce the A/D converter clock. The oscillator runs at twice the clock rate for the following two reasons:

- 1) It allows the current switch to be on only one-half of the clock period, so that there is always an off time even when the current switch is on for consecutive clock cycles. This eliminates a gross nonlinearity problem from the charge-balance A/D converter.
- 2) It allows the current to be switched on and off with a 90° phase shifted clock signal (generated by the oscillator) so that there will be no timing problems with the edges of the current pulses.

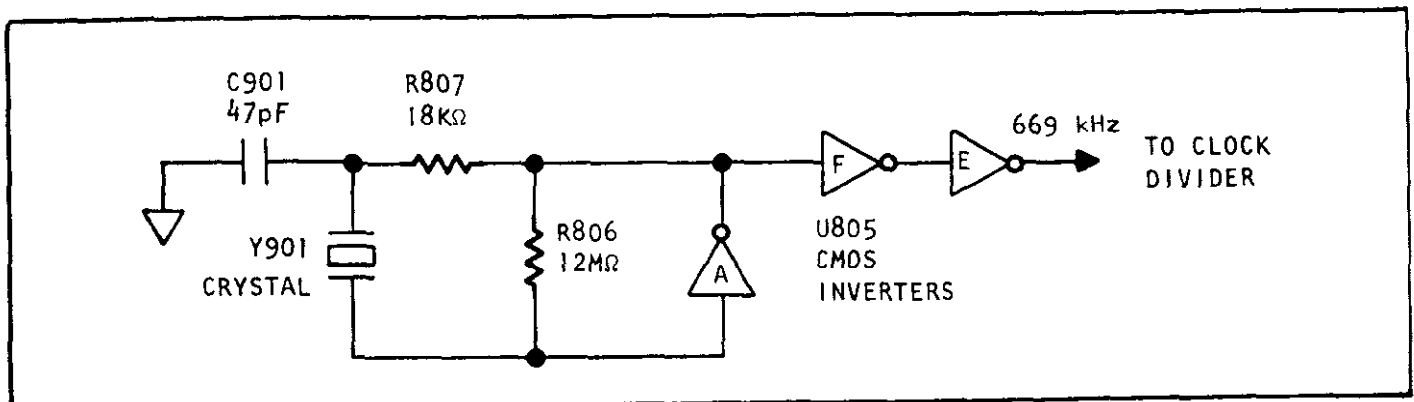


FIGURE 5-15. Simplified Schematic of 669 kHz Oscillator.

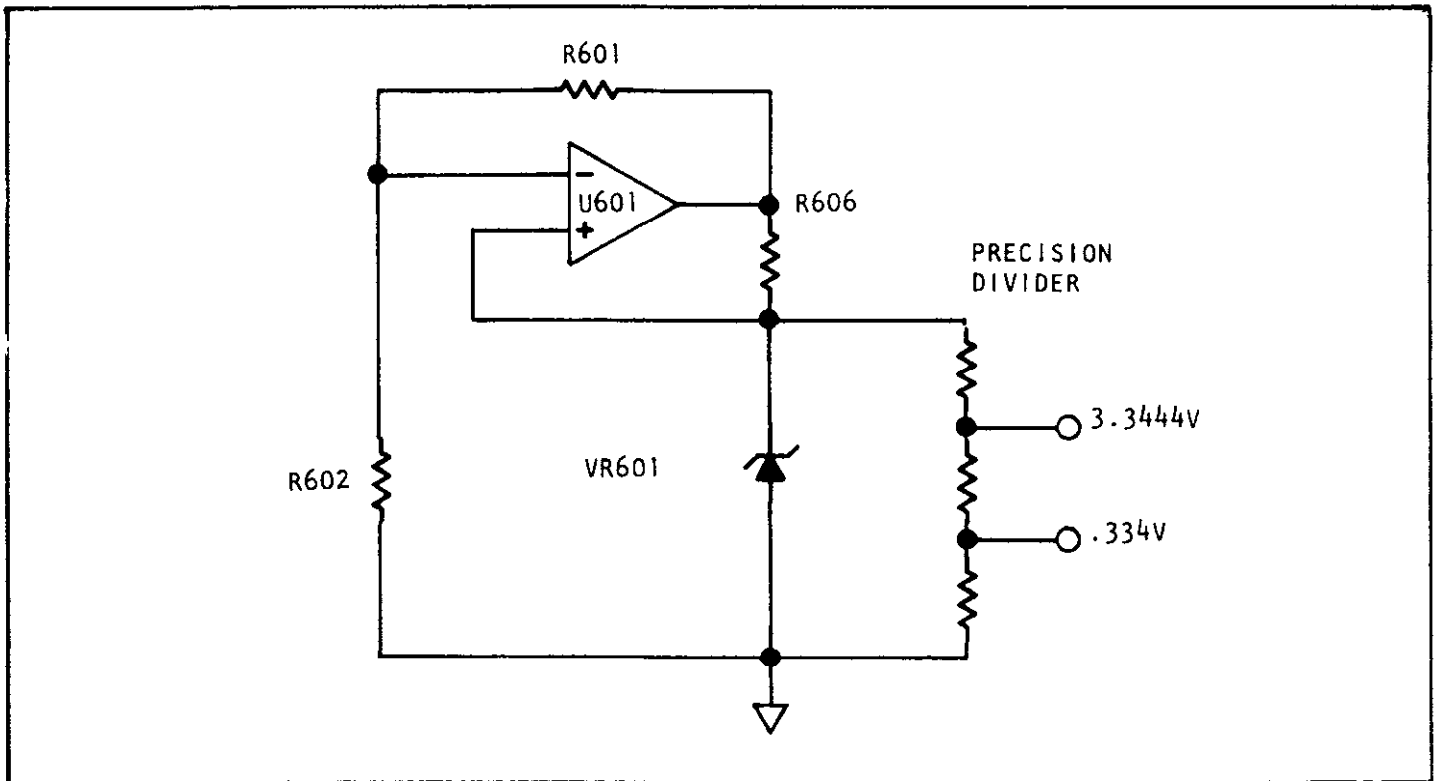


FIGURE 5-16. Simplified Schematic of Reference Supply.

g. Reference Supply. Although not actually a part of the A/D converter circuitry, the reference supply (shown in Figure 5-16) furnishes the stable known voltages required to auto calibrate the A/D converter. These voltages are also used in the ohms converter circuitry. The heart of the reference supply is a stable, low temperature coefficient zener diode. It is driven from a constant current (nominally 7.5mA) developed by amplifier U601. With the zener current well regulated, it is immune to power supply variations. The output divider resistors are part of a precision resistor network which provides very stable reference voltages. R606 and the input resistors of the divider are specially selected (depending on the zener voltage) to provide a nominal 200 μ A of current to the divider. The zener voltage is between 6.15 and 6.5 volts, with the resistors matched accordingly.

h. Digital Section. The digital section is composed almost entirely of the custom LSI circuit U901. It keeps track of the function and range, allows auto or manual ranging, generates the display information, controls the A/D converter timing, provides ranging lines for the signal conditioning circuitry, and provides information for the optional digital interfaces, as well as controlling them.

5-5. DISPLAY BOARD, SCHEMATIC 27404D.

a. This schematic shows the display digits, the LED function indicators, all display drivers and multiplex timing generator. The entire display, including minus sign and function indicators, is fully multiplexed. This is accomplished with six time slots (timing mux). The mux times are generated by shift register U301 whose inputs come from the LSI circuit (U901, Schematic 29145E). These time slots are referred to as t_0 , t_1 , t_2 , t_3 , t_4 , t_5 . The common anodes of each digit and the common anodes of the function indicators are driven from the appropriate mux line, see Figure 5-17. These mux times occur in the operating digital interfaces (see Section 5-8, 1722). The mux times occur in the sequence t_0 thru t_5 , t_0 and t_1 are 383 microseconds each, and t_2 thru t_5 are 191 microseconds each. One complete mux cycle is 1.53 milliseconds.

b. The data mux lines, a, b, c, d, e, f, g, and dp drive the cathodes of the display segments and the function indicators. See Table 5-8. The data mux lines are generated in the LSI circuit U901, Sheet 3 of Schematic 29145E.

c. The 10,000 digit only indicates 1, 2, or 3 in overrange. If the 10,000 digit is zero, it is blanked by the data mux lines. It is necessary to operate the function indicator and minus sign twice as long as the digits. Since "AC" and "-" are activated during t_1 , the 10,000 digit time, t_1 is as long as t_0 . To keep the 10,000 digit the same brightness as the other digits, a, b, c, d, e and g data mux lines for this digit are on for half of t_1 time.

d. The anode driver transistors are saturating switches (Q301 thru Q306). The segment driver transistors are emitter followers (Q307 thru Q314). R302A thru R302H are current limiting resistors. Segment current is approximately 30 milliamperes peak. R303 & C301 decouple current spikes from the 5 volt power supply. C302 decouples U301 from power supply. CR301 and R304 prevent parasitic oscillation of segment driver transistors.

5-6. POWER SUPPLY, SCHEMATIC 29145E. Sheet three of this schematic contains the voltage regulators, line transformer, line voltage switching and power switching for the Models 172A/173A. There are four separate integrated circuit voltage regulators used. VR003 provides the regulated +15 volts and the -15 volt regulator is VR002. These two regulators deliver the ± 15 volts used by most of the circuitry in the 172A/173A. In addition, the regulated +15 volts is supplied to the input of the +8 volt regulator (VR004) and the regulated -15 volts is supplied to Zener diode VR801 via R801 to develop -12 volts. Both of these voltages (+8 and -12) are fed to the LSI chip (U901). The -12 volts is also fed direct to the Switch Driver circuitry and the +8 volts is fed indirectly to this circuitry by the pullup resistors associated with U901. The two 15 volt regulators receive either ± 29.5 volts (unregulated) from the line transformer (T001) and full-wave rectifier (CR001), or ± 19.2 volts from the batteries in the Model 1728 Battery Pack. The unregulated voltages are higher than the regulators need because they are used to recharge the battery pack. If the instrument is off, but the line cord powered, unregulated voltages are fed direct to the Battery pack connectors (P401, 402). There is also a +5 volt regulator (VR001). This regulator is used to drive the display, the digital logic circuitry in the A/D converter, and all relays. This +5 volts is also used to drive the Optical Isolator circuitry whenever the Model 1722/1723 Interface Option is installed in the 172A/173A.

If a Model 1728 battery pack is installed in the Model 172A/173A the batteries of the Model 1728 will be charged through the unregulated voltages. When the instrument is line powered, resistors, R005, R006 and R007 feed the charge inputs on the battery pack. These resistors drop the charging current down to the trickle charge level. As previously mentioned, the 8 volt regulator, VR004, gets its input from the regulated +15 volt output of VR003. The input for VR001 (5V regulator) is derived from transformer secondary 7 and 8, full-wave rectifier CR002 and R003. This unregulated +14.5

TABLE 5-8.
Display Data MUX Lines.

8 LINES	DRIVES DISPLAY SEGMENT OF INDICATOR LIGHT DURING					
	t_5	t_4	t_3	t_2	t_1	t_0
a	a	a	a	a	a for last $\frac{1}{2}$ of t_1 , Off other half	mV indicator-173A mV/mA indicator-172A
b	b	b	b	b	b for last $\frac{1}{2}$ of t_1 , Off other half.	V indicator-173A V/A indicator-172A
c	c	c	c	c	c Same as above.	μ A indicator-173A not used-172A
d	d	d	d	d	d Same as above.	mA indicator-173A not used-172A
e	e	e	e	e	e Same as above.	A indicator-173A not used-172A
f	f	f	f	f	AC indicator all of t_1	Ω indicator
g	g	g	g	g	g for last $\frac{1}{2}$ of t_1 Off other half	k Ω indicator
dp	dp	dp	dp	dp	"-" indicator All of t_1	M Ω indicator

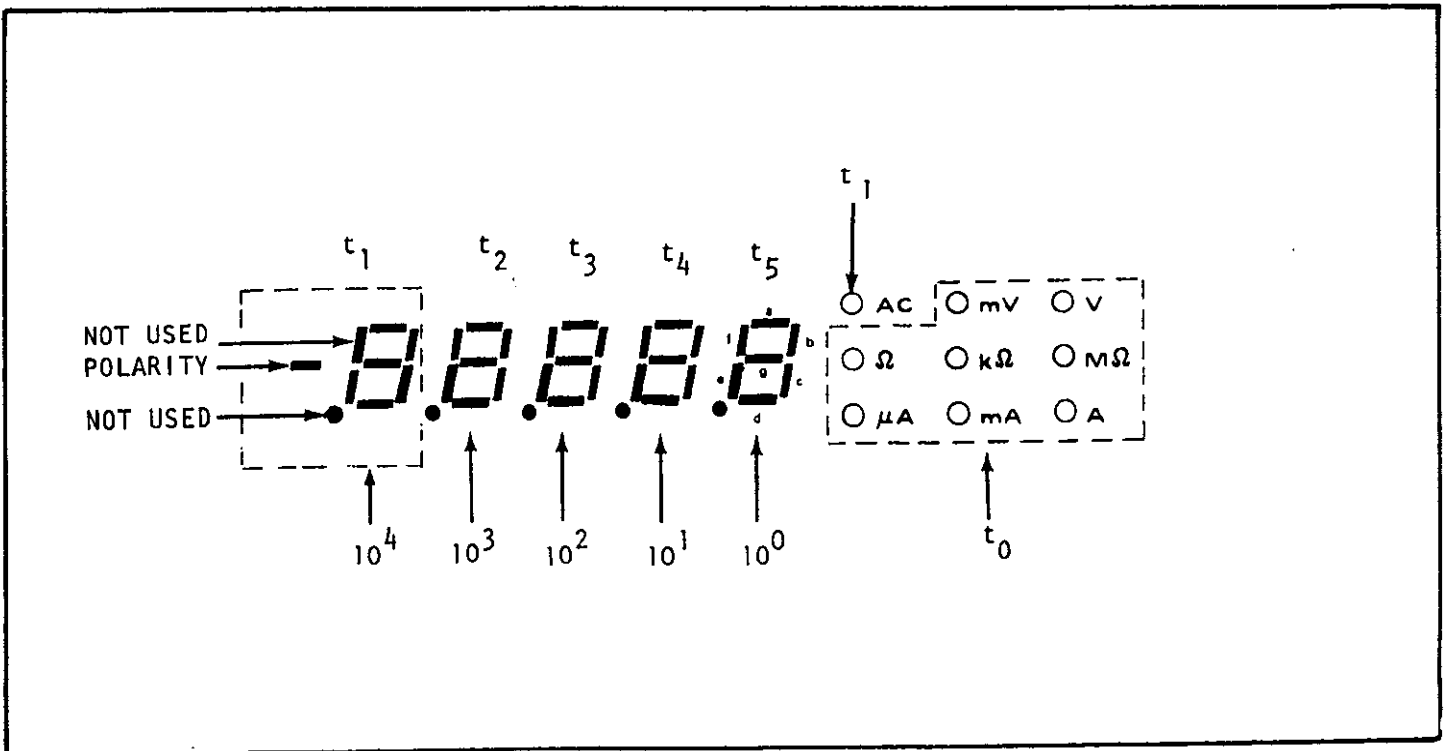


FIGURE 5-17. Digital Display Multiplex Scheme.

also charges the 8.4V batteries. In BAT mode, the ± 19.2 volts and the +8.4 volts from the batteries connect to the input terminals of VR002, VR003 and VR001. The line switch applies ac voltage from the transformer to the Model 1722 for its regulated 5 volt supply. Thus, turning the 172A or 173A off also turns off the 1722.

Transformer T001 has two internal shields, one secondary shield tied to pin 10, and one primary shield tied to power ground. This shielding provides line isolation. When the dual primary of T001 is tied in parallel by switch S001, the Model 172A/173A is connected for 117 volt operation. Switch S001 also puts these primaries in series, for 230 volt operation, as indicated on the schematic. Provision for 100 volt line is interchanging connections 5 and 6 and connections 2 and 3 on the primaries. This is a physical wiring change that must be made on the printed circuit board, and is a factory option.

There are two connectors for the Model 1728 battery pack, P402 and P401. The self-check terminals are on the bottom of the instrument. There is an "ac" self-check, "dc" self-check and an "ohms" self-check. Connect from the appropriate self-check terminal to the input high terminal to exercise the instrument. The self-check is not accurate, the voltages and currents are only approximate. A battery test point ("A") on the bottom of the instrument allows checking of the +19.2 volt battery in the Model 1728. Normally the low battery light will indicate when the batteries have become low and need recharging. However, the test point could be used to troubleshoot for a defective cell.

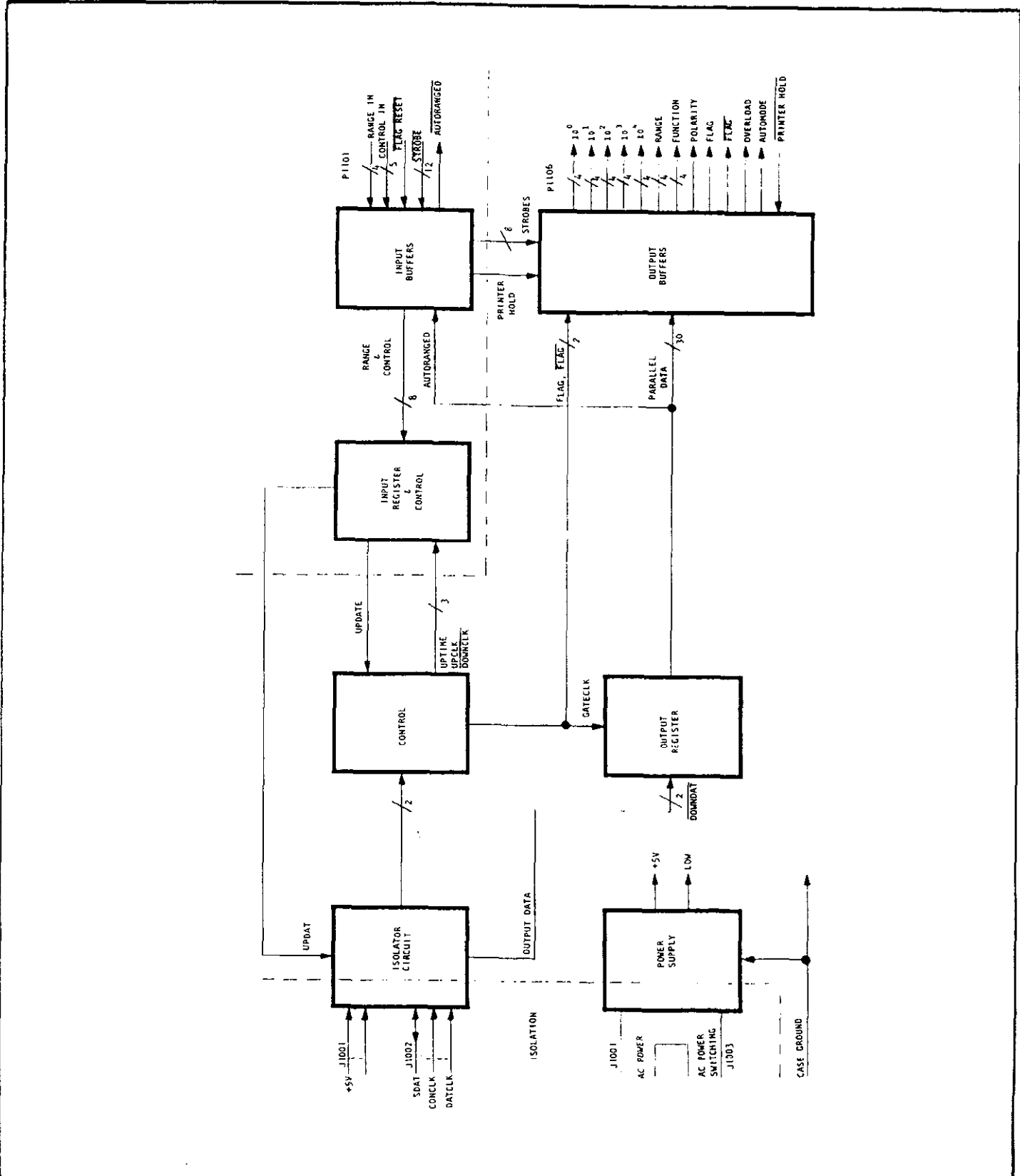
5-7. MODEL 1728 RECHARGEABLE BATTERY PACK, SCHEMATIC 26758C. The Model 1728 provides ± 19.2 volts and +8.4 volts from nickel-cadmium batteries. BT401 and BT402 are 19.2 volt, .45 AH nickel cadmium packs which are fused by 1A, 3AG Slo-Blo fuses. BT403 is an 8.4V pack composed of seven 1.2 volt "C" cells and is also fused by a 1A, 3AG, Slo-Blo fuse. The Model 1728 has a built-in recharging circuit which operates from $\pm 29.5V$ (unregulated) supplied by the DMM line-power supply.

a. BT401 Charging. BT401 is charged via a constant current from Q401. Diodes CR401 and CR402 and resistor R402 place a diode drop across R401. The resulting current is the maximum charging current. Diode CR403 prevents the battery from supplying current through Q401. The maximum charging current occurs only when the DMM is set to OFF. A trickle charge is maintained when the DMM is line operated. The reduced current is obtained by inserting a limiting resistor in series with the charging circuit (not shown on Schematic 26758C). In full charge, the batteries are charged at a C/10 rate (45 mA for BR401 & BT402, & 200mA for BT403). When trickle charged, the charge rate varies according to line voltage & battery condition from a minimum of C/100 rate to a maximum of C/20 rate. Thus, trickle charge may never fully charge the batteries, but is intended to put sufficient charge into them for short intermittent use.

b. BT402 & BT403 Charging. BT402 & BT403 are charged via constant currents from Q402 or Q403, respectively. These circuits operate similarly to the above circuit, except that they are powered by unregulated $\pm 29.5V$.

c. Low Battery Detector. This circuit monitors the voltage of all three batteries in the Model 1728, and provides a drive signal to turn on the front panel low battery indicator if either battery's voltage drops below a predetermined level. The approximate levels are: BT403 (+7.2V), BT401 (17.1V) and BT402 (-17.V). These levels were selected to ensure that a low battery indication will be given before operation of the associated regulator circuits in the DMM can be adversely affected. The heart of the detector circuit is U401, which is connected as an open-loop comparator. Low voltage detection for each battery is described as follows:

1) BT403. The threshold of the comparator is set at approximately +7.2 volts by a divider consisting of R407 and R410 connected between the regulated +15 volts and



5-18. Model 1722 Block Diagram.

common. BT403 is connected to the inverting input of U401 through fuse F403 and resistor R408. When the voltage of BT403 drops below the comparator threshold, the comparator output switches positive, turning on the low battery indicator.

2) BT402. For detecting a low voltage condition of BT402, a divider consisting of R411 and R412, and a NPN transistor (Q404) is used along with the comparator. The emitter of Q404 is connected to the regulated -15 volts, and its base level is set by the divider connected between common and BT402 through fuse F402. With the voltage of BT402 at -19.2 volts, the base-emitter junction of Q404 is reverse biased by approximately 1 volt. When the voltage drops below approximately -17.1 volts, Q404 is turned on, dropping the inverting input of U401 below the threshold voltage and the low battery indicator is turned on by the output of U401.

3) BT401. Low voltage detection of BT401 is similar to that described for BT402, with the exception that when Q405 is turned on the threshold voltage of U401 is raised above the +8.4 volts supplied by BT401. The result is the same. The output of U401 switches positive, turning on the low battery indicator.

4) It should be noted that the switching levels described above can vary slightly, because of the $\pm 5\%$ tolerance of the regulated power supplies in the DMM.

5-8. MODEL 1722 DIGITAL INTERFACE.

a. Overall Block Diagram. As shown in Figure 5-18, Serial data from the DMM and its associated clock lines are first isolated. Bidirectional data line SERDAT is then split. Output data DOWNDAT goes to the output register block where it is converted to parallel form and then to the output buffers. The clock lines go to the control block which decides where the data is going, out or in, and also generates the flag. Control input data and strobes are first buffered by the input buffer block. The strobes go to the output buffer to gate the outputs. The control, data inputs go to the input register and control block where they are converted from parallel to serial form and sent to the isolation block. The input register and control block also decides, based on control data input, whether there is to be an output update. Power isolation for the 1722 is provided by transformer T1001 which is powered by a secondary winding of the DMM power transformer.

b. Signal Isolation. (See Schematic 27902E). The bidirectional data line (SERDAT) and the two clock lines (SERCLK and INCLK), each drive an emitter follower (Q1035, Q1037 or Q1036) whose load is an LED in its respective opto-isolator (U1019, U1021 and U1020). The outputs of these opto-isolators are pulled up by R1009, R1012 and R1009, respectively. U1018 is driven by Q1034 in a similar manner to the three opto-isolators just mentioned, and its output pullup is on the DMM mainframe.

c. Power Supply. Low voltage ac from the secondary of the DMM transformer is supplied via pins B and C on J1001. Switching for the power for T1001, provided at J1003 Pins A and B, comes via the DMM mainframe through its Power ON switch. The secondary of T1001 is rectified, filtered and run through an integrated circuit (+5V regulator TR1001) whose output is filtered by C1015, C1002, C1003, C1004, C1014. The core of T1001 is connected to chassis ground by a green wire to a screw on the DMM mainframe or transformer. Also common mode filtering is performed by R1008 and C1006 connected between output low and chassis ground.

d. Control Block. UPCLK, the isolated form of INCLK, is run to the trigger input of E1017 timer. A buffered version of UPCLK is also run via diode gate CR1002 to the threshold input of U1017. U1017 is such that its output will go high when a falling edge goes into trigger. A filter made up of R1007 and C1008 will try to charge, however since this threshold is clamped low through diode CR1002, it will not be able to time

out in the time period of the clock pulses on INCLK until the last rising edge of INCLK, at which time it will clock out at 30 microseconds. Therefore, UPTIME, the output of U1017, will be length of the INCLK pulse stream plus approximately 30 microseconds. This is the time in which data will be flowing from the 1722 to the DMM. The beginning of a conversion is started by clocking DOWNCLK with UPTIME in flip-flop U1015A. The beginning of downtime also defines the time when the flag is set high, that is, when data has finished being updated. Setting the flag low during data change time, or re-setting the flag, is accomplished in two ways: FR or UPDATE. Downtime also gates DOWNCLK thru U1014C & U1014D where it is called GATECLK and goes to the output register.

e. Output Register. The output register is made up of shift registers U1008A & B, 1009A & B, 1010A & B, 1011A & B. It is a 32-bit shift register, of which only 30 are used. Serial data enters U1008B and is clocked through all of the shift registers by the parallel clock, GATECLK. At the end of the clocking time all 30 bits have been shifted in and are presented in parallel to the output buffer.

f. Output Drive and Buffer. Parallel data on the output registers goes to output gates U1001 thru 1007 and U1012 and 1013. Here, the data is gated with the output strobes through drive transistors (Q1001 thru 1030) to the output connector P1006.

g. Input Buffers. Strobelines are buffered by U1101 and U1102 and go out to the output drive and buffer block. Remote control inputs are buffered by U1104, U1111, U1105. U1104 is a Schmitt trigger, which is put on certain control lines to prevent false triggering (see Schematic 28019E).

NOTE

Additional information concerning the operation of the Model 1722 is given in Section 3. This additional information is referenced to three timing diagrams provided in Section 7 (Timing Diagrams: 28247E, 28248E and 28249E).

SECTION 6. MAINTENANCE.

6-1. GENERAL. This section contains information necessary to maintain the instrument. Included are procedures for electrical Performance Verification, Adjustment/Calibration, Troubleshooting, and Fuse Replacement.

6-2. REQUIRED TEST EQUIPMENT. Recommended test equipment for Performance Verification is given in Table 6-1. Test equipment for Adjustment/Calibration is given in Table 6-6. Alternate test equipment may be substituted if specifications equal or exceed the stated characteristics.

TABLE 6-1.
List of Test Equipment for Performance Verification.

ITEM	DESCRIPTION	SPECIFICATION	MFR	MFR MODEL
A	DC Calibrator	$\pm 0.2V$ through $\pm 1000 Vdc$ $\pm 0.002\%$ or $20\mu V$	FLUKE	343A
B	AC Calibrator	0.2 through 20 v rms $\pm 0.022\% + 10\mu V$	HP	745A
C	High Voltage Amplifier (Used with Model 745A)	200V through 1000.0 v rms $\pm 0.04\%$	HP	746A
D	Decade Resistor	2K Ω through 10M Ω $\pm 0.01\%$	ESI	DB62
E	Current Source	200 μA through 20 mA $\pm 0.006\%$	FLUKE	3330B
		200mA and 2A $\pm 0.02\%$	FLUKE	382A
F	Ohmmeter	10 ⁷ Ω $\pm 1\%$ 10 ⁹ Ω $\pm 5\%$	KI	616
G	1M Ω Resistor	$\geq 1/8W$, $\pm 1\%$ tolerance	KI	R-88-1M Ω

6-3. PERFORMANCE VERIFICATION. Performance Verification should be performed by qualified personnel using accurate and reliable test equipment as given in Table 6-1. Use the following procedures to verify basic operation and accuracy of the instrument. All measurements should be made at an ambient temperature within the range of 20°C to 30°C and with a relative humidity of less than 80%. If the instrument is out of specification at any point, perform a complete calibration as given in Paragraph 6-4. If the instrument is "IN WARRANTY", contact your Keithley representative or the factory.

NOTE

This procedure is intended to verify only the basic accuracy of the Model 172A/173A in voltage, current, and resistance modes. Test equipment accuracy should be X5 better than the measurement accuracy. In many cases the equipment listed in Table 6-1 is not X5 better, because such equipment is not readily available. For this reason, the expected error contribution of the listed test equipment is

given in the performance verification tables and should be added to the specified accuracy tolerance of the instrument to obtain the allowable readings. The listed "Source Error" assumes that the test equipment has been calibrated to the manufacturer's specifications.

a. Initial Conditions. Before beginning the verification procedure, the instrument must meet the following conditions:

- 1) If the instrument has been subjected to extremes of temperature, allow internal temperatures to stabilize for one hour minimum at the environmental conditions specified in Paragraph 6-3.
- 2) Turn on the Model 172A/173A and allow it to stabilize for one hour. The instrument may be powered from either line power or from battery pack power, as long as the battery pack has been fully charged as described in Paragraph 2-3b.

WARNING



Some procedures require the use of high voltage. Take care to prevent contact with live circuits which could cause electrical shock resulting in severe bodily injury or death.

b. Input Resistance Check. (DC VOLTS).

- 1) Select DC V function.
- 2) Select MAN and 3 volt range.
- 3) Connect the DC Calibrator (A) to the Model 172A/173A.
- 4) Apply 1 volt dc to the Model 172A/173A and record the reading.
- 5) Connect the 1 Megohm resistor (G) between calibrator HI and input HI of 172A/173A.
- 6) Apply 1 volt dc to Model 172A/173A and verify that the displayed reading is within 10 digits of the reading in step 4. This verifies that the input resistance is $>10^9\Omega$.
- 7) Select the 30 volt DC range using UP RANGE pushbutton.
- 8) Measure the input resistance between HI and LO using ohmmeter (F).
- 9) Input resistance should be 10 megohms $\pm 2-1/2\%$.

c. DC Voltage Accuracy Check.

- 1) Set to DC Volts and AUTO.
- 2) Connect the DC Calibrator (A) to the instrument.
- 3) Set the DC Calibrator to the output specified in Table 6-2.
- 4) Verify that the instrument reading is within the limits specified.
- 5) Repeat steps 3) and 4) with negative voltages.

TABLE 6-2.
DC Voltage Performance Check.

RANGE	APPLIED VOLTAGE	NOMINAL DISPLAY	TOLERANCE (SPECIFIED ACCURACY) IN DIGITS**			SOURCE ERROR*
			24 hr, 25 ± 1°C	20 to 30°C 6 mo. 1 year		
300mV	±0.20000Vdc	±200.00mVdc	±3d	±4d	±4d	±2d
3 V	±2.0000Vdc	±2.0000Vdc	±3d	±4d	±4d	±0.4d
30 V	±20.000Vdc	±20.000Vdc	±3d	±4d	±4d	±0.4d
300 V	±200.00Vdc	±200.00Vdc	±3d	±4d	±4d	±0.4d
1000 V	±1000.0Vdc	±1000.0Vdc	±2d	±2d	±3d	±0.2d

* The Manufacturer's specified uncertainty of the DC Calibrator (A). If this calibrator is used, add uncertainty to the 172A/173A tolerance to obtain the allowable reading. For example, the allowable 1 year 20° to 30°C reading on the 300mV range would be 199.96 to 200.04 with a zero source error. Including the source uncertainty, the reading would be 199.94 to 200.06.

** Tolerances above one half digit have been rounded off to the next higher digit because of the approximate 0.5 digit flash point of the least significant digit of the display.

d. AC Voltage Accuracy Check.

- 1) Select AC Volts and AUTO.
- 2) Connect the AC Calibrator (B) to the instrument. Set the calibrator frequency to 20kHz.
- 3) Apply 200mVac to the instrument. The reading must be within the limits specified in Table 6-3.
- 4) For the 3 and 30 volt ranges, apply the required voltages stated in Table 6-3 and verify that the readings are within specifications.
- 5) To check the 300 and 1000 volt ranges, connect the High Voltage Amplifier (c) to the output of the AC Calibrator per the manufacturer's instructions. Connect the amplifier output to the Model 172A/173A input terminals. Set the calibrator to supply 200.00 Vrms at 20kHz for checking the 300V range, and 1000.0 Vrms at 10kHz to check the 1000V range. Verify that the readings are within the specified limits in Table 6-3.
- 6) To check accuracy at 50 Hz, apply the voltage specified in Table 6-3 for the 30V range and verify that the reading is within the specified limits.
- 7) To check accuracy at 100kHz, apply the voltage specified in Table 6-3 for the 200mV range and verify that the reading is within specified limits.

TABLE 6-3.
AC Voltage Performance Check.

RANGE	APPLIED VOLTAGE	NOMINAL DISPLAY	TOLERANCE (SPECIFIED ACCURACY) IN DIGITS 20 to 30°C	SOURCE ERROR*
300mV	<u>@ 20 KHz</u> 0.2000 Vrms	200.00	± 46 digits	± 7 digits
3 V	2.0000 Vrms	2.0000	± 46 digits	± 6 digits
30 V	20.000 Vrms	20.000	± 46 digits	± 6 digits
300 V	200.00 Vrms	200.00	± 46 digits	± 8 digits
1000 V	<u>@ 10kHz</u> 1000.0 Vrms	1000.0	± 31 digits	± 4 digits
30 V	<u>@ 50Hz</u> 20.000 Vrms	20.000	± 220 digits	± 15 digits
300mV	<u>@ 100kHz</u> 0.2000 Vrms	200.00	± 220 digits	± 20 digits

* The Manufacturer's specified uncertainty of the AC Calibrator (B). If this calibrator is used, add uncertainty to Tolerance to obtain allowable reading.

e. Resistance Accuracy Check.

- 1) Select Ω, HI and 2 WIRE.
- 2) Select AUTO.
- 3) Connect the Decade Resistor (D) to the instrument input terminals. Set the decade resistor to zero and record the resistance of the test leads. Subtract the lead resistance from the resistance reading on the Model 172A/173A in the following steps.
- 4) Set the decade resistor to the resistance values given in Table 6-4. Verify that the readings are within specified limits for HI ohms.
- 5) Select L0 ohms and repeat the decade resistor settings given in Table 6-4. Verify that the readings are within specified limits for L0 ohms.

TABLE 6-4.
Resistance Performance Check.

RANGE	RESISTANCE SETTING	NOMINAL DISPLAY	TOLERANCE (SPECIFIED ACCURACY) IN DIGITS 20° to 30°C		SOURCE ERROR*
			HI	LO	
300 Ω	200.00 Ω	200.00		± 8 digits	± 2 digits
3K Ω	2.0000 K Ω	2.0000	± 8 digits	$\pm 8d$	$\pm 2d$
30K Ω	20.000 K Ω	20.000	$\pm 8d$	$\pm 8d$	$\pm 2d$
300K Ω	200.00 K Ω	200.00	$\pm 8d$	$\pm 10d$	$\pm 2d$
3M Ω	2.0000 M Ω	2.0000	$\pm 11d$	$\pm 31d$	$\pm 2d$
30M Ω	20.000 M Ω	20.000	$\pm 37d$	$\pm 160d$	$\pm 2d$
300M Ω	200.00 M Ω	200.00	$\pm 301d$		$\pm 20d$

* Manufacturer's specified uncertainty for the Decade Resistor (D) and the 0.1% 200M Ω resistor. Add uncertainty to the Tolerance to obtain allowable reading if these items are used for the accuracy check.

f. Current Accuracy Check (Model 173A Only).

- 1) Select DC and A.
- 2) Select AUTO.
- 3) Connect Current Source (E) to the instrument input terminals.
- 4) Set the current source to the currents given in Table 6-5. Verify that each reading is within specified limits.

TABLE 6-5.
 DC Current Accuracy Check (Model 173A Only).

RANGE	CURRENT APPLIED	NOMINAL DISPLAY	TOLERANCE (SPECIFIED ACCURACY) IN DIGITS 20° to 30°C	SOURCE ERROR*
300 A	±200.00 A	200.00	±22 digits	±1 digit
3mA	±2.0000mA	2.0000	±22 digits	±1 digit
30mA	±20.000mA	20.000	±22 digits	±1 digit
300mA	±200.00mA	200.00	±22 digits	±4 digit
3 A	±2.0000 A	2.0000	±22 digits**	±4 digit

* Manufacturer's specified uncertainty for Current Sources (E). If these sources are used, add uncertainty to Tolerance to obtain allowable reading.

** Self heating effects of currents greater than 1 ampere can double the percentage of reading error (i.e., prolonged application of >1A can cause tolerance to increase to ±42 digits).

g. Current Accuracy Check (Model 172A Only).

- 1) Select DC and A.
- 2) Select AUTO.
- 3) Connect Current Source (E) to the instrument input terminals.
- 4) Set the current source to 200mA. Verify a reading of 199.48 to 200.52mA*.
- 5) Set the current source to 1A: Verify a reading of 0.9973 to 1.0027A*.

*NOTE

Readings do not account for source inaccuracy. Add 0.02% uncertainty to reading if Current Source (E) is used (i.e., ±4 digits to step 4 and ±2 digits to step 5).

TABLE 6-5.
Recommended Test Equipment For Calibration.

ITEM	DESCRIPTION	SPECIFICATION	MFR	MODEL
A	DC Calibrator	+2.90000V, +29.0000V, +290.000V, +1000.00V, to within 20 ppm	Fluke	343A
B	AC Calibrator	1V @ 1kHz 1V, 100V @ 5kHz	HP	745A
C	Decade Resistor	2K Ω through 10M Ω \pm 0.01%	ESI	RS725
D	Current Source*	1A, 100mA, 10mA \pm 0.02%	Fluke	383A
E	DMM	1.0000V \pm 0.001%	KI	5900
F	Test Circuit	Resistor, 2M Ω] Paralleled Capacitor, 1 μ F]	KI KI	R-253-21 C-215-1

*NOTE

An alternate Current Source may be assembled using a precision 1 Ω resistor stabilized at constant temperature, and a Keithley Model 227 which has been adjusted to obtain a 1.0000 V reading across the 1 Ω resistor. Use DMM (E) to accurately monitor the voltage drop.

6-4. CALIBRATION REQUIREMENTS. In general, calibration should be performed yearly (every 12 months) or whenever the Performance Verification (in this section) indicates that the Model 172A/173A is out of specifications. It should be noted that if it is desired to make dc voltage measurements to the 6 month or 24 hour accuracy specification, the calibration cycle will have to be shortened accordingly. If any step in the Calibration Procedure cannot be performed properly, refer to Troubleshooting information in this section, or contact your Keithley representative or the factory as described in the Verification Procedure.

NOTE

Calibration should be performed by qualified personnel using accurate and reliable test equipment.

a. Recommended Test Equipment. Recommended test equipment for calibration is listed in Table 6-9. Alternate test may be used. However, the accuracy of the test equipment must be at least five times better than the Model 172A/173A specifications, or equal to Table 6-1 specifications. For example, to achieve a dc accuracy of 0.015%, the calibration source accuracy should be no worse than 0.003% total. There are several exceptions where other than five times better accuracy is required and these exceptions are noted in the calibration procedure.

b. Environmental Conditions. Calibration should be performed under laboratory conditions having an ambient temperature of $25^{\circ}\text{C} \pm 1^{\circ}\text{C}$, and a relative humidity of less than 80%. If calibration is not done at 25°C , a $\pm 5^{\circ}\text{C}$ temperature range around that temperature is allowed, but this will result in a shift of the specification temperature range. For example, if calibration is performed at 23°C , the stated 1 year 20°C - 30°C accuracy specification will then be 1 year 18°C - 28°C . If the instrument has been subjected to temperatures outside of the calibration temperature range, or to higher than 80% relative humidity, allow one hour minimum for the instrument to stabilize at the specified calibration environmental conditions before beginning the calibration procedure.

5-5. PREPARATION FOR CALIBRATION. Preparation of the Model 172A/173A for calibration consists of installing the Model 1725A calibration cover and allowing a sufficient time for the instrument to warm up after installation of the calibration cover.

a. Installation of the Model 1725A Calibration Cover. Calibration should be performed using the Model 1725A calibration cover. This cover permits access to the Model 172A/173A adjustments, while allowing the instrument to reach normal internal operating temperature. Install the cover as follows:

WARNING



Disconnect the line cord before removing the top cover. To discharge voltage on capacitors, depress the LINE pushbutton after disconnecting the line cord.

- 1) Turn off power and disconnect the line cord.
- 2) Turn the instrument over so that the bottom cover is facing up, loosen the four screws in the bottom panel. These screws are held captive by rubber O-rings.
- 3) Hold the top and bottom covers together to prevent their separation and turn the DMM over to normal position.
- 4) Carefully lift off the top cover and disconnect the connector from the wires going to the rear panel (current fuse).
- 5) If the Model 1722 or 1723 Digital Interface is installed, disconnect its connections to the DMM motherboard and remove interface board(s) along with the instrument top cover.
- 6) If the Model 1728 Battery Pack is installed, disconnect its connectors as shown in Figure 2-3 and remove the battery pack from the DMM.
- 7) Connect P503 from the calibration cover current fuse to J503 from the Model 172A/173A current board, and position the calibration cover in place on the Model 172A/173A.

b. Warm Up. Connect the line cord and turn power on the instrument by depressing the LINE pushbutton. Allow a one hour warm-up time before beginning the calibration procedure.

6-6. CALIBRATION PROCEDURE. The calibration/adjustment of the Model 172A/173A consists of performing the procedures outlined as follows:

1. Precalibration.
2. DC voltage calibration.
3. AC voltage calibration.
4. Ohms calibration.
5. DC current calibration (Model 173A only).

Precalibration and DC voltage calibration must be done in that order. After completing precalibration and DC voltage calibration, AC voltage, ohms and DC current calibration can be interchanged with each other if desired. Since adjustments within a procedure are interrelated and dependent on prior calibration steps, they must be done only in the order given to ensure proper calibration of the instrument. The circled numbers within the procedures indicate the given order of adjustments for the complete calibration. These numbers are also repeated in Figure 6-1, which shows the adjustment locations by procedural grouping (i.e., precalibration, DC voltage calibration and etc.) and serves as an aid to perform the calibration procedure using the calibration cover. Perform the following adjustments to calibrate the Model 172A/173A and restore its operation to specified limits.

WARNING



Some procedures require the use of high voltage. Take care to prevent contact with live circuits which could cause electrical shock resulting in injury or death. Use an insulated tool when making adjustments.

a. Precalibration.

- 1) Input Current Adjustment.
 - a. Set the DMM to MAN; 300 mV DC range.

NOTE

The input short used in the following steps should be no more than $10\text{m}\Omega$ ($10^{-2}\Omega$). This can be verified by observing no more than a 1 digit increase when switching from $3\text{K}\Omega$ LO range to 300Ω LO range. The short should also have low thermal EMFs, which can be determined by reversing the connections on the dc 300mV range and observing that there is no change in the zero reading.

- b. Connect a short between input H1 and L0.
- c. Record the reading on the DMM.
- d. Remove the short and connect the Test circuit (F) across input H1 and L0.

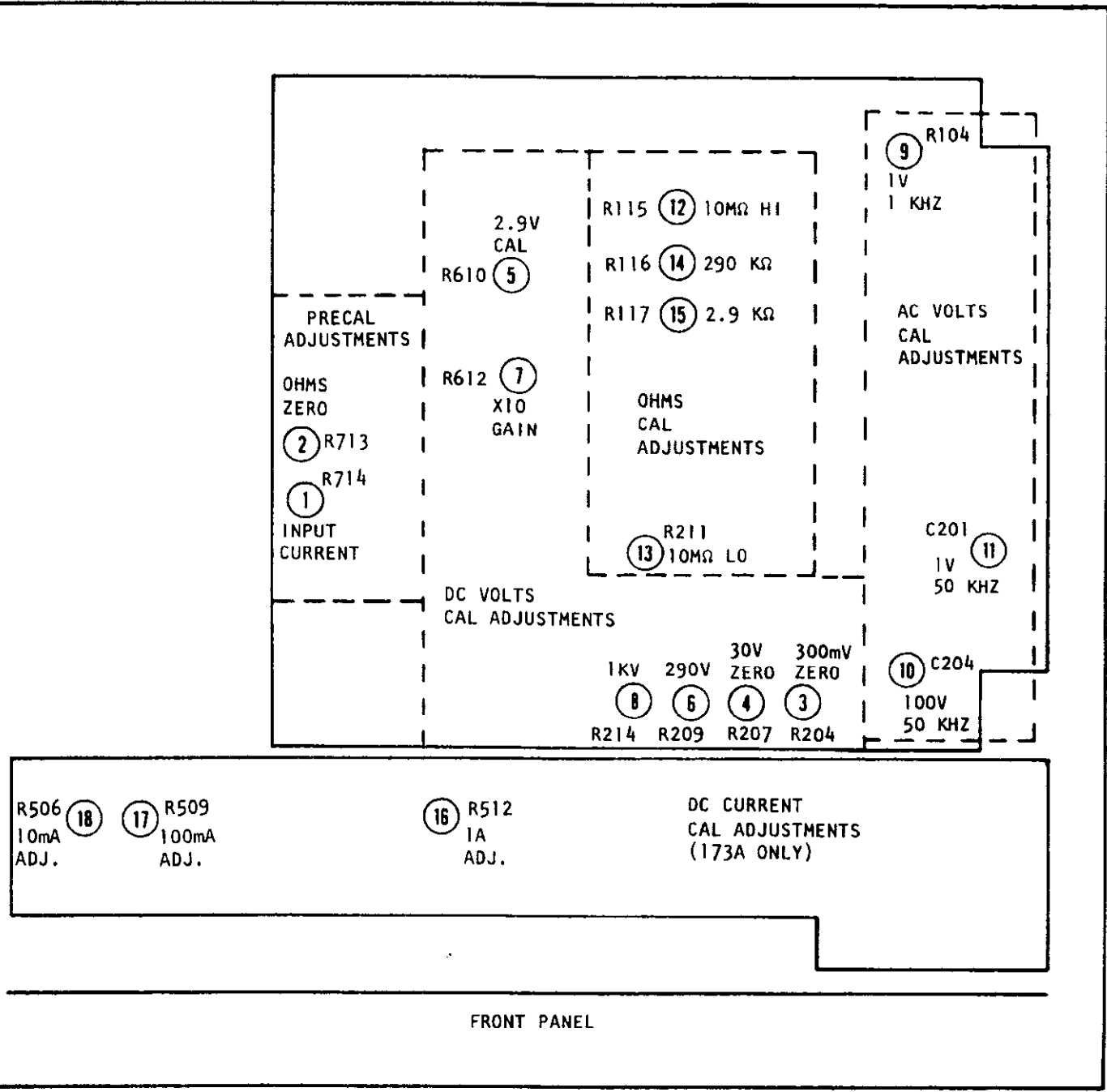


FIGURE 6-1. Location of Calibration Adjustments.

- ① e. Adjust potentiometer R714 (input current) to obtain the same reading as in step c. (Minimize physical movement around input as this will cause a shift in the reading.)
 - f. Repeat steps b. thru e. to assure equal readings (within ± 1 digit is acceptable).

NOTE

Each digit difference between input shorted and $2M\Omega || 1\mu F$ applied is 5 picoamperes dc

- 2) Ohms Zero Adjustment.
 - a. Set the DMM to 2-WIRE and LO ohms.
 - b. Select $3K\Omega$ range.
 - c. Apply short between input HI and LO.
 - ② d. Adjust potentiometer R713 (ohms zero) for a zero or zero flashing one reading on the DMM.
 - e. Select $30K\Omega$ range.
 - f. Slightly readjust R713 to obtain a zero or zero flashing one reading.
- b. DC Voltage Calibration.
 - 1) Zero Adjustments.
 - a. Select DCV 300mV range.
 - b. Connect the DC Calibrator (A) to the input terminals.

NOTE

It may be necessary to compensate for dc offset of the DC Calibrator. For example, if the dc offset is $-2 \mu V$ dc then the DC Calibrator should be adjusted $+2 \mu V$ to compensate for the offset. Use a Keithley Model 155 to determine calibrator offset

- c. Set the DC Calibrator to apply $+100\mu V$, $\pm 1\mu V$ to DMM input.
- ③ d. Adjust potentiometer R204 (300mV zero) for a 00.10 reading on DMM.
 - e. Select 30Vdc range.
 - f. Set the DC Calibrator to apply $+10mV \pm 100\mu V$ to DMM input.
- ④ g. Adjust potentiometer R207 (30V zero) for a 0.010 reading on DMM.
- 2) Full range Adjustments.
 - a. Connect the DC Calibrator to the input terminals.
 - b. Set the instrument to the range given in Table 6-7.
 - c. Set the DC Calibrator to provide the "Applied Input" given in Table 6-10.
 - d. Adjust the control given in Table 6-10 to achieve the specified display.

NOTE

Perform the calibration in the exact order given.

TABLE 6-7.
Full Range DC Calibration

RANGE	APPLIED INPUT	CONTROL	DISPLAY REQUIRED
3 V	+2.9V ± 0.003%	5 2.9V CAL (R610)	2.9000
300 V	+290V ± 0.003%	6 290V ADJ (R209)	290.00
30 V	29V ± 0.003%	7 X10 GAIN (R612)	29.000
1200 V	1000V ± 0.003%	8 1KV ADJ (R214)	1000.0

c. AC Voltage Calibration.

- 1) Select AC V and MAN ranging.
- 2) Connect AC Calibrator (B) to the input terminals.
- 3) 1V at 1kHz Adjustment.
 - a. Select 3V range.
 - b. Apply 1 Vac ±0.04% at 1 kHz.
- 9 c. Adjust potentiometer R104 (1V, 1kHz) for a 1.0000 ±1 digit reading.
- 4) 100V at 50kHz Adjustment.
 - a. Select 300V range.
 - b. Apply 100V ±0.1% at 50 kHz.
- 10 c. Adjust variable capacitor C204 (100V, 50kHz) for a 100.00 ±3 digit reading.
- 5) 1V at 50kHz Adjustment.
 - a. Select 3V range
 - b. Apply 1Vac ±0.1% at 50kHz.
- 11 c. Adjust variable capacitor (C201 (1V, 50kHz) for a 1.0000 ±3 digit reading.

d. Ohms Calibration.

- 1) 10MΩ Adjustment.
 - a. Select Ω (ohms) and MAN ranging.
 - b. Select 30MΩ HI range, 2 wire.
 - c. Connect a 10MΩ ± 0.03% resistor between input upper terminals. (Decade resistor (C) may be used, it has 0.01% accuracy.)
- 12 d. Adjust potentiometer R115 (10MΩ HI) for a 10.00 reading on the display.
 - e. Select 30MΩ LO range; record the change in digits from 10MΩ HI range.
- 13 f. Adjust potentiometer R211 (10MΩ LO) for 10MΩ + 1/10 Δ digits.
 EXAMPLE: If 10MΩ LO was reading 9.850 (Δ digits = 150), adjust for a reading of 10.015 (1/10 Δ digits = 15 digits).

g. Repeat steps d. through f. until the reading is 10.000 ± 2 digits on HI Ω and 10.000 ± 10 digits on LO Ω .

2) 290K Ω Adjustment.

a. Select 300K Ω HI, 2 wire.

b. Connect the decade resistor (c) between input (upper) terminals. Set decade resistor for 290.000K Ω .

⑭ c. Adjust potentiometer R116 (290K Ω) for a reading of 290.00 ± 1 digit.

3) 2.9K Ω Adjustment.

a. Select 3K Ω HI Ω , 4 wire.

b. Connect the decade resistor to the instrument using the 2-wire configuration. Set the decade resistor to 2.9000K Ω .

⑮ c. Adjust potentiometer R117 (2.9K Ω) for a reading of 2.9000 ± 1 digit.

e. DC Current Calibration (Model 173A Only).

1) 1 Ampere Adjustment.

a. Select DCA and MAN ranging.

b. Select 3A range.

c. Connect the current source (D) to the Model 173A and apply +1 ampere.

⑯ d. Adjust potentiometer R512 (1A) for a reading of 1.0000 ± 1 digit.

2) 100mA Adjustment.

a. Set the current source for 100.00mA.

b. Select 300mA range.

⑰ c. Adjust potentiometer R509 (100mA) for a reading of 100.00 ± 1 digit.

3) 10mA Adjustment.

a. Set the current source for 10.00mA.

b. Select 30mA range.

⑱ c. Adjust potentiometer R506 (10mA) for a reading of 10.000 ± 1 digit.

f. Current Calibration for Model 172A. No adjustments can be made. Primary component which determines accuracy is resistor R514 (1 Ω , 0.1%, 10W, WW).

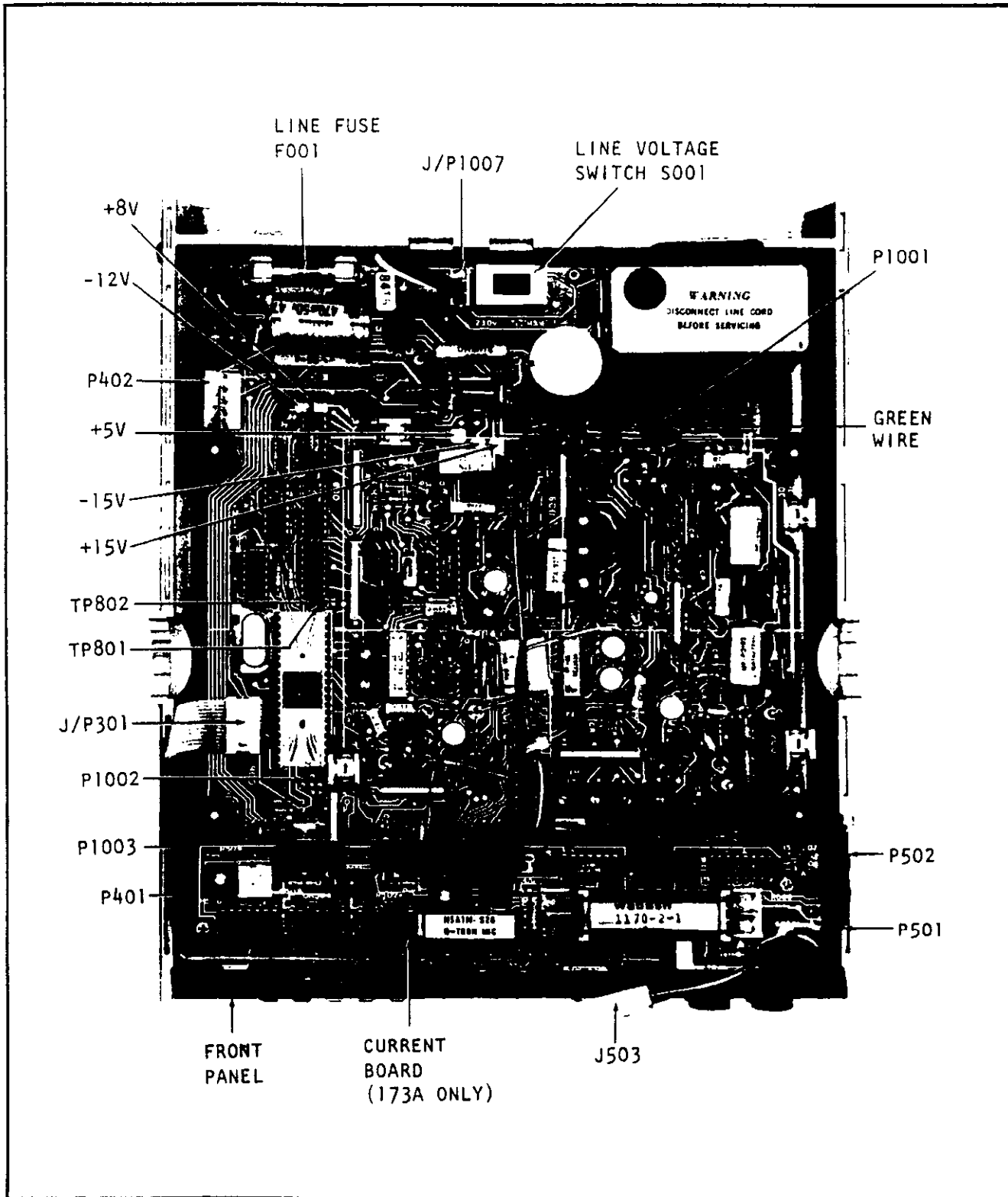


FIGURE 6-2. Location of Connectors and Test Points.

6-7. TROUBLESHOOTING AND REPAIR. The troubleshooting and repair information in this section is intended only for qualified personnel having a basic understanding of analog and digital principles and components used in a precision electronic test instrument. Since most repairs (or replacement of parts) will require that the unit be recalibrated or its performance reverified, a facility having calibration test equipment may also be required. If the required personnel or facilities are not available, or if doubt exists the Keithley representative in your area should be contacted in the event repair of the instrument is needed. If it has been determined that you have the means to properly repair and return the Model 172A/173A to service, the following instructions may prove useful to help you isolate the fault or make the repair. It is strongly recommended that the following instructions be read carefully and that the Theory of Operation and Calibration Procedure both be reviewed, before any attempt is made to repair the Model 172A/173A.

NOTE

For instruments that are still under warranty, (less than 12 months since date of shipment), if the instrument's performance is outside of specifications at any point or if abnormal operation is indicated, contact your Keithley representative or the factory before attempting any troubleshooting or repair, other than fuse replacement.

a. Disassembly. If there is a need to remove the top cover and partially disassemble the Model 172A/173A for troubleshooting or to replace a part, the following procedure should be followed:

WARNING



Disconnect the line cord before removing the top cover. To discharge voltage on capacitors, depress the LINE pushbutton after disconnecting the line cord.

- 1) Turn off power and disconnect the line cord.
- 2) Turn the instrument over so that the bottom cover is facing up, loosen the four screws in the bottom panel. These screws are held captive by rubber O-rings.
- 3) Hold the top and bottom covers together to prevent their separation and turn the DMM over to normal position.
- 4) Carefully lift off the top cover and disconnect the connector from the wires going to the rear panel (current fuse).
- 5) If the Model 1722 or 1723 Digital Interface is installed, disconnect its connectors to the DMM motherboard and remove interface board(s) along with the instrument top cover. (See Figure 3-9).
- 6) If the Model 1728 Battery Pack is installed, disconnect its connectors as shown in Figure 2-3 and remove the battery pack from the DMM.

NOTE

If the RF shield on the main printed circuit board is removed and replaced, recalibration of the AC voltage circuits may be required. If the position of the shield is disturbed during troubleshooting or repair, perform the AC voltage verification check to determine whether recalibration is needed.

- 7) The main printed circuit board RF shield is held in place by 4 spring clips. Remove the shield only if absolutely necessary, as its removal and replacement may necessitate recalibrating the AC voltage circuit.

8) To gain access to the display board components (or to remove the display board), first, remove the current board (173A) or the display board RF shield (172A) by disconnecting its connector to the main printed circuit board and removing the 2 attaching screws.

b. Special Handling of Static Sensitive Devices. C/MOS devices are designed to function at very low voltage levels for low power consumption. For this reason, a normal static charge build up on your person or clothing can be sufficient to destroy these devices. The following steps list the static sensitive devices in your instrument, or its options, and provide instructions on how to avoid damaging them when they must be removed/replaced.

1) Static sensitive devices:

<u>Keithley Part Number</u>	<u>Reference Designation</u>
IC-103	U1015, U1106
IC-108	U803, U1014, U1107
IC-135	U502
IC-136	U1008 thru U1011
IC-138	U1001 thru U1007, U1012, U1013, U1109
IC-139	U805, U1111
IC-141	U1101 thru U1103, U1105
LSI-4	U901
28090A	U603

2) The above integrated circuits should be handled and transported only in protective containers. Typically they will be received in metal tubes or static protective foam. Keep the devices in their original containers until ready for use.

3) Remove the devices from their protective containers only at a properly grounded work bench or table, and only after grounding yourself by using a wrist strap.

4) Handle the devices only by the body. Do not touch the pins.

5) Any printed circuit board into which a device is to be inserted must also be grounded to the bench or table.

6) Use only anti-static type solder suckers.

7) Use only grounded tip soldering irons.

8) After soldering the device into the board, or properly inserting it into the mating receptacle, the device is adequately protected and normal handling can be resumed.

c. Troubleshooting Hints. Table 6-8 describes the Symptoms and Probable Cause for a variety of possible malfunctions. It is beyond the scope of this Instruction Manual to list all possible symptoms, therefore, it is suggested that you contact the Keithley representative in your area, or the Factory, in the event your instrument needs repair.

TABLE 6-8.
Troubleshooting Hints

SYMPTOM	PROBABLE CAUSE	CORRECTIVE ACTION
a) No display (LINE mode)	<ol style="list-style-type: none"> 1) Line voltage switch (S001) set incorrectly. 2) Fuse F001 is missing or open. 3) Line voltage connector J1007 improperly connected to pc board at P1007. 	<p>Check connection to line power. Check LINE switch setting to conform to line voltage available. See Figure 6-2. Check fuse.</p> <p>Check fuse. Replace with proper rating.</p> <p>Check connection to pc board as shown in Figure 6-2.</p>
b) No display. (BAT mode)	<ol style="list-style-type: none"> 4) Batteries need recharging. (Check for LO BAT indication.) 2) Battery fuses blown. 3) Batteries improperly installed on battery pack. 4. Battery cables improperly installed. 	<p>Connect instrument to line power. Release LINE.</p> <p>Check F401, F402 and F403. Check battery pack for proper polarity on all batteries. See Figure 2-3.</p> <p>Check battery connections at P402 and P401 as in Figure 2-3.</p>
c) No display (All modes)	<ol style="list-style-type: none"> 1) Display cable P301 not properly connected. 2) LSI module improperly installed. 3) Power supply malfunction. 	<p>Check plug P301 and mating connector J301. Make certain all pins are making proper contact (pins should not be bent). Check for proper orientation of the connector.</p> <p>Check U901 for proper installation. Make certain all pins are making contact (pins should not be bent).</p> <p>Check power supply voltages as described in Table 6-9.</p>
d) Display is blank, or some segment on.	<ol style="list-style-type: none"> 1) Clock waveform is missing 	<p>Check pin 4 of LSI U901 for a clock waveform of approx. 334 kHz swinging between +4V and 0V. If waveform is present, LSI U901 is probably faulty. If waveform is not present, integrated circuits U804, U805 or Crystal Y901 may be faulty.</p>

TABLE 6-8 (CON'T)

<p>e) One display bar missing on all digits.</p>	<p>1) Faulty connection between P301 & J301.</p> <p>2) Cathode driver circuitry faulty. See schematic 27404D.</p>	<p>Check plug P301 and mating connector J301. Make certain all pins are making contact.</p> <p>"a" bar: Check R302 pin 14 for signal. When "ON", voltage should be approx. +1.8V.</p> <p>"b" bar: Check R302 Pin 16</p> <p>"c" bar: Check R302 pin 15</p> <p>"d" bar: Check R302 pin 9</p> <p>"e" bar: Check R302 pin 12</p> <p>"f" bar: Check R302 pin 10</p> <p>"g" bar: Check R302 pin 13</p> <p>decimal point: Check R302 pin 11</p>
<p>f) One digit missing.</p>	<p>1) Faulty connection between P301 & J301.</p> <p>2) Anode drive circuitry faulty. See schematic 27404D.</p>	<p>Check plug P301 and mating connector J301.</p> <p>If units digit missing, check collector of Q305 for signal. When "ON", voltage should be approx. 4.8V. If tens digit missing, check collector of Q304. If hundreds digit missing, check collector Q303. If thousands digit, minus sign and function indicator missing, check collector Q302.</p>
<p>g) 10,000 digit missing. (except if reading is less than 10,000 counts)</p>	<p>Q301</p>	<p>On 10,000 digit, check collector Q301. If no signals are present problem could be transistor or integrated circuit U301.</p>
<p>h) Function indicator off.</p>	<p>Transistor Q306</p>	
<p>i) Faulty reading on Ω function.</p>	<p>1) DMM set for 4 WIRE ohms and Ω SOURCE terminals are not connected.</p> <p>2) DMM set for 4 WIRE ohms but leads are reversed.</p>	<p>Set to 2 WIRE.</p>
<p>j) Faulty reading on Current function.</p>	<p>Current fuse F501 is blown.</p>	<p>Connect HI input to the same side of unknown as the + Ω SOURCE Lead. Replace fuse on rear panel.</p>
<p>k) Faulty reading on all functions.</p>	<p>A/D converter circuitry. See schematic 29145E, Sheet 2.</p>	<p>Check for proper Capture Range of A/D converter as described in Table 6-10.</p>

TABLE 6-9
Line Power Checks

Step	Item/Component	Required Condition	Remarks
1	S001 Line Voltage switch*.	Must be set to 230V or 115V as appropriate.	
2	F001 Line Fuse *	Continuity.	
3	J/P1007*	Properly mated.	
4	P1008 line cord	Plugged into live receptacle.	
5		Turn on power (Line switch).	NOTE: Output from CR002 should be $\geq +12.6V$. output from CR001 $\geq \pm 26V$.
6	+5V pad*	+5volts $\pm 5\%$.	Output of VR001.
7	+8V pad*	+8volts $\pm 5\%$	Output of VR004, input to VR001.
8	+15V pad*	+15volts $\pm 5\%$	Output of VR003.
9	-12V pad*	-12volts $\pm 5\%$	VR801 & R801
10	-15V pad*	-15volts $\pm 5\%$	Output of VR002
			NOTE: Hot regulator may indicate shorted load.

* On main printed circuit board (See Figure 6-2 for location, and see sheet 3 of Schematic 29145E for circuit details).

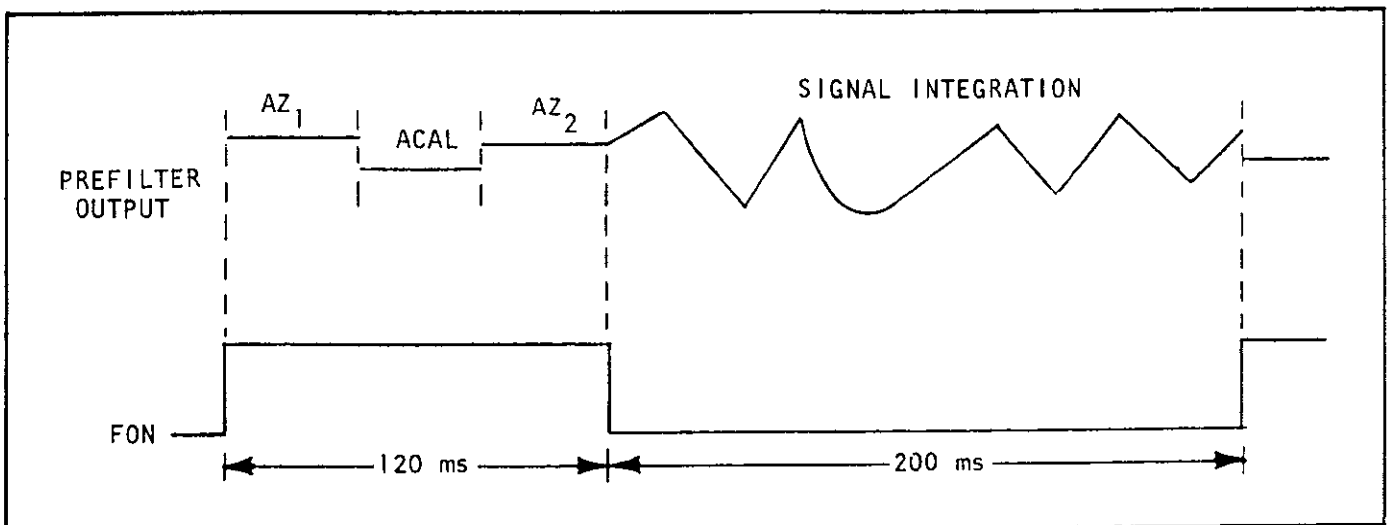


FIGURE 6-3. Waveform for Capture Range Check.

TABLE 6-10
 A/D Converter Capture Range Check

Step	Item/Component	Required Condition	Remarks
1	28623A Test Lead (Part of 1725A maintenance Kit)	a) Connect plug such that Black lead to TP801; Red lead to TP802. b) Connect terminal of red lead to oscilloscope EXT. TRIGGER. c) Connect terminal of black lead to oscilloscope VERTICAL INPUT.	See Figure 6-2.
2	28622A Test Lead (P/O 1725A)	a) Connect plug (Green wire) to P1001, Pin A. b) Connect terminal of green wire to oscilloscope GND.	See Figure 6-2.
3	Oscilloscope Controls	a) TRIGGER: +, DC coupled. b) VERTICAL: DC, 0.5V/division. c) TIME BASE: 20mS/division.	
4	172A/173A Settings	a) Turn on power. b) Set to MAN; 300mVDC range. c) Short INPUT HI to LO.	
5	Check waveform, Figure 6-3.	All signals AZ1, ACAL & AZ2 should be +1Vdc ±1Vdc.	If one or more correction signals (AZ1, ACAL, AZ2) are out of capture range, See sheet 2 of Schematic 29145E for circuit details. Note: There is some interaction between circuits.

6-8. FUSE REPLACEMENT. With the exception of the current fuse, all fuses are located internally in the Model 172A/173A. To replace the current fuse, proceed to step g. To replace an internal fuse, proceed as follows:



Disconnect the line cord before removing the case cover.

a. Turn off power and disconnect the line cord.

b. Turn the DMM bottom side up and loosen the four screws in the bottom cover. These screws are held captive by rubber O-rings..

c. Hold the top and bottom covers together to prevent their separation and turn the DMM over to normal position.

d. Lift off the top cover.

e. Replacement of Battery Pack fuses. F401, F402 and F403.

1) Leave the Battery pack in place and connected.

2) Remove either F401, F402 or F403 (shown in Figure 2-2) and replace it with a 1A, 250V, 3AG SLO-BLO fuse (Keithley part number FU-10).

3) Reinstall top cover.

f. Replacement of Line Fuse F001.

1) Once the top cover is removed, F001 is accessible without removing any other components.

2) Remove F001, shown Figure 6-2, and replace it with a 1/4A, 250V, 3AG SLO-BLO fuse (Keithley part number FU-17) for 117V line operation, or a 1/8A, 250V, 3AG SLO-BLO fuse (Keithley part number FU-20) for 230V line operation.

3) Reinstall top cover.

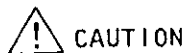
g. Current Fuse F501.

1) The current fuse is accessible from the rear panel as shown in Figure 2-1.

2) Replace F501 as follows:

Model 173A: 3A, 250V, 3AG (Keithley #FU-2).

Model 172A: 2A, 250V, 3AG (Keithley #FU-13).



Do not install fuses with higher ratings than specified. Instrument damage may occur.

SECTION 7. REPLACEABLE PARTS.

7-1. GENERAL. This section contains information necessary for ordering replacement parts. Included, to assist you in locating and identifying components, are Cross-Reference Tables, the Replaceable Parts List, Illustrations, Component Layout Diagrams and Schematics. Also included are instructions telling you how to order parts and obtain Factory Service. These items are further described in the following paragraphs.

7-2. ORDERING INFORMATION. Where possible, standard component parts have been used in your instrument. These parts may be ordered directly from the manufacturer by using the manufacturer's part number, or ordered from your Keithley representative or the factory by using the Keithley part number. Both of these part numbers are included in the Replaceable Parts List, where applicable. It should be noted that in some instances, standard parts are used, but they are either specially selected or matched. These items are identified in the parts list only by Keithley part number and must be ordered from Keithley to ensure that they meet critical circuit requirements. A degradation of the instruments performance will result if these items are replaced with standard components. To place an order or to obtain additional information concerning replacement parts, contact your Keithley representative or the Factory. When ordering, include the following information:

- a. Instrument Model Number.
- b. Instrument Serial Number.
- c. Part Description.
- d. Circuit Designation (where applicable).
- e. Keithley Part Number.

7-3. FACTORY SERVICE. If the instrument is to be returned to the factory for service, please complete the service form which follows this section and return it with the instrument. Package the instrument for shipment in its original shipping carton, or if it is not available, use a suitable substitute container that is rigid. When a substitute container is used, wrap the instrument in paper or plastic sheeting and surround it with at least four inches of excelsior or other shock-absorbing material. See the inside of the front cover for the address of the Factory, or other Service Center.

7-4. REPLACEABLE PARTS LIST. This list is arranged in alphabetical order of the schematic circuit designation of the components and includes the following information:

- a. Circuit Designation.
- b. Description of Part.
- c. Three letter Manufacturer's code (this code is used to access the cross-reference list of manufacturers, Table 7-1).
- d. Manufacturer's designation (part number).
- e. Keithley part number.

In addition to the columnar information above, heading information is contained within the parts list that identifies the applicable schematic and component layout diagrams.

7-5. CROSS-REFERENCE OF MANUFACTURERS. Table 7-1 provides a cross-reference list of manufacturers. The list is arranged in alphabetical order of the three letter manufacturer's codes given in the Replaceable Parts List. The Table includes the manufacturer's name, address and 5-digit federal supply code.

7-6. COVERS AND PANELS. Covers, panels and other miscellaneous items such as the condensed operating instruction label (a metalcal) are not included in the Replaceable Parts List. These items are shown in Figure 7-1 and listed in Table 7-2. Order these parts by using the applicable Keithley part numbers given.

7-7. COMPONENT DESIGNATIONS FOR PC-446. Table 7-3 is a cross-reference listing of the components on the main printed circuit PC-446, which can be used in conjunction with the Component Layout Diagram 28795D (Page 7-32) to physically locate a component when its circuit designation is known. The listing is arranged in the alphabetical order of the circuit designations and includes the item number and zone location of the components, referenced to the Component Layout diagram. Table 7-3 is located on Page 7-31.

7-8. SCHEMATICS.

a. PC-446, Input Signal Conditioning. (29145E, Sheet 1 of 3, Page 7-28). This schematic describes the input switching, ac/dc conversion, filtering, attenuating, relay drivers and ohms source.

b. PC-446, A/D Converter (29145E, Sheet 2 of 3, Page 7-29). This schematic describes the analog-to-digital converter and the reference supply circuitry.

c. PC-446, Power Supply (29145E, Sheet 3 of 3, Page 7-30). This schematic describes the line power supply and the digital section. (See schematic 26758C for the Model 1728 Rechargeable Battery Pack.)

d. PC-403, Display (27404D, Page 7-34). This schematic describes the display driver circuitry. Circuit designation series is 300.

e. Current Circuitry (27478D, Page 7-35). This schematic describes the current circuitry for both the Models 172A and 173A. Circuit designation series is 500. (PC-406 Model 173A only).

f. Model 1728 Rechargeable Battery Pack (26758C, Page 7-36). Circuit designation series is 400.

g. PC-415, Model 1722 Digital Interface, Bottom (27902E, Page 7-37). This schematic describes the Model 1722 circuitry. Circuit designation series is 1000.

h. PC-416, Model 1722 Digital Interface, Upper (28019E, Page 7-38). This schematic describes the Model 1722 circuitry. Circuit designation series is 1100.

i. Timing diagrams for Model 1722.

- 1) 28247E, Page 7-40.
- 2) 28248E, Page 7-40.
- 3) 28249D, Page 7-41.

7-9. COMPONENT LAYOUTS. Component layout diagrams are used to illustrate the component parts of the printed circuit boards used in the Model 172A/173A, the optional Model 1728 Battery Pack and the optional Model 1722 Digital Interface. The component layouts for Model 1728 and Model 1722 identify the parts by circuit designation which relate directly to the Replaceable Parts List. The other component layouts use item numbers to identify

the parts which relate to a tabular listing contained on the face of the diagrams, or in some cases the listing is on a second sheet. The tabular listing provides a cross-reference to the schematic circuit designation and includes the Keithley part number for convenience.

- a. Model 172A/173A PC-446, Component Layout No. 28795D (Sheet 1 and 2, Page 7-32 and 7-33).
- b. Display Board PC-403, Component Layout No. 27879C (Page 7-34).
- c. Current Board (173A only) PC-406 Component Layout No. 27884C (Page 7-35).
- d. Model 1728 Battery Pack, Component Layout, Figure 7-2 (Page 7-36).
- e. Model 1722 PC-415, Component Layout, Figure 7-3 (Page 7-39).
- f. Model 1722 PC-416, Component Layout, Figure 7-4 (Page 7-39).

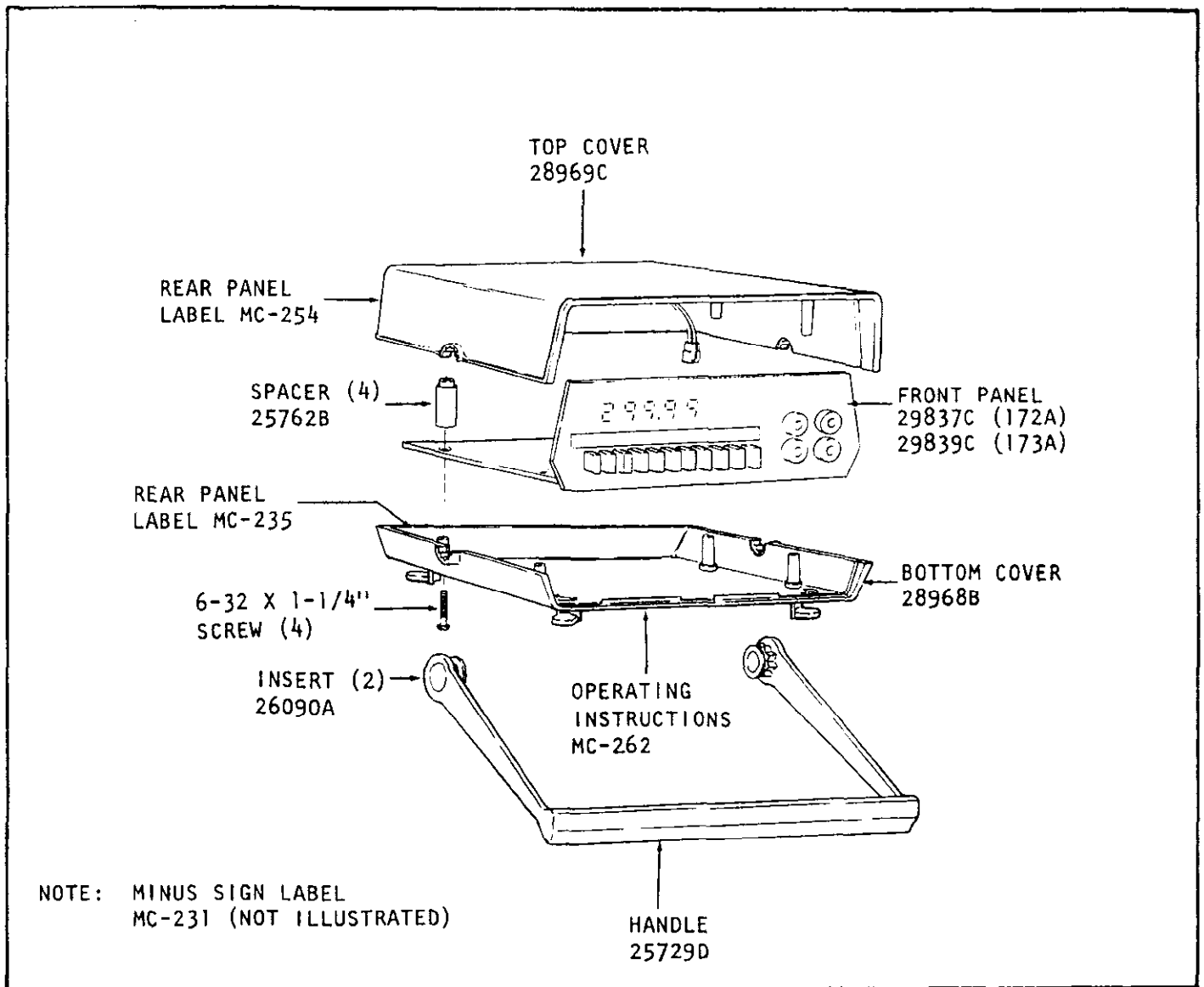


FIGURE 7-1. Top and Bottom Cover Assembly.

TABLE 7-1.
Cross-Reference of Manufacturers

MFR. CODE	NAME AND ADDRESS	FEDERAL SUPPLY CODE	MFR. CODE	NAME AND ADDRESS	FEDERAL SUPPLY CODE
A-B	Allen-Bradley Corp. Milwaukee, WI 53204	01121	H-P	Hewlett Packard Palo Alto, CA 94304	07263
AMP	Amp Inc. Harrisburg, PA 17105	00779	INT	Intersil Inc. Cupertino, CA 95014	32293
BEC	Beckman Inst. Inc. Fullerton, CA 92634	73138	ITT	ITT Semiconductors Lawrence, MA 01841	
BRG	Berg Electronics Inc. New Cumberland, PA 17070	22526	IRC	IRC Division Burlington, IA 52601	07716
BUS	Bussman Mfg. Div. St. Louis, MO. 63017	71400	GLD	Gould Inc. St. Paul, MN 55165	52431
C-I	Components, Inc. Biddeford, ME 04005	06751	K-I	Keithley Instruments, Inc. Cleveland, Ohio 44139	80164
C-W	Continental-Wirt Elec. Warminster, PA 18974	79727	L-F	Littlefuse, Inc. Des Plaines, IL 60016	75915
CAD	Caddock Riverside, CA 92507	19647	MOL	Molex Downers Grove, IL 60515	27264
CCC	Coto Coil Co. Providence, RI 02905		MIC	Miconics Industries Plainsview, NY 11803	21200
CLB	Centralab Division Milwaukee, WI 53201	71590	MOT	Motorola Semi Prod. Inc. Phoenix, AZ 85008	04713
DIC	Dickson Elec. Corp. Scottsdale, AZ 85252	12954	MMM	3M Company St. Paul, MN 55101	
DLE	Dale Electronics Inc. Columbus, NE 68601	91637	NAT	National Semi. Corp. Santa Clara, CA 95051	27014
DTN	Dielettron (Consolidated) New York City, NY 10013		NEL	Northern Engr. Labs Burlington, WI 53105	00815
ECI	Electro Cube Inc. San Gabriel, CA 91776	14752	OHM	Ohmite Mfg. Co. Skokie, IL 60076	
EDI	Electronic Devices, Inc. Yonkers, NY 10710		P&B	Potter & Brumfield Princeton, IN 47670	
EFJ	E.F. Johnson Co. Waseca, MN 56093	74970	POM	Pomona Electric Pomona, CA 91766	05276
ERI	Erie Technological Prod. Erie, PA 16512	72982	QTN	Q-Tron Santa Ana, CA 92705	
F-I	Fairchild Instruments Mountain View, CA 94043	07263	RCA	RCA Corporation Moorestown, NJ 08050	02734

TABLE 7-1 (CON'T)
Cross-Reference of Manufacturers

MFR. CODE	NAME AND ADDRESS	FEDERAL SUPPLY CODE	MFR. CODE	NAME AND ADDRESS	FEDERAL SUPPLY CODE
RIC	Richey Nashville, TN 37207	02734	STD	Standard Condensor Chicago, IL	97419
SIE	Siemens Corporation Iselin, NJ 08830	25088	T-I	Texas Instruments, Inc. Dallas, TX 75231	01295
SIG	Signetics Corp. Sunnyvale, CA 94086	18324	TEP	Tepro Electric Corp. Rochester, NY 14606	02985
SHR	Sheridan Sales, Inc. Cincinnati, Ohio 45222		TRW	TRW Capacitor Div. Ogallala, NE 69153	84411
SPG	Sprague Electric Co. Visalia, CA 93278	14659	WAB	Wabash-Magnetics Wabash, IN 46992	01101

7-10. SPARE PARTS KIT. A Kit is available that contains a complement of spare parts which will maintain up to ten Model 172A/173A DMMs. Specify Keithley Part Number 30116 when ordering.

TABLE 7-2.
COVERS, PANELS AND MISCELLANEOUS

DESCRIPTION	KEITHLEY PART NUMBER
Top Cover (less metalcal)	28969C
: : Metalcal for top cover	MC-254
Bottom Cover (less metalcals)	28968B
• • Metalcal, operating instructions	MC-262
• • Metalcal, rear panel	MC-235
Handle (less insert)	25729D
• • Insert (2 req'd)	26090A
Spacer (4 req'd)	25762B
Rubber foot (4 req'd)	FE-10
Front Panel - Model 172A	29837C
Front Panel - Model 173A	29839C
"0" Ring (Used to hold display board, 4 req'd)	GA-18
Metalcal, minus sign	MC-231
"0" Ring (Used to hold bottom cover screws captive, 4 req'd)	GA-3

INSTRUCTION MANUAL

Digital Multimeter
Models 172A, 173A

REPLACEABLE PARTS

REPLACEABLE PARTS

BATTERIES (BT)

"400" SERIES (Schematic 26758C)

Circuit Desig.	Description	Mfr. Code	Mfr. Desig.	Keithley Part No.
BT401	Multicell, 19.2V, Nickel-Cadmium	GLD	403041	BA-31
BT402	Multicell, 19.2V, Nickel-Cadmium	GLD	403041	BA-31
BT403	Set of Seven "C" cells, 8.4 Volts	--	--	*
*	Nickel-Cadmium, "C" cell, 1.2 volts (used for BT403; seven required)	GLD	2.0SCB	BA-30

CAPACITORS (C)

Circuit Desig.	Description	Mfr. Code	Mfr. Desig.	Keithley Part No.
"000" SERIES (Schematic 29145E) (PC-Board 446)				
C001	2000µF, 25V	RIC	JC-P-2000-25-8P	C-255-2000
C002	.47µF, 50V, CerF.	ERI	813105065147M	C-179-.47
C003	10µF, 20V, ETT.	C-I	TD2-20-106-20	C-179-10
C004	3.3µF, 20V, ETT.	C-I	TD1-20-225-20	C-179-3.3
C005	10µF, 20V, ETT.	C-I	TD2-20-106-20	C-179-10
C006	.22µF, 250V, MtF.	AMP	C280AE/P220K	C-178-.22
C007	.22µF, 250V, MtF.	AMP	C280AE/P220K	C-178-.22
C008	270µF, 6V, ETT.	C-I	TD5-506277-20	C-194-270
C009	470µF, 50V.	SHR	50ELA470	C-292-470
C010	470µF, 50V.	SHR	50ELA470	C-292-470
C011	10µF, 20V, ETT.	C-I	TD2-20-106-20	C-179-10
C012	2.2µF, 20V, ETT.	C-I	TD1-20-225-20	C-179-2.2

"100" SERIES (Schematic 29145E)
(PC-Board 446)

C101	418pF, 500V, MICA	MIC	DM15RF418pFF03	C-278-418p
C102	.56µF, 50V, MPC	ECI	650B1A564	C-201-.56
C103	8820pF, 1%, Poly.	DTN	8820pF, 63V, 1%	C-299-8820
C104	3.3µF, 20V, ETT.	C-I	TD1-20-225-20	C-179-3.3
C105	10µF, 20V, ETT.	C-I	TD2-20-106-20	C-179-10
C106	330pF, 6.3V DC, ±20%, ETT	K-I		C-333-330
C107	100pF, 1000V, CerD.	CLB	DD-101	C-64-100p
C108	330pF, 6.3V DC, ±20%, ETT	K-I		C-333-330

CAPACITORS (C) (CON'T)

Circuit Desig.	Description	Mfr. Code	Mfr. Desig.	Keithley Part No.
-------------------	-------------	--------------	----------------	----------------------

"200" SERIES (Schematic 29145E)
(PC-Board 446)

C201	.25-1.5pF, 2000V, Teflon Trimmer.	EFJ	273-101	C-184
C202	.05μF, 1000V.	SPG	41C169AB	C-298-.05
C203	3pF, 50VDC	ERI	301-000C0J0309C	C-282-3p
C204	.25-1.5pF, 2000V, Teflon Trimmer.	EFJ	273-101	C-184
C205	10μF, 20V, ETT.	C-1	TD2-20-106-20	C-179-10
C206	.1μF, 16V, CerD	CLB	UK16-104	C-238-1
C207	1500pF, 500V, Poly.	CLB	CPR-1500J	C-138-1500p
C208	1000pF, 500V, Poly.	CLB	CPR-1000J	C-138-1000p
C209	.01μF, 1200V.	STD	PYW-R.01	C-286-.01
C210	.1μF, 50V, MPC.	ECl	625B1A103-J	C-201-.01

"300" SERIES (Schematic 27404D)

C301	180μF, 20%, 6V	DIC	D180EC6M1	C-270-180M
C302	0.01μF, 16V, CerD.	CLB	UK16-103	C-238-.01M

"500" SERIES (Schematic 27478D)

C501	47 pF, 1000V, CerD.	CLB	DD-470	C-64-47P
------	---------------------	-----	--------	----------

"600" Series (Schematic 29145E)
(PC-Board 446)

C601	.1μF, 10%, 200VDC	TRW	1-200-10-X363UW	C-269-.1
C602	33pF, 1000V, CerD	CLB	DD-330	C-64-33p
C603	.22μF, 10%, 200VDC	TRW	X363UW022	C-269-.22
C604	2200pF, 1000V, CerD	CLB	10SS-D22	C-64-2200p
C605	.22μF, 50V, MPC	ECl	625B1A224J	C-201-.22
C606	.015, 200V, Poly.	ECl	625B1C153	C-221-.015
C607	1μF, 16VDC.	CLB	UK16-104	C-238-.1
C608	6.8pF, 50VDC	ERI	301-000C0H0689C	C-282-6.8p
C609	150pF, 1000V, CerD.	CLB	DD-151	C-64-150p
C610	.015, 200V, Poly.	ECl	625B1C153	C-221-.015
C611	1μF, 16VDC.	CLB	UK16-104	C-238-1

"700" SERIES (Schematic 29145E)
(PC-Board 446)

C701	.15μF, 10%, 200VDC.	TRW	15-200-10-X363UW	C-269-.15
C702	.15μF, 10%, 200VDC.	TRW	15-200-10-X363UW	C-269-.15
C703	680pF, 1000V, CerD.	CLB	DD-681	C-64-680p
C704	8.2pF, 50V, CerD.	CLB	C40C8P2K	C-282-8.2p
C705	8.2pF, 50V, CerD.	CLB	C40C8R2K	C-282-8.2p
C706	.1μF, 16VDC	CLB	UK16-104	C-238-.1
C707	.1μF, 16VDC	CLB	UK16-104	C-238-.1

INSTRUCTION MANUAL

Digital Multimeter
Models 172A, 173A

REPLACEABLE PARTS

CAPACITORS (C) (CON'T)

Circuit Desig.	Description	Mfr. Code	Mfr. Desig.	Keithley Part No.
"800" SERIES (Schematic 29145E) (PC-Board 446)				
C801	10 μ F, 20V, ETT.	C-1	TD2-20-106-20	C-179-10
C802	.1 μ F, 50V, CerF	ERI	8121050651104M	C-237-.1
"900" SERIES (Schematic 29145) (PC-Board 446)				
C901	47pF, 1000V, CerD	CLB	DD-470	C-64-47pF
"1000" SERIES (Schematic 27902E, PC-415)				
C1001	0.01 μ F, 500V, CerD	ERI	871-Z5U0-103M	C-22-.01M
C1002	0.01 μ F, 16V, CerD.	CLB	UK16-103	C-238-.01M
C1003	0.01 μ F, 16V, CerD.	CLB	UK16-103	C-238-.01M
C1004	0.01 μ F, 16V, CerD.	CLB	UK16-103	C-238-.01M
C1005	1550 μ F, 25V, EAL	RIC	MD16C1550258P	C-272-1550M
C1006	0.01 μ F, 500V, CerD	ERI	871-Z5U0-103M	C-22-.01M
C1007	0.01 μ F, 16V, CerD.	CLB	UK16-103	C-238-.01M
C1008	1000 pF, 1000V, CerD.	ERI	808-000-Z5R0-102K	C-64-1000P
C1009	0.01 μ F, 16V, CerD.	CLB	UK16-103	C-238-.01M
C1010	39 μ F, 15V, ETT	C-1	TD401539610	C-228-39M
C1011	0.01 μ F, 16V, CerD.	CLB	UK16-103	C-238-.01M
C1012	0.01 μ F, 16V, CerD.	CLB	UK16-103	C-238-.01M
C1013	0.01 μ F, 16V, CerD.	CLB	UK16-103	C-238-.01M
C1014	0.01 μ F, 16V, CerD.	CLB	UK16-103	C-238-.01M
C1015	10 μ F, 20V, ETT	ITT	TAP/F010F200	C-179-10M
C1016	0.01 μ F, 16V, CerD.	CLB	UK16-103	C-238-.01M
C1017	0.01 μ F, 16V, CerD.	CLB	UK16-103	C-238-.01M
C1018	100 μ F, 15V, ETT.	C-1	TD501510710	C-228-100M
"1100" SERIES (Schematic 28019E, PC-416)				
C1101	0.01 μ F, 16V, CerD.	CLB	UK16-103	C-238-0.01M
C1102	0.01 μ F, 16V, CerD.	CLB	UK16-103	C-238-0.01M
C1103	1.2 μ F, 20%, 20V.	C-1	TD1-20-125-20	C-179-1.2M
C1104	0.01 μ F, 16V, CerD.	CLB	UK16-103	C-238-0.01M
C1105	0.01 μ F, 16V, CerD.	CLB	UK16-103	C-238-0.01M
C1106	220 pF, 1000V, CerD	CLB	DD-221	C-64-220P
C1107	1000 pF, 1000V, CerD.	ERI	808-000-Z5R0-102K	C-64-1000P

DIODES (CR)
"000" SERIES (Schematic 29145)
(PC-Board 446)

Circuit Desig.	Description	Mfr. Code	Mfr. Desig.	Keithley Part No.
CR001	Bridge Rectifier, 100V, 2A. . . .	EDI	PD10	RF-36
CR002	Bridge Rectifier, 100V, 2A. . . .	EDI	PD10	RF-36

"100" SERIES (Schematic 29145E)
(PC-Board 446)

CR101	Rectifier, 75mA, 75V.	T-1	1N914	RF-28
CR102	Rectifier, 75mA, 75V.	T-1	1N914	RF-28
CR103	Rectifier, 75mA, 75V.	T-1	1N914	RF-28
CR104	Rectifier, 75mA, 75V.	T-1	1N914	RF-28

"200" SERIES (Schematic 29145E)
(PC-Board 446)

CR201	Rectifier, 75mA, 75V.	T-1	1N914	RF-28
CR202	Rectifier, 75mA, 75V.	T-1	1N914	RF-28
CR203	Rectifier, 75mA, 75V.	T-1	1N914	RF-28
CR204	Rectifier, 75mA, 75V.	T-1	1N914	RF-28
CR205	Rectifier, 1A, 800V	T-1	1N914	RF-28
CR206	Rectifier, 75mA, 75V.	T-1	1N914	RF-28

"300" SERIES (Schematic 29145E)
(PC-Board 446)

CR301	Rectifier, 75mA, 75V.	MOT	1N4006	RF-38
-------	-------------------------------	-----	--------	-------

"400" SERIES (Schematic 26758C)

CR401	Rectifier, 75 mA, 75V.	T-1	1N914	RF-28
CR402	Rectifier, 75 mA, 75V.	T-1	1N914	RF-28
CR403	Rectifier, 1 A, 800V	MOT	1N4006	RF-38
CR404	Rectifier, 75 mA, 75V.	T-1	1N914	RF-28
CR405	Rectifier, 75 mA, 75V.	T-1	1N914	RF-28
CR406	Rectifier, 1 A, 800V	MOT	1N4006	RF-38
CR407	Rectifier, 75 mA, 75V.	T-1	1N914	RF-28
CR408	Rectifier, 75 mA, 75V.	T-1	1N914	RF-28
CR409	Rectifier, 1 A, 800V	MOT	1N4006	RF-38
CR410	Rectifier, 75 mA, 75V.	T-1	1N914	RF-28

INSTRUCTION MANUAL

Digital Multimeter
Models 172A, 173A

REPLACEABLE PARTS

DIODES (CR)

Circuit Desig.	Description	Mfr. Code	Mfr. Desig.	Keithley Part No.
-------------------	-------------	--------------	----------------	----------------------

"500" SERIES (Schematic 27478D)

CR501	Bridge Rectifier, 4 diode, 5A, 50V EDI		PE05	RF-48
CR502	Rectifier, 75 mA, 75V. T-1		1N914	RF-28
CR503	Rectifier, 75 mA, 75V. T-1		1N914	RF-28
CR504	Rectifier, 75 mA, 75V. T-1		1N914	RF-28
CR505	Rectifier, 75 mA, 75V. T-1		1N914	RF-28
CR506	Rectifier, 75 mA, 75V. T-1		1N914	RF-28
CR507	Rectifier, 75 mA, 75V. T-1		1N914	RF-28
CR508	Rectifier, 75 mA, 75V. T-1		1N914	RF-28
CR509	Rectifier, 75 mA, 75V. T-1		1N914	RF-28

"600" SERIES (Schematic 29145E)
(PC-Board 446)

CR601	Rectifier, 75mA, 75V. T-1		1N914	RF-28
CR602	Rectifier, 75mA, 75V. T-1		1N914	RF-28
CR603	Rectifier, 75mA, 75V. T-1		1N914	RF-28
CR604	Rectifier, 75mA, 75V. T-1		1N914	RF-28
CR605	Rectifier, 75mA, 75V. T-1		1N914	RF-28

"700" SERIES (Schematic 29145E)
(PC-Board 446)

CR701	Rectifier, 75mA, 75V. T-1		1N914	RF-28
CR702	Rectifier, 75mA, 75V. T-1		1N914	RF-28
CR703	Rectifier, 75mA, 75V. T-1		1N914	RF-28
CR704	Rectifier, 75mA, 75V. T-1		1N914	RF-28
CR705	Rectifier, 75mA, 75V. T-1		1N914	RF-28
CR706	Rectifier, 75mA, 75V. T-1		1N914	RF-28
CR707	Rectifier, 75mA, 75V. T-1		1N914	RF-28
CR708	Rectifier, 75mA, 75V. T-1		1N914	RF-28
CR709	Rectifier, 75mA, 75V. T-1		1N914	RF-28
CR710	Rectifier, 75mA, 75V. T-1		1N914	RF-28
CR711	Rectifier, 75mA, 75V. T-1		1N914	RF-28
CR712	Rectifier, 75mA, 75V. T-1		1N914	RF-28
CR713	Rectifier, 75mA, 75V. T-1		1N914	RF-28

"800" SERIES (Schematic 29145E)
(PC-Board 446)

CR801	Rectifier, 75mA, 75V. T-1		1N914	RF-28
-------	-----------------------------------	--	-------	-------

DIODES (CR)

Circuit Desig.	Description	Mfr. Code	Mfr. Desig.	Keithley Part No.
-------------------	-------------	--------------	----------------	----------------------

"1000" SERIES (Schematic 27902E, PC-415)

CR1001	Rectifier, 75 mA, 75V	T-1	1N914	RF-28
CR1002	Bridge Rectifier, 100V, 2A.	E-D	PD10	RF-36

"1100" SERIES (Schematic 28019E)

CR1101	Rectifier, 75 mA, 75V	T-1	1N914	RF-28
--------	---------------------------------	-----	-------	-------

DISPLAYS (DS)

Circuit Desig.	Description	Mfr. Code	Mfr. Desig.	Keithley Part No.
-------------------	-------------	--------------	----------------	----------------------

"300" SERIES (Schematic 27404D)

DS301	Pilot Light, Red, LED.	H-P	B-031075-2501-1	PL-64
DS302	Pilot Light, Light-Emitting Diode. H-P	H-P	HP5082-4494	PL-63
DS303	Pilot Light, Light-Emitting Diode. H-P	H-P	HP5082-4494	PL-63
DS304	Pilot Light, Light-Emitting Diode. H-P	H-P	HP5082-4494	PL-63
DS305	Pilot Light, Light-Emitting Diode. H-P	H-P	HP5082-4494	PL-63
DS306	Pilot Light, Light-Emitting Diode. H-P	H-P	HP5082-4494	PL-63
DS307	Pilot Light, Light-Emitting Diode. H-P	H-P	HP5082-4494	PL-63
DS308	Pilot Light, Light Emitting Diode. H-P	H-P	HP5082-4494	PL-63
DS309	Pilot Light, Light Emitting Diode. H-P	H-P	HP5082-4494	PL-63
DS310	Pilot Light, Light Emitting Diode. H-P	H-P	HP5082-4494	PL-63
DS311	Digital Display, 7-segment	H-P	5082-7650	DD-13
DS312	Digital Display, 7-segment	H-P	5082-7650	DD-13
DS313	Digital Display, 7-segment	H-P	5082-7650	DD-13
DS314	Digital Display, 7-segment	H-P	5082-7650	DD-13
DS315	Digital Display, 7-segment	H-P	5082-7650	DD-13

"900" SERIES (Schematic 28656E)

DS901	Pilot Light, Light Emitting Diode. H-P	H-P	HP5082-4494	PL-63
-------	--	-----	-------------	-------

INSTRUCTION MANUAL

Digital Multimeter
Models 172A, 173A

REPLACEABLE PARTS

FUSES (F)
"000" SERIES (Schematic 29145E)
(PC-Board 446)

Circuit Desig.	Description	Mfr. Code	Mfr. Desig.	Keithley Part No.
F001	Slo-Blo, 1/4A, 3AG (117V)	L-F	313.250	FU-17
	Slo-Blo, 1/8A, 3AG (230V)	BUS	MDL/1/8	FU-20

"400" SERIES (Schematic 26758C)

F401	1A, 3AG, 250V, Slo-Blo	FUS	MDL-1AMP	FU-10
F402	1A, 3AG, 250V, Slo-Blo	FUS	MDL-1AMP	FU-10
F403	1A, 3AG, 250V, Slo-Blo	FUS	MDL-1AMP	FU-10

"500" SERIES (Schematic 27478D)

F501	(Model 173) 3A, 250V, 3AG, Quick.	L-F	312003	FU-2
	(Model 172) 2A, 250V, 3AG, Quick.	L-F	312002	FU-13

CONNECTORS (J)
"300" SERIES (Schematic 29145E)
(PC-Board 446)

Circuit Desig.	Description	Mfr. Code	Mfr. Desig.	Keithley Part No.
J301	Socket, 14-Pin DIP.	T-1	C931402	S0-70

"400" SERIES (Schematic 26758C)

J401	5-pins	MOL	2139-5	CS-287-5
J402	5-pins	MOL	2139-5	CS-287-5

"500" SERIES (Schematic 27478D)

J501	5-pin Housing.	BRG	20370	CS-251
J502	8-pin Housing.	BRG	65039C	CS-310
J503	2-pin Housing.(Model 173A only).	MOL	03-06-1023	CS-326-2
--	Female Contacts (2 req'd for J503)	MOL	02-06-5103	CS-328
--	Female Contacts (12 for J501, J502)	BRG	47439	CS-236

CONNECTORS (J) (CON'T)

Circuit Desig.	Description	Mfr. Code	Mfr. Desig.	Keithley Part No.
-------------------	-------------	--------------	----------------	----------------------

"1000" SERIES (Schematic 27902E)

J1001	Housing, 5-pins (mates with CS-236).	BRG	20370	CS-251
J1002	Housing, 6-pins.	BRG	65043-093	CS-335
J1003	Housing, 2-pins, MINI-PV	BRG	65039-035	CS-266

"1000" SERIES (Schematic 29145E)
(PC-Board 446)

J1001	Housing, 5-Pins (Mates with CS-236) . .	BRG	20370	CS-251
J1002	Housing, 6-Pins	BRG	65043-093	CS-335
J1003	Housing, 2-Pins MINI-PV	BRG	65039-035	CS-266
J1004	NOT USED			
J1005	NOT USED			
J1006	NOT USED			
J1007	Connector, Housing.	MOL	2139-3	CS-287-3
J1008	NOT USED			
J1009	Banana Jack, Red.	POM	1581	BJ-11-2
J1010	Banana Jack, Black.	POM	1581	BJ-22-0
J1011	Banana Jack, Red.	POM	1581	BJ-11-2
J1012	Banana Jack, Black.	POM	1581	BJ-11-0

"1100" SERIES (Schematic 28019E)

J1101	Not Used	---	---	---
J1102	Not Used	---	---	---
J1103	Not Used	---	---	---
J1104	Card-edge connector.	MOL	09-52-3102	CS-332-10
J1105	Card-edge connector.	MOL	09-52-3122	CS-332-12

RELAYS (K)

"100" SERIES (Schematic 29145E)
(PC-Board 446)

Circuit Desig.	Description	Mfr. Code	Mfr. Desig.	Keithley Part No.
-------------------	-------------	--------------	----------------	----------------------

K101	5V, Reed Type	COT	UF-40097	RL-56
------	-------------------------	-----	----------	-------

"200" SERIES (Schematic 29145E)
(PC-Board 446)

K201	Contact	CCC	SPECIAL	RL-57
K202	Relay	P&B	R10-E3738-1	RL-51

RELAYS (K) (CON'T).

Circuit Desig.	Description	Mfr. Code	Mfr. Desig.	Keithley Part No.
"500" SERIES (Schematic 27478D)				
K501	Relay, Reed, 0.5A, Form A.	WAB	1170-3-1	RL-44
K502	Relay, Reed, 0.5A, Form A.	WAB	1170-3-1	RL-44
K503	Relay, Reed, 0.5A, Form A.	WAB	1170-3-1	RL-44
K504	Relay, Reed, 1.5A, Form A.	QTN	H5A1M-S20	RL-50
K505	Relay, Reed, 3A.	WAB	1170-2-1	RL-49

CONNECTORS (P)
"300" SERIES (Schematic 29145E)
(PC-Board 446)

Circuit Desig.	Description	Mfr. Code	Mfr. Desig.	Keithley Part No.
P301	Assembly Cable.	---	---	27961A-1

"400" SERIES (Schematic 29145E)
(PC-Board 446)

P401	Receptacle, 5-Pin	MOL	A-2391-5A	CS-288-5
P402	Receptacle, 2-Pin	MOL	A-2391-5A	CS-288-5

"500" SERIES (Schematic 28656E)

P501	Not Used	--	--	--
P502	Not Used	--	--	--
P503	Connector (Model 172 only)	--	--	--

"1000" SERIES (Schematic 29145E)
(PC-Board 446)

P1001	Receptacle 4-Pin.	BRG	65507-136	CS-339-4
P1002	Contact	K-1	---	24249A
P1003	Receptacle 2-Pin.	BRG	65507-136	CS-339-2
P1004	NOT USED			
P1005	NOT USED			
P1006	NOT USED			
P1007	Receptacle 3-Pin	MOL	---	CS-288-3
P1008	(Part of Line Cord)	K-1	A-2391-3A	CO-9

CONNECTORS (P) (CON'T)

Circuit Desig.	Description	Mfr. Code	Mfr. Desig.	Keithley Part No.
"1000" SERIES (Schematic 27902E, PC-415)				
P1001	Not Used	---	---	---
P1002	Not Used	---	---	---
P1003	Not Used	---	---	---
P1004	Connector, 10 pins.	MOL	09-67-1104	CS-331-10
P1005	Connector, 10 pins.	MOL	09-67-1124	CS-331-12
P1006	Card-edge, 40 pins (part of Model 1727)	MMM	3464-0000	CS-294-3

"1100" SERIES (Schematic 28019E)

P1101	Card-edge, 26-pin (part of Model 1727)	MMM	3462-0000	CS-294-1
-------	---	-----	-----------	----------

TRANSISTORS (Q)
"100" SERIES (Schematic 29154E)
(PC-Board 446)

Circuit Desig.	Description	Mfr. Code	Mfr. Desig.	Keithley Part No.
Q101	NPN, Case T0-92	MOT	2N5089	TG-62
Q102	PNP, Silicon, Case T0-92.	MOT	2N5089	TG-61
Q103	PNP, Silicon, Case T0-92.	MOT	2N5087	TG-61
Q104	NPN, Switch	MOT	2N3904	TG-47
Q105	FET, Case T0-18 (*Selected TG-88)	INT	1TS3538	28250A
Q106	Transistor, NON, Case T0-106. . .	K-1	---	28234A
Q107	N-Chan, JFET.	K-1	---	TG-128
Q108	Transistor, NPN, Case T0-106. . .	K-1	---	28234A
Q109	PNP, Silicon, Case T0-92.	MOT	2N5087	TG-61
Q110	N-Chan, JFET.	INT	1TE4392	TG-77

"200" SERIES (Schematic 29154E)
(PC-Board 446)

Q201	PNP, Silicon.	MOT	2N3906	TG-84
Q202	NPN, Case	F-1	2N3643	TG-123
Q203	PNP, Silicon, T0-92 Case.	MOT	2N3905	TG-53
Q204	N-Chan, JFET.	INT	1TE4392	TG-77
Q205	NPN, Case T0-5.	RCA	2N3439	TG-93
Q206	N-Chan, JFET, Case T0-92.	K-1	----	TG-128

TRANSISTORS (Q)

Circuit Desig.	Description	Mfr. Code	Mfr. Desig.	Keithley Part No.
"300" SERIES (Schematic 27404D)				
Q301	PNP, Case T0-106	F-1	2N4355	TG-90
Q302	PNP, Case T0-106	F-1	2N4355	TG-90
Q303	PNP, Case T0-106	F-1	2N4355	TG-90
Q304	PNP, Case T0-106	F-1	2N4355	TG-90
Q305	PNP, Case T0-106	F-1	2N4355	TG-90
Q306	PNP, Case T0-106	F-1	2N4355	TG-90
Q307	PNP, Case R-110.	F-1	S17638	TG-33
Q308	PNP, Case R-110.	F-1	S17638	TG-33
Q309	PNP, Case R-110.	F-1	S17638	TG-33
Q310	PNP, Case R-110.	F-1	S17638	TG-33
Q311	PNP, Case R-110.	F-1	S17638	TG-33
Q312	PNP, Case R-110.	F-1	S17638	TG-33
Q313	PNP, Case R-110.	F-1	S17638	TG-33
Q314	PNP, Case R-110.	F-1	S17638	TG-33
"400" SERIES (Schematic 26758C)				
Q401	PNP, Case T0-5	RCA	2N4032	TG-92
Q402	NPN, Case T0-39.	MOT	2N3300S	TG-117
Q403	PNP, Case T0-5	RCA	2N4032	TG-92
Q404	NPN, Case T0-106	F-1	2N3565	TG-39
Q405	PNP, Case T0-92	MOT	2N5087	TG-61
"500" SERIES (Schematic 29145E) (PC-Board 446)				
Q501	Transistor Array - 14-Pin DIP	RCA	CA3086	1C-53
Q502	NPN, Case T0-106.	F-1	2N5134	TG-65
"600" SERIES (Schematic 29145E) (PC-Board 446)				
Q601	N-Chan, JFET.	K-1	-----	TG-128
Q602	Transistor, TG-128, (Selected).	K-1	-----	28958A
Q603	N-Chan, JFET.	K-1	-----	TG-128
Q604	Transistor, TG-128, (Selected).	K-1	-----	28958A

TRANSISTORS (Q)

Circuit Desig.	Description	Mfr. Code	Mfr. Desig.	Keithley Part No.
"700" SERIES (Schematic 29145E) (PC-Board 446)				
Q701	N-Chan, JFET.	K-1	-----	TG-128
Q702	N-Chan, JFET.	K-1	-----	TG-128
Q703	N-Chan, JFET.	K-1	-----	TG-128
Q704	N-Chan, JFET.	K-1	-----	TG-128
Q705	N-Chan, JFET.	K-1	-----	TG-128
Q706	PNP, Silicon, TO-92	MOT	2N3905	TG-53
Q707	N-Chan, JFET.	K-1	-----	TG-128
Q708	N-Chan, JFET.	K-1	-----	TG-128
Q709	Transistor, NPN, CASE TO-106	INT	2N3565	28234A
Q710	Transistor, NPN, CASE TO-106.	INT	2N3565	28234A
Q711	N-Chan, JFET.	K-1	-----	TG-128
Q712	N-Chan, JFET.	K-1	-----	TG-128
Q713	Transistor, NPN, Case TO-106.	K-1	-----	28234A
Q714	PNP, Silicon, TO-92	MOT	2N3905	TG-53

"1000" SERIES (Schematic 27902E, PC-415)

Q1001	NPN, Case TO-106.	F-1	2N5134	TG-65
Q1002	NPN, Case TO-106.	F-1	2N5134	TG-65
Q1003	NPN, Case TO-106.	F-1	2N5134	TG-65
Q1004	NPN, Case TO-106.	F-1	2N5134	TG-65
Q1005	NPN, Case TO-106.	F-1	2N5134	TG-65
Q1006	NPN, Case TO-106.	F-1	2N5134	TG-65
Q1007	NPN, Case TO-106.	F-1	2N5134	TG-65
Q1008	NPN, Case TO-106.	F-1	2N5134	TG-65
Q1009	NPN, Case TO-106.	F-1	2N5134	TG-65
Q1010	NPN, Case TO-106.	F-1	2N5134	TG-65
Q1011	NPN, Case TO-106.	F-1	2N5134	TG-65
Q1012	NPN, Case TO-106.	F-1	2N5134	TG-65
Q1013	NPN, Case TO-106.	F-1	2N5134	TG-65
Q1014	NPN, Case TO-106.	F-1	2N5134	TG-65
Q1015	NPN, Case TO-106.	F-1	2N5134	TG-65
Q1016	NPN, Case TO-106.	F-1	2N5134	TG-65
Q1017	NPN, Case TO-106.	F-1	2N5134	TG-65
Q1018	NPN, Case TO-106.	F-1	2N5134	TG-65
Q1019	NPN, Case TO-106.	F-1	2N5134	TG-65
Q1020	NPN, Case TO-106.	F-1	2N5134	TG-65
Q1021	NPN, Case TO-106.	F-1	2N5134	TG-65
Q1022	NPN, Case TO-106.	F-1	2N5134	TG-65
Q1023	NPN, Case TO-106.	F-1	2N5134	TG-65
Q1024	NPN, Case TO-106.	F-1	2N5134	TG-65
Q1025	NPN, Case TO-106.	F-1	2N5134	TG-65

TRANSISTORS (Q) (CON'T)

Circuit Desig.	Description	Mfr. Code	Mfr. Desig.	Keithley Part No.
Q1026	NPN, Case T0-106.	F-1	2N5134	TG-65
Q1027	NPN, Case T0-106.	F-1	2N5134	TG-65
Q1028	NPN, Case T0-106.	F-1	2N5134	TG-65
Q1029	NPN, Case T0-106.	F-1	2N5134	TG-65
Q1030	NPN, Case T0-106.	F-1	2N5134	TG-65
Q1031	NPN, Case T0-106.	F-1	2N5134	TG-65
Q1032	NPN, Case T0-106.	F-1	2N5134	TG-65
Q1033	NPN, Case T0-106.	F-1	2N5134	TG-65
Q1034	PNP, Case R-110	F-1	S17638	TG-33
Q1035	PNP, Case R-110	F-1	S17638	TG-33
Q1036	PNP, Case R-110	F-1	S17638	TG-33
Q1037	PNP, Case R-110	F-1	S17638	TG-33

"1100" SERIES (Schematic 28019E)

Q1101	NPN, Case T0-106.	F-1	2N5134	TG-65
-------	---------------------------	-----	--------	-------

RESISTORS (R)

"000" SERIES (Schematic 29145E)
(PC-Board 446)

Circuit Desig.	Description	Mfr. Code	Mfr. Desig.	Keithley Part No.
R001	6.8K Ω , 10%, 1/4W, Comp.	A-B	CB-682-10%	R-76-6.8K
R002	5.1K Ω , 10%, 1/4W, Comp.	A-B	CB	R-76-5.1K
R003	15 Ω , 5%, 5W, WW	OHM	4565	R-257-15
R004	NOT USED			
R005	680 Ω , 10%, 1/2W, Comp	A-B	EB-681-10%	R-1-680
R006	680 Ω , 10%, 1/2W, Comp	A-B	EB-681-10%	R-1-680
R007	100 Ω , 10%, 1/2W, Comp	A-B	GB-101-10%	R-2-100

"100" SERIES (Schematic 29145E)
(PC-Board 446)

R101	SELECTED	k-1		29317D
R102	R102, 103, 202 and 203.	K-I		R-266
R103	are a matched set	K-I		R-266
R104	50 Ω , 0.5W, VAR.	BEC	72PMR-50	RP-97-50
R105	241 Ω , \pm 0.1%, 50V.	DLE	1/8, .1%, C-5	R-241-2191
R106	150K Ω , 10%, 1/4W, Comp.	A-B	CB	R-76-150K
R107	240K Ω , 10%, 1/4W, Comp.	A-B	CB	R-76-240
R108	Thick Film Resistor Network	K-1	-----	TF-72
R109	249 Ω , 0.1%, 1/8W, MtF	DLE	1/8, 1%, C-5	R-241-249
R110	10K Ω , 10%, 1/4W, Comp	A-B	CB-103-10%	R-76-10K

RESISTORS (R) (CON'T)

Circuit Desig.	Description	Mfr. Code	Mfr. Desig.	Keithley Part No.
R111	33.2M Ω , 0.25%, 2W	CAD	MG721	R-242-33.2M
R112	3.295K Ω , 0.1%, 1/8W, MtF.	IRC	MAR-6	R-240-3.295K
R113	10K Ω , 10%, 1/4W, Comp	A-B	CB-103-10%	R-76-10K
R114	335.3K Ω , 0.1%, 1/8W, MtF.	TRW	MAR-6-T10-0.1%	R-241-335.3K
R115	500K Ω , 0.5W, POT.	BEC	72PMR-500K	RP-97-500K
R116	5K Ω , 0.5W, POT.	BEC	72PMR-5K	RP-97-5K
R117	500 Ω , 0.5W, POT.	BEC	72PMR-50	RP-97-50

"200" SERIES (Schematic 29145E)
(PC-Board 446)

R201	Selected	K-1	-----	29317D
R202	R102, 103, 202 and 203.	K-1		R-266
R203	are a matched set	K-1		R-266
R204	200K Ω , 0.5W, POT.	BEC	72PMR-200K	RP-97-200K
R205	120K Ω , 10%, 1/2W, Comp.	A-B	EB-XXX-10%	R-1-120K
R206	Thick Film Resistor Network	K-1	-----	TF-71
R207	200K Ω , 0.5W, POT.	BEC	72PMR-200K	RP-97-200K
R208	49.9K Ω , 1%, 1/8W, MtF	IRC	CEA-T0-49.9K	R-88-49.9K
R209	500 Ω , 0.5W, POT.	BEC	72PMR-500	RP-97-500
R210	Thick Film Resistor Network	K-1	-----	TF-67
R211	200K Ω , 0.5W, POT.	BEC	72PMR	RP-97-200K
R212	33K Ω , 10%, 1/4W, Comp	A-B	CB	R-76-33
R213	2.7 Ω , 10%, 1/4W, Comp	A-B	CB-2R7-10%	R-76-2.7
R214	100 Ω , 0.5W, VAR	BEC	72PMR-10	RP-97-100
R215	Thick Film Resistor Network	K-1	-----	TF-75
R216	27K Ω , 10%, 1/2W, Comp	A-B	EB-27K-10%	R-1-27K
R217	150K Ω , 1%, 8W	CAD	MS281	R-247-150K
R218	33K Ω , 10%, 1/4W, Comp	A-B	CB	R-76-33K

"300" SERIES (Schematic 27404D)

R301	Thick Film Resistor Network.	K-1	--	TF-42
R302	Thick Film Resistor Network.	K-1	--	TF-43
R303	1 Ω , 1%, 1/2W.	IRC	DCC-1 Ω	R-12-1
R304	2.2 Ω , 5%, 1/4W	DLE	SBB-2.2 Ω	R-248-2.2

RESISTORS(R) (CON'T)

Circuit Desig.	Description	Mfr. Code	Mfr. Desig.	Keithley Part No.
"400" SERIES (Schematic 26758C)				
R401	13.7Ω, 1%, 1/8W, MtF	IRC	CEA-T0-13.7Ω	R-88-13.7
R402	12 kΩ, 10%, 1/2W, Comp	A-B	EB-123-10%	R-1-12K
R403	12 kΩ, 10%, 1/2W, Comp	A-B	EB-123-10%	R-1-12K
R404	13.7Ω, 1%, 1/8W, MtF	IRC	CEA-T0-13.7Ω	R-88-13.7
R405	3.3 Ω, 10%, 1/2W, Comp	A-B	EB-3R3-10%	R-1-3.3
R406	1.5 kΩ, 10%, 1/2W, Comp.	A-B	EB-152-10%	R-1-1.5K
R407	71.5 kΩ, 1%, 1/8W, MtF	IRC	CEA-T0-71.5K	R-88-71.5K
R408	100 kΩ, 10%, 1/4W, Comp.	A-B	CB-104-10%	R-76-100K
R409	2.2 kΩ, 10%, 1/4W, Comp.	A-B	CB-222-10%	R-76-2.2K
R410	76.8 kΩ, 1%, 1/8W, MtF	IRC	CEA-T0-76.8K	R-88-76.8K
R411	499 kΩ, 1%, 1/8W, MtF.	IRC	CEA-T0-499K	R-88-499K
R412	100 kΩ, 1%, 1/8W, MtF.	IRC	CEA-T0-100K	R-88-100K
R413	110 kΩ, 1%, 1/8W, MtF.	IRC	CEA-T0-110K	R-88-110K
R414	499 kΩ, 1%, 1/8W, MtF	IRC	CEA-T0-499K	R-88-499K

"500" SERIES (Schematic 28067D)

R501	2.2KΩ, 10%, 1/4W	A-B	CB	R-76-2.2K
R502	900 Ω, 0.05%, 1/2W	IRC	MAR6-900Ω	R-236-900
R503	90 Ω, 0.05%, 1/8W.	IRC	MAR6-90Ω	R-236-90
R504	9.1 Ω, 0.5%, 1/2W.	TEP	TS.5S-9.1Ω	R-237-9.1
R505	499 Ω, 1%, 1/8W, MtF	IRC	CEA-T0-499	R-88-499
R506	2 kΩ, 0.5W, Var	BEC	72PMR-10K	RP-97-2K
R507	0.91 Ω, 0.5%, 5W	TEP	TS5-0.91	R-238-.91
R508	40.2 Ω, 1%, 1/8W, MtF.	IRC	CEA-T0-40.2	R-88-40.2
R509	200Ω, 0.5W, Var.	BEC	72PMR-1K	RP-97-200
R510	0.102 Ω, 0.5%, 10W	TEP	TS10-0.102Ω	R-239-.102
R511	2.7 Ω, 10%, 1/4W, Comp	A-B	CB-2R7-10%	R-76-2.7
R512	10 Ω, 0.5W, Var.	BEC	72PMR-10	RP-97-10
R513	Thick Film Resistor Network.	K-1	--	TF-44
R514	1 Ω, 0.1%, 10W	TEP	TS-10W	R-256-1

R502-R513 used on Model 173A only.
R514 used on Model 172A only.

R515	30.1KΩ, 1%, 1/8W, MtF.	IRC	CEA-30.1K-1%	R-88-30.1K
R516	30.1KΩ, 1%, 1/8W, MtF.	IRC	CEA-30.1K-1%	R-88-30.1K
R517	30.1KΩ, 1%, 1/8W, MtF.	IRC	CEA-30.1K-1%	R-88-30.1K

RESISTORS (R) (CON'T)

Circuit Desig.	Description	Mfr. Code	Mfr. Desig.	Keithley Part No.
"600" SERIES (Schematic 29145E) (PC-Board 446)				
R601	13.44K Ω , 0.5%, 1/8W, MtF.	DLE	MFF-1/8-13.44K	R-246-13.44K
R602	5.76K Ω , 0.5%, 1/8W, MtF.	DLE	MFF-1/8-5.76K	R-246-5.76K
R603	133K Ω , 1%, 1/8W, MtF.	IRC	CEA-T0-133K	R-88-133K
R604	133K Ω , 1%, 1/8W, MtF.	IRC	CEA-T0-133K	R-88-133K
R605	Part of 28959B.	K-1	-----	R-246-*
R606	Part of 28959B.	K-1	-----	R-246-*
R607	NOT USED			
R608	15K Ω , 10%, 1/4W, Comp	A-B	CB	R-76-15K
R609	15K Ω , 10%, 1/4W, Comp	A-B	CB	R-76-15K
R610	100 Ω , 5%, 500VDC.	BEC	72PMR-100K	RP-114-100
R611	NOT USED			
R612	10 Ω , 0.5W, POT.	BEC	72PMR-500	RP-97-10
R613	7.5K Ω , 1%, 1/8W, MtF.	IRC	CEA-T0-7.5K	R-88-7.5K
R614	22K Ω , 10%, 1/4W, Comp	A-B	CB-223-10%	R-76-22K
R615	Thick Film Resistor Network	K-1	-----	TF-70
R616	Thick Film Resistor Network	K-1	-----	TF-69
R617	13.98K Ω , Matched Set.	TEL	-----	R-273-13.98K
R618	15K Ω , Matched Set	TEL	-----	R-273-15K
R619	18.04K Ω , Matched Set.	TEL	-----	R-272-18.04K
R620	2K Ω , Matched Set.	TEL	-----	R-272-2K
R621	900 Ω , 0.1%, 1/10 200V	TRW	MAR 5	R-263-900
R622	1.67K Ω , 0.1%, 1/10, 200V.	TRW	MAR 5	R-263-1.67K

"700" SERIES (Schematic 29145E)
(PC-Board 446)

R701	15K Ω , 10%, 1/4W, Comp	A-B	CB	R-76-15K
R702	22K Ω , 10%, 1/4W, Comp	A-B	CB-223-10%	R-76-22K
R703	22K Ω , 10%, 1/4W, Comp	A-B	CB-223-10%	R-76-22K
R704	150K Ω , 1%, 1/8W, MtF.	IRC	CEA-T0-150K	R-88-150K
R705	10K Ω , 10%, 1/4W, Comp	A-B	CB-103-10%	R-76-10K
R706	7.5 Ω , 1%, 1/8W, MtF.	IRC	CEA-T0-7.5K	R-88-7.5K
R707	49.9K Ω , 1%, 1/8W, MtF.	IRC	CEA-T0-49.9K	R-88-49.9K
R708	210K Ω , 1%, 1/8W, MtF.	IRC	CEA-T0-210K	R-88-210K
R709	10K Ω , 10%, 1/4W, Comp	A-B	CB-103-10%	R-76-10K
R710	47K Ω , 10%, 1/4W, Comp	A-B	CB	R-76-47K
R711	Thick Film Resistor Network	K-1	-----	TF-60
R712	Thick Film Resistor Network	K-1	-----	TF-60
R713	200K Ω , 0.5W, POT.	BEC	72PMR-200K	RP-97-200K
R714	200K Ω , 0.5W, POT.	BEC	72PMR-200K	RP-97-200K
R715	1K Ω , 10%, 1/4W, Comp.	A-B	CB	R-76-1K

RESISTORS (R) (CON'T)

Circuit Desig.	Description	Mfr. Code	Mfr. Desig.	Keithley Part No.
"800" SERIES (Schematic 29145E) (PC-Board 446)				
R801	200Ω, 1%, 1/8W, MtF	IRC	CEA-T0-200	R-88-200
R802	22Ω, 10%, 1/4W, Comp.	A-B	CB	R-76-22
R803	270KΩ, 10%, 1/4W, Comp.	A-B	CB	R-76-270K
R804	18KΩ, 10%, 1/4W, Comp.	A-B	CB-100-10%	R-76-18K
R805	33KΩ, 10%, 1/4W, Comp.	A-B	CB	R-76-33K
R806	12MΩ, 10%, 1/4W, Comp.	A-B	CB	R-76-12M
R807	18KΩ, 10%, 1/4W, Comp.	A-B	CB-100-10%	R-76-18K
"900" SERIES (Schematic 29145E) (PC-Board 446)				
R901	Thick Film Resistor	K-1	-----	TF-68
R902	10KΩ, 10%, 1/4W, Comp.	A-B	CB-103-10%	R-76-10K
R903	22KΩ, 10%, 1/4W, Comp.	A-B	CB-223-10%	R-76-22K
R904	22KΩ, 10%, 1/4W, Comp.	A-B	CB-223-10%	R-76-22K
R905	NOT USED			
R906	120KΩ, 5%, 2W, WW	TRW	BWH	R-201-120
"1000" SERIES (Schematic 27902E)				
R1001	Resistor Network, Thick Film, . . .	K-1	-	TF-53
R1002	Resistor Network, Thick Film . . .	K-1	-	TF-53
R1003	Resistor Network, Thick Film . . .	K-1	-	TF-53
R1004	Resistor Network, Thick Film . . .	K-1	-	TF-53
R1005	Resistor Network, Thick Film . . .	K-1	-	TF-53
R1006	1 kΩ, 10%, 1/4W, Comp.	A-B	CB-102-10%	R-76-1K
R1007	32.4 kΩ, 1%, 1/8W, MtF	IRC	CEA-T0-32.4K	R-88-32.4K
R1008	1 MΩ, 10%, 1/4W, Comp.	A-B	CB-105-10%	R-76-1M
R1009	3.9 kΩ, 10%, 1/4W, Comp.	A-B	CB-392-10%	R-76-3.9K
R1010	3.9 kΩ, 10%, 1/4W, Comp.	A-B	CB-392-10%	R-76-3.9K
R1011	154 Ω, 1%, 1/8W, MtF	IRC	CEA-T0-154	R-88-154
R1012	3.9 kΩ, 10%, 1/4W, Comp.	A-B	CB-392-10%	R-76-3.9K
R1013	154 Ω, 1%, 1/8W, Mtf	IRC	CEA-T0-154	R-88-154
R1014	154 Ω, 1%, 1/8W, MtF.	IRC	CEA-T0-154	R-88-154
R1015	154 Ω, 1%, 1/8W, MtF	IRC	CEA-T0-154	R-88-154
R1016	10 Ω, 10%, 1/4W, Comp.	A-B	CB-100-10%	R-76-10
"1100" SERIES (Schematic 28019E)				
R1101	11 kΩ, 1%, 250V, 1/8W	IRC	CEA-T0-11KΩ	R-88-11K
R1102	Resistor Network, Thick Film. . . .	K-1	-	TF-54
R1103	Resistor Network, Thick Film. . . .	K-1	-	TF-54
R1104	Resistor Network, Thick Film. . . .	K-1	-	TF-54
R1105	Resistor Network, Thick Film. . . .	K-1	-	TF-54
R1106	6.5 kΩ, 1%, 1/8W.	IRC	CEA-T0-6.5KΩ	R-88-6.5K
R1107	10 kΩ, 1%, 1/8W	IRC	CEA-T0-10KΩ	R-88-10K

REPLACEABLE PARTS

INSTRUCTION MANUAL

Digital Multimeter
Models 172A, 173A

SWITCHES (S)
"000" SERIES (Schematic 29145E)
(PC-Board 446)

S001 Switch, Slide, DPDT C-W GF326-0006 SW-397

"700" SERIES (Schematic 29145E)
(PC-Board 446)

S701 Switch, Cutting K-1 --- 28799B

TRANSFORMERS (T)
"000" SERIES (Schematic 29145E)
(PC-Board 446)

T001 Transformer K-1 ----- TR-163

"1000" SERIES (Schematic 27902E)

T1001 Transformer K-1 - TR-164

INTEGRATED CIRCUITS (U)
"100" SERIES (Schematic 29145E)
(PC-Board 446)

Circuit Desig.	Description	Mfr. Code	Mfr. Desig.	Keithley Part No.
-------------------	-------------	--------------	----------------	----------------------

U101	Op. Amp. 8-Pin DIP.	INT	LM308PA	IC-199 ^{15 A} _{IC-79}
------	-----------------------------	-----	---------	--

"200" SERIES (Schematic 29145E)

U201	Op. Amp. CASE T0-99	F-1	UAF356HC	IC-152
U202	Op. Amp. 8-Pin CASE T0-5.	K-I		IC-132

"300" SERIES (Schematic 27404D)

U301	8-Bit Parallel-Out Serial Shift Register, 14-Pin DIP.	T-1	SN74LS164	IC-127
------	--	-----	-----------	--------

"400" SERIES (Schematic 26758C)

U401	Operational Amplifier, 8-pin DIP .	F-1	U9T7741393	IC-42
------	------------------------------------	-----	------------	-------

"500" SERIES (Schematic 27478D)

U501	Operational Amplifier, 8-pin DIP. INT		LM308PA	IC-99
U502	COS/MOS BCD-T0-DECIMAL decoder, 16-pin DIP.	RCA	CD4028AE	IC-135

INSTRUCTION MANUAL

Digital Multimeter
Models 172A, 173A

REPLACEABLE PARTS

INTEGRATED CIRCUITS (U) (CON'T)

Circuit Desig.	Description	Mfr. Code	Mfr. Desig.	Keithley Part No.
"600" SERIES (Schematic 29145E) (PC-Board 446)				
U601	Op. Amp. 8-Pin DIP.	F-1	U9T7741393	IC-176
U602	Op. Amp. 8-Pin DIP.	INT	LM308PA	IC-99
U603	Selected IC-153	K-1		28090A
U604	Op. Amp. 8-Pin DIP.	NAT	LM301AN	IC-24
U605	Voltage Comparator.	NAT	LM311N	IC-173
"700" SERIES (Schematic 29145E) (PC-Board 446)				
U701	JFET, Input Output.	NAT	LM351N	IC-176
U702	Op. Amp. 8-Pin, Case T0-5	NAT	LH0042CH	IC-132
"800" SERIES (Schematic 29145E) (PC-Board 446)				
U801	Selected IC-53.	K-1	-----	29198A
U802	Flip-Flop, 14-Pin DIP	F-1	9LS74PC	IC-144
U803	Quad 2-Input, NOR, 14-PIN DIP	RCA	CD4001AE	IC-108
U804	Flip-Flop, 14-Pin DIP	F-1	9LS74PC	IC-144
U805	COS/MOS Hex Inverter, 14-Pin DIP.	RCA	CD4069BE	IC-139
"900" SERIES (Schematic 29145E)				
U901	Large Scale Integrated Circuit	K-1		LSI-4
"1000" SERIES (Schematic 27902E)				
U1001	Quad 2-Input AND, 14-pin DIP.	RCA	CD4081BE	IC-138
U1002	Quad 2-Input AND, 14-pin DIP.	RCA	CD4081BE	IC-138
U1003	Quad 2-Input AND, 14-pin DIP.	RCA	CD4081BE	IC-138
U1004	Quad 2-Input AND, 14-pin DIP.	RCA	CD4081BE	IC-138
U1005	Quad 2-Input AND, 14-pin DIP.	RCA	CD4081BE	IC-138
U1006	Quad 2-Input AND, 14-pin DIP.	RCA	CD4081BE	IC-138
U1007	Quad 2-Input AND, 14-pin DIP.	RCA	CD4081BE	IC-138
U1008	COS/MOS Dual 4-Stage Static Shift Register.	RCA	CD4015AE	IC-136
U1009	COS/MOS Dual 4-Stage Static Shift Register.	RCA	CD4015AE	IC-136
U1010	COS/MOS Dual 4-Stage Static Shift Register.	RCA	CD4015AE	IC-136
U1011	COS/MOS Dual 4-Stage Static Shift Register.	RCA	CD4015AE	IC-136
U1012	Quad 2-Input AND, 14-pin DIP.	RCA	CD4081BE	IC-138
U1013	Quad 2-Input AND, 14-pin DIP.	RCA	CD4081BE	IC-138
U1014	Quad 2-Input NOR, 14-pin DIP.	RCA	CD4001AE	IC-108
U1015	Dual D-Type Flip-Flop, 14-pin DIP	RCA	CD4013AE	IC-103

INTEGRATED CIRCUITS (U) (CON'T)

Circuit Desig.	Description	Mfr. Code	Mfr. Desig.	Keithley Part No.
U1016	COS/MOS Hex Inverter, 14-pin DIP.	RCA	CD4069BE	IC-139
U1017	Timing Logic, 8-pin DIP	SIG	NE555V	IC-71
U1018	Optically-coupled Isolator, 8-pin DIP	H-P	HP5082-4351	IC-142
U1019	Optically-coupled Isolator, 8-pin DIP	H-P	HP5082-4351	IC-142
U1020	Optically-coupled Isolator, 8-pin DIP	H-P	HP5082-4351	IC-142
U1021	Optically-coupled Isolator, 8-pin DIP	H-P	HP5082-4351	IC-142

"1100" SERIES (Schematic 28019E)

U1101	Hex Inverters, Open Collector Output.	TEXAS	SN74LS05N	IC-141
U1102	Hex Inverters, Open Collector Output.	TEXAS	SN74LS05N	IC-141
U1103	Hex Inverters, Open Collector Output.	TEXAS	SN74LS05N	IC-141
U1104	Positive-NAND Gates and Inverters/ Totem-pole outputs	TEXAS	SN74LS14N	IC-137
U1105	Hex Inverters, Open Collector Output	TEXAS	SN74LS05N	IC-141
U1106	Dual D-Type Flip-Flop, 14-pin DIP.	RCA	CD4013AE	IC-103
U1107	Quad 2-Input NOR, 14-pin DIP	RCA	CD4001AE	IC-108
U1108	COS/MOS 8-Stage Static Shift Register	RCA	CD4021AE	IC-130
U1109	Quad 2-Input AND, 14-pin DIP	RCA	CD4081BE	IC-138
U1110	COS/MOS Dual 4 Input NAND Gates.	RCA	CD4012AE	IC-140
U1111	Six COS/MOS Hex Inverter.	RCA	CD4069BE	IC-139

INSTRUCTION MANUAL

Digital Multimeter
Models 172A, 173A

REPLACEABLE PARTS

VOLTAGE REGULATORS (VR)
"000" SERIES (Schematic 29145E)
(PC-Board 446)

Circuit Desig.	Description	Mfr. Code	Mfr. Desig.	Keithley Part No.
VR001	+5V, 3-Term, T0-220	MOT	MC7805CT	1C-93
VR002	+15V, 3-Term, L0-Power.	MOT	MC7915CT	1C-174
VR003	15V, CASE T0-220.	MOT	MC7815CP	1C-96
VR004	Voltage Regulator +8V, Case T0-92	NAT	LM340LAZ-8.0	1C-164

"600" SERIES (Schematic 29145E)
(PC-Board 446)

VR601	Zener, 6.3V, (Matched Set)	K-1	-----	28959B
VR602	Zener, Diode, 6.4V.	SIE	1N4571	DZ-60

"700" SERIES (Schematic 29145E)
(PC-Board 446)

VR701	Zener, Diode, 5.1V.	MOT	1N751	DZ-59
-------	-----------------------------	-----	-------	-------

"800" SERIES (Schematic 29145E)
(PC-Board 446)

VR801	Zener, Diode, 12V	DIC	1N963B	DZ-54
-------	-----------------------------	-----	--------	-------

JUMPEPS (W)

"100" SERIES (Schematic 29145E)
(PC-Board 446)

W101	Jumper, Circuit	K-1	-----	J-3
W102	Jumper, Circuit	K-1	-----	J-3

"200" SERIES (Schematic 29145E)
(PC-Board 446)

W201	Jumper, Circuit	K-1	-----	J-3
------	---------------------------	-----	-------	-----

"600" SERIES (Schematic 29145E)
(PC-Board 446)

W601*	Jumper, Circuit (Matched Set)	---	-----	28959B
-------	---	-----	-------	--------

"700" SERIES (Schematic 29145E)
(PC-Board 446)

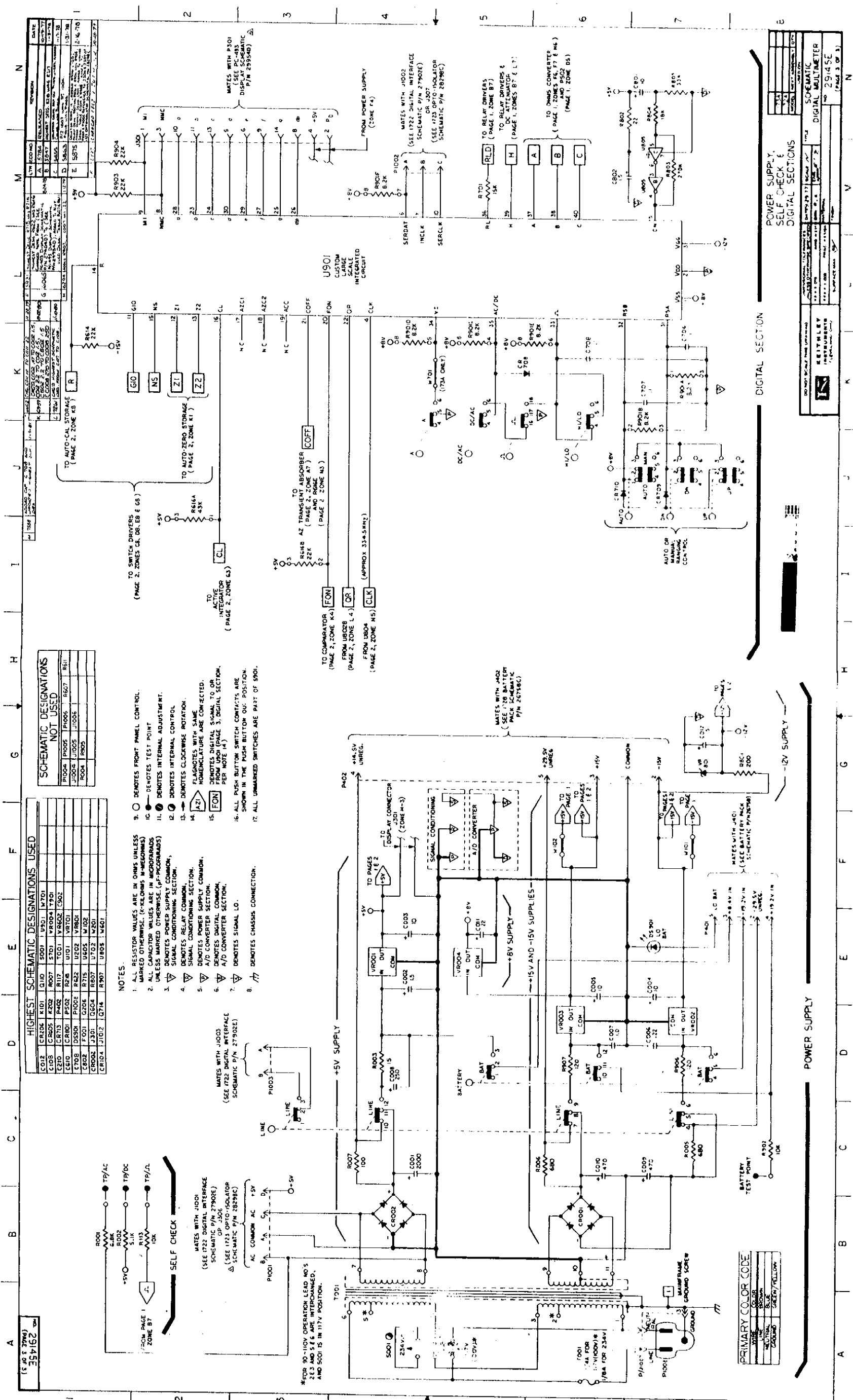
W701	Jumper, Circuit	K-1	-----	J-3
------	---------------------------	-----	-------	-----

CRYSTAL (Y)

"100" Series (Sch. 29145E)
PC-Board 446)

Y901	Crystal, Quartz, 669 kHz	NEL	NE335PD	CR-9
------	------------------------------------	-----	---------	------

* Supplied only when necessary to short R611D.



HIGHEST SCHEMATIC DESIGNATIONS USED

C012	C101	C102	C103	C104	C105	C106	C107	C108	C109	C110	C111	C112	C113	C114	C115	C116	C117	C118	C119	C120	C121	C122	C123	C124	C125	C126	C127	C128	C129	C130	C131	C132	C133	C134	C135	C136	C137	C138	C139	C140	C141	C142	C143	C144	C145	C146	C147	C148	C149	C150	C151	C152	C153	C154	C155	C156	C157	C158	C159	C160	C161	C162	C163	C164	C165	C166	C167	C168	C169	C170	C171	C172	C173	C174	C175	C176	C177	C178	C179	C180	C181	C182	C183	C184	C185	C186	C187	C188	C189	C190	C191	C192	C193	C194	C195	C196	C197	C198	C199	C200	C201	C202	C203	C204	C205	C206	C207	C208	C209	C210	C211	C212	C213	C214	C215	C216	C217	C218	C219	C220	C221	C222	C223	C224	C225	C226	C227	C228	C229	C230	C231	C232	C233	C234	C235	C236	C237	C238	C239	C240	C241	C242	C243	C244	C245	C246	C247	C248	C249	C250	C251	C252	C253	C254	C255	C256	C257	C258	C259	C260	C261	C262	C263	C264	C265	C266	C267	C268	C269	C270	C271	C272	C273	C274	C275	C276	C277	C278	C279	C280	C281	C282	C283	C284	C285	C286	C287	C288	C289	C290	C291	C292	C293	C294	C295	C296	C297	C298	C299	C300	C301	C302	C303	C304	C305	C306	C307	C308	C309	C310	C311	C312	C313	C314	C315	C316	C317	C318	C319	C320	C321	C322	C323	C324	C325	C326	C327	C328	C329	C330	C331	C332	C333	C334	C335	C336	C337	C338	C339	C340	C341	C342	C343	C344	C345	C346	C347	C348	C349	C350	C351	C352	C353	C354	C355	C356	C357	C358	C359	C360	C361	C362	C363	C364	C365	C366	C367	C368	C369	C370	C371	C372	C373	C374	C375	C376	C377	C378	C379	C380	C381	C382	C383	C384	C385	C386	C387	C388	C389	C390	C391	C392	C393	C394	C395	C396	C397	C398	C399	C400	C401	C402	C403	C404	C405	C406	C407	C408	C409	C410	C411	C412	C413	C414	C415	C416	C417	C418	C419	C420	C421	C422	C423	C424	C425	C426	C427	C428	C429	C430	C431	C432	C433	C434	C435	C436	C437	C438	C439	C440	C441	C442	C443	C444	C445	C446	C447	C448	C449	C450	C451	C452	C453	C454	C455	C456	C457	C458	C459	C460	C461	C462	C463	C464	C465	C466	C467	C468	C469	C470	C471	C472	C473	C474	C475	C476	C477	C478	C479	C480	C481	C482	C483	C484	C485	C486	C487	C488	C489	C490	C491	C492	C493	C494	C495	C496	C497	C498	C499	C500	C501	C502	C503	C504	C505	C506	C507	C508	C509	C510	C511	C512	C513	C514	C515	C516	C517	C518	C519	C520	C521	C522	C523	C524	C525	C526	C527	C528	C529	C530	C531	C532	C533	C534	C535	C536	C537	C538	C539	C540	C541	C542	C543	C544	C545	C546	C547	C548	C549	C550	C551	C552	C553	C554	C555	C556	C557	C558	C559	C560	C561	C562	C563	C564	C565	C566	C567	C568	C569	C570	C571	C572	C573	C574	C575	C576	C577	C578	C579	C580	C581	C582	C583	C584	C585	C586	C587	C588	C589	C590	C591	C592	C593	C594	C595	C596	C597	C598	C599	C600	C601	C602	C603	C604	C605	C606	C607	C608	C609	C610	C611	C612	C613	C614	C615	C616	C617	C618	C619	C620	C621	C622	C623	C624	C625	C626	C627	C628	C629	C630	C631	C632	C633	C634	C635	C636	C637	C638	C639	C640	C641	C642	C643	C644	C645	C646	C647	C648	C649	C650	C651	C652	C653	C654	C655	C656	C657	C658	C659	C660	C661	C662	C663	C664	C665	C666	C667	C668	C669	C670	C671	C672	C673	C674	C675	C676	C677	C678	C679	C680	C681	C682	C683	C684	C685	C686	C687	C688	C689	C690	C691	C692	C693	C694	C695	C696	C697	C698	C699	C700	C701	C702	C703	C704	C705	C706	C707	C708	C709	C710	C711	C712	C713	C714	C715	C716	C717	C718	C719	C720	C721	C722	C723	C724	C725	C726	C727	C728	C729	C730	C731	C732	C733	C734	C735	C736	C737	C738	C739	C740	C741	C742	C743	C744	C745	C746	C747	C748	C749	C750	C751	C752	C753	C754	C755	C756	C757	C758	C759	C760	C761	C762	C763	C764	C765	C766	C767	C768	C769	C770	C771	C772	C773	C774	C775	C776	C777	C778	C779	C780	C781	C782	C783	C784	C785	C786	C787	C788	C789	C790	C791	C792	C793	C794	C795	C796	C797	C798	C799	C800	C801	C802	C803	C804	C805	C806	C807	C808	C809	C810	C811	C812	C813	C814	C815	C816	C817	C818	C819	C820	C821	C822	C823	C824	C825	C826	C827	C828	C829	C830	C831	C832	C833	C834	C835	C836	C837	C838	C839	C840	C841	C842	C843	C844	C845	C846	C847	C848	C849	C850	C851	C852	C853	C854	C855	C856	C857	C858	C859	C860	C861	C862	C863	C864	C865	C866	C867	C868	C869	C870	C871	C872	C873	C874	C875	C876	C877	C878	C879	C880	C881	C882	C883	C884	C885	C886	C887	C888	C889	C890	C891	C892	C893	C894	C895	C896	C897	C898	C899	C900	C901	C902	C903	C904	C905	C906	C907	C908	C909	C910	C911	C912	C913	C914	C915	C916	C917	C918	C919	C920	C921	C922	C923	C924	C925	C926	C927	C928	C929	C930	C931	C932	C933	C934	C935	C936	C937	C938	C939	C940	C941	C942	C943	C944	C945	C946	C947	C948	C949	C950	C951	C952	C953	C954	C955	C956	C957	C958	C959	C960	C961	C962	C963	C964	C965	C966	C967	C968	C969	C970	C971	C972	C973	C974	C975	C976	C977	C978	C979	C980	C981	C982	C983	C984	C985	C986	C987	C988	C989	C990	C991	C992	C993	C994	C995	C996	C997	C998	C999	C1000
------	------	------	------	------	------	------	------	------	------	------	------	------	------	------	------	------	------	------	------	------	------	------	------	------	------	------	------	------	------	------	------	------	------	------	------	------	------	------	------	------	------	------	------	------	------	------	------	------	------	------	------	------	------	------	------	------	------	------	------	------	------	------	------	------	------	------	------	------	------	------	------	------	------	------	------	------	------	------	------	------	------	------	------	------	------	------	------	------	------	------	------	------	------	------	------	------	------	------	------	------	------	------	------	------	------	------	------	------	------	------	------	------	------	------	------	------	------	------	------	------	------	------	------	------	------	------	------	------	------	------	------	------	------	------	------	------	------	------	------	------	------	------	------	------	------	------	------	------	------	------	------	------	------	------	------	------	------	------	------	------	------	------	------	------	------	------	------	------	------	------	------	------	------	------	------	------	------	------	------	------	------	------	------	------	------	------	------	------	------	------	------	------	------	------	------	------	------	------	------	------	------	------	------	------	------	------	------	------	------	------	------	------	------	------	------	------	------	------	------	------	------	------	------	------	------	------	------	------	------	------	------	------	------	------	------	------	------	------	------	------	------	------	------	------	------	------	------	------	------	------	------	------	------	------	------	------	------	------	------	------	------	------	------	------	------	------	------	------	------	------	------	------	------	------	------	------	------	------	------	------	------	------	------	------	------	------	------	------	------	------	------	------	------	------	------	------	------	------	------	------	------	------	------	------	------	------	------	------	------	------	------	------	------	------	------	------	------	------	------	------	------	------	------	------	------	------	------	------	------	------	------	------	------	------	------	------	------	------	------	------	------	------	------	------	------	------	------	------	------	------	------	------	------	------	------	------	------	------	------	------	------	------	------	------	------	------	------	------	------	------	------	------	------	------	------	------	------	------	------	------	------	------	------	------	------	------	------	------	------	------	------	------	------	------	------	------	------	------	------	------	------	------	------	------	------	------	------	------	------	------	------	------	------	------	------	------	------	------	------	------	------	------	------	------	------	------	------	------	------	------	------	------	------	------	------	------	------	------	------	------	------	------	------	------	------	------	------	------	------	------	------	------	------	------	------	------	------	------	------	------	------	------	------	------	------	------	------	------	------	------	------	------	------	------	------	------	------	------	------	------	------	------	------	------	------	------	------	------	------	------	------	------	------	------	------	------	------	------	------	------	------	------	------	------	------	------	------	------	------	------	------	------	------	------	------	------	------	------	------	------	------	------	------	------	------	------	------	------	------	------	------	------	------	------	------	------	------	------	------	------	------	------	------	------	------	------	------	------	------	------	------	------	------	------	------	------	------	------	------	------	------	------	------	------	------	------	------	------	------	------	------	------	------	------	------	------	------	------	------	------	------	------	------	------	------	------	------	------	------	------	------	------	------	------	------	------	------	------	------	------	------	------	------	------	------	------	------	------	------	------	------	------	------	------	------	------	------	------	------	------	------	------	------	------	------	------	------	------	------	------	------	------	------	------	------	------	------	------	------	------	------	------	------	------	------	------	------	------	------	------	------	------	------	------	------	------	------	------	------	------	------	------	------	------	------	------	------	------	------	------	------	------	------	------	------	------	------	------	------	------	------	------	------	------	------	------	------	------	------	------	------	------	------	------	------	------	------	------	------	------	------	------	------	------	------	------	------	------	------	------	------	------	------	------	------	------	------	------	------	------	------	------	------	------	------	------	------	------	------	------	------	------	------	------	------	------	------	------	------	------	------	------	------	------	------	------	------	------	------	------	------	------	------	------	------	------	------	------	------	------	------	------	------	------	------	------	------	------	------	------	------	------	------	------	------	------	------	------	------	------	------	------	------	------	------	------	------	------	------	------	------	------	------	------	------	------	------	------	------	------	------	------	------	------	------	------	------	------	------	------	------	------	------	------	------	------	------	------	------	------	------	------	------	------	------	------	------	------	------	------	------	------	------	------	------	------	------	------	------	------	------	------	------	------	------	------	------	------	------	------	------	------	------	------	------	------	------	------	------	------	------	------	------	------	------	------	------	------	------	------	------	------	------	------	------	------	------	------	------	------	------	------	------	------	------	------	------	------	------	------	------	------	------	------	------	------	------	------	------	-------

SCHEMATIC DESIGNATIONS NOT USED

R001	R002	R003	R004	R005	R006	R007	R008	R009	R010	R011	R012	R013	R014	R015	R016	R017	R018	R019	R020	R021	R022	R023	R024	R025	R026	R027	R028	R029	R030	R031	R032	R033	R034	R035	R036	R037	R038	R039	R040	R041	R042	R043	R044	R045	R046	R047	R048	R049	R050	R051	R052	R053	R054	R055	R056	R057	R058	R059	R060	R061	R062	R063	R064	R065	R066	R067	R068	R069	R070	R071	R072	R073	R074	R075	R076	R077	R078	R079	R080	R081	R082	R083	R084	R085	R086	R087	R088	R089	R090	R091	R092	R093	R094	R095	R096	R097	R098	R099	R100	R101
------	------	------	------	------	------	------	------	------	------	------	------	------	------	------	------	------	------	------	------	------	------	------	------	------	------	------	------	------	------	------	------	------	------	------	------	------	------	------	------	------	------	------	------	------	------	------	------	------	------	------	------	------	------	------	------	------	------	------	------	------	------	------	------	------	------	------	------	------	------	------	------	------	------	------	------	------	------	------	------	------	------	------	------	------	------	------	------	------	------	------	------	------	------	------	------	------	------	------	------	------

TABLE 7-3.
COMPONENT DESIGNATIONS FOR PC-446 (MODEL 172A/173A)

Circuit Desig./Item No.	Location Code	Circuit Desig./Item No.	Location Code	Circuit Desig./Item No.	Location Code
C001	38	B3	C801	21	C5
C002	12	B3	C802	35	C5
C003	18	C3	C901	289	D5
C004	19	B3	C902	292	D5
C005	20	C3	CR001	189	B1
C006	31	B4	CR002	188	B3
C007	30	C4	CR101	167	C2
C008	24	B4	CR102	165	C2
C009	50	B5	CR103	164	D2
C010	49	B5	CR104	163	D2
C011	17	C4	CR201	166	D2
C012	13	C5	CR202	162	D2
C101	43	D1	CR203	161	E2
C102	27	C2	CR204	173	E2
C103	284	D2	CR205	190	D3
C104	14	C2	CR206	169	D3
C105	16	C2	CR601	182	C3
C106	52	C2	CR602	181	C4
C107	7	C3	CR603	184	C4
C201	23	D1	CR604	183	C4
C202	51	E1	CR605	180	C4
C203	45	D2	CR701	168	D3
C204	22	E2	CR702	170	D3
C205	15	D2	CR703	171	D3
C206	32	D2	CR704	172	E3
C207	11	D2	CR705	174	D4
C208	10	E2	CR706	178	E4
C209	48	F2	CR707	283	D4
C210	25	E3	CR708	185	E4
C601	39	D3	CR709	186	E4
C602	6	D3	CR710	187	E4
C603	42	C4	CR711	177	E4
C604	285	C3	CR712	175	E4
C605	26	C4	CR713	176	E4
C606	29	D4	CR801	179	C5
C607	33	D4	DS901	101	F5
C608	44	C4	F001	71 & 72	B5
C609	8	C4	J301	207	D5
C610	28	D4	J1001	-	-
C611	34	D4	J1002	-	-
C701	40	D3	J1003	-	-
C702	41	D3	J1004	-	-
C703	9	E4	J1005	-	-
C704	46	D4	J1006	-	-
C705	47	D4	J1007	-	B4
C706	37	E4	J1008	-	-
C707	36	E4	J1009	4	G2
			J1010	2	G1
			J1011	5	G2
			J1012	3	G1
			K101	192	C2
			K201	193	D2
			K202	191	E2
			P401	57	E5
			P402	56	B5
			P501	61	F1
			P502	62	E1
			P1001	60	C2
			P1002	63	E5
			P1003	58	E5
			P1004	55	B4
			Q101	234	C2
			Q102	232	C2
			Q103	231	C2
			Q104	227	D2
			Q105	240	D2
			Q106	223	D2
			Q107	238	D2
			Q108	222	D2
			Q109	233	D3
			Q110	236	D3
			Q201	237	D2
			Q202	242	E2
			Q203	228	E2
			Q204	235	E2
			Q205	241	D3
			Q206	239	E3
			Q601	251	C4
			Q602	255	C4
			Q603	250	C4
			Q604	254	C4
			Q701	247	D4
			Q702	248	D4
			Q703	252	E3
			Q704	253	E4
			Q705	249	D4
			Q706	229	D4

TABLE 7-3. (CONTINUED).

Circuit Desig./Item No.	Location Code	Circuit Desig./Item No.	Location Code	Circuit Desig./Item No.	Location Code
Q707	244	E4	R601	150	D4
Q708	246	E4	R602	149	C3
Q709	226	E4	R603	139	D3
Q710	224	E4	R604	140	D3
Q711	243	E4	R605	152	C3
Q712	245	E4	R606	151	C3
Q713	225	E4	R607	-	-
Q714	230	E4	R608	117	C3
R001	111	C2	R609	118	C3
R002	110	C2	R610	206	C3
R003	154	B4	R611	-	-
R004	-	-	R612	198	D3
R005	103	B5	R613	133	D4
R006	102	B5	R614	125	C4
R007	106	B5	R615	218	C4
R101	144	D1	R616	217	D4
R102	157	D1	R617	295	D3
R103	158	C1	R618	296	D3
R104	194	C2	R619	297	D3
R105	159	C2	R620	298	D3
R106	128	C2	R621	293	C3
R107	109	D2	R622	294	C4
R108	220	D2	R701	119	E3
R109	160	C2	R702	121	E3
R110	112	C2	R703	122	E3
R111	148	C2	R704	141	E3
R112	146	C2	R705	114	D3
R113	116	C3	R706	134	D3
R114	147	C3	R707	136	E4
R115	205	C3	R708	142	E4
R116	199	C3	R709	113	D4
R117	195	D3	R710	127	E4
R201	143	D1	R711	213	E4
R202	156	D1	R712	214	D4
R203	155	E2	R713	204	D4
R204	202	D4	R714	203	D4
R205	105	D2	R715	291	E4
R206	219	E3	R801	132	C4
R207	201	E2	R802	135	D5
R208	137	E2	R803	129	D5
R209	197	E3	R804	120	C5
R210	215	D3	R805	126	C5
R211	200	D3	R806	130	D5
R212	108	E3	R807	131	D5
R213	107	E3	R901	216	E5
R214	196	E3	R902	115	F5
R215	221	E3	R903	123	E5
R216	104	E3	R904	124	E5
R217	153	F3	R905	-	-
R218	138	E2	R906	290	E5
S001	211	B3	S701	210	F4
T001	256	B2	U101	78	C3
U201	85	D2	U202	80	D3
U601	74	C3	U602	79	C3
U602	79	C3	U603	75	C4
U603	75	C4	U604	73	C4
U604	73	C4	U605	89	D4
U605	89	D4	U701	91	D4
U701	91	D4	U702	81	E4
U702	81	E4	U801	76	C5
U801	76	C5	U802	83	C5
U802	83	C5	U803	90	D5
U803	90	D5	U804	84	C5
U804	84	C5	U805	82	D5
U805	82	D5	U901	98	D5
U901	98	D5	Y901	54	D5
Y901	54	D5	VR001	77	C3
VR001	77	C3	VR002	88	B4
VR002	88	B4	VR003	87	B4
VR003	87	B4	VR004	86	C4
VR004	86	C4	VR601	65	C3
VR601	65	C3	VR602	67	C4
VR602	67	C4	VR701	66	E4
VR701	66	E4	VR801	64	C5
VR801	64	C5	W101	95	C2
W101	95	C2	W102	94	C3
W102	94	C3	W201	287	E2
W201	287	E2	W601	92	C3
W601	92	C3	W701	93	E4
W701	93	E4			

056182
2497 74 ON

ITEM	PART NO.	SCHEM DESIG.	ZONE
1	2B794D	STAGING PC-446	D1
2	BJ-11-0	J1010	G1
3	"	J1012	G1
4	BJ-11-2	J1009	G2
5	"	J1011	G2
6	C-64-33p	C602	D3
7	C-64-100p	C107	C3
8	C-64-150p	C609	C4
9	C-64-680p	C703	E4
10	C-138-1000p	C208	E2
11	C-138-1500p	C207	D2
12	C-314-1.5	C002	B3
13	C-314-1.5	C012	C5
14	C-321-3.3	C104	C2
15	C-314-10	C205	D2
16	"	C105	C2
17	C-313-22	C011	C4
18	C-314-10	C003	C3
19	"	C004	B3
20	"	C005	C3
21	"	C801	C5
22	C-184	C204	E2
23	"	C201	D1
24	C-314-250	C008	B4
25	C-201-.01	C210	E3
26	C-201-.22	C605	C4
27	C-201-.56	C102	C2
28	C-221-.015	C610	D4
29	"	C606	D4
30	C-170-1.0	C007	C4
31	C-178-.22	C006	B4
32	C-238-.1	C206	D2
33	"	C607	D4
34	"	C611	D4
35	C-314-1.5	C802	C5
36	C-238-.1	C707	E4
37	"	C706	E4
38	C-255-2000	C001	B3
39	C-269-.1	C601	D3
40	C-269-.15	C701	D3
41	"	C702	D3
42	C-269-.22	C603	C4
43	C-278-480p	C101	D1
44	C-282-68p	C608	C4
45	C-282-2.5p	C203	D2
46	C-282-8.2p	C704	D4
47	"	C705	D4
48	C-284-.01	C209	F2
49	C-292-470	C101	B5
50	"	C009	B5
51	C-298-.05	C202	E1
52	C-333-330	C106	C2
53	CT-4	W1	F3843
54	CR-9	Y901	D5
55	CS-288-3	P1004	B4
56	CS-288-5	P402	B5
57	"	P401	E5
58	CS-339-2	P1003	E5
59	"	P1002	D5
60	CS-339-4	P1001	C2

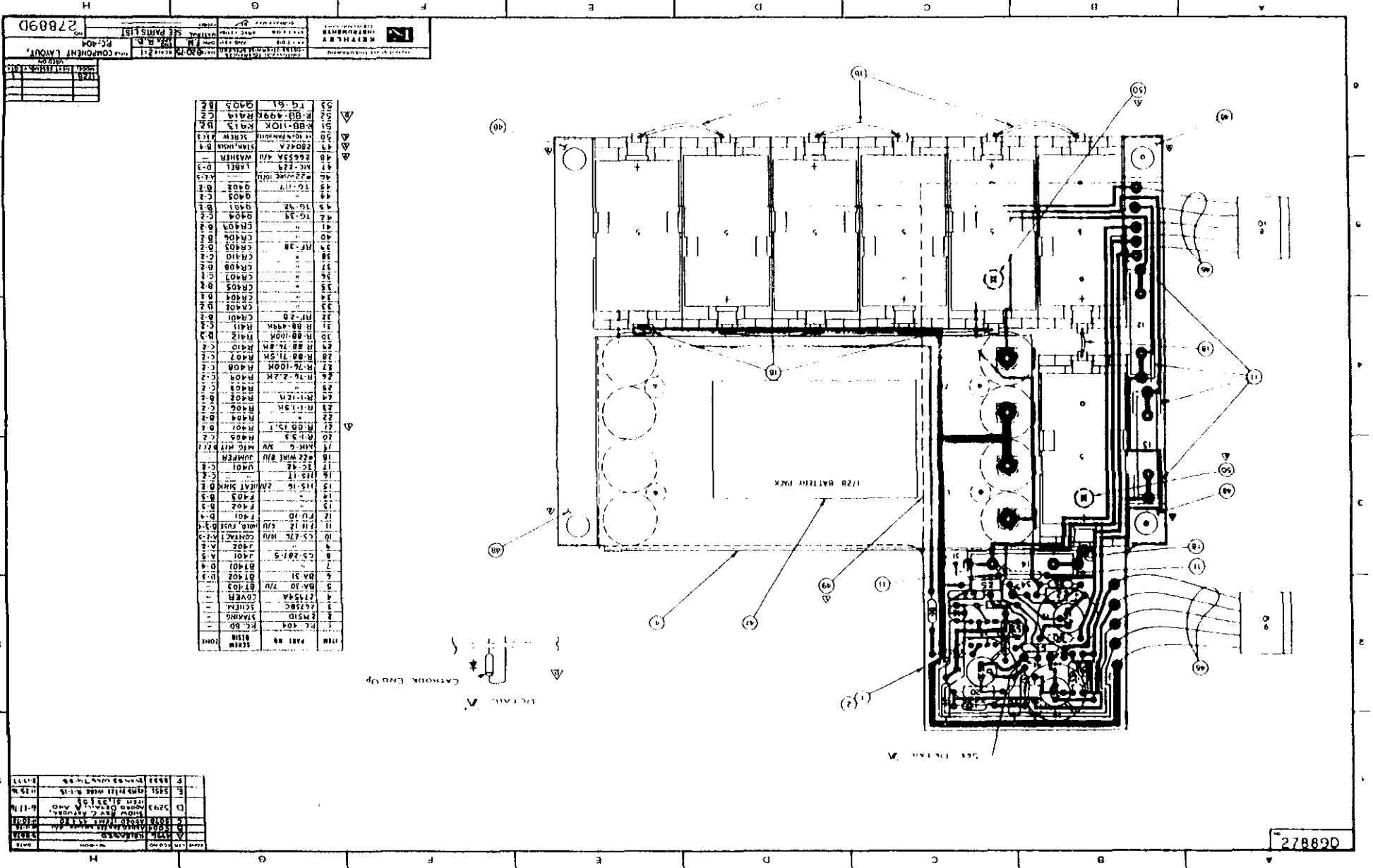
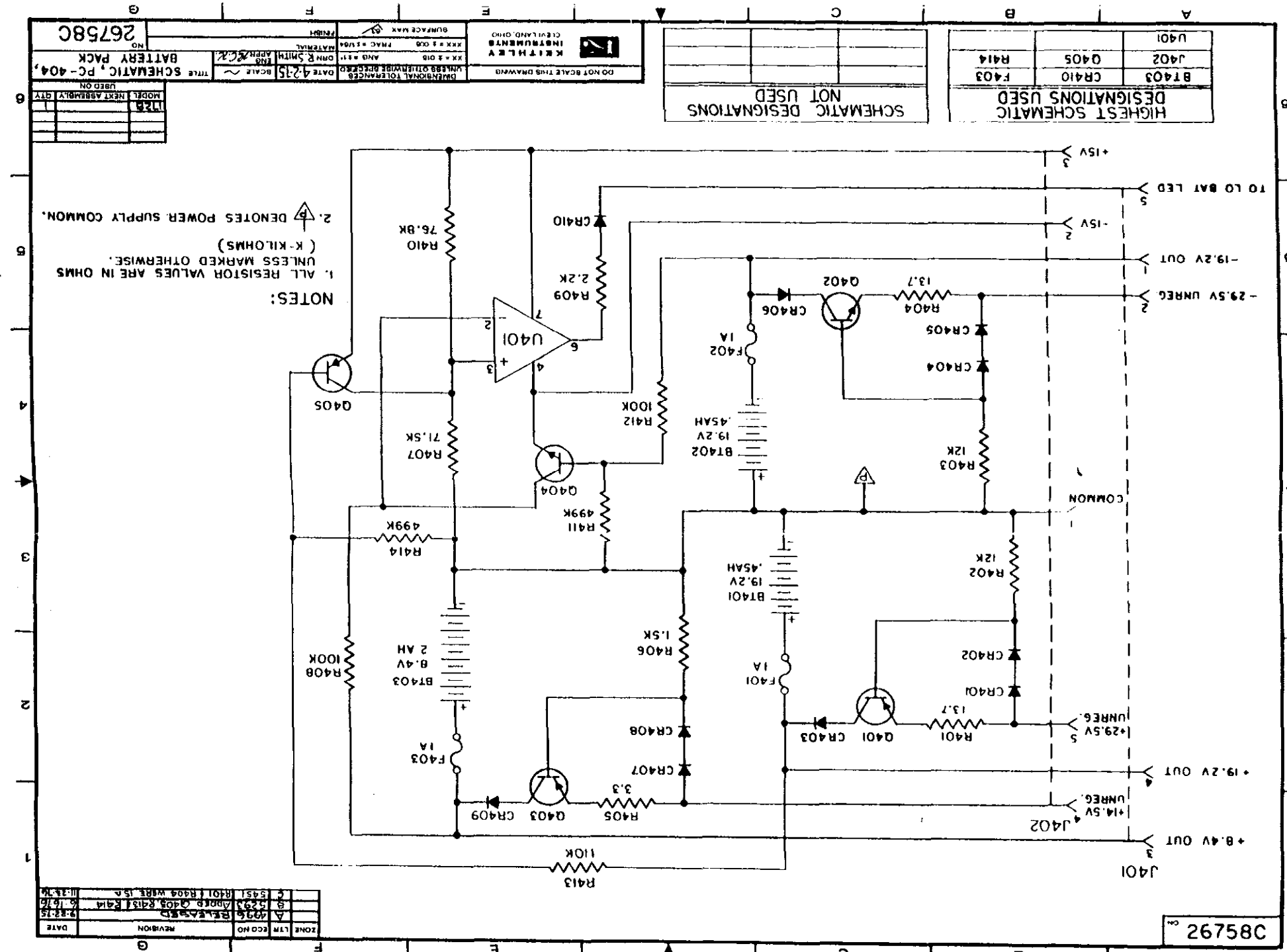
ITEM	PART NO.	SCHEM DESIG.	ZONE
61	CS-339-4	P501	F1
62	CS-339-B	P502	E1
63	24294A	4/6 P1002	E5
64	DE-54	VR601	C5
65	28998 (DE-51)	VR601	C3
66	DE-59	VR701	E4
67	DE-60	VR602	C4
68	FA-99 4/6	W1	E1, E2, E3, E4
69	FE-10	W2	B2
70	FH-12 2/6	W3	AS
71	FU-17 (H1V)	FOO1	B5
72	FU-20 (234V)	FOO1	B5
73	IC-24	U604	C4
74	IC-176	U601	C3
75	28090A	U603	C4
76	23198A	U801	C5
77	28515A	VR001	C3
78	IC-99	U101	C3
79	"	U602	C3
80	IC-132	U202	D3
81	"	U702	E4
82	IC-139	U805	D5
83	IC-144	U802	C5
84	"	U804	C5
85	IC-152	U201	D2
86	IC-164	VR004	C4
87	IC-96	VR003	B4
88	C-174	VR002	B4
89	IC-173	U605	D4
90	IC-108	U803	D5
91	IC-176	U701	D3
92	28958B (2)	W601	C4
93	J-3	W701	E4
94	"	W102	C3
95	"	W101	C2
96	"	W2	E2
97	"	W3	E4
98	LSI-4	U901	D5
99	LU-90	W3	F3
100	MC-221	W2	B2
101	PL-63	D5901	F5
102	R-1-680	R006	B5
103	"	R005	B5
104	R-1-27K	R216	E3
105	R-1-120K	R205	D2
106	R-2-100	R007	B5
107	R-76-2.7	R213	E3
108	"	R212	E3
109	R-76-240	R107	D2
110	R-76-5.1K	R002	C2
111	R-76-6.8K	R001	C2
112	R-76-10K	R110	C2
113	"	R209	D4
114	"	R705	D5
115	"	R902	F3
116	"	R113	C3
117	R-76-5K	R608	C3
118	"	R609	C3
119	"	R701	E3
120	R-76-18K	F804	C5

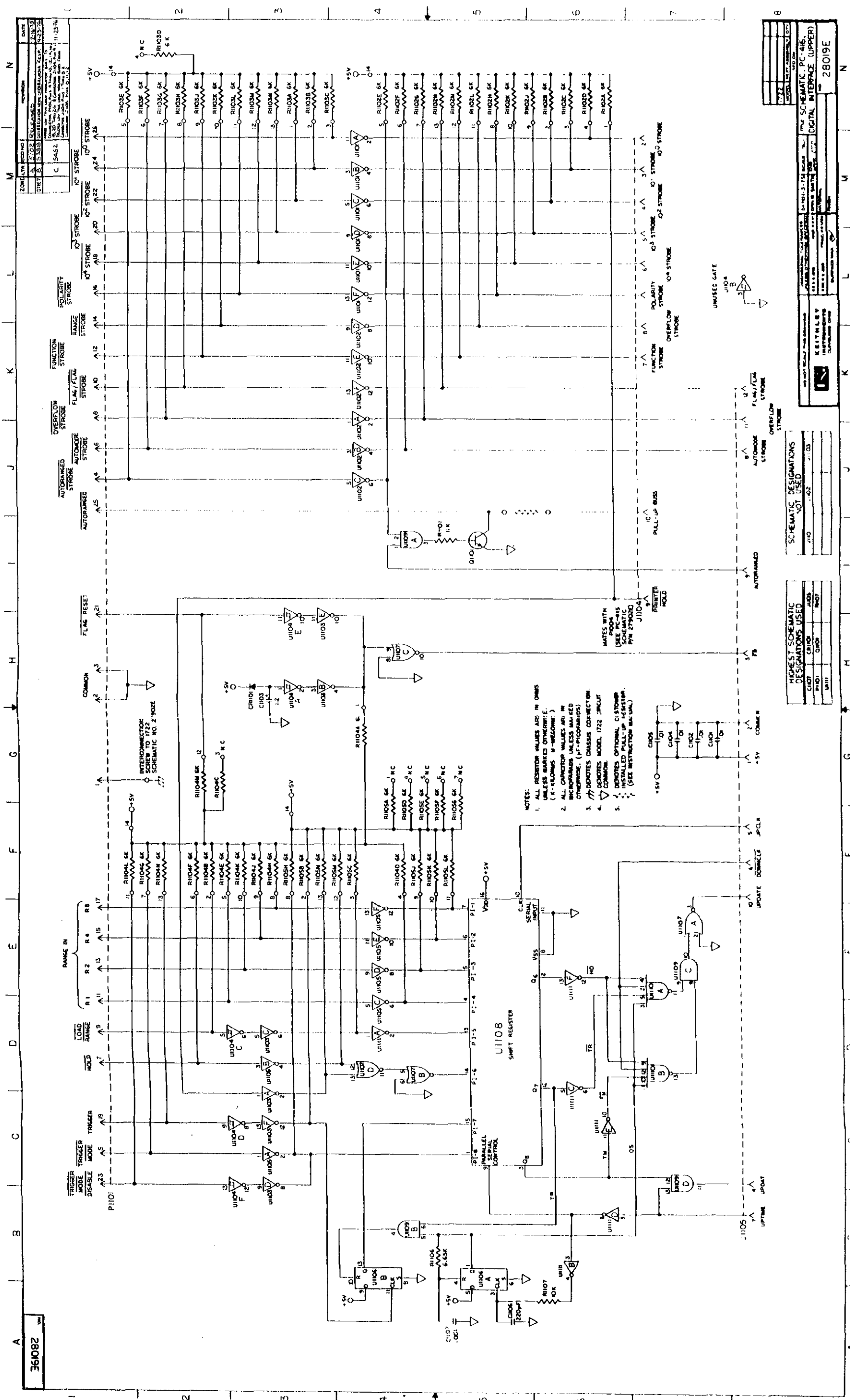
ITEM	PART NO.	SCHEM DESIG.	ZONE
121	R-76-22K	R702	E3
122	"	R703	E3
123	"	R903	E5
124	"	R904	E5
125	"	R614	C4
126	R-76-33K	R805	C5
127	R-76-47K	R710	E4
128	R-76-150K	R106	C2
129	R-76-270K	R903	D5
130	R-76-12M	R906	D5
131	J-3	W5	D5
132	R-88-200	R901	C4
133	R-88-7.5K	R613	D4
134	"	R706	D3
135	R-76-22	R802	D5
136	R-88-499K	R701	E4
137	"	R208	E2
138	R-76-7.5K	R218	E2
139	R-88-133K	R603	D3
140	"	R604	D3
141	R-88-150K	R704	E3
142	R-88-210K	R708	E4
143	28310(RA)	R201	D1
144	28310(RA)	R101	D1
145	R-201-120	R907	E5
146	R-240-3.255K	R112	C2
147	R-241-335.3K	R114	C2
148	R-242-33.2M	R111	C2
149	R-246-576K	R602	C3
150	R-246-13.44K	R601	C3
151	28958B	R606	C3
152	"	R605	C3
153	R-247-150K	R217	F3
154	R-257-15	R003	B4
155	R-266-2M	R203	E2
156	R-266-495K	R202	D1
157	R-266-475K	R102	D1
158	R-266-264.2	R103	C1
159	R-241-219	R105	C2
160	R-241-249	R104	C2
161	RF-28	CR203	E2
162	"	CR202	D2
163	"	CR104	D2
164	"	CR103	D2
165	"	CR102	C2
166	"	CR201	D2
167	"	CR101	C2
168	"	CR701	D3
169	"	CR206	D3
170	"	CR702	D3
171	"	CR703	D3
172	"	CR704	E3
173	"	CR204	E2
174	"	CR705	D4
175	"	CR712	E4
176	"	CR713	E4
177	"	CR71	E4
178	"	CR706	E4
179	"	CR801	C5
180	"	CR605	C4

ITEM	PART NO.	SCHEM DESIG.	ZONE
181	RF-28	CR602	C4
182	"	CR601	C3
183	"	CR604	C4
184	"	CR603	C4
185	"	CR708	E4
186	"	CR709	E4
187	"	CR710	E4
188	RF-36	CR002	B3
189	"	CR001	B1
190	RF-38	CR205	D3
191	RL-51	K202	E2
192	RL-56	K101	C2
193	RL-57	K201	D2
194	RP-97-50	R104	C2
195	"	R117	D3
196	RP-97-100	R214	E3
197	RP-97-500	R209	E3
198	RP-97-10	R612	D3
199	RP-97-5K	R116	C3
200	RP-97-200K	R211	D3
201	"	R207	E2
202	"	R204	E2
203	"	R714	D4
204	"	R713	D4
205	RP-97-500K	R115	C3
206	RP-104-100	R610	C3
207	SO-70	J301	D5
208	SO-B4-40	J200	D5
209	C-228-.1	C708	E4
210	28199B	S701	F4
211	SW-397	S001	B3
212	C-353-330	C708	C2
213	TF-60	R711	E4
214	TF-66	R712	D4
215	TF-67	R210	D3
216	TF-68	R901	E5
217	TF-69	R616	D4
218	TF-70	R615	C4
219	TF-71	R206	E3
220	TF-72	R108	D2
221	TF-75	R215	E3
222	28234A	Q108	D2
223	"	Q106	D2
224	"	Q710	E4
225	"	Q713	E4
226	"	Q709	E4
227	T6-47	Q104	D2
228	T6-53	Q203	E2
229	T6-47	Q706	D4
230	T6-53	Q714	E4
231	T6-61	Q103	C2
232	"	Q102	C2
233	"	Q109	D3
234	T6-62	Q101	C2
235	T6-77	Q204	E2
236	"	Q110	D3
237	T6-84	Q201	D2
238	T6-123	Q107	C2
239	"	Q206	E3
240	28250A	Q105	D2

ITEM	PART NO.	SCHEM DESIG.	ZONE	
241	T6-93	Q205	D3	
242	T6-123	Q202	E2	
243	T6-128	Q711	E4	
244	"	Q707	E4	
245	"	Q712	E4	
246	"	Q708	E4	
247	"	Q701	D4	
248	"	Q702	D4	
249	"	Q705	D4	
250	"	Q603	C4	
251	"	Q601	C4	
252	"	Q703	E3	
253	"	Q704	E4	
254	28958A	Q604	C4	
255	"	Q602	C4	
256	T6-163	T001	B2	
257	27810A	W1	F2	
258	27998A	W2	G2	
259	26533A	W3	H3	
260	26 GA. BARE COPPER WIRE	W4	E4	
261	"	W5	D2	
262	"	W6	D2	
263	NOT USED	W7	D2	
264	NOT USED	W8	D2	
265	5L-55	AS REQ'D	E2	
266	"	"	E2	
267	"	"	E2	
268	"	"	E3	
269	"	"	E3	
270	"	"	E3	
271	"	"	G3	
272	"	"	G4	
273	"	"	G5	
274	"	"	H3	
275	"	"	H3	
276	"	"	H3	
277	22 GA BARE BUSS WIRE	W9	G5	
278	FLUON INS. TUBING	4/U	E3	
279	"	2/U	E4	
280	"	4/U	H4	
281	TA-716-1/4	2/U	G2	
282	WA-71	1/U	C2	
283	RF-28	CR701	D4	
284	C-299-8820	C103	D2	
285	C-64-2200p	C604	C3	
286	NOT USED	"	"	
287	J-3	W201	E2	
288	"	W2	E2	
289	C-64-150p	C901	D5	
290	R-201-120	R906	E5	
291	R-76-1K	R715	E4	
292	C-64-33p	C902	D5	
293	28958B	R621	C3	
294	R-263-1.67K	R622	C4	
295	3.98K	R617	D3	
296	R-273	5K	R618	D3
297	R-272	18.04K	R619	D3
298	"	2K	R620	D3
299	28465C-3	2/U	H6	
300	28465C-4	3/U	H5	
301	28465C-6	3/U	H5	
302	28465C-7	2/U	H4	

ZONE	LTR	ECO NO.	REVISION	DATE
A	S785		RELEASED	10-20-77
B	S807			1-5-78
C	S863			1-31-78
D	S875			2-16-78
E	S873			2-23-78
F	S931			3-27-78
G	6055		ITEM 288 WAS 47BF	7-7-78
H	6054		DELETED ITEM 209	9-9-77
J	6065		ITEM 44 WAS C-282-6.8p " 45 " C-282-3p " 74 " C-42 " 148 " RP-97-500 " 206 " RP-114-100K DELETED ITEM 145, R-88-332K DESIG. R607 DELETED ITEM 212, TF-56 DESIG. R611 ADDED ITEMS 293 THRU 298 ADDED NOTE 4 RELOCATED ITEM 292 PC-646 BATTERY WAS REV E ADDED ITEMS 299-302	8-24-78
K	6204		ADDED ITEM 145 ITEM 30 WAS C-178-.22	3-12-79
L	6392		ITEM 35 WAS C-237-.1 " 131 WAS R-76-18K	10-16-77
M	6402		ITEM 17 VC C-179-10	11-28-77
N	6846		CHG'D ITEM 14 FROM C-282-6.8p TO C-282-6.8p	4-7-80
P	6903		CHG'D ITEM 229 FROM C-179-2.2 TO C-179-2.2	5-5-80
Q				





ZONE	NO.	DATE
A	1	11-23-74
B	2	11-23-74
C	3	11-23-74

ZONE	NO.	DATE
A	1	11-23-74
B	2	11-23-74
C	3	11-23-74

ZONE	NO.	DATE
A	1	11-23-74
B	2	11-23-74
C	3	11-23-74

ZONE	NO.	DATE
A	1	11-23-74
B	2	11-23-74
C	3	11-23-74

ZONE	NO.	DATE
A	1	11-23-74
B	2	11-23-74
C	3	11-23-74

ZONE	NO.	DATE
A	1	11-23-74
B	2	11-23-74
C	3	11-23-74

ZONE	NO.	DATE
A	1	11-23-74
B	2	11-23-74
C	3	11-23-74

- NOTES:
1. ALL RESISTOR VALUES ARE IN OHMS UNLESS MARKED OTHERWISE. (R = RESISTOR, W = WIREWOUND)
 2. ALL CAPACITOR VALUES ARE IN MICROFARADS UNLESS MARKED OTHERWISE. (M = MICROFARADS)
 3. / denotes chassis connection.
 4. / denotes model 1722 circuit common.
 5. / denotes optional custom installed pull-up resistor. (SEE INSTRUCTION MANUAL)

ZONE	NO.	DATE
A	1	11-23-74
B	2	11-23-74
C	3	11-23-74

ZONE	NO.	DATE
A	1	11-23-74
B	2	11-23-74
C	3	11-23-74

ZONE	NO.	DATE
A	1	11-23-74
B	2	11-23-74
C	3	11-23-74

ZONE	NO.	DATE
A	1	11-23-74
B	2	11-23-74
C	3	11-23-74

ZONE	NO.	DATE
A	1	11-23-74
B	2	11-23-74
C	3	11-23-74

ZONE	NO.	DATE
A	1	11-23-74
B	2	11-23-74
C	3	11-23-74

ZONE	NO.	DATE
A	1	11-23-74
B	2	11-23-74
C	3	11-23-74

ZONE	NO.	DATE
A	1	11-23-74
B	2	11-23-74
C	3	11-23-74

