

**KEITHLEY**

# Model 7172 Low Current $8 \times 12$ Matrix Card

## Instruction Manual

A GREATER MEASURE OF CONFIDENCE

# WARRANTY

Keithley Instruments, Inc. warrants this product to be free from defects in material and workmanship for a period of 1 year from date of shipment.

Keithley Instruments, Inc. warrants the following items for 90 days from the date of shipment: probes, cables, rechargeable batteries, diskettes, and documentation.

During the warranty period, we will, at our option, either repair or replace any product that proves to be defective.

To exercise this warranty, write or call your local Keithley representative, or contact Keithley headquarters in Cleveland, Ohio. You will be given prompt assistance and return instructions. Send the product, transportation prepaid, to the indicated service facility. Repairs will be made and the product returned, transportation prepaid. Repaired or replaced products are warranted for the balance of the original warranty period, or at least 90 days.

## LIMITATION OF WARRANTY

This warranty does not apply to defects resulting from product modification without Keithley's express written consent, or misuse of any product or part. This warranty also does not apply to fuses, software, non-rechargeable batteries, damage from battery leakage, or problems arising from normal wear or failure to follow instructions.

THIS WARRANTY IS IN LIEU OF ALL OTHER WARRANTIES, EXPRESSED OR IMPLIED, INCLUDING ANY IMPLIED WARRANTY OF MERCHANTABILITY OR FITNESS FOR A PARTICULAR USE. THE REMEDIES PROVIDED HEREIN ARE BUYER'S SOLE AND EXCLUSIVE REMEDIES.

NEITHER KEITHLEY INSTRUMENTS, INC. NOR ANY OF ITS EMPLOYEES SHALL BE LIABLE FOR ANY DIRECT, INDIRECT, SPECIAL, INCIDENTAL OR CONSEQUENTIAL DAMAGES ARISING OUT OF THE USE OF ITS INSTRUMENTS AND SOFTWARE EVEN IF KEITHLEY INSTRUMENTS, INC., HAS BEEN ADVISED IN ADVANCE OF THE POSSIBILITY OF SUCH DAMAGES. SUCH EXCLUDED DAMAGES SHALL INCLUDE, BUT ARE NOT LIMITED TO: COSTS OF REMOVAL AND INSTALLATION, LOSSES SUSTAINED AS THE RESULT OF INJURY TO ANY PERSON, OR DAMAGE TO PROPERTY.



### Keithley Instruments, Inc.

28775 Aurora Road • Cleveland, Ohio 44139 • 440-248-0400 • Fax: 440-248-6168  
**1-888-KEITHLEY (534-8453) • www.keithley.com**

Sales Offices:	BELGIUM:	Bergensesteenweg 709 • B-1600 Sint-Pieters-Leeuw • 02-363 00 40 • Fax: 02/363 00 64
	CHINA:	Yuan Chen Xin Building, Room 705 • 12 Yumin Road, Dewai, Madian • Beijing 100029 • 8610-6202-2886 • Fax: 8610-6202-2892
	FINLAND:	Tietäjäsentie 2 • 02130 Espoo • Phone: 09-54 75 08 10 • Fax: 09-25 10 51 00
	FRANCE:	3, allée des Garays • 91127 Palaiseau Cédex • 01-64 53 20 20 • Fax: 01-60 11 77 26
	GERMANY:	Landsberger Strasse 65 • 82110 Germering • 089/84 93 07-40 • Fax: 089/84 93 07-34
	GREAT BRITAIN:	Unit 2 Commerce Park, Brunel Road • Theale • Berkshire RG7 4AB • 0118 929 7500 • Fax: 0118 929 7519
	INDIA:	Flat 2B, Willocrissa • 14, Rest House Crescent • Bangalore 560 001 • 91-80-509-1320/21 • Fax: 91-80-509-1322
	ITALY:	Viale San Gimignano, 38 • 20146 Milano • 02-48 39 16 01 • Fax: 02-48 30 22 74
	KOREA:	FL., URI Building • 2-14 Yangjae-Dong • Seocho-Gu, Seoul 137-130 • 82-2-574-7778 • Fax: 82-2-574-7838
	NETHERLANDS:	Postbus 559 • 4200 AN Gorinchem • 0183-635333 • Fax: 0183-630821
	SWEDEN:	c/o Regus Business Centre • Frosundaviks Allé 15, 4tr • 169 70 Solna • 08-509 04 679 • Fax: 08-655 26 10
	SWITZERLAND:	Kriesbachstrasse 4 • 8600 Dübendorf • 01-821 94 44 • Fax: 01-820 30 81
	TAIWAN:	1FL., 85 Po Ai Street • Hsinchu, Taiwan, R.O.C. • 886-3-572-9077 • Fax: 886-3-572-9031

Model 7172  
Low Current 8 × 12 Matrix Card  
Instruction Manual

# SAFETY PRECAUTIONS

The following safety precautions should be observed before using the Model 7172 and the associated instruments.

This matrix card is intended for use by qualified personnel who recognize shock hazards and are familiar with the safety precautions required to avoid possible injury. Read over this manual carefully before using the matrix card.

Exercise extreme caution when a shock hazard is present at the test circuit. User-supplied lethal voltages may be present on the card connector jacks. The American National Standards Institute (ANSI) states that a shock hazard exists when voltage levels greater than 30V RMS or 42.4V peak are present. A good safety practice is to expect that hazardous voltage is present in any unknown circuit before measuring.

Do not exceed 200V between any two pins or between any pin and chassis.

Inspect the connecting cables and test leads for possible wear, cracks, or breaks before each use.

For maximum safety, do not touch the test cables or any instruments while power is applied to the circuit under test. Turn off the power and discharge any capacitors before connecting or disconnecting cables from the matrix card.

Do not touch any object which could provide a current path to the common side of the circuit under test or power line (earth) ground. Always make measurements with dry hands while standing on a dry, insulated surface capable of withstanding the voltage being measured.

Do not exceed the maximum allowable input of the matrix card, as defined in the specifications and operation section of this manual.

Instrumentation and accessories should not be connected to humans.

The following safety precautions should be observed before using this product and any associated instrumentation. Although some instruments and accessories would normally be used with non-hazardous voltages, there are situations where hazardous conditions may be present.

This product is intended for use by qualified personnel who recognize shock hazards and are familiar with the safety precautions required to avoid possible injury. Read and follow all installation, operation, and maintenance information carefully before using the product. Refer to the manual for complete product specifications.

If the product is used in a manner not specified, the protection provided by the product may be impaired.

The types of product users are:

**Responsible body** is the individual or group responsible for the use and maintenance of equipment, for ensuring that the equipment is operated within its specifications and operating limits, and for ensuring that operators are adequately trained.

**Operators** use the product for its intended function. They must be trained in electrical safety procedures and proper use of the instrument. They must be protected from electric shock and contact with hazardous live circuits.

**Maintenance personnel** perform routine procedures on the product to keep it operating properly, for example, setting the line voltage or replacing consumable materials. Maintenance procedures are described in the manual. The procedures explicitly state if the operator may perform them. Otherwise, they should be performed only by service personnel.

**Service personnel** are trained to work on live circuits, and perform safe installations and repairs of products. Only properly trained service personnel may perform installation and service procedures.

Keithley products are designed for use with electrical signals that are rated Installation Category I and Installation Category II, as described in the International Electrotechnical Commission (IEC) Standard IEC 60664. Most measurement, control, and data I/O signals are Installation Category I and must not be directly connected to mains voltage or to voltage sources with high transient over-voltages. Installation Category II connections require protection for high transient over-voltages often associated with local AC mains connections. Assume all measurement, control, and data I/O connections are for connection to Category I sources unless otherwise marked or described in the Manual.

Exercise extreme caution when a shock hazard is present. Lethal voltage may be present on cable connector jacks or test fixtures. The American National Standards Institute (ANSI) states that a shock hazard exists when voltage levels greater than 30V RMS, 42.4V peak, or 60VDC are present. **A good safety practice is to expect that hazardous voltage is present in any unknown circuit before measuring.**

Operators of this product must be protected from electric shock at all times. The responsible body must ensure that operators are prevented access and/or insulated from every connection point. In some cases, connections must be exposed to potential human contact. Product operators in these circumstances must be trained to protect themselves from the risk of electric shock. If the circuit is capable of operating at or above 1000 volts, **no conductive part of the circuit may be exposed.**

Do not connect switching cards directly to unlimited power circuits. They are intended to be used with impedance limited sources. NEVER connect switching cards directly to AC mains. When connecting sources to switching cards, install protective devices to limit fault current and voltage to the card.

Before operating an instrument, make sure the line cord is connected to a properly grounded power receptacle. Inspect the connecting cables, test leads, and jumpers for possible wear, cracks, or breaks before each use.

When installing equipment where access to the main power cord is restricted, such as rack mounting, a separate main input power disconnect device must be provided, in close proximity to the equipment and within easy reach of the operator.

For maximum safety, do not touch the product, test cables, or any other instruments while power is applied to the circuit under test. ALWAYS remove power from the entire test system and discharge any capacitors before: connecting or disconnecting cables or jumpers, installing or removing switching cards, or making internal changes, such as installing or removing jumpers.

Do not touch any object that could provide a current path to the common side of the circuit under test or power line (earth) ground. Always make measurements with dry hands while standing on a dry, insulated surface capable of withstanding the voltage being measured.


The instrument and accessories must be used in accordance with its specifications and operating instructions or the safety of the equipment may be impaired.


Do not exceed the maximum signal levels of the instruments and accessories, as defined in the specifications and operating information, and as shown on the instrument or test fixture panels, or switching card.


When fuses are used in a product, replace with same type and rating for continued protection against fire hazard.

Chassis connections must only be used as shield connections for measuring circuits, NOT as safety earth ground connections.

If you are using a test fixture, keep the lid closed while power is applied to the device under test. Safe operation requires the use of a lid interlock.

If a  screw is present, connect it to safety earth ground using the wire recommended in the user documentation.

The  symbol on an instrument indicates that the user should refer to the operating instructions located in the manual.

The  symbol on an instrument shows that it can source or measure 1000 volts or more, including the combined effect of normal and common mode voltages. Use standard safety precautions to avoid personal contact with these voltages.

The **WARNING** heading in a manual explains dangers that might result in personal injury or death. Always read the associated information very carefully before performing the indicated procedure.

The **CAUTION** heading in a manual explains hazards that could damage the instrument. Such damage may invalidate the warranty.

Instrumentation and accessories shall not be connected to humans.

Before performing any maintenance, disconnect the line cord and all test cables.

To maintain protection from electric shock and fire, replacement components in mains circuits, including the power transformer, test leads, and input jacks, must be purchased from Keithley Instruments. Standard fuses, with applicable national safety approvals, may be used if the rating and type are the same. Other components that are not safety related may be purchased from other suppliers as long as they are equivalent to the original component. (Note that selected parts should be purchased only through Keithley Instruments to maintain accuracy and functionality of the product.) If you are unsure about the applicability of a replacement component, call a Keithley Instruments office for information.

To clean an instrument, use a damp cloth or mild, water based cleaner. Clean the exterior of the instrument only. Do not apply cleaner directly to the instrument or allow liquids to enter or spill on the instrument. Products that consist of a circuit board with no case or chassis (e.g., data acquisition board for installation into a computer) should never require cleaning if handled according to instructions. If the board becomes contaminated and operation is affected, the board should be returned to the factory for proper cleaning/servicing.

# 7172 8×12 Low Current Matrix Card

**MATRIX CONFIGURATION:** Single 8 rows×12 columns. Expanding the columns can be done internally by connecting the rows of multiple 7172 cards together with coax jumpers.

**OFFSET CURRENT SELF TEST:** An onboard electrometer circuit measures offset current when the rear panel switch is pushed. Pass/fail LEDs indicate if offset is above or below 500fA. The on-board SMB connector outputs voltage proportional to current (1mV/10fA).

**CROSSPOINT CONFIGURATION:** 2-pole Form A (Signal, Guard).

**CONNECTOR TYPE:** 3-lug triax (Signal, Guard, Chassis).

**MAXIMUM SIGNAL LEVEL: Pin to pin or pin to chassis:** 200V. 1A carry/0.5A switched, 10VA.

**CONTACT LIFE: Cold Switching:** 10<sup>8</sup> closures. At Maximum Signal Level: 10<sup>5</sup> closures.

**PATH RESISTANCE (Per Conductor):** <1.0Ω initial, <1.5Ω at end of contact life.

**CONTACT POTENTIAL: Differential (Signal to Guard):** <30μV.

**Single ended (Guard to Guard or Signal to Signal):** <60μV.

**OFFSET CURRENT:** <500fA, 150fA typical.

**ISOLATION:**

**Path (Signal to Signal):** >10<sup>13</sup>Ω, 0.4pF typical.

**Differential (Signal to Guard):** >10<sup>9</sup>Ω, 170pF typical.

**Common (Signal and Guard to Chassis):** >10<sup>9</sup>Ω, 430pF typical.

**CROSSTALK (1MHz, 50Ω Load):** <-70dB.

**INSERTION LOSS (1MHz, 50Ω Load):** 0.22dB typical.

**3dB BANDWIDTH (50Ω Load, 50Ω Source):** 30MHz typical.

**RELAY DRIVE CURRENT (Per Crosspoint):** 30mA.

**RELAY SETTLING TIME:** <2ms.

**EMC:** Conforms to European Union Directive 89/336/EEC.

**SAFETY:** Conforms to European Union Directive 73/23/EEC (meets EN61010-1/IEC 1010).

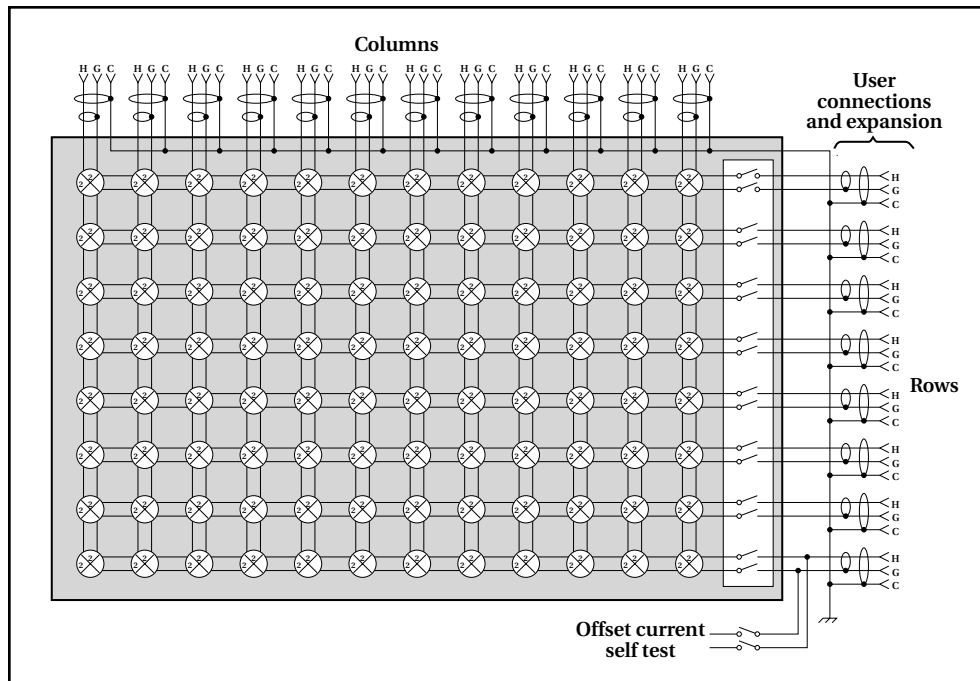
**ENVIRONMENT:**

**Offset Current and Path Isolation Specifications:** 23°C, <50% R.H.

**Operating:** 0° to 50°C, up to 35°C at 70% R.H.

**Storage:** -25° to +65°C.

**ACCESSORY SUPPLIED:** Instruction manual and eight SMB expansion cables (C99-1A).



Contains information on Model 7172 features, specifications, and accessories.

## **SECTION 1**

### **General Information**

Details installation of the Model 7172 Low Current  $8 \times 12$  Matrix Card within the Model 707 Switching Matrix, covers card connections, and also discusses measurement considerations.

## **SECTION 2**

### **Operation**

Gives four typical applications for the Model 7172, including combined quasistatic and high-frequency CV measurements, van der Pauw resistivity measurements, and semiconductor parameter analysis.

## **SECTION 3**

### **Applications**

Contains performance verification procedures, troubleshooting information and principles of operation for the matrix card.

## **SECTION 4**

### **Service Information**

Lists replacement parts, and also includes component layout and schematic drawings for the Model 7172.

## **SECTION 5**

### **Replaceable Parts**



# Table of Contents

## SECTION 1 — General Information

1.1	INTRODUCTION .....	1-1
1.2	FEATURES .....	1-1
1.3	WARRANTY INFORMATION .....	1-1
1.4	MANUAL ADDENDA .....	1-1
1.5	SAFETY SYMBOLS AND TERMS .....	1-1
1.6	SPECIFICATIONS .....	1-2
1.7	UNPACKING AND INSPECTION .....	1-2
1.7.1	Inspection for Damage .....	1-2
1.7.2	Shipment Contents .....	1-2
1.7.3	Instrument Manual .....	1-2
1.8	REPACKING FOR SHIPMENT .....	1-2
1.9	OPTIONAL ACCESSORIES .....	1-2
1.10	COAXIAL JUMPER ACCESS .....	1-3

## SECTION 2 — Operation

2.1	INTRODUCTION .....	2-1
2.2	HANDLING PRECAUTIONS .....	2-1
2.3	ENVIRONMENTAL CONSIDERATIONS .....	2-1
2.4	CARD INSTALLATION AND REMOVAL .....	2-1
2.5	CONNECTIONS .....	2-3
2.5.1	Card Connectors .....	2-3
2.5.2	Recommended Cables and Adapters .....	2-3
2.5.3	Triaxial to Banana Plug Adapter .....	2-3
2.5.4	General Instrument Connections .....	2-5
2.5.5	Keithley Instrument Connections .....	2-11
2.5.6	Typical Test Fixture Connections .....	2-17
2.6	MATRIX CONFIGURATION .....	2-18
2.6.1	Switching Matrix .....	2-18
2.6.2	Row Isolators .....	2-20
2.6.3	Internal Matrix Expansion .....	2-20
2.6.4	External Matrix Expansion .....	2-23
2.7	MEASUREMENT CONSIDERATIONS .....	2-24
2.7.1	Magnetic Fields .....	2-24
2.7.2	Electromagnetic Interference (EMI) .....	2-25
2.7.3	Ground Loops .....	2-25
2.7.4	Keeping Connectors Clean .....	2-25
2.7.5	Noise Currents Caused by Cable Flexing .....	2-26
2.7.6	Shielding .....	2-26
2.7.7	Guarding .....	2-28
2.7.8	Matrix Expansion Effects on Card Specifications .....	2-29

## SECTION 3 — Applications

3.1	INTRODUCTION .....	3-1
3.2	CV MEASUREMENTS .....	3-1
3.2.1	Stand Alone System Configuration .....	3-1
3.2.2	Computerized System Configuration .....	3-1
3.2.3	Optimizing CV Measurement Accuracy .....	3-4
3.2.4	Basic CV Test Procedure .....	3-4
3.2.5	Typical CV Curves .....	3-4
3.3	SEMICONDUCTOR TEST MATRIX .....	3-7
3.3.1	System Configuration .....	3-7
3.3.2	Testing Common-Source Characteristic of FETs .....	3-8
3.4	RESISTIVITY MEASUREMENTS .....	3-9
3.4.1	Test Configuration .....	3-9
3.4.2	Test Procedure .....	3-9
3.4.3	Resistivity Calculations .....	3-12
3.5	SEMICONDUCTOR IV CHARACTERIZATION .....	3-12
3.5.1	Test Configuration .....	3-12
3.5.2	Cable Connections .....	3-12
3.6	SEMICONDUCTOR PARAMETER ANALYSIS .....	3-12
3.6.1	System Configuration .....	3-14
3.6.2	Cable Connections .....	3-15
3.6.3	SPA Measurement Considerations .....	3-15
3.6.4	Typical Test Procedure .....	3-15

## SECTION 4 — Service Information

4.1	INTRODUCTION .....	4-1
4.2	HANDLING AND CLEANING PRECAUTIONS .....	4-1
4.3	OFFSET CURRENT SELF-TEST .....	4-1
4.4	PERFORMANCE VERIFICATION .....	4-4
4.4.1	Environmental Conditions .....	4-4
4.4.2	Recommended Test Equipment .....	4-4
4.4.3	Offset Current Verification .....	4-5
4.4.4	Path Isolation Verification .....	4-5
4.4.5	Path Resistance Verification .....	4-9
4.4.6	Electrometer Verification .....	4-11
4.5	SPECIAL HANDLING OF STATIC-SENSITIVE DEVICES .....	4-13
4.6	TROUBLESHOOTING .....	4-13
4.6.1	Recommended Equipment .....	4-13
4.6.2	Using the Extender Card .....	4-13
4.6.3	Troubleshooting Procedure .....	4-13
4.7	PRINCIPLES OF OPERATION .....	4-15
4.7.1	Block Diagram .....	4-15
4.7.2	ID Data Circuits .....	4-15
4.7.3	Relay Control .....	4-16
4.7.4	Power-on Safeguard .....	4-16
4.7.5	Isolator Relays .....	4-16
4.7.6	Electrometer Circuitry .....	4-16

**SECTION 5 – Replaceable Parts**

5.1 INTRODUCTION ..... 5-1

5.2 PARTS LISTS ..... 5-1

5.3 ORDERING INFORMATION ..... 5-1

5.4 FACTORY SERVICE ..... 5-1

5.5 COMPONENT LAYOUT AND SCHEMATIC DIAGRAM..... 5-1

# List of Illustrations

## SECTION 2 — Operation

Figure 2-1	Model 7172 Installation . . . . .	2-2
Figure 2-2	Card Connectors . . . . .	2-3
Figure 2-3	Triax Connector Configuration . . . . .	2-4
Figure 2-4	Triaxial Cable Preparation . . . . .	2-4
Figure 2-5	General Instrument Connections . . . . .	2-6
Figure 2-6	Model 617 Electrometer Connections . . . . .	2-11
Figure 2-7	Model 196 DMM Connections . . . . .	2-12
Figure 2-8	Model 230 Voltage Source Connections . . . . .	2-13
Figure 2-9	Model 590 CV Analyzer Connections . . . . .	2-14
Figure 2-10	Model 220 Current Source Connections . . . . .	2-15
Figure 2-11	Model 236/237/238 Source Measure Unit Connections . . . . .	2-16
Figure 2-12	Typical Test Fixture Connections . . . . .	2-17
Figure 2-13	Equivalent Circuit of Test Fixture Connections . . . . .	2-18
Figure 2-14	Model 7172 Matrix Organization . . . . .	2-19
Figure 2-15	Connecting Three Cards for 8 × 36 Matrix . . . . .	2-21
Figure 2-16	Jumper Connector Locations . . . . .	2-21
Figure 2-17	Three Cards in Daisy Chain Configuration . . . . .	2-22
Figure 2-18	16 × 36 Matrix Constructed by External Jumpering . . . . .	2-23
Figure 2-19	Using Triax Tee Adapters to Daisy Chain Cards . . . . .	2-24
Figure 2-20	Power Line Ground Loops . . . . .	2-25
Figure 2-21	Eliminating Ground Loops . . . . .	2-25
Figure 2-22	Shielding Example . . . . .	2-27
Figure 2-23	Dual Shield Test Fixture . . . . .	2-27
Figure 2-24	Guarded Circuit . . . . .	2-28
Figure 2-25	Typical Guarded Signal Connections . . . . .	2-29

## SECTION 3 — Applications

Figure 3-1	Stand Alone CV System Configuration . . . . .	3-2
Figure 3-2	Computerized CV System Configuration . . . . .	3-3
Figure 3-3	Typical Quasistatic CV Curve Generated by Model 595 . . . . .	3-5
Figure 3-4	Typical High-frequency CV Curve Generated by Model 590 . . . . .	3-6
Figure 3-5	Semiconductor Test Matrix . . . . .	3-7
Figure 3-6	System Configuration for Measuring Common-Emitter Characteristics . . . . .	3-8
Figure 3-7	Typical Common-Source FET IV Characteristics . . . . .	3-9
Figure 3-8	Resistivity Test Configuration . . . . .	3-10
Figure 3-9	Resistivity Measurement Conventions . . . . .	3-11
Figure 3-10	Multi Unit Test System Using Models 236 and 237 Source Measure Units . . . . .	3-13
Figure 3-11	Semiconductor Parameter Analysis Switching System . . . . .	3-14
Figure 3-12	SPA Connections . . . . .	3-16
Figure 3-13	System Configuration for JFET Test . . . . .	3-17
Figure 3-14	Typical JFET Plot . . . . .	3-18

## SECTION 4 — Service Information

Figure 4-1	Switch for Offset Current Self-test . . . . .	4-1
Figure 4-2	DMM Connection to SMB of Model 7172 . . . . .	4-3
Figure 4-3	Offset Verification Test Connections . . . . .	4-6
Figure 4-4	Connections for Path Isolation Verification . . . . .	4-7
Figure 4-5	Triaxial Cable Preparation . . . . .	4-8
Figure 4-6	Connections for path Resistance Verification . . . . .	4-9
Figure 4-7	Shorting Measurement Paths Using Triax Tee Adapter . . . . .	4-10
Figure 4-8	Verificatin of On-board Electrometer . . . . .	4-12
Figure 4-9	ID Data Timing . . . . .	4-14
Figure 4-10	Model 7172 Block Diagram . . . . .	4-15
Figure 4-11	Simplified Schematic of On-Board Electrometer . . . . .	4-17
Figure 4-12	Simplified Model of Current to Voltage Converter . . . . .	4-18

# List of Tables

## SECTION 2 — Operation

Table 2-1	Recommended Cables and Adapters .....	2-4
Table 2-2	Parts for Special Triaxial Cable .....	2-4
Table 2-3	Column Numbering by Slot and Unit .....	2-20

## SECTION 3 — Applications

Table 3-1	CV Test Crosspoint Summary .....	3-4
Table 3-2	Crosspoint Summary for Resistivity Measurements .....	3-10
Table 3-3	Crosspoint Summary for JFET Test .....	3-15

## SECTION 4 — Service Information

Table 4-1	Recommended Verification Equipment .....	4-4
Table 4-2	Recommended Troubleshooting Equipment .....	4-13
Table 4-3	Troubleshooting Procedure .....	4-14

# SECTION 1

## General Information

---

### 1.1 INTRODUCTION

This section contains general information about the Model 7172 Low Current 8 × 12 Matrix Card. The Model 7172 is designed to complement the Model 236 Source Measure Unit in semiconductor testing and other low current switching applications. (The Models 237 and 238 Source Measure Units can also be used, within the specified maximum signal levels of the Model 7172.)

Section 1 is arranged in the following manner:

#### 1.2 Features

#### 1.3 Warranty Information

#### 1.4 Manual Addenda

#### 1.5 Safety Symbols and Terms

#### 1.6 Specifications

#### 1.7 Unpacking and Inspection

#### 1.8 Repacking for Shipment

#### 1.9 Optional Accessories

#### 1.10 Coaxial Jumper Access

### 1.2 FEATURES

Key features of the Model 7172 Low Current 8 × 12 Matrix Card include:

- 8 × 12 (eight row by 12 column) switching matrix.
- All paths have <math><500\text{fA}</math> of offset current and typical values of 150fA.
- Electrometer to measure the offset current on the card as a self-test. Front panel LEDs give pass/fail information or PCB connector gives voltage proportional to offset (1mV=10fA).
- Three-lug triax connectors for all row and columns allow guarding of each signal pathway to minimize the

effects of stray capacitance, leakage current, and leakage resistance.

- Model 7172 cards can be internally connected together or to Model 7072 cards using supplied SMB to SMB jumpers to expand the number of columns in the matrix.

### 1.3 WARRANTY INFORMATION


Warranty information is located on the inside front cover of this instruction manual. Should your Model 7172 require warranty service, contact the Keithley representative or authorized repair facility in your area for further information. When returning the matrix card for repair, be sure to fill out and include the service form at the back of this manual in order to provide the repair facility with the necessary information.


### 1.4 MANUAL ADDENDA

Any improvements or changes concerning the matrix card or manual will be explained in an addendum included with the unit. Be sure to note these changes and incorporate them into the manual before using or servicing the unit.

### 1.5 SAFETY SYMBOLS AND TERMS

The following symbols and terms may be found on an instrument or used in this manual.

The  symbol on an instrument indicates that the user should refer to the operating instructions located in the instruction manual.

The  symbol on an instrument shows that high voltage may be present on the terminal(s). Use standard safety precautions to avoid personal contact with these voltages.

The **WARNING** heading used in this manual explains dangers that might result in personal injury or death. Always read the associated information very carefully before performing the indicated procedure.

The **CAUTION** heading used in this manual explains hazards that could damage the matrix card. Such damage may invalidate the warranty.

## 1.6 SPECIFICATIONS

Model 7172 specifications may be found at the front of this manual. These specifications are exclusive of the matrix mainframe specifications, which are located in the Model 707 Instruction Manual.

## 1.7 UNPACKING AND INSPECTION

### 1.7.1 Inspection for Damage

Upon receiving the Model 7172, carefully unpack it from its shipping carton and inspect the card for any obvious signs of physical damage. Report any such damage to the shipping agent immediately. Save the original packing carton for possible future reshipment.

### 1.7.2 Shipment Contents

The following items are included with every Model 7172 order:

- Model 7172 Low Current 8 × 12 Matrix Card.
- Model 7172 Instruction Manual.
- Coaxial jumper cables (8) for matrix expansion.
- Additional accessories as ordered.

### 1.7.3 Instruction Manual

The Model 7172 Instruction Manual is three-hole drilled so that it can be added to the three-ring binder of the Model 707 Switching Matrix Instruction Manual. After removing the plastic wrapping, place the manual in the binder after the mainframe instruction manual. Note that a manual identification tab is included and should precede the matrix card instruction manual.

If an additional instruction manual is required, order the manual package, Keithley part number 7172-901-00. The

manual package includes an instruction manual and any pertinent addenda.

## 1.8 REPACKING FOR SHIPMENT

Should it become necessary to return the Model 7172 for repair, carefully pack the card in its original packing carton or the equivalent, and include the following information:

- Advise as to the warranty status of the matrix card.
- Write ATTENTION REPAIR DEPARTMENT on the shipping label.
- Fill out and include the service form located at the back of this manual.

## 1.9 OPTIONAL ACCESSORIES

Model 237-ALG-2 — A 2m (2.4 ft.) low noise triax cable terminated with a 3-slot male triax connector and alligator clips.

Model 237-BAN-3 — A 3 ft. low noise triax cable terminated with a 3-slot male triax connector and a banana plug.

Models 237-TRX-T and 7078-TRX-T — These are 3-slot male to dual 3-lug female triax tee adapters. The Model 237-TRX-T is for high voltage applications.

Model 7078-TRX-3 — A 3 ft. low noise triax cable terminated with 3-slot male triax connectors. Also available in 10 and 20 ft. lengths as Models 7078-TRX-10 and 7078-TRX-20.

Models 7078-TRX-BNC and 7078-TRX-GND — These are 3-slot male triax to female BNC adapters. The Model 7078-TRX-GND is for non-guarded applications.

Model 7078-TBC 3-Lug Female Triax Bulkhead Connector with Cap—The Model 7078-TBC can be used for applications such as test fixtures.

Model 7078-CSHP Cable Set—The Model 7078-CSHP Cable Set includes the necessary cables and adapters to connect the Model 7172 to the Hewlett-Packard Model 4145 Semiconductor Parameter Analyzer. The Model



7078-CSHP includes four Model 7078-TRX-10 10ft. 3-lug triaxial cables, four Model 7051-10 10ft. BNC cables, and four Model 7078-TRX-BNC 3-lug triax to BNC adapters.

Recommended cables and adapters are summarized in Table 2-1.

## 1.10 COAXIAL JUMPER ACCESS

Coaxial jumpers can be installed to expand rows A-H of the matrix using two or more Model 7172 Cards. An access door on the mainframe allows access to these jumpers. To allow access when the Model 707 is mounted in a rack, it is recommended that the Model 7079 Slide Rack Mount Kit be used.

# SECTION 2

## Operation

---

### 2.1 INTRODUCTION

This section contains information on matrix card connections, installation and matrix programming, and is arranged as follows:

**2.2 Handling Precautions:** Discusses precautions that should be taken when handling the card to avoid contamination that could degrade performance.

**2.3 Environmental Considerations:** Outlines environmental aspects of using the Model 7172.

**2.4 Card Installation and Removal:** Details installation in and removal from the Model 707 Switching Matrix mainframe.

**2.5 Connections:** Discusses card connectors, cables and adapters, and typical connections to other instrumentation.

**2.6 Matrix Configuration:** Discusses the switching matrix, as well as matrix expansion by connecting two or more cards together.

**2.7 Measurement Considerations:** Reviews a number of considerations when making low-level current and capacitance measurements.

### 2.2 HANDLING PRECAUTIONS

To maintain high impedance isolation, care should be taken when handling the matrix card to avoid contamination from such foreign materials as body oils. Such contamination can substantially lower leakage resistances, degrading performance. The areas of the card that are most sensitive to contamination are those associated with the Teflon® insulators. To avoid any possible contamination, always grasp the card by the handle or the card edges. Do not touch board surfaces, components, or card edge connectors.

Dirt build-up over a period of time is another possible source of contamination. To avoid this problem, operate

the mainframe and matrix card only in a clean environment. If contamination is suspected, clean the card as discussed in Section 4. Also, the performance verification procedures in Section 4 can be used to test the card for low leakage resistances that could signal contamination.

### 2.3 ENVIRONMENTAL CONSIDERATIONS

For rated performance, the card should be operated within the temperature and humidity limits given in the specifications at the front of this manual. Note that current offset and path isolation values are specified within a lower range of limits than the general operating environment.

### 2.4 CARD INSTALLATION AND REMOVAL

Before making connections, the Model 7172 should be installed within the Model 707 Switching Matrix, as summarized below. Figure 2-1 shows the installation procedure.

#### WARNING

**Turn off the mainframe power and disconnect the line cord before installing or removing matrix cards.**

#### NOTE

The coaxial jumpers used to expand the matrix with two or more Model 7172 cards are not installed before card insertion; an access door on top of the mainframe allows access to the connectors after the card is installed.

1. Before installing the card, make sure the access door on top of the Model 707 is fully closed and secured. The access door contains tracks for the card slots and must be in place to properly install the card.
2. With one hand grasping the handle, and the other holding the bottom of the card, line up the card with the tracks in the desired slot. Make certain that the component side of the card is facing the fan on the mainframe.

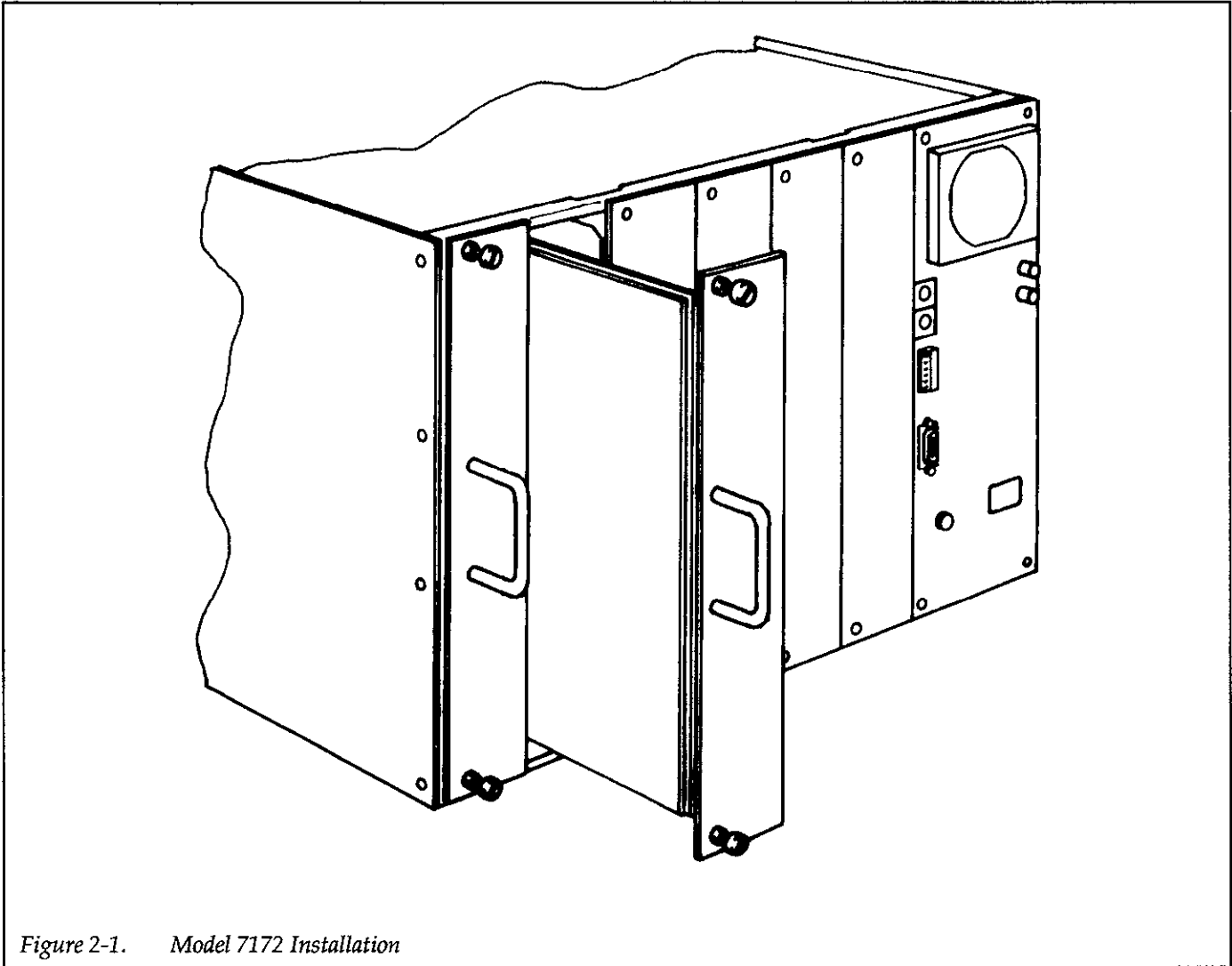


Figure 2-1. Model 7172 Installation

**CAUTION**

Do not touch the card surfaces or any components to avoid contamination that could degrade card performance.

3. Slide the card into the mainframe until it is properly seated in the edge connectors at the back of the slot. Once the card is properly seated, secure it to the mainframe by finger tightening the spring-loaded screws.

**WARNING**

The mounting screws must be secured to ensure a proper chassis ground connection be-

tween the card and the mainframe. Failure to properly secure this ground connection may result in personal injury or death due to electric shock.

4. To remove a card, first turn off the power and disconnect the line cord from the mainframe. Disconnect all external and internal cables (internal cables can be reached through the access door). Loosen the mounting screws, then pull the card out of the mainframe by the handle. When the back edge of the card clears the mainframe, support it by grasping the bottom edge near the back edge.

## 2.5 CONNECTIONS

Card connectors, recommended cables and adapters, and typical connections to test instruments are discussed in the following paragraphs.

### 2.5.1 Card Connectors

The card connectors are shown in Figure 2-2. Each row and column is equipped with a 3-lug female triax connector. As shown in Figure 2-3, the center conductor is SIGNAL, the inner shield is GUARD, and the outer shield, or shell is chassis ground. Note that 3-lug connectors are used to avoid possible damage from inadvertently attempting to connect BNC cables.

**CAUTION**

Do not exceed 200V between any two pins or between any pin and chassis.

The Model 7172 has 12 columns that are labeled 1 through 12, as well as eight rows, A through H.

### 2.5.2 Recommended Cables and Adapters

Table 2-1 summarizes the cables and adapters recommended for use with the Model 7172. Equivalent user-supplied items may be substituted as long as they are of sufficient quality (low offset current, high leakage resistance). Using substandard cables and adapters may degrade the integrity of the measurements made using the matrix card. See paragraph 2.7 for a discussion of measurement considerations.

### 2.5.3 Triaxial to Banana Plug Adapter

For instruments that use banana jacks, you need a triax cable terminated with a 3-slot male triax and a single banana plug. Use the Model 237-BAN-3 or prepare a special cable as outlined below using the parts listed in Table 2-2.

With the Model 237-BAN-3, the center conductor of the triax is connected to the banana plug. The inner and outer shields have no connection. With the special cable shown in Figure 2-4, the inner shield is shorted to the center conductor. Which cable to use depends on your application.

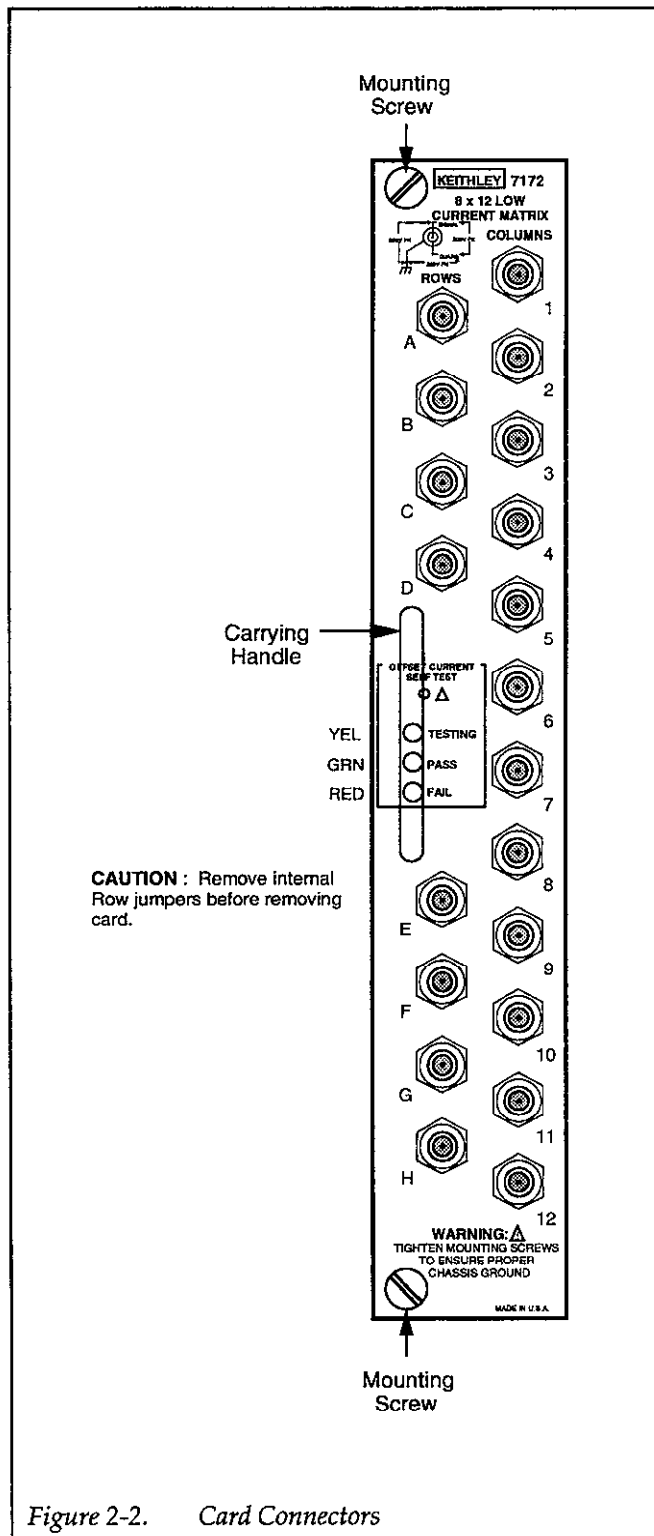


Figure 2-2. Card Connectors

Note that you can use either an unterminated triax cable, or cut a dual-conductor cable (7078-TRX-10) in half to construct two special cables.

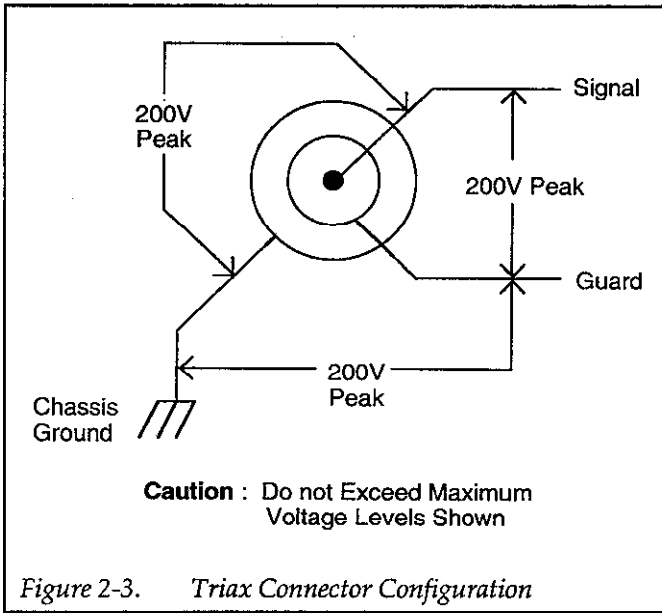


Figure 2-3. Triax Connector Configuration

Table 2-2. Parts for Special Triaxial Cable

Keithley Part or Model Number	Description
7078-TRX-3 triax cable* Part # BG-10-2	Triax cable terminated with 3-slot male triax connectors Red banana plug

\*One connector must be cut off

Table 2-1. Recommended Cables and Adapters

Model	Description
7078-TRX-x	3-slot male triax connectors on both ends (x = 3, 10 or 20 ft.)
237-BAN-3	3-slot male triax to male banana plug
237-ALG-2	3-slot male triax to alligator clips
7078-TRX-BNC	3-slot male triax to BNC adapter, connections to center and inner shell
7078-TRX-GND	3-slot male triax to BNC adapter, connections to center and outer shell
7078-TRX-T	3-slot male to dual 3-lug female triax tee adapter
6171	3-slot male triax to 2-lug female triax adapter
CA-93-1	BNC to right angle SMB cable
Pomona 1269	Female BNC to female banana adapter.

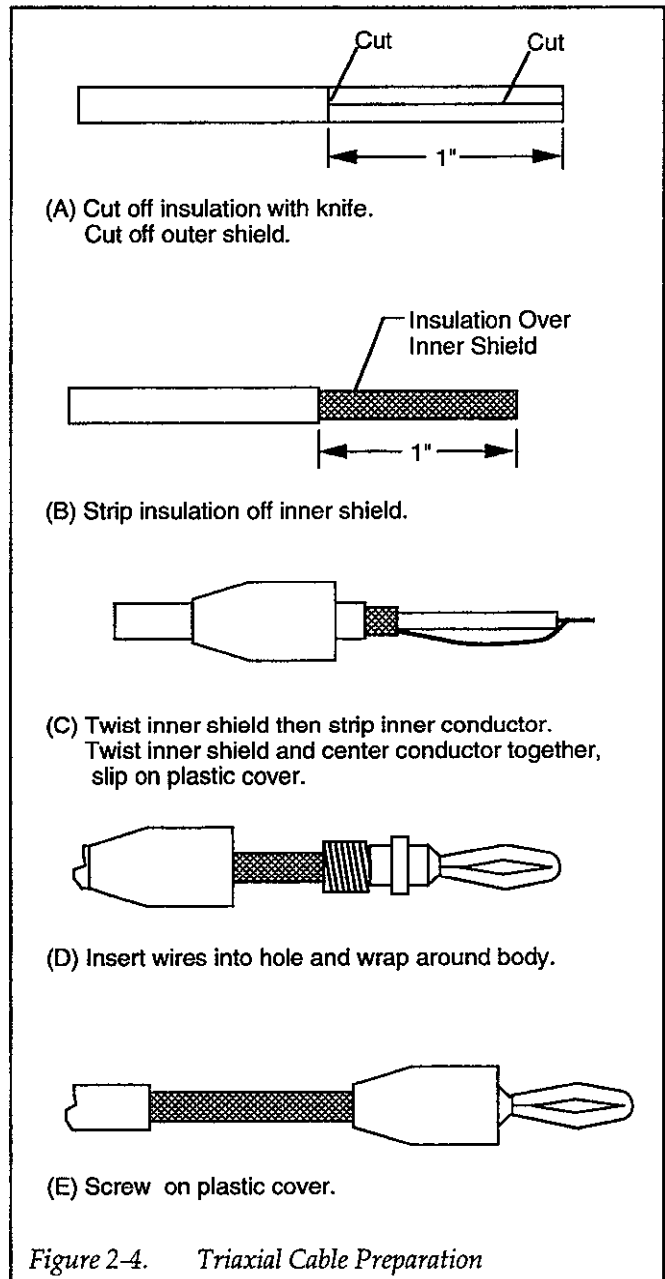


Figure 2-4. Triaxial Cable Preparation

1. Using a knife, cut and strip back the outer insulation about 1-1/2 inches.
2. Remove the outer insulation, then cut away the outer shield back as far as the insulation is stripped.
3. Carefully strip away the insulation over the inner shield one inch, then cut the inner shield off even with the stripped insulation.
4. Strip the inner conductor 1/2 inch, then twist the strands together.
5. Unscrew the cover from a banana plug, then slide the cover over the center conductor of the triax cable.
6. Insert the stripped center conductor through the hole in the body of the banana plug, then wrap the wire around the plug body.
7. Screw on the plastic cover, and make certain the wire is secure by gently pulling on the plug.

## 2.5.4 General Instrument Connections

The following paragraphs discuss connecting the Model 7172 to various general classes of instrumentation such as DMMs, electrometers, sources, and source/measure units. Because these configurations are generic in nature, some modification of the connecting schemes may be necessary for your particular instrumentation. Also, special cables or adapters may be necessary. In all cases, 3-lug triax cables must be used to make the connections.

### WARNING

**Do not use coaxial cables and adapters because hazardous voltage from guard sources may be present on the cable shields.**

Figure 2-5 shows the general instrument connections for the discussions below. Note that DUT guarding or shielding are not indicated here; see Figures 2-21 and 2-24 for shielding and guarding information. As shown, all figures assume instruments are connected to rows, and the DUT is connected to columns.

### DMM Connections

General DMM connections are shown in Figure 2-5 (A), (B), and (C). Floating connections are shown in (A), with LO and HI routed to two separate jacks on the Model 7172. The common LO connections in (B) should be used only for non-critical applications because the performance of the GUARD pathway is not specified.

### WARNING

**Hazardous voltage from other guard sources may be present on LO or the DUT if other crosspoints are closed.**

4-wire DMM connections are shown in Figure 2-5 (C). In this case, a total of four jacks are required; HI, LO, SENSE HI, and SENSE LO.

### Electrometer Connections

Typical electrometer connections are shown in Figure 2-5 (D) through (G). The unguarded volts connections in (D) show the HI signal path routed through one jack, and the LO path goes through the other connector. Both GUARD pathways are connected to electrometer LO. For guarded voltage (E), Model 7172 GUARD is connected to electrometer GUARD.

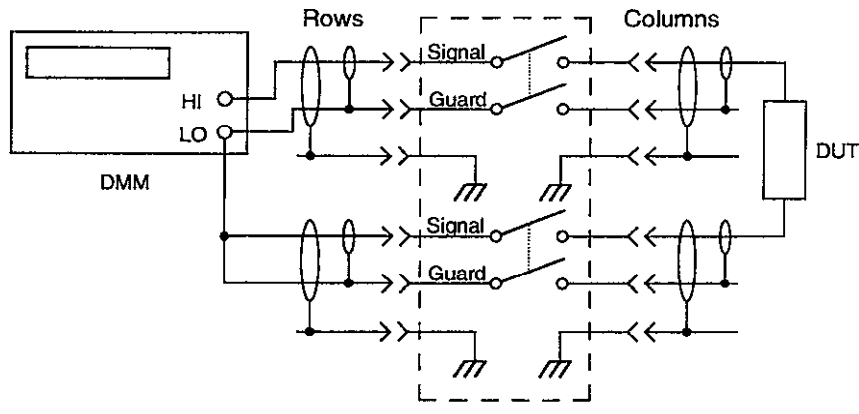
The connections for electrometer fast amps and resistance measurements are shown in Figure 2-5 (F) and (G). These configurations are essentially the same as those discussed above. For the case of fast amps, both GUARD paths are connected to electrometer LO, while in the case of guarded resistance, one GUARD path is connected to electrometer GUARD, and the other GUARD path is connected to electrometer LO.

### Source Connections

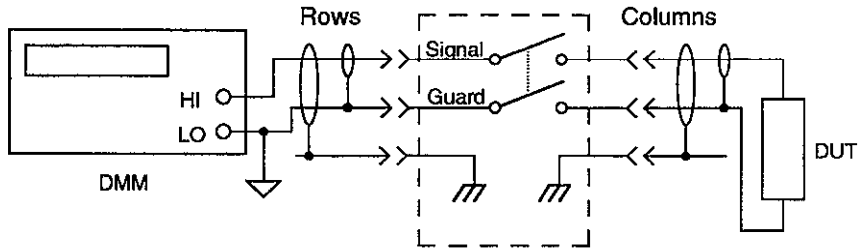
Voltage and current source connections are shown in Figure 2-5 (H) through (J). The HI and LO paths of the voltage source (H) are routed through two jacks, with both card GUARD pathways connected to voltage source LO. For the unguarded current source connections (I), card GUARD is again connected to source LO, with source HI and LO routed through two pathways. In the case of the guarded current source in (J), card GUARD of the HI signal path is connected to source GUARD, and the other GUARD path is connected to source LO.

### Source/Measure Unit Connections

Figure 2-5 (J) shows typical connections for a source/measure unit (SMU). In this instance, a remote-sensing type of a SMU is shown, requiring a total of four signal pathways to the DUT. For critical measurements, both source and sense HI pathways would be guarded as shown, with two of the four card GUARD pathways connected to SMU GUARD terminals. As with other instrument connections, the LO card GUARD pathways are connected to SMU LO terminals.



A.) DMM Floating

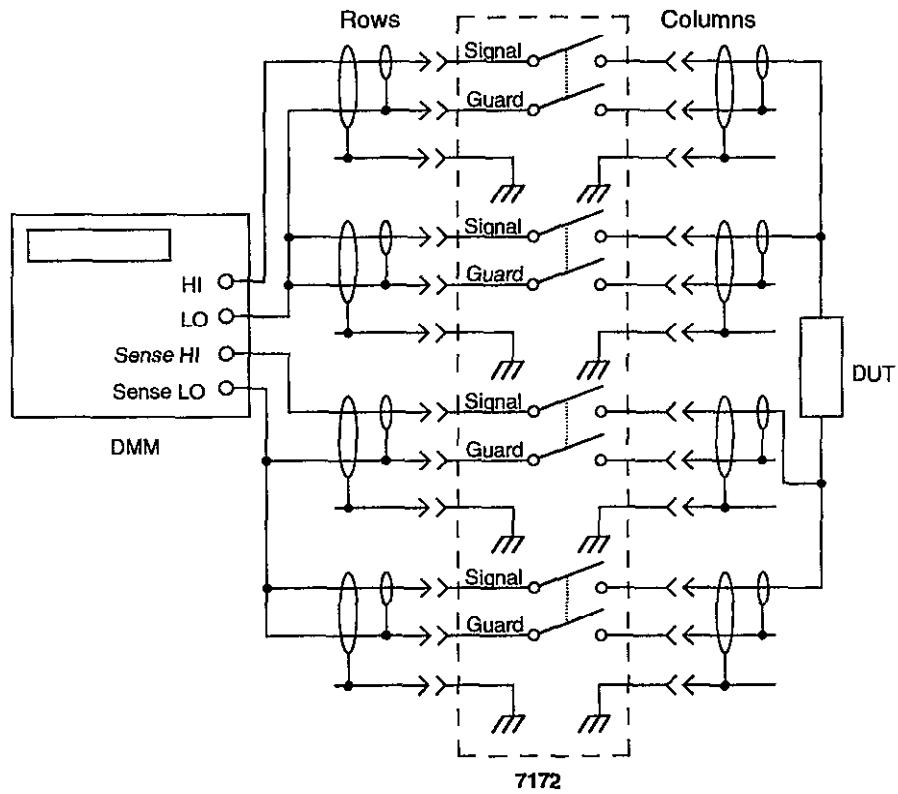


Warning : Hazardous voltage from guard sources may be present on LO.

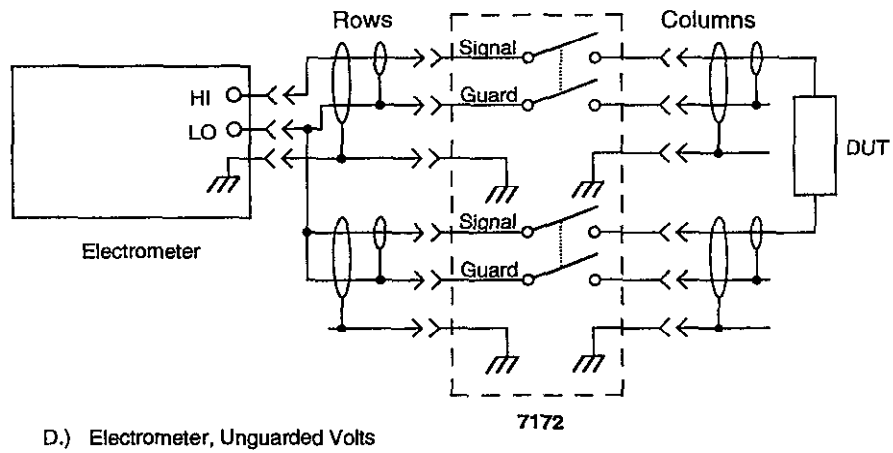
Note : Use this configuration only for non-critical measurements.

B.) DMM Common LO

Figure 2-5. General Instrument Connections (A-B)



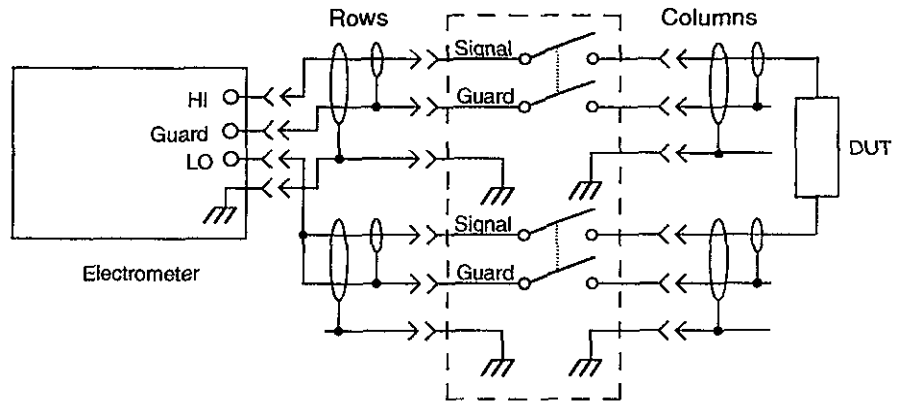
C.) DMM 4-Wire



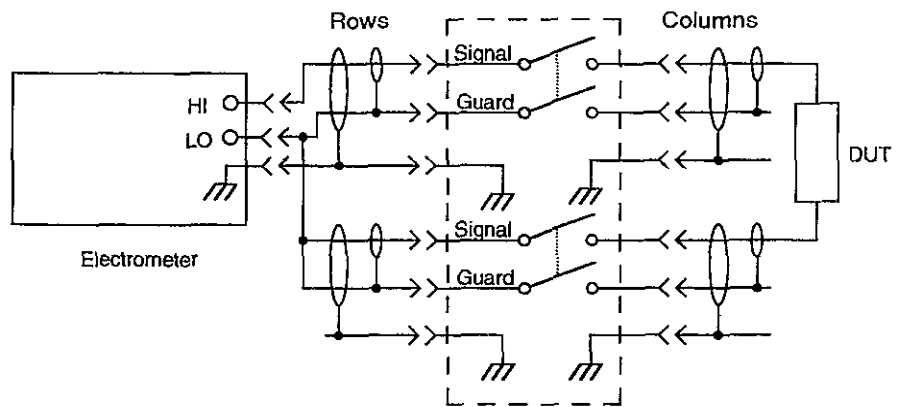
D.) Electrometer, Unguarded Volts

Figure 2-5. General Instrument Connections (C-D) (cont.)

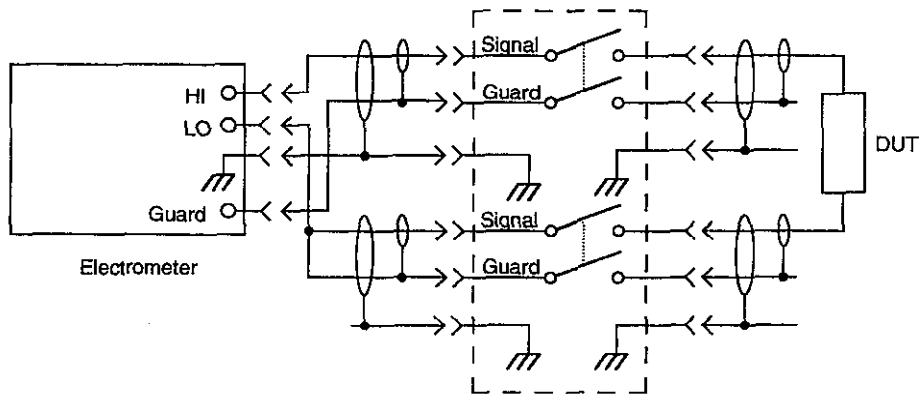




E.) Electrometer, Guarded Volts



F.) Electrometer, Fast Current



G.) Electrometer, Resistance (Guarded)

Figure 2-5. General Instrument Connections (E-G) (cont.)

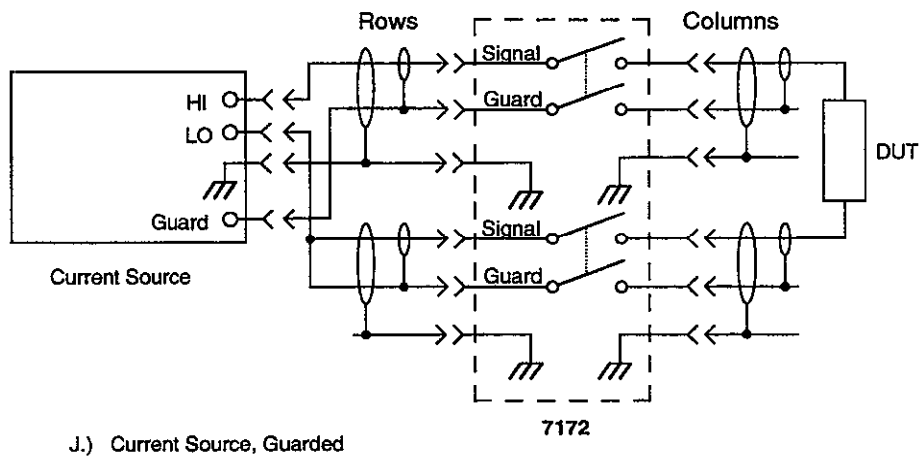
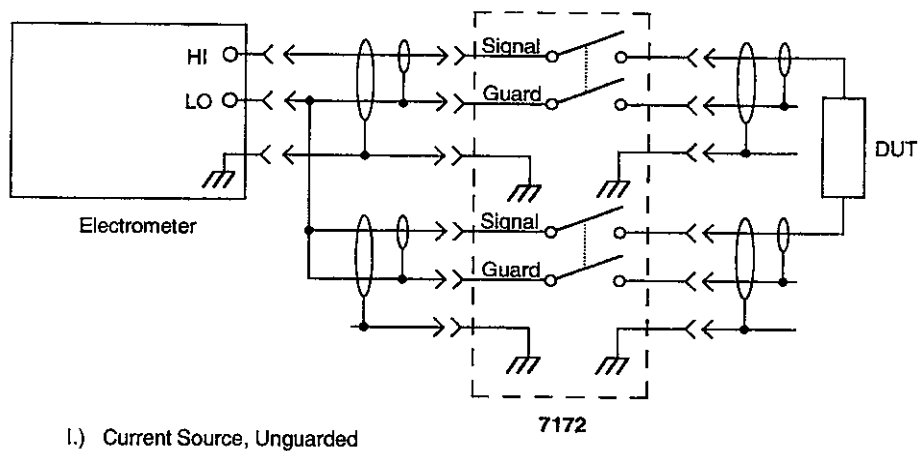
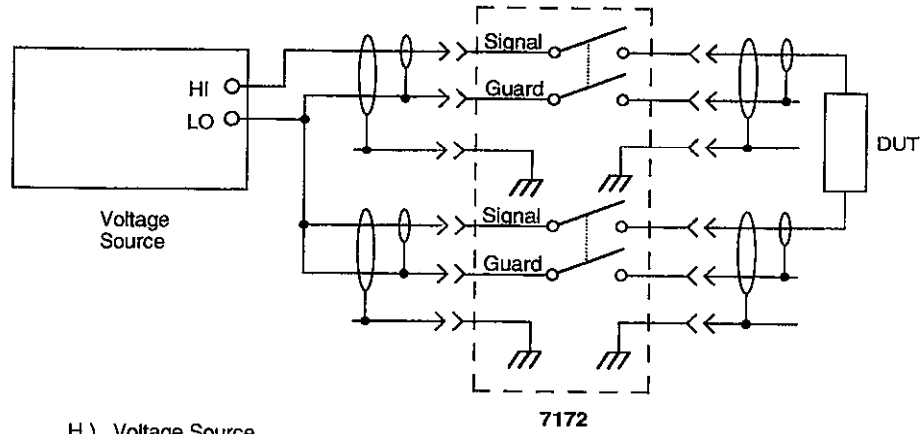
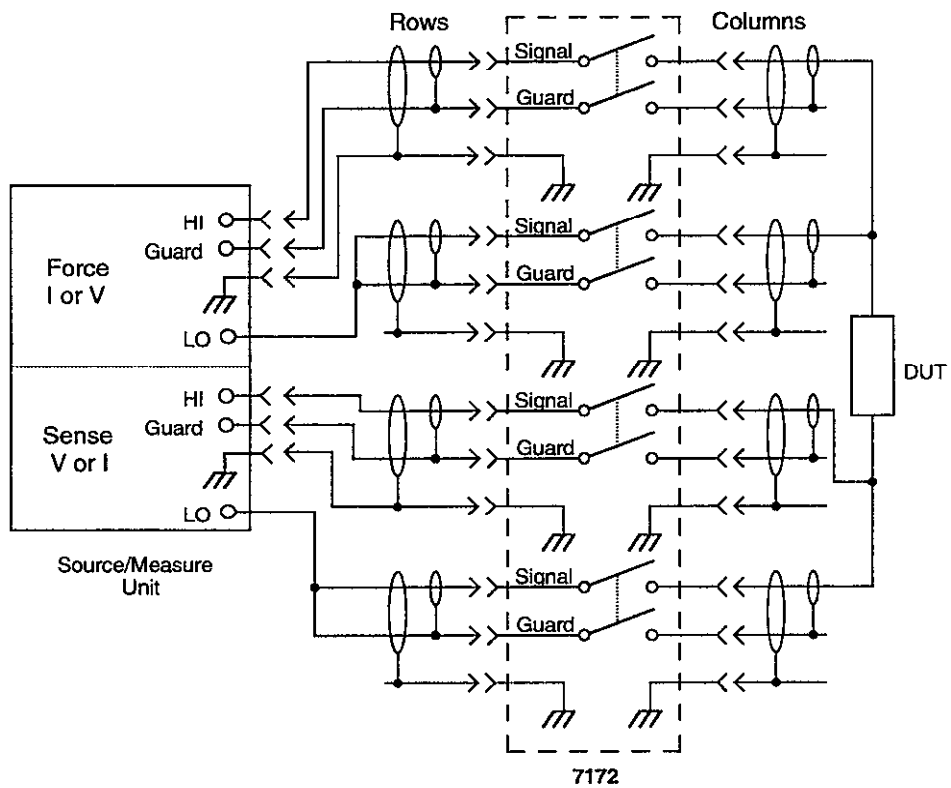


Figure 2-5. General Instrument Connections (H-J) (cont.)



K.) Source/Measure Unit

Notes : DUT shielding/guarding not shown. See Figures 2-21 and 2-24.

Figure 2-5. General Instrument Connections (K) (cont.)

## 2.5.5 Keithley Instrument Connections

The following paragraphs outline connecting typical Keithley instruments to the Model 7172 Low Current 8 x 12 Matrix Card. Other similar instruments can be connected using the same cabling as long as their input/output configurations are the same. Instrument connections covered include:

- Model 617 Electrometer/Source
- Model 196 DMM
- Model 230 Programmable Voltage Source
- Model 220 Programmable Current Source
- Model 590 CV Analyzer
- Model 236/237/238 Source Measure Unit

### Model 617 Electrometer Connections

Connections for the Model 617 Electrometer are shown in Figure 2-6. The electrometer INPUT and COM can be

connected to any row. Figure 2-6 shows connections to rows A and B.

1. Connect one end of a Model 7078-TRX-3 or -10 3-lug triaxial cable to row A of the Model 7172.
2. Connect the other end of the triax cable to the Model 617 INPUT connector using a Model 6172 adapter.
3. Connect the triax end of a triax/banana cable to row B of the Model 7172.
4. Connect the banana plug end of the triax/banana cable to the COM terminal of the Model 617. The shorting link between COM and chassis ground should be removed for this application.
5. Place the GUARD switch in the OFF position.
6. To connect the voltage source to the Model 7172, connect the V-SOURCE HI and LO connectors of the Model 617 to the desired row connectors on the matrix card. Figure 2-6 shows connections to rows C and D.

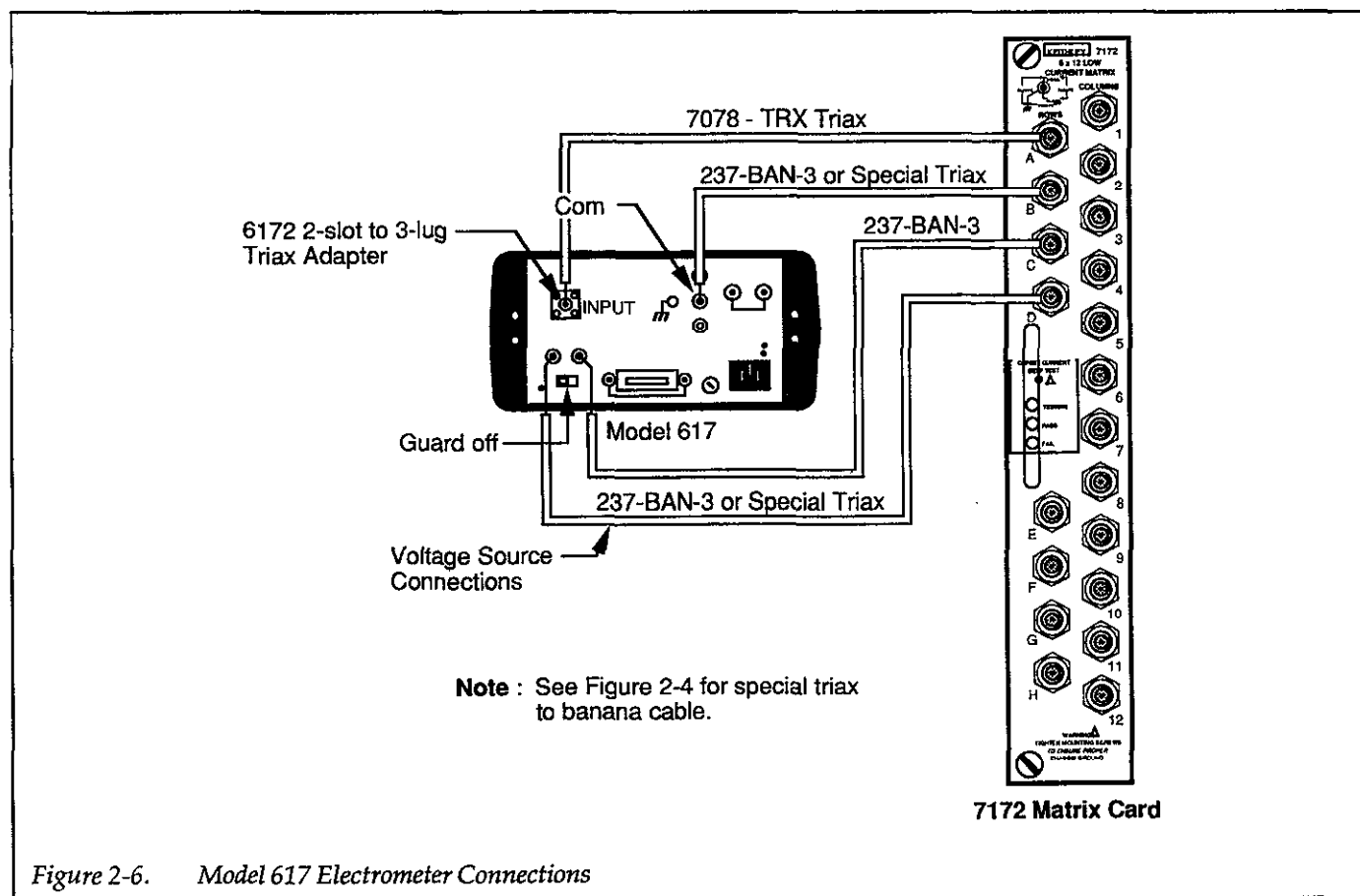


Figure 2-6. Model 617 Electrometer Connections

**Model 196 DMM Connections**

Connect the Model 196 or other similar DMM to the matrix card using the general configuration shown in Figure 2-7. The VOLTS OHMS HI and LO terminals should be connected to the desired rows using triax/banana cables. For 4-wire ohms measurements, the OHMS SENSE HI and LO terminals should be connected to two additional rows using the same type of cables.

**NOTE**

For low-level voltage measurements, connect the inner shield of the HI cable to VOLT OHMS LO to minimize noise.

**Model 230 Voltage Source Connections**

Connect the Model 230 OUTPUT and COMMON terminals to the desired rows using triax/banana plug cables, as shown in Figure 2-8. For remote sensing applications, the SENSE OUTPUT and SENSE COMMON connectors can be routed through two additional rows using similar cables.

**Model 590 CV Analyzer Connections**

The Model 590 CV Analyzer can be connected to any row or any column as shown in Figure 2-9. The BNC cables that are supplied with the Model 590 can be used; however, Model 7078-TRX-BNC triax-to-BNC adapters must be used at the Model 7172 end.

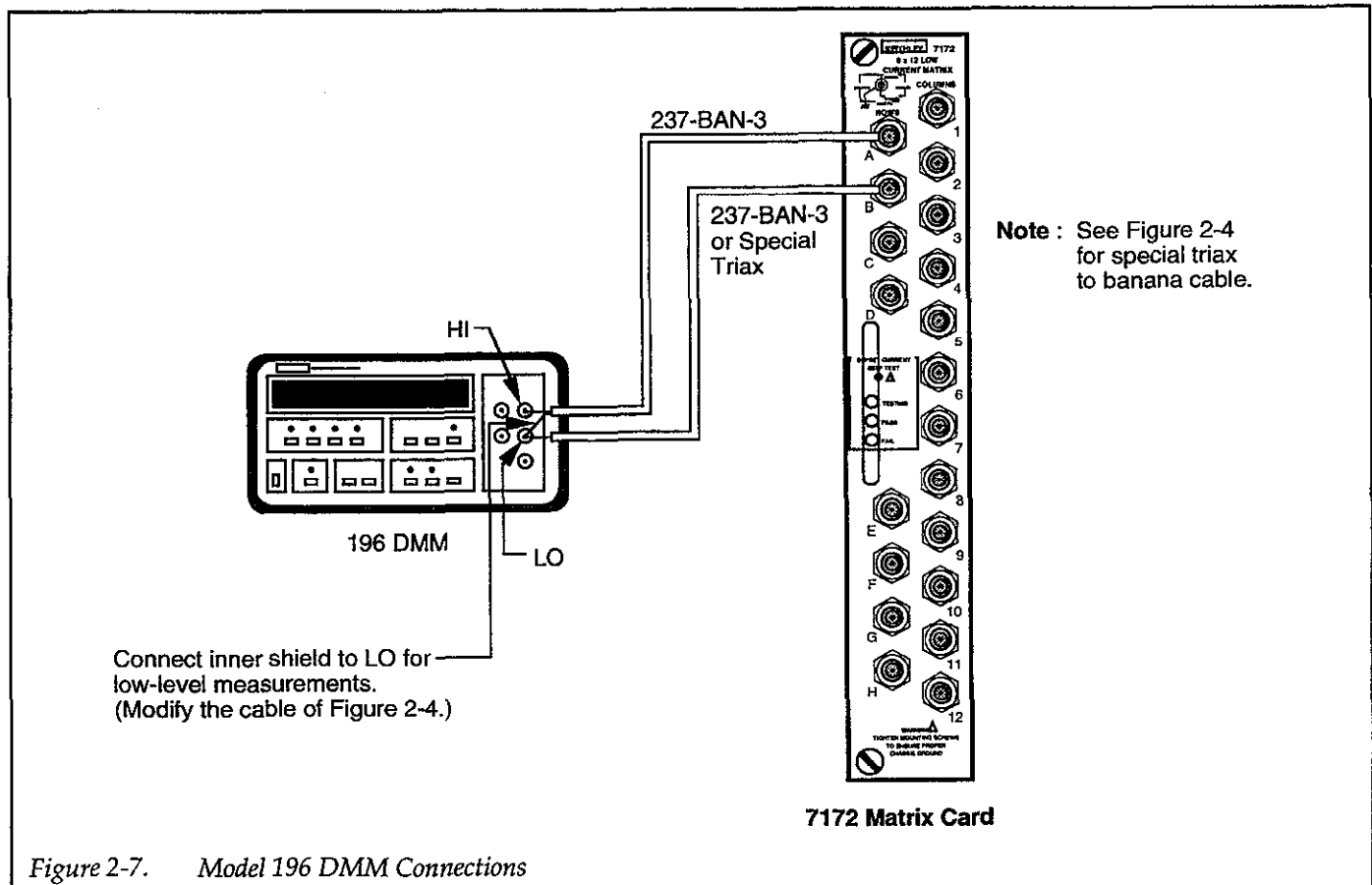


Figure 2-7. Model 196 DMM Connections

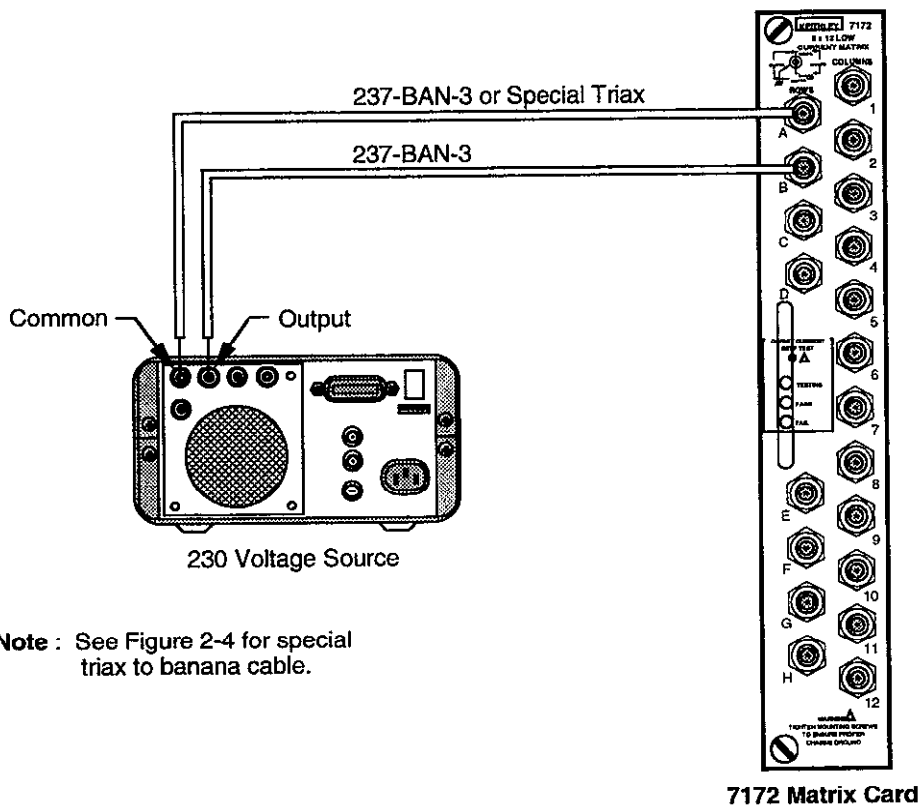


Figure 2-8. Model 230 Voltage Source Connections

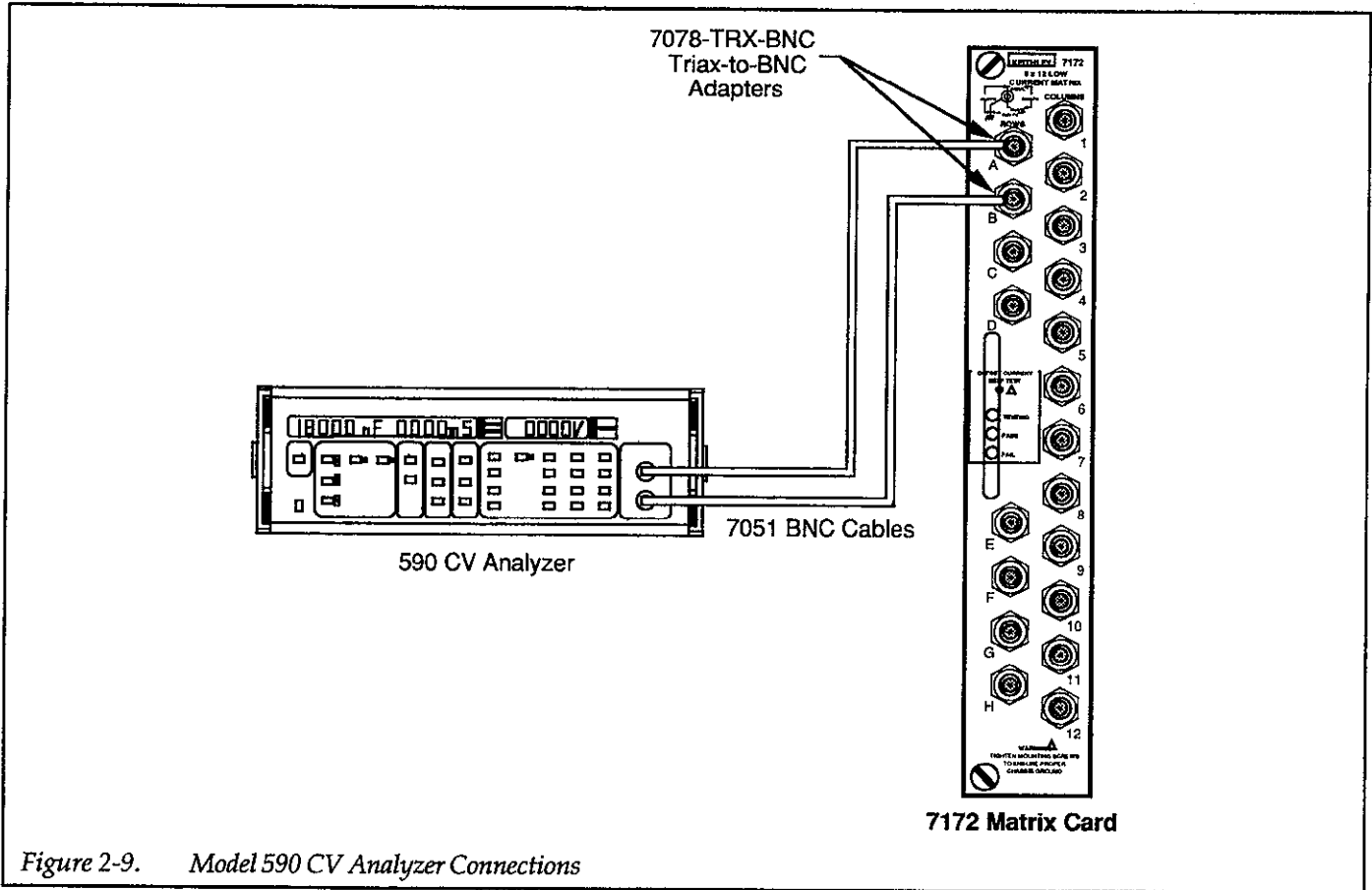


Figure 2-9. Model 590 CV Analyzer Connections

### Model 220 Current Source Connections

The Model 220 Current Source can be connected to the matrix card using the Model 6167 Guarded Adapter, as shown in Figure 2-10. This configuration guards the output signal to minimize the effects of distributed capacitance and leakage current.

#### NOTE

The Model 6167 Adapter must be modified by internally disconnecting the inner shield connection of the input jack from the GUARDED/UNGUARDED selection switch. Otherwise, instrument LO will be connected to chassis ground through the adapter.

1. Connect the Model 6167 adapter to the Model 220 OUTPUT jack.

2. Connect a Model 7078-TRX-3 or -10 triax cable between the guarded adapter and the desired row of the Model 7172.
3. Connect the Model 220 GUARD output to GUARD INPUT terminal of the adapter.
4. Connect the triax end of a triax/banana cable to the desired row on the Model 7172.
5. Connect the banana plug end of the triax/banana cable to the OUTPUT COMMON jack of the Model 220.

### Model 236/237/238 Source Measure Unit Connections

Source measure units are connected to the matrix card using Model 7078-TRX cables. A Model 237-BAN-3 Triax/Banana cable can also be used to connect the output low binding post on the source measure unit to the matrix. Figure 2-11 shows connections for remote and local sensing applications.

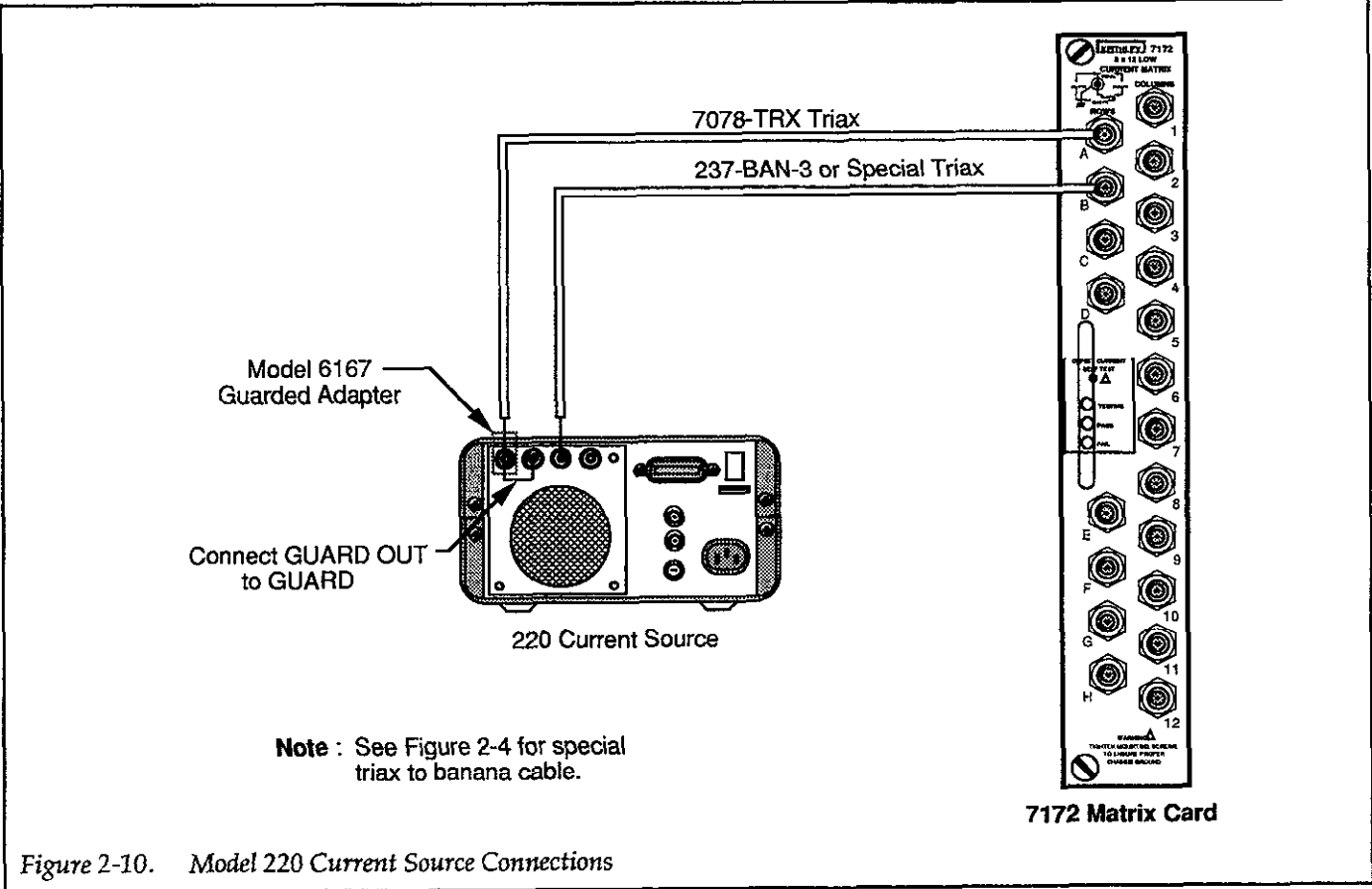
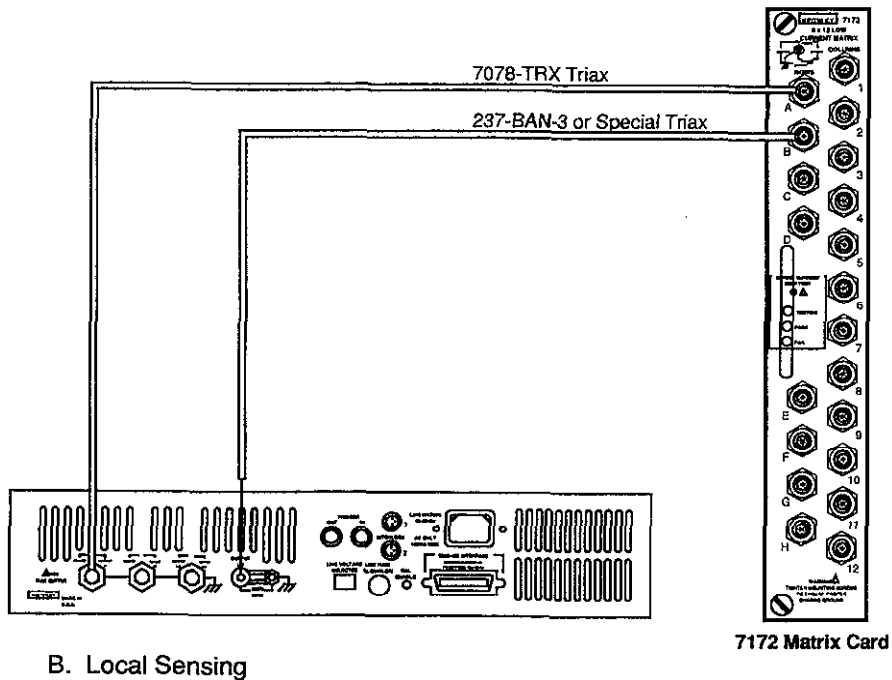
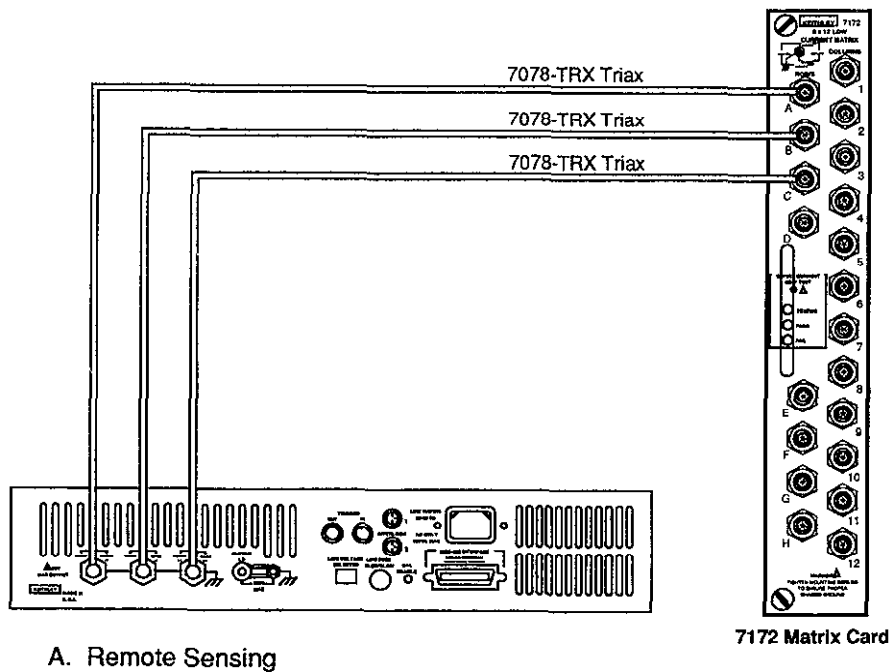


Figure 2-10. Model 220 Current Source Connections





**CAUTION :** The Models 237 and 238 Source Measure Units can only be used within the specified maximum signal levels of the Model 7172.

Figure 2-11. Model 236/237/238 Source Measure Unit Connections

## 2.5.6 Typical Test Fixture Connections

Typically, one or more test fixtures will be connected to desired columns of the Model 7172. Typically, the test fixtures will be equipped with card-edge connectors with wires soldered to them. In some cases, the test fixture will be equipped with triax connectors; for those types, Keithley Model 7078-TRX-3 or -10 cables can be used, as shown in Figure 2-12.

### WARNING

Do not use BNC cables and adapters in cases where hazardous voltages from guard sources could be present on the BNC cable shields.

Internally, the test fixture should be wired as shown in the equivalent circuit of Figure 2-13. SIGNAL should be connected to the probe or other device contact points, while GUARD should be carried through as close to the device as possible. If coaxial probes are to be used, connect GUARD to the probe shield if the probe shield is insulated from the fixture shield.

Usually, the chassis ground terminal of the triax connector will automatically make contact with the fixture shield by virtue of the mounting method. However, ground integrity should be checked to ensure continued protection against hazardous guard voltages.

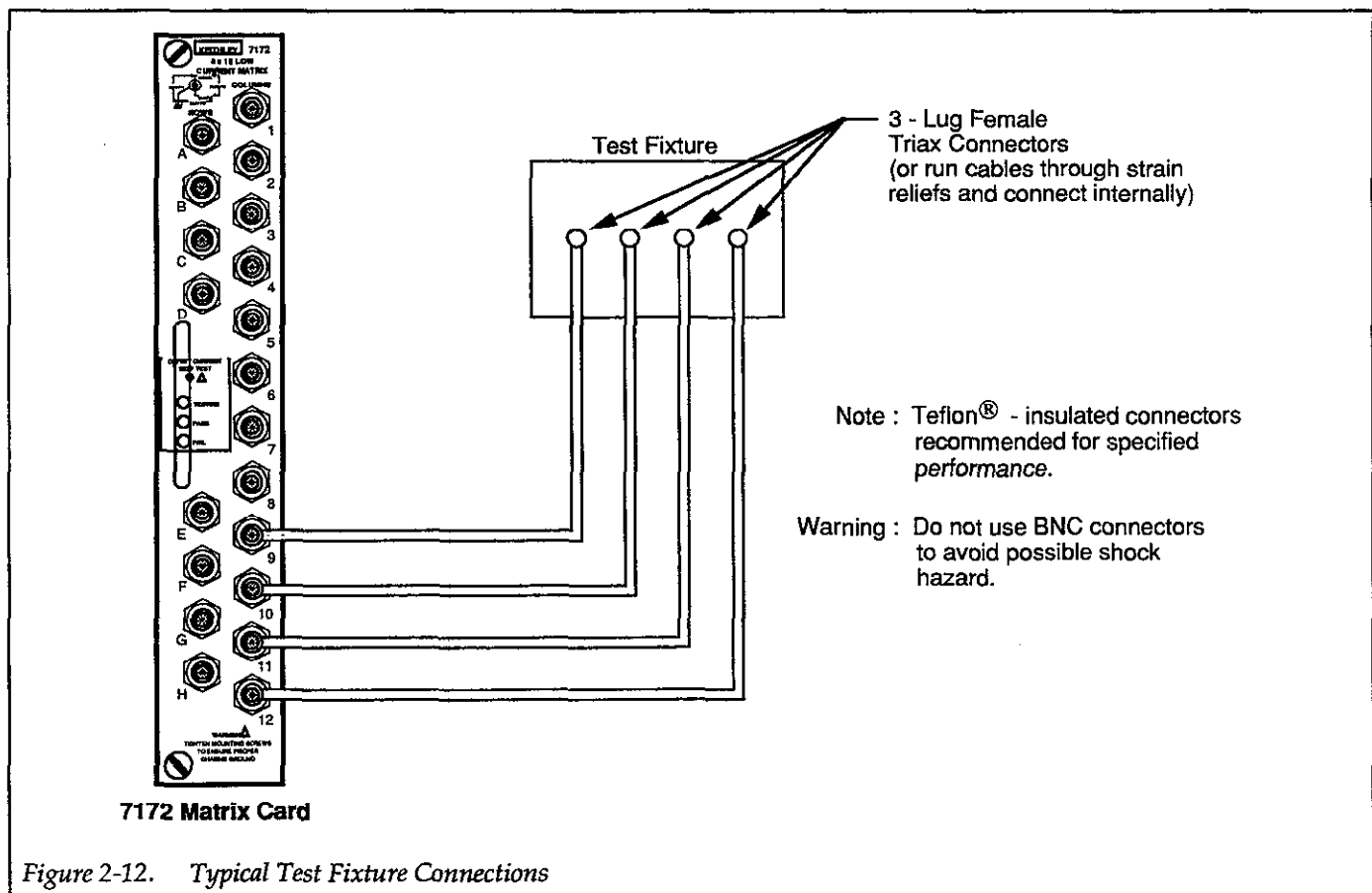


Figure 2-12. Typical Test Fixture Connections

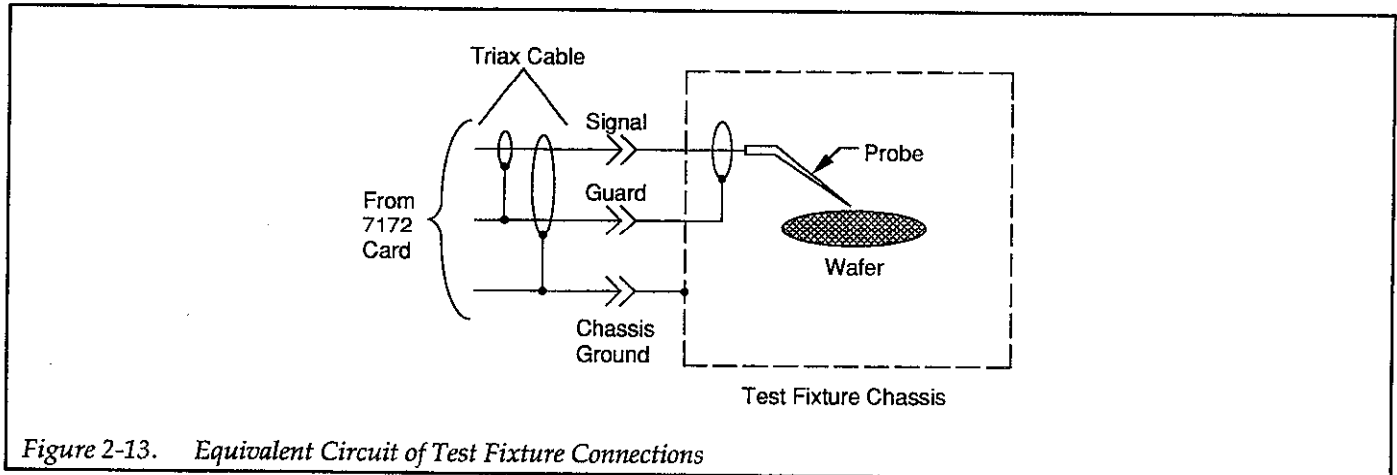


Figure 2-13. Equivalent Circuit of Test Fixture Connections

## 2.6 MATRIX CONFIGURATION

The following paragraphs discuss the switching matrix of the Model 7172 as well as how to expand the matrix by connecting two or more cards together.

### 2.6.1 Switching Matrix

As shown in Figure 2-14, the Model 7172 is organized as an 8 × 12 (eight row by 12 column) matrix. The rows are labeled A through H, while the columns on the card are

numbered 1 through 12. The actual column number to use when programming depends on the slot and unit number, as summarized in Table 2-3. For example, card column number 2 on a card in slot 5 of unit 1 is accessed as matrix column 62.

Each intersecting point in the matrix is called a crosspoint that can be individually closed or opened by programming the Model 707 mainframe. All crosspoints are configured for 2-pole switching, as shown in Figure 2-14. SIGNAL and GUARD are switched separately to any of the 12 columns on the card.

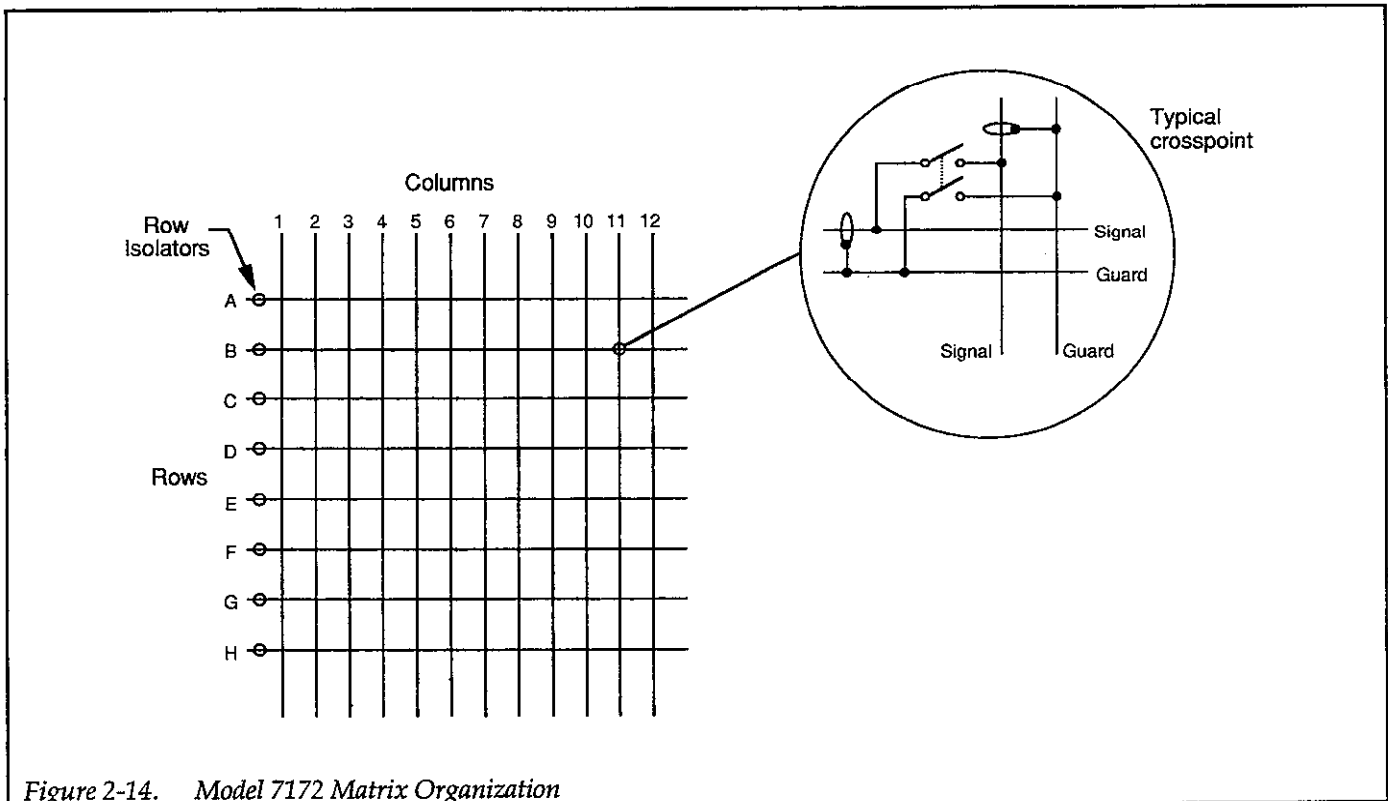


Figure 2-14. Model 7172 Matrix Organization

**Table 2-3. Column Numbering by Slot and Unit**

Unit	Slot	Columns (1-12)
1	1	1-12
	2	13-24
	3	25-36
	4	37-48
	5	49-60
	6	61-72
2	1	73-84
	2	85-96
	3	97-108
	4	109-120
	5	121-132
	6	133-144
3	1	145-156
	2	157-168
	3	169-180
	4	181-192
	5	193-204
	6	205-216
4	1	217-228
	2	229-240
	3	241-252
	4	253-264
	5	265-276
	6	277-288
5	1	289-300
	2	301-312
	3	313-324
	4	325-336
	5	337-348
	6	349-360

Row isolator relays isolate one card from the next when expanded using row jumpers. This greatly reduces the offset current, noise current, and capacitive effects of a multi-card matrix.

### 2.6.3 Internal Matrix Expansion

Two to six Model 7172 cards can be connected together within the mainframe to yield an  $8 \times N$  matrix, where N depends on the number of cards. Figure 2-15 shows an internally expanded matrix with three cards, resulting in an  $8 \times 36$  (eight row by 36 column) matrix. As summarized in Table 2-3, the actual column number used when programming the unit is determined by the slot.

Because of critical signal paths, rows A-H are not jumpered through the backplane. Instead, you must install the supplied coaxial jumpers between appropriate connectors on Model 7172 cards (for more critical signal paths, rows can be isolated from other cards by not installing these cables). Each card has two coaxial connectors for each row, allowing daisy chaining of card rows. These connectors can be reached by lifting the access door on the top of the mainframe; it is not necessary to remove cards to install the jumpers. Figure 2-16 shows a side view of the jumper connectors with row numbers marked for convenience. Figure 2-17 demonstrates how three cards can be daisy chained together using the coaxial jumpers.

#### NOTE

Coaxial jumpers can also be used to extend any Model 7172 row to the Model 7072 Semiconductor Matrix Card (rows A, B, G, and H) and the Model 7072-HV High Voltage Semiconductor Matrix Card (rows G and H). Since the offset current specified on the Model 7072 and 7072-HV is greater than the Model 7172, only extend less critical signals to these rows.

### 2.6.2 Row Isolators

Row isolator relays isolate the crosspoint relays from a given row to minimize leakage current and capacitance. The row isolator relay closes when any crosspoint relay associated with that row is closed.

#### WARNING

The shells of the row jumpers are at guard potential. To avoid a possible shock hazard, always disconnect all cables from the row and column jacks before removing or installing jumpers.

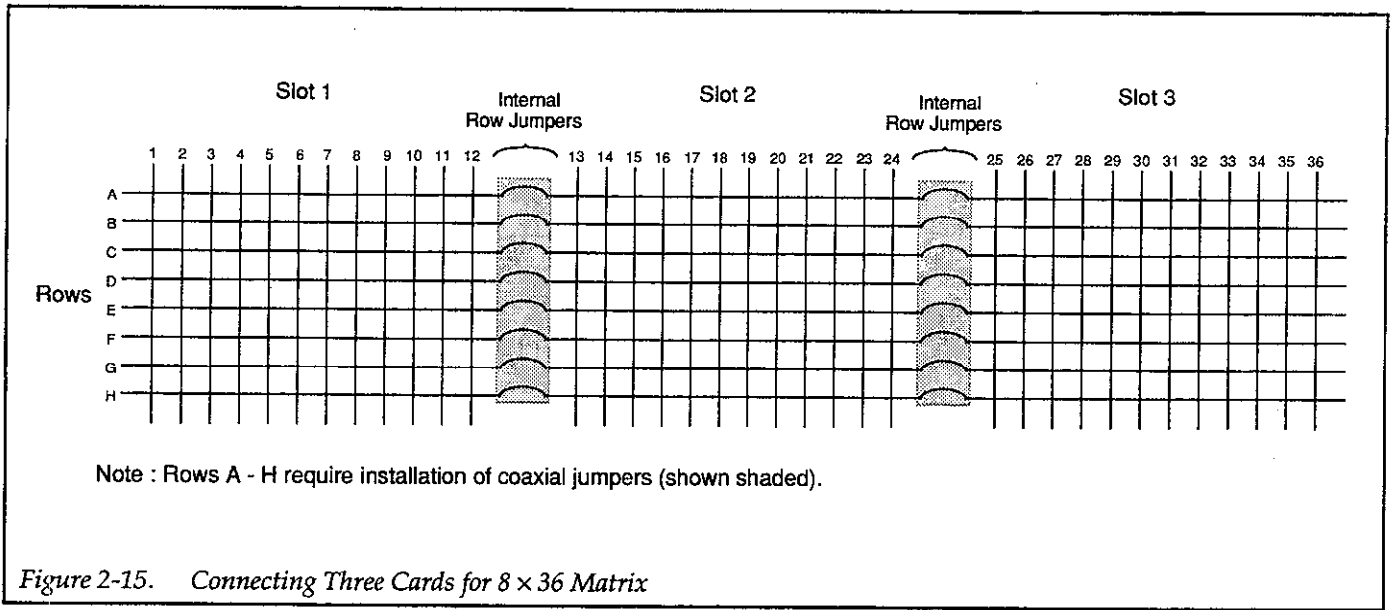


Figure 2-15. Connecting Three Cards for 8 x 36 Matrix

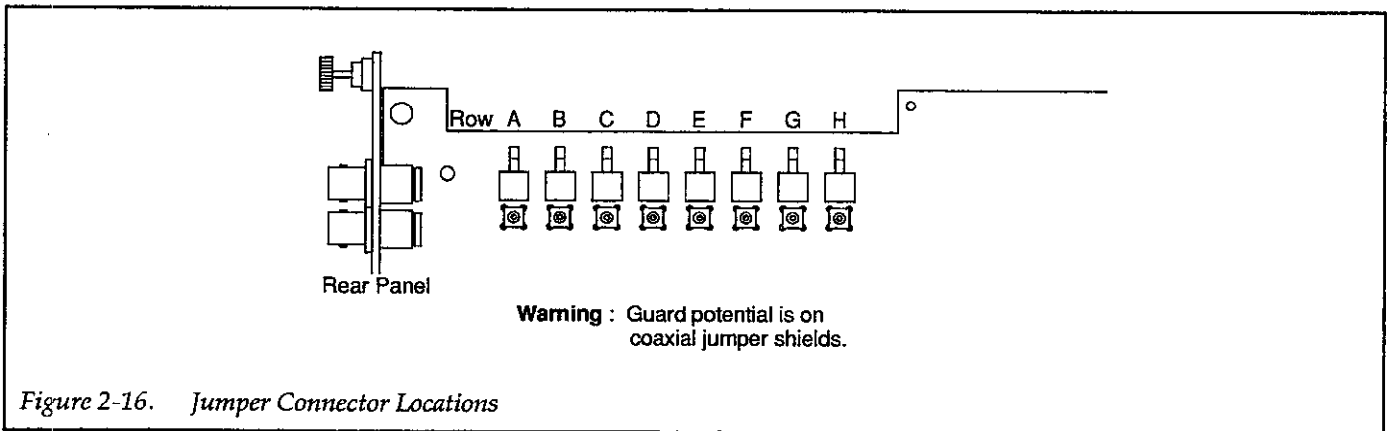
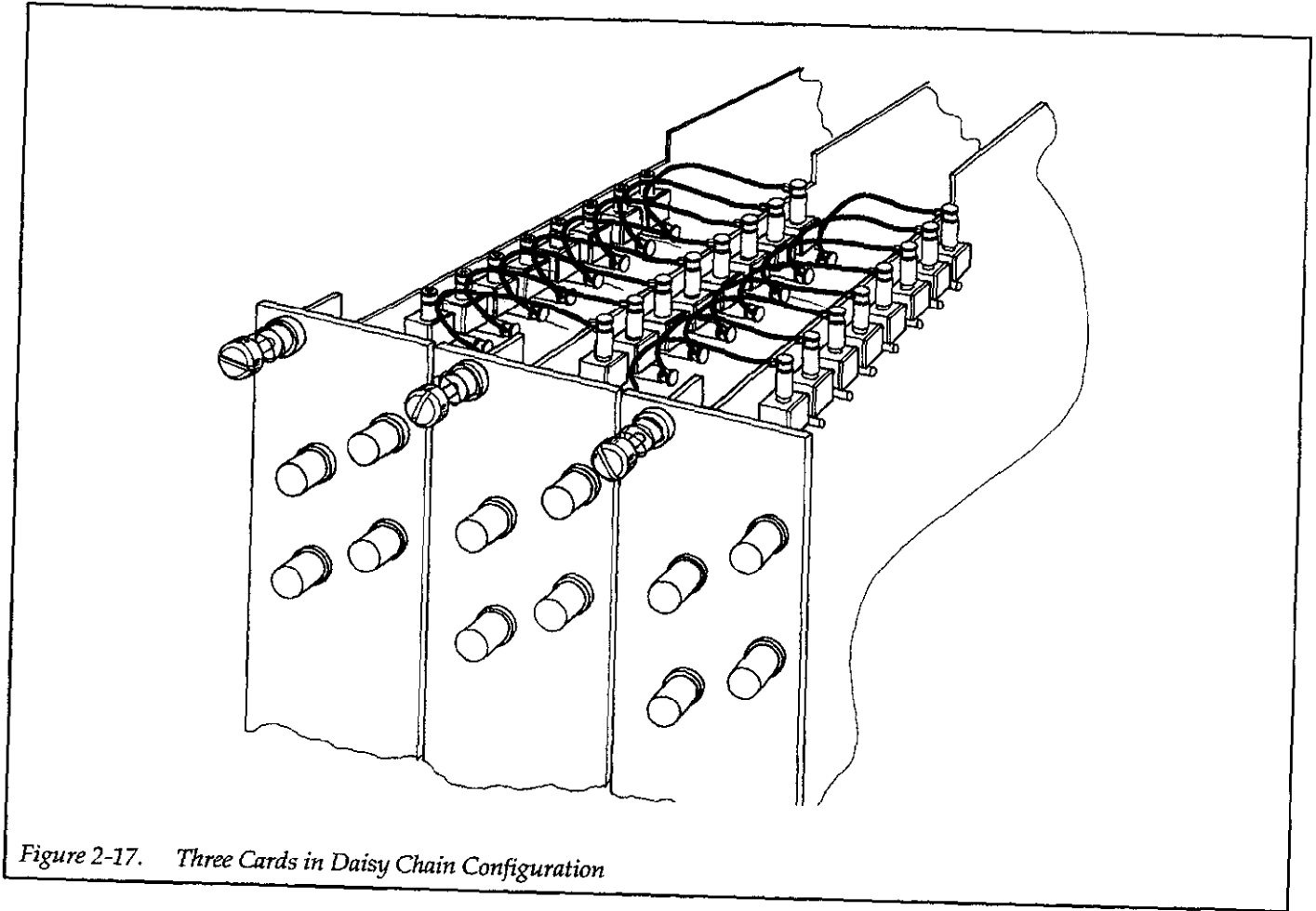


Figure 2-16. Jumper Connector Locations



### 2.6.4 External Matrix Expansion

External jumper cables must be used to expand the number of rows in the matrix, or to connect between columns of cards installed in different mainframes. An example of such an expanded matrix is shown in Figure 2-18. Here, six cards are configured as a  $16 \times 36$  matrix. Since the rows are internally jumpered, only columns must be jumpered externally in this configuration.

Triax tee adapters (Model 7078-TRX-T or Model 237-TRX-T) can be used to provide daisy chain capability between the triax input connectors. Figure 2-19 shows a typical arrangement between two Model 7172 cards. Ideally, custom-length triax cables should be used to avoid the cable "jungle" that would occur with longer, standard-length cables.

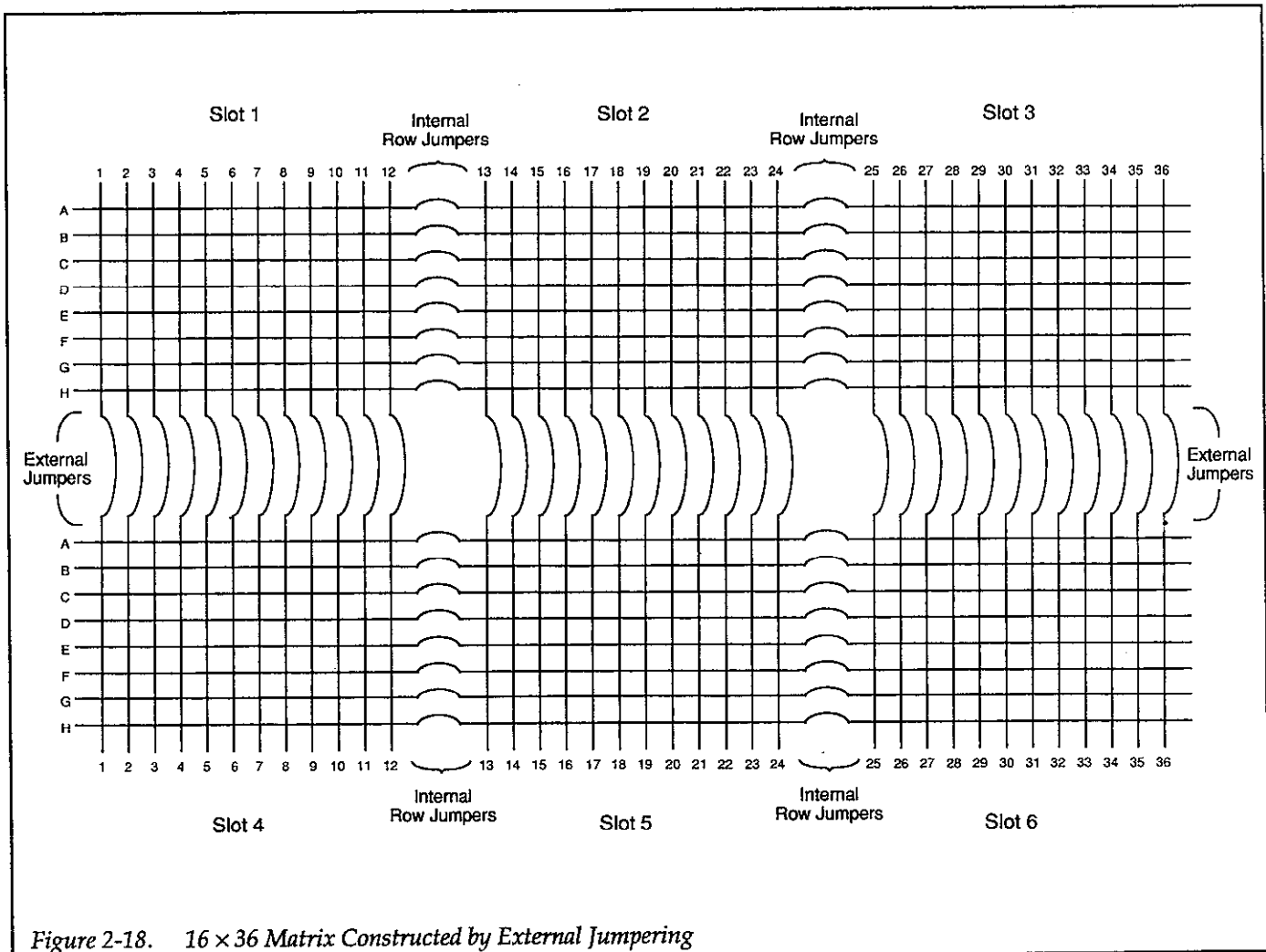


Figure 2-18.  $16 \times 36$  Matrix Constructed by External Jumpering



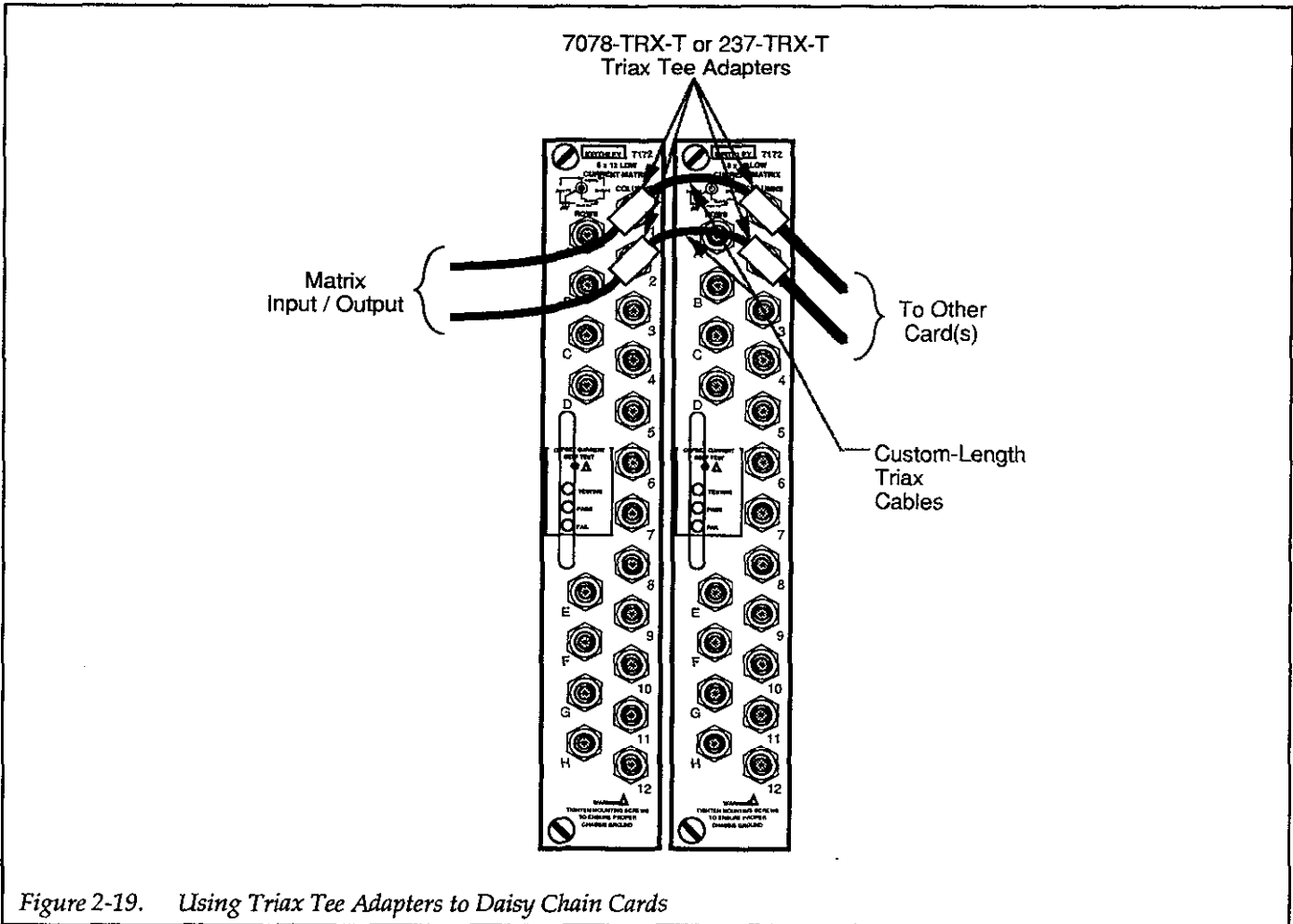


Figure 2-19. Using Triax Tee Adapters to Daisy Chain Cards

## 2.7 MEASUREMENT CONSIDERATIONS

Many measurements made with the Model 7172 concern low-level signals. Such measurements are subject to various types of noise that can seriously affect low-level measurement accuracy. The following paragraphs discuss possible noise sources that might affect these measurements.

### 2.7.1 Magnetic Fields

When a conductor cuts through magnetic lines of force, a very small current is generated. This phenomenon will frequently cause unwanted signals to occur in the test leads of a switching matrix system. If the conductor has sufficient length, even weak magnetic fields like those of

the earth can create sufficient signals to affect low-level measurements.

Two ways to reduce these effects are: (1) reduce the lengths of the test leads, and (2) minimize the exposed circuit area. In extreme cases, magnetic shielding may be required. Special metal with high permeability at low flux densities (such as mu metal) are effective at reducing these effects.

Even when the conductor is stationary, magnetically-induced signals may still be a problem. Fields can be produced by various signals such as the AC power line voltage. Large inductors such as power transformers can generate substantial magnetic fields, so care must be taken to keep the switching and measuring circuits a good distance away from these potential noise sources.

## 2.7.2 Electromagnetic Interference (EMI)

The electromagnetic interference characteristics of the Model 7172 Low Current 8×12 Matrix Card comply with the electromagnetic compatibility (EMC) requirements of the European Union as denoted by the CE mark. However, it is still possible for sensitive measurements to be affected by external sources. In these instances, special precautions may be required in the measurement setup.

Sources of EMI include:

- radio and television broadcast transmitters
- communications transmitters, including cellular phones and handheld radios
- devices incorporating microprocessors and high speed digital circuits
- impulse sources as in the case of arcing in high-voltage environments

The effect on instrument performance can be considerable if enough of the unwanted signal is present. A common problem is the rectification by semiconductor junctions of RF picked up by the leads.

The equipment and signal leads should be kept as far away as possible from any EMI sources. Additional shielding of the measuring instrument, signal leads, and sources will often reduce EMI to an acceptable level. In extreme cases, a specially constructed screen room may be required to sufficiently attenuate the troublesome signal.

Many instruments incorporate internal filtering that may help to reduce RFI effects in some situations. In some cases, external filtering may also be required. Such filtering, however, may have detrimental effects on the desired signal.

## 2.7.3 Ground Loops

When two or more instruments are connected together, care must be taken to avoid unwanted signals caused by ground loops. Ground loops usually occur when sensitive instrumentation is connected to other instrumentation with more than one signal return path such as power line ground. As shown in Figure 2-20, the resulting ground loop causes current to flow through the instrument LO signal leads and then back through power line ground. This circulating current develops a small but undesirable voltage between the LO terminals of the two instruments. This voltage will be added to the source voltage, affecting the accuracy of the measurement.

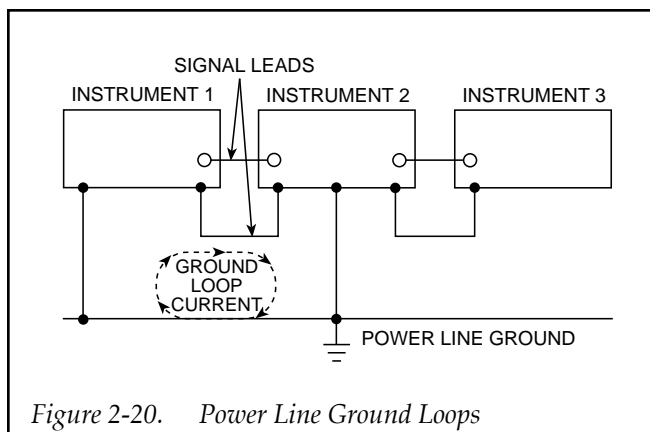


Figure 2-20. Power Line Ground Loops

Figure 2-21 shows how to connect several instruments together to eliminate this type of ground loop problem. Here, only one instrument is connected to power line ground.

Ground loops are not normally a problem with instruments having isolated LO terminals. However, all instruments in the test setup may not be designed in this manner. When in doubt, consult the manual for each instrument in the test setup.

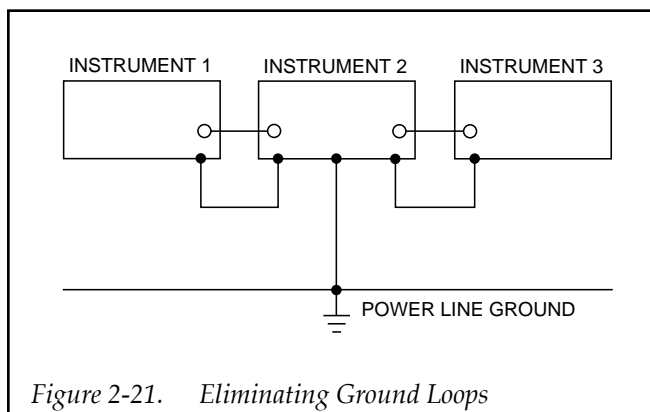


Figure 2-21. Eliminating Ground Loops

## 2.7.4 Keeping Connectors Clean

As is the case with any high-resistance device, the integrity of triaxial and other connectors can be damaged if they are not handled properly. If the connector insulation becomes contaminated, the insulation resistance will be substantially reduced, affecting high-impedance measurement paths.

Oils and salts from the skin can contaminate connector insulators, reducing their resistance. Also, contaminants present in the air can be deposited on the insulator sur-

face. To avoid these problems, never touch the connector insulating material. In addition, the matrix card should be used only in clean, dry environments to avoid contamination.

If the connector insulators should become contaminated, either by inadvertent touching, or from air-borne deposits, they can be cleaned with a cotton swab dipped in clean methanol. After thorough cleaning, they should be allowed to dry for several hours in a low-humidity environment before use, or they can be dried more quickly using dry nitrogen.

### **2.7.5 Noise Currents Caused by Cable Flexing**

Noise currents can be generated by bending or flexing coaxial or triaxial cables. Such currents, which are known as triboelectric currents, are generated by charges created between a conductor and insulator caused by friction.

Low-noise cable can be used to minimize these effects. Such cable has a special graphite coating under the shield to provide lubrication and to provide a conduction path to equalize charges.

Even low-noise cable generates some noise currents when flexed or subjected to vibration. To minimize these effects, keep the cables as short as possible, and do not subject them to temperature variations that could cause expansion or contraction. Tie down offending cables securely to avoid movement, and isolate or remove vibration sources such as motors or pumps.

### **2.7.6 Shielding**

Proper shielding of all unguarded signal paths and devices under test is important to minimize noise pickup in virtually any switching matrix system. Otherwise, interference from such noise sources as line frequency and RF fields can seriously corrupt a measurement.

In order for shielding to be effective, the shield surrounding the HI signal path should be connected to signal LO (or chassis ground for instruments without isolated LO terminals). Since most Model 7172 matrix applications call for separately switching LO, a separate connection from LO to the cable shield at the source or measurement end must be provided, as in the example of Figure 2-22. Here, we are using the GUARD path of the Model 7172 to carry the shield out to the device under test. Needless to say, this arrangement should not be used with guarding, as GUARD and LO should not be connected together.

#### **WARNING**

**Hazardous voltage may be present if LO on any instrument is floated above ground potential.**

If the device under test is to be shielded, the shield should be connected to the LO terminal. If you are using the GUARD connection as shield, care should be taken to insulate the outer ring of the triaxial connector mounted on the test fixture from the test fixture itself. Otherwise, LO will be connected to chassis ground, possibly resulting in a ground loop. An alternative is to use two shields, one mounted within (and insulated from) the other. In this case, the GUARD path would be connected to the inner shield, while the outer shield would be chassis grounded. This arrangement is shown in Figure 2-23. Incidentally, this configuration is also recommended for guarded applications, with the inner shield as guard, and the outer shield acting as a safety shield.

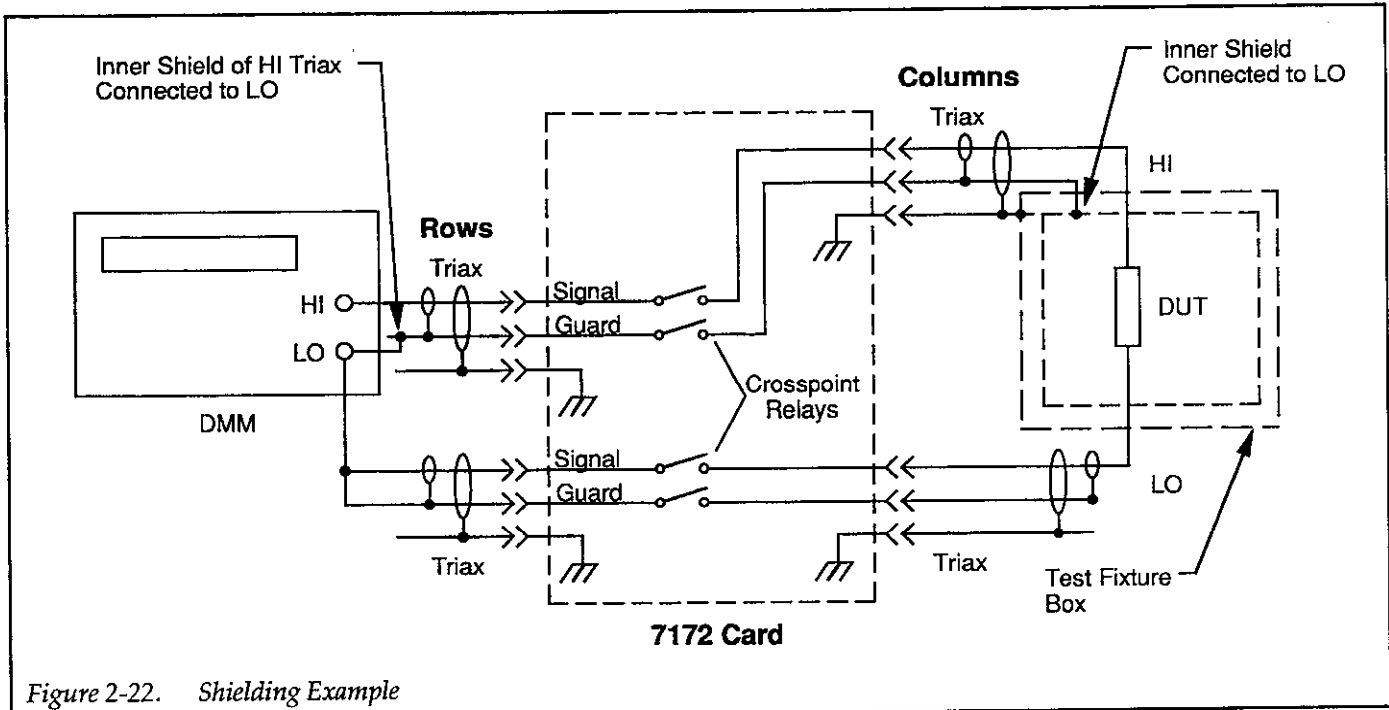


Figure 2-22. Shielding Example

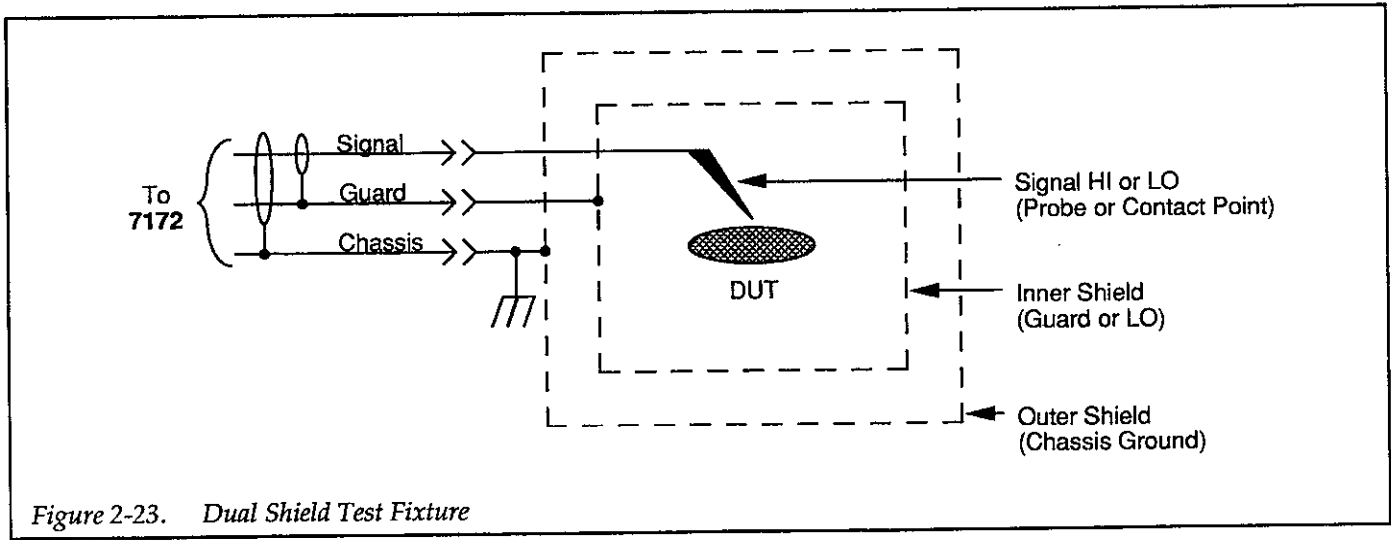


Figure 2-23. Dual Shield Test Fixture

### 2.7.7 Guarding

Guarding is important in high-impedance circuits where leakage resistance and capacitance could have degrading effects on the measurement. Guarding consists of using a shield surrounding a conductor that is carrying the high-impedance signal. This shield is driven by a low-impedance amplifier to maintain the shield at signal potential. For triaxial cables, the inner shield is used as guard.

Guarding minimizes leakage resistance effects by driving the cable shield with a unity gain amplifier, as shown in Figure 2-24. Since the amplifier has a high input impedance, it minimizes loading on the high-impedance signal lead. Also, the low output impedance ensures that the shield remains at signal potential, so that virtually no leakage current flows through the leakage resistance,  $R_L$ . Leakage between inner and outer shields may be considerable, but that leakage is of little consequence because that current is supplied by the buffer amplifier rather than the signal itself.

In a similar manner, guarding also reduces the effective cable capacitance, resulting in much faster measurements on high-impedance circuits. Because any distributed capacitance is charged through the low impedance of the buffer amplifier rather than by the source, settling times are shortened considerably by guarding.

In order to use guarding effectively with the Model 7172, the GUARD path of the matrix card should be connected to the guard output of the sourcing or measuring instrument. Figure 2-25 shows typical connections. Guard should be properly carried through the inner shield to the device under test to be completely effective. The shielded, guarded test fixture arrangement shown in Figure 2-23 is recommended for safety purposes (guard voltage may be hazardous with some instruments). With most instruments, special adapters or cables may be required to connect guard to the inner shield, and at the same time route signal I/O through a separate cable.

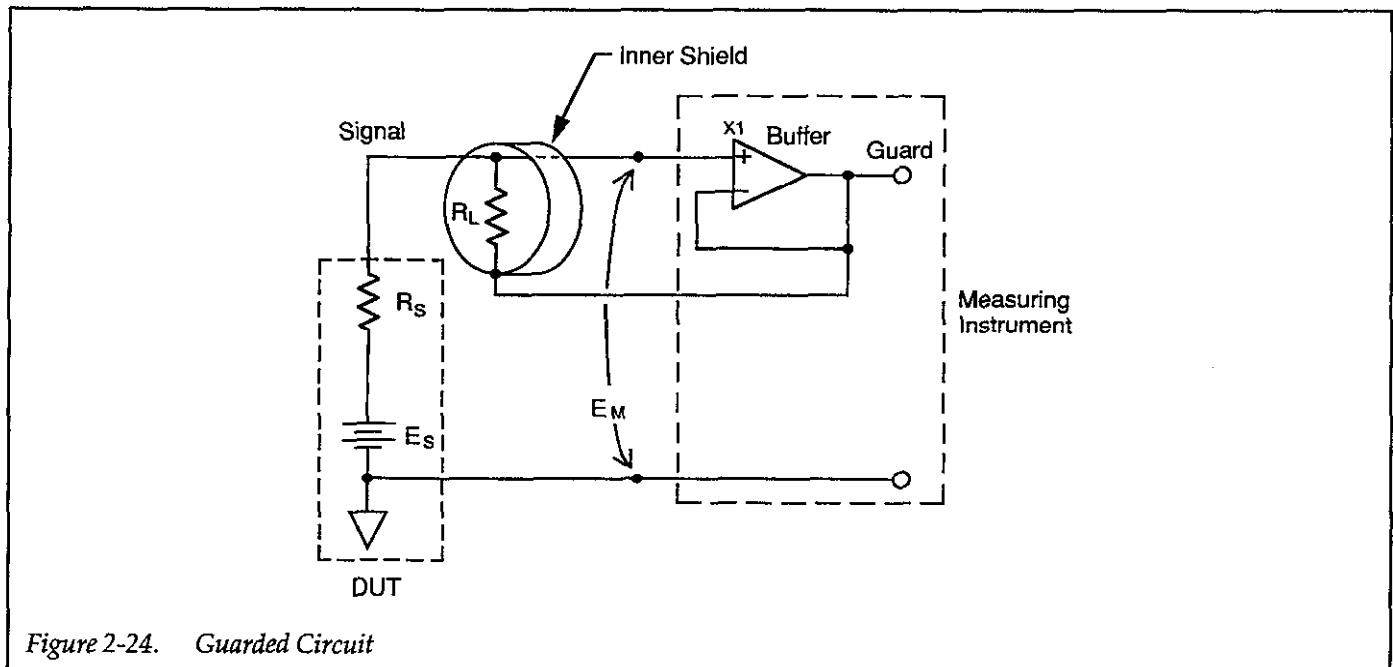
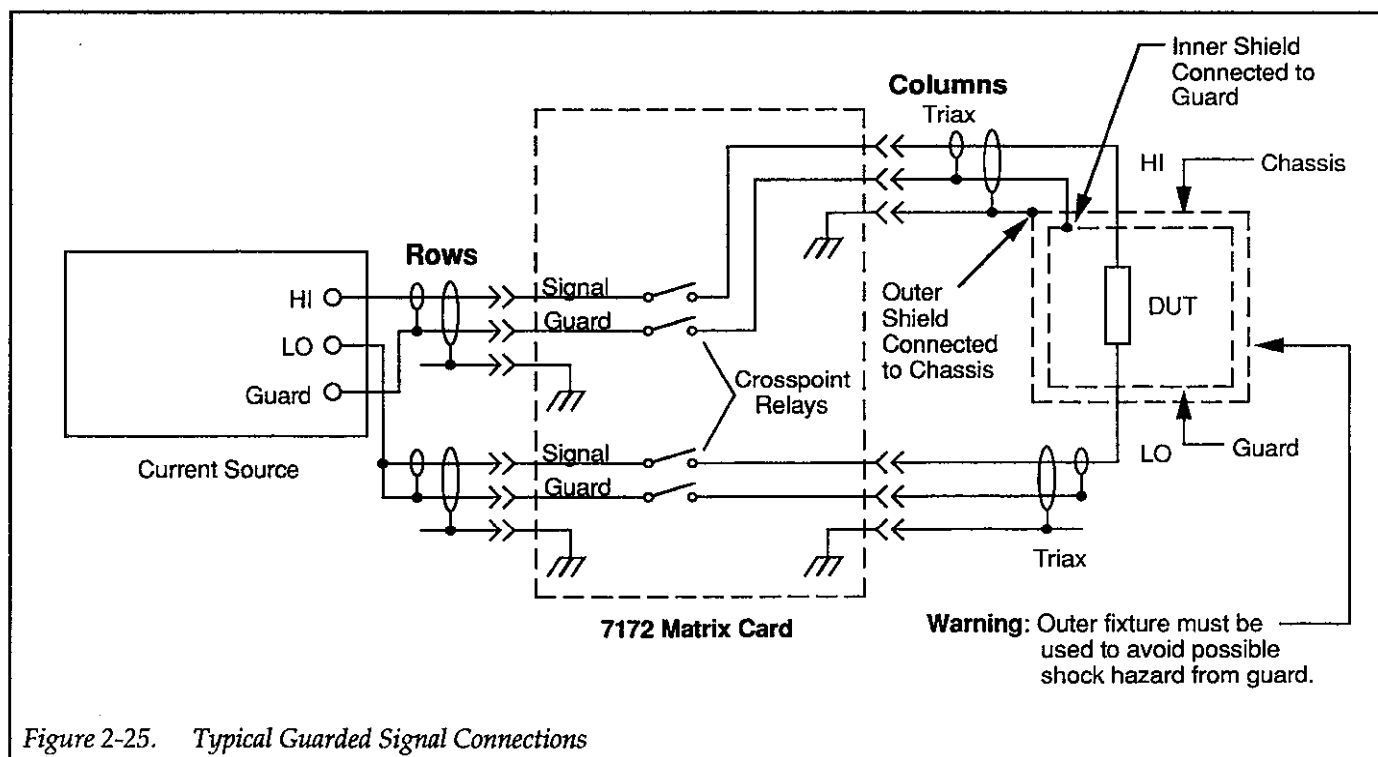


Figure 2-24. Guarded Circuit



### 2.7.8 Matrix Expansion Effects on Card Specifications

Specifications such as those given for path isolation and offset current are with a single Model 7172 Card installed in the mainframe. Expanding the matrix by internally or externally connecting two or more Model 7172 Cards together will degrade system performance specifications (other types of cards do not affect the specifications because they use different pathways in the mainframe backplane). The extent depends on how many cards are

used, as well as the amount of cabling used to connect them together.

With internal row expansion, isolation among rows is increased, and offset current is decreased, although the isolator relays on the card do help to minimize these effects. With external row or column expansion, isolation and offset current specifications are degraded because of the additional parallel paths and relays present on each signal line.

# SECTION 3

## Applications

---

### 3.1 INTRODUCTION

This section covers typical applications for the Model 7172 Low Current 8 × 12 Matrix Card and is organized as follows:

**3.2 CV Measurements:** Outlines the test configuration and procedure for making quasistatic and high-frequency CV measurements.

**3.3 Semiconductor Test Matrix:** Details a semiconductor test matrix that can be used to perform a variety of different tests on semiconductors such as FETs.

**3.4 Resistivity Measurements:** Covers methods to measure the resistivity of semiconductor samples using the van der Pauw method.

**3.5 Semiconductor Parameter Analysis:** Discusses using the Model 7172 in conjunction with an HP 4145B Semiconductor Parameter Analyzer.

### 3.2 CV MEASUREMENTS

The Model 7172 can be used in conjunction the Keithley Model 590 CV Analyzer, and the Keithley Model 595 Quasistatic CV Meter to perform quasistatic and high-frequency CV (capacitance vs. voltage) tests on semiconductors. The resulting CV curves can be used to calculate important semiconductor parameters such as doping profile, band bending, and mobile ion concentration.

#### 3.2.1 Stand Alone System Configuration

The stand alone system shown in Figure 3-1 can be used to make CV measurements without the aid of a com-

puter. System components perform the following functions.

**Model 590 CV Analyzer:** Measures CV data at 100kHz and 1MHz and sends the resulting data to the plotter for graphing.

**Model 595 Quasistatic CV Meter:** Measures quasistatic CV data and sends the data to the plotter for graphing in real time.

**Model 707 Switching Matrix:** Controls the semiconductor matrix card to close and open the desired crosspoints at the proper time.

**Model 7172 Low Current 8 × 12 Matrix Card:** Switches the signal pathways to the six wafers under test.

**HP-GL Plotter:** Plots CV and other curves directly from the Models 590 and 595.

#### 3.2.2 Computerized System Configuration

Figure 3-2 shows a computerized version of the CV matrix test system. The addition of a computer allows greater system versatility and easier instrument control. Also, analysis functions such as doping profile and ion concentration can be added to the software to expand CV analysis capabilities.

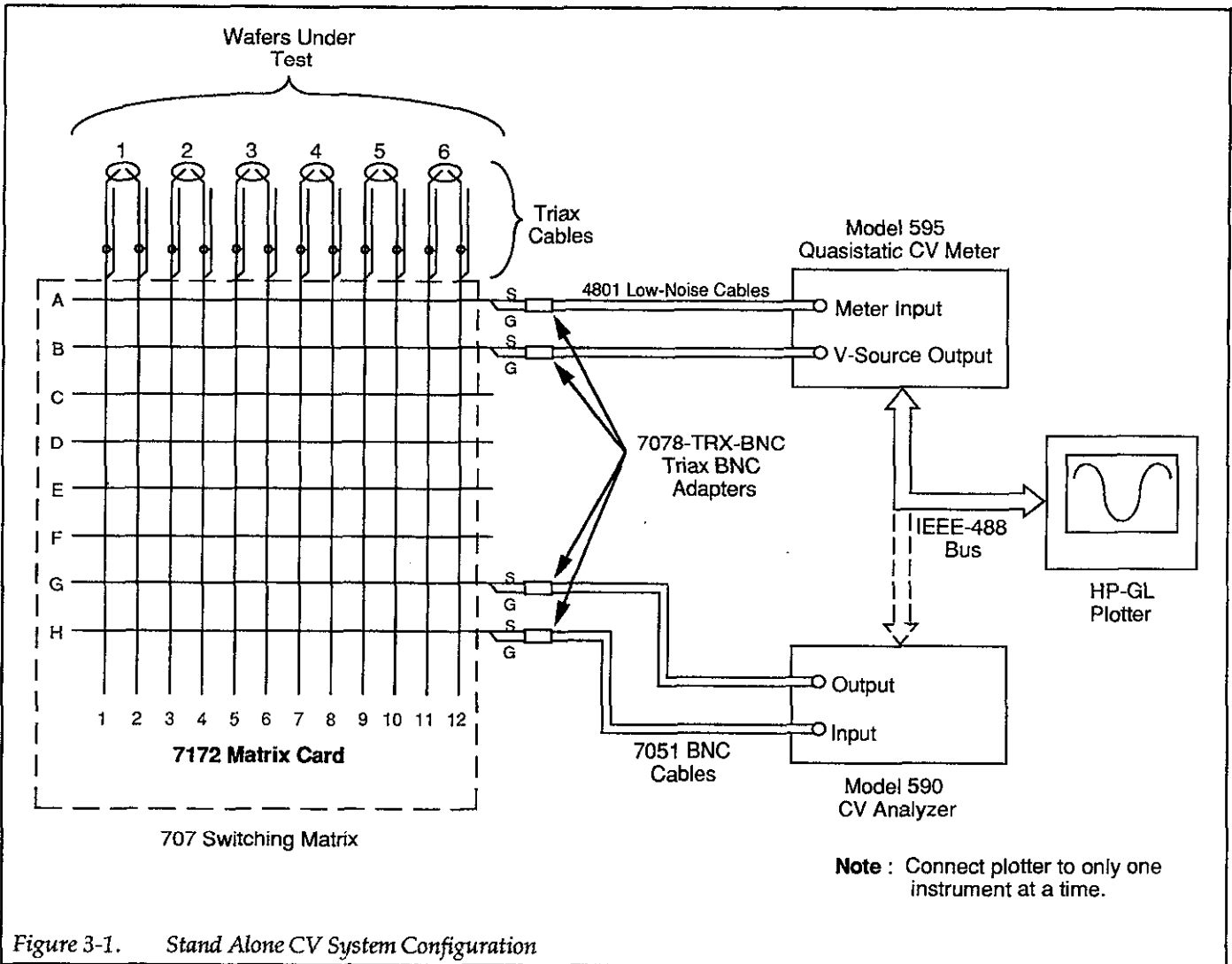


Figure 3-1. Stand Alone CV System Configuration



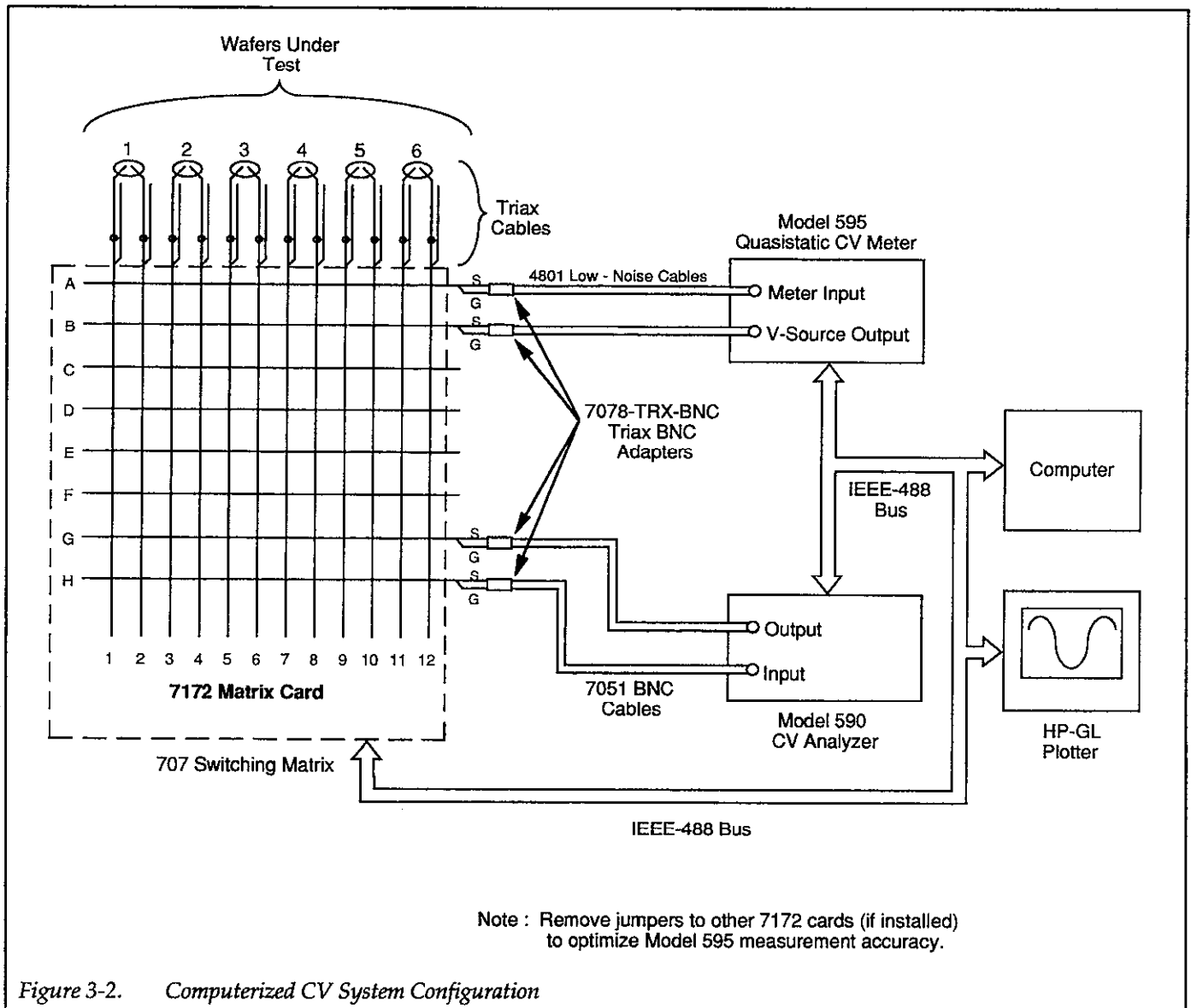


Figure 3-2. Computerized CV System Configuration

### 3.2.3 Optimizing CV Measurement Accuracy

For accurate CV measurements, each Model 590 CV measurement pathway must be cable corrected using the procedure outlined in the Model 590 Instruction Manual. The pathways to each DUT must be cable corrected separately.

Also, for best quasistatic CV results, the corrected capacitance feature of the Model 595 should be used. Corrected capacitance compensates for any leakage currents present in the cables, switching matrix, or test fixture. However, care must be taken when using corrected capacitance to ensure that the device remains in equilibrium throughout the test sweep to avoid distorting the CV curves.

In order to minimize the effects of the switching network on quasistatic CV measurements, cables to the Model 595 and DUT should be kept as short as possible.

### 3.2.4 Basic CV Test Procedure

The fundamental CV test procedure is outlined below. Keep in mind that this procedure does not address many considerations and aspects of CV testing, which is fairly complex. The procedure given is for the stand alone system in Figure 3-1. Detailed instrument operating information may be found in the pertinent instruction manuals.

1. Connect the HP-GL plotter to the IEEE-488 bus connector of the Model 595 only.
2. Set up the Model 595 for the expected CV sweep.
3. Close the crosspoints necessary to connect the Model 595 to the device under test, as summarized in Table 3-1. For example, to test device #1, close A1 and B2.

4. Place the probes down on the wafer test dots.
5. Run a quasistatic sweep on the selected device and generate a CV curve.
6. Open the crosspoints that are presently closed.
7. Set up the Model 590 for the expected CV sweep.
8. Close the crosspoints necessary to connect the Model 590 to the device under test. For example, to test device #1, close G1 and H2.
9. Run a high-frequency test sweep on the device to store the CV data in the Model 590 buffer.
10. Disconnect the plotter from the Model 595 and connect it to the Model 590.
11. Generate a plot from the data in the Model 590 buffer.
12. Repeat steps 2 through 11 for the remaining devices, as required.

Table 3-1. CV Test Crosspoint Summary

Wafer #	Closed Crosspoints	
	Quasistatic (595)	High Frequency (590)
1	A1, B2	G1, H2
2	A3, B4	G3, H4
3	A5, B6	G5, H6
4	A7, B8	G7, H8
5	A9, B10	G9, H10
6	A11, B12	G11, H12

### 3.2.5 Typical CV Curves

Figure 3-3 and Figure 3-4 show typical CV curves as generated by the Models 595 and 590 respectively. The quasistatic curve shows a fair amount of symmetry, while the the high-frequency curve is highly asymmetrical. The asymmetrical nature of the high-frequency curve results from the inability of the minority carriers to follow the high-frequency test signal.

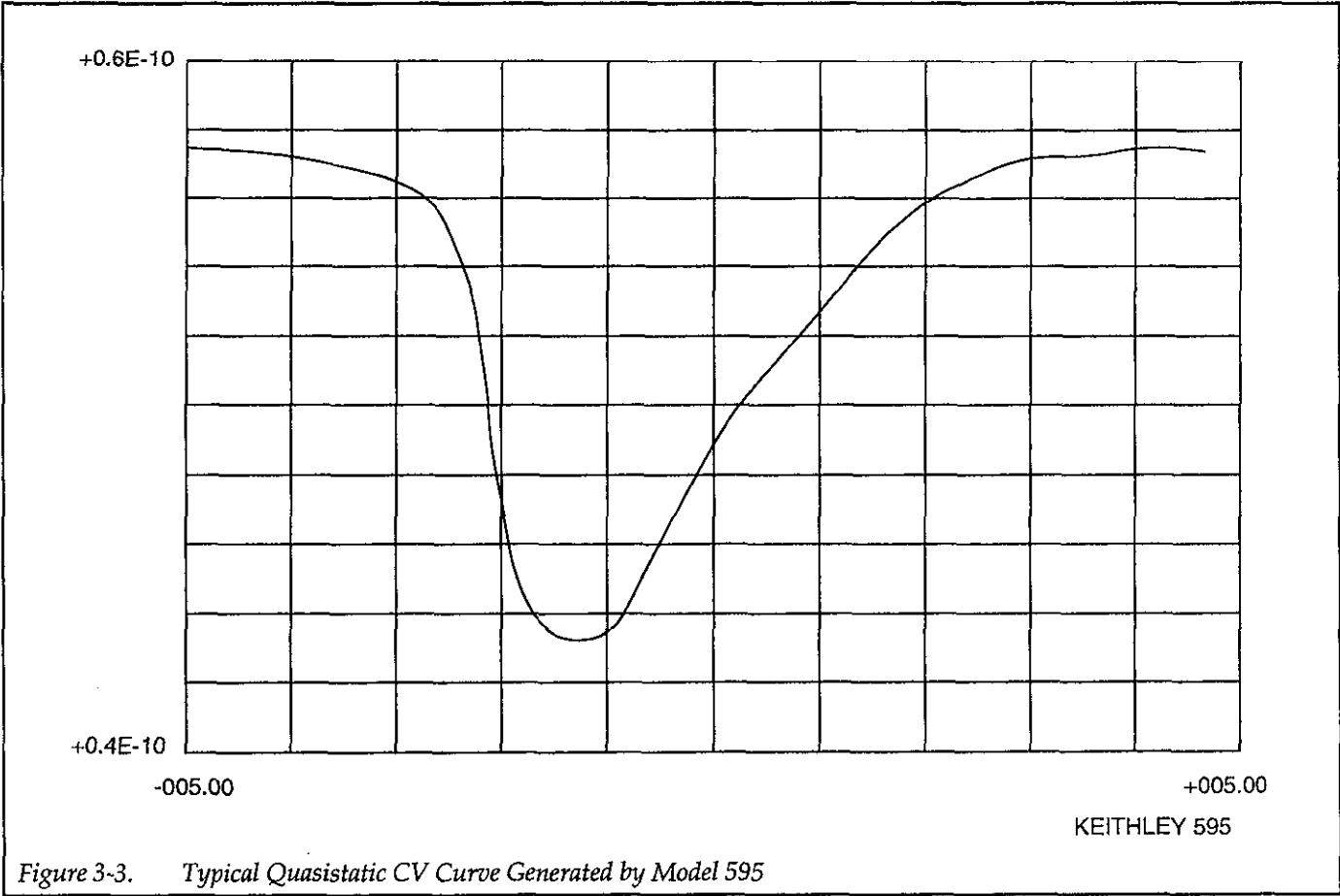
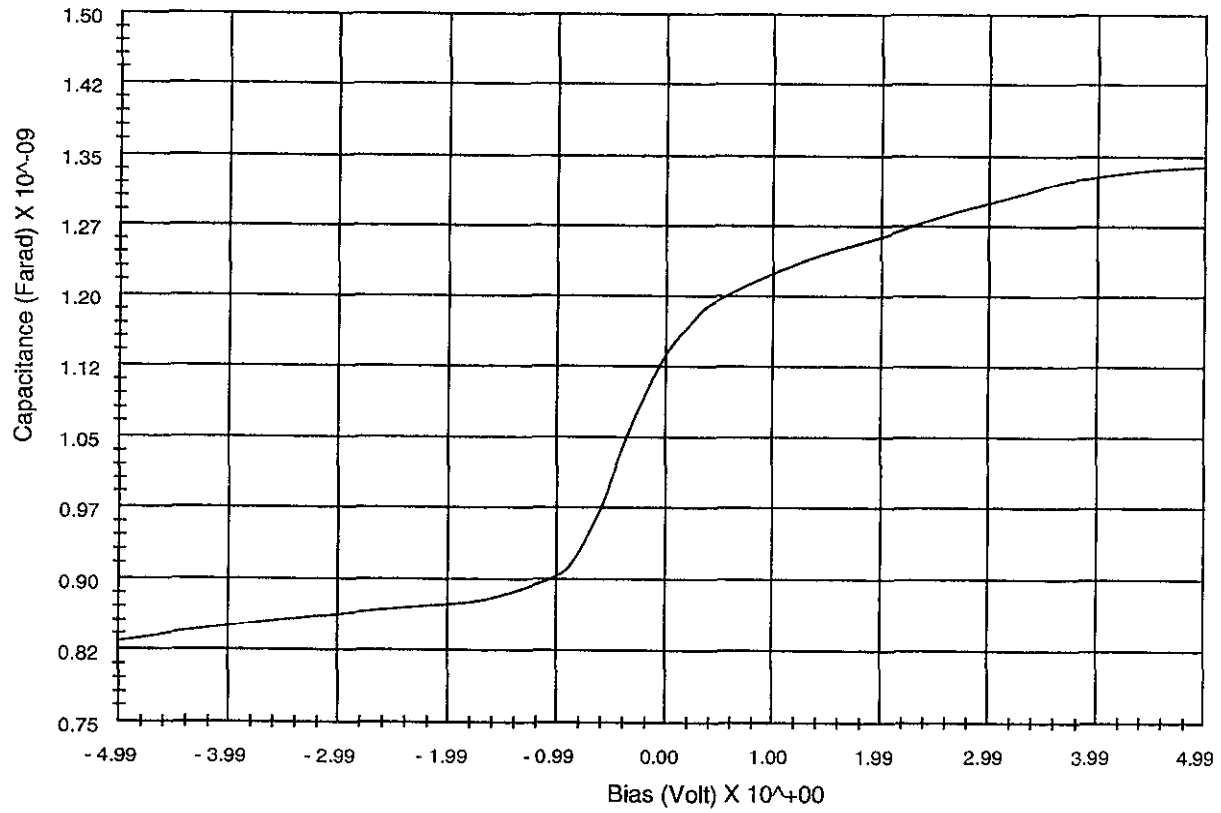


Figure 3-3. Typical Quasistatic CV Curve Generated by Model 595



Keithley 590: 00: 00: 10: 500 100KHz X1 Filter ----- Parallel

Figure 3-4. Typical High-frequency CV Curve Generated by Model 590

### 3.3 SEMICONDUCTOR TEST MATRIX

Two important advantages of a matrix switching system are the ability to connect a variety of instruments to the device or devices under test, as well as the ability to connect any instrument terminal to any device test node. The following paragraphs discuss a typical semiconductor matrix test system and how to use that system to perform a typical test: common-source characteristic testing of a typical JFET.

#### 3.3.1 System Configuration

Figure 3-5 shows the configuration for a typical multi-purpose semiconductor test matrix. Instruments in the system perform the following functions.

**Model 617 Electrometer/Source:** Measures current, and also could be used to measure voltages up to  $\pm 200$ VDC. The DC voltage source can supply a maximum of  $\pm 100$ V at currents up to 2mA.

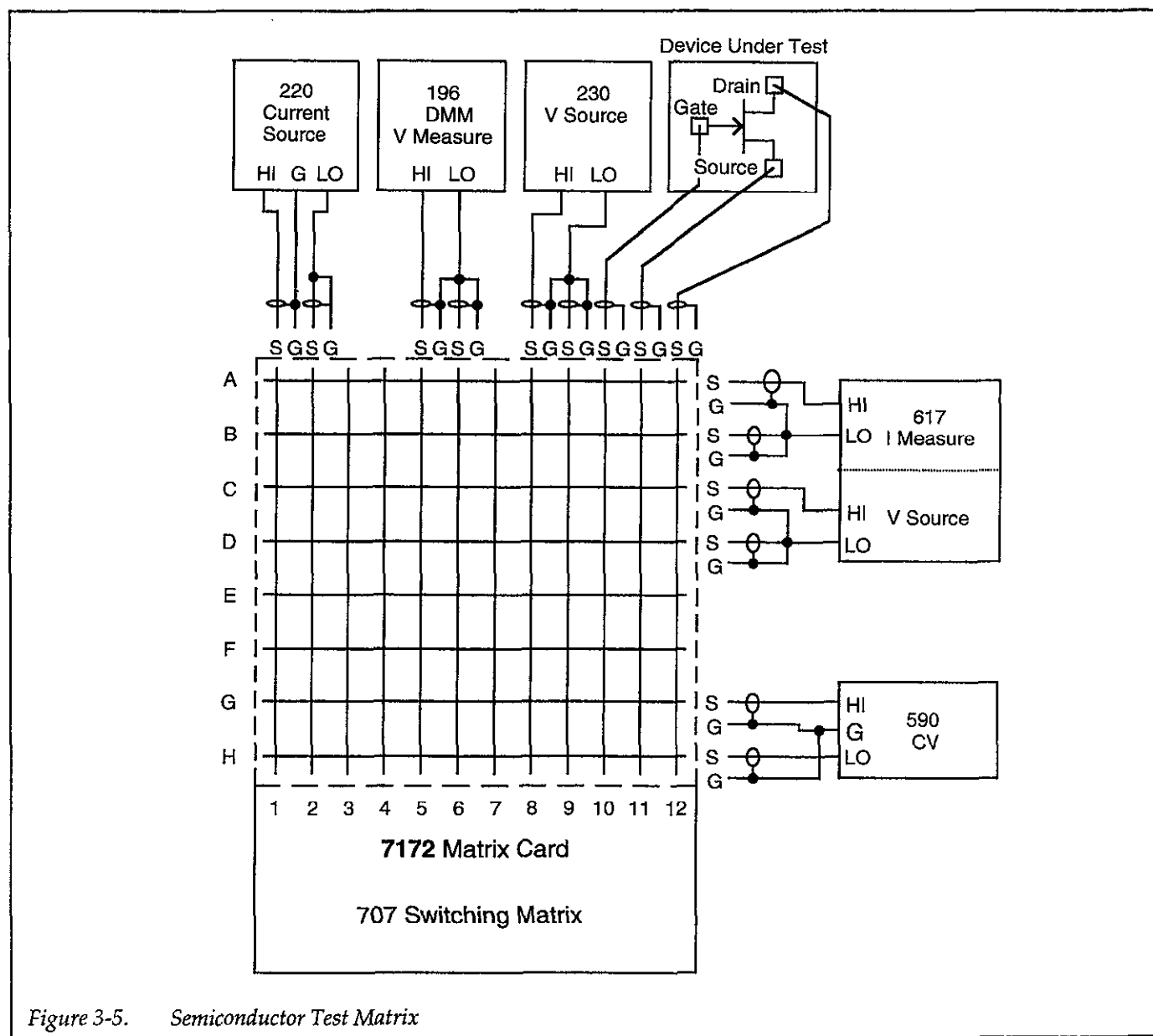


Figure 3-5. Semiconductor Test Matrix

**Model 230 Voltage Source:** Sources DC voltages up to  $\pm 101V$  at a maximum current of 100mA.

connections could easily be added to test more complex devices, as required.

**Model 590 CV Analyzer:** Adds CV sweep measurement capability to the system.

### 3.3.2 Testing Common-Source Characteristic of FETs

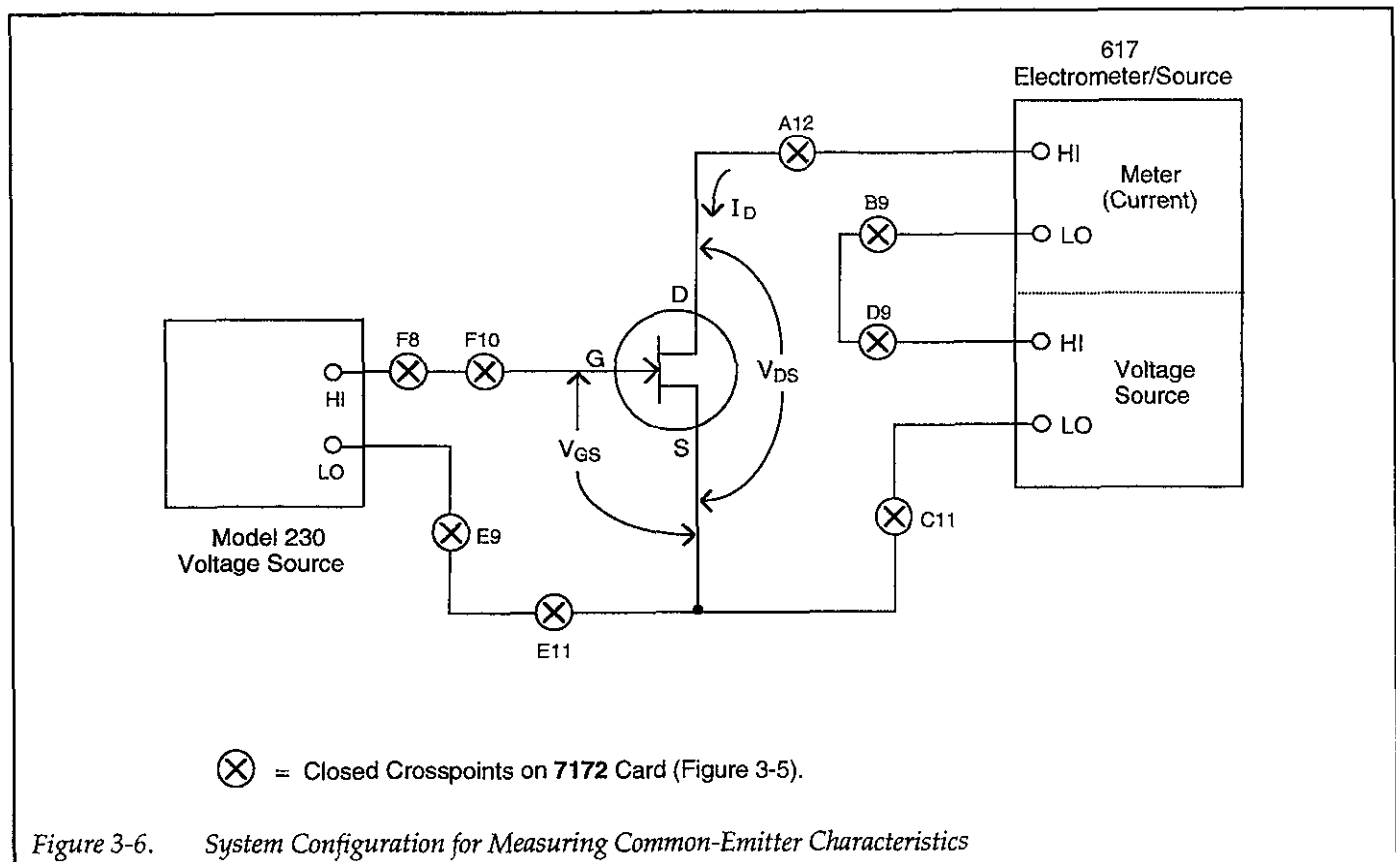
**Model 220 Current Source:** Used to source currents up to a maximum of 101mA with a maximum compliance voltage of 105V.

The system shown in Figure 3-5 could be used to test a variety of characteristics including  $I_{GSS}$ ,  $I_{D(OFF)}$ ,  $I_{G(ON)}$ ,  $I_{DSS}$ , and  $V_{DS(OFF)}$ . To demonstrate a practical use for the system, we will show how it can be used to generate common source characteristic curves of a particular JFET.

**Model 196 DMM:** Measure DC voltages in the range of 100nV to 300V. The Model 196 could also be used to measure resistance in certain applications.

In order to generate these curves, the instruments must be connected to the JFET under test, as shown in Figure 3-6. The advantage of using the matrix is, of course, that it is a simple matter of closing specific crosspoints. The crosspoints that must be closed are also indicated on the diagram.

**Device Under Test:** A three-terminal fixture for testing such devices as bipolar transistors and FETs. Additional



To run the test,  $V_{GS}$  is set to specific values, for example in increments of 0.25V. At each  $V_{GS}$  value, the drain-source voltage ( $V_{DS}$ ) is stepped across the desired range, and the drain current,  $I_D$ , is measured at each value of  $V_{DS}$ . Once all data are compiled, it is a simple matter to generate the common-source IV curves, an example of which is shown in Figure 3-7. If the system is connected to a computer, the test and graphing could all be done automatically.

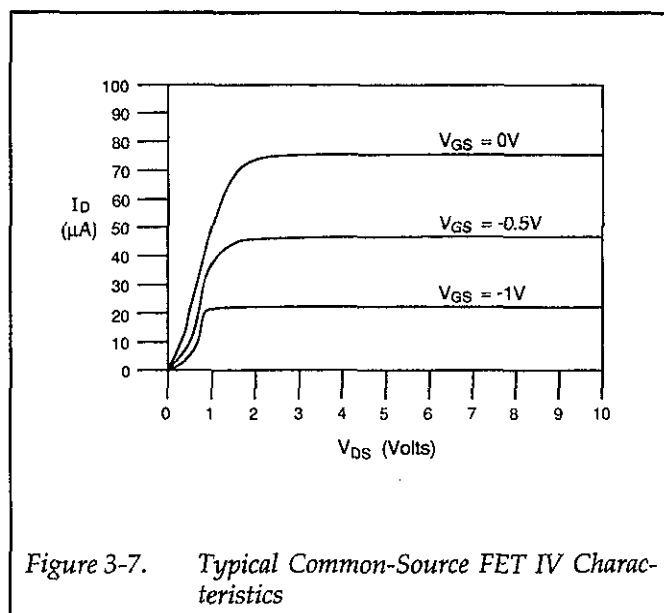


Figure 3-7. Typical Common-Source FET IV Characteristics

### 3.4 RESISTIVITY MEASUREMENTS

The Model 7172 Low Current  $8 \times 12$  Matrix Card can be used in conjunction with a Model 220 Current Source and a Model 196 DMM to perform resistivity measurements

on semiconductors. Such measurements can yield such important information as doping concentration.

#### 3.4.1 Test Configuration

Figure 3-8 shows the basic test configuration to make resistivity measurements on van der Pauw samples. The Model 220 sources current through the samples, while the Model 196 measures the voltage developed across the samples. The matrix card, of course, switches the signal paths as necessary. In order to minimize sample loading, which will reduce accuracy, the Model 196 DMM should be used only on the 300mV or 3V ranges. Also, this configuration is not recommended for resistance measurements above  $1M\Omega$  due to the accuracy-degrading effects of DMM loading.

#### 3.4.2 Test Procedure

In order to make van der Pauw resistivity measurements, four terminals of a sample of arbitrary shape are measured. A current (from the Model 220) is applied to two terminals, while the voltage is measured (by the Model 196) across the two opposite terminals, as shown in Figure 3-9. A total of eight such measurements on each sample are required, with each possible terminal and current convention. The resulting voltages are designated V1 through V8.

In order to source current into and measure the voltage across the sample, specific crosspoints must be closed. Table 3-2 summarizes the crosspoints to close for each voltage measurement on all three samples from the test configuration shown in Figure 3-8.

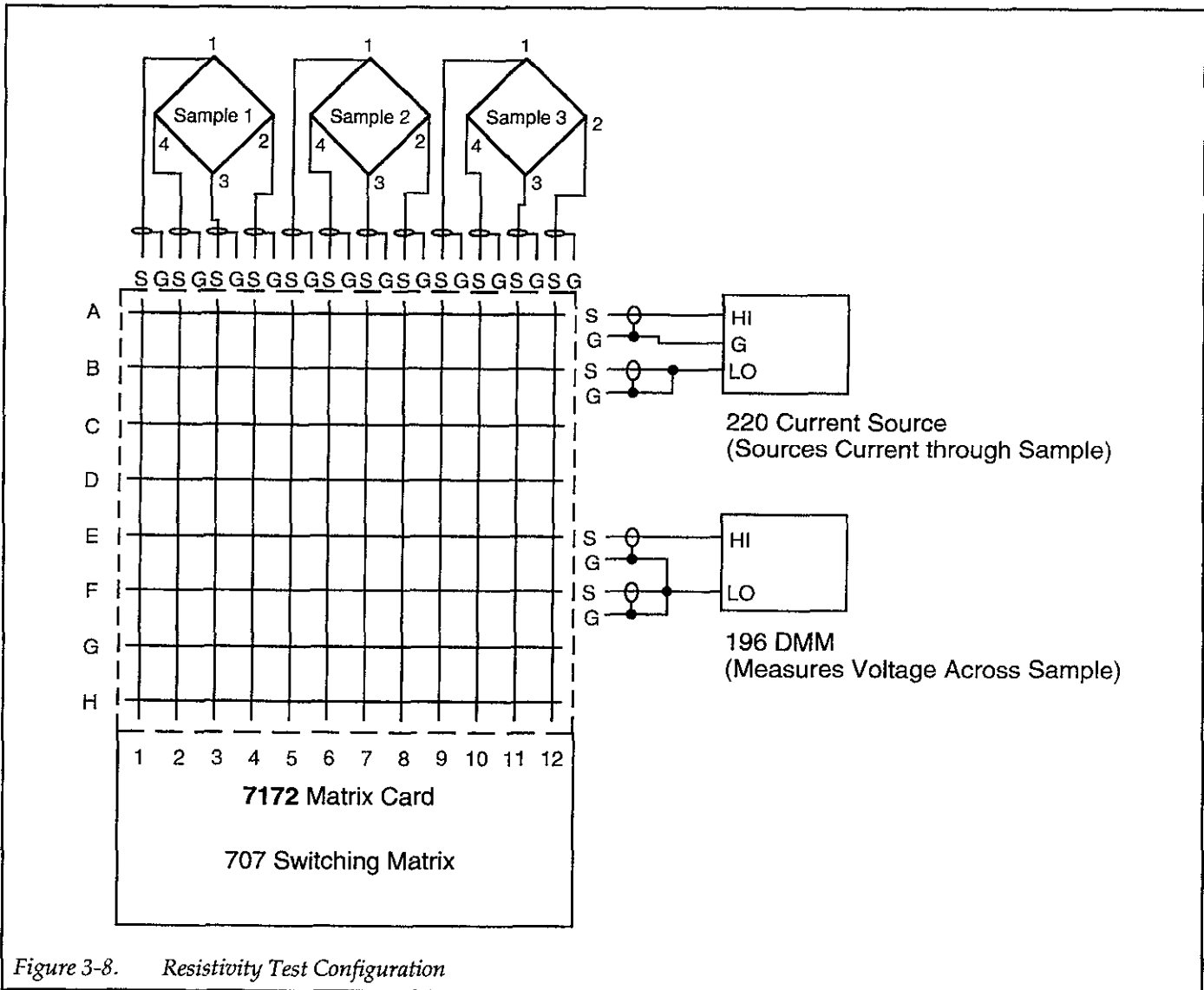


Figure 3-8. Resistivity Test Configuration

Table 3-2. Crosspoint Summary for Resistivity Measurements

Voltage	Crosspoint Closed												Current Between	Voltage Between
	Sample #1				Sample #2				Sample #3					
V <sub>1</sub>	A1	B4	E3	F2	A5	B9	E7	F6	A9	B12	E11	F10	1-2	3-4
V <sub>2</sub>	A4	B1	E3	F2	A8	B5	E7	F6	A12	B9	E11	F10	2-1	3-4
V <sub>3</sub>	A4	B3	E2	F1	A8	B7	E6	F5	A12	B11	E10	F9	2-3	4-1
V <sub>4</sub>	A3	B4	E2	F1	A7	B8	E6	F5	A11	B12	E10	F9	3-2	4-1
V <sub>5</sub>	A3	B2	E1	F4	A7	B6	E5	F8	A11	B10	E9	F12	3-4	1-2
V <sub>6</sub>	A2	B3	E1	F4	A6	B7	E5	F8	A10	B11	E9	F12	4-3	1-2
V <sub>7</sub>	A2	B1	E4	F3	A6	B5	E8	F7	A10	B9	E12	F11	4-1	2-3
V <sub>8</sub>	A1	B2	E4	F3	A5	B6	E8	F7	A9	B10	E12	F11	1-4	2-3



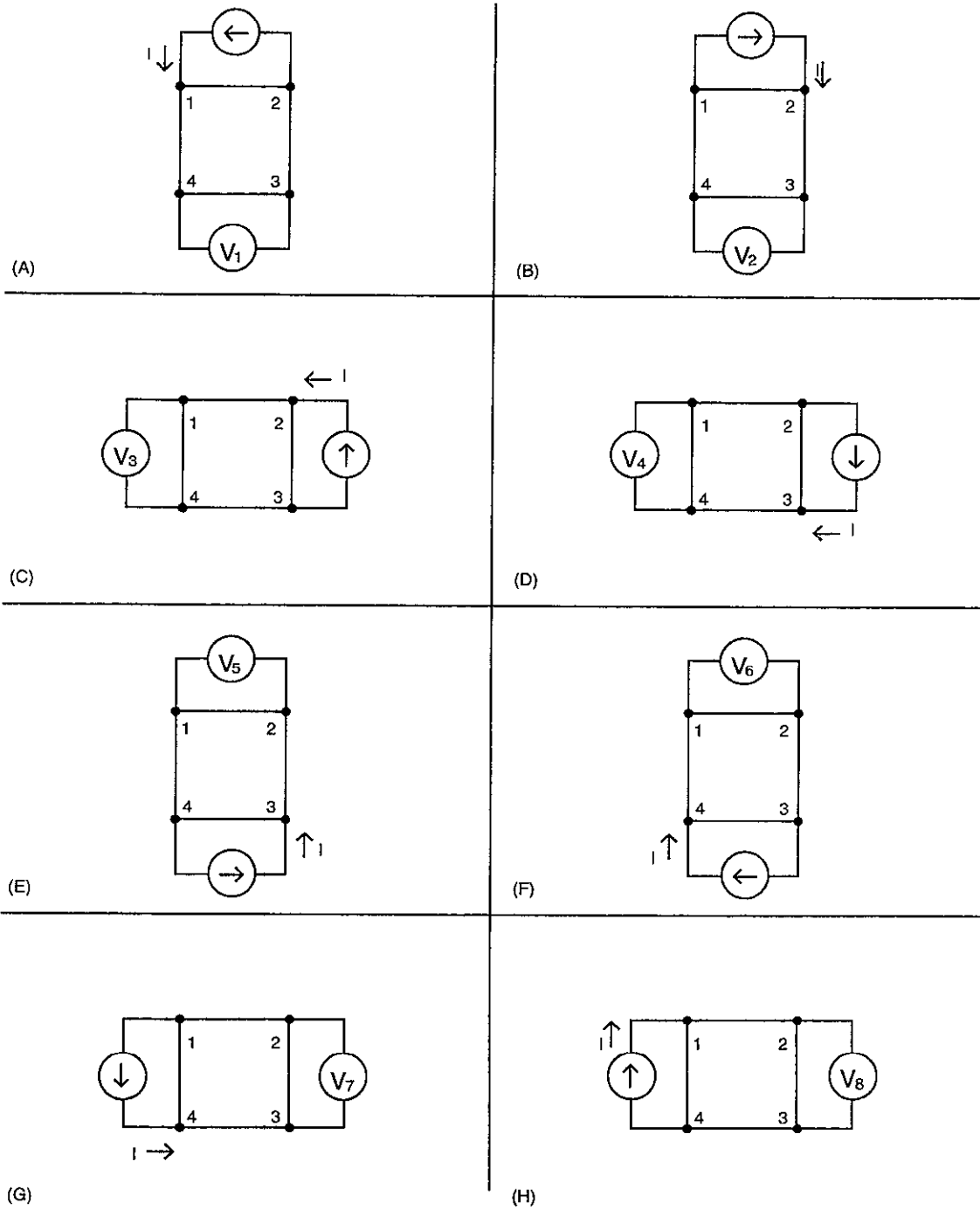


Figure 3-9. Resistivity Measurement Conventions

### 3.4.3 Resistivity Calculations

Once the eight voltage measurements are known, the resistivity can be calculated. Two values of resistivity,  $\rho_A$  and  $\rho_B$  are initially computed as follows:

$$\rho_A = \frac{1.1331 f_A t_s (V_2 + V_4 - V_1 - V_3)}{I}$$

$$\rho_B = \frac{1.1331 f_B t_s (V_6 + V_8 - V_5 - V_7)}{I}$$

Where:  $\rho_A$  and  $\rho_B$  are the resistivities in  $\Omega\text{-cm}$   
 $t_s$  is the sample thickness in cm  
 $V_1$  through  $V_8$  are the voltages measured by the Model 196  
 $I$  is the current through the sample in amperes  
 $f_A$  and  $f_B$  are geometrical factors based on sample symmetry ( $f_A = f_B = 1$  for perfect symmetry).

Once  $\rho_A$  and  $\rho_B$  are known, the average resistivity,  $\rho_{AVG}$ , can be determined as follows:

$$\rho_{AVG} = \frac{\rho_A + \rho_B}{2}$$

## 3.5 Semiconductor IV Characterization

A source measure unit such as the Model 236, 237, or 238 is used to test and characterize many types of devices. One of these is semiconductor devices. The following paragraphs explain the basic scheme and connections used to generate an IV curve of a bipolar or MOS transistor. Figure 3-10 shows FET devices connected in a test fixture.

### 3.5.1 Test Configuration

Rows A and B are used to switch the Model 237 Source Measure Unit; rows C and D are used for the Model 236.

### CAUTION

To prevent card damage, do not exceed the 200 volt maximum rating of the Model 7172 when switching the Model 237, which is capable of sourcing up to 1100 volts.

At the test fixture, the drain and source leads of the FETs are connected in a 4-wire sensing configuration. This connection scheme allows the Model 237 to use remote sensing to accurately apply  $V_{ds}$  to the FETs. The Model 236 uses local sensing and is used to supply the bias to the gates of the FETs. Since the gates are low current, remote sensing is not necessary.

If more DUT pins are needed, the system is easily expanded by adding more Model 7172 matrix cards. Each additional card will add 12 columns to the system.

### 3.5.2 Cable Connections

Source Measure Unit and test fixture connections to the matrix card are accomplished using Model 7078-TRX. These are three slot triax cables. On each Source Measure Unit, the banana jack (5-way binding post) is used to access OUTPUT LO. This connection is made using a Model 237-BAN-3 or using the information in Figure 2-4. This allows OUTPUT LO to be applied to a signal pathway and independently switched. The guard pathways of the matrix cards are used exclusively to extend the driven guards of the Source Measure Units to the DUT to eliminate the effects of leakage current.

## 3.6 SEMICONDUCTOR PARAMETER ANALYSIS

One or more Model 7172 Low Current  $8 \times 12$  Matrix Cards can be used in conjunction with an HP 4145B Semiconductor Parameter Analyzer (SPA) to provide a versatile switching system capable of complete DC characterization of semiconductors. The following paragraphs discuss system configuration, connections using the 7078-CSHP Cable Set, and SPA measurement considerations.

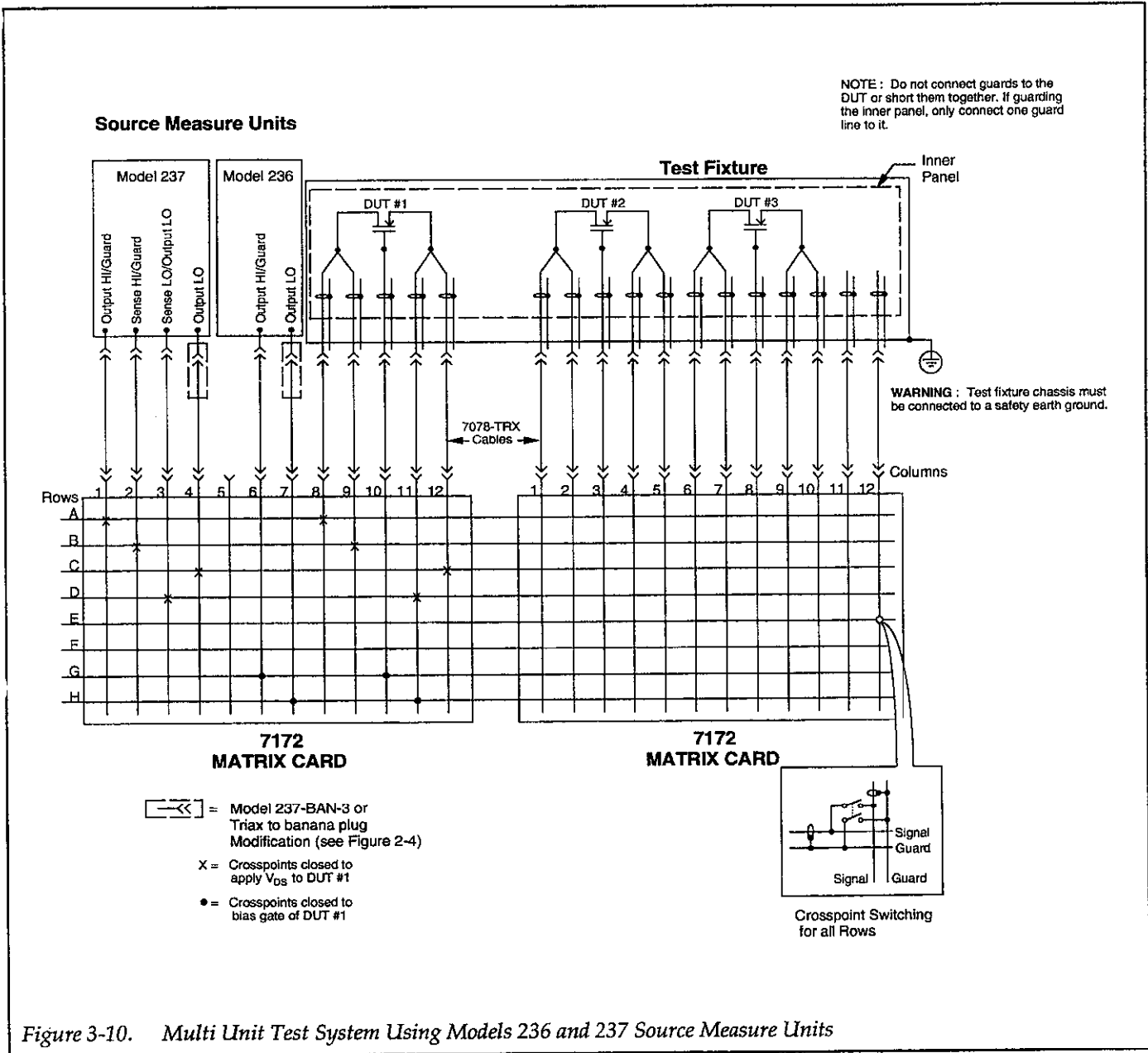
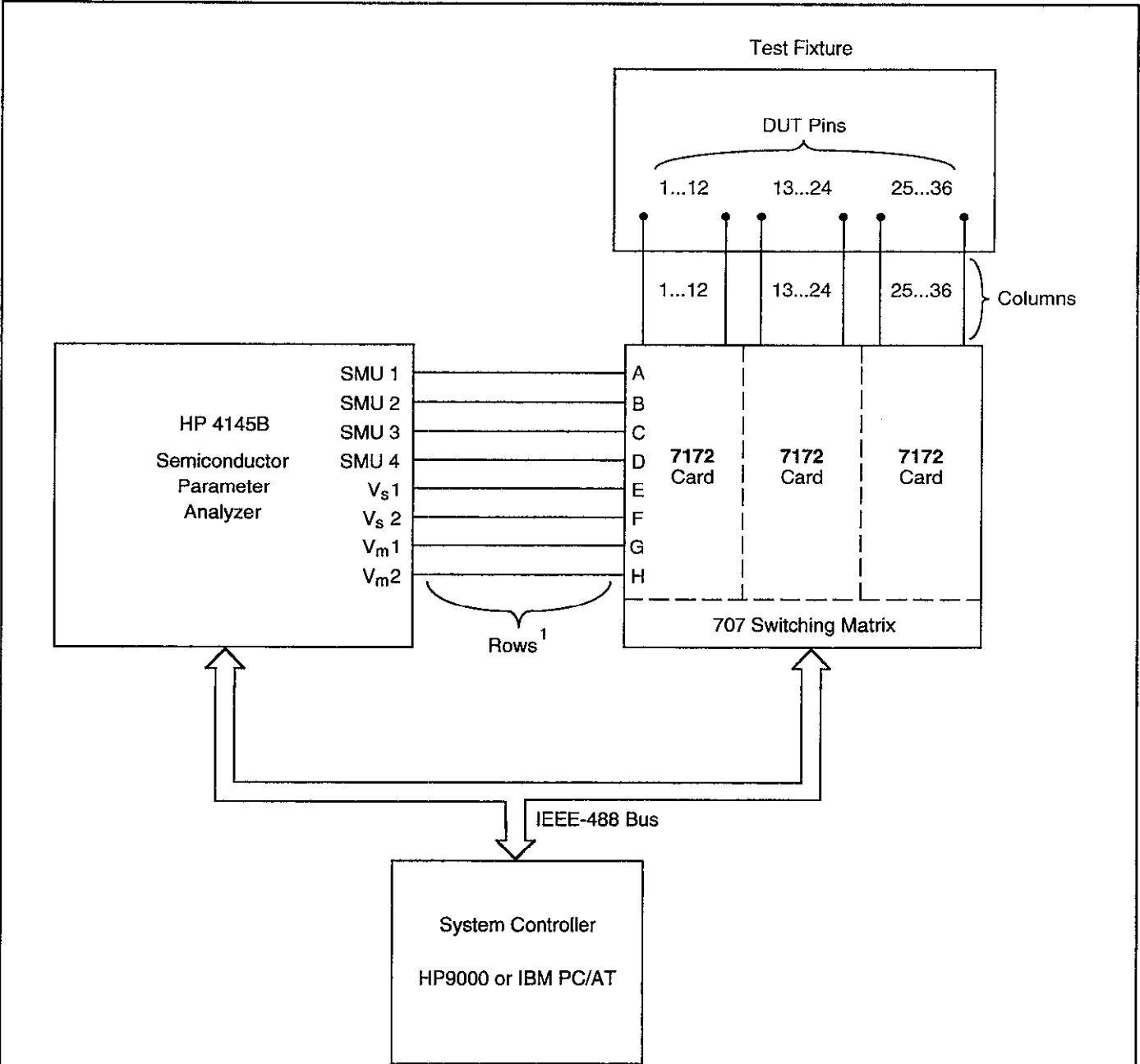


Figure 3-10. Multi Unit Test System Using Models 236 and 237 Source Measure Units

### 3.6.1 System Configuration

Figure 3-11 shows the general configuration of the SPA switching system. The components of the system perform the following functions:

**HP 4145B:** Has four SMUs (Source/Measure Units), two voltage sources, and two voltage measurement ports. The unit can automatically run a variety of tests on semiconductors and plot data on a built-in CRT.



**Note :** Connecting cables included in 7078-CSHP cable set

Figure 3-11. Semiconductor Parameter Analysis Switching System

**Model 707 Switching Matrix:** Controls the matrix card to open and close signal paths as required.

**Model 7172 Low Current 8 × 12 Matrix Card:** Switches the test pathways to the device under test. In this particular application, three Model 7172 cards provide 36-pin test capability. A total of six cards can be installed in a single mainframe, providing up to 72-pin capability in one mainframe.

**System Controller:** Controls the SPA and switching matrix with user-written software. Typical controllers for this application are HP 9000 Series 200 or 300 (with HP-IB interface), and IBM PC, AT or compatible computers (equipped with an IEEE-488 interface).

**Test Fixture:** Provides the interface between the device under test and the matrix card. Typically, the test fixture will be equipped with triax connectors for ease of connections.

### 3.6.2 Cable Connections

Figure 3-12 shows how to connect the HP 4145B to the Model 7172 using the optional Keithley Model 7078-CSHP Cable Set. The four SMU ports are to be connected with the triax cables (7078-TRX-10), while the two voltage source and voltage measurement ports ( $V_s$  and  $V_m$ ) are to be connected using BNC cables (7051-10) and triax-BNC adapters (7078-TRX-BNC). Typically, the SPA will be connected to the rows, as shown in Figure 3-12.

Connections to a user-supplied test fixture should be made using triax cables in order to maintain path integrity and safety. BNC cables and adapters should not be used in case hazardous potential appears on guard terminals.

### 3.6.3 SPA Measurement Considerations

A complete discussion of SPA measurements is well beyond the scope of this manual. However, there are a few points that should be kept in mind when using this arrangement. Additional measurement considerations may be found in Section 2, paragraph 2.7 of this instruction manual.

Any switching system can degrade low-level signals, and the same holds true for the system shown in Figure 3-10.

Safety considerations are also a concern when connecting instruments to a switching matrix. Therefore, it is strongly recommended that you carefully read the HP 4145B manual before using the system.

#### WARNING

**Hazardous voltage may be present on the outer conductors of the connecting cables when the HP 4145B is set up for floating measurements.**

### 3.6.4 Typical Test Procedure

The following paragraphs outline the procedure for using the SPA/matrix system to perform a typical test:  $V_{DS}$ - $I_D$  (common-source) curves of a typical JFET. The procedure uses one of the four standard setups that are part of the applications package supplied with the HP 4145B.

#### System Configuration

Figure 3-13 shows the configuration and connections for this example. Only three of the four SMUs are required for the test, as indicated in the figure. A total of four FETs can be connected to a single card, as shown on the diagram. In all cases, triax cabling should be used. The crosspoints to close to test a specific FET are summarized in Table 3-3.

**Table 3-3. Crosspoint Summary for JFET Test**

JFET Tested	Crosspoints Closed* (Source, Gate, Drain)
1	A2, C1, B3
2	A5, C4, B6
3	A8, C7, B9
4	A11, C10, B12

\*Crosspoints from Figure 3-13.

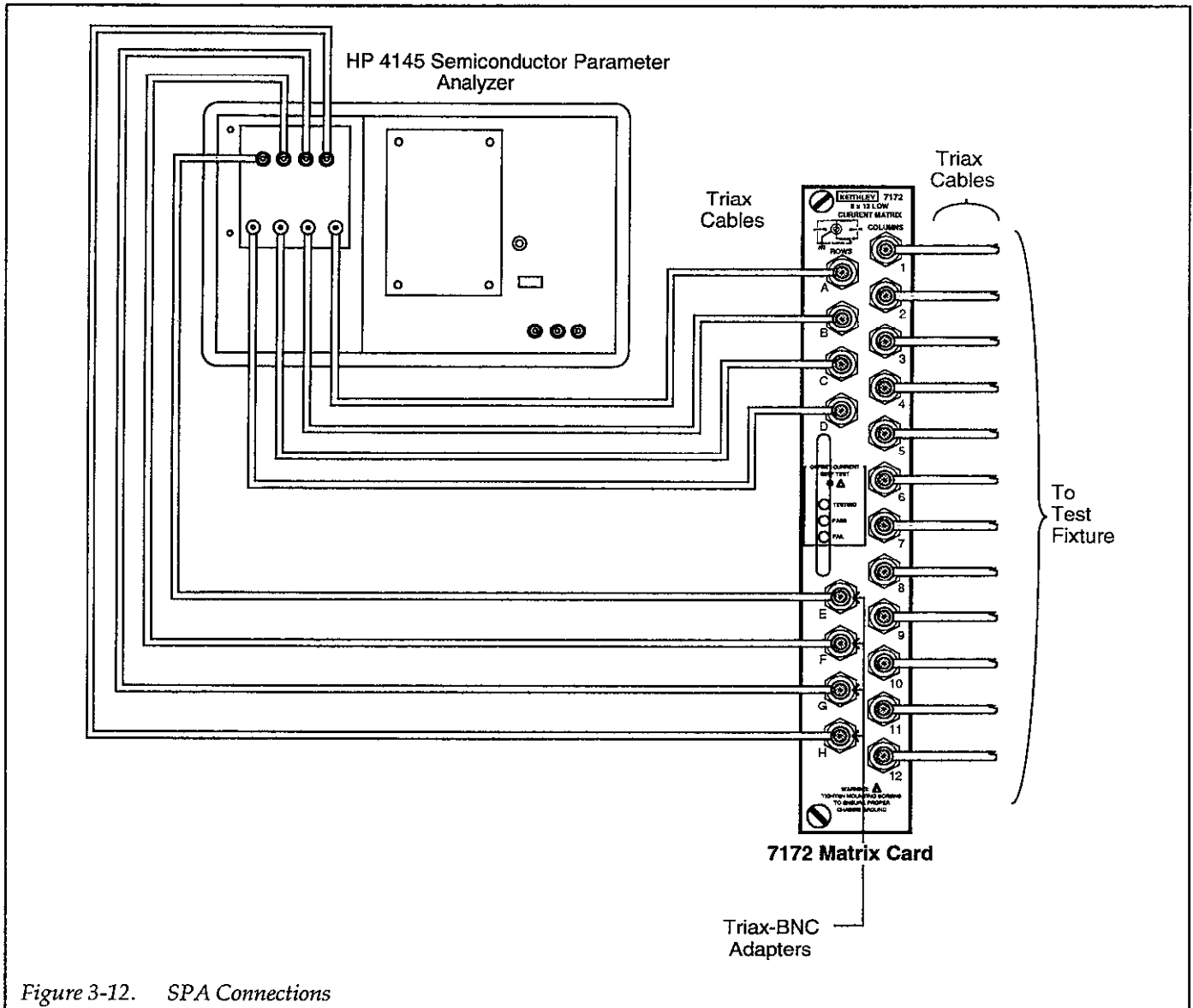


Figure 3-12. SPA Connections

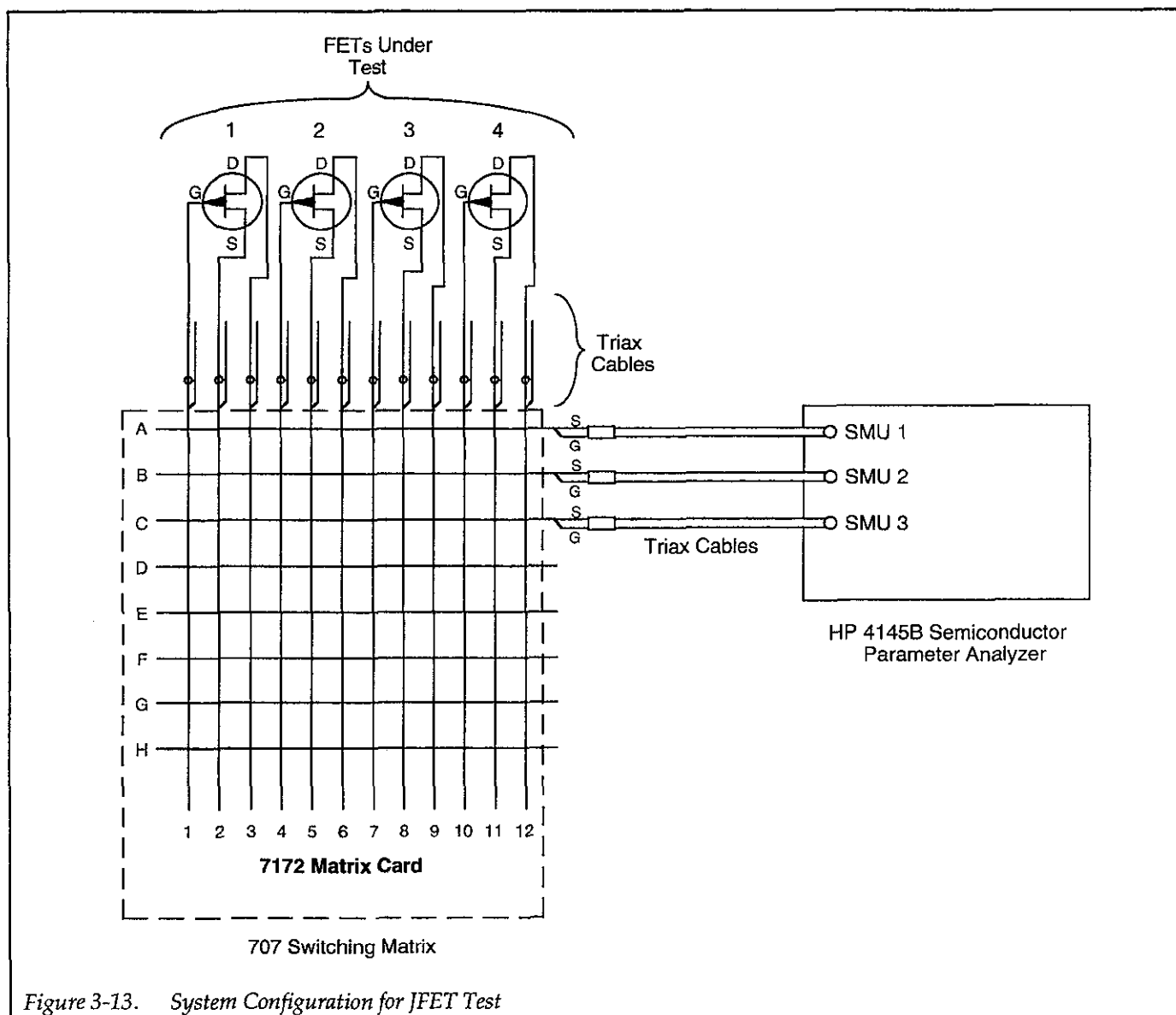


Figure 3-13. System Configuration for JFET Test

### Procedure

1. Connect the system and devices together, as shown in Figure 3-13.
2. Turn on the HP 4145B and allow it to go through its boot-up routine.
3. Turn on the Model 707 Switching Matrix.
4. From the HP 4145B main menu, select the channel definition page, then choose the FET  $V_{DS}$ - $I_D$  application.
5. Press the PAGE NEXT key, and program the source parameters, as required.
6. Press the PAGE NEXT key, and program the required graphing parameters.
7. Press the PAGE NEXT key to display the graph format.
8. From the front panel of the Model 707, close the crosspoints necessary to connect the FET being tested to the SMUs (see Table 3-3).
9. Press the MEASUREMENT SINGLE key to initiate the sweep. The SPA will generate the  $I_D$  vs.  $V_{DS}$  curves at specified  $V_{GS}$  values.
10. Open the crosspoints presently closed.
11. Repeat steps 8 and 9 for the remaining devices, as required.

Typical Plot

Figure 3-14 shows a typical plot made using the procedure above. The device tested was a 2N4392 N-channel

JFET. For the graphs,  $V_{DS}$  was swept from 0V to 10V in 0.1V increments, and  $V_{GS}$  was stepped from 0 to -10.25V.

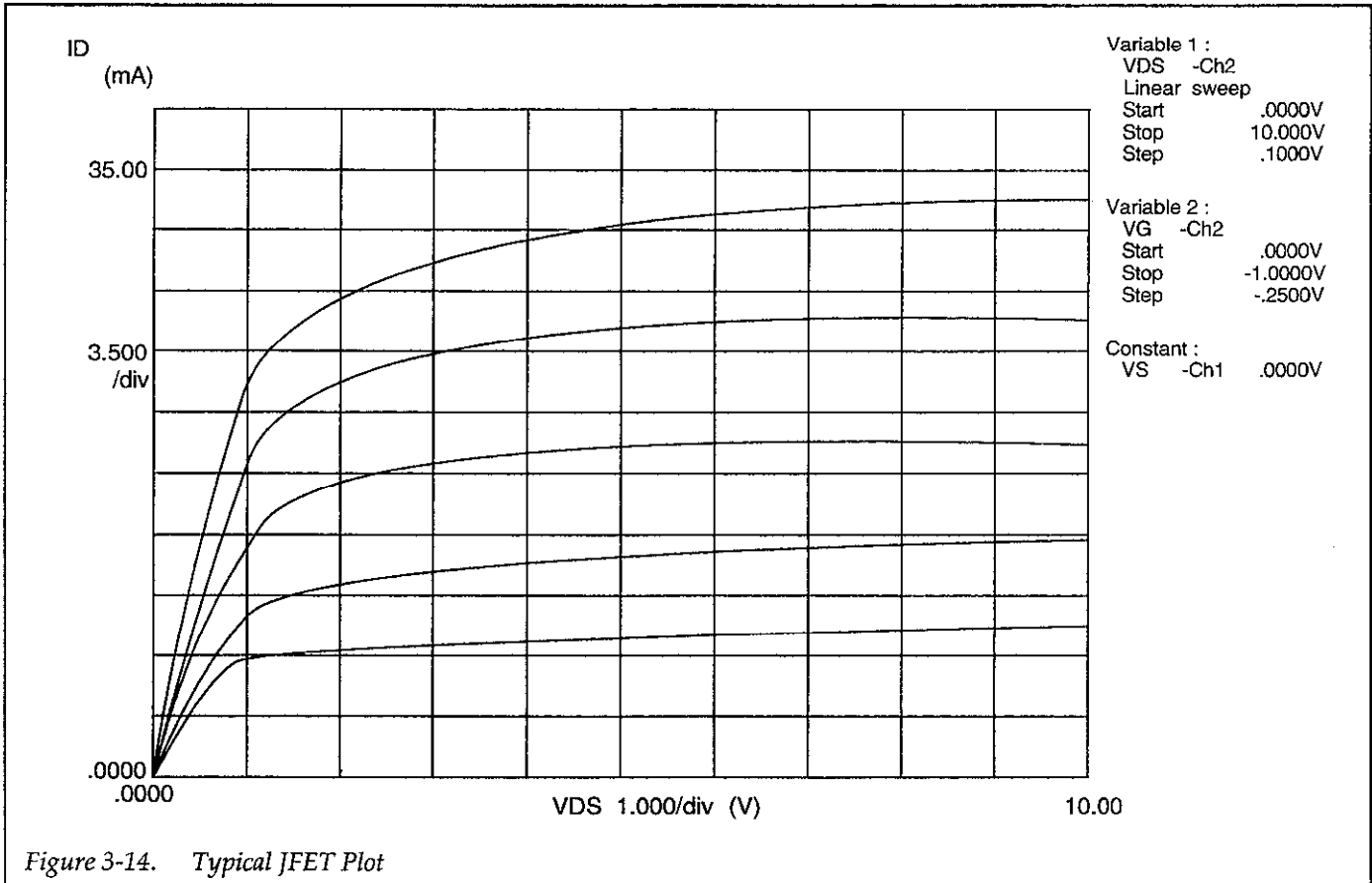


Figure 3-14. Typical JFET Plot



## REFERENCES

---

ASTM, F76-84. "Standard Method of Measuring Hall Mobility and Hall Coefficient in Extrinsic Semiconductor Single Crystals." Annual Bk. ASTM Stds., 1986: 10.05 155.

Coyle, G. et al. Switching Handbook, 2nd edition. Keithley Instruments Inc., Cleveland, (1989).

Nicollian, E.H. and Brews, J.R. MOS Physics and Technology, Wiley, New York (1982).

Sze, S.M. Physics of Semiconductor Devices, 2nd edition. Wiley, New York (1985).

Van der Pauw, L.J. "A Method of Measuring Specific Resistivity and Hall Effects of Discs of Arbitrary Shape." Philips Rec. Repts., 1958: 13 1.

Operation and Service Manual, Model 4145A Semiconductor Parameter Analyzer, Yokogawa-Hewlett-Packard Ltd, Tokyo, Japan (1982).

# SECTION 4

## Service Information

### 4.1 INTRODUCTION

This section contains information necessary to service the Model 7172 Low Current 8 × 12 Matrix Card and is arranged as follows:

**4.2 Handling and Cleaning Precautions:** Discusses handling precautions and methods to clean the card should it become contaminated.

**4.3 Offset Current Self-test:** Describes a confidence test of the offset currents on the Model 7172.

**4.4 Performance Verification:** Covers the procedures necessary to determine if the card is operating properly.

**4.5 Special Handling of Static-Sensitive Devices:** Reviews precautions necessary when handling static-sensitive devices.

**4.6 Troubleshooting:** Presents some troubleshooting tips for the Model 7172.

**4.7 Principles of Operation:** Briefly discusses circuit operation.

### 4.2 HANDLING AND CLEANING PRECAUTIONS

Because of the high-impedance circuits on the Model 7172, care should be taken when handling or servicing the card to prevent possible contamination. The following precautions should be taken when servicing the card.

1. Handle the card only by the edges and handle (do not touch the edge connectors). Do not touch any board surfaces or components not associated with the repair.
2. Do not store or operate the card in an environment where dust could settle on the circuit board. Use dry nitrogen gas to clean dust off the board if necessary.
3. When making repairs on the circuit board, use aqua core solder and OA-based (organic activated) flux. Use warm water along with clean cotton swabs or a clean, soft brush to remove the flux. Take care not to spread the flux to other areas of the circuit board.

Once the flux has been removed, blow dry the board with dry nitrogen gas.

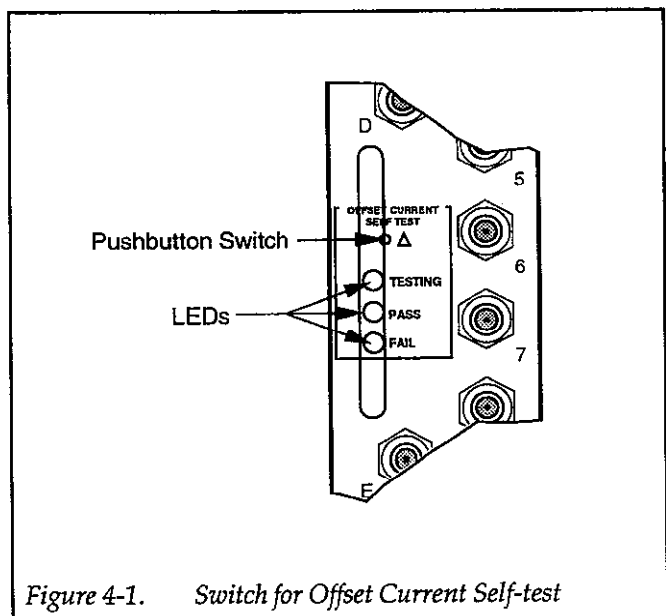
4. After cleaning, the card should be placed in a 50°C low-humidity environment for several hours before use.

### 4.3 OFFSET CURRENT SELF-TEST

The Model 7172 has an on-board electrometer circuit that measures offset current and gives you a pass/fail indication. This measurement is a confidence test only.

With this self-test, you can locate contaminated triax connectors, a common cause of excessive offset current. Use the offset current verification procedure of paragraph 4.4.3 to locate a contaminated area of the PC board, or a leaky relay.

The on-board measurement is performed whenever you press the switch marked **OFFSET CURRENT SELF TEST**, as shown in Figure 4-1. The test continues until you press the switch a second time (push-on/push-off actuation).



After the OFFSET CURRENT SELF TEST switch is pressed, the yellow LED marked TESTING lights. This closes a relay to connect an electrometer circuit to Row H and begins measuring the offset current. After approximately 40 seconds, a comparator portion of the circuit turns on the green (PASS) or red (FAIL) LED. If the test passes, the offset current is below 500fA.

If a crosspoint is closed after the test has run, the red or green LED will go out and the electrometer circuit measures the offset current again.

### Quantifying the Offset Current

To quantify the offset current, use a 4-1/2 digit DMM capable of floating measurements with a sensitivity of at least 100 $\mu$ V. (The Keithley Model 196 is used here because it is needed later in this section to verify path resistance.) Again, this is intended as a confidence test, not as a substitute for the offset current verification procedure.

A DMM connected to SMB connector J1037, as shown in Figure 4-2, measures the output of a current to voltage converter, where a 1mV measurement is the equivalent of 10fA offset current.

### Test Procedure

#### NOTE

The on-board electrometer is sensitive to your movements when crosspoint relays are closed. Remain still when testing the offset current and do not stand directly in front of the triax connectors. As described previously, a DMM can be used to perform the self-test more remotely.

As a quick test of the offset current, follow this procedure:

1. With the mainframe power turned off, plug the Model 7172 into a slot. Disconnect all cables from the

row and column triax connectors. Also disconnect all jumpers to other cards from the SMB connectors.

2. Turn on the Model 707 and allow the Model 7172 to warm up for one hour.
3. Close all crosspoints in Column 1 (A1, B1, . . . H1). This will check all rows and Column 1.

#### NOTE

The offset current of the Model 7172 is specified with one crosspoint closed. Hence, with all crosspoints in a column closed, this is a more stringent test.

4. Press the OFFSET CURRENT SELF TEST switch.

#### CAUTION

Use a 1/8-inch flat blade screwdriver with an insulated shaft to press the OFFSET CURRENT SELF TEST switch. The use of other tools may electrically damage the circuit board.

5. Verify that the green LED (PASS) comes on after approximately 40 seconds. Then open all crosspoints.

If the red LED (FAIL) comes on, isolate the row by using a binary search (run test with A1 through D1 closed, then run with E1 through H1 closed). It may turn out that with fewer than eight relays closed the green LED comes on. Continue the binary search until it narrows down to one row. Suspect the triax connector first and perform the cleaning procedure that follows.

6. Close all crosspoints in Row H (H1, H2, . . . H12). This will check all columns and Row H.
7. Again verify that the green LED comes on after 40 seconds. Then open all crosspoints.

If the self-test fails, use a binary search to isolate the column connector, then perform the cleaning procedure that follows.

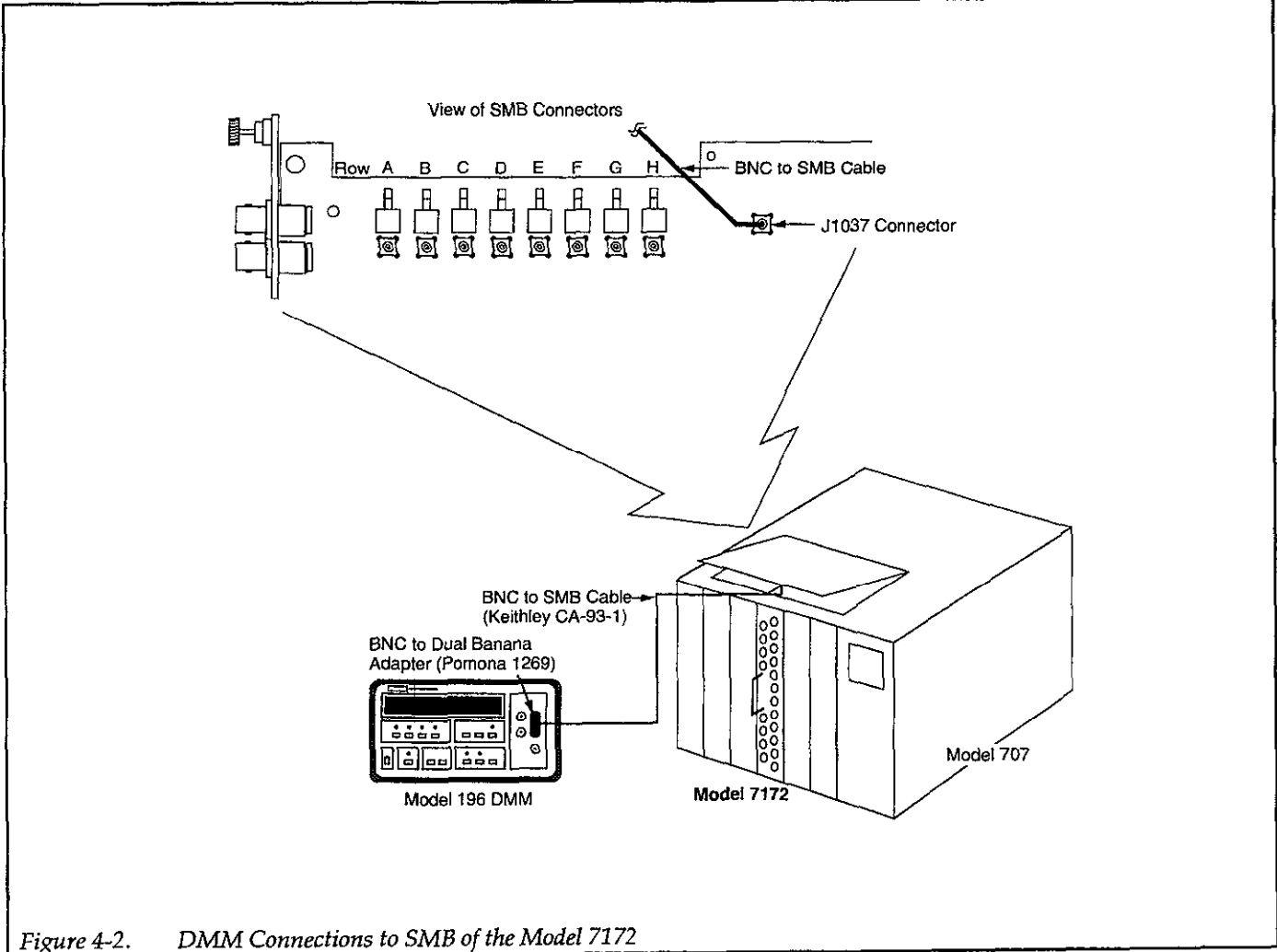


Figure 4-2. DMM Connections to SMB of the Model 7172

### Triax Connector Cleaning

Contaminated triax connectors are often the cause of excessive offset current on the Model 7172. Connector insulation must be kept clean to avoid reducing its leakage resistance. Avoid touching the insulating material and keep unused connectors capped to prevent contamination. If the connectors become contaminated, they can be cleaned with the following procedure:

- Disassemble the connector
- Swab generously with methanol.
- Dry the connector for one hour at 50°C.
- Re-assemble the connector.

If the offset current self-test fails after cleaning the connectors, perform the offset current verification procedure of paragraph 4.4.3 to isolate the PC board contamination or leaky relay. As a general rule, a card out of the mainframe will exhibit excessive offset current when it is contaminated; a card with a bad relay will not.

## 4.4 PERFORMANCE VERIFICATION

The following paragraphs discuss performance verification procedures for the Model 7172, including relay testing, contact resistance, contact potential, path isolation, and leakage current.

### 4.4.1 Environmental Conditions

All verification measurements except for path isolation and offset current should be made at an ambient temperature between 0°C and 35°C and at a relative humidity of less than 70%. Path isolation and offset current verification must be performed at an ambient temperature of 23°C and at a relative humidity of less than 60%. If the matrix card has been subjected to temperature or humidity extremes, allow the card to environmentally stabilize for at least one hour before performing any tests.

### 4.4.2 Recommended Test Equipment

Table 4-1 summarizes the equipment necessary to make the performance verification tests, along with the application for each item.

Table 4-1. Recommended Verification Equipment

Qty.	Description	Application
1	Model 617 Electrometer	Offset current; path isolation
1	Model 196 6-1/2 Digit DMM	Path resistance; electrometer
1	Model 707 Switching Matrix	All tests
4	Model 7078-TRX-10 triax cables*	Offset current; path resistance
2	Model 7078-TRX-3 triax cables	path isolation; offset current; electrometer
1	Model 6172 2-slot male to 3-lug female triaxial adapter	Offset current; electrometer
3	Model 7078-TRX-T triax tee adapter	Path resistance
5	Banana plugs (part # BG-10-2*)	Path isolation and resistance
1	Model 263 Calibrator/Source	Electrometer
1	BNC to Right-angle SMB Cable (part # CA-93-1)	Electrometer
1	BNC to Dual Banana Adapter (Pomona part #1269)	Electrometer

\*These items are used to construct special cables; see text.

### 4.4.3 Offset Current Verification

#### Recommended Equipment

- Model 707 Switching Matrix
- Model 617 Electrometer
- Model 7078-TRX-3 Triax Cable
- Model 6172 2-slot male to 3-lug female triaxial adapter

#### Test Connections

Figure 4-3 shows the test connections for offset current verification. The Model 7172 row being tested is to be connected to the Model 617 Electrometer input through the triaxial cable and the triaxial adapter. Note that the electrometer ground strap is to be removed, and the electrometer should be operated in the unguarded mode.

#### Procedure

##### NOTE

The following procedure should be performed at an ambient temperature of 23°C and at a relative humidity of less than 50%.

1. Turn on the Model 617 power and allow it to warm up for two hours before beginning the verification procedure.
2. With the power off, install the Model 7172 in the desired slot of the Model 707 Switching Matrix. Remove all other cards from the instrument, and install the slot covers.

3. After the prescribed warm up period, select the amps function and the 2pA range on the Model 617. Zero correct the instrument, and then select autoranging.
4. Connect the Model 617 to row A of the Model 7172, as shown in Figure 4-3.
5. Close crosspoint A1 by using the Model 707 front panel controls.
6. Disable zero check on the Model 617, and allow the reading to settle.
7. Verify that the offset current reading is <500fA.
8. Enable zero check on the Model 617, and open crosspoint A1.
9. Repeat steps 5 through 8 for crosspoints A2 through A12. Only one crosspoint at a time should be closed.
10. Disconnect the triax cable from row A, and connect it instead to row B.
11. Repeat steps 5 through 8 for crosspoints B1 through B12. Only one crosspoint at a time should be closed.
12. Connect the triax cable to each succeeding row and repeat steps 5 through 8 for each of the row's crosspoints.

### 4.4.4 Path Isolation Verification

The procedure for verifying path isolation is discussed below. Should the card fail any of the tests, clean it using the procedures outlined in paragraph 4.2.

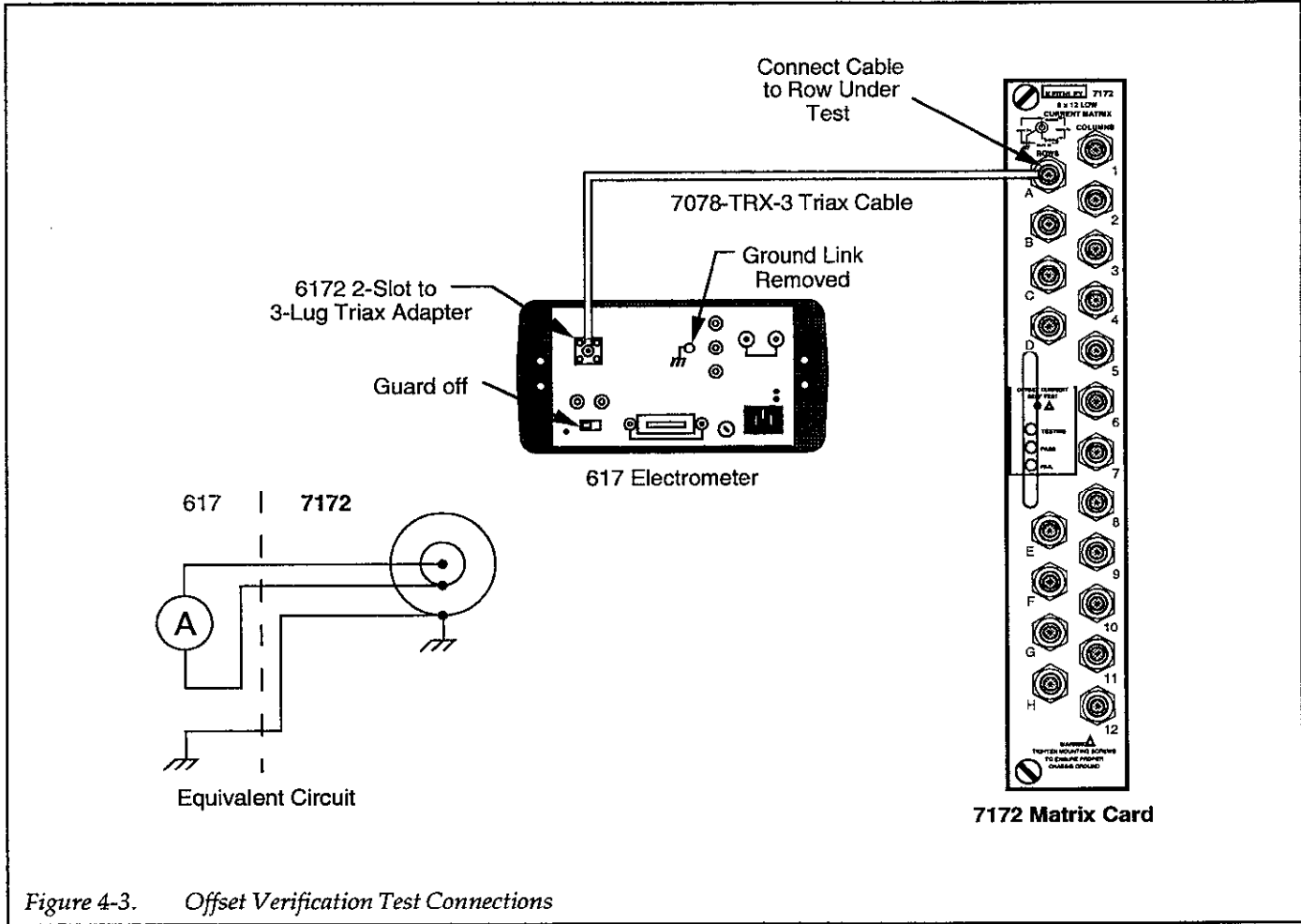


Figure 4-3. Offset Verification Test Connections

**Recommended Equipment**

- Model 707 Switching Matrix
- Model 617 Electrometer
- Model 7078-TRX-3 triaxial cable
- Unterminated 3-slot triaxial cable (cut connector off 7078-TRX-3)
- Banana plug (Keithley part #BG-10-2)
- #16-18AWG insulated stranded wire (6 in. length)

**Test Connections**

Figure 4-4 shows the test connections for the path isolation tests. One row being tested is to be connected to the Model 617 Electrometer input through a Model 6172 2-slot female to 3-lug male triaxial adapter. The other row is to be connected to the voltage source HI terminal using a specially prepared 3-slot triax-to-banana plug cable, the

construction of which is shown in Figure 4-5. Note that both the inner shield and the center conductor are to be connected to the banana plug as shown.

COM and the LO terminal of the electrometer voltage source must be connected together as shown. Also, the ground link between COM and chassis must be removed, and the Model 617 guard must be turned off for current measurements.

**Procedure**

**WARNING**

Hazardous voltage from the electrometer voltage source will be used in the following steps. Take care not to contact live circuits, which could cause personal injury or death.

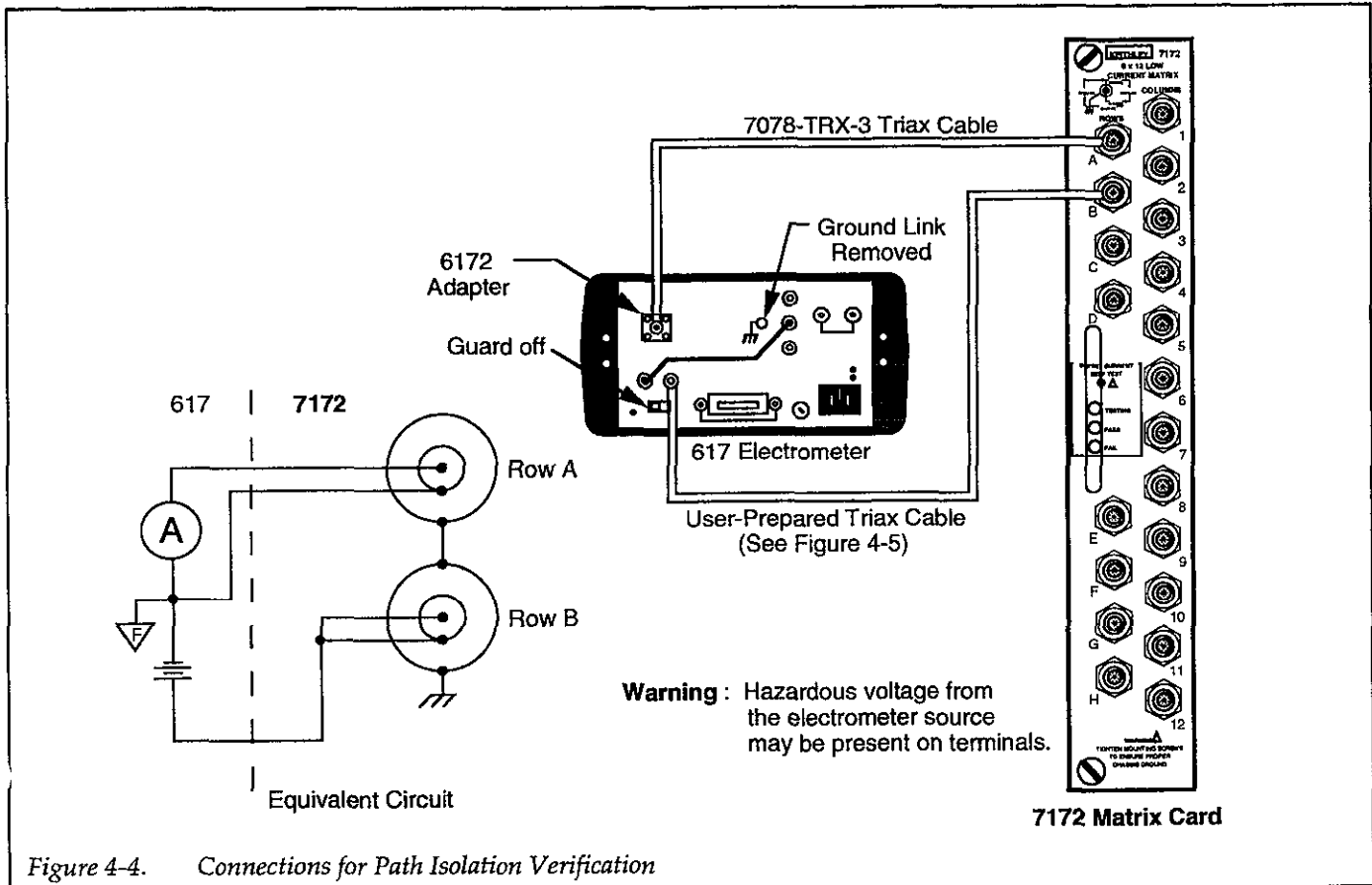
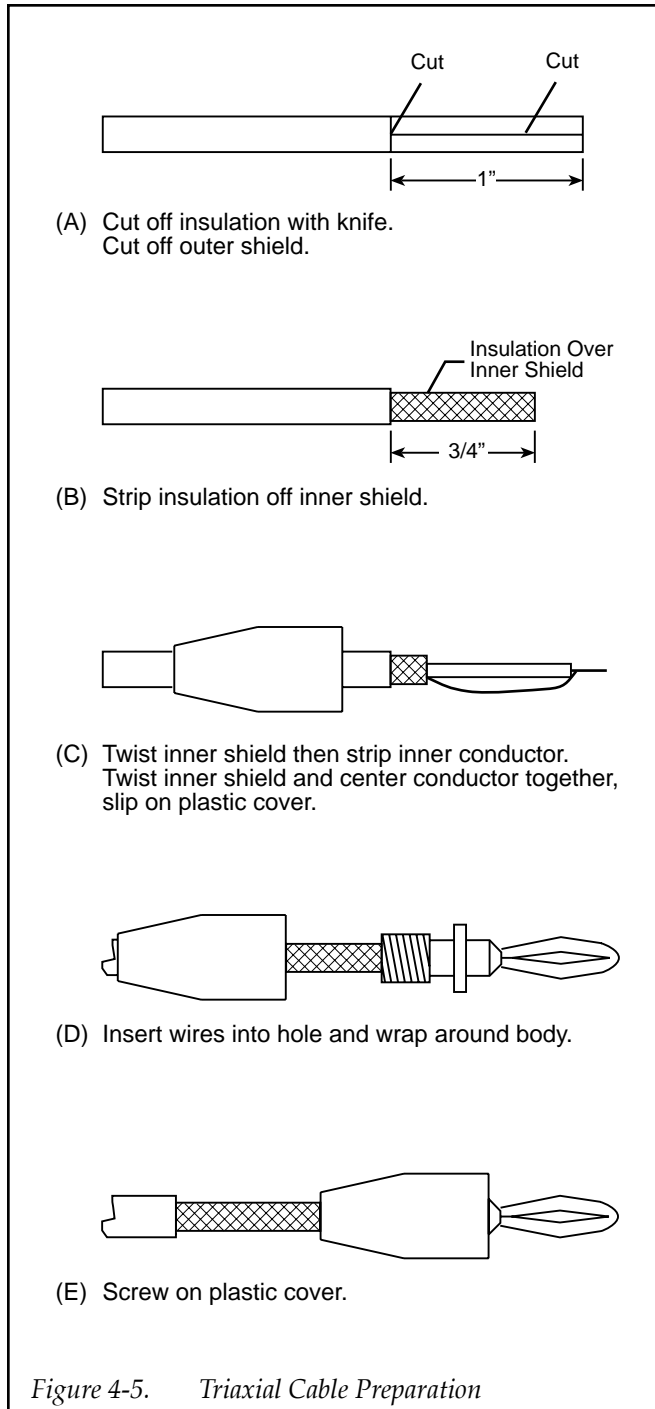


Figure 4-4. Connections for Path Isolation Verification





**NOTE**

The following procedure must be performed at an ambient temperature of 23°C and at a relative humidity of less than 50%.

1. Turn on the Model 617 and allow it to warm up for two hours for rated accuracy.
2. With the mainframe power turned off, plug the Model 7172 into slot 1 of the mainframe. Remove all other cards from the mainframe, and install the slot covers.
3. After the prescribed warm up period, select the Model 617 amps function, and enable zero check. Select the 2pA range, and zero correct the instrument.
4. Connect the Model 617 to rows A and B of the matrix card, as shown in Figure 4-4.
5. Program the Model 617 voltage source for a value of +100V, but do not yet turn on the voltage source output.
6. Close crosspoints A1 and B2 by using the switching matrix front panel controls.
7. With the Model 617 in amps, enable suppress after the reading has settled.
8. Turn on the Model 617 voltage source output, and enable the V/I ohms function on the electrometer.
9. After the reading has settled, verify that the resistance is  $>10T\Omega$  ( $10^{13}\Omega$ ).
10. Turn off the voltage source, and enable zero check. Disable suppress, and select the amps function on the electrometer.
11. Open crosspoints A1 and B2, and close crosspoints A3 and B4.
12. Repeat steps 7 through 11 for A3 and B4.
13. Repeat steps 7 through 12 for crosspoint pairs A5 and B6, A7 and B8, A9 and B10, and A11 and B12.
14. Disconnect the electrometer from rows A and B, and connect it instead to rows C and D.
15. Repeat steps 7 through 13 for rows C and D. The path isolation for these rows should be  $>10T\Omega$  ( $10^{13}\Omega$ ).
16. Repeat steps 7 through 14 for row pairs E and F, and G and H. For each row pair, step through the crosspoint pairs 1 and 2, 3 and 4, 5 and 6, 7 and 8, 9 and 10, and 11 and 12. The complete procedure outlined in steps 7 through 11 should be repeated for each crosspoint pair. Each resistance measurement for rows E through H should be  $>10T\Omega$  ( $10^{13}\Omega$ ).

#### 4.4.5 Path Resistance Verification

The following paragraphs discuss the equipment, connections, and procedure to check path resistance. Should a particular pathway fail the resistance test, the relay (or relays) for that particular crosspoint is probably defective. See the schematic diagram at the end of Section 5 to determine which relay is defective.

**NOTE**

The following procedure verifies the resistance of the HI signal path. To verify the resistance of the GUARD path, modify the cable of Figure 4-5 to connect the inner shield to the banana plug and have no connection to the triax center conductor.

#### Recommended Equipment

- Model 196 DMM
- 7078-TRX-T triax tee adapters (3)
- 237-BAN-3 triax to banana cables (4)

#### Connections

Figure 4-6 shows the connections for the path resistance tests. The Model 196 is to be connected to the row and column jacks using Model 237-BAN-3 triax/banana cables. These cables differ from the one of Figure 4-5 in that the inner shield and center conductor are not connected together.

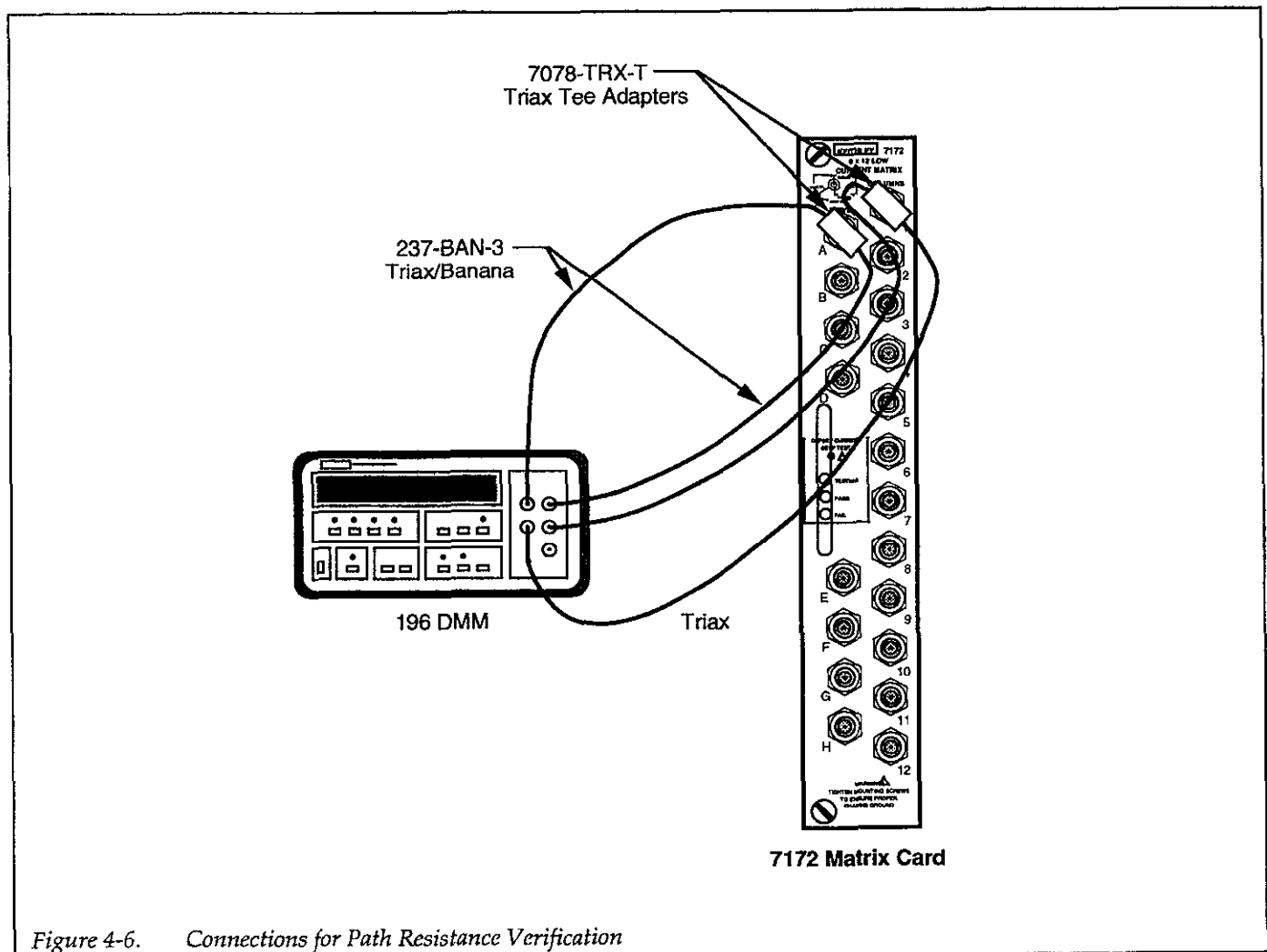


Figure 4-6. Connections for Path Resistance Verification

**Procedure**

1. Turn on the Model 196 DMM and allow it to warm up for at least one hour before beginning the test.
2. With the power off, install the Model 7172 card in slot 1 of the mainframe.
3. Connect the four triaxial cables to the Model 196 and the two triax tee adapters (Figure 4-6), but do not yet connect the adapters to the Model 7172.
4. Temporarily connect the two triax tee connectors together using a third triax tee adapter, as shown in Figure 4-7.
5. Select the ohms function, 300 $\Omega$  range, and 6-1/2 digit resolution on the Model 196.
6. After the reading settles, enable zero on the Model 196 DMM. Leave zero enabled for the remainder of the tests.
7. Disconnect the two triax tee adapters from the shorting adapter, and connect the two adapters with the

8. cable to the row A and column 1 connectors on the Model 7172 (see Figure 4-6).
8. Close crosspoint A1, and allow the reading to settle.
9. Verify that the resistance reading is <1.5 $\Omega$ .
10. Open the crosspoint, and disconnect the triax adapter from column 1. Connect the adapter to column 2.
11. Repeat steps 8 through 10 for columns 2 through 12. In each case, the column adapter must be connected to the column under test, and the crosspoint must be closed.
12. Disconnect the row adapter from row A, and connect it instead to row B.
13. Repeat steps 8 through 10 for row B. The crosspoints of interest here are B1 through B12. Also, the row adapter must be connected to the row being tested.
14. Repeat steps 8 through 13 for rows C through H. In each case, the crosspoint to close is the one corresponding to the row and column connections at that time. In all cases, the measured resistance should be <1.5 $\Omega$ .

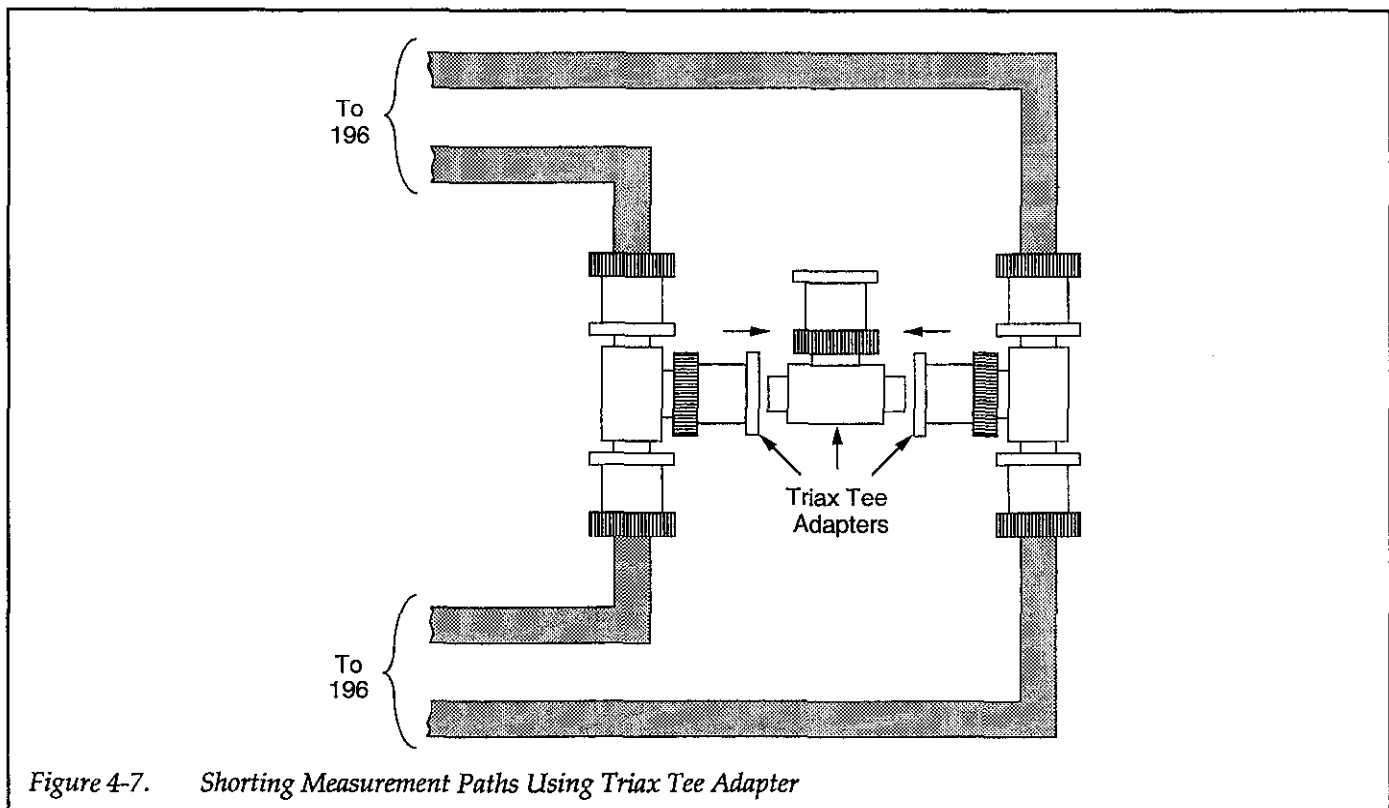


Figure 4-7. Shorting Measurement Paths Using Triax Tee Adapter

## 4.4.6 Electrometer Verification

### Recommended Equipment

- Model 707 Switching Matrix
- Model 263 Calibrator/Source
- Model 196 DMM
- Model 7078-TRX-3 Triax Cable
- Model 6172 2-slot male to 3-lug female triaxial adapter
- BNC to Right-angle SMB Cable (Keithley part # CA-93-1)
- BNC to Dual Banana Adapter (Pomona part # 1269)

### Connections

Figure 4-8 shows the connections for on-board electrometer verification. The Model 196 connects to SMB connector J1037 on the Model 7172. The Model 263 Calibrator Source connects to the Row H triax. The ground link on the Model 263 rear panel is removed.

### Procedure

1. With the power off, install the Model 7172 in the mainframe. Remove all other cards from the mainframe and install the slot covers.
2. Connect the cables between the Model 7172 and test instruments.
3. Turn on the Model 707 and keep all crosspoints open.
4. Press the OFFSET CURRENT SELF TEST switch on the Model 7172.

#### CAUTION

Use a 1/8-inch flat blade screwdriver with an insulated shaft to press the OFFSET CUR-

RENT SELF TEST switch. The use of other tools may electrically damage the circuit board.

5. Turn on the Model 196 DMM and Model 263 Calibrator/Source. Allow them to warm up for at least one hour before beginning the verification test.
6. Select the volts function and the 300mV range on the Model 196.
7. With the Model 263 in standby, select the active amps function, 2pA range, and +0.5pA output.
8. To reduce Model 263 offsets, perform the following:
  - A. Set the Model 263 for zero by pressing ZERO, and source zero current to the circuit by pressing OPERATE.
  - B. The DMM measurement is the offset of the circuit and Model 263. When the measurement settles, press ZERO on the Model 196 to store the offset value. This will be subtracted from subsequent readings.
9. Source +0.50pA to the circuit by again pressing ZERO on the Model 263. The Model 196 measurement should be 48mV to 52mV. (The state of the LEDs is not important within this range.)
10. Put the Model 263 in standby by pressing OPERATE. Select an output level of -0.50pA.
11. Source -0.50pA to the circuit by pressing OPERATE. The Model 196 measurement should be -48mV to -52mV. (The state of the LEDs is not important within this range.)
12. Use the adjust feature of the Model 263 to find the threshold of the Model 7172 comparator circuit. The green LED should light at absolute levels below 46mV. The red LED should light at absolute levels above 54mV.

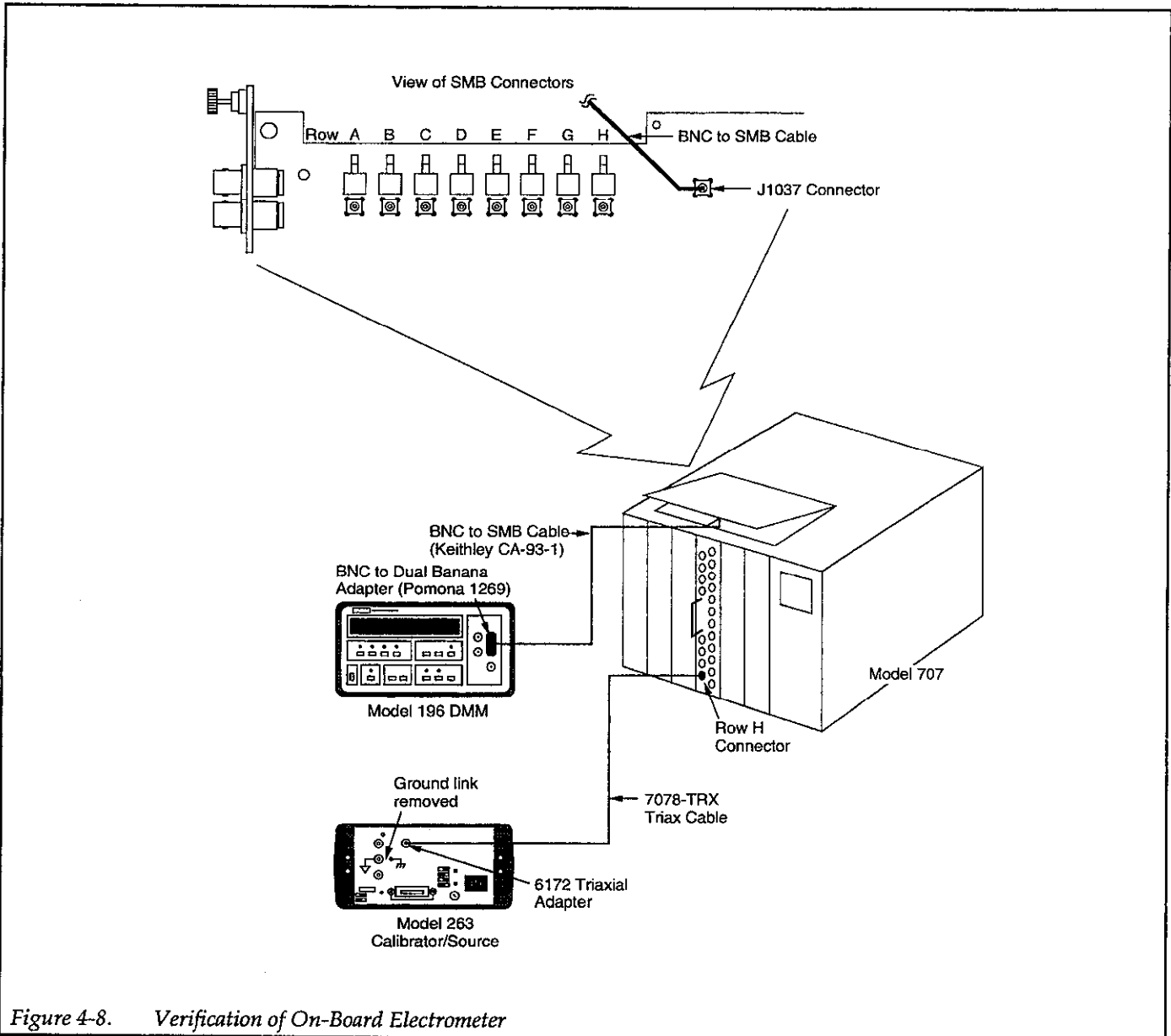


Figure 4-8. Verification of On-Board Electrometer

## 4.5 SPECIAL HANDLING OF STATIC-SENSITIVE DEVICES

CMOS and other high-impedance devices are subject to possible static discharge damage because of the high-impedance levels involved. When handling such devices, use the precautions listed below.

### NOTE

In order to prevent damage, assume that all parts are static sensitive.

1. Such devices should be transported and handled only in containers specially designed to prevent or dissipate static build-up. Typically, these devices will be received in anti-static containers made of plastic or foam. Keep these parts in their original containers until ready for installation or use.
2. Remove the devices from their protective containers only at a properly-grounded work station. Also ground yourself with an appropriate wrist strap while working with these devices.
3. Handle the devices only by the body; do not touch the pins or terminals.
4. Any printed circuit board into which the device is to be inserted must first be grounded to the bench or table.
5. Use only anti-static type de-soldering tools and grounded-tip soldering irons.

## 4.6 TROUBLESHOOTING

### 4.6.1 Recommended Equipment

Table 4-2 summarizes the recommended equipment for general troubleshooting.

### 4.6.2 Using the Extender Card

In order to gain access to the test points and other circuitry on the Model 7172, the card must be plugged into the Model 7070 Extender Card, which, in turn, must be plugged into the desired slot of the mainframe. The Model 7070 must be configured as an extender card by placing the configuration jumper in the EXTEND position. See the documentation supplied with the Model 7070 for complete details on using the card.

### NOTE

The Model 7070 cannot be used for performing the verification tests because its presence will affect the results.

### 4.6.3 Troubleshooting Procedure

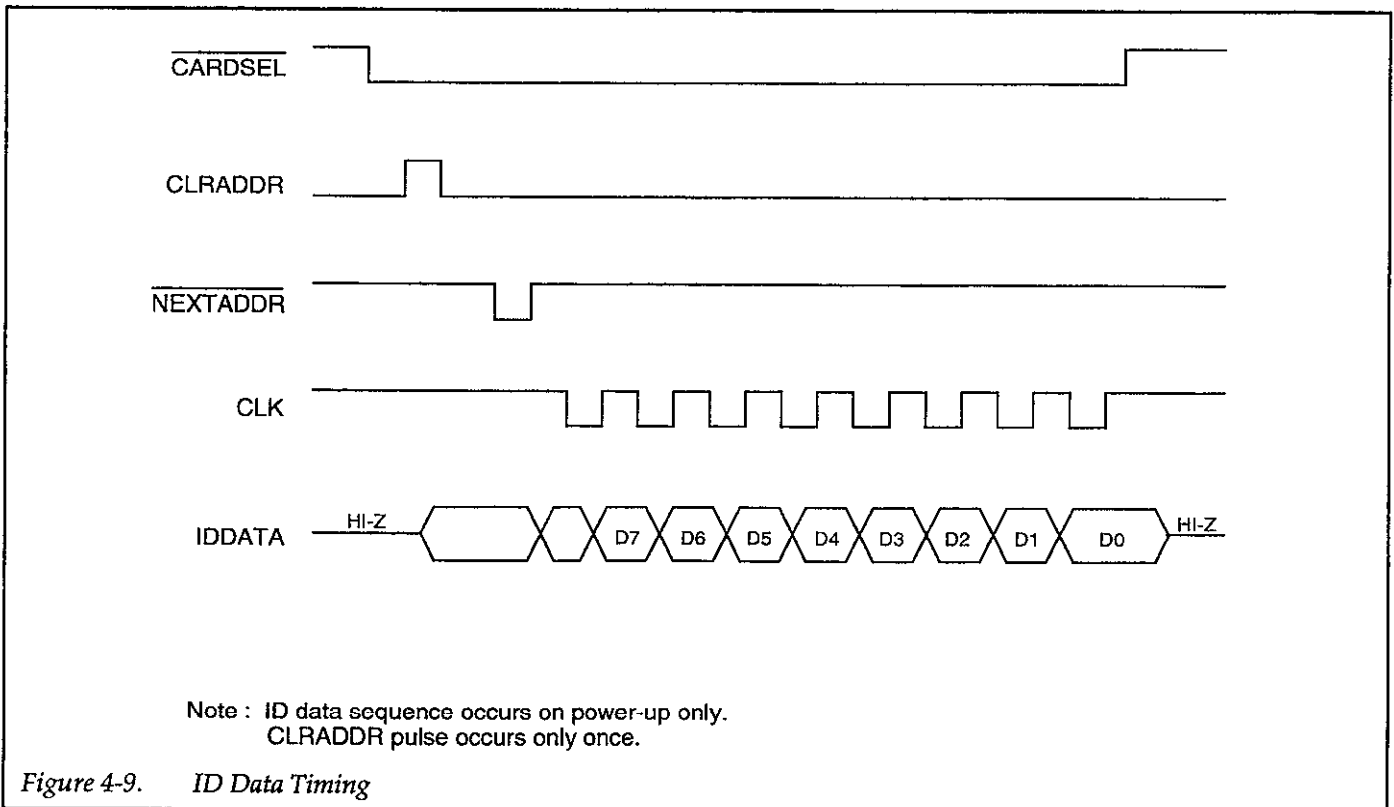
Table 4-3 summarizes the troubleshooting procedure for the Model 7172 Low Current 8 × 12 Matrix Card. Some of the troubleshooting steps refer to the ID data timing diagram shown in Figure 4-9. In addition to the procedure shown, the relay tests outlined in paragraph 4.3.3 can be used to aid in troubleshooting. Also, refer to paragraph 4.6 for an overview of operating principles.

**Table 4-2. Recommended Troubleshooting Equipment**

Description	Manufacturer and Model	Application
5-1/2 Digit DMM	Keithley 199	Measure DC voltages
Oscilloscope	TEK 2243	View logic waveforms
Extender card	Keithley 7070	Allow circuit access

Table 4-3. Troubleshooting Procedure

Step	Test point/Component	Required Condition	Comments
1	DGND		All voltages referenced to DGND (digital common)
2	+6V	+6VDC	Relay voltage
3	+5V	+5VDC	Logic voltage
4	NXTADR	NEXT ADDR pulses	Power up only (Fig. 4-8)
5	CLRADR	CLR ADDR pulse	Power up only (Fig. 4-8)
6	IDDATA	ID data pulses	Power up only (Fig. 4-8)
7	STRB	STROBE pulse	End of relay data sequence.
8	RLDAT	Relay data (128 bits)	Present when updating relays.
9	CLK	CLK pulses	Present during relay data or ID data.
10	OE	High on power up until first STROBE sets low.	Power on safe guard.
11	U100-U106, U108, U111, U113, U114, U116, U117, pins 10-18	Low with relay energized, high with relay de-energized.	Relay driver outputs



## 4.7 PRINCIPLES OF OPERATION

The following paragraphs discuss the basic operating principles for the Model 7172. A schematic diagram of the matrix card may be found in drawing number 7172-106 (six sheets), located at the end of Section 5.

### 4.7.1 Block Diagram

Figure 4-10 shows a simplified block diagram of the Model 7172. Key elements include the buffer (U122), ID data circuits (U119, U118, and U120), relay drivers (U100-U106, U108, U111, U113, U114, U116, U117) and relays (K100-K204), and power-on safe guard (U121). The major elements are discussed below.

### 4.7.2 ID Data Circuits

Upon power up, the card identification data information from each card is read by the mainframe. This ID data includes such information as card ID, hardware settling time for the card, and a relay configuration table, which tells the mainframe which relays to close for a specific crosspoint. This configuration table is necessary because some cards (such as the Model 7172) require the closing of more than one relay to close a specific crosspoint.

ID data is contained within an on-card ROM, U118. In order to read this information, the sequence below is performed upon power up. Figure 4-9 shows the general timing of this sequence.

1. The CARDSSEL line is brought low, enabling the ROM outputs. This line remains low throughout the ID data transmission sequence.

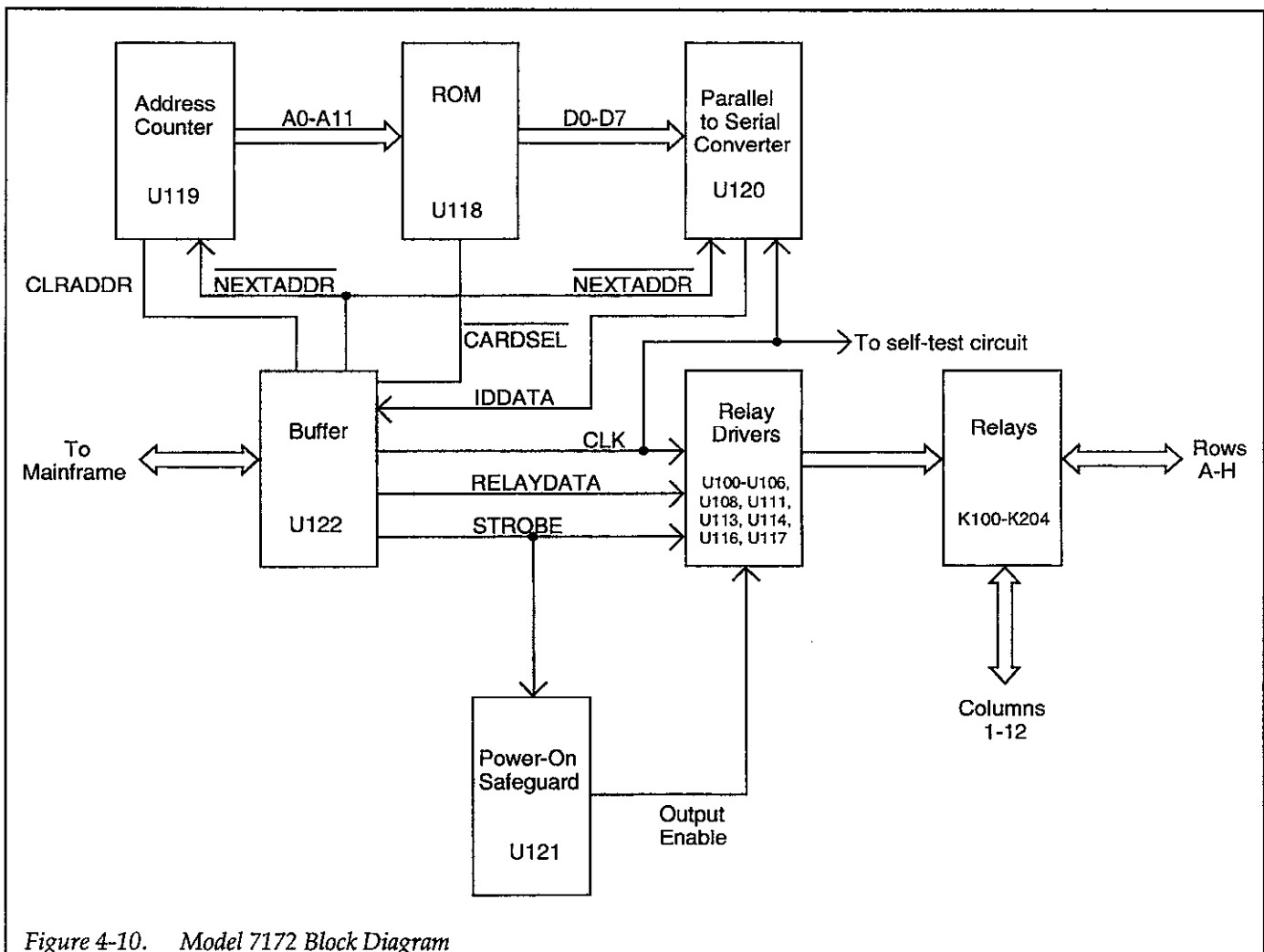


Figure 4-10. Model 7172 Block Diagram



2. The CLRADDR line is pulsed high to clear the address counter and set it to zero. At this point, a ROM address of zero is selected. This pulse occurs only once.
3. The NEXTADDR line is set low. NEXTADDR going low increments the counter and enables parallel loading of the parallel-to-serial converter. NEXTADDR is kept low long enough for the counter to increment and the ROM outputs to stabilize. This sequence functions because the load input of the parallel-to-serial converter is level sensitive rather than edge sensitive. The first ROM address is location 1, not 0.
4. The CLK line clocks the parallel-to-serial converter to shift all eight data bits from the converter to the mainframe via the IDDATA line.

The process in steps 3 and 4 repeats until all the necessary ROM locations have been read. A total of 498 bytes of information are read by the mainframe during the card ID sequence.

### 4.7.3 Relay Control

The relays are controlled by serial data transmitted via the RELAY DATA line. A total of 16 bytes for each card are shifted in serial fashion into latches located in the 16 relay drivers, (U100-U106, U108, U111, U113, U114, U116, U117). The serial data is fed in through the DATA lines under control of the CLK signal. As data overflows one register, it is fed out the Q'S line of that register to the next IC down the chain.

Once all 16 bytes have been shifted into each card in the mainframe, the STROBE line is set high to latch the relay information into the Q outputs of the relay drivers, and the appropriate relays are energized (assuming the driver outputs are enabled, as discussed below). Logic convention is such that the corresponding relay driver output must be low to energize the associated relay, while the output is high when the relay is de-energized. For example, if the Q1 output of U117 is low, relay K199 will be energized.

### 4.7.4 Power-on Safeguard

A power-on safeguard circuit, made up of U121 and associate components, ensures that relays do not randomly energize upon power-up. The two AND gates, U121, make up an R-S flip-flop. Initially, the Q output of the flip-flop (pin 3 of U121) is set high upon power up. Since the OEN terminals of the relay drivers (U100-U106, U108, U111, U113, U114, U116, U117) are held high, their outputs are disabled, and all relays remain de-energized regardless of the relay data information present at that time.

The first STROBE pulse that comes along (in order to load relay data) clears the R-S flip-flop, setting the OEN lines of the relay drivers low to enable their outputs. This action allows the relays to be controlled by the transmitted relay data information.

A hold-off period of approximately 470msec is included in the safeguard circuit to guard against premature enabling of the relays. The time constant of the hold-off period is determined by the relative values of R121 and C130.

### 4.7.5 Isolator Relays

Row isolator relays are necessary in addition to the crosspoint relays in order to ensure the integrity of low-level signal pathways. Row isolator relays include K100, K113, K126, K139, K152, K165, K178, and K192. The necessary isolator relay is closed in addition to the selected crosspoint to complete the entire pathway. For example, if crosspoint C10 is closed, relays K136 and K126 would be energized.

### 4.7.6 Electrometer Circuitry

The electrometer circuitry is composed of a current to voltage converter, a comparator circuit, and a timer. Refer to Figure 4-11 for a simplified schematic.

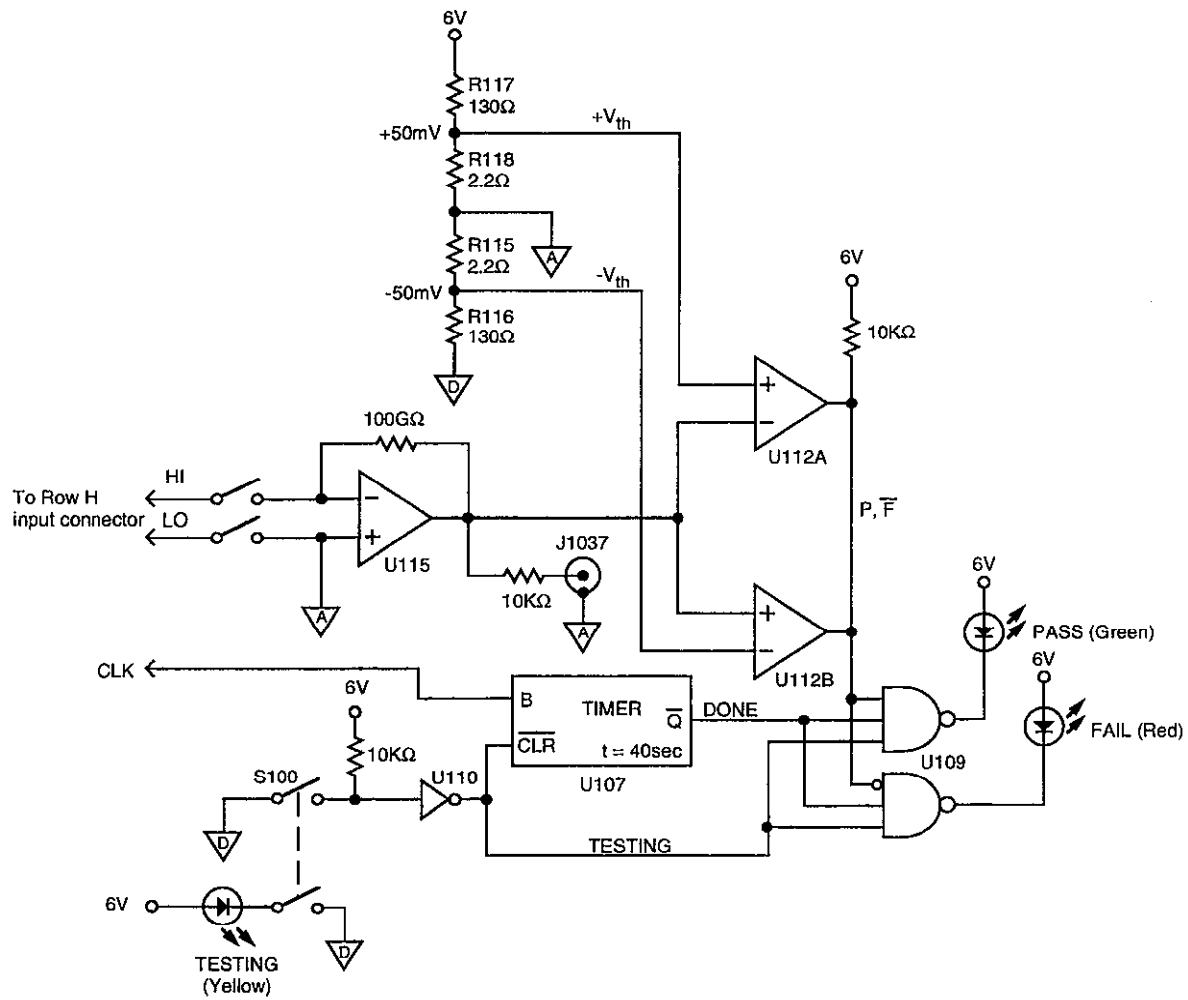


Figure 4-11. Simplified Schematic of On-Board Electrometer

### Current to Voltage Converter

A simplified model of the current to voltage converter portion of the electrometer circuit is shown in Figure 4-12. The offset current  $I_{IN}$  is from contamination between signal high and guard. Since no current flows into the (-) terminal of the op amp,  $I_F = I_{IN}$ , where  $I_F$  is the current flowing through the feedback resistor  $R_F$ . The negative feedback configuration and high-gain op amp make the input voltage equal to the input offset  $V_{OS}$  of the op amp. Thus:

$$\begin{aligned} V_{OUT} &= -I_F R_F + V_{OS} \\ &= -I_{IN} R_F + V_{OS} \end{aligned}$$

For example, the output voltage with 500fA of offset current is:

$$\begin{aligned} V_{OUT} &= (-500\text{fA}) (100\text{G}\Omega) + 3\text{mV} \\ &= -47\text{mV} \end{aligned}$$

The offset voltage can be easily subtracted by zeroing a DMM with the offset current self-test switch (S100) open.

### Comparators

Resistors R130, R118, R115, and R116 generate  $+V_{th}$  and  $-V_{th}$  and A (analog) ground.  $+V_{th}$  and  $-V_{th}$  are used by the window comparator U112. The output of the comparators are high if the output of the I to V converter is between  $+V_{th}$  and  $-V_{th}$ , which corresponds to  $+500\text{fA}$  and  $-500\text{fA}$ .

The A (analog) ground is three volts from chassis ground, but this is still used as a ground for the I to V converter. In other words, consider the single-ended 6-volt supply as a differential  $\pm 3\text{V}$  supply with A (analog) ground as the ground.

### CAUTION

Do not connect A (analog) ground to chassis or digital ground. If looking at signals with a scope, do not connect the scope ground to A (analog) ground, since the scope ground is at chassis potential. The shell of SMB connector J1037 is at a (analog) ground potential.

### Timer

When S100 is closed, the yellow TESTING LED comes on and removes the CLR signal from the timer U107. This causes the DONE signal to go low while the timer is running. This keeps the PASS and FAIL LEDs off.

After approximately 40 seconds, the DONE signal goes true or high. Since TESTING and DONE are true the P, F signal is gated to the PASS/FAIL LEDs and one of the LEDs comes on. A toggle on the CLK or TESTING line causes the timer to start running again, causing DONE to go low and waiting 40 more seconds. The timer is a retriggerable one-shot, so repeated changes on the CLK or TESTING line could keep the red and green LEDs off forever.

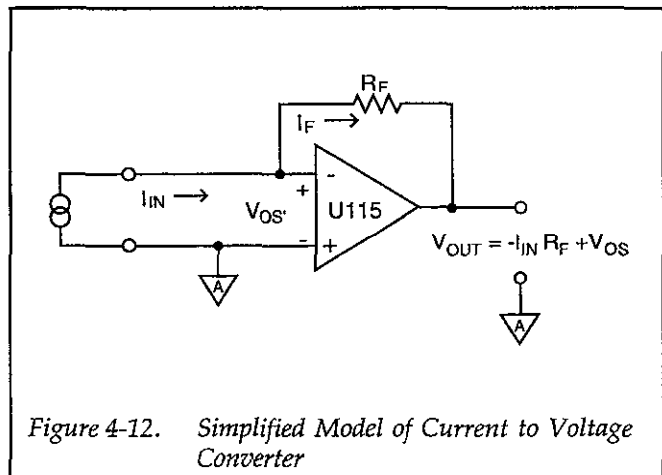


Figure 4-12. Simplified Model of Current to Voltage Converter

# SECTION 5

## Replaceable Parts

---

### 5.1 INTRODUCTION

This section contains a list of replaceable electrical and mechanical parts for the Model 7172, as well as a component layout drawing and schematic diagram of the matrix card.

### 5.2 PARTS LISTS

Electrical parts are listed in order of circuit designation in Table 5-1. Table 5-2 summarizes mechanical parts.

### 5.3 ORDERING INFORMATION

To place an order, or to obtain information about replacement parts, contact your Keithley representative or the factory (see the inside front cover of this manual for addresses). When ordering parts, be sure to include the following information:

1. Matrix card model number (7172)
2. Card serial number

3. Part description
4. Circuit designation, if applicable
5. Keithley part number

### 5.4 FACTORY SERVICE

If the matrix card is to be returned to Keithley Instruments for repair, perform the following:

1. Complete the service form located at the back of this manual, and include it with the unit.
2. Carefully pack the card in the original packing carton or the equivalent.
3. Write ATTENTION REPAIR DEPARTMENT on the shipping label. Note that it is not necessary to return the matrix mainframe with the card.

### 5.5 COMPONENT LAYOUT AND SCHEMATIC DIAGRAM

7172-100 is the component layout for the Model 7172. 7172-106 shows a schematic diagram of the card on six separate sheets.

**Table 1. Model 7172 Parts List**

<b>Circuit Desig.</b>	<b>Description</b>	<b>Keithley Part No.</b>
C101-123	CAP,.1UF,20%,50V,CERAMIC	C-365-.1
C124,125	CAP,.01UF,20%,50V,CERAMIC	C-237-.01
C126,127	CAP, 10UF,-20+100%,25V,ALUM ELEC	C-314-10
C128,129	CAP,22UF,-20+100%,25V,ALUM ELEC	C-314-22
C130	CAP, 47UF,10%,16V,ALUM ELEC	C-321-47
C131	CAP, 33UF, 20%, 6.3V, ALUM ELEC	C-333-330
C132,133	CAP,270PF,20%,100V,CERAMIC/FERRITE	C-386-270P
C134	CAP,8PF,2.5%,630V,POLYPROPYLENE	C-405-8P
C135	CAP,.01UF,10%,1000V,CERAMIC	C-64-.01
C136,137	CAP,.01UF,20%,50V,CERAMIC	C-365-.01
CR100,102	DIODE,SILICON,1N4148 (DO-35)	RF-28
CR101	DIODE,SCHOTTKY, 1N5711	RF-69
DS100	PILOT LIGHT, AMBER, LED	PL-75-1
DS102	PILOT LIGHT, RED, LED	PL-77
DS103	PILOT LIGHT, GREEN, LED	PL-78
J1021-1028	CONN, SMB, MALE (22 BUSS-8 PER 3/4")	CS-580
J1029-1037	CONN,SMB,MALE,P.C. MOUNT	CS-545
K100-190, 192-204	RELAY, REED	RL-106
K191	RELAY, REED	RL-143
R103	RES,270K,5%,1/4W, COMPOSITION OR FILM	R-76-270K
R104-106,109, 120	RES,10K,5%,1/4W,COMPOSITION OR FILM	R-76-10K
R107,113	RES,1K,5%,1/4W,COMPOSITION OR FILM	R-76-1K
R108,112	RES, 1.07K,1%,1/8W METAL FILM	R-88-1.07K
R110,111	RES,1.5M,5%,1/4W,COMPOSITION OR FILM	R-76-1.5M
R114	RES, 100G, 2%, 1.5W, HY MEG	R-289-100G
R115,118	RES, 2.2, 5%, 1/4W, COMPOSITION OR FILM	R-76-2.2
R116,117	RES, 130, 1%, 1/8W, METAL FILM	R-88-130
R119	RES,2.2M,5%,1/4W,COMPOSITION OR FILM	R-76-2.2M
R121	RES,47K,5%,1/4W,COMPOSITION OR FILM	R-76-47K
R122	RES,200,5%,1/4W,COMPOSITION OR FILM	R-76-200
R123	RES,680,5%,1/4,COMPOSITION OR FILM	R-76-680
R124	RES,120K,5%,1/4W,COMPOSITION OR FILM	R-76-120K
R125	RES,11K,5%,1/4W,COMPOSITION OR FILM	R-76-11K
S100	SWITCH, MINIATURE PUSHBUTTON (DPDT)	SW-488

U100-106,108, 111,113,114, 116,117	IC, 8 STAGE SHIFT/STORE UCN5841	IC-536
U107	IC,RETRIG MONO MULTIVIB,74HC123	IC-492
U109	IC, TRIPLE 3 INPUT NAND, 74HC10	IC-341
U110	IC,QUAD 2 INPUT NAND,74HC00	IC-351
U112	QUAD COMPARATOR, LM339 AN	IC-859
U115	IC,OP-AMP,AD549L	IC-542
U118	EPROM PROGRAM	7172-800-*
U119	IC, 12 STAGE BINARY COUNTER,74HCT4040	IC-545
U120	IC,8-BIT PARALLEL TO SERIAL,74HCT165	IC-548
U121	IC, QUAD 2 INPUT NAND, 74HCT00	IC-399
U122	IC, OCTAL BUFFER/LINE DRIVER, 74HC244	IC-489
VR101	DIODE, ZENER 6.8V, IN5342A (CASE 17)	DZ-77
W100	STIFFENER, BOARD	J-16

\* Order current firmware revision level.

**Table 2. Model 7172 Miscellaneous Mechanical, Parts List**

<b>Qty</b>	<b>Description</b>	<b>Keithley Part No.</b>
8	CABLE ASSEMBLY (SUPPLIED ACCES., SMB/SMB)	CA-99-1A
20	CAP, PROTECTIVE	CAP-30-1
1	EXTRUSION, REAR PANEL	707-318
2	FASTENER	FA-154-1
1	HANDLE	HH-33-1
98	JUMPER CABLE, BOTTOM CABLE ASSEMBLY	CA-98-1A
8	JUMPER WIRE (BLOCK TO BLOCK)	J-19-1
80	JUMPER WIRE (TERMINAL TO TERMINAL)	J-19-2
1	REAR PANEL ASSEMBLY	7172-301
1	SHIELD, BOTTOM	7070-307
8	SHIELD, TOP	7172-302
1	SOCKET,I.C. 28 PIN (FOR U118)	SO-69
16	TP1-16 CONN,TEST POINT	CS-553
32	4-40X1/4 PHILLIPS PAN HD SEMS SCREW (SHIELD MOUNTING)	4-40X1/4PPHSEM
2	6-32X3/8 LG. PHIL FLAT HD SCR (HANDLE MOUNTING)	6-32X3/8PFH
3	6-32x5/16 PHIL PAN HD SEMS SCR (PANEL TO BOARD)	6-32X5/16PPHSEM

001-2414 -DN

LTR.	ECO NO.	REVISION	ENG.	DATE
A		DRAWING PREPARED		8-22-61
B	91109	RELEASED	MS	11-9-61
C	14886	REVISED	SZ	11-21-61

\*22 GA BARE BUSS WIRE  
TYP. 8 PLACES  
INSTALL ON SIDE 1

7172-3938  
TYP. 32 PLACES

J-19-1  
TYP. 8 PLACES

J-19-2  
TYPICAL .80 PLACES

CA-98-1  
TYP. 84 PLACES  
INSTALL ON SIDE 1

MC-612  
INSTALL ON SIDE 1  
MC-285  
INSTALL ON SIDE 2

BAR CODE

7172-101

SC-111  
TE-114, 2 REQ'D  
TYP. 8 PLACES  
(REFER TO CHART)

SD-69

SC-111 ROUTING CHART

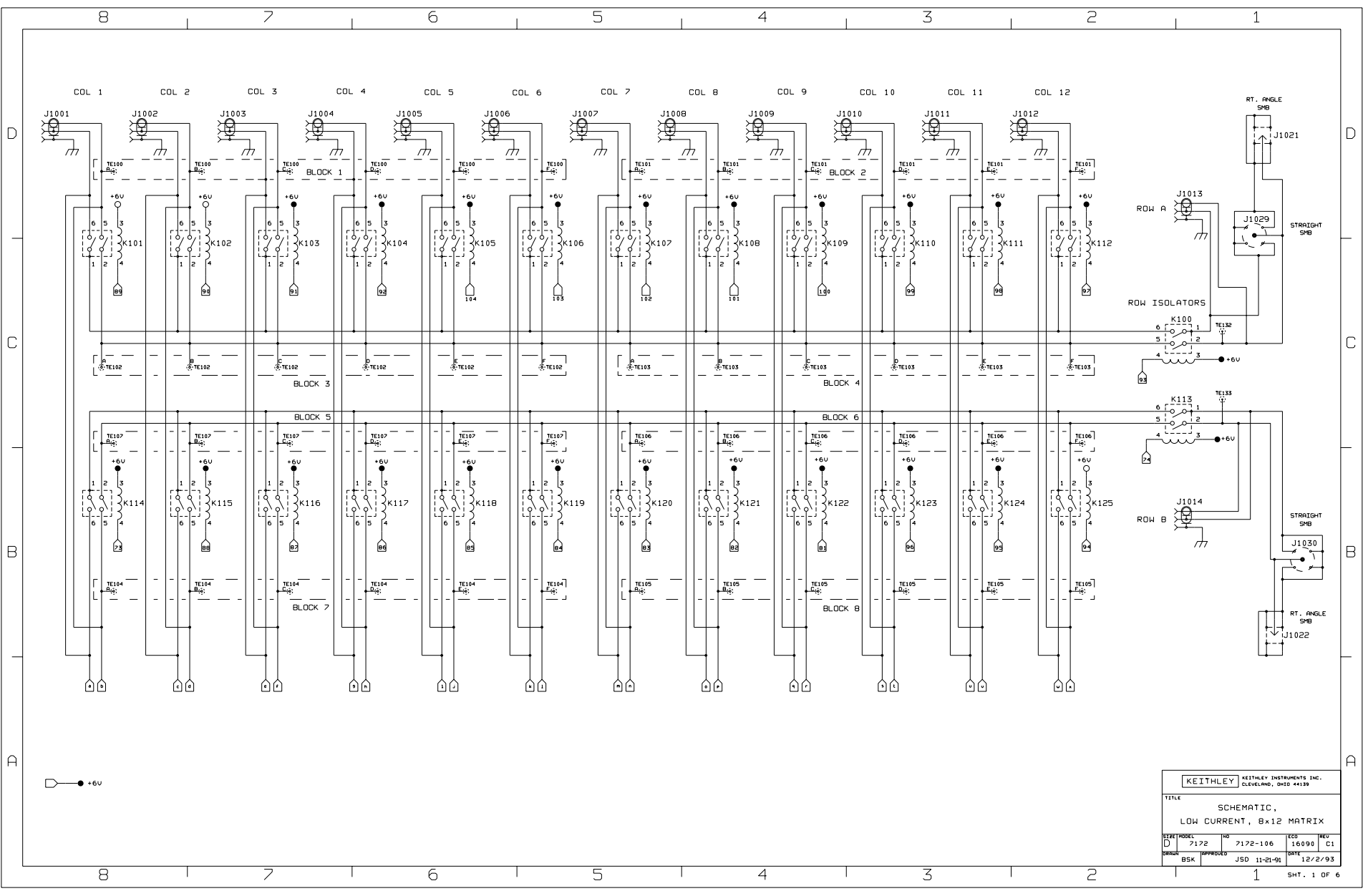
TE141 MATES WITH J1036
TE138 MATES WITH J1035
TE137 MATES WITH J1034
TE136 MATES WITH J1033
TE135 MATES WITH J1032
TE134 MATES WITH J1031
TE133 MATES WITH J1030
TE132 MATES WITH J1029

NOTE:  
FOR COMPONENT INFORMATION  
REFER TO PRODUCT STRUCTURE  
(7172-000-001).

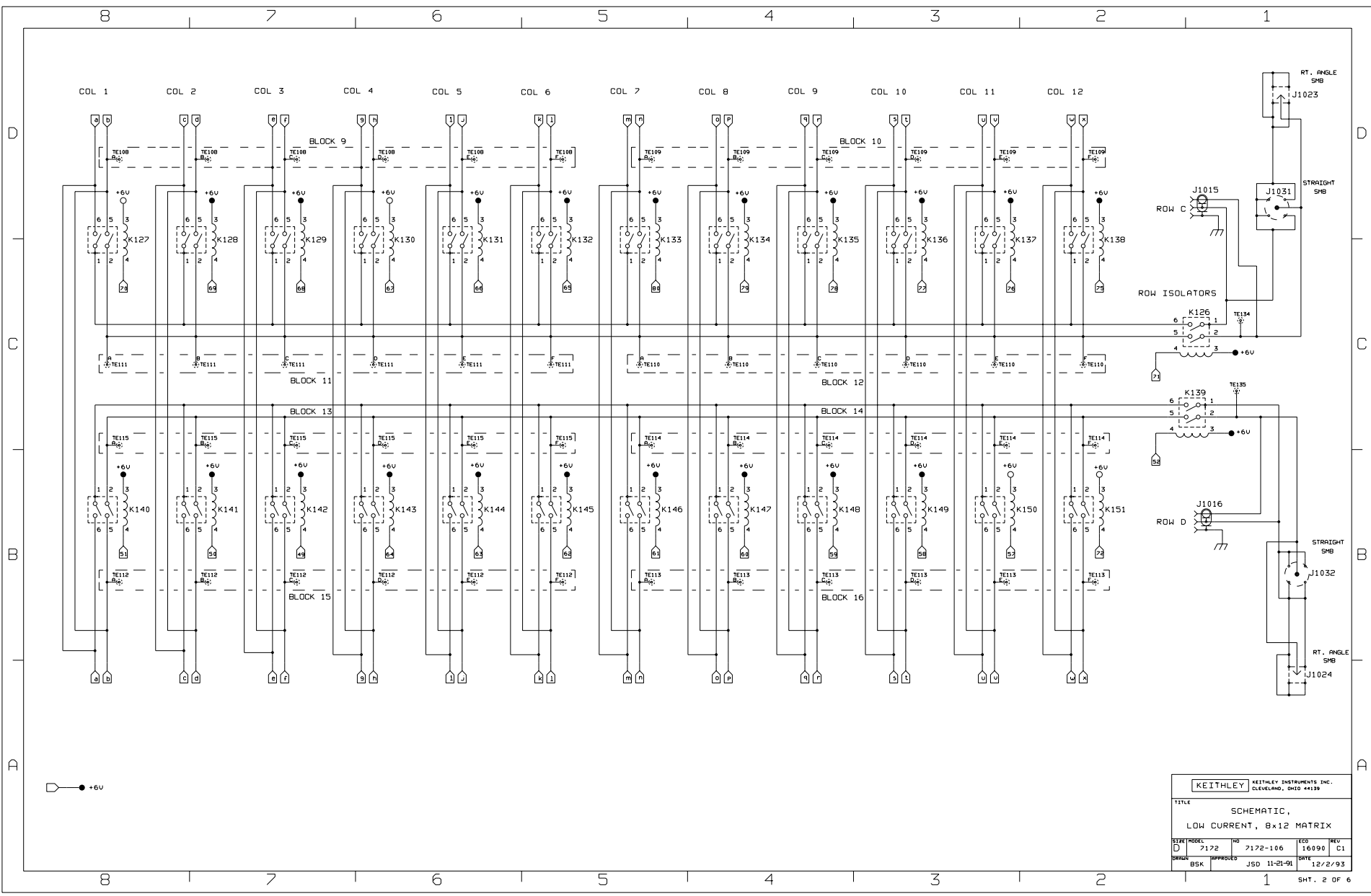
DO NOT SCALE THIS DRAWING	DATE 8-22-61	SCALE 1:1	TITLE COMPONENT LAYOUT,
REVISED BY: [Signature]	DATE: [Signature]	DRN: GSK	LOW CURRENT, Bx12 MATRIX
KEITHLEY INSTRUMENTS INC. CLEVELAND, OHIO 44139	MATERIAL	FINISH	D NO. 7172-100

2122	MODEL	NEXT ASSEMBLY	QTY.

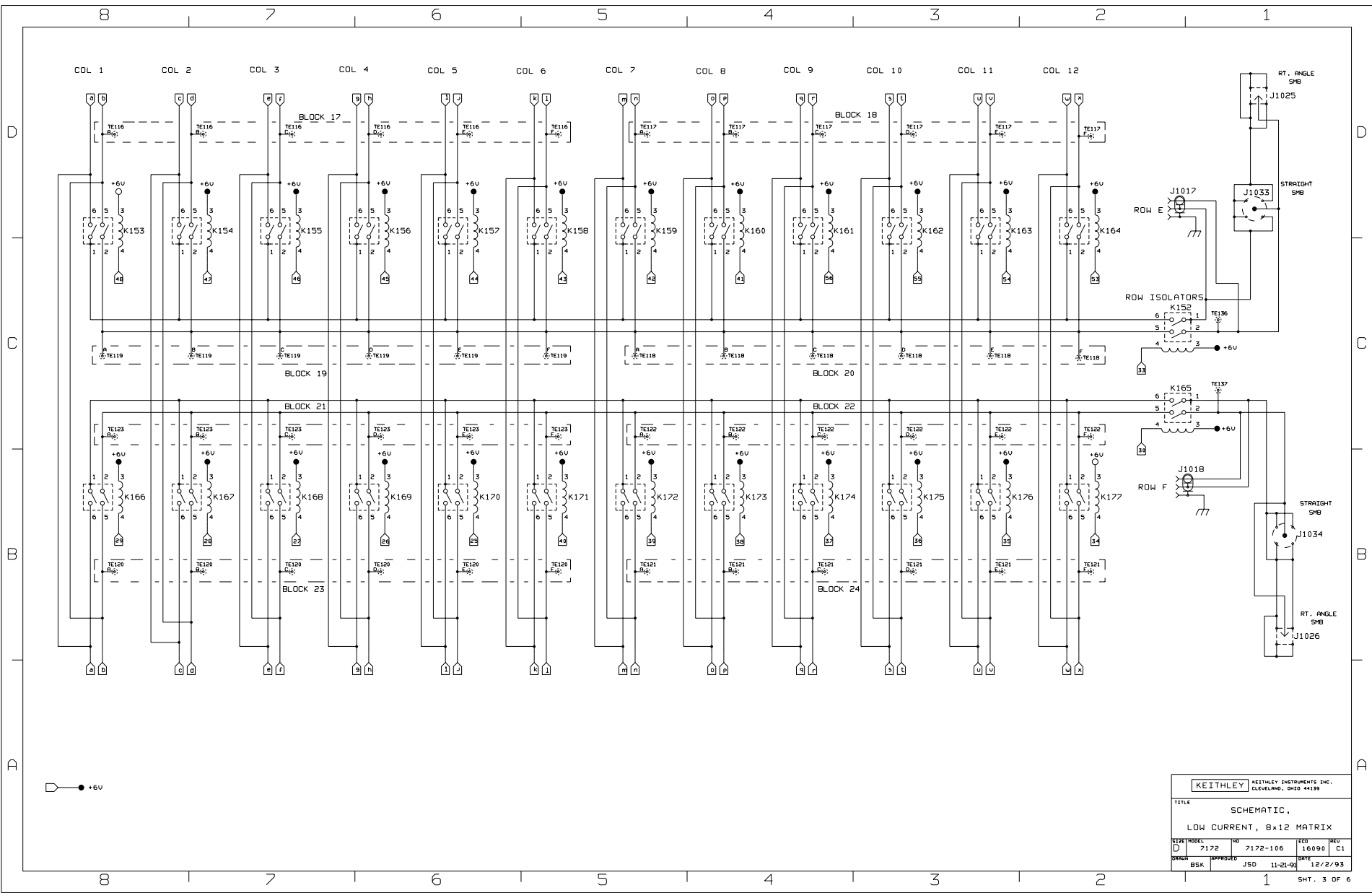




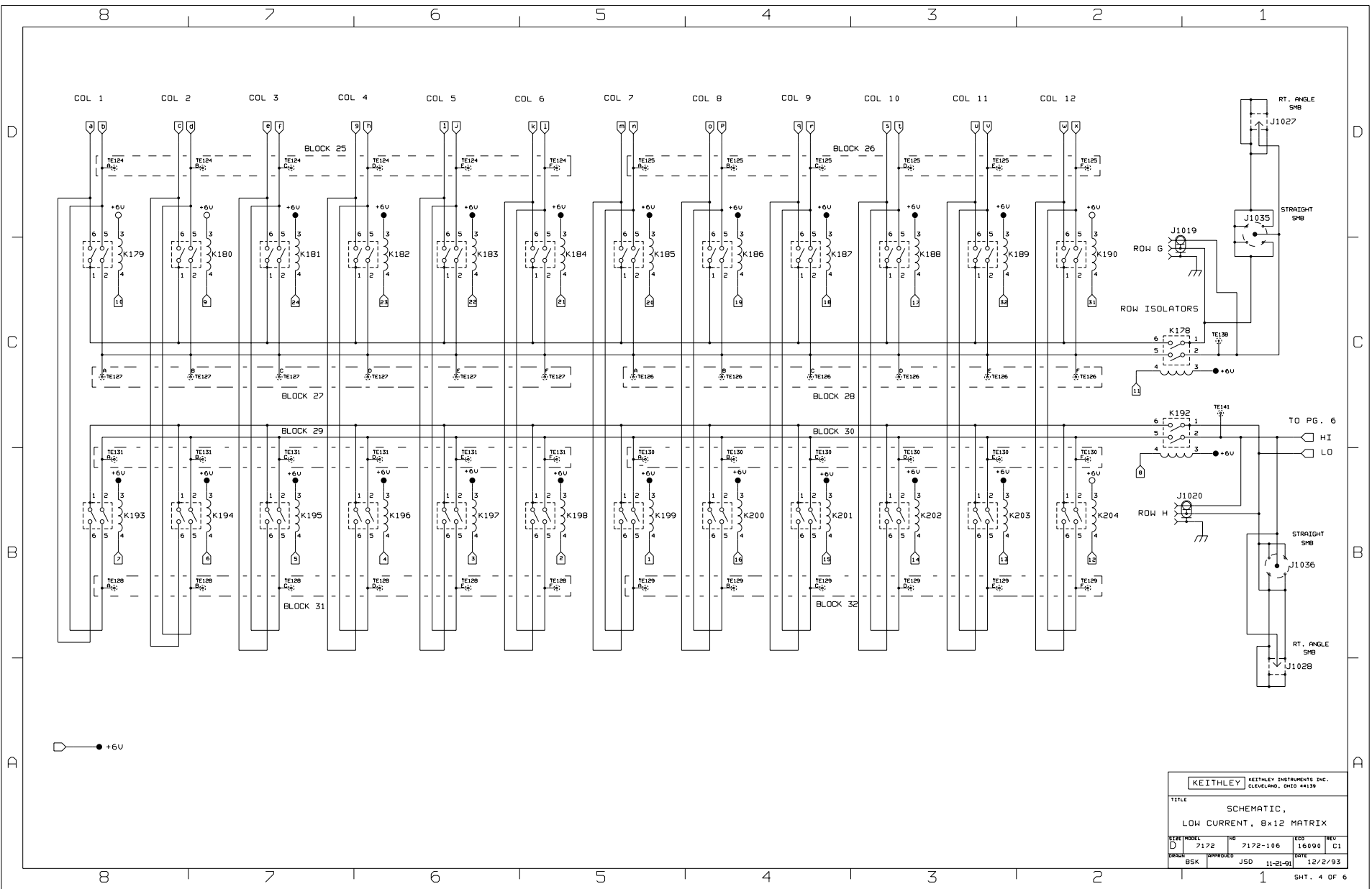
KEITHLEY KEITHLEY INSTRUMENTS INC. CLEVELAND, OHIO 44139				
TITLE				
SCHEMATIC, LOW CURRENT, 8x12 MATRIX				
SIZE	MODEL	NO	EDS	REV
D	712	712-106	16090	C1
DATE	APPROVED	JSD	11-21-91	12/2/93
BSK				



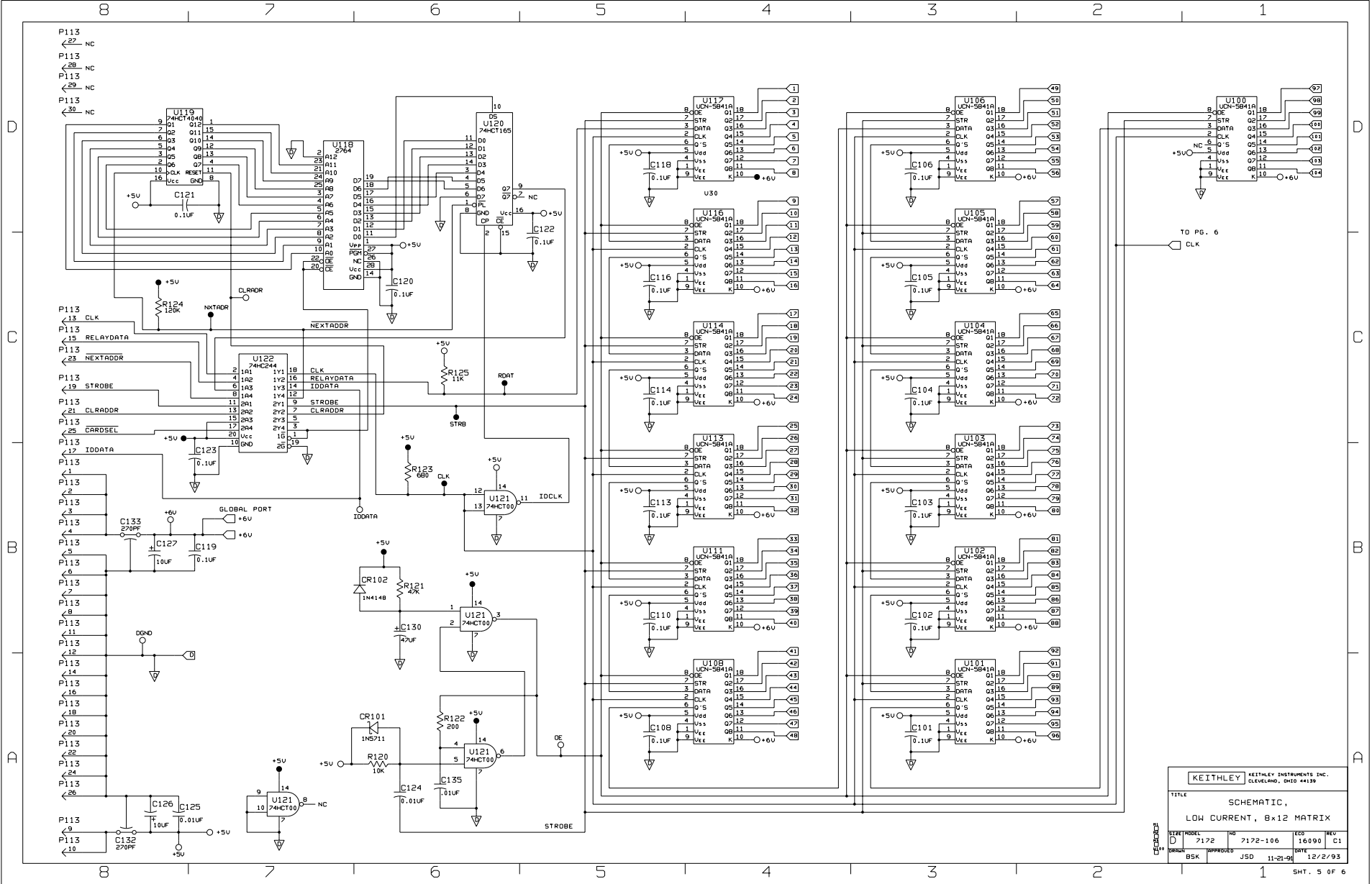
KEITHLEY KEITHLEY INSTRUMENTS INC. CLEVELAND, OHIO 44139			
TITLE SCHEMATIC, LOW CURRENT, 8x12 MATRIX			
SIZE	MODEL	ISS	REV
D	7172	100	7172-106 16090 C1
ORIGIN	APPROVED	DATE	
BSK	JSD	11-21-91	12/2/93



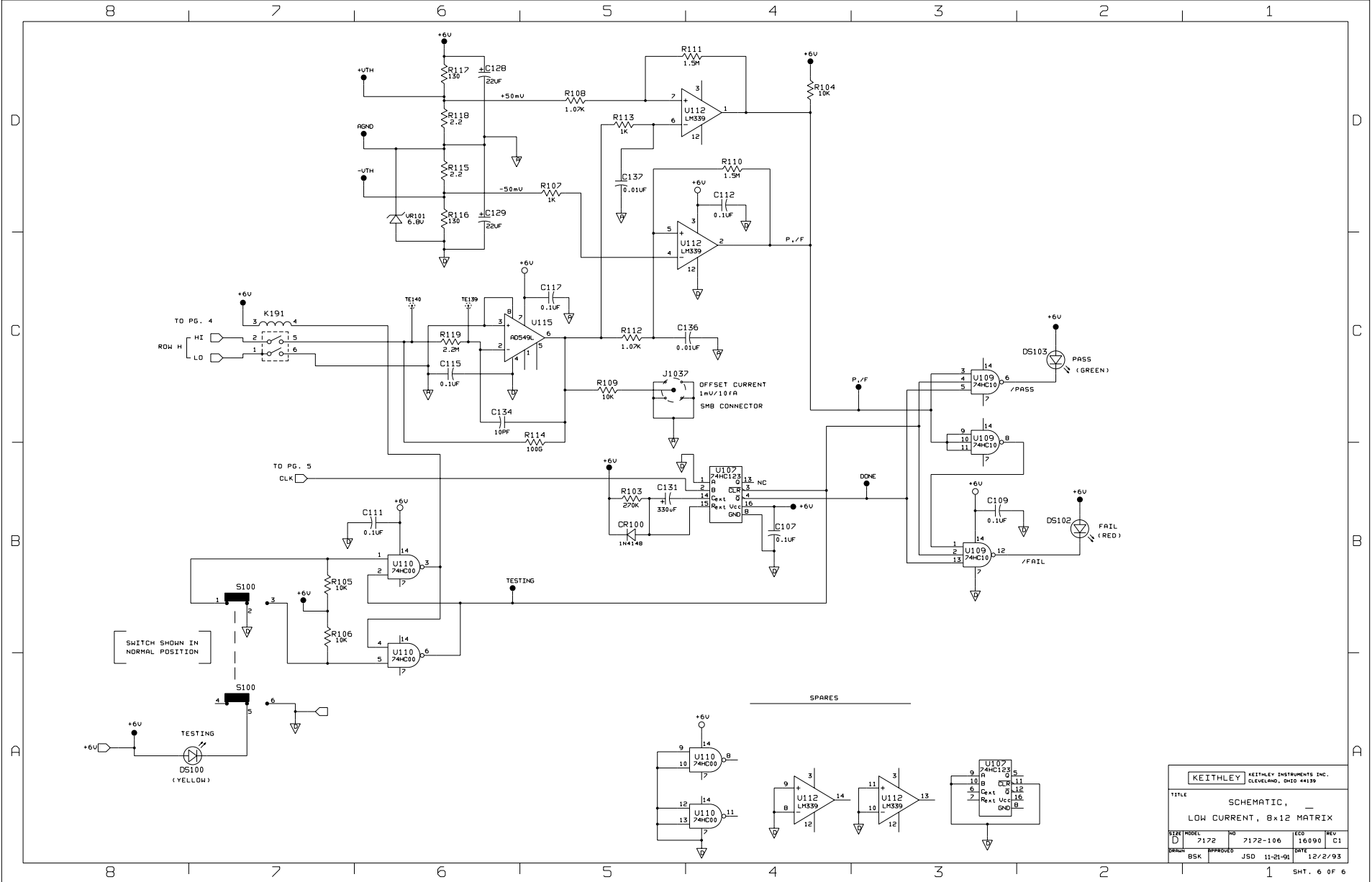
KEITHLEY		KEITHLEY INSTRUMENTS INC. CLEVELAND, OHIO 44139	
TITLE SCHEMATIC, LOW CURRENT, 6x12 MATRIX			
DESIGN MODEL	REV	DATE	REV
D 7172	7172-106	16090	C1
ORIGIN	APPROVED	DATE	
BSK	JSD	11-21-94	12/2/93



KEITHLEY		KEITHLEY INSTRUMENTS INC. CLEVELAND, OHIO 44139	
TITLE			
SCHEMATIC, LOW CURRENT, 8x12 MATRIX			
SIZE	MODEL	NO	ED
D	7172	106	16090 C1
DRWN	APPROV	DATE	REV
B5K	JSD	11-21-91	12/2/93



KEITHLEY KEITHLEY INSTRUMENTS INC. CLEVELAND, OHIO 44130			
TITLE SCHEMATIC, LOW CURRENT, 8x12 MATRIX			
FILE D	MODEL 7172	NO 7172-106	REV 16090 C1
BSK	APPROVED JSD	DATE 11-21-91	12/2/93



KEITHLEY KEITHLEY INSTRUMENTS INC. CLEVELAND, OHIO 44139			
TITLE SCHEMATIC, — LOW CURRENT, 8x12 MATRIX			
SIZE	MODEL	NO	ECO
D	7172	106	16090 C1
DATE	APPROVED	DATE	DATE
BSK	JSD	11-21-91	12/2/93



# Service Form

Model No. \_\_\_\_\_ Serial No. \_\_\_\_\_ Date \_\_\_\_\_

Name and Telephone No. \_\_\_\_\_

Company \_\_\_\_\_

List all control settings, describe problem and check boxes that apply to problem. \_\_\_\_\_

- |  |  |  |
|--|--|--|
| <input type="checkbox"/> Intermittent            | <input type="checkbox"/> Analog output follows display   | <input type="checkbox"/> Particular range or function bad; specify |
| <input type="checkbox"/> IEEE failure            | <input type="checkbox"/> Obvious problem on power-up     | <input type="checkbox"/> Batteries and fuses are OK                |
| <input type="checkbox"/> Front panel operational | <input type="checkbox"/> All ranges or functions are bad | <input type="checkbox"/> Checked all cables                        |

Display or output (check one)

- |                                   |  |
|-----------------------------------|--|
| <input type="checkbox"/> Drifts   | <input type="checkbox"/> Unable to zero              |
| <input type="checkbox"/> Unstable | <input type="checkbox"/> Will not read applied input |
| <input type="checkbox"/> Overload |  |

- |   |  |
|---|--|
| <input type="checkbox"/> Calibration only | <input type="checkbox"/> Certificate of calibration required |
| <input type="checkbox"/> Data required    |  |

(attach any additional sheets as necessary)

Show a block diagram of your measurement system including all instruments connected (whether power is turned on or not). Also, describe signal source.

Where is the measurement being performed? (factory, controlled laboratory, out-of-doors, etc.)

What power line voltage is used? \_\_\_\_\_ Ambient temperature? \_\_\_\_\_ °F

Relative humidity? \_\_\_\_\_ Other? \_\_\_\_\_

Any additional information. (If special modifications have been made by the user, please describe.)

Be sure to include your name and phone number on this service form.

Specifications are subject to change without notice.

All Keithley trademarks and trade names are the property of Keithley Instruments, Inc. All other trademarks and trade names are the property of their respective companies.



**Keithley Instruments, Inc.**

**BELGIUM:** Keithley Instruments B.V.  
**CHINA:** Keithley Instruments China  
**FRANCE:** Keithley Instruments Sarl  
**GERMANY:** Keithley Instruments GmbH  
**GREAT BRITAIN:** Keithley Instruments Ltd.  
**INDIA:** Keithley Instruments GmbH  
**ITALY:** Keithley Instruments s.r.l.  
**KOREA:** Keithley Instruments Korea  
**NETHERLANDS:** Keithley Instruments B.V.  
**SWITZERLAND:** Keithley Instruments SA  
**TAIWAN:** Keithley Instruments Taiwan

28775 Aurora Road • Cleveland, Ohio 44139 • 440-248-0400 • Fax: 440-248-6168  
**1-888-KEITHLEY (534-8453) [www.keithley.com](http://www.keithley.com)**

Bergensesteenweg 709 • B-1600 Sint-Pieters-Leeuw • 02/363 00 40 • Fax: 02/363 00 64  
Yuan Chen Xin Building, Room 705 • 12 Yumin Road, Dewai, Madian • Beijing 100029 • 8610-6202-2886 • Fax: 8610-6202-2892  
3, allée des Garays • 91127 Palaiseau Cédex • 01 64 53 20 20 • Fax: 01 60 11 77 26  
Landsberger Strasse 65 • D-82110 Germering • 089/84 93 07-40 • Fax: 089/84 93 07-34  
The Minster • 58 Portman Road • Reading, Berkshire RG30 1EA • 0118-9 57 56 66 • Fax: 0118-9 59 64 69  
Flat 2B, WILLOCRISSA • 14, Rest House Crescent • Bangalore 560 001 • 91-80-509-1320/21 • Fax: 91-80-509-1322  
Viale San Gimignano, 38 • 20146 Milano • 02-48 39 16 01 • Fax: 02-48 30 22 74  
2FL., URI Building • 2-14 Yangjae-Dong • Seocho-Gu, Seoul 137-130 • 82-2-574-7778 • Fax: 82-2-574-7838  
Postbus 559 • NL-4200 AN Gorinchem • 0183-635333 • Fax: 0183-630821  
Kriesbachstrasse 4 • 8600 Dübendorf • 01-821 94 44 • Fax: 01-820 30 81  
1FL., 85 Po Ai Street • Hsinchu, Taiwan, R.O.C. • 886-3-572-9077 • Fax: 886-3-572-9031