

	Vendor	Vendor Part No.
1.	RCA	35902
2.	CENTRAL SEMICONDUCTOR	CEN-FBN-35902
3.		
4.		
5.		

Component Notes:

1. Max collector current (Ic)	10	Amps
2. Max Voltage Collector to Emitter (Vceo)	150	Volts
3. Base to Emitter Voltage at Sat (Vbe max @ Ib = , Ic = , Tj = )	.9V @ 4,2,200	V,V,A,A, °C
4. D.C. Current Gain ( Hfe min @ Vce = , Ic = )	130 @ 4,2	#,V,A
5. Collector to Emitter Voltage @ Sat. ( Vcesat max , Ic = , Ib = , T = )		V,A,A, °C
6. Operating Temperature Range (min to max)	-65 TO 200	°C
7. Storage Temperature Range (min to max)		°C
8. Max Power Dissipation (Pd) @ 25°C		Watts
9. Thermal Resistance Junction to case (Rjc)	1.2C/W	° C/W
10. Max Junction Temperature (Tjmax)	200	°C

Mechanical Notes:

Generic Package Type or Equivalent, for reference only	
Parts must be Solderable where applicable	

Handling Notes:

To protect against damage due to electrostatic discharge. These units must be packaged and shipped in accordance with DOD-STD-1686.
---

Agency Notes:

--

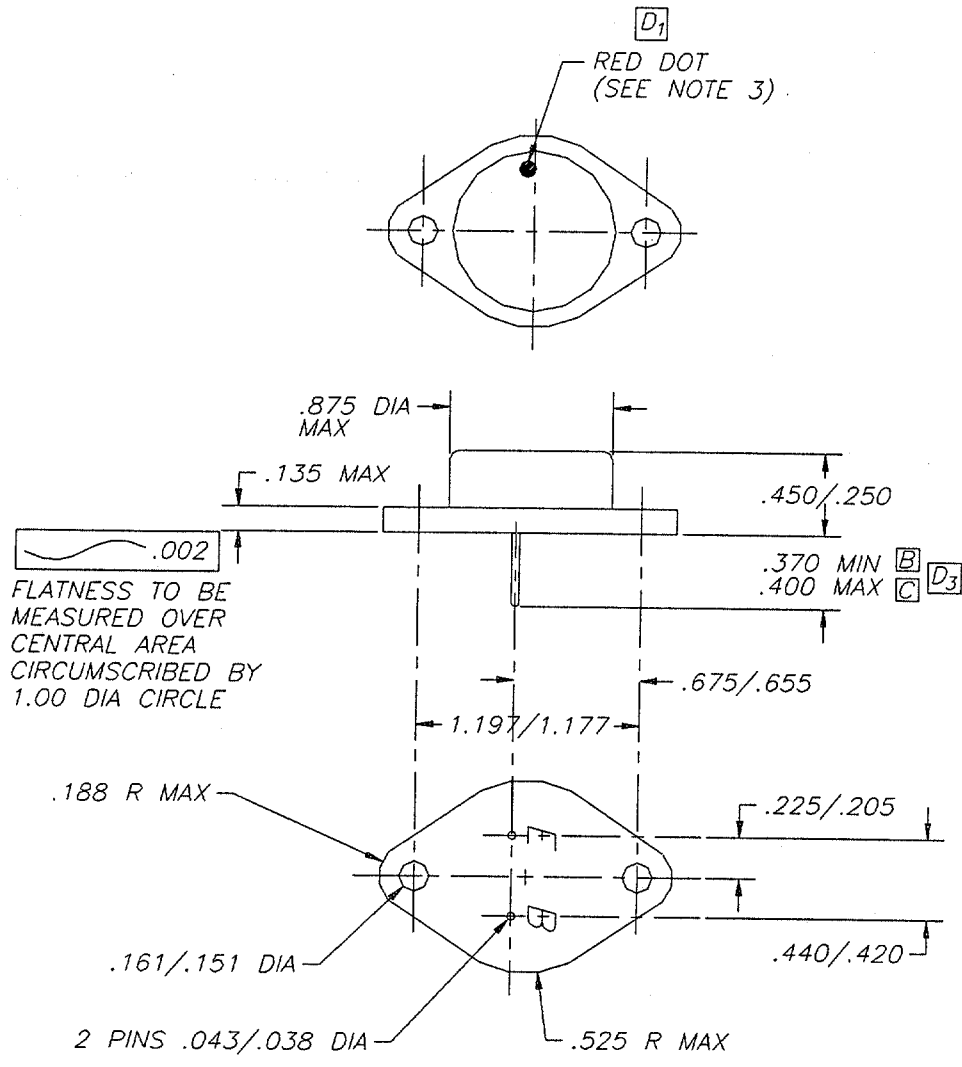
Certificate of Compliance Note:

--

Compliance Notes

The vendor has supplied a written confirmation of this specification control document.
--

REVISIONS HISTORY								Originated By: A. LACKNER	10A NPN TRANSISTOR			
REV	ECO#	Date	Eng.	Age.	Pur.	Qual.	Rev'd By	Origination Date: 18-Oct-96				
A	Original	10/18/96										
M	14650	4/16/96	<i>[Signature]</i>	<i>[Signature]</i>	<i>[Signature]</i>	<i>[Signature]</i>	HUMPHREY	Certificate of Compliance: N/A	<b>LAMBDA ELECTRONICS INC.</b> LAMBDA PART No. FBN35902 REV. M			
								Handling_Code: ESD				
DWG. SIZE <b>A</b>								UNLESS OTHERWISE SPECIFIED DIMENSIONS ARE IN INCHES AND TOLERANCES ARE: DEC. .XX ± 0.01" XXX ± 0.005" FRACTIONS ± 1/64" ANGLES ± 1/2"			Sheet 1 of 2	



NOTE 3: MARKING: STAMP TOP OF CASE AS FOLLOWS FBN-35902

10A NPN TRANSISTOR	
<b>LAMBDA ELECTRONICS INC.</b>	
LAMBDA PART No.	REV.
FBN35902	M
Sheet 2 of 2	

DWG. SIZE	UNLESS OTHERWISE SPECIFIED DIMENSIONS ARE IN INCHES AND TOLERANCES ARE: DEC. .XX ± 0.01" XXX ± 0.005" FRACTIONS ± 1/64" ANGLES ± 1/2"
<b>A</b>	