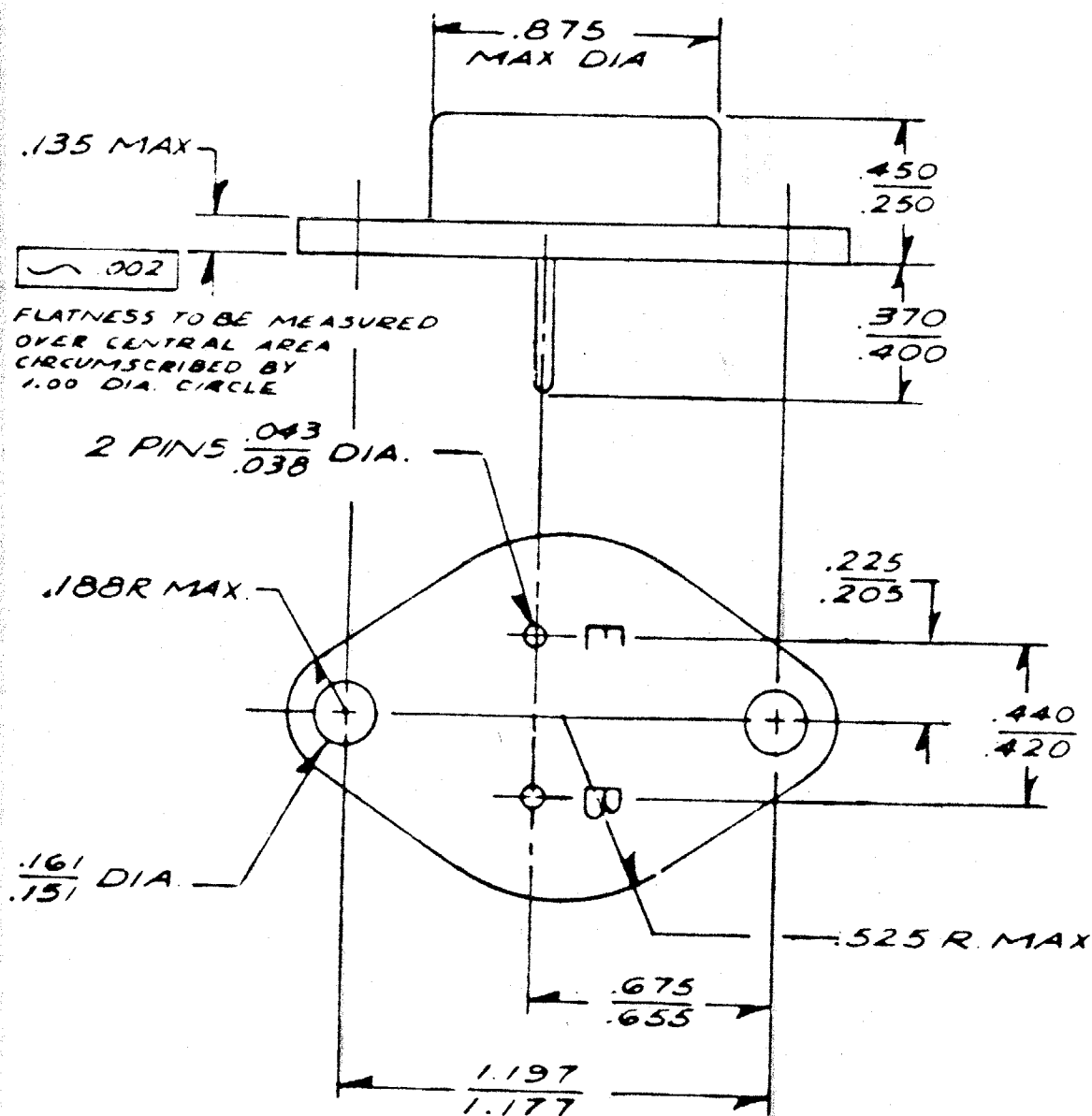
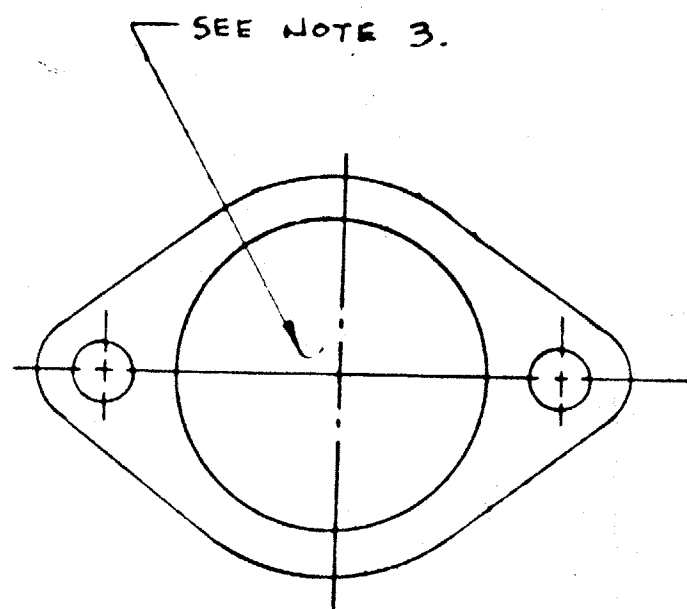


SPECIFICATIONS

REVISIONS

SYM	DESCRIPTION	APPL.
A	ORIGINAL PER ECO #A01783	9/1/56
B	ADDED NOTE 6 PER ECO #A01987	3-23-87



FLATNESS TO BE MEASURED OVER CENTRAL AREA CIRCUMSCRIBED BY 1.00 DIA. CIRCLE

I. ELECTRICAL: NPN SILICON TRANSISTOR. TRIPLE-DIFFUSED. 2N3055 FAMILY.

- A. I_c MAX. 15A
- B. I_b MAX. 7A
- C. I_{cbo} @ $V_{cb} = 60V, T_j = 180^\circ C$ 0.75 MA MAX.
- D. V_{ceo} SUS. I) @ $I_c = 500 MA$ 75V MIN.
II) @ $I_c = 200 MA$ 105V MIN.
- E. V_{be} @ $V_{ce} = 4V, I_c = 3A, T_j = 200^\circ C$ 0.9V TO 1.2V
- F. H_{FE} : I) @ $I_c = 3A, V_{ce} = 30V$ 25 MIN. TO 120 MAX.
II) @ $I_c = 0.85A, V_{ce} = 4V$ 50 MIN.
- G. G_m @ $V_{ce} = 4V, I_c = 3A, T_j = 200^\circ C$ 5.5 TO 8.5
- H. T_j OPERATING $-65^\circ C$ TO $200^\circ C$
- I. θ_{jc} $1.0^\circ C/W$
- J. SOA: I) @ $V_{ce} = 45V, T_j = 160^\circ C$, FOR 5MS 4.5A
II) @ $V_{ce} = 80V, T_j = 160^\circ C$, FOR 5MS 1.5A

K. ALL OTHER CHARACTERISTICS TO BE THE SAME AS THE BASIC FAMILY.

2. MECHANICAL: STANDARD JEDEC TO-3 EXCEPT AS FOLLOWS:

- A. LEAD LENGTH AS SHOWN IN DIAGRAM.
- B. IF COPPER INSERT IS USED IN THE BOTTOM OF THE CASE, IT MUST BE FLUSH WITH THE BOTTOM TO ENSURE CONTACT WITH THE HEATSINK [PROTRUSION BY UP TO .002 INCHES IS ACCEPTABLE].
- C. LEADS TO BE HOT SOLDER DIPPED

3. MARKING: SCREEN TOP OF CASE FBN-36220A IN LEGIBLE CHARACTERS.

4. THIS PART IS IDENTICAL TO FBN-L156A EXCEPT FOR LEAD LENGTH.

5. MANUFACTURER'S CODE: RCA 36220A

6. To protect against damage due to electrostatic discharge, these units must be manufactured, handled and shipped in accordance with DOD-STD-1686.

USED ON NEXT ASSY

DR. CK. CH. *M. B.* ENG.

MATERIAL:

FINISH:

UNLESS OTHERWISE SPECIFIED DIMENSIONS ARE IN INCHES & TOLERANCES ARE: DEC. $\pm .005$ FRACTIONS: $\pm 1/64$ ANGLES $\pm 1/2^\circ$

TITLE:

TRANSISTOR



SIZE SCALE: *H* REV.

B FBN-36220A B