

	Vendor	Vendor Part No.
1.	RCA	36499
2.	CENTRAL SEMICONDUCTOR	2N3440
3.		
4.		
5.		

Component Specifications:

1. Max collector current (Ic)	0.1	Amps
2. Max Voltage Collector to Emitter (Vceo)	250 Min.	Volts
3. Base to Emitter Voltage (Vbe max @ Ib= , Ic=, Tj=)		V, A, °C
4. D.C. Current Gain (Hfe min @ Vce= , Ic=)	160Max./30Min.	Gain, V, A
5. Collector to Emitter Voltage @ Sat. (Vcesat max=, Ic=, Ib=)	.8, .05, .004	V, A, A

Component Notes:

Mechanical Notes:

Generic Package Type or Equivalent, if applicable (for reference only).	
Parts must be Solderable	

Handling Notes:

To protect against damage due to electrostatic discharge these units must be packaged and shipped in accordance with DOD-STD-1686.
--

Agency Notes:

--

Certificate of Compliance Notes:

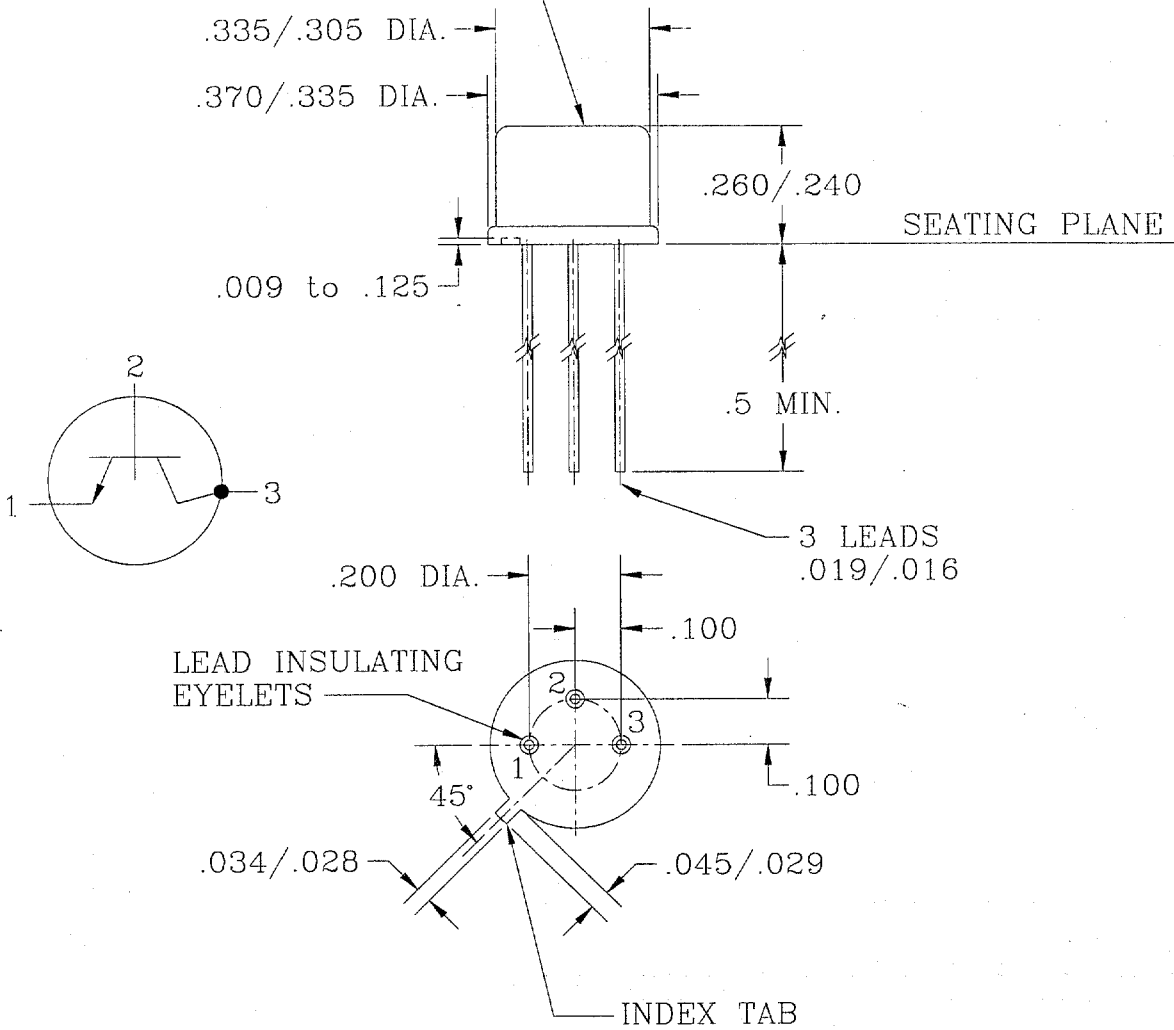
--

Compliance Notes:

The vendor has supplied a written confirmation of this specification control document.
--

REVISIONS HISTORY							Originated By: stevek	NPN TRANSISTOR		
REV	ECO#	Date	Eng.	Age.	Pur.	Qual.	Rev'd By	Origination Date: 04-Dec-96		
F	16128	8/19/97	<i>MD</i>	<i>PO</i>	<i>JA</i>	<i>CS</i>	thumphreys	First Used On:		
E	01987	3/3/87						Certificate of Compliance: N/A		
D	03065							Handling_Code: ESD		
C								DWG. SIZE A UNLESS OTHERWISE SPECIFIED DIMENSIONS ARE IN INCHES AND TOLERANCES ARE: DEC. .XX ± 0.01" XXX ± 0.005" FRACTIONS ± 1/64" ANGLES ± 1/2"	LAMBDA ELECTRONICS INC.	
B	36499								LAMBDA PART No.	REV.
A	Original	8/18/97							FBNL108	F
									Sheet 1 of 2	

STAMP TOP OF CASE
AS FOLLOWS: FBN-L108



NOTE: THIS TRANSISTOR IS IDENTICAL TO FBN-L158
EXCEPT FOR LEAD LENGTHS.

NPN TRANSISTOR

**LAMBDA
ELECTRONICS INC.**

DWG. SIZE	UNLESS OTHERWISE SPECIFIED DIMENSIONS ARE IN INCHES AND TOLERANCES ARE: DEC. $.XX \pm 0.01''$ XXX $\pm 0.005''$ FRACTIONS $\pm 1/64''$ ANGLES $\pm 1/2''$
A	

LAMBDA PART No.

FBNL108

Sheet 2 of 2

REV.

F