

	Vendor	Vendor Part No.
1.	SGS / THOMSON MICROELECTRONICS	2N6059
2.	HARRIS	2N6059
3.	MOTOROLA	2N6059
4.		
5.		

Component Specifications:

1. Max collector current (Ic)	12 Amps
2. Max Voltage Collector to Emitter (Vceo)	100 Volts
3. Base to Emitter Voltage (Vbe max @ Ib=, Ic=, Tj=)	2.8, 6, +25 V, .A, °C
4. D.C. Current Gain (Hfe min @ Vce=, Ic=)	100, 3, 12 Gain, V, A
5. Collector to Emitter Voltage @ Sat. (Vcesat max=, Ic=, Ib=)	3, 12, 0.12 V, A, A

Component Notes:

6. Operating Temperature Range (min to max)	-65 to +200° C
7. Storage Temperature Range (min to max)	-65 to +200° C
8. Max Power Dissipation (Pd) @ 25°C	150 Watts
9. Thermal Resistance Junction to case (Rjc)	1.17° C/W

Mechanical Notes:

Generic Package Type or Equivalent, if applicable (for reference only).	
Parts must be Solderable	

Handling Notes:

To protect against damage due to electrostatic discharge these units must be packaged and shipped in accordance with DOD-STD-1686.
--

Agency Notes:

--

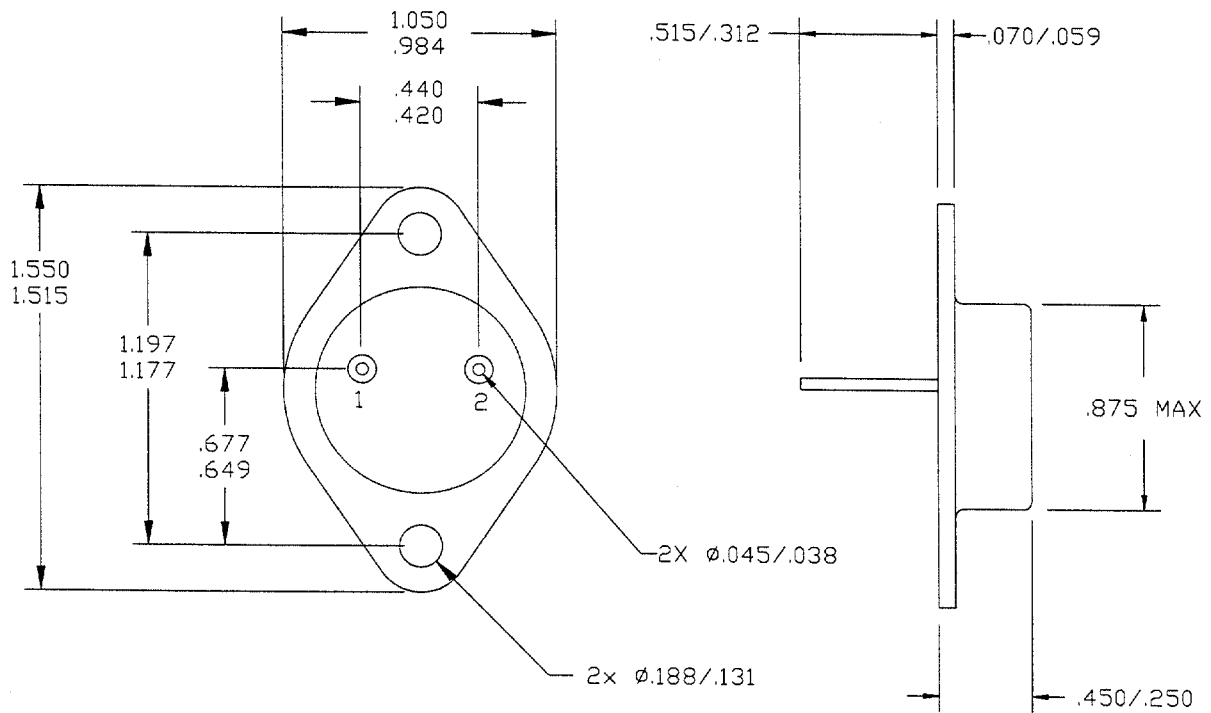
Certificate of Compliance Notes:

--

Compliance Notes:

The vendor has supplied a written confirmation of this specification control document.
--

REVISIONS HISTORY							Originated By:	Z. Tumasyan	12A, 150W DARLINGTON TRANSISTOR	
REV	ECO#	Date	Eng.	App.	Pur.	Qual.	Rev'd By	Origination Date:		02-Jun-00
H	16693	6/2/00					ZT	First Used On:		
G	A03753	4/21/92					GGG	Certificate of Compliance:	N/A	
F	A02652	5/10/89					JH	Handling Code:	ESD	
E	A01987	2/27/87					JH	DWG. SIZE	A	
							UNLESS OTHERWISE SPECIFIED DIMENSIONS ARE IN INCHES AND TOLERANCES ARE: DEC. .XX ± 0.01" XXX ± 0.005" FRACTIONS ± 1/64" ANGLES ± 1/2°		LAMBDA ELECTRONICS INC.	
							LAMBDA PART No.	REV.	FBNL170	H
							Sheet 1 of 2			



12A, 150W DARLINGTON
TRANSISTOR

**LAMBDA
ELECTRONICS INC.**

DWG.
SIZE

A

UNLESS OTHERWISE SPECIFIED
DIMENSIONS ARE IN INCHES AND
TOLERANCES ARE: DEC. .XX \pm 0.01"
XXX \pm 0.005"
FRACTIONS \pm 1/64" ANGLES \pm 1/2°

LAMBDA PART No.

FBNL170

REV.

H

Sheet 2 of 2