

	Vendor	Vendor Part No.
1.	MOTOROLA	2N5783
2.	CENTRAL SEMICONDUCTOR	2N5783
3.	SEMICONDUCTOR	2N5783
4.		
5.		

Component Notes:

1. Max collector current (Ic)	3.5	Amps
2. Max Voltage Collector to Emitter (Vceo)	45	Volts
3. Base to Emitter Voltage at Sat (Vbe)		Volts
4. D.C. Current Gain (Hfe = , Vce = , Ic =)	65, -2, 0.35	Gain, Volts, Am
5. Collector to Emitter Voltage @ Sat. (Vcesat = , Ic = , T =)	1, 1.6, 25	Volts, Amps, °C
6. Operating Temperature Range (min to max)	-55 to 200	°C
7. Storage Temperature Range (min to max)	-55 to 200	°C
8. Max Power Dissipation (Pd) @ 25 ° C	10	Watts
9. Thermal Resistance Junction to case (Rjc)	17.5	°C/W
10. Max Junction Temperature (Tjmax)	200	°C

Mechanical Notes:

Generic Package Type or Equivalent, for reference only	TO5
Parts must be Solderable	

Handling Notes:

To protect against damage due to electrostatic discharge. These units must be packaged and shipped in accordance with DOD-STD-1686.

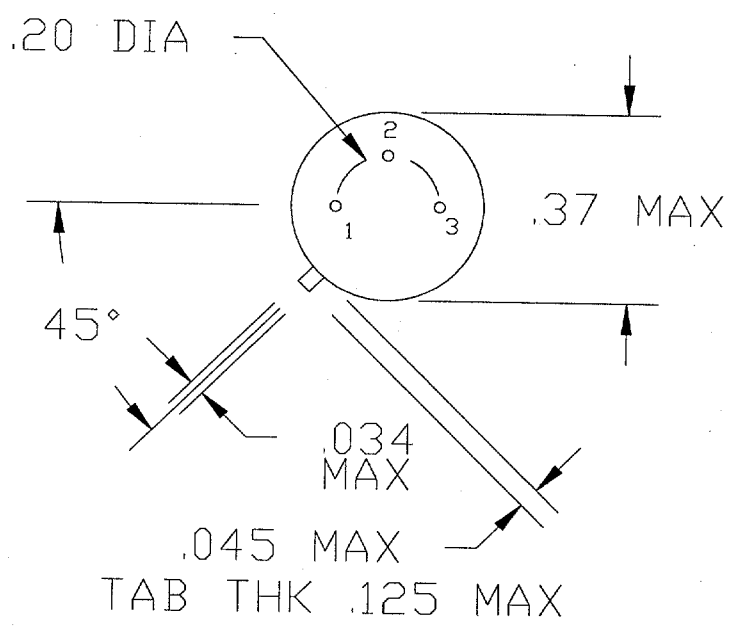
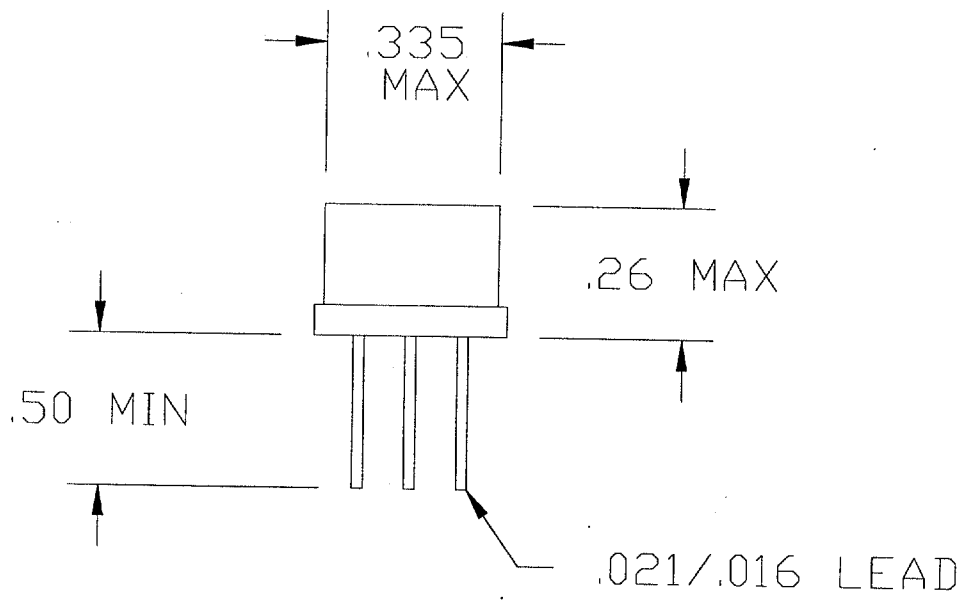
Agency Notes:

Certificate of Compliance Note:

Compliance Notes

The vendor has supplied a written confirmation of this specification control document.

REVISIONS HISTORY							Originated By:	3.5A PNP TRANSISTOR
REV	ECO#	Date	Eng.	Age.	Pur.	Qual.	Rev'd By	
A	Original	6/12/75	DOC	DOC	DOC	DOC		
B	3781	10/26/76	DOC	DOC	DOC	DOC		
C	A01987	3/3/87	DOC	DOC	DOC	DOC		
D	B14585	3/13/96	<i>ganton</i>	<i>CE</i>	<i>CE</i>	<i>CE</i>	E.G.	
							DWG. SIZE	UNLESS OTHERWISE SPECIFIED DIMENSIONS ARE IN INCHES AND TOLERANCES ARE: DEC. .XX ± 0.01" XXX ± 0.005" FRACTIONS ± 1/64" ANGLES ± 1/2"
							A	
							Certificate of Compliance:	N/A
							Handling Code:	ESD
							LAMBDA PART No.	REV.
							FBNL175	D
							Sheet 1 of 2	



1= EMMITER
 2= BASE
 3= COLLECTOR

3.5A PNP TRANSISTOR	
LAMBDA ELECTRONICS INC.	
LAMBDA PART No.	REV.
FBNL175	D
Sheet 2 of 2	

DWG. SIZE	UNLESS OTHERWISE SPECIFIED DIMENSIONS ARE IN INCHES AND TOLERANCES ARE: DEC. .XX ± 0.01" XXX ± 0.005" FRACTIONS ± 1/64" ANGLES ± 1/2"
A	